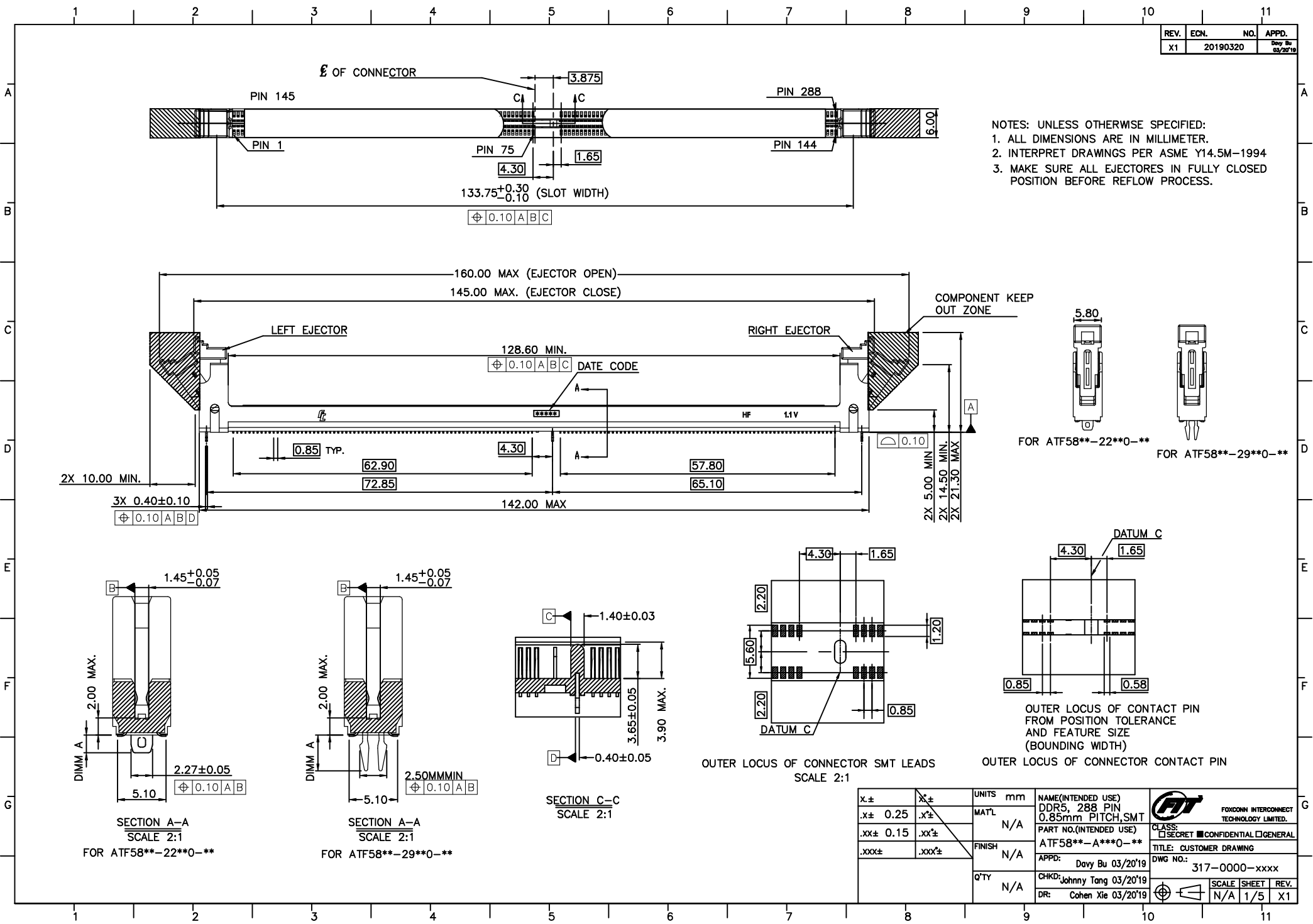
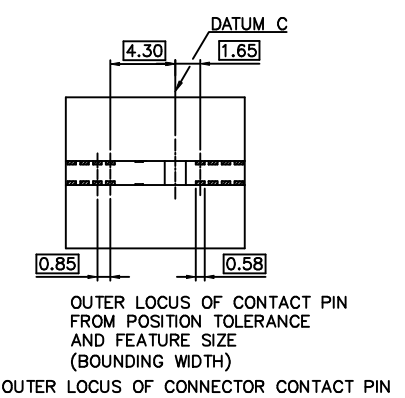
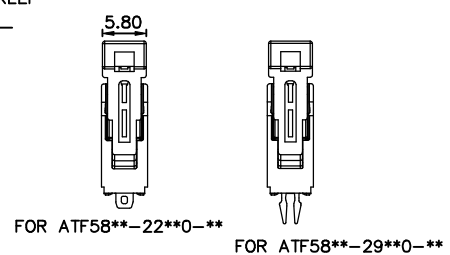


REV.	ECN.	NO.	APPD.
X1		20190320	Davy Bu 03/20'19

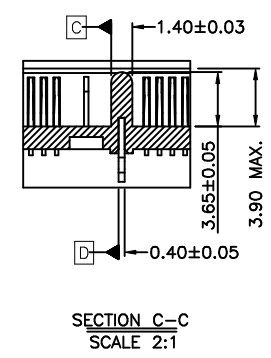
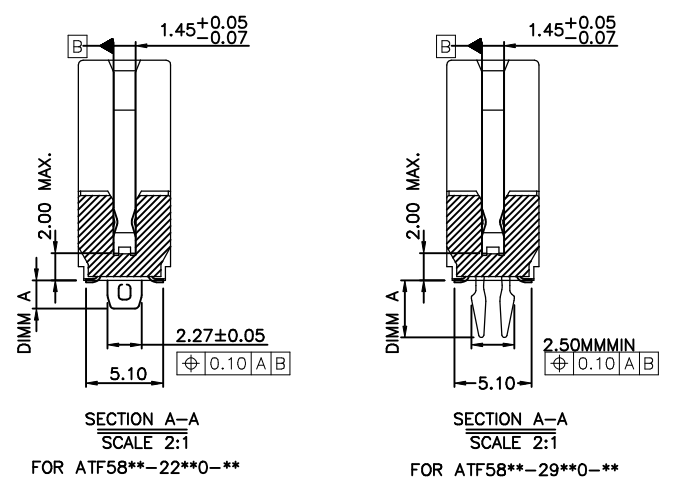


- NOTES: UNLESS OTHERWISE SPECIFIED:
1. ALL DIMENSIONS ARE IN MILLIMETER.
  2. INTERPRET DRAWINGS PER ASME Y14.5M-1994
  3. MAKE SURE ALL EJECTORES IN FULLY CLOSED POSITION BEFORE REFLOW PROCESS.



OUTER LOCUS OF CONNECTOR SMT LEADS  
SCALE 2:1

OUTER LOCUS OF CONNECTOR CONTACT PIN



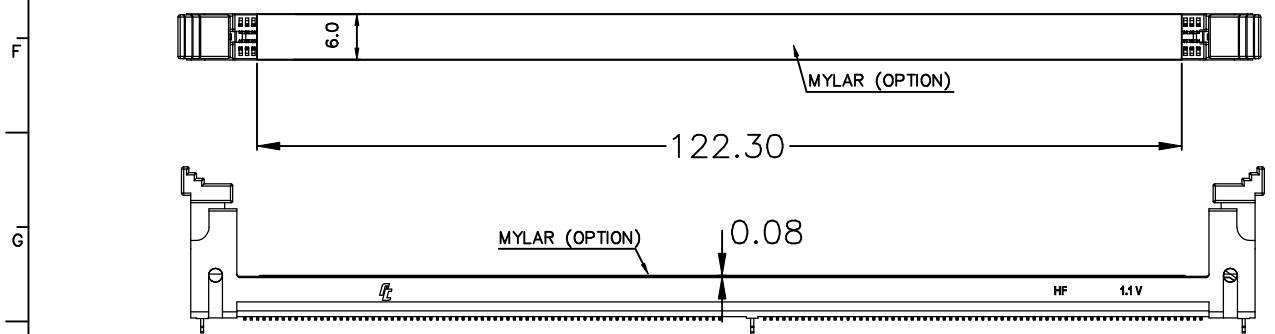
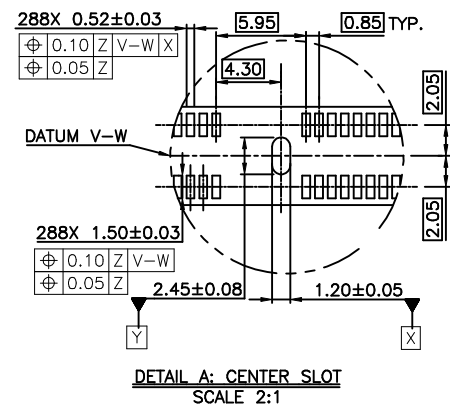
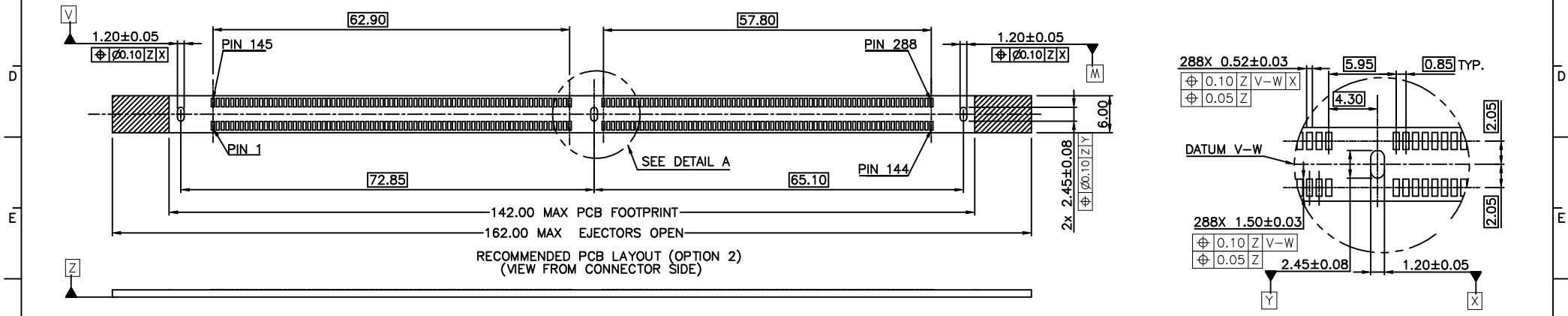
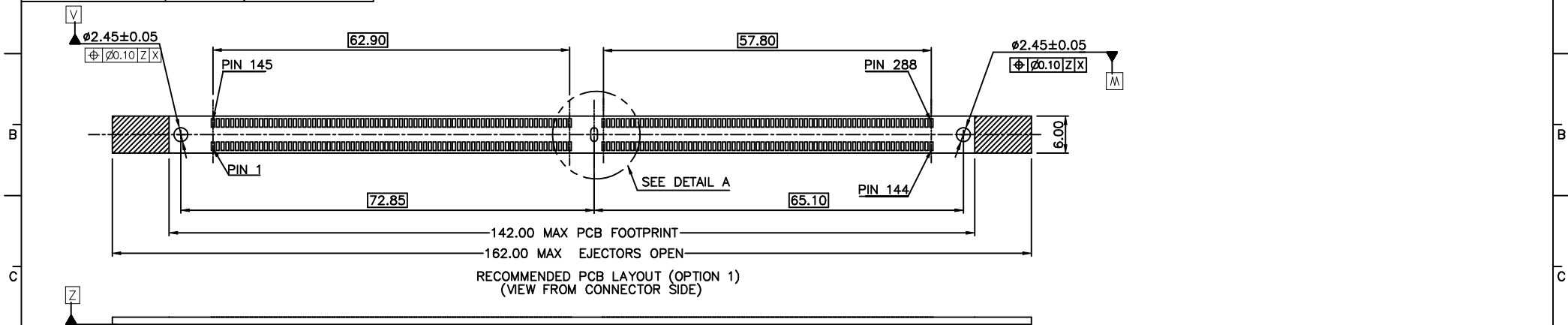
SECTION C-C  
SCALE 2:1

X.±	X±	UNITS	mm	NAME(INTENDED USE)	FOXCONN INTERCONNECT TECHNOLOGY LIMITED.
.X± 0.25	.X±	MAT'L	N/A	DDR5, 288 PIN 0.85mm PITCH,SMT	
.XX± 0.15	.XX±	FINISH	N/A	PART NO.(INTENDED USE)	CLASS: <input type="checkbox"/> SECRET <input type="checkbox"/> CONFIDENTIAL <input type="checkbox"/> GENERAL
.XXX±	.XXX±	Q'TY	N/A	ATF58**-A***0-**	TITLE: CUSTOMER DRAWING
				APPD: Davy Bu 03/20'19	DWG NO.: 317-0000-xxxx
				CHKD: Johnny Tang 03/20'19	SCALE   SHEET   REV.
				DR: Cohen Xie 03/20'19	N/A   1/5   X1

PART NUMBER	POSITION	DIM A TAB/HOOK LENGTH
ATF588*-A2**0-**	288	1.80MMMIN.
ATF589*-A9**0-**	288	3.78+/-0.25MM

REV.	ECN.	NO.	APPD.

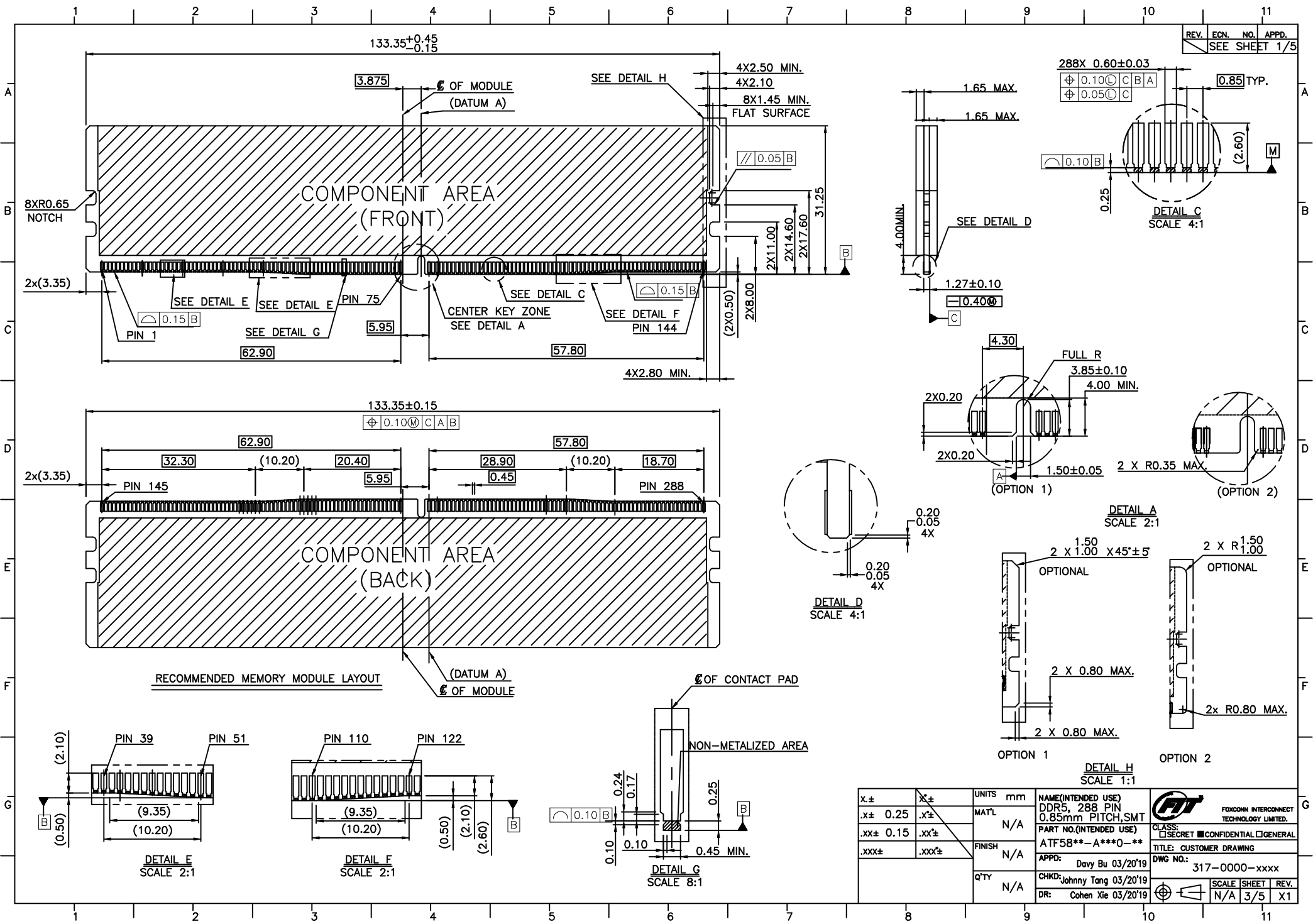
SEE SHEET 1/5



X.±	.X±	UNITS	mm	NAME (INTENDED USE)
.X± 0.25	.X±	MAT'L	N/A	DDR5, 288 PIN 0.85mm PITCH, SMT
.XX± 0.15	.XX±	FINISH	N/A	PART NO. (INTENDED USE)
.XXX±	.XXX±	Q'TY	N/A	ATF58** - A***0 - **

CLASS: <input type="checkbox"/> SECRET <input checked="" type="checkbox"/> CONFIDENTIAL <input type="checkbox"/> GENERAL	TITLE: CUSTOMER DRAWING
CHKD: Johnny Tang 03/20'19	DWG NO.: 317-0000-xxxx
DR: Cohen Xie 03/20'19	SCALE   SHEET   REV. N/A   2/5   X1

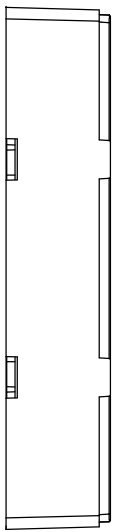
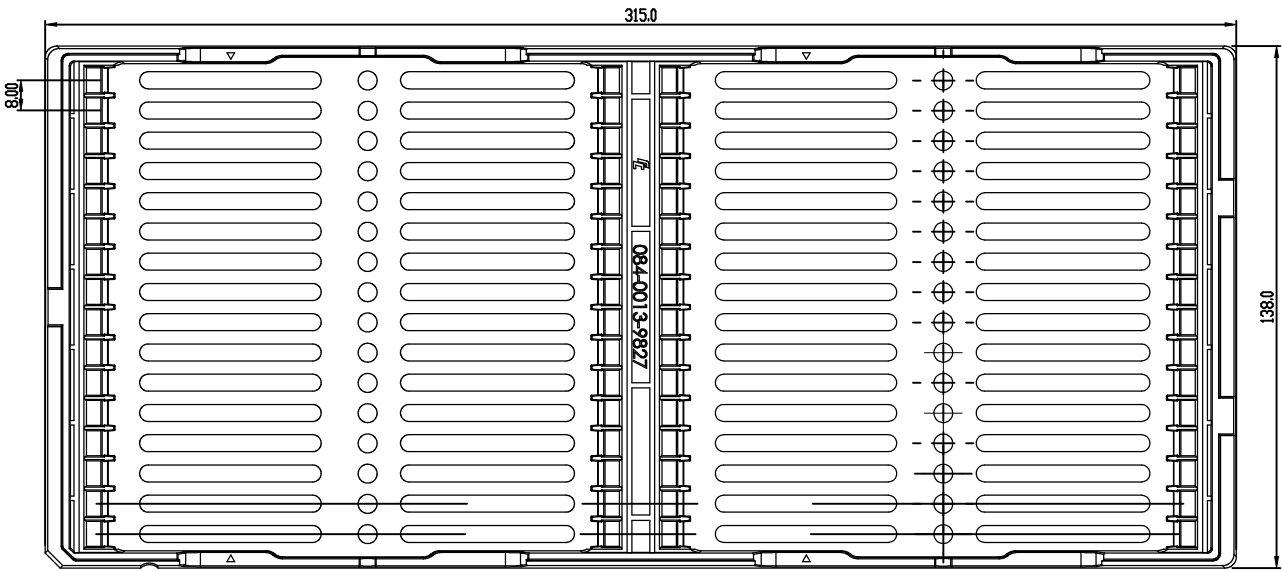




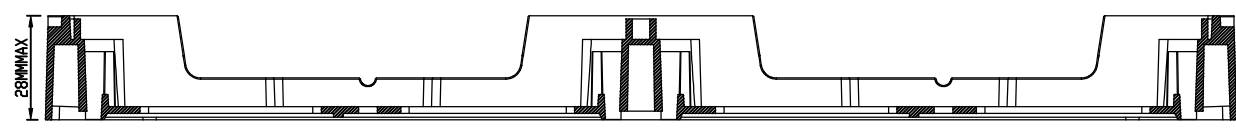
x.±	.x±	UNITS	mm	NAME(INTENDED USE)	FOXCONN INTERCONNECT TECHNOLOGY LIMITED.
.x± 0.25	.x±	MAT'L	N/A	DDR5, 288 PIN	
.xx± 0.15	.xx±	FINISH	N/A	0.85mm PITCH,SMT	CLASS: <input type="checkbox"/> SECRET <input type="checkbox"/> CONFIDENTIAL <input type="checkbox"/> GENERAL
.xxx±	.xxx±	Q'TY	N/A	APPD: Davy Bu 03/20'19	TITLE: CUSTOMER DRAWING
				CHKD: Johnny Tang 03/20'19	DWG NO.: 317-0000-xxxx
				DR: Cohen Xie 03/20'19	SCALE   SHEET   REV. N/A   3/5   X1


REV.	ECN.	NO.	APPD.
SEE SHEET			1/5

VIEW FOR PACKAGING TRAY



16 \* 2 = 32 PCS / Tray



x.±	x.±	UNITS	mm	NAME(INTENDED USE) DDR5, 288 PIN 0.85mm PITCH,SMT	 FOXCONN INTERCONNECT TECHNOLOGY LIMITED.
.x± 0.3	.x±	MAT'L	N/A		
.xx± 0.15	.xx±	FINISH	N/A	ATF58*-A***0-**	CLASS: <input type="checkbox"/> SECRET <input checked="" type="checkbox"/> CONFIDENTIAL <input type="checkbox"/> GENERAL
.xxx±	.xxx±	Q'TY	N/A	APPD: Davy Bu 03/20'19	TITLE: CUSTOMER DRAWING
				CHKD: Johnny Tang 03/20'19	DWG NO.: 317-0000-XXXX
				DR: Cohen Xie 03/20'19	SCALE   SHEET   REV. N/A   4/5   X1

# SPECIFICATION:

## 1. PHYSICAL:

- 1-1. HOUSING:  
HIGH TEMPERATURE THERMOPLASTIC, UL 94V-0, COLOR: SEE PRODUCT NOMENCLATURE
- 1-2. CONTACT:  
COPPER ALLOY, NICKEL PLATING THICKNESS 90  $\mu$ " MIN. ON CONTACT AREA, 50  $\mu$ " MIN. ON OTHER AREA.  
MATTE TIN LEAD FREE PLATING, THICKNESS 100  $\mu$ " MIN. AT TAILS, GOLD PLATING AT CONTACT AREA. THICKNESS REFER TO PRODUCT NOMENCLATURE.
- 1-3. EJECTOR:  
THERMOPLASTIC, UL 94V-0, COLOR: SEE PRODUCT NOMENCLATURE
- 1-4. TAB: COPPER ALLOY.  
NICKEL PLATING OVER ALL THICKNESS 50  $\mu$ " MIN.  
MATTE TIN PLATING OVER NICKEL THICKNESS AT 100 $\mu$ " MIN.

## 2. ELECTRICAL CHARACTERISTICS:

- 2-1. CONTACT CURRENT RATING: 0.75 AMPS MAX.
- 2-2. INSULATION RESISTANCE: 1 MEGOHMS MIN. AT 500 VDC.
- 2-3. DIELECTRIC WITHSTANDING VOLTAGE: 500 VDC AT SEA LEVEL.
- 2-4. LOW LEVEL CONTACT RESISTANCE (DRY CIRCUIT):  
INITIAL: 40 MILLIOHMS MAX.  
FINAL: THE CHANGE IN LLCR BETWEEN THE READING AFTER STRESS AND THE INITIAL READING SHALL NOT EXCEED 20 MILLIOHMS MAX.

## 3. MECHANICAL CHARACTERISTICS:

- 3-1. CONTACT RETENTION FORCE: 0.30KG. (0.66 LBS) MIN. PER PIN.
- 3-2. DURABILITY: 25 CYCLES.
- 3-3. UNMATING FORCE (PER CONTACT PAIR): 14g MIN.
- 3-4. INSERTION FORCE OF MODULE INTO CONNECTOR: 10.88KGF MAX.
- 3-5. INSERTION FORCE OF CONNECTOR INTO PCB (WITH THREE BOARD LOCKS): 7.65 KG (17 LBS) MAX.

## 4. ENVIRONMENTAL CHARACTERISTICS:

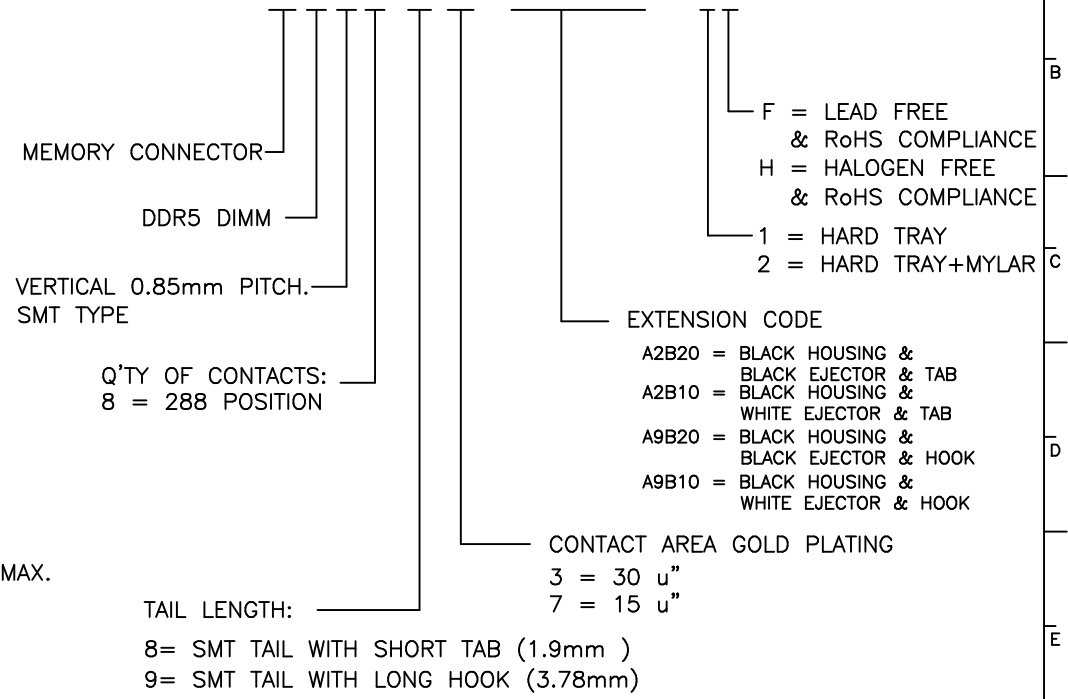
- 4-1. SOLDERABILITY: PASSED PER EIA-364-52, CLASS 2, CATEGORY 3.
- 4-2. VIBRATION: PASSED PER EIA-364-28.
- 4-3. HUMIDITY: PASSED PER EIA-364-31.
- 4-4. THERMAL SHOCK: PASSED PER EIA-364-32.
- 4-5. OPERATING TEMPERATURE: -55°C TO 85°C.
- 4-6. MECHANICAL SHOCK: PASSED PER EIA-364-27.

## 5. REFLOW SOLDER REFERENCE TEMPERATURE:

PREHEATING TEMPRETURE 150~200 Degree & 60s Min. SOLDERING TEMPRETURE 260 Degree & 10s.

# PRODUCT NOMENCLATURE:

PRODUCT NO. : AT F 5 8 \* \* - A \* \* \* \* - \* \*




F = LEAD FREE & RoHS COMPLIANCE  
H = HALOGEN FREE & RoHS COMPLIANCE  
1 = HARD TRAY  
2 = HARD TRAY+MYLAR

EXTENSION CODE  
A2B20 = BLACK HOUSING & BLACK EJECTOR & TAB  
A2B10 = BLACK HOUSING & WHITE EJECTOR & TAB  
A9B20 = BLACK HOUSING & BLACK EJECTOR & HOOK  
A9B10 = BLACK HOUSING & WHITE EJECTOR & HOOK

CONTACT AREA GOLD PLATING  
3 = 30  $\mu$ "  
7 = 15  $\mu$ "

TAIL LENGTH:  
8= SMT TAIL WITH SHORT TAB (1.9mm )  
9= SMT TAIL WITH LONG HOOK (3.78mm)

x.±	x.±	UNITS	mm	NAME(INTENDED USE)	 FOXCONN INTERCONNECT TECHNOLOGY LIMITED.
.x± 0.25	.x±	MAT'L	N/A	DDR5, 288 PIN 0.85mm PITCH,SMT	
.xx± 0.15	.xx±	FINISH	N/A	PART NO.(INTENDED USE)	CLASS: <input type="checkbox"/> SECRET <input checked="" type="checkbox"/> CONFIDENTIAL <input type="checkbox"/> GENERAL
.xxx±	.xxx±	Q'TY	N/A	ATF58** - A***0 - **	TITLE: CUSTOMER DRAWING
				APPD: Davy Bu 03/20'19	DWG NO.: 317-0000-XXXX
				CHKD: Johnny Tang 03/20'19	SCALE   SHEET   REV.
				DR: Cohen Xie 03/20'19	N/A   5/5   X1