



**SELECTING GAN OR  
SIC DEVICES IN HIGH-VOLTAGE  
SWITCHING TECHNOLOGIES**

# SELECTING GAN OR SIC DEVICES IN HIGH-VOLTAGE SWITCHING TECHNOLOGIES

## THE PERFECT SWITCH

Every engineer dreams of a perfect switch; one that has zero loss characteristics during off- and on-states, and an instantaneous switch between the states. Achieving the lowest possible switching losses during transition between the two states relies on a number of key features:

- Infinite breakdown voltage
- Zero current through the switch, when the switch is off
- Zero voltage across the switch, when the switch is on
- Zero turn-on and turn-off transition times between the states

In an ideal switch, since either the voltage or the current is always zero, the instantaneous dissipation produced by an instantaneous voltage and instantaneous current is always zero.

In real life, however, this doesn't exist. A practical switch can only approximate as an ideal switch on a first order basis. The non-ideal properties of practical switches cannot be ignored and must be evaluated for every design, as they will have parasitic elements that result in:

- Finite breakdown voltage
- Leakage current in the off-state
- Non-zero voltage across the switch in the on-state
- Non-zero turn-on and turn-off transition times

This shows that, since there will be some voltage present across the switch during the on-state, and the transition times will be non-zero, a dissipation occurs that must be managed.

# / THE APPLICATION OF IGBT, SUPERJUNCTION, SIC AND GAN TECHNOLOGIES

Let's take a look at the various factors we need to consider for selecting devices.

In this example, we are designing an H-bridge to build an AC-DC converter. The DC-bus voltage is 370V, the current of the transformer is about 3A, and the switch run with a frequency of 15 to 25kHz. For safety reasons, we have selected a component in the 650V class and a continuous drain current of at least 30A. We have no glue logic, and plan to select either an IGBT, SJ, SiC or GaN device.

A step-by-step approach to selection is recommended.

## 1 Check the Conditions

The first step in identifying the best device for your application is to check the conditions in which it will be operating.

### 1 a)

- Is the switching frequency below ~20kHz?
- Is the power level above 3kW?
- If a low-cost solution is important, does it provide this?
- Is it supplied by a three-phase grid?

If the answer is 'yes' to any or all of the above, a silicon (Si) insulated-gate bipolar transistor (IGBT) is the preferred device. Example devices include:

<https://www.onsemi.com/products/discretes-drivers/igbts>

<https://www.st.com/en/power-transistors/igbts.html>

<https://www.rohm.com/products/igbt>

<https://www.avnet.com/shop/emea/c/discretes/igbt/>

### 1 b)

- Is the switching frequency the range of 20 kHz to 100kHz?
- Are there wide line and load conditions?
- Is high efficiency needed with moderate cost?
- Is it supplied by a single-phase grid?

In this case, a Si Superjunction (SJ) MOSFET is the best option. Example devices include:

<https://www.onsemi.com/products/discretes-drivers/mosfets>

[https://www.st.com/content/st\\_com/en/products/power-transistors/power-mosfets.html](https://www.st.com/content/st_com/en/products/power-transistors/power-mosfets.html)

<https://www.rohm.com/products/mosfets/high-voltage>  
<https://www.avnet.com/shop/emea/c/discretes/transistors/mosfets/>

### 1 c)

- Is the switching frequency above 100kHz?
- Are there wide line and load conditions?
- Are the conditions high-power (up to several kW), requiring high efficiency?
- Is reverse power (bi-directional) flow required?
- Is it supplied by a three-phase grid?

If these conditions apply, then a silicon carbide (SiC) MOSFET is the device of choice. Examples include:

<https://www.onsemi.com/products/wide-bandgap/silicon-carbide-sic-mosfets>

<https://www.st.com/en/power-transistors/stpower-sic-mosfets.html>

<https://www.rohm.com/products/sic-power-devices/sic-mosfet>

<https://www.avnet.com/shop/emea/search/SiC>

### 1 d)

- Is the switching frequency above 100kHz in the MHz range?
- Are there wide line and load conditions?
- Are the load conditions medium power (up to several hundred Ws), and requiring the highest power density and efficiency?
- Is it supplied by a single-phase grid?

These conditions mean that a gallium nitride (GaN) MOSFET is the preferred device. Example devices include:

[https://www.st.com/content/st\\_com/en/products/power-management/gate-drivers/high-voltage-half-bridge-gate-drivers/mastergan1.html](https://www.st.com/content/st_com/en/products/power-management/gate-drivers/high-voltage-half-bridge-gate-drivers/mastergan1.html)

<https://www.onsemi.com/products/discretes-drivers/gate-drivers/ncp51820>



## 2) Consider the Application

Next, it's time to figure out what the application needs. How and where will the device be used? Consider these factors before making your selection:

### 2 a)

- Motor drives (>250W)?
- UPS and welding H-bridge inverters?
- High power PFCs (>3kW)?
- High power solar/wind inverters (>5kW)?

If these are your criteria, a Si IGBT is the optimum device.

Examples include:

- <https://www.onsemi.com/products/discretes-drivers/igbts>
- <https://www.st.com/en/power-transistors/igbts.html>
- <https://www.rohm.com/products/igbt>
- <https://www.avnet.com/shop/emea/c/discretes/igbt/>

### 2 b)

- Motor drives (<250W)?
- Universal input AC-DC flyback?
- Forward converter power supplies?
- Low- to mid-power power factor correction (PFC) and LLC?
- DC-DC (75W to 3 kW)?
- Solar micro-inverter?

If these are important in your application, a Si SJ MOSFET is your preferred device. Examples include:

- <https://www.onsemi.com/products/discretes-drivers/mosfets>
- [https://www.st.com/content/st\\_com/en/products/power-transistors/power-mosfets.html](https://www.st.com/content/st_com/en/products/power-transistors/power-mosfets.html)
- <https://www.rohm.com/products/mosfets/high-voltage>
- <https://www.avnet.com/shop/emea/c/discretes/transistors/mosfets>

### 2c)

- High power PFCs (>3 kW)?
- EV charger / OBC (AECQ needed)?
- High power solar (>5kW)?
- UPS?
- Embedded PFC and DC-DC?

For applications with these requirements, a SiC MOSFET is your preferred device. Examples include:

- <https://www.onsemi.com/products/wide-bandgap/silicon-carbide-sic-mosfets>
- <https://www.st.com/en/power-transistors/stpower-sic-mosfets.html>
- <https://www.rohm.com/products/sic-power-devices/sic-mosfet>
- <https://www.avnet.com/shop/emea/search/SiC>

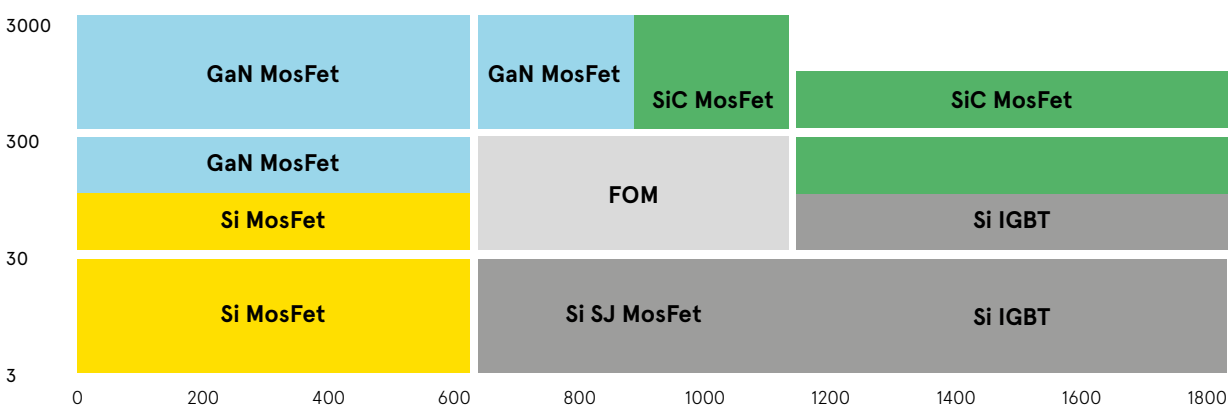
### 2 d)

- Single line grid powered (<=650VClass)?
- Medium power range 75W to 750W?
- Need for highest mobility?
- Need to have the smallest dimensions?
- Need to keep cool?

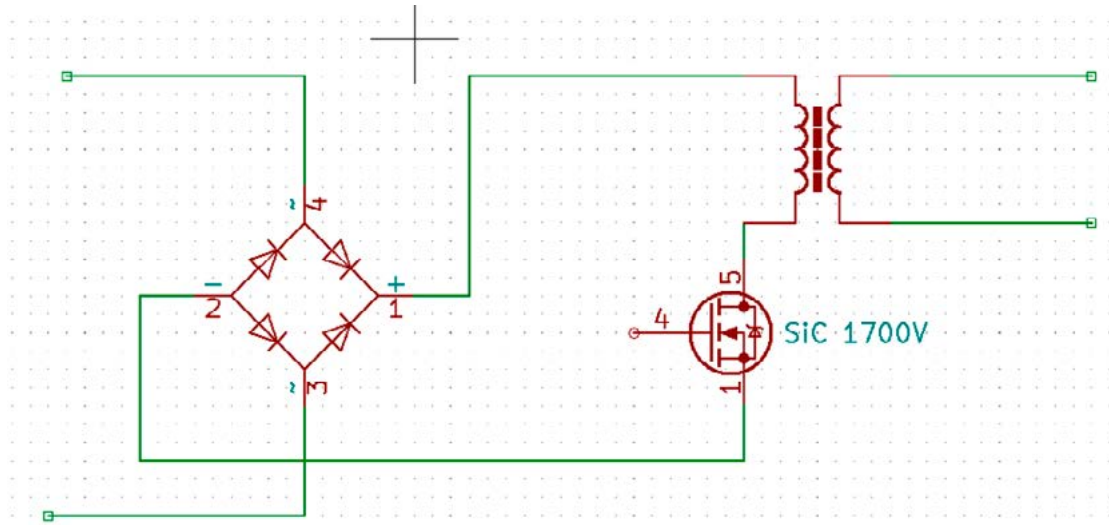
With these requirements, a GaN MOSFET will most suit your application. Examples include:

- [https://www.st.com/content/st\\_com/en/products/power-management/gate-drivers/high-voltage-half-bridge-gate-drivers/mastergan1.html](https://www.st.com/content/st_com/en/products/power-management/gate-drivers/high-voltage-half-bridge-gate-drivers/mastergan1.html)
- <https://www.onsemi.com/products/discretes-drivers/gate-drivers/ncp51820>

Switching Frequency kHz– Voltage Range

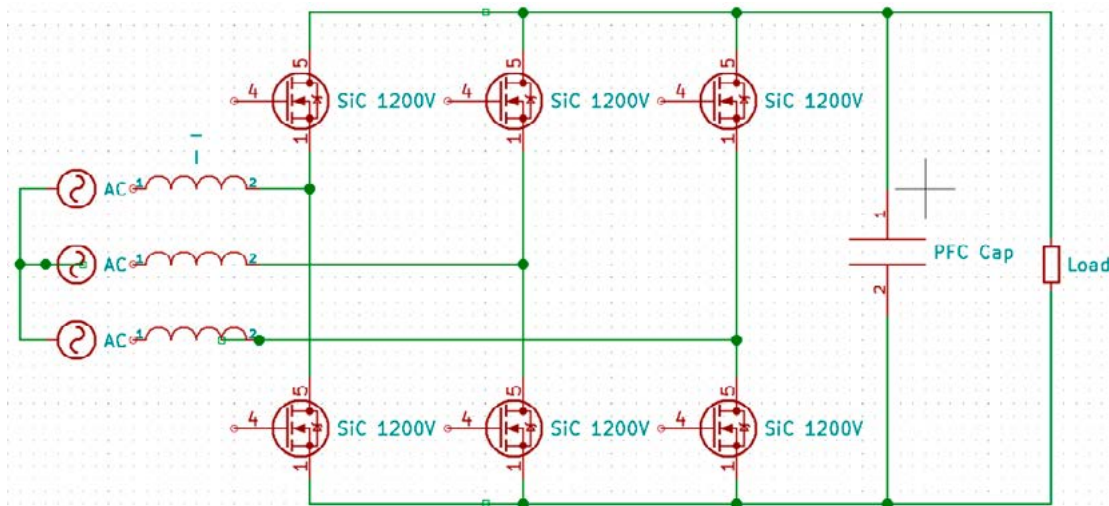


**Simple Example of SiC in a 100W Auxiliary Power Supply**



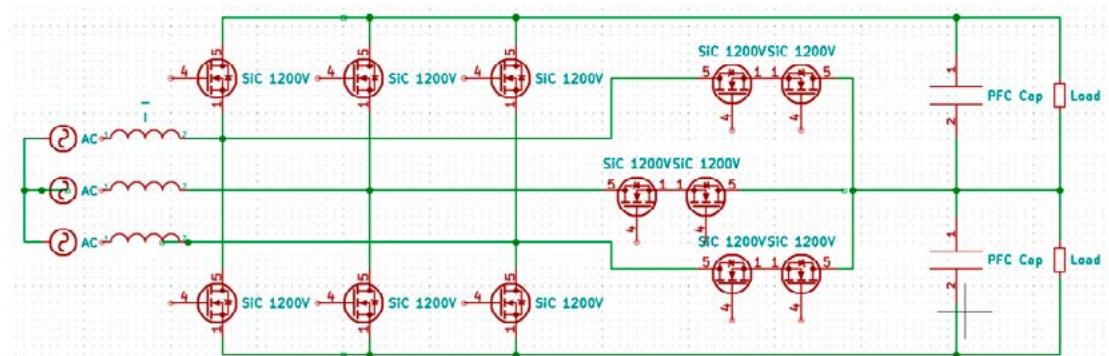
1700v SiC MosFet due to Input Voltage +Reflected voltage Spike

**Mid Complex 10kW Sixpack PFC Converter for AC-DC application**



1200v SiC MosFet due to Input Voltage

**Complex Bidirectional Active PFC Converter for AC/DC Application, Inverter or On-board Charger (OBC) with Power Back Function**



1200v SiC MosFet due to Input Voltage

# OFFICES

## AUSTRIA

Vienna  
Phone: +43 186 642 300  
Fax: +43 186 642 350  
wien@avnet.eu

## BELGIUM

Merelbeke  
Phone: +32 9 210 24 70  
Fax: +32 9 210 24 87  
gent@avnet.eu

## BULGARIA

Sofia  
sofia@avnet.eu

## CZECH REPUBLIC (SLOVAKIA)

Prague  
Phone: +420 234 091 031  
Fax: +420 234 091 030  
praha@avnet.eu

## DENMARK

Herlev  
Phone: +45 432 280 10  
Fax: +45 432 280 11  
herlev@avnet.eu

## ESTONIA

(LATVIA, LITHUANIA)  
Pärnu  
Phone: +372 56 637737  
paernu@avnet.eu

## FINLAND

Espoo  
Phone: +358 207 499 200  
Fax: +358 207 499 280  
helsinki@avnet.eu

## FRANCE (TUNISIA)

Rennes  
Phone: +33 299 838 485  
Fax: +33 299 838 083  
rennes@avnet.eu

## Illkirch

Phone: +33 390 402 020  
Fax: +33 164 479 099  
strasbourg@avnet.eu

## Massy Cedex

Phone: +33 164 472 929  
Fax: +33 164 470 084  
paris@avnet.eu

## Toulouse

Phone: +33 05 62 47 47  
toulouse@avnet.eu

## Vénissieux Cedex

Phone: +33 478 771 360  
Fax: +33 478 771 399  
lyon@avnet.eu

## GERMANY

Berlin  
Phone: +49 30 214 882 0  
Fax: +49 30 214 882 33  
berlin@avnet.eu

## Freiburg

Phone: +49 761 881 941 0  
Fax: +49 761 881 944 0  
freiburg@avnet.eu

## Hamburg

Phone: +49 40 608 235 922  
Fax: +49 40 608 235 920  
hamburg@avnet.eu

## Holzwickede

Phone: +49 2301 919 0  
Fax: +49 2301 919 222  
holzwickede@avnet.eu

## Kaarst

Phone: +49 2301 919 0  
Fax: +49 2301 919 222  
kaarst@avnet.eu

## Lehrte

Phone: +49 5132 5099 0  
hannover@avnet.eu

## Leinfelden-Echterdingen

Phone: +49 711 782 600 1  
Fax: +49 711 782 602 00  
stuttgart@avnet.eu

## Leipzig

Phone: +49 34204 7056 00  
Fax: +49 34204 7056 11  
leipzig@avnet.eu

## Nürnberg

Phone: +49 911 24425 80  
Fax: +49 911 24425 85  
nuernberg@avnet.eu

## Poing

Phone: +49 8121 777 02  
Fax: +49 8121 777 531  
muenchen@avnet.eu

## Wiesbaden

Phone: +49 612 258 710  
Fax: +49 612 258 713 33  
wiesbaden@avnet.eu

## HUNGARY

Budapest  
Phone: +36 1 43 67215  
Fax: +36 1 43 67213  
budapest@avnet.eu

## ITALY

Cusano Milanino  
Phone: +39 02 660 921  
Fax: +39 02 660 923 33  
milano@avnet.eu

## Firenze

Phone: +39 055 428 2301  
Fax: +39 055 431 035  
firenze@avnet.eu

## Modena

Phone: +39 059 348 933  
Fax: +39 059 344 993  
modena@avnet.eu

## Padova

Phone: +39 049 807 368 9  
Fax: +39 049 773 464  
padova@avnet.eu

## Turin

Phone: +39 011 204 437  
Fax: +39 011 242 869 9  
torino@avnet.eu

## Roma Tecnocittà

Phone: +39 06 412 319 10  
Fax: +39 06 413 116 1  
roma@avnet.eu

## NETHERLANDS

Breda  
Phone: +31 765 722 700  
Fax: +31 765 722 707  
breda@avnet.eu

## NORWAY

Asker  
Phone: +47 667 736 00  
Fax: +47 667 736 77  
asker@avnet.eu

## POLAND

Gdansk  
Phone: +48 58 307 81 51  
Fax: +48 58 307 81 50  
gdansk@avnet.eu

## Katowice

Phone: +48 32 259 50 10  
Fax: +48 32 259 50 11  
katowice@avnet.eu

## Warszawa

Phone: +48 222 565 760  
Fax: +48 222 565 766  
warszawa@avnet.eu

## PORTUGAL

Vila Nova de Gaia  
Phone: +35 1 223 779 502  
Fax: +35 1 223 779 503  
porto@avnet.eu

## ROMANIA (BULGARIA)

Bucharest  
Phone: +40 21 528 16 32  
Fax: +40 21 529 68 30  
bucuresti@avnet.eu

## RUSSIA (BELARUS, UKRAINE)

Moscow  
Phone: +7 495 737 36 70  
Fax: +7 495 737 36 71  
moscow@avnet.eu

## Saint Petersburg

Phone: +7 812 245 1571  
stpetersburg@avnet.eu

## SLOVAKIA

Bratislava  
Phone: +421 232 242 211  
Fax: +421 232 242 210  
bratislava@avnet.eu

## SLOVENIA (BOSNIA AND HERZEGOVINA, CROATIA, MACEDONIA, MONTENEGRO, SERBIA)

Ljubljana  
Phone: +386 156 097 50  
Fax: +386 156 098 78  
ljubljana@avnet.eu

## SPAIN

Barcelona  
Phone: +34 933 278 530  
Fax: +34 934 250 544  
barcelona@avnet.eu

## Galdàcano. Vizcaya

Phone: +34 944 572 777  
Fax: +34 944 568 855  
bilbao@avnet.eu

## Tres Cantos

Phone: +34 913 727 100  
Fax: +34 916 369 788  
madrid@avnet.eu

## SWEDEN

Sundbyberg  
Phone: +46 8 587 461 00  
Fax: +46 8 587 461 01  
stockholm@avnet.eu

## SWITZERLAND

Rothrist  
Phone: +41 62 919 555 5  
Fax: +41 62 919 550 0  
rothrist@avnet.eu

## TURKEY (GREECE, EGYPT)

Kadikoy Istanbul  
Phone: +90 216 528 834 0  
Fax: +90 216 528 834 4  
istanbul@avnet.eu

## UNITED KINGDOM (IRELAND)

Maidenhead  
Phone: +44 1628 512 900  
Fax: +44 1628 512 999  
maidenhead@avnet.eu

## Bolton

Phone: +44 1204 547 170  
Fax: +44 1204 547 171  
bolton@avnet.eu

## Stevenage, Herts, Meadway

Phone: +44 1438 788 310  
Fax: +44 1438 788 250  
stevenage@avnet.eu

## ISRAEL

Tel-Mond  
Phone: +972 (0)9 7780280  
Fax: +972 (0)3 760 1115  
avnet.israel@avnet.com

## SOUTH AFRICA

Cape Town  
Phone: +27 (0)21 689 4141  
Fax: +27 (0)21 686 4709  
sales@avnet.co.za

## Durban

Phone: +27 (0)31 266 8104  
sales@avnet.co.za

## Johannesburg

Phone: +27 (0)11 319 8600  
Fax: +27 (0)11 319 8650  
sales@avnet.co.za

All trademarks and logos are the property of their respective owners. This document provides a brief overview only, no binding offers are intended. No guarantee as to the accuracy or completeness of any information. All information is subject to change, modifications and amendments without notice.

December 1st, 2021

avnet-silica.com