

THE INFORMATION CONTAINED HEREIN IS CONSIDERED "PROPRIETARY" TO BEL FUSE INC. AND SHALL NOT BE COPIED, REPRODUCED OR DISCLOSED WITHOUT THE WRITTEN APPROVAL OF BEL FUSE INC.

bel
Product Specification No.
SI-51005-F
Issue A3 Page 3

RoHS

- 1.0 INDUCTANCE:
(P2-P3) 350uH MIN. @ 0.1V, 100KHz, 8mA DC BIAS
(P4-P5) 350uH MIN. @ 0.1V, 100KHz, 8mA DC BIAS
(P7-P8) 350uH MIN. @ 0.1V, 100KHz, 8mA DC BIAS
(P9-P10) 350uH MIN. @ 0.1V, 100KHz, 8mA DC BIAS

- 2.0 TURNS RATIO:
(P2-P3):(J1-J2) 1CT : 1CT ± 2%
(P4-P5):(J3-J6) 1CT : 1CT ± 2%
(P7-P8):(J4-J5) 1CT : 1CT ± 2%
(P9-P10):(J7-J8) 1CT : 1CT ± 2%

- 3.0 RETURN LOSS: 100 OHM REF.
500kHz TO 40MHz -18dB MIN.
40MHz TO 100MHz -12+20LOG(f/80MHz) MIN.

- 4.0 INSERTION LOSS: RS=RL=100 OHMS
100kHz TO 100MHz -1.2dB MAX.

- 5.0 CROSS TALK: Ch1-Ch2, Ch1-Ch3, Ch1-Ch4, Ch2-Ch3, Ch2-Ch4, Ch3-Ch4
1MHz TO 30MHz -35dB MIN.
30MHz TO 80MHz -24dB MIN.
80MHz TO 100MHz -25dB MIN.

- 6.0 CM TO CM REJECTION:
100kHz TO 100MHz -30dB MIN.

- 7.0 CM TO DM REJECTION:
100kHz TO 100MHz -35dB MIN.

- 8.0 VOLTAGE WITHSTAND:
(J1,J2) TO (P2,P3) 1500Vrms
(J3,J6) TO (P4,P5) 1500Vrms
(J4,J5) TO (P7,P8) 1500Vrms
(J7,J8) TO (P9,P10) 1500Vrms

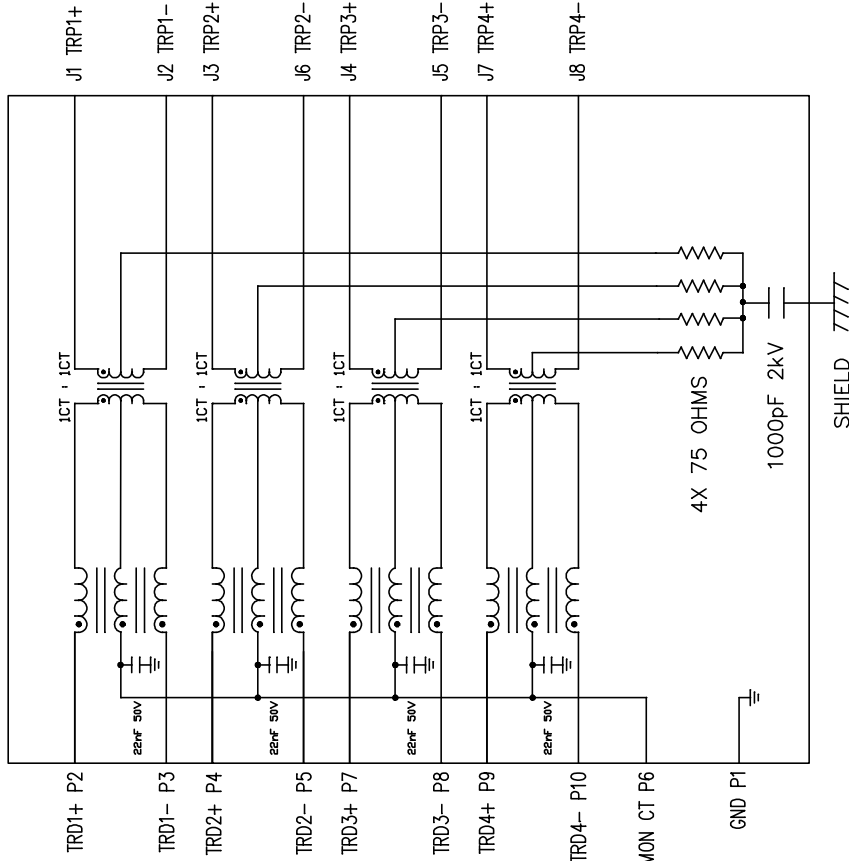
9.0 THIS COMPONENT IS A PATENT PRODUCT; US PATENT NUMBER 7,123,117.



PINS

RJ45

SCHEMATIC



ORIGINATED BY
CHOW WANCHUNG
DATE 2018-05-22
DRAWN BY
XIE YIMING
DATE 2018-05-22

TITLE
Ma9Jack®
10/100/1000 BT
TAB UP, SHIELDED
PATENTED

PART NO. / DRAWING NO.
SI-51005-F
FILE NAME
SI-51005-F_A3.DWG

STANDARD DIM.
TOL. IN INCH
X
XX
XXX
[] METRIC DIM.
AS REF.
UNIT : INCH [mm]
SCALE : N/A
SIZE : A4

REV. : A3 PAGE : 2



bel
a bel group
MAGNETIC SOLUTIONS

This document is electronically generated. This is a controlled copy if used internally

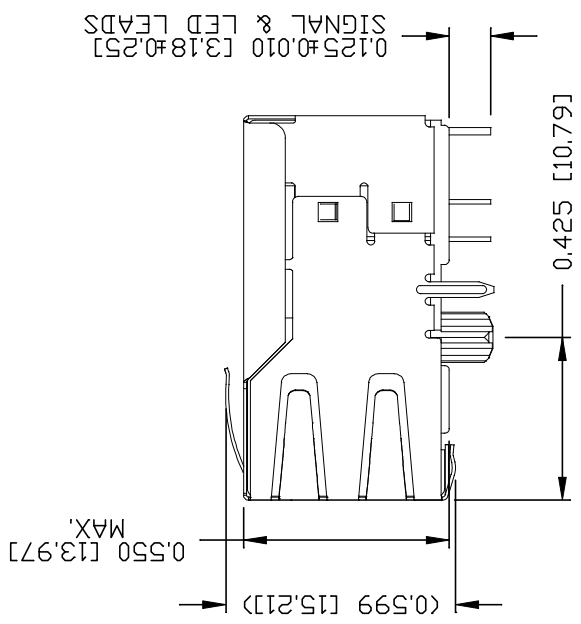
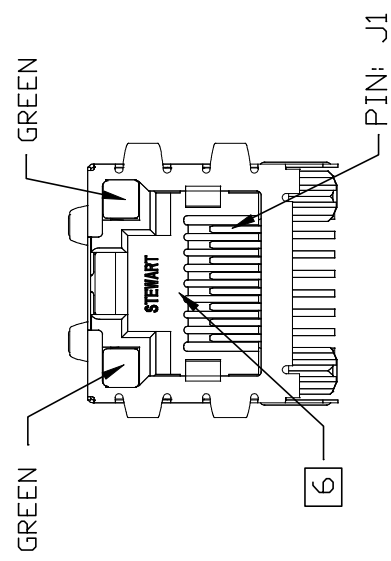
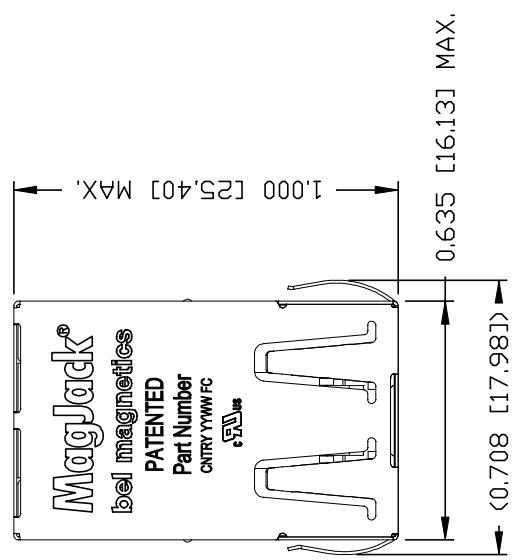
DC002(2)120214

THE INFORMATION CONTAINED HEREIN IS CONSIDERED "PROPRIETARY" TO BEL FUSE, INC. AND SHALL NOT BE COPIED, REPRODUCED OR DISCLOSED WITHOUT THE WRITTEN APPROVAL OF BEL FUSE, INC.



NOTES:

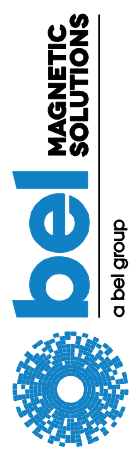
- CONNECTOR MATERIALS:
HOUSING: THERMOPLASTIC UL94 V-0
CONTACT/SHIELD: COPPER ALLOY
SHIELD PLATING: NICKEL OR TIN
CONTACT PLATING: SELECTIVE GOLD,
50 MICRO-INCHES MIN. IN CONTACT AREA.
 - PIN NOT ELECTRICALLY CONNECTED MAYBE OMITTED.
SEE ELECTRICAL DRAWING FOR OMITTED PINS.
 - TOLERANCES COMPLY WITH F.C.C. DIMENSION REQUIREMENTS.
 - THE PRODUCT IS ROHS COMPLIANT.
- UL** US UL RECOGNIZED - FILE #E474585.
5, THE PRODUCT IS RECOMMENDED FOR WAVE SOLDERING PROCESS,
PEAK TEMPERATURE 260°C MAX. AND 10 SECONDS MAX..



bel
 Product Specification No.
 SI-51005-F
 Issue_A3 Page_4

ORIGINATED BY ANTON LIAO	TITLE MagJack® 10/100/1000 BT TAB UP, SHIELDED PATENTED
DATE 2018-05-22	
DRAWN BY SANDY LIN	
DATE 2018-05-22	

PART NO. / DRAWING NO. SI-51005-F	STANDARD DIM. TOL. IN INCH .X .XX .XXX ±0.005	[] METRIC DIM. AS REF.
FILE NAME SI-51005-F_A3.DWG	UNIT : INCH [mm]	SCALE : N/A
	SIZE : A4	



This document is electronically generated. This is a controlled copy if used internally

THE INFORMATION CONTAINED HEREIN IS CONSIDERED "PROPRIETARY" TO BEL FUSE INC. AND SHALL NOT BE COPIED, REPRODUCED OR DISCLOSED WITHOUT THE WRITTEN APPROVAL OF BEL FUSE INC.

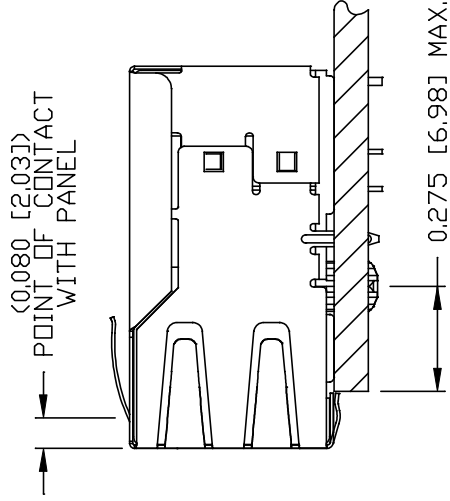
RoHS

0.000 [0.00] (FROM TOP OF PCB TO BOTTOM OF PANEL OPENING)

0.656 [16.66]

0.554 [14.07]

0.010 [0.25] MAX. RADIUS (4)



SUGGESTED PANEL OPENING

NOTES:

THE SUGGESTED PANEL OPENING IS INTENDED TO GIVE THE USER THE ABILITY TO HAVE REASONABLE JACK / PANEL CLEARANCES YET MAINTAIN RELIABLE GROUNDING CAPABILITY.



ORIGINATED BY
ANTON LIAD
DATE 2018-05-22
DRAWN BY
SANDY LIN
DATE 2018-05-22

TITLE
MagJack®
10/100/1000 BT
TAB UP, SHIELDED
PATENTED

PART NO. / DRAWING NO.
SI-51005-F

FILE NAME
SI-51005-F_A3.DWG

STANDARD DIM.
TOL. IN INCH

.X
.XX
.XXX

[] METRIC DIM.
AS REF.

UNIT : INCH [mm]
SCALE : N/A

SIZE : A4

REV. : A3

PAGE : 5



bel
MAGNETIC SOLUTIONS

a bel group

This document is electronically generated. This is a controlled copy if used internally