

CHARGE COUPLER T2 PIGTAIL



BENEFITS

- Robust handling with graining plastic shell
- Screwless system assembly to optimize robustness
- Cost effective design to inlet and wallbox

FEATURES

- Available in different power and cable length options
- Wiring crimps sealed from environment
- IEC62196-2 Type II connector
- EN17186 Type II standard



AVAILABLE CONFIGURATIONS

Design	Plastic handle with or without protective cap
Outlet Standard	IEC62196-2 Type II CE marking / third parties certification CE / EN17186 / UKCA / Morocco / Ukraine / Australia / NZ

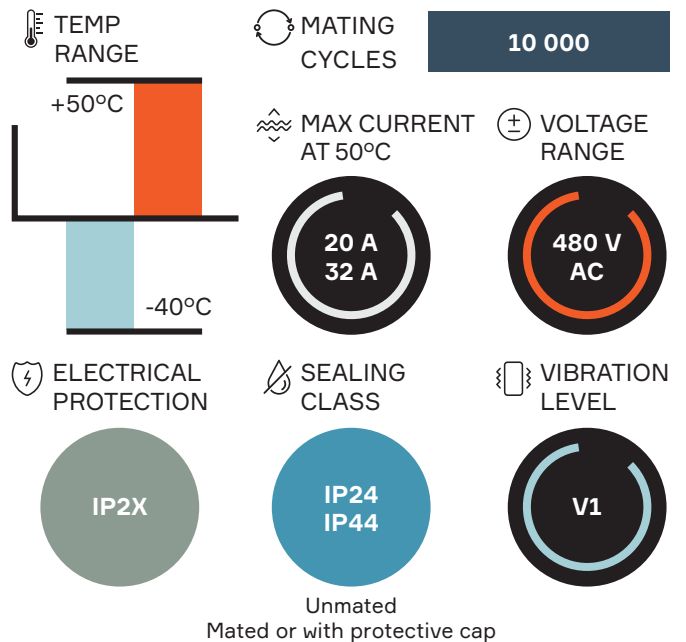


APPLICATIONS

- Grid-to-vehicle
- Infrastructure to electric vehicle charging



TECHNICAL CHARACTERISTICS



See back page for representative part numbers and packaging dimensions.

About Aptiv

Aptiv is a global technology company that develops safer, greener and more connected solutions enabling the future of mobility.

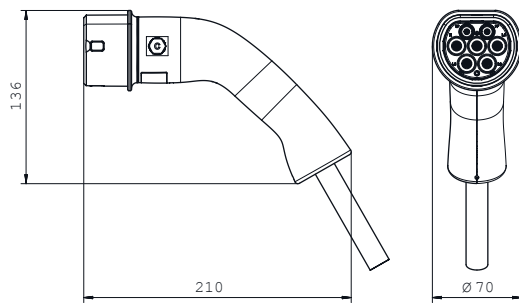
Visit [aptiv.com](https://www.aptiv.com) →



Part number	Type	Design	Current	# Phase	Charging power	Cable Length	Cable Section	Certification
35622693	Type II	Screw-Less Shells, Stamped Terminals	20 A	1-phase	4.7 kW	5	3G2.5 + 0.5	CE
35622691	Type II	Screw-Less Shells, Stamped Terminals	32 A	1-phase	7.4 kW	5	3G6 + 0.5	CE
35636480	Type II	Screw-Less Shells, Stamped Terminals	20 A	3-phase	14 kW	3.5	5G2.5 + 0.5	CE
35622694	Type II	Screw-Less Shells, Stamped Terminals	20 A	3-phase	14 kW	5	5G2.5 + 0.5	CE
35636482	Type II	Screw-Less Shells, Stamped Terminals	20 A	3-phase	14 kW	8	5G2.5 + 0.5	CE
35622692	Type II	Screw-Less Shells, Stamped Terminals	32 A	3-phase	22 kW	5	5G6 + 0.5	CE
35450349-S	-	Dust Cap for all Type II Pigtails	-	-	-	-	-	-

For more specific information, please contact your Aptiv representative.

DIMENSION MEASUREMENT SAMPLE



COMPATIBLE WITH



Part numbers, specifications, dimensions and performance data in this document are for general references only and are subject to change without notice. To verify product information, please contact an Aptiv representative.

CS-SP138-HV-En0122