



## B.LV5.F.GL.FC

### Biosensor array

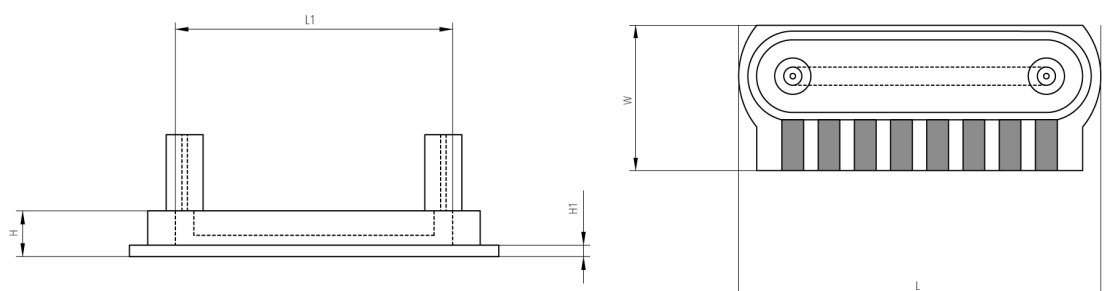
For bioanalytical applications a flow-through sensor

A product of Jobst Technologies

#### Benefits & Characteristics

- Enzyme-based amperometric measurement
- Excellent long-term stability
- Stable in continuous monitoring and analyzer mode
- Reference, counter and blank electrodes on-chip
- Integrated flow cell (various volumes)
- For industrial applications
- Suitable for multiparametric measurements
- Outstanding reliability
- Fast response time
- Gamma and beta sterilization compatible
- Suitable for flow-through applications

#### Illustration<sup>1)</sup>



1) For actual size, see dimensions

#### Technical Data<sup>2)</sup>

Dimensions - chip (L x W x H in mm):	10 x 4 x 0.4 (1.23 mm with flow cell)	
Dimensions - flow cell ( $V_{INTERNAL}$ ) <sup>3)</sup> :	0.3 $\mu$ L to 1 $\mu$ L	~ 8 mm x 600 $\mu$ m (0.15, 0.5 mm tubes)
Fluid connection ( $\varnothing_{INNER}$ ):	0.5 mm (0.15 mm available upon request)	
Working electrode:	Platinum covered with enzyme membrane	
Blank electrode:	For background compensation	
Reference electrode:	Silver / silver chloride	
Counter electrode:	Platinum	
Measurable analytes <sup>3)</sup> :	Glucose, Lactate, Glutamine <sup>4)</sup> , Glutamate <sup>4)</sup>	
Operating measurement range at +25 °C (for extended measurement ranges please contact IST AG) <sup>5)</sup> :	Glucose:	0.05 mM to 25 mM / 0.01 to 4.5 g/l
	Lactate:	0.02 mM to 15 mM / 0.002 to 1.5 g/l
	Glutamine:	0.04 mM to 20 mM / 0.006 to 3g/l
	Glutamate:	0.04 mM to 10 mM / 0.006 to 1.5 g/l



Sterilization:

Beta or gamma sterilization is possible (25 kGy typical)  
Sensitivity increases upon radiation; lactate sensors life time is reduced  
Initial bioburden < 1 cfu per sensor

Time to first measurement after storage at +37 °C:	~ 15 min
Time response (t <sub>90</sub> %) at +37 °C <sup>5)</sup> :	< 25 s
Temperature influence:	~ 3.5 %/°C
Storage conditions:	+4 °C to +35 °C, desiccated
Shelf life:	> 6 months (at recommended storage conditions)
Operational life time <sup>6)</sup> :	> 2 weeks continuous operation > 4 weeks in analyzer mode
Flow cell pressure drop:	~ 700 µl/min/bar (with a 1 µl flow cell)

2) All performance data was obtained using an acetate buffer. For more information about medium composition please contact IST AG

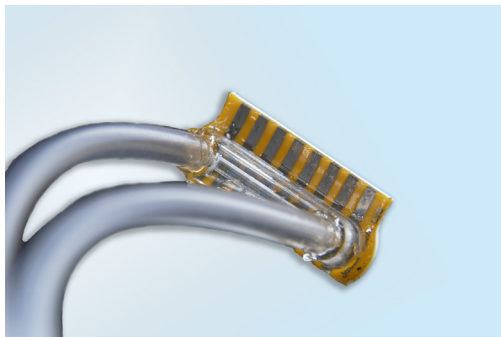
3) Larger cell volumes available upon request

4) Upon request

5) Parameters may vary depending on the medium type

6) Limited by lactate sensor; may decrease by higher analyte concentration and / or less dissolved oxygen in medium

## Product Photo



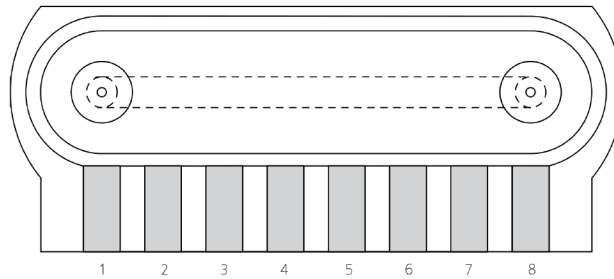
Sensor only



Packaged sensor



## Pin Assignment<sup>7)</sup>

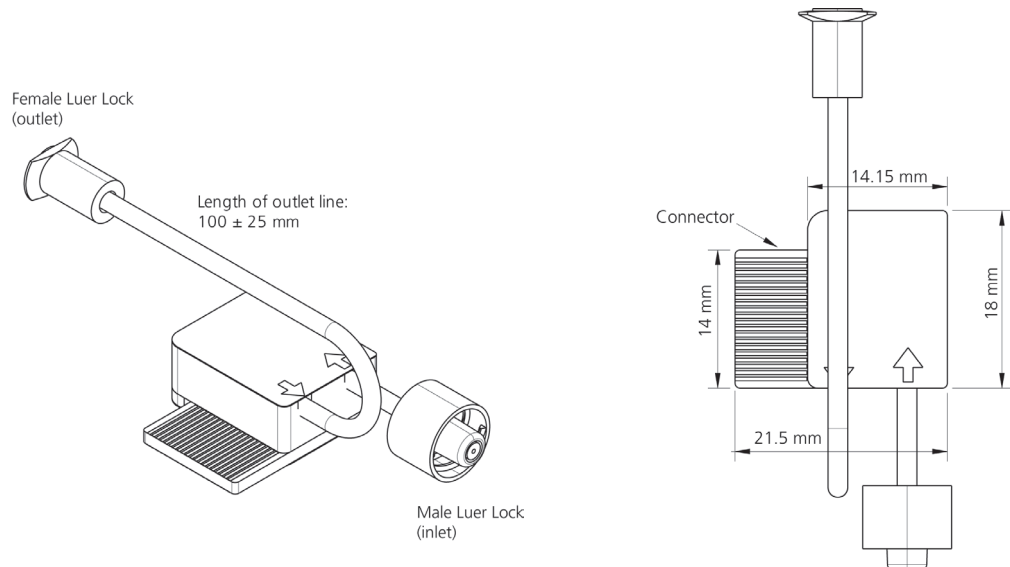


1	2	3	4
Counter	Reference	Lactate 2	Glucose 2
5	6	7	8
Blank 2	Lactate 1	Glucose 1	Blank 1

<sup>7)</sup> Customer specific pin assignment upon request

## Packaged Sensor

Innovative Sensor Technology IST AG offers a highly robust packaged version of the LV5 sensor for easy mounting and testing.



Electrical connection:

Card connector compatible with MEC6-RA connectors (40 pins in two rows, pitch: 0.635 mm)

Fluidic connection:

1 x female luer lock, 1 x male luer lock



### Order Information - Sensor only

---

Description:	Item number:	Former main reference:
B.LV5.F.GL.FC	105117	390.00129

### Order Information - Packaged Sensor

---

Description:	Item number:	Former main reference:
B.LV5.F.GL.FC.S	105128	390.00154

### Disclaimer

---

*Not for medical, diagnostics and use on humans. For evaluation use only. For more information contact IST AG.*



Innovative Sensor Technology IST AG, Stegrütistrasse 14, 9642 Ebnat-Kappel, Switzerland  
Phone: +41 71 992 01 00 | Fax: +41 71 992 01 99 | Email: info@ist-ag.com | www.ist-ag.com

All mechanical dimensions are valid at 25 °C ambient temperature, if not differently indicated • All data except the mechanical dimensions only have information purposes and are not to be understood as assured characteristics • Technical changes without previous announcement as well as mistakes reserved • The information on this data sheet was examined carefully and will be accepted as correct; No liability in case of mistakes • Load with extreme values during a longer period can affect the reliability • The material contained herein may not be reproduced, adapted, merged, translated, stored, or used without the prior written consent of the copyright owner • Typing errors and mistakes reserved • Product specifications are subject to change without notice • All rights reserved