

### Renesas RA Family

## FPB-RA0E1 Fast Prototyping Board

### 1. Introduction

The FPB-RA0E1 Fast Prototyping Board provides an entry point for evaluation, prototyping and development with the RA0E1 MCU. Moreover, since this board incorporates an emulator circuit, you can use it for designing your own applications without needing to make further investments in tools. This product includes through-holes for pin headers that allow access to all MCU signal pins, allowing easy prototyping with a breadboard.

### 2. Package Contents

- FPB-RA0E1 Fast Prototyping Board (RTK7FPA0E1S00001BJ)
- Quick Start Guide (this document)
- USB cable (type-A male to type-C male)
- Information for China RoHS

### 3. Board Specifications

Item	Specification
Evaluation MCU	Part No: R7FA0E1073CFJ; package: 32-pin LQFP
	On-chip memory: 64 KB ROM, 12 KB SRAM, 1 KB data flash memory
Board size	Size: 53 mm x 85 mm; thickness: 11.5 mm
Power-supply voltage	Board supply: 5 V. VCC: 3.3 V. MCU operation voltage range 1.6 V to 5.5 V
Power-supply circuit	USB connector: VBUS (5 V input); VBUS is converted to 3.3 V by LDO
	2-pin external power-supply header*1
Push switch	Reset switch x 1; user switch x 1
LED	Power indicator: green x 1, user: green x 2, On-board Debugger ACT LED: yellow x 1
USB connector	Connector: USB Type-C
Pmod™ connector	Connector: angle type, 12-pin x 2
Arduino™ connector	Connector: 6-pin x 1, 8-pin x 2, 10-pin x 1 The interface is compatible with Arduino™ UNO R3
MCU header*1	Header: 16 pins x 2
Emulator	J-Link On-Board programmer / debugger

\*1 This part is not mounted

### 4. Board Layout

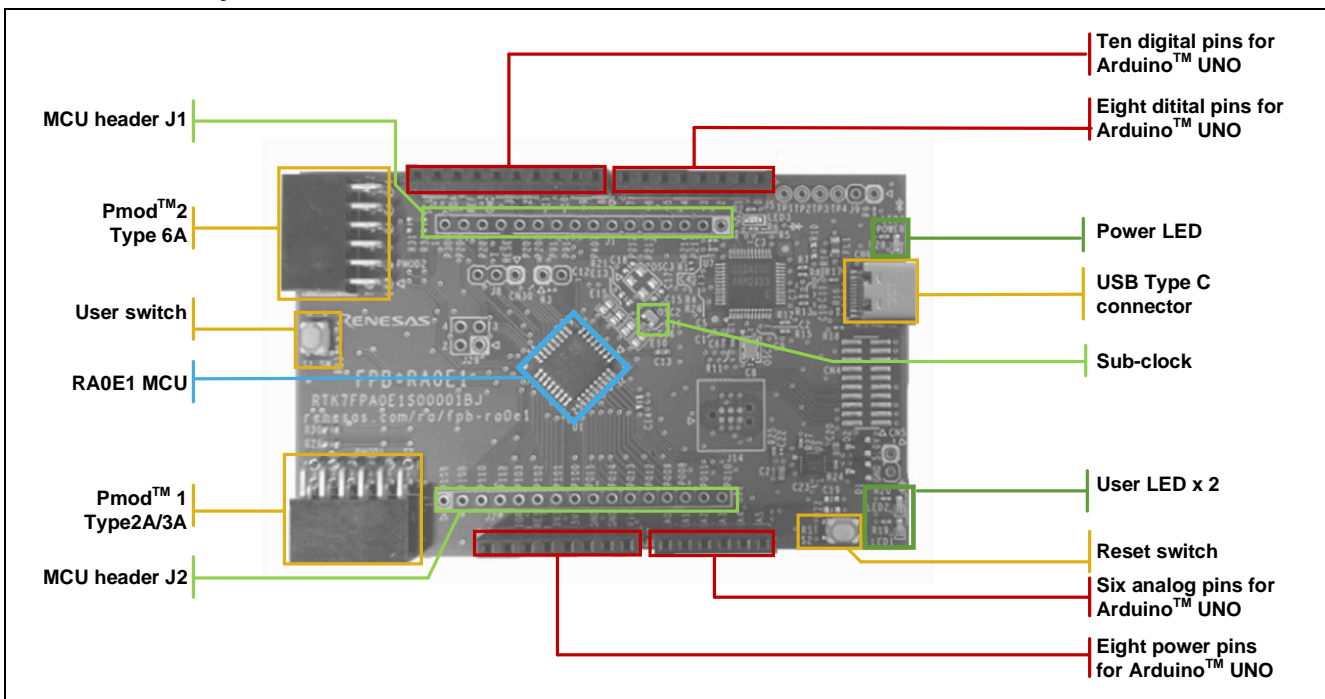


Figure 1. FPB-RA0E1 Board Layout

### 5. Arduino Interface

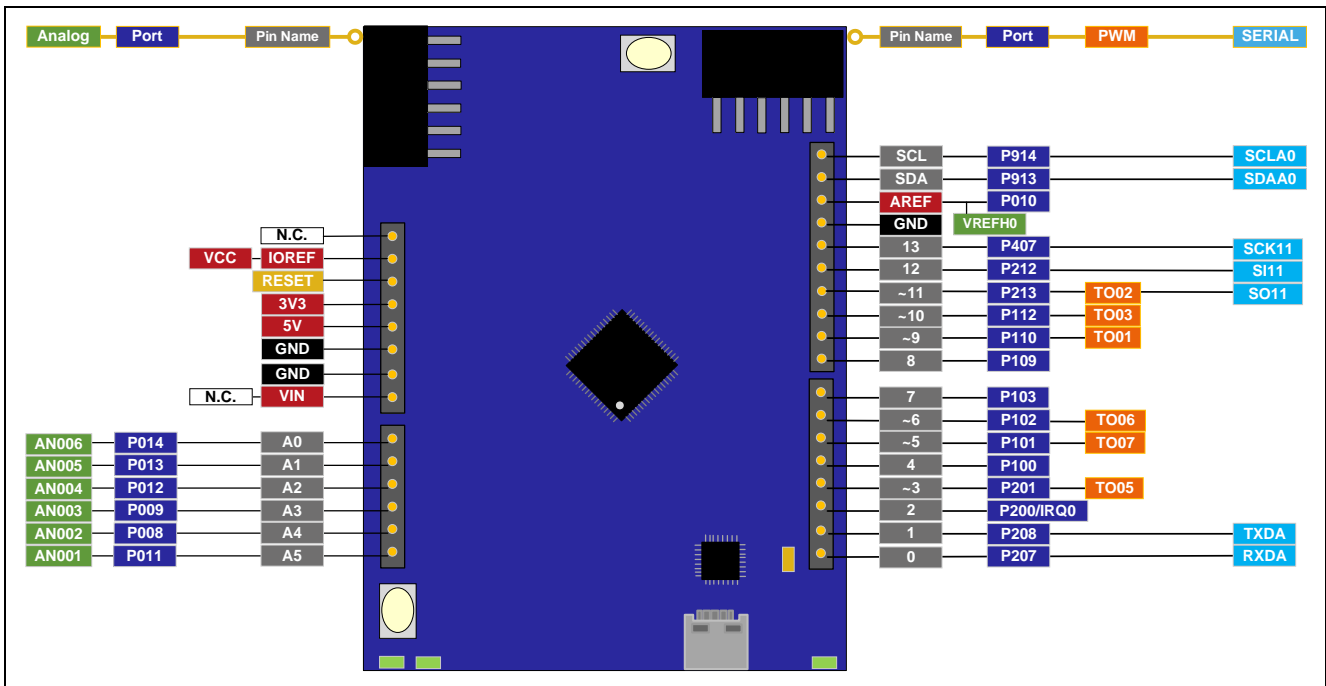


Figure 2. FPB-RA0E1 Arduino Interface

### 6. Pmod Interface

The FPB-RA0E1 Fast Prototyping Board has two Pmod connectors. Pmod 1 supports the Type 2A or 3A and can also be configured for Type 6A interfaces. Pmod 2 supports Type 6A and can also be configured for Type 2A or 3A.

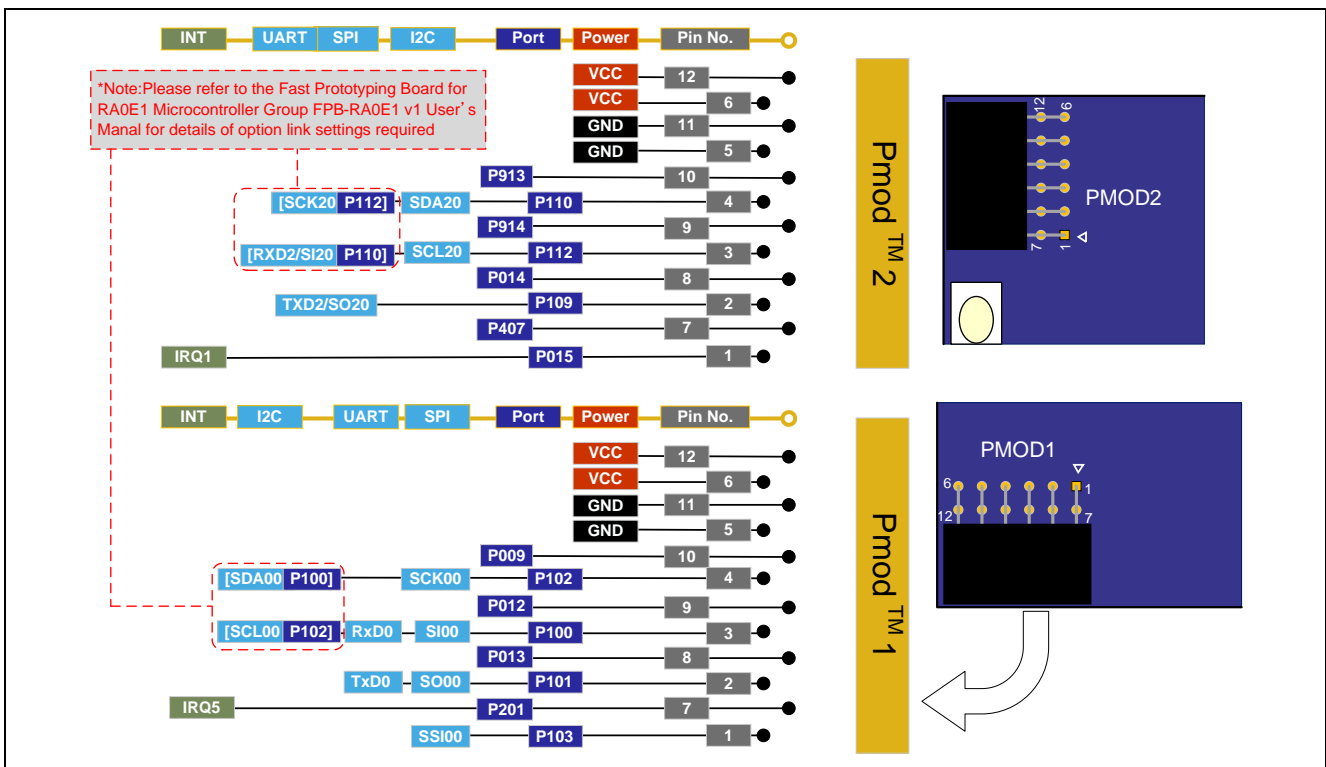


Figure 3. FPB-RA0E1 Pmod Interface

### 7. Note on Using the Board

Before using this board, download the user's manual from the web site at [renesas.com/ra/fpb-ra0e1](https://renesas.com/ra/fpb-ra0e1), and check the full specifications.

Blinky tutorial:

[RA Flexible Software Package Documentation: Starting Development \(renesas.github.io\)](https://renesas.github.io)



FPB-RA0E1



Tutorial