

10 mm Square GS Encoders

Type: **EVQVX**



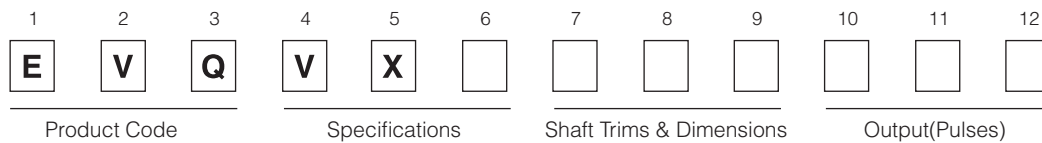
■ Features

- Compact and thin design (Body thickness: 4 mm)
- Good rotational feel
- Supports vertical self-standing mounting onto printed circuit boards

■ Recommended Applications

- Computer peripherals (Mouse)
- Information & communications equipment
- For input devices of measuring instruments and various electronic equipment

■ Explanation of Part Numbers

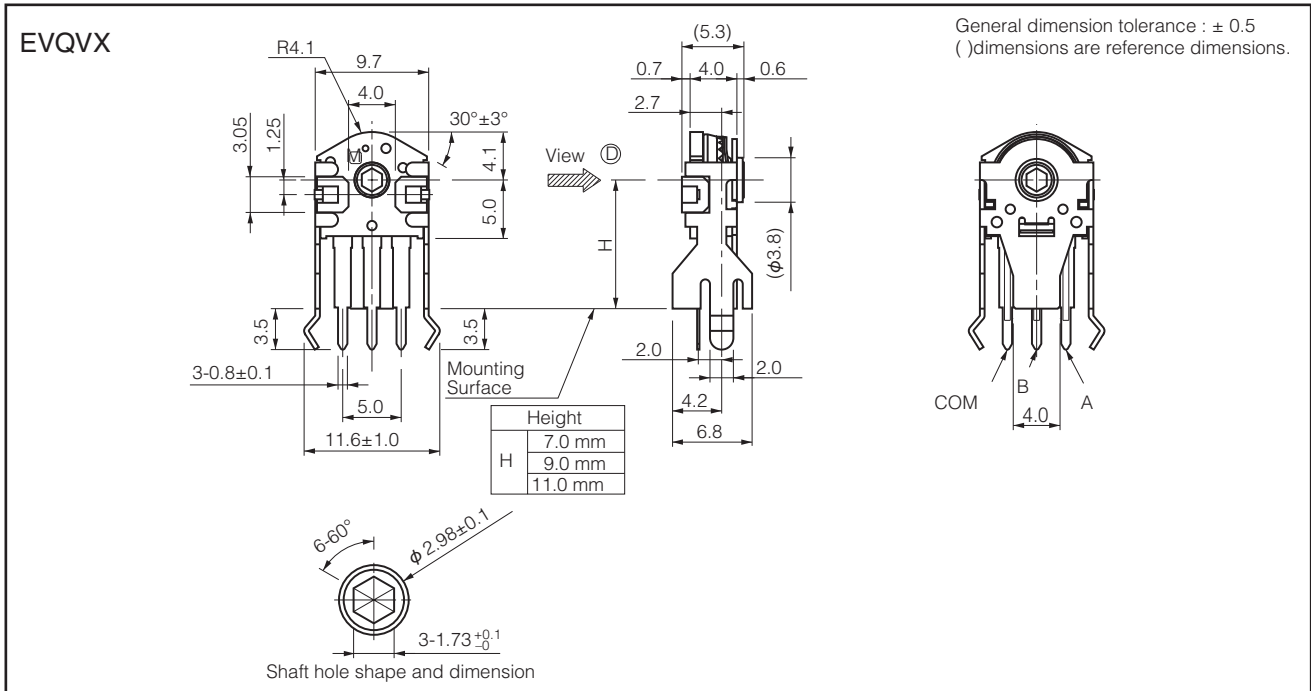


■ Specifications

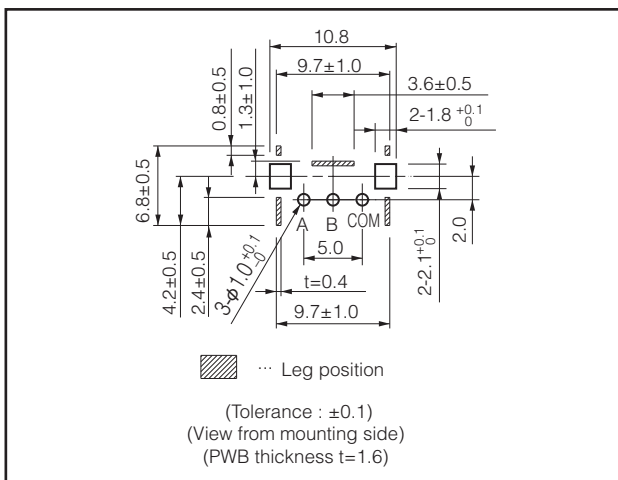
Mechanical	Rotation Angle	360 ° (Endless)
	Rotation Torque	5 mN·m
	Detents	24 points
Electrical	Output Signals	Phase A and B
	Resolution	12 pulses/360 °
	Rating	1 mA 10 V DC (at each bit)
	Contact Resistance	10 Ω max.
	Insulation Resistance	50 MΩ min. (at 50 V DC)
	Dielectric Withstanding Voltage	50 V AC for 1 minute
	Bouncing	5 ms max.
Endurance	Rotation Life	200,000 cycles min.
Minimum Quantity/Packing Unit		300 pcs. (Tray Pack)
Quantity/Carton		3,000 pcs.

Design and specifications are each subject to change without notice. Ask factory for the current technical specifications before purchase and/or use.
Should a safety concern arise regarding this product, please be sure to contact us immediately.

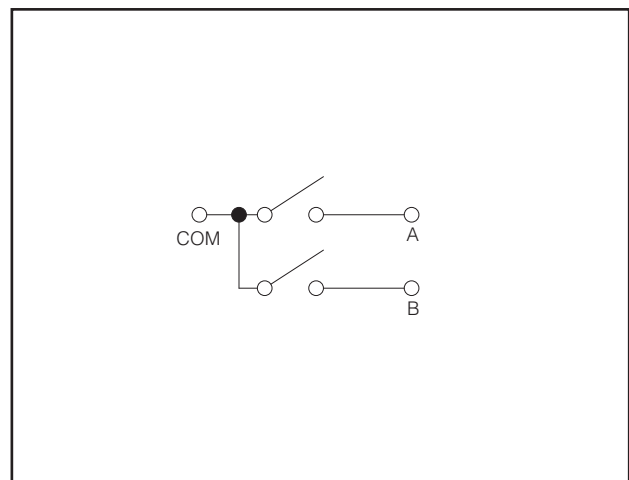
■ Dimensions in mm (not to scale)



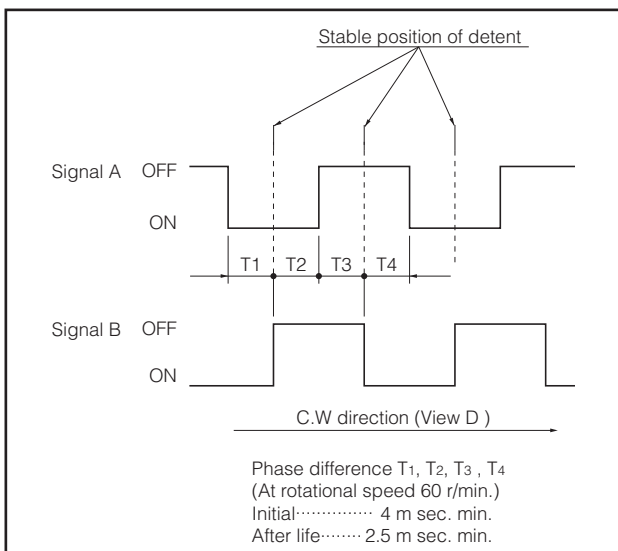
■ PWB mounting hole for reference



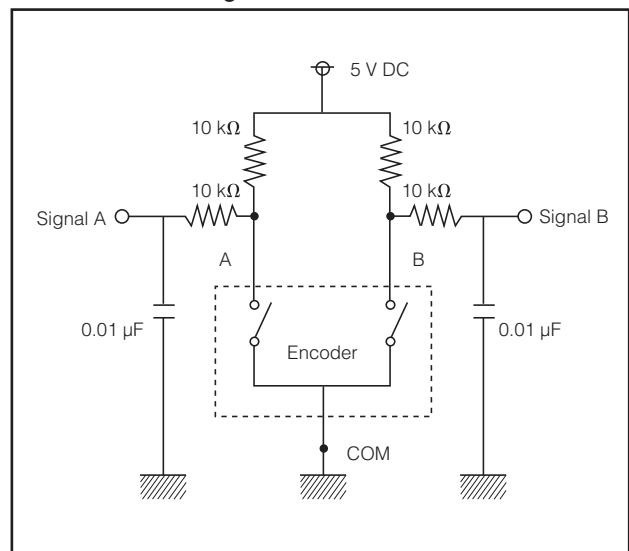
■ Circuit Diagram



■ Phase Difference



■ Test Circuit Diagram



Design and specifications are each subject to change without notice. Ask factory for the current technical specifications before purchase and/or use.
Should a safety concern arise regarding this product, please be sure to contact us immediately.