

# 62.5W auxiliary power supply for three-phase power converter

## Using the 1700 V CoolSiC™ MOSFET

### About this document

#### Scope and purpose

This document demonstrates the solution for high input voltage DC link 62.5 W auxiliary power supply designs using Infineon's 1700 V CoolSiC™ MOSFET in TO-263 7 package (IMBF170R1K0M1) in a single-ended flyback topology. The reference board can support designers targeting three-phase converters that includes solar inverter, energy storage, EV-charger, UPS and motor drives.

Sales product name: REF\_62W\_FLY\_1700V\_SIC

#### Intended audience

Design engineers designing auxiliary power supply designs in three-phase converters and with Infineon CoolSiC™ MOSFET.

### Important Notice

Environmental conditions have been considered in the design of the Evaluation and Reference Boards provided by Infineon Technologies. The design of the Evaluation and Reference Boards is tested by Infineon Technologies only as described in this document. The design is not qualified in terms of safety requirements, manufacturing and operation over the entire operating temperature range or lifetime.

The Evaluation and Reference Boards provided by Infineon Technologies are **subject to functional testing only under typical load conditions**. Evaluation and Reference Boards are not subject to the same procedures as regular products regarding returned material analysis (RMA), process change notification (PCN) and product discontinuation (PD).

Evaluation and Reference Boards are not commercialized products and are **solely intended to be used for evaluation and testing purposes**. They shall not be used for reliability testing or production. Hence, the Evaluation and Reference Boards may not comply with CE or similar standards (including but not limited to the EMC Directive 2004/EC/108 and the EMC Act) and may not fulfill other requirements of the country in which they are operated by the Customer. The Customer shall ensure that each Evaluation and/or Reference Board will be handled in a way which is compliant with all relevant requirements and standards in the country in which they are operated.

The Evaluation and Reference Boards are addressed **only to qualified and skilled technical staff, for laboratory usage**, and shall be used and managed according to the terms and conditions set forth in this document and in any other related documentation provided with the respective Evaluation or Reference Board.

It is the responsibility of the Customer's technical staff to evaluate the suitability of the Evaluation and Reference Boards for the intended application and the completeness of the Evaluation and Reference Board information provided in this document with respect to such application. The Customer accepts that the Evaluation and

Reference Boards are not intended to be used for life-endangering applications such as medical, nuclear, military, life-critical or other applications, where failure of the Evaluation and Reference Boards or any results from the use thereof can reasonably be expected to result in personal injury.

Evaluation and Reference Boards are provided "AS IS". Infineon Technologies disclaims any and all warranties, express or implied, including but not limited to warranties of non-compliance with any specification, non-infringement of third party rights and implied warranties of fitness for any purpose, or for merchantability.










Infineon Technologies shall not be responsible for any damages resulting from the use of the Evaluation and Reference Boards. Customer is obliged to defend, indemnify and hold Infineon Technologies harmless from and against any claims or damages arising out of or resulting from any use of the Evaluation and Reference Boards.

## Table of Contents

|  |           |
|--|-----------|
| <b>About this document</b> .....                               | <b>1</b>  |
| <b>Important Notice</b> .....                                  | <b>1</b>  |
| <b>Table of Contents</b> .....                                 | <b>2</b>  |
| <b>1 Safety precautions</b> .....                              | <b>3</b>  |
| <b>2 Introduction</b> .....                                    | <b>4</b>  |
| <b>3 Board overview</b> .....                                  | <b>5</b>  |
| 3.1 Board features .....                                       | 5         |
| 3.2 1700 V CoolSiC™ MOSFET overview .....                      | 5         |
| 3.3 External gate resistor selection guide .....               | 6         |
| <b>4 Reference board specifications and descriptions</b> ..... | <b>8</b>  |
| 4.1 Board pictures .....                                       | 8         |
| 4.2 The technical specification of board .....                 | 9         |
| 4.3 Schematic .....  | 10        |
| 4.4 PCB layout .....   | 11        |
| 4.5 Bill of material .....                                     | 13        |
| 4.6 Transformer construction.....                              | 15        |
| <b>5 Test results</b> .....                                    | <b>17</b> |
| 5.1 Efficiency result .....                                    | 17        |
| 5.2 Waveforms.....   | 18        |
| 5.3 Thermal performance .....                                  | 19        |
| <b>6 References</b> .....                                      | <b>22</b> |
| <b>Revision History</b> .....                                  | <b>22</b> |

# 1 Safety precautions

Table 1 Safety Precautions

|   |  |
|---|--|
|    | <p><b>Warning:</b> The DC link potential of this board is up to 1000V<sub>DC</sub>. When measuring voltage waveforms by oscilloscope, high voltage differential probes must be used. Failure to do so may result in personal injury or death.</p>  |
|    | <p><b>Caution:</b> Only personnel familiar with the drive, power electronics and associated machinery should plan, install, commission and subsequently service the system. Failure to comply may result in personal injury and/or equipment damage.</p>   |
|    | <p><b>Warning:</b> The evaluation or reference board contains DC bus capacitors which take time to discharge after removal of the main supply. Before working on the drive system, wait five minutes for capacitors to discharge to safe voltage levels. Failure to do so may result in personal injury or death. Darkened display LEDs are not an indication that capacitors have discharged to safe voltage levels.</p>                                |
|   | <p><b>Warning:</b> The evaluation or reference board is connected to the grid input during testing. Hence, high-voltage differential probes must be used when measuring voltage waveforms by oscilloscope. Failure to do so may result in personal injury or death. Darkened display LEDs are not an indication that capacitors have discharged to safe voltage levels.</p>  |
|  | <p><b>Caution:</b> The heat sink and IGBT module surfaces of the evaluation or reference board may become hot during testing. Hence, necessary precautions are required while handling the board. Failure to comply may cause injury.</p>  |
|  | <p><b>Caution:</b> The evaluation or reference board contains parts and assemblies sensitive to electrostatic discharge (ESD). Electrostatic control precautions are required when installing, testing, servicing or repairing the assembly. Component damage may result if ESD control procedures are not followed. If you are not familiar with electrostatic control procedures, refer to the applicable ESD protection handbooks and guidelines.</p> |
|  | <p><b>Warning:</b> Remove or disconnect power from the drive before you disconnect or reconnect wires, or perform maintenance work. Wait five minutes after removing power to discharge the bus capacitors. Do not attempt to service the drive until the bus capacitors have discharged to zero. Failure to do so may result in personal injury or death.</p>   |
|  | <p><b>Caution:</b> A drive that is incorrectly applied or installed can lead to component damage or reduction in product lifetime. Wiring or application errors such as undersizing the motor, supplying an incorrect or inadequate AC supply, or excessive ambient temperatures may result in system malfunction.</p>   |
|  | <p><b>Caution:</b> The evaluation or reference board is shipped with packing materials that need to be removed prior to installation. Failure to remove all packing materials that are unnecessary for system installation may result in overheating or abnormal operating conditions.</p>   |

## 2 Introduction

The reference board “REF\_62W\_FLY\_1700V\_SiC” was developed to support customers designing auxiliary power supplies for three-phase converters using the 1700 V CoolSiC™ MOSFET in a single-ended flyback topology.

The board has three outputs of +15 V, -15 V and +24 V with up to 62.5 W output power working in a wide input voltage range from 200 V<sub>DC</sub> to 1000 V<sub>DC</sub>. Its potential applications are three-phase systems having a high input voltage DC link.

This application note contains an overview of the reference board’s operation, product information and technical details with measurement results. The board uses 1700 V CoolSiC™ MOSFET in a TO-263 7L surface-mounted device (SMD) package as the main switch, which is well suited for high input voltage DC link, with single-ended flyback topology. With low R<sub>DS(on)</sub>, high efficiency and low device temperature rising can be achieved with this board.

The controller works in quasi-resonant mode to help reduce EMI noise. This information’s can help customers during their design-in phase, and for re-use of the reference design board for their own specific requirements.



**Figure 1** Picture of board

### 3 Board overview

#### 3.1 Board features

Key features of the reference board include:

- Adjustable output over voltage protection
- Overload/open loop protection
- Current limit protection
- Auto restart for over temperature protection
- VCC overvoltage and under voltage protection
- Shorted winding protection

The reference board uses the UCC28600 quasi-resonant flyback green-mode controller from Texas Instruments. The controller operates in different operating modes depending upon the line and load conditions. The converter is controlled using bursts of 40 kHz pulses at light load conditions and transitions to frequency fold-back mode (FFM) up to 30% full rated power. At loads greater than 30% full rated power, it operates either in quasi-resonant mode (QRM) or discontinuous conduction mode (DCM) clamped at a maximum switching frequency of 130 kHz.

#### 3.2 1700 V CoolSiC™ MOSFET overview

The 1700 V CoolSiC™ MOSFET from Infineon is an excellent choice for high input voltage DC link systems like those found in auxiliary power supplies for three-phase converters. The TO-263 7L surface-mounted device (SMD) package is an optimized package for up to 1700 V high voltage power device. There is a creepage distance of about 7mm wide between drain and source, so safety standards are easily met. The separate driver source pin is helpful in reducing parasitic inductance of the gate loop to avoid gate ringing effect.

This application note will demonstrate how to simplify the current auxiliary power supply designs by developing a single-ended flyback reference design board using Infineon’s 1700 V CoolSiC™ MOSFET. For low power DC/DC converters below 300 W, a flyback is the most common topology due to its simple design. However, the flyback topology requires a high-blocking voltage-switching device. Currently, silicon MOSFETs only have a blocking voltage of up to 1500 V that leaves low design margins, which affects the reliability of the power supply at a given input voltage DC link of 1000 V<sub>DC</sub>. Moreover, most 1500 V silicon MOSFETs have very large on-state resistance ( $R_{DS(on)}$ ), which will lead to higher losses, and thus lower system efficiency.

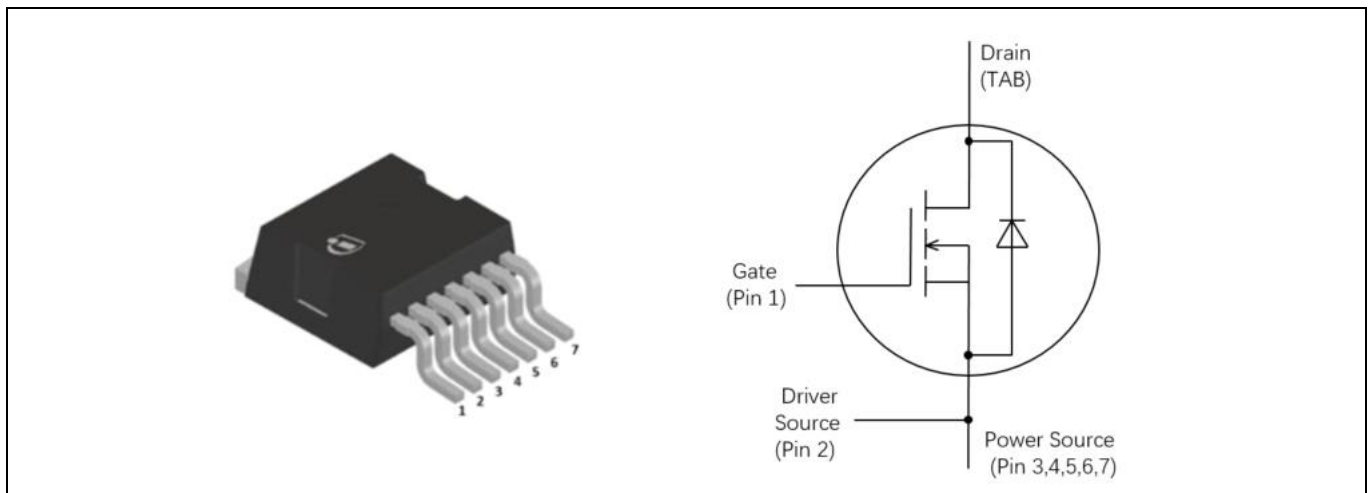
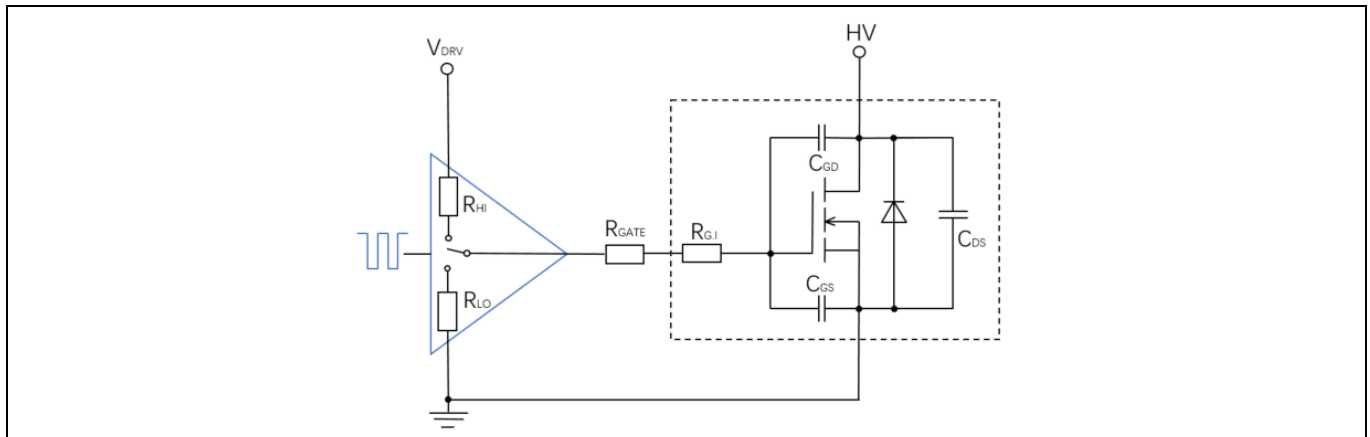


Figure 2 1700 V CoolSiC™ MOSFET IMBF170R1K0M1

The UCC28600 gate drive output stage has a 1-A sink (TrueDrive™) and 0.75-A source capability, and is clamped to 13 V internally, so the SiC MOSFET can be driven directly, which simplifies the driver circuit design.

### 3.3 External gate resistor selection guide

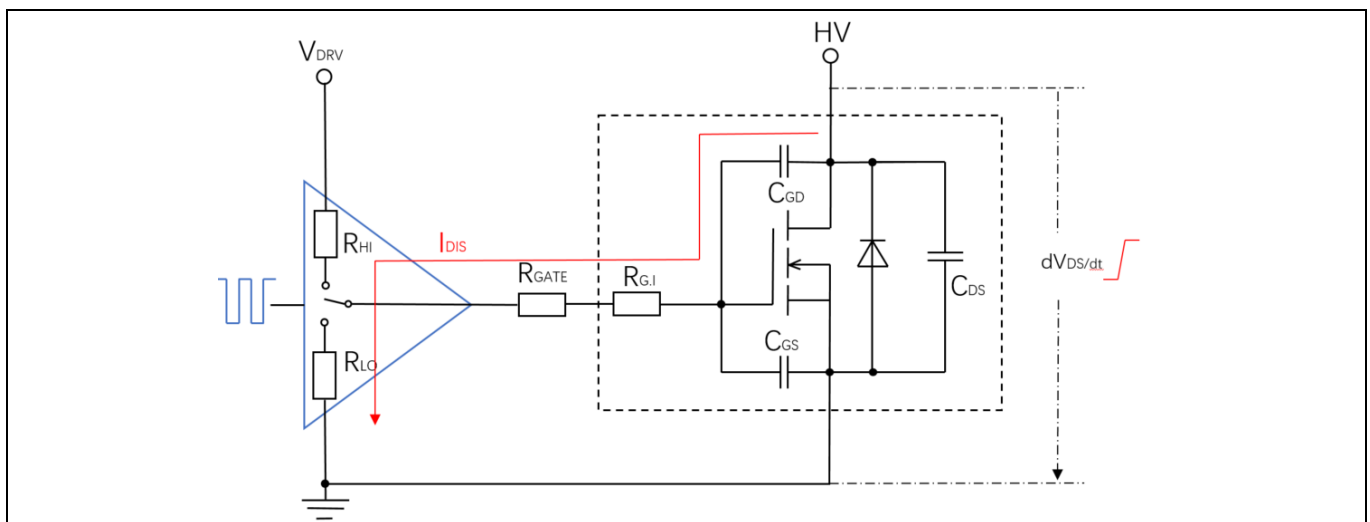
An optimum gate resistor is key for a high-performance design; generally, the value of an optimized gate resistor will be somewhere between the values indicated in the MOSFET data sheet and roughly twice this value.



**Figure 3 Gate drive elements**

The gate resistor  $R_{GATE}$  limits the current, charging and discharging of the gate. This will influence the switching speed of the power device. Besides this, there are also several other influences from the gate resistor for:

- Limiting peak gate current to protect the driver output stage
- Dissipating power in the gate loop
- Electromagnetic interference
- Preventing gate ringing
- Avoiding parasitic turn-on by carefully selecting gate resistance



**Figure 4 Parasitic turn on**

As we know, use of a larger gate resistance value could be a workaround, which would not only increase the damping effect and suppress the ringing effect, but also limit peak gate current, and suppress electromagnetic interference. However, designers should be aware that, increasing gate resistance will decrease converter efficiency and lead higher temperature rising of MOSFET, so, designers should get balance on all sides.

As sketched in Figure 4, high  $dV_{DS}/dt$  across the MOSFET will generate a displacement current  $I_{DIS}$  through the Miller capacitor  $C_{GD}$ , and this displacement current will generate a voltage drop across the gate resistor raising up the gate voltage. This can be calculated according to equations (1) and (2) below.

$$I_{DIS} = C_{GD} \times \frac{dV_{CE}}{dt} \quad (1)$$

$$V_{DIS} = I_{DIS} \times (R_G + R_{G,I} + R_{L,O}) \quad (2)$$

If this voltage is up to MOSFET turn on threshold voltage, parasitic turn on occurs. This will influence the efficiency and safety of the converter, if in a bridge system, a bridge shoot-through appears.

In addition, considering signal integrity, gate resistance value that is too high will decouple the gate signal, which comes from the output stage of the driver; this will lead to longer delay times or even operation failure. Therefore, the value of the gate resistor should be chosen carefully.

Besides the value choosing, the layout of the gate resistor is also important. If it is physically possible, the gate resistor should be put as close as possible to the gate of the MOSFET.

## 4 Reference board specifications and descriptions

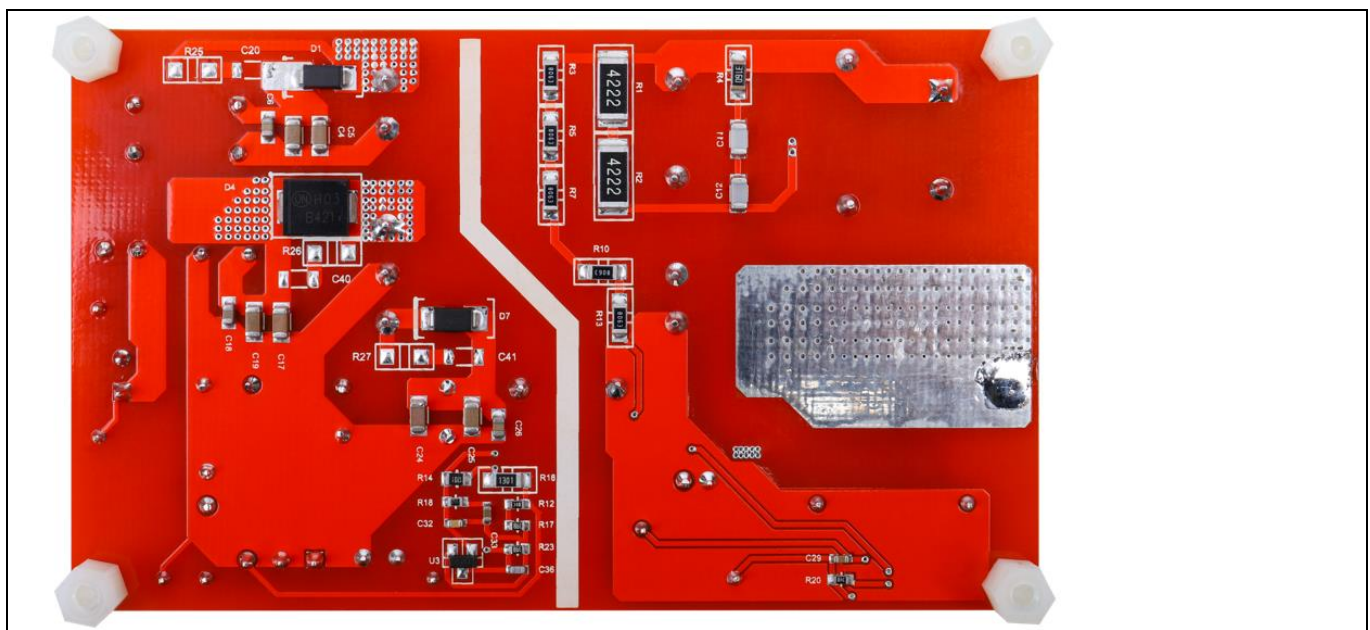
This section contains information about the reference board including the flyback transformer construction.

### 4.1 Board pictures

Figure 5 and Figure 6 show the top and bottom side of the reference board. The board has a size of 60mm x 100mm x 25mm.



**Figure 5 Top side of the reference board.**



**Figure 6 Bottom side of the reference board.**



## 4.2 The technical specification of board

The reference board is intended to support customers designing an auxiliary power supply for three-phase converters using the Infineon 1700 V CoolSiC™ MOSFET. Potential applications includes solar inverters, energy storage, EV-chargers, UPS and motor drives. Table 2 lists the key board specifications.

**Table 2 Technical specification**

|                                      |   |       |       |
|--------------------------------------|---|-------|-------|
| Input voltage                        | 200 V <sub>DC</sub> to 1000 V <sub>DC</sub> |       |       |
| Output power                         | 62.5 W                                      |       |       |
| Topology                             | Single-ended flyback                        |       |       |
| Output voltage                       | +24 V                                       | +15 V | -15 V |
| Tolerance                            | 5%  | 2%    | 2%    |
| Output current                       | 1 A   | 2 A   | 0.5 A |
| Frequency                            | 80 kHz, QR mode                             |       |       |
| Derating of switches V <sub>DS</sub> | 85% (1450 V)                                |       |       |
| Efficiency at full load              | >85%  |       |       |

### 4.3 Schematic

Figure 7 shows the schematic of the single-ended flyback converter for this reference board.

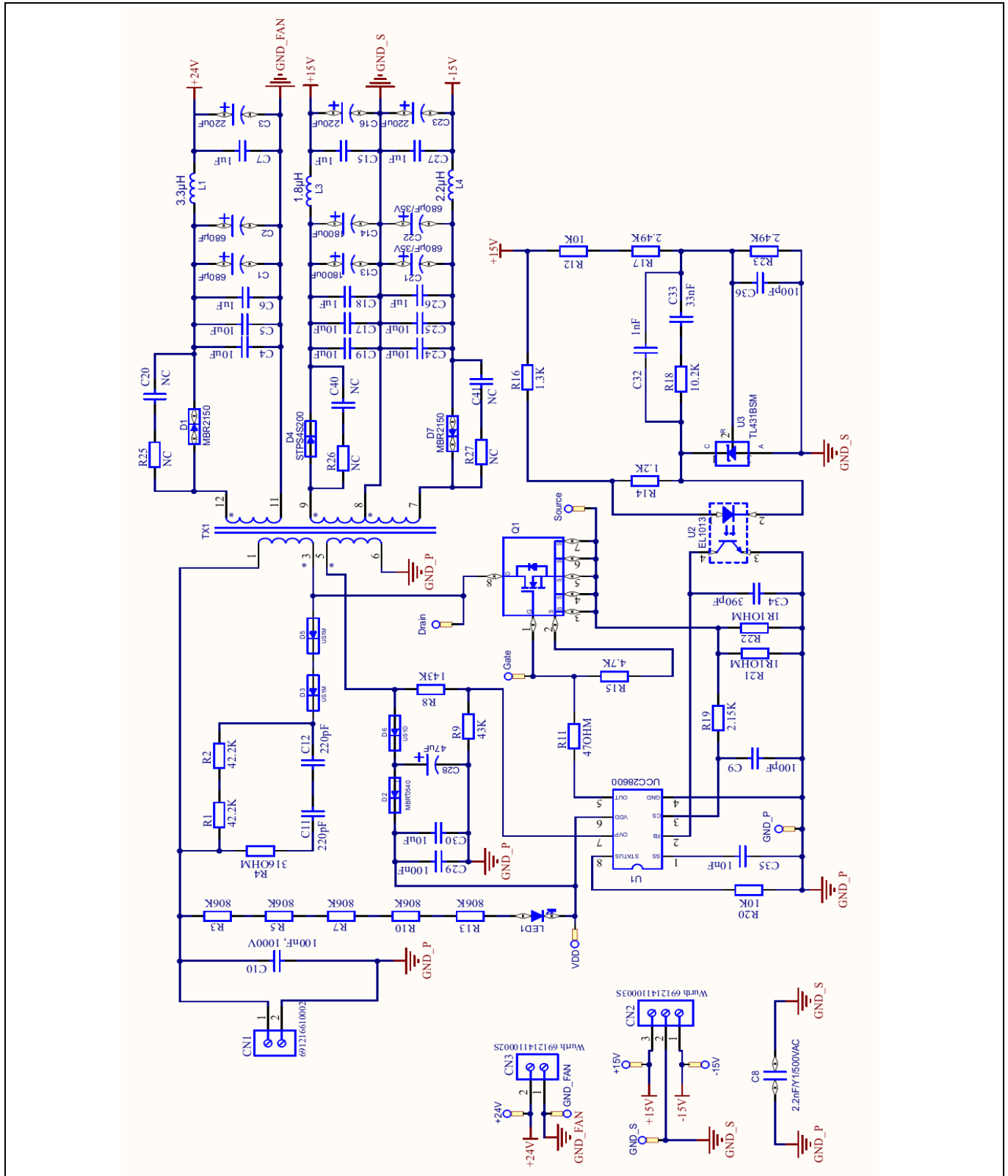


Figure 7 Schematic of the reference board.

### 4.4 PCB layout

The following pictures show the PCB layout and the component assembly marked with its respective designators.

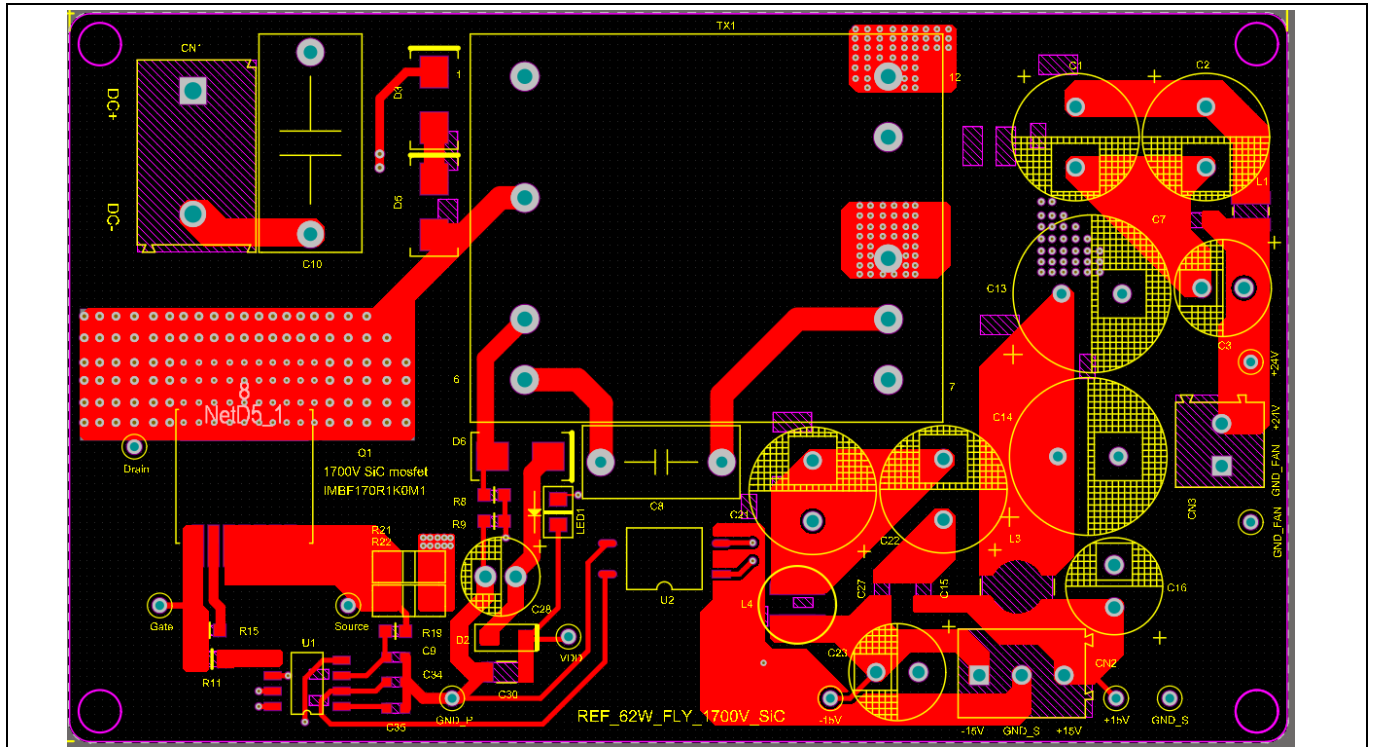


Figure 8 PCB top layer

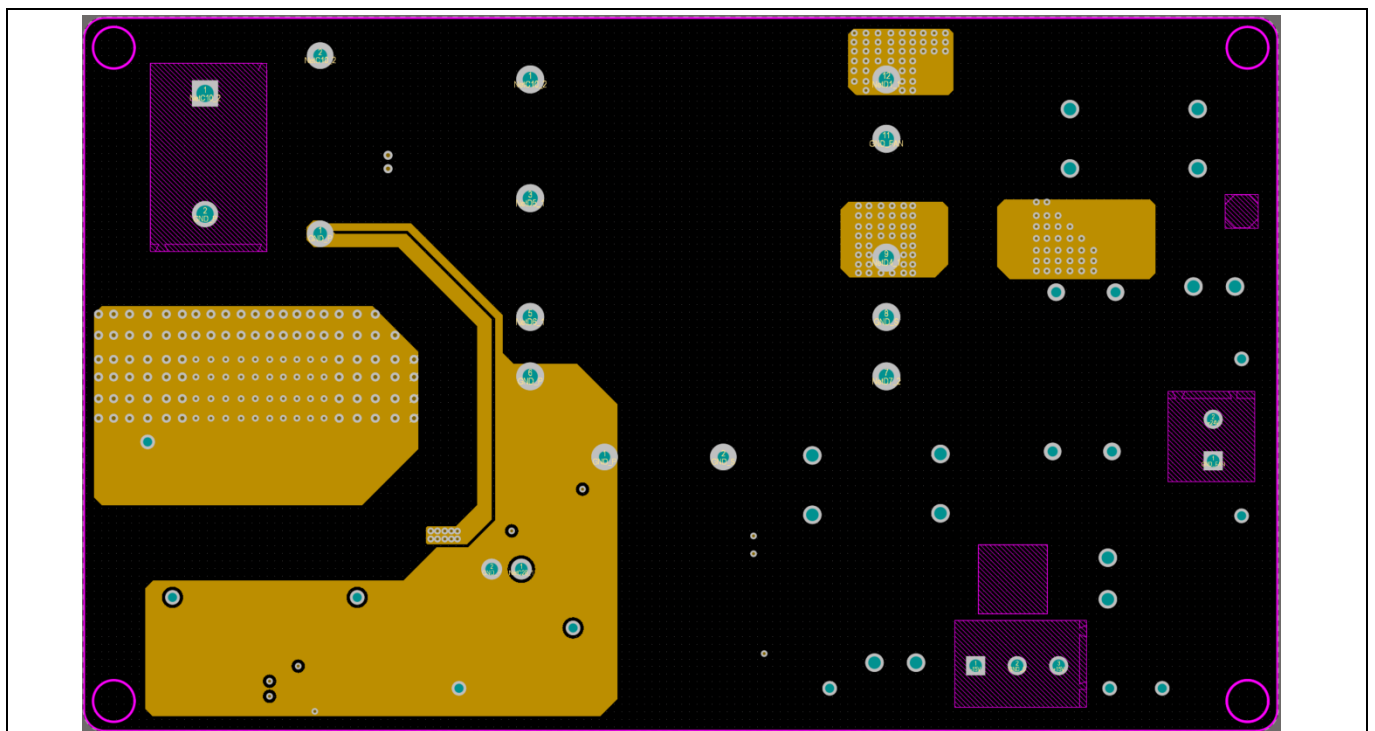


Figure 9 PCB middle 1 layer

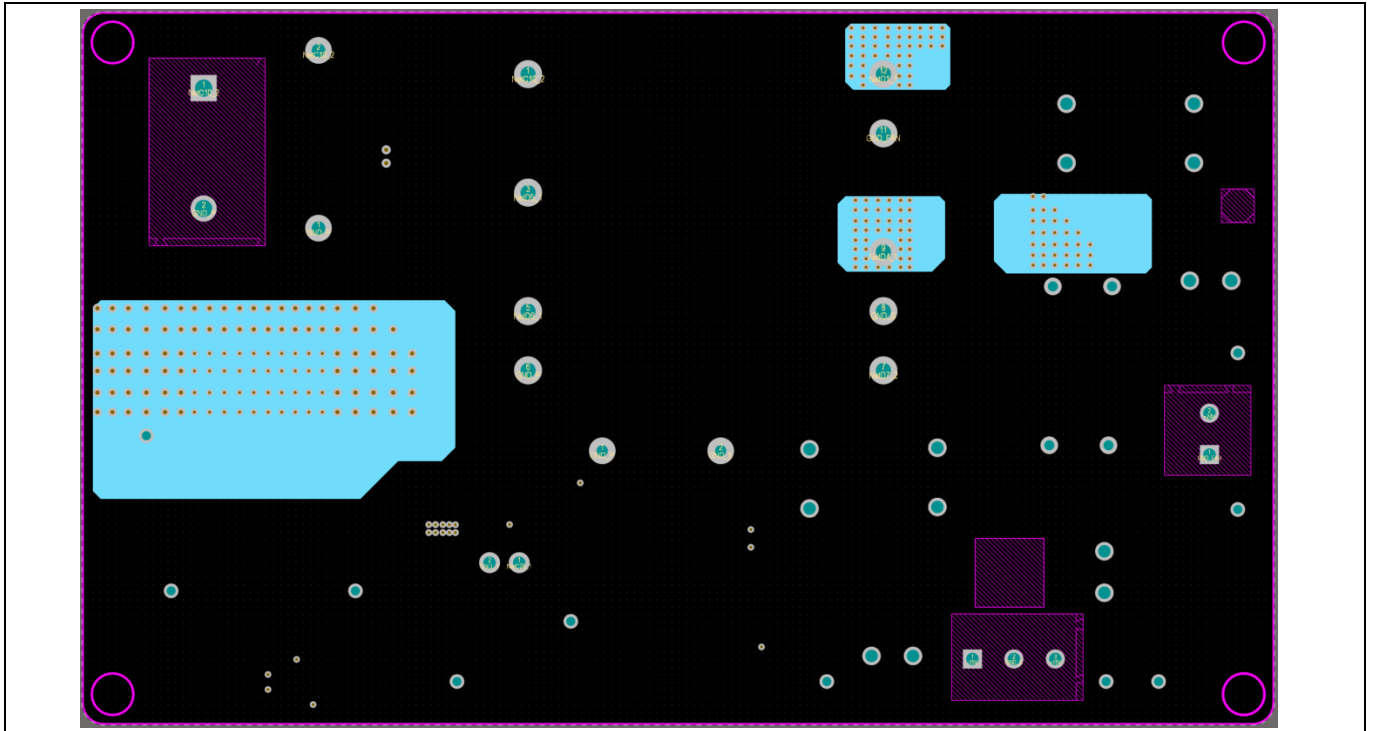


Figure 10 PCB middle 2 layer

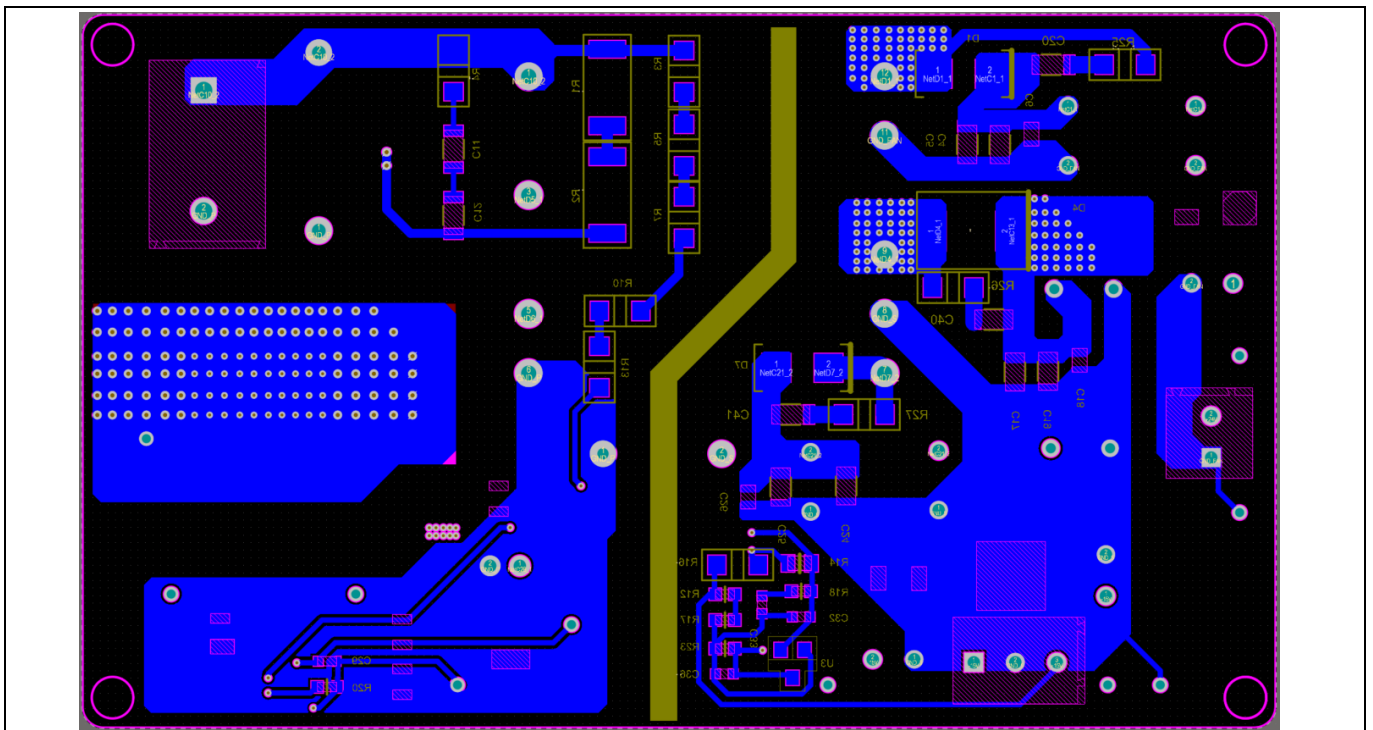


Figure 11 PCB bottom layer

## 4.5 Bill of material

The BOM lists all components used for the PCB.

**Table 3 Bill of material**

| Designator   | Description  | Part number        | Manufacturer            | Quantity |
|--|--|--------------------|-------------------------|----------|
| -15V, +15V,<br>+24V, VDD,<br>GND_FAN,<br>GND_P, GND_S,<br>Gate, Drain,<br>Source | TEST POINT PC<br>MINI .040"D WHITE                               | 5002               | KEystone<br>ELECTRONICS | 10       |
| C1, C2, C21, C22   | Electrolytic capacitor, 680uF, 20%, 35V                          | ERJ1VM681G250T     | Aishi                   | 4        |
| C3, C16, C23   | Electrolytic capacitor, 220uF, 20%, 35V                          | ERJ1VM221F160T     | Aishi                   | 3        |
| C4, C5, C17,<br>C19, C24, C25,<br>C30  | Ceramic capacitor, 10uF, X7R, 50V,<br>CAP1206                    | C3216X7R1HK160A    | TDK                     | 7        |
| C6, C7, C15,<br>C18, C26, C27  | Ceramic capacitor, 1uF, X7R, 50V,<br>CAP0805                     | 885012207103       | Würth                   | 6        |
| C8   | Y1 capacitor, 2.2nF, 500VAC,                                     | DE1E3RB222MN4AR01F | Murata                  | 1        |
| C9,C36   | Ceramic capacitor, 100pF, X7R, 25V,<br>CAP0603                   | 885012206053       | Würth                   | 2        |
| C10  | Film Capacitor,100nF/1000V                                       | 890493425009CS     | Würth                   | 1        |
| C11, C12   | Ceramic capacitor, 220pF, X7R, 1kV,<br>CAP1206                   | CC1206KKX7RCBB221  | Yageo                   | 2        |
| C13, C14   | Electrolytic capacitor, 1800uF, 20%,<br>25V                      | ERJ1EM182W250T     | Aishi                   | 2        |
| C20, C40, C41  | NC   |                    |                         | 3        |
| C28  | Electrolytic capacitor, 47uF, 20%, 35V                           | ERJ1VM470E090T     | Aishi                   | 1        |
| C29  | Ceramic capacitor, 100nF, X7R, 50V,<br>CAP0603                   | 885012206095       | Würth                   | 1        |
| C32  | Ceramic capacitor, 1nF, X7R, 25V,<br>CAP0603                     | 885012206059       | Würth                   | 1        |
| C33  | Ceramic capacitor, 33nF, X7R, 25V,<br>CAP0603                    | 885012206068       | Würth                   | 1        |
| C34  | Ceramic capacitor, 390pF, X7R, 25V,<br>CAP0603                   | C0603C391K3RACTU   | Kemet                   | 1        |
| C35  | Ceramic capacitor, 10nF, X7R, 25V,<br>CAP0603                    | 885012206065       | Würth                   | 1        |
| CN1  | Horizontal entry with rising cage clamp<br>WR-TBL, 2 pin         | 691216610002       | Würth                   | 1        |
| CN2  | Horizontal entry modular with rising<br>cage clamp WR-TBL, 3 pin | 691214110003S      | Würth                   | 1        |

## 62.5W auxiliary power supply for three-phase power converter Using the 1700 V CoolSiC™ MOSFET



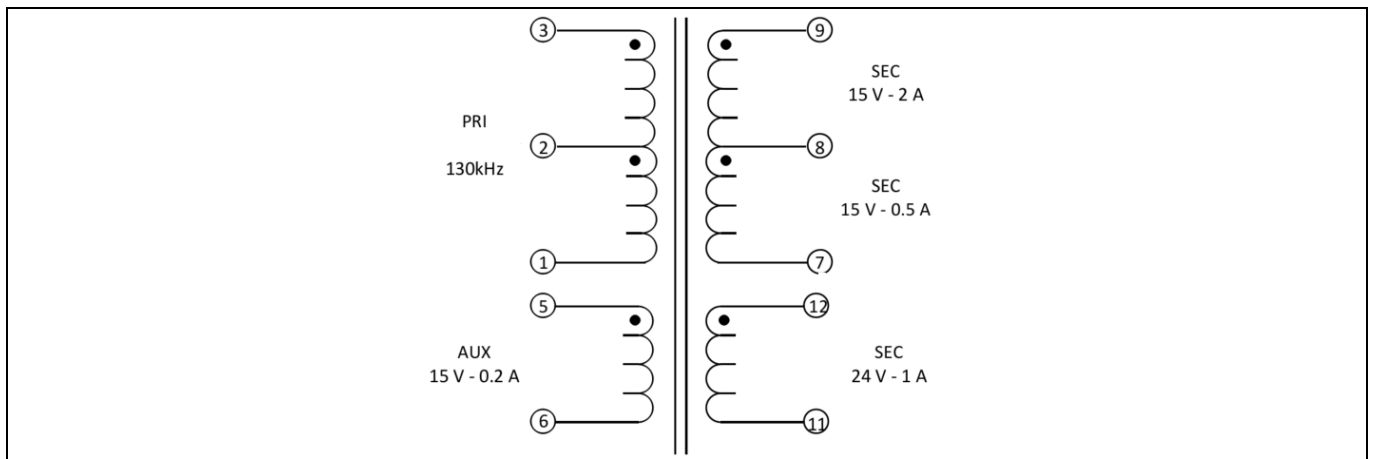
|                      |   |                  |           |   |
|----------------------|---|------------------|-----------|---|
| CN3                  | Horizontal entry modular with rising cage clamp WR-TBL, 2 pin | 691214110002S    | Würth     | 1 |
| D1, D7               | High voltage power Schottky rectifier                         | MBR2150          | Diodes    | 2 |
| D2                   | Schottky rectifier  | MBR0540          | ONsemi    | 1 |
| D3, D5               | 1.0A surface mount ultra-fast rectifier                       | US1M             | Diodes    | 2 |
| D4                   | Power Schottky rectifier                                      | STPS4S200        | ST        | 1 |
| D6                   | 1.0A surface mount ultra-fast rectifier                       | US1D             | Diodes    | 1 |
| L1                   | WE-TPC SMT Tiny Power Inductor                                | 744025003        | Würth     | 1 |
| L3                   | WE-TPC SMT Tiny Power Inductor                                | 7440520018       | Würth     | 1 |
| L4                   | WE-PD2 SMD Power Inductor                                     | 744773022        | Würth     | 1 |
| LED1                 | LED RED CLEAR 0805 SMD  | 150080RS75000    | Würth     | 1 |
| Q1                   | 1700V SiC MOSFET  | IMBF170R1K0M1    | Infineon  | 1 |
| R1, R2               | Resistor, 42.2k, 1%, RES2512                                  | RC2512FR-0742K2L | Yageo     | 2 |
| R3, R5, R7, R10, R13 | Resistor, 806K, 1%, RES1206                                   | RC1206FR-07806KL | Yageo     | 5 |
| R4                   | Resistor, 316R, 1%, RES1206                                   | RC1206FR-07316RL | Yageo     | 1 |
| R8                   | Resistor, 143k, 1%, RES0603                                   | RC1206FR-07143KL | Yageo     | 1 |
| R9                   | Resistor, 43k, 1%, RES0603                                    | RC1206FR-0743KL  | Yageo     | 1 |
| R11                  | Resistor, 47R, 1%, RES0805                                    | RC1206FR-0747RL  | Yageo     | 1 |
| R12, R20             | Resistor, 10k, 1%, RES0603                                    | RC1206FR-0710KL  | Yageo     | 2 |
| R14                  | Resistor, 1.2k, 1%, RES0805                                   | RC1206FR-071K2L  | Yageo     | 1 |
| R15                  | Resistor, 4.7k, 1%, RES0603                                   | RC1206FR-074K7L  | Yageo     | 1 |
| R16                  | Resistor, 1.3k, 1%, RES1206                                   | RC1206FR-071K3L  | Yageo     | 1 |
| R17, R23             | Resistor, 2.49k, 1%, RES0603                                  | RC1206FR-072K49L | Yageo     | 2 |
| R18                  | Resistor, 10.2k, 1%, RES0603                                  | RC1206FR-0710K2L | Yageo     | 1 |
| R19                  | Resistor, 2.15k, 1%, RES0603                                  | RC1206FR-072K15L | Yageo     | 1 |
| R21, R22             | Resistor, 1R1, 1%, RES1206                                    | RC1206FR-071R1L  | Yageo     | 2 |
| R25, R26, R27        | NC  |                  |           |   |
| TX1                  | flyback transformer   | 750344264-02     | Würth     | 1 |
| U1                   | Quasi-resonant controller                                     | UCC28600         | TI        | 1 |
| U2                   | Long creepage photocoupler                                    | EL1013           | Everlight | 1 |
| U3                   | Precision programmable reference                              | TL431BIDBZR      | TI        | 1 |

### 4.6 Transformer construction

The flyback transformer was manufactured by Würth. The following tables and figures shows key specifications and information.

**Table 4 Transformer specification**

|                              |  |
|------------------------------|--|
| Manufacturer and part number | Würth 750344264-02   |
| Core size                    | ER28/17/11   |
| Core material                | DMR95  |
| Bobbin                       | 12 pins ER28 vertical  |
| Primary inductance           | 772 $\mu$ H measured from pin 1 to pin3 @100 kHz                             |
| Leakage inductance           | <10 $\mu$ H measured from pin 1 to pin 3 with all other pins shorted @100kHz |



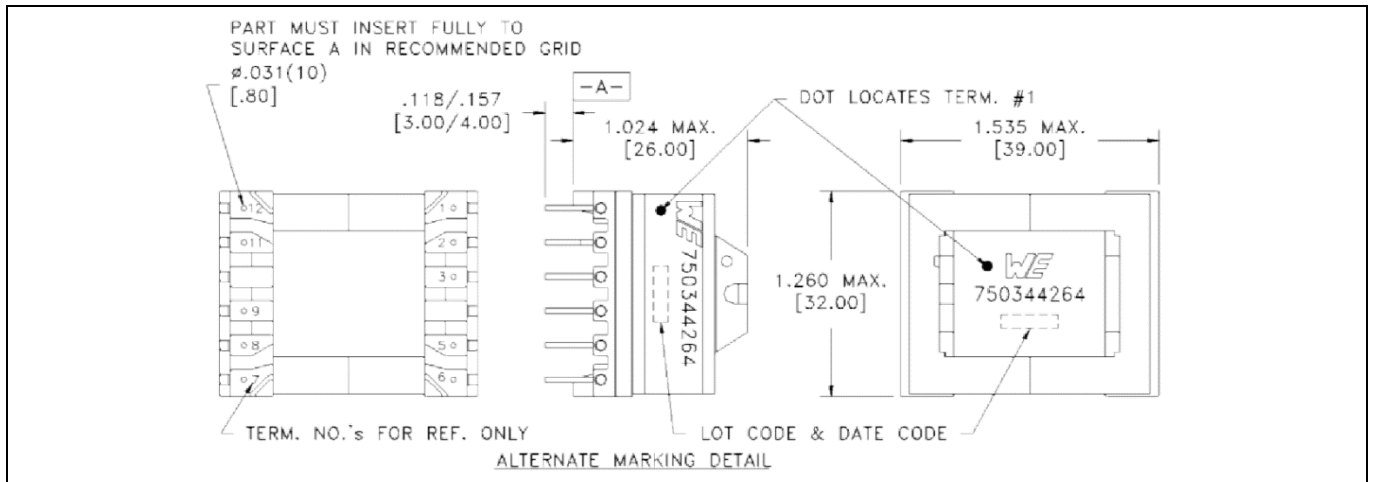
**Figure 12 Electrical diagram of transformer**

**Table 5 Electrical specifications @25°C unless otherwise noted**

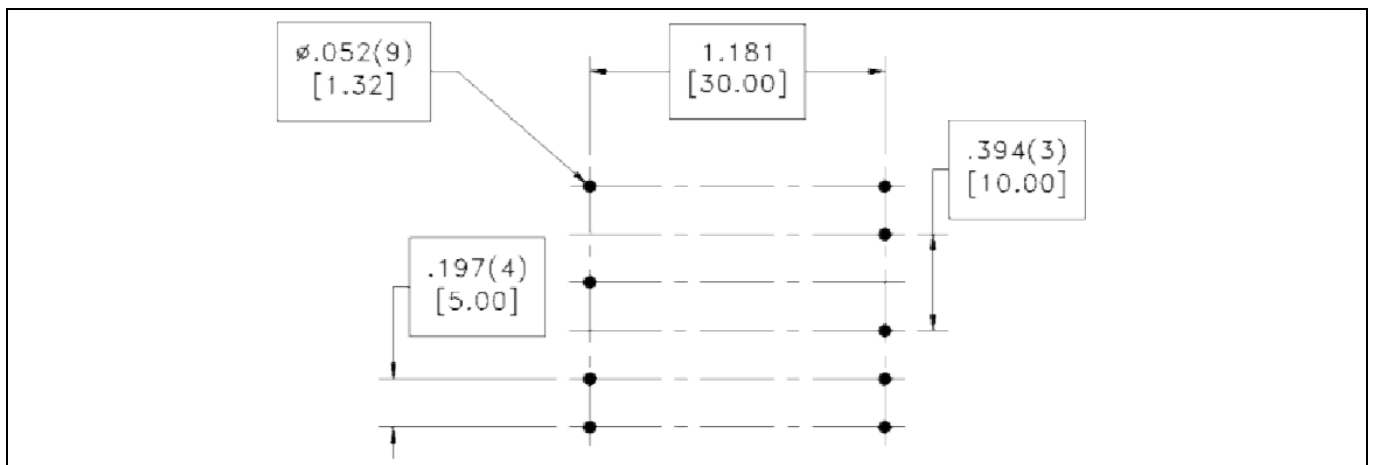
| Parameter     | Pin           | Test conditions                   | Value                 |
|---------------|---------------|-----------------------------------|-----------------------|
| DC resistance | 3-1           | @20°C                             | 0.504 ohms max        |
|               | 5-6           | @20°C                             | 0.040                 |
|               | 9-8           | @20°C                             | 0.005                 |
|               | 12-11         | @20°C                             | 0.019                 |
|               | 8-7           | @20°C                             | 0.027                 |
| Inductance    | 3-1           | 100 kHz, 100 mV, Ls               | 772 $\mu$ H $\pm$ 10% |
| Dielectric    | 3-1           | tie(3+5,9+11), 3750 VAC, 1 second | 3000 VAC, 1minute     |
| Turns ratio   | (3-1):(5-6)   |                                   | 15.25, $\pm$ 2%       |
|               | (3-1):(9-8)   |                                   | 15.25, $\pm$ 2%       |
|               | (3-1):(12-11) |                                   | 10.17, $\pm$ 2%       |
|               | (3-1):(8-7)   |                                   | 15.25, $\pm$ 2%       |

Note: 100% of components are hi-pot tested to 3KVac primary to secondary for 1 minute.

Figures below depict the transformer setup and recommended land pattern.



**Figure 13 Transformer setup diagram. Dimensions in brackets are in mm.**



**Figure 14 Transformer recommended land pattern. Dimensions in brackets are in mm.**



## 5 Test results

To demonstrate the high performance of the reference board with 1700 V CoolSiC™ MOSFETs, efficiency was measured accompanied with the switch voltage waveforms and thermal performance of the board.

### 5.1 Efficiency result

Efficiency of the reference board was measured and test result is found in Figure 15, peak efficiency is 90.56% at a full load specification of 62.5 W with a gate resistor value of 47 Ω.

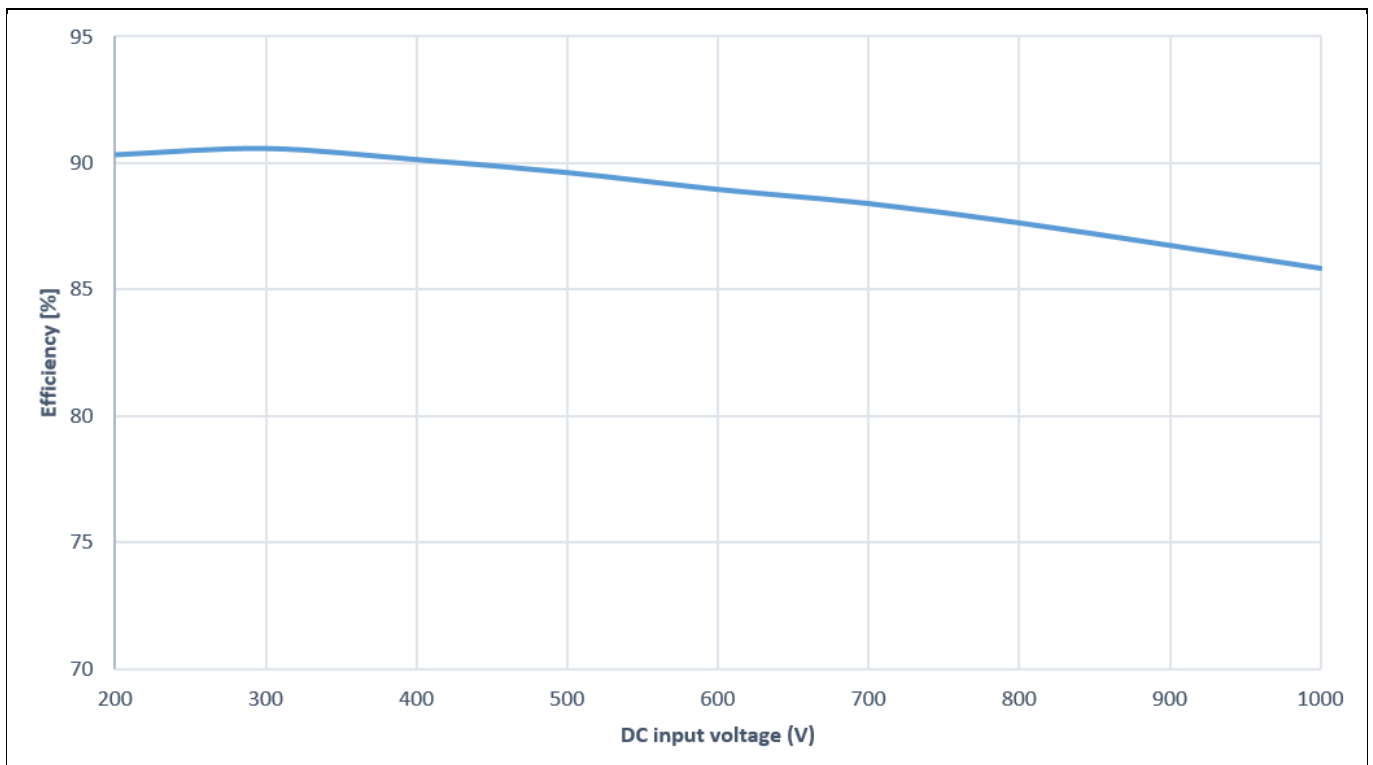


Figure 15 Measured efficiency versus DC input voltage. Test conditions:  $P_o = 62.5\text{ W}$  and  $R_G = 47\text{ ohms}$ .

## 5.2 Waveforms

The next three figures show the drain-source voltage ( $V_{DS}$ ) and gate-source voltage ( $V_{GS}$ ) waveforms of the 1700V CoolSiC™ MOSFET at different input voltage with full rated output load, and in these three waveforms, yellow one is gate voltage  $V_{GS}$ , purple one is drain-source voltage  $V_{DS}$ .

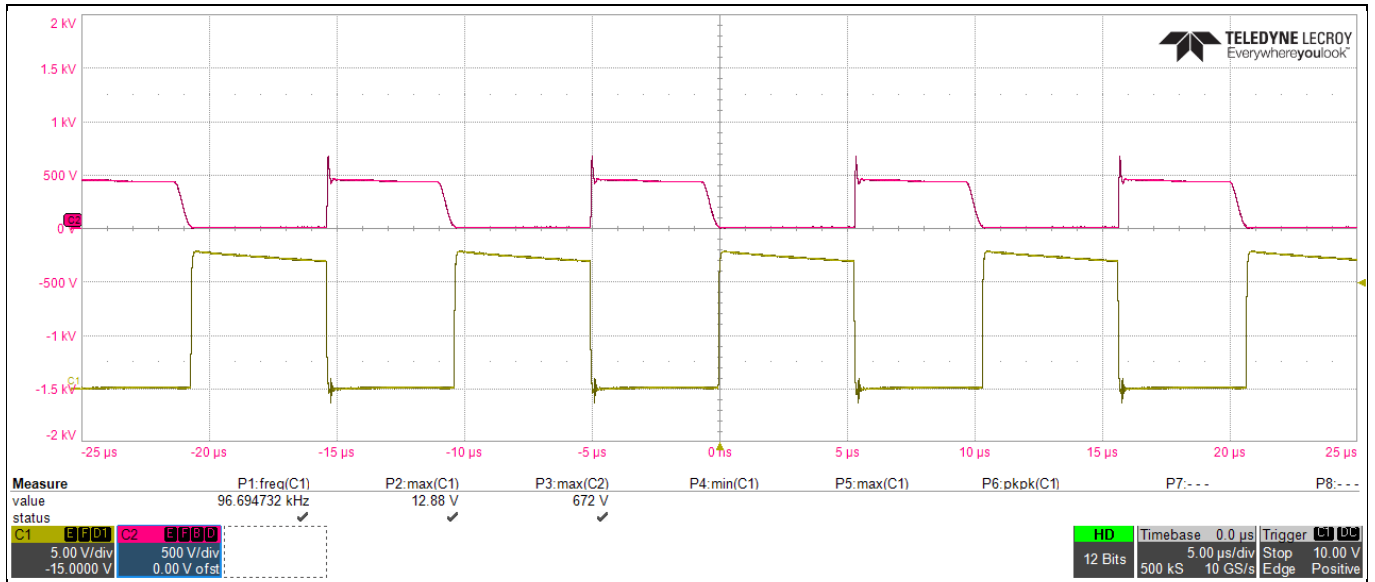


Figure 16 Drain source and gate voltage at input voltage of 200  $V_{DC}$

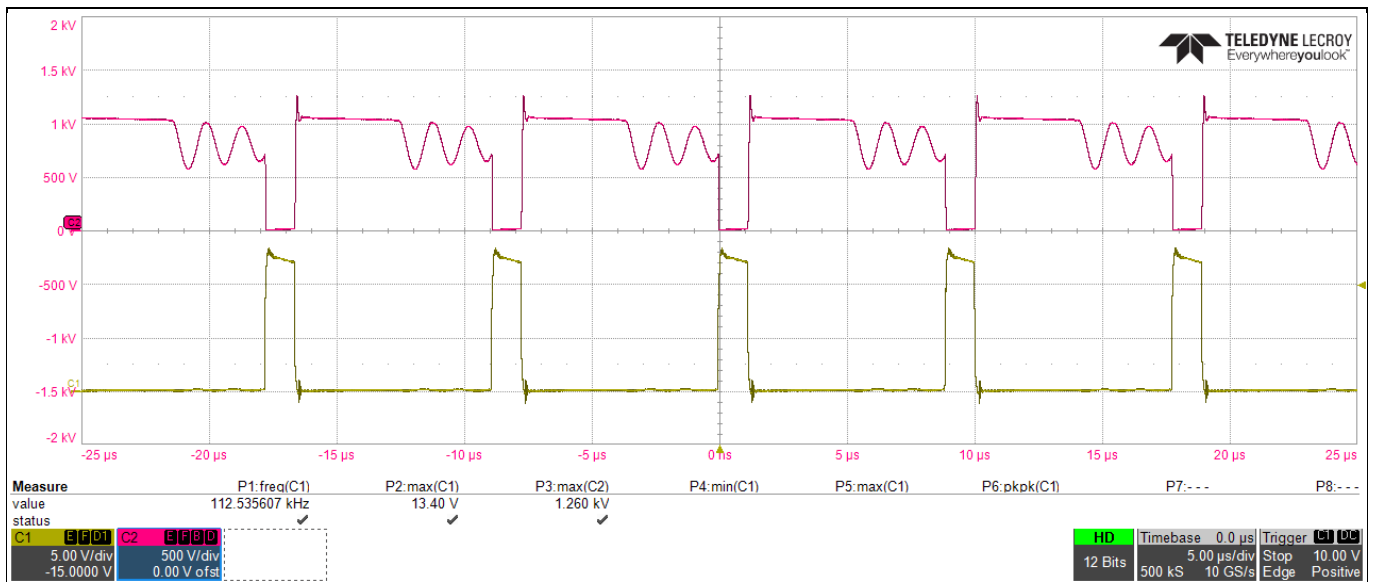


Figure 17 Drain source and gate voltage at input voltage of 800  $V_{DC}$

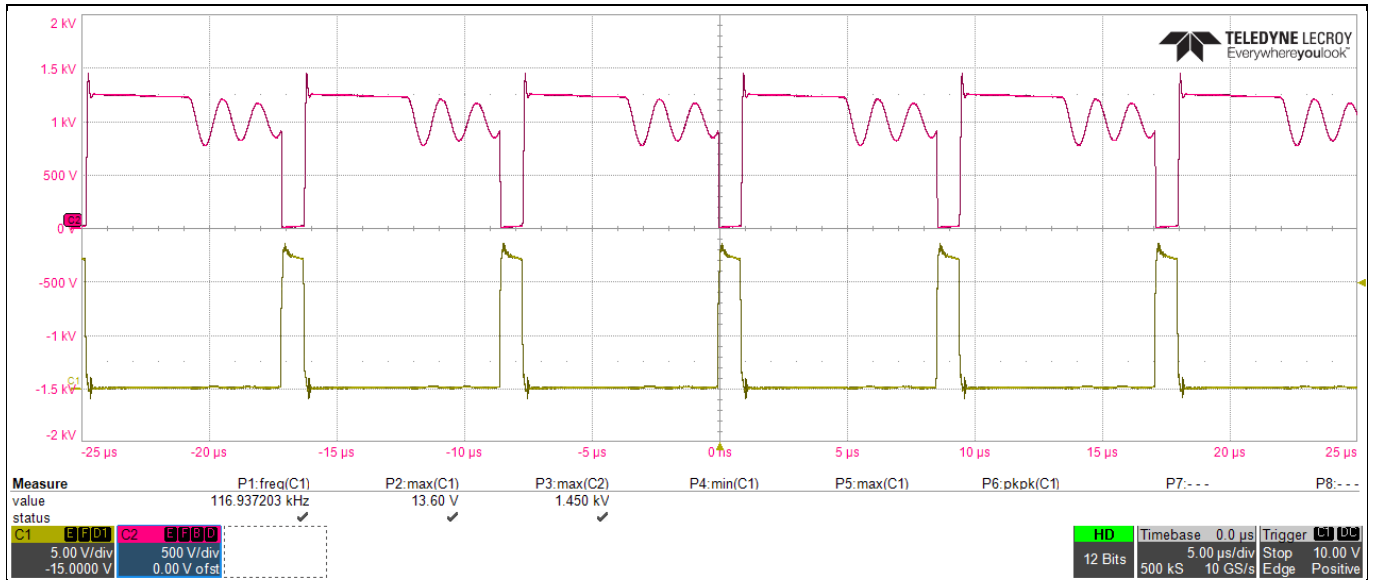


Figure 18 Drain source and gate voltage at input voltage of 1000 V<sub>DC</sub>

### 5.3 Thermal performance

By the nature of the reflow soldering process, there will be a certain number of voids in the solder joint, especially on large-area pad, such as this TO263-7 package. One method to be considered when trying to reduce voids is dividing whole big pad to small separated segments, segmentation of the stencil for exposed pads or other big pads is shown in the following sketch, Figure 19.

With thermal through-holes (vias) and additional copper areas for heat spreading in inner layers of the PCB, an improved thermal path from component to ambient is ready, and MOSFET will have an excellent thermal performance without heatsink.

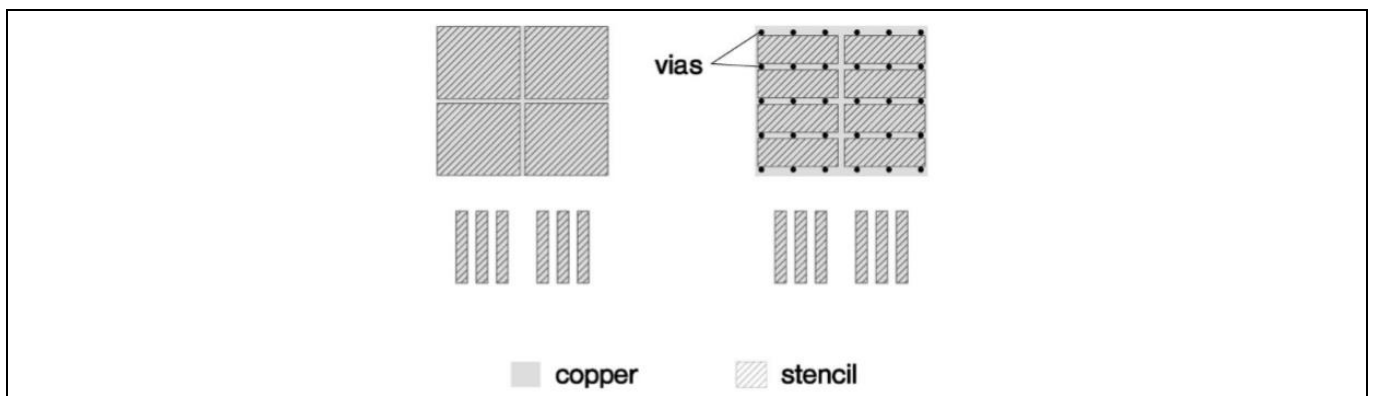
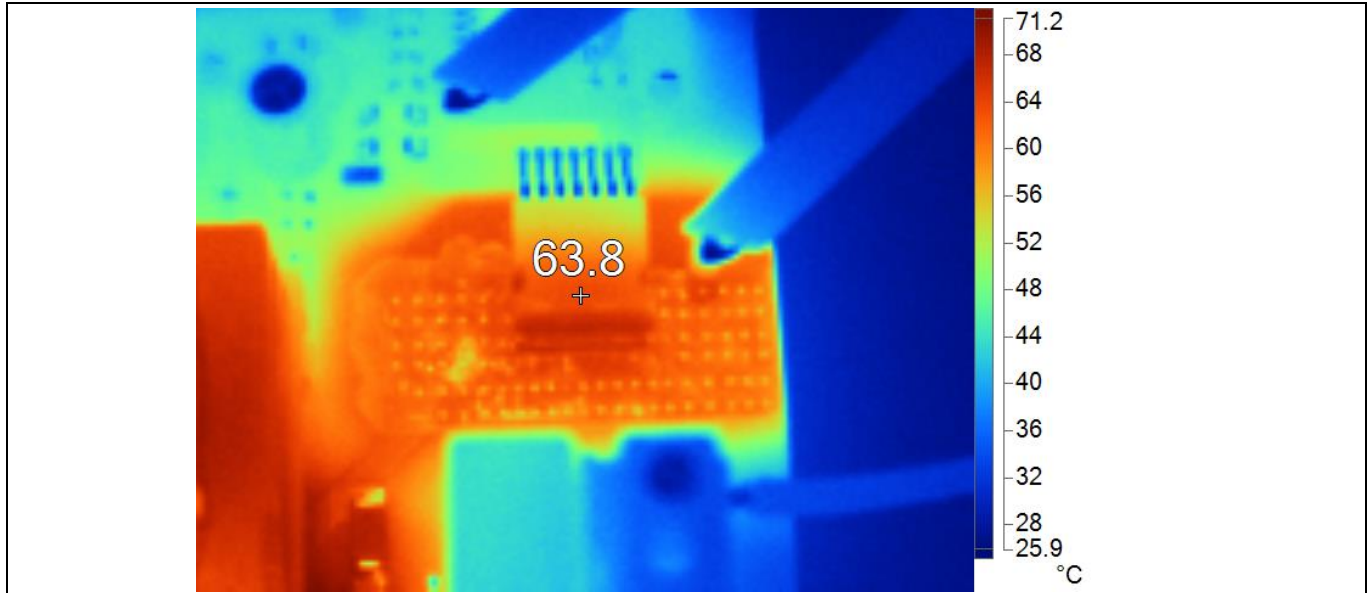
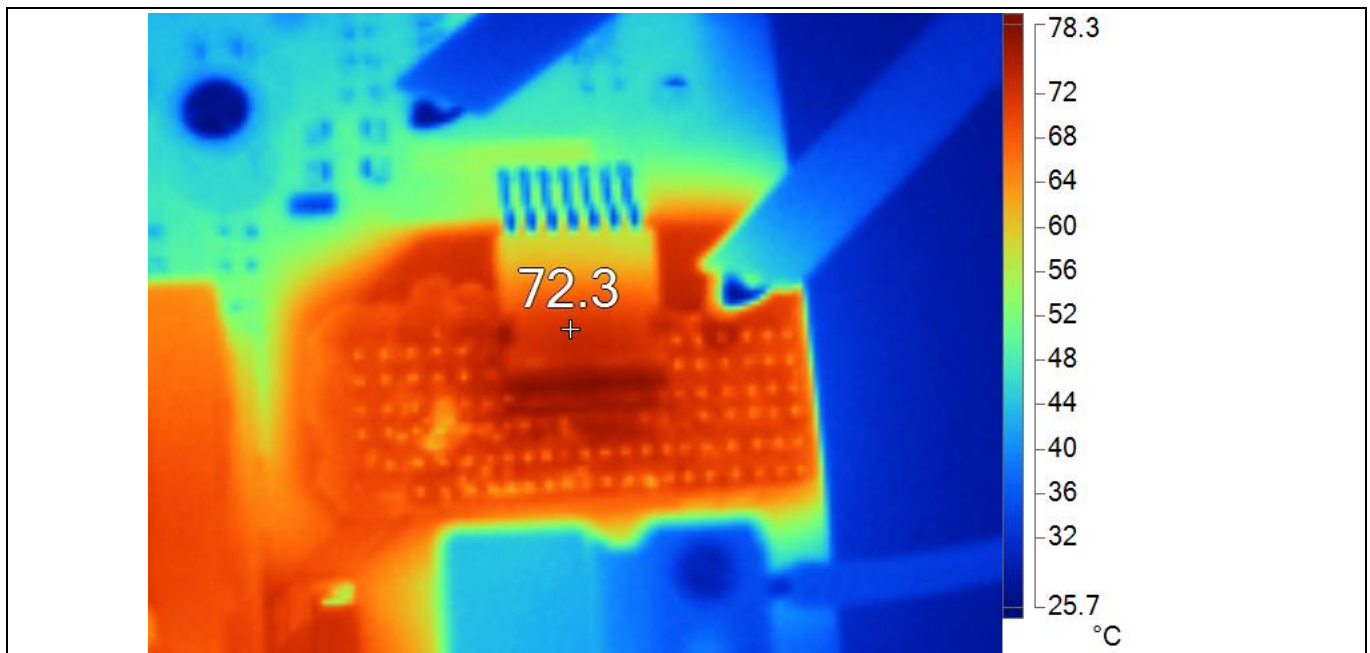


Figure 19 Example of a stencil design for a PG-TO263-7 package with and without vias in pad.

The next three thermal images depict the thermal performance of the 1700 V CoolSiC™ MOSFET at different input voltage with full rated output load and natural cooling at 25°C.



**Figure 20 Thermal image at 600 V<sub>DC</sub> with full load**



**Figure 21 Thermal image at 700 V<sub>DC</sub> with full load**

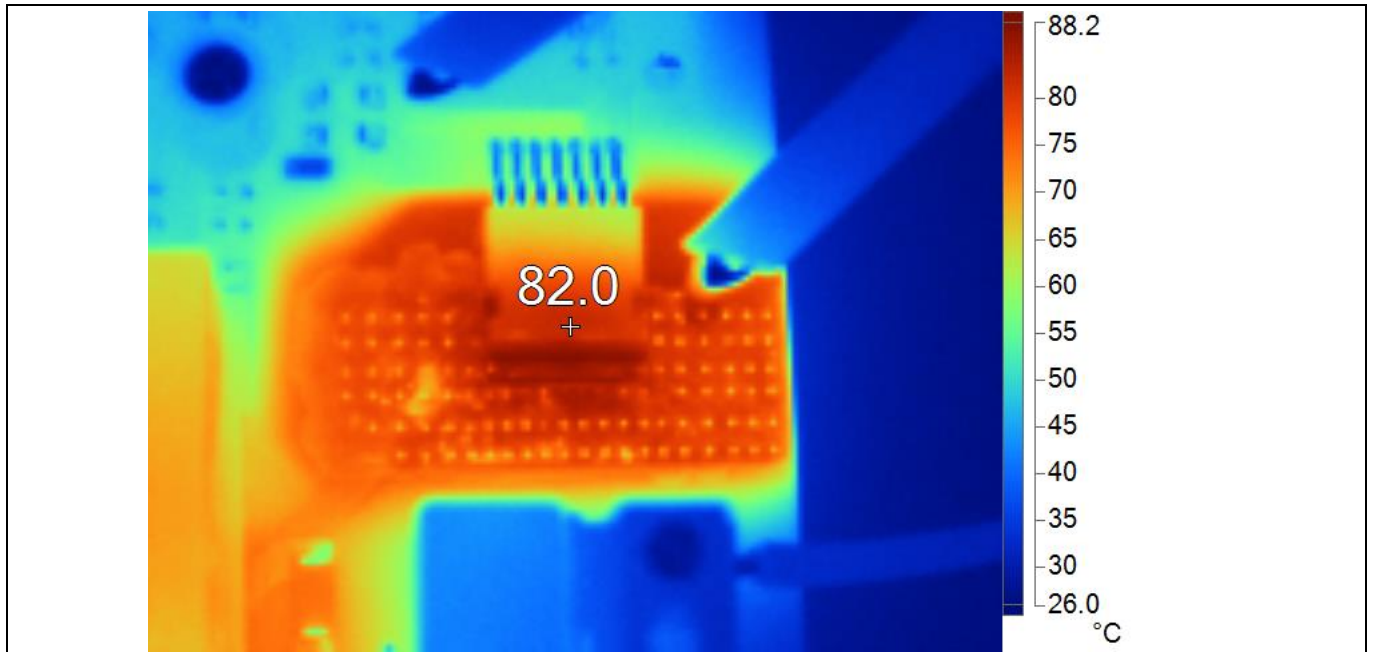


Figure 22 Thermal image at 800 V<sub>DC</sub> with full load

## **6 References**

- [1] IMBF170R1K0M1 datasheet, 1700 V CoolSiC™ MOSFET
- [2] UCC28600 datasheet, 8-Pin Quasi-Resonant flyback Green-Mode Controller
- [3] Gate resistor for power devices, Infineon Technologies, application note AN2015-06
- [4] 62 W Auxiliary power supply for three-phase power converters using Infineon 1700 V silicon carbide MOSFET, PCIM Europe 2020

***Attention: Infineon’s Product Registration is online now. Register your board and download more information***

Three easy steps to register:

1. Go to [www.infineon.com/login to my Infineon](http://www.infineon.com/login-to-my-infineon)
2. Click on “Product Registration”
3. Choose your board and enter board series number, download the related information package

## **Revision History**

| <b>Page or reference</b> | <b>Revision Date</b> | <b>Description of change</b> |
|--------------------------|----------------------|------------------------------|
| 1.0                      | 2020-03-12           | Initial version              |
|                          |                      |                              |
|                          |                      |                              |

**Trademarks**

All referenced product or service names and trademarks are the property of their respective owners.

**Edition** 2020-03-12

**Published by**  
**Infineon Technologies AG**  
81726 Munich, Germany

© 2020 Infineon Technologies AG.  
All Rights Reserved.

**Do you have a question about this document?**

**Email:** [erratum@infineon.com](mailto:erratum@infineon.com)

**Document reference**  
**AN2020-39**

For further information on the product, technology, delivery terms and conditions and prices please contact your nearest Infineon Technologies office ([www.infineon.com](http://www.infineon.com)).

**WARNINGS**

Due to technical requirements products may contain dangerous substances. For information on the types in question please contact your nearest Infineon Technologies office.

Except as otherwise explicitly approved by Infineon Technologies in a written document signed by authorized representatives of Infineon Technologies, Infineon Technologies' products may not be used in any applications where a failure of the product or any consequences of the use thereof can reasonably be expected to result in personal injury.