

(0.50 mm) .0197" (HQCD) (0.80 mm) .0315" (EQCD)

EQCD-040-04.00-TTL-STR-2

# QSTRIP® COAX CABLE ASSEMBLIES

## SPECIFICATIONS

For complete specifications see [www.samtec.com?HQCD](http://www.samtec.com?HQCD) or [www.samtec.com?EQCD](http://www.samtec.com?EQCD)

- Cable:** 38 AWG micro ribbon coax cable
- Signal Routing:** 50 Ω Single-Ended
- Overall Length:** (95.3 mm) 03.75" to (1 m) 40" standard
- Cable Flexing Life:** >10,000 cycles
- Cable Bending Radius:** <2.5mm
- Plating:** Au over 50 μ" (1.27 μm) Ni
- Current Rating:** EQCD: 500 mA per pin  
HQCD: 300 mA per pin (6 adjacent pins powered)
- Cable Propagation Delay:** 4.79 nsec/meter
- Operating Temp Range:** -25 °C to +105 °C
- Unmating Force (-RT1 option):** -RT1 option increases unmating force up to 50%
- RoHS Compliant:** Yes

**HQCD Mates with:** QTH, QSH

**EQCD Mates with:** QTE, QSE

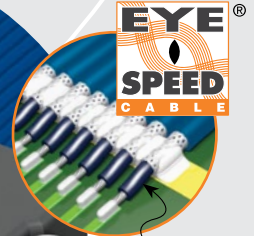
**RUGGEDIZED**  
BY SAMTEC

- Screw & panel mount options
- Retention pins

0.50 mm or 0.80 mm pitch

Socket or Terminal

Surface Mount or Panel Mount



38 AWG micro ribbon coax cable

Cable Length	Rated @ 7 dB Insertion Loss	
	EQCD	HQCD
10" (0.25 m)	5.50 GHz / 11.00 Gbps	6.50 GHz / 13.00 Gbps

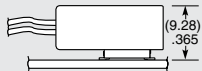
Performance and complete test data available at [www.samtec.com?EQCD](http://www.samtec.com?EQCD), [www.samtec.com?HQCD](http://www.samtec.com?HQCD) or contact [sig@samtec.com](mailto:sig@samtec.com)

## RECOGNITIONS

For complete scope of recognitions see [www.samtec.com/quality](http://www.samtec.com/quality)



## APPLICATIONS



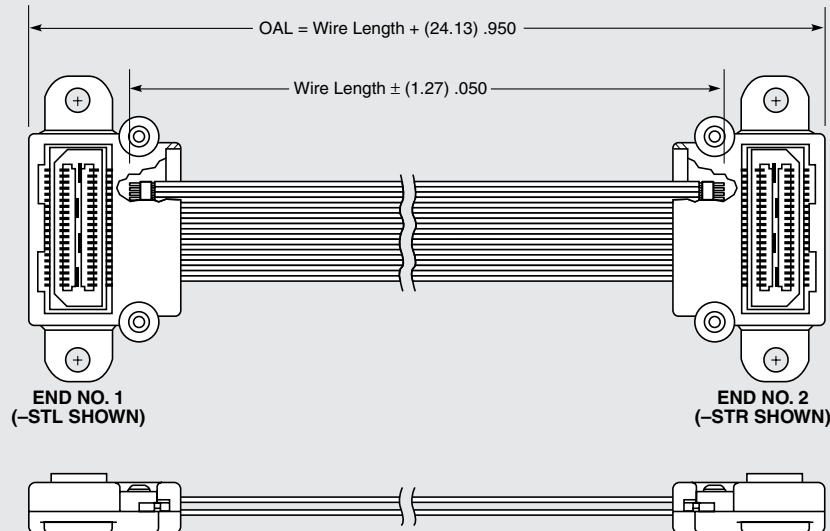
Processing conditions will affect mated height.

## ALSO AVAILABLE (MOV Required)

- Other sizes and lengths
  - Other terminations
  - Other wire AWG
  - Retention pin
- Contact Samtec.

**Notes:**  
Cable lengths longer than 40.00" (1 meter) are not supported with S.I. test data.  
Design your High-Speed Cable with Samtec's High-Speed Cable Solutionator® at [www.samtec.com/hdr](http://www.samtec.com/hdr)  
This Series is non-standard, non-returnable.

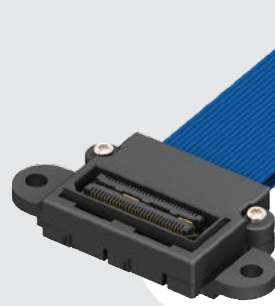
TYPE	NO. OF POSITIONS PER ROW	WIRE LENGTH
<b>HQCD</b> = (0.50 mm) .0197" pitch  <b>EQCD</b> = (0.80 mm) .0315" pitch	-030, -060, -090 (HQCD Series)  -020, -040, -060 (EQCD Series)	-"XX.XX" = Wire Length in Inches (43.7 mm) 01.72" minimum



EQCD-020-40.00-TPU-TTR-1



HQCD-030-06.00-STL-TTR-1-B



**HQCD, EQCD SERIES**



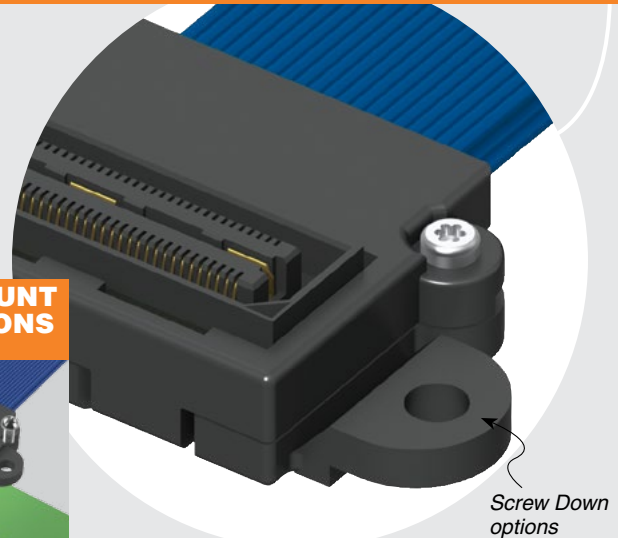
#4-40 Thread

Panel Mount options

**SCREW MOUNT APPLICATIONS (-F, -S, -B)**



SO-0318-04-01-02



Screw Down options

**END NO. 1**

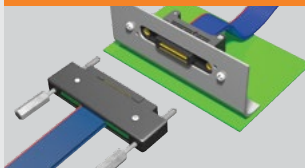
**END NO. 2**

**WIRING OPTION**

**END OPTIONS**

Specify END ASSEMBLIES from chart

**PANEL MOUNT END OPTION APPLICATIONS (-TPU, -TPD, -SPU, SPD)**



END 1 ONLY	PANEL MOUNT	
TPU		Terminal, Panel Mount, Notch Up
TPD		Terminal, Panel Mount, Notch Down
SPU		Socket, Panel Mount, Notch Up
SPD		Socket, Panel Mount, Notch Down

- 1 = Pin 1 to Pin 1
- 2 = Pin 1 to Pin 2
- 3 = Pin 1 to Second to Last Pin
- 4 = Pin 1 to Last Pin

Leave blank for no Screw Mount & Retention End Option

- F = Screw Mount End No. 1 only (Not available with XPX options)
- S = Screw Mount End No. 2 only
- B = Screw Mount Both Ends (Not available with XPX options)

- 1 = End No. 1 Screw Mount. End No. 2 Retention Pin or Socket
- 2 = End No. 1 Retention Pin or Socket. End No. 2 Screw Mount Option

END 1 or END 2	SURFACE MOUNT	
TTR		Terminal, Top Mount, Notch Right
TTL		Terminal, Top Mount, Notch Left
TBR		Terminal, Bottom Mount, Notch Right
TBL		Terminal, Bottom Mount, Notch Left
STR		Socket, Top Mount, Notch Right
STL		Socket, Top Mount, Notch Left
SBR		Socket, Bottom Mount, Notch Right
SBL		Socket, Bottom Mount, Notch Left