

# Trimmer Potentiometers



## Lead Sealed Type Multiturn PV37 Series

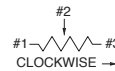
### PV37 Series

#### Features

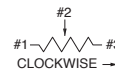
1. Multiturn / Cermet / Sealed
2. Available in both top and side adjustment
3. Standoffs allow thorough PC board washing
4. RoHS compliant\*
5. For trimmer applications/processing guidelines, [click here](#)



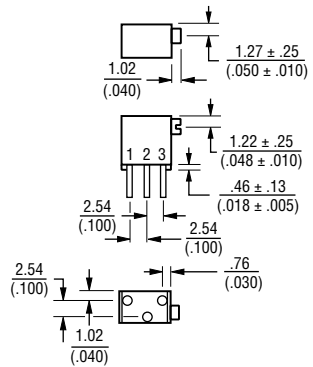
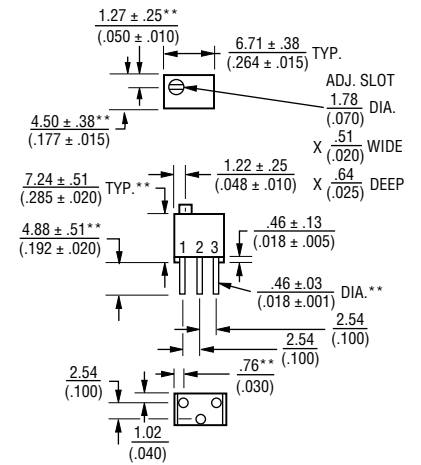
PV37W



PV37X



#### COMMON DIMENSIONS\*\*



DIMENSIONS:  $\frac{\text{MM}}{\text{(INCHES)}}$

TOLERANCES: ±  $\frac{.025}{(.010)}$  EXCEPT WHERE NOTED

### Top Adjustment

| Part Number    | Power Rating (W) | Number of Turns (Effective Rotation Angle) | Total Resistance Value | TCR (ppm/°C) |
|----------------|------------------|--|------------------------|--------------|
| PV37W100C01B00 | 0.25 (85 °C)     | 12   | 10 ohm ±10 %           | ±150         |
| PV37W101C01B00 | 0.25 (85 °C)     | 12   | 100 ohm ±10 %          | ±150         |
| PV37W201C01B00 | 0.25 (85 °C)     | 12   | 200 ohm ±10 %          | ±150         |
| PV37W501C01B00 | 0.25 (85 °C)     | 12   | 500 ohm ±10 %          | ±150         |
| PV37W102C01B00 | 0.25 (85 °C)     | 12   | 1k ohm ±10 %           | ±150         |
| PV37W202C01B00 | 0.25 (85 °C)     | 12   | 2k ohm ±10 %           | ±150         |
| PV37W502C01B00 | 0.25 (85 °C)     | 12   | 5k ohm ±10 %           | ±150         |
| PV37W103C01B00 | 0.25 (85 °C)     | 12   | 10k ohm ±10 %          | ±150         |
| PV37W203C01B00 | 0.25 (85 °C)     | 12   | 20k ohm ±10 %          | ±150         |
| PV37W253C01B00 | 0.25 (85 °C)     | 12   | 25k ohm ±10 %          | ±150         |
| PV37W503C01B00 | 0.25 (85 °C)     | 12   | 50k ohm ±10 %          | ±150         |
| PV37W104C01B00 | 0.25 (85 °C)     | 12   | 100k ohm ±10 %         | ±150         |
| PV37W204C01B00 | 0.25 (85 °C)     | 12   | 200k ohm ±10 %         | ±150         |
| PV37W254C01B00 | 0.25 (85 °C)     | 12   | 250k ohm ±10 %         | ±150         |
| PV37W504C01B00 | 0.25 (85 °C)     | 12   | 500k ohm ±10 %         | ±150         |
| PV37W105C01B00 | 0.25 (85 °C)     | 12   | 1M ohm ±10 %           | ±150         |

Operating Temperature Range: -55 to +125 °C  
Soldering Method: Wave (Single and Dual)



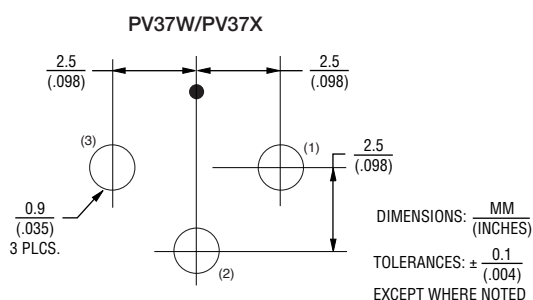
\*RoHS Directive 2002/95/EC Jan. 27, 2003 including annex and RoHS Recast 2011/65/EU June 8, 2011.  
Specifications are subject to change without notice.  
The device characteristics and parameters in this data sheet can and do vary in different applications and actual device performance may vary over time.  
Users should verify actual device performance in their specific applications.

## Side Adjustment

| Part Number    | Power Rating (W) | Number of Turns (Effective Rotation Angle) | Total Resistance Value | TCR (ppm/°C) |
|----------------|------------------|--|------------------------|--------------|
| PV37X100C01B00 | 0.25 (85 °C)     | 12   | 10 ohm ±10 %           | ±150         |
| PV37X101C01B00 | 0.25 (85 °C)     | 12   | 100 ohm ±10 %          | ±150         |
| PV37X201C01B00 | 0.25 (85 °C)     | 12   | 200 ohm ±10 %          | ±150         |
| PV37X501C01B00 | 0.25 (85 °C)     | 12   | 500 ohm ±10 %          | ±150         |
| PV37X102C01B00 | 0.25 (85 °C)     | 12   | 1k ohm ±10 %           | ±150         |
| PV37X202C01B00 | 0.25 (85 °C)     | 12   | 2k ohm ±10 %           | ±150         |
| PV37X502C01B00 | 0.25 (85 °C)     | 12   | 5k ohm ±10 %           | ±150         |
| PV37X103C01B00 | 0.25 (85 °C)     | 12   | 10k ohm ±10 %          | ±150         |
| PV37X203C01B00 | 0.25 (85 °C)     | 12   | 20k ohm ±10 %          | ±150         |
| PV37X253C01B00 | 0.25 (85 °C)     | 12   | 25k ohm ±10 %          | ±150         |
| PV37X503C01B00 | 0.25 (85 °C)     | 12   | 50k ohm ±10 %          | ±150         |
| PV37X104C01B00 | 0.25 (85 °C)     | 12   | 100k ohm ±10 %         | ±150         |
| PV37X204C01B00 | 0.25 (85 °C)     | 12   | 200k ohm ±10 %         | ±150         |
| PV37X254C01B00 | 0.25 (85 °C)     | 12   | 250k ohm ±10 %         | ±150         |
| PV37X504C01B00 | 0.25 (85 °C)     | 12   | 500k ohm ±10 %         | ±150         |
| PV37X105C01B00 | 0.25 (85 °C)     | 12   | 1M ohm ±10 %           | ±150         |

Operating Temperature Range: -55 to +125 °C  
Soldering Method: Wave (Single and Dual)

### Standard Mounting Holes



### Characteristics

|                           |   |
|---------------------------|---|
| Temperature Cycle         | $\Delta$ TR : ±1%<br>$\Delta$ V.S.S.: ±1%                           |
| Humidity                  | $\Delta$ TR : ±2%<br>IR : 100M ohm min.                             |
| Vibration (20G)           | $\Delta$ TR : ±1%<br>$\Delta$ V.S.S.: ±1%                           |
| Shock (100G)              | $\Delta$ TR : ±1%<br>$\Delta$ V.S.S.: ±1%                           |
| Temperature Load Life     | $\Delta$ TR : ±2%<br>$\Delta$ V.S.S.: ±1%                           |
| Low Temperature Exposure  | $\Delta$ TR : ±1%<br>$\Delta$ V.S.S.: ±1%                           |
| High Temperature Exposure | $\Delta$ TR : ±2%<br>$\Delta$ V.S.S.: ±1%                           |
| Rotational Life           | $\Delta$ TR : RV 100 ohm ... ±3%<br>RG 100 ohm ... ±2% (200 cycles) |

$\Delta$ TR : Total Resistance Change  
 $\Delta$ V.S.S.: Voltage Setting Stability  
IR : Insulation Resistance  
R : Standard Total Resistance

# BOURNS®

Specifications are subject to change without notice.  
The device characteristics and parameters in this data sheet can and do vary in different applications and actual device performance may vary over time.  
Users should verify actual device performance in their specific applications.

### Part Numbering

**PV 37 W 103 C01 B00**

Product ID \_\_\_\_\_  
PV = Trimming Potentiometer

Series \_\_\_\_\_  
37 = Lead Sealed 6 mm Square 12-Turns

Adjustment Direction/Lead Type \_\_\_\_\_  
W = Top, Triangle  
X = Side, Triangle

Total Resistance \_\_\_\_\_  
Expressed by three figures.  
The first and second figures are significant digits;  
the third figure expresses the number of zeros  
that follow.

| Resistance (Ohms) | Resistance Code |
|-------------------|-----------------|
| 10                | 100             |
| 100               | 101             |
| 200               | 201             |
| 500               | 501             |
| <b>1,000</b>      | <b>102</b>      |
| <b>2,000</b>      | <b>202</b>      |
| <b>5,000</b>      | <b>502</b>      |
| <b>10,000</b>     | <b>103</b>      |
| <b>20,000</b>     | <b>203</b>      |
| 25,000            | 253             |
| 50,000            | 503             |
| 100,000           | 104             |
| 200,000           | 204             |
| 250,000           | 254             |
| 500,000           | 504             |
| 1,000,000         | 105             |

Popular distribution resistance values listed in boldface. Special resistances available.

Individual Specification \_\_\_\_\_  
C01 = Standard Type

Packaging \_\_\_\_\_  
B00 = Tube (50 pcs. per tube)

### Typical Part Marking

#### 3-Digit Date Code and Manufacturing Code

- First digit indicates year of manufacture;
- Last two digits indicate week of manufacture;
- 4th digit is suffix for manufacturing location:  
C = Costa Rica

Example:

604C = Manufactured in 2016, week 4, Costa Rica

#### Resistance Code

- Resistance code marking as shown in the  
Part Numbering Resistance Table.