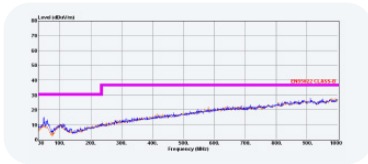


MPS's power modules have a wide V_{IN} and I_{OUT} range with a variety of packages. Our extensive portfolio of DC/DC modules integrate inductors, FETs, compensation, and other passive components into a single package to simplify the design process. Choose the module that works best for your design based on our beneficial features.

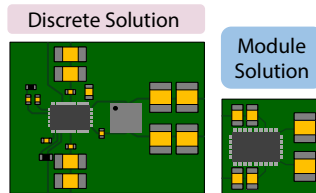
Visit MonolithicPower.com for more information.

Low EMI



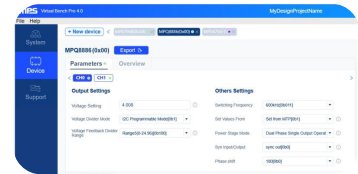
Meets EN55022
Class-B EMI Standards

Small Size & Ease-of-Use



Minimal External Components
Easy Layout
Fast Design Cycle

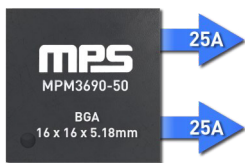
Scalable & Configurable



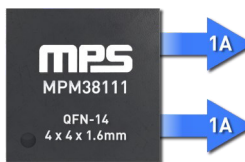
Graphic User Interface (GUI)
Socket Boards for Fast Programming

Multiple-Output Power Modules

Two Regulated Outputs

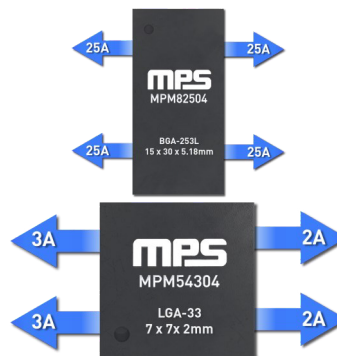


- Dual 25A or Single 50A Output
- 4V to 16V V_{IN} Range
- Multi-Phase Constant-On-Time (MCOT) Control
- 0.6V to 1.8V V_{OUT} Range



- Dual 6A Output Current
- 12A Parallel Operation
- 3.3V to 16V V_{IN} Range
- 500kHz to 1.25MHz f_{SW}

Four Regulated Outputs



- Quad 25A Output
- 4V to 16V V_{IN} Range
- Multi-Phase Constant-On-Time (MCOT) Control
- 0.5V to 3.3V V_{OUT} Range
- Quad 3A, 3A, 2A, 2A Output
- 4V to 16V V_{IN} Range
- Interleaved Operation
- Configurable via Digital Interface

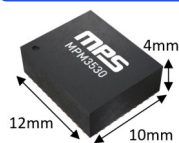
Modules for Industrial Applications

MPM3572



- 10V to 80V V_{IN} Range
- 0.6A Continuous Load Current
- Minimal External Components
- Ultra-Fast Transient Response

MPM3530



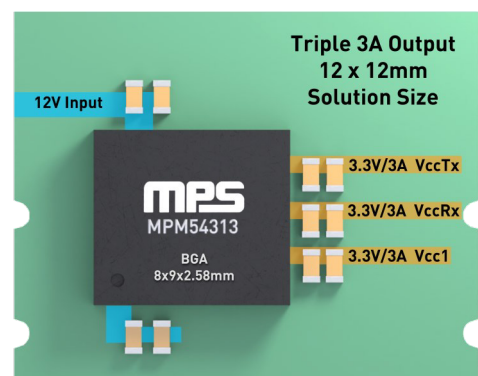
- 4.5V to 55V V_{IN} Range
- 3A Continuous Load Current
- Efficiency Up to 92.3%
- 1V to 15V Adjustable Output Voltage

MPM3515



- 4.5V to 36V V_{IN} Range
- 1.5A Continuous Load Current
- Fixed 2.2MHz f_{SW} with Frequency Foldback at High V_{IN}
- Full Protection Features

Single-Stage Solutions for Powering QSFP-DD



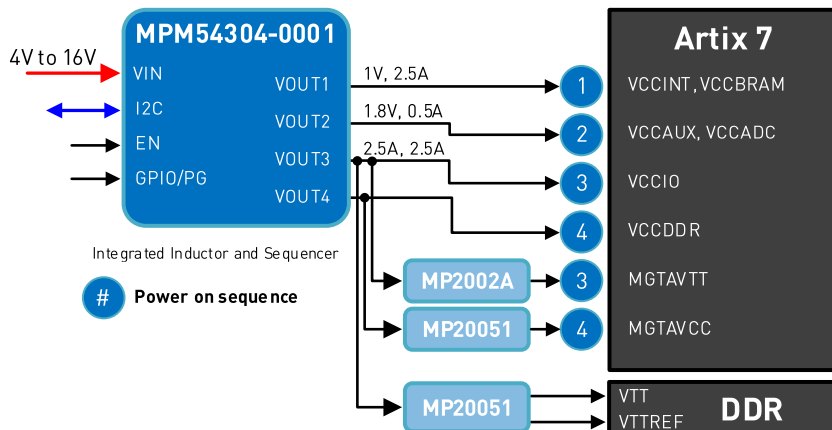
MPM54313



- Triple 3A Output
- ~92% Efficiency
- 9-Address Digital Interface
- V_{IN} , V_{OUT} , I_{OUT} Telemetry

Power Module Solutions for FPGA

Artix 7 Size-Optimized Module Solution



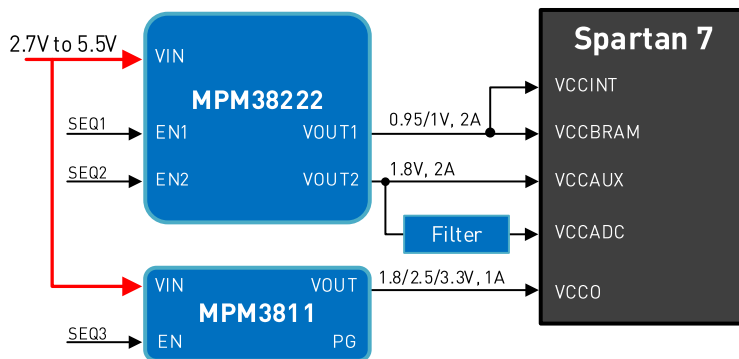
See all AMD Xilinx Reference Designs

ZYNQ VIRTEX KINTEX
 VERSAL ACAP ARTIX SPARTAN

Spartan 7 Size-Optimized Module Solution



Upload your Xilinx XPE file for design assistance



Zynq 7000 High-Power Solution

