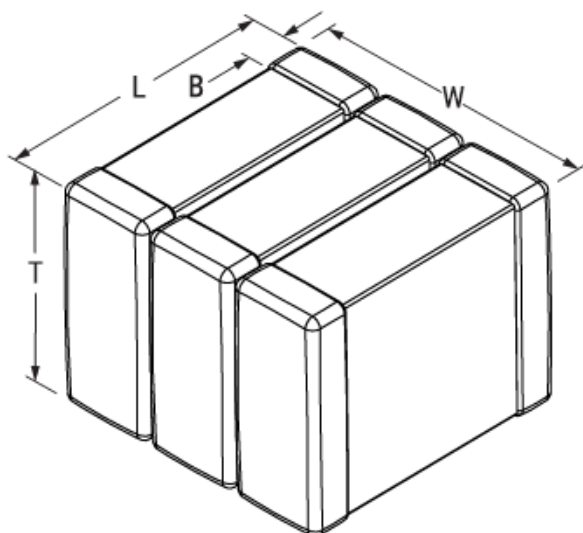


KEMET Part Number: C1812C145J5JLC7805
(Preliminary Specs Sheet)

KONNEKT Comm U2J, Ceramic, 1.4uF, 5%, 50VDC, U2J, SMD, MLCC, Low-loss orientation. Ultra-Stable, Low Loss, Class I, 1812



Dimensions

| | |
|----------|-----------------|
| L | 4.5mm +/-0.3mm |
| W | 5.3mm +/-0.6mm |
| T | 3.2mm +/- 0.3mm |
| B | 0.6mm +/-0.35mm |

Packaging Specifications

| | |
|----------------------------|--------------------------|
| Packaging: | T&R, 180mm, Plastic Tape |
| Packaging Quantity: | 500 |

General Information

| | |
|-----------------------|--|
| Supplier: | KEMET |
| Series: | KONNEKT Comm U2J |
| Style: | SMD Chip |
| Description: | SMD, MLCC, Ultra-Stable, Low Loss, Class I |
| Features: | Low-loss Orientation |
| RoHS: | Yes |
| Termination: | Tin |
| Marking: | No |
| Miscellaneous: | Note: Referee time for U2J dielectric for this part number is 1000 hours |
| Chip Size: | 1812 |

Specifications

| | |
|---|-----------------------|
| Capacitance: | 1.4 uF |
| Capacitance Tolerance: | 5% |
| Voltage DC: | 50 VDC |
| Dielectric Withstanding Voltage: | 125 V |
| Temperature Range: | -55/+125C |
| Temperature Coefficient: | U2J |
| Dissipation Factor: | 0.10% 1kHz 25C |
| Aging Rate: | 0.1% Loss/Decade Hour |
| Insulation Resistance: | 667 MOhms |