

16 & 32A ON-BOARD CHARGERS



16 & 32A On-Board Chargers

16 & 32A ON-BOARD CHARGERS BENEFITS

- Field proven technology widely used across electrification market
- Configurable for both single- and three-phase applications
- Compact packaging

16 & 32A ON-BOARD CHARGERS FEATURES

- Finger proof/touch safe
- Capability for 4 power circuits and 2 signal circuits
- Unshielded system with terminal spacing for HV applications
- One-stage locking system with CPA
- Aluminum compression bushings



AVAILABLE CONFIGURATIONS

Connector Type	Wire-to-device & wire-to-wire
Cable Exit Orientation	180°
Cable Range (mm ²)	3 - 6
Terminal Type	HES 1.0 (signal), HES 2.4 (power)
# of Terminals	6
Shielding Type	Unshielded
HVIL	None
Assembly Assurance	CPA
Number of Indexes	2
Header Footprint (mm)	37.66 x 42.66



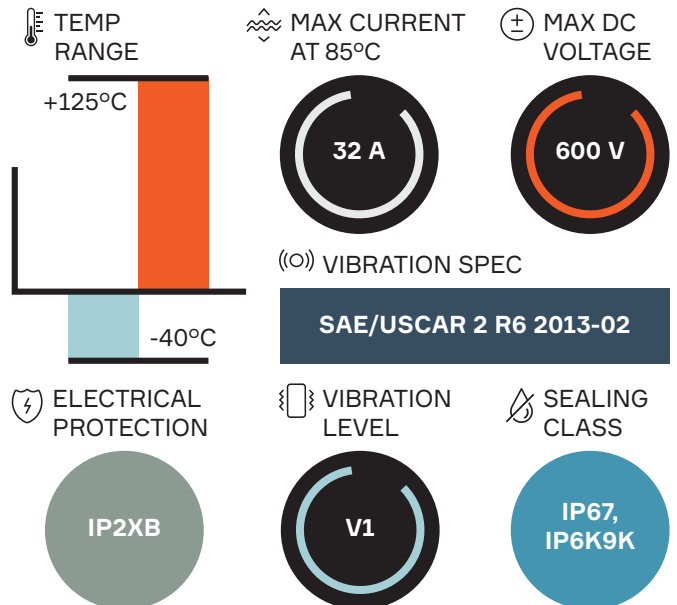
APPLICATIONS

16A, 32A on-board chargers

See back page for representative part numbers and packaging dimensions.



TECHNICAL CHARACTERISTICS



About Aptiv

Aptiv is a global technology company that develops safer, greener and more connected solutions enabling the future of mobility. Headquartered in Dublin, Aptiv has approximately 150,000 employees and operates 14 technical centers, as well as manufacturing sites and customer support centers in 45 countries.

Visit aptiv.com





PART NUMBERS

6 Way Device Connection System

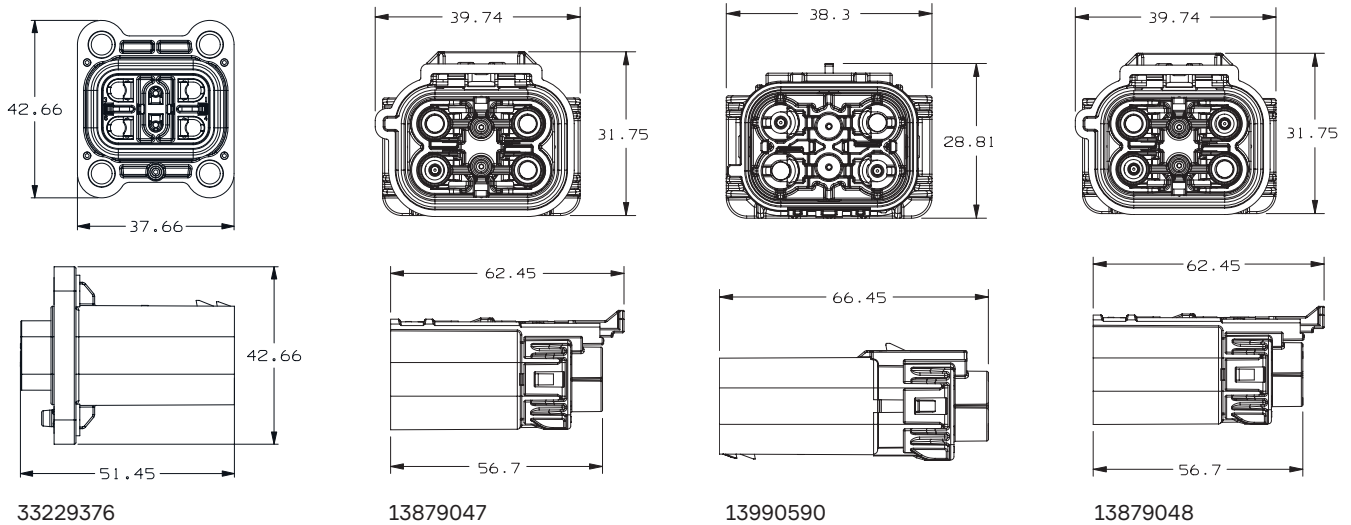
Index	Header Connector	Mating Information	
		16A Connector	32A Connector
101	33229378	13879051 (2+2)	13879048 (2+2)
		15525754 (3+0)	15525753 (3+0)
		13879050 (3+2)	13879047 (3+2)
		13879049 (4+2)	13879046 (4+2)

6 Way Inline Connection System

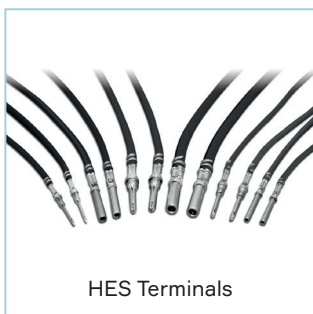
Index	Male Connector 16A	Male Connector 32A	Mating Information	
			Female Connector 16A	Female Connector 32A
101	13990593 (2+2)	13990590 (2+2)	13879051 (2+2)	13879048 (2+2)
	13990592 (3+2)	13990589 (3+2)	13879050 (3+2)	13879047 (3+2)
	13990591 (4+2)	13990588 (4+2)	13879049 (4+2)	13879046 (4+2)



DIMENSION MEASUREMENT SAMPLE



COMPATIBLE WITH



Part numbers, specifications, dimensions and performance data in this document are for general references only and are subject to change without notice. To verify product information, please contact an Aptiv representative.

CS-SP80-HV-En0119

APTIV

aptiv.com | © 2019 Aptiv. All rights reserved