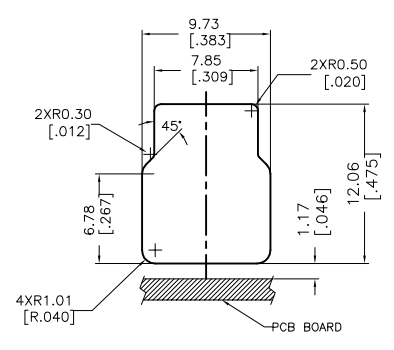
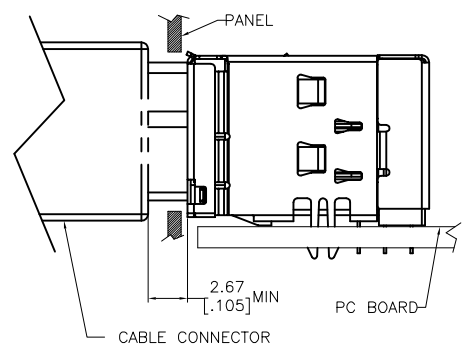
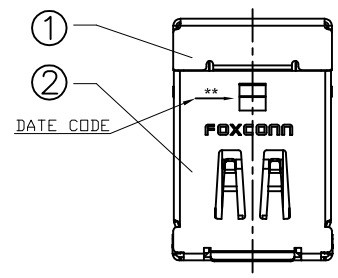


REV.	ECN. NO.	APPD.
A	BC-17-0005497	Adward Zheng
AX1	20180728	Davy Bu

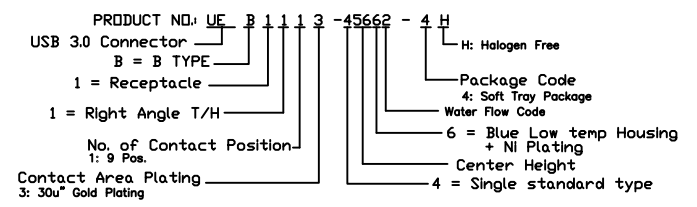
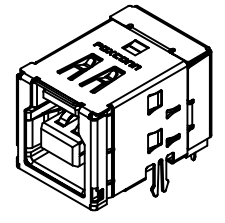
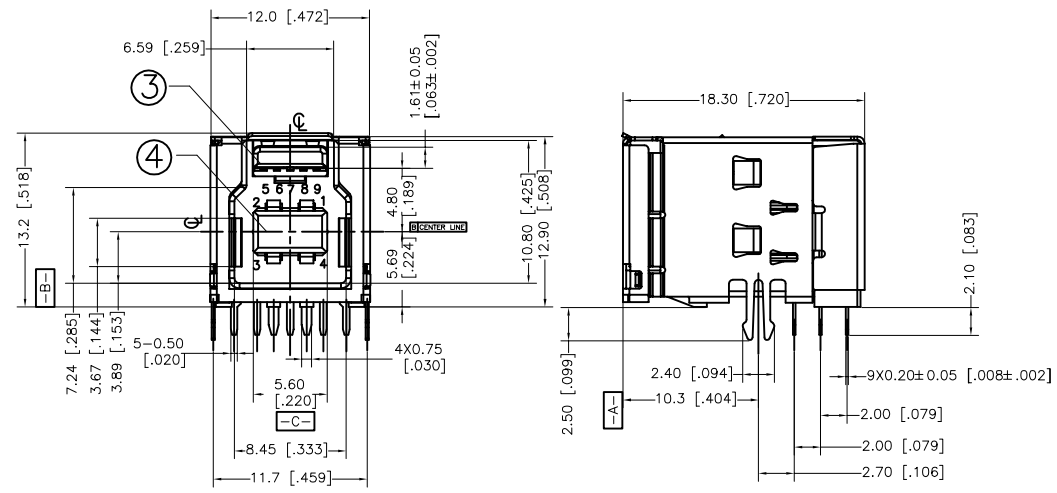


RECESSED MOUNTING CONFIGURATION

MOUNTING PANEL CUTOUT (INTERNAL SIDE)

NOTES :

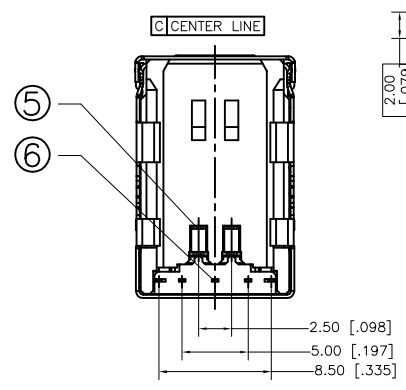
- DIMENSIONS ARE IN MILLIMETERS, BRACKETED DIMENSIONS ARE INCHES EQUIVALENTS.
- ELECTRICAL CHARACTERISTIC:
 - CONTACT CURRENT RATING: 1.8 A FOR VBUS PIN AND ITS CORRESPONDING GND PIN, 0.25 A MIN FOR ALL OTHER CONTACTS.
 - CONTACT RESISTANCE: 30 MILLIOHMS MAX. FOR VBUS AND GND CONTACTS. 50 MILLIOHMS MAX. FOR OTHER CONTACTS. 10 MILLIOHMS MAX CHANGE AFTER DURABILITY TEST.
 - DIELECTRIC WITHSTANDING VOLTAGE: 100VAC MIN.
 - INSULATION RESISTANCE: 100 MEGOHMS MIN.
- MECHANICAL CHARACTERISTIC:
 - CONNECTOR INSERTION FORCE: 35N MAX.
 - CONNECTOR EXTRACTION FORCE: 10N MIN INITIAL, 8N MIN AFTER DURABILITY.
 - DURABILITY: 5000 CYCLES.
 - OPERATING TEMPERATURE: -55°C ~ +80°C.
- RECOMMEND PROCESS: WAVE SOLDER 260°C, 3-5SECONDS.
- THE CONNECTOR IS ROHS COMPLIANT AND HALOGEN FREE.



PIN ASSIGNMENT:

Pin No.	1	2	3	4	5	6	7	8	9
Signal Name	VBUS	D-	D+	GND	StdB_SSTX-	StdB_SSTX+	GND_DRAIN	StdB_SSRX-	StdB_SSRX+
Remark	USB2 Contact Pin				USB3 Contact Pin				

⑥	USB3 CONTACT PIN	5	C2680	30u" MIN Au AT CONTACT AREA, 100~200u" LEAD FREE TIN ALLOY AT TERMINATION, 100~200u" NICKEL UNDERPLATING OVER ALL.
⑤	USB2 CONTACT PIN	4	C2680	30u" MIN Au AT CONTACT AREA, 100~200u" LEAD FREE TIN ALLOY AT TERMINATION, 50~100u" NICKEL UNDERPLATING OVER ALL.
④	HOUSING	1	NYLON PA66	MOLDED COLOR: BLUE(PANTONE:300C). UL 94V-0 G/F:30%
③	INNER INSULATOR	1	NYLON PA66	MOLDED COLOR: BLUE(PANTONE:300C). UL 94V-0 G/F:30%
②	FRONT SHELL	1	SUS304	10u" Ni PLATING UNDER PLATING, HOOK WITH 50~200u" LEAD FREE TIN ALLOY
①	REAR SHELL	1	C2680	100~200u" Ni PLATING OVERALL.
NO.	DESCRIPTION	QTY.	MATERIAL	TREATMENT



RECOMMENDED P.C.B LAYOUT (COMPONENT SIDE)

PCB THICKNESS: 1.20±0.05 [0.047±0.002]
 DEFAULT TOLERANCE: ±0.05 [0.002]

X.±	X°±	UNITSmm[inch]	NAME(INTENDED USE)	FOXCONN®
.X± 0.38[0.015]	.X°±	MAT'L	CUSTOMER	FOXCONN INTERCONNECT TECHNOLOGY LIMITED.
.XX± 0.25[0.010]	.XX°±	N/A	PART NO.(INTENDED USE)	CLASS: <input type="checkbox"/> CONFIDENTIAL <input type="checkbox"/> SECRET <input checked="" type="checkbox"/> GENERAL
.XXX±0.20[0.008]	.XXX°±	FINISH	UEB1113-45662-4H	TITLE: USB3.0 B RECEPTACLE
THESE DRAWINGS AND SPECIFICATIONS ARE THE PROPERTY OF FOXCONN INTERCONNECT TECHNOLOGY LIMITED. AND SHALL NOT BE REPRODUCED COPIED OR USED IN ANY MANNER WITHOUT THE PRIOR WRITTEN CONSENT OF FOXCONN INTERCONNECT TECHNOLOGY LIMITED.			APPD: Dean Zhang 05/18'17	DWG NO.: 327-0000-3356
Q'TY N/A			CHKD: David Wang 05/18'17	SCALE SHEET REV. N/A 1/1 AX1
			DR: Kun Huang 05/18'17	