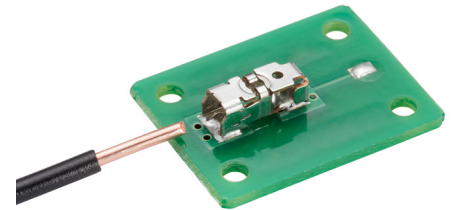


# Lite-Trap Contact Terminal



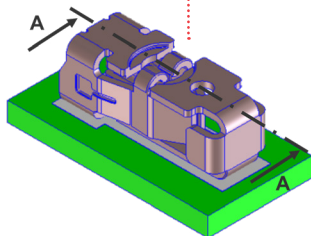
Contact Terminal version of Lite-Trap Connector is a low-cost, low-profile dual-contact design with wire stopper and wire release button, making it ideal for cost-competitive and narrow space requirements of global LED lighting market.

## Features and Benefits

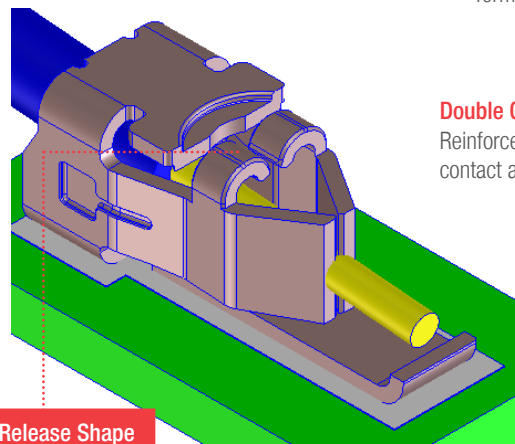


Single Circuit Lite-Trap Contact Terminal

**Contact-Terminal-Only Version**  
Meets the requirement of low-cost and narrow space

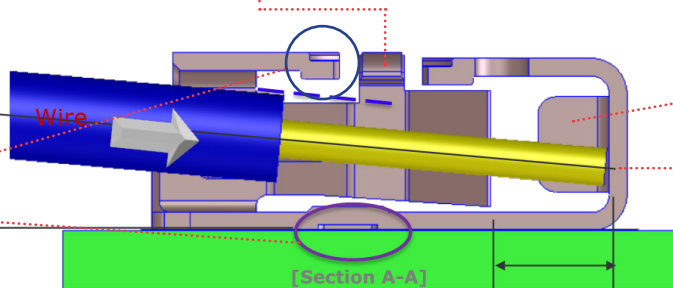


**Double Contact Terminal Design**  
Reinforced physical and electrical contact assurance



Wire Release Shape

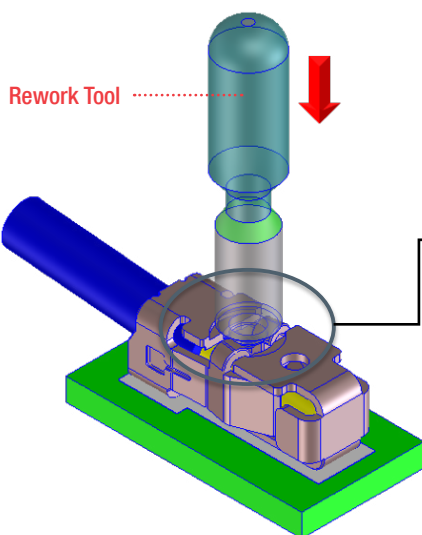
**Engraving Shape**  
Stopper function by jig  
Improve PCB Retention Force



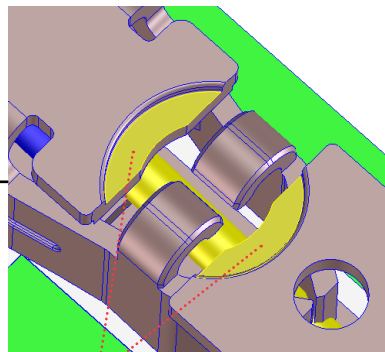
**Guide**  
Prevent Wire Movement

**Wire Stopper**  
Avoid damage by wire insertion

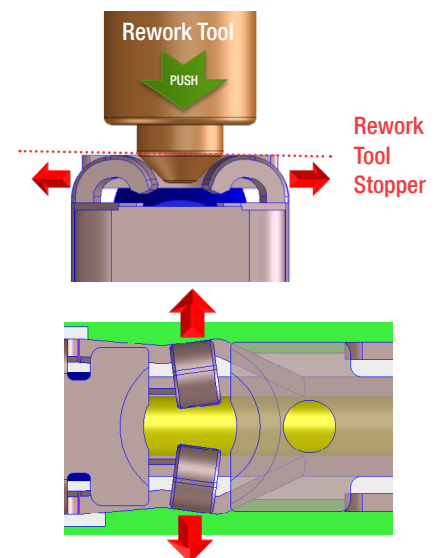
2.0mm  
Valid Pressure Distance



[Rework Tool Insert Area]



**When releasing wire**  
Guiding Rework Tool insertion  
Circled shape to prevent from terminal deformation



Two 'r' shapes are widened by pushing by rework tool in order to release the wire

# Lite-Trap Contact Terminal



## Applications

### Connected Lighting

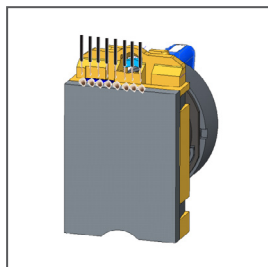
- LED Driver
- Linear lighting module
- Down lighting module

### Connected Home

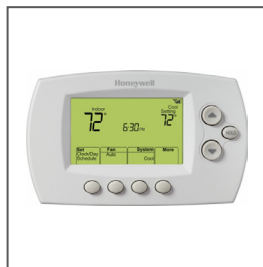
- Thermostat

### Industrial

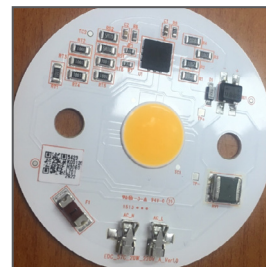
- PCB Charge Controller



PCB Charge Controller



Thermostat



Down Lighting Module

## Specifications

### CONFIGURATION

Lite-Trap Contact Terminal (1 circuit)

### ELECTRICAL

Voltage (max.): 300V  
Current (max.): 7.0A  
Contact Resistance: 10 Milliohms  
Temperature Rise (max.): 40°C

### PHYSICAL

Circuit Size: 1 circuit  
Locking Type: Double Contact  
Wire Gauge Range:  
Solid Wire: AWG#24 (0.2mm<sup>2</sup>) to #18 (0.8mm<sup>2</sup>)  
Stranded Wire: AWG#22 (0.45mm<sup>2</sup>) to #20 (0.7mm<sup>2</sup>)  
Plating: Tin-plated  
Wire Strip Length: 5.0 +/- 0.50mm  
Resin Material: Copper Alloy  
Operating Temperature: -60 to +130°C

## Ordering Information

Series No.	Description	Packaging
<a href="#">203863-8103</a>	Lite-Trap Contact Terminal 1 circuit	Embossed Tape (3.5Kpcs/Reel, 28Kpcs/8Reels)

[www.molex.com/link/litetrp.html](http://www.molex.com/link/litetrp.html)

Molex is a registered trademark of Molex, LLC in the United States of America and may be registered in other countries; all other trademarks listed herein belong to their respective owners.