

REV.	ECN. NO.	APPD.
A	BC-10-0113809	ADWARD ZHENG
B	BC-13-0085650	ADWARD ZHENG
C	BC-14-0010891	ADWARD ZHENG
D	BC-16-0014439	ADWARD ZHENG
E	BC-18-0009899	Davy Bu
EX1	20190625	Davy Bu

- NOTES :
1. ELECTRICAL AND MECHANICAL CHARACTERISTICS MEET USB3.0 STANDARD.
 2. DIMENSIONS ARE IN MILLIMETERS, BRACKETED DIMENSIONS ARE INCHES EQUIVALENTS.
 3. MEET USB3.0 STANDARD SPECIFICATION.
 4. STORAGE ENVIROMENT: -40°C TO + 60°C
 5. RECOMMENED PROCESS: WAVE SOLDER 260°C, 3~5SECONDS.
 6. THE CONNECTOR IS ROHS COMPLIANT .
 7. RECOMMENDED PCB THICKNESS: 1.60±0.05[.063±.002]mm
 8. OPERATING TEMPERATURE: -55°C ~ +85°C.

NO.	DESCRIPTION	QTY.	MATERIAL	TREATMENT
9	INNER INSULATOR	1	THERMOPLASTIC UL 94V-0	MOLDED COLOR:BLACK / Halogen Free
8	INNER INSULATOR	1	THERMOPLASTIC UL 94V-0	MOLDED COLOR:BLACK / Halogen Free
7	REAR SHELL	1	STAINLESS STEEL	CLEAN
6	FINGER	3	STAINLESS STEEL	CLEAN
5	FRAME	1	THERMOPLASTIC UL 94V-0	MOLDED COLOR:BLACK / Halogen Free
4	USB2 CONTACT	16	COPPER ALLOY	30u" MIN. Au PLATING AT CONTACT AREA.
3	USB3 CONTACT	20	COPPER ALLOY	LEAD FREE TIN ALLOY AT TERMINATION, NICKER UNDERPLATING OVER ALL
2	INNER INSULATOR	4	THERMOPLASTIC UL 94V-0	MOLDED COLOR:BLUE(PANTONE:300C) / Halogen Free
1	FRONT SHELL	1	STAINLESS STEEL	NI PLATED OVER ALL, TIN ALLOY(LEAD FREE) PLATED AT KINK AND TAB.

PIN ASSIGNMENT:

Pin No.	D1	D2	D3	D4	D5	D6	D7	D8	D9
Pin No.	C1	C2	C3	C4	C5	C6	C7	C8	C9
Pin No.	B1	B2	B3	B4	B5	B6	B7	B8	B9
Pin No.	A1	A2	A3	A4	A5	A6	A7	A8	A9
Signal Name	VBUS	D-	D+	GND	STDA_SSRX-	STDA_SSRX+	GND_DRAIN	STDA_SSTX-	STDA_SSTX+
Remark	USB2 Contact Pin				USB3 Contact Pin				

X, ±	X*, ±	UNITS
X ±0.38[.015]	X* ±	mm[inch]
XX ±0.25[.010]	XX* ±	MAT'L
XXX±	XXX*±	N/A
		FINISH
		N/A
		Q'TY
		N/A

NAME(INTENDED USE)	CUSTOMER
PART NO.(INTENDED USE)	UEA11123-QHD6-4H
APPD:	Davy Bu 6/25'19
CHKD:	Cheery Chen 6/25'19
DR:	Tony Xu 6/25'19

FIT FOXCONN INTERCONNECT TECHNOLOGY LIMITED.

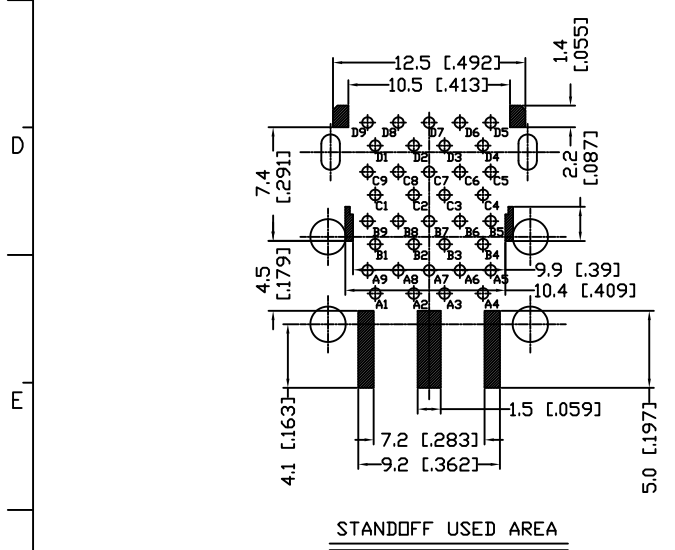
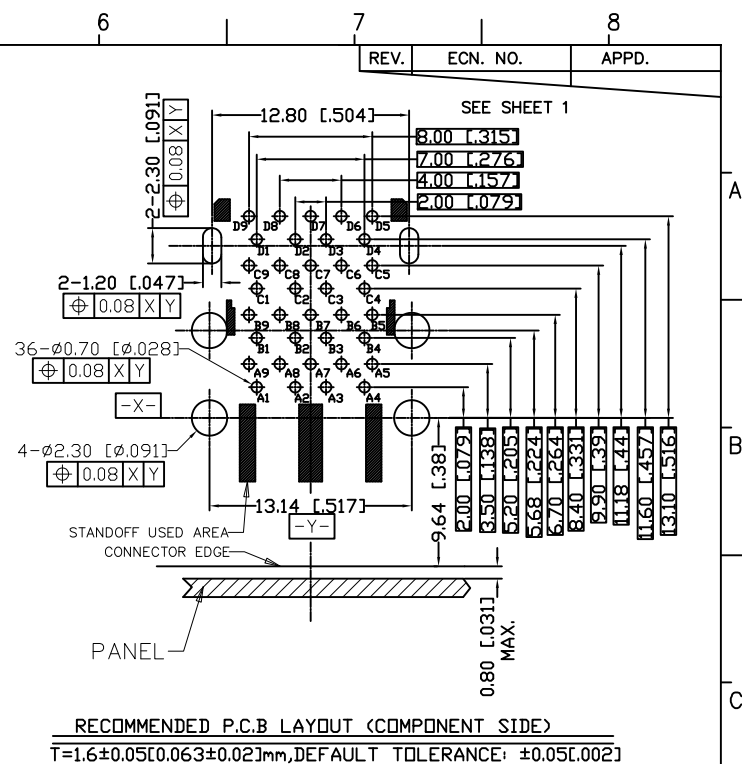
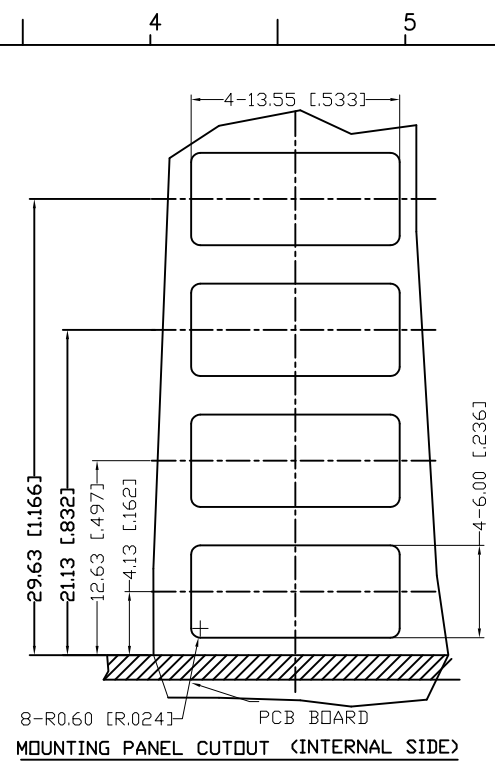
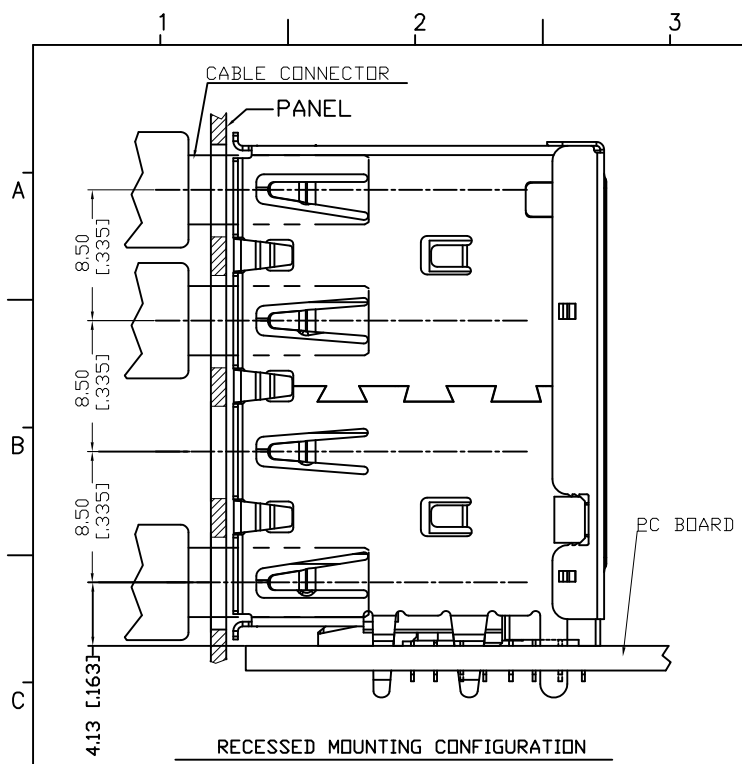
CLASS:
 CONFIDENTIAL SECRET GENERAL

TITLE: QUADRUPLE STACKED USB 3.0 A TYPE

DWG NO.: 327-0000-2392

SCALE	SHEET	REV.
N/A	1/2	EX1

THESE DRAWINGS AND SPECIFICATIONS ARE THE PROPERTY OF FOXCONN INTERCONNECT TECHNOLOGY LIMITED, AND SHALL NOT BE REPRODUCED COPIED OR USED IN ANY MANNER WITHOUT THE PRIOR WRITTEN CONSENT OF FOXCONN INTERCONNECT TECHNOLOGY LIMITED.



PRODUCT NO.: UEA 1 1 1 2 3 - QHD6 - 4 H

Series Prefix
 UEA: USB 3.0 A TYPE

Termination Type
 1: Right Angle Type

Connector Type
 1: Female

No. of Contact Position
 1: 9 Pos.

Profile Height
 2: 4.13 mm

Halogen Free Code
 H: Halogen Free

Package Code
 4: Soft Tray Package

Extension Code

Contact Area Plating
 3=30 u" Au PLATING

X. ±	X*. ±	UNITS	mm[inch]	NAME (INTENDED USE)	FOXCONN INTERCONNECT TECHNOLOGY LIMITED.		
.X ±0.38[.015]	.X* ±	MAT'L	N/A	CUSTOMER			
.XX ±0.25[.010]	.XX* ±			PART NO. (INTENDED USE)	CLASS: <input type="checkbox"/> CONFIDENTIAL <input type="checkbox"/> SECRET <input checked="" type="checkbox"/> GENERAL		
.XXX ±	.XXX* ±	FINISH	N/A	UEA11123-QHD6-4H	TITLE: QUADRUPLE STACKED USB 3.0 A TYPE		
THESE DRAWINGS AND SPECIFICATIONS ARE THE PROPERTY OF FOXCONN INTERCONNECT TECHNOLOGY LIMITED, AND SHALL NOT BE REPRODUCED, COPIED OR USED IN ANY MANNER WITHOUT THE PRIOR WRITTEN CONSENT OF FOXCONN INTERCONNECT TECHNOLOGY LIMITED.				APPD: Davy Bu 6/25'19	DWG NO: 327-0000-2392		
				Q'TY	N/A	CHKD: Cheery Chen 6/25'19	
					N/A	DR: Tony Xu 6/25'19	
					SCALE SHEET REV. N/A 2/2 EX1		