

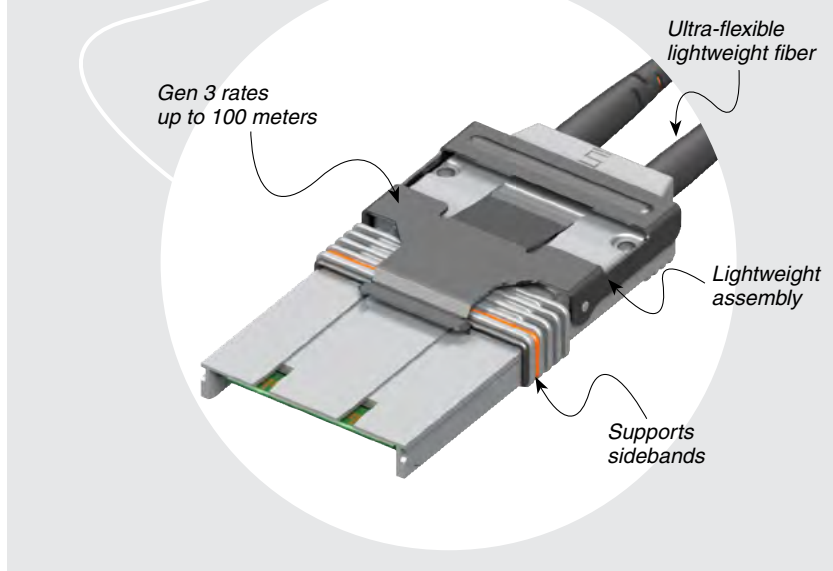


ACTIVE OPTICAL CABLE ASSEMBLIES

SPECIFICATIONS

For complete specifications see www.samtec.com?PCIEO

Fiber Type:
 1 m to 50 m = OM2
 Over 50 m = OM3
 All Half AOCs = OM3



RECOGNITIONS

For complete scope of recognitions, see www.samtec.com/quality



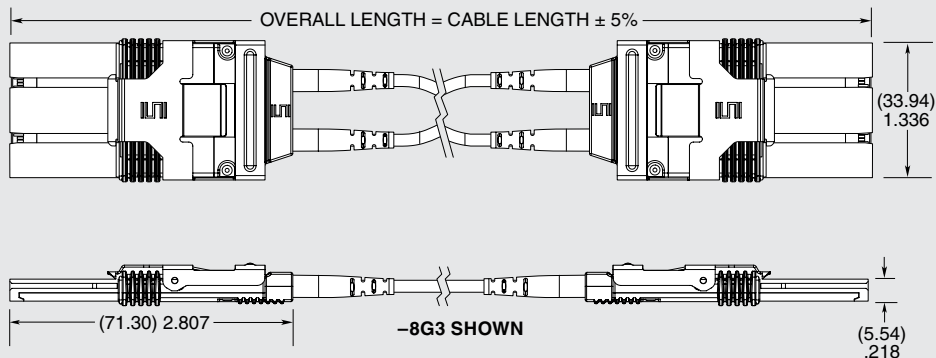
Patents: 7329054, 7824112, 7648287, 7766559, 8098993, additional patents pending

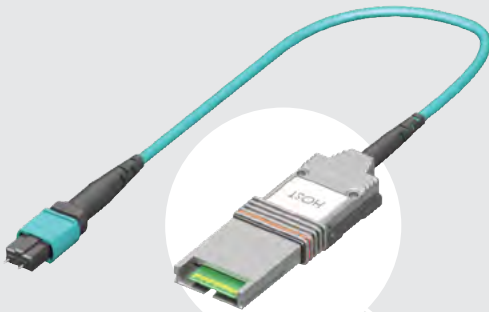
Notes:
 Samtec PCIe® over Fiber systems are PCIe® compliant; however as with all PCIe® based systems, there is a risk of interoperability issues with specific systems. Samtec recommends discussing your system with our Optical Group prior to final design. Please contact pcie@samtec.com.

PCI-SIG®, PCI Express® and the PCIe® design marks are registered trademarks and/or service marks of PCI-SIG.

Some sizes, styles and options are non-standard, non-returnable.

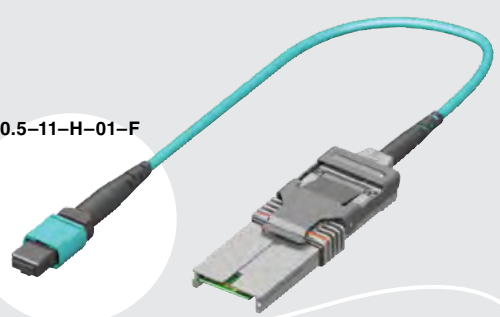
PCIEO	DATA RATE	CABLE LENGTH	OPTIONS
Full AOC With Host & Target	-4G3 = x4 PCIe®, GEN 3 -8G3 = x8 PCIe®, GEN 3 -H8G3 = x4 PCIe® with, x8 PCIe® form factor, GEN 3 -4AG3 = x4 PCIe® Host to x8 PCIe® Target, GEN 3 -8AG3 = x8 PCIe® Host to x4 PCIe® Target, GEN 3	-000.5 = 500 mm -100.0 = 100 m Standard lengths	-11 = 100 MHz Clock Frequency (Standard) -12 = 100 MHz Clock Frequency (No Sidebands) -15 = No Clock Output (Standard) -16 = No Clock Output (No Sidebands)





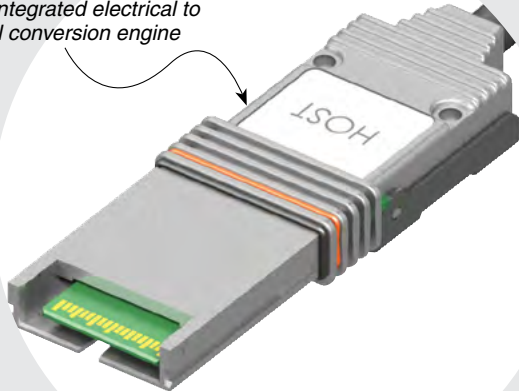
PCIEO-4G3-000.5-11-H-01-M

PCIEO-4G3-000.5-11-H-01-F



PCIEO SERIES

Fully integrated electrical to optical conversion engine



Male or Female MTP end option

30 mm bend radius

3 mm diameter

Cable lengths up to 100 meters

PCIEO	DATA RATE	CABLE LENGTH	OPTIONS	TYPE	END OPTION	GENDER
Half AOC Requires MTP End option	-4G3 = x4 PCIe®, GEN 3 -8G3 = x8 PCIe®, GEN 3 -H8G3 = x4 PCIe® with, x8 PCIe® form factor, GEN 3	-000.5 = 500 mm -100.0 = 100 m Standard lengths	-11 = 100 MHz Clock Frequency (Standard) -12 = 100 MHz Clock Frequency (No Sidebands) -15 = No Clock Output (Standard) -16 = No Clock Output (No Sidebands)	Required Callout -H = Host -T = Target	Required Callout -01 = MTP	Required Callout -M = Male -F = Female

OVERALL LENGTH = CABLE LENGTH ± 5%

(21.94) .864

(7.60) .299

-4G3

(12.39) .488

-01-M

Class 1 LASER PRODUCT
per IEC 60825-1 Ed. 2 (2007)