



**AAVID
THERMALLOY**

DC Brushless Fan & Blower Product Catalog

PA Series



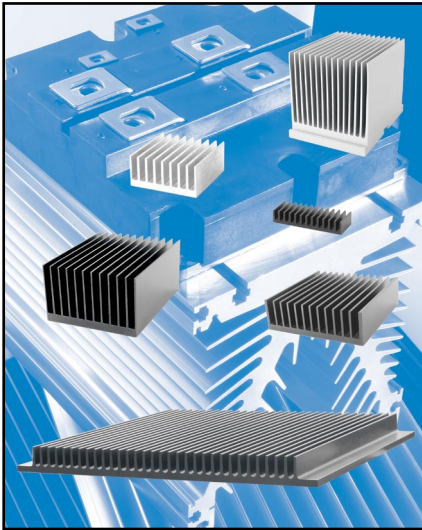
PS Series



PE Series



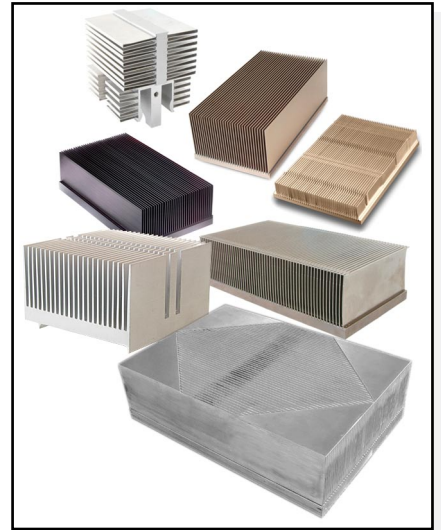
Other Aavid Thermalloy Products Offered



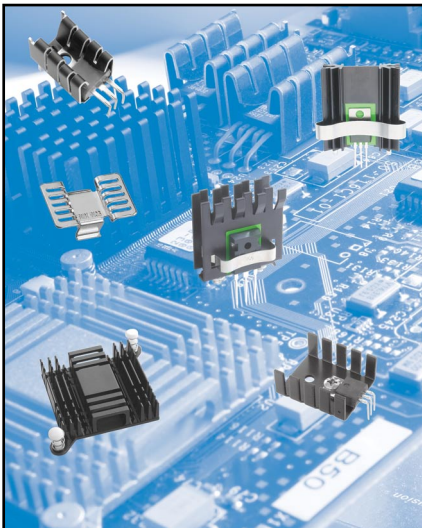
Extruded Solutions



The Max Clip System



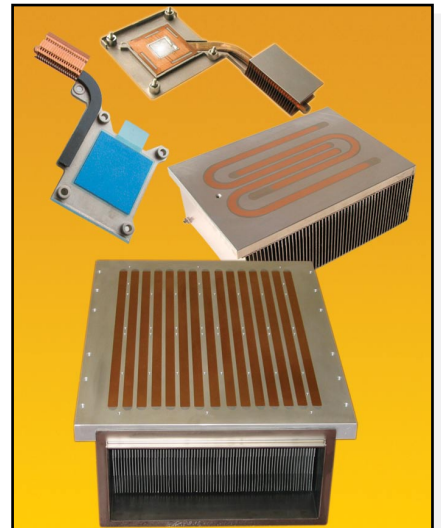
High Fin Density Heat Sinks



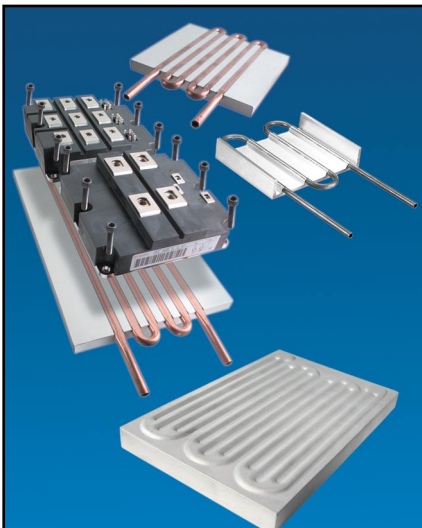
Board Level Heat Sinks



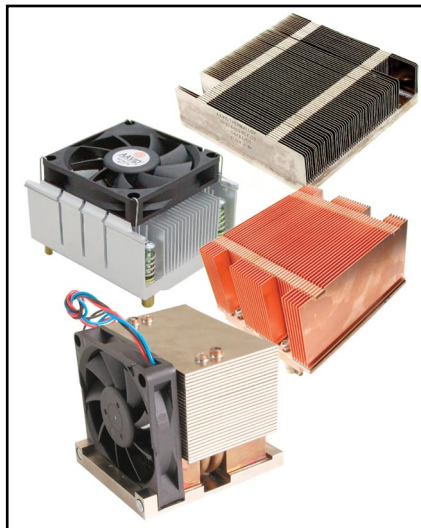
Visit Our Web Site
www.aavid.com



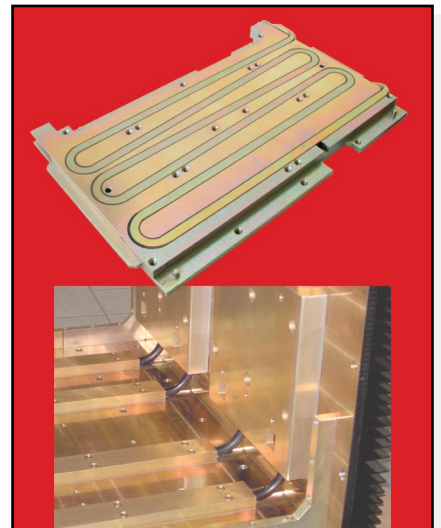
Heat Pipe Applications



Liquid Cold Plates



CPU Coolers



Custom Complex Solutions



AAVID THERMALLOY

Table of Contents

TABLE OF CONTENTS

Fan Description

- Company Profile 1
- FLB Technology 2
- Product Check List 3
- Pulse Sensor/ Tachometer Signal/ FG 4
- Lock Sensor/Rotation Detector 4
- Auto Restart Protection/Current Limit Protection . 4
- PWM Control Signal..... 4
- Temperature Sensor 4
- General Specifications 5
- IP Protection Grade..... 6
- Management System Certificates 6
- Safety Approvals 6
- Introducing Three Series..... 7
- Explanation of Fan Model Numbers 8

PA Series

- PA Series-4010 9
- PA Series-5010 10
- PA Series-6010 11
- PA Series-6015 12
- PA Series-6025 13
- PA Series-7010 14
- PA Series-8010 15
- PA Series-8015 16
- PA Series-8025 17
- PA Series-9225 18

PS Series

- PS Series-4010 19
- PS Series-5010 20
- PS Series-6010 21
- PS Series-6015 22
- PS Series-6025 23
- PS Series-7010 24
- PS Series-8010 25
- PS Series-8015 26
- PS Series-8025 27
- PS Series-9225 28
- PS Series-A225 29
- PS Series-A238..... 30

PE Series

- PE Series-4028 31
- PE Series-6025 32
- PE Series-8025 33
- PE Series-8038 34
- PE Series-9225 35
- PE Series-9238 36
- PE Series-A238..... 37

Customization

- Customized Notebook / Netbook / AIO Blower..... 38
- Customized Fan & Blower..... 38
- Customized Spindle Motor 38

Accessories

- Metal Finger Guard 39
- 3-IN-1 Plastic Filter 39



AAVID THERMALLOY

About Aavid

With nearly 50 years of product development, engineering innovation and manufacturing expertise, Aavid has been the world leader in thermal management solutions and the partner of choice for electronics companies focused on introducing next generation products to market faster, with greater reliability and increased functionality.

Research & Development

Aavid continuously invests in the development of new technologies to deliver the most advanced solutions to our worldwide customers. Our future focused R&D efforts keep Aavid ahead of the latest emerging technological developments and consumer preferences.

World Class Quality

Aavid Thermalloy ensures consistent quality of all its products by following the documented processes and procedures within Aavid's ISO 9001:2008 Certified Quality Management System (QMS). Key elements that ensure consistent product quality include

- » Design Innovation
- » Design Control
- » New Product/Process Introduction
- » Process Monitoring & Control
- » Effective Inspection & Testing

Broad Product Offering

Aavid provides the industry's broadest product offering, ranging from the smallest board level cooling solution to hundreds of thousands of kilowatt industrial applications.

World Wide Manufacturing

Aavid supports product development cycles with dedicated sales engineering resources and factory locations that deliver on time, anywhere in the world.

Aavid delivers innovative, quality products to market cost effectively using global resources and a broad portfolio of manufacturing processes and capabilities.



Aavid Design

Aavid is unique by offering state-of-the-art engineering and design services to customers who value collaboration in solving difficult and complex design management problems. These design services may be offered as part of a product solution or through specialized engineering and design centers throughout the world.

Aavid Design partners closely with its customers early in the design phase of product development in order to assist with modeling and simulation and to develop innovative product solutions. By employing recognized, market-leading design & engineering expertise, coupled with investment in the latest technological design tools and backed by its own test laboratories, Aavid Design is able to develop, test and verify its own designs for its customers.

Global Account Management

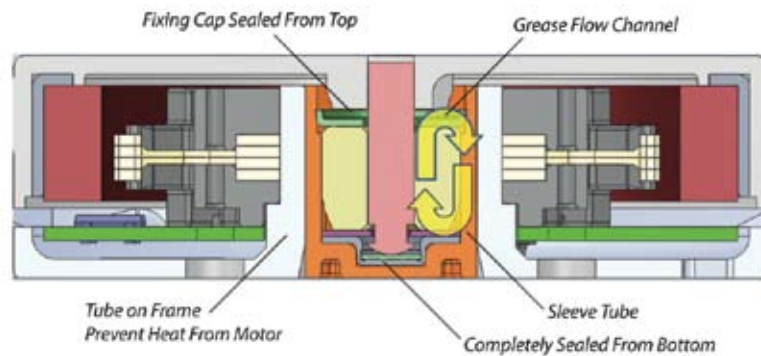
Dedicated Global Account Management (GAM) Teams comprising of Sales, Engineering and Manufacturing personnel provide key customer focus and enable hassle free, coordinated project roll out on a worldwide basis.

Our mission is total customer satisfaction. We are committed to continuous improvement through the application of world class business principles.



AAVID
THERMALLOY

The Sleeve Bearing Innovation



The Fluid Lubricant Bearing (FLB) Introduction

FLB stands for Fluid Lubricant Bearing which is the latest developed innovation. The FLB addresses the major problems of the traditional sleeve bearing and is able to increase the life expectancy over the traditional sleeve bearing by more than 60%.

Characteristics of Sleeve Bearings

Traditional sleeve bearings are structured to be shock resistant and low in cost, however it is not suitable for high performance needs. Sleeve bearings are only ideal for applications that do not require high amounts of CFM. Due to the structure of the traditional sleeve bearing it becomes noisy and wears out very quickly when performance is in high demand. The 3 major problems for traditional sleeve bearing's short life span are:

Lubricant leakage or evaporation

The FLB redesigned the sleeve bearing to completely seal in the area where leakage occurs. The FLB also creates a back pressure within the bearing forcing heat out, thus keeping the lubricant cool. This keeps the lubricant inside the bearing and prolongs its life expectancy.

Dust tainting the lubricant

The FLB redesigned the sleeve bearing creating a Dust Proof Tunnel preventing dust from tainting the lubricant itself. This keeps the lubricant in its original state longer prolonging the life of the bearing.

Overheating

The FLB system redesigned the sleeve bearing by adding an insulating tube between the motor and the bearing to resist heat and prevent the increase of temperature on the bearing. This keeps the lubricant from evaporating too fast due to temperature increases and prolongs the life of the bearing.

Our goal is not only to provide the best products available but also to reinvent a better thermal solution for all electronic devices for a greener tomorrow.



**AAVID
THERMALLOY**

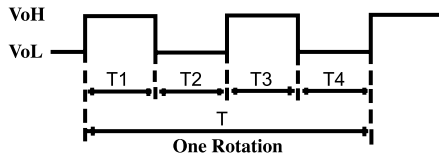
Product Check List

DIMENSION	Series	VDC				BEARING TYPE			OPTIONAL DEVICE				SAFETY			WEIGHT
		5	12	24	48	SLEEVE	FLB	Ball	Restart	FG	RD	PWM	UL/CUL	TUV	CE	g
40x40x10	PA	V	V			V	V	V	V	V			V	V	V	14.4
	PS	V	V				V	V	V	V		V	V	V	V	17.2
40x40x28	PE		V					V	V	V	V	V	V	V	V	47.0
50x50x10	PA	V	V			V	V	V	V	V			V	V	V	18.2
	PS	V	V				V	V	V	V		V	V	V	V	20.7
60x60x10	PA	V	V			V	V	V	V	V			V	V	V	27.5
	PS	V	V				V	V	V	V	V	V	V	V	V	28.0
60x60x15	PA	V	V	V		V	V	V	V	V			V	V	V	40.9
	PS	V	V				V	V	V	V	V	V	V	V	V	41.2
60x60x25	PA		V	V		V	V	V	V	V			V	V	V	68.0
	PS		V	V			V	V	V	V	V	V	V	V	V	79.0
	PE		V	V	V			V	V	V	V	V	V	V	V	85.0
70x70x10	PA	V	V			V	V	V	V	V			V	V	V	35.0
	PS	V	V				V	V	V	V	V	V	V	V	V	37.3
80x80x10	PA	V	V			V	V	V	V	V			V	V	V	42.6
	PS	V	V				V	V	V	V	V	V	V	V	V	42.6
80x80x15	PA	V	V	V		V	V	V	V	V			V	V	V	63.5
	PS	V	V				V	V	V	V	V	V	V	V	V	59.2
80x80x25	PA		V	V		V	V	V	V	V			V	V	V	78.0
	PS		V	V			V	V	V	V	V	V	V	V	V	91.6
	PE		V	V	V			V	V	V	V	V	V	V	V	90.5
80x80x38	PE		V	V	V			V	V	V	V	V	V	V	V	215
92x92x25	PA		V	V		V	V	V	V	V			V	V	V	88.0
	PS		V	V			V	V	V	V	V	V	V	V	V	106
	PE		V	V	V			V	V	V	V	V	V	V	V	98.5
92x92x38	PE		V	V	V			V	V	V	V	V	V	V	V	230
120x120x25	PS		V	V	V			V	V	V	V	V	V	V	V	230
120x120x38	PS		V	V	V			V	V	V	V	V	V	V	V	375
	PE		V	V	V			V	V	V	V	V	V	V	V	415

Pulse Sensor / Tachometer Signal /FG

Pulse Sensor is for detecting the rotational speed of the fan motor. At locked rotor condition, the signal stops cycling and the output is fixed at VH or VL.

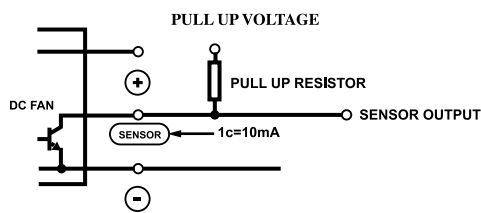
Output Waveform



$$T_{1-4} = (1/4)T$$

$$N = \text{Fan Rotational Speed} (\text{min}^{-1})$$

FG Signal Output Circuit: Open Collector



Lock Sensor / Rotation Detector

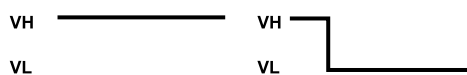
Lock Sensor is used to detect if the fan motor is operating or stopped.

Output Waveform

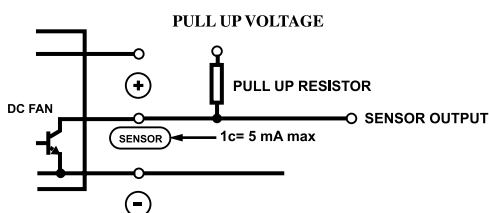
Alarm High: The output will be logical low when fan is operating and be logical high when fan motor is locked.



Alarm Low: The output will be logical high when fan is operating and be logical low when fan motor is locked.

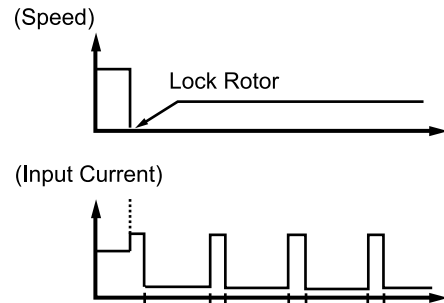


RD Signal Output Circuit: Open Collector



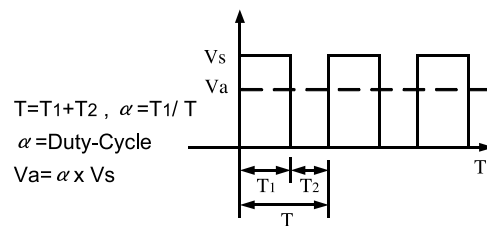
Auto Restart Protection / Current Limit Protection

When the fan motor is locked, the device will cut off the drive current within two to six seconds and restart automatically after a few seconds. If the lock situation is continued, the device will work on a repeated cycle of cut-off and restart until the lock is released.



PWM Control Signal

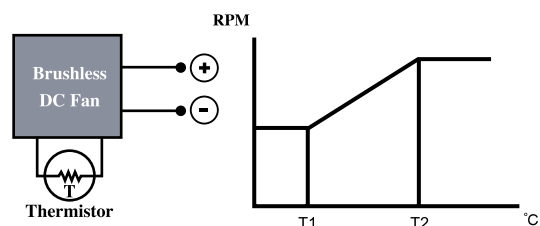
A speed control lead can be provided that will accept a PWM signal from the customer circuit to vary the speed of the fan. The change in speed is linear by changing the Duty-Cycle of the PWM.



Open collector type and pull-up voltage is changed by maximum operating voltage and sink current by consuming current.

Temperature Sensor

Aavid uses a thermistor to sense temperature in the thermally controlled fan. The thermistor can be controlled on board or off board with special length leads. The RPM and temperature range is subject to custom request.





AAVID
THERMALLOY

General Specifications

Operating Temperature

Ball Bearings -10°C to + 70°C / 15%~60%RH
FLB -10°C to + 70°C / 15%~60%RH

Bearing System Life

2 Ball Bearings 70,000 hours @ 45°C
FLB 40,000 hours @ 45°C
Sleeve Bearings 30,000 hours @ 45°C

Impeller/Frame

Material PBT + Glass Fiber
Flammability UL94V-0
Color Black is standard

Storage Temperature

All -40°C to + 70°C

Lead Wires

Rating UL 1061, UL 1007, or UL 1430
AWG 24~28
2 Wire Standard Red (+) , Black (-)
Wire Options Yellow
Pulse Sensor / Tachometer Signal / FG
White
Locked rotor alarm/Rotation Detector
Blue
PWM speed control

Insulation Resistance

Standard 10 MΩ at 500VDC minimum
between frame and (+) terminal

Dielectric Strength

Standard 5mA max. at 500VAC 60 Hz 1 minute
between frame and (+) terminal

Noise Data

Noise measurements are performed in an Anechoic Chamber with less than 19 dBA background noise in compliance with ISO7779 standards 1m from inlet side.



AAVID THERMALLOY

IP Protection Grade

IP Code, the first figure indicates the degree of protection against touching live parts and/or ingress of solid objects. The second figure indicates the degree of protection against the ingress of water.

IP X X

First Figure		Second Figure	
Degree	Description	Degree	Description
0	No Protection	0	No Protection
1	Protection against touching by hand or 50mm dimension objects	1	Protection against vertical water droplets
2	Protection against touching by finger or 12mm dimension objects	2	Protection against showering at 15°C
3	Protection against touching by tools, wire, or 5mm dimension objects	3	Protection against showering at 60°C
4	Protection against touching by tools, wire, or 1mm dimension objects	4	Protection against splashing from any direction
5	Total touch protection or no harmful dust ingress	5	Protection against water jets from any direction
6	Total touch protection or no dust ingress	6	Protection against large volumes of water and no water ingress
		7	Protection against the temporary immersion in water up to 1 meter deep
		8	Protection against the permanent submersion at specified depths

Management System Certificates

ISO:
 ISO9001 (SGS Certificate: CN09/31713)
 ISO14001 (CGW Register No.:00909E10017R1M)

Safety Approvals

TUV: 28804, 75381
 UL/CUL: E181279, E342448
 CE





AAVID
THERMALLOY

Introducing Three Series

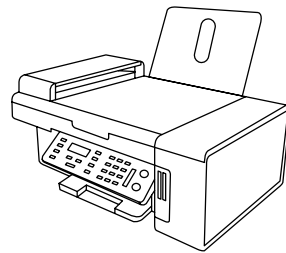
THREE SERIES



PA

FLB Bearing / High Duration / Full Dimensions

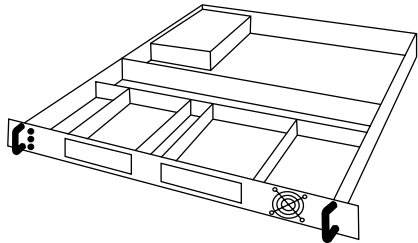
Aavid's "FLB" Bearing structure increases the fan life efficiency by 30% compared to the sleeve bearing.



PS

High PQ / FLB Bearing / Powerful Function

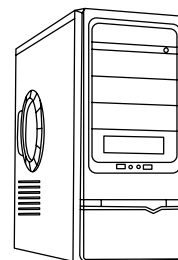
Aavid provides multi-function options of ball bearing and FLB bearings to meet your needs.



PE

High PQ / Low Power Consumption / High Reliability

Aavid provides both functionality and performance applicable to various needs of rapid cooling and high-end products.





Explanation of Fan Model Numbers

PA A D O 40 10 B L XXXX
[1] [2] [3] [4] [5] [6] [7] [8] [9] [10]

[1] PRODUCT CATEGORY

PA: Advance Series
PS: Superior Series
PE: Excellence Series

[2] PRODUCT TYPE

A: Axial Fan
B: Blower
M: Motor

[3] POWER TYPE

D: DC
A: AC

[4] VOLTAGE TYPE

DC	AC
0: 5V	5: 110V
1: 12V	6: 115V
2: 24V	7: 230V
3: 36V	
4: 48V	

[5] FRAME DIMENSION

20: 20mm x 20mm	65: 65mm x 65mm
25: 25mm x 25mm	70: 70mm x 70mm
30: 30mm x 30mm	75: 75mm x 75mm
35: 35mm x 35mm	80: 80mm x 80mm
40: 40mm x 40mm	92: 92mm x 92mm
45: 45mm x 45mm	97: 97mm x 97mm
50: 50mm x 50mm	A2: 120mm x 120mm
52: 52mm x 52mm	A3: 135mm x 135mm
60: 60mm x 60mm	A7: 172mm x 172mm

[6] FRAME HEIGHT

06: 04-06mm	28: 28mm
07: 07mm	32: 29-32mm
08: 08mm	35: 33-37mm
10: 09-12mm	38: 38-42mm
15: 13-17mm	45: 43-47mm
20: 18-22mm	51: 48-52mm
25: 23-27mm	61: 53-61mm

[7] BEARING TYPE

S: Sleeve Bearing / FLB
B: Two Ball Bearing

[8] FAN SPEED

L: Low Speed
M: Middle Speed
H: High Speed

[9] SPACE

Blank

[10] FUNCTION CODES

0000: no function
P000: restart protection
F000: FG signal
PF00: restart protection + FG signal
PR00: restart protection + RG signal
M000: restart protection + PWM signal
MF00: restart protection + PWM + FG signal
MR00: restart protection + PWM + RD signal



AAVID
THERMALLOY

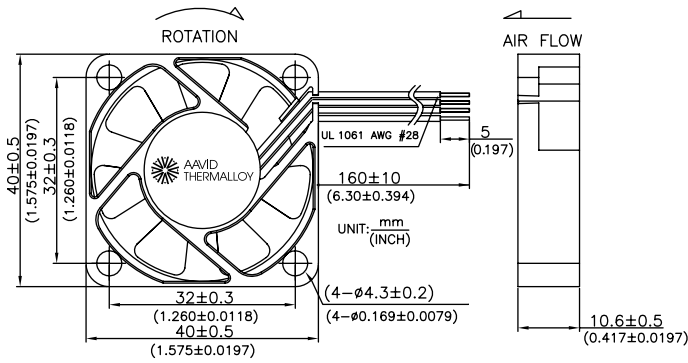
Advance Series (PA) 40mm x 40mm x 10mm



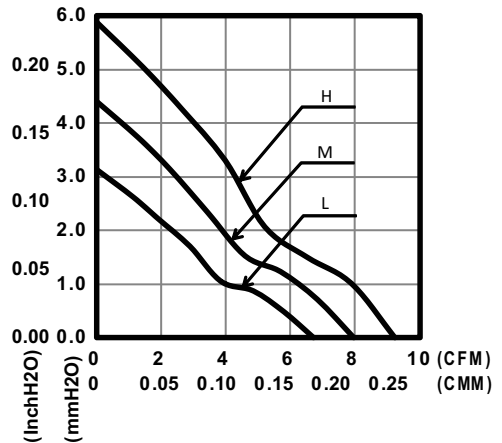
- » Bearing Type: FLB, Sleeve, Ball Bearing
- » Function Type (Optional): FG Signal
- » Protection (Optional) :
Auto Restart Protection
- » Lead Wire:
UL 1061 AWG #28 or Equivalent
Red Wire: Positive (+)
Black Wire: Negative (-)
Yellow Wire: FG Signal

PA SERIES 4010

DIMENSIONS DRAWING



PERFORMANCE CURVES



SPECIFICATION



Model	Function Type	Rated Voltage	Operating Voltage	Rated Current	Input Current	Input Power	Rated Speed	Air Flow		Air Pressure		Noise
		VDC	VDC	Amp	Amp	Watt	RPM	CMM	CFM	mmH2O	InH2O	dBA
PAAD04010SL	0000/F000	5	4~5.75	0.16	0.11	0.55	5600	0.19	6.72	3.14	0.12	26.5
PAAD04010SM	P000/PF00	5	4~5.75	0.19	0.16	0.80	6600	0.23	7.97	4.41	0.17	31.0
PAAD14010SL	0000/F000 P000/PF00	12	6~13.8	0.14	0.08	0.96	5600	0.19	6.72	3.14	0.12	26.5
PAAD14010SM		12	6~13.8	0.16	0.10	1.20	6600	0.23	7.97	4.41	0.17	31.0
PAAD14010SH		12	6~13.8	0.18	0.12	1.44	7700	0.26	9.22	5.88	0.23	35.5
PAAD04010BL	0000/F000	5	4~5.75	0.16	0.11	0.55	5600	0.19	6.72	3.14	0.12	25.0
PAAD04010BM	P000/PF00	5	4~5.75	0.19	0.16	0.80	6700	0.23	7.97	4.41	0.17	29.5
PAAD14010BL	0000/F000 P000/PF00	12	6~13.8	0.14	0.08	0.96	5600	0.19	6.72	3.14	0.12	25.0
PAAD14010BM		12	6~13.8	0.16	0.10	1.20	6600	0.23	7.97	4.41	0.17	29.5
PAAD14010BH		12	6~13.8	0.18	0.12	1.44	7700	0.26	9.22	5.88	0.23	34.0

* Specifications are subject to change without notice



AAVID
THERMALLOY

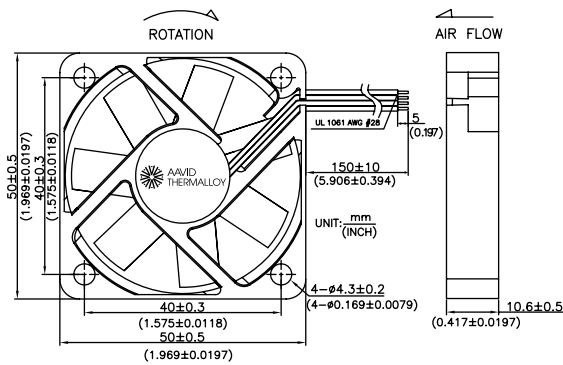
Advance Series (PA) 50mm x 50mm x 10mm



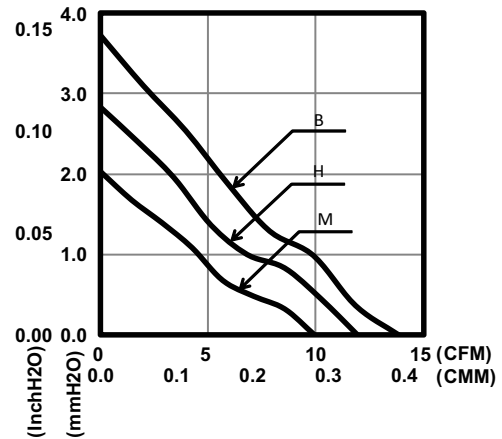
- » Bearing Type: FLB, Sleeve, Ball Bearing
- » Function Type (Optional): FG Signal
- » Protection (Optional) :
Auto Restart Protection
- » Lead Wire:
UL 1061 AWG #28 or Equivalent
Red Wire: Positive (+)
Black Wire: Negative (-)
Yellow Wire: FG Signal

PA SERIES 5010

DIMENSIONS DRAWING



PERFORMANCE CURVES



SPECIFICATION



Model	Function Type	Rated Voltage	Operating Voltage	Rated Current	Input Current	Input Power	Rated Speed	Air Flow		Air Pressure		Noise
		VDC	VDC	Amp	Amp	Watt		CMM	CFM	mmH2O	InH2O	
PAAD05010SM	0000/F000	5	4~5.75	0.24	0.11	0.55	4000	0.28	9.93	2.03	0.08	24.0
PAAD05010SH		5	4~5.75	0.30	0.18	0.90	4700	0.34	11.93	2.83	0.11	28.0
PAAD15010SM	0000/F000 P000/PF00	12	6~13.8	0.11	0.08	0.96	4000	0.28	9.93	2.03	0.08	24.0
PAAD15010SH		12	6~13.8	0.14	0.10	1.20	4700	0.34	11.93	2.83	0.11	28.0
PAAD15010SB		12	6~13.8	0.21	0.12	1.44	5400	0.39	13.85	3.72	0.15	31.5
PAAD05010BM	0000/F000	5	4~5.75	0.24	0.11	0.55	4000	0.28	9.93	2.03	0.08	23.5
PAAD05010BH		5	4~5.75	0.30	0.18	0.90	4700	0.34	11.93	2.83	0.11	28.5
PAAD15010BM	0000/F000 P000/PF00	12	6~13.8	0.11	0.08	0.96	4000	0.28	9.93	2.03	0.08	23.5
PAAD15010BH		12	6~13.8	0.14	0.10	1.20	4700	0.34	11.93	2.83	0.11	28.5
PAAD15010BB		12	6~13.8	0.21	0.12	1.44	5400	0.39	13.85	3.72	0.15	32.5

* Specifications are subject to change without notice



AAVID
THERMALLOY

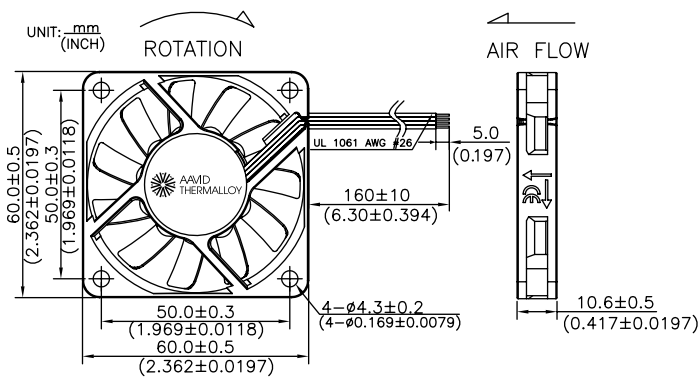
Advance Series (PA) 60mm x 60mm x 10mm



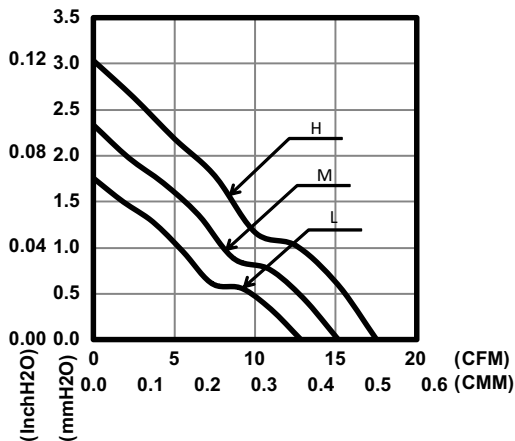
- » Bearing Type: FLB, Sleeve, Ball Bearing
- » Function Type (Optional): FG Signal
- » Protection (Optional) :
Auto Restart Protection
- » Lead Wire:
UL 1061 AWG #26 or Equivalent
Red Wire: Positive (+)
Black Wire: Negative (-)
Yellow Wire: FG Signal

PA SERIES 6010

DIMENSIONS DRAWING



PERFORMANCE CURVES



SPECIFICATION



Model	Function Type	Rated Voltage	Operating Voltage	Rated Current	Input Current	Input Power	Rated Speed	Air Flow		Air Pressure		Noise
		VDC	VDC	Amp	Amp	Watt	RPM	CMM	CFM	mmH ₂ O	InH ₂ O	
PAAD06010SL	0000/F000 P000/PF00	5	4~5.75	0.35	0.11	0.55	3000	0.36	12.8	1.76	0.07	23.0
PAAD06010SM		5	4~5.75	0.45	0.18	0.90	3600	0.43	15.2	2.33	0.09	28.0
PAAD06010SH		5	4~5.75	0.55	0.30	1.50	4100	0.50	17.5	3.04	0.12	31.5
PAAD16010SM	0000/F000 P000/PF00	12	6~13.8	0.20	0.11	1.32	3600	0.43	15.2	2.33	0.09	28.0
PAAD16010SH		12	6~13.8	0.25	0.14	1.68	4100	0.50	17.5	3.04	0.12	31.5
PAAD06010BL	0000/F000 P000/PF00	5	4~5.75	0.35	0.11	0.55	3100	0.38	13.5	1.87	0.07	25.5
PAAD06010BM		5	4~5.75	0.45	0.18	0.90	3700	0.45	15.9	2.47	0.10	29.0
PAAD06010BH		5	4~5.75	0.55	0.30	1.50	4200	0.51	18.1	3.14	0.12	32.5
PAAD16010BM	0000/F000 P000/PF00	12	6~13.8	0.20	0.11	1.32	3700	0.45	15.9	2.47	0.10	29.0
PAAD16010BH		12	6~13.8	0.25	0.14	1.68	4200	0.51	18.1	3.14	0.12	32.5

* Specifications are subject to change without notice



AAVID
THERMALLOY

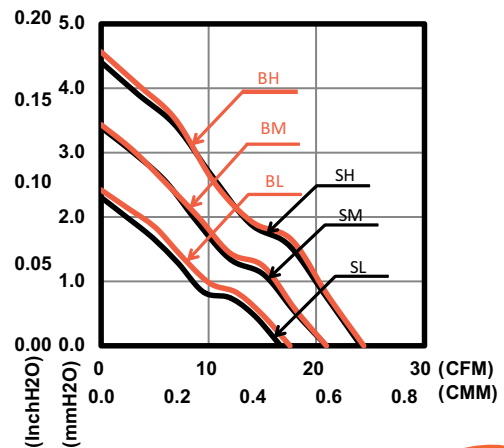
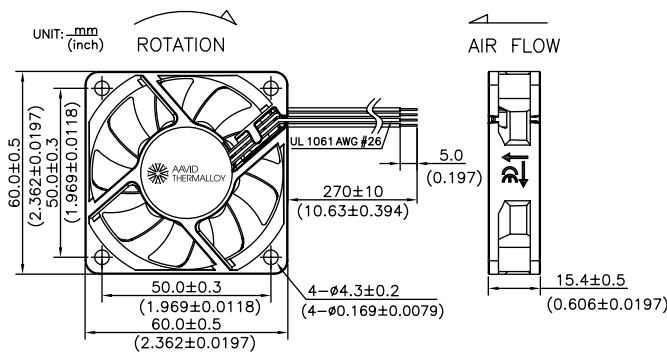
Advance Series (PA) 60mm x 60mm x 15mm



- » Bearing Type: FLB, Sleeve, Ball Bearing
- » Function Type (Optional): FG Signal
- » Protection (Optional):
Auto Restart Protection
- » Lead Wire:
UL 1061 AWG #26 or Equivalent
Red Wire: Positive (+)
Black Wire: Negative (-)
Yellow Wire: FG Signal

PERFORMANCE CURVES

DIMENSIONS DRAWING



SPECIFICATION



Model	Function Type	Rated Voltage	Operating Voltage	Rated Current	Input Current	Input Power	Rated Speed	Air Flow		Air Pressure		Noise
		VDC	VDC	Amp	Amp	Watt		RPM	CMM	CFM	mmH ₂ O	
PAAD06015SL	0000/F000 P000/PF00	5	4~5.75	0.55	0.16	0.80	3200	0.47	16.6	2.31	0.09	24.5
PAAD06015SM		5	4~5.75	0.70	0.22	1.10	3900	0.59	20.9	3.39	0.13	30.0
PAAD06015SH		5	4~5.75	0.85	0.35	1.75	4500	0.68	24.1	4.41	0.17	33.0
PAAD16015SL	0000/F000 P000/PF00	12	6~13.8	0.15	0.08	0.96	3200	0.47	16.6	2.31	0.09	24.5
PAAD16015SM		12	6~13.8	0.25	0.12	1.44	3900	0.59	20.9	3.39	0.13	30.0
PAAD16015SH		12	6~13.8	0.35	0.16	1.92	4500	0.68	24.1	4.41	0.17	33.0
PAAD26015SH	0000/F000 P000/PF00	24	12~27.6	0.20	0.09	2.16	4500	0.68	24.1	4.41	0.17	33.0
PAAD06015BL	0000/F000 P000/PF00	5	4~5.75	0.55	0.16	0.80	3300	0.50	17.5	2.42	0.10	24.5
PAAD06015BM		5	4~5.75	0.70	0.22	1.10	4000	0.59	20.9	3.43	0.14	30.5
PAAD06015BH		5	4~5.75	0.85	0.35	1.75	4600	0.69	24.4	4.56	0.18	34.5
PAAD16015BL	0000/F000 P000/PF00	12	6~13.8	0.15	0.08	0.96	3300	0.50	17.5	2.42	0.10	24.5
PAAD16015BM		12	6~13.8	0.25	0.12	1.44	4000	0.59	20.9	3.43	0.14	30.5
PAAD16015BH		12	6~13.8	0.35	0.16	1.92	4600	0.69	24.4	4.56	0.18	34.5
PAAD26015BH	0000/F000 P000/PF00	24	12~27.6	0.20	0.09	2.16	4600	0.69	24.4	4.56	0.18	34.5

* Specifications are subject to change without notice



AAVID
THERMALLOY

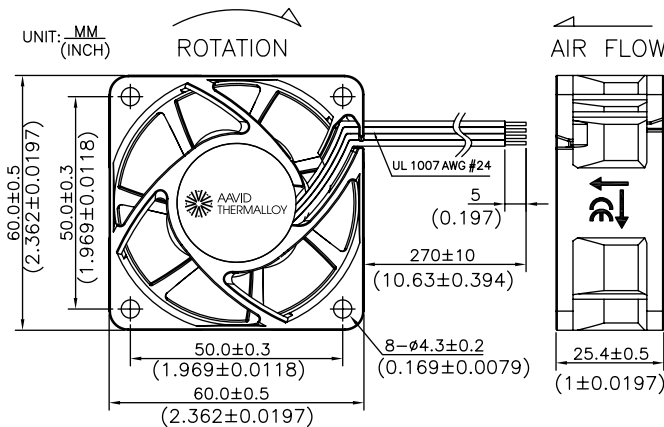
Advance Series (PA) 60mm x 60mm x 25mm



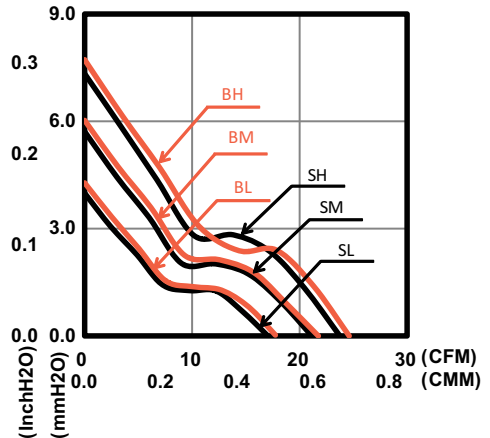
- » Bearing Type: FLB, Sleeve, Ball Bearing
- » Function Type (Optional): FG Signal
- » Protection (Optional) :
Auto Restart Protection
- » Lead Wire:
UL 1007 AWG #24 or Equivalent
Red Wire: Positive (+)
Black Wire: Negative (-)
Yellow Wire: FG Signal

PA SERIES 6025

DIMENSIONS DRAWING



PERFORMANCE CURVES



SPECIFICATION



Model	Function Type	Rated Voltage	Operating Voltage	Rated Current	Input Current	Input Power	Rated Speed	Air Flow		Air Pressure		Noise
		VDC	VDC	Amp	Amp	Watt		RPM	CMM	CFM	mmH ₂ O	
PAAD16025SL	0000/F000 P000/PF00	12	6~13.8	0.15	0.08	1.96	3300	0.49	17.1	3.99	0.16	26.0
PAAD16025SM		12	6~13.8	0.20	0.11	1.32	4000	0.60	21.2	5.73	0.23	30.5
PAAD16025SH		12	6~13.8	0.25	0.14	1.68	4600	0.67	23.8	7.32	0.29	34.0
PAAD26025SL(-)	0000/F000 P000/PF00	24	12~27.6	0.12	0.06	1.44	3300	0.49	17.1	3.99	0.16	26.0
PAAD26025SM(-)		24	12~27.6	0.14	0.07	1.68	4000	0.60	21.2	5.73	0.23	30.5
PAAD26025SH(-)		24	12~27.6	0.16	0.08	1.92	4600	0.67	23.8	7.32	0.29	34.0
PAAD16025BL	0000/F000 P000/PF00	12	6~13.8	0.15	0.08	0.96	3500	0.50	17.8	4.28	0.17	28.0
PAAD16025BM		12	6~13.8	0.20	0.10	1.20	4200	0.62	21.8	6.04	0.24	32.5
PAAD16025BH		12	6~13.8	0.25	0.13	1.56	4800	0.70	24.6	7.73	0.30	35.5
PAAD26025BL(-)	0000/F000 P000/PF00	24	12~27.6	0.12	0.05	1.20	3500	0.50	17.8	4.28	0.17	28.0
PAAD26025BM(-)		24	12~27.6	0.14	0.06	1.44	4200	0.62	21.8	6.04	0.24	32.5
PAAD26025BH(-)		24	12~27.6	0.16	0.07	1.68	4800	0.70	24.6	7.73	0.30	35.5

* Specifications are subject to change without notice



AAVID
THERMALLOY

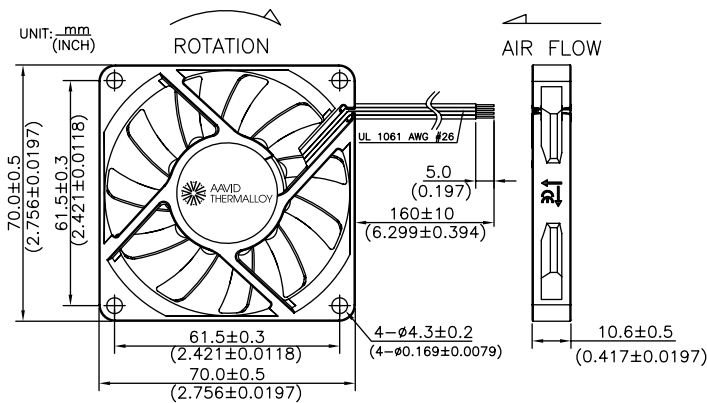
Advance Series (PA) 70mm x 70mm x 10mm



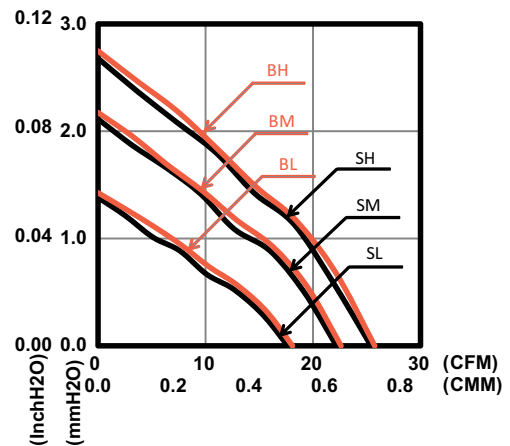
- » Bearing Type: FLB, Sleeve, Ball Bearing
- » Function Type (Optional): FG Signal
- » Protection (Optional) :
Auto Restart Protection
- » Lead Wire:
UL 1061 AWG #26 or Equivalent
Red Wire: Positive (+)
Black Wire: Negative (-)
Yellow Wire: FG Signal

PA SERIES 7010

DIMENSIONS DRAWING



PERFORMANCE CURVES



SPECIFICATION



Model	Function Type	Rated Voltage	Operating Voltage	Rated Current	Input Current	Input Power	Rated Speed	Air Flow		Air Pressure		Noise
		VDC	VDC	Amp	Amp	Watt		RPM	CMM	CFM	mmH ₂ O	
PAAD07010SL	0000/F000 P000/PF00	5	4~5.75	0.20	0.16	0.80	2500	0.50	17.7	1.38	0.06	24.0
PAAD07010SM		5	4~5.75	0.33	0.26	1.30	3100	0.63	22.2	2.11	0.08	29.5
PAAD07010SH		5	4~5.75	0.43	0.34	1.70	3500	0.72	25.4	2.68	0.11	32.5
PAAD17010SL	0000/F000 P000/PF00	12	6~13.8	0.20	0.08	0.96	2500	0.50	17.7	1.38	0.06	24.0
PAAD17010SM		12	6~13.8	0.25	0.12	1.44	3100	0.63	22.2	2.11	0.08	29.5
PAAD17010SH		12	6~13.8	0.30	0.19	2.28	3500	0.72	25.4	2.68	0.11	32.5
PAAD07010BL	0000/F000 P000/PF00	5	4~5.75	0.20	0.16	0.80	2600	0.51	18.1	1.42	0.06	24.5
PAAD07010BM		5	4~5.75	0.33	0.26	1.30	3200	0.64	22.6	2.18	0.09	30.5
PAAD07010BH		5	4~5.75	0.43	0.34	1.70	3600	0.73	25.8	2.75	0.11	33.5
PAAD17010BL	0000/F000 P000/PF00	12	6~13.8	0.20	0.08	0.96	2600	0.51	18.1	1.42	0.06	24.5
PAAD17010BM		12	6~13.8	0.25	0.12	1.44	3200	0.64	22.6	2.18	0.09	30.5
PAAD17010BH		12	6~13.8	0.30	0.19	2.28	3600	0.73	25.8	2.75	0.11	33.5

* Specifications are subject to change without notice



AAVID
THERMALLOY

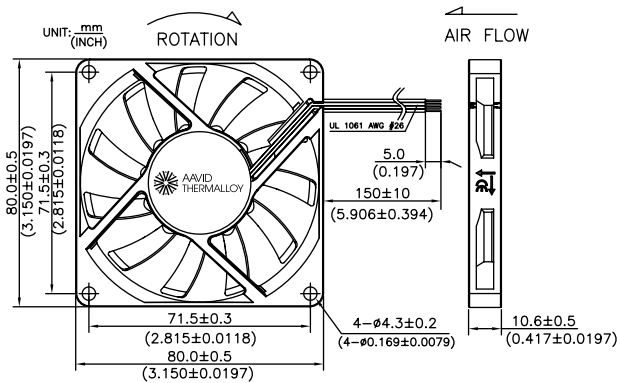
Advance Series (PA) 80mm x 80mm x 10mm



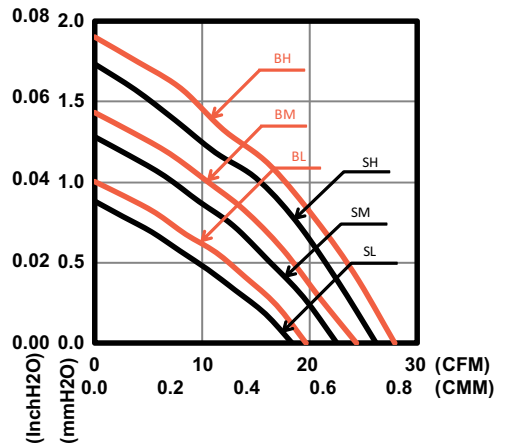
- » Bearing Type: FLB, Sleeve, Ball Bearing
- » Function Type (Optional): FG Signal
- » Protection (Optional) :
Auto Restart Protection
- » Lead Wire:
UL 1061 AWG #26 or Equivalent
Red Wire: Positive (+)
Black Wire: Negative (-)
Yellow Wire: FG Signal

PA SERIES 8010

DIMENSIONS DRAWING



PERFORMANCE CURVES



SPECIFICATION



Model	Function Type	Rated Voltage	Operating Voltage	Rated Current	Input Current	Input Power	Rated Speed	Air Flow		Air Pressure		Noise
		VDC	VDC	Amp	Amp	Watt	RPM	CMM	CFM	mmH ₂ O	InH ₂ O	
PAAD08010SL	0000/F000 P000/PF00	5	4~5.75	0.15	0.12	0.60	1900	0.52	18.4	0.88	0.04	22.0
PAAD08010SM		5	4~5.75	0.23	0.22	1.10	2300	0.64	22.6	1.28	0.05	26.5
PAAD08010SH		5	4~5.75	0.46	0.40	2.00	2700	0.74	26.2	1.73	0.07	30.0
PAAD18010SL(-)	0000/F000 P000/PF00	12	6~13.8	0.11	0.09	1.08	1900	0.52	18.4	0.88	0.04	22.0
PAAD18010SM(-)		12	6~13.8	0.16	0.13	1.56	2300	0.64	22.6	1.28	0.05	26.5
PAAD18010SH(-)		12	6~12.6	0.25	0.20	2.40	2700	0.74	26.2	1.73	0.07	30.0
PAAD08010BL	0000/F000 P000/PF00	5	4~5.75	0.15	0.12	0.60	2000	0.56	19.7	1.00	0.04	22.5
PAAD08010BM		5	4~5.75	0.28	0.22	1.10	2400	0.69	24.4	1.44	0.06	28.0
PAAD08010BH		5	4~5.75	0.50	0.40	2.00	2800	0.79	28.0	1.90	0.08	32.0
PAAD18010BL(-)	0000/F000 P000/PF00	12	6~13.8	0.11	0.09	1.08	2000	0.56	19.7	1.00	0.04	22.5
PAAD18010BM(-)		12	6~13.8	0.17	0.13	1.56	2400	0.69	24.4	1.44	0.06	28.0
PAAD18010BH(-)		12	6~12.6	0.25	0.20	2.40	2800	0.79	28.0	1.90	0.08	32.0

* Specifications are subject to change without notice



AAVID
THERMALLOY

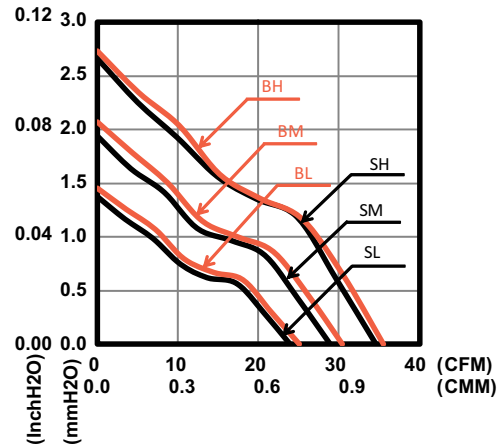
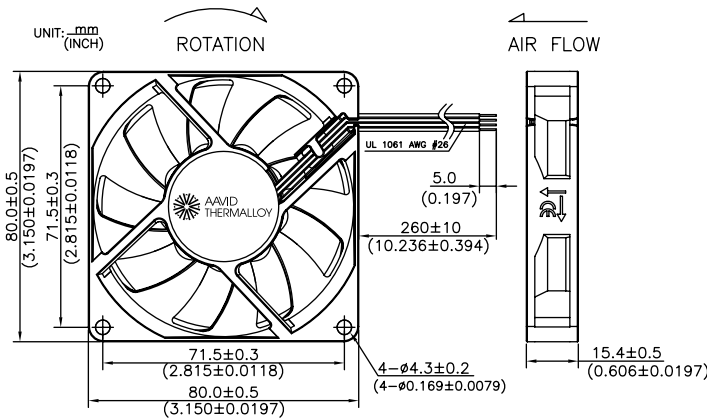
Advance Series (PA) 80mm x 80mm x 15mm



- » Bearing Type: FLB, Sleeve, Ball Bearing
- » Function Type (Optional): FG Signal
- » Protection (Optional):
Auto Restart Protection
- » Lead Wire:
UL 1061 AWG #26 or Equivalent
Red Wire: Positive (+)
Black Wire: Negative (-)
Yellow Wire: FG Signal

PERFORMANCE CURVES

DIMENSIONS DRAWING



SPECIFICATION



Model	Function Type	Rated Voltage	Operating Voltage	Rated Current	Input Current	Input Power	Rated Speed	Air Flow		Air Pressure		Noise
		VDC	VDC	Amp	Amp	Watt	RPM	CMM	CFM	mmH ₂ O	InH ₂ O	dBA
PAAD08015SL	0000/F000 P000/PF00	5	4~5.75	0.18	0.14	0.70	2000	0.68	23.9	1.37	0.05	22.5
PAAD08015SM		5	4~5.75	0.27	0.19	0.95	2400	0.82	28.9	1.94	0.08	26.5
PAAD08015SH		5	4~5.75	0.42	0.33	1.65	2800	0.98	34.6	2.66	0.11	31.5
PAAD18015SL(-)	0000/F000 P000/PF00	12	6~13.8	0.15	0.06	0.72	2000	0.68	23.9	1.37	0.05	22.5
PAAD18015SM(-)		12	6~13.8	0.25	0.10	1.20	2400	0.82	28.9	1.94	0.08	26.5
PAAD18015SH(-)		12	6~13.8	0.35	0.16	1.92	2800	0.98	34.6	2.66	0.11	31.5
PAAD28015SM(-)	0000/F000 P000/PF00	24	12~27.6	0.15	0.06	1.44	2400	0.82	28.9	1.94	0.08	26.5
PAAD28015SH-		24	12~27.6	0.25	0.11	2.64	2800	0.98	34.6	2.66	0.11	31.5
PAAD08015BL	0000/F000 P000/PF00	5	4~5.75	0.18	0.14	0.70	2100	0.71	25.1	1.46	0.06	22.5
PAAD08015BM		5	4~5.75	0.27	0.19	0.95	2500	0.86	30.4	2.07	0.08	26.5
PAAD08015BH		5	4~5.75	0.42	0.33	1.65	2900	1.01	35.5	2.73	0.11	31.5
PAAD18015BL(-)	0000/F000 P000/PF00	12	6~13.8	0.15	0.07	0.84	2100	0.71	25.1	1.46	0.06	22.5
PAAD18015BM(-)		12	6~13.8	0.25	0.10	1.20	2500	0.86	30.4	2.07	0.08	26.5
PAAD18015BH(-)		12	6~13.8	0.35	0.14	1.68	2900	1.01	35.5	2.73	0.11	31.5
PAAD28015BM(-)	0000/F000 P000/PF00	24	12~27.6	0.15	0.06	1.44	2500	0.86	30.4	2.07	0.08	26.5
PAAD28015BH-		24	12~27.6	0.25	0.11	2.64	2900	1.01	35.5	2.73	0.11	31.5

* Specifications are subject to change without notice



AAVID
THERMALLOY

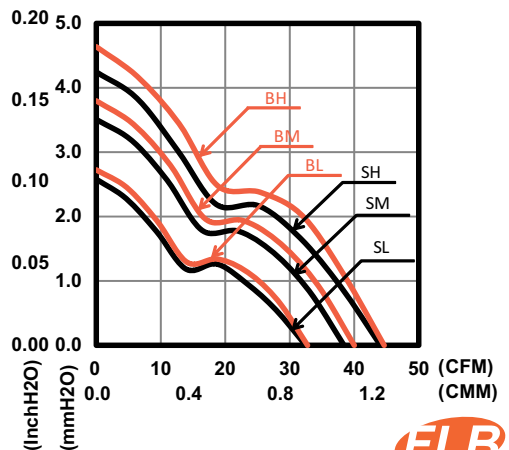
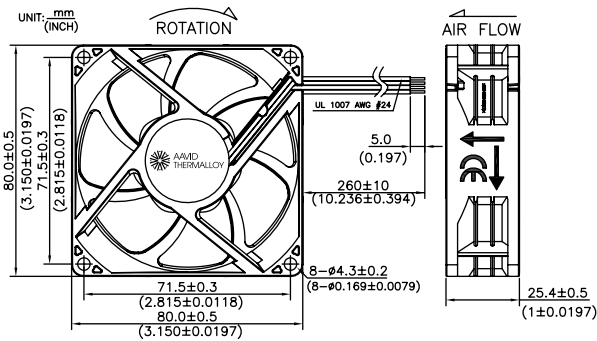
Advance Series (PA) 80mm x 80mm x 25mm



- » Bearing Type: FLB, Sleeve, Ball Bearing
- » Function Type (Optional): FG Signal
- » Protection (Optional):
Auto Restart Protection
- » Lead Wire:
UL 1007 AWG #24 or Equivalent
Red Wire: Positive (+)
Black Wire: Negative (-)
Yellow Wire: FG Signal

PERFORMANCE CURVES

DIMENSIONS DRAWING



SPECIFICATION

Model	Function Type	Rated Voltage	Operating Voltage	Rated Current	Input Current	Input Power	Rated Speed	Air Flow		Air Pressure		Noise
		VDC	VDC	Amp	Amp	Watt	RPM	CMM	CFM	mmH ₂ O	InH ₂ O	
PAAD18025SL	0000/F000	12	6~13.8	0.14	0.09	0.96	2400	0.92	32.7	2.58	0.10	25.5
PAAD18025SM		12	6~13.8	0.19	0.12	1.44	2900	1.09	38.4	3.51	0.14	31.0
PAAD18025SH		12	6~13.8	0.24	0.18	2.16	3300	1.25	44.2	4.24	0.17	34.0
PAAD18025SL-	P000/PF00	12	6~13.8	0.14	0.08	0.96	2400	0.92	32.7	2.58	0.10	25.5
PAAD18025SM-		12	6~13.8	0.19	0.12	1.44	2900	1.09	38.4	3.51	0.14	31.0
PAAD18025SH-		12	6~13.8	0.30	0.18	2.16	3300	1.25	44.2	4.24	0.17	34.0
PAAD28025SL	0000/F000	24	12~27.6	0.08	0.05	1.20	2400	0.92	32.7	2.58	0.10	25.5
PAAD28025SM		24	12~27.6	0.10	0.07	1.68	2900	1.09	38.4	3.51	0.14	31.0
PAAD28025SH		24	12~27.6	0.12	0.09	2.16	3300	1.25	44.2	4.24	0.17	34.0
PAAD28025SL-	P000/PF00	24	12~27.6	0.07	0.05	1.20	2400	0.92	32.7	2.58	0.10	25.5
PAAD28025SM-		24	12~27.6	0.12	0.07	1.68	2900	1.09	38.4	3.51	0.14	31.0
PAAD28025SH-		24	12~27.6	0.14	0.09	2.16	3300	1.25	44.2	4.24	0.17	34.0
PAAD18025BL	0000/F000	12	6~13.8	0.14	0.08	0.96	2500	0.93	32.9	2.72	0.11	26.5
PAAD18025BM		12	6~13.8	0.19	0.11	1.32	3000	1.13	40.0	3.80	0.15	32.5
PAAD18025BH		12	6~13.8	0.24	0.17	2.04	3400	1.26	44.6	4.64	0.18	35.0
PAAD18025BL-	P000/PF00	12	6~13.8	0.14	0.08	0.96	2500	0.93	32.9	2.72	0.11	26.5
PAAD18025BM-		12	6~13.8	0.19	0.11	1.32	3000	1.13	40.0	3.80	0.15	32.5
PAAD18025BH-		12	6~13.8	0.30	0.17	2.04	3400	1.26	44.6	4.64	0.18	35.0
PAAD28025BL	0000/F000	24	12~27.6	0.08	0.05	1.20	2500	0.93	32.9	2.72	0.11	26.5
PAAD28025BM		24	12~27.6	0.10	0.07	1.68	3000	1.13	40.0	3.80	0.15	32.5
PAAD28025BH		24	12~27.6	0.12	0.08	1.92	3400	1.26	44.6	4.64	0.18	35.0
PAAD28025BL-	P000/PF00	24	12~27.6	0.07	0.05	1.20	2500	0.93	32.9	2.72	0.11	26.5
PAAD28025BM-		24	12~27.6	0.12	0.07	1.68	3000	1.13	40.0	3.80	0.15	32.5
PAAD28025BH-		24	12~27.6	0.14	0.08	1.92	3400	1.26	44.6	4.64	0.18	35.0

* Specifications are subject to change without notice



AAVID
THERMALLOY

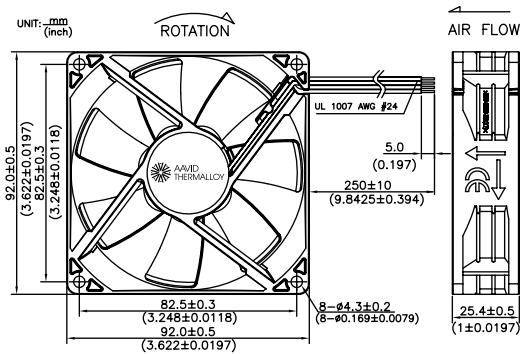
Advance Series (PA) 92mm x 92mm x 25mm



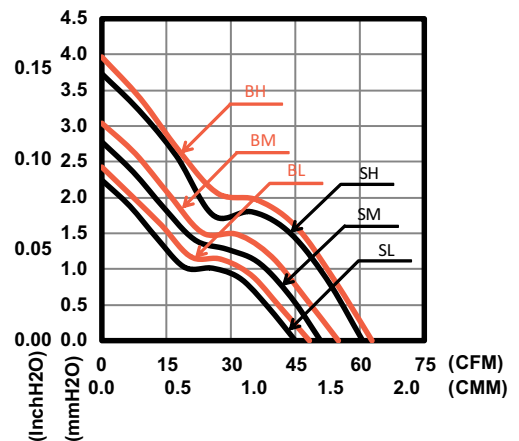
- » Bearing Type: FLB, Sleeve, Ball Bearing
- » Function Type (Optional): FG Signal
- » Protection (Optional):
Auto Restart Protection
- » Lead Wire:
UL 1007 AWG #24 or Equivalent
Red Wire: Positive (+)
Black Wire: Negative (-)
Yellow Wire: FG Signal

PA SERIES 9225

DIMENSIONS DRAWING



PERFORMANCE CURVES



SPECIFICATION



Model	Function Type	Rated Voltage	Operating Voltage	Rated Current	Input Current	Input Power	Rated Speed	Air Flow		Air Pressure		Noise
		VDC	VDC	Amp	Amp	Watt	RPM	CMM	CFM	mmH ₂ O	InH ₂ O	
PAAD19225SL(-)	0000/F000 P000/PF00	12	6~13.8	0.24	0.09	1.08	2000	1.28	45.0	2.25	0.09	27.0
PAAD19225SM(-)		12	6~13.8	0.28	0.14	1.68	2300	1.44	50.9	2.78	0.11	32.0
PAAD19225SH(-)		12	6~13.8	0.32	0.20	2.40	2700	1.72	60.7	3.73	0.15	35.0
PAAD29225SL(-)	0000/F000 P000/PF00	24	12~27.6	0.10	0.06	1.44	2000	1.28	45.0	2.25	0.09	27.0
PAAD29225SM(-)		24	12~27.6	0.14	0.09	2.16	2300	1.44	50.9	2.78	0.11	32.0
PAAD29225SH(-)		24	12~27.6	0.18	0.10	2.40	2700	1.72	60.7	3.73	0.15	35.0
PAAD19225BL(-)	0000/F000 P000/PF00	12	6~13.8	0.24	0.09	1.08	2100	1.37	48.4	2.42	0.10	29.0
PAAD19225BM(-)		12	6~13.8	0.28	0.14	1.68	2400	1.56	55.1	3.27	0.12	32.5
PAAD19225BH(-)		12	6~13.8	0.32	0.19	2.28	2800	1.78	63.0	3.97	0.16	36.5
PAAD29225BL(-)	0000/F000 P000/PF00	24	12~27.6	0.10	0.05	1.20	2100	1.37	48.4	2.42	0.10	29.0
PAAD29225BM(-)		24	12~27.6	0.14	0.08	1.92	2400	1.56	55.1	3.27	0.12	32.5
PAAD29225BH(-)		24	12~27.6	0.18	0.10	2.40	2800	1.78	63.0	3.97	0.16	36.5

* Specifications are subject to change without notice



AAVID
THERMALLOY

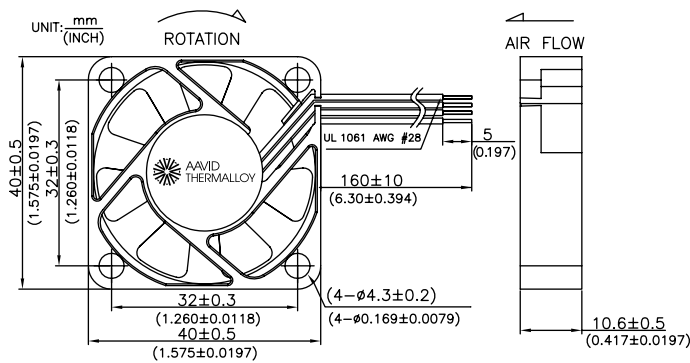
Superior Series (PS) 40mm x 40mm x 10mm



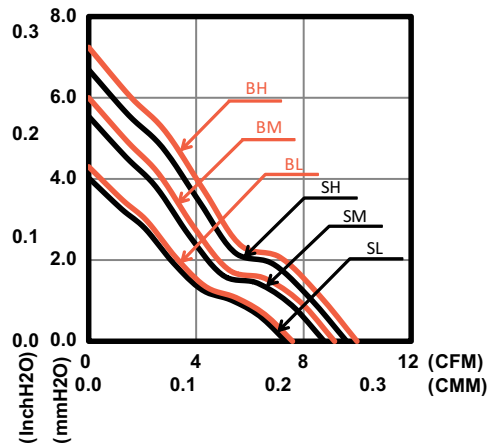
- » Bearing Type: FLB, Ball Bearing
- » Function Type (Optional) : FG Signal, RD Signal, PWM
- » Protection:
 - Auto Restart Protection
 - Polarity Reverse Protection
- » Lead Wire:
 - UL 1061 AWG #28 or Equivalent
 - Red Wire: Positive (+)
 - Black Wire: Negative (-)
 - Yellow Wire: FG Signal
 - White Wire: RD Signal
 - Blue Wire: PWM

PS SERIES 4010

DIMENSIONS DRAWING



PERFORMANCE CURVES



SPECIFICATION



Model	Function Type	Rated Voltage	Operating Voltage	Rated Current	Input Current	Input Power	Rated Speed	Air Flow		Air Pressure		Noise
		VDC	VDC	Amp	Amp	Watt		RPM	CMM	CFM	mmH ₂ O	
PSAD04010SL	P000/PF00 M000/MF00	5	4~5.75	0.12	0.08	0.40	6200	0.21	7.36	4.03	0.16	29.0
PSAD04010SM		5	4~5.75	0.18	0.13	0.65	7200	0.25	8.78	5.53	0.22	32.5
PSAD04010SH		5	4~5.75	0.24	0.18	0.90	7900	0.27	9.60	6.68	0.26	35.5
PSAD14010SL	P000/PF00 M000/MF00	12	6~13.8	0.07	0.06	0.66	6200	0.21	7.36	4.03	0.16	29.0
PSAD14010SM		12	6~13.8	0.09	0.07	0.84	7200	0.25	8.78	5.53	0.22	32.5
PSAD14010SH		12	6~13.8	0.13	0.10	1.20	7900	0.27	9.60	6.68	0.26	35.5
PSAD04010BL	P000/PF00 M000/MF00	5	4~5.75	0.12	0.08	0.40	6400	0.22	7.60	4.29	0.17	28.5
PSAD04010BM		5	4~5.75	0.18	0.13	0.65	7500	0.26	9.15	6.00	0.24	33.0
PSAD04010BH		5	4~5.75	0.24	0.16	0.80	8300	0.28	10.00	7.24	0.29	35.5
PSAD14010BL	P000/PF00 M000/MF00	12	6~13.8	0.07	0.06	0.66	6400	0.22	7.60	4.29	0.17	28.5
PSAD14010BM		12	6~13.8	0.09	0.07	0.84	7500	0.26	9.15	6.00	0.24	33.0
PSAD14010BH		12	6~13.8	0.13	0.10	1.20	8300	0.28	10.00	7.24	0.29	35.5

* Specifications are subject to change without notice



AAVID
THERMALLOY

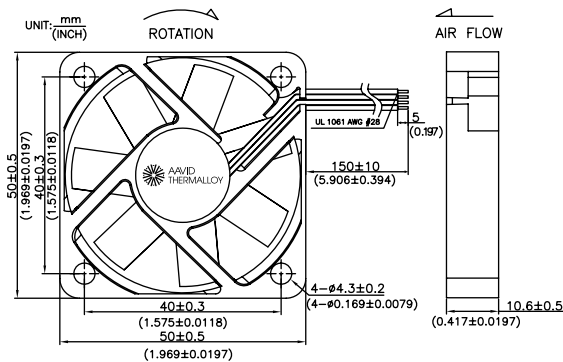
Superior Series (PS) 50mm x 50mm x 10mm



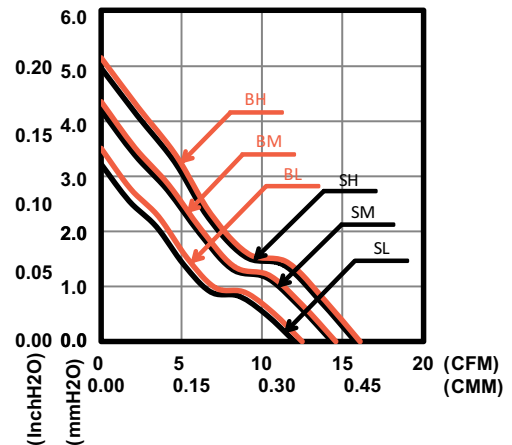
- » Bearing Type: FLB, Ball Bearing
- » Function Type (Optional): FG Signal, PWM
- » Protection:
 - Auto Restart Protection
 - Polarity Reverse Protection
- » Lead Wire:
 - UL 1061 AWG #28 or Equivalent
 - Red Wire: Positive (+)
 - Black Wire: Negative (-)
 - Yellow Wire: FG Signal
 - White Wire: RD Signal
 - Blue Wire: PWM

PS SERIES 5010

DIMENSIONS DRAWING



PERFORMANCE CURVES



SPECIFICATION



Model	Function Type	Rated Voltage	Operating Voltage	Rated Current	Input Current	Input Power	Rated Speed	Air Flow		Air Pressure		Noise
		VDC	VDC	Amp	Amp	Watt	RPM	CMM	CFM	mmH2O	InH2O	
PSAD05010SL	P000/PF00 M000/MF00	5	4~5.75	0.14	0.10	0.50	4700	0.34	12.0	3.22	0.13	28.0
PSAD05010SM		5	4~5.75	0.22	0.16	0.80	5500	0.41	14.3	4.19	0.17	32.0
PSAD05010SH		5	4~5.75	0.28	0.21	1.05	6000	0.45	15.8	4.97	0.20	35.5
PSAD15010SL	P000/PF00 M000/MF00	12	6~13.8	0.09	0.07	0.84	4700	0.34	12.0	3.22	0.13	28.0
PSAD15010SM		12	6~13.8	0.11	0.09	1.08	5500	0.41	14.3	4.19	0.17	32.0
PSAD15010SH		12	6~13.8	0.14	0.11	1.32	6000	0.45	15.8	4.97	0.20	35.5
PSAD05010BL	P000/PF00 M000/MF00	5	4~5.75	0.14	0.10	0.50	4900	0.35	12.5	3.50	0.14	30.0
PSAD05010BM		5	4~5.75	0.22	0.16	0.80	5600	0.41	14.6	4.34	0.17	33.5
PSAD05010BH		5	4~5.75	0.28	0.21	1.05	6100	0.46	16.1	5.15	0.20	36.0
PSAD15010BL	P000/PF00 M000/MF00	12	6~13.8	0.09	0.07	0.84	4900	0.35	12.5	3.50	0.14	30.0
PSAD15010BM		12	6~13.8	0.11	0.09	1.08	5600	0.41	14.6	4.34	0.17	33.5
PSAD15010BH		12	6~13.8	0.14	0.11	1.32	6100	0.46	16.1	5.15	0.20	36.0

* Specifications are subject to change without notice



AAVID
THERMALLOY

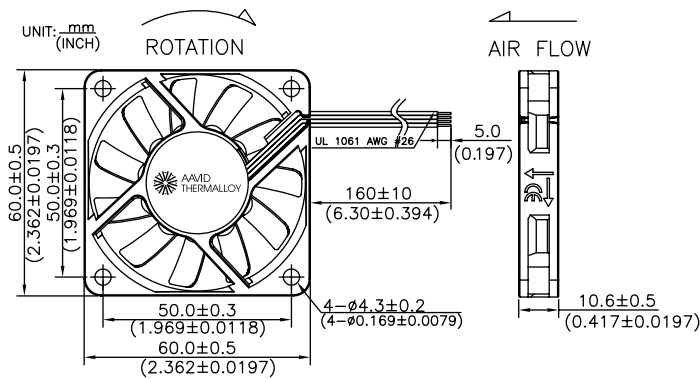
Superior Series (PS) 60mm x 60mm x 10mm



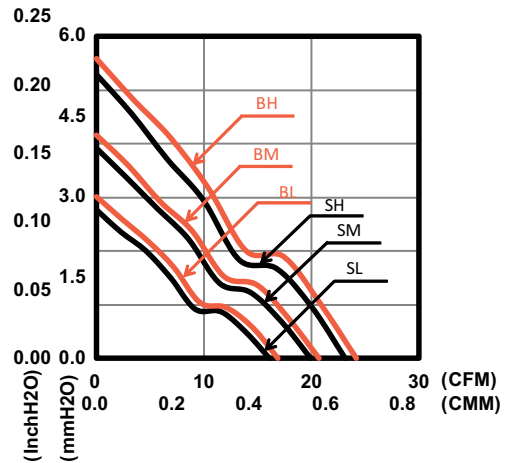
- » Bearing Type: FLB, Ball Bearing
- » Function Type (Optional): FG Signal, RD Signal, PWM
- » Protection:
 - Auto Restart Protection
 - Polarity Reverse Protection
- » Lead Wire:
 - UL 1061 AWG #26 or Equivalent
 - Red Wire: Positive (+)
 - Black Wire: Negative (-)
 - Yellow Wire: FG Signal
 - White Wire: RD Signal
 - Blue Wire: PWM

PS SERIES 6010

DIMENSIONS DRAWING



PERFORMANCE CURVES



SPECIFICATION



Model	Function Type	Rated Voltage	Operating Voltage	Rated Current	Input Current	Input Power	Rated Speed	Air Flow		Air Pressure		Noise
		VDC	VDC	Amp	Amp	Watt	RPM	CMM	CFM	mmH ₂ O	InH ₂ O	
PSAD06010SL	P000/PF00 PR00/M000 MF00/MR00	5	4.5~5.5	0.23	0.18	0.90	3800	0.46	16.1	2.77	0.11	29.5
PSAD16010SL	P000/PF00	12	6~13.8	0.11	0.09	1.08	3800	0.46	16.1	2.77	0.11	29.5
PSAD16010SM	PR00/M000	12	6~13.8	0.18	0.14	1.68	4600	0.56	19.9	3.92	0.15	34.5
PSAD16010SH	MF00/MR00	12	6~13.8	0.26	0.21	2.52	5300	0.66	23.2	5.28	0.21	38.5
PSAD06010BL	P000/PF00 PR00/M000 MF00/MR00	5	4.5~5.5	0.23	0.18	0.90	4000	0.48	16.9	3.01	0.12	31.0
PSAD16010BL	P000/PF00	12	6~13.8	0.11	0.09	1.08	4000	0.48	16.9	3.01	0.12	31.0
PSAD16010BM	PR00/M000	12	6~13.8	0.18	0.15	1.80	4800	0.59	20.7	4.16	0.16	36.0
PSAD16010BH	MF00/MR00	12	6~13.8	0.26	0.20	2.40	5500	0.69	24.2	5.58	0.22	40.0

* Specifications are subject to change without notice



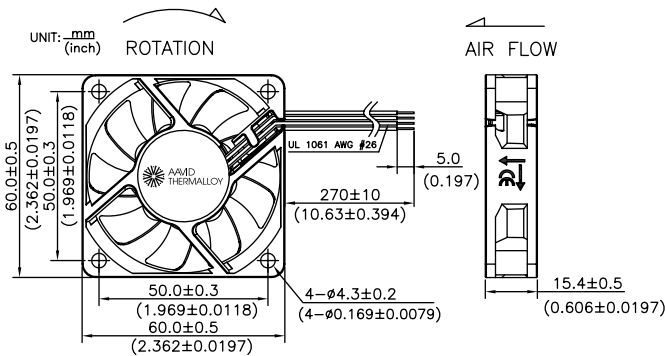
Superior Series (PS) 60mm x 60mm x 15mm



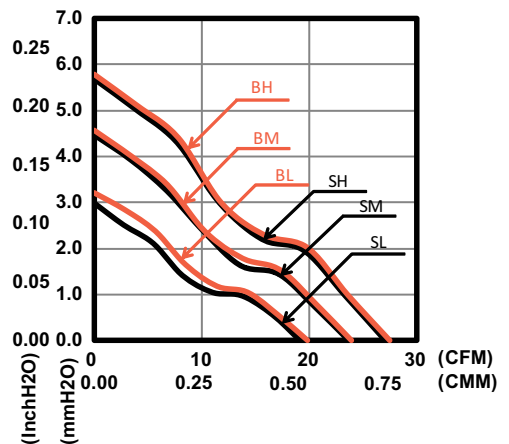
- » Bearing Type: FLB, Ball Bearing
- » Function Type (Optional): FG Signal, RD Signal, PWM
- » Protection (Optional):
 - Auto Restart Protection
 - Polarity Reverse Protection
- » Lead Wire:
 - UL 1061 AWG #26 or Equivalent
 - Red Wire: Positive (+)
 - Black Wire: Negative (-)
 - Yellow Wire: FG Signal
 - White Wire: RD Signal
 - Blue Wire: PWM

PS SERIES 6015

DIMENSIONS DRAWING



PERFORMANCE CURVES



SPECIFICATION



Model	Function Type	Rated Voltage	Operating Voltage	Rated Current	Input Current	Input Power	Rated Speed	Air Flow		Air Pressure		Noise
		VDC	VDC	Amp	Amp	Watt		RPM	CMM	CFM	mmH ₂ O	
PSAD06015SL	P000/PF00	5	4.5~5.5	0.22	0.17	0.85	3600	0.54	19.2	2.99	0.12	27.5
PSAD06015SM	PR00/M000	5	4.5~5.5	0.36	0.28	1.40	4400	0.67	23.7	4.47	0.18	32.5
PSAD16015SL	MF00/MR00	12	6~13.8	0.13	0.10	1.20	3600	0.54	19.2	2.99	0.12	27.5
PSAD16015SM	P000/PF00	12	6~13.8	0.17	0.13	1.56	4400	0.67	23.7	4.47	0.18	32.5
PSAD16015SH	PR00/M000	12	6~13.8	0.22	0.17	2.04	5000	0.77	27.1	5.67	0.22	36.0
PSAD06015BL	MF00/MR00	5	4.5~5.5	0.22	0.17	0.85	3700	0.56	19.8	3.20	0.13	28.5
PSAD06015BM	P000/PF00	5	4.5~5.5	0.36	0.29	1.45	4500	0.68	24.0	4.57	0.18	34.0
PSAD16015BL	PR00/M000	12	6~13.8	0.13	0.08	0.96	3700	0.56	19.8	3.20	0.13	28.5
PSAD16015BM	MF00/MR00	12	6~13.8	0.17	0.13	1.56	4500	0.68	24.0	4.57	0.18	34.0
PSAD16015BH	P000/PF00	12	6~13.8	0.22	0.17	2.04	5100	0.78	27.5	5.78	0.23	37.5

* Specifications are subject to change without notice



AAVID
THERMALLOY

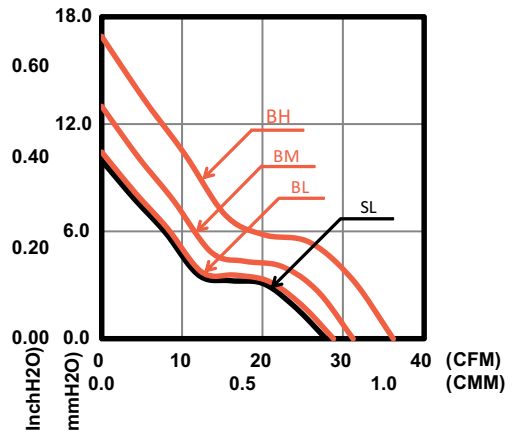
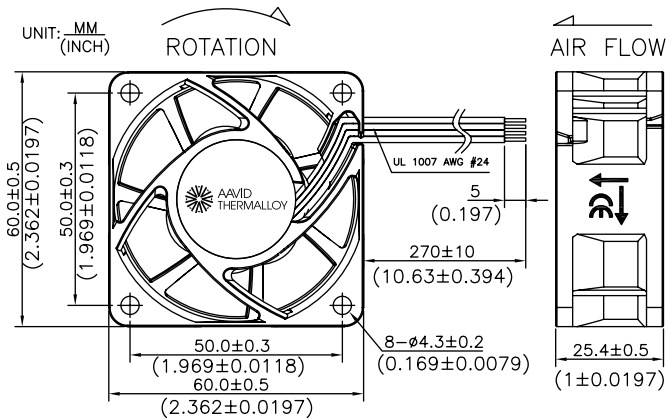
Superior Series (PS) 60mm x 60mm x 25mm



- » Bearing Type: FLB (Only SL Model), Ball Bearing
- » Function Type (Optional): FG Signal, RD Signal, PWM
- » Protection:
 - Auto Restart Protection
 - Polarity Reverse Protection
- » Lead Wire:
 - UL 1007 AWG #24 or Equivalent
 - Red Wire: Positive (+)
 - Black Wire: Negative (-)
 - Yellow Wire: FG Signal
 - White Wire: RD Signal
 - Blue Wire: PWM

PERFORMANCE CURVES

DIMENSIONS DRAWING



SPECIFICATION



Model	Function Type	Rated Voltage	Operating Voltage	Rated Current	Input Current	Input Power	Rated Speed	Air Flow		Air Pressure		Noise
		VDC	VDC	Amp	Amp	Watt		RPM	CMM	CFM	mmH ₂ O	
PSAD16025SL	P000/PF00 PR00/M000 MF00/MR00	12	6~13.8	0.24	0.19	2.28	5400	0.79	27.9	9.96	0.39	40.0
PSAD16025BL	P000/PF00	12	6~13.8	0.24	0.17	2.04	5500	0.82	28.8	10.44	0.41	41.0
PSAD16025BM	PR00/M000	12	6~13.8	0.27	0.21	2.52	6100	0.89	31.2	12.98	0.51	43.0
PSAD16025BH	MF00/MR00	12	6~13.8	0.40	0.32	3.84	7000	1.03	36.3	16.91	0.67	48.0

* Specifications are subject to change without notice



AAVID
THERMALLOY

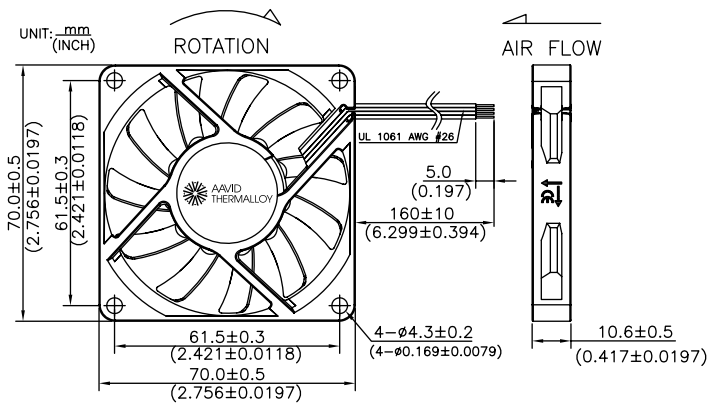
Superior Series (PS) 70mm x 70mm x 10mm



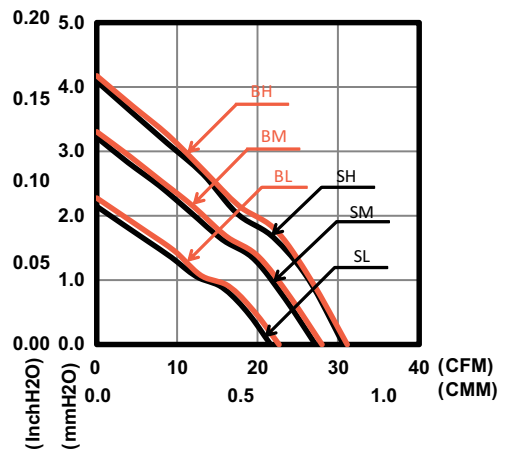
- » Bearing Type: FLB, Ball Bearing
- » Function Type (Optional): FG Signal, RD Signal, PWM
- » Protection:
 - Auto Restart Protection
 - Polarity Reverse Protection
- » Lead Wire:
 - UL 1061 AWG #26 or Equivalent
 - Red Wire: Positive (+)
 - Black Wire: Negative (-)
 - Yellow Wire: FG Signal, RD Signal
 - Blue Wire: PWM

PS SERIES 7010

DIMENSIONS DRAWING



PERFORMANCE CURVES



SPECIFICATION



Model	Function Type	Rated Voltage	Operating Voltage	Rated Current	Input Current	Input Power	Rated Speed	Air Flow		Air Pressure		Noise
		VDC	VDC	Amp	Amp	Watt		RPM	CMM	CFM	mmH2O	
PSAD07010SL	P000/PF00	5	4.5~5.5	0.23	0.18	0.90	3100	0.61	21.6	2.15	0.08	28.0
PSAD07010SM	PR00/M000											
	MF00/MR00											
PSAD17010SL	P000/PF00	12	6~13.8	0.15	0.11	1.32	3100	0.61	21.6	2.15	0.08	28.0
PSAD17010SM	PR00/M000											
PSAD17010SH	MF00/MR00											
PSAD07010BL	P000/PF00	5	4.5~5.5	0.23	0.18	0.90	3200	0.64	22.7	2.28	0.09	30.0
PSAD07010BM	PR00/M000											
	MF00/MR00											
PSAD17010BL	P000/PF00	12	6~13.8	0.15	0.12	0.44	3200	0.64	22.7	2.28	0.09	30.0
PSAD17010BM	PR00/M000											
PSAD17010BH	MF00/MR00											

* Specifications are subject to change without notice



AAVID
THERMALLOY

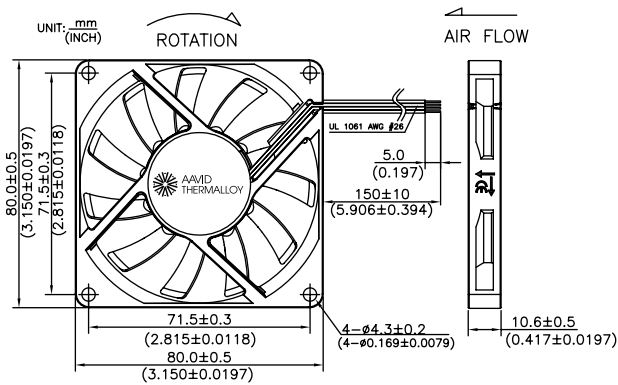
Superior Series (PS) 80mm x 80mm x 10mm



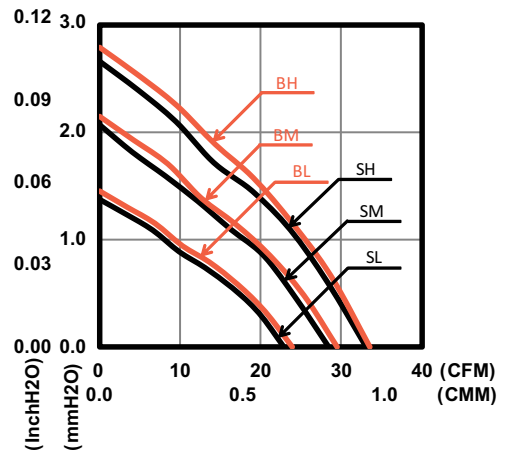
- » Bearing Type: FLB, Ball Bearing
- » Function Type (Optional): FG Signal, RD Signal, PWM
- » Protection:
 - Auto Restart Protection
 - Polarity Reverse Protection
- » Lead Wire:
 - UL 1061 AWG #26 or Equivalent
 - Red Wire: Positive (+)
 - Black Wire: Negative (-)
 - Yellow Wire: FG Signal
 - White Wire: RD Signal
 - Blue Wire: PWM

PS SERIES 8010

DIMENSIONS DRAWING



PERFORMANCE CURVES



SPECIFICATION



Model	Function Type	Rated Voltage	Operating Voltage	Rated Current	Input Current	Input Power	Rated Speed	Air Flow		Air Pressure		Noise
		VDC	VDC	Amp	Amp	Watt		RPM	CMM	CFM	mmH2O	
PSAD08010SL	P000/PF00	5	4.5~5.5	0.22	0.17	0.85	2300	0.65	22.9	1.37	0.05	26.0
PSAD08010SM	PR00/M000											
	MF00/MR00	5	4.5~5.5	0.35	0.28	1.40	2800	0.81	28.5	2.07	0.08	32.0
PSAD18010SL	P000/PF00	12	6~13.8	0.12	0.09	1.08	2300	0.65	22.9	1.37	0.05	26.0
PSAD18010SM	PR00/M000											
PSAD18010SH	MF00/MR00	12	6~13.8	0.16	0.13	1.56	2800	0.81	28.5	2.07	0.08	32.0
		12	6~13.8	0.24	0.19	2.28	3200	0.94	33.1	2.66	0.11	35.5
PSAD08010BL	P000/PF00	5	4.5~5.5	0.22	0.16	0.80	2400	0.68	23.9	1.46	0.06	28.0
PSAD08010BM	PR00/M000											
	MF00/MR00	5	4.5~5.5	0.35	0.28	1.40	2900	0.83	29.5	2.15	0.09	33.0
PSAD18010BL	P000/PF00	12	6~13.8	0.12	0.09	1.08	2400	0.68	23.9	1.46	0.06	28.0
PSAD18010BM	PR00/M000											
PSAD18010BH	MF00/MR00	12	6~13.8	0.16	0.12	1.44	2900	0.83	29.5	2.15	0.09	33.0
		12	6~13.8	0.24	0.16	1.92	3300	0.95	33.6	2.79	0.11	36.0

* Specifications are subject to change without notice



AAVID
THERMALLOY

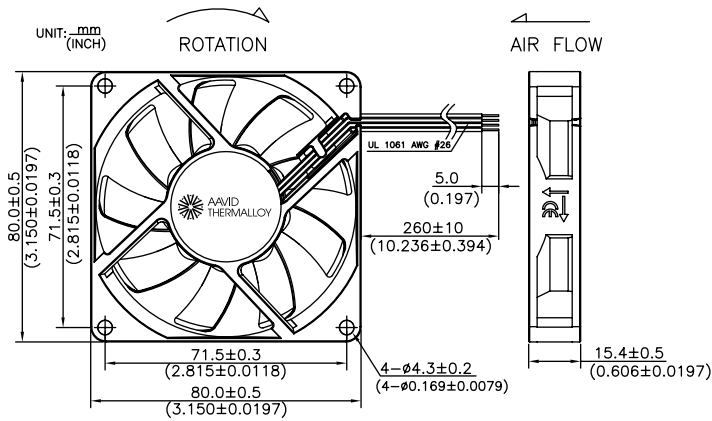
Superior Series (PS) 80mm x 80mm x 15mm



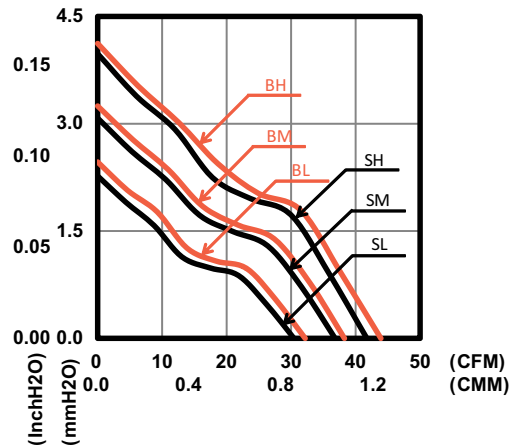
- » Bearing Type: FLB, Ball Bearing
- » Function Type (Optional): FG Signal, RD Signal, PWM
- » Protection:
 - Auto Restart Protection
 - Polarity Reverse Protection
- » Lead Wire:
 - UL 1061 AWG #26 or Equivalent
 - Red Wire: Positive (+)
 - Black Wire: Negative (-)
 - Yellow Wire: FG Signal
 - White Wire: RD Signal
 - Blue Wire: PWM

PS SERIES 8015

DIMENSIONS DRAWING



PERFORMANCE CURVES



SPECIFICATION



Model	Function Type	Rated Voltage	Operating Voltage	Rated Current	Input Current	Input Power	Rated Speed	Air Flow		Air Pressure		Noise
		VDC	VDC	Amp	Amp	Watt		RPM	CMM	CFM	mmH ₂ O	
PSAD08015SL	P000/PF00	5	4.5~5.5	0.22	0.17	0.85	2500	0.87	30.5	2.27	0.09	28.0
PSAD08015SM	PR00/M000 MF00/MR00											
PSAD18015SL	P000/PF00	12	6~13.8	0.12	0.09	1.08	2500	0.87	30.5	2.27	0.09	28.0
PSAD18015SM	PR00/M000											
PSAD18015SH	MF00/MR00	12	6~13.8	0.24	0.19	2.28	3400	1.18	41.8	3.98	0.16	36.5
PSAD08015BL	P000/PF00	5	4.5~5.5	0.22	0.16	0.80	2600	0.91	32.3	2.46	0.10	28.5
PSAD08015BM	PR00/M000 MF00/MR00											
PSAD18015BL	P000/PF00	12	6~13.8	0.12	0.09	1.08	2600	0.91	32.3	2.46	0.10	28.5
PSAD18015BM	PR00/M000											
PSAD18015BH	MF00/MR00	12	6~13.8	0.24	0.16	2.16	3500	1.25	44.0	4.13	0.16	38.0

* Specifications are subject to change without notice



AAVID
THERMALLOY

Superior Series (PS) 80mm x 80mm x 25mm

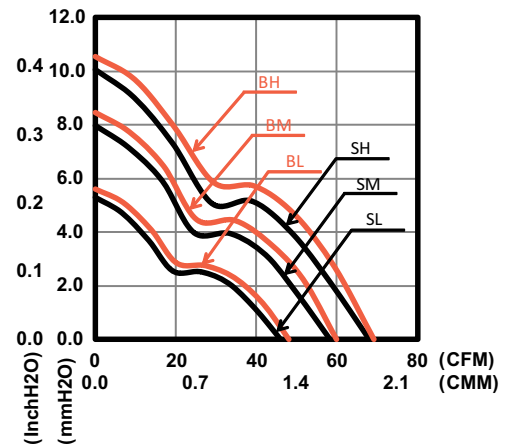
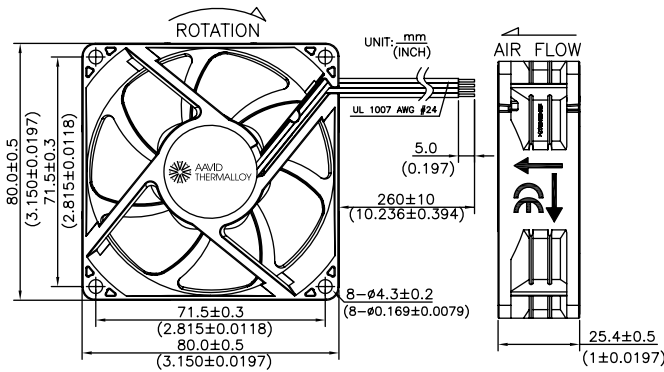


- » Bearing Type: FLB, Ball Bearing
- » Function Type (Optional): FG Signal, RD Signal, PWM
- » Protection:
 - Auto Restart Protection
 - Polarity Reverse Protection
- » Lead Wire:
 - UL 1007 AWG #24 or Equivalent
 - Red Wire: Positive (+)
 - Black Wire: Negative (-)
 - Yellow Wire: FG Signal
 - White Wire: RD Signal
 - Blue Wire: PWM

PS SERIES 8025

PERFORMANCE CURVES

DIMENSIONS DRAWING



SPECIFICATION



Model	Function Type	Rated Voltage	Operating Voltage	Rated Current	Input Current	Input Power	Rated Speed	Air Flow		Air Pressure		Noise
		VDC	VDC	Amp	Amp	Watt		CMM	CFM	mmH ₂ O	InH ₂ O	
PSAD18025SL	P000/PF00	12	6~13.8	0.19	0.16	1.92	3400	1.30	45.9	5.29	0.21	35.0
PSAD18025SM	PR00/M000	12	6~13.8	0.29	0.23	2.76	4300	1.65	58.2	7.98	0.31	41.0
PSAD18025SH	MF00/MR00	12	6~13.8	0.43	0.34	4.08	4900	1.92	68.0	10.06	0.40	44.5
PSAD18025BL	P000/PF00	12	6~13.8	0.19	0.15	1.80	3600	1.36	48.1	5.61	0.21	37.0
PSAD18025BM	PR00/M000	12	6~13.8	0.29	0.22	2.76	4500	1.70	60.0	8.47	0.31	43.0
PSAD18025BH	MF00/MR00	12	6~13.8	0.43	0.33	3.96	5100	1.96	69.2	10.56	0.40	45.5

* Specifications are subject to change without notice



AAVID
THERMALLOY

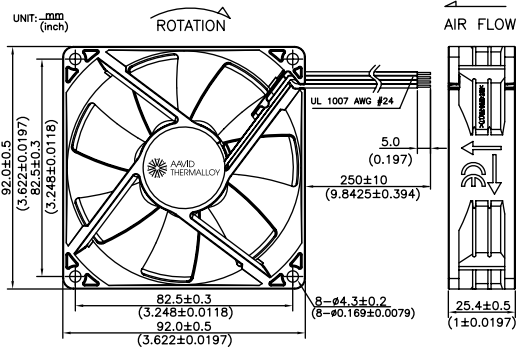
Superior Series (PS) 92mm x 92mm x 25mm



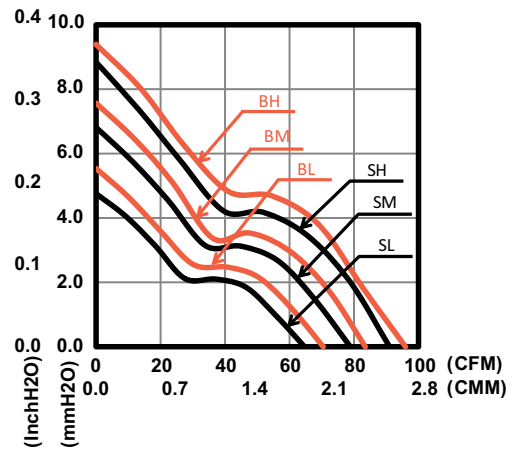
- » Bearing Type: FLB, Ball Bearing
- » Function Type (Optional): FG Signal, RD Signal, PWM
- » Protection:
 - Auto Restart Protection
 - Polarity Reverse Protection
- » Lead Wire:
 - UL 1007 AWG #24 or Equivalent
 - Red Wire: Positive (+)
 - Black Wire: Negative (-)
 - Yellow Wire: FG Signal
 - White Wire: RD Signal
 - Blue Wire: PWM

PS SERIES 9225

DIMENSIONS DRAWING



PERFORMANCE CURVES



SPECIFICATION



Model	Function Type	Rated Voltage	Operating Voltage	Rated Current	Input Current	Input Power	Rated Speed	Air Flow		Air Pressure		Noise
		VDC	VDC	Amp	Amp	Watt	RPM	CMM	CFM	mmH2O	InH2O	
PSAD19225SL	P000/PF00	12	6~13.8	0.22	0.18	2.16	2900	1.83	64.7	4.77	0.19	37.5
PSAD19225SM	PR00/M000	12	6~13.8	0.34	0.28	3.36	3500	2.23	78.9	6.82	0.27	43.0
PSAD19225SH	MF00/MR00	12	6~13.8	0.50	0.41	4.92	4000	2.58	91.2	8.83	0.35	47.0
PSAD19225BL	P000/PF00	12	6~13.8	0.22	0.18	2.16	3100	2.00	70.5	5.54	0.22	40.5
PSAD19225BM	PR00/M000	12	6~13.8	0.34	0.27	3.24	3700	2.37	83.6	7.57	0.30	44.5
PSAD19225BH	MF00/MR00	12	6~13.8	0.50	0.40	4.80	4200	2.72	96.1	9.38	0.37	48.5

* Specifications are subject to change without notice



AAVID
THERMALLOY

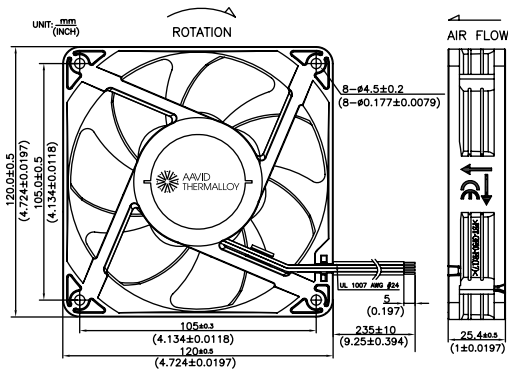
Superior Series (PS) 120mm x 120mm x 25mm



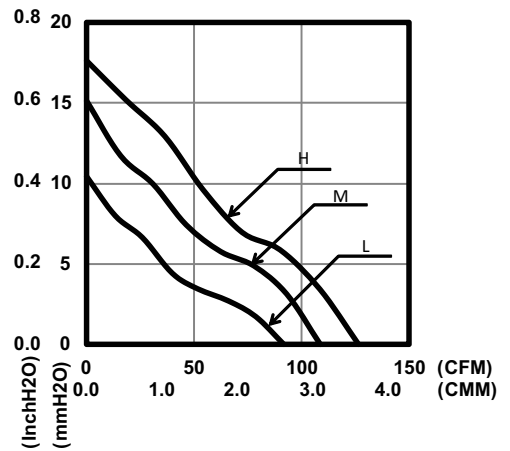
- » Bearing Type: Ball Bearing
- » Function Type (Optional): FG Signal, RD Signal, PWM
- » Protection:
 - Auto Restart Protection
 - Polarity Reverse Protection
- » Lead Wire:
 - UL 1007 AWG #24 or Equivalent
 - Red Wire: Positive (+)
 - Black Wire: Negative (-)
 - Yellow Wire: FG Signal
 - White Wire: RD Signal
 - Blue Wire: PWM

PS SERIES A225

DIMENSIONS DRAWING



PERFORMANCE CURVES



SPECIFICATION



Model	Function Type	Rated Voltage	Operating Voltage	Rated Current	Input Current	Input Power	Rated Speed	Air Flow		Air Pressure		Noise
		VDC	VDC	Amp	Amp	Watt	RPM	CMM	CFM	mmH ₂ O	InH ₂ O	
PSAD1A225BL	P000/PF00	12	6~13.8	0.35	0.28	3.36	2900	2.60	91.8	10.43	0.41	42.0
PSAD1A225BM	PR00/M000	12	6~13.8	0.53	0.39	4.68	3500	3.09	109.0	15.16	0.60	47.0
PSAD1A225BH	MF00/MR00	12	6~13.8	0.79	0.59	7.08	4100	3.59	126.9	17.62	0.69	51.5
PSAD2A225BL	P000/PF00	24	16~27.6	0.19	0.15	3.60	2900	2.60	91.8	10.43	0.41	42.0
PSAD2A225BM	PR00/M000	24	16~27.6	0.26	0.21	5.04	3500	3.09	109.0	15.16	0.60	47.0
PSAD2A225BH	MF00/MR00	24	16~27.6	0.39	0.31	7.44	4100	3.59	126.9	17.62	0.69	51.5
PSAD4A225BL	P000/PF00	48	30~55.2	0.10	0.08	3.84	2900	2.60	91.8	10.43	0.41	42.0
PSAD4A225BM	PR00/M000	48	30~55.2	0.15	0.12	5.76	3500	3.09	109.0	15.16	0.60	47.0
PSAD4A225BH	MF00/MR00	48	30~55.2	0.23	0.17	8.16	4100	3.59	126.9	17.62	0.69	51.5

* Specifications are subject to change without notice



AAVID
THERMALLOY

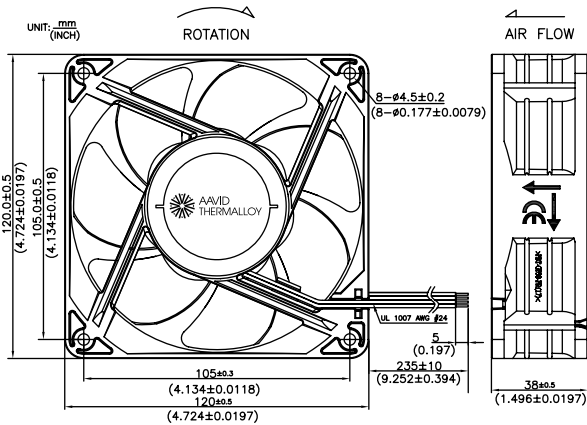
Superior Series (PS) 120mm x 120mm x 38mm



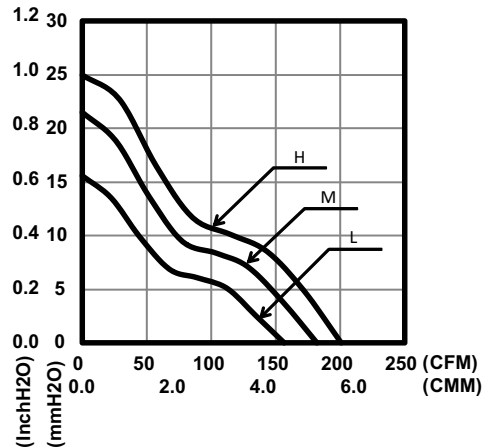
- » Bearing Type: Ball Bearing
- » Function Type (Optional): FG Signal, RD Signal, PWM
- » Protection:
 - Auto Restart Protection
 - Polarity Reverse Protection
- » Lead Wire:
 - UL 1007 AWG #24 or Equivalent
 - Red Wire: Positive (+)
 - Black Wire: Negative (-)
 - Yellow Wire: FG Signal
 - White Wire: RD Signal
 - Blue Wire: PWM

PS SERIES A238

DIMENSIONS DRAWING



PERFORMANCE CURVES



SPECIFICATION



Model	Function Type	Rated Voltage	Operating Voltage	Rated Current	Input Current	Input Power	Rated Speed	Air Flow		Air Pressure		Noise
		VDC	VDC	Amp	Amp	Watt	RPM	CMM	CFM	mmH ₂ O	InH ₂ O	dBA
PSAD1A238BL	P000/PF00	12	6~13.8	0.91	0.73	8.76	3500	4.44	156.9	15.58	0.61	51.0
PSAD1A238BM	PR00/M000	12	6~13.8	1.35	1.08	12.96	4100	5.16	182.1	21.45	0.84	55.5
PSAD1A238BH	MF00/MR00	12	6~13.8	1.75	1.40	16.80	4600	5.69	200.9	25.00	0.98	59.5
PSAD2A238BL	P000/PF00	24	16~27.6	0.44	0.35	8.40	3500	4.44	156.9	15.58	0.61	51.0
PSAD2A238BM	PR00/M000	24	16~27.6	0.65	0.55	13.20	4100	5.16	182.1	21.45	0.84	55.0
PSAD2A238BH	MF00/MR00	24	16~27.6	0.88	0.70	16.80	4600	5.69	200.9	25.00	0.98	59.5
PSAD4A238BL	P000/PF00	48	30~55.2	0.23	0.18	8.64	3500	4.44	156.9	15.58	0.61	51.0
PSAD4A238BM	PR00/M000	48	30~55.2	0.34	0.27	12.96	4100	5.16	182.1	21.45	0.84	55.0
PSAD4A238BH	MF00/MR00	48	30~55.2	0.48	0.36	17.28	4600	5.69	200.9	25.00	0.98	59.5

* Specifications are subject to change without notice



AAVID
THERMALLOY

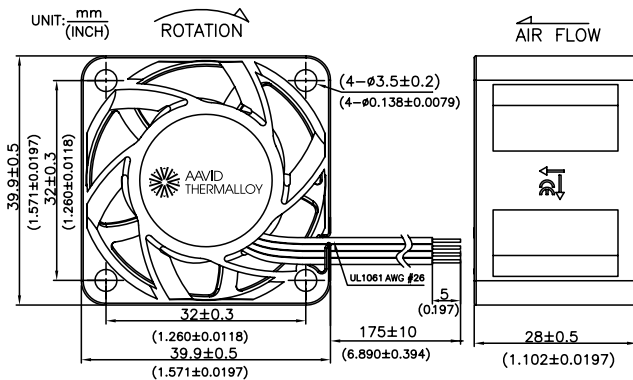
Excellence Series (PE) 40mm x 40mm x 28mm



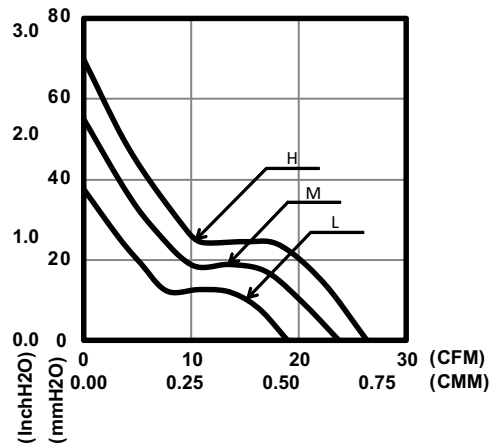
- » Bearing Type: Ball Bearing
- » Function Type (Optional): FG Signal, RD Signal, PWM
- » Protection:
 - Auto Restart Protection
 - Polarity Reverse Protection
- » Lead Wire :
 - UL 1061 AWG #26 or Equivalent
 - Red Wire: Positive (+)
 - Black Wire: Negative (-)
 - Yellow Wire: FG Signal
 - White Wire: RD Signal
 - Blue Wire: PWM

PE SERIES 4028

DIMENSIONS DRAWING



PERFORMANCE CURVES



SPECIFICATION



Model	Function Type	Rated Voltage	Operating Voltage	Rated Current	Input Current	Input Power	Rated Speed	Air Flow		Air Pressure		Noise
		VDC	VDC	Amp	Amp	Watt	RPM	CMM	CFM	mmH ₂ O	InH ₂ O	
PEAD14028BL	P000/PF00	12	6~13.8	0.58	0.46	5.52	14600	0.54	19.0	37.5	1.48	52.5
PEAD14028BM	PR00/M000	12	6~13.8	0.81	0.65	7.80	17600	0.67	23.8	55.0	2.16	56.5
PEAD14028BH	MF00/MR00	12	6~13.8	1.02	0.81	9.72	20000	0.75	26.4	69.9	2.75	59.5

* Specifications are subject to change without notice



AAVID
THERMALLOY

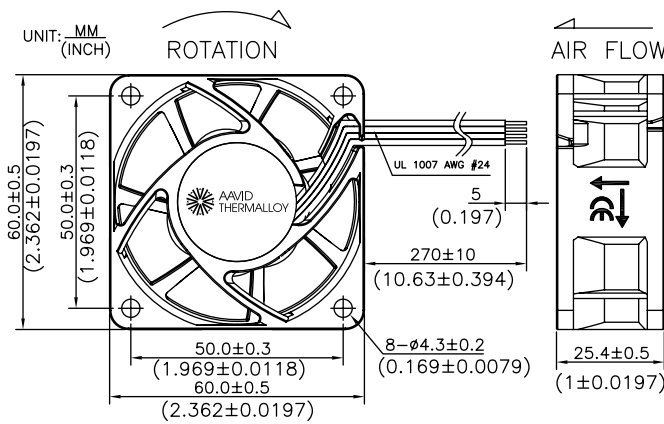
Excellence Series (PE) 60mm x 60mm x 25mm



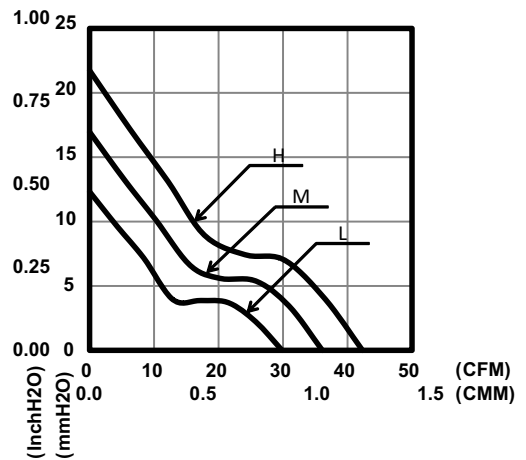
- » Bearing Type: Ball Bearing
- » Function Type (Optional): FG Signal, RD Signal, PWM
- » Protection:
 - Auto Restart Protection
 - Polarity Reverse Protection
- » Lead Wire:
 - UL 1007 AWG #24 or Equivalent
 - Red Wire: Positive (+)
 - Black Wire: Negative (-)
 - Yellow Wire: FG Signal
 - White Wire: RD Signal
 - Blue Wire: PWM

PE SERIES 6025

DIMENSIONS DRAWING



PERFORMANCE CURVES



SPECIFICATION



Model	Function Type	Rated Voltage	Operating Voltage	Rated Current	Input Current	Input Power	Rated Speed	Air Flow		Air Pressure		Noise
		VDC	VDC	Amp	Amp	Watt		RPM	CMM	CFM	mmH2O	
PEAD16025BL	P000/PF00	12	6~13.8	0.27	0.21	2.52	5800	0.84	29.7	12.98	0.51	41.5
PEAD16025BM	PR00/M000	12	6~13.8	0.40	0.32	3.84	7000	1.01	35.5	17.94	0.71	46.0
PEAD16025BH	MF00/MR00	12	6~13.8	0.60	0.48	5.76	8000	1.21	42.8	24.58	0.97	50.5
PEAD26025BL	P000/PF00	24	16~27.6	0.15	0.11	2.64	5800	0.84	29.7	12.98	0.51	41.5
PEAD26025BM	PR00/M000	24	16~27.6	0.23	0.16	3.84	7000	1.01	35.5	17.94	0.71	45.5
PEAD26025BH	MF00/MR00	24	16~27.6	0.33	0.22	5.28	8000	1.21	42.8	24.58	0.97	50.5
PEAD46025BL	P000/PF00	48	30~55.2	0.10	0.06	2.88	5800	0.84	29.7	12.98	0.51	41.5
PEAD46025BM	PR00/M000	48	30~55.2	0.16	0.10	4.80	7000	1.01	35.5	17.94	0.71	45.5
PEAD46025BH	MF00/MR00	48	30~55.2	0.23	0.14	6.72	8000	1.21	42.8	24.58	0.97	50.5

* Specifications are subject to change without notice



AAVID
THERMALLOY

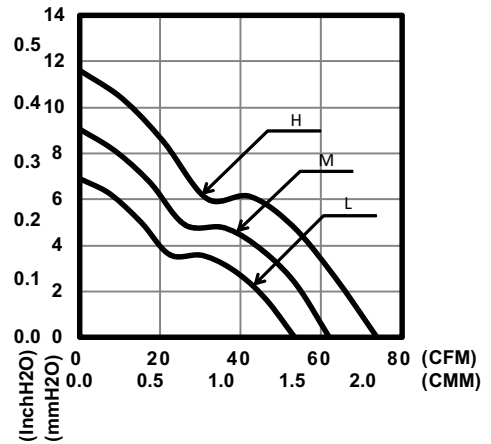
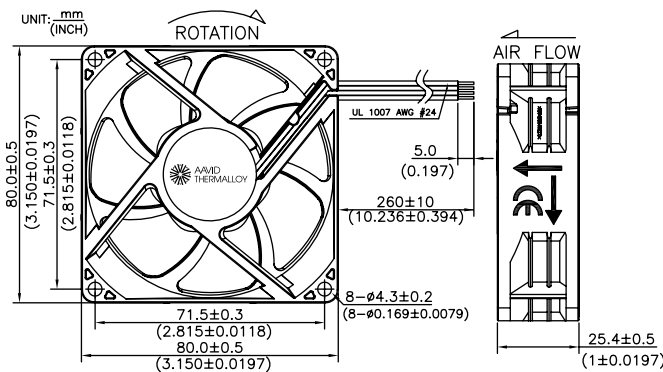
Excellence Series (PE) 80mm x 80mm x 25mm



- » Bearing Type: Ball Bearing
- » Function Type (Optional): FG Signal, RD Signal, PWM
- » Protection:
 - Auto Restart Protection
 - Polarity Reverse Protection
- » Lead Wire:
 - UL 1007 AWG #24 or Equivalent
 - Red Wire: Positive (+)
 - Black Wire: Negative (-)
 - Yellow Wire: FG Signal
 - White Wire: RD Signal
 - Blue Wire: PWM

PERFORMANCE CURVES

DIMENSIONS DRAWING



SPECIFICATION



Model	Function Type	Rated Voltage	Operating Voltage	Rated Current	Input Current	Input Power	Rated Speed	Air Flow		Air Pressure		Noise
		VDC	VDC	Amp	Amp	Watt	RPM	CMM	CFM	mmH2O	InH2O	dBA
PEAD18025BL	P000/PF00	12	6~13.8	0.28	0.22	2.64	4000	1.51	53.4	6.92	0.27	40.0
PEAD18025BM	PR00/M000	12	6~13.8	0.35	0.28	3.36	4600	1.76	62.1	9.04	0.36	43.5
PEAD18025BH	MF00/MR00	12	6~13.8	0.48	0.38	4.56	5400	2.08	73.5	12.00	0.47	48.0
PEAD28025BL	P000/PF00	24	16~27.6	0.14	0.11	2.64	4000	1.51	53.4	6.92	0.27	40.0
PEAD28025BM	PR00/M000	24	16~27.6	0.19	0.15	3.60	4600	1.76	62.1	9.04	0.36	43.5
PEAD28025BH	MF00/MR00	24	16~27.6	0.25	0.20	4.80	5400	2.08	73.5	12.00	0.47	48.0
PEAD48025BL	P000/PF00	48	30~55.2	0.09	0.08	3.84	4000	1.51	53.4	6.92	0.27	40.0
PEAD48025BM	PR00/M000	48	30~55.2	0.12	0.10	4.80	4600	1.76	62.1	9.04	0.36	43.5
PEAD48025BH	MF00/MR00	48	30~55.2	0.17	0.12	5.76	5400	2.08	73.5	12.00	0.47	48.0

* Specifications are subject to change without notice



AAVID
THERMALLOY

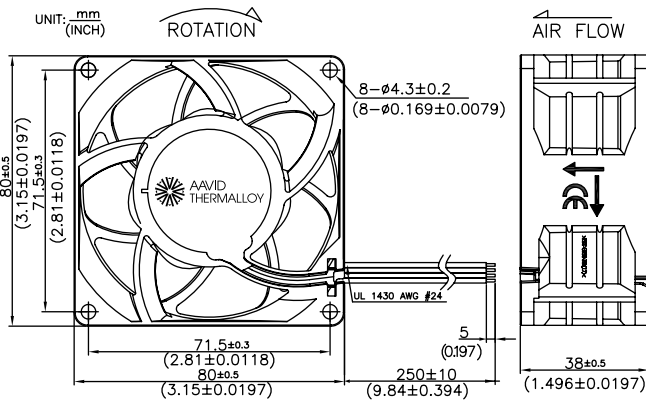
Excellence Series (PE) 80mm x 80mm x 38mm



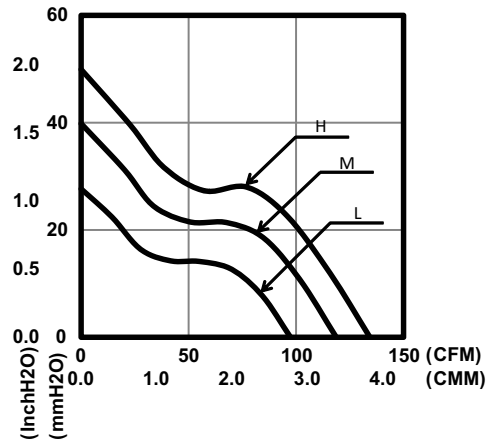
- » Bearing Type: Ball Bearing
- » Function Type (Optional): FG Signal, RD Signal, PWM
- » Protection:
 - Auto Restart Protection
 - Polarity Reverse Protection
- » Lead Wire:
 - UL 1430 AWG #24 or Equivalent
 - Red Wire: Positive (+)
 - Black Wire: Negative (-)
 - Yellow Wire: FG Signal
 - White Wire: RD Signal
 - Blue Wire: PWM

PE SERIES 8038

DIMENSIONS DRAWING



PERFORMANCE CURVES



SPECIFICATION



Model	Function Type	Rated Voltage	Operating Voltage	Rated Current	Input Current	Input Power	Rated Speed	Air Flow		Air Pressure		Noise
		VDC	VDC	Amp	Amp	Watt	RPM	CMM	CFM	mmH2O	InH2O	
PEAD18038BL	P000/PF00	12	6~13.8	1.83	1.46	17.52	7500	2.76	97.6	27.74	1.09	57.0
PEAD18038BM	PR00/M000	12	6~13.8	2.75	2.20	26.40	9000	3.37	119.0	39.83	1.57	61.5
PEAD18038BH	MF00/MR00	12	6~13.8	3.88	3.10	37.20	10200	3.81	134.5	49.91	1.97	65.5
PEAD28038BL	P000/PF00	24	16~27.6	0.68	0.85	16.32	7500	2.76	97.6	27.74	1.09	57.0
PEAD28038BM	PR00/M000	24	16~27.6	1.10	1.38	26.40	9000	3.37	119.0	39.83	1.57	61.5
PEAD28038BH	MF00/MR00	24	16~27.6	1.55	1.94	37.20	10200	3.81	134.5	49.91	1.97	65.5
PEAD48038BL	P000/PF00	48	30~55.2	0.35	0.44	16.80	7500	2.76	97.6	27.74	1.09	57.0
PEAD48038BM	PR00/M000	48	30~55.2	0.55	0.64	26.40	9000	3.37	119.0	39.83	1.57	61.5
PEAD48038BH	MF00/MR00	48	30~55.2	0.78	0.98	37.44	10200	3.81	134.5	49.91	1.97	65.5

* Specifications are subject to change without notice



AAVID
THERMALLOY

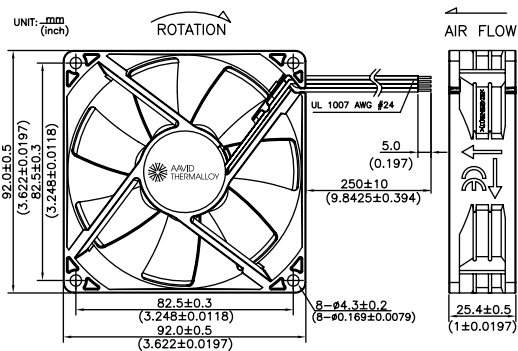
Excellence Series (PE) 92mm x 92mm x 25mm



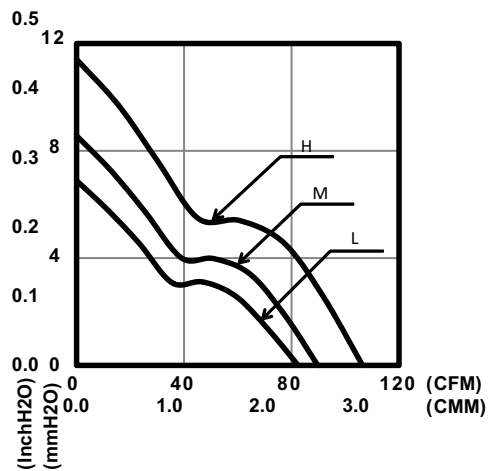
- » Bearing Type: Ball Bearing
- » Function Type (Optional): FG Signal, RD Signal, PWM
- » Protection:
 - Auto Restart Protection
 - Polarity Reverse Protection
- » Lead Wire:
 - UL 1007 AWG #24 or Equivalent
 - Red Wire: Positive (+)
 - Black Wire: Negative (-)
 - Yellow Wire: FG Signal
 - White Wire: RD Signal
 - Blue Wire: PWM

PE SERIES 9225

DIMENSIONS DRAWING



PERFORMANCE CURVES



SPECIFICATION



Model	Function Type	Rated Voltage	Operating Voltage	Rated Current	Input Current	Input Power	Rated Speed	Air Flow		Air Pressure		Noise
		VDC	VDC	Amp	Amp	Watt	RPM	CMM	CFM	mmH ₂ O	InH ₂ O	dBA
PEAD19225BL	P000/PF00	12	6~13.8	0.38	0.28	3.36	3500	2.34	82.5	6.90	0.27	43.5
PEAD19225BM	PR00/M000	12	6~13.8	0.49	0.39	4.68	4000	2.55	89.9	8.55	0.34	47.5
PEAD19225BH	MF00/MR00	12	6~13.8	0.89	0.61	7.32	4600	3.20	106.7	11.42	0.45	51.0
PEAD29225BL	P000/PF00	24	16~27.6	0.19	0.15	3.60	3500	2.34	82.5	6.90	0.27	43.5
PEAD29225BM	PR00/M000	24	16~27.6	0.25	0.20	4.80	4000	2.55	89.9	8.55	0.34	47.5
PEAD29225BH	MF00/MR00	24	16~27.6	0.36	0.29	6.96	4600	3.20	106.7	11.42	0.45	51.0
PEAD48025BL	P000/PF00	48	30~55.2	0.12	0.09	4.32	3500	2.34	82.5	6.90	0.27	43.5
PEAD49225BM	PR00/M000	48	30~55.2	0.15	0.12	5.76	4000	2.55	89.9	8.55	0.34	47.5
PEAD49225BH	MF00/MR00	48	30~55.2	0.23	0.18	8.64	4600	3.20	106.7	11.42	0.45	51.0

* Specifications are subject to change without notice



AAVID
THERMALLOY

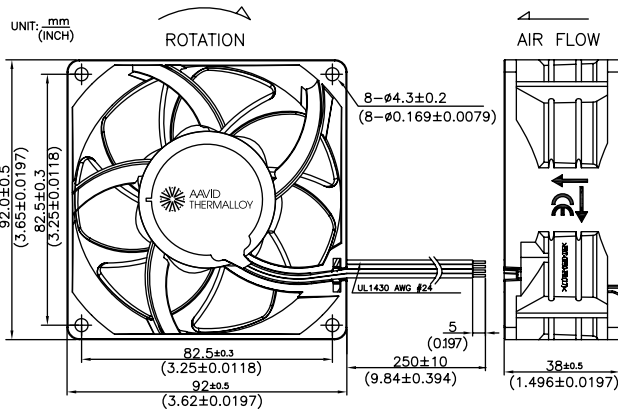
Excellence Series (PE) 92mm x 92mm x 38mm



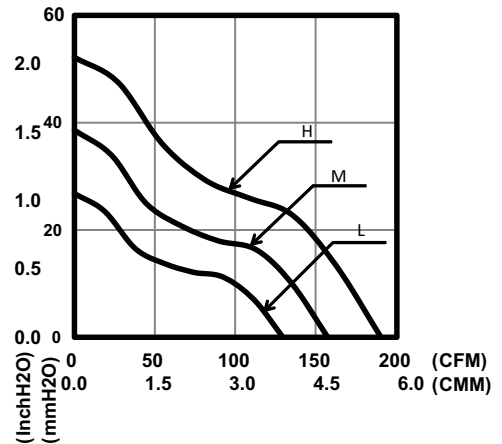
- » Bearing Type: Ball Bearing
- » Function Type (Optional): FG Signal, RD Signal, PWM
- » Protection:
 - Auto Restart Protection
 - Polarity Reverse Protection
- » Lead Wire:
 - UL 1430 AWG #24 or Equivalent
 - Red Wire: Positive (+)
 - Black Wire: Negative (-)
 - Yellow Wire: FG Signal
 - White Wire: RD Signal
 - Blue Wire: PWM

PE SERIES 9238

DIMENSIONS DRAWING



PERFORMANCE CURVES



SPECIFICATION



Model	Function Type	Rated Voltage	Operating Voltage	Rated Current	Input Current	Input Power	Rated Speed	Air Flow		Air Pressure		Noise
		VDC	VDC	Amp	Amp	Watt		RPM	CMM	CFM	mmH2O	
PEAD19238BL	P000/PF00	12	6~13.8	1.88	1.50	18.00	6200	3.66	129.4	26.80	1.05	55.0
PEAD19238BM	PR00/M000	12	6~13.8	2.88	2.30	27.60	7500	4.46	157.4	38.54	1.52	59.0
PEAD19238BH	MF00/MR00	12	6~13.8	5.00	4.00	48.00	9000	5.40	190.5	52.19	2.05	65.0
PEAD29238BL	P000/PF00	24	16~27.6	0.84	0.67	16.08	6200	3.66	129.4	26.80	1.05	55.0
PEAD29238BM	PR00/M000	24	16~27.6	1.44	1.15	27.60	7500	4.46	157.4	38.54	1.52	59.0
PEAD29238BH	MF00/MR00	24	16~27.6	2.50	2.00	48.00	9000	5.40	190.5	52.19	2.05	65.0
PEAD49238BL	P000/PF00	48	30~55.2	0.45	0.36	17.28	6200	3.66	129.4	26.80	1.05	55.0
PEAD49238BM	PR00/M000	48	30~55.2	0.69	0.55	26.40	7500	4.46	157.4	38.54	1.52	59.0
PEAD49238BH	MF00/MR00	48	30~55.2	1.19	0.95	45.60	9000	5.40	190.5	52.19	2.05	65.0

* Specifications are subject to change without notice



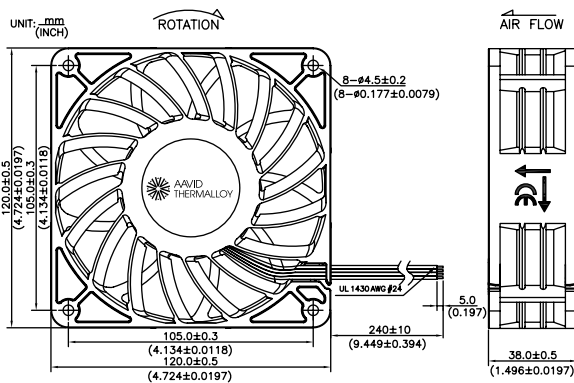
AAVID
THERMALLOY

Excellence Series (PE) 120mm x 120mm x 38mm

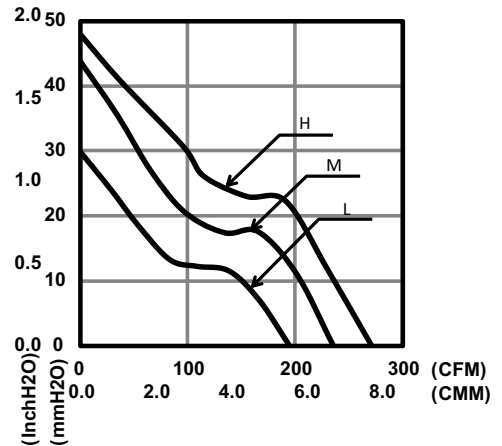


- » Bearing Type: Ball Bearing
- » Function Type (Optional): FG Signal, RD Signal, PWM
- » Protection:
 - Auto Restart Protection
 - Polarity Reverse Protection
- » Lead Wire:
 - UL 1430 AWG #24 or Equivalent
 - Red Wire: Positive (+)
 - Black Wire: Negative (-)
 - Yellow Wire: FG Signal
 - White Wire: RD Signal
 - Blue Wire: PWM

DIMENSIONS DRAWING



PERFORMANCE CURVES



SPECIFICATION



Model	Function Type	Rated Voltage	Operating Voltage	Rated Current	Input Current	Input Power	Rated Speed	Air Flow		Air Pressure		Noise
		VDC	VDC	Amp	Amp	Watt		CMM	CFM	mmH ₂ O	InH ₂ O	
PEAD1A238BL	P000/PF00	12	6~13.8	2.25	2.00	24.00	4700	5.84	206.3	32.56	1.28	59.5
PEAD1A238BM	PR00/M000	12	6~13.8	3.69	3.00	36.00	5700	6.66	235.1	43.79	1.72	65.5
PEAD1A238BH	MF00/MR00	12	6~13.8	5.44	4.35	52.20	6500	7.68	271.2	47.99	1.89	68.5
PEAD2A238BL	P000/PF00	24	16~27.6	1.08	0.86	20.64	4700	5.84	206.3	32.56	1.28	59.5
PEAD2A238BM	PR00/M000	24	16~27.6	1.75	1.40	33.60	5700	6.66	235.1	43.79	1.72	65.5
PEAD2A238BH	MF00/MR00	24	16~27.6	2.63	2.10	50.40	6500	7.68	271.2	47.99	1.89	68.5
PEAD4A238BL	P000/PF00	48	30~55.2	0.54	0.43	20.64	4700	5.84	206.3	32.56	1.28	59.5
PEAD4A238BM	PR00/M000	48	30~55.2	0.88	0.70	33.60	5700	6.66	235.1	43.79	1.72	65.5
PEAD4A238BH	MF00/MR00	48	30~55.2	1.25	1.00	48.00	6500	7.68	271.2	47.99	1.89	68.5

* Specifications are subject to change without notice



Customized Notebook / Netbook / AIO Blower

Dimensions: 35mm x 35mm x 6mm ~ 90mm x 90mm x 22mm



Customized Fan & Blower



Customized Spindle Motor



CUSTOMIZATION



AAVID
THERMALLOY

Metal Finger Guard

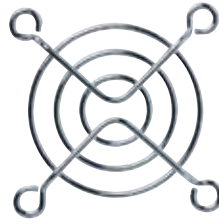
Available Dimensions: 40mm, 50mm, 60mm, 70mm, 80mm, 90mm, 120mm, 150mm



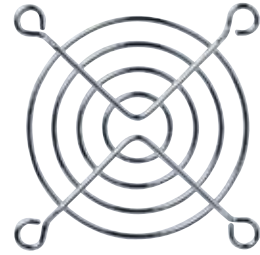
40mm



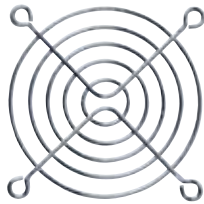
50mm



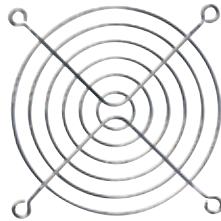
60mm



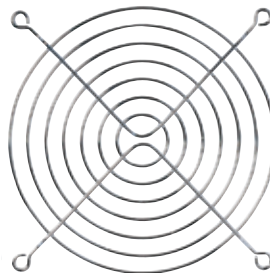
70mm



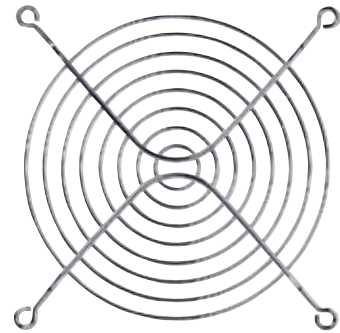
80mm



90mm



120mm



150mm

3-In-1 Plastic Filter

Available Dimensions: 40mm, 60mm, 80mm, 90mm, 120mm



40mm



60mm



80mm

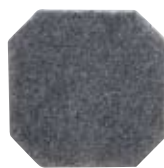


90mm



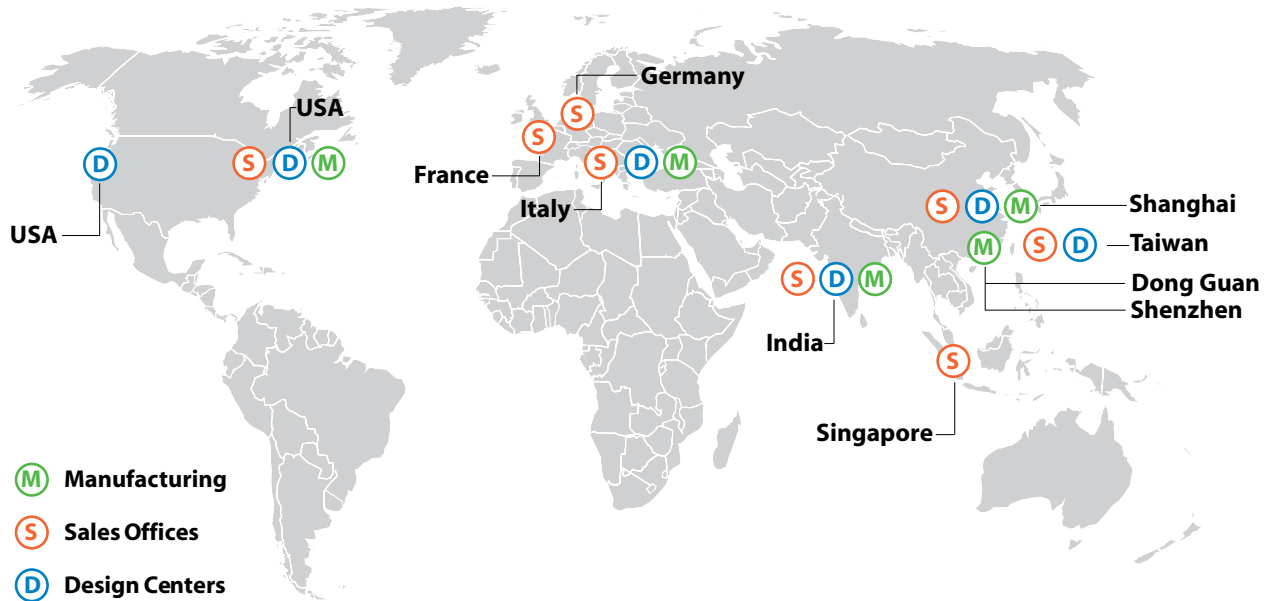
120mm

Exploded View Drawing





AAVID THERMALLOY



North American Offices

(S) Corporate Office
 70 Commercial St., Ste 200
 Concord, NH 03301 USA
 Tel: +603-224-9988
 Fax: +603-223-1738
 Email: info@aavid.com
 Email: NEDC@aavid.com

(M) 67 Primrose Drive
 Laconia, NH 03246 USA
 Tel: +1-603-528-3400
 Fax: +1-603-527-2100
 Email: info@aavid.com

(D) 10061 Bubb Road Ste 300
 Cupertino, CA 95014 USA
 Tel: +1-408-522-8730
 Fax: +1-408-549-1796
 Email: CADC@aavid.com

European Offices

(M) VIA XXV Aprile, 32
 40057 Cadriano (BOLOGNA)
(S) Italy
 Tel: +(39) 051 764011
(D) Fax: +(39) 051 764092
 Email: sales.eu@aavid.com
 Email: EUDC@aavid.com

(S) Hirtenstrasse #3
 D-73271 Holzmaden
 Germany
 Tel: +(49) 069 95636142
 Fax: +(49) 069 95636143
 Email: sales.de@aavid.com

(S) 14 Avenue Du Quebec
 Silic 704
 91961 Courtaboeuf Cedex
 France
 Tel: +(39) 0 51 764 002
 Fax: +(39) 1 69 299 985
 Email: sales.it@aavid.com

Asian Offices

(M) Building No.1,
 No.1199 XinFei RD, SongJiang
(S) Shanghai, China 201611
 Tel: +86-21-6115-2000
(D) Fax: +86-21-6115-2555
 Email: info-Shanghai@aavid.com

(M) YuNing Industrial District,
 HengLi Town, DongGuan City
 Guang Dong, China 523477
 Tel: +86-769-83377651-616
 Fax: +86-769-83377597
 Email: sales.gd@aavid.com

(M) 3403 Reith Center,
 9030 Shennan Blvd.,
 Nanshan, Shenzhen, China 518053
 Tel: +86-755-8662-1936
 Fax: +86-755-8662-1921
 Email: sales.fans@aavid.com

(S) 20F-6, NO. 79, Sec1, Xintai 5th Rd.,
 Xizhi Dist., New Taipei City
 Taiwan 22101
 Tel: + (886) 2-2698-9888
 Fax: + (886) 2-2698-9808
 Email: sales.tw@aavid.com
 Email: TWDC@aavid.com

(D) 3F, No. 248-42, Xinsheng Rd.,
 Qianzhen Dist., Kaosiung City
 Taiwan 80672
 Tel: +886-7-842-9339
 Fax: +886-7-841-9336
 Email: sales.fans@aavid.com

(D) Kapil Towers, C-wing 3rd Floor
 Dr. Ambedkar Rd, Near RTO
 Pune - 411001, India
 Tel: +91-20-66030625
 Fax: +91-20-66030626
 Email: INDC@aavid.com

(M) 7, Manjusar Gidc, Savli
 Vadodara-391775,
(S) Gujarat, India
 Tel: +91-2667 264781/82/83
 Fax: +91-2667 264784
 Email: sales.in@aavid.com

(S) Block 5014, #04-08
 TECHplace 11
 Ang Mo Kio Ave 5
 Singapore 569881
 Tel: +65-6362-8388
 Fax: +65-6362-8588
 Email: sales.sg@aavid.com