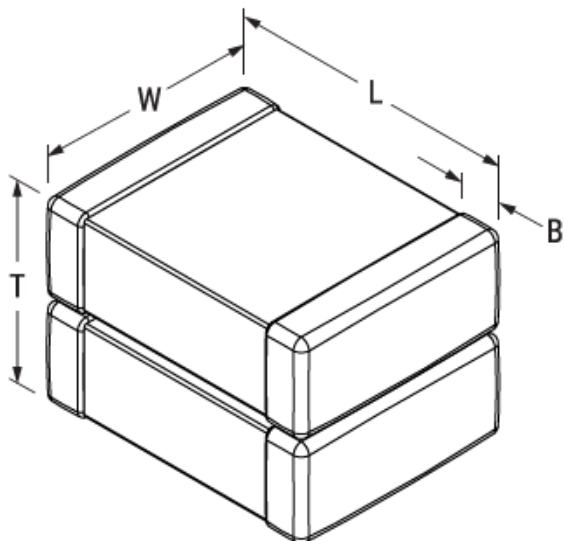


KEMET Part Number: C1812C944J5JLC7800
(Preliminary Specs sheet)

KONNEKT Comm U2J, Ceramic, 940nF, 5%, 50VDC, U2J, SMD, MLCC, Standard orientation. Ultra-Stable, Low Loss, Class I, 1812



Dimensions	
L	4.5mm +/-0.3mm
W	3.2mm +/-0.3mm
T	3.5mm +/-0.4mm
B	0.6mm +/-0.35mm

Packaging Specifications	
Packaging:	T&R, 180mm, Plastic Tape
Packaging Quantity:	500

General Information	
Supplier:	KEMET
Series:	KONNEKT Comm U2J
Style:	SMD Chip
Description:	SMD, MLCC, Ultra-Stable, Low Loss, Class I
Features:	Standard Orientation
RoHS:	Yes
Termination:	Tin
Marking:	No
Miscellaneous:	Note: Referee time for U2J dielectric for this part number is 1000 hours
Chip Size:	1812

Specifications	
Capacitance:	940nF
Capacitance Tolerance:	5%
Voltage DC:	50 VDC
Dielectric Withstanding Voltage:	125 V
Temperature Range:	-55/+125C
Temperature Coefficient:	U2J
Dissipation Factor:	0.10% 1kHz 25C
Aging Rate:	0.1% Loss/Decade Hour
Insulation Resistance:	1.06 GOhms