

mEZ DC/DC Plug & Play Power Module Solutions

Eliminate Design Work



mEZ Step-Up



mEZ Step-Down



PoE



USB Chargers



Using proprietary monolithic technology processes, mEZ products provide easy-to-use, 3-5% higher efficiency, up to 40% reduced package size, inherently cost-effective, configurable, and scalable power solutions for DC/DC step down, step up, PoE, and USB charger applications, with pre-programmed output voltage options available.

mEZD71201A-X



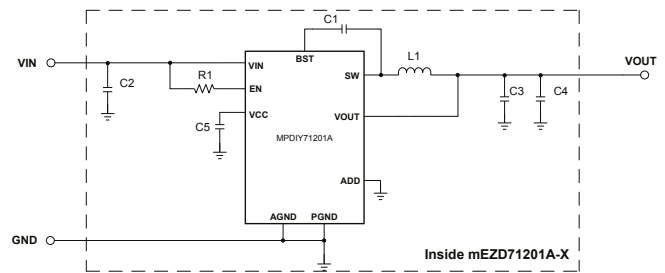
Features & Benefits

- 3-Pin Converter for Easy Plug In and Play
- 4.5-24V Input Voltage Range
- Selectable Output Voltage from 1-5V
- 1.2A Output Load Current
- Up to 94% Efficiency
- 400kHz Default Switching Frequency
- OCP, OVP, OTP
- Open Design Files and BOM
- -40°C to 85°C Operation
- Board Size 20x10x4mm (Not including connector)

Competitive Edge

- 2-3% Higher Efficiency than Competitor Solution
- Wider Input Voltage Range than Competitors

Typical Application



mEZD81260A



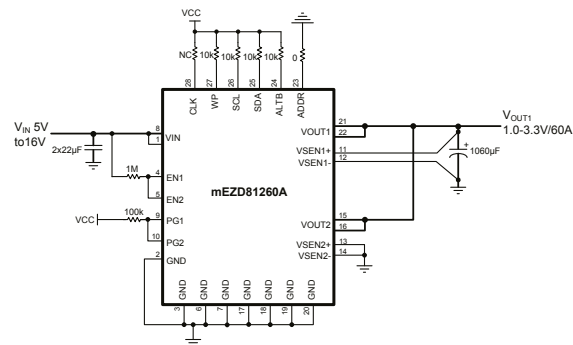
Features & Benefits

- Dual 30A Output, or Single 60A
- Built-in EEPROM
- Input Voltage Range: 5V-16V
- Output Voltage Range: 0.5V-3.3V
- 1% Output Accuracy
- Differential Remote Voltage Sensing for Both Rails
- Fast COT Control
- Individual EN, Power Good indicator
- Readback include VIN, VOUT, IOUT, TEMP
- Programmable via PMBus:
- Current Limit, SS, FSW, Compensation, OCP, UVP, OVP, OTP Limit

Competitive Edge

- High Power Density
- Built-in EEPROM
- Modularized Solution Shortens Time to Market

Typical Application



Featured Products

Part Number	Regulated Outputs (#)	VIN (Min-Max) (V)	VOUT (Min-Max) (V)	IOUT (Max) (A)	Switching Freq. (Max) (kHz)	Power Good	Soft Start	Operating Temp. Range (°C)	Special Features	Package & Size	Grade
mEZD71201A-X	1	4.5 - 24	1 - 5	1.2	400 - 600		Fixed	-40 to 85	OCP, SCP w/ Hiccup, OTP, OV/UVP	SIP 20x10	Catalog
mEZD71202A-X	1	4.5 - 24	1 - 5	2	400 - 600		Fixed	-40 to 85	OCP, SCP w/ Hiccup, OTP, OV/UVP	SIP 20x10	Catalog
mEZD71203A-X	1	5 - 24	1 - 3.3	3	400 - 600		Fixed	-40 to 85	OCP, SCP w/ Hiccup, OTP, OV/UVP	SIP 20x10	Catalog
mEZD71210A	1	4.5 - 17	1 - 3.3	10	500	✓	Fixed	-40 to 85	OCP, SCP, OTP	SIP 26.4x20	Catalog
mEZD72401A-X	1	4.5 - 36	1 - 3.3	1.2	400 - 600		Fixed	-40 to 85	OCP, SCP w/ Hiccup, OTP, OV/UVP	SIP 20x10	Catalog
mEZD72402A-X	1	4.5 - 36	1 - 3.3	2	400 - 600		Fixed	-40 to 85	OCP, SCP w/ Hiccup, OTP, OV/UVP	SIP 20x10	Catalog
mEZD74800A-B	1	4.5 - 6	3.3 - 5	0.3	140 - 165		Fixed	-40 to 85	OCP, SCP w/ Hiccup, OTP	SIP 20x10	Catalog
mEZD41501A-C	1	2.7 - 13	5 - 15	1	600		Fixed	-40 to 85	OTP	SIP 27x20	Catalog
mEZD41502A-C	1	2.7 - 13	5 - 15	2	600		Fixed	-40 to 85	OTP	SIP 27x20	Catalog
mEZD41503A-B	1	2.7 - 10	5 - 12	3	600		Fixed	-40 to 85	OTP	SIP 27x20	Catalog
mEZS91202A	1	7 - 36	5	1	350		Fixed	-40 to 85	OTP, OCP, Line Drop Compensation	SIP 45x13	Catalog
mEZS84801A	1	37 - 57	12	1	140		Fixed	-40 to 85	OTP, OCP, OVP	SIP 45x39	Catalog
mEZD81225A	1	4 - 16	0.6-5	25	400	✓	Fixed	-40 to 85	Scalable, Digital Prog., OCP, Over/Under Volt. Prot.	LGA 14x14	Catalog
mEZD81260A	Dual 30A/ Single 60A	5 - 16	0.5 - 3.3	Dual 30A/ Single 60A	500	✓	Fixed	-40 to 85	Digital Prog., OCP, Over/Under Volt. Prot.	LGA 25x15.5	Catalog

ADDITIONAL RESOURCES

Design Support: [Monolithicpower.com/Design Support](http://Monolithicpower.com/Design%20Support)

Questions: Peter.Trinkaus@avnet.eu



All trademarks and logos are the property of their respective owners. This document provides a brief overview only, no binding offers are intended. No guarantee as to the accuracy or completeness of any information. All information is subject to change, modifications and amendments without notice.