



## /HIGHER POWER LEVELS FOR SINGLE PAIR ETHERNET

**Wijnand van Gils**  
Principal R&D/Product Dvl Engineer

**Peter Jaeger**  
Sr Principal R&D/Product DVL Engineer

**Michael Hilgner**  
Principal R&D/Product DVL Engineer

## SUMMARY

An SPE connector is introduced that is designed for industrial environments with two pin pairs where one is used for data transmission up to 1Gbps/600MHz and the other one supports power transmission with currents up to 8A. This hybrid connector with a data and power pin pair features a metal shield separating the pin pairs to avoid the interference of the power signal with the data signal. Therefore, it gains more flexibility regarding increased power levels and flexibility on network topologies for the power lines. This is placed within the form factor of an M8 connector what leads to the challenge of avoiding the deterioration of the data transmission by higher harmonics from the power transmission, like from switch mode power supplies.

## INTRODUCTION

Single-Pair Ethernet (SPE) provides data transmission up to 1Gbps over a single twisted copper pair. By the reduction from the four or eight wires of the traditional Fast Ethernet and Gigabit Ethernet towards two wires, this technology enables smaller connector sizes and helps decrease the termination effort. It is thus suitable to bring Ethernet down to the sensor level and to connect sensors directly to IT systems (aka the cloud) to support the added-value services of the Industrial Internet of Things (IIoT).

The first SPE implementations are supposed to extend existing automation systems by additional sensors to provide machine data to higher level IT (cloud) systems in order to enable added-value IIoT services such as condition monitoring and predictive maintenance. Such implementations will use a hierarchical star structure where the power for the I/O modules and sensors at the lower level needs to be delivered over the same cable used for data transmission. For the 40m/1Gbps segment that targets factory automation applications, Power over Data Line (PoDL) [1] is suitable for currents up to 1.36A. However, for higher currents which often occur in such a cascaded structure, a different approach is required.

An SPE connector design for industrial environments with two pin pairs has been recently developed where one is used for data transmission up to 1Gbps/600MHz as defined by IEEE 802.3bp [2] and the other one supports power transmission with currents up to 8A.

This connector's interface is standardized in IEC 63171-6 [3] together with a variant without an extra power pair, which was published on the 20th of January 2020. Connectors with the two interface variants included in this standard are shown in Figure 1. The hybrid connector with a data and power pin pair features a metal shield separating the pin pairs to avoid the interference of the power signal with the data signal as can be seen in Figure 2. This is placed within the form factor of an M8 connector what leads to the challenge of avoiding the deterioration of the data transmission by higher harmonics from the power transmission, like from switch mode power supplies. This connector requires a cable that contains an SPE and a power pair. In this cable the SPE pair is designed according to IEC 61156-12 and this SPE pair is also shielded from the power pair like in the connector. The power pair is made of 18AWG wires.



Figure 1: SPE connectors per IEC 63171-6: (a) IP20 connector for SPE where power may be delivered via PoDL with max. 1.36 A (b) IP67 hybrid connector for SPE with separate power contacts allowing for currents up to 8A. Courtesy of TE Connectivity.

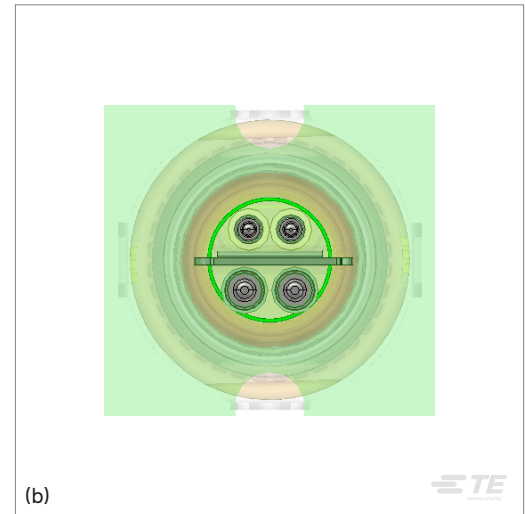
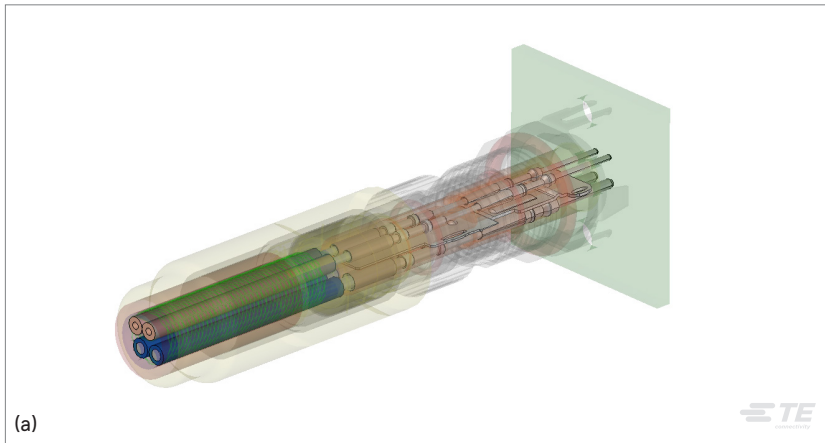


Figure 2: Internal shielding of IP67 connector avoiding interferences from the power lines to the data lines: (a) Perspective view, (b) Cross-section view. Courtesy of TE Connectivity.

### PODL OR SEPARATE POWER LINES

PoDL is a very compact way to combine power and data on only two signal wires what has been standardized in IEEE802.3bu. It enables a lot of latest future applications requiring smaller and lighter connectivity solutions. At the moment PoDL is defined for a point to point connection that on one side has the power supply, named "Power Sourcing Equipment" (PSE) within IEEE, and on the other side the "Powered Device" (PD). When the power is injected on or tapped off the data line it should not disturb the data transmission. A typical circuitry that could be used to connect the PHY chip and the power to the data lines is shown in Figure 3. The basic circuitry of SPE requires a common mode choke (CMC) combined with common mode terminations to suppress common mode noise, and DC block capacitors. The power lines can be connected to the SPE lines by adding a low pass filter or only series inductors in between the PSE or the PD and the data lines to not disturb the data signals.

There are situations where it may become important to deviate from the PoDL standard. Reasons for this can be diverse, like the need for higher power levels, e.g. required for the supply of electronic motors. Also, more flexibility regarding how to distribute the power over the network to provide power to several cascaded PDs can be important. Another possible reason for avoiding PoDL is the need for a galvanic separation between data and power. This could for example reduce the effort of filtering of the power signals. Therefore, the hybrid connector is developed that has separate signal and power pairs, but still offers one connectivity solution for data and power in the small form factor of standard M8 connectors. The power contacts can handle a current up to 8A. Below sections detail the possibilities of such a hybrid connector.

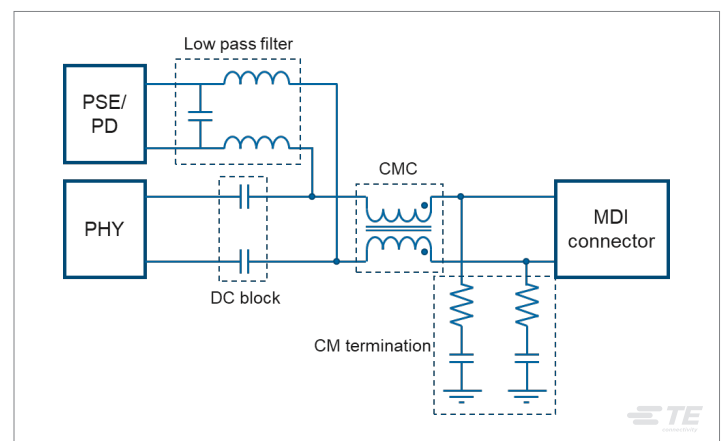


Figure 3: Generic SPE circuitry with PoDL. Courtesy of TE Connectivity.

**POWER TRANSFER**

With PoDL the highest power level that can be delivered to the PD is about 50W with a maximum current of 1.36A. This also requires the highest voltage from the PSE side of 60VDC (resulting in min. 48VDC at the PD). The higher current-carrying capabilities of the hybrid connector provide the opportunity of supplying higher power levels.

In the end the received power levels depends on the permitted voltage drop and the acceptable amount of losses over the cable. To obtain insight in the possible power transfers we assume the basic setup as described in [4] that is shown in Figure 4.

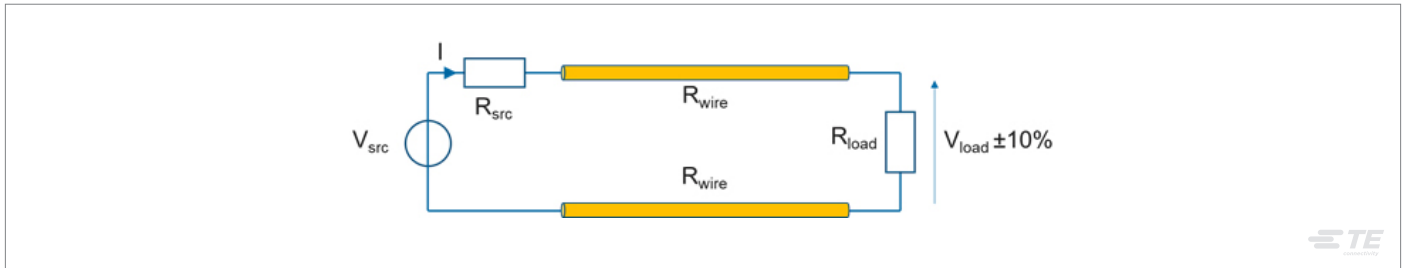


Figure 4: Basic circuitry for power transfer. Courtesy of TE Connectivity.

Figure 4 shows the PSE on the left that includes here a voltage source with an internal resistance. The second part is the cable with losses and on the right, we have the PD that contains a load resistance that requires a specific voltage range.

With this setup we can determine the power and current transferred over a defined length of cable. If we assume an 18AWG copper wire and for simplification neglect the source resistance we obtain the results given in Figure 5.

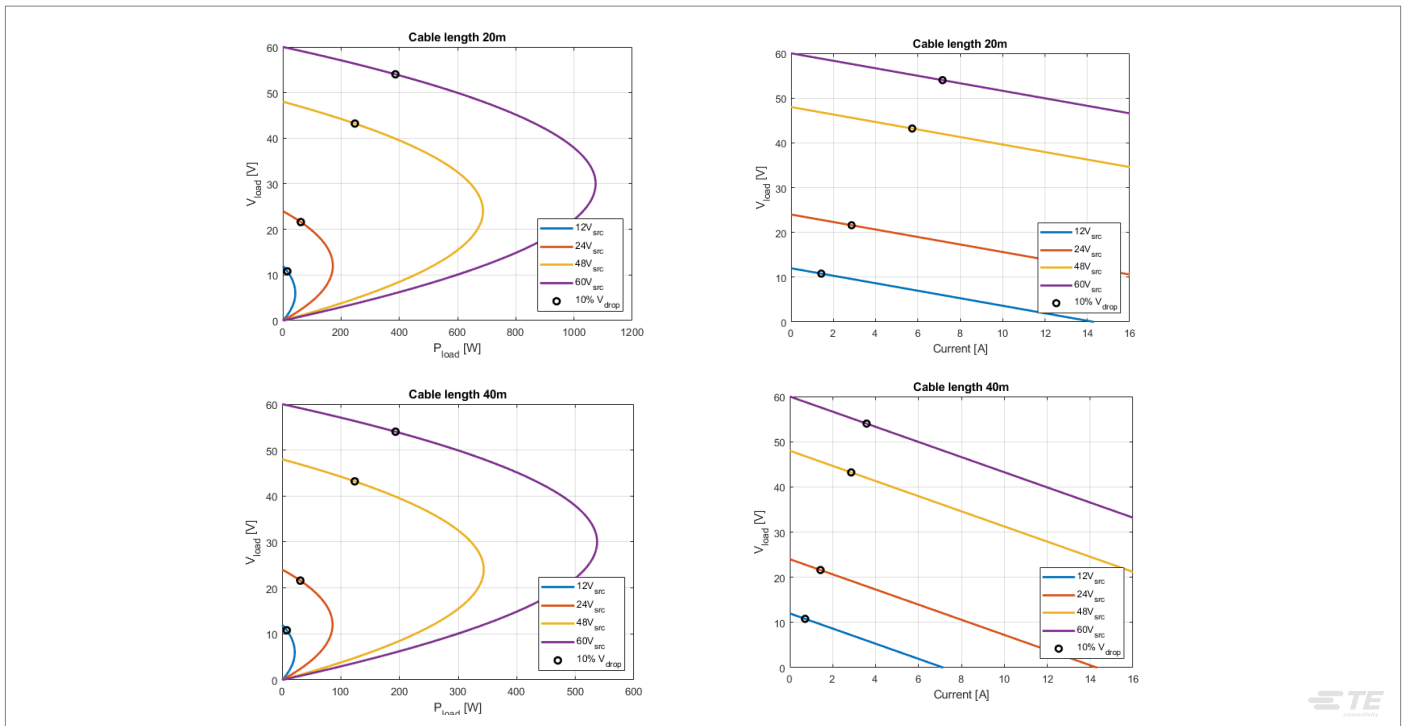


Figure 5: Voltage drop over transmitted power and current for an 18AWG copper wire. Courtesy of TE Connectivity.

On the left side of Figure 5 we can see that if the power increases, the voltage of the load will drop, which is caused by the increase of current through the power pair.

Where the voltage drop is 50%, the amount of transferred power is maximum, but typically this maximum is not used due to stability issues it may cause for the PDs.

Most electrical devices accept a minimum voltage of 10% below the rated voltage. Assuming a voltage drop of 10% over the cable, the power efficiency is approximately 80%. This voltage drop is shown by the small black circle. Note that for PoDL the voltage drop can go up to 20%. The results in Figure 5 are shown for cable lengths of 20m and 40m and as expected the cable length has a clear impact on how much power can be transferred. For the maximum length of 40m we can see that with a source voltage of 60V a power close to 200W can be provided and for 20 meters or less up to 400W.

### GALVANIC SEPARATION

With PoDL the data and power are combined on the same wire pair. Thus, a simple 2-wire cable with a small diameter (also due to the current level below 1.5A) may be used. The downside of this setup is that there are strict requirements regarding noise and rate of change of power levels to avoid disturbances on the data transmission. Typical noise that can be expected on the power lines are voltage ripples coming from switch mode power supplies or from actuators. Therefore, particularly in industrial environments, it is important when implementing PoDL to use good filter circuits to suppress this noise. By separating and even shielding the power from the data pair the interference of the power lines has a much lower impact on the data lines.

To determine the quality of the shielding we need to understand what kind of noise we need to suppress. One type of noise comes from switch mode power supplies that, when properly designed, typically has a voltage ripple between 0.25V and 1V.

However, a more disturbing noise can come from actuators like for example DC motors. They can create bursts, which are a repetition of very short pulses in the time domain and create noise over a wide frequency bandwidth. IEC 61000-4-4 describes the test setup for the resilience of electrical systems against such bursts. It defines a pulse like shown in Figure 6 where we also can see the behavior of this burst in the frequency domain. The spectrum of these bursts indicates that it mainly generates noise in the lower MHz range. This means that reducing the impact of the lower frequency noise is the main priority here.

To get an idea of the amount of noise an SPE PHY chip can handle, we can follow two IEEE standards as guideline. In IEEE 802.3bu, which describes PoDL, there is the requirement that a maximum ripple voltage of 0.1Vpp is allowed for the frequency range from 1kHz to 10MHz caused by the PSE or PD. From IEEE 802.3bp, which specifies the 1000BASE-T1 media system, we have the requirement for the alien cross-talk noise rejection. Figure 7 shows the associated test circuitry where the noise source provides noise with a Gaussian distribution and a magnitude of -100dBm/Hz to a link segment up to 40m which the PHY chip has to withstand without losing data.

The above-mentioned requirements may be used in simulations and measurements to check the resilience of an SPE link with the hybrid connector and cable against external noise.

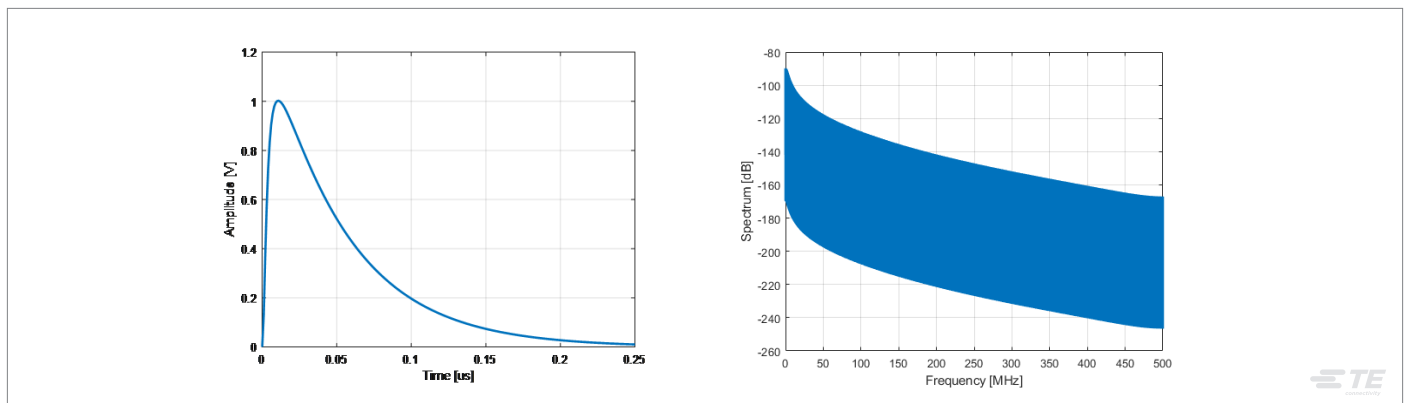


Figure 6: Burst signals as defined in IEC 61000-4-4: (a) Pulse shape in time domain, (b) Spectrum of a burst. Courtesy of TE Connectivity.

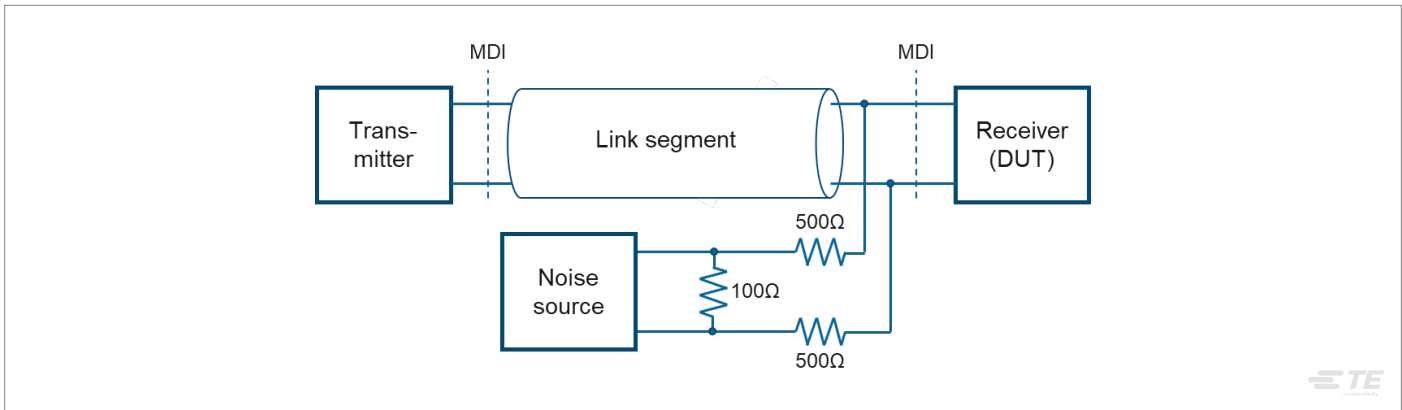


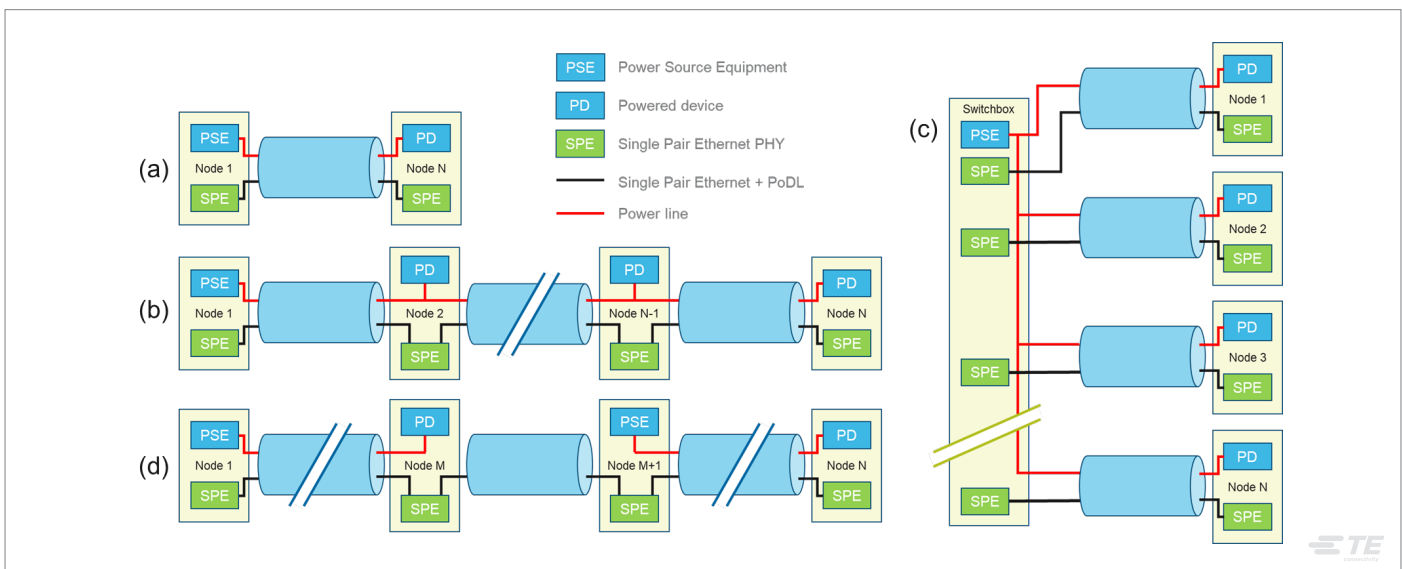
Figure 7: Test setup alien cross-talk noise rejection as defined in IEEE802.3bp. Courtesy of TE Connectivity.

### POWER DISTRIBUTIONS

Another possibility that the separated power and signal contacts bring is the increased flexibility to implement the power distribution in networks. With PoDL designs, only a point-to-point connection is possible. There are investigations ongoing to extend PoDL to power several PDs with one PSE, however those are focused on the 10BASE-T1 media system only. With the additional power line of the hybrid connector more than one PD can be powered as explained below and, of course, PoDL can be used in addition. In case PoDL and separate power are complementarily used, the network for power distribution can be split in a network that can handle noise from wide range of actuators on the separate power lines and in a PoDL network that powers the SPE PHY chips only.

Examples of possible topologies to power nodes in a network are shown in Figure 8. Here the power distribution over the separate power lines can be applied point-to-point in case we need to have a lot of power for one PD (8a). It can also be applied over a bus (8b) or over a switch (8c) to power several actuators that can create a high amount of noise. Lastly, when the amount of power is not enough it is always possible to add another PSE (8d).

Figure 8: Network topologies hybrid connector: (a) Point to point, (b) Bus powered, (c) Switch possibility, (d) Bus powered with additional resupply points. Courtesy of TE Connectivity.



## CONCLUSION

A connector has been discussed that is complementary to existing SPE connectors. Next to the SPE interface, that can transfer power by applying PoDL, it contains additional power contacts within a small form factor of an M8 connector. Although the cable attached to the connector gets slightly heavier and wider in diameter, it provides the possibility of higher current levels than possible with PoDL and thus enables higher power delivery. It also provides more flexibility in network topologies. Next to that, it can handle significantly higher EMI disturbances on the power contacts without affecting the data transmission. This makes it an attractive candidate for networks where the actuators and sensors are mounted directly on machines.

## References

1. "IEEE802.3bu - IEEE Standard for Ethernet - Amendment 8: Physical Layer and Management Parameters for Power over Data Lines (PoDL) of Single Balanced Twisted-Pair Ethernet," 2016.
2. "IEEE 802.3bp - IEEE Standard for Ethernet Amendment 4: Physical Layer Specifications and Management Parameters for 1 Gb/s Operation over a Single Twisted-Pair Copper Cable," 2016.
3. "IEC 63171-6: Connectors for electrical and electronic equipment - Part 6: Detail specification for 2-way and 4-way (data/power), shielded, free and fixed connectors for power and data transmission with frequencies up to 600 MHz.," 2020.
4. Yair Darshan, "IEEE P802.3bu," September 2014. [Online]. Available: [http://www.ieee802.org/3/bu/public/sep14/darshan\\_3bu\\_1\\_0914.pdf](http://www.ieee802.org/3/bu/public/sep14/darshan_3bu_1_0914.pdf).

## AUSTRIA

Avnet EMG Elektronische  
Bauelemente GmbH  
Grünbergstraße 15/1/4.OG,  
A-1120 Wien  
Phone: +43 (0)1 86642-0  
Fax: +43 (0)1 86642-250  
wien@avnet-abacus.eu

## BELGIUM

De Kleetlaan 3  
BE-1831 Diegem  
Phone: +32 2 227 2000  
diegem@avnet-abacus.eu

## BULGARIA

48, Sitnyakovo Boulevard  
Unit 1006, Floor 10,  
BG-1505 Sofia  
Phone: +359 896 135 069  
bulgaria@avnet-abacus.eu

## CROATIA

c/o Avnet Abacus Slovenia  
Dunajska Cesta 167  
SI-1000 Ljubljana  
Phone: +386 (0)1 560 97 54  
Fax: +386 (0)1 560 98 78  
croatia@avnet-abacus.eu

## CZECH REPUBLIC

Amazon Court Karolinska 661/4  
CZ-18600 Prague  
Phone: +420 234 091 011  
Fax: +420 234 091 010  
praha@avnet-abacus.eu

## DENMARK

Knudlundvej 24, DK-8653 Them  
Phone: +45 86 84 84 84  
Fax: +45 86 84 82 44  
them@avnet-abacus.eu

Lyskær 9, DK-2730 Herlev  
Phone: +45 86 84 84 84  
Fax: +45 43 29 37 00  
herlev@avnet-abacus.eu

## EGYPT

c/o Avnet Abacus Turkey  
Tatlısu Mahallesi Pakdil  
Sokak No: 7 Kat: 2  
TR-34774 Umraniye Istanbul Turkiye  
Phone: +90 216 52 88 370  
Fax: +90 216 52 88 377  
egypt@avnet-abacus.eu

## ESTONIA

Suur-Jõe 63, Pärnu,  
EE-80042 Pärnu Maakond  
Phone: +372 56637737  
paernu@avnet-abacus.eu

## FINLAND

Klovinpellontie 1-3  
Tower 1, Floor 6  
FI-02180 Espoo  
Phone: +35 820 749 9220  
Fax: +35 820 749 9240  
espoo@avnet-abacus.eu

## FRANCE

Le Copernic  
12, rue Jean Bart  
FR-91300 Massy  
Phone: +33 (0) 1 6447 2929  
Fax: +33 (0) 1 6447 9150  
paris@avnet-abacus.eu

8 chemin de la Terrasse  
Bat D 1er étage  
FR-31500 Toulouse  
Phone: +33 (0) 5 6247 4787  
Fax: +33 (0) 5 6247 4761  
toulouse@avnet-abacus.eu

16 C Rue de Jouanet  
FR-35700 Rennes  
Phone: +33 (0) 2 9983 7720  
Fax: +33 (0) 2 9983 4829  
rennes@avnet-abacus.eu

2 avenue Tony Garnier, 3rd floor  
FR-69007 Lyon  
Phone: +33 (0) 4 7877 1370  
Fax: +33 (0) 4 7877 1391  
lyon@avnet-abacus.eu

## GERMANY

Kaiserin-Augusta-Allee 14  
DE-10553 Berlin  
Phone: +49 (0) 30 790 997 0  
Fax: +49 (0) 30 790 997 51  
berlin@avnet-abacus.eu

Industriestr. 16  
DE-76297 Stutensee  
Phone: +49 (0) 7249 910 149  
Fax: +49 (0) 7249 910 177  
stutensee@avnet-abacus.eu

Rhenus-Platz 2  
D-59439 Holzwickede/Dortmund  
Phone: +49 (0) 2301 2959 27  
Fax: +49 (0) 2301 2959 29  
dortmund@avnet-abacus.eu

Flughafenstraße 52a  
DE-22335 Hamburg  
Phone: +49 (0) 40 608 23 59 0  
Fax: +49 (0) 40 608 23 59 20  
hamburg@avnet-abacus.eu

Im Technologiepark 2-8  
DE-85586 Poing  
Phone: +49 (0) 8121 775 400  
muenchen@avnet-abacus.eu

Lina-Ammon-Str. 19 b  
DE-90471 Nuernberg  
Phone: +49 (0) 911 244 250  
Fax: +49 (0) 911 244 25 25  
nuernberg@avnet-abacus.eu

Neue Ramtelstr. 4  
DE-71229 Leonberg  
Phone: +49 (0) 7152 3009 70  
Fax: +49 (0) 7152 3009 96  
stuttgart@avnet-abacus.eu

Rotenburger Str. 20  
D-30659 Hannover  
Phone: +49 (0) 511 336517 10  
hannover@avnet-abacus.eu

## GREECE

c/o Abacus Avnet Serbia  
Milentija Popovića 5B,  
Floors 6-8  
Belgrade RS-11070  
Phone: +381 11 4022302  
Fax: +381 11 4049900  
belgrade@avnet-abacus.eu

## HUNGARY

c/o Avnet Abacus Slovakia  
GreenPoint Offices,  
Blok F Turcianska 2  
SK-82109 Bratislava  
Phone: +421 232 242 608  
Fax: +421 2 32 1111 40  
budapest@avnet-abacus.eu

## IRELAND

c/o Avnet Abacus Bolton  
Oceanic Building  
Waters Meeting Road  
Bolton BL1 8SW  
Phone: +44 (0)1204 547190  
Fax: +44 (0)1204 547171  
bolton@avnet.eu

## ISRAEL

1 Habrosu Street  
Bney Dror IL-4581500  
Phone: +972 9 778 0280  
Fax: +972 3 760 0794  
israel@avnet-abacus.eu

## ITALY

Via Manzoni 44  
IT-20095 Cusano Milanino/Milano  
Phone: +39 02 660 921  
Fax: +39 02 66092 332  
milano@avnet-abacus.eu

Viale dell'industria 23  
IT-35129 Padova  
Phone: +39 049 7800 381  
Fax: +39 049 7730 36  
padova@avnet-abacus.eu

Via Scaglia Est. 31/33  
IT-41126 Modena  
Phone: +39 059 34891  
Fax: +39 059 344 993  
modena@avnet-abacus.eu

Via Panciatici 40/11  
IT-50127 Firenze  
Phone: +39 055 436 1928  
Fax: +39 055 428 8810  
firenze@avnet-abacus.eu

Viale Luca Gaurico 9/11  
IT-00143 Roma  
Phone: +39 02 660 921  
rome@avnet-abacus.eu

## LATVIA

c/o Avnet Abacus Poland  
Plac Solny 16  
PL-50-062 Wroclaw  
Phone: +48 71 34 205 99  
Fax: +48 71 34 229 10  
latvia@avnet-abacus.eu

## LITHUANIA

c/o Avnet Abacus Poland  
Plac Solny 16  
PL-50-062 Wroclaw  
Phone: +48 71 34 205 99  
Fax: +48 71 34 229 10  
lithuania@avnet-abacus.eu

## NETHERLANDS

Stadionstraat 2, 6th floor  
NL-4815 NG Breda  
Phone: +31 (0) 76 57 22 300  
Fax: +31 (0) 76 57 22 303  
breda@avnet-abacus.eu

## NORWAY

Olaf Helsetsvet 6,  
NO-0694 Oslo  
Phone: +47 (0) 94 89 53 73  
oslo@avnet-abacus.eu

## POLAND

Plac Solny 16  
PL-50-062 Wroclaw  
Phone: +48 71 34 205 99  
Fax: +48 71 34 229 10  
wroclaw@avnet-abacus.eu

## PORTUGAL

Tower Plaza, Rot. Eng. Edgar  
Cardoso, 23,Piso 14, Sala E  
PT-4400-676 Vila Nova de Gaia  
Phone: +351 223 779502  
Fax: +351 223 779503  
portugal@avnet-abacus.eu

## ROMANIA

SkyTower Building, 12th floor,  
Calea Floreasca 246C,  
RO-014476 Bucharest  
Phone: +4021 528 16 90  
romania@avnet-abacus.eu

## SERBIA

Milentija Popovića 5B, Floors 6-8  
Belgrade RS-11070  
Phone: +381 11 4022302  
Fax: +381 11 4049900  
belgrade@avnet-abacus.eu

## SLOVAKIA

GreenPoint Offices,  
Blok F Turcianska 2  
SK-82109, Bratislava  
Phone: +421 232 242 608  
Fax: +421 2 32 1111 40  
slovakia@avnet-abacus.eu

## SLOVENIA

Dunajska Cesta 167  
SI-1000 Ljubljana  
Phone: +386 (0)11 560 97 60  
Fax: +386 (0)1 560 98 78  
ljubljan@avnet-abacus.eu

## SOUTH AFRICA

Block 13, Pinewood Office Park  
33 Riley Road Woodmead,  
ZA-2191 Sandton, Johannesburg  
Phone: +27 (0)10 447 0180  
avnet-abacus-sales-southafrica@avnet.eu

## SPAIN

NyN Tower, C/Tarragona  
149-157, Floor 19  
ES-08014 Barcelona  
Phone: +34 (0) 93 327 85 50  
Fax: +34 (0) 93 425 05 44  
barcelona@avnet-abacus.eu

Avenida Madariaga 1  
Floor 3  
ES-48014 Bilbao  
Phone: +34 (0) 94 457 00 44  
Fax: +34 (0) 94 456 88 55  
bilbao@avnet-abacus.eu

Ronda de Poniente  
(pq Empresarial Euronova),  
4 - 2ª PLANTA, tres Cantos,  
28760, Madrid  
madrid@avnet-abacus.eu

## SWEDEN

Avnet Nortec AB  
Hemvärnsgatan 9  
SE-171 54 Solna  
Phone: +46 (0)8587 462 00  
Fax: +46 (0)8587 460 01  
stockholm@avnet-abacus.eu

Smörhålevägen 3  
SE-43442 Kungsbacka  
Phone: +46 (0)8 58746 200  
Fax: +46 (0)300 140 15  
gothenburg@avnet-abacus.eu

## SWITZERLAND

Bernstrasse 394  
CH-8953 Dietikon  
Phone: +41 (0)43 322 49 90  
Fax: +41 (0)43 322 49 99  
zurich@avnet-abacus.eu

## TURKEY

Tatlısu Mahallesi Pakdil  
Sokak No: 7 Kat: 2  
TR-34774 Umraniye Istanbul Turkiye  
Phone: +90 216 52 88 370  
Fax: +90 216 52 88 377  
istanbul@avnet-abacus.eu

## UK

Building 5, Waltham Park  
White Waltham  
Maidenhead Berkshire SL6 3TN  
Phone: +44 (0)1628 512900  
Fax: +44 (0)1628 512999  
maidenhead@avnet.eu

St. Peter's House  
Silverwell Street  
Bolton, BL1 1PP  
Phone: +44 (0)1204 936400  
bolton@avnet.eu

## UKRAINE

c/o Avnet Abacus Poland  
Plac Solny 16  
PL-50-062 Wroclaw  
Phone: +48 71 34 205 99  
Fax: +48 71 34 229 10  
ukraine@avnet-abacus.eu