

Bourns — in — Motion



Rotary Position Feedback

AMM20B Rotary Position Sensor

Introduction

Bourns® Sensors & Controls product line announces the release of the Model AMM20B Series multiturn rotary magnetic sensor. The Bourns® AMM20B rotary sensor is designed to meet the requirements of heavy-duty applications with long cycle life, high reliability, precision and flexibility. The AMM20B rotary sensor features standard 3-turn, 5-turn and 10-turn configurations with a factory programmable slope.

Basic Functions

- Functions as electromechanical linkage to the system
- Relays changes in angular position and direction
- Provides the required communication protocol (analog or digital)

Features

- Non-contacting magnetic technology
- Highly resistant to vibration/shock
- Highly resistant to fluid/dust ingress
- Factory programmable slope
- Robust design for industrial applications
- Highly repeatable (backlash < 5 ° typical)
- RoHS compliant*

Benefits

- Superior performance in harsh environments
- Reduction in field repairs and system down time
- Cost-effective upgrade to existing designs
- World-class technical support
- Global supply chain

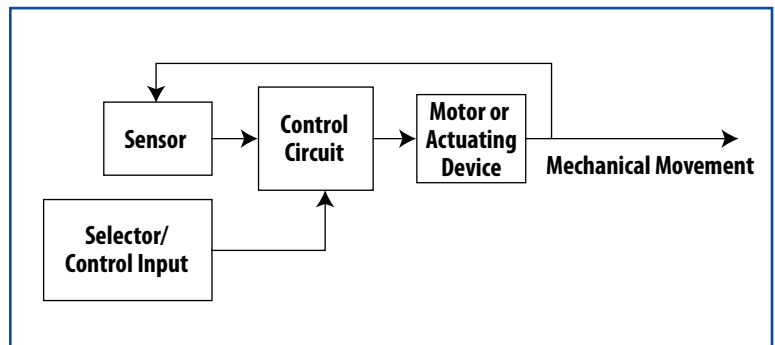
Applications

This product is designed to provide an electrical ratiometric signal, synchronized to the rotational movement of the shaft.

Typical applications include:

- Patient platform position
- Draw wire position
- Tilt control & position
- Electromechanical actuators
- Factory automation
- Pick & place palletizing/packaging
- Automated doors & gates

Cost-effective Solution for Heavy-duty Rotary Position Sensing Applications



Discovery Questions

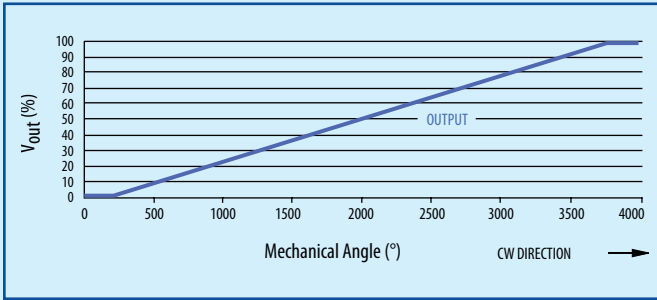
- Which features and/or benefits are most important when selecting a feedback sensor?
- What is the average expected life from an assembly that includes the sensor?
- Is the system self-learning/self-calibrating, or does the sensor require calibration at startup?

* RoHS Directive 2002/95/EC Jan. 27, 2003 including annex and RoHS Recast 2011/65/EU June 8, 2011.

Rotary Position Feedback

AMM20B Rotary Position Sensor

Standard Output: 10-Turn CW Increasing (Code 380 Shown)



Factory Available Options

- Custom electrical angle and linearity
- Communication protocols
- Custom shafts and bushings
- Brackets, adapters and cables/connectors
- Programmer and software

For additional information, contact your local Bourns Sales Representative.

Sales Tools and Collateral

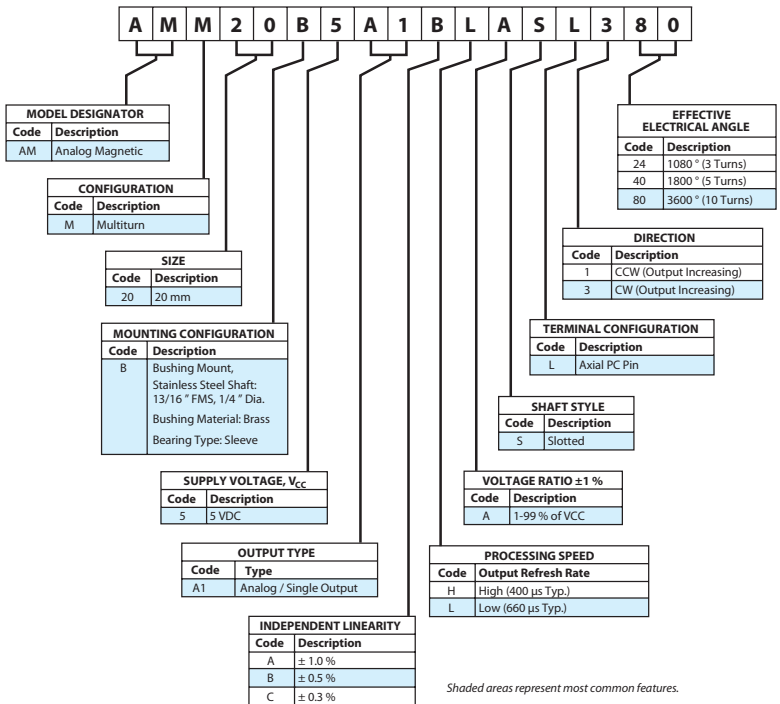
- **Data Sheet:** “AMM20B Non-Contacting Multiturn Rotary Position Sensor”
- **Short Form Brochure:** “Non-Contacting Position Sensors & Rotary Controls”
- **Training Module:** “AMM20B Non-Contacting Multiturn Rotary Position Sensors”
- **White Paper:** “Selecting the Appropriate Position Feedback Sensor for Factory Automation Valve Designs”
- **White Paper:** “Selecting the Right Rotary Position Sensor for a Draw Wire Transducer in Industrial Applications”
- **Application Note:** “Using Rotary Position Sensors for Accurate, Long-Term Measurement in Electronic Linear Actuators”

To order samples, please contact your local Bourns Sales Office.

FAQs

Concern	Bourns Response
I will have to change my layout to accept the AMM20B.	The AMM20B is a form and fit replacement for any potentiometer with a 7/8" diameter and 3/8" bushing.
I have a non-standard configuration in my application.	The AMM20B can be customized to meet the mounting configuration of the application.
I have several different electrical angles that I order.	The AMM20B has a programmable feature that allows you to change the electrical angle prior to installation.
My application requires a redundant output for safety.	The AMM20B is configured as a 5 V, 12 bit analog output sensor and is available in single or redundant output.

How to Order



Joint Call Strategy

Target Account:	Assigned to:	When:
•	•	•
•	•	•
•	•	•
•	•	•



COPYRIGHT © 2014 • BOURNS, INC. • 4/14 • PSG • XM/SC1418
 “Bourns” is a registered trademark of Bourns, Inc. in the U.S. and other countries.

For more information, go to:
www.bourns.com

Americas: Tel +1-951 781-5500
 Fax +1-951 781-5700

Asia-Pacific: Tel +886-2 256 241 17
 Fax +886-2 256 241 16

EMEA: Tel +36 88 520 390
 Fax +36 88 520 211