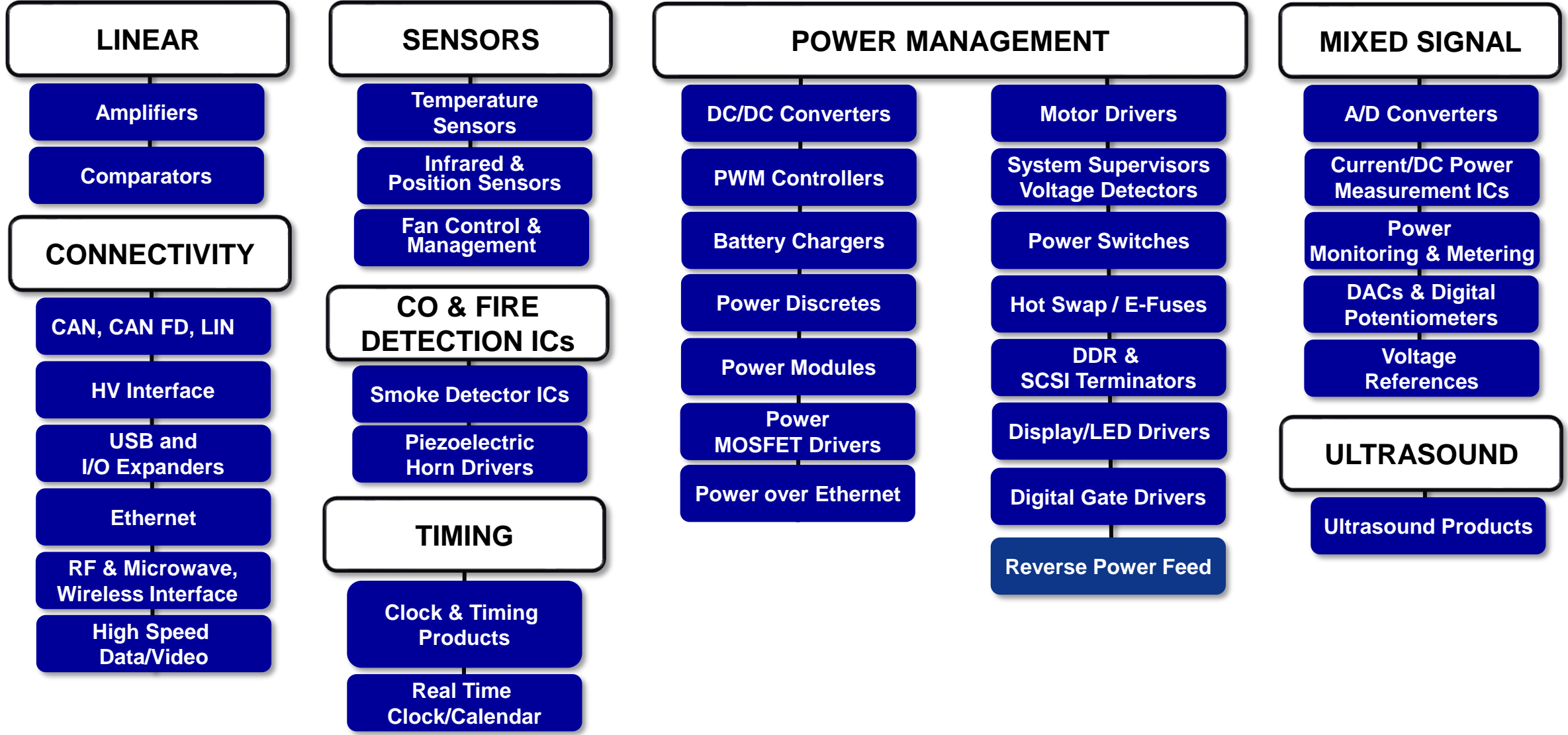
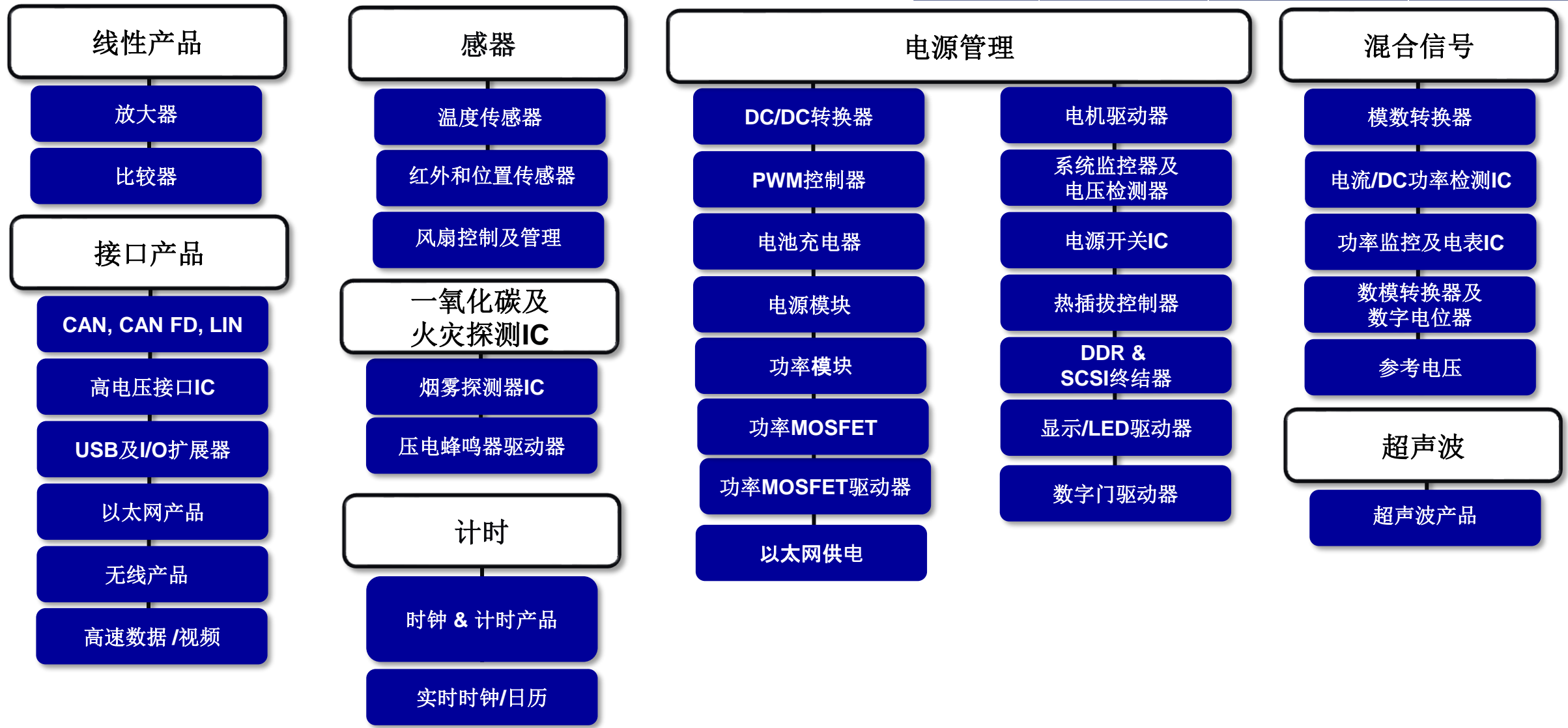


Analog & Interface Products



Analog & Interface Products



Treelink Updates

The latest version of Treelink is available at www.microchip.com/treelink

[Check for latest revision](http://www.microchip.com/treelink)

Online version of Treelink
www.microchip.com/treelinktool

[Click for online version](http://www.microchip.com/treelinktool)



Back to last visited page



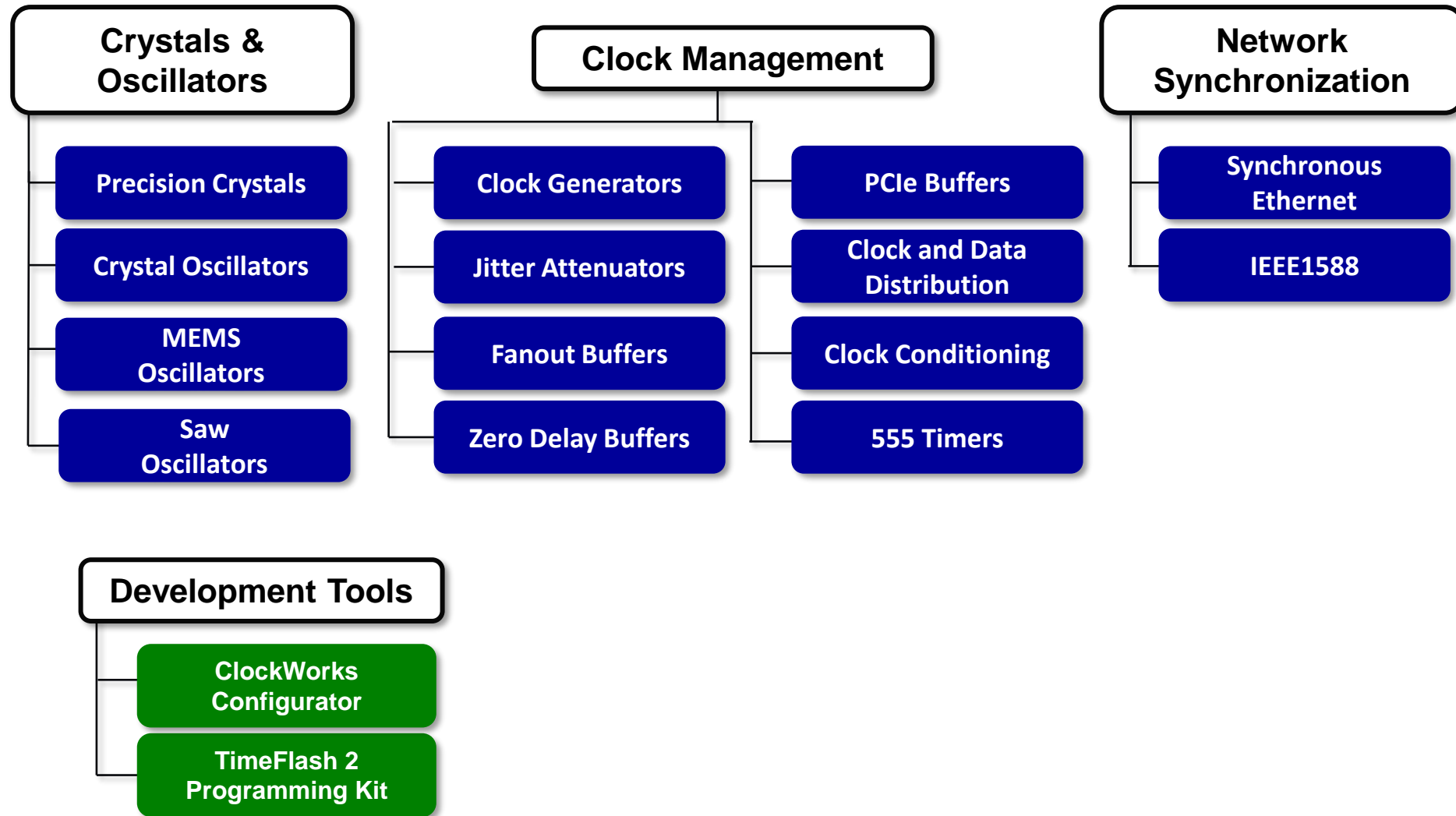
Back to a specific page

- **Changes:**

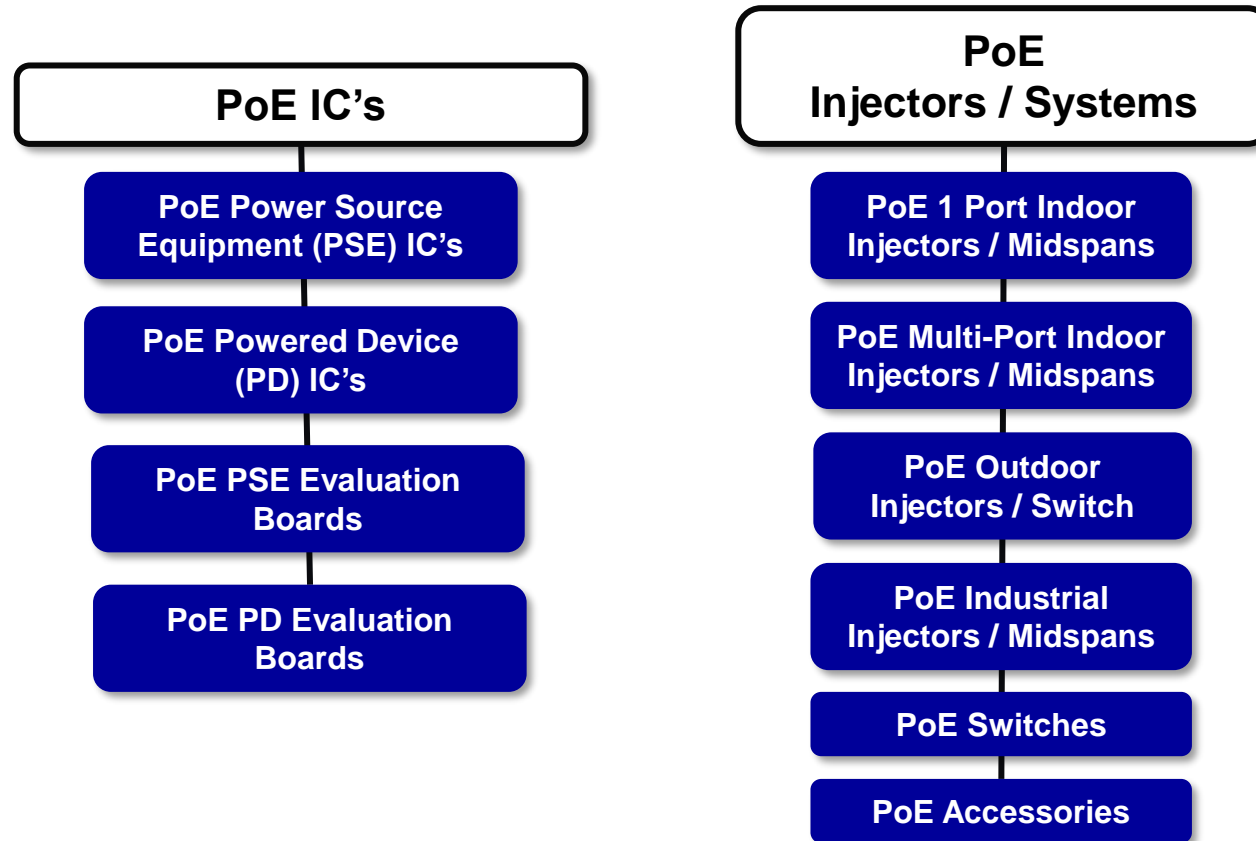
- New End EQ Ultrasound
- New End EQ block diagram – BMS
- New End EQ block diagram – PLC
- New End EQ block diagram – ECG Patient Monitoring
- Added MCP6006 & MCP6476 with automotive badges
- Added USB2.0 Hub flowchart
- Added POE EVB
- Added 6 new Ethernet Switch EVBs
- Added 3 Smoke & CO products
- ATSAMHAXGxxA update
- Added MCP1722
- Many typo fixes, small changes and formatting



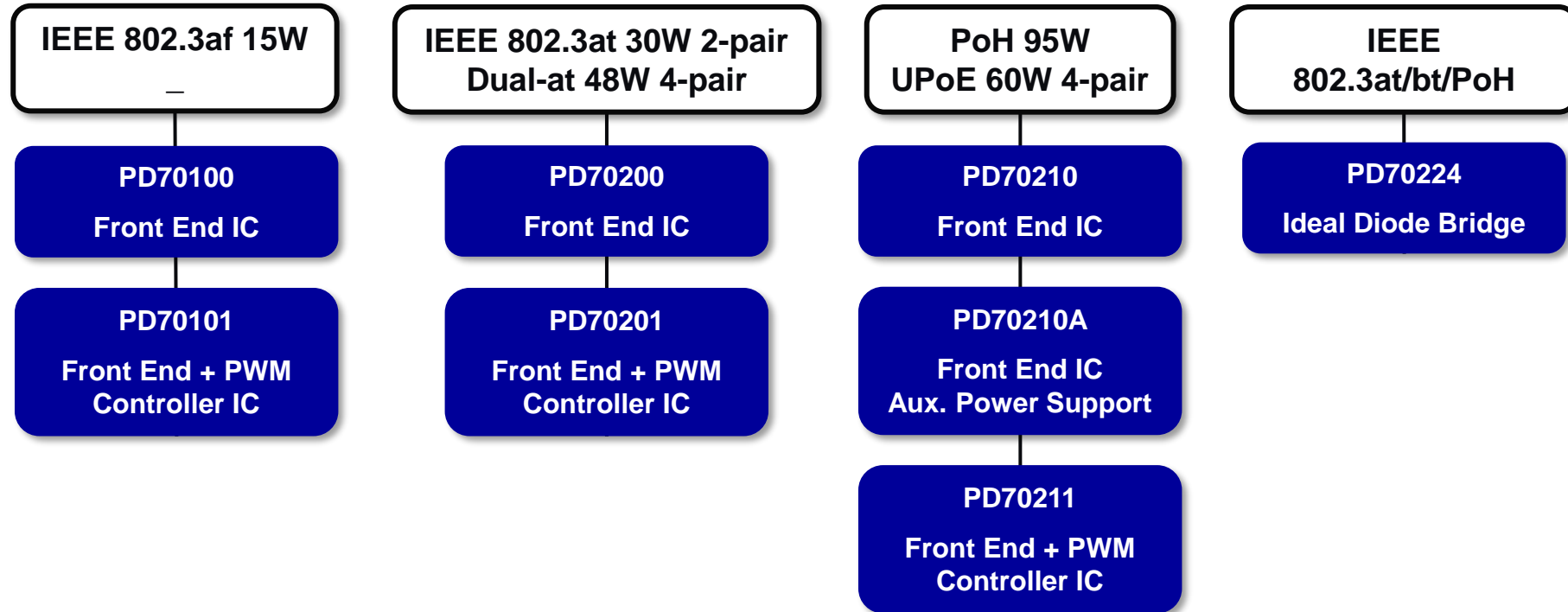
Clock & Timing Products



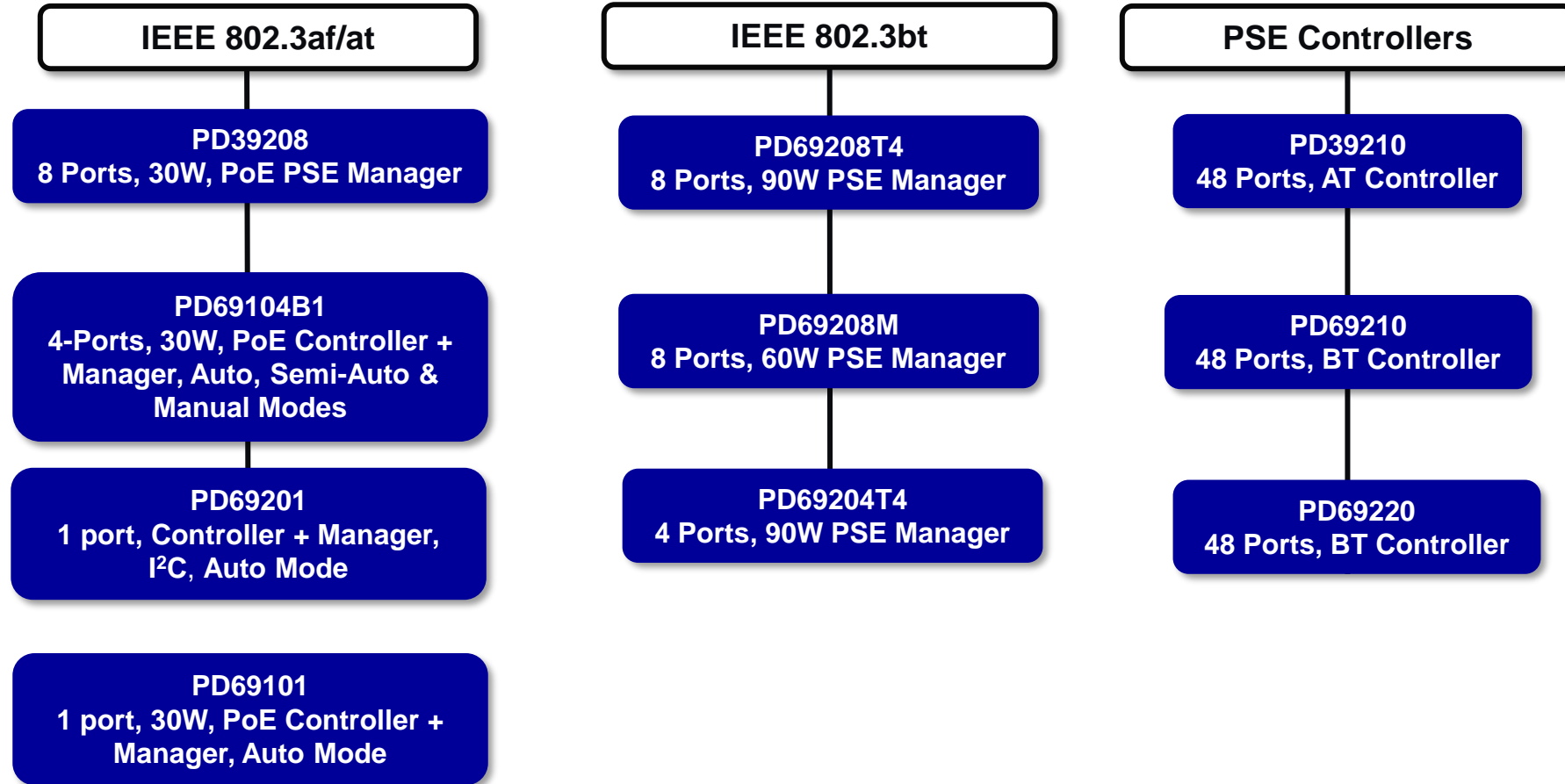
Power Over Ethernet (PoE)



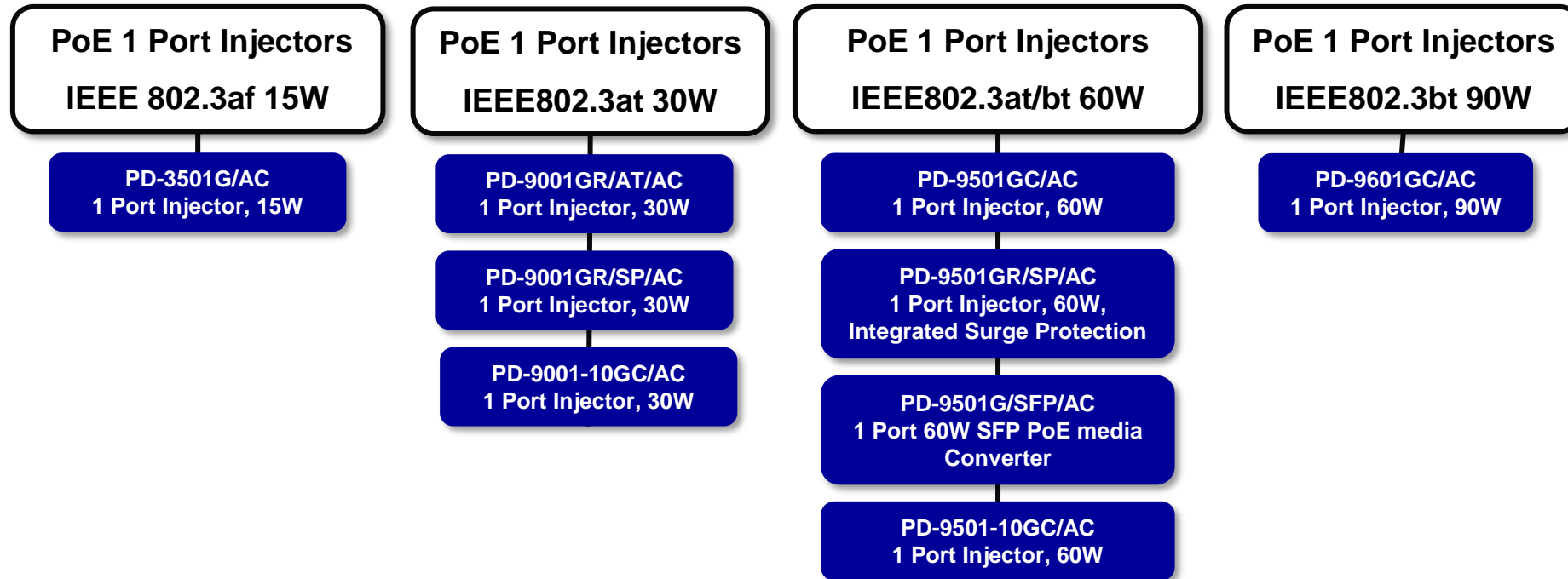
PoE PD ICs



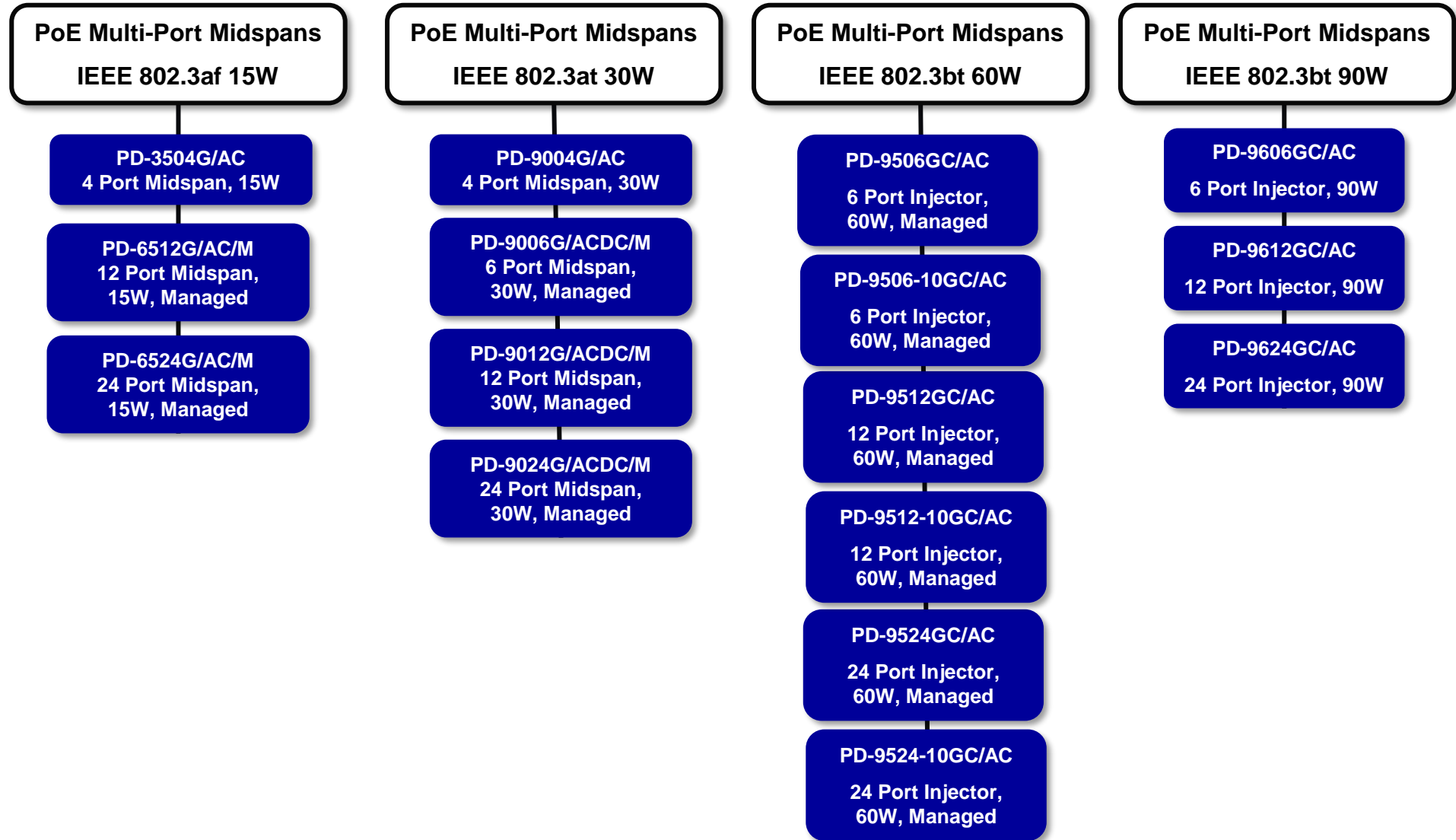
PoE PSE ICs



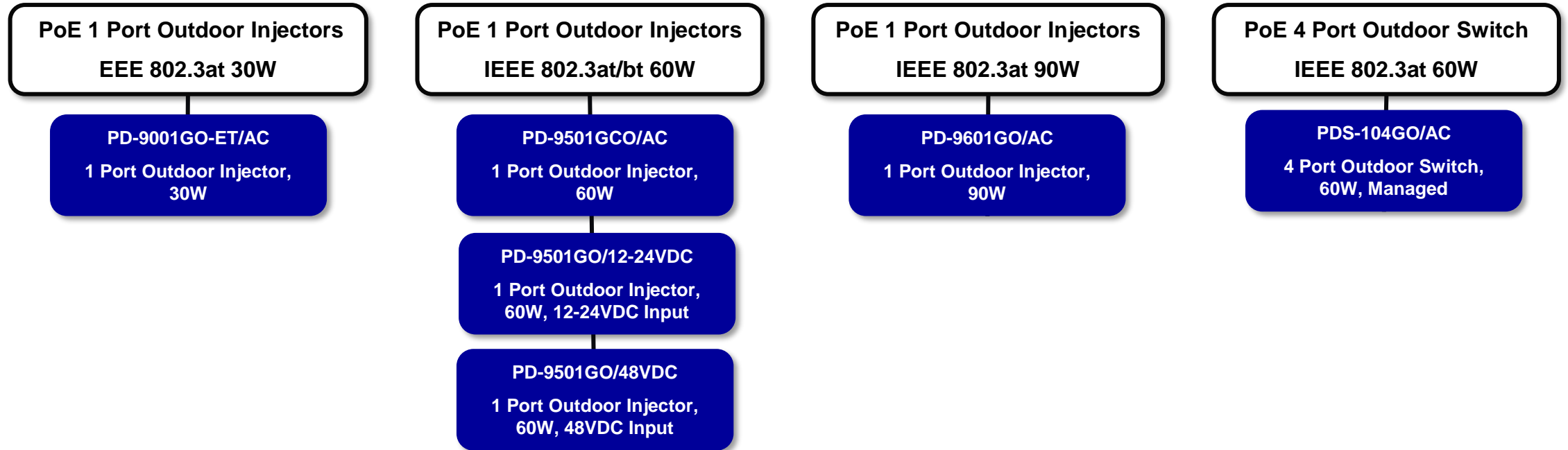
PoE 1Port Indoor Injectors / Midspans



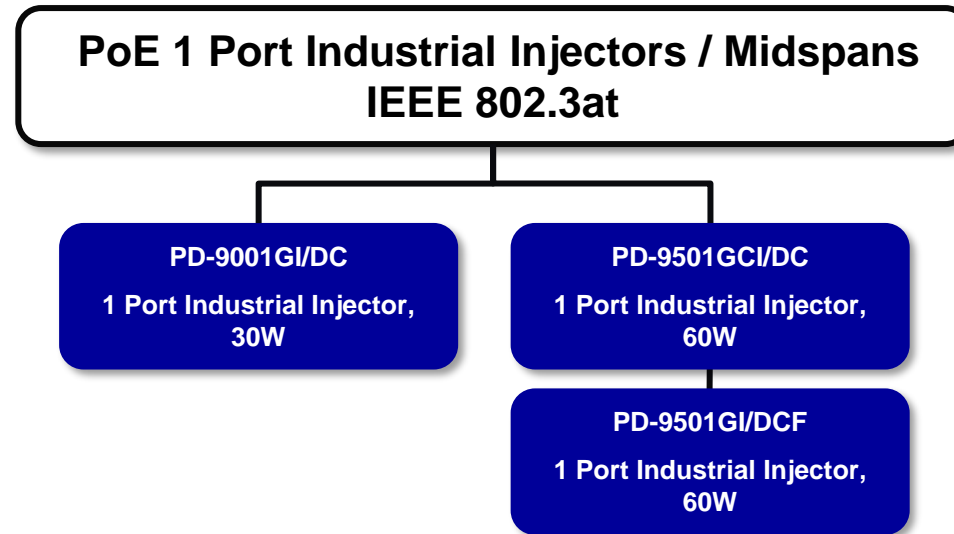
PoE Multi-Port Indoor Injectors / Midspans



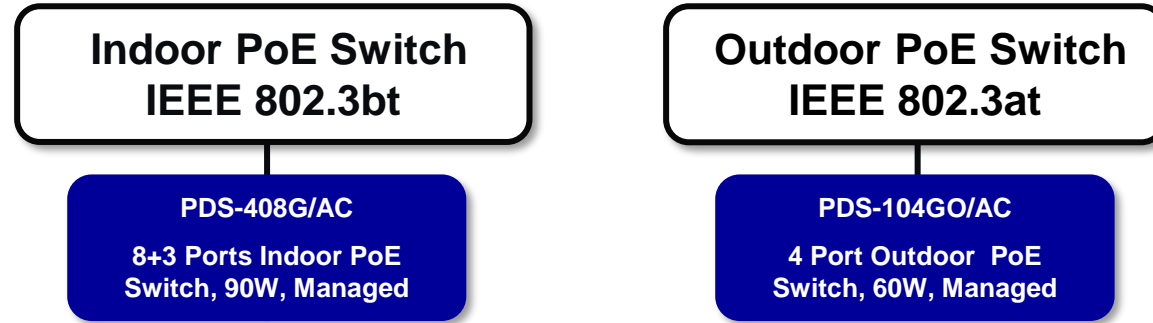
PoE Outdoor Injectors / Switch



PoE Industrial Injectors / Midspans



PoE Switches



PoE and USB Accessories

PoE to USB-C Adapter

PD-USB-DP60
PoE to USB-C Power and Data Adapter

PoE Splitters

PD-AS-951/12-24
PoE to 12VDC / 24VDC Splitter

PoE Extender

PD-POE-EXTENDER
Network Range Beyond 100m

Surge Protector

PD-OUT/SP11
Outdoor PoE Lighting Protection

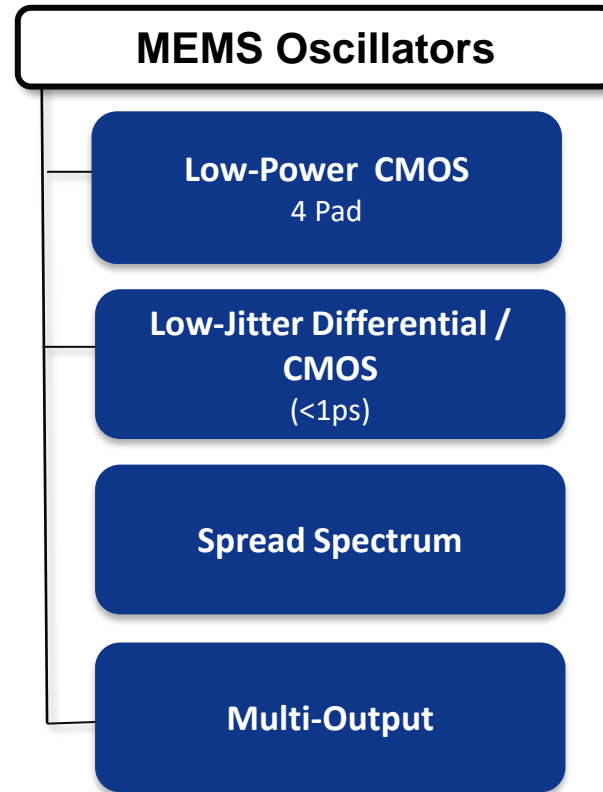
PD-IN/SP11
Indoor PoE Lighting Protection

PoE Tester

PD-AFATBT-TESTER
Test RJ-45 for PoE



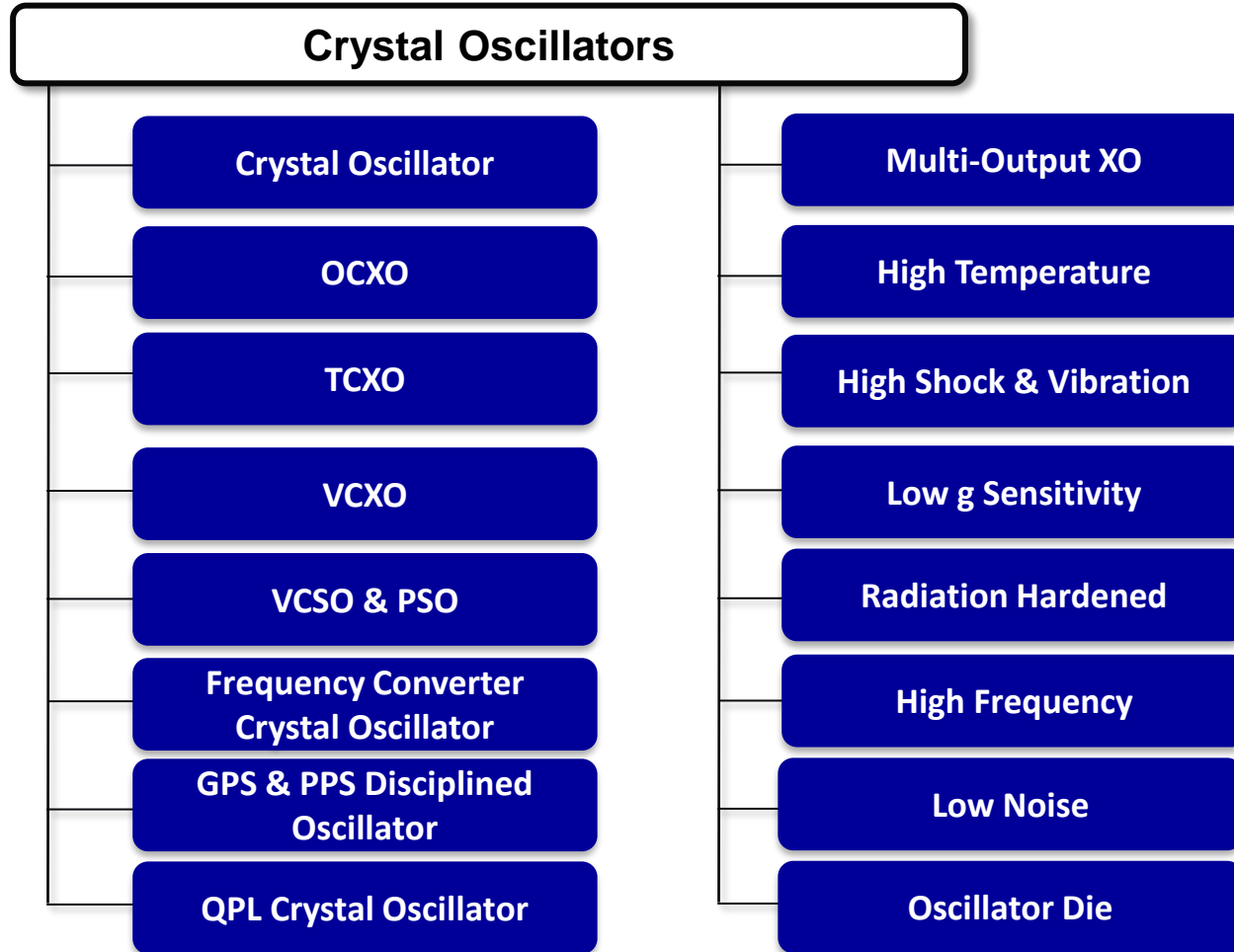
MEMS Oscillators



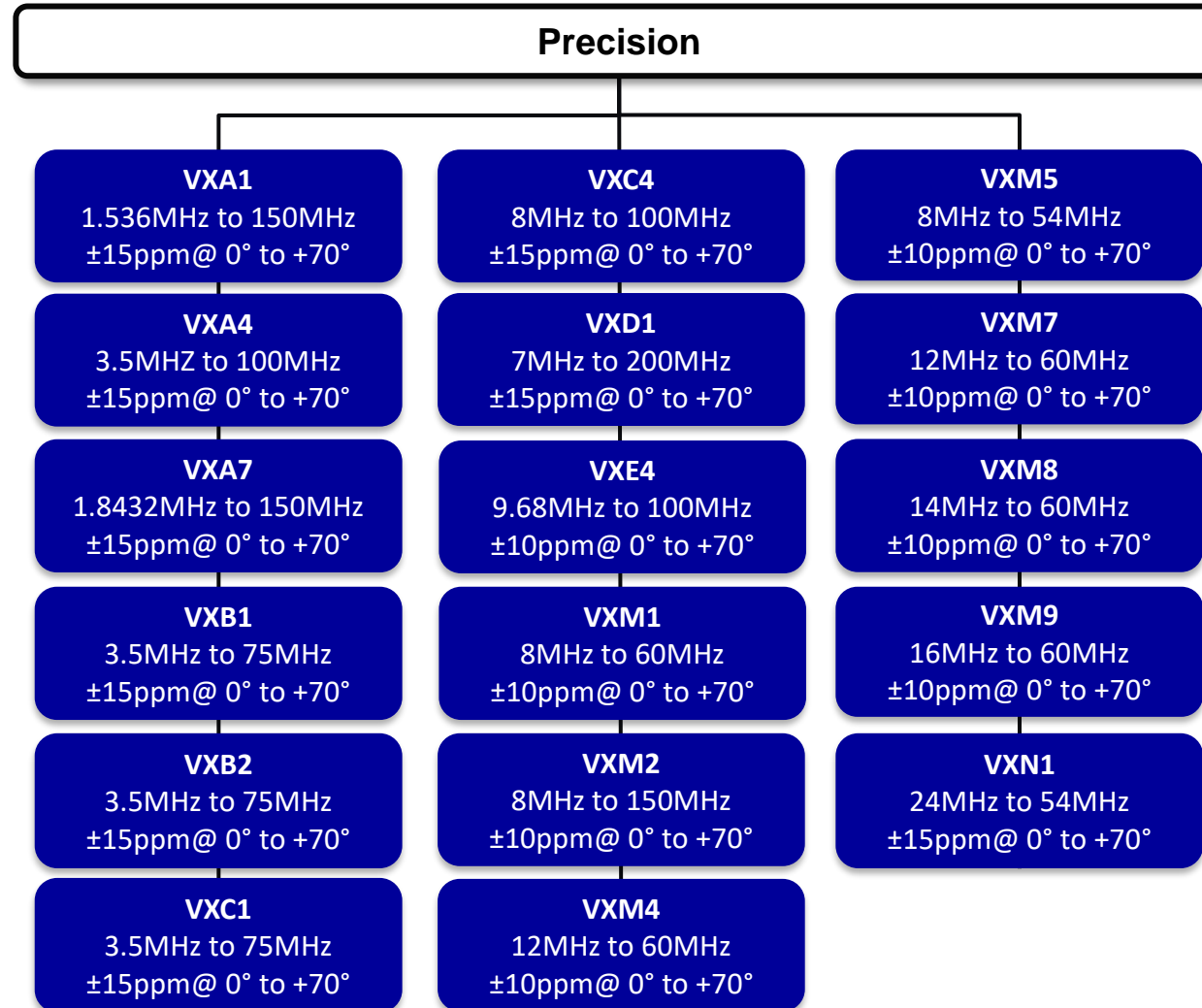
Customize & Create Oscillators and Clock Generators



Crystals/Oscillators



Crystals



Radiation Hardened

Crystal Oscillator	VCXO	VCXO	TCXO	OCXO
<p>DOC203679 12MHz to 200MHz LVDS 100 krad TID</p>	<p>DOC204898 100MHz to 700MHz LVPECL 50 krad ELDRS</p>	<p>DOC206559 0.3GHz to 1.3GHz Sinewave 300 krad TID</p>	<p>DOC200103 0.3MHz to 425MHz CMOS/Sinewave 100 krad TID</p>	<p>EX-219 10MHz to 120MHz CMOS/Sinewave 100 krad TID</p>
<p>DOC203810 100MHz to 700MHz LVPECL 50 krad ELDRS</p>	<p>DOC204899 80MHz to 200MHz LVDS 100 krad TID</p>	<p>DOC206906 0.3GHz to 1GHz LVPECL 50 krad ELDRS</p>	<p>DOC207139 12MHz to 200MHz LVDS 100 krad TID</p>	<p>OX-249 10MHz to 120MHz CMOS/Sinewave 300 krad TID</p>
<p>OS-68338 0.35MHz to 100MHz CMOS/TTL 100 krad TID</p>	<p>DOC206218 1MHz to 100MHz CMOS 100 krad TID</p>			
<p>M55310/16 0.1MHz to 60MHz TTL</p>				
<p>DOC204900 12MHz to 160MHz CMOS 100 krad TID</p>				
<p>DOC206379 12MHz to 100MHz CMOS 300 krad TID</p>				
<p>DOC206903 12MHz to 200MHz LVDS 300 krad TID</p>				



Low g Sensitivity

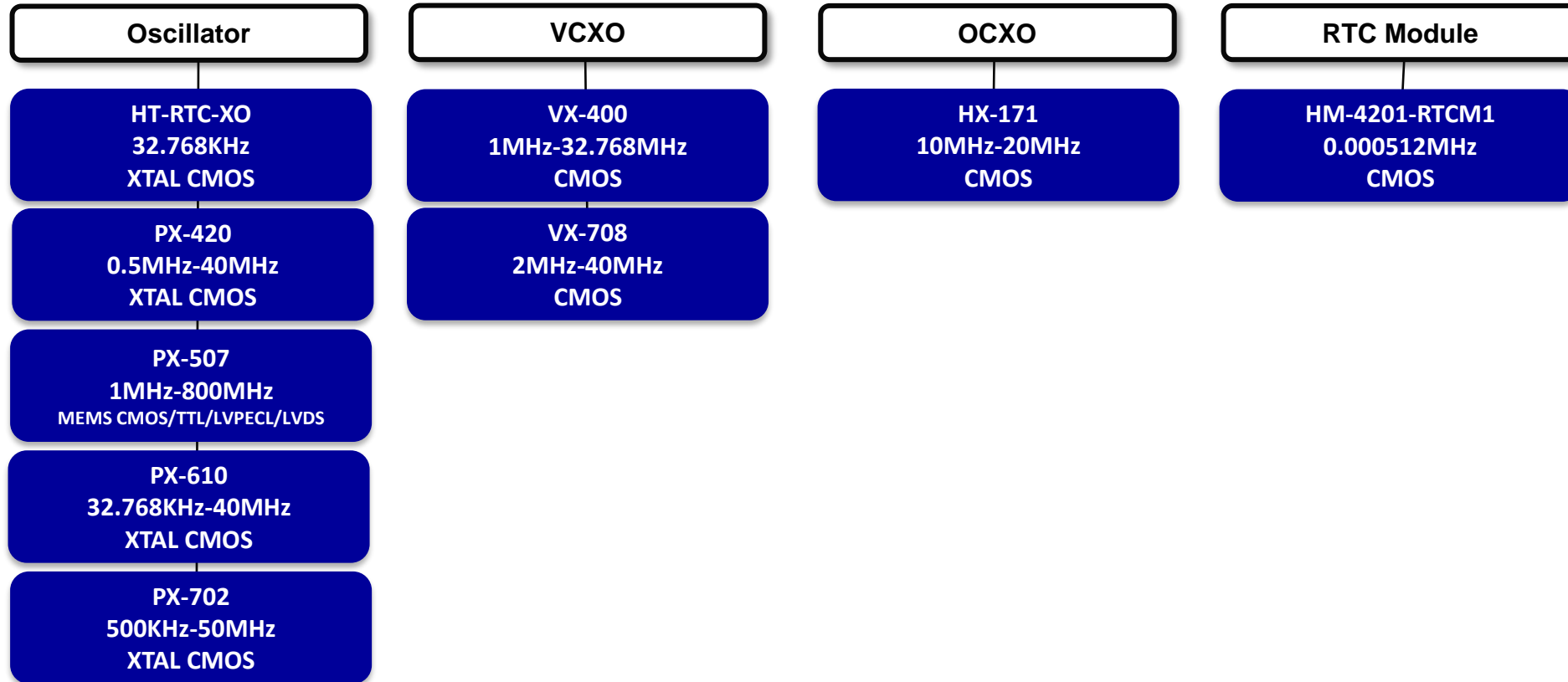
OCXO	TCXO	VCSO & SO	VCXO	Crystal Oscillator
<p>OX-043 8MHz to 15MHz Sinewave 0.02ppb/g</p>	<p>TX-321 5MHz to 50MHz CMOS 0.2ppb/g</p>	<p>VS-506 0.8GHz to 3GHz Sinewave 1.2ppb/g</p>	<p>VX-504 30MHz to 160MHz CMOS 0.3ppb/g</p>	<p>PX-504 30MHz to 180MHz CMOS 0.3ppb/g</p>
<p>OX-046 50MHz to 250MHz Sinewave 0.05ppb/g</p>	<p>TX-550 8MHz to 100MHz CMOS/Sinewave/LVPECL 0.2ppb/g</p>	<p>VS-508 0.8GHz to 2.9GHz LVPECL 0.6ppb/g</p>		
<p>OX-080 8MHz to 15MHz Sinewave 0.02ppb/g</p>	<p>TX-707 8MHz to 52MHz CMOS/Sinewave 0.1ppb/g</p>	<p>PS-508 0.6GHz to 3GHz LVPECL 0.6ppb/g</p>		
<p>OX-405 80MHz to 120MHz CMOS/Sinewave 0.5ppb/g</p>	<p>TX-708 96MHz to 160MHz CMOS 0.1ppb/g</p>			
<p>OX-407 10MHz to 50MHz CMOS/Sinewave 0.07ppb/g</p>				

High Shock & Vibration

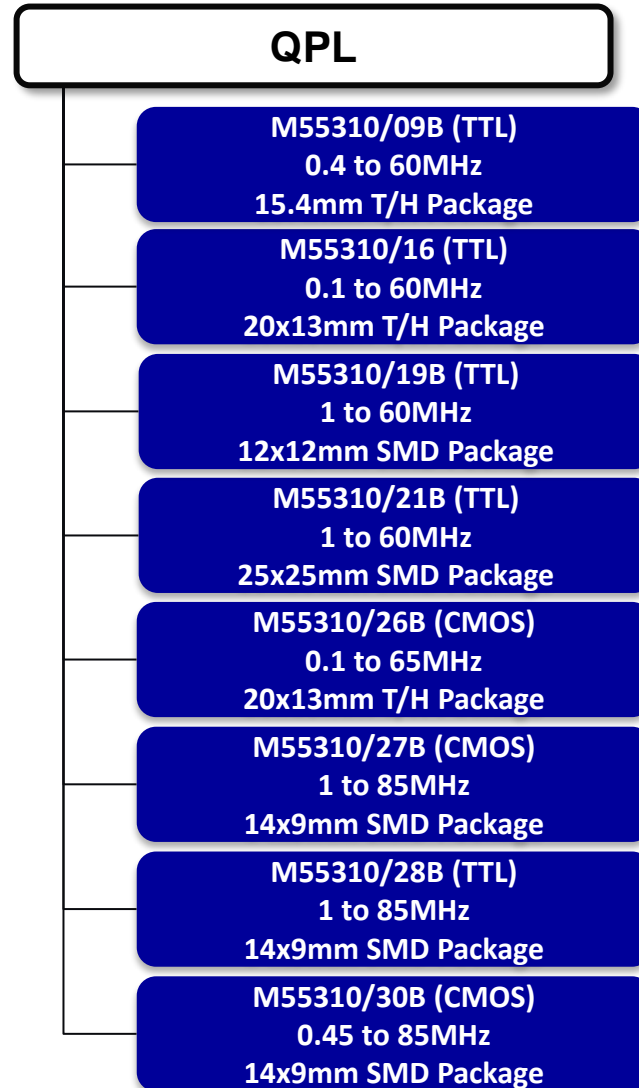
Crystal Oscillator	MEMS Oscillator	OCXO	TCXO	VCXO	Saw Oscillator
M55310/09B 0.4MHz to 60MHz, TTL	DSC6000 2KHz to 100MHz CMOS	EX-421 10MHz to 100MHz CMOS, Sinewave	TX-550 8MHz to 100MHz CMOS/Sinewave/LVPECL	VX-500 1MHz to 800MHz CMOS/LVPECL	PS-508 0.6GHz to 3GHz Sinewave/LVPECL
M55310/16 0.1MHz to 60MHz, TTL	DSC1001/3/4 1MHz to 150MHz CMOS	OX-043 8MHz to 15MHz Sinewave	TX-707 8MHz to 52MHz CMOS/ Clipped Sine	VX-504 30MHz to 160MHz CMOS	
M55310/19B 1MHz to 60MHz, TTL	DSC1101/21 2.3MHz to 170MHz CMOS	OX-046 50MHz to 250MHz Sinewave	TX-708 96MHz to 160MHz CMOS		
M55310/21B 1MHz to 60MHz, TTL	DSC1102/22 2.3MHz to 460MHz LVPECL	OX-080 8MHz to 15MHz Sinewave			
M55310/26B .01MHz to 65MHz, CMOS	DSC1103/23 2.3MHz to 460MHz LVDS				
M55310/27B 1MHz to 85MHz, CMOS	DSC1104/24 2.3MHz to 460MHz HCSL				
M55310/28B 1MHz to 85MHz, TTL	DSC2XXX (2 Output) 2.3MHz to 460MHz CMOS, LVPECL, LVDS, HCSL				
M55310/30B .045MHz to 65MHz CMOS	DSC2311 (2 Output) 2.3MHz to 460MHz CMOS				
PX-500 1MHz to 800MHz CMOS/TTL/LVDS/LVPECL	DSC400 (4 Output) 2.3MHz to 460MHz CMOS, LVPECL, LVDS, HCSL				
PX-504 30MHz to 180MHz CMOS					
PX-571 0.01MHz to 125MHz CMOS/TTL					
PX-700 1MHz to 800MHz CMOS/TTL/LVDS/LVPECL					



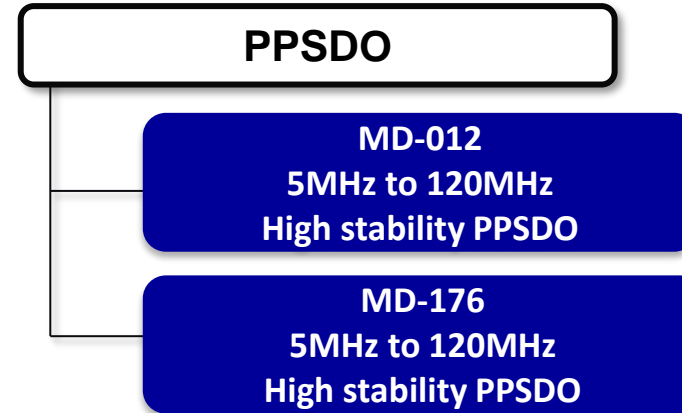
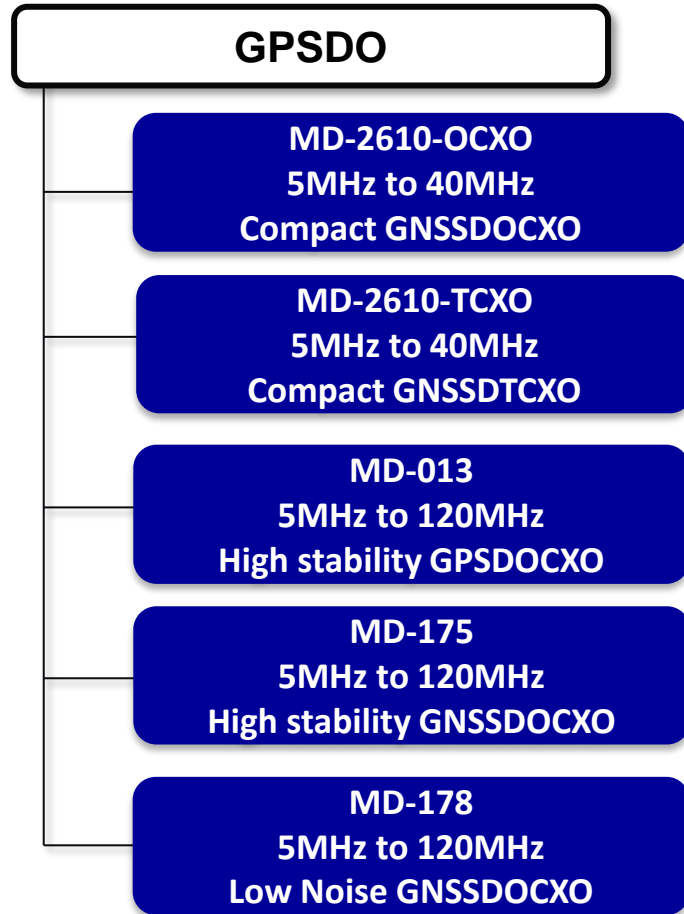
High Temp Oscillators



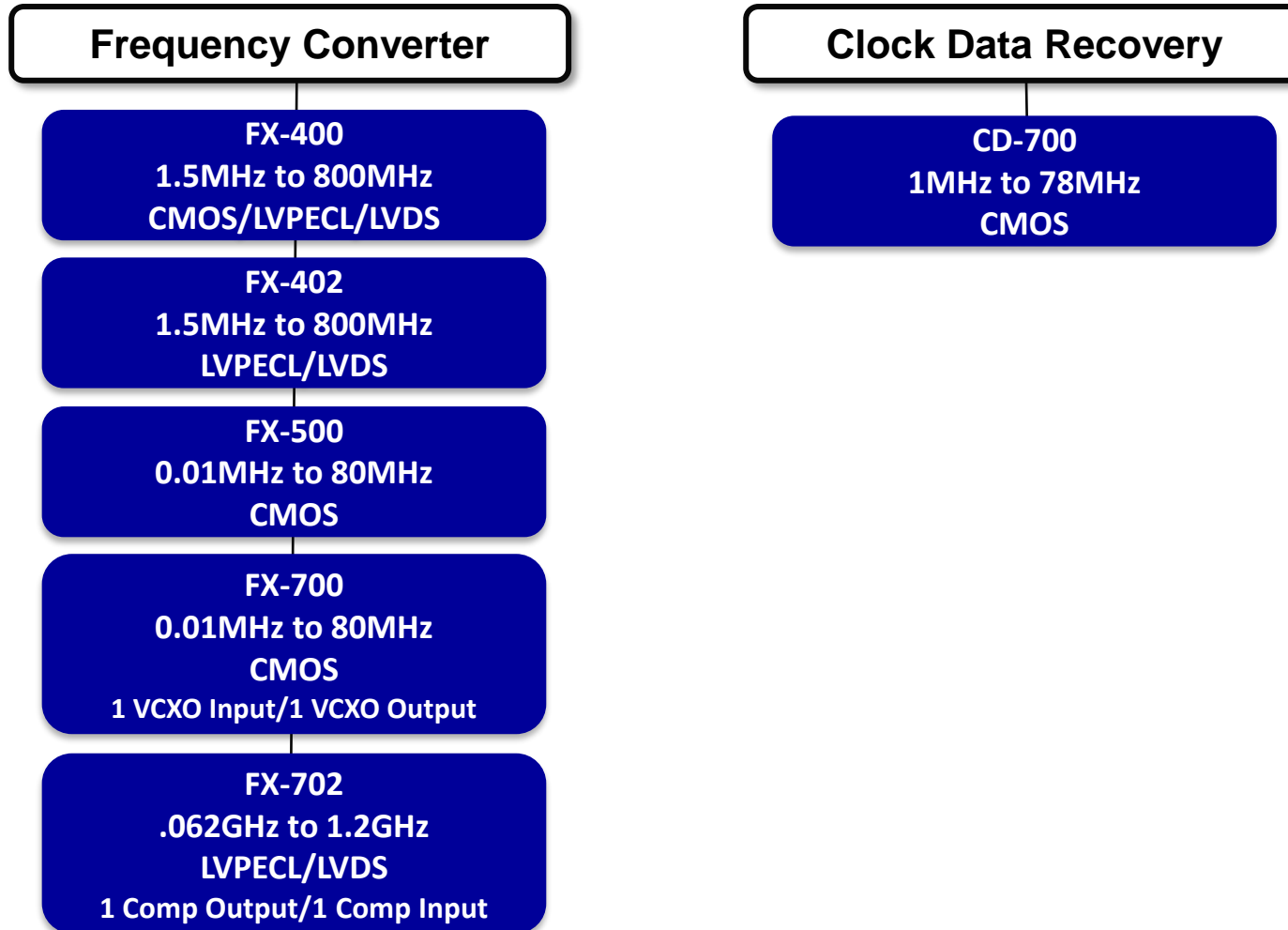
QPL XO



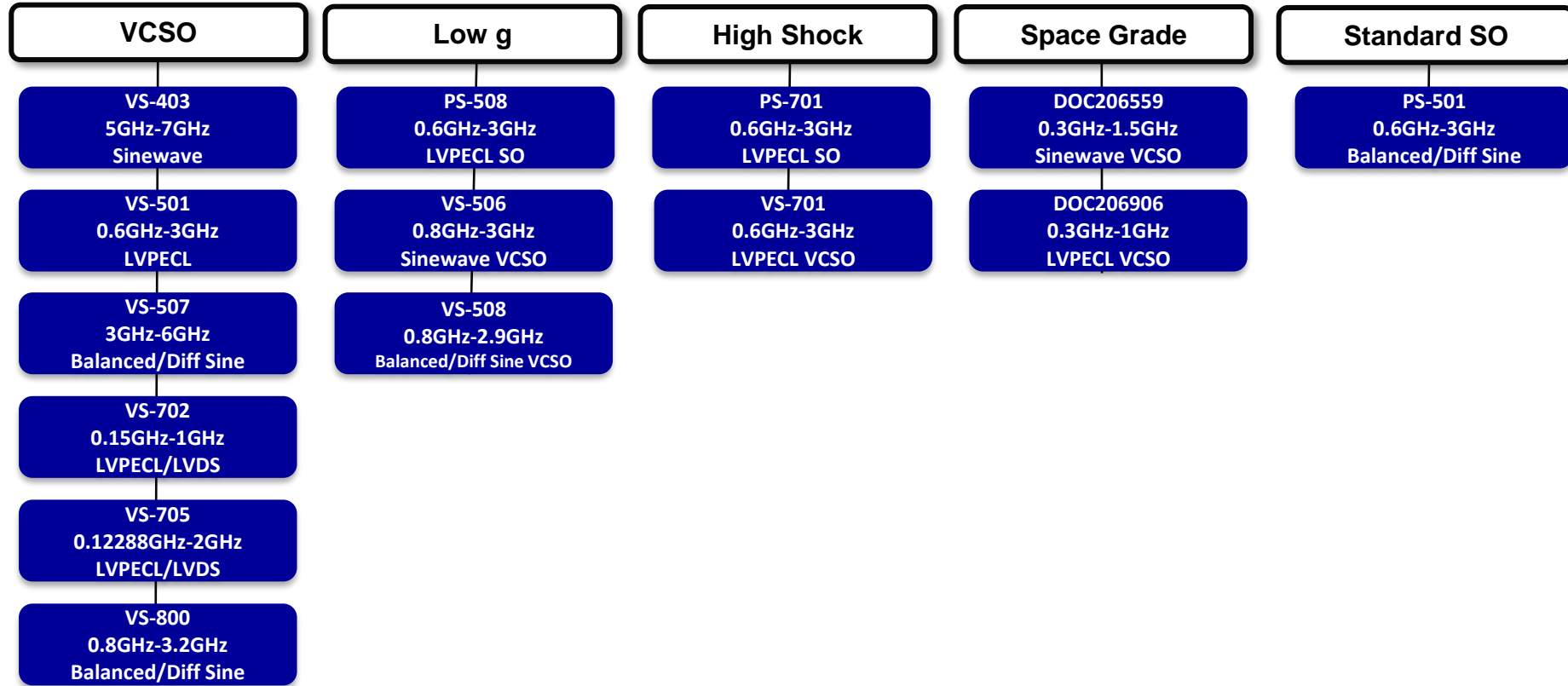
GPSDO & PPSDO



FCXO



VCSO & PSO



VCXO

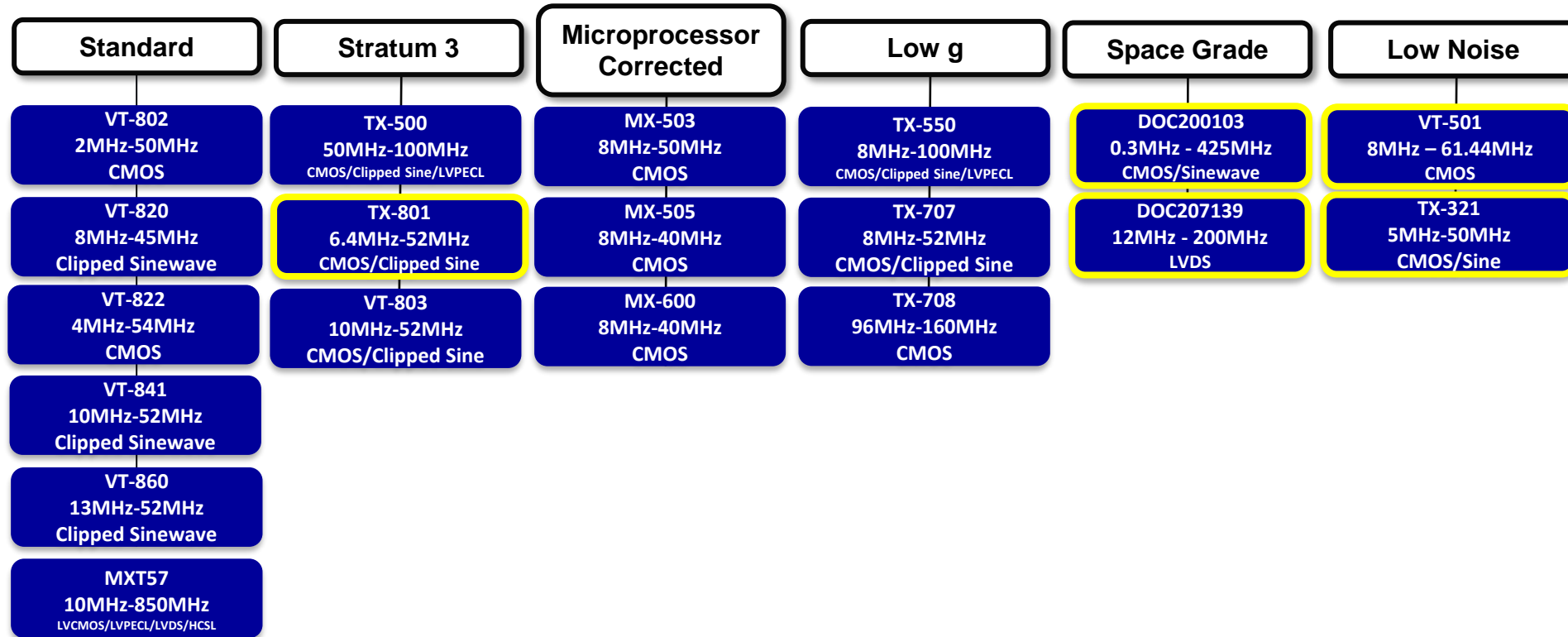
Standard	Low Noise	Space Grade	Low g	High Temp	Military Temp
VV-701 1.544-77.76MHz CMOS	VX-501 0.01-1.2GHz CMOS/Sine/LVPECL/LVDS	DOC204898 100MHz-700MHz LVPECL	VX-500 1MHz-800MHz CMOS/LVPECL	VX-400 1MHz-32.768MHz CMOS	VX-505 20MHz-800MHz CMOS/LVPECL
VV-800 1.544-77.76MHz CMOS	VX-706 40MHz-300MHz CMOS/LVPECL	DOC204899 80MHz-200MHz LVDS	VX-504 30MHz-160MHz CMOS	VX-708 2MHz-40MHz CMOS	
VX-705 77.76MHz-170MHz CMOS/LVPECL	VX-805 100MHz-204.8MHz LVPECL	DOC206218 1MHz-100MHz CMOS			



Customize & Create Oscillators and Clock Generators



TCXO



Customize & Create Oscillators and Clock Generators



 = New product

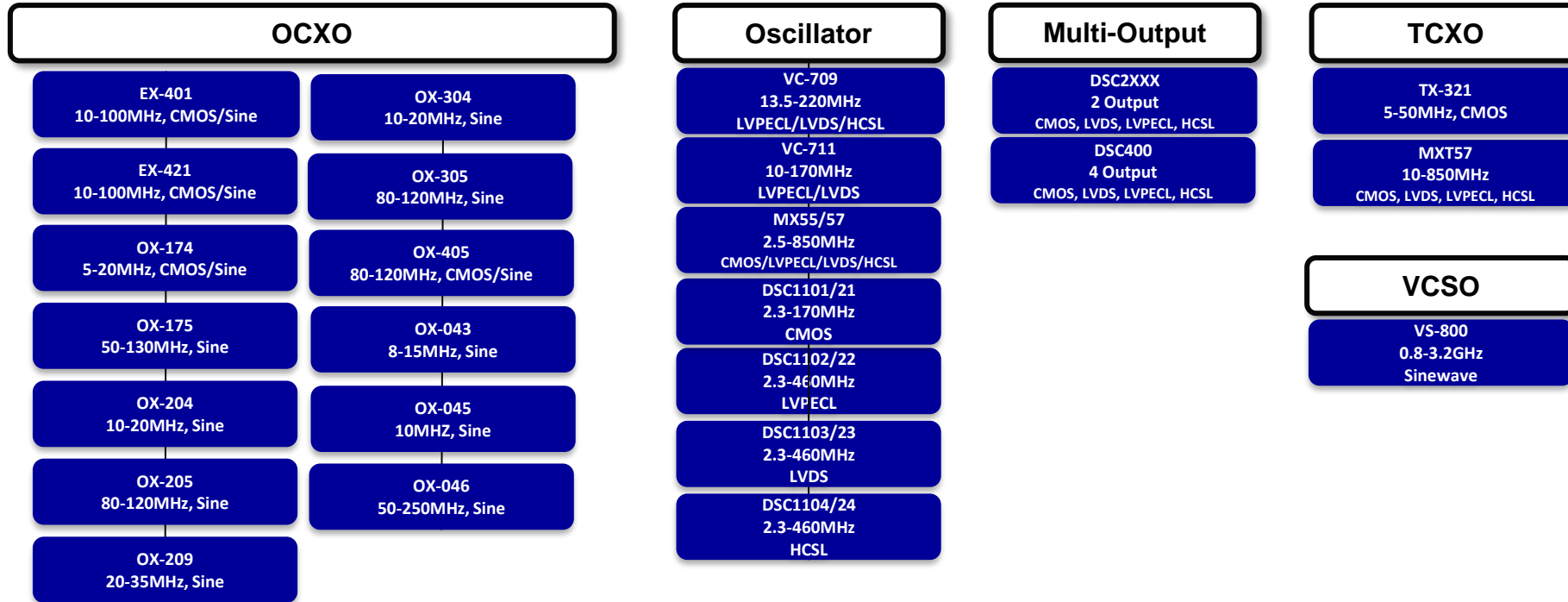


OCXO

Low Noise	High Stability	Standard	Low g	Low Power	Coefficient	Space Grade
MX-041 5MHz-15MHz -140 dBc/Hz @ 10MHz	MX-041 5MHz-15MHz 0.6ppb	OX-200 10-100MHz 2ppb	OX-047 8MHz-15MHz 0.02ppb/g	EX-400 10MHz-80MHz 350mW	MD-173 5MHz - 20MHz 0.8ppb	OX-249 10-100MHz 300 krad TID
OX-045 10MHz -163 dBc/Hz @ 10MHz	MX-060 5MHz-15MHz 0.6ppb	OX-220 10MHz -40MHz 10ppb	OX-046 50-250MHz 0.05ppb/g	EX-401 10-100MHz 250mW	MD-223 10 - 30.72MHz 3ppb	EX-219 10-120MHz 100 krad TID
OX-046 50-250MHz -175 dBc/Hz @ 100MHz	OX-171 5MHz-20MHz 0.4ppb	OX-400 10MHz-40MHz 5ppb	OX-080 8MHz-15MHz 0.02ppb/g	EX-421 10-100MHz 250mW	MD-228 10MHz-20MHz 3ppb	
OX-174 5MHz-20MHz -175 dBc/Hz @ 10MHz	OX-208 5MHz-20MHz 0.4ppb	OX-401 10MHz-40MHz 10ppb	OX-407 10MHz-50MHz 0.07ppb/g	EX-219 10-120MHz 700mW		
OX-175 50-130MHz 176dBc/Hz @ 100MHz	OX-221 10-30.72MHz 3ppb	OX-502 10MHz-40MHz 10ppb	OX-990 60-120MHz 0.5ppb/g			
OX-204 10MHz-20MHz -175 dBc/Hz @ 10MHz	OX-228 10MHz-20MHz 1ppb	OX-601 10MHz-40MHz 10ppb				
OX-205 80-120MHz -178dBc/Hz @ 100MHz						
OX-209 20MHz-35MHz -175dBc/Hz @ 20MHz						
OX-304 10MHz-20MHz -173dBc/Hz @ 10MHz						
OX-305 80-120MHz -178dBc/Hz @ 100MHz						
OX-405 80-120MHz -160dBc/Hz @ 100MHz						



Low Noise Oscillator



Crystal Oscillators

Standard	Space Grade	High Temp	Low Jitter	Precision	High Shock	Low Power	Low g	High Frequency
PX-421 0.01-125MHz CMOS/TTL	DOC203679 12-200MHz LVDS	PX-420 0-40MHz CMOS	MX55/57 2.5-850MHz CMOS/LVPECLLV DS/HCSL	PX-400 0.000001-200MHz CMOS/TTL	PX-422 1-80MHz CMOS/TTL	VC-709 13.5-220MHz LVPECL LVDS/HCSL	PX-504 30-180MHz CMOS	MX55/57 2.5-850MHz CMOS/LVPECLLV DS/HCSL
PX-706 40-300MHz CMOS/LVPECL	DOC203810 100-700MHz LVPECL	PX-570 0.5-40MHz CMOS	VC-711 10-170MHz LVPECL/LVDS	PX-500 1-800MHz CMOS/TTL LVPECL/LVDS	PX-507 1-800MHz CMOS/TTL LVPECL/LVDS	VC-826 20-170MHz LVPECL/LVDS		PS-701 0.6GHz-3GHz LVPECL SO
VC-801 0.03277-125MHz CMOS	DOC204900 12-60MHz CMOS	PX-610 32.768KHz-40MHz CMOS	VC-827 20-170MHz LVPECL/LVDS	PX-700 1-800MHz CMOS/TTL LVPECL/LVDS	PX-571 0.01-125MHz CMOS/TTL			
VC-806 25-250MHz LVPECL/LVDS	DOC206379 12-100MHz CMOS	PX-702 0.5-50MHz CMOS						
VC-820 0.625-133MHz CMOS	DOC206903 12-200MHz LVDS	HT-RTC-XO 32.768KHz CMOS						
VC-820 0.75-60MHz CMOS	OS-68338 0.35-100MHz CMOS/TTL							
VCC1 1.024-190MHz CMOS								
VCC6 10-275MHz LVPECL/LVDS								
XO-400 15-250MHz LVPECL								



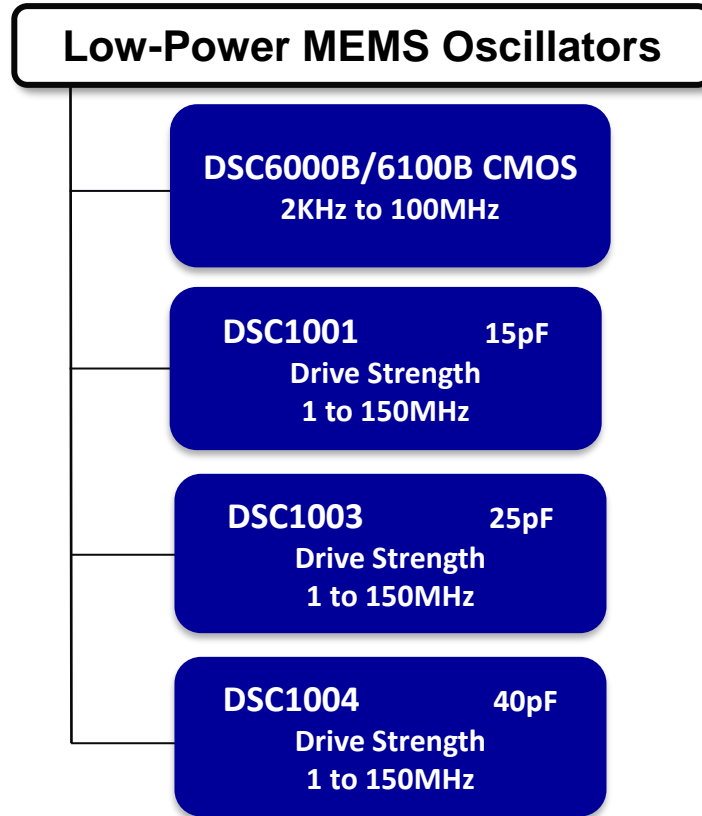
Customize & Create Oscillators and Clock Generators



 = New product



Low-Power MEMS Oscillators

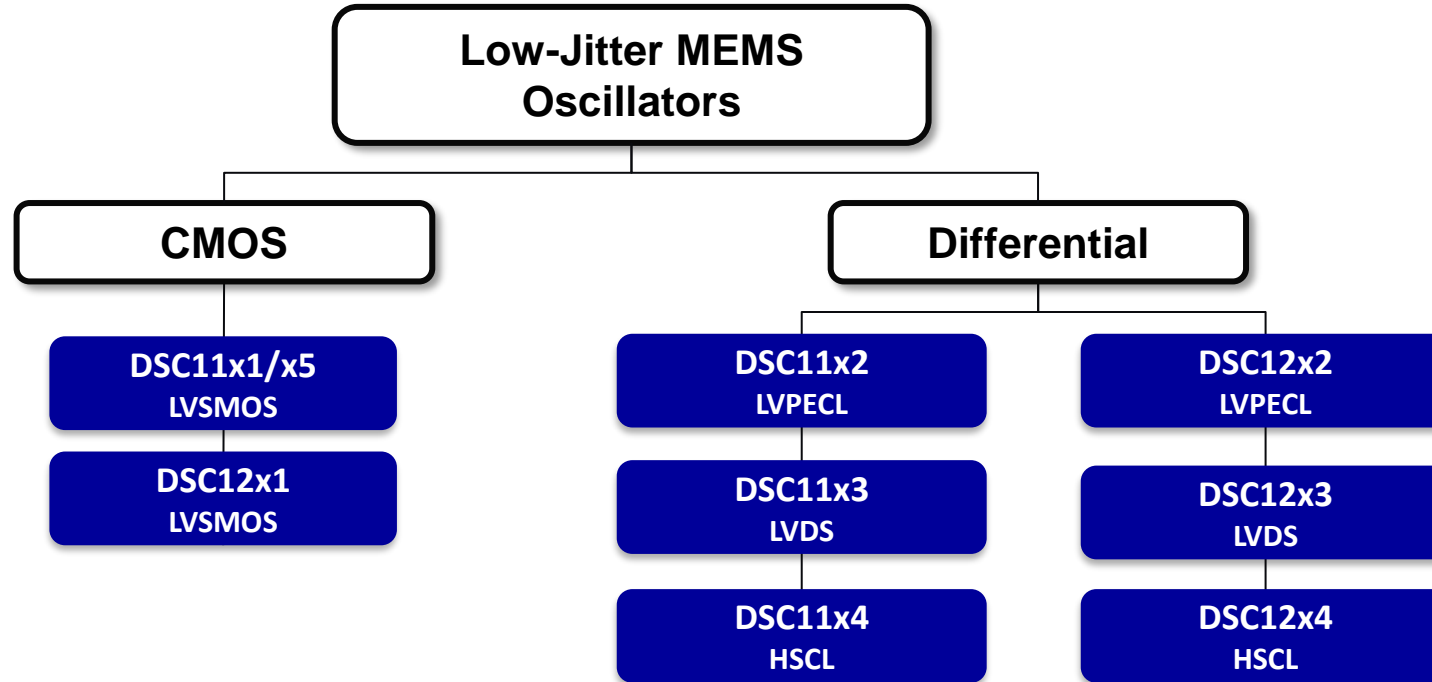


ClockWorks®
CONFIGURATOR

Customize & Create Oscillators and Clock Generators



Low-Jitter MEMS Oscillators



ClockWorks
CONFIGURATOR

Customize & Create Oscillators and Clock Generators



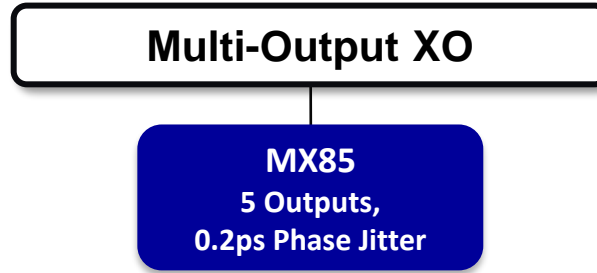
Spread Spectrum

Spread Spectrum MEMS

DSC6300B
1MHz to 100MHz
±0.25 to ±2.5% center spread -
0.5% to -3% down spread



Multi-Output XO



ClockWorks[®]
CONFIGURATOR

Customize & Create Oscillators and Clock Generators

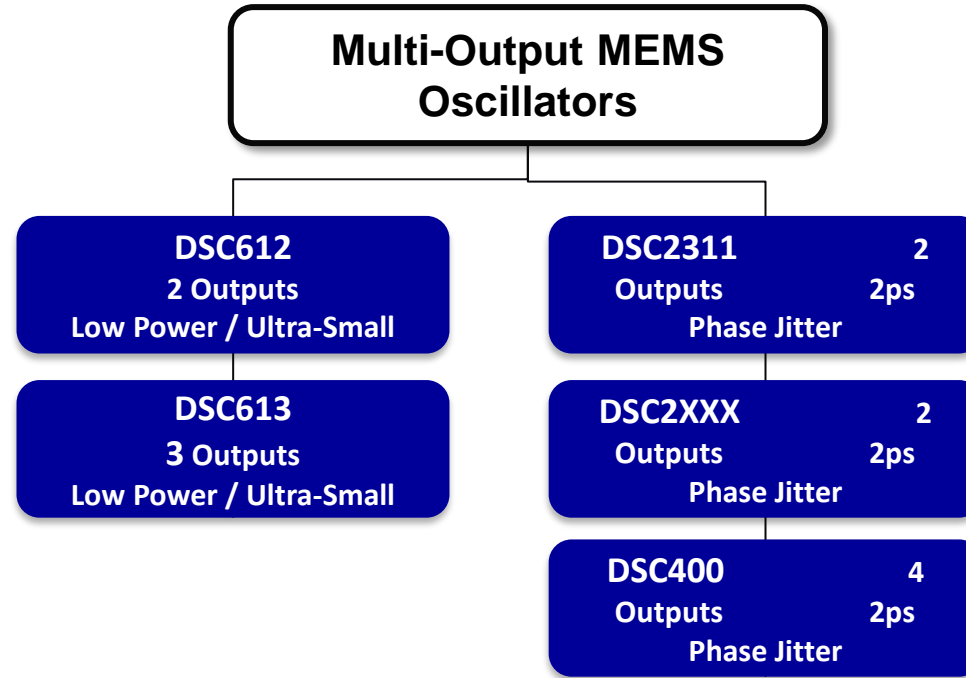


High-Frequency

VSCO	Crystal OSC	VCXO	TCXO	OCXO	Saw Osc	FCXO
VS-403 5GHz-7GHz Sinewave	PX-400 .000001-200MHz CMOS/TTL	VX-500 1-800MHz CMOS/LVPECL	TX-401 250 to 700MHz Clipped Sinewave	EX-219 10 to 120MHz CMOS/Sine	PS-501 0.6 to 3GHz Sinewave/LVPECL	FX-400 1.5 to 800MHz CMOS/LVPECL/LVDS
VS-501 0.6GHz-3GHz Sine/LVPECL	PX-500 1-800MHz 2.5V/3.3V/5V	VX-501 0.01 to 1.2GHz 0.03ps rms	TX-550 8 to 100MHz CMOS/Sine/LVPECL	OX-046 50 to 250MHz Sine	PS-508 0.6 to 3GHz Sinewave/LVPECL	FX-402 125 to 850MHz LVPECL/LVDS
VS-504 0.6-2.5GHz Dual select	PX-501 0.01-1.2GHz 0.018fsec rms	VX-505 20 to 800MHz CMOS/LVPECL	TX-708 96 to 160MHz CMOS	OX-175 50 to 130MHz Sine	PS-701 0.6 to 3GHz Sinewave/LVPECL	FX-702 0.062 to 1.2GHz LVPECL/LVDS
VS-506 0.8GHz-3GHz Sinewave	PX-504 30-180MHz CMOS	VX-706 40 to 300MHz CMOS/LVPECL	DOC200103 0.3 to 425MHz Sine/CMOS	OX-205 80 to 120MHz Sine	PS-702 0.15 to 1GHz LVPECL/LVDS	
VS-507 3GHz-6GHz Sinewave	PX-700 1-800MHz 0.5ps rms	VX-805 100 to 204.8MHz LVPECL	DOC207139 12 to 200MHz LVDS	OX-249 10 to 120MHz CMOS/Sine		
VS-508 .8GHz-2.9GHz Sine/LVPECL	PX-824 10-800MHz 2.5V/3.3V	DOC204898 100 to 700MHz LVPECL	MXT57 11 to 850MHz 200fsec rms			
VS-701 0.6GHz-3GHz Sine/LVPECL	VCC6 10 to 275MHz LVPECL/LVDS	DOC204899 80 to 200MHz LVDS				
VS-702 0.15GHz-1GHz LVPECL/LVDS	MX-55/57 2.5 to 850MHz 130fsec rms					
VS-705 .12288-2GHz LVPECL/LVDS	DOC203810 100 to 700MHz LVPECL					
VS-800 0.8GHz-3GHz Sinewave	DOC204900 12 to 160MHz CMOS					



Multi-Output MEMS

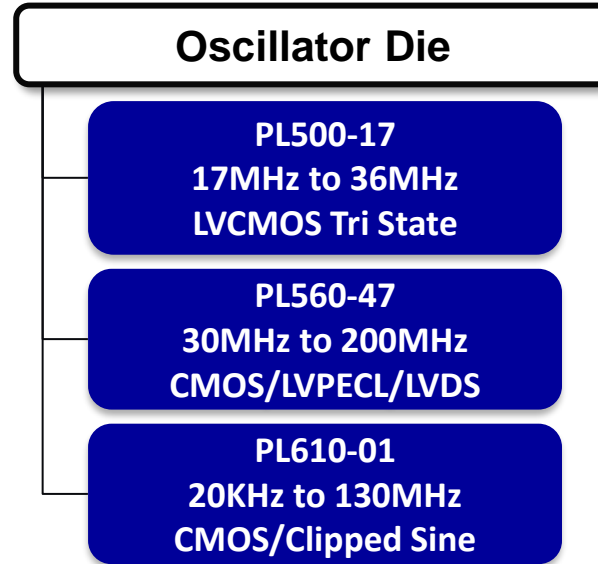


ClockWorks®
CONFIGURATOR

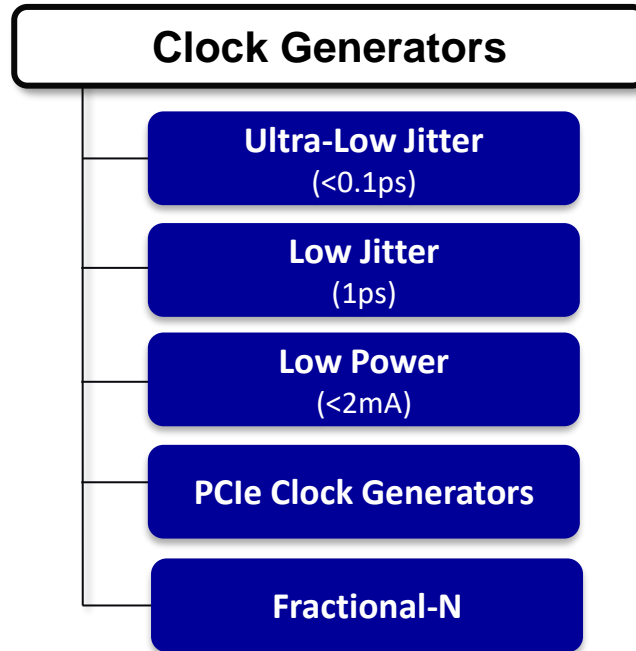
Customize & Create Oscillators and Clock Generators



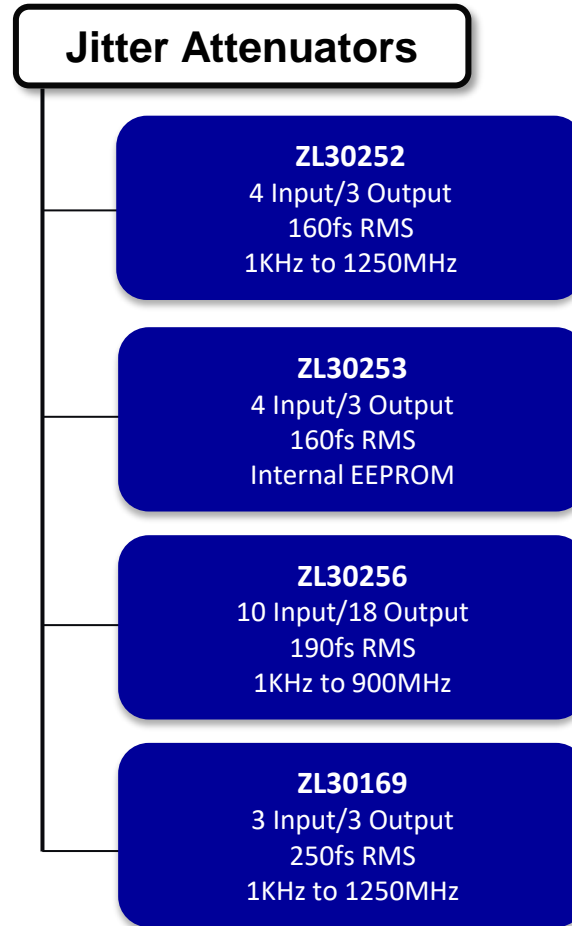
Oscillator Die



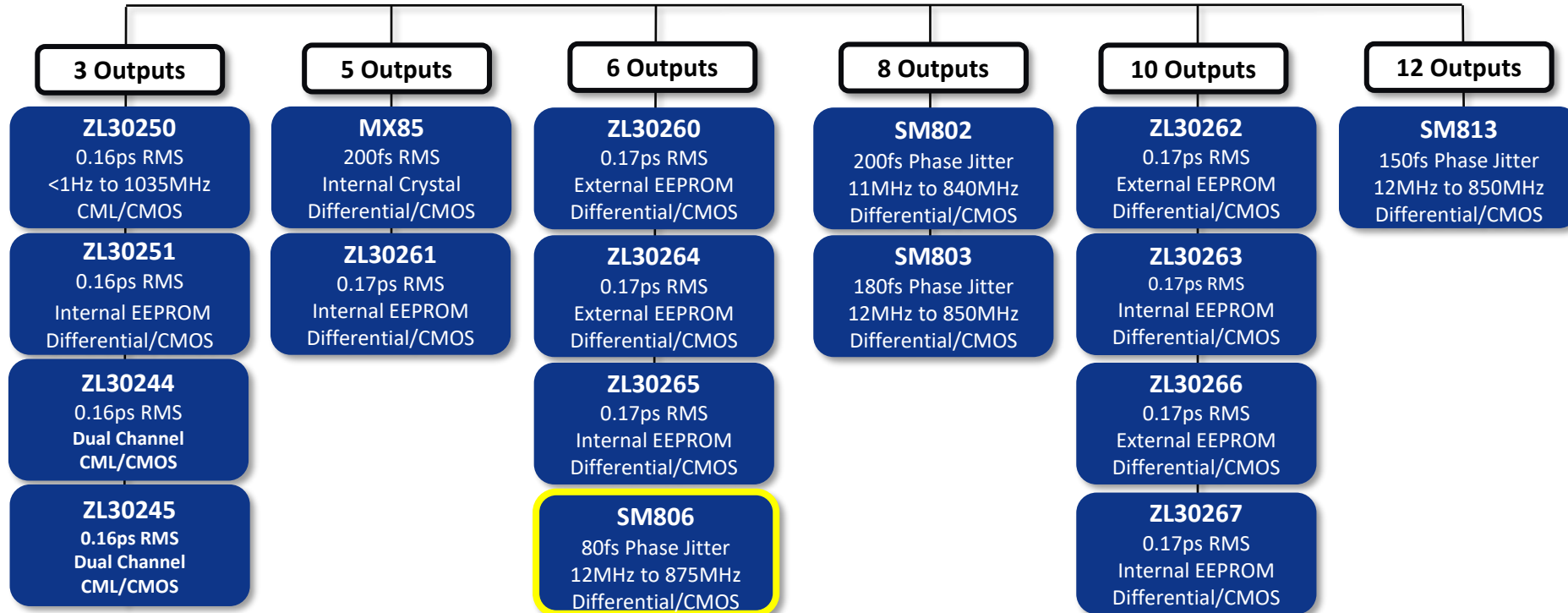
Clock Generators



Jitter Attenuators



Ultra-Low Jitter Clock Generators

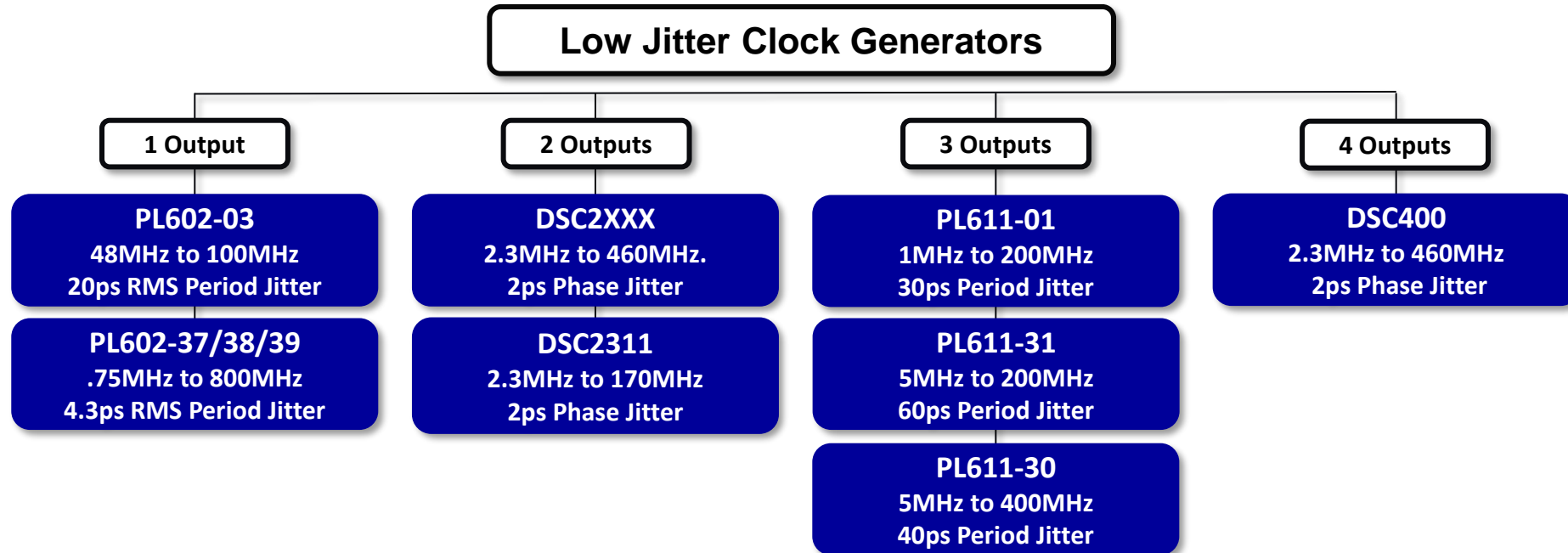


ClockWorks
CONFIGURATOR

Customize & Create Oscillators and Clock Generators



Low Jitter Clock Generators

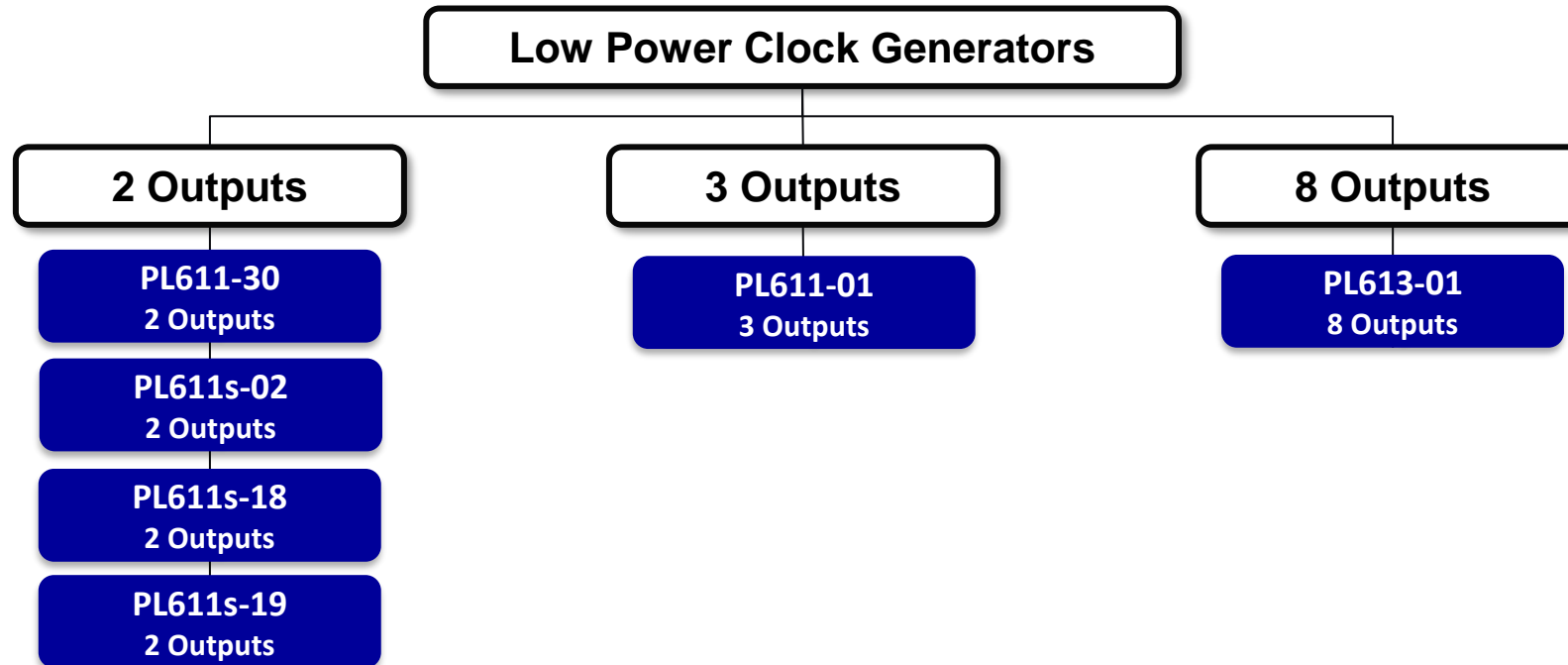


ClockWorks+
CONFIGURATOR

Customize & Create Oscillators and Clock Generators



Low Power Clock Generators

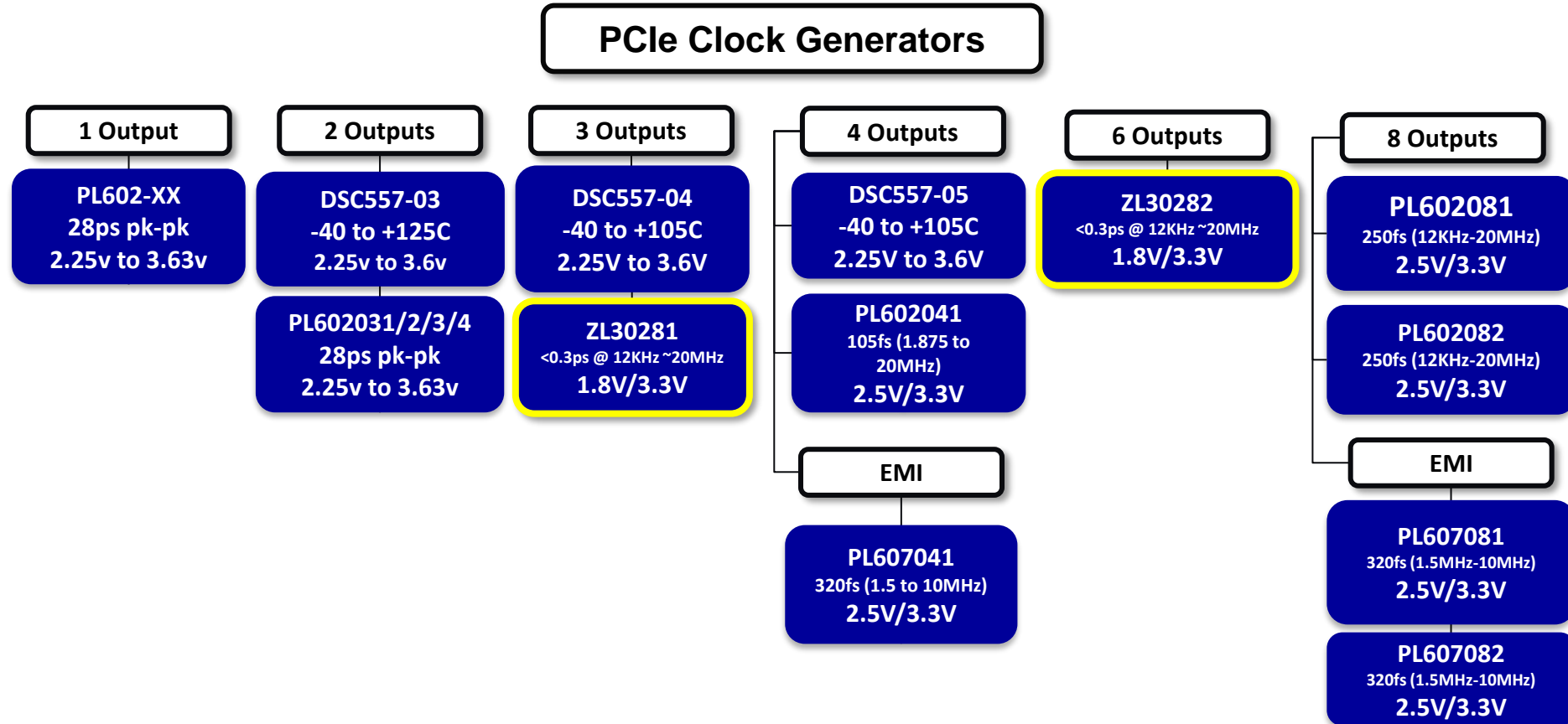


ClockWorks[®]
CONFIGURATOR

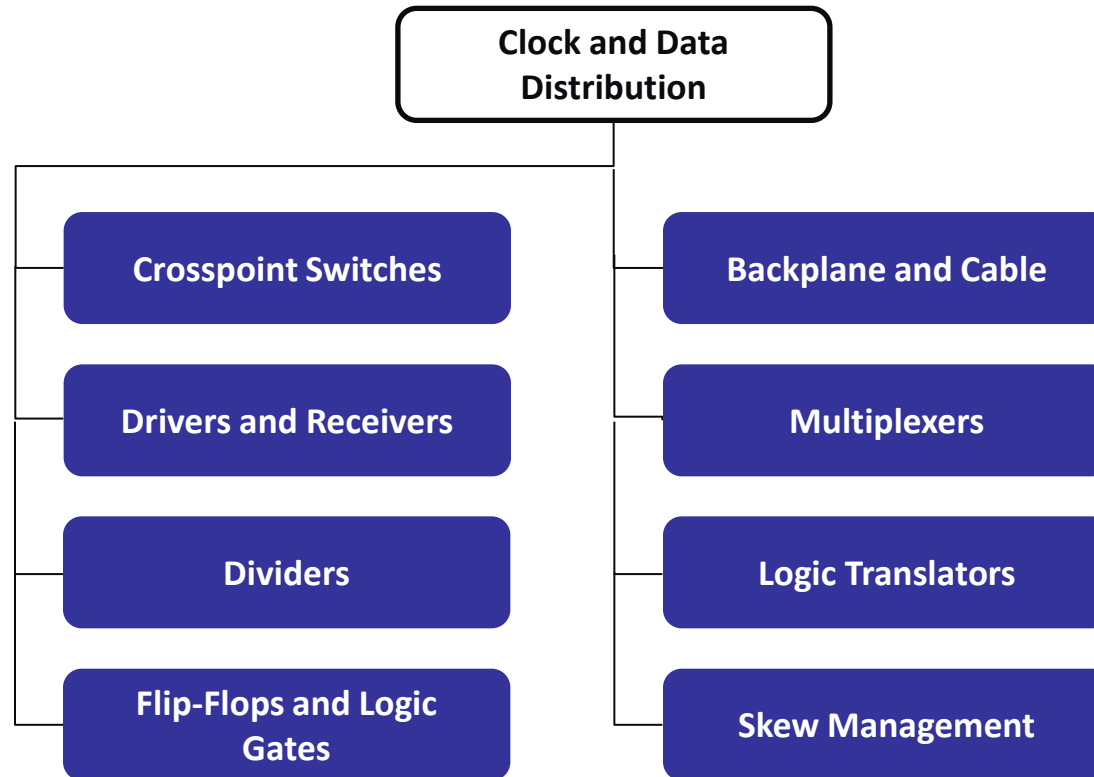
Customize & Create Oscillators and Clock Generators



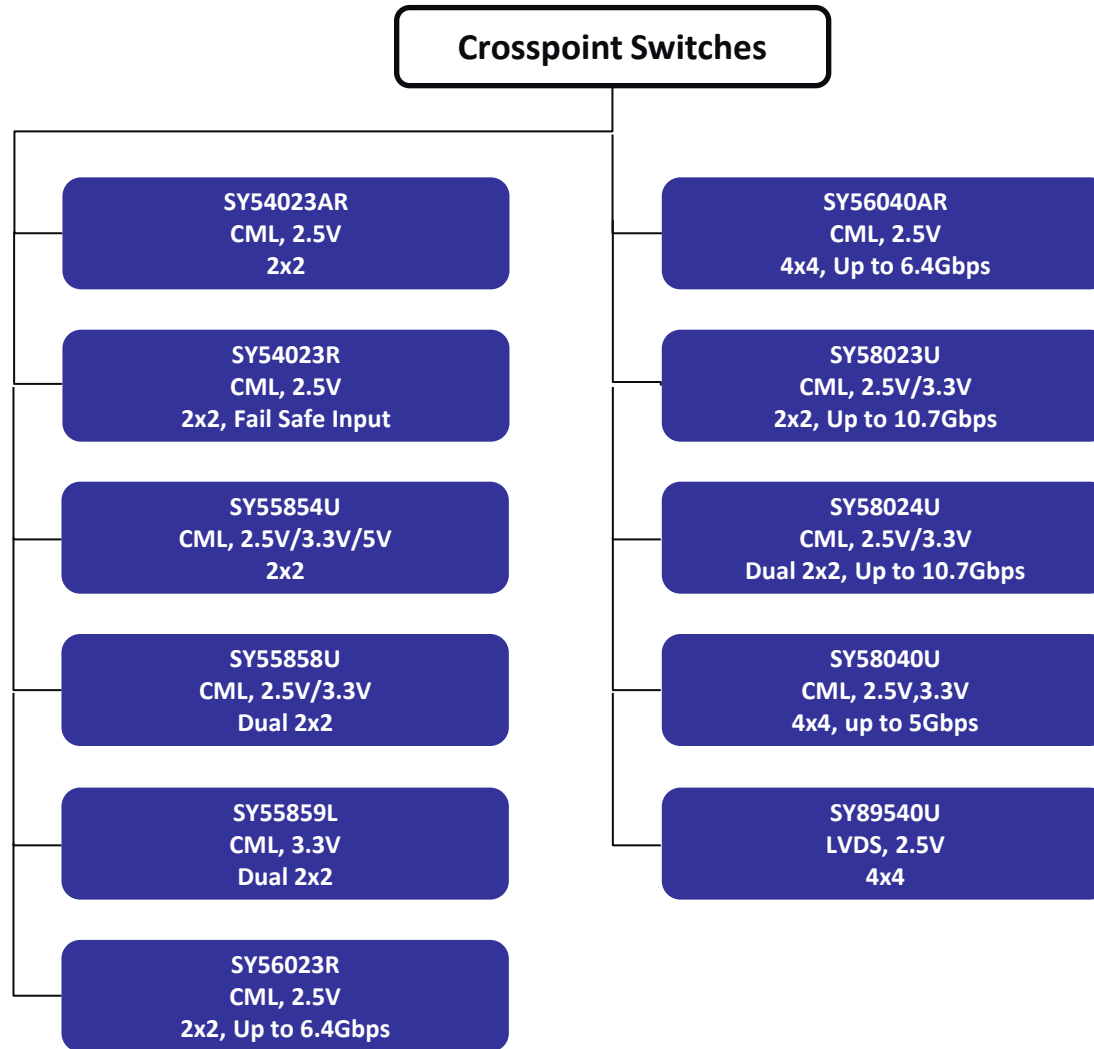
PCIe Clock Generators



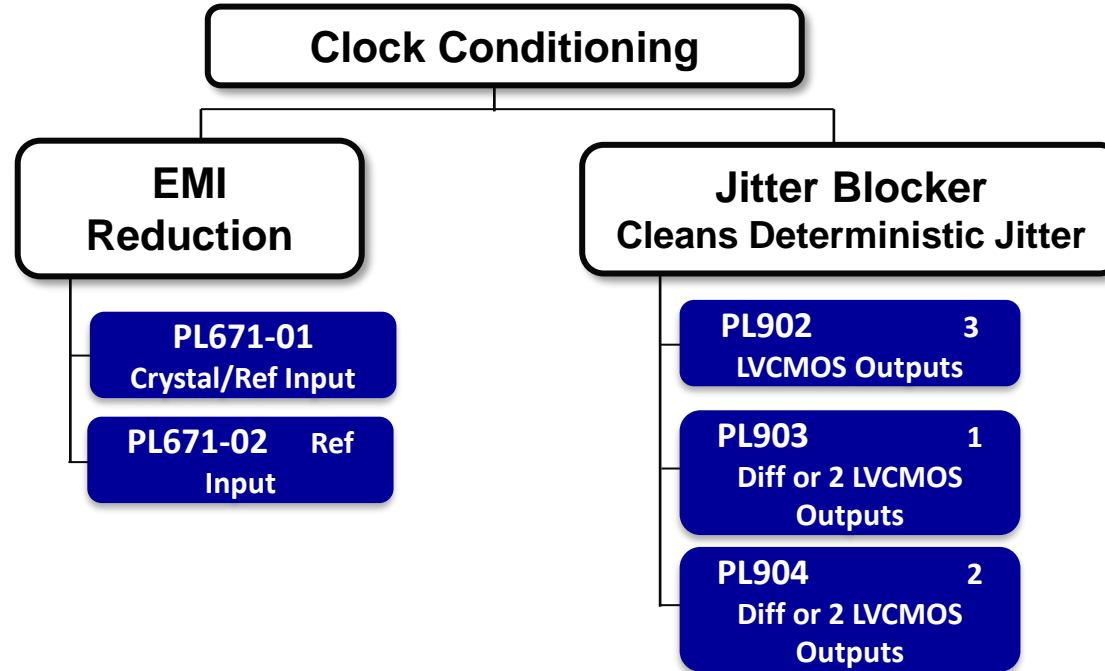
Clock and Data Distribution



Crosspoint Switches



Clock Conditioning



Fractional-N Clock Generators

Fractional-N Clock Gen

1 Output

SY87729L 3.3V,
10MHz to 365MHz

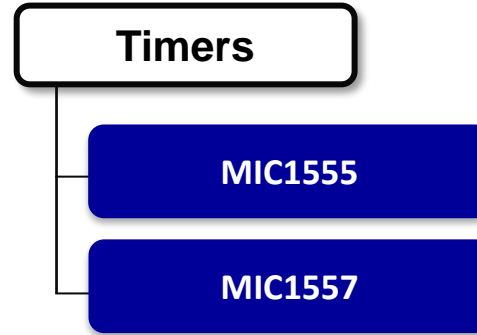
SY87739L
3.3V, 10MHz to 365MHz

7 Output

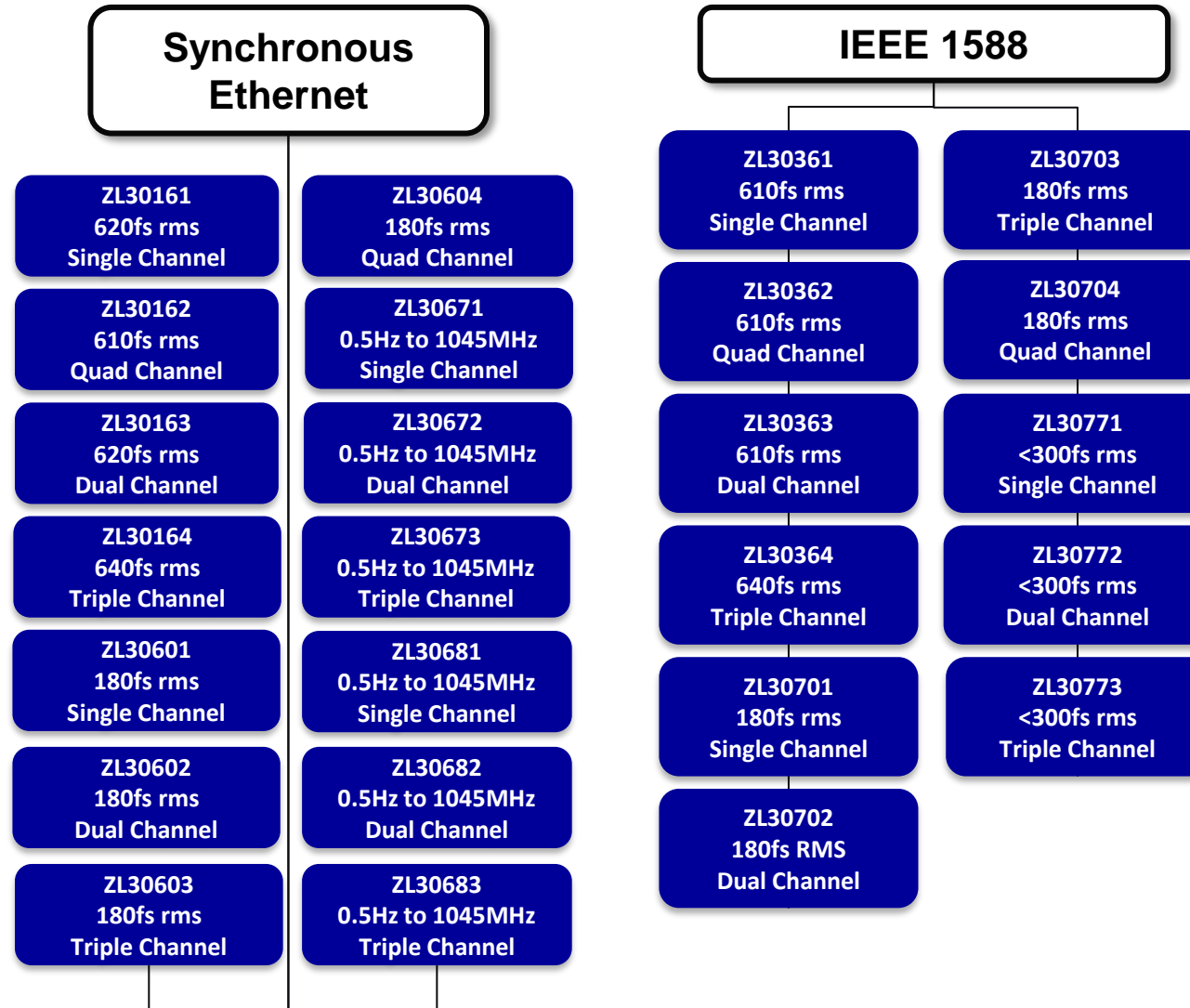
SY89537L
3 LVPECL & 4 LVDS 87.15
to 700MHz



555 Timers



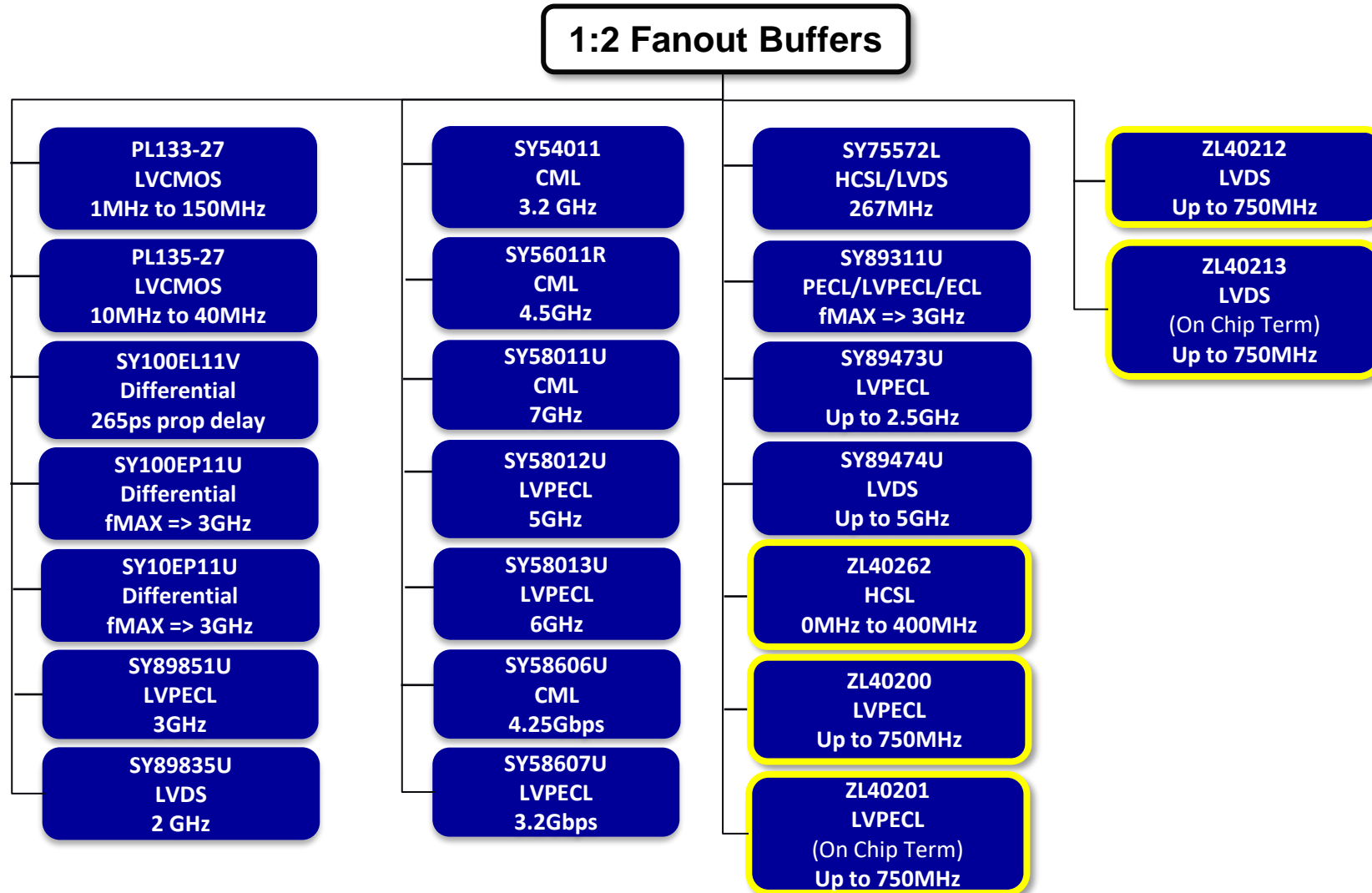
Synchronous Ethernet & IEEE 1588/



Fanout Buffers



1:2 Fanout Buffers



1:3 Fanout Buffers

1:3 Fanout Buffers

PL133-37

1.62V to 3.63V (LVCMOS)

1MHz to 150MHz

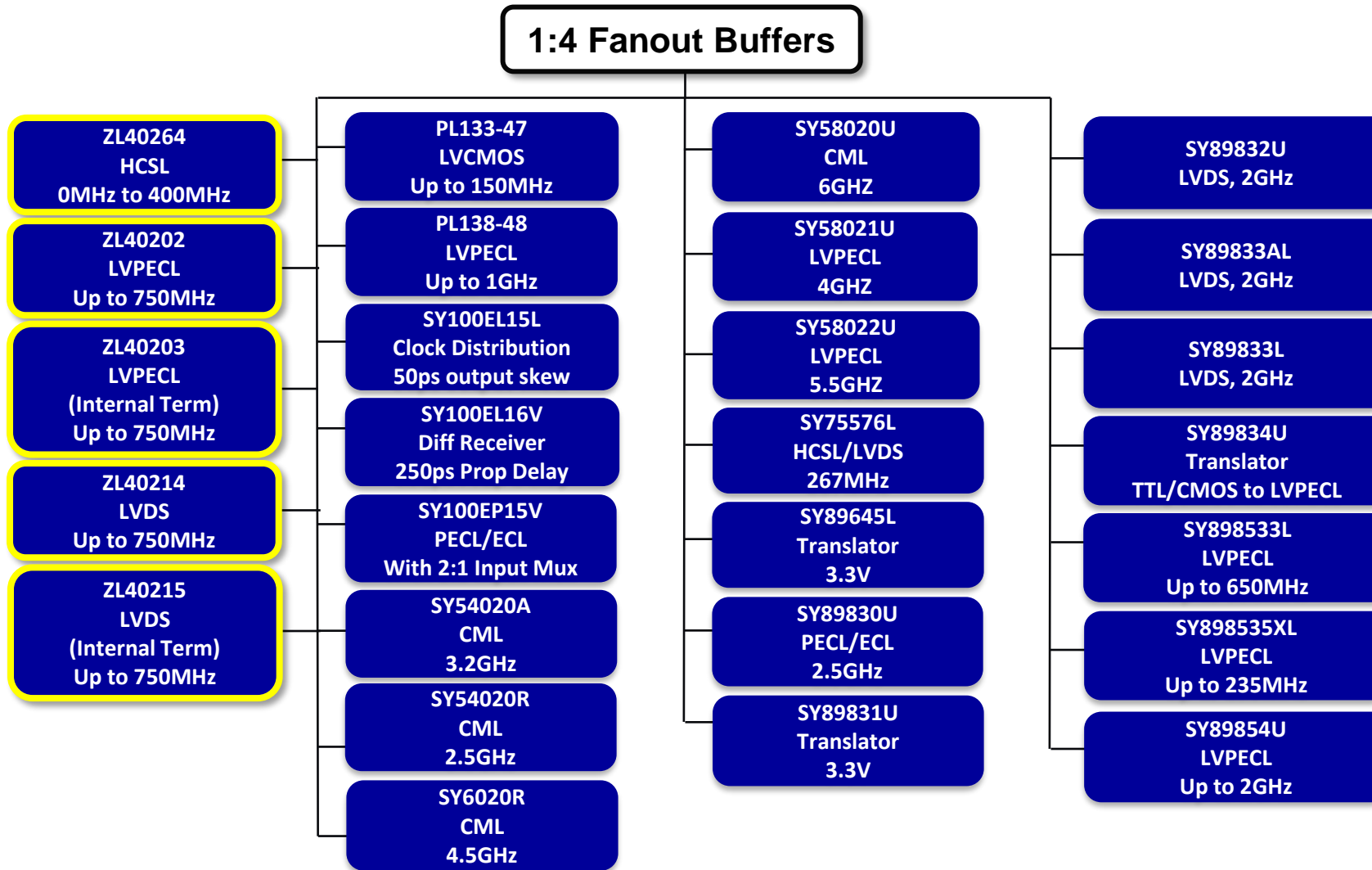
PL135-37

1.62 to 3.63V (LVCMOS)

10MHz to 40MHz



1:4 Fanout Buffers



1:5 Fanout Buffers

1:5 Fanout Buffers

SY100EL14
LVPECL, 3.3V/5V
Up to 750MHz

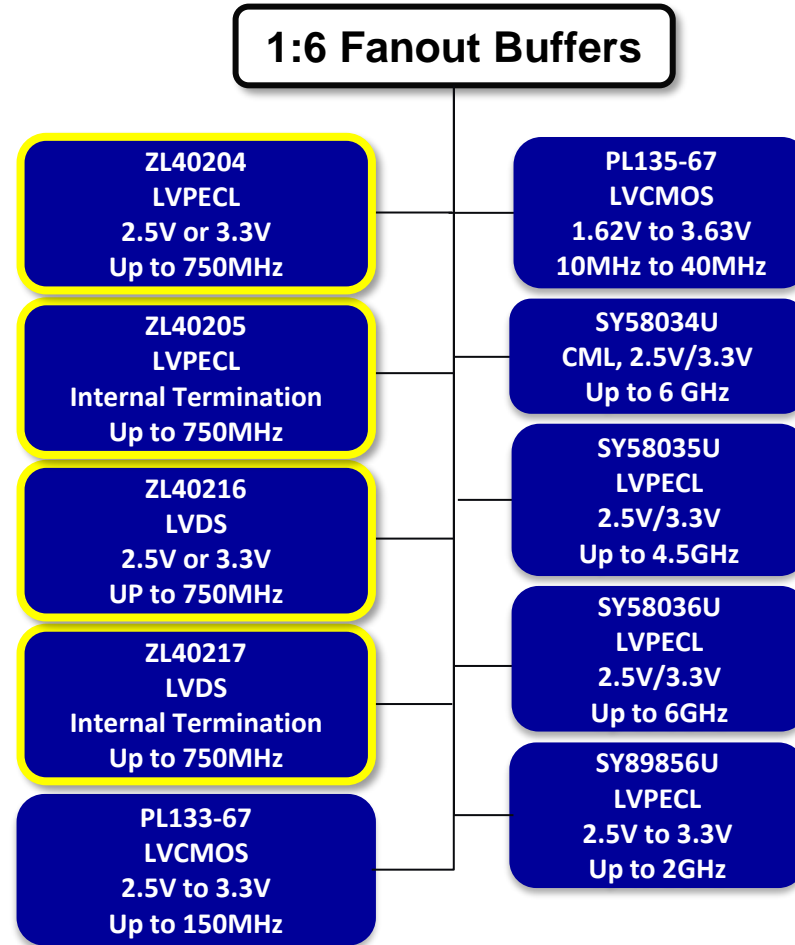
SY100EP14U
LVPECL
2.5V/3.3V/5V
Up to 2GHz

SY89846U
LVPECL
2.5V/3.3V
Up to 1.5GHz

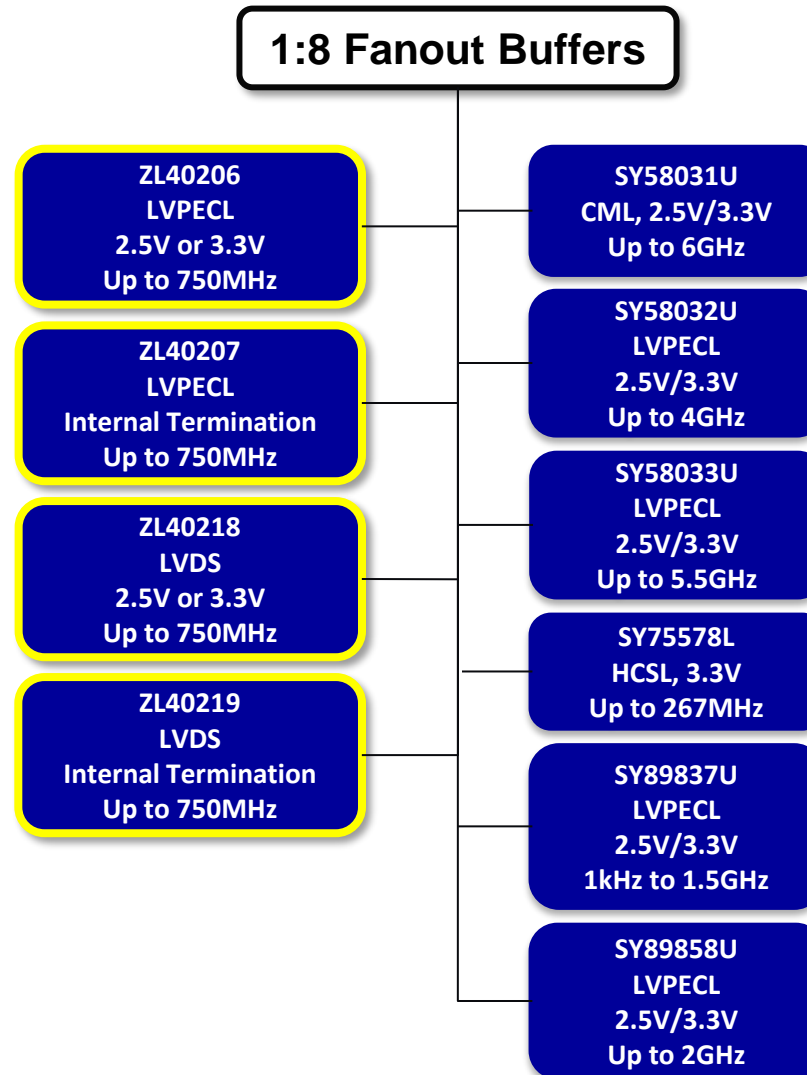
SY89847U
LVDS, 2.5V
Up to 1.5GHz



1:6 Fanout Buffers



1:8 Fanout Buffers



1:9 Fanout Buffers

1:9 Fanout Buffers

PL133-97
LVCMOS, 2.5V/3.3V
Up to 150MHz

SY89809AL
Driver, 3.3V
LVPECL/HSTL to HSTL



1:10 Fanout Buffers

1:10 Fanout Buffers

SY100EP111U
PECL, 2.5V/3.3V
Up to 3GHz

SY89464U
LVPECL, 2.5V/3.3V
1kHz to 1.5GHz

SY89828L
LVDS, 3.3V
Up to 1GHz

SY89465U
LVDS, 2.5V
1kHz to 1.5GHz

SY89829U
LVPECL, 2.5V/3.3V
Up to 1GHz



1:12 Fanout Buffers

1:12 Fanout Buffers

SY89112U
LVPECL, 2.5V/3.3V
Up to 3GHz

SY89113U
LVDS, 2.5V
Up to 1GHz



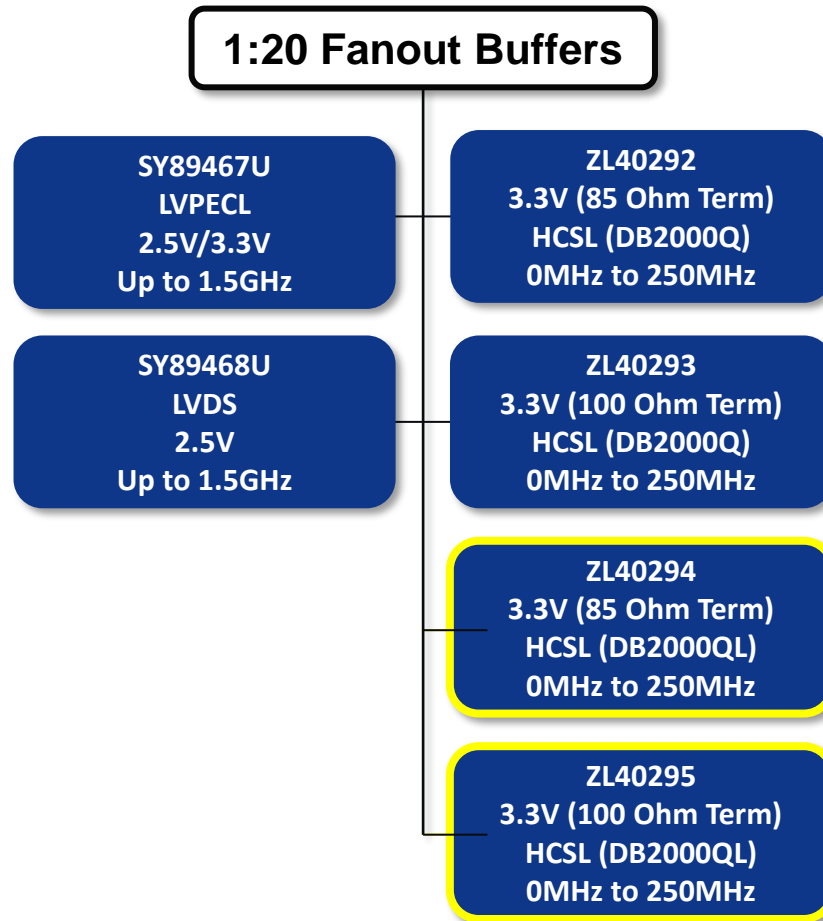
1:16 Fanout Buffers

1:16 Fanout Buffers

SY898530U
LVPECL
2.5V/3.3V
Up to 3GHz



1:20 Fanout Buffers



1:22 Fanout Buffers

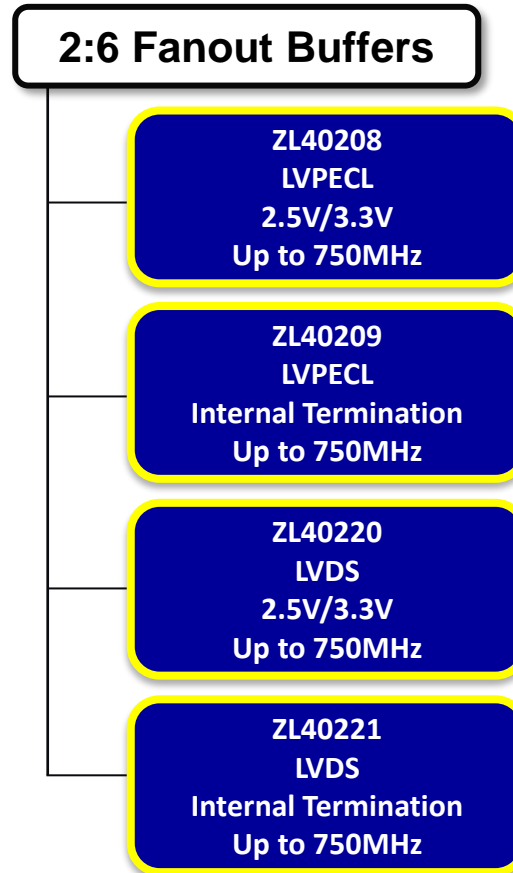
1:22 Fanout Buffers

SY89825U
LVPECL, 2.5V/3.3V
Up to 1GHz

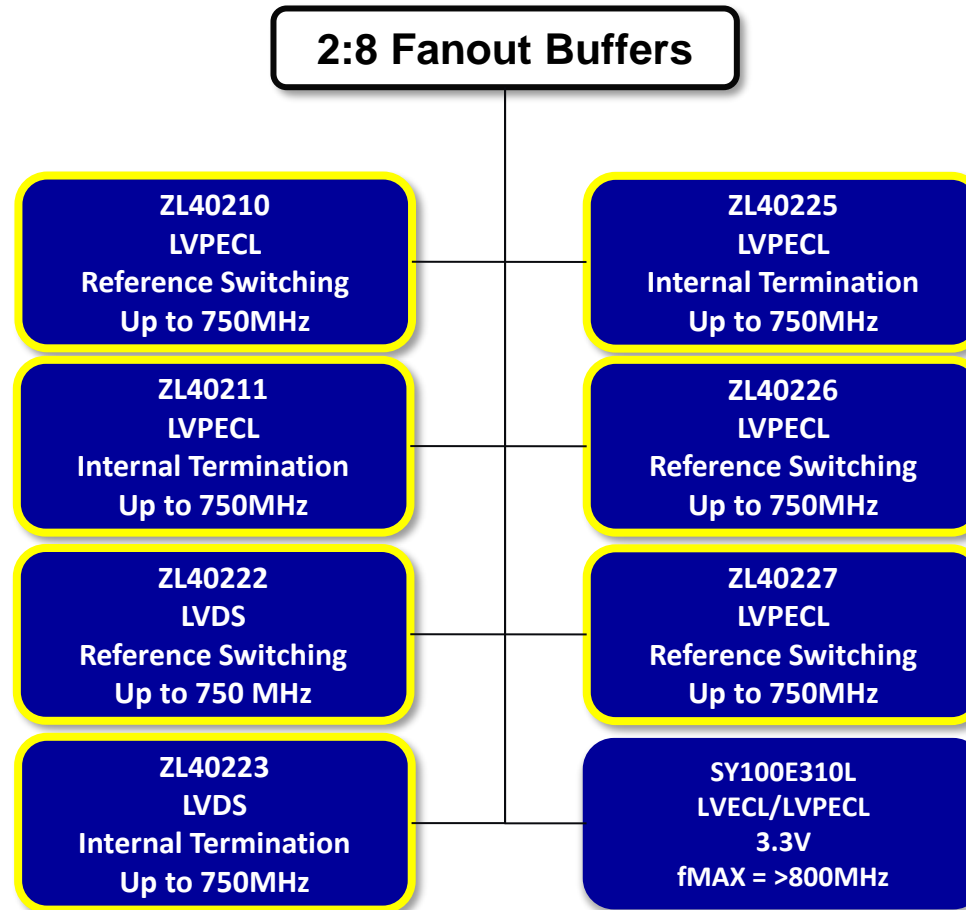
SY89826L
LVDS, 3.3V
Up to 1GHz



2:6 Fanout Buffers



2:8 Fanout Buffers



2:10 Fanout Buffers

2:10 Fanout Buffers

ZL40260
2.5V/3.3V
LVPECL
0MHz to 1.6GHz



3:4 Fanout Buffers

3:4 Fanout Buffers

ZL40234
2.5V/3.3V
LVCMOS
0MHz to 1.6GHz



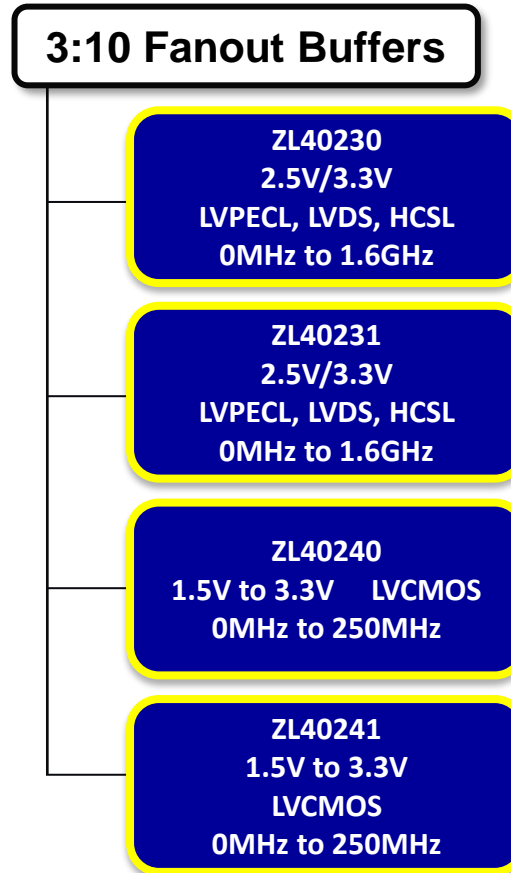
3:5 Fanout Buffers

3:5 Fanout Buffers

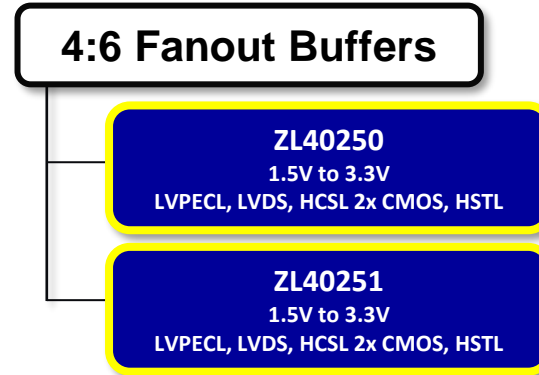
ZL40235
2.5V/3.3V
LVPECL, LVDS, HCSL
0MHz to 1.6GHz



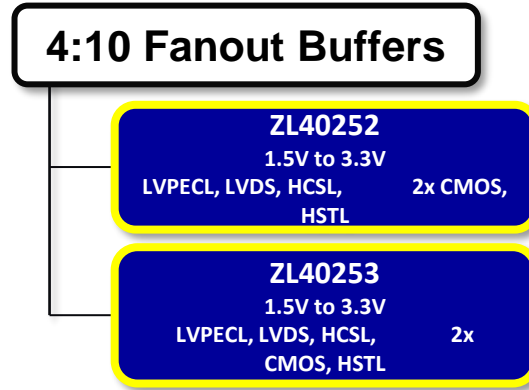
3:10 Fanout Buffers



4:6 Fanout Buffers



4:10 Fanout Buffers



Zero-Delay Buffers

Zero-Delay Buffers

PL102-10
LVCMOS, 2.5V/3.3V
Up to 3 Outputs
15MHz to 170MHz

PL123-05/09
LVCMOS, 3.3V
Up to 9 Outputs
10MHz to 134MHz

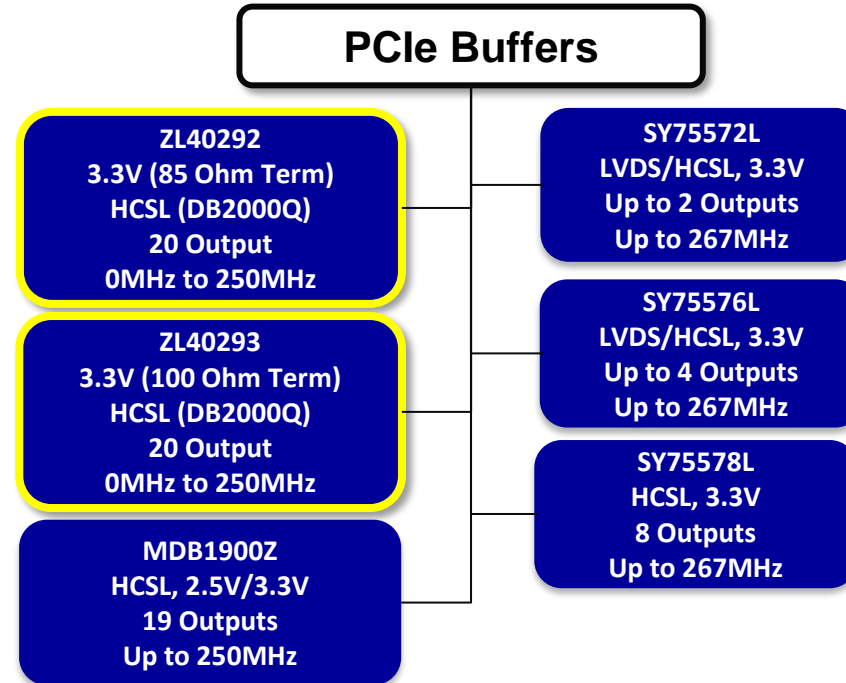
PL123E-05
LVCMOS, 2.5V/3.3V
Up to 5 Outputs
10MHz to 220MHz

PL123E-09
LVCMOS, 2.5V/3.3V
Up to 9 Outputs
10MHz to 220MHz

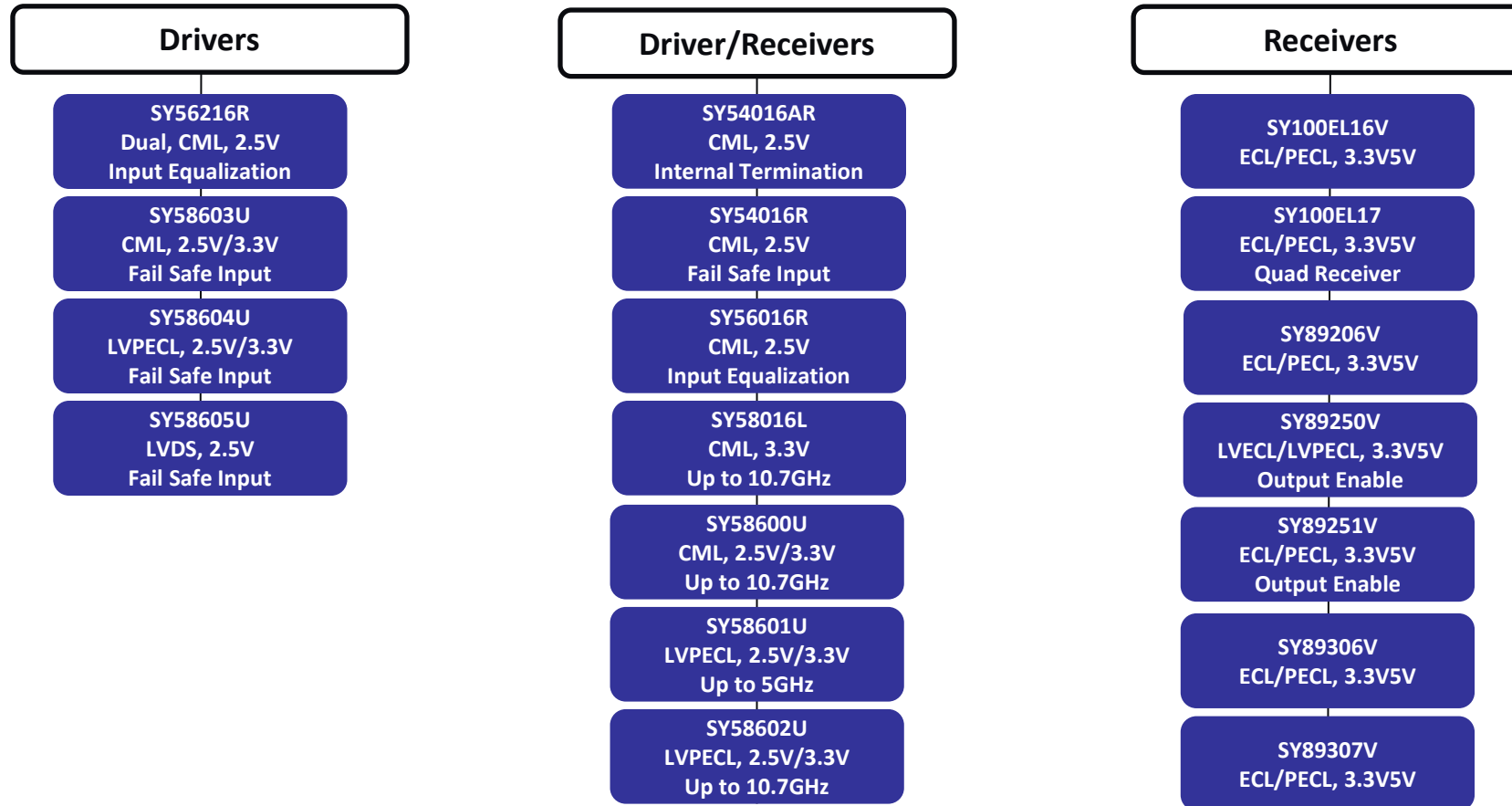
MDB1900Z
HCSL, 2.5V/3.3V
Up to 19 Outputs
Up to 250MHz



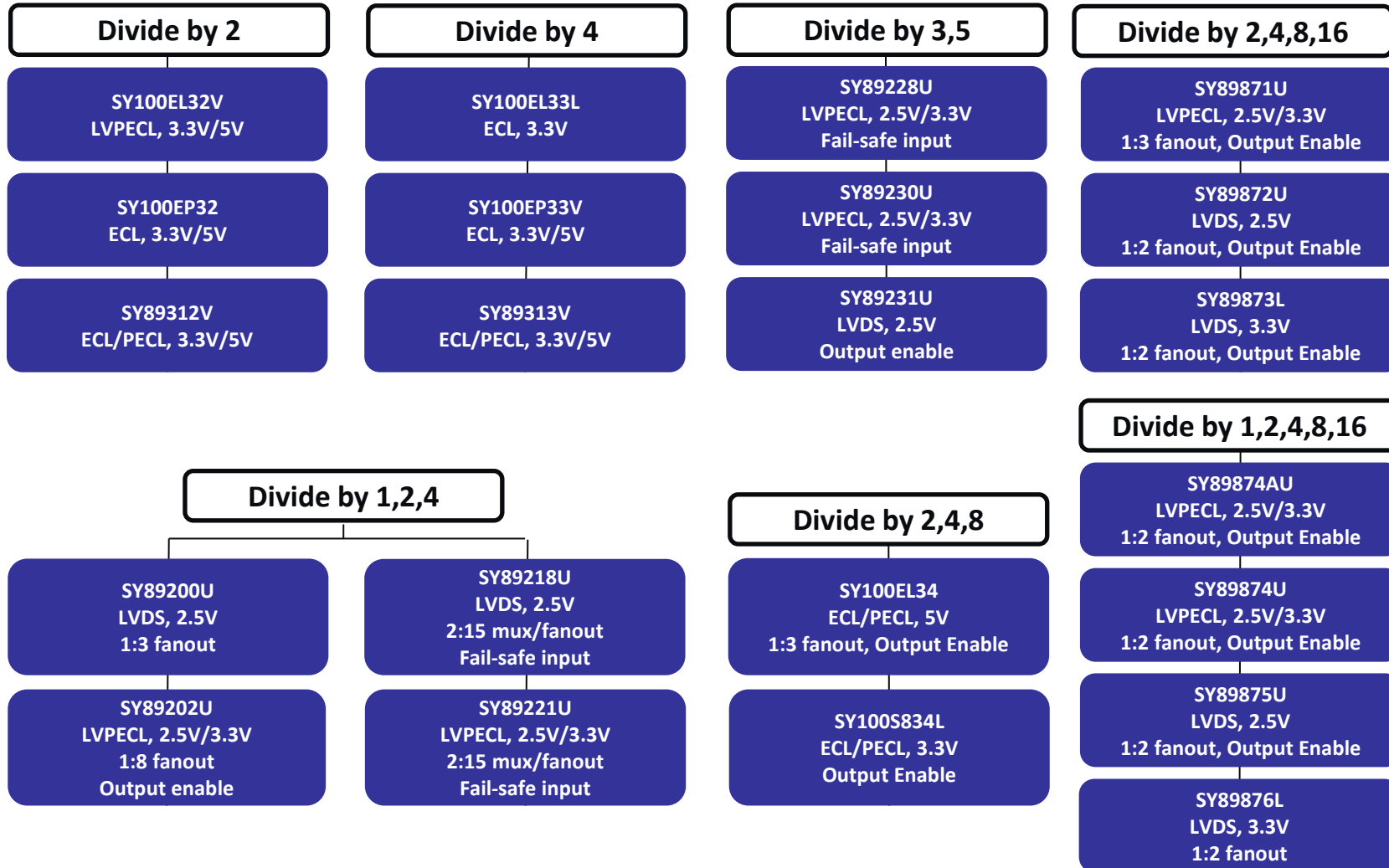
PCIe Buffers



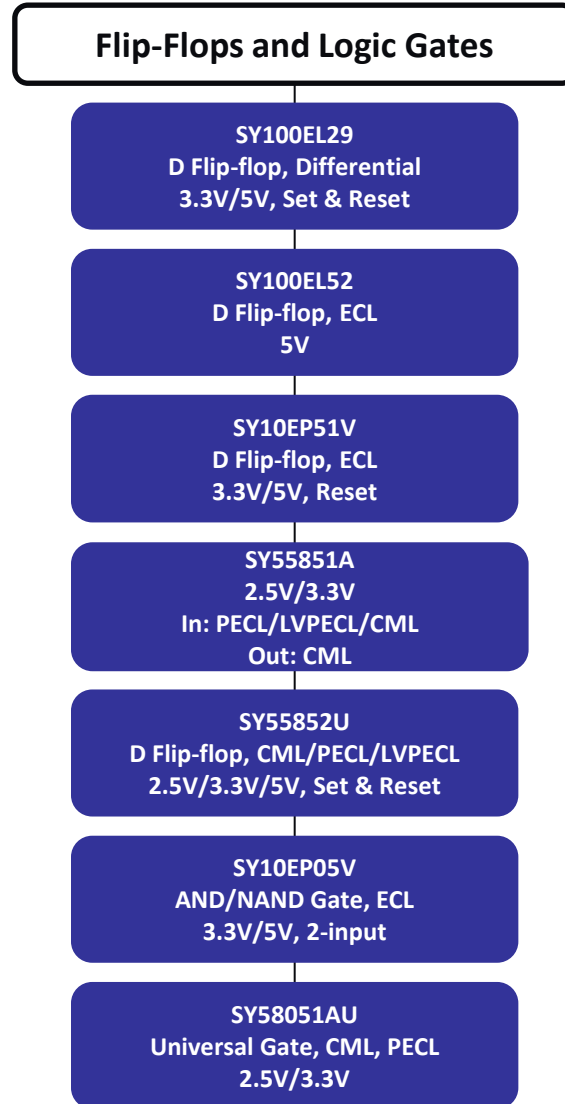
Drivers and Receivers



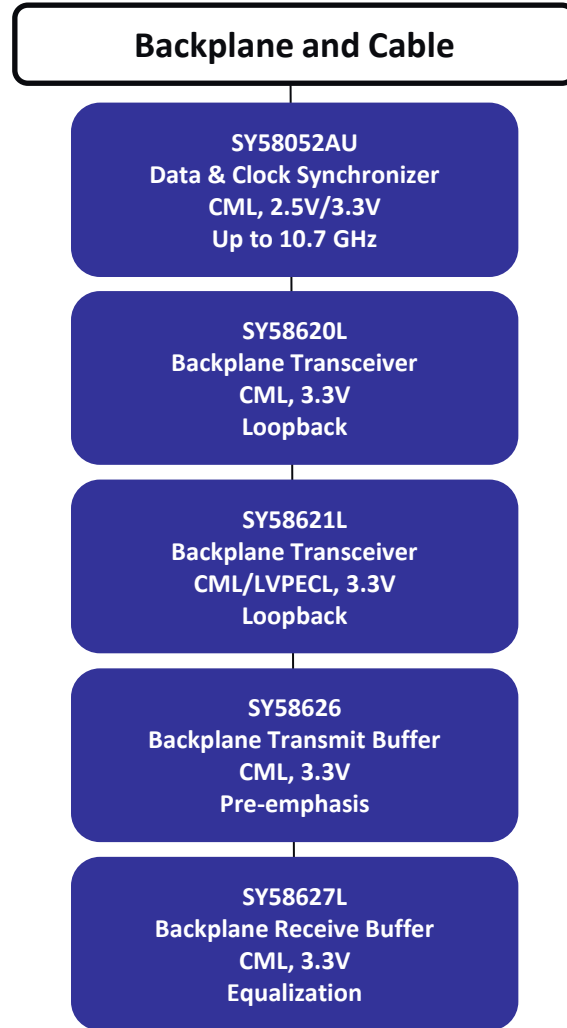
Dividers



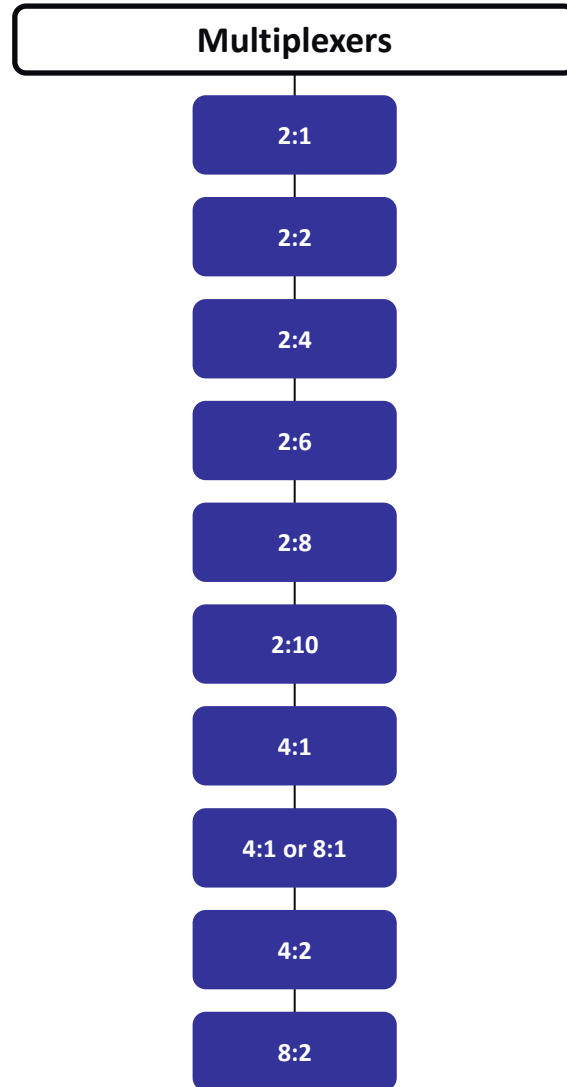
Flip-Flops and Logic Gates



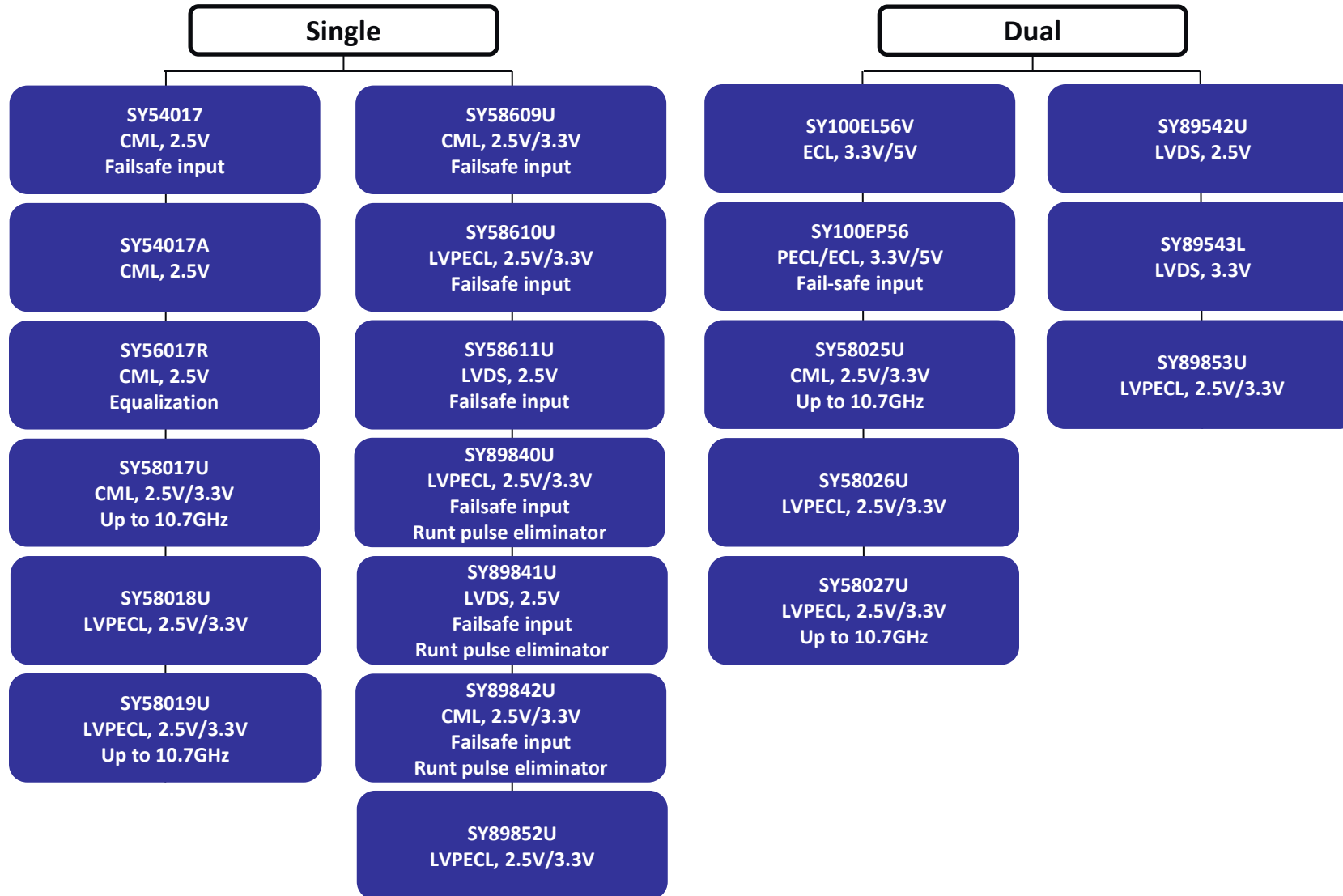
Backplane and Cable



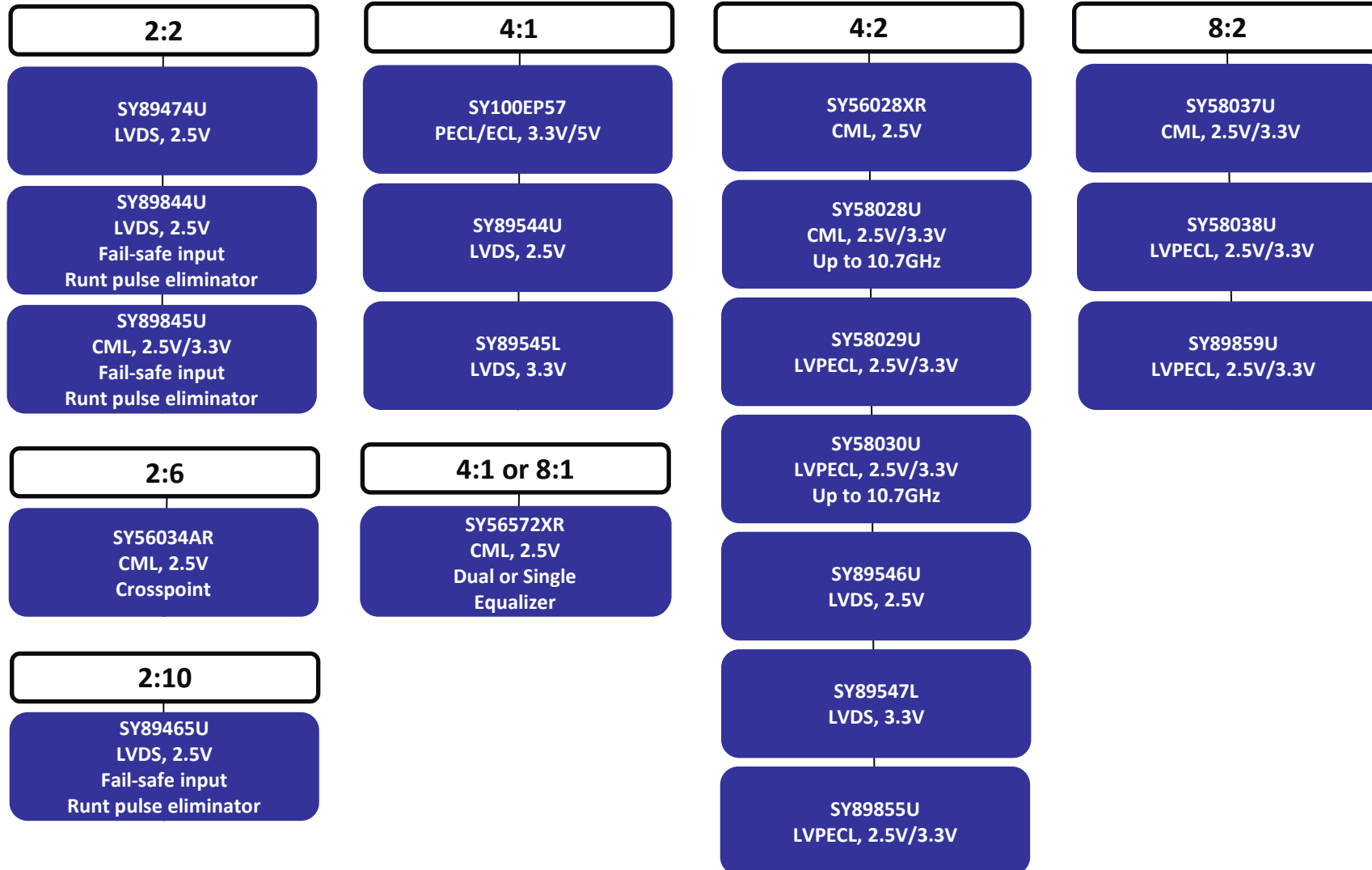
Multiplexers



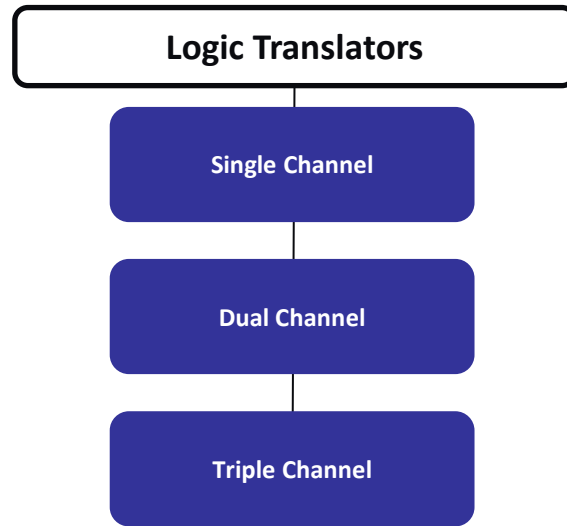
2:1 Multiplexers



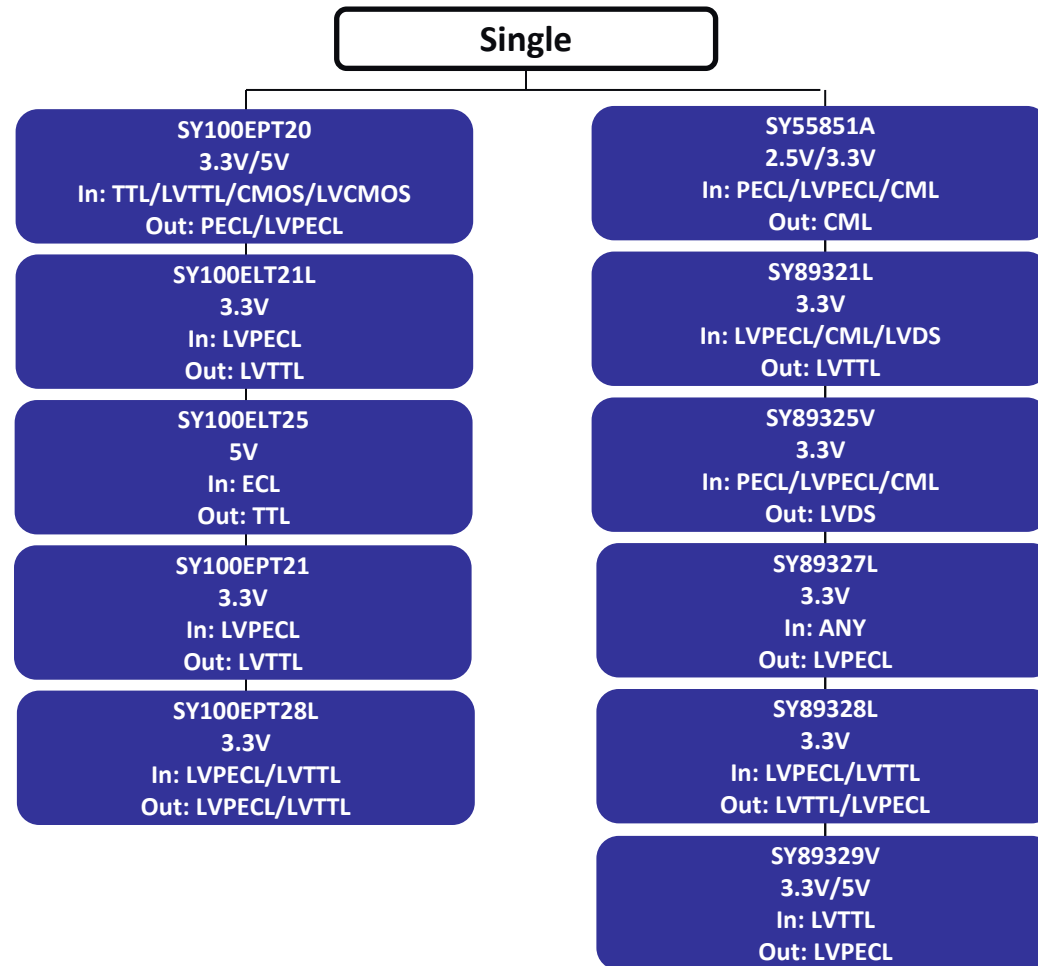
2:2 - 8:2 Multiplexers



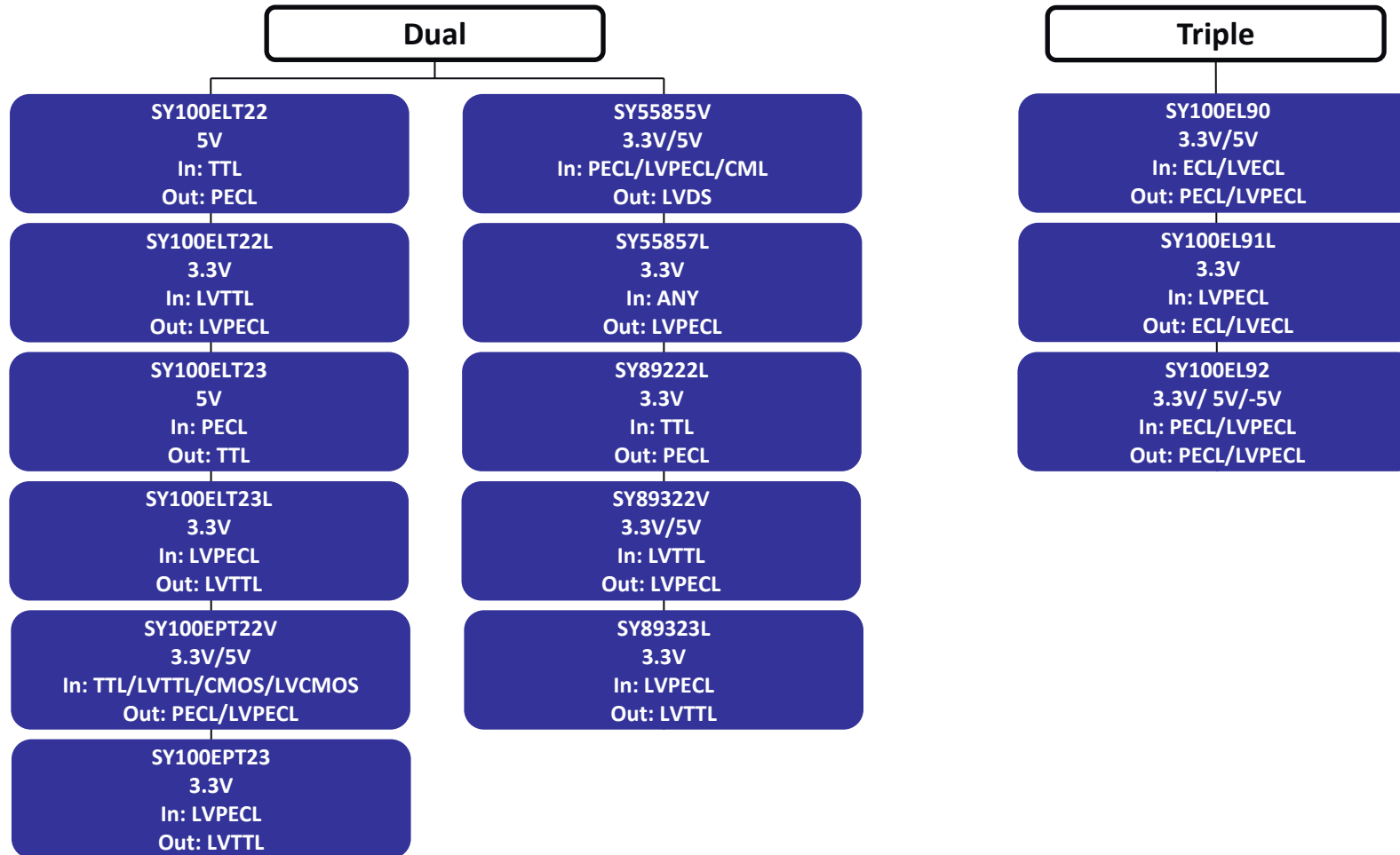
Logic Translators



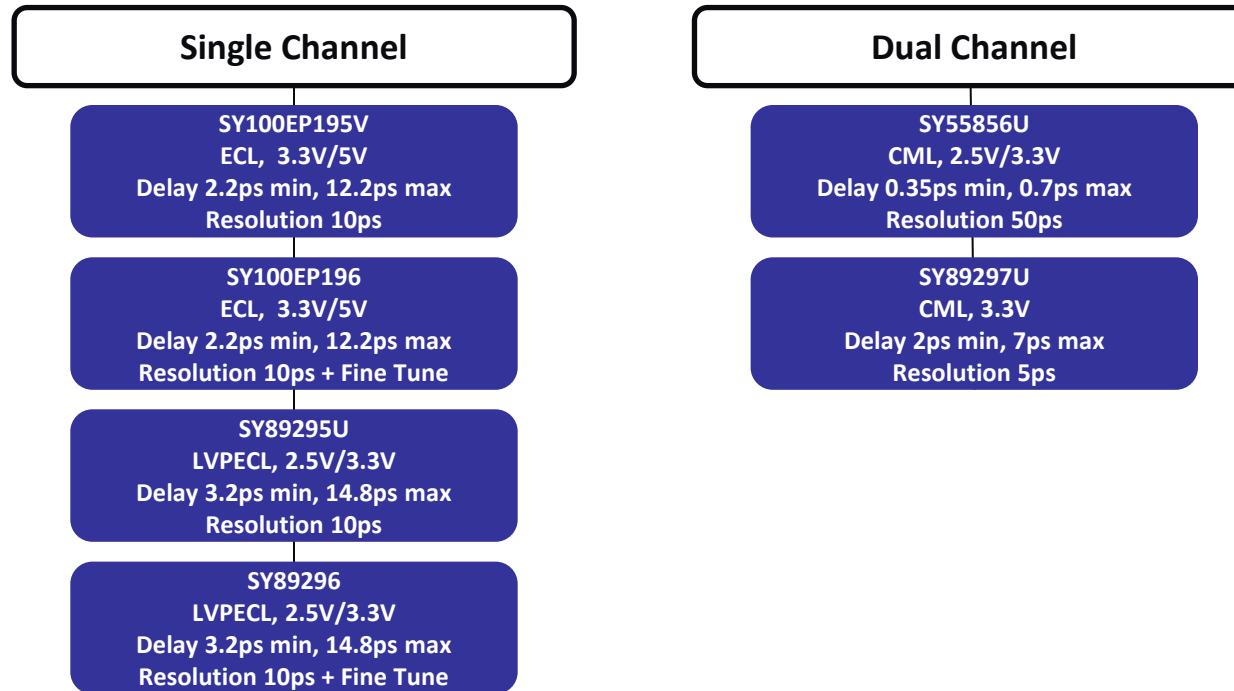
Single Channel Logic Translators



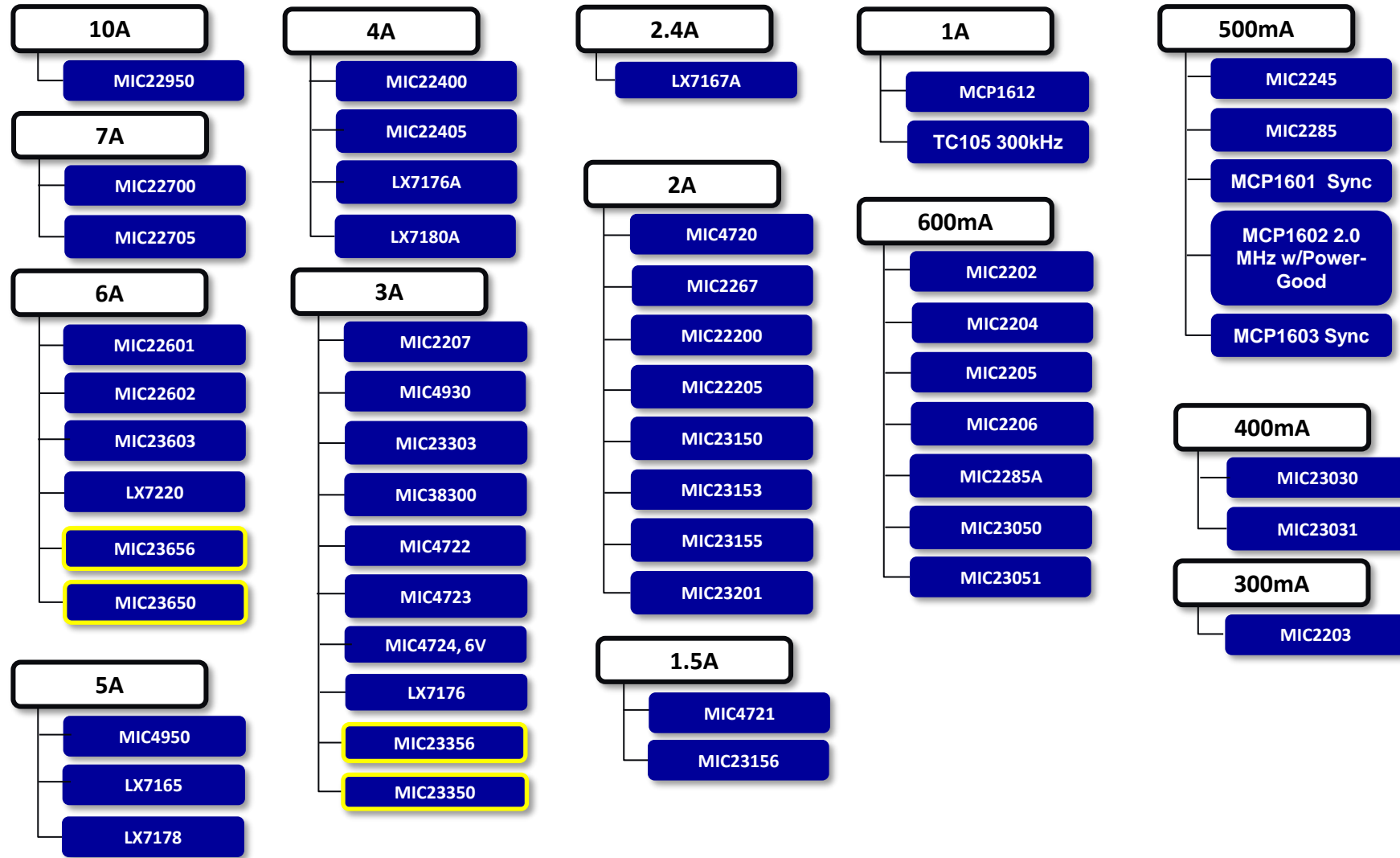
Dual and Triple Channel Logic Translators



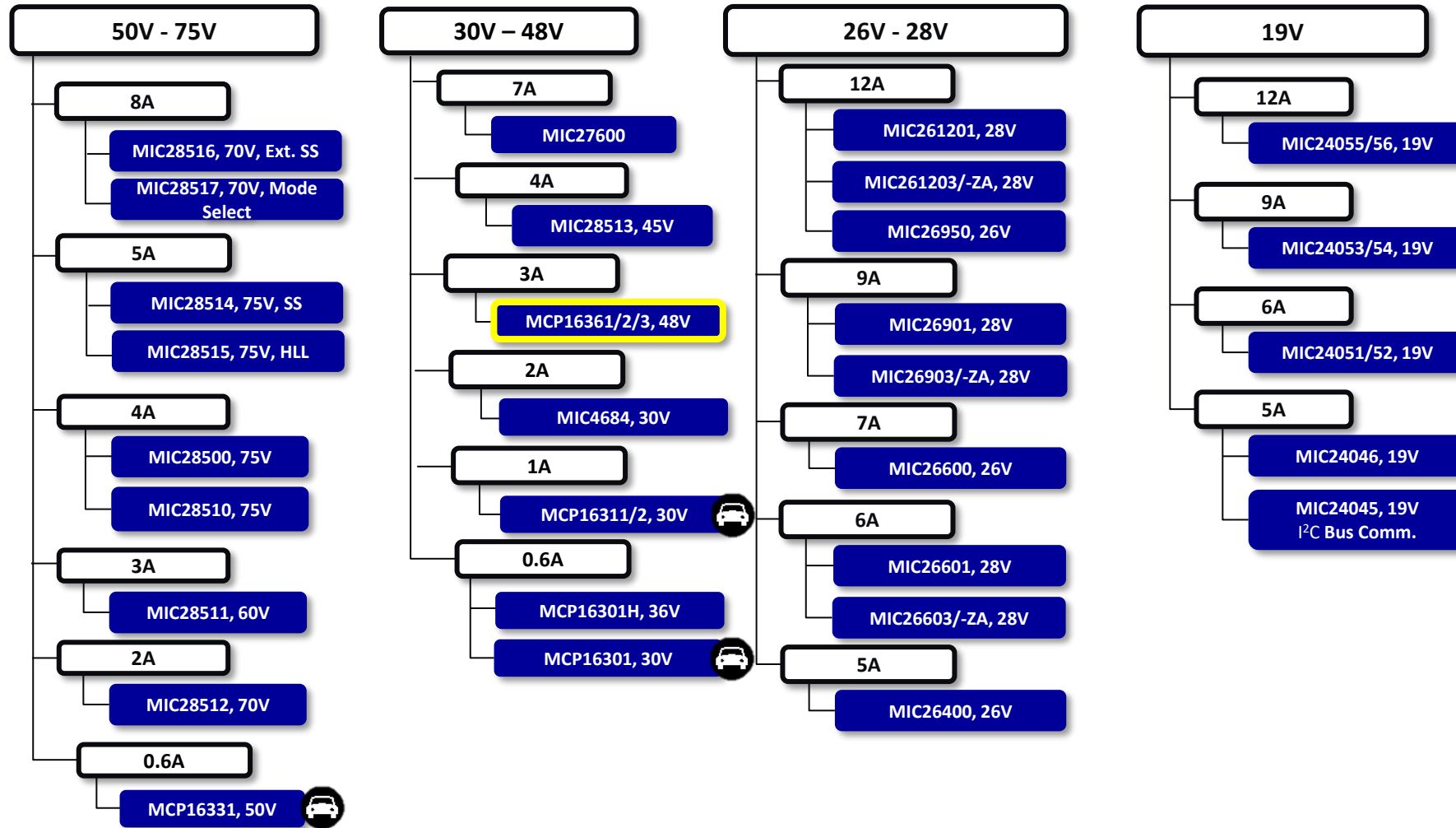
Skew Management



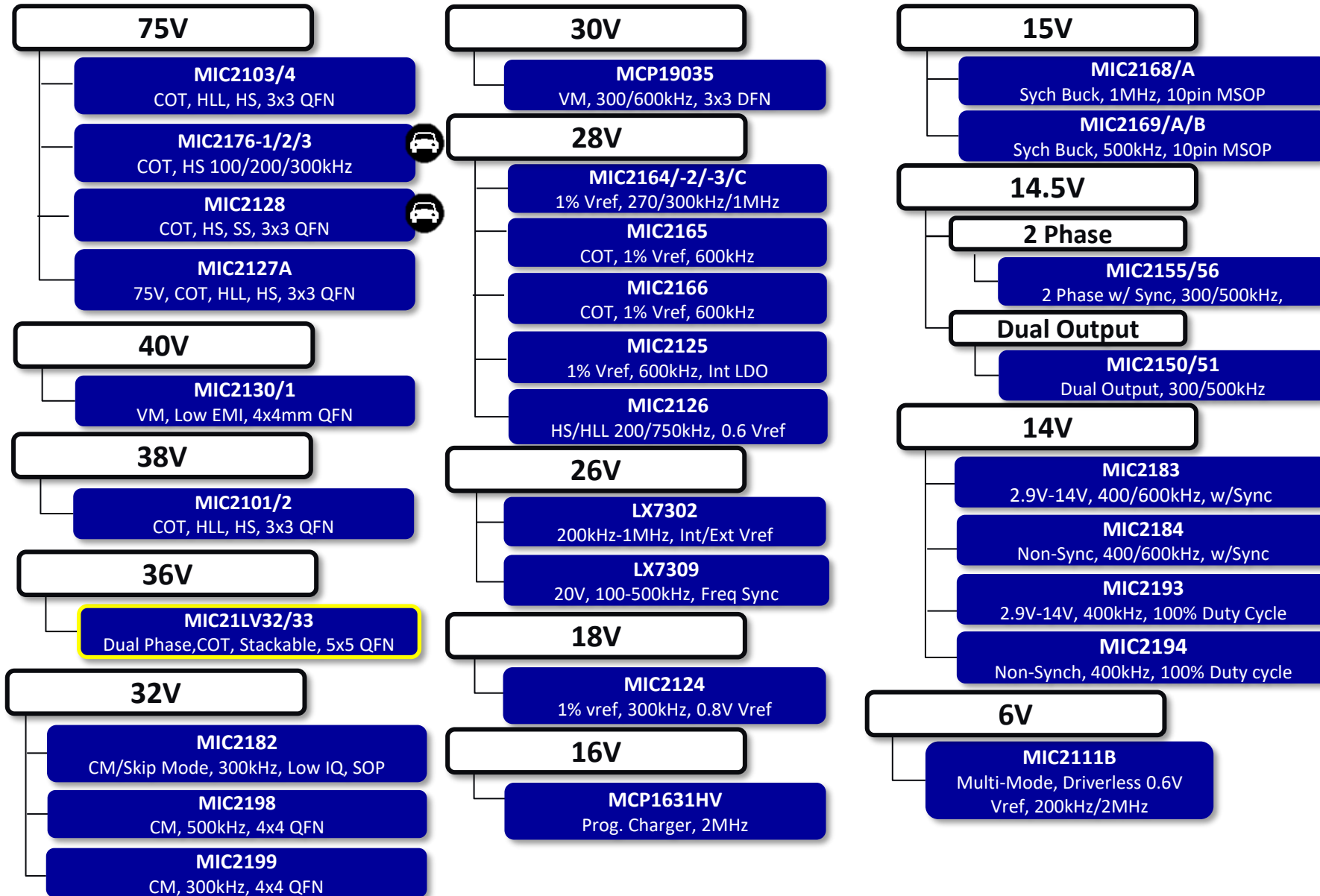
Step-Down (Buck) Internal SW 5.5V – 6V



Step-Down (Buck) Internal SW Up to 75V



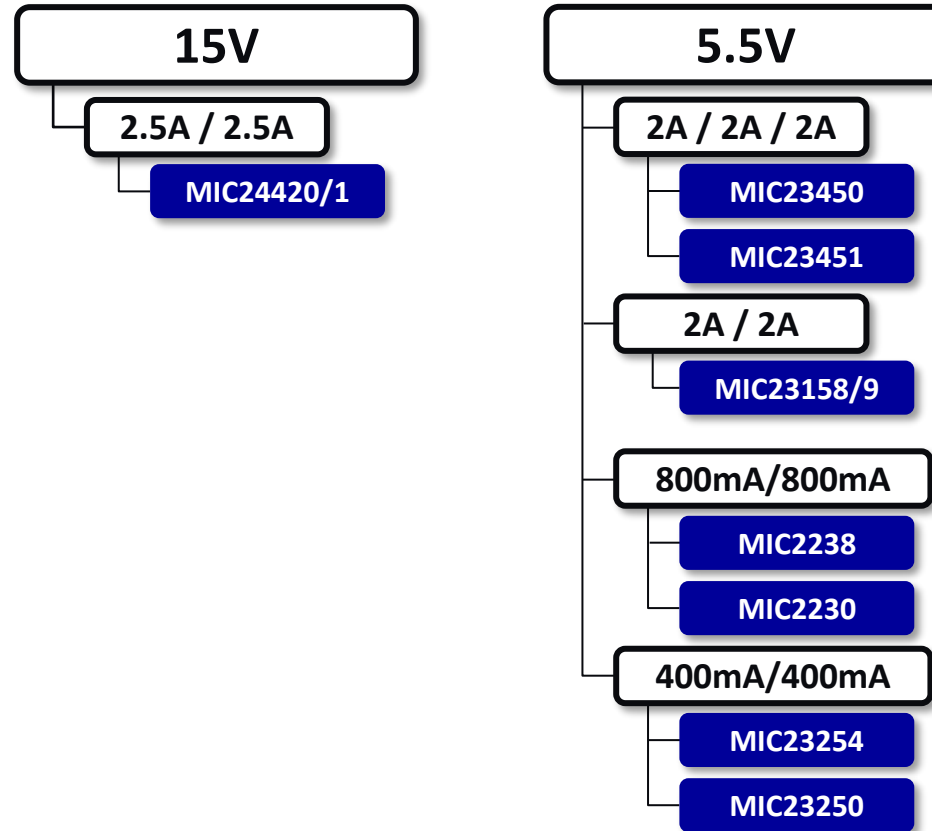
Step-Down (Buck) External SW



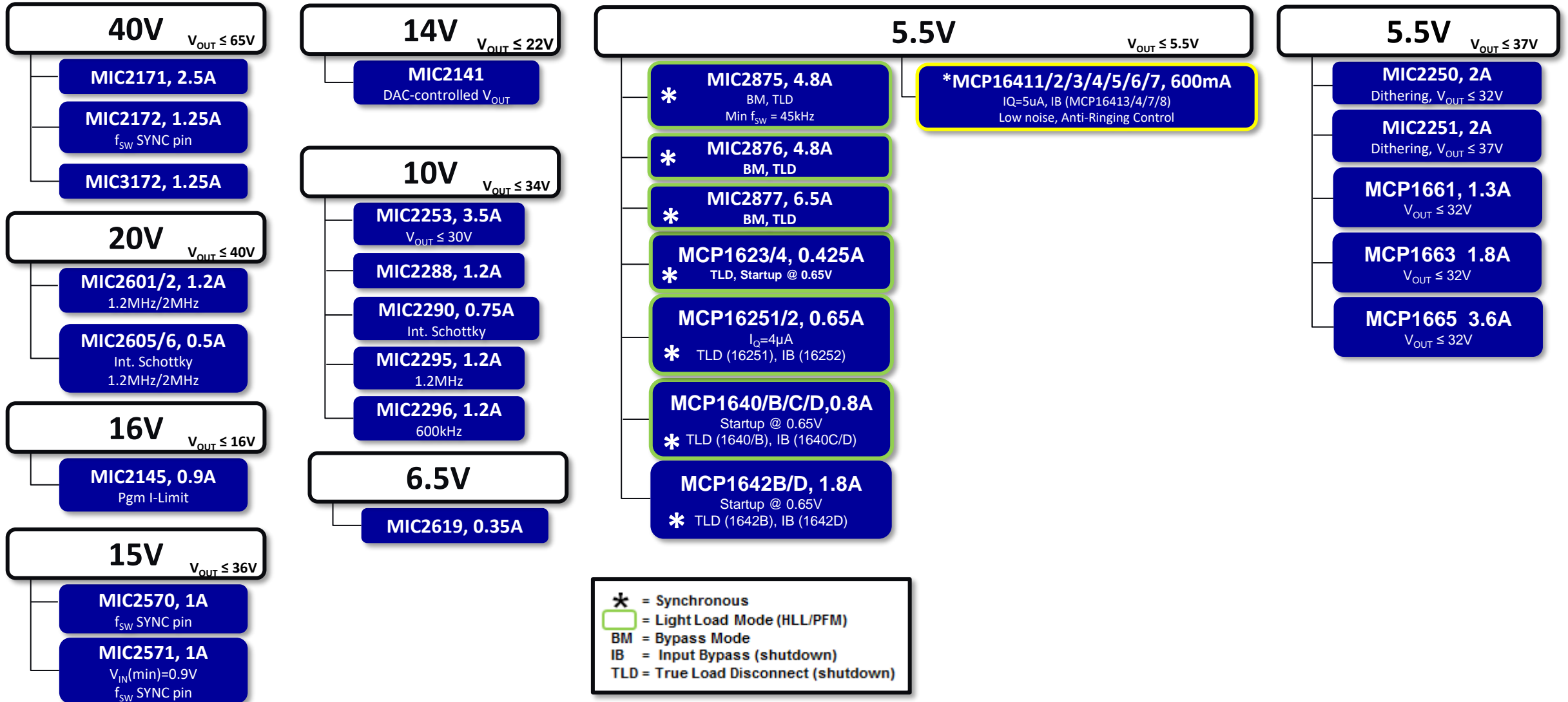
 = New product



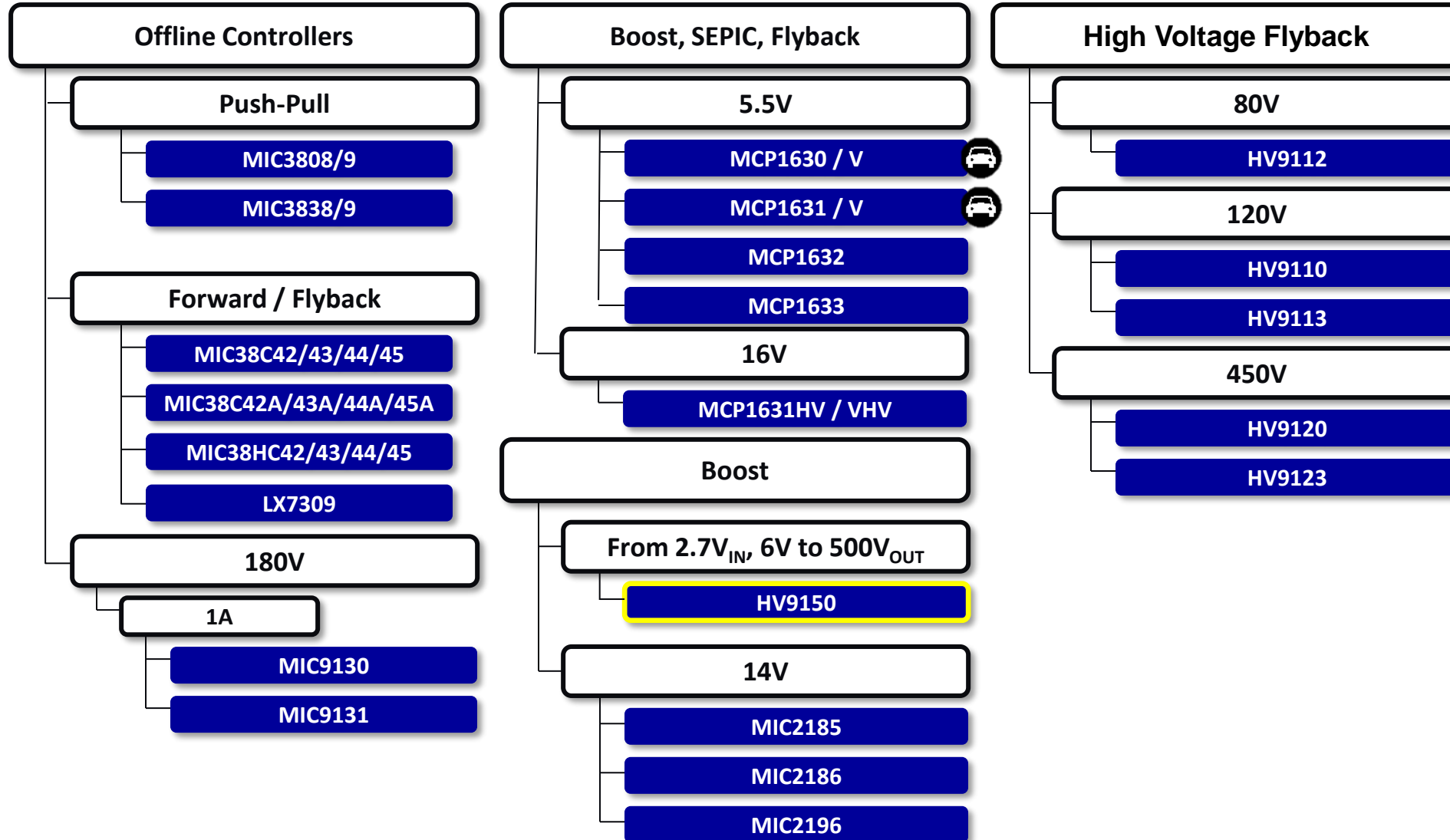
Step-Down (Buck) Multi-Output



Step-Up (Boost) Internal SW



Boost/SEPIC/Flyback/Forward & Push-Pull Controllers



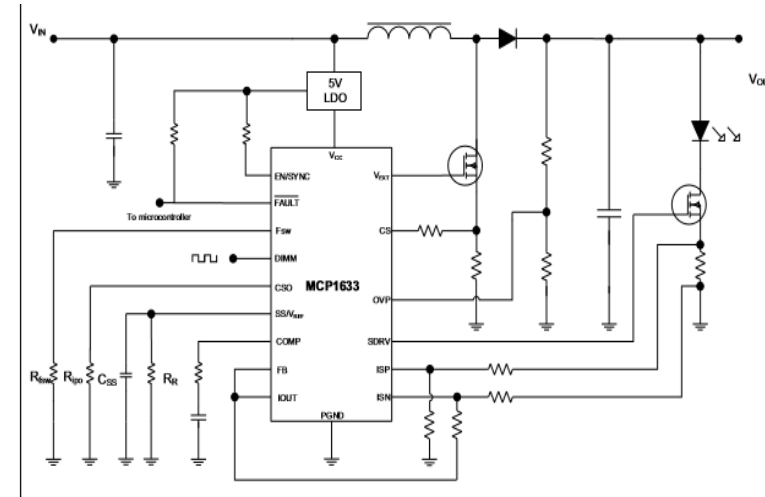
MCP1633

High Speed Low-Side PWM Controller with LED Dimming Capability

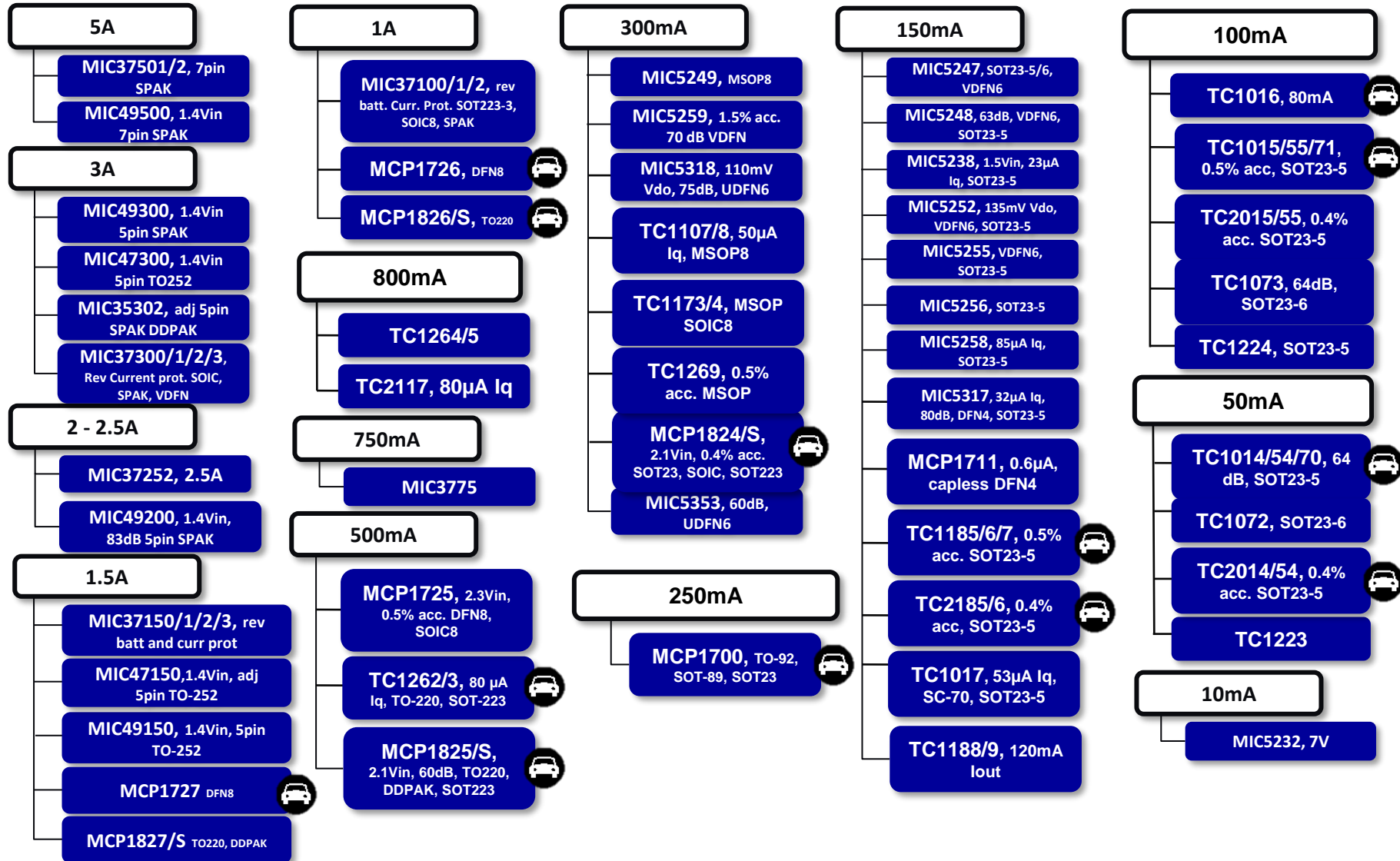
Features:

- MCP1633 is a Fixed Frequency Peak Current Mode PWM Controller and can be used as a standalone LED driver
- Based on MCP1631/2 with **modifications**
- Added Standalone **Failsafe** Operation
- Internal **Slope Compensation** Circuit
- **Programmable** Current Sense Offset
- **MOSFET Driver 1A Peak**
- **16-pin QFN 3mmx3mm** Package
- Under Voltage Lockout and Over Voltage/Shortcircuit
- Easily interfaceable with a PIC controller for **High Performance LED Drivers**
- Adjustable Frequency Internal Oscillator
- Integrated Op-Amp for Current Sensing
- **Fast Current Sensing Response**
- Internal Reference Voltage Generator
- Internal MOSFET driver for **Dimming/Load Disconnect**
- Suitable for low-side MOSFET topologies (Boost, Flyback, SEPIC, CUK...)
- Protections

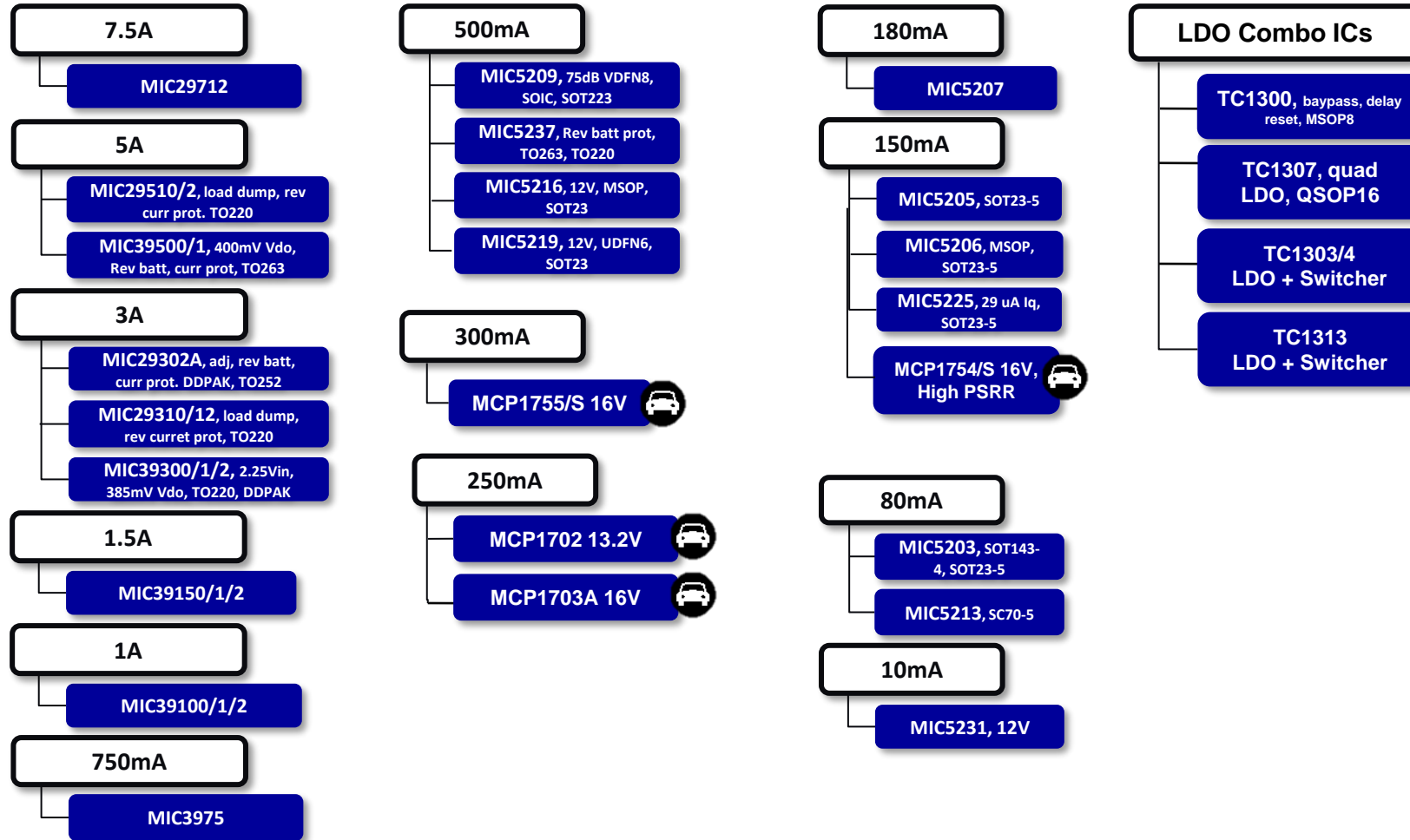
Typical Application for LED Driver:



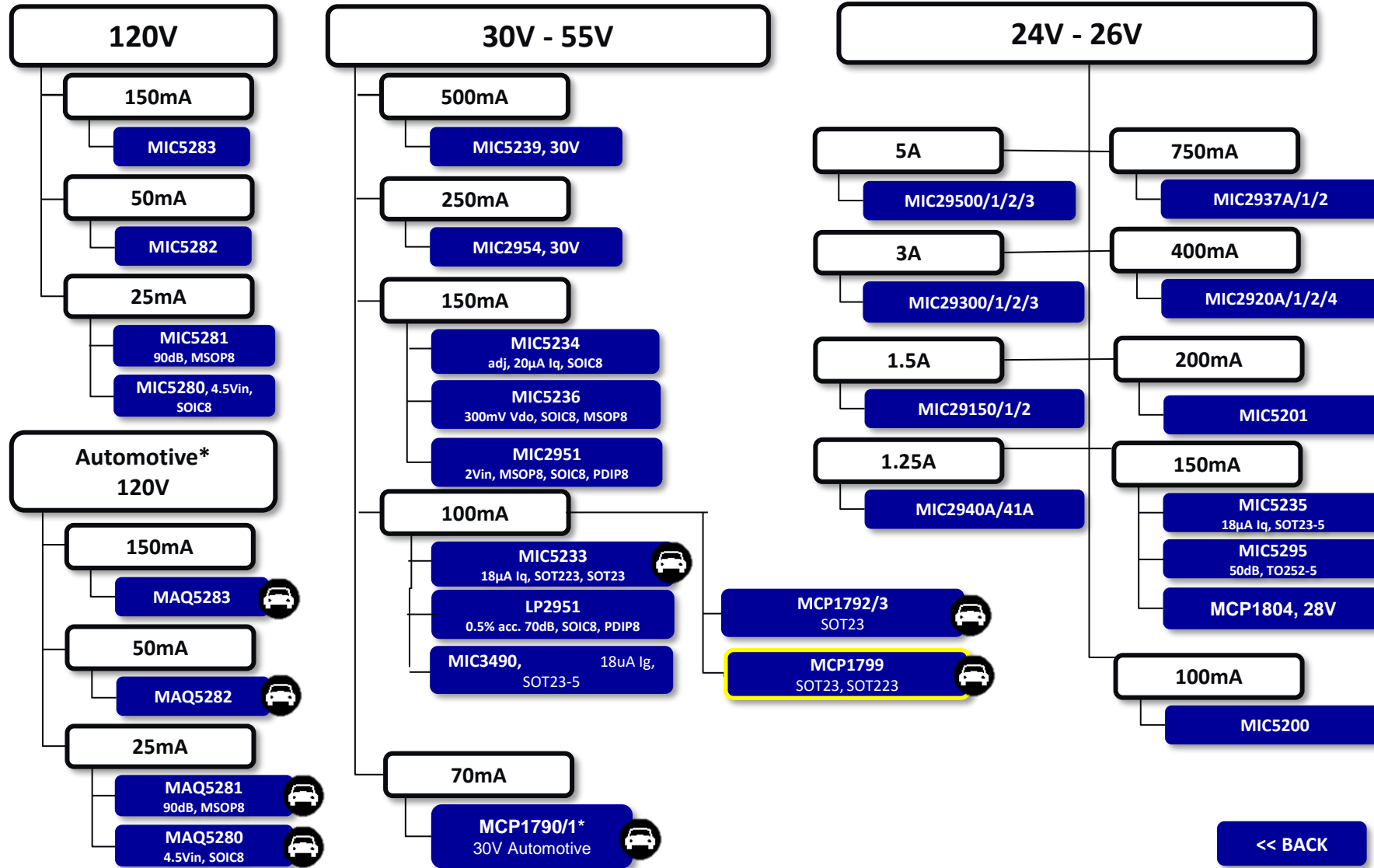
Low Dropout Regulators 6V – 8V Input



Low Dropout Regulators 12V – 16V Input



Low Dropout Regulators 24V - 120V

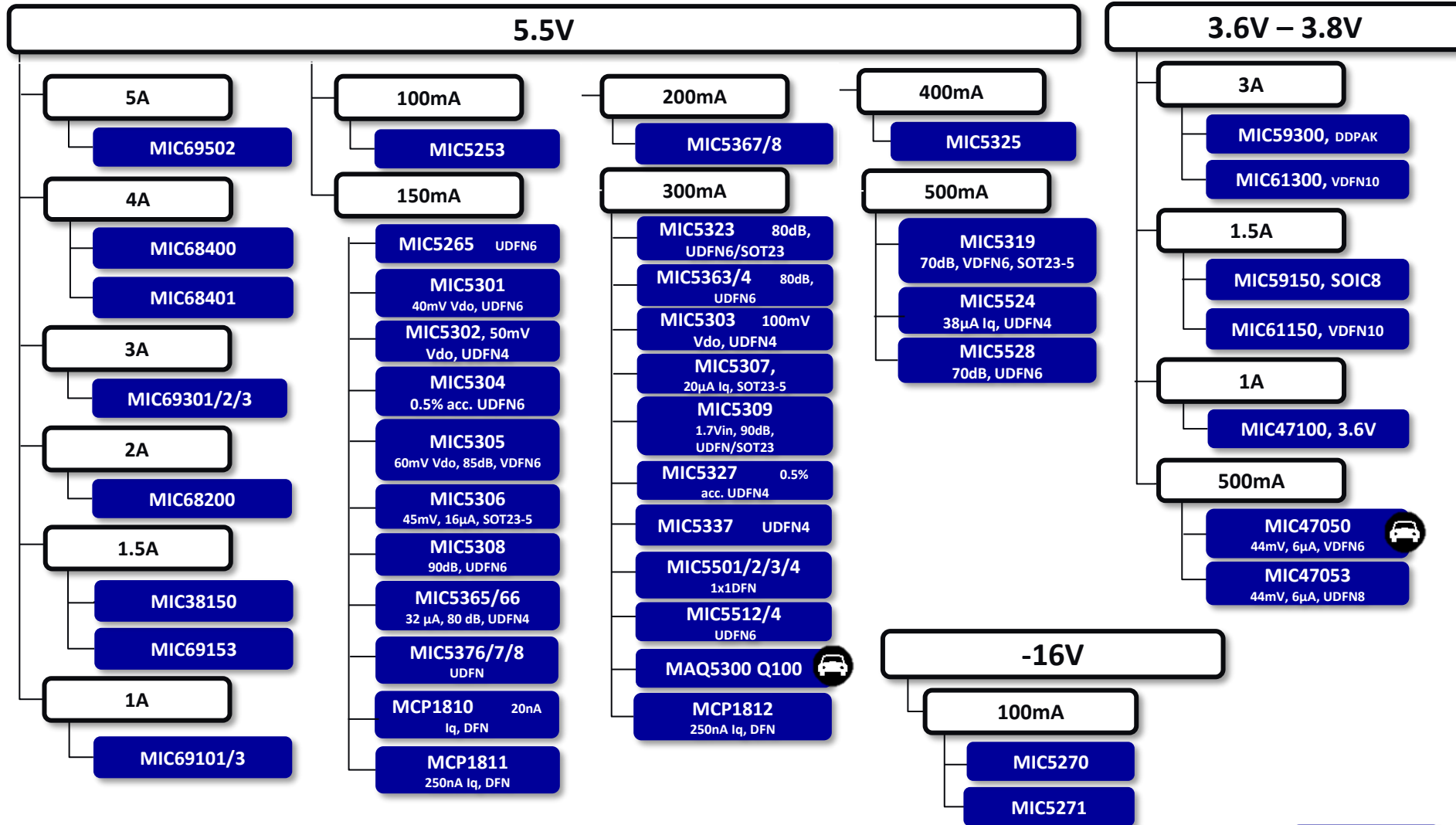


<< BACK

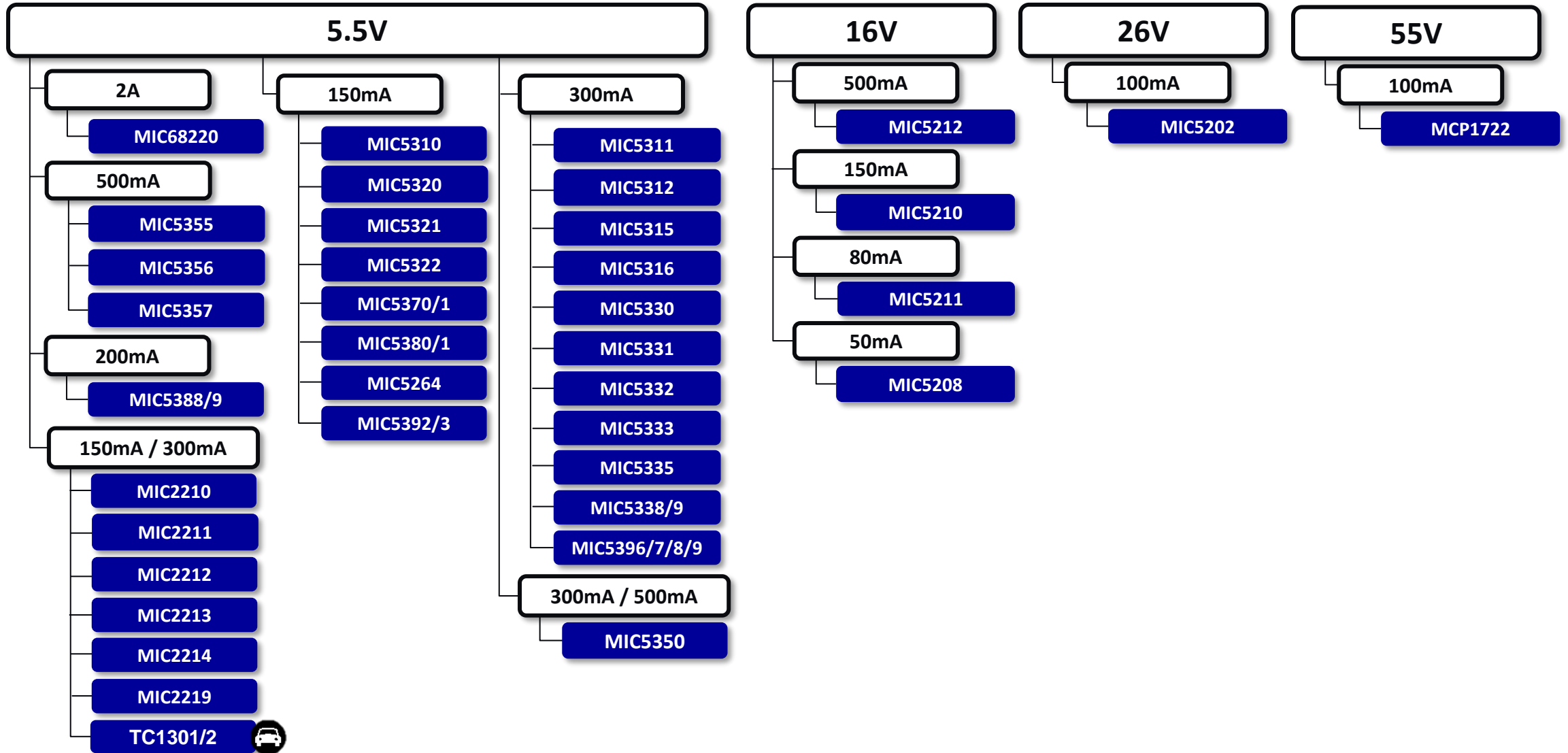
* Please refer to our Microchip Automotive Recommended Product Selector Guide for additional LDOs for AEC-Q100 status



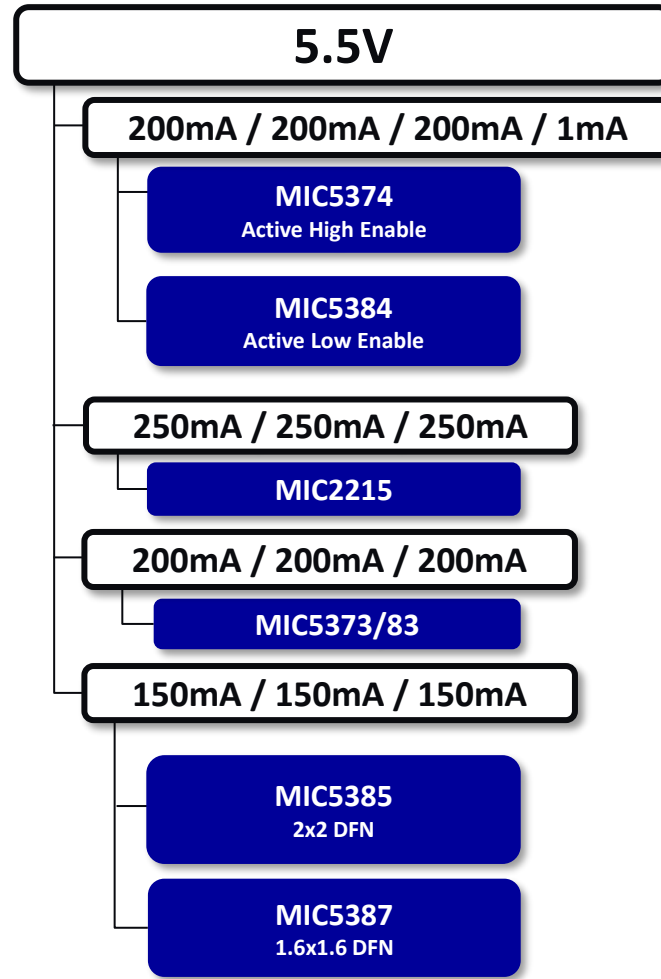
Low Dropout Regulators -16V – 5.5V



Dual Output Linear Regulators



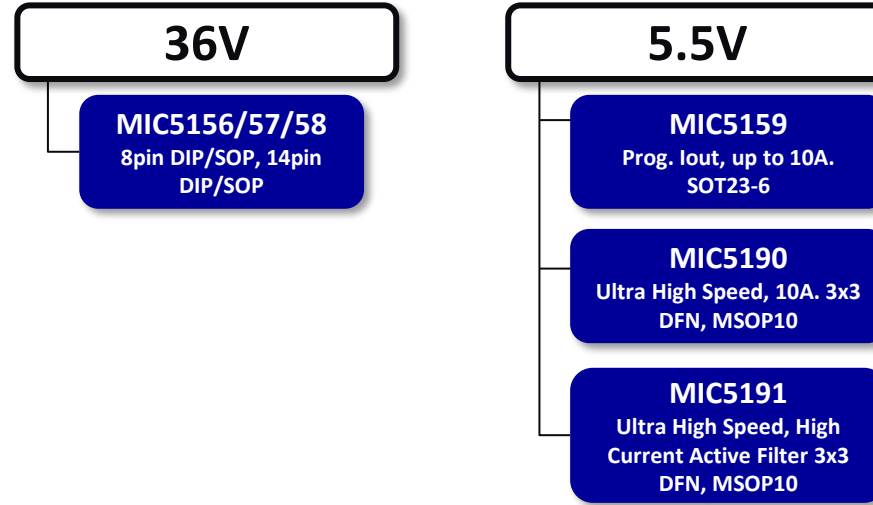
Multi-Output LDOs



<< BACK



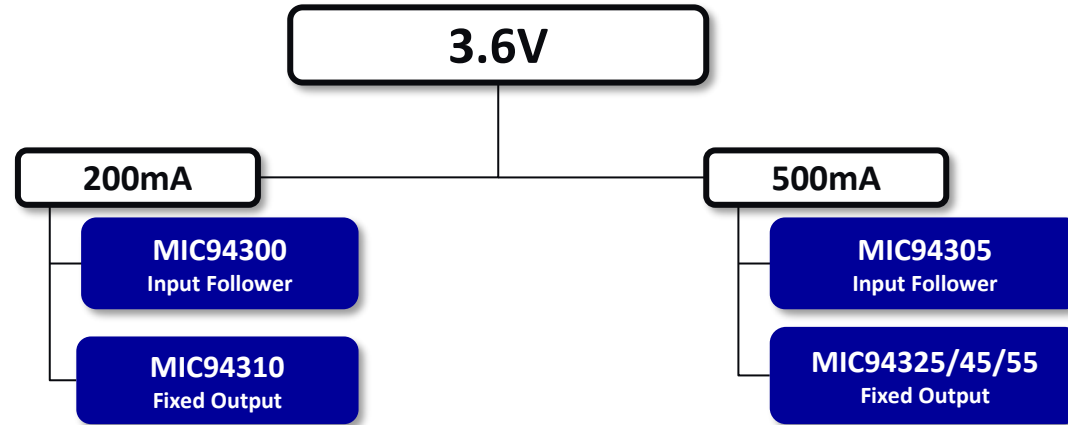
Linear Regulator Controllers



<< BACK

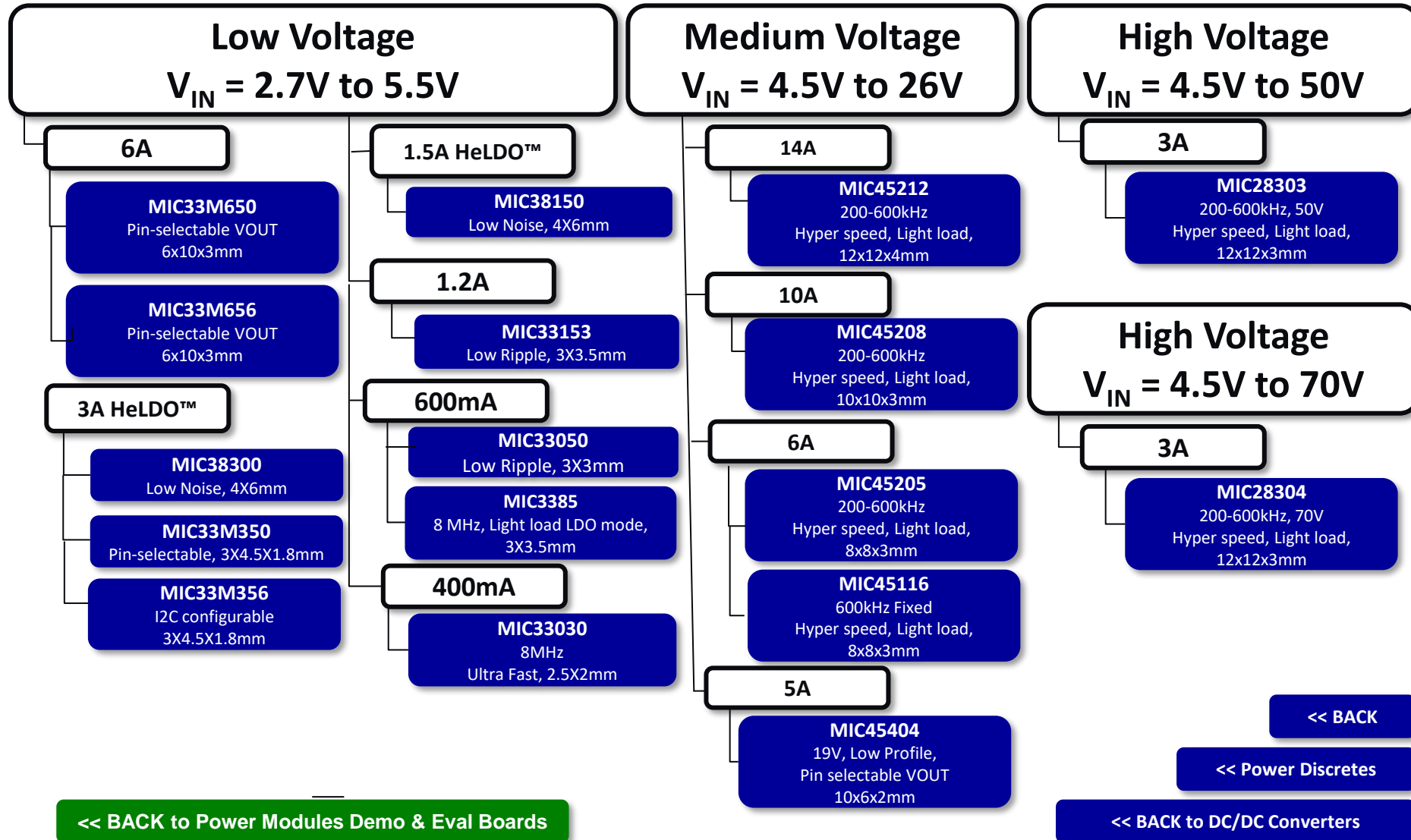


Linear Power Filters Ripple Blocker™



Internal Inductor Switching Regulators

Product Tree



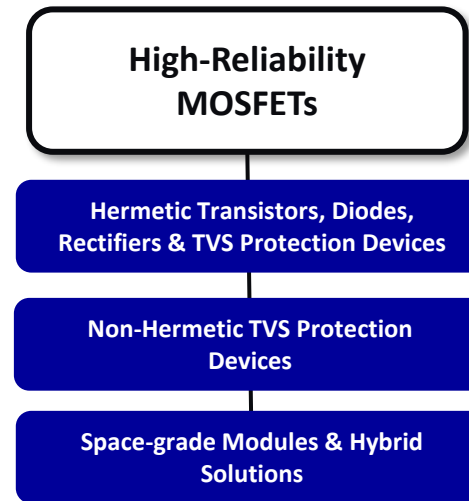
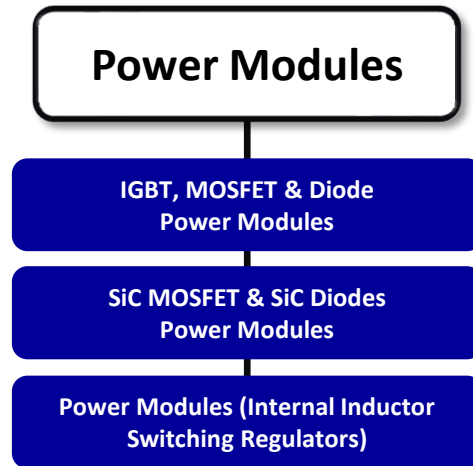
<< BACK to Power Modules Demo & Eval Boards

<< BACK to DC/DC Converters

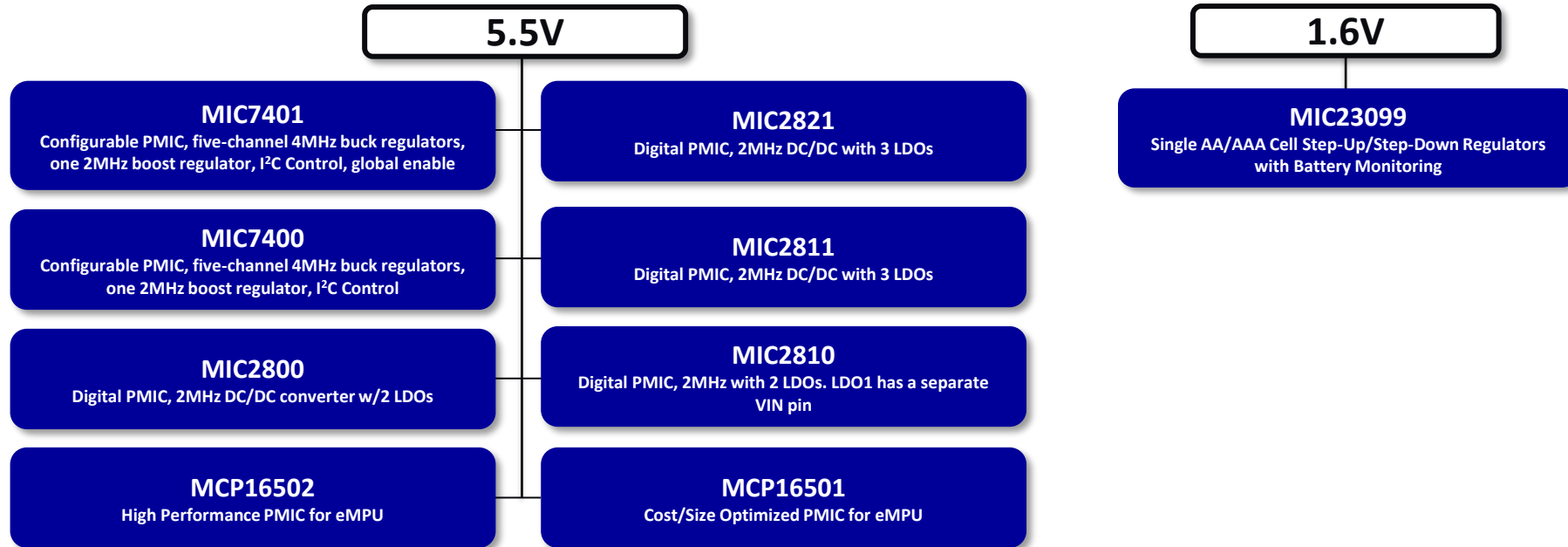
<< BACK

<< Power Discretes

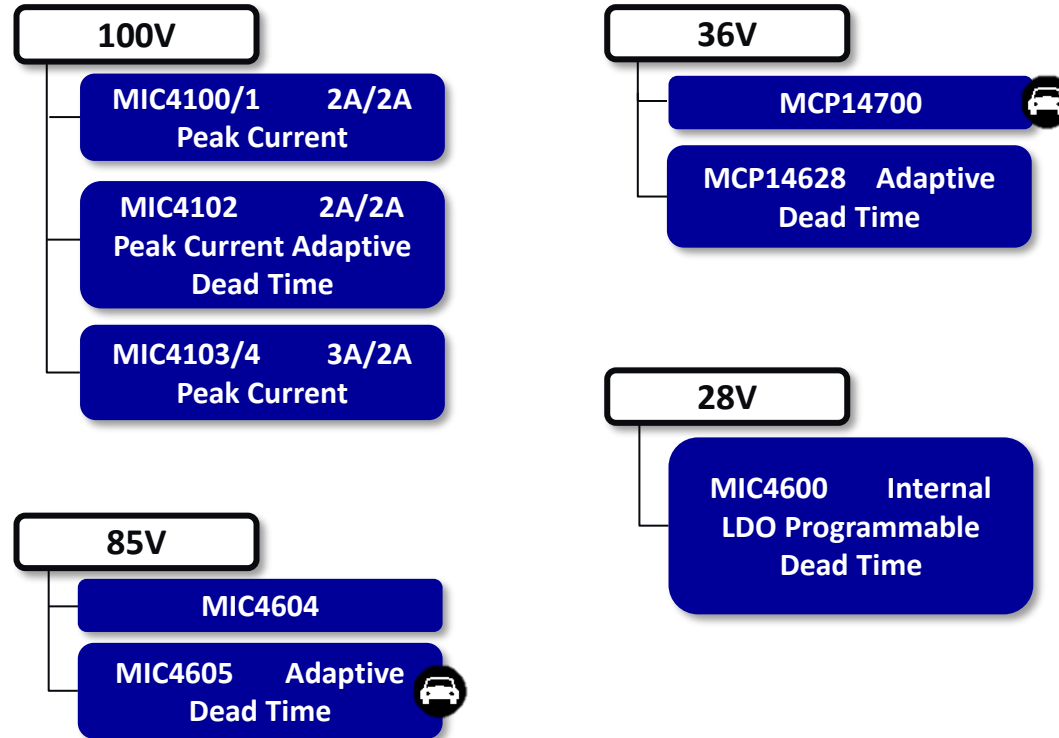
Power Modules



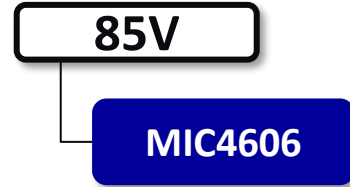
PMICs



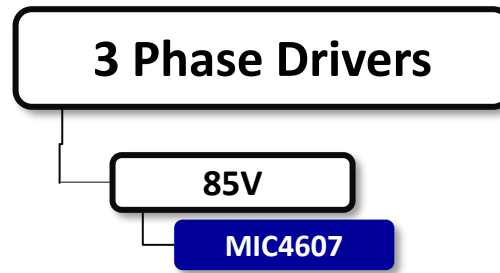
Half-Bridge MOSFET Drivers



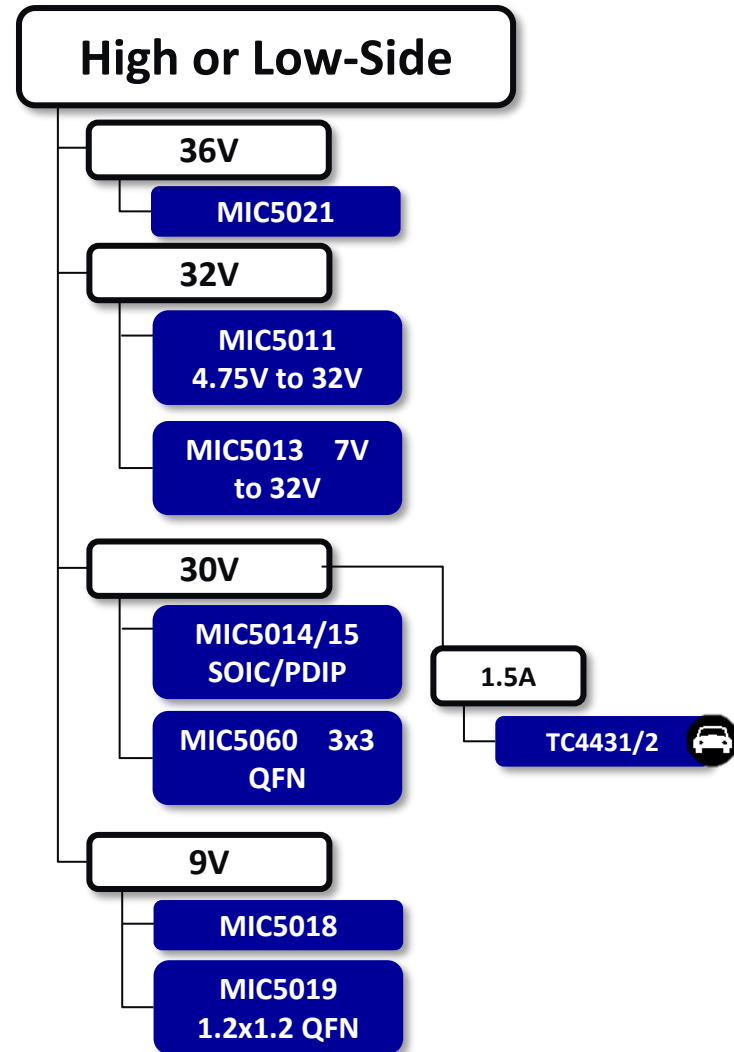
Full-Bridge MOSFET Drivers



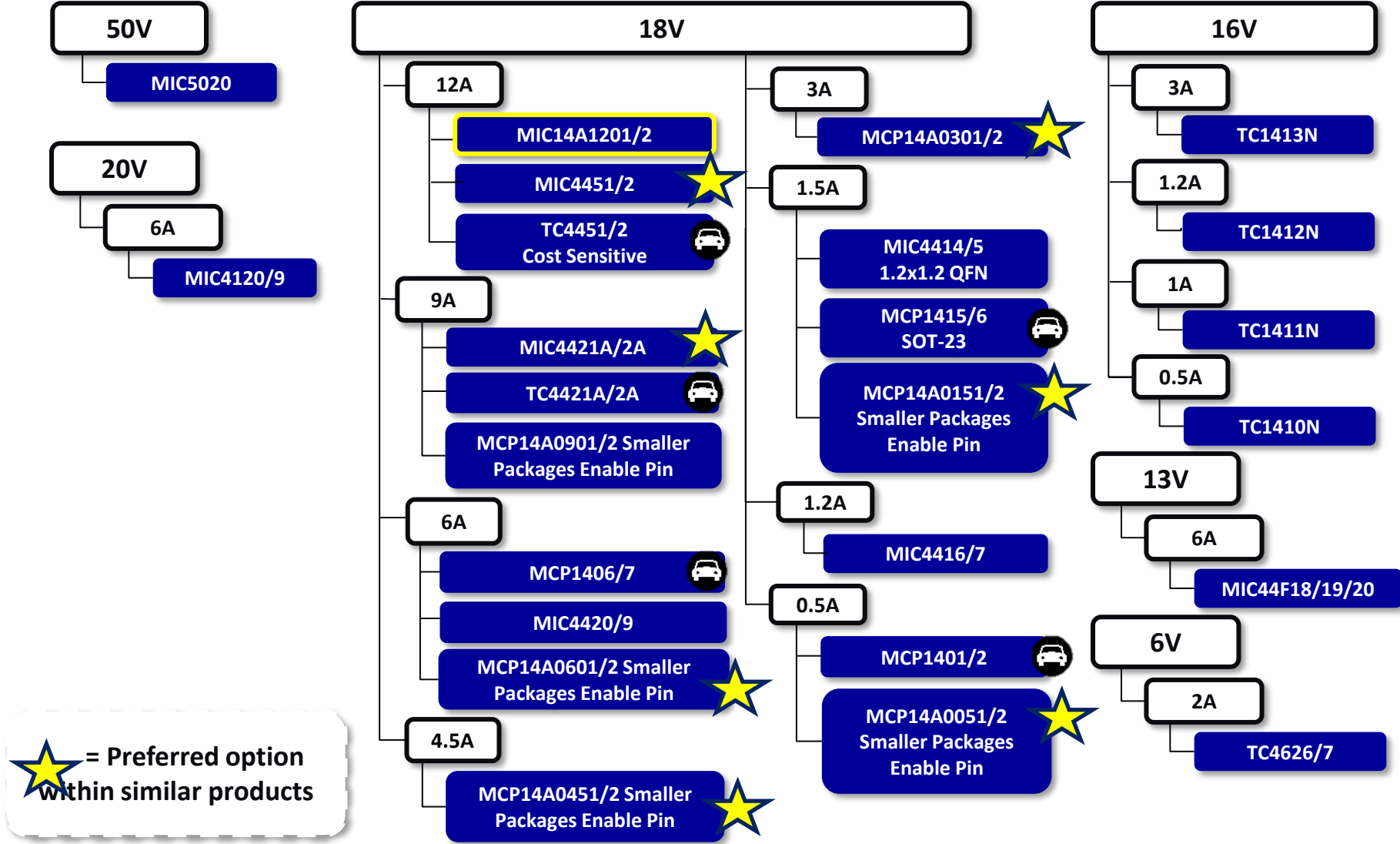
Three-Phase MOSFET Drivers



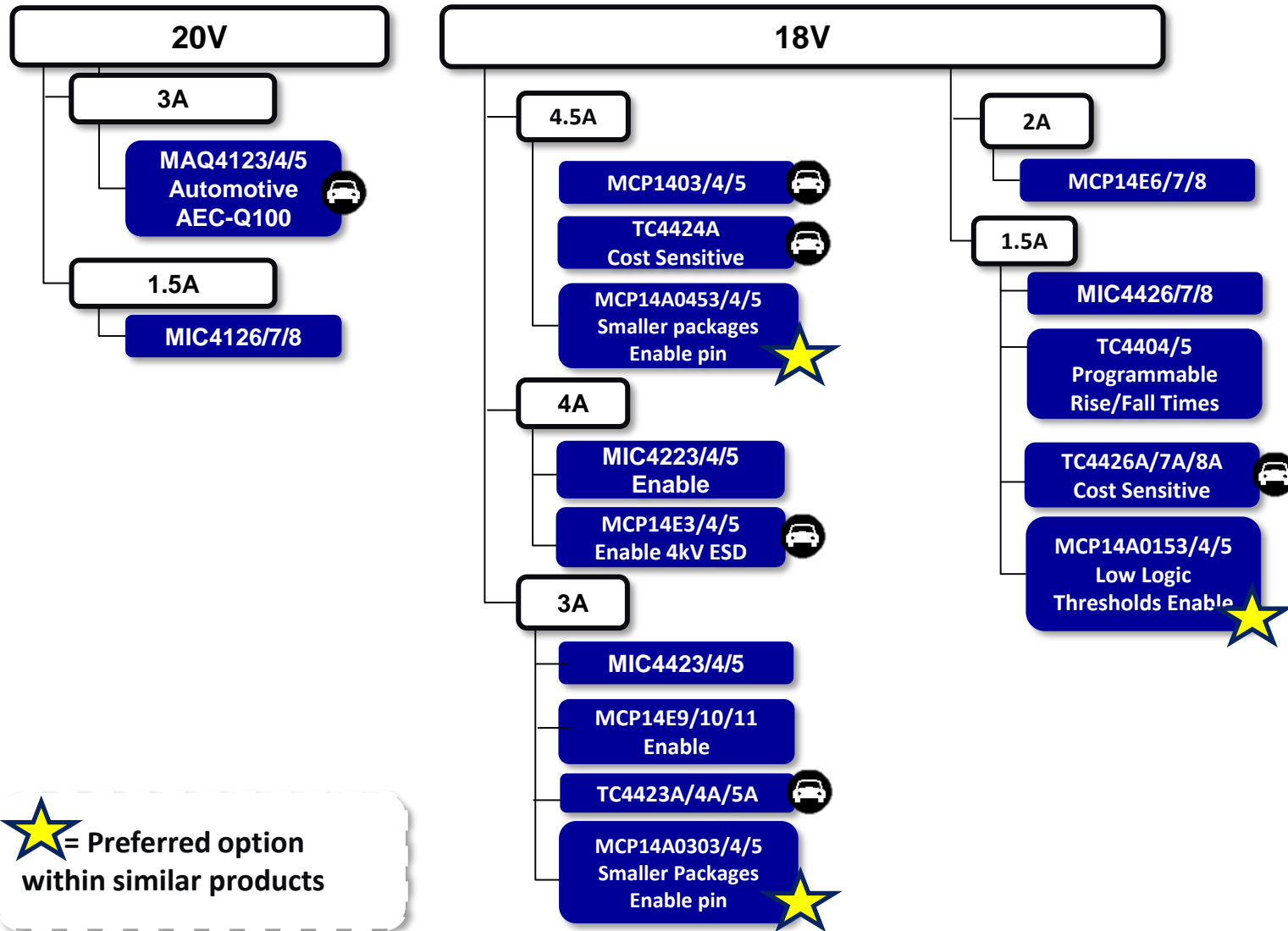
MOSFET Drivers High/Low Side



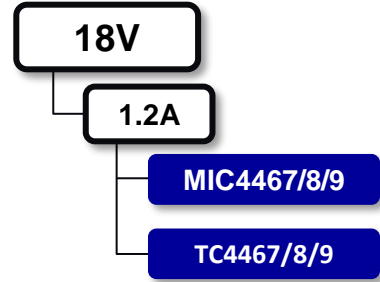
Single Output MOSFET Drivers Low-Side



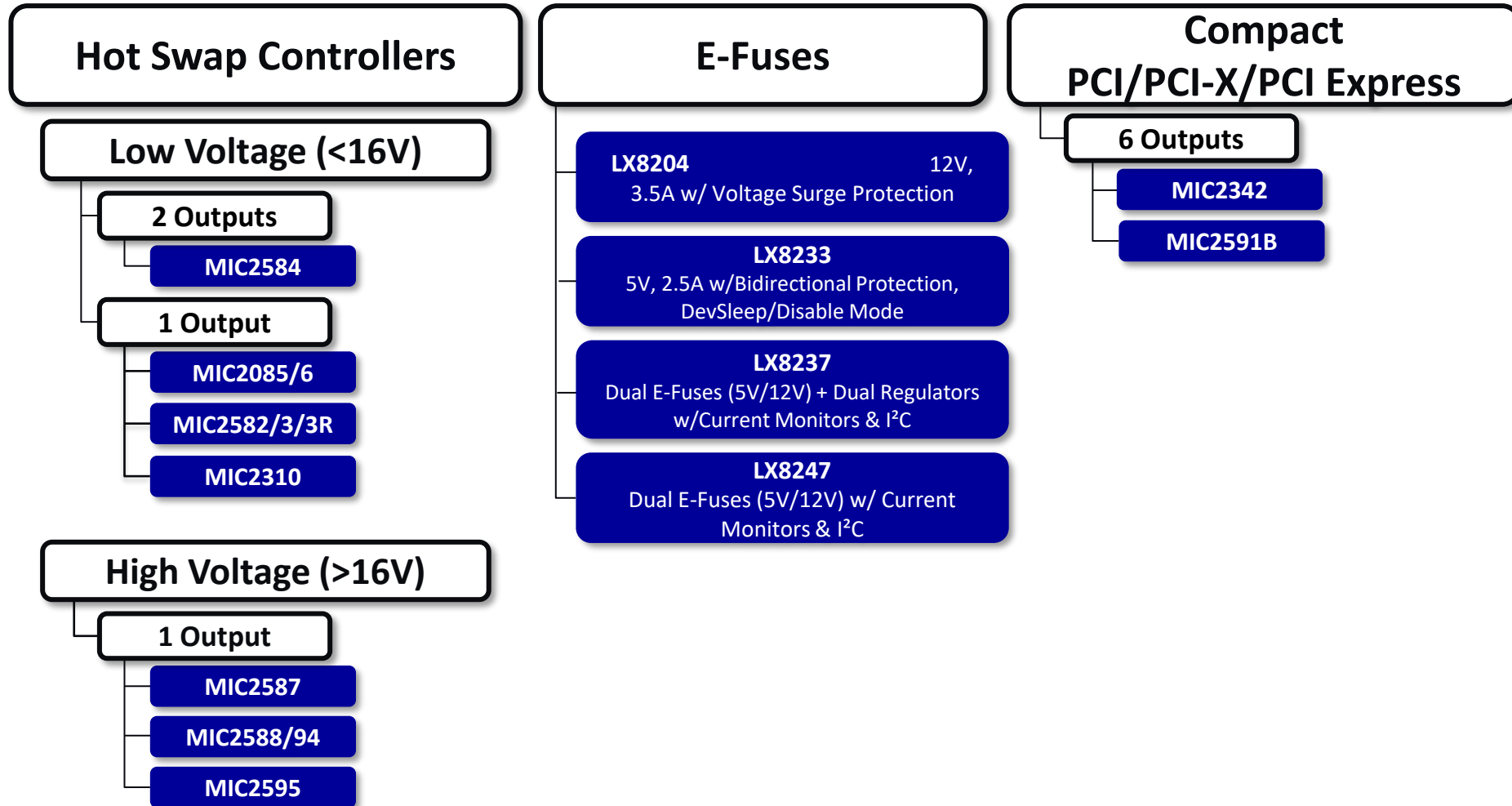
Dual Output MOSFET Drivers Low-Side



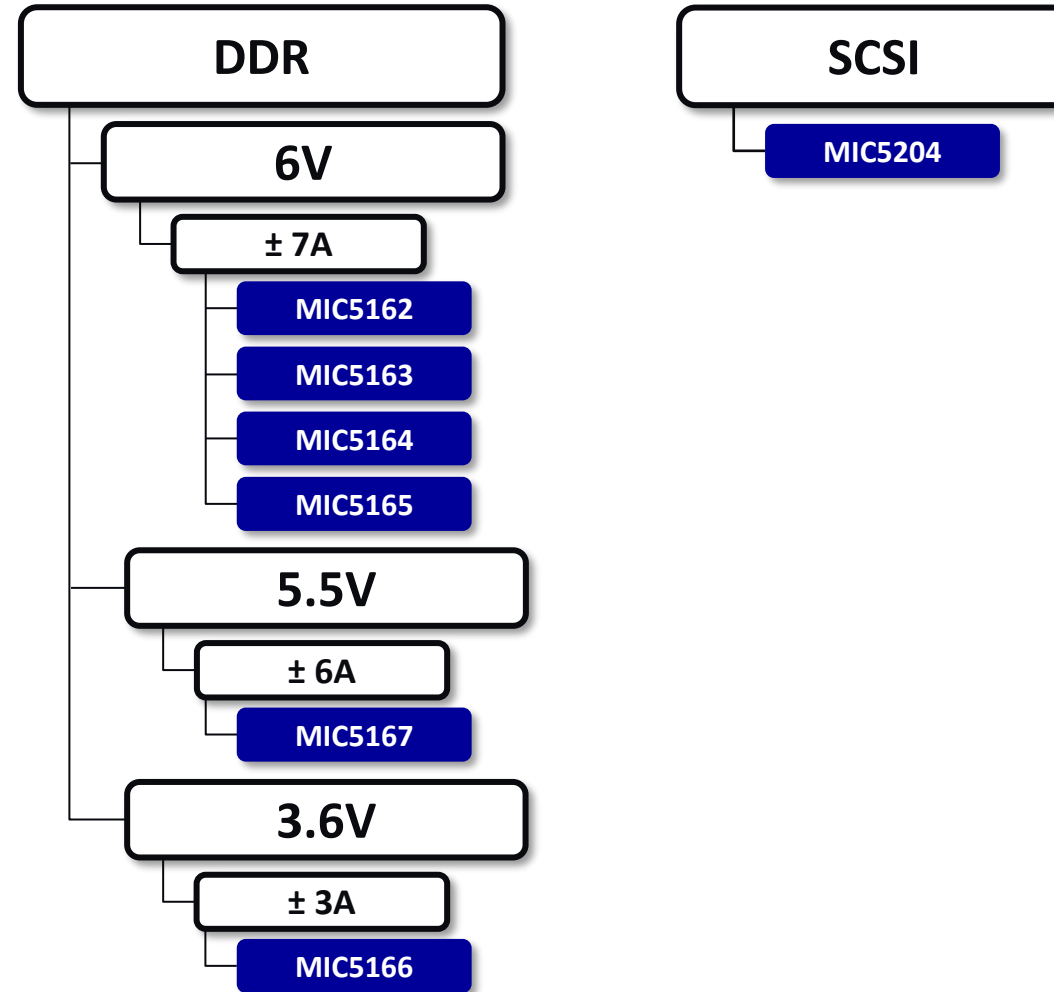
Quad Output MOSFET Drivers Low-Side



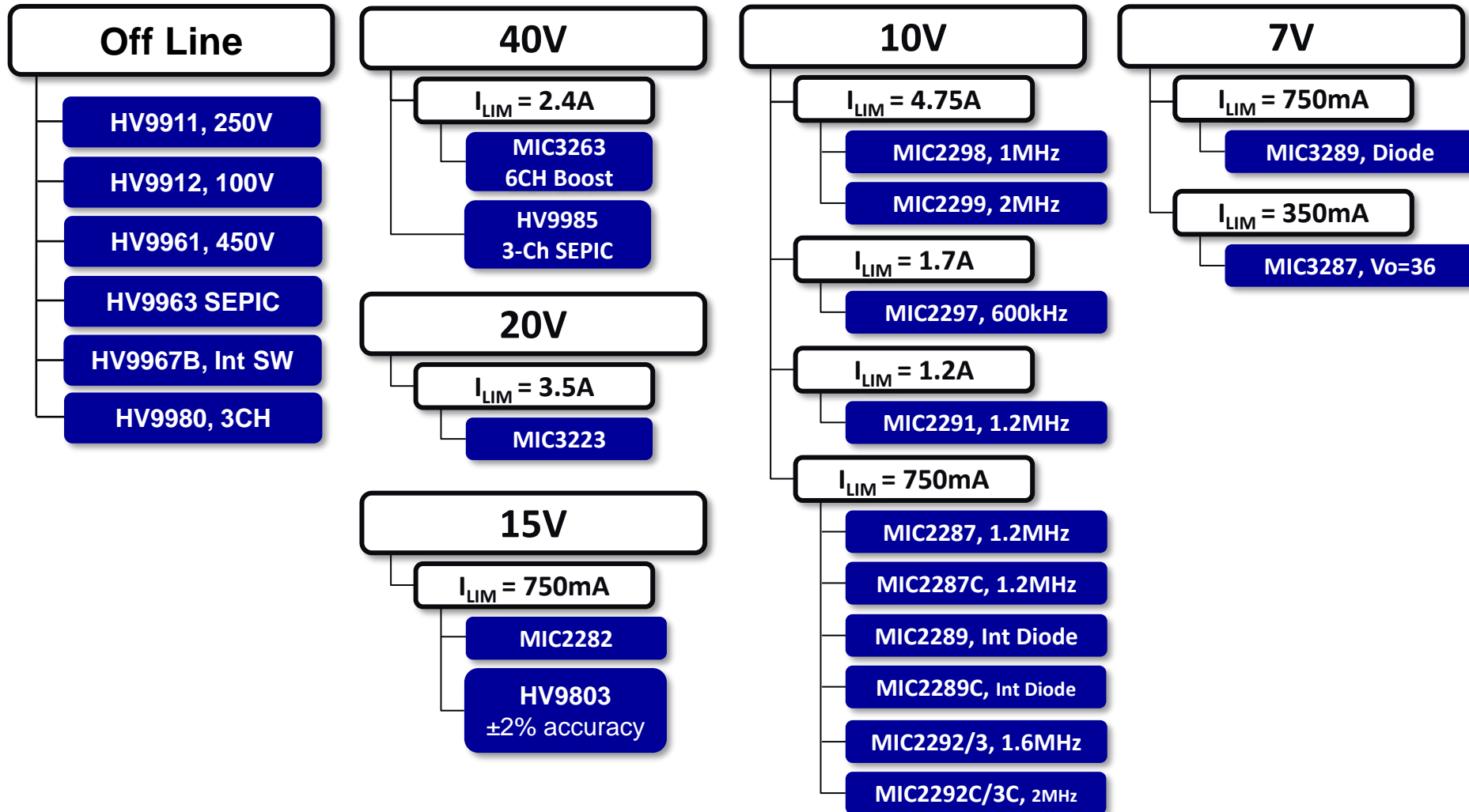
Hot Swap / E-Fuses



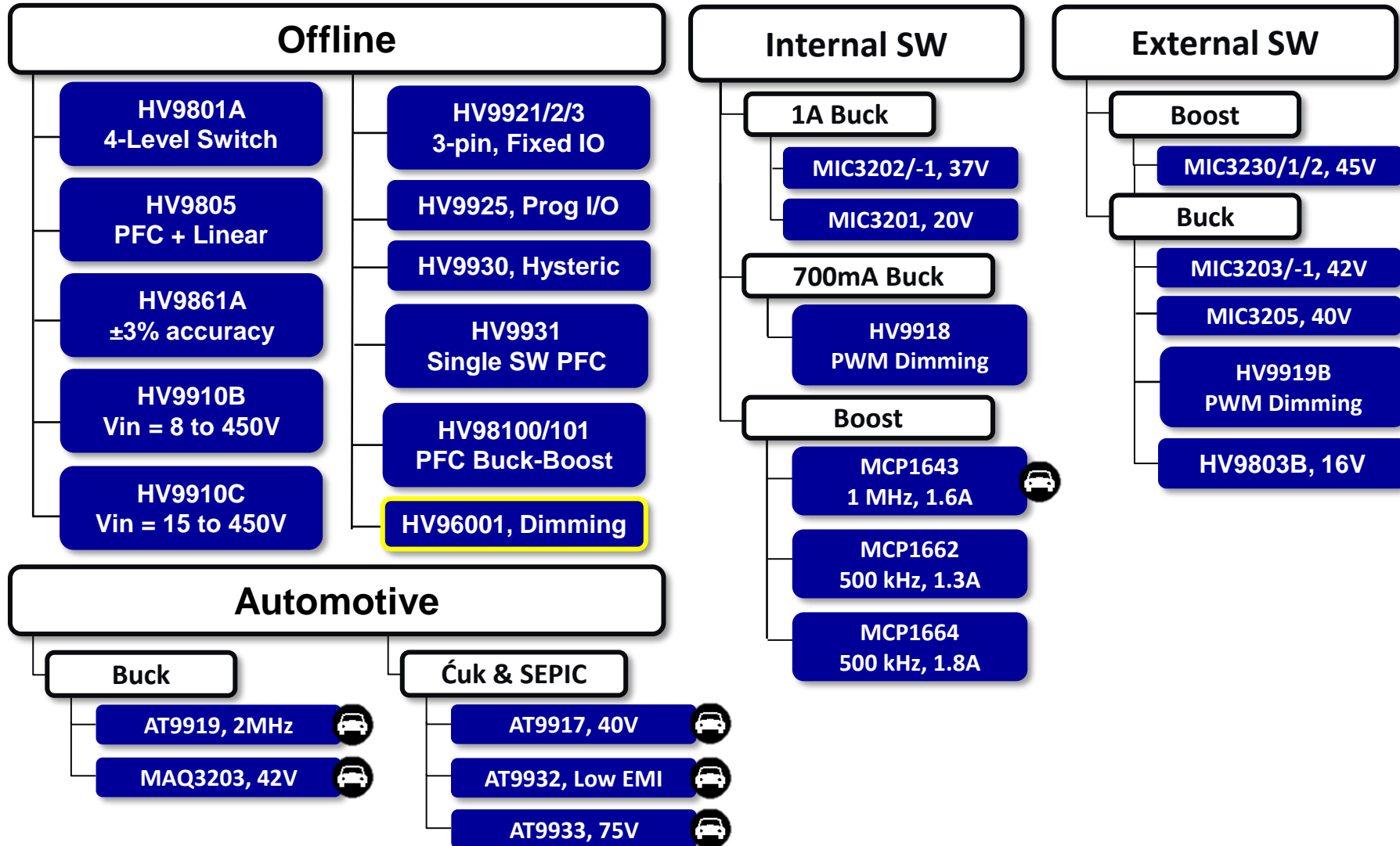
DDR / SCSI Terminators



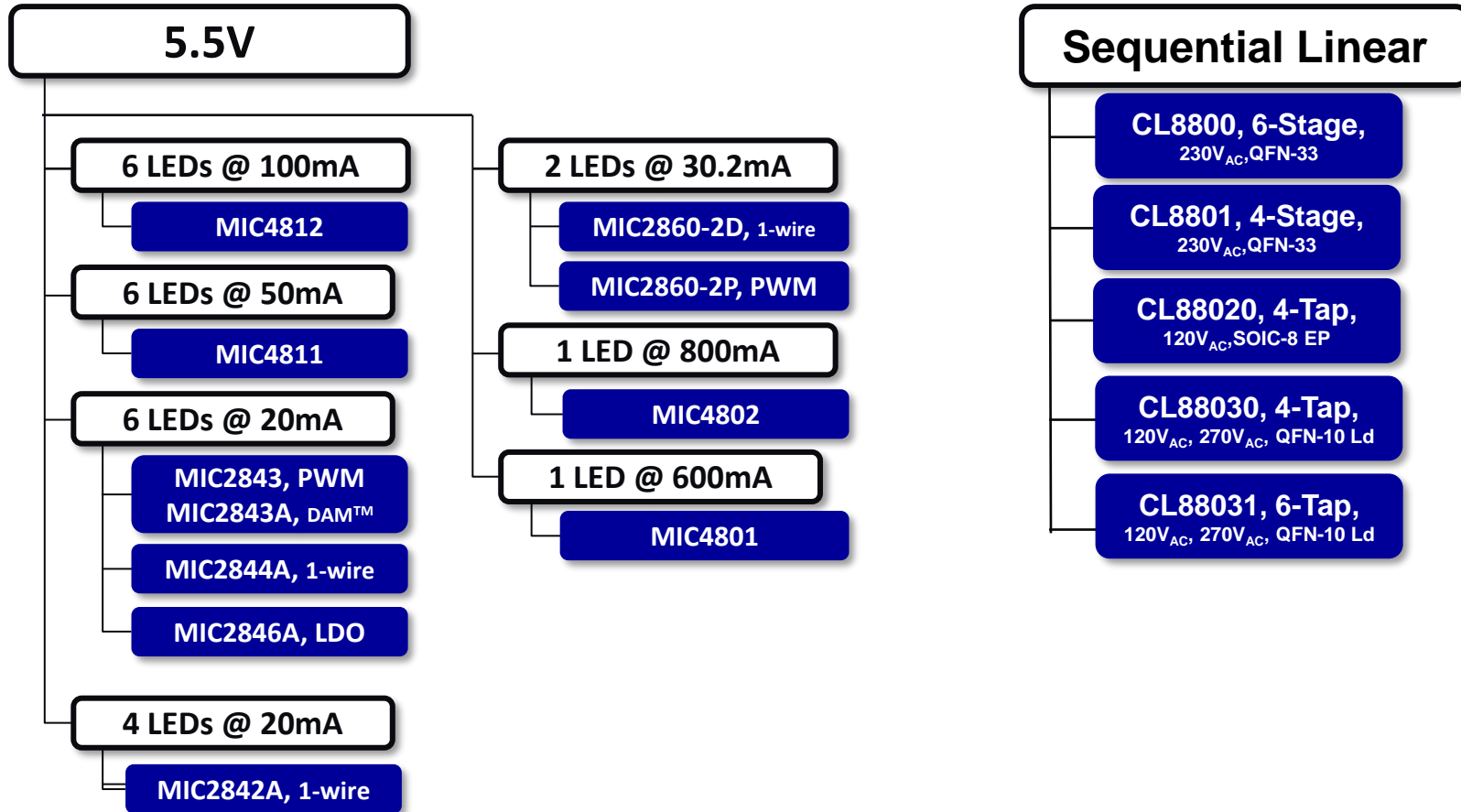
LED Backlight Drivers



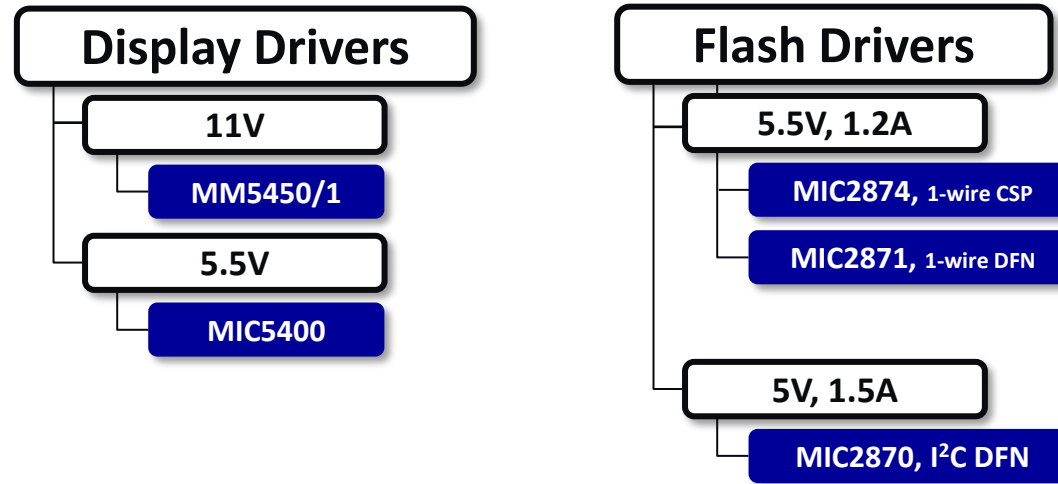
General Purpose & Automotive LED Drivers



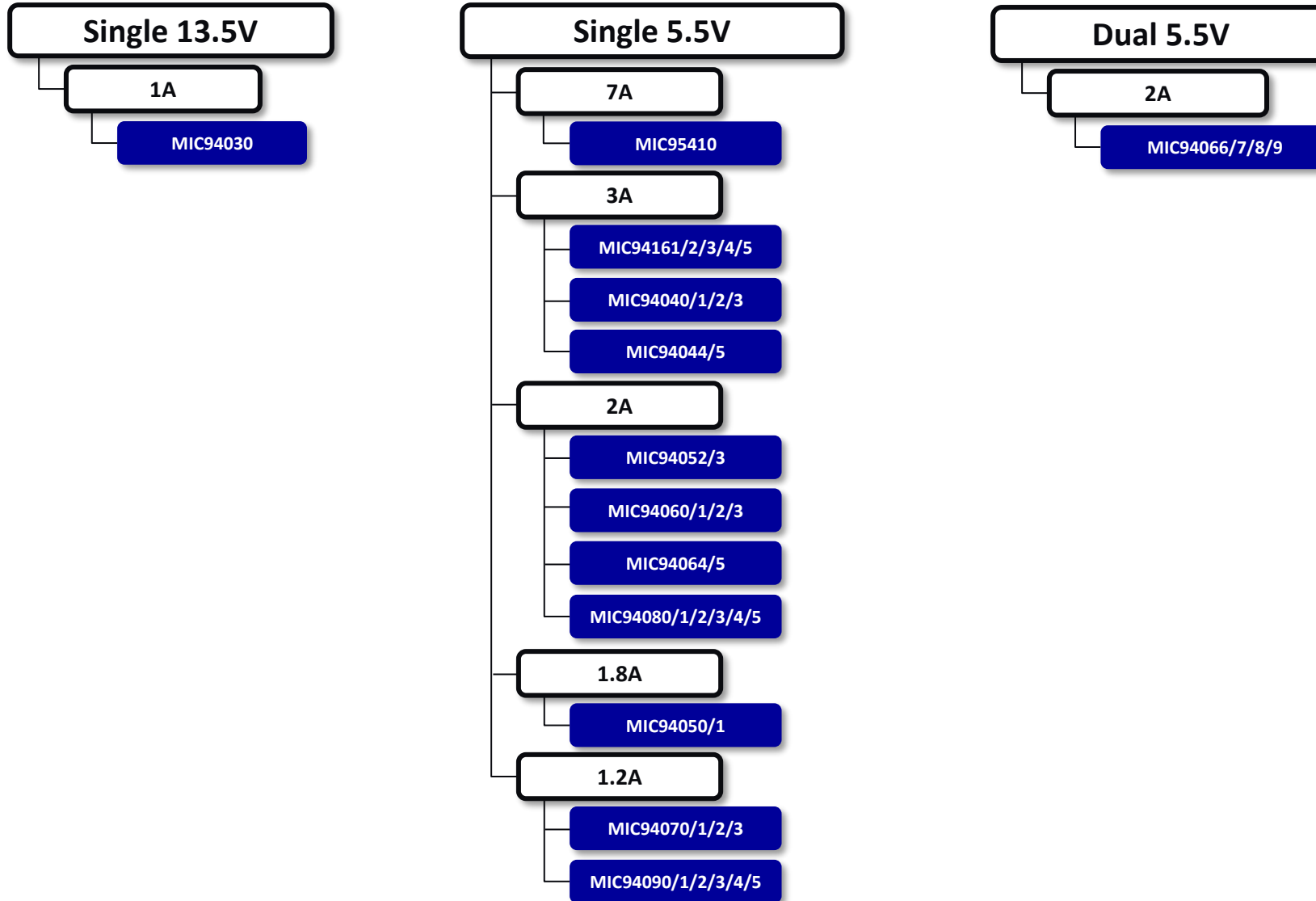
Linear LED Drivers



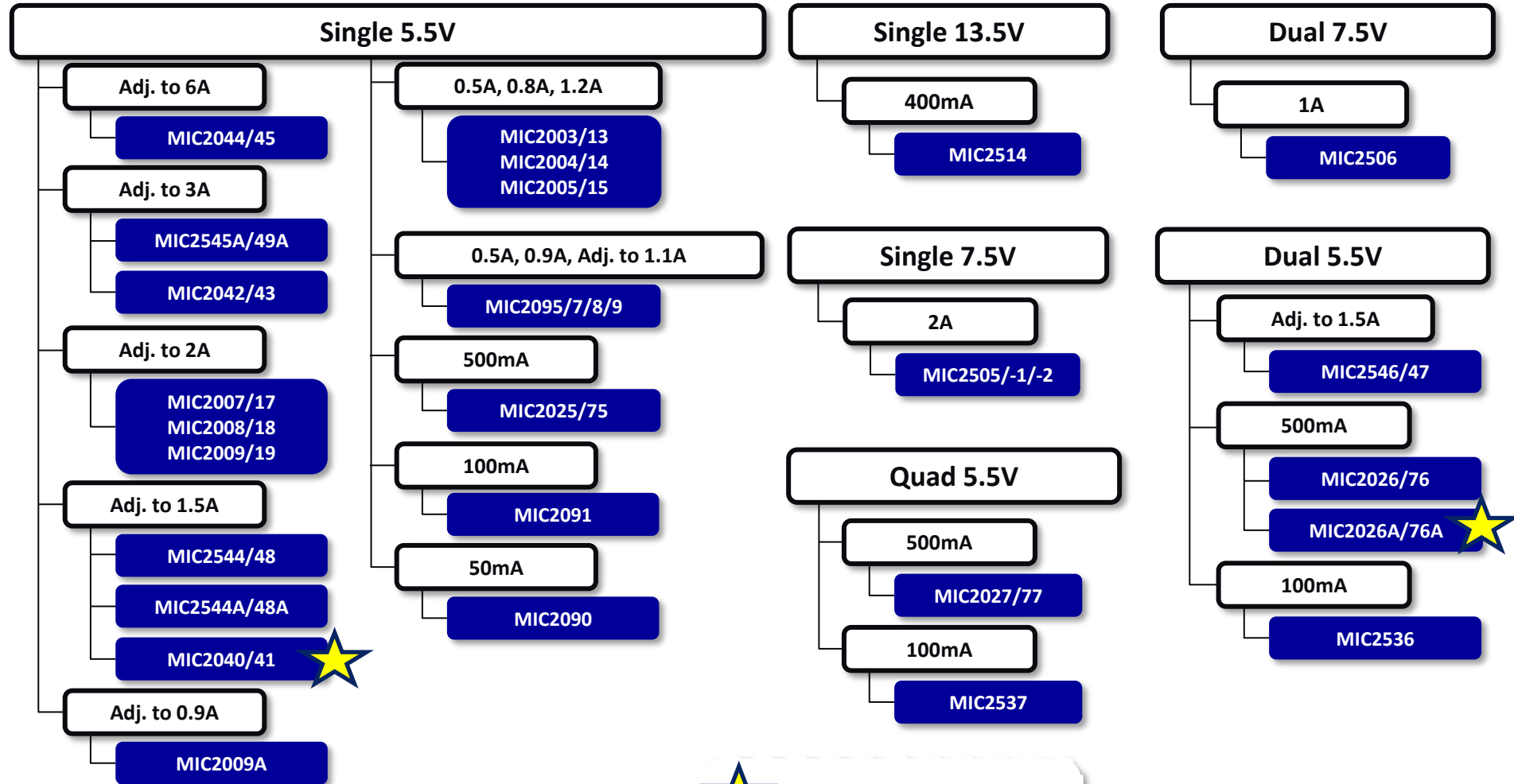
Camera Flash Drivers & Display Drivers



Single & Dual High-Side Power Switches

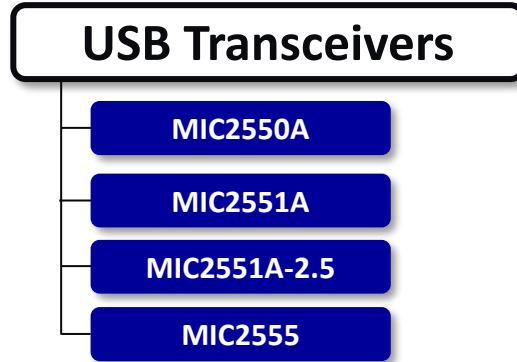


Current Limiting Load Switches

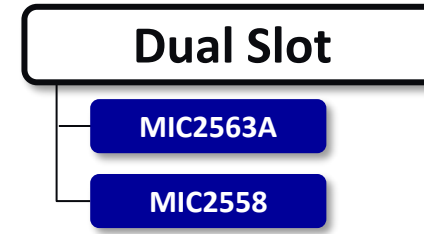
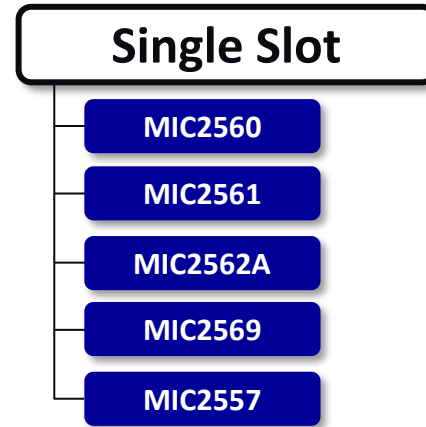


★ = Preferred option within similar products

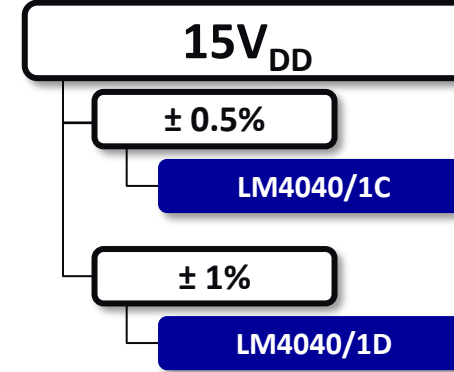
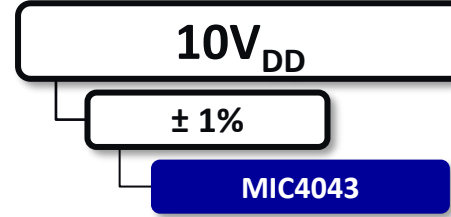
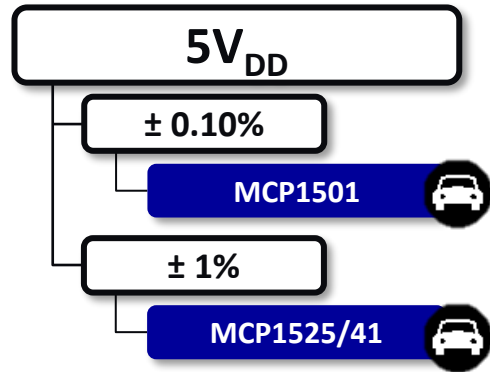
USB Transceivers



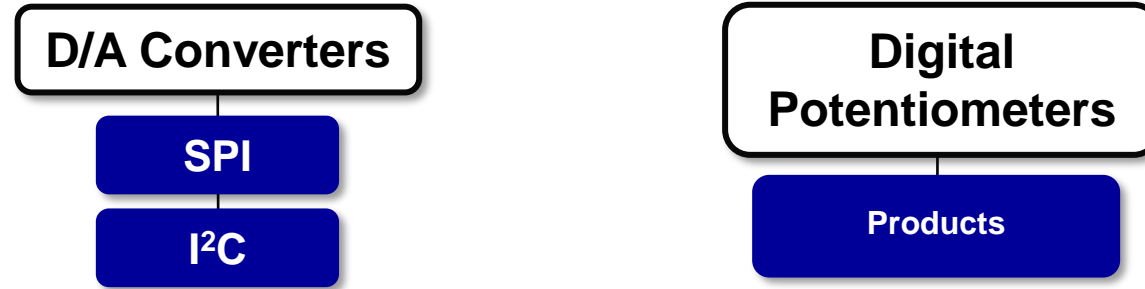
PCMCIA / CableCARD



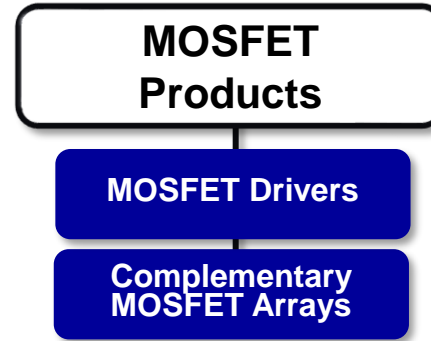
Voltage References



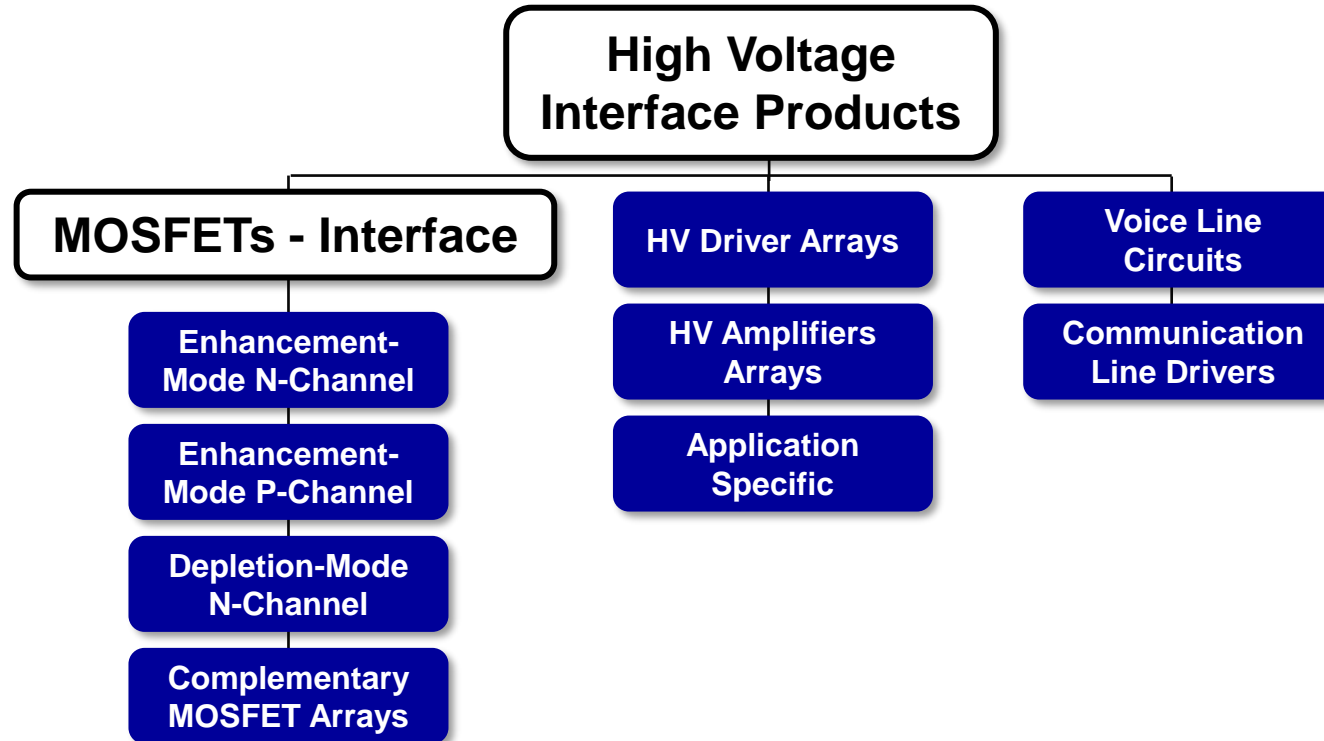
DACs & Digital Potentiometers



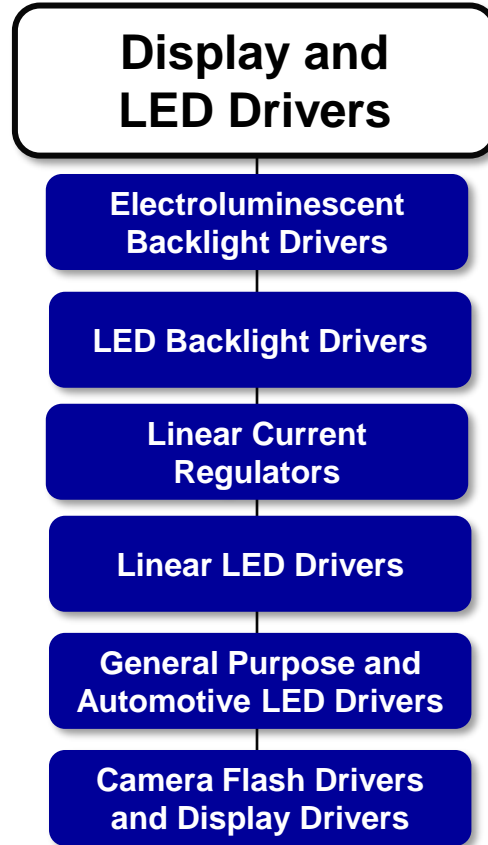
Ultrasound MOSFET Products



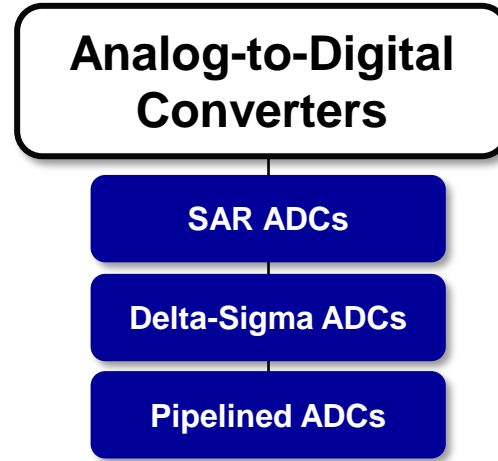
High Voltage Interface



Display/LED Drivers

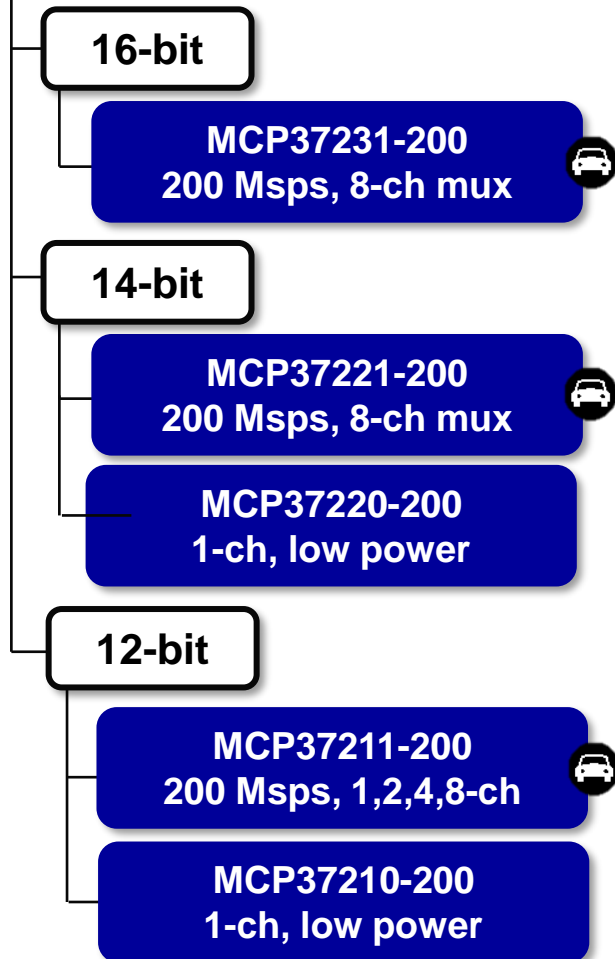


Analog-to-Digital Converters

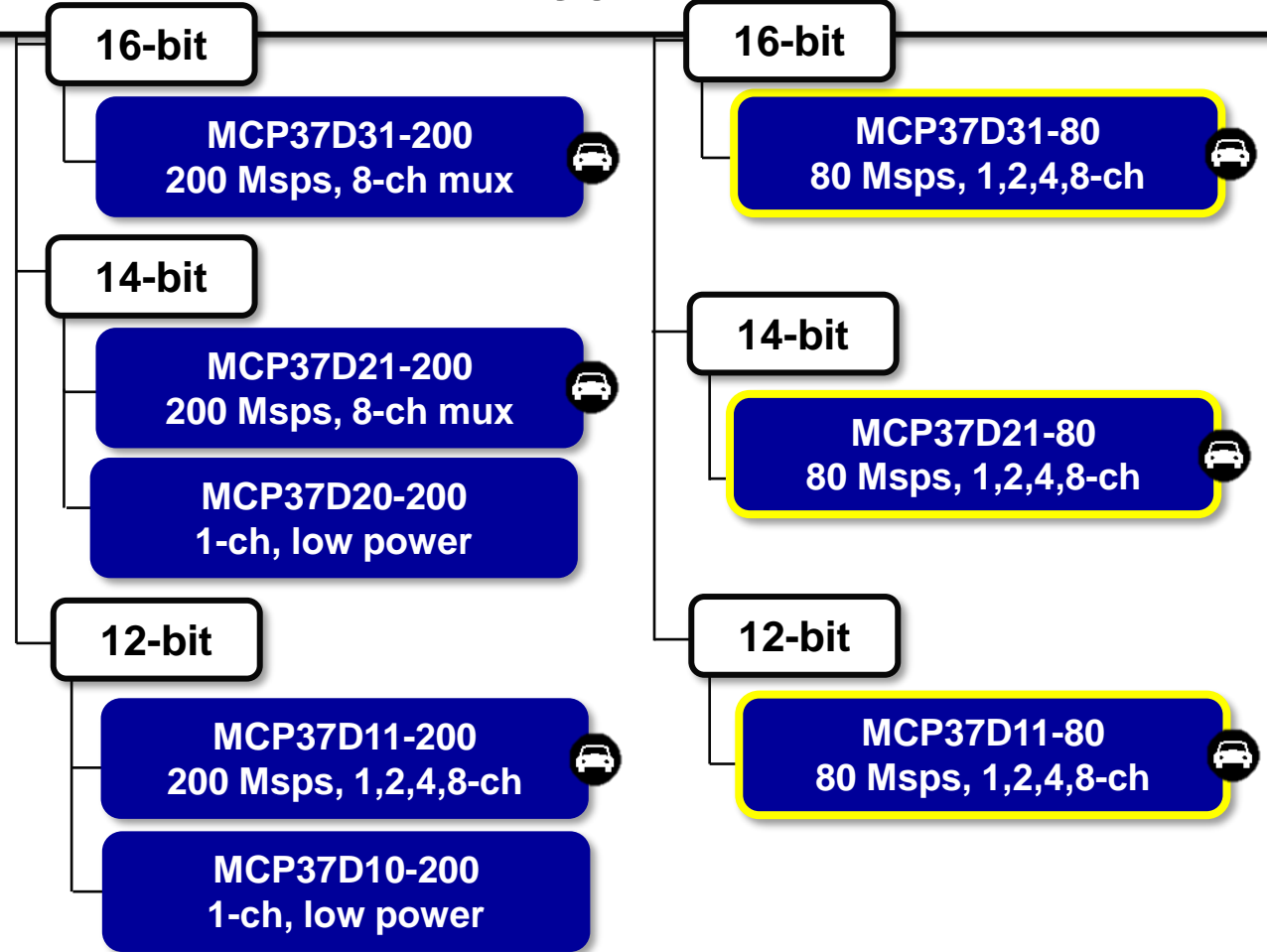


Pipelined A/D Converters

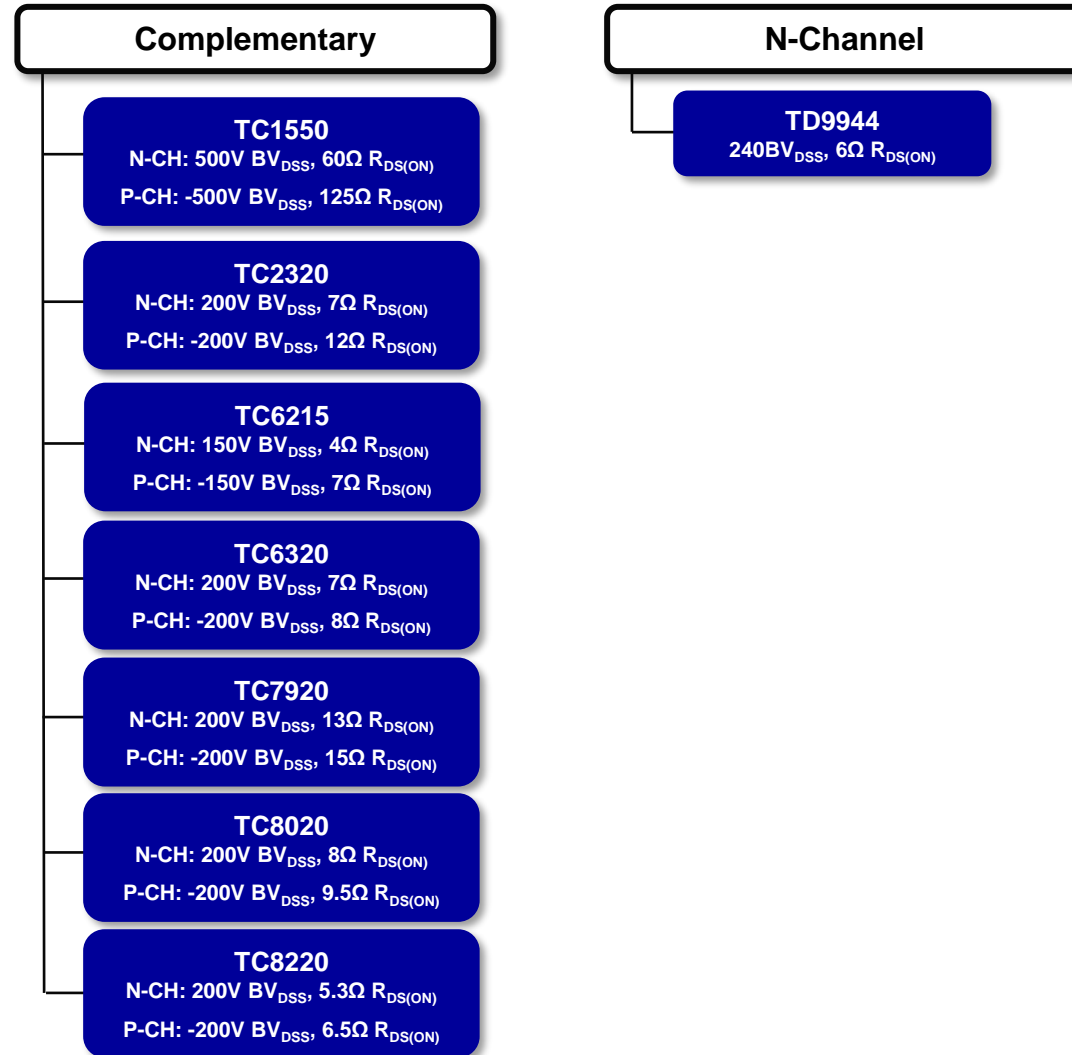
Pipelined ADCs



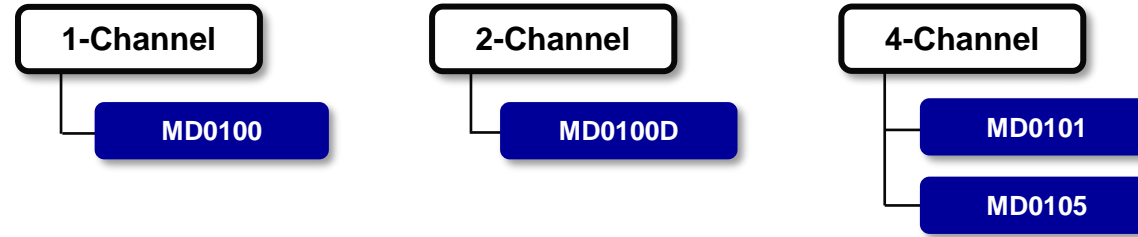
Pipelined ADCs with Integrated Digital Down-converter



Complementary MOSFET Arrays



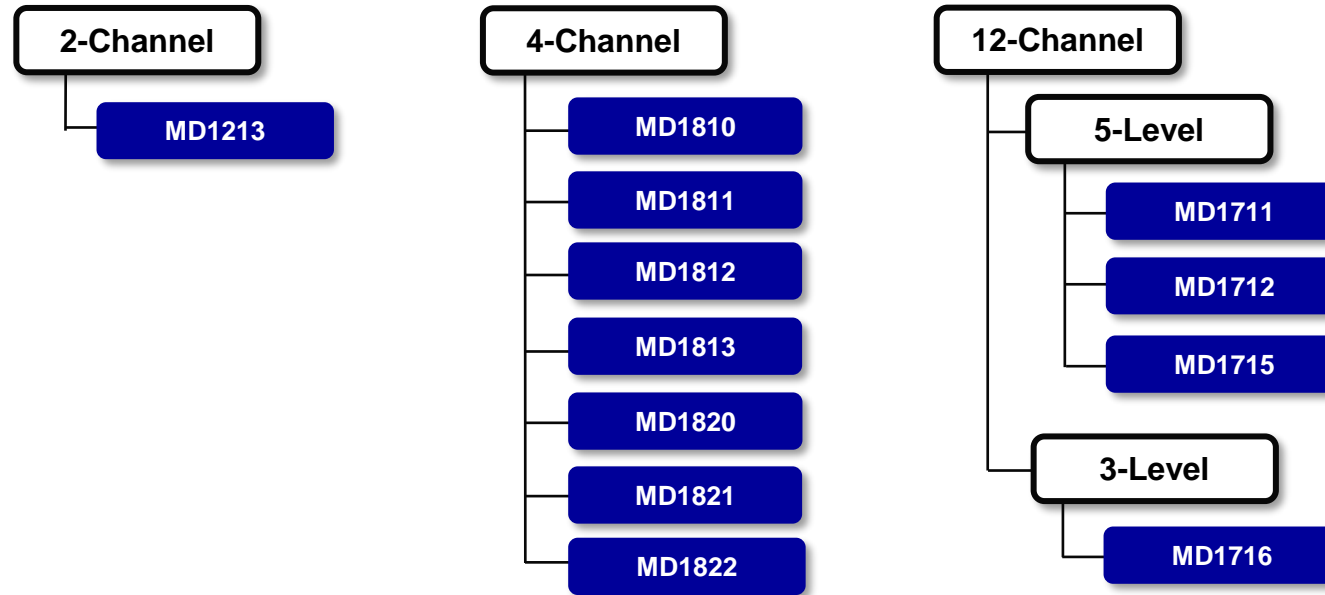
Ultrasound Transmit/Receive Switch ICs



<< BACK to Ultrasound Transmit /Receive Switch Ics Demo & Eval Boards

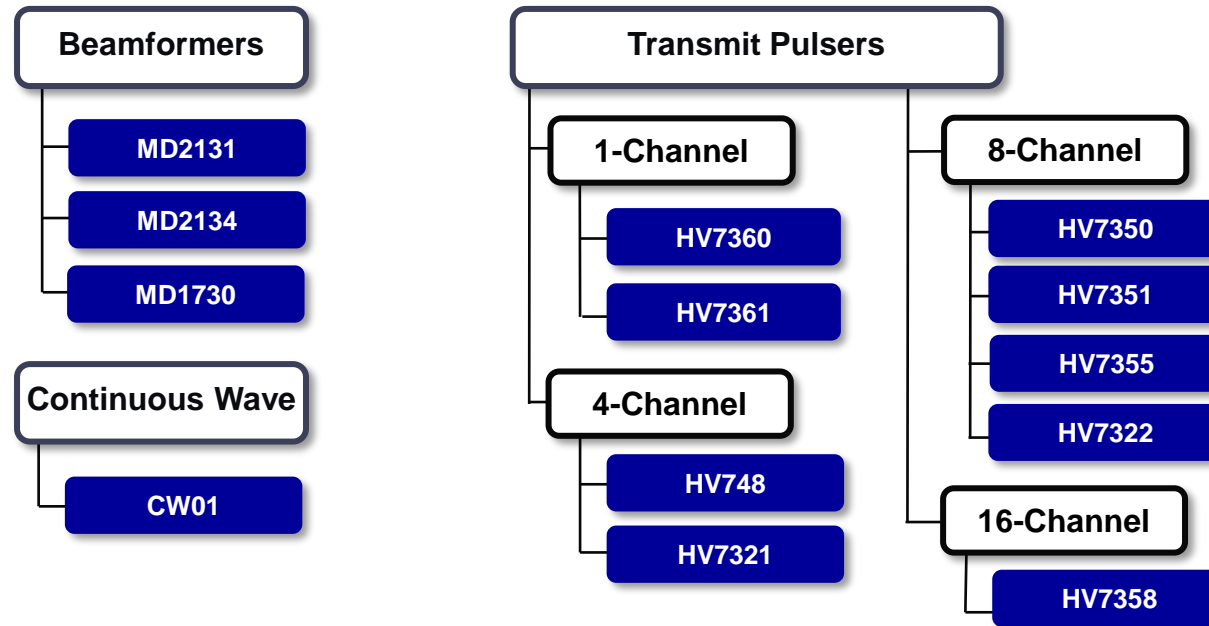


Ultrasound MOSFET Drivers



<< BACK to Ultrasound MOSFET Driver Demo & Eval Boards

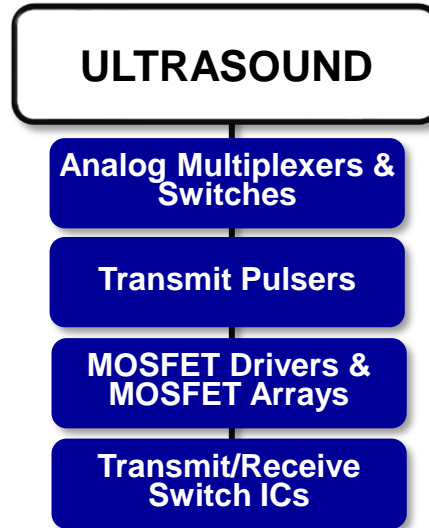
Ultrasound Transmit ICs



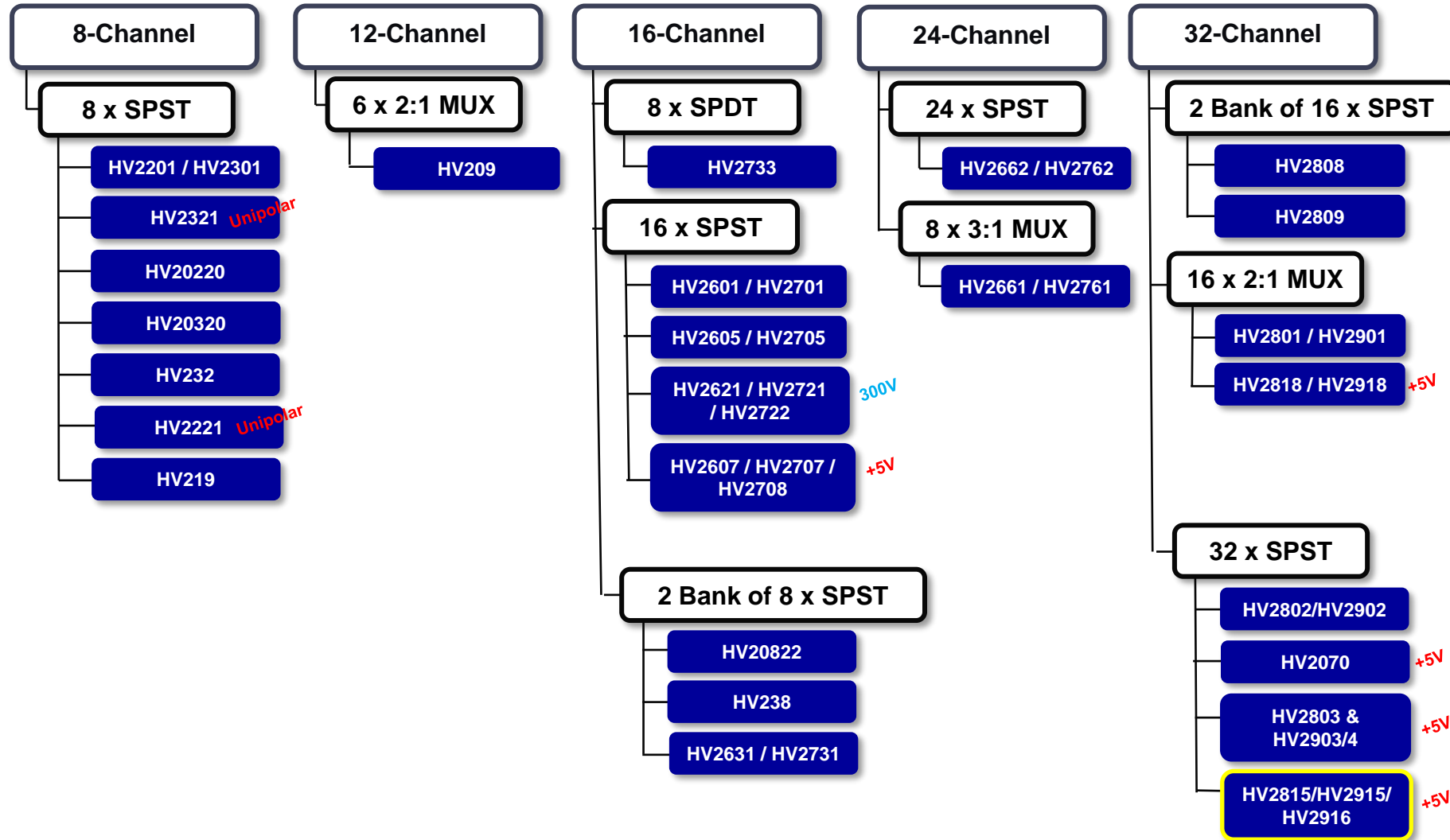
<< BACK to Ultrasound Transmit IC Demo & Eval Boards



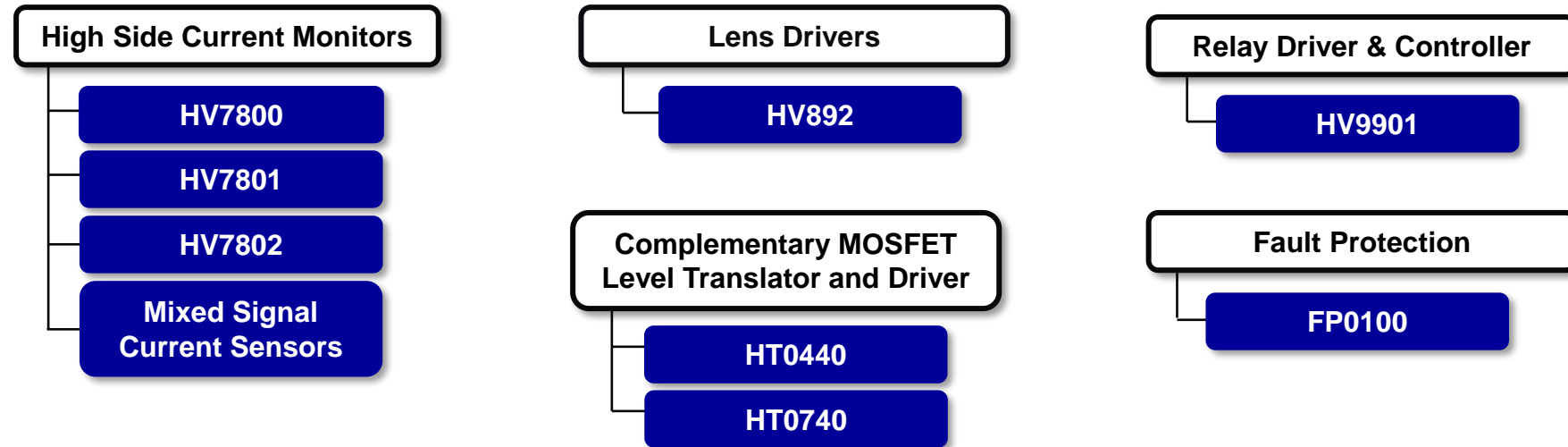
Ultrasound Products



Ultrasound Analog Multiplexers & Switches



Application Specific



Voice Line Circuits

Short Loop Integrated SLAC / SLIC

- Le9643 / 53
Single Channel
- Le9652
Dual Channel Tracker ZSI
- Le9642
Dual Channel Shared ZSI
- Le9632
Dual Channel Tracker PCM
- Le9622
Dual Channel Shared PCM

Short Loop SLIC Only

- Le9540
Dual Channel SLIC
- Le9541
Single Channel SLIC
- Le9551
Single Channel SLIC

Long Loop Carrier Class Chip Sets

- Le79124
72 CH Voice Controller
- Le79128
128 CH Voice Controller
- Le792388
Octal SLAC
- ZL792588
Octal SLAC w/ Ext Ringing
- Le79271
Single Channel SLIC
- Le79272
Dual Channel SLIC



Communication Line Drivers

xDSL Line Drivers

Le87251
2 CH ADSL2+ Driver

Le87270
1 CH VDSL2 Class AB

Le87271
1 CH xDSL Class AB

Le87557
1 CH xDSL Class AB

Le87290
2 CH VDSL2 Class H

G Fast Line Drivers

Le87281
1 CH G.Fast Driver

Le87282
2 CH G.Fast Driver

Le87285
1 CH G.Fast Driver

Le87286
1 CH G.Fast Driver

Power Line Communication Line Drivers

Le87401
1 CH Class GH

Le87402
2 CH Class GH

Le87501
1 CH Class AB

Le87511
1 CH Class AB w/ Gain

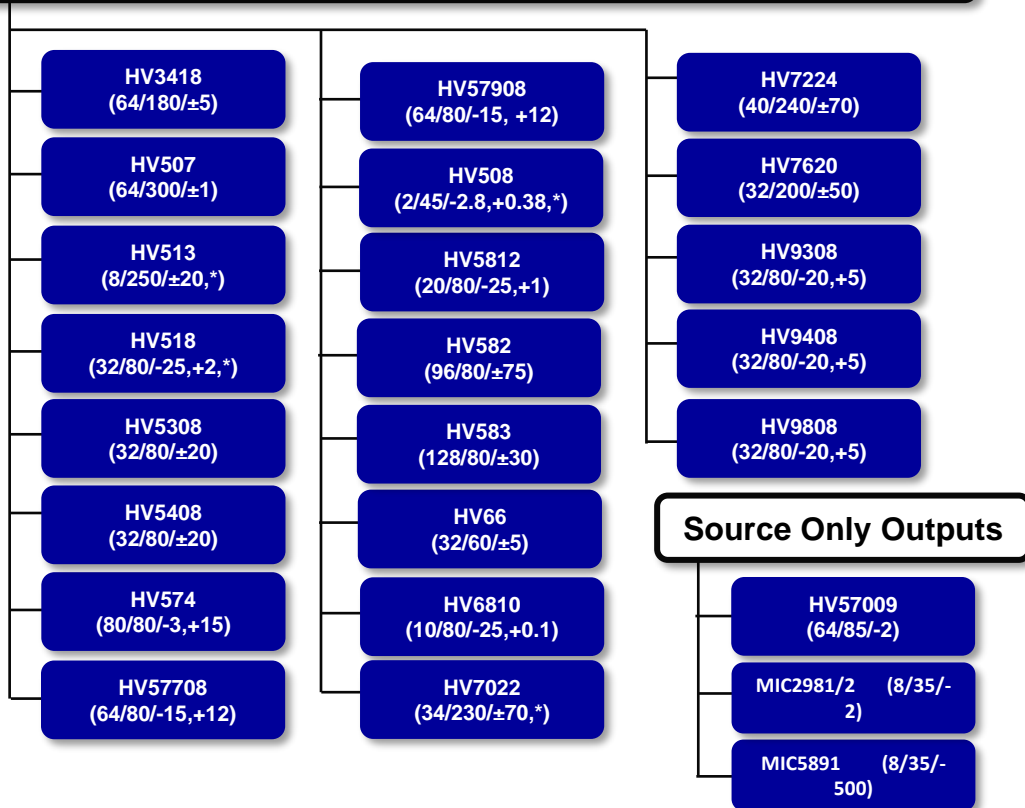
Le87611
1 CH Class AB w/ 100mA Drive

Le87612
2 CH Class AB w/ 100mA Drive

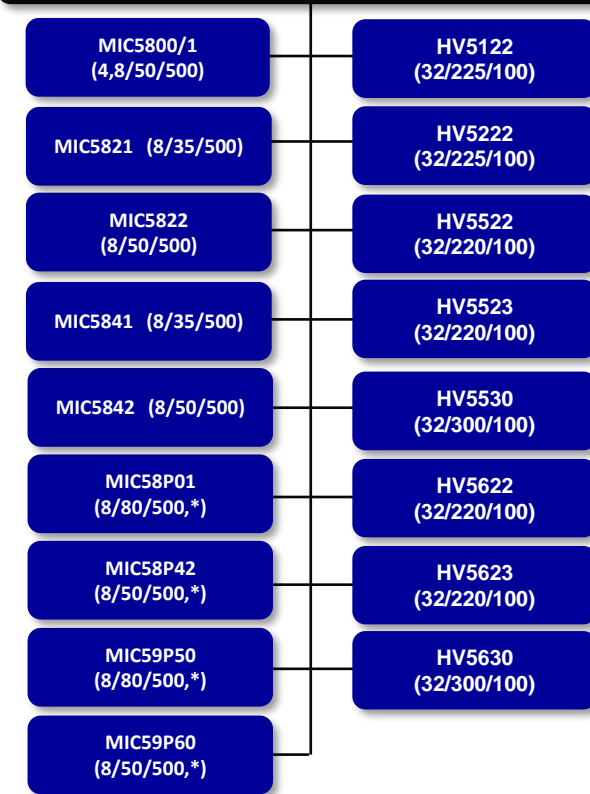


HV Driver Arrays

Source-Sink Outputs



Sink Only Outputs

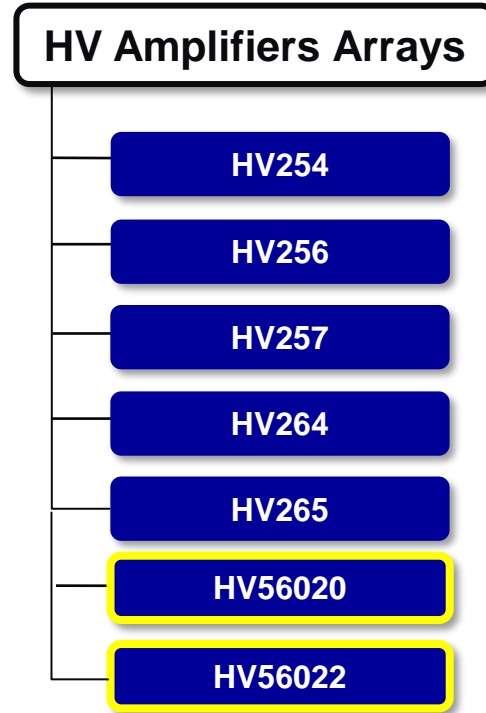


NOTE: ##/## below part number are Channel Count/Voltage Out (Operating)/Current per Channel (mA), and * if there is are notes in mouse-over text. Each have their own considerations w.r.t. digital controls.

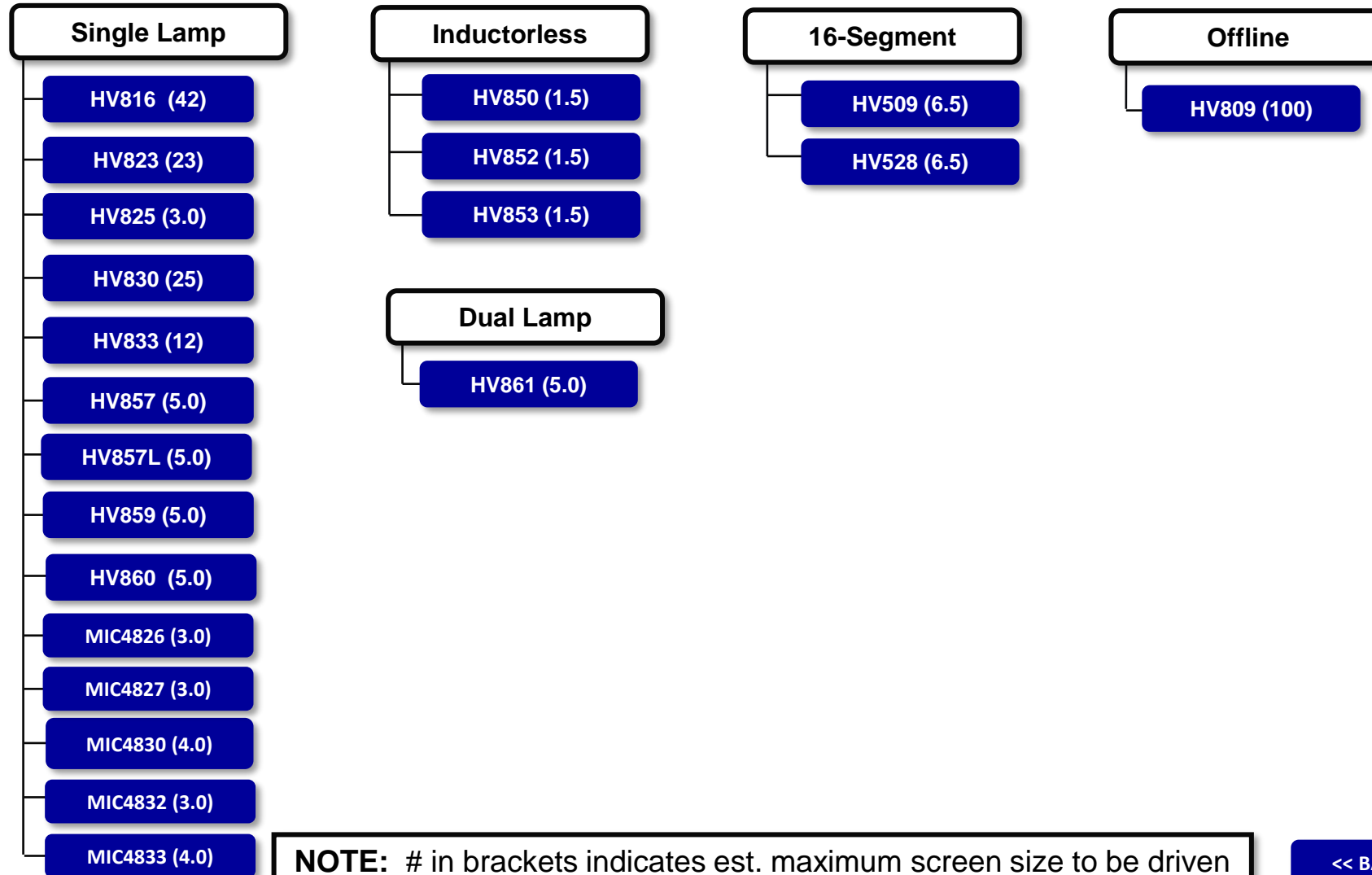
<< BACK



HV Amplifiers Arrays



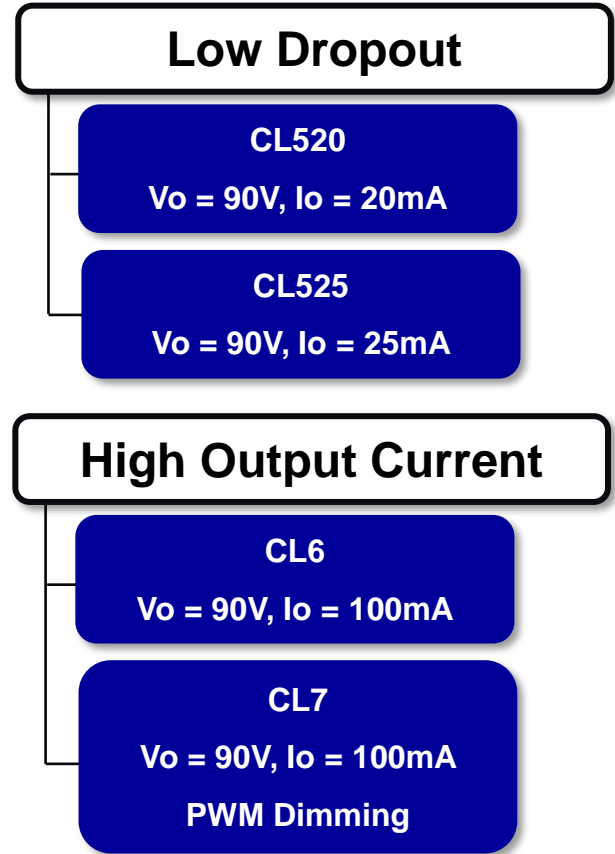
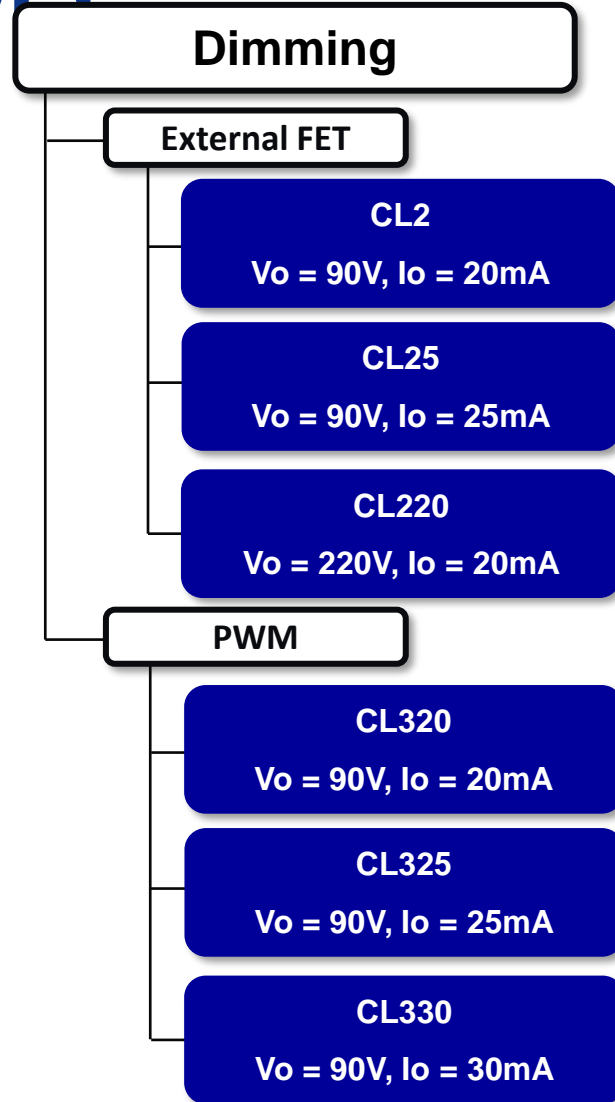
Electroluminescent (EL) Backlight Drivers



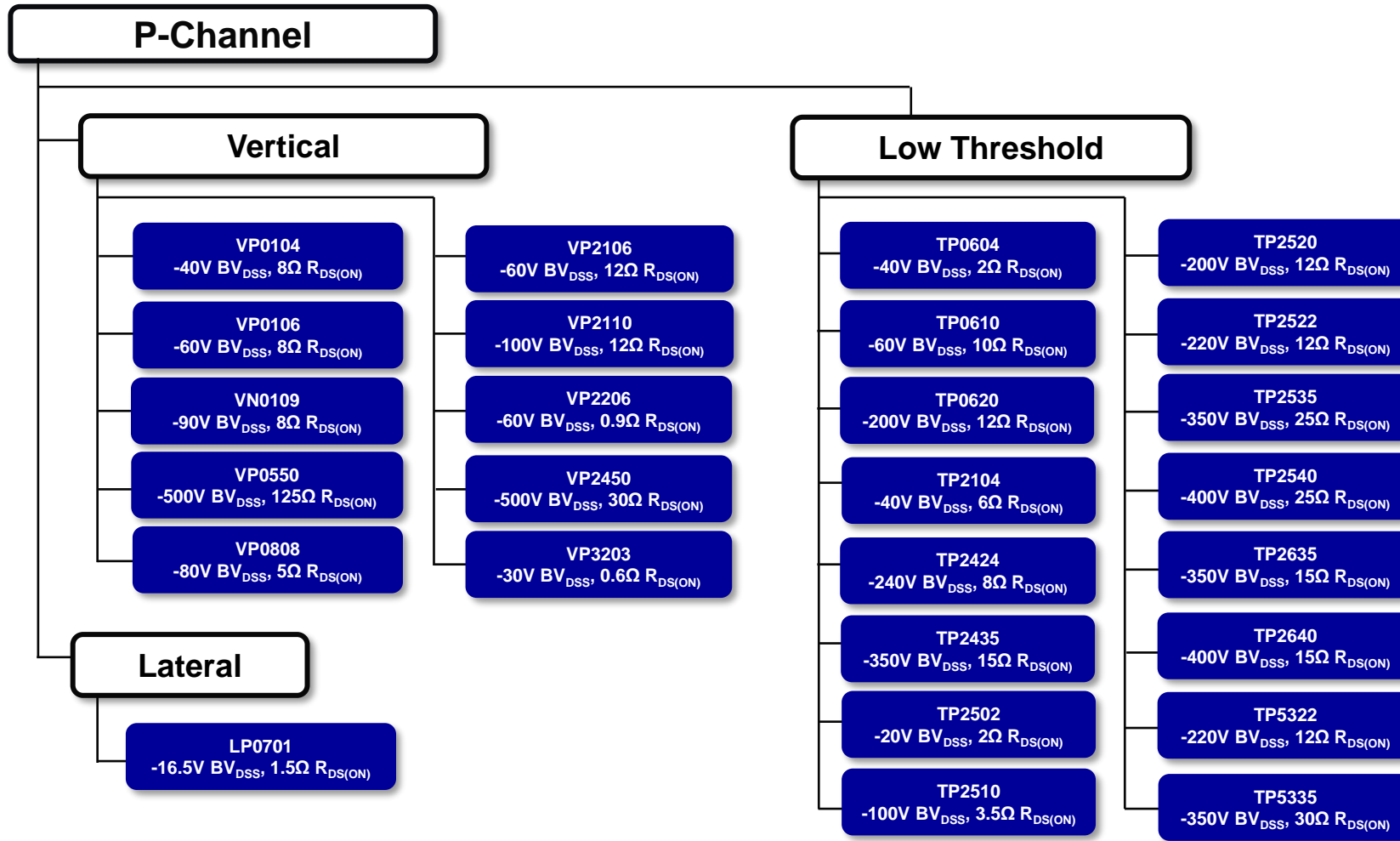
<< BACK



Linear Current Regulators



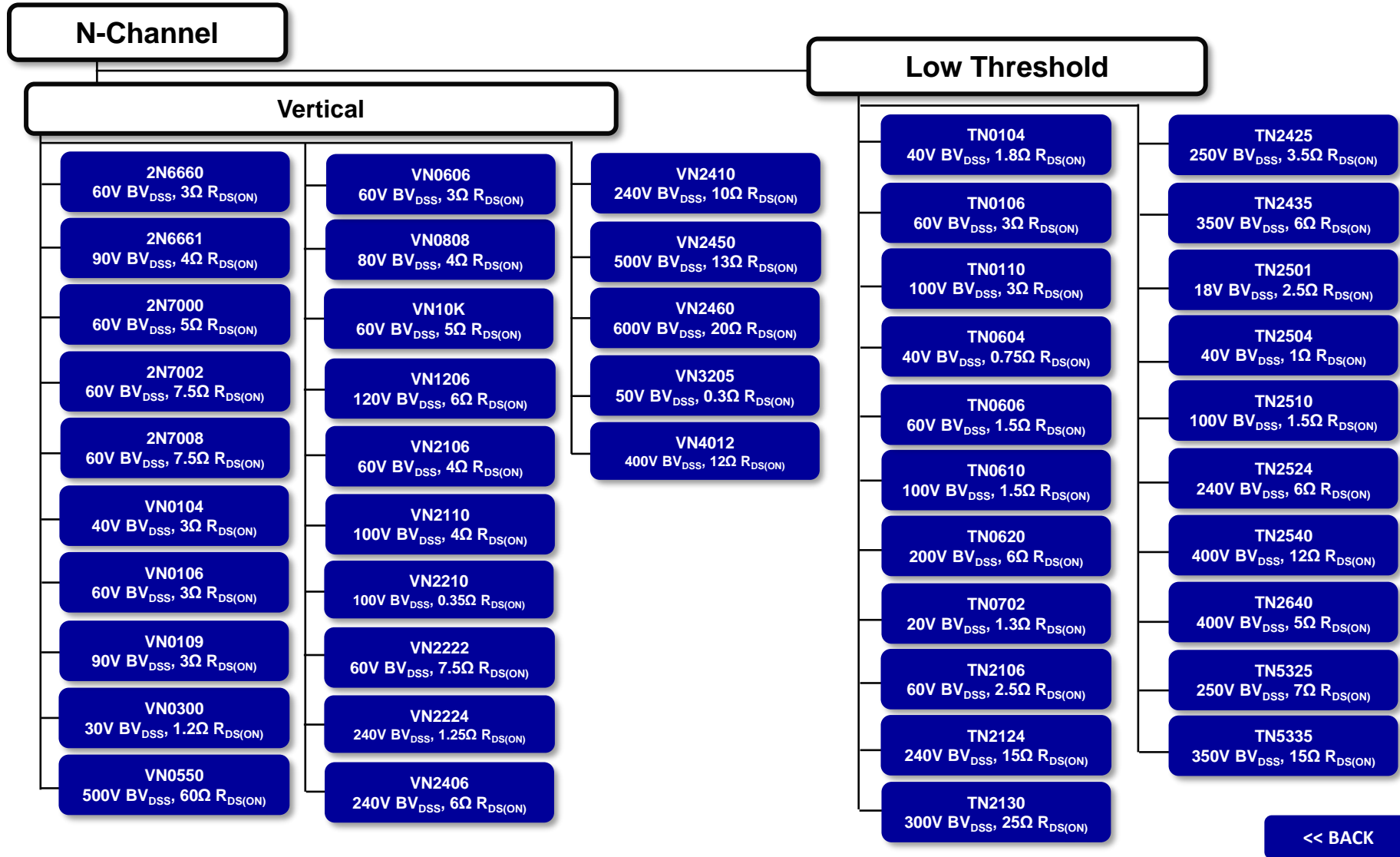
P-Channel Enhancement Mode MOSFETs



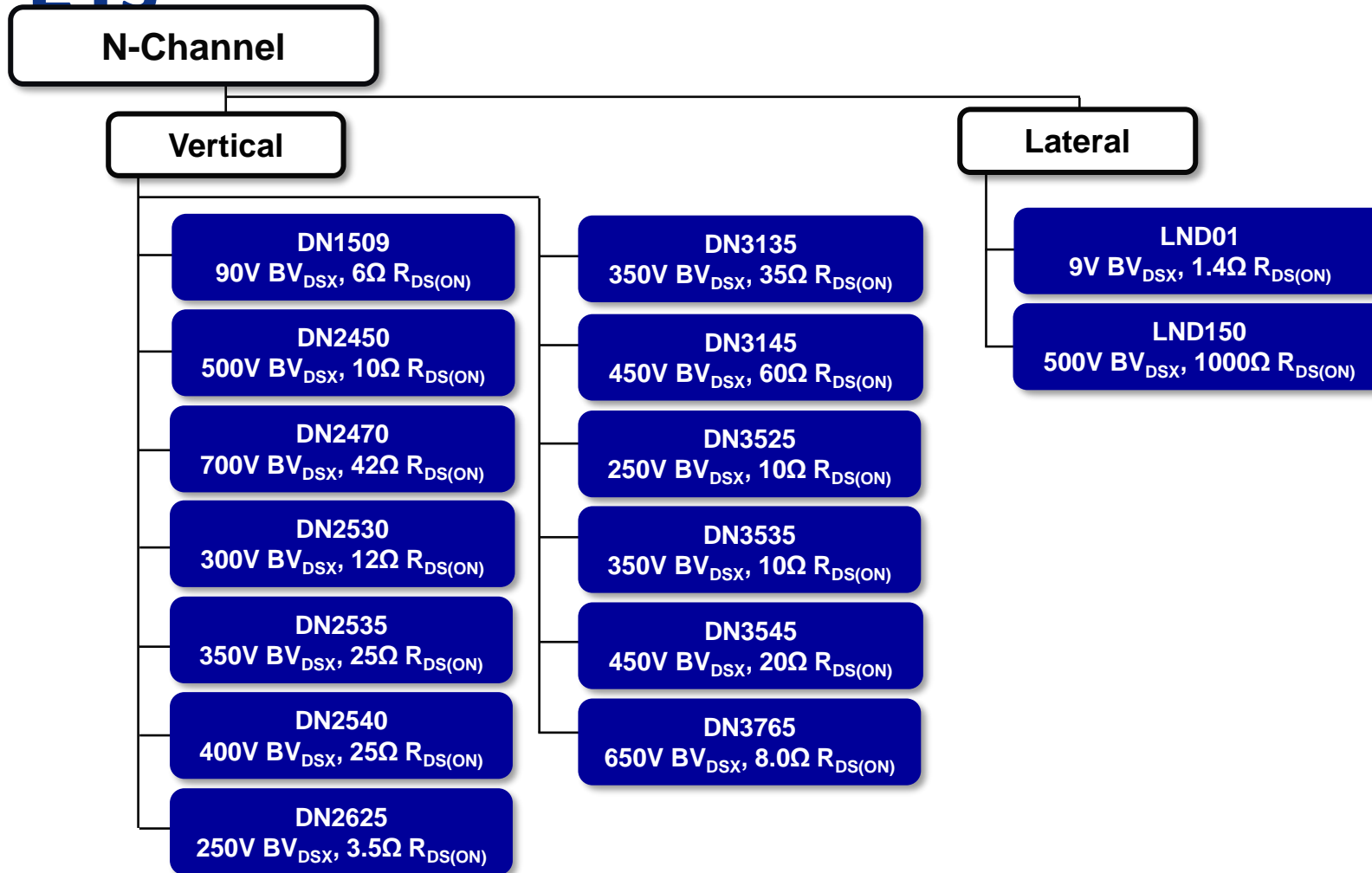
<< BACK



N-Channel Enhancement Mode MOSFETs



Depletion Mode MOSFETs

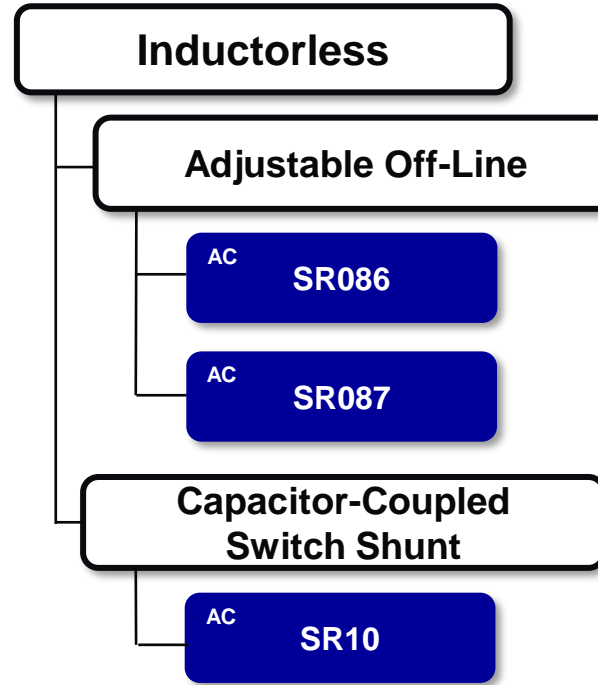


<< BACK



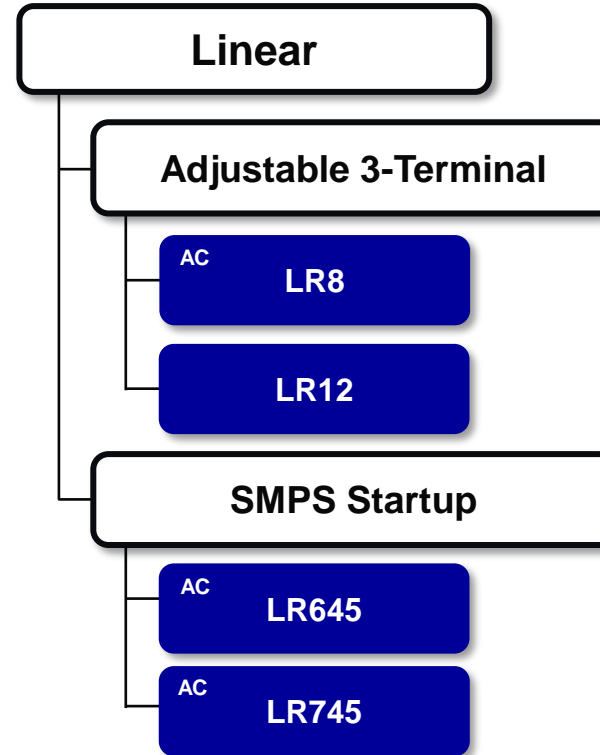
Inductorless Off-Line Regulators

AC = Offline Capable



High Voltage Linear Regulators

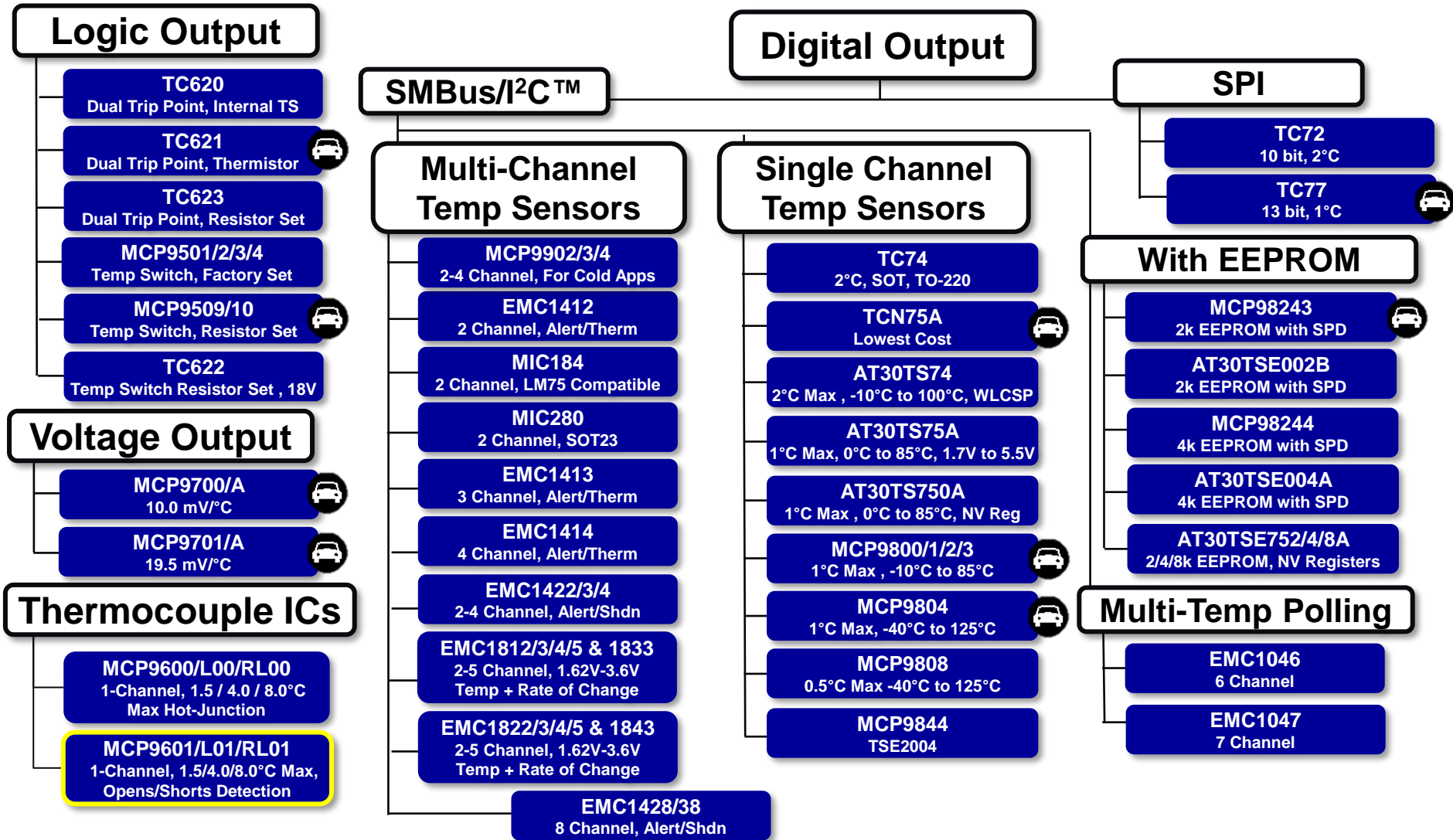
AC = Offline Capable



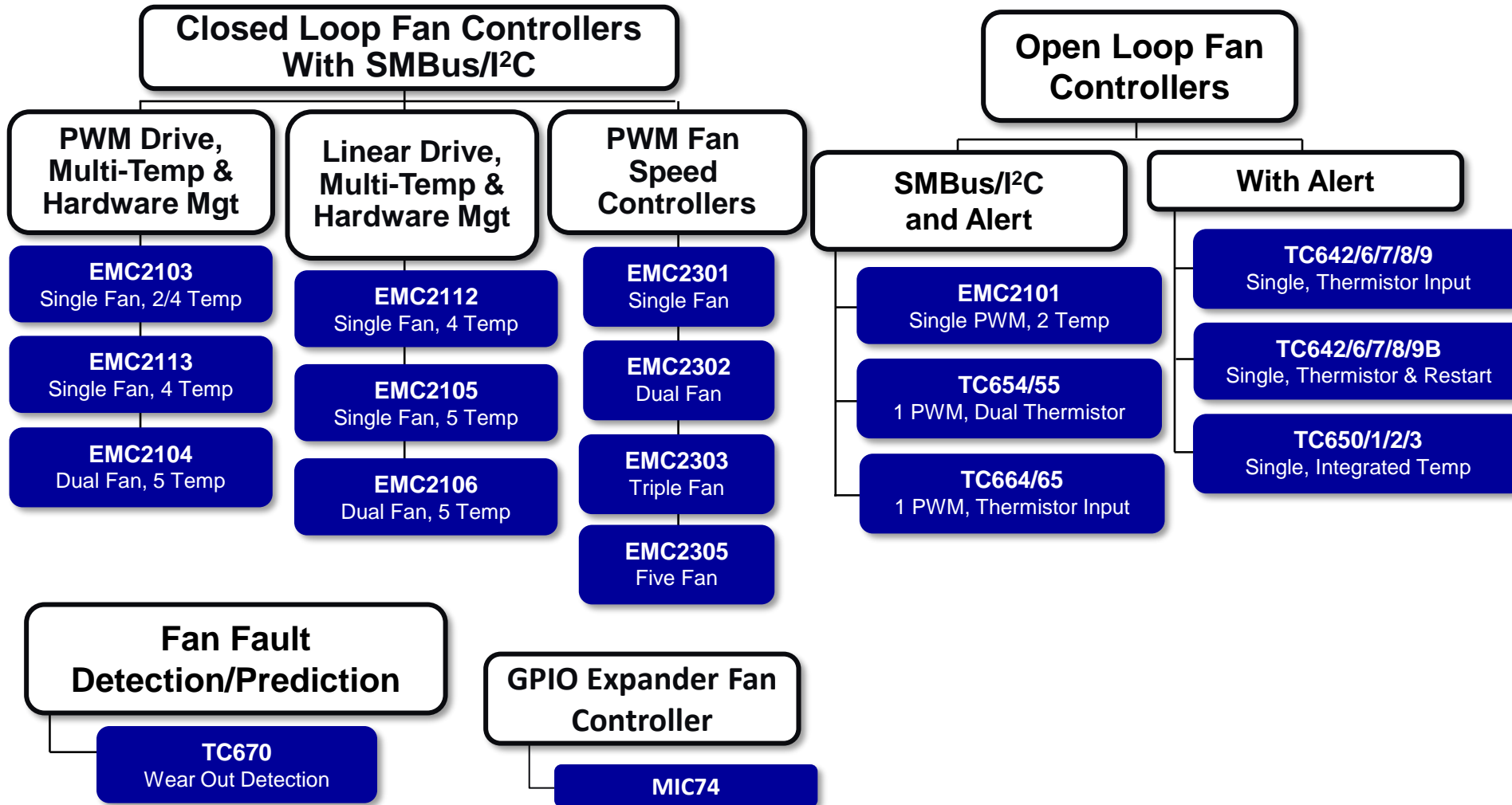
<< BACK



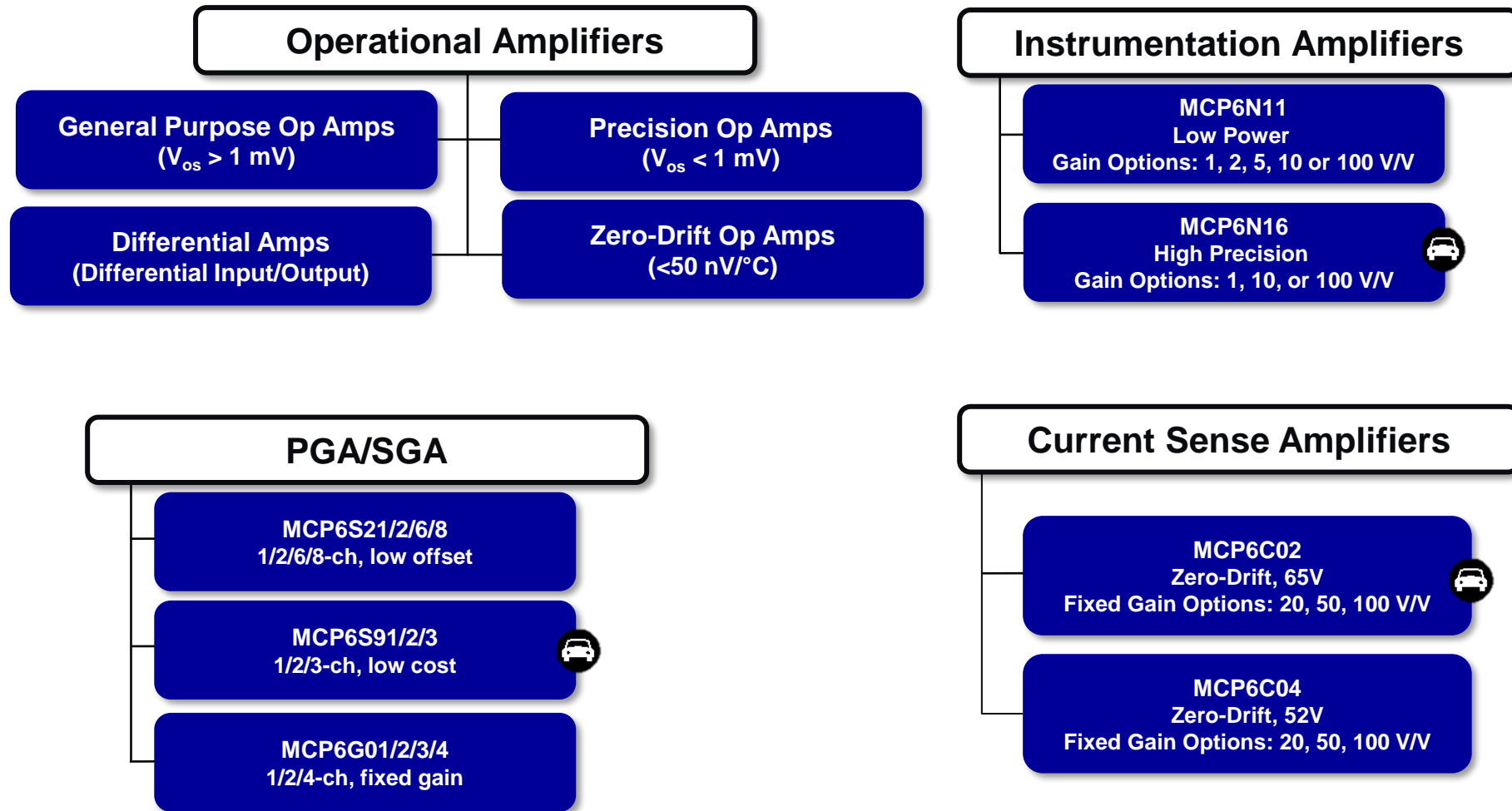
Temperature Sensors



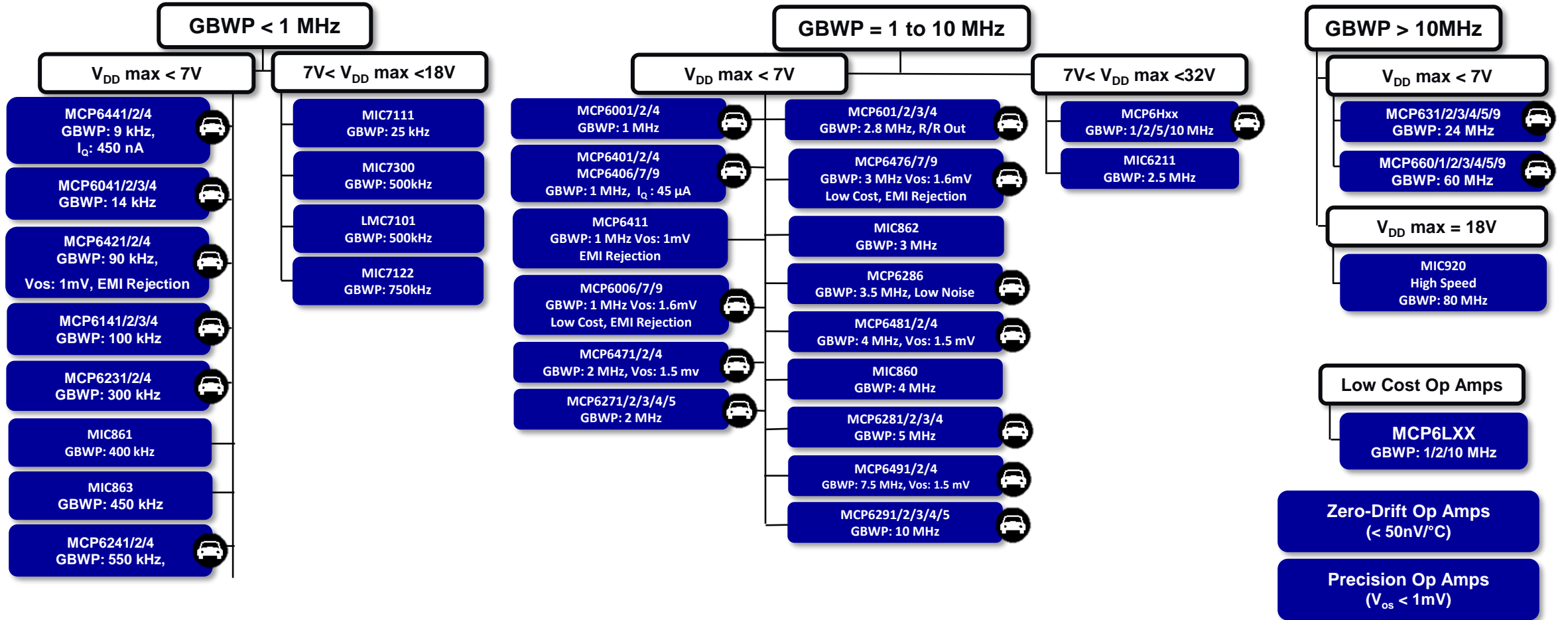
Fan Control and Hardware Management



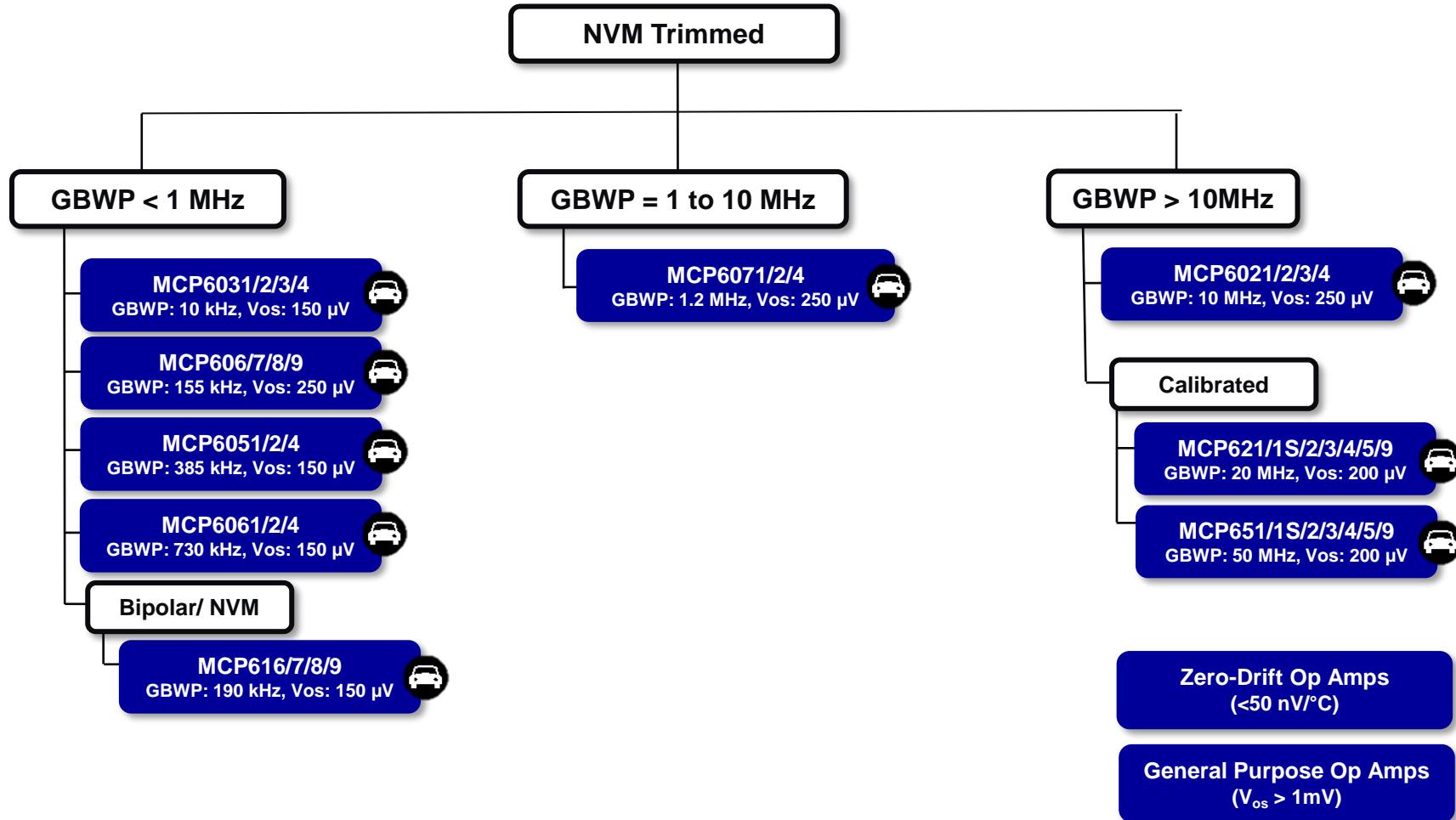
Amplifiers



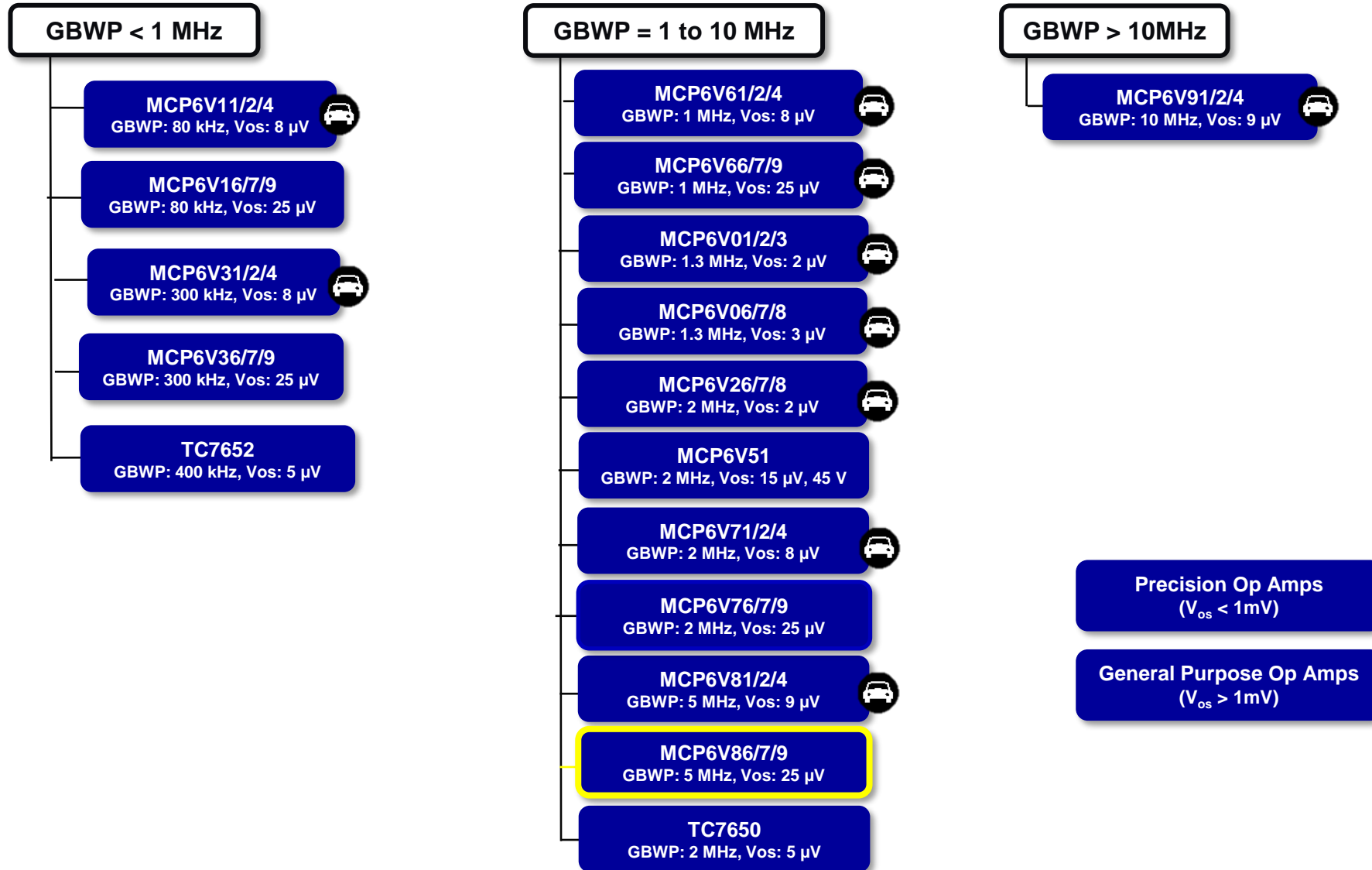
General Purpose Op Amps



Precision Amplifiers



Zero-Drift Amplifiers

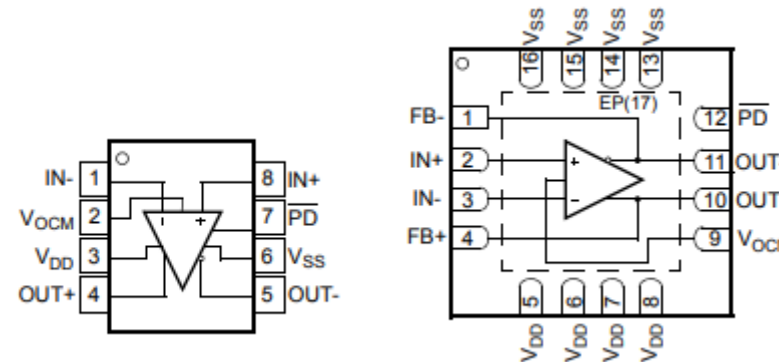
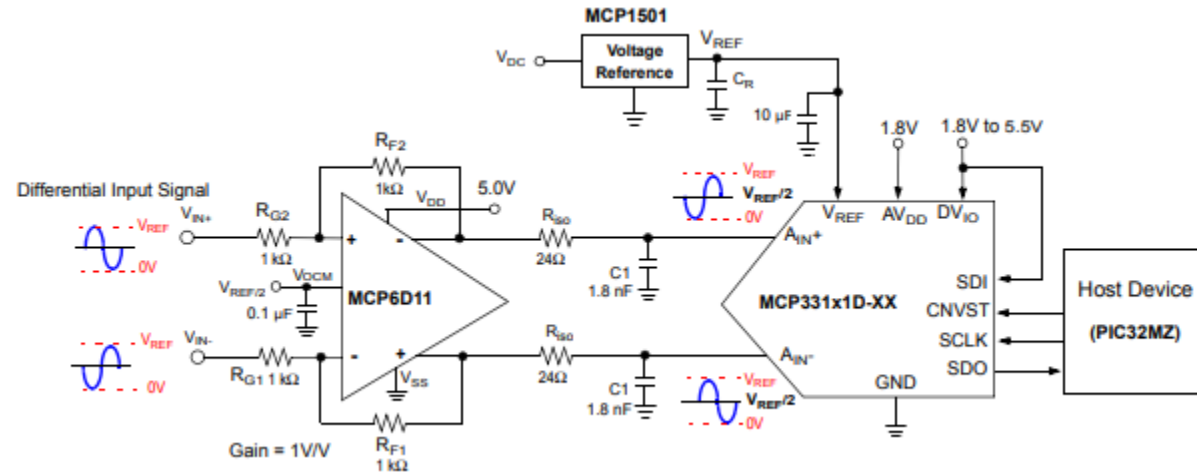


MCP6D11 Overview

[Online Datasheet](#)

Features:

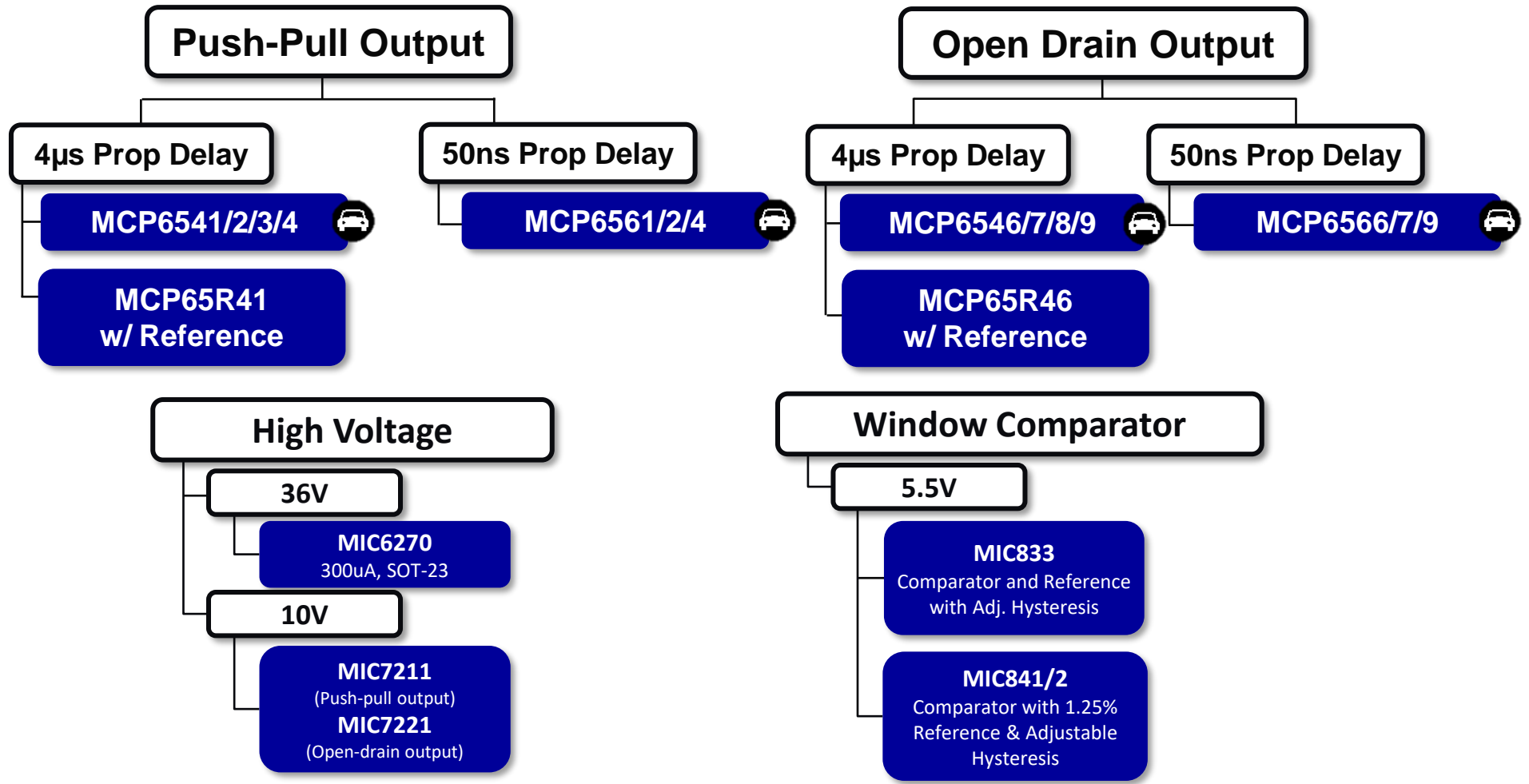
- **Low Power**
 - Iq: 1.4 mA
 - Operating Voltage: 2.5V to 5.5V
 - Power Down Pin
- **High Speed**
 - Gain-Bandwidth Product: 90 MHz
 - Slew Rate: 25V/ μ s
 - Settling: 300 ns to 16-bit
- **Low Noise/Distortion:**
 - 5 nV/ $\sqrt{\text{Hz}}$ at 10 kHz
 - Distortion (2Vp-p, 10 kHz)
 - HD2: -138 dBc
 - HD3: -137 dBc
- **High DC Precision:**
 - Vos: $\pm 150 \mu\text{V}$ (max.)
 - CMRR: 95 dB (min.)
 - PSRR: 100 dB (min.)
- **Easy to Use:**
 - Input Range Includes Negative Rail
 - Rail-to-Rail Output
 - Extended Temperature: -40°C to +125 °C
- **Small Packages:**
 - 8-pin MSOP
 - 16-pin 3x3 QFN



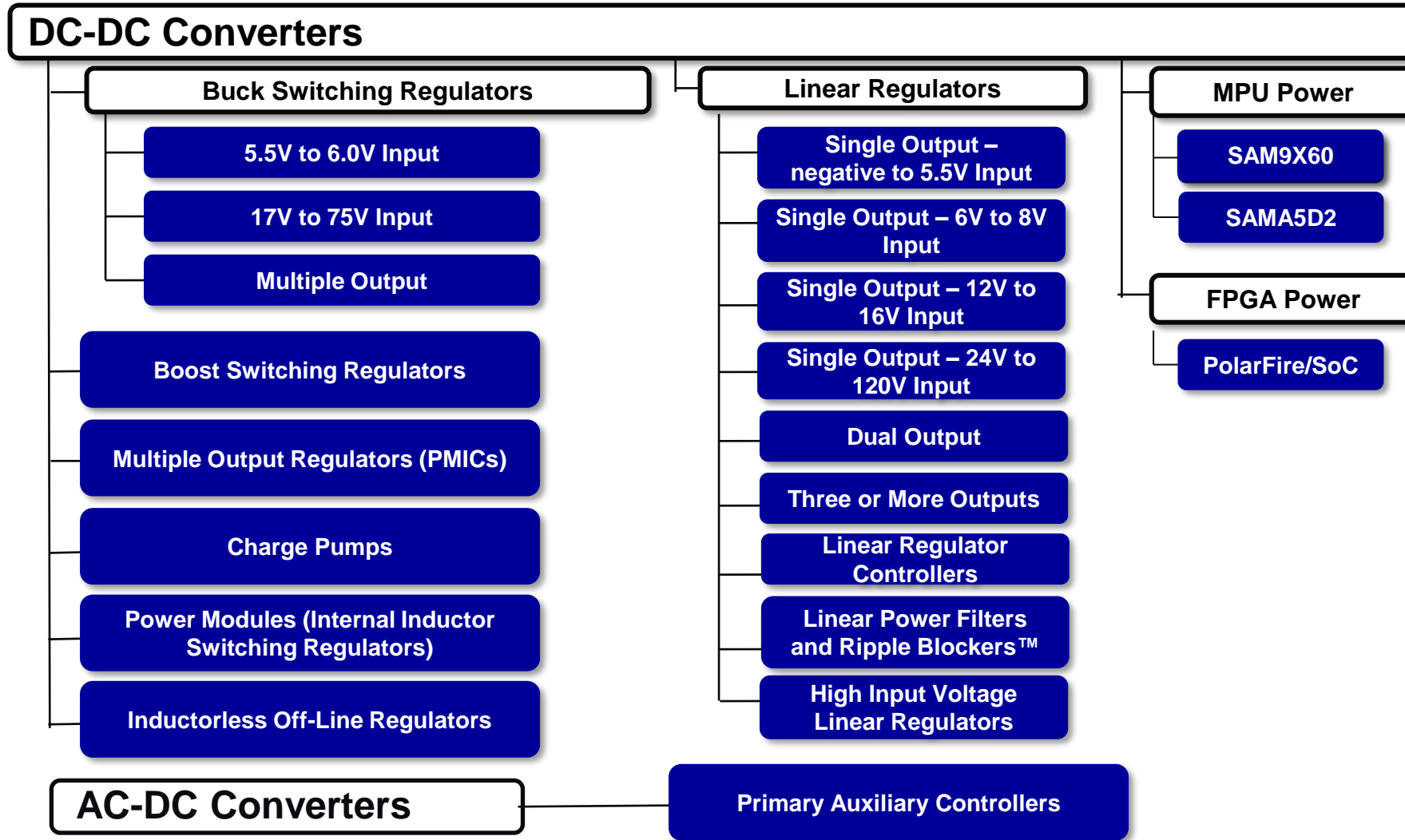
[<< BACK](#)



Comparators



Converters



Power Modules (Integrated Inductor)

VIN < 14V

5A to 8A

MIC45208

1A to 5A

MIC45404

MIC45116

VIN < 6V

5A to 8A

MIC45208

3A to 5A

MIC33M650

MIC69502 (LDO)

1A to 3A

MIC33M350

MIC69502 (LDO)

600mA to 1A

MIC33153

MIC69103 (LDO)

300mA to 800mA

MIC33050

MIC3385

MIC5524 (LDO,
500 mA)

LX8240 (LDO,
800mA)

Up to 300mA

MIC5365 (LDO,
150mA)

MIC5376 (LDO,
150 mA)

MIC5504 (LDO,
300 mA)

LX8213 (LDO,
300mA)

Buck Switching Regulators

VIN < 14V

5A to 8A

NX9548

MIC24055

1A to 5A

MIC24046

MIC24045 (I2C)

NX9548

VIN < 6V

5A to 8A

NX9548

MIC22950

3A to 5A

MIC22602

LX7165 (I2C)

1A to 3A

MIC22405

LX7180A (I2C)

600mA to 1A

MCP1612

MIC2206

LX7167A

300mA to 600mA

MIC23050

MIC2204

Up to 300mA

MIC5365 (LDO,
150mA)

MIC5376 (LDO,
150 mA)

MIC5504 (LDO,
300 mA)

LX8213 (LDO,
300mA)

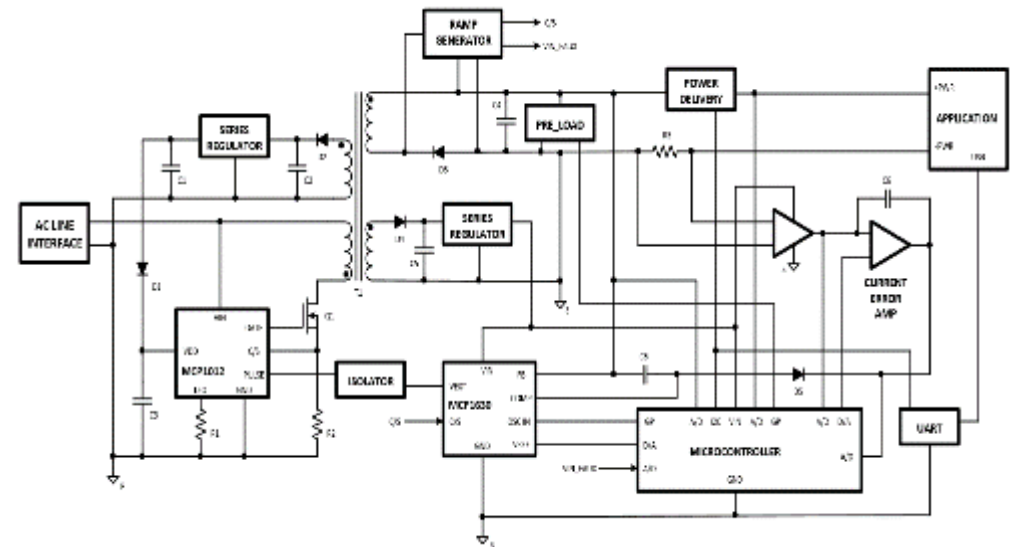


MCP1012

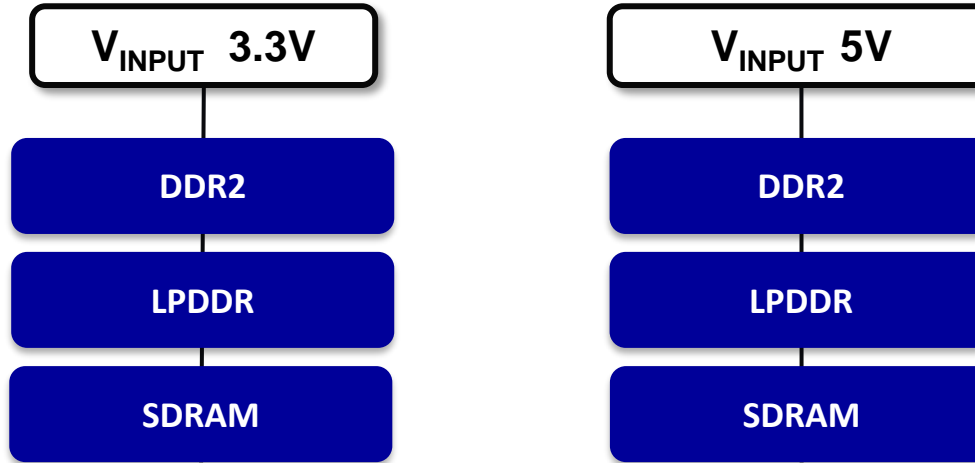
Primary Side, AC-DC Start-Up IC for Isolated Converters

- **Features:**

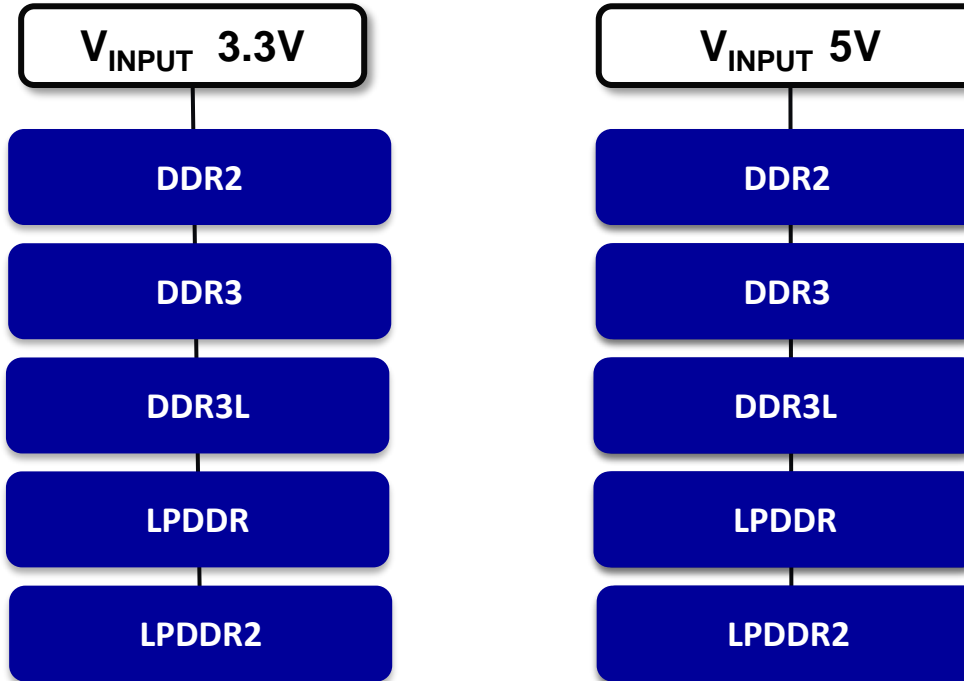
- High Voltage Start-Up (Rated 500V/700V)
- Few External Components
- Internal Open-Loop, Peak Current Mode, Current Regulator for Start-Up
- Current Regulator Constant 21 μ s OFF Time
- Programmable Low Frequency Oscillator (LFO) Period
- Cycle by Cycle Current Limiting
- Protection Against Continuous Conduction Mode (CCM) of Operation
- Able to Accept External PWM Commands from a Secondary-Side Controller via Isolator (Optocoupler or Pulse Transformer)
- Under-Voltage Lockout (UVLO) and Over-Voltage Lockout (OVLO) Protections
- Sleep and Wake-up Commands
- Low Sleep Power: < 15 mW
- Robust Gate Driver, able to drive 2.2nF Load at 65kHz
- Over-Temperature Protection (Thermal Shutdown)
- Package: 7-Lead SOIC



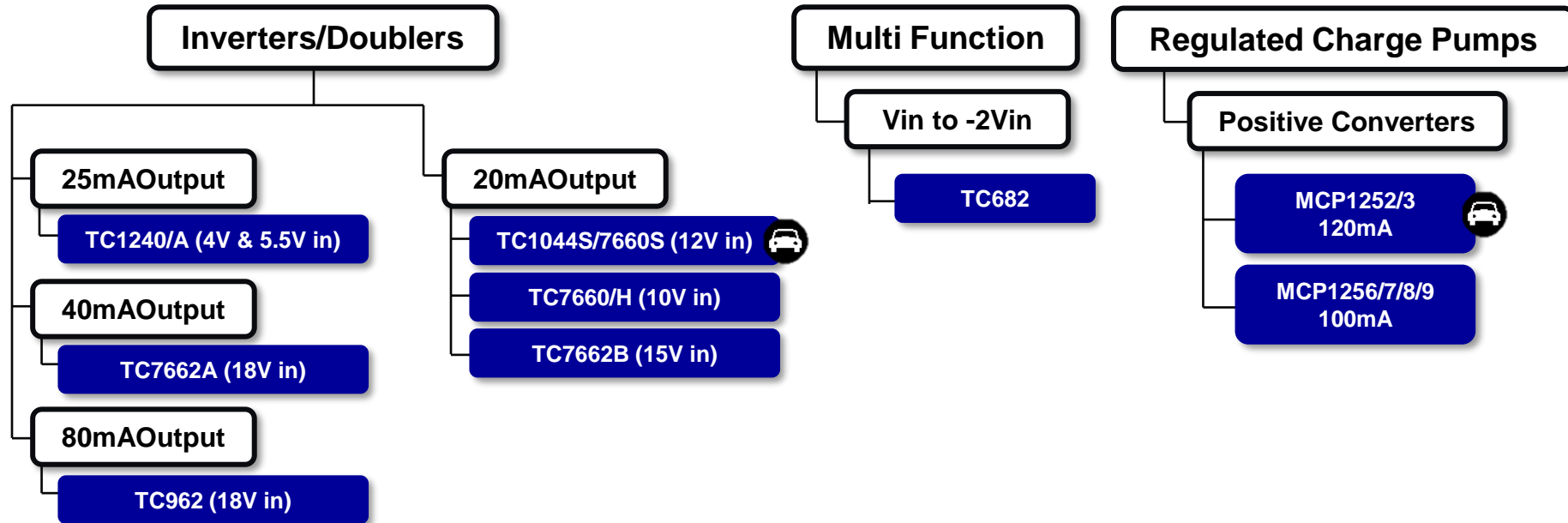
SAM9X60 Power



SAMA5D2 Power



Charge Pumps

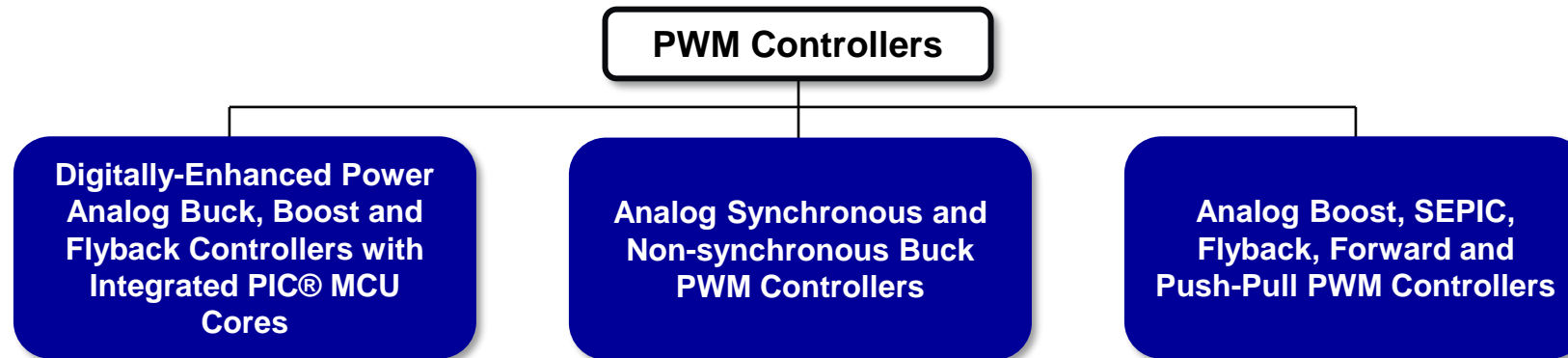


<< BACK to Charge Pump Demo & Eval Boards

<< BACK

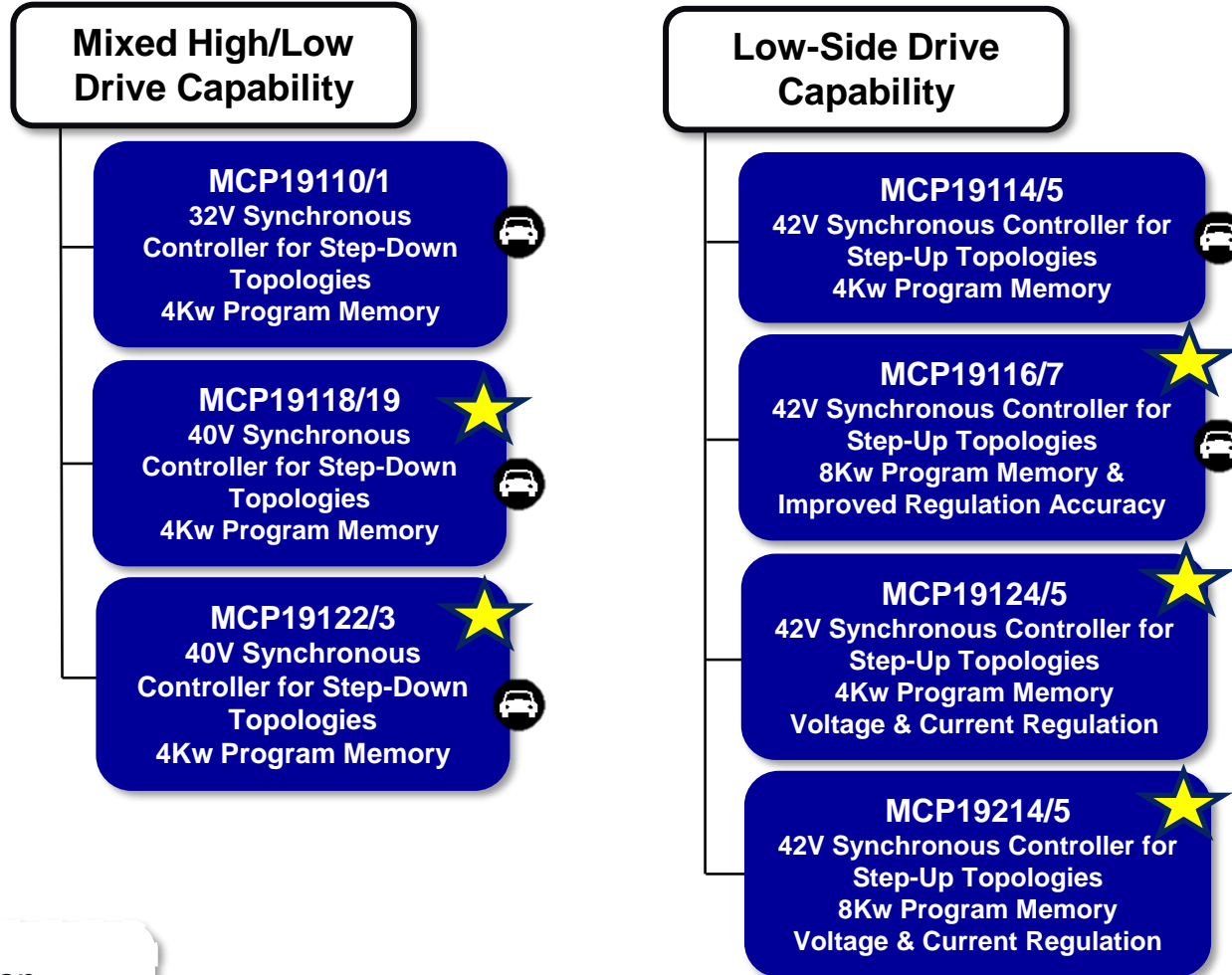


PWM Controllers



Digitally-Enhanced Power Analog Controllers

Product Tree

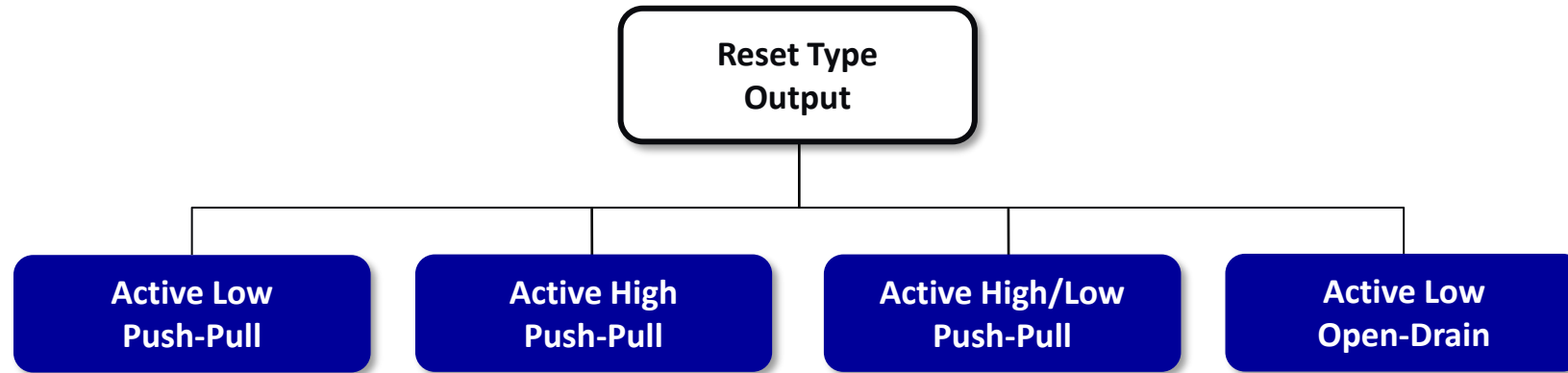


★ = Preferred option within similar products

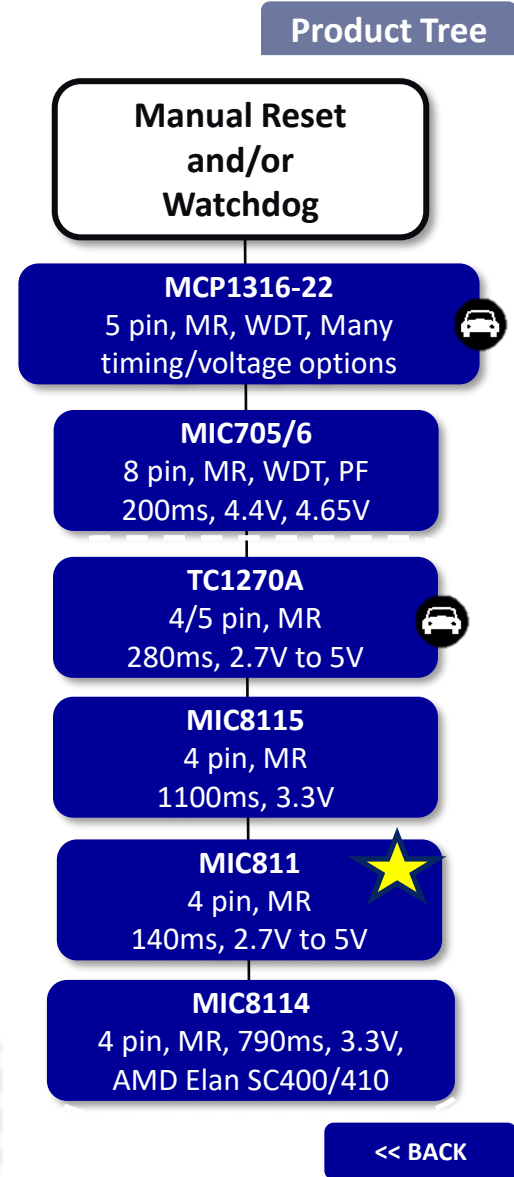
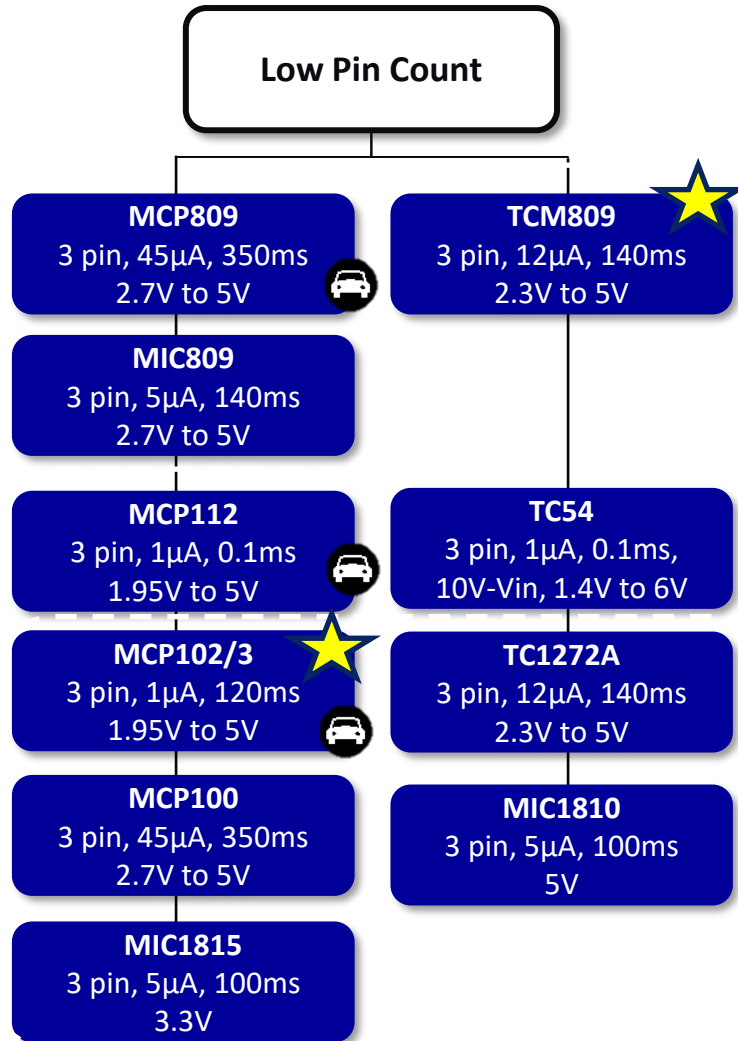
<< BACK to Switching Controller Demo & Eval Boards

<< BACK

System Supervisors & Voltage Detectors



Active Low Push-Pull



Active High Push-Pull

Product Tree

Low Pin Count

MCP101
3 pin, 45 μ A, 350ms
2.7V to 5V

MIC810
3 pin, 5 μ A, 140ms
2.7V to 5V

MCP810
3 pin, 45 μ A, 350ms
2.7V to 5V

TCM810 ★
3 pin, 12 μ A, 130ms
2.3V to 5V

Multiple Input

MIC2774H
5 pin, Dual Vin, MR
140ms, 1.8V to 5V

MIC2776H
5 pin, MR, VDD & Vin
140ms, 0.3Vref

MIC2779H
5 pin, MR, Vref 1.24V
Set 2 external threshold

Manual Reset and/or Watchdog

MCP1316-22 🚗
5 pin, MR, WDT, Many
timing/voltage options

MIC812 ★
4 pin, MR
140ms, 2.7V to 5V

TC1271A
4/5 pin, MR
280ms, 2.7V to 5V

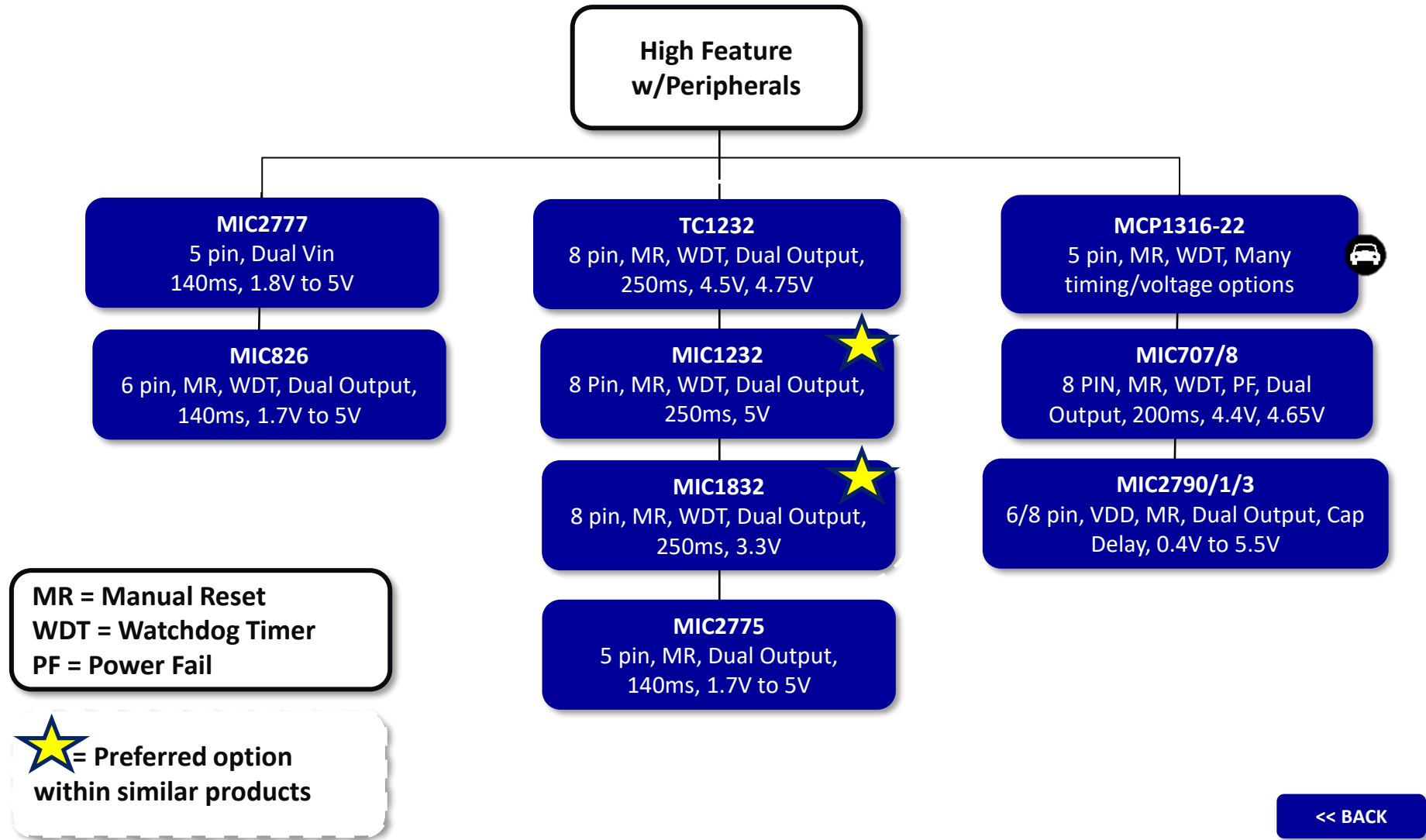
MR = Manual Reset
WDT = Watchdog Timer
PF = Power Fail

★ = Preferred option
within similar products

<< BACK

Active High/Low Push-Pull

Product Tree






<< BACK


Active Low Open-Drain

Product Tree

Low Pin Count

MCP120/130
3 pin, 45µA, 350ms
2.7V to 5V 

MCP111 
3 pin, 1µA, 0.1ms
1.95V to 5V 

MCP121/131
3 pin, 1µA, 120ms
1.95V to 5V 

MIC803
3 pin, 5µA, 140ms,
1100ms, 2.7V to 5V


TC54
3 pin, 1µA, 0.1ms, 10V-Vin,
1.4V to 6V

Multiple Input


MIC2774N
5 pin, Dual Vin, MR
140ms, 1.8V to 5V


MIC2776N
5 pin, MR, VDD & Vin
140ms, 0.3Vref

High Feature
w/Peripherals

MCP1316-22
5 pin, MR, WDT, Many
timing/voltage options 

MIC2772
8 pin, Dual MR and Vin 3V,
3.15V, 4.5V, 4.75V

MIC2782 
6 bump CSP, Dual MR
Push Button Resets

TC1270AN
4/5 pin, MR 
280ms, 2.7V to 5V

MIC2755
8 pin, Handheld focus Vin
thresholds

MIC2778
5 pin, Vref 1.24V
Set 2 external threshold

MIC6315
4 pin, MR, 20ms, 140ms,
1100ms, 3V, 3.3V, 5V

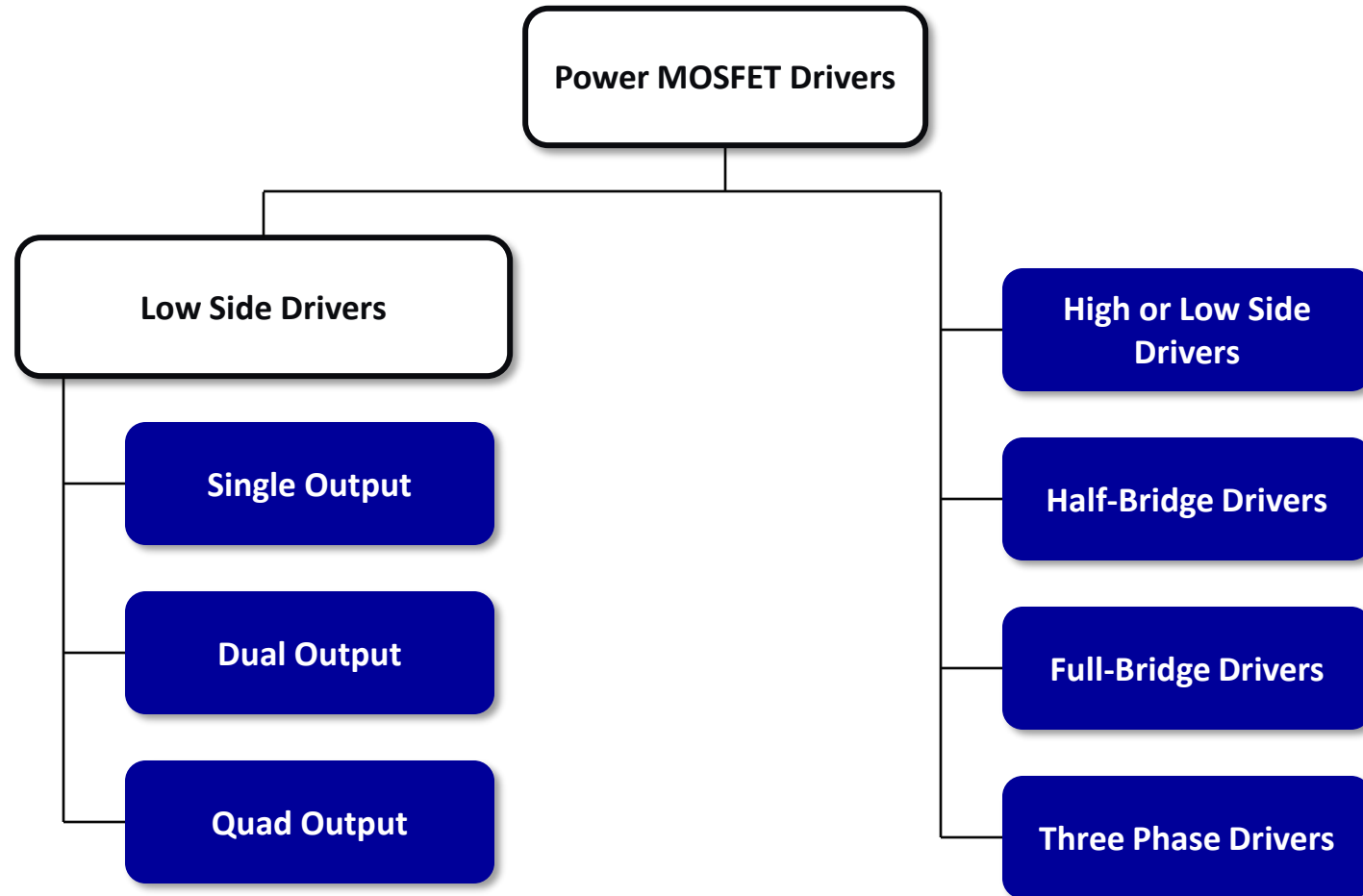
ATA5021
8 pin, WDT, Wake, Enable
Output, Adj. WDT time, 5V

 = Preferred option
within similar products

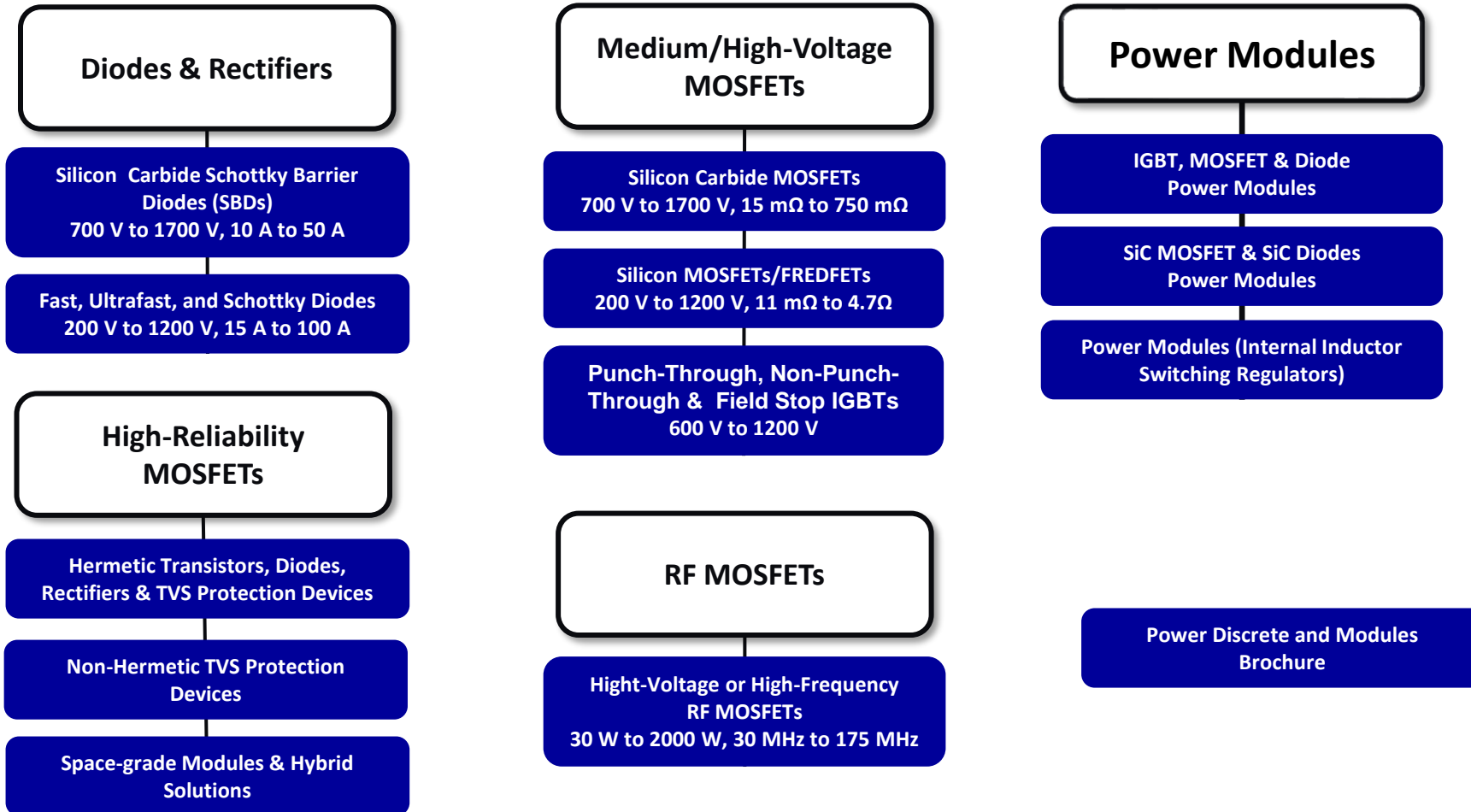
MR = Manual Reset
WDT = Watchdog Timer
PF = Power Fail

<< BACK

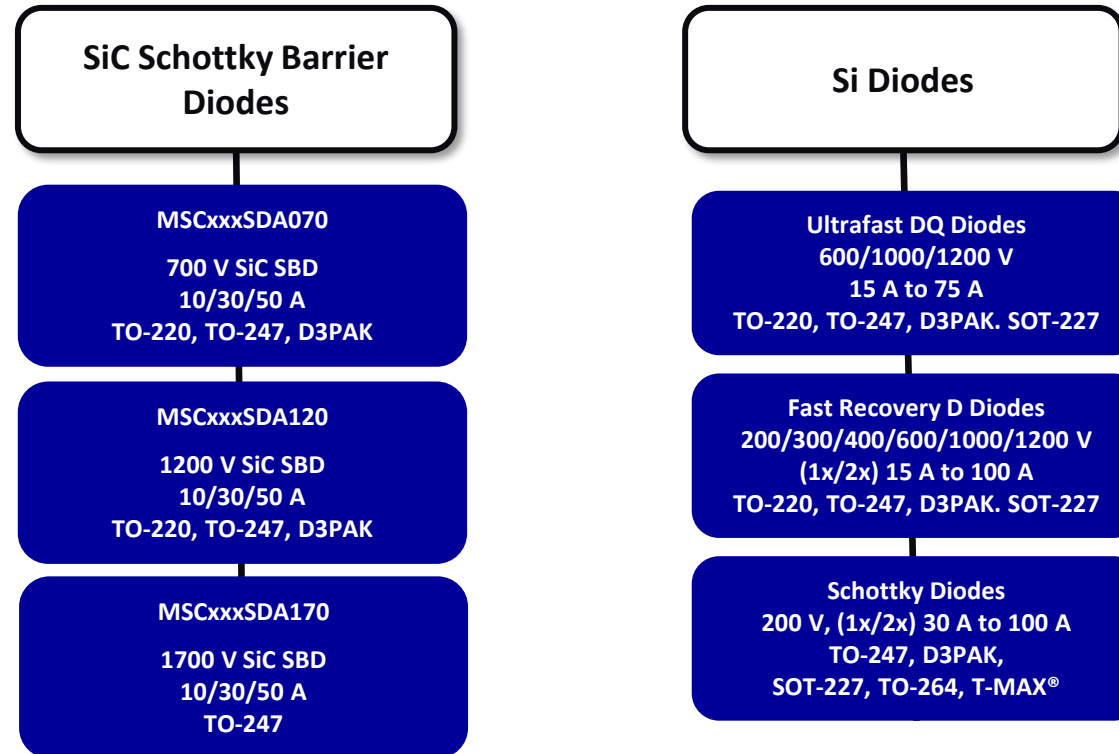
Power MOSFET Drivers



Power Discretes



Diodes & Rectifiers

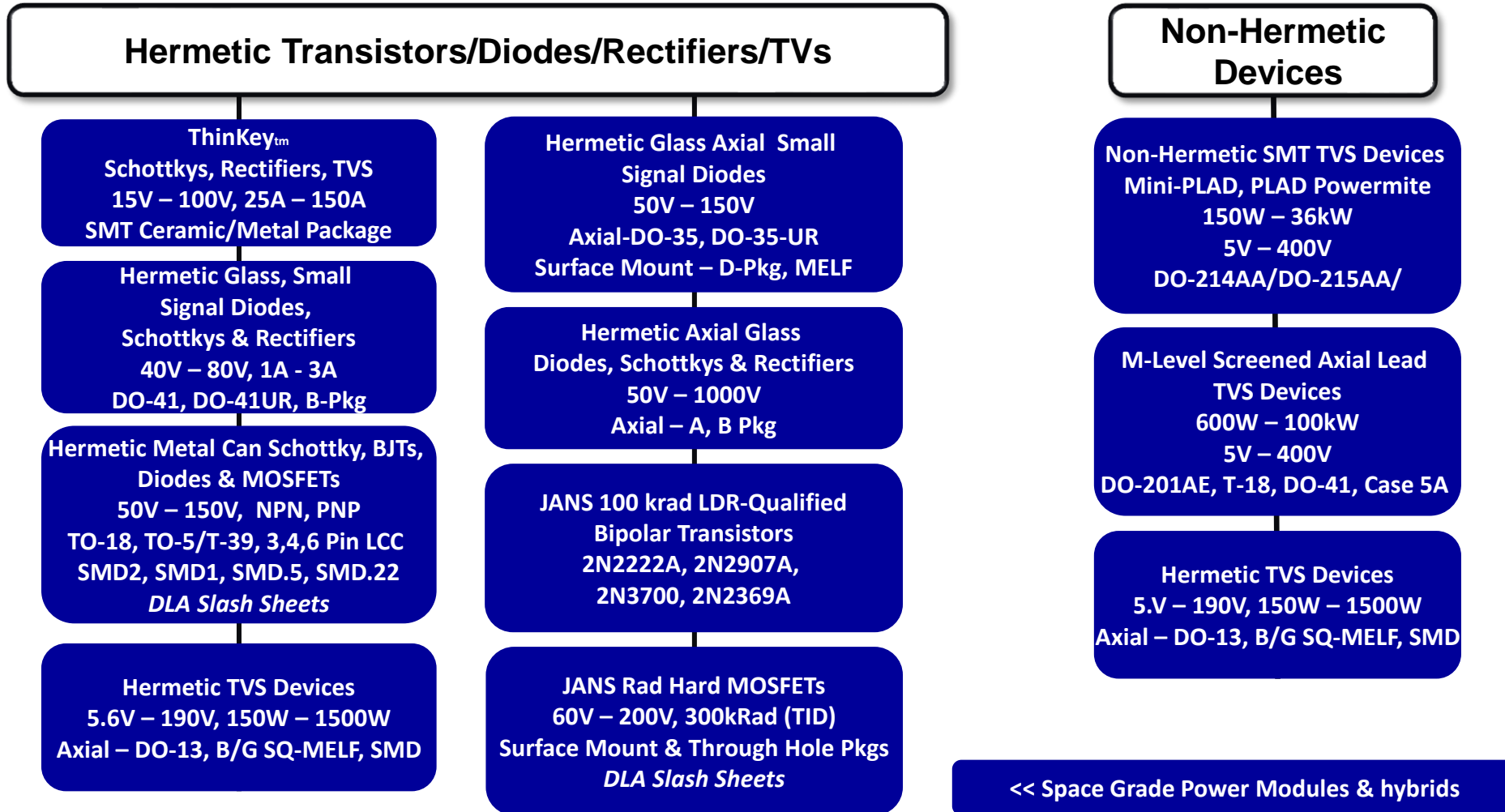


<< Power Modules

<< Back



Hermetic/Non-Hermetic High-Reliability Solutions

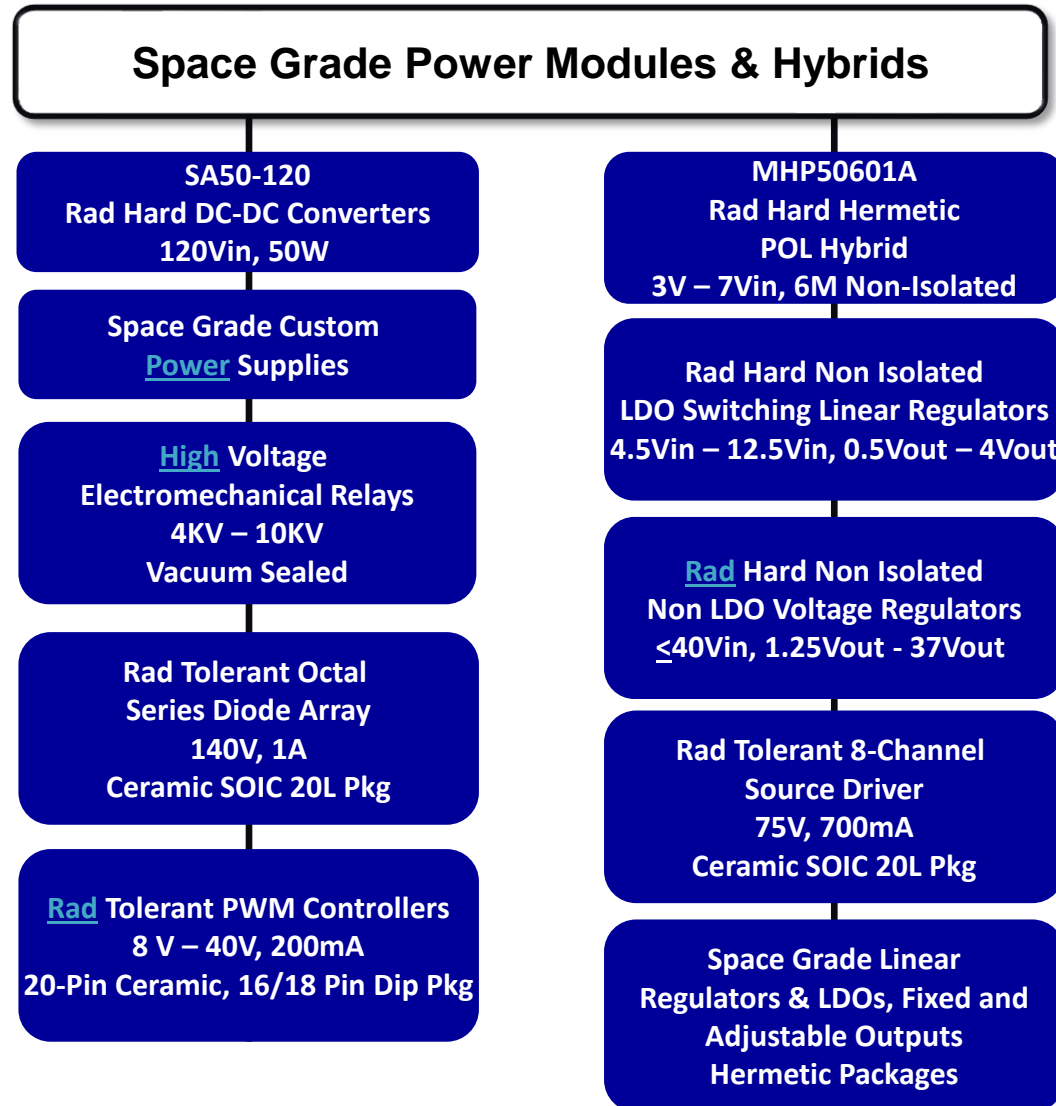


<< Space Grade Power Modules & hybrids

<< Back



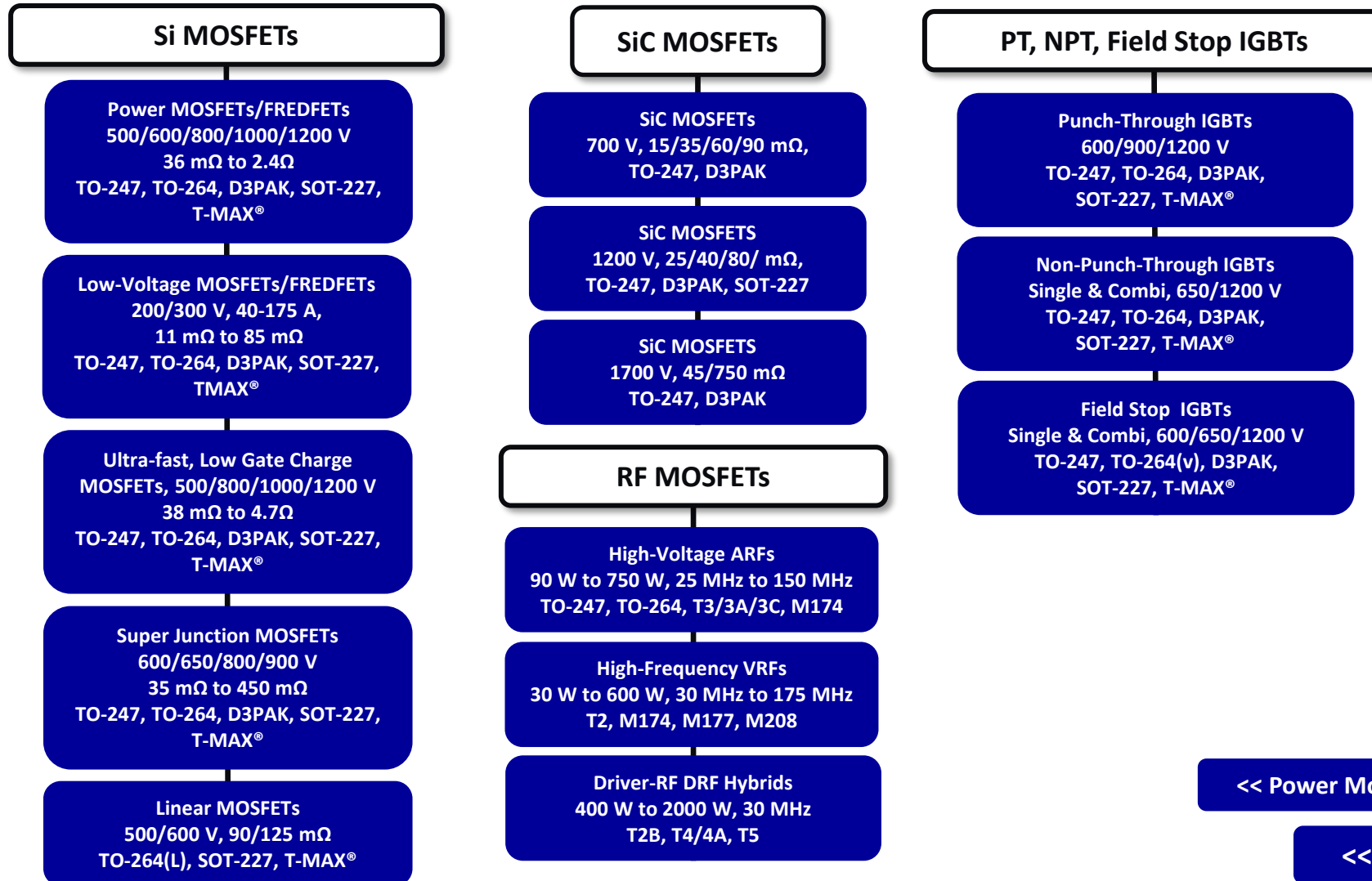
Space-Grade Module & Hybrid Solutions



<< Back



Medium/High-Voltage Power MOSFETs

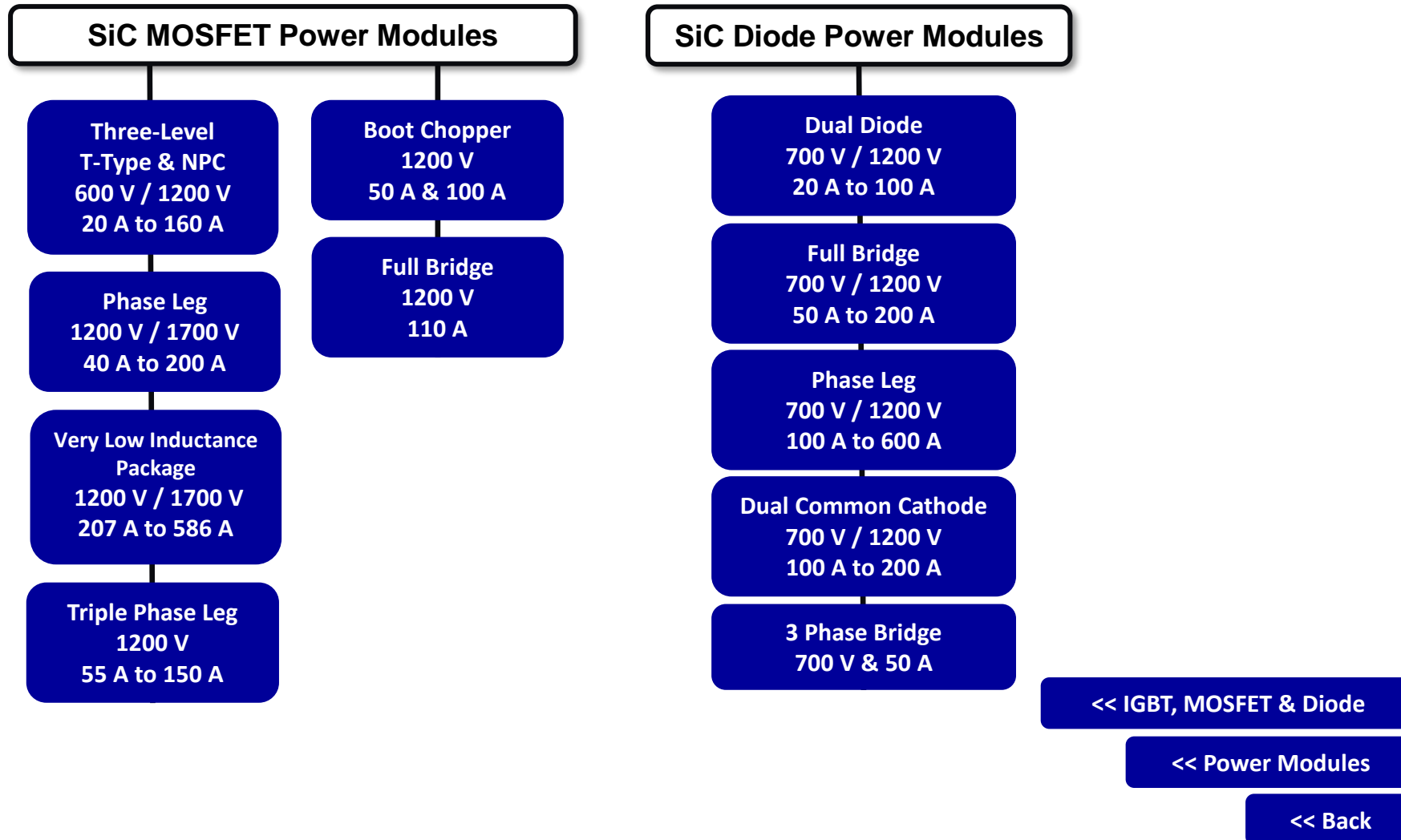


<< Power Modules

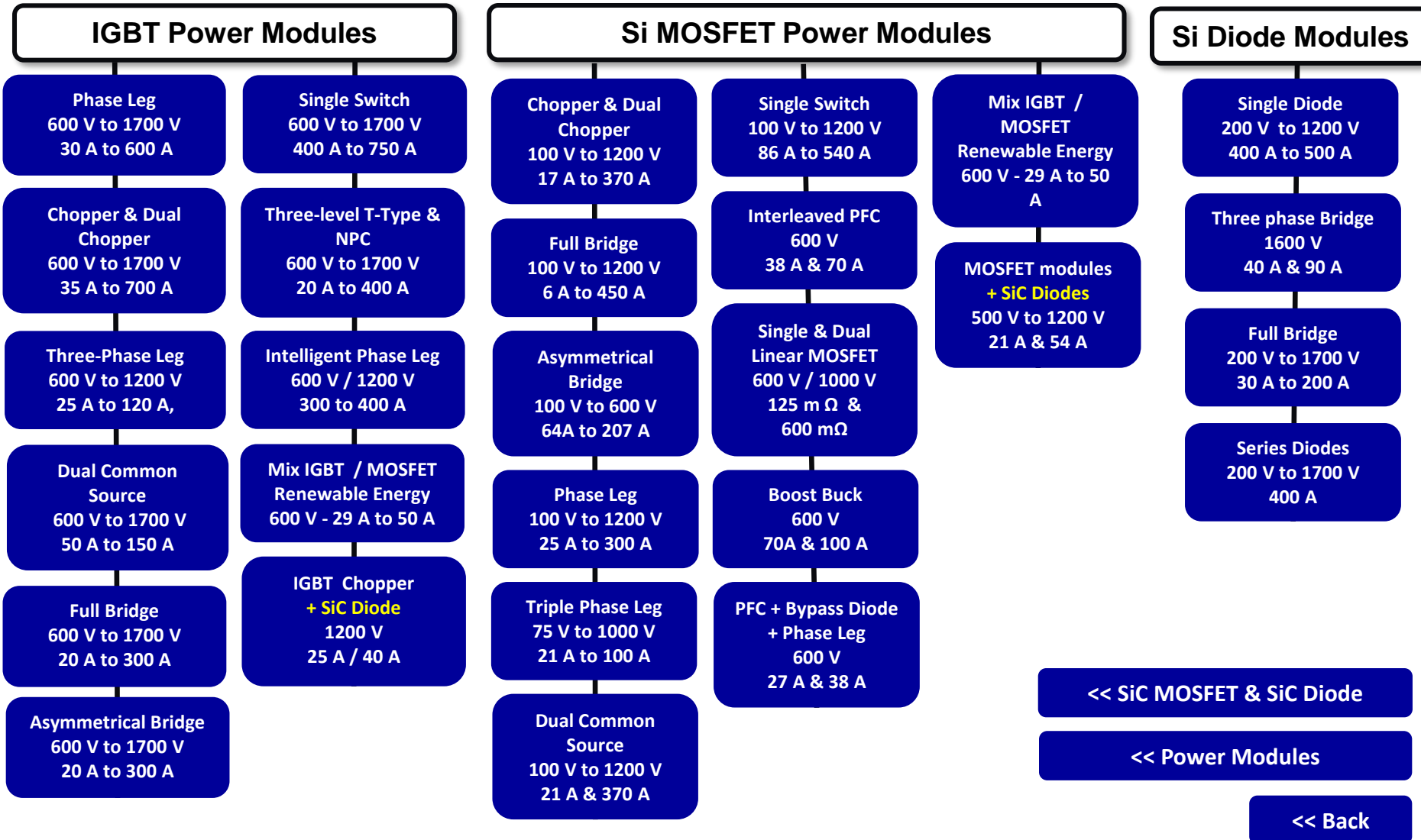
<< Back



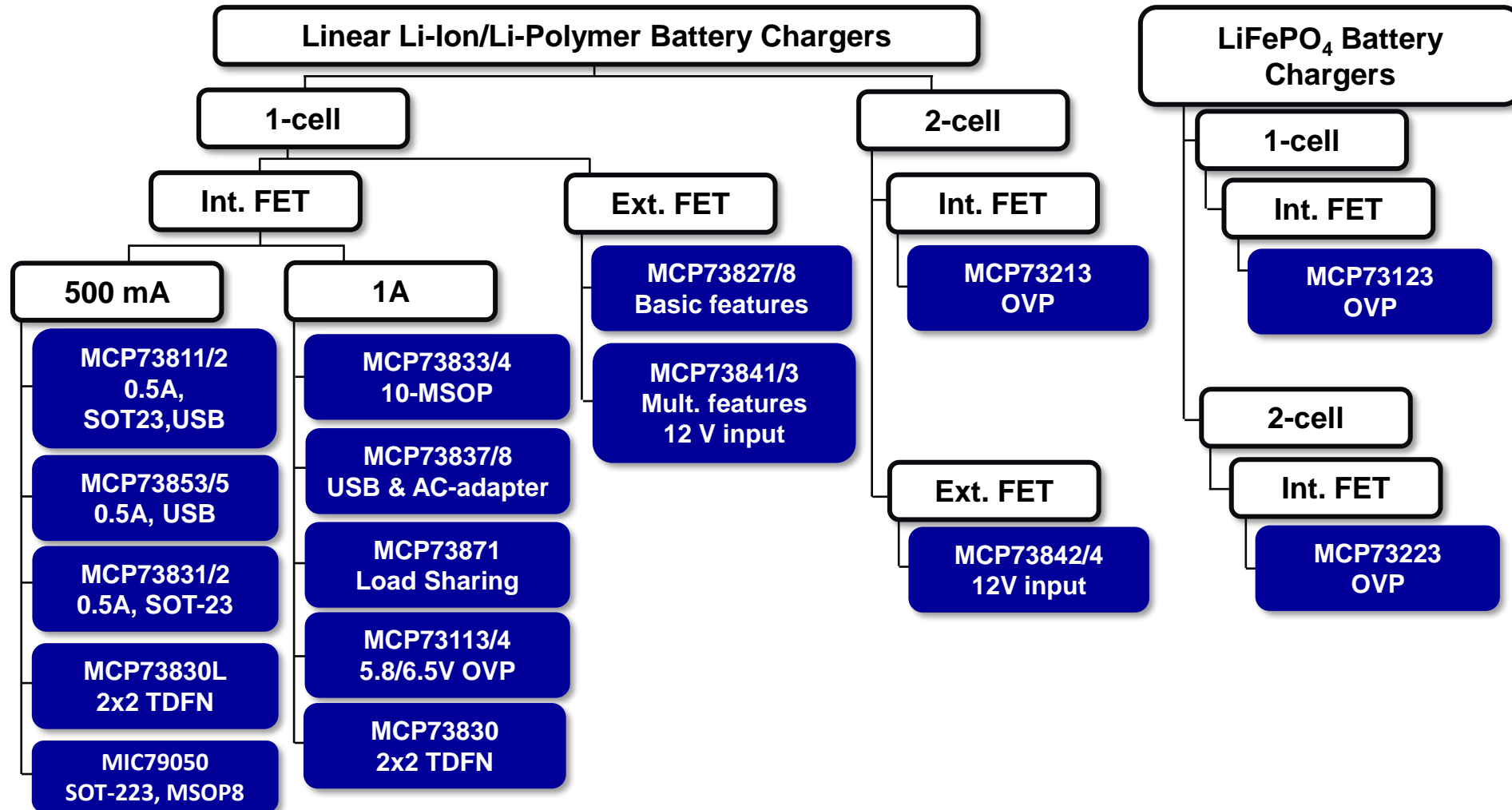
SiC MOSFET & SiC Diode Power Modules



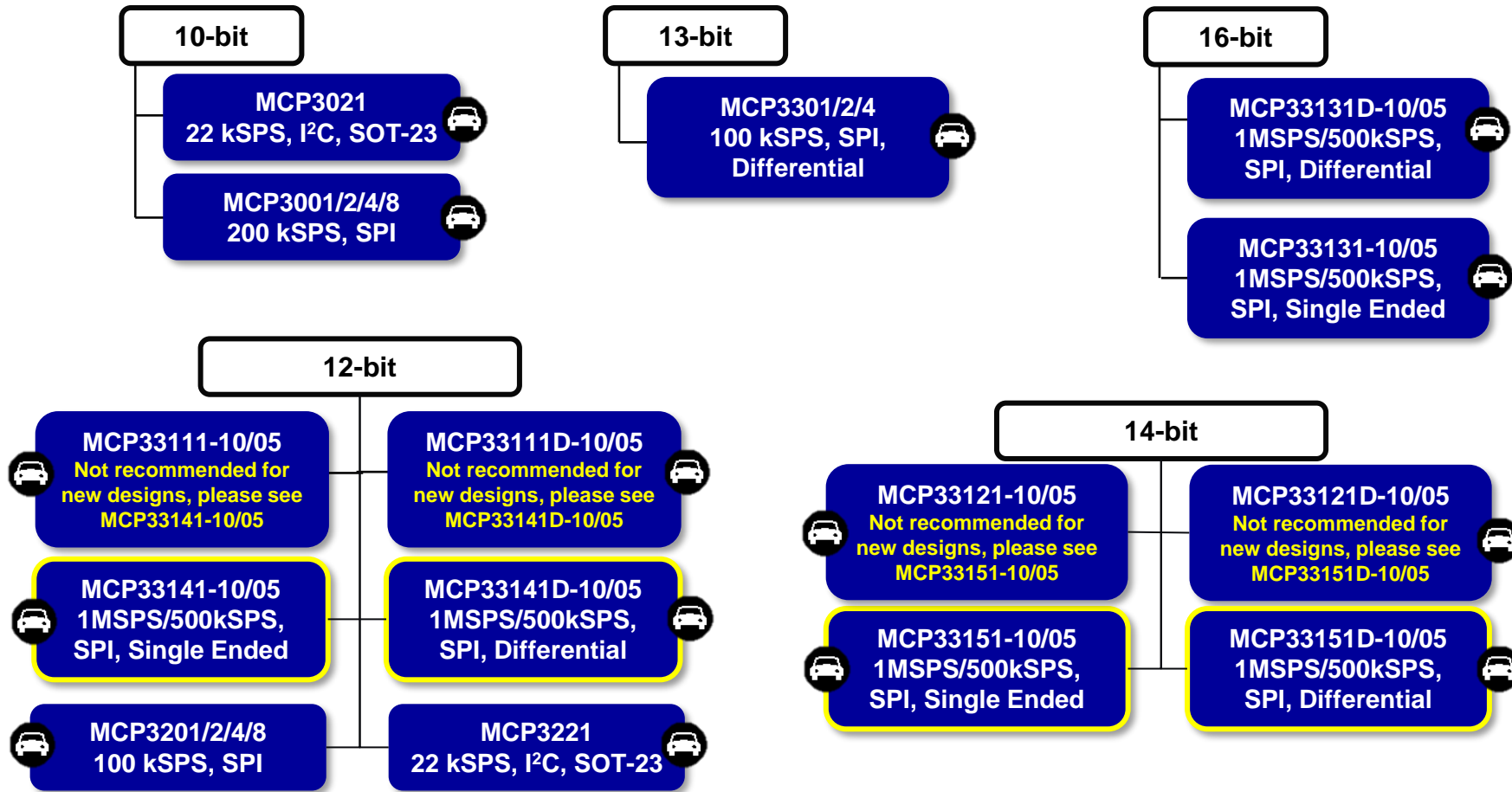
IGBT, MOSFET, & Diode Power Modules



Battery Chargers



SAR A/D Converters







<< BACK to ADC Demo & Eval Boards

 = New product













Delta-Sigma A/D Converters

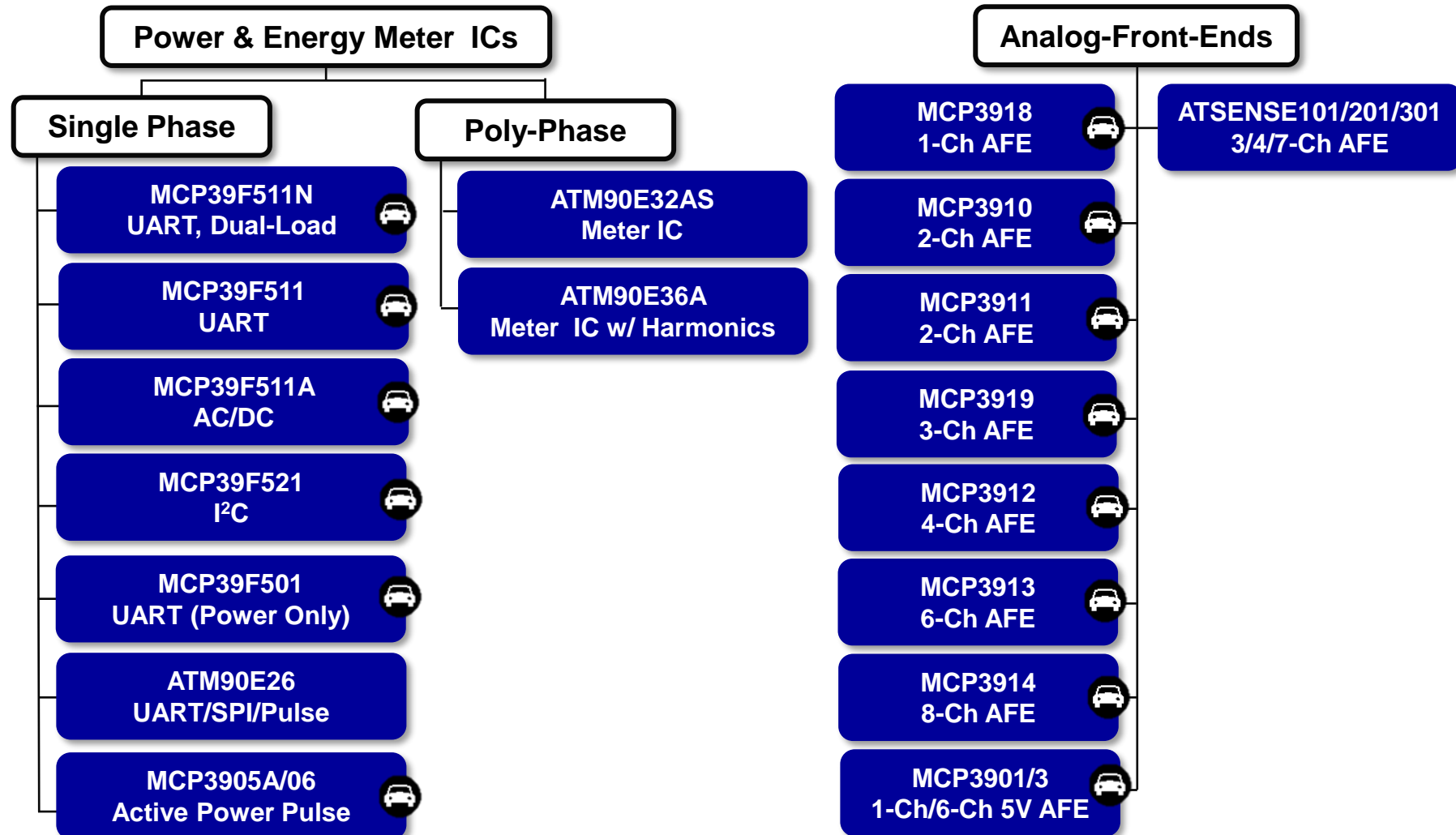
Delta-Sigma ADCs

- MCP3461/R
16-bit, 153.6kSPS, 1-ch
- MCP3462/R
16-bit, 153.6kSPS, 2-ch
- MCP3464/R
16-bit, 153.6kSPS, 4ch
- MCP3465R
16-bit, 153.6kSPS, 1ch
- MCP3425
16-bit, SOT23, I²C 
- MCP3426/7/8
16-bit, 2/4-ch I²C 
- MCP3421
18-bit, SOT23, I²C 
- MCP3422/3/4
18-bit, 2/4-ch I²C 
- MCP3561/R
24-bit, 153.6kSPS, 1-ch
- MCP3562/R
24-bit, 153.6kSPS, 2-ch
- MCP3564/R
24-bit, 153.6kSPS, 4ch
- MCP3565R
24-bit, 153.6kSPS, 1ch

Simultaneous Sampling Delta-Sigma ADCs

- MCP3910
24-bit, 125kSPS, 2-ch 
- MCP3911
24-bit, 125kSPS, 2-ch 
- MCP3912
24-bit, 125kSPS, 4-ch 
- MCP3913
24-bit, 125kSPS, 6-ch 
- MCP3914
24-bit, 125kSPS, 8-ch 
- MCP3918
24-bit, 125kSPS, 1-ch 
- MCP3919
24-bit, 125kSPS, 3-ch 
- MCP3550
22-bit, 13 SPS,
50 or 60 Hz rejection 
- MCP3551
22-bit, 15 SPS,
50 & 60 Hz rejection 
- MCP3553
22-bit, 60 SPS 

Power Monitoring & Metering ICs



Current/DC Power Measurement ICs

Current/DC Power w/ Temp Measurement

EMC1701
1 temp, 3-24V, I²C

EMC1702
2 temp, 3-24V, I²C

EMC1704
4 temp, 3-24V, I²C

Current/DC Power Measurement

PAC1941
Single, 0-9V, I²C, 2 alert outputs

PAC1942
Dual, 0-9V, I²C, 2 alert outputs

PAC1943
Triple, 0-9V, I²C, 2 alert outputs

PAC1944
Quad, 0-9V, I²C, 2 alert outputs

PAC1951
Single, 0-32V, I²C, 2 alert outputs

PAC1952
Dual, 0-32V, I²C, 2 alert outputs

PAC1953
Triple, 0-32V, I²C, 2 alert outputs

PAC1954
Quad, 0-32V, I²C, 2 alert outputs

PAC1710
Single, 0-40V, I²C

PAC1720
Dual, 0-40V, I²C

PAC1921
Single, 0-32V w/Analog & Digital

PAC1931
Single, 0-32V, I²C, w/accumulator

PAC1932
Dual, 0-32V, I²C, w/accumulator

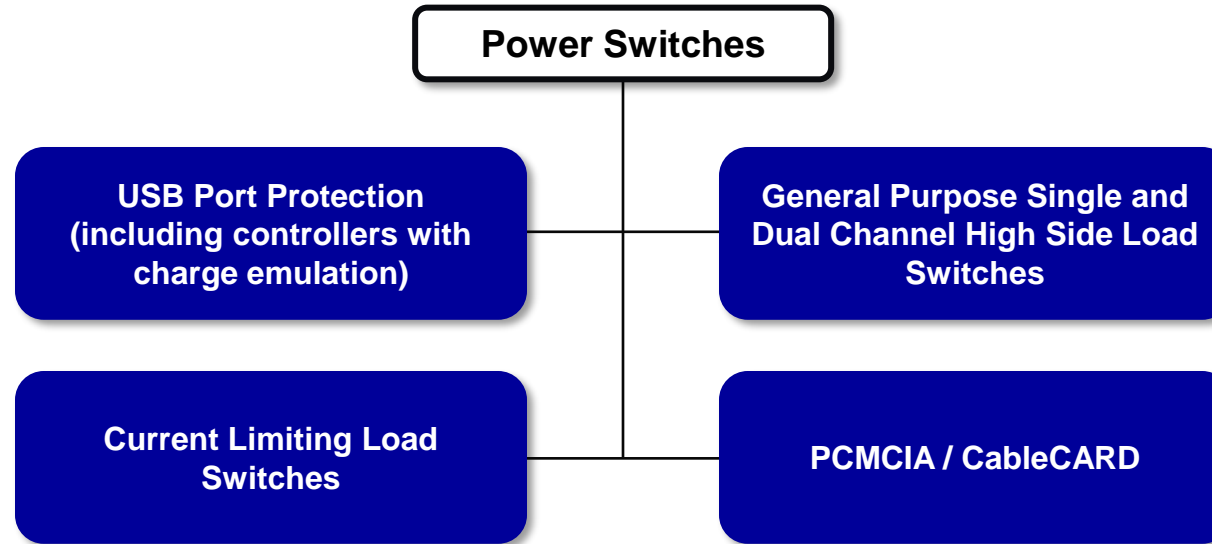
PAC1933
Triple, 0-32V, I²C, w/accumulator

PAC1934
Quad, 0-32V, I²C, w/accumulator

High Voltage Analog Current Sensors

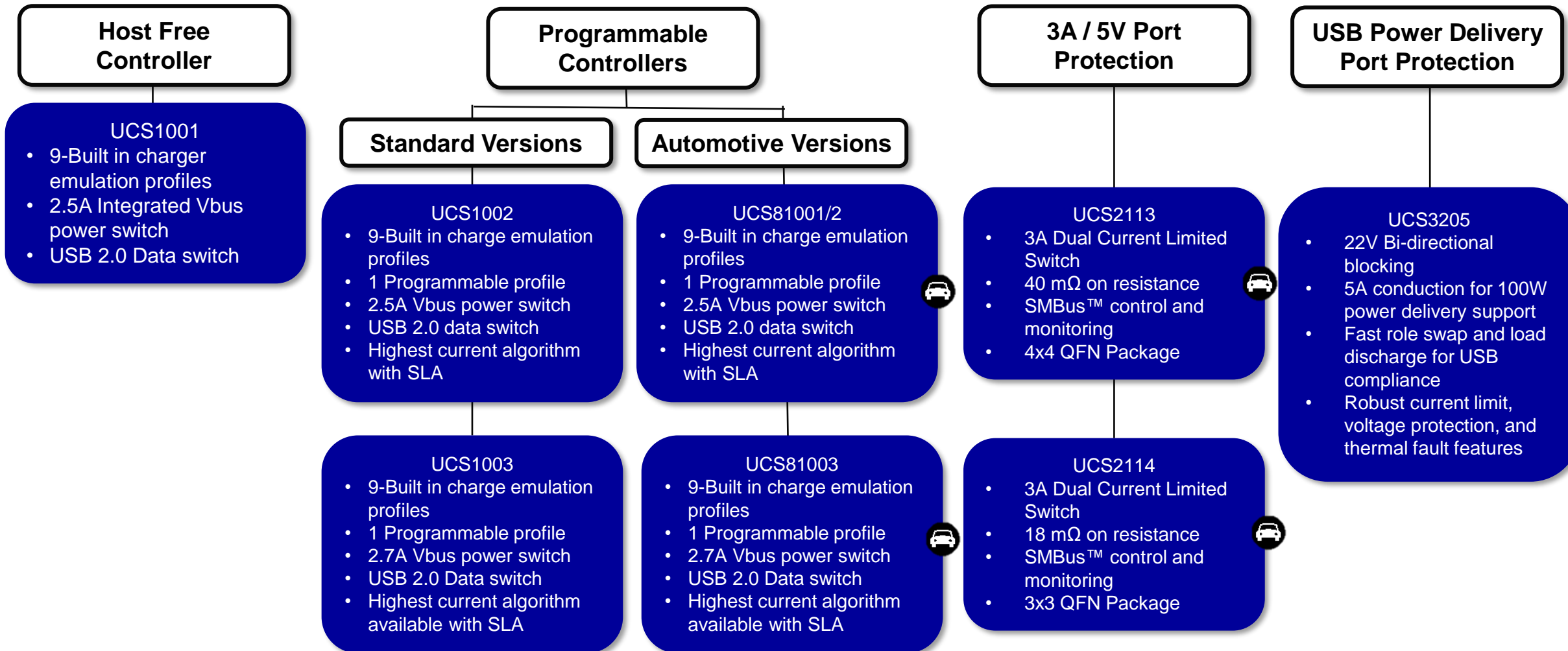


Power Switches

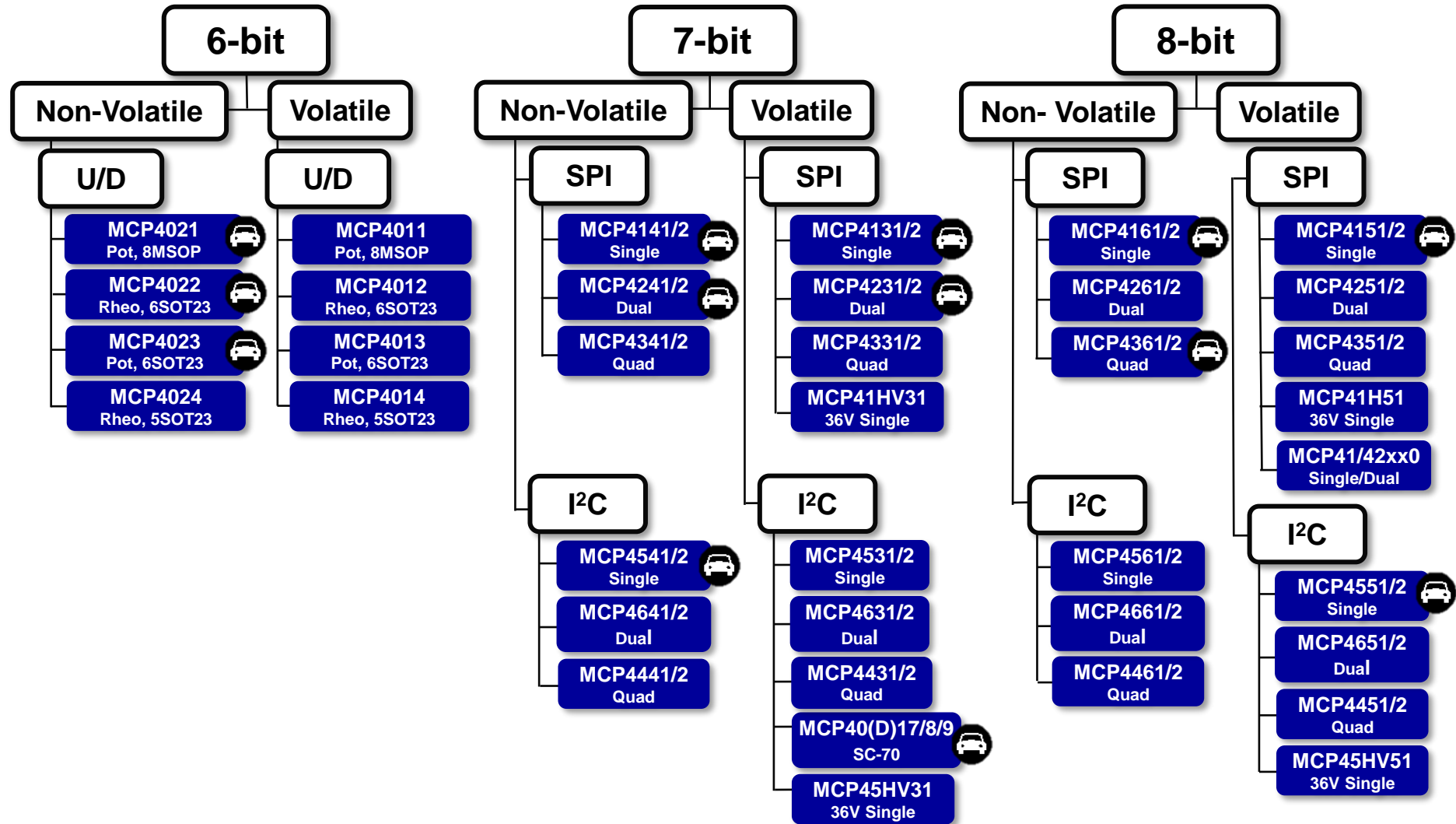


USB Port Protection

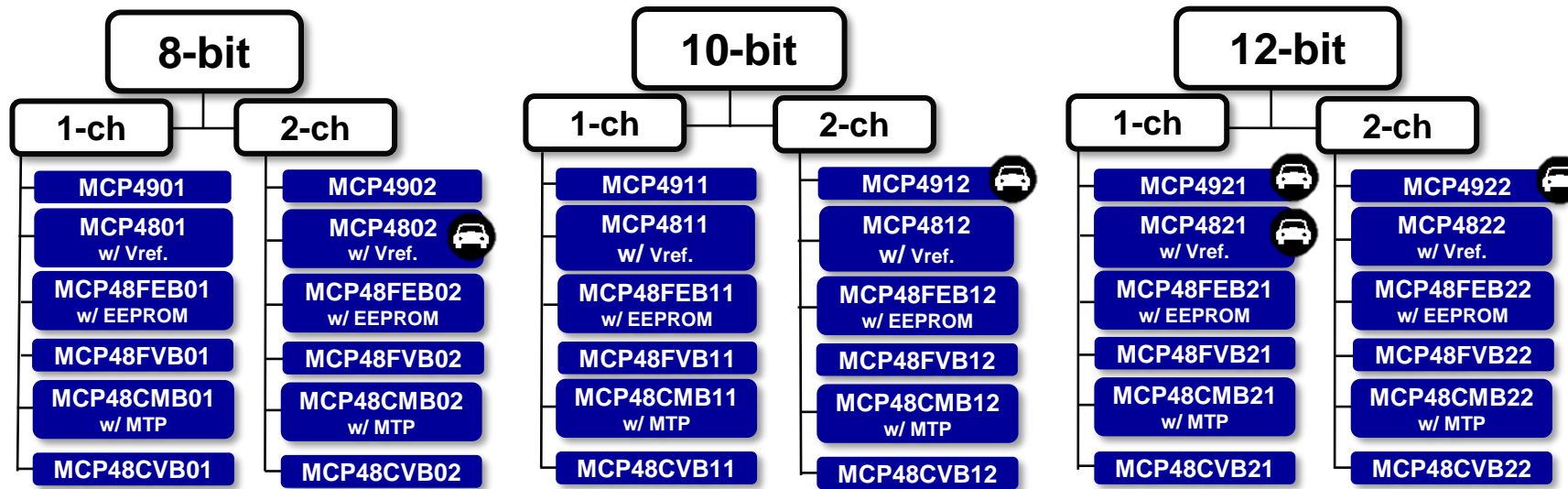
Including controllers with charge emulation



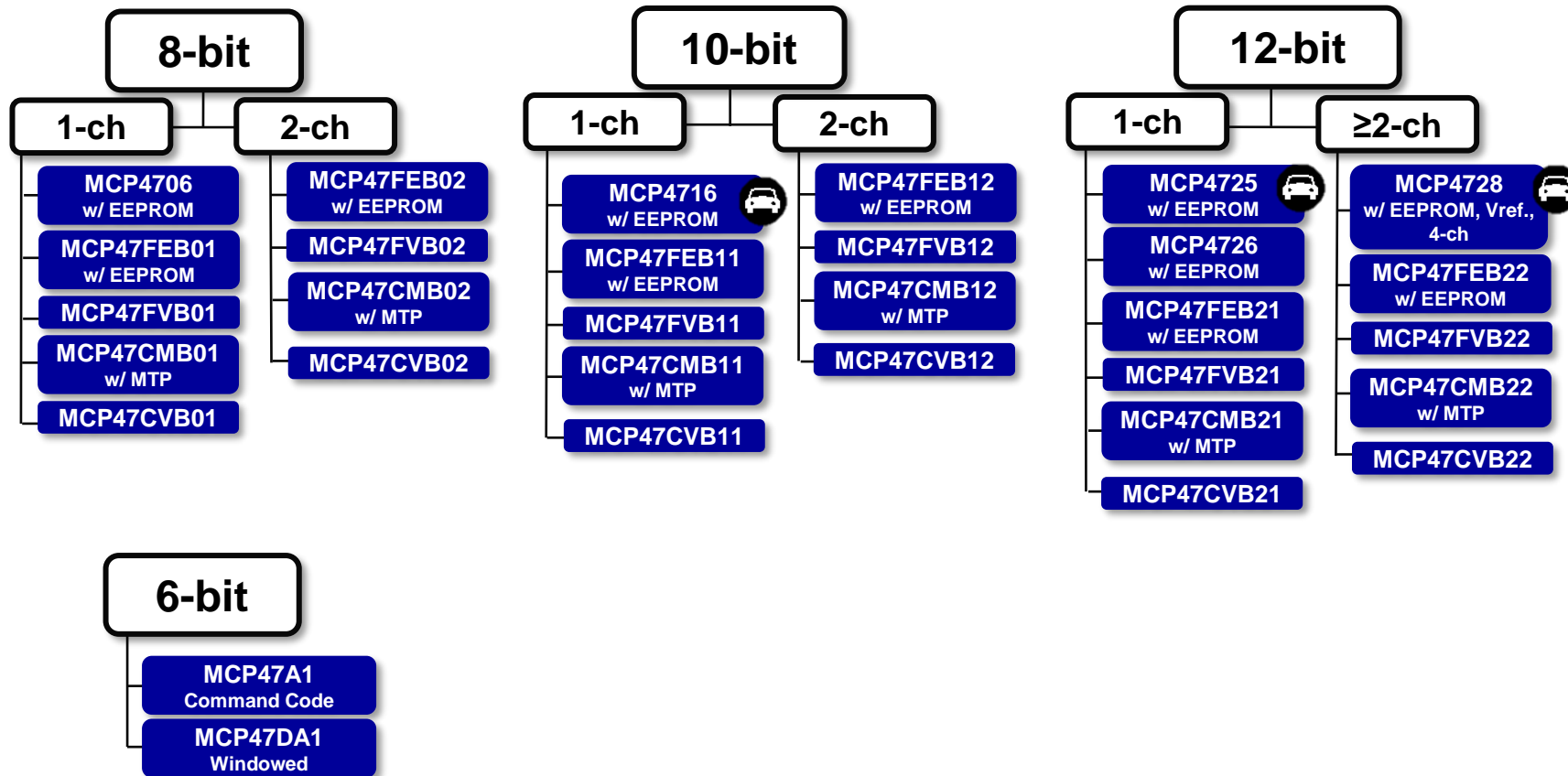
Digital Potentiometers



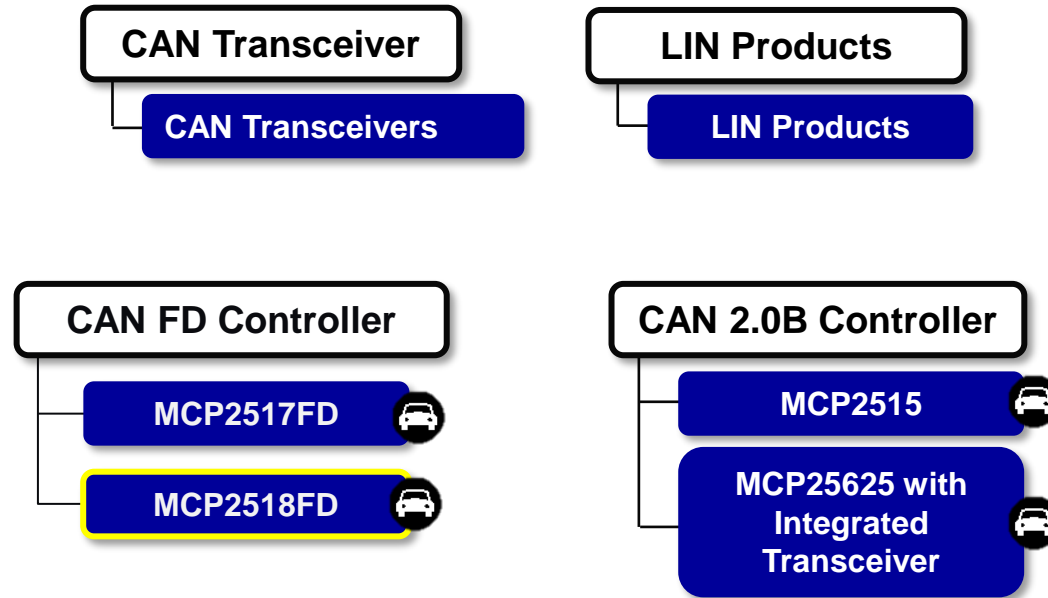
D/A Converters (SPI)



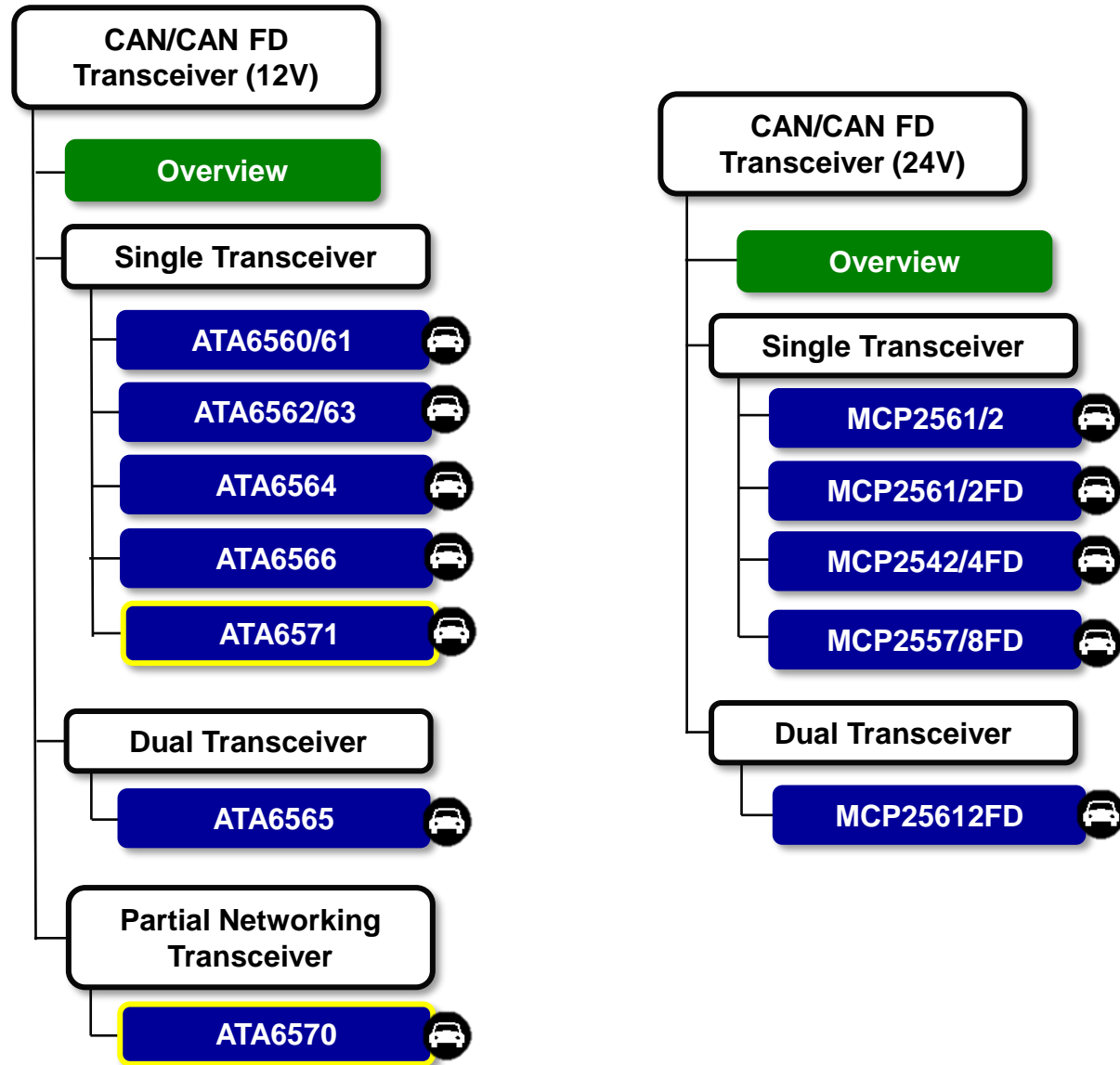
D/A Converters (I²C)



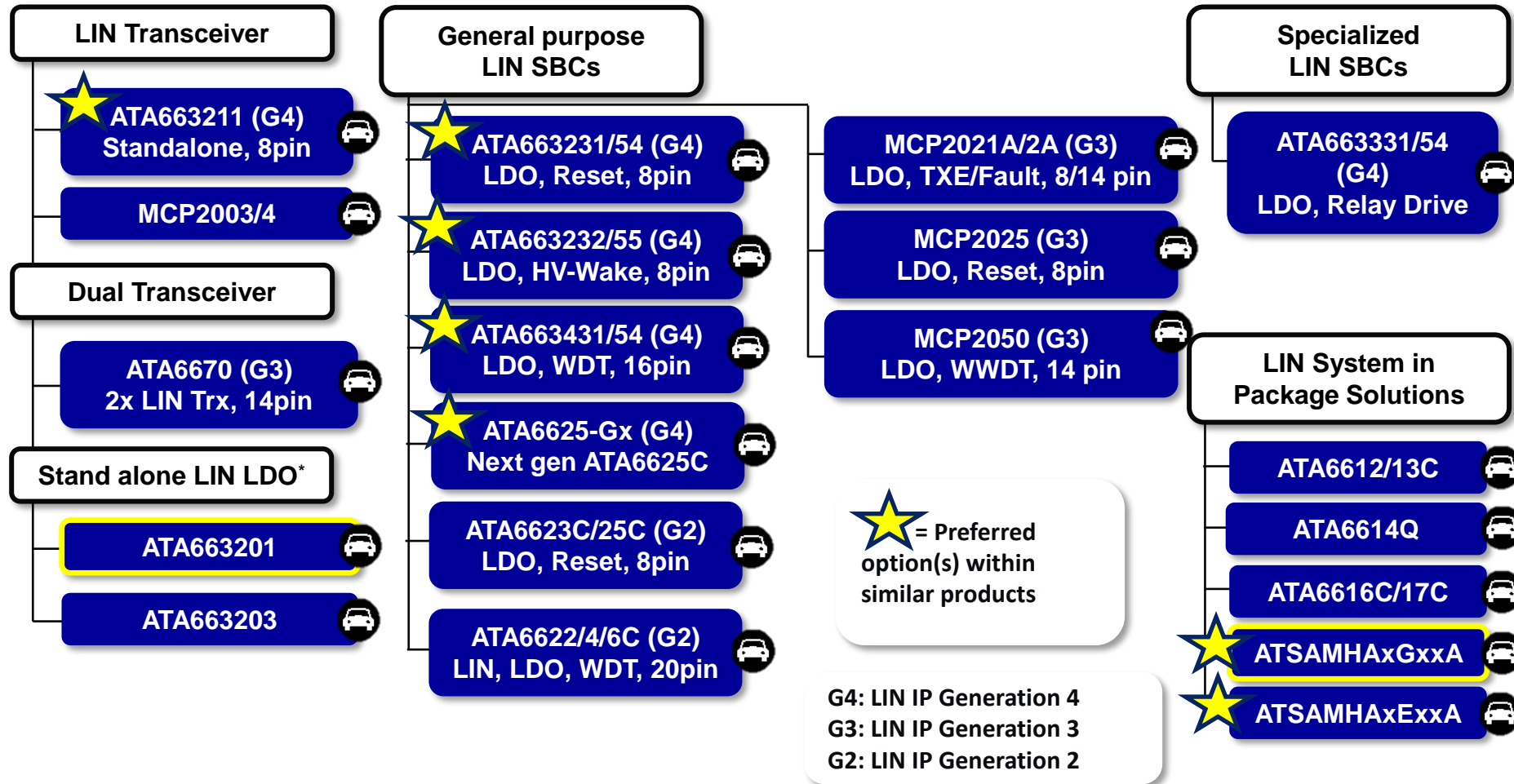
CAN and LIN Products



CAN Transceiver



LIN Products



* LIN LDO: LDO footprint compatible with LIN SBC ATA663254

= New product

RF & Microwave, Wireless Interface

Infrared & Position Sensors Products

Infrared Products

Position Sensors

Passive Access AFE

MCP2030

MCP2035
Bodycom

Wireless

Wireless Products

Car Access Products

RF & Microwave

SAW Filter Technology
Products

MMICs

GaN on SiC Discrete
Pallets, Modules

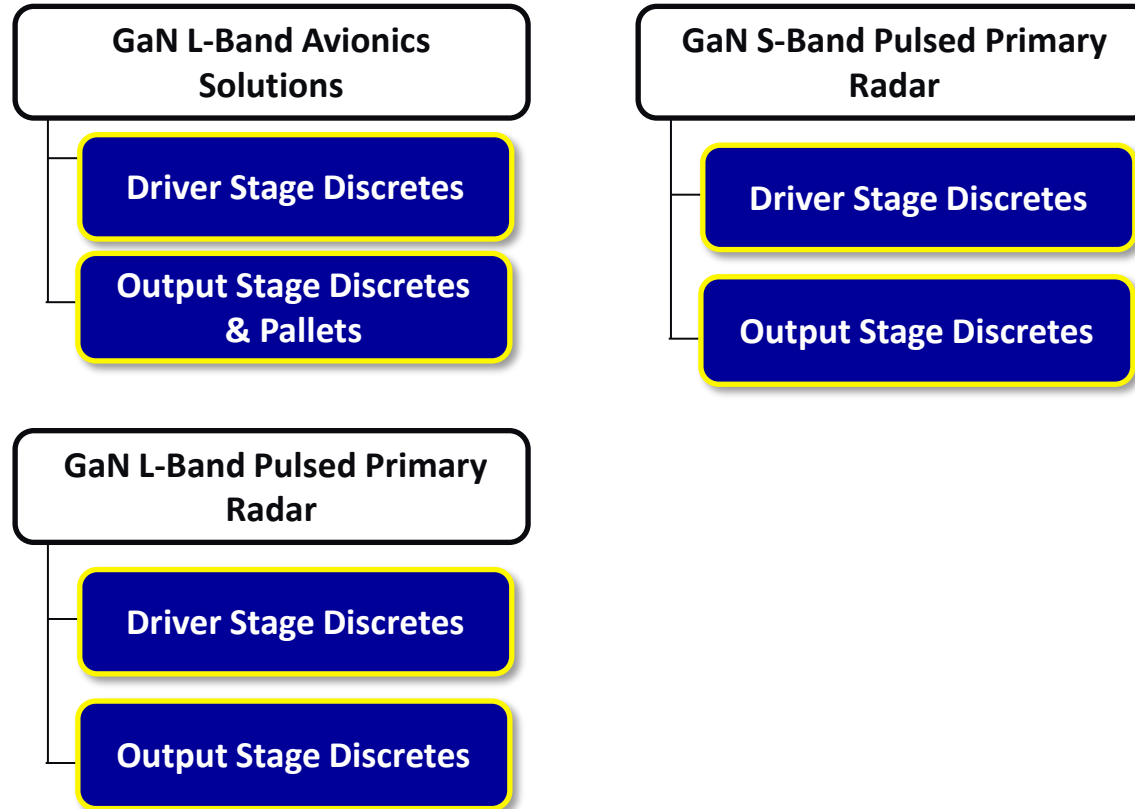
<< BACK to Wireless Interface Demo & Eval Boards

<< BACK to RF Wireless Demo & Eval Boards

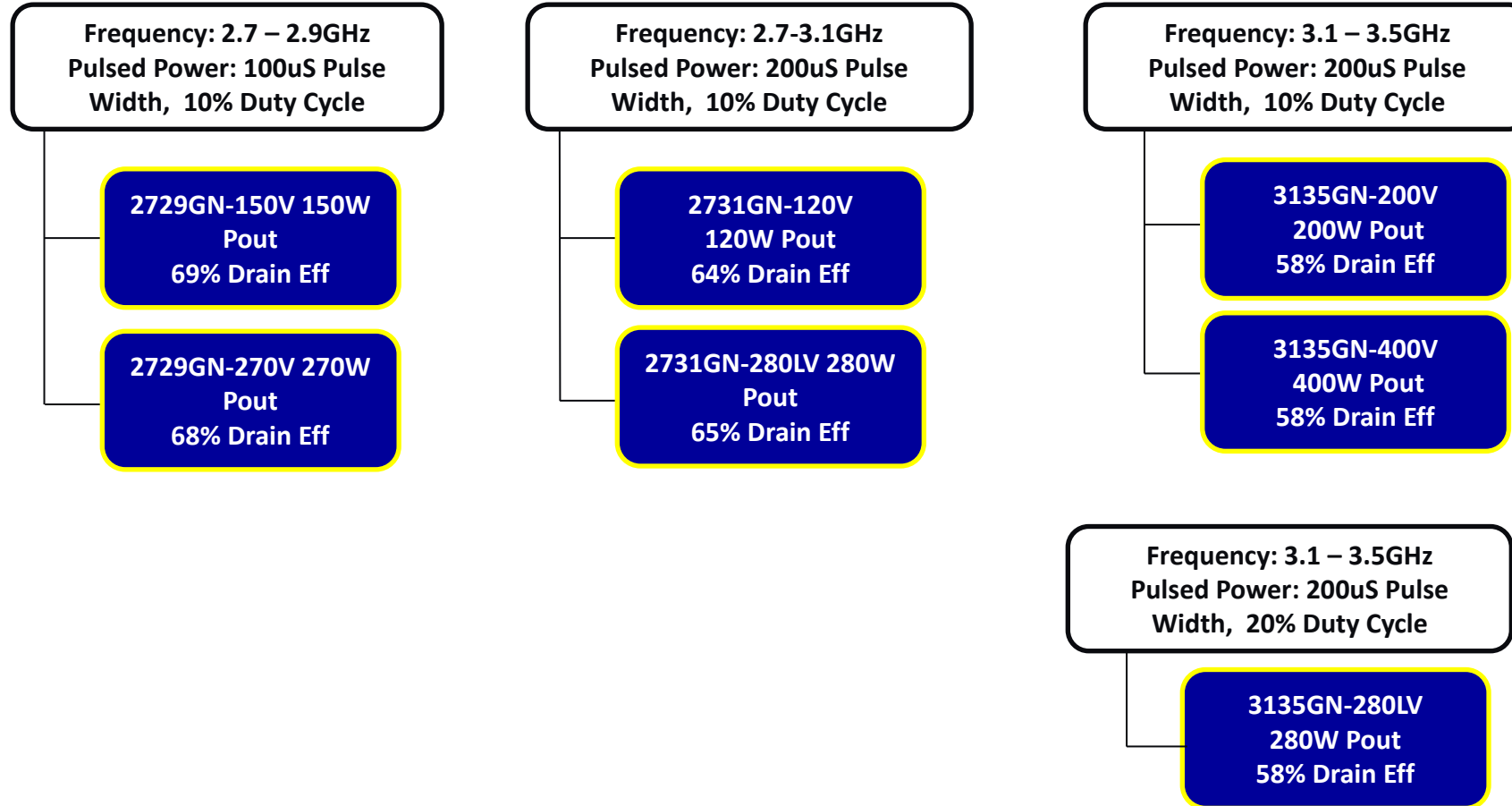
 = New product



GaN on SiC Products



GaN S-Band Radar Output Stage Discretes



GaN S-Band Radar Driver Stage Discretetes

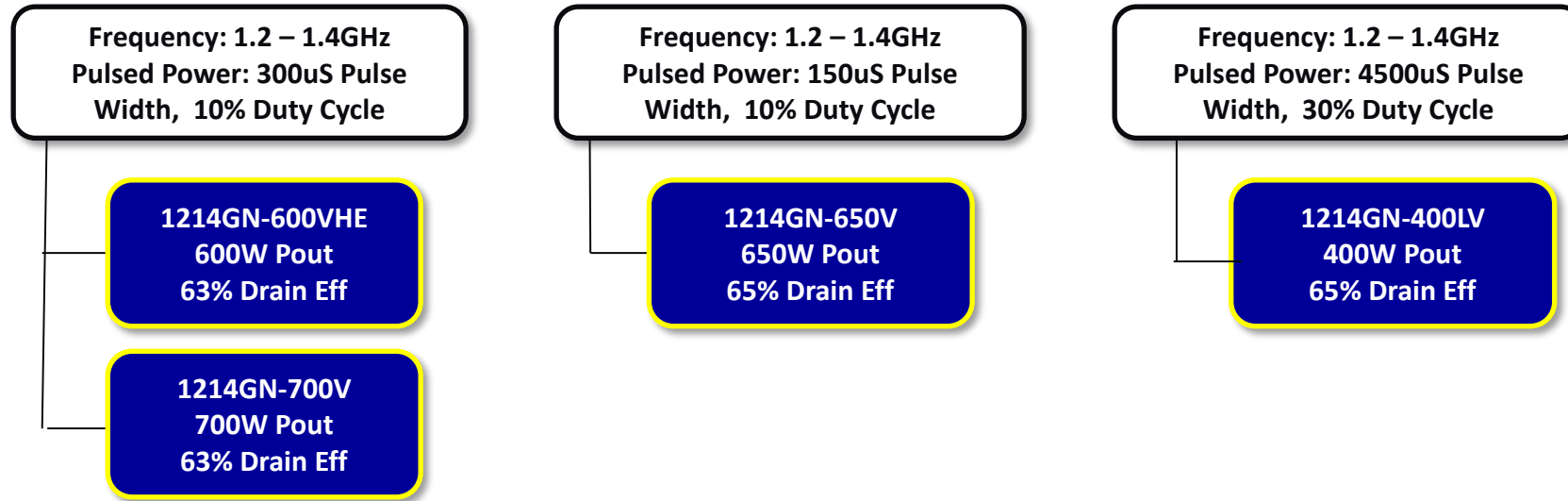
Frequency: 2.7 – 3.1GHz
Pulsed Power

DC35GN-15-Q4 (SMT)
15W Pout
60% Drain Eff

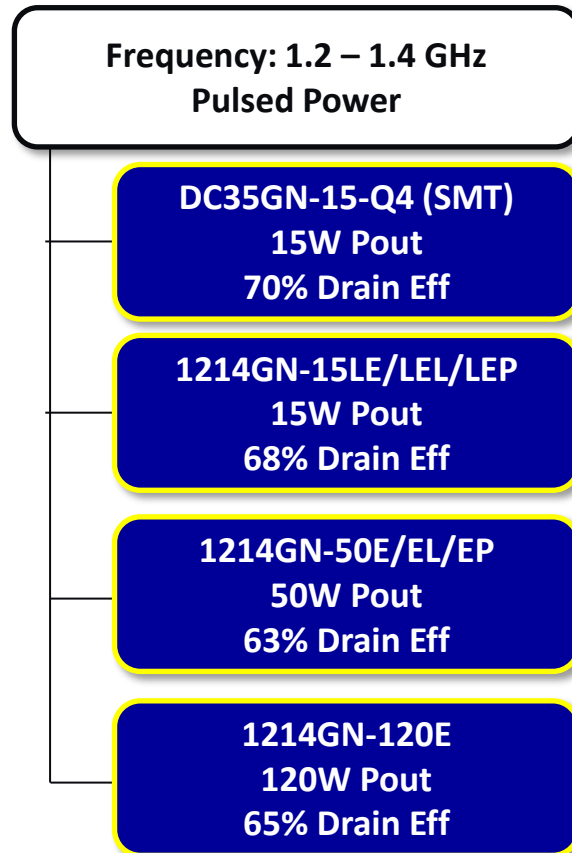
Frequency: 3.1 – 3.5GHz
Pulsed Power

DC35GN-15-Q4 (SMT)
12W Pout
50% Drain Eff

GaN L-Band Radar Output Stage Discretes & Pallets



GaN L-Band Radar Driver Stage Discretes



GaN L-Band Avionics Driver Stage Discretetes

Frequency: 1030 – 1090 MHz
Pulsed Power

1011GN-30E/EL/EP
30W Pout
65% Drain Eff

1011GN-125E/EL/EP
125W Pout
72% Drain Eff

1011GN-250E
250W Pout
68% Drain Eff

Frequency: 960 – 1215 MHz
Pulsed Power

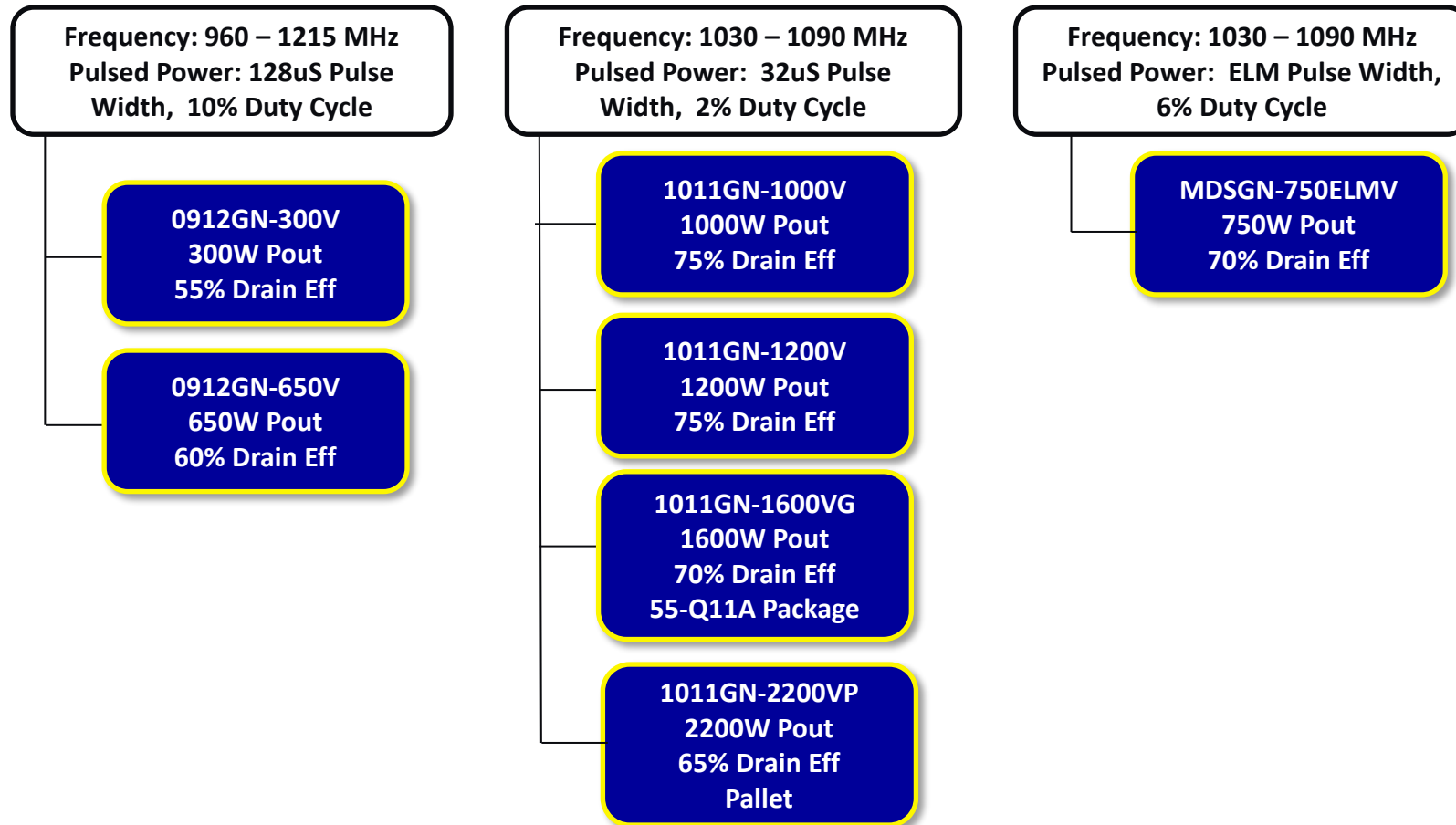
DC35GN-15-Q4 (SMT)
15W Pout
70% Drain Eff

0912GN-15E/EL/EP
15W Pout
65% Drain Eff

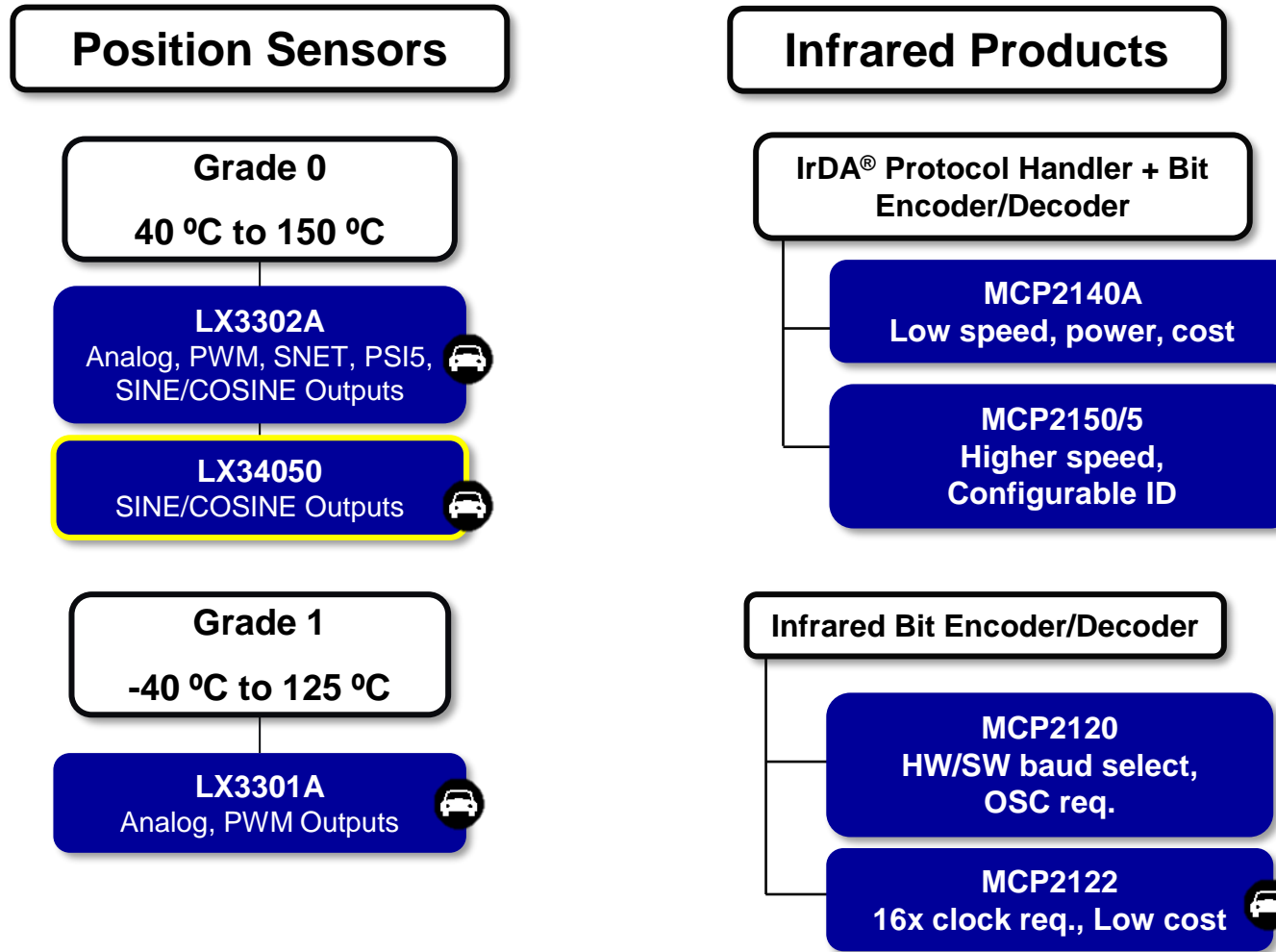
0912GN-50LE/LEL/LEP
50W Pout
63% Drain Eff

0912GN-120E/EL/EP
120W Pout
65% Drain Eff

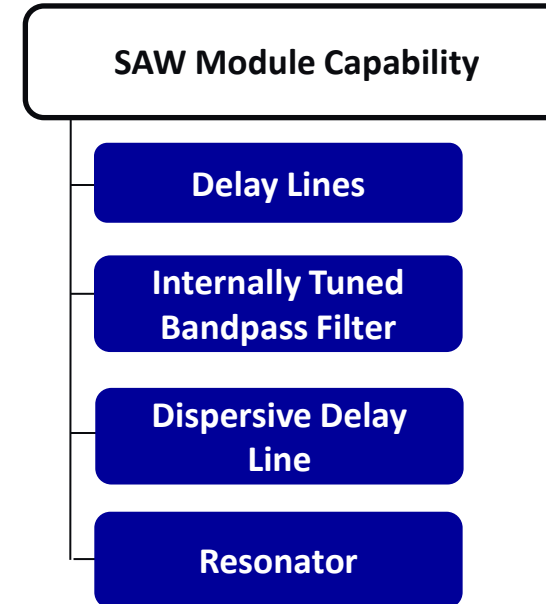
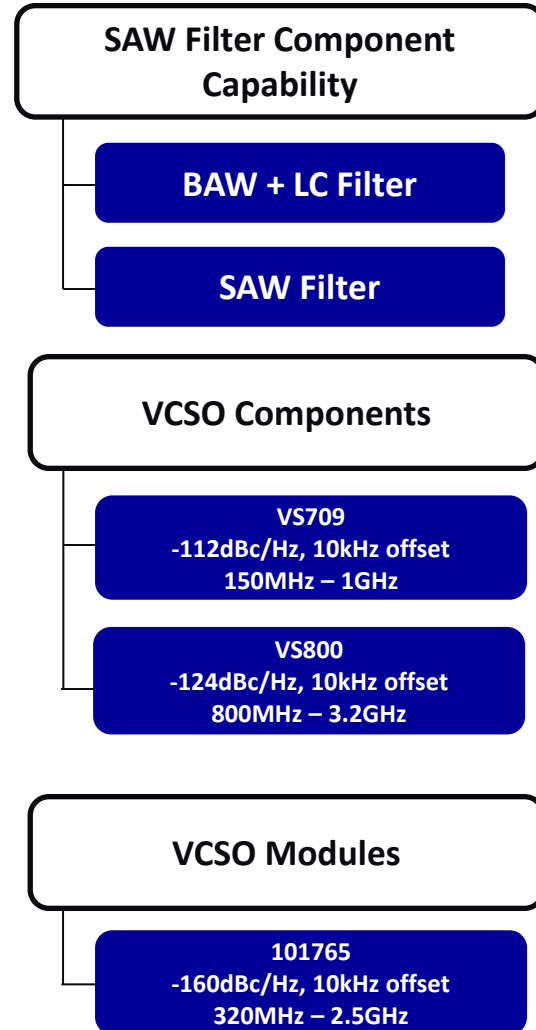
GaN L-Band Avionics Output Stage Discretes & Pallets



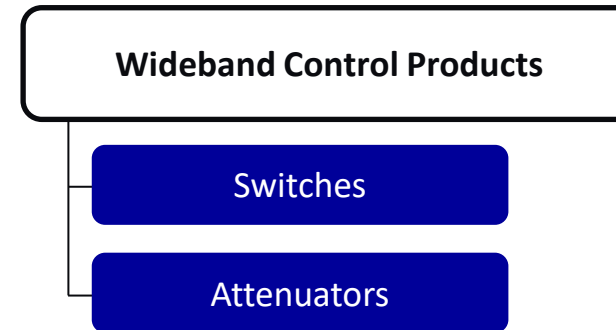
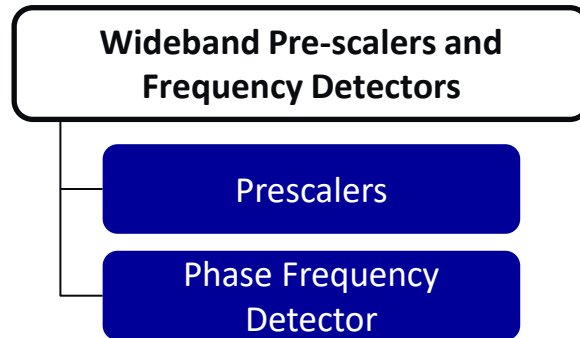
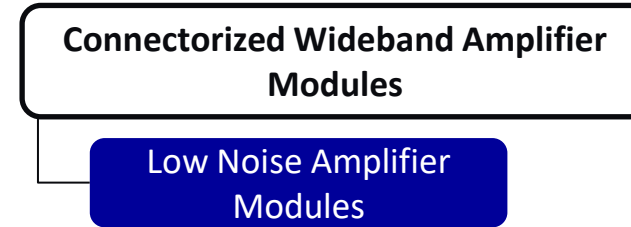
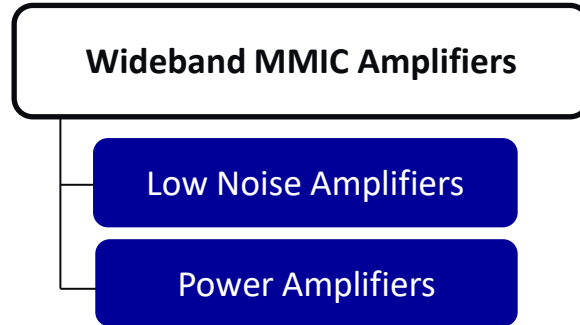
Infrared & Position Sensors Products



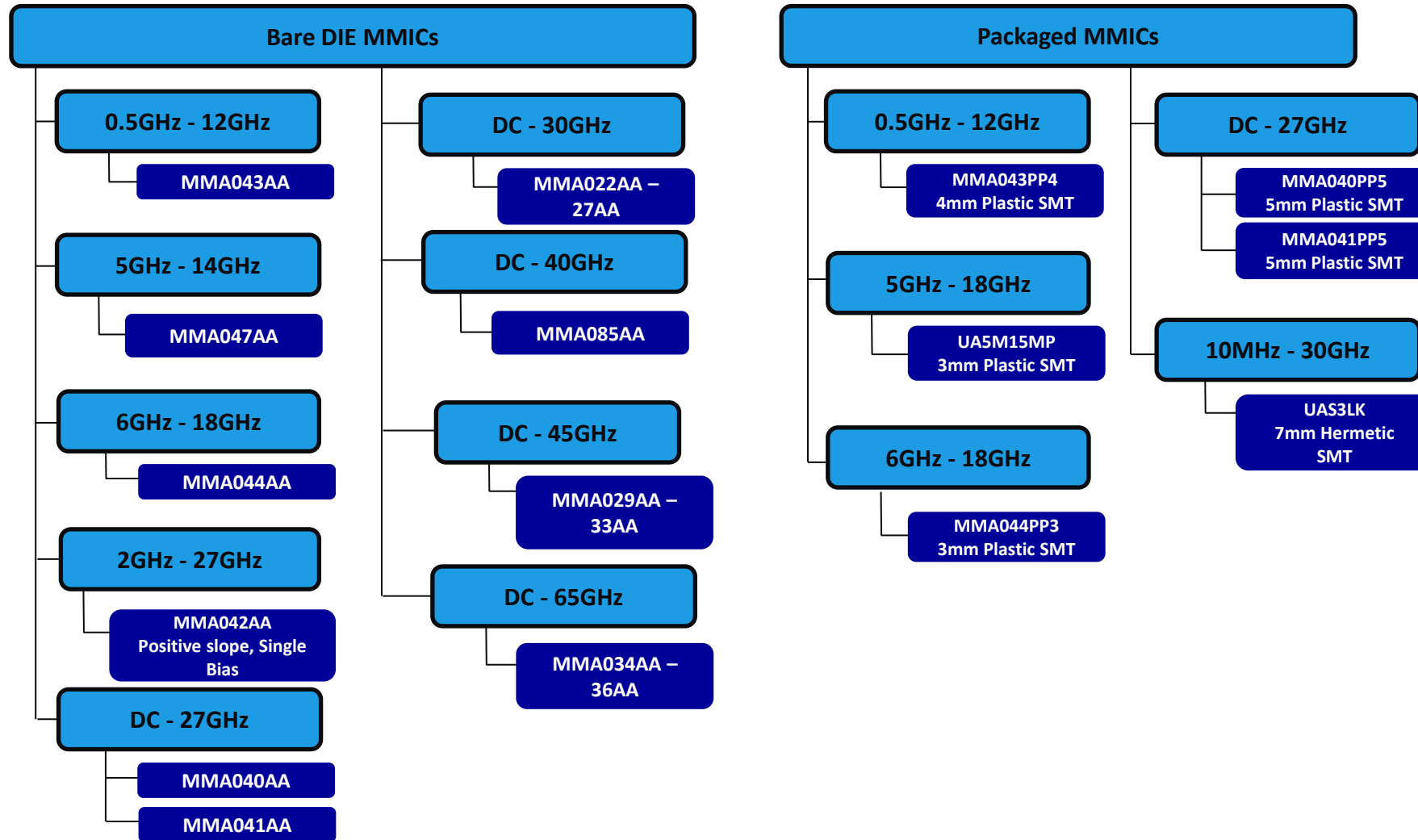
RFSP Products



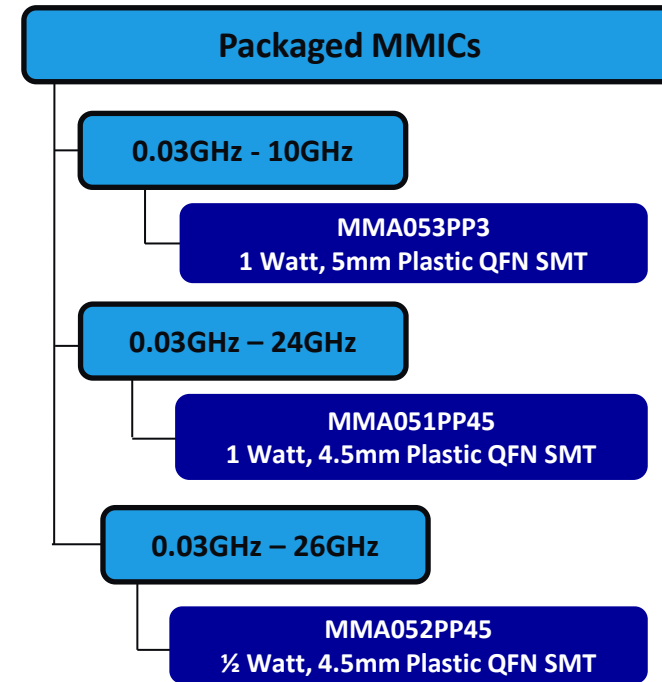
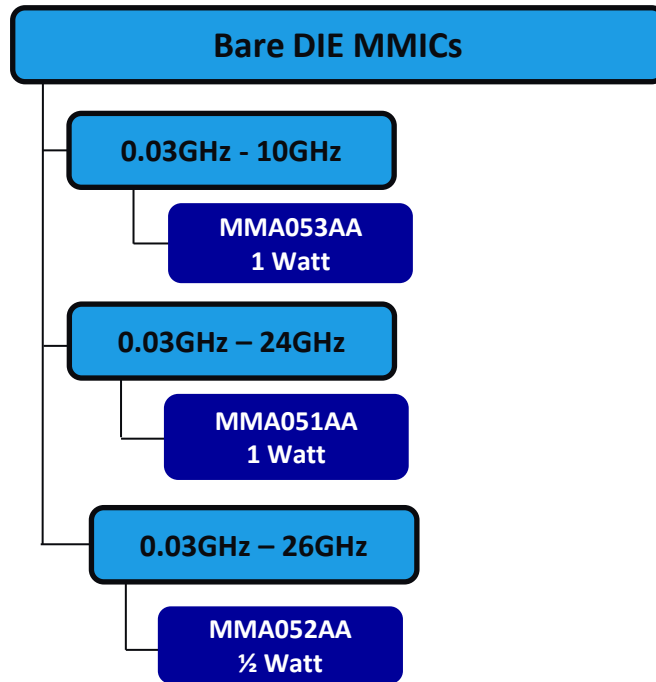
MMICs Products



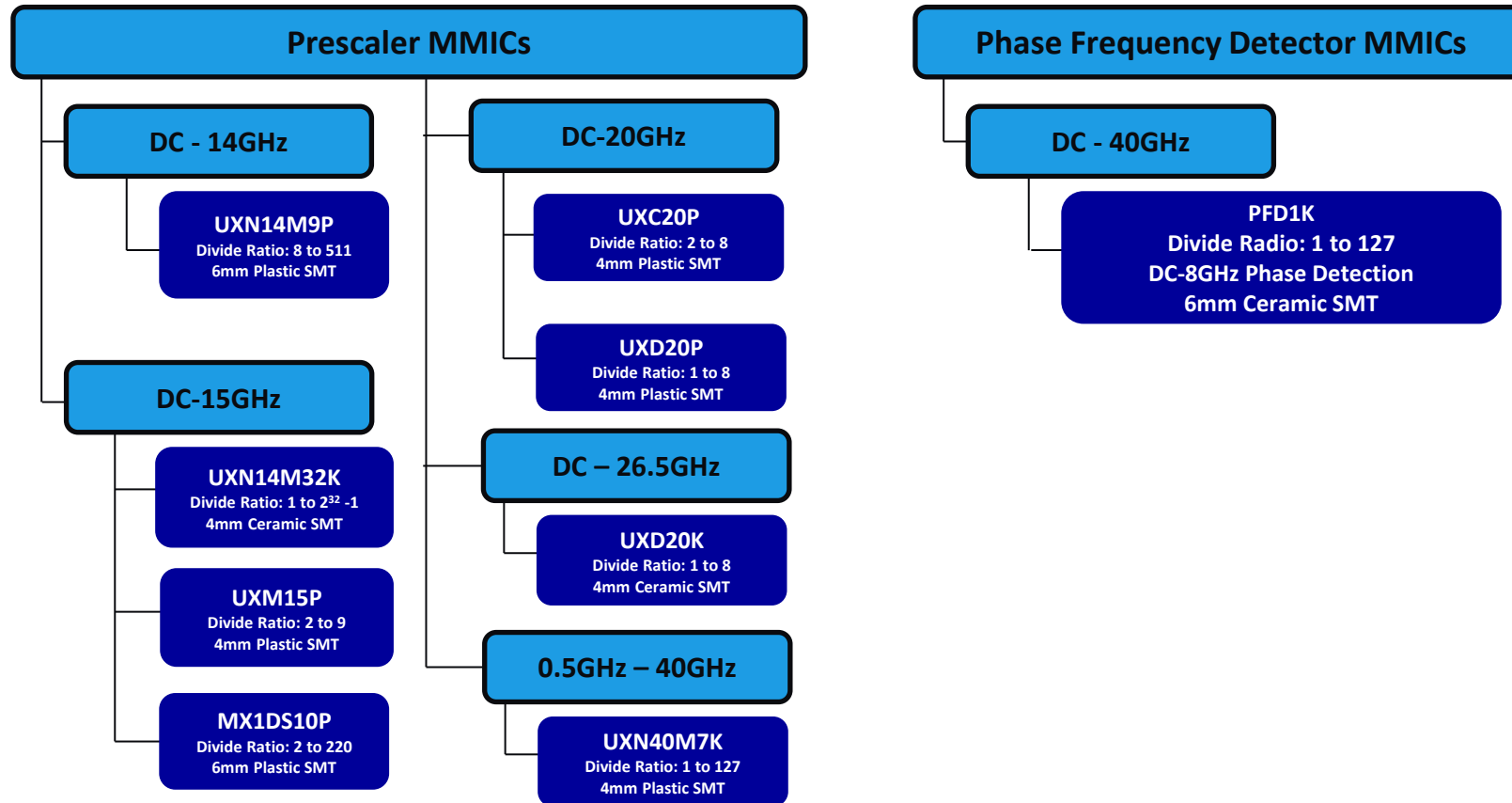
Low Noise Amplifiers MMICs



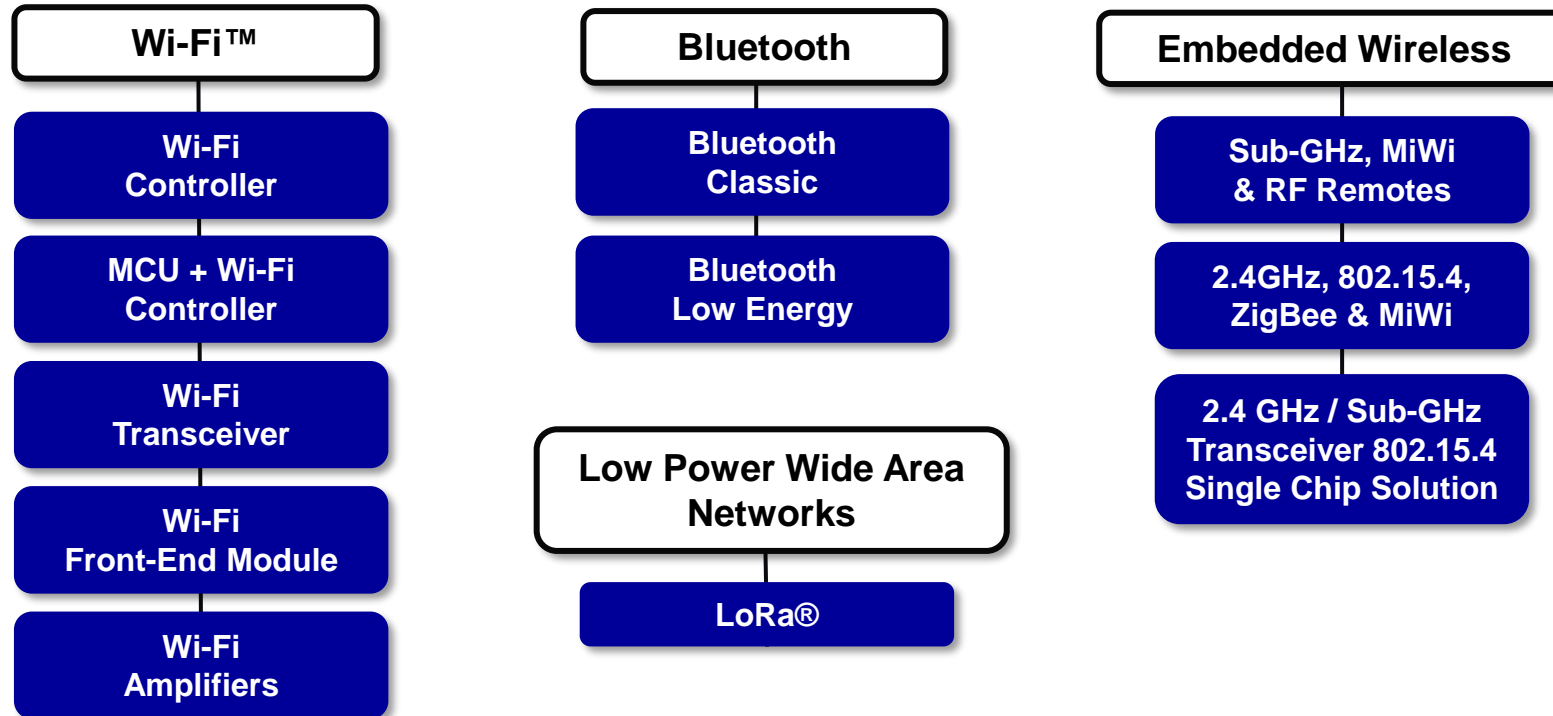
Power Amplifiers MMICs



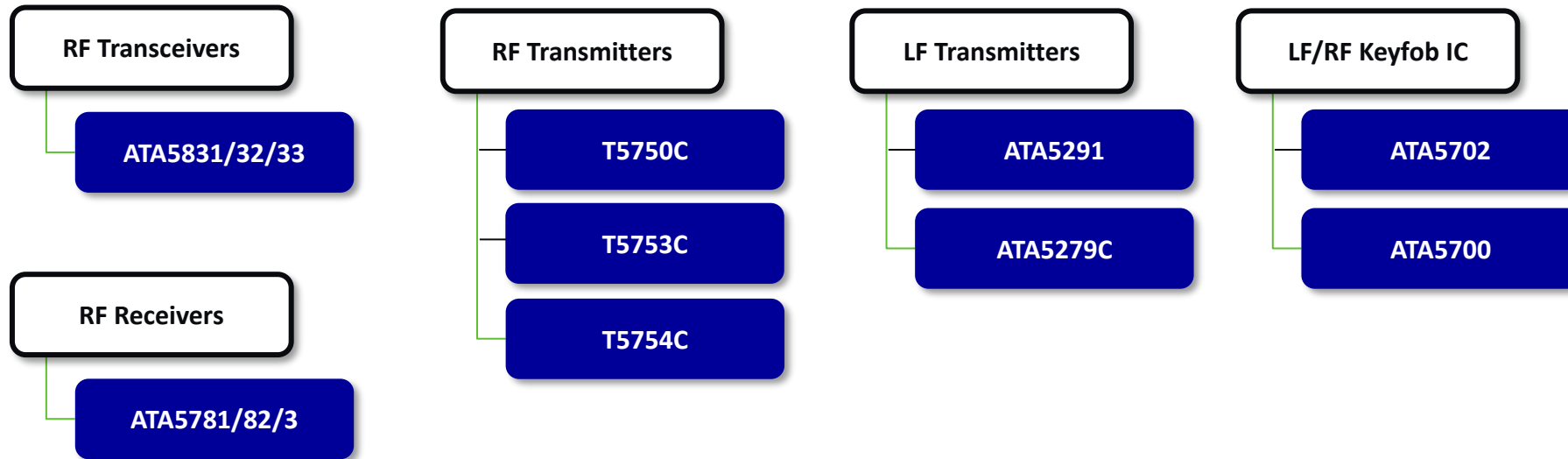
Prescaler & Phase Frequency Detector MMICs



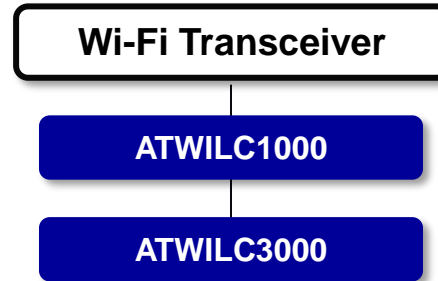
Wireless Products



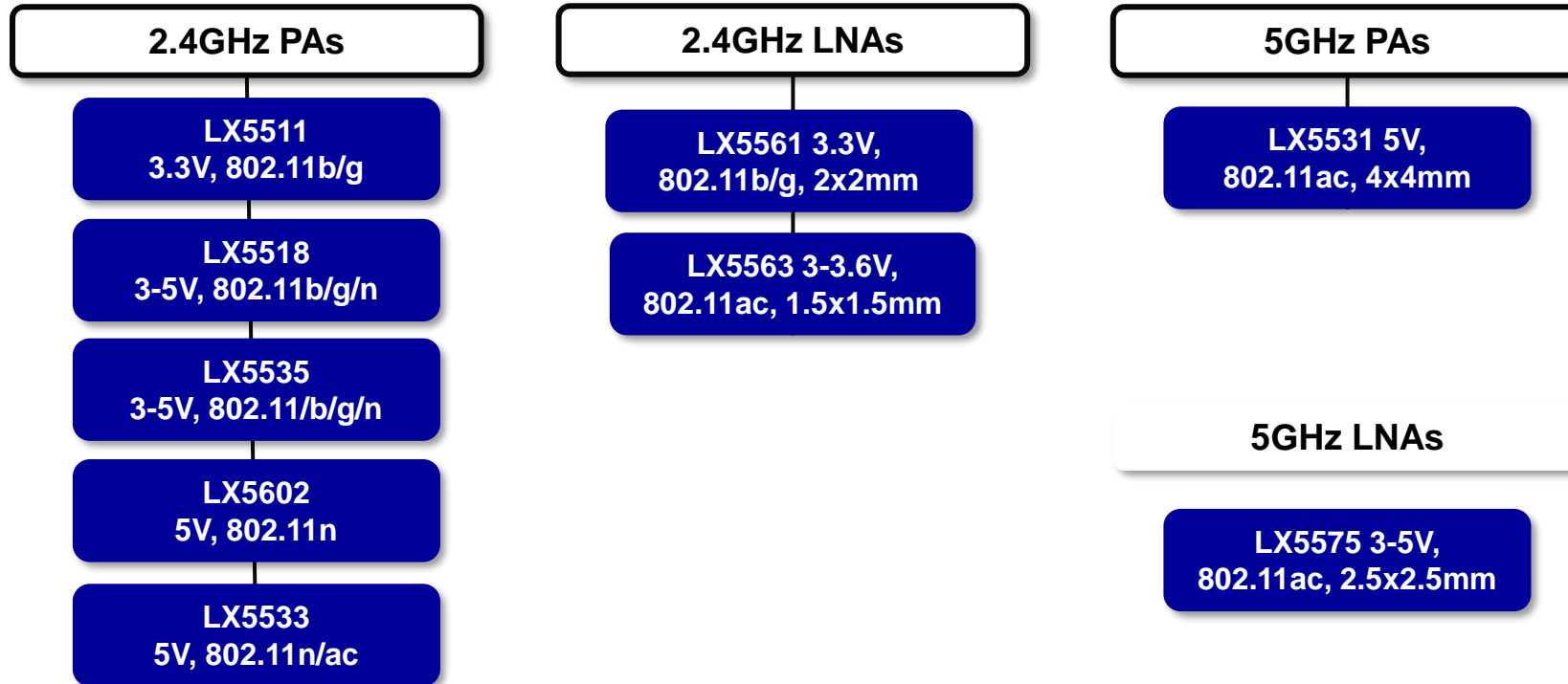
Car Access Products



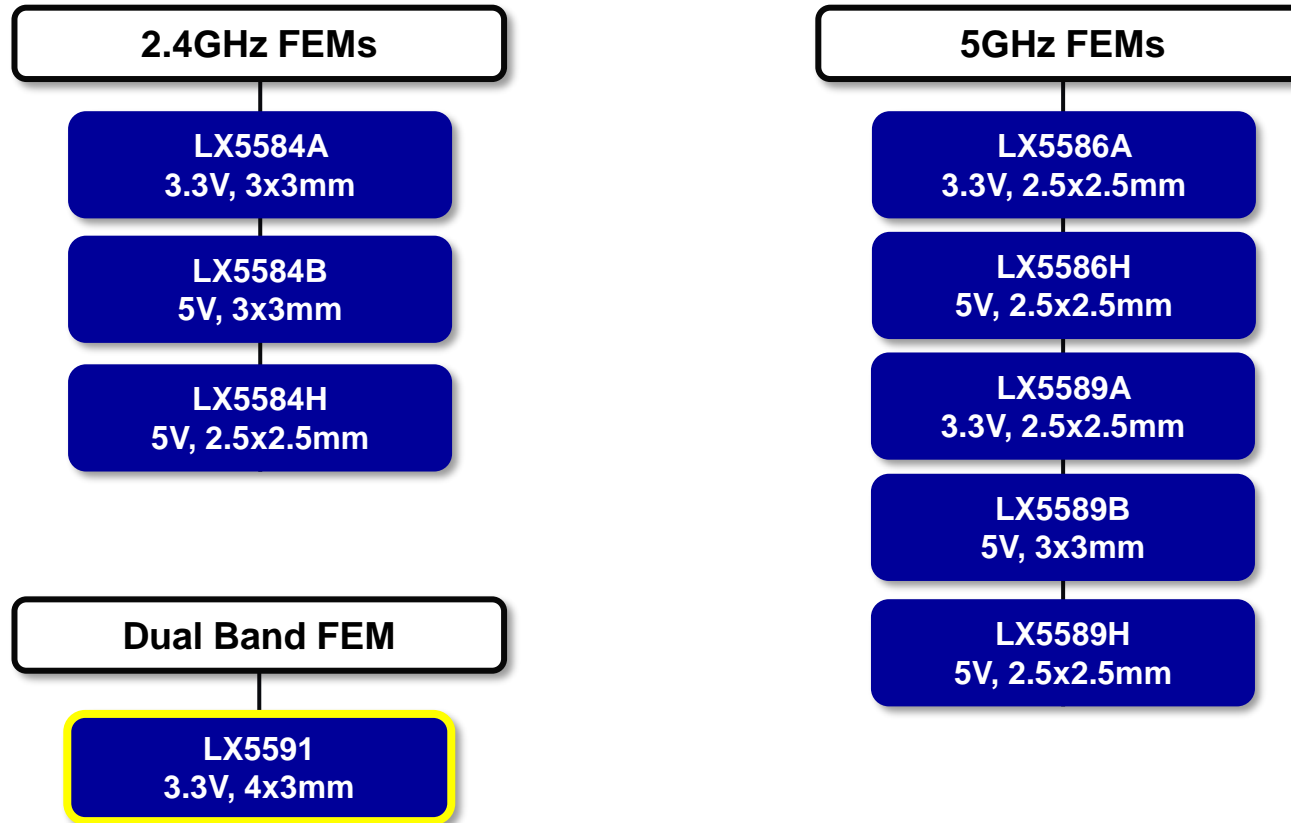
Wi-Fi Transceiver



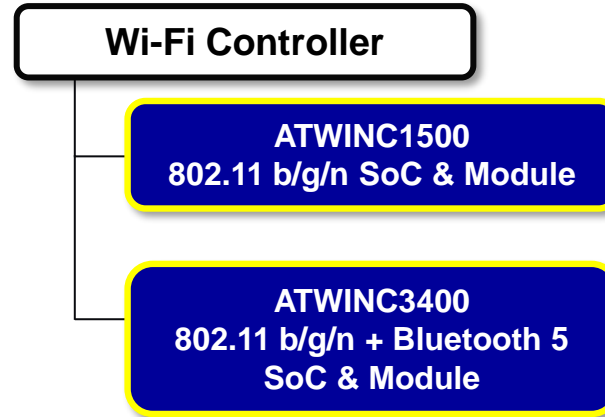
Wi-Fi Amplifiers



Wi-Fi Front-End Module (802.11ac FEM)



Wi-Fi Controller



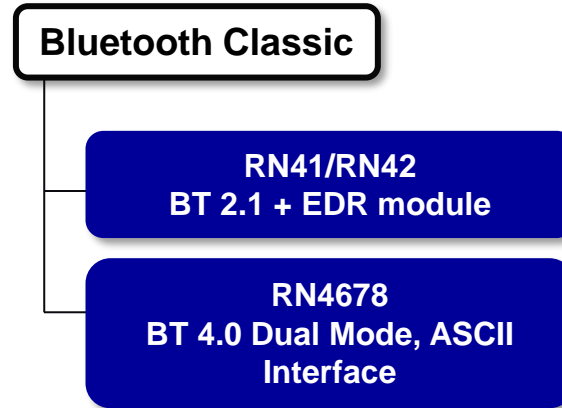
MCU + Wi-Fi Controller



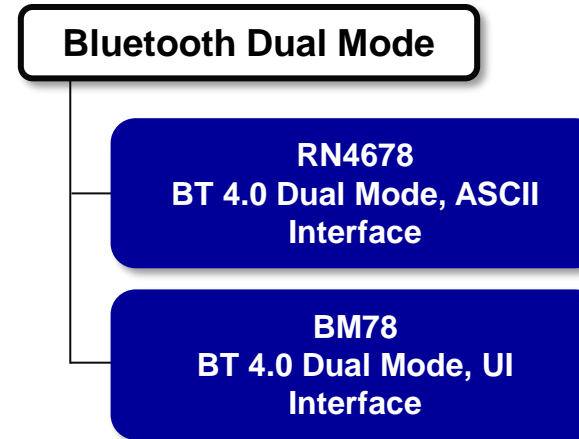
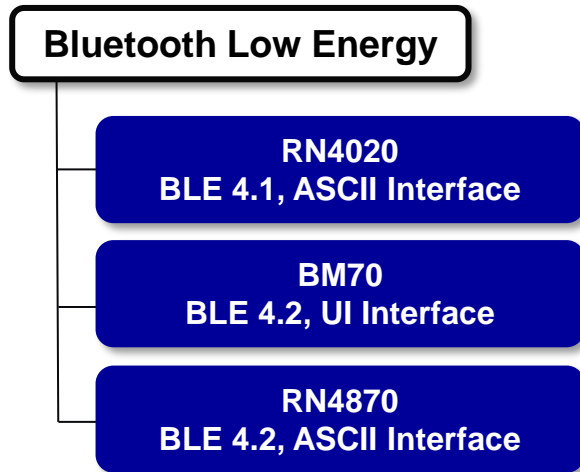
<< BACK to RF Wireless Demo & Eval Boards



Bluetooth Classic



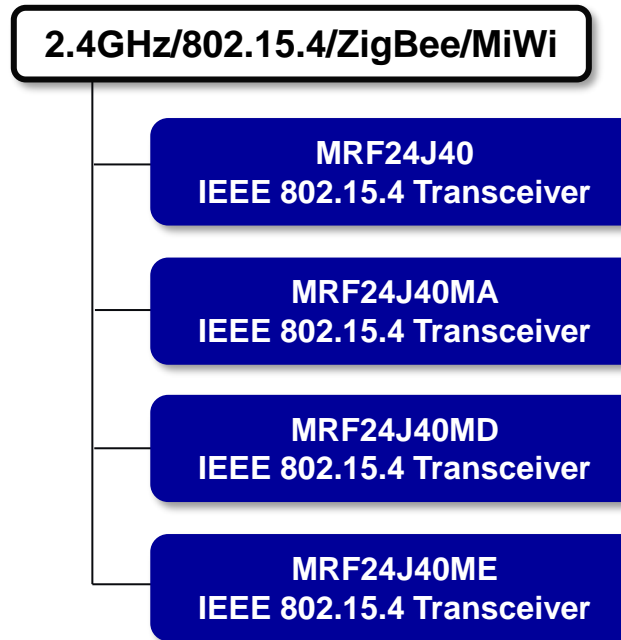
Bluetooth Low Energy



[<< BACK to RF Wireless Demo & Eval Boards](#)



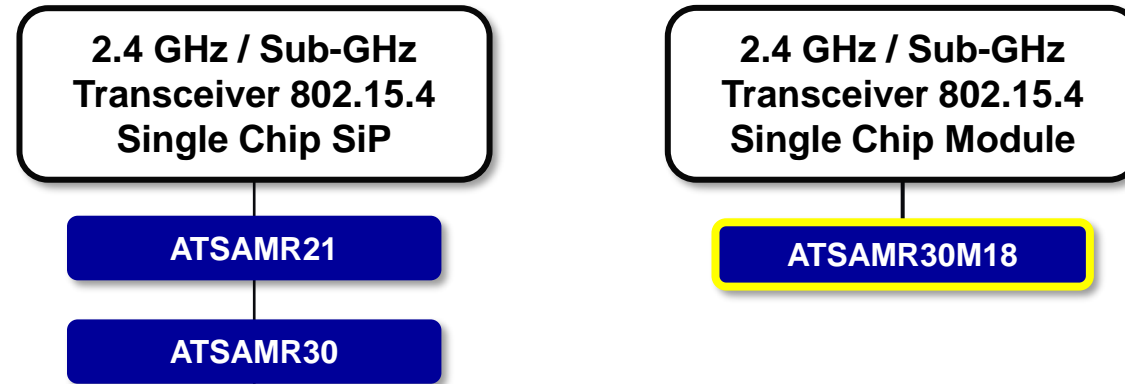
Embedded Wireless : 2.4GHz/802.15.4/ZigBee/MiWi



<< BACK to RF Wireless Demo & Eval Boards

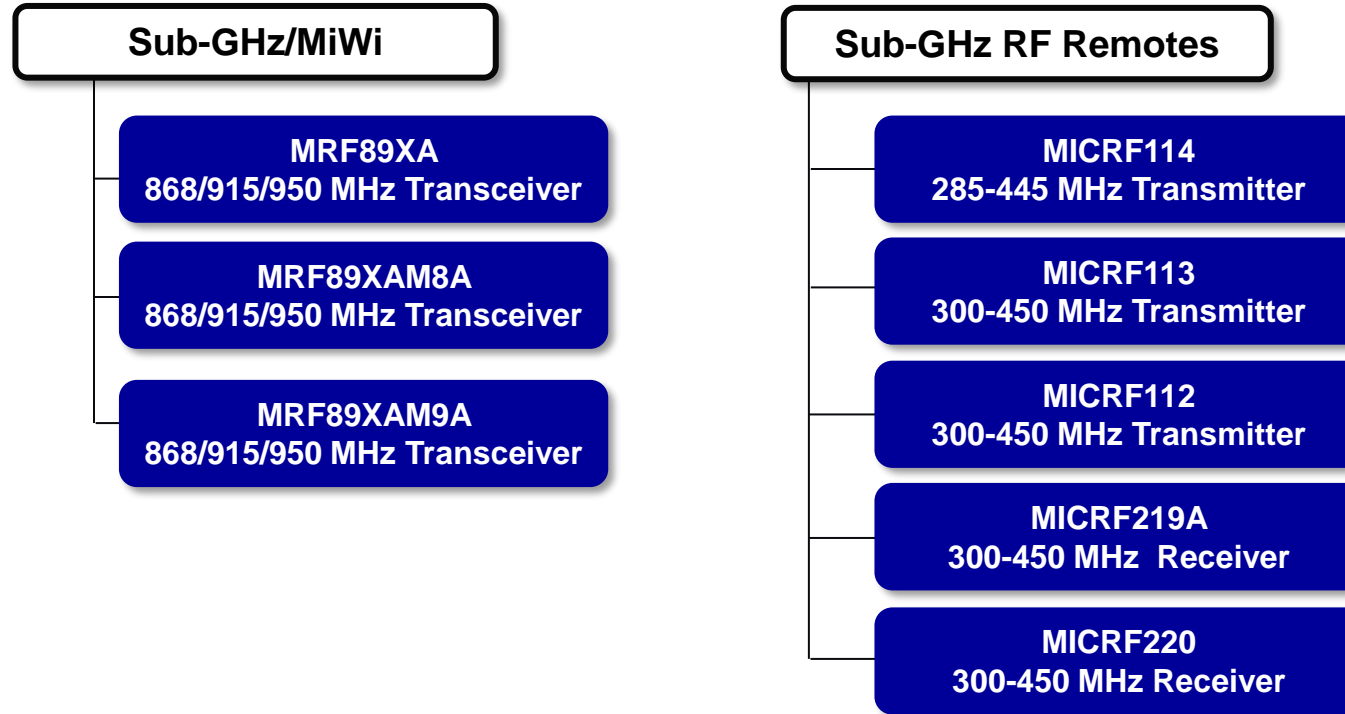


Embedded Wireless: 2.4 GHz / Sub-GHz



[<< BACK to RF Wireless Demo & Eval Boards](#)

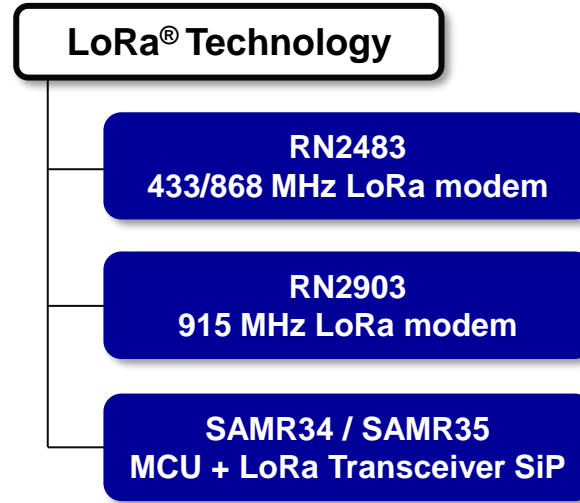
Embedded Wireless : Sub-GHz



<< BACK to RF Wireless Demo & Eval Boards



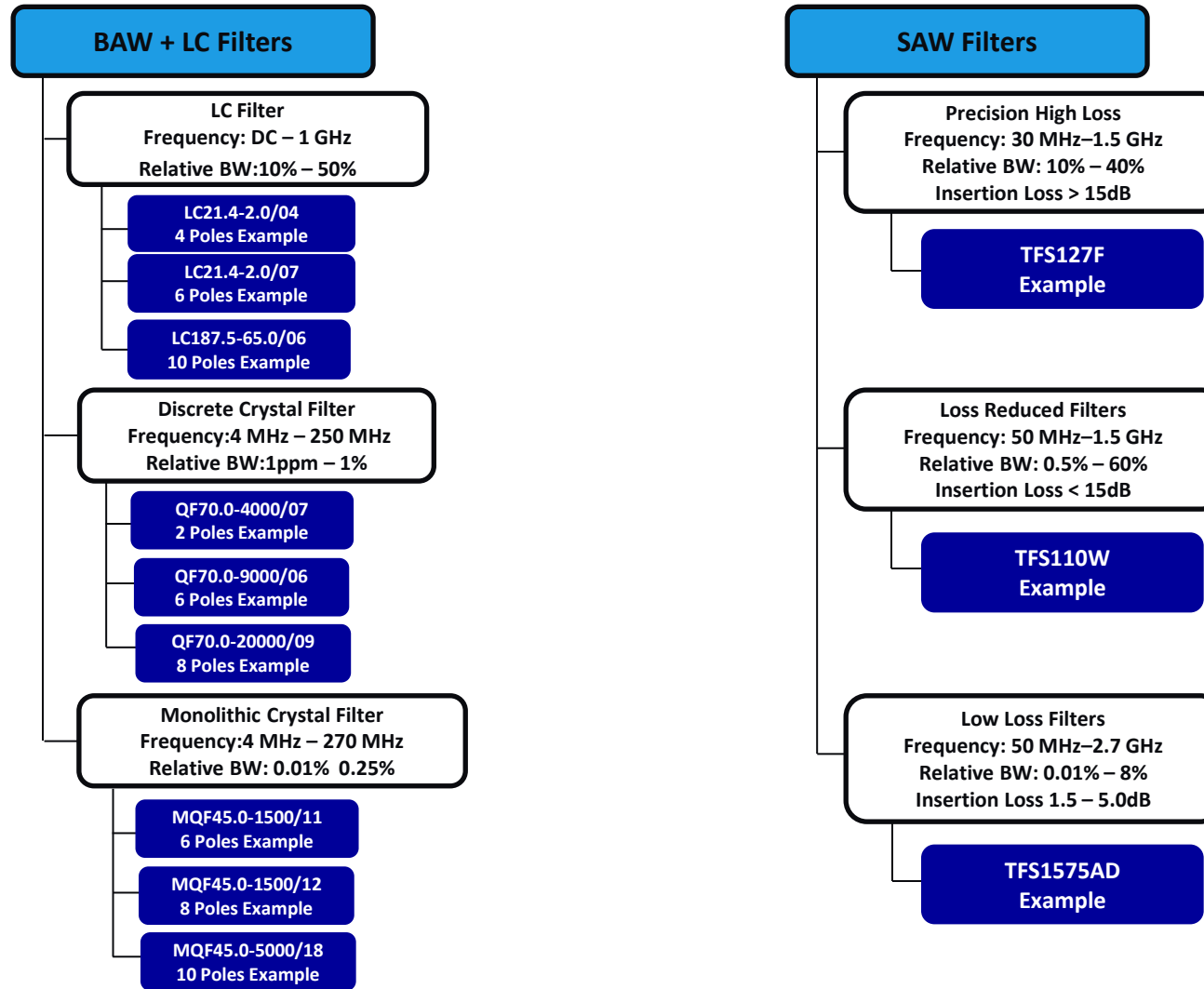
LoRa[®] Embedded Wireless



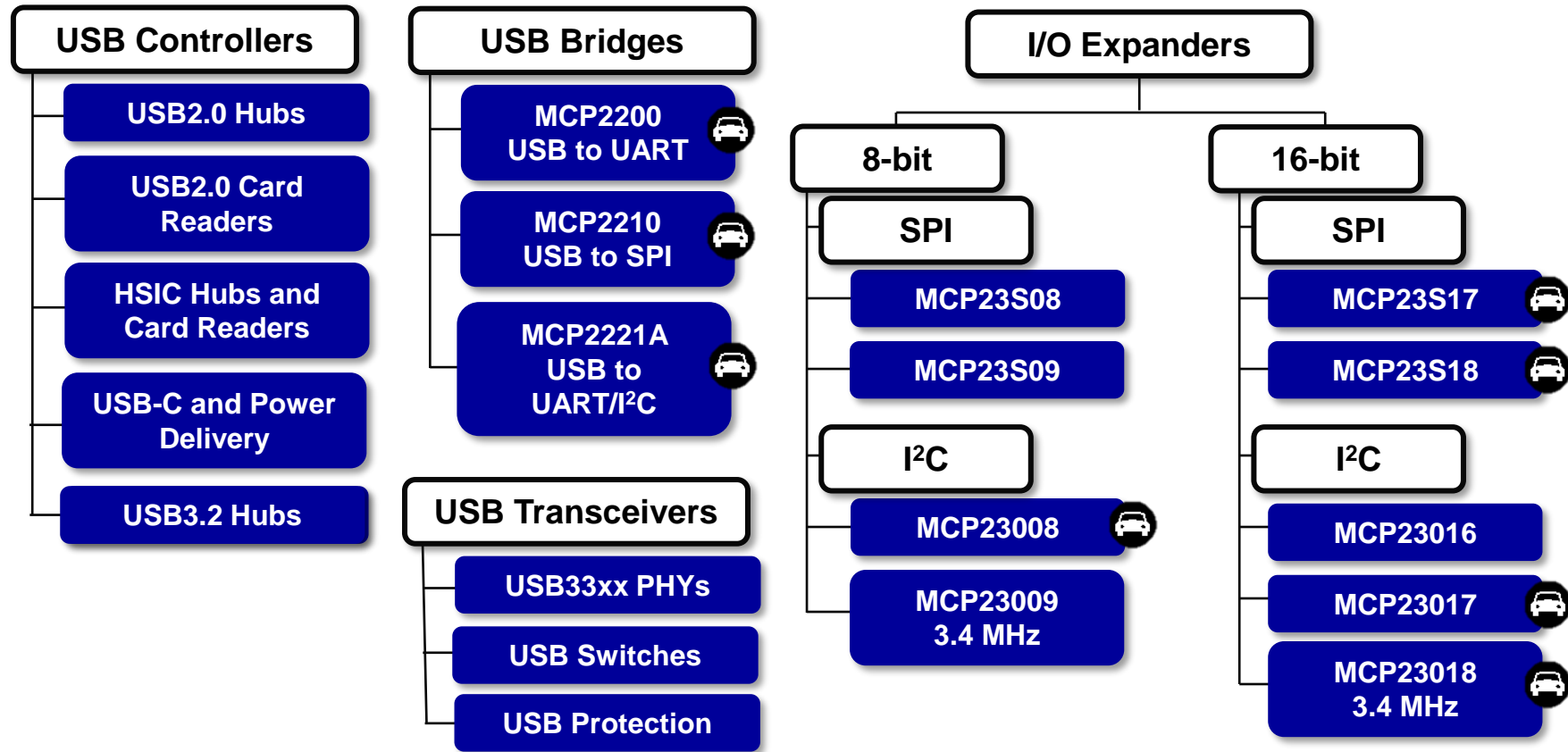
<< BACK to RF Wireless Demo & Eval Boards



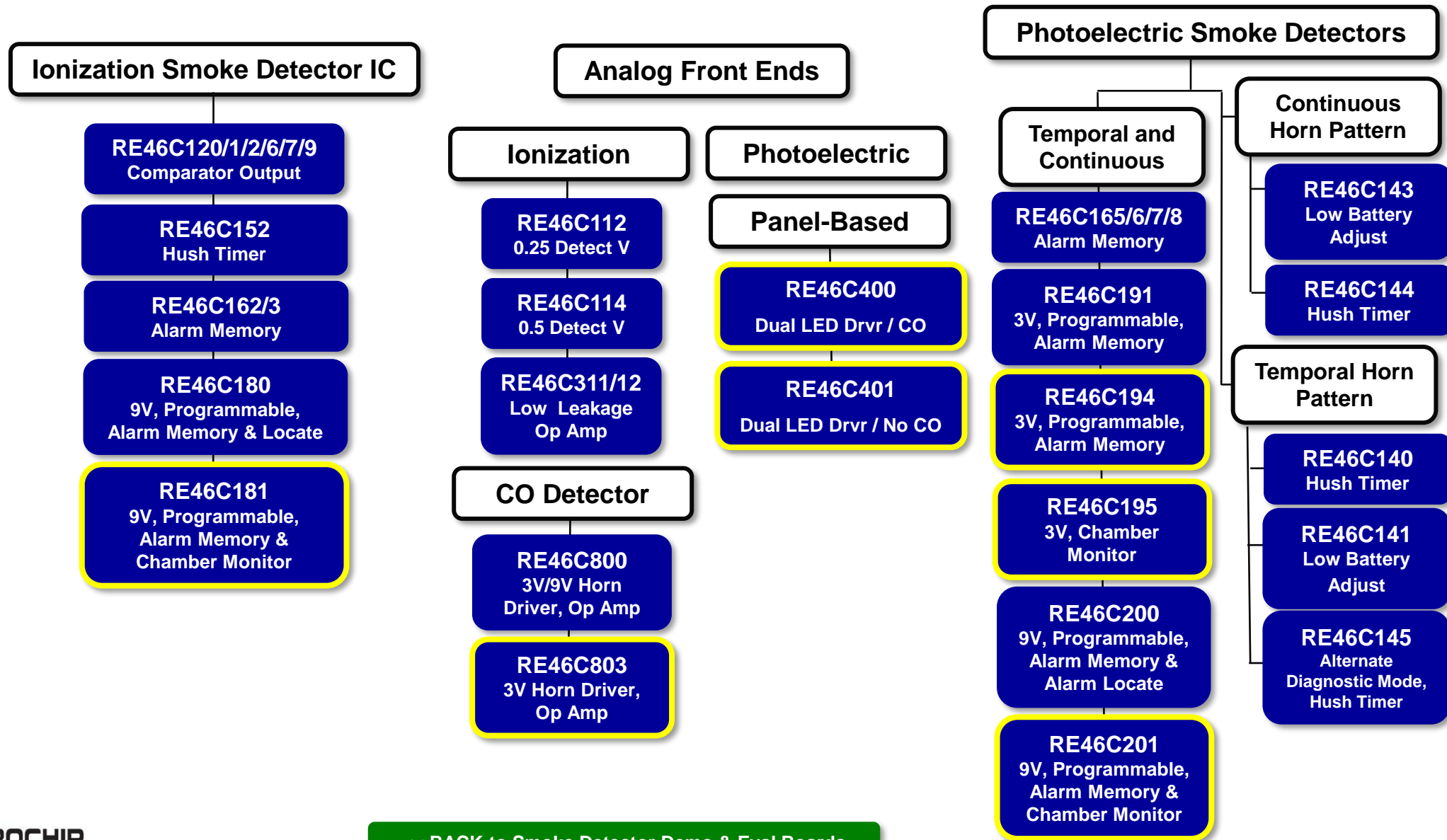
SAW Filter Component Capability



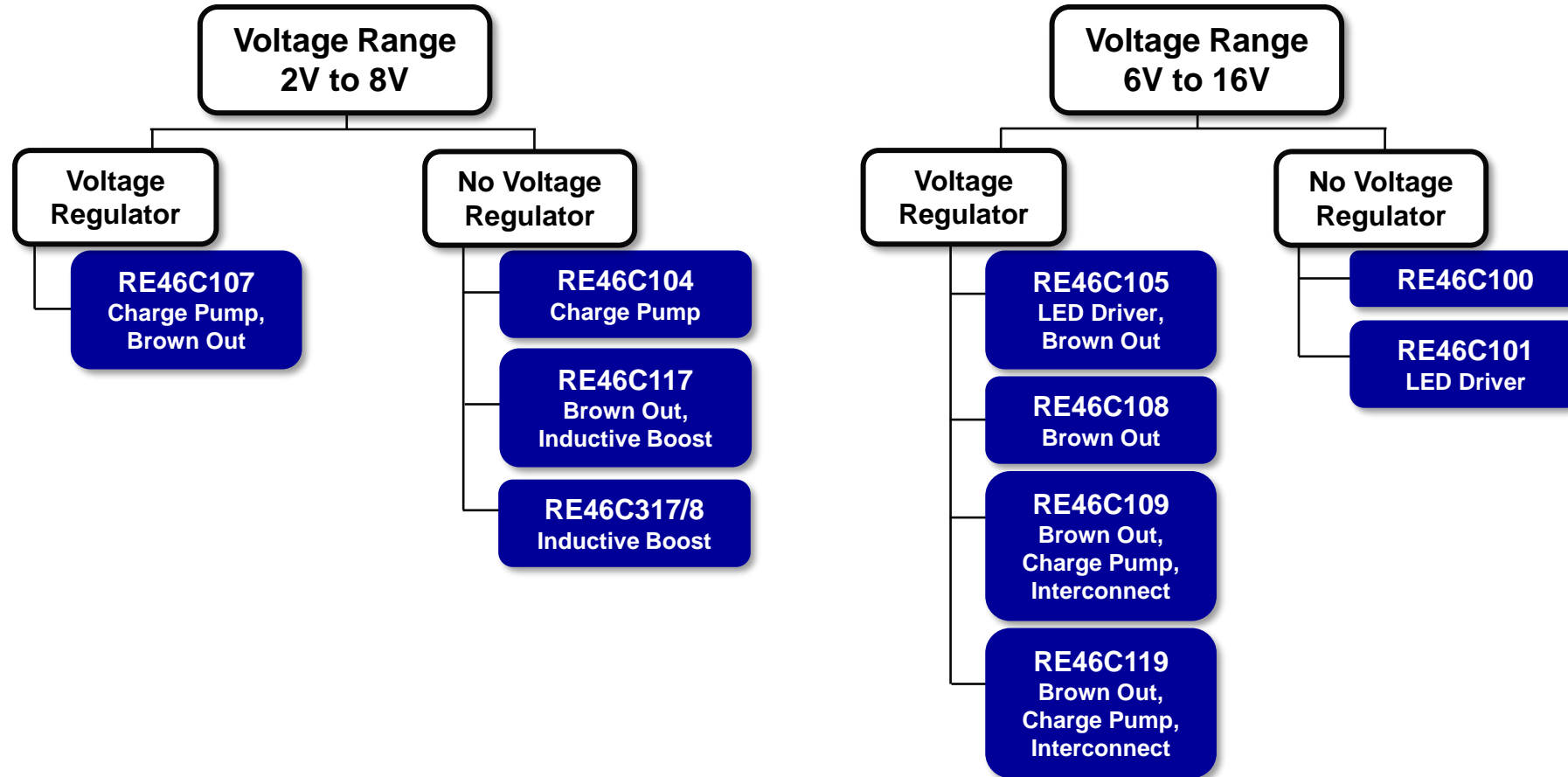
USB and I/O Expanders



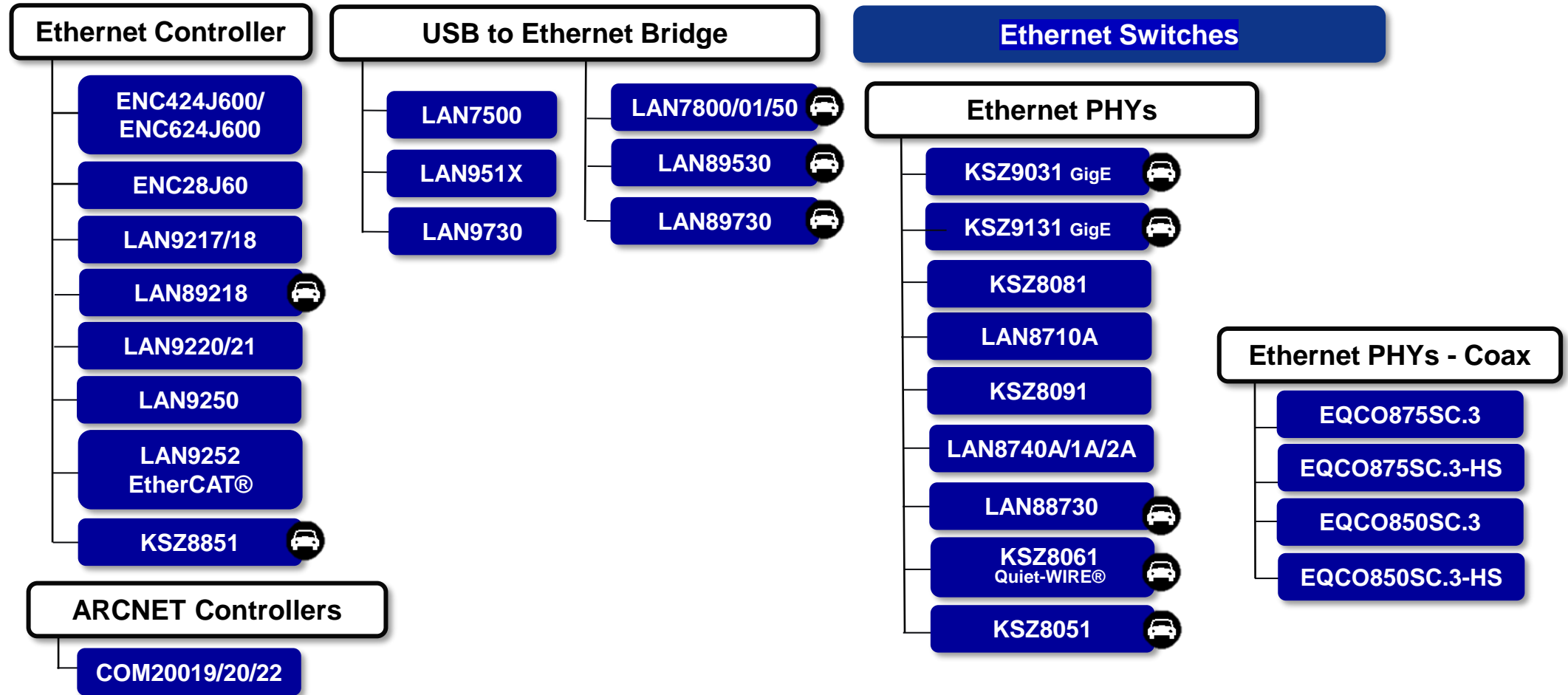
Smoke Detector ICs



Piezoelectric Horn Drivers



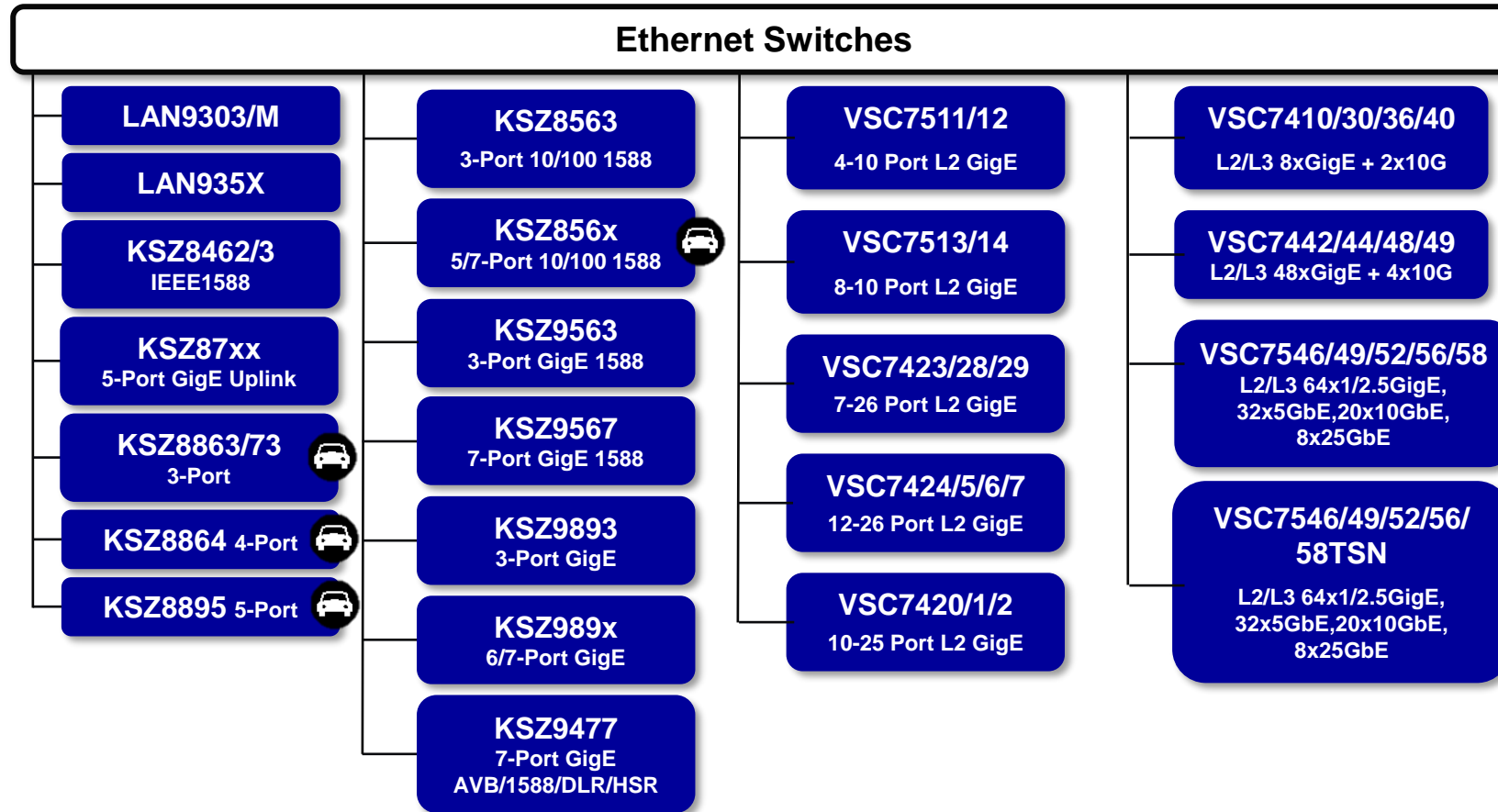
Ethernet



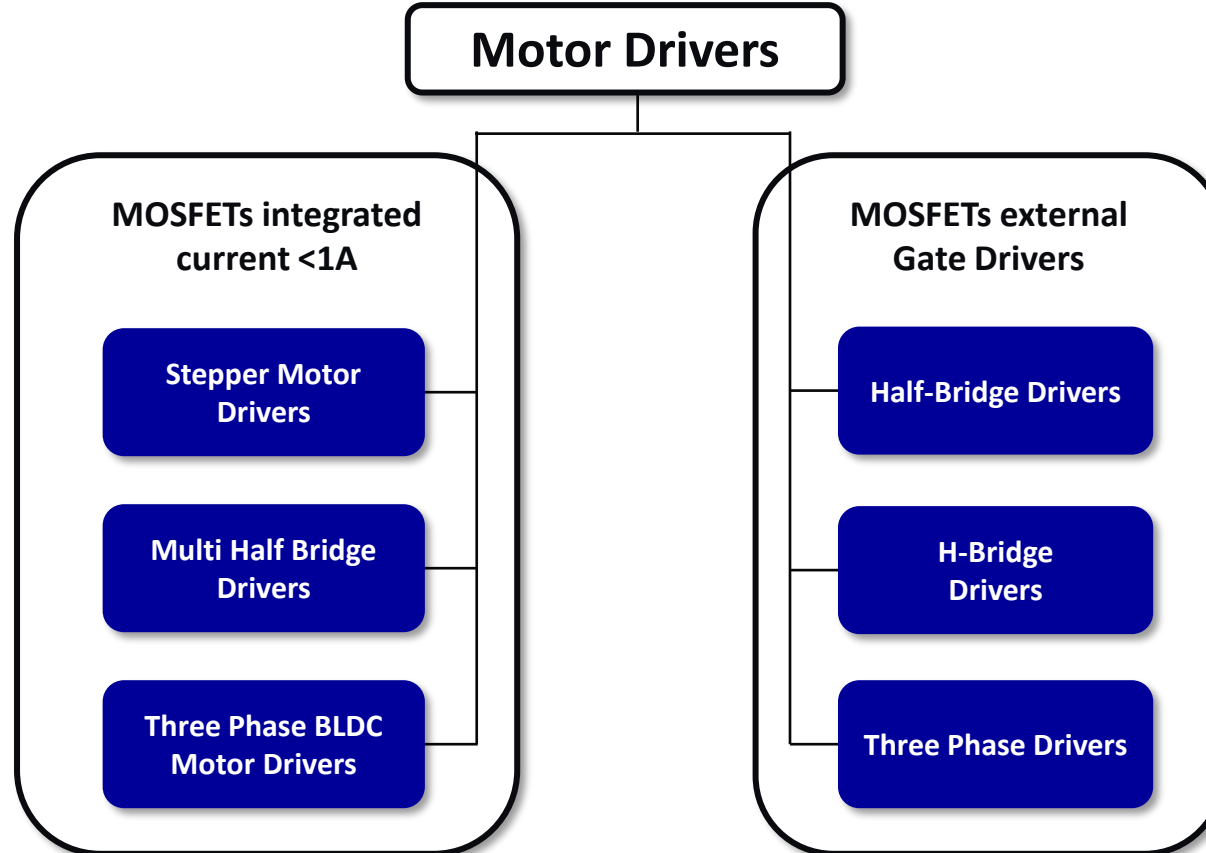
<< BACK to Ethernet Demo & Eval Boards



Ethernet Switches



Motor Driver ICs



MOSFET Integrated Motor Driver ICs

Dual H-Bridge Stepper Motor Driver

MTS62C19A 10V
– 40V, 750mA

MTS2916A 10V
– 40V, 750mA

Integrated Half-Bridge Motor Drivers

ATA6826C
3 Half-bridges
6.5V – 40V, 1A

ATA6831/32C
3 Half-bridges
6.5V – 40V, 1A
T_J=150/200°C

ATA6836/38C
6 Half-bridges
6.5V – 40V,
650/950mA

3Φ Brushless Motor Driver

MCP8063
2V – 14V, 1.5A

MTD6501C/G
2V – 14V, 800mA

MTD6501D
2V – 14V, 500mA

MTD6502B
2V – 5.5V, 750mA

MTD6505
2V – 5V, 750mA
Adj. km

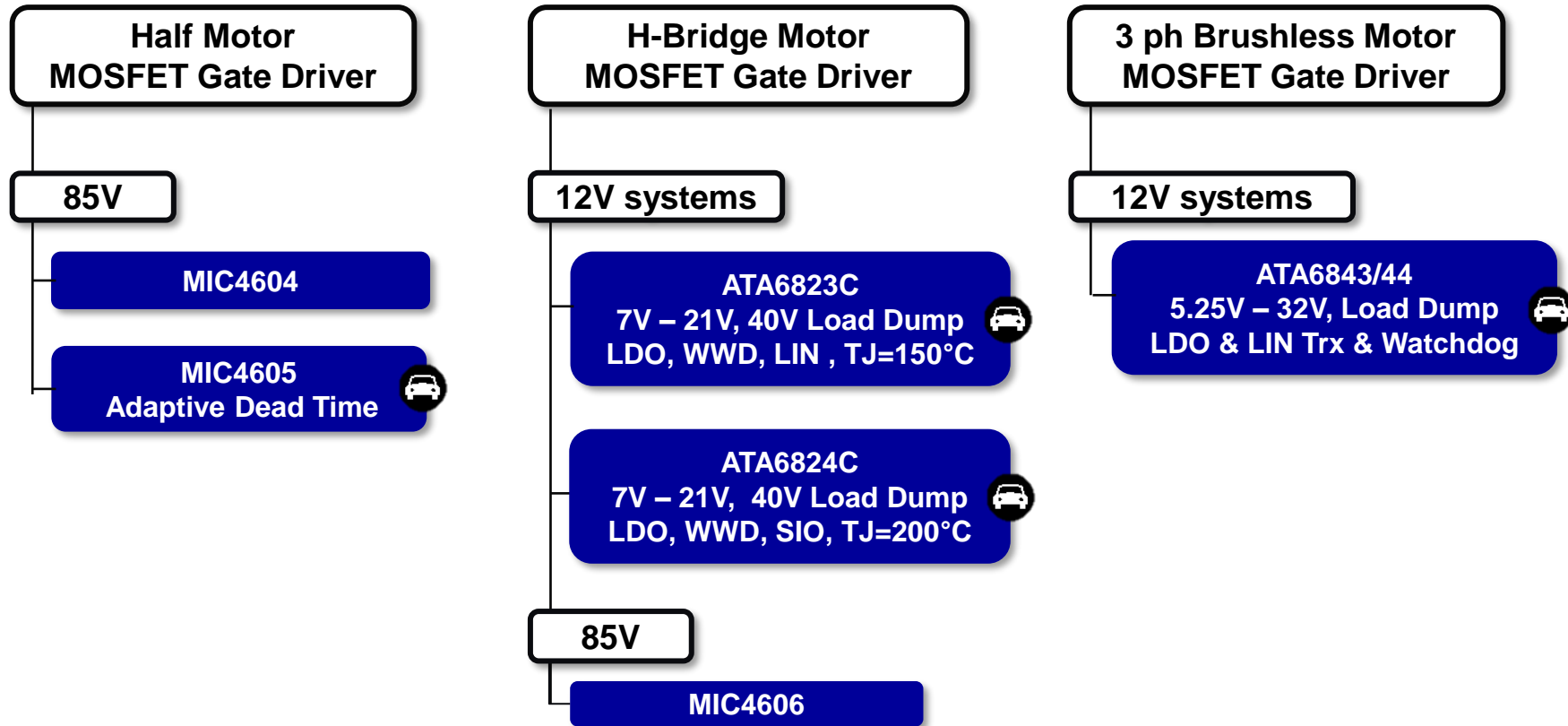
MTD6508
2V – 5V, 750mA
Adj. Start-Up

<< BACK to Motor Driver Demo & Eval Boards

<< BACK



Gate Drive Motor Driver ICs



High Speed Data/Video

Serial Digital
Interface (SDI)

EQCO30T/R5
HD-CCTV

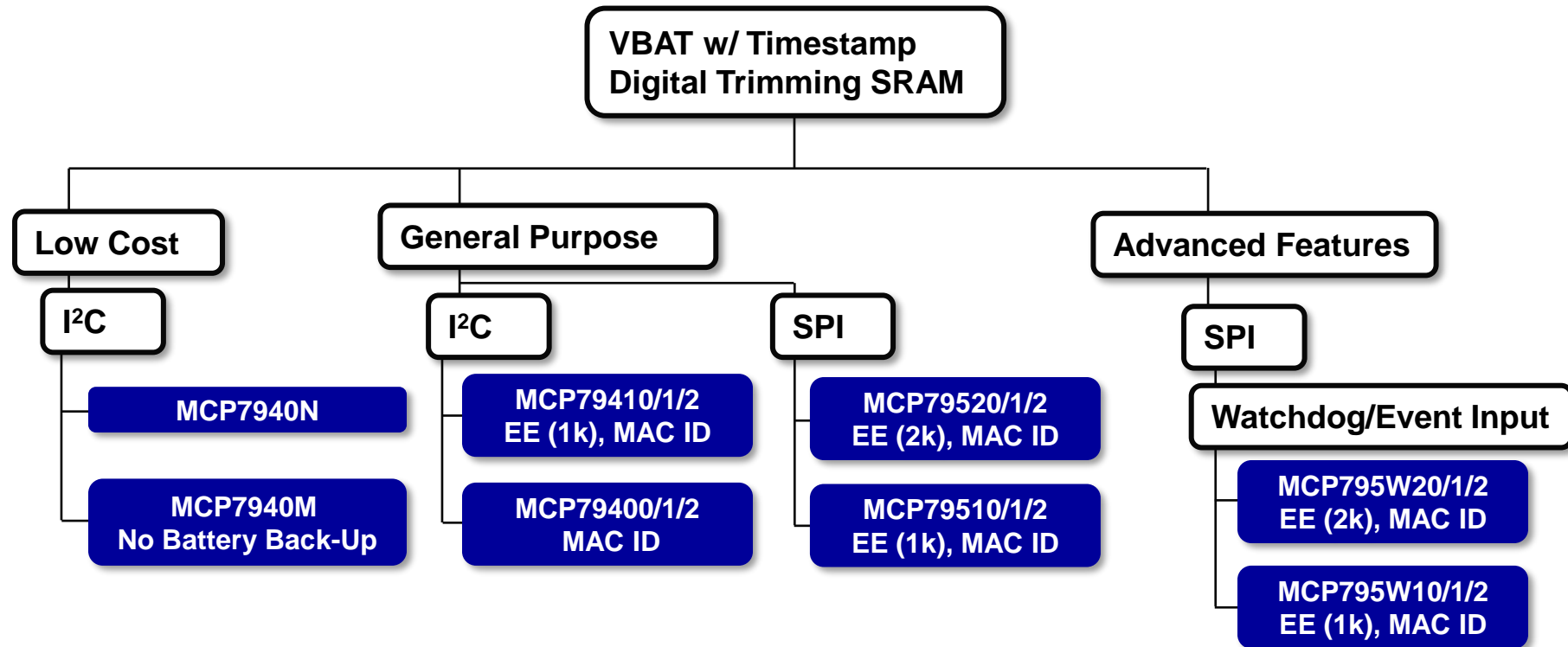
CoaXPress

EQCO31T/R20.3
1.25 to 3.125 Gbps

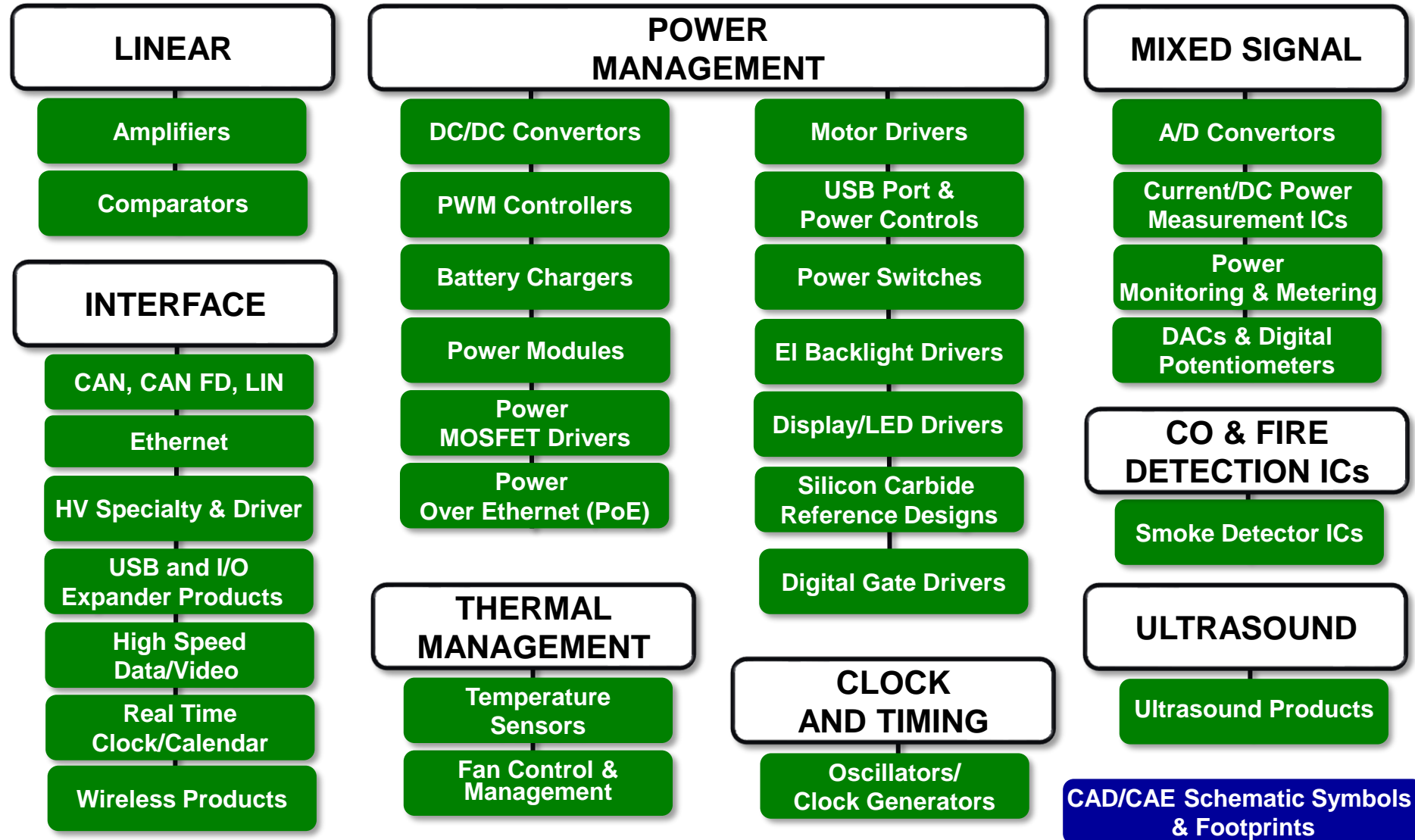
EQCO62T/R20.3
1.25 to 6.25 Gbps



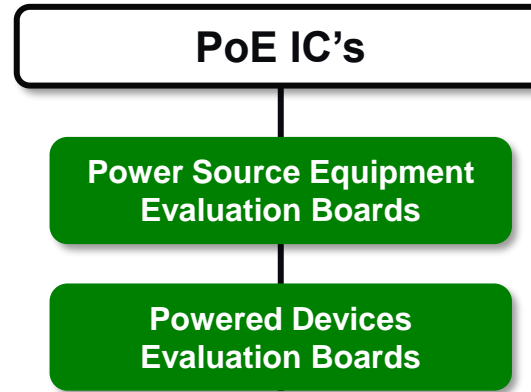
Real Time Clock/Calendar



Analog & Interface Demo Boards



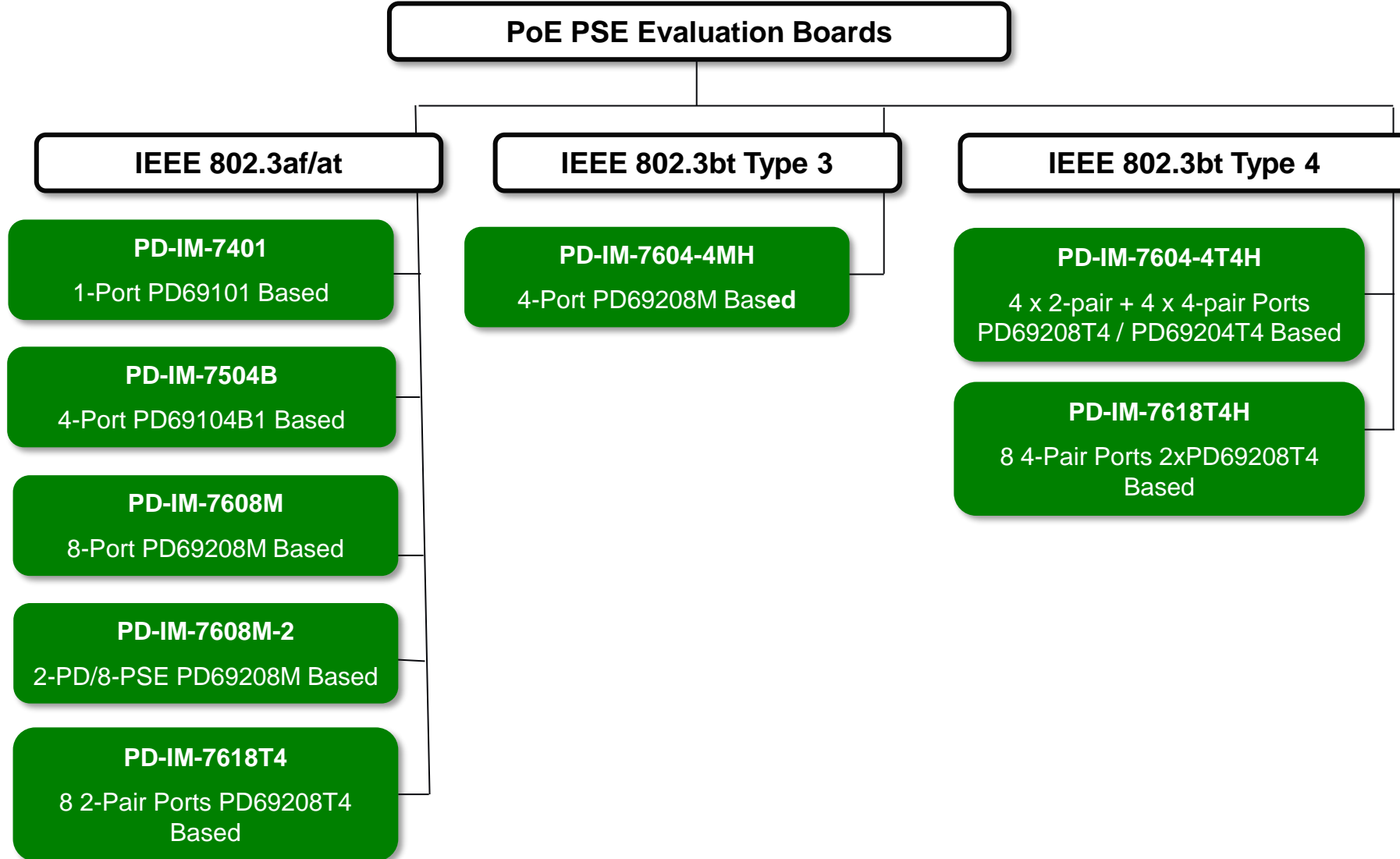
Power Over Ethernet (PoE) Demo and Eval Boards



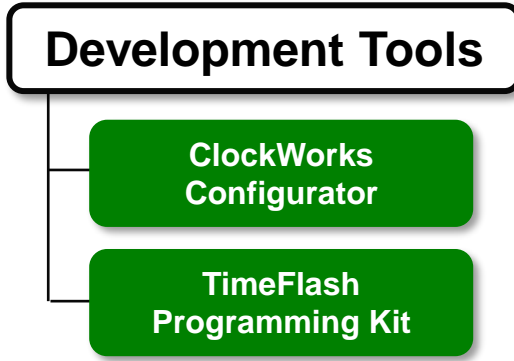
PoE PD EVBs



PoE PSE EVBs



Clock & Timing Tools

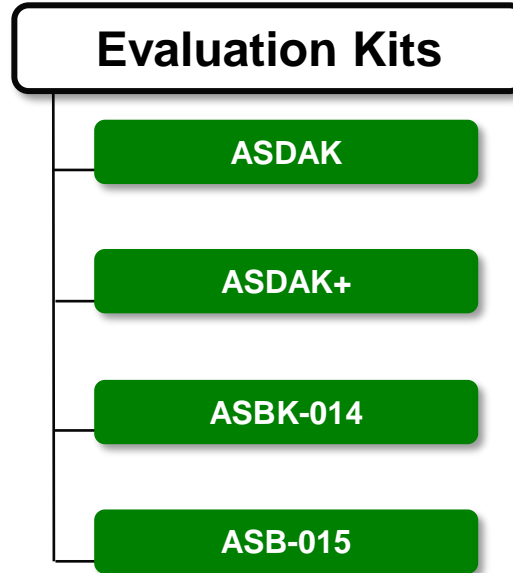


<< BACK to Oscillators

<< BACK to Clock Generators



Digital Gate Drivers

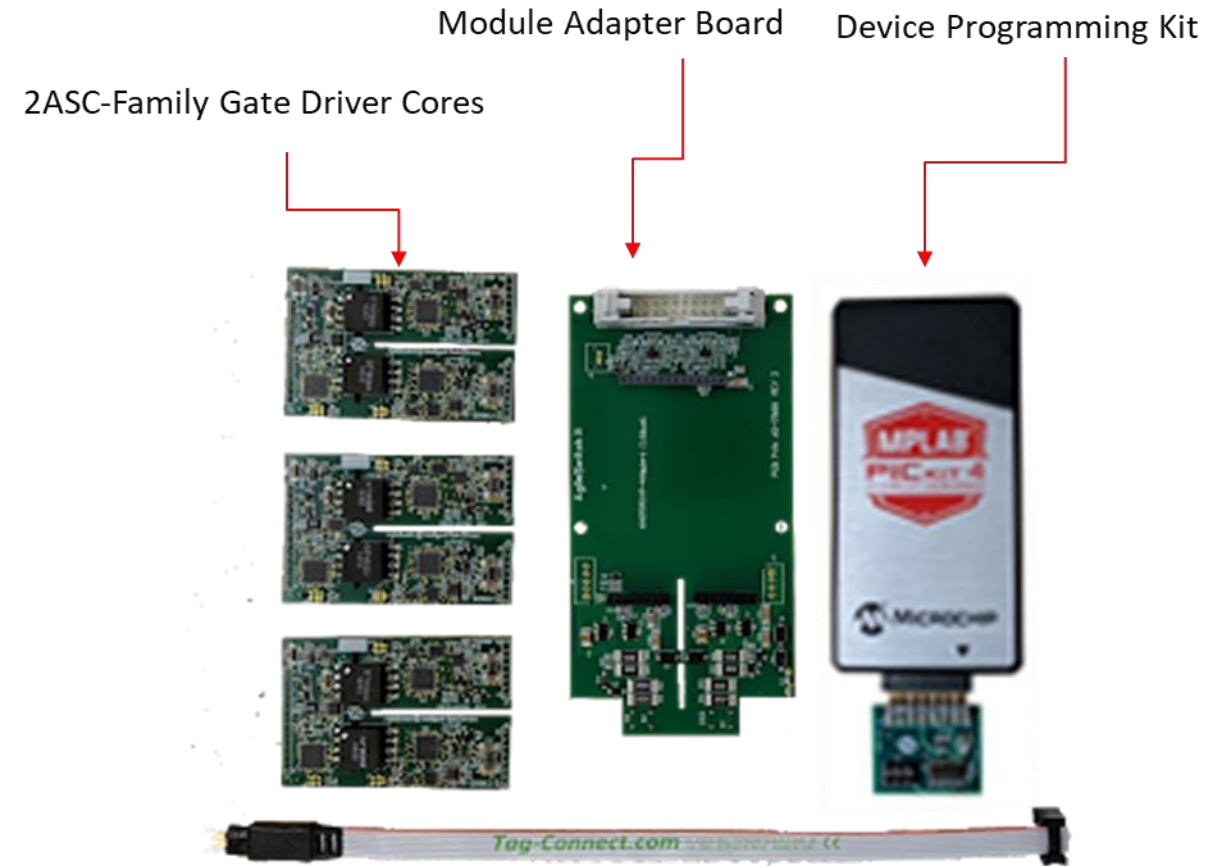


ASDAK

Augmented Switching Accelerated Development Kit

Key Features:

- Evaluation kit for AgileSwitch[®] Gate Driver Cores and Microchip and industry-standard Power Modules
- Kits include:
 - 3 x 2ASC-Family Gate Driver Cores
 - 1 x Module Adapter Board
 - 1 x Device Programming Kit
 - Intelligent Configuration Tool Software (not shown)

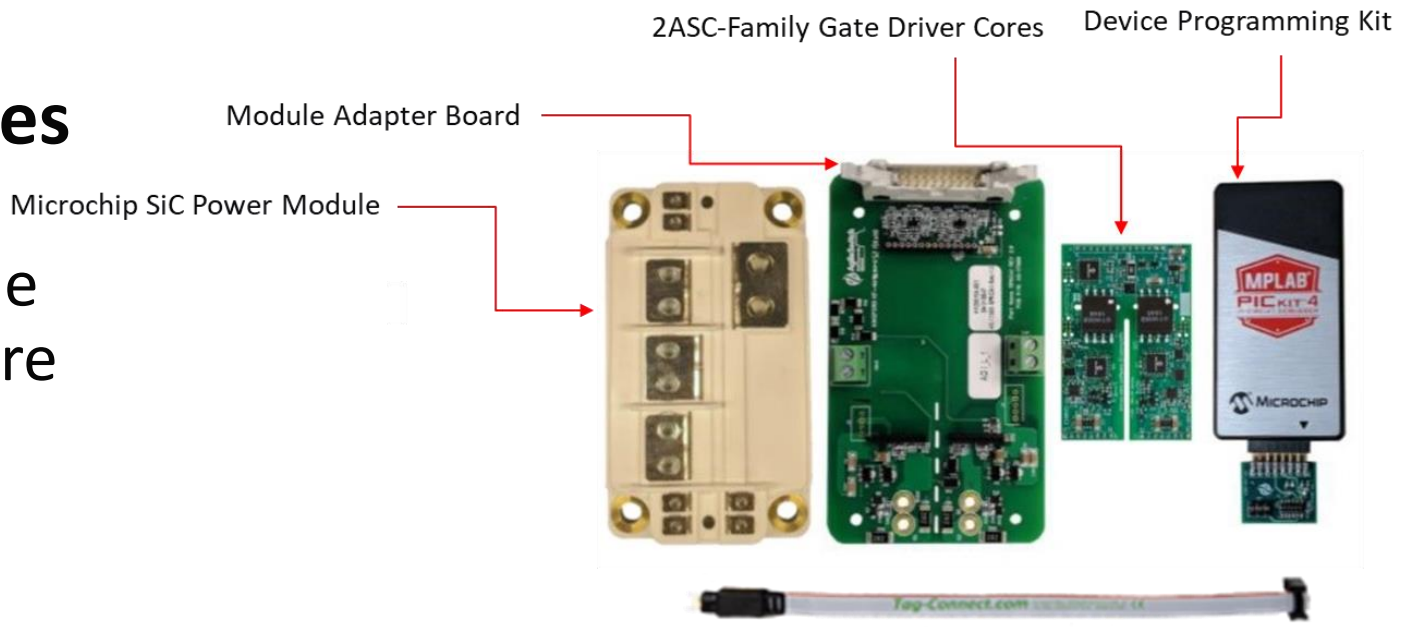


ASDAK+

Augmented Switching Accelerated Development Kit + Module

Key Features:

- Evaluation kit for AgileSwitch® Gate Driver Cores and Microchip SiC Power Modules
- Kits include:
 - 1x Microchip SiC Power Module
 - 1x 2ASC-Family Gate Driver Core
 - 1x Module Adapter Board
 - 1x Device Programming Kit
 - Intelligent Configuration Tool Software (not shown)

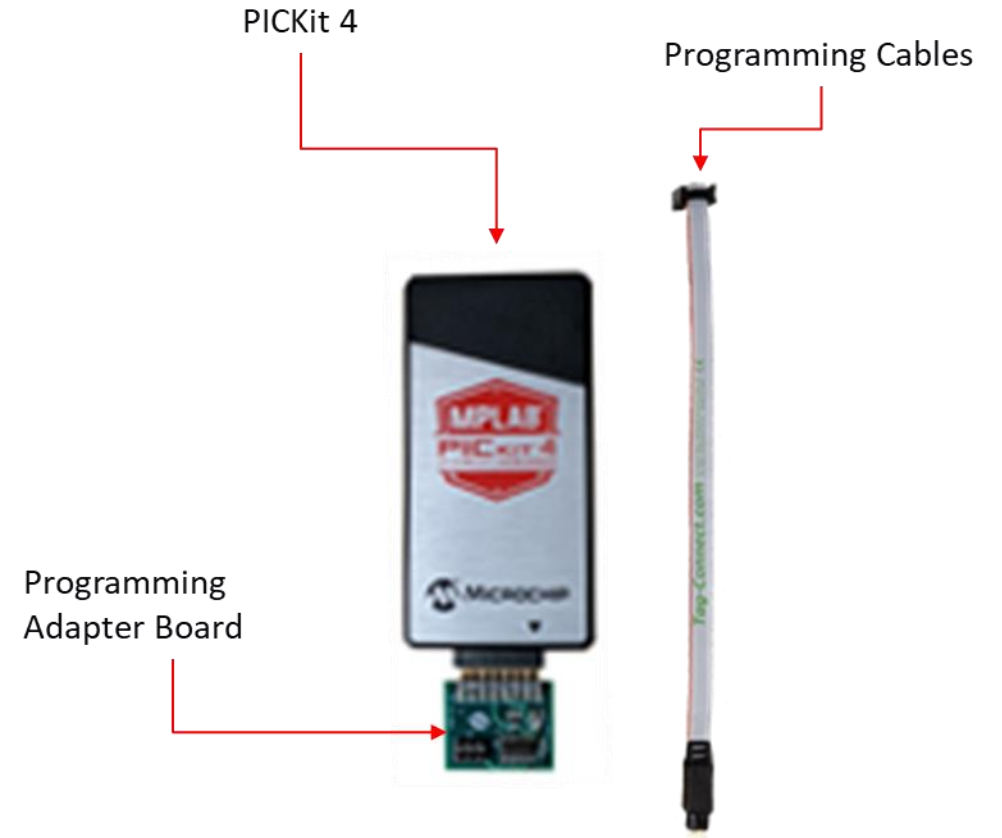


ASBK-014

Device Programming Kit

Key Features:

- Programming tool for AgileSwitch® Gate Driver Cores & Plug and Play Gate Driver Boards
- Kits include:
 - 1X PICKit 4
 - 1X Programming Adapter Board
 - 2X Programming Cables



ASBK-015

Driver Mounting Kit – SP6LI

Key Features:

- **Compatible with SP6CA1 and SP6CA3 Module Adapter Boards and SP6LI Power Modules**
- **Increase power density, decrease footprint**
- **Easily configurable for single phase-leg, H-bridge, or 3-phase applications**
- **Kits include:**
 - 2x SP6CA Mounting Brackets
 - 2x NTC cables
 - 1x VDC Link Cable
 - Assembly Hardware
 - T-10 Torx L-key

SP6CA Mounting Brackets

Assembly Hardware

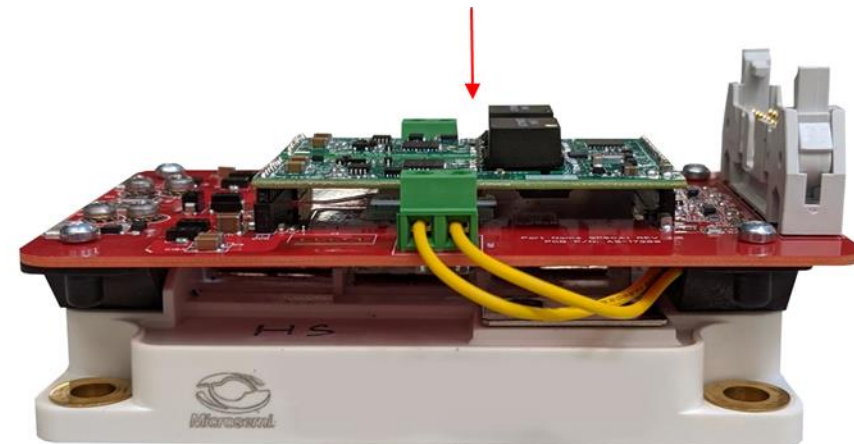


NTC and VDC Link Cables



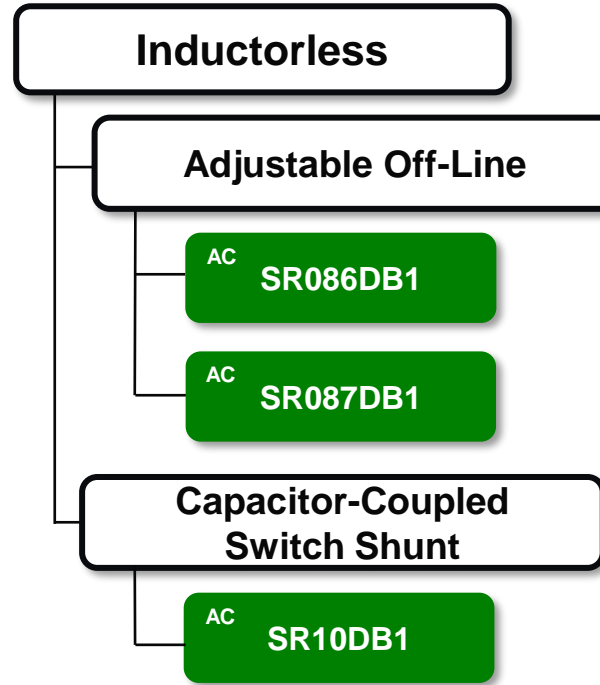
Torx L-key

Full Assembly showing ASBK-015 Driver Mounting Kit, Microchip SP6LI Power Module, 2ASC Gate Driver Core, SP6CA Module Adapter Board



Voltage Regulator Demo and Eval Boards

AC = Offline Capable



Ultrasound Demo Boards

Ultrasound MOSFET
Drivers

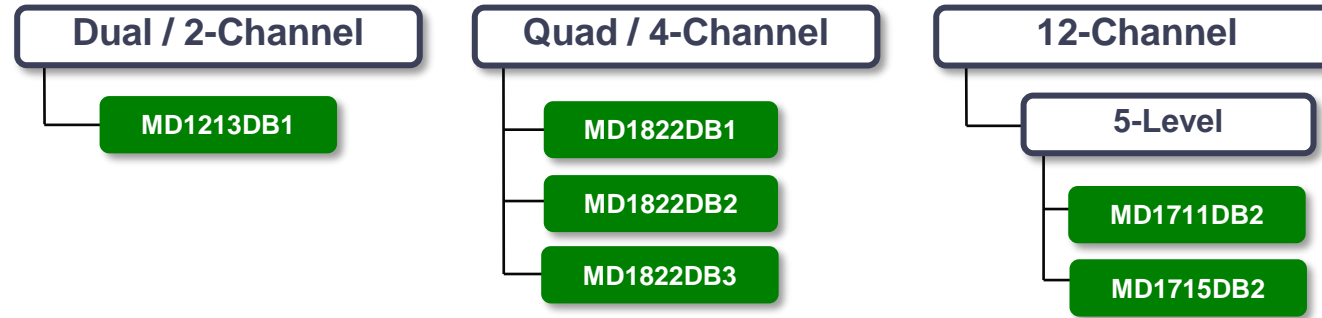
Ultrasound Transmit IC

Ultrasound T/R Switch

<< BACK



Ultrasound MOSFET Driver Demo and Eval Boards



EL Backlight Driver Demo and Eval Boards

Single Lamp

HV816DB2

HV816DB3

HV830DB1

HV857LDB1

HV860DB1

Dual Lamp

HV861DB1

Offline

HV809DB2

Inductorless

HV852DB1

HV853DB1

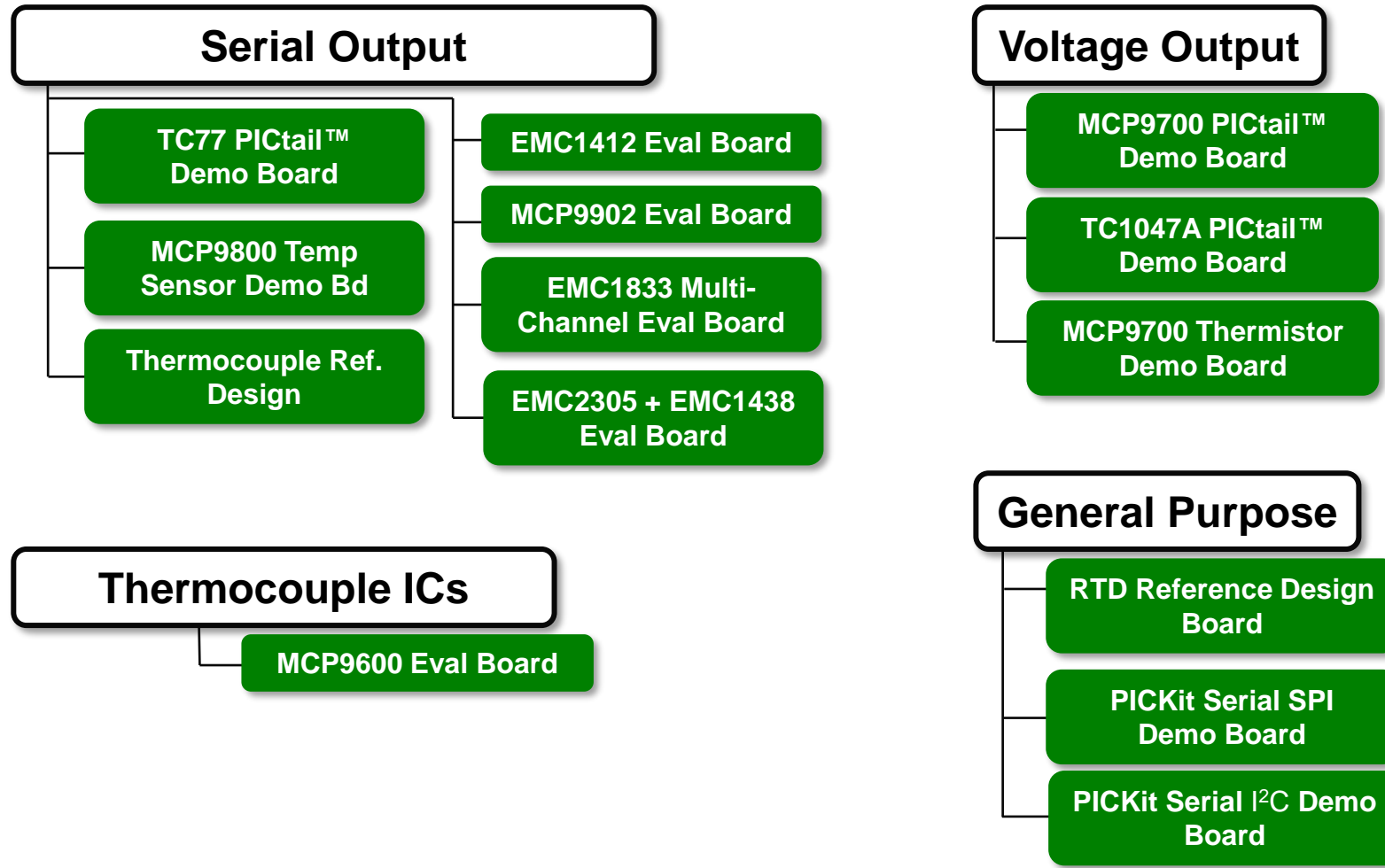
<< BACK to EL Backlight Products

<< BACK



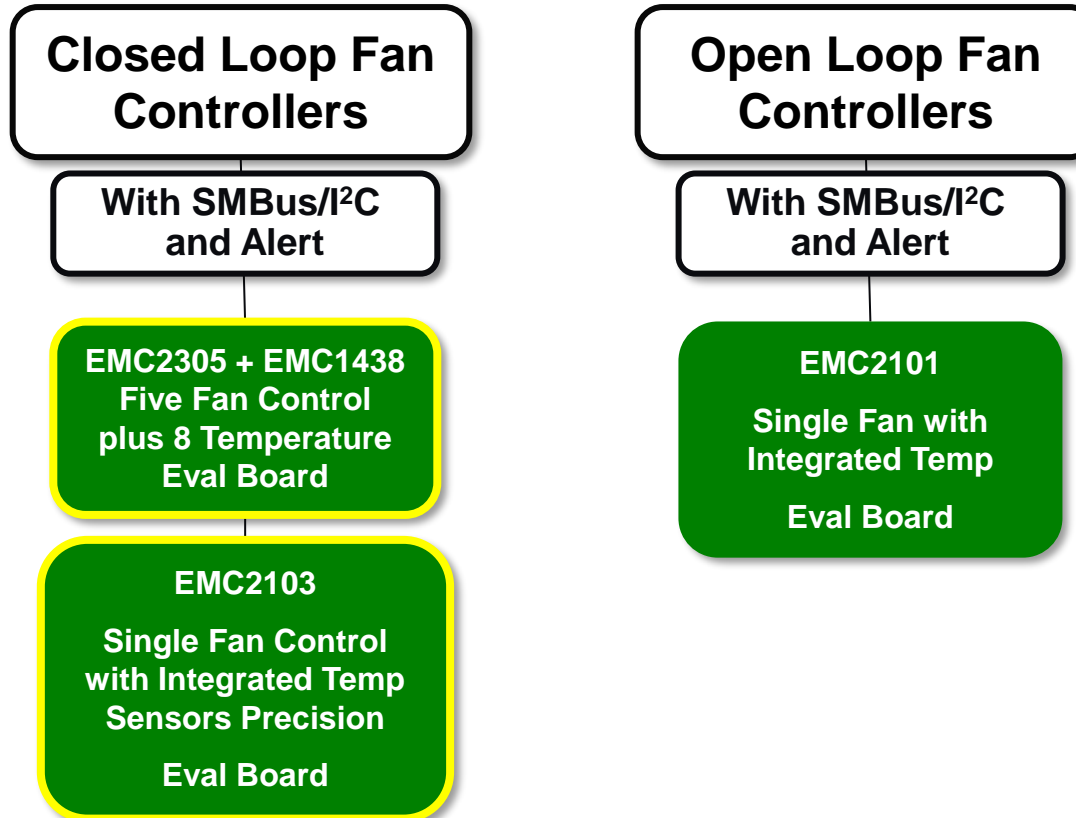
Thermal

Demo & Eval Boards



Fan Control

Demo & Eval Boards

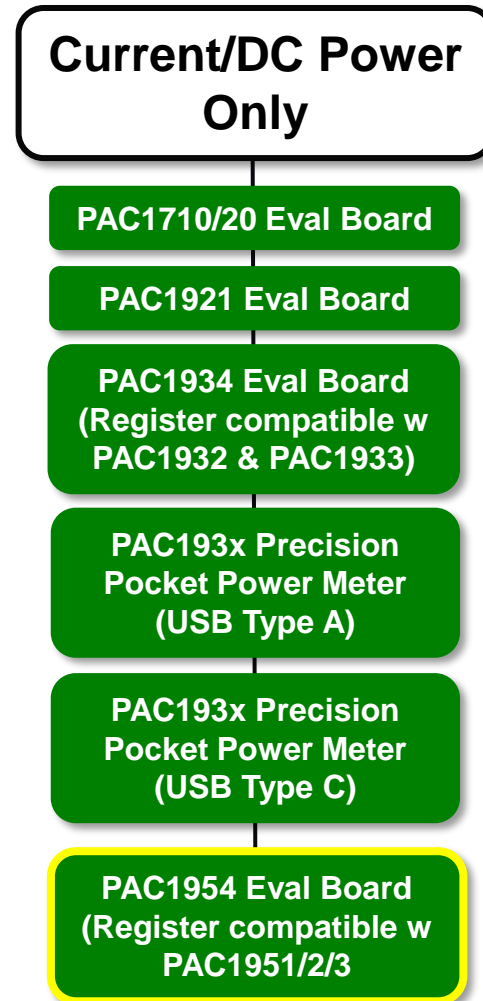


<< BACK to Fan Control Products

<< BACK

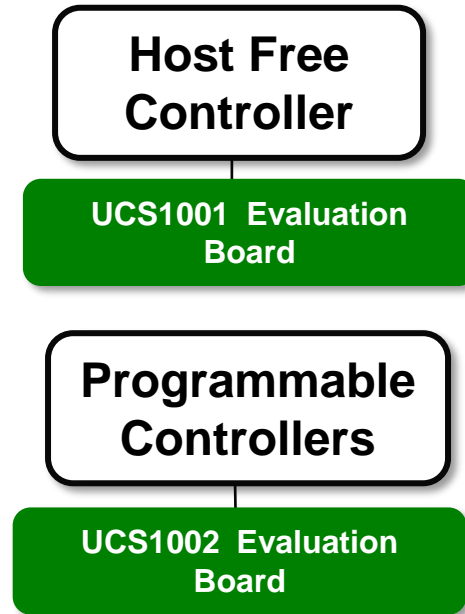


Current/DC Power Sensor Demo and Eval Boards



<< BACK to Current/DC Power Products

USB Port Power Controller Demo & Eval Boards



Linear

Demo and Eval Tools

PGA

- MCP6S22 PICtail™ Demo Board
- MCP6S2X Eval Board
- PICKit Serial SPI Demo Board

Amplifiers

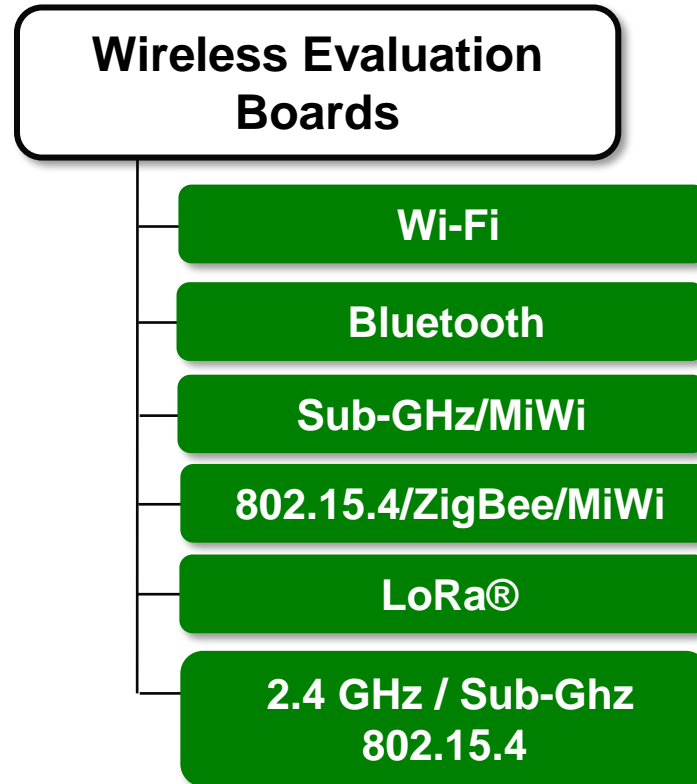
- MCP6V01 Thermocouple Auto-Zeroed Reference Design
- MCP6V01 Input Offset Demo Board
- MCP651 Input Offset Evaluation Board
- MCP6031 Photodiode PICtail Plus Demo Board
- MCP661 Line Driver Demo Board
- MCP6N11/MCP6V2x Wheatstone Bridge Ref Design
- MCP6N16 Eval Board
- MCP6421 EMIRR Eval Board
- Humidity Sensor PICtail™ Demo Board
- MCP6XXX Amplifier Evaluation Board 2
- MCP6XXX Amplifier Evaluation Board 3
- FilterLab®

<< BACK to Amplifier Products

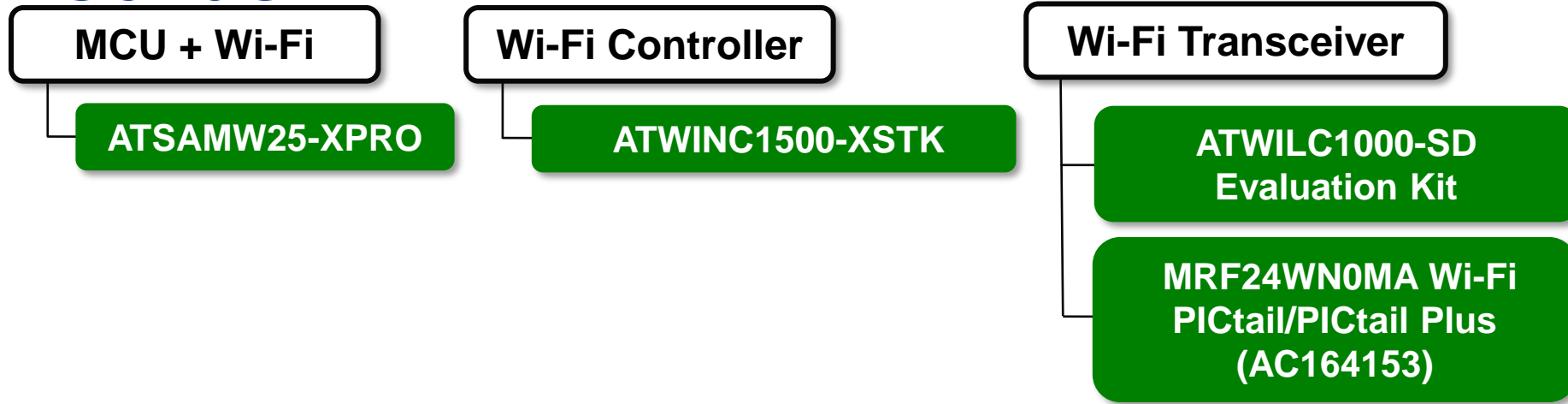
<< BACK



RF Wireless Demo & Eval Tools



Wi-Fi Demo & Eval Boards

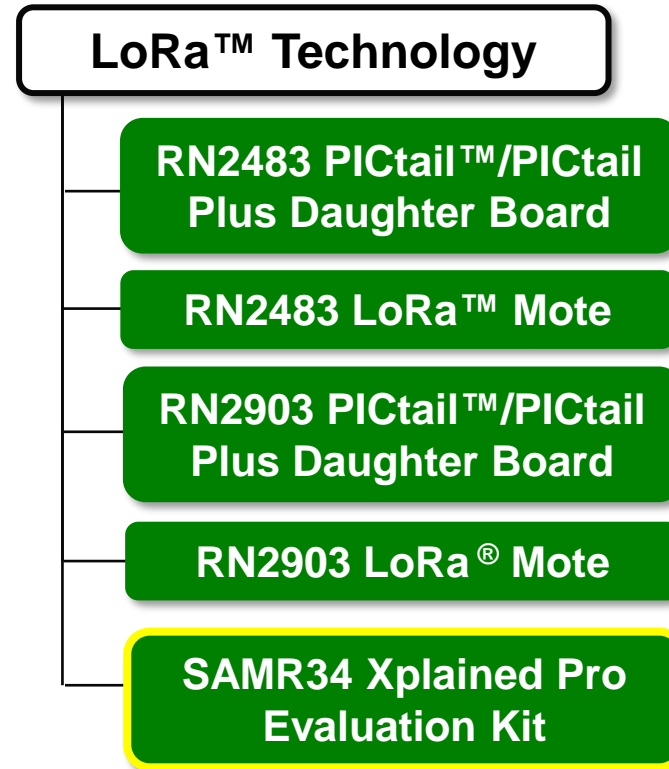


<< BACK to Wireless Products

<< BACK



LoRa™ Development Tools



<< BACK to Wireless Products

<< BACK



Embedded Wireless Demo and Eval Boards

**2.4 GHz / Sub-GHz
802.15.4 Transceivers**

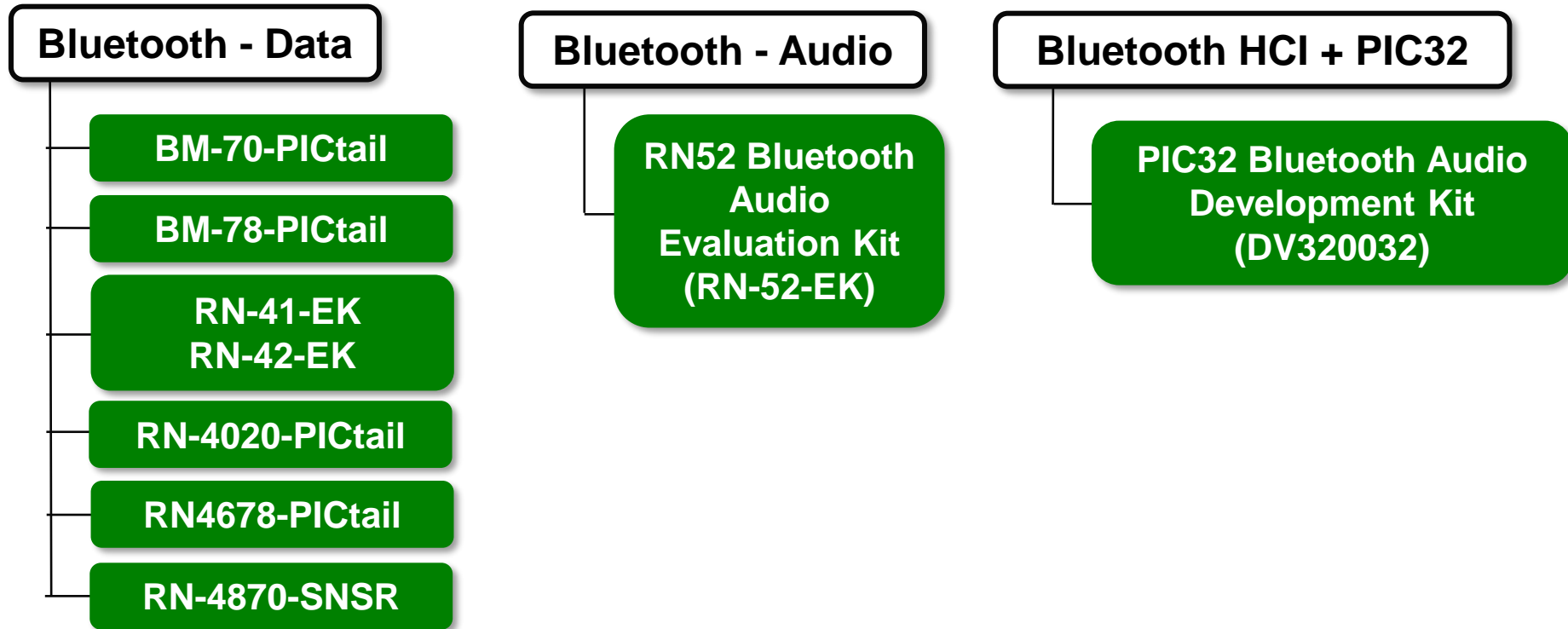
**SAM R30 Xplained Pro
Evaluation Kit**

[<< BACK to Wireless Products](#)

[<< BACK](#)



Bluetooth Demo Boards

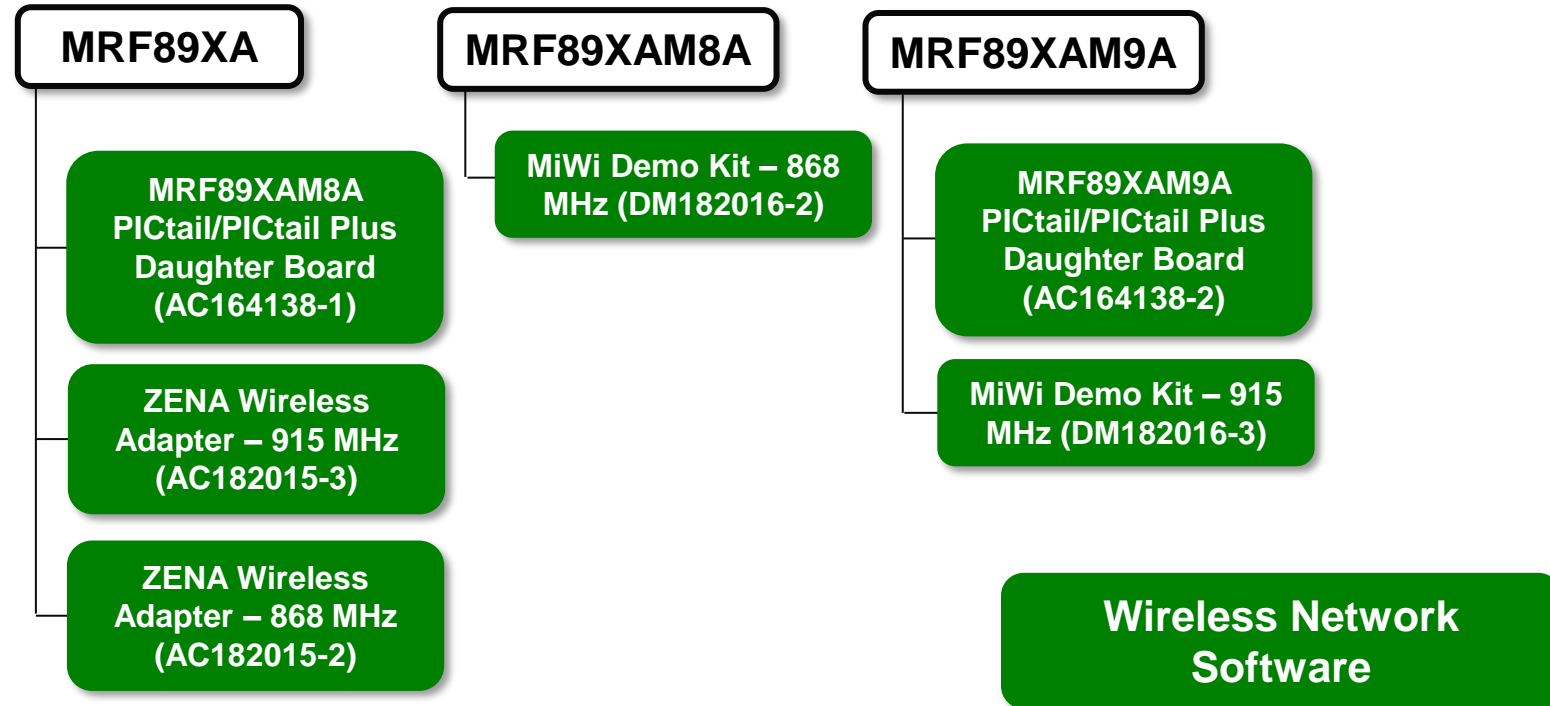


<< BACK to Wireless Products

<< BACK



RF Wireless Transceivers Demo and Eval Boards

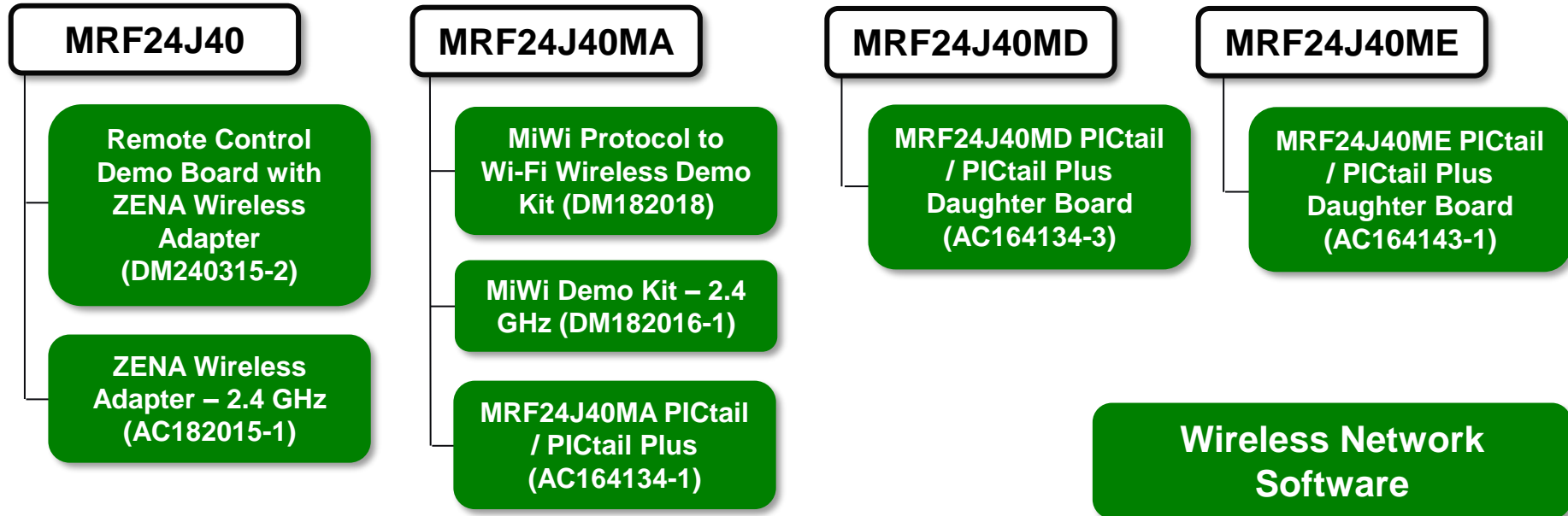


<< BACK to Wireless Products

<< BACK



RF Wireless Transceivers Demo and Eval Boards

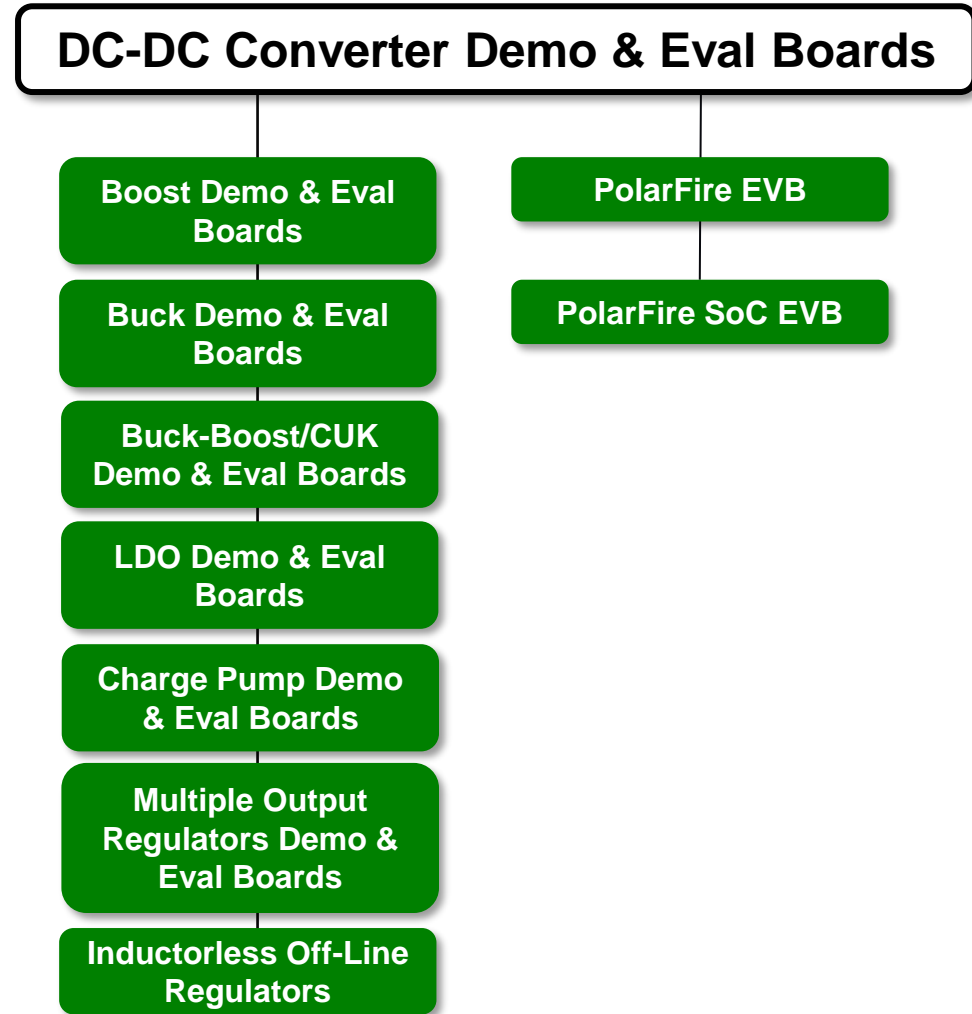


<< BACK to Wireless Products

<< BACK



DC-DC Converter Demo & Eval Boards



LDO Demo & Eval Boards

General Purpose

SOT223-5 Volt Reg.
Eval Bd

SOT89-3 Volt Reg.
Eval Bd

Evaluation Boards

MCP1726 Eval Board

MIC38150 Eval Board

MIC38300 Eval Board

MIC47050 Eval Board

MIC47100 Eval Board

MIC49200 Eval Board

MIC5165 Eval Board

MIC5166 Eval Board

MIC5167 Eval Board

MIC5234 Eval Board

MIC59150 Eval Board

MIC59300 Eval Board

MIC68400 Eval Board

MIC69103 Eval Board

MIC69153 Eval Board

MIC69302 Eval Board

MIC69502 Eval Board

MAQ5280 Eval Board

MIC5280 Eval Board

MIC5380 Eval Board

MIC5301 Eval Board

MIC5308 Eval Board

MIC5365 Eval Board

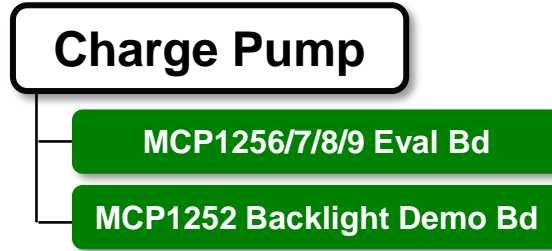
<< BACK to DC-DC Converters

<< BACK

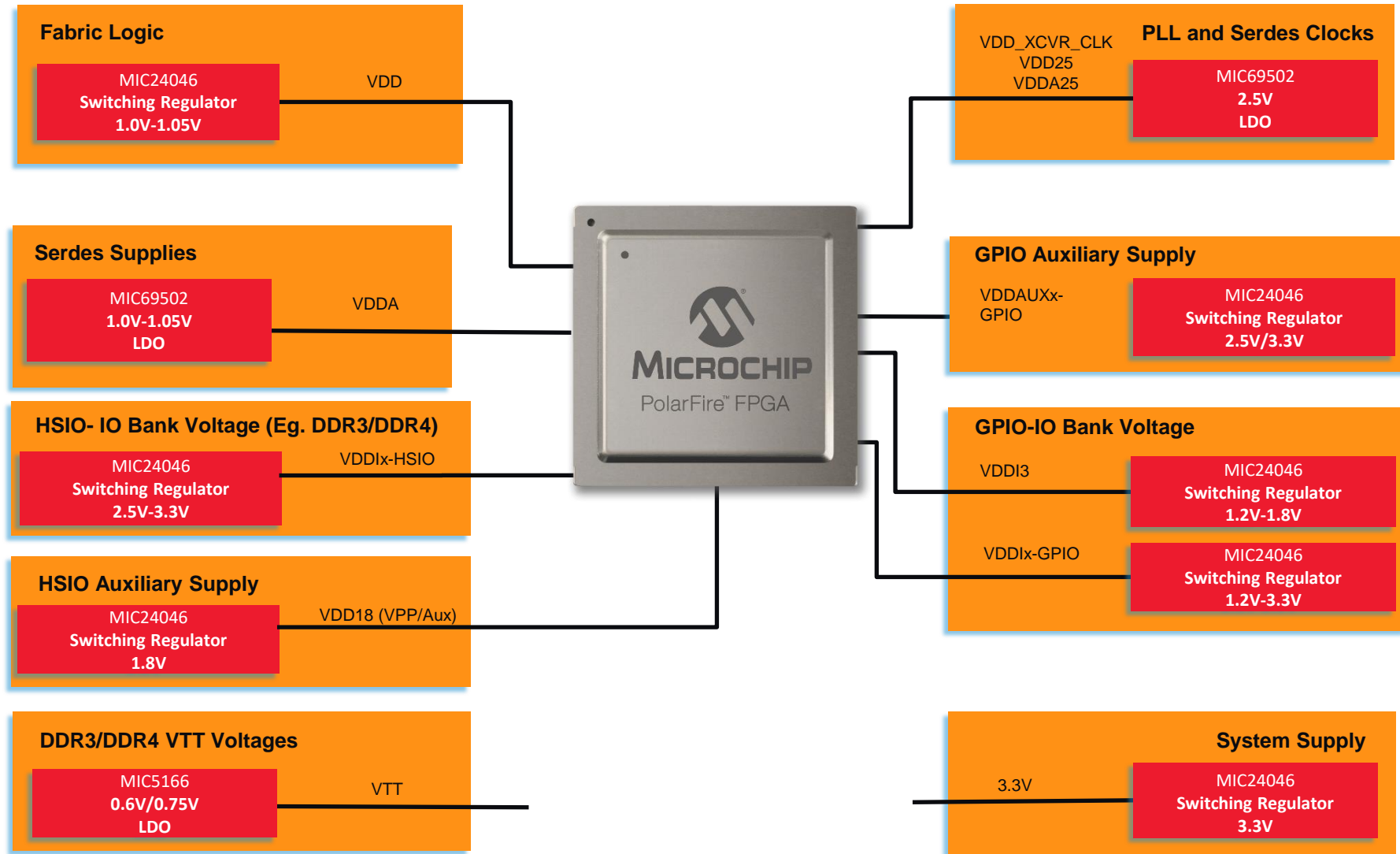


Charge Pumps Boards

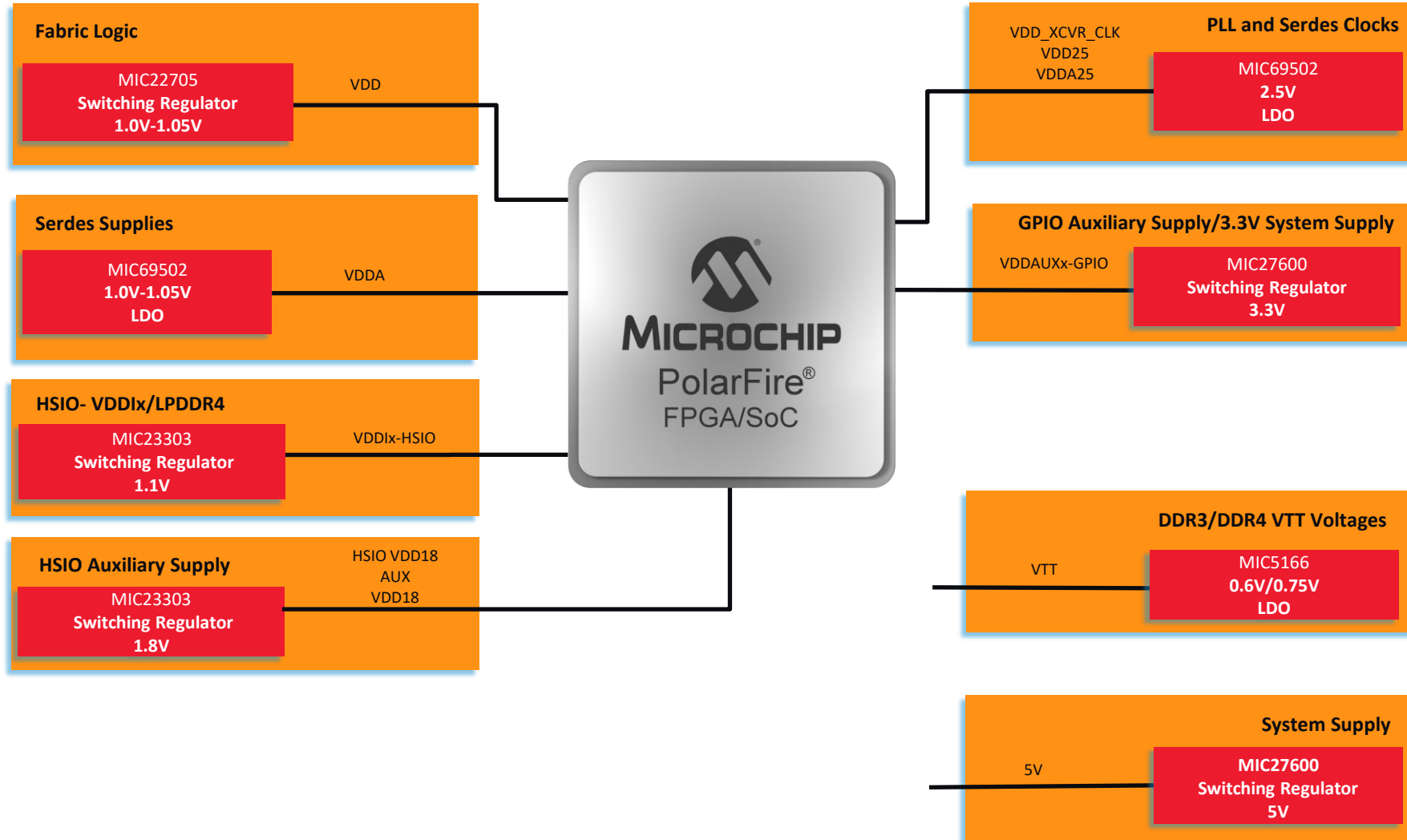
Demo & Eval



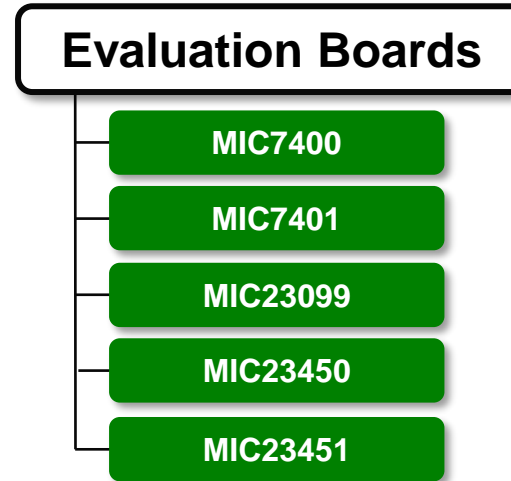
PolarFire[®] FPGA Dev Kit - Power Solution



PolarFire[®] SoC Dev Kit - Power Solution

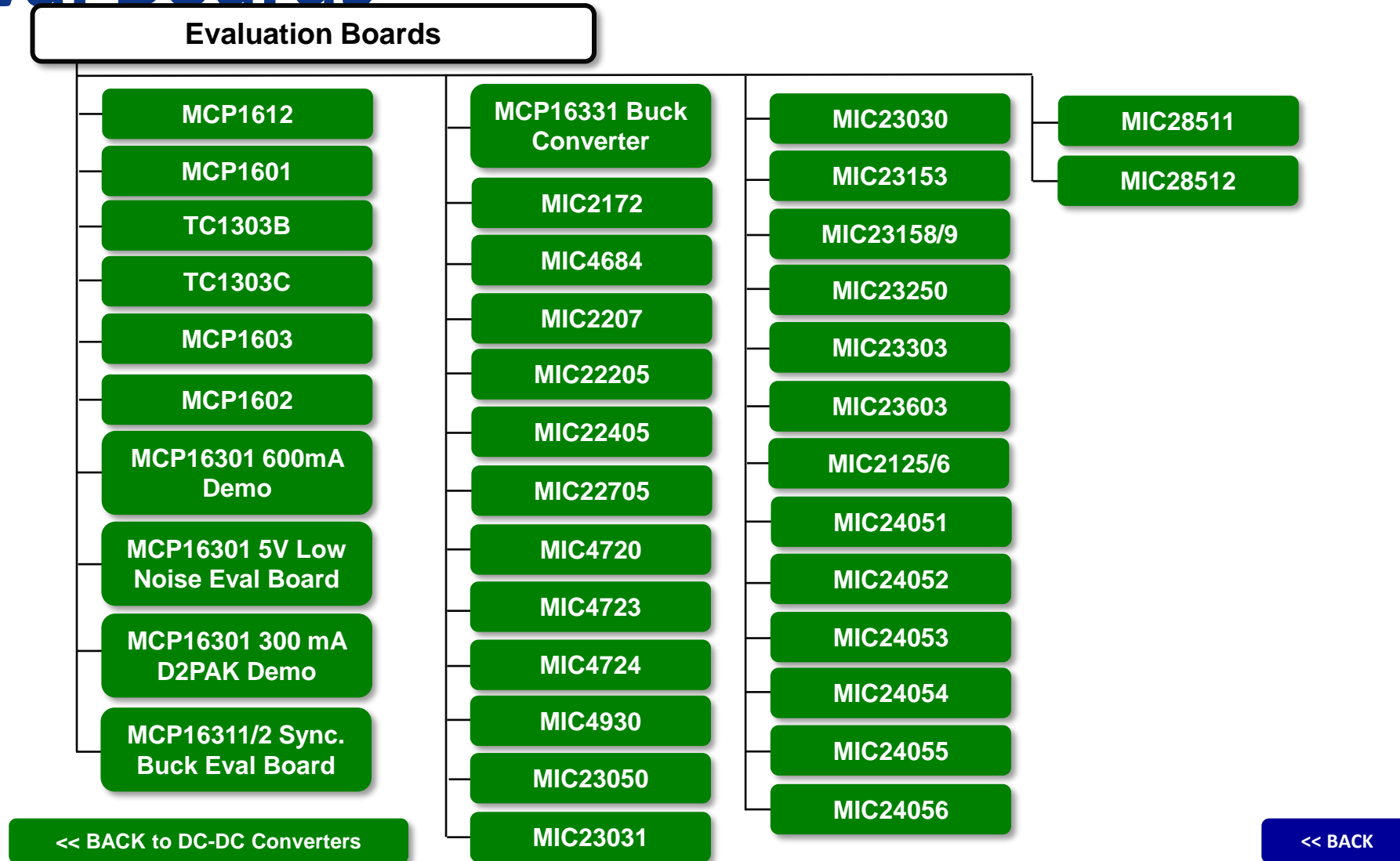


Multiple Output Regulators Demo and Eval Boards



Buck Switching Regulator and Eval Boards

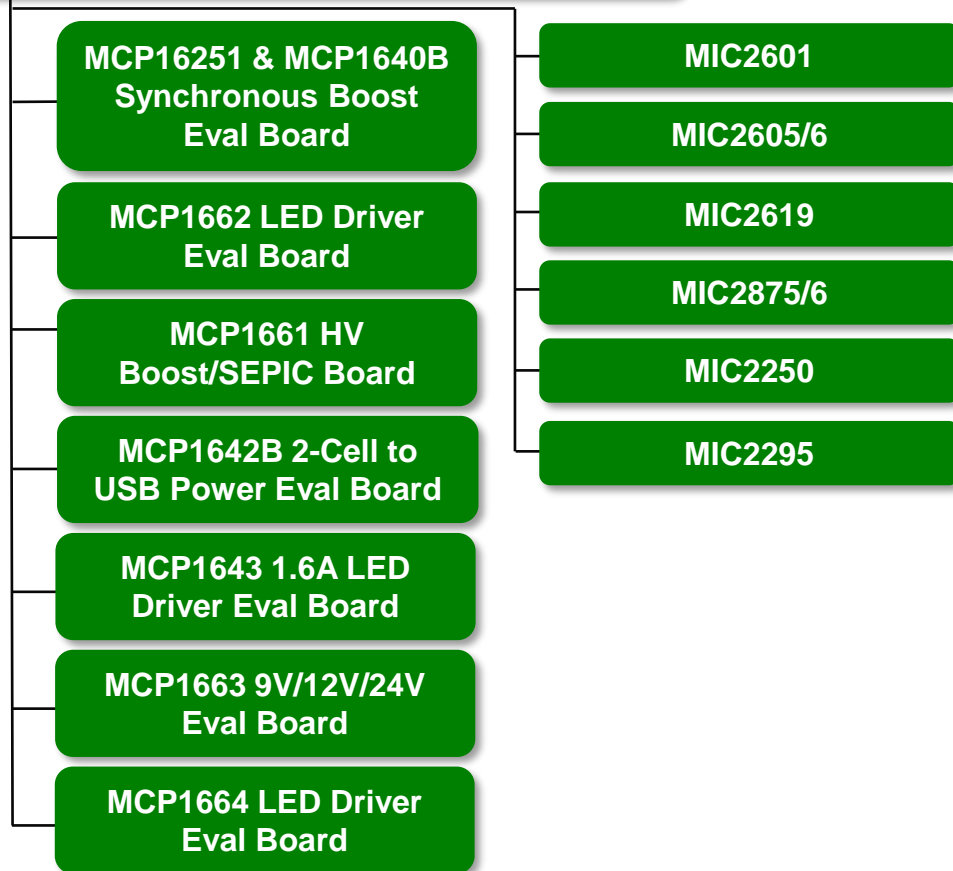
Demo



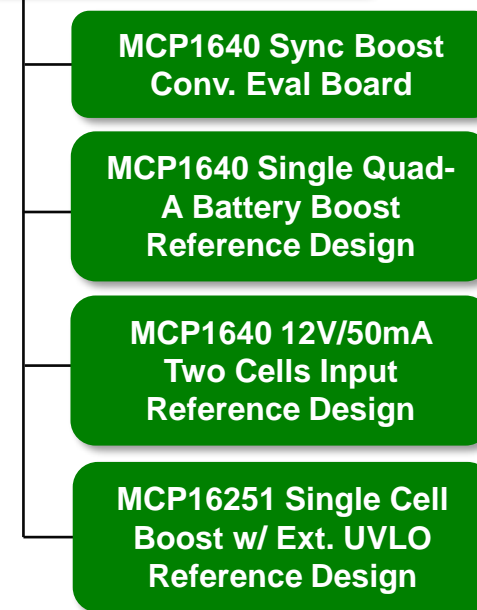
Boost Switching Regulator and Eval Boards

Demo

Evaluation Boards



Reference Designs

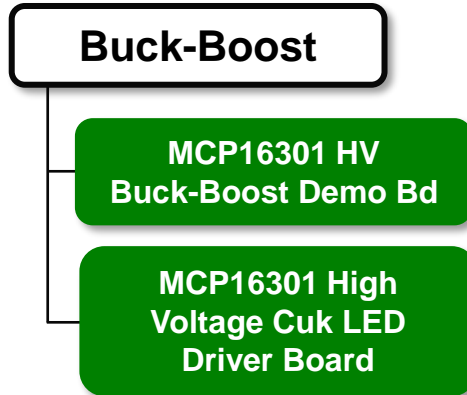


<< BACK to DC-DC Converters

<< BACK

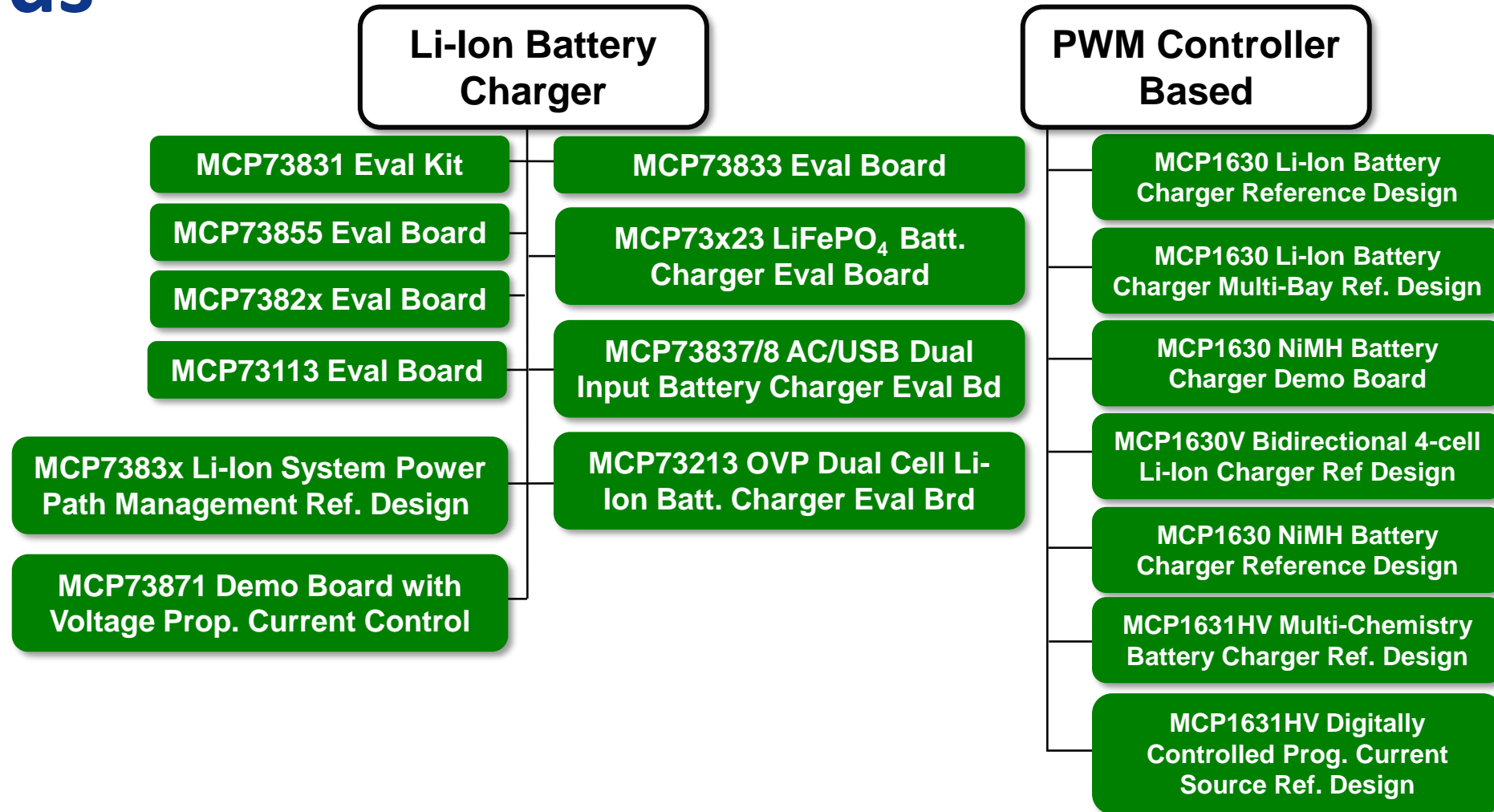


Buck-Boost/CUK Switching Reg. Demo & Eval Boards



Battery Management Boards

Demo and Eval



<< BACK to Battery Products

<< BACK



Digital Pots and D/A Converter Demo Boards

Digital Pots

- MCP401x/2x Eval Board
- MCP401x Eval Board
- MCP42xx Eval Board
- MCP43xx Eval Board
- MCP46xx Eval Board
- MCP42XX PICtail Plus Daughter Board

General Purpose

- Mixed Signal PICtail™ Demo Bd
- PICKit Serial SPI Demo Board
- PICKit Serial I²C Demo Board

D/A Converter

- MCP4725 Eval Board
- MCP4725 12-bit NV DAC PICtail™ Daughter Board
- MCP47x6 PICtail™ Plus Daughter Board
- MCP4728 Eval board

<< BACK to Digital Pot Products

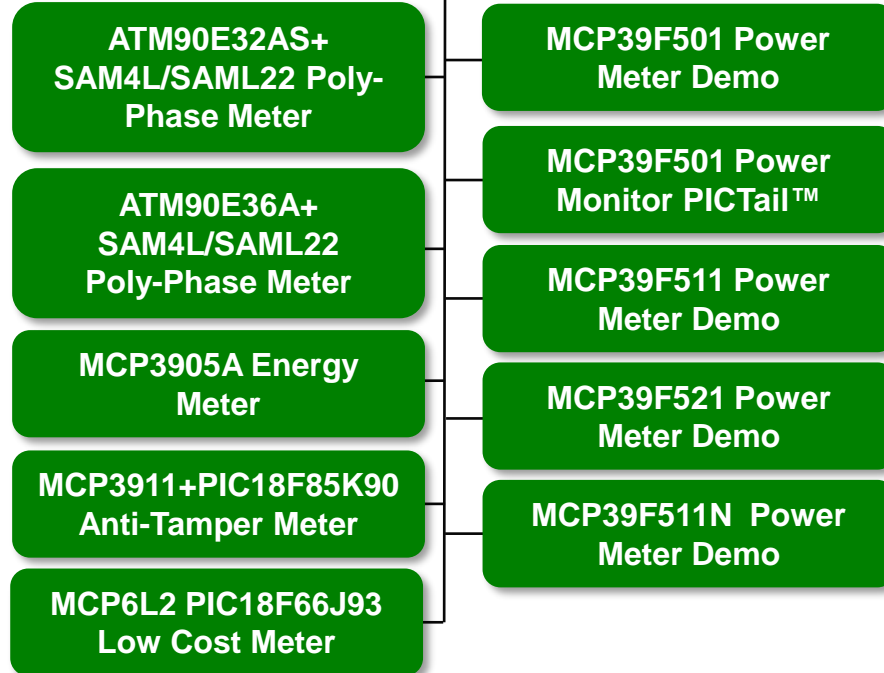
<< BACK to DAC Products

<< BACK

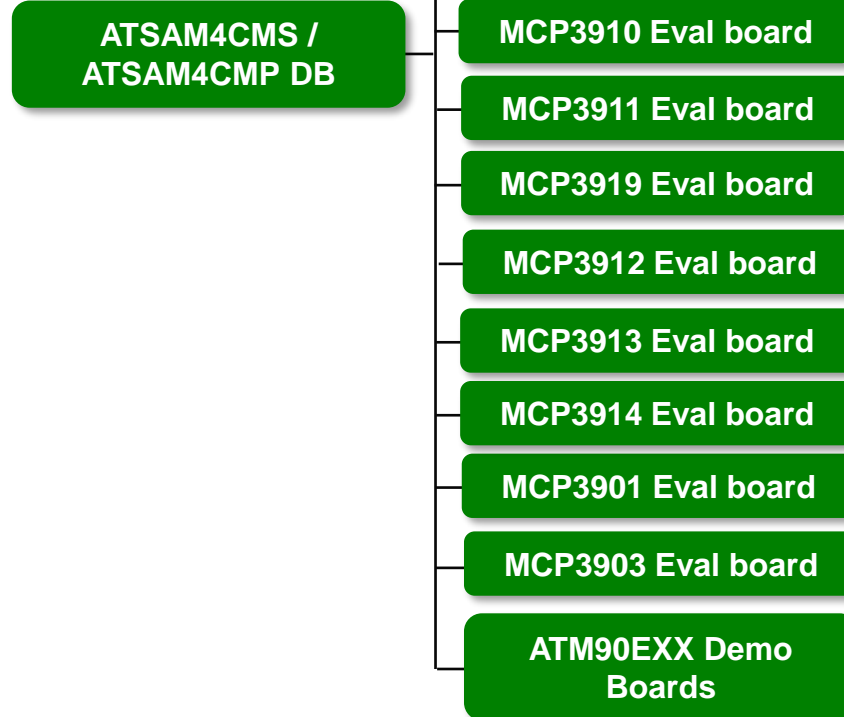


Power Monitoring & Energy Measurement

Reference Designs



Evaluation Boards

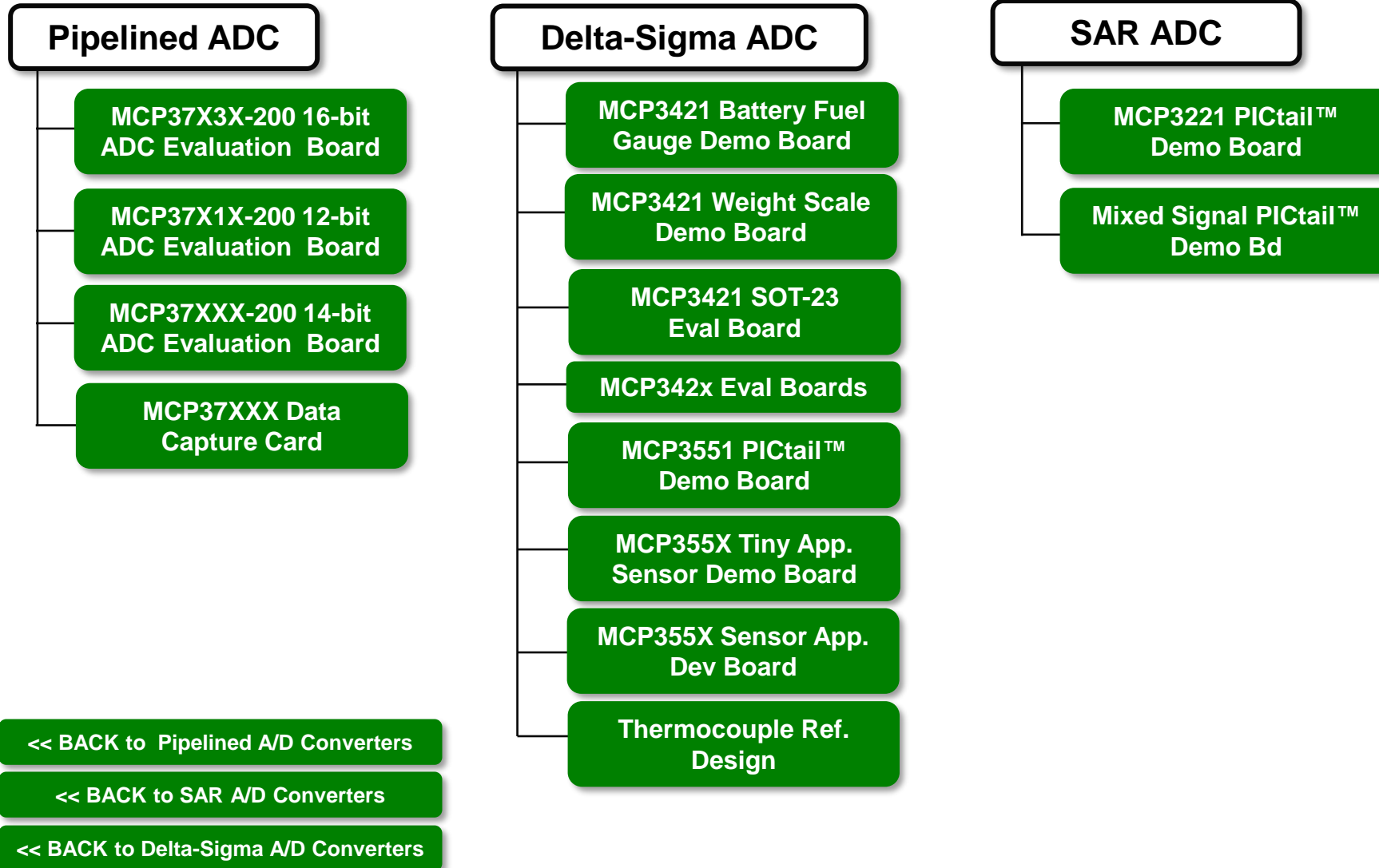


<< BACK to Power Monitoring/Metering ICs

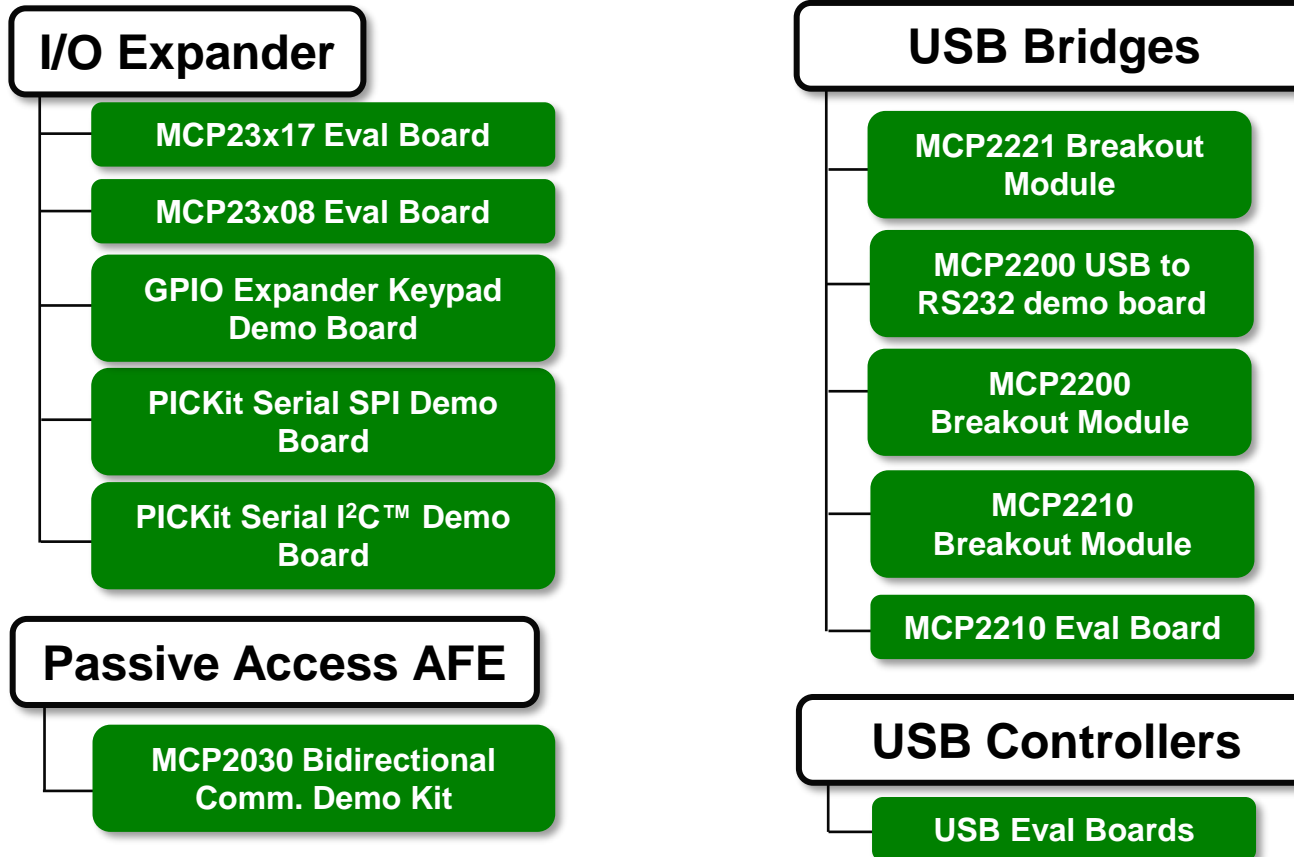
<< BACK



A/D Converter Demo Boards



Interface Demo & Eval Boards



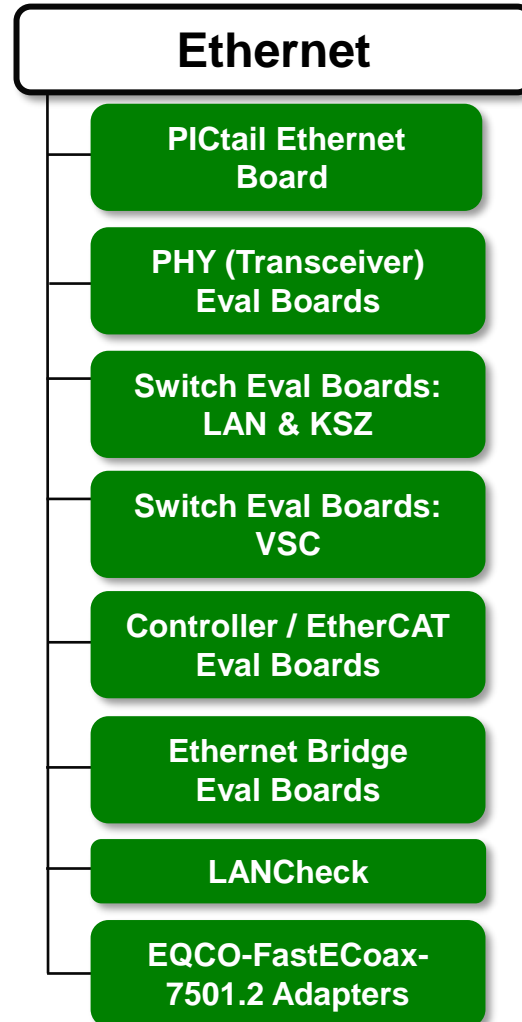
<< BACK to Wireless Products

<< BACK to USB and I/O Expander Products

<< BACK

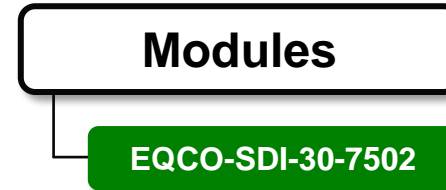
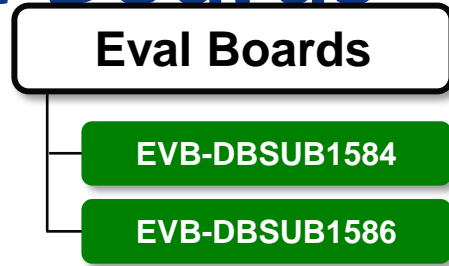


Ethernet Demo & Eval Boards

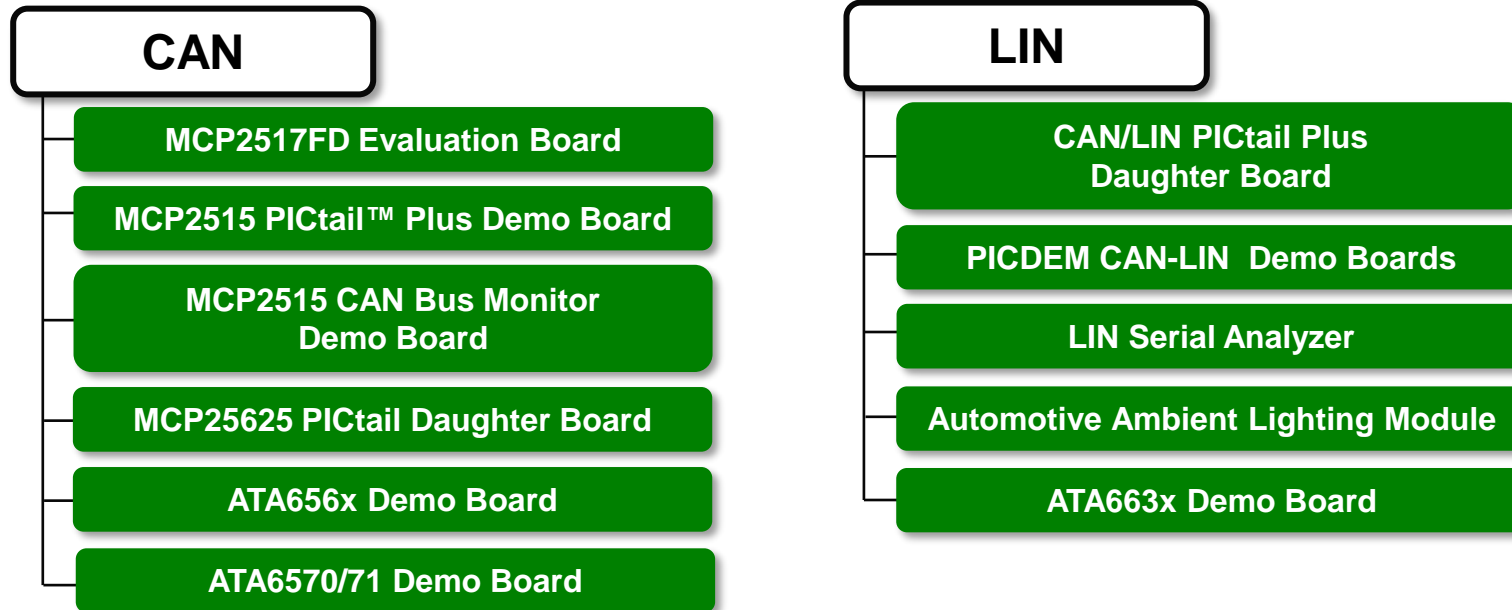


<< BACK to Ethernet

High Speed Data/Video Demo & Eval Boards

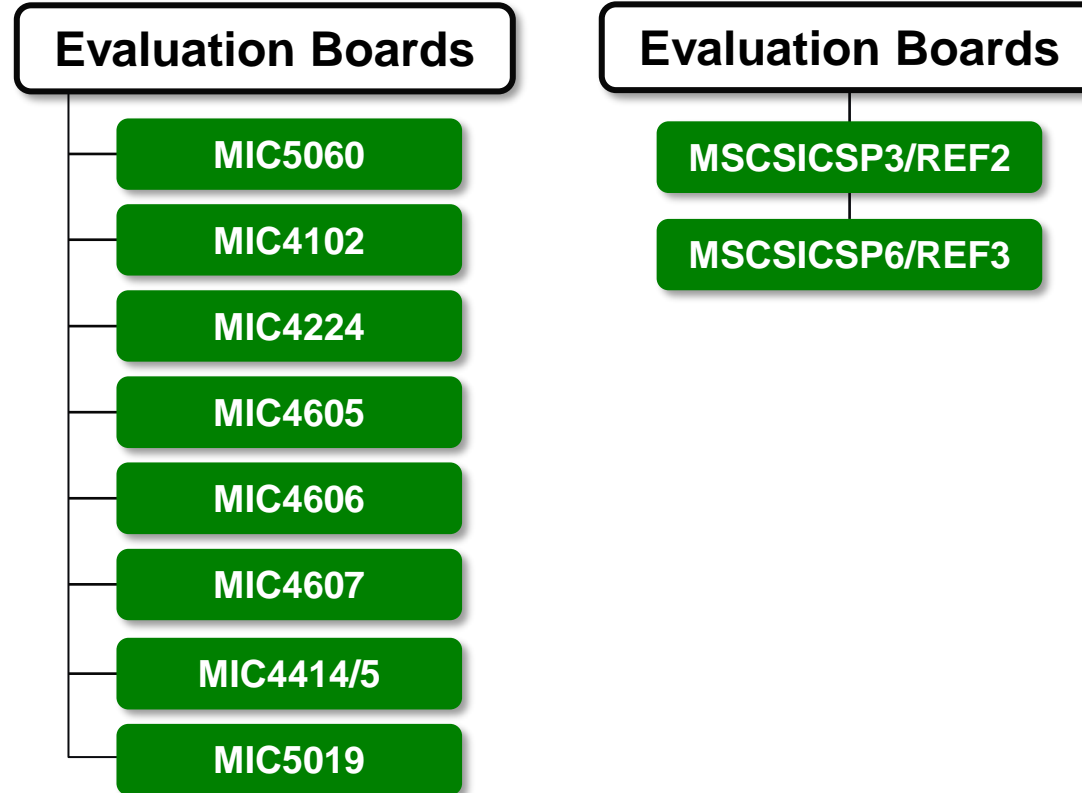


CAN and LIN Demo & Eval Boards



<< BACK to CAN and LIN Products

Power MOSFET Drivers Demo & Eval Boards



Power Modules Demo & Eval Boards

Evaluation Boards

MIC45516

MIC45205

MIC45208

MIC45212

MIC28304

MIC33030

MIC33050

MIC33153

MIC3385

MIC45404

<< BACK to Power Modules

<< BACK



Power Switches

Demo & Eval Boards

Power Switches

MIC95410

MIC9516X

USB Power Switches

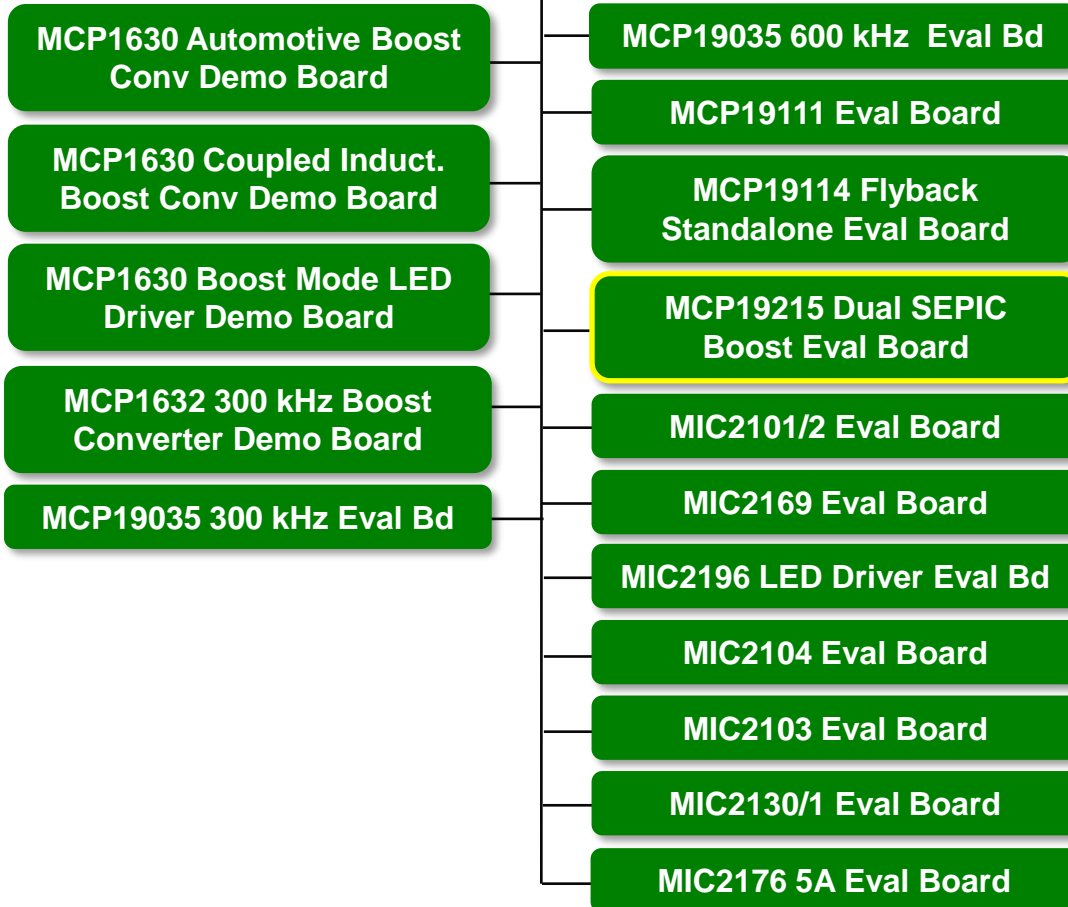
UCS2112



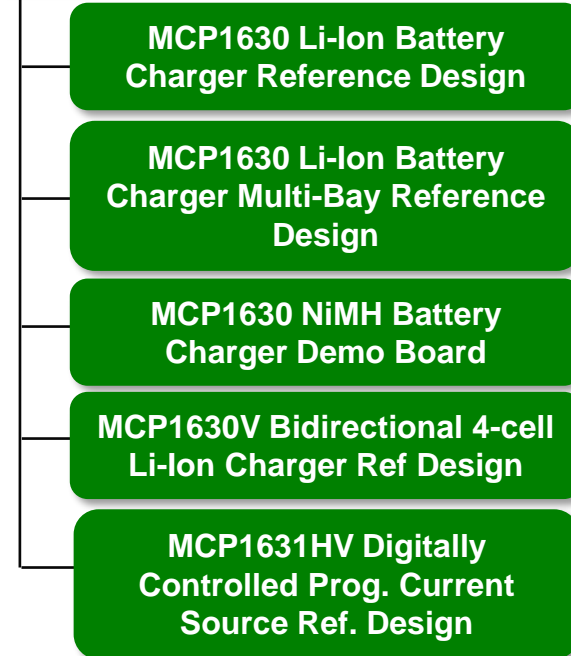
Switching Controller and Eval Boards

Demo

DC/DC Conversion



Battery Management



<< BACK to PWM Controllers

<< BACK to Power Discrete

<< BACK



Safety & Security

Smoke Detector

RE46C190/1 Demo Board

<< BACK to Smoke Detector Products

<< BACK



Motor Drive

Dual H-Bridge Driver

MTS2916A Dual Full-Bridge
Stepper Motor Drive Eval Brd

Half-Bridge Drivers

ATA6826C
3 Half-bridges Eval Board

ATA6831 / 32C w/ PWM
3 Half-bridges Eval Board

ATA6831 / 32C BLDC
Eval Board

ATA6836/38C
6 Half-bridges Eval Board

3 Φ BLDC Motor Controller

MTD6505 3-Phase BLDC
Sensorless Fan Controller DB

ATA6844-DK BLDC Motor
Driver Evaluation Board

MCP8063 12V Sensorless Fan
Controller Demo Kit

H-Bridge Motor Gate Driver

ATA6823C H-Bridge
LDO, WWD, LIN

ATA6824C H-Bridge TJ=200°C
LDO, WWD, SIO

<< BACK to Motor Drive Products

<< BACK



Real Time Clock/Calendar

MCP7941X RTCC PICtail Plus
Daughter Board

MCP795XX RTCC PICtail Plus
Daughter Board

<< BACK to Real Time Clock/Calendar

<< BACK



Ultrasound Transmit IC Demo & Eval Boards

Beamformers

MD2131DB1

MD2131DB2

MD2134DB1

MD2134DB2

Continuous Wave

CW01DB1

Transmit Pulsers

4-Channel

HV748DB1

AN-H59DB1

8-Channel

HV7350DB1

HV7351 DB

HV7355DB1



Ultrasound Transmit/Receive Switch & Eval Boards

1-Channel

MD0100DB1

4-Channel

MD0101DB1



HV Specialty Demo & Eval Boards

Lens Drivers

HV892DB1

Fan Controller

HV7100DB1

MEMS Drivers/
HV Array Amplifiers

HV264DB1

<< BACK to Application Specific

<< BACK to Amplifiers / MEMs Drivers

<< BACK



LED Driver

Demo & Eval Boards

General Purpose

- HV9910BDB1
- HV9910BDB2
- HV9910BDB3
- HV9910BDB7
- HV9918DB1
- HV9919BDB1
- HV9921DB1
- HV9922DB1
- HV9922DB2
- HV9861ADB1
- HV9861ADB2
- HV9923DB1
- HV9925DB1
- HV9930DB1
- HV9930DB2
- HV9931DB1
- HV9931DB2
- HV9931DB5
- HV9805 230V Boost
- HV9805 230V SEPIC
- HV9805 120V Boost
- HV980100/101 Eval Brd
- MIC3202 Eval Brd
- MIC3203 Eval Brd
- MIC3223 Eval Brd
- MIC3231 Eval Brd
- MIC3263 Eval Brd
- MIC4801 Eval Brd
- MIC4802 Eval Brd

<< BACK to LED Drivers

Backlighting

- HV9911DB1
- HV9911DB2
- HV9911DB3
- HV9911DB4
- HV9912DB1
- HV9961DB1
- HV9980DB1
- HV9967BDB1

Sequential Linear

CL88020 120V_{AC} 8.5W

Automotive

- AT9919DB1
- AT9933DB1
- MAQ3203 Eval Brd

<< BACK



General Purpose

14-pin SOIC/TSSOP/PDIP
Eval Board

5 and 6-pin SOT-23 Eval Board

PICKit Serial SPI Demo Board

Magnetic Field Evaluation Board

PSRR and Digital Noise
Evaluation Board

<< BACK to Supervisor Products

<< BACK to MOSFET Driver Products

Demo & Eval Boards

8-pin SOIC/MSOP/TSSOP/PDIP
Eval Board

3-pin SOT-23 Eval Board

PICKit Serial I²C Demo Board

Electrical Field Evaluation Board

MICUSB Serial Programmer

<< BACK



General Purpose Comparator Eval Boards

Demo &

5 and 6-pin SOT-23 Eval Board

8-pin SOIC/MSOP/TSSOP/PDIP
Eval Board

14-pin SOIC/TSSOP/PDIP
Eval Board

Electrical Field Eval Board

Magnetic Field Eval Board

PSRR and Digital Noise
Evaluation Board

<< BACK to Comparator Products

<< BACK



Power Silicon Carbide Reference Designs

SiC Driver Boards

MSCSICSP3/REF2

MSCSICSP6/REF3

SiC
Reference Designs

MSCSICPFC/REF5

<< BACK



Product Pages

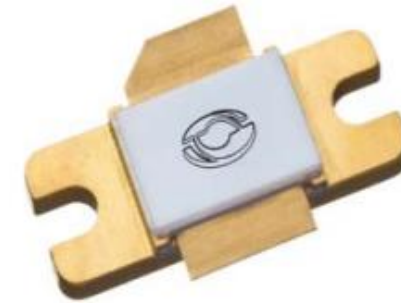


3135GN-280LV

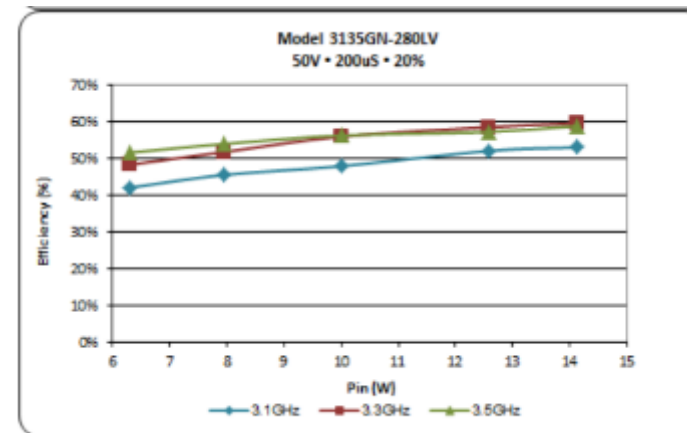
3.1 – 3.5 GHz 280W GaN Discrete

Features

- Pout: 280W
- Operating Voltage: 50V
- Frequency: 3.1-3.5 GHz
- 200us - 20% pulse formats
- Class AB • Common Source
- 58% Drain Efficiency



55-KP 0.638"x1.031"



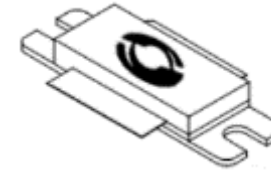
Frequency (GHz)	Gain (dB)	Power (W)	Eff (%)	Pulse Duration (uS)	Pulse Duty (%)	Vdd (V)	Rjc (C/W)
3.1-3.5	13.7	280 min	58	200	20	50	.39

3135GN-400V

3.1 – 3.5 GHz 400W GaN Discrete

Features

- Pout: 400W
- Operating Voltage: 50V
- Frequency: 3.1-3.5 GHz
- 200us - 10% pulse formats
- Class AB • Common Source
- 65% Drain Efficiency



55-Q03 Case Style

Frequency (GHz)	Gain (dB)	Power (W)	Eff (%)	Pulse Duration (uS)	Pulse Duty (%)	Vdd (V)	Rjc (C/W)
3.1-3.5	12	200	65	200	10	50	.30

3135GN-200V

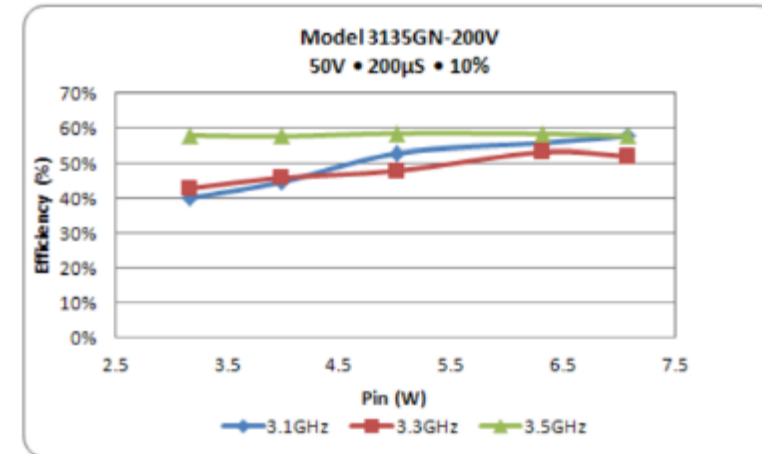
3.1 – 3.5 GHz 200W GaN Discrete

Features

- Pout: 200W
- Operating Voltage: 50V
- Frequency: 3.1-3.5 GHz
- 200us - 10% pulse formats
- Class AB • Common Source
- 55% Drain Efficiency



55-QP Case Style



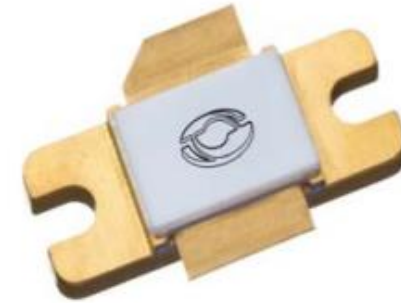
Frequency (GHz)	Gain (dB)	Power (W)	Eff (%)	Pulse Duration (µs)	Pulse Duty (%)	Vdd (V)	Rjc (C/W)
3.1-3.5	15.3	200	55	200	10	50	.56

2731GN-280LV

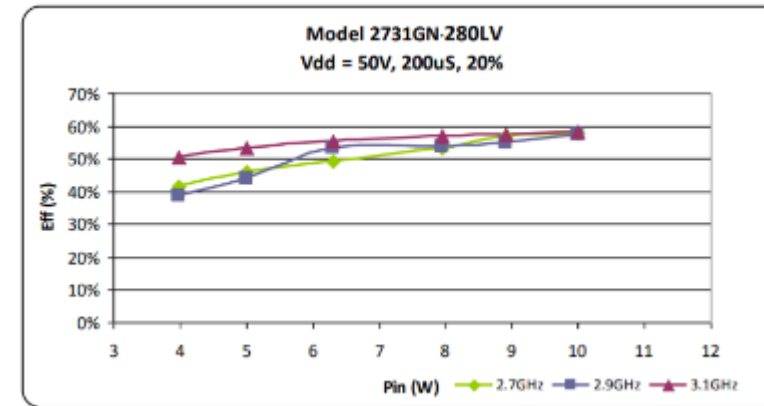
2.7 – 3.1 GHz 280W GaN Discrete

Features

- Pout: 280W
- Operating Voltage: 50V
- Frequency: 2.7-3.1 GHz
- 200us - 20% pulse formats
- Class AB • Common Source
- 58% Drain Efficiency



55-KR 0.638"x1.031"



Frequency (GHz)	Gain (dB)	Power (W)	Eff (%)	Pulse Duration (uS)	Pulse Duty (%)	Vdd (V)	Rjc (C/W)
2.7-3.1	15.0	280 min	58	200	20	50	0.37

2731GN-120V

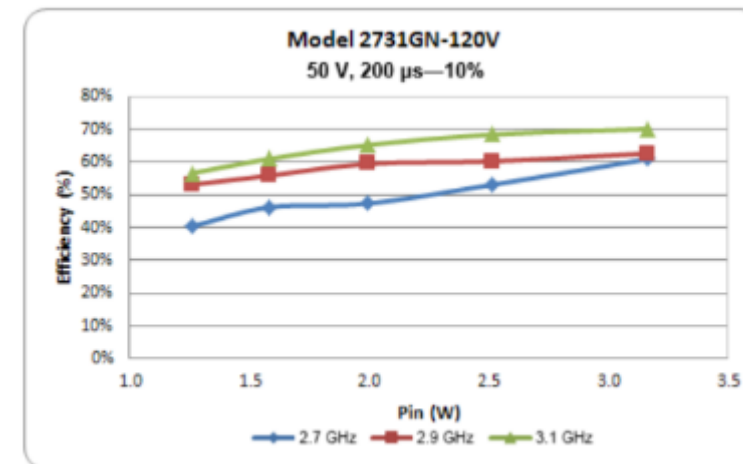
2.7 – 3.1 GHz 120W GaN Discrete

Features

- Pout: 120W
- Operating Voltage: 50V
- Frequency: 2.7-3.1 GHz
- 200us - 10% pulse formats
- Class AB • Common Source
- 64% Drain Efficiency



55-QP Case Outline



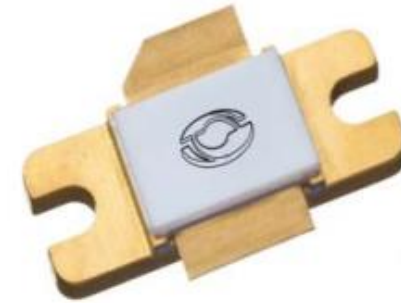
Frequency (GHz)	Gain (dB)	Power (W)	Eff (%)	Pulse Duration (uS)	Pulse Duty (%)	Vdd (V)	Rjc (C/W)
2.7-3.1	16.5	120 min	64	200	10	50	1.13

2729GN-270V

2.7 – 2.9 GHz 270W GaN Discrete

Features

- Pout: 270W
- Operating Voltage: 50V
- Frequency: 2.7-2.9 GHz
- 200us - 10% pulse formats
- Class AB • Common Source
- 68% Drain Efficiency



55-KR 0.638"x1.031"

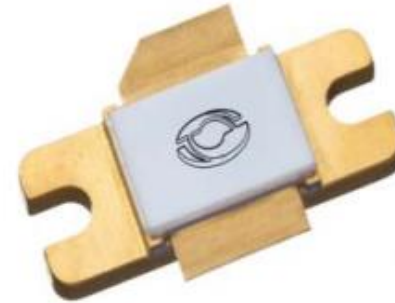
Frequency (GHz)	Gain (dB)	Power (W)	Eff (%)	Pulse Duration (uS)	Pulse Duty (%)	Vdd (V)	Rjc (C/W)
2.7-2.9	15.6	270 min	68	200	10	50	0.5

2729GN-150V

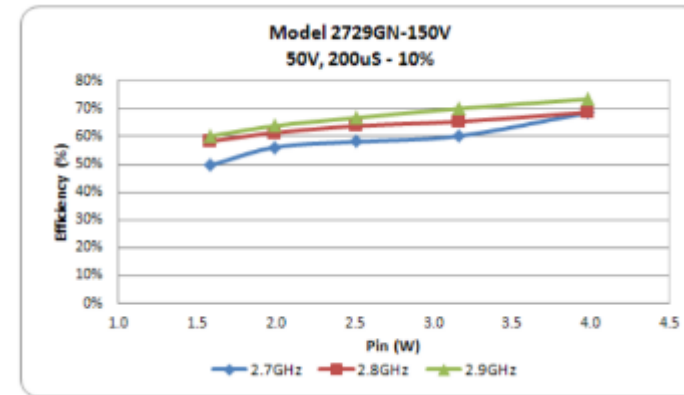
2.7 – 2.9 GHz 150W GaN Discrete

Features

- Pout: 150W
- Operating Voltage: 50V
- Frequency: 2.7-2.9 GHz
- 100us - 10% pulse formats
- Class AB • Common Source
- 69% Drain Efficiency



55-KR 0.638"x1.031"



Frequency (GHz)	Gain (dB)	Power (W)	Eff (%)	Pulse Duration (uS)	Pulse Duty (%)	Vdd (V)	Rjc (C/W)
2.7-2.9	16.2	150 min	69	100	10	50	0.35

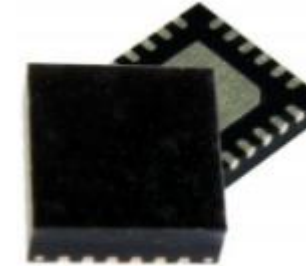
DC35GN-15-Q4

DC – 3.5 GHz 15W GaN SMT Discrete

Features

- Pout: >15W
- Operating Voltage: 50V
- Frequency: DC-3.5GHz
- Pulsed or CW Applications
- Class AB • Common Source
- >70% Drain Efficiency

Case Outline



QFN 4x4 mm

TYPICAL BROAD BAND PULSED PERFORMANCE DATA¹ 3.1 – 3.5 GHz Band

Frequency	Pin (W)	Pout (W)	Id (A)	RL (dB)	η_D (%)	Gain (dB)	Droop (dB)
3100 MHz	1.0	20.0	.670	-6	60	13	0.2
3300 MHz	1.0	18.0	.580	-7.6	62	12.6	0.12
3500 MHz	1.0	16.0	.540	-8.4	60	12	0.11

Performance Summary by Frequency

Parameter	Units	0.960 GHz	1.2 GHz	1.4 GHz	2.7 GHz	2.9 GHz	3.1 GHz	3.5 GHz
Output Power Psat	W	20	21	19	20	20	20	16
Power Gain	dB	18.5	18.3	18	13	13	13	12
η_D Drain Efficiency	%	65	72	66	60	63	60	60

¹ Bias Condition: Vdd=+50V, Idq= 40 mA (Vgs= -2.0 ~ -4.5V typical), PW= 1 mS, DC = 10%
RF performance measured on the recommended evaluation board.

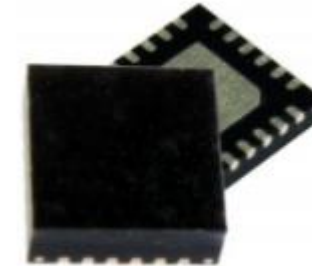
DC35GN-15-Q4

DC – 3.5 GHz 15W GaN SMT Discrete

Features

- Pout: >15W
- Operating Voltage: 50V
- Frequency: DC-3.5GHz
- Pulsed or CW Applications
- Class AB • Common Source
- >70% Drain Efficiency

Case Outline



QFN 4x4 mm

TYPICAL BROAD BAND PULSED PERFORMANCE DATA¹ 2.7 – 3.1 GHz Band

Frequency	Pin (W)	Pout (W)	Id (A)	RL (dB)	η_D (%)	Gain (dB)	Droop (dB)
2700 MHz	1.0	20.4	.680	-6.0	60.0	13.1	0.12
2900 MHz	1.0	20.2	.640	-10.2	63	13.1	0.10
3100 MHz	1.0	17	.550	-9.5	62	12.3	0.09

Performance Summary by Frequency

Parameter	Units	0.960 GHz	1.2 GHz	1.4 GHz	2.7 GHz	2.9 GHz	3.1 GHz	3.5 GHz
Output Power Psat	W	20	21	19	20	20	20	16
Power Gain	dB	18.5	18.3	18	13	13	13	12
η_D Drain Efficiency	%	65	72	66	60	63	60	60

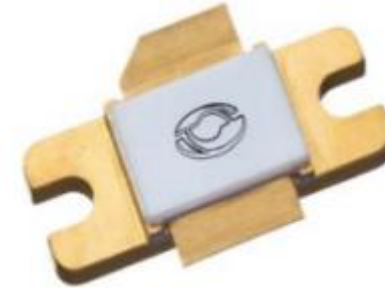
¹ Bias Condition: Vdd=+50V, Idq= 40 mA (Vgs= -2.0 ~ -4.5V typical), PW= 1 mS, DC = 10%
RF performance measured on the recommended evaluation board.

1214GN-400LV

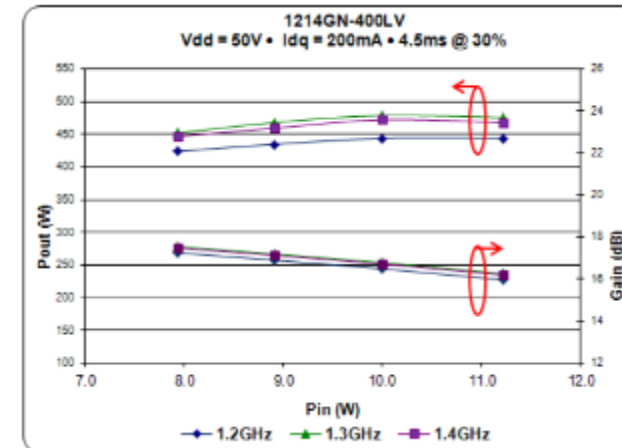
1.2 – 1.4 GHz 400W GaN Discrete

Features

- Pout: 400W
- Operating Voltage: 50V
- Frequency: 1.2-1.4 GHz
- 4.5mS-35% pulse formats
- Class AB • Common Source
- >65% Drain Efficiency



55-KR 0.638"x1.031"



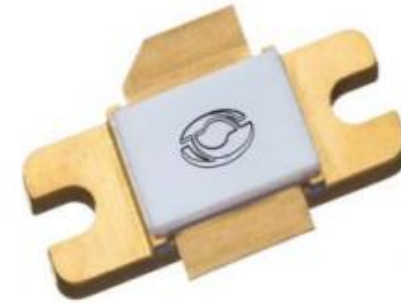
Frequency (GHz)	Gain (dB)	Power (W)	Eff (%)	Pulse Duration (mS)	Pulse Duty (%)	Vdd (V)	Rjc (C/W)
1.2-1.4	16.8	400 min	68	4.5	35	50	0.3

1214GN-650V

1.2 – 1.4 GHz 650W GaN Discrete

Features

- Pout: 650W
- Operating Voltage: 50V
- Frequency: 1.2-1.4 GHz
- 150us - 10% pulse formats
- Class AB • Common Source
- 69% Drain Efficiency



55-KR 0.638"x1.031"

Frequency (GHz)	Gain (dB)	Power (W)	Eff (%)	Pulse Duration (uS)	Pulse Duty (%)	Vdd (V)	Rjc (C/W)
1.2-1.4	17	650 min	69	150	10	50	0.21

1214GN-700V

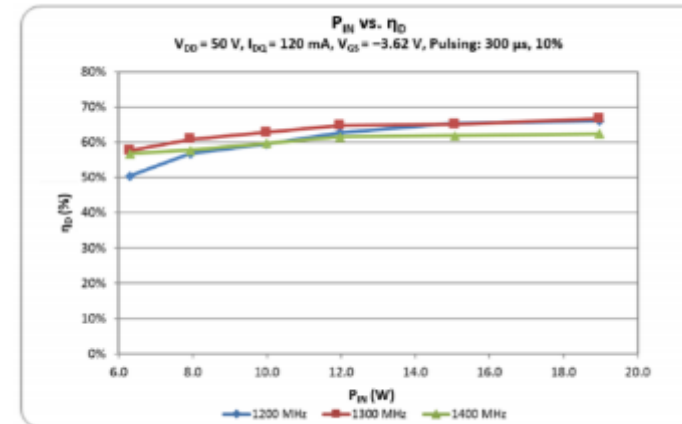
1.2 – 1.4 GHz 700W GaN Discrete

Features

- Pout: 700W
- Operating Voltage: 50V
- Frequency: 1.2-1.4 GHz
- 300uS-10% pulse formats
- Class AB • Common Source
- >60% Drain Efficiency



55Q03 0.385"x1.340"



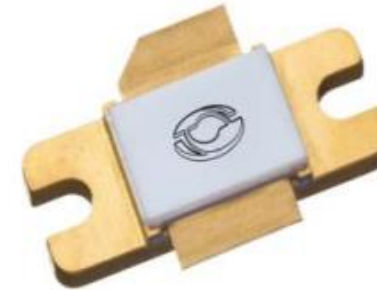
Frequency (GHz)	Gain (dB)	Power (W)	Eff (%)	Pulse Duration (uS)	Pulse Duty (%)	Vdd (V)	Rjc (C/W)
1.2-1.4	16.5	700 min	63	300	10	50	0.22

1214GN-600VHE

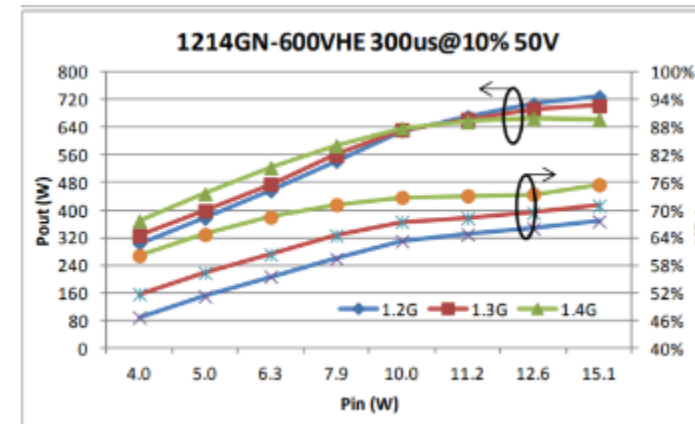
1.2 – 1.4 GHz 600W GaN Discrete

Features

- Pout: 600W
- Operating Voltage: 50V
- Frequency: 1.2-1.4 GHz
- 300uS-10% pulse formats
- Class AB • Common Source
- >60% Drain Efficiency



55-KR 0.638"x1.031"



Frequency (GHz)	Gain (dB)	Power (W)	Eff (%)	Pulse Duration (uS)	Pulse Duty (%)	Vdd (V)	Rjc (C/W)
1.2-1.4	17.5	600 min	63	300	10	50	0.23

1214GN-120E/EL/EP

1.2 – 1.4 GHz 120W GaN Discrete

Features

- Pout: 120W
- Operating Voltage: 50V
- Frequency: 1.2-1.4 GHz
- 300uS-10% pulse formats
- Class AB • Common Source
- >60% Drain Efficiency

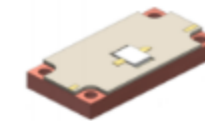
Case Outline



1214GN-120EL, 55QQP Case
(0.160"x0.230")



1214GN-120E, 55QQ Case
(0.160"x0.550")



1214GN-120EP, Pallet
(0.6"x1.2")

Frequency (GHz)	Gain (dB)	Power (W)	Eff (%)	Pulse Duration (uS)	Pulse Duty (%)	Vdd (V)	Rjc (C/W)
1.2-1.4	17	120 min	65	300	10	50	1.25

1214GN-50E/EL/EP

1.2 – 1.4 GHz 50W GaN Discrete

Features

- Pout: 50W
- Operating Voltage: 50V
- Frequency: 1.2-1.4 GHz
- 300uS-10% pulse formats
- Class AB • Common Source
- 60% Drain Efficiency

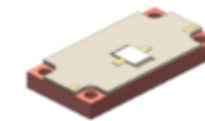
Case Outline



1214GN-50EL, 55QQP Case
(0.160"x0.230")



1214GN-50E, 55QQ Case
(0.160"x0.550")



1214GN-50EP, Pallet
(0.6"x1.2")

Frequency (GHz)	Gain (dB)	Power (W)	Eff (%)	Pulse Duration (uS)	Pulse Duty (%)	Vdd (V)	Rjc (C/W)
1.2-1.4	16	50 min	60	300	10	50	.37

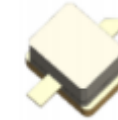
1214GN-15LE/LEL/LEP

1.2 – 1.4 GHz 15W GaN Discrete

Features

- Pout: 15W
- Operating Voltage: 50V
- Frequency: 1.2-1.4 GHz
- 4.5mS-35% pulse formats
- Class AB • Common Source
- 68% Drain Efficiency

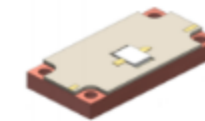
Case Outline



1214GN-15LEL, 55QQP Case
(0.160"x0.230")



1214GN-15LE, 55QQ Case
(0.160"x0.550")



1214GN-15LEP, Pallet
(0.6"x1.2")

Frequency (GHz)	Gain (dB)	Power (W)	Eff (%)	Pulse Duration (mS)	Pulse Duty (%)	Vdd (V)	Rjc (C/W)
1.2-1.4	18	15 min	68	4.5	35	50	0.34

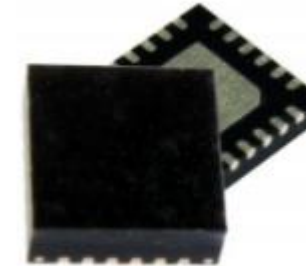
DC35GN-15-Q4

DC – 3.5 GHz 15W GaN SMT Discrete

Features

- Pout: >15W
- Operating Voltage: 50V
- Frequency: DC-3.5GHz
- Pulsed or CW Applications
- Class AB • Common Source
- >70% Drain Efficiency

Case Outline



QFN 4x4 mm

TYPICAL BROAD BAND PULSED PERFORMANCE DATA¹ 1.2 – 1.4 GHz Band

Frequency	Pin (W)	Pout (W)	Id (A)	RL (dB)	η_D (%)	Gain (dB)	Droop (dB)
1200 MHz	0.32	21.4	.590	-10	72.5	18.3	0.1
1300 MHz	0.32	20.4	.580	-17	70.3	18.1	0.1
1400 MHz	0.32	19.3	.580	-12	66.5	17.9	0.12

Performance Summary by Frequency

Parameter	Units	0.960 GHz	1.2 GHz	1.4 GHz	2.7 GHz	2.9 GHz	3.1 GHz	3.5 GHz
Output Power Psat	W	20	21	19	20	20	20	16
Power Gain	dB	18.5	18.3	18	13	13	13	12
η_D Drain Efficiency	%	65	72	66	60	63	60	60

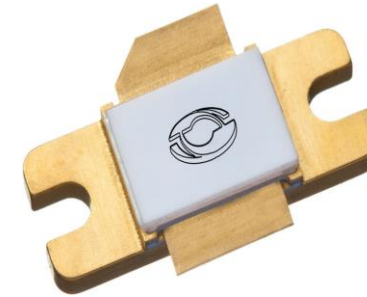
¹ Bias Condition: Vdd=+50V, Idq= 40 mA (Vgs= -2.0 ~ -4.5V typical), PW= 1 mS, DC = 10%
RF performance measured on the recommended evaluation board.

MDSGN-750ELMV

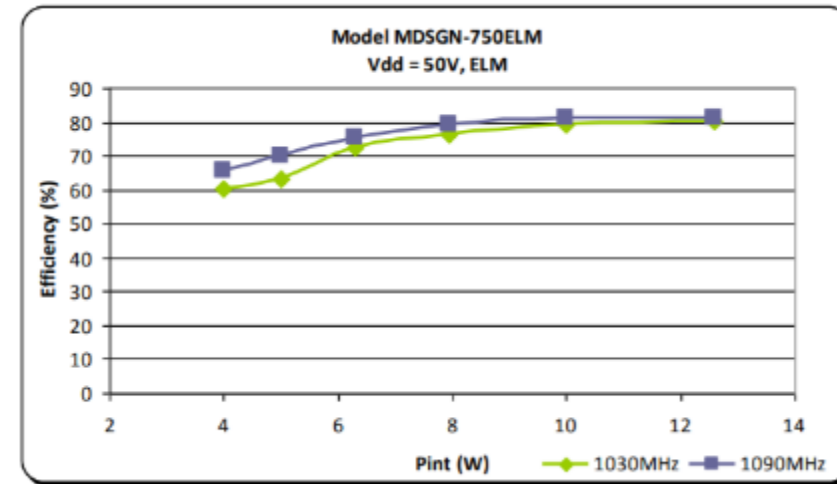
1030-1090 MHz 750W GaN Discrete

Features

- Pout: 750W
- Operating Voltage: 50V
- Frequency: 1030-1090MHz
- ELM pulse formats
- Class AB • Common Source
- 70% Drain Efficiency



55KR 0.385"x1.030"



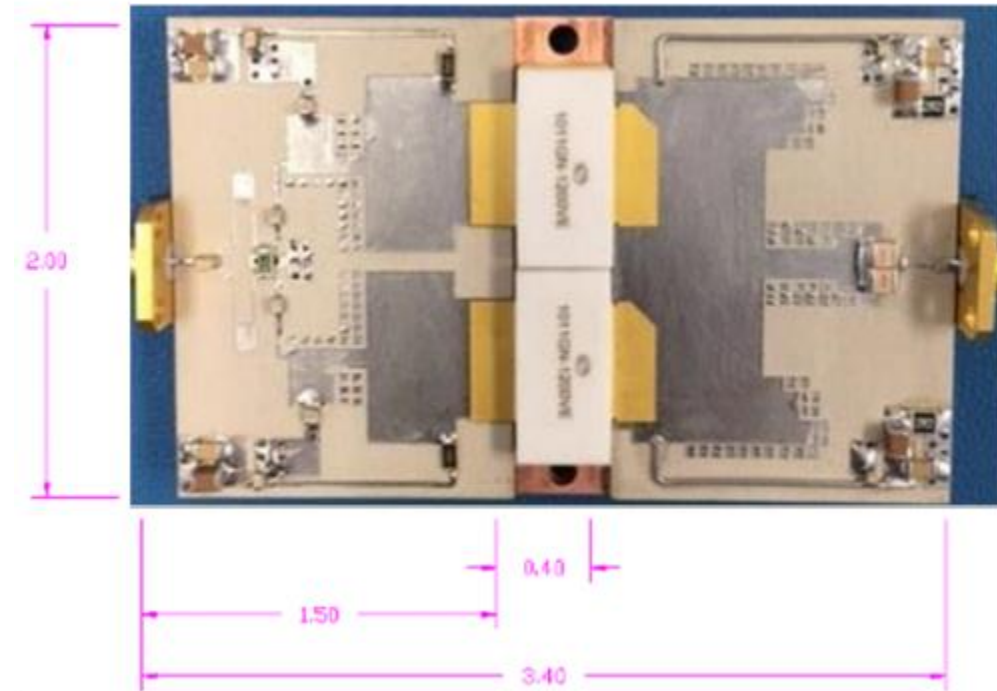
Frequency (MHz)	Gain (dB)	Power (W)	Eff (%)	Pulse Duration (uS)	Pulse Duty (%)	Vdd (V)	Rjc (C/W)
1030-1090	19.1	750	70	Mode-S ELM	6.4	50	.23

1011GN-2200VP

1030-1090 MHz 2200W GaN Pallet Module

Features

- 2200W Pulsed Power
- 32 μ s pulse width, 2% Duty Factor
- 50V operation
- Mode-S capable
- Efficiency >65%, Gain > 18dB
- Matched Pallet
- Uses 2 x 1011GN-1200VEL
- 3.4 x 2.0 in pallet



Frequency (MHz)	Gain (dB)	Power (W)	Eff (%)	Pulse Duration (μ s)	Pulse Duty (%)	Vdd (V)	Rjc (C/W)
1030-1090	18.5	1600	>65	32	2	50	0.05

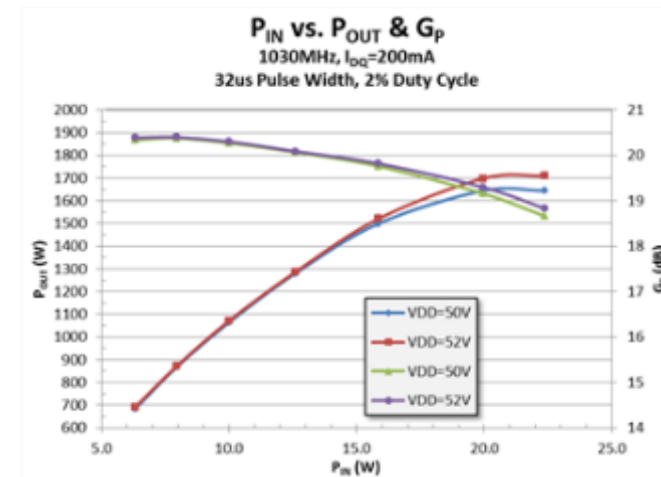
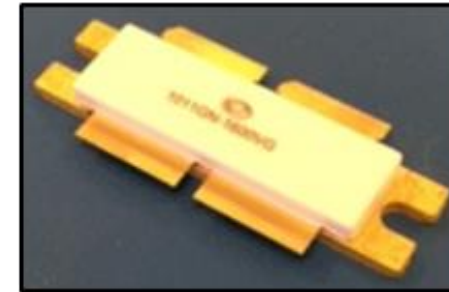
1011GN-1600VG

1030-1090 MHz 1600W GaN Single-Ended Transistor Discrete

Features

- 1600W, 52V, 1030/1090MHz
- 32 μ S-2% & ELM Pulsing Formats
- Class AB • Common Source • Single Ended
- >70% Drain Efficiency
- $G_p = 18.6$ dB typ
- <0.3 dB Typical Droop under 32us, 2% pulsing
- Single Ended

55-Q11A, 0.400"x1.610"



Frequency (MHz)	Gain (dB)	Power (W)	Eff (%)	Pulse Duration (μ S)	Pulse Duty (%)	Vdd (V)	Rjc (C/W)
1030-1090	18.6	1600	>70	32	2	50	0.18

1011GN-1200V

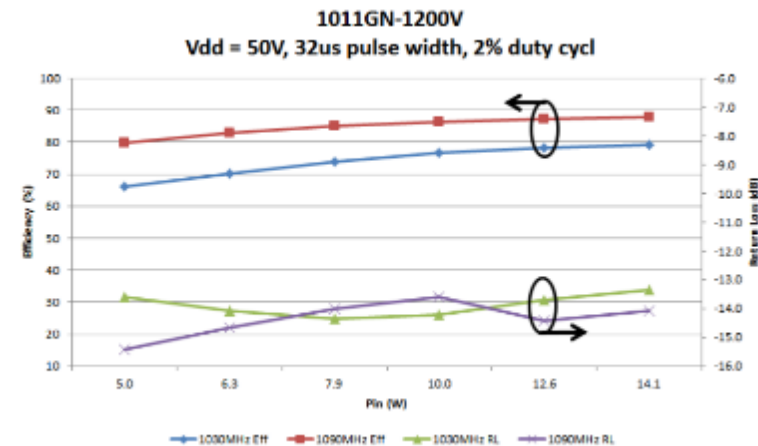
1030-1090 MHz 1200W GaN Discrete

Features

- Pout: 1200W
- Operating Voltage: 50V
- Frequency: 1030/1090MHz
- 32 μ S-2% & ELM Pulsing
- Formats
- Class AB • Common Source
- 75% Drain Efficiency



55Q03 0.385"x1.340"



Frequency (MHz)	Gain (dB)	Power (W)	Eff (%)	Pulse Duration (μ S)	Pulse Duty (%)	Vdd (V)	Rjc (C/W)
1030-1090	18.5	1200	75	32	2	50	0.25

1011GN-1000V

1030-1090 MHz 1000W GaN Discrete

Features

- Pout: 1000W
- Operating Voltage: 50V
- Frequency: 1030/1090MHz
- 32 μ S-2% & ELM Pulsing Formats
- Class AB • Common Source
- 75% Drain Efficiency



55Q03 0.385"x1.340"

TYPICAL PERFORMANCE DATA UNDER
MODE-S ELM (32 μ S on 18 μ S off, N=48 pulses, DF=6.4%)

Frequency	Pin (W)	Pout (W)	Id (A)	RL (dB)	η_D @ pulse 1 (%)	Gain (dB)	Droop @ Pulse 48 (dB)
1030 MHz	9.3	1000	1.85	-14	69	19.5	0.80
1090 MHz	9.3	1000	1.75	-10	73	19.5	0.80

TYPICAL PERFORMANCE DATA UNDER (32 μ S, DF=2%)

Frequency	Pin (W)	Pout (W)	Id (A)	RL (dB)	η_D (%)	Gain (dB)	Droop (dB)
1030 MHz	8.9	1000	.61	-13	78	20.5	.15
1090 MHz	10	1000	.57	-10	84	20.0	.15

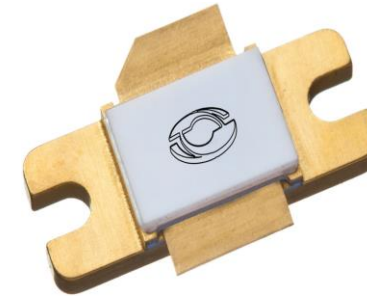
Frequency (MHz)	Gain (dB)	Power (W)	Eff (%)	Pulse Duration (μ S)	Pulse Duty (%)	Vdd (V)	Rjc (C/W)
1030-1090	19.5	1000	75	32	2	50	0.29

0912GN-650V

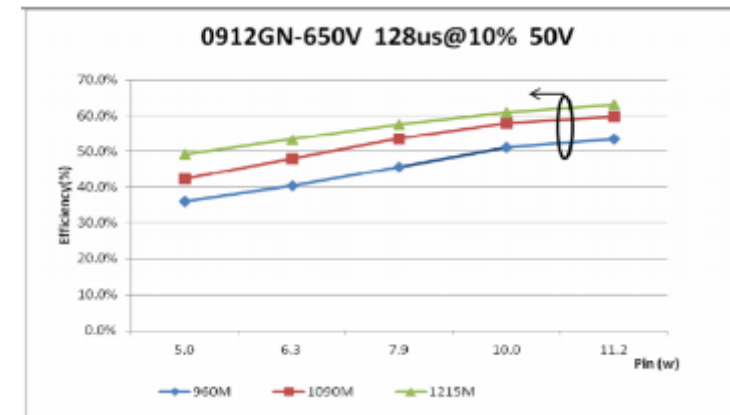
960 - 1215 MHz 650W GaN Discrete

Features

- Pout: 650W
- Operating Voltage: 50V
- Frequency: 960-1215MHz
- 128uS-10% pulse formats
- Class AB • Common Source
- 60% Drain Efficiency



55KR 0.385"x1.030"



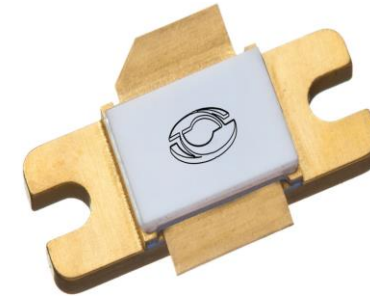
Frequency (MHz)	Gain (dB)	Power (W)	Eff (%)	Pulse Duration (uS)	Pulse Duty (%)	Vdd (V)	Rjc (C/W)
960-1215	17	650	60	128	10	50	0.3

0912GN-300V

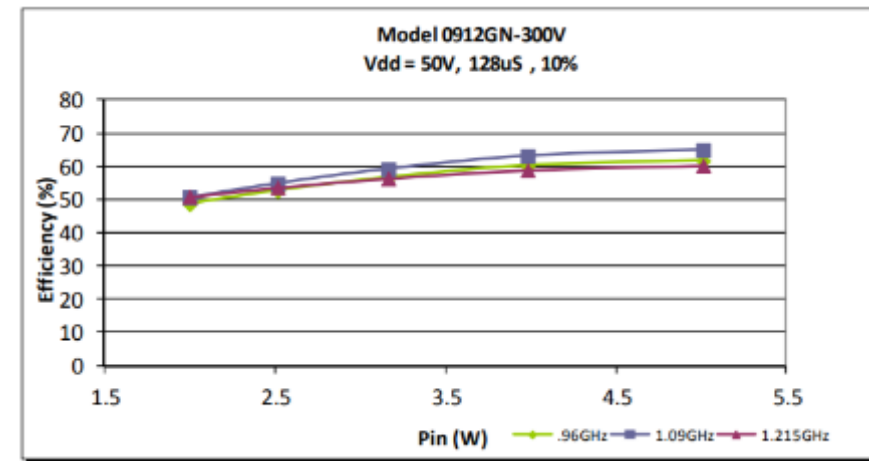
960 - 1215 MHz 300W GaN Discrete

Features

- Pout: 300W
- Operating Voltage: 50V
- Frequency: 960-1215MHz
- 128uS-10% pulse formats
- Class AB • Common Source
- 60% Drain Efficiency



55KR 0.385"x1.030"



Frequency (MHz)	Gain (dB)	Power (W)	Eff (%)	Pulse Duration (uS)	Pulse Duty (%)	Vdd (V)	Rjc (C/W)
960-1215	17	650	60	128	10	50	0.62

0912GN-120E/EL/EP

960 – 1215 MHz 120W GaN Discrete

Features

- Pout: 120W
- Operating Voltage: 50V
- Frequency: 960-1215 MHz
- 32uS-2% pulse formats
- Class AB • Common Source
- 65% Drain Efficiency

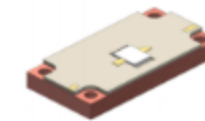
Case Outline



0912GN-120EL, 55QQP Case
(0.160" x 0.230")



0912GN-120E, 55QQ Case
(0.160" x 0.550")



0912GN-120EP, Pallet
(0.6" x 1.2")

Frequency (MHz)	Gain (dB)	Power (W)	Eff (%)	Pulse Duration (uS)	Pulse Duty (%)	Vdd (V)	Rjc (C/W)
960-1215	18.4	120 Min	65	32	2	50	0.38

0912GN-50LE/LEL/LEP

960 – 1215 MHz 50W GaN Discrete

Features

- Pout: 50W
- Operating Voltage: 50V
- Frequency: 960-1215 MHz
- 32uS-2% and MIDS pulse formats
- Class AB • Common Source
- 63% Drain Efficiency

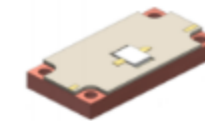
Case Outline



0912GN-50LEL, 55QQP Case
(0.160" x 0.230")



0912GN-50LE, 55QQ Case
(0.160" x 0.550")



0912GN-50LEP, Pallet
(0.6" x 1.2")

Frequency (MHz)	Gain (dB)	Power (W)	Eff (%)	Pulse Duration (uS)	Pulse Duty (%)	Vdd (V)	Rjc (C/W)
960-1215	16	50 Min	63	32	2	50	0.38

0912GN-15E/EL/EP

960 – 1215 MHz 15W GaN Discrete

Features

- Pout: 15W
- Operating Voltage: 50V
- Frequency: 960-1215 MHz
- 128uS-10% pulse formats
- Class AB • Common Source
- 65% Drain Efficiency

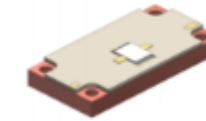
Case Outline



0912GN-15E, 55QQ Case
(0.160"x0.550")



0912GN-15EL, 55QQP Case
(0.160"x0.230")



0912GN-15EP, Pallet
(0.6"x1.2")

Frequency (MHz)	Gain (dB)	Power (W)	Eff (%)	Pulse Duration (uS)	Pulse Duty (%)	Vdd (V)	Rjc (C/W)
960-1215	18	15 min	65	128	10	50	0.38

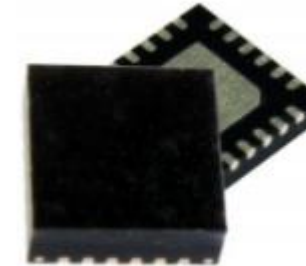
DC35GN-15-Q4

DC – 3.5 GHz 15W GaN SMT Discrete

Features

- Pout: >15W
- Operating Voltage: 50V
- Frequency: DC-3.5GHz
- Pulsed or CW Applications
- Class AB • Common Source
- >70% Drain Efficiency

Case Outline



QFN 4x4 mm

TYPICAL BROAD BAND PULSED PERFORMANCE DATA¹ 0.96 – 1.215 GHz Band

Frequency	Pin (W)	Pout (W)	Id (A)	RL (dB)	η_D (%)	Gain (dB)	Droop (dB)
960 MHz	0.32	22	.680	-12	67	18.6	0.25
1100 MHz	0.32	22	.630	-10.5	72	18.6	0.12
1215 MHz	0.32	21	.600	-14.7	71	18.3	0.10

Performance Summary by Frequency

Parameter	Units	0.960 GHz	1.2 GHz	1.4 GHz	2.7 GHz	2.9 GHz	3.1 GHz	3.5 GHz
Output Power Psat	W	20	21	19	20	20	20	16
Power Gain	dB	18.5	18.3	18	13	13	13	12
η_D Drain Efficiency	%	65	72	66	60	63	60	60

¹ Bias Condition: Vdd=+50V, Idq= 40 mA (Vgs= -2.0 ~ -4.5V typical), PW= 1 mS, DC = 10%
RF performance measured on the recommended evaluation board.

1011GN-250E/EL/EP

1030 – 1090 MHz 250W GaN Discrete

Features

- Pout: 250W
- Operating Voltage: 50V
- Frequency: 1030-1090MHz
- 32uS-2% & 128uS-10% pulse formats
- Class AB • Common Source
- >70% Drain Efficiency

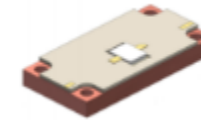
Case Outline



1011GN-250E, 55QQ Case
(0.160" x 0.550")



1011GN-250EL, 55QQP Case
(0.160" x 0.230")



1011GN-250EP, Pallet
(0.6" x 1.2")

Frequency (MHz)	Gain (dB)	Power (W)	Eff (%)	Pulse Duration (uS)	Pulse Duty (%)	Vdd (V)	Rjc (C/W)
1030-1090	20.5	250	75	32	2	50	0.68
1030-1090	20.3	250	71	128	10	50	0.68

1011GN-125E/EL/EP

1030 – 1090 MHz 125W GaN Discrete

Features

- Pout: 125W
- Operating Voltage: 50V
- Frequency: 1030-1090MHz
- 32uS-2% & 128uS-10% pulse formats
- Class AB • Common Source
- 72% Drain Efficiency

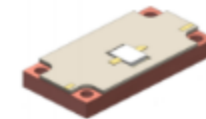
Case Outline



1011GN-125E, 55QQ Case
(0.160"x0.550")



1011GN-125EL, 55QQP Case
(0.160"x0.230")



1011GN-125EP, Pallet
(0.6"x1.2")

Frequency (MHz)	Gain (dB)	Power (W)	Eff (%)	Pulse Duration (uS)	Pulse Duty (%)	Vdd (V)	Rjc (C/W)
1030-1090	18.8	125	72	32	2	50	0.68
1030-1090	18.8	125	71	128	10	50	0.68

1011GN-30E/EL/EP

1030 – 1090 MHz 30W GaN Discrete

Features

- Pout: 30W
- Operating Voltage: 50V
- Frequency: 1030-1090MHz
- 32uS-2% & 128uS-10% pulse formats
- Class AB • Common Source
- 65% Drain Efficiency

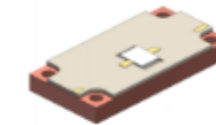
CASE OUTLINE 55-QQP/QQ/Pallet Common Source



1011GN-30EL, 55-QQP Case
(0.160"x0.230")



1011GN-30E, 55-QQ Case
(0.160"x0.550")



1011GN-30EP Pallet
(0.6"x1.2")

Frequency (MHz)	Gain (dB)	Power (W)	Eff (%)	Pulse Duration (uS)	Pulse Duty (%)	Vdd (V)	Rjc (C/W)
1030-1090	18.5	30	65	32	2	50	0.58
1030-1090	19	30	70	128	10	50	0.58

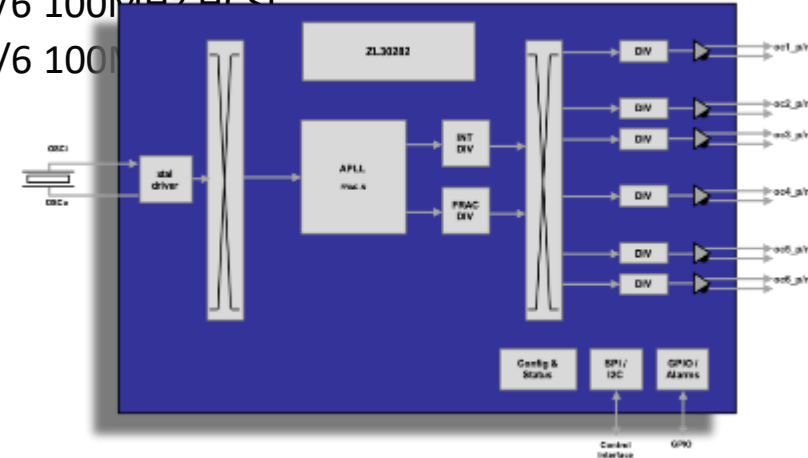
ZL30282

Clock Generator for PCIe Gen 1-4

Online
Datasheet

Features

- 50 MHz crystal or CMOS as input
- Up to 6 output with 8 default configurations selected by hardware pins at reset (Configs 0-3 no SSC, Configs 4-7 SSC for OC3-6):
 - Config0/4: OC1 100MHz HCSL, OC2_P 25MHz LVCMOS, OC3/4/5 unused, OC6 100MHz HCSL
 - Config1/5: OC1 100MHz HCSL, OC2_P 25MHz LVCMOS, OC3/4/5/6 100MHz HCSL
 - Config2/6: OC1 100MHz HCSL, OC2_P 75MHz LVCMOS, OC3/4/5/6 100MHz HCSL
 - Config3/7: OC1/2 100MHz HCSL, OC3/4/5/6 100MHz HCSL
- Space-saving 8x8mm QFN56
- Output jitter typically <0.3ps RMS @12k~20MHz
- Clock ready indicator



<< BACK

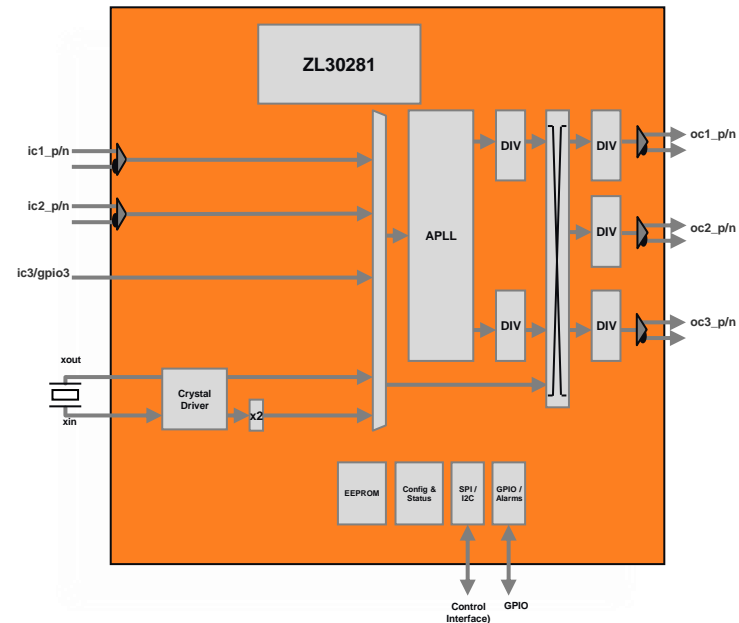
ZL30281

Clock Generator for PCIe Gen 1-4

Online
Datasheet

Features

- 25MHz crystal or clock as input
- Up to 3 outputs with four default configurations selected by hardware pins at reset:
 - Config0:100MHz on output OC1 (CML format)
 - Config1:100MHz on OC1, OC2 (CML)
 - Config2:100MHz on OC1 (CML), OC2 (HSTL)
 - Config3: 100MHz on OC1, OC2 (CML) and 25MHz LVCMOS on OC3
- Tiny 5x5mm QFN package
- Output jitter typically <0.3ps RMS @12k~20MHz
- Clock ready indicator



<< BACK

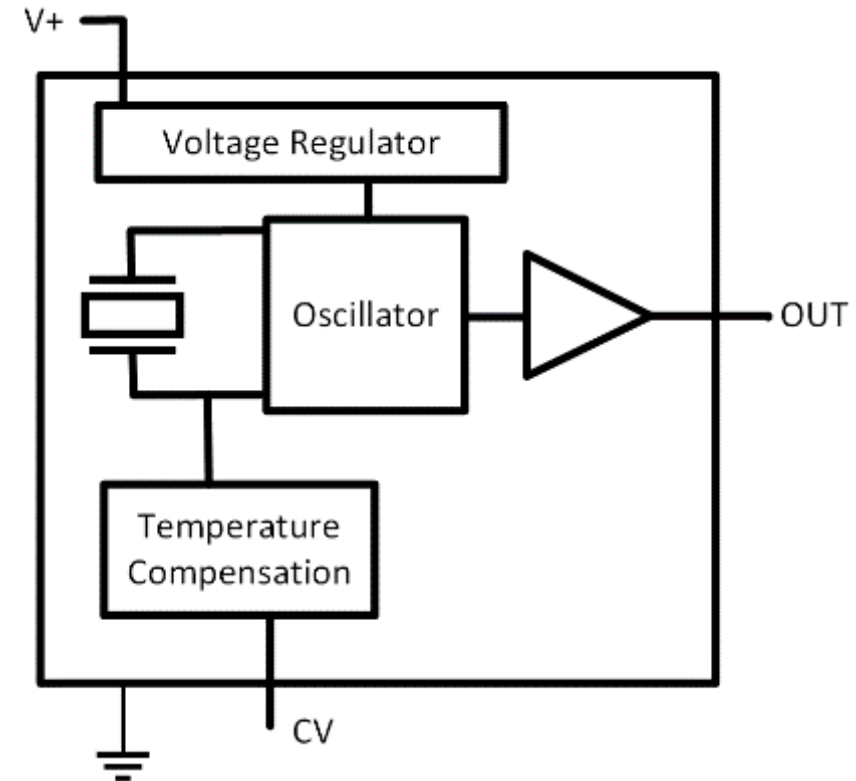
VT-501

Online
Datasheet

low noise tcxo

Features:

- Low cost low noise TCXO
- Frequency Range: 8 to 61.44 MHz
- Output: CMOS
- Footprint: 12 x 10 mm, surface mount
- Supply Voltage: 3.3, 5 V
- Power: 49.5 mW
- Temperature Range: -40 to 85 °C
- Phase Noise 10 Hz offset: -107 dBc/Hz @ MHz carrier
- Temperature stability 0 to 70°C: 1 ppm
- Temperature stability -20 to 70°C: 1ppm
- Temperature stability -40 to 85°C: 1 ppm



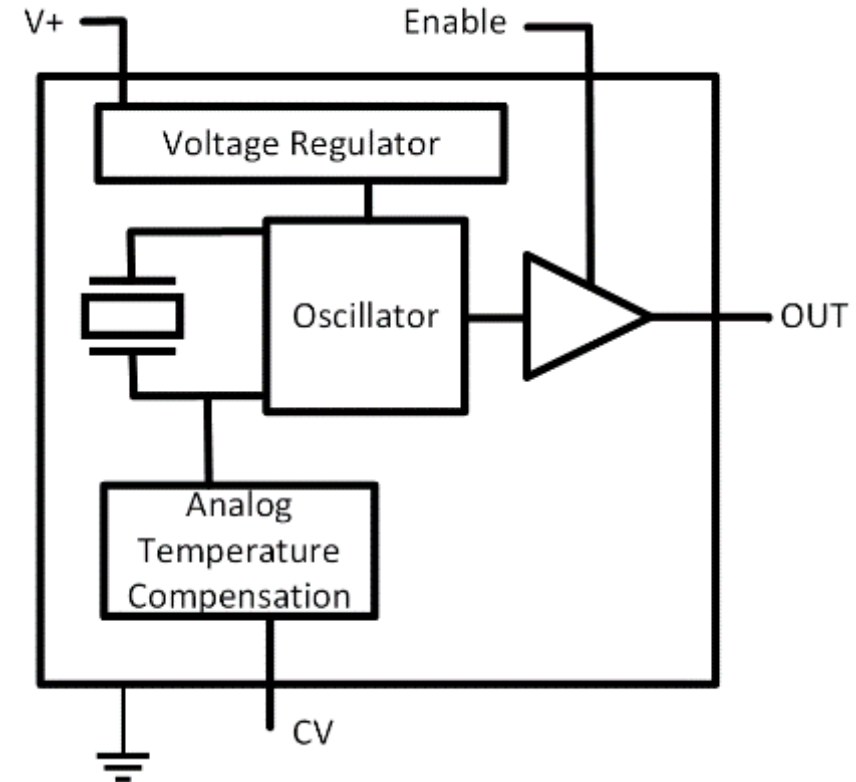
TX-801

Online
Datasheet

Stratum 3 TCXO

Features:

- Frequency Range: 6.4 to 52 MHz
- Standard Frequencies: 10, 12.8, 20, 24.576, 25 MHz
- Output: CMOS, Clipped Sine
- Footprint: 5 x 3.2 mm, surface mount
- Supply Voltage: 3.3, 5 V
- Power: 5.94 mW
- Temperature Range: -40 to 105 °C
- Temperature stability 0 to 70°C: 0.1 ppm
- Temperature stability -40 to 85°C: 0.28 ppm
- Temperature stability over Operating Temperature Range: 2 ppm

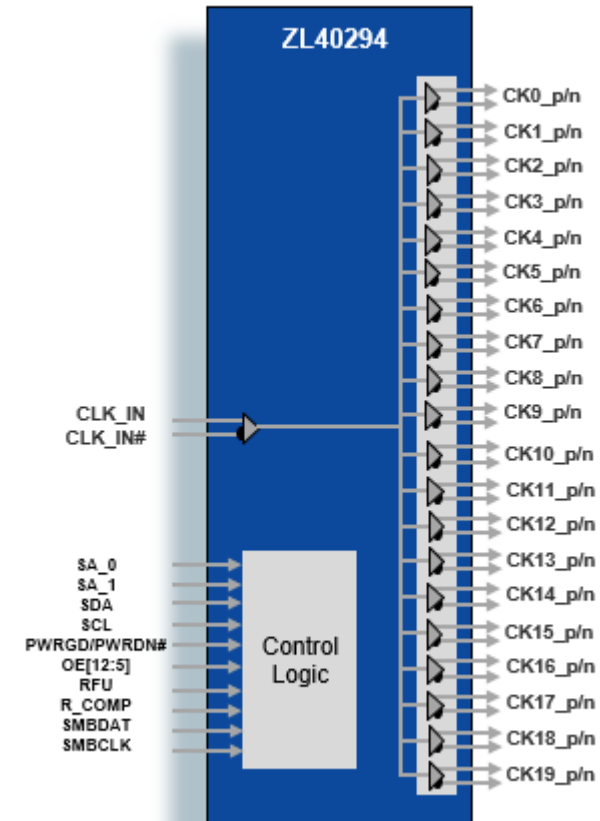


ZL40294

DB2000QL PCIe 1,2,3,4,5 Buffer with Ultra Low Additive Jitter 1:20 HCSL Output

Features

- Fully Compliant with Intel DB2000QL Specification
- 20 Low-Power Push-Pull HCSL PCIe Outputs
- Ultra-low additive jitter: 15fs typical
- Supports clock frequencies from 0 to 250MHz
- Supports 3.3V power supplies
- Embedded Low Drop Out (LDO) Voltage regulator provides superior Power Supply Noise Rejection
- Maximum output to output skew of 50ps
- SMBus Interface
- Side-Band Interface (SBI)
- Eight OE pins
- Embedded series terminations adjusted or 85Ω differential transmission line
- Transparent for Spread-Spectrum Clock

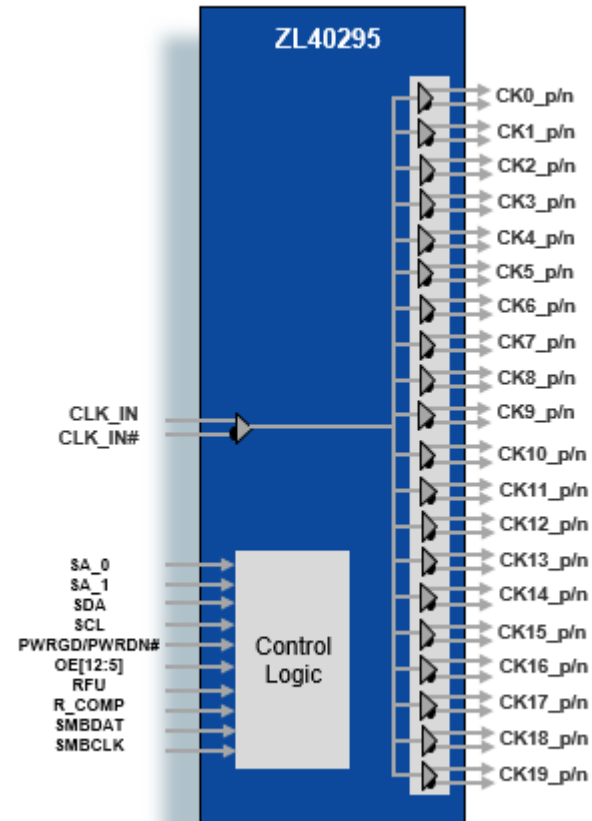


ZL40295

DB2000Q PCIe 1,2,3,4,5 Buffer with Ultra Low Additive Jitter 1:20 HCSL Output

Features

- Fully Compliant with PCIe Gen 1, 2, 3, 4, and 5
- 20 Low-Power Push-Pull HCSL PCIe Outputs
- Ultra-low additive jitter: 10fs for PCIe Gen 5.0
- Supports clock frequencies from 0 to 250MHz
- Supports 3.3V power supplies
- Embedded Low Drop Out (LDO) Voltage regulator provides superior Power Supply Noise Rejection
- Maximum output to output skew of 50ps
- SMBus Interface
- Side-Band Interface (SBI)
- Eight OE pins
- Embedded series terminations adjusted for 100Ω differential transmission line
- Transparent for Spread-Spectrum Clock

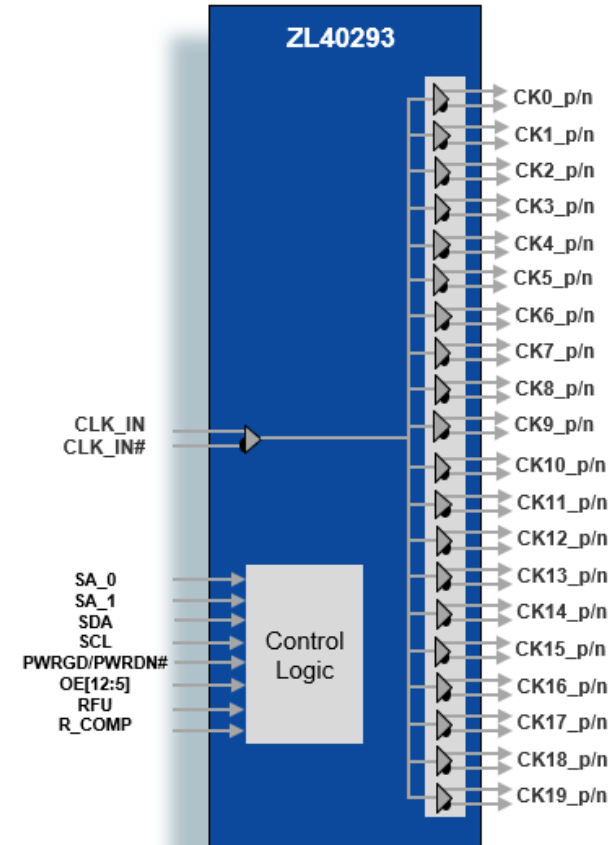


ZL40293

DB2000Q PCIe 1,2,3,4,5 Buffer with Ultra Low Additive Jitter 1:20 HCSL Output

Features

- Fully Compliant with PCIe 1, 2, 3, 4 and 5 Specifications
- 20 Low-Power Push-Pull HCSL PCIe Outputs
- Ultra-low additive jitter: 10fs maximum
- Supports clock frequencies from 0 to 250MHz
- Supports 3.3V power supplies
- Embedded Low Drop Out (LDO) Voltage regulator provides superior Power Supply Noise Rejection
- Maximum output to output skew of 50ps
- SMBus Interface
- Eight OE pins
- Embedded series terminations adjusted for 100Ω differential transmission line
- Transparent for Spread-Spectrum Clock

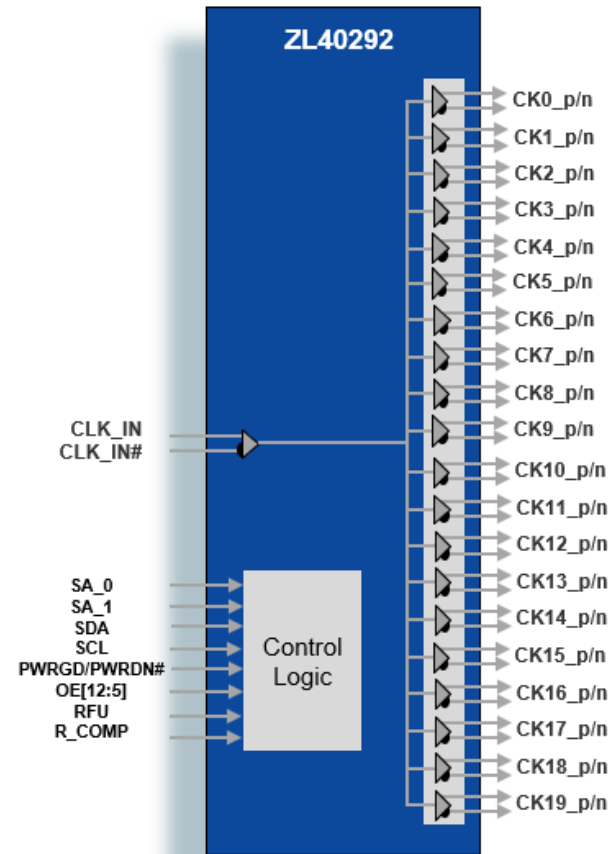


ZL40292

DB2000Q PCIe 1,2,3,4,5 Buffer with Ultra Low Additive Jitter 1:20 HCSL Output

Features

- Fully Compliant with Intel DB2000Q Specification
- 20 Low-Power Push-Pull HCSL PCIe Outputs
- Ultra-low additive jitter: 20fs maximum
- Supports clock frequencies from 0 to 250MHz
- Supports 3.3V power supplies
- Embedded Low Drop Out (LDO) Voltage regulator provides superior Power Supply Noise Rejection
- Maximum output to output skew of 50ps
- SMBus Interface
- Eight OE pins
- Embedded series terminations adjusted or 85Ω differential transmission line
- Transparent for Spread-Spectrum Clock

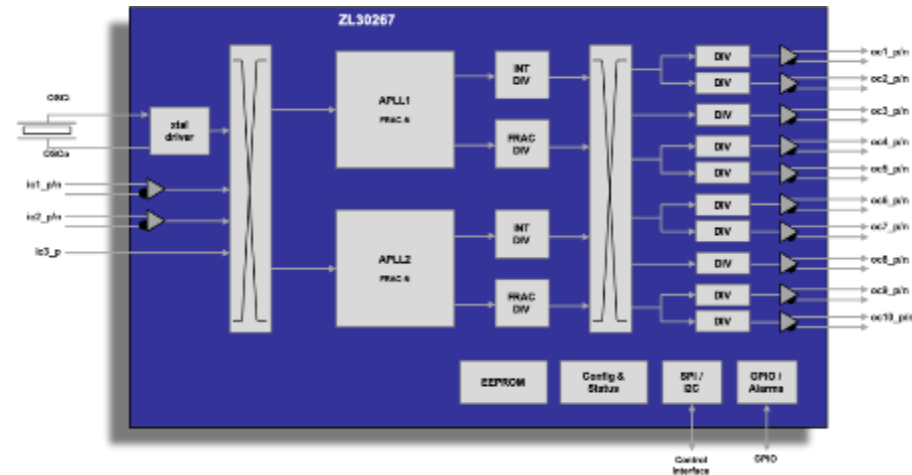


ZL30267

10 outputs with internal EEPROM Clock Generator

Features

- Two Flexible Input Clocks
 - One crystal/CMOS input
 - Two differential/CMOS inputs
 - One single-ended/CMOS input
 - Any input frequency from 9.72MHz to 1.25GHz (300MHz max for CMOS)
 - Glitchless clock switching by pin or register
- 10 Any-Frequency, Any-Format Outputs
 - Any output frequency from 1Hz to 1045MHz
 - 2 fractional-N APLLs with 0ppm error
 - Output jitter from integer multiply and dividers as low as 0.17ps RMS (12kHz-20MHz)
 - Each output has an independent divider
 - Each output configurable as LVDS, LVPECL, HCSL, 2xCMOS or HSTL
 - In 2xCMOS mode, the P and N pins can be different frequencies (e.g. 125MHz and 25MHz)
 - Multiple output supply voltage banks with CMOS output voltages from 1.5V to 3.3V

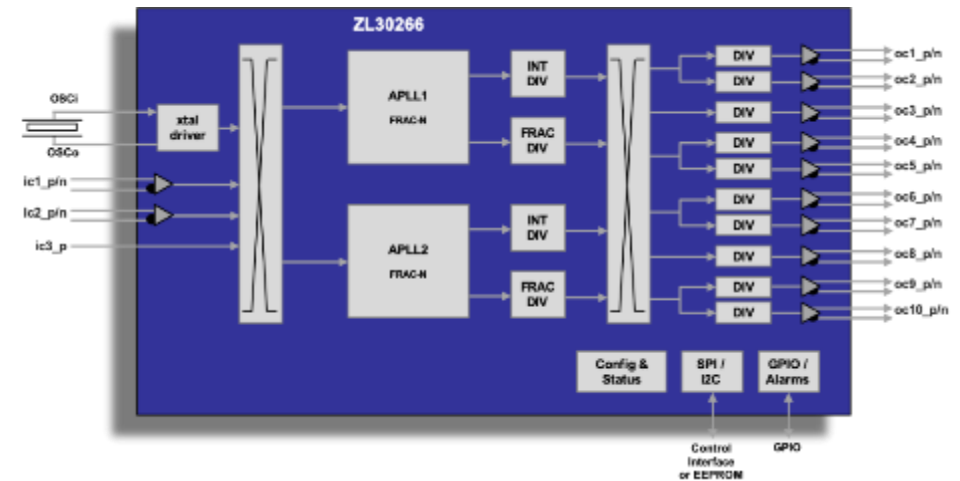


ZL30266

10 outputs with external EEPROM Clock Generator

Features

- Two Flexible Input Clocks
 - One crystal/CMOS input
 - Two differential/CMOS inputs
 - One single-ended/CMOS input
 - Any input frequency from 9.72MHz to 1.25GHz (300MHz max for CMOS)
 - Glitchless clock switching by pin or register
- 10 Any-Frequency, Any-Format Outputs
 - Any output frequency from 1Hz to 1045MHz
 - 2 fractional-N APLLs with 0ppm error
 - Output jitter from integer multiply and dividers as low as 0.17ps RMS (12kHz-20MHz)
 - Each output configurable as LVDS, LVPECL, HCSL, 2xCMOS or HSTL
 - In 2xCMOS mode, the P and N pins can be different frequencies (e.g. 125MHz and 25MHz)
 - Multiple output supply voltage banks with CMOS output voltages from 1.5V to 3.3V

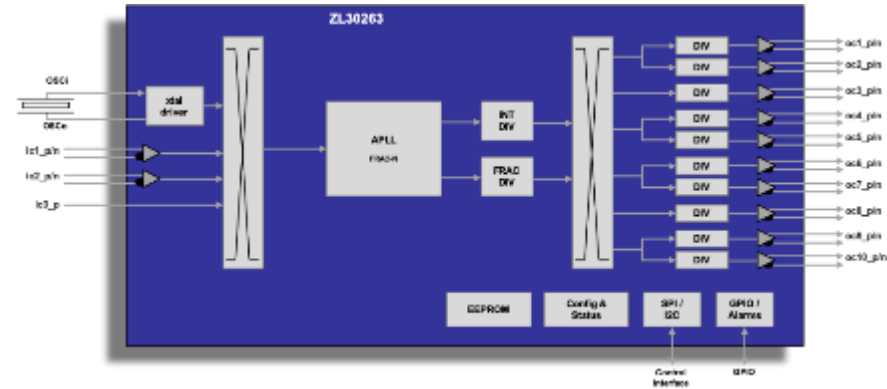


ZL30263

10 outputs with internal EEPROM Clock Generator

Features

- Two Flexible Input Clocks
 - One crystal/CMOS input
 - Two differential/CMOS inputs
 - One single-ended/CMOS input
 - Any input frequency from 9.72MHz to 1.25GHz (300MHz max for CMOS)
 - Glitchless clock switching by pin or register
- 10 Any-Frequency, Any-Format Outputs
 - Any output frequency from 1Hz to 1045MHz
 - 1 fractional-N APLL with 0ppm error
 - Output jitter from integer multiply and dividers as low as 0.17ps RMS (12kHz-20MHz)
 - Output jitter from fractional dividers is typically < 1ps RMS, many frequencies <0.5ps RMS
 - Each output configurable as LVDS, LVPECL, HCSL, 2xCMOS or HSTL
 - In 2xCMOS mode, the P and N pins can be different frequencies (e.g. 125MHz and 25MHz)
 - Multiple output supply voltage banks with CMOS output voltages from 1.5V to 3.3V

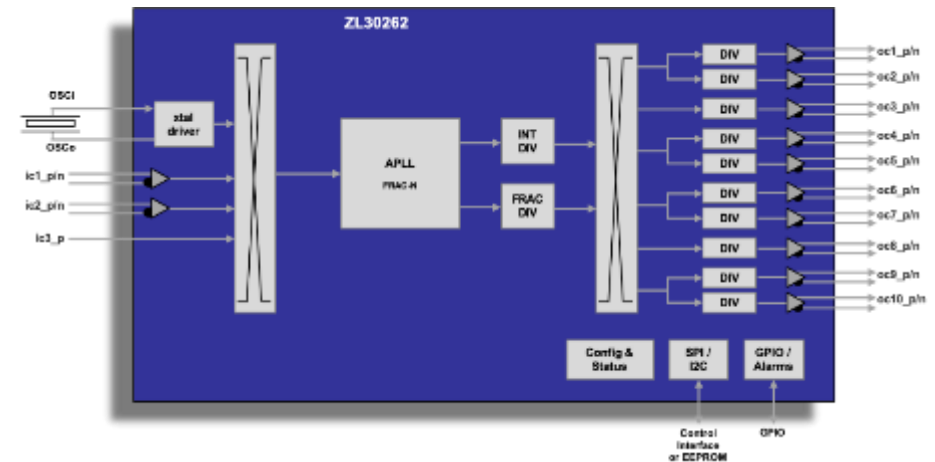


ZL30262

10 outputs with external EEPROM High Performance Clock Generator

Features

- Two Flexible Input Clocks
 - One crystal/CMOS input
 - Two differential/CMOS inputs
 - One single-ended/CMOS input
 - Any input frequency from 9.72MHz to 1.25GHz (300MHz max for CMOS)
 - Glitchless clock switching by pin or register
- 10 Any-Frequency, Any-Format Outputs
 - Any output frequency from 1Hz to 1045MHz
 - 1 fractional-N APLL with 0ppm error
 - Output jitter from integer multiply and dividers as low as 0.17ps RMS (12kHz-20MHz)
 - Output jitter from fractional dividers is typically < 1ps RMS, many frequencies <0.5ps RMS
 - Each output has an independent divider
 - Each output configurable as LVDS, LVPECL, HCSL, 2xCMOS or HSTL

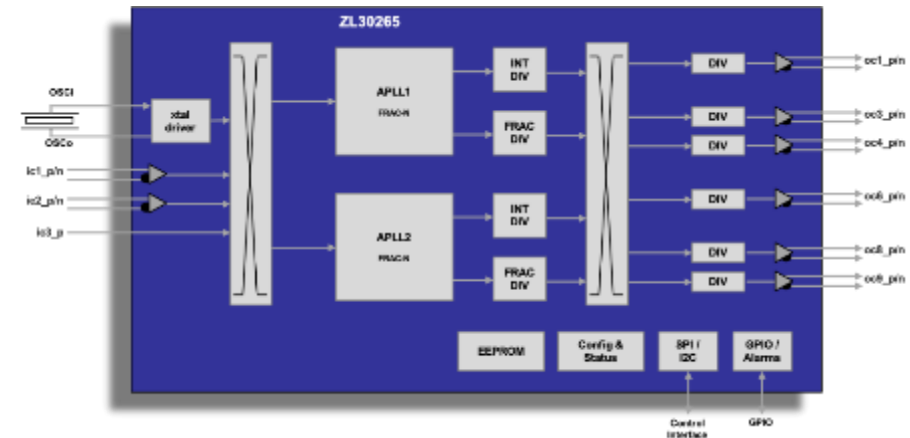


ZL30265

6 outputs with internal EEPROM Clock Generator

Features

- Two Flexible Input Clocks
 - One crystal/CMOS input
 - Two differential/CMOS inputs
 - One single-ended/CMOS input
 - Any input frequency from 9.72MHz to 1.25GHz (300MHz max for CMOS)
 - Glitchless clock switching by pin or register
- 6 Any-Frequency, Any-Format Outputs
 - Any output frequency from 1Hz to 1045MHz
 - 2 fractional-N APLLs with 0ppm error
 - Output jitter from integer multiply and dividers as low as 0.17ps RMS (12kHz-20MHz)
 - Each output has an independent divider
 - Each output configurable as LVDS, LVPECL, HCSL, 2xCMOS or HSTL
 - In 2xCMOS mode, the P and N pins can be different frequencies (e.g. 125MHz and 25MHz)
 - Multiple output supply voltage banks with CMOS output voltages from 1.5V to 3.3V

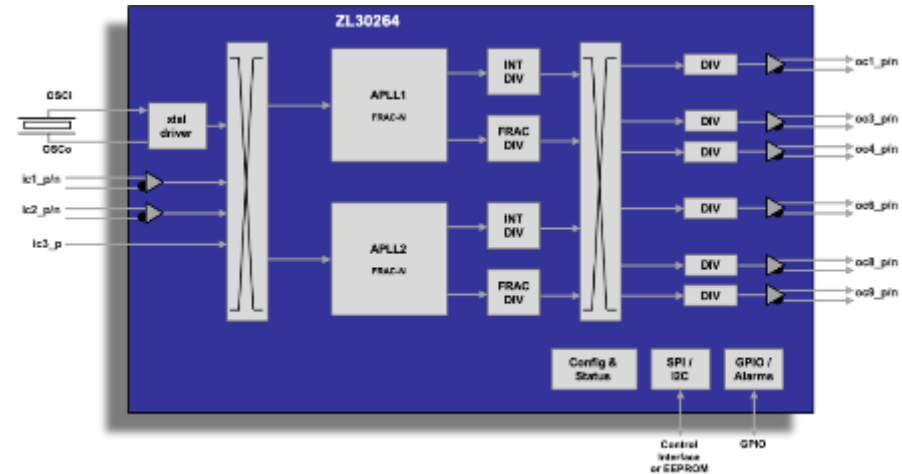


ZL30264

6 outputs with external EEPROM Clock Generator

Features

- Two Flexible Input Clocks
- One crystal/CMOS input
- Two differential/CMOS inputs
- One single-ended/CMOS input
- Any input frequency from 9.72MHz to 1.25GHz (300MHz max for CMOS)
- Glitchless clock switching by pin or register
- 6 Any-Frequency, Any-Format Outputs
- Any output frequency from 1Hz to 1045MHz
- 2 fractional-N APLLs with 0ppm error
- Output jitter from integer multiply and dividers as low as 0.17ps RMS (12kHz-20MHz)
- Each output has an independent divider
- Each output configurable as LVDS, LVPECL, HCSL, 2xCMOS or HSTL
- In 2xCMOS mode, the P and N pins can be different frequencies (e.g. 125MHz and 25MHz)
- Multiple output supply voltage banks with CMOS output voltages from 1.5V to 3.3V



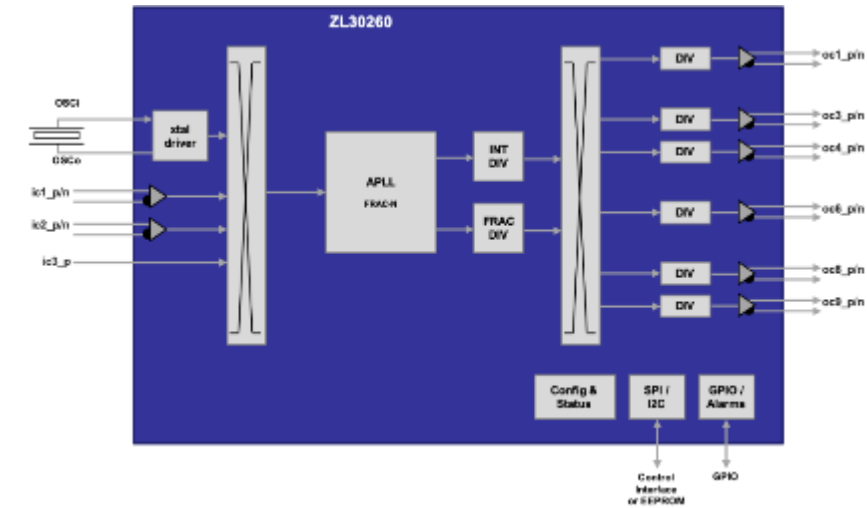
ZL30260



6 outputs with external EEPROM High Performance Clock Generator

- **Features**

- Two Flexible Input Clocks
 - One crystal/CMOS input
 - Two differential/CMOS inputs
 - One single-ended/CMOS input
 - Any input frequency from 9.72MHz to 1.25GHz (300MHz max for CMOS)
 - Activity monitors, automatic or manual switching
 - Glitchless clock switching by pin or register
- 6 Any-Frequency, Any-Format Outputs
 - Any output frequency from 1Hz to 1045MHz
 - 1 fractional-N APLL with 0ppm error
 - Each APLL has a fractional divider and an integer divider to make a total of four independent frequency families
 - Output jitter from integer multiply and dividers as low as 0.17ps RMS (12kHz-20MHz)
 - Output jitter from fractional dividers is typically < 1ps RMS, many frequencies <0.5ps RMS
 - Each output has an independent divider



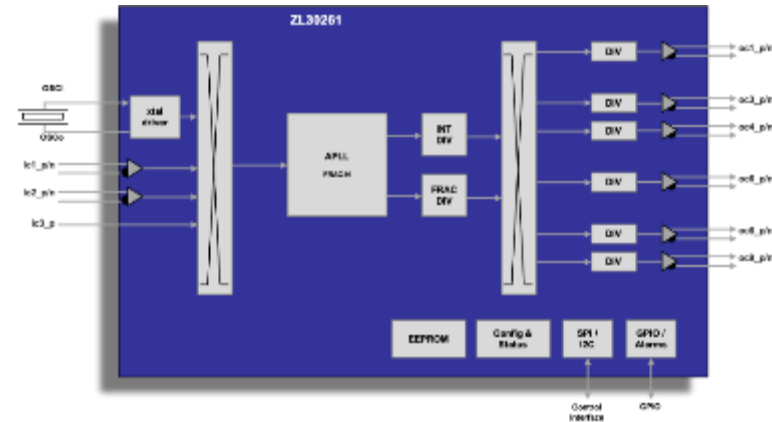
ZL30261



6 outputs with internal EEPROM High Performance Clock Generator

- **Features**

- Two Flexible Input Clocks
 - One crystal/CMOS input
 - Two differential/CMOS inputs
 - One single-ended/CMOS input
 - Any input frequency from 9.72MHz to 1.25GHz (300MHz max for CMOS)
 - Activity monitors, automatic or manual switching
 - Glitchless clock switching by pin or register
- 6 Any-Frequency, Any-Format Outputs
 - Any output frequency from 1Hz to 1045MHz
 - 1 fractional-N APLL with 0ppm error
 - Output jitter from integer multiply and dividers as low as 0.17ps RMS (12kHz-20MHz)
 - Output jitter from fractional dividers is typically < 1ps RMS, many frequencies <0.5ps RMS
 - Each output has an independent divider
 - Each output configurable as LVDS, LVPECL, HCSL, 2xCMOS or HSTL
 - Multiple output supply voltage banks with CMOS output voltages from 1.5V to 3.3V

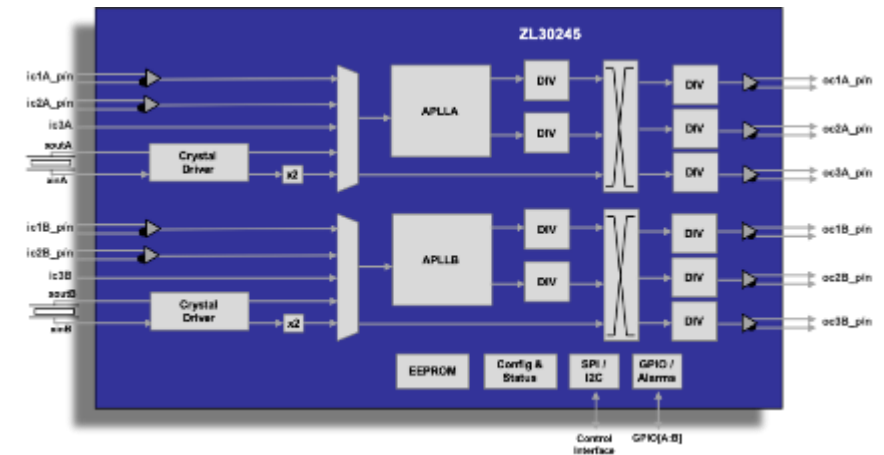


ZL30245

Dual-Channel Any-to-Any Clock Generator

- **Key Features**

- Any input frequency from 9.72MHz to 1250MHz (9.72MHz to 300MHz for CMOS)
- Low-Jitter Fractional-N APLL and 3 Outputs
- Any output frequency from <1Hz to 1035MHz
- High-resolution fractional frequency conversion with 0ppm error
- Easy-to-configure, encapsulated design requires no external VCXO or loop filter components
- Each output has independent dividers
- Output jitter as low as 0.16ps RMS (12kHz to 20MHz integration band)
- Outputs are CML or 2xCMOS, can interface to LVDS, LVPECL, HSTL, SSTL and HCSL

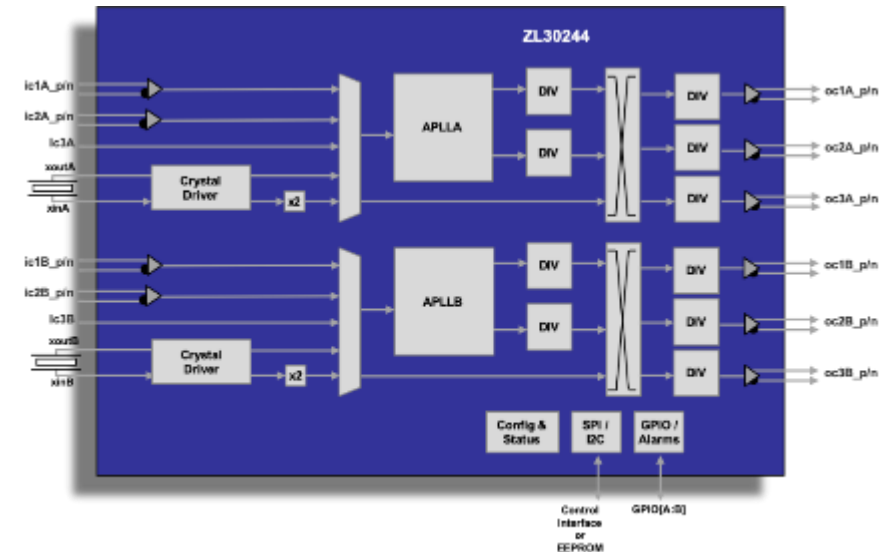


ZL30244

Dual-Channel Any-to-Any Clock Generator

- **Features**

- Four Input Clocks
 - One crystal/CMOS Input
 - Two differential/CMOS inputs
 - One single-ended/CMOS input
 - Any input frequency from 9.72MHz to 1250MHz (9.72MHz to 300MHz for CMOS)
 - Clock selection by pin or register control
- Low-Jitter Fractional-N APLL and 3 Outputs
 - Any output frequency from <1Hz to 1035MHz
 - High-resolution fractional frequency conversion with 0ppm error
 - Each output has independent dividers
 - Output jitter as low as 0.16ps RMS (12kHz to 20MHz integration band)
 - Outputs are CML or 2xCMOS, can interface to LVDS, LVPECL, HSTL, SSTL and HCSL
 - In 2xCMOS mode, the P and N pins can be different frequencies (e.g. 125MHz and 25MHz)



ZL30251



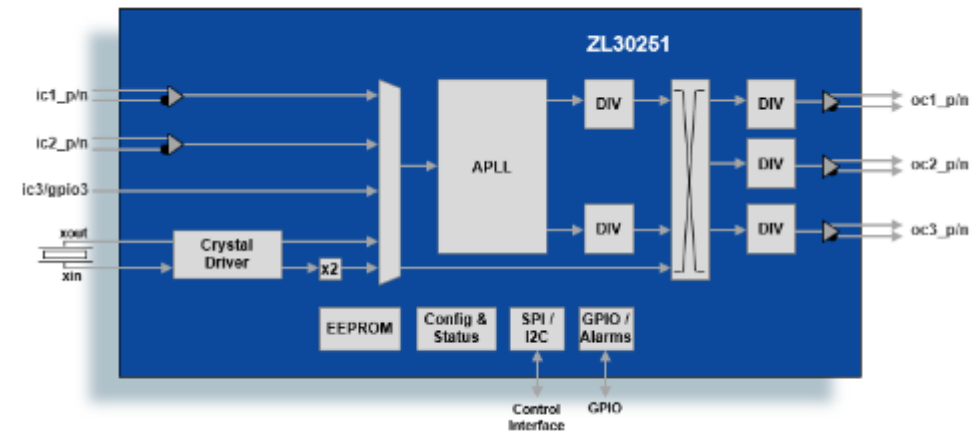
4-Input, 3-Output Any-to-Any Clock Generator with Internal EEPROM

• Features

- Four Input Clocks
- One crystal/CMOS input
- Two differential/CMOS inputs
- One single-ended/CMOS input
- Any input frequency from 9.72MHz to 1250MHz
- (9.72MHz to 300MHz for CMOS)
- Clock selection by pin or register control

• Low-Jitter Fractional-N APLL and 3 Outputs

- Any output frequency from <math><1\text{Hz}</math> to 1035MHz
- High-resolution fractional frequency conversion with 0ppm error
- Easy-to-configure, encapsulated design requires no external VCXO or loop filter components
- Each output has independent dividers
- Output jitter as low as 0.16ps RMS (12kHz-20MHz integration band)
- Outputs are CML or 2xCMOS, can interface to LVDS, LVPECL, HSTL, SSTL and HCSL
- In 2xCMOS mode, the P and N pins can be different frequencies (e.g. 125MHz and 25MHz)
- Per-output supply pin with CMOS output voltages from 1.5V to 3.3V
- Precise output alignment circuitry and per output phase adjustment
- Per-output enable/disable and glitch-less start/stop (stop high or low)

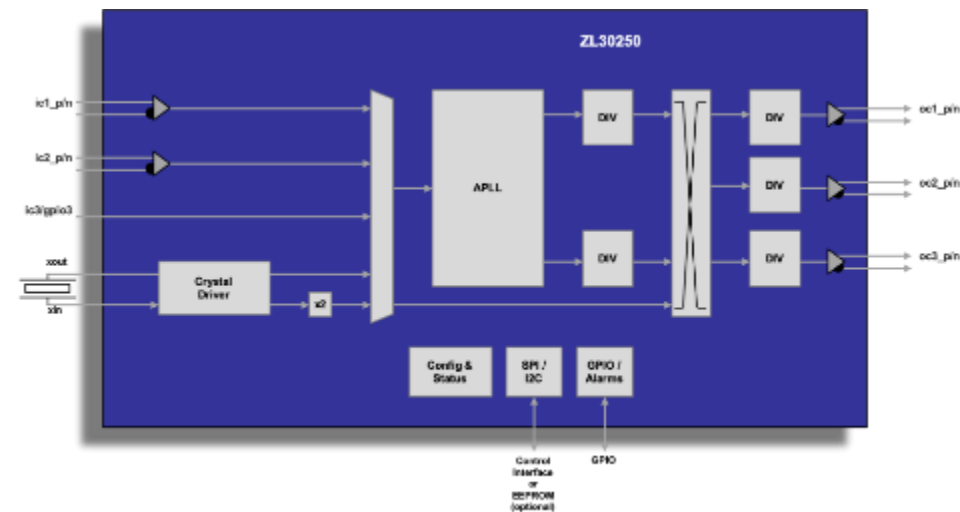


ZL30250

4-Input, 3-Output Any-to-Any Clock Generator

Features

- Any input frequency from 9.72MHz to 1250MHz
- Clock selection by pin or register control
- Low-Jitter Fractional-N APLL and 3 Outputs
- Any output frequency from <1Hz to 1035MHz
- Easy-to-configure, encapsulated design
- Each output has independent dividers
- Output jitter as low as 0.16ps RMS (12kHz-20MHz integration band)
- Outputs are CML or 2xCMOS, can interface to LVDS, LVPECL, HSTL, SSTL and HCSL
- In 2xCMOS mode, the P and N pins can be different frequencies (e.g. 125MHz and 25MHz)



ZL40227



Precision 2:8 LVPECL Fanout Buffer with Simple Input Reference Switching

Features

Inputs/Outputs

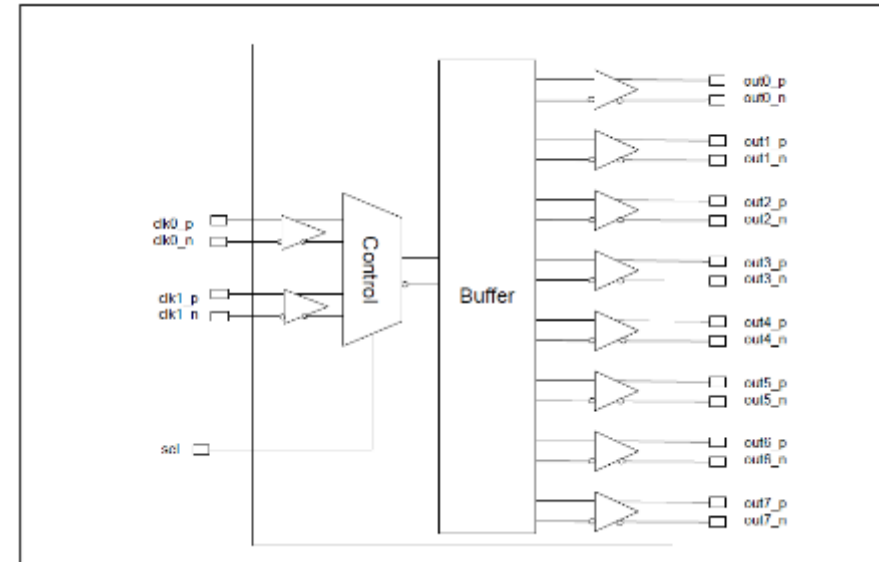
- Accepts two differential or single-ended input
 - LVPECL, LVDS, CML, HCSL, LVCMOS
 - Simple switching of references
- On-chip input termination and biasing for AC coupled inputs
- Eight precision LVDS outputs
- Operating frequency up to 750 MHz

Power

- Options for 2.5 V or 3.3 V power supply
- Core current consumption of 97 mA
- On-chip Low Drop Out (LDO) Regulator for superior power supply rejection

Performance

- Ultra low additive jitter of 165 fs RMS



ZL40226

Precision 2:8 LVPECL Fanout Buffer with Simple Input Reference Switching

Features

Inputs/Outputs

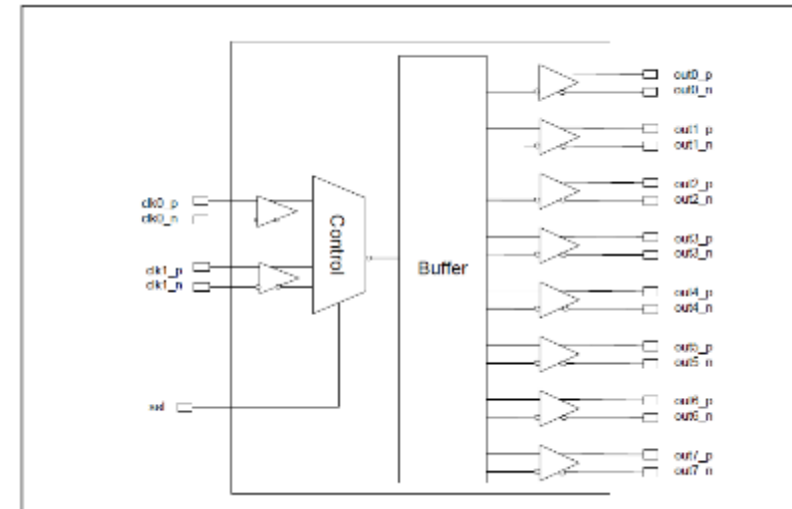
- Accepts differential or single-ended input
 - LVPECL, LVDS, CML, HCSL, LVCMOS
 - Simple switching of references
- Eight precision LVDS outputs
- Operating frequency up to 750 MHz

Power

- Options for 2.5 V or 3.3 V power supply
- Core current consumption of 95 mA
- On-chip Low Drop Out (LDO) Regulator for superior power supply rejection

Performance

- Ultra low additive jitter of 194 fs RMS



ZL40225



Precision 2:8 LVPECL Fanout Buffer with Simple Input Reference Switching and On-Chip Input Termination

Features

Inputs/Outputs

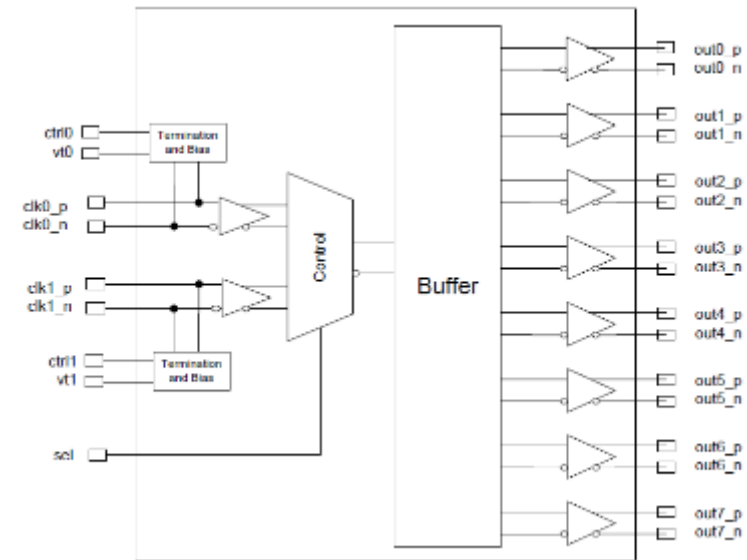
- Accepts two differential or single-ended input
 - LVPECL, LVDS, CML, HCSL, LVCMOS
 - Simple switching of references
- On-chip input termination and biasing for AC coupled inputs
- Eight precision LVPECL outputs
- Operating frequency up to 750 MHz

Power

- Options for 2.5 V or 3.3 V power supply
- Core current consumption of 110 mA
- On-chip Low Drop Out (LDO) Regulator for superior power supply rejection

Performance

- Ultra low additive jitter of 106 fs RMS



ZL40223



Precision 2:8 LVDS Fanout Buffer with Glitch-free Input Reference Switching and On-Chip Input Termination

Features

Inputs/Outputs

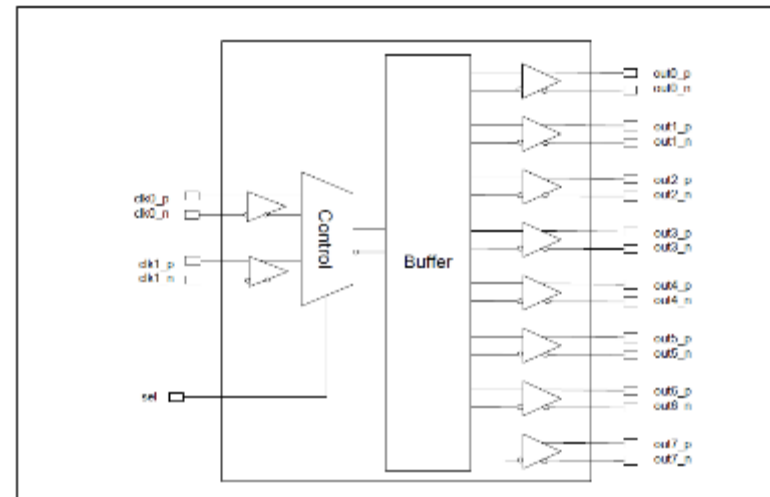
- Accepts two differential or single-ended input
 - LVPECL, LVDS, CML, HCSL, LVCMOS
 - Glitch-free switching of references
- On-chip input termination and biasing for AC coupled inputs
- Eight precision LVDS outputs
- Operating frequency up to 750 MHz

Power

- Options for 2.5 V or 3.3 V power supply
- Core current consumption of 97 mA
- On-chip Low Drop Out (LDO) Regulator for superior power supply rejection

Performance

- Ultra low additive jitter of 165 fs RMS



ZL40222



Precision 2:8 LVDS Fanout Buffer with Glitch-free Input Reference Switching

Features

Inputs/Outputs

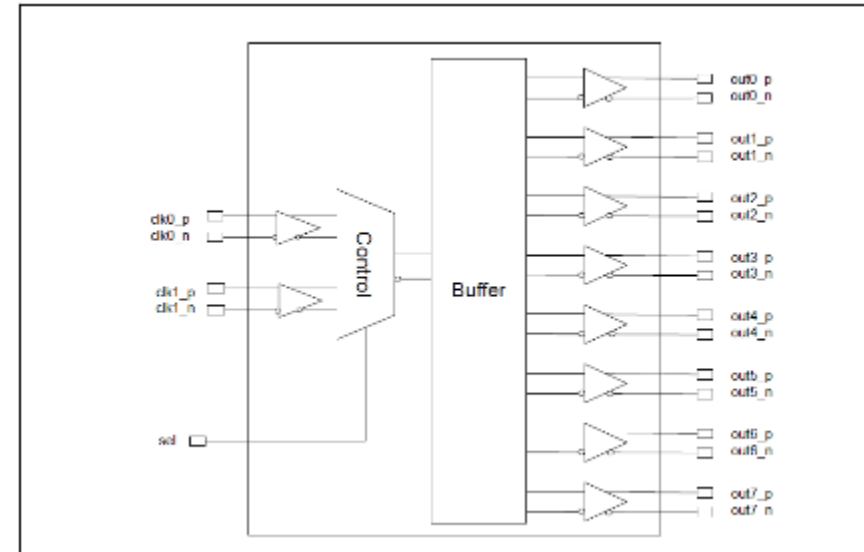
- Accepts differential or single-ended input
 - LVPECL, LVDS, CML, HCSL, LVCMOS
 - Glitch-free switching of references
- Eight precision LVDS outputs
- Operating frequency up to 750 MHz

Power

- Options for 2.5 V or 3.3 V power supply
- Core current consumption of 95 mA
- On-chip Low Drop Out (LDO) Regulator for superior power supply rejection

Performance

- Ultra low additive jitter of 194 fs RMS



ZL40211



Precision 2:8 LVPECL Fanout Buffer with Glitch-free Input Reference Switching and On-Chip Input Termination

Features

Inputs/Outputs

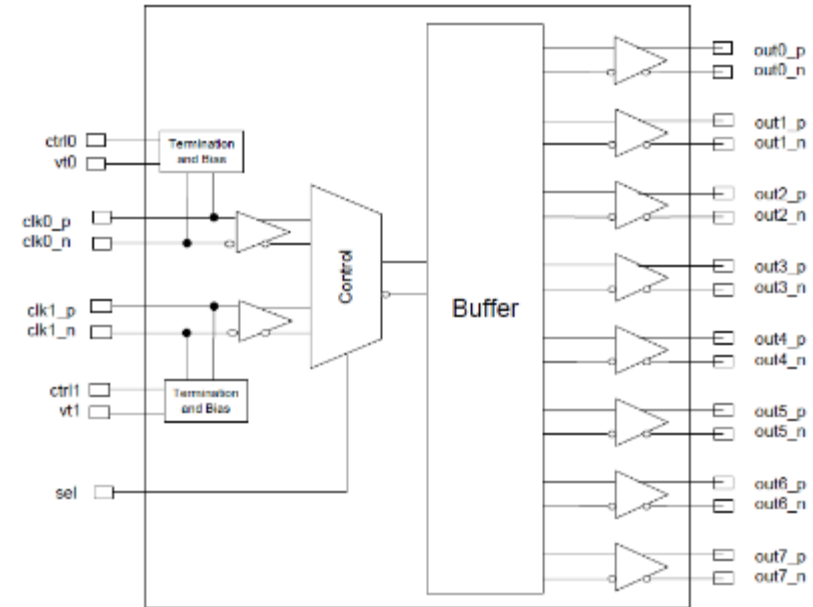
- Accepts two differential or single-ended input
 - LVPECL, LVDS, CML, HCSL, LVCMOS
 - Glitch-free switching of references
- On-chip input termination and biasing for AC coupled inputs
- Eight precision LVPECL outputs
- Operating frequency up to 750 MHz

Power

- Options for 2.5 V or 3.3 V power supply
- Core current consumption of 110 mA
- On-chip Low Drop Out (LDO) Regulator for superior power supply rejection

Performance

- Ultra low additive jitter of 106 fs RMS



ZL40210



Precision 2:8 LVPECL Fanout Buffer with Glitch-free Input Reference Switching

Features

Inputs/Outputs

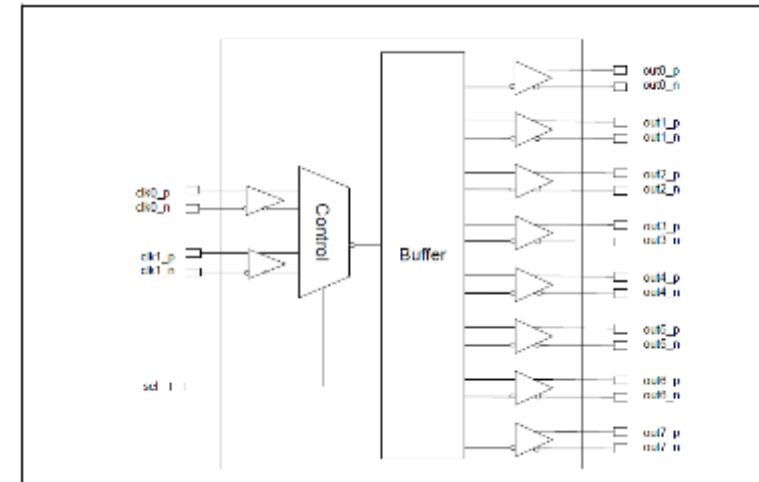
- Accepts two differential or single-ended input
 - LVPECL, LVDS, CML, HCSL, LVCMOS
 - Glitch-free switching of references
- Eight precision LVPECL outputs
- Operating frequency up to 750 MHz

Power

- Options for 2.5 V or 3.3 V power supply
- Core current consumption of 110 mA
- On-chip Low Drop Out (LDO) Regulator for superior power supply rejection

Performance

- Ultra low additive jitter of 121 fs RMS



ZL40219



Precision 1:8 LVDS Fanout Buffer with On-Chip Input Termination

Features

Inputs/Outputs

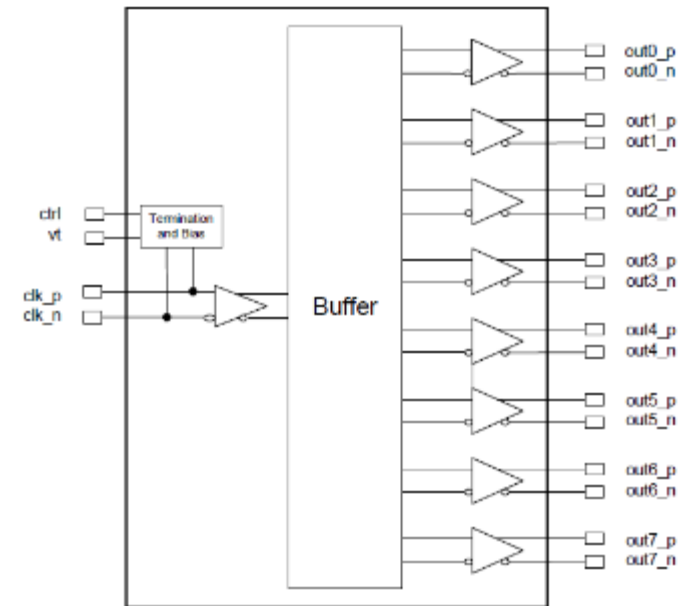
- Accepts differential or single-ended input
 - LVPECL, LVDS, CML, HCSL, LVCMOS
- On-chip input termination and biasing for AC coupled inputs
- Eight precision LVDS outputs
- Operating frequency up to 750 MHz

Power

- Options for 2.5 V or 3.3 V power supply
- Core current consumption of 62 mA
- On-chip Low Drop Out (LDO) Regulator for superior power supply rejection

Performance

- Ultra low additive jitter of 135 fs RMS



ZL40218



Precision 1:8 LVDS Fanout Buffer

Features

Inputs/Outputs

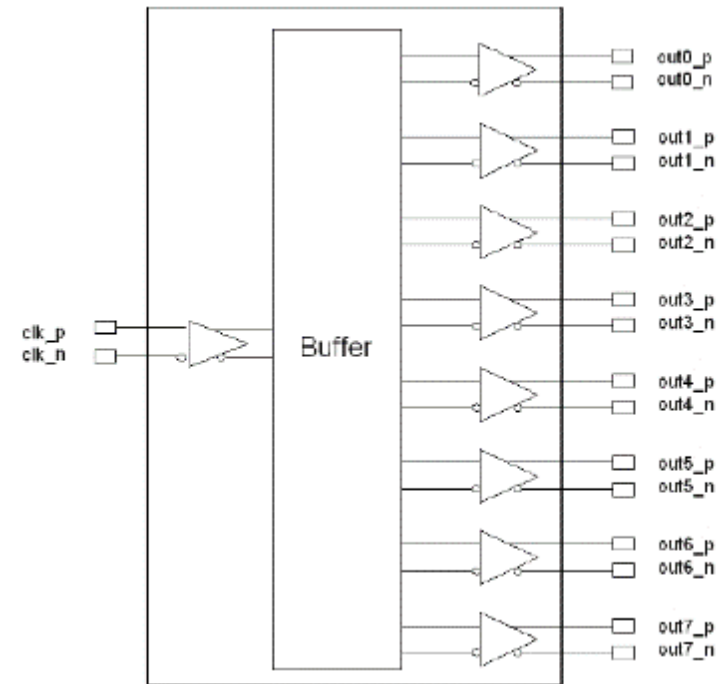
- Accepts differential or single-ended input
 - LVPECL, LVDS, CML, HCSL, LVCMOS
- Eight precision LVDS outputs
- Operating frequency up to 750 MHz

Power

- Options for 2.5 V or 3.3 V power supply
- Core current consumption of 106 mA
- On-chip Low Drop Out (LDO) Regulator for superior power supply rejection

Performance

- Ultra low additive jitter of 104 fs RMS



ZL40207



Precision 1:8 LVPECL Fanout Buffer with On-Chip Input Termination

Features

Inputs/Outputs

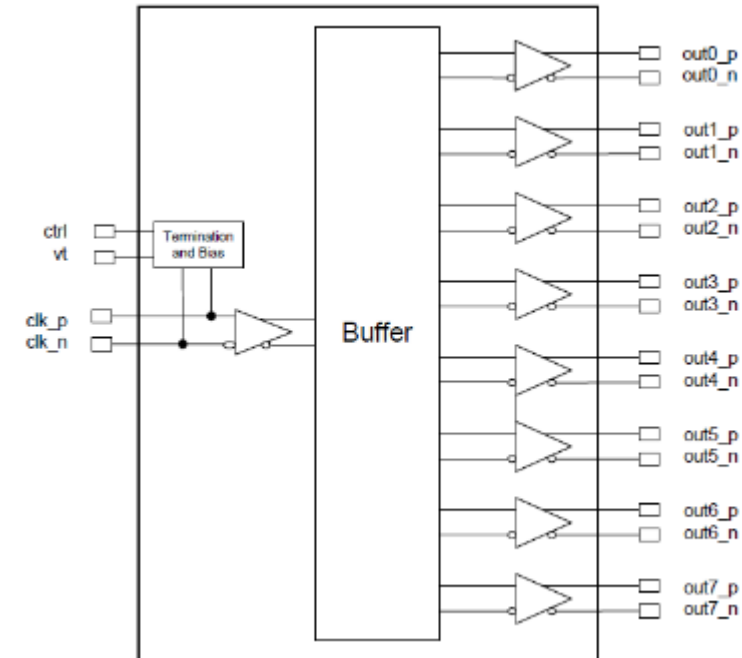
- Accepts differential or single-ended input
 - LVPECL, LVDS, CML, HCSL, LVCMOS
- On-chip input termination and biasing for AC coupled inputs
- Eight precision LVPECL outputs
- Operating frequency up to 750 MHz

Power

- Options for 2.5 V or 3.3 V power supply
- Core current consumption of 110 mA
- On-chip Low Drop Out (LDO) Regulator for superior power supply rejection

Performance

- Ultra low additive jitter of 36 fs RMS



ZL40206



Precision 1:8 LVPECL Fanout Buffer

Features

Inputs/Outputs

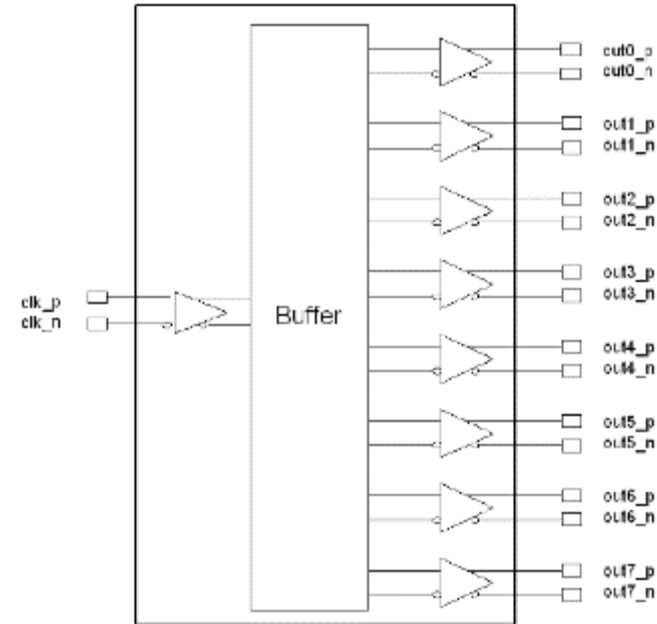
- Accepts differential or single-ended input
 - LVPECL, LVDS, CML, HCSL, LVCMOS
- Eight precision LVPECL outputs
- Operating frequency up to 750 MHz

Power

- Options for 2.5 V or 3.3 V power supply
- Core current consumption of 122 mA
- On-chip Low Drop Out (LDO) Regulator for superior power supply rejection

Performance

- Ultra low additive jitter of 38 fs RMS



ZL40217

Precision 1:6 LVDS Fanout Buffer with On-Chip Input Termination

Features

Inputs/Outputs

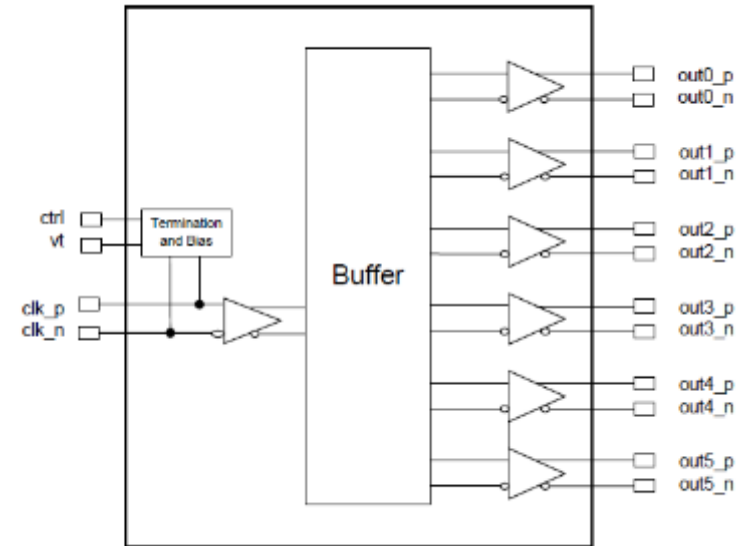
- Accepts differential or single-ended input
 - LVPECL, LVDS, CML, HCSL, LVCMOS
- On-chip input termination and biasing for AC coupled inputs
- Six precision LVDS outputs
- Operating frequency up to 750 MHz

Power

- Options for 2.5 V or 3.3 V power supply
- Core current consumption of 62 mA
- On-chip Low Drop Out (LDO) Regulator for superior power supply rejection

Performance

- Ultra low additive jitter of 135 fs RMS



ZL40216



Precision 1:6 LVDS Fanout Buffer

Features

Inputs/Outputs

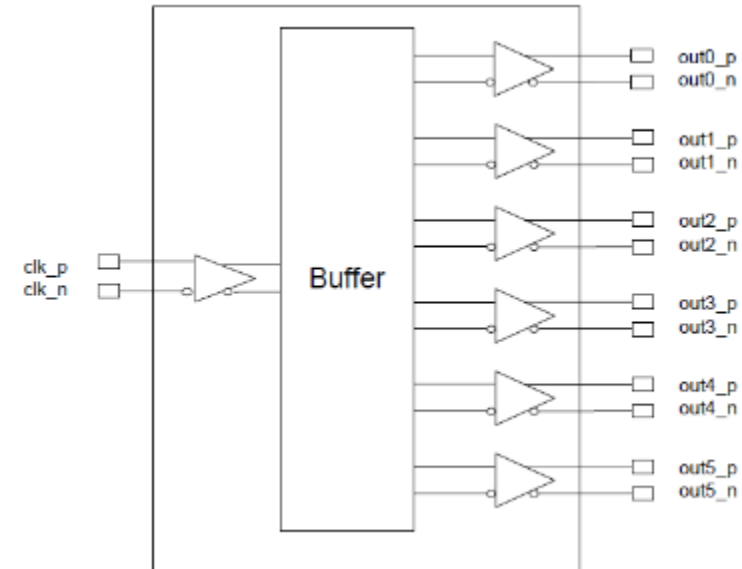
- Accepts differential or single-ended input
 - LVPECL, LVDS, CML, HCSL, LVCMOS
- Six precision LVDS outputs
- Operating frequency up to 750 MHz

Power

- Options for 2.5 V or 3.3 V power supply
- Core current consumption of 93 mA
- On-chip Low Drop Out (LDO) Regulator for superior power supply rejection

Performance

- Ultra low additive jitter of 104 fs RMS



ZL40205



Precision 1:6 LVPECL Fanout Buffer with On-Chip Input Termination

Features

Inputs/Outputs

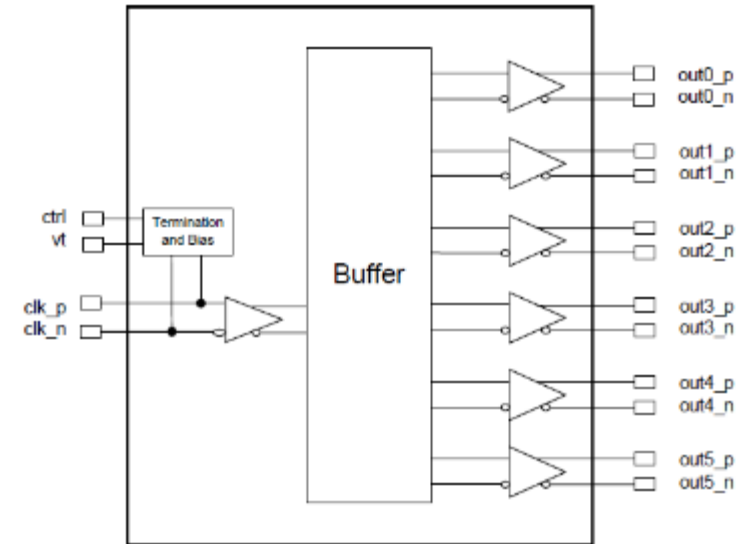
- Accepts differential or single-ended input
 - LVPECL, LVDS, CML, HCSL, LVCMOS
- On-chip input termination and biasing for AC coupled inputs
- Six precision LVPECL outputs
- Operating frequency up to 750 MHz

Power

- Options for 2.5 V or 3.3 V power supply
- Core current consumption of 110 mA
- On-chip Low Drop Out (LDO) Regulator for superior power supply rejection

Performance

- Ultra low additive jitter of 36 fs RMS



ZL40204



Precision 1:6 LVPECL Fanout Buffer

Features

Inputs/Outputs

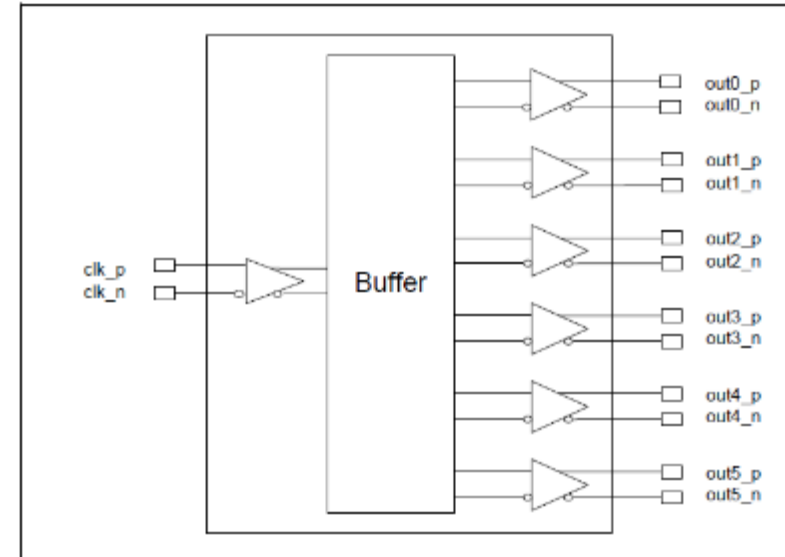
- Accepts differential or single-ended input
 - LVPECL, LVDS, CML, HCSL, LVCMOS
- Six precision LVPECL outputs
- Operating frequency up to 750 MHz

Power

- Options for 2.5 V or 3.3 V power supply
- Core current consumption of 110 mA
- On-chip Low Drop Out (LDO) Regulator for superior power supply rejection

Performance

- Ultra low additive jitter of 39 fs RMS



ZL40215

Precision 1:4 LVDS Fanout Buffer with On-Chip Input Termination

Features

Inputs/Outputs

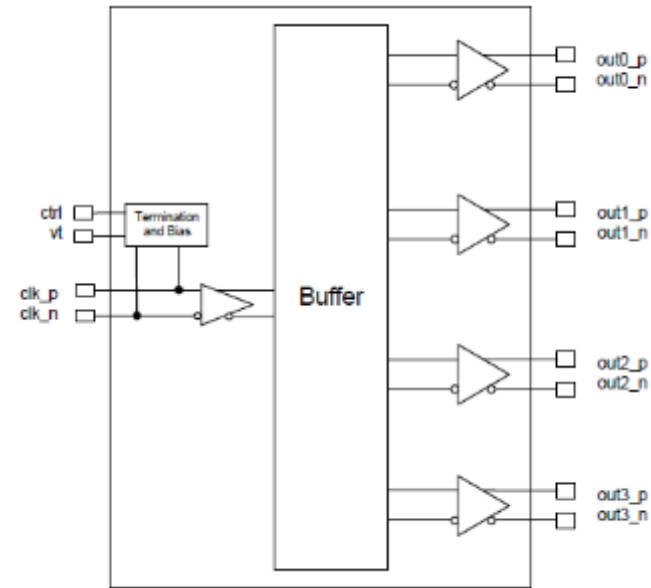
- Accepts differential or single-ended input
 - LVPECL, LVDS, CML, HCSL, LVCMOS
- On-chip input termination and biasing for AC coupled inputs
- Four precision LVDS outputs
- Operating frequency up to 750 MHz

Power

- Options for 2.5 V or 3.3 V power supply
- Core current consumption of 62 mA
- On-chip Low Drop Out (LDO) Regulator for superior power supply rejection

Performance

- Ultra low additive jitter of 78 fs RMS



ZL40214

Precision 1:4 LVDS Fanout Buffer

Features

Inputs/Outputs

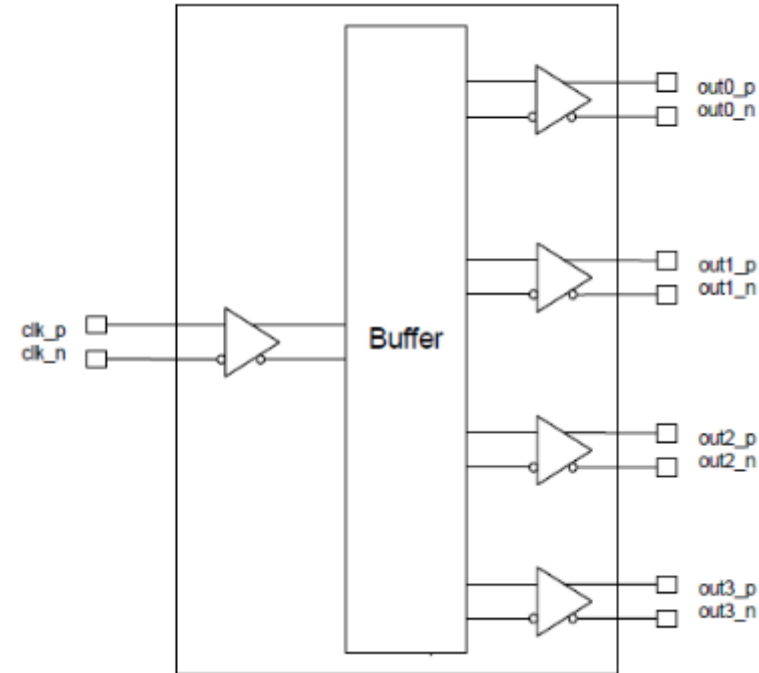
- Accepts differential or single-ended input
 - LVPECL, LVDS, CML, HCSL, LVCMOS
- Four precision LVDS outputs
- Operating frequency up to 750 MHz

Power

- Options for 2.5 V or 3.3 V power supply
- Core current consumption of 61 mA
- On-chip Low Drop Out (LDO) Regulator for superior power supply rejection

Performance

- Ultra low additive jitter of 92 fs RMS



ZL40203

[Online Datasheet](#)

Precision 1:4 LVPECL Fanout Buffer with On-Chip Input Termination

Features

Inputs/Outputs

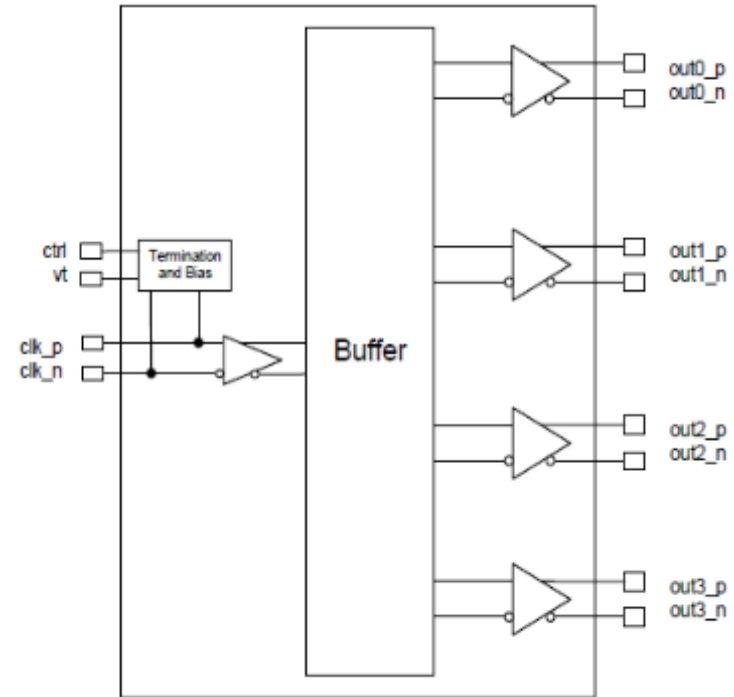
- Accepts differential or single-ended input
 - LVPECL, LVDS, CML, HCSL, LVCMOS
- On-chip input termination and biasing for AC coupled inputs
- Four precision LVPECL outputs
- Operating frequency up to 750 MHz

Power

- Options for 2.5 V or 3.3 V power supply
- Core current consumption of 62 mA
- On-chip Low Drop Out (LDO) Regulator for superior power supply rejection

Performance

- Ultra low additive jitter of 40 fs RMS



[<< BACK](#)



ZL40202

[Online Datasheet](#)

Precision 1:4 LVPECL Fanout Buffer

Features

Inputs/Outputs

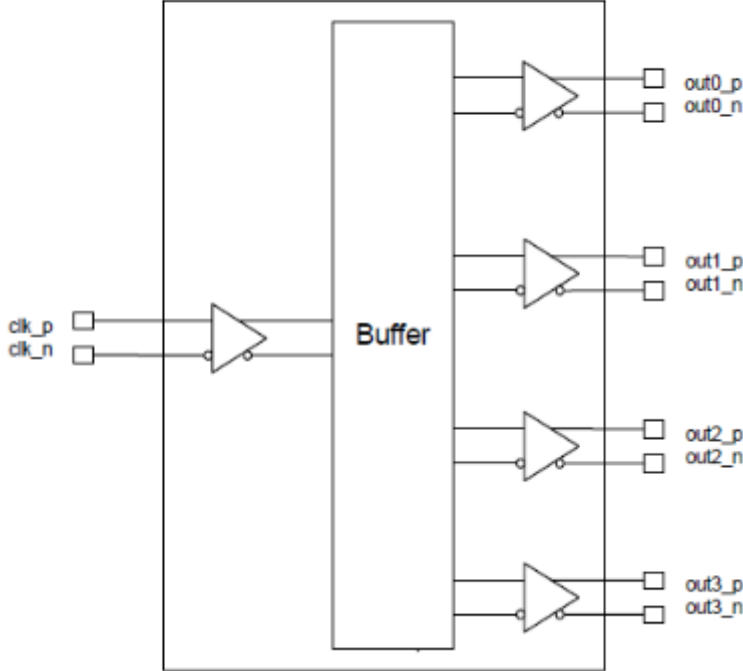
- Accepts differential or single-ended input
 - LVPECL, LVDS, CML, HCSL, LVCMOS
- Four precision LVPECL outputs
- Operating frequency up to 750 MHz

Power

- Options for 2.5 V or 3.3 V power supply
- Core current consumption of 62 mA
- On-chip Low Drop Out (LDO) Regulator for superior power supply rejection

Performance

- Ultra low additive jitter of 39 fs RMS



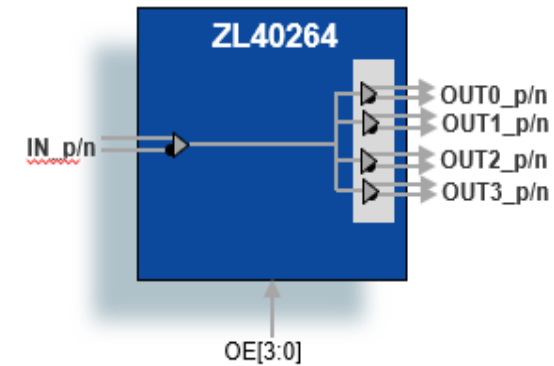
[<< BACK](#)



ultra-low additive phase noise PCIe Gen 1 to 5 fanout buffer
1:4 HCSL Output UPI/QPI

Features

- One differential input which accepts any differential format.
- Four differential HCSL outputs
- Ultra-low additive jitter: 32fs (in 12kHz to 20MHz integration band at 400MHz clock frequency)
- Supports clock frequencies from 0 to 400MHz
- Supports 2.5V or 3.3V power supplies for HCSL outputs
- Embedded Low Drop Out (LDO) Voltage regulator provides superior Power Supply
- Maximum output to output skew of 50ps
- Individual Output Enable pin for each differential pair
- Transfers Spread-Spectrum without attenuation



ZL40213

[Online Datasheet](#)

Precision 1:2 LVDS Fanout Buffer with On-Chip Input Termination

Features

Inputs/Outputs

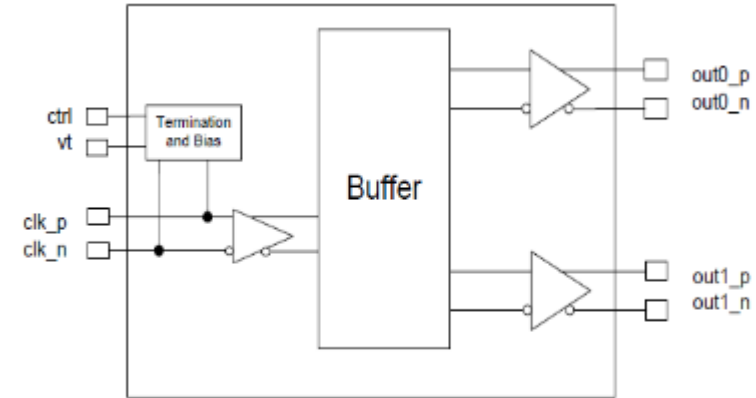
- Accepts differential or single-ended input
 - LVPECL, LVDS, CML, HCSL, LVCMOS
- On-chip input termination and biasing for AC coupled inputs
- Two precision LVDS outputs
- Operating frequency up to 750 MHz

Power

- Options for 2.5 V or 3.3 V power supply
- Core current consumption of 44 mA
- On-chip Low Drop Out (LDO) Regulator for superior power supply rejection

Performance

- Ultra low additive jitter of 78 fs RMS



[<< BACK](#)



ZL40212

[Online Datasheet](#)

Precision 1:2 LVDS Fanout Buffer

Features

Inputs/Outputs

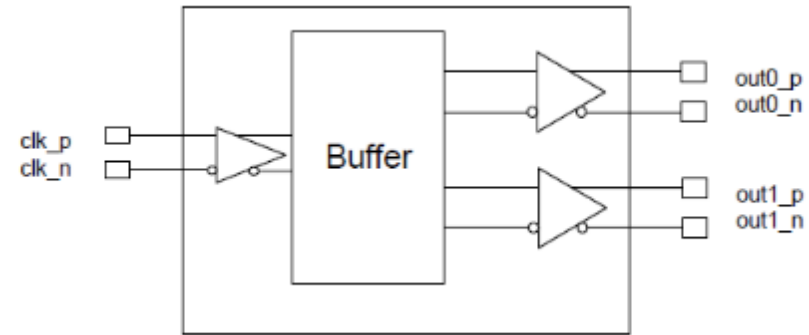
- Accepts differential or single-ended input
 - LVPECL, LVDS, CML, HCSL, LVCMOS
- Two precision LVDS outputs
- Operating frequency up to 750 MHz

Power

- Options for 2.5 V or 3.3 V power supply
- Core current consumption of 49 mA
- On-chip Low Drop Out (LDO) Regulator for superior power supply rejection

Performance

- Ultra low additive jitter of 92 fs RMS



[<< BACK](#)



ZL40201

[Online Datasheet](#)

Precision 1:2 LVPECL Fanout Buffer with On-Chip Input Termination

Features

Inputs/Outputs

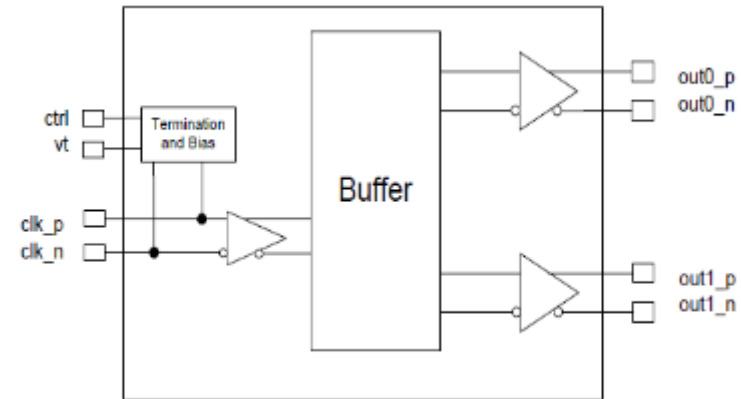
- Accepts differential or single-ended input
 - LVPECL, LVDS, CML, HCSL, LVCMOS
- On-chip input termination and biasing for AC coupled inputs
- Two precision LVPECL outputs
- Operating frequency up to 750 MHz

Power

- Options for 2.5 V or 3.3 V power supply
- Core current consumption of 49 mA
- On-chip Low Drop Out (LDO) Regulator for superior power supply rejection

Performance

- Ultra low additive jitter of 40 fs RMS



[<< BACK](#)



ZL40200

[Online Datasheet](#)

Precision 1:2 LVPECL Fanout Buffer

Features

Inputs/Outputs

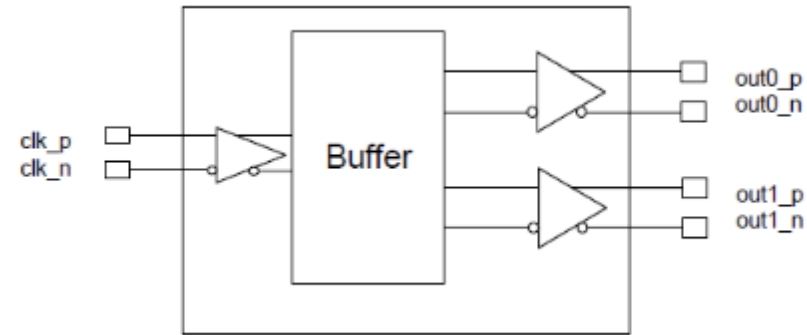
- Accepts differential or single-ended input
 - LVPECL, LVDS, CML, HCSL, LVCMOS
- Two precision LVPECL outputs
- Operating frequency up to 750 MHz

Power

- Options for 2.5 V or 3.3 V power supply
- Core current consumption of 49 mA
- On-chip Low Drop Out (LDO) Regulator for superior power supply rejection

Performance

- Ultra low additive jitter of 39 fs RMS



[<< BACK](#)



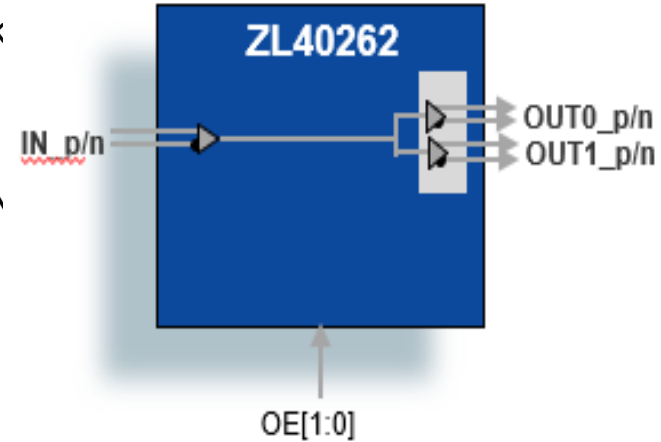
ZL40262

[Online Datasheet](#)

Features

Ultra-low additive phase noise PCIe Gen 1 to 5 fanout buffer

- One differential input which accepts any differential format.
- Two differential HCSL outputs
- Ultra-low additive jitter: 32fs (in 12kHz to 20MHz integration band at 400MHz clock)
- Supports clock frequencies from 0 to 400MHz
- Supports 2.5V or 3.3V power supplies for HCSL outputs
- Embedded Low Drop Out (LDO) Voltage regulator provides superior Power Supply Noise
- Maximum output to output skew of 50ps
- Individual Output Enable pin for each differential pair
- Transfers Spread-Spectrum without attenuation



[<< BACK](#)



ZL40253

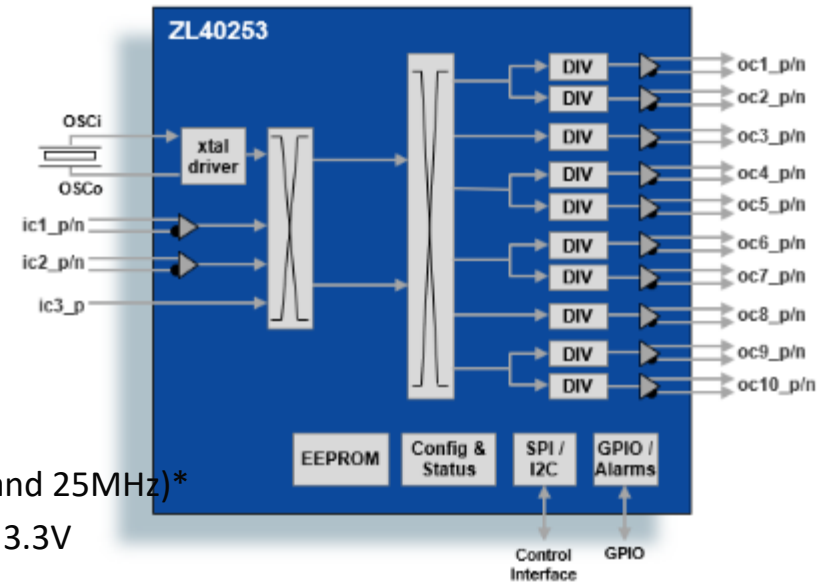
Online
Datasheet

Features

10 Output Programmable Fanout Buffer

Multi-Format IO and Dividers

- One crystal/CMOS input
- Two differential/CMOS inputs
- One single-ended/CMOS input
- Any input frequency up to 1GHz (300MHz for CMOS)
- Manual clock switching by pin or register
- 6 Universal Output Clocks with Dividers
- Each output has independent divider
- Low additive jitter <200fs RMS (12kHz-20MHz, for input frequencies \geq 100MHz)
- Each output configurable as LVDS, LVPECL, HCSL, 2xCMOS or HSTL
- In 2xCMOS mode, the P and N pins can be different frequencies (e.g. 125MHz and 25MHz)*
- Multiple output supply voltage banks with CMOS output voltages from 1.5V to 3.3V
- Precise output alignment circuitry from GPIO pin or register bit*
- Per-output skew adjustment*
- Per-output enable/disable and glitch-less start/stop (stop high or low)
- Internal EEPROM



<< BACK



ZL40252

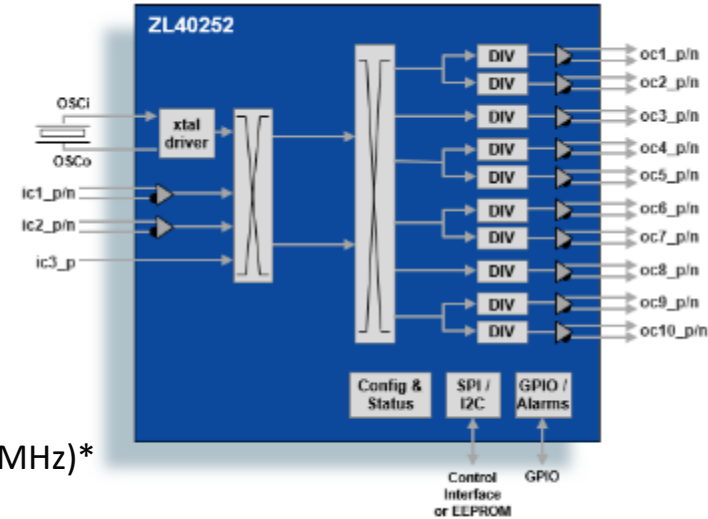
Online
Datasheet

Features

10 Output Programmable Fanout Buffer

Multi-Format 10 and Dividers

- Four flexible input clocks
- One crystal/CMOS input
- Two differential/CMOS inputs
- One single-ended/CMOS input
- Any input frequency up to 1GHz (300MHz for CMOS)
- Manual clock switching by pin or register
- 6 Universal Output Clocks with Dividers
- Each output has independent divider
- Low additive jitter <200fs RMS (12kHz-20MHz, for input frequencies \geq 100MHz)
- Each output configurable as LVDS, LVPECL, HCSL, 2xCMOS or HSTL
- In 2xCMOS mode, the P and N pins can be different frequencies (e.g. 125MHz and 25MHz)*
- Multiple output supply voltage banks with CMOS output voltages from 1.5V to 3.3V
- Precise output alignment circuitry from GPIO pin or register bit*
- Per-output skew adjustment*
- Per-output enable/disable and glitch-less start/stop (stop high or low)



<< BACK



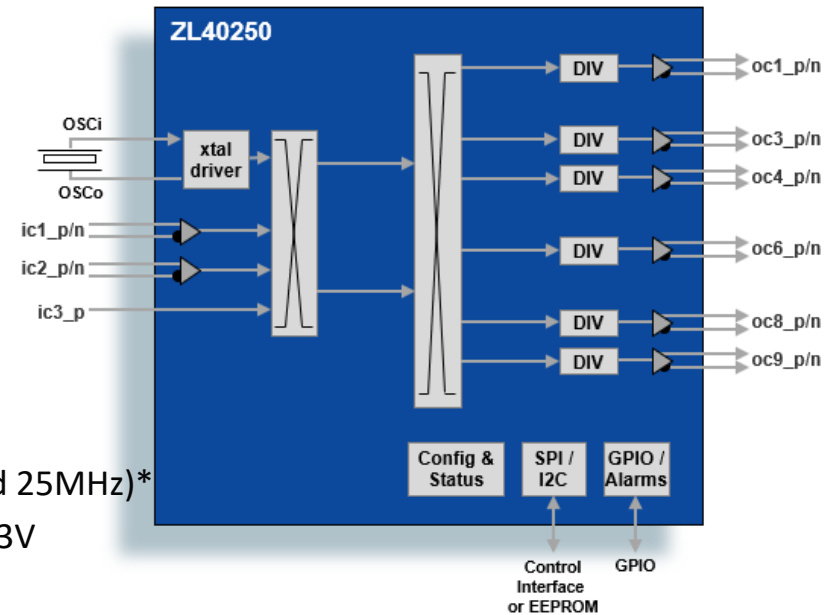
ZL40250

[Online Datasheet](#)

6 Output Programmable Fanout Buffer Multi-Format I/O and Dividers

Features

- Four flexible input clocks
- One crystal/CMOS input
- Two differential/CMOS inputs
- One single-ended/CMOS input
- Any input frequency up to 1GHz (300MHz for CMOS)
- Manual clock switching by pin or register
- 6 Universal Output Clocks with Dividers
- Each output has independent divider
- Low additive jitter <200fs RMS (12kHz-20MHz, for input frequencies \geq 100MHz)
- Each output configurable as LVDS, LVPECL, HCSL, 2xCMOS or HSTL
- In 2xCMOS mode, the P and N pins can be different frequencies (e.g. 125MHz and 25MHz)*
- Multiple output supply voltage banks with CMOS output voltages from 1.5V to 3.3V
- Precise output alignment circuitry from GPIO pin or register bit*
- Per-output skew adjustment*
- Per-output enable/disable and glitch-less start/stop (stop high or low)



[<< BACK](#)

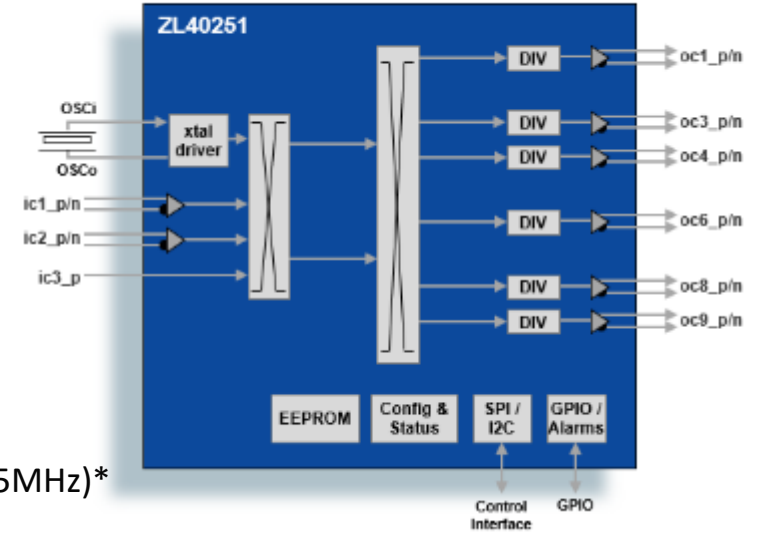


ZL40251

Features

6 Output Programmable Fanout Buffer
Multi-Format, On-Chip Dividers with Internal EEPROM

- One crystal/CMOS input
- Two differential/CMOS inputs
- One single-ended/CMOS input
- Any input frequency up to 1GHz (300MHz for CMOS)
- Manual clock switching by pin or register
- 6 Universal Output Clocks with Dividers
- Each output has independent divider
- Low additive jitter <200fs RMS (12kHz-20MHz, for input frequencies \geq 100MHz)
- Each output configurable as LVDS, LVPECL, HCSL, 2xCMOS or HSTL
- In 2xCMOS mode, the P and N pins can be different frequencies (e.g. 125MHz and 25MHz)*
- Multiple output supply voltage banks with CMOS output voltages from 1.5V to 3.3V
- Precise output alignment circuitry from GPIO pin or register bit*
- Per-output skew adjustment*
- Per-output enable/disable and glitch-less start/stop (stop high or low)
- Internal EEPROM



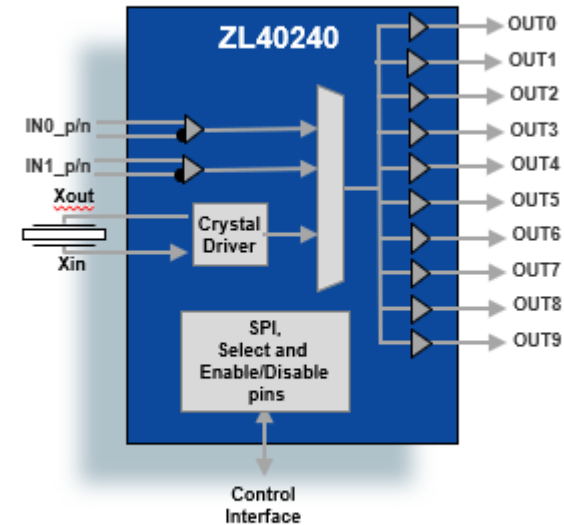
ZL40240

Features

Low Additive Jitter Fanout Buffer

3:10 3 to 1 Input Multiplexer: Two inputs accept any differential (LVPECL, HCSL, LVDS, SSTL, CML, LVCMOS) or a single ended signal and the third input accepts a crystal or a single ended signal

- Ten 1.5V/1.8V/2.5V/3.3V LVCMOS outputs
- Supports frequencies from 0 to 250MHz
- Ultra-low system level additive jitter: 17fs (12kHz to 20MHz)
- Ultra-low noise floor of -170dBc/Hz
- Supports crystals from 8MHz to 160MHz
- Supports 2.5V or 3.3V power supplies
- Output to output skew of 30ps (typical)
- Input to output delay of 2ns (typical)
- SPI or Hardware control



ZL40241

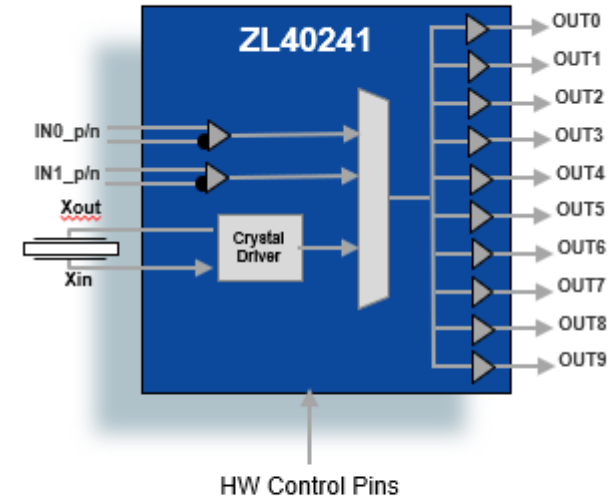
[Online Datasheet](#)

Features

Low Additive Jitter Fanout Buffer

3:1 to 1 input Multiplexer: Two inputs accept any differential (LVPECL, HCSL, LVDS, SSTL, CML, LVCMOS) or a single ended signal and the third input accepts a crystal or a single ended signal

- Ten 1.5V/1.8V/2.5V/3.3V LVCMOS outputs
- Supports frequencies from 0 to 250MHz
- Ultra-low system level additive jitter: 17fs (12kHz to 20MHz)
- Ultra-low noise floor of -170dBc/Hz
- Supports crystals from 8MHz to 160MHz
- Supports 2.5V or 3.3V power supplies
- Output to output skew of 30ps (typical)
- Input to output delay of 2ns (typical)
- Hardware pin control



[<< BACK](#)



ZL40231

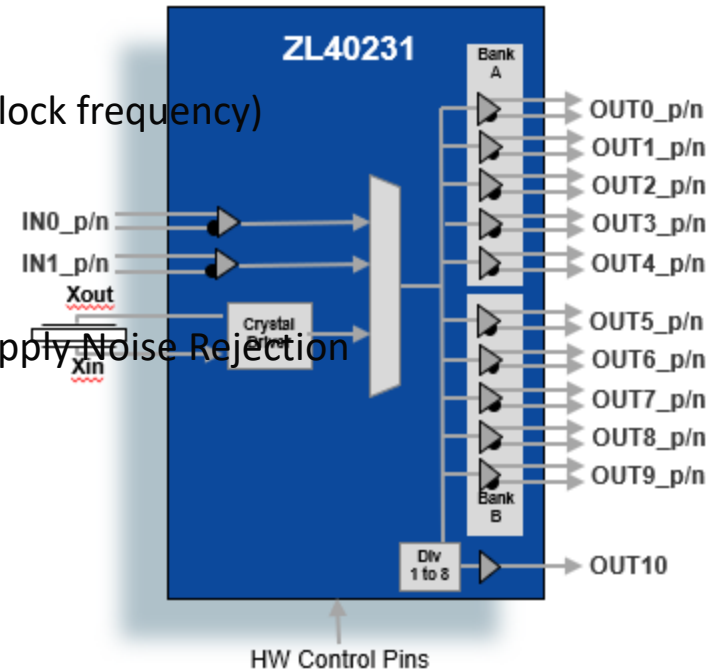
Online
Datasheet

Features

Low Skew, Low Additive Jitter 3:10 LVPECL/LVDS/HCSL Fanout Buffer

one LVPECL input Multiplexer: Two inputs accept any differential (LVPECL, HCSL, LVDS, SSTL, CML, LVCMOS) or a single ended signal and the third input accepts a crystal or a single ended signal

- Ten differential LVPECL/LVDS/HCSL outputs
- One LVCMOS output
- Ultra-low additive jitter: 24fs (integration band: 12kHz to 20MHz at 625MHz clock frequency)
- Supports clock frequencies from 0 to 1.6GHz
- Supports 2.5V or 3.3V power supplies on LVPECL/LVDS/HCSL outputs
- Supports 1.5V, 1.8V, 2.5V or 3.3V on LVCMOS output
- Embedded Low Drop Out (LDO) Voltage regulator provides superior Power Supply Noise Rejection
- Maximum output to output skew of 40ps
- Device controlled control pins



<< BACK



ZL40230

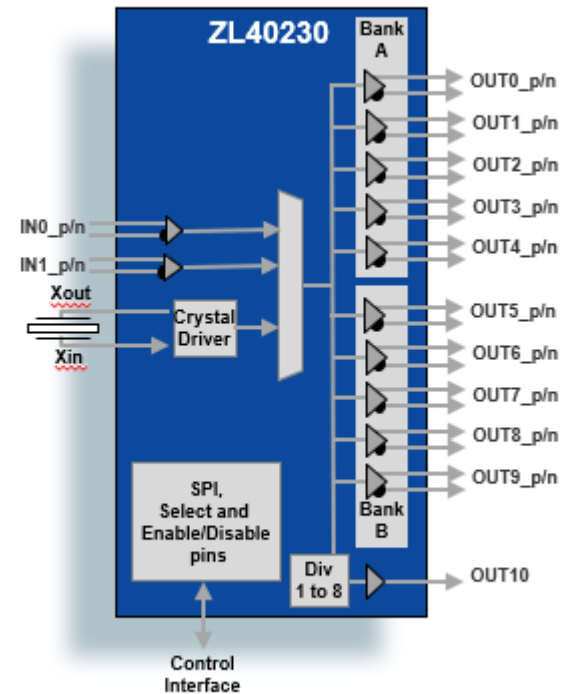
Online
Datasheet

Features

Low Skew, Low Additive Jitter 10 output LVPECL/LVDS/HCSL Fanout Buffer

one LVCMOS output
3-to-1 Input Multiplexer: Two inputs accept any differential (LVPECL, HCSL, LVDS, SSTL, CML, LVCMOS) or a single ended signal and the third input accepts a crystal or a single ended signal

- Ten differential LVPECL/LVDS/HCSL outputs
- One LVCMOS output
- Ultra-low additive jitter: 24fs (integration band: 12kHz to 20MHz at 625MHz)
- Supports clock frequencies from 0 to 1.6GHz
- Supports 2.5V or 3.3V power supplies on LVPECL/LVDS/HCSL outputs
- Supports 1.5V, 1.8V, 2.5V or 3.3V on LVCMOS output
- Embedded Low Drop Out (LDO) Voltage regulator provides superior Power !
- Maximum output to output skew of 40ps
- Device controlled via SPI or hardware control pins



<< BACK

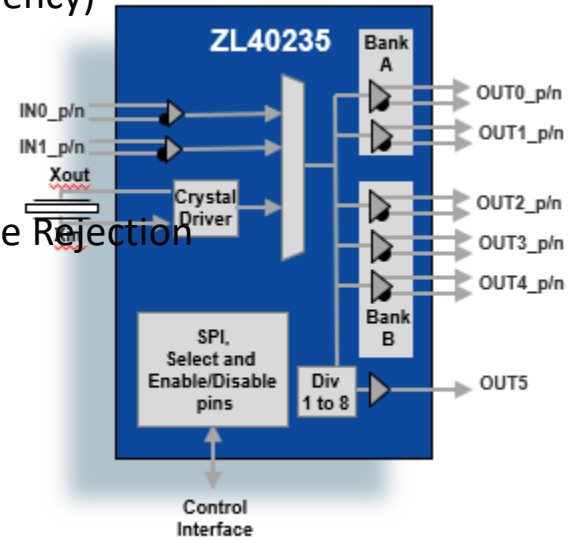


ZL40235

[Online Datasheet](#)

Features

- **Low Skew, Low Additive Jitter 3:5 LVPECL/LVDS/HCSL Fanout Buffer with one LVC MOS output**
 - 3 to 1 input Multiplexer: Two inputs accept any differential (LVPECL, HCSL, LVDS, SSTL, CML, LVCMOS) or a single ended signal and the third input accepts a crystal or a single ended signal
- Five differential LVPECL/LVDS/HCSL outputs and one LVC MOS output
- Ultra-low additive jitter: 24fs (integration band 12kHz to 20MHz at 625MHz clock frequency)
- Supports clock frequencies from 0 to 1.6GHz
- Supports 2.5V or 3.3V power supplies for LVPECL, LVDS or HCSL outputs
- Supports 1.5V, 1,8V, 2.5V or 3.3V power supplies for LVC MOS output
- Embedded Low Drop Out (LDO) Voltage regulator provides superior Power Supply Noise Rejection
- Maximum output to output skew of 40ps
- Device controlled via SPI or hardware pins



ZL40234

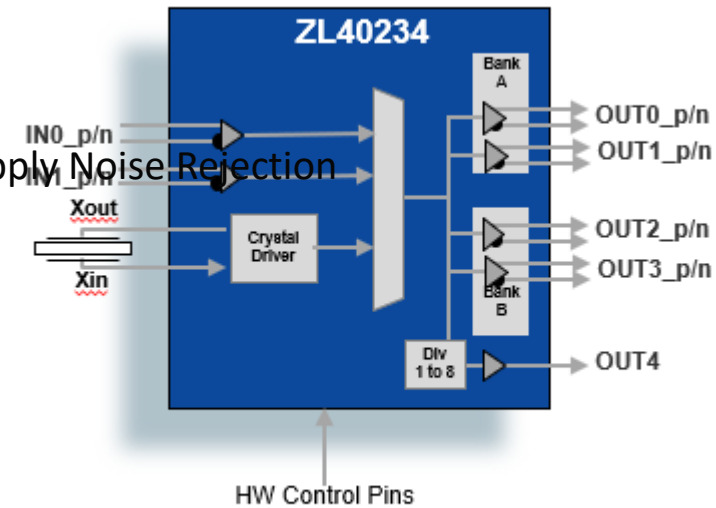
Online
Datasheet

Features

Low Skew, Low Additive Jitter 3:4 LVPECL/LVDS/HCSL Fanout Buffer

• **3-to-1 Input Multiplexer:** Two inputs accept any differential (LVPECL, HCSL, LVDS, SSTL, CML, LVCMOS) or a single ended signal and the third input accepts a crystal or a single ended signal

- Five differential LVPECL/LVDS/HCSL outputs and one LVCMOS output
- Ultra-low additive jitter: 24fs (integration band 12kHz to 20MHz at 625MHz clock frequency)
- Supports clock frequencies from 0 to 1.6GHz
- Supports 2.5V or 3.3V power supplies for LVPECL, LVDS or HCSL outputs
- Supports 1.5V, 1,8V, 2.5V or 3.3V power supplies for LVCMOS output
- Embedded Low Drop Out (LDO) Voltage regulator provides superior Power Supply Noise Rejection
- Maximum output to output skew of 40ps
- Device controlled via hardware pins



<< BACK



ZL40260

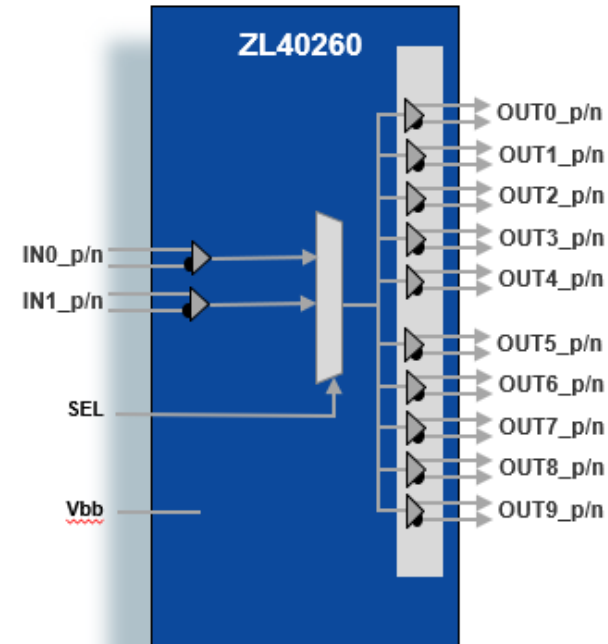
[Online Datasheet](#)

Features

Low Skew, Low Additive Jitter Fanout Buffer

Two inputs accept any differential (LVPECL, HCSL, LVDS, SSTL, CML) or single ended LVCMOS signal

- Ten 2.5V/3.3V LVPECL outputs
- Ultra-low additive jitter: 53fs for 125 MHz clock measured in 12KHz to 20MHz band
- Supports clock frequencies from 0 to 1.6GHz
- Supports 2.5V or 3.3V power supplies
- Embedded Low Drop Out (LDO) Voltage regulator provides superior Power Supply
- Maximum output to output skew of 50ps
- Maximum input to output delay of 1.2ns
- Small input to output delay variation over voltage, temperature and process of 0
- Fast rise and fall times of 168ps
- Phase noise floor below -160dB/Hz for 125MHz clock



[<< BACK](#)



ZL40221

[Online Datasheet](#)

Precision 2:6 LVDS Fanout Buffer with On-Chip Input Termination

Features

Inputs/Outputs

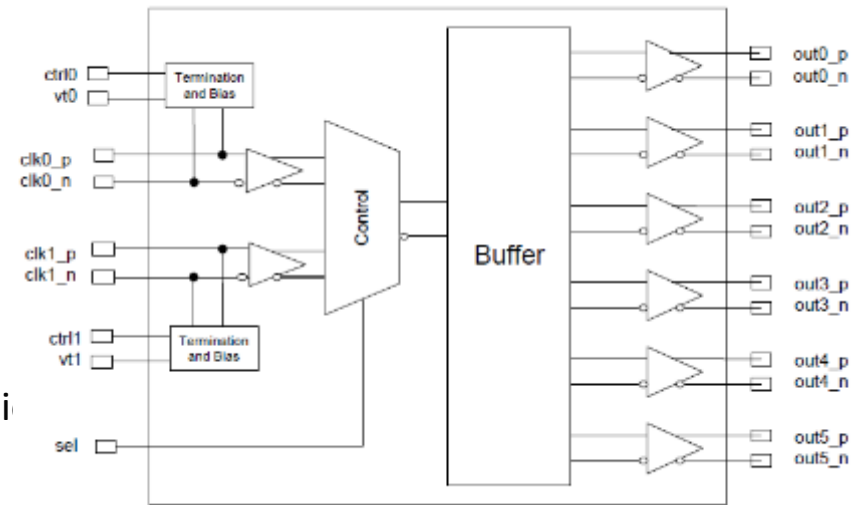
- Accepts two differential or single-ended input
 - LVPECL, LVDS, CML, HCSL, LVCMOS
 - Glitch-free switching of references
- On-chip input termination and biasing for AC coupled inputs
- Six precision LVDS outputs
- Operating frequency up to 750 MHz

Power

- Options for 2.5 V or 3.3 V power supply
- Core current consumption of 97 mA
- On-chip Low Drop Out (LDO) Regulator for superior power supply rejection

Performance

- Ultra low additive jitter of 165 fs RMS



[<< BACK](#)



ZL40220

[Online Datasheet](#)

Precision 2.0 LVDS Fanout Buffer

Inputs/Outputs

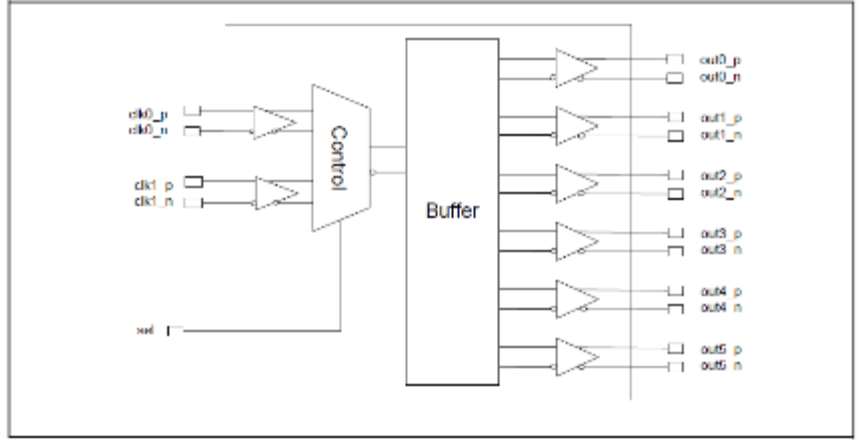
- Accepts differential or single-ended input
 - LVPECL, LVDS, CML, HCSL, LVCMOS
 - Glitch-free switching of references
- Six precision LVDS outputs
- Operating frequency up to 750 MHz

Power

- Options for 2.5 V or 3.3 V power supply
- Core current consumption of 95 mA
- On-chip Low Drop Out (LDO) Regulator for superior power supply rejection

Performance

- Ultra low additive jitter of 194 fs RMS



[<< BACK](#)



ZL40209

[Online Datasheet](#)

Precision 2:6 LVPECL Fanout Buffer with On-Chip Input Termination

Features:

Inputs/Outputs

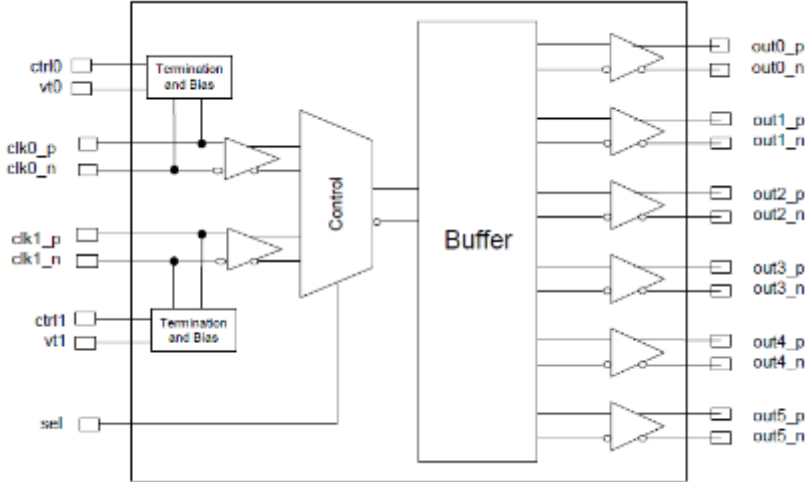
- Accepts two differential or single-ended input
 - LVPECL, LVDS, CML, HCSL, LVCMOS
 - Glitch-free switching of references
- On-chip input termination and biasing for AC coupled inputs
- Eight precision LVPECL outputs
- Operating frequency up to 750 MHz

Power

- Options for 2.5 V or 3.3 V power supply
- Core current consumption of 110 mA
- On-chip Low Drop Out (LDO) Regulator for superior power supply rejection

Performance

- Ultra low additive jitter of 106 fs RMS



[<< BACK](#)



ZL40208

[Online Datasheet](#)

Features:

Precision 2.0 LVPECL Fanout Buffer

Inputs/Outputs

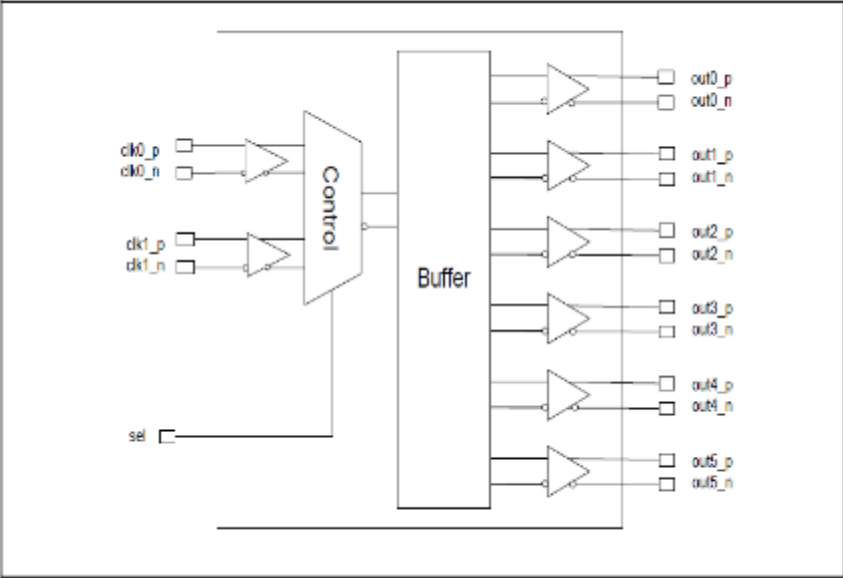
- Accepts two differential or single-ended input
 - LVPECL, LVDS, CML, HCSL, LVCMOS
 - Glitch-free switching of references
- Six precision LVPECL outputs
- Operating frequency up to 750 MHz

Power

- Options for 2.5 V or 3.3 V power supply
- Core current consumption of 110 mA
- On-chip Low Drop Out (LDO) Regulator for superior power supply rejection

Performance

- Ultra low additive jitter of 121 fs RMS



[<< BACK](#)

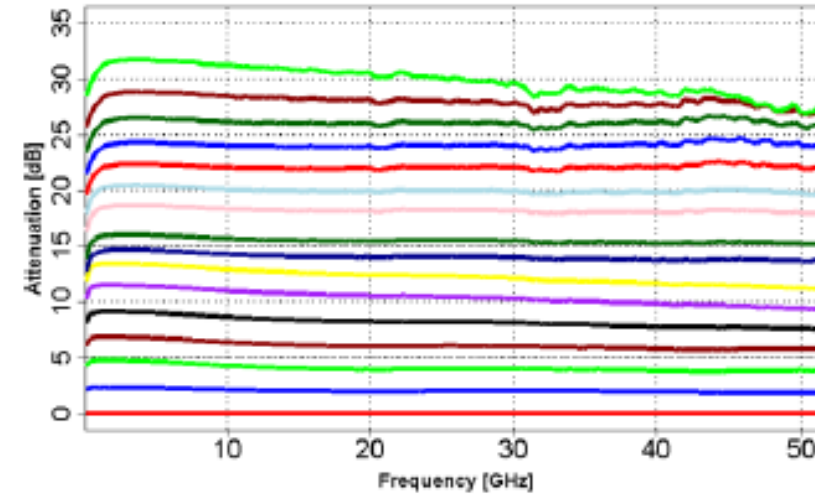


Wideband GaAs Attenuators



Features

- Wideband operation: DC to 50 GHz
- Low Insertion Loss (<5dB)
- Good Input/Output Match
- Very flat attenuation
- Size: 1640 x 920 mm
- Technology: GaAs PHEMT
- Available in DIE form Only



MMS0004AA

Voltage Variable Attenuators

Function	Frequency (GHz)	Insertion Loss (dB)	Dynamic Range (dB)	Return Loss (dB)	Input P1dB (dBm)	Package	Part Number
Analog VVA	DC-40	<3	17	>8	>8	Die	MMS005AA
Analog VVA	DC-50	<5	27	>12	>3	Die	MMS004AA



Wideband MMIC Switches

Features:

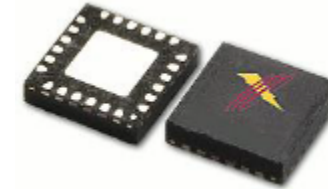
- Wideband to 26GHz
- Low Loss < 2dB
- High Isolation >40dB
- Technology: GaAs PHEMT

Applications:

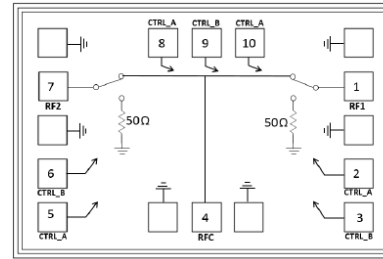
- Defense ; EW & Radar Equipment
- Test & Measurement Equipment
- TDD Microwave Radio
- Pulse Modulators
- Measurement Sensors



MMS006PP3

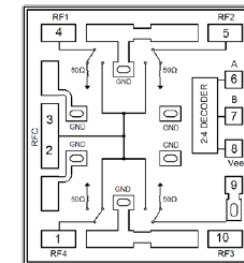


MMS008PP3



MMS006AA

SPDT Absorptive Switch
DC-20GHz, 1.5dB IL, 45dB ISO



MMS008AA

SP4T Absorptive Switch
DC-10GHz, 1.2dB IL, 45dB ISO

Configuration	Freq (GHz)	IL (dB)	Isol (dB)	Input P1dB (dBm)	Part Number
SPDT (Absorptive)	DC-20GHz	1.5	45	24	MMS006
SP4T (Absorptive)	DC-8GHz	1.4	47	28	MMS008

Low Noise Amplifier Modules



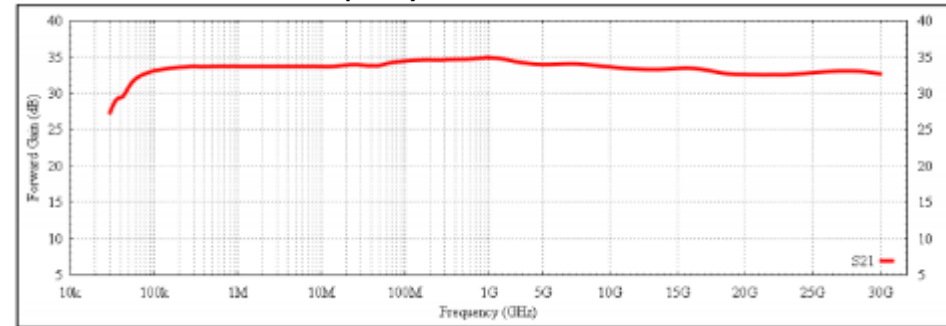
Features

- Connectorized Wideband Performance to 65GHz
- 23 dBm saturated output power
- 30 dB gain with low gain flatness
- Small size package
- Hermetically Sealed

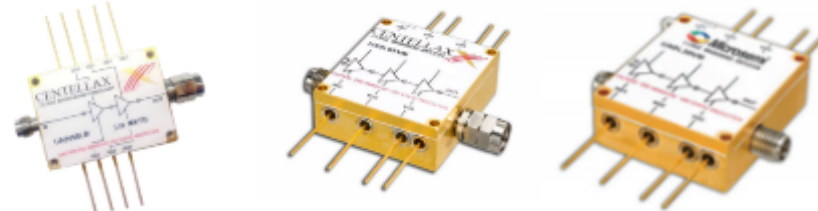
Applications

- mm-wave systems
- EW applications
- High frequency test instrumentation
- Broadband gain amplifier

UA0L30VM: Gain vs. Frequency



UA2V50LM UA0L65VM UA0L30VM



Frequency (GHz)	Psat (dBm)	Gain (dB)	Flatness (dB)	NF (dB)	Bias	Connector ¹	Part Number
0.0001-30	23	33	±2	4.5 @ 15 GHz	7V, 475mA	2.92 mm "K"	UA0L30VM
0.0001-65	22	23-35	-	5.2 @ 30 GHz	7V, 475mA	2.4 mm	UA0L65VM
0.01-50	22-30	25	±3	10.0 @ 30 GHz	7V, 1800mA	2.4 mm	UA0U50HM
2-50	22-30	23-30	±4	10.5 @ 30 GHz	7V, 1800mA	2.4 mm	UA2V50HM
2-50	22-30	18	±4.5	-	6V, 1600mA	2.4 mm	UA2V50LM



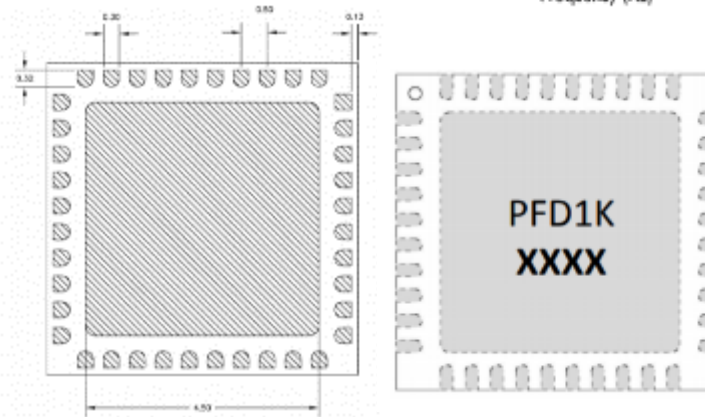
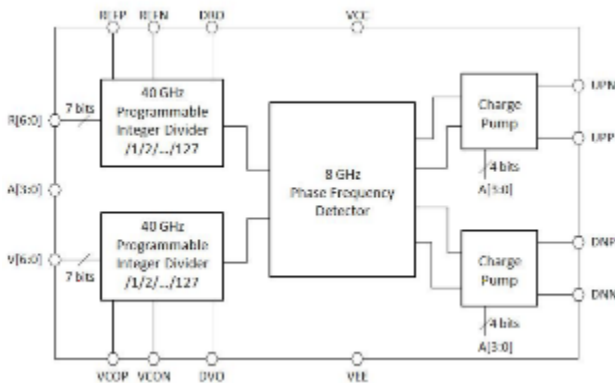
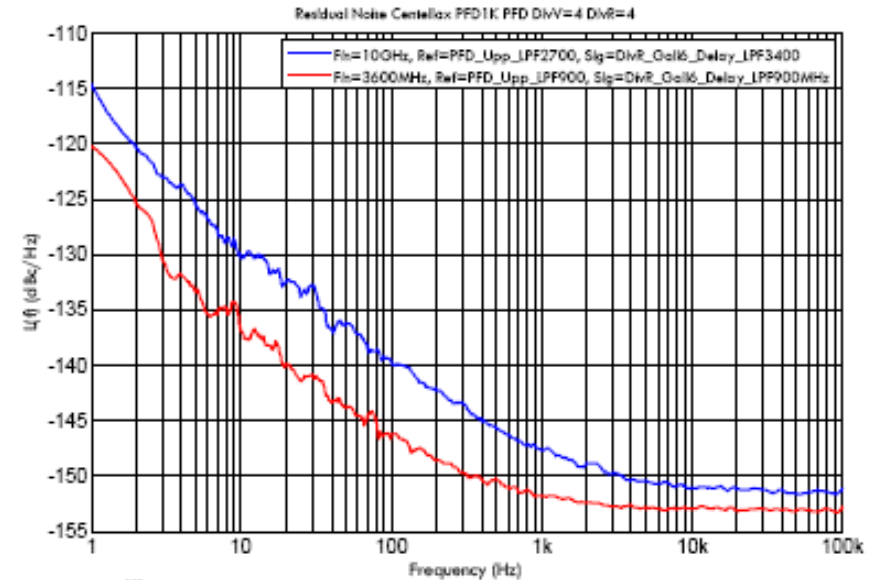
PFD1K

DC – 40 GHz Phase Frequency Detector MMIC

Features:

- **Up to 40GHz Prescaler Operation**
 - 1-127 variable modulus dividers
 - Differential Pre-scaler outputs accessible
- **8GHz Phase Comparison**
- **Low SSB Residual phase noise @ high frequency**
- **Single +3.3V supply**
- **Differential or Single ended Operation**
- **Digital and Analog Gain CTRL of Charge Pump**
- **PLL Loop invert pin**
- **6x6mm Ceramic QFN package**

SSB Phase Noise Performance



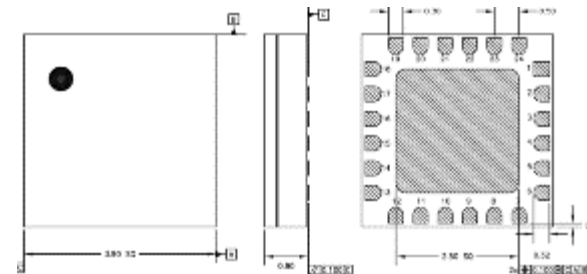
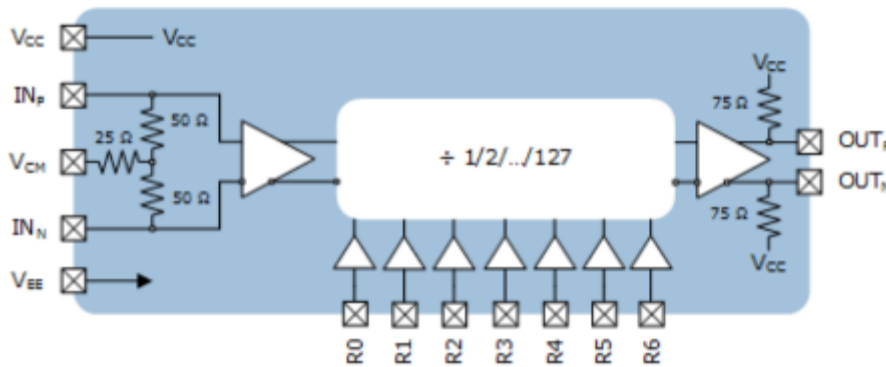
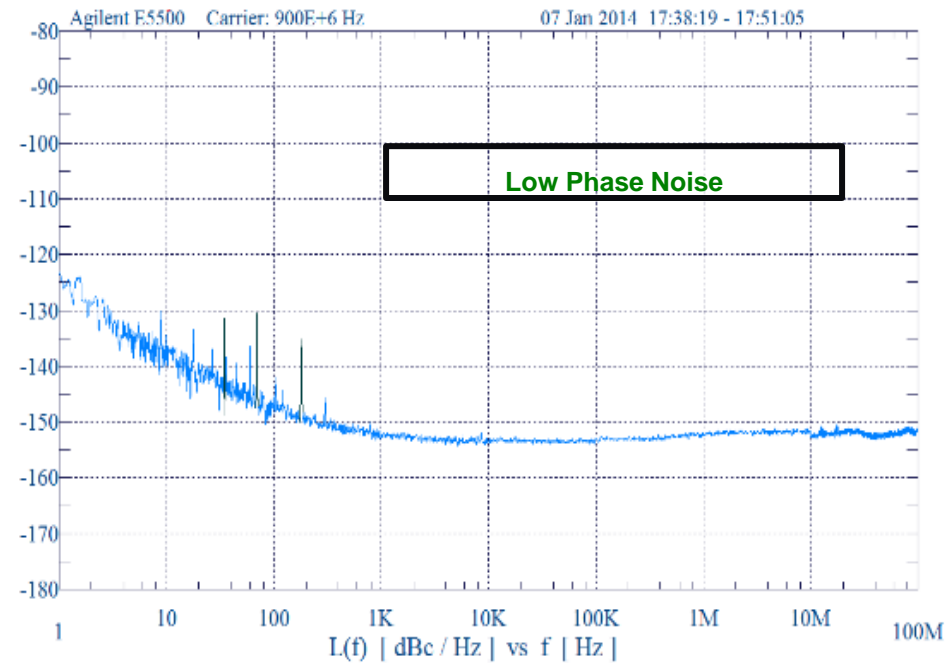
UXN40M7K

0.5 – 40GHz Prescaler MMIC

Features

- 0.5 – 40GHz variable modulus prescaler
- Multiple divide ratios – 1 to 127 capability provides flexibility
- Large Output Swing: >600mWpp single ended
- Single ended or differential drive
- Low SSB Phase Noise: -153 dBc @ 10KHz
- 4x4mm Ceramic QFN

Regular FFT Segment Table

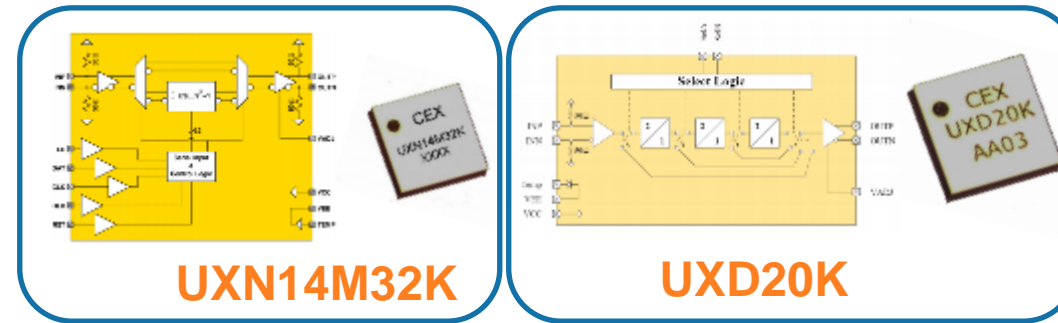


Wideband Programmable Prescaler MMICs



Features

- Wide Operating Range: Up to 40GHz
- Divide Ratios: 1 to $2^{32}-1$
- Single-ended or differential drive
- Low SSB phase noise
- QFN Style Packages
- Adjustable output amplitude



UXN14M32K

UXD20K

Part Number	Function	Frequency (GHz)	Pout (dBm)	10 kHz SSB Noise (dBc/Hz)	Pdiss (W)	Package
UXN14M9P	/8 to /511, programmable all integers	DC-14	4	-147	1.1	6 × 6 QFN
UXN14M32K	/1 to $(2^{32}-1)$ programmable	DC-15	4	-150	0.30-0.80	4 × 4 ceramic
UXM15P	/2/4/8 or /4/5/6/7/8/9 programmable	DC-15	5	-153	0.6	4 × 4 QFN
MX1DS10P	/2 to /220 programmable	DC-15	-4	-153	1.4	6 × 6 QFN
UXC20P	/2/4/8 programmable	DC-20	5	-153	0.5	4 × 4 QFN
UXD20P	/1/2/4/8 programmable	DC-20	5	-153	0.43	4 × 4 QFN
UXD20K	/1/2/4/8 programmable	DC-26.5	5	-153	0.43	4 × 4 ceramic
UXN40M7K	/1 to /127 programmable, all integers	0.5-40	2	-153	0.75	4 × 4 ceramic
PFD1K	8 GHz phase frequency detector with dual 40 GHz prescalers	DC-40	0.4 V _{P-P}	-153	1.32	6 × 6 ceramic

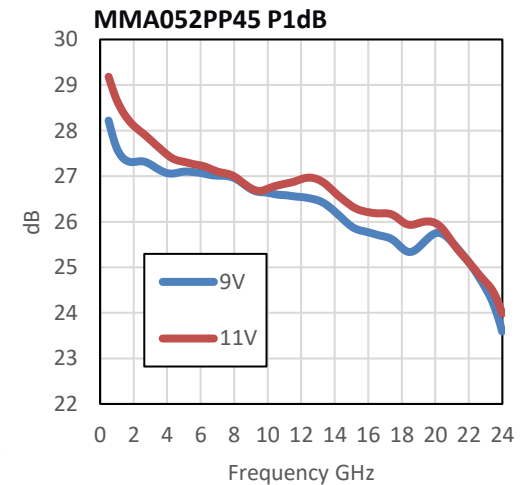
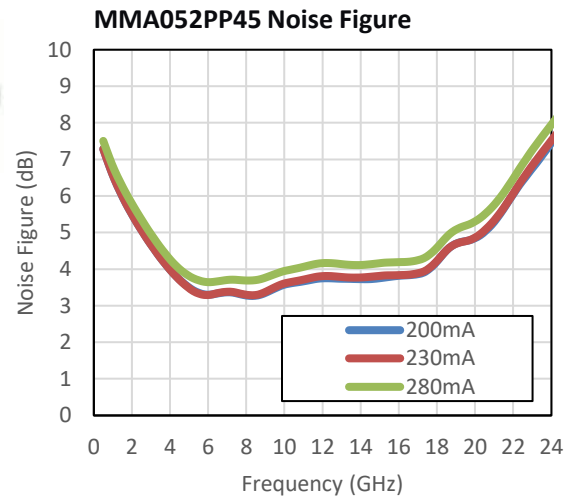
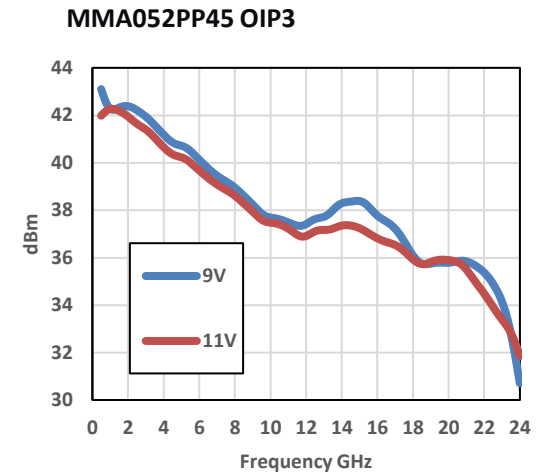
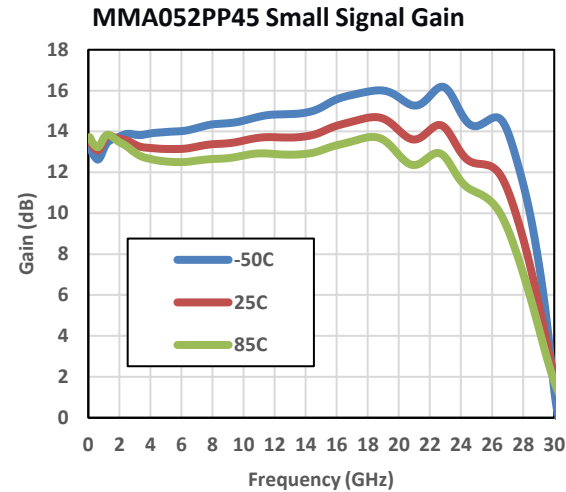
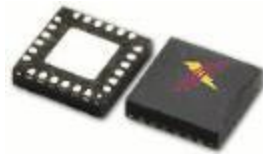
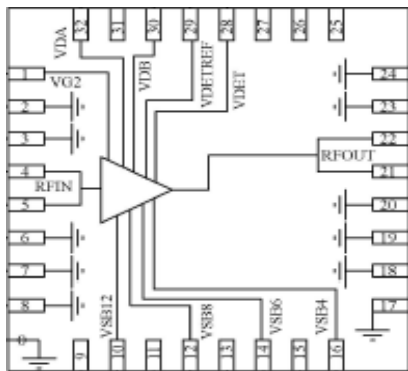


MMA052PP45

½ Watt - Wideband High IP3 Amplifier MMIC in Plastic QFN SMT

Features

- Frequency range: DC to 24 GHz
- SMT Package (4.5mm QFN)
- Gain: 14 dB w/ 2dB positive gain slope
- High OIP3: >35dBm up to 22 GHz
- P1dB: >26dBm up to 20GHz
- Low Noise Figure: 4 dBm @ 18 GHz
- Supply: 10V @ 230mA

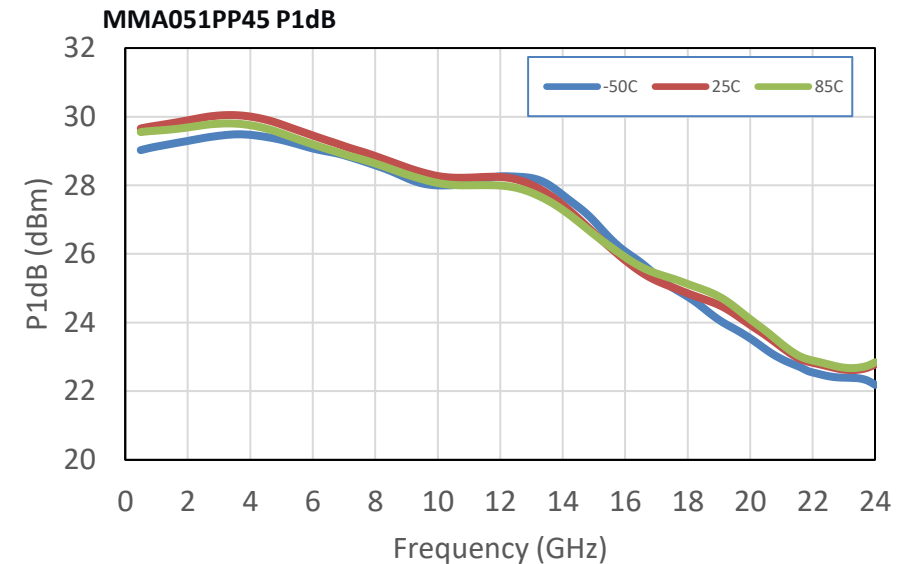
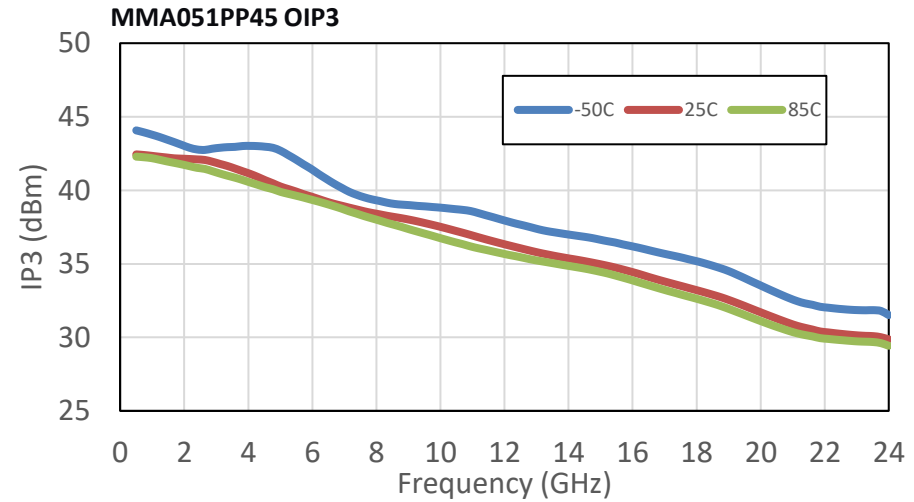
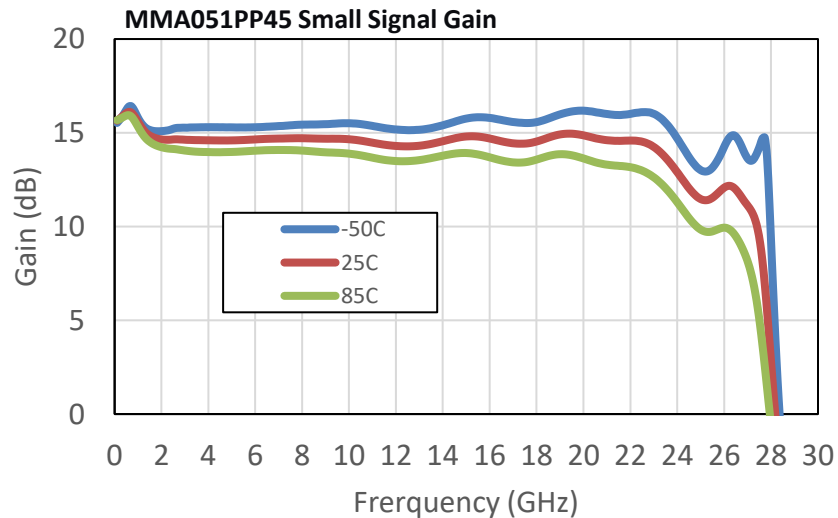
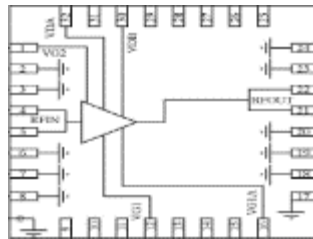


MMA051PP45

1Watt - Wideband High IP3 Amplifier MMIC in Plastic QFN SMT

Features

- Frequency range: DC to 22 GHz
- SMT Package (4.5mm QFN)
- Gain: 15 dB
- High OIP3: >35dBm up to 14GHz
- P1dB: >28dBm up to 14GHz
- Low Noise Figure: 4 dBm @ 15 GHz
- Supply: 10V @ 350mA

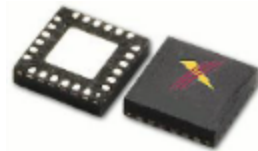
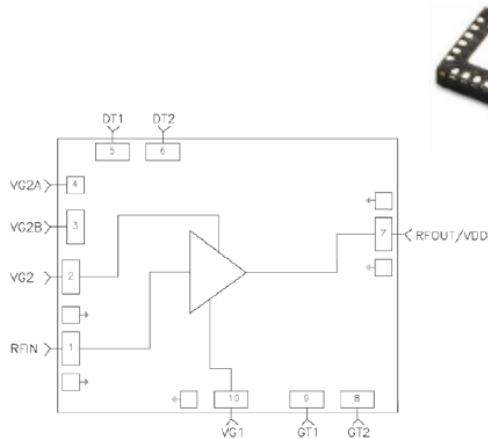
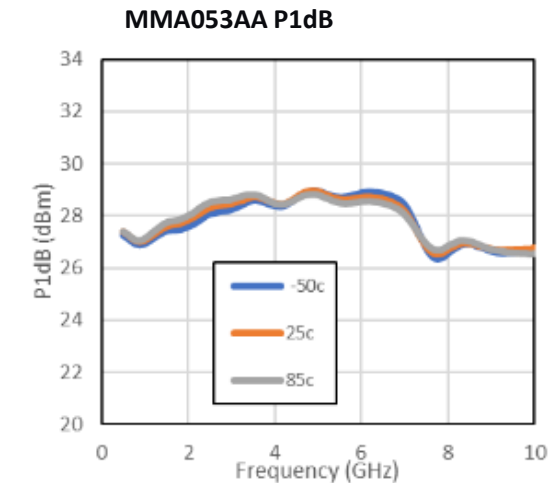
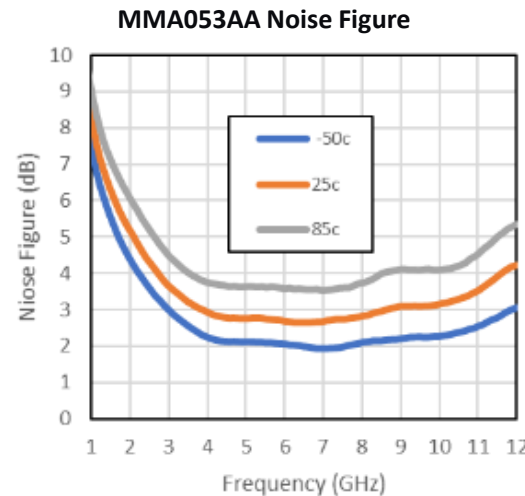
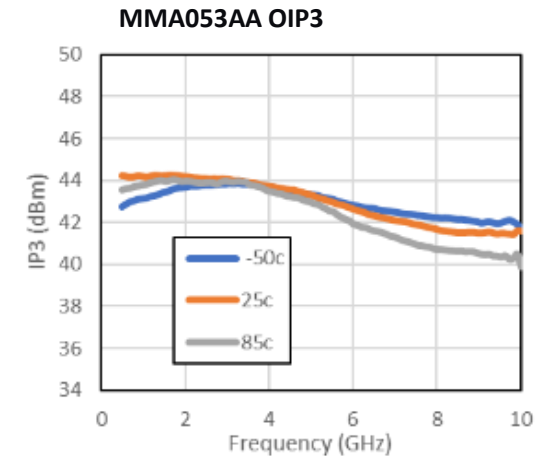
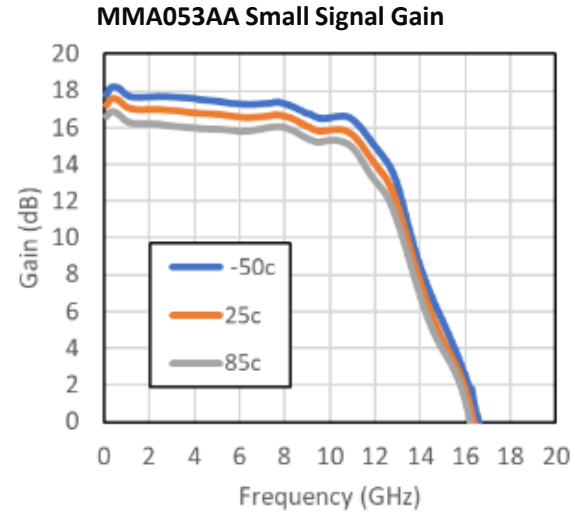


MMA053PP3

DC 10GHz High IP3 Amplifier MMIC in Plastic QFN SMT

Features

- Wideband: DC-10GHz
- 5mm, 32L Plastic QFN SMT Package
- Gain: 17dB
- High OIP3: 43dBm
- High P_{1dB} : 29dBm, P_{3dB} =31dBm
- OIP3: >33dBm up to 10GHz
- Bias: 10V, 420mA

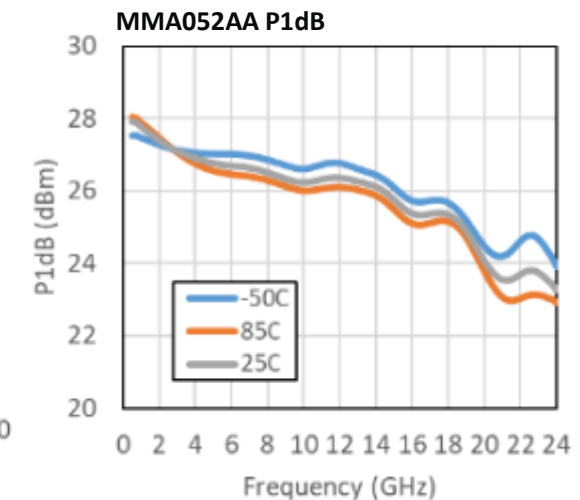
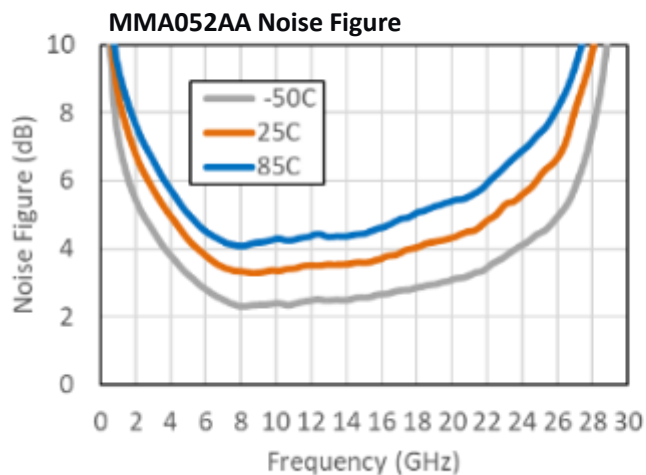
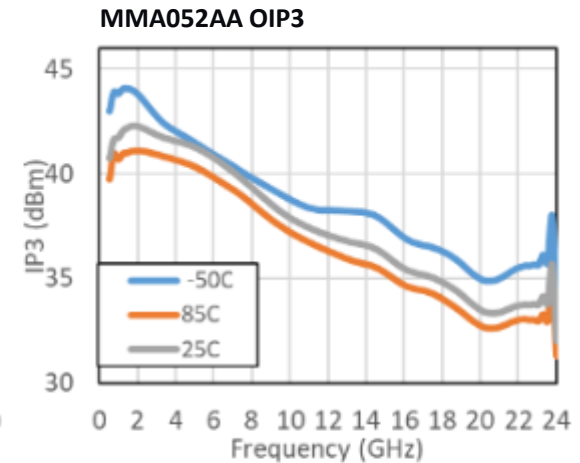
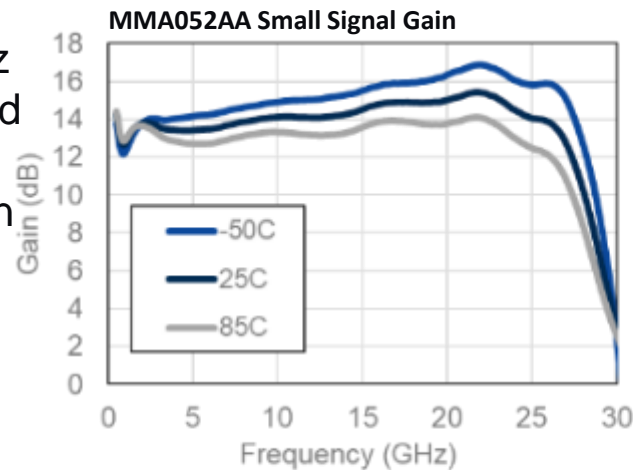
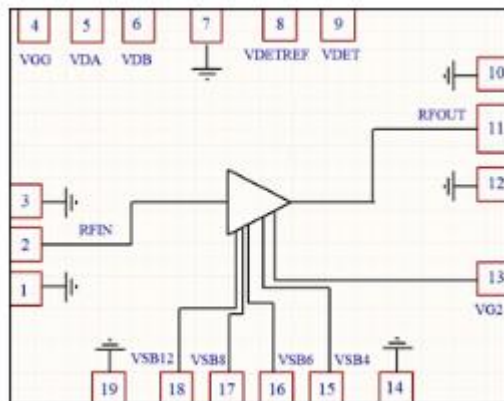


MMA052AA

½ Watt - Wideband High IP3 Amplifier MMIC Chip

Features

- Frequency range: DC to 26 GHz
- SMT Package (4.5mm QFN) and Bare DIE
- Gain: 14 dB w/ 2dB positive gain slope
- High OIP3: 35dBm @18 GHz
- P1dB: 26dBm @ 16GHz
- Low Noise Figure: 4 dBm @ 15 GHz
- Supply: 9V @ 260mA

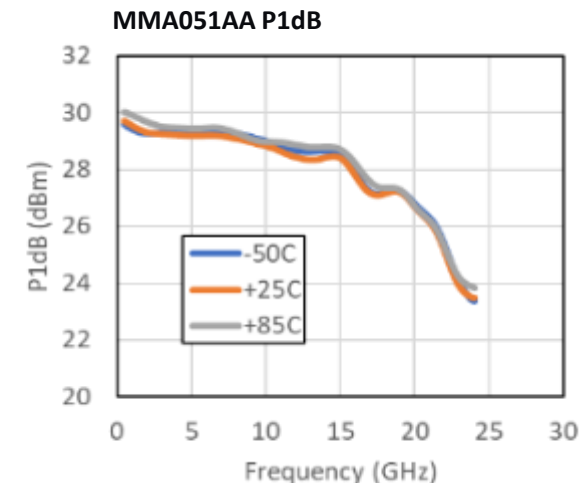
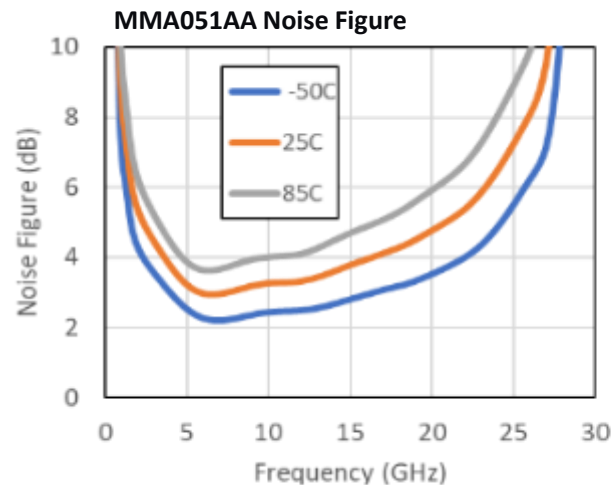
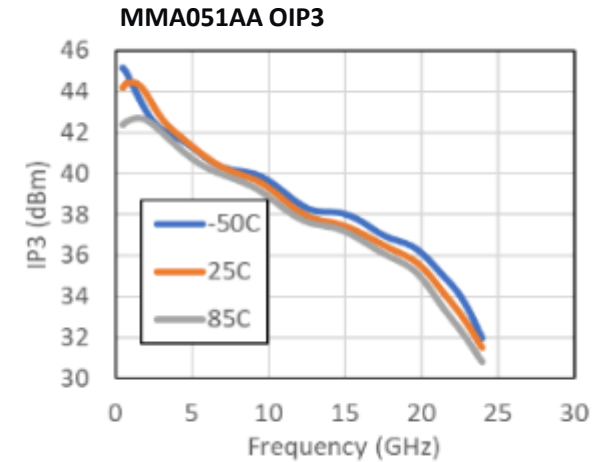
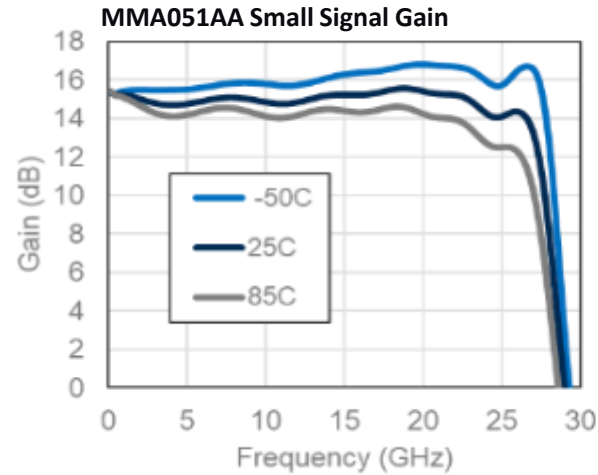
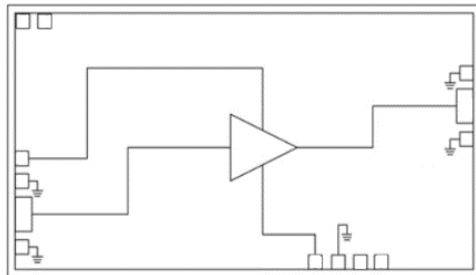


MMA051AA

1Watt - Wideband High IP3 Amplifier MMIC Chip

Features

- Frequency range: DC to 24 GHz
- Bare DIE
- Gain: 15 dB
- High OIP3: 37dBm @15 GHz
- P1dB: 30dBm
- Low Noise Figure: 4 dBm @ 15 GHz
- Supply: 10V @ 420mA

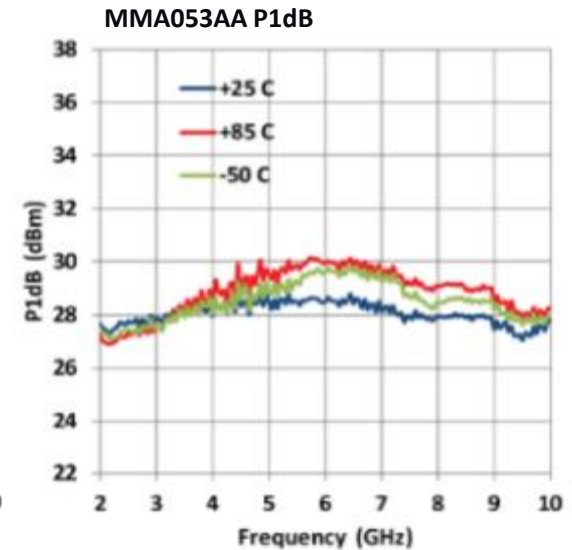
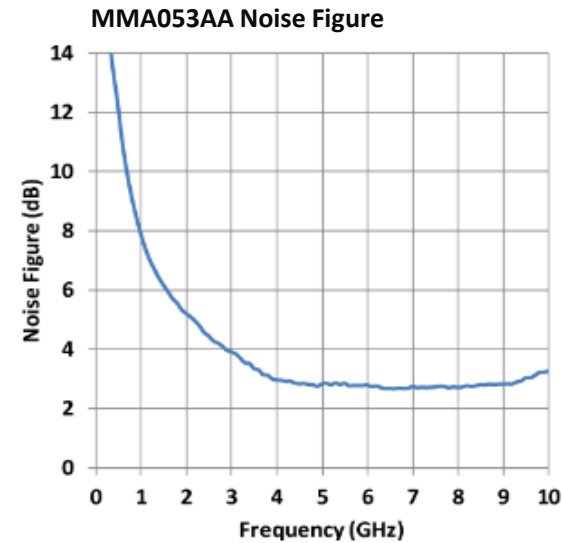
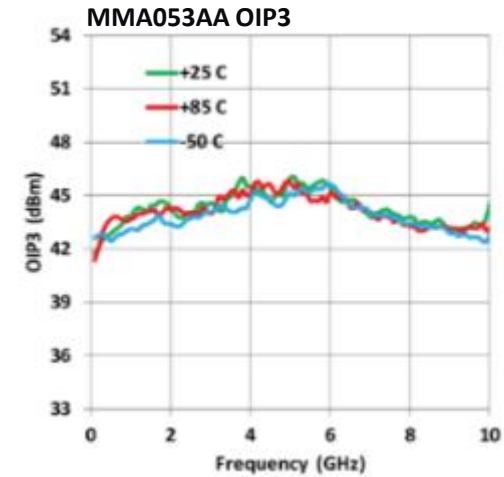
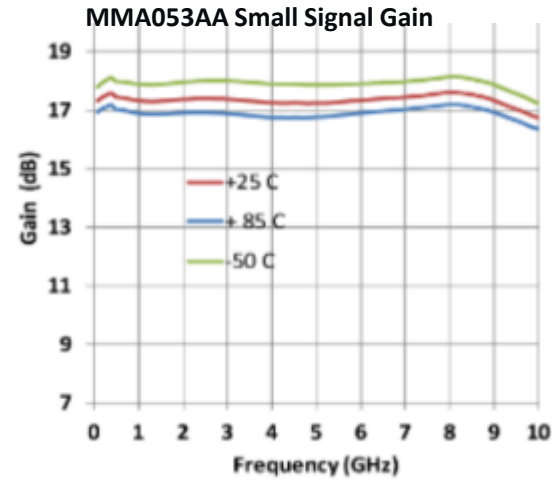
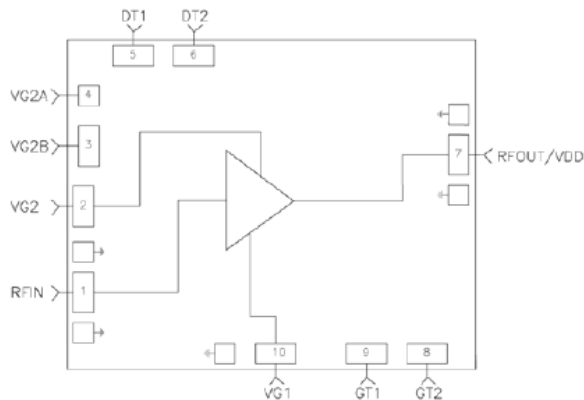


MMA053AA

DC- 10GHz High IP3 Amplifier MMIC Chip

Features

- Wideband: DC-10GHz
- Gain: 17dB
- High OIP3: 43dBm
- P_{1dB} : 29dBm, P_{3dB} : 31dBm
- OIP3: >33dBm up to 10GHz
- Bias: 11V, 410mA

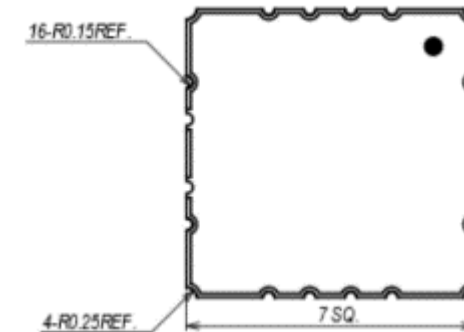
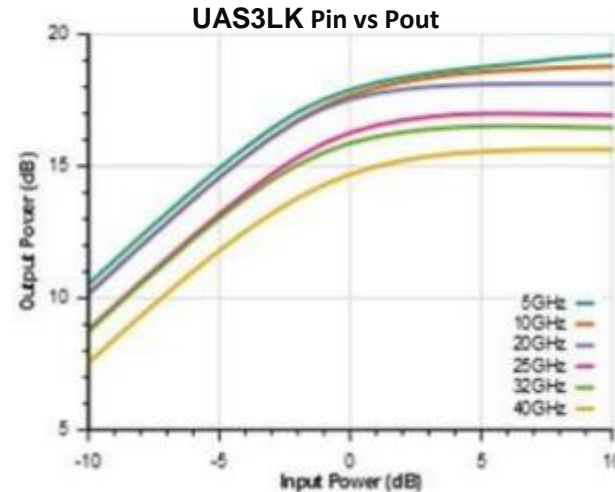
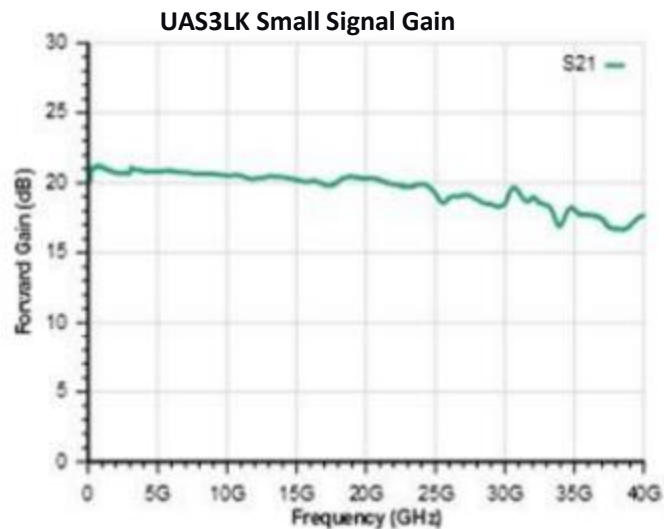
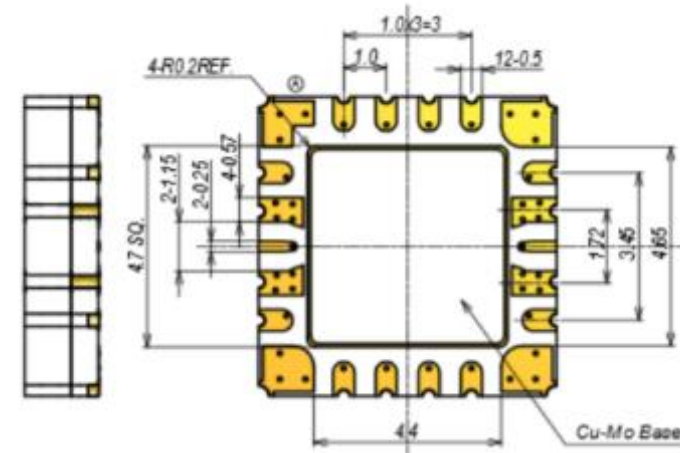


UAS3LK

10MHz -30GHz LNA MMIC in 3mm plastic SMT Package

Features

- Wideband: 1MHz-30GHz
- Hermetic Package: 7mm Ceramic SMT
- Adjustable Gain
- Low Phase Noise/Jitter
- Gain: 20dB Typ
- High Linearity P1dB14dBm
- Bias: 5V, 90ma
- Ideal for T&M, EW, Microwave Radio

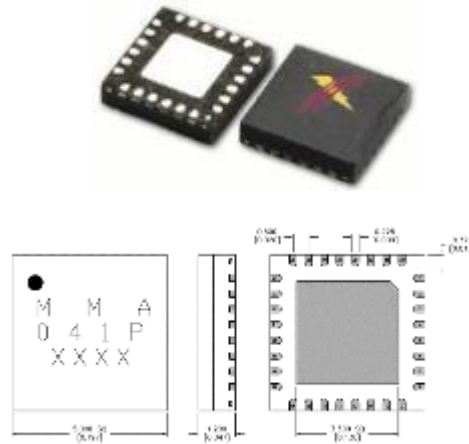


MMA041PP5

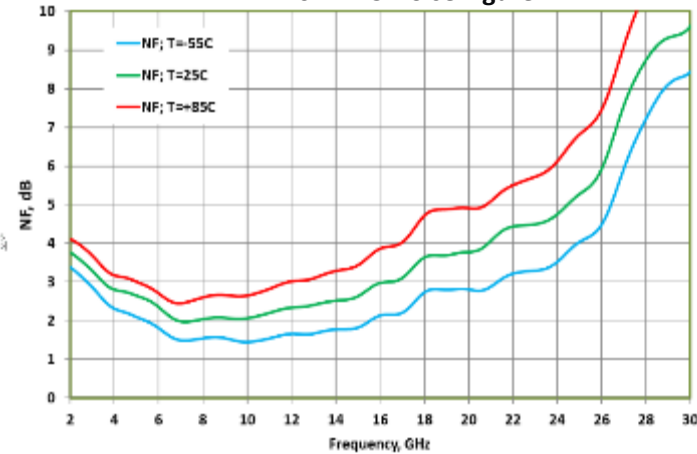
DC-26GHz LNA MMIC in 5mm plastic SMT Package

Features

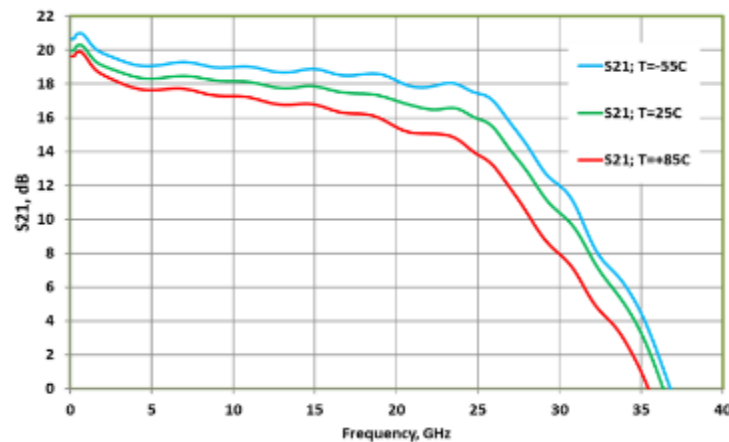
- Wideband: DC-26GHz
- SMT Package: 5mm QFN
- Gain: 18dB typ
- Low Noise Figure : 2.5dB
- High Linearity: P1dB=21dBm, OIP3=35dBm
- Bias: 7V, 150ma



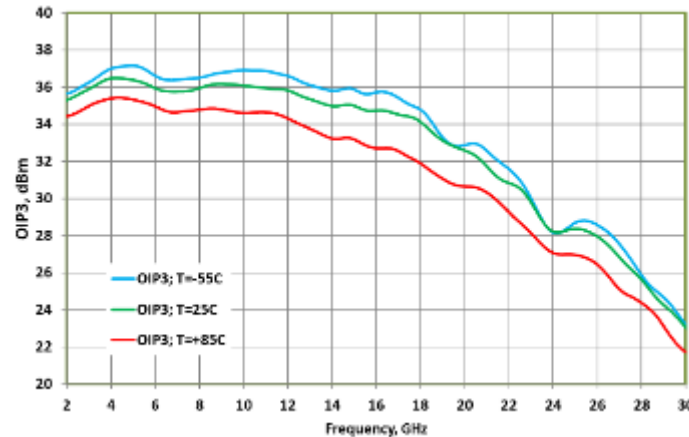
MMA041PP5 Noise Figure



MMA041PP5 Small Signal Gain



MMA041PP5 OIP3

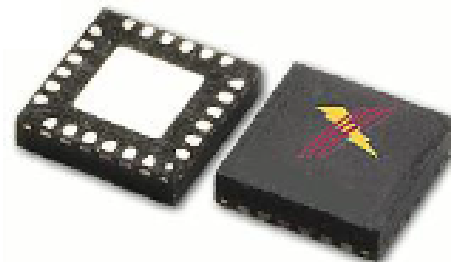
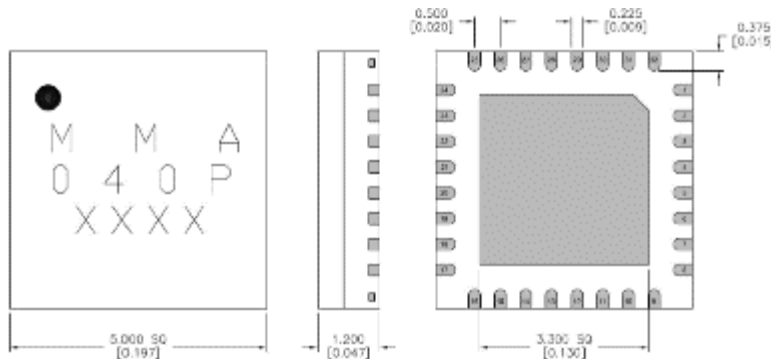
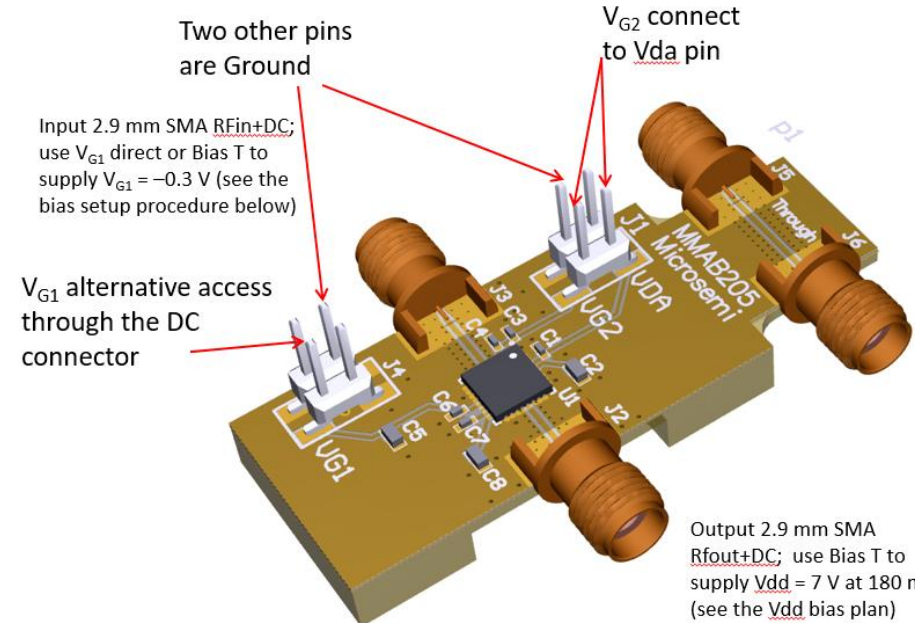


MMA040PP5

DC-27GHz LNA MMIC in 5mm plastic SMT Package

Features

- Wideband: DC-27GHz
- SMT Package: 5mm QFN
- Gain: 15dB typ
- Low Noise Figure : 2dB typ.
- High Linearity: P1dB=16dBm, OIP3=28dBm
- Bias: 8V 60ma

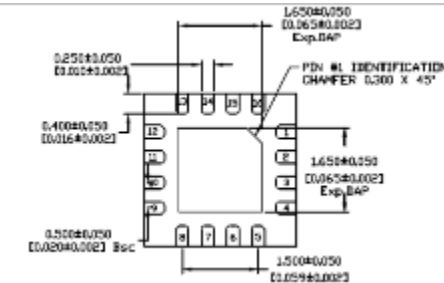
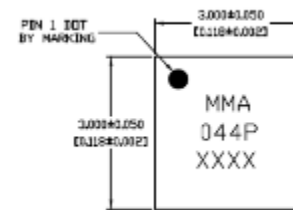


MMA044PP3

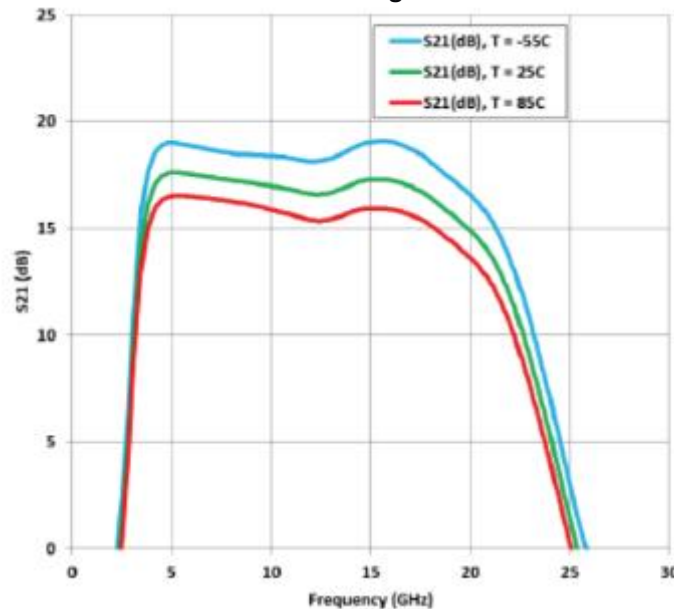
6-18GHz LNA MMIC in 3mm plastic SMT Package

Features

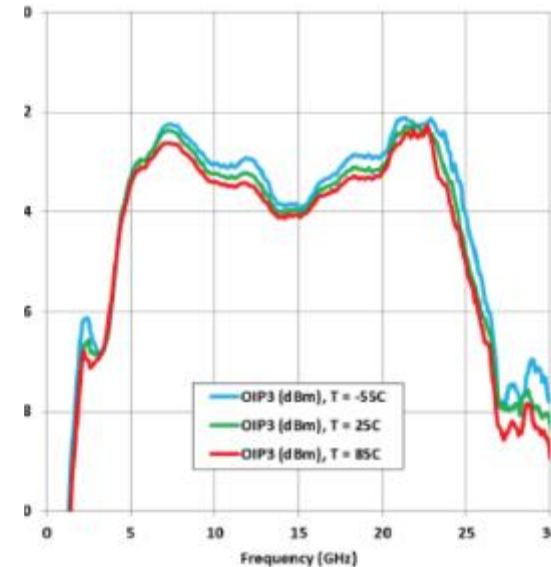
- Wideband: 6-18GHz
- SMT Package: 3mm QFN
- Gain: 17dB Typ
- Low Noise Figure : 2.0 dB Typical
- High Linearity P1dB 14dBm OIP3: 28dBm
- Bias: 4V, 100ma



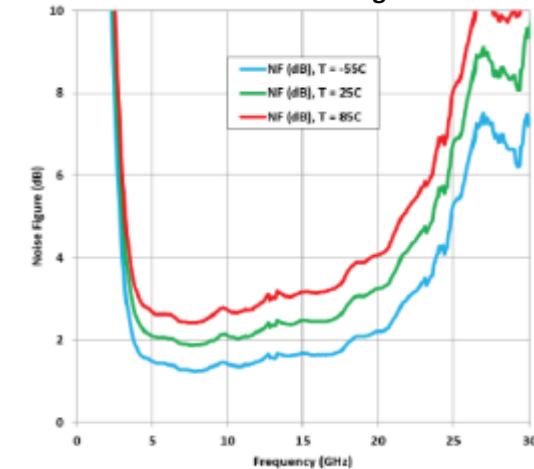
MMA044PP3 Small Signal Gain



MMA044PP3 OIP3



MMA044PP3 Noise Figure

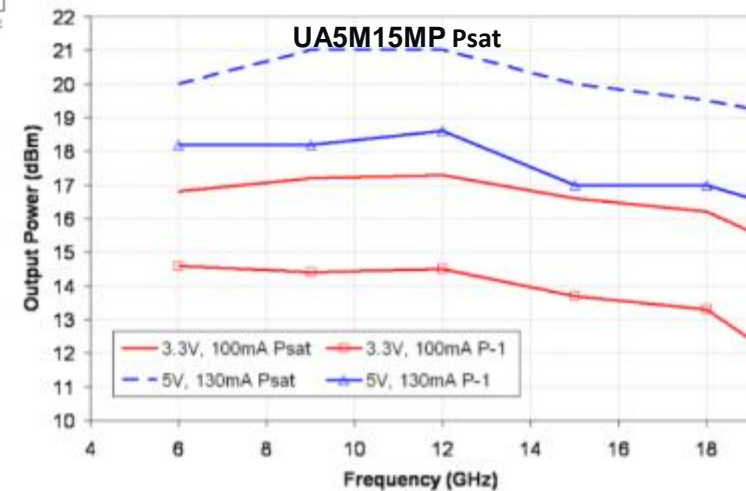
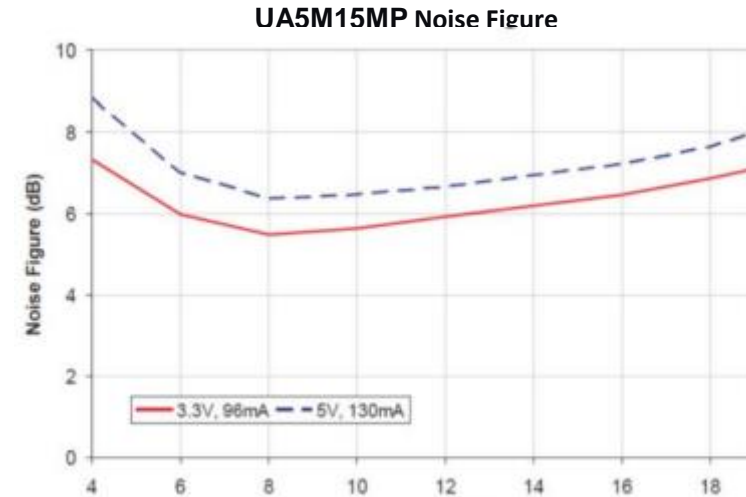
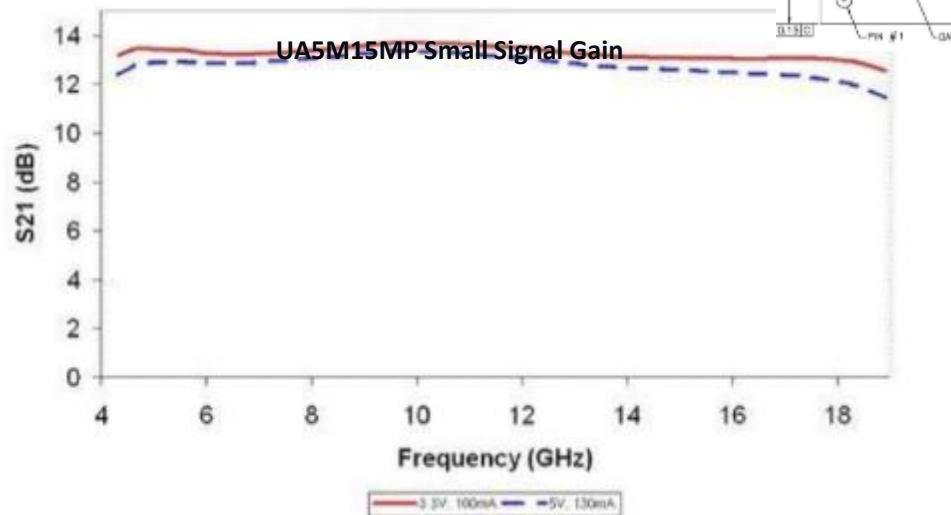
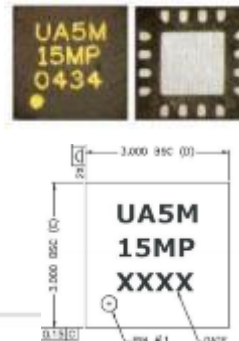


UA5M15MP

5-18GHz LNA MMIC with Integrated Bias in 3mm plastic SMT Package

Features

- Wideband: 5GHz – 18GHz
- Plastic package: 3mm QFN
- Single supply voltage or direct control of gate bias options
- Gain: 12dB
- Pout: 19.5dBm
- Bias: 3.3V, 130ma
- Low Phase Noise
- Ideal for LO Driver, Pt to Pt, Comms

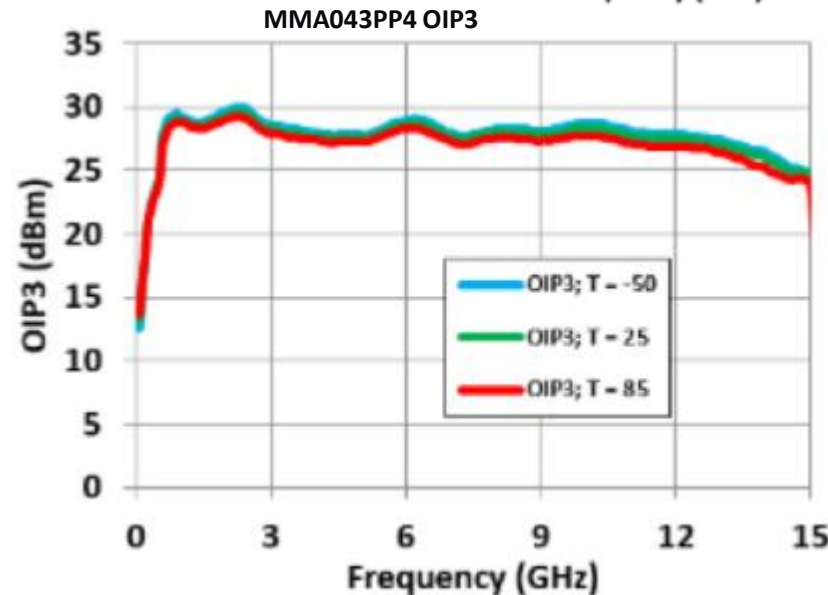
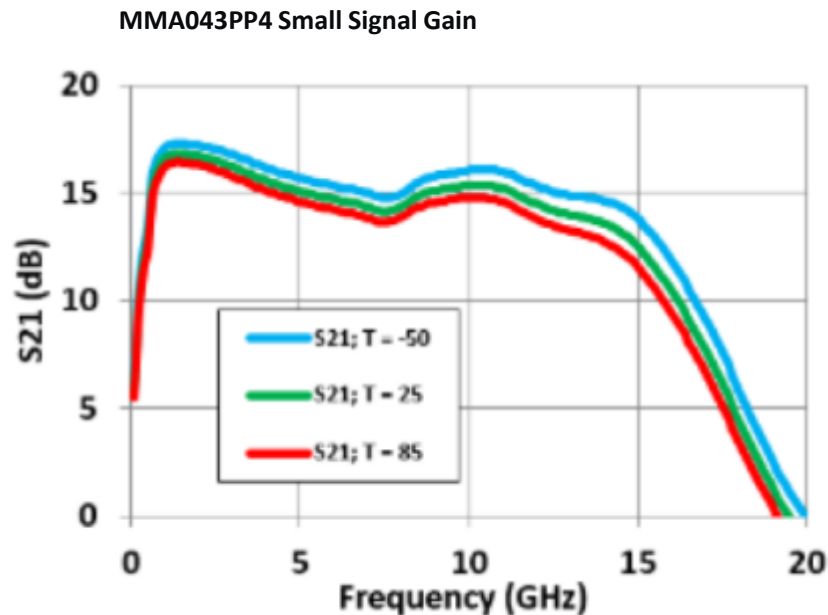
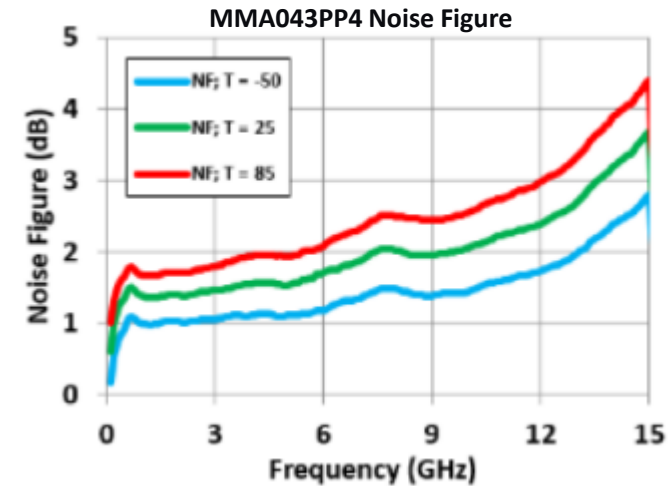
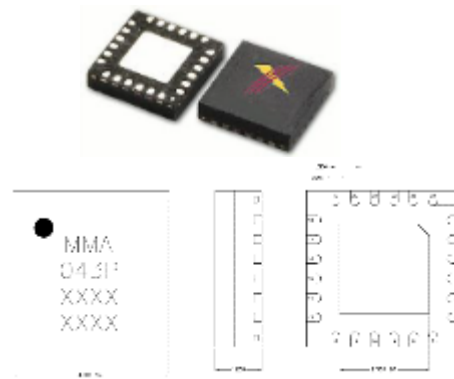


MMA043PP4

0.5-12GHz LNA MMIC in 4mm plastic SMT Package

Features:

- Wideband: 0.5-12GHz
- SMT Package: 4mm QFN
- Gain: 16dB typ
- Low Noise Figure: 1.8dB typ
- High Linearity: P1dB=17dBm, OIP3=28dBm
- Bias: 5V, 55mA



MMA034AA / 35AA / 36AA

0.04-65GHz Wideband MMIC Chip Amplifier family

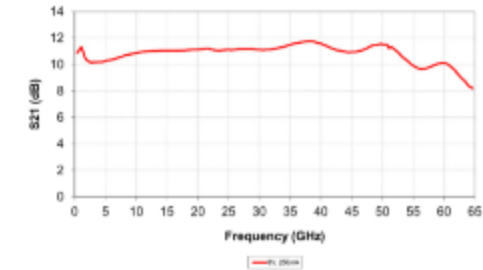
Features

- Wideband 0.04-65GHz
- Integrated PLFX Technology
 - Allows use of less expensive coil
- Flat gain performance up to 50GHz: +/- 0.75dB
- >30dB dynamic gain control
- Integrated power detector
- 100% DC, RF and visually tested
- Size: 1640x920um
- Bare chip construction
- ECCN 3A001.b.2.d

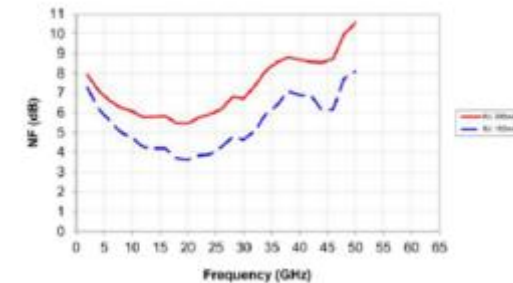
Applications

- Defense ; EW & Radar Equipment
- Test & Measurement Equipment
- Wideband Microwave Signal Chains
- Microwave Signal Sources / Synthesizers
- Fiber Optic Modules

MMA034AA S21



Noise Frequency



Typical IC performance with package de-embedded

PN	Freq.	Gain	NF	p1dB	PSAT	PDC
MMA034AA	0.04-65	10	6	16.5	19.5	8V, 250ma
MMA035AA	0.04-65	10	6	15	18	7V, 150ma
MMA036AA	0.04-65	10	5	11	14.5	4.5V, 85ma

MMA029AA – 33AA

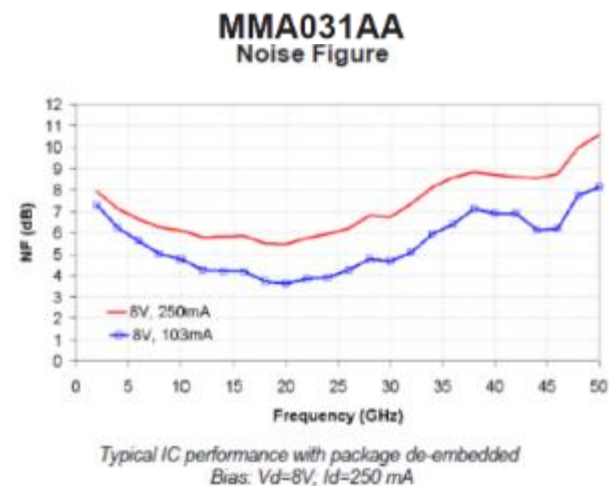
0.04-45GHz Wideband MMIC Chip Amplifier family

Features

- MMA029AA – 33AA:
 - MMA029AA /30AA / 31AA / 32AA / 33AA
- Wideband 0.04-45GHz
- Low PWR Consumption
- Includes on chip Power Detector: 30dB Dynamic Range
- Bare Chip construction
- ECCN 3A001.b.2.d

Applications

- Defense ; EW & Radar Equipment
- Test & Measurement Equipment
- Wideband Microwave Signal Chains
- Microwave Signal Sources / Synthesizers
- Fiber Optic Modules



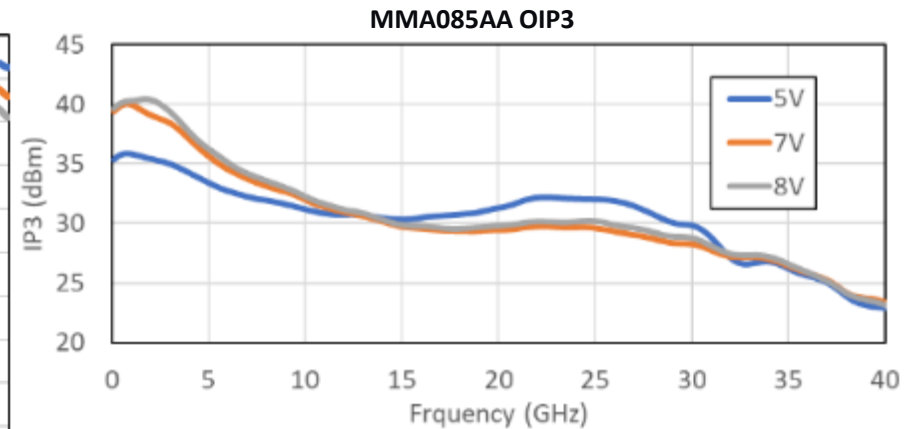
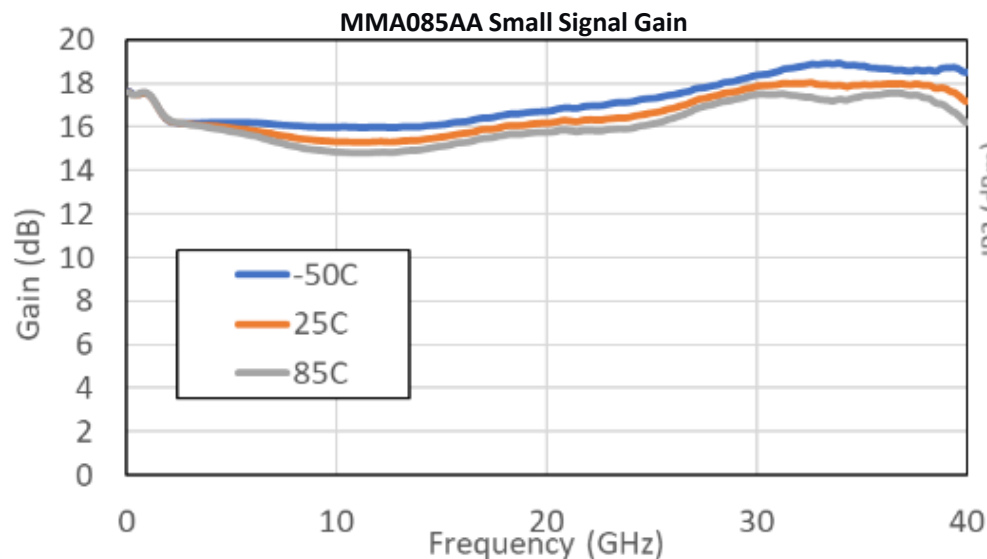
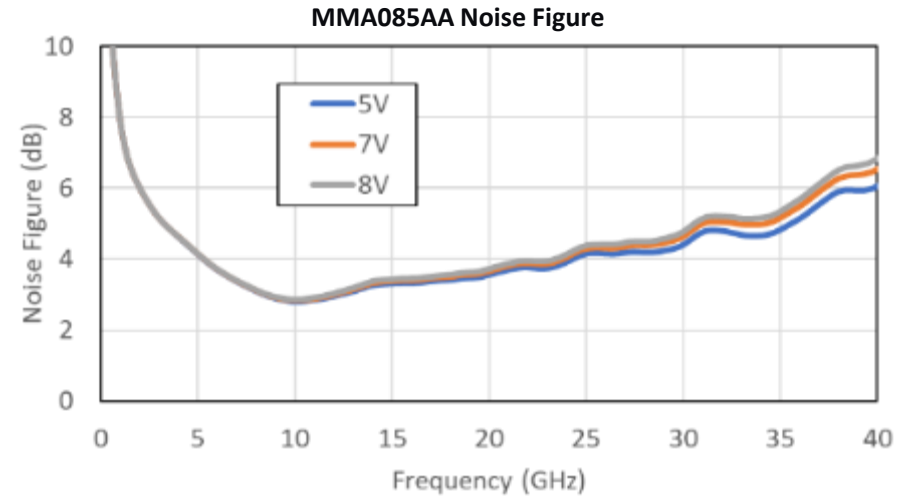
PN	Freq.	Gain	NF	p1dB	PSAT	PDC
MMA029AA	0.04-45	10	5	17	20	7V, 150ma
MMA030AA	0.04-45	11	4	13	14.5	4.5V, 85ma
MMA031AA	0.04-45	10	5	17	22	8V, 250ma
MMA032AA	0.04-45	10	6	17	21	8V, 250ma
MMA033AA	0.04-45	10	5.5	11.5	14.5	7V, 85ma

MMA085AA

DC-40GHz Wideband LNA MMIC Chip

Features

- Wideband: DC-40GHz
- Available in DIE
- Gain: 16dB w/ 2dB positive slope
- Low Noise Figure: <4dB
- OIP3: 30dBm
- P1dB: 20dBm
- Bias: 6V, 120mA



MMA022AA – 27AA

0.04-30GHz Wideband MMIC Chip Amplifier family

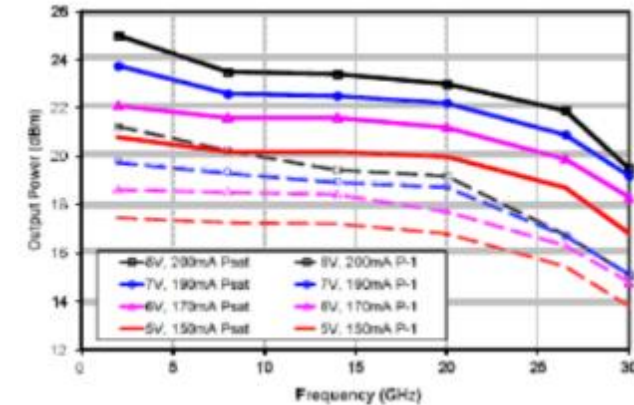
Features

- MMA022AA – 27AA:
 - MMA022AA / 23AA / 24AA / 25AA / 26AA / 27AA
- Wideband 0.04-30GHz
- Low Noise
- Low PWR Consumption
- Includes on chip Power Detector: 30dB Dynamic Range
- Bare Chip construction

Applications

- Defense ; EW & Radar Equipment
- Test & Measurement Equipment
- Wideband Microwave Signal Chains
- Microwave Signal Sources / Synthesizers
- Fiber Optic Modules

MMA026AA



PN	Freq.	Gain	NF	p1dB	PSAT	PDC
MMA022AA	0.04-30	17	2.5	17	20	5V, 150ma
MMA023AA	0.04-30	17	3.5	19	24.5	8V, 250ma
MMA024AA	0.04-30	10	6	21	24	8V, 250ma
MMA025AA	0.04-30	18	2.5	17	20	5V, 150ma
MMA026AA	0.04-30	10	6	18	21	7, 150ma
MMA027AA	0.04-30	11	3.5	14	16.5	4.5, 85ma

MMA040AA

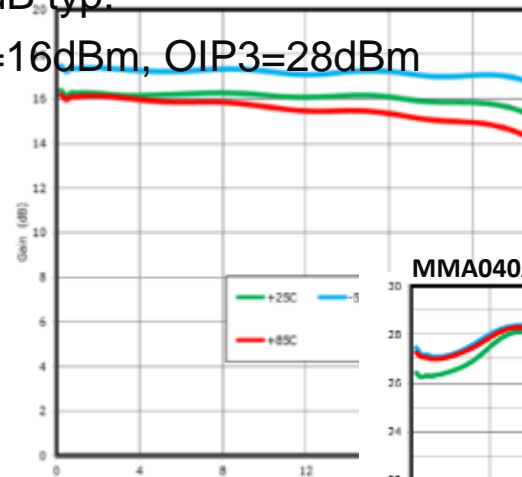
DC-27GHz Wideband Low Noise Amplifier MMIC Chip

Features

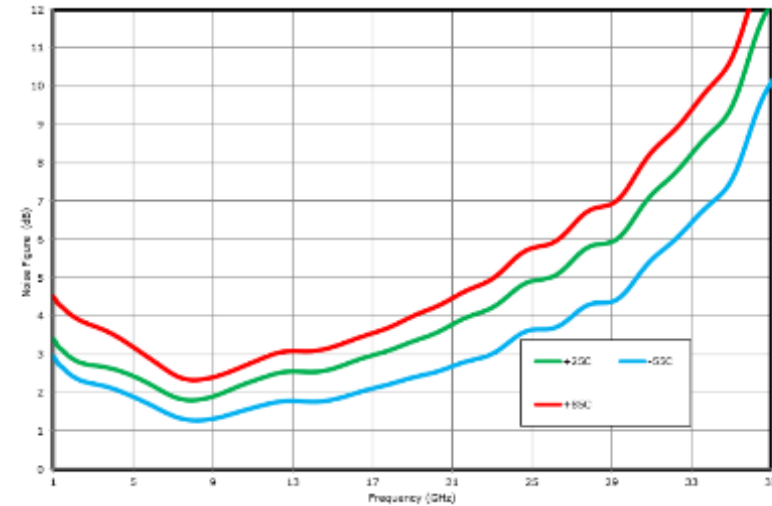
- Wideband: DC-27GHz
- SMT Package and Bare DIE
- Gain: 16dB typ
- Low Noise Figure : 2dB typ.
- High Linearity: P1dB=16dBm, OIP3=28dBm
- Bias: 8V 60ma



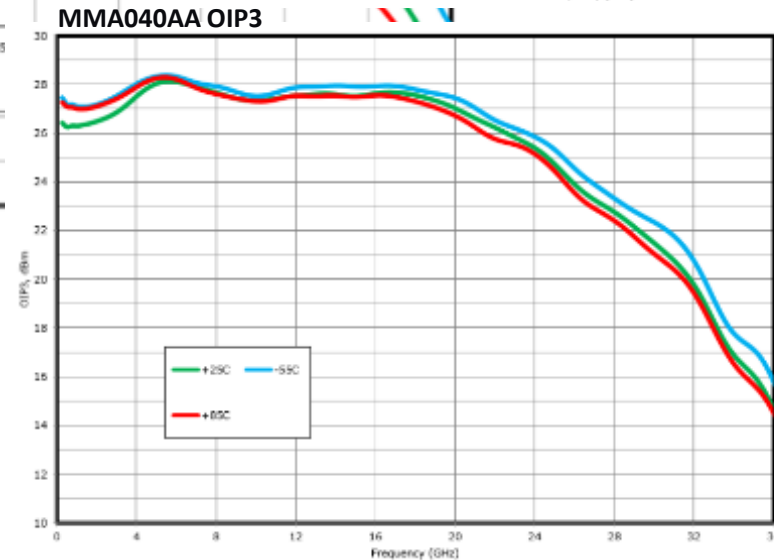
MMA040AA Small Signal Gain



MMA040AA Noise Figure



MMA040AA OIP3



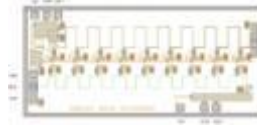


MMA041AA

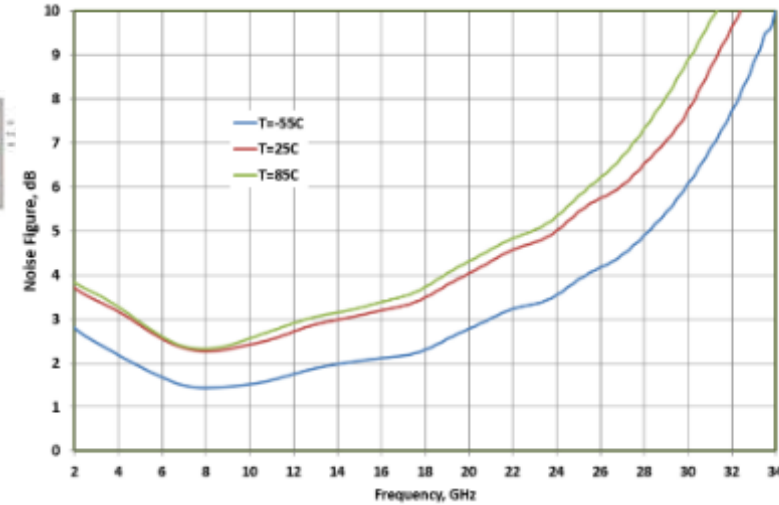
DC-26GHz High Dynamic Range LNA MMIC Chip

Features

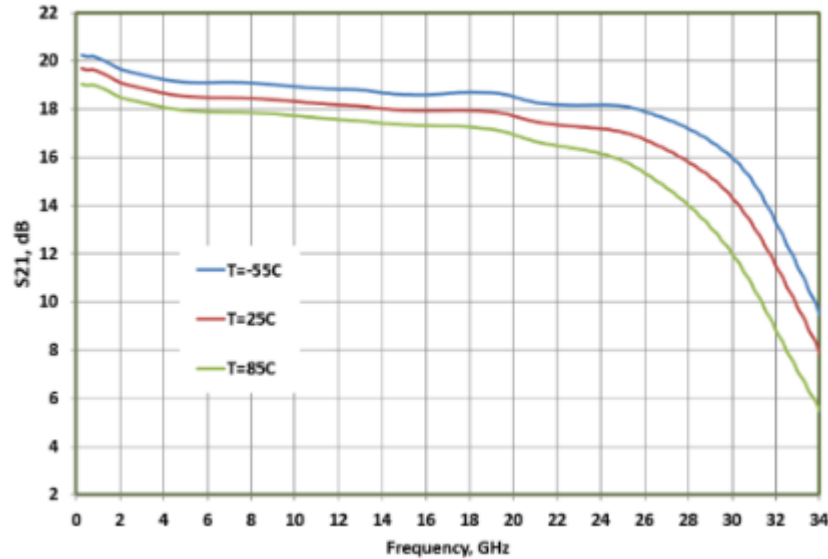
- Wideband: DC-26GHz
- SMT Package (5mm QFN) and Bare
- Gain: 18dB typ
- Low Noise Figure : 2.5dB
- High Linearity: P1dB=21dBm, OIP3=35dBm
- Bias: 7V, 150ma



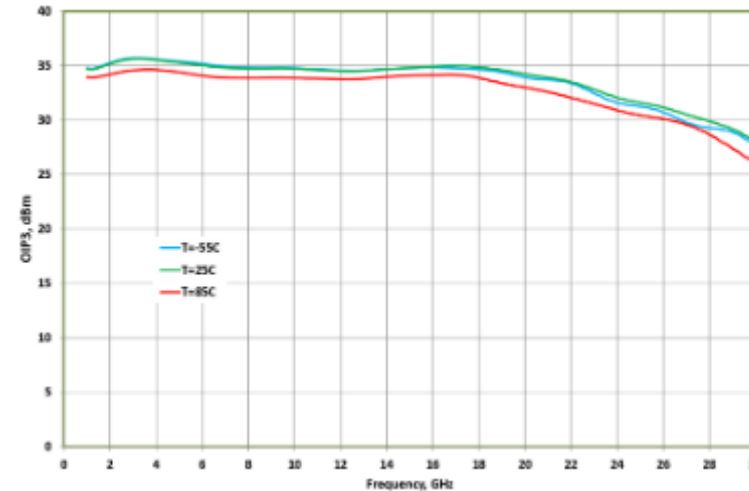
MMA041AA Noise Figure



MMA041AA Small Signal Gain



MMA041AA OIP3



MMA042AA

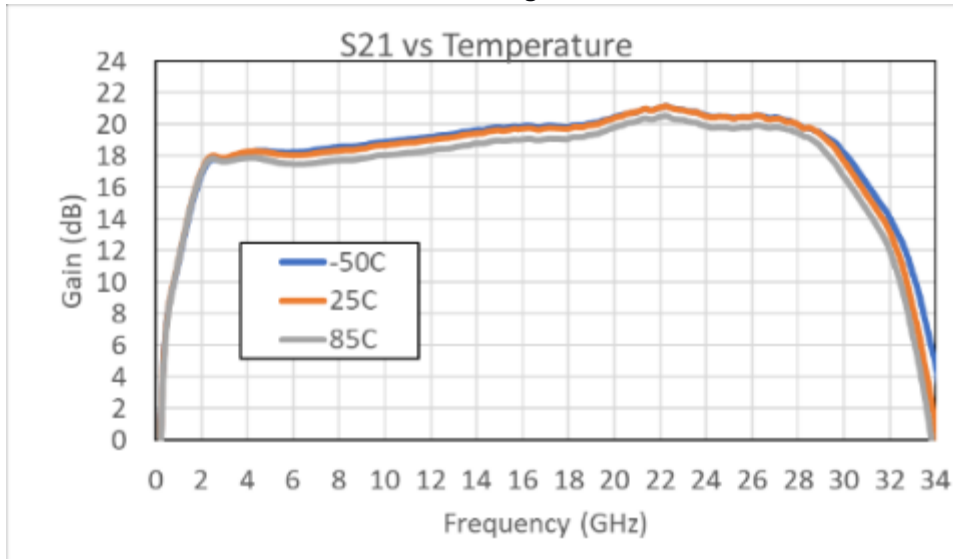
2GHz-25GHz Low Noise Amplifier MMIC Chip

Features

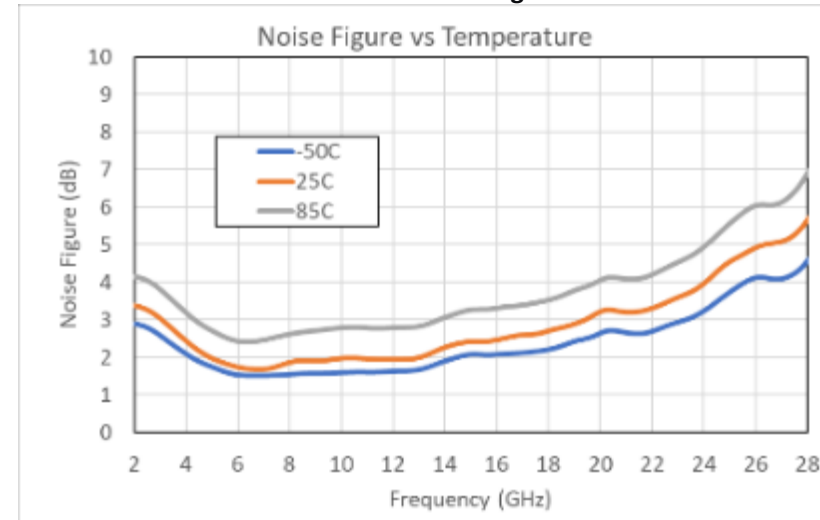
- Wideband: 2-25GHz w/ 2dB Positive Gain Slope
- SMT Package (5mm QFN) and Bare DIE
- Self Bias Design (Single Bias)
- High Gain: 19dB typical
- Low Noise: 2.5dB typical
- High Linearity: P1dB=19dBm, OIP3=30dBm
- Bias: 6V, 120ma



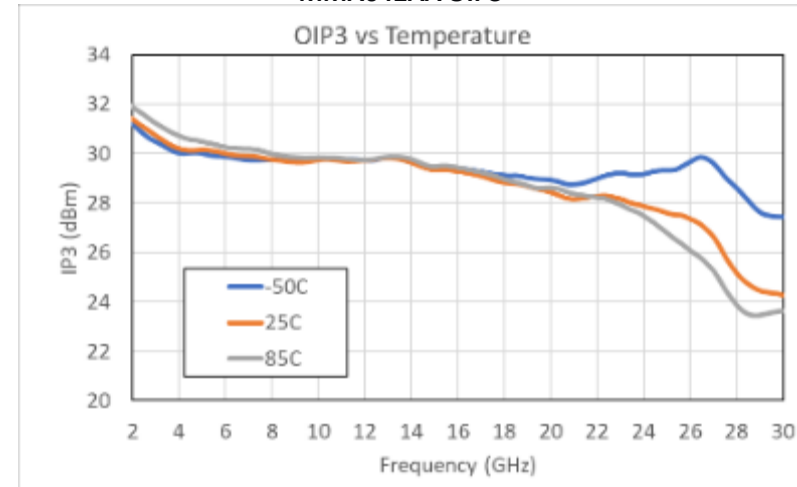
MMA042AA Small Signal Gain



MMA042AA Noise Figure



MMA042AA OIP3

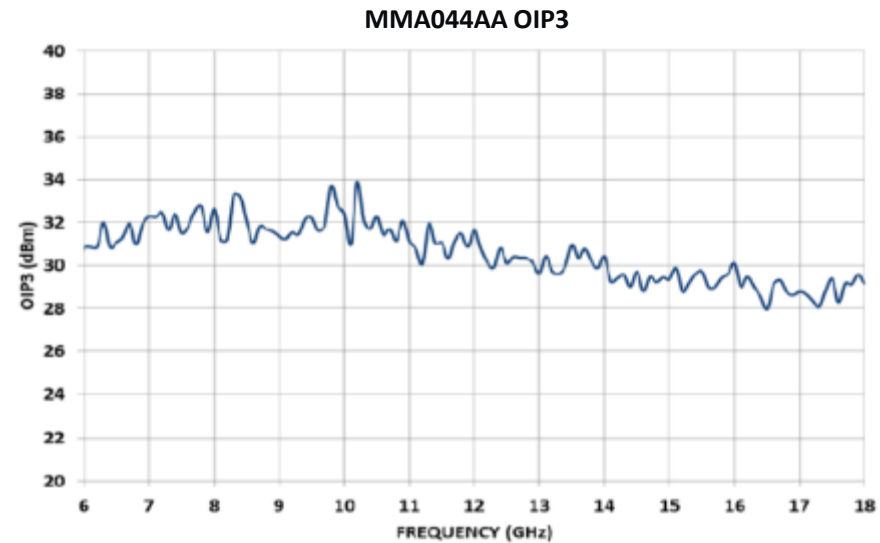
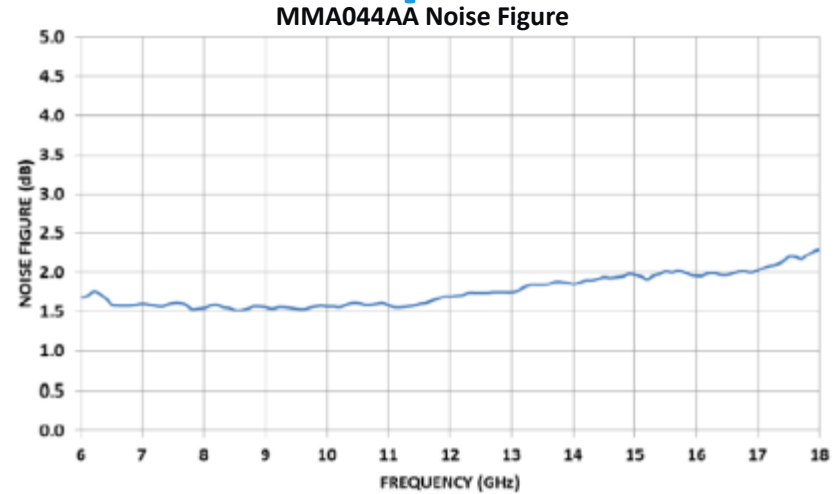
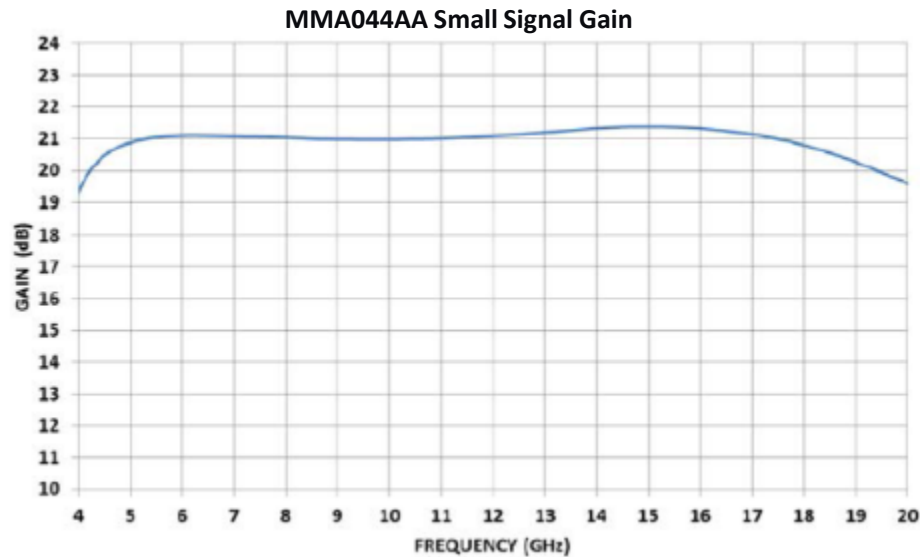


MMA044AA

6-18GHz High Dynamic Range LNA MMIC Chip

Features

- Wideband: 6-18GHz
- SMT Package and Bare DIE
- Gain: 21dB Typ DIE w/ BCB
- Low Noise Figure : 1.6 dB Typical
- High Linearity P1dB 17dBm OIP3: 28dBm
- Bias: 4V, 100ma

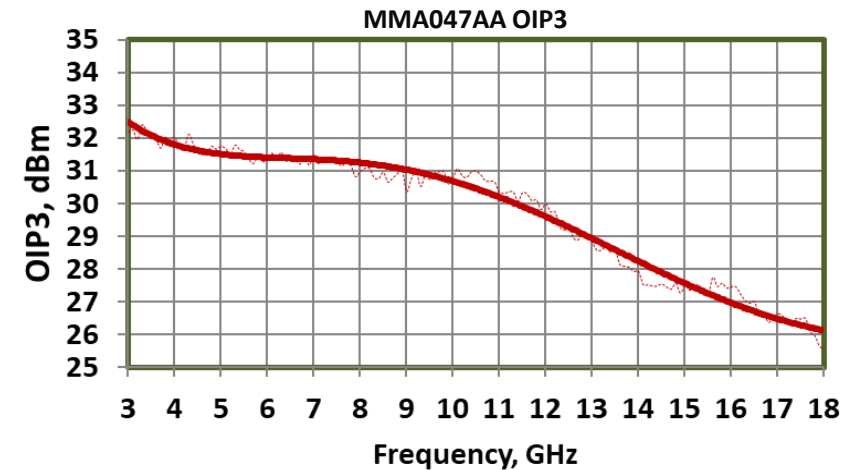
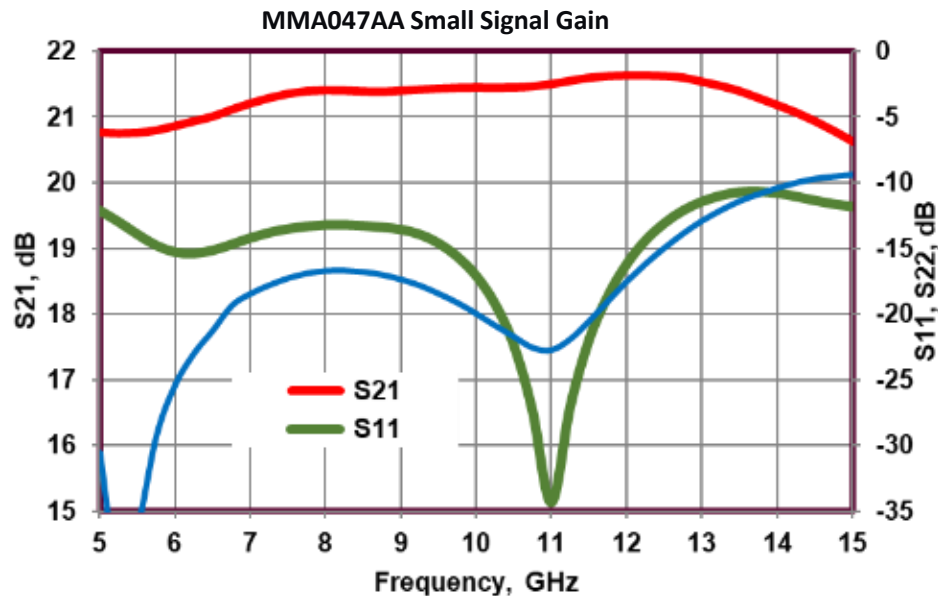
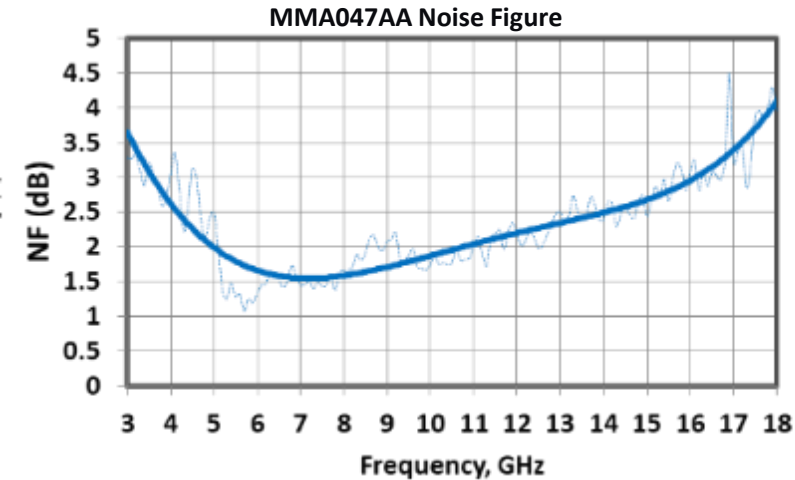


MMA047AA

5-14GHz Wideband LNA MMIC Chip

Features:

- Wideband: 5-14GHz
- SMT Package and Bare DIE
- Gain: 21dB
- Low Noise Figure: 2 dB
- High Linearity: P1dB=18dBm, OIP3=31dBm
- Bias: 5V, 110mA



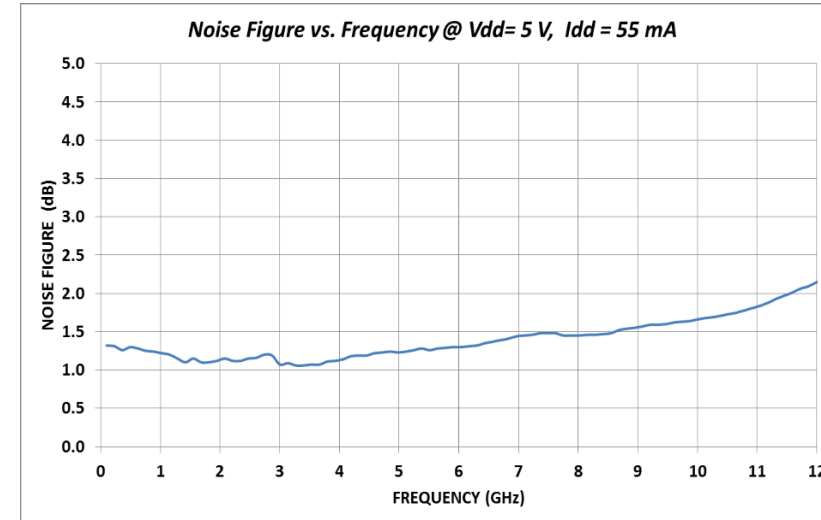
MMA043AA

0.5-12GHz High Dynamic Range LNA MMIC Chip

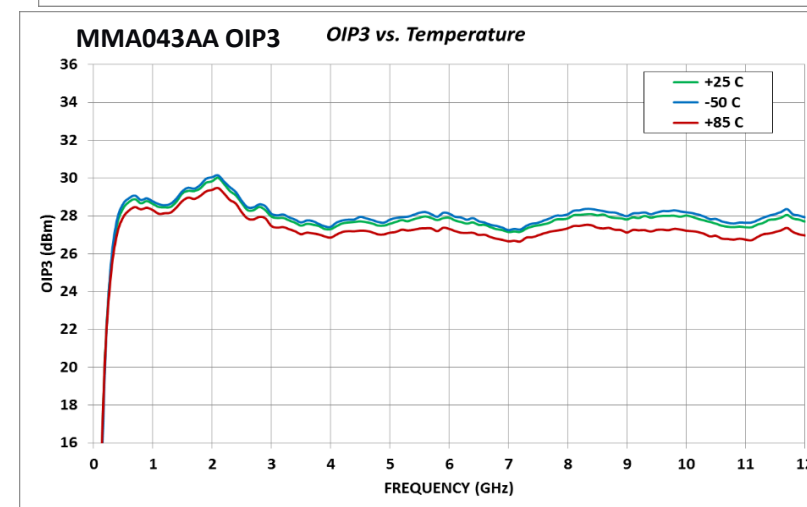
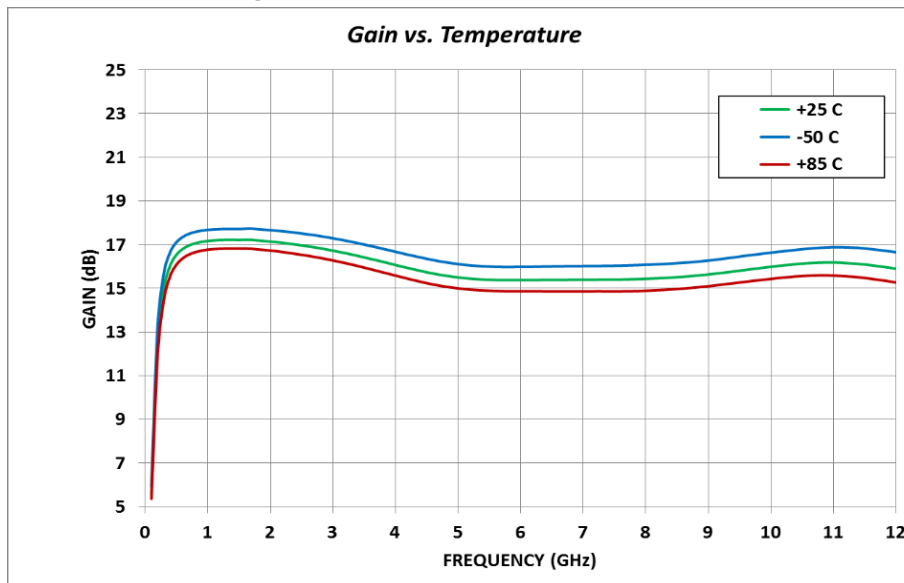
Features

- Wideband: 0.5-12GHz
- SMT Package and Bare DIE
- Gain: 16dB typ
- Low Noise Figure: 1.5dB typ
- High Linearity: P1dB=17dBm, OIP3=28dBm
- Bias: 5V 55ma

MMA043AA Noise Figure



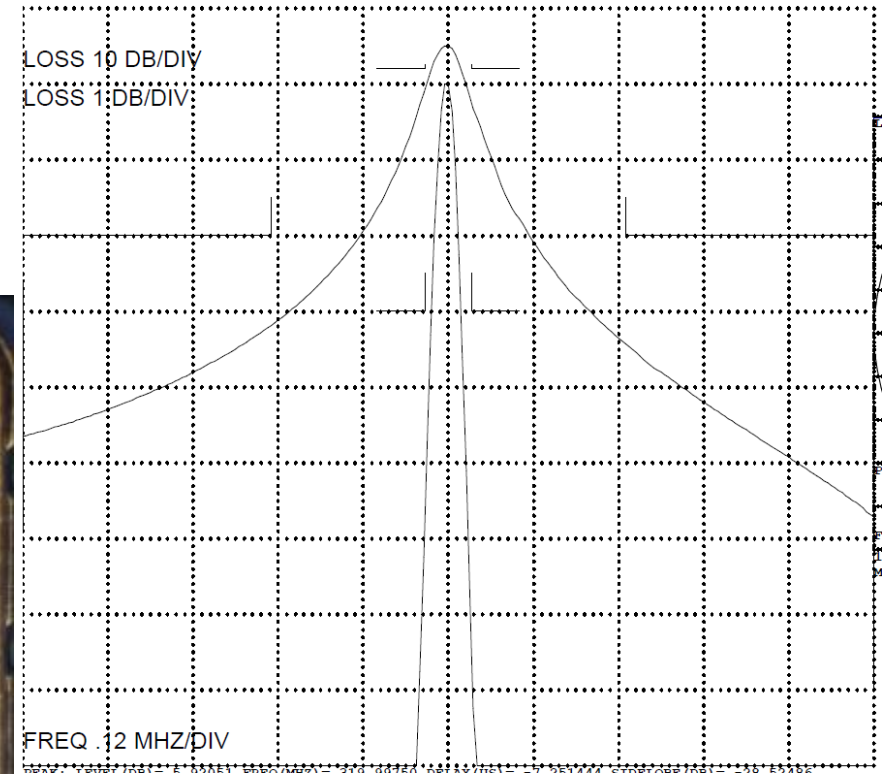
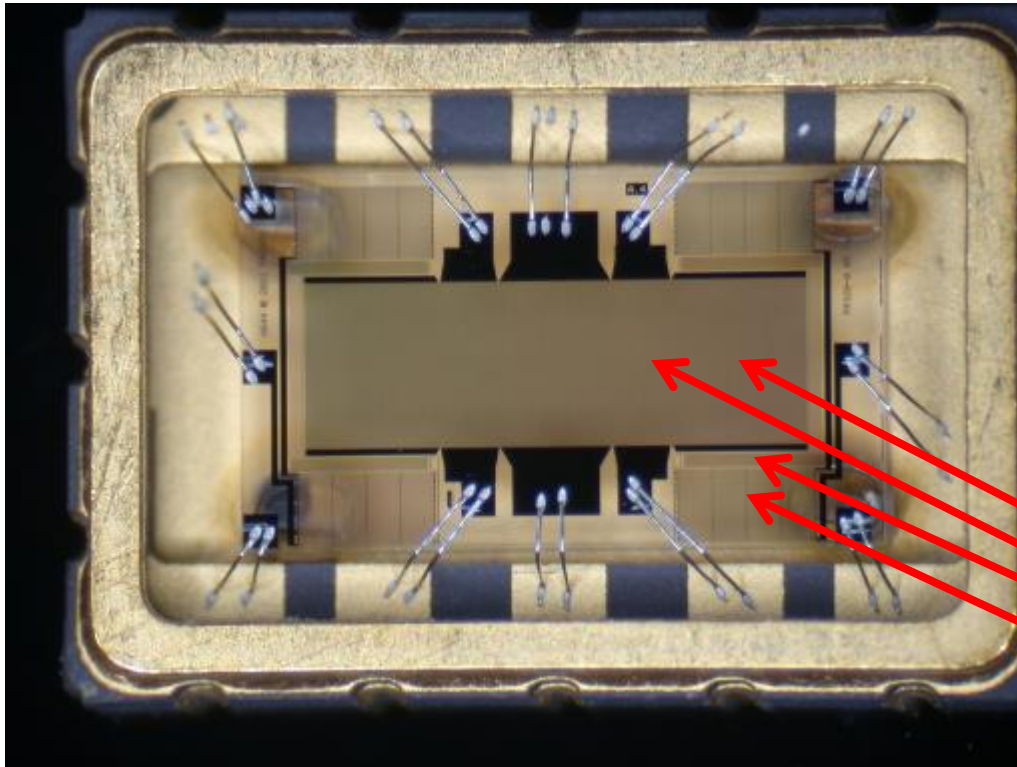
MMA043AA Small Signal Gain



Resonator Filter

Example: Resonator Filter With Micro-oven

- 320 MHz Center
- 0.042 MHz Bandwidth at 3dB
- 6 dB Insertion Loss
- 5mm x 7mm LCC Package
- Heater and sensor resistors integrated on die surface for low power temp control



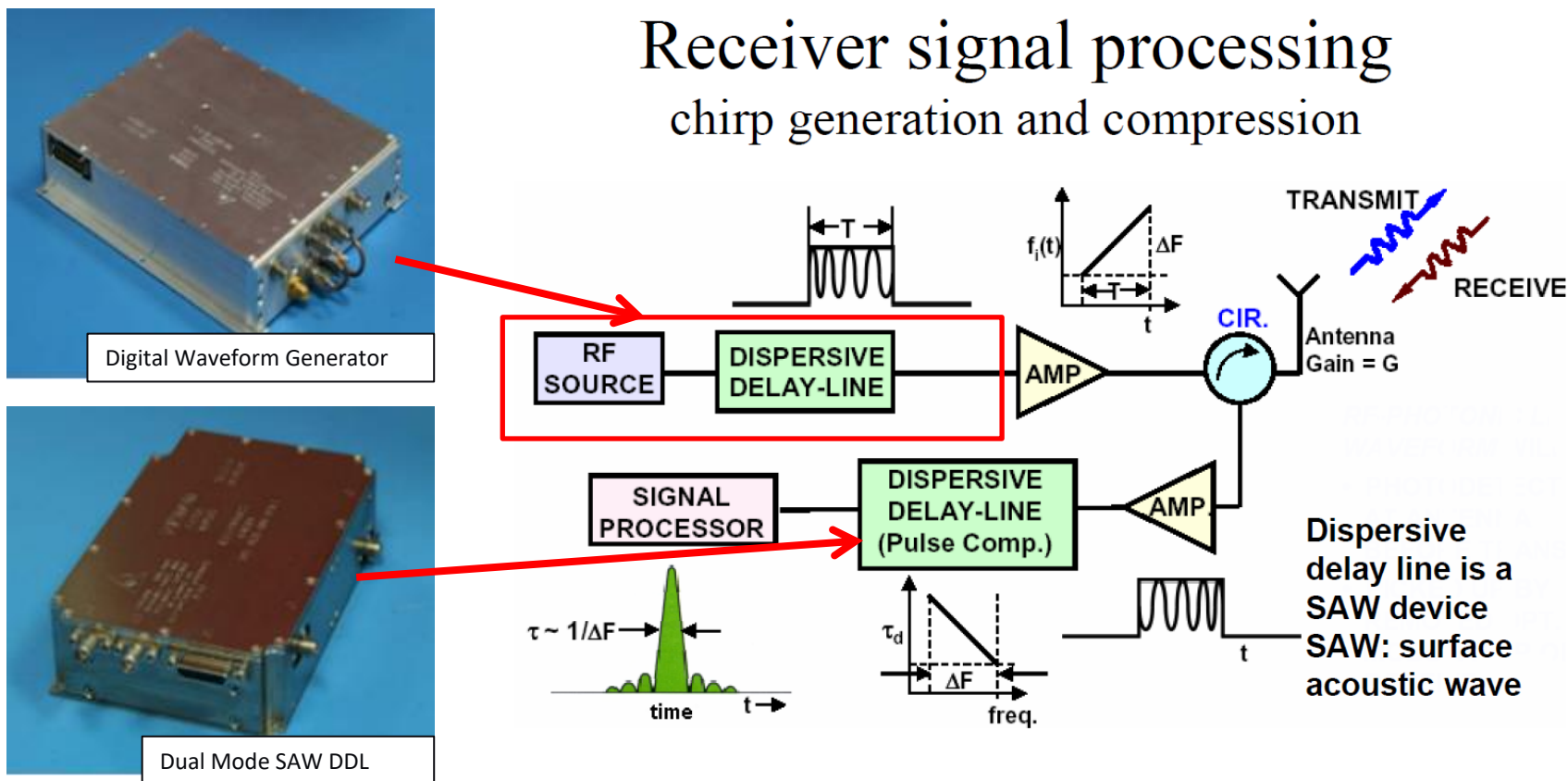
- SAW reflection gratings (3 places)
- SAW transducers (2 places)
- Micro-oven heater resistors (4 places)
- Micro-oven sensor resistors (4 places)

Pulse Compression Dispersive Delay Line



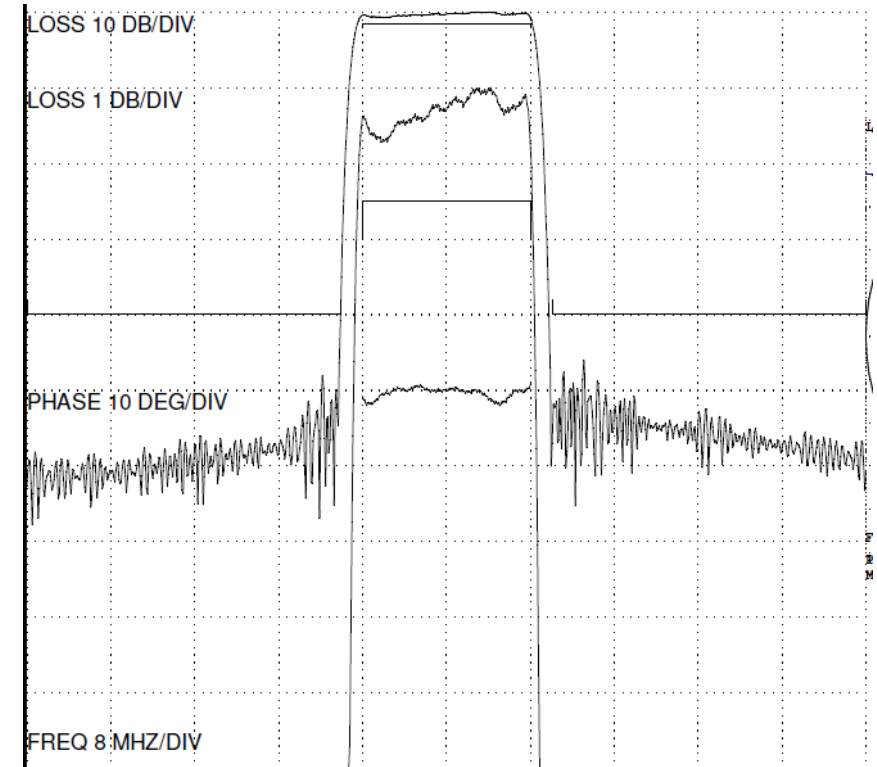
- Signal exhibits $10\log(TB)$ processing gain from matched filtering while noise does not
- SAW can implement TB products $>10,000$. **This is 40dB Signal to Noise improvement!**
- This extends the RADAR's range which is limited by peak radiated power.
- Trend is towards AESA antennas w/ GaN amplifiers, which produce less power than the TWT antennas they are replacing. More dispersion (T) is needed to compensate.
- Chirp generation and compression can be done with SAW or digitally

Receiver signal processing chirp generation and compression



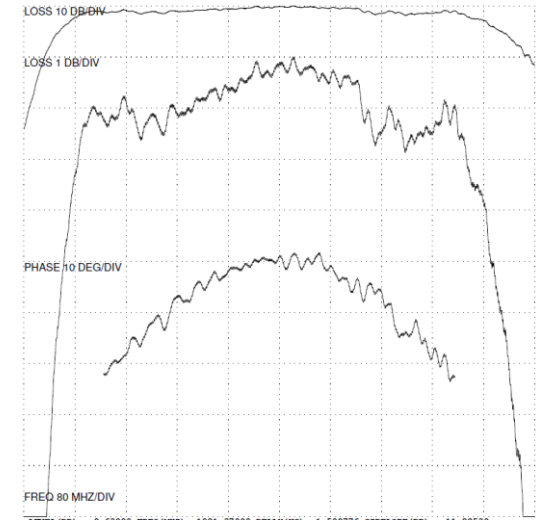
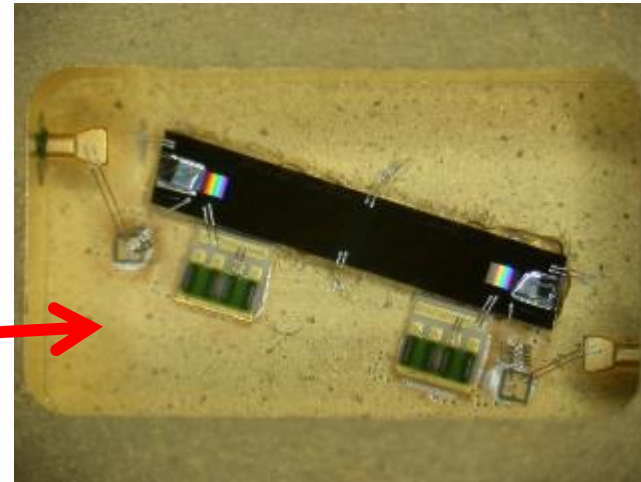
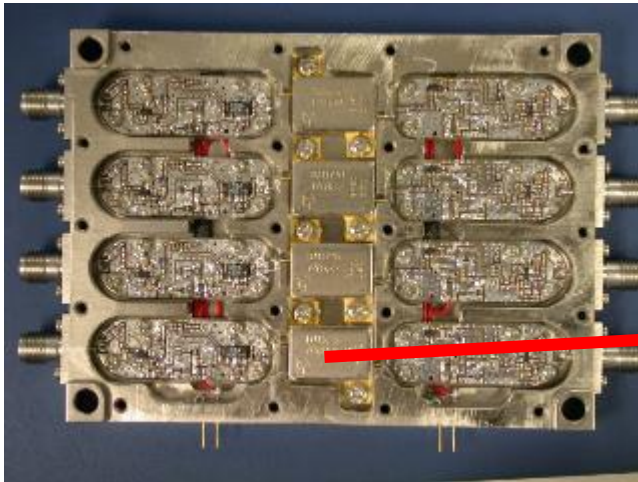
Bandpass Filter

- Example: Internally Tuned Bandpass Filter
- 500 MHz Center
- 16.4 MHz Bandwidth at 1dB
- 19.9 MHz Bandwidth at 40dB
- Shape Factor 1.2:1
- 27 dB Insertion Loss
- 50 dB Rejection
- 1.8 us Delay
- 2.7deg-pp phase error from linear



Delay Line

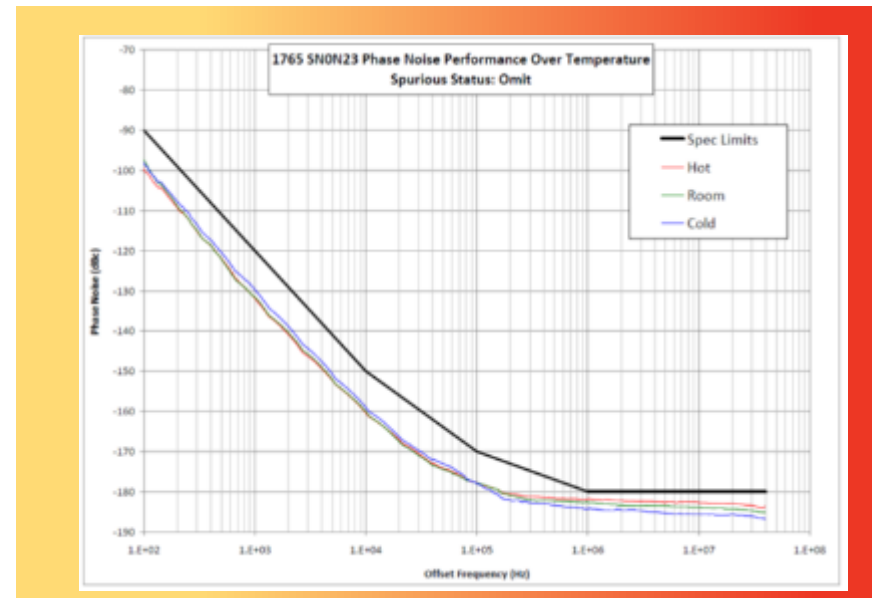
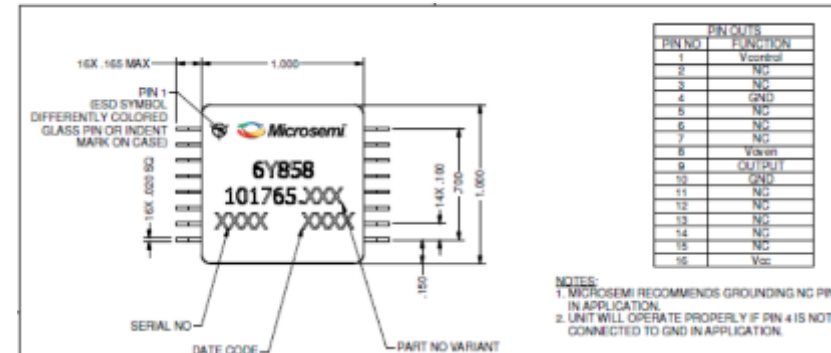
- Example: 4 Channel, Amplified Delay Line
- 1000 MHz Center
- 600MHz Bandwidth at 2dB
- 9 dB Gain
- 1.5 us Delay
- Channel to Channel Gain Match <1.5 dB
- Channel to Channel Phase Match <6 deg



101765.101

(600MHz) VCISO Module

- Features:
 - Frequency range: 320-2500MHz
 - -160dBc/Hz @ 10kHz offset
 - -180dBc/Hz noise floor
 - High output power: +18 dBm
 - <20ppm-pp Frequency shift over -40°C to +85°C Operation
 - High reliability



VS-709

Voltage controlled SAW Oscillator

Features / Performance

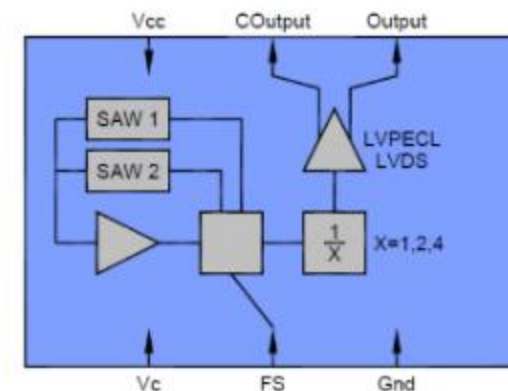
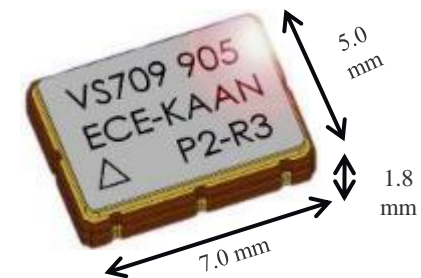
- Frequency Range 150 MHz – 1.0 GHz
- Low Jitter performance (120 fs-rms 12 kHz to 20 MHz)
- Output options: LVPECL, LVDS
- 2.5V or 3.3V supply voltage
- Frequency Select with OD
- Two oscillator gain settings

Technical aspect

- 5th generation VCSO ASIC technology for improved performance
- Fundamental Design
- Improved Phase Noise and Jitter
- Frequency Select feature

Application

- Wireline – SONET/SDH, 10 GbE, Synchronous Ethernet, 100G/40G

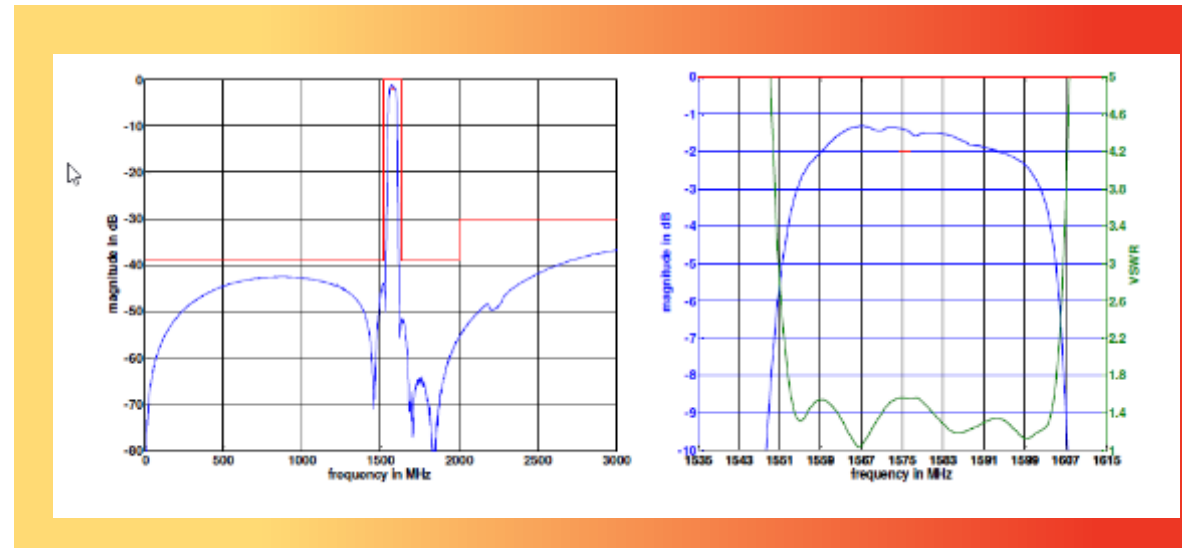
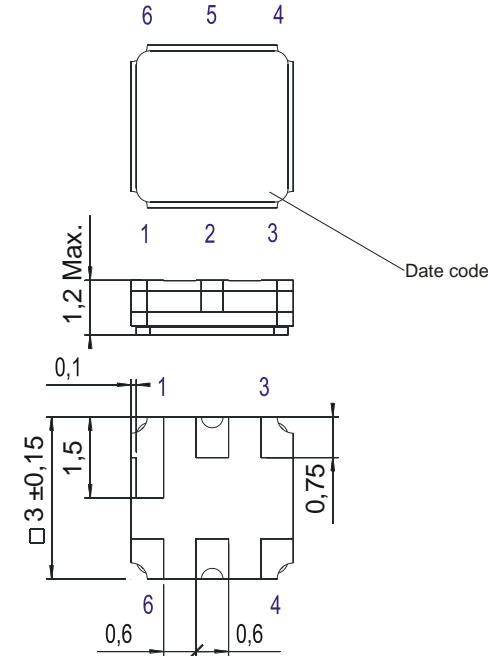




TFS1575AD

L1 GNSS Band Low Loss SAW Filter

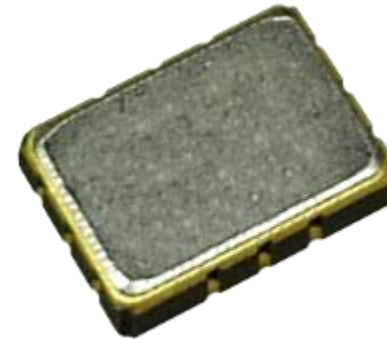
- Features:
- 1575.42MHz center frequency
- +/-1.023MHz usable passband
- Single-ended 50 ohm input/output
- Insertion loss, 2dB max
- Stopband attenuation >30dB
- RoHS compliant
- -40°C to +85°C
- Hermetic 3mm x 3mm package



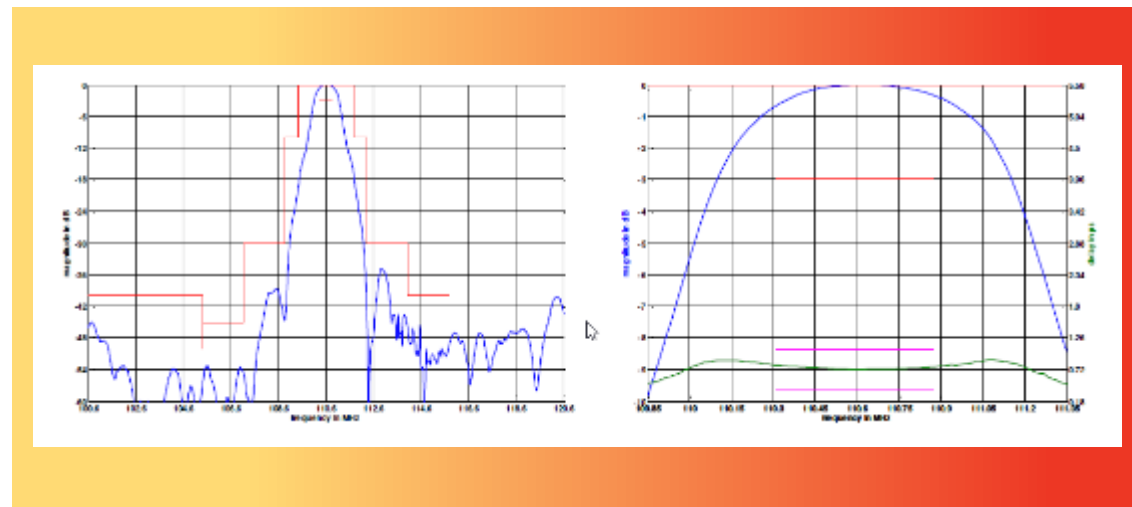
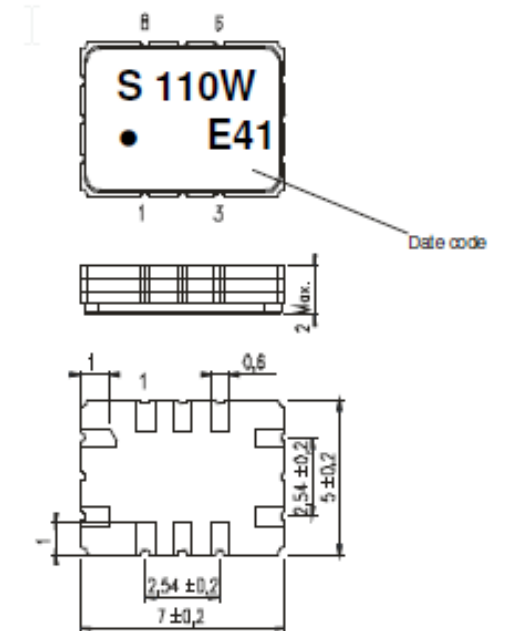
TFS110W

Loss Reduced SAW Filter

- Features:
- 110.592MHz center frequency
- +/-0.28MHz usable passband
- Insertion loss 4.5dB max
- Stopband attenuation >30dB
- RoHS compliant
- -20°C to +70°C
- Hermetic 7mm x 5mm package



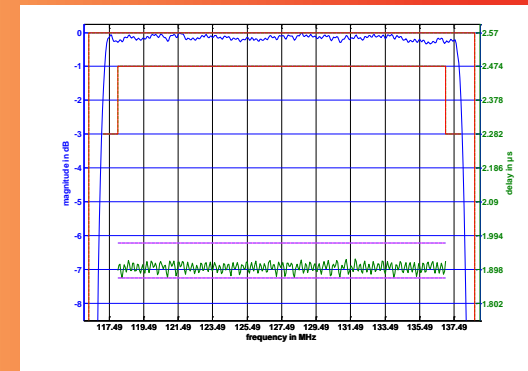
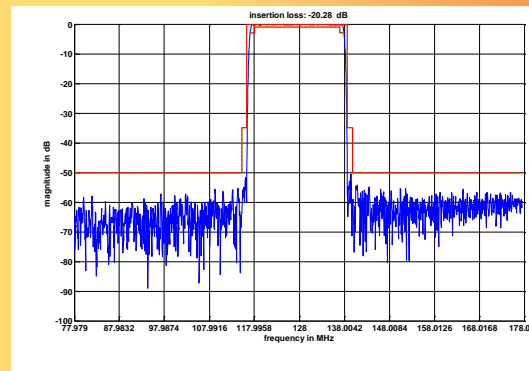
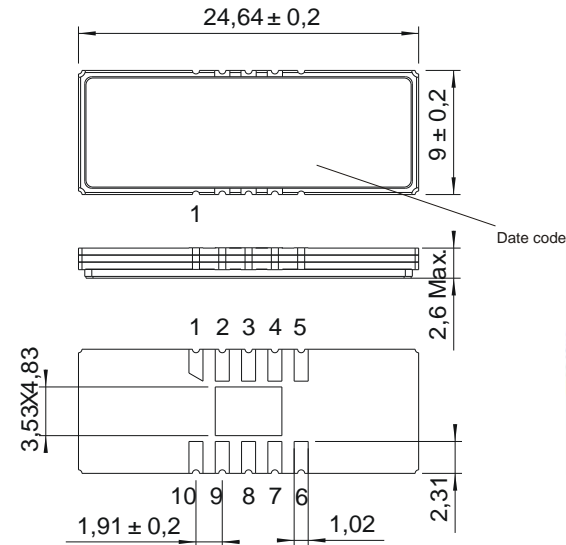
(All dimensions in mm)



TFS127F

High Loss SAW Filter

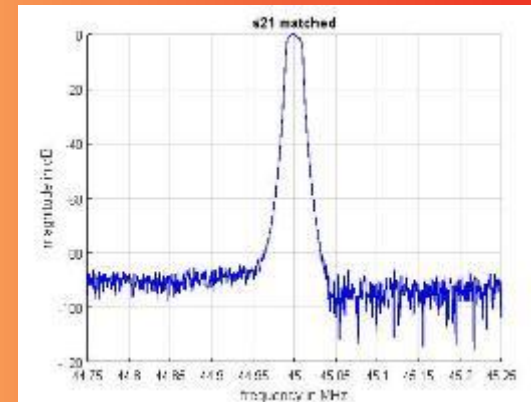
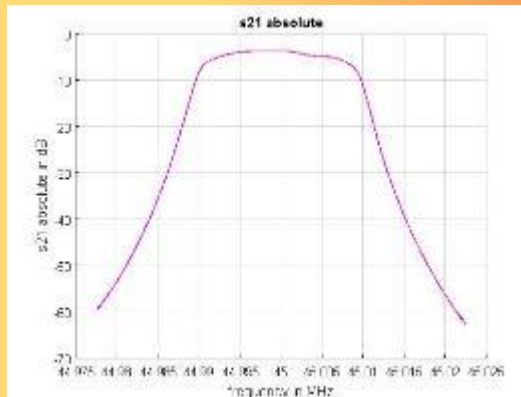
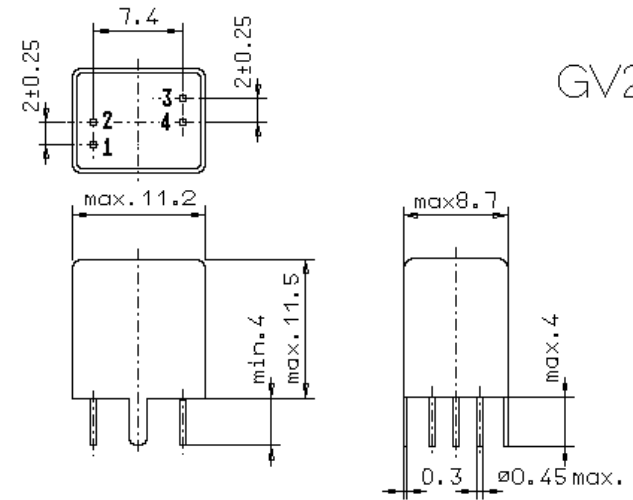
- Features:
- 127.5MHz center frequency
- +/-9.5MHz usable passband
- Single-ended 62 ohm input/output
- Insertion loss, 22dB max
- Stopband attenuation >35dB
- RoHS compliant
- -40°C to +85°C
- Hermetic 24mm x 9mm package



MQF45.0-1500/11

6 Pole Monolithic Crystal Filter

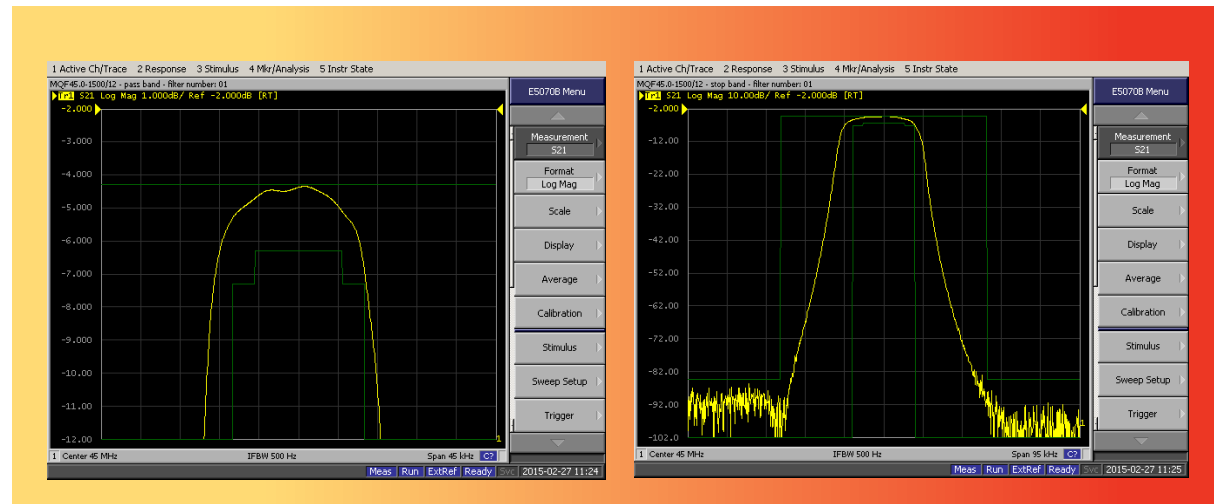
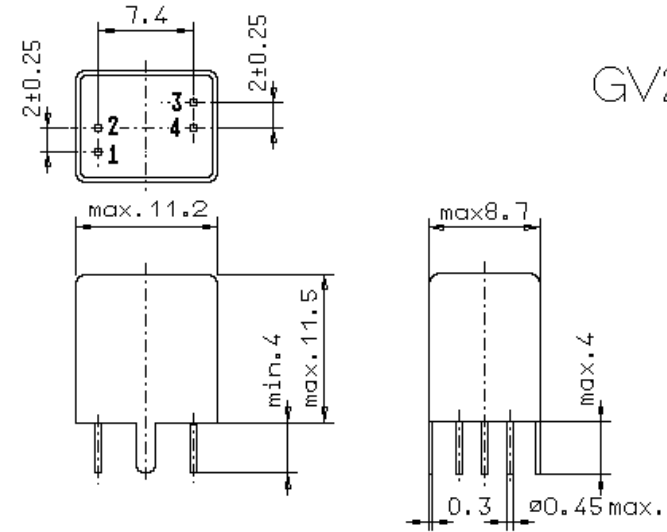
- Features:
- 45MHz center frequency
- +/-7.5kHz usable passband
- Single-ended 650 ohm input/output
- Insertion loss, <5dB
- Stopband attenuation >80dB
- RoHS compliant
- Return loss >10dB at center
- -25°C to +70°C



MQF45.0-1500/12

8 Pole Monolithic Crystal Filter

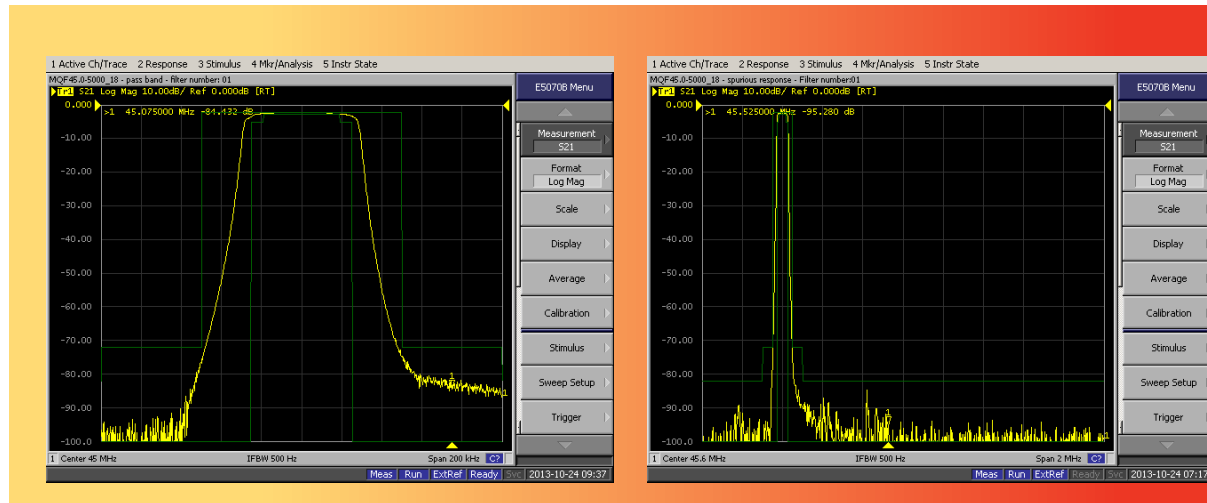
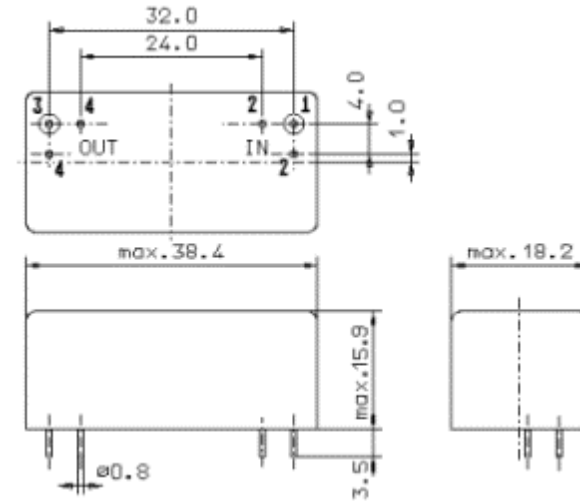
- Features:
- 45MHz center frequency
- +/-7.5kHz usable passband
- Single-ended 650 ohm input/output
- Insertion loss, <6dB
- Stopband attenuation >80dB
- RoHS compliant
- Return loss >10dB at center
- -20°C to +70°C



MQF45.0-5000/18

10 Pole Monolithic Crystal Filter

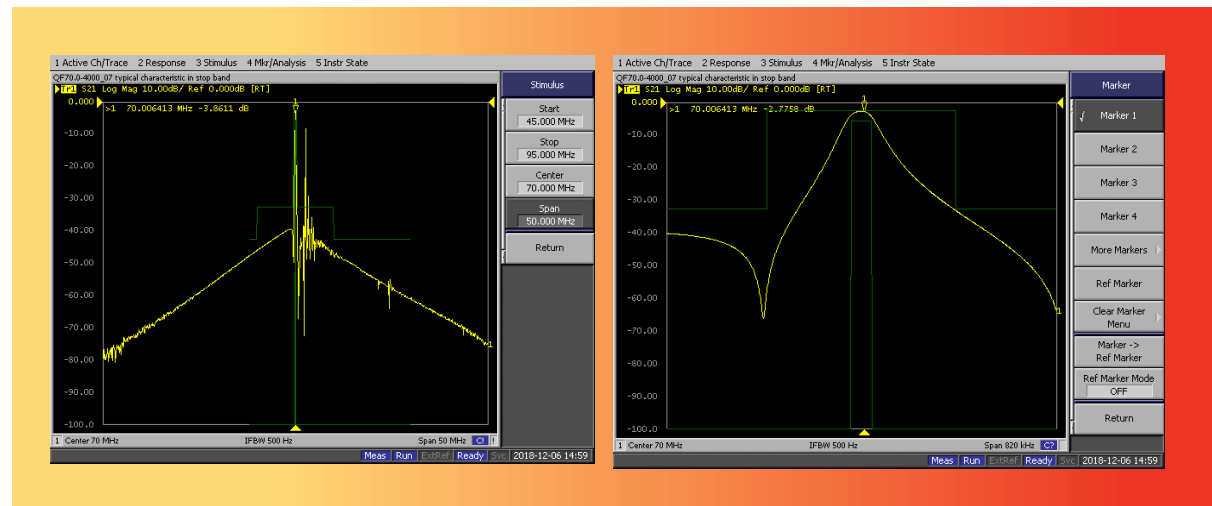
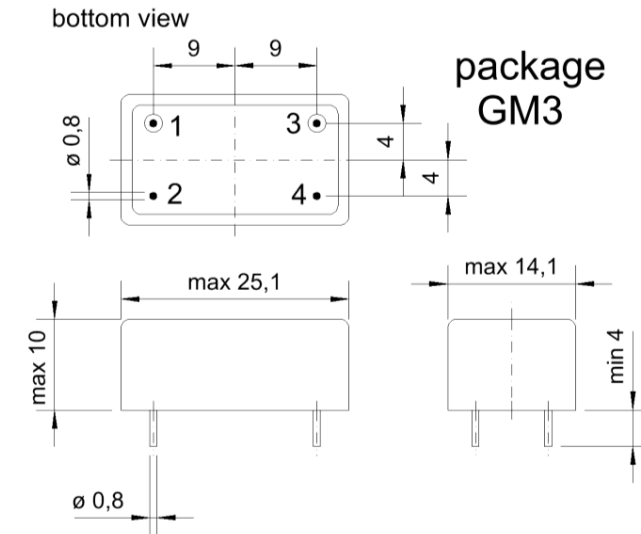
- Features:
- 45MHz center frequency
- +/-25kHz usable passband
- Single-ended 50 ohm input/output
- Insertion loss, <3dB
- Stopband attenuation >70dB
- RoHS compliant
- Return loss >11.73dB at ctr
- -20°C to +70°C



QF70.0-4000/07

2 Pole Discrete Crystal Filter

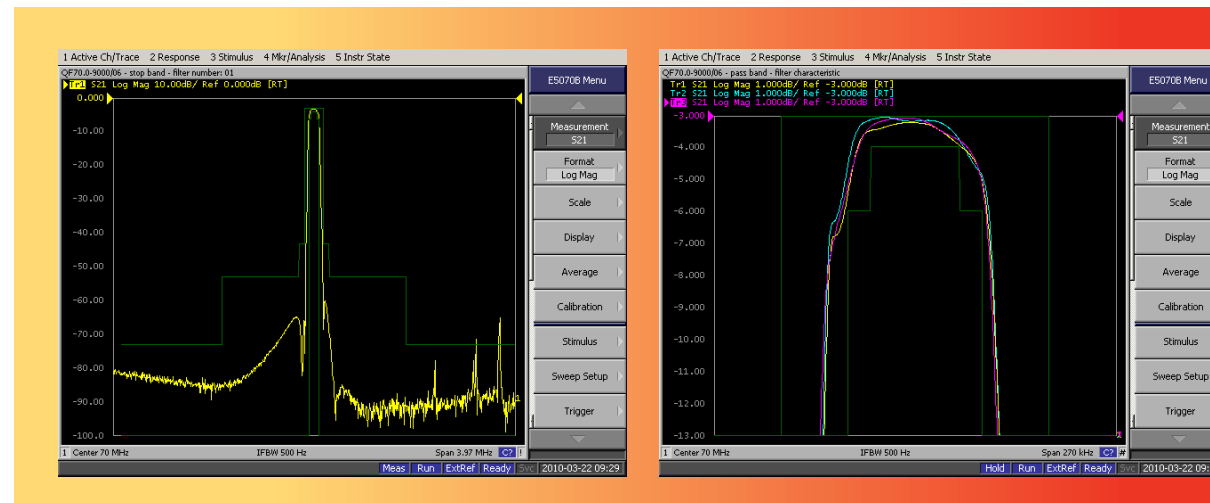
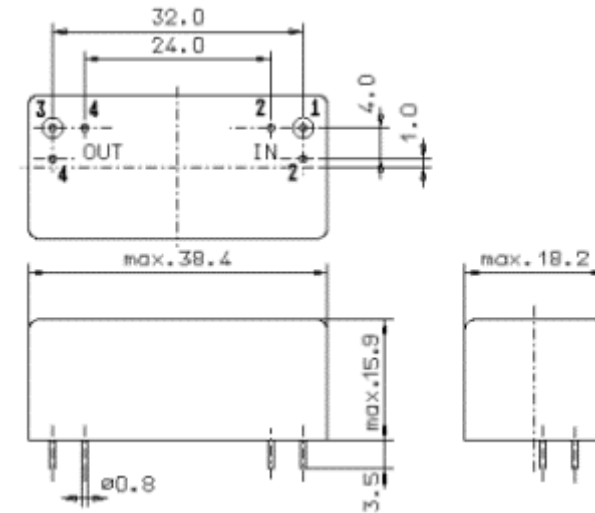
- Features:
- 70MHz center frequency
- +/-20kHz usable passband
- Single-ended 50 ohm input/output
- Insertion loss, 7dB max
- Stopband attenuation >30dB
- RoHS compliant
- -40°C to +85°C



QF70.0-9000/06

6 Pole Discrete Crystal Filter

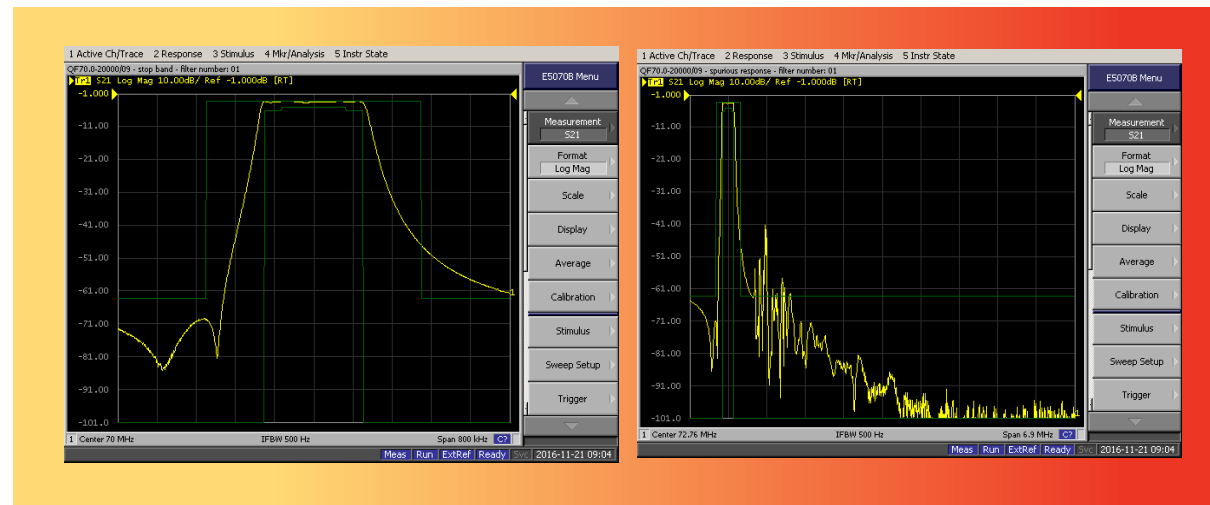
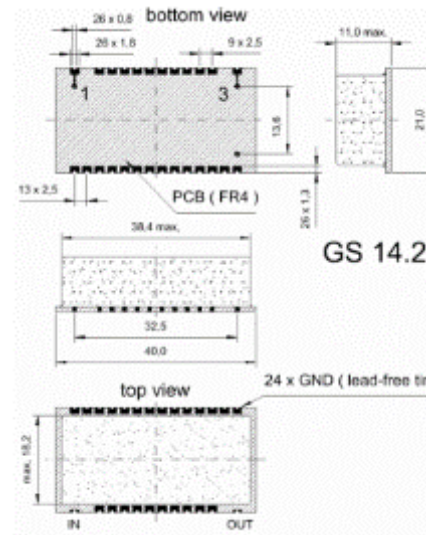
- Features:
- 70MHz center frequency
- +/-45kHz usable passband
- Single-ended 50 ohm input/output
- Insertion loss, 6dB max
- Stopband attenuation >40dB
- RoHS compliant
- -20°C to +70°C



QF70.0-20000/09

8 Pole Discrete Crystal Filter

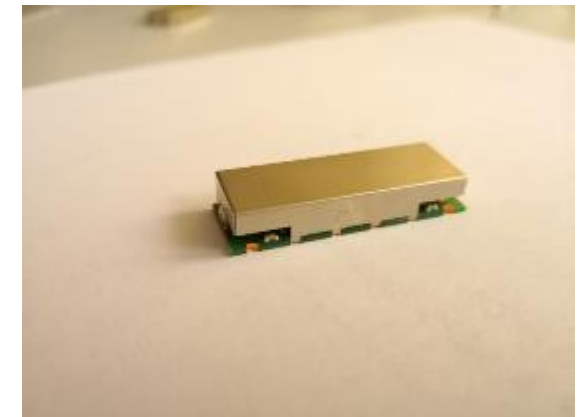
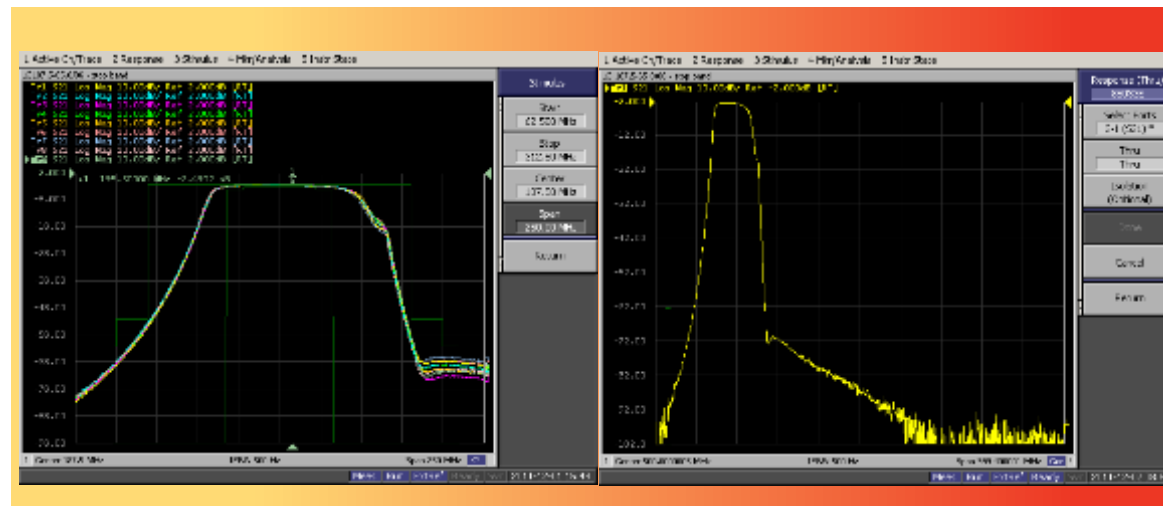
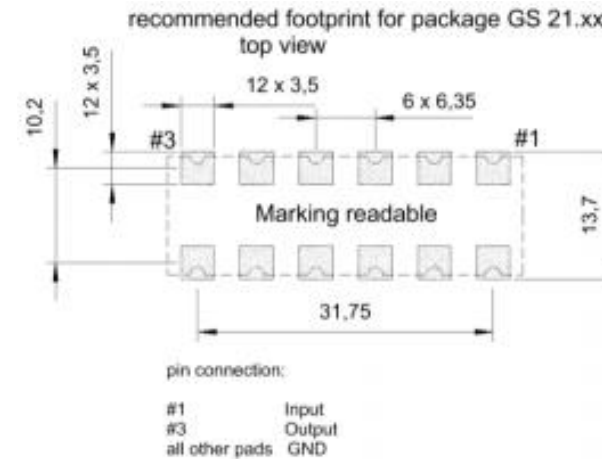
- Features:
- 70MHz center frequency
- +/-100kHz usable passband
- Single-ended 50 ohm input/output
- Insertion loss, 4.5dB max
- Stopband attenuation >60dB
- RoHS compliant
- -40°C to +85°C



LC187.5-65.0/06

10 Pole LC Filter

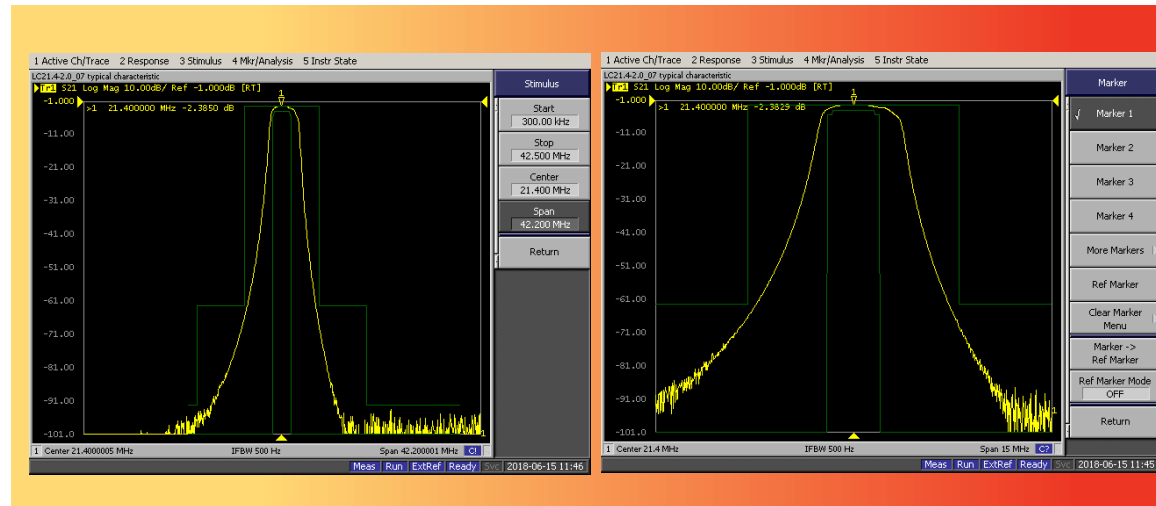
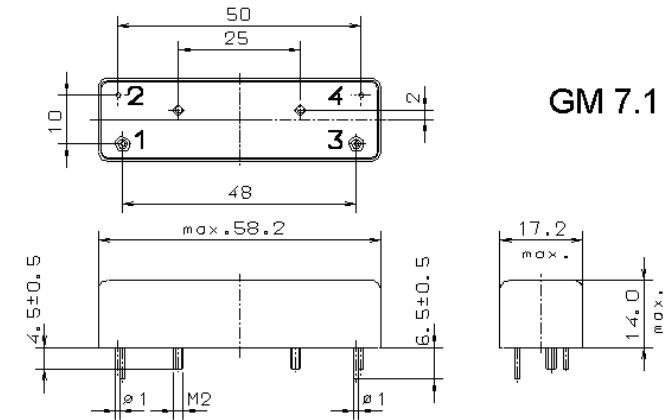
- Features:
- 187.5MHz center frequency
- +/-32.5MHz usable passband
- Single-ended 50 ohm input/output
- Insertion loss, 3dB max
- Stopband attenuation >50dB
- RoHS compliant
- -40°C to +85°C



LC21.4-2.0/07

6 Pole LC Filter

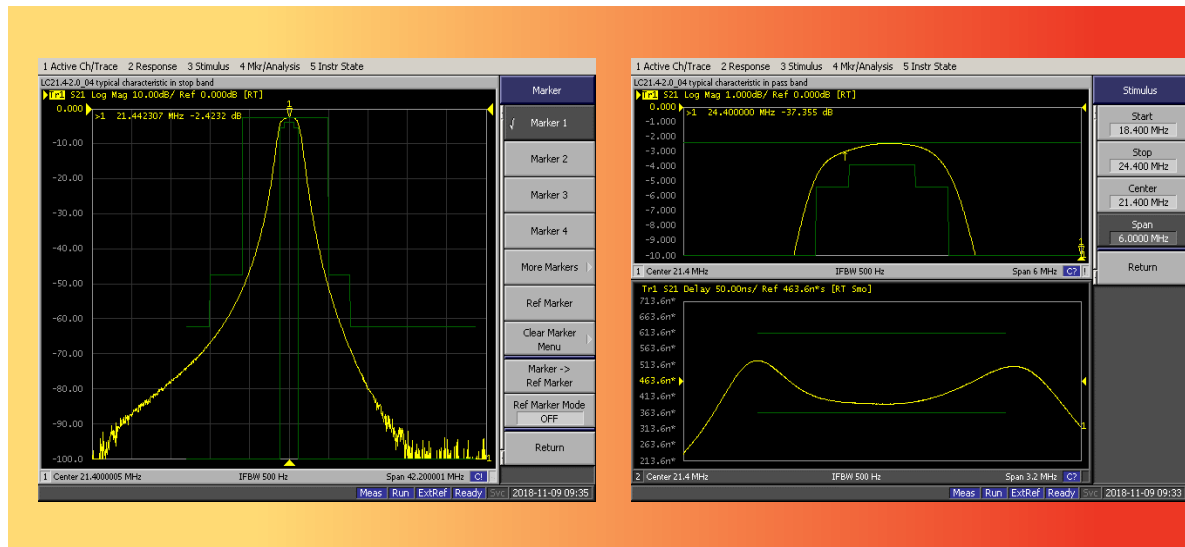
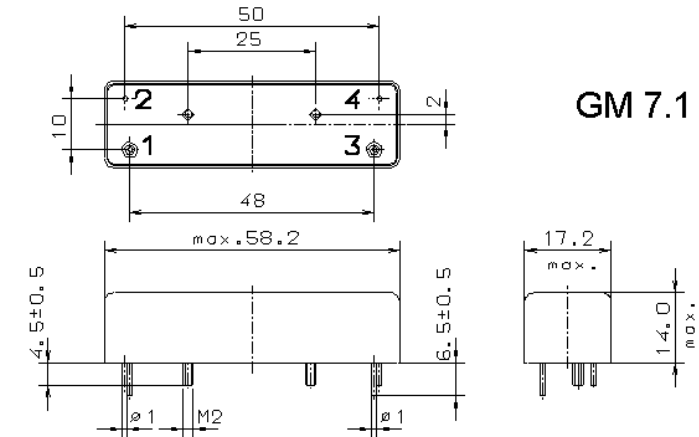
- Features:
- 21.4MHz center frequency
- +/-1.0MHz usable passband
- Single-ended 50 ohm input/output
- Insertion loss, 4dB max
- Stopband attenuation >60dB
- RoHS compliant
- -10°C to +70°C



LC21.4-2.0/04

4 Pole LC Filter

- Features:
 - 21.4MHz center frequency
 - +/-1.0MHz usable passband
 - Single-ended 50 ohm input/output
 - Insertion loss, 4dB max
 - Stopband attenuation >45dB
 - RoHS compliant
 - -20°C to +70°C

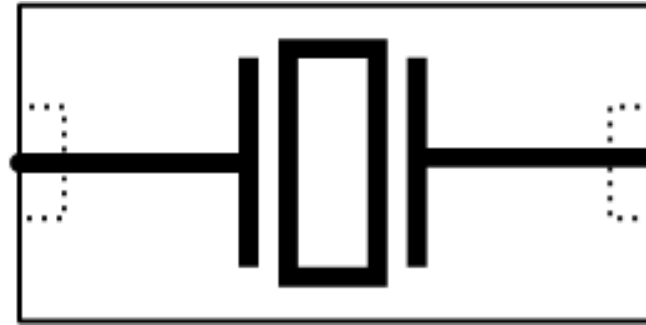


VXM1

Precision crystal

Features:

- Frequency Range: 8 to 60 MHz
- Footprint: 5 x 3.2 mm, surface mount
- Temperature Range: -40 to 85 °C
- Cload max: 32 pF
- Co max: 5 pF
- Mode: fundamental, 3rd OT
- Maximum Drive Level: 100 uW
- ESR at 24 MHz: 50 Ohms
- Temperature stability 0 to 70°C: 10 ppm
- Temperature stability -40 to 85°C: 50 ppm

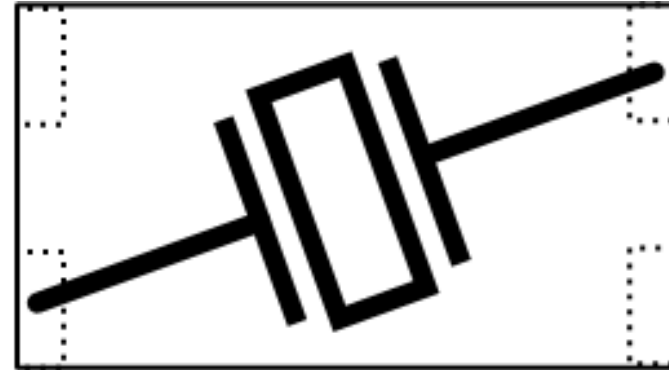


VXM2

Precision crystal

Features:

- Frequency Range: 8 to 150 MHz
- Footprint: 5 x 3.2 mm, surface mount
- Temperature Range: -40 to 85 °C
- Load max: 32 pF
- Co max: 5 pF
- Mode: fundamental, 3rd OT
- Maximum Drive Level: 100 uW
- ESR at 24 MHz: 50 Ohms
- Temperature stability 0 to 70°C: 10 ppm
- Temperature stability -40 to 85°C: 50 ppm

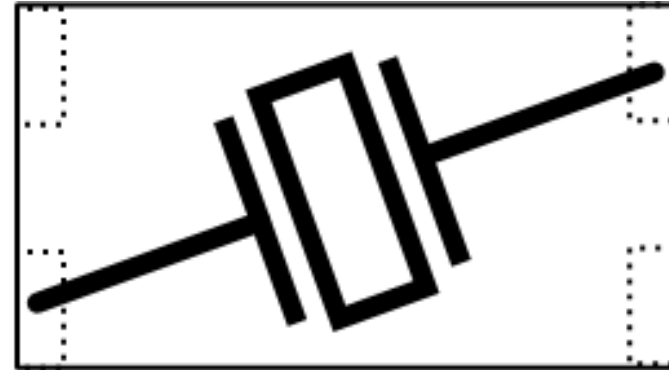


VXM4

Precision crystal

Features:

- Frequency Range: 12 to 60 MHz
- Footprint: 4 x 2.5 mm, surface mount
- Temperature Range: -40 to 85 °C
- Cload max: 32 pF
- Co max: 5 pF
- Mode: fundamental
- Maximum Drive Level: 100 uW
- ESR at 24 MHz: 50 Ohms
- Temperature stability 0 to 70°C: 10 ppm
- Temperature stability -40 to 85°C: 50 ppm

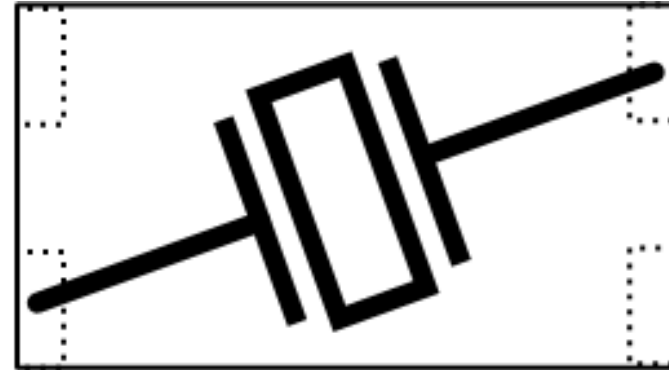


VXM5

Precision crystal

Features:

- Frequency Range: 8 to 54 MHz
- Footprint: 5 x 3.2 mm, surface mount
- Temperature Range: -40 to 85 °C
- Cload max: 32 pF
- Co max: 5 pF
- Mode: fundamental, 3rd OT
- Maximum Drive Level: 100 uW
- ESR at 24 MHz: 40 Ohms
- Temperature stability 0 to 70°C: 10 ppm
- Temperature stability -40 to 85°C: 50 ppm

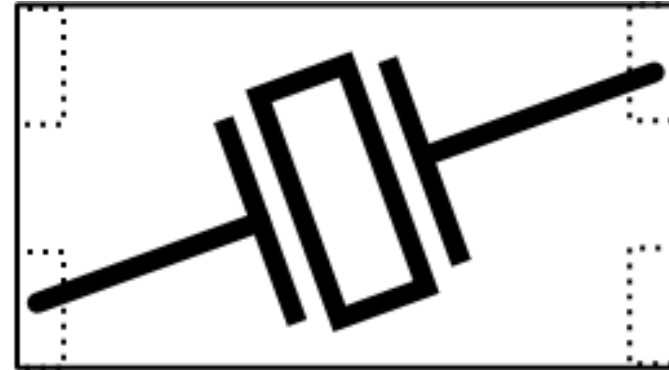


VXM7

Precision crystal

Features:

- Frequency Range: 12 to 60 MHz
- Footprint: 3.2 x 2.5 mm, surface mount
- Temperature Range: -40 to 85 °C
- Cload max: 32 pF
- Co max: 5 pF
- Mode: fundamental
- Maximum Drive Level: 100 uW
- ESR at 24 MHz: 60 Ohms
- Temperature stability 0 to 70°C: 10 ppm
- Temperature stability -40 to 85°C: 50 ppm

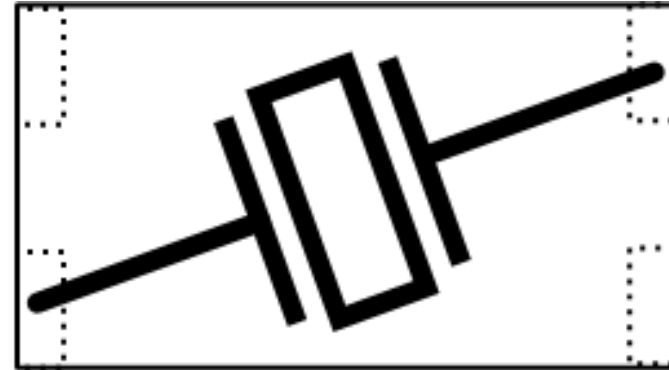


VXM8

Precision crystal

Features:

- Frequency Range: 14 to 60 MHz
- Footprint: 2.5 x 2 mm, surface mount
- Temperature Range: -40 to 85 °C
- Cload max: 32 pF
- Co max: 5 pF
- Mode: fundamental
- Maximum Drive Level: 100 uW
- ESR at 24 MHz: 60 Ohms
- Temperature stability 0 to 70°C: 10 ppm
- Temperature stability -40 to 85°C: 50 ppm

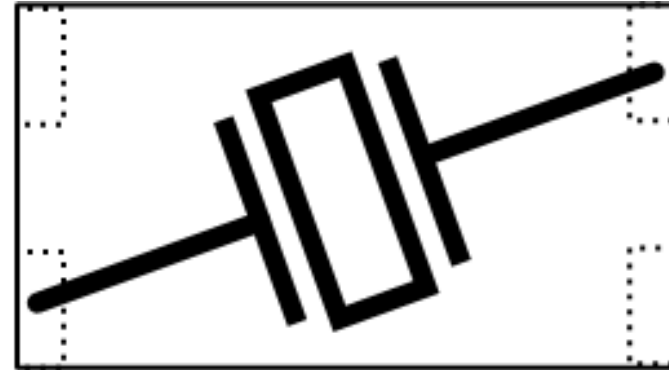


VXM9

Precision crystal

Features:

- Frequency Range: 16 to 60 MHz
- Footprint: 2 x 1.6 mm, surface mount
- Temperature Range: -40 to 85 °C
- Cload max: 32 pF
- Co max: 5 pF
- Mode: fundamental
- Maximum Drive Level: 100 uW
- ESR at 24 MHz: 100 Ohms
- Temperature stability 0 to 70°C: 10 ppm
- Temperature stability -40 to 85°C: 50 ppm

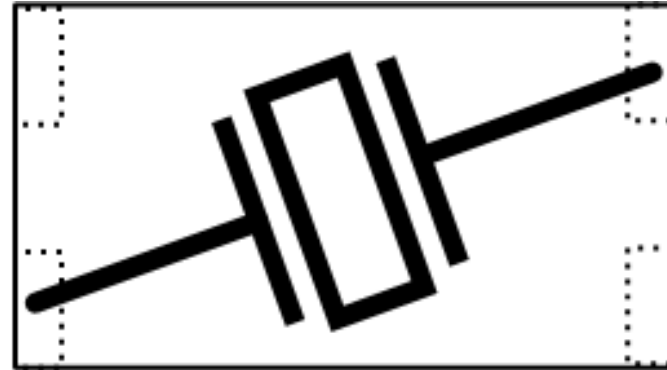


VXN1

Precision crystal

Features

- Frequency Range: 24 to 54 MHz
- Footprint: 1.6 x 1.2 mm, surface mount
- Temperature Range: -40 to 85 °C
- Cload max: 32 pF
- Co max: 5 pF
- Mode: fundamental
- Maximum Drive Level: 100 uW
- ESR at 24 MHz: 100 Ohms
- Temperature stability 0 to 70°C: 15 ppm
- Temperature stability -40 to 85°C: 50 ppm

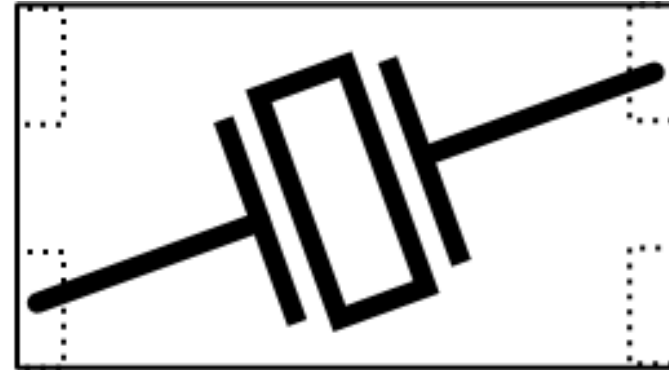


VXC1

Precision crystal

Features:

- Frequency Range: 8 to 100 MHz
- Footprint: 7 x 5 mm, surface mount
- Temperature Range: -40 to 85 °C
- Cload max: 32 pF
- Co max: 5 pF
- Mode: fundamental, 3rd OT
- Maximum Drive Level: 100 uW
- ESR at 24 MHz: 30 Ohms
- Temperature stability 0 to 70°C: 15 ppm
- Temperature stability -40 to 85°C: 50 ppm

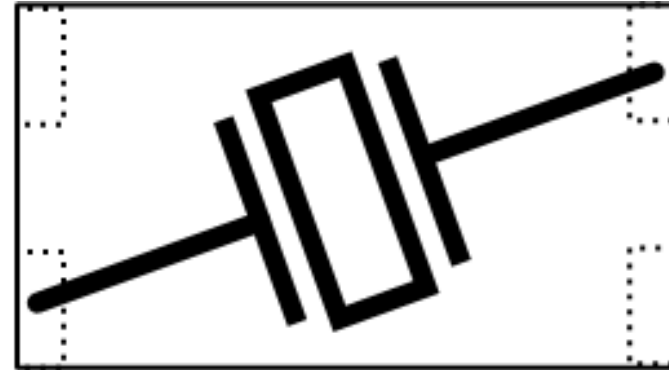


VXC4

Precision crystal

Features:

- Frequency Range: 8 to 100 MHz
- Footprint: 7 x 5 mm, surface mount
- Temperature Range: -40 to 85 °C
- Cload max: 32 pF
- Co max: 5 pF
- Mode: fundamental, 3rd OT
- Maximum Drive Level: 100 uW
- ESR at 24 MHz: 30 Ohms
- Temperature stability 0 to 70°C: 15 ppm
- Temperature stability -40 to 85°C: 50 ppm

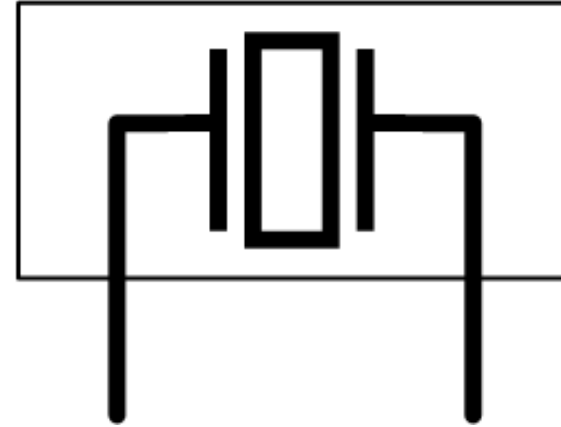


VXD1

Precision crystal

Features:

- Frequency Range: 7 to 200 MHz
- Footprint: 7.9 x 3.2 mm, through hole
- Temperature Range: -40 to 85 °C
- Cload max: 32 pF
- Co max: 5 pF
- Mode: fundamental, 3rd OT
- Maximum Drive Level: 100 uW
- ESR at 24 MHz: 25 Ohms
- Temperature stability 0 to 70°C: 15 ppm
- Temperature stability -40 to 85°C: 50 ppm

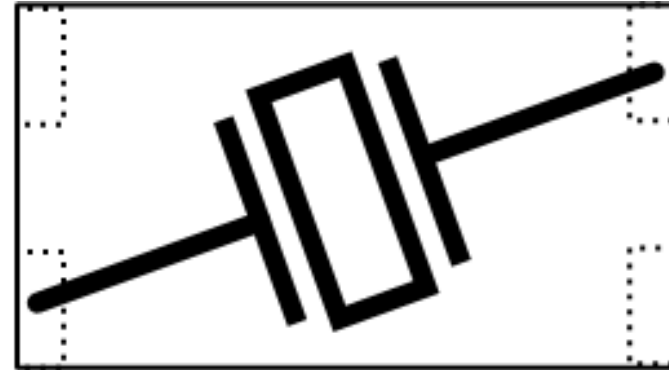


VXE4

Precision crystal

Features:

- Frequency Range: 9.68 to 100 MHz
- Footprint: 6 x 3.5 mm, surface mount
- Temperature Range: -40 to 85 °C
- Cload max: 32 pF
- Co max: 5 pF
- Mode: fundamental, 3rd OT
- Maximum Drive Level: 100 uW
- ESR at 24 MHz: 30 Ohms
- Temperature stability 0 to 70°C: 10 ppm
- Temperature stability -40 to 85°C: 50 ppm

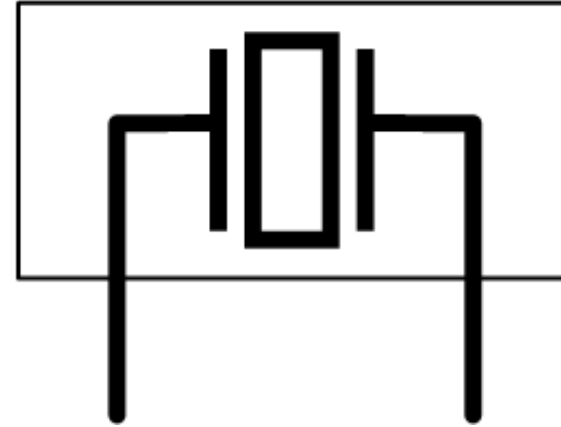


VXA1

Precision crystal

Features:

- Frequency Range: 1.536 to 150 MHz
- Footprint: 11.5 x 5.0 mm, through hole
- Temperature Range: -40 to 85 °C
- Cload max: 32 pF
- Co max: 5 pF
- Mode: fundamental, 3rd OT
- Maximum Drive Level: 100 uW
- ESR at 24 MHz: 25 Ohms
- Temperature stability 0 to 70°C: 15 ppm
- Temperature stability -40 to 85°C: 50 ppm

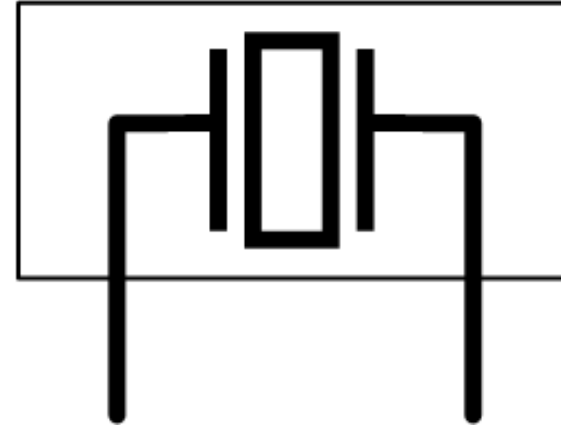


VXA4

Precision crystal

Features:

- Frequency Range: 3.5 to 100 MHz
- Footprint: 10.9 x 4.5 mm, through hole
- Temperature Range: -40 to 85 °C
- Cload max: 32 pF
- Co max: 5 pF
- Mode: fundamental, 3rd OT
- Maximum Drive Level: 100 uW
- ESR at 24 MHz: 30 Ohms
- Temperature stability 0 to 70°C: 15 ppm
- Temperature stability -40 to 85°C: 50 ppm

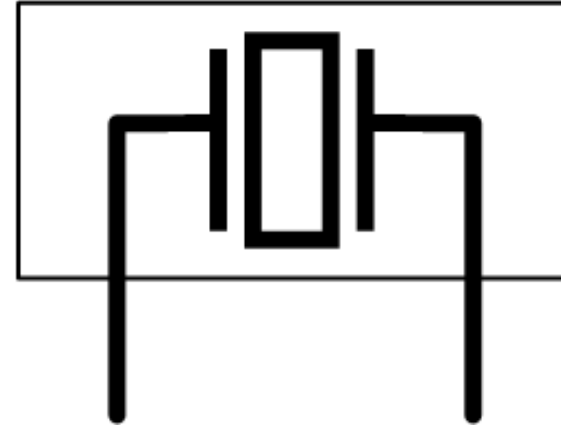


VXA7

Precision crystal

Features:

- Frequency Range: 1.8432 to 150 MHz
- Footprint: 13.5 x 11.5 mm, surface mount
- Temperature Range: -40 to 85 °C
- Cload max: 32 pF
- Co max: 5 pF
- Mode: fundamental, 3rd OT
- Maximum Drive Level: 100 uW
- ESR at 24 MHz: 25 Ohms
- Temperature stability 0 to 70°C: 15 ppm
- Temperature stability -40 to 85°C: 50 ppm

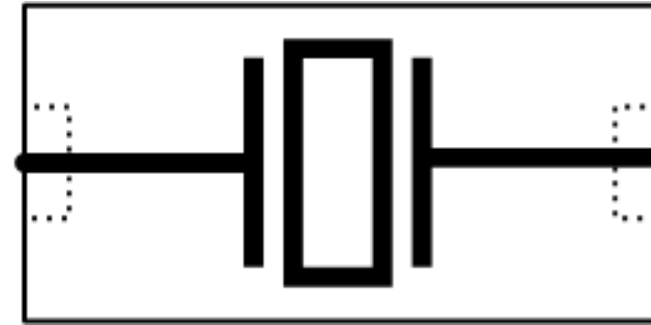


VXB1

Precision crystal

Features:

- Frequency Range: 3.5 to 75 MHz
- Footprint: 11.5 x 5 mm, surface mount
- Temperature Range: -40 to 85 °C
- Cload max: 32 pF
- Co max: 5 pF
- Mode: fundamental, 3rd OT
- Maximum Drive Level: 100 uW
- ESR at 24 MHz: 25 Ohms
- Temperature stability 0 to 70°C: 15 ppm
- Temperature stability -40 to 85°C: 50 ppm

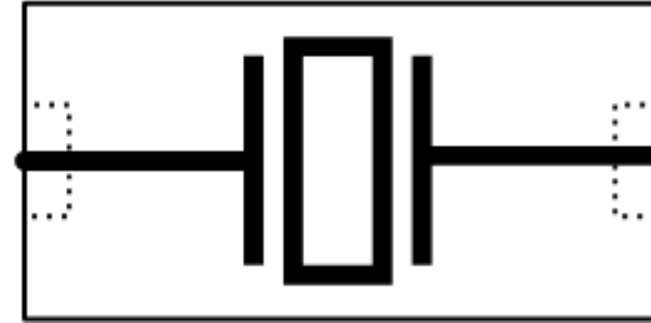


VXB2

Precision crystal

Features:

- Frequency Range: 3.5 to 75 MHz
- Footprint: 11.5 x 5 mm, surface mount
- Temperature Range: -40 to 85 °C
- Cload max: 32 pF
- Co max: 5 pF
- Mode: fundamental, 3rd OT
- Maximum Drive Level: 100 uW
- ESR at 24 MHz: 25 Ohms
- Temperature stability 0 to 70°C: 15 ppm
- Temperature stability -40 to 85°C: 50 ppm

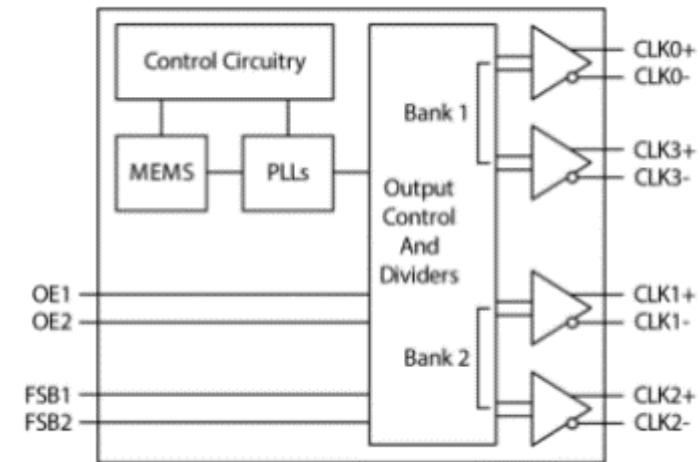


DSC400

Configurable Four Output, Low Jitter Crystal-less™ Clock Generator

• Features:

- Low RMS Phase Jitter: <1ps (typ.)
- High Stability: $\pm 25\text{ppm}$, $\pm 50\text{ppm}$
- Wide Temperature Range:
 - Ext. commercial: -20°C to $+70^{\circ}\text{C}$
 - Industrial: -40°C to $+85^{\circ}\text{C}$
- High Supply Noise Rejection: -50dBc
- Wide frequency range: 2.3MHz to 460MHz
- 20-pin QFN footprint (5.0mm x 3.2mm)
- Excellent shock and vibration immunity:
 - Qualified to MIL-STD-883
- Four format-configurable outputs:
 - LVPECL, LVDS, HCSL, LVCMOS
- Available pin-selectable frequency table:
 - 1 pin per bank for two frequency sets
- High Reliability: 20x better MTF than quartz - based devices
- Wide supply range of 2.25V to 3.6V
- AEC-Q100 Automotive qualified

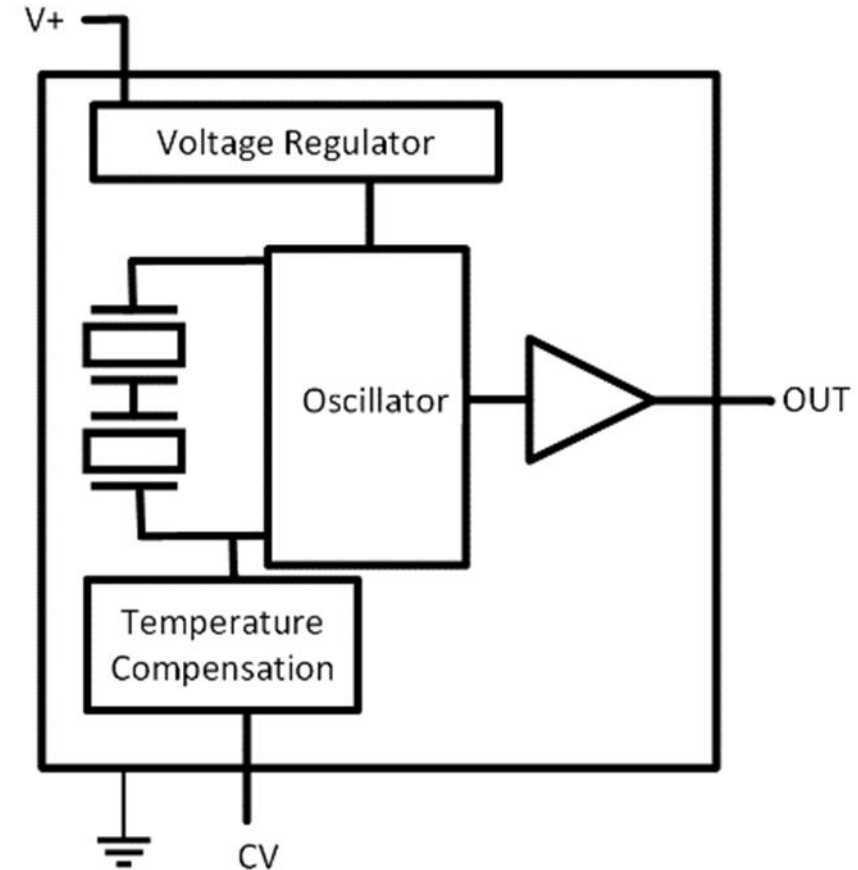


TX-321

Low noise TCXO

Features:

- Lowest Noise TCXO in market
- Target Market: Test and Measurement
- Frequency Range: 5 to 50 MHz
- Output: CMOS
- Footprint: 23 x 18 mm, surface mount
- Supply Voltage: 3.3, 5 V
- Power: 82.5 mW
- Temperature Range: -40 to 85 °C
- Phase Noise 10 Hz offset: -116 dBc/Hz @10 MHz carrier
- Phase Noise 100 kHz offset: -168 dBc/Hz @10 MHz carrier
- Temperature stability over Operating Temperature Range: 1 ppm
- g-Sensitivity: 0.2 ppb/g

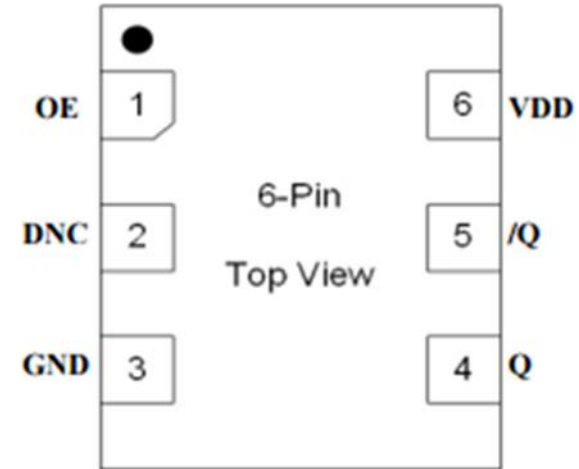


MXT57

High-Frequency TCXO Oscillator

Features:

- Supports 1 LVCMOS/LVPECL/LVDS/HSCCL output
- Typical phase jitter: 0.2ps
- Guaranteed $\pm 2.5\text{ppm}$ over -40°C to $+85^{\circ}\text{C}$
- $\pm 5\text{ppm}$ total frequency stability
- Integrated crystal
- 10MHz to 850MHz
- Programmable output buffers
- O/E Pin selectable
- Industry standard 6-Pin 7mm x 5mm LGA package

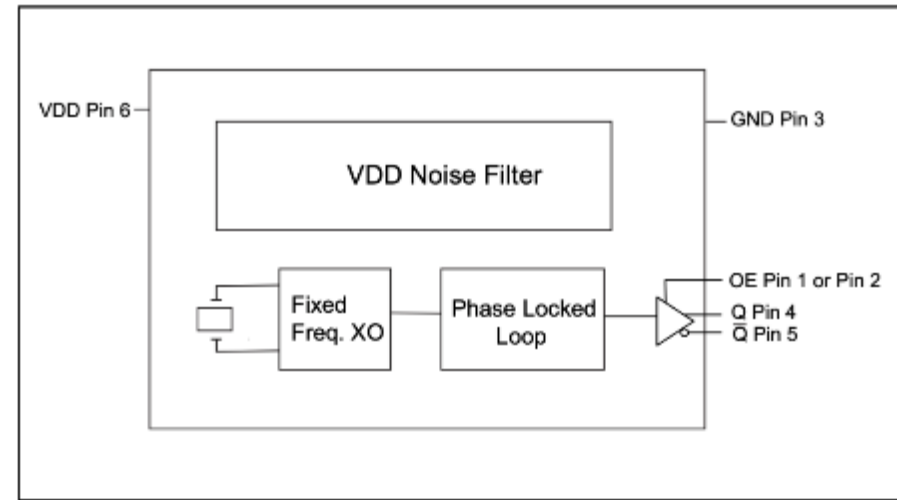


MX55/57

Ultra-low Jitter Industry Standard Crystal Oscillators

• Features:

- Typical phase jitter: 200fs
- Supports 1 output
- Integrated crystal
- 2.5MHz to 850MHz
- Programmable output buffers
- O/E Pin selectable
- Industry standard package:
 - MX55 - 3.2mm x 5mm
 - MX57 - 5mm x 7mm



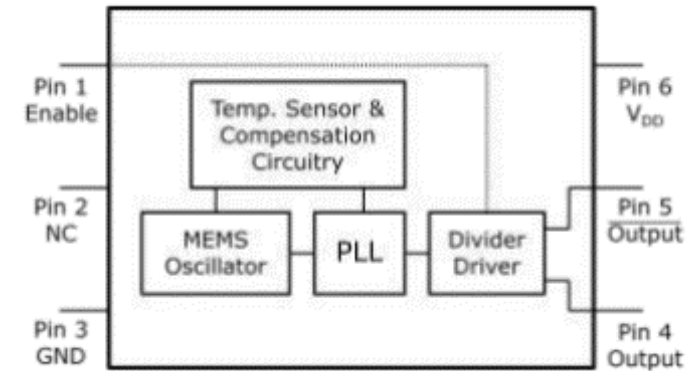
Part Number	Output Frequency (MHz)	Output Format	Frequency Stability (ppm)	Jitter (typ) (ps RMS)	Supply current (mA)	Supply voltage (V)	Temp. Range (°C)	Package size (mmxmm)	Custom Configuration
MX57	<840	LVC MOS	±50	0.2	70	2.25 to 3.63	-20 to 70 -40 to 85	7.0x5.0 6L	ClockWorks Web tool
MX55	<840	LVPECL						5.0x3.2 6L	
MX85	<840	LVDS HSCL		0.2	90			7.0x5.0 38-PIN LGA	

DSC1102/1122

LVPECL

• Features:

- Low RMS Phase Jitter: <1 ps (typ.)
- High Stability: ± 10 , ± 25 , ± 50 ppm
- Wide Temperature Range:
 - Industrial: -40°C to 85°C
 - Extended commercial: -20°C to 70°C
- High Supply Noise Rejection: -50dBc
- Wide Freq. Range: 2.3 to 460MHz
- Small Industry Standard Footprints:
 - 2.5mm x 2.0mm 3.2mm x 2.5mm,
 - 5.0mm x 3.2mm, & 7.0mm x 5.0mm
- Excellent Shock & Vibration Immunity:
 - Qualified to MIL-STD-883
- High Reliability:
 - 20x better MTF than quartz oscillators
- Low Current Consumption
- Supply Range of 2.25V to 3.6V
- Standby & Output Enable Function
- LVDS & HCSL Versions Available

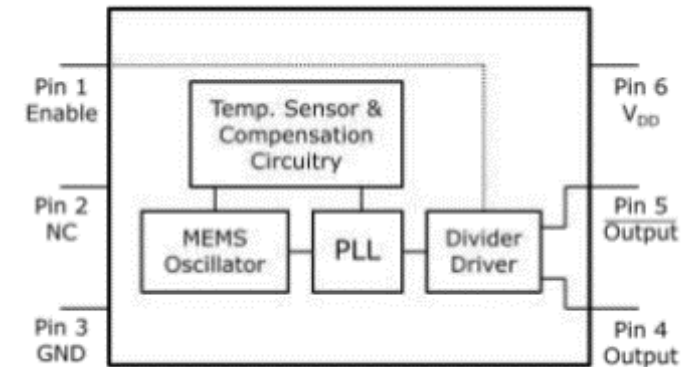


DSC1103/1123

LVDS

• Features:

- Low RMS Phase Jitter: <1 ps (typ.)
- High Stability: ± 10 , ± 25 , ± 50 ppm
- Wide Temperature Range:
 - Industrial: -40°C to 85°C
 - Extended commercial: -20°C to 70°C
- High Supply Noise Rejection: -50dBc
- Wide Freq. Range: 2.3 to 460MHz
- Small Industry Standard Footprints:
 - 2.5mm x 2.0mm, 3.2mm x 2.5mm,
 - 5.0mm x 3.2mm, & 7.0mm x 5.0mm
- Excellent Shock & Vibration Immunity:
 - Qualified to MIL-STD-883
- High Reliability:
 - 20x better MTF than quartz oscillators
- Low Current Consumption
- Supply Range of 2.25V to 3.6V
- Standby & Output Enable Function
- LVPECL & HCSL Versions Available

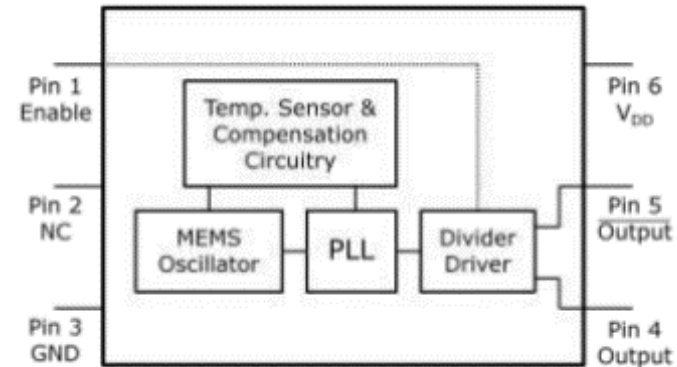


DSC1104/1124

HSCL

• Features:

- Low RMS Phase Jitter: <1 ps (typ.)
- High Stability: ± 10 , ± 25 , ± 50 ppm
- Wide Temperature Range
 - Industrial: -40°C to 85°C
 - Extended commercial: -20°C to 70°C
- High Supply Noise Rejection: -50dBc
- Wide Freq. Range: 2.3 to 460MHz
- Small Industry Standard Footprints
 - 2.5mm x 2.0mm 3.2mm x 2.5mm,
 - 5.0mm x 3.2mm, & 7.0mm x 5.0mm
- Excellent Shock & Vibration Immunity
 - Qualified to MIL-STD-883
- High Reliability
 - 20x better MTF than quartz oscillators
- Low Current Consumption
- Supply Range of 2.25V to 3.6V
- Standby & Output Enable Function
- LVDS & LVPECL Versions Available

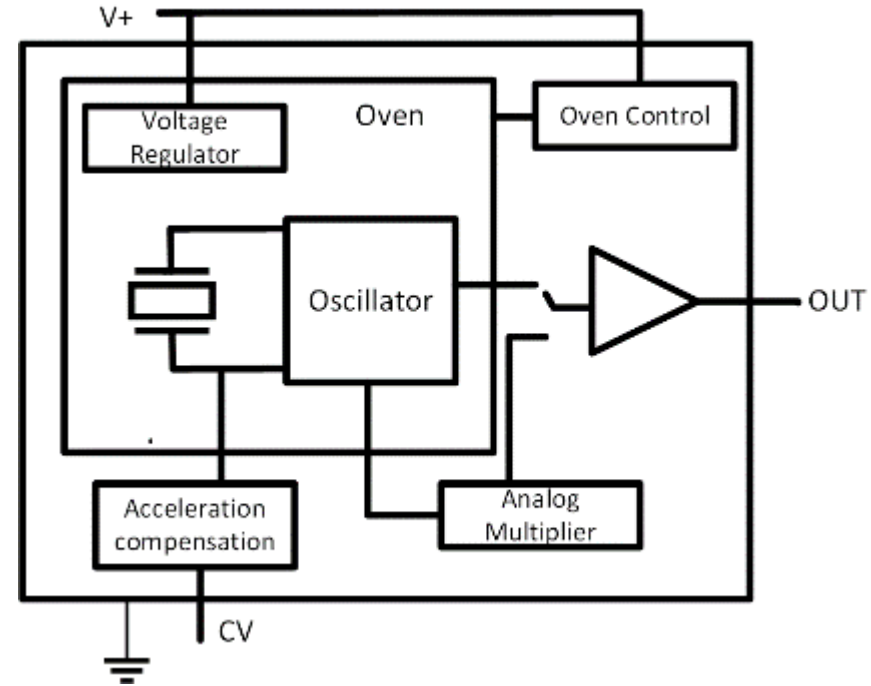


OX-043

Low g OCXO

Features:

- Low g, Low Phase Noise OCXO with active cancellation technology
- Target Market: Military
- Frequency Range: 8 to 15 MHz
- Output: Sine
- Footprint: 51 x 51 mm, chassis
- Supply Voltage: 12, 15 V
- Power: 3 W
- Temperature Range: -40 to 85 °C
- g-Sensitivity: 0.02 ppb/g
- Phase Noise 10 Hz offset: -135 dBc/Hz @10 MHz carrier
- Phase Noise 100 kHz offset: -170 dBc/Hz @10 MHz carrier

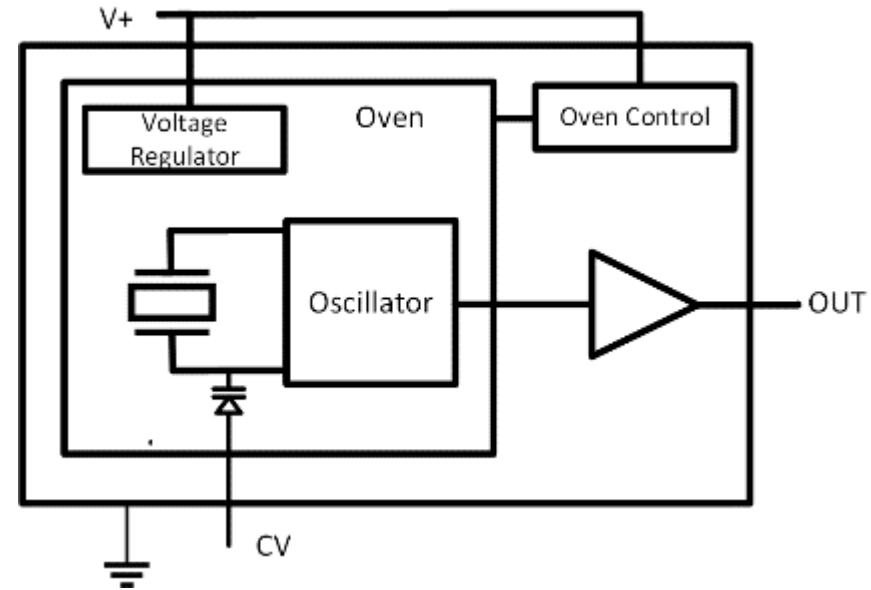


OX-045

Low noise OCXO

Features:

- Low close in phase noise with excellent daily aging
- Target Market: Test and Measurement
- 10 MHz
- Standard Frequency: 10 MHz
- Output: Sine
- Footprint: 51 x 51 mm, through hole
- Supply Voltage: 12, 15 V
- Power: 2 W
- Temperature Range: -40 to 70 °C
- Phase Noise 10 Hz offset: -140 dBc/Hz @10 MHz carrier
- Phase Noise 100 kHz offset: -163 dBc/Hz @10 MHz carrier
- Temperature stability over Operating Temperature Range: 5 ppb

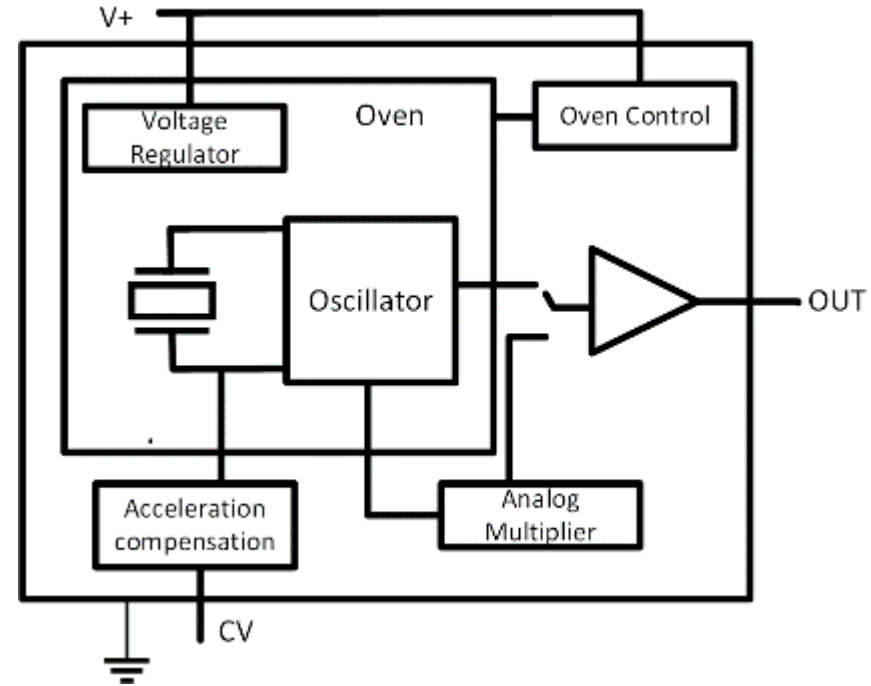


OX-046

Low g OCXO

Features:

- Low g, Low Phase Noise OCXO with active cancellation technology
- Target Market: Military
- Frequency Range: 50 to 250 MHz
- Output: Sine
- Footprint: 51 x 51 mm, chassis
- Supply Voltage: 12, 15 V
- Power: 3 W
- Temperature Range: -40 to 85 °C
- g-Sensitivity: 0.05 ppb/g
- Phase Noise 10 Hz offset: -100 dBc/Hz @100 MHz carrier
- Phase Noise 100 kHz offset: -175 dBc/Hz @100 MHz carrier

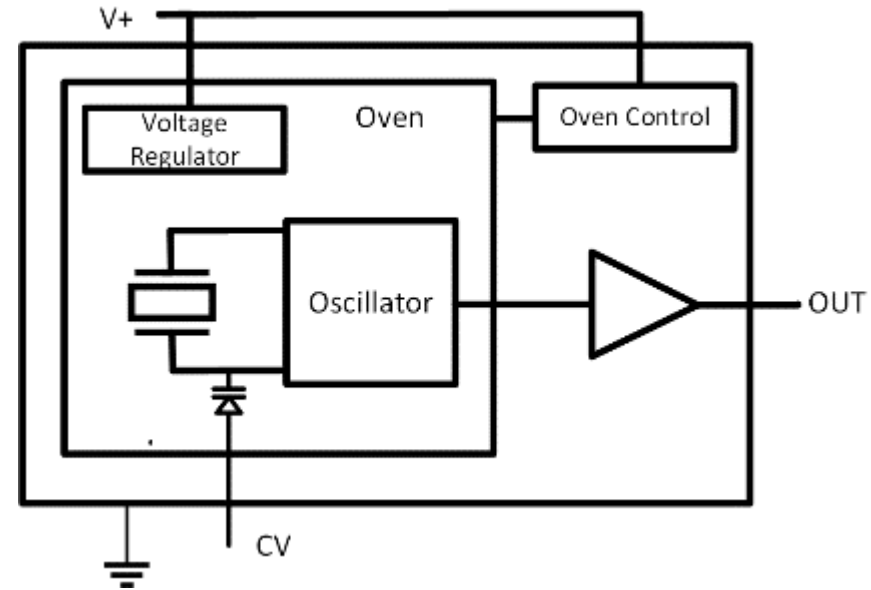


OX-205

Low noise OCXO

Features:

- Low Phase Noise Oscillator
- Target Market: Test and Measurement
- Frequency Range: 80 to 120 MHz
- Output: Sine
- Footprint: 25 x 25 mm, through hole
- Supply Voltage: 12 V
- Power: 1.8 W
- Temperature Range: -45 to 85 °C
- Phase Noise 10 Hz offset: -105 dBc/Hz @100 MHz carrier
- Phase Noise 100 kHz offset: -178 dBc/Hz @100 MHz carrier
- Temperature stability over Operating Temperature Range: 200 ppb
- Aging per Year: 200 ppb

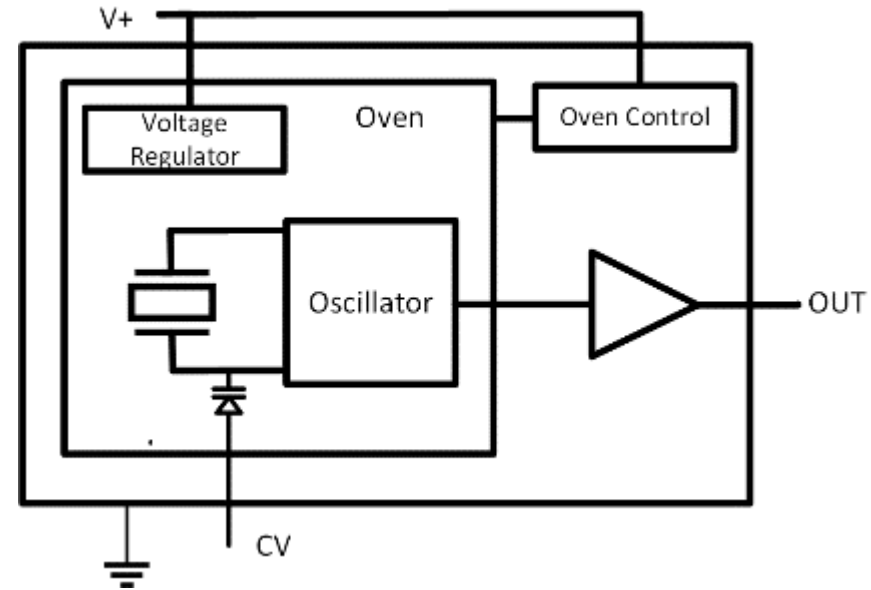


OX-209

Low noise OCXO

Features:

- Frequency Range: 20 to 35 MHz
- Output: Sine
- Footprint: 25 x 25 mm, through hole, surface mount
- Supply Voltage: 12 V
- Power: 1.8 W
- Temperature Range: -40 to 85 °C
- Phase Noise 10 Hz offset: -115 dBc/Hz @20 MHz carrier
- Phase Noise 100 kHz offset: -175 dBc/Hz @20 MHz carrier
- Temperature stability over Operating Temperature Range: 50 ppb
- Aging per Year: 100 ppb

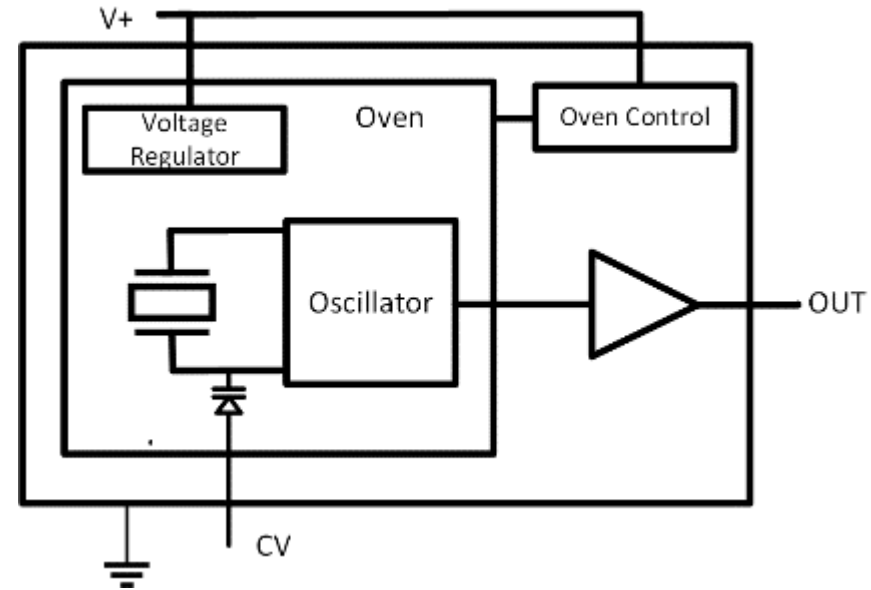


OX-304

Low noise OCXO

Features:

- smallest form factor low noise oscillator
- Target Market: Test and Measurement
- Frequency Range: 10 to 20 MHz
- Output: Sine
- Footprint: 20 x 20 mm, through hole, surface mount
- Supply Voltage: 12 V
- Power: 1.8 W
- Temperature Range: -40 to 85 °C
- Phase Noise 10 Hz offset: -135 dBc/Hz @10 MHz carrier
- Phase Noise 100 kHz offset: -173 dBc/Hz @10 MHz carrier
- Temperature stability over Operating Temperature Range: 20 ppb
- Aging per Year: 30 ppb

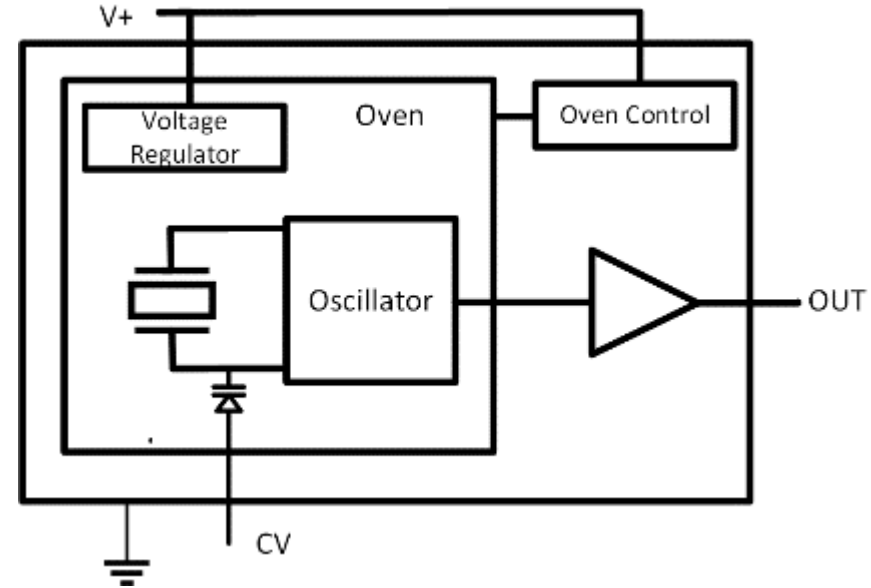


OX-305

Low noise OCXO

Features:

- smallest form factor low noise oscillator
- Target Market: Test and Measurement
- Frequency Range: 80 to 120 MHz
- 100 MHz
- Standard Frequency: 100 MHz
- Output: Sine
- Footprint: 20 x 20 mm, through hole, surface mount
- Supply Voltage: 12 V
- Power: 1.8 W
- Temperature Range: -40 to 85 °C
- Phase Noise 10 Hz offset: -105 dBc/Hz @100 MHz carrier
- Phase Noise 100 kHz offset: -178 dBc/Hz @100 MHz carrier
- Temperature stability over Operating Temperature Range: 200 ppb
- Aging per Year: 200 ppb

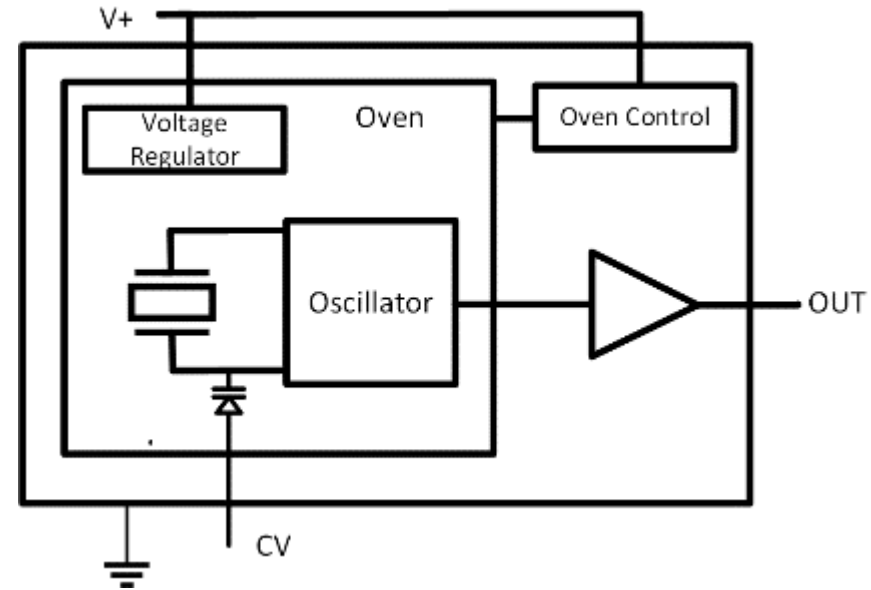


OX-405

Low noise OCXO

Features:

- low noise, small factor OCXO
- Frequency Range: 80 to 120 MHz
- Output: CMOS, Sine
- Footprint: 20 x 13 mm, through hole, surface mount
- Supply Voltage: 3.3, 5 V
- Power: 1 W
- Temperature Range: -40 to 85 °C
- Phase Noise 10 Hz offset: -95 dBc/Hz @100 MHz carrier
- Phase Noise 100 kHz offset: -160 dBc/Hz @100 MHz carrier
- Temperature stability over Operating Temperature Range: 50 ppb
- Aging per Year: 300 ppb

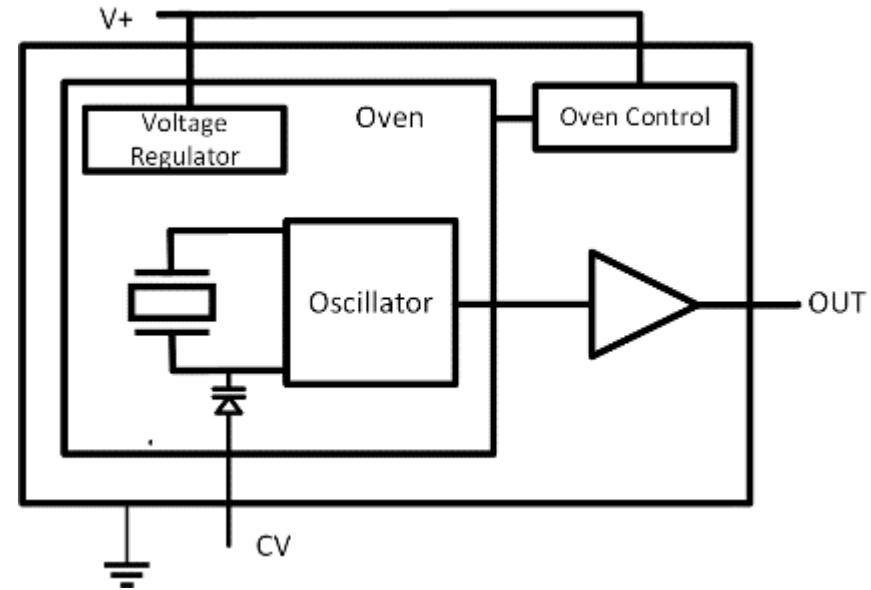


EX-401

Low power OCXO

Features:

- Frequency Range: 10 to 100 MHz
- Output: CMOS, Sine
- Footprint: 20 x 13 mm, through hole, surface mount
- Supply Voltage: 3.3, 5 V
- Power: 8 mW
- Temperature Range: -40 to 85 °C
- Temperature stability over Operating Temperature Range: 0.03 ppm
- Aging per Year: 0.1 ppm
- Phase Noise 10 Hz offset: -125 dBc/Hz @10 MHz carrier
- Phase Noise 100 kHz offset: -165 dBc/Hz @10 MHz carrier

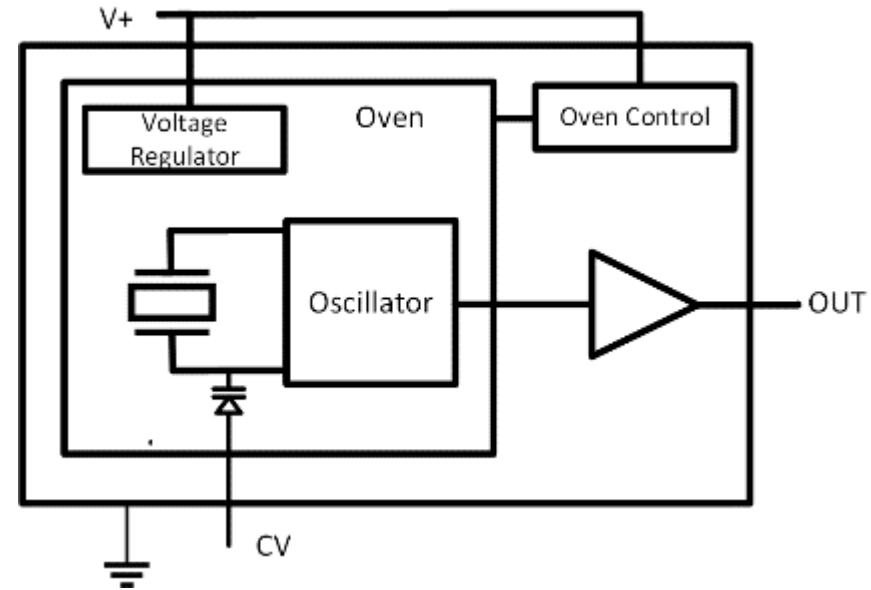


EX-421

Low power OCXO

Features:

- OCXO performance at ~ 1/5 the power
- Frequency Range: 10 to 100 MHz
- Output: CMOS, Sine
- Footprint: 13 x 13 mm, through hole, surface mount
- Supply Voltage: 3.3, 5 V
- Power: 12 mW
- Temperature Range: -40 to 85 °C
- Temperature stability over Operating Temperature Range: 0.03 ppm
- Aging per Year: 0.1 ppm
- Phase Noise 10 Hz offset: -125 dBc/Hz @10 MHz carrier
- Phase Noise 100 kHz offset: -165 dBc/Hz @10 MHz carrier

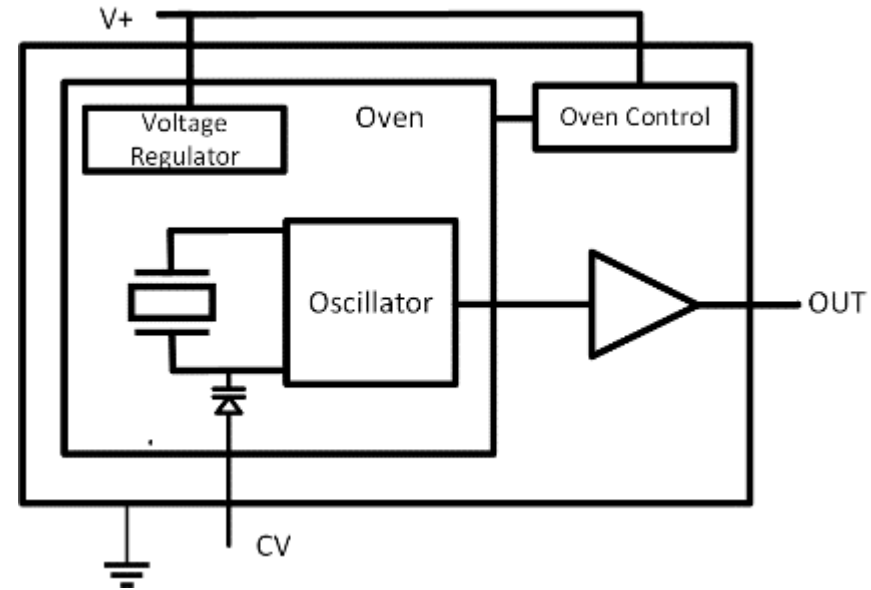


OX-174

Low noise OCXO

Features:

- High stability, Low phase noise oscillator
- Frequency Range: 5 to 20 MHz
- Output: CMOS, Sine
- Footprint: 38 x 28 mm, through hole, surface mount
- Supply Voltage: 5, 12 V
- Power: 1.8 W
- Temperature Range: -40 to 85 °C
- Phase Noise 10 Hz offset: -135 dBc/Hz @10 MHz carrier
- Phase Noise 100 kHz offset: -175 dBc/Hz @10 MHz carrier
- Temperature stability over Operating Temperature Range: 10 ppb
- Aging per Year: 100 ppb

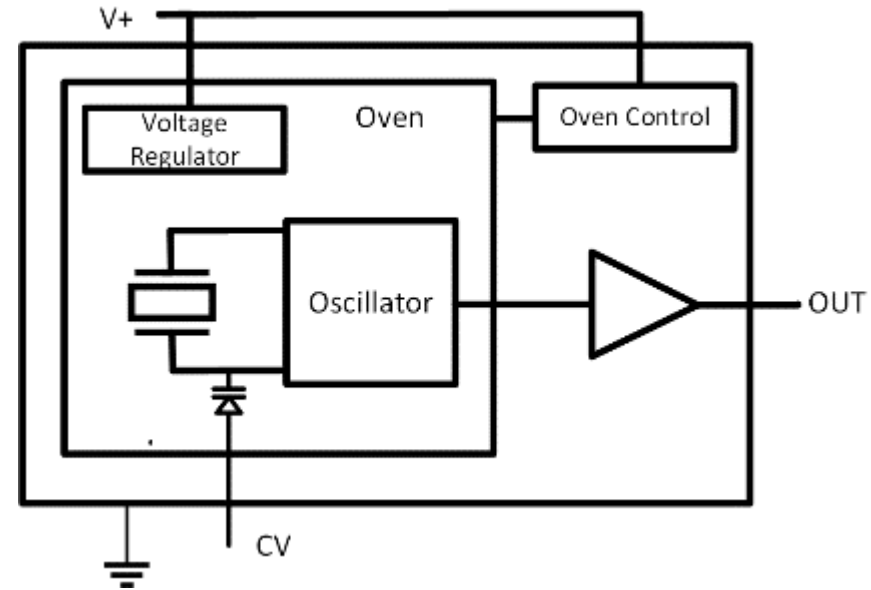


OX-175

Low noise OCXO

Features:

- High stability, Low phase noise oscillator
- Frequency Range: 50 to 130 MHz
- Output: Sine
- Footprint: 38 x 28 mm, through hole, surface mount
- Supply Voltage: 12 V
- Power: 1.8 W
- Temperature Range: -40 to 85 °C
- Phase Noise 10 Hz offset: -105 dBc/Hz @100 MHz carrier
- Phase Noise 100 kHz offset: -176 dBc/Hz @100 MHz carrier
- Temperature stability over Operating Temperature Range: 100 ppb
- Aging per Year: 200 ppb

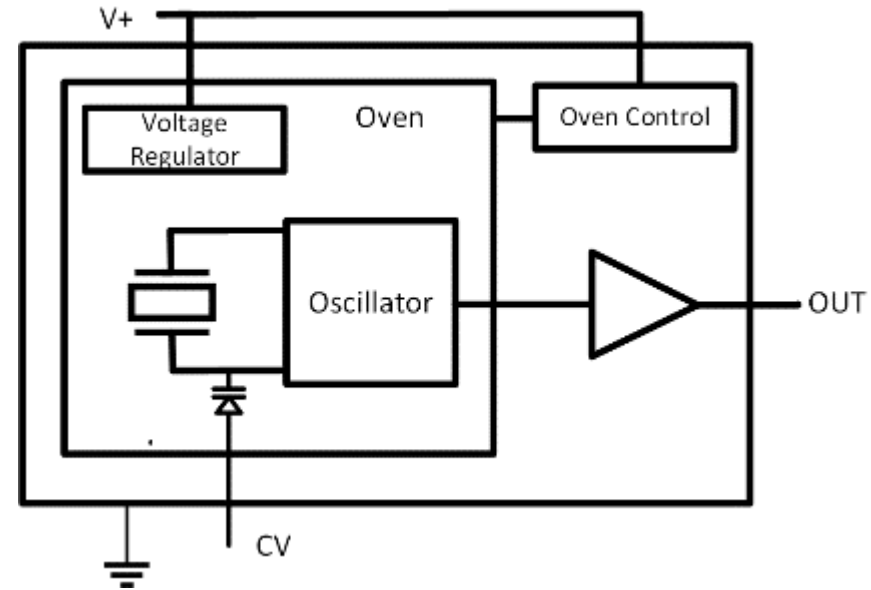


OX-204

Low noise OCXO

Features:

- Low Phase Noise Oscillator
- Target Market: Test and Measurement
- Frequency Range: 10 to 20 MHz
- Output: Sine
- Footprint: 25 x 25 mm, through hole
- Supply Voltage: 5, 12 V
- Power: 1.8 W
- Temperature Range: -40 to 85 °C
- Phase Noise 10 Hz offset: -140 dBc/Hz @10 MHz carrier
- Phase Noise 100 kHz offset: -175 dBc/Hz @10 MHz carrier
- Temperature stability over Operating Temperature Range: 20 ppb
- Aging per Year: 30 ppb

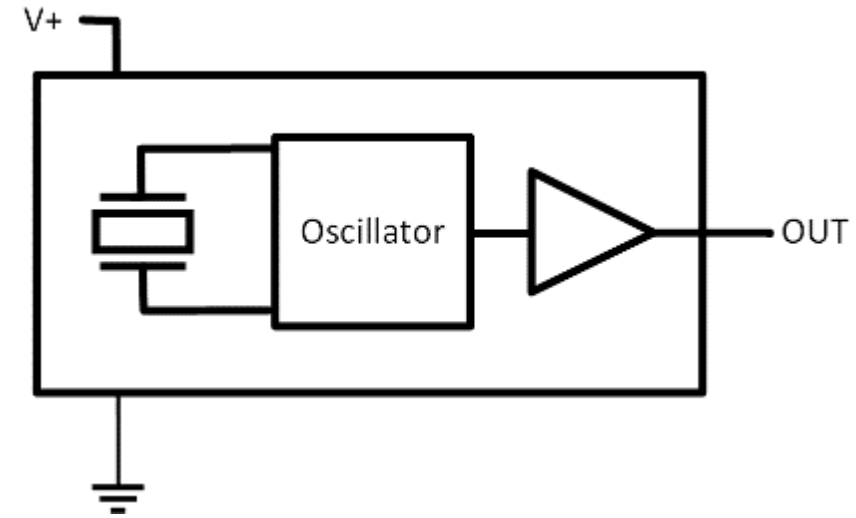


M55310/09B

Mil temp range XO

Features:

- DSCC QPL Part
- Target Market: Military
- Frequency Range: 0.4 to 60 MHz
- Output: TTL
- Footprint: Ø15.4 mm, through hole
- Supply Voltage: 5 V
- Power: 165 mW
- Temperature Range: -55 to 125 °C
- Temperature stability over Operating Temperature Range: 50 ppm
- Aging per Year: 5 ppm
- 100 g Shock, 0.6 ms Duration
- 20 g Vibration

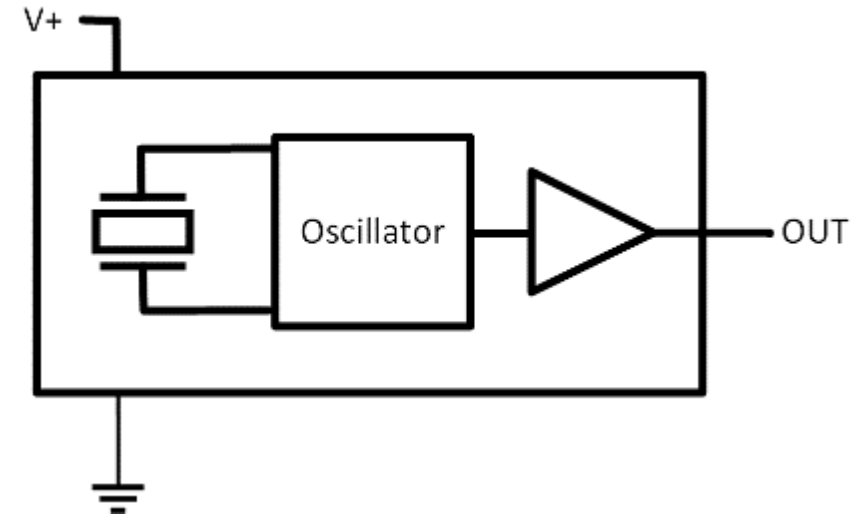


M55310/16

Mil temp range and space XO

Features:

- DSCC QPL Part
- Target Market: Military
- Frequency Range: 0.1 to 60 MHz
- Output: TTL
- Footprint: 20 x 13 mm, through hole
- Supply Voltage: 5 V
- Power: 1.5 W
- Temperature Range: -55 to 125 °C
- Temperature stability over Operating Temperature Range: 50 ppm
- Aging per Year: 5 ppm
- 100 g Shock, 6 ms Duration
- 20 g Vibration

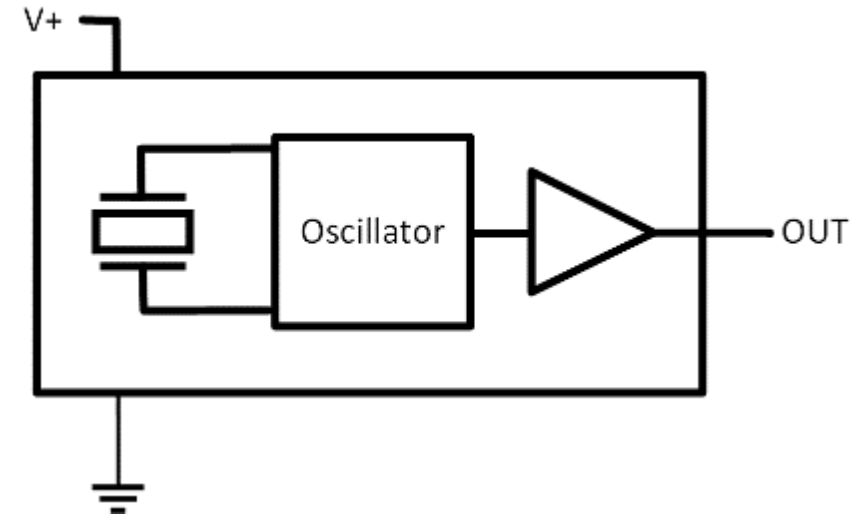


M55310/19B

Mil temp range XO

Features:

- DSCC QPL Part
- Target Market: Military
- Frequency Range: 1 to 60 MHz
- Output: TTL
- Footprint: 12 x 12 mm, surface mount
- Supply Voltage: 5 V
- Power: 350 mW
- Temperature Range: -55 to 125 °C
- Temperature stability over Operating Temperature Range: 50 ppm
- Aging per Year: 5 ppm
- 100 g Shock, 6 ms Duration
- 20 g Vibration

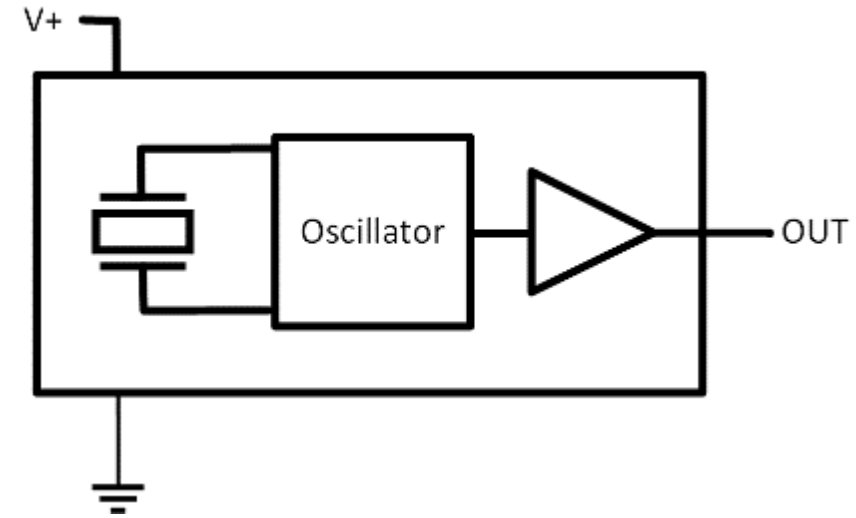


M55310/21B

Mil temp range XO

Features:

- DSCC QPL Part
- Target Market: Military
- Frequency Range: 1 to 60 MHz
- Output: TTL
- Footprint: 25 x 25 mm, surface mount
- Supply Voltage: 5 V
- Power: 150 mW
- Temperature Range: -55 to 125 °C
- Temperature stability over Operating Temperature Range: 50 ppm
- Aging per Year: 10 ppm
- 100 g Shock, 6 ms Duration
- 20 g Vibration

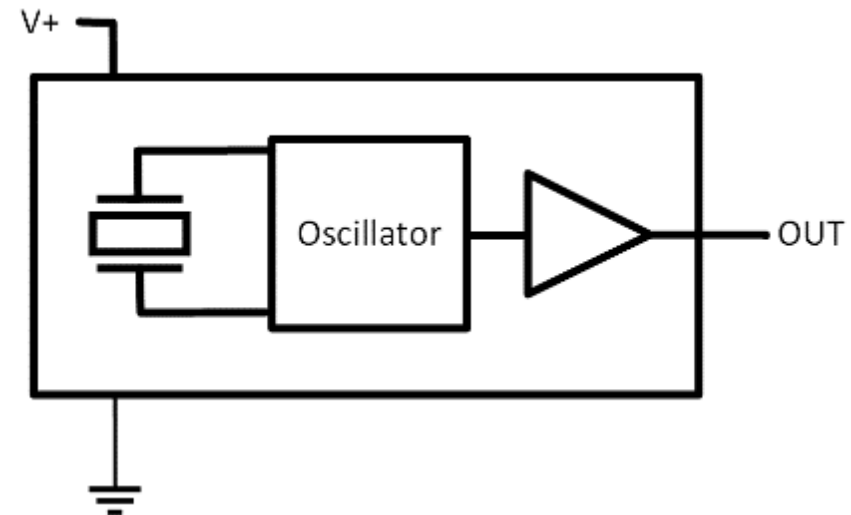


M55310/26B

Mil temp range XO

Features:

- DSCC QPL Part
- Target Market: Military
- Frequency Range: 0.01 to 65 MHz
- Output: CMOS
- Footprint: 20 x 13 mm, through hole
- Supply Voltage: 5 V
- Power: 50 mW
- Temperature Range: -55 to 125 °C
- Temperature stability over Operating Temperature Range: 50 ppm
- Aging per Year: 5 ppm
- 100 g Shock, 6 ms Duration
- 20 g Vibration

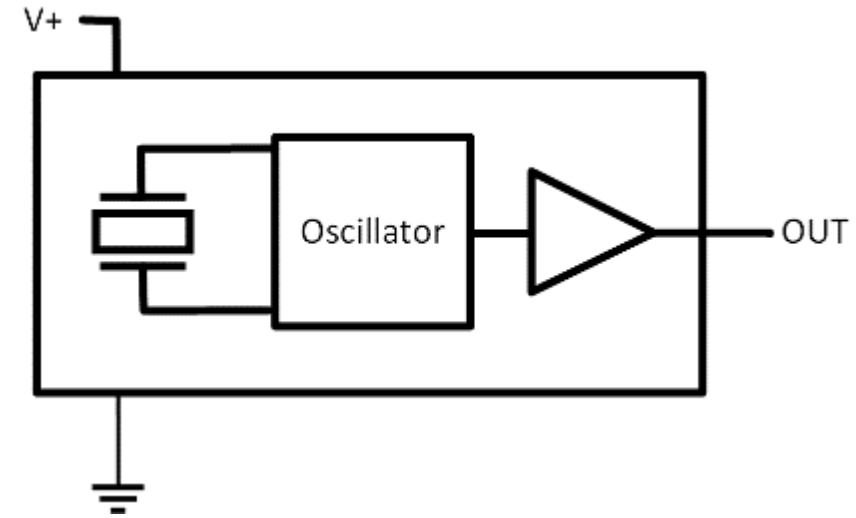


M55310/27B

Mil temp range XO

Features:

- DSCC QPL Part
- Target Market: Military
- Frequency Range: 1 to 85 MHz
- Output: CMOS
- Footprint: 14 x 9 mm, surface mount
- Supply Voltage: 5 V
- Power: 75 mW
- Temperature Range: -55 to 125 °C
- Temperature stability over Operating Temperature Range: 50 ppm
- Aging per Year: 10 ppm
- 100 g Shock, 6 ms Duration
- 20 g Vibration

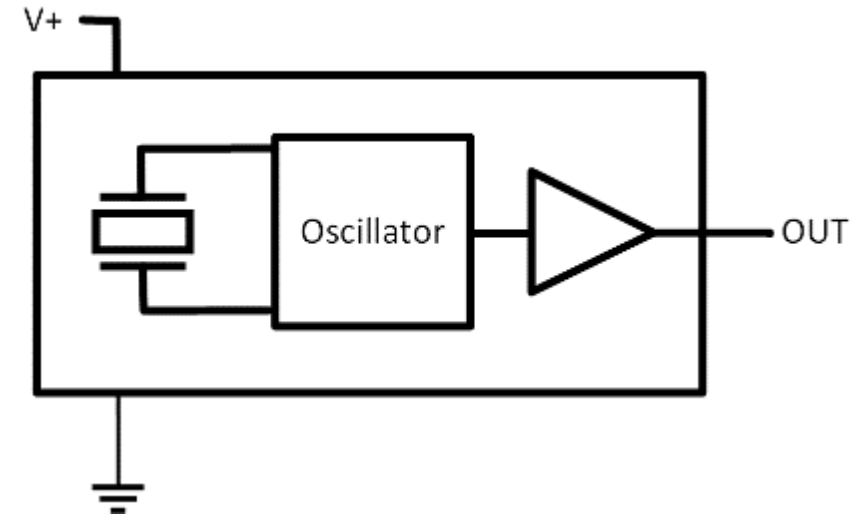


M55310/28B

Mil temp range XO

Features:

- DSCC QPL Part
- Target Market: Military
- Frequency Range: 1 to 85 MHz
- Output: TTL
- Footprint: 14 x 9 mm, surface mount
- Supply Voltage: 3.3 V
- Power: 75 mW
- Temperature Range: -55 to 125 °C
- Temperature stability over Operating Temperature Range: 50 ppm
- Aging per Year: 10 ppm
- 100 g Shock, 6 ms Duration
- 20 g Vibration

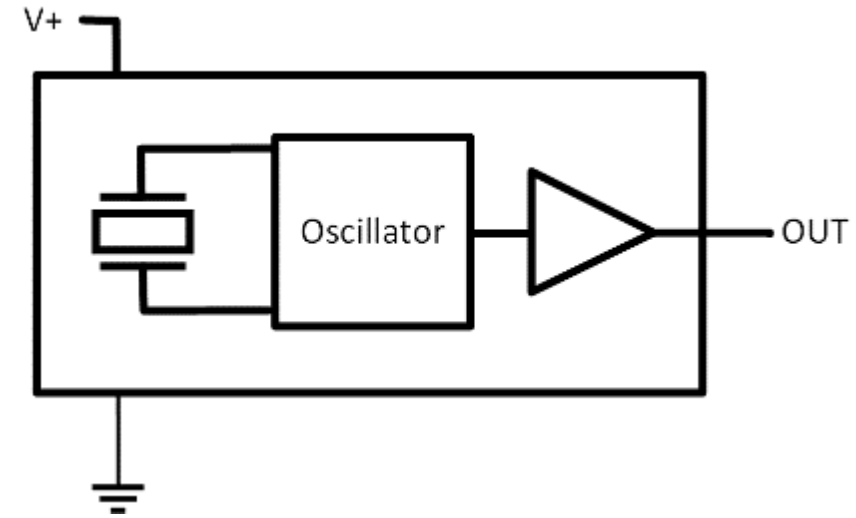


M55310/30B

Mil temp range XO

Features:

- DSCC QPL Part
- Target Market: Military
- Frequency Range: 0.45 to 85 MHz
- Output: CMOS
- Footprint: 14 x 9 mm, surface mount
- Supply Voltage: 3.3 V
- Power: 75 mW
- Temperature Range: -55 to 125 °C
- Temperature stability over Operating Temperature Range: 50 ppm
- Aging per Year: 10 ppm
- 100 g Shock, 6 ms Duration
- 20 g Vibration

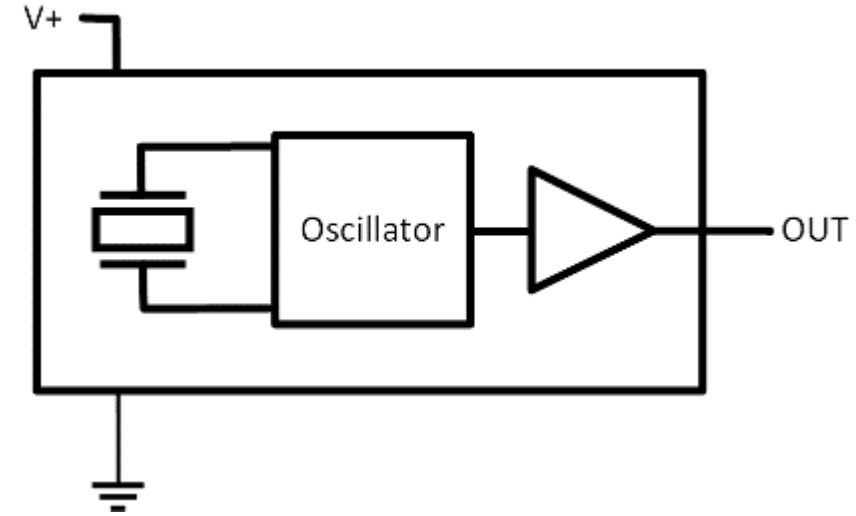


PS-702

High frequency SO

Features:

- Frequency Range: 0.15 to 1 GHz
- Output: LVPECL, LVDS
- Footprint: 7 x 5 mm, surface mount
- Supply Voltage: 3.3 V
- Power: 231 mW
- Temperature Range: -40 to 85 °C
- Phase Noise 10 Hz offset: -46 dBc/Hz @622.08 MHz carrier
- Phase Noise 100 kHz offset: -134 dBc/Hz @622.08 MHz carrier

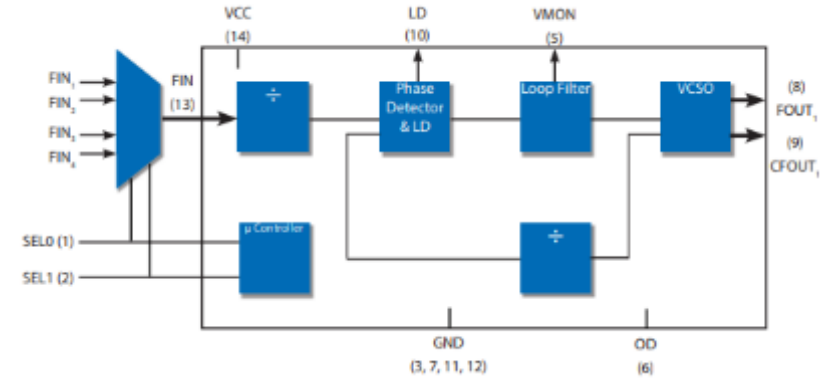


FX-400

Frequency converter

Features:

- Frequency Range: 1.5 to 800 MHz
- Output: CMOS, LVPECL, LVDS
- Footprint: 20 x 13 mm, surface mount
- Supply Voltage: 3.3 V
- Power: 6 mW
- Temperature Range: -40 to 85 °C
- Input Frequency: 0.008 to 800 MHz
- Number of Inputs: 4
- Input Logic: CMOS, LVPECL, LVDS



FX-402

Frequency converter

Features:

- Frequency Range: 125 to 850 MHz
- Number of RF outputs: 2
- Output: LVPECL, LVDS
- Footprint: 20 x 13 mm, surface mount
- Supply Voltage: 3.3 V
- Power: 1.5 mW
- Temperature Range: -40 to 85 °C
- Input Frequency: 0.008 to 400 MHz
- Number of Inputs: 4
- Input Logic: CMOS, LVPECL, LVDS

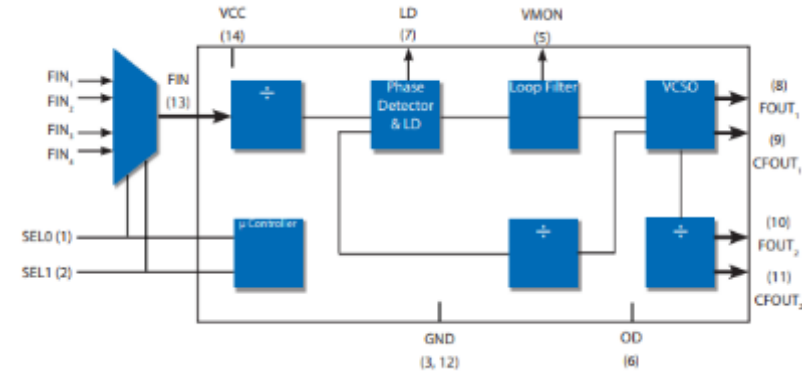


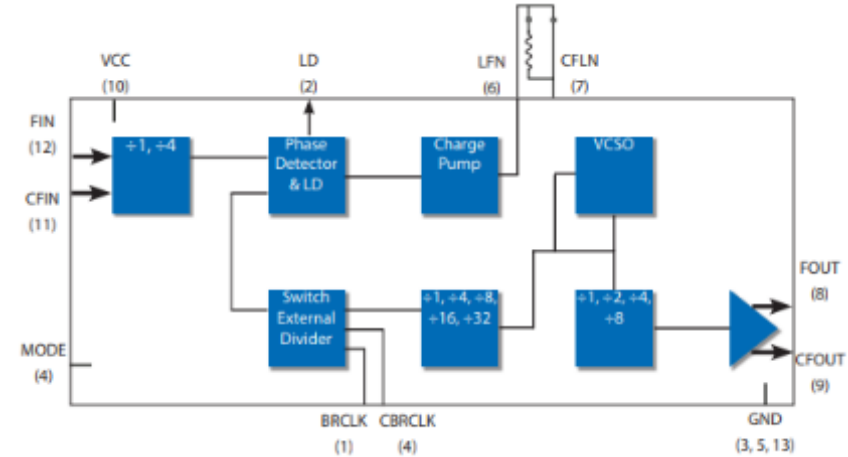
Figure 1. Functional block diagram

FX-702

Frequency converter

Features:

- Frequency Range: 0.062 to 1.2 GHz
- Output: LVPECL, LVDS
- Footprint: 7 x 5 mm, surface mount
- Supply Voltage: 3.3 V
- Power: 6 mW
- Temperature Range: -40 to 85 °C
- Input Frequency: 1 to 1000 MHz
- Number of Inputs: 1
- Input Logic: CMOS, LVPECL, LVDS

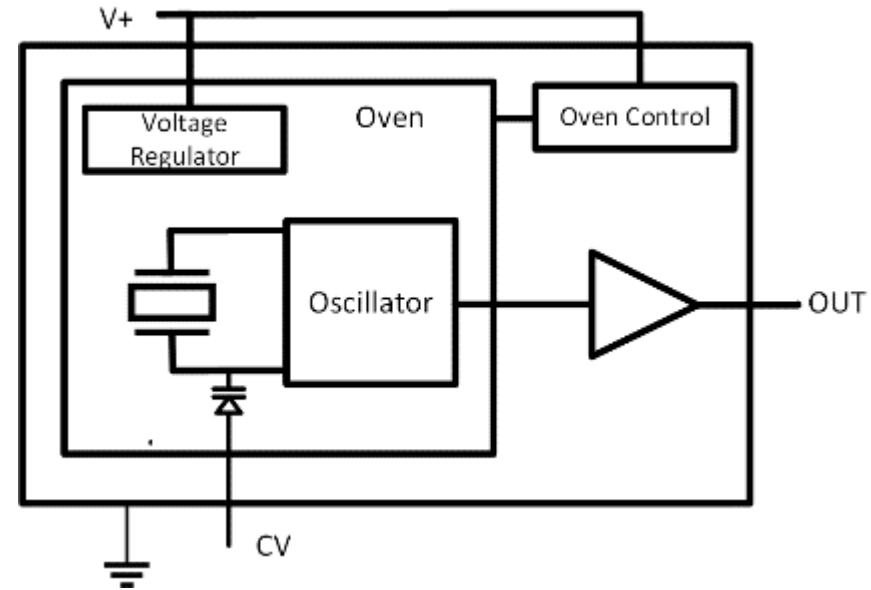


EX-219

Low Power Space OCXO

Features:

- Only space qualified EMXO
- Target Market: Space
- Frequency Range: 10 to 120 MHz
- Output: CMOS, Sine
- Footprint: 26 x 24 mm, through hole
- Supply Voltage: 3.3, 5 V
- Power: 10 mW
- Temperature Range: -40 to 85 °C
- Radiation Tolerance: 100 krad TID
- Temperature stability over Operating Temperature Range: 0.1 ppm
- Aging per Year: 0.2 ppm
- 20 g Vibration

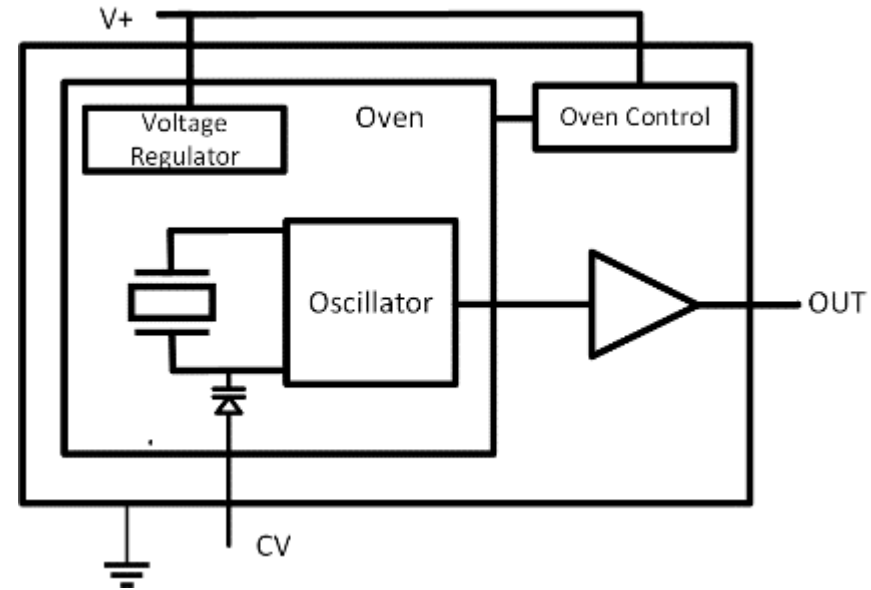


OX-249

Space OCXO

Features:

- High Stability Space OCXO
- Frequency Range: 10 to 120 MHz
- Output: CMOS, Sine
- Footprint: 35 x 20 mm, through hole
- Supply Voltage: 5 V
- Power: 1.5 W
- Temperature Range: -40 to 85 °C
- Radiation Tolerance: 300 krad TID
- Temperature stability over Operating Temperature Range: 100 ppb
- Aging per Day: 2 ppb
- Phase Noise 100 kHz offset: -163 dBc/Hz @50 MHz carrier

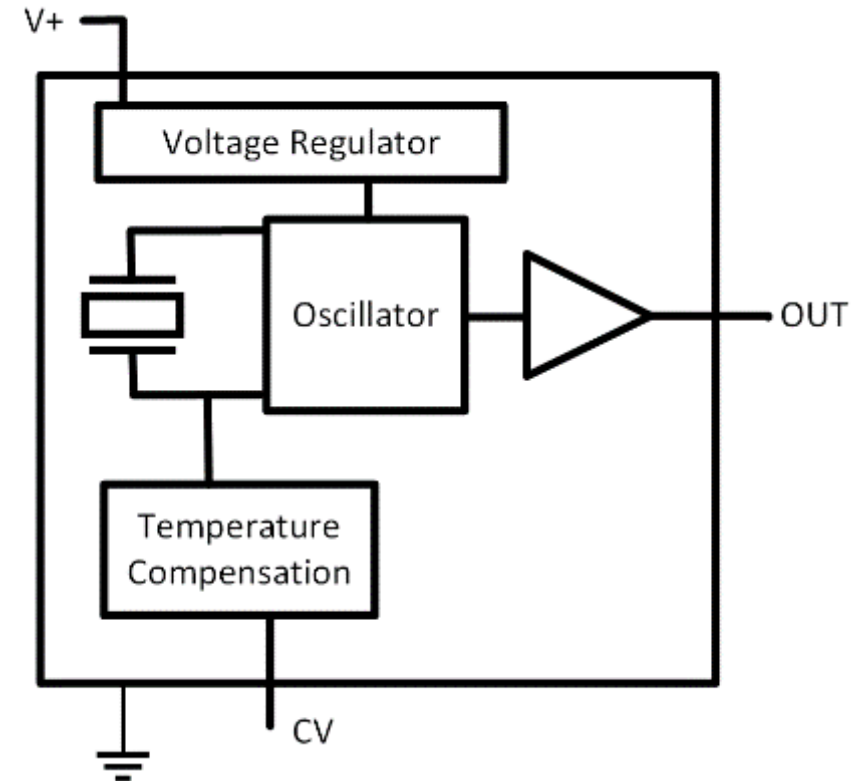


TX-401

Standard TCXO

Features:

- Frequency Range: 250 to 700 MHz
- Output: Clipped Sine
- Footprint: 20 x 13 mm, surface mount
- Supply Voltage: 3.3, 5 V
- Power: 247.5 mW
- Temperature Range: -40 to 85 °C
- Temperature stability over Operating Temperature Range: 1 ppm
- Aging per Year: 0 ppm

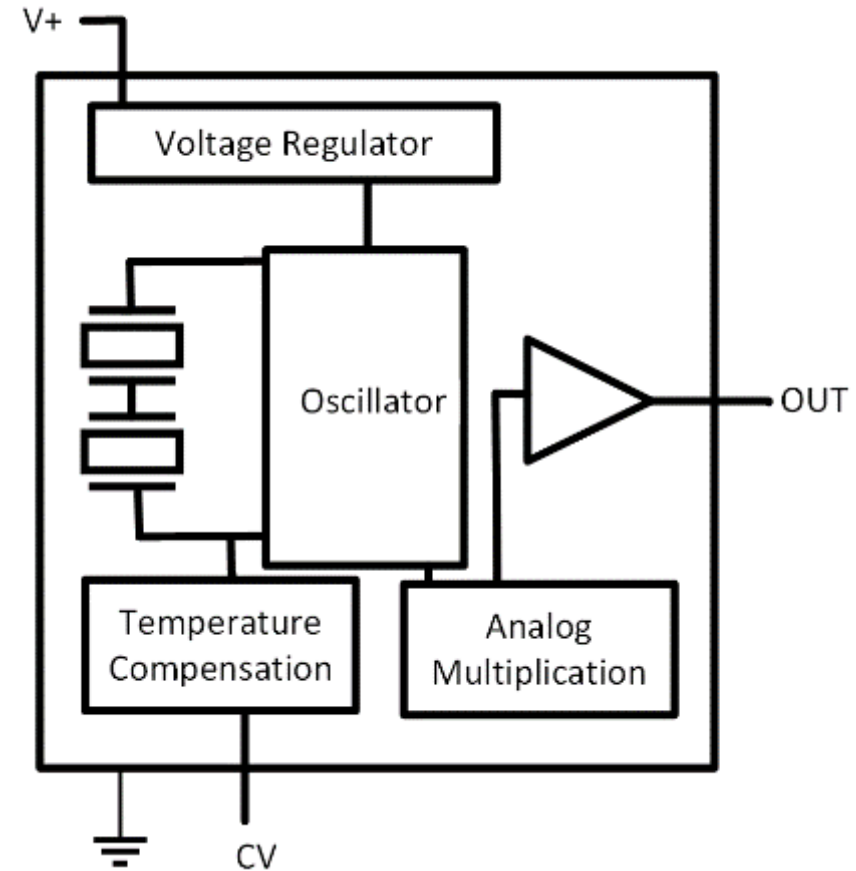


TX-550

Low g TCXO

Features:

- Frequency Range: 8 to 100 MHz
- Standard Frequencies: 10, 12.8, 20 MHz
- Output: CMOS, Clipped Sine, Balanced or Differential Sinewave, LVPECL
- Footprint: 11 x 9 mm, surface mount
- Supply Voltage: 3.3, 5 V
- Power: 98 mW
- Temperature Range: -40 to 85 °C
- g-Sensitivity: 0.2 ppb/g
- Phase Noise 10 Hz offset: -110 dBc/Hz @10 MHz carrier
- Phase Noise 100 kHz offset: -160 dBc/Hz @10 MHz carrier
- Temperature stability over Operating Temperature Range: 1 ppm

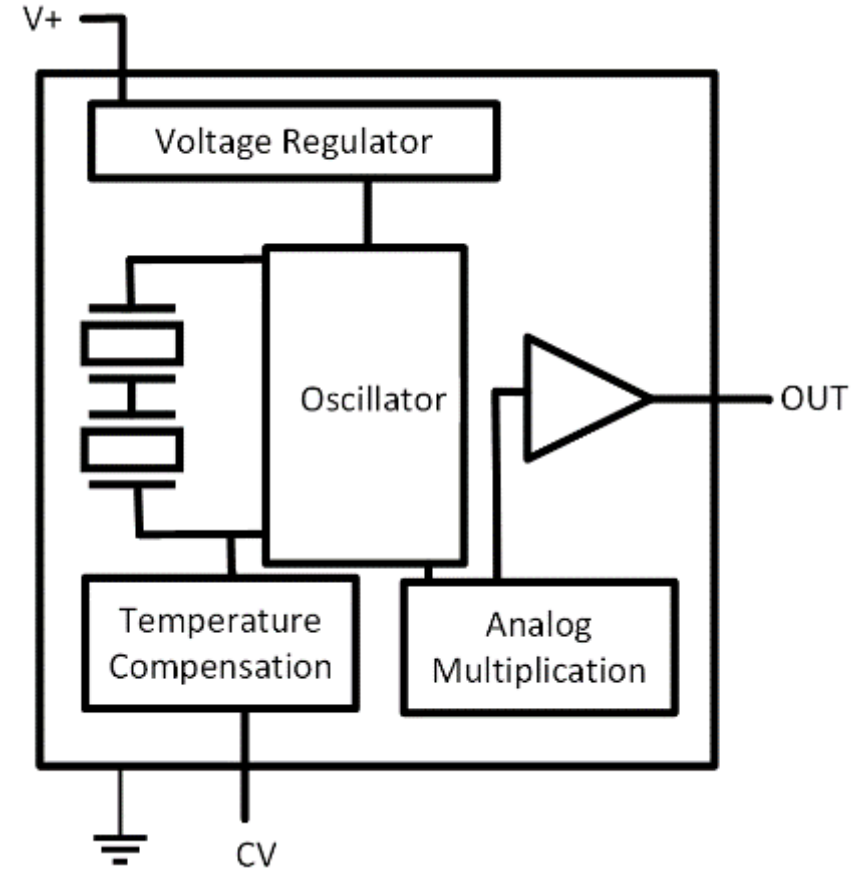


TX-708

Low g TCXO

Features: COMING SOON

- High frequency, low g
- Target Market: Military
- Frequency Range: 96 to 160 MHz
- Standard Frequencies: 98.208, 100, 115.2, 120, 144, 150, 155.52, 160 MHz
- Output: CMOS
- Footprint: 7 x 5 mm, surface mount
- Supply Voltage: 3.3 V
- Power: 121 mW
- Temperature Range: -40 to 85 °C
- g-Sensitivity: 0.1 ppb/g
- Phase Noise 10 Hz offset: -75 dBc/Hz @150 MHz carrier
- Phase Noise 100 kHz offset: -145 dBc/Hz @150 MHz carrier
- Temperature stability over Operating Temperature Range: 1 ppm

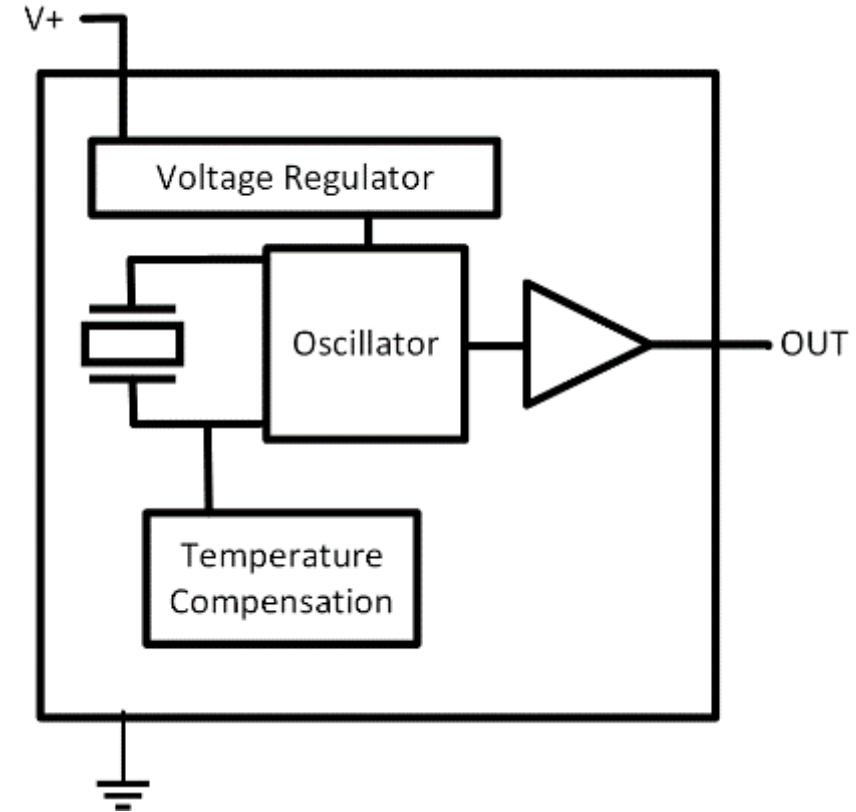


DOC200103

Space TCXO

Features:

- Smallest space qualified TCXO in the world
- Target Market: Space
- Frequency Range: 0.3 to 425 MHz
- Output: CMOS, Sine
- Footprint: multiple options, see specification mm, through hole
- Supply Voltage: 3.3, 5, 12 V
- Power: 500 mW
- Temperature Range: -55 to 105 °C
- Radiation Tolerance: 100 krad TID
- Temperature stability over Operating Temperature Range: 10 ppm
- Aging per Year: 1 ppm
- 30 g Vibration

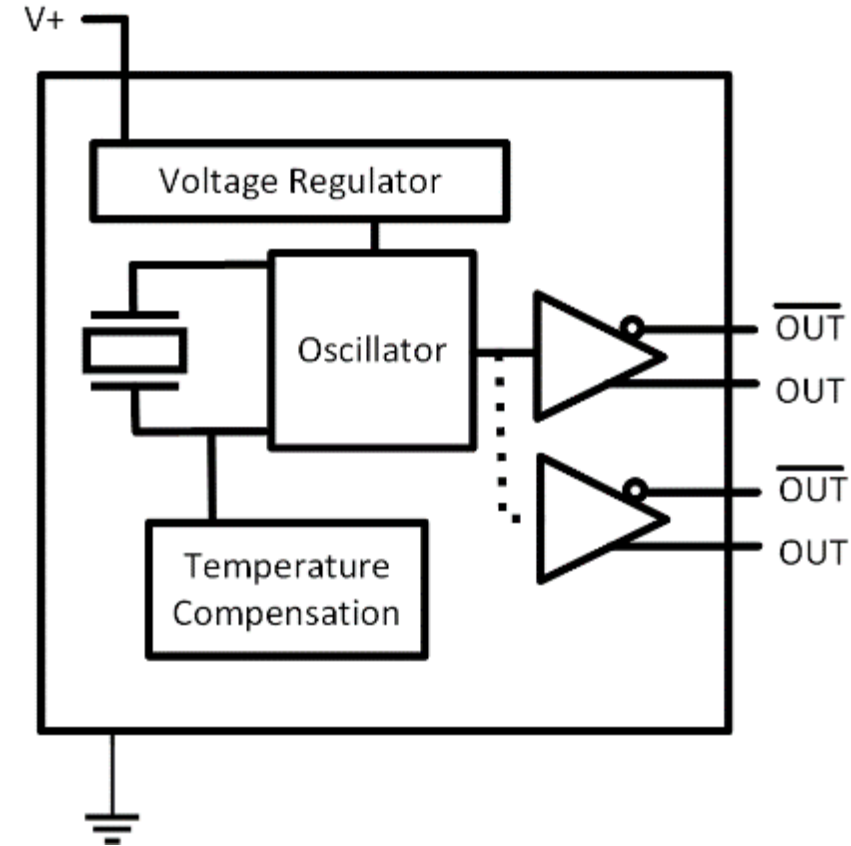


DOC207139

Space TCXO

Features:

- Dual complimentary output pairs
- Target Market: Space
- Frequency Range: 12 to 200 MHz
- Number of RF outputs: 1,2 pairs
- Output: LVDS
- Footprint: 35 x 25 mm, surface mount
- Supply Voltage: 3.3 V
- Power: 10 mW
- Temperature Range: -55 to 105 °C
- Radiation Tolerance: 100 krad TID
- Temperature stability over Operating Temperature Range: 10 ppm
- Aging per Year: 1 ppm
- 30 g Vibration

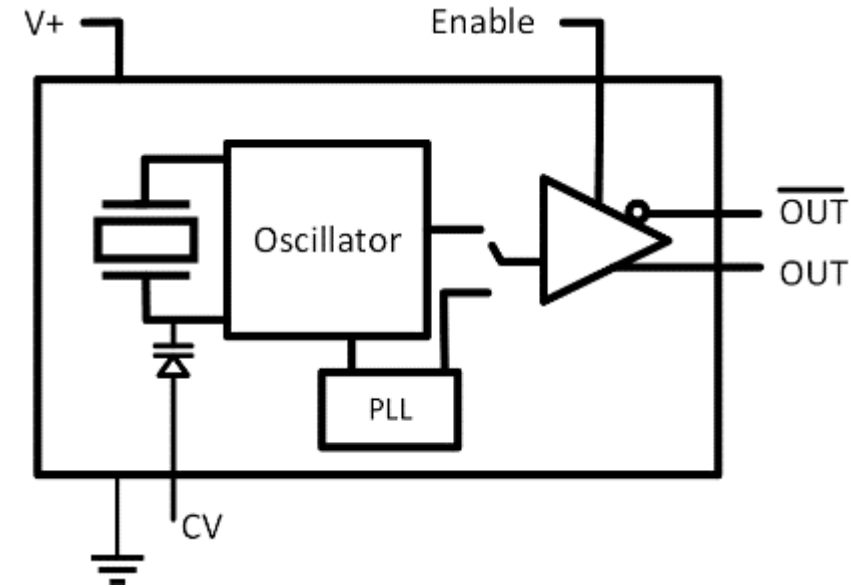


VX-500

Low g VCXO

Features:

- Frequency Range: 1 to 800 MHz
- Output: CMOS, LVPECL
- Footprint: 14 x 9 mm, surface mount
- Supply Voltage: 3.3, 5 V
- Power: 19.8 mW
- Temperature Range: -55 to 125 °C
- Pull Range: 50 ppm
- Phase Noise 10 Hz offset: -60 dBc/Hz @52 MHz carrier
- Phase Noise 100 kHz offset: -145 dBc/Hz @52 MHz carrier

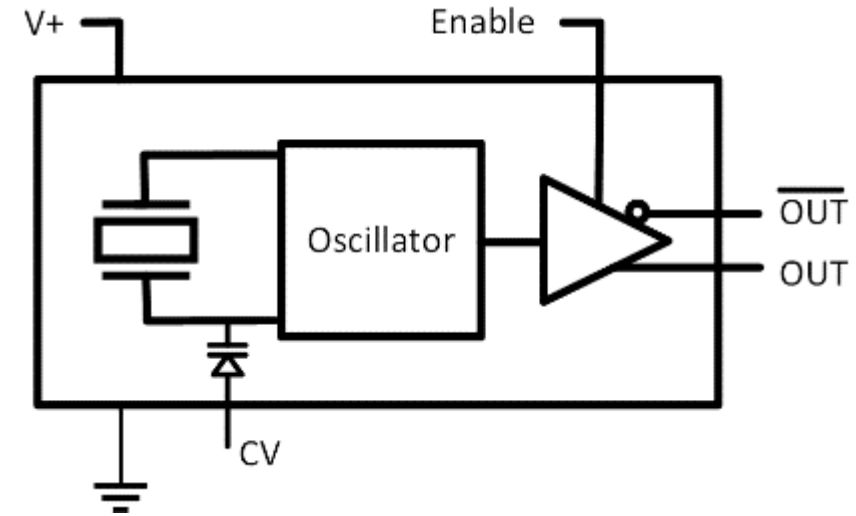


VX-501

Low noise VCXO

Features:

- Frequency Range: 0.01 to 1.2 GHz
- Output: CMOS, Sine, LVPECL, LVDS
- Footprint: 14 x 9 mm, surface mount
- Supply Voltage: 3.3, 5 V
- Power: 132 mW
- Temperature Range: -40 to 85 °C
- Pull Range: 65 ppm
- Phase Noise 10 Hz offset: -76 dBc/Hz @100 MHz carrier
- Phase Noise 100 kHz offset: -166 dBc/Hz @100 MHz carrier
- Temperature stability over Operating Temperature Range: 30 ppm

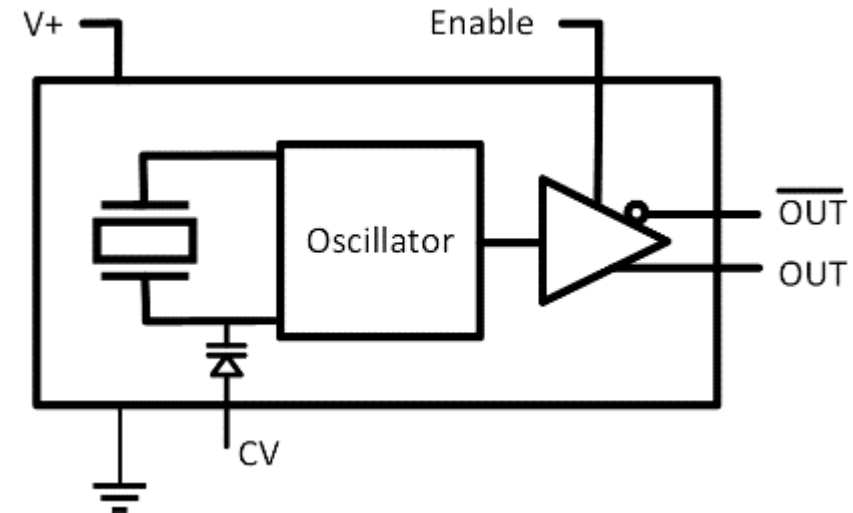


VX-505

Mil temp range VCXO

Features:

- Frequency Range: 20 to 800 MHz
- Output: CMOS, LVPECL
- Footprint: 14 x 9 mm, surface mount
- Supply Voltage: 3.3, 5 V
- Power: 132 mW
- Temperature Range: -55 to 125 °C
- Temperature stability over Operating Temperature Range: 45 ppm
- Pull Range: 60 ppm
- Phase Noise 10 Hz offset: -76 dBc/Hz @100 MHz carrier
- Phase Noise 100 kHz offset: -161 dBc/Hz @100 MHz carrier

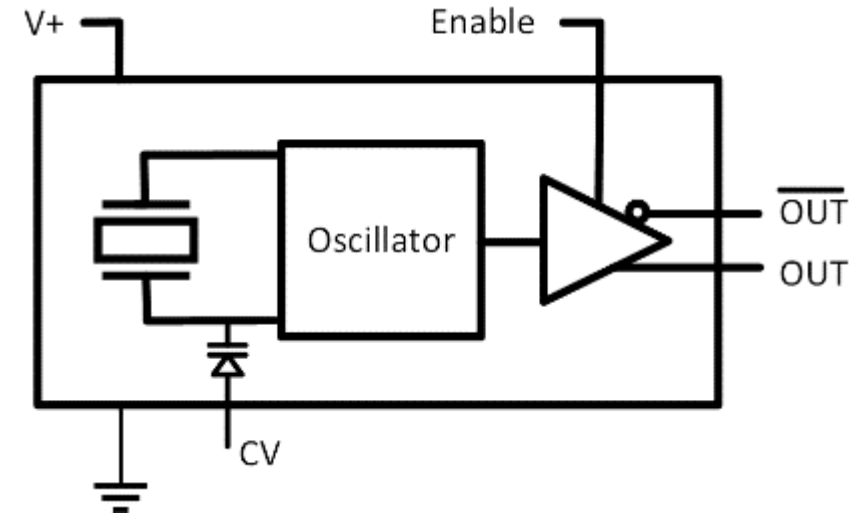


VX-706

Low noise VCXO

Features:

- Frequency Range: 40 to 300 MHz
- Output: CMOS, LVPECL
- Footprint: 7 x 5 mm, surface mount
- Supply Voltage: 3.3, 5 V
- Power: 75 mW
- Temperature Range: -40 to 85 °C
- Absolute Pull Range: 60 ppm
- Phase Noise 10 Hz offset: -72 dBc/Hz @122.88 MHz carrier
- Phase Noise 100 kHz offset: -166 dBc/Hz @122.88 MHz carrier

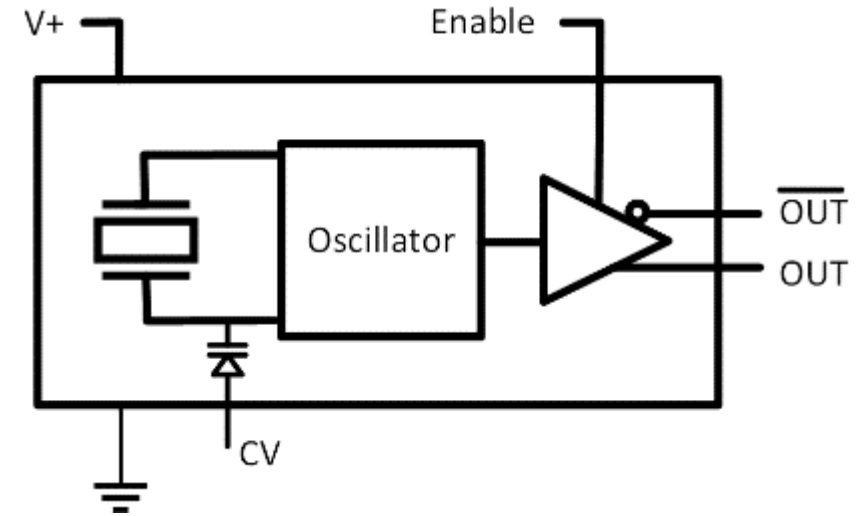


VX-805

Low noise VCXO

Features:

- Frequency Range: 100 to 204.8 MHz
- Output: LVPECL
- Footprint: 5 x 3.2 mm, surface mount
- Supply Voltage: 3.3 V
- Power: 165 mW
- Temperature Range: -40 to 105 °C
- Absolute Pull Range: 50 ppm
- Phase Noise 10 Hz offset: -68 dBc/Hz @122.88 MHz carrier
- Phase Noise 100 kHz offset: -157 dBc/Hz @122.88 MHz carrier

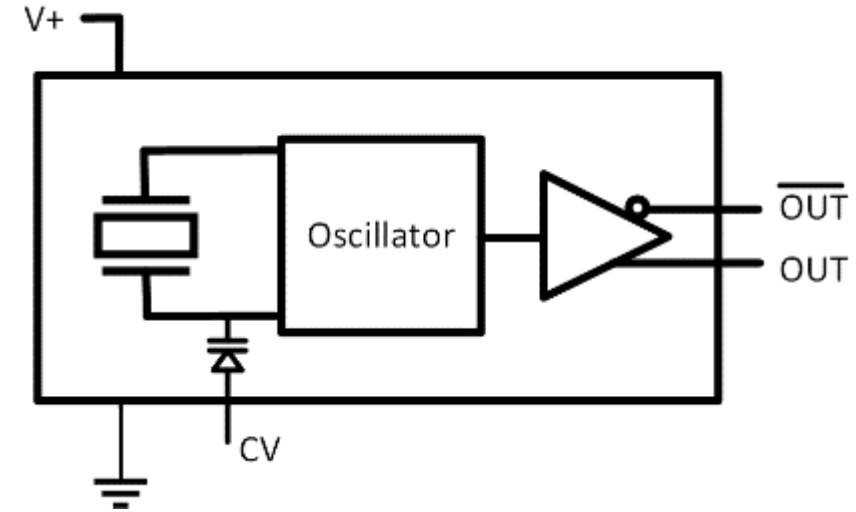


DOC204898

Space VCXO

Features:

- Popular for driving rad tolerant clock synchronizers and jitter cleaners
- Target Market: Space
- Frequency Range: 100 to 700 MHz
- Output: LVPECL
- Footprint: 25 x 25 mm, surface mount
- Supply Voltage: 3.3 V
- Power: 281 mW
- Temperature Range: -40 to 85 °C
- Radiation Tolerance: 50 krad ELDRS
- Absolute Pull Range: 20 ppm
- 1500 g Shock, 0.5 ms Duration
- 30 g Vibration

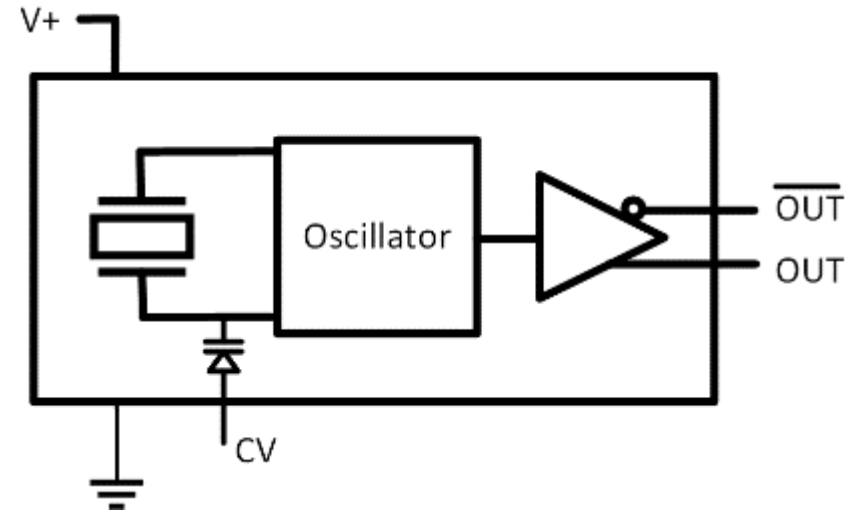


DOC204899

Space VCXO

Features:

- Target Market: Space
- Frequency Range: 80 to 200 MHz
- Output: LVDS
- Footprint: 25 x 25 mm, surface mount
- Supply Voltage: 3.3 V
- Power: 325 mW
- Temperature Range: -40 to 85 °C
- Radiation Tolerance: 100 krad TID
- Absolute Pull Range: 20 ppm
- 1500 g Shock, 0.5 ms Duration
- 30 g Vibration

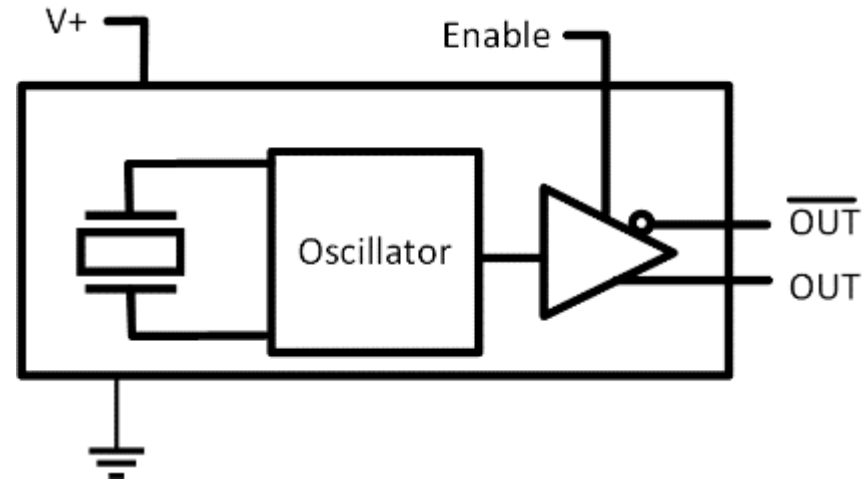


PX-501

Standard XO

Features:

- Frequency Range: 0.01 to 1.2 GHz
- Output: CMOS, Sine, LVPECL, LVDS
- Footprint: 14 x 9 mm, surface mount
- Supply Voltage: 3.3, 5 V
- Power: 99 mW
- Temperature Range: -20 to 70 °C
- Temperature stability over Operating Temperature Range: 10 ppm
- Aging per Year: 3 ppm
- Phase Noise 10 Hz offset: -85 dBc/Hz @416 MHz carrier
- Phase Noise 100 kHz offset: -160 dBc/Hz @416 MHz carrier

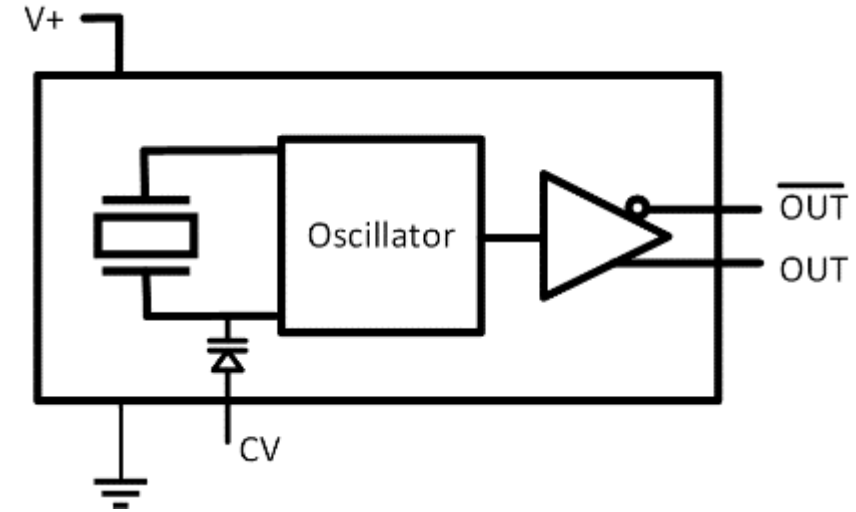


VS-508

Low g VCISO

Features:

- Frequency Range: 0.8 to 2.9 GHz
- Output: Sine, Balanced or Differential Sinewave, LVPECL
- Footprint: 14 x 9 mm, surface mount
- Supply Voltage: 3.3, 5 V
- Power: 325 mW
- Temperature Range: 10 to 85 °C
- g-Sensitivity: 0.6 ppb/g
- Absolute Pull Range: 20 ppm
- Phase Noise 1kHz offset: -102 dBc/Hz @2000 MHz carrier
- Phase Noise 1 MHz offset: -150 dBc/Hz @2000MHz carrier

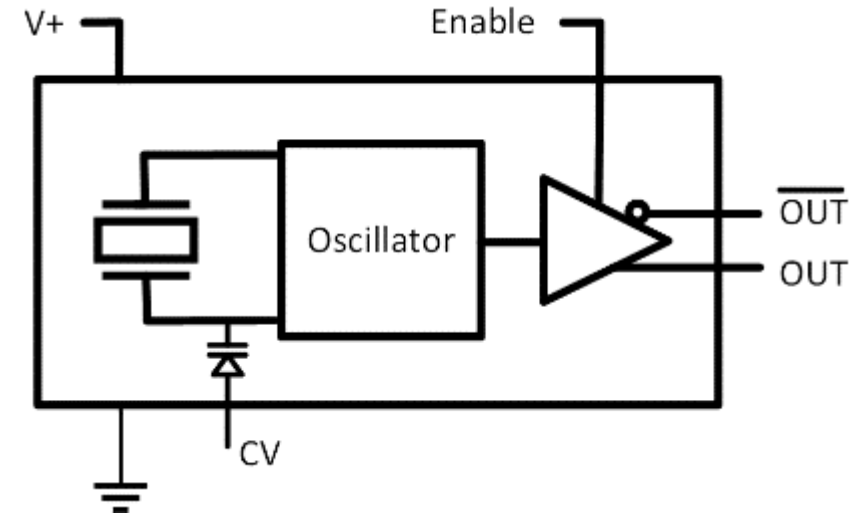


VS-701

High shock VCSO

Features:

- Frequency Range: 0.6 to 3 GHz
- Output: Sine, LVPECL
- Footprint: 7 x 5 mm, surface mount
- Supply Voltage: 3.3, 5 V
- Power: 250 mW
- Temperature Range: 10 to 85 °C
- 20000 g Shock, 0.2 ms Duration
- Absolute Pull Range: 20 ppm
- Phase Noise 1kHz offset: -93 dBc/Hz @2000 MHz carrier
- Phase Noise 1 MHz offset: -158 dBc/Hz @2000MHz carrier

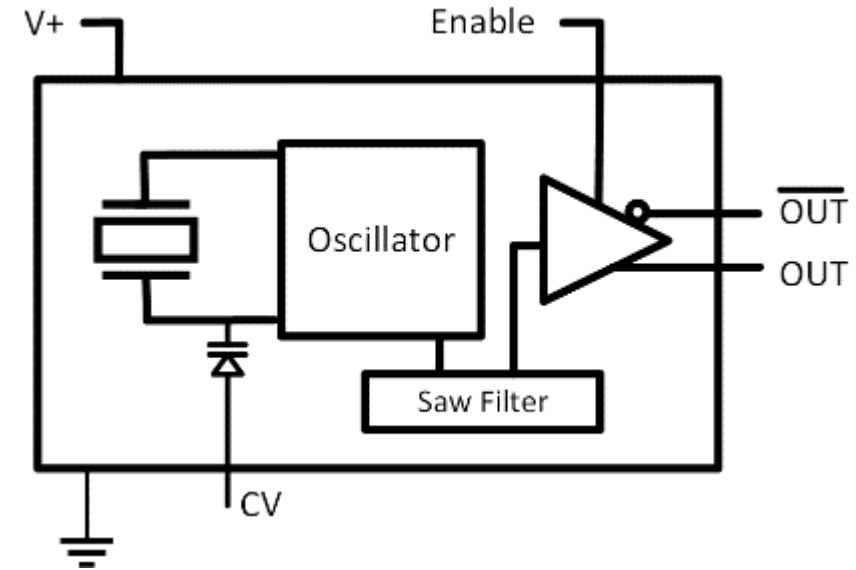


VS-702

Single frequency VCSO

Features:

- Low noise, high stability VCSO
- Frequency Range: 0.15 to 1 GHz
- Output: LVPECL, LVDS
- Footprint: 7 x 5 mm, surface mount
- Supply Voltage: 3.3 V
- Power: 66 mW
- Temperature Range: -40 to 85 °C
- Temperature stability over Operating Temperature Range: 20 ppm
- Absolute Pull Range: 50 ppm
- Phase Noise 1kHz offset: -108 dBc/Hz @622.08 MHz carrier
- Phase Noise 1 MHz offset: -137 dBc/Hz @622.08MHz carrier

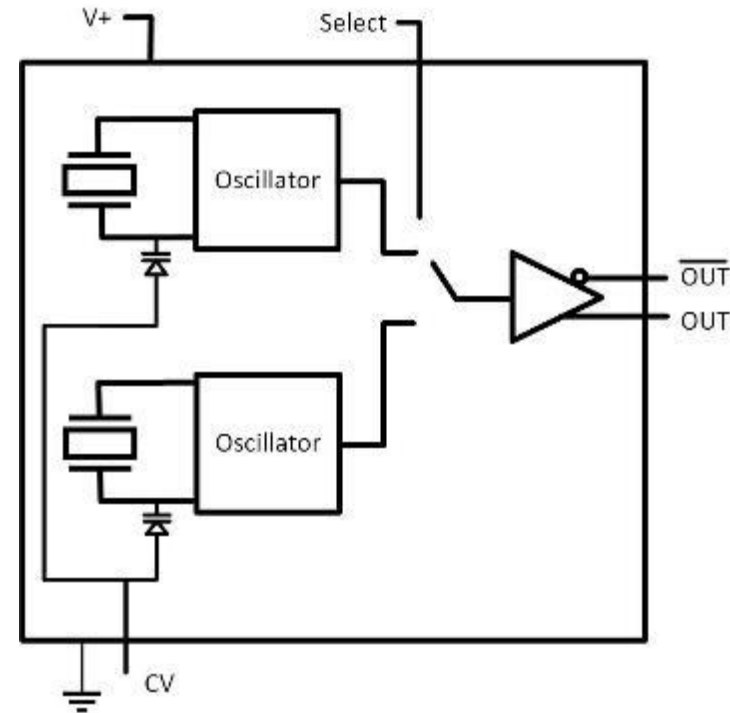


VS-504

Dual frequency VCSCO

Features:

- **Selectable frequency output**
- Frequency Range: 0.6 to 3 GHz
- Output: Sine, Balanced or Differential Sinewave, LVPECL
- Footprint: 14 x 9 mm, surface mount
- Supply Voltage: 3.3 V
- Power: 330 mW
- Temperature Range: 10 to 85 °C
- Absolute Pull Range: 20 ppm
- Phase Noise 1kHz offset: -98 dBc/Hz @1980 MHz carrier
- Phase Noise 1 MHz offset: -159 dBc/Hz @1980MHz carrier

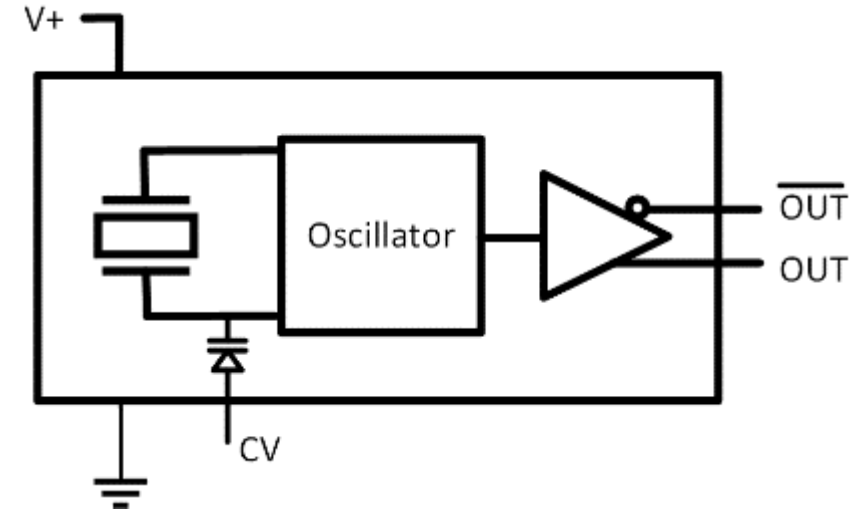


VS-507

Single frequency VCSO

Features:

- Frequency Range: 3 to 6 GHz
- Output: Sine, Balanced or Differential Sinewave
- Footprint: 14 x 9 mm, surface mount
- Supply Voltage: 3.3 V
- Power: 280.5 mW
- Temperature Range: -40 to 85 °C
- Absolute Pull Range: 5 ppm
- Phase Noise 1kHz offset: -86 dBc/Hz @5898.24 MHz carrier
- Phase Noise 1 MHz offset: -146 dBc/Hz @5898.24MHz carrier

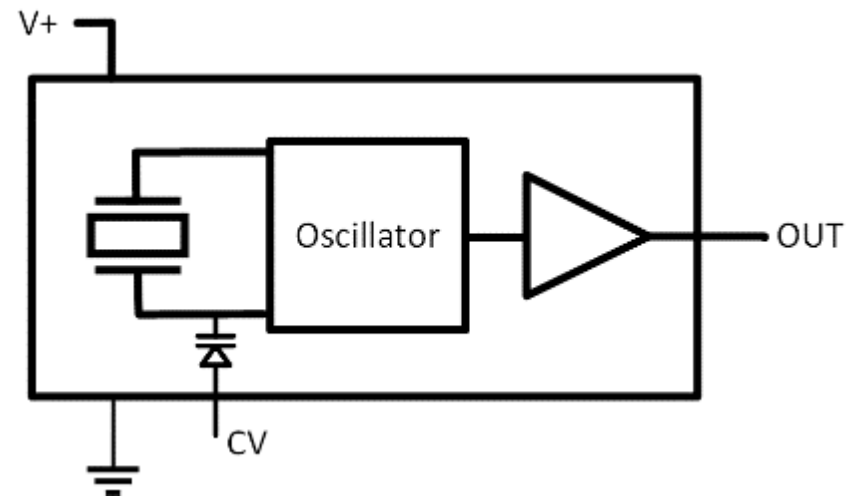


DOC206218

Space VCXO

Features:

- Target Market: Space
- Frequency Range: 1 to 100 MHz
- Output: CMOS
- Footprint: 14 x 9 mm, surface mount
- Supply Voltage: 3.3, 5 V
- Power: 66 mW
- Temperature Range: -40 to 85 °C
- Radiation Tolerance: 100 krad TID
- Absolute Pull Range: 50 ppm
- 1500 g Shock, 0.5 ms Duration
- 30 g Vibration

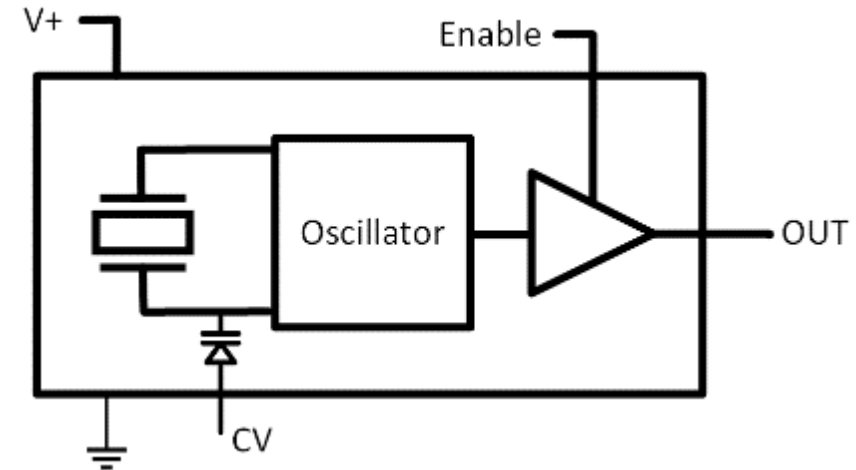


VX-504

Low g VCXO

Features:

- Frequency Range: 30 to 160 MHz
- Output: CMOS
- Footprint: 14 x 9 mm, surface mount
- Supply Voltage: 3.3, 5 V
- Power: 82.5 mW
- Temperature Range: -40 to 85 °C
- g-Sensitivity: 0.3 ppb/g
- Pull Range: 65 ppm
- Phase Noise 10 Hz offset: -72 dBc/Hz @122.88 MHz carrier
- Phase Noise 100 kHz offset: -161 dBc/Hz @122.88 MHz carrier



OX-080

Low g TCXO

Features:

- Frequency Range: 30 to 160 MHz
- Output: CMOS
- Footprint: 14 x 9 mm, surface mount
- Supply Voltage: 3.3, 5 V
- Power: 82.5 mW
- Temperature Range: -40 to 85 °C
- g-Sensitivity: 0.3 ppb/g
- Pull Range: 65 ppm
- Phase Noise 10 Hz offset: -72 dBc/Hz @122.88 MHz carrier
- Phase Noise 100 kHz offset: -161 dBc/Hz @122.88 MHz carrier

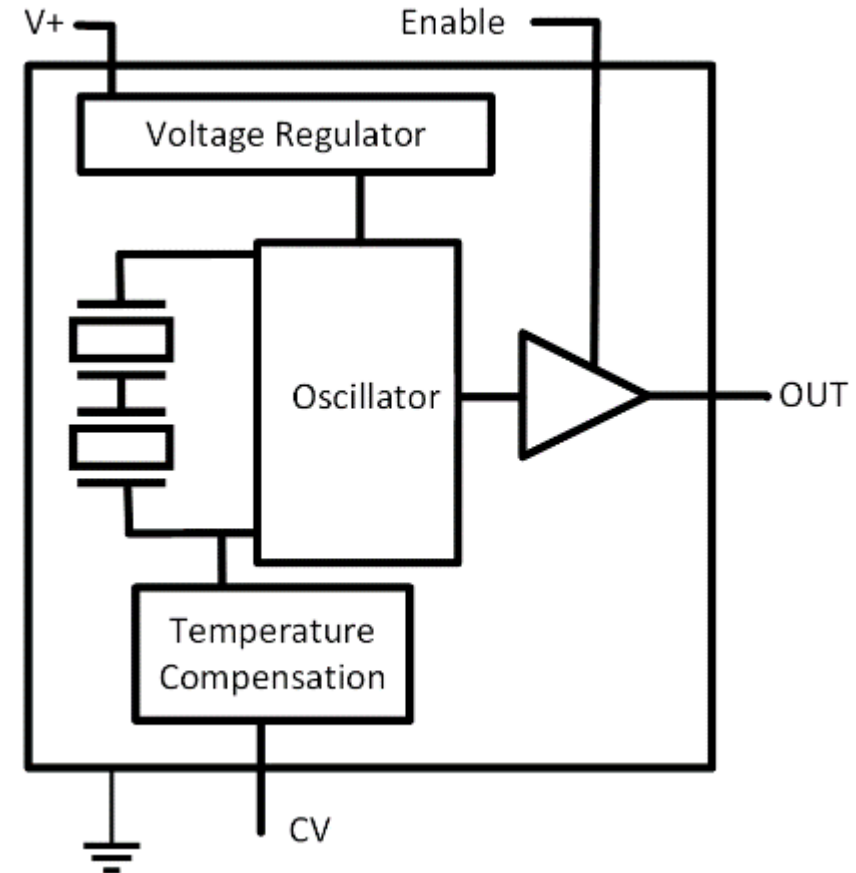


TX-707

Low g TCXO

Features:

- Frequency Range: 30 to 160 MHz
- Output: CMOS
- Footprint: 14 x 9 mm, surface mount
- Supply Voltage: 3.3, 5 V
- Power: 82.5 mW
- Temperature Range: -40 to 85 °C
- g-Sensitivity: 0.3 ppb/g
- Pull Range: 65 ppm
- Phase Noise 10 Hz offset: -72 dBc/Hz @122.88 MHz carrier
- Phase Noise 100 kHz offset: -161 dBc/Hz @122.88 MHz carrier

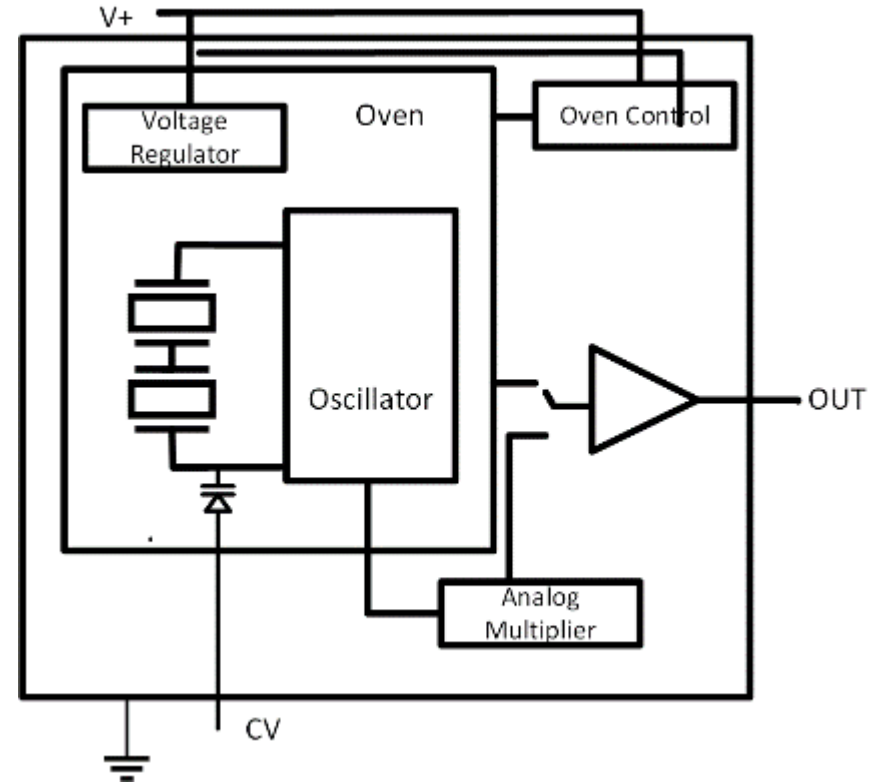


OX-407

Low g OCXO

Features:

- dual crystal, small form factor, low g OCXO
- Target Market: Military
- Frequency Range: 10 to 50 MHz
- Output: CMOS, Sine
- Footprint: 20 x 13 mm, through hole
- Supply Voltage: 3.3, 5 V
- Power: 1 W
- Temperature Range: -40 to 85 °C
- g-Sensitivity: 0.07 ppb/g
- Temperature stability over Operating Temperature Range: 100 ppb
- Phase Noise 10 Hz offset: -84 dBc/Hz @40 MHz carrier
- Phase Noise 100 kHz offset: -150 dBc/Hz @40 MHz carrier

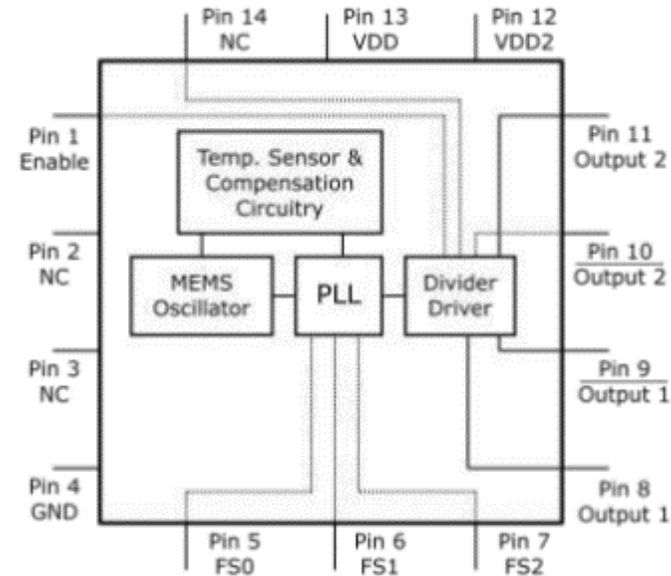


DSC2XXX

Low-Jitter Configurable Dual LVDS Oscillator

• Features:

- Low RMS Phase Jitter: 1.5 ps (typ.)
- High Stability: ± 10 , ± 25 , ± 50 ppm
- Wide Temperature Range: -20°C to 105°C
- High Supply Noise Rejection: -50dBc
- Two configurable independent outputs:
- LVCMOS, LVPECL, LVDS, HCSL
- Pin-Selectable Configurations:
- 3-bit Output Frequency Combinations
- Short Lead Times: 2 Weeks
- Wide Freq. Range: 2.3 to 460MHz
- Miniature Footprint of 3.2mm x 2.5mm
- Excellent Shock & Vibration Immunity
- Qualified to MIL-STD-883
- High Reliability:
 - 20x better MTF than quartz oscillators
- Supply Range of 2.25V to 3.6V
- DSC20XX supports pin control
- DSC21xx supports I²C interface
- DSC22XX supports SPI interface

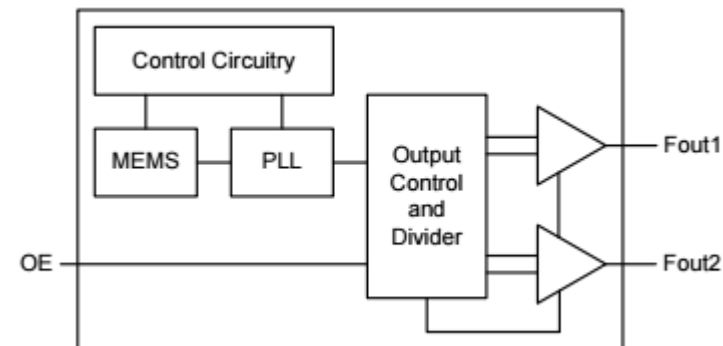


DSC2311

Crystal-less™ Configurable Two-Output Clock Generator

• Features:

- **Two Simultaneous CMOS Outputs:**
 - Output 1 Range: 2.3 to 170MHz
 - Output 2 Range: 2.3 to 170MHz
- **Low RMS Phase Jitter: <1 ps (typ.)**
- **High Stability: ±25 ppm; ±50 ppm**
- **Wide Temperature Range:**
 - Automotive: -55°C to 125°C
 - Ext. Industrial: -40°C to 105°C
 - Industrial: -40°C to 85°C
 - Ext. Commercial: -20°C to 70°C
- **High Supply Noise Rejection: -50dBc**
- **High Shock & Vibration Immunity:**
 - Qualified to MIL-STD-883
- **High Reliability:**
 - 20x better MTF than crystal-based clock
 - – generator designs
- **Supply Range of 2.25V to 3.6V**

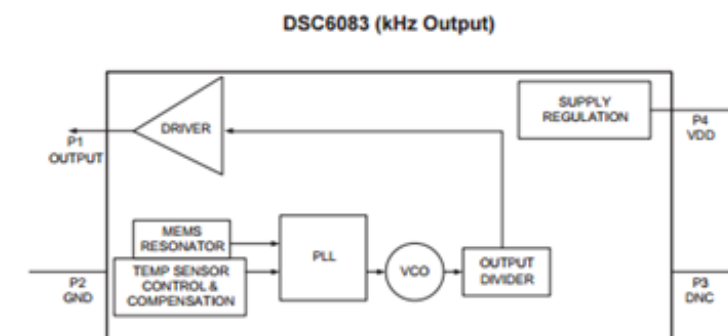
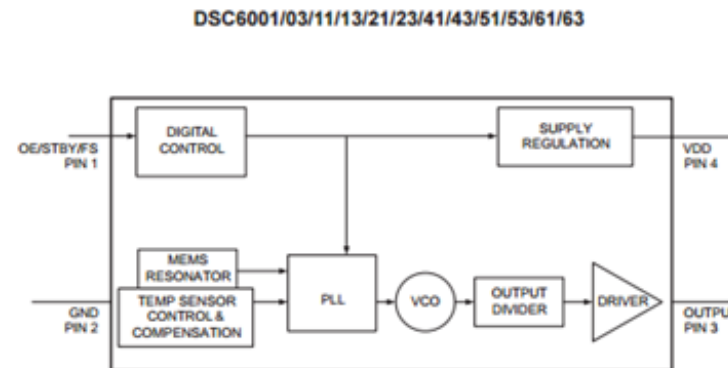


DSC6000

Ultra-Small, Ultra-Low Power MEMS Oscillator

• Features:

- **Wide Frequency Range:**
 - DSC60xx: 2kHz to 80MHz
 - DSC61xx: 2KHz to 100MHz
- **Ultra Low Power Consumption:**
 - DSC60xx: 1.25mA/10.5uA (Active/Stdby)
 - DSC61xx: 3mA/10.5uA (Active/Stdby)
- **Ultra Small Footprints:**
 - 1.6mmx1.2mm, 2.0mmx1.6mm,
 - 2.5mmx2.0mm, 3.2mmx2.5mm
- **Frequency Select input supports 2 frequencies**
- **High Stability: ± 25 , ± 50 ppm**
- **Excellent Shock & Vibration Immunity**
- **Qualified to MIL-STD-883**
- **High Reliability**
- **20x better MTF than quartz oscillators**
- **Supply Range of 1.71 to 3.63 V**
- **Temperature Range:**
 - Industrial: -40° to 85° C Ext.
 - Commercial: -20° to 70° C

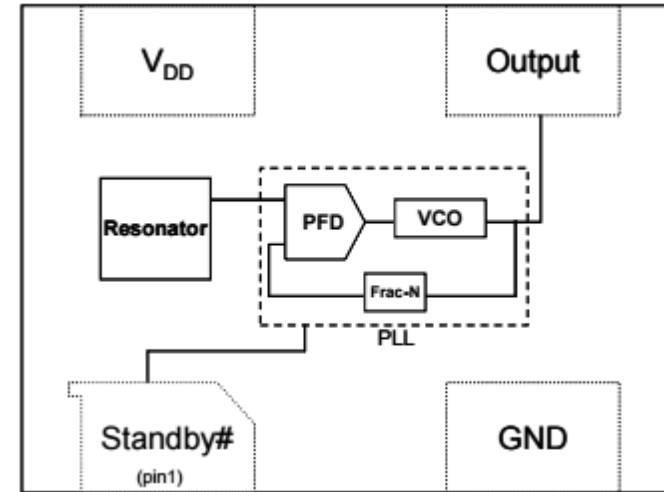


DSC1001/3/4

High performance oscillators

- **Features:**

- **Frequency Range: 1 to 150MHz**
- **Drive Strength: 15pF, 25pF, 40pF**
- **Exceptional Stability over Temperature:**
 - ± 10 PPM, ± 25 PPM, ± 50 PPM
- **Operating voltage of 1.7V to 3.6V**
- **Operating Temperature Range:**
 - Extended Industrial -40°C to 105°C
 - Industrial -40°C to 85°C
 - Extended Commercial -20°C to 70°C
 - Commercial 0°C to 70°C
- **Low Operating and Standby Current:**
 - 5mA Operating (40MHz)
 - $15\mu\text{A}$ Standby
- **Ultra Miniature Footprint:**
 - 2.5mm x 2.0mm x 0.85mm
 - 3.2mm x 2.5mm x 0.85mm
 - 5.0mm x 3.2mm x 0.85mm
 - 7.0mm x 5.0mm x 0.85mm
- **MIL-STD 883 Shock and Vibration Resistant**
- **AEC-Q100 Qualified**

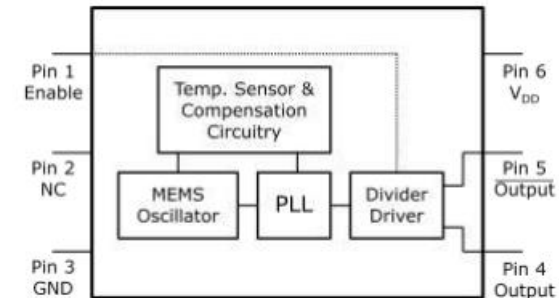


DSC1101/1121

High performance oscillators

• Features:

- **Low RMS Phase Jitter: <1 ps (typ.)**
- **High Stability: ± 10 , ± 25 , ± 50 ppm**
- **Wide Temperature Range:**
 - Automotive: -55°C to 125°C
 - Ext. Industrial: -40°C to 105°C
 - Industrial: -40°C to 85°C
 - Ext. commercial: -20°C to 70°C
- **High Supply Noise Rejection: -50dBc**
- **Wide Freq. Range: 2.3 to 170MHz**
- **Small Industry Standard Footprints:**
 - 2.5mm x 2.0mm3.2mm x 2.5mm,
 - 5.0mm x 3.2mm, & 7.0mm x 5.0mm
- **Excellent Shock & Vibration Immunity**
- **Qualified to MIL-STD-883**
- **High Reliability:**
 - 20x better MTF than quartz oscillators
- **Low Current Consumption**
- **Supply Range of 2.25V to 3.6V**
- **Standby & Output Enable Function**

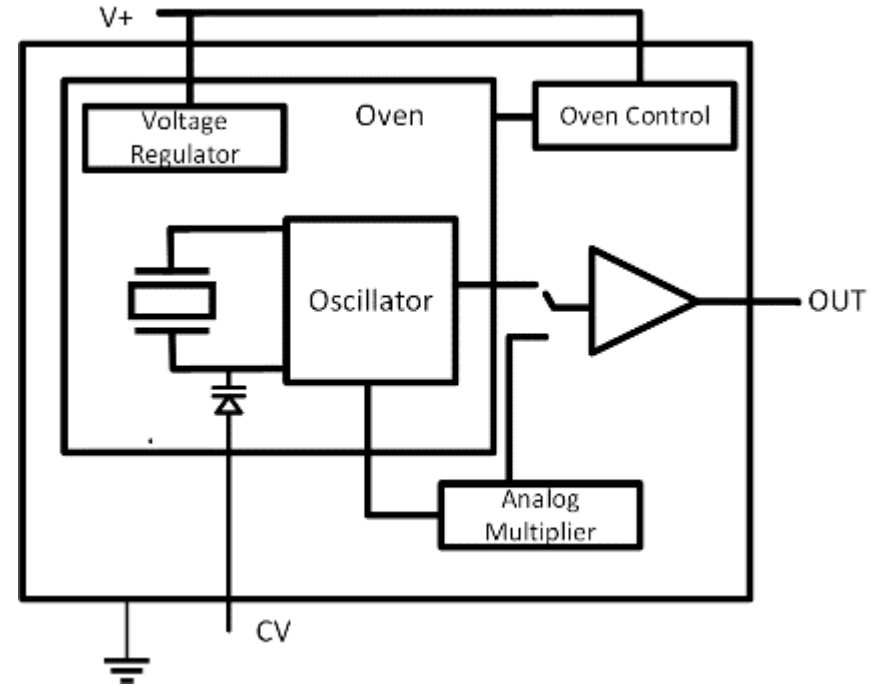


HX-171

High temp OCXO

Features:

- Target Market: Energy
- Frequency Range: 10 to 20 MHz
- Standard Frequencies: 10,20 MHz
- Output: CMOS
- Footprint: 28 x 38 mm, through hole
- Supply Voltage: 5 V
- Power: 75 mW
- Temperature Range: -40 to 150 °C
- Temperature stability over Operating Temperature Range: 5 ppb
- Aging per Day: 0.5 ppb

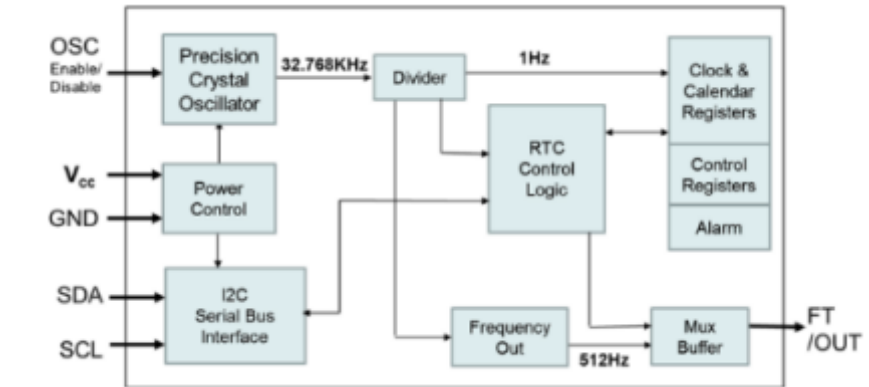


HM-4201-RTCM1

Real time clock module

Features:

- Real time clock module for time of day information on downhole applications
- Target Market: Energy
- 0.000512 MHz
- Standard Frequency: 0.000512 MHz
- Output: CMOS
- Footprint: 13 x 13 mm, through hole, surface mount
- Supply Voltage: 3.3 V
- Power: 20 mW
- Temperature Range: -40 to 200 °C
- Serial communications Interface
- 1000 g Shock, 0.5 ms Duration

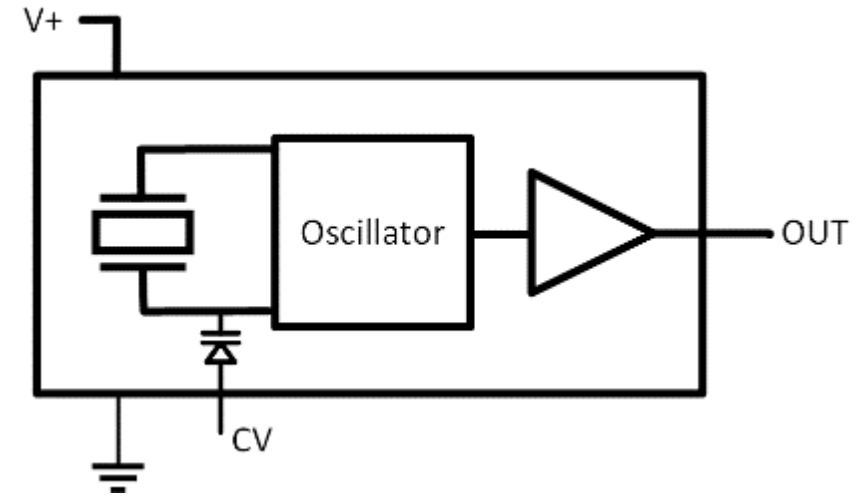


VX-400

High temp VCXO

Features:

- Frequency Range: 1 to 32.768 MHz
- Output: CMOS
- Footprint: 20 x 13 mm, through hole
- Supply Voltage: 3.3, 5 V
- Power: 39.6 mW
- Temperature Range: -55 to 200 °C
- Temperature stability over Operating Temperature Range: 0 ppm
- Absolute Pull Range: 50 ppm

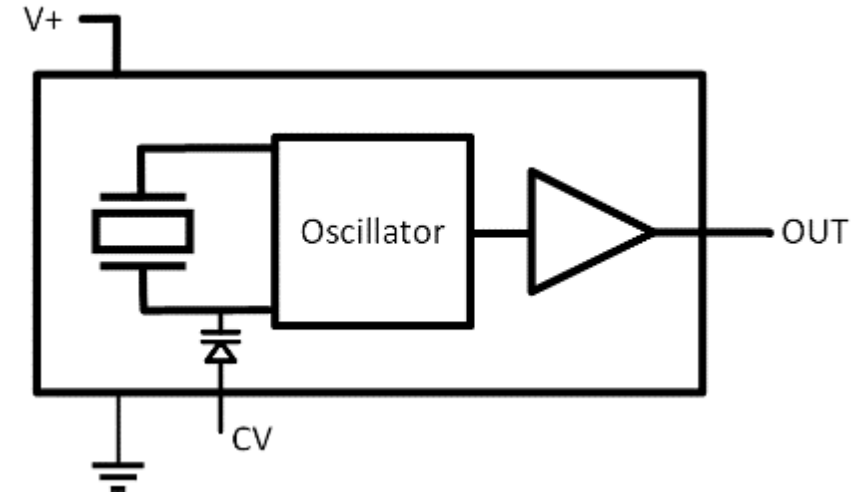


VX-708

High temp VCXO

Features:

- High temperature, small form factor VCO
- Frequency Range: 2 to 40 MHz
- Output: CMOS
- Footprint: 7 x 5 mm, surface mount
- Supply Voltage: 3.3 V
- Power: 9.9 mW
- Temperature Range: -55 to 180 °C
- Absolute Pull Range: 25 ppm
- Phase Noise 10 Hz offset: -75 dBc/Hz @32 MHz carrier
- Phase Noise 100 kHz offset: -155 dBc/Hz @32 MHz carrier

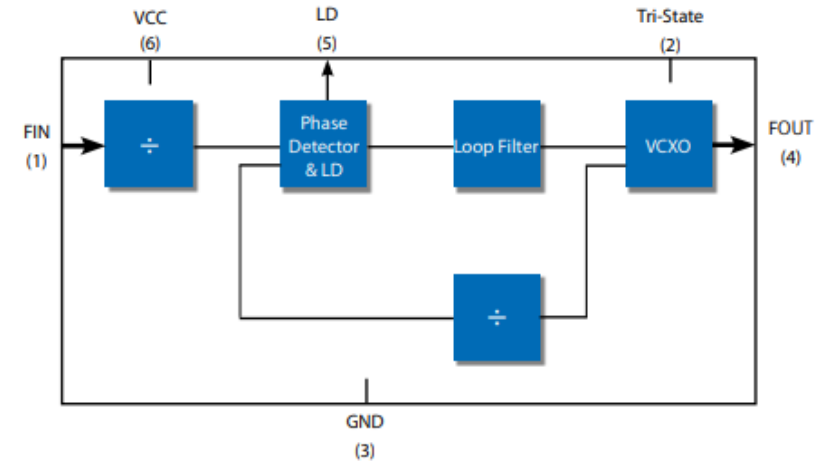


FX-500

Frequency converter

Features:

- Frequency Range: 0.01 to 80 MHz
- Output: CMOS
- Footprint: 14 x 9 mm, surface mount
- Supply Voltage: 3.3, 5 V
- Power: 10 mW
- Temperature Range: -40 to 85 °C
- Input Frequency: 0.008 to 78 MHz
- Number of Inputs: 1
- Input Logic: CMOS, TTL

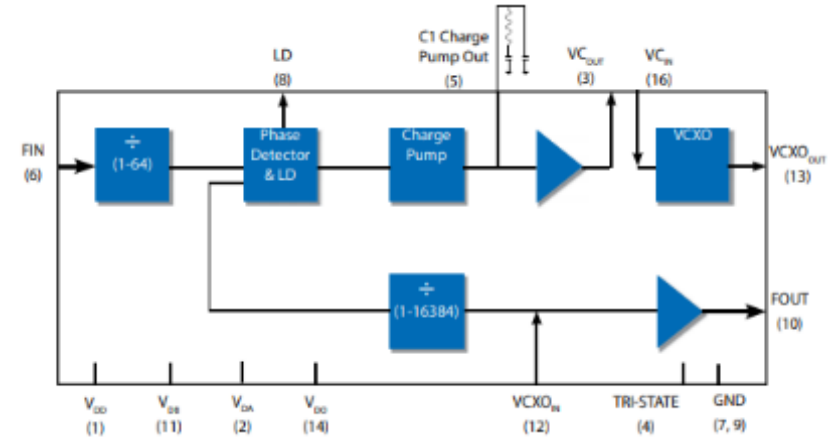


FX-700

Frequency converter

Features:

- Frequency Range: 0.01 to 80 MHz
- Output: CMOS
- Footprint: 7 x 5 mm, surface mount
- Supply Voltage: 3.3, 5 V
- Power: 4 mW
- Temperature Range: -40 to 85 °C
- Input Frequency: 0.008 to 78 MHz
- Number of Inputs: 1
- Input Logic: CMOS, TTL

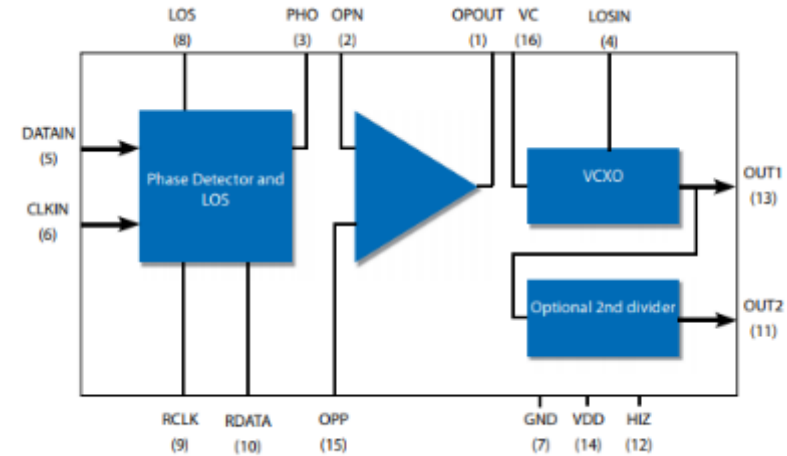


CD-700

Clock data recovery

Features:

- Recovers and cleans timing from data signal
- Frequency Range: 1 to 78 MHz
- Number of RF outputs: 2
- Output: CMOS
- Footprint: 7 x 5 mm, surface mount
- Supply Voltage: 3.3, 5 V
- Power: 330 mW
- Temperature Range: -40 to 85 °C
- Input Frequency: 0.008 to 78 MHz
- Input Logic: CMOS, TTL

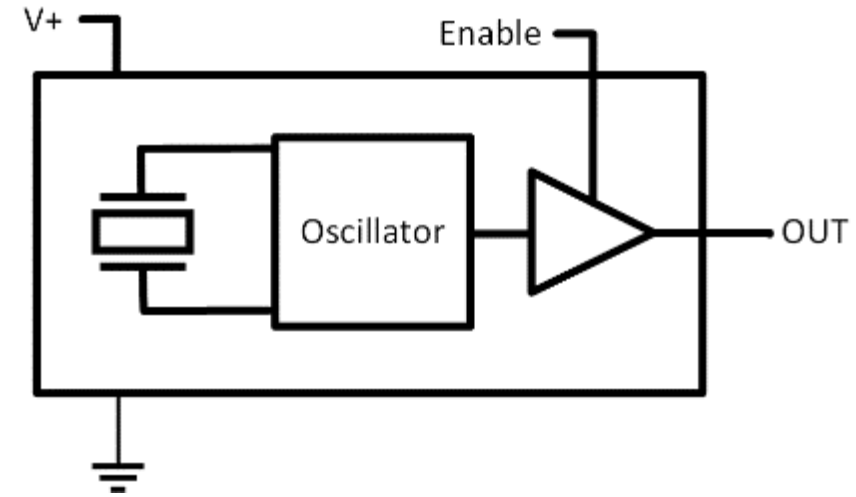


PX-504

Low g XO

Features:

- Frequency Range: 30 to 180 MHz
- Standard Frequencies: 50, 80, 100, 120, 122.88, 160 MHz
- Output: CMOS
- Footprint: 14 x 9 mm, surface mount
- Supply Voltage: 3.3, 5 V
- Power: 66 mW
- Temperature Range: -40 to 85 °C
- g-Sensitivity: 0.3 ppb/g
- Temperature stability over Operating Temperature Range: 25 ppm
- Aging per Year: 0 ppm

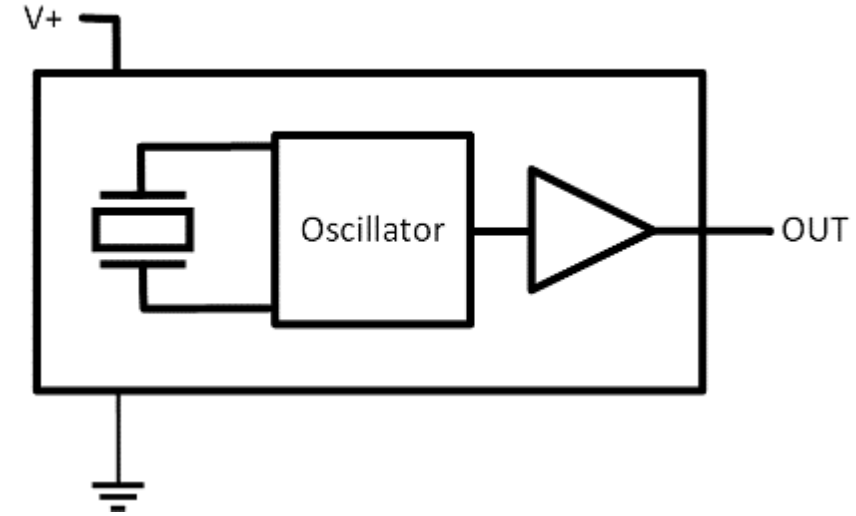


PX-422

High shock XO

Features:

- Target Market: Military
- Frequency Range: 1 to 80 MHz
- Output: CMOS, TTL
- Footprint: 12 x 12 mm, surface mount
- Supply Voltage: 3.3, 5 V
- Power: 350 mW
- Temperature Range: -55 to 125 °C
- Temperature stability 0 to 70°C: 25 ppm
- Temperature stability -40 to 85°C: 50 ppm
- Temperature stability over Operating Temperature Range: 100 ppm
- Aging per Year: 3 ppm

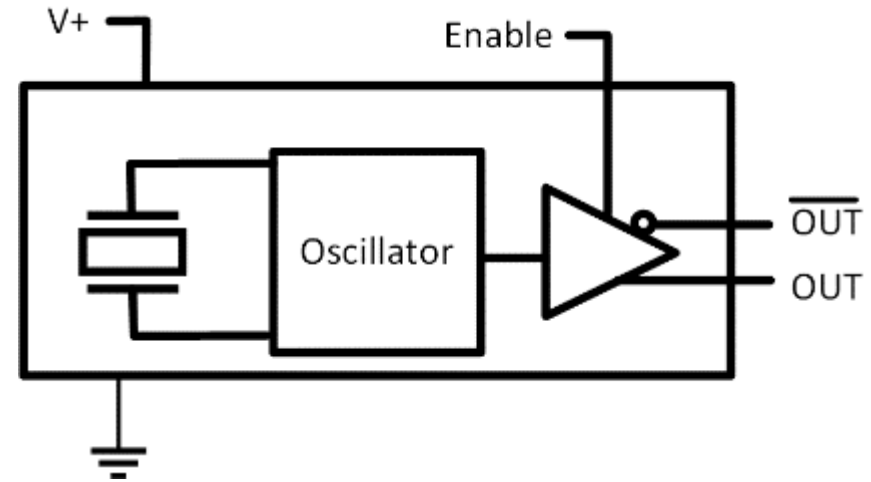


PX-507

High shock XO

Features:

- Frequency Range: 1 to 800 MHz
- Output: CMOS, TTL, LVPECL, LVDS
- Footprint: 14 x 9 mm, surface mount
- Supply Voltage: 2.5, 3.3, 5 V
- Power: 2.7 mW
- Temperature Range: -55 to 125 °C
- 100 g Shock, 6 ms Duration

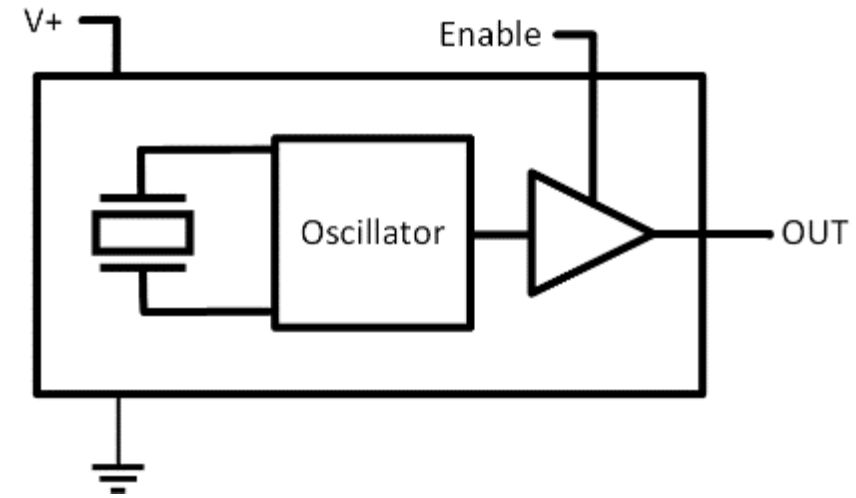


PX-571

High shock XO

Features:

- Target Market: Military
- Frequency Range: 0.01 to 125 MHz
- Output: CMOS, TTL
- Footprint: 9 x 9 mm, through hole
- Supply Voltage: 1.8, 2.5, 3.3, 5 V
- Power: 27 mW
- Temperature Range: -55 to 125 °C
- 100 g Shock, 6 ms Duration

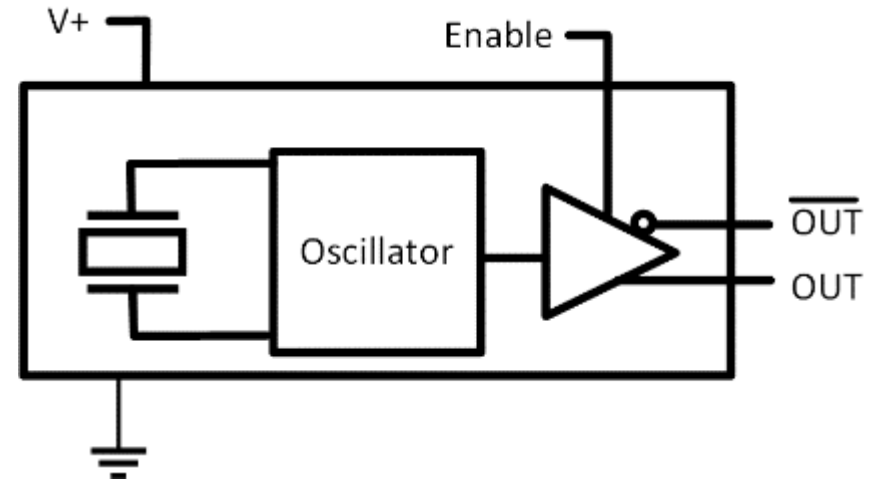


VC-709

Low power XO

Features:

- Frequency Range: 13.5 to 220 MHz
- Output: LVPECL, LVDS, HCSL
- Footprint: 7 x 5 mm, surface mount
- Supply Voltage: 2.5, 3, 3.3 V
- Power: 105 mW
- Temperature Range: -40 to 85 °C
- Temperature stability over Operating Temperature Range: 2 ppm
- 12k to 20 MHz jitter: 150 fs-rms @ 156.25 MHz

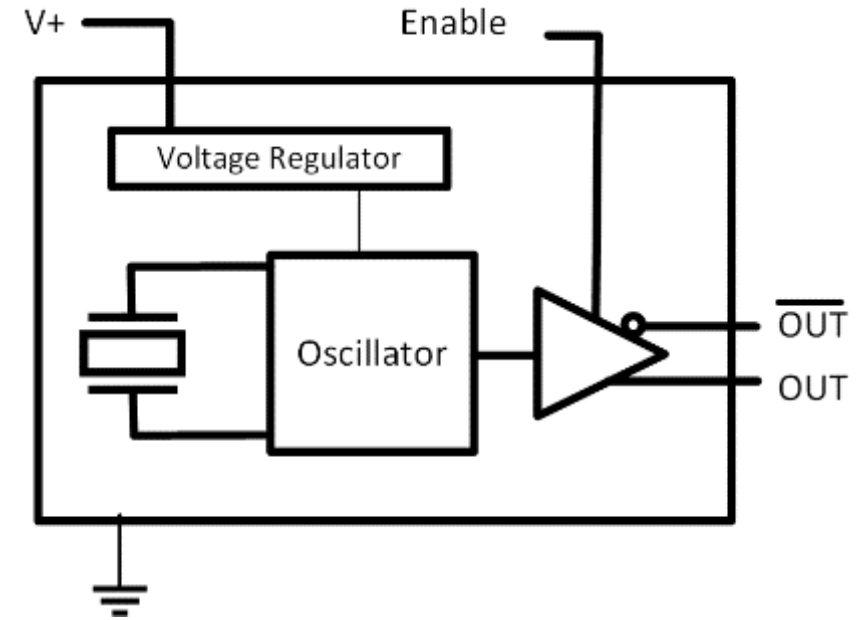


VC-826

Low Power XO

Features:

- Frequency Range: 20 to 170 MHz
- Standard Frequencies: 25, 50, 125 MHz
- Output: LVPECL, LVDS
- Footprint: 3.2 x 2.5 mm, surface mount
- Supply Voltage: 2.5, 3.3 V
- Power: 35 mW
- Temperature Range: -40 to 85 °C
- Temperature stability over Operating Temperature Range: 25 ppm
- 12k to 20 MHz jitter: 175 fs-rms @ 100 MHz

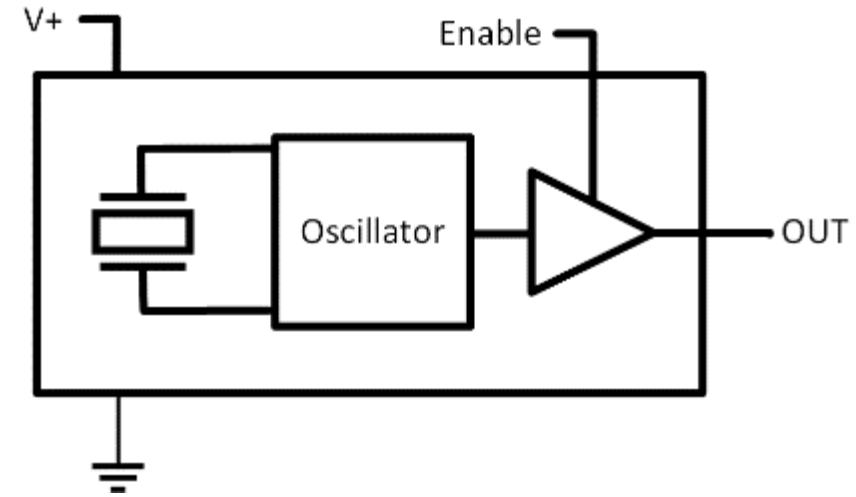


PX-400

Precision XO

Features:

- Frequency Range: 0.000001 to 200 MHz
- Output: CMOS, TTL
- Footprint: 20 x 13 mm, through hole, surface mount
- Supply Voltage: 3.3, 5 V
- Power: 2.7 mW
- Temperature Range: -55 to 125 °C
- Temperature stability 0 to 70°C: 15 ppm
- Temperature stability -40 to 85°C: 25 ppm
- Temperature stability over Operating Temperature Range: 100 ppm

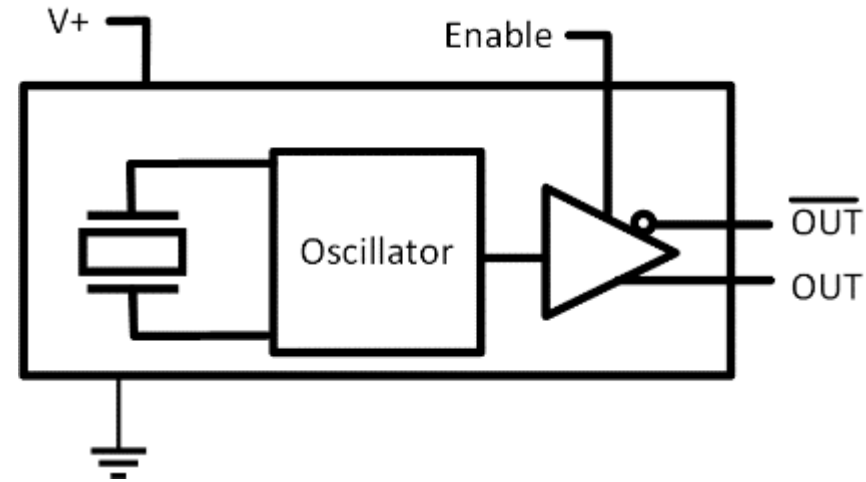


PX-500

Precision XO

Features:

- Target Market: Military
- Frequency Range: 1 to 800 MHz
- Output: CMOS, TTL, LVPECL, LVDS
- Footprint: 14 x 9 mm, surface mount
- Supply Voltage: 2.5, 3.3, 5 V
- Power: 15 mW
- Temperature Range: -55 to 125 °C
- Temperature stability 0 to 70°C: 15 ppm
- Temperature stability -40 to 85°C: 25 ppm
- Temperature stability over Operating Temperature Range: 50 ppm
- Aging per Year: 3 ppm

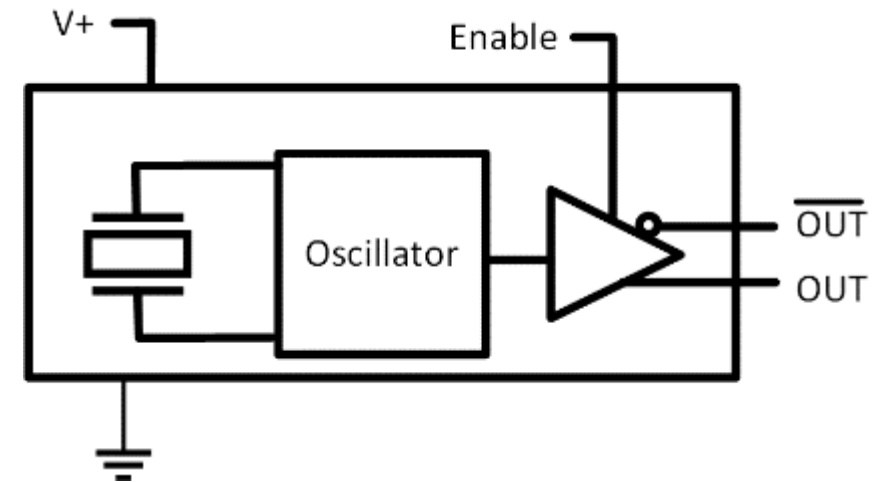


PX-700

Precision XO

Features:

- Frequency Range: 1 to 800 MHz
- Output: CMOS, TTL, LVPECL, LVDS
- Footprint: 7 x 5 mm, surface mount
- Supply Voltage: 2.5, 3.3, 5 V
- Power: 15 mW
- Temperature Range: -55 to 125 °C
- Temperature stability 0 to 70°C: 15 ppm
- Temperature stability -40 to 85°C: 25 ppm
- Temperature stability over Operating Temperature Range: 50 ppm
- Aging per Year: 3 ppm

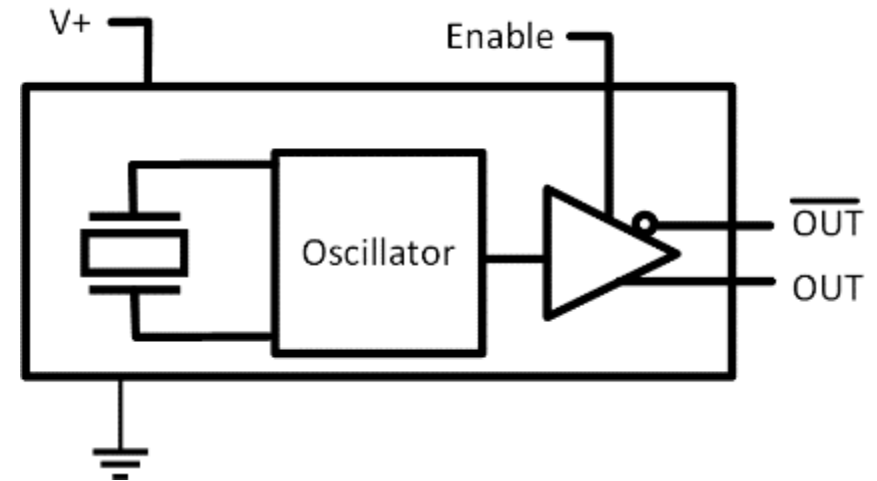


VC-711

Low jitter XO

Features:

- Frequency Range: 10 to 170 MHz
- Output: LVPECL, LVDS
- Footprint: 7 x 5 mm, surface mount
- Supply Voltage: 2.5, 3.3 V
- Power: 152.5 mW
- Temperature Range: -40 to 105 °C
- Temperature stability over Operating Temperature Range: 100 ppm
- 12k to 20 MHz jitter: 100 fs-rms @ 156.25 MHz

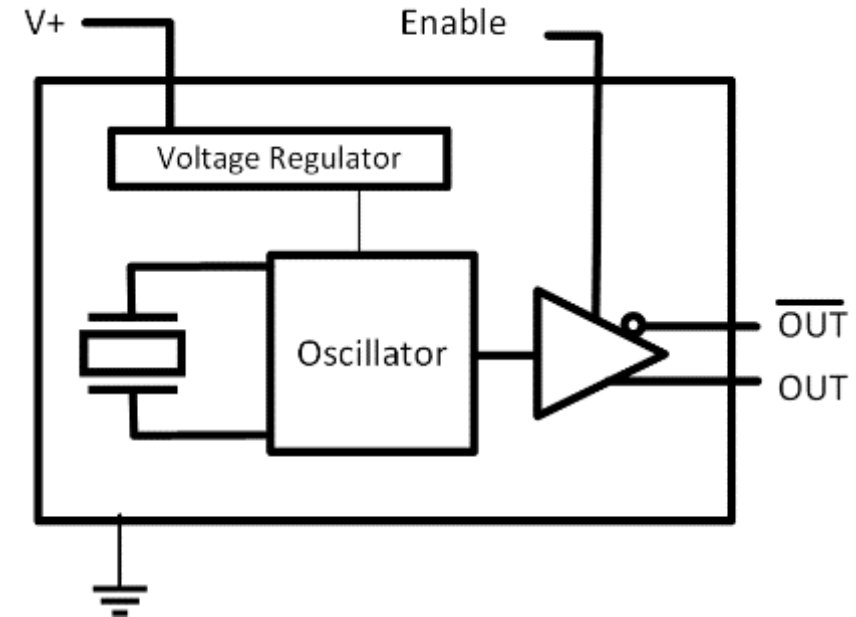


VC-827

Low jitter XO

Features:

- Frequency Range: 20 to 170 MHz
- Output: LVPECL, LVDS
- Footprint: 3.2 x 2.5 mm, surface mount
- Supply Voltage: 2.5, 3.3 V
- Power: 152.5 mW
- Temperature Range: -40 to 105 °C
- Temperature stability over Operating Temperature Range: 100 ppm
- 12k to 20 MHz jitter: 130 fs-rms @ 156.25 MHz

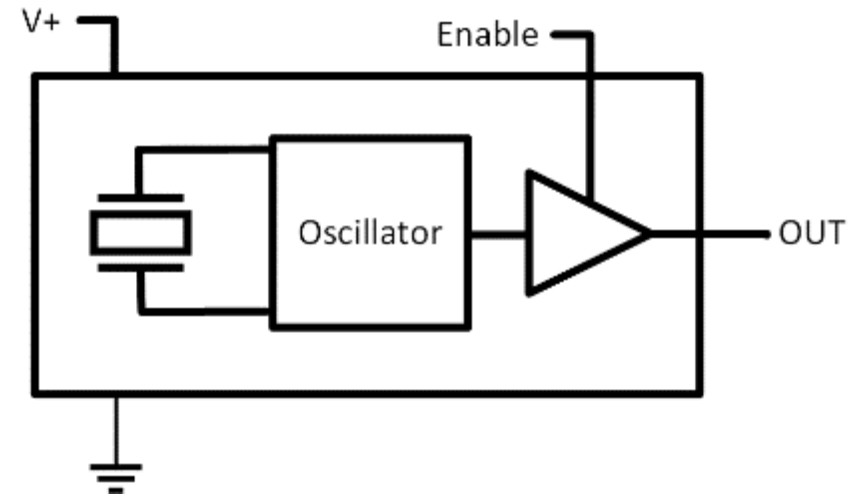


PX-420

High temp XO

Features:

- Target Market: Military
- Frequency Range: 0.5 to 40 MHz
- Output: CMOS
- Footprint: 13 x 13 mm, through hole
- Supply Voltage: 3.3, 5 V
- Power: 16.5 mW
- Temperature Range: -55 to 230 °C
- Temperature stability over Operating Temperature Range: 200 ppm
- 1000 g Shock, 0.5 ms Duration

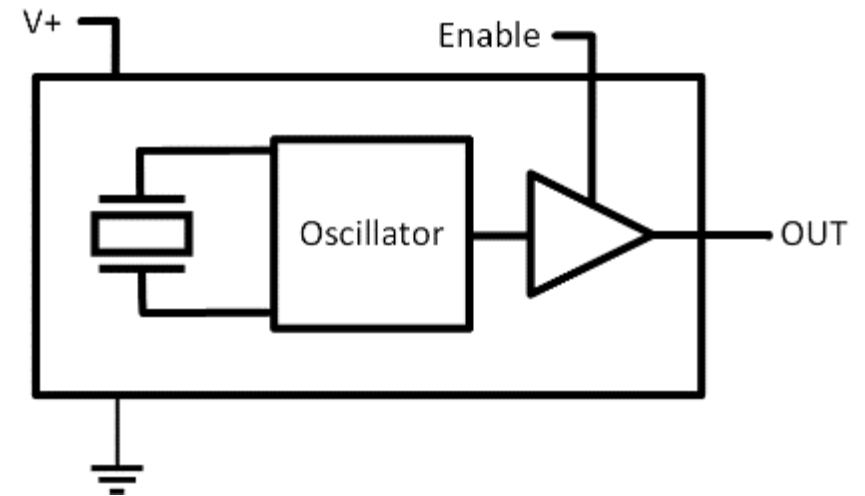


PX-570

High temp XO

Features:

- Frequency Range: 0.5 to 40 MHz
- Output: CMOS
- Footprint: 8.5 x 8 mm, through hole, surface mount
- Supply Voltage: 1.8, 2.5, 3, 3.3, 5 V
- Power: 16.5 mW
- Temperature Range: -55 to 230 °C
- Temperature stability over Operating Temperature Range: 200 ppm
- 1000 g Shock, 0.5 ms Duration
- 20 g Vibration

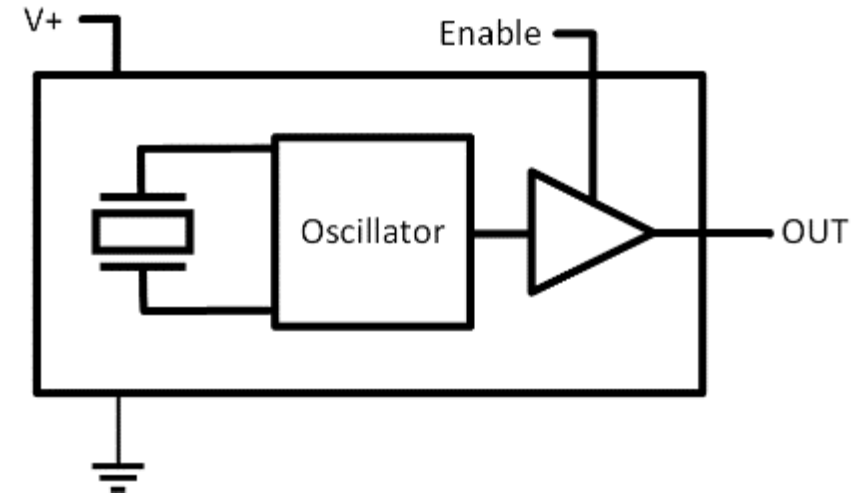


PX-610

High temp XO

Features:

- Target Market: Energy
- Frequency Range: 0.032768 to 40 MHz
- Output: CMOS
- Footprint: Ø9.65 mm, through hole
- Supply Voltage: 1.8, 2.5, 3.3, 5 V
- Power: 16.5 mW
- Temperature Range: -55 to 230 °C
- Temperature stability over Operating Temperature Range: 200 ppm
- 1000 g Shock, 0.5 ms Duration
- 20 g Vibration

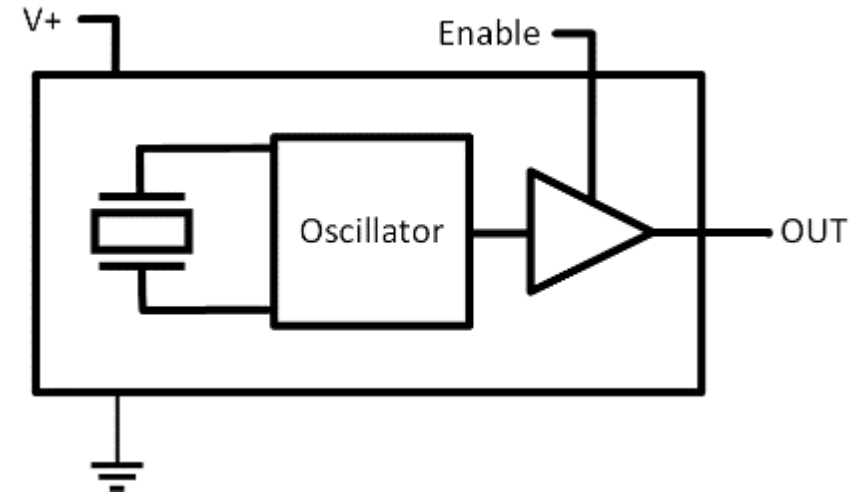


PX-702

High temp XO

Features:

- Target Market: Energy
- Frequency Range: 0.5 to 50 MHz
- Output: CMOS
- Footprint: 7 x 5 mm, surface mount
- Supply Voltage: 1.8, 2.5, 3, 3.3, 5 V
- Power: 1.8 mW
- Temperature Range: -55 to 230 °C
- Temperature stability over Operating Temperature Range: 200 ppm
- 3000 g Shock, 0.3 ms Duration
- 30 g Vibration

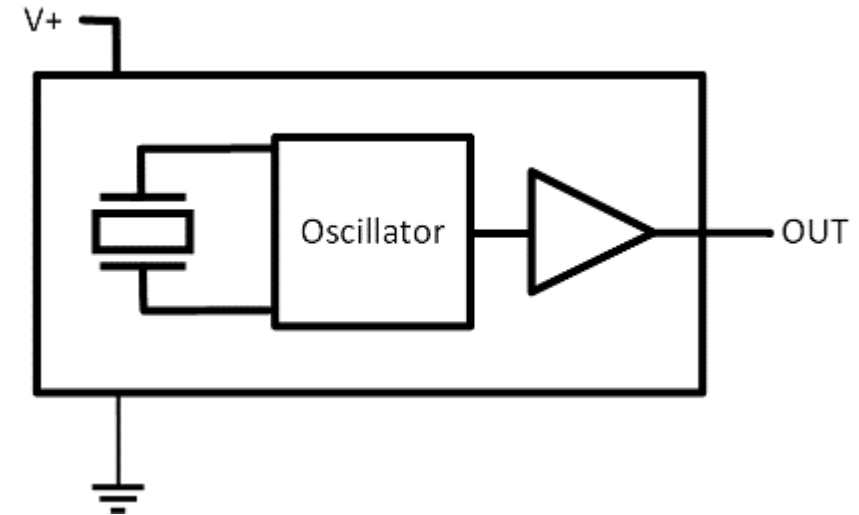


HT-RTC-XO

Real time clock XO

Features:

- Stand alone high temp low power Xos at 32.768 kHz
- Target Market: Energy
- 0.032768 MHz
- Standard Frequency: 0.032768 MHz
- Output: CMOS
- Footprint: multiple options, see specification mm, through hole, surface mount
- Supply Voltage: 1.8, 2.5, 3.3, 5 V
- Power: 33 mW
- Temperature Range: -55 to 200 °C
- Temperature stability over Operating Temperature Range: 100 ppm

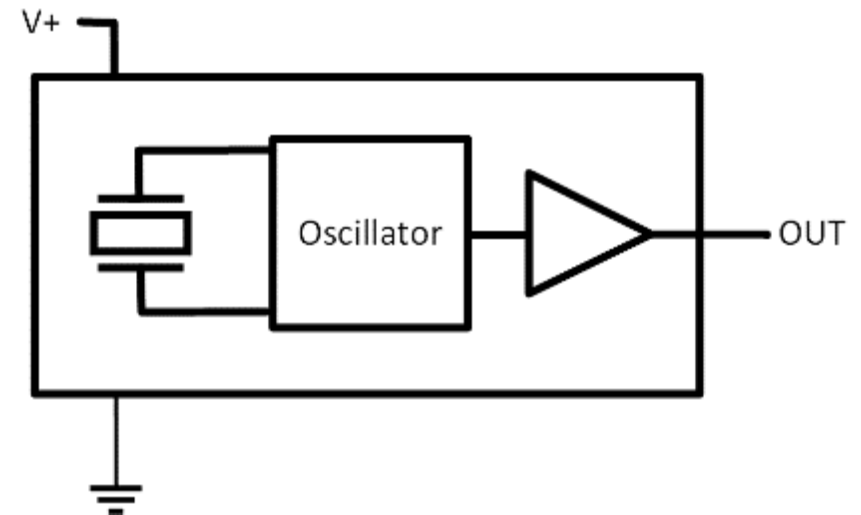


OS-68338

Space XO

Features:

- Ruggedized CMOS output Space XO with 100 krad tolerance
- Target Market: Space
- Frequency Range: 0.35 to 100 MHz
- Output: CMOS, TTL
- Footprint: multiple options, see specification mm, through hole, surface mount
- Supply Voltage: 3.3, 5 V
- Power: 19.8 mW
- Temperature Range: -55 to 125 °C
- Radiation Tolerance: 100 krad TID
- Temperature stability over Operating Temperature Range: 50 ppm
- Aging per Year: 5 ppm
- 30 g Vibration

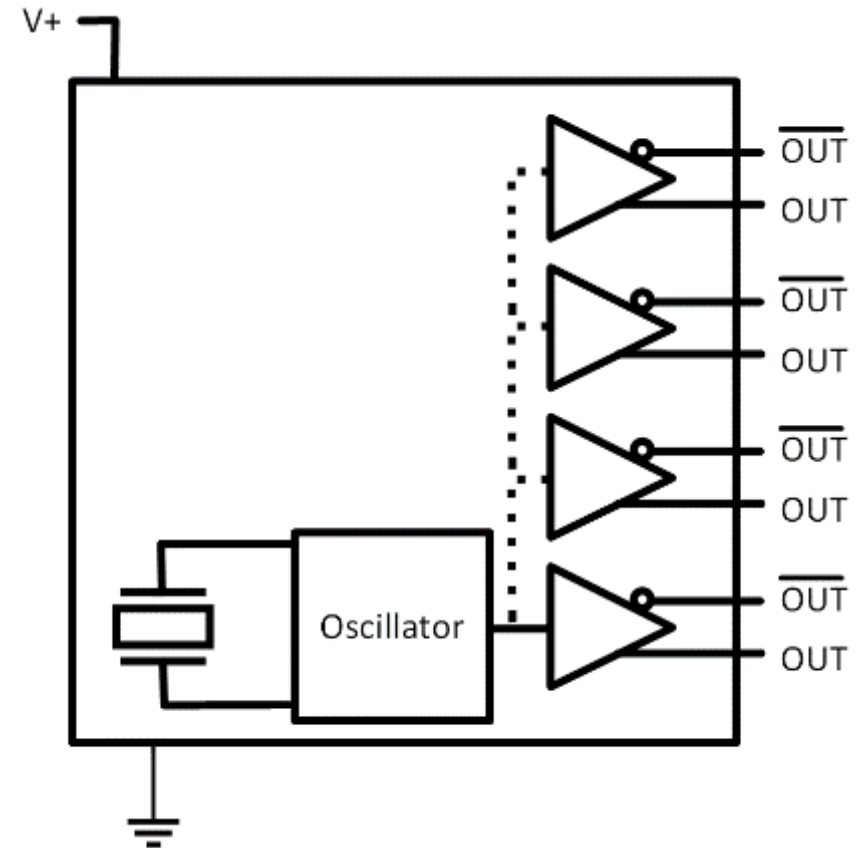


DOC203679

Space XO

Features:

- Ideal for driving RTG4 FPGA
- Target Market: Space
- Frequency Range: 12 to 200 MHz
- Number of RF outputs: 1,2,4 pairs
- Output: LVDS
- Footprint: 16 x 16 mm, surface mount
- Supply Voltage: 3.3 V
- Power: 330 mW
- Temperature Range: -55 to 125 °C
- Radiation Tolerance: 100 krad TID
- Temperature stability over Operating Temperature Range: 50 ppm
- Aging per Year: 5 ppm
- 30 g Vibration

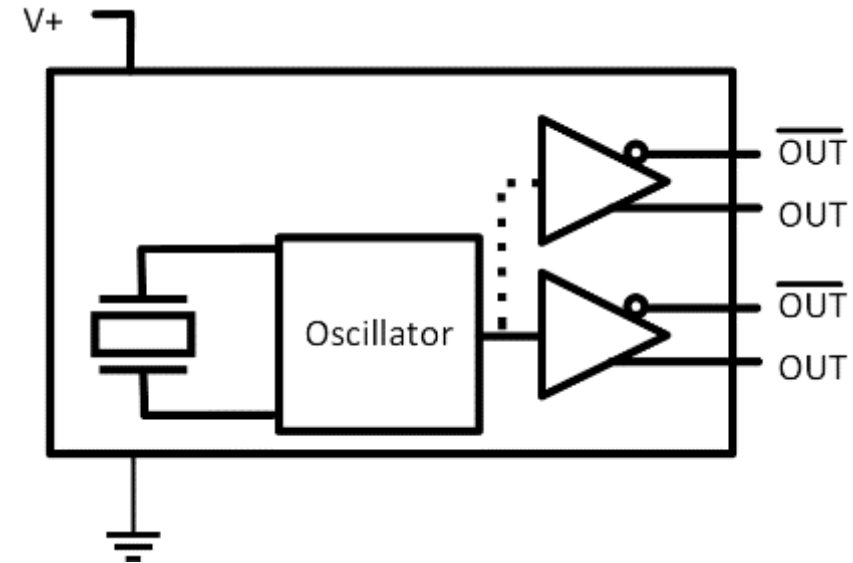


DOC203810

Space XO

Features:

- Dual complimentary output pairs
- Target Market: Space
- Frequency Range: 100 to 700 MHz
- Number of RF outputs: 1,2 pairs
- Output: LVPECL
- Footprint: multiple options, see specification mm, surface mount
- Supply Voltage: 3.3 V
- Power: 330 mW
- Temperature Range: -55 to 125 °C
- Radiation Tolerance: 50 krad ELDRS
- Temperature stability over Operating Temperature Range: 50 ppm
- Aging per Year: 5 ppm
- 30 g Vibration

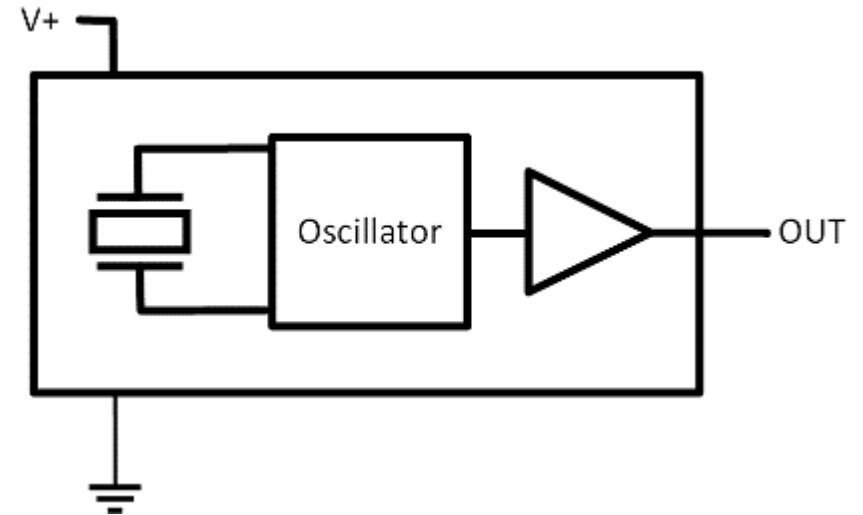


DOC204900

Space XO

Features:

- SET/SEU free to >90 MeV-cm²/mg
- Target Market: Space
- Frequency Range: 12 to 160 MHz
- Output: CMOS
- Footprint: multiple options, see specification mm, surface mount
- Supply Voltage: 2.5, 3.3 V
- Power: 250 mW
- Temperature Range: -55 to 125 °C
- Radiation Tolerance: 100 krad TID
- Temperature stability over Operating Temperature Range: 50 ppm
- Aging per Year: 5 ppm
- 30 g Vibration

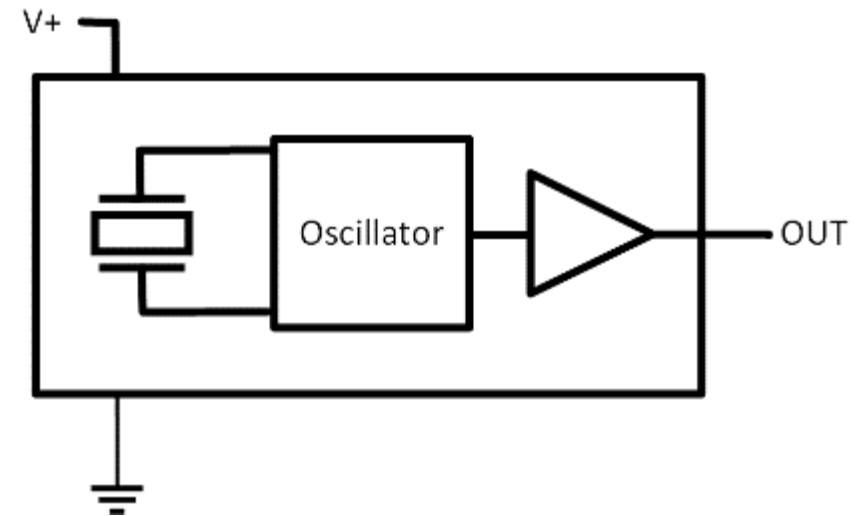


DOC206379

Space XO

Features:

- 300 krad for deep space missions
- Target Market: Space
- Frequency Range: 12 to 100 MHz
- Output: CMOS
- Footprint: 16 x 16 mm, surface mount
- Supply Voltage: 3.3, 5 V
- Power: 241 mW
- Temperature Range: -55 to 125 °C
- Radiation Tolerance: 300 krad TID
- Temperature stability over Operating Temperature Range: 50 ppm
- Aging per Year: 5 ppm
- 30 g Vibration

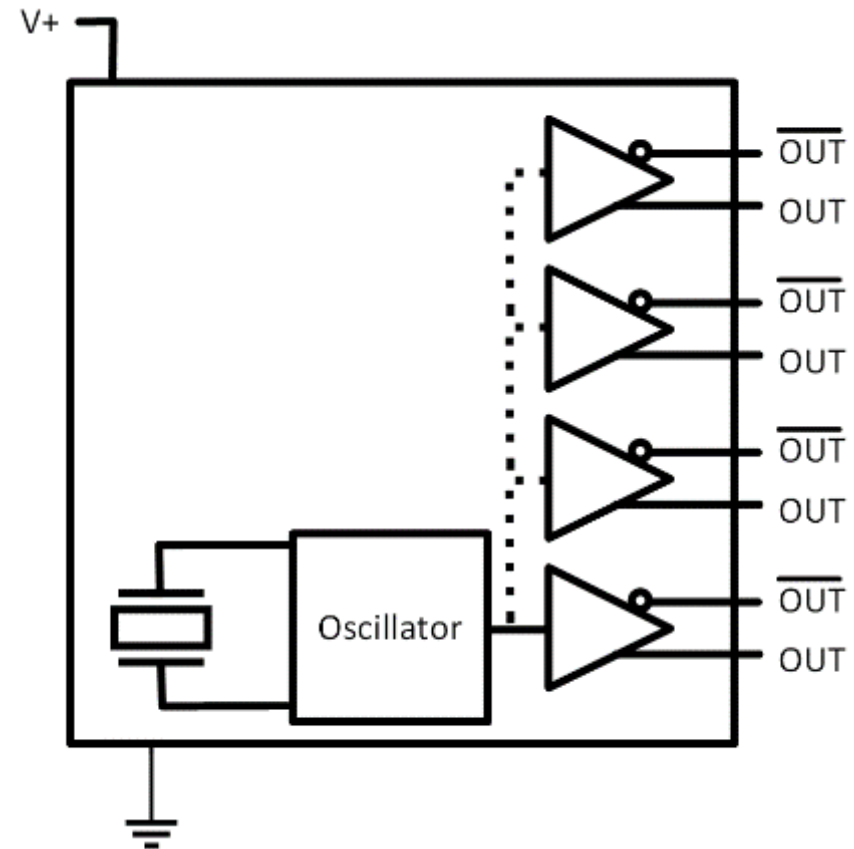


DOC206903

Space XO

Features:

- 300 krad for deep space missions
- Target Market: Space
- Frequency Range: 12 to 200 MHz
- Number of RF outputs: 1,2,4 pairs
- Output: LVDS
- Footprint: 16 x 16 mm, surface mount
- Supply Voltage: 3.3 V
- Power: 250 mW
- Temperature Range: -55 to 125 °C
- Radiation Tolerance: 300 krad TID
- Temperature stability over Operating Temperature Range: 50 ppm
- Aging per Year: 5 ppm
- 30 g Vibration

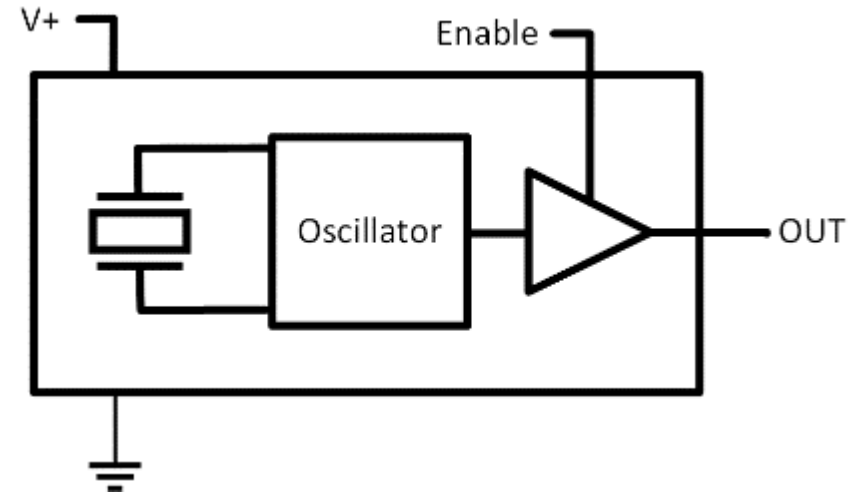


VC-820

Standard XO

Features:

- Frequency Range: 0.625 to 133 MHz
- Output: CMOS
- Footprint: 3.2 x 2.5 mm, surface mount
- Supply Voltage: 1.8, 2.5, 3.3 V
- Power: 4.5 mW
- Temperature Range: -55 to 125 °C
- Temperature stability over Operating Temperature Range: 50 ppm
- 12k to 20 MHz jitter: 61 fs-rms @ 125 MHz

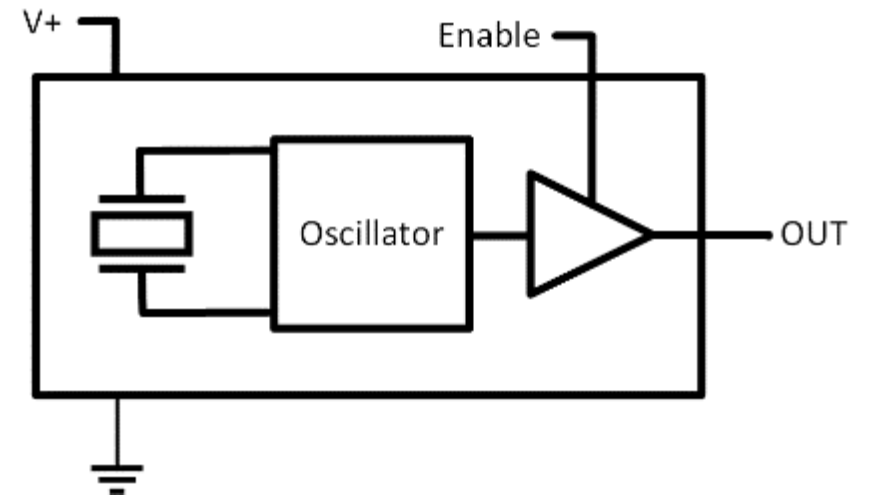


VC-840

Standard XO

Features:

- Frequency Range: 0.75 to 60 MHz
- Output: CMOS
- Footprint: 2.5 x 2 mm, surface mount
- Supply Voltage: 1.8, 2.5, 3.3 V
- Power: 4.5 mW
- Temperature Range: -40 to 105 °C
- Temperature stability over Operating Temperature Range: 25 ppm
- 12k to 20 MHz jitter: 177 fs-rms @ 25 MHz

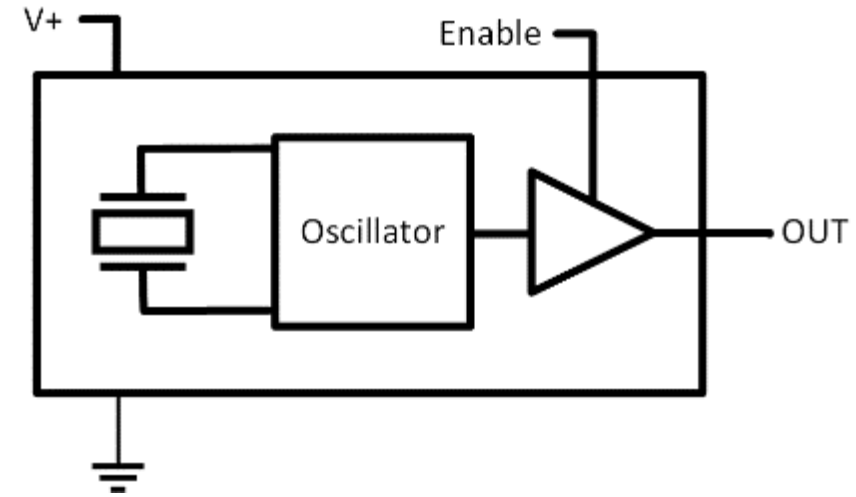


VCC1

Standard XO

Features:

- Frequency Range: 1.024 to 190 MHz
- Standard Frequencies: 20, 24.576, 25 MHz
- Output: CMOS
- Footprint: 7 x 5 mm, surface mount
- Supply Voltage: 1.8, 2.5, 3.3, 5 V
- Power: 9 mW
- Temperature Range: -55 to 125 °C
- Temperature stability 0 to 70°C: 25 ppm
- Temperature stability -40 to 85°C: 25 ppm
- Temperature stability over Operating Temperature Range: 50 ppm
- 12k to 20 MHz jitter: 500 fs-rms @ 125 MHz

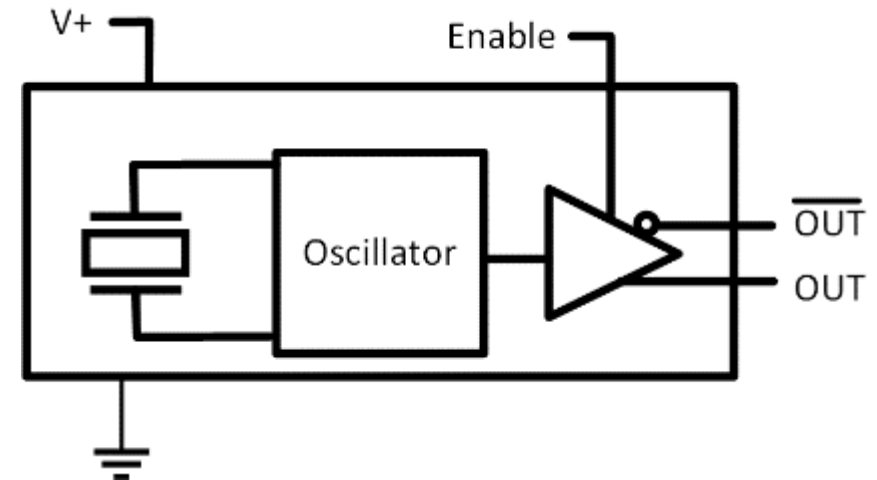


VCC6

Standard XO

Features:

- Frequency Range: 10 to 275 MHz
- Output: LVPECL, LVDS
- Footprint: 7 x 5 mm, surface mount
- Supply Voltage: 2.5, 3.3 V
- Power: 150 mW
- Temperature Range: -55 to 125 °C
- Temperature stability 0 to 70°C: 20 ppm
- Temperature stability -40 to 85°C: 20 ppm
- Temperature stability over Operating Temperature Range: 100 ppm
- 12k to 20 MHz jitter: 300 fs-rms @ 155.52 MHz

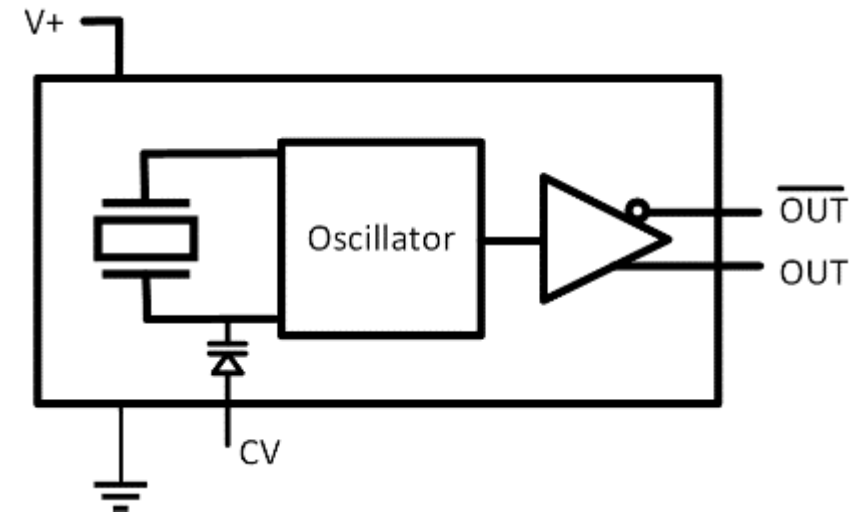


XO-400

Standard XO

Features:

- Frequency Range: 15 to 250 MHz
- Output: LVPECL
- Footprint: 20 x 13 mm, through hole
- Supply Voltage: 3.3, 5 V
- Power: 264 mW
- Temperature Range: -40 to 85 °C

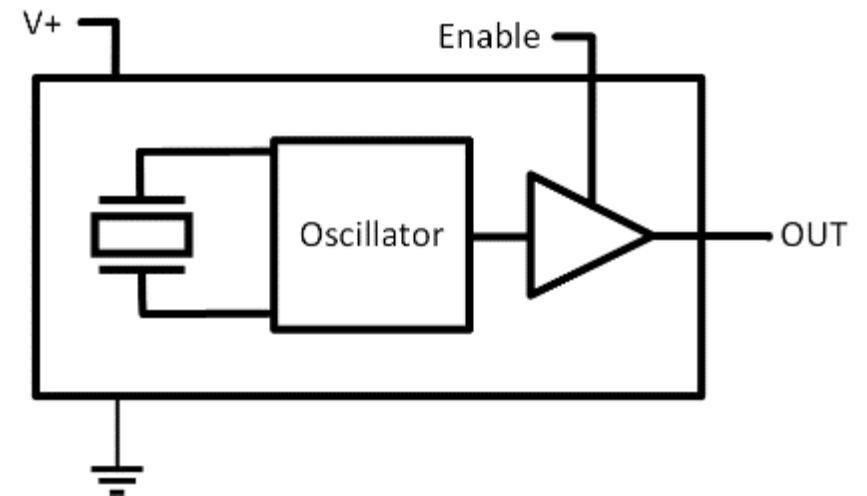


PX-421

Standard XO

Features:

- Target Market: Military
- Frequency Range: 0.01 to 125 MHz
- Output: CMOS, TTL
- Footprint: 13 x 13 mm, through hole, surface mount
- Supply Voltage: 1.8, 2.5, 3.3, 5 V
- Power: 1.8 mW
- Temperature Range: -55 to 125 °C
- Temperature stability 0 to 70°C: 15 ppm
- Temperature stability -40 to 85°C: 25 ppm
- Temperature stability over Operating Temperature Range: 100 ppm
- Aging per Year: 3 ppm

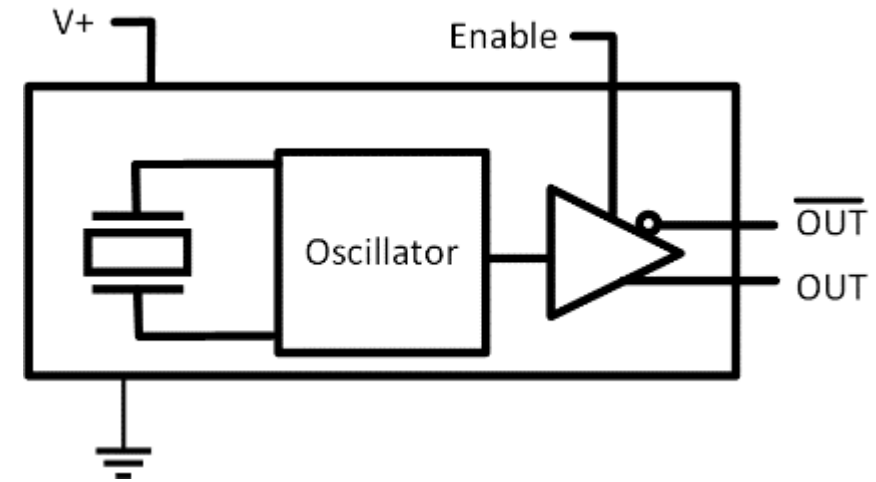


PX-706

Standard XO

Features:

- Frequency Range: 40 to 300 MHz
- Output: CMOS, LVPECL
- Footprint: 7 x 5 mm, surface mount
- Supply Voltage: 3.3, 5 V
- Power: 330 mW
- Temperature Range: -40 to 85 °C
- Temperature stability over Operating Temperature Range: 25 ppm
- Aging per Year: 0 ppm

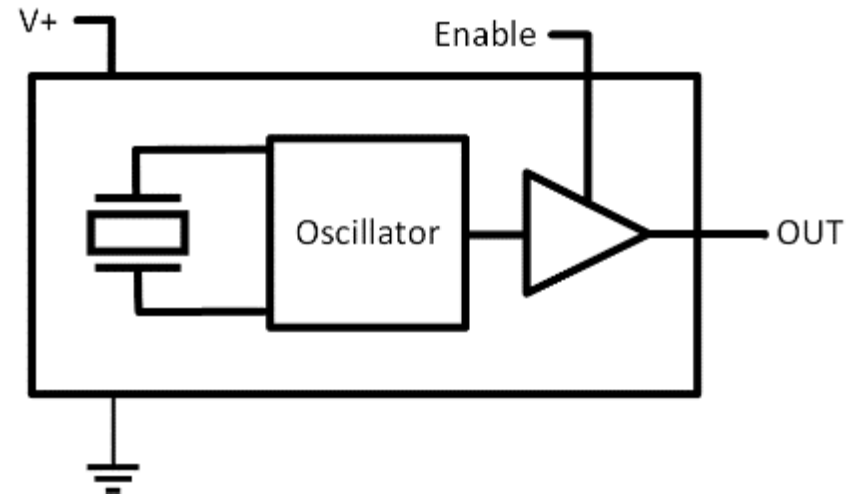


VC-801

Standard XO

Features:

- Frequency Range: 0.03277 to 125 MHz
- Output: CMOS
- Footprint: 5 x 3.2 mm, surface mount
- Supply Voltage: 1.8, 2.5, 3.3, 5 V
- Power: 9 mW
- Temperature Range: -55 to 125 °C
- Temperature stability over Operating Temperature Range: 50 ppm
- 12k to 20 MHz jitter: 500 fs-rms @ 125 MHz

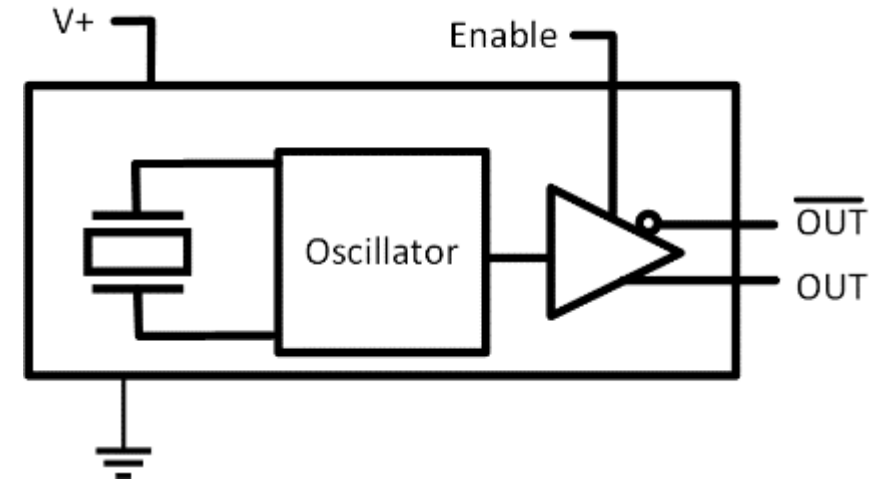


VC-806

Standard XO

Features:

- Frequency Range: 25 to 250 MHz
- Output: LVPECL, LVDS
- Footprint: 5 x 3.2 mm, surface mount
- Supply Voltage: 2.5, 3.3 V
- Power: 150 mW
- Temperature Range: -40 to 85 °C
- Temperature stability over Operating Temperature Range: 25 ppm
- 12k to 20 MHz jitter: 300 fs-rms @ 155.52 MHz

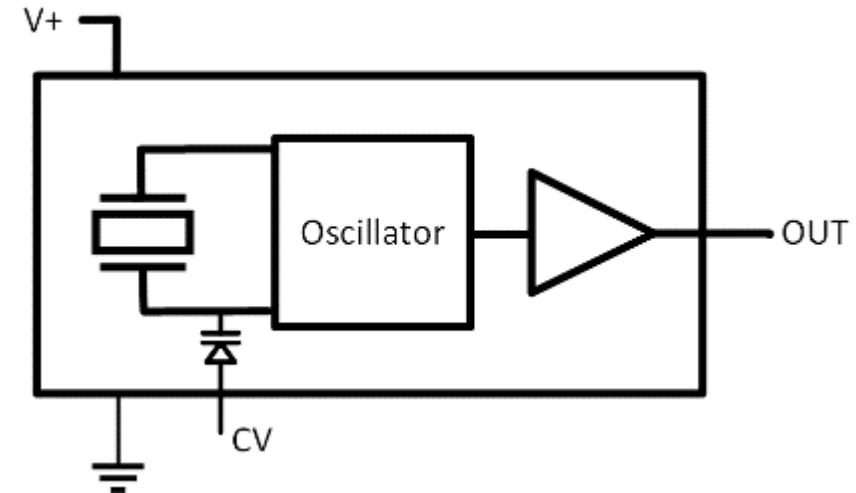


DOC206559

Space VCSO

Features:

- 300 krad for deep space missions
- Target Market: Space
- Frequency Range: 0.3 to 1.5 GHz
- Output: Sine
- Footprint: 16 x 16 mm, surface mount
- Supply Voltage: 3.3, 5, 12 V
- Power: 250 mW
- Temperature Range: -40 to 85 °C
- Radiation Tolerance: 300 krad TID
- Absolute Pull Range: 20 ppm
- 1500 g Shock, 0.5 ms Duration
- 30 g Vibration

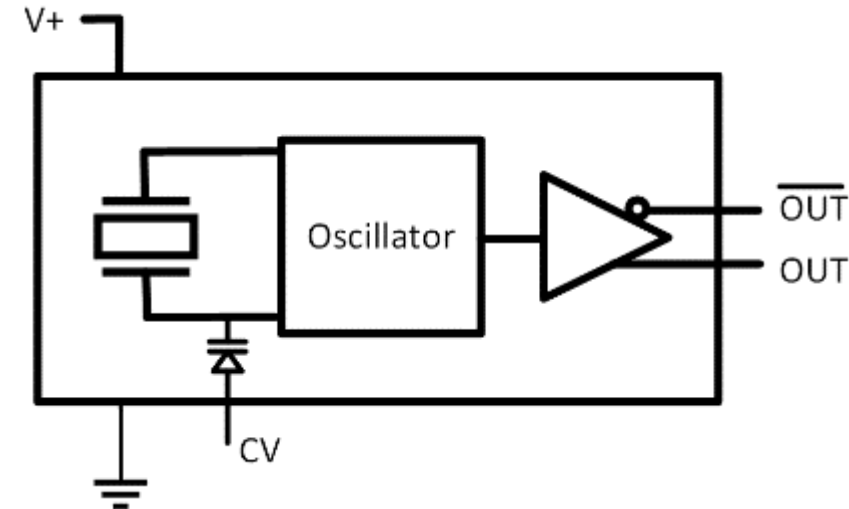


DOC206906

Space VCSO

Features:

- Internal Microchip SAW resonator
- Target Market: Space
- Frequency Range: 0.3 to 1 GHz
- Output: LVPECL
- Footprint: 16 x 16 mm, surface mount
- Supply Voltage: 3.3 V
- Power: 33 mW
- Temperature Range: -40 to 85 °C
- Radiation Tolerance: 50 krad ELDRS
- Absolute Pull Range: 20 ppm
- 1500 g Shock, 0.5 ms Duration
- 30 g Vibration

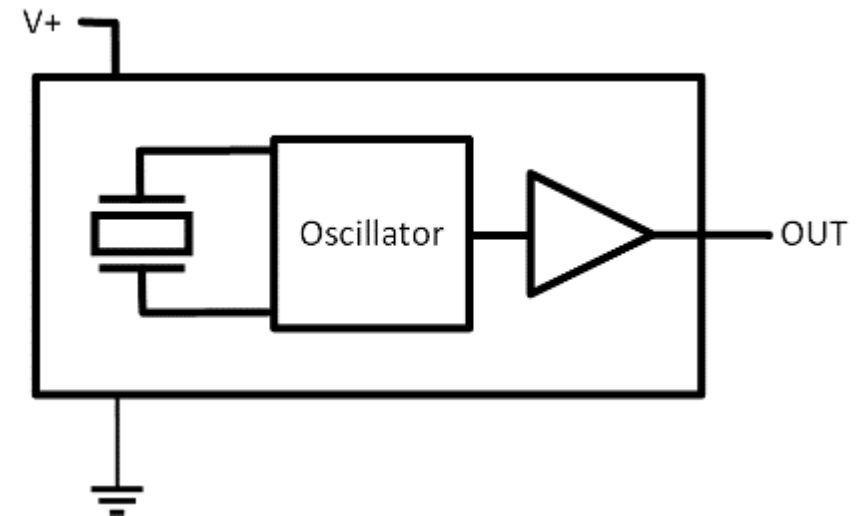


PS-501

Standard SO

Features:

- Frequency Range: 0.6 to 3 GHz
- Output: Sine, Balanced or Differential Sinewave, LVPECL
- Footprint: 14 x 9 mm, surface mount
- Supply Voltage: 3.3, 5 V
- Power: 330 mW
- Temperature Range: -40 to 85 °C
- Phase Noise 10 Hz offset: -55 dBc/Hz @1000 MHz carrier
- Phase Noise 100 kHz offset: -160 dBc/Hz @1000 MHz carrier

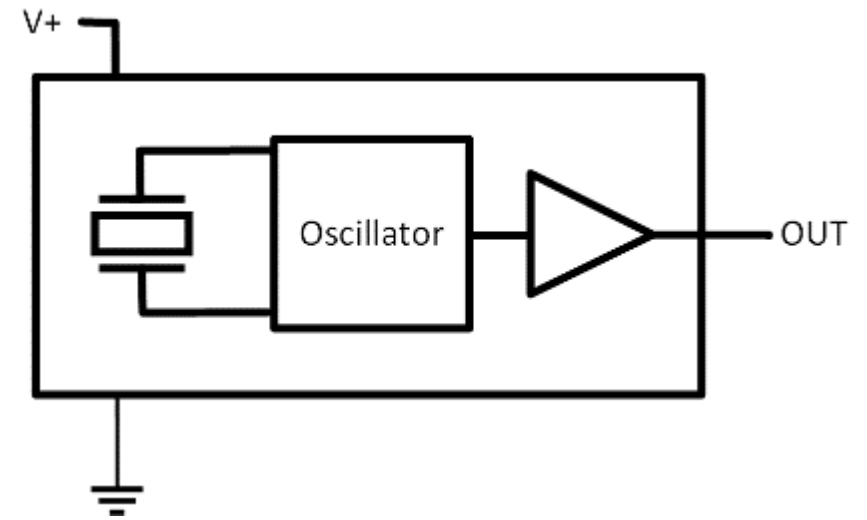


PS-508

Low g SO

Features:

- Frequency Range: 0.6 to 3 GHz
- Output: Sine, Balanced or Differential Sinewave, LVPECL
- Footprint: 14 x 9 mm, surface mount
- Supply Voltage: 3.3, 5 V
- Power: 330 mW
- Temperature Range: -40 to 85 °C
- g-Sensitivity: 0.6 ppb/g
- Phase Noise 10 Hz offset: -55 dBc/Hz @1000 MHz carrier
- Phase Noise 100 kHz offset: -160 dBc/Hz @1000 MHz carrier

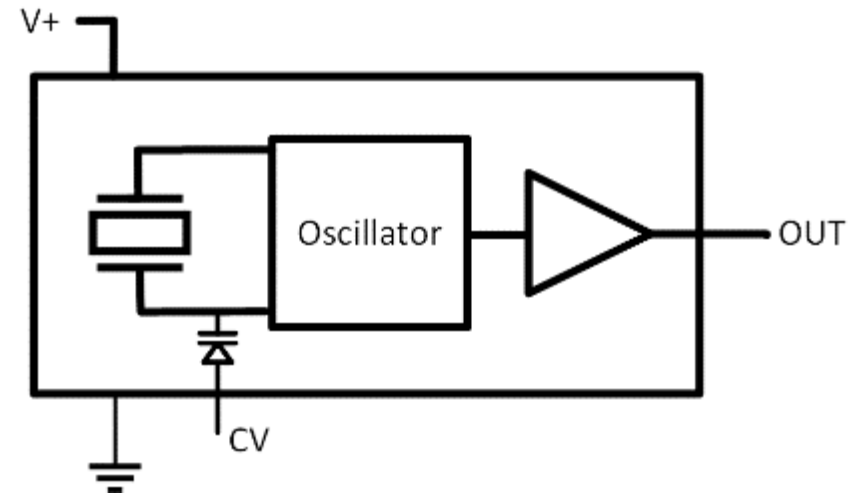


VS-506

Low g VCISO

Features:

- Frequency Range: 0.8 to 3 GHz
- Output: Sine
- Footprint: 14 x 9 mm, through hole
- Supply Voltage: 3.3, 5 V
- Power: 330 mW
- 1.2ppb/g
- Temperature Range: 10 to 85 °C
- Absolute Pull Range: 20 ppm

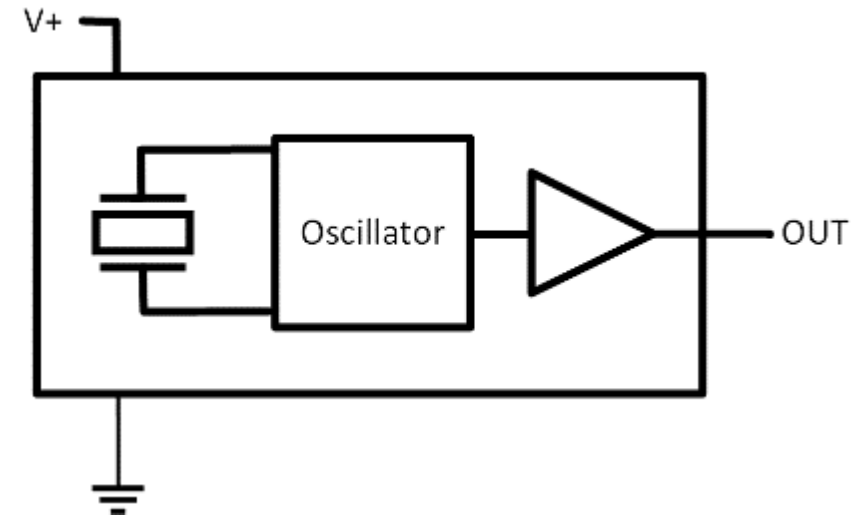


PS-701

High shock SO

Features:

- Frequency Range: 0.6 to 3 GHz
- Output: Sine, LVPECL
- Footprint: 7 x 5 mm, surface mount
- Supply Voltage: 3.3, 5 V
- Power: 250 mW
- Temperature Range: 10 to 85 °C
- 20000 g Shock, 0.2 ms Duration
- Phase Noise 10 Hz offset: -52 dBc/Hz @1000 MHz carrier
- Phase Noise 100 kHz offset: -152 dBc/Hz @1000 MHz carrier

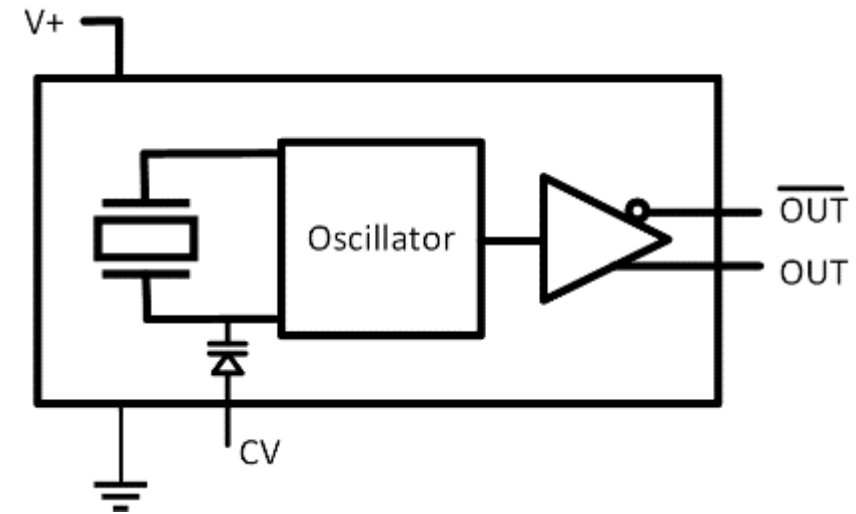


VS-705

Single frequency VCSO

Features:

- Frequency Range: 0.12288 to 1 GHz
- Output: LVPECL, LVDS
- Footprint: 7 x 5 mm, surface mount
- Supply Voltage: 2.5, 3.3 V
- Power: 240.9 mW
- Temperature Range: -40 to 85 °C

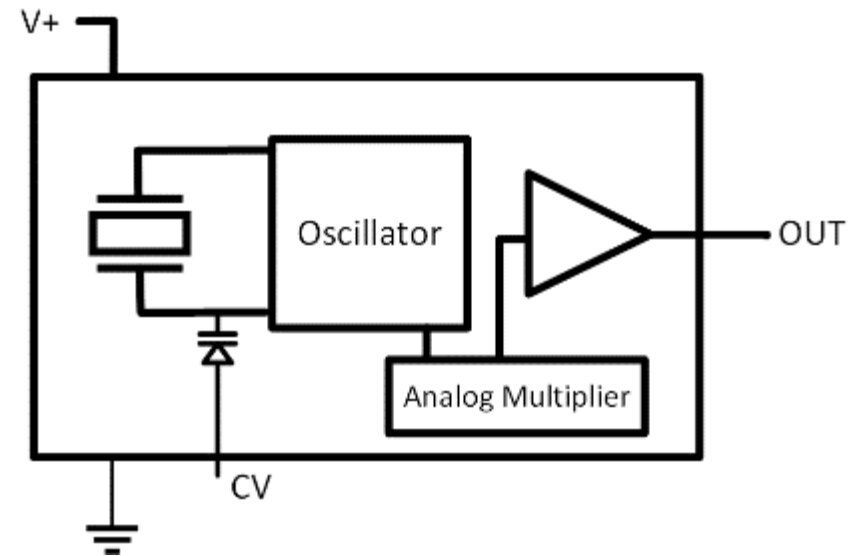


VS-800

Single frequency VCSO

Features:

- Smallest form factor, High Frequency VCSO in market
- Frequency Range: 0.8 to 3.2 GHz
- Output: Sine, Balanced or Differential Sinewave
- Footprint: 5 x 3.2 mm, surface mount
- Supply Voltage: 3.3 V
- Power: 250 mW
- Temperature Range: -40 to 85 °C
- Absolute Pull Range: 20 ppm
- Phase Noise 1kHz offset: -95 dBc/Hz @2949.12 MHz carrier
- Phase Noise 1 MHz offset: -162 dBc/Hz @2949.12MHz carrier

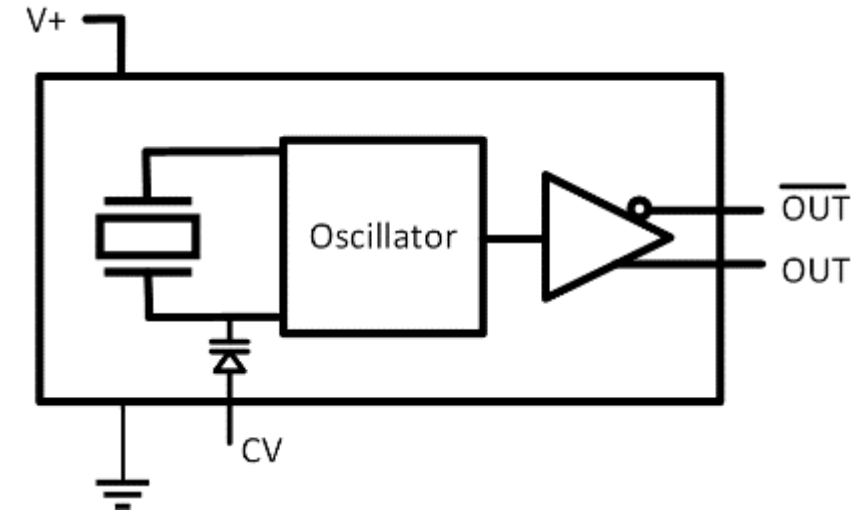


VS-403

Single frequency VCSO

Features:

- Frequency Range: 5 to 7 GHz
- Output: Sine
- Footprint: 20 x 13 mm, surface mount
- Supply Voltage: 3.3 V
- Power: 330 mW
- Temperature Range: -40 to 85 °C
- Absolute Pull Range: 0 ppm
- Phase Noise 1kHz offset: -83 dBc/Hz @5898 MHz carrier
- Phase Noise 1 MHz offset: -140 dBc/Hz @5898MHz carrier

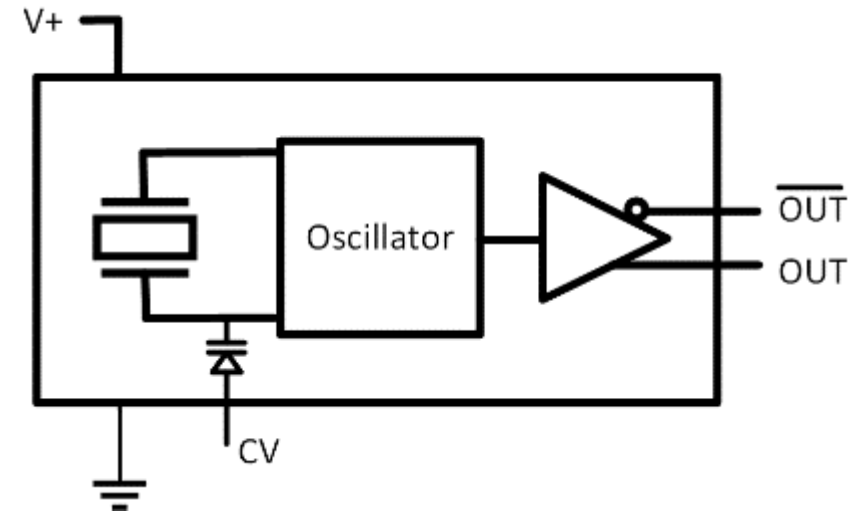


VS-501

Single frequency VCSO

Features:

- Frequency Range: 0.6 to 3 GHz
- Output: Sine, Balanced or Differential Sinewave, LVPECL
- Footprint: 14 x 9 mm, surface mount
- Supply Voltage: 5 V
- Power: 500 mW
- Temperature Range: 10 to 85 °C
- Absolute Pull Range: 2 ppm
- Phase Noise 1kHz offset: -96 dBc/Hz @1700 MHz carrier
- Phase Noise 1 MHz offset: -156 dBc/Hz @1700MHz carrier

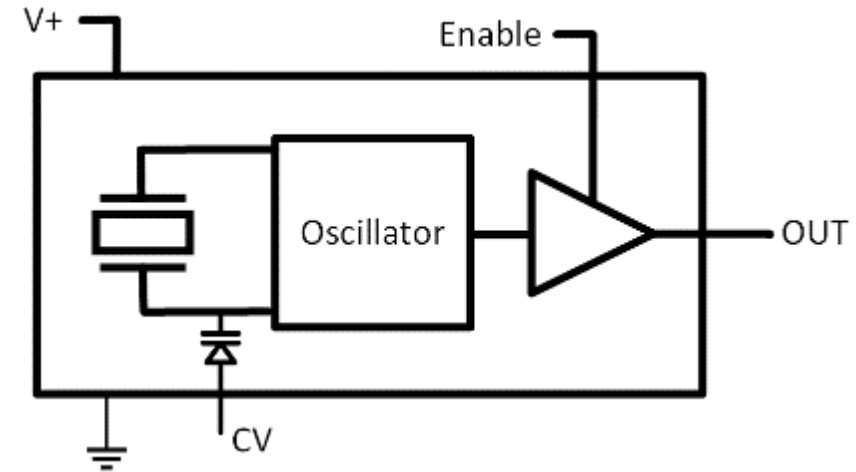


VV-701

Standard VCXO

Features:

- Frequency Range: 1.544 to 77.76 MHz
- Output: CMOS
- Footprint: 7 x 5 mm, surface mount
- Supply Voltage: 3.3, 5 V
- Power: 16.5 mW
- Temperature Range: -40 to 85 °C
- Absolute Pull Range: 150 ppm
- Phase Noise 10 Hz offset: -64 dBc/Hz @61.44 MHz carrier
- Phase Noise 100 kHz offset: -164 dBc/Hz @61.44 MHz carrier

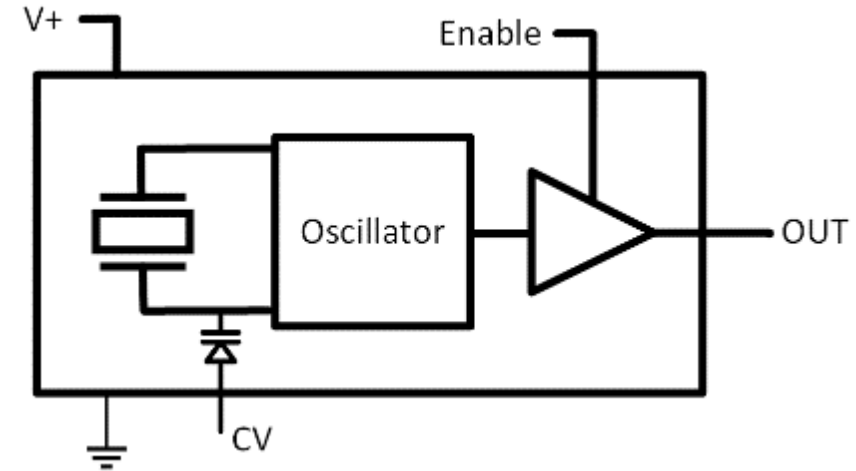


VV-800

Standard VCXO

Features:

- Frequency Range: 1.544 to 77.76 MHz
- Output: CMOS
- Footprint: 5 x 3.2 mm, surface mount
- Supply Voltage: 3.3, 5 V
- Power: 49.5 mW
- Temperature Range: -40 to 85 °C
- Pull Range: 150 ppm
- Phase Noise 10 Hz offset: -63 dBc/Hz @61.44 MHz carrier
- Phase Noise 100 kHz offset: -157 dBc/Hz @61.44 MHz carrier

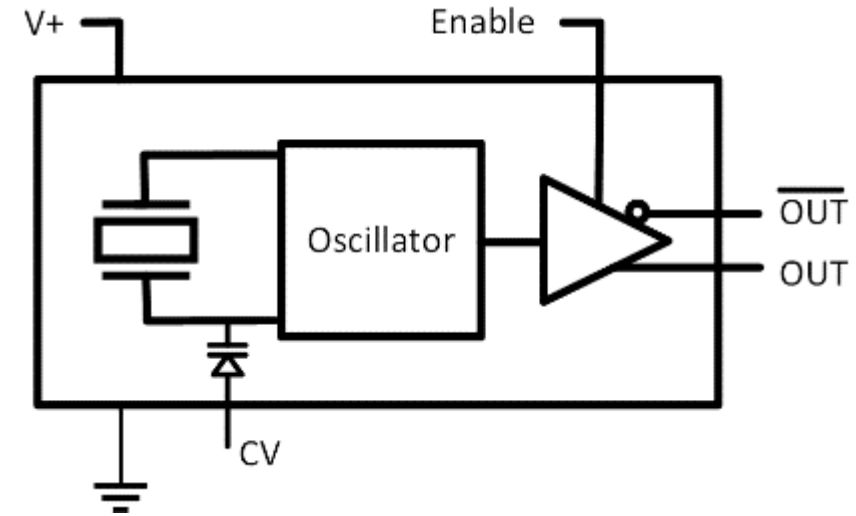


VX-705

Standard VCXO

Features:

- Frequency Range: 77.76 to 170 MHz
- Output: CMOS, LVPECL
- Footprint: 7 x 5 mm, surface mount
- Supply Voltage: 3.3 V
- Power: 33 mW
- Temperature Range: -40 to 85 °C
- Absolute Pull Range: 50 ppm
- Phase Noise 10 Hz offset: -66 dBc/Hz @122.88 MHz carrier
- Phase Noise 100 kHz offset: -151 dBc/Hz @122.88 MHz carrier

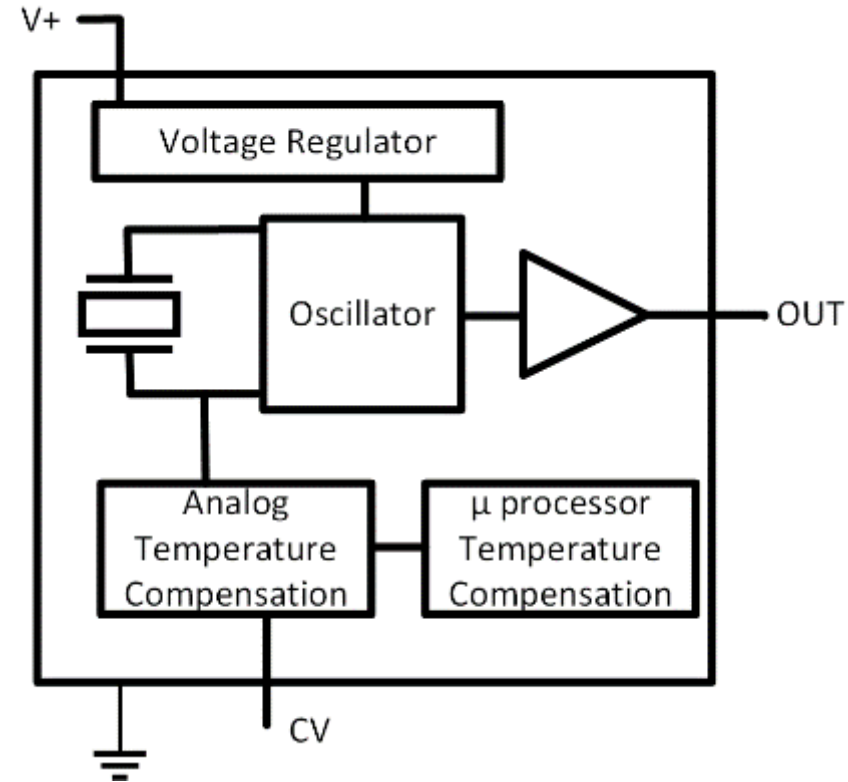


MX-503

Microprocessor corrected TCXO

Features:

- OCXO temperature stability at just 40 mW
- Frequency Range: 8 to 50 MHz
- Output: CMOS
- Footprint: 14 x 9 mm, surface mount
- Supply Voltage: 3.3, 5 V
- Power: 40 mW
- Temperature Range: -40 to 85 °C
- Temperature stability 0 to 70°C: 20 ppb
- Temperature stability -20 to 70°C: 20 ppb
- Temperature stability -40 to 85°C: 30 ppb
- Aging per Day: 5 ppb

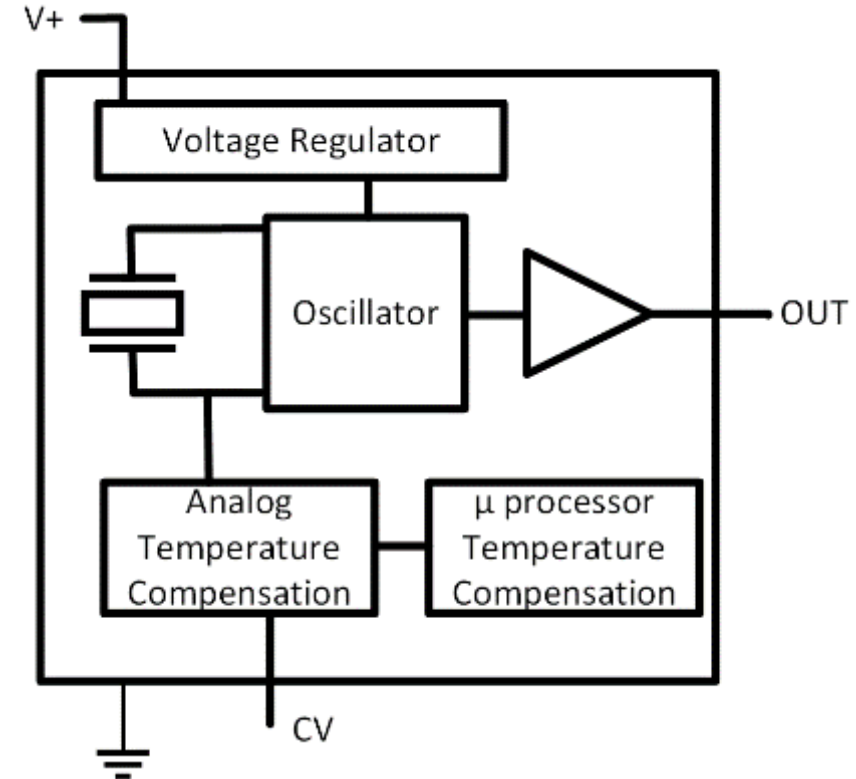


MX-505

Microprocessor corrected TCXO

Features:

- Microprocessor based temperature correction
- Frequency Range: 8 to 40 MHz
- Output: CMOS
- Footprint: 14 x 9 mm, through hole
- Supply Voltage: 3.3 V
- Power: 40 mW
- Temperature Range: -40 to 85 °C
- Temperature stability 0 to 70°C: 30 ppb
- Temperature stability -20 to 70°C: 30 ppb
- Temperature stability -40 to 85°C: 50 ppb
- Aging per Day: 8 ppb

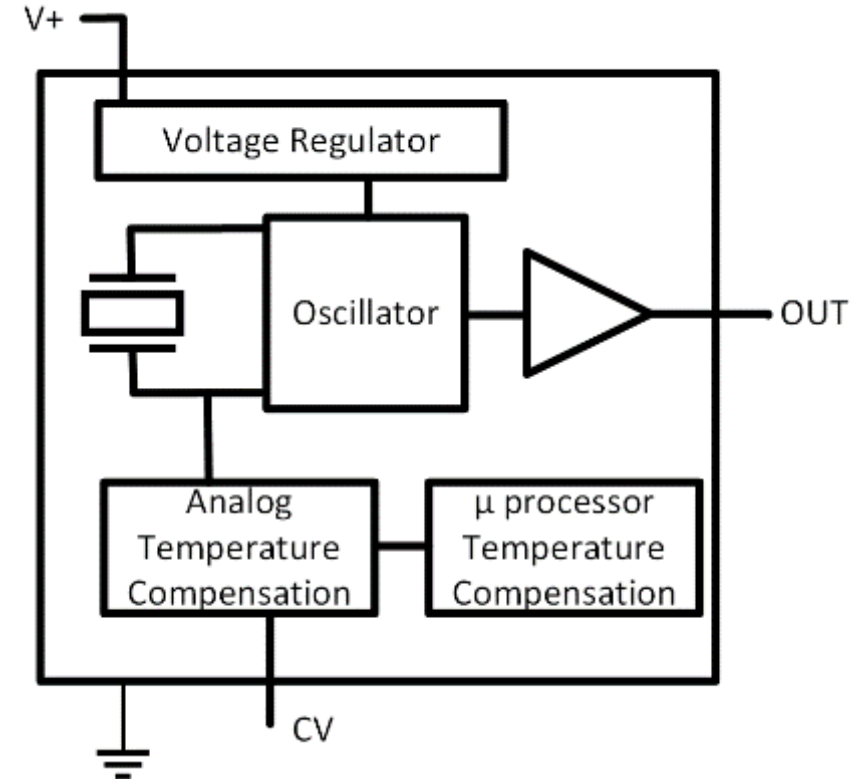


MX-600

Microprocessor corrected TCXO

Features:

- Microprocessor based temperature correction
- Frequency Range: 8 to 40 MHz
- Output: CMOS
- Footprint: 9 x 7 mm, surface mount
- Supply Voltage: 3.3 V
- Power: 40 mW
- Temperature Range: -40 to 85 °C
- Temperature stability 0 to 70°C: 20 ppb
- Temperature stability -20 to 70°C: 20 ppb
- Temperature stability -40 to 85°C: 30 ppb
- Aging per Day: 5 ppb

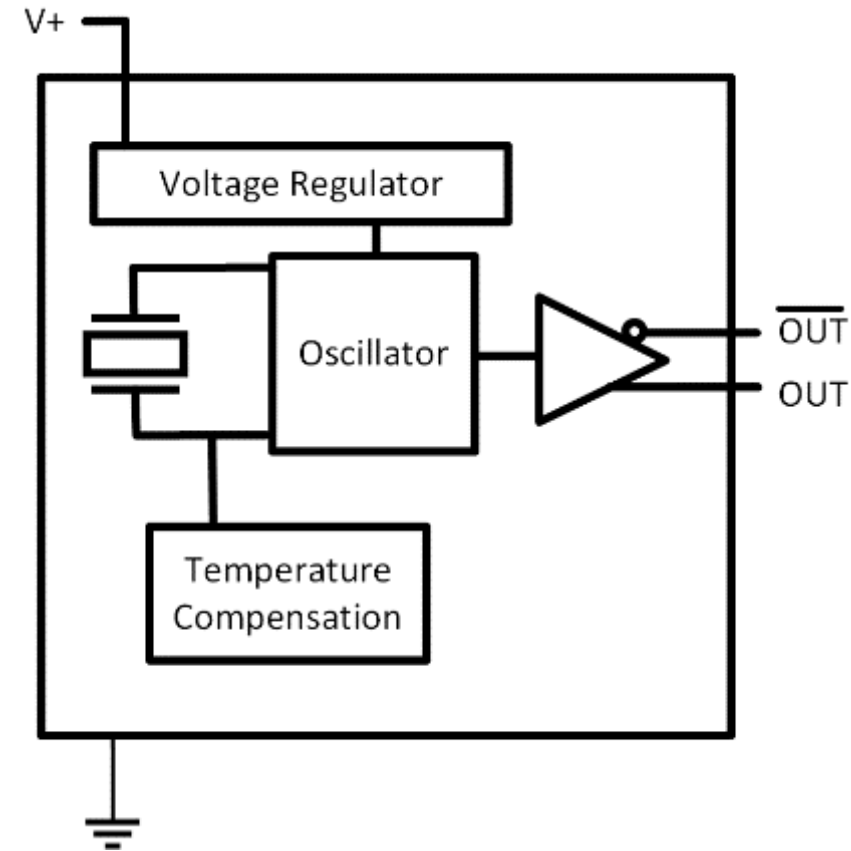


TX-500

Stratum 3 TCXO

Features:

- Frequency Range: 50 to 160 MHz
- Output: CMOS, Clipped Sine, Balanced or Differential Sinewave, LVPECL
- Footprint: 14 x 9 mm, surface mount
- Supply Voltage: 3.3, 5 V
- Power: 82.5 mW
- Temperature Range: -40 to 85 °C
- Temperature stability over Operating Temperature Range: 0.28 ppm
- Aging per Year: 1 ppm

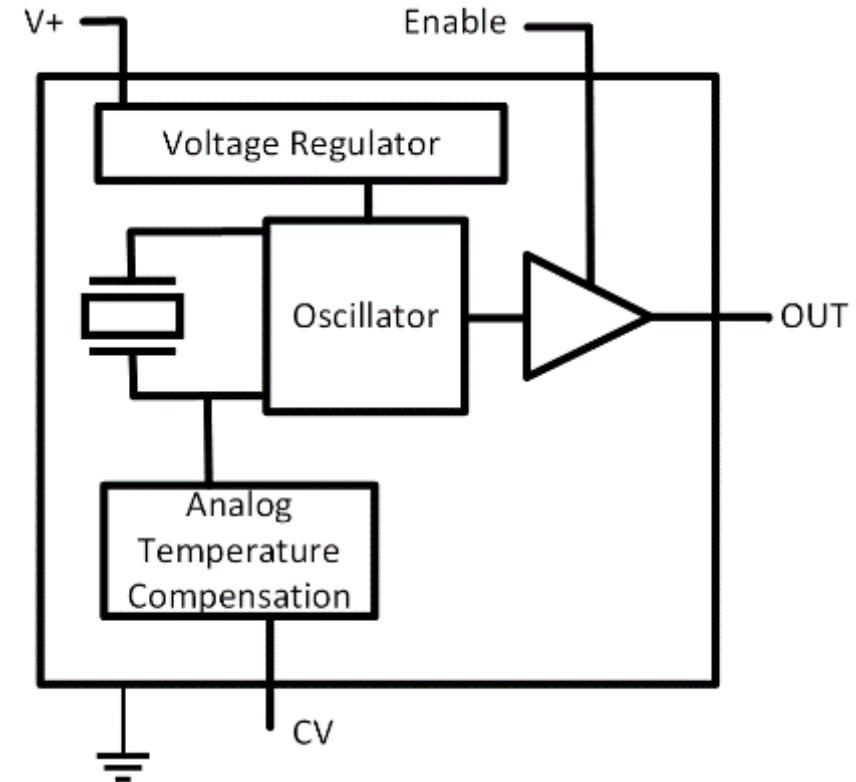


VT-803

Stratum 3 TCXO

Features:

- High Stability, small form factor TCXO
- Frequency Range: 10 to 52 MHz
- Standard Frequencies: 10, 12.8, 20 MHz
- Output: CMOS, Clipped Sine
- Footprint: 5 x 3.2 mm, surface mount
- Supply Voltage: 2.5, 3.3, 5 V
- Power: 11.55 mW
- Temperature Range: -40 to 85 °C
- Temperature stability 0 to 70°C: 0.1 ppm
- Temperature stability -40 to 85°C: 0.28 ppm
- Aging per Day: 0.01 ppm

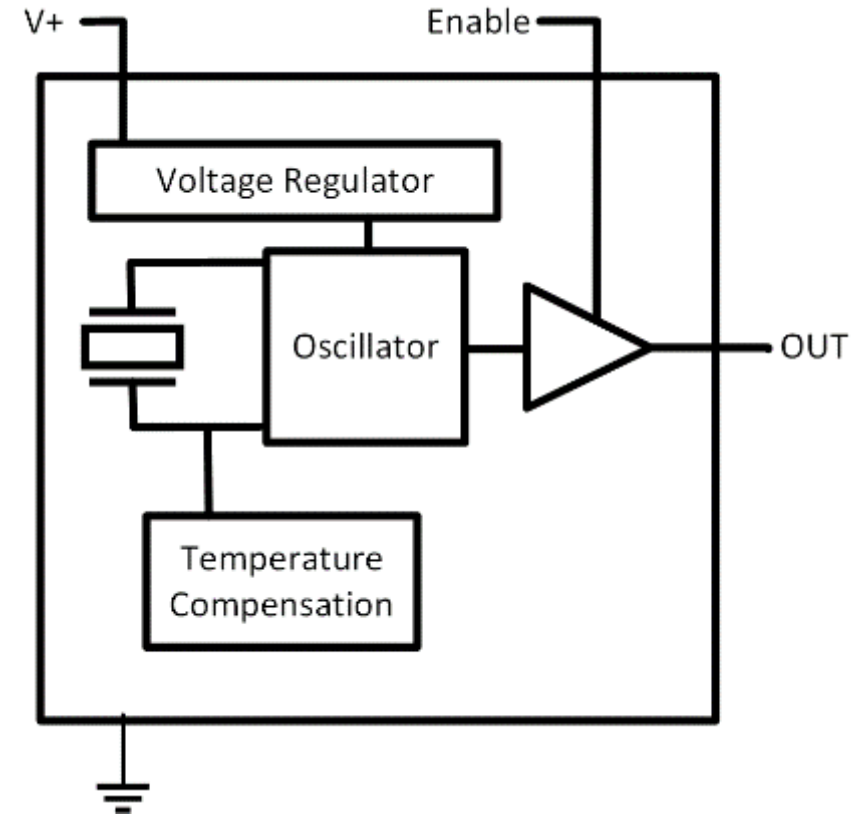


VT-822

Standard TCXO

Features:

- Frequency Range: 4 to 54 MHz
- Output: CMOS
- Footprint: 3.2 x 2.5 mm, surface mount
- Supply Voltage: 2.5, 3.3 V
- Power: 9.9 mW
- Temperature Range: -40 to 85 °C
- Temperature stability 0 to 70°C: 2 ppm
- Temperature stability -40 to 85°C: 2 ppm
- Aging per Day: 0.01 ppm

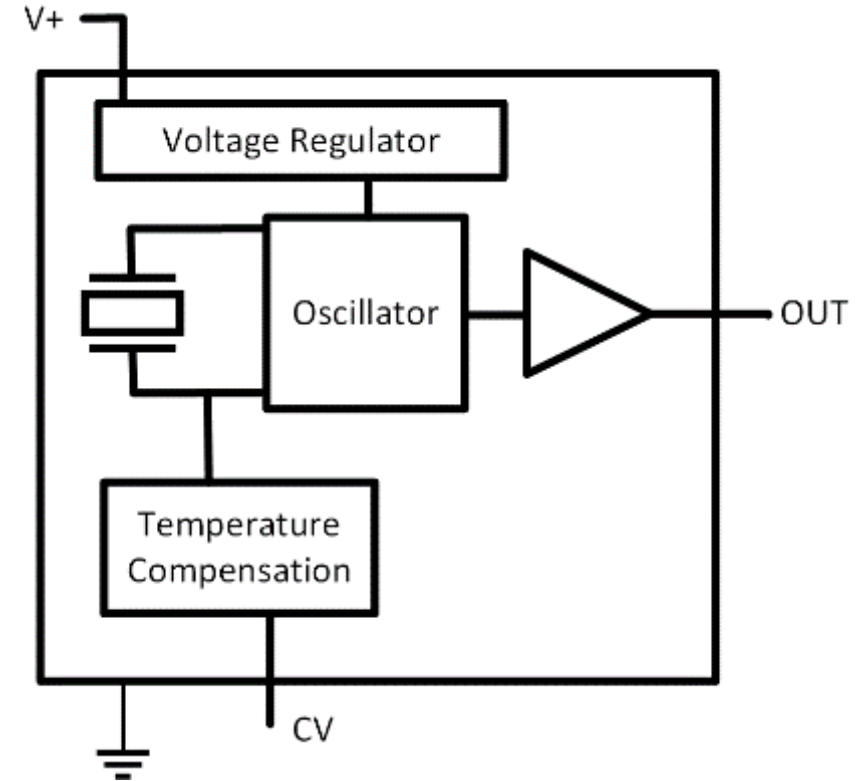


VT-841

Standard TCXO

Features:

- Similar to VT-841 but 4 pins
- Frequency Range: 10 to 52 MHz
- Output: Clipped Sine
- Footprint: 2.5 x 2 mm, surface mount
- Supply Voltage: 1.8, 2.5, 3.3 V
- Power: 5.6 mW
- Temperature Range: -40 to 85 °C
- Temperature stability 0 to 70°C: 0.5 ppm
- Temperature stability -40 to 85°C: 1 ppm
- Aging per Day: 0.01 ppm

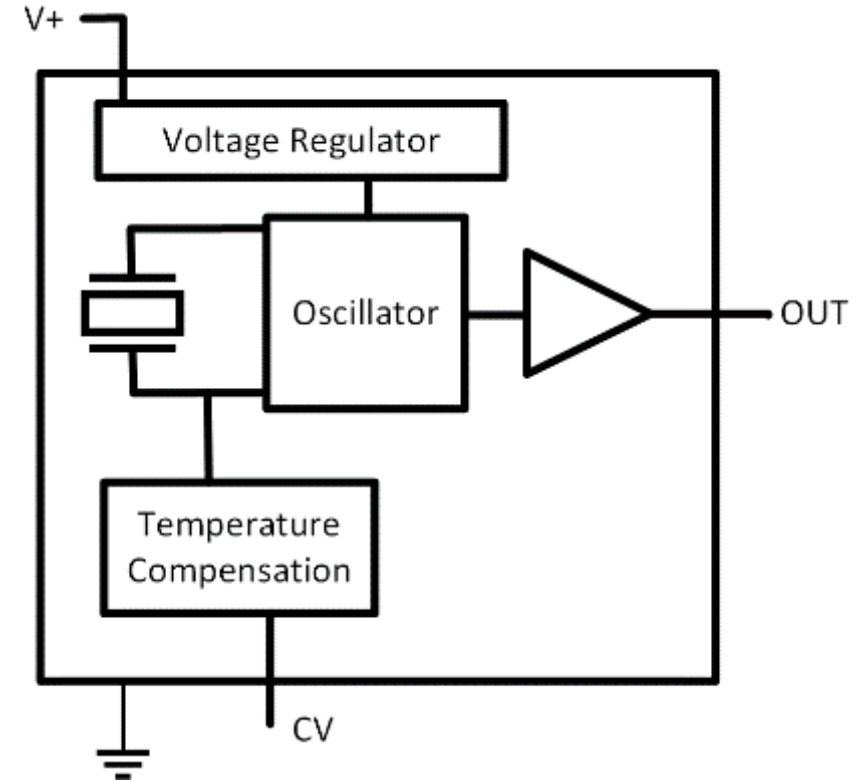


VT-860

Standard TCXO

Features:

- Smallest TCXO
- Frequency Range: 13 to 52 MHz
- Output: Clipped Sine
- Footprint: 2 x 1.6 mm, surface mount
- Supply Voltage: 1.8, 2.5, 3, 3.3 V
- Power: 4.14 mW
- Temperature Range: -40 to 85 °C
- Temperature stability 0 to 70°C: 0.5 ppm
- Temperature stability -40 to 85°C: 0.5 ppm
- Aging per Day: 0.01 ppm

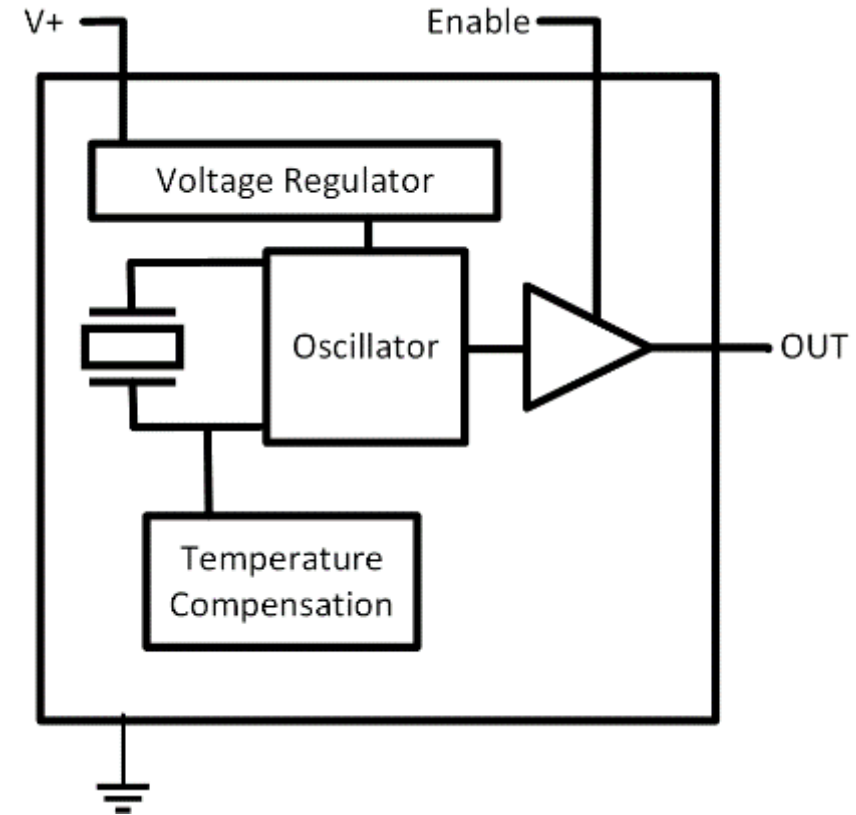


VT-802

Standard TCXO

Features:

- Frequency Range: 2 to 50 MHz
- Output: CMOS
- Footprint: 5 x 3.2 mm, surface mount
- Supply Voltage: 2.5, 3, 3.3 V
- Power: 7.5 mW
- Temperature Range: -40 to 85 °C
- Temperature stability 0 to 70°C: 2 ppm
- Temperature stability -40 to 85°C: 2 ppm
- Aging per Day: 0.01 ppm

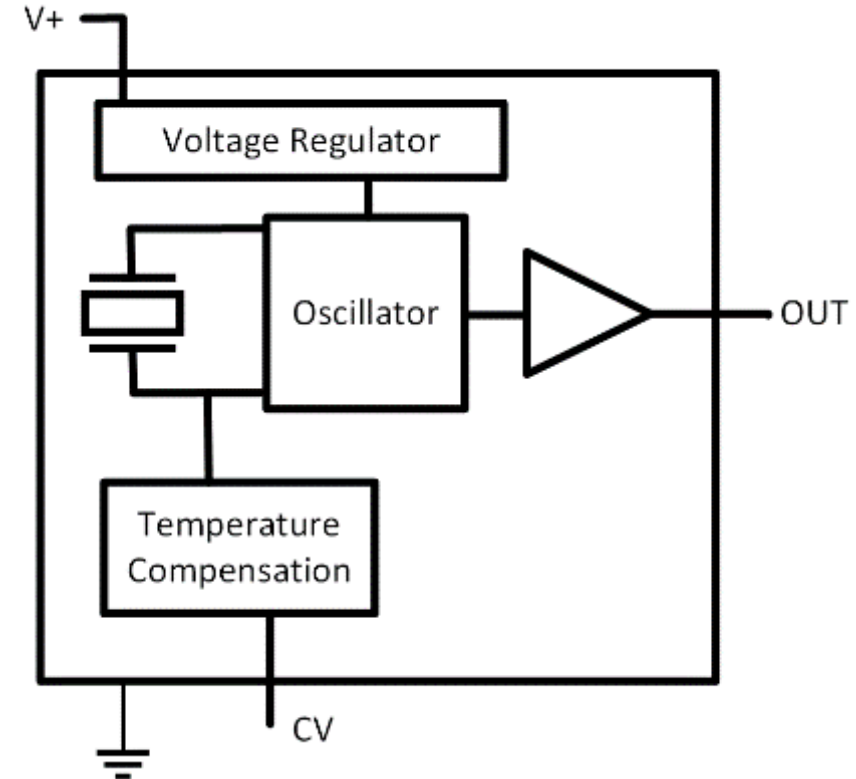


VT-820

Standard TCXO

Features:

- Frequency Range: 8 to 45 MHz
- Output: Clipped Sine
- Footprint: 3.2 x 2.5 mm, surface mount
- Supply Voltage: 1.8, 2.5, 3, 3.3 V
- Power: 1.5 mW
- Temperature Range: -40 to 85 °C
- Temperature stability 0 to 70°C: 0.5 ppm
- Temperature stability -40 to 85°C: 0.5 ppm
- Aging per Day: 0.01 ppm

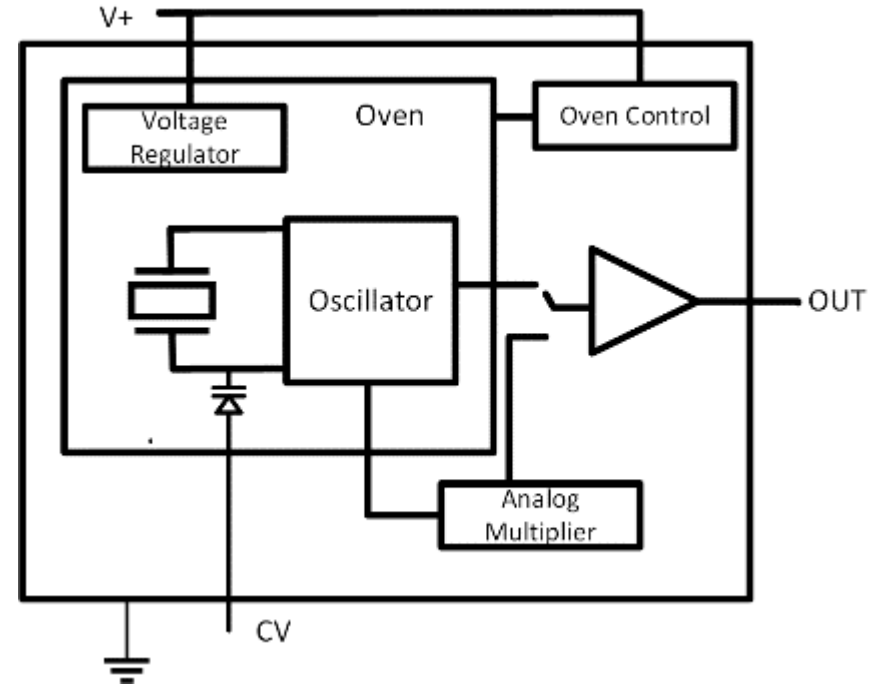


OX-200

Standard OCXO

Features:

- Standard 1x1 OCXO
- Frequency Range: 10 to 100 MHz
- Standard Frequencies: 10, 12.8, 20 MHz
- Output: CMOS, Sine
- Footprint: 25 x 25 mm, through hole
- Supply Voltage: 3.3, 5, 12 V
- Power: 1 W
- Temperature Range: -40 to 85 °C
- Temperature stability 0 to 70°C: 2 ppb
- Temperature stability -20 to 70°C: 5 ppb
- Temperature stability -40 to 85°C: 10 ppb
- Aging per Day: 0.1 ppb
- Aging per Year: 20 ppb

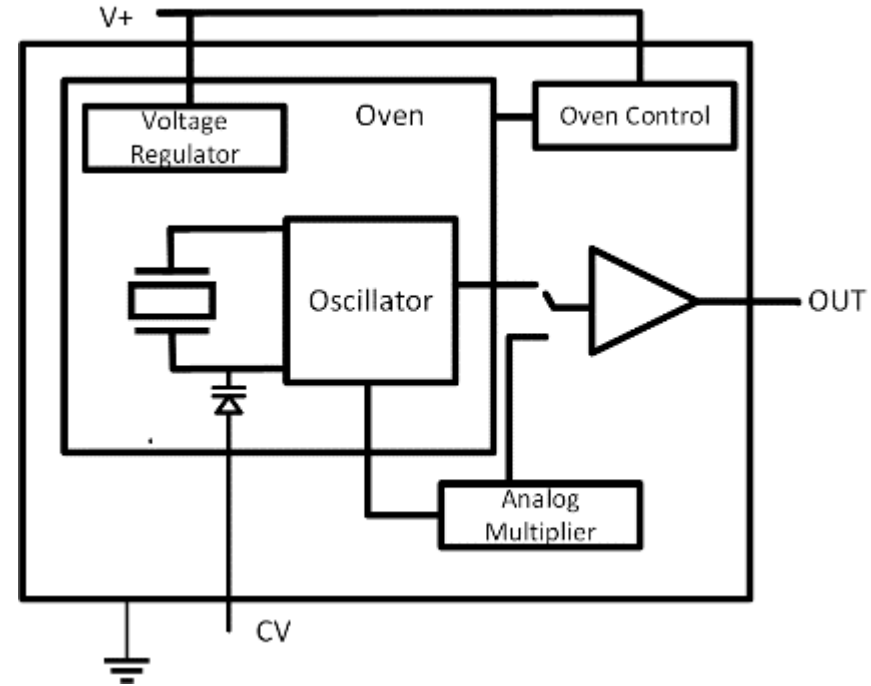


OX-220

Standard OCXO

Features:

- High Volume, Low Cost OCXO
- Frequency Range: 10 to 40 MHz
- Standard Frequencies: 10, 12.8, 20 MHz
- Output: CMOS, Sine
- Footprint: 25 x 22 mm, surface mount
- Supply Voltage: 3.3, 5 V
- Power: 1.5 W
- Temperature Range: -40 to 85 °C
- Temperature stability 0 to 70°C: 10 ppb
- Temperature stability -20 to 70°C: 10 ppb
- Temperature stability -40 to 85°C: 10 ppb
- Aging per Day: 0.5 ppb
- Aging per Year: 60 ppb

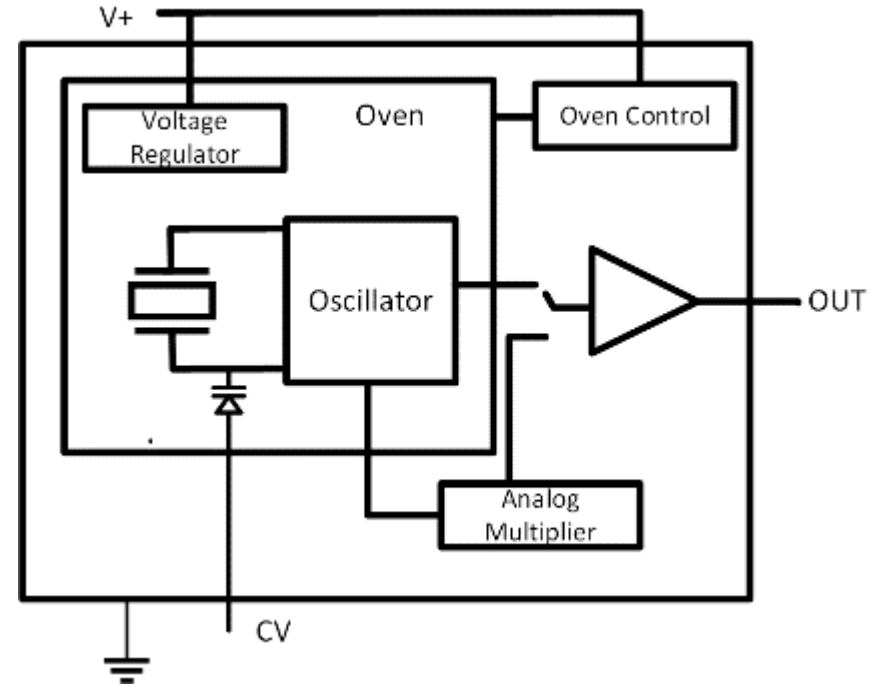


OX-400

Standard OCXO

Features:

- **High Volume, Low Cost OCXO**
- Frequency Range: 10 to 40 MHz
- Standard Frequencies: 10, 12.8, 20 MHz
- Output: CMOS
- Footprint: 20 x 13 mm, through hole
- Supply Voltage: 3.3, 5 V
- Power: 1 W
- Temperature Range: -40 to 95 °C
- Temperature stability over Operating Temperature Range: 10 ppb
- Temperature stability -40 to 85°C: 5 ppb
- Aging per Year: 100 ppb

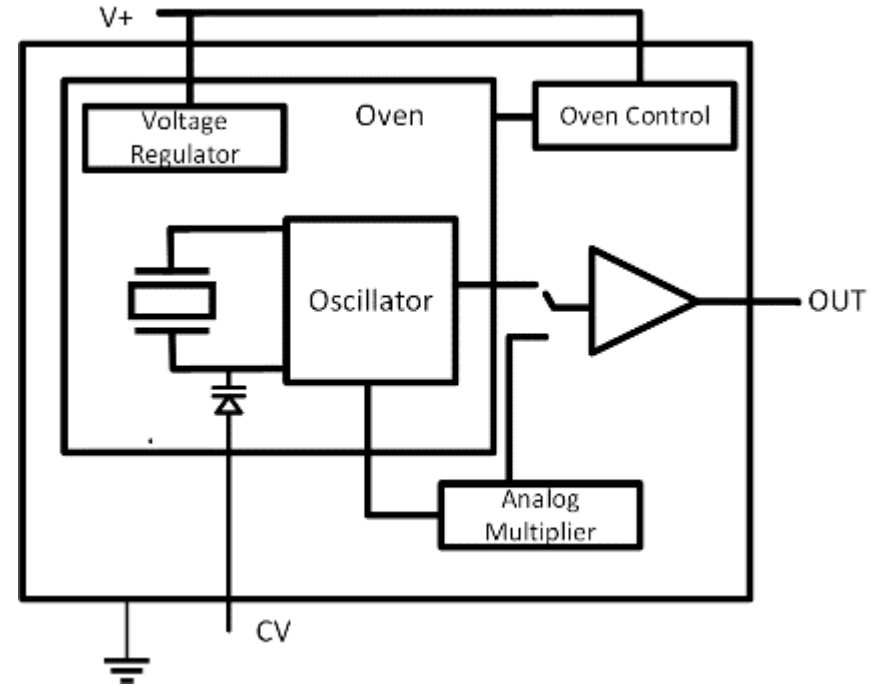


OX-401

1588 OCXO

Features:

- **High Volume, Low Cost OCXO**
- Frequency Range: 10 to 40 MHz
- Standard Frequencies: 10, 12.8, 20, 24.576, 25 MHz
- Output: CMOS
- Footprint: 20 x 13 mm, surface mount
- Supply Voltage: 3.3, 5 V
- Power: 1 W
- Temperature Range: -40 to 95 °C
- Temperature stability over Operating Temperature Range: 10 ppb
- Temperature stability -40 to 85°C: 5 ppb
- Aging per Year: 100 ppb

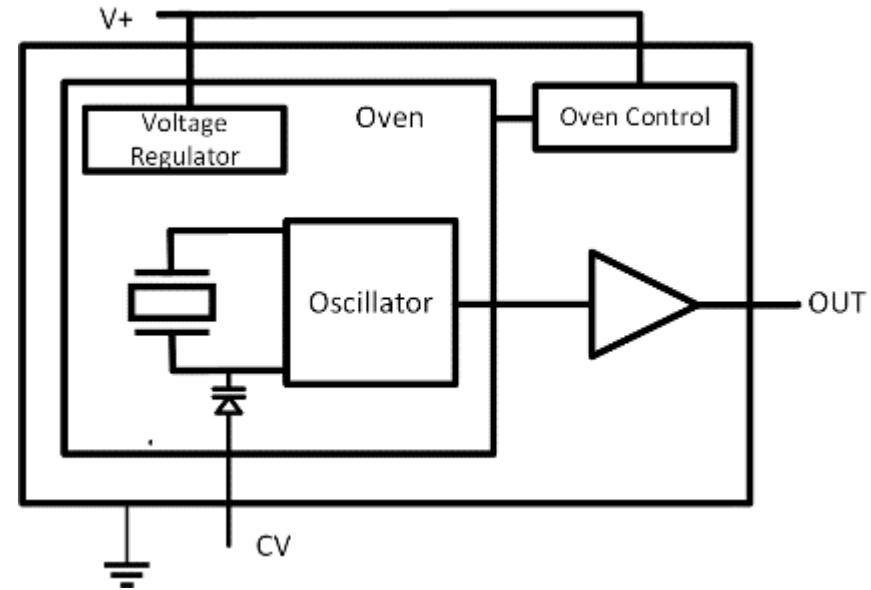


OX-502

Standard OCXO

Features:

- **ASIC based OCXO, excellent stability under airflow**
- Frequency Range: 10 to 40 MHz
- Standard Frequencies: 10, 12.8, 20, 24.576, 25, 30.72 MHz
- Output: CMOS
- Footprint: 14 x 9 mm, surface mount
- Supply Voltage: 3.3 V
- Power: 500 mW
- Temperature Range: -40 to 85 °C
- Temperature stability over Operating Temperature Range: 10 ppb
- Temperature stability -40 to 85°C: 10 ppb
- Aging per Year: 500 ppb

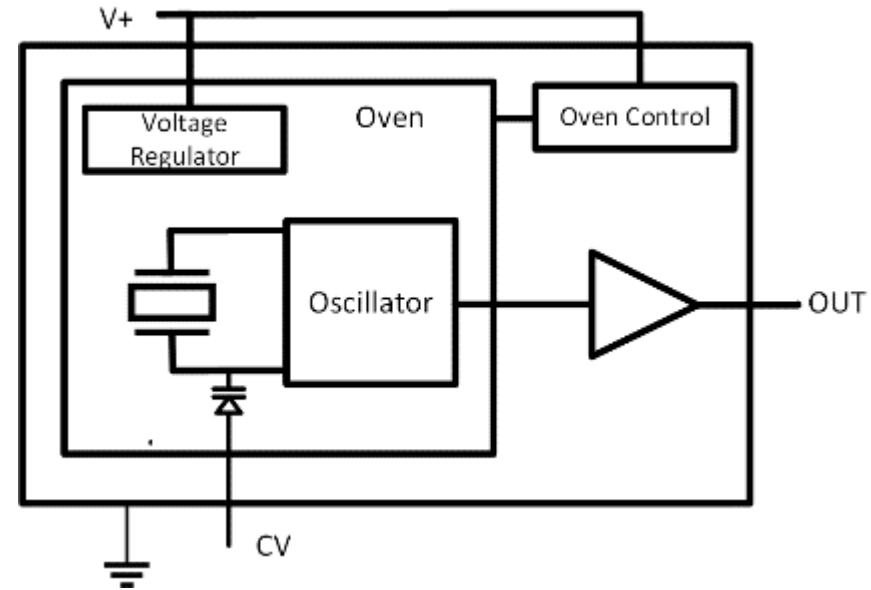


OX-601

Standard OCXO

Features:

- **ASIC based OCXO, excellent stability under airflow**
- Frequency Range: 10 to 40 MHz
- Standard Frequencies: 10, 12.8, 20, 24.576, 25, 30.72 MHz
- Output: CMOS
- Footprint: 9 x 7 mm, surface mount
- Supply Voltage: 3.3 V
- Power: 500 mW
- Temperature Range: -40 to 95 °C
- Temperature stability over Operating Temperature Range: 10 ppb
- Temperature stability -40 to 85°C: 10 ppb
- Aging per Year: 500 ppb

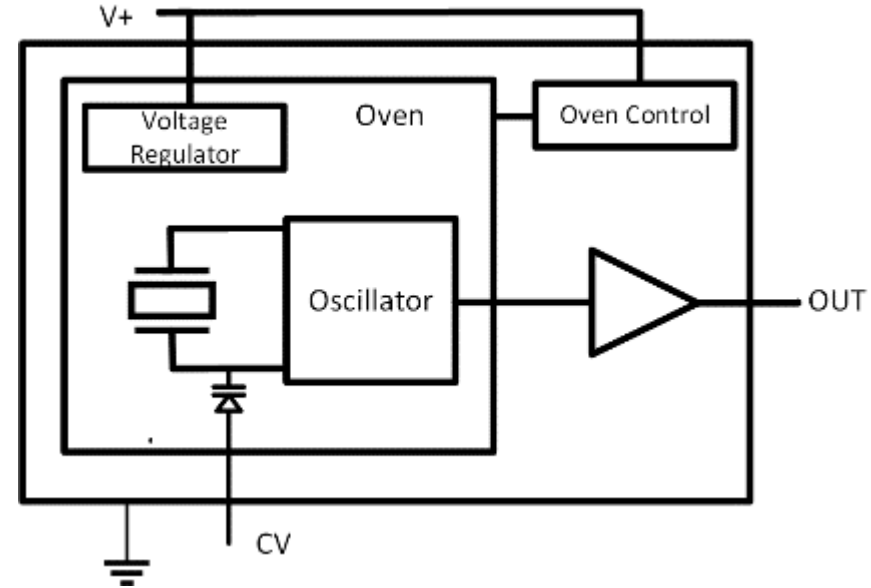


EX-400

Low power OCXO

Features:

- Frequency Range: 10 to 80 MHz
- Output: CMOS, Sine
- Footprint: 20 x 13 mm, through hole, surface mount
- Supply Voltage: 3.3, 5 V
- Power: 350mW
- Temperature Range: -55 to 85 °C
- Temperature stability over Operating Temperature Range: 0.1 ppm
- Aging per Year: 0.2 ppm
- Phase Noise 10 Hz offset: -110 dBc/Hz @10 MHz carrier
- Phase Noise 100 kHz offset: -140 dBc/Hz @10 MHz carrier

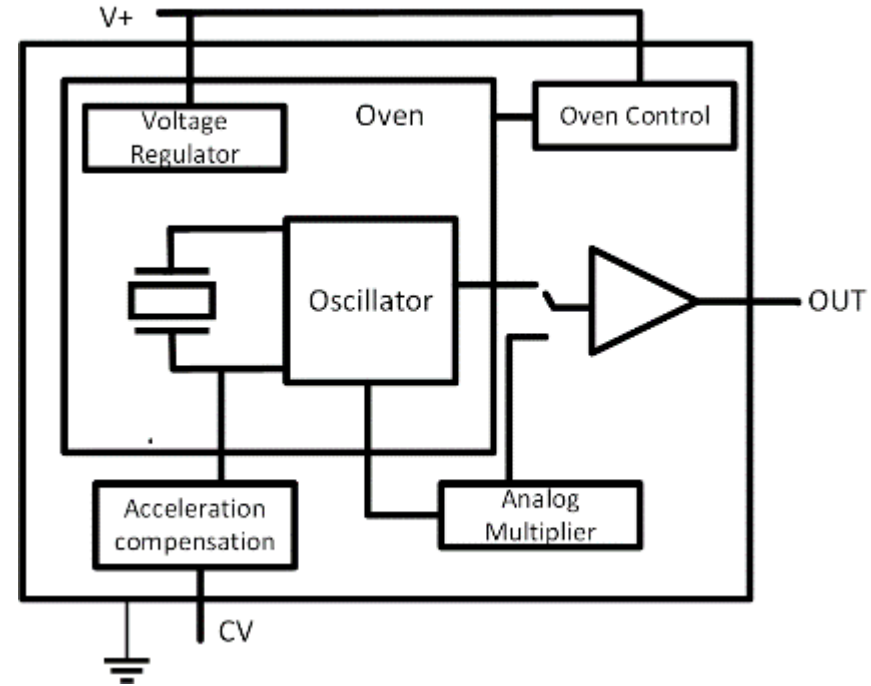


OX-047

Low g OCXO

Features:

- **Low g, Low Phase Noise OCXO with active cancellation technology**
- Target Market: Military
- Frequency Range: 8 to 15 MHz
- 10 MHz
- Standard Frequency: 10 MHz
- Output: Sine
- Footprint: 52 x 71 mm, chassis
- Supply Voltage: 12 V
- Power: 5 W
- Temperature Range: -40 to 85 °C
- g-Sensitivity: 0.02 ppb/g
- Phase Noise 10 Hz offset: -135 dBc/Hz @10 MHz carrier
- Phase Noise 100 kHz offset: -170 dBc/Hz @10 MHz carrier

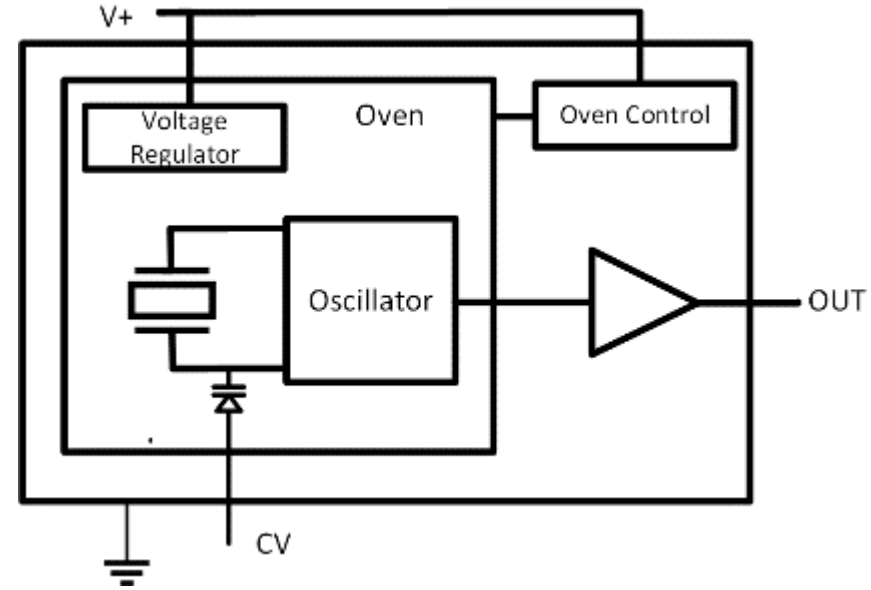


OX-990

Low g OCXO

Features:

- passive cancellation low g OCXO
- Target Market: Military
- Frequency Range: 60 to 120 MHz
- Output: Sine
- Footprint: 58 x 48 mm, chassis
- Supply Voltage: 15 V
- Power: 3 W
- 0.5 ppb/g
- Temperature Range: -40 to 85 °C

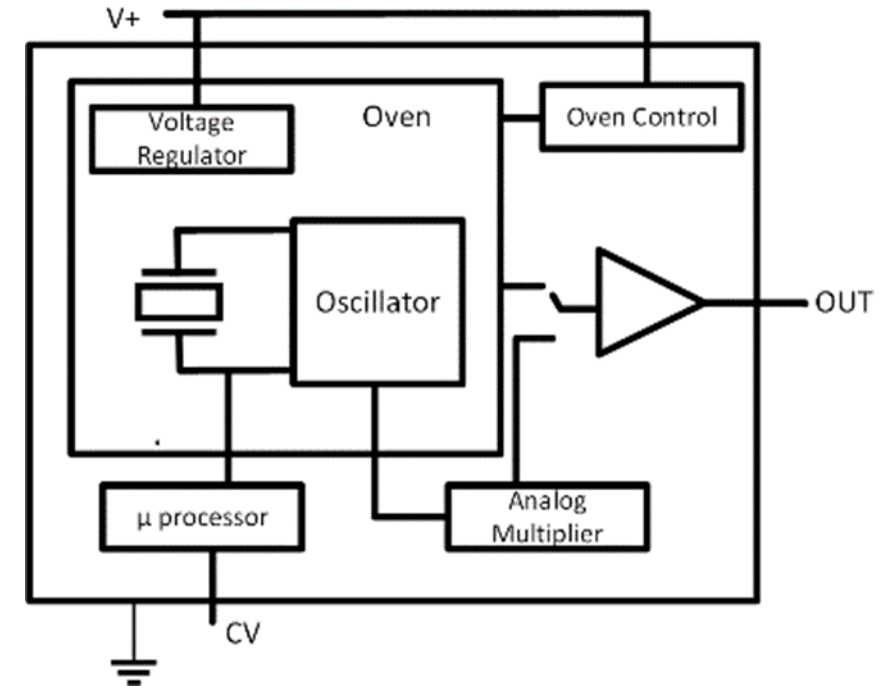


MX-041

Microprocessor corrected OCXO

Features:

- Microprocessor based temperature correction
- Frequency Range: 5 to 15 MHz
- Standard Frequencies: 5, 10 MHz
- Output: CMOS, Sine
- Footprint: 51 x 51 mm, through hole
- Supply Voltage: 5, 12 V
- Power: 2 W
- Temperature Range: -40 to 85 °C
- Temperature stability over Operating Temperature Range: 0.6 ppb
- Aging per Day: 0.1 ppb

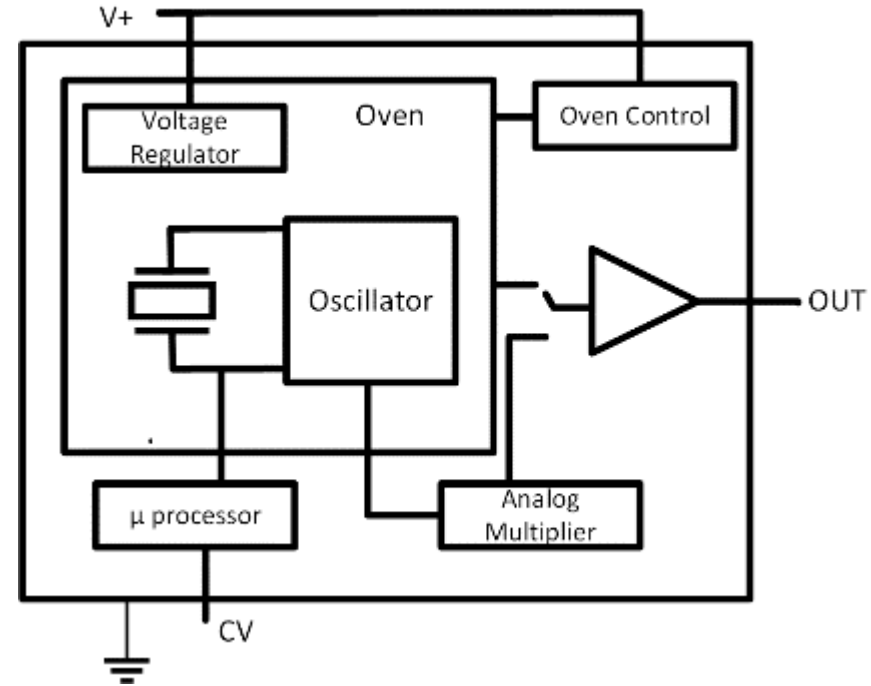


MX-060

Microprocessor corrected OCXO

Features:

- Microprocessor based temperature correction
- Frequency Range: 5 to 15 MHz
- Standard Frequencies: 5, 10 MHz
- Output: CMOS, Sine
- Footprint: 51 x 41 mm, through hole
- Supply Voltage: 5, 12 V
- Power: 2 W
- Temperature Range: -40 to 85 °C
- Temperature stability over Operating Temperature Range: 0.6 ppb
- Aging per Day: 0.06 ppb

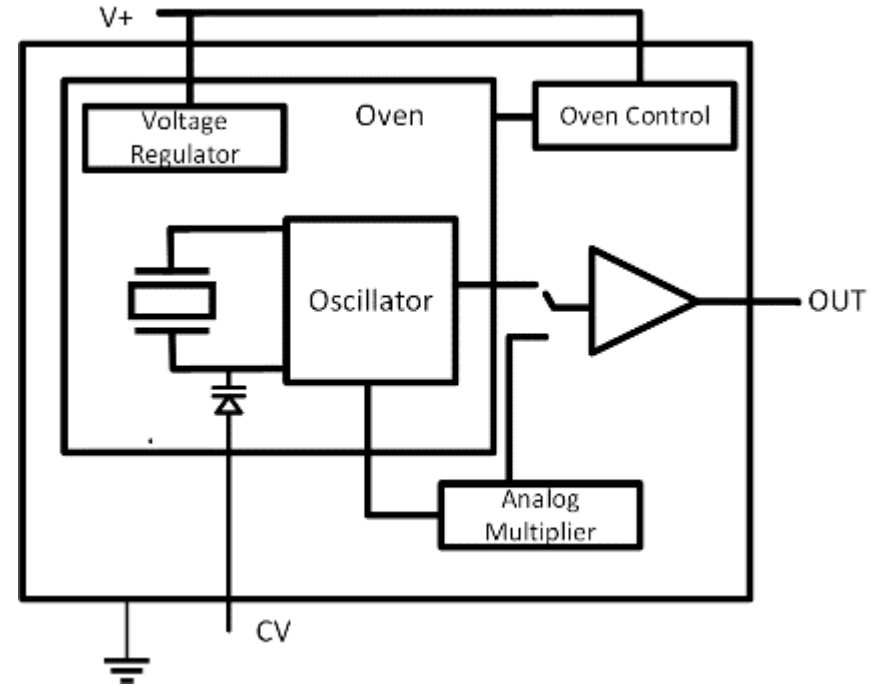


OX-171

High stability OCXO

Features:

- Highest Stability OCXO in portfolio
- Frequency Range: 5 to 20 MHz
- Standard Frequencies: 5, 10, 20 MHz
- Output: CMOS, Sine
- Footprint: 38 x 28 mm, through hole, surface mount
- Supply Voltage: 3.3, 5, 12 V
- Power: 1.5 W
- Temperature Range: -40 to 85 °C
- Temperature stability 0 to 70°C: 0.4 ppb
- Temperature stability -20 to 70°C: 0.6 ppb
- Temperature stability -40 to 85°C: 0.8 ppb
- Aging per Day: 0.06 ppb
- Aging per Year: 15 ppb
- ADEV @ 1 s tau: 5.00E-12 @10 MHz carrier

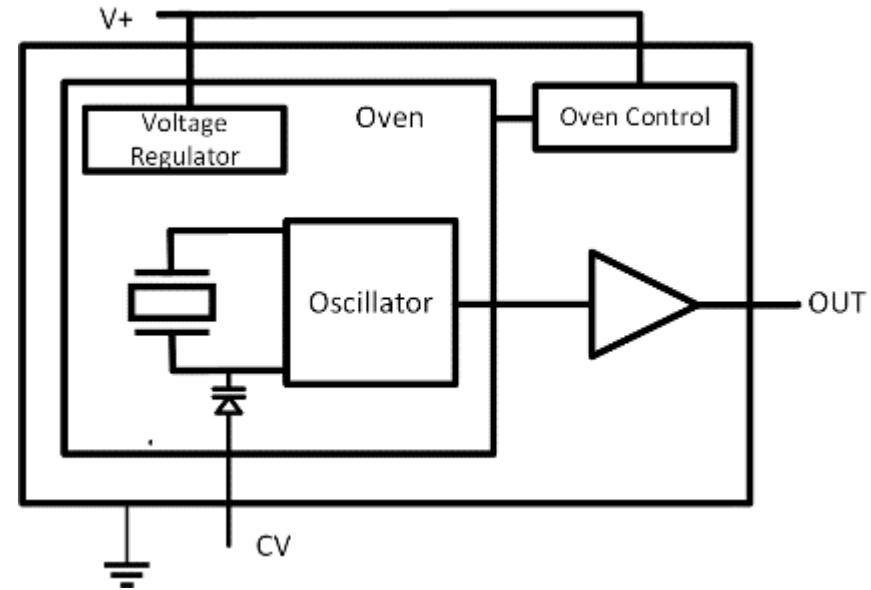


OX-208

High stability OCXO

Features:

- High Stability, 1x1 OCXO
- Frequency Range: 5 to 20 MHz
- 10 MHz
- Standard Frequency: 10 MHz
- Output: CMOS, Sine
- Footprint: 25 x 25 mm, through hole, surface mount
- Supply Voltage: 3.3, 5 V
- Power: 2 W
- Temperature Range: -40 to 85 °C
- Temperature stability 0 to 70°C: 0.4 ppb
- Temperature stability -20 to 70°C: 0.6 ppb
- Temperature stability -40 to 85°C: 0.8 ppb
- Aging per Day: 0.15 ppb
- Aging per Year: 20 ppb
- ADEV @ 1 s tau: 5.00E-12 @10 MHz carrier

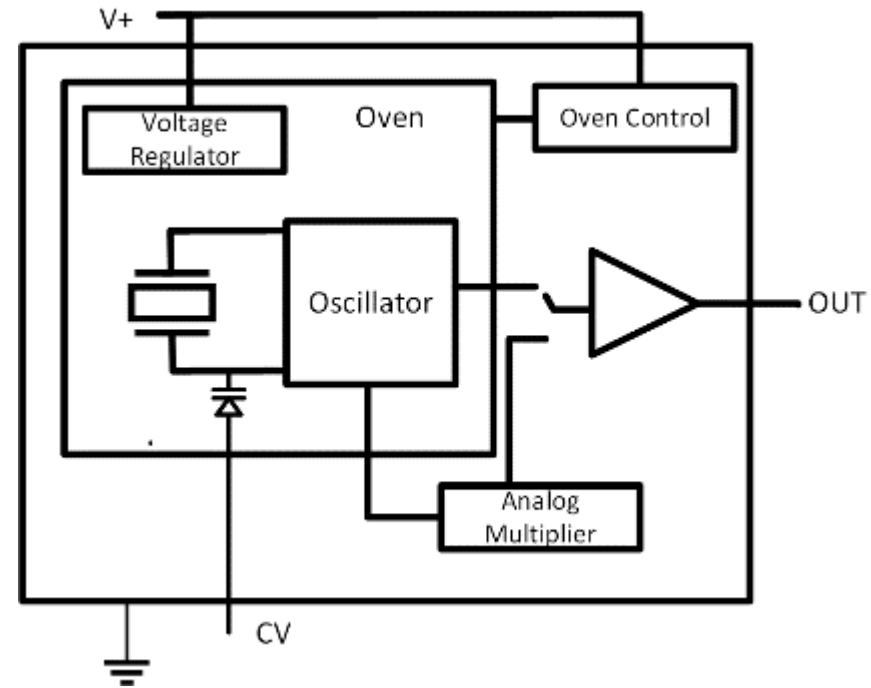


OX-221

High stability OCXO

Features:

- High stability 22x25 mm OCXO
- Frequency Range: 10 to 30.72 MHz
- Standard Frequencies: 10, 20, 30.72 MHz
- Output: CMOS
- Footprint: 25 x 22 mm, surface mount
- Supply Voltage: 3.3 V
- Power: 1.35 W
- Temperature Range: -40 to 85 °C
- Temperature stability -40 to 85°C: 3 ppb
- Aging per Day: 0.5 ppb
- Aging per Year: 60 ppb

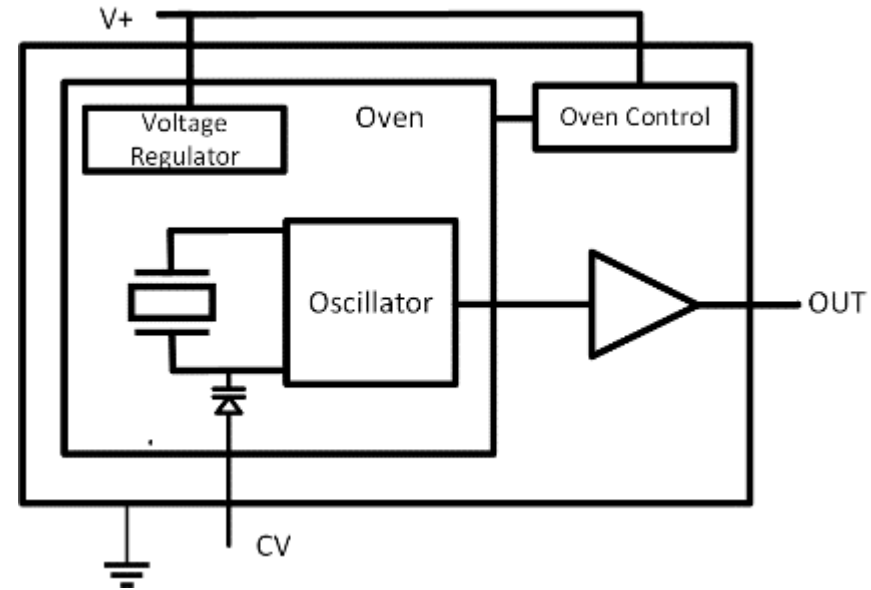


OX-228

High stability OCXO

Features:

- High stability 22x25 mm OCXO
- Frequency Range: 5 to 20 MHz
- Standard Frequencies: 5, 10, 20 MHz
- Output: CMOS
- Footprint: 25 x 22 mm, surface mount
- Supply Voltage: 3.3 V
- Power: 1.35 W
- Temperature Range: -40 to 85 °C
- Temperature stability -40 to 85°C: 1 ppb
- Aging per Day: 0.1 ppb
- Aging per Year: 30 ppb

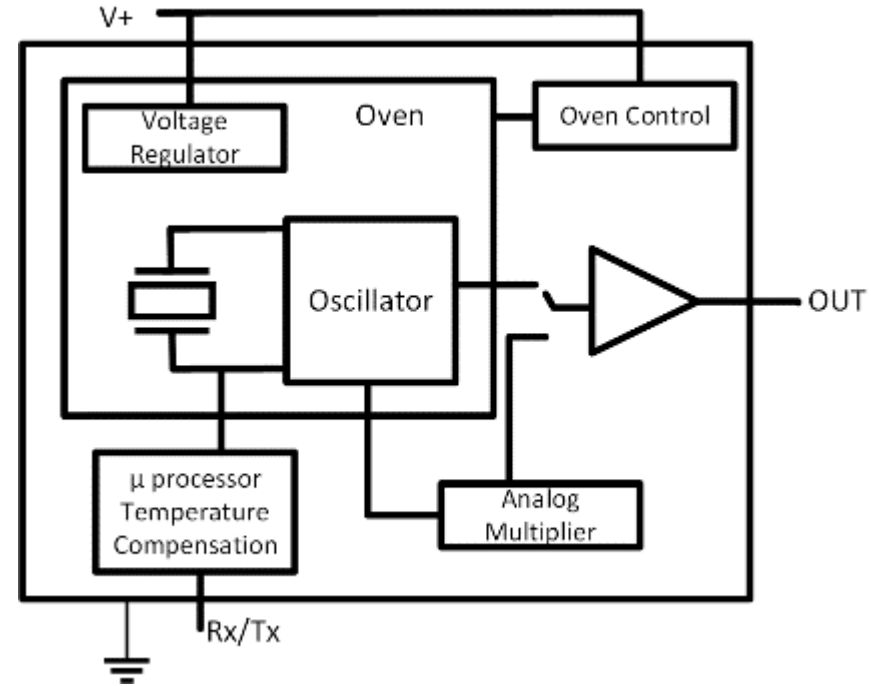


MD-228

Coefficient OCXO

Features:

- Serial interface provides frequency vs. temperature information
- Frequency Range: 10 to 20 MHz
- Standard Frequencies: 10, 20 MHz
- Output: CMOS
- Footprint: 25 x 22 mm, surface mount
- Supply Voltage: 3.3 V
- Power: 1.5 W
- Temperature Range: -40 to 85 °C
- Temperature stability over Operating Temperature Range: 3 ppb
- Aging per Day: 0.1 ppb
- Serial communications Interface

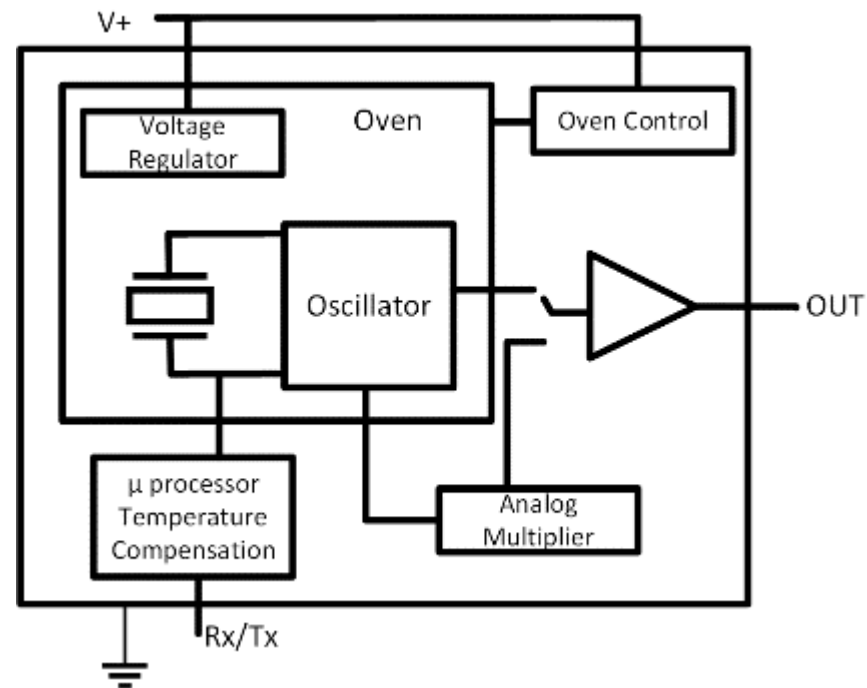


MD-223

Coefficient OCXO

Features:

- Serial interface provides frequency vs. temperature information
- Frequency Range: 10 to 30.72 MHz
- Output: CMOS
- Footprint: 25 x 22 mm, surface mount
- Supply Voltage: 3.3 V
- Power: 1.5 W
- Temperature Range: -40 to 85 °C
- Temperature stability over Operating Temperature Range: 3 ppb
- Aging per Day: 0.5 ppb
- Serial communications Interface

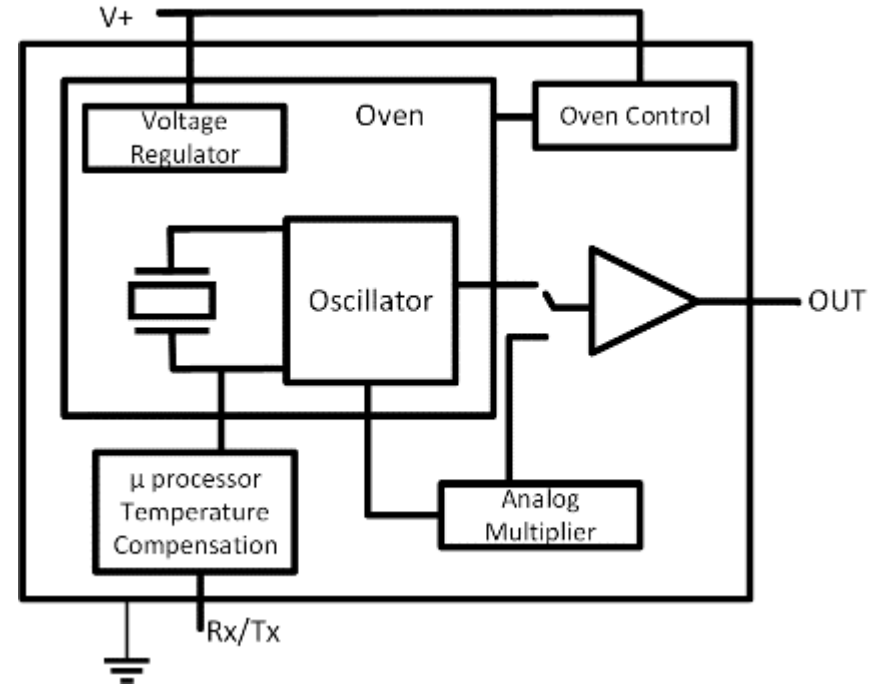


MD-173

Coefficient OCXO

Features:

- Serial interface provides frequency vs. temperature information
- Frequency Range: 5 to 20 MHz
- Standard Frequencies: 5, 10 MHz
- Output: CMOS, Sine
- Footprint: 38 x 28 mm, through hole, surface mount
- Supply Voltage: 5, 12 V
- Power: 1.8 W
- Temperature Range: -40 to 85 °C
- Temperature stability over Operating Temperature Range: 0.8 ppb
- Aging per Day: 0.06 ppb
- Serial communications Interface

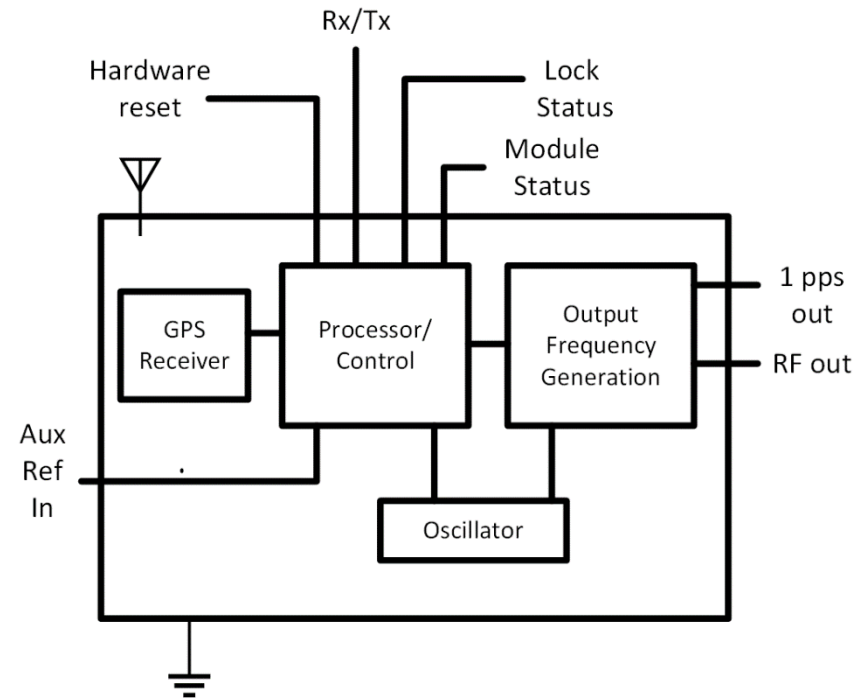


MD-2610-TCXO

Compact GNSSDTCXO

Features:

- Smallest GPSDO on market
- Embedded OCXO
- Frequency Range: 5 to 40 MHz
- 10 MHz
- Standard Frequency: 10 MHz
- Number of PPS outputs: 1
- Output: CMOS
- Footprint: 25 x 20 mm, surface mount
- Supply Voltage: 3.3 V
- Power: 330 mW
- Temperature Range: -40 to 85 °C
- Auxiliary PPS Input
- Embedded GPS Receiver
- GNSS Signal Types: GPS, GLONASS, QZSS, WAAS, MSAS, EGNOS, GAGAN
- 1.5 us holdover for 1.4 hours at constant temperature
- 400 us holdover for 24 hours at constant temperature

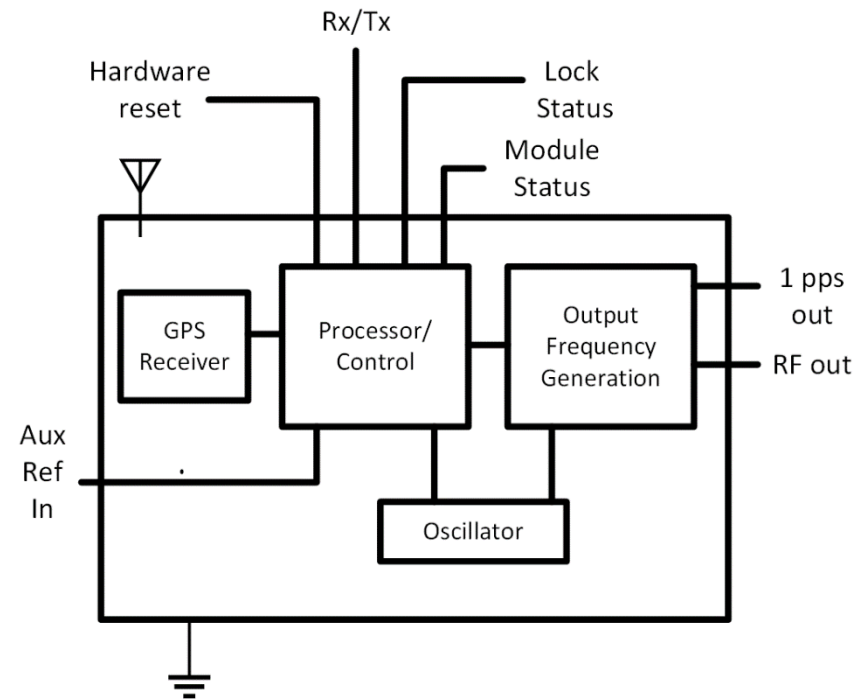


MD-2610-OCXO

Compact GNSSDTCXO

Features:

- Smallest GPSDO on market
- Embedded TCXO
- Frequency Range: 5 to 40 MHz
- 10 MHz
- Standard Frequency: 10 MHz
- Number of PPS outputs: 1
- Output: CMOS
- Footprint: 25 x 20 mm, surface mount
- Supply Voltage: 3.3 V
- Power: 1.5 W
- Temperature Range: -40 to 85 °C
- Auxiliary PPS Input
- Embedded GPS Receiver
- GNSS Signal Types: GPS, GLONASS, QZSS, WAAS, MSAS, EGNOS, GAGAN
- 1.5 us holdover for 10 hours at constant temperature
- 8 us holdover for 24 hours at constant temperature

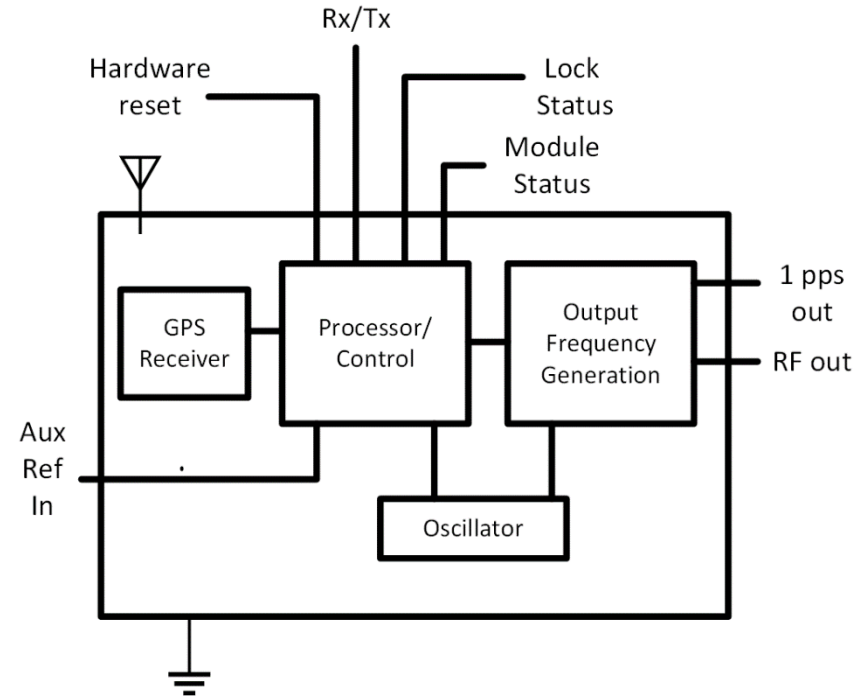


MD-013

High stability GNSSDOCXO

Features:

- **Ultrastable PPSDO with embedded high stability OCXO**
- **Barometric Pressure Correction**
- **Aging Correction**
- Frequency Range: 5 to 120 MHz
- 10 MHz
- Standard Frequency: 10 MHz
- Number of RF outputs: 2
- Number of PPS outputs: 2
- Output: CMOS, Sine
- Footprint: 114 x 60 mm, chassis
- Supply Voltage: 12 V
- Power: 3.6 W
- Temperature Range: -40 to 85 °C
- Auxiliary PPS Input
- GNSS Signal Types: GPS, GLONASS, Galileo, QZSS, SBAS
- 1.5 us holdover for 24 hours at constant temperature
- 1.5 us holdover for 24 hours at constant temperature

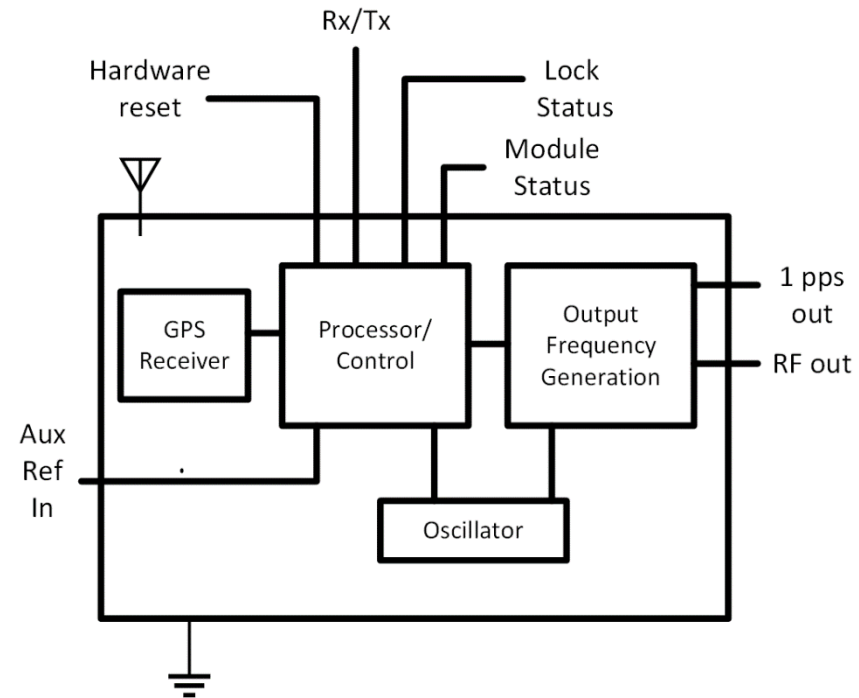


MD-175

High stability GNSSDOCXO

Features:

- **Ultrastable GNSSDO with embedded high stability OCXO**
- **Barometric Pressure Correction**
- **Aging Correction**
- Frequency Range: 5 to 120 MHz
- 10 MHz
- Standard Frequency: 10 MHz
- Number of PPS outputs: 1
- Output: CMOS, Sine
- Footprint: 50 x 40 mm, surface mount
- Supply Voltage: 5 V
- Power: 2 W
- Temperature Range: -40 to 85 °C
- Auxiliary PPS Input
- Embedded GPS Receiver
- GNSS Signal Types: GPS, GLONASS, Galileo, QZSS, SBAS
- 1.5 us holdover for 18 hours at constant temperature
- 2.5 us holdover for 24 hours at constant temperature

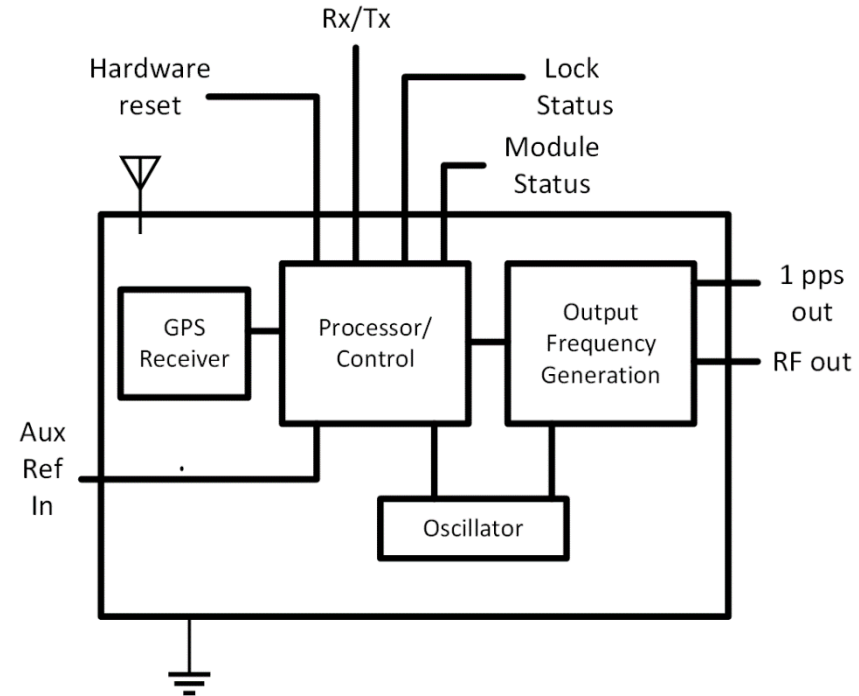


MD-178

Low Noise GNSSDOCXO

Features:

- **GNSS time accuracy with Ultra low noise performance**
- Frequency Range: 5 to 120 MHz
- 10 MHz
- Standard Frequency: 10 MHz
- Number of PPS outputs: 1
- Output: Sine
- Footprint: 50 x 40 mm, surface mount
- Supply Voltage: 5 V
- Power: 2 W
- Temperature Range: -40 to 85 °C
- Auxiliary PPS Input
- Embedded GPS Receiver
- GNSS Signal Types: GPS, GLONASS, Galileo, QZSS, SBAS
- 1.5 us holdover for 9 hours at constant temperature
- Phase Noise 10 Hz offset: -135 dBc/Hz @10 MHz carrier
- Phase Noise 1 MHz offset: -170 dBc/Hz @10MHz carrier

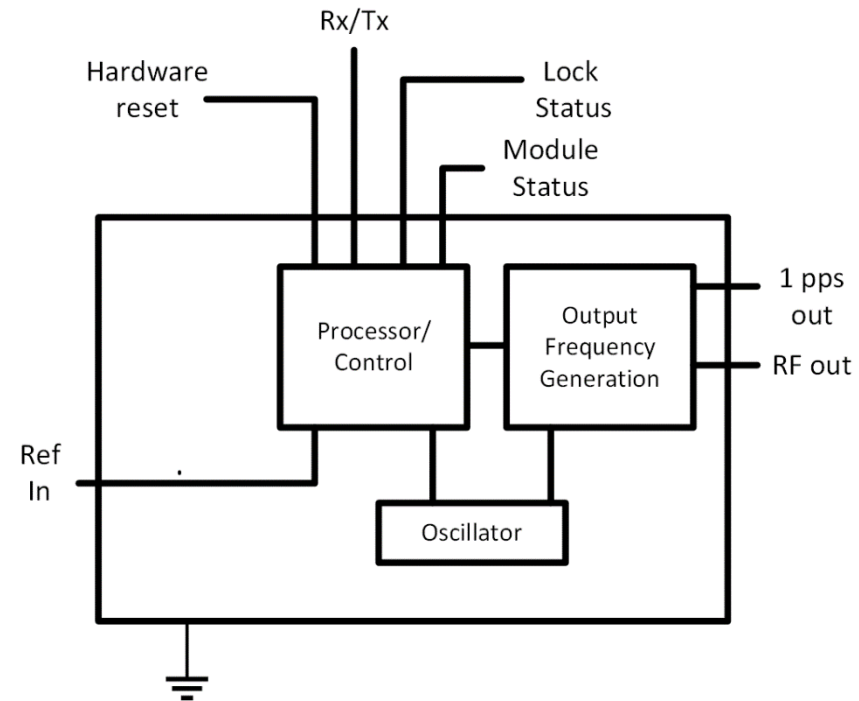


MD-012

High stability PPSDOCXO

Features:

- **Ultrastable GNSSDO with embedded high stability OCXO**
- **Barometric Pressure Correction**
- **Aging Correction**
- Frequency Range: 5 to 120 MHz
- 10 MHz
- Standard Frequency: 10 MHz
- Number of RF outputs: 2
- Number of PPS outputs: 2
- Output: CMOS, Sine
- Footprint: 114 x 60 mm, chassis
- Supply Voltage: 12 V
- Power: 3.6 W
- Temperature Range: -40 to 85 °C
- Auxiliary PPS Input
- 1.5 us holdover for 24 hours at constant temperature
- 1.5 us holdover for 24 hours at constant temperature

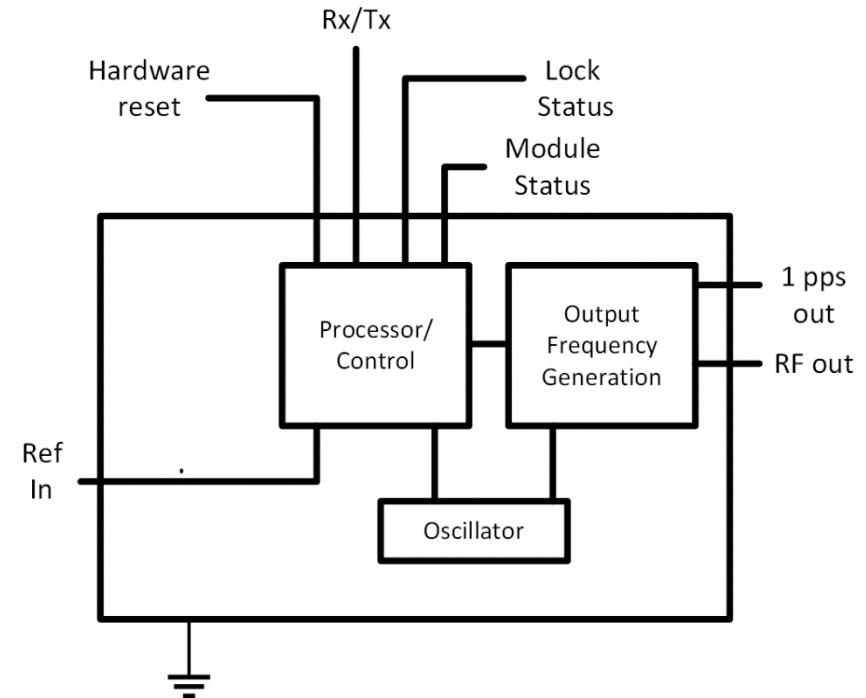


MD-176

High stability PPSDOCXO

Features:

- **Ultrastable PPSDO with embedded high stability OCXO**
- **Barometric Pressure Correction**
- **Aging Correction**
- Frequency Range: 5 to 120 MHz
- 10 MHz
- Standard Frequency: 10 MHz
- Number of PPS outputs: 1
- Output: CMOS, Sine
- Footprint: 50 x 40 mm, surface mount
- Supply Voltage: 5 V
- Power: 2 W
- Temperature Range: -40 to 85 °C
- Auxiliary PPS Input
- 1.5 us holdover for 18 hours at constant temperature
- 2.5 us holdover for 24 hours at constant temperature



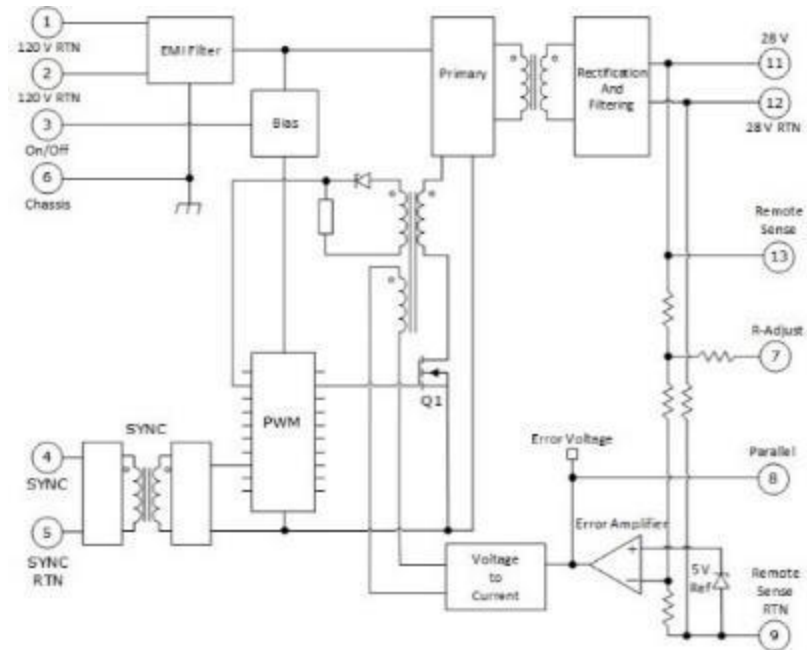
SA50-120

Radiation Hardened Hermetic Point of Load Hybrid

Online
Datasheet

Features:

- 120 V_{in} (86V_{dc}-156V_{dc}), with internal EMI filter, 28V_{in} (In Development)
- Triple, dual, and single output versions (20+ catalog options)
- Isolated outputs
- 50 W total combined power output
- Inhibit, remote sense, and remote adjust
- Isolated sync input, 600 kHz
- Less than 1% accuracy over temp and radiation
- >86% efficient full load at 5 ± 15 V output (T version)
- 3.055" L × 2.055" W × 0.50" H envelope
- Total dose rating of 100 krad(Si) at LDR
- SEE (all effects) >80 MeV-cm²/mg (H version)
- Thermal resistance= 0.041 ° C in²/W (measured at 55 ° C)
- NASA outgassing compliant: (TML)= 1% max,(CVCM)= 0.1% max



<< BACK



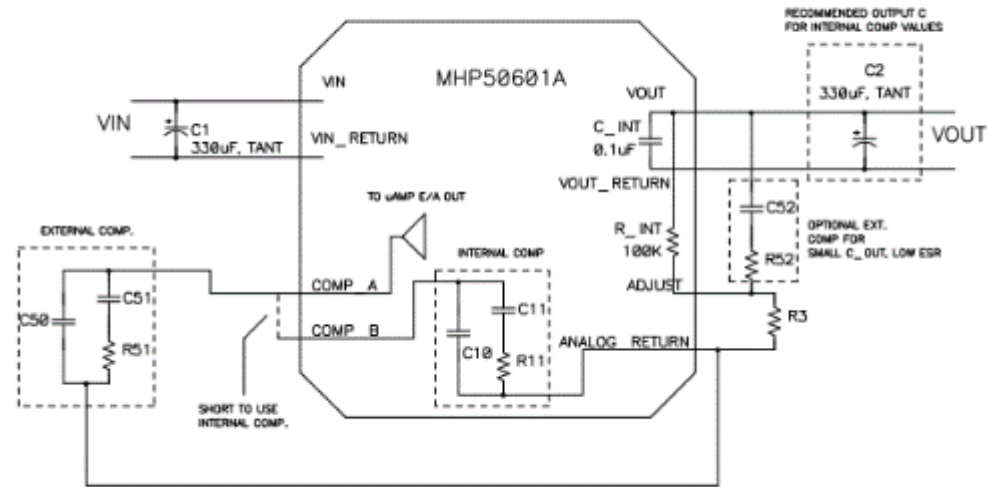
MHP50601A

Radiation Hardened Hermetic Point of Load Hybrid

Online
Datasheet

Features:

- $V_{in} = 3\text{ V}$ to 7 V (7.5 V in Absolute Max)
- Internal reference (0.8 V)
- Adjustable frequency 300 kHz to 500 kHz
- Parallel operation 180° out of Φ with sync pin
- Internal VREF 1.5% variation over temp and radiation
- Ultra-fast transient response to lower output impedance
- Integrated design (C_{in} , C_{out} , and Lswitch)
- Internal or optional external compensation and soft-start
- External enable or Under-voltage Lockout
- Output power good
- 96% peak efficiency

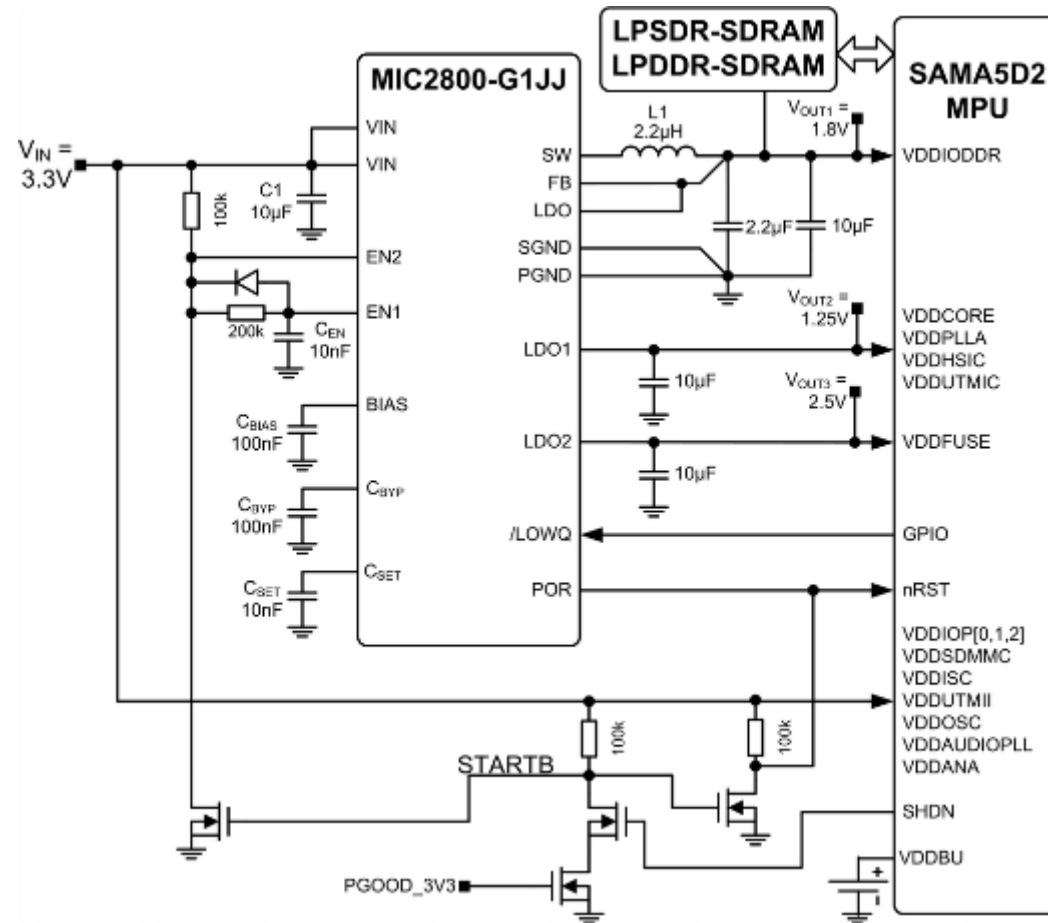


SAMA5D2, LPDDR 1.8V, VIN 3.3V

Alternate Solution

MIC2800 - 600mA Buck + Dual 300mA LDO with LowQ[®] Mode

- 2.7V to 5.5V input voltage range
- Integrated power-on reset with adjustable delay
- 30 μ A Total IQ when in LowQ[®] mode
- Thermal Shutdown Protection
- Current Limit Protection
- **Buck regulator**
 - Output current to 600mA in PWM mode
 - 75 μ V_{RMS} output noise in LowQ[®] mode
 - 2 MHz PWM operation in normal mode
 - >90% efficiency
- **LDOs**
 - 300mA output current
 - Output voltage down to 0.8V
- 16p-QFN 3mm x 3mm



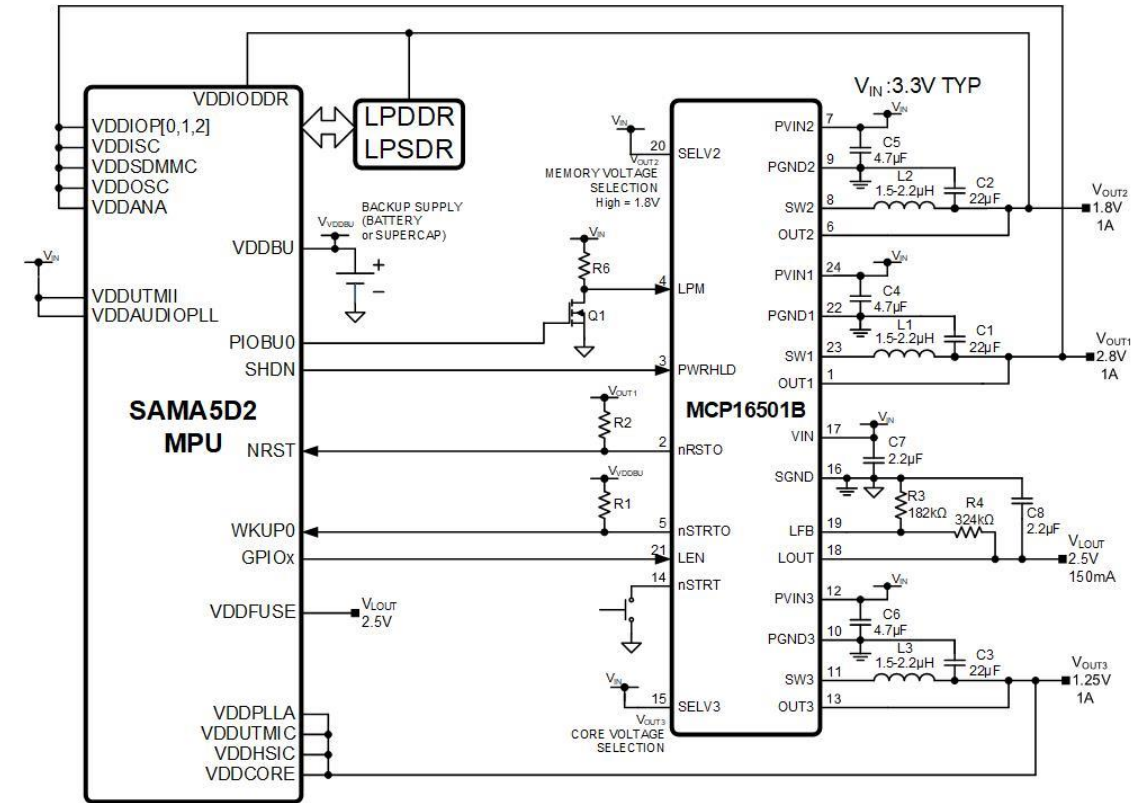
Cost/Size Optimized
Solution
MCP16501

SAMA5D2, LPDDR 1.8V, VIN 3.3V

Size/Cost Optimized Solution

MCP16501 – Cost/Size Optimized PMIC for eMPUs

- Input voltage: 2.7V to 5.5V
- 3x 1A Buck DC-DC channels, 1x 300mA LDO integrated
- 100% Maximum Duty Cycle capability
- 2 MHz PWM operation in continuous mode
- Pin-Selectable / Pin-pin compatible variants for memory configurability
- MPU-compatible default channel sequencing, nRSTO assertion delay
- Support of HIBERNATE, Low-Power and High-Performance Modes
- Seamless support of DDR self-refresh mode
- Low-noise, forced-PWM, low I_Q light-load high-efficiency mode available
- 250 μ A LPM typ quiescent current
- 6 μ A maximum shutdown current
- Thermal-shutdown and current-limit protection
- 24-pin 4mm \times 4mm VQFN package
- -40°C to $+125^\circ\text{C}$ junction temperature range



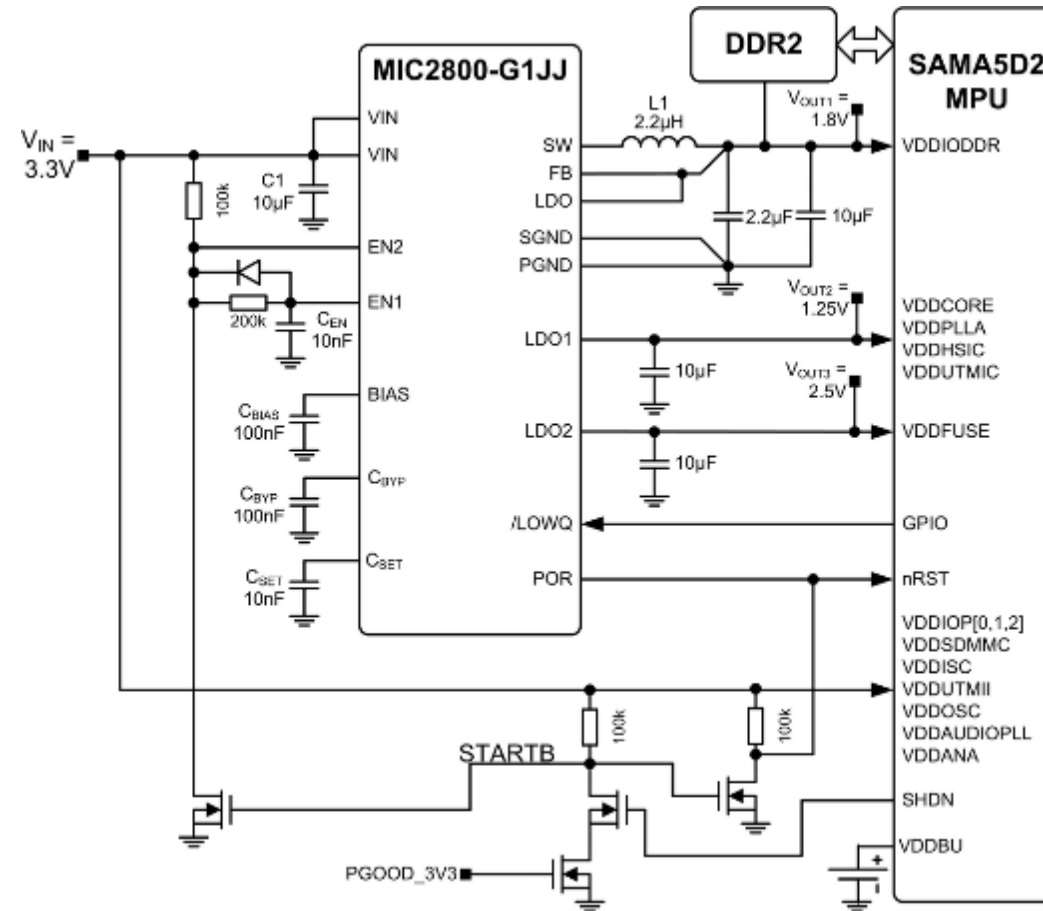
Alternate
Solution
MIC2800

SAMA5D2, DDR2 1.8V, VIN 3.3V

Alternate Solution

MIC2800 - 600mA Buck + Dual 300mA LDO with LowQ® Mode

- 2.7V to 5.5V input voltage range
- Integrated power-on reset with adjustable delay
- 30µA Total IQ when in LowQ® mode
- Thermal Shutdown Protection
- Current Limit Protection
- **Buck regulator**
 - Output current to 600mA in PWM mode
 - 75µVRMS output noise in LowQ® mode
 - 2 MHz PWM operation in normal mode
 - >90% efficiency
- **LDOs**
 - 300mA output current
 - Output voltage down to 0.8V
- 16p-QFN 3mm x 3mm



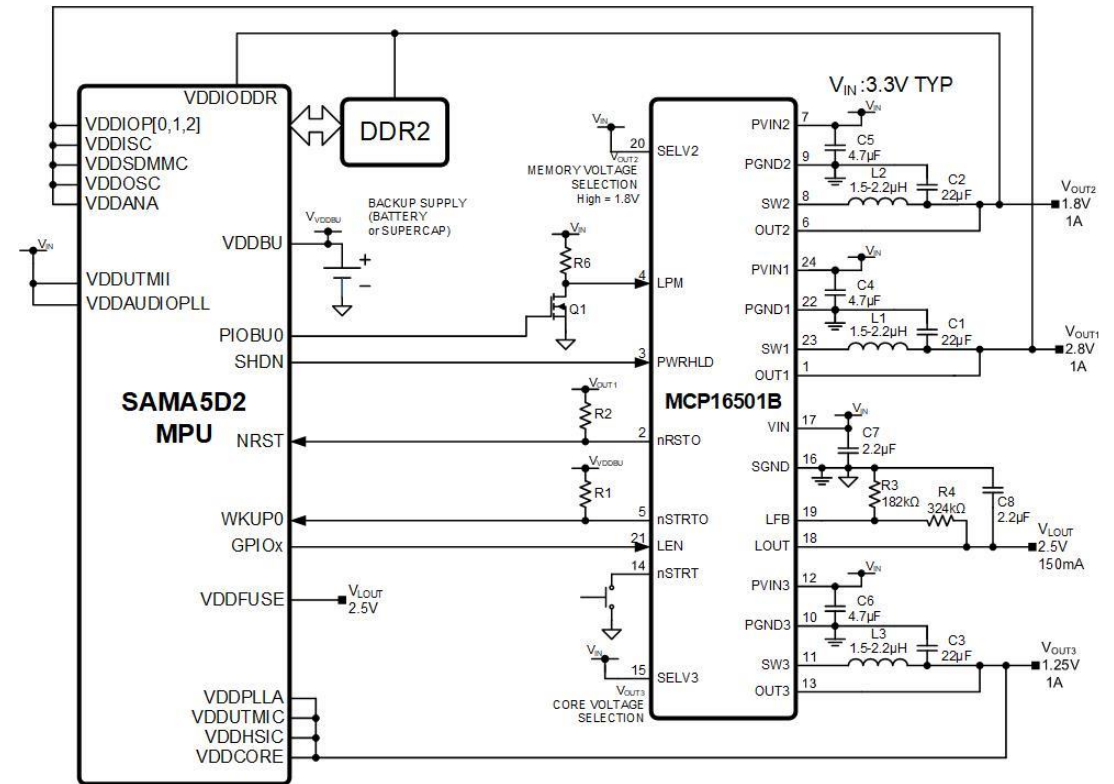
Cost/Size Optimized
Solution
MCP16501

SAMA5D2, DDR2 1.8V, VIN 3.3V

Size/Cost Optimized Solution

MCP16501 – Cost/Size Optimized PMIC for eMPUs

- Input voltage: 2.7V to 5.5V
- 3x 1A Buck DC-DC channels, 1x 300mA LDO integrated
- 100% Maximum Duty Cycle capability
- 2 MHz PWM operation in continuous mode
- Pin-Selectable / Pin-pin compatible variants for memory configurability
- MPU-compatible default channel sequencing, nRSTO assertion delay
- Support of HIBERNATE , Low-Power and High-Performance Modes
- Seamless support of DDR self-refresh mode
- Low-noise, forced-PWM, low I_Q light-load high-efficiency mode available
- 250 μ A LPM typ quiescent current
- 6 μ A maximum shutdown current
- Thermal-shutdown and current-limit protection
- 24-pin 4mm \times 4mm VQFN package
- -40°C to $+125^\circ\text{C}$ junction temperature range



Alternate
Solution
MIC2800

SAMA5D2, LPDDR2 1.8V, VIN 3.3V

MIC2230 – Fast Transient, High Efficiency Dual 800mA Buck

- Input Voltage Range : 2.5V to 5.5V
- Adjustable Output Voltage : 0.8V to 5.5V
- High Efficiency: Upto 96% || Ultra-low 28 μ A I_Q
- 2.5MHz PWM operation || Power good output
- 12L-TDFN 3mm x 3mm

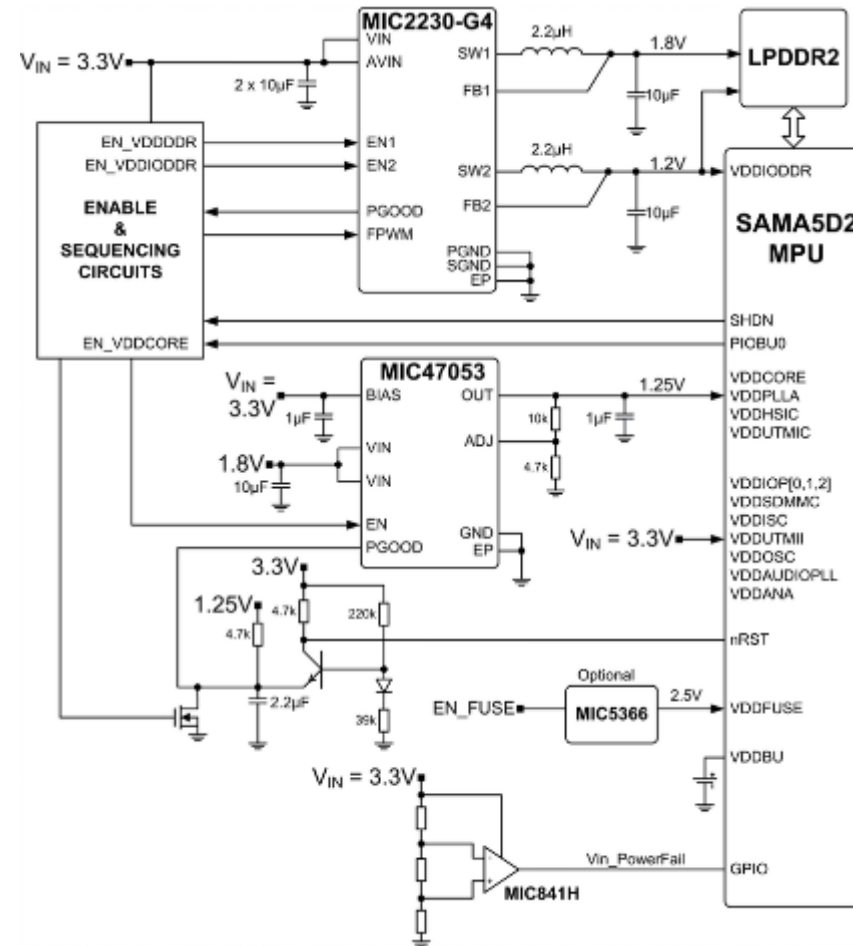
MIC47053 - Micropower Ultra-Low Dropout Linear Regulator

- Voltage range: 1.0V to 3.6V (Input) || 2.3V to 5.5V (Bias)
- Low dropout voltage: 49mV at 500mA
- $\pm 2\%$ initial output voltage accuracy over temperature
- Adjustable output voltage range down to 0.4V
- 8p-TDFN 2mm x 2mm

MIC841N – uPower Precision Comparator

- 1.5V to 5.5V operating range
- 1.5 μ A typical supply current || 10nA max input leakage
- $\pm 1.25\%$ voltage threshold accuracy || Adjustable hysteresis
- 6p-TDFN 1.6mm x 1.6mm

MIC5366 - 150mA LDO w/ Auto Discharge (optional)



MIC2230

MIC841

MIC47053

MIC5366 (optional)

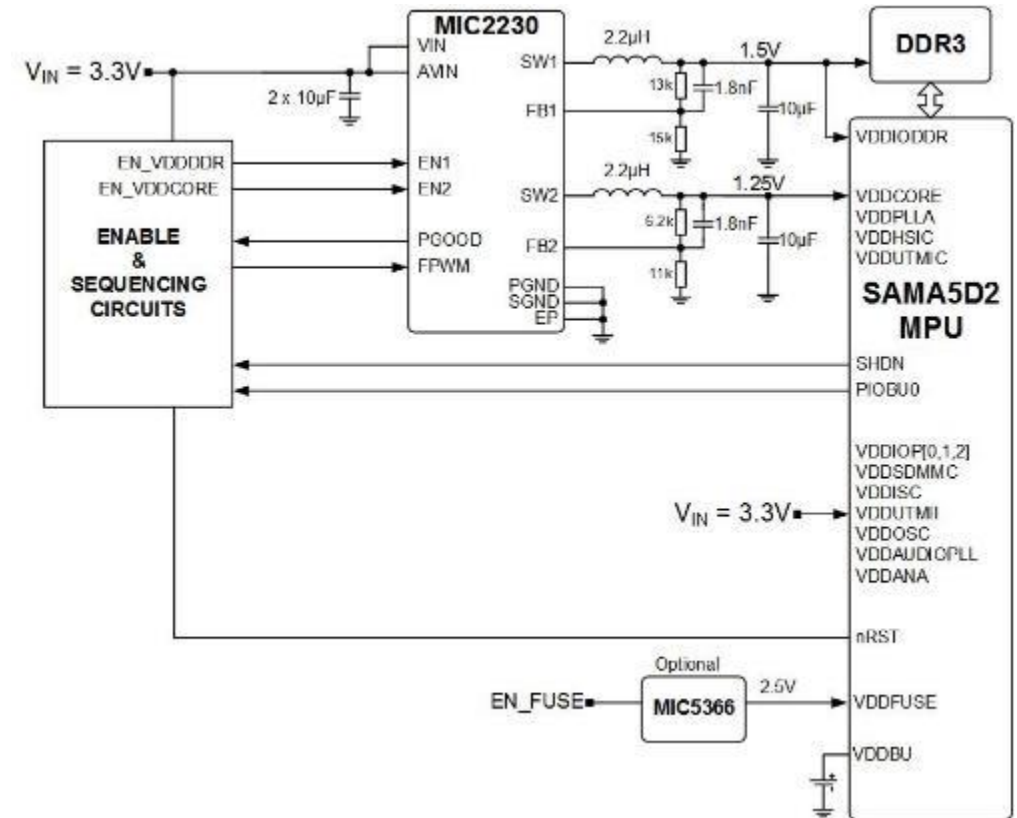
SAMA5D2, DDR3 1.5V, VIN 3.3V

MIC2230 – High Efficiency Dual 800mA Buck

- Input Voltage Range : 2.5V to 5.5V
- Adjustable Output Voltage : 0.8V to 5.5V
- High Efficiency: Upto 96% || Ultra-low 28 μ A I_Q
- 2.5MHz PWM operation
- Power good output with internal 5 μ A current source allows sequencing with programmable delay time
- 12L-TDFN 3mm x 3mm

MIC5366 - 150mA LDO w/ Auto Discharge (optional)

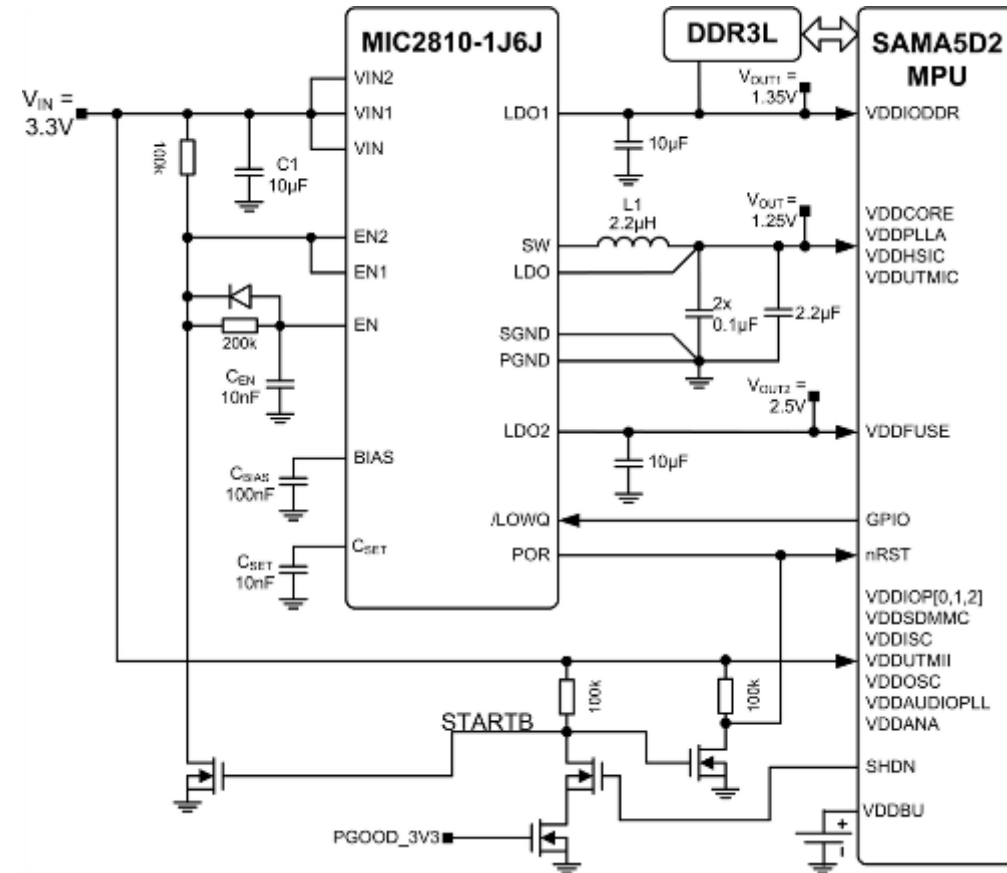
- Input voltage range: 2.5V to 5.5V
- Low dropout voltage: 180mV at 150mA
- Excellent Load/Line Transient Response
- Low quiescent current: 32 μ A
- High PSRR: 70dB
- Output discharge circuit
- High output accuracy: $\pm 2\%$ initial accuracy
- Thermal shutdown || current limit protection
- 4p-TMLF 1mm x 1mm || SC-70-5 || 5p-TSOT23



SAMA5D2, DDR3L 1.35V, VIN 3.3V

MIC2810 - 600mA Buck + Dual 300mA LDO with LowQ® Mode

- 2.7V to 5.5V input voltage range
- Integrated power-on reset with adjustable delay
- 30µA Total IQ when in LowQ® mode
- Thermal Shutdown Protection
- Current Limit Protection
- **Buck regulator**
 - Output current to 600mA in PWM mode
 - 53µV_{RMS} output noise in LowQ® mode
 - 2 MHz PWM operation in normal mode
 - >90% efficiency
- **LDOs**
 - 1.65V to 5.5V input voltage range (LDO1)
 - 2.7V to 5.5V input voltage range (LDO2)
 - 300mA output current
 - Output voltage down to 0.8V
- 16p-QFN 3mm x 3mm



SAMA5D2, LPDDR2 1.8V, VIN 5V

Size/Cost Optimized Solution

MCP16501 – Cost/Size Optimized PMIC for eMPUs

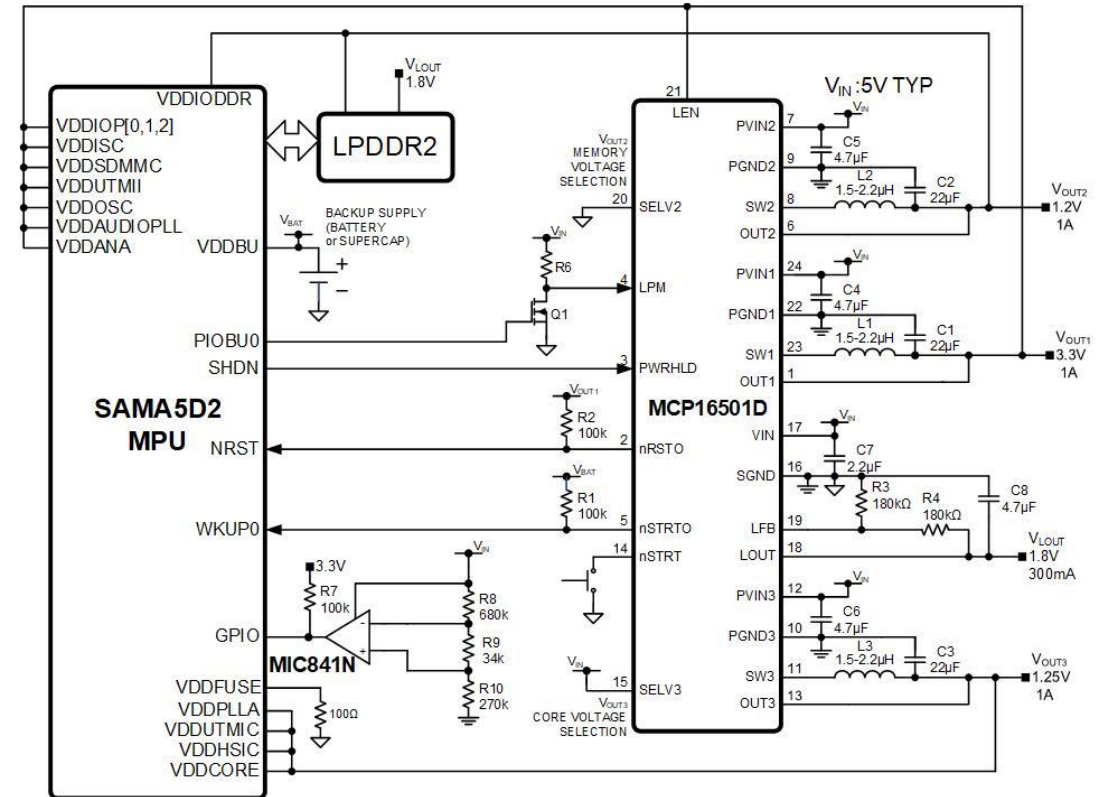
- Input voltage: 2.7V to 5.5V
- 3x 1A Buck DC-DC channels, 1x 300mA LDO integrated
- 100% Maximum Duty Cycle capability
- 2 MHz PWM operation in continuous mode
- Pin-Selectable / Pin-pin compatible variants for memory configurability
- MPU-compatible default channel sequencing, nRSTO assertion delay
- Support of HIBERNATE, Low-Power and High-Performance Modes
- Seamless support of DDR self-refresh mode
- Low-noise, forced-PWM, low I_Q light-load high-efficiency mode available
- 250 μ A LPM typ quiescent current
- 6 μ A maximum shutdown current
- Thermal-shutdown and current-limit protection
- 24-pin 4mm \times 4mm VQFN package
- -40°C to $+125^{\circ}\text{C}$ junction temperature range

MIC841N – μ Power Precision Comparator

- 1.5V to 5.5V operating range
- 1.5 μ A typical supply current
- 6p-TDFN 1.6mm \times 1.6mm

High Performance
Solution
MCP16502 + MIC841

Alternate
Multichip Solution
MIC2230 + MIC841



SAMA5D2, LPDDR2 1.8V, VIN 5V

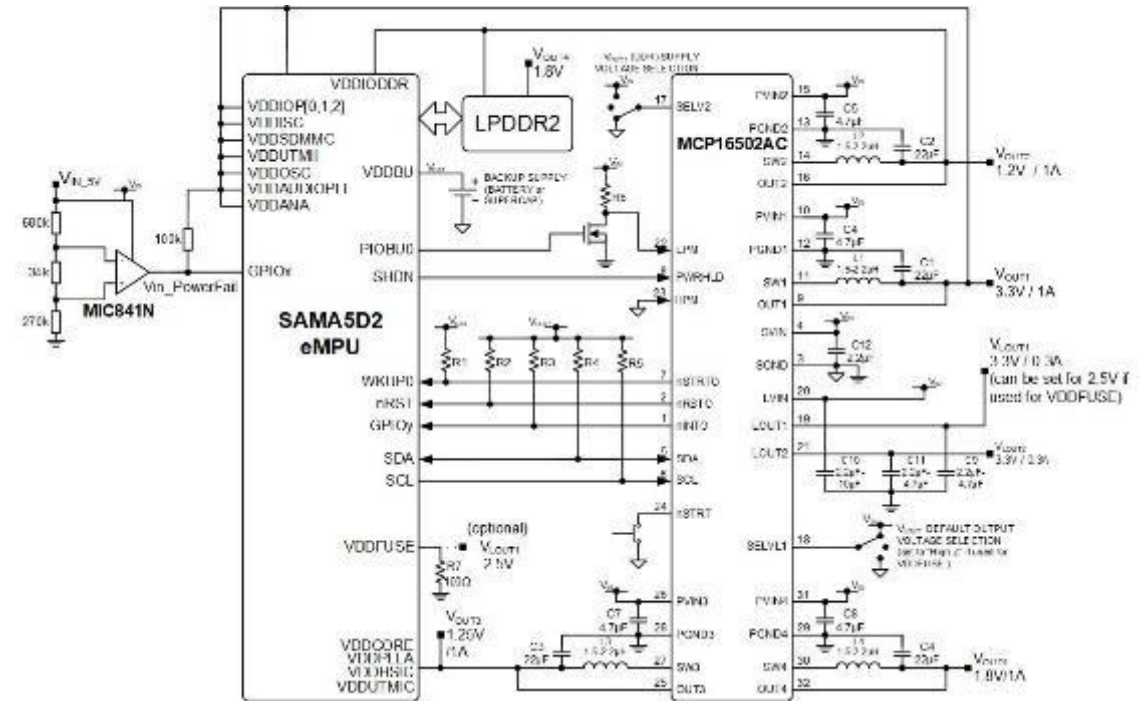
High Performance Solution

MCP16502 – High Performance PMIC for SAMA5DX/SAM9X6 MPUs

- Input Voltage Range : 2.7V to 5.5V
- 4x 1A DC-DC Buck regulators, 2x 300mA LDOs integrated
- < 300 μ A low-power mode typical quiescent current
- MPU-compatible default channel sequencing & nRSTO assertion delay
- Low-noise forced-PWM & light-load high-efficiency mode available
- I²C interface for programming and diagnostics
- Multimode operation and Dynamic Voltage Scaling
- Thermal-shutdown and current-limit protection
- User-programmable overcurrent response behavior
- 32-pin 5mm x 5mm VQFN package
- -40°C to +125°C junction temperature range

MIC841N – μ Power Precision Comparator

- 1.5V to 5.5V operating range
- 1.5 μ A typical supply current
- Externally adjustable hysteresis
- 6p-TDFN 1.6mm x 1.6mm



Cost/Size Optimized
Solution
MCP16501 + MIC841

Alternate
Multichip Solution
MIC2230 + MIC841

MIC841

SAMA5D2, LPDDR2 1.8V, VIN 5V

Alternate Multichip Solution

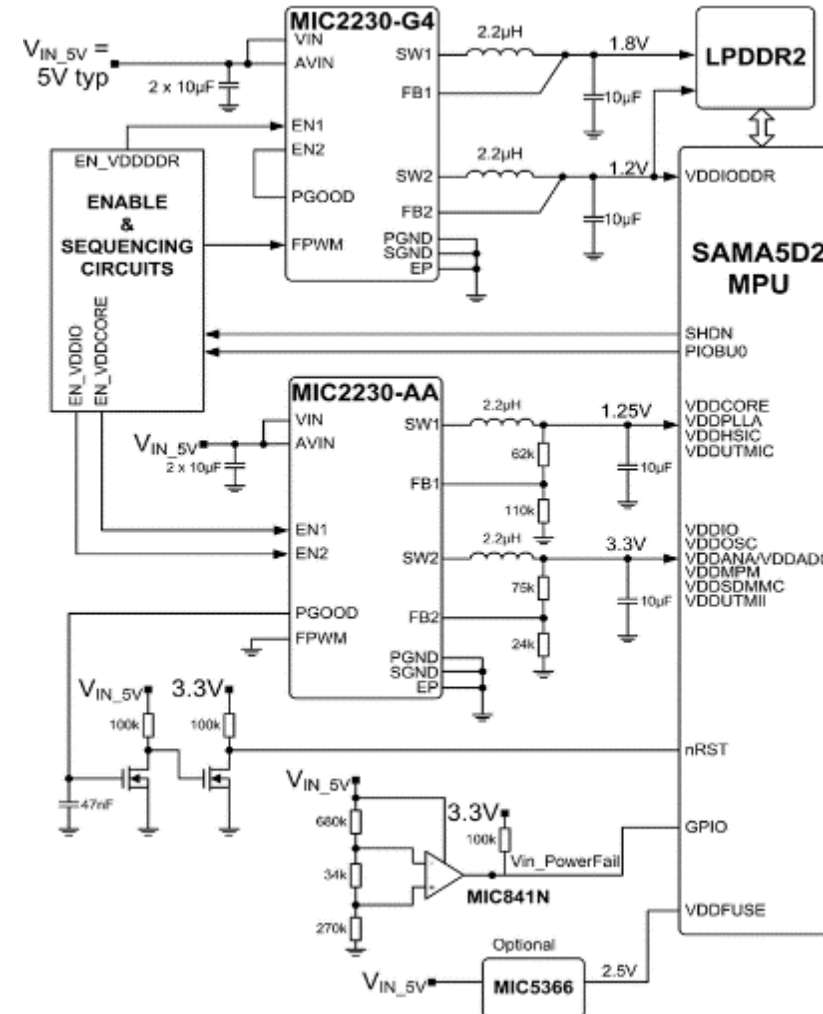
MIC2230 – Fast Transient, High Efficiency Dual 800mA Buck

- Input Voltage Range : 2.5V to 5.5V
- Adjustable Output Voltage : 0.8V to 5.5V
- High Efficiency: Upto 96% || Ultra-low 28 μ A I_Q
- 2.5MHz PWM operation
- Power good output with internal 5 μ A current source allows sequencing with programmable delay time
- 12L-TDFN 3mm x 3mm

MIC841N – μ Power Precision Comparator

- 1.5V to 5.5V operating range
- 1.5 μ A typical supply current || 10nA max input leakage
- $\pm 1.25\%$ voltage threshold accuracy
- Externally adjustable hysteresis
- 6p-TDFN 1.6mm x 1.6mm

MIC5366 - 150mA LDO w/ Auto Discharge (optional)



High Performance Solution
MCP16502 + MIC841

Cost/Size Optimized Solution
MCP16501 + MIC841

MIC841

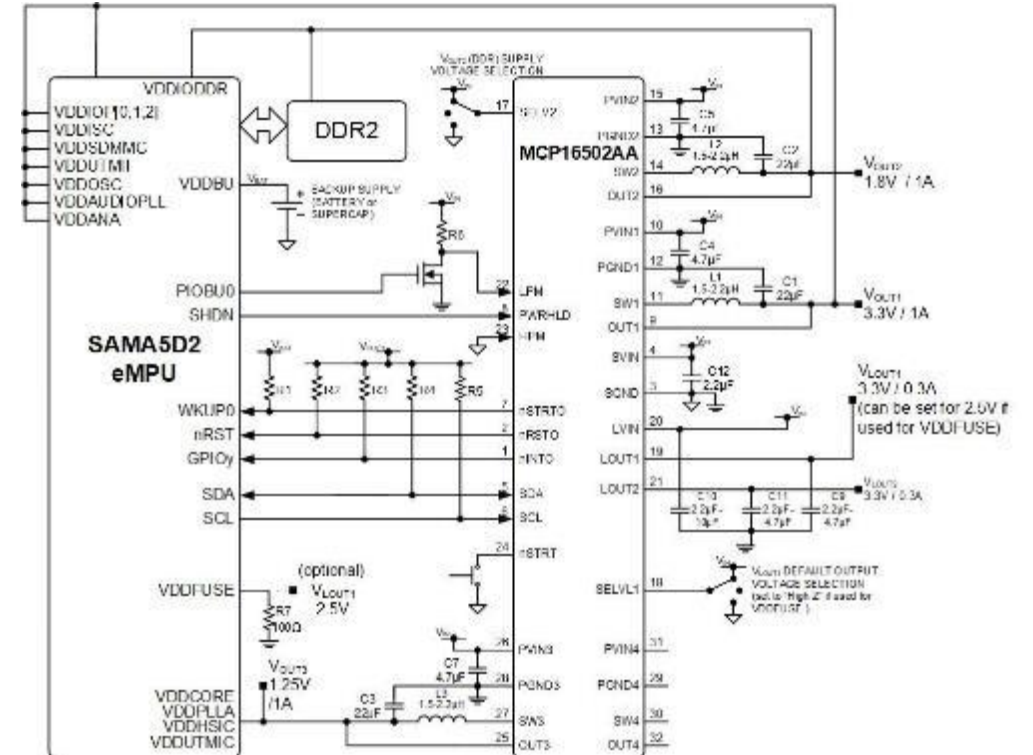
MIC5366 (optional)

SAMA5D2, DDR2 1.8V, VIN 5V

High Performance Solution

MCP16502 – High Performance PMIC for SAMA5DX/SAM9X6 MPUs

- Input Voltage Range : 2.7V to 5.5V
- 4x 1A DC-DC Buck regulators, 2x 300mA LDOs integrated
- < 300 μ A low-power mode typical quiescent current
- MPU-compatible default channel sequencing & nRSTO assertion delay
- Low-noise forced-PWM & light-load high-efficiency mode available
- I²C interface for programming and diagnostics
- Multimode operation and Dynamic Voltage Scaling
- Thermal-shutdown and current-limit protection
- User-programmable overcurrent response behavior
- 32-pin 5mm \times 5mm VQFN package
- -40°C to $+125^{\circ}\text{C}$ junction temperature range



Cost/Size Optimized
Solution
MCP16501

Alternate
Solution
MIC2800

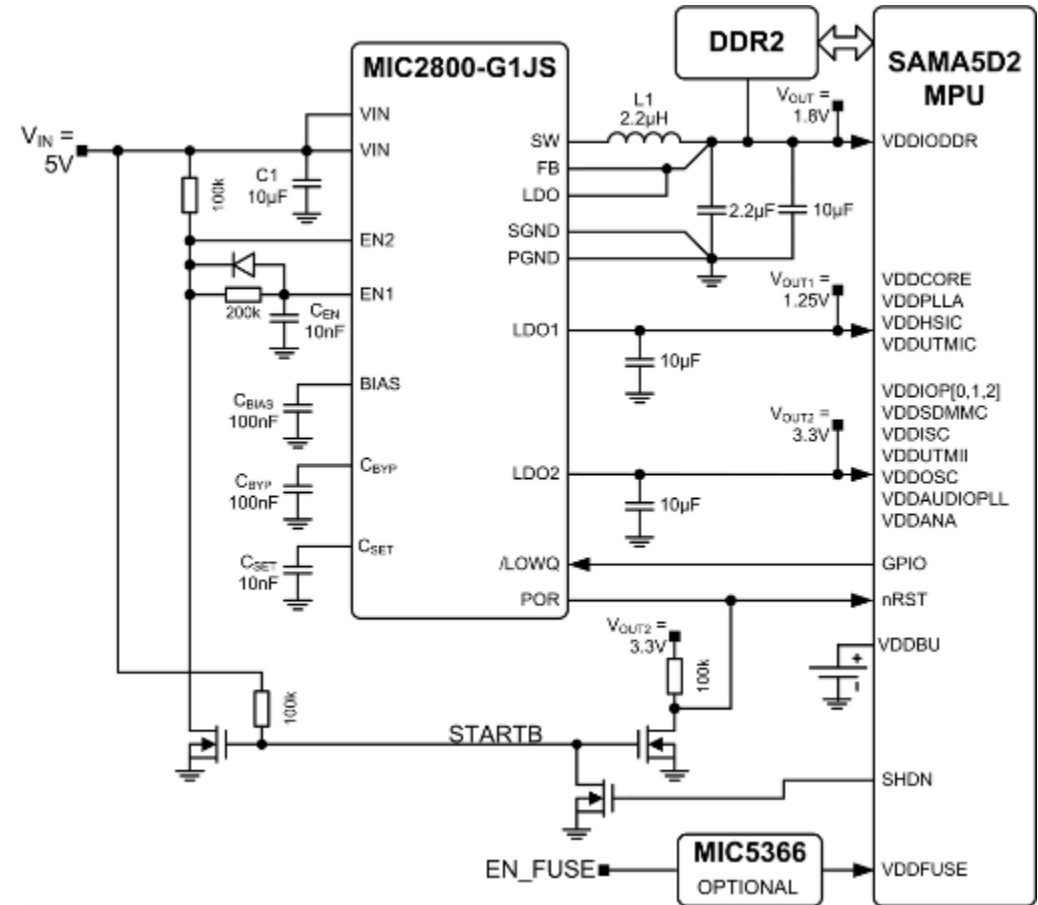
SAMA5D2, DDR2 1.8V, VIN 5V

Alternate Solution

MIC2800 - 600mA Buck + Dual 300mA LDO with LowQ[®] Mode

- 2.7V to 5.5V input voltage range
- Integrated power-on reset with adjustable delay
- 30 μ A Total IQ when in LowQ[®] mode
- Thermal Shutdown Protection
- Current Limit Protection
- **Buck regulator**
 - Output current to 600mA in PWM mode
 - 75 μ VRMS output noise in LowQ[®] mode
 - 2 MHz PWM operation in normal mode
 - >90% efficiency
- **LDOs**
 - 300mA output current
 - Output voltage down to 0.8V
- 16p-QFN 3mm x 3mm

MIC5366 - 150mA LDO w/ Auto Discharge (optional)

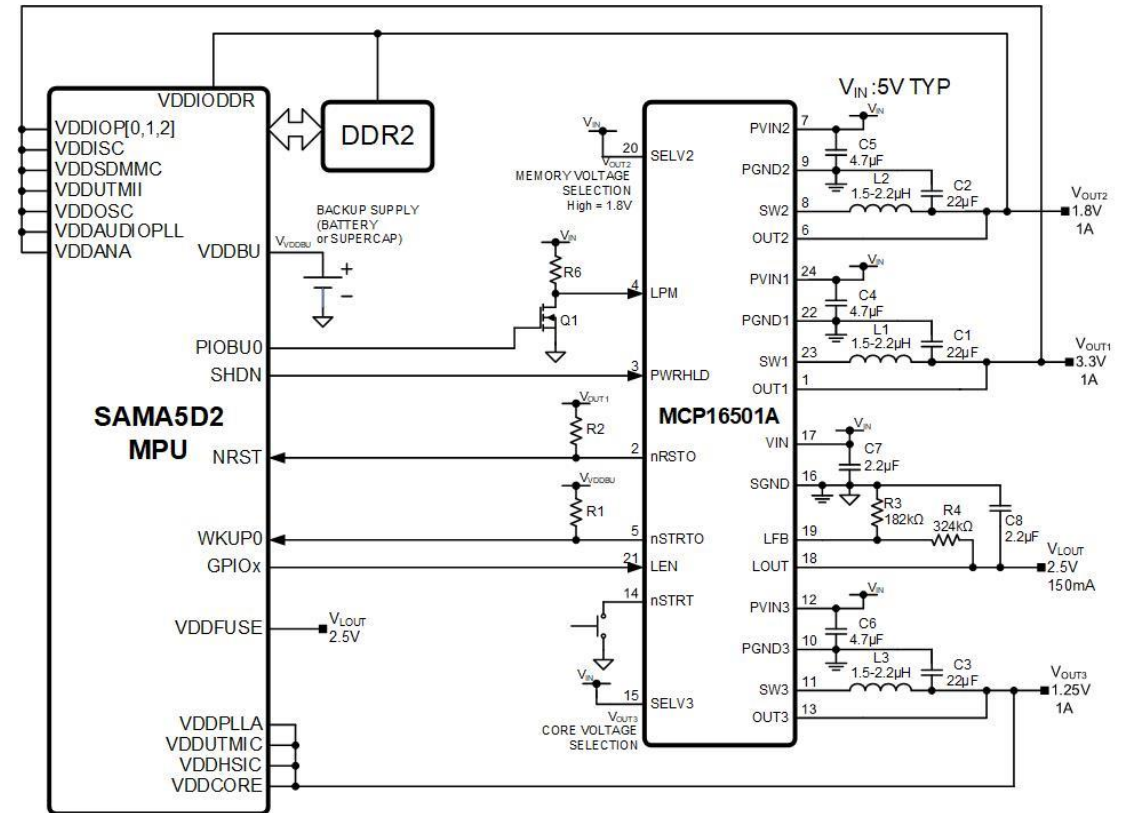


SAMA5D2, DDR2 1.8V, VIN 5V

Size/Cost Optimized Solution

MCP16501 – Cost/Size Optimized PMIC for eMPUs

- Input voltage: 2.7V to 5.5V
- 3x 1A Buck DC-DC channels, 1x 300mA LDO integrated
- 100% Maximum Duty Cycle capability
- 2 MHz PWM operation in continuous mode
- +/-1% voltage accuracy for DDR (Buck2), core (Buck3)
- Pin-Selectable / Pin-pin compatible variants for memory configurability
- MPU-compatible default channel sequencing, nRSTO assertion delay
- Support of HIBERNATE , Low-Power and High-Performance Modes
- Seamless support of DDR self-refresh mode
- Low-noise, forced-PWM, low I_Q light-load high-efficiency mode available
- Robust MPU interfacing with optimized ESD
- 250 μA low-power mode typical quiescent current
- 6 μA maximum shutdown current
- Separate LDO EN input, compatible to LV logic
- Thermal-shutdown and current-limit protection
- 24-pin 4mm x 4mm VQFN package
- -40°C to $+125^\circ\text{C}$ junction temperature range



High Performance
Solution
MCP16502

Alternate
Solution
MIC2800

SAMA5D2, DDR3 1.5V, VIN 5V

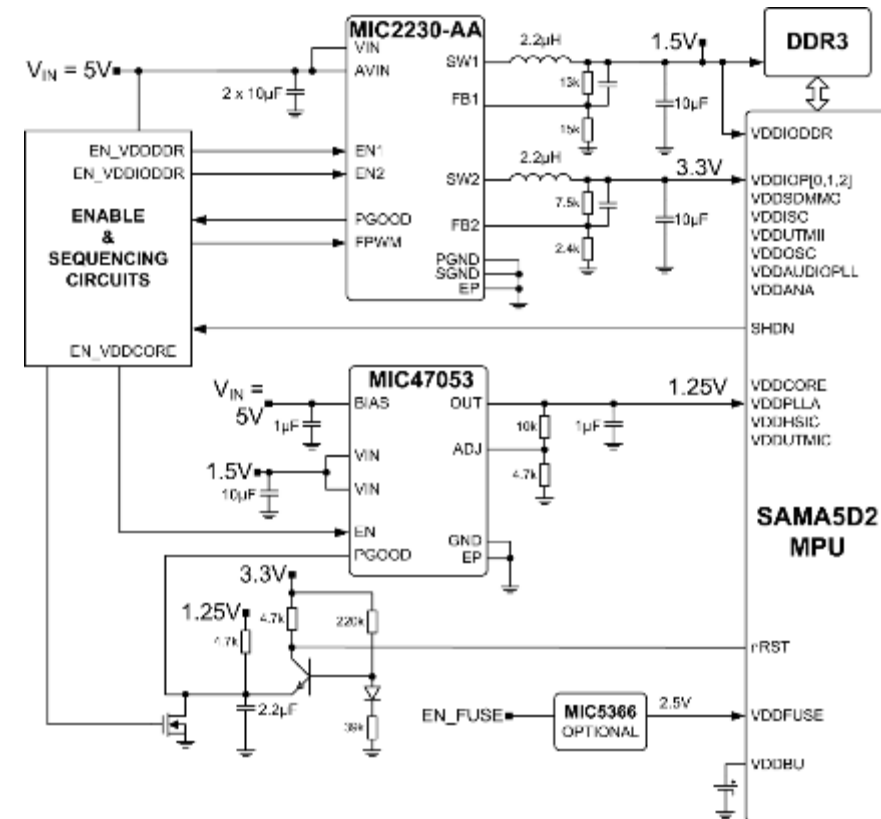
MIC2230 – Fast Transient, High Efficiency Dual 800mA Buck

- Input Voltage Range : 2.5V to 5.5V
- Adjustable Output Voltage : 0.8V to 5.5V
- High Efficiency: Upto 96% || Ultra-low 28 μ A I_Q
- 2.5MHz PWM operation
- Power good output with internal 5 μ A current source allows sequencing with programmable delay time
- 12L-TDFN 3mm x 3mm

MIC47053 - Micropower Ultra-Low Dropout Linear Regulator

- Input voltage range: 1.0V to 3.6V
- Low dropout voltage: 49mV at 500mA
- $\pm 2\%$ initial output voltage accuracy over temperature
- Bias supply voltage range: 2.3V to 5.5V
- Adjustable output voltage range down to 0.4V
- 8p-TDFN 2mm x 2mm

MIC5366 - 150mA LDO w/ Auto Discharge (optional)



MIC2230

MIC47053

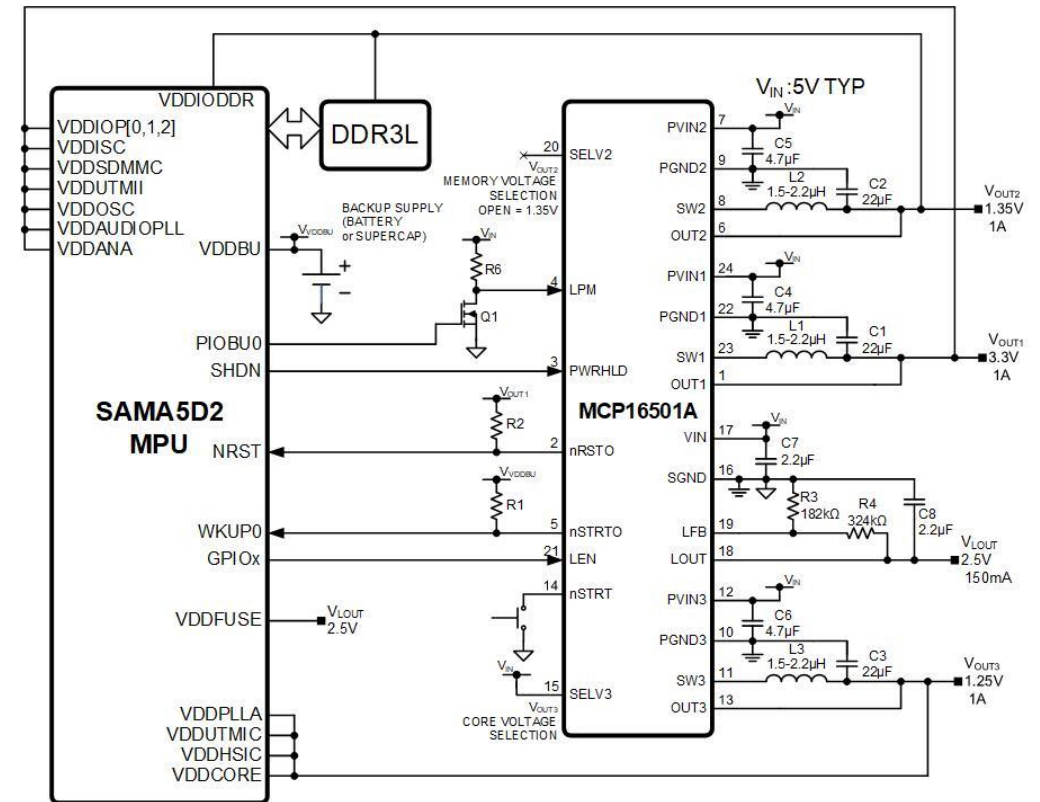
MIC5366 (optional)

SAMA5D2, DDR3L 1.35V, VIN 5V

Size/Cost Optimized Solution

MCP16501 – Cost/Size Optimized PMIC for eMPUs

- Input voltage: 2.7V to 5.5V
- 3x 1A Buck DC-DC channels, 1x 300mA LDO integrated
- 100% Maximum Duty Cycle capability
- 2 MHz PWM operation in continuous mode
- Pin-Selectable / Pin-pin compatible variants for memory configurability
- MPU-compatible default channel sequencing, nRSTO assertion delay
- Support of HIBERNATE , Low-Power and High-Performance Modes
- Seamless support of DDR self-refresh mode
- Low-noise, forced-PWM, low I_Q light-load high-efficiency mode available
- 250 μ A LPM typ quiescent current
- 6 μ A maximum shutdown current
- Thermal-shutdown and current-limit protection
- 24-pin 4mm \times 4mm VQFN package
- -40°C to $+125^{\circ}\text{C}$ junction temperature range



High Performance
Solution
MCP16502

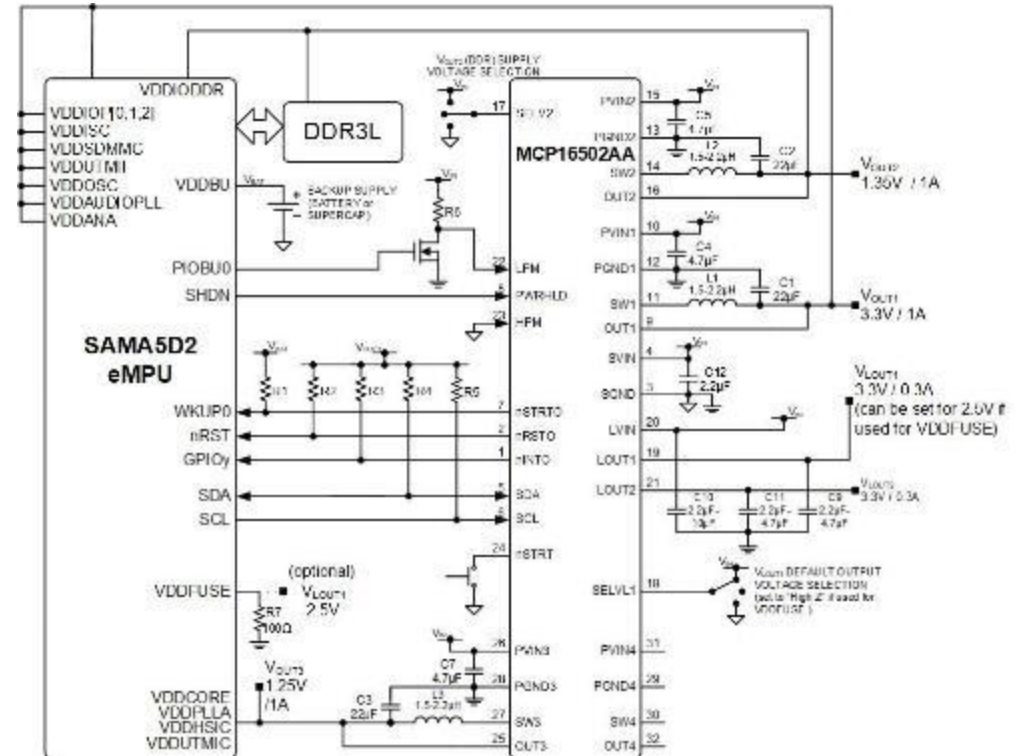
Alternate
Solution
MIC2810

SAMA5D2, DDR3L 1.35V, VIN 5V

High Performance Solution

MCP16502 – High Performance PMIC for SAMA5DX/SAM9X6 MPUs

- Input Voltage Range : 2.7V to 5.5V
- 4x 1A DC-DC Buck regulators, 2x 300mA LDOs integrated
- < 300 μ A low-power mode typical quiescent current
- MPU-compatible default channel sequencing & nRSTO assertion delay
- Low-noise forced-PWM & light-load high-efficiency mode available
- I²C interface for programming and diagnostics
- Multimode operation and Dynamic Voltage Scaling
- Thermal-shutdown and current-limit protection
- User-programmable overcurrent response behavior
- 32-pin 5mm \times 5mm VQFN package
- -40°C to +125°C junction temperature range



Cost/Size Optimized
Solution
MCP16502 + MIC841

Alternate
Solution
MIC2810



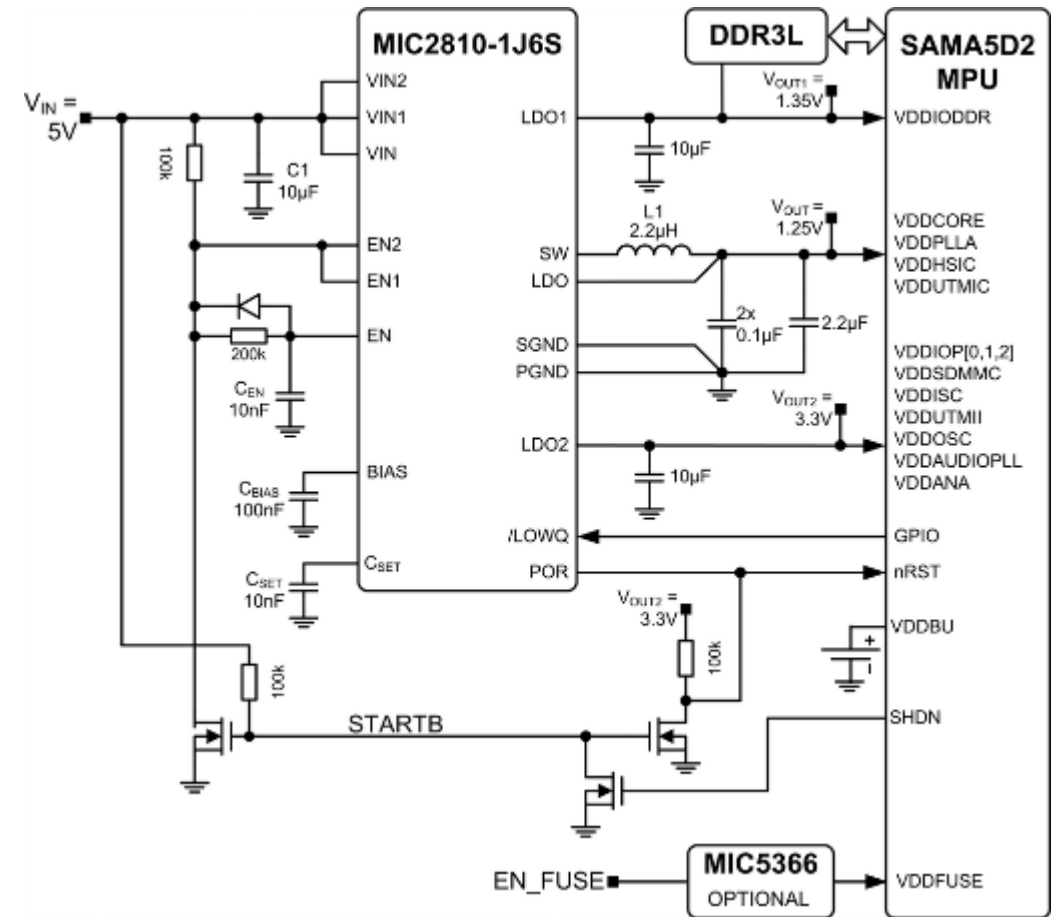
SAMA5D2, DDR3L 1.35V, VIN 5V

Alternate Solution

MIC2810 – 600mA Buck + Dual 300mA LDOs

- Input Voltage Range : 2.5V to 5.5V
- Adjustable Output Voltage : 0.8V to 5.5V
- High Efficiency: Upto 96% || Ultra-low 28 μ A I_Q
- 2.5MHz PWM operation
- Power good output with internal 5 μ A current source allows sequencing with programmable delay time
- 16p-QFN 3mm x 3mm

MIC5366 - 150mA LDO w/ Auto Discharge (optional)



High Performance
Solution
MCP16502

Cost/Size Optimized
Solution
MCP16501

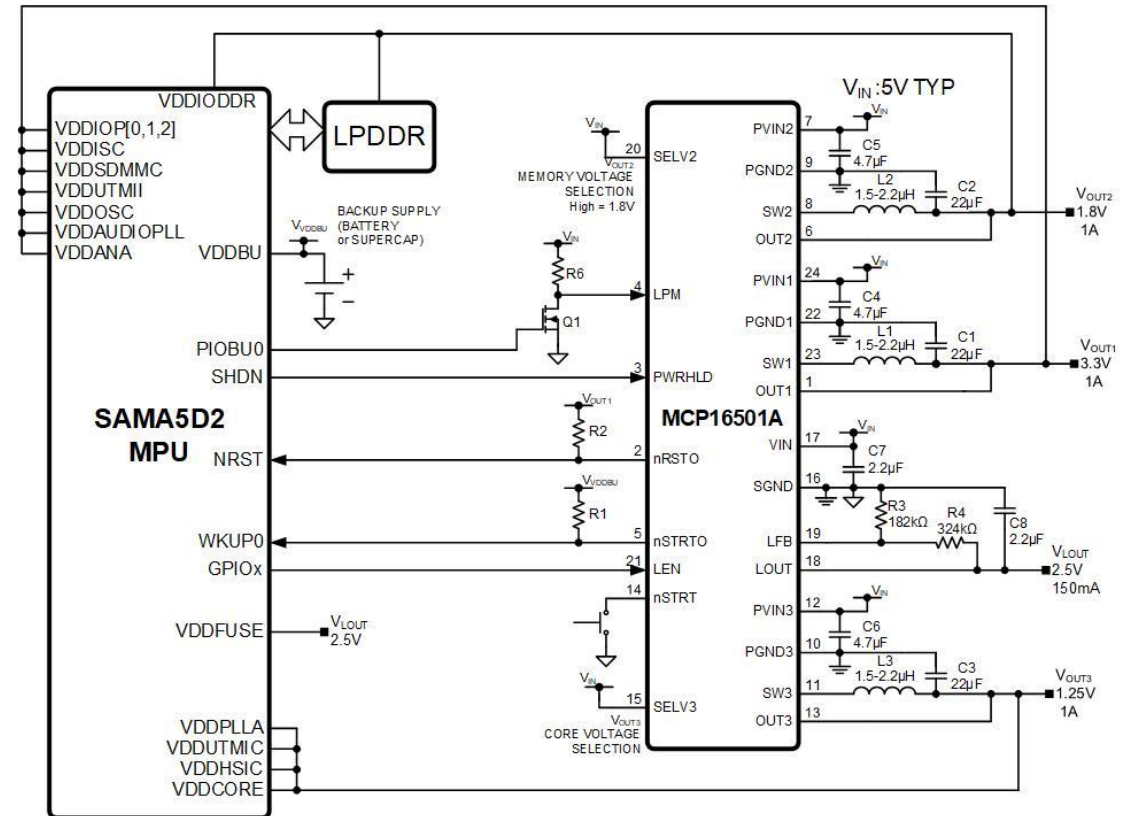
MIC5366 (optional)

SAMA5D2, LPDDR 1.8V, VIN 5V

Cost/Size Optimized Solution

MCP16501 – Cost/Size Optimized PMIC for eMPUs

- Input voltage: 2.7V to 5.5V
- 3x 1A Buck DC-DC channels, 1x 300mA LDO integrated
- 100% Maximum Duty Cycle capability
- 2 MHz PWM operation in continuous mode
- +/-1% voltage accuracy for DDR (Buck2), core (Buck3)
- Pin-Selectable / Pin-pin compatible variants for memory configurability
- MPU-compatible default channel sequencing, nRSTO assertion delay
- Support of HIBERNATE, Low-Power and High-Performance Modes
- Seamless support of DDR self-refresh mode
- Low-noise, forced-PWM, low I_Q light-load high-efficiency mode available
- Robust MPU interfacing with optimized ESD
- 250 μ A low-power mode typical quiescent current
- 6 μ A maximum shutdown current
- Separate LDO EN input, compatible to LV logic
- Thermal-shutdown and current-limit protection
- 24-pin 4mm \times 4mm VQFN package
- -40°C to $+125^{\circ}\text{C}$ junction temperature range

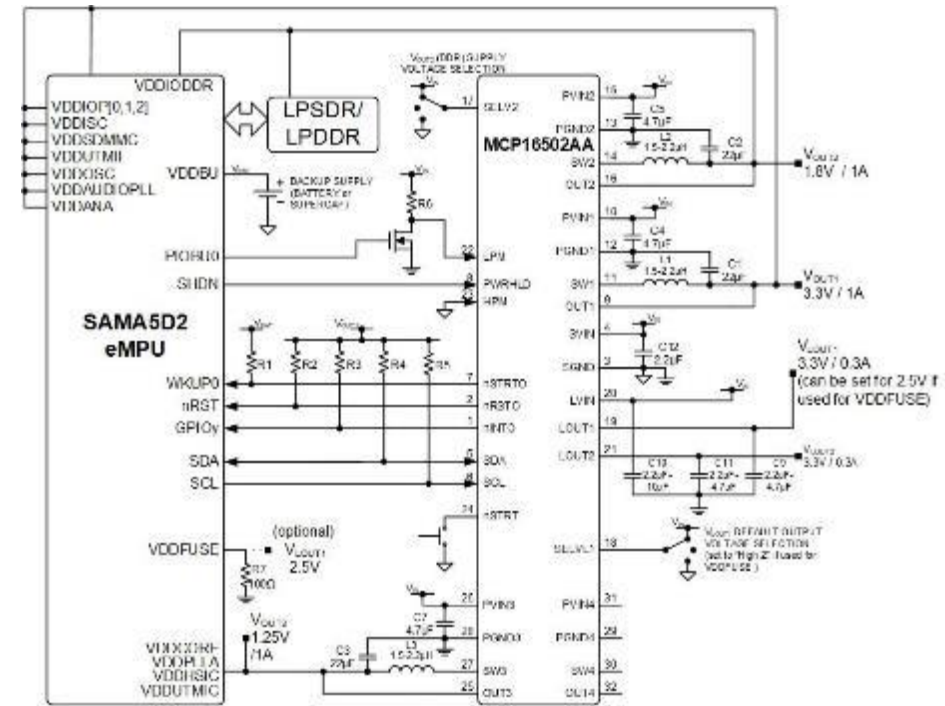


SAMA5D2, LPDDR 1.8V, VIN 5V

High Performance Solution

MCP16502 – High Performance PMIC for SAMA5DX/SAM9X6 MPUs

- Input Voltage Range : 2.7V to 5.5V
- 4x 1A DC-DC Buck regulators, 2x 300mA LDOs integrated
- < 300 μ A low-power mode typical quiescent current
- MPU-compatible default channel sequencing & nRSTO assertion delay
- Low-noise forced-PWM & light-load high-efficiency mode available
- I²C interface for programming and diagnostics
- Multimode operation and Dynamic Voltage Scaling
- Thermal-shutdown and current-limit protection
- User-programmable overcurrent response behavior
- 32-pin 5mm \times 5mm VQFN package
- -40°C to +125°C junction temperature range



Cost/Size Optimized
Solution
MCP16501

Alternate Multichip
Solution MIC2230 +
MIC23050

SAMA5D2, LPDDR 1.8V, VIN 5V

Alternate Multichip Solution

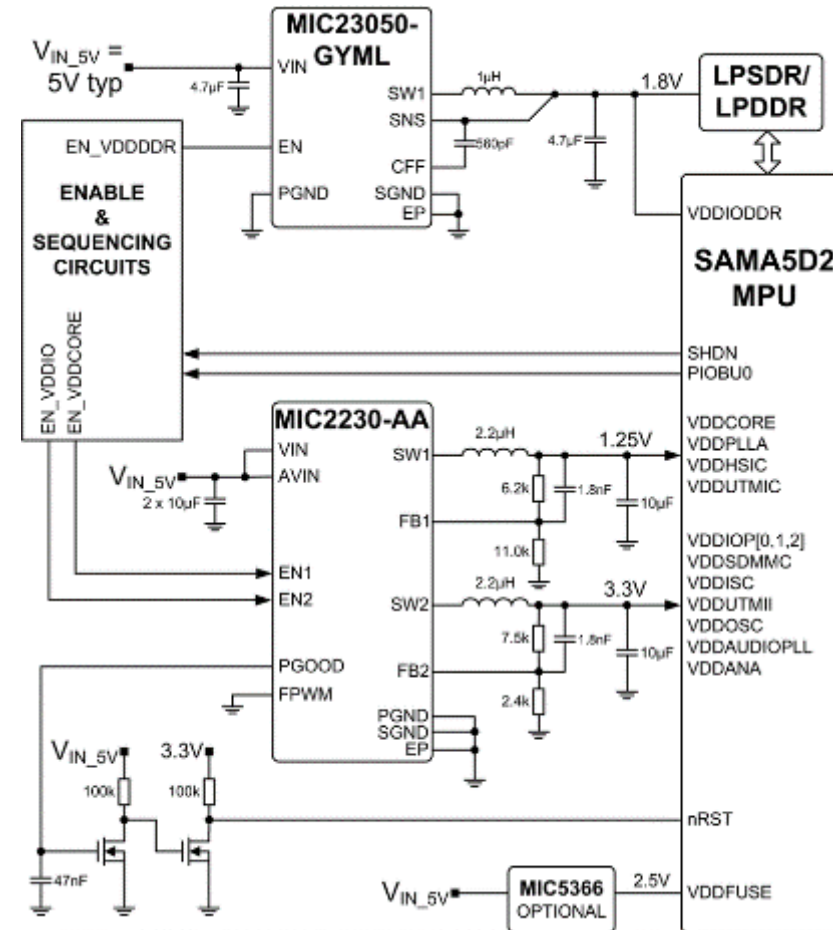
MIC2230 – Fast Transient, High Efficiency Dual 800mA Buck

- Input Voltage Range : 2.5V to 5.5V
- Adjustable Output Voltage : 0.8V to 5.5V
- High Efficiency: Upto 96% || Ultra-low 28 μ A I_Q
- 2.5MHz PWM operation || Power good output
- 12L-TDFN 3mm x 3mm

MIC23050 - 4MHz 600mA Synchronous Buck Regulator

- Input voltage range: 2.7V to 5.5V
- Fixed output voltage from 0.72V to 3.3V
- Ultra fast transient response
- >93% Efficiency || 20 μ A typical quiescent current
- 8p-MLF 2mm x 2mm

MIC5366 - 150mA LDO w/ Auto Discharge (optional)



High Performance
Solution
MCP16502

Cost/Size Optimized
Solution
MCP16501

MIC2230

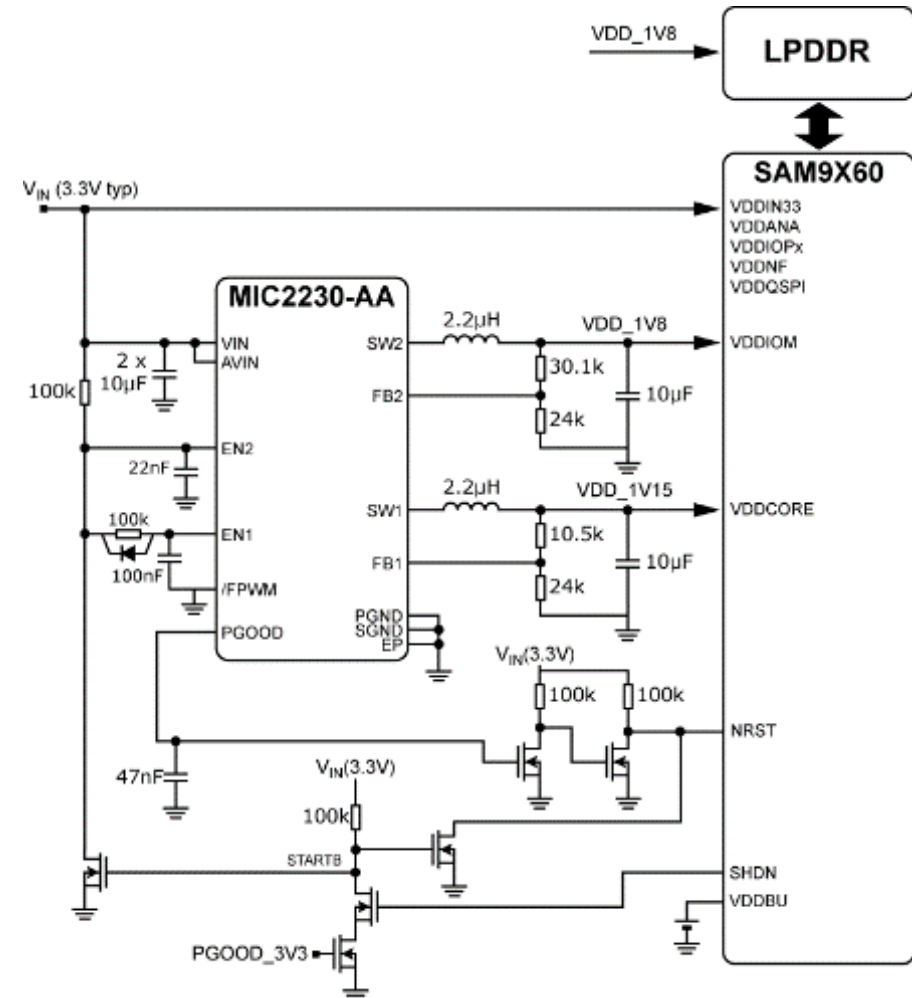
MIC23050

MIC5366 (optional)

SAM9X60, LPDDR 1.8V, VIN 3.3V

MIC2230 - High Efficiency Dual 800/800mA Buck

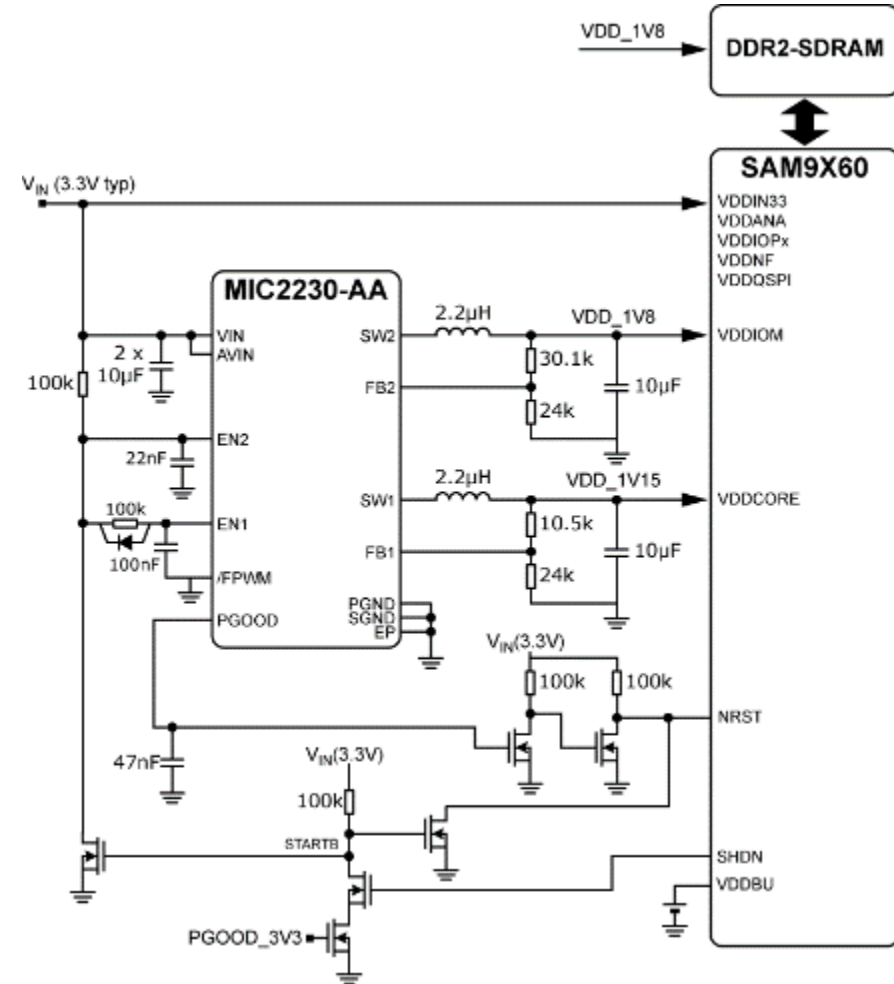
- Input Voltage Range 2.5V – 5.5V
- Output Voltage Range 0.8V – 5.5V
- Adjustable output voltage down to 0.8V
- 800mA current capability per channel
- High Efficiency: Over 96%
- Ultra-low quiescent current: Only 28 μ A
- Ultra-low shutdown current less than 1 μ A
- Fast transient performance
- 2.5MHz PWM operation
- No Schottky Diodes Required
- Built-in soft-start circuitry
- Current limit protection
- Automatic switching into light load mode operation
- /FPWM pin allows low noise all-PWM mode operation
- Power good output with internal 5 μ A current source allows sequencing with programmable delay time
- 12L-TDFN 3mm x 3mm



SAM9X60, DDR2 1.8V, VIN 3.3V

MIC2230 - High Efficiency Dual 800/800mA Buck

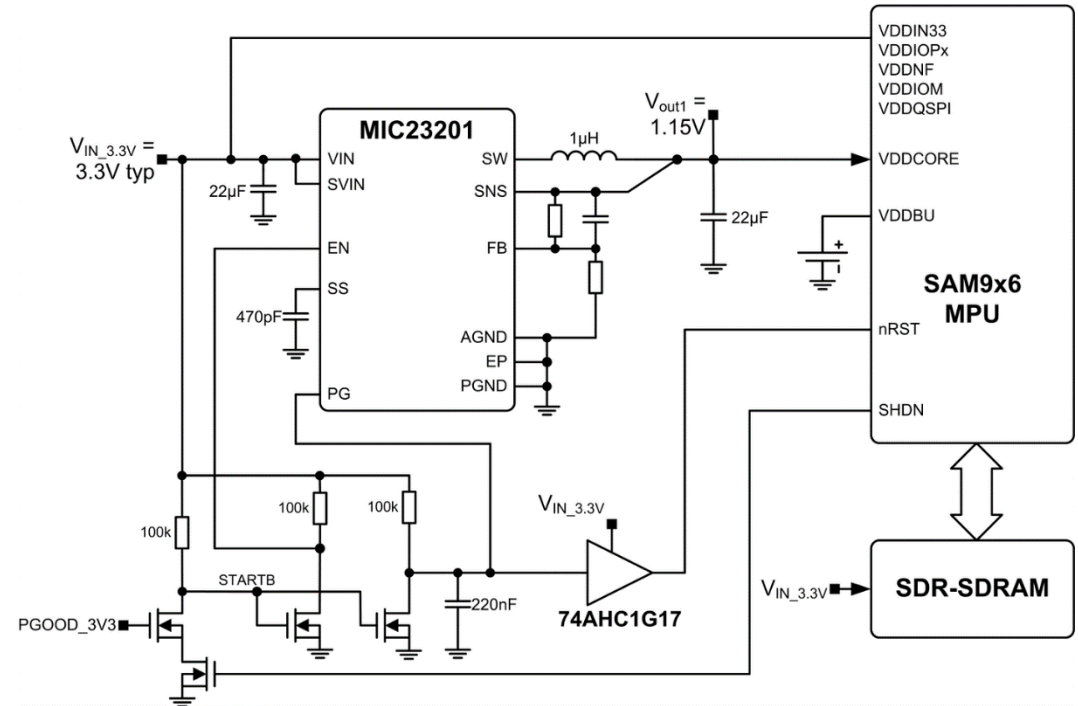
- Input Voltage Range 2.5V – 5.5V
- Output Voltage Range 0.8V – 5.5V
- Adjustable output voltage down to 0.8V
- 800mA current capability per channel
- High Efficiency: Over 96%
- Ultra-low quiescent current: Only 28 μ A
- Ultra-low shutdown current less than 1 μ A
- Fast transient performance
- 2.5MHz PWM operation
- No Schottky Diodes Required
- Built-in soft-start circuitry
- Current limit protection
- Automatic switching into light load mode operation
- /FPWM pin allows low noise all-PWM mode operation
- Power good output with internal 5 μ A current source allows sequencing with programmable delay time
- 12L-TDFN 3mm x 3mm



SAM9X60, SDRAM 3.3V, VIN 3.3V

MIC23201 - 2A Hyper Speed Control™ Synchronous Buck Regulator

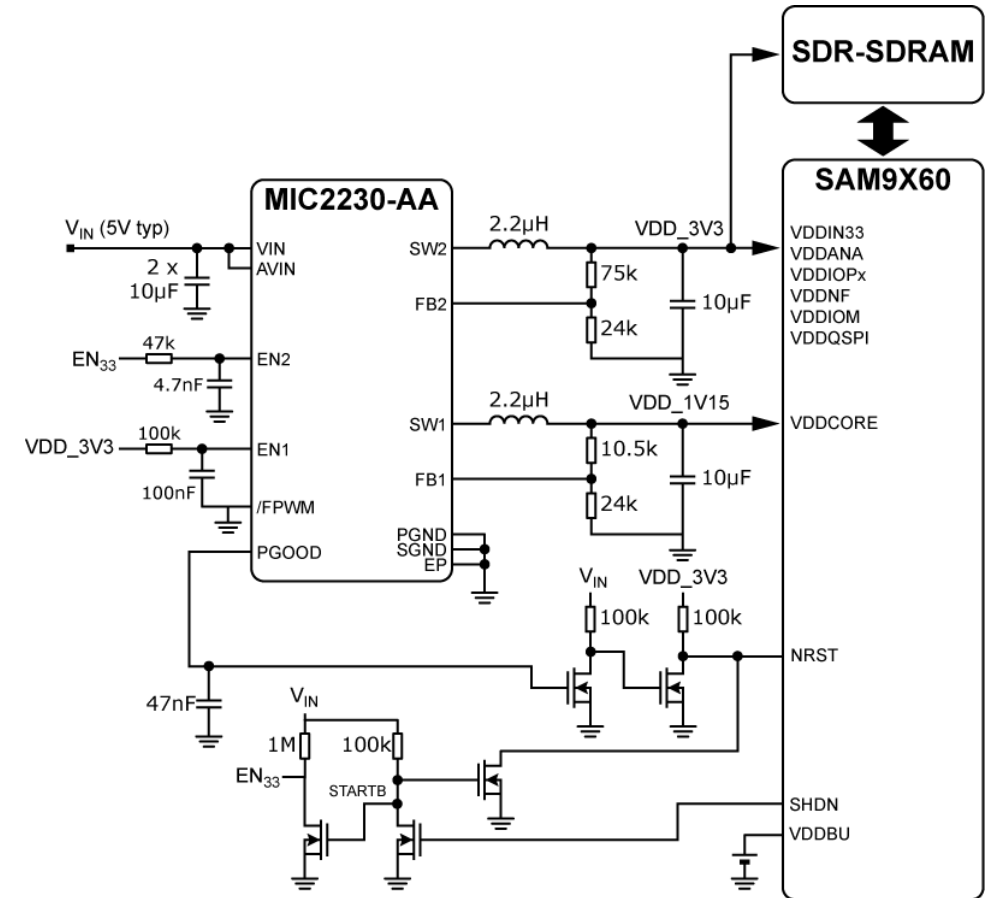
- 2.7V to 5.5V Input voltage range
- 2A output current
- Output Voltage as low as 0.9
- Up to 90% peak efficiency
- Low output voltage ripple:16mV at full load
- 2MHz switching frequency
- 0.01μA shutdown current
- Programmable Soft-Start
- Power Good Indicator
- Safe for pre-biased output
- Ultra fast transient response
- Fully integrated MOSFET switches
- Thermal shutdown and current limit protection
- 10p-MLF 3mm x 3mm



SAM9X60, SDRAM 3.3V, VIN 5V

MIC2230 - High Efficiency Dual 800/800mA Buck

- Input Voltage Range 2.5V – 5.5V
- Output Voltage Range 0.8V – 5.5V
- Adjustable output voltage down to 0.8V
- 800mA current capability per channel
- High Efficiency: Over 96%
- Ultra-low quiescent current: Only 28 μ A
- Ultra-low shutdown current less than 1 μ A
- Fast transient performance
- 2.5MHz PWM operation
- No Schottky Diodes Required
- Built-in soft-start circuitry
- Current limit protection
- Automatic switching into light load mode operation
- /FPWM pin allows low noise all-PWM mode operation
- Power good output with internal 5 μ A current source allows sequencing with programmable delay time
- 12L-TDFN 3mm x 3mm

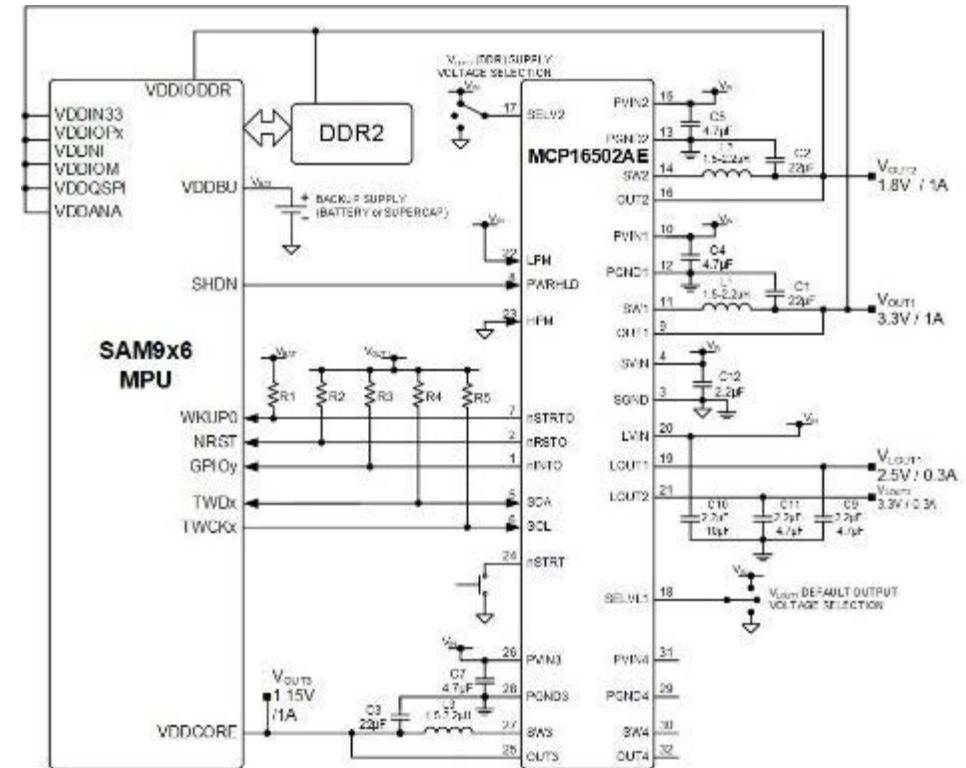


SAM9X60, DDR2 1.8V, VIN 5V

High Performance Solution

MCP16502 – High Performance PMIC for SAMA5DX/SAM9X6 MPUs

- Input Voltage Range : 2.7V to 5.5V
- 4x 1A DC-DC Buck regulators, 2x 300mA LDOs integrated
- < 300 μ A low-power mode typical quiescent current
- MPU-compatible default channel sequencing & nRSTO assertion delay
- Low-noise forced-PWM & light-load high-efficiency mode available
- I²C interface for programming and diagnostics
- Multimode operation and Dynamic Voltage Scaling
- Thermal-shutdown and current-limit protection
- User-programmable overcurrent response behavior
- 32-pin 5mm \times 5mm VQFN package
- -40°C to +125°C junction temperature range



Cost/Size Optimized
Solution
MCP16501

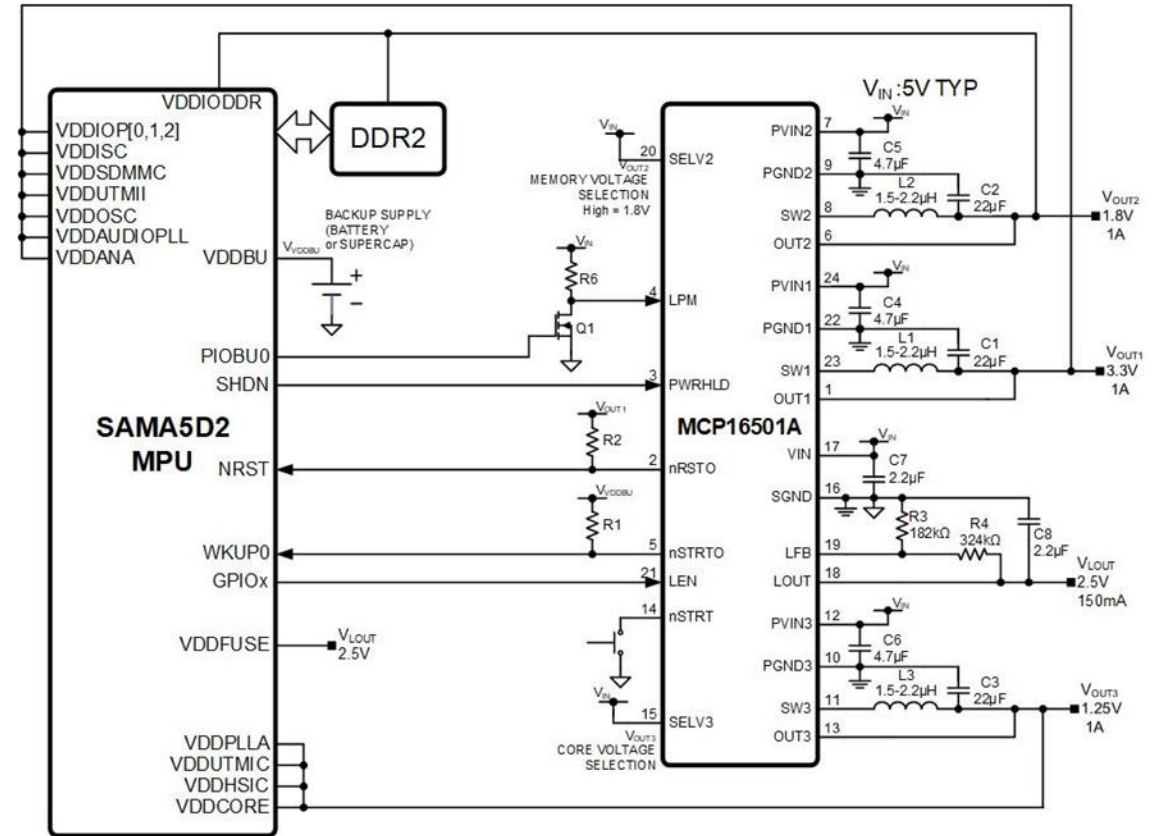
Alternate
Solution
MIC2800

SAM9X60, DDR2 1.8V, VIN 5V

Size/Cost Optimized Solution

MCP16501 – Cost/Size Optimized PMIC for eMPUs

- Input voltage: 2.7V to 5.5V
- 3x 1A Buck DC-DC channels, 1x 300mA LDO integrated
- 100% Maximum Duty Cycle capability
- 2 MHz PWM operation in continuous mode
- +/-1% voltage accuracy for DDR (Buck2), core (Buck3)
- Pin-Selectable / Pin-pin compatible variants for memory configurability
- MPU-compatible default channel sequencing, nRSTO assertion delay
- Support of HIBERNATE, Low-Power and High-Performance Modes
- Seamless support of DDR self-refresh mode
- Low-noise, forced-PWM and low I_Q light-load high-efficiency mode available
- Robust MPU interfacing with optimized ESD
- 250 μA low-power mode typical quiescent current
- 6 μA maximum shutdown current
- Separate LDO EN input, compatible to LV logic
- Thermal-shutdown and current-limit protection
- 24-pin 4mm x 4mm VQFN package
- -40°C to +125°C junction temperature range



High Performance
Solution
MCP16502

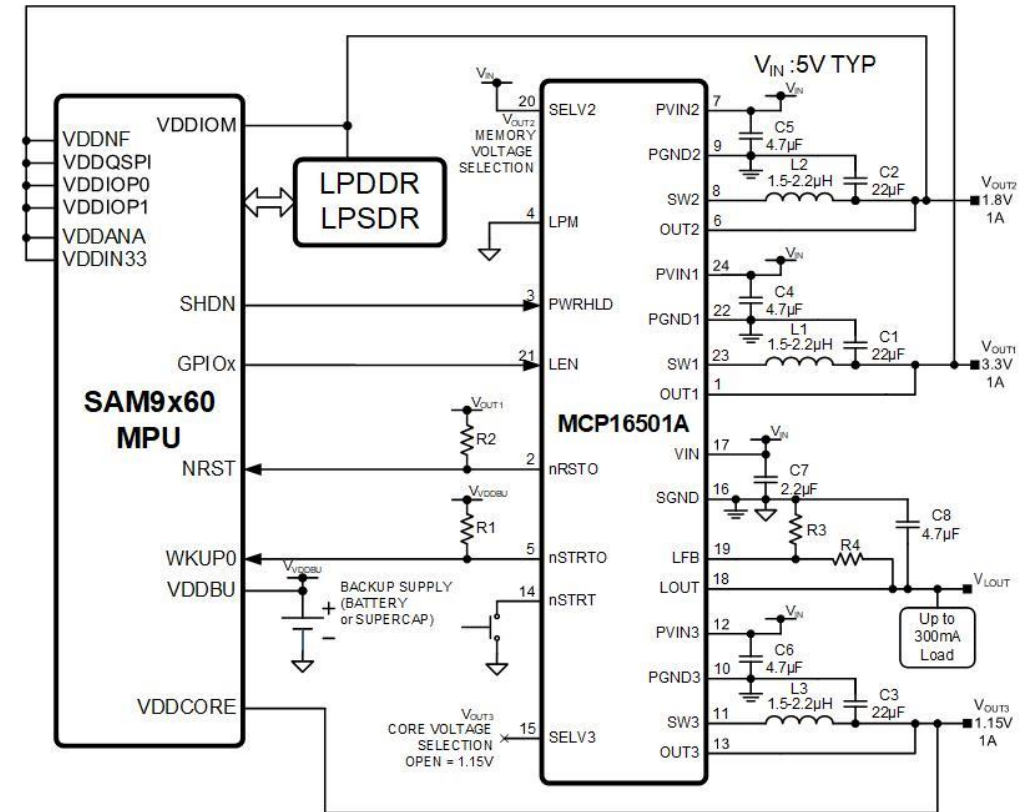
Alternate
Solution
MIC2800

SAM9X60, LPDDR 1.8V, VIN 5V

Size/Cost Optimized Solution

MCP16501 – Cost/Size Optimized PMIC for eMPUs

- Input voltage: 2.7V to 5.5V
- 3x 1A Buck DC-DC channels, 1x 300mA LDO integrated
- 100% Maximum Duty Cycle capability
- 2 MHz PWM operation in continuous mode
- +/-1% voltage accuracy for DDR (Buck2), core (Buck3)
- Pin-Selectable / Pin-pin compatible variants for memory configurability
- MPU-compatible default channel sequencing, nRSTO assertion delay
- Support of HIBERNATE, Low-Power and High-Performance Modes
- Seamless support of DDR self-refresh mode
- Low-noise, forced-PWM, low I_Q light-load high-efficiency mode available
- Robust MPU interfacing with optimized ESD
- 250 μ A low-power mode typical quiescent current
- 6 μ A maximum shutdown current
- Separate LDO EN input, compatible to LV logic
- Thermal-shutdown and current-limit protection
- 24-pin 4mm \times 4mm VQFN package
- -40°C to $+125^{\circ}\text{C}$ junction temperature range

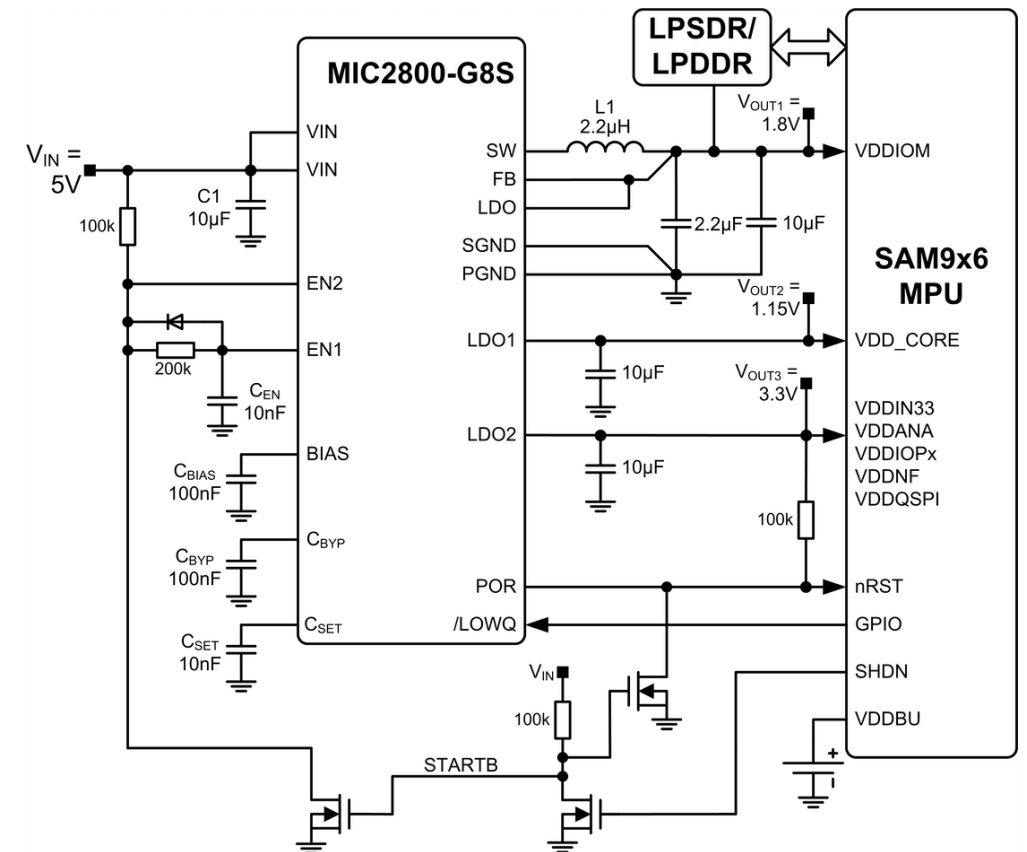


SAM9X60, LPDDR 1.8V, VIN 5V

Alternate Solution

MIC2800 - 600mA Buck + Dual 300mA LDO with LowQ® Mode

- 2.7V to 5.5V input voltage range
- Integrated power-on reset with adjustable delay
- 30µA Total IQ when in LowQ® mode
- Thermal Shutdown Protection
- Current Limit Protection
- **Buck regulator**
 - Output current to 600mA in PWM mode
 - 75µVRMS output noise in LowQ® mode
 - 2 MHz PWM operation in normal mode
 - >90% efficiency
- **LDOs**
 - 300mA output current
 - Output voltage down to 0.8V
- 16p-QFN 3mm x 3mm

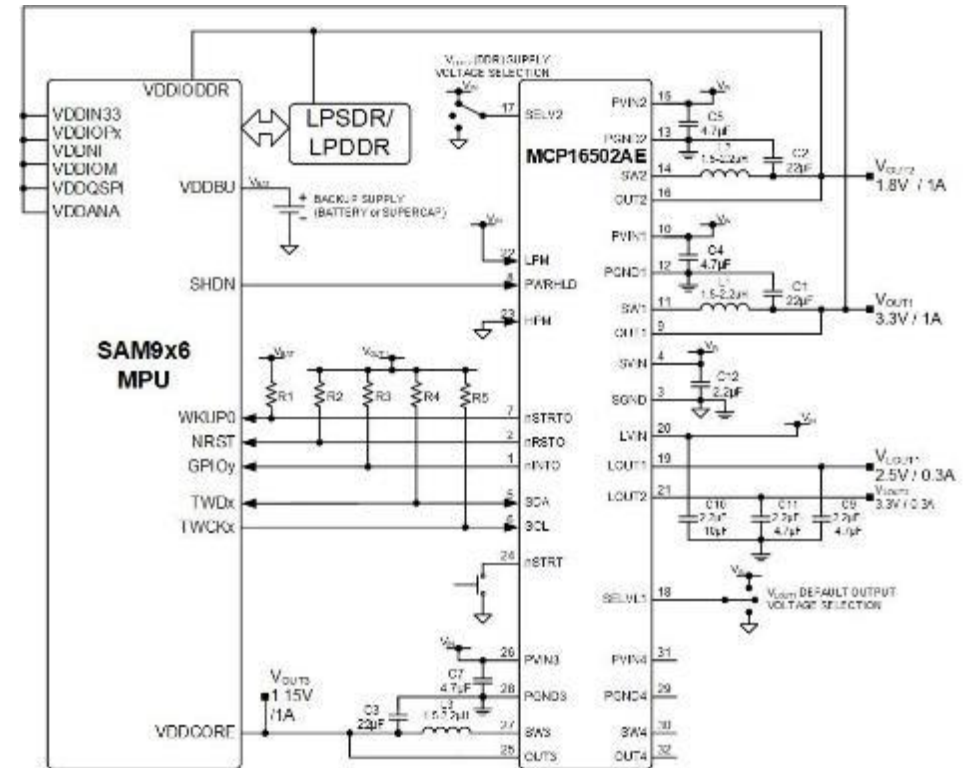


SAM9X60, LPDDR 1.8V, VIN 5V

High Performance Solution

MCP16502 – High Performance PMIC for SAMA5DX/SAM9X6 MPUs

- Input Voltage Range : 2.7V to 5.5V
- 4x 1A DC-DC Buck regulators, 2x 300mA LDOs integrated
- < 300 μ A low-power mode typical quiescent current
- MPU-compatible default channel sequencing & nRSTO assertion delay
- Low-noise forced-PWM & light-load high-efficiency mode available
- I²C interface for programming and diagnostics
- Multimode operation and Dynamic Voltage Scaling
- Thermal-shutdown and current-limit protection
- User-programmable overcurrent response behavior
- 32-pin 5mm \times 5mm VQFN package
- -40° C to $+125^{\circ}$ C junction temperature range

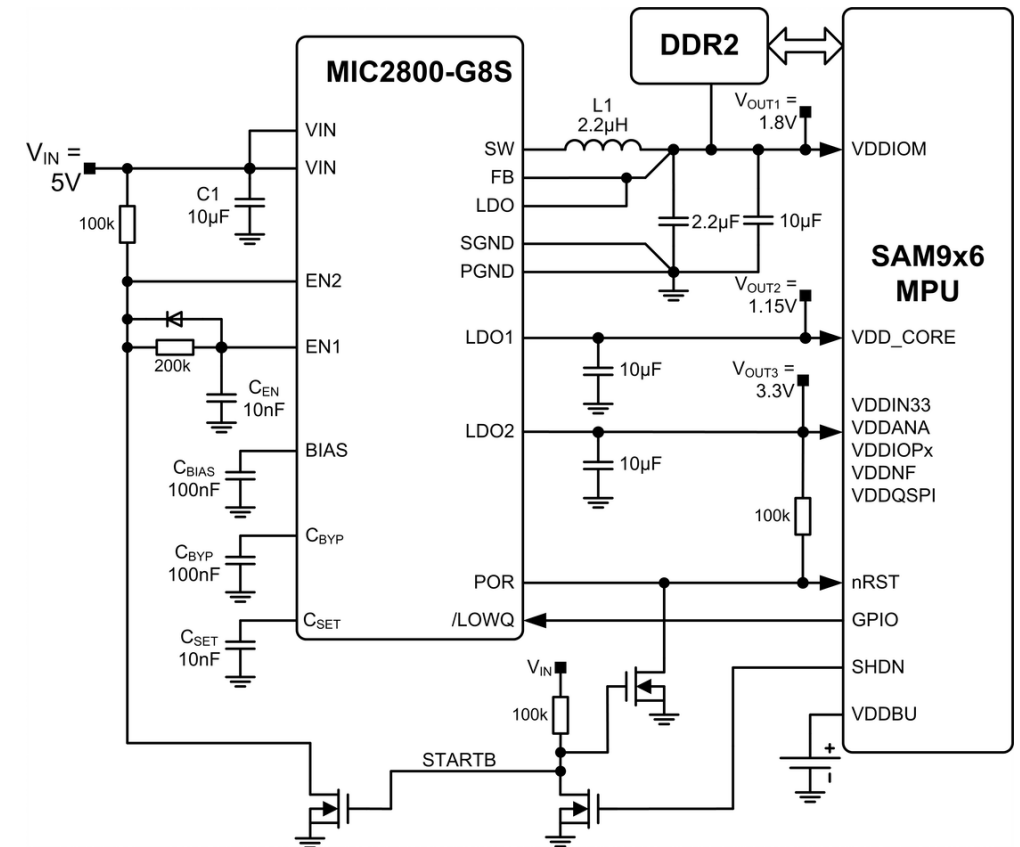


SAM9X60, DDR2 1.8V, VIN 5V

Alternate Solution

MIC2800 - 600mA Buck + Dual 300mA LDO with LowQ[®] Mode

- 2.7V to 5.5V input voltage range
- Integrated power-on reset with adjustable delay
- 30 μ A Total IQ when in LowQ[®] mode
- Thermal Shutdown Protection
- Current Limit Protection
- **Buck regulator**
 - Output current to 600mA in PWM mode
 - 75 μ V_{RMS} output noise in LowQ[®] mode
 - 2 MHz PWM operation in normal mode
 - >90% efficiency
- **LDOs**
 - 300mA output current
 - Output voltage down to 0.8V
- 16p-QFN 3mm x 3mm



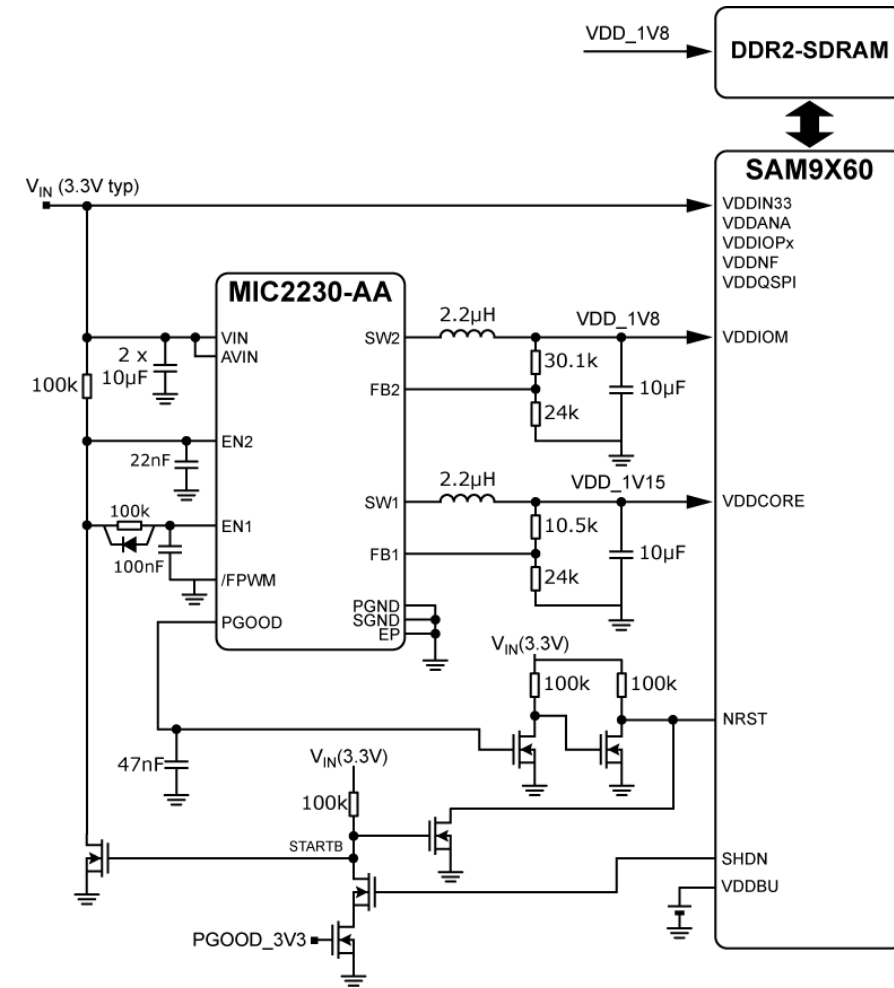
High Performance
Solution
MCP16502

Cost/Size Optimized
Solution
MCP16501

SAM9X60, SDRAM 1.8V, VIN 3.3V

MIC2230 - High Efficiency Dual 800/800mA Buck

- Input Voltage Range 2.5V – 5.5V
- Output Voltage Range 0.8V – 5.5V
- Adjustable output voltage down to 0.8V
- 800mA current capability per channel
- High Efficiency: Over 96%
- Ultra-low quiescent current: Only 28 μ A
- Ultra-low shutdown current less than 1 μ A
- Fast transient performance
- 2.5MHz PWM operation
- No Schottky Diodes Required
- Built-in soft-start circuitry
- Current limit protection
- Automatic switching into light load mode operation
- /FPWM pin allows low noise all-PWM mode operation
- Power good output with internal 5 μ A current source allows sequencing with programmable delay time
- 12L-TDFN 3mm x 3mm



PD70224

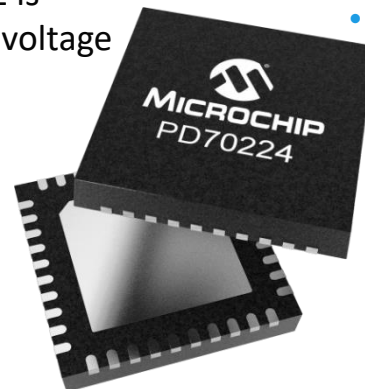
IEEE 802.3at / bt / PoH IdealBridge™ dual MOSFET-bridge rectifier

- **Summary**

PD70224 is a dual pack of MOSFET-based full-bridge rectifiers. It contains low-R_{ds} 0.16Ω N-channel MOSFETs for much higher overall efficiency and higher output power, particularly when used in Powered Devices (PDs) for PoE applications. The entire drive circuitry for driving the MOSFETs is on-chip, including a charge pump for driving the high-side N-channel MOSFETs. The total forward drop (bridge offset) introduced by the IdealBridge™ rectifier is only 192 mV at 0.6A, compared to a standard bridge rectifier that typically presents 2000 mV of forward drop. PD70224 IdealBridge™ can support over 1A current, making it the ideal choice not only for modern energy-saving 2-pair applications compliant with IEEE 802.3af and IEEE 802.3at (Type 1 and Type 2), but also 4-pair PDs such IEEE 802.3bt and PoH. In addition, PD70224 can help identify at the physical layer itself whether a 2-pair PSE or a 4-pair PSE is providing power over the cable. It does this by sensing the voltage on the line (un-rectified) side of the pairs.

- **Features**

- Active circuit with low forward-drop to replace dissipative passive diode bridges
- Self-contained drive circuitry for MOSFETs
- Designed to support IEEE 802.3af / at / bt and PoH
- Integrated 0.16 Ohm N-channel MOSFETs for 0.3 Ohm total path resistance
- 'Power-present' indicator signals for identifying 4-pair bridge power
- Low leakage, < 10 μA during detection
- Wide operating voltage range up to 57V
- -40°C to +85°C ambient
- 40 pins, 6mm x 8mm QFN
- MSL3, RoHS compliant



PD70211

IEEE 802.3at / PoH PD front-end and PWM controller IC w/internal 0.3 Ohm FET

- **Summary**

PD70211 is an advanced Powered Device (PD) Interface IC with integrated switching (PWM) regulator control for PDs in PoE applications. It supports IEEE 802.3af, IEEE 802at, HDBaseT and general 2/4-pair configurations. The PD70211 front-end includes an advanced classification block that supports 2, 3, 4, and 6 event classification. Using the SUPP_Sx pins, it also identifies which of the four pairs of the cable receives power and generates appropriate flags. The IC features an internal bleeder for discharging the input capacitor of the DC/DC converter rapidly, to ensure fast re-detection and port power-up in case of sudden removal and re-insertion of the Ethernet cable into the RJ-45. The advanced PWM current mode section supports synchronous flyback and active clamp forward topologies, as well as buck, boost etc.

- **Features**

- Supports IEEE 802.3af/at, HDBaseT both 2-pair / 4-pair configurations
- Wall-adapter support (Rear Aux method)
- PD detection & programmable classification
- 2,3,4, and 6 event classification
- Integrated 0.3 Ohm isolating (series-pass) FET
- Inrush current limiting
- Less than 10μA offset current during detection
- Advanced PWM section
- 36 pin, 6mm × 6 mm MLPQ
- MSL3, RoHS compliant



PD70210A

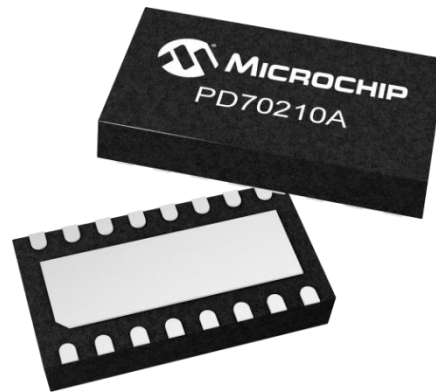
IEEE 802.3at / PoH PD front-end IC w/internal 0.3 Ohm FET

- **Summary**

The PD70210A device is an advanced PD interface controller (front-end IC) for powered devices in PoE applications. It supports IEEE 802.3af, IEEE 802at, HDBaseT, and general 2- pair or 4-pair configurations. The PD70210 device includes an advanced classification block that supports 2, 3, 4, and 6 event classification. Using the SUPP_Sx pins, they also identify which of the four pairs of the cable receive power and generates appropriate flags. The IC features an internal bleeder for rapidly discharging the input capacitor of the DC–DC converter, to ensure fast re-detection and port power-up in case of sudden removal and re-insertion of the Ethernet cable into RJ-45.

- **Features**

- Supports IEEE 802.3af/at, HDBaseT, both 2-pair or 4-pair configurations
- PD detection and programmable classification
- 2, 3, 4, and 6 event classification
- Integrated 0.3 Ohm isolating (series-pass) FET
- In-rush current limiting
- Wall adapter support
- Less than 5 μ A offset current during detection
- 16-pin, 5mm \times 4mm MLPD
- MSL3, RoHS compliant



PD70210

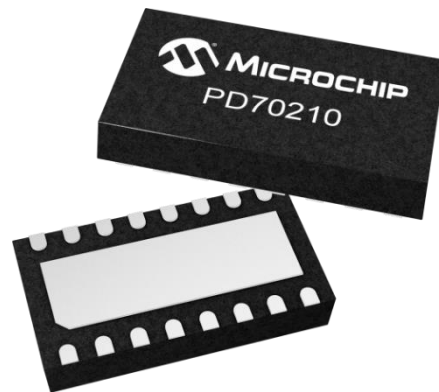
IEEE 802.3at / PoH PD front-end IC w/internal 0.3 Ohm FET

- **Summary**

The PD70210 device is an advanced Powered Device (PD) interface controller (front-end IC) for powered devices in PoE applications. It supports IEEE 802.3af, IEEE 802at, HDBaseT, and general 2- pair or 4- pair configurations. The PD70210 device includes an advanced classification block that supports 2, 3, 4, and 6 event classification. Using the SUPP_Sx pins, they also identify which of the four pairs of the cable actually receive power and generates appropriate flags. The IC features an internal bleeder for rapidly discharging the input capacitor of the DC–DC converter, so as to ensure fast re-detection and port power-up in case of sudden removal and re-insertion of the Ethernet cable into RJ-45.

- **Features**

- Supports IEEE 802.3af/at, HDBaseT, with 2-pair or 4-pair configurations
- PD detection and programmable classification
- 2, 3, 4, and 6 event classification
- Integrated 0.3Ω isolating (series-pass) FET
- In-rush current limiting
- Less than 5 μA offset current during detection
- Lead-free DFN-16/QFN-38 package
- 16-pin, 5 × 4mm MLPD
- MSL3, RoHS compliant



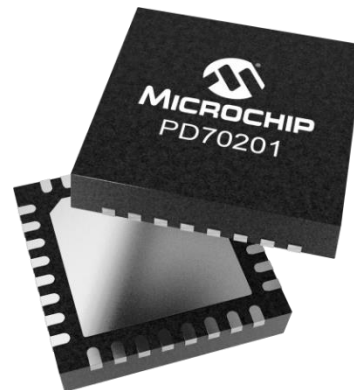
PD70201

IEEE 802.3at PD front-end and PWM controller IC w/internal 0.6 Ohm FET

- **Summary**

The PD70201 is an integrated Powered Device (PD) Interface and PWM controllers for a DC-DC converter used in IEEE 802.3at Type 2 applications. The PD70201 can be used for IEEE 802.3af, IEEE 802.3at applications. A single PD70201 can be used in 4-pair applications which consumes up to 47.7W. The device has several features designed to improve efficiency and reliability:

- Detection and classification
- Capacitor
- Gate drivers
- Peak current mode control
- Maximum duty cycle
- Soft-start circuit
- Low voltage protection warning and monitoring



- **Features**

- IEEE 802.3at Type 2 compliant
- Support for 4-pair applications of up to 48W with a single IC
- Two-events classification flag
- Less Than 10 μ A (typical) offset current during detection
- Signature resistor is disconnected upon detection
- Programmable classification setting with a single resistor
- Integrated 0.6 Ohm isolating MOSFET switch with inrush current limit
- Power off DC-DC input capacitor discharge
- 100 kHz to 500 kHz adjustable DC-DC switching frequency
- DC-DC frequency can be synchronized to external clock
- Supports low power mode operation for higher efficiency
- Up to 50% duty cycle
- Soft-start circuit to control the output voltage rise time
- Two out-of-phase driver stages for efficient synchronous rectification or active clamp
- PoE port input UVLO with programmable threshold and hysteresis
- Internal differential amplifier simplifying non-isolated step down converter



PD70200

IEEE 802.3at PD front-end IC w/internal 0.6 Ohm FET

- **Summary**

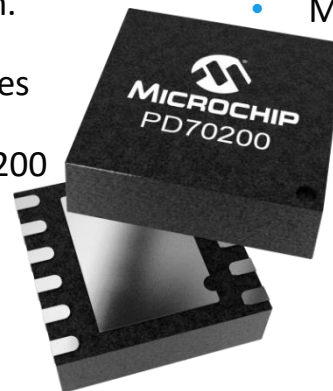
The PD70200 device is a part of Microchip's series of Power over Ethernet (PoE) Powered Devices (PDs). The device transmits integrated power and analog data in a single 12-pin package. It is used in PDs, thus enabling next generation network devices to share power and data over the same cable. Microchip's new PD family offers a solution to any PD application compliant with IEEE 802.3af and IEEE 802.3at standards and 4-pairs extra power applications. The IC family's components can be used in both indoor and outdoor applications. The device family meets all PD-side-standards such as:

- Detection classification
- Integrated isolation switch with inrush current limiter, and over-current protection
- Two-events classification recognition and AT flag generation

In addition, the devices have a discharge mechanism for a DC / DC input capacitor, ensuring quick redetection capability in case the RJ-45 plug is disconnected and reconnected within a short time span. The PD70200 IC design specifically supports IEEE 802.3at Type 2 standard, including two events classification detection that enables the PD to distinguish whether the connected power source equipment (PSE) is IEEE 802.3at or IEEE 802.3af based. The PD70200 IC is designed to support 4 pair applications for PDs that require higher power.

- **Features**

- Designed to support IEEE 802.3at Type 2 standard
- PD detection & programmable classification signature
- Two-events classification flag
- Signature resistor disconnection after detection
- Integrated 0.6Ω isolating switch and inrush current limiter
- 4-pairs support with a single PD70200 IC for up to 48W
- 4-pairs support with two PD70200 ICs for up to 96W
- Less than 10 μA offset current during detection
- Single DC voltage input (37V – 57V)
- Wide operating temperature range: -40°C to 85°C
- On-chip thermal protection
- 12-pin 3mm × 4mm package
- MSL3, RoHS compliant



PD70101

IEEE 802.3af Type 1, PD front-end and PWM controller IC w/internal 0.6 Ohm FET

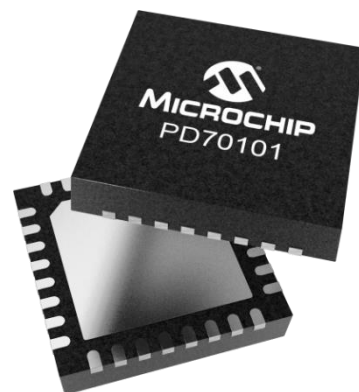
- **Summary**

The PD70101 is an integrated Powered Device (PD) Interface and PWM controllers for a DC-DC converter used in IEEE 802.3af applications. The PD70101 can be used for IEEE 802.3af Type 1 applications. The device has several features designed to improve efficiency and reliability:

- Capacitor
- Gate drivers
- Peak current mode control
- Maximum duty cycle
- Soft-start circuit
- Low voltage protection warning and monitoring

- **Features**

- IEEE 802.3af Type 1 compliant
- Less than 10 μ A (typical) offset current during detection
- Signature resistor is disconnected upon detection
- Programmable classification setting with a single resistor
- Integrated 0.6 Ohm isolating MOSFET switch with inrush current limit
- Power off DC-DC input capacitor discharge
- 100 kHz to 500 kHz adjustable DC-DC switching frequency
- DC-DC frequency can be synchronized to external clock
- Supports low power mode operation for higher efficiency
- Up to 50% duty cycle
- Soft-start circuit to control the output voltage rise time
- Two out-of-phase driver stages for efficient synchronous rectification or active clamp
- PoE Port Input UVLO with programmable threshold and hysteresis
- Internal differential amplifier simplifying non-isolated step down converter
- Over load and short circuit protection
- 32-pin, 5mm \times 5mm QFN
- MSL3, RoHS compliant



PD70100

IEEE 802.3af, PD Front-end IC w/internal 0.6 Ohm FET

- **Summary**

The PD70100 device is a part of Microchip's series of Power over Ethernet (PoE) Powered Devices (PDs). The device transmits integrated power and analog data in a single 12-pin package. It is used in PDs, thus enabling next generation network devices to share power and data over the same cable. Microchip's PD70100 is optimized for PD applications compliant with IEEE 802.3af Type 1 standards. The IC family's components can be used in both indoor and outdoor applications.

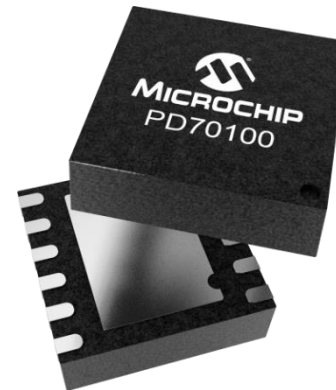
The device family meets all PD-side-standards such as:

- Detection
- Classification
- Integrated isolation switch with inrush current limiter, and over-current protection

In addition, the devices have a discharge mechanism for a DC / DC input capacitor, ensuring quick re-detection capability in case the RJ-45 plug is disconnected and reconnected within a short time span.

- **Features**

- Designed to support IEEE 802.3af Type 1 applications
- PD detection & programmable classification signature
- Signature resistor disconnection after detection
- Integrated 0.6Ω isolating switch and inrush current limiter
- Less than 10 μA offset current during detection
- Single DC Voltage Input (37V – 57V)
- Wide operating temperature range: -40°C to 85°C
- On-chip thermal protection
- 12-pin, 3 × 4mm DFN
- MSL3, RoHS compliant

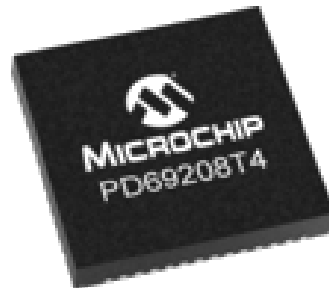


PD69208T4

IEEE 802.3at / bt Type 4 / PoH, 8 ports, fully integrated PSE manager, industrial temp

- **Summary**

The PoE manager IC integrates power, analog, and state-of-the-art logic into a single 56-pin, plastic QFN package. The device is used in Ethernet switches and midspans to allow network devices to share power and data over the same cable. The PD69208T4 device is an 8-port, mixed-signal, and high-voltage PoE driver. Together with the PD692x0 external MCU, it performs as a PSE system. The PoE controller, PD692x0, is a cost-effective, pre-programmed MCU designed to implement enhanced mode PoE. PD69208T4 supports supply voltages between 32V and 57V without additional power supply sources. A system that powers over four pairs can be implemented by combining two ports of PD69208M, enabling a high-power delivery to compatible PD devices. An on-going monitoring of system parameters for the host software is available via communication. Internal thermal protection is implemented in the chip. PD69208T4 is a low-power dissipation device that uses internal MOSFETs and internal 0.1Ω sense resistors. PD69208T4 is available in a 56 pin, 8 mm x 8 mm QFN package.



- **Features**

- 8 independent PoE channels
- Complies with IEEE 802.3af, IEEE 802.3at and IEEE 802.3bt
- Supports three and six event classification based on PoH
- Drives 2-pair power ports or 4-pair ports (combining 2 PoE channels)
- Single DC voltage input (32V to 57V) , built in 3.3V and 5V regulators, input voltage out of range protection
- Wide ambient temperature range: -40°C to +85°C, on-chip over-temperature thermal protection and monitoring
- Low power dissipation (0.1Ω sense resistor and 0.2Ω MOSFET R_{ds(on)} per channel)
- Includes reset command pin
- Continuous port monitoring and system data
- Configurable load current setting
- Power soft start mechanism
- Voltage monitoring / protection
- Can be cascaded to up to 12 PoE devices (96 ports)
- Detailed port status
- Programmable threshold temperature alarm limit
- PD69208T4: 56-pin, 8 x 8mm QFN
- MSL3, RoHS compliant



PD69204T4

IEEE 802.3bt Type 4 / PoH, 4 ports, fully integrated PSE manager, industrial temp

- **Summary**

The PoE manager IC integrates power, analog, and state-of-the-art logic into a single 56-pin, plastic QFN package. The device is used in Ethernet switches and midspans to allow network devices to share power and data over the same cable. The PD69204T4 device is a 4-port, mixed-signal, and high-voltage PoE driver. Together with the PD692x0 external MCU, it performs as a PSE system. The PoE controller, PD692x0, is a cost-effective, pre-programmed MCU designed to implement enhanced mode PoE.

PD69204T4 supports supply voltages between 32V and 57V without additional power supply sources. A system that powers over four pairs can be implemented by combining two ports of PD69208M, enabling a high-power delivery to compatible PD devices. An on-going monitoring of system parameters for the host software is available via communication. Internal thermal protection is implemented in the chip.

PD69204T4 is a low-power dissipation device that uses internal MOSFETs and internal 0.1Ω sense resistors. PD69204T4 is available in a 56 pin, 8 mm x 8 mm QFN package



- **Features**

- 4 independent PoE channels
- Complies with IEEE 802.3af, IEEE 802.3at and IEEE 802.3bt
- Supports three and six event classification based on PoH
- Drives 2-pair power ports or 4-pair ports (combining 2 PoE channels)
- Supports pre-standard PD detection
- Single DC voltage input (32V to 57V), built in 3.3V and 5V regulators, input voltage out of range protection
- Wide ambient temperature range: -40°C to +85°C, on-chip over-temperature thermal protection and monitoring
- Low power dissipation (0.1 Ohm sense resistor and 0.2 Ohm MOSFET R_{dson} per channel)
- 4 x direct address configuration pins
- Continuous port monitoring and system data
- Configurable load current setting
- Power soft start mechanism
- Voltage monitoring / protection
- Internal power on reset
- Can be cascaded to up to 12 PoE devices (96 ports)
- Programmable threshold temperature alarm limit
- PD69208T4: 56-pin, 8 x 8mm QFN
- MSL3, RoHS compliant



PD69208M

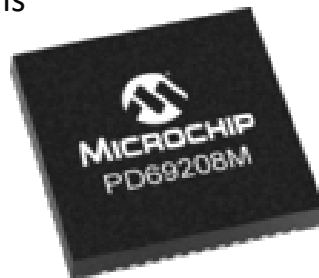
IEEE 802.3at / bt Type 3, 8 ports, fully integrated PSE manager, industrial temp

- **Summary**

The PoE manager IC integrates power, analog, and state-of-the-art logic into a single 56-pin, plastic QFN package. The device is used in Ethernet switches and midspans to allow network devices to share power and data over the same cable. The PD69208M device is an 8-port, mixed-signal, and high-voltage PoE driver. Together with the PD692x0 external MCU, it performs as a PSE system. The PoE controller, PD692x0, is a cost-effective, pre-programmed MCU designed to implement enhanced mode PoE.

PD69208M supports supply voltages between 32V and 57V without additional power supply sources. A system that powers over four pairs can be implemented by combining two ports of PD69208M, enabling a high-power delivery to compatible PD devices. An on-going monitoring of system parameters for the host software is available via communication. Internal thermal protection is implemented in the chip.

PD69208M is a low-power dissipation device that uses internal MOSFETs and internal 100 mΩ sense resistors. PD69208M is available in a 56 pin, 8 mm x 8 mm QFN package



- **Features**

- 8 independent PoE channels
- Complies with IEEE 802.3af, IEEE 802.3at and IEEE 802.3bt
- Drives 2-pair power ports or 4-pair ports (combining 2 PoE channels)
- Single DC voltage input (32V to 57V) w/ built in 3.3V and 5V regulators
- Input voltage out of range protection, voltage monitoring / protection
- Wide ambient temperature range: -40°C to +85°C
- On-chip over-temperature thermal protection and monitoring
- Low power dissipation (0.10 sense resistor and 0.20 MOSFET R_{ds(on)} per channel)
- Power soft start mechanism, Internal power on reset
- Can be cascaded up to 12 PoE devices (96 physical ports)
- Detailed port status
- Programmable threshold temperature alarm limit
- Interrupt out pin for system and port events
- Forced port power ON function
- Port power limit setting, port matrix and priority
- PD69208M: 56-pin, 8 mm x 8 mm QFN package
- MSL3, RoHS compliant



PD39210

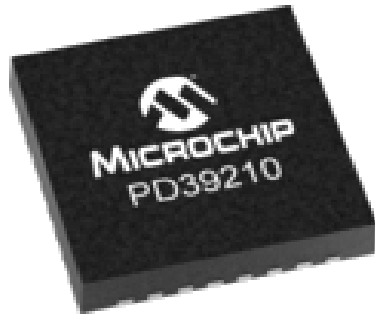
IEEE 802.3af/at PoE Controller

- **Summary**

PD39210 is a Microchip-based cost-effective, pre-programmed MCU designed to implement complete PoE control in conjunction with the PD39208 PSE Manager. The PD39210 features a SPI bus to connect up to six PD39208 PSE Managers.

It has an embedded ARM Cortex™-M0+ core. The controller uses I2C or UART interface to the host CPU and is designed to support software field upgradable through the communication interface.

PD39210 is available in 32 pin, 5 mm x 5 mm QFN package.



- **Features**

- Part of PD39210 + PD39208 chip set
- Supports IEEE 802.3af and IEEE 802.3at standards
- Number of ports: 48 logical ports (2-pair)
- Temperature range: -40°C to 85°C
- Temperature grade: industrial



PD69210

IEEE 802.3bt / UPoE / PoH PoE controller

- **Summary**

PD69210 is a Microchip-based cost-effective, pre-programmed MCU designed to implement Enhanced mode PoE control in conjunction with the PD69208M, PD69208T4 and PD69204T4 PSE Managers.

The PD69210 features an ESPI bus connection up to 12 PSE Managers.

PD69210 features an ESPI bus interface up to 12 PoE managers.

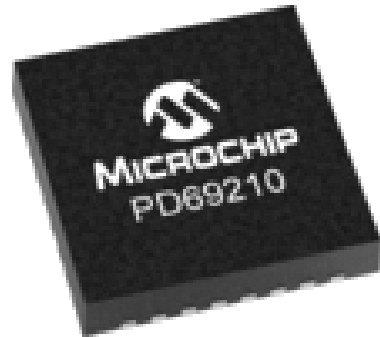
PD69210 has an embedded ARM Cortex™-M0+ core. It also uses I2C or UART interface to the host CPU and is designed to support software field upgradable through the communication interface.

The PD69210 utilizes I2C or UART interface to the host CPU.

PD69210 is available in 32 pin, 5 mm x 5 mm QFN package.

- **Features**

- Supports IEEE 802.3af, IEEE 802.3at, IEEE 802.3bt, UPoE and PoH standards
- Number of ports: 48 x 4-pair ports or 96 x 2-pair ports
- Temperature range: -40°C to 85°C
- Temperature grade: industrial



PD69220

IEEE 802.3bt / UPoE / PoH PoE controller

- **Summary**

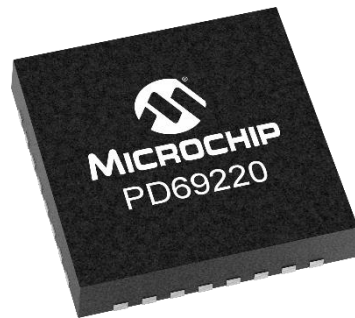
PD69220 is a Microchip-based cost-effective, pre-programmed MCU designed to implement Enhanced mode PoE control in conjunction with the PD69208M, PD69208T4 and PD69204T4 PSE Managers.

The PD69220 is pin compatible with the PD69200 and features an ESPI bus connection up to 12 PSE Managers. The PD69220 has an embedded ARM Cortex™-M0+ core. It also uses I2C or UART interface to the host CPU and is designed to support software field upgradable through the communication interface.

The PD69220 is available in 32 pin, 5 mm x 5 mm QFN package.

- **Features**

- Supports IEEE 802.3af, IEEE 802.3at, IEEE 802.3bt, UPoE and PoH standards
- Pin compatible with PD69200
- Number of ports: 48 x 4-pair ports or 96 x 2-pair ports
- Temperature range: -40°C to 85°C
- Temperature grade: industrial



PD69104B1

IEEE 802.3at / UPoE, 4 ports PSE controller + manager

- **Summary**

A four-port, mixed-signal, high-voltage PoE Manager. It enables network devices to share power and data over a single cable.

PD69104B1 PoE-Manager chip is employed by both Ethernet switches and midspans.

The device integrates power, analog circuitry, and state-of-the-art control logic into a single 48-pin plastic quad flat no-leads (QFN) package.

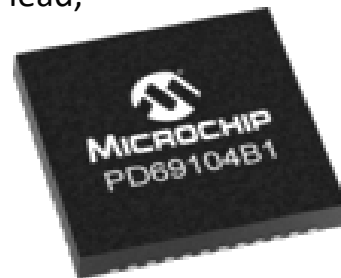
PD69104B1 supports detection of legacy / pre-standard PD devices. It also provides PD real-time protection through the following mechanisms: overload, under-load, over-voltage, over-temperature, and short-circuit.

PD69104B1/F supports supply voltages between 44V and 57V, with no need for additional power supply sources, and has built-in thermal protection.

PD69104B1 is a low-power device that uses internal MOSFETs and external 0.36Ω sense resistors. PD69104B1 is available in a 48 lead, 8 mm × 8 mm QFN package.

- **Features**

- Supports IEEE 802.3af and IEEE 802.3at, including two-event classifications
- Microchip extended auto and semi auto
- Supports pre-standard PD detection
- Supports Cisco device detection
- Single DC voltage input (44V to 57V)
- Wide temperature range: -10°C to 85°C
- Low-power dissipation (0.36Ω sense resistor)
- Drives independent 4/2-pairs power port
- Includes two selectable communication modes (I²C and UART)
- Parameter setting using input pins or external serial EEPROM device
- Built-in dynamic power management and emergency power management mechanisms with 3 x power supply power-good pins



PD39208

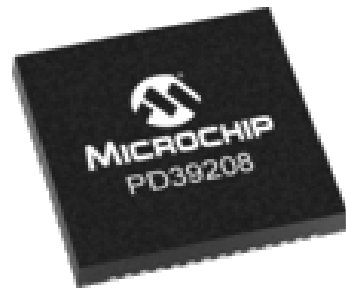
IEEE 802.3af/at 8 port PoE PSE Manager

- **Summary**

The PD39208 device is an 8-port, mixed-signal, and high-voltage PoE driver. Together with the PD39210 external MCU, it performs as a PSE system designed specifically to support the IEEE 802.3at standard.

The PD39208 supports supply voltages between 32V and 57V without additional power supply sources. An on-going monitoring of system parameters for the host software is available via system communication. Internal thermal protection is implemented in the chip. PD39208 is a low-power dissipation device that uses internal MOSFETs and internal 100 mΩ sense resistors.

PD39208 is available in a 56 pin, 8 mm x 8 mm QFN package.



- **Features**

- Part of PD39210 + PD39208 chip set
- 8 independent PoE channels
- Complies with IEEE 802.3af and IEEE 802.3at
- Drives 2-pair power ports
- Single DC voltage input (32V to 57V) w/ built in 3.3V and 5V regulators
- Input voltage out of range protection, voltage monitoring / protection
- Wide ambient temperature range: -40°C to +85°C
- On-chip over-temperature thermal protection and monitoring
- Low power dissipation (0.1ohm sense resistor and 0.2ohm MOSFET R_{dson} per channel)
- Power soft start mechanism, Internal power on reset
- Can cascade up to six (6) PoE devices (48 physical 2-pair ports)
- Detailed port status
- Programmable threshold temperature alarm limit
- Interrupt out pin for system and port events
- Forced port power ON function
- Port power limit setting, port matrix and priority
- 56-pin, 8 mm x 8 mm QFN package



PD69201

IEEE 802.3af/at single port PoE PSE controller + manager

- **Summary**

Microchip's PD69201 device is an IEEE® 802.3af and IEEE 802.3at compliant single-port Power over Ethernet (PoE) Manager for use in Ethernet switches to allow network devices to share power and data over the same cable. With minimal external components, the PD69201 supports both IEEE 802.3af/at and Legacy Power Devices (PDs). Integrating power, analog, and state-of-the-art logic, the PD69201 is available in a 10-pin, 3 mm × 4 mm DFN package.

- **Features**

- Supports IEEE 802.3af and IEEE 802.3at standards
- Includes two-event classification
- I²C host interface
- Low thermal dissipation (internal 100 mΩ sense resistor)
- Continuous port and system data monitoring
- Voltage monitoring and protection
- Power soft-start mechanism
- On-chip thermal protection
- Temperature grade: industrial, -40°C to 85°C
- MSL1, RoHS compliant



PD69101

IEEE 802.3at single port PoE PSE controller + manager, industrial temp

- **Summary**

A single port, mixed-signal, high-voltage PoE driver. The device is utilized in Ethernet switches and enables network devices to share power and data over the same cable. It enables detection of IEEE 802.3af-2003 compliant PDs (Powered Devices) and IEEE 802.3at high power devices ensuring safe power feeding and disconnection of ports with full digital control and a minimum of external components.

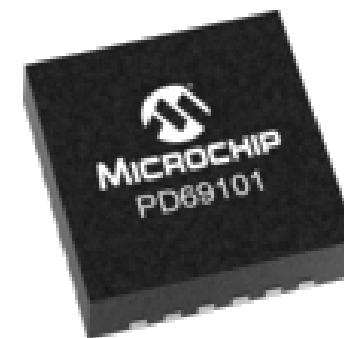
Integrating power, analog and state of the art logic, the PD69101 device fits into a single 24-pin, plastic QFN package. A “plug and play” device, the PD69101 executes all real-time functions as specified in the IEEE 802.3af-2003 (“AF”) and IEEE 802.3at High Power (“AT”) standards, including load detection, “AF” and “AT” classification, and using Multiple Classification Attempts (MCA).

The PD69101 is designed to detect and disable disconnected ports, utilizing DC disconnection methods, as specified in the IEEE 802.3af-2003 and IEEE 802.3at-2009 standards. It can optionally detect legacy/pre-standard PD devices. The PD69101 also provides PD protection such as over-load, under-load, over-voltage, over-temperature and short-circuiting. It supports supply voltages ranging from 44V to 57 VDC with no need for additional power supply sources.

The PD69101 is a low power device using an internal 0.34Ω MOSFET and an external 0.5Ω sense resistor. The chip includes built-in internal thermal protection. Two LEDs provide port state's indication and port type (AF/AT).

- **Features**

- 1-port PoE PSE manager with internal 0.34Ω FET
- DC disconnect
- IEEE 802.3af and legacy detection
- IEEE 802.3at-compliant
- Direct LED driving
- SPI host interface
- 24-pin, 4mm x 5mm QFN
- MSL3, RoHS compliant



PD-POE-EXTENDER

PoE extender to extend the Ethernet network range beyond 100m

- **Summary**

With the PoE-extender, you can easily improve the range and placement of your wireless and surveillance networks and therefore the strength of your networks. PD-POE-Extender is a cost-effective way to extend the Ethernet network range beyond 100m, the PoE-extender will deliver both data and power to network devices up to 200m while complying with IEEE PoE and data standards. The PoE-extender has both a PD and a PSE chip inside so both the power and the data may be reliably transmitted beyond 100m. The extender acts as a pass-through with data-repeating capabilities. It can be cascaded to reach up to 500m from the closest datacenter or network closet so you can easily install WLAN APs, IP cameras and access controllers where you need them.

- **Features**

- Number of ports: 1
- PoE output: 30W
- Data rates: 10/100/1000 Mbps
- Regulatory compliance: IEEE 802.3at (PoE), RoHS compliant, WEEE compliant, CE
- EMI: FCC Part 15, Class B, EN 55022 Class B (emissions), EN 55024 (immunity), VCCI
- Safety: UL/cUL Per EN 60950, GS Mark Per EN 60950



PD-OUT/SP11

Single port PoE surge protector for Ethernet networks with outdoor PoE midspans and powered devices

- **Summary**

The PD-OUT-SP11 is a high quality surge protection device designed to protect indoor Ethernet networks from lightning that may come from outdoor environment through the Ethernet cable.

The product is enclosed in a metal weatherproof enclosure, meeting IP66. It can be easily mounted on a wall or a pole.

The SP device can be installed before the cable enters the building to protect the indoor network or immediately adjacent to the wall- or pole-mounted outdoor device (i.e. WLAN AP, IP Camera, etc.).



- **Features**

- Number of ports: 1
- Data rates: 10/100/1000 Mbps
- DC input power: 95W
- Output power: 45-55 VDC
- Operating temperature: 40°F to 185°F (-40°C to 85°C)
- Operating humidity: 95%
- Storage temperature: -40°F to 185°F (-40°C to 85°C)
- Surge handling capability: 10kv, 5kA to ground in 8/20 μ s, 800v, 100A PoE
- Regulatory compliance: REACH, RoHS compliant, WEEE compliant, IEC60529 level compliance, IP66, NEMA 250, level 4x
- EMI: FCC Part 15, Class B, EN 55022 Class B (emissions), EN 55024 (immunity), VCCI
- Immunity to surges: IEC61643-21, GR1089, ITU-T K.45
- Safety approvals: UL 497 B



PD-IN/SP11

Single port indoor PoE surge protector

- **Summary**

The PD-IN/SP11 is a high-quality surge protection device designed to protect indoor Ethernet networks from surge events that may come from outdoor environment through the Ethernet Cable. The SP11 device can be installed at the entrance of the building to protect the indoor network or in an outdoor cabinet close to the outdoor device (WLAN AP, IP Camera).

- **Features**

- Passive device: no external power required
- Supports PoE up to 95W
- Support data rates of up to 1 Gbps
- Compact fit
- All eight lines protected



PD-AFATBT-Tester

PoE tester to test RJ-45 for PoE

- **Summary**

Check your RJ-45 outlet for power using the PoE AF/AT/BT tester. The PoE tester connected to an RJ-45 outlet, tests the cabling infrastructure for the presence of power—IEEE 802.3af, IEEE 802.3at, IEEE 802.3bt standard and legacy PoE. The PoE tester also identifies the existence and type of the Power Sourcing Equipment (either switch or midspan) in your network.



- **Features**

- Tests RJ-45 outlet for Power over Ethernet existence
- Indicates the type of power source
- Detects IEEE 802.3af, IEEE 802.3at, IEEE 802.3bt and legacy PoE
- Compact design specifically tailored for system integrators and installers
- Plug and play, simple to use

PD-AFAT-Tester

[Online Datasheet](#)

Specifications:

- Input: RJ-45 connector
- Detects: IEEE 802.3af, IEEE 802.3at, 4-pairs PSE
- Dimensions: 24 mm x 22 mm x 76 mm (WxHxL)
0.94 in x 0.87 in x 2.99 in
- Operating temperature: 32°F to 104°F (0°C to 40°C)
- Regulatory compliance: CE
- Indicators: Midspan LED display (Green/Blue)

Description:

The Power over Ethernet (PoE) tester when connected to an RJ-45 outlet, tests the cabling infrastructure for the presence of power, either IEEE802.3af or IEEE802.3at (2-pairs 30W or 4-pairs 60W). The PoE tester also identifies the existence and type of the power sourcing equipment in your network.

PD-AFAT-Tester has a compact design specifically tailored for system integrators and installers. It is plug and play / simple to use.



[<< BACK](#)



PD-USB-DP60

PoE to USB-C Power and Data Adapter

- **Summary**

The Microchip PoE to USB-C® adapter connects IoT devices with a USB-C connector to Power over Ethernet (PoE) networks, enabling users to leverage the advantages of PoE and USB-C technologies. The PD-USB-DP60 is a PoE to USB-C adapter that provides both power and data to USB-C hosts and power to USB-C Powered Devices.

The PD-USB-DP60 adapter enables flexible installation of USB-C devices, removes the need for a close power outlet and resolves the issue of limited USB cable length. The PoE source can be up to 328 ft/100m from the location of the USB-C device. A single Ethernet cable is needed while delivering up to 60W of USB power at the output of the adapter.

The PD-USB-DP60 connects with small PCs/Next Unit of Computing (NUC), interactive information kiosks, smart monitors, tablets, laptops, cellphones, cameras and other USB-C powered devices consuming up to 60W. The adapter is compatible with USB2.0 and 3.1 and will automatically provide to the end device the exact amount of power it needs.

- **Features**

- Up to 60W output power
- Enables powering of small PCs/Next Unit of Computing (NUC), interactive information kiosks, smart monitors, tablets, laptops, cameras and other USB-C devices
- Provides power and data to USB-C Hosts
- Allows 328 ft/100m installation range
- Supports PoE Switches and Injectors from 15.4W and up to 90W
- Plug and play USB-C Power, no configuration is needed, simple to use



PD-AS-951/12-24

Single port PoE splitter for contemporary devices unable to accept power via Ethernet

- **Summary**

Many contemporary terminals such as 802.11n access points, thin clients, video phones, PTZ (Pan/Tilt/Zoom), and IP cameras were designed and deployed without the ability to accept power via their Ethernet input. Such devices can only accept power through their DC jack while their RJ45 input accepts only data. Also, such devices might require voltage levels lower than the PoE standard minimum voltage (44V in IEEE 802.3af or 50V in IEEE 802.3at). Using a Microchip splitter, these terminals can immediately become PoE ready without any modification required on their side. The splitter is identified as a powered device (PD) in front of the powering Microchip midspan and after being detected and powered by the midspan, it physically splits the combined data and power stream into two separate cords (Ethernet data & DC power) which then go directly to the respective inputs on the terminal. The splitter also adjusts voltage to the level required by the terminal (12V or 24V).

- **Features**

- Number of ports: 1
- Data rate: 1000 Mbps
- PoE output: 54W
- Power conversion: 48V to 12V or 24V DC output



PD-9001GI/DC

1 port, 30W, IEEE 802.3at-compliant industrial grade PoE midspan

- **Summary**

The single port PoE midspan provides up to 30 Watts of power over Ethernet and offers a IEEE 802.3at-compliant solution for remote powering of current and emerging high power applications. The PD-9001GI enables remote power for a new range of applications including 802.11n access points, pan-tilt zoom (PTZ) cameras and other IP terminals. It complies to IEEE 802.3at PoE standard and is backward compatible to IEEE 802.3af. It can power both 10/100Base-T network devices and 1000Base-T devices. The midspan is designed for industrial applications and outdoor applications from temperature point of view.



- **Features**

- Number of ports: 1
- PoE output: 30W
- Data rates: 10/100/1000 Mbps
- Power input: DC
- Industrial rated: IP30
- Regulatory compliance: IEEE 802.3at (PoE), RoHS compliant, WEEE compliant, CE
- EMI: EN50522 Class A, EN55024
- Safety: UL 508
- Shock: IEC 60068-2-27 15g, 11 ms duration
- Freefall: IEC 60068-2-32
- Vibration: IEC 60068-2-6, 3, 5 mm, 3 Hz - 9 Hz, 10 cycles, 1 octave/min, 1g, 9 Hz – 150 Hz, 10 cycles 1 octave/min
- Compact design



PDS-408G/AC

8+3 ports, 90W, IEEE 802.3bt-compliant, fanless PoE switch for digital ceiling, managed

- **Summary**

The 8+3 ports digital ceiling PoE switch offers an optimal and cost-effective IEEE 802.3at-compliant solution for PoE application like PoE lighting and other digital ceiling applications. It allows lighting fixtures and other Ethernet terminals to receive power, along with data, over standard Ethernet cables in the most efficient way. The PDS-408G is a 480W fan-less switch, designed to be deployed in the ceiling or in communications rooms. Provides automatic output PoE power based on PoE PD device class. It supports full power mode by providing 60W for all 8 ports simultaneously and any specific port can go up to 90W. The 480W high-speed switch can be managed over Web, SSH, Telnet, CLI. It has 8 ports of 10/100/1000 Mbps (Gigabit Ethernet) with PoE BT ports, 2 Gigabit ports and one 1000M/100M SFP port.



- **Features**

- Number of ports: 8 PoE 10/100/1000Mbps ports + 3 10/100/1000Mbps uplink ports
- Total PoE output: 480W
- Data rates: 10/100/1000 Mbps
- Full power of 8 x 60W - any individual port can go up to 90W
- Power input: AC
- Power cord options: US, EU (Europe), UK, BR (Brazil), AU (Australia), JP (Japan)
- IEEE 802.3bt-compliant
- Supports legacy 60/90W PoE devices
- Fanless design: enhanced reliability and silent operation
- High energy efficiency: very low power consumption in standby and in operation
- Layer 2 switch: including 802.1Q-based VLANs enables segmentation of networks for improved performance and security
- Remote management: Web and SNMP
- Regulatory compliance: ROHS, WEEE, and CE
- EMI: FCC Class B, EN 55032 Class B, EN 55024, EN 61000-3-2, EN 61000-3-3
- Safety: UL/EN/IEC 60950-1 (ed.2), UL 2043, Plenum rating

PD-9501GCI/DC

1 port, 60W, IEEE 802.3bt-compliant industrial grade PoE midspan

- **Summary**

The single-port PoE midspan is a high-power solution for remote powering of current and emerging high-power indoor applications. Generating 60W, the PD-9501GCI enables remote power for a new range of applications including wireless access points, Pan-Tilt Zoom (PTZ) cameras and other IP terminals. It complies to IEEE 802.3at PoE standard and is backward compatible to IEEE 802.3af. It can power both existing 10/100/1000Base-T network devices and 1000BaseT devices such as wireless IEEE wireless access points.



- **Features**

- Number of ports: 1
- PoE output: 60W
- Data rates: 10/100/1000 Mbps
- Power input: DC
- Industrial rated: IP30
- Regulatory compliance: IEEE 802.3bt (PoE), RoHS compliant, WEEE compliant, CE
- EMI: FCC Part 15, Class A, EN50532 Class A (emissions), EN55024 (immunity)
- Safety: UL 508
- Shock: IEC 60068-2-27
- Freefall: IEC 60068-2-31
- Vibration: IEC 60068-2-6
- Compact design

PD-9501GI/DCF

1 port, 60W, IEEE 802.3at-compliant industrial grade PoE midspan

- **Summary**

The single port PoE midspan provides up to 60 Watts of power over Ethernet and offers a IEEE 802.3at-compliant solution for remote powering of current and emerging high power indoor applications. The PD-9501GI enables remote power for a new range of applications including 802.11n access points, pan-tilt zoom (PTZ) cameras and other IP terminals. It complies to IEEE 802.3at PoE standard and is backward compatible to IEEE 802.3af. It can power both existing 10/100/1000Base-T network devices and 1000BaseT devices such as wireless IEEE 802.11ac access points. The midspan is designed for industrial applications and outdoor applications from temperature point of view.



- **Features**

- Number of ports: 1
- PoE output: 60W
- Data rates: 10/100/1000 Mbps
- Power input: DC
- Industrial rated: IP30
- Regulatory compliance: IEEE 802.3at (PoE), RoHS compliant, WEEE compliant, CE
- EMI: FCC Part 15, Class A, EN50522 Class A (emissions), EN55024 (immunity)
- Safety: UL 508
- Shock: IEC 60068-2-27
- Freefall: IEC 60068-2-31
- Vibration: IEC 60068-2-6
- Compact design

PDS-104GO/AC

4ports, 60W/port, outdoor PoE managed switch

- **Summary**

The 4 ports outdoor PoE switch provides up to 60 Watts of power over Ethernet and offers a IEEE 802.3at-compliant solution for outdoor WLANs, outdoor IP cameras, or outdoor P2P radios. With VLAN and RADIUS support, the PDS-104GO brings improved security and performance. It provides better safety through centralized management of user profiles and authorized system access. By regulating network traffic in each VLAN, the switch offers increased network performance. There is no need to open the unit during installation. Deployment is simple and straightforward. In addition, it enables remote monitoring and control of the devices' status, including remote reset. The switch extends the reach between the switch and powered devices by an additional 100 meters, to a maximum of 200 meters—a major benefit in many applications. It offers lightning protection to the switch itself and to the indoor network.



- **Features**

- Number of ports: 4 PoE ports + 1 SFP input port
- PoE output: 60W per port
- Data rates: 10/100/1000 Mbps
- Power input: AC
- Outdoor rated: IP66
- Remotely managed: SNMP and web
- Extends network reach by additional 100m
- Includes integral surge protection
- Plug 'n Play installation (installer does not have to open unit)
- Regulatory compliance: IEEE 802.3at (PoE, RoHS compliant, WEEE compliant, CE)
- EMI: FCC Part 15, Class B, EN 55022 Class B, EN 55024, EN61000-4-5 Class 5 (6 kV CM), VCCI
- Surge protection: GR-1089-CORE Issue 6, ITU-T K.20 6 kV on AC lines
- Safety: UL60950-1, UL-69950-22, GS Mark
- Other standards: Dust and water intrusion - IEC60529, Level IP66; NEMA 250



PD-9601GO/AC

1 port, 90W, IEEE 802.3at-compliant, outdoor PoE midspan with surge protection

- **Summary**

The single port PoE midspan provides up to 90 Watts of power over Ethernet and offers a IEEE 802.3at-compliant and PoH-compliant cost-effective solution for outdoor installations, guaranteeing 90 Watts of power and ensuring safe and reliable operation in outdoor environment of any standard PoH data terminal. It allows wireless LAN access points, security network cameras and other IP terminals to receive power, along with data, over standard Ethernet cables, leaving network infrastructure completely unaltered. The PD-9601GO also offers surge protection for both the AC and the PoE ports ensuring the indoor equipment is protected from outdoor surges.



- **Features**

- Number of ports: 1
- PoE output: 90W
- Data rates: 10/100/1000 Mbps
- Power input: AC
- Outdoor rated: IP66
- Extended temperature range
- Regulatory compliance: IEEE 802.3af (PoE, PoH Type1), IEEE 802.3at (PoE+ including 2-event, PoH Type 2), RoHS compliant, WEEE compliant, CE
- EMI: FCC Part 15, Class BEN 55022 Class BEN 55024, VCCI
- Safety: UL/IEC/EN 60950-1, UL60950-22
- Surge protection: Meets surge protection as specified in GR-1089-CORE Issue 6 ITU-T K.20 6 kV on AC lines
- Other standards: Level 1 IP66; NEMA 250, Level 4X ASTM B-117 corrosion resistance
- Compact design

PD-9501GO/48VDC

1 port, 60W, IEEE 802.3at-compliant outdoor PoE midspan with surge protection

- **Summary**

The single port PoE midspan offers a cost effective, IEEE 802.3at compliant solution for outdoor installations, guaranteeing 60 Watts of power and ensuring safe and reliable operation in outdoor environment of any standard PoE data terminal. The PD-9501GO/48VDC allows wireless LAN access points, security network cameras and other IP terminals to receive power, along with data, over standard Ethernet cables, leaving network infrastructure completely unaltered. It also offers surge protection ensuring the indoor equipment is protected from outdoor surges.



- **Features**

- Number of ports: 1
- PoE output: 60W
- Data rates: 10/100/1000 Mbps
- Input power: 36-60 VDC
- Output power: 50-57 VDC
- Regulatory compliance: IEEE 802.3at (PoE+ including 2-event, PoH Type 2), RoHS compliant, WEEE compliant, CE
- EMI: FCC Part 15, Class B, EN 55022 Class B, EN 55024, EN61000-4-5 Class 5 (6kV CM) VCCI
- Surge protection: GR-1089-CORE Issue 4, ITU-T K.20 6 kV on AC lines
- Safety: UL60950-1, UL60950-22, GS Mark
- Other standards: Dust and water intrusion - EN60529, Level1P66, NEMA 250, Level 4X ASTM, B-117 corrosion resistance



PD-9501GO/12-24VDC

1 port, 60W, IEEE 802.3at-compliant outdoor PoE midspan with surge protection

- **Summary**

The single port PoE midspan offers a cost effective, IEEE 802.3at compliant solution for outdoor installations, guaranteeing 60 Watts of power and ensuring safe and reliable operation in outdoor environment of any standard PoE data terminal. The PD-9501GO/12-24VDC allows wireless LAN access points, security network cameras and other IP terminals to receive power, along with data, over standard Ethernet cables, leaving network infrastructure completely unaltered. It also offers surge protection ensuring the indoor equipment is protected from outdoor surges.



- **Features**

- Number of ports: 1
- PoE output: 60W
- Data rates: 10/100/1000 Mbps
- Input power: 10-36 VDC
- Output power: 55 VDC
- Regulatory compliance: IEEE 802.3at (PoE+ including 2-event, PoH (Type 2), RoHS compliant, WEEE compliant, CE
- EMI: FCC Part 15, Class B, EN 55022 Class B, EN 55024, EN61000-4-5 Class 5 (6kV CM) VCCI
- Surge protection: GR-1089-CORE Issue 4, ITU-T K.20 6 kV on AC lines
- Safety: UL60950-1, UL60950-22, GS Mark
- Other standards: Dust and water intrusion - EN60529, Level1P66, NEMA 250, Level 4X ASTM, B-117 corrosion resistance

PD-9501GCO/AC

1 port, 60W, IEEE 802.3bt outdoor PoE midspan

- **Summary**

The single-port midspan offers a cost effective, IEEE 802.3bt Type3 compliant solution and Pre-bt support for outdoor installations, guaranteeing 60 Watts of power and ensuring safe and reliable operation in outdoor environment of any standard PoE data terminal. It allows wireless LAN access points, security network cameras and other IP terminals to receive power, along with data, over standard Ethernet cables, leaving network infrastructure completely unaltered. The PD-9501GCO also offers surge protection for both the AC and the PoE ports ensuring the indoor equipment is protected from outdoor surges.



- **Features**

- Number of ports: 1
- PoE output: 60W
- Data rates: 10/100/1000 Mbps
- Power input: AC
- Outdoor rated: IP67
- Regulatory compliance: IEEE 802.3bt type 3, IEEE 802.3af/at (PoE), RoHS Compliant, WEEE Compliant, CE
- EMI: FCC Part 15, Class B, EN 55032 Class B (Emissions), EN 55024, EN61000-4-5: Class 5 (AC lines 6kV CM/DM) VCCI
- Surge Protection: Design to meets Surge Protection as specified in: GR-1089-CORE Issue 4 ITU-T K.21 enhanced surge level protection (6 kV on Data and AC lines)
- Safety: UL/IEC/EN 60950-1 (ed.2), UL 60950-22
- Other standards: Dust proof and water resistance: EN60529, Approvals Level IP67; NEMA 250, Level 4X ASTM B-117 Corrosion Resistance

PD-9001GO-ET/AC

1 port , 30W, IEEE 802.3at-compliant outdoor PoE midspan with surge protection and extended temperature range

- **Summary**

The single port PoE midspan provides up to 30 Watts of power over Ethernet and offers a IEEE 802.3at-compliant solution for outdoor installations, ensuring safe and reliable operation of any standard PoE data terminal in outdoor environments. The PD-9001GO-ET allows wireless LAN access points, security network cameras, and other IP terminals to receive power and data over standard Ethernet cables, leaving network infrastructure completely unaltered. It also offers surge protection for both the AC and the PoE ports, ensuring the indoor equipment is protected from outdoor surges.



- **Features**

- Number of ports: 1
- PoE output: 30W
- Data rates: 10/100/1000 Mbps
- Power input: DC
- Outdoor rated: IP66 or IP67
- Extended temperature range
- Regulatory compliance: IEEE 802.3at (PoE), RoHS compliant, WEEE compliant, CE
- EMI: FCC Part 15, Class B, EN 55022 Class B (emissions), EN 55024, EN61000-4-5 Class 5, (6 kV CM/DM), VCCI
- Safety: UL/IEC/EN 60950-1, UL60950-22
- Other standards: Dustproof and water resistance: EN60529, approvals level IP67; NEMA 250, level 4X ASTM B-117 corrosion resistance
- Compact design

PD-9612GC/AC

12 ports, 90W, IEEE 802.3bt-compliant indoor PoE midspan

- **Summary**

The twelve ports PoE midspan provides up to 90 Watts of power over Ethernet and offers a IEEE 802.3bt-compliant solution for remote powering of current as well as emerging high power applications. The PD-9612GC is designed specifically to power IEEE 802.11 access points, pan-tilt-zoom (PTZ) and dome cameras, IP videophones, thin clients and other high power Ethernet end terminals with 90W of power. The solution supports IEEE 802.3bt powered devices and is also backward compatible and safe to use with any IEEE 802.3af/at terminal. It can power both existing 10/100Base-T devices and Gigabit devices. With the midspan's plug and-play installation, it is easy and cost-effective to implement leveraging existing Ethernet infrastructure while at the same time providing the assurance of a future-proof network.

- **Features**

- Number of ports: 12
- PoE output: 90W per port
- Data rates: 10/100/1000 Mbps
- Power input: AC and DC
- Power cord options: US, EU (Europe), UK, BR (Brazil), AU (Australia), JP (Japan)
- Regulatory compliance: IEEE 802.3bt, RoHS Compliant, CE
- EMI: FCC Part 15, Class B, EN 55032 Class B (emissions), EN 55024 (immunity), VCCI
- Safety: UL/EN/IEC 60950-1 (Ed.2)



PD-9624GC/AC

24 ports, 90W, IEEE 802.3bt-compliant indoor PoE midspan

- **Summary**

The twenty four ports PoE midspan provides up to 90 Watts of power over Ethernet and offers a IEEE 802.3bt-compliant solution for remote powering of current as well as emerging high power applications. The PD-9624GC is designed specifically to power IEEE 802.11 access points, pan-tilt-zoom (PTZ) and dome cameras, IP videophones, thin clients and other high power Ethernet end terminals with 90W of power. The solution supports IEEE 802.3bt powered devices and is also backward compatible and safe to use with any IEEE 802.3af/at terminal. It can power both existing 10/100Base-T devices and Gigabit devices. With the midspan's plug and-play installation, it is easy and cost-effective to implement leveraging existing Ethernet infrastructure while at the same time providing the assurance of a future-proof network.

- **Features**

- Number of ports: 24
- PoE output: 90W per port
- Data rates: 10/100/1000 Mbps
- Power input: AC and DC
- Power cord options: US, EU (Europe), UK, BR (Brazil), AU (Australia), JP (Japan)
- Regulatory compliance: IEEE 802.3bt, RoHS Compliant, CE
- EMI: FCC Part 15, Class B, EN 55032 Class B (emissions), EN 55024 (immunity), VCCI
- Safety: UL/EN/IEC 60950-1 (Ed.2)



PD-9606GC/AC

6 ports, 90W, IEEE 802.3bt-compliant indoor PoE midspan

- **Summary**

The six ports PoE midspan provides up to 90 Watts of power over Ethernet and offers a IEEE 802.3bt-compliant solution for remote powering of current as well as emerging high power applications. The PD-9606GC is designed specifically to power IEEE 802.11 access points, pan-tilt-zoom (PTZ) and dome cameras, IP videophones, thin clients and other high power Ethernet end terminals with 90W of power. The solution supports IEEE 802.3bt powered devices and is also backward compatible and safe to use with any IEEE 802.3af/at terminal. It can power both existing 10/100Base-T devices and Gigabit devices. With the midspan's plug and-play installation, it is easy and cost-effective to implement leveraging existing Ethernet infrastructure while at the same time providing the assurance of a future-proof network.

- **Features**

- Number of ports: 6
- PoE output: 90W per port
- Data rates: 10/100/1000 Mbps
- Power input: AC
- Power cord options: US, EU (Europe), UK, BR (Brazil), AU (Australia), JP (Japan)
- Regulatory compliance: IEEE 802.3bt, RoHS Compliant, CE
- EMI: FCC Part 15, Class B, EN 55032 Class B (emissions), EN 55024 (immunity), VCCI
- Safety: UL/EN/IEC 60950-1 (Ed.2)



PD-9524GC/AC

24 ports, 60W, IEEE 802.3bt-compliant, indoor EEPoE midspan

- **Summary**

The twenty-four ports PoE midspan provides up to 60 Watts of power over Ethernet and offers a IEEE 802.3bt-compliant solution for remote powering of current as well as emerging high power applications. The PD-9524GC is designed specifically to power IEEE 802.11 access points, pan-tilt-zoom (PTZ) and dome cameras, IP videophones, thin clients and other high power Ethernet end terminals with 60W of power. The solution supports IEEE 802.3bt powered devices and is also backward compatible and safe to use with any IEEE 802.3af/at terminal. It can power both existing 10/100Base-T devices and Gigabit devices. With the midspan's plug and-play installation, it is easy and cost-effective to implement leveraging existing Ethernet infrastructure while at the same time providing the assurance of a future-proof network

- **Features**

- Number of ports: 24
- PoE output: 60W per port
- Data rates: 10/100/1000 Mbps
- Power input: AC and DC
- Power cord options: US, EU (Europe), UK, BR (Brazil), AU (Australia), JP (Japan)
- Regulatory compliance: IEEE 802.3bt, IEEE 802.3af/at, RoHS Compliant and CE
- EMI: FCC Part 15, Class B, EN 55032 Class B (emissions), EN 55024 (immunity), VCCI
- Safety: UL/EN/IEC 60950-1 (Ed.2)



PD-9524-10GC/AC

24 ports, 60W, multigig, IEEE 802.3bt-compliant, indoor PoE midspan

- **Summary**

Microchip's PD9524-10GC is a six ports Power over Ethernet midspan offering 60W power per port according to the IEEE 802.3bt standard. The PD-95XX-10GC family is available in 6, 12 and 24 port configurations. Input power is provided through a universal AC voltage connector. The product is designed for use with a standard 10/100/1000 and 10G BaseT Ethernet network over a standard category 6A or better cabling plant, according to the IEEE 802.3bt standard. The PD-9524-10GC incorporates power management through Microchip's PowerView Pro software allowing the user to monitor and control the midspan via a remote network management station.

- **Features**

- Supports IEEE 802.3bt type 3 standard PDs
- IEEE 802.3af/at backward compatible
- Legacy and pre-standard support
- Supports 10/100/1000 Mbps, 2.5/5/10 Gbps
- PowerView Pro remote, web-based SNMPv3 power management environment



PD-9512GC/AC

12 ports, 60W, IEEE 802.3bt-compliant, indoor EEPoE midspan

- **Summary**

The twelve ports PoE midspan provides up to 60 Watts of power over Ethernet and offers a IEEE 802.3bt-compliant solution for remote powering of current as well as emerging high power applications. The PD-9512GC is designed specifically to power IEEE 802.11 access points, pan-tilt-zoom (PTZ) and dome cameras, IP videophones, thin clients and other high power Ethernet end terminals with 60W of power. The solution supports IEEE 802.3bt powered devices and is also backward compatible and safe to use with any IEEE 802.3af/at terminal. It can power both existing 10/100Base-T devices and Gigabit devices. With the midspan's plug and-play installation, it is easy and cost-effective to implement leveraging existing Ethernet infrastructure while at the same time providing the assurance of a future-proof network.

- **Features**

- Number of ports: 12
- PoE output: 60W per port
- Data rates: 10/100/1000 Mbps
- Power input: AC and DC
- Power cord options: US, EU (Europe), UK, BR (Brazil), AU (Australia), JP (Japan)
- Regulatory compliance: IEEE 802.3bt, IEEE 802.3af/at, RoHS Compliant and CE
- EMI: FCC Part 15, Class B, EN 55032 Class B (emissions), EN 55024 (immunity), VCCI
- Safety: UL/EN/IEC 60950-1 (Ed.2)



PD-9512-10GC/AC

12 ports, 60W, multigig, IEEE 802.3bt-compliant, indoor PoE midspan

- **Summary**

Microchip's PD9512-10GC is a six ports Power over Ethernet midspan offering 60W power per port according to the IEEE 802.3bt standard. The PD-95XX-10GC family is available in 6, 12 and 24 port configurations. Input power is provided through a universal AC voltage connector. The product is designed for use with a standard 10/100/1000 and 10G BaseT Ethernet network over a standard category 6A or better cabling plant, according to the IEEE 802.3bt standard. The PD-9512-10GC incorporates power management through Microchip's PowerView Pro software allowing the user to monitor and control the midspan via a remote network management station.

- **Features**

- Supports IEEE 802.3bt type 3 standard PDs
- IEEE 802.3af/at backward compatible
- Legacy and pre-standard support
- Supports 10/100/1000 Mbps, 2.5/5/10 Gbps
- PowerView Pro remote, web-based SNMPv3 power management environment



PD-9506GC/AC

6 ports, 60W, IEEE 802.3bt-compliant, indoor EEPoE midspan

- **Summary**

The six ports PoE midspan provides up to 60 Watts of power over Ethernet and offers a IEEE 802.3bt-compliant solution for remote powering of current as well as emerging high power applications. The PD-9506GC is designed specifically to power IEEE 802.11 access points, pan-tilt-zoom (PTZ) and dome cameras, IP videophones, thin clients and other high power Ethernet end terminals with 60W of power. The solution supports IEEE 802.3bt powered devices and is also backward compatible and safe to use with any IEEE 802.3af/at terminal. It can power both existing 10/100Base-T devices and Gigabit devices. With the midspan's plug and-play installation, it is easy and cost-effective to implement leveraging existing Ethernet infrastructure while at the same time providing the assurance of a future-proof network.

- **Features**

- Number of ports: 6
- PoE output: 60W per port
- Data rates: 10/100/1000 Mbps
- Power input: AC
- Power cord options: US, EU (Europe), UK, BR (Brazil), AU (Australia), JP (Japan)
- Regulatory compliance: IEEE 802.3bt, IEEE 802.3af/at, RoHS Compliant and CE
- EMI: FCC Part 15, Class B, EN 55032 Class B (emissions), EN 55024 (immunity), VCCI
- Safety: UL/EN/IEC 60950-1 (Ed.2)



PD-9506-10GC/AC

6 ports, 60W, multigig, IEEE 802.3bt-compliant, indoor PoE midspan

- **Summary**

Microchip's PD9506-10GC is a six ports Power over Ethernet midspan offering 60W power per port according to the IEEE 802.3bt standard. The PD-95XX-10GC family is available in 6, 12 and 24 port configurations. Input power is provided through a universal AC voltage connector. The product is designed for use with a standard 10/100/1000 and 10G BaseT Ethernet network over a standard category 6A or better cabling plant, according to the IEEE 802.3bt standard. The PD-9506-10GC incorporates power management through Microchip's PowerView Pro software allowing the user to monitor and control the midspan via a remote network management station.

- **Features**

- Supports IEEE 802.3bt Type 3 standard PDs
- IEEE 802.3af/at backward compatible
- Legacy and pre-standard support
- Supports 10/100/1000 Mbps, 2.5/5/10 Gbps
- PowerView Pro remote, web-based SNMPv3 power management environment



PD-9024G/ACDC/M

24 ports, 30W, IEEE 802.3at-compliant, indoor PoE midspan, managed

- **Summary**

The twenty-four ports PoE midspan provides up to 30 Watts of power over Ethernet and offers a IEEE 802.3at-compliant solution to power IEEE 802.11n and IEEE 802.3at access points, pan-tilt-zoom (PTZ) and dome cameras, IP videophones, thin clients and other high power Ethernet end terminals. The PD-9024G is backward compatible and safe to use with any 802.3af terminal such as VoIP phones, IP cameras and WLAN access points. With it's plug-and-play installation, it is easily and cost-effectively implemented leveraging an existing Ethernet infrastructure while at the same time providing the assurance of a future-proof network. For secure remote management, it includes PowerView Pro management platform.



- **Features**

- Number of ports: 24
- PoE output: 30W per port
- Data rates: 10/100/1000 Mbps
- Power input: AC and DC
- Power cord options: US, EU (Europe), UK, BR (Brazil), AU (Australia), JP (Japan)
- Regulatory compliance: IEEE 802.3af/at (PoE), RoHS compliant, VCCI, CE, C-Tick
- EMI: FCC Part 15, Class B with FTP cabling, EN 55022 Class B (Emissions), EN 55024 (Immunity)
- Safety: UL/cUL Per IEC60950-1, GS Mark Per IEC60950-1



PD-9012G/ACDC/M

12 ports, 30W, IEEE 802.3at-compliant, indoor PoE midspan, managed

- **Summary**

The twelve ports PoE midspan provides up to 30 Watts of power over Ethernet and offers a IEEE 802.3at-compliant solution to power IEEE 802.11n and IEEE 802.3at access points, pan-tilt-zoom (PTZ) and dome cameras, IP videophones, thin clients and other high power Ethernet end terminals. The PD-9012G is backward compatible and safe to use with any 802.3af terminal such as VoIP phones, IP cameras and WLAN access points. With the midspan's plug-and-play installation, it is easily and cost-effectively implemented leveraging an existing Ethernet infrastructure while at the same time providing the assurance of a future-proof network. For secure remote management, it includes PowerView Pro management platform.



- **Features**

- Number of ports: 12
- PoE output: 30W per port
- Data rates: 10/100/1000 Mbps
- Power input: AC and DC
- Power cord options: US, EU (Europe), UK, BR (Brazil), AU (Australia), JP (Japan)
- Regulatory compliance: IEEE 802.3af/at (PoE), RoHS compliant, VCCI, CE, C-Tick
- EMI: FCC Part 15, Class B with FTP cabling, EN 55022 Class B (Emissions), EN 55024 (Immunity)
- Safety: UL/cUL Per IEC60950-1, GS Mark Per IEC60950-1



PD-9006G/ACDC/M

6 ports, 30W, IEEE 802.3at-compliant, indoor PoE midspan, managed

- **Summary**

The six ports PoE midspan provides up to 30 Watts of power over Ethernet and offers a IEEE 802.3at-compliant solution to power IEEE 802.11n and IEEE 802.3at access points, pan-tilt-zoom (PTZ) and dome cameras, IP videophones, thin clients and other high power Ethernet end terminals. The PD-9006G is backward compatible and safe to use with any 802.3af terminal such as VoIP phones, IP cameras and WLAN access points. With the midspan's plug-and-play installation, it is easily and cost-effectively implemented leveraging an existing Ethernet infrastructure while at the same time providing the assurance of a future-proof network. For secure remote management, it includes PowerView Pro management platform.



- **Features**

- Number of ports: 6
- PoE output: 30W per port
- Data rates: 10/100/1000 Mbps
- Power input: AC and DC
- Power cord options: US, EU (Europe), UK, BR (Brazil), AU (Australia), JP (Japan)
- Regulatory compliance: IEEE 802.3af/at (PoE), RoHS compliant, VCCI, CE, C-Tick
- EMI: FCC Part 15, Class B with FTP cabling, EN 55022 Class B (Emissions), EN 55024 (Immunity)
- Safety: UL/cUL Per IEC60950-1, GS Mark Per IEC60950-1



PD-9004G/AC

4 ports, 30W, IEEE 802.3at-compliant indoor PoE midspan

- **Summary**

The four ports PoE midspan provides up to 30 Watts of power over Ethernet and offers a IEEE 802.3at-compliant solution to upgrade existing infrastructure with PoE, ensuring safe operation of any standard PoE data terminal. The PD-9004G is an ideal solution for powering and controlling up to 4 remote devices, including wireless LAN access points, security network cameras and IP phones without any changes to the installed network infrastructure.



- **Features**

- Number of ports: 4
- PoE output: 30W per port
- Data rates: 10/100/1000 Mbps
- Power input: AC
- Power cord options: US, EU (Europe), UK, BR (Brazil), AU (Australia), JP (Japan)
- Regulatory compliance: IEEE 802.3at (PoE), RoHS compliant, WEEE compliant, CE
- EMI: FCC Part 15, Class B, EN 55022 Class B (emissions), EN 55024 (immunity), VCCI
- Safety: UL/cUL Per EN 60950, GS Mark Per EN 60950
- Compact design

PD-6524G/AC/M

24 ports, 15.4W, IEEE 802.3af-compliant indoor PoE midspan, managed

- **Summary**

The twenty-four ports PoE midspan provides up to 15.4 Watts of power over Ethernet and offers a IEEE 802.3af-compliant solution to IP telephones, wireless LAN access points, security network cameras and many other types of data terminals over standard Ethernet data cables, leaving network infrastructure completely unaltered. With the midspan's plug-and-play installation, it can be easily and cost-effectively implemented leveraging an existing Ethernet infrastructure while at the same time providing the assurance of a future-proof network.



- **Features**

- **Number of ports: 24**
- **PoE output: 15.4W per port**
- **Data rates: 10/100/1000 Mbps**
- **Power input: AC**
- **Power cord options: US, EU (Europe), UK, BR (Brazil), AU (Australia), JP (Japan)**
- **Regulatory compliance: IEEE 802.3af (PoE), RoHS compliant, WEEE compliant, CE**
- **EMI: FCC Part 15, Class B, EN 55022 Class B (emissions), EN 55024 (immunity), VCCI**
- **Safety: UL/cUL per IEC60950-1, GS Mark per IEC60950-1**



PD-6512G/AC/M

12 ports, 15.4W, IEEE 802.3af-compliant indoor PoE midspan, managed

- **Summary**

The twelve ports PoE midspan provides up to 15.4 Watts of power over Ethernet and offers a IEEE 802.3af-compliant solution to IP telephones, wireless LAN access points, security network cameras and many other types of data terminals over standard Ethernet data cables, leaving network infrastructure completely unaltered. With the midspan's plug-and-play installation, it can be easily and cost-effectively implemented leveraging an existing Ethernet infrastructure while at the same time providing the assurance of a future-proof network.



- **Features**

- Number of ports: 12
- PoE output: 15.4W per port
- Data rates: 10/100/1000 Mbps
- Power input: AC
- Power cord options: US, EU (Europe), UK, BR (Brazil), AU (Australia), JP (Japan)
- Regulatory compliance: IEEE 802.3af (PoE), RoHS compliant, WEEE compliant, CE
- EMI: FCC Part 15, Class B, EN 55022 Class B (emissions), EN 55024 (immunity), VCCI
- Safety: UL/cUL per IEC60950-1, GS Mark per IEC60950-1

PD-3504G/AC

4 ports, 15.4W, IEEE 802.3af-compliant indoor PoE midspan

- **Summary**

The four ports PoE midspan provides up to 15.4 Watts of power over Ethernet and offers a IEEE 802.3af-compliant solution to upgrade existing infrastructures with PoE, providing a maximum of 15.4 watts of power through each port and ensuring safe operation of any standard PoE data terminal. The PD-3504G provides PoE to IP telephones, wireless LAN access points, security network cameras and IP terminals to receive power, along with data, over standard Ethernet cables, leaving network infrastructure completely unaltered. With the midspan's plug-and-play installation, it can be easily and cost-effectively implemented leveraging an existing Ethernet infrastructure while at the same time providing the assurance of a future-proof network.



- **Features**

- Number of ports: 4
- PoE output: 15.4W per port
- Data rates: 10/100/1000 Mbps
- Power input: AC
- Power cord options: US, EU (Europe), UK, BR (Brazil), AU (Australia), JP (Japan)
- Regulatory compliance: IEEE 802.3af (PoE), RoHS compliant, WEEE compliant, CE
- EMI: FCC Part 15, Class B, EN 55022 Class B (emissions), EN 55024 (immunity), VCCI
- Safety: UL/EN/IEC 60950-1 (Ed.2), GS Mark Per EN 60950
- Compact design



PD-9501G/24VAC

[Online
Datasheet](#)

Specifications:

- Number of ports: 1
- PoE output: 60W
- Data rates: 10/100/1000 Mbps
- Input power: 24VAC \pm 20%
- Output power: 54-57VDC
- Dimensions: 87 mm x 43 mm x 166 mm (WxHxL)
3.46 in x 1.68 in x 5.63 in
- Operating temperature: -14°F to 104°F (-10°C to 40°C) @ 60W
-14°F to 122°F (-10°C to 50°C) @ 30W
- Regulatory compliance: IEEE 802.3at (PoE), RoHS compliant,
WEEE compliant, CE
- EMI: FCC Part 15, Class B, EN 55022 Class B (emissions),
EN 55024 (immunity)
- Safety: GS Mark Per IEC60950

Description:

Best-of-Breed single port solution for remote powering of current in a 24VAC environment as well as high power applications.

The Midspan is designed specifically to power IEEE 802.11n and IEEE 802.3at access points, pan-tilt-zoom (PTZ) and dome cameras, IP videophones, thin clients and other high power Ethernet end-terminals with 60W of power, and is also backward compatible and safe to use with any 802.3af terminal such as VoIP phones, IP cameras and wireless LAN access points.

It can power both existing 10/100Base-T devices and emerging wireless Gigabit devices such as WI-MAX and wireless IEEE 802.11n access points.

With the Midspan's plug-and-play installation, they are easily and cost effectively implemented leveraging an existing Ethernet infrastructure while at the same time providing flexibility to assurance a future-proof scalable network.



[<< BACK](#)



PD-3501G/AC

1 port, 15.4W, IEEE 802.3af-compliant indoor PoE midspan

- **Summary**

The single port PoE midspan offers a compact and cost effective, IEEE 802.3af compliant solution for powering IP phones, WLAN access points, network cameras and other IP terminal devices. The compact and affordable PD-3501G provides reliable power over standard Ethernet cables, leaving existing network infrastructure completely unaltered. With plug-and-play installation, the PD-3501G can be easily and cost effectively implemented leveraging the existing Ethernet infrastructure while at the same time providing the assurance of a future proof network.



- **Features**

- Number of ports: 1
- PoE output: 15.4W
- Data rates: 10/100/1000 Mbps
- Power cord options: US, EU (Europe), UK, BR (Brazil), AU (Australia), JP (Japan)
- Regulatory compliance: IEEE 802.3af(PoE), RoHS Compliant, WEEE Compliant, CE
- EMI: FCC Part 15, Class BEN 55032 Class B (Emissions)EN 55024 (Immunity)VCC
- Safety: UL/EN/IEC60950-1(Ed.2)
- Compact design



PD-9601GC/AC

1 port, 90W, IEEE 802.3bt-compliant indoor port PoE midspan

- **Summary**

The single port PoE midspan provides up to 90 Watts of power over Ethernet and offers a IEEE 802.3bt-compliant solution for remote powering of current as well as emerging high power applications. The PD-9601GC is designed to power PoE compliant devices such as IEEE 802.11ax access points, pan-tilt-zoom (PTZ) and dome cameras, IP videophones, thin clients and other high power Ethernet end terminals requiring up to 90W of power. The midspan is IEEE 802.3bt type 4 and is also backward compatible and safe to use with any IEEE 802.3af/at terminal such as VoIP phones, IP cameras and wireless LAN access points, powering 10/100/1000Base-T devices. With the midspan's plug and-play installation, they are easy and cost-effective to implement leveraging existing Ethernet infrastructure while at the same time providing the assurance of a future-proof network.



- **Features**

- Number of ports: 1
- PoE output: 90W
- Data rates: 10/100/1000 Mbps
- Power input: AC
- Power cord options: US, EU (Europe), UK, BR (Brazil), AU (Australia), JP (Japan)
- Regulatory compliance: IEEE 802.3bt Type 4, RoHS Compliant, WEEE Compliant, CE
- EMI: FCC Part 15, Class B, EN 55032 Class B (emissions), EN 55024 (immunity), VCCI
- Safety: UL/EN/IEC 60950-1 (Ed.2)
- Compact design



PD-9501-10GC/AC

1 port, 60W, IEEE 802.3bt indoor PoE midspan

- **Summary**

The single port PoE midspan is a high-power solution for remote powering of current and emerging high power indoor applications. Generating 60W over 4 pair, the PD-9501-10GC enables remote power for a new range of applications including 802.11ac Access Points, pan-tilt zoom (PTZ) cameras and videophones.

The PD-9501-10GC complies with IEEE 802.3bt Type 3 PoE standard and is backward compatible to IEEE 802.3af/at standard. It can power both existing 10/100/1000Base-T network devices and emerging wireless 10 GbE devices such as wireless IEEE 802.11ac access points.



- **Features**

- Number of ports: 1
- PoE output: 60W
- Data rates: 10/100/1000 Mbps & 10G
- Power input: AC
- Power cord options: US, EU (Europe), UK, EK (Europe and UK), BR (Brazil), AU (Australia), JP (Japan)
- Regulatory compliance: IEEE 802.3bt Type 3 (PoE), RoHS compliant, WEEE compliant, CE
- EMI: FCC Part 15, Class B, EN 55032 Class B (emissions), EN 55024 (immunity), VCCI
- Safety: UL/EN/IEC 60950-1 (Ed.2)



PD-9501G/48VDC

1 port, 60W, IEEE 802.3at compliant indoor PoE midspan

- **Summary**

The single port PoE midspan provides up to 60 Watts of power over Ethernet and offers a IEEE 802.3at-compliant solution for remote powering of devices in 48VDC environment as well as high power applications. The PD-9501G/48VDC is designed specifically to power IEEE 802.11n and IEEE 802.3at access points, pan-tilt-zoom (PTZ) and dome cameras, IP videophones, thin clients and other high power Ethernet end-terminals. It is also backward compatible and safe to use with any 802.3af terminal such as VoIP phones, IP cameras and wireless LAN access points. It can power both existing 10/100Base-T devices and emerging wireless Gigabit devices such as WI-MAX and wireless IEEE 802.11n access points. With the midspan's plug-and-play installation, they are easily and cost-effectively implemented leveraging an existing Ethernet infrastructure while at the same time providing flexibility to assurance a future-proof scalable network.



- **Features**

- Number of ports: 1
- PoE output: 60W
- Data rates: 10/100/1000 Mbps
- Input power: 20-36 VDC
- Output power: 54-57 VDC
- Regulatory compliance: IEEE 802.3at (PoE), RoHS compliant, WEEE compliant, CE
- EMI: FCC Part 15, Class B, EN 55022 Class B (emissions), EN 55024 (immunity)
- Safety: GS Mark Per IEC60950
- Compact design



PD-9501G/24VDC

1 port, 60W, IEEE 802.3at compliant indoor PoE midspan

- **Summary**

The single port PoE midspan provides up to 60 Watts of power over Ethernet and offers a IEEE 802.3at-compliant solution for remote powering of devices in a 24VDC environment as well as high power applications. The PD-9501G/24VDC is designed specifically to power IEEE 802.11n and IEEE 802.3at access points, pan-tilt-zoom (PTZ) and dome cameras, IP videophones, thin clients and other high power Ethernet end-terminals with 60W of power, and is also backward compatible and safe to use with any 802.3af terminal such as VoIP phones, IP cameras and wireless LAN access points. It can power both existing 10/100Base-T devices and emerging wireless Gigabit devices such as WI-MAX and wireless IEEE 802.11n access points. With the midspan's plug-and-play installation, they are easily and cost effectively implemented leveraging an existing Ethernet infrastructure while at the same time providing flexibility to assurance a future-proof scalable network.

- **Features**

- Number of ports: 1
- PoE output: 60W
- Data rates: 10/100/1000 Mbps
- Input power: 20-36 VDC
- Output power: 54-57 VDC
- Regulatory compliance: IEEE 802.3at (PoE), RoHS compliant, WEEE compliant, CE
- EMI: FCC Part 15, Class B, EN 55022 Class B (emissions), EN 55024 (immunity)
- Safety: GS Mark Per IEC60950
- Compact design



PD-9501G/SFP/AC

1 port, 60W, IEEE 802.3at-compliant PoE media converter to extend existing network distance with fiber cabling

- **Summary**

A single port media converter with PoE functionality. Data input can be through SFP module or through the RJ45 port, while the output will be data and power up to 60 Watts. The media converter offers a unique solution to powering long range installations, where the data input comes over fiber. Standard SFP modules can be used (SM or MM modules). The 9501G-SFP complies with IEEE 802.3at and will provide PoE after detection. The PoE port will provide the power level needed by the end device, offering a safe solution for all types of applications starting with 802.3af loads and up to 802.3at 4-pairs loads.



- **Features**

- Number of ports: 1 PoE ports + 1 SFP input port
- PoE output: 60W
- Data rates: SFP - 1000 mbps modules, Copper - 10/100/1000 mbps
- Power input: AC
- Power cord options: US, EU (Europe), UK, EK (Europe and UK), BR (Brazil), AU (Australia), JP (Japan)
- Regulatory compliance: IEEE 802.3at (PoE), RoHS compliant, WEEE compliant
- EMI: FCC Part 15, Class B, EN 55022 Class B (emissions), EN 55024 (immunity), VCCI
- Safety: UL/EN/IEC 60950-1
- Compact design



PD-9501GR/SP/AC

1 port, 60W, IEEE 802.3at-compliant midspan

- **Summary**

The single port PoE midspan provides up to 60 Watts of power over Ethernet and offers a IEEE 802.3at-compliant solution for remote powering of current as well as emerging high power applications.

The PD-9501GR/SP provides surge protection functionality optimal for the installation of outdoor PDs. The midspan is designed specifically to power IEEE 802.11n and IEEE 802.3at access points, pan-tilt-zoom (PTZ) and dome cameras, IP videophones, thin clients and other high power Ethernet end terminals with 60W of power, and is also backward compatible and safe to use with any IEEE 802.3af terminal such as VoIP phones, IP cameras and wireless LAN access points. It can power both existing 10/100Base-T devices and emerging wireless 1000Base-T devices such as Wi-MAX and wireless IEEE 802.11n access points. It provides power on all 4-pairs while being backwards compatible to IEEE 802.3af and IEEE 802.3at powered devices.



- **Features**

- Number of ports: 1
- PoE output: 60W
- Data rates: 10/100/1000 Mbps
- Power input: AC
- Power cord options: US, EU (Europe), UK, BR (Brazil), AU (Australia), JP (Japan)
- Regulatory compliance: IEEE 802.3at (PoE), RoHS compliant, WEEE compliant, CE
- Surge protection: EN 61000-4-5 (10/700 μ sec, 4 KV), IEC- 61643-21, GR-1089-CORE lightning protection demands, ITU-T K.45 international standard
- EMI: FCC Part 15, Class B, EN 55022 Class B (emissions), EN 55024 (immunity), VCCI
- Safety: UL/cUL Per EN 60950-1, GS Mark Per EN 60950-1
- Compact design

PD-9501GC/AC

1 port, 60W, IEEE 802.3bt-compliant indoor PoE midspan

- **Summary**

The single port PoE midspan provides up to 60 Watts of power over Ethernet and offers a IEEE 802.3bt-compliant solution for remote powering of current as well as emerging high power applications. The PD-9501GC is designed specifically to power IEEE 802.11n and IEEE 802.3bt access points, pan-tilt-zoom (PTZ) and dome cameras, IP videophones, thin clients and other high power Ethernet end terminals. It is also backward compatible and safe to use with any IEEE 802.3af/at terminal such as VoIP phones, IP cameras and wireless LAN access points. It can power both existing 10/100Base-T devices and emerging wireless Gigabit devices such as wireless IEEE 802.11n access points. The PD-9501GC provides power on all 4-pairs while being backwards compatible to 802.3af and 802.3at powered devices.



- **Features**

- Number of ports: 1
- PoE output: 60W
- Data rates: 10/100/1000 Mbps
- Power input: AC
- Power cord options: US, EU (Europe), UK, BR (Brazil), AU (Australia), JP (Japan)
- Regulatory compliance: IEEE 802.3bt (PoE), RoHS compliant, WEEE compliant, CE
- EMI: FCC Part 15, Class B, EN 55032 Class B (emissions), EN 55024 (immunity), VCCI
- Safety: UL/EN/IEC 60950-1 (Ed.2)
- Compact design



PD-9001-10GC/AC

1 port, 30W, IEEE 802.3at-compliant indoor PoE midspan with 10G

- **Summary**

The single port PoE midspan provides up to 30 Watts of power over Ethernet and offers a IEEE 802.3at-compliant solution for remote powering of current and emerging high power indoor applications. The PD-9001-10GC enables remote power for a new range of applications including 802.11ac access points, pan-tilt-zoom (PTZ) cameras and videophones. It is backward compatible to IEEE 802.3af PoE standard. It can power both existing 10/100/1000Base-T network devices and emerging wireless 10G devices such as wireless IEEE 802.11ac access points.



- **Features**

- Number of ports: 1
- PoE output: 30W
- Data rates: 10/100/1000 Mbps & 10G
- Power input: AC
- Power cord options: US, EU (Europe), UK, BR (Brazil), AU (Australia), JP (Japan)
- Regulatory compliance: IEEE 802.3at (PoE), RoHS compliant, WEEE compliant, CE
- EMI: FCC Part 15, Class B, EN 55032 Class B (emissions), EN 55024 (immunity), VCCI
- Safety: UL/EN/IEC 60950-1 (Ed.2)
- Compact design



PD-9001-25GR/AC

1 port, 30W, IEEE 802.3at, indoor PoE midspan with 2.5G

- **Summary**

The single port PoE midspan is a high-power solution for remote powering of current and emerging high power indoor applications. Generating 30W, the PD-9001-25GR enables remote power for a new range of applications including 802.11ac wave 2 Access Points, pan-tilt-zoom (PTZ) cameras and video-phones. It complies to IEEE 802.3at PoE standard and is backward compatible to IEEE 802.3af. It can power both existing 10/100/1000Base-T network devices and emerging wireless 2.5GbE devices such as wireless IEEE 802.11ac access points.



- **Features**

- Number of ports: 1
- PoE output: 30W
- Data rates: 10/100/1000 Mbps and 2.5 GbE
- Input power: 100-240 VAC
- Output power: 55 VDC
- Regulatory compliance: IEEE 802.3at (PoE), RoHS compliant, WEEE compliant, CE
- EMI: FCC Part 15, Class B, EN 55022 Class B (emissions), EN 55024 (immunity), VCCI
- Safety: UL/EN/IEC 60950-1



PD-9001GR/SP/AC

1 port, 30W, IEEE 802.3at, indoor PoE midspan

- **Summary**

The single port PoE midspan provides up to 30 Watts of power over Ethernet and offers a IEEE 802.3at-compliant solution for remote powering of current and emerging high power applications. The PD-9001GR/SP provides surge protection functionality optimal for the installation of outdoor PDs. The midspan enables remote power for a new range of applications including 802.11n access points, pan-tilt-zoom (PTZ) cameras, and video-phones. It complies to IEEE 802.3at PoE standard and is backward compatible to IEEE 802.3af. It can power both existing 10/100 Base-T network devices and emerging wireless 1000 Base-T devices such as WiMAX and wireless IEEE 802.11n access points.



- **Features**

- Number of ports: 1
- PoE output: 30W
- Data rates: 10/100/1000 Mbps
- Power input: AC
- Power cord options: US, EU (Europe), UK, BR (Brazil), AU (Australia), JP (Japan)
- Input power: 100-240 VAC
- Output power: 55 VDC
- Regulatory compliance: IEEE 802.3at (PoE), RoHS compliant, WEEE compliant, CE
- Surge protection: EN 61000-4-5 (10/700 μ sec, 4 KV), IEC-61643-21, GR-1089-CORE lightning protection demands, ITU-T K.45 international standard
- EMI: FCC Part 15, Class B, EN 55022 Class B (emissions), EN 55024 (immunity), VCCI
- Safety: UL/cUL Per IEC 60950-1, GS Mark Per IEC 60950-1
- Compact design

PD-9001GC/AC

1 port, 30W, IEEE 802.3at-compliant indoor PoE midspan

- **Summary**

The single port PoE midspan provides up to 30 Watts of power over Ethernet and offers a IEEE 802.3at-compliant solution for powering IP phones, WLAN access points, network cameras and other IP terminal devices. The PD-9001GC supports data rates up to 1000Base-T, and can be used to deliver remote power and data to PoE compatible devices such as Wi-Fi access points, IP cameras, access control, IP phones etc.



- **Features**

- Number of ports: 1
- PoE output: 30W
- Data rates: 10/100/1000 Mbps
- Power input: AC
- Power cord options: US, EU (Europe), UK, EK (Europe and UK), BR (Brazil), AU (Australia), JP (Japan)
- Regulatory compliance: IEEE 802.3at (PoE), RoHS compliant, WEEE compliant, CE
- EMI: FCC Part 15, Class B, EN 55032 Class B, EN 55024, VCCI
- Safety: UL/EN/IEC 60950-1 (Ed.2)
- Compact design



PD-9001GR/AT/AC

1 port, 30W, IEEE 802.3at-compliant indoor PoE midspan

- **Summary**

The single port PoE midspan provides up to 30 Watts of power over Ethernet and offers a IEEE 802.3at-compliant solution for current as well as emerging high power applications. The PD-9001GR/AT is designed specifically to power IEEE 802.11n and IEEE 802.3at access points, pan-tilt-zoom (PTZ) and dome cameras, IP videophones, thin clients and other high power Ethernet end terminals. It is also backward compatible and safe to use with any IEEE 802.3af terminal such as VoIP phones, IP cameras and wireless LAN access points. It can power both existing 10/100Base-T devices and emerging wireless Gigabit devices such as Wi-MAX and wireless IEEE 802.11n access points.



- **Features**

- Number of ports: 1
- PoE output: 30W
- Data rates: 10/100/1000 Mbps
- Power input: AC
- Power cord options: US, EU (Europe), UK, BR (Brazil), AU (Australia), JP (Japan)
- Regulatory compliance: IEEE 802.3at (PoE), RoHS compliant, WEEE compliant, CE
- EMI: FCC Part 15, Class B, EN 55032 Class B (emissions), EN 55024 (immunity), VCCI
- Safety: UL/cUL Per EN 60950-1, GS Mark Per EN 60950-1
- Compact design

PD-3501GC/AC

1 port, 15.4W, IEEE 802.3af-compliant indoor PoE midspan

- **Summary**

The single port PoE midspan provides up to 15.4 Watts of power over Ethernet and offers a IEEE 802.3af-compliant solution for powering IP phones, WLAN access points, network cameras and other IP terminal devices. The PD-3501GC delivers reliable power over standard Ethernet cables, leaving existing network infrastructure completely unaltered. With plug-and-play installation, it can be easily and cost-effectively implemented leveraging the existing Ethernet infrastructure while at the same time providing the assurance of a future-proof network.



- **Features**

- Number of ports: 1
- PoE output: 15.4W
- Data rates: 10/100/1000 Mbps
- Power input: AC
- Power cord options: US, EU (Europe), UK, BR (Brazil), AU (Australia), JP (Japan)
- Regulatory compliance: IEEE 802.3af (PoE), RoHS compliant, WEEE compliant, CE
- EMI: FCC Part 15, Class B, EN 55032 Class B, EN 55024, VCCI
- Safety: UL/EN/IEC 60950-1 (Ed.2)
- Compact design

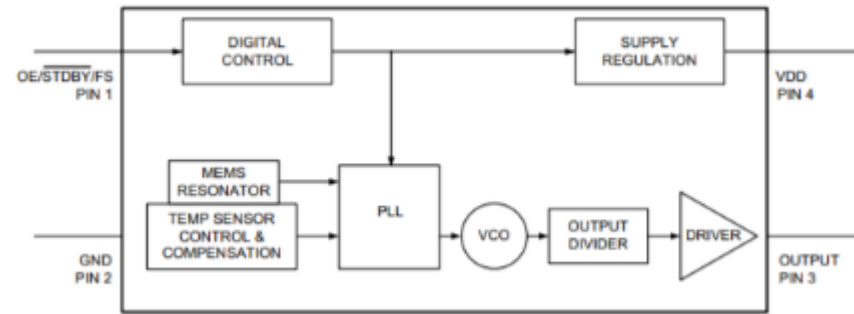
DSC6000B/6100B

Ultra-Small, Ultra-Low Power MEMS Oscillator

Online
Datasheet

Features:

- Wide Frequency Range:
 - DSC60xxB: 2kHz to 80MHz
 - DSC61xxB: 2KHz to 100MHz
- Ultra Low Power Consumption:
 - DSC60xxB: 1.3mA/1uA (Active/Stdby)
 - DSC61xxB: 3mA/1uA (Active/Stdby)
- Ultra Small Footprints:
 - 1.6mmx1.2mm, 2.0mmx1.6mm,
 - 2.5mmx2.0mm, 3.2mmx2.5mm
- Frequency Select input supports 2 frequencies
- High Stability: ± 20 , ± 25 , ± 50 ppm
- Excellent Shock & Vibration Immunity
- Qualified to MIL-STD-883
- High Reliability
- 20x better MTF than quartz oscillators
- Supply Range of 1.71 to 3.63 V
- Temperature Range:
 - Automotive: -40° to 125°C
 - Extended Industrial: -40° to 105°C
 - Industrial: -40° to 85°C
 - Extended Commercial: -20° to 70°C



	Pin 1	Output Drive strength	Active Current
DSC6001	OE	10 pf	1.3mA
DSC6003	OE	5 pf	1.3mA
DSC6011	Standby	10 pf	1.3mA
DSC6013	Standby	5 pf	1.3mA
DSC6021	Frequency Select	10 pf	1.3mA
DSC6023	Frequency Select	5 pf	1.3mA
DSC6101	OE	10 pf	3mA
DSC6102	OE	15 pf	3mA
DSC6111	Standby	10 pf	3mA
DSC6112	Standby	15 pf	3mA
DSC6121	Frequency Select	10 pf	3mA
DSC6122	Frequency Select	15 pf	3mA

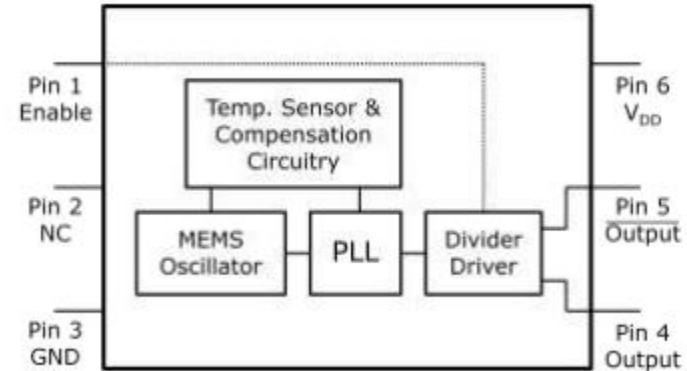
<< BACK

DSC11x1/x5

Low Jitter MEMS Oscillators - CMOS

• Features:

- **Low RMS Phase Jitter: 1.7 ps (typ. 12k-20M)**
- **High Stability: ± 10 , ± 25 , ± 50 ppm**
- **Wide Temperature Range:**
 - Automotive: -55°C to 125°C
 - Ext. Industrial: -40°C to 105°C
 - Industrial: -40°C to 85°C
 - Ext. commercial: -20°C to 70°C
- **High Supply Noise Rejection: -50dBc**
- **Wide Freq. Range: 2.3 to 170MHz**
- **Small Industry Standard Footprints:**
 - 2.5mm x 2.0mm3.2mm x 2.5mm,
 - 5.0mm x 3.2mm, & 7.0mm x 5.0mm
- **Excellent Shock & Vibration Immunity**
- **Qualified to MIL-STD-883**
- **High Reliability:**
 - 20x better MTF than quartz oscillators
- **Low Current Consumption**
- **Supply Range of 2.25V to 3.6V**
- **Standby & Output Enable Function**



	Pin 1	Output Drive Strength
DSC1101	Standby	High
DSC1121	OE	High
DSC1105	Standby	Low
DSC1125	OE	Low

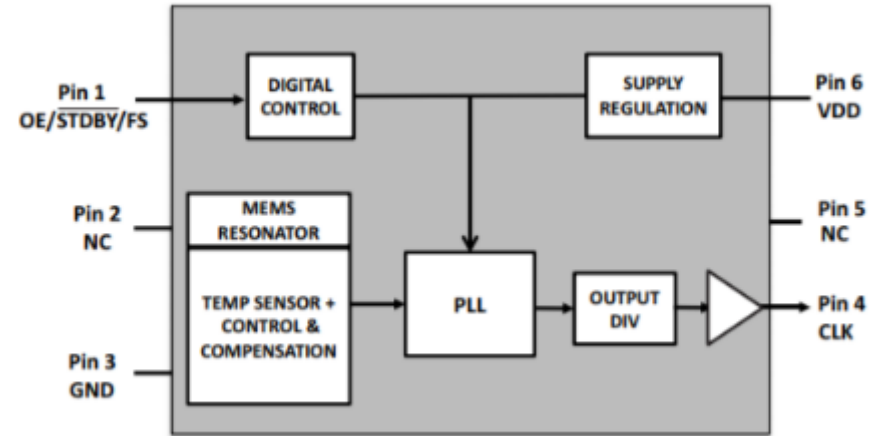
DSC12x1

Low Jitter MEMS oscillators -CMOS

Online
Datasheet

Features:

- Low RMS Phase Jitter: 0.65 ps (typ. 12k-20M)
- High Stability: ± 20 , ± 25 , ± 50 ppm
- Wide Temperature Range:
 - Automotive: -40°C to 125°C
 - Ext. Industrial: -40°C to 105°C
 - Industrial: -40°C to 85°C
 - Ext. commercial: -20°C to 70°C
- High Supply Noise Rejection: -50dBc
- Wide Freq. Range: 2.5 to 170MHz
- Small Industry Standard Footprints:
 - 2.5mm x 2.0mm3.2mm x 2.5mm,
 - 5.0mm x 3.2mm, & 7.0mm x 5.0mm
- Excellent Shock & Vibration Immunity
- Qualified to MIL-STD-883
- High Reliability:
 - 20x better MTF than quartz oscillators
- Low Current Consumption
- Supply Range of 2.25V to 3.6V
- Standby/Output Enable/Frequency Select Function



	Pin 1
DSC1201	Standby
DSC1211	Frequency Select
DSC1221	OE

<< BACK

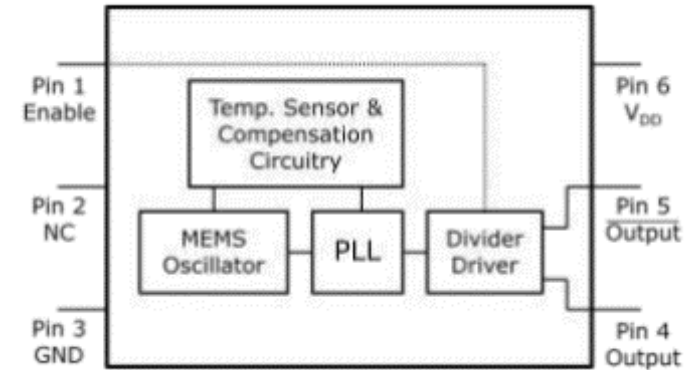


DSC11x2

Low Jitter MEMS Oscillator - LVPECL

• Features:

- **Low RMS Phase Jitter: 1.7 ps (typ. 12k-20M)**
- **High Stability: ± 10 , ± 25 , ± 50 ppm**
- **Wide Temperature Range:**
 - Industrial: -40°C to 85°C
 - Extended commercial: -20°C to 70°C
- **High Supply Noise Rejection: -50dBc**
- **Wide Freq. Range: 2.3 to 460MHz**
- **Small Industry Standard Footprints:**
 - 2.5mm x 2.0mm 3.2mm x 2.5mm,
 - 5.0mm x 3.2mm, & 7.0mm x 5.0mm
- **Excellent Shock & Vibration Immunity:**
 - Qualified to MIL-STD-883
- **High Reliability:**
 - 20x better MTF than quartz oscillators
- **Low Current Consumption**
- **Supply Range of 2.25V to 3.6V**
- **Standby & Output Enable Function**



	Pin 1
DSC1102	Standby
DSC1122	OE

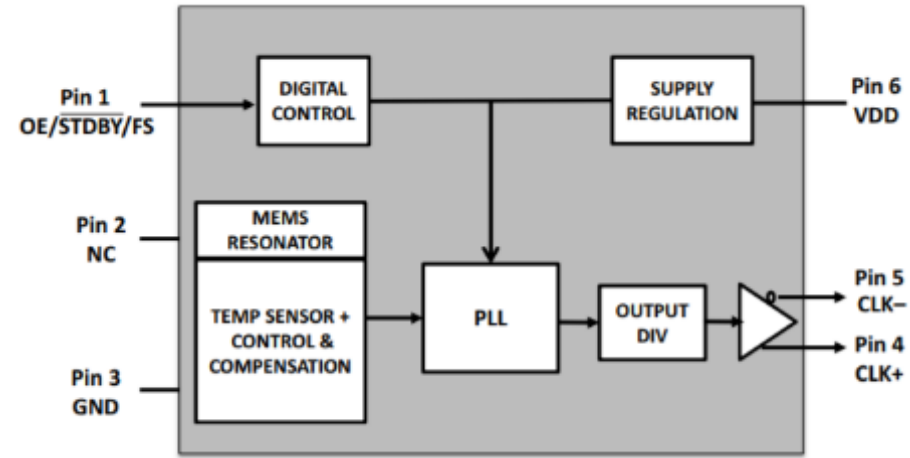
DSC12x2

Low Jitter MEMS oscillators -LVPECL

Online
Datasheet

Features:

- Wide Freq. Range: 2.5 to 450MHz
- Low RMS Phase Jitter: 0.65 ps (typ. 12k-20M)
- High Stability: ± 20 , ± 25 , ± 50 ppm
- Wide Temperature Range:
 - Ext. Industrial: -40°C to 105°C
 - Industrial: -40°C to 85°C
 - Ext. commercial: -20°C to 70°C
- High Supply Noise Rejection: -50dBc
- Small Industry Standard Footprints:
 - 2.5mm x 2.0mm3.2mm x 2.5mm,
 - 5.0mm x 3.2mm, & 7.0mm x 5.0mm
- Excellent Shock & Vibration Immunity
- Qualified to MIL-STD-883
- High Reliability:
 - 20x better MTF than quartz oscillators
- Low Current Consumption
- Supply Range of 2.25V to 3.6V
- Standby/Output Enable/Frequency Select Function



	Pin 1
DSC1202	Standby
DSC1212	Frequency Select
DSC1222	OE

<< BACK

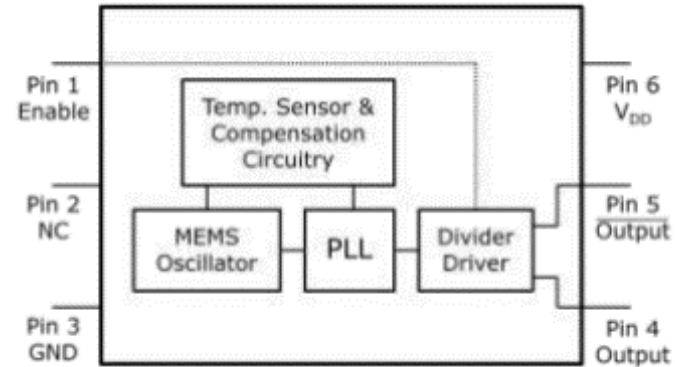


DSC11x3

Low Jitter MEMS Oscillator - LVDS

• Features:

- **Low RMS Phase Jitter: 1.7 ps (typ. 12k-20M)**
- **High Stability: ± 10 , ± 25 , ± 50 ppm**
- **Wide Temperature Range:**
 - Extended industrial: -20°C to 105°C
 - Industrial: -40°C to 85°C
 - Extended commercial: -20°C to 70°C
- **High Supply Noise Rejection: -50dBc**
- **Wide Freq. Range: 2.3 to 460MHz**
- **Small Industry Standard Footprints:**
 - $2.5\text{mm} \times 2.0\text{mm}$ $3.2\text{mm} \times 2.5\text{mm}$,
 - $5.0\text{mm} \times 3.2\text{mm}$, & $7.0\text{mm} \times 5.0\text{mm}$
- **Excellent Shock & Vibration Immunity:**
 - Qualified to MIL-STD-883
- **High Reliability:**
 - 20x better MTF than quartz oscillators
- **Low Current Consumption**
- **Supply Range of 2.25V to 3.6V**
- **Standby & Output Enable Function**



	Pin 1
DSC1103	Standby
DSC1123	OE

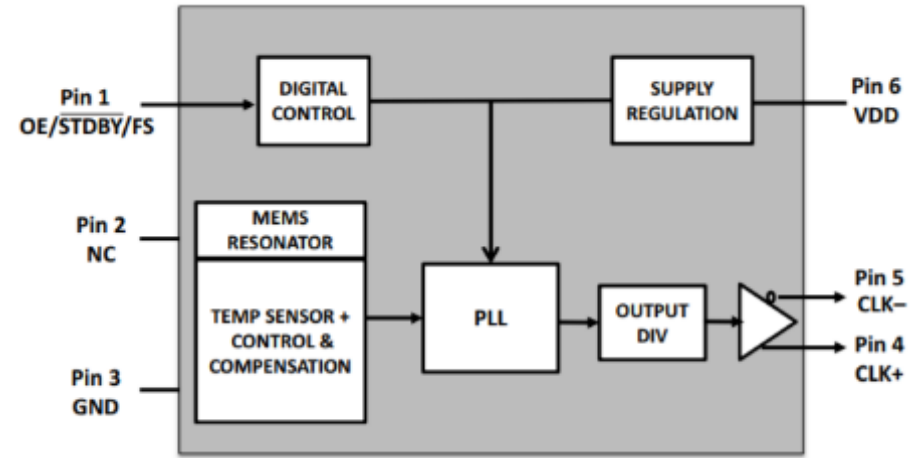
DSC12x3

Low Jitter MEMS oscillators -LVDS

Online
Datasheet

Features:

- Wide Freq. Range: 2.5 to 450MHz
- Low RMS Phase Jitter: 0.65 ps (typ. 12k-20M)
- High Stability: ± 20 , ± 25 , ± 50 ppm
- Wide Temperature Range:
 - Automotive: -40°C to 125°C
 - Ext. Industrial: -40°C to 105°C
 - Industrial: -40°C to 85°C
 - Ext. commercial: -20°C to 70°C
- High Supply Noise Rejection: -50dBc
- Small Industry Standard Footprints:
 - 2.5mm x 2.0mm 3.2mm x 2.5mm,
 - 5.0mm x 3.2mm, & 7.0mm x 5.0mm
- Excellent Shock & Vibration Immunity
- Qualified to MIL-STD-883
- High Reliability:
 - 20x better MTF than quartz oscillators
- Low Current Consumption
- Supply Range of 2.25V to 3.6V
- Standby/Output Enable/Frequency Select Function



	Pin 1
DSC1203	Standby
DSC1213	Frequency Select
DSC1223	OE

<< BACK

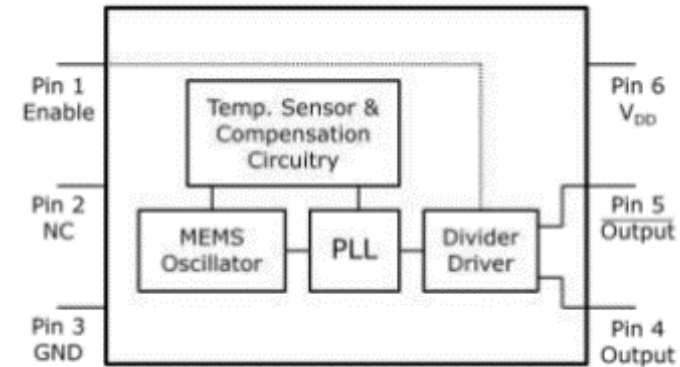


DSC11x4

Low Jitter MEMS Oscillator - HSCL

• Features:

- **Low RMS Phase Jitter: 1.7 ps (typ. 12k-20M)**
- **Meet PCIe Gen1/2/3/4 Clock Spec**
- **High Stability: ± 10 , ± 25 , ± 50 ppm**
- **Wide Temperature Range**
 - Extended industrial: -20°C to 105°C
 - Industrial: -40°C to 85°C
 - Extended commercial: -20°C to 70°C
- **High Supply Noise Rejection: -50dBc**
- **Wide Freq. Range: 2.3 to 460MHz**
- **Small Industry Standard Footprints**
 - 2.5mm x 2.0mm, 3.2mm x 2.5mm,
 - 5.0mm x 3.2mm, & 7.0mm x 5.0mm
- **Excellent Shock & Vibration Immunity**
 - Qualified to MIL-STD-883
- **High Reliability**
 - 20x better MTF than quartz oscillators
- **Low Current Consumption**
- **Supply Range of 2.25V to 3.6V**
- **Standby & Output Enable Function**



	Pin 1
DSC1104	Standby
DSC1124	OE

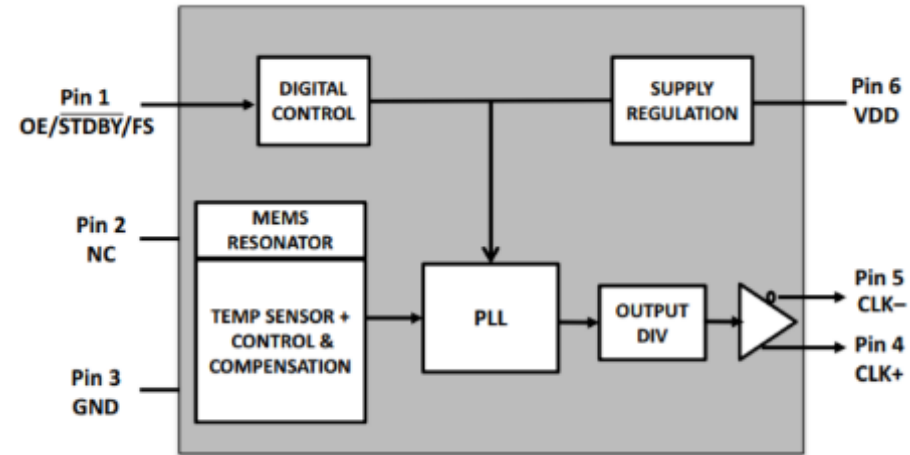
DSC12x4

Low Jitter MEMS oscillators -LVPECL

Online
Datasheet

Features:

- Wide Freq. Range: 2.5 to 450MHz
- Low RMS Phase Jitter: 0.65 ps (typ. 12k-20M)
- Meets PCIe Gen1/2/3/4 Clock Specs
- High Stability: ± 20 , ± 25 , ± 50 ppm
- Wide Temperature Range:
 - Ext. Industrial: -40°C to 105°C
 - Industrial: -40°C to 85°C
 - Ext. commercial: -20°C to 70°C
- High Supply Noise Rejection: -50dBc
- Small Industry Standard Footprints:
 - 2.5mm x 2.0mm3.2mm x 2.5mm,
 - 5.0mm x 3.2mm, & 7.0mm x 5.0mm
- Excellent Shock & Vibration Immunity
- Qualified to MIL-STD-883
- High Reliability:
 - 20x better MTF than quartz oscillators
- Low Current Consumption
- Supply Range of 2.25V to 3.6V
- Standby/Output Enable/Frequency Select Function



	Pin 1
DSC1204	Standby
DSC1214	Frequency Select
DSC1224	OE

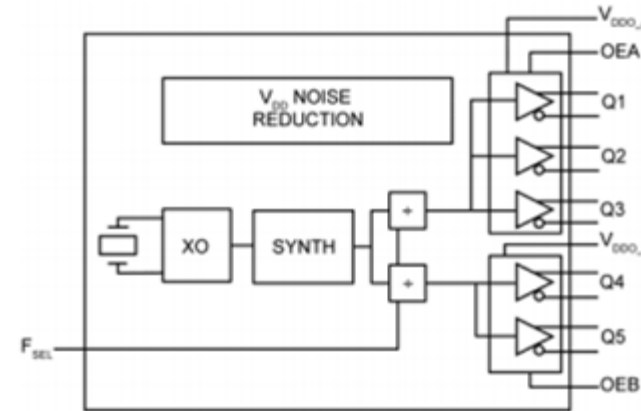
<< BACK



MX85

LVDS, LVPECL, HCSL, CMOS

- Features:
- 230fs RMS Phase Jitter of Fanout
- Supports 5 outputs and 2 distinct frequencies up to –
 - - 840MHz
- Complete clocking solution integrates the -
 - - crystal, synthesizer, and fanout
- OTP configurable, customized samples within days
- FSEL enables in-circuit frequency selection
- 3.3V or 2.5V operation
- -40°C to +85°C ambient temperature range



Part Number	Output Frequency (MHz)	Output Format	Frequency Stability (ppm)	Jitter (typ) (ps RMS)	Supply current (mA)	Supply voltage (V)	Temp. Range (°C)	Package size (mmxmm)	Custom Configuration
MX57	<840	LVCMOS LVPECL LVDS HCSL	±50	0.2	70	2.25 to 3.63	-20 to 70 -40 to 85	7.0x5.0 6L	ClockWorks Web tool
MX55	<840							5.0x3.2 6L	
MX85	<840	7.0x5.0 38-PIN LGA							

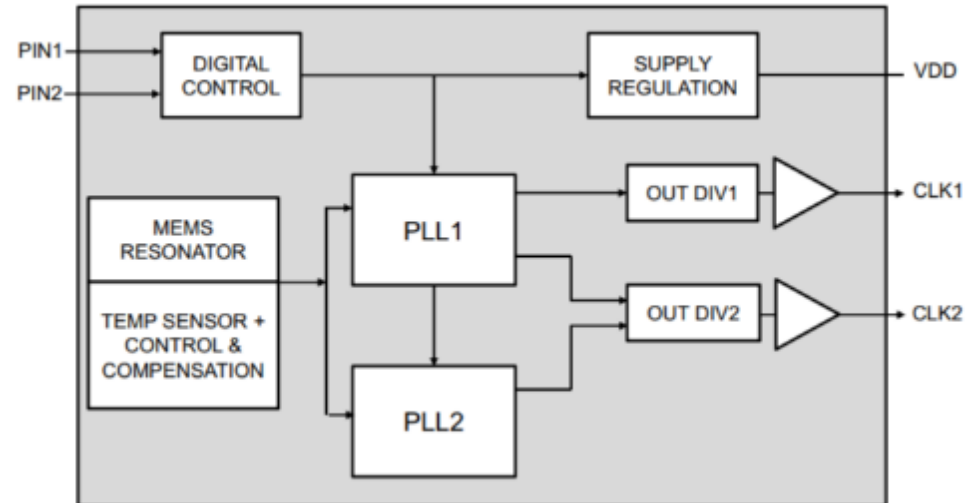
DSC612

Online
Datasheet

Ultra-Small, Low Power 2-output MEMS Clock Generator

Features:

- 2 any-rate outputs from 2k~100MHz
- Replace 2 crystals/oscillators
- Ultra-low power consumption:
 - ~3mA (active, 2 outputs), <1uA (standby)
- Ultra-small package:
 - 6-pin 1.6x 1.2mm / 2.0x1.6mm / 2.5x2.0mm 6L,
- High stability: $\pm 20/25/50$ ppm
- Supply voltage: 1.71V -3.6V
- Supports Spread Spectrum clock output
- Supply Range of 1.71 to 3.63 V
- Temperature Range:
 - Automotive: -40° to 125° C
 - Extended Industrial: -40° to 105° C
 - Industrial: -40° to 85° C
 - Extended Commercial: -20° to 70° C



<< BACK



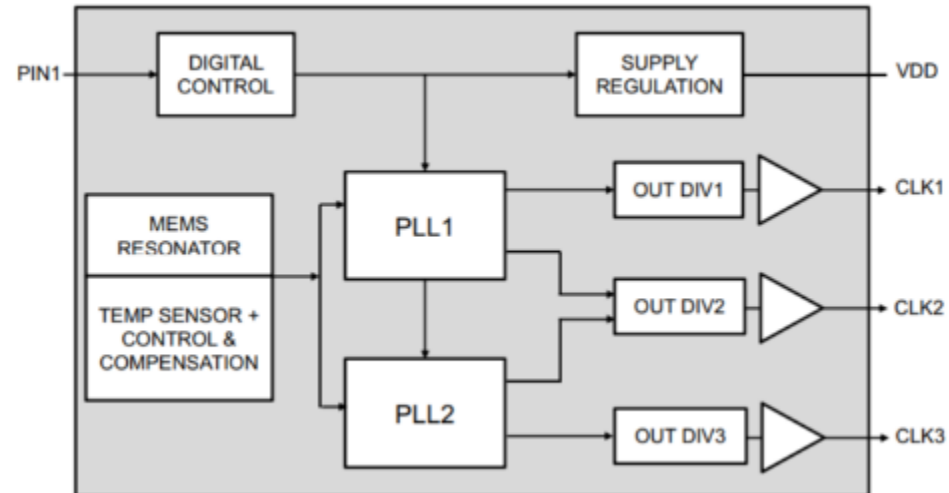
DSC613

Online
Datasheet

Ultra-Small, Low Power 3-output MEMS Clock Generator

Features:

- 3 outputs from 2k~100MHz
- Replace 3 crystals/oscillators
- Ultra-low power consumption:
~5mA (active, 3 outputs), <1uA (standby)
- Ultra-small package:
6-pin 1.6x 1.2mm / 2.0x1.6mm / 2.5x2.0mm,
- High stability: $\pm 20/25/50$ ppm
- Supply voltage: 1.71V -3.6V
- Supports Spread Spectrum clock output
- Supply Range of 1.71 to 3.63 V
- Temperature Range:
 - Automotive: -40° to 125° C
 - Extended Industrial: -40° to 105° C
 - Industrial: -40° to 85° C
 - Extended Commercial: -20° to 70° C



<< BACK



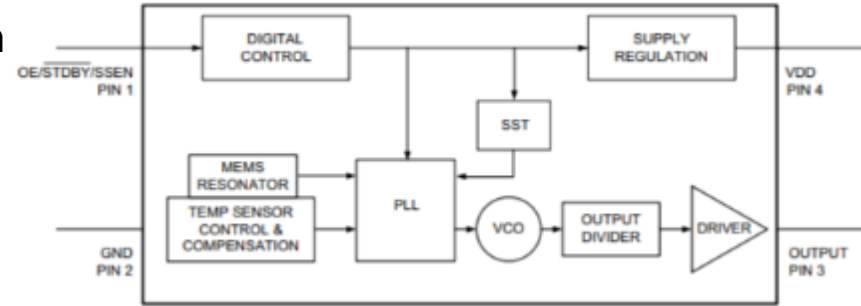
DSC6300B

Ultra-Small, Spread Spectrum MEMS Oscillator

[Online Datasheet](#)

Features:

- Output frequency range: 1M~100MHz
- Standard Oscillator pin out with spread spectrum clock output for EMI reduction
- Supports ± 0.25 to $\pm 2.5\%$ center spread and -0.5% to -3% down spread
- Ultra-low power consumption:
 - $\sim 3\text{mA}$ (active), $\sim 1\mu\text{A}$ (standby)
- Ultra-small package size:
 - 1.6x 1.2mm, 2.0x1.6mm, 2.5x2.0mm, 3.2x2.5mm
- Pin 1 supports spread enable/disable input
- Supply voltage: 1.8/2.5/3.3V
- Supply Range of 1.71 to 3.63 V
- Temperature Range:
 - Automotive: -40° to 125°C
 - Extended Industrial: -40° to 105°C
 - Industrial: -40° to 85°C
 - Extended Commercial: -20° to 70°C



	Pin 1	Output Drive strength
DSC6301	OE	10 pf
DSC6302	OE	15 pf
DSC6311	Standby	10 pf
DSC6312	Standby	15 pf
DSC6331	Spread Enable	10 pf
DSC6332	Spread Enable	15 pf

[<< BACK](#)



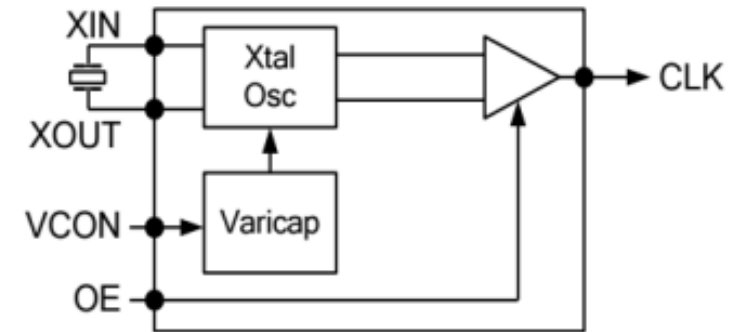
PL500-17

Low cost, high performance and low phase noise VCXO

[Online Datasheet](#)

Features:

- V_{CXO} output for the 17MHz to 36MHz range
- Low phase noise (-130dBc @ 10kHz offset at -35.328MHz)
- LVCMOS output with OE tri-state control
- 17 to 36MHz fundamental crystal input
- Integrated high linearity variable capacitors
- 8mA drive capability at TTL output
- ± 150 ppm pull range, max 5% (typ.) linearity
- Low jitter (RMS): 2.5ps period jitter
- 2.5V to 3.3V operation
- Available in: 8-Pin SOP, 6-pin SOT23, and Die



<< BACK



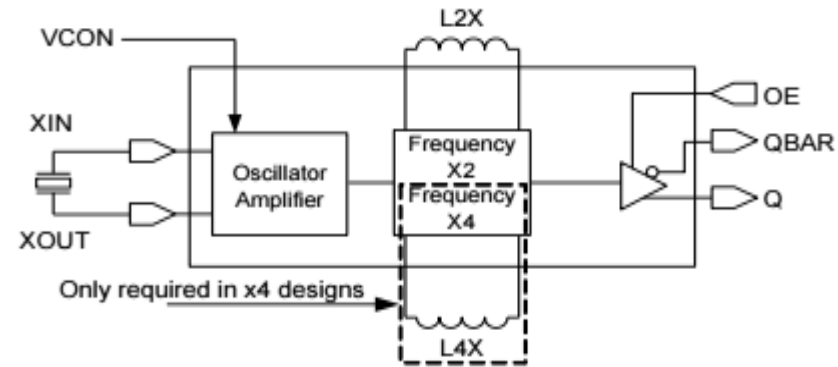
PL560-47

Balanced Oscillator

Online
Datasheet

Features:

- Non-PLL frequency multiplication
- Input frequency from 30-200MHz
- Output frequency from 60-800MHz
- Ultra-low jitter:
 - RMS phase jitter <0.25ps (12kHz-20MHz)
 - RMS random period jitter <25ps
- Low phase noise:
 - -142 dBc/Hz @100kHz offset from 155.52MHz
 - -150 dBc/Hz @10MHz offset from 155.52MHz
- High linearity pull range (typ. 5%)
- Low phase noise and jitter:
 - Equivalent to fundamental crystal at the output frequency
- ± 120 PPM pullability V_{CXO} Low input frequency eliminates the –
- need for expensive crystals
- Differential output levels (PECL, LVDS), or single-ended CMOS
- Single 3.3V, $\pm 10\%$ power supply
- Temperature Range:
 - Commercial 0°C to +70°C
 - Industrial -40°C to +85°C
- Available in 16-pin TSSOP, 3x3 QFN packages, and die



<< BACK



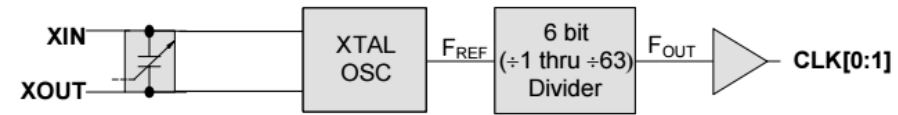
PL610-01

1.8V to 3.3V, 1 MHz to 130 MHz XO IC

[Online Datasheet](#)

Features:

- Wide frequency coverage, programmable, -
 - advanced oscillator design
- Programmable “Odd/Even” Divider up to 63
- Direct oscillation operation w/ optional –
 - programmable features:
 - Output Drive Strength (4, 8, or 16mA)
 - 6-bit Odd/Even Output Divider
- Input Frequency:
 - Fundamental Crystal: 5MHz to 130MHz
 - Reference Clock: 1MHz to 130MHz
- Supports CMOS or Sine Wave input clock
- Output Frequency: 20kHz to 130MHz
- Very low Jitter and Phase Noise
- Low current consumption
- Single 1.8V - 3.3V $\pm 10\%$ power supply
- Industrial temperature range: -40°C to $+85^{\circ}\text{C}$
- Available in 6-pin DFN, SOT-23 packages and die



<< BACK



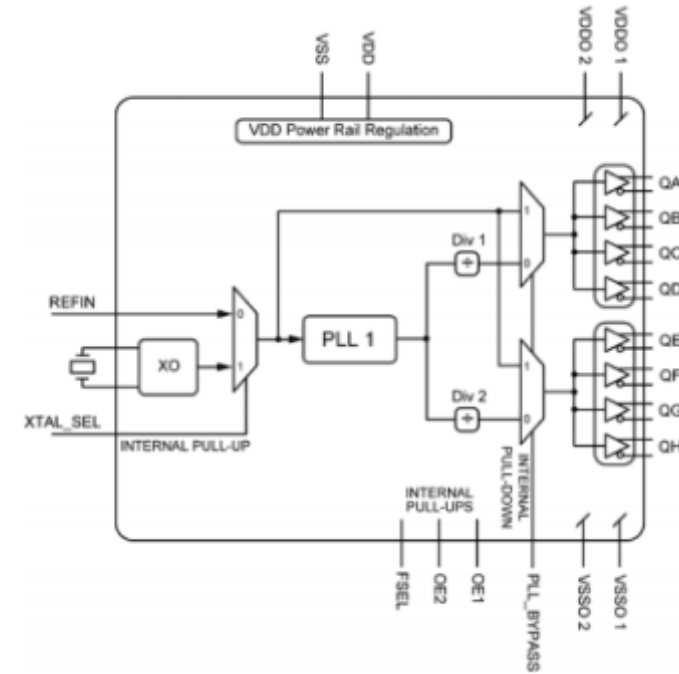
SM802XXX

Flexible Ultra-Low Jitter Clock Synthesizer

[Online Datasheet](#)

Features:

- 115fs at 156.25MHz (1.875MHz to 20MHz)
- 245fs at 156.25MHz (12kHz to 20MHz)
- On chip power supply regulation:
 - Excellent board level power supply noise – immunity
- Generates up to 8 combinations of differential - - or 16 single-ended clock outputs.
- LVPECL, LVDS, HCSL, LVCMOS (SE or Diff)
- Selectable input:
 - Crystal: 11MHz to 30MHz
 - Reference input: 11MHz to 80MHz
- No external crystal oscillator capacitors required
- 2.5V or 3.3V operating power supply
- Industrial temperature range: -40°C to +85°C
- Available QFN packages:
 - 44-pin 7mm x 7mm
 - 32-pin 5mm x 5mm
 - 24-pin 4mm x 4mm
 - 16-pin 3mm x 3.5mm



[<< BACK](#)



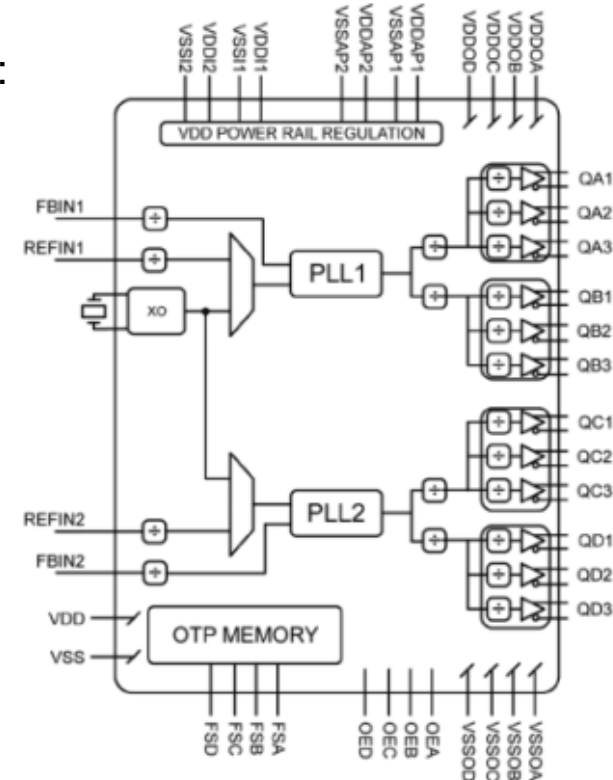
SM803XXX

Flexible Ultra-Low Jitter Clock Synthesizer

[Online Datasheet](#)

Features:

- Generates up to 12 differential or single-ended frequencies:
 - 75fs phase jitter @ 156.25MHz (1.875MHz to 20MHz)
 - 180fs phase jitter @ 156.25MHz (12KHz to 20MHz)
- Two PLL synthesizers to generate multiple frequencies
- Independently programmable output logic and frequency
- Output logic: LVPECL, LVDS, HCSL, LVCMOS
- Selectable input:
 - Crystal: 12MHz to 50MHz
 - Reference Input: 12MHz to 850MHz
- No external crystal oscillator capacitors required
- 3.3V or 2.5V operating power supply
- Separate output power supplies:
 - Each bank can be at different levels
- Feedback input pins for use as zero delay buffer
- On chip power supply regulation for excellent power –
- supply noise immunity
- Temperature Range:
 - Commercial 0°C to +70°C
 - Industrial -40°C to +85°C
- Available in 84-pin 7mm x 7mm QFN package



[<< BACK](#)



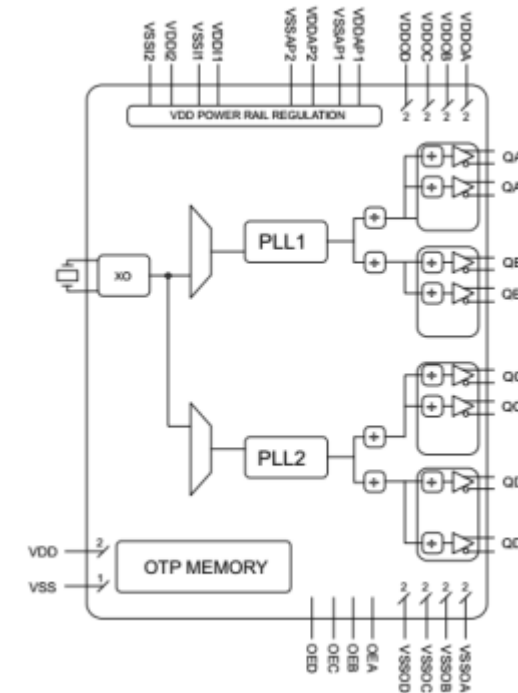
SM813XXX

Flexible Ultra-Low Jitter Clock Synthesizer

[Online Datasheet](#)

Features:

- Generates up to 18 differential or single-ended frequencies:
 - <65fs phase jitter @ 156.25MHz (1.875MHz to 20MHz)
 - <115fs phase jitter @ 156.25MHz (12KHz to 20MHz)
- Two PLL synthesizers to generate multiple frequencies
- Independently programmable output logic and frequency
- Output logic: LVPECL, LVDS, HCSL, LVCMOS
- Selectable input:
 - Crystal: 31.25MHz to 156.25MHz
- No external crystal oscillator capacitors required
- 3.3V or 2.5V operating power supply
- Separate output power supplies:
 - Each bank can be at different levels (4 banks of 2 – - outputs each)
- On chip power supply regulation for excellent power supply - – noise immunity
- Supports Commercial or Industrial temperature ranges
- Temperature Range:
 - Commercial 0°C to +70°C
 - Industrial -40°C to +85°C
- Available in 48-pin 7mm x 7mm QFN package



[<< BACK](#)

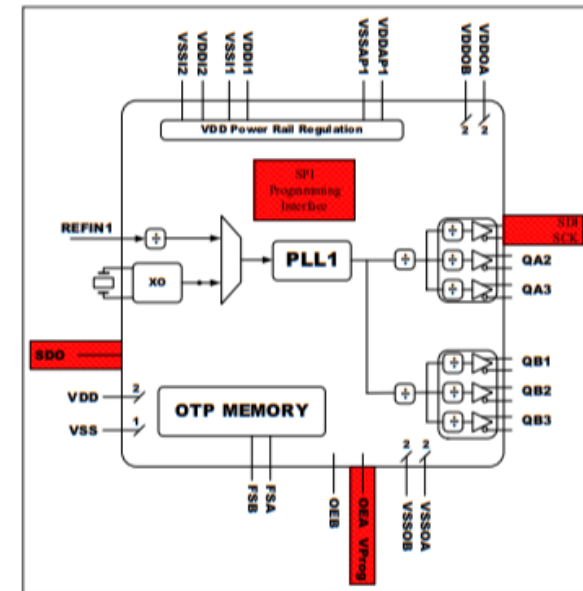


SM806XXX

Flexible Ultra-Low Jitter Clock Synthesizer

- **Features:**

- 60fs at 156.25MHz (1.875MHz to 20MHz)
- 78fs at 156.25MHz (12kHz to 20MHz)
- On chip power supply regulation for excellent board level power supply noise immunity
- Generates up to 6 combinations of differential or single-ended clock outputs.
- LVPECL, LVDS, HCSL, LVCMOS
- Selectable input:
 - Crystal: 32.5MHz to 156.25MHz
 - Reference input: 11MHz to 80MHz
 - No external crystal oscillator capacitors required
- 2.5V or 3.3V operating power supply
- Available in Industrial Temperature range
- Available in Green, RoHS, and PFOS compliant QFN packages:
 - 48-pin 7mm x 7mm
 - 24-pin 4mm x 4mm

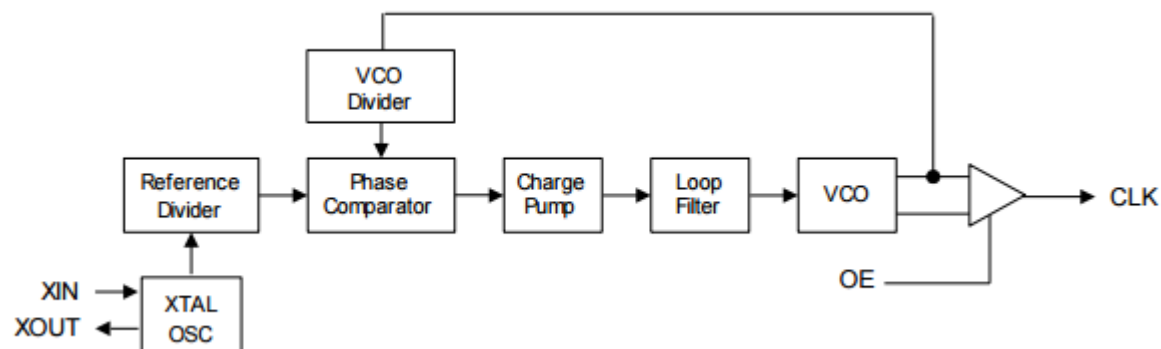


PL602-03

Low Cost, High Performance & Low Phase Noise XO

- **Features:**

- Low phase noise XO output for the 48MHz to 100MHz range (-130 dBc at 10kHz offset).
- 12 to 25MHz crystal input
- Integrated crystal load capacitor:
- No external load capacitor required
- Selectable High Drive (30mA) or Standard Drive (10mA) output.
- 3.3V operation
- Available in 8-Pin TSSOP or SOIC

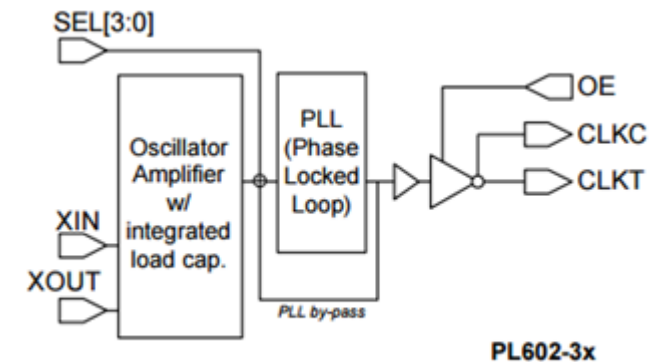


PL602-37/38/39

HCSL Compatible Clock Generator for PCI Express

- **Features:**

- Selectable 750kHz to 800MHz range
- Low phase noise output:
 - -127dBc/Hz for 155.52MHz @ 10kHz offset
 - -115dBc/Hz for 622.08MHz @ 10kHz offset
- LVCMOS (PL602-37), LVPECL (PL602-35 and -PL602-38) or LVDS (PL602-39) output
- 12MHz to 25MHz crystal input
- No external load capacitor or varicap required
- Output Enable selector
- Selectable /16 to x32 frequency divider/multiplier
- 3.3V operation
- Available in 16-Pin TSSOP, 16-pin 3mm x 3mm packages



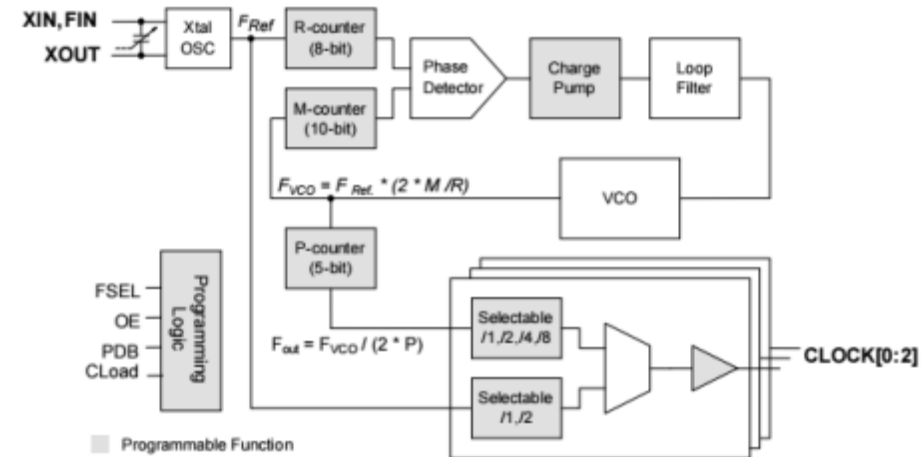
PL611-01

Programmable Clock™

Online
Datasheet

Features:

- Advanced programmable PLL design
- Very low Jitter and Phase Noise:
 - 30-70ps Pk-Pk typical
- Up to 3 programmable outputs
- Output frequency up to 200MHz CMOS
- Accepts Crystal or reference clock inputs:
 - Fundamental crystal: 10MHz-30MHz
 - 3RD overtone crystal: Up to 75MHz
 - Reference input: Up to 200MHz
- Accepts <1.0V reference signal input – voltage
- One programmable I/O pin can be configured as:
 - Programmable clock
 - Frequency Selection input
 - Output Enable (OE)
 - Power Down (PDB) input
- Supply operating range 2.25V to 3.63V
- Industrial temperature range: -40°C to +85°C
- Available in 8-pin MSOP/SOP, and 6-pin SOT packages



<< BACK



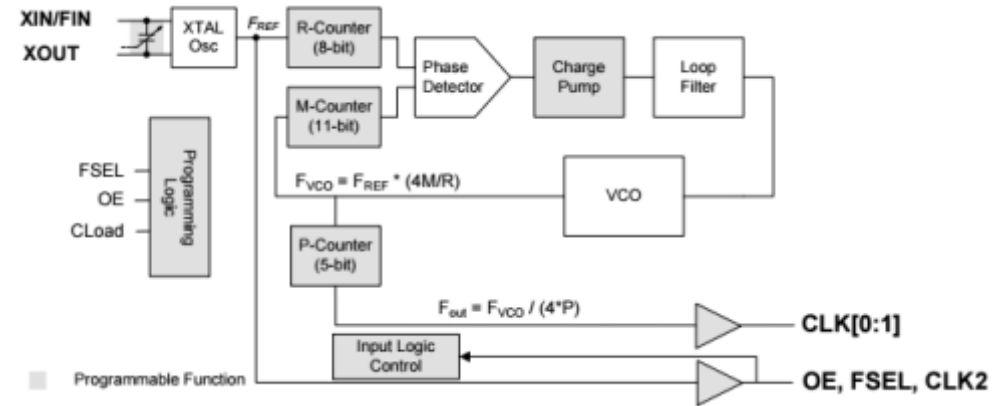
PL611-30

Online
Datasheet

Low-Cost General Purpose Frequency Synthesizer

Features:

- Advanced programmable PLL design
- Very low Jitter and Phase Noise:
 - <40ps Pk-Pk typ.
- Supports complementary LVCMOS –
- outputs to drive LVPECL & LVDS inputs
- Output Frequencies:
 - ≤400MHz at 3.3V
 - ≤350MHz at 2.5V
- Input Frequencies:
 - Fundamental crystal: 10MHz-30MHz
 - 3RD overtone crystal: Up to 75MHz
 - Reference Input: Up to 200MHz
- Accepts <1.0V reference signal input voltage
- One programmable I/O pin can be configured as:
 - Output Enable (OE) input
 - Frequency Selection (FSEL) input
 - Reference Clock (CLK2) output
- Single 2.5V or 3.3V ±10% power supply
- Industrial temperature range: -40°C to +85°C
- Available in 8-pin MSOP/SOP and 6-pin SOT-23 packages



<< BACK



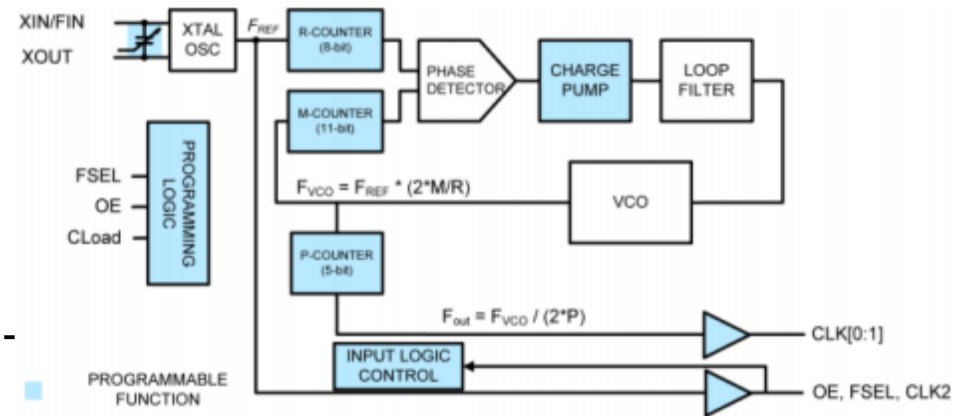
PL611-31

Online
Datasheet

Low-Cost General Purpose Frequency Synthesizer

Features:

- Advanced programmable PLL design
- Very low Jitter and Phase Noise:
 - <40ps Pk-Pk typ.
- Up to 3 outputs
- Output Frequencies up to 200MHz CMOS:
 - Provides complementary LVCMOS -
- outputs to drive LVSMOS, LVPECL, -
- LVDS, HCSL or CML inputs
- Input Frequencies:
 - Fundamental crystal: 10MHz – 30MHz
 - Reference clock: 1MHz – 200MHz
- Accepts <1.0V reference signal input voltage
- One programmable I/O pin can be configured as:
 - Output Enable (OE) input
 - Frequency Selection (FSEL) input
 - Reference Clock (CLK2) output
- Single 2.5V or 3.3V $\pm 10\%$ power supply
- Industrial temperature range: -40°C to +85°C
- Available in 8-pin MSOP/SOP and 6-pin SOT-23 packages



<< BACK



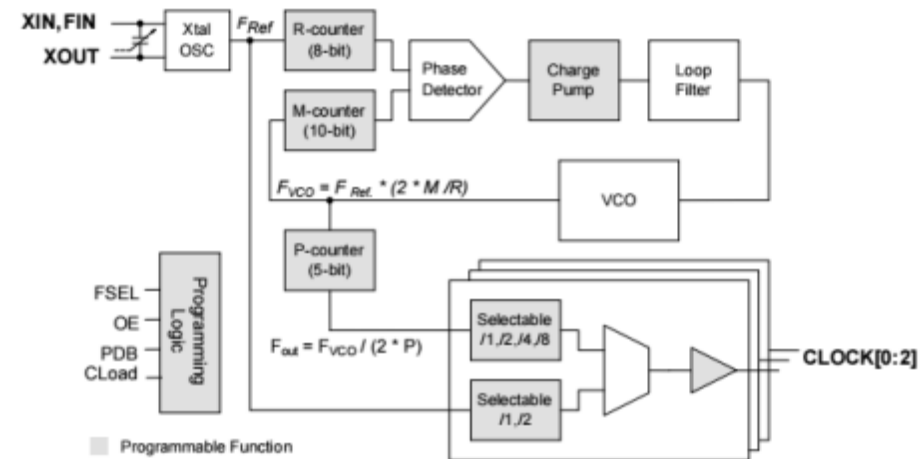
PL611-01

Online
Datasheet

Low-Cost General Purpose Frequency Synthesizer

Features:

- Advanced programmable PLL design
- Very low Jitter and Phase Noise
 - 30-70ps Pk-Pk typical
- Up to 3 programmable outputs
- Output frequency up to 200MHz CMOS
- Accepts Crystal or reference clock inputs:
 - Fundamental crystal: 10MHz-30MHz
 - 3RD overtone crystal: Up to 75MHz
 - Reference input: Up to 200MHz
- Accepts <1.0V reference signal input –
- voltage
- One programmable I/O pin can be configured as:
 - Programmable clock
 - Frequency Selection input
 - Output Enable (OE)
 - Power Down (PDB) input
- Supply operating range 2.25V to 3.63V
- Industrial temperature range: -40°C to +85°C
- Available in 8-pin MSOP/SOP, and 6-pin SOT packages



<< BACK



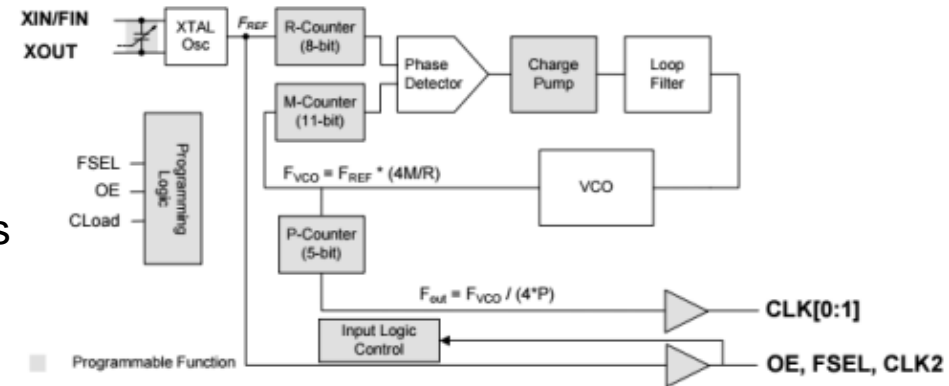
PL611-30

Online
Datasheet

Low-Cost General Purpose Frequency Synthesizer

Features:

- Advanced programmable PLL design
- Very low Jitter and Phase Noise:
 - <40ps Pk-Pk typ.
- Supports complementary LVCMOS –
- outputs to drive LVPECL and LVDS inputs
- Output Frequencies:
 - ≤400MHz at 3.3V
 - ≤350MHz at 2.5V
- Input Frequencies:
 - Fundamental crystal: 10MHz-30MHz
 - 3RD overtone crystal: Up to 75MHz
 - Reference Input: Up to 200MHz
- Accepts <1.0V reference signal input voltage
- One programmable I/O pin can be configured as:
 - Output Enable (OE) input
 - Frequency Selection (FSEL) input
 - Reference Clock (CLK2) output
- Single 2.5V or 3.3V ±10% power supply
- Industrial temperature range: -40°C to +85°C
- Available in 8-pin MSOP/SOP, and 6-pin SOT-23 packages



<< BACK



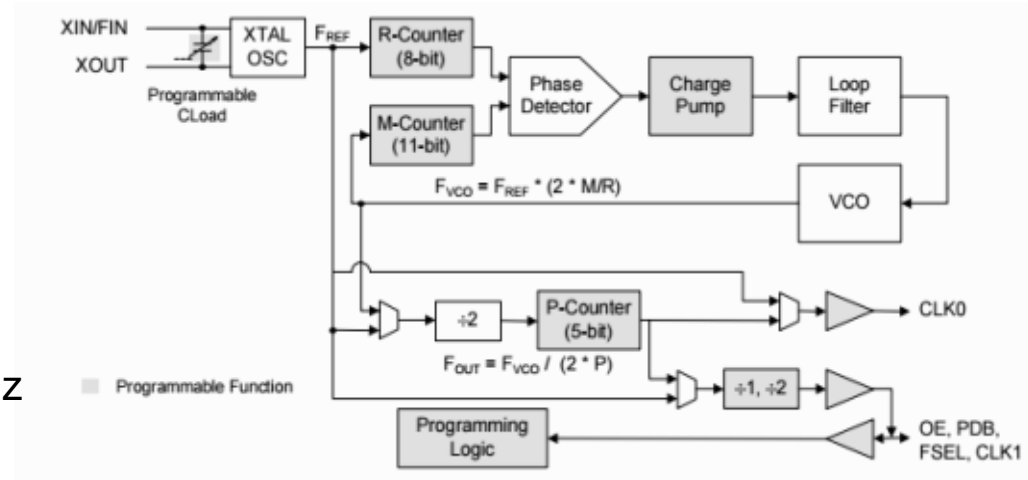
PL611s-02

Online
Datasheet

1.8V-3.3V PicoPLL, World's Smallest Programmable Clock

Features:

- Advanced One Time Programmable PLL design
- Programmable PLL or Direct Oscillation operation
- Very low Jitter and Phase Noise:
 - 30-70ps Pk-Pk typ.
- Output Frequencies:
 - $\leq 110\text{MHz}$ at 1.8V
 - $\leq 166\text{MHz}$ at 2.5V
 - $\leq 200\text{MHz}$ at 3.3V
- Input Frequencies:
 - Fundamental crystal: 10MHz-30MHz
- Input Frequency: Fundamental crystal:
 - 10MHz-50MHz
- 8-bit Switch Capacitor for $\pm 50\text{ppm}$ crystal CL tuning
- Low current consumption, $< 10\mu\text{A}$ when PDB is activated
- One programmable I/O pin can be configured as:
 - Output Enable (OE) input
 - Power Down (PDB) input
- Single 1.8V, 2.5V or 3.3V $\pm 10\%$ power supply
- Industrial temperature range: -40°C to $+85^\circ\text{C}$
- Wire bond (-02) or Flip-Chip (-03) pad layout



<< BACK



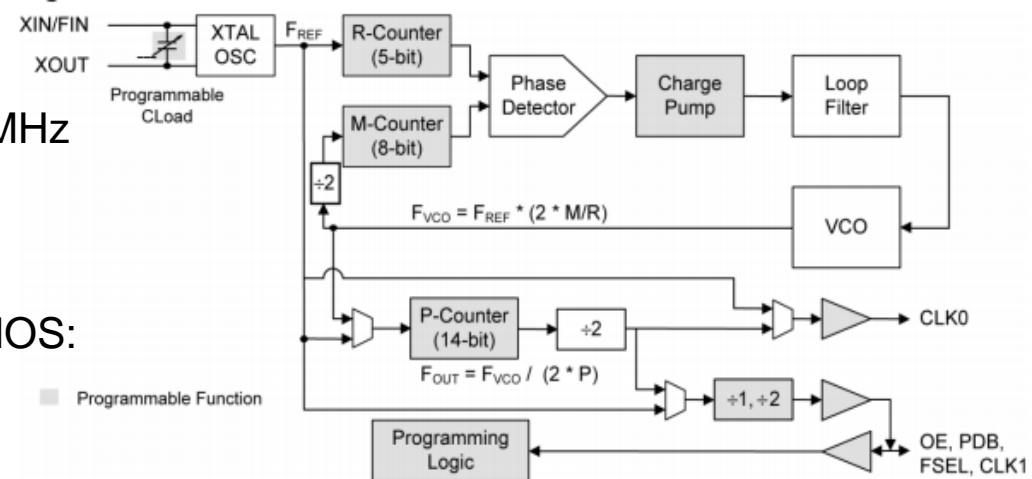
PL611s-18

Online
Datasheet

0.5kHz to 125MHz, MHz-to-kHz Programmable Clock

Features:

- Designed for very low power applications
- Accepts crystal or reference clock inputs
- Input frequency:
 - Fundamental crystal: 10MHz to 50MHz
 - Reference input: 1MHz to 125MHz
- Accepts >0.1V reference signal input - voltage
- Output frequency 0.5kHz to 125MHz CMOS:
 - 65MHz @ 1.8V operation
 - 90MHz @ 2.5V operation
 - 125MHz @ 3.3V operation
- One programmable I/O pin can be configured as:
 - OE, PDB, FSEL, or CLK1
- Low current consumption:
 - <1.0mA with 27MHz & 32kHz outputs
 - <5µA when PDB is activated
- Single 1.8V - 3.3V ±10% power supply
- Industrial temperature range: -40°C to +85°C
- Available in 6-pin DFN, and SOT-23 packages



<< BACK



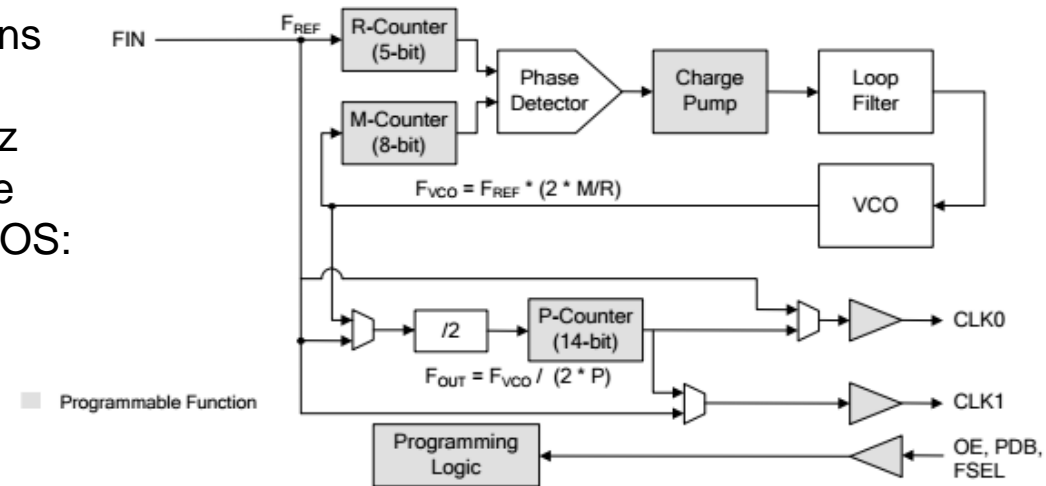
PL611s-19

Online
Datasheet

0.5kHz-125MHz, MHz to KHz Programmable Clock™

Features:

- Designed for very low power applications
- Input Frequency, AC Coupled:
 - Reference input: 1MHz to 125MHz
 - Accepts >0.1V input signal voltage
- Output frequency up to 125MHz LVCMOS:
 - ≤65MHz @ 1.8V operation
 - ≤90MHz @ 2.5V operation
 - ≤125MHz @ 3.3V operation
- One programmable input pin can be configured as:
 - Power Down (PDB) input
 - Output Enable (OE)
 - Frequency Selection Switching input
- Disabled outputs Active Low
- Low current consumption:
 - <1.0mA with 27MHz & 32kHz outputs
 - <5µA when PDB is activated
- Single 1.8V - 3.3V ±10% power supply
- Industrial temperature range: -40°C to +85°C
- Available in 6-pin DFN, and SOT-23 packages



<< BACK



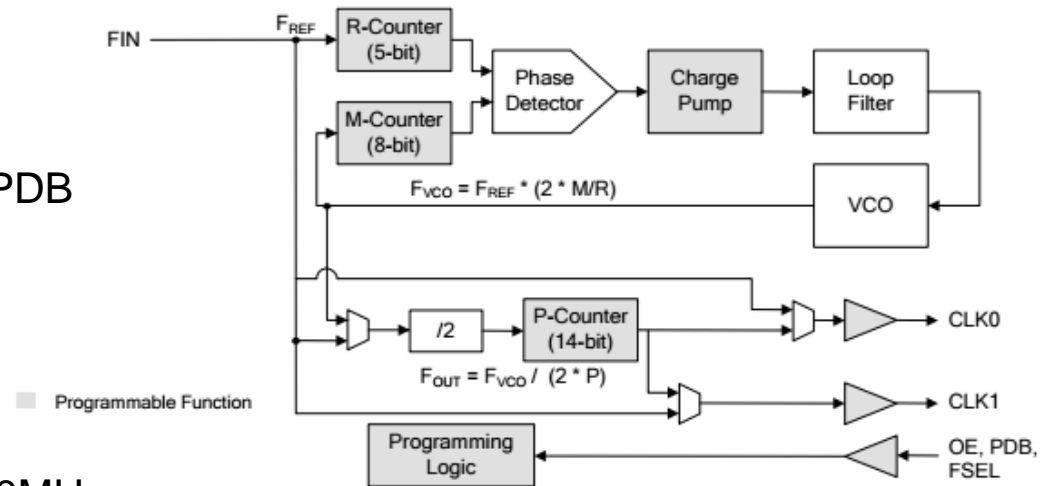
PL613-01

Online
Datasheet

1.8V to 3.3V, PicoPLL, 3-PLL, 200 MHz, 8 Output Clock IC

Features:

- Designed for PCB space savings
- 3 low-power Programmable PLLs & -
 - Up to 8 clock outputs
- Low-Power Consumption: 10µA typ in PDB
- Output Frequency:
 - ≤110MHz @ 1.8V operation
 - ≤166MHz @ 2.5V operation
 - ≤200MHz @ 3.3V operation
- Input Frequency:
 - Fundamental Crystal: 10MHz to 40MHz
 - Reference Input: 10MHz to 200MHz
- Programmable I/O pins can be configured as:
 - Output Enable (OE), Configuration Switching –
 - (CSEL), Frequency Switching (FSELX), Power –
 - Down (PDB) inputs, or Clock Outputs
- Disabled outputs programmable as HiZ or Active Low
- Single 1.8V, 2.5V or 3.3V ±10% power supply
- Temperature range:
 - Commercial: 0°C to +70°C, Industrial: -40°C to +85°C
- Available in 3mm x 3mm QFN or TSSOP packages



<< BACK



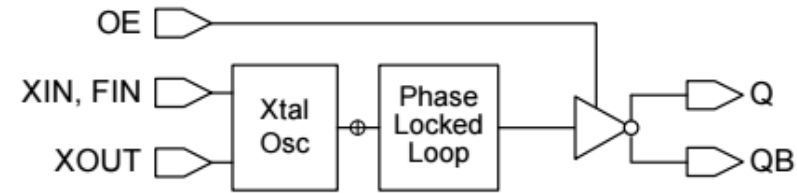
PL602-XX

HCSL Compatible Clock Generator for PCI Express

[Online Datasheet](#)

Features:

- Input Frequency:
- Fundamental Crystal or Reference Input: 25MHz
- Output Frequency:
 - PL602-21: 100MHz differential outputs
 - PL602-22: 125MHz differential outputs
 - PL602-23: 200MHz differential outputs
 - PL602-26: 25MHz differential outputs
 - PL602-27: 250MHz differential outputs
 - PL602-15: 156.25MHz differential outputs
- Very low Jitter: 28ps Pk-Pk typ
- Very low Phase Noise:
 - -130 dBc at 10kHz offset at 100MHz
- No external loop filter is required
- Power supply range: 2.25V to 3.63V
- Industrial temperature range: -40°C to 85°C
- 6-pin SOT and 8-pin SOP packages



[<< BACK](#)



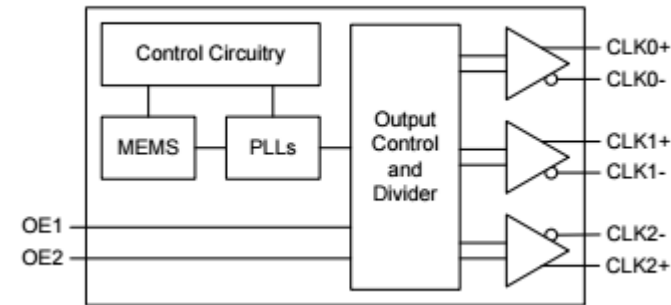
DSC557-03

Online
Datasheet

Crystal-less Two Output PCIe Gen1/2/3 Clock Generator

Features:

- Meets PCIe Gen1, Gen2 & Gen3 specs.
- Available Output Formats:
 - HCSL, LVPECL, or LVDS
 - HCSL/LVPECL, HCSL/LVDS, -
- LVPECL/LVDS
- Wide Temperature Range:
 - Ext. Industrial: -40°C to 105°C
 - Industrial: -40°C to 85°C
 - Ext. Commercial: -20°C to 70°C
- Excellent Shock & Vibration Immunity
 - Qualified to MIL-STD-883
- Low Power Consumption
 - 30% lower than competing devices
- Supply Range of 2.25V to 3.6V
- TSSOP and 14-Pin QFN packages



<< BACK



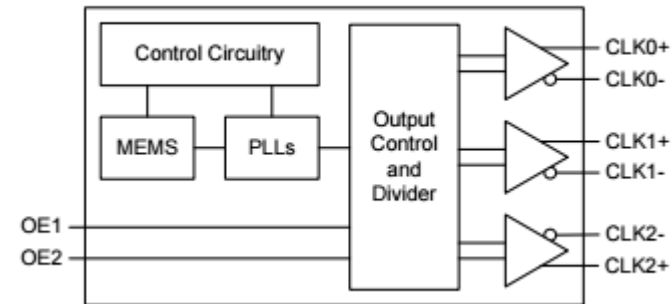
DSC557-04

Online
Datasheet

Crystal-less™ Three Output PCIe Clock Generator

Features:

- Meets PCIe Gen1, Gen2 & Gen3 specs.
- Available Output Formats:
 - HCSL, LVPECL, or LVDS
 - Mixed Outputs: LVPECL/HCSL/LVDS
- Wide Temperature Range:
 - Ext. Industrial: -40°C to 105°C
 - Industrial: -40°C to 85°C
 - Ext. Commercial: -20°C to 70°C
- Excellent Shock & Vibration Immunity:
 - Qualified to MIL-STD-883
- Low Power Consumption:
 - 30% lower than competing devices
- Supply Range of 2.25V to 3.6V
- Available in 20-Pin QFN package



<< BACK



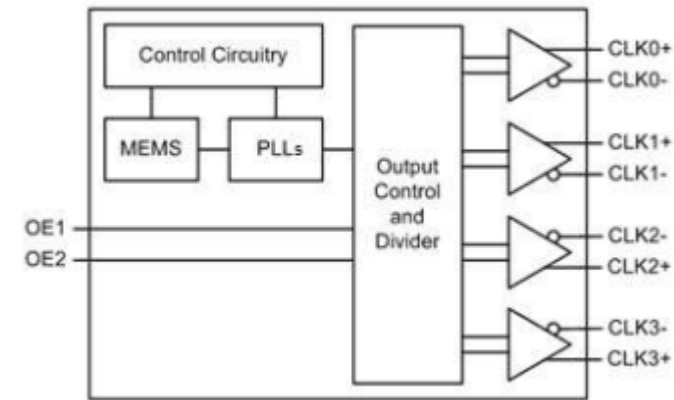
DSC557-05

[Online Datasheet](#)

Crystal-less™ Four Output PCIe Clock Generator

Features:

- Meets PCIe Gen1, Gen2 & Gen3 specs.
- Available Output Formats:
 - HCSL, LVPECL, or LVDS
 - Mixed Outputs: LVPECL/HCSL/LVDS
- Wide Temperature Range:
 - Ext. Industrial: -40°C to 105°C
 - Industrial: -40°C to 85°C
 - Ext. Commercial: -20°C to 70°C
- Excellent Shock & Vibration Immunity:
 - Qualified to MIL-STD-883
- Low Power Consumption:
 - 30% lower than competing devices
- Supply Range of 2.25V to 3.6V
- Available in 20-Pin QFN package



[<< BACK](#)



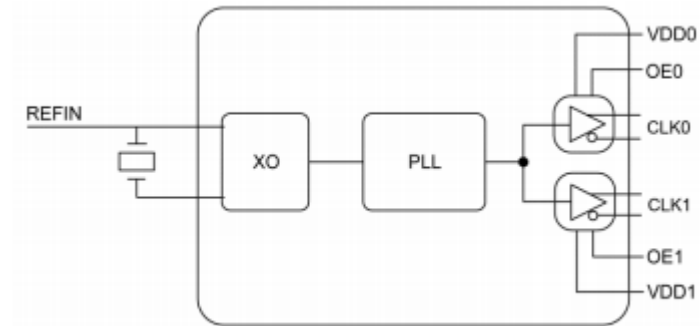
PL602031/2/3/4

HCSL-Compatible Clock Generator for PCI Express

[Online Datasheet](#)

Features:

- Input frequency:
 - Fundamental crystal or reference input – - 25MHz
- Output frequency:
 - PL602031: 2 x 25MHz differential outputs
 - PL602032: 2 x 100MHz differential outputs
 - PL602033: 2 x 125MHz differential outputs
 - PL602034: 2 x 200MHz differential outputs
- Very low jitter: 28ps peak-to-peak typical
- Very low phase noise: -130dBc at 10kHz offset – - at 100MHz
- Compliant with PCI-Express Gen1 and Gen2
- Industrial temperature range: -40°C to +85°C
- Power supply range: 2.25V to 3.63V
- Available in 16-pin QFN package



<< BACK



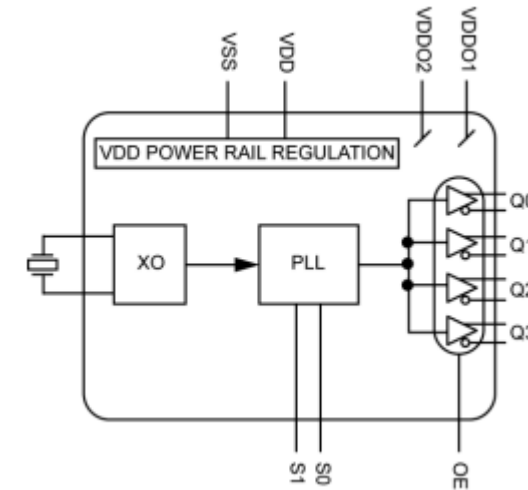
PL602041

[Online Datasheet](#)

ClockWorks™ PCIe Quad, Ultra-Low Jitter, HCSL Frequency Synthesizer

Features:

- Input crystal frequency of 25MHz
- Generates four HCSL clock outputs:
 - 25MHz, 100MHz, 125MHz, and 200MHz
- 2.5V or 3.3V operating range
- Typical phase jitter @ 100MHz (1.875MHz to – 20MHz): 105fs
- Compliant with PCI Express Gen1, Gen2, - and Gen 3
- Industrial temperature range: -40°C to +85°C
- Available in 24-pin 4mm x 4mm QFN package



[<< BACK](#)



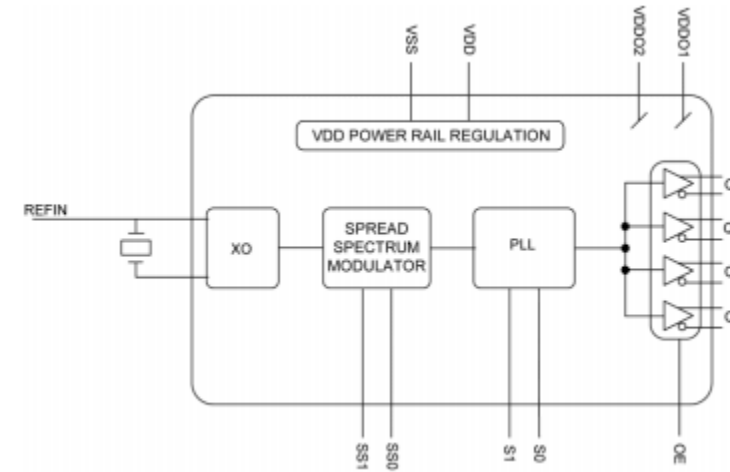
PL607041

[Online Datasheet](#)

ClockWorks™ PCIe Quad, Ultra-Low Jitter, HCSL Frequency Synthesizer

Features:

- 25MHz fundamental crystal or reference input
- Generates four HCSL clock outputs:
 - 25MHz, 100MHz, 125MHz, and 200MHz
- Spread spectrum for EMI reduction
- 2.5V or 3.3V operating range
- Typical phase jitter @ 100MHz (1.5MHz to – 10MHz): 320fs
- Industrial temperature range: -40°C to +85°C
- Available in 24-pin 4mm x 4mm QFN package



[<< BACK](#)



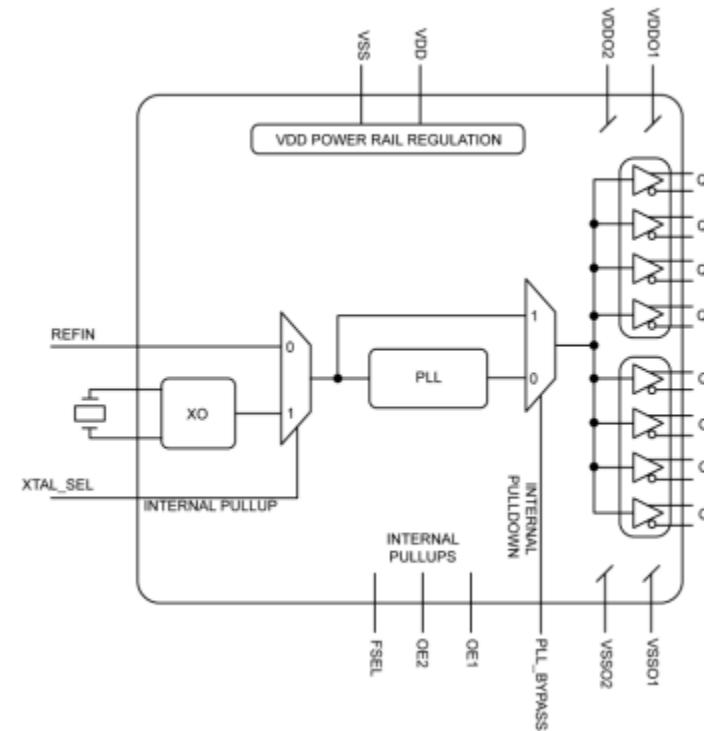
PL602081/2

[Online Datasheet](#)

PCIe Octal, Ultra-Low Jitter, HCSL Frequency Synthesizer

Features:

- Generates eight HCSL clock outputs
- PL602081 output frequencies: 25MHz, -
- 100MHz, or 200MHz
- PL602082 output frequencies: 25MHz, -
- 125MHz, or 250MHz
- 2.5V or 3.3V operating range
- Typical phase jitter: 250fs for 12kHz to 20MHz
- Industrial temperature range: -40°C to +85°C
- Available in 44-pin 7mm x 7mm QFN package



[<< BACK](#)



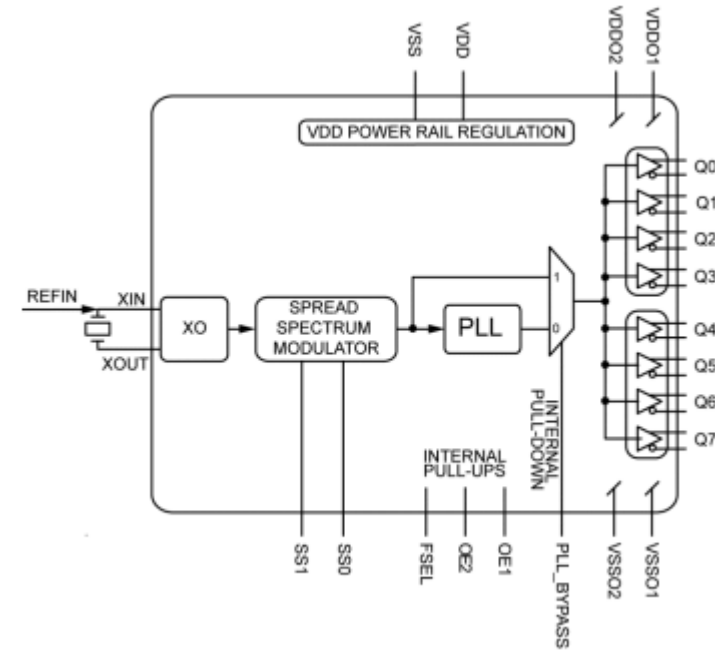
PL607081/2

[Online Datasheet](#)

PCIe Octal, Ultra-Low Jitter, HCSL Frequency Synthesizer

Features:

- Generates eight HCSL clock outputs
- PL607081 output frequencies: 25MHz, -
- 100MHz, or 200MHz
- PL607082 output frequencies: 25MHz, -
- 125MHz, or 250MHz
- Spread spectrum for EMI reduction
- 2.5V or 3.3V operating range
- Typical phase jitter @ 100MHz: 320fs for –
- 1.5MHz to 10MHz
- Industrial temperature range: -40°C to +85°C
- Available in 44-pin 7mm x 7mm QFN package



[<< BACK](#)



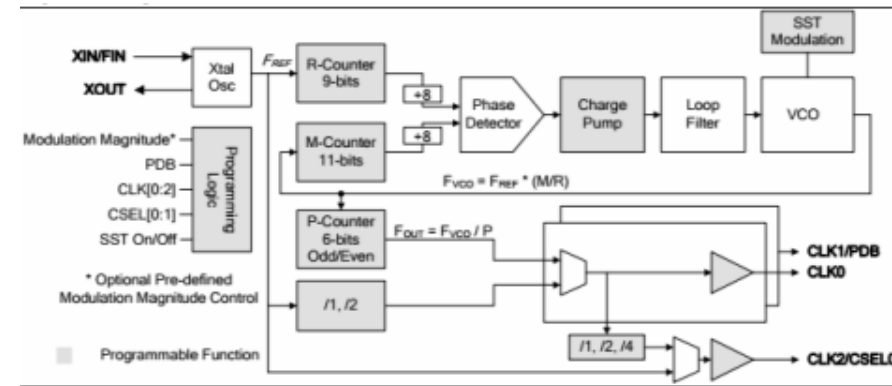
PL671-01

Online
Datasheet

PicoEMI™ Programmable Spread Spectrum Clock

Features:

- Advanced programmable PLL with Spread - - Spectrum
- Crystal or Reference Clock input:
 - Fundamental crystal: 10MHz to 40MHz
 - Reference input: 1MHz to 200MHz
- Accepts $\geq 0.1V$ reference signal input voltage
- Up to 3 programmable outputs
- Low Cycle to Cycle jitter
- Single 2.5V or 3.3V $\pm 10\%$ power supply
- Programmable Spread Spectrum Modulation Magnitude:
 - Center Spread: $\pm 0.125\%$ to $\pm 2.0\%$ in $\pm 0.125\%$ steps:
 - Down Spread: -0.25% to -4.0% in 0.25% steps
 - Spread Spectrum On/Off selection
- Programmable output drive (4mA, 8mA, 16mA)
- Industrial temperature range:
 - $-40^{\circ}C$ to $+85^{\circ}C$
- Output frequency range:
 - Up to 166MHz @ 2.5V
 - Up to 200MHz @ 3.3V
- 8-pin SOP, MSOP and 6-pin SOT packaging



<< BACK



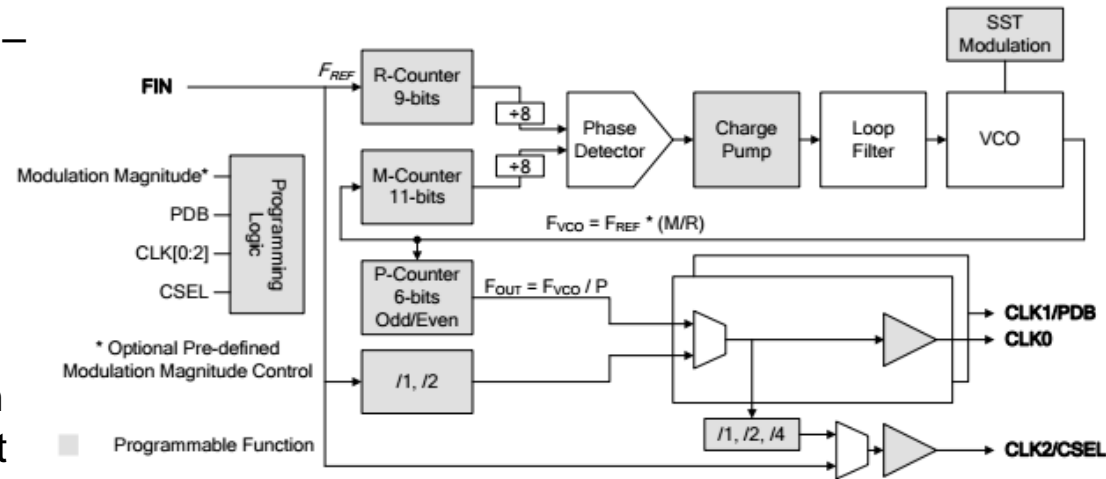
PL671-02

Online
Datasheet

PicoEMI™ Programmable Spread Spectrum Clock Generator

Features:

- Advanced programmable PLL with –
 - Spread Spectrum
- Reference Clock input:
 - 1MHz to 200MHz
- Output Frequency:
 - $\leq 200\text{MHz}$
- Two programmable I/O pins:
 - PDB for Power Down function
 - CSEL for Configuration Select
 - CLK1/CLK2 additional clock –
 - outputs
- Programmable output drive
- Low Cycle to Cycle jitter
- Single 2.5V or 3.3V $\pm 10\%$ power supply
- 6-pin SOT23 and Thin SOT (TSOT) packaging



<< BACK



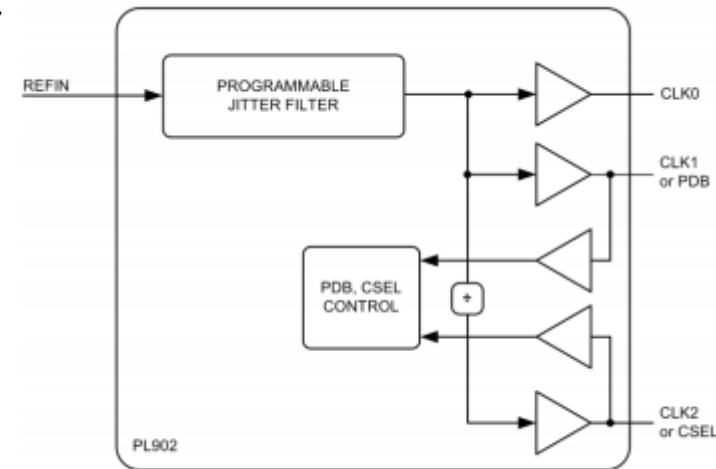
PL902

JitterBlocker™

[Online Datasheet](#)

Features:

- Lowest power, smallest programmable jitter attenuator
- Input/output frequency up to 200MHz
- I/O pins can be configured as:
 - Output enable (OE)
 - Frequency switching (CSEL)
 - Power down (PDB) input
 - CLK1(2) output
- $10\mu\text{A}$ current consumption with PDB active
- Industrial temperature range:
 - -40°C to $+85^{\circ}\text{C}$
- Available in 6-pin SOT-23 package
- Related devices:
 - PL903xxx: Single-ended input, differential - output, and phase noise cleaning
 - PL904xxx: Differential input, two differential - outputs, and phase noise cleaning



<< BACK



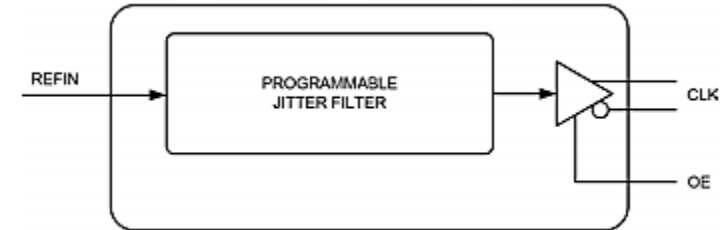
PL903

JitterBlocker™

[Online Datasheet](#)

Features:

- Lowest-power, smallest programmable jitter attenuator
- Input frequency up to 200MHz
- Output frequency up to 840MHz
- Jitter attenuation 20dB at 3MHz spur frequency
- Additive phase jitter or phase jitter floor:
 - 55fs for 1.875MHz to 20MHz
 - 251fs for 12kHz to 20MHz
- Single ended CMOS input
- One differential or two single ended outputs
- Output logic types supported:
 - LVPECL, LVDS, HCSL and LVCMOS (single – ended or differential).
- Industrial temperature range from -40°C to $+85^{\circ}\text{C}$
- Available in 24-pin QFN package
- Related devices:
 - PL902xxx: LVCMOS, period jitter cleaning
 - PL904xxx: Differential input, two differential – outputs, and phase noise cleaning



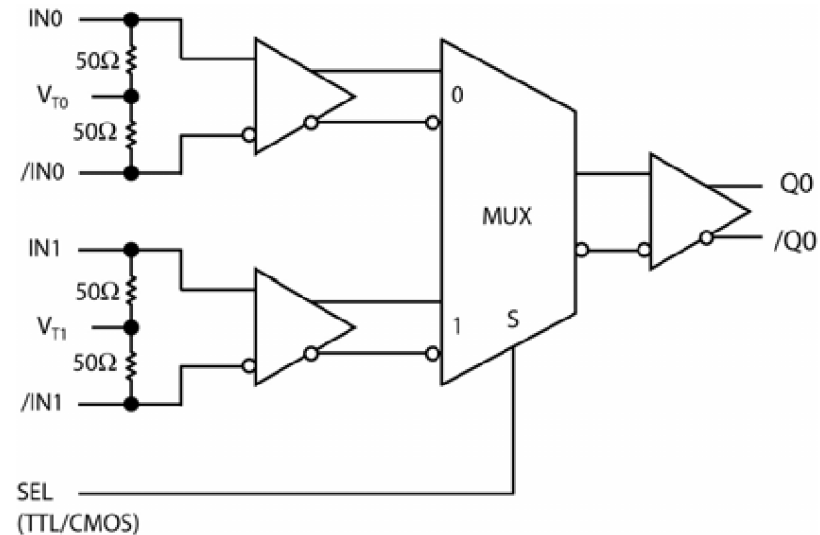
[<< BACK](#)



SY54017

1.2V/1.8V, 3.2Gbps, CML, 2:1 MUX

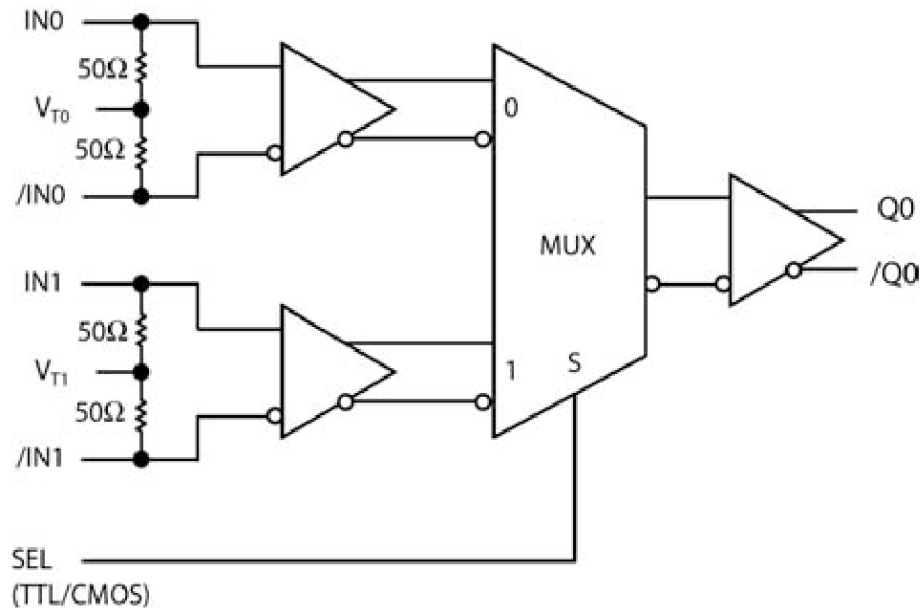
- Features
- 1.2V/1.8V CML 2:1 MUX with Fail Safe Inputs
- Guaranteed AC performance over temperature and voltage:
- DC-to- <3.2Gbps throughput
- <390ps propagation delay (IN-to-Q)
- <20ps Input-to-Input skew
- <95ps rise/fall times
- Ultra-low jitter design
- <1psRMS cycle-to-cycle jitter
- <10psPP total jitter
- <1psRMS random jitter
- <10psPP deterministic jitter
- High-speed CML outputs
- 2.5V $\pm 5\%$, 1.8/1.2V $\pm 5\%$ power supply operation
- Industrial temperature range: -40°C to +85°C
- Available in 16-pin (3mm x 3mm) MLF[®] package



SY54017A

1.2V/1.8V, 3.2Gbps, CML, 2:1 MUX

- Features
- 1.2V/1.8V CML 2:1 MUX
- Guaranteed AC performance over temperature and voltage:
- DC-to- >3.2Gbps throughput
- <310ps propagation delay (IN-to-Q)
- <20ps input-to-input skew
- <95ps rise/fall times
- Ultra-low jitter design
- <1psRMS cycle-to-cycle jitter
- <10psPP total jitter
- <1psRMS random jitter
- <10psPP deterministic jitter
- High-speed CML outputs
- 2.5V \pm 5% , 1.8/1.2V \pm 5% power supply operation
- Industrial temperature range: -40°C to +85°C
- Available in 16-pin (3mm x 3mm) MLF[®] package

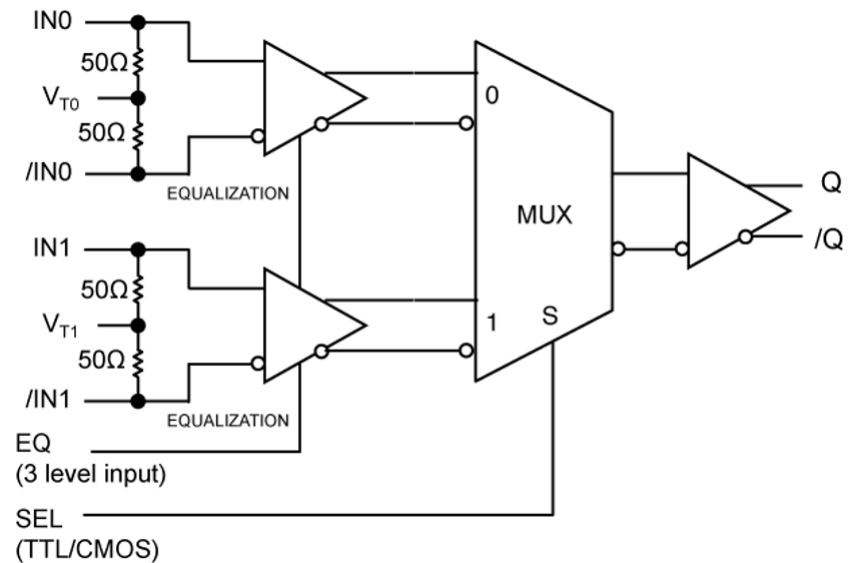


SY56017R

1.2V/1.8V/2.5V, 6.4Gbps, CML, 2:1 MUX with Equalization

Features

- 1.2V/1.8V/2.5V CML 2:1 MUX
- Equalizes 9, 18, 27 inches of FR4
- Guaranteed AC performance over temperature and voltage:
 - DC-to >6.4Gbps Data throughput
 - DC-to >4.5GHz Clock throughput
 - <280 ps propagation delay (IN-to-Q)
 - <20ps input skew
- <80ps rise/fall times
- <1psRMS cycle-to-cycle jitter
- High-speed CML outputs
- 2.5V \pm 5% VCC , 1.2/1.8V/2.5V \pm 5% VCCO power supply operation
- Industrial temperature range: -40°C to +85°C
- Available in 16-pin (3mm x 3mm) QFN package

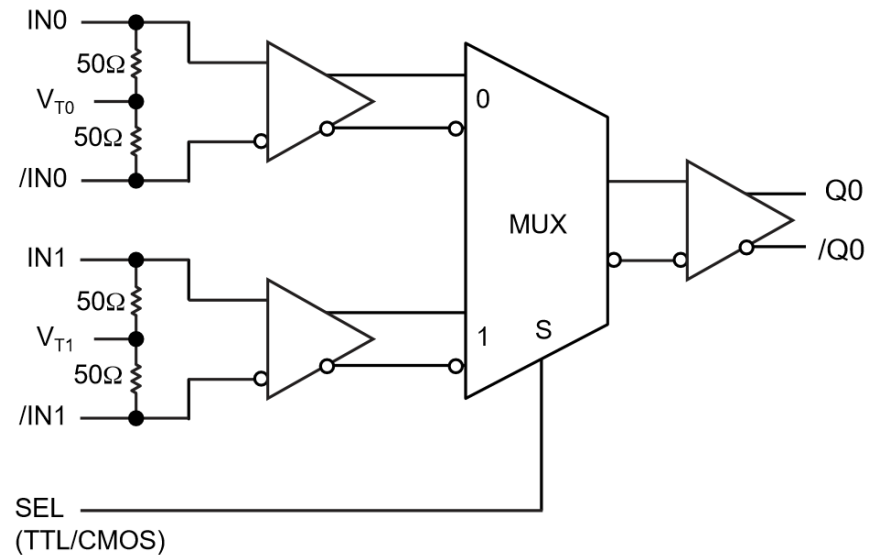


SY58017U

2.5V/3.3V, 10.7Gbps, CML, 2:1 MUX

Features

- Guaranteed AC performance over temperature and voltage:
 - DC to >10.7Gbps data throughput
 - DC to >7GHz fMAX (clock)
 - <240ps propagation delay
 - <60ps tr/ tf times
- Ultra-low crosstalk-induced jitter: <0.7psRMS
- Ultra-low jitter design:
 - <1psRMS random jitter
 - <10psPP deterministic jitter
 - <10psPP total jitter (clock)
- Unique input termination and VTpin accepts DCcoupled and AC-coupled inputs (CML, PECL, LVDS)
- Internal 50Ω output source termination
- Typical 400mV CML output swing (RL = 50Ω)
- Power supply 2.5V ±5% or 3.3V ±10%
- -40°C to +85°C temperature range
- Available in 16-pin (3mm x 3mm) MLF® package

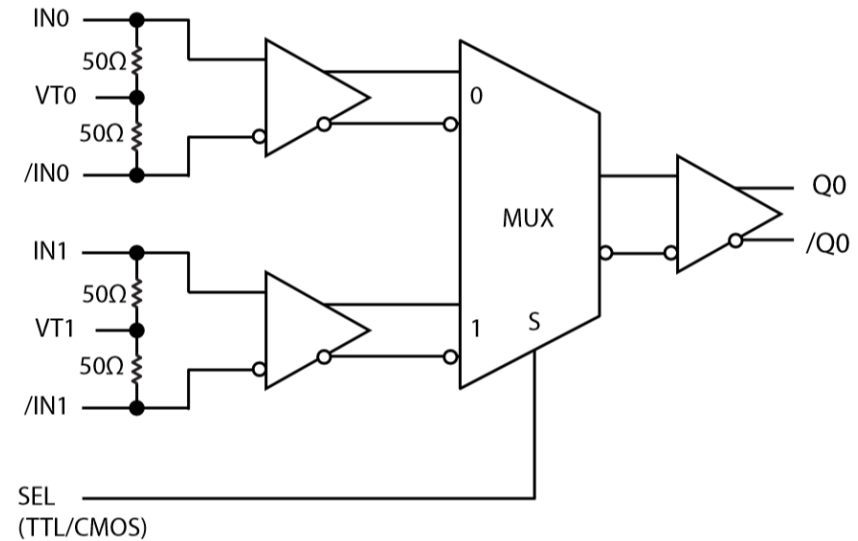


SY58018U

2.5V/3.3V, LVPECL 2:1 MUX

Features

- Guaranteed AC performance over temperature and voltage:
 - DC to 5Gbps data throughput
 - DC to >4GHz fMAX (clock)
 - <260ps propagation delay
 - <110ps tr/ tf times
- Ultra-low crosstalk-induced jitter: 0.7psRMS
- Ultra-low jitter design:
 - <1psRMS random jitter
 - <10psPP deterministic jitter
 - <10psPP total jitter (clock)
- Unique input termination and VT pin accepts DC and AC-coupled inputs (CML, PECL, LVDS)
- 800mV (100k) LVPECL output swing
- Power supply 2.5V \pm 5% or 3.3V \pm 10%
- -40°C to +85°C temperature range
- Available in 16-pin (3mm x 3mm) QFN package

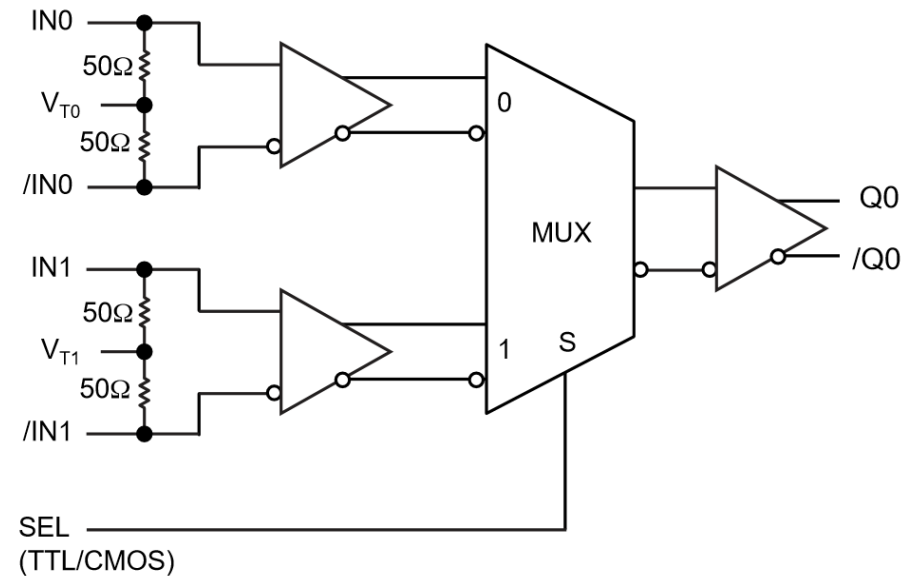


SY58019U

2.5V/3.3V, 10.7Gbps, LVPECL 2:1 MUX

Features

- Guaranteed AC performance over temperature and voltage:
 - DC to 10.7Gbps data throughput
 - DC to >7GHz fMAX (clock)
 - <240ps propagation delay
 - <70ps tr/ tf times
- Ultra-low crosstalk-induced jitter: 0.7psRMS
- Ultra-low jitter design:
 - <1psRMS random jitter
 - <10psPP deterministic jitter
 - <10psPP total jitter (clock)
- Unique input termination and VTpin accepts DCcoupled and AC-coupled inputs (CML, PECL, LVDS)
- 400mV (100k) LVPECL output swing
- Power supply 2.5V \pm 5% or 3.3V \pm 10%
- -40°C to +85°C temperature range
- Available in 16-pin (3mm x 3mm) MLF[®] package

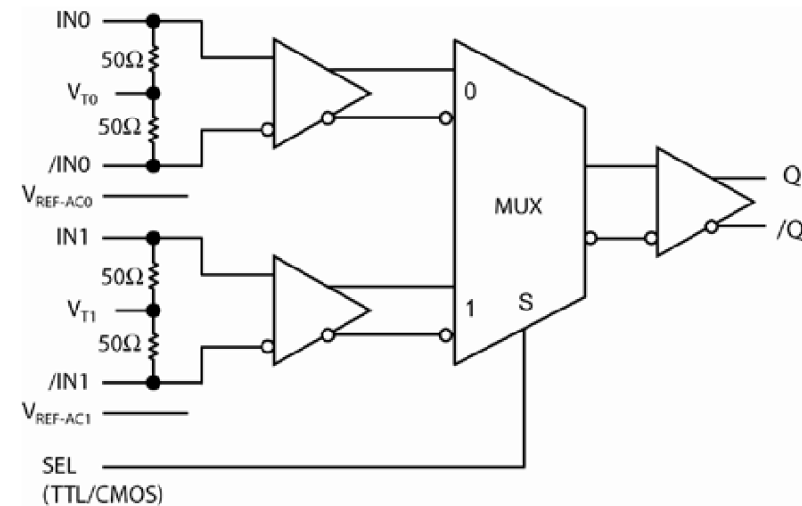


SY58609U

2.5V/3.3V, CML 2:1 MUX with Fail Safe Input

Features

- Precision 400mV CML 2:1 MUX
- Guaranteed AC performance over temperature and voltage:
 - DC-to >4.25Gbps throughput
 - <370ps propagation delay (IN-to-Q)
 - <90ps rise/fall times
- Fail Safe Input prevents outputs from oscillating when input is invalid
- Unique, patented MUX input isolation design minimizes adjacent channel crosstalk
- Ultra-low jitter design
 - <1psRMS cycle-to-cycle jitter
 - <10psPP total jitter
 - <1psRMS random jitter
 - <10psPP deterministic jitter
- High-speed CML outputs
- 2.5V \pm 5% or 3.3V \pm 10% power supply operation
- Industrial temperature range: -40°C to +85°C
- Available in 16-pin (3mm x 3mm) QFN package

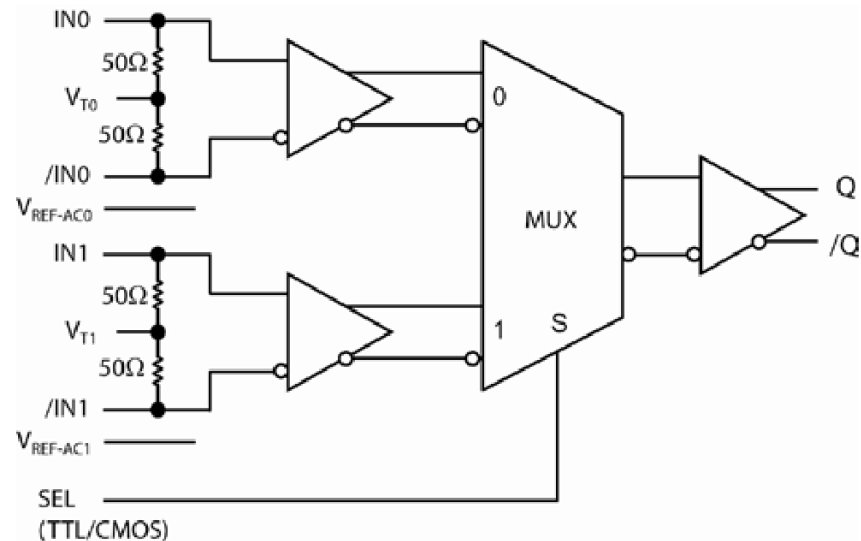


SY58610U

2.5V/3.3V, LVPECL 2:1 MUX with Fail Safe Input

Features

- Precision 800mV LVPECL 2:1 MUX
- Guaranteed AC performance over temperature and voltage:
 - DC-to >3.2Gbps throughput
 - <370ps propagation delay (IN-to-Q)
 - <130ps rise/fall times
- Fail Safe Input prevents outputs from oscillating when input is invalid
- Unique, patented MUX input isolation design minimizes adjacent channel crosstalk
- Ultra-low jitter design
 - <1psRMS cycle-to-cycle jitter
 - <10psPP total jitter
 - <1psRMS random jitter
 - <10psPP deterministic jitter
- High-speed LVPECL outputs
- 2.5V \pm 5% or 3.3V \pm 10% power supply operation
- Industrial temperature range: -40°C to +85°C
- Available in 16-pin (3mm x 3mm) QFN package

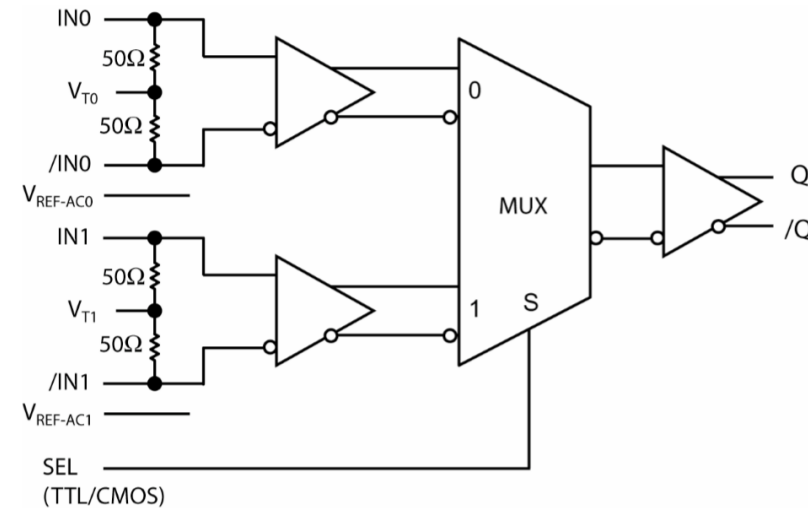


SY58611U

2.5V/3.3V, LVDS 2:1 MUX with Fail Safe Input

Features

- Selects between two sources and provides buffered copy of the selected input signal
- Fail Safe Input prevents output from oscillating when input is invalid or removed
- Guaranteed AC performance over temperature and voltage:
 - DC-to >3.2Gbps throughput
 - <420ps typical propagation delay (IN-to-Q)
 - <120ps rise/fall times
- Unique, patented internal termination and VT pin accepts DC- and AC-coupled inputs (CML, PECL, LVDS)
- Unique, patented MUX input isolation design minimizes adjacent channel crosstalk
- Ultra-low jitter design
 - <1psRMS cycle-to-cycle jitter
 - <10psPP total jitter
 - <1psRMS random jitter
 - <10psPP deterministic jitter
- 2.5V \pm 5% power supply operation
- Industrial temperature range: -40°C to +85°C
- Available in 16-pin (3mm x 3mm) QFN package



SY89840U

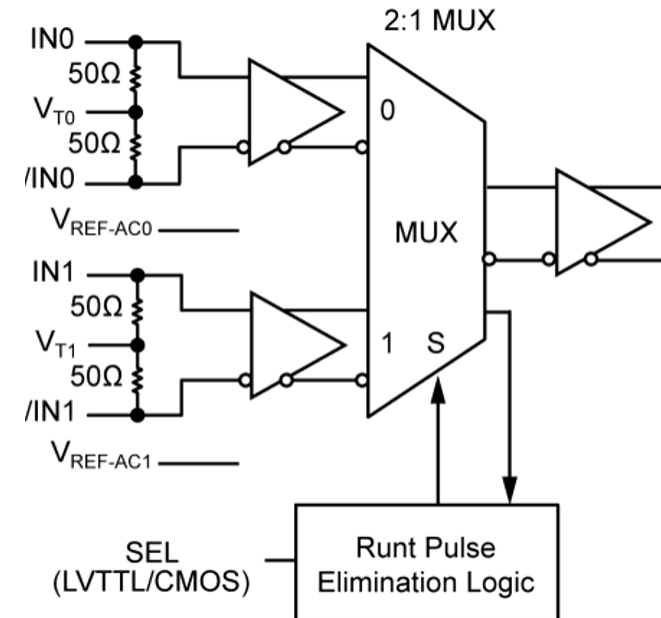
2.5V/3.3V, LVPECL 2:1 MUX with Runt Pulse Eliminator

Summary

The SY89840U is optimized for redundant source switchover applications. Unlike standard multiplexers, the SY89840U unique 2:1 Runt Pulse Eliminator (RPE) MUX prevents any short cycles or "runt" pulses during switchover. In addition, a unique Fail-Safe Input protection prevents metastable conditions when the selected input clock fails to a DC voltage (voltage between the pins of the differential input drops below 100mV).

Features

- Selects between two sources, and provides a glitch-free, stable LVPECL output
- Guaranteed AC performance over temperature and supply voltage:
 - Wide operating frequency: 1kHz to >1.5GHz
 - <880ps In-to-Out tpd
 - <190ps tr/td
- Unique patent-pending input isolation design minimizes crosstalk
- Fail-safe input prevents oscillations
- Ultra-low jitter design:
 - 140fsRMS phase jitter (typ.)
 - <0.7psRMS MUX crosstalk induced jitter
- Unique patent-pending input termination and VT pin accepts DC-coupled and AC-coupled inputs (CML, PECL, LVDS)
- 800mV LVPECL output swing
- 2.5V \pm 5% or 3.3V \pm 10% supply voltage
- -40°C to +85°C industrial temperature range
- Available in 16-pin (3mm x 3mm) QFN package



SY89841U

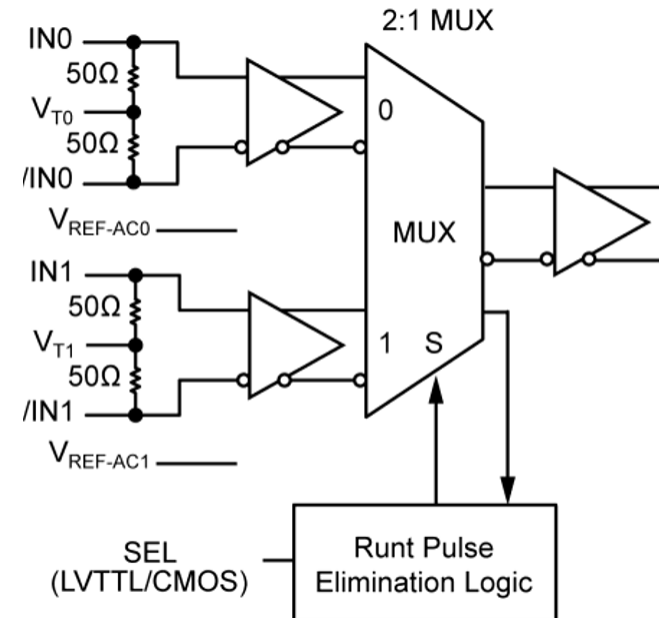
2.5V, LVDS 2:1 MUX with Runt Pulse Eliminator

Summary

The SY89841U is optimized for redundant source switchover applications. Unlike standard multiplexers, the SY89841U unique 2:1 Runt Pulse Eliminator (RPE) MUX prevents any short cycles or "runt" pulses during switchover. In addition, a unique Fail-Safe Input protection prevents metastable conditions when the selected input clock fails to a DC voltage (voltage between the pins of the differential input drops below 100mV).

Features

- Selects between two sources, and provides a glitch-free, stable LVDS output
- Guaranteed AC performance over temperature and supply voltage:
 - wide operating frequency: 1kHz to >1.5GHz
 - <870ps In-to-Out tpd
 - <150ps tr/ta
- Unique patent-pending input isolation design minimizes crosstalk
- Fail-safe input prevents oscillations
- Ultra-low jitter design:
 - <1psRMS random jitter
 - <1psRMS cycle-to-cycle jitter
 - <10psPP total jitter (clock)
 - <0.7psRMS MUX crosstalk induced jitter
- Unique patent-pending input termination and VT pin accepts DC-coupled and AC-coupled inputs (CML, PECL, LVDS)
- 350mV LVDS output swing
- 2.5V +5% power supply
- -40°C to +85°C industrial temperature range
- Available in 16-pin (3mm x 3mm) MLF® package



SY89842U

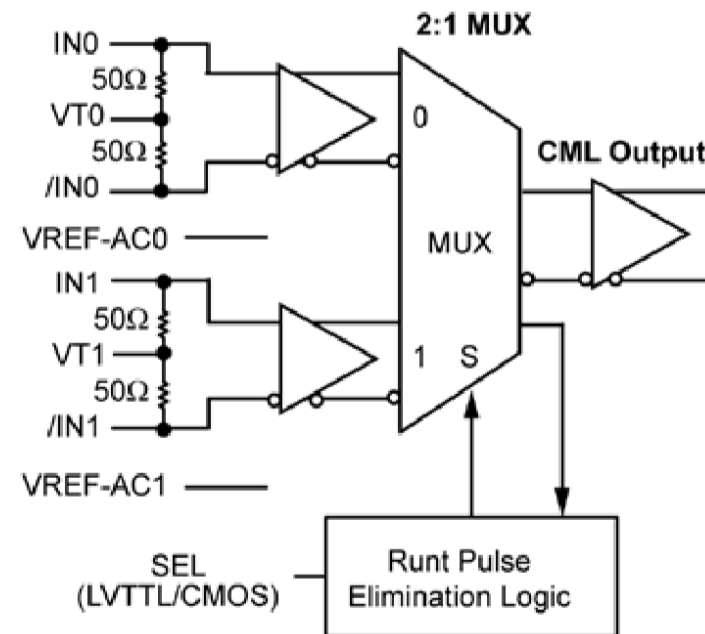
2.5V/3.3V, CML 2:1 MUX with Runt Pulse Eliminator

Summary

The SY89842U is optimized for redundant source switchover applications. Unlike standard multiplexers, the SY89842U unique 2:1 Runt Pulse Eliminator (RPE) MUX prevents any short cycles or "runt" pulses during switchover. In addition, a unique Fail-Safe Input protection prevents metastable conditions when the selected input clock fails to a DC voltage (voltage between the pins of the differential input drops below 100mV).

Features

- Selects between two sources, and provides a glitch-free, stable CML output
- Guaranteed AC performance over temperature and supply voltage:
 - Wide operating frequency: 1kHz to >1.5GHz
 - <840ps In-to-Out tpd
 - <80ps tr/td
- Unique, patent-pending input isolation design minimizes crosstalk
- Fail-safe input prevents oscillations
- Ultra-low jitter design:
 - <1psRMS random jitter
 - <1psRMS cycle-to-cycle jitter
 - <10psPP total jitter (clock)
 - <0.7psRMS MUX crosstalk induced jitter
- Unique patent-pending input termination and VT pin accepts DC- and AC-coupled inputs (CML, PECL, LVDS)
- 400mV CML output swing
- 2.5V \pm 5% or 3.3V \pm 10% supply voltage
- -40°C to +85°C industrial temperature range
- Available in 16-pin (3mm x 3mm) QFN package

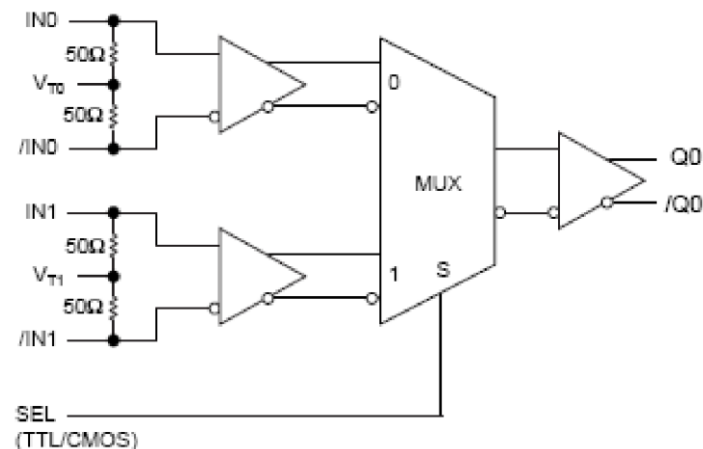


SY89852U

2.5V/3.3V, LVPECL 2:1 MUX

Features

- Provides a low jitter copy of the selected input
- Superior alternative to the EP58 2:1 MUX
- Low power: 58mW (2.5V nominal, no load)
- Guaranteed AC performance over temperature and supply voltage:
 - DC-to >2.5Gbps data rate throughput
 - DC-to >2.5GHz clock fMAX
 - <340ps In-to-Out tpd
 - <180ps tr/td time
- Ultra-low Jitter Design:
 - <1psrms random jitter
 - <10pspp deterministic jitter
 - <10pspp total jitter (clock)
 - <0.7psrms crosstalk induced jitter
- Input isolation design minimizes crosstalk
- Input termination with VT pin accepts DC-coupled and AC-coupled inputs (CML, PECL, LVDS)
- Typical 800mV (100k) LVPECL output swing
- Power supply 2.5V +5% or 3.3V +10%
- Industrial temperature range -40°C to +85°C
- Available in ultra-small (3mm x 3mm) 16-pin QFN package



SY100EL56V

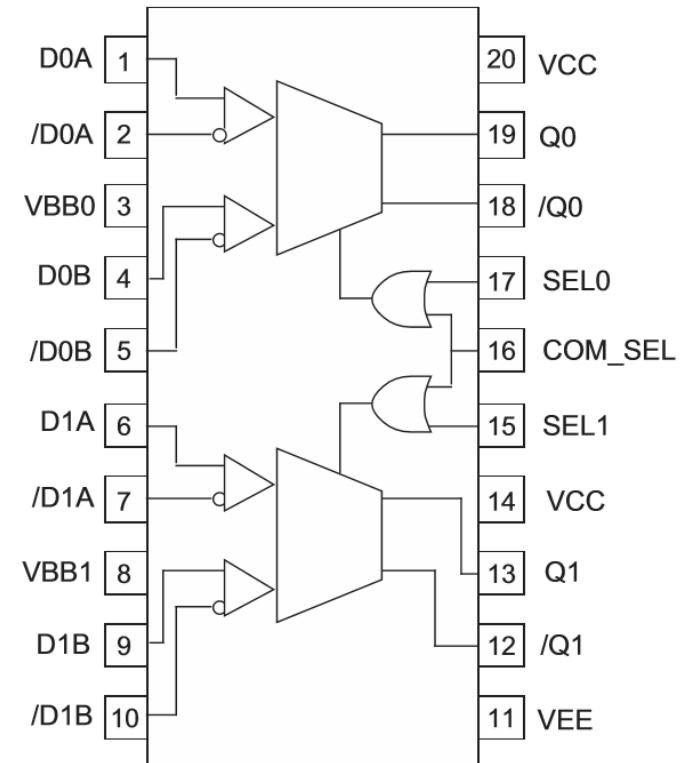
5V/3.3V Dual Differential 2:1 Multiplexer

Summary

The SY100EL56V is a dual, fully differential 2:1 multiplexer. The differential data path makes the device ideal for multiplexing low skew clock or other skew sensitive signals. Multiple VBB pins are provided to ease AC coupling input signals. The device features both individual and common select inputs to address both data path and random logic applications. The differential inputs have special circuitry which ensures device stability under open input conditions. When both differential inputs are left open the D input will pull down to VEE, the D input will bias around $VCC/2$ forcing the Q output LOW.

Features

- 3.3 and 5V power supply options
- 440ps propagation delay
- Separate and common select
- High bandwidth output transitions
- Internal 75K Ω input pull-down resistors
- Available in 20-pin SOIC package



SY100EP56

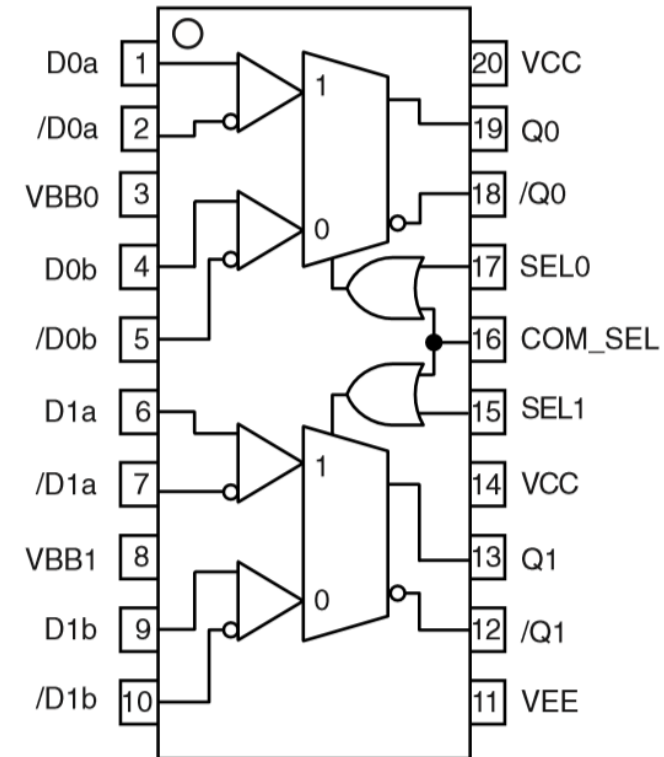
5V/3.3V PECL/ECL Dual Differential 2:1 Multiplexer

Summary

The SY100EP56V is a pin-for-pin, plug-in replacement to the MC10/100EP56DT. Two separate 2:1 multiplexers (Channel 0 and Channel 1) have dedicated select control pins (SEL0 and SEL1). The signal-path inputs (D0a, D0b and D1a, D1b) accept differential signals as low as 150mV pk-pk. For applications that require common select control for both channels A & B, a common select pin (COM_SEL) is available. All I/O pins are 100k PECL/ECL logic compatible. The 500ps max (400 typ) propagation delay is matched for all signal and logic select paths: D-to-QOUT, SEL-to-QOUT, and COM_SEL-to-QOUT. Two VBB output reference pins (approx equal to VCC -1.4V) are available for AC-coupled or single-ended applications.

Features

- Dual, fully differential 2:1 PECL/ECL LVPECL/LVECL multiplexer
- Guaranteed AC parameters over temperature/voltage:
 - >3GHz fMAX (toggle)
 - <100ps within device skew
 - <230ps rise/fall times
 - <500ps propagation delay
- Flexible power supply: 3.0V to 5.5V
- Wide operating temperature range: -40°C to +85°C
- VBB reference for AC-coupled and single-ended applications
- 100k PECL/ECL compatible logic
- Available in 20-pin TSSOP package

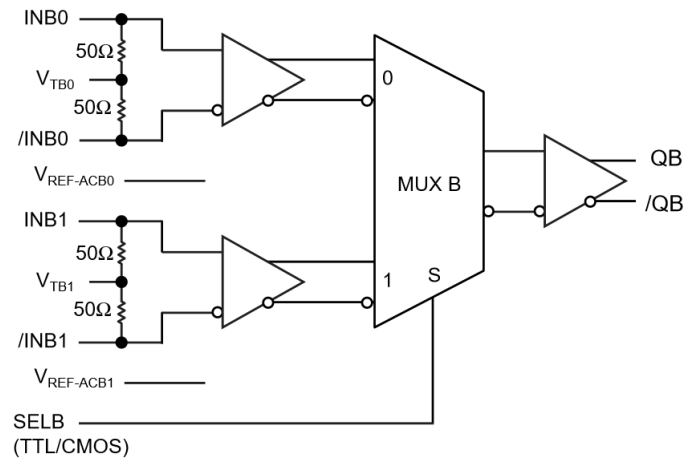
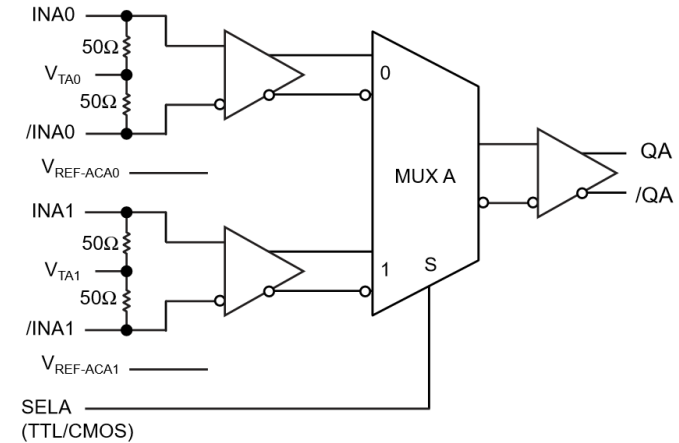


SY58025U

2.5V/3.3V, 10.7Gbps, CML Dual 2:1 Multiplexer

Features

- Two independent differential 2:1 multiplexers
- Guaranteed AC performance over temperature and voltage:
 - DC-to >10.7Gbps data rate throughput
 - <290ps IN-to-Out tpd
 - <70ps tr/ tf times
- Unique, patent-pending input isolation design minimizes crosstalk
- Ultra-low jitter design:
 - <1psRMS random jitter
 - <10psPP deterministic jitter
 - <10psPP total jitter (clock)
 - <0.7psRMS crosstalk-induced jitter
- Unique, patent-pending 50 Ω input termination and VT pin accepts DC-coupled and AC-coupled inputs (CML, LVDS, PECL)
- Typical 400mV CML output swing (RL = 50 Ω)
- Internal 50 Ω input termination
- Power supply 2.5V \pm 5% or 3.3V \pm 10%
- -40 $^{\circ}$ C to +85 $^{\circ}$ C temperature range
- Available in 32-pin (5mm x 5mm) MLF[®] package

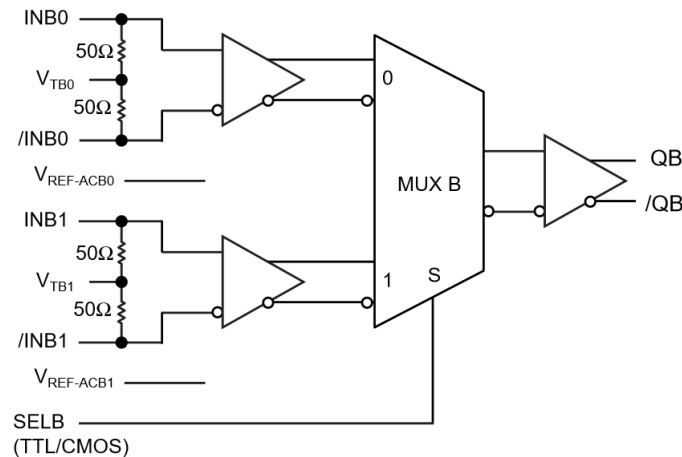
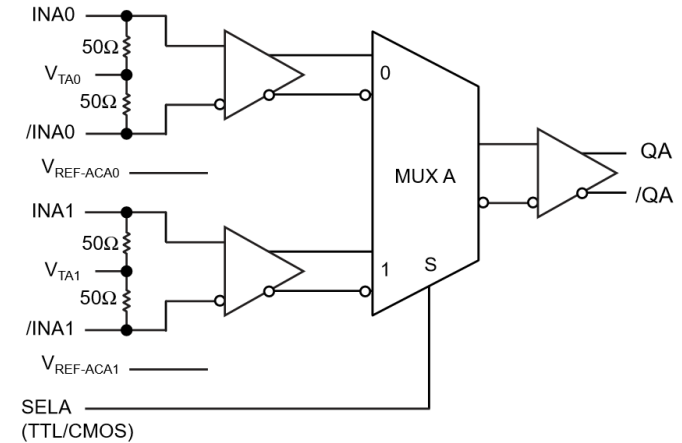


SY58026U

2.5V/3.3V, LVPECL Dual 2:1 Multiplexer

Features

- Two independent differential 2:1 multiplexers
- Guaranteed AC performance over temperature and voltage:
 - DC-to >5Gbps data rate throughput
 - <310ps IN-to-Out tpd
 - <110ps tr/ tf
- Unique, patent-pending input isolation design minimizes crosstalk
- Ultra-low jitter design:
 - <1psRMS random jitter
 - <10psPP deterministic jitter
 - <10psPP total jitter (clock)
 - <0.7psRMS crosstalk-induced jitter
- Unique, patent-pending 50 Ω input termination and VT pin accepts DC-coupled and AC-coupled inputs (CML, LVDS, PECL)
- 800mV LVPECL output swing
- Power supply 2.5V \pm 5% or 3.3V \pm 10%
- -40°C to +85°C temperature range
- Available in 32-pin (5mm x 5mm) MLF[®] package

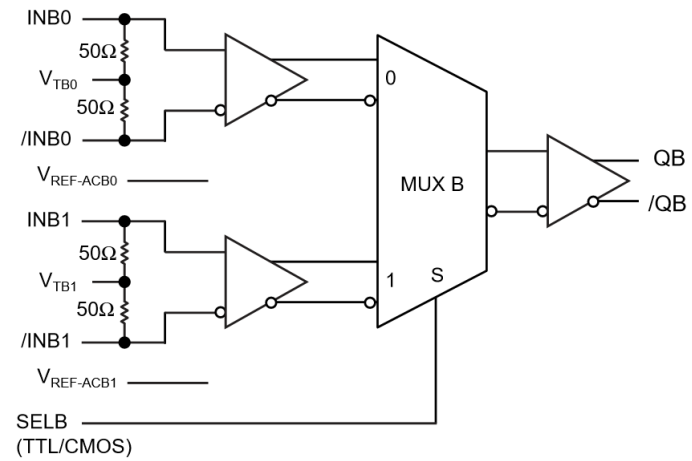
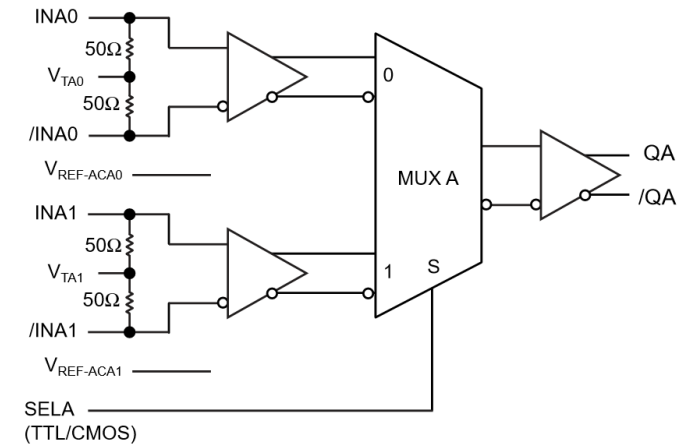


SY58027U

2.5V/3.3V, 10.7Gbps, 400mV LVPECL Dual 2:1 Multiplexer

Features

- Two independent differential 2:1 multiplexers
- Guaranteed AC performance over temperature and voltage:
 - DC-to >10.7Gbps data rate throughput
 - <290ps IN-to-Out tpd
 - <80ps tr/ tf
- Unique, patent-pending input isolation design minimizes crosstalk
- Ultra-low jitter design:
 - <1psRMS random jitter
 - <10psPP deterministic jitter
 - <10psPP total jitter (clock)
 - <0.7psRMS crosstalk-induced jitter
- Unique, patent-pending 50 Ω input termination and VT pin accepts DC-coupled and AC-coupled inputs (CML, LVDS, PECL)
- 400mV LVPECL output swing
- Power supply 2.5V \pm 5% or 3.3V \pm 10%
- -40 $^{\circ}$ C to +85 $^{\circ}$ C temperature range
- Available in 32-pin (5mm x 5mm) MLF[®] package

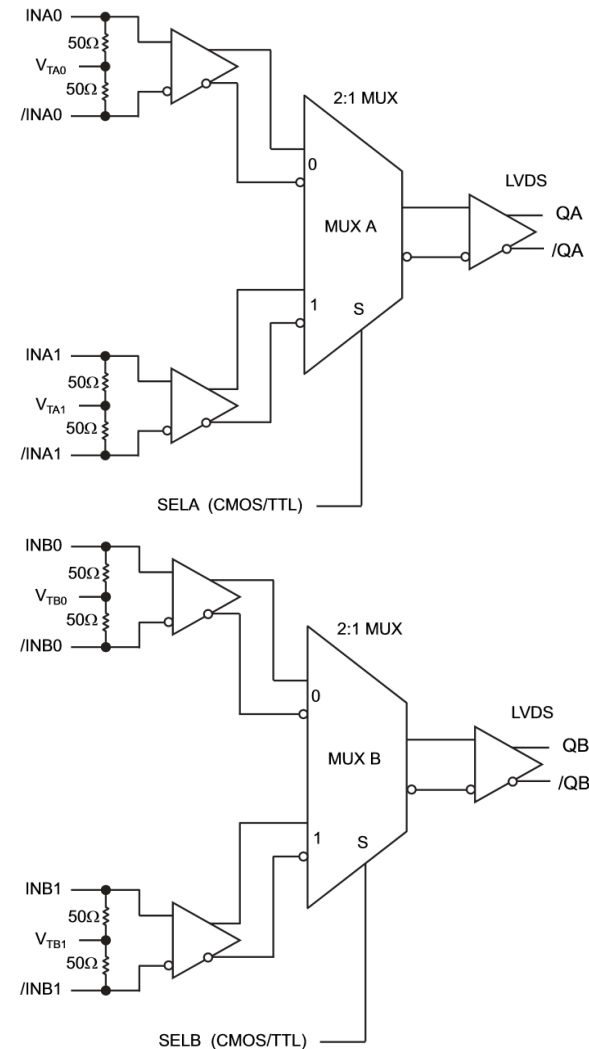


SY89542U

2.5V LVDS Dual 2:1 Multiplexer

Features

- Dual 2:1 multiplexer
- Guaranteed AC performance over temp and voltage:
 - DC-to >3.2Gbps data rate throughput
 - <600ps In-to-Out tpd
 - <150ps tr/tf
- Ultra-low jitter design:
 - <1psRMS random jitter
 - <10psPP deterministic jitter
 - <10psPP total jitter (clock)
 - <0.7psRMS crosstalk-induced jitter
- Unique input isolation design minimizes crosstalk
- Internal input termination
- Unique input termination and VTpin accepts DC-Coupled and AC-coupled inputs (LVDS, LVPECL, CML)
- 350mV LVDS output swing
- CMOS/TTL compatible MUX select
- Power supply 2.5V \pm 5%
- -40°C to +85°C temperature range
- Available in 32-pin (5mm x 5mm) MLF[®] package

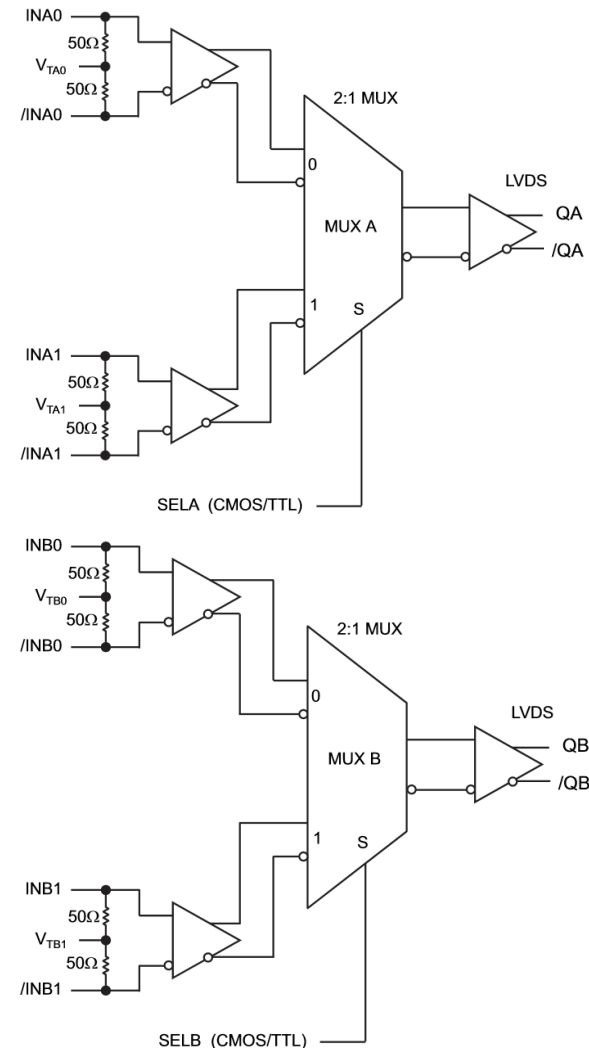


SY89543L

3.3V LVDS Dual 2:1 Multiplexer

Features

- Dual 2:1 multiplexer
- Guaranteed AC performance over temp and voltage:
 - DC-to >3.2Gbps data rate throughput
 - <510ps In-to-Out tpd
 - <150ps tr/tf
- Ultra-low jitter design:
 - <1psRMS random jitter
 - <10psPP deterministic jitter
 - <10psPP total jitter (clock)
 - <0.7psRMS crosstalk-induced jitter
- Unique input isolation design minimizes crosstalk
- Internal input termination
- Unique input termination and VTpin accepts DCcoupled and AC-coupled inputs (LVDS, LVPECL, CML)
- 350mV LVDS output swing
- CMOS/TTL compatible MUX select
- Power supply 3.3V +10%
- -40°C to +85°C temperature range
- Available in 32-pin (5mm x 5mm) MLF® package

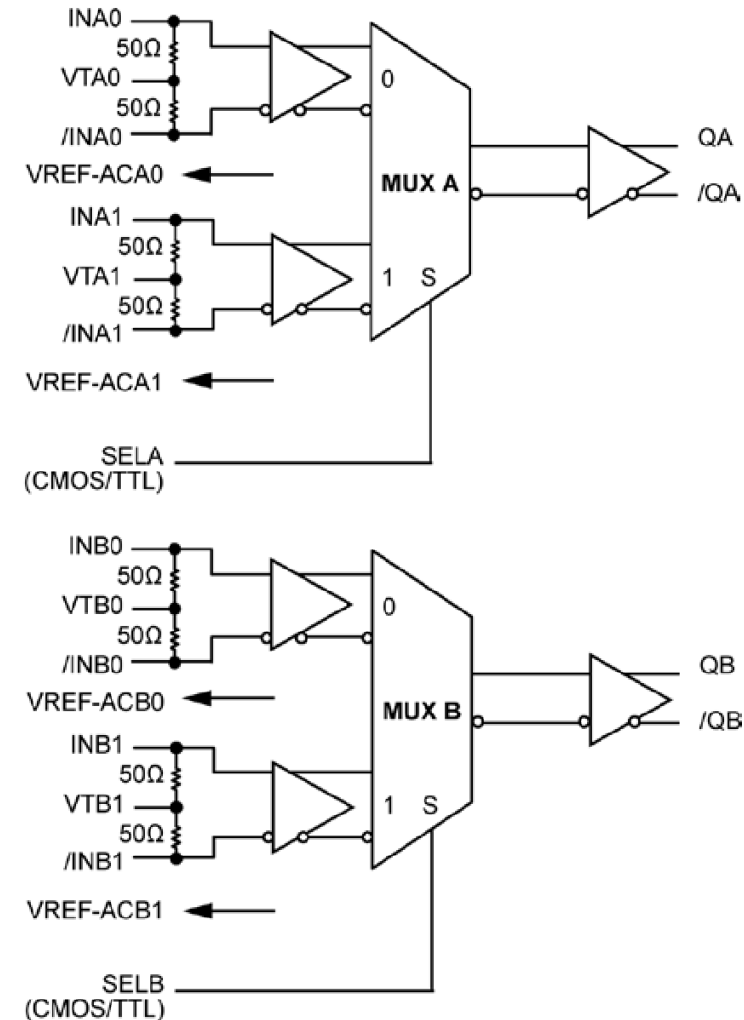


SY89853U

2.5V/3.3V LVPECL Dual 2:1 Multiplexer

Features

- Dual 2:1 MUX, each channel selects from inputs
- Unique, patent-pending input isolation design minimizes crosstalk
- Low power 210mW (VCC = 2.5V)
- Guaranteed AC performance over temperature and voltage:
 - DC-to- >2.5Gbps data rate throughput
 - <360ps IN-to-Q tpd
 - <180ps tr/td times
- Ultra-low jitter design:
 - <1psRMS random jitter
 - <10psPP deterministic jitter
 - <10psPP total jitter (clock)
 - <0.7psRMS crosstalk-induced jitter
- Unique, patent-pending 50Ω input termination and VT pin accepts DC- and AC-coupled inputs (CML, LVDS, PECL)
- 800mV LVPECL output swing
- Power supply 2.5V ±5% or 3.3V ±10%
- -40°C to +85°C temperature range
- Available in 32-pin (5mm x 5mm) QFN package

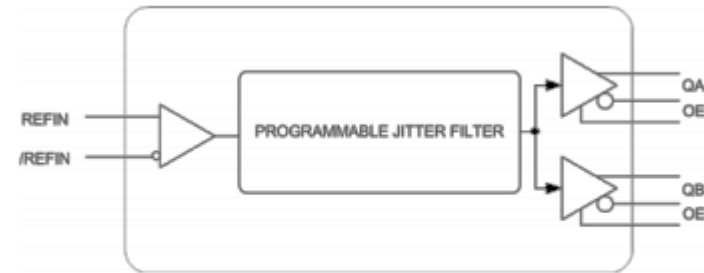


PL904

JitterBlocker™

• Features:

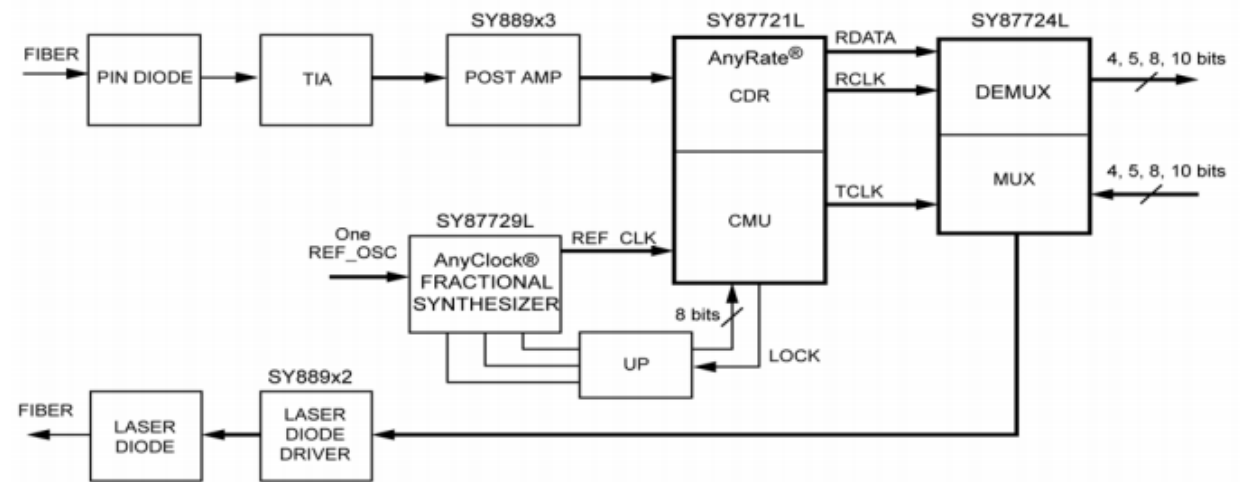
- Input frequency up to 200MHz
- Output frequency up to 850MHz
- Programmable input type, differential or single –
 - - ended
- Up to two outputs supporting:
 - LVPECL, LVDS, HCSL, or LVCMOS logic –
 - - types
- Output enable control for each output
- Jitter attenuation of 20db at 3MHz spur frequency
- Cleans up spurs to below 0.5psRMS phase jitter
- Industrial temperature range: -40°C to +85°C
- Available in 32-pin QFN package
- Related devices:
 - PL902xxx: LVCMOS, period jitter cleaning
 - PL903xxx: Single-ended input, one –
 - - differential output, phase noise cleaning



SY87729L

3.3V AnyClock® Fractional N Synthesizer

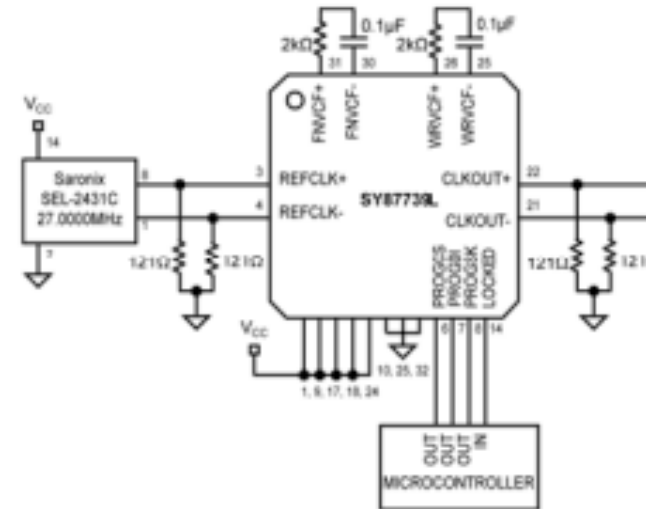
- Features:
- Fractional synthesizer from 10MHz to 365MHz -
- - from a single 27MHz reference oscillator
- Generates exactly the correct frequency for -
- - common transport protocols with or without FEC
- Directly enables SY87721L to lock onto any data -
- - rate within its range
- Exceeds BellCore and ITU jitter generation specifications
- Programmable via MicroWire™ interface
- Available in 32-Pin EPAD-TQFP package



SY87739L

Protocol Transparent Fractional-N Synthesizer

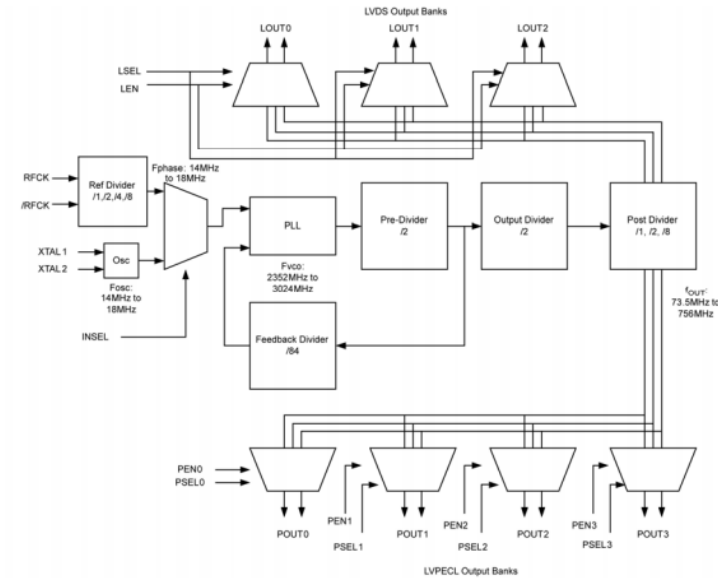
- Features:
- Protocol transparent fractional-N synthesizer
- 10MHz to 729MHz from a single 27MHz –
 - - reference oscillator
- Generates exactly the correct frequency for –
 - - common transport protocols with or without FEC
- Directly enables SY87721L CDR to lock onto any
 -
 - - data rate within its range
- Exceeds BellCore and ITU jitter generation –
 - - specifications
- Programmable via MicroWire™ interface
- Available in 32-Pin ePad-TQFP package



SY89537L

LVPECL & LVDS Programmable Clock Synthesizer & Fanout Buffer

- **Features:**
- **Integrated programmable synthesizer with multiple -**
 - - output dividers, fanout buffers, and clock drivers
- **Direct interface to crystal: 14MHz to 18MHz Input MUX:**
- **Ideal for reference backup clock source or –**
 - - system test frequency source
- **Input MUX isolates XTAL and minimizes crosstalk**
- **Guaranteed AC performance:**
 - 87.15MHz to 700MHz output range (w/ RFCK at 16.6MHz)
 - <100psPP total jitter
 - <7psRMS cycle-to-cycle jitter
 - <8psPP deterministic jitter
 - <0.7psRMS crosstalk induced jitter
 - <50ps bank-to-bank skew
- **LVPECL and LVDS outputs, TTL/CMOS compatible control logic**
- **Five independently programmable output frequency banks:**
- **Four differential LVPECL output banks**
- **One differential LVDS output bank with 3 output pairs**
- **3.3V $\pm 10\%$ power supply (2.5V output capable)**
- **Industrial temperature range: -40°C to +85°C**
- **Available in 44-pin (7mm x 7mm) MLF® package**



PL133-27

Low-Power, 1.62V to 3.63V, 1MHz to 150MHz, 1:2 Fanout Buffer IC

- **Features:**

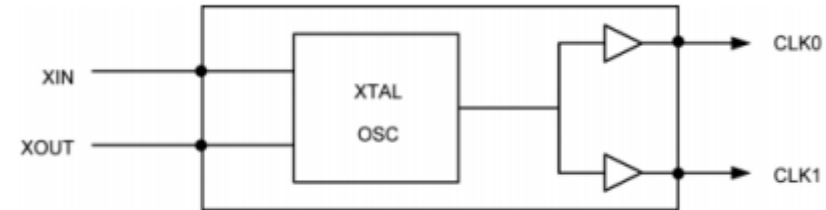
- 2 LVCMOS Outputs
- Input/Output Frequency: 1MHz to 150MHz
- Supports LVCMOS or Sine Wave Input Clock
- Extremely low additive Jitter
- 8mA Output Drive Strength
- Low Current Consumption
- Single 1.8V, 2.5V or 3.3V $\pm 10\%$ operation
- Operating Temperature Range:
 - Commercial: 0°C to 70°C
 - Industrial: -40°C to 85°C
- Available in DFN-6L Packages



PL135-27

Low Power, 1.62V to 3.63V, 10MHz to 40MHz, 1:2 Oscillator Fanout Buffer

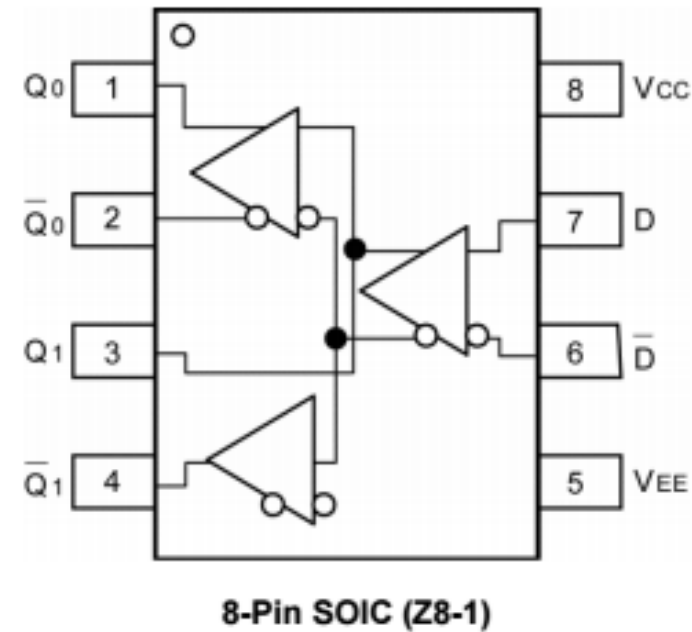
- **Features:**
- **Advanced oscillator design for wide –**
 - - frequency coverage
- **Two LVCMOS Outputs**
- **8mA Output Drive Strength**
- **Input/Output Frequency: 10MHz to –**
 - - 40MHz fundamental crystal
- **Very low jitter and phase noise**
- **Low current consumption**
- **Single 1.62V to 3.63V power supply**
- **Available in 2.0mm x 13.0mm DFN-6 package**



SY100EL11V

5V/3.3V 1:2 Differential Fanout Buffer

- Features:
- 3.3V and 5V power supply options
- 265ps propagation delay
- 5ps skew between outputs
- High bandwidth output transitions
- Internal 75k Ω input pull-down resistors
- Replaces SY10/100EL11
- Improved output waveform characteristics
- Available in 8-pin SOIC package

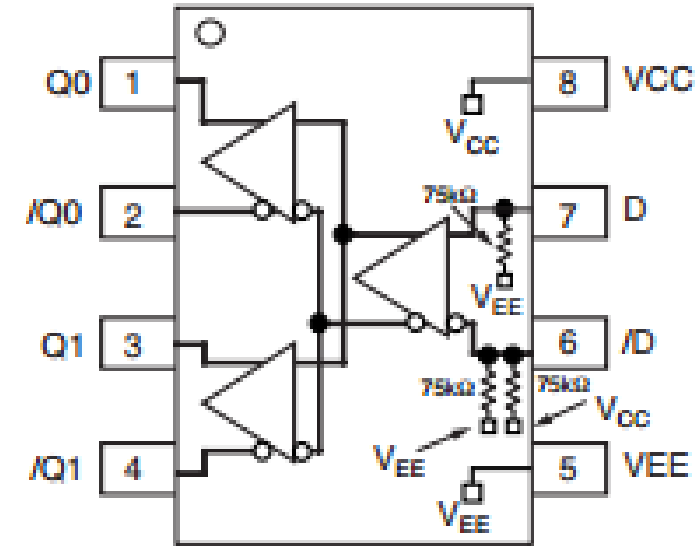


SY100EP11U

2.5V/3.3V/5V 1:2 Differential PECL/LVPECL/ECL Fanout Buffer

- **Features:**

- 2.5V, 3.3V, and 5V power supply options
- Guaranteed AC parameters over temperature:
 - $f_{MAX} = >3\text{GHz}$
 - $<20\text{ps}$ output-to-output skew
 - $<200\text{ps}$ tr/ta
 - $<300\text{ps}$ propagation delay
- Industrial temperature range: -40°C to $+85^{\circ}\text{C}$
- Available in 8-Pin MSOP and SOIC packages



8-pin MSOP and SOIC Packages

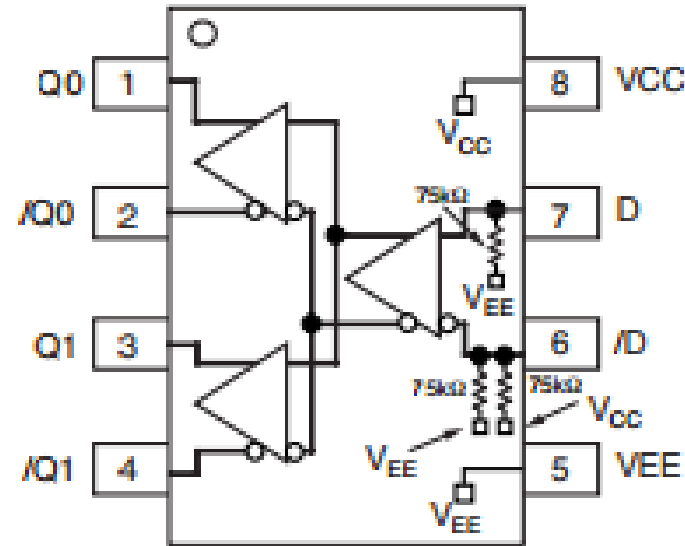


SY10EP11U

2.5V/3.3V/5V 1:2 Differential PECL/LVPECL/ECL Fanout Buffer

- **Features:**

- 2.5V, 3.3V, and 5V power supply options
- Guaranteed AC parameters over temperature:
 - $f_{MAX} = >3\text{GHz}$
 - $<20\text{ps}$ output-to-output skew
 - $<200\text{ps}$ tr/ta
 - $<300\text{ps}$ propagation delay
- Industrial temperature range:
 - -40°C to $+85^{\circ}\text{C}$
- Available in 8-Pin MSOP and SOIC packages



8-pin MSOP and SOIC Packages

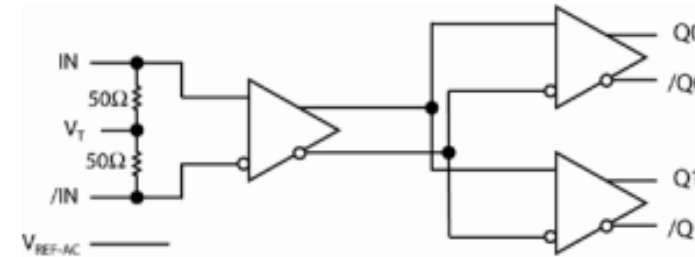


SY54011

Low Voltage 1.2V/1.8V CML 1:2 Fanout Buffer, 3.2Gbps, 3.2 GHz

- **Features:**

- **1.2V/1.8V/2.5V CML 1:2 Fanout Buffer**
- **Guaranteed AC performance over temperature –**
 - **and voltage:**
 - DC-to >3.2Gbps throughput
 - <300ps propagation delay (IN-to-Q)
 - <15ps within-device skew
 - <95ps rise/fall times
- **Ultra-low jitter design:**
 - <50fsRMS typical additive phase jitter
- **High-speed CML outputs**
- **2.5V \pm 5% VCC, 1.2/1.8V/2.5V \pm 5% -**
 - **VCCO power supply operation**
- **Industrial temperature range:**
 - -40°C to +85°C
- **Available in 16-pin (3mm x 3mm) MLF package**

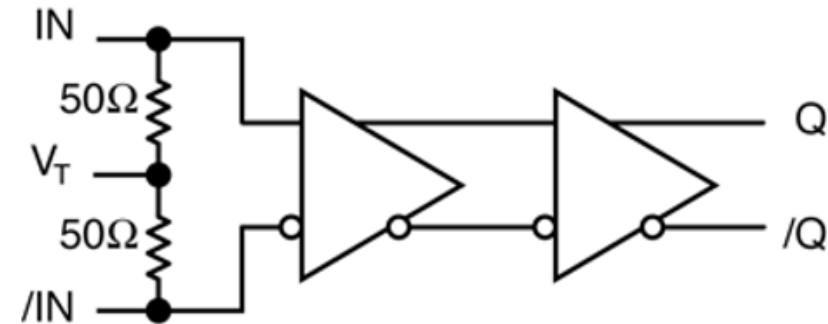


SY54016AR

1.2V/1.8V CML Line Driver/Receiver

Features

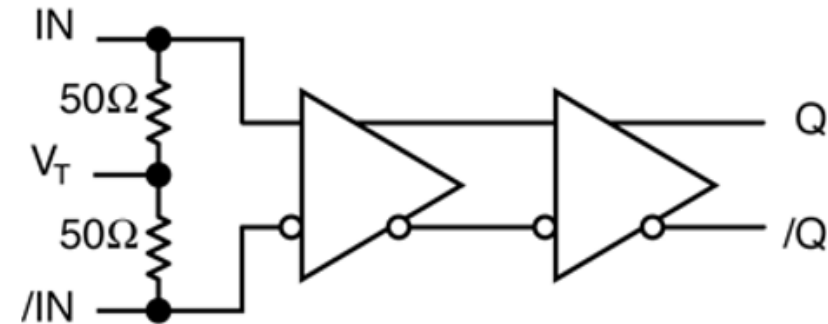
- 1.2V/1.8V CML Differential Line Driver/Receiver
- Guaranteed AC performance over temperature and voltage:
 - DC-to- >3.2Gbps throughput
 - <280ps propagation delay (IN-to-Q)
 - <95ps rise/fall times
- Ultra-low jitter design
 - <1psRMS random jitter
- High-speed CML outputs
- 2.5V \pm 5% , 1.8/1.2V \pm 5% power supply operation
- Industrial temperature range: -40°C to +85°C
- Available in 8-pin (2mm x 2mm) MLF[®] package



1.2V/1.8V CML Line Driver/Receiver with Fail Safe Input

Features

- 1.2V/1.8V CML Line Driver/Receiver with Fail-Safe Input
- Guaranteed AC performance over temperature and voltage:
 - DC-to- >3.2Gbps throughput
 - <370ps propagation delay (IN-to-Q)
 - <95ps rise/fall times
- Ultra-low jitter design
 - <1ps RMS cycle-to-cycle jitter
 - <10ps PP total jitter
 - <1ps RMS random jitter
 - <10ps PP deterministic jitter
- High-speed CML outputs
- 2.5V \pm 5% , 1.8/1.2V \pm 5% power supply operation
- Industrial temperature range: -40°C to $+85^{\circ}\text{C}$
- Available in 8-pin (2mm x 2mm) MLF[®] package

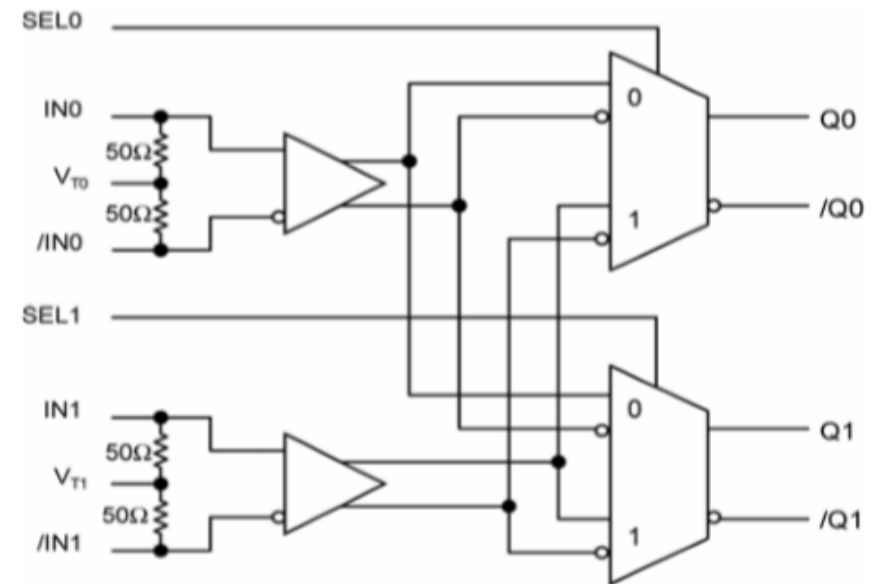


SY54023AR

1.2V/1.8V CML 2x2 Crosspoint Switch

Features

- 1.2V/1.8V CML 2x2 Crosspoint Switch with Fail Safe Inputs
- Guaranteed AC performance over temperature and voltage:
DC-to- >3.2Gbps throughput <310ps propagation delay (IN-to-Q) <15ps Output Skew <95ps rise/fall times
- DC-to- >3.2Gbps throughput
- <15ps Output Skew
- <310ps propagation delay (IN-to-Q)
- <95ps rise/fall times

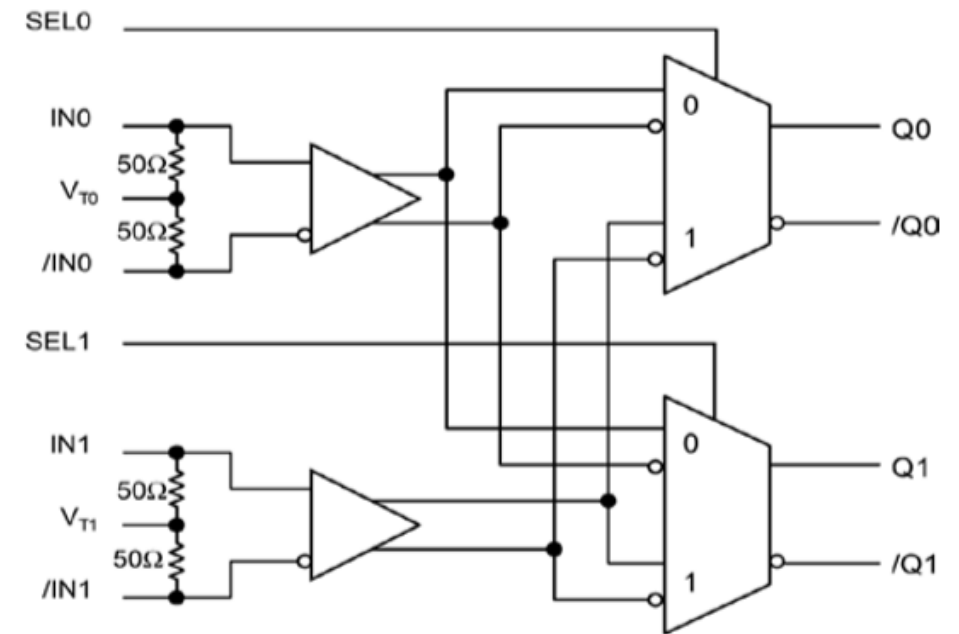


SY54023R

1.2V/1.8V/2.5V CML 2x2 Crosspoint Switch with Fail-safe Inputs

Features

- 1.2V/1.8V CML 2x2 Crosspoint Switch with Fail Safe Inputs
- Guaranteed AC performance over temperature and voltage:
DC-to- >3.2Gbps throughput <400ps propagation delay (IN-to-Q) <15ps Output Skew <95ps rise/fall times
- DC-to- >3.2Gbps throughput
- <400ps propagation delay (IN-to-Q)
- <15ps Output Skew
- <95ps rise/fall times



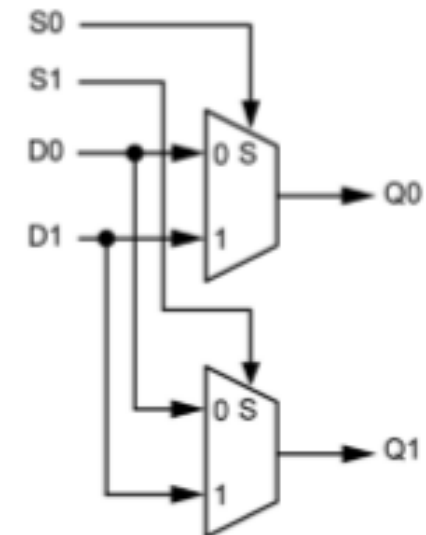
SY55854U

2x2 Protection Crosspoint Switch

Features

- Guaranteed $f_{MAX} > 2.5\text{GHz}$ over temperature
- 2.3V to 5.7V power supply
- Non-blocking "switch architecture"
- Guaranteed $< 15\text{ps}$ channel-to-channel skew
- Guaranteed $< 480\text{ps}$ propagation delay over temperature
- Configurable as 2:1 mux, 1:2 fan-out buffer, dual buffer, or 2x2 switch
- Accepts CML, PECL, LVPECL inputs
- Fully differential inputs/outputs
- Source terminated CML outputs for fast edge rates
- Wide operating temperature range: -40°C to $+85^{\circ}\text{C}$
- Available in a tiny 16-pin EPAD-QSOP package

Functional Block Diagram

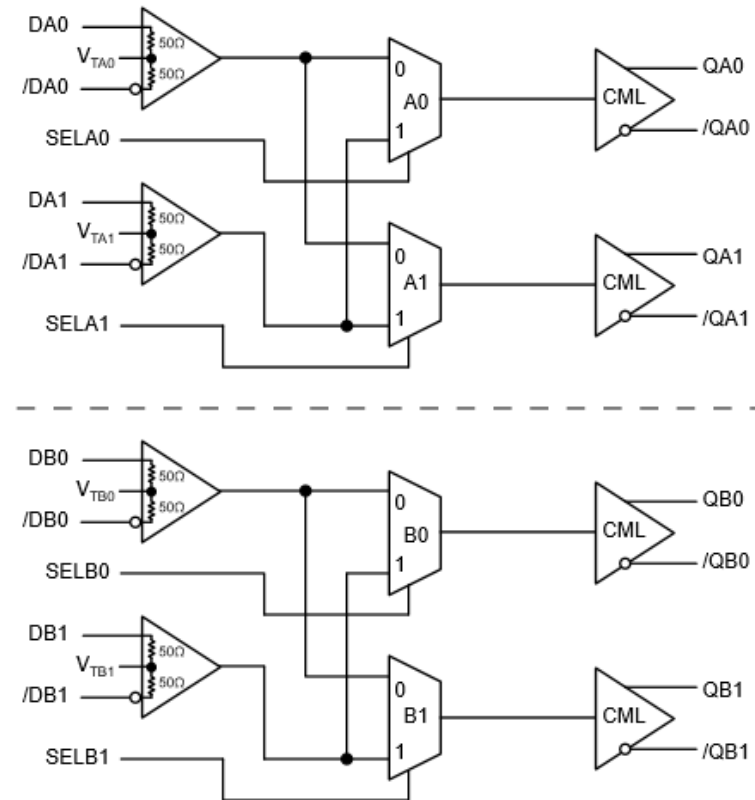


SY55858U

2.5V/3.3V 3GHz Dual 2x2 CML Crosspoint Switch

Features

- Guaranteed AC parameters over temperature:
 - $f_{MAX} > 3.0\text{GHz}$ (3Gbps)
 - $tr/ tf < 120\text{ps}$
 - Within-device skew $< 25\text{ps}$
- Non-blocking "switch architecture"
- Configurable as dual 2:1 mux, dual 1:2 fanout buffer, 1:4 fanout buffer, quad buffer, or dual 2x2 switch
- 50Ω compatible outputs
- Unique input termination and VT pin for DC-coupled and AC-coupled input signals-CML or PECL
- Fully differential inputs/outputs
- TTL/CMOS compatible control logic
- Wide supply voltage range: 2.3V to 3.6V
- Wide operating temperature range: -40°C to $+85^{\circ}\text{C}$
- Available in 32-pin EPAD-TQFP package

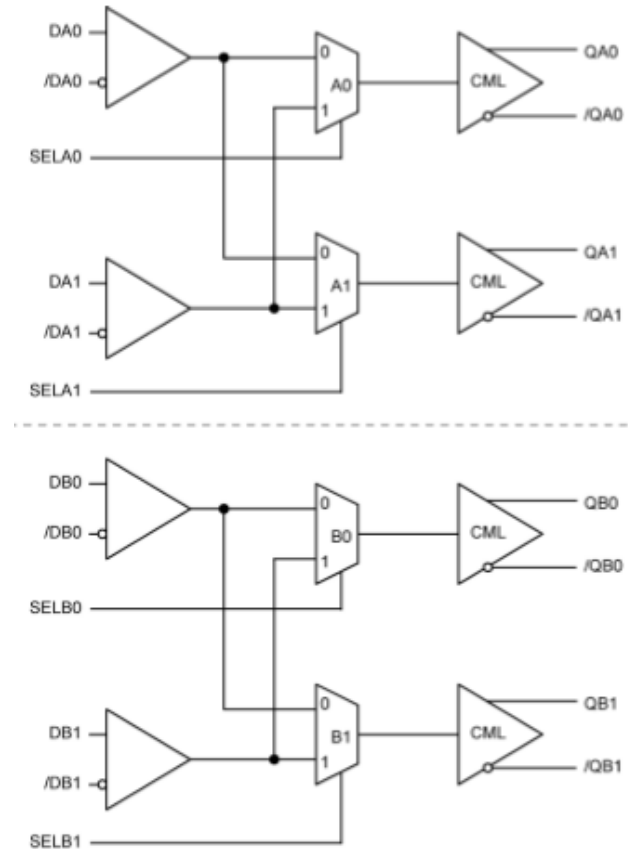


SY55859U

3.3V 32Gbps Dual 2x2 Crosspoint Switch

Features

- Pin-for-pin, plug-in compatible to the MAX3840
- Supply voltage operation: $+3.3V \pm 10\%$
- Low Jitter: -2psRMS random jitter -5psPP deterministic jitter
- Power saving output disable feature
- 15ps channel-to-channel skew
- Fast CML outputs: $<100ps$ tr/TF
- Available in a small (5mm x 5mm) 32-pin EPAD-QFN package

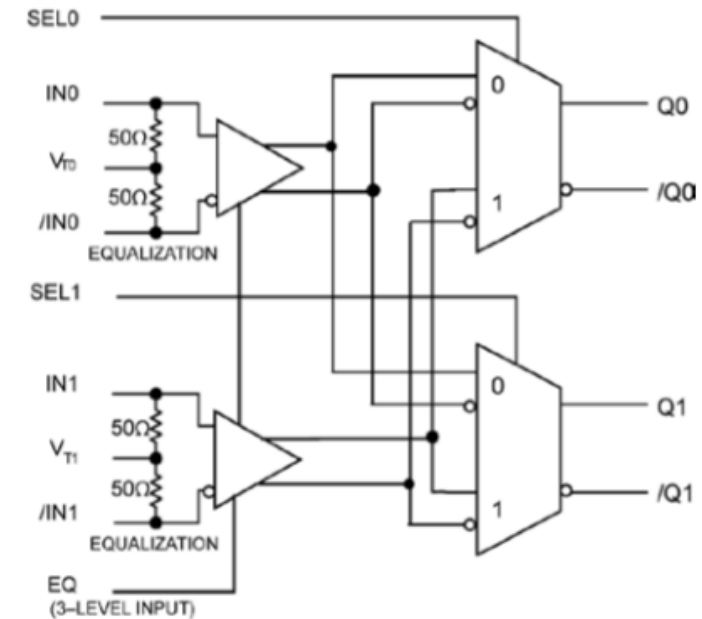


SY56023R

1.2V/1.8V/2.5V CML 2x2 Crosspoint Switch with Equalization

Features

- 1.2V/1.8V/2.5V CML 2x2 Crosspoint Switch
- Equalizes 9, 18, or 27 inches of FR4
- Guaranteed AC performance over temperature and voltage:
 - DC-to >6.4Gbps Data throughput
 - DC-to >4.5GHz Clock throughput
 - <280 ps propagation delay (IN-to-Q)
 - <15 ps output skew
 - <80 ps rise/fall times
- Ultra-low jitter design
 - <1 psRMS cycle-to-cycle jitter
- High-speed CML outputs
- 2.5V \pm 5% VCC , 1.2/1.8V/2.5V \pm 5% VCCO power supply operation
- Industrial temperature range: -40°C to +85°C
- Available in 16-pin (3mm x 3mm) MLF[®] package

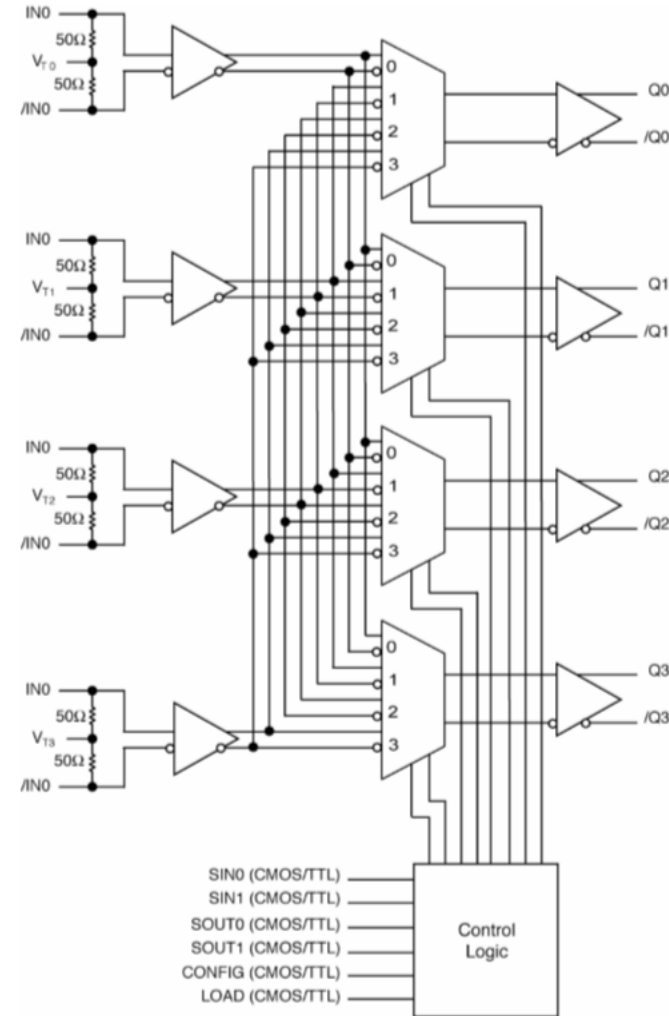


SY56040A

1.2V/1.8V/2.5V CML 4x4 Crosspoint Switch, DC to 6.4Gbps

Features

- 1.2V/1.8V/2.5V CML 4x4 Crosspoint Switch
- Guaranteed AC performance over temperature and voltage:
 - DC to 6.4Gbps throughput
 - <400ps typical propagation delay (IN-to-Q)
 - <25ps typical output skew
 - <80ps rise/fall times
- Ultra-low jitter design
 - <1psRMS cycle-to-cycle jitter
 - <10psPP total jitter
 - <1psRMS random jitter
 - <10psPP deterministic jitter
- High-speed CML outputs
- 2.5V \pm 5% , 1.2V/1.8V/2.5V \pm 5% power supply operation
- Industrial temperature range: -40°C to +85°C
- Available in 44-pin (7mm x 7mm) MLF[®] package



SY58023U

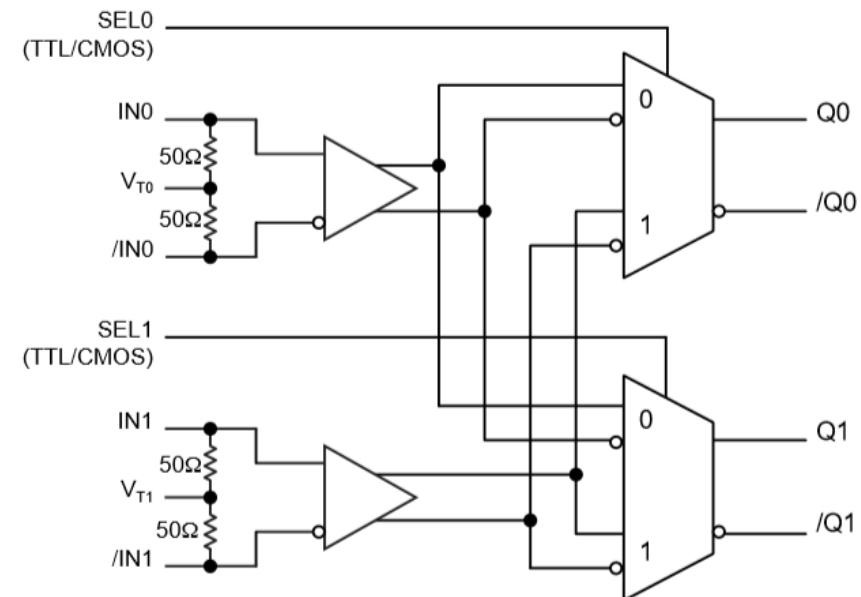
2.5V/3.3V high-speed, differential CML 2x2 crosspoint switch

Features

- Guaranteed AC performance over temperature and voltage:
 - >10.7Gbps data throughput
 - <60ps tr/td times
 - <285ps tpd (IN-to-Q)
 - <20ps skew
- Low jitter:
 - <10psPP total jitter (clock)
 - <1psRMS random jitter (data)
 - <10psPP deterministic jitter (data)
- Crosstalk induced jitter: <0.7psRMS
- Accepts an input signal as low as 100mV
- Unique input termination and VT pin accepts DCcoupled and AC-coupled differential inputs: LVPECL, LVDS, and CML
- 50Ω source terminated CML outputs

Features

- Fully differential inputs/outputs
- Power supply 2.5V ±5% and 3.3V ±10%
- Industrial -40°C to +85°C temperature range
- Available in 16-pin (3mm x 3mm) MLF[®] package

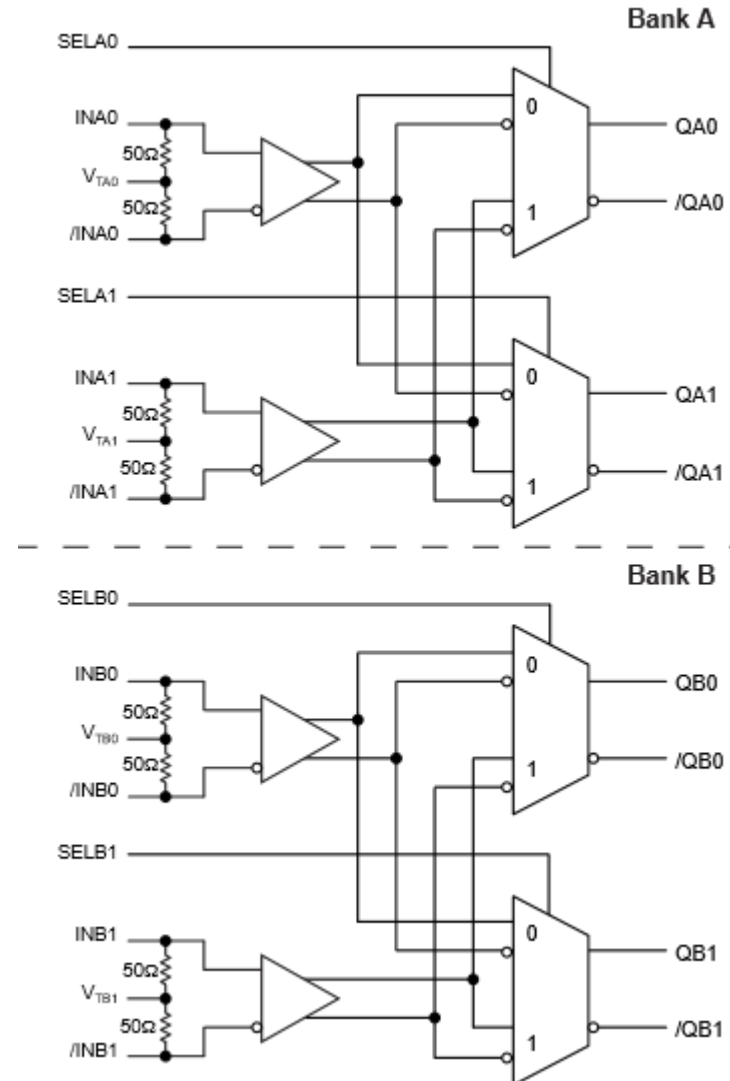


SY58024U

2.5V/3.3V high-speed, differential, dual CML 2x2 crosspoint switch

Features

- Guaranteed AC performance over temperature and voltage:
 - >10.7Gbps data throughput
 - <60ps tr/td times
 - <350ps tpd (IN-to-Q)
 - <20ps skew
- Low jitter:
 - <10psPP total jitter (clock)
 - <1psRMS random jitter (data)
 - <10psPP deterministic jitter (data)
 - Crosstalk induced jitter: <0.7psRMS
- Accepts an input signal as low as 100mV
- Unique, patent-pending input termination and VT pin accepts DC-coupled and AC-coupled differential inputs: LVPECL, LVDS, and CML
- Power supply 2.5V \pm 5% and 3.3V \pm 10%
- Industrial -40°C to +85°C temperature range
- Available in 32-pin (5mm x 5mm) MLF[®] package

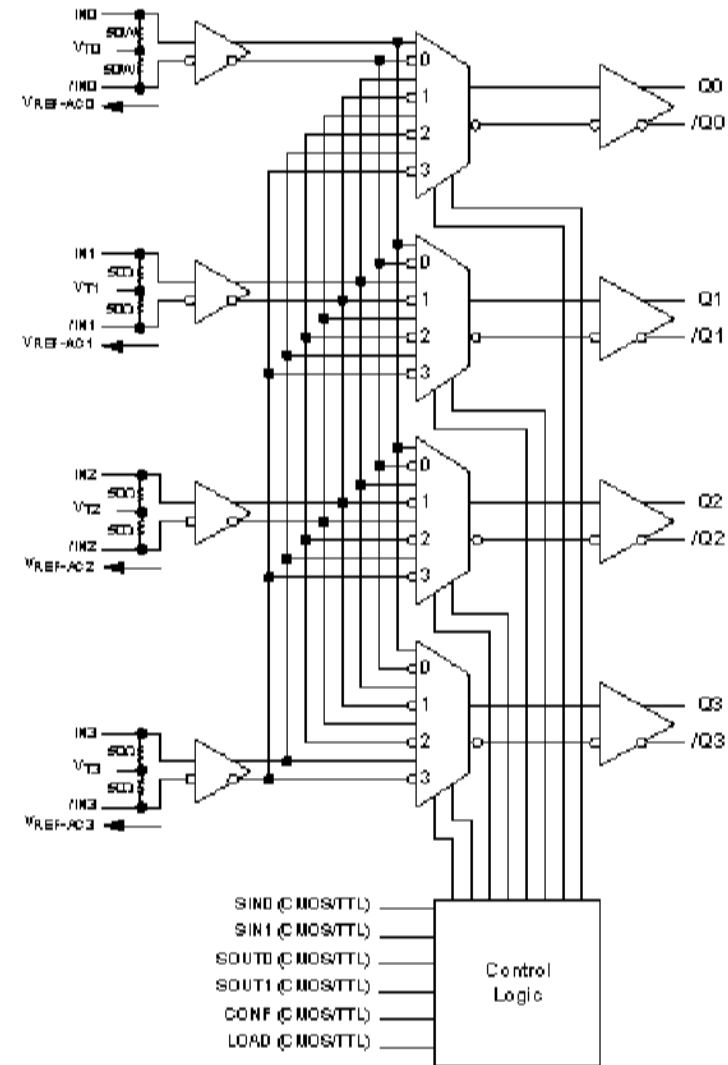


SY58040U

high-speed 4x4 crosspoint switch

Features

- Any input pair to any output pair
- Guaranteed AC performance over temperature and voltage:
 - DC to >5Gbps throughput
 - <350ps propagation delay
 - <60ps tr/TF times
 - <25ps skew (output-to-output)
- Ultra-low jitter design:
 - <1psRMS random jitter
 - <10psPP deterministic jitter
 - <10psPP total jitter (clock)
 - <0.7psRMS crosstalk-induced jitter
- 400mV CML output swing
- Power supply 2.5V \pm 5% or 3.3V \pm 10%
- -40°C to +85°C temperature range
- Available in 44-pin (7mm x 7mm) MLF[®] package

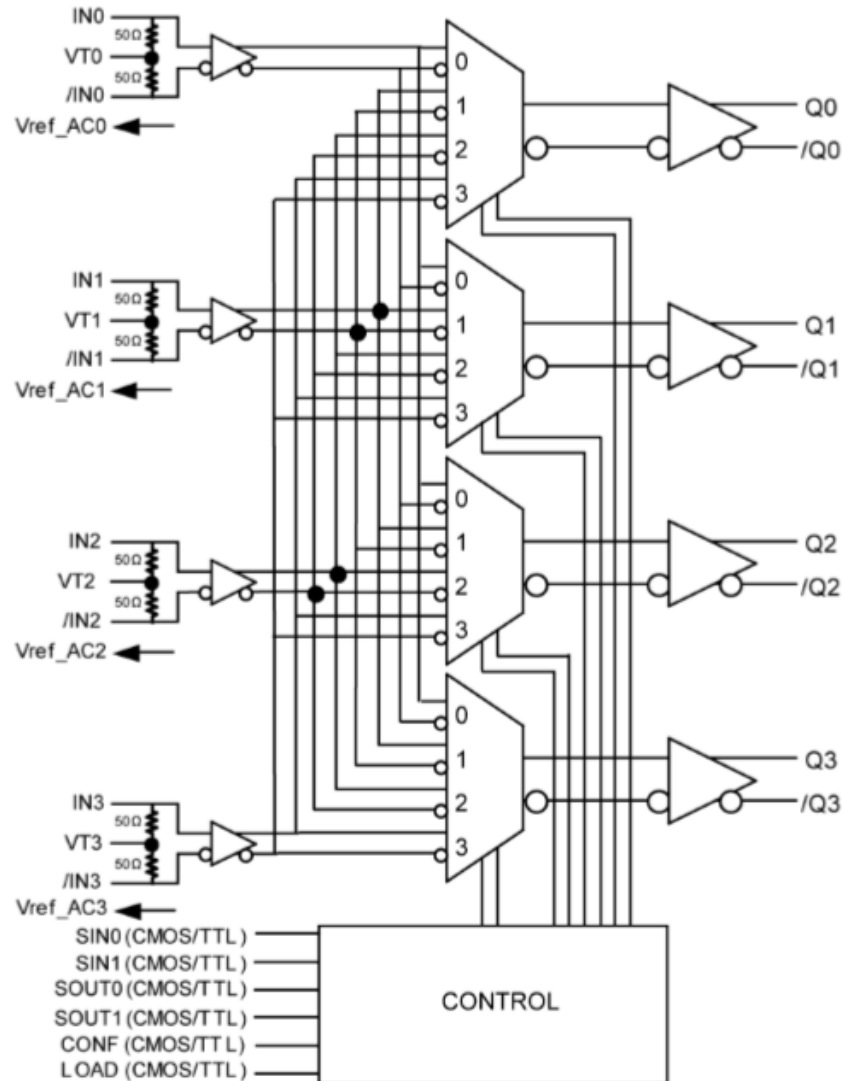


SY89540U

4x4 LVDS crosspoint switch

Features

- Any input pair to any output pair
- Guaranteed AC performance over temperature and voltage:
 - DC-to-3.2Gbps throughput
 - <480ps propagation delay
 - <120ps rise/fall time
 - <30ps output-to-output skew
- Ultra-low jitter design:
 - 95fs RMS phase jitter (typ.)
 - <0.7psRMS crosstalk-induced jitter
- Patent-pending 50Ω input termination, extended CMVR, and VT pin accepts DC- and AC-coupled differential inputs
- 350mV LVDS output swing
- Power supply 2.5V ±5%
- -40°C to +85°C temperature range
- Available in 44-pin (7mm x 7mm) QFN package

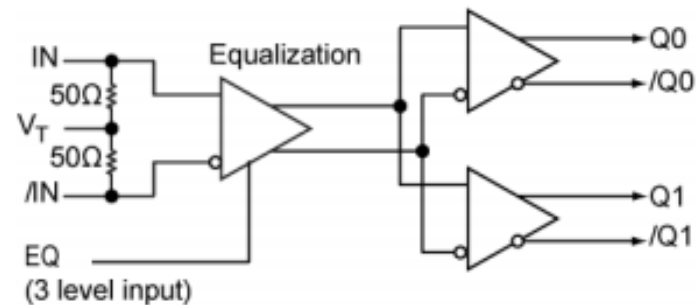


SY56011R

Low Voltage 1:2 Fanout Buffer with Equalization

• Features:

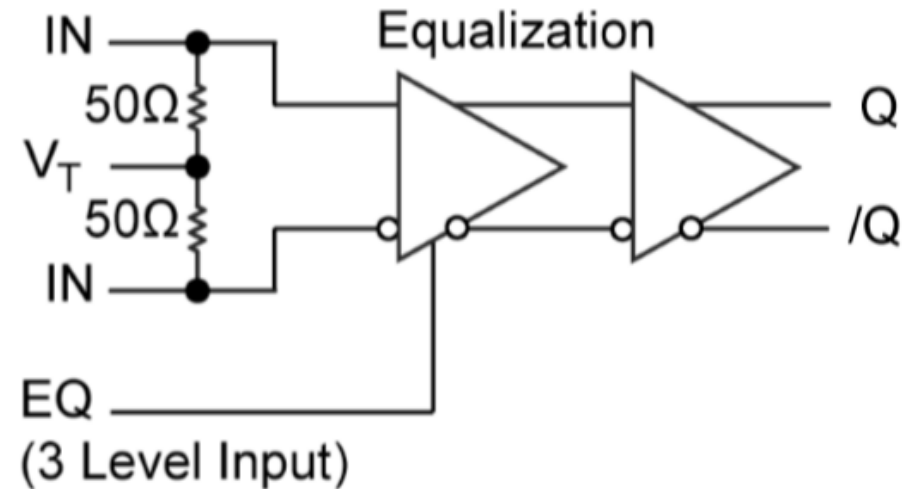
- 1.2V/1.8V/2.5V CML 1:2 Fanout Buffer
- Equalizes 9, 18, 27 inches of FR4
- Guaranteed AC performance over temperature –
 - - and voltage:
 - DC-to >6.4Gbps Data throughput
 - DC-to >4.5GHz Clock throughput
 - <280ps propagation delay (IN-to-Q)
 - <15ps within-device skew
- <80ps rise/fall times
- Ultra-low jitter design:
 - <1psRMS random jitter
- High-speed CML outputs
- 2.5V \pm 5% VCC, 1.2/1.8V/2.5V \pm 5% VCCO power supply operation
- Industrial temperature range:
 - -40°C to +85°C
- Available in 16-pin (3mm x 3mm) QFN package



1.2V/1.8V 6.4Gbps CML Line Driver/Receiver with Fail Safe Input

Features

- 1.2V/1.8V/2.5V CML Differential Line Driver/Receiver with Equalization
- Equalizes 9, 18, 27 inches of FR4
- Guaranteed AC performance over temperature and voltage:
 - DC-to >6.4Gbps Data throughput
 - DC-to >5.0GHz Clock throughput
 - <250ps propagation delay (IN-to-Q)
 - <80ps rise/fall times
- <1psRMS random jitter
- High-speed CML outputs
- 2.5V \pm 5% VCC, 1.2V/1.8V/2.5V \pm 5% VCCO power supply operation
- Industrial temperature range: -40°C to +85°C
- Available in 10-pin (2mm x 2mm) MLF[®] package

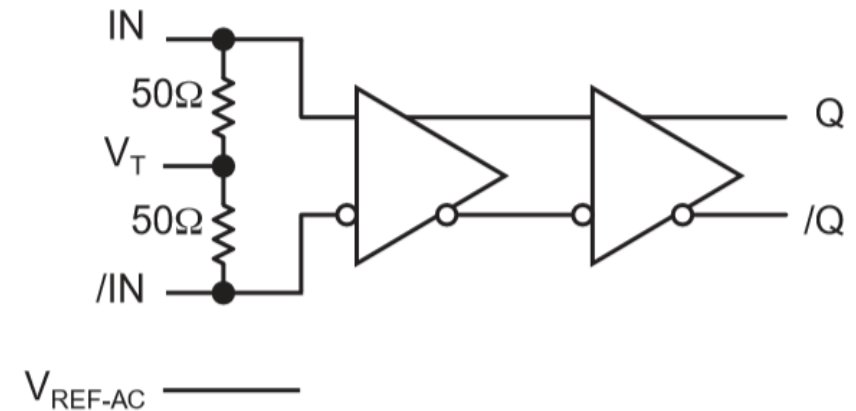


SY58601U

2.5V/3.3V, LVPECL Driver/Receiver

Features

- Guaranteed AC performance over temperature and voltage:
 - DC-to >5Gbps data rate throughput
 - DC-to >5GHz clock fMAX
 - <260ps in-to-out tpd
 - $t_r / t_f < 90\text{ps}$
- Ultra low-jitter design:
 - <1psRMS random jitter
 - <10psPP deterministic jitter
 - <10psPP total jitter (clock)
- Minimum input swing 200mV ($|IN- /IN|$)
- DC-coupled and AC-coupled inputs (CML, PECL, LVDS)
- Typical 800mV (100k) LVPECL output swing
- Power supply 2.5V $\pm 5\%$ or 3.3V $\pm 10\%$
- -40°C to 85°C industrial temperature range
- Available in an ultra-small (2mm x 2mm) 8-pin MLF[®] package

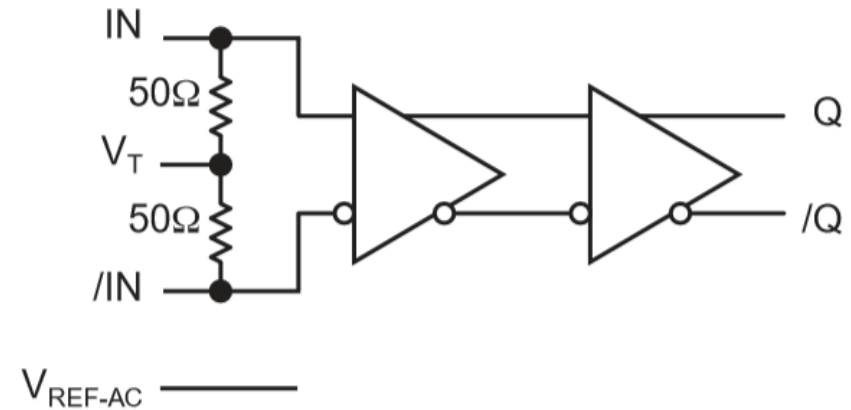


SY58602U

400mV, 10.7Gbps/7GHz LVPECL Line Driver/Receiver

Features

- Guaranteed AC performance over temperature and voltage:
 - DC-to >10.7Gbps data rate throughput
 - DC-to >7GHz clock fMAX
 - <250ps In-to-Out tpd
 - $t_r / t_f < 70\text{ps}$
- 75fs RMS phase jitter
- Minimum input swing 200mV ($|IN-|/IN|$)
- Unique, patent-pending input termination and VT pin accepts DC- and AC-coupled inputs (CML, PECL, LVDS)
- Typical 400mV LVPECL output swing
- Power supply 2.5V $\pm 5\%$ or 3.3V $\pm 10\%$
- -40°C to 85°C industrial temperature range
- Available in an ultra-small (2mm x 2mm) 8-pin QFN package

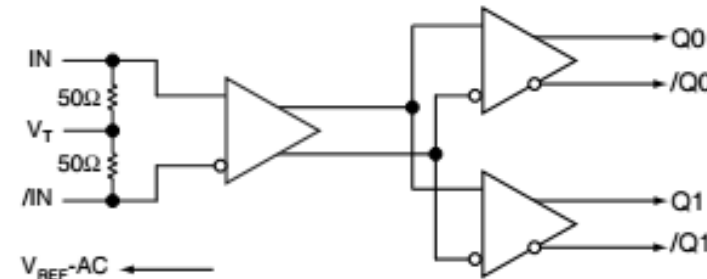


SY58011U

7GHz, 1:2 CML Fanout Buffer/Translator

• Features:

- Precision 1:2, 400mV CML fanout buffer
- Guaranteed AC performance over –
 - - temperature/voltage:
 - >7GHz fMAX clock
 - <60ps tr/tf times
 - <250ps tpd
 - <15ps max. skew
- Low jitter performance:
 - <10psPP total jitter (clock)
- <1psRMS random jitter (data):
 - <10psPP deterministic jitter (data)
- Accepts an input signal as low as 100mV
- Unique input termination and VT pin accepts DC coupled and –
 - - AC-coupled differential inputs: LVPECL, LVDS, and CML
- 50Ω source terminated CML outputs
- Power supply 2.5V ±5% and 3.3V ±10%
- Industrial temperature range:
 - -40°C to +85°C
- Available in 16-pin (3mm x 3mm) MLF® package

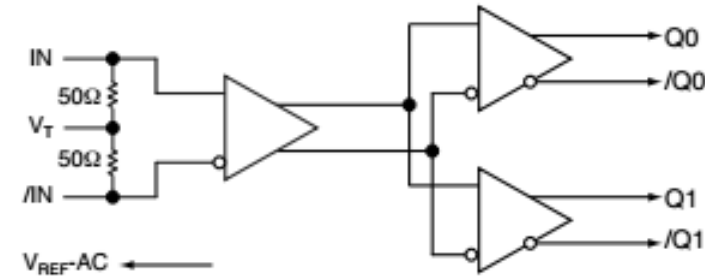


SY58012U

5GHz, 1:2 LVPECL Fanout Buffer/Translator

• Features:

- Precision 1:2, 800mV LVPECL fanout buffer
- Guaranteed AC performance over –
 - - temperature/ voltage:
- >5GHz f_{MAX} (clock)
- <110ps tr/tf times
- <260ps tpd
- <15ps max skew
- Low jitter performance
- 60fs RMS phase jitter
- Accepts an input signal as low as 100mV
- Unique input termination and VT pin accepts DC and -
 - - AC-coupled differential inputs: LVPECL, LVDS, and CML
- Outputs are 100k LVPECL compatible, 800mV swing
- Power supply 2.5V ±5% and 3.3V ±10%
- Industrial temperature range:
 - -40°C to +85°C e
- Available in 16-pin (3mm x 3mm) QFN package

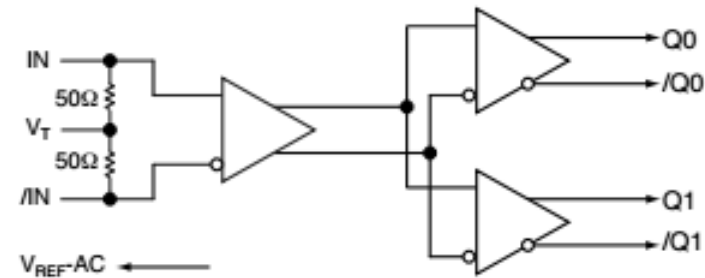


SY58013U

6 GHz, 1:2 Fanout Buffer/Translator w/400mV LVPECL Outputs

• Features:

- Precision 1:2, 400mV LVPECL fanout buffer
- Low phase jitter
- <55fsRMS (typical)
- Guaranteed AC performance over temperature –
 - - and voltage:
 - >6GHz fMAX clock
 - <80ps tr/tf times
 - <250ps tpd
- <15ps maximum skew
- Accepts an input signal as low as 100mV
- Unique input termination and VT pin accepts DC –
 - - coupled and AC-coupled differential inputs: -
 - - LVPECL, LVDS, and CML
- 400mV LVPECL compatible outputs
- Power supply 2.5V \pm 5% and 3.eV \pm 10%
- Industrial temperature range:
 - -40°C to +85°C
- Available in 16-pin 3mm x 3mm QFN package

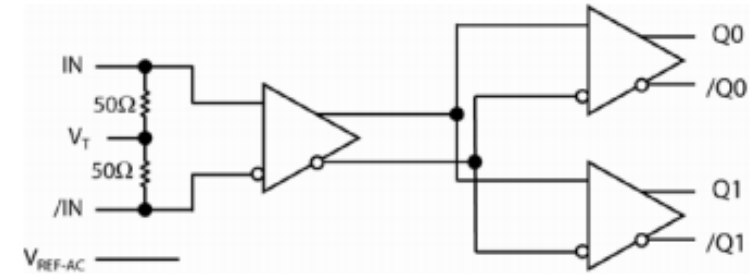


SY58606U

4.25Gbps Precision, 1:2 CML Fanout Buffer with Fail Safe Input

- **Features:**

- Precision 1:2, 400mV CML fanout buffer
- Guaranteed AC performance over –
 - temperature and voltage:
 - DC-to >4.25Gbps throughput
 - <320ps propagation delay (IN-to-Q)
 - <15ps within-device skew
 - <85ps rise/fall times
- Fail Safe Input - Prevents outputs from oscillating when input is invalid
- Ultra-low jitter design
 - 100fsRMS typical additive jitter
- High-speed CML outputs
- 2.5V \pm 5% or 3.3V \pm 10% power supply operation
- Industrial temperature range: -40°C to +85°C
- Available in 16-pin (3mm x 3mm) QFN package

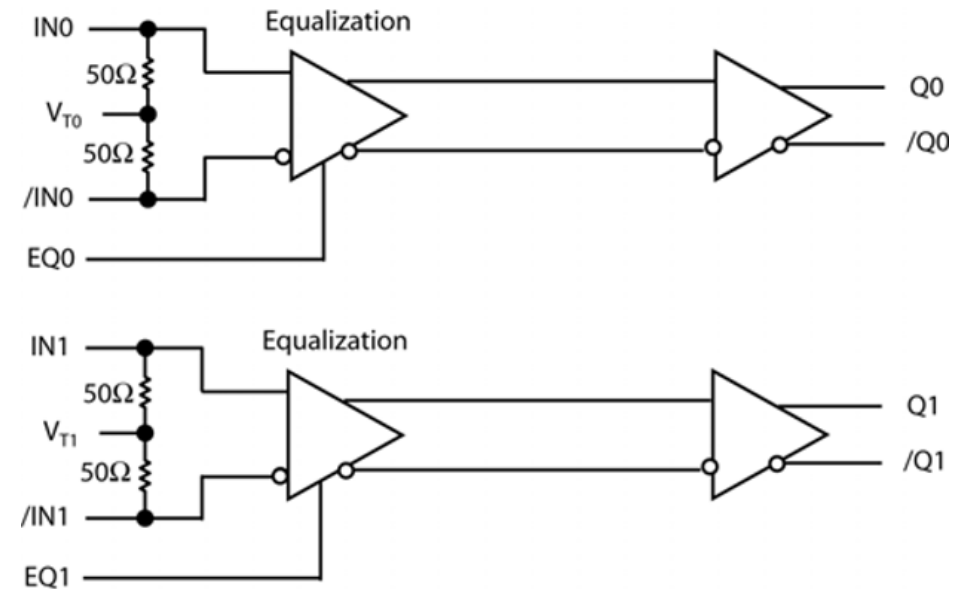


SY56216R

1.2V/1.8V/2.5V CML Dual Channel Driver with Equalization

Features

- 1.2V/1.8V/2.5V CML Dual Channel Buffer
- Guaranteed AC performance over temperature and voltage:
 - DC-to >6.4Gbps Data throughput
 - DC-to >4.5GHz Clock throughput
 - <280ps propagation delay (IN-to-Q)
- <20ps within-device skew
- <80ps rise/fall times
- High-speed CML outputs
- 2.5V \pm 5% VCC , 1.2/1.8V/2.5V \pm 5% VCCO power supply operation
- Industrial temperature range: -40°C to +85°C
- Available in 16-pin (3mm x 3mm) QFN package

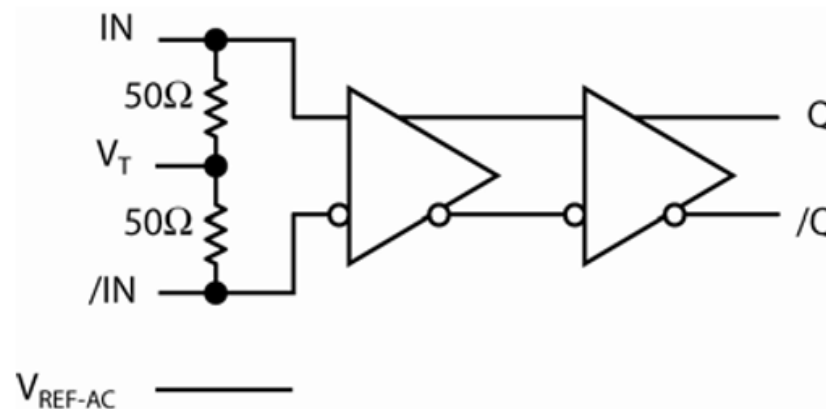


SY58603U

4.25Gbps CML Driver with Fail Safe Input

Features

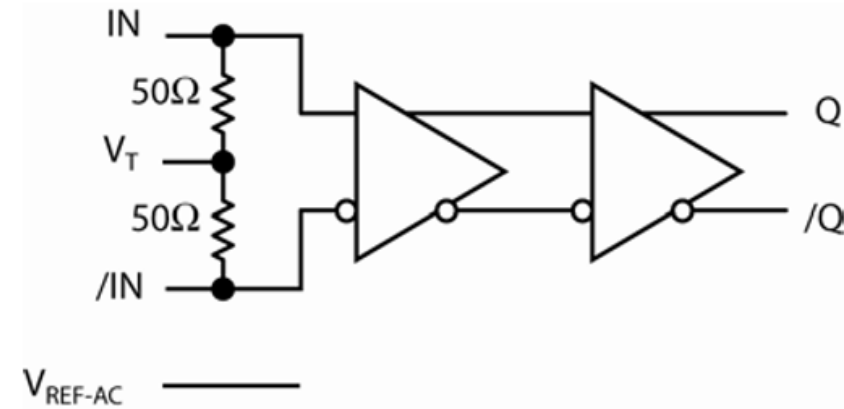
- Precision 400mV CML buffer
- Guaranteed AC performance over temperature and voltage:
 - DC-to >4.25Gbps throughput
 - <300ps propagation delay (IN-to-Q)
 - <85ps rise/fall times
- Fail Safe Input prevents output from oscillating when input is invalid
- Ultra-low jitter design
 - <1psRMS cycle-to-cycle jitter
 - <10psPP total jitter
 - <1psRMS random jitter
 - <10psPP deterministic jitter
- High-speed CML output
- 2.5V \pm 5% or 3.3V \pm 10% power supply operation
- Industrial temperature range: -40°C to +85°C
- Available in 8-pin (2mm x 2mm) DFN package



3.2Gbps LVPECL Driver with Fail Safe Input

Features

- Precision 800mV LVPECL buffer
- Guaranteed AC performance over temperature and voltage:
 - DC-to >3.2Gbps throughput
 - <350ps typical propagation delay (IN-to-Q)
 - <110ps rise/fall times
- Fail Safe Input prevents output from oscillating when input is invalid
- Ultra-low jitter design
 - <1psRMS cycle-to-cycle jitter
 - <10psPP total jitter
 - <1psRMS random jitter
 - <10psPP deterministic jitter
- High-speed LVPECL output
- 2.5V \pm 5% or 3.3V \pm 10% power supply operation
- Industrial temperature range: -40°C to +85°C
- Available in 8-pin (2mm x 2mm) DFN package

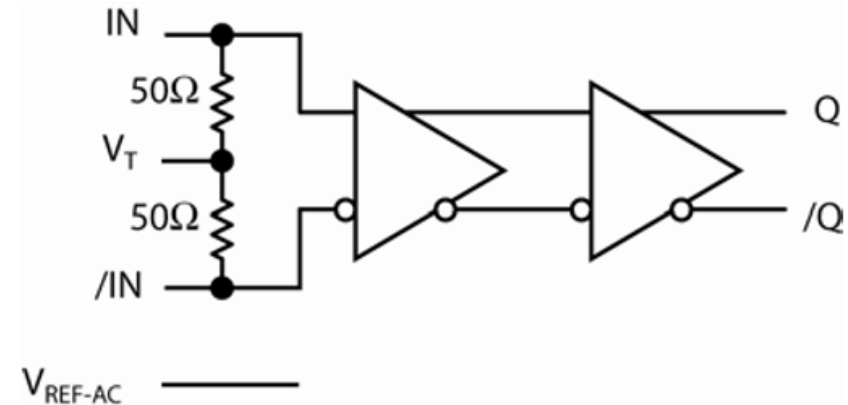


SY58605U

3.2Gbps LVDS Driver with Fail Safe Input

Features

- Precision 325mV LVDS buffer
- Guaranteed AC performance over temperature and voltage:
 - DC-to >3.2Gbps throughput
 - <300ps typical propagation delay (IN-to-Q)
 - <100ps rise/fall times
- Fail Safe Input prevents output from oscillating when input is invalid
- Ultra-low jitter design
 - <1psRMS cycle-to-cycle jitter
 - <10psPP total jitter
 - <1psRMS random jitter
 - <10psPP deterministic jitter
- High-speed LVDS output
- 2.5V \pm 5% power supply operation
- Industrial temperature range: -40°C to +85°C
- Available in 8-pin (2mm x 2mm) DFN package

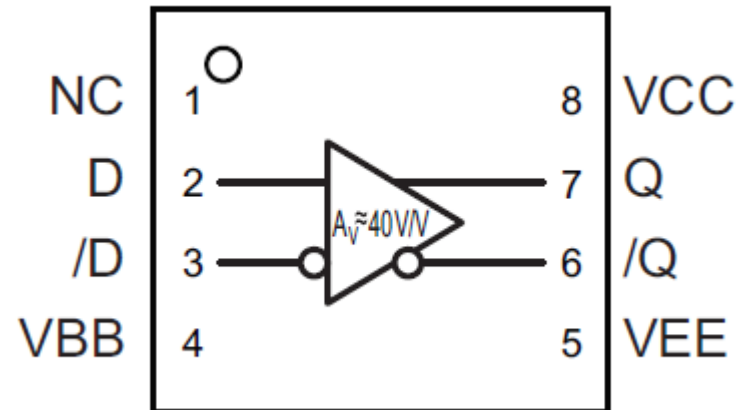


SY89206V

3.3V/5V 1 GHz Differential PECL/ECL Receiver/Buffer

Features

- $f_{MAX} > 1.0\text{GHz}$
- 3.3V and 5V power supply options
- 250ps propagation delay
- High bandwidth output transitions
- Internal 75k Ω input pull-down resistors
- SY89206V: 100k PECL/ECL compatible
- SY89216V: 10k PECL/ECL compatible
- Industrial temperature range: -40°C to +85°C
- Available in an ultra-small 8-pin (2mm x 2mm) MLF[®] package

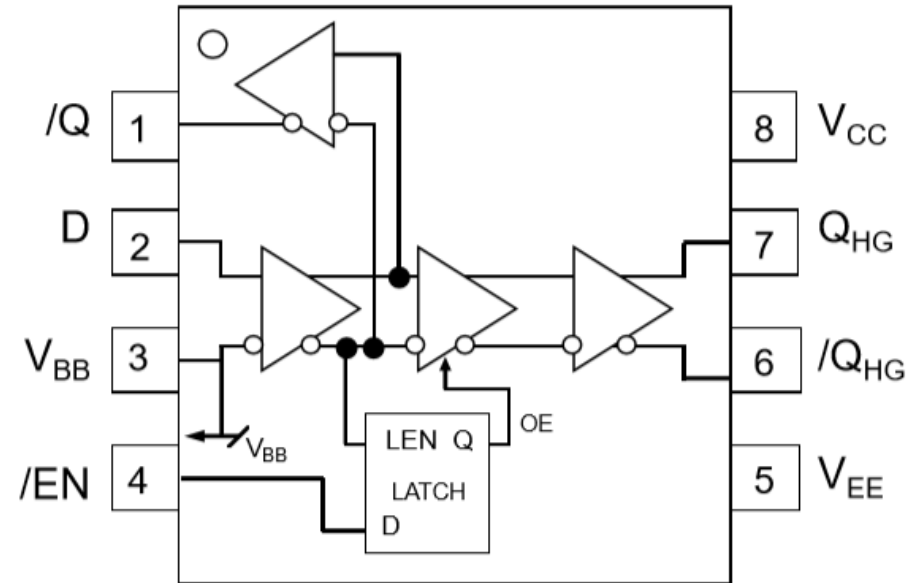


SY89250V

Differential PECL/ECL Receiver/Buffer

Features

- 3.3V and 5V power supply options
- 250ps propagation delay
- Very high voltage gain
- Ideal for Pulse Amplifier and Limiting Amplifier applications
- Data synchronous Enable/Disable (/EN) on QHG and /QHG provides for complete glitchless gating of the outputs
- Ideal for gating timing signals
- Complete solution for high quality, high frequency crystal oscillator applications
- Available in an ultra-small 8-pin (2mm x 2mm) MLF® package

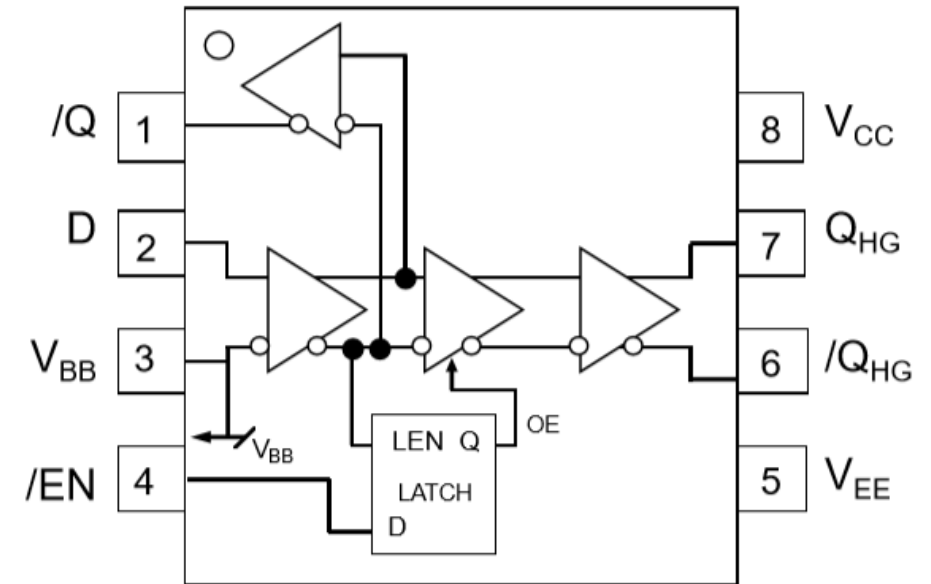


SY89251V

Differential PECL/ECL Receiver/Buffer

Features

- 3.3V and 5V power supply options
- 250ps propagation delay
- Ideal for pulse amplifier and limiting amplifier applications
- Data synchronous enable/disable (EN) on QHG and /QHG provides for complete glitchless gating of the outputs
- Equivalent to the SY89250V, except for an active HIGH enable pin
- Ideal for gating timing signals
- Complete solution for high quality, high frequency crystal oscillator applications
- Available in an ultra-small 8-pin (2mm x 2mm) DFN package

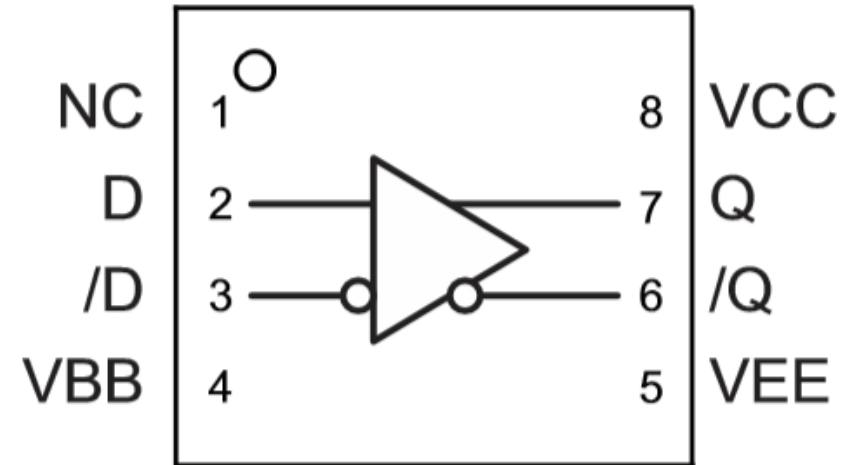


SY89306V

3.3V/5V 2.5 GHz Differential PECL/ECL Receiver/Buffer

Features

- $f_{MAX} > 2.5\text{GHz}$
- Inputs (D, /D) include 75k Ω pull-down resistors
- SY89306V: 100k EP compatible
- SY89316V: 10k EP compatible
- Industrial temperature range: -40°C to +85°C
- Available in an ultra-small 8-pin (2mm x 2mm) MLF[®] package

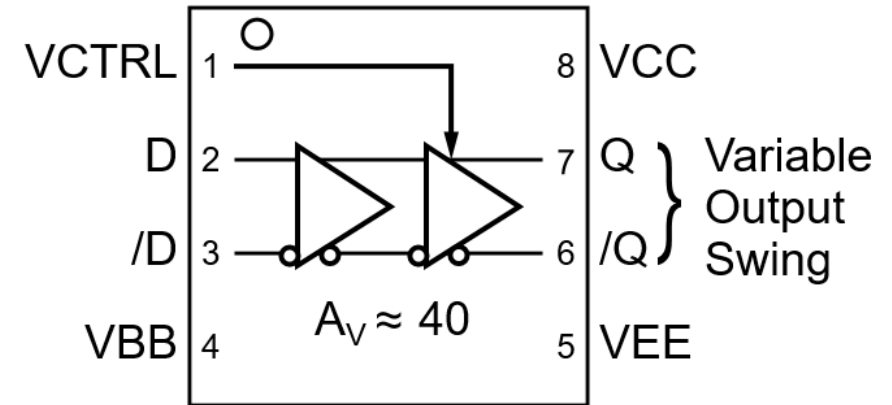


SY89307V

5V/3.3V 2.5Gbps Variable Output Swing PECL/ECL Receiver

Features

- 3.3V and 5V power supply options
- >2.5Gbps maximum throughput
- Fast output transitions <160ps tr/ta
- 100k compatible PECL/ECL I/O
- Functionally equivalent to SY88927V and SY100EP16VS
- Variable output swing from 100mV to 700mV
- Guaranteed operation over -40°C to +85°C temperature range
- Available in ultra-small 8-pin MLF[®] (2mm x 2mm) package

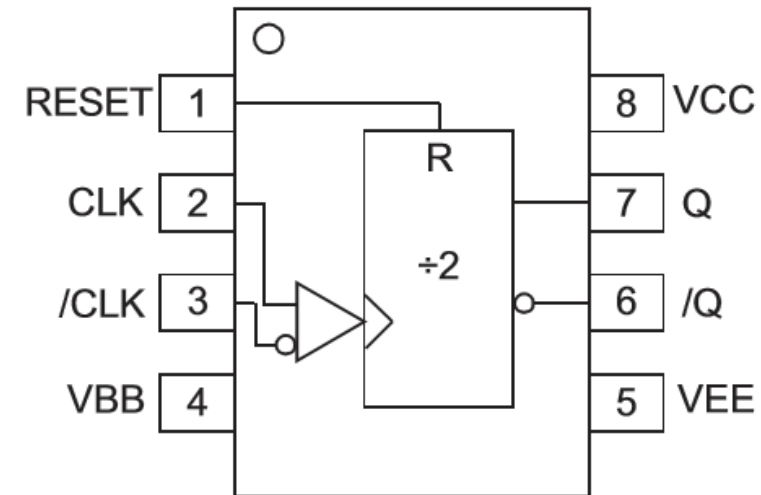


SY100EL32V

5V/3.3V ECL ÷2 Divider

Features

- 3.3V and 5V power supply options
- 510ps propagation delay
- 3.0GHz toggle frequency
- High bandwidth output transitions
- Internal 75K Ω input pull-down resistors
- Available in 8-pin SOIC package

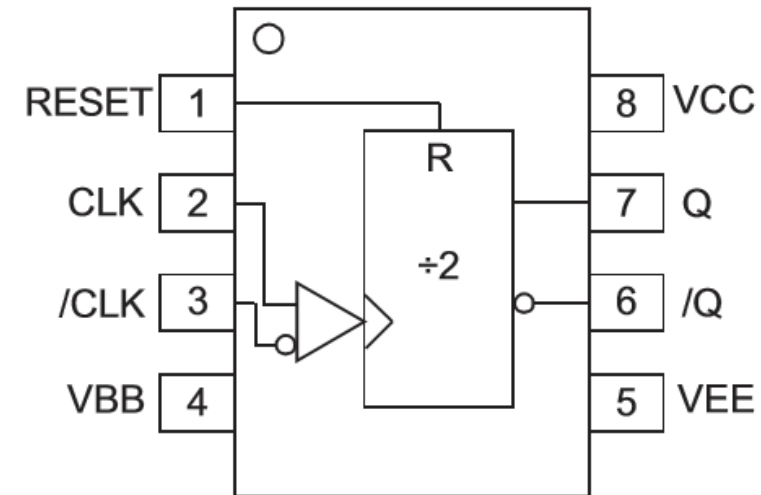


SY100EP32V

5V/3.3V ECL ÷2 Divider

Features

- Guaranteed Maximum Frequency > 4 GHz
- 3.3V and 5V Power Supply Options
- Guaranteed Propagation Delay < 440 ps over Temperature
- Open Input Default State
- Wide Operating Temperature Range: -40°C to +85°C
- Available in 8-Pin MSOP Package

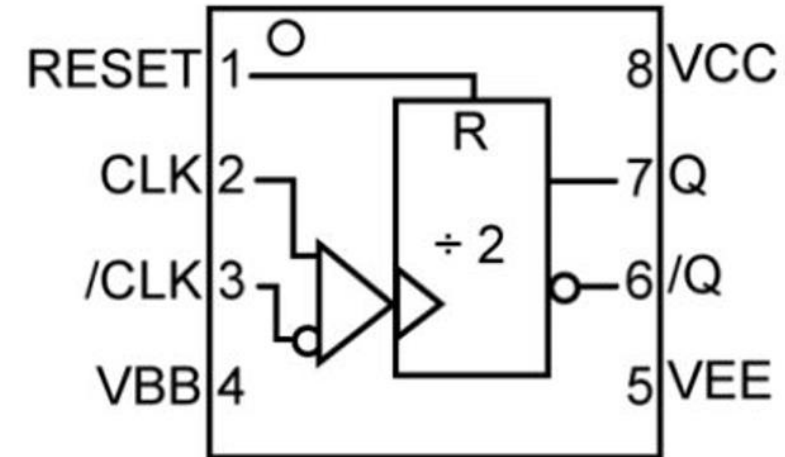


SY89312V

3.3V/5V PECL/ECL $\div 2$ Divider/Clock Generator

Features

- Guaranteed AC performance over temperature and voltage:
 - >4GHz fMAX input
 - <160ps tr/tf
 - <440ps tpd
- 3.3V and 5V power supply operation
- 100k ECL/PECL compatible I/O
- Internal 75K Ω input pull-down resistors
- Wide operating temperature range: -40°C to +85°C
- Available in ultra-small 8-pin MLF[®] (2mm x 2mm) package

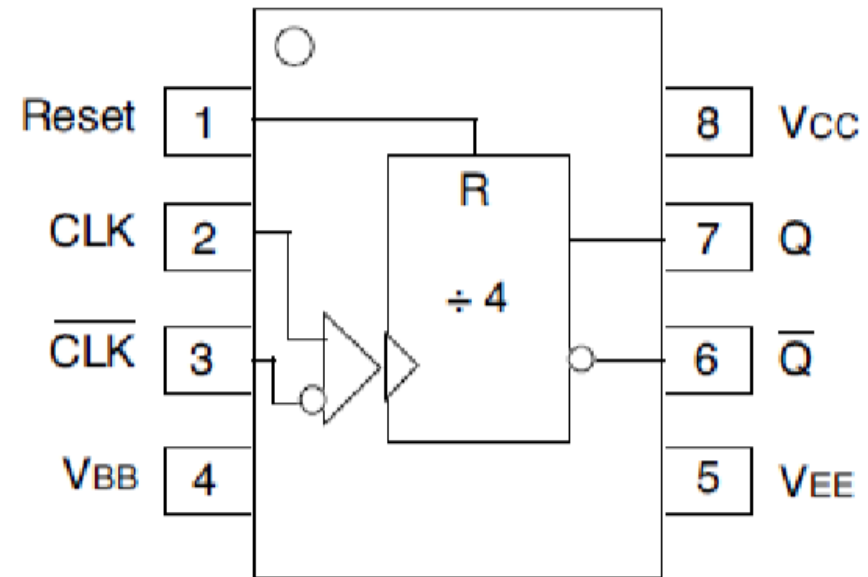


SY100EL33L

3.3V ECL ÷ 4 Divider

Features

- 3.3V Power Supply
- 640ps Propagation Delay (typical)
- 4.2 GHz Toggle Frequency (typical)
- High Bandwidth Output Transitions
- Internal 75 kΩ Input Pull-Down Resistors
- Available in 8-Pin SOIC Package

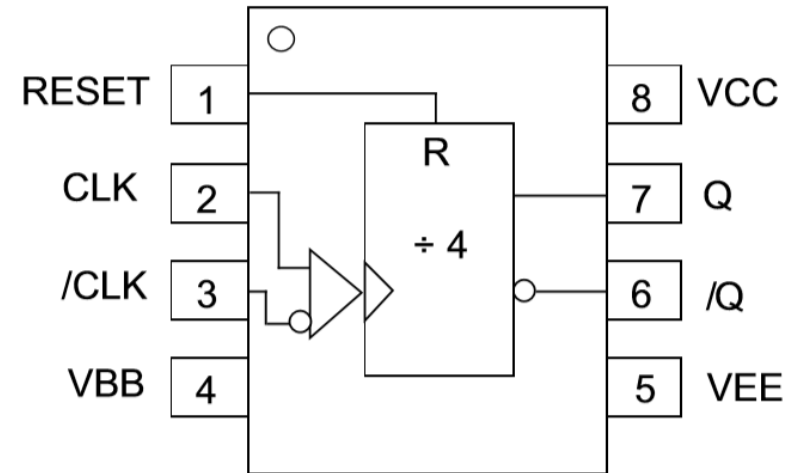


SY100EP33V

3.3V/5V, 4GHz, ECL ÷ 4 Divider

Features

- Guaranteed Maximum Frequency >4 GHz
- 3.3V and 5V Power Supply Options
- Guaranteed Propagation Delay CLK to Q <460 ps over Temperature
- Open Input Default State
- Wide Operating Temperature Range: -40°C to +85°C
- Available in 8-Pin MSOP Package

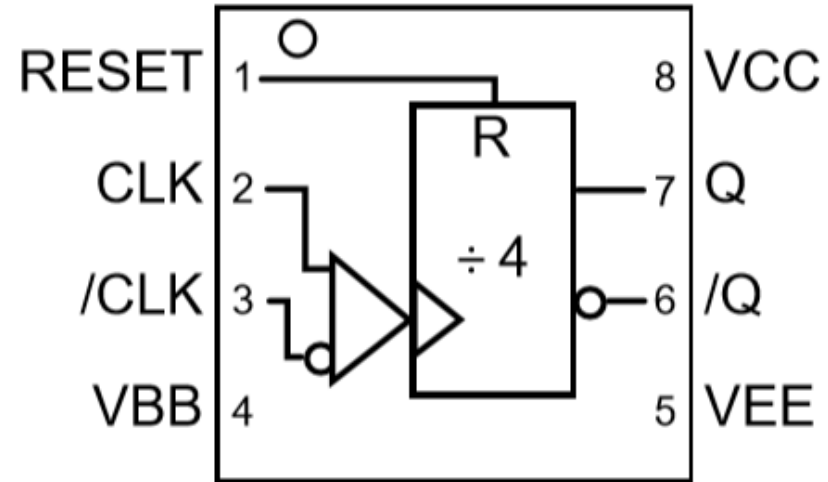


SY89313V

3.3V/5V, 4GHz, PECL/ECL ÷ 4 Divider/Clock Generator

Features

- Guaranteed AC performance over temperature and voltage
- >4GHz fMAX input frequency
- <240ps tr/ta
- <500ps TPD
- 3.3V and 5V power supply operation
- 100k ECL/PECL compatible I/O
- Wide operating temperature range: -40°C to +85°C
- Available in ultra-small 8-pin MLF® (2mm x 2mm) package

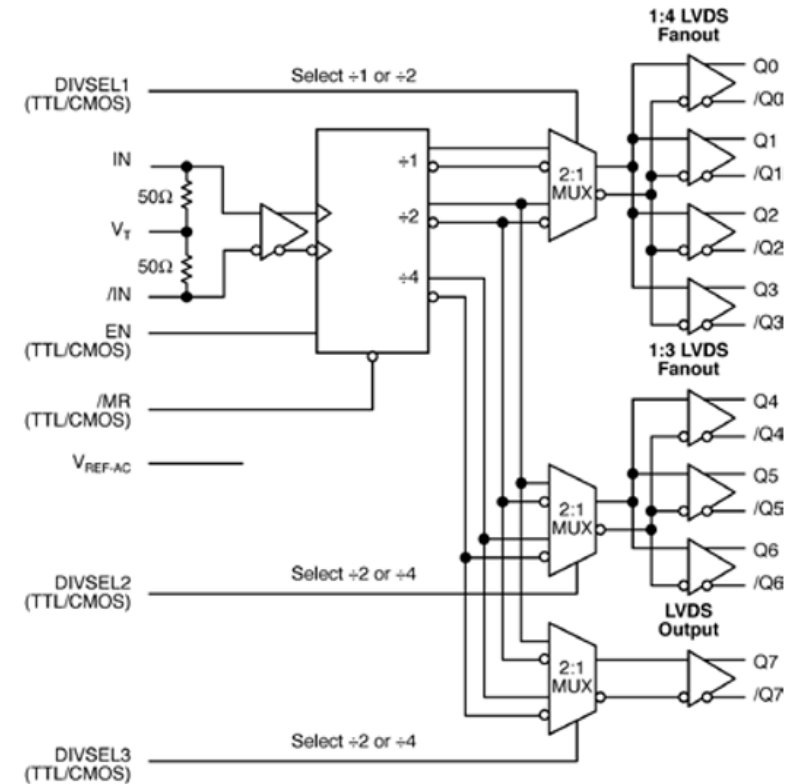


SY89200U

1:8 LVDS Fanout Buffer with Three $\div 1/\div 2/\div 4$ Divider Output Banks

Features

- Three low-skew LVDS output banks with programmable $\div 1$, $\div 2$ and $\div 4$ divider options
- Guaranteed AC performance over temperature and voltage:
 - Accepts a clock frequency up to 1.5GHz
 - $<900\text{ps}$ IN-to-OUT propagation delay
 - $<150\text{ps}$ rise/fall time
 - $<50\text{ps}$ bank-to-bank phase offset
- Ultra-low jitter design:
 - $<1\text{psRMS}$ random jitter
 - $<10\text{psPP}$ total jitter (clock)
- DC- and AC-coupled inputs (CML, PECL, LVDS)
- LVDS-compatible outputs
- CMOS/TTL-compatible output enable (EN) and divider select control
- $2.5\text{V} \pm 5\%$ power supply
- -40°C to $+85^\circ\text{C}$ temperature range
- Available in 32-pin (5mm x 5mm) QFN package

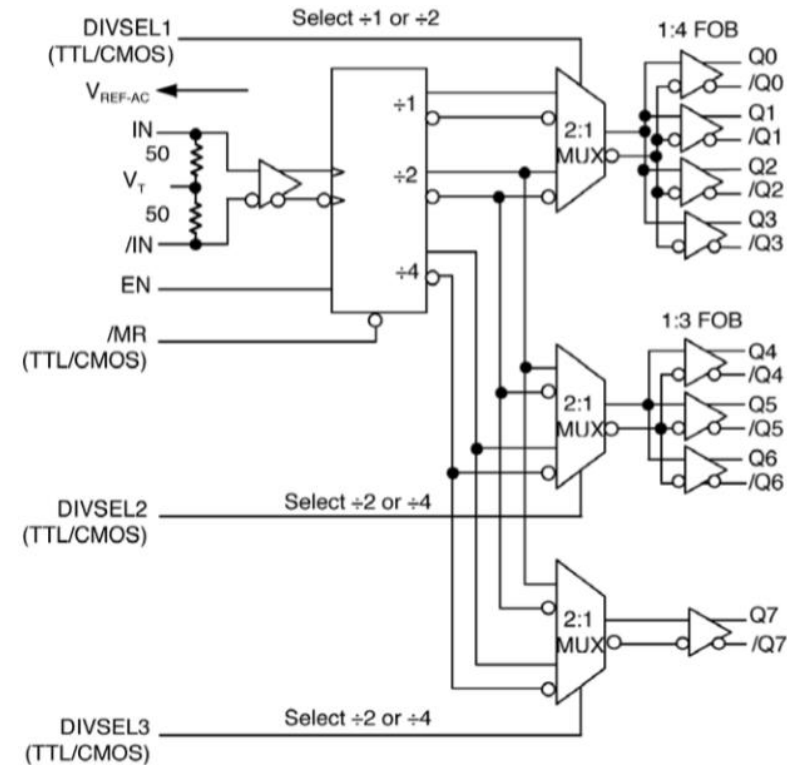


SY89202U

1:8 LVPECL Fanout Buffer with Three $\div 1/\div 2/\div 4$ Divider Output Banks

Features

- Three low-skew LVPECL output banks with programmable $\div 1$, $\div 2$ and $\div 4$ divider options
- Guaranteed AC performance over temp and voltage:
 - $>1.5\text{GHz}$ clock frequency (f_{MAX})
 - $<930\text{ps}$ In-to-Out tpd
 - $<220\text{ps}$ tr/TF
- Ultra-low jitter design:
 - $<1\text{psRMS}$ random jitter (RJ)
 - $<10\text{psPP}$ total jitter (clock)
- Internal input termination
- AC- and DC-coupled inputs (CML, PECL, LVDS)
- 800mV LVPECL output swing
- CMOS/TTL-compatible output enable (EN) and divider select control
- Power supply 2.5V +5% or 3.3V +10%
- -40°C to $+85^{\circ}\text{C}$ industrial temperature range
- Available in 32-pin QFN package

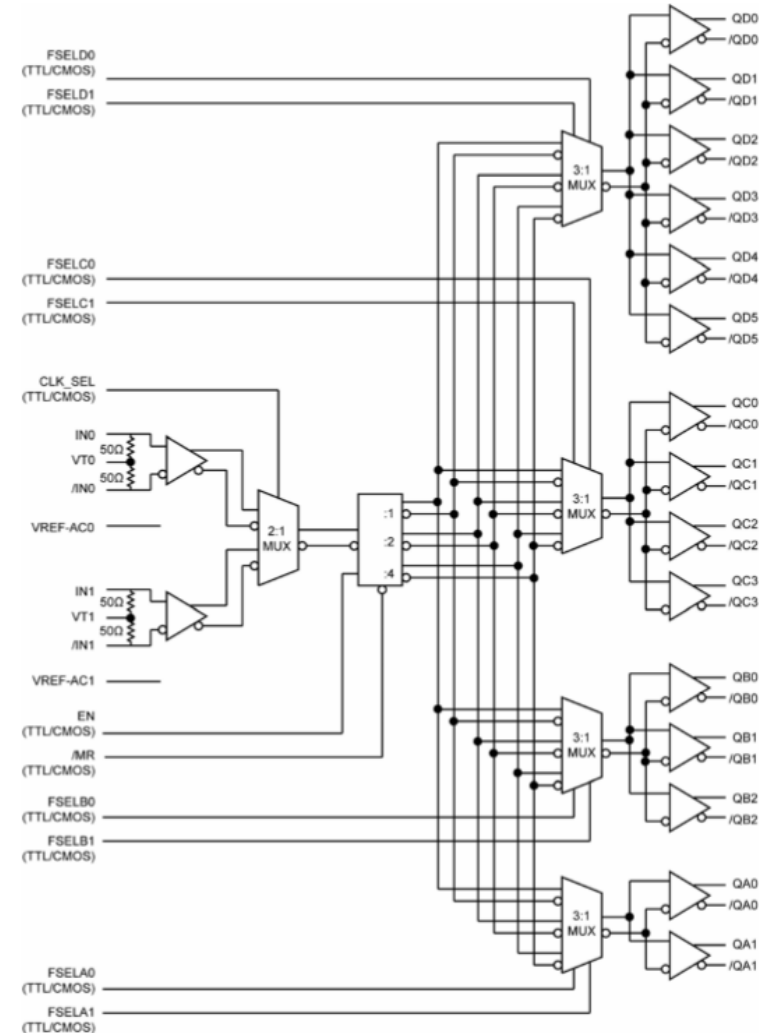


SY89218U

1:15 LVDS Fanout Buffer with 2:1 MUX and Four $\div 1/\div 2/\div 4$ Clock Divider Output Banks

Features

- Low-skew LVDS output banks with independently programmable $\div 1$, $\div 2$ and $\div 4$ divider options
- Four output banks, 15 total outputs
- Guaranteed AC performance over temperature and voltage:
 - Accepts a clock frequency up to 1.5GHz
 - <1600ps IN-to-OUT propagation delay
 - <200ps rise/fall time
 - <35ps within bank skew
- Fail Safe Input prevents outputs from oscillating
- Ultra-low jitter design:
 - <1psRMS random jitter
 - <10psPP total jitter (clock)
- DC- and AC-coupled inputs (CML, PECL, LVDS)
- LVDS-compatible outputs
- CMOS/TTL-compatible output enable (EN) and divider select control
- 2.5V $\pm 5\%$ power supply
- -40°C to +85°C temperature range
- Available in 64-pin TQFP

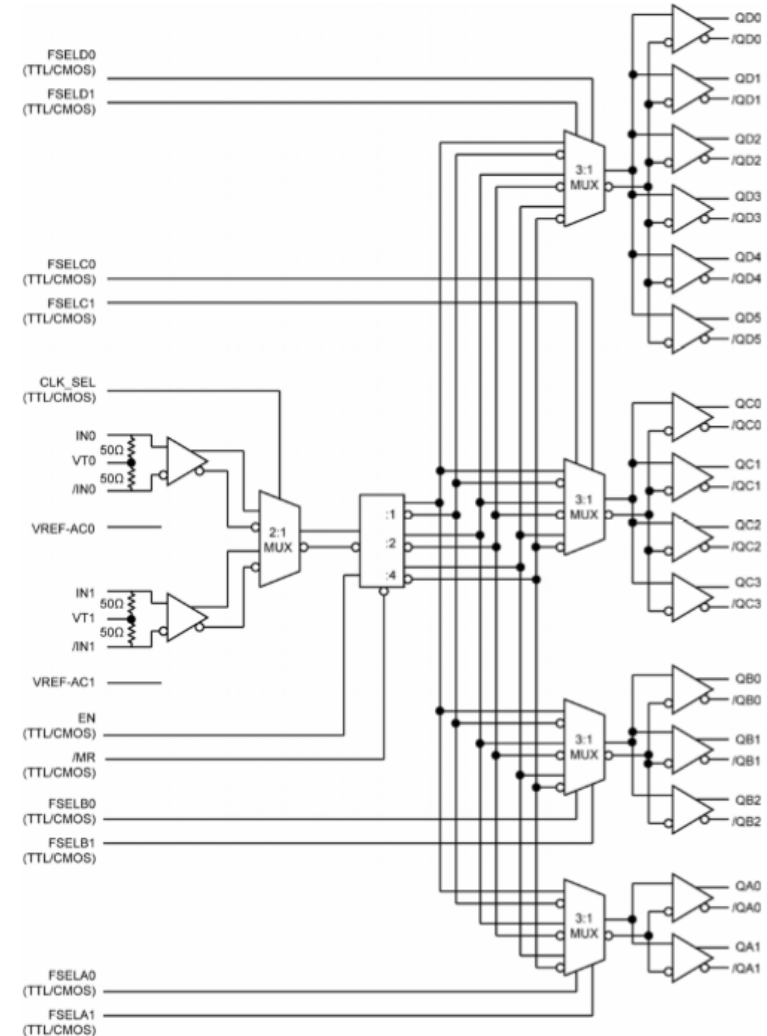


SY89221U

1:15 LVPECL Fanout Buffer with 2:1 MUX and Four $\div 1/\div 2/\div 4$ Clock Divider Output Banks

Features

- Four low-skew LVPECL output banks with independently programmable $\div 1$, $\div 2$ and $\div 4$ divider options
- Four output banks, 15 total outputs
- Guaranteed AC performance over temperature and voltage:
 - Accepts a clock frequency up to 1.5GHz
 - <1600ps IN-to-OUT propagation delay
 - <270ps rise/fall time
 - <35ps within-bank skew
- Fail Safe Input prevents outputs from oscillating
- Ultra-low jitter design:
 - <1psRMS random jitter
 - <10psPP total jitter (clock)
- DC- and AC-coupled inputs (CML, PECL, LVDS)
- CMOS/TTL-compatible output enable (EN) and divider select control
- 2.5V $\pm 5\%$ or 3.3V $\pm 10\%$ power supply
- -40°C to +85°C temperature range
- Available in 64-pin TQFP

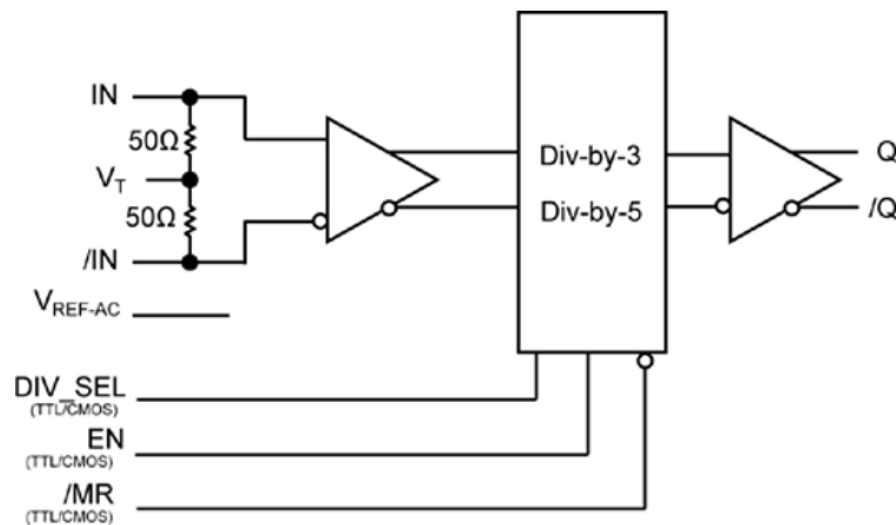


SY89228U

1GHz LVPECL $\div 3/\div 5$ Clock Divider with Fail Safe Input

Features

- Accepts a high-speed input and provides a precision $\div 3$ and $\div 5$ sub-rate, LVPECL output
- Fail Safe Input prevents outputs from oscillating
- Guaranteed AC performance over temperature and voltage:
 - DC to 1GHz throughput
 - <1500ps IN-to-OUT propagation delay
 - <270ps rise/fall time
- Ultra-low jitter design:
 - <1ps_{RMS} random jitter
 - <1ps_{RMS} cycle-to-cycle jitter
 - <10ps_{pp} total jitter (clock)
 - <0.7ps_{RMS} MUX crosstalk induced jitter
- DC- and AC-coupled inputs (CML, PECL, LVDS)
- Wide input voltage range VCC to GND
- 800mV LVPECL output
- 2.5V $\pm 5\%$ or 3.3V $\pm 10\%$ power supply
- -40°C to +85°C temperature range
- Available in 16-pin (3mm x 3mm) QFN Package

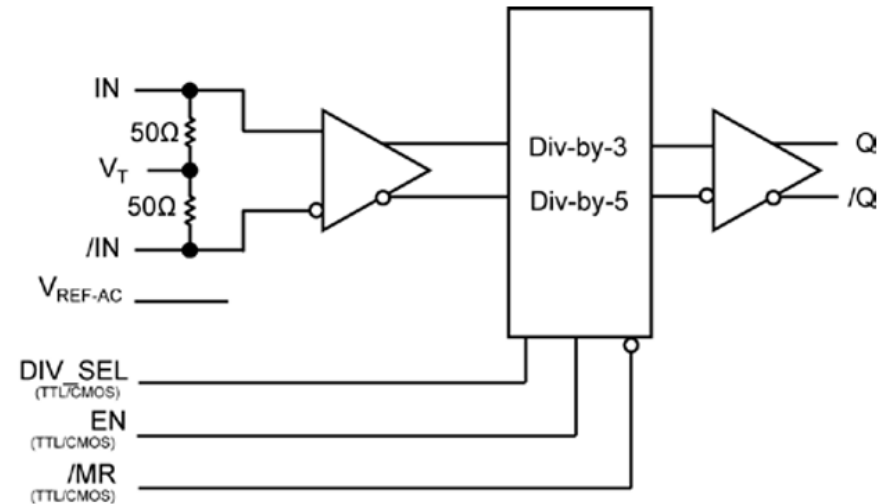


SY89230U

3.2GHz LVPECL $\div 3/\div 5$ Clock Divider

Features

- Accepts a high-speed input and provides a precision $\div 3$ and $\div 5$ sub-rate, LVPECL output
- Guaranteed AC performance over temperature and voltage:
 - DC to >3.2GHz throughput
 - <850ps IN-to-OUT propagation delay
 - <200ps rise/fall time
- Ultra-low jitter design:
 - <1ps_{RMS} random jitter
 - <1ps_{RMS} cycle-to-cycle jitter
 - <10ps_{pp} total jitter (clock)
 - <0.7ps_{RMS} MUX crosstalk induced jitter
- DC- and AC-coupled inputs (CML, PECL, LVDS)
- Wide input voltage range VCC to GND
- 800mV LVPECL output
- 2.5V $\pm 5\%$ or 3.3V $\pm 10\%$ power supply
- -40°C to +85°C temperature range
- Available in 16-pin (3mm x 3mm) QFN Package

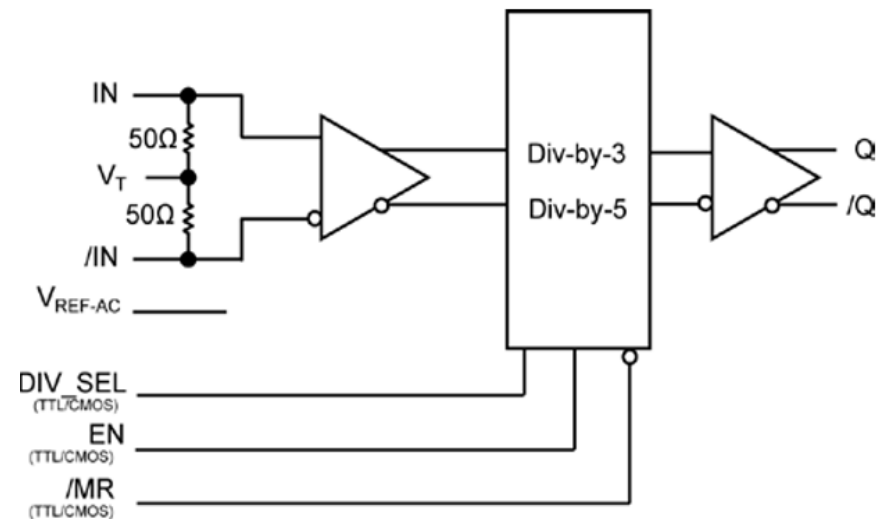


SY89231U

3.2GHz LVDS ÷3/÷5 Clock Divider

Features

- Accepts a high-speed input and provides a precision ÷3 and ÷5 sub-rate, LVDS output
- Guaranteed AC performance over temperature and supply voltage:
 - DC-to >3.2GHz throughput
 - <810ps Propagation Delay (In-to-Q)
 - <200ps Rise/Fall times
- Ultra-low jitter design:
 - <1psRMS random jitter
 - <1psRMS cycle-to-cycle jitter
 - <10psPP total jitter (clock)
 - <0.7psRMS MUX crosstalk induced jitter
- DC- and AC-coupled inputs (CML, PECL, LVDS)
- Wide input voltage range VCC to GND
- 325mV LVDS output
- 45% to 55% Duty Cycle (÷ 3)
- 47% to 53% Duty Cycle (÷ 5)
- 2.5V ±5% supply voltage
- -40°C to +85°C industrial temperature range
- Available in 16-pin (3mm x 3mm) QFN package

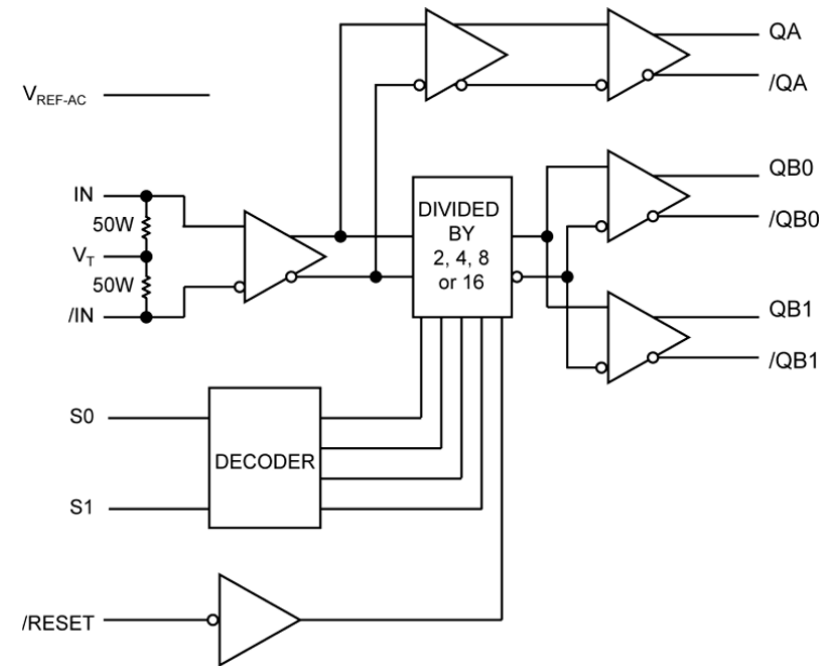


SY89871U

2.5GHz LPECL ÷2/÷4/÷8/÷16 Clock Divider

Features

- Bank A: undivided pass-through (QA)
- Bank B: programmable divide by 2, 4, 8, 16 (QB0, QB1)
- Matched delay: all outputs have matched delay, independent of divider setting
- >2.5GHz fMAX
- <250ps tr/ta
- <670ps tpd (matched delay)
- <15ps within-device skew
- 231fsRMS phase jitter (typ.)
- Power supply 3.3V or 2.5V
- Unique patent-pending input termination and VT pin for DC- and AC-coupled inputs: any differential inputs (LVPECL, LVDS, CML, HSTL)
- TTL/CMOS inputs for select and reset
- 100K EP compatible LVPECL outputs
- Parallel programming capability
- Wide operating temperature range: -40°C to +85°C
- Available in 16-pin (3mm x 3mm) QFN package

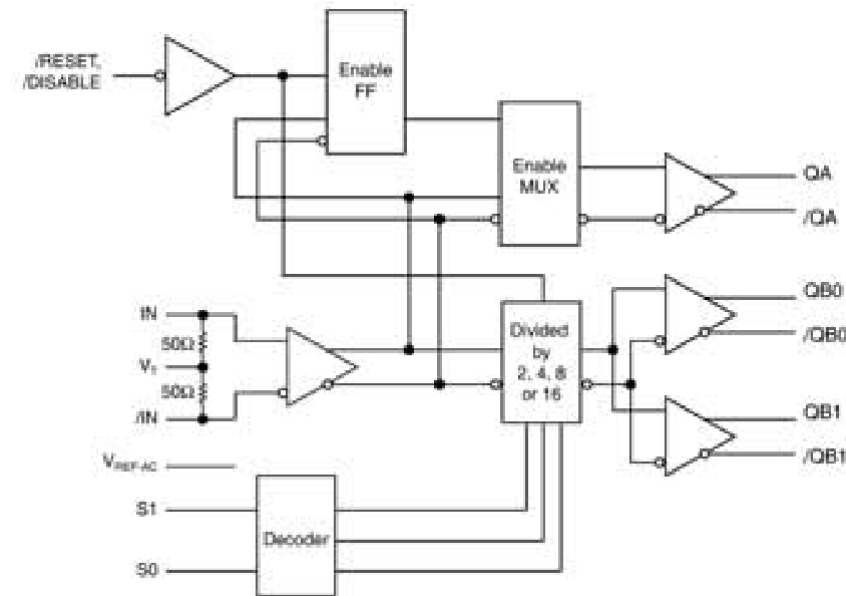


SY89872U

2.5GHz LVDS ÷2/÷4/÷8/÷16 Clock Divider

Features

- Guaranteed AC performance over temperature and voltage:
 - >2GHz fMAX
 - <750ps tPD (matched delay between banks)
 - <15ps within-device skew
 - <200ps rise/fall time
- 265 RMS phase jitter
- Unique input termination and VTpin for DC-coupled and AC-coupled inputs: any differential inputs (LVPECL, LVDS, CML, HSTL)
- Precision differential LVDS outputs
- Matched delay: all outputs have matched delay, independent of divider setting
- TTL/CMOS inputs for select and reset/disable
- Two output banks (matched delay)
 - Bank A: Buffered copy of input clock (undivided)
 - Bank B: Divided output (÷2, ÷4, ÷8, ÷16), two copies
- 2.5V power supply
- Wide operating temperature range: -40°C to +85°C
- Available in 16-pin (3mm x 3mm) QFN package

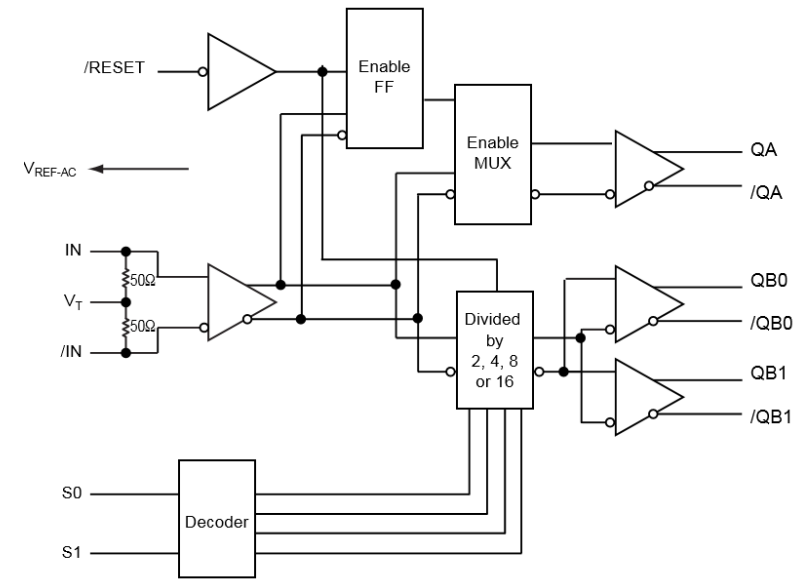


SY89873L

2GHz LVDS ÷2/÷4/÷8/÷16 Clock Divider

Features

- Guaranteed AC performance
 - >2.0GHz fMAX output toggle
 - >3.0GHz fMAX input
 - <800ps tPD (matched-delay between banks)
 - <15ps within-device skew
 - <190ps rise/fall time
- <1psRMS cycle-to-cycle jitter
- Unique input termination and VTpin for DC-coupled and AC-coupled inputs: any differential inputs (LVPECL, LVDS, CML, HSTL)
- Precision differential LVDS outputs
- Matched delay: all outputs have matched delay, independent of divider setting
- TTL/CMOS inputs for select and reset/disable
- Two LVDS output banks (matched delay)
 - Bank A: Buffered copy of input clock (undivided)
 - Bank B: Divided output (÷2, ÷4, ÷8, ÷16), two copies
- 3.3V power supply
- Wide operating temperature range: -40°C to +85°C
- Available in 16-pin (3mm x 3mm) QFN package

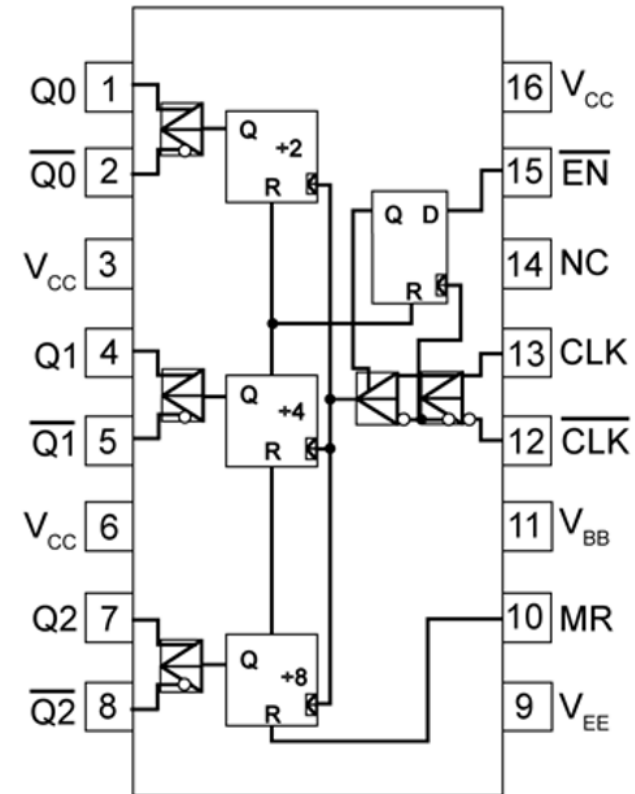


SY100EL34

3.3V/5V ECL/PECL $\div 2/\div 4/\div 8$ Clock Divider

Features

- 3.3V and 5V power supply options
- 50ps output-to-output skew
- Synchronous enable/disable
- Master Reset for synchronization
- Internal 75K Ω input pull-down resistors
- Available in 16-pin SOIC package

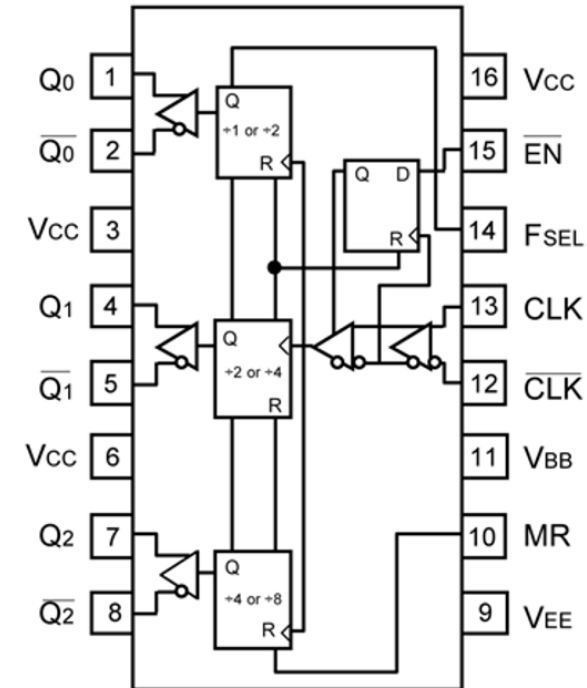


SY100S834L

3.3V ECL/PECL $\div 1/\div 2/\div 4$ or $\div 2/\div 4/\div 8$ Clock Divider

Features

- 3.3V power supply
- 50ps output-to-output skew
- Synchronous enable/disable
- Master Reset for synchronization
- Internal 75K input pull-down resistors
- Available in 16-pin SOIC package

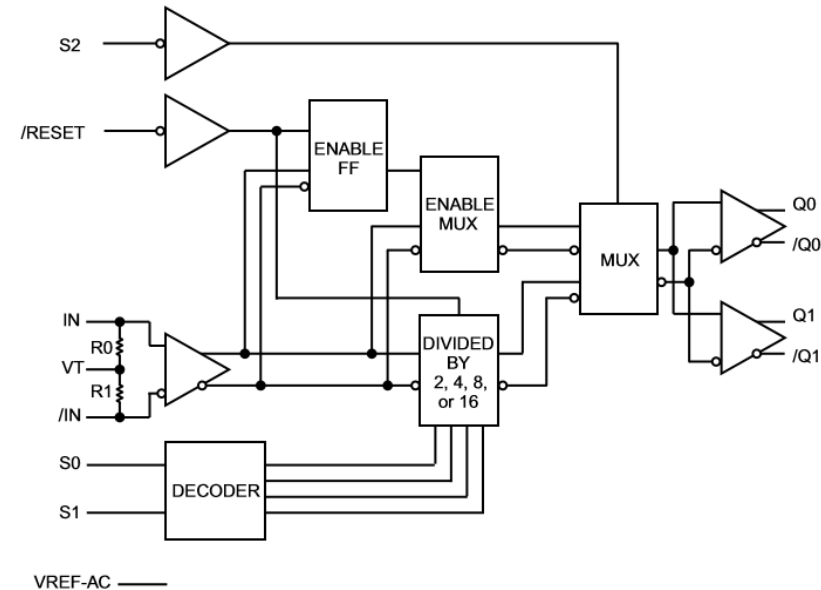


SY89874AU

2.5GHz LVPECL ÷1/÷2/÷4/÷8/÷16 Clock Divider

Features

- Integrated programmable clock divider and 1:2 fanout buffer
- Guaranteed AC performance over temperature and voltage:
 - >2.5GHz fMAX
 - <250ps tr/tf
 - <15ps within-device skew
- <1psRMS cycle-to-cycle jitter
- <10psPP total jitter
- DC-coupled and AC-coupled Inputs; LVCMOS, LVTTTL, CML, PECL, LVDS, and HSTL
- TTL/CMOS inputs for select and reset
- 100k EP-compatible LVPECL outputs
- Parallel programming capability
- Programmable divider ratios of 1, 2, 4, 8, and 16
- Low-voltage operation 2.5V or 3.3V
- Output disable function
- -40°C to +85°C temperature range
- Available in 16-pin (3mm x 3mm) QFN package

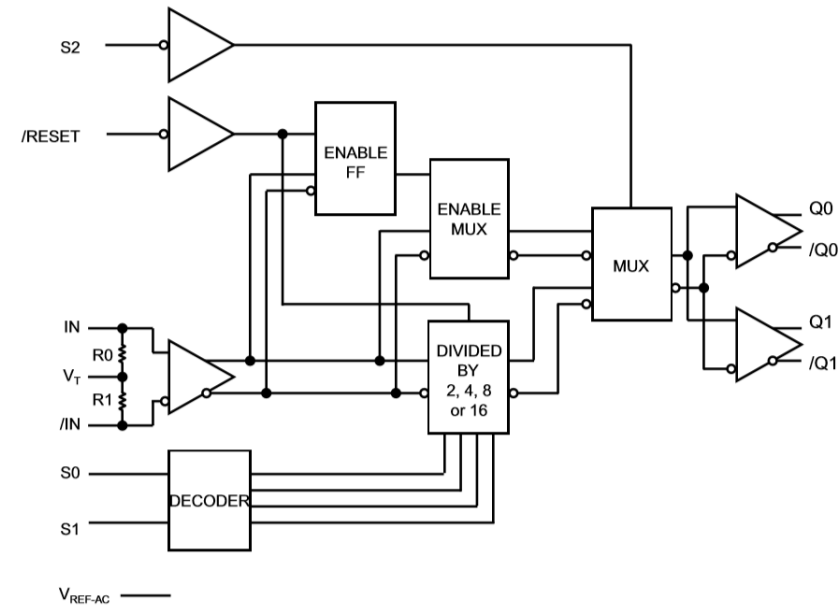


SY89874U

2.5GHz LVPECL ÷1/÷2/÷4/÷8/÷16 Clock Divider

Features

- Integrated programmable clock divider and 1:2 fanout buffer
- Guaranteed AC performance over temperature and voltage:
 - >2.5GHz f_{MAX}
 - <250ps tr/TF
 - <15ps within device skew
- Low jitter design:
 - <10psPP total jitter
 - <1psRMS cycle-to-cycle jitter
- Unique input termination and V_Tpin for DC-coupled and AC-coupled Inputs; CML, PECL, LVDS and HSTL
- TTL/CMOS inputs for select and reset
- 100k EP compatible LVPECL outputs
- Parallel programming capability
- Programmable divider ratios of 1, 2, 4, 8 and 16
- Low voltage operation 2.5V or 3.3V
- Output disable function
- -40°C to 85°C temperature range
- Available in 16-pin (3mm x 3mm) MLF[®] package

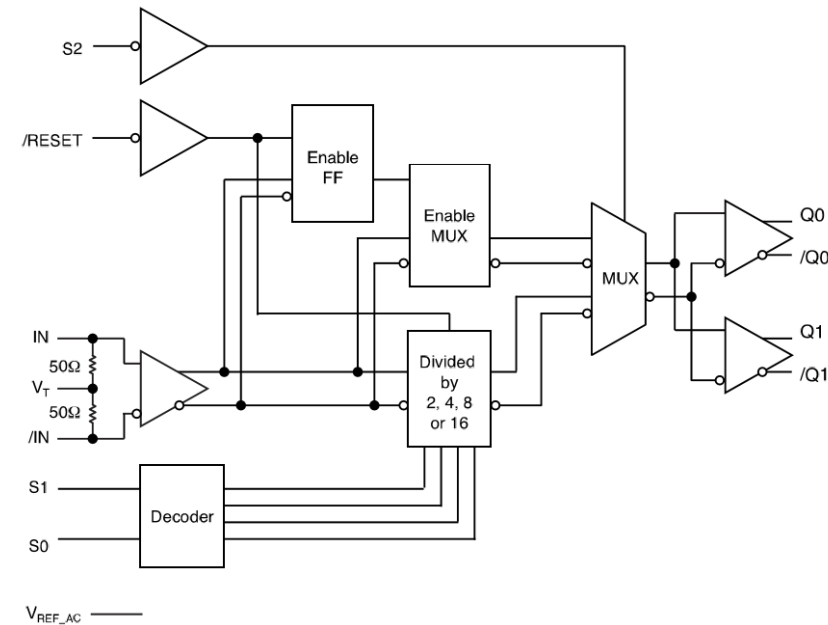


SY89875U

2.5V 2GHz LVDS ÷1/÷2/÷4/÷8/÷16 Clock Divider

Features

- Integrated programmable clock divider and 1:2 fanout buffer
- Guaranteed AC performance over temperature and voltage:
 - >2.0GHz fMAX
 - <200ps tr/tf
 - <15ps within device skew
- Low jitter design:
 - <10psPP total jitter
 - <1psRMS cycle-to-cycle jitter
- Unique input termination and VTPin for DC-coupled and AC-coupled Inputs; CML, PECL, LVDS and HSTL
- LVDS compatible outputs
- TTL/CMOS inputs for select and reset
- Parallel programming capability
- Programmable divider ratios of 1, 2, 4, 8 and 16
- Low voltage operation 2.5V
- Output disable function
- -40°C to 85°C temperature range
- Available in 16-pin (3mm x 3mm) MLF® package

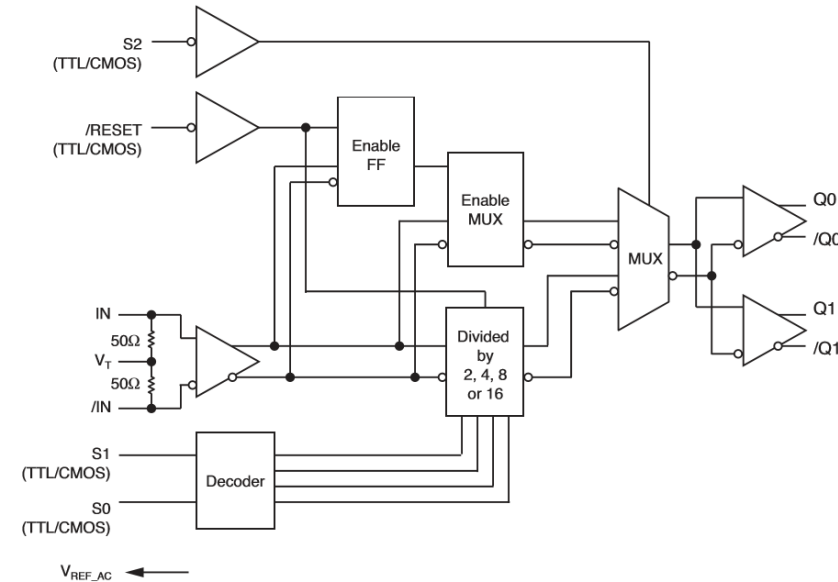


SY89876L

3.3V 2GHz LVDS ÷1/÷2/÷4/÷8/÷16 Clock Divider

Features

- Integrated programmable clock divider and 1:2 fanout buffer
- Guaranteed AC performance over temperature and voltage:
 - >2.0GHz fMAX
 - <190ps tr/tf
 - <15ps within device skew
- Low jitter design:
 - <10psPP total jitter
 - <1psRMS cycle-to-cycle jitter
- Unique input termination and VTPin for DC- and ACcoupled inputs; CML, PECL, LVDS and HSTL
- LVDS-compatible outputs
- TTL/CMOS inputs for select and reset
- Parallel programming capability
- Programmable divider ratios of 1, 2, 4, 8 and 16
- Low voltage operation 3.3V
- Output disable function
- -40°C to 85°C industrial temperature range
- Available in 16-pin (3mm x 3mm) MLF® package

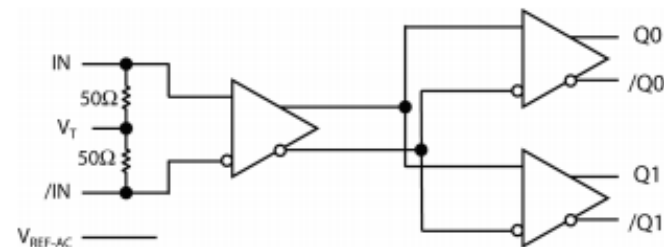


SY58607U

3.2Gbps Precision, 1:2 LVPECL Fanout Buffer with Fail Safe Input

Features:

- Precision 1:2, 800mV LVPECL fanout buffer
- Guaranteed AC performance over temperature –
- - and voltage:
 - DC-to >3.2Gbps throughput
 - <350ps propagation delay (IN-to-Q)
 - <20ps within-device skew
 - <110ps rise/fall times
- Fail Safe Input prevents outputs from oscillating when input is invalid
- Ultra-low jitter design
- 85fsRMS phase jitter
- High-speed LVPECL outputs
- 2.5V \pm 5% or 3.3V \pm 10% power supply operation
- Industrial temperature range:
 - -40°C to $+85^{\circ}\text{C}$
- Available in 16-pin (3mm x 3mm) QFN package

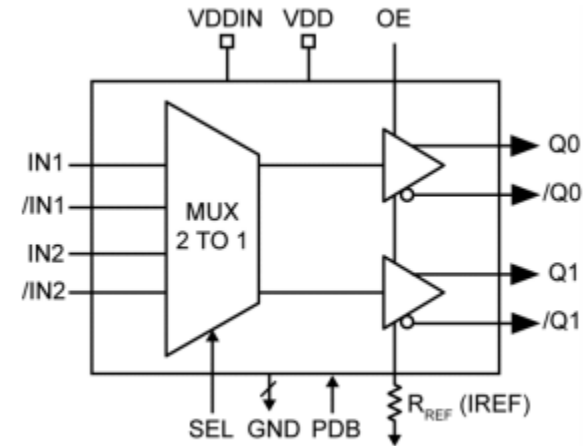


SY75572L

267MHz 1:2 3.3V HCSL/LVDS Fanout Buffer

Features:

- Two differential pairs of LVDS or HCSL outputs
- Two pairs of differential inputs accept LVDS or HCSL –
 - - logic levels
- 267MHz maximum frequency
- Ultra-low phase jitter:
 - 137fsRMS, 200MHz (12kHz–20MHz)
 - 153fsRMS, 156.25MHz (12kHz–20MHz)
 - 212fsRMS, 100MHz (12kHz–20MHz)
- <2ps total jitter (peak-to-peak), 200MHz (BER = 10-12)
- 50ps output-to-output skew
- 3.3V ±5% power supply operation
- Industrial temperature range:
 - -40°C to +85°C
- Available in 16-pin (3mm × 3mm) QFN package

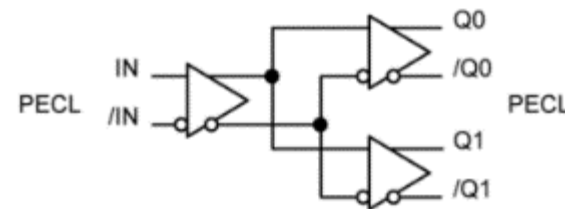


SY89311U

2.5V/3.3V/5V 1:2 Differential PECL/LVPECL/ECL Fanout Buffer

Features:

- 2.5V, 3.3V, and 5V power supply
- >Guaranteed AC parameters over temperature:
- $f_{MAX} > 3.0\text{GHz}$
- $< 20\text{ps}$ output-to-output skew
- $< 200\text{ps}$ tr/TF
- $< 300\text{ps}$ propagation delay
- 51fsRMS phase jitter (typical)
- 100K compatible I/O
- Industrial temperature range:
 - -40°C to $+85^{\circ}\text{C}$
- Available in ultra-small 8-pin MLF[®] -
 - - (2mm x 2mm) package

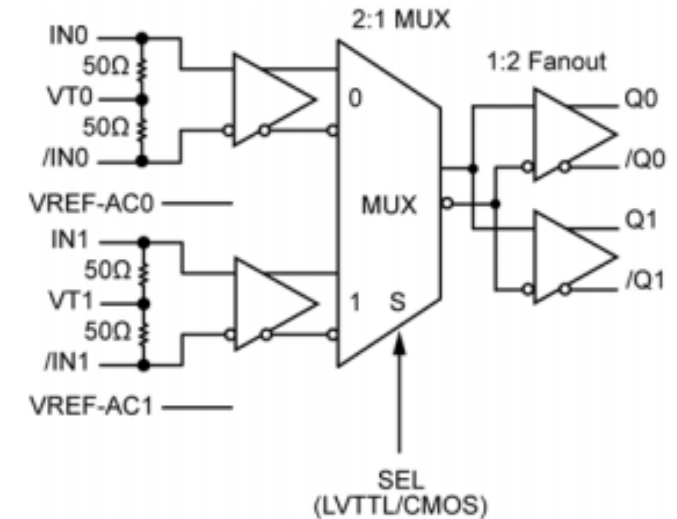


SY89473U

Precision LVPECL 2:1 Multiplexer with 1.2 Fanout

Features:

- Selects between two input channels and provides two -
- - copies of the selected output
- Guaranteed AC performance over temperature and -
- - supply voltage:
 - DC to 2.5Gbps data throughput
 - DC to 2.5GHz fMAX (clock)
 - <500ps In-to-Out tpd
 - <190ps tr/ff
 - <20ps Output-to-output skew
- Unique patented input isolation design minimizes crosstalk
- Ultra-low Jitter Design:
 - <1psRMS random jitter
 - <1psRMS cycle-to-cycle jitter
 - <10psPP total jitter (clock)
 - <0.7psRMS crosstalk induced jitter
- Unique patent-pending input termination and VT pin –
 - - accepts DC and AC-coupled inputs (CML, PECL, LVDS)
- 800mV (100K) LVPECL output swing
- 2.5V ±5% or 3.3V ±10% supply voltage
- Industrial temperature range: -40°C to +85°C

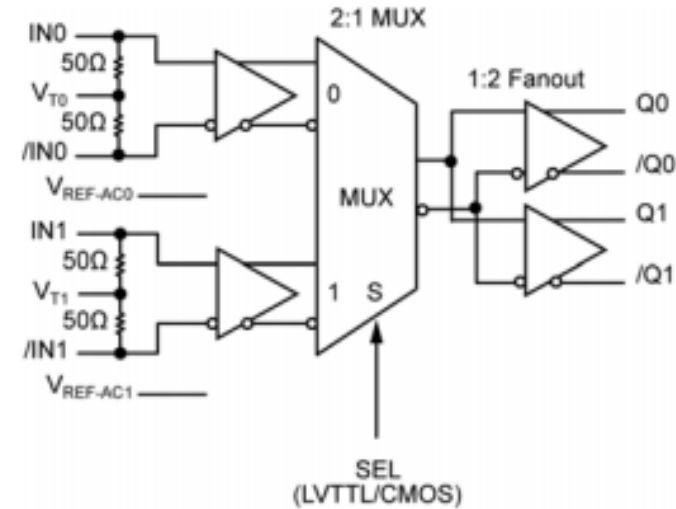


SY89474U

Precision LVDS 2:1 Multiplexer with 1:2 Fanout

Features:

- Selects from two inputs and provides two output copies
- AC performance:
 - DC to 2.5Gbps data throughput
 - DC to 2.5GHz fMAX (clock)
 - <470ps In-to-Out tpd
 - <150ps tr/af
 - <20ps output-to-output skew
- Unique input isolation design minimizes crosstalk
- Ultra-low jitter design:
 - <1psRMS random jitter
 - <10psPP deterministic jitter
 - <1psRMS cycle-to-cycle jitter
 - <10psPP total jitter (clock)
 - <0.7psRMS crosstalk induced jitter
- Unique input termination and VT pin accepts DC and AC -
 - – coupled inputs (CML, PECL, LVDS)
- 325mV LVDS output swing
- 2.5V \pm 5% supply voltage
- Industrial temperature range:-40°C to +85°C
- Available in 24-pin (4mm x 4mm) QFN package

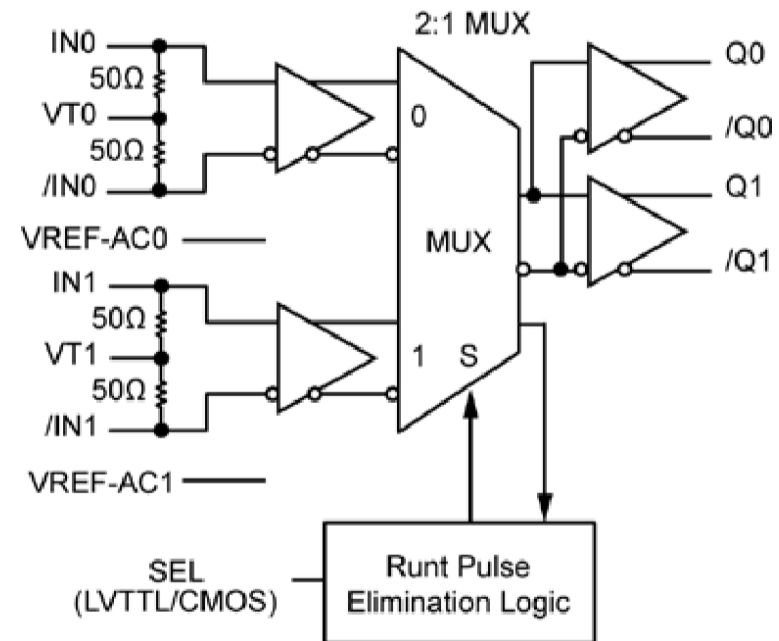


SY89844U

2.5V LVDS 2:1 MUX with 1:2 Fanout and Runt Pulse Eliminator

Features

- Selects between two sources, and provides a glitch-free, stable LVDS output
- Guaranteed AC performance over temperature and supply voltage:
 - wide operating frequency: 1kHz to >1.5GHz
 - <870ps In-to-Out tpd
 - <150ps tr/td
- Unique patent-pending input isolation design minimizes crosstalk
- Fail-Safe Input prevents oscillations
- Ultra-low jitter design:
 - <1psRMS random jitter
 - <1psRMS cycle-to-cycle jitter
 - <10psPP total jitter (clock)
 - <0.7psRMS MUX crosstalk induced jitter
- Unique patent-pending input termination and VT pin accepts DC- and AC-coupled inputs (CML, PECL, LVDS)
- 325mV LVDS output swing
- 2.5V +5% power supply
- -40°C to +85°C industrial temperature range
- Available in 24-pin (4mm x 4mm) QFN package

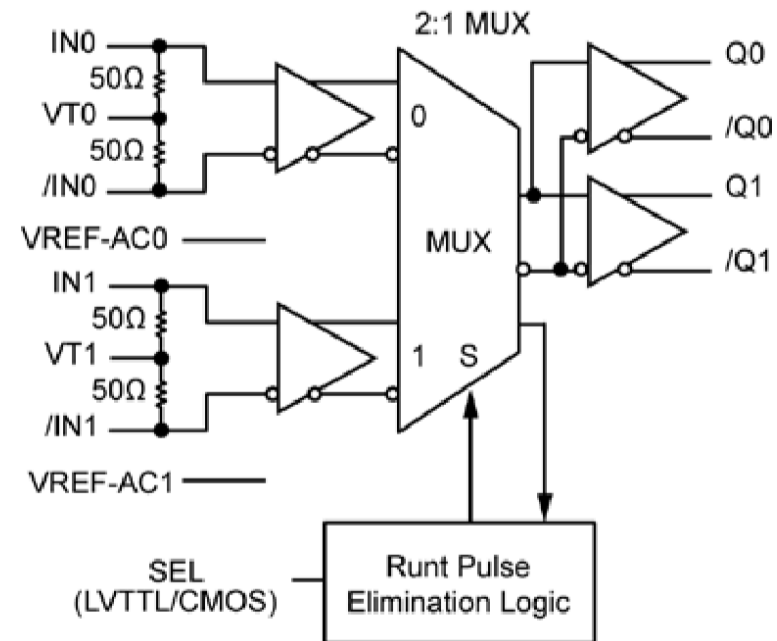


SY89845U

2.5V/3.3V CML 2:1 MUX with 1:2 Fanout and Runt Pulse Eliminator

Features

- Selects between two sources, and provides a glitch-free, stable CML output
- Guaranteed AC performance over temperature and supply voltage:
 - Wide operating frequency: 1kHz to >1.5GHz
 - <840ps In-to-Out tpd
 - <80ps tr/ta
- Unique, patent-pending input isolation design minimizes crosstalk
- Fail-Safe Input prevents oscillations
- Ultra-low jitter design:
 - <1psRMS random jitter
 - <1psRMS cycle-to-cycle jitter
 - <10psPP total jitter (clock)
 - <0.7psRMS MUX crosstalk induced jitter
- Unique patented input termination and VT pin accepts DC- and AC-coupled inputs (CML, PECL, LVDS)
- 400mV CML output swing
- 2.5V \pm 5% or 3.3V \pm 10% supply voltage
- -40°C to +85°C industrial temperature range
- Available in 24-pin (4mm x 4mm) QFN package

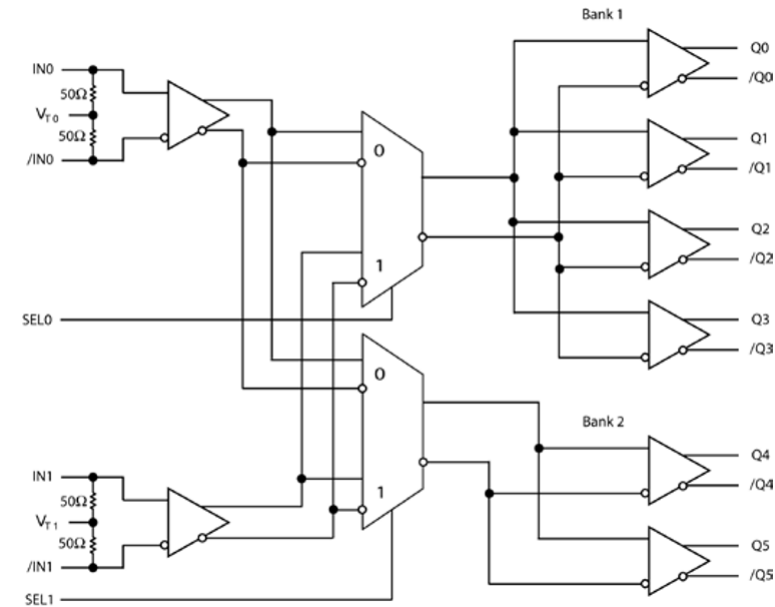


SY56034AR

1.2V/1.8V/2.5V CML 2:6 MUX with Crosspoint Capability

Features

- 1.2V/1.8V/2.5V CML 2:6 (2+4) MUX with Crosspoint Capability
- High-speed CML outputs
- Guaranteed AC performance over temperature and voltage:
 - DC-to- >6.4Gbps throughput
 - <300ps propagation delay (IN-to-Q)
 - <25ps Output skew
 - <80ps rise/fall times
- Ultra-low jitter design
 - 1psRMS cycle-to-cycle jitter
 - <10psPP total jitter
 - <1psRMS random jitter
 - <10psPP deterministic jitter
- 2.5V \pm 5% , 1.2V/1.8V/2.5V \pm 5% power supply operation
- -40°C to +85°C temperature range
- Available in 32-pin QFN package



SY89465U

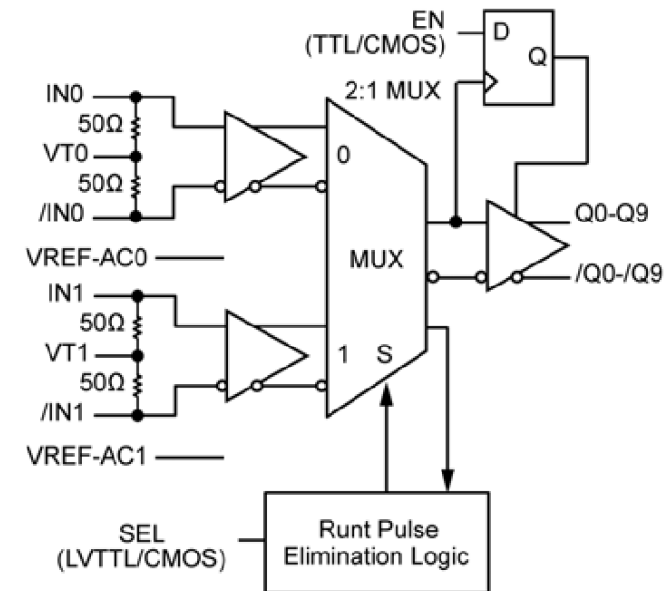
2.5V LVDS 2:1 MUX with 1:10 Fanout and Runt Pulse Eliminator

Summary

The SY89465U is a low-jitter, 1:10 LVDS fanout buffer with a 2:1 differential input multiplexer (MUX) optimized for redundant source switchover applications. Unlike standard multiplexers, the SY89465U's 2:1 Runt Pulse Eliminator (RPE) MUX prevents any short cycles or "runt" pulses during switchover. In addition, a unique Fail-Safe Input (FSI) protection prevents metastable conditions when the selected input clock fails to a DC voltage (voltage between the pins of the differential input drops below 100mV).

Features

- Selects between two sources, and provides 10 precision LVDS copies
- Guaranteed AC performance over temperature and supply voltage:
 - Wide operating frequency: 1kHz to >1.5GHz
 - <1200ps In-to-Out tpd
 - <220ps tr/ta
- Unique, patent-pending input isolation design minimizes adjacent channel crosstalk
- Fail-Safe Input prevents oscillations
- Ultra-low jitter design:
 - 183fsRMS phase jitter (typical)
 - <0.7psRMS MUX crosstalk-induced jitter
- Unique patented input termination and VT pin accepts DC- and AC-coupled inputs (CML, PECL, LVDS)
- 325mV LVDS output swing
- 2.5V \pm 5% supply voltage
- -40°C to +85°C industrial temperature range
- Output enable
- Available in 44-pin (7mm x 7mm) QFN package



SY100EP57V

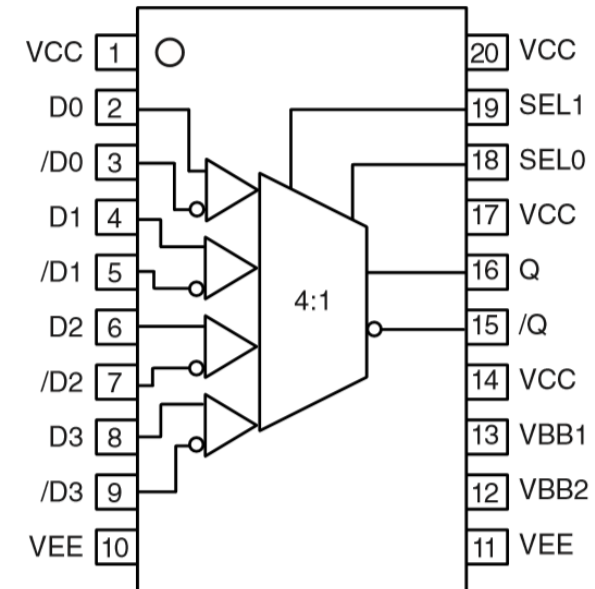
3.0V/5V PECL/ECL 4:1 MUX

Summary

The SY100EP57V is a high-speed, low-skew, fully differential PECL/ECL 4:1 multiplexer in a 20-pin TSSOP package. This device is a pin-for-pin, plug-in replacement to the MC10/100EP57DT. The signal-path inputs (D0:D3) accept differential signals as low as 150mVpk-pk.

Features

- Dual, fully differential 2:1 PECL/ECL multiplexer
- Guaranteed AC parameters over temperature/voltage:
 - >3GHz fMAX (toggle)
 - <220ps rise/fall times
 - <520ps propagation delay (D-to-Q)
- Flexible power supply: 3.0V to 5.5V
- Wide operating temperature range: -40°C to +85°C
- VBB reference for AC-coupled and single-ended applications
- 100k PECL/ECL compatible logic
- Available in 20-pin TSSOP package

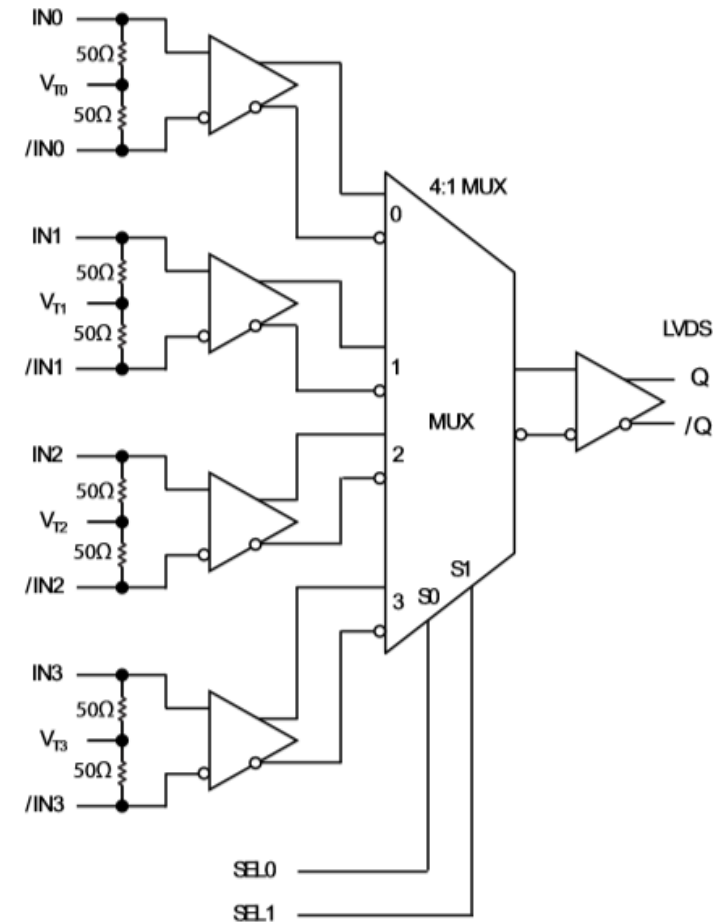


SY89544U

2.5V, 3.2Gbps, LVDS 4:1 Multiplexer

Features

- Selects among four differential inputs
- Guaranteed AC performance over temp and voltage:
 - DC-to >3.2Gbps data rate throughput
 - <600ps In-to-Out tpd
 - <150ps tr/tf
- Ultra low-jitter design:
 - <1psRMS random jitter
 - <10psPP deterministic jitter
 - <10psPP total jitter (clock)
 - <0.7psRMS crosstalk-induced jitter
- Unique input isolation design minimizes crosstalk
- Internal input termination
- Unique input termination and VTpin accepts DCCoupled and AC-Coupled inputs (LVDS, LVPECL, CML)
- 350mV LVDS output swing
- CMOS/TTL compatible MUX select
- Power supply 2.5V \pm 5%
- -40°C to +85°C temperature range
- Available in 32-pin (5mm x 5mm) MLF[®] package

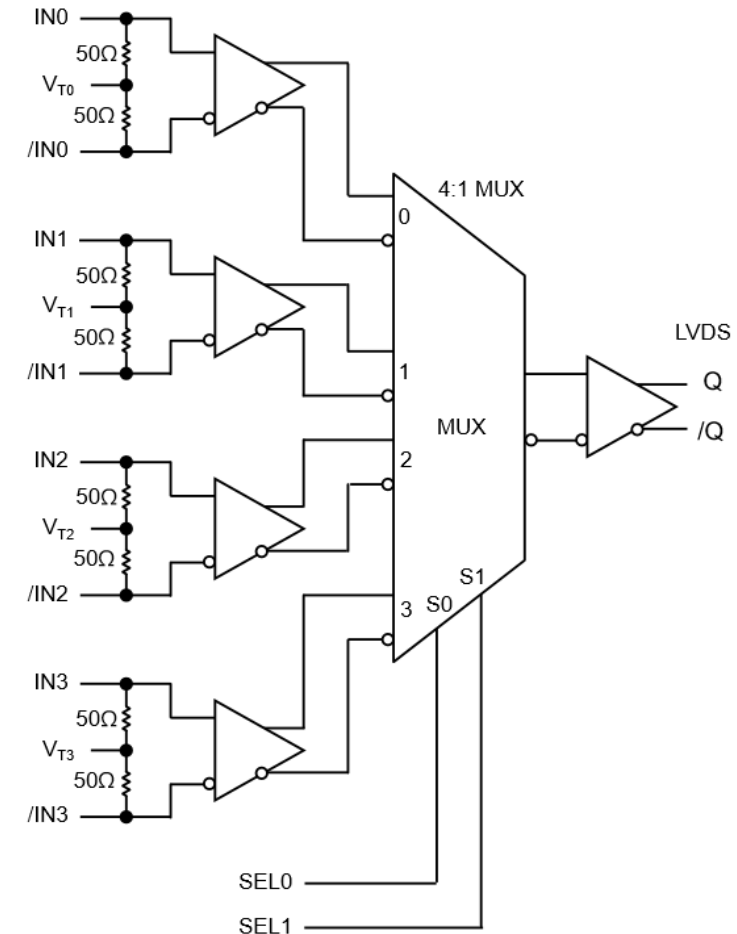


SY89545L

3.3V, 3.2Gbps, LVDS 4:1 Multiplexer

Features

- Selects among four differential inputs
- Guaranteed AC performance over temp and voltage:
 - DC-to >3.2Gbps data rate throughput
 - <600ps In-to-Out tpd
 - <150ps tr/tf
- Ultra-low jitter design:
 - <1psRMS random jitter
 - <10psPP deterministic jitter
 - <10psPP total jitter (clock)
 - <0.7psRMS crosstalk-induced jitter
- Unique input isolation design minimizes crosstalk
- Internal input termination
- Unique input termination and VTpin accepts DCcoupled and AC-coupled inputs (LVDS, LVPECL, CML)
- 350mV LVDS output swing
- CMOS/TTL compatible MUX select
- Power supply 3.3V +10%
- -40°C to +85°C temperature range
- Available in 32-pin (5mm x 5mm) MLF® package

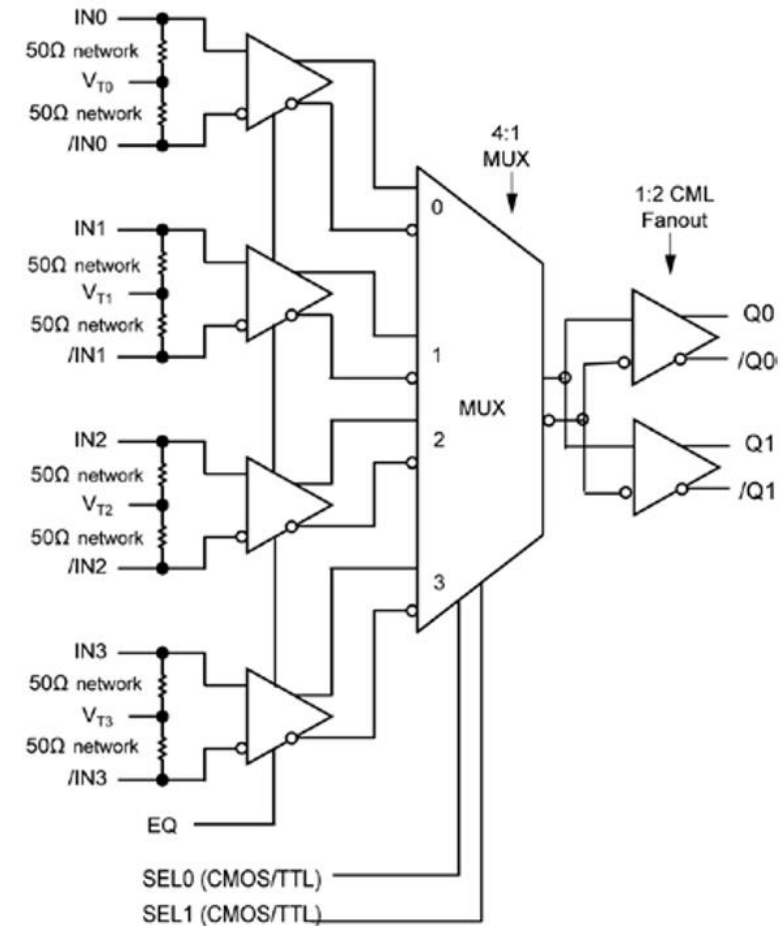


SY56572XR

1.2V/1.8V/2.5V, 6.4Gbps, CML 4:1 MUX with 1:2 Fanout and Equalization

Features

- 1.2V/1.8V/2.5V CML 4:2 MUX with input equalization.
- Guaranteed AC performance over temperature and voltage:
 - DC-to >6.4Gbps throughput
 - <360ps propagation delay (IN-to-Q)
 - <15ps within-device skew
- Ultra-low jitter design
 - <0.8psRMS random jitter
 - <10psPP deterministic jitter
- 2.5V \pm 5% , 1.8/1.2V \pm 5% power supply operation
- Industrial temperature range: -40°C to +85°C
- Available in 32-pin (5mm x 5mm) QFN package



SY56028XR

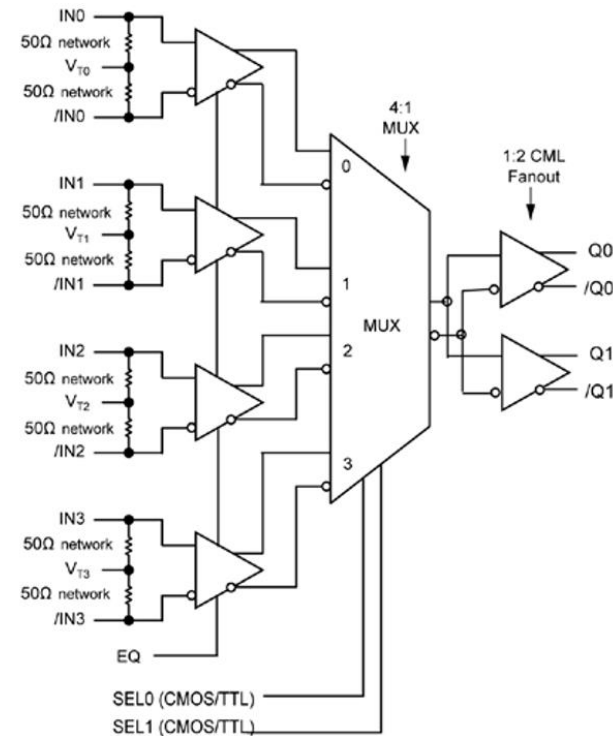
1.2V/1.8V/2.5V, 6.4Gbps, CML 4:1 MUX with 1:2 Fanout and Equalization

Summary

The SY100S370 is a universal demultiplexer/decoder that can be used as either a dual 1-of-4 decoder or as a single 1-of-8 decoder and is designed for use in high-performance ECL systems. The Mode control (M) input determines the function. In the dual 1-of-4 mode, each 4-input group has a pair of active-LOW Enable (E) inputs. The Enable pins are assigned such that in the single 1-of-8 mode they can be tied together in pairs to result in two active-LOW Enable inputs. E1a will be tied to E1b and E2a to E2b. The auxiliary inputs (Hn) are used to determine whether the outputs are active-HIGH or active-LOW. The address inputs for the dual 1-of-4 mode are A0a, A1a, A0b, A2a. A2a is unused. In the 1-of-8 mode, the address inputs are A0a, A1a, A2a.

Features

- Max. propagation delay of 1200ps
- IEE min. of -92mA
- Industry standard 100K ECL levels
- VEE = -4.2V to -5.5V
- Voltage and temperature compensation for improved noise immunity
- Internal 75K Ω input pull-down resistors
- Function and pinout compatible with National and Signetics F100K
 - 60% faster than National or Signetics
 - Approximately 40% lower power than National or Signetics
- Available in 28-pin PLCC package

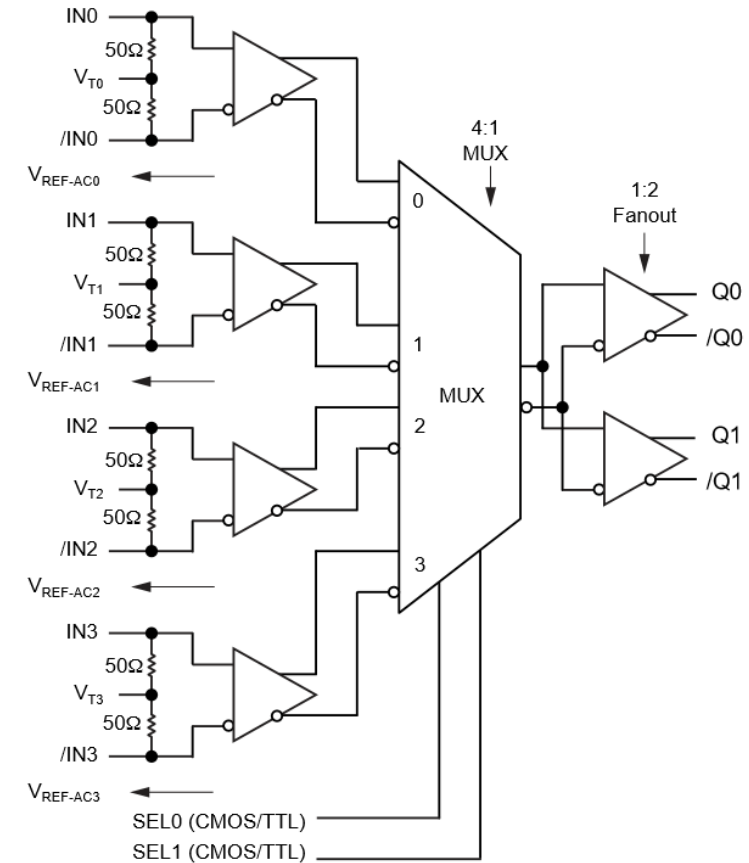


SY58028U

2.5V/3.3V, 10.7Gbps, CML 4:1 MUX with 1:2 Fanout

Features

- Selects 1 of 4 differential inputs
- Provides two copies of the selected input
- Guaranteed AC performance over temperature and voltage:
 - DC-to- >10.7Gbps data rate throughput
 - <350ps IN-to-Out tpd
 - <60ps tr/ tf times
- Ultra low-jitter design:
 - <10psPP total jitter (clock)
 - <1psRMS random jitter
 - <10psPP deterministic jitter
 - <0.7psRMS crosstalk-induced jitter
- Unique patented input design minimizes crosstalk
- Accepts an input signal as low as 100mV
- Unique patented input termination and VT pin accepts DC- and AC-coupled inputs (CML, LVPECL, LVDS)
- Internal 50Ω output source termination
- 400mV CML output swing (RL = 50Ω)
- Power supply 2.5V ±5% or 3.3V ±10%
- -40°C to +85°C temperature range
- Available in 32-pin (5mm x 5mm) MLF® package

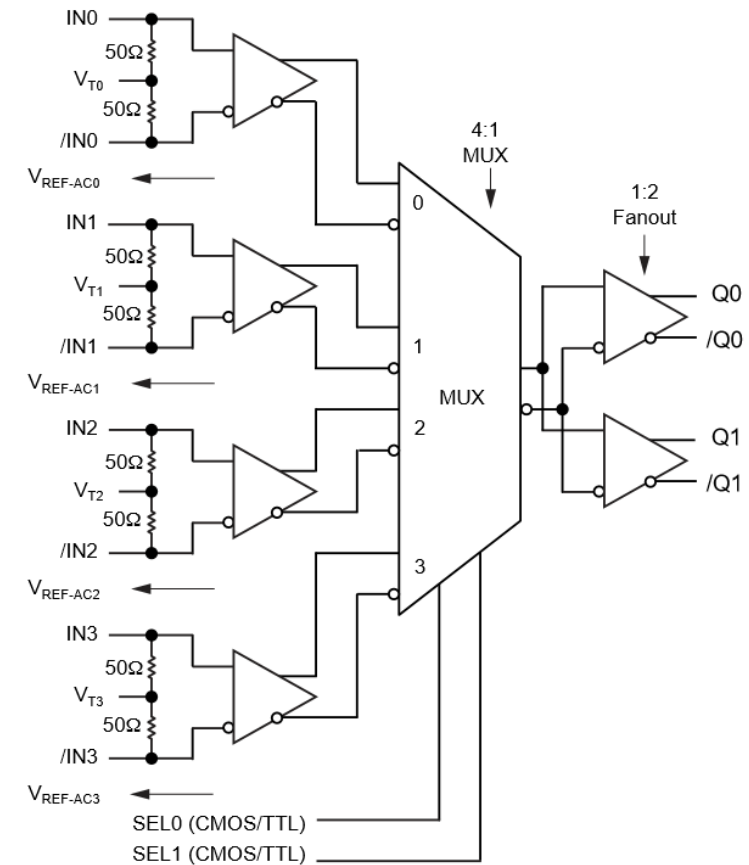


SY58029U

2.5V/3.3V, LVPECL 4:1 MUX with 1:2 Fanout

Features

- Selects 1 of 4 differential inputs
- Provides two copies of the selected input
- Guaranteed AC performance over temperature and voltage:
 - DC-to- >5Gbps data rate throughput
 - <390ps IN-to-Out tpd
 - <110ps tr/ tf times
- Ultra low-jitter design:
 - <10psPP total jitter (clock)
 - <1psRMS random jitter
 - <10psPP deterministic jitter
 - <0.7psRMS crosstalk-induced jitter
- Unique patented input design minimizes crosstalk
- Accepts an input signal as low as 100mV
- Unique patented input termination and VT pin accepts DC- and AC-coupled inputs (CML, LVPECL, LVDS)
- 800mV 100K LVPECL output swing
- Power supply 2.5V \pm 5% or 3.3V \pm 10%
- -40°C to +85°C temperature range
- Available in 32-pin (5mm x 5mm) MLF[®] package

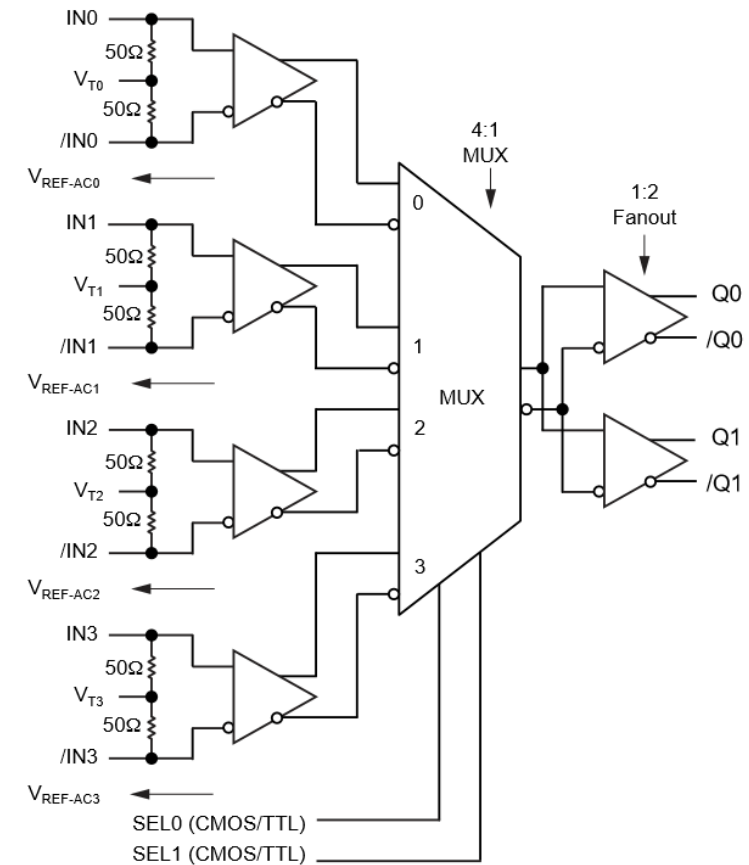


SY58030U

2.5V/3.3V, 10.7Gbps, LVPECL 4:1 MUX with 1:2 Fanout

Features

- Selects 1 of 4 differential inputs
- Provides two copies of the selected input
- Guaranteed AC performance over temperature and voltage:
 - DC-to- >10.7Gbps data rate throughput
 - <340ps IN-to-Out tpd
 - <80ps tr/ tf times
- Ultra low-jitter design:
 - <10psPP total jitter (clock)
 - <1psRMS random jitter
 - <10psPP deterministic jitter
 - <0.7psRMS crosstalk-induced jitter
- Unique patented input design minimizes crosstalk
- Accepts an input signal as low as 100mV
- Unique patented input termination and VT pin accepts DC-coupled and AC-coupled inputs (CML, LVPECL, LVDS)
- 400mV 100k LVPECL output swing
- Power supply 2.5V \pm 5% or 3.3V \pm 10%
- -40°C to +85°C temperature range
- Available in 32-pin (5mm x 5mm) MLF® package

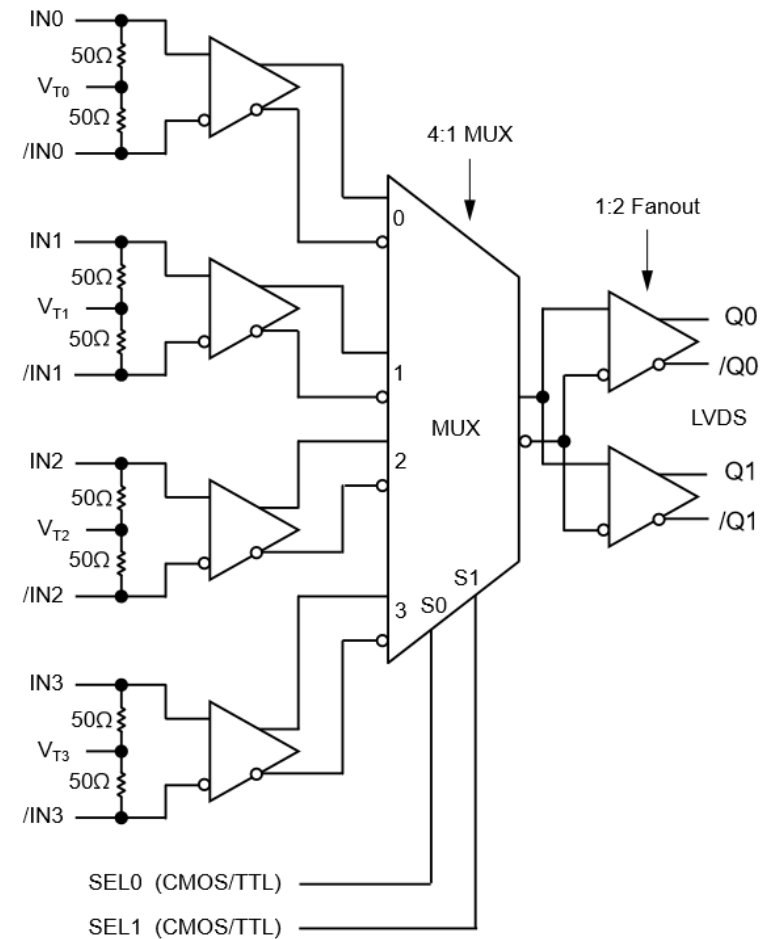


SY89546U

2.5V, LVDS 4:1 MUX with 1:2 Fanout

Features

- Selects among four differential inputs
- Provides two copies of the selected input
- Guaranteed AC parameters over temp/voltage:
 - DC-to >3.2Gbps data rate throughput
 - <620ps In-to-Out tpd
 - <150ps tr/TF time
- Unique input isolation design minimize crosstalk
- Ultra-low jitter design:
 - <1psRMS random jitter
 - <10psPP deterministic jitter
 - <10psPP total jitter (clock)
 - <0.7psRMS crosstalk-induced jitter
- Internal input termination
- Unique input termination and VTpin accepts DC-coupled and AC-coupled inputs (LVDS, LVPECL, CML)
- 350mV LVDS output swing
- Power supply 2.5V \pm 5%
- -40°C to +85°C temperature range
- Available in 32-pin (5mm x 5mm) MLF[®] package

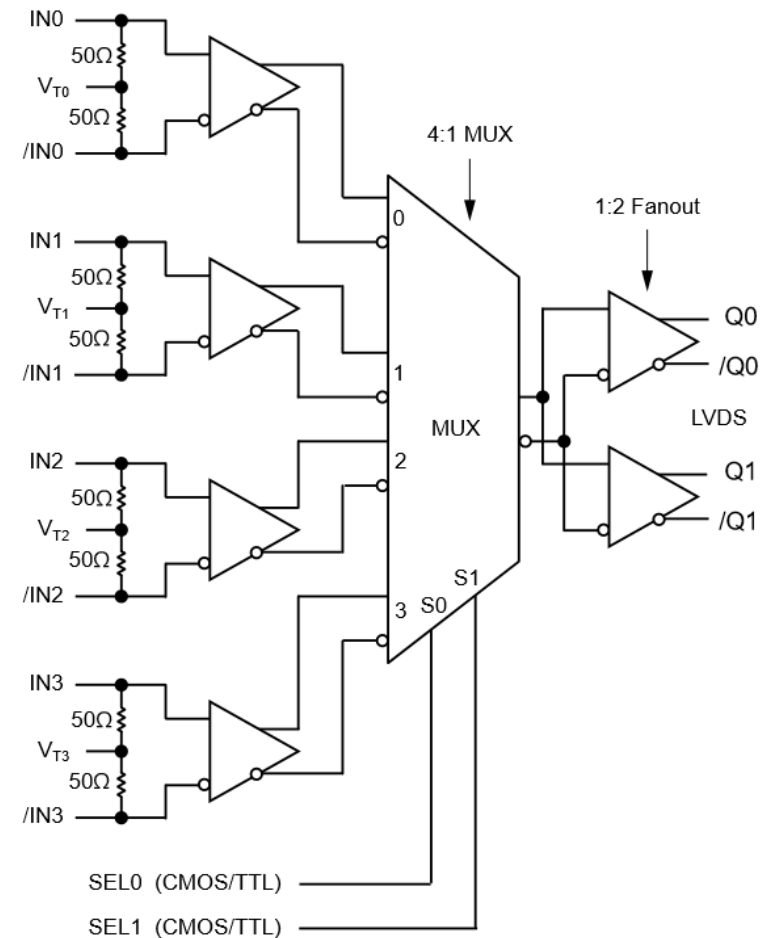


SY89547L

3.3V, LVDS 4:1 MUX with 1:2 Fanout

Features

- Selects among four differential inputs
- Provides two copies of the selected input
- Guaranteed AC parameters over temp/voltage:
 - DC-to >3.2Gbps data rate throughput
 - <620ps In-to-Out tpd
 - <150ps tr/TF time
- Unique input isolation design minimize crosstalk
- Ultra-low jitter design:
 - <1psRMS random jitter
 - <10psPP deterministic jitter
 - <10psPP total jitter (clock)
 - <0.7psRMS crosstalk-induced jitter
- Internal input termination
- Unique input termination and VTpin accepts DC-coupled and AC-coupled inputs (LVDS, LVPECL, CML)
- 350mV LVDS output swing
- Power supply 2.5V ±5%
- -40°C to +85°C temperature range
- Available in 32-pin (5mm x 5mm) MLF® package

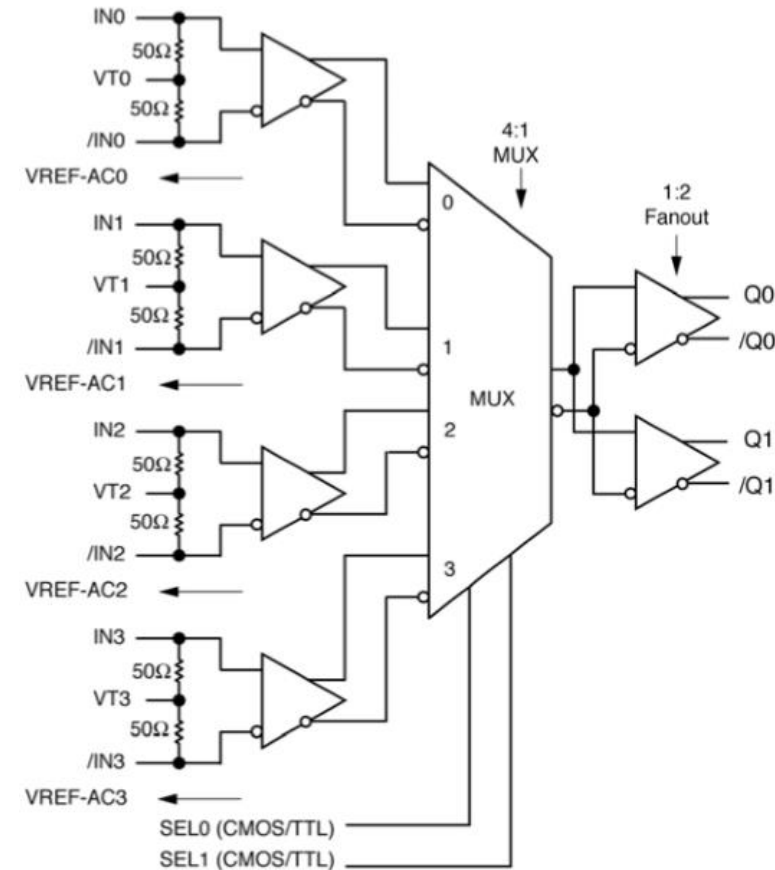


SY89855U

2.5V/3.3V, LVPECL 4:1 MUX with 1:2 Fanout

Features

- Select 1 of 4 differential inputs
- Provides two copies of the selected input
- Low power 260mW (VCC = 2.5V)
- Guaranteed AC performance over temperature and voltage:
 - DC-to- >2.5Gbps data rate throughput
 - <410ps In-to-Q tpd
 - <180ps tr/ tf times
- Ultra low-jitter design:
 - <10psPP total jitter (clock)
 - <1psRMS random jitter
 - <10psPP deterministic jitter
 - <0.7psRMS crosstalk-induced jitter
 - Unique, patent-pending input design minimizes crosstalk
- Accepts an input signal as low as 100mV
- Unique patented input termination and VT pin accepts DC- and AC-coupled inputs (CML, LVPECL, LVDS)
- 800mV 100K LVPECL output swing
- Power supply 2.5V \pm 5% or 3.3V \pm 10%
- -40°C to +85°C temperature range
- Available in 32-pin (5mm x 5mm) QFN package

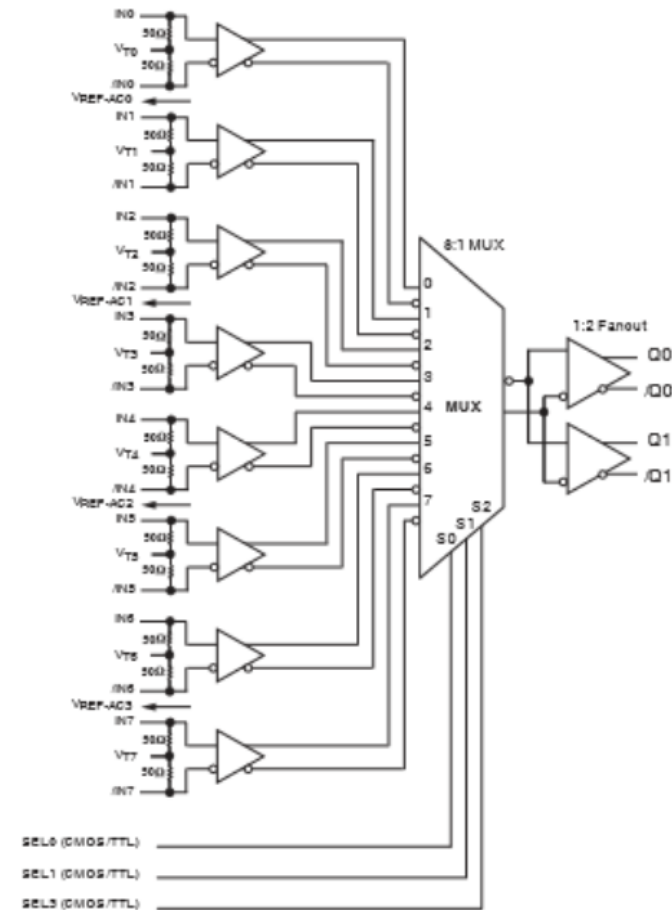


SY58037U

2.5V/3.3V, CML 8:1 MUX with 1:2 Fanout

Features

- Selects between 1 of 8 inputs, and provides two precision, low skew CML output copies
- Guaranteed AC performance over temperature and voltage:
 - DC to 5Gbps throughput
 - <450ps propagation delay IN-to-Q ($V_{IN} \geq 300\text{mV}$)
 - <70ps tr/ tf time
 - <15ps skew (output-to-output)
- Unique, patent-pending, channel-to-channel isolation design provides superior crosstalk performance
- Ultra-low jitter design:
 - <1psRMS random jitter
 - <10psPP deterministic jitter
 - <10psPP total jitter (clock)
 - <0.7psRMS crosstalk-induced jitter
- DC- and AC-coupled inputs (CML, PECL, LVDS)
- 400mV CML output swing
- 50 Ω source terminated outputs minimize round-trip reflections
- Power supply 2.5V \pm 5% or 3.3V \pm 10%
- -40°C to +85°C temperature range
- Available in 44-pin (7mm x 7mm) QFN package

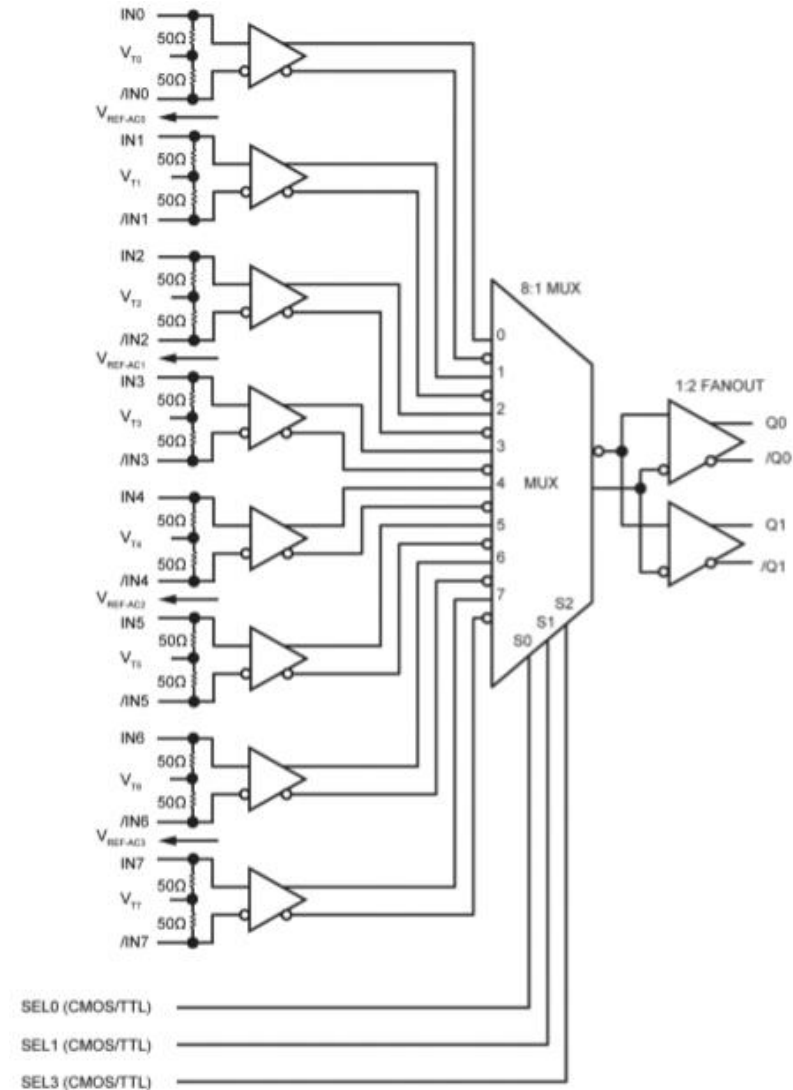


SY58038U

2.5V/3.3V, 4.5Gbps, LVPECL 8:1 MUX with 1:2 Fanout

Features

- Selects between 1 of 8 inputs, and provides two precise, low-skew LVPECL output copies
- 72fsRMS phase jitter (typical)
- Guaranteed AC performance over temperature and voltage:
 - DC to 4.5Gbps throughput
 - <500ps propagation delay IN-to-Q ($V_{IN} > 100\text{mV}$)
 - <100ps tr/ tf time
 - <15ps skew (output-to-output)
- Unique, patent-pending, channel-to-channel isolation design provides superior crosstalk performance
- Unique, patent-pending, input termination and VT pin accepts DC- and AC-coupled inputs (CML, PECL, LVDS)
- 800mV LVPECL output swing
- Power supply 2.5V $\pm 5\%$ or 3.3V $\pm 10\%$
- -40°C to +85°C temperature range
- Available in 44-pin (7mm x 7mm) QFN package

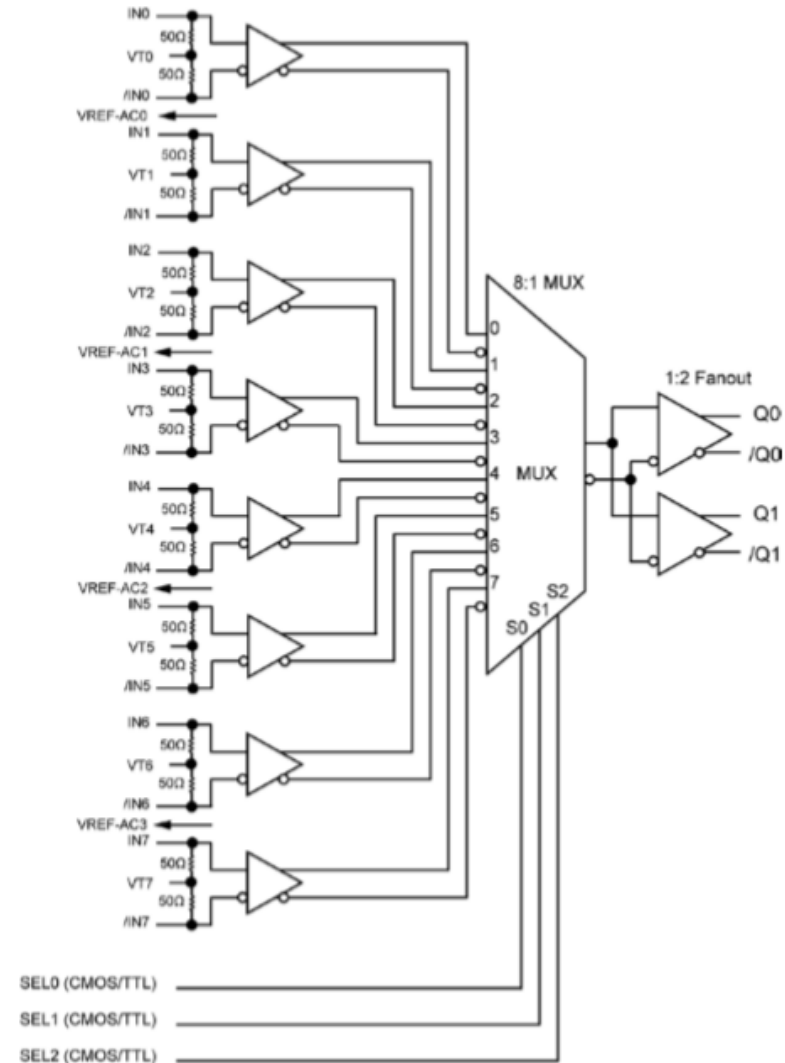


SY89859U

2.5V/3.3V, LVPECL 8:1 MUX with 1:2 Fanout

Features

- Selects between 1 of 8 inputs, and provides 2 precision, low skew 100K-compatible LVPECL output copies
- Low power: 150mW typ. (2.5V)
- Guaranteed AC performance over temperature and voltage:
 - DC to >2.5Gbps
 - DC to >2.5GHz
 - <690ps propagation delay
 - <180ps tr/TF time
 - <20ps skew (output-to-output)
- Unique, patent-pending channel-to-channel isolation design provides superior crosstalk performance
- Ultra-low jitter design:
 - <1psRMS random jitter
 - <10psPP deterministic jitter
 - <10psPP total jitter (clock)
 - <1psRMS cycle-to-cycle jitter
 - <0.7psRMS crosstalk-induced jitter
- DC- and AC-coupled inputs (CML, PECL, LVDS)
- Power supply 2.5V \pm 5% or 3.3V \pm 10%
- -40°C to +85°C industrial temperature range
- Available in 44-pin (7mm x 7mm) QFN package



SY100EPT20V

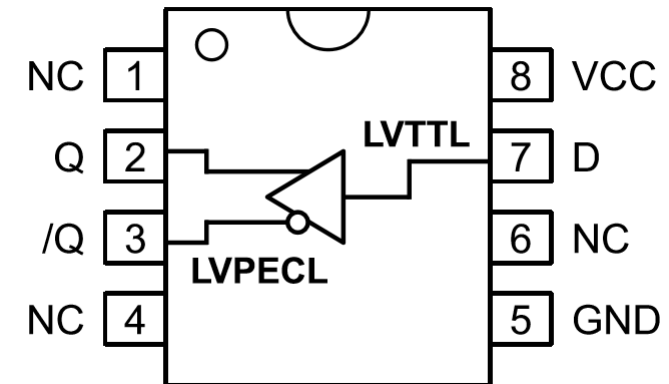
3.3V/5V LVTTTL/LVCMOS-to-Differential LVPECL Translator

Summary

The SY100EPT20 is a TTL/CMOS to differential PECL translator. Capable of running from a 3.3 or 5V supply, the part can be used in either LVTTTL/LVCMOS/ LVPECL or TTL/CMOS/PECL systems. The device only requires a single positive supply of 3.3V or 5V - no negative supply is required. The tiny 8-pin MSOP package and the low skew, dual gate design of the EPT20V makes it ideal for those applications where space, performance, and low power are at a premium.

Features

- 3.3V and 5V power supply options
- 300ps typical propagation delay
- Differential LVPECL output
- ICC Max 20mA
- PNP LVTTTL input for minimal loading
- Q output will default HIGH with inputs open
- High bandwidth to 800MHz typical
- Available in 8-pin MSOP and SOIC package



SY100ELT21L

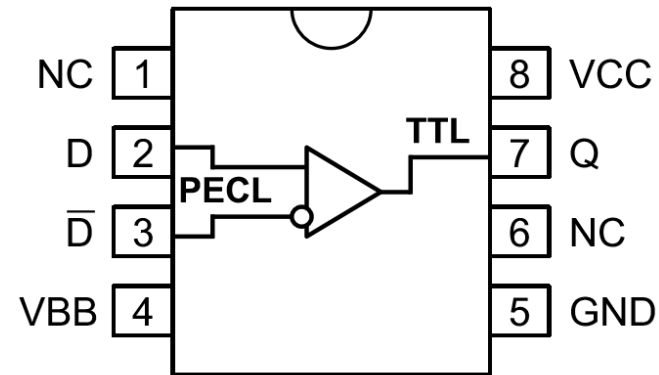
3.3V Differential LVPECL-to-LVTTL Translator

Summary

The SY100ELT21L is a single differential LVPECL to- LVTTL translator s using a single +3.3V power supply. Because LVPECL (Low Voltage Positive ECL) levels are used, only +3.3V and ground are required. The small outline 8-lead SOIC package and low skew single gate design make the ELT21L ideal for applications that require the translation of a clock or data signal where minimal space, low power, and low cost are critical. VBB allows a differential, single-ended, or AC-coupled interface to the device. If used, the VBB output should be bypassed to VCC with 0.01 μ F capacitor. Under open input conditions, the /D will be biased at a VCC/2 voltage level and the D input will be pulled to ground. This condition will force the Q output low to provide added stability. The 100ELT is compatible with positive ECL 100K logic levels.

Features

- 3.3V power supply
- 2.0ns typical propagation delay
- Low power
- Differential LVPECL inputs
- 24mA TTL outputs
- Flow-through pinouts
- Available in 8-pin SOIC package



SY100ELT25

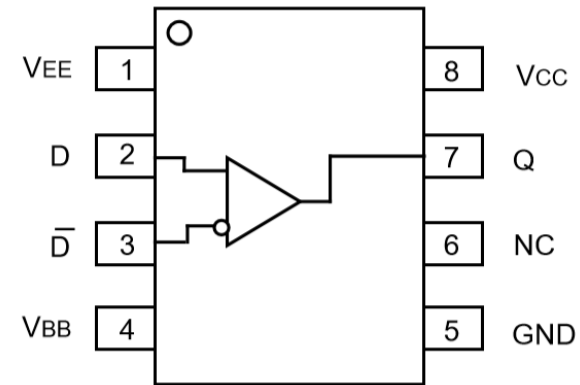
5V ECL-to-TTL Translator

Summary

The SY100ELT25 is a differential ECL-to-TTL translator. Because ECL levels are used, a +5V, -5.2V (or -4.5V) and ground are required. The small outline 8-lead SOIC package and the single gate of the ELT25 makes it ideal for those applications where performance, space and low power are at a premium. The VBB output allows the ELT25 to also be used in a single-ended input mode. In this mode the VBB output is tied to the D input for a non-inverting buffer or the D input for an inverting buffer. If used the VBB pin should be bypassed to ground via a $0.01\mu\text{F}$ capacitor.

Features

- 2.6ns typical propagation delay
- Differential ECL inputs
- 24mA TTL outputs
- Flow-through pinouts
- Available in 8-pin SOIC package

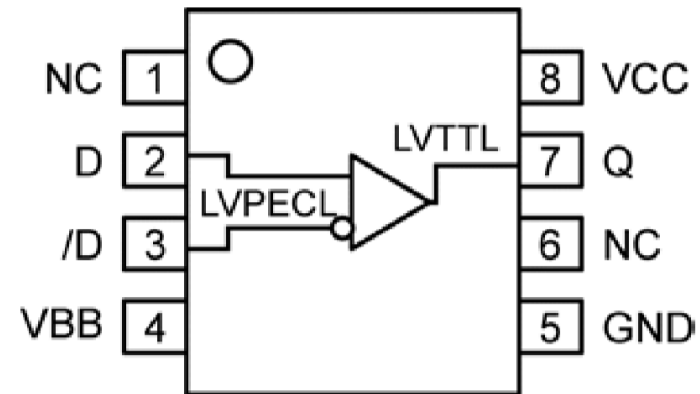


SY100EPT21L

3.3V LVPECL-to-LVTTL Translator

Features

- Guaranteed over the industrial temperature range: -40°C to $+85^{\circ}\text{C}$
- Pin-for-pin; plug-in replacement to MC100EPT21D/DT
- 3.3V power supply
- 1.9ns typical propagation delay
- 275MHz f_{MAX} (Clock)
- Differential LVPECL inputs
- 24mA LVTTL output
- Flow-through pinout
- Q output will default LOW with inputs open
- VBB output
- Available in 8-pin MSOP and SOIC package



SY100EPT28L

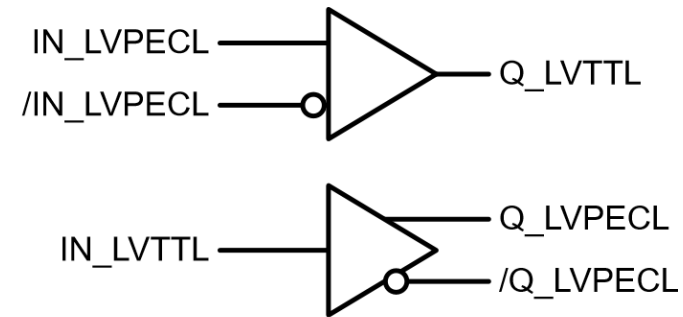
3.3V LVTTTL-to-LVPECL Translator

Summary

The SY89328L is a differential LVPECL-to-LVTTTL translator and an LVTTTL-to-differential LVPECL translator in a single package. Because LVPECL (Positive ECL) levels are used, only +3.3V and ground are required. The SY89328L is functionally equivalent to the SY100EPT28L, but in an ultra-small 8-lead MLF™ package that features a 70% smaller footprint. This ultra-small package and the dual translation design of the SY89328L make it ideal for applications that are sending and receiving signals across a backplane.

Features

- 3.3V $\pm 10\%$ power supply
- Guaranteed AC parameters over temperature: $f_{MAX} > 275\text{MHz}$ (LVTTTL)
- $< 2\text{ns}$ LVPECL-to-LVTTTL propagation delay
- $< 600\text{ps}$ LVTTTL-to-LVPECL propagation delay
- Internal 75k Ω input pull-up and pull-down resistors
- Industrial temperature range: -40°C to $+85^{\circ}\text{C}$
- Available in ultra-small 8-pin MLF™ (2mm x 2mm) package



SY89321L

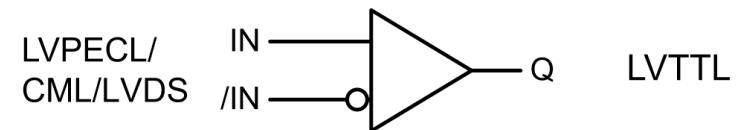
3.3V LVPECL/CML/LVDS-to-LVTTL Translator

Features

- 3.3V power supply
- 1.9ns typical propagation delay
- 275MHz fMAX
- Differential LVPECL/CML/LVDS inputs
- 24mA LVTTL outputs
- Flow-through pinouts
- Internal input resistors: pulldown on IN, pulldown and pullup on /IN
- Q output will default LOW with inputs open
- VBB output
- Available in ultra-small 8-pin MLF[®] (2mm x 2mm) package

Summary

The SY89321L is a differential LVPECL/CML/LVDS-to-LVTTL translator requiring only a single +3.3V power. The SY89321L is functionally equivalent to the SY100EPT21L, but in an ultra-small 8-pin MLF[®] package that features a 70% smaller footprint. This ultra-small package and low skew single gate design make the SY89321L ideal for applications that require the translation of a clock or data signal where minimal space, low power and low cost are critical. VBB allows a differential, single-ended, or AC-coupled interface to the device. If used, the VBB output should be bypassed to VCC with 0.01 μ F capacitor. Under open input conditions, the /IN will be biased at a VCC/2 voltage level and the IN input will be pulled to ground. This condition will force the Q output low to provide added stability. The SY89321L is compatible with positive ECL 100k logic levels.



SY89325V

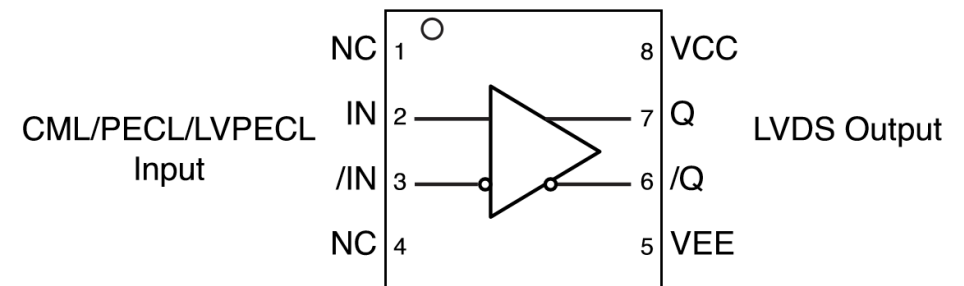
3.3V/5V LVPECL/PECL/CML-to-LVDS Translator

Features

- Guaranteed AC performance over temp and voltage:
 - DC-to >1.5Gbps data rate throughput
 - >750MHz clock fMAX
 - <50ps within-device skew
- Ultra-low jitter design:
 - <1psRMS random jitter
 - <10psPP deterministic jitter
 - <1psRMS cycle-to-cycle jitter
 - <10psPP total jitter (clock)
- Accepts CML, PECL, LVPECL inputs
- 350mV LVDS output swing
- Power supply 3.3V \pm 10% or 5.0V \pm 10%
- -40°C to +85°C temperature range
- Available in ultra-small (2mm x 2mm) 8-pin MLF[®] package

Summary

The SY89325V is a fully differential, CML/PECL/LVPECL-to-LVDS translator. It achieves LVDS signaling up to 1.5Gbps and clock rates of 750MHz, depending of the distance and the characteristics of the media and noise coupling sources. LVDS is intended to drive 50 Ω impedance transmission line media such as PCB traces, backplanes, or cables. SY89325V inputs can be terminated with a single resistor between the true and complement pins of the input. The SY89325V is a member of Micrel's Precision Edge[®] family of high-speed logic devices. This family features ultra-small packaging, high signal integrity, and operation at many different supply voltages. For applications that require dual translators, consider the SY55855V



SY89327L

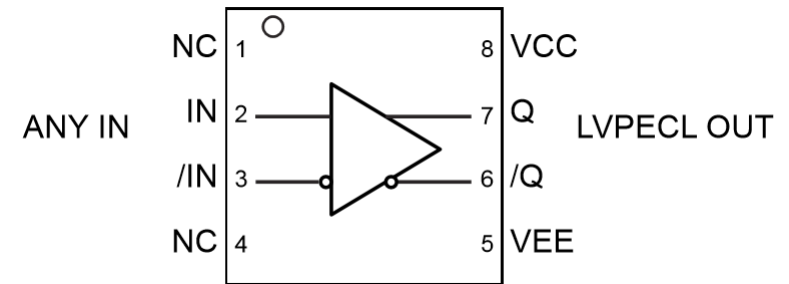
3.3V Any Input-to-LVPECL Translator

Features

- Input accepts virtually all logic standards:
 - Single-ended: SSTL, TTL, CMOS
 - Differential: LVDS, HSTL, CML
- Guaranteed AC performance over temp and voltage:
 - DC-to >2.5Gbps data rate throughput
 - DC-to >2.5GHz clock fMAX
 - < 400ps In-to-Out tpd
 - < 200ps tr/tf
- 75fs RMS phase jitter
- Low power: 46mW (typ)
- 100k LVPECL output
- Flow-through pinout and fully differential design
- Power supply 3.3V \pm 10%
- -40°C to +85°C temperature range
- Available in ultra-small 8-lead 2mm x 2mm QFN package

Summary

The SY89327L is a fully differential, high-speed translator optimized to accept any logic standard from single-ended TTL/CMOS to differential LVDS, HSTL, or CML and translate it to LVPECL. Translation is guaranteed for speeds up to 2.5Gbps (2.5GHz toggle frequency). The SY89327L does not internally terminate its inputs because different interfacing standards have different termination requirements. The SY89327L is a member of Micrel's Precision Edge[®] family of high-speed logic devices. This family features ultrasmall packaging, as well as high signal integrity and operation at many different supply voltages.



SY89329V

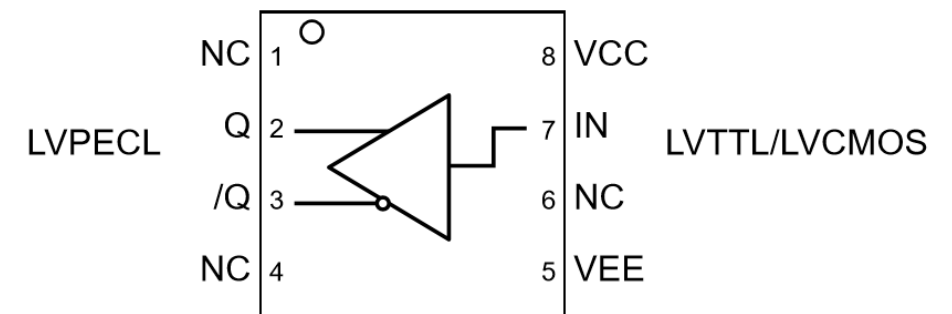
3.3V/5V LVTTTL/LVCMOS-to-LVPECL Translator

Features

- Guaranteed AC performance over temp and voltage:
 - DC-to-800MHz fMAX
 - <100ps IN-to-OUT tpd
- Ultra-low jitter design:
 - <1psRMS random jitter
 - <10psPP deterministic jitter
 - <1psRMS cycle-to-cycle jitter
 - <1psPP total jitter (clock)
- Differential LVPECL output
- ICC max. 20mA
- Q output will default HIGH with inputs open
- Power supply 3.3V \pm 10% or 5.0V \pm 10%
- -40°C to +85°C temperature range
- Available in ultra-small 8-pin (2mm x 2mm) MLF™ package

Summary

The SY89329V is a TTL/CMOS-to-differential PECL translator. Capable of running from a 3.3V or 5V supply, the part can be used in either LVTTTL/LVCMOS/LVPECL or TTL/CMOS/PECL systems. The device requires only a single positive supply of 3.3V or 5V; no negative supply is required. The ultra-small 8-pin MLF™ package of the SY89329V makes it ideal for applications where space, performance, and low power are at a premium. For applications that require a dual translator in this same ultra-small MLF™ package, consider the SY89322V.



SY100ELT22

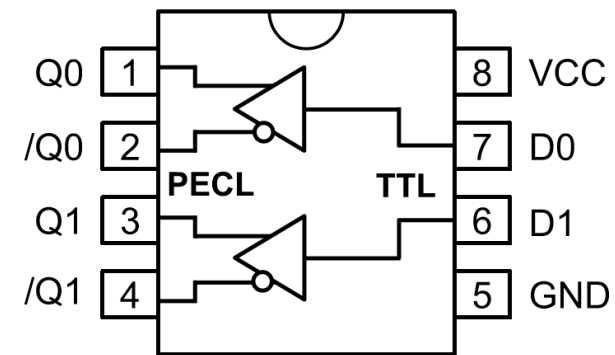
5V Dual TTL-to-Differential PECL Translator

Features

- 300ps typical propagation delay
- <100ps output-to-output skew
- Differential PECL outputs
- PNP TTL inputs for minimal loading
- Flow-through pinouts
- Available in 8-pin SOIC package

Summary

The SY100ELT22 are dual TTL-to-differential PECL translators. Because PECL (Positive ECL) levels are used, only +5V and ground are required. The small outline 8-lead SOIC package and the low skew, dual gate design of the ELT22 makes it ideal for applications which require the translation of a clock and a data signal. The 100ELT is compatible with positive ECL 100K logic levels.



SY100ELT22L

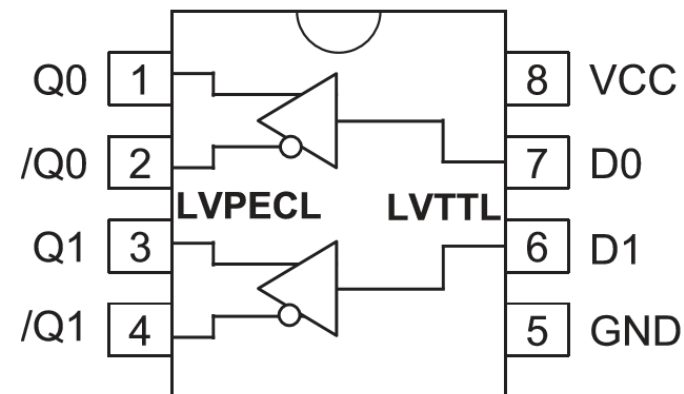
3.3V Dual LVTTTL-to-Differential LVPECL Translator

Features

- 3.3V Power Supply
- 300 ps Typical Propagation Delay
- <100 ps Output-to-Output Skew
- Differential LVPECL Outputs
- PNP LVTTTL Inputs for Minimal Loading
- Flow-Through Pinouts
- Available in 8-Lead SOIC Package

Summary

The 100ELT22L are dual TTL-to-differential PECL translators with +3.3V power supply. Because PECL (Positive ECL) levels are used, only +3.3V and ground are required. The small outline 8-lead SOIC package and the low skew, dual gate design of the ELT22L makes it ideal for applications which require the translation of a clock and a data signal. The 100ELT is compatible with positive ECL 100K logic levels.



SY100ELT23

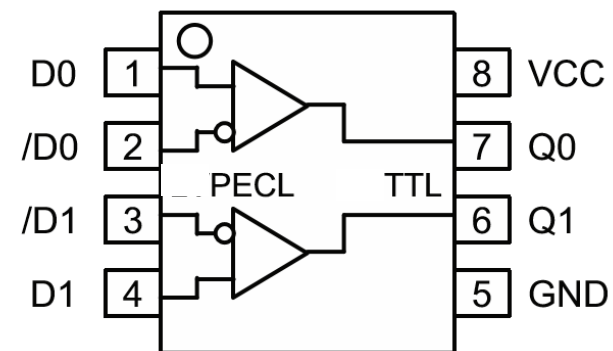
5V Dual Differential PECL-to-TTL Translator

Features

- 3.0 ns typical propagation delay
- <500ps output-to-output skew
- Differential PECL inputs
- 24mA TTL outputs
- Flow-through pinouts
- Internal 50kOhm pulldown resistors
- Available in 8-pin SOIC package

Summary

The SY100ELT23 are dual differential PECL-to-TTL translators. Because PECL (Positive ECL) levels are used, only +5V and ground are required. The small outline 8-lead SOIC package and the low skew, dual gate design of the ELT23 makes it ideal for applications which require the translation of a clock and a data signal. The ELT23 is compatible with positive ECL 100K logic levels.



SY100ELT23L

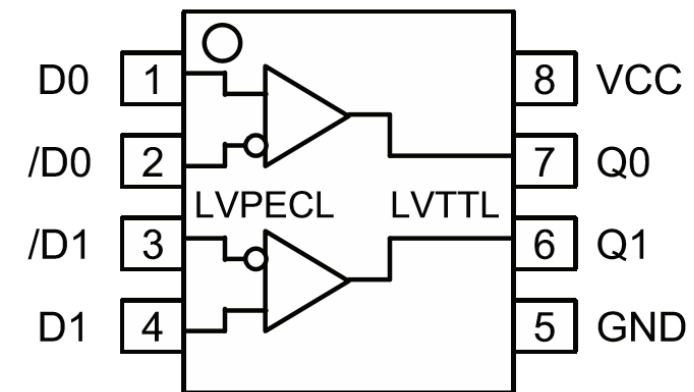
3.3V Dual Differential LVPECL-to-LVTTL Translator

Features

- 3.3V power supply
- 2.0ns typical propagation delay
- <500ps output-to-output skew
- Differential LVPECL inputs
- 24mA LVTTL outputs
- Flow-through pinouts
- Available in 8-pin SOIC package

Summary

The 100ELT23L are dual differential LVPECL-to-LVTTL translators with +3.3V power supply. Because LVPECL (Low Voltage Positive ECL) levels are used, only +3.3V and ground are required. The small outline 8-lead SOIC package and the low skew, dual gate design of the ELT23L makes it ideal for applications which require the translation of a clock and a data signal. The ELT23L is compatible with positive ECL 100K logic levels.



SY100EPT22V

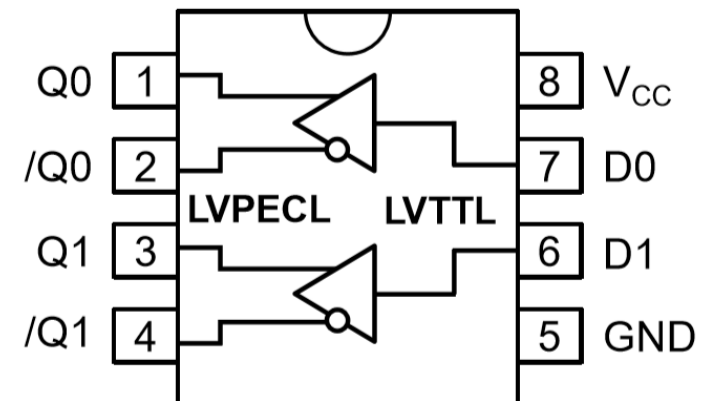
3.3V/5V Dual LVTTTL/LVCMOS-to-Differential LVPECL Translator

Features

- 3.3V and 5V power supply options
- 300ps typical propagation delay
- Differential LVPECL output
- ICC Max 25mA
- PNP LVTTTL input for minimal loading
- Flow-through pinouts
- Q outputs will default HIGH with inputs open
- Max. frequency range 800MHz
- Available in 8-pin MSOP and SOIC packages

Summary

The SY100EPT22V is a dual TTL/CMOS to differential PECL translator. Capable of running from a 3.3 or 5V supply, the part can be used in either LVTTTL/LVCMOS/LVPECL or TTL/CMOS/PECL systems. The device only requires a single positive supply of 3.3V or 5V - no negative supply is required. The tiny 8-pin MSOP package and the low skew, dual gate design of the EPT22V makes it ideal for those applications where space, performance, and low power are at a premium.



SY100EPT23

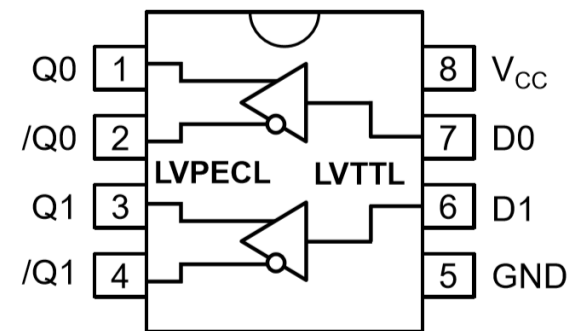
3.3V Dual Differential LVPECL-to-LVTTL Translator

Features

- 3.3V power supply
- 1.9ns typical propagation delay
- Maximum frequency > 275MHz
- Differential LVPECL inputs
- 24mA LVTTL outputs
- Flow-through pinouts
- Internal input resistors: pulldown on D, pulldown and pullup on /D
- Q output will default LOW with inputs open or at Ground
- Available in 8-pin MSOP and SOIC packages

Summary

The SY100EPT23L is a dual differential LVPECL-to-LVTTL translator. Because LVPECL (Low Voltage Positive ECL) levels are used, only +3.3V and ground are required. The tiny 8-pin MSOP and dual-gate design of the EPT23L makes it ideal for applications which require the translation of a clock and data signal. The EPT23L is available in only the ECL 100K standard. Since there are no LVPECL outputs or an external VBB reference, the EPT23L does not require both ECL standard versions. The inputs can accept 10K voltage levels and any standard differential LVPECL input referenced from a VCC of +3.3V.



SY55855V

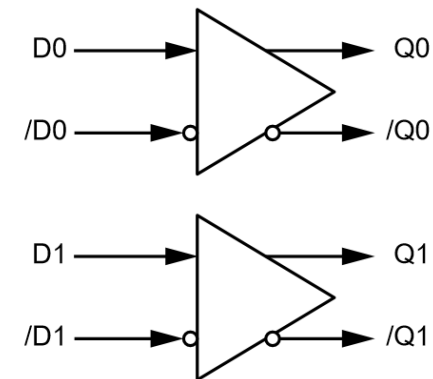
3.3V/5V Dual CML/PECL/LVPECL-to-LVDS Translator

Features

- Guaranteed $f_{MAX} > 750\text{MHz}$ over temperature
- 1.5Gbps throughput capability
- 3.0V to 5.7V power supply
- Guaranteed $< 700\text{ps}$ propagation delay over temperature
- Guaranteed $< 50\text{ps}$ within-device skew over temperature
- LVDS compatible outputs
- Fully differential I/O architecture
- Wide operating temperature range: -40°C to $+85^{\circ}\text{C}$
- Available in a tiny 10-pin MSOP package

Summary

The SY55855V is a fully differential, CML/PECL/LVPECL-to-LVDS translator. It achieves LVDS signaling up to 1.5Gbps, depending on the distance and the characteristics of the media and noise coupling sources. LVDS is intended to drive 50Ω impedance transmission line media such as PCB traces, backplanes, or cables. SY55855V inputs can be terminated with a single resistor between the true and the complement pins of a given input. The SY55855V is a member of Micrel's new SuperLite™ family of high-speed logic devices. This family features very small packaging, high signal integrity, and operation at many different supply voltages.



SY55857L

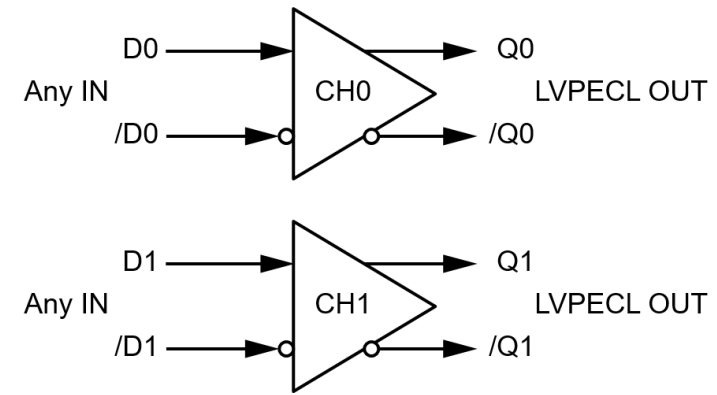
3.3V Dual Any Input-to-LVPECL Translator

Features

- Input accepts virtually all logic standards:
 - Single-ended: SSTL, TTL, CMOS
 - Differential: LVDS, HSTL, CML
- Guaranteed AC parameters over temperature:
 - $f_{MAX} > 2.5\text{Gbps}$ (2.5GHz toggle)
 - $t_r / t_f < 200\text{ps}$
 - Within-device skew $< 50\text{ps}$
- Propagation delay $< 400\text{ps}$
- Low power: 46mW/channel (typ)
- 3.0V to 3.6V power supply
- 100K LVPECL outputs
- Flow-through pinout and fully differential design
- Two channels in a 10-pin (3mm x 3mm) MSOP package

Summary

The SY55857L is a fully differential, high-speed dual translator optimized to accept any logic standard from single-ended TTL/CMOS to differential LVDS, HSTL, or CML and translate it to LVPECL. Translation is guaranteed for speeds up to 2.5Gbps (2.5GHz toggle frequency). The SY55857L does not internally terminate its inputs, as different interfacing standards have different termination requirements.



SY89222L

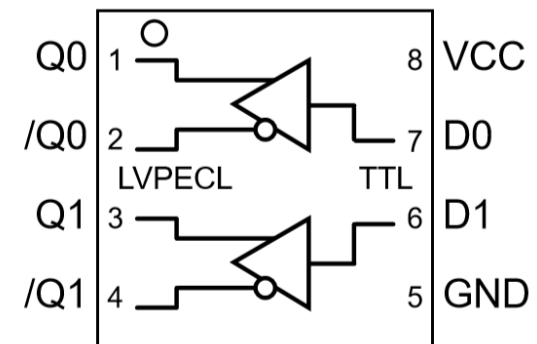
3.3V Dual TTL-to-PECL Translator

Features

- 3.3V power supply
- 300ps typical propagation delay
- <100ps output-to-output skew
- Differential LVPECL outputs
- PNP TTL inputs for minimal loading
- Flow-through pinouts
- Available in ultra-small 8-pin MLF™ (2mm x 2mm) package

Summary

The SY89222L is a dual TTL-to-differential LVPECL translator with a +3.3V power supply. Because LVPECL (Positive ECL) levels are used, only +3.3V and ground are required. The SY89222L is functionally equivalent to the SY100ELT22L but in an ultra-small 8-lead MLF™ package that features a 70% smaller footprint. The low skew, dual gate design of the SY89222L makes it ideal for applications that require the translation of a clock and a data signal.



SY89322V

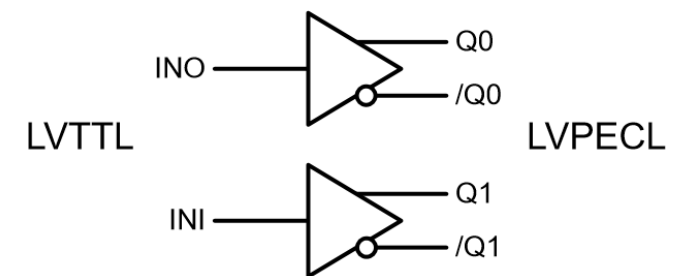
3.3V/5V Dual LVTTTL/LVCMOS-to-LVPECL Translator

Features

- 3.3V and 5V power supply option
- 300ps typical propagation delay
- Differential LVPECL outputs
- PNP LVTTTL inputs for minimal loading
- Flow-through pinouts
- Q outputs will default HIGH with inputs open
- Max. frequency range 800MHz
- Available in ultra-small 8-pin MLF[®] (2mm x 2mm) package

Summary

The SY89322V is a dual TTL/CMOS-to-differential PECL translator capable of running from a 3.3V or 5V supply. This part can be used in either LVTTTL/LVCMOS/LVPECL or TTL/CMOS/PECL systems. It requires only a single positive supply of +3.3V or +5V, no negative supply is required. The SY89322V is functionally equivalent to the SY100EPT22V, but in an ultra-small 8-lead MLF[®] package that features a 70% smaller footprint. The ultra-small package and the low skew, dual gate design of the SY89322V makes it ideal for those applications where space, performance and low power are at a premium.



SY89323L

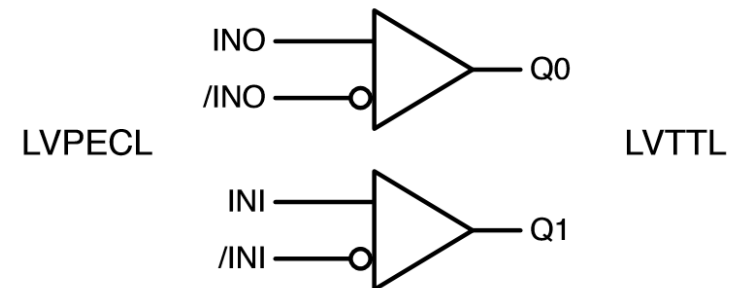
3.3V Dual LVPECL-to-LVTTL Translator

Features

- 3.3V power supply
- 1.9ns typical propagation delay
- Maximum frequency > 275MHz
- Differential LVPECL inputs
- 24mA LVTTL outputs
- Flow-through pinouts
- Internal input resistors: pull-down on IN, pull-down and pull-up on /IN
- Q output will default LOW with inputs open
- Available in ultra-small 8-pin MLF[®] (2mm x 2mm) package

Summary

The SY89323L is a dual differential LVPECL-to-LVTTL translator. Because LVPECL (Low Voltage Positive ECL) levels are used, only +3.3V and ground are required. The SY89323L is functionally equivalent to the SY100EPT23L, but in an ultra-small 8-pin MLF[®] package that features a 70% smaller footprint. The ultra-small package and the dual gate design of the SY89323L make it ideal for applications that require the translation of a clock and data signal in a minimal space. The inputs are compatible with 10k and 100k input levels and any standard differential LVPECL input referenced to a VCC of 3.3V.



SY100EL90

3.3V/5V Triple ECL/LVECL-to-PECL/LVPECL Translator

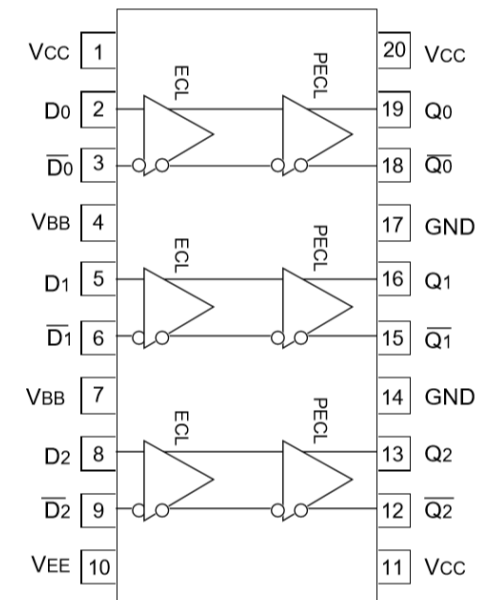
Summary

The SY100EL90V can translate over all combinations of supply voltages: -5V ECL to 5V PECL, -5V ECL to 3.3V LVPECL, -3.3V LVECL to 5V PECL or -3.3V LVECL to 3.3V LVPECL. A VBB output is provided for interfacing with single ended ECL signals at the input. If a single ended input is to be used, the VBB output should be connected to the D input. The active signal would then drive the D input. When used, the VBB output should be bypassed to ground via a 0.01 μ F capacitor. The VBB output is designed to act as the switching reference for the EL90V under single ended input switching conditions. As a result this pin can only source/sink up to 0.5mA of current.

To accomplish the level translation the EL90V requires three power rails. The VCC supply should be connected to the positive supply, and the VEE pin should be connected to the negative power supply. The GND pins as expected are connected to the system ground plane. Both VEE and VCC should be bypassed to ground via 0.01 μ F capacitors. Under open input conditions, the D input will be biased at VCC/2 and the D input will be pulled to VEE. This condition will force the Q output to a LOW, ensuring stability.

Features

- 3.3V and 5V power supply options
- 500ps propagation delay
- Fully differential design
- Supports both standard and low voltage operation
- Available in 20-pin SOIC package



SY100EL91L

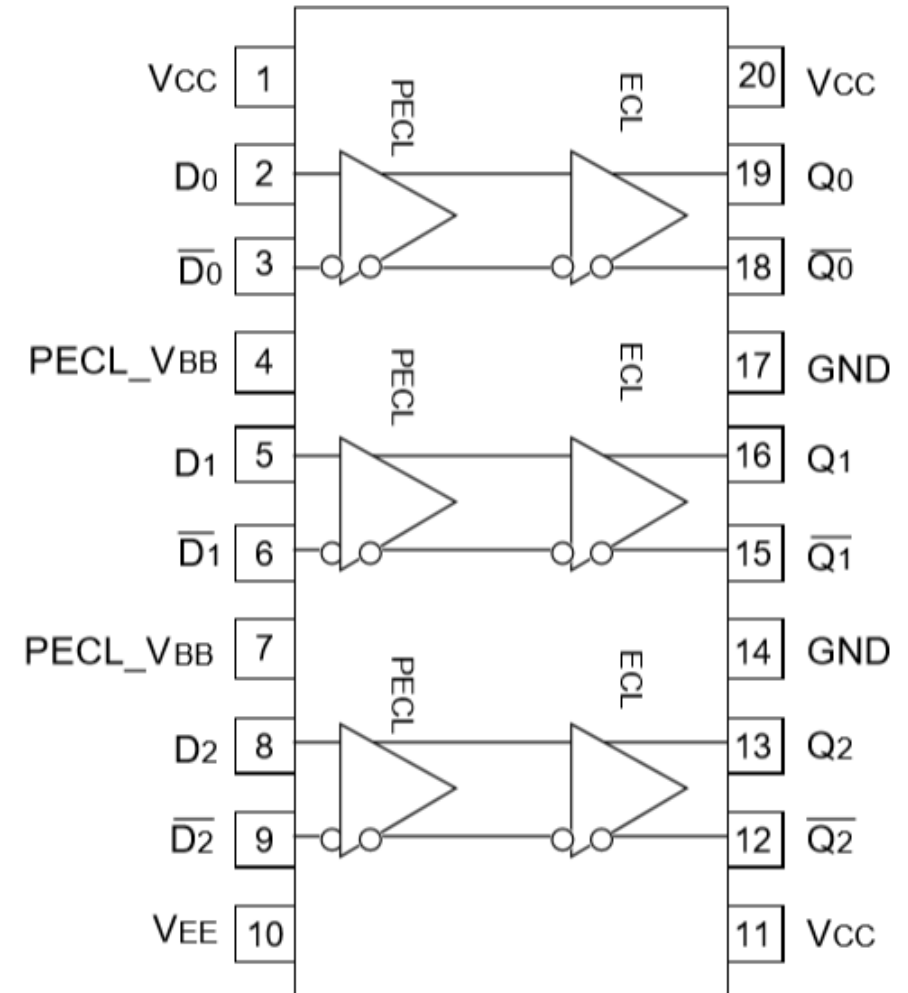
3.3V Triple LVPECL-to-ECL/LVECL Translator

Summary

The SY100EL91L is a triple LVPECL-to-ECL or LVPECL-to-LVECL translator. A VBB output is provided for interfacing with single ended PECL signals at the input. If a single ended input is to be used, the VBB output should be connected to the D input. The active signal would then drive the D input. When used, the VBB output should be bypassed to ground via a $0.01\mu\text{F}$ capacitor. The VBB output is designed to act as the switching reference for the EL91L under single ended input switching conditions. As a result this pin can only source/sink up to 0.5mA of current. To accomplish the level translation the EL91L requires three power rails. The VCC supply should be connected to the positive supply, and the VEE pin should be connected to the negative power supply. The GND pins as expected are connected to the system ground plane. Both VEE and VCC should be bypassed to ground via $0.01\mu\text{F}$ capacitors. Under open input conditions, the D input will be biased at $V_{CC}/2$ and the D input will be pulled to GND. This condition will force the Q output to a LOW, ensuring stability

Features

- 3.3V power supply
- 620ps propagation delay
- Fully differential design
- Supports low voltage operation
- Available in 20-pin SOIC package



SY100EL92

3.3V/5V Triple LVPECL-to-PECL or PECL-to-LVPECL Translator

Summary

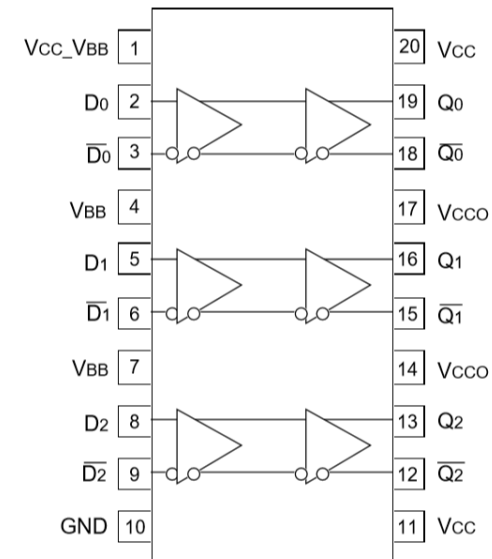
SY100EL92 is a triple LVPECL-to-PECL or PECL-to-LVPECL translator. SY100EL92 can also be used as a differential line receiver for PECL-to-PECL or LVPECL-to-LVPECL signals. However, please note that for the latter we will need two different power supplies. Please refer to Function Table for more details. VBB outputs are provided for interfacing single ended input signals. If a single ended input is to be used, the VBB output should be connected to the D input and the active signal will drive the D input. When used, the VBB should be bypassed to VCC via a 0.01 μ F capacitor.

The VBB is designed to act as a switching reference for the SY100EL92 under single ended input conditions. As a result, the pin can only source/sink 0.5mA of current. To accomplish the PECL-to-LVPECL level translation, the SY100EL92 requires three power rails. The VCC and VCC_VBB supply is to be connected to the standard PECL supply, the 3.3V supply is to be connected to the VCCO supply, and GND is connected to the system ground plane.

Both the VCC and VCCO should be bypassed to ground with a 0.01 μ F capacitor. To accomplish the LVPECL-to-PECL level translation, the SY100EL92 requires three power rails as well. The 5.0V supply is connected to the VCC and VCCO pins, 3.3V supply is connected to the VCC_VBB pin and GND is connected to the system ground plane. VCC_VBB is used to provide a proper VBB output level if a single ended input is used. For differential LVPECL input VCC_VBB can be either 3.3V or 5V. Under open input conditions, the D input will be biased at a VCC/2 voltage level and the D input will be pulled to GND. This condition will force the "Q" output low, ensuring stability.

Features

- 5V and 3.3V power supplies required
- Also, supports LVPECL-to-PECL translation
- 500ps propagation delays
- Fully differential design
- Differential line receiver capability
- Application note
- Available in 20-pin SOIC package



SY100EP195V

3.3V/5V 1.6 GHz Programmable Delay

Summary

The SY100EP195V is a programmable delay line, varying the time a logic signal takes to traverse from IN to Q. This delay can vary from about 2.1 ns to about 10.8 ns. The input can be PECL, LVPECL, NECL, or LVNECL.

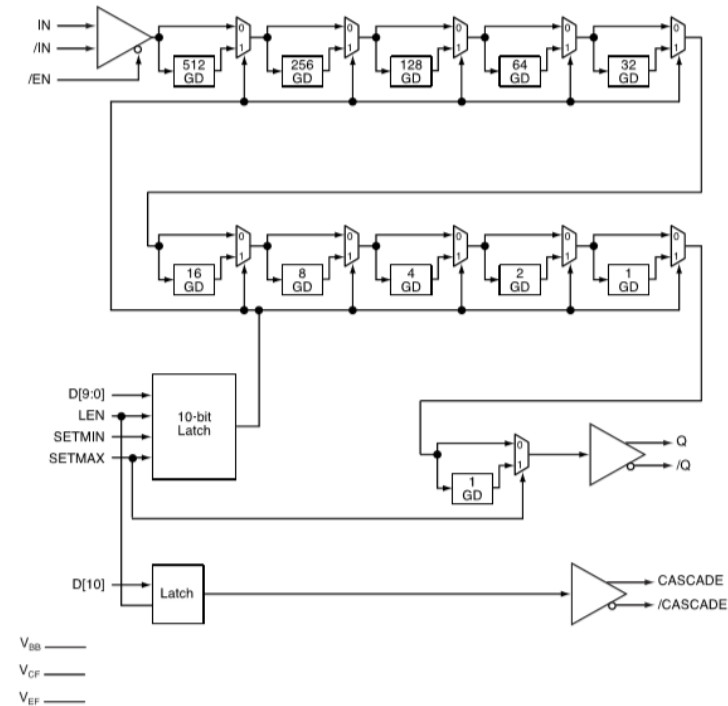
The delay varies in discrete steps based on a control word presented to the SY100EP195V. The 10-bit width of this latched control register allows for delay increments of approximately 10 ps.

An eleventh control bit allows the cascading of multiple SY100EP195V devices, for a wider delay range. Each additional SY100EP195V effectively doubles the delay range available.

For maximum flexibility, the control register interface accepts CMOS or TTL level signals, as well as the input level at the IN, /IN pins

Features

- Pin-for-Pin, Plug-In Compatible to the ON Semiconductor MC100EP195
- Maximum Frequency >1.6 GHz
- Programmable Range: 2.1 ns to 10.8 ns
- 10 ps Increments
- PECL Mode Operating Range: $V_{CC} = 3.0V$ to $5.5V$ with $V_{EE} = 0V$
- NECL Mode Operating Range: $V_{CC} = 0V$ with $V_{EE} = -3.0V$ to $-5.5V$
- Open Input Default State
- Safety Clamp on Inputs
- A Logic-High on the /EN pin will Force Q to Logic-Low
- D[0:10] Can Accept Either ECL, CMOS, or TTL Inputs
- V_{BB} Output Reference Voltage
- Available in a 32-Pin TQFP Package



SY100EP196

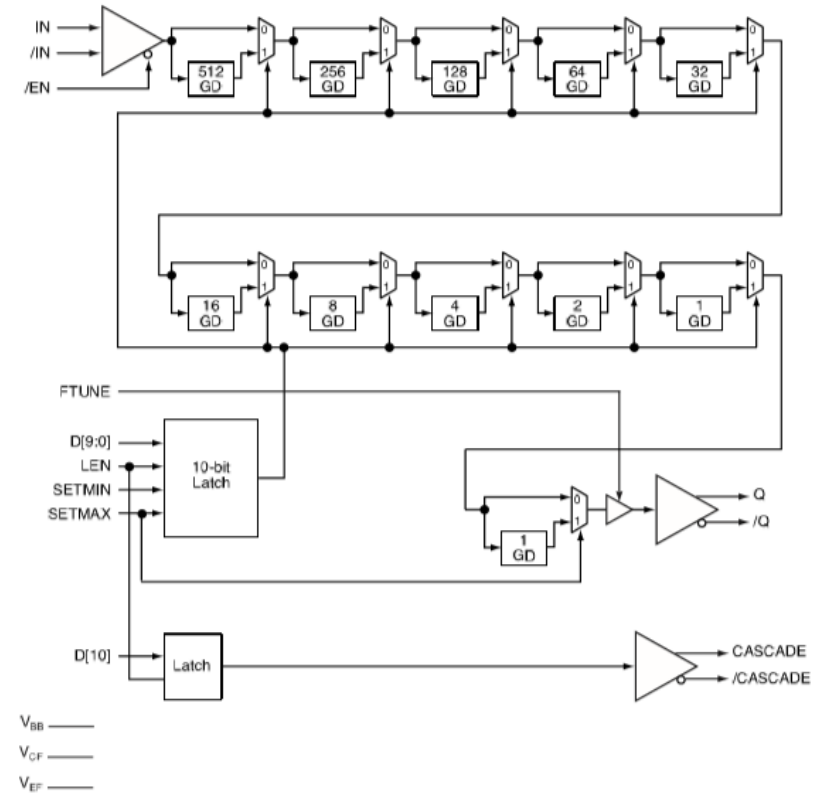
3.3V/5V 2.5 GHz Programmable Delay with Fine Tune Control

Summary

The SY100EP196V is a programmable delay line, varying the time a logic signal takes to traverse from IN to Q. This delay can vary from about 2.2ns to about 12.2ns. The input can be PECL, LVPECL, NECL, or LVNECL. The delay varies in discrete steps based on a control word presented to SY100EP196V. The 10-bit width of this latched control register allows for delay increments of approximately 10ps. In addition, delay may be varied continuously in about a 30ps range by setting the voltage at the FTUNE pin. An eleventh control bit allows the cascading of multiple SY100EP196V devices, for a wider delay range available. Each additional SY100EP196V effectively doubles the delay range available. For maximum flexibility, the control register interface accepts CMOS or TTL level signals, as well as the input level at the IN± pins.

Features

- Pin-for-pin, plug-in compatible to the ON Semiconductor MC100EP196
- Maximum frequency >2.5GHz
- Programmable range: 2.2ns to 12.2ns
- 10ps increments
- PECL mode operating range: VCC = 3.0V to 5.5V with VEE = 0V
- NECL mode operating range: VCC = 0V with VEE = -3.0V to -5.5V
- Open input default state
- Safety clamp on inputs
- A logic high on the /EN pin will force Q to logic low
- D[0:10] can accept either ECL, CMOS, or TTL inputs
- VBB output reference voltage
- Available in a 32-pin TQFP package



SY89295U

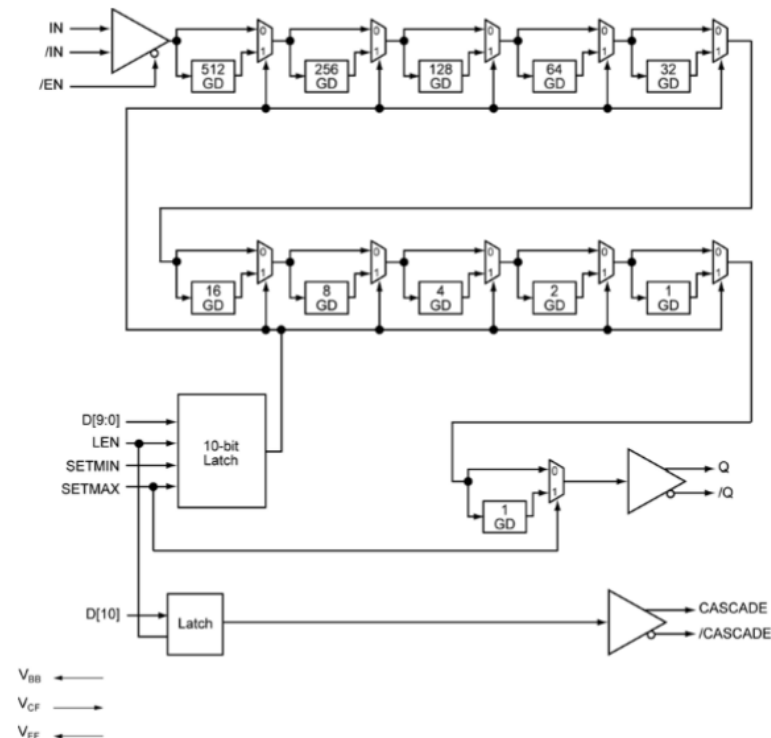
2.5V/3.3V 1.5 GHz LVPECL Programmable Delay

Summary

SY89295U is a programmable delay line that delays the input signal in discrete steps based on a 10-bit control word which controls the delay in 10ps increments. The eleventh bit is D[10] and is used to simultaneously cascade the SY89295U which allows for a larger delay range. In addition, the input pins IN and /IN default to an equivalent low state when left floating. Further, for maximum flexibility, the control register interface accepts CMOS or TTL level signals. For applications that require an analog delay input, see the SY89296L which is a programmable delay chip with fine tune control.

Features

- Precision LVPECL programmable delay line
- Guaranteed AC performance over temperature and voltage:
 - >1.5GHz fMAX
 - <160ps rise/fall times
- Low-jitter design:
 - <10psPP total jitter
 - <2psRMS cycle-to-cycle jitter
 - <1psRMS random jitter
- Programmable delay range: 3.2ns to 14.8ns in 10ps increments
- Increased monotonicity over the MIC100EP195
- ± 10 ps INL
- VBB output reference voltage
- Parallel inputs accepts LVPECL or CMOS/LVTTL
- Low voltage operation: 2.5V $\pm 5\%$ and 3.3V $\pm 10\%$
- Industrial -40°C to +85°C temperature range
- Available in 32-pin (5mm x 5mm) MLF[®] and 32-pin TQFP packages



SY89296

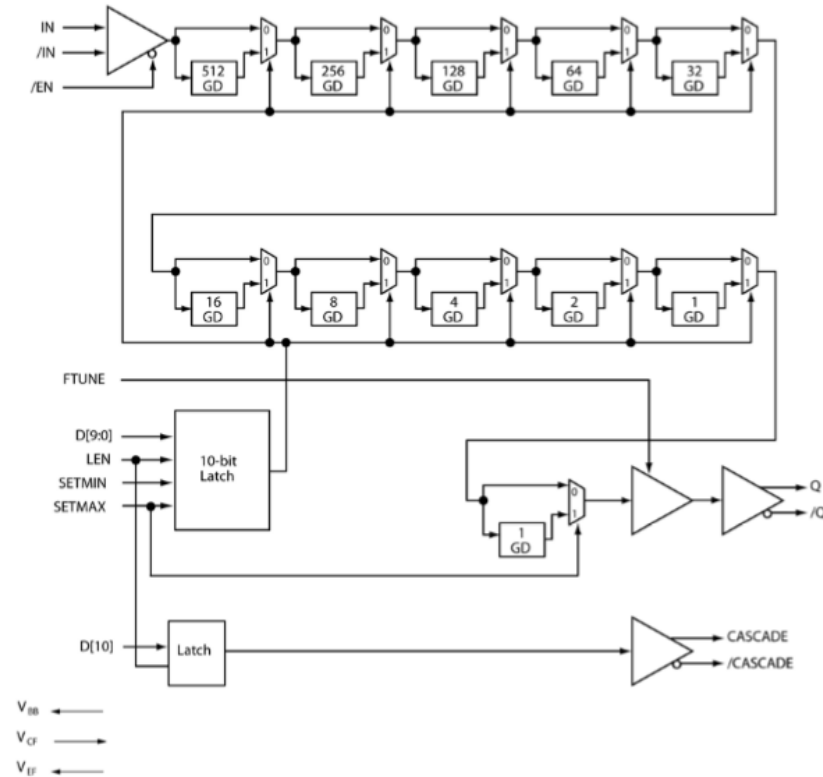
2.5V/3.3V 1.5 GHz LVPECL Programmable Delay with Fine Tune Control

Summary

The SY89296U delay varies in discrete steps based on a control word. The control word is 10-bits long and controls the delay in 10ps increments. The eleventh bit is D[10] and is used to simultaneously cascade the SY89296U for a larger delay range. In addition, the input pins IN and /IN default to an equivalent low state when left floating. Further, for maximum flexibility, the control register interface accepts CMOS or TTL level signals. For applications that do not require an analog delay input, see the SY89295U.

Features

- Precision LVPECL programmable delay time
- Guaranteed AC performance over temperature and voltage:
 - >1.5GHz fMAX
 - <160ps rise/fall times
- Low jitter design:
 - <10psPP total jitter
 - <2psRMS cycle-to-cycle jitter
 - <1psRMS random jitter
- Programmable delay range: 3.2ns to 14.8ns in 10ps increments
- Increased monotonicity over the MIC100EP195
- ± 10 ps INL
- VBB output reference voltage
- Parallel inputs accept LVPECL or CMOS/LVTTL
- 40ps/V fine tune range
- Low voltage operation: 2.5V $\pm 5\%$ and 3.3V $\pm 10\%$
- Industrial -40°C to +85°C temperature range
- Available in 32-pin (5mm x 5mm) MLF® package or 32-pin TQFP package



SY55856U

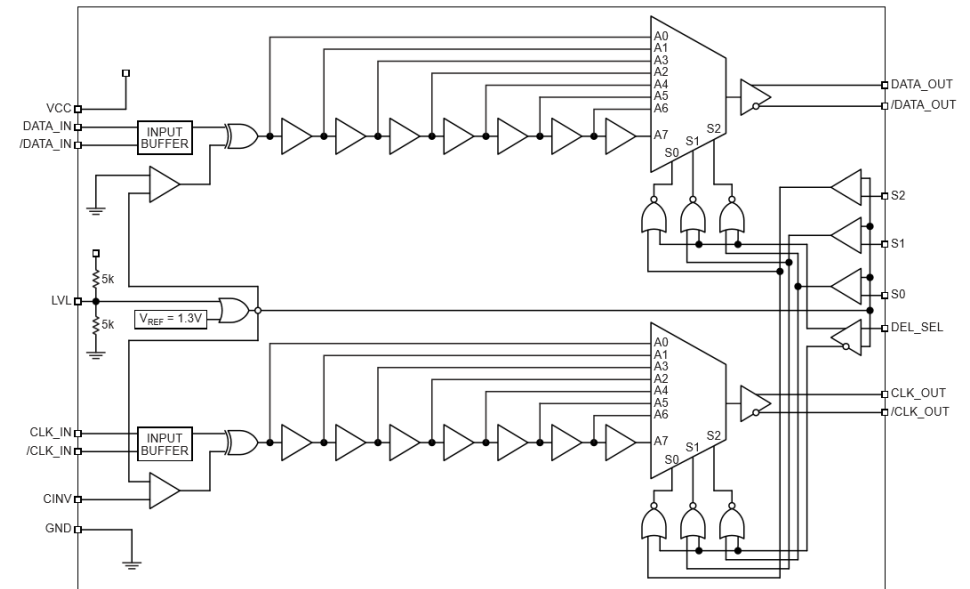
2.5V/3.3V 2.5 GHz CML 2-Channel Programmable Delay

Summary

SY55856U is a 2.5GHz, two-channel, fully differential CML (Current Mode Logic) delay line. The device is optimized to adjust the relative delay between two channels, such as clock and data, in 50ps increments. Both inputs may be adjusted in either direction in 7 increments of 50ps, for a total adjustment range of ± 350 ps. In addition, the clock input may be inverted through the CINV control pin. The SY55856U inputs are designed to accept single ended or differential CML signals. The differential CML outputs are optimized for 50 Ω loads (50 Ω source terminated), thus only requires a single 100 Ω resistor across the output pair. Output rise and fall time is an extremely fast 110ps(max) and the differential swing is 400mV. The maximum throughput of the SY55856U is guaranteed to exceed 2.5GHz (5Gbps).

Features

- Guaranteed AC parameters over temp and voltage
 - >2.5GHz fMAX
 - <384ps prop delay
 - <120ps tr/tf
- Delay either clock or data
- 50ps increments
- ± 350 ps total delay
- Source terminated CML outputs
- Full differential I/O
- Wide supply voltage spectrum: 2.3V to 3.6V
- Available in a tiny 32-pin EPAD-TQFP package



SY89297U

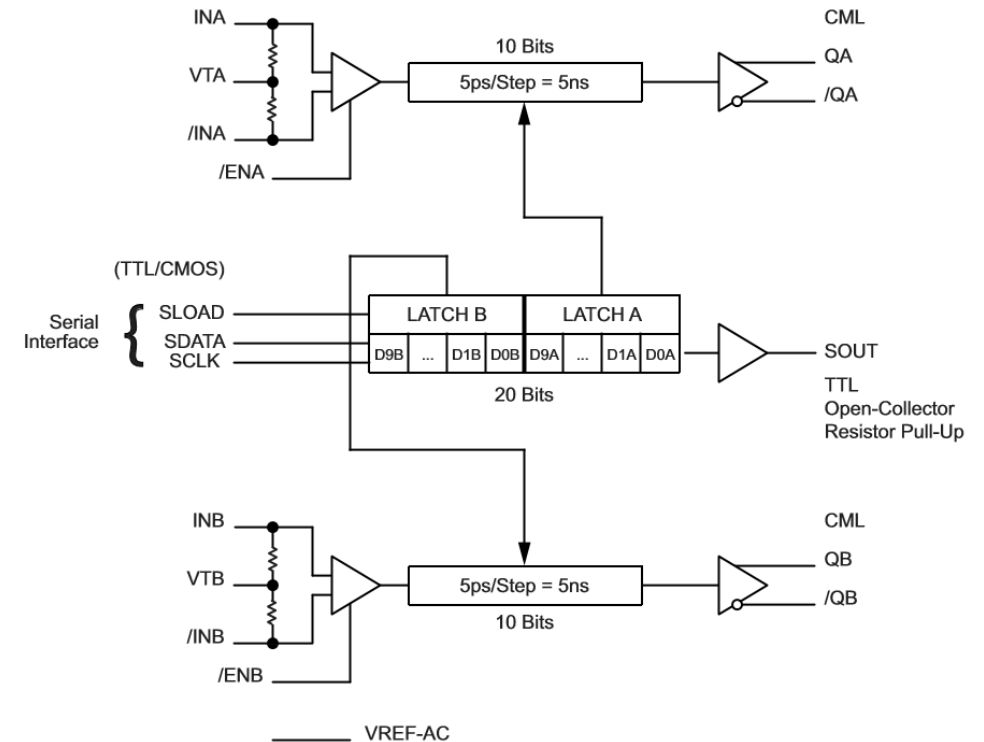
2.5V/3.3V, 3.2 Gbps, CML Dual-Channel Programmable Delay

Summary

The SY89297U is a DC-3.2Gbps programmable, two-channel delay line. Each channel has a delay range from 2ns to 7ns (5ns delta delay) in programmable increments as small as 5ps. The delay step is extremely linear and monotonic over the entire programming range, with 15ps INL over temperature and voltage. The delay varies in discrete steps based on a serial control word provided by the 3-pin serial control (SDATA, SCLK, and SLOAD). The control word for each channel is 10-bits. Both channels are programmed through a common serial interface. For increased delay, multiple SY89297U delay lines can be cascaded together. The SY89297U provides two independent 3.2Gbps delay lines in an ultra-small 4mm x 4mm, 24-pin QFN package. For other delay line solutions, consider the SY89295U and SY89296U single-channel delay lines. Evaluation boards are available for all these parts.

Features

- Dual-channel, programmable delay line
- Serial programming interface (SDATA, SCLK, SLOAD)
- Guaranteed AC performance over temperature and voltage:
 - >3.2Gbps/1.6GHz fMAX
- Programming Accuracy:
 - Linearity: -15ps to +15ps INL
- Monotonic: -5ps to +25ps
- Resolution: 5ps programming increments
- Low-jitter design: 1psRMS typical random jitter
- Programmable delay range: 5ns delay range
- Cascade capability for increased delay
- Low voltage operation: 3.3V ±10%
- Industrial temperature range: -40°C to +85°C
- Available in 24-pin (4mm x 4mm) QFN

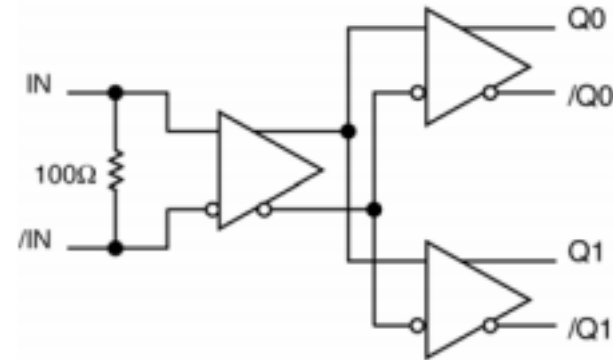


SY89835U

2.5V, 2GHz Ultra-Precision, Differential 1:2 LVDS Fanout Buffer

Features:

- **Guaranteed AC performance over temperature –**
 - **- and voltage:**
- **DC-to >3.2Gbps throughput:**
 - 210ps typical propagation delay (IN-to-Q)
 - <20ps within-device skew
 - <150ps rise/fall times
- **Fail Safe Input**
- **Prevents outputs from oscillating**
- **Ultra-low jitter design:**
 - <1psRMS cycle-to-cycle jitter
 - <10psPP total jitter
 - <1psRMS random jitter
 - <10psPP deterministic jitter
- **High-speed LVDS outputs**
- **2.5V ±5% power supply operation**
- **Industrial temperature range:**
 - -40°C to +85°C
- **Available in 8-pin (2mm x 2mm) MLF® package**

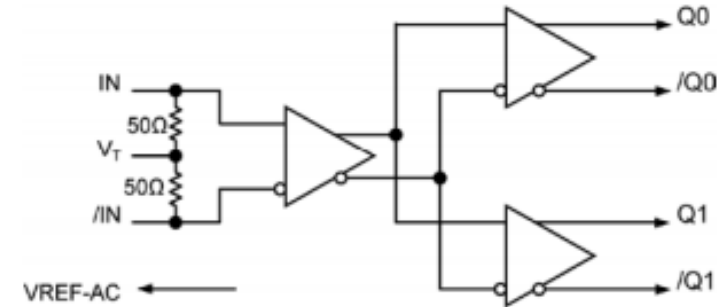


SY89851U

Low Power, 3 GHz, 1:2 LVPECL Fanout Buffer/Translator

Features:

- Precision 1:2, 800mV LVPECL fanout buffer
- Low power consumption: 80mW typ. (2.5V)
- Guaranteed AC performance over temperature –
 - - and voltage:
 - DC to >3GHz clock throughput
 - <340ps propagation delay
 - <180ps rise/fall time
 - <20ps output-to-output skew
- Ultra-low jitter design:
 - <1psRMS random jitter
 - <10psPP deterministic jitter
 - <10ps PP total jitter (clock)
- Unique, patented input termination and VT pin accepts DC -
 - - and AC-coupled inputs (CML, LVPECL, LVDS)
- 100K LVPECL-compatible outputs
- Power supply 2.5V \pm 5% or 3.3V \pm 10%
- Industrial temperature range:
 - -40°C to +85°C
- Available in 16-pin (3mm x 3mm) MLF[®] package



SY100EL29V

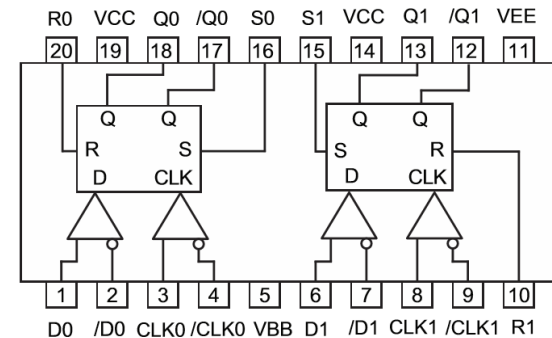
5V/3.3V Dual Differential Data and Clock D Flip-Flop with Set and Reset

Summary

The SY100EL29V registers are triggered by a positive transition of the positive clock (CLK) input. A HIGH on the Reset (Rx) asynchronously resets the appropriate register so that the Q outputs go LOW. A HIGH on the Set (Sx) asynchronously resets the appropriate register so that the Q outputs go HIGH. The Set and Reset inputs cannot both be HIGH simultaneously. The differential input structures are clamped so that the inputs of unused registers can be left open without upsetting the bias network of the devices. The clamping action will assert the /D and the /CLK sides of the inputs. The noninverting input will pull down to VEE and the inverting input will be biased around VCC/2. Because of the edge-triggered flip-flop nature of the devices, simultaneously opening both the clock and data inputs will result in an output which reaches an unidentified but valid state. The fully differential design of the devices makes them ideal for very high frequency applications where a registered data path is necessary.

Features

- 3.3V and 5V power supply option
- Differential D, CLK and Q
- Extended VEE range of -3.0V to -5.5V
- VBB output for single-ended use
- 1100MHz min. toggle frequency
- Asynchronous Reset and Set
- Fully compatible with Motorola MC100LVEL29 and MC100EL29
- Available in 20-pin SOIC package



SY100EL52

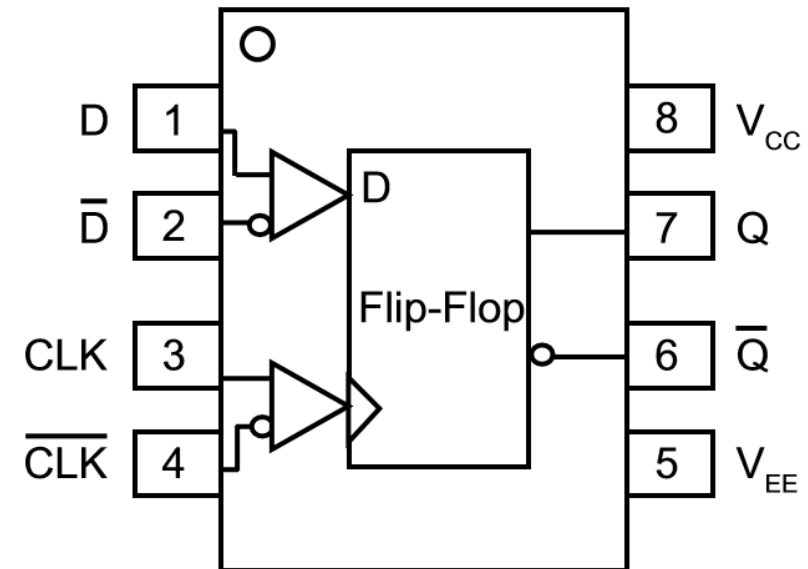
5V ECL Differential Data and Clock D Flip-Flop

Summary

The SY100EL52 are differential data, differential clock D flip-flops. These devices are functionally equivalent to the E452 devices, with higher performance capabilities. With propagation delays and output transition times significantly faster than the E452, the EL52 is ideally suited for those applications which require the ultimate in AC performance. Data enters the master portion of the flip-flop when the clock is LOW and is transferred to the slave, and thus the outputs, upon a positive transition of the clock. The differential clock inputs also allow the EL52 to be used as a negative edge triggered device. The EL52 employs input clamping circuitry so that, under open input conditions (pulled down to VEE), the outputs of the device will remain stable.

Features

- 365ps propagation delay
- 2.0GHz toggle frequency
- Internal 75k Ω input pull-down resistors
- Available in 8-pin SOIC package



SY10EP51V

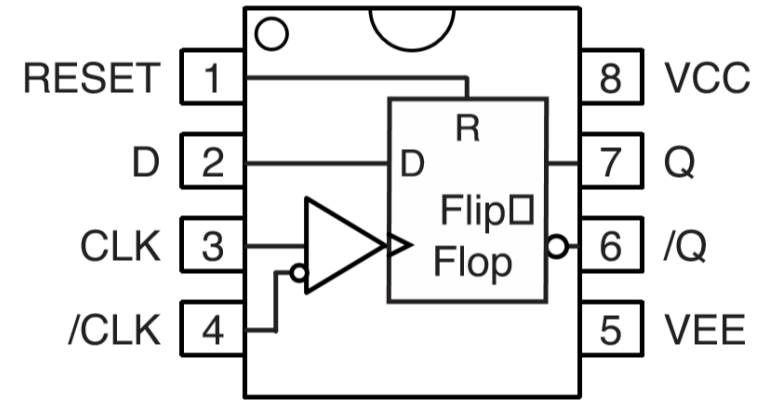
3.3V/5V D Flip-Flop with Reset and Differential Clock

Summary

The SY10EP51V is a D flip-flop with reset and differential clock. The device is pin and functionally equivalent to the EL51 device. The reset input is an asynchronous, level triggered signal. Data enters the master portion of the flip-flop when CLK is LOW and is transferred to the slave, and thus the outputs, upon a positive transition of the CLK. The differential clock inputs of the EP51V allow the device to be used as a negative edge triggered flip-flop. The differential input employs clamp circuitry to maintain stability under open input conditions. When left open, the CLK input will be pulled down to VEE and the /CLK input will be biased a $VCC/2$.

Features

- 3.3V and 5V power supply options
- 320ps typical propagation delay
- Maximum frequency >3GHz typical
- 75Ω internal input pulldown resistors
- Transistor count: 143
- Available in 8-Pin (3mm x 3mm) MSOP, SOIC and MLF®(2mm x 2mm) packages



SY55851A

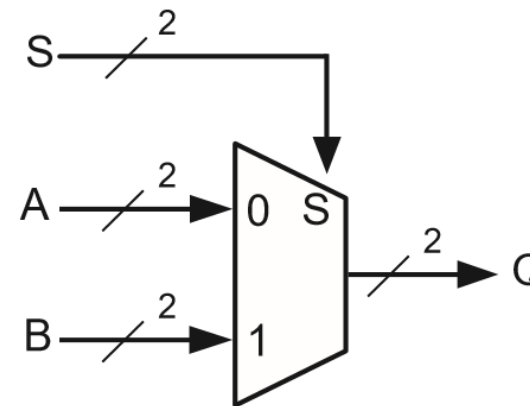
2.5V/3.3V, 3.0GHz CML AnyGate[®] Any Logic with 50Ω Outputs

Features

- Guaranteed AC parameters over temperature:
 - $f_{MAX} > 3.0\text{GHz}$ (SY55851A)
 - $t_r / t_f < 100\text{ps}$
 - Propagation delay $< 280\text{ps}$
- Guaranteed operation over -40°C to $+85^\circ\text{C}$ temperature range
- Wide supply voltage range: 2.3V to 3.6V
- Single IC provides 8 logic functions
- 2:1 MUX capability
- Fully differential I/O
- Source terminated CML 50Ω outputs for fast edge rates:
- Guaranteed matched propagation delays:
- Select (S)-to-out: $< 280\text{ps}$
- Input (A and B)-to-out: $< 280\text{ps}$
- Accepts PECL, LVPECL, CML input signals
- Functions as a PECL/LVPECL-to-CML translator
- Available in a 10-pin (3mm x 3mm) MSOP package

Summary

The SY55851A is a highly flexible, universal logic gate capable of up to 3.0GHz operation. This AnyGate[®] differential logic device will produce all possible logic functions of two Boolean variables. It can be configured as any of the following gates: AND, NAND, OR, NOR, XOR, XNOR, DELAY, NEGATION (NOT). The SY55851A can also function as a 2-input multiplexer. The SY55851A has an output stage optimized for 50Ω loads. The differential inputs are normally terminated with a single resistor (100Ω) between the true and complement



SY55852U

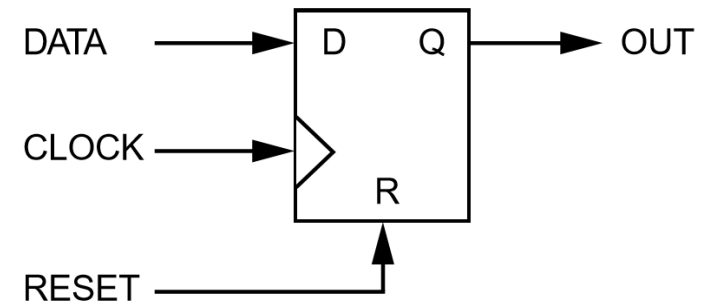
2.5V/3.3V/5V CMOS Output D Flip-Flop

Summary

The SY55852U is a flip-flop used to synchronize data to a clock. Its differential output will reproduce and remember the value on its input at the rising edge of the clock. In addition, an asynchronous, level sensitive reset is provided. For a synchronous reset, the SY55851U AnyGate® can be used. SY55852U inputs can be terminated with a single resistor between the true and complement pins of a given input. The SY55852U is a member of Micrel's SuperLite™ family of high-speed CML logic. This family features very small packaging and 2.3V to 5.7V operation.

Features

- 2.5GHz min. fMAX
- 2.3V to 5.7V power supply
- Single bit register memory
- Synchronizes 1 bit of data to a clock
- Optimized to work with SuperLite™ family
- Fully differential
- Accepts CML, PECL, LVPECL input logic levels
- Source terminated CML outputs for fast edge rates
- Available in a tiny 10-pin MSOP



SY10EP05V

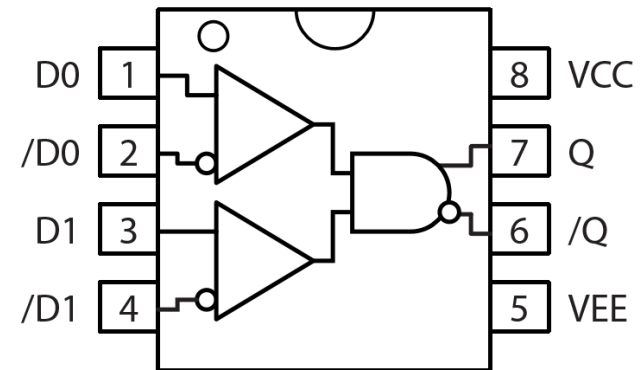
3.3V/5V ECL Differential AND/NAND

Summary

The SY10EP05V is a 2-input differential AND/NAND gate. The device is functionally equivalent to the EL05 device. With AC performance much faster than the EL05 device, the EP05V is ideal for applications requiring the fastest AC performance available.

Features

- 3.3V or 5V power supply options
- 180ps typical propagation delay
- Maximum frequency >3GHz typical
- Internal input resistors: pulldown on D, pulldown and pullup on /D
- Q output will default LOW with inputs open or at VEE
- Transistor count: 126
- Available in 8-pin MSOP and SOIC packages



SY58051AU

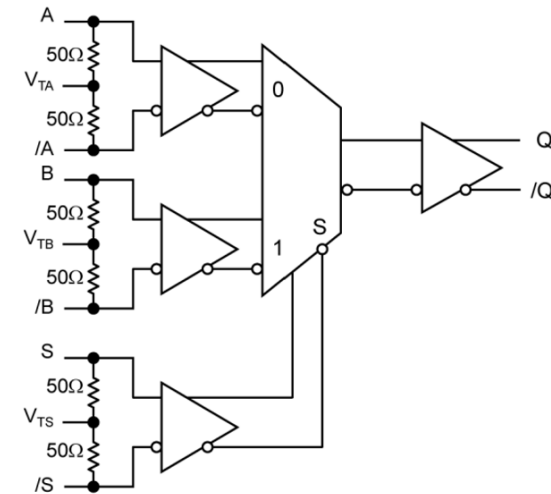
2.5V/3.3V, PECL, 10.7Gbps Universal Gate

Summary

The SY58051AU will produce many logic functions of two Boolean variables, such as AND, NAND, OR, NOR, DELAY, or NEGATION. The differential inputs include a unique internal termination design that allows access to the termination network throughout a VT pin allowing the device to interface to different logic standards without external resistor-bias and termination networks.

Features

- Three matched-delay input pair provide any logic function: AND, NAND, OR, NOR
- Guaranteed AC performance over temperature and voltage:
 - DC to >10.7Gbps data rate throughput
 - DC to >8GHz clock fMAX
 - <160ps Any In-to-Out tpd
 - 20ps typical tr / tf
- Ultra low-jitter design:
 - 0.2psRMS typical random jitter (data)
 - 2psPP typical deterministic jitter (data)
 - 5psPP typical total jitter (clock)
 - 46fsRMS typical additive phase jitter (clock)
- AC-coupled and DC-coupled inputs (CML, PECL)
- Internal 50Ω input and output terminations
- Typical 400mV CML output swing (RL = 50Ω)
- Power supply 2.5V ±5% or 3.3V ±10%
- -40°C to +85°C industrial temperature range
- Available in a 16-pin (3mm x 3mm) QFN package



SY58052AU

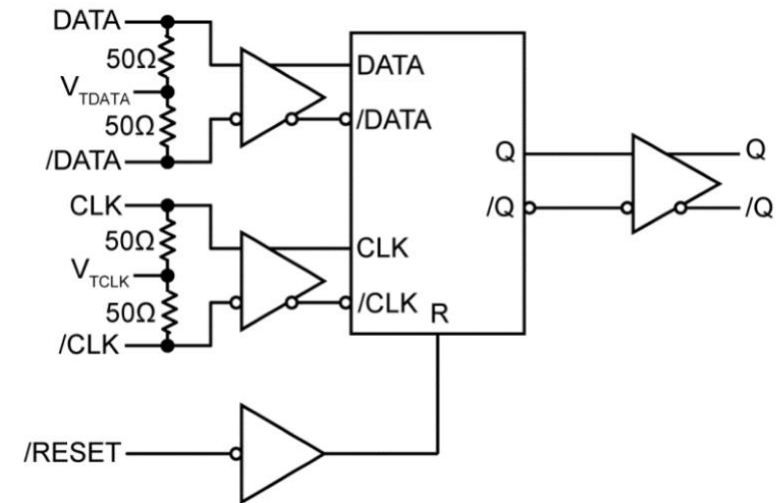
2.5V/3.3V, CML, 10.7GHz, Data & Clock Synchronizer

Summary

SY58052AU is ideal for backplane retiming or retiming after the data passes through long trace lengths. With serial data in the CML output is synchronous to the input reference clock's rising edge. The SY58052AU differential inputs include a unique, internal termination design that allows access to the termination network through a VT pin allowing the device to easily interface to different logic standards (CML, PECL) both AC- and DC-coupled, without external resistor-bias and termination networks. The result is a clean, stub-free, low-jitter interface solution.

Features

- Resynchronizes data to a reference clock
- Guaranteed AC performance over temperature and voltage:
 - DC-to >10.7Gbps data rate throughput
 - DC-to >7GHz clock fMAX
 - <160ps Any In-to-Out tpd
 - 30ps typical rise/fall time
- Ultra low-jitter design:
 - 0.3psRMS typical random jitter
 - 3psPP typical deterministic jitter (data)
 - <10psPP total jitter (clock)
- Internal 50Ω input and output terminations
- 400mV CML output swing
- Power supply 2.5V ±5% or 3.3V ±10%
- -40°C to 85°C temperature range
- Available in a 3mm x 3mm 16-pin QFN package

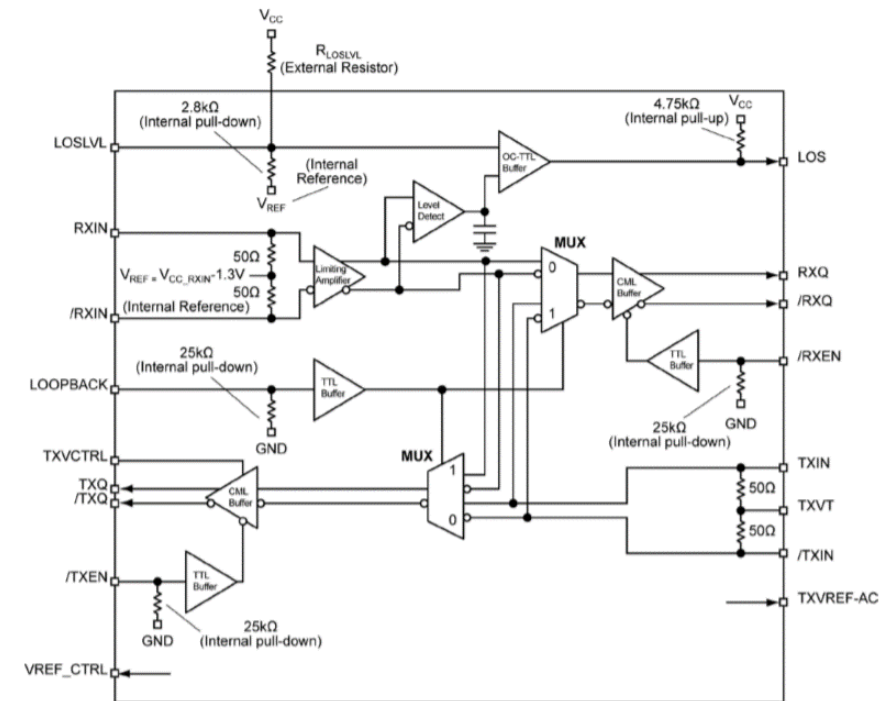


SY58620L

4.25Gbps CML Backplane Transceiver with Integrated Loopback

Features

- Guaranteed 4.25Gbp and <math><120\text{ps}</math> tr/tf time over temperature and voltage:
- Transmitter
 - Patented input termination directly interfaces to AC- or DC-coupled differential inputs
 - Variable swing CML output
- Receiver
 - 32dB high-gain Input
 - Internal 50 Ω input termination
 - Accepts AC-coupled input signals as small as 10mV (20mVPP)
 - 400mV (800mVPP) differential CML output swing
- Loss-of-Signal (LOS)
 - High-gain, TTL-compatible LOS output with internal 4.75k Ω pull-up
 - Programmable LOS level set
- <math><5\text{psRMS}</math> random jitter
- Patent-pending MUX isolates the receiver and the transmitter channels minimizing on crosstalk
- Selectable loopback diagnostic mode
- Output enable
- Power supply +3.3V \pm 10%
- Industrial temperature range -40 $^{\circ}\text{C}$ to +85 $^{\circ}\text{C}$
- Available in 24-pin (4mm x 4mm) QFN

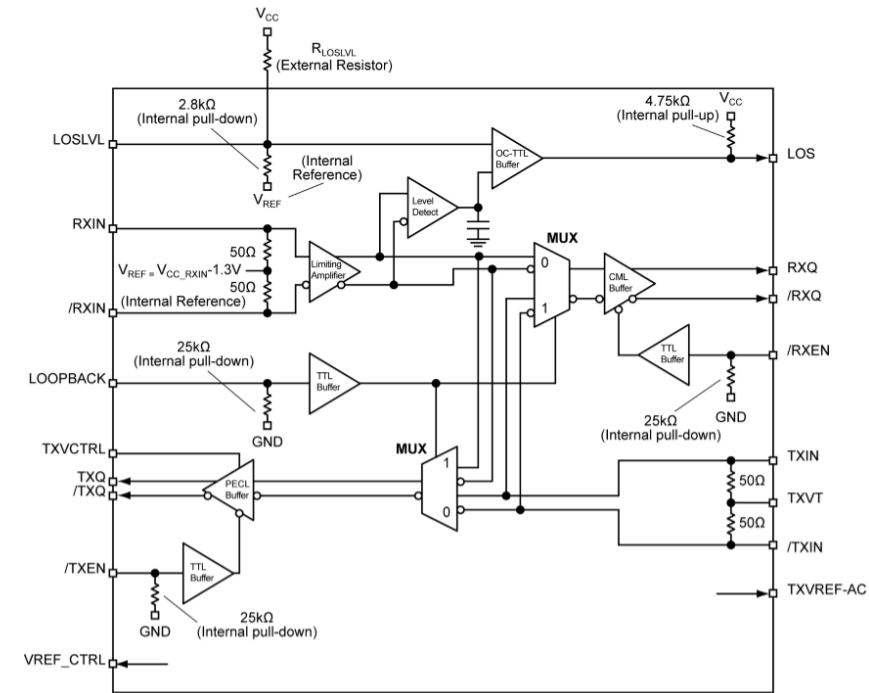


SY58621L

3.2Gbps CML/LVPECL Backplane Transceiver with Integrated Loopback

Features

- Guaranteed 3.2Gbps and <math><160\text{ps}</math> tr/TF time over temperature and voltage:
- Transmitter
 - Patented input termination directly interfaces to AC or DC-coupled differential inputs
 - Variable swing LVPECL output
- Receiver
 - 32dB high-gain Input
 - Internal 50Ω input termination
 - Accepts AC-coupled input signals as small as 10mV (20mVPP)
 - 400mV (800mVPP) differential CML output swing
- Loss-of-Signal (LOS)
 - High-gain, TTL-compatible LOS output with internal 4.75kΩ pull-up
 - Programmable LOS level set
- <math><5\text{psRMS}</math> random jitter
- Patent-pending MUX isolates the receiver and the transmitter channels minimizing on crosstalk
- Selectable loopback diagnostic mode
- Output enables on transmitter and receiver outputs
- Power supply +3.3V ±10%
- Industrial temperature range -40°C to +85°C
- Available in 24-pin (4mm x 4mm) QFN

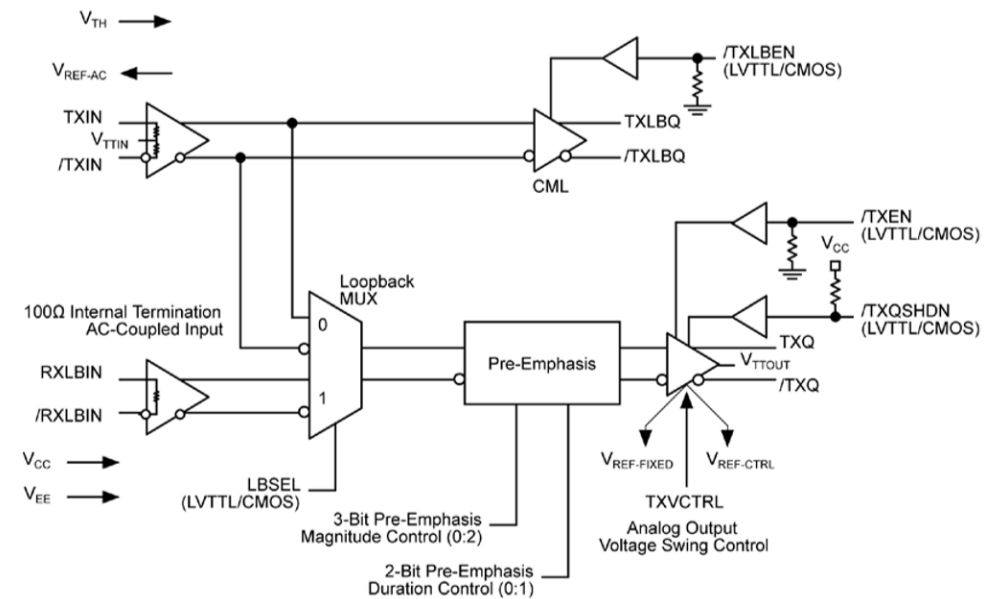


SY58626

6.4Gbps, CML Output, Backplane Transmit Buffer

Features

- Transmit driver provides output pre-emphasis with 4 selectable pre-emphasis levels to extend transmission range
- Drives DC to 6.4Gbps up to 12" FR4 PCB trace, or longer combinations of FR4+cable+interconnect
- Integrated loopback capability
- Programmable pre-emphasis magnitude and duration
- Unique, flexible I/O:
 - Internal termination to VTTIN pin interfaces to any differential AC- or DC-coupled signals
 - 50Ω source terminated CML outputs minimize round-trip reflections
 - Programmable output swing control: 200mV-3.0VPP
 - Output Disable and output shutdown
 - DC-offset control with VTTI/O
- 3.3V ±10% supply voltage
- 0°C to +70°C temperature range
- Available in 32-pin (5mm x 5mm) QFN package

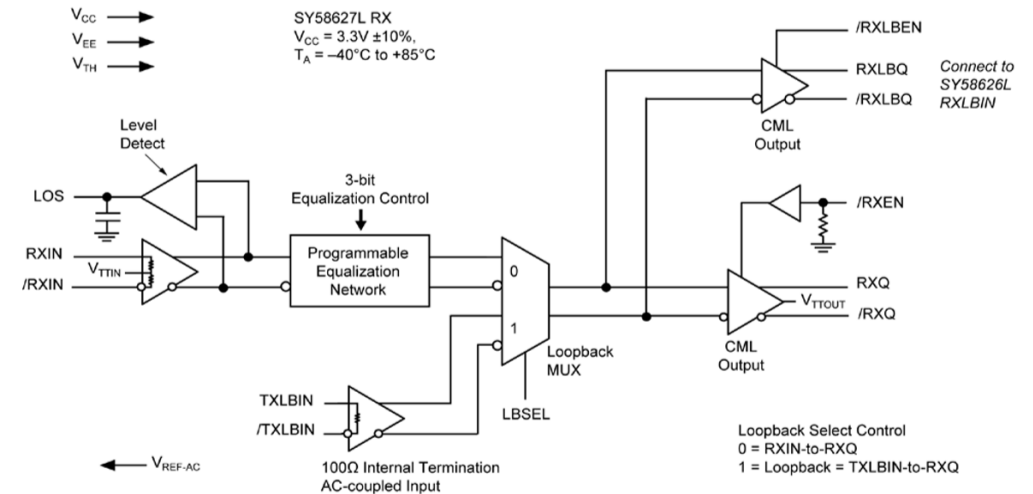


SY58627L

6.4Gbps, CML Output, Backplane Receive Buffer

Features

- Selectable equalizing network to optimize incoming data eye pattern
- Four selectable equalization levels
- Receives up to 36" FR4 PCB trace, or longer combinations of FR4+cable+interconnect
- DC through 6.4Gbps data rate throughput
- Integrated loopback capability
- Unique, flexible I/O:
 - Patented, Internal termination to VTTIN pin interfaces to any differential AC- or DC-coupled signals
 - 50Ω source terminated CML outputs minimize round-trip reflections
- Wide input voltage range: 100mV to 1.3V_{PK}
- Output disable
- DC-offset control with VTT I/O
- Input loss-of-signal with hysteresis included
- 3.3V ±10% supply voltage
- -40°C to +85°C temperature range
- Available in 32-pin (5mm x 5mm) QFN package



PL133-37

Low-Power, 1.62V to 3.63V, 1MHz to 150MHz, 1:3 Fanout Buffer IC

Features:

- 3 LVCMOS Outputs
- 12mA Output Drive Strength
- Input/Output Frequency: Reference Clock: -
 - - 1MHz to 150MHz
- Supports LVCMOS or Sine Wave Input -
 - - Clock
- Very Low Jitter and Phase Noise
- Low Current Consumption
- Single 1.8V, 2.5V or 3.3V $\pm 10\%$ operation
- Operating Temperature Range:
 - Commercial: 0°C to 70°C
 - Industrial: -40°C to 85°C
- Available in SOT23-6L packages

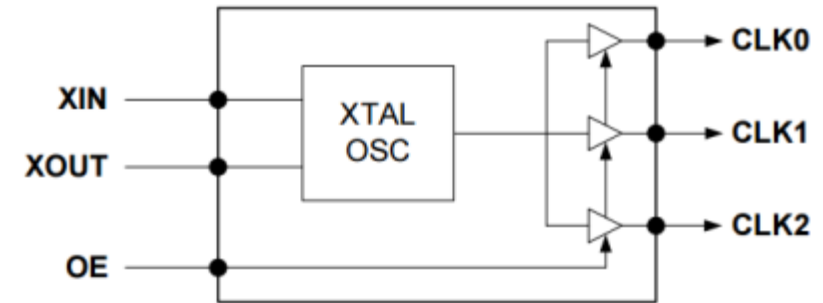


PL135-37

Low Power 10MHz to 40MHz 1:3 Oscillator Fanout Buffer

Features:

- Advanced Oscillator Design for Wide –
 - - Frequency Coverage
- 3 LVCMOS Outputs
- 12mA Output Drive Strength
- Input/Output Frequency:
 - Fundamental Crystal: 10MHz to 40MHz
- Very Low Jitter and Phase Noise
- Low Current Consumption
- Single 1.62V to 3.63V Power Supply
- Available in SOP-8L package

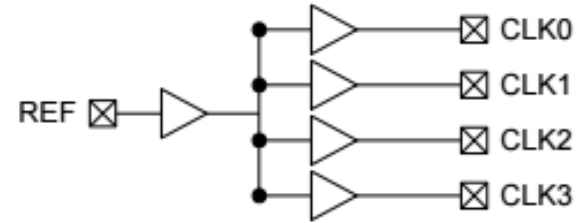


PL133-47

Low-Power 2.25V to 3.63V DC to 150MHz 1:4 Fanout Buffer IC

Features:

- 1:4 LVCMOS output fanout buffer for DC to 150MHz
- Low Additive Phase Jitter of 60fs RMS
- 8mA Output Drive Strength
- Low power consumption for portable applications
- Low input-output delay
- Output-Output skew less than 250ps
- 2.5V to 3.3V $\pm 10\%$ operation
- Industrial temperature range:
 - -40°C to 85°C
- Available in 8-Pin SOP package

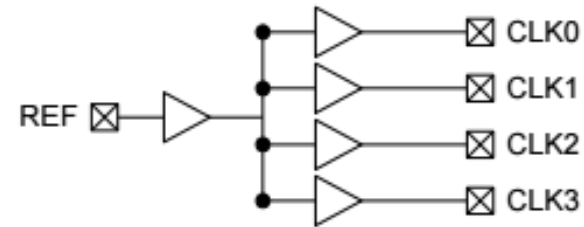


PL138-48

2.5V to 3.3V, Low-Skew, 1:4 Differential PECL Fanout Buffer

Features:

- Four differential 2.5V/3.3V LVPECL output -
 - - pairs
- Output Frequency: $\leq 1\text{GHz}$
- Two selectable differential input pairs
- Translates any standard single-ended or –
 - - differential input format to LVPECL output
- Accepts standard input formats and more:
 - LVPECL, LVCMOS, LVDS, HCSL, SSTL, LVHSTL, CML
- Output Skew: 25ps (typ.)
- Part-to-part skew: 140ps (typ.)
- Propagation delay: 1.5ns (typ.)
- Additive Jitter: <100fs (typ.)
- Operating Supply Voltage: 2.375V ~ 3.63V
- Industrial temperature range:
 - -40°C to 85°C
- Package: 20-pin TSSOP

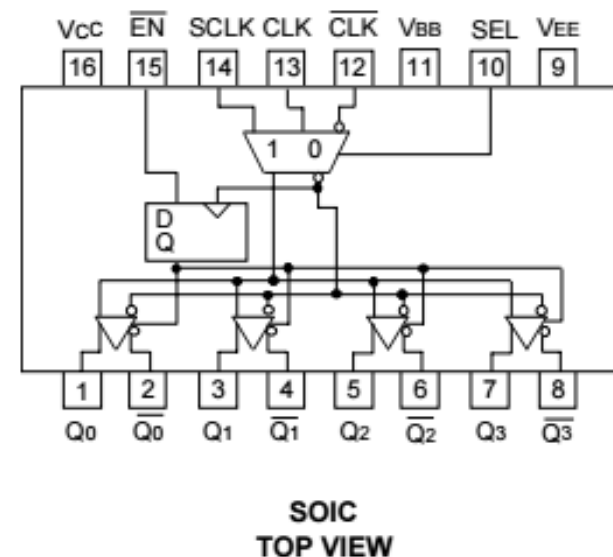


SY100EL15L

3.3V 1:4 Clock Distribution

Features:

- 3.3V power supply
- 50ps output-to-output skew
- Low power
- Synchronous enable/disable
- Multiplexed clock input
- 75K Ω internal input pull-down resistors
- Available in 16-pin SOIC package

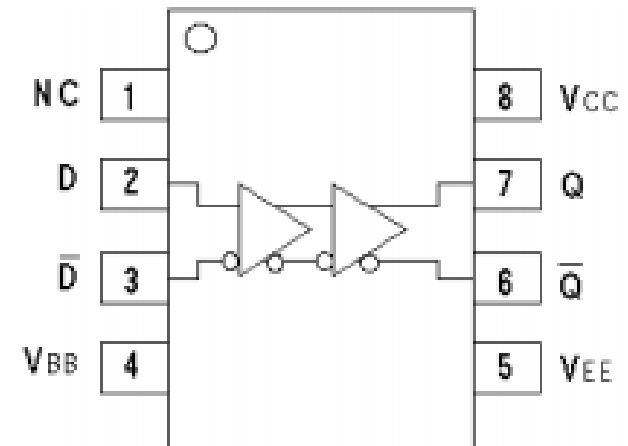


SY100EL16V

5V/3.3V Differential Receiver

- **Features:**

- 3.3V and 5V power supply options
- 250ps propagation delay
- High bandwidth output transitions
- Internal 75K Ω input pull-down resistors
- Replaces SY10/100EL16
- Improved output waveform characteristics
- Available in 8-pin MSOP and SOIC package



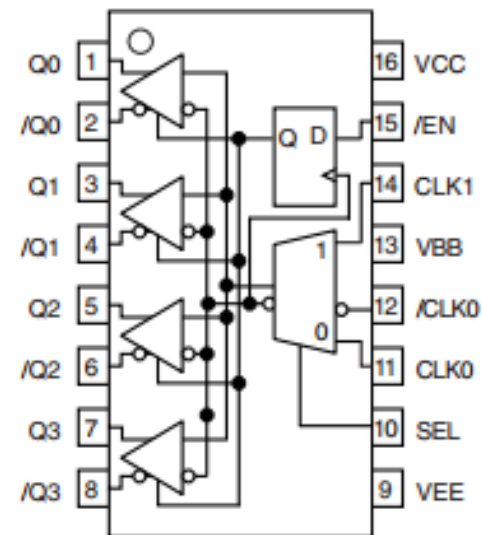
8-Pin MSOP (K8-1)
8-Pin SOIC (Z8-1)

SY100EP15V

3.3V/5V 2.5 GHz PECL/ECL 1:4 Fanout Buffer with 2:1 Input Mux

Features:

- High-speed 1:4 PECL/ECL fanout buffer
- 2:1 multiplexer input
- Guaranteed AC parameters over temp/voltage:
 - >2.5GHz fMAX (toggle)
 - <225ps rise/fall times
 - <25ps within device skew
 - <425ps propagation delay (CLK-to-Q)
- Low jitter design:
 - <1psRMS cycle-to-cycle jitter
 - <20psPP total jitter
- Flexible power supply: 3.3V/5V
- Industrial temperature range:
 - -40°C to +85°C
- VBB reference for AC-coupled or single-ended applications
- Output enable/disable function
- 100K PECL/ECL compatible logic
- Input accepts PECL/LVPECL/ECL/HSTL logic levels
- Available in a 16-pin TSSOP package



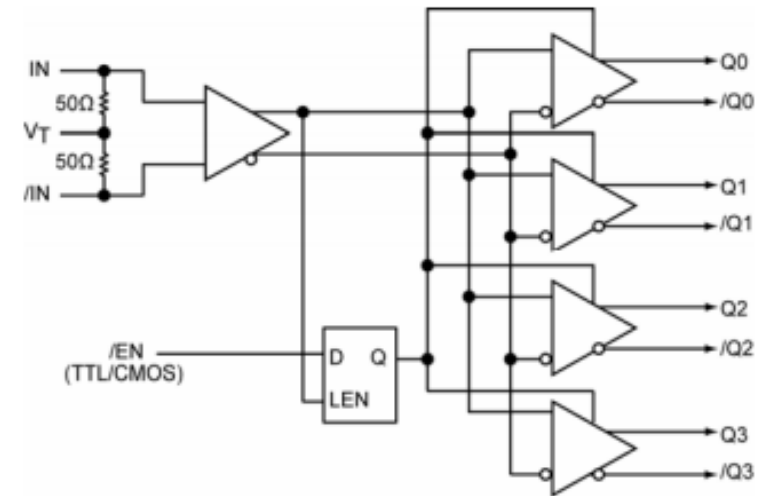
Available in 16-Pin TSSOP
(K4-16-1)

SY54020A

3.2GHz Low Voltage 1:4 Fanout Buffer with /EN 3.2Gbps

Features:

- 1.2V/1.8V/2.5V CML 1:4 Fanout Buffer
- Active-low Enable (/EN) input to disable the –
 - - outputs
- Guaranteed AC performance over temperature -
 - – and voltage:
 - DC-to- >3.2Gbps throughput
 - DC-to >3.2GHz Clock throughput
 - <320ps propagation delay (IN-to-Q)
 - <20ps within-device skew
 - <100ps rise/fall times
- Ultra-low jitter design:
 - <1psRMS cycle-to-cycle jitter
- High-speed CML outputs
- 2.5V $\pm 5\%$ V_{CC} , 1.2V/1.8V/2.5V $\pm 5\%$ V_{CC0} –
 - - power supply operation
- Industrial temperature range:
 - -40°C to +85°C
- Available in 16-pin (3mm x 3mm) MLF® package

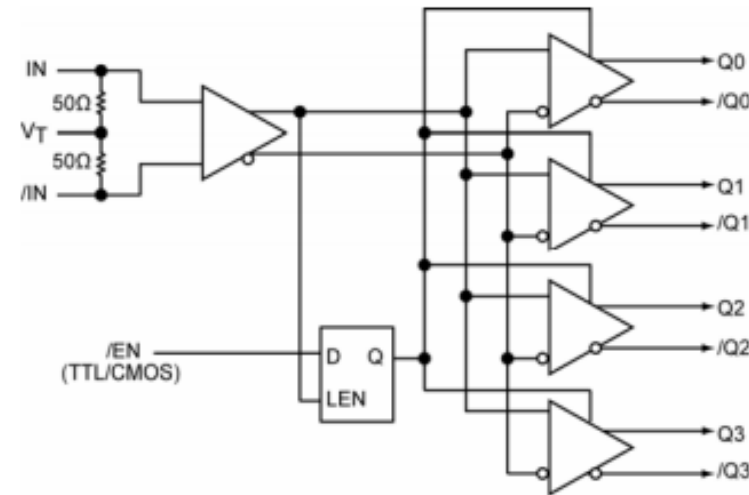


SY54020R

2.5GHz Low Voltage 1:4 Fanout Buffer with /EN and Fail-Safe Input

Features:

- 1.2V/1.8V/2.5V CML 1:4 Fanout Buffer w/ FSI
- Active-low Enable (/EN) input to disable the –
 - - outputs
- Guaranteed AC performance over temperature –
 - - and voltage:
 - DC-to- >3.2Gbps throughput
 - DC-to >2.5GHz Clock throughput
 - <400ps propagation delay (IN-to-Q)
 - <20ps within-device skew
 - <100ps rise/fall times
- Ultra-low jitter design:
 - <1psRMS cycle-to-cycle jitter
- High-speed CML outputs
- 2.5V $\pm 5\%$ VCC, 1.2V/1.8V/2.5V $\pm 5\%$ VCCO –
 - - power supply operation
- Industrial temperature range:
 - -40°C to +85°C
- Available in 16-pin (3mm x 3mm) QFN package

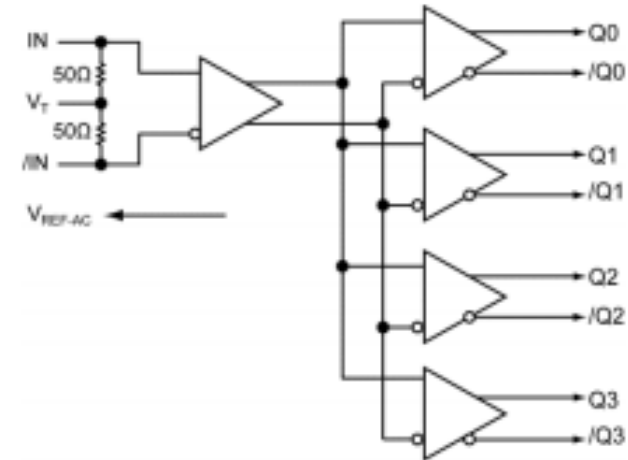


SY6020R

Low Voltage 1:4 Fanout Buffer 6.4Gbps with Equalization

Features:

- 1.2V/1.8V/2.5V CML 1:4 Fanout Buffer
- Equalizes 9, 18, 27 inches of FR4
- Guaranteed AC performance over temperature –
 - - and voltage:
 - DC-to >6.4Gbps Data throughput
 - DC-to >4.5GHz Clock throughput
 - <280 ps propagation delay (IN-to-Q)
 - <15ps within-device skew
 - <90ps rise/fall times
- Ultra-low jitter design:
 - <1psRMS random jitter
- High-speed CML outputs
- 2.5V $\pm 5\%$ V_{CC} , 1.2/1.8V/2.5V $\pm 5\%$ V_{CC0} -
 - - power supply operation
- Industrial temperature range:
 - -40°C to +85°C
- Available in 16-pin (3mm x 3mm) QFN package

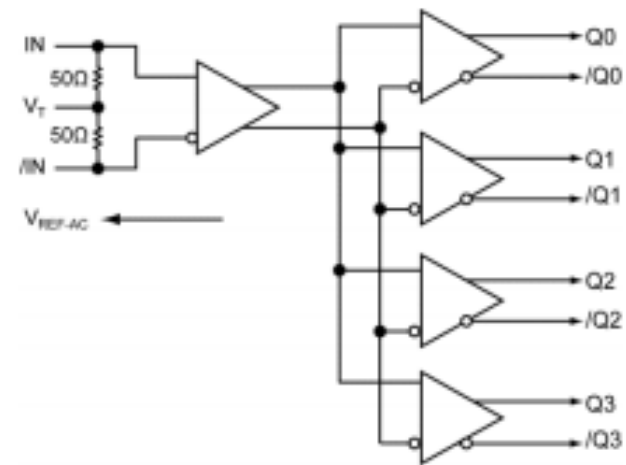


SY58020U

6GHz, 1:4 CML Fanout Buffer/Translator with Internal I/O Termination

Features:

- Precision 1:4, 400mV CML fanout buffer
- Guaranteed AC performance over –
 - - temperature/voltage:
 - >6GHz fMAX clock
 - <60ps tr/tf times
 - <250ps tpd
 - <15ps max. skew
- Low jitter performance:
 - <10pspp total jitter (clock)
 - <1psrms random jitter (data)
 - <10pspp deterministic jitter (data)
- Accepts an input signal as low as 100mV
- Unique input termination and VTpin accepts DC coupled and AC-
 - - coupled differential inputs: LVPECL, LVDS, and CML
- 50Ω source terminated CML outputs
- Power supply 2.5V ±5% and 3.3V ±10%
- Industrial temperature range:
 - -40°C to +85°C
- Available in 16-pin (3mm x 3mm) MLF® package

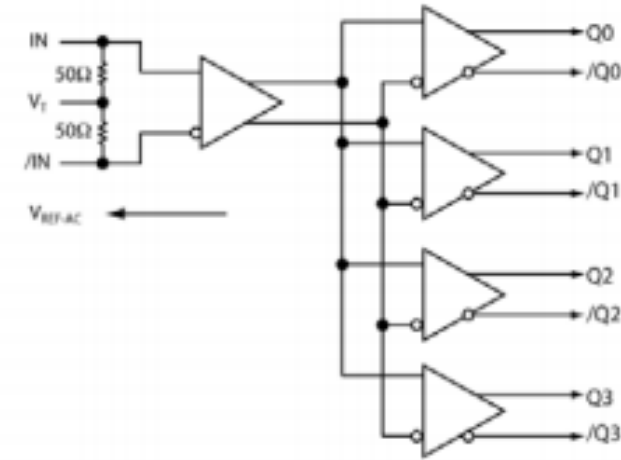


SY58021U

4GHz, 1:4 LVPECL Fanout Buffer/Translator with Internal Termination

Features:

- Precision 1:4 LVPECL fanout buffer
- Low jitter performance:
 - 70fsRMS phase jitter (typical)
- Accepts an input signal as low as 100mV
- Unique input termination and VT pin accepts -
 - - DC-coupled and AC-coupled differential –
 - - inputs:
 - LVPECL, LVDS, and CML
- 100k LVPECL-compatible 800mV swing output
- Power supply 2.5V \pm 5% and 3.3V \pm 10%
- Industrial temperature range:
 - -40°C to +85°C range
- Available in 16-pin (3mm x 3mm) QFN package

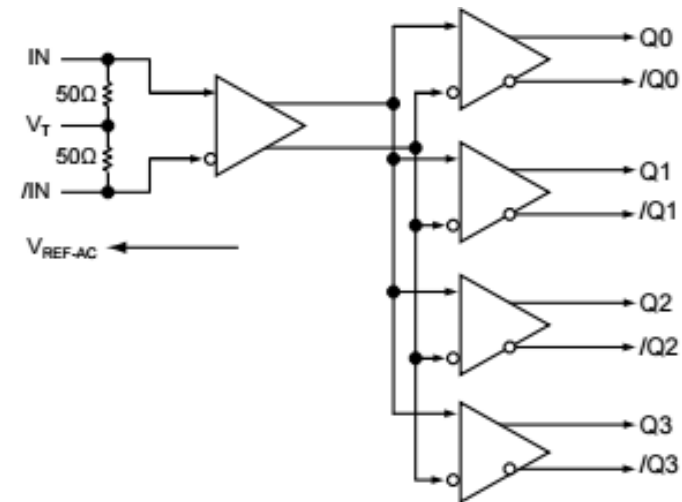


SY58022U

5.5GHz 1:4 Fanout Buffer/ Translator w/400mV LVPECL Outputs

Features:

- Precision 1:4, 400mV LVPECL fanout buffer
- Guaranteed AC performance over temperature –
 - and voltage:
 - > 5.5GHz fMAX clock
 - <80ps tr/TF times
 - <250ps ($V_{IN} \geq 300\text{mV}$) tpd
 - <15ps max. skew
- Low jitter performance:
 - 60fs RMS phase jitter
- Accepts an input signal as low as 100mV
- Unique input termination and VT pin accepts DC and -
 - AC-coupled differential inputs: LVPECL, LVDS and CML
- 400mV LVPECL compatible outputs
- Power supply 2.5V $\pm 5\%$ and 3.3V $\pm 10\%$
- Industrial temperature range:
 - -40°C to +85°C
- Available in 16-pin (3mm x 3mm) QFN package

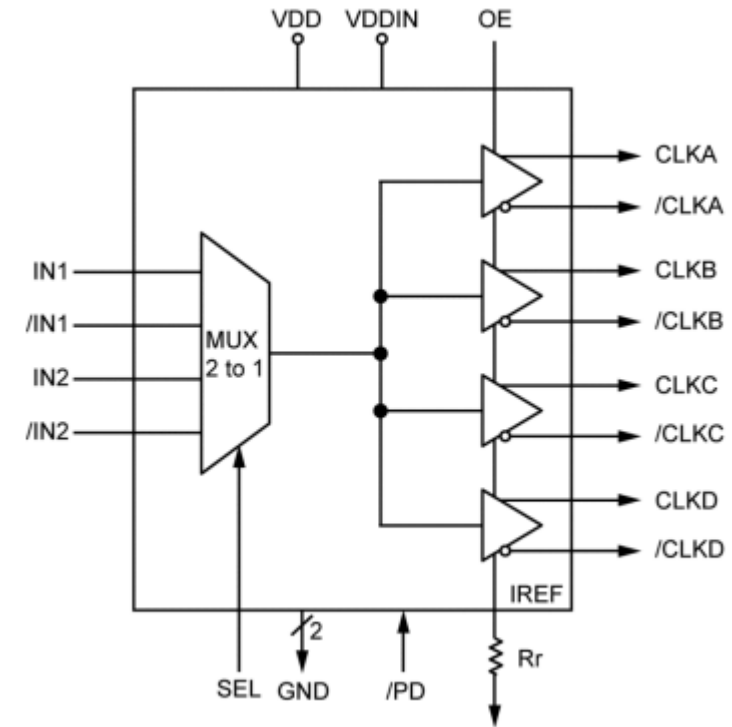


SY75576L

267MHz 1:4 3.3V HCSL/LVDS Fanout Buffer Precision Edge™

Features:

- Four differential pairs of LVDS or HCSL outputs
- Two pairs of differential inputs accept LVDS or –
 - - HCSL logic levels
- 267MHz max HCSL frequency
- 100MHz max LVDS frequency
- Ultra low phase jitter:
 - 137fsrms, 200MHz (12kHz–20MHz)
 - 153fsrms, 156.25MHz (12kHz–20MHz)
 - 212fsrms, 100MHz (12kHz–20MHz)
- <2ps Total_Jitterpk-pk, 200MHz (BER = 10^{-12})
- 50ps output-to-output skew
- 3.3V \pm 5% power supply operation
- Industrial temperature range:
 - -40°C to +85°C
- Available in 20-pin TSSOP package

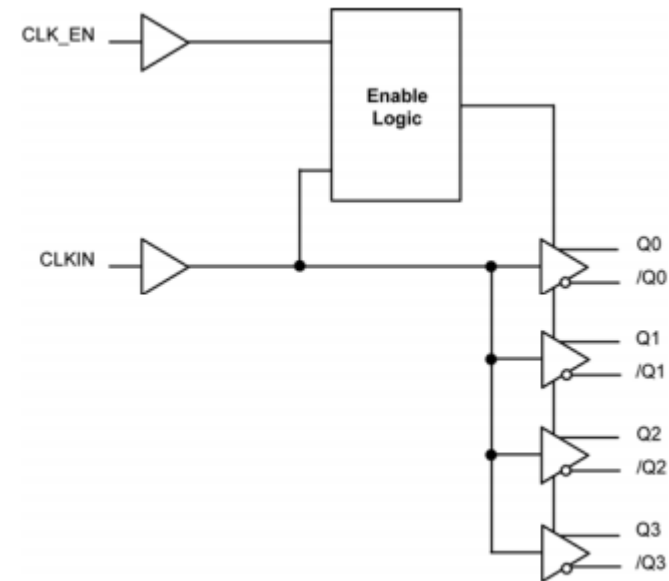


SY89645L

Precision Low Skew, 1-to-4 LVCMOS/LVTTL-to-LVDS Fanout Buffer

Features:

- Four identical LVDS outputs
- CLKIN accepts LVCMOS or LVTTL input levels
- Maximum output frequency: 650MHz
- Translates LVCMOS/LVTTL input signals to –
 - - LVDS levels
- <40ps output-to-output skew
- <3ns propagation delay
- <400ps rise/fall times
- 3.3V ±5% operating supply
- Industrial temperature range:
 - -40°C to +85°C
- Available in 20-pin TSSOP

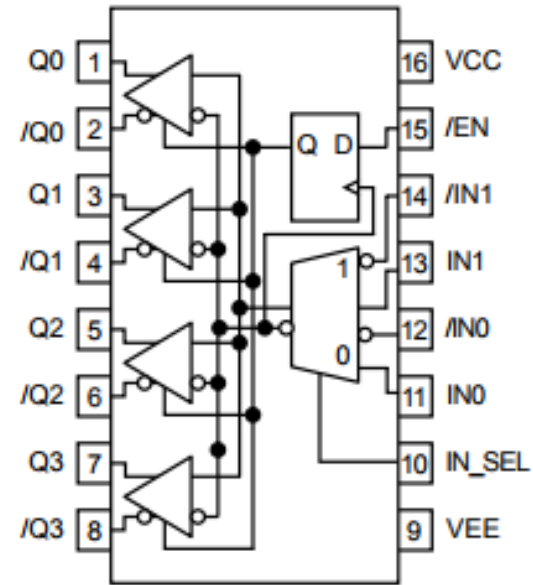


SY89830U

2.5GHz 1:4 PECL/ECL Clock Driver with 2:1 MUX

Features:

- **Guaranteed AC parameters over temp/voltage:**
 - >2.5GHz fMAX
 - <25ps within-device skew
 - <225ps tr/tf time
 - <450ps prop delay
- **Low jitter design:**
 - <1psRMS cycle-to-cycle jitter
 - <15psPP total jitter
- **2:1 Differential MUX input**
- **Flexible supply voltage: 2.5V/3.3V/5V**
- **Wide operating temperature range:**
 - -40°C to +85°C
- **100K ECL compatible outputs**
- **Inputs accept PECL/LVPECL/ECL/HSTL logic levels**
- **Available in a 16-pin TSSOP package**



16-Pin TSSOP (T32-1)

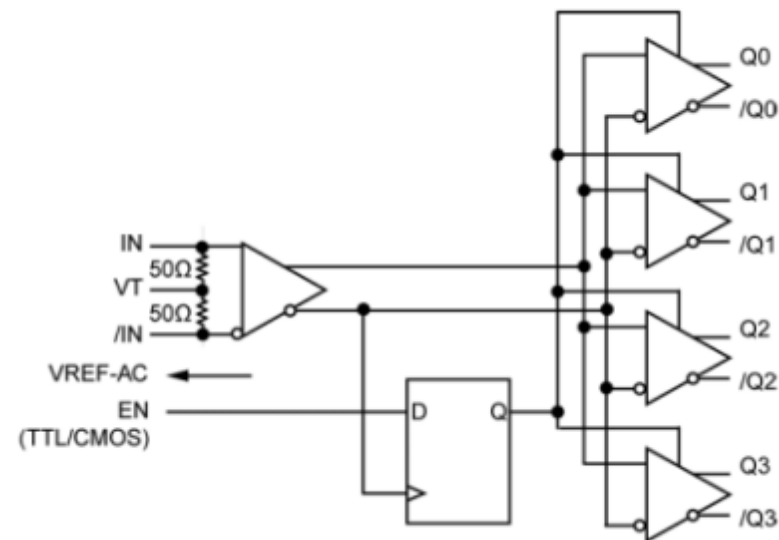


SY89831U

Ultra-Precision 1:4 LVPECL Fanout Buffer/Translator

Features:

- **Guaranteed AC performance over temperature –**
 - and voltage:
 - DC-to-2.5GHz throughput (typical)
 - 350ps propagation delay (IN-to-Q) (typical)
 - 5ps within-device skew (typical)
 - 150ps rise/fall time (typical)
- **Ultra-low jitter design:**
 - 62fsRMS phase jitter (typical)
- **Unique patent-pending input termination and –**
 - VT pin accepts DC- and AC-coupled –
 - differential inputs
- **800mV, 100K LVPECL typical output swing**
- **Power supply 2.5V ±5% or 3.3V ±10%**
- **Industrial temperature range:**
 - -40°C to +85°C
- **Available in 16-pin (3mm x 3mm) MLF® package**

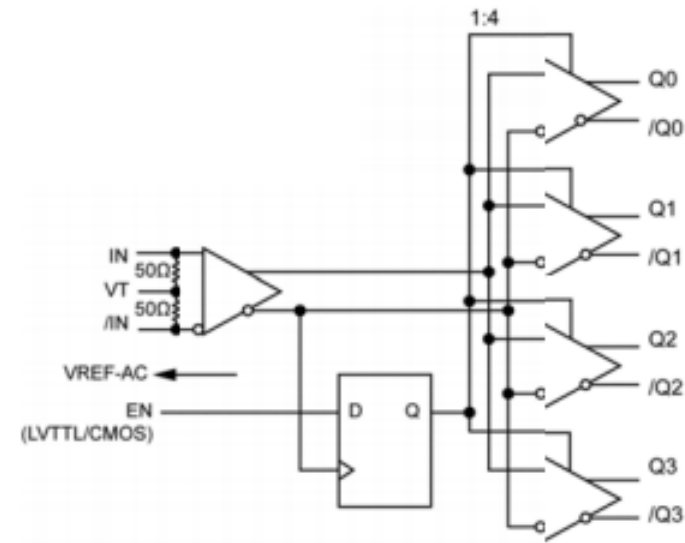


SY89832U

2.5V Ultra-Precision 1:4 LVDS Fanout Buffer/Translator

Features:

- **Guaranteed AC performance over temperature –**
 - **- and voltage:**
 - DC-to >2.0GHz throughput
 - <570ps propagation delay (IN-to-Q)
 - <20ps within-device skew
 - <200ps rise/fall time
- **Ultra-low jitter design:**
 - 81fsRMS phase jitter
- **Unique, patent-pending input termination and –**
 - **- VT pin accepts DC- and AC-coupled inputs**
- **High-speed LVDS outputs**
- **2.5V voltage supply operation**
- **Industrial temperature range:**
 - -40°C to +85°C
- **Available in 16-pin (3mm x 3mm) QFN package**

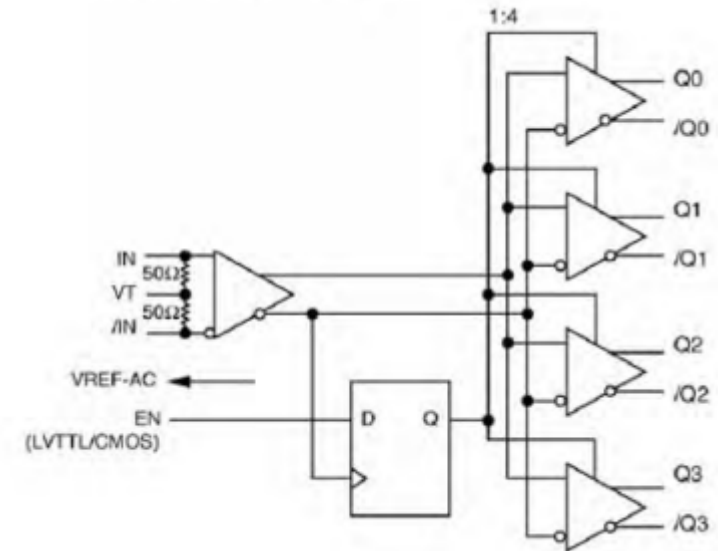


SY89833AL

3.3V Low Noise Ultra-Precision 1:4 LVDS Fanout Buffer/Translator

Features:

- **Guaranteed AC performance over temperature -**
 - and voltage:
 - DC-to >2.0GHz throughput
 - <470ps propagation delay (IN-to-Q)
 - <20ps within-device skew
 - <190ps rise/fall time
- **Improved ultra-low jitter design:**
 - 195fsRMS phase jitter (typ.)
- **Unique input termination and VT pin accepts –**
 - DC- and AC-coupled inputs
- **High-speed LVDS outputs**
- **3.3V power supply operation**
- **Industrial temperature range:**
 - -40°C to +85°C
- **Available in 16-pin (3mm x 3mm) QFN package**

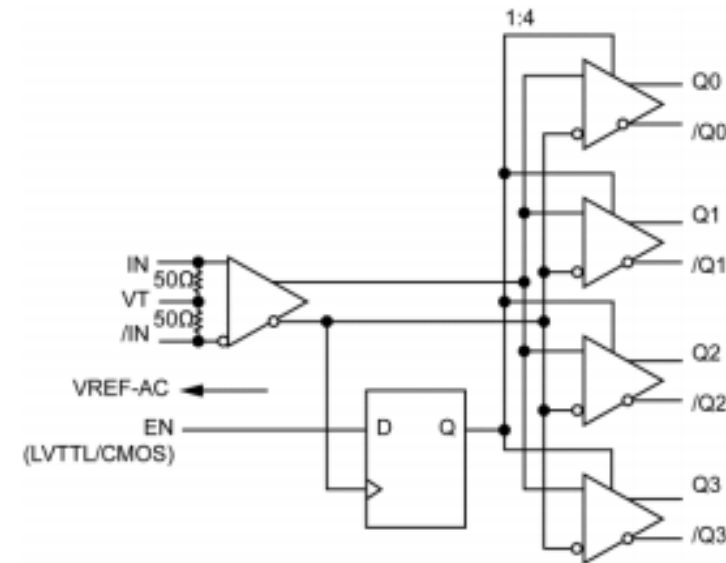


SY89833L

3.3V Ultra-Precision 1:4 LVDS Fanout Buffer/Translator

Features:

- **Guaranteed AC performance over temperature**
 - – and voltage:
- **DC-to >2GHz throughput:**
 - <600ps propagation delay (IN-to-Q)
 - <20ps within-device skew
 - <190ps rise/fall times
- **Ultra-low jitter design:**
- 98fsRMS phase jitter
- **Unique input termination and VTpin accepts -**
 - - DC and AC-coupled inputs
- **High-speed LVDS outputs**
- **3.3V power supply operation**
- **Industrial temperature range:**
 - -40°C to +85°C
- **Available in 16-pin (3mm x 3mm) QFN package**

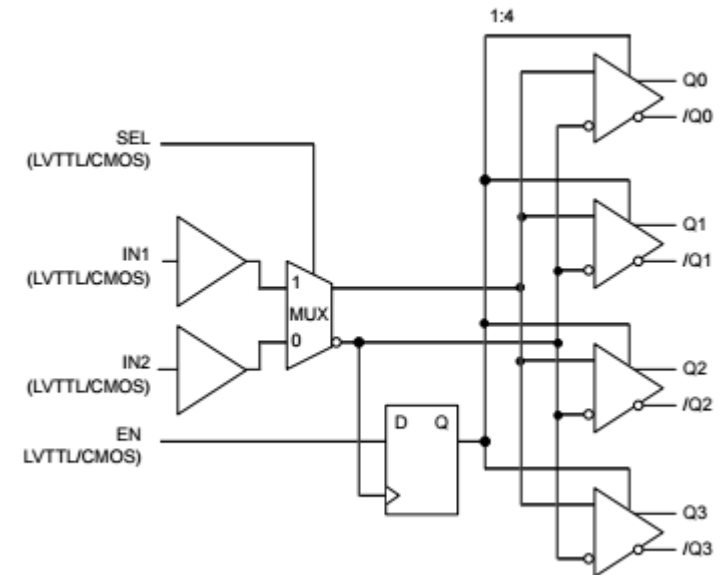


SY89834U

Two Input, 1GHz LVTTTL/CMOS-TO-LVPECL 1:4 Fanout Buffer/Translator

Features:

- Selects between two LVTTTL/CMOS inputs and –
 - - provides
- 4 LVPECL output copies
- Guaranteed AC performance over temperature –
 - - and voltage:
 - DC-to >1.0GHz throughput
 - <500ps propagation delay (IN-to-Q)
 - <20ps within-device skew
 - <225ps rise/fall time
- Ultra-low jitter design:
 - <1psRMS cycle-to-cycle jitter
 - <1psRMS random jitter
 - <10psPP deterministic jitter
 - <10psPP total jitter (clock)
- Low voltage 2.5V and 3.3V supply operation
- 100K LVPECL outputs
- Industrial temperature range:
 - -40°C to +85°C
- Includes a 2:1 MUX select input
- Available in 16-pin (3mm x 3mm) MLF® package

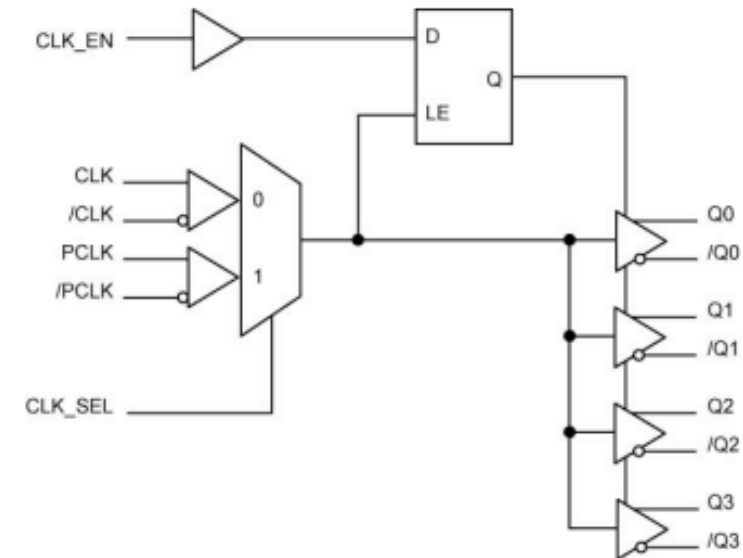


SY898533L

Precision Differential 3.3V Low Skew LVPECL 1:4 Fanout Buffer

Features:

- Provides four differential 3.3V LVPECL copies
- Selects between differential CLK, /CLK or –
 - - LVPECL clock inputs
- CLK, /CLK pair accepts LVDS, LVPECL, –
 - - LVHSTL, SSTL, HCSL input levels
- PCLK, /PCLK pair accepts LVPECL, CML, –
 - - SSTL input levels
- **Guaranteed AC performance over temperature –**
 - - and supply voltage:
 - 650MHz Maximum output frequency
 - <1.4ns Propagation delay (In-to-Q)
 - <30ps Output skew
 - <150ps Part-to-part skew
- **Additive phase jitter, RMS: 0.06ps (typical)**
- **3.3V ±5% supply voltage**
- **Commercial temperature range:**
 - 0°C to +70°C
- Available in a 20-pin TSSOP package

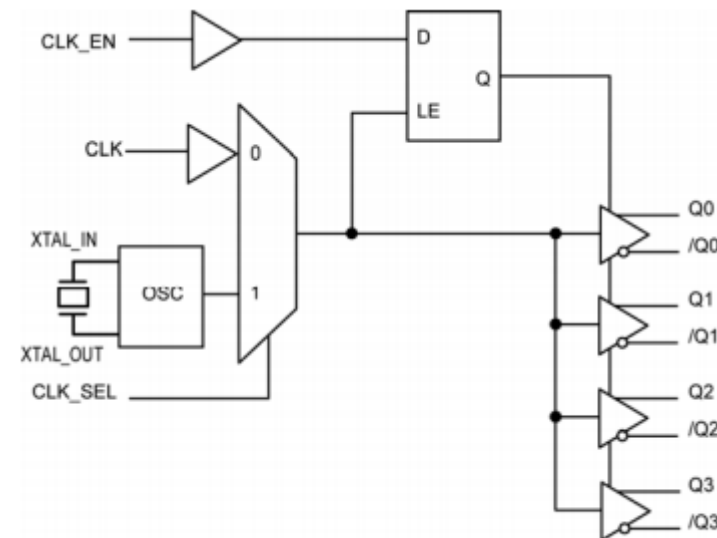


SY898535XL

Precision Differential 3.3V, Low Skew, 1:4 Fanout Buffer

Features:

- Provides four differential 3.3V LVPECL copies
- Selects between single-ended CLK or crystal –
 - - inputs
- CLK accepts LVCMOS or LVTTTL input levels
- Guaranteed AC performance over temperature –
 - - and supply voltage:
 - 235MHz Maximum output frequency
 - <1.65ns Propagation delay (In-to-Q)
 - <30ps Output skew
 - <200ps Part-to-part skew
- Additive phase jitter, RMS: 0.09ps (typical)
- 3.3V ±5% supply voltage
- Industrial temperature range:
 - -40°C to +85°C
- Available in a 20-pin TSSOP package

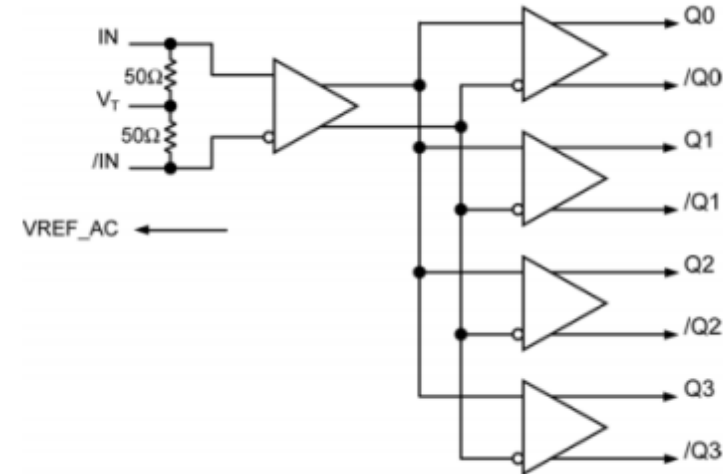


SY89854U

Precision Low Power 1:4 LVPECL Fanout Buffer/Translator

Features:

- Precision 1:4, LVPECL fanout buffer
- Low power: 137mW (2.5V typ)
- Guaranteed AC performance over temperature –
 - - and supply voltage:
 - DC- to >2GHz Clock fMAX
 - <340ps tpd
 - <180ps tr/td time
 - <20ps max. skew
- Ultra-low jitter design:
 - <1psrms random jitter
 - <10pspp deterministic jitter
 - <10pspp total jitter (clock)
- Unique patent pending input termination and VT pin accepts
- DC-coupled and AC-coupled inputs (CML, PECL, LVDS)
- Typical 800mV (100k) LVPECL output swing
- Power supply 2.5V ±5% or 3.3V ±10%
- Industrial temperature range:
 - -40°C to +85°C
- Available in ultra-small (3mm x 3mm) 16-pin QFN package

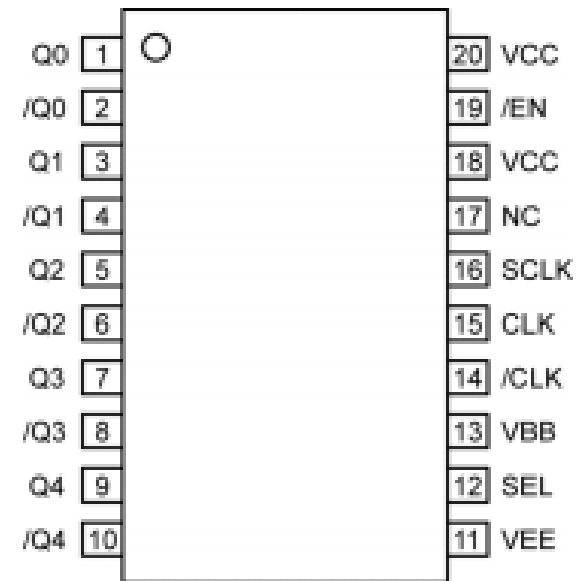


SY100EL14

5V/3.3V 1:5 Clock Distribution

Features:

- 3.3V and 5V power supply options
- 70fsRMS typical additive phase jitter
- Typical 30ps output-to-output skew
- Max. 50ps output-to-output skew
- Synchronous enable/disable
- Multiplexed clock input
- 75K Ω internal input pull-down resistors
- Available in 20-pin SOIC package



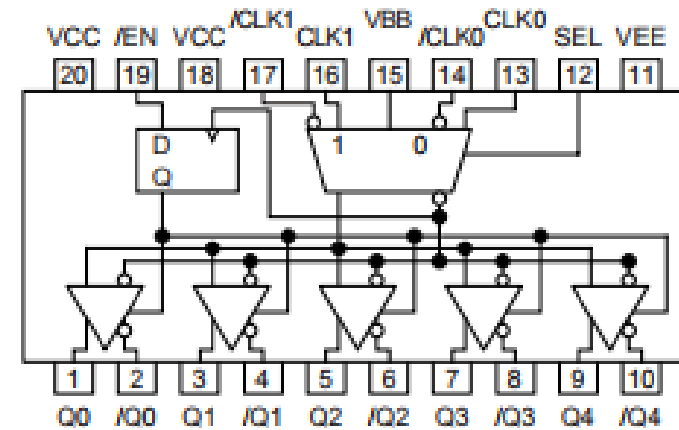
20-Pin Narrow SOIC
(Top View)

SY100EP14U

2.5V/3.3V/5V 1:5 2GHz Clock Driver with 2:1 MUX

Features:

- Guaranteed AC parameters over –
 - - temp/voltage:
 - >2GHz fMAX
 - <25ps within-device skew
 - <275ps tr/ta time
 - <525ps prop delay
- **2:1 Differential MUX input**
- **Flexible supply voltage: 2.5V/3.3V/5V**
- **Wide operating temperature range:**
 - -40°C to +85°C
- **VBB reference for single-ended or AC –**
 - - coupled PECL inputs
- **100K ECL compatible outputs**
- **Inputs accept PECL/LVPECL/ECL/HSTL logic**
- **75k internal input pull-down resistors**
- **Available in a 20-Pin TSSOP package**



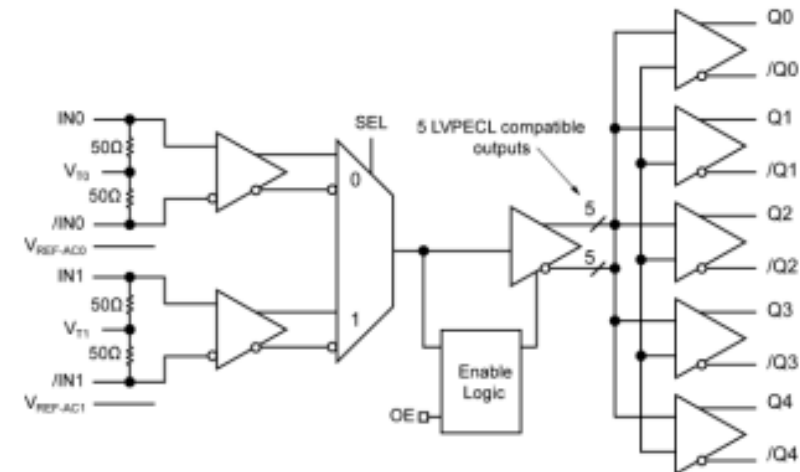
20-Pin TSSOP

SY89846U

1.5GHz Precision, LVPECL 1:5 Fanout with 2:1 MUX and Fail Safe Input

Features:

- Select from two inputs and provides 5 copies
- Fail-Safe Input:
 - Prevents outputs from oscillating when –
 - - input is invalid
- AC performance:
 - DC-to >1.5GHz throughput
 - <900ps Propagation Delay (IN-to-Q)
 - <250ps Rise/Fall times
- Ultra-low jitter design:
 - 150fsRMS phase jitter (typ.)
 - <0.7psRMS MUX crosstalk induced jitter
- Unique, patented MUX input isolation design –
 - - minimizes adjacent channel crosstalk
- Patented internal termination & VT pin accepts –
 - - DC- and AC-coupled inputs (CML, PECL, LVDS)
- Wide input voltage range. V_{CC} to GND
- 2.5V \pm 5% or 3.3 \pm 10% supply voltage
- Industrial temperature range:
 - -40°C to +85°C
- Available in 32-pin (5mm x 5mm) QFN package

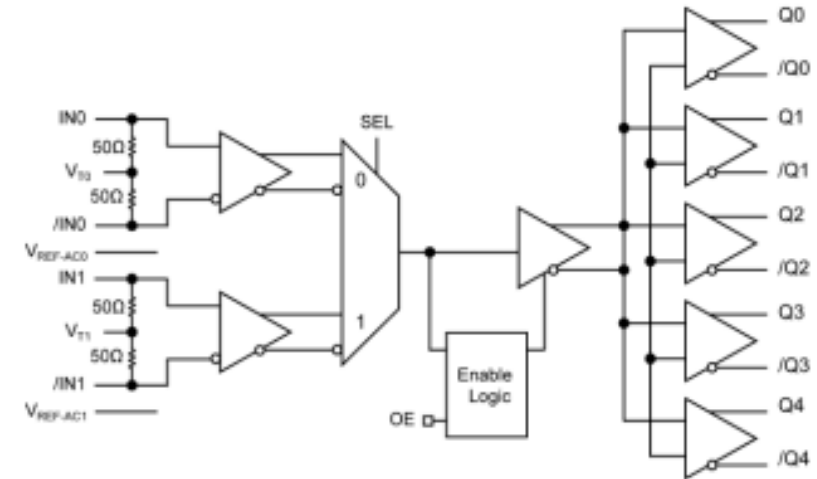


SY89847U

1.5GHz Precision, LVDS 1:5 Fanout with 2:1 MUX and Fail Safe Input

Features:

- Selects between two sources and provides
 - 5 precision LVDS copies
- Fail-Safe Input:
 - Prevents outputs from oscillating when –
 - - input is invalid
- AC performance:
 - DC-to >1.5GHz throughput
 - <1000ps Propagation Delay (IN-to-Q)
 - <210ps Rise/Fall times
- Ultra-low jitter design:
 - 150fsRMS phase jitter (typ.)
 - <0.7psRMS MUX crosstalk induced jitter
- Unique, patented MUX input isolation design –
 - - minimizes adjacent channel crosstalk
- Unique, patented internal termination and VT
 - pin accepts DC and AC-coupled inputs (CML, PECL, LVDS)
- Wide input voltage range V_{CC} to GND
- 2.5V \pm 5% supply voltage
- Industrial temperature range: -40°C to +85°C
- Available in 32-pin (5mm x 5mm) QFN package

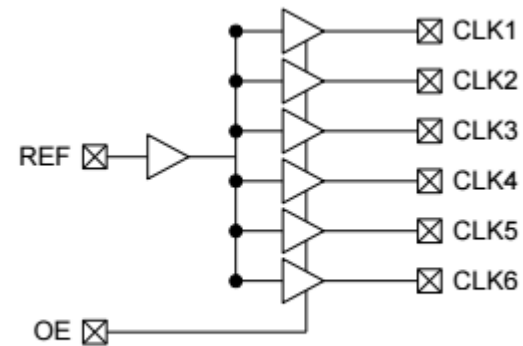


PL133-67

Low-Power DC to 150MHz 1:6 Fanout Buffer IC

Features:

- 1:6 LVCMOS output fanout buffer for DC to 150MHz
- 8mA Output Drive Strength
- Low power consumption for portable applications
- Low input-output delay
- Output-Output skew less than 250ps
- Low Additive Phase Jitter of 60fs RMS
- 2.5V to 3.3V $\pm 10\%$ operation
- Industrial temperature range:
 - -40°C to 85°C
- Available in 16-Pin SOP package

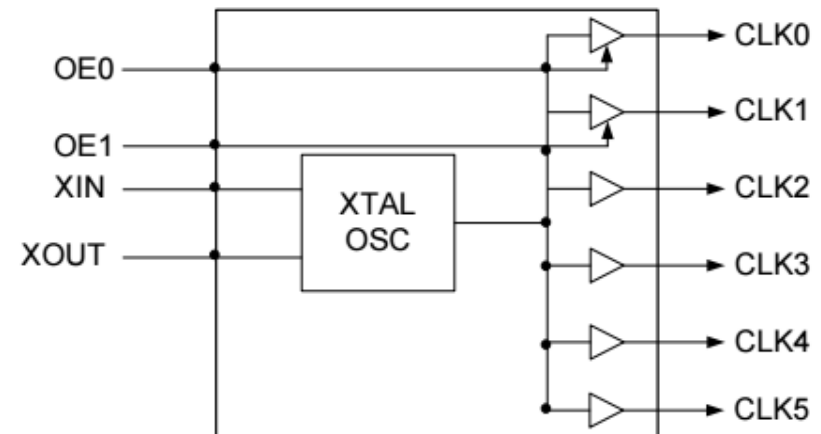


PL135-67

Low Power, 10MHz to 40MHz, 1:6 Oscillator Fanout Buffer

Features:

- **Advanced Oscillator Design for Wide –**
 - **- Frequency Coverage**
- **6 LVCMOS Outputs with 2 Output Enable Pins**
- **8mA Output Drive Strength**
- **Input/Output Frequency:**
- **Fundamental Crystal: 10MHz to 40MHz**
- **Very Low Jitter and Phase Noise**
- **Low Current Consumption**
- **Single 1.62V to 3.63V Power Supply**
- **Available in QFN-16L and TSSOP-16L packages**

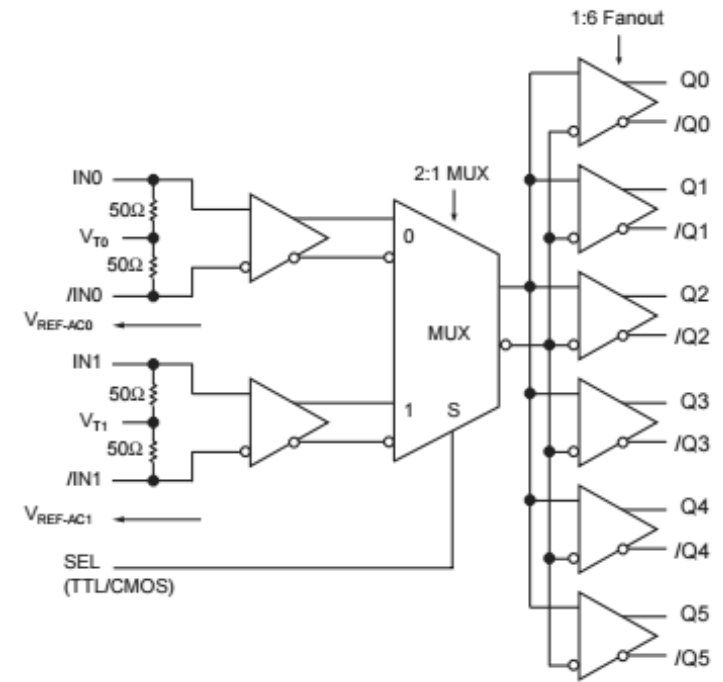


SY58034U

6GHz, 1:6 CML Fanout Buffer with 2:1 MUX Input

Features:

- Provides six ultra-low skew copies of the selected input
- 2:1 MUX input included for clock switchover –
 - applications
- Guaranteed AC performance over temperature and –
 - voltage:
- Clock frequency range: DC to >6GHz
 - <290ps IN-to-OUT tpd
 - <60ps tr/TF times
 - <20ps skew (output-to-output)
- Unique input isolation design minimizes crosstalk
- Ultra low-jitter design:
 - 60fs RMS phase jitter
 - <0.7psRMS crosstalk-induced jitter
- Low supply voltage operation: 2.5V and 3.3V
- Unique input termination and VT pin accepts DC-coupled -
 - and AC-coupled inputs (CML, PECL, LVDS)
- Internal 50Ω output source termination
- 400mV CML output swing
- Industrial temperature range: -40°C to +85°C
- Available in 32-pin (5mm x 5mm) QFN package

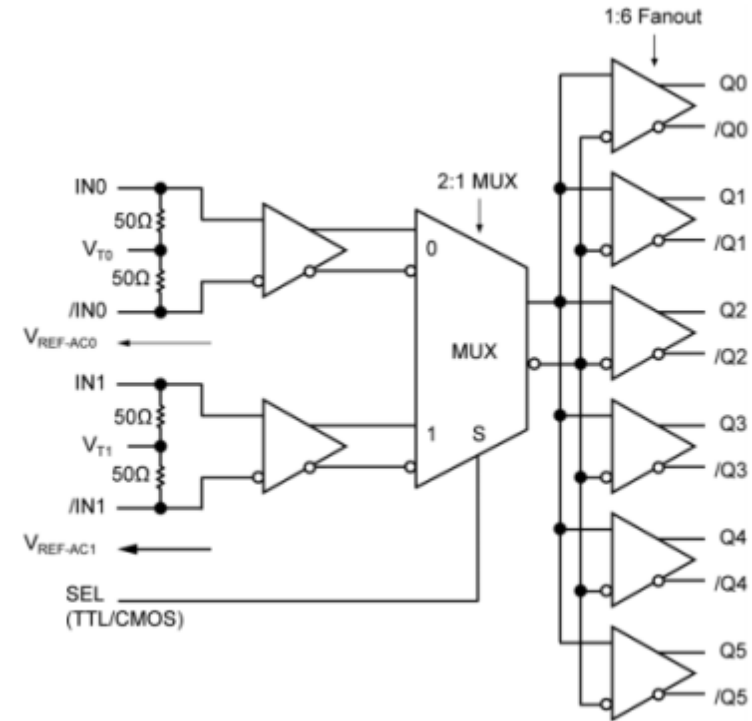


SY58035U

4.5GHz, 1:6 LVPECL Fanout Buffer with 2:1 MUX Input

Features:

- Provides six ultra-low skew copies of the selected –
 - - input
- 2:1 MUX input included for clock switchover –
 - - applications
- Guaranteed AC performance over temperature and –
 - – voltage:
 - Clock frequency range: DC to >4.5GHz
 - <320ps IN-to-OUT tpd
 - <110ps tr/tf times
 - <20ps skew (output-to-output)
- Ultra-low jitter design:
 - 50fsRMS phase jitter (typ)
- Low supply voltage operation: 2.5V and 3.3V
- Unique input termination and VTpin accepts DC –
 - - coupled and AC-coupled inputs (CML, PECL, LVDS)
- Unique input isolation design minimizes crosstalk
- 100K LVPECL compatible output swing
- Industrial temperature range:
 - -40°C to +85°C
- Available in 32-pin (5mm x 5mm) MLF® package

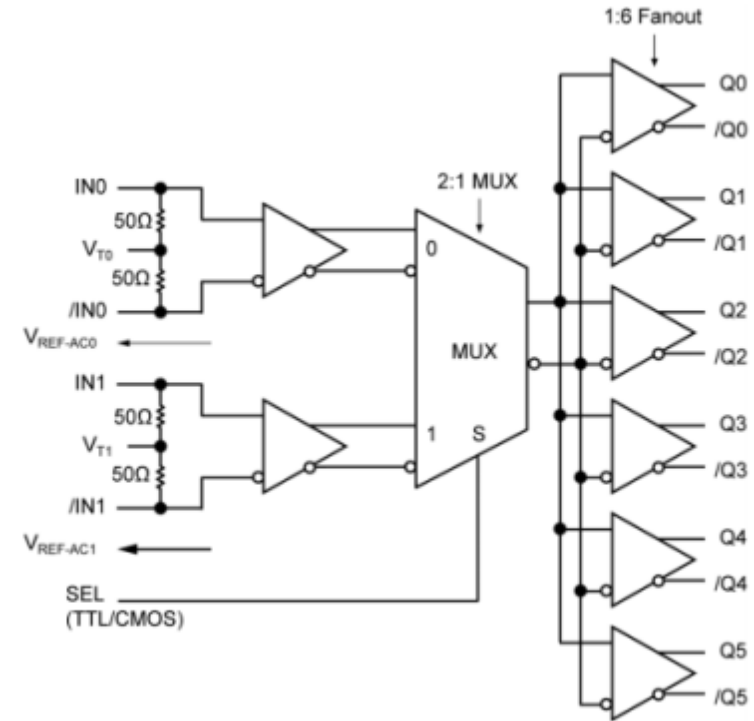


SY58036U

6GHz, 1:6 400mV LVPECL Fanout Buffer with 2:1 MUX Input

Features:

- Provides six ultra-low skew copies of the selected –
 - - input
- 2:1 MUX input included for clock switchover –
 - - applications
- Guaranteed AC performance over temperature and –
 - - voltage:
 - Clock frequency range: DC to >6GHz
 - <300ps IN-to-OUT tpd
 - <80ps tr/TF times
 - <20ps skew (output-to-output)
- Ultra-low jitter design:
 - 50fsRMS phase jitter (typ)
- Low supply voltage operation: 2.5V and 3.3V
- Unique input termination and VTpin accepts DC –
 - - coupled and AC-coupled inputs (CML, PECL, LVDS)
- Unique input isolation design minimizes crosstalk
- 400mV LVPECL (100K compatible) output swing
- Industrial temperature range:
 - -40°C to +85°C
- Available in 32-pin (5mm x 5mm) MLF® package

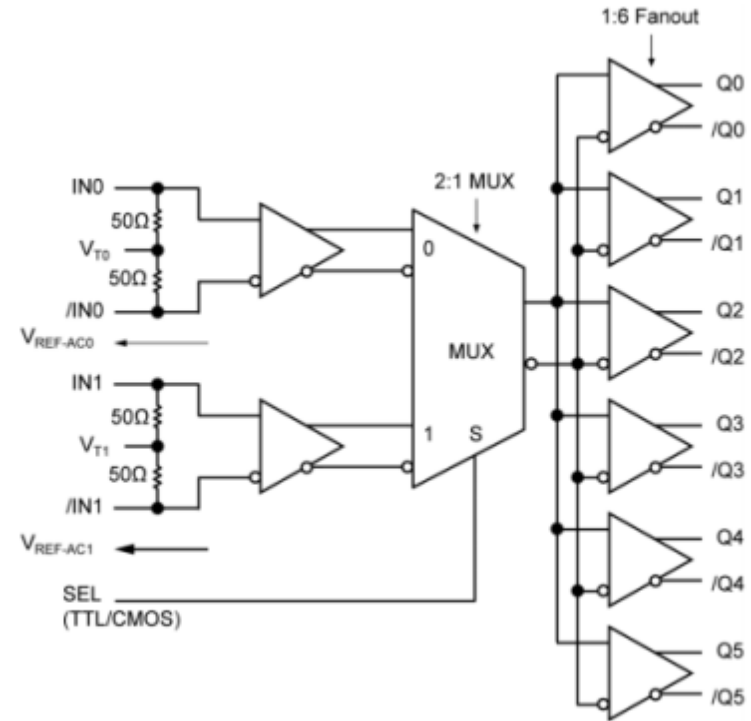


SY89856U

2GHz, Low-Power, 1:6 LVPECL Fanout Buffer with 2:1 Input MUX

Features:

- 6 ultra-low skew copies of the selected input
- 2:1 MUX input included for clock switchover –
 - applications
- Low power: 225mW typical (2.5V)
- 2.5V to 3.3V supply voltage
- Unique input isolation design minimizes crosstalk
- Guaranteed AC performance over temperature and –
 - voltage:
 - Clock frequency range: DC to >2.0GHz
 - <400ps IN-to-OUT tpd
 - <200ps tr/tf times
 - <30ps skew (output-to-output)
- Ultra-low jitter design:
 - 40fsRMS phase jitter
 - <0.7psRMS crosstalk-induced jitter
- Unique input termination and VT pin accepts DC –
 - and AC-coupled inputs (CML, PECL, LVDS)
- 100k LVPECL compatible output swing
- Industrial temperature range: -40°C to +85°C range
- Available in 32-pin (5mm x 5mm) QFN package

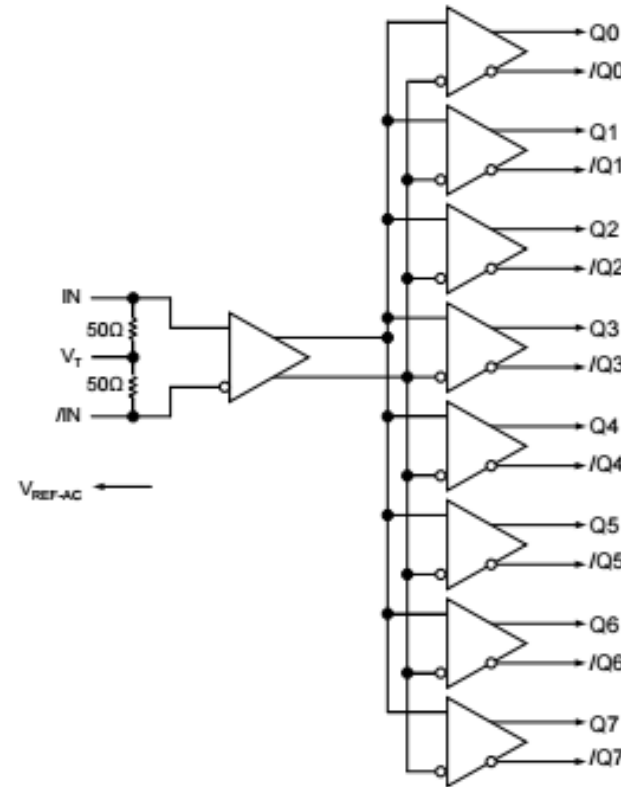


SY58031U

Ultra-Precision 1:8 CML Fanout Buffer

Features:

- Precision 1:8, 400mV CML fanout buffer
- Guaranteed AC performance over temperature –
 - and voltage:
 - Clock frequency range: DC to >6GHz
 - <60ps tr/td time
 - <270ps tpd
 - <20ps output-to-output skew
- Low-jitter performance:
 - 75fsRMS phase jitter (typ)
- 50Ω source-terminated CML outputs
- 400mV CML output swing into 50Ω load
- Fully differential I/O
- Accepts an input signal as low as 100mV
- Unique input termination and VT pin accepts –
 - DC-coupled and AC-coupled differential inputs: -
 - (LVPECL, LVDS, and CML)
- Power supply 2.5V ±5% or 3.3V ±10%
- Industrial temperature range:
 - -40°C to +85°C
- Available in 32-pin (5mm x 5mm) MLF® package

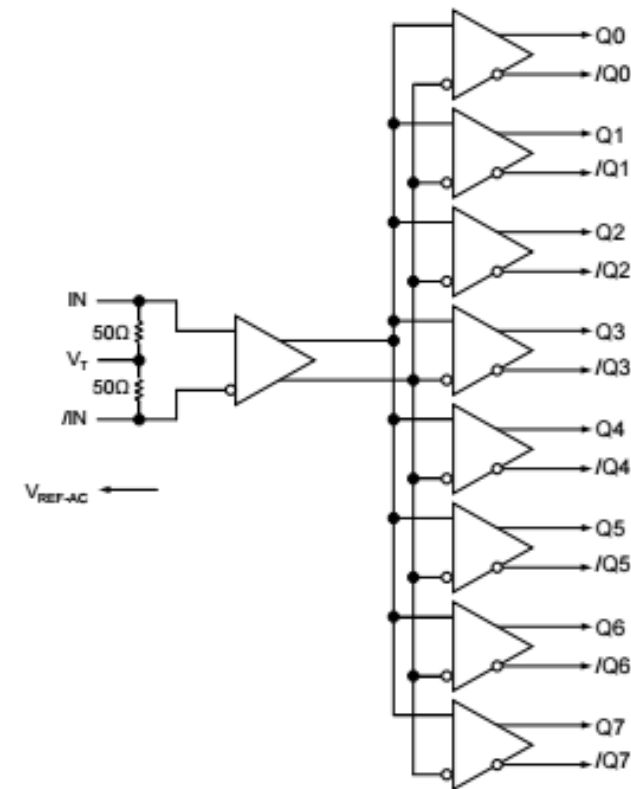


SY58032U

Ultra-Precision 1:8 Fanout Buffer with LVPECL Outputs

Features:

- Precision 1:8, LVPECL fanout buffer
- Guaranteed AC performance over temperature –
 - - and voltage:
 - Clock frequency range: DC to 4GHz
 - <110ps tr/td time
 - <330ps tpd
 - <20ps skew
- Low-jitter performance:
 - 76fsRMS phase jitter (typ)
- 100k LVPECL compatible outputs
- Fully differential inputs/outputs
- Accepts an input signal as low as 100mV
- Unique input termination and VT pin accepts DC -
 - - coupled and AC-coupled differential inputs: -
 - - LVPECL, LVDS, and CML
- Power supply 2.5V \pm 5% or 3.3V \pm 10%
- Industrial temperature range:
 - -40°C to +85°C
- Available in 32-pin (5mm x 5mm) MLF[®] package

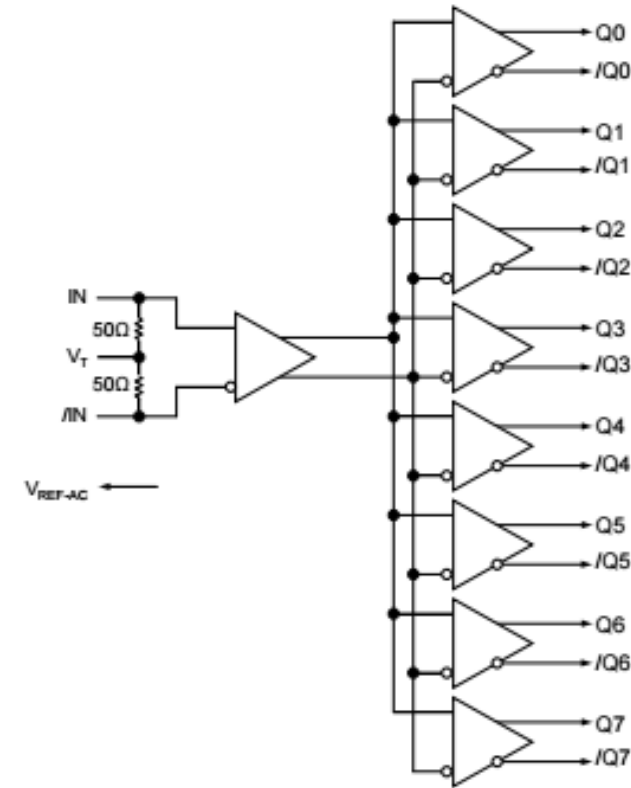


SY58033U

Ultra-Precision 1:8 Fanout Buffer with 400mV LVPECL Outputs

Features:

- Precision 1:8, 400mV LVPECL fanout buffer
- Guaranteed AC performance over temperature –
 - - and voltage:
- Clock frequency range: DC to 5.5GHz:
 - <80ps tr/td times
 - <280ps tpd
 - <20ps skew
- Low-jitter performance:
 - 76fsRMS phase jitter (typ)
 - "top" >100k LVPECL compatible outputs
- Fully differential inputs/outputs
- Accepts an input signal as low as 100mV
- Unique input termination and VT pin accepts –
 - - DC-coupled and AC-coupled differential inputs: -
 - - LVPECL, LVDS, and CML
- Power supply 2.5V \pm 5% or 3.3V \pm 10%
- Industrial temperature range:
 - -40°C to +85°C
- Available in 32-pin (5mm x 5mm) MLF[®] package

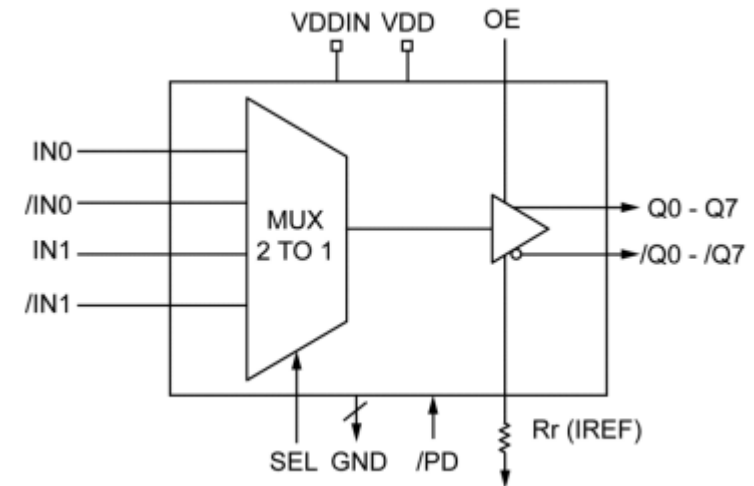


SY75578L

PCIe Fanout Buffer 267MHz, 8 HCSL Outputs with 2 Input MUX

Features:

- Eight differential pairs of HCSL outputs
- Two pairs of differential inputs accept LVDS –
 - - or HCSL logic levels
- 267MHz max frequency
- Ultra low phase jitter:
 - 130fsRMS phase jitter (typ)
- <100ps output-to-output skew
- 3.3V power supply operation
- Industrial temperature range:
 - -40°C to +85°C
- Available in 32-pin QFN package

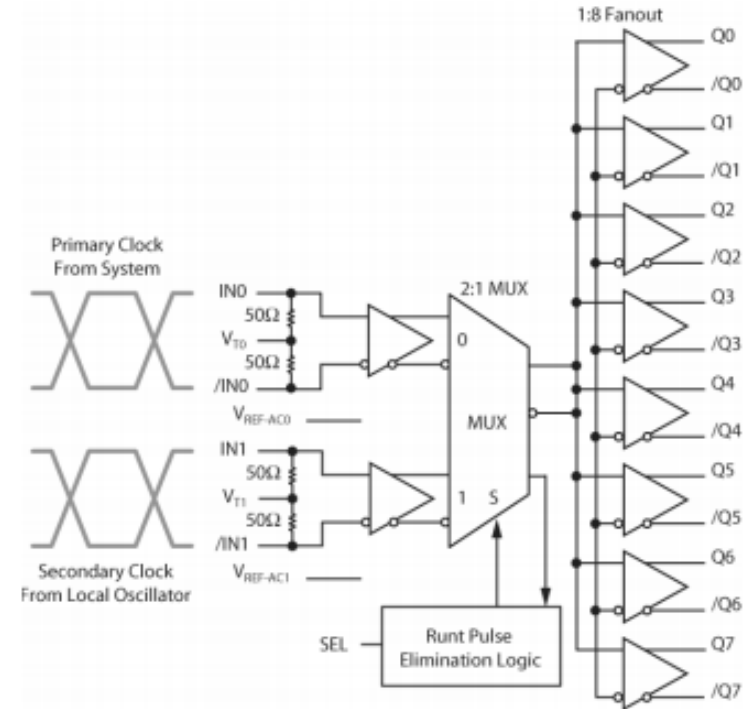


SY89837U

Precision 1:8 LVPECL Fanout Buffer with 2:1 Runt Pulse Eliminator MUX

Features:

- Selects between two clocks, and provides 8 –
 - - precision, low skew LVPECL output copies
- Guaranteed AC performance over temperature –
 - - and supply voltage:
- Wide operating frequency: 1kHz to >1.5GHz
 - <975ps in-to-out tpd
 - <180ps tr/ft
 - <40ps output-to-output skew
- Unique input isolation design minimizes crosstalk
- Ultra-low jitter design:
 - 150fs RMS phase jitter
 - <0.7psRMS MUX crosstalk-induced jitter
- Unique input termination and VTpin accepts DC –
 - - or AC-coupled inputs (CML, PECL, LVDS)
- 800mV LVPECL output swing
- Power supply +2.5V ±5% or +3.3V ±10%
- Industrial temperature range:
 - -40°C to +85°C
- Available in 32-pin (5mm x 5mm) QFN package

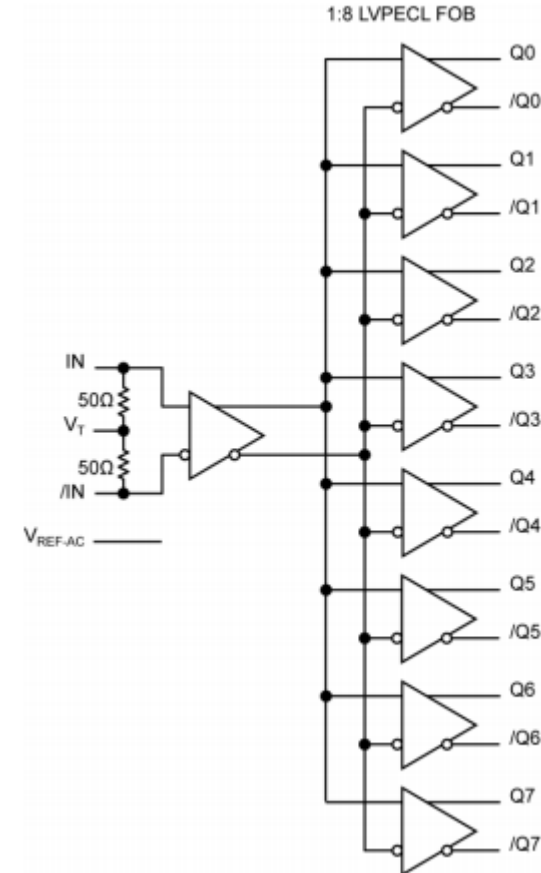


SY89858U

Precision Low Power 1:8 LVPECL Fanout Buffer

Features:

- Precision 1:8, LVPECL fanout buffer
- Low power: 238mW (2.5V)
- Guaranteed AC performance over temperature -
 - and supply voltage:
 - Wide operating frequency: DC to 2.0GHz
 - <380ps In-to-Out tpd
 - <200ps tr/TF
 - <30ps skew
- Ultra-low jitter design:
 - 710fsRMS phase jitter (typ.)
- 100k LVPECL compatible outputs
- Fully differential inputs/outputs
- Accepts an input signal as low as 100mV –
 - (200mVpp)
- Unique input termination and VT pin accepts -
 - DC-coupled and AC-coupled differential inputs -
 - (LVPECL, LVDS, and CML)
- Power supply 2.5V ±5% or 3.3V ±10%
- Industrial temperature range:-40°C to +85°C
- Available in 32-pin (5mm x 5mm) QFN package

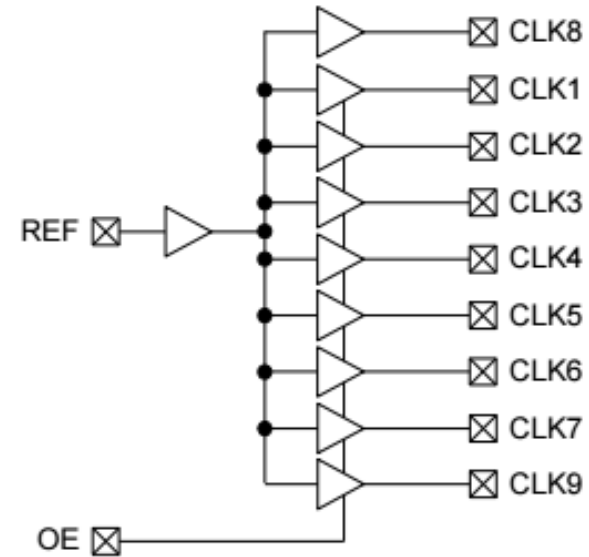


PL133-97

Low-Power DC to 150MHz 1:9 Fanout Buffer IC

Features:

- 1:9 LVCMOS output fanout buffer for DC to 150MHz
- 8mA Output Drive Strength
- Low power consumption for portable applications
- Low input-output delay
- Output-Output skew: <250ps
- Low Additive Phase Jitter: 60fs RMS
- 2.5V to 3.3V $\pm 10\%$ operation
- Industrial temperature range:
 - -40°C to 85°C
- Available in 16-Pin QFN package

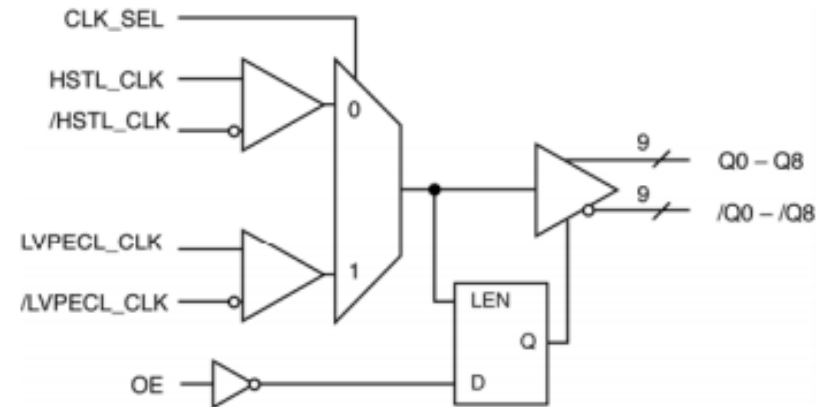


SY89809AL

3.3V LVPECL/HSTL to HSTL 1:9 High Performance Clock Driver

Features:

- 3.3V core supply, 1.8V output supply for –
 - - reduced power
- LVPECL and HSTL inputs
- Nine differential HSTL (low-voltage swing) –
 - - output pairs
- HSTL outputs drive 50Ω-to-ground with no –
 - - offset voltage
- 750MHz maximum clock frequency
- Low part-to-part skew (100ps typical)
- Low pin-to-pin skew (15ps typical)
- Available in 32-pin TQFP

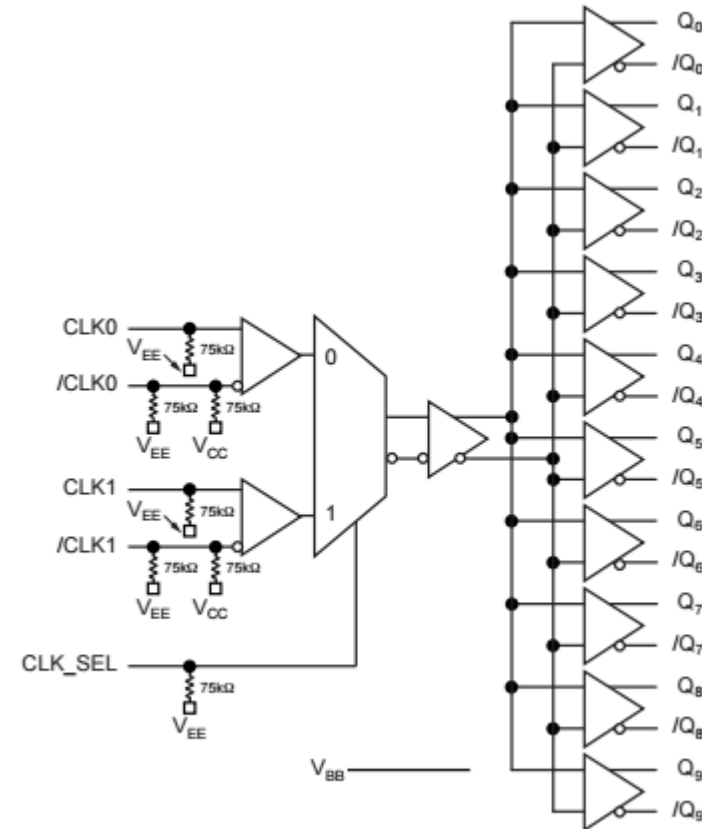


SY100EP111U

2.5V/3.3V to 1.10 Differential LVPECL/LVECL/HSTL Clock Driver

Features:

- 2.5V and 3.3V power supply options
- Guaranteed AC parameters over temperature:
 - $f_{MAX} = 3\text{GHz}$
 - $<25\text{ps}$ output-to-output skew
 - $<250\text{ps}$ tr/TF
 - $<400\text{ps}$ propagation delay
- Industrial temperature range:
 - -40°C to $+85^{\circ}\text{C}$
- Differential design
- V_{BB} output for single-ended input applications
- Fully compatible with industry standard 100K –
 - - I/O levels
- Available in 32-pin TQFP package

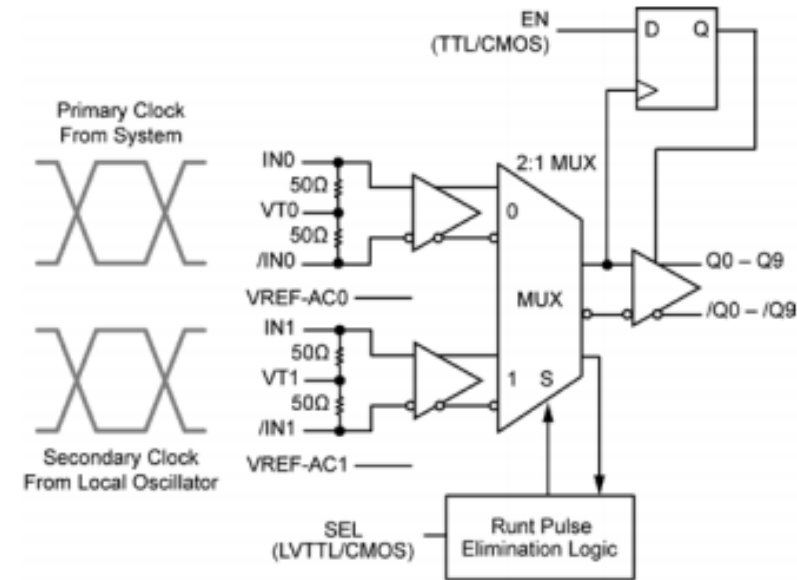


SY89464U

Precision LVPECL 1:10 Fanout with 2:1 Runt Pulse Eliminator MUX

Features:

- Selects between two sources, and provides 10 –
 - - LVPECL copies
- AC performance:
 - Wide operating frequency: 1kHz to >1.5GHz
 - <1100ps In-to-Out tpd
 - <220ps tr/af
- Unique MUX isolation minimizes adjacent crosstalk
- Fail-Safe Input prevents oscillations
- Ultra-low jitter design:
 - <1psRMS random jitter
 - <1psRMS cycle-to-cycle jitter
 - <10psPP total jitter (clock)
 - <0.7psRMS MUX crosstalk induced jitter
- Unique patented internal termination and VT pin accepts DC –
 - - and AC-coupled inputs (CML, PECL, - LVDS)
- 800mV LVPECL output
- 2.5V ±5% or 3.3V ±10% supply voltage
- Industrial temperature range:
 - -40°C to +85°C
- 44-pin (7mm x 7mm) QFN package

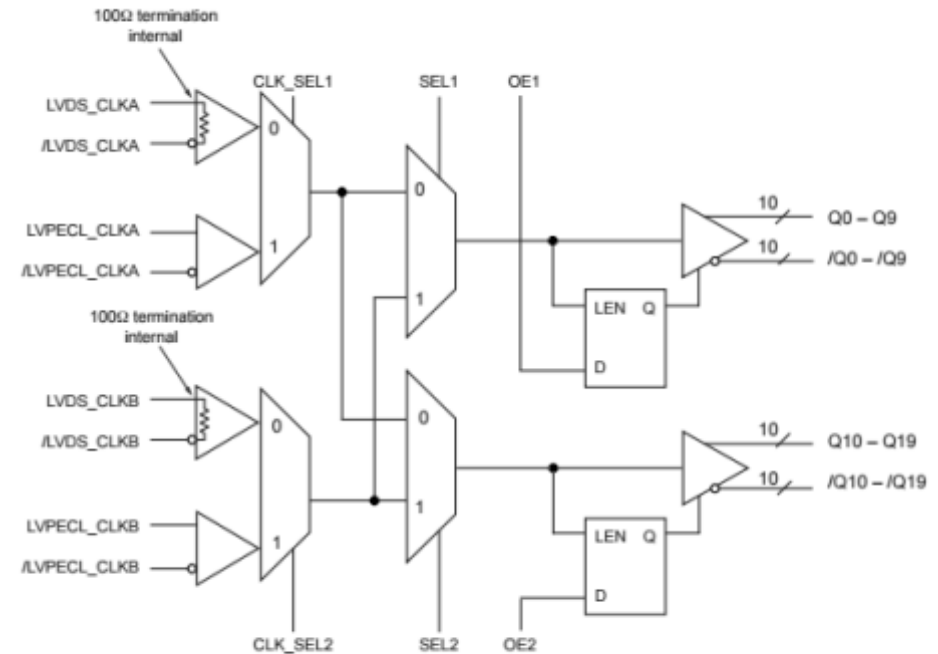


SY89828L

1GHz Dual 1:10 LVDS Fanout Buffer/Translator with 2:1 Input MUX

Features:

- High-performance dual 1:10, 1GHz LVDS –
 - - fanout buffer/translator
- Two banks of 10 differential LVDS outputs
- AC parameters:
 - >1GHz fMAX
 - <50ps within device skew
 - <400ps tr/TF time
- Each bank includes a 2:1 input mux
- 2:1 mux input accepts LVDS and LVPECL
- Low jitter performance
 - <1psRMS cycle-to-cycle jitter
 - <1psPP total jitter
- 3.3V supply voltage
- Output enable function
- LVDS input includes internal 100Ω termination
- Available in a 64-Pin EPAD-TQFP

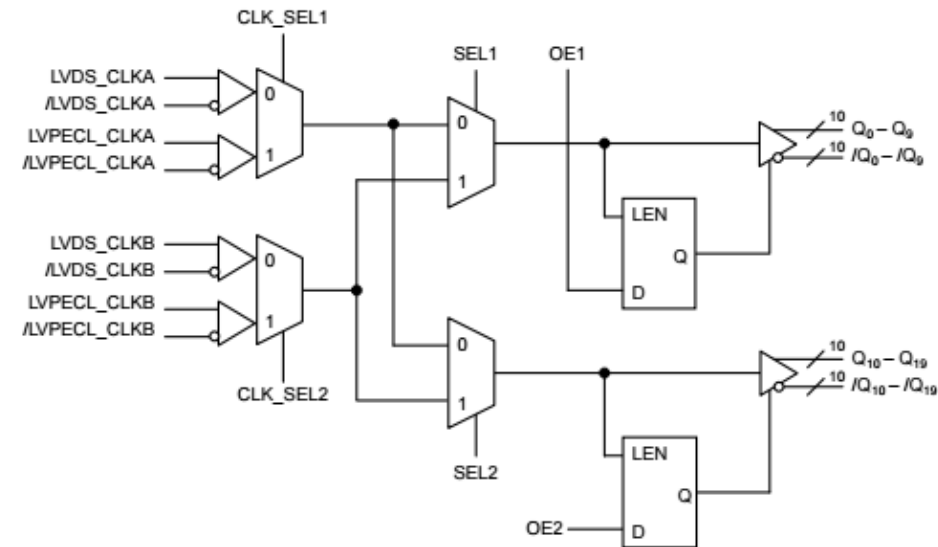


SY89829U

Dual 1:10 or LVPECL Clock Driver with Redundant Switchover

Features:

- Dual 1:10 fanout buffer/translator
- Accepts LVPECL or LVDS inputs
- Multiplexed inputs ideal for redundant –
 - - clock switchover
- AC parameters:
 - >2GHz fMAX (toggle)
 - <50ps ch-ch skew
- LVDS input includes 100Ω internal –
 - - termination
- Low supply voltage: 2.5V, 3.3V
- Industrial temperature range:
 - -40°C to +85°C
- Output enable (OE) pin
- Available in 64 EPAD-TQFP



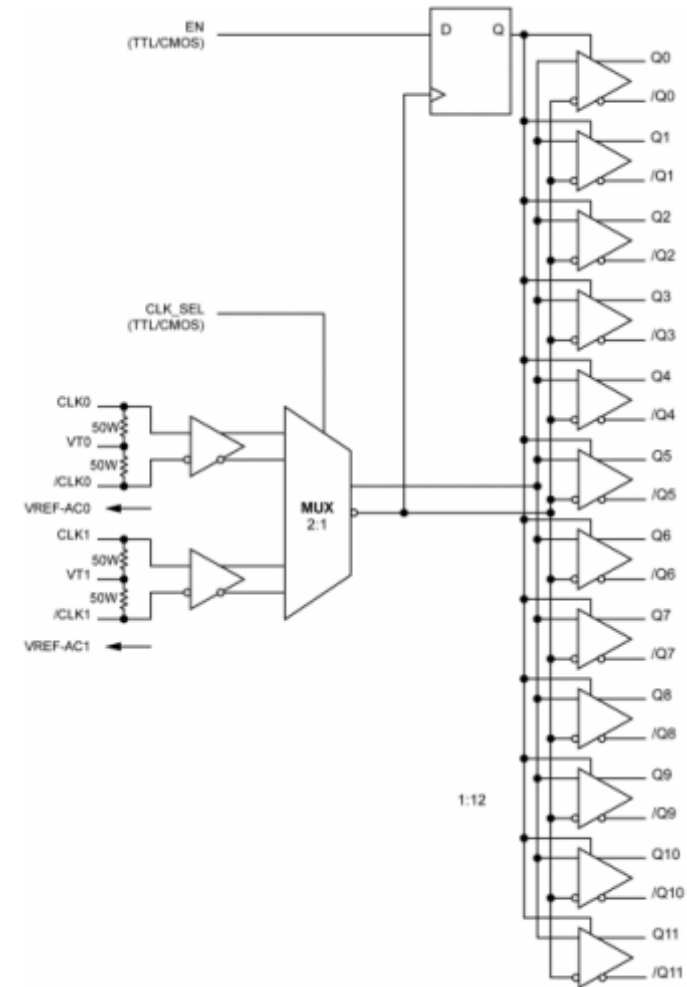
Logic Symbol

SY89112U

Low-Jitter, Low-Skew 1:12 LVPECL Fanout Buffer with 2:1 Input MUX

Features:

- Selects between 1 of 2 inputs, and provides 12 –
 - - precision, low skew LVPECL output copies
- AC performance:
 - DC to >2GHz throughput:
 - <550ps propagation delay CLK-to-Q
 - <220ps rise/fall time
 - <25ps output-to-output skew
- Ultra-low jitter design:
 - 50fsRMS phase jitter (typ.)
 - <0.7psRMS crosstalk induced jitter
- Unique input termination and VT pin accepts DC –
 - - coupled and AC-coupled differential inputs
- Unique 2:1 input MUX provides superior isolation to –
 - - minimize channel-to-channel crosstalk
- 800mV, 100K LVPECL output swing
- Power supply 2.5V +5% or 3.3V +10%
- Industrial temperature range:
 - -40°C to +85°C
- Available in 44-pin (7mm x 7mm) QFN package

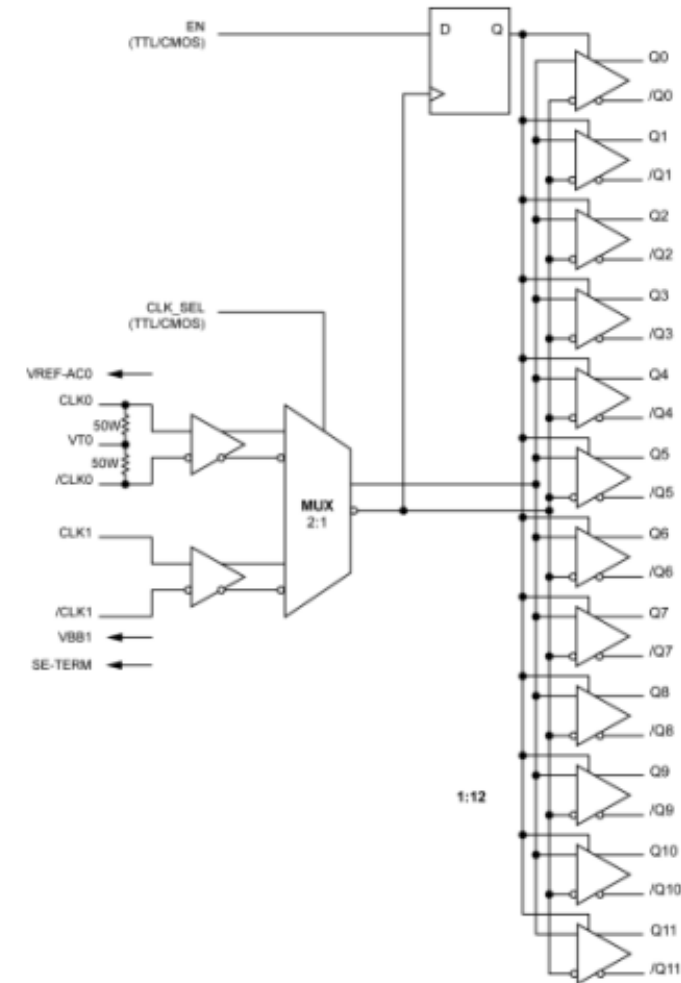


SY89113U

2 Low Jitter, Low Skew 1:12 LVDS Fanout Buffer with 2:1 Input MUX

Features:

- Selects between 2 inputs & provides 12 LVDS copies
- AC performance:
 - DC to >1GHz throughput
 - <975ps propagation delay CLK0-to-Q
 - <250ps rise/fall time
 - <25ps output-to-output skew
- Ultra-low jitter design:
 - 130fsRMS phase jitter (typ.)
 - 0.7psRMS crosstalk-induced jitter
- Unique 2:1 input MUX provides minimizes crosstalk
- CLK0 input features a unique input termination
 - VT pin that accepts AC- and DC-coupled inputs -
 - - CLK1 accepts virtually any logic standard:
 - Single-ended: TTL/CMOS, LVPECL
 - Differential: LVPECL, LVDS, CML, HSTL
- 325mV LVDS-compatible output swing
- Power supply: 2.5V ±5%
- Industrial temperature range:
 - -40°C to +85°C
- 44-pin (7mm x 7mm) QFN package

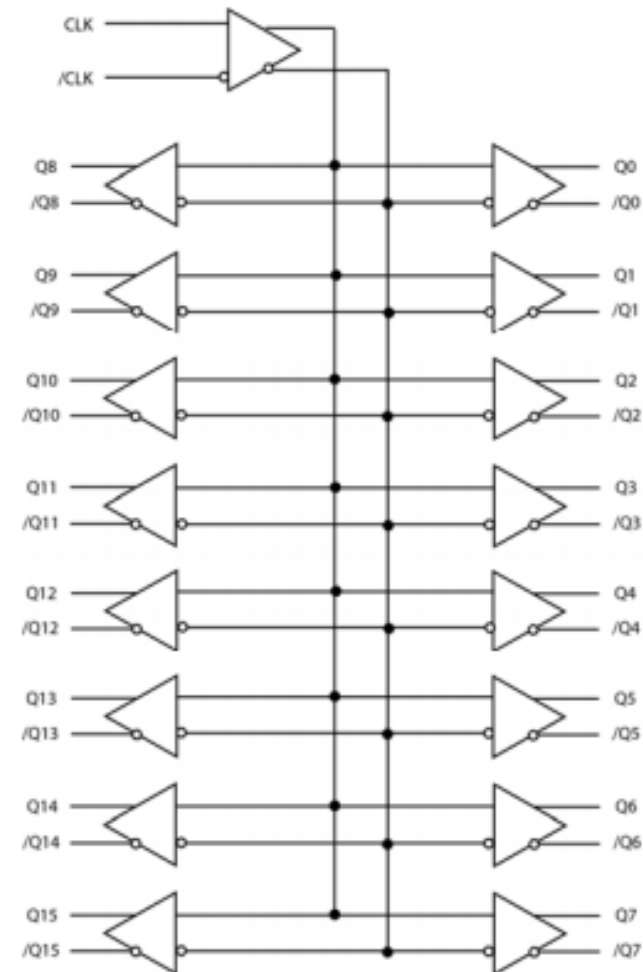


SY898530U

500MHz 1:16 3.3V-to-2.5V/3.3V LVPECL Fanout Buffer

Features:

- 16 Differential 2.5V LVPECL outputs
- Differential CLK inputs. Accepts LVDS, LVPECL, -
 - - LVHSTL, SSTL, HCSL logic levels
- Translates any single-ended input signal to 2.5V -
 - - LVPECL levels with a resistor bias on /CLK input
- 500MHz maximum output frequency
- <50ps output skew
- <250ps part-to-part skew
- <2ns propagation delay
- 3.3V Core, 2.5V output operating supply
- Commercial temperature range:
 - 0°C to +70°C
- Available in 48-pin TQFP package
- Pin-to-pin compatible with ICS8530

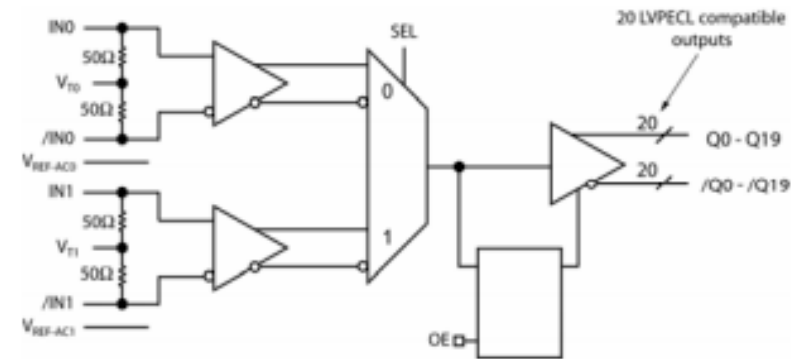


SY89467U

Precision LVPECL 1:20 Fanout with 2:1 MUX with Fail-Safe Input

• Features:

- Selects between two inputs & provides 20 – LVPECL copies
- Fail-Safe Input:
 - Prevents outputs from oscillating with – invalid input
- AC performance:
 - DC-to >1.5 GHz throughput
 - <1200ps Propagation Delay (In-to-Q)
 - 270ps Rise/Fall times
- Ultra-low jitter design:
 - <1psRMS random jitter
 - <1psRMS cycle-to-cycle jitter
 - <10psPP total jitter (clock)
 - <0.7psRMS MUX crosstalk induced jitter
- Unique MUX input design minimizes crosstalk
- Unique internal termination and VT pin accepts DC and AC – coupled inputs (CML, PECL, LVDS)
- 2.5V ±5% or 3.3V ±10% supply voltage
- Industrial temperature range -40°C to +85°C
- 64-pin TQFP package

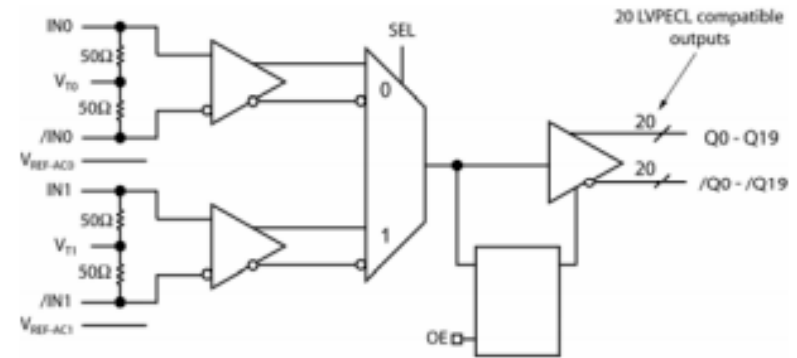


SY89468U

Precision LVDS 1:20 Fanout with 2:1 MUX with Fail-Safe Input

Features:

- Selects between 2 inputs & provides 20 –
 - - LVDS copies
- Fail-Safe Input:
 - Prevents outputs oscillation with –
 - - invalid inputs
- AC performance:
 - DC to >1.5GHz throughput
 - <1200ps Propagation Delay (In-to-Q)
 - <270ps Rise/Fall times
- Ultra-low jitter design:
 - <1psRMS random jitter
 - <1psRMS cycle-to-cycle jitter
 - <10psPP total jitter (clock)
 - <0.7psRMS MUX crosstalk induced jitter
- Unique MUX input isolation design minimizes adjacent channel crosstalk -
- Unique internal termination and VT pin accepts DC and AC-coupled –
 - - inputs (CML, PECL, LVDS)
- 2.5V ±5% supply voltage
- Industrial temperature range: -40°C to +85°C
- Available in 64-pin EPAD-TQFP package

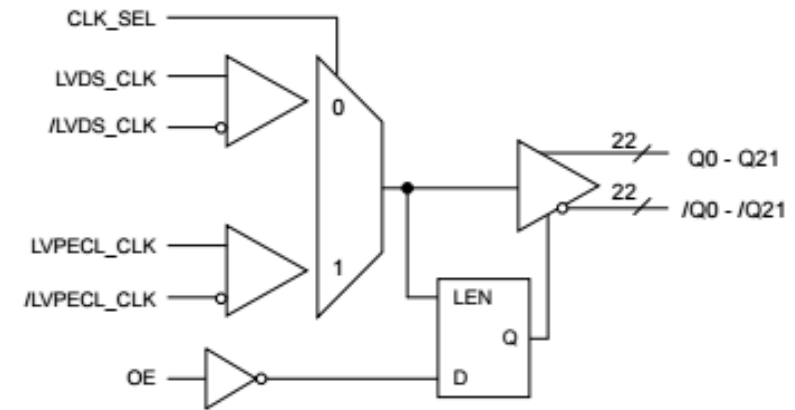


SY89825U

1:22 Low-Voltage PECL Bus Clock Driver & Translator

Features:

- LVPECL or LVDS input to 22 LVPECL outputs
- 100K ECL compatible outputs
- LVDS input includes 100Ω termination
- Guaranteed AC parameters over voltage:
 - >2GHz fMAX (toggle)
- <35ps max. ch-ch skew
- Low voltage operation: 2.5V, 3.3V
- Industrial temperature range:
 - -40°C to +85°C
- Output enable pin
- Available in a 64-Pin EPAD-TQFP



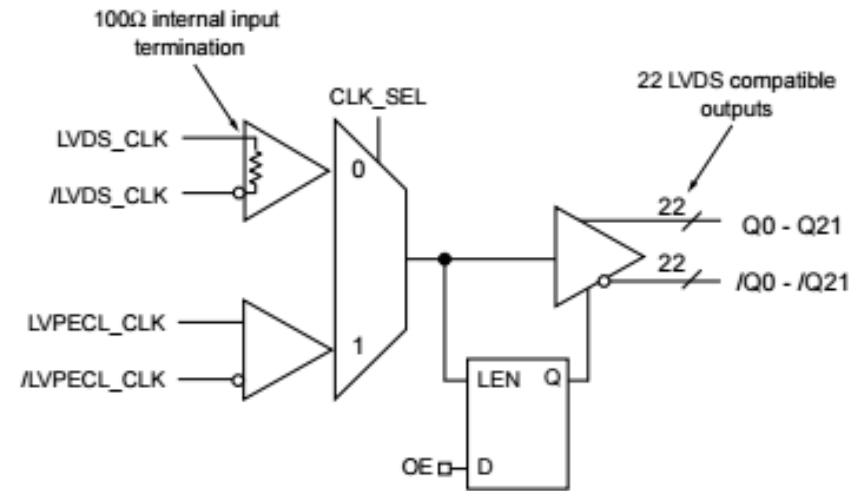
Logic Symbol

SY89826L

1GHz Precision 1:22 LVDS Fanout Buffer/Translator with 2:1 MUX

Features:

- High-performance, 1GHz LVDS fanout buffer/ - translator
- 22 differential LVDS output pairs
- AC parameters:
 - >1GHz fMAX
 - <50ps within device skew
 - <400ps tr/tf time
- Low jitter performance:
 - <1psrms cycle-to-cycle jitter
 - <1ps (pk-pk) total jitter
- 2:1 mux input accepts LVDS and LVPECL
- 3.3V supply voltage
- LVDS input includes internal 100Ω termination
- Output enable function
- Available in a 64-Pin EPAD-TQFP

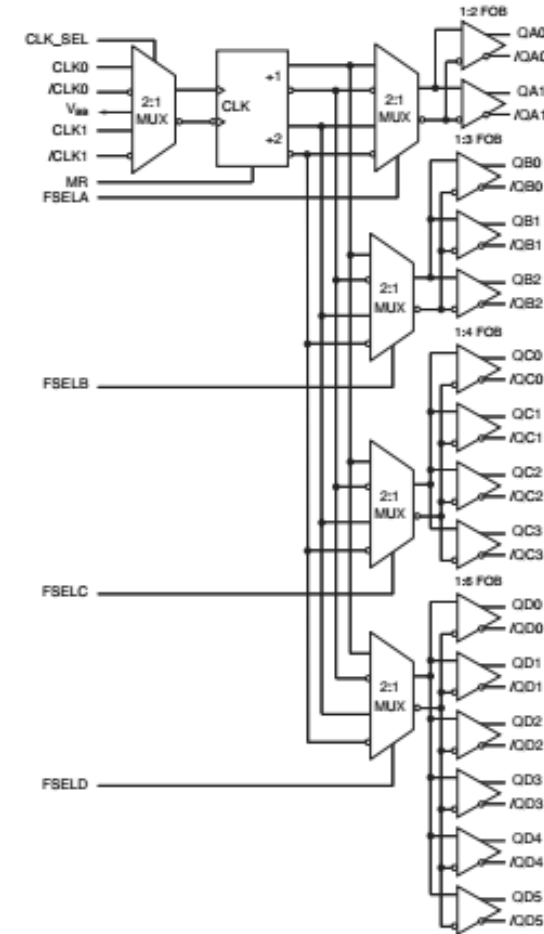


SY100E310L

31.5GHz Differential LVECL/LVPECL Programmable Clock Generator

Features:

- AC performance:
 - >800MHz fMAX (typical)
 - <50ps within-device skew
- 15 differential LVPECL outputs
- Low voltage operation:
 - LVPECL: +3.3V \pm 10%
 - LVECL: -3.3V \pm 10%
- Internal 75k Ω pull-down resistors
- Industrial temperature range:
 - -40°C to +85°C -
- Pin-for-pin, plug-in replacement for
 - - MC100LVE310
- Available in 28-pin PLCC package

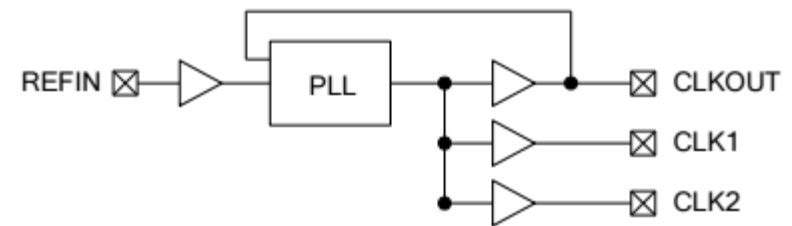


PL102-10

High Performance, Low Skew, Low Jitter Zero Delay Buffer

Features:

- **Frequency Range:**
 - 15 to 170MHz @ 3.3V
 - 15 to 145MHz @ 2.5V
- **Internal Phase Locked Loop Allows Spread –**
 - - Spectrum Modulation on Reference Clock to –
 - - Pass to Outputs
- **Zero Input to Output Delay**
- **Less Than 700ps Device to Device Skew**
- **Less Than 200ps Skew Between Outputs**
- **Less Than 100ps Cycle to Cycle Jitter**
- **2.5V or 3.3V Power Supply**
- **Available in 8-Pin SOP or 6-pin SOT-23 packages**

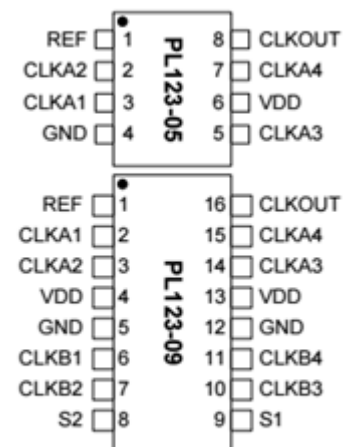
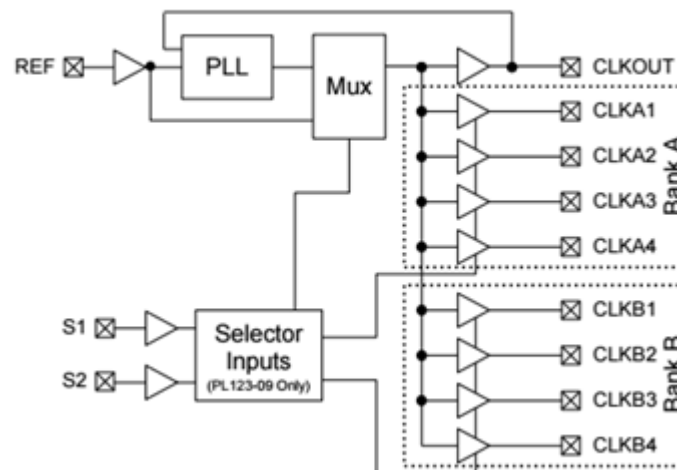


PL123-05/-09

High Performance, Low Skew, Low Jitter Zero Delay Buffer

Features:

- Frequency Range” 10MHz to 134MHz
- Output Options:
 - 5 outputs: PL123-05
 - 9 outputs: PL123-09
- Zero input - output delay
- Optional Drive Strength:
- Standard (8mA) PL123-05/-09
- High (12mA) PL123-05H/-09H
- 3.3V ±10% operation
- Temperature ranges:
 - Commercial temperature range:
 - 0°C to +70°C
 - Industrial temperature range:
 - -40°C to +85°C
- PL123-05 available in 8-Pin SOP packages
- PL123-09 available in 16-Pin SOP and TSSOP –
 - - packages

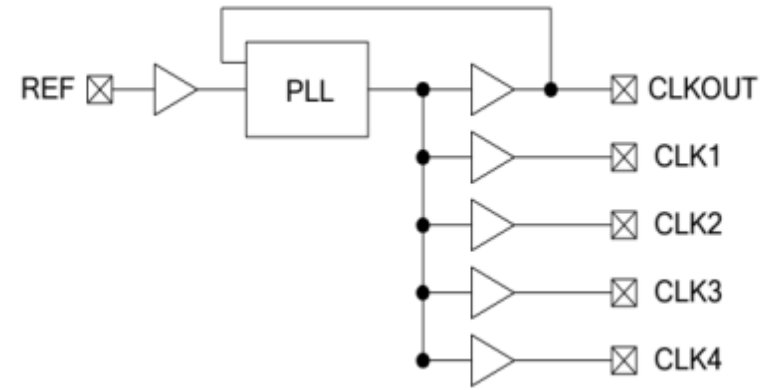


PL123E-05

High Performance, Low Skew, Low Jitter Zero Delay Buffer

Features:

- Frequency Range 10MHz to 220MHz
- Zero input - output delay
- Low output-to-output skew
- Optional Drive Strength:
 - Standard (8mA) PL123E-05
 - High (12mA) PL123E-05H
- 2.5V or 3.3V $\pm 10\%$ operation
- Available in 8-pin SOP packaging

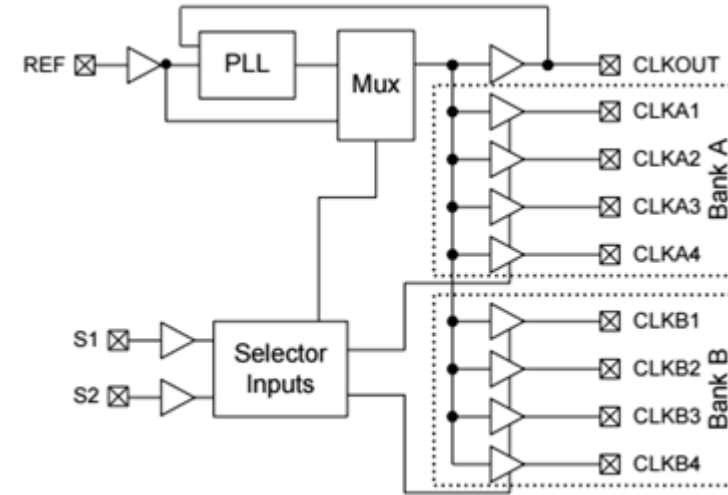


PL123E-09

High Performance, Low Skew, Low Jitter Zero Delay Buffer

Features:

- Frequency Range 10MHz to 220MHz
- Zero input - output delay
- Low output-to-output skew
- Optional Drive Strength:
 - Standard (8mA) PL123E-09
 - High (12mA) PL123E-09H
- 2.5V or 3.3V $\pm 10\%$ operation
- Available in 16-Pin SOP and TSSOP packages

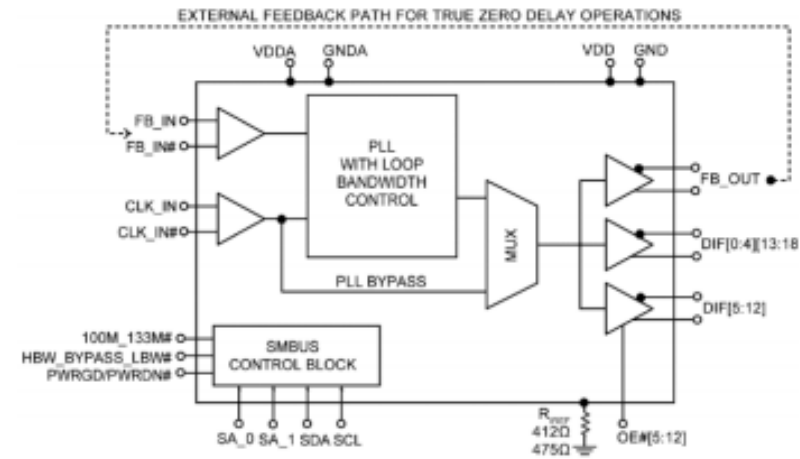


MDB1900Z

Zero Delay Buffer for PCIe

Features:

- Supports zero delay (0ps) buffer mode for –
 - - 100MHz and 133MHz clock frequencies.
- External feedback path for true zero delay operations
- Zero delay (PLL) mode can filter jitter
- Selectable PLL bandwidth for PLL mode
- Supports fanout buffer mode for clock frequencies -
 - - between 0MHz and 250MHz
- Differential input reference with HCSL logic –
 - - (0V ~ 0.7V)
- Nineteen differential HCSL-compatible clock output pairs
- Eight dedicated OE# pins to control their assigned output:
 - Glitch free assertion/de-assertion.
- Spread spectrum modulation tolerant for EMI reduction
- SMBus interface for controlling output properties
 - Enable/disable and delay tuning
- Disabled outputs in power-down mode for maximum power savings
- Nine selectable SMBus addresses
- 3.3V or 2.5V operation
- Commercial temperature range: 0°C to +70°C
- 72-pin 10mm × 10mm QFN package

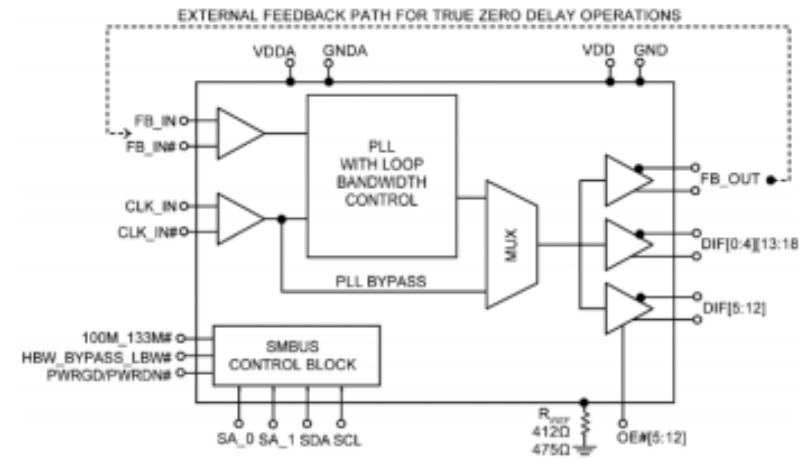


MDB1900Z

Zero Delay Buffer for PCIe

Features:

- Supports zero delay (0ps) buffer mode for –
 - - 100MHz and 133MHz clock frequencies.
- External feedback path for true zero delay operations
- Zero delay (PLL) mode can filter jitter
- Selectable PLL bandwidth for PLL mode
- Supports fanout buffer mode for clock frequencies -
 - - between 0MHz and 250MHz
- Differential input reference with HCSL logic –
 - - (0V ~ 0.7V)
- Nineteen differential HCSL-compatible clock output pairs
- Eight dedicated OE# pins to control their assigned output:
 - Glitch free assertion/de-assertion.
- Spread spectrum modulation tolerant for EMI reduction
- SMBus interface for controlling output properties
 - Enable/disable and delay tuning
- Disabled outputs in power-down mode for maximum power savings
- Nine selectable SMBus addresses
- 3.3V or 2.5V operation
- Commercial temperature range: 0°C to +70°C
- 72-pin 10mm × 10mm QFN package

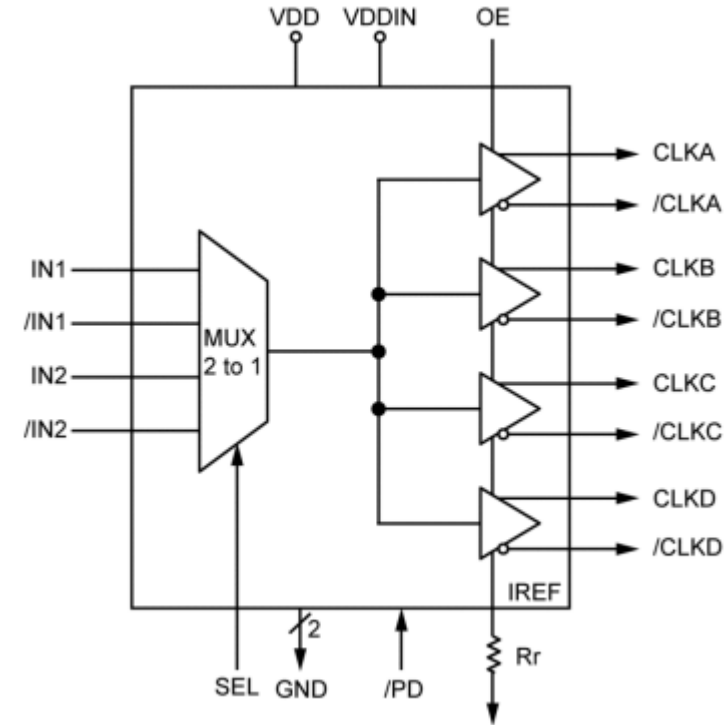


SY75576L

267MHz 1:4 3.3V HCSL/LVDS Fanout Buffer

Features:

- Four differential pairs of LVDS or HCSL outputs
- Two pairs of differential inputs accept LVDS or -
 - - HCSL logic levels
- 267MHz max HCSL frequency
- 100MHz max LVDS frequency
- Ultra-low phase jitter:
 - 137fsrms, 200MHz (12kHz–20MHz)
 - 153fsrms, 156.25MHz (12kHz–20MHz)
 - 212fsrms, 100MHz (12kHz–20MHz)
- <2ps Total_Jitterpk-pk, 200MHz(BER = 10^{-12})
- 50ps output-to-output skew
- 3.3V $\pm 5\%$ power supply operation
- Industrial temperature range:
 - -40°C to +85°C
- 20-pin TSSOP package

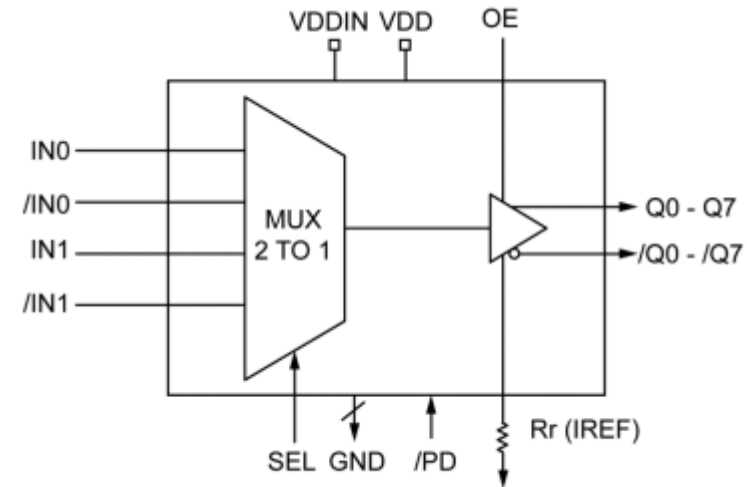


SY75578L

PCIe Fanout Buffer 267MHz, 8 HCSL Outputs with 2 Input MUX

Features:

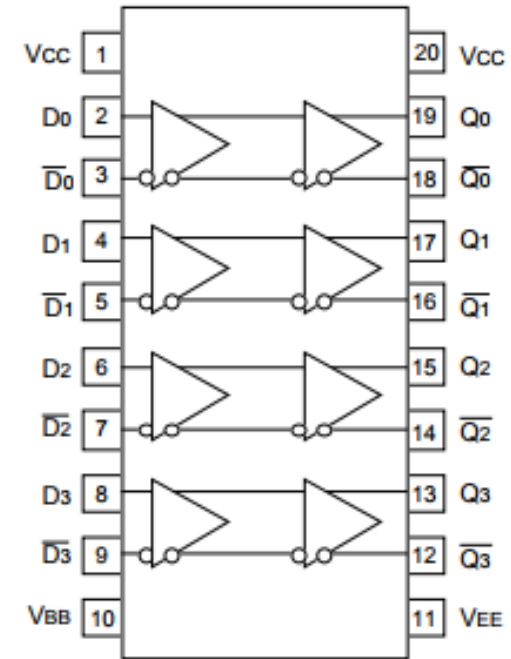
- Eight differential pairs of HCSL outputs
- Two pairs of differential inputs accept LVDS or -
 - - HCSL logic levels
- 267MHz max frequency
- Ultra low phase jitter:
 - 130fsRMS phase jitter (typ)
- <100ps output-to-output skew
- 3.3V power supply operation
- Industrial operating temperature:
 - -40°C to +85°C
- Available in 32-pin QFN package



SY100EL17

5V, 3.3V Quad Differential Receiver

- **Features:**
 - 3.3V and 5V power supply options
 - High bandwidth output transitions
 - Internal 75K Ω input pull down resistors
 - Available in 20-pin SOIC package

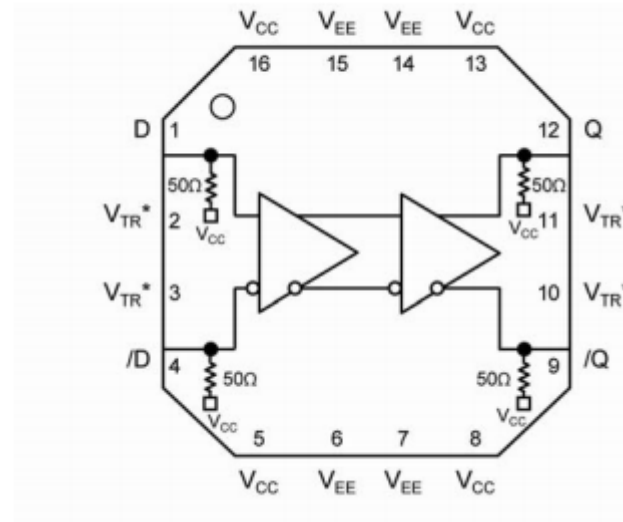


20-Pin Wide SOIC (Z20-1)

SY58016L

3.3V, 10Gbps Differential CML Line Driver/Receiver

- **Features:**
 - Accepts up to 10.7Gbps data
 - <45ps edge rate
 - Gain $\geq 4V/V$
 - CML/PECL differential inputs
 - CML outputs
 - Internal 50 Ω input termination
 - Internal 50 Ω output load resistors
 - Available in 16-pin (3mm x 3mm) MLF[®] package or die

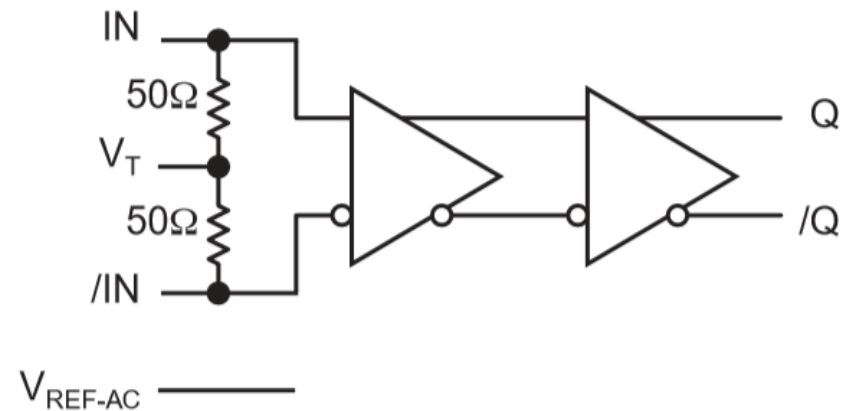


SY58600U

2.5V/3.3V, 7GHz/10.7Gbps differential Driver/Receiver

Features

- Guaranteed AC performance over temperature and voltage:
 - DC-to >10.7Gbps data rate throughput
 - DC-to >7GHz clock fMAX
 - <220ps in-to-out tpd
 - $t_r / t_f < 60\text{ps}$
- Ultra low-jitter design:
 - <1psRMS random jitter
 - <10psPP deterministic jitter
 - <10psPP total jitter (clock)
- Minimum input swing 200mV ($|IN-|/IN|$)
- DC-coupled and AC-coupled inputs (CML, PECL, LVDS)
- Internal 50 Ω output source termination
- Typical 400mV CML output swing
- Power supply 2.5V $\pm 5\%$ or 3.3V $\pm 10\%$
- -40°C to 85°C industrial temperature range
- Available in an ultra-small (2mm x 2mm) 8-pin MLF[®] package



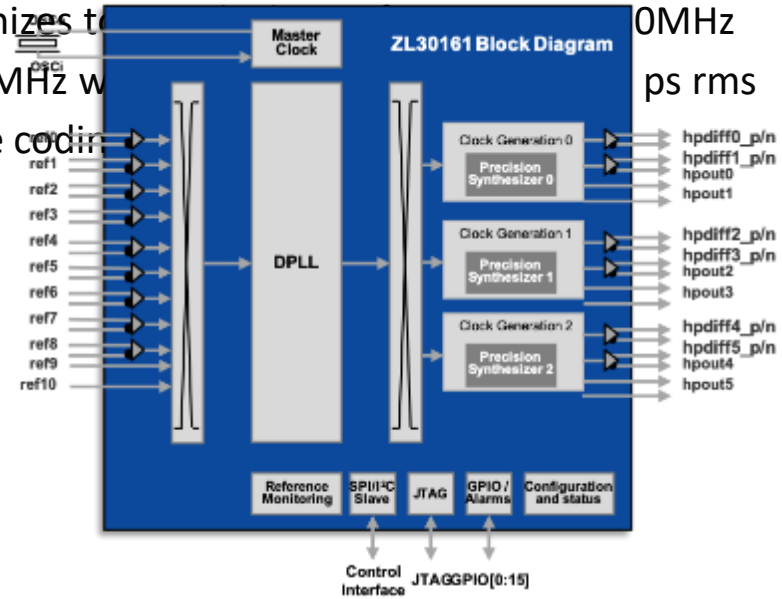
ZL30161

Online
Datasheet

Single Channel Network Synchronization Clock Translator

Features

- Fully compliant SEC (G.813) and EEC (G.8262) flexible rate conversion Digital Phase Locked Loop (DPLL)
- Programmable digital PLL/Numerically Controlled Oscillator (NCO) synchronizes to
- Three programmable synthesizers generate any clock rate from 1Hz to 750MHz w
- Flexible two-stage architecture translates between arbitrary data rates, line codin
- Digital PLL filter jitter from 0.1mHz up to 1kHz



<< BACK



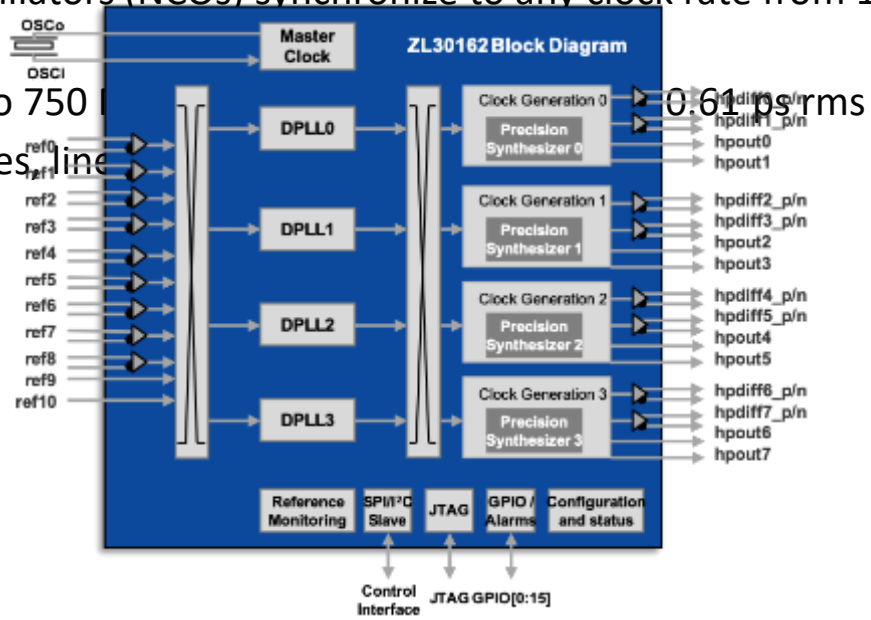
ZL30162

Online
Datasheet

Quad Channel Network Synchronization Clock Translator

Key Features

- Fully compliant SEC (G.813) and EEC (G.8262) flexible rate conversion Digital Phase Locked Loop (DPLL)
- Four independent, programmable DPLLs/Numerically Controlled Oscillators (NCOs) synchronize to any clock rate from 1 Hz to 750 MHz
- Four programmable synthesizers generate any clock rate from 1 Hz to 750 MHz
- Flexible two-stage architecture translates between arbitrary data rates, line
- Digital PLLs filter jitter 0.1 mHz up to 1 kHz



<< BACK



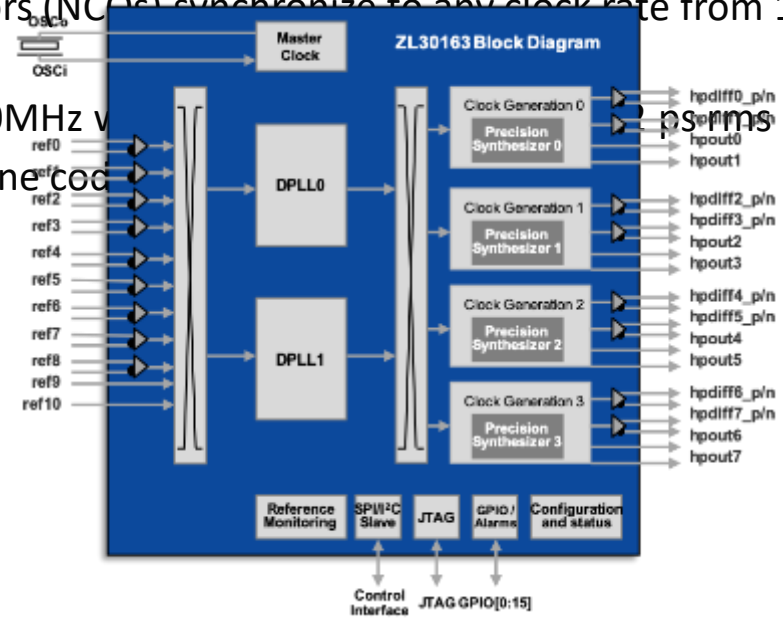
ZL30163

Online
Datasheet

Dual Channel Network Synchronization Clock Translator

Features

- Fully compliant SEC (G.813) and EEC (G.8262) flexible rate conversion Digital Phase Locked Loop (DPLL)
- Two independent, programmable DPLLs/Numerically Controlled Oscillators (NCOs) synchronize to any clock rate from 1Hz to 750MHz
- Four programmable synthesizers generate any clock rate from 1Hz to 750MHz via
- Flexible two-stage architecture translates between arbitrary data rates, line codes
- Digital PLLs filter jitter from 0.1mHz up to 1kHz



<< BACK



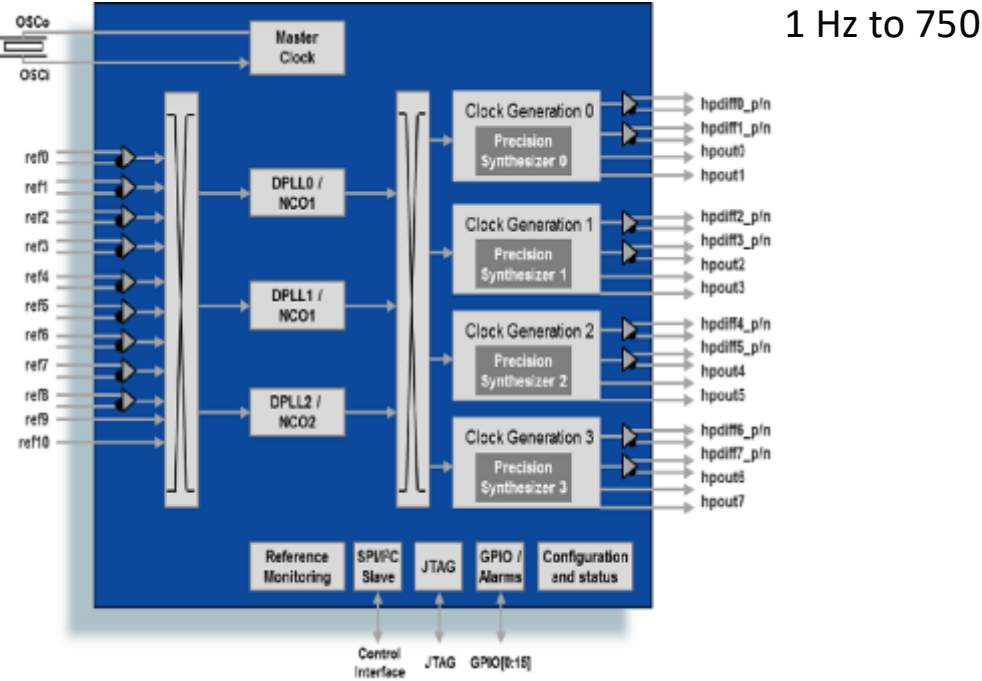
ZL30164

Online
Datasheet

Triple Channel Network Synchronization Clock Translator

Features

- Fully compliant SEC (G.813) and EEC (G.8262) flexible rate conversion Digital Phase Locked Loop (DPLL)
- Three independent, programmable DPLLs/Numerically Controlled Oscillators (NCOs) generate any clock rate from 1 Hz to 750 MHz
- Four programmable synthesizers generate any clock rate from 1 Hz to 750 MHz
- Flexible two-stage architecture translates between arbitrary data rates, line rates, and frequencies
- Digital PLLs filter jitter 0.1 mHz up to 1 kHz



1 Hz to 750



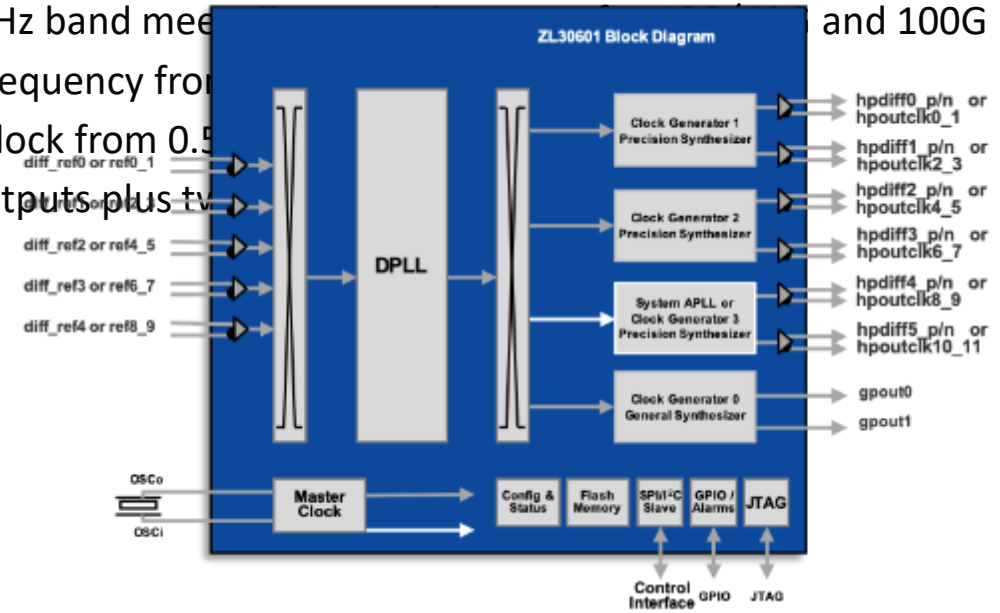
ZL30601

[Online Datasheet](#)

Single Channel Network Synchronizer

Features

- Fully compliant to EEC (G.8262), SEC (G.813), GR-253 SMC and GR-1244 Stratum 3/3E
- Excellent jitter performance of 180 fs RMS in the 12 kHz to 20 MHz band meeting IEEE 1588-2008 and 100G PHYs
- Three programmable ultra-low jitter synthesizers generate any frequency from 100 kHz to 100 MHz
- One programmable general-purpose synthesizer generates any clock from 0.5 MHz to 100 MHz
- 6 differential (CML) or 12 single ended (CMOS) ultra-low jitter outputs plus tv
- Accepts up to 10 LVPECL/LVDS/HCSL/LVCMOS inputs



[<< BACK](#)



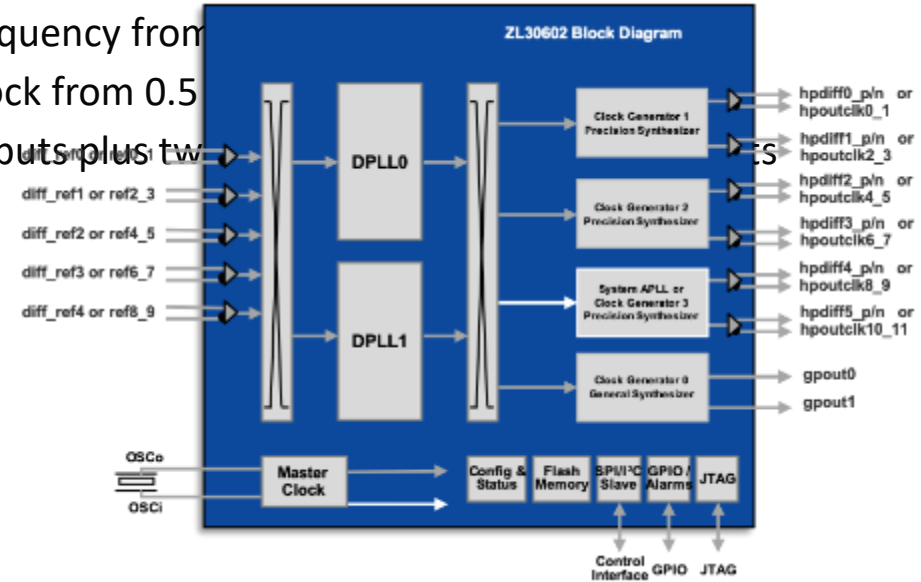
ZL30602

Online
Datasheet

Dual Channel Network Synchronizer

Features

- Fully compliant to EEC (G.8262), SEC (G.813), GR-253 SMC and GR-1244 Stratum 3/3E
- Excellent jitter performance of 180 fs RMS in the 12 kHz to 20 MHz band meets jitter requirements for 10G/40G and 100G PHYs
- Three programmable ultra-low jitter synthesizers generate any frequency from 100 kHz to 100 MHz
- One programmable general-purpose synthesizer generates any clock from 0.5 MHz to 100 MHz
- 6 differential (CML) or 12 single ended (CMOS) ultra-low jitter outputs plus two LVPECL outputs
- Accepts up to 10 LVPECL/LVDS/HCSL/LVCMOS inputs



<< BACK



ZL30603

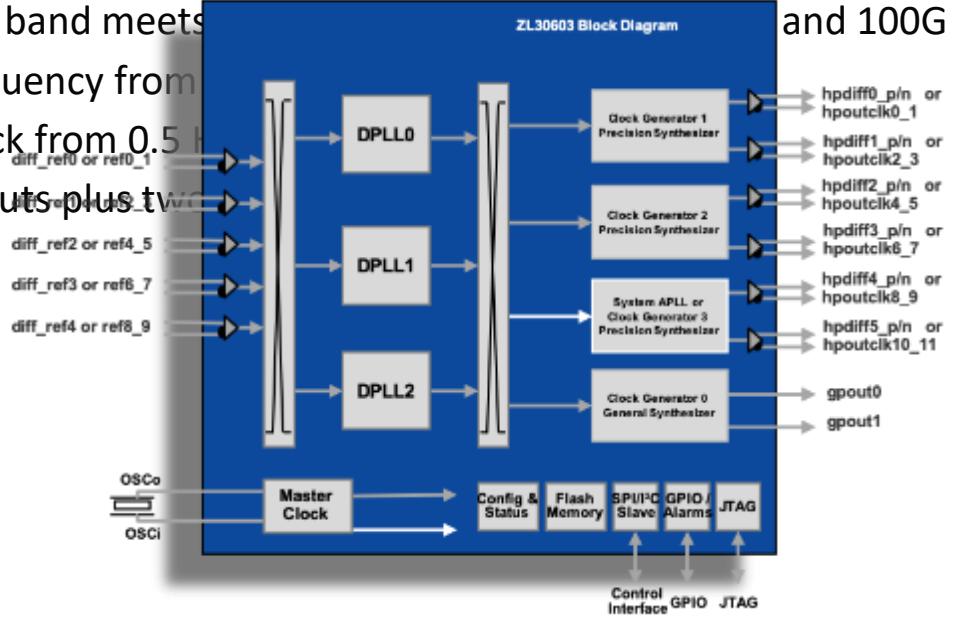
[Online Datasheet](#)

Triple Channel Network Synchronizer

Features

- Fully compliant to EEC (G.8262), SEC (G.813), GR-253 SMC and GR-1244 Stratum 3/3E
- Excellent jitter performance of 180 fs RMS in the 12 kHz to 20 MHz band meets
- Three programmable ultra-low jitter synthesizers generate any frequency from
- One programmable general-purpose synthesizer generates any clock from 0.5
- 6 differential (CML) or 12 single ended (CMOS) ultra-low jitter outputs plus tv
- Accepts up to 10 LVPECL/LVDS/HCSL/LVCMOS inputs

and 100G PHYs



[<< BACK](#)



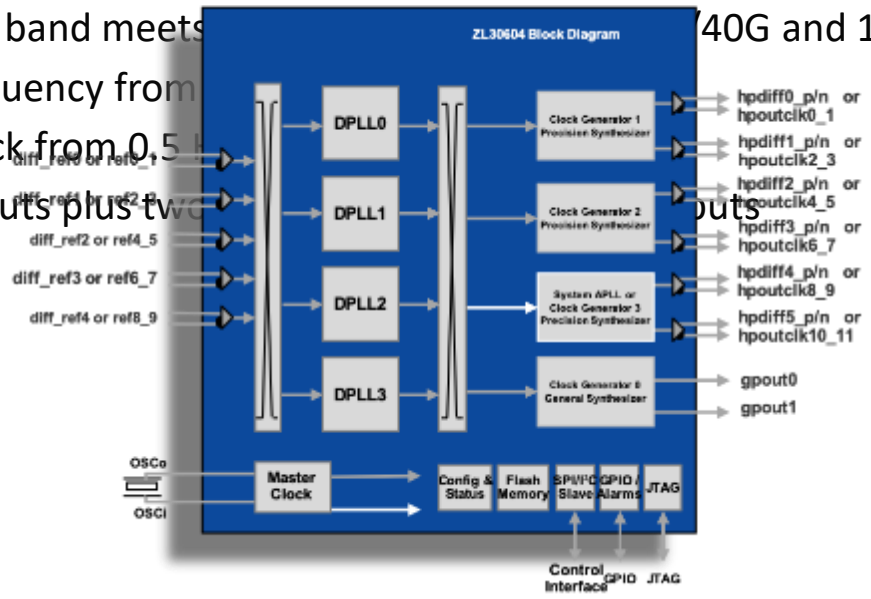
ZL30604

[Online Datasheet](#)

Quad Channel Network Synchronizer

Features

- Fully compliant to EEC (G.8262), SEC (G.813), GR-253 SMC and GR-1244 Stratum 3/3E
- Excellent jitter performance of 180 fs RMS in the 12 kHz to 20 MHz band meets 40G and 100G PHYs
- Three programmable ultra-low jitter synthesizers generate any frequency from 0.5 to 100 MHz
- One programmable general-purpose synthesizer generates any clock from 0.5 to 100 MHz
- 6 differential (CML) or 12 single ended (CMOS) ultra-low jitter outputs plus two general purpose outputs
- Accepts up to 10 LVPECL/LVDS/HCSL/LVCMOS inputs



[<< BACK](#)



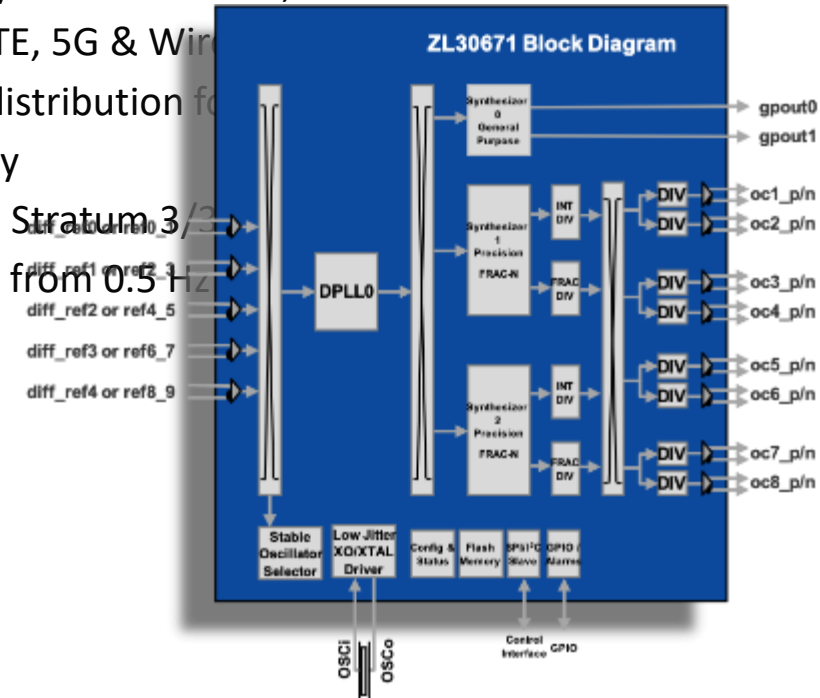
ZL30671

Online
Datasheet

Single Channel Network Synchronizer

Features

- Precise phase/frequency measurement and tuning lower system latency to meet 4G LTE, 5G & Wireless Infrastructure
- Ultra-fast lock to GPS/GNSS and 1PPS for faster power-up time for 4G LTE, 5G & Wireless Infrastructure
- Precise chip-to-chip time interfaces use less backplane traces for 1PPS distribution for 4G LTE, 5G & Wireless Infrastructure
- Split oscillator option lowers cost, lowers jitter, and provides redundancy
- Fully compliant to EEC (G.8262), SEC (G.813), GR-253 SMC and GR-1244 Stratum 3
- Two programmable ultra-low jitter synthesizers generate any frequency from 0.5 Hz



<< BACK



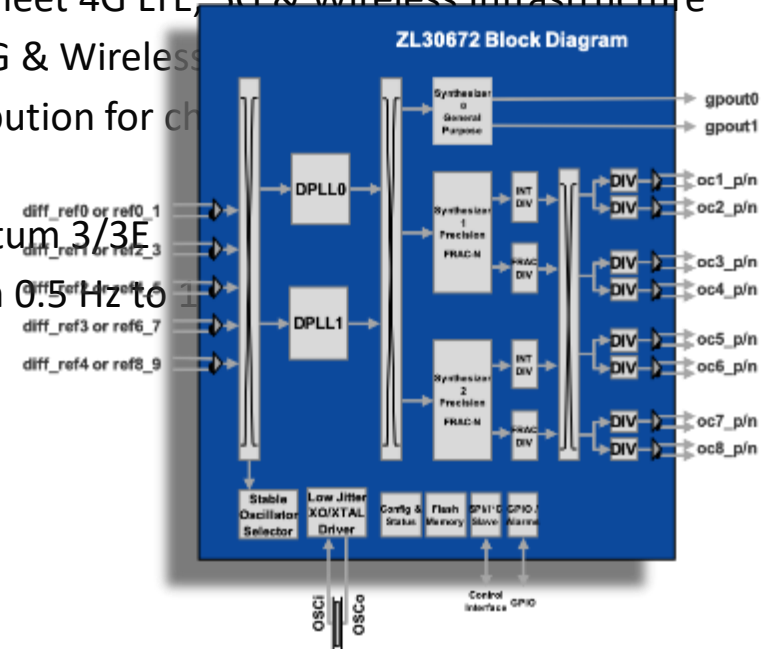
ZL30672

Online
Datasheet

Dual Channel Network Synchronizer

Features

- Precise phase/frequency measurement and tuning lower system latency to meet 4G LTE, 5G & Wireless Infrastructure
- Ultra-fast lock to GPS/GNSS and 1PPS for faster power-up time for 4G LTE, 5G & Wireless
- Precise chip-to-chip time interfaces use less backplane traces for 1PPS distribution for chip-to-chip
- Split oscillator option lowers cost, lowers jitter, and provides redundancy
- Fully compliant to EEC (G.8262), SEC (G.813), GR-253 SMC and GR-1244 Stratum 3/3E
- Two programmable ultra-low jitter synthesizers generate any frequency from 0.5 Hz to 100 MHz



<< BACK



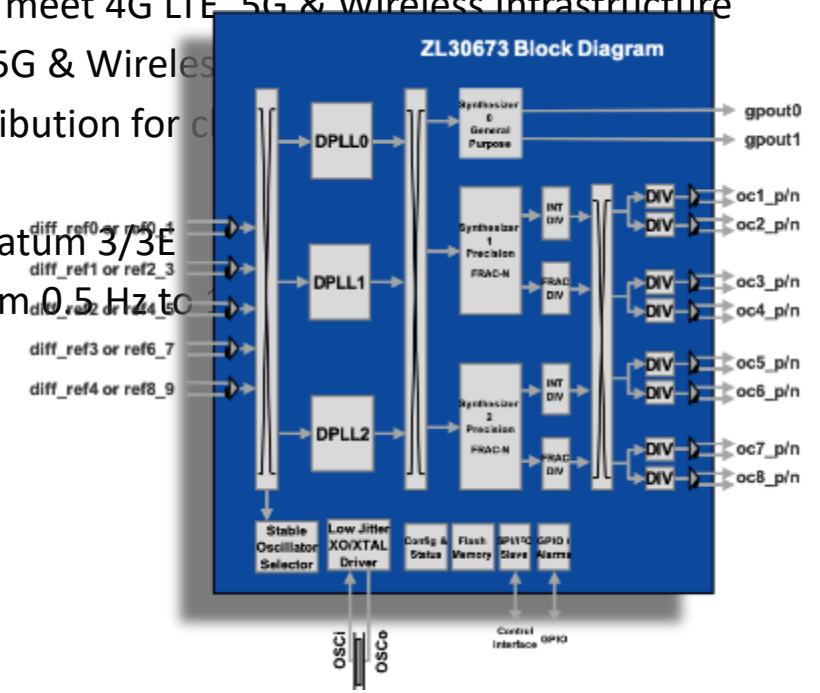
ZL30673

Online
Datasheet

Triple Channel Network Synchronizer

Features

- Precise phase/frequency measurement and tuning lower system latency to meet 4G LTE, 5G & Wireless Infrastructure
- Ultra-fast lock to GPS/GNSS and 1PPS for faster power-up time for 4G LTE, 5G & Wireless Infrastructure
- Precise chip-to-chip time interfaces use less backplane traces for 1PPS distribution for carrier aggregation
- Split oscillator option lowers cost, lowers jitter, and provides redundancy
- Fully compliant to EEC (G.8262), SEC (G.813), GR-253 SMC and GR-1244 Stratum 3/3E
- Two programmable ultra-low jitter synthesizers generate any frequency from 0.5 Hz to 100 MHz



<< BACK



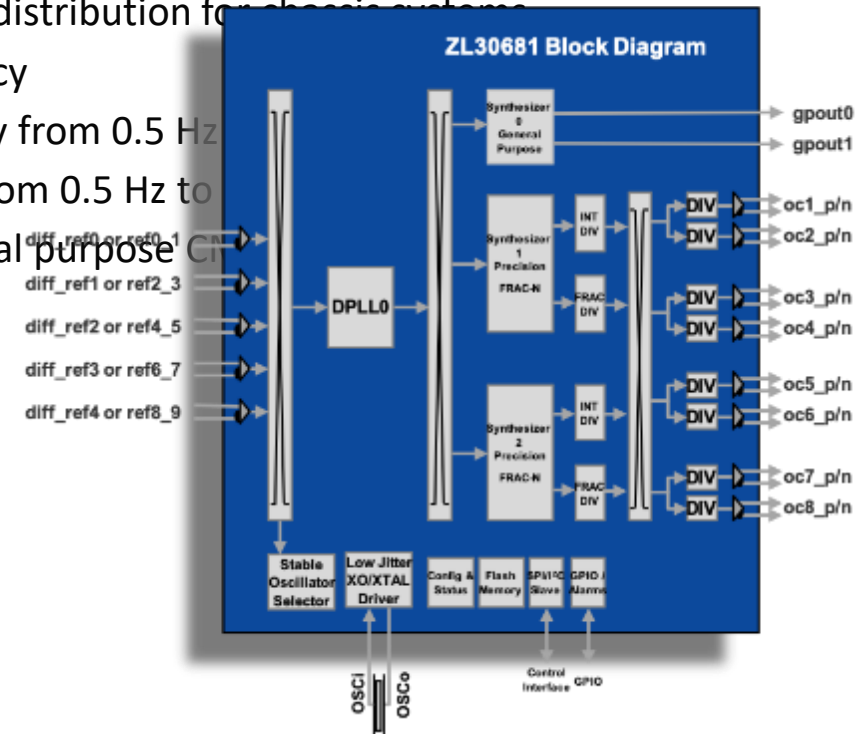
ZL30681

Online
Datasheet

Single Channel Clock Translator

Features

- Precise phase/frequency measurement and tuning lower system latency to meet 4G LTE, 5G & Wireless Infrastructure
- Precise chip-to-chip time interfaces use less backplane traces for 1PPS distribution for chassis systems
- Split oscillator option lowers cost, lowers jitter, and provides redundancy
- Two programmable ultra-low jitter synthesizers generate any frequency from 0.5 Hz to 100 MHz
- One programmable general-purpose synthesizer generates any clock from 0.5 Hz to 100 MHz
- 8 differential or 16 single ended ultra-low jitter outputs plus two general purpose CMOS



<< BACK



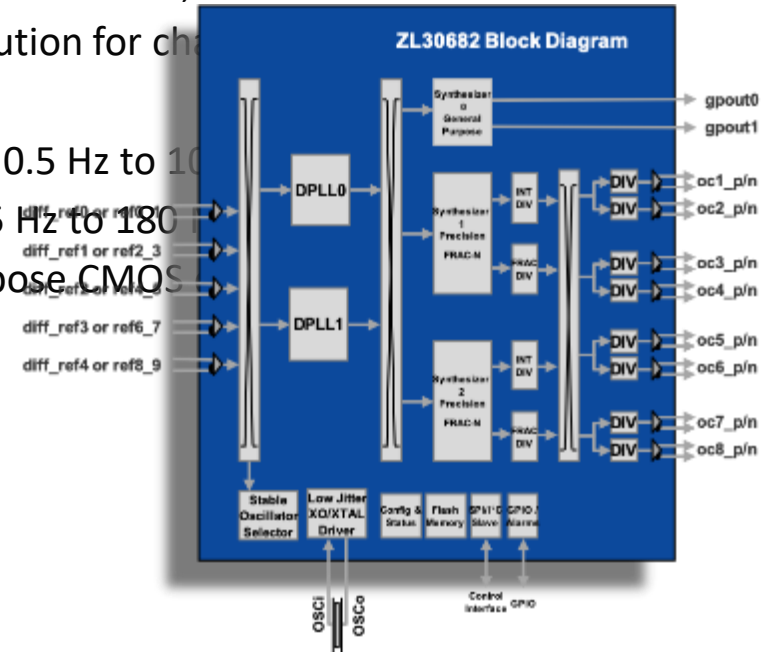
ZL30682

Online
Datasheet

Dual Channel Clock Translator

Features

- Precise phase/frequency measurement and tuning lower system latency to meet 4G LTE, 5G & Wireless Infrastructure
- Precise chip-to-chip time interfaces use less backplane traces for 1PPS distribution for ch
- Split oscillator option lowers cost, lowers jitter, and provides redundancy
- Two programmable ultra-low jitter synthesizers generate any frequency from 0.5 Hz to 10
- One programmable general-purpose synthesizer generates any clock from 0.5 Hz to 180
- 8 differential or 16 single ended ultra-low jitter outputs plus two general purpose CMOS



<< BACK



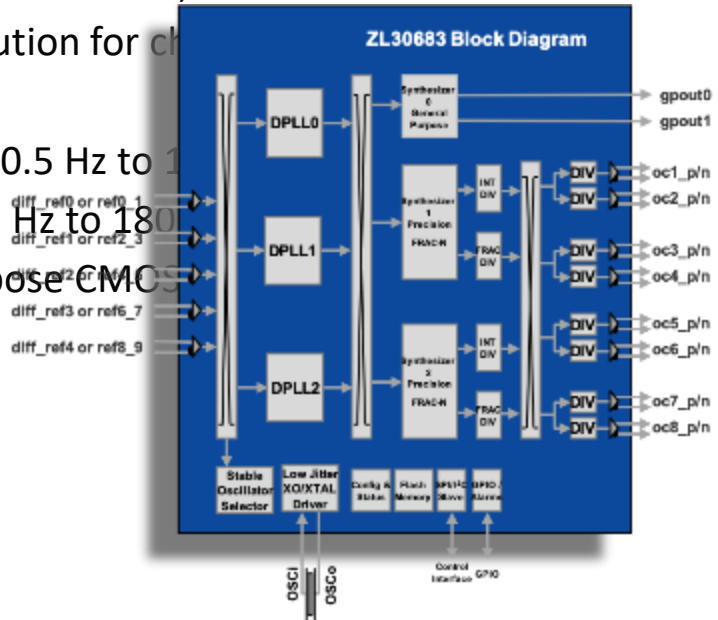
ZL30683

Online
Datasheet

Triple Channel Clock Translator

Features

- Precise phase/frequency measurement and tuning lower system latency to meet 4G LTE, 5G & Wireless Infrastructure
- Precise chip-to-chip time interfaces use less backplane traces for 1PPS distribution for clock
- Split oscillator option lowers cost, lowers jitter, and provides redundancy
- Two programmable ultra-low jitter synthesizers generate any frequency from 0.5 Hz to 180 MHz
- One programmable general-purpose synthesizer generates any clock from 0.5 Hz to 180 MHz
- 8 differential or 16 single ended ultra-low jitter outputs plus two general purpose CMCs



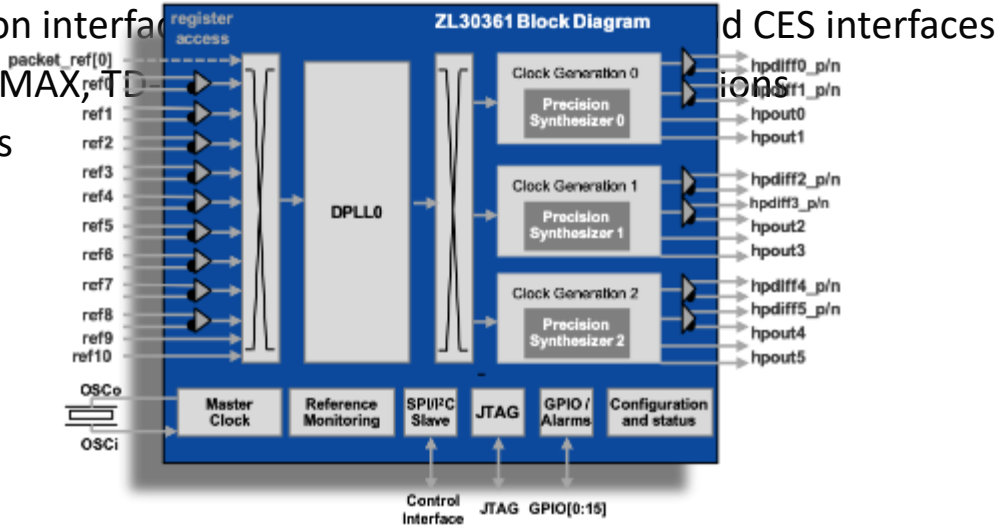
ZL30361

Online
Datasheet

IEEE 1588 & Synchronous Ethernet Packet Single Channel Clock Network Synchronizer

Features

- Single High quality DPLL channel
- Frequency and Phase Sync over Packet Networks
 - Frequency accuracy performance for WCDMA-FDD, GSM, LTE-FDD and femtocell applications
 - Frequency performance for ITU-T G.823 and G.824 synchronization interfaces
 - Phase Synchronization performance for WCDMA-TDD, Mobile WiMAX, TD-LTE
 - Client holdover and reference switching between multiple Servers



<< BACK



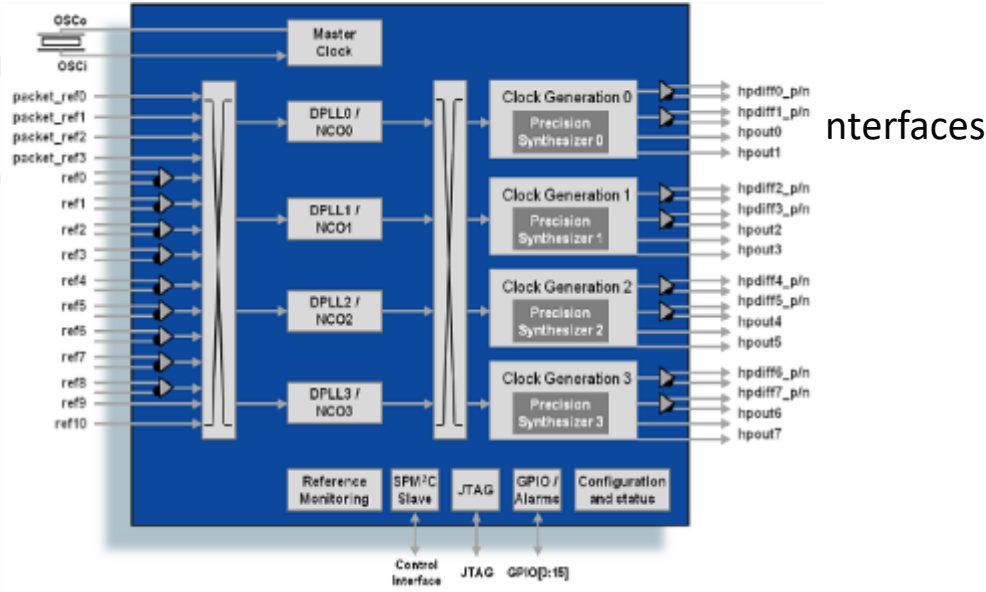
ZL30362

Online
Datasheet

IEEE 1588 & Synchronous Ethernet Packet Clock Quad Channel Network Synchronizer

Features

- Four independent DPLLs with programmable bandwidth from 0.1 mHz up to 1 kHz
- Frequency and Phase Sync over Packet Networks
 - Frequency accuracy performance for WCDMA-FDD, GSM, LTE-FDD
 - Frequency performance for ITU-T G.823 and G.824 synchronization
 - Phase synchronization performance for WCDMA-Tdd, Mobile WiMax
 - Client holdover and reference switching between multiple servers



Interfaces



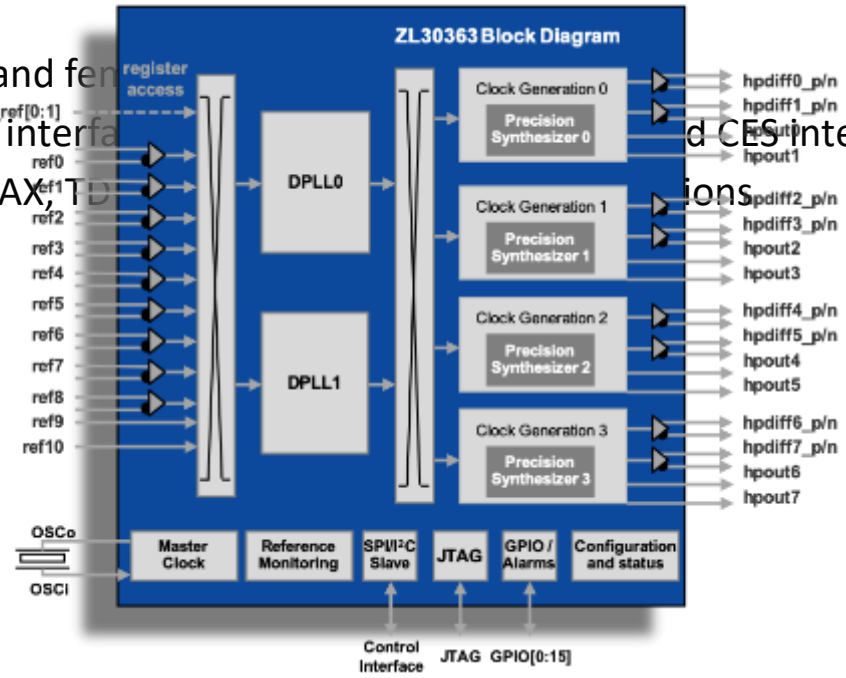
ZL30363

Online Datasheet

IEEE 1588 & Synchronous Ethernet Packet Dual Channel Clock Network Synchronizer

Features

- Two independent clock channels
- Frequency and Phase Sync over Packet Networks
 - Frequency accuracy performance for WCDMA-FDD, GSM, LTE-FDD and femto
 - Frequency performance for ITU-T G.823 and G.824 synchronization interfa
 - Phase Synchronization performance for WCDMA-TDD, Mobile WiMAX, TD
- Client holdover and reference switching between multiple Servers



and CES interfaces
options

<< BACK



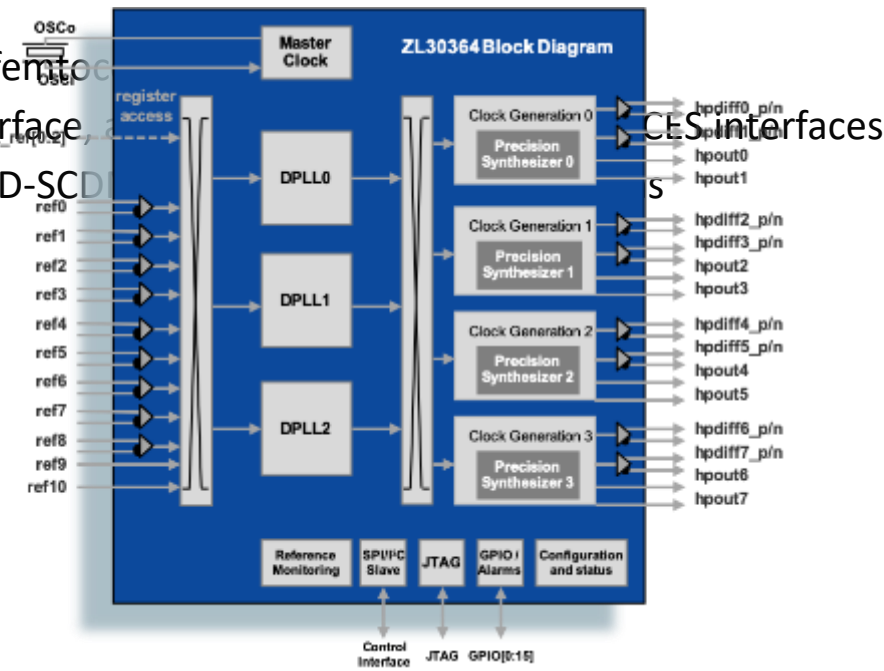
ZL30364

Online
Datasheet

IEEE 1588 & Synchronous Ethernet Packet Triple Channel Clock Network Synchronizer

Features

- Three independent DPLLs with programmable bandwidth from 0.1 mHz up to 1 kHz
- Frequency and Phase Sync over Packet Networks
 - Frequency accuracy performance for WCDMA-FDD, GSM, LTE-FDD and femto
 - Frequency performance for ITU-T G.823 and G.824 synchronization interface
 - Phase synchronization performance for WCDMA-Tdd, Mobile WiMAX, TD-SCD
 - Client holdover and reference switching between multiple servers



<< BACK



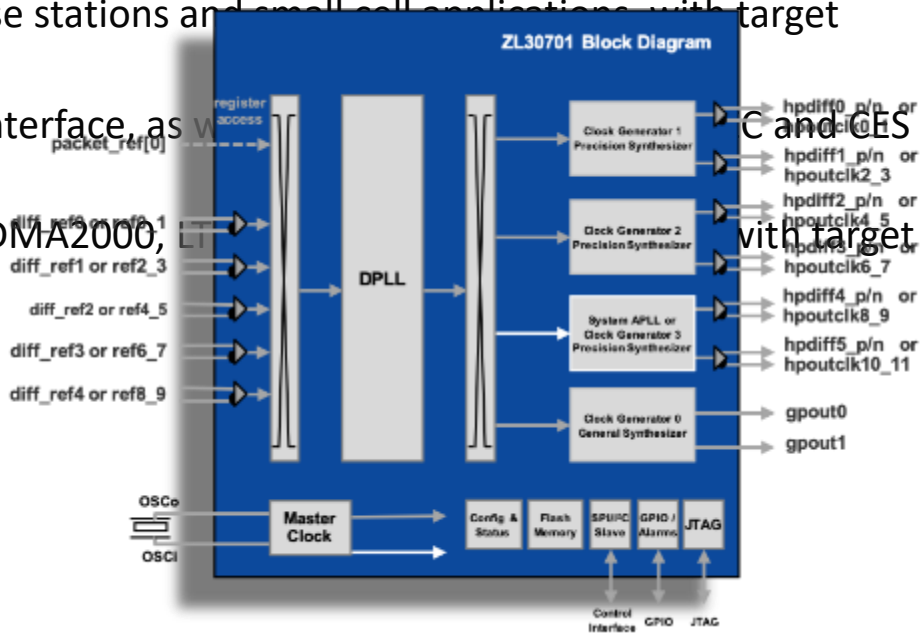
ZL30701

Online
Datasheet

IEEE 1588 & Synchronous Ethernet Packet Single Channel Clock Network Synchronizer

Features

- Fully compliant to EEC (G.8262), SEC (G.813), GR-253 SMC and GR-1244 Stratum 3/3E
- Frequency accuracy performance for GSM, WCDMAFDD, LTE-FDD base stations and small cell applications with target performance less than ± 15 ppb
- Frequency performance for ITU-T G.823 and G.824 synchronization interface, as well as Ethernet and CES interface specifications
- Phase Synchronization performance for WCDMA-TDD, TD-SCDMA, CDMA2000, LTE with target performance less than ± 1 μ s phase alignment



<< BACK



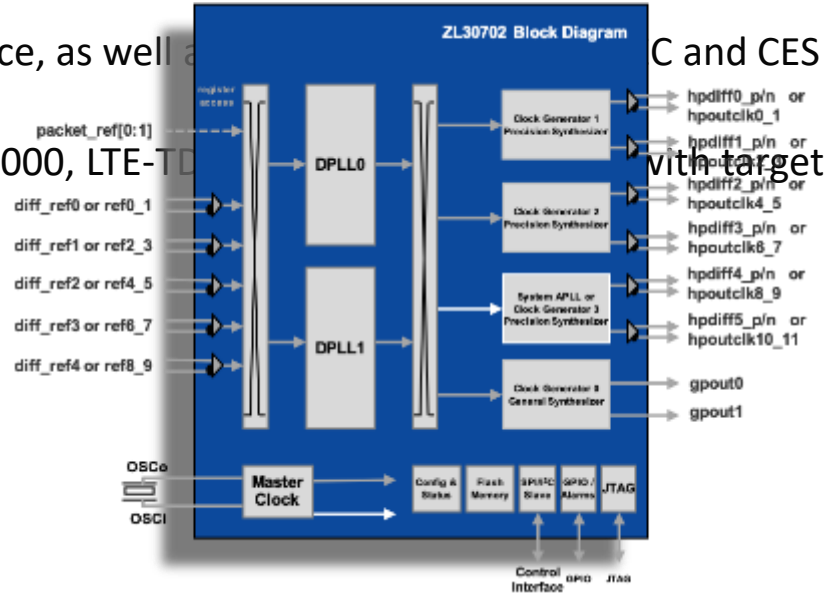
ZL30702

Online Datasheet

IEEE 1588 & Synchronous Ethernet Packet Dual Channel Clock Network Synchronizer

Features

- Fully compliant to EEC (G.8262), SEC (G.813), GR-253 SMC and GR-1244 Stratum 3/3E
- Frequency accuracy performance for GSM, WCDMAFDD, LTE-FDD base stations and small cell applications, with target performance less than ± 15 ppb
- Frequency performance for ITU-T G.823 and G.824 synchronization interface, as well as IEEE 1588-2008 and IEEE 1588-2008-3 synchronization interface specifications
- Phase Synchronization performance for WCDMA-TDD, TD-SCDMA, CDMA2000, LTE-TDD with target performance less than ± 1 μ s phase alignment
- Client holdover and reference switching between multiple Servers



<< BACK



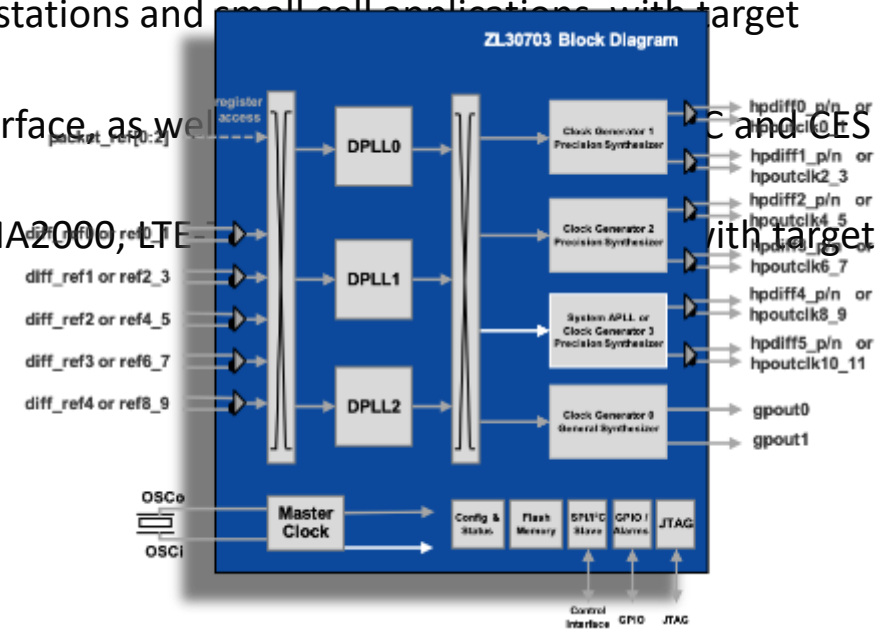
ZL30703

Online Datasheet

IEEE 1588 & Synchronous Ethernet Packet Triple Channel Clock Network Synchronizer

Features

- Fully compliant to EEC (G.8262), SEC (G.813), GR-253 SMC and GR-1244 Stratum 3/3E
- Frequency accuracy performance for GSM, WCDMAFDD, LTE-FDD base stations and small cell applications with target performance less than ± 15 ppb
- Frequency performance for ITU-T G.823 and G.824 synchronization interface, as well as IEEE 1588-2008 and IEEE 1588-2008-3 interface specifications
- Phase Synchronization performance for WCDMA-TDD, TD-SCDMA, CDMA2000, LTE and GSM with target performance less than ± 1 μ s phase alignment
- Client holdover and reference switching between multiple Servers



<< BACK



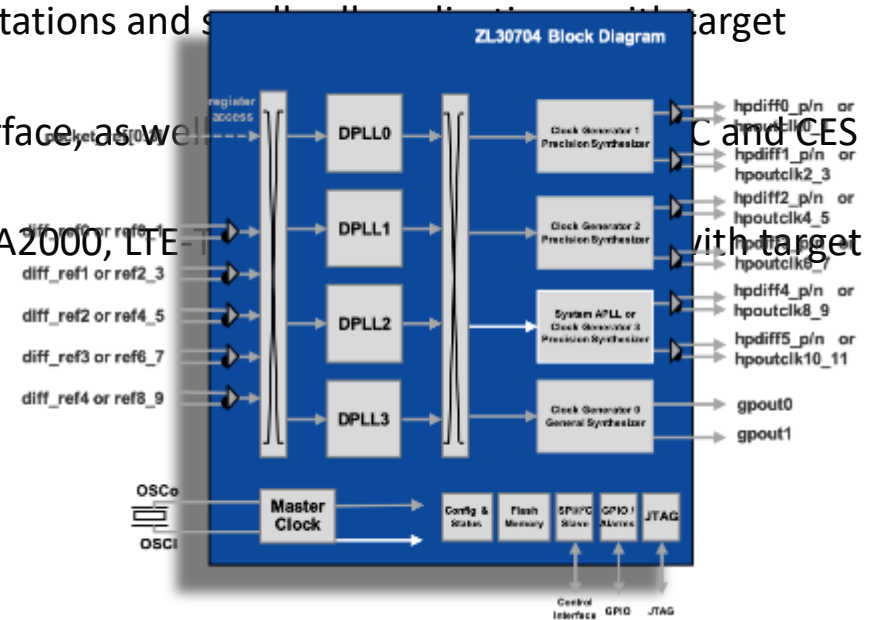
ZL30704

Online
Datasheet

IEEE 1588 & Synchronous Ethernet Packet Quad Channel Clock Network Synchronizer

Features

- Fully compliant to EEC (G.8262), SEC (G.813), GR-253 SMC and GR-1244 Stratum 3/3E
- Frequency accuracy performance for GSM, WCDMAFDD, LTE-FDD base stations and servers with target performance less than ± 15 ppb
- Frequency performance for ITU-T G.823 and G.824 synchronization interface, as well as Ethernet SyncE interface specifications
- Phase Synchronization performance for WCDMA-TDD, TD-SCDMA, CDMA2000, LTE and Ethernet SyncE interface specifications with target performance less than ± 1 μ s phase alignment
- Client holdover and reference switching between multiple Servers



<< BACK



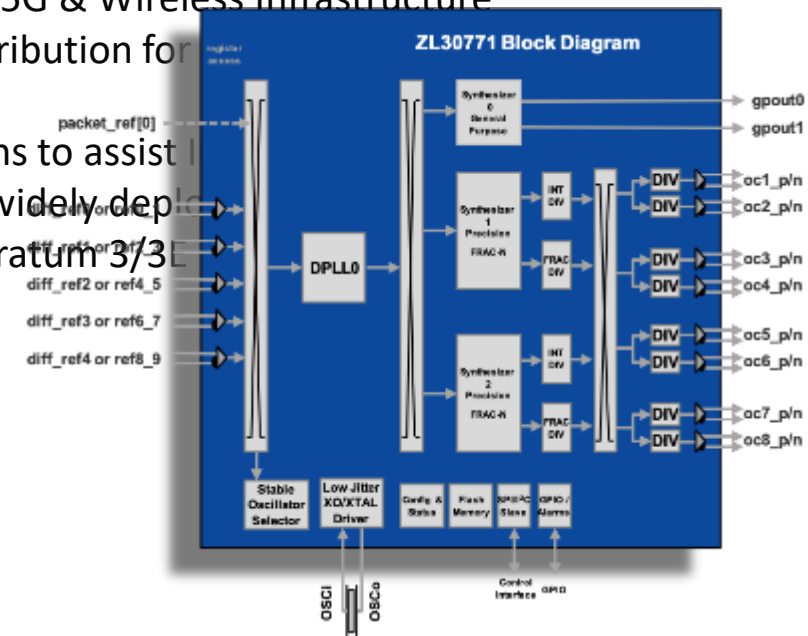
ZL30771

Online
Datasheet

IEEE 1588 & Synchronous Ethernet Packet Single Channel Clock Network Synchronizers

Features

- Precise phase/frequency measurement and tuning lower system latency to meet 4G LTE, 5G & Wireless Infrastructure
- Ultra-fast lock to GPS/GNSS and 1PPS for faster power-up time for 4G LTE, 5G & Wireless Infrastructure
- Precise chip-to-chip time interfaces use less backplane traces for 1PPS distribution for
- Split oscillator option lowers cost, lowers jitter, and provides redundancy
- SyncE assist for high-accuracy IEEE 1588 provide lower cost end applications to assist
- Sophisticated packet clock recovery algorithms are field proven and most widely dep
- Fully compliant to EEC (G.8262), SEC (G.813), GR-253 SMC and GR-1244 Stratum 3/3



<< BACK



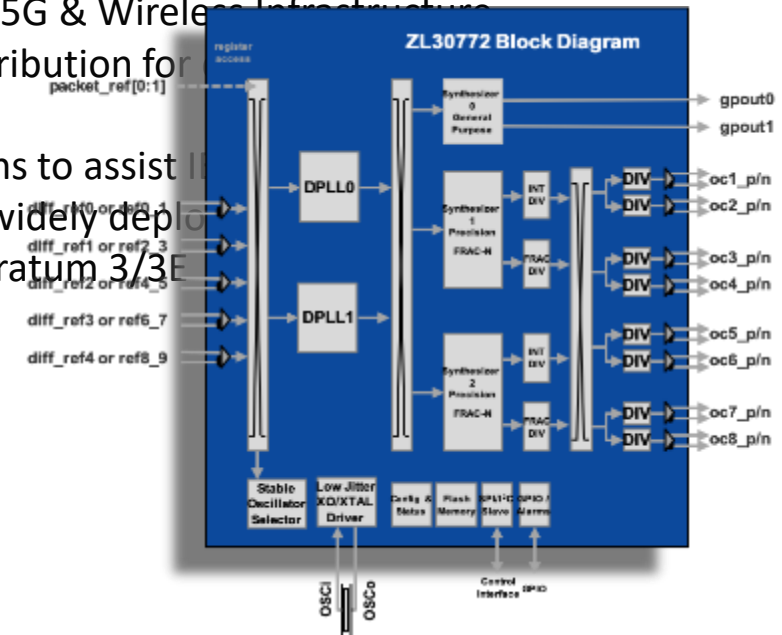
ZL30772

[Online Datasheet](#)

IEEE 1588 & Synchronous Ethernet Packet Dual Channel Clock Network Synchronizers

Features

- Precise phase/frequency measurement and tuning lower system latency to meet 4G LTE, 5G & Wireless Infrastructure
- Ultra-fast lock to GPS/GNSS and 1PPS for faster power-up time for 4G LTE, 5G & Wireless Infrastructure
- Precise chip-to-chip time interfaces use less backplane traces for 1PPS distribution for 4G LTE, 5G & Wireless Infrastructure
- Split oscillator option lowers cost, lowers jitter, and provides redundancy
- SyncE assist for high-accuracy IEEE 1588 provide lower cost end applications to assist 4G LTE, 5G & Wireless Infrastructure
- Sophisticated packet clock recovery algorithms are field proven and most widely deployed for 4G LTE, 5G & Wireless Infrastructure
- Fully compliant to EEC (G.8262), SEC (G.813), GR-253 SMC and GR-1244 Stratum 3/3E



[<< BACK](#)



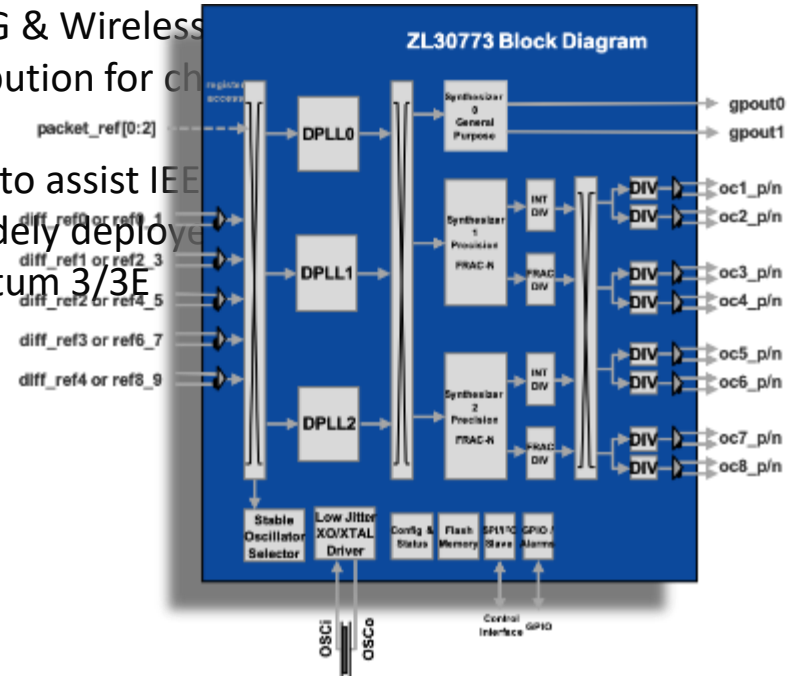
ZL30773

Online
Datasheet

IEEE 1588 & Synchronous Ethernet Packet Triple Channel Clock Network Synchronizers

Features

- Precise phase/frequency measurement and tuning lower system latency to meet 4G LTE, 5G & Wireless Infrastructure
- Ultra-fast lock to GPS/GNSS and 1PPS for faster power-up time for 4G LTE, 5G & Wireless
- Precise chip-to-chip time interfaces use less backplane traces for 1PPS distribution for ch
- Split oscillator option lowers cost, lowers jitter, and provides redundancy
- SyncE assist for high-accuracy IEEE 1588 provide lower cost end applications to assist IEEE
- Sophisticated packet clock recovery algorithms are field proven and most widely deployed
- Fully compliant to EEC (G.8262), SEC (G.813), GR-253 SMC and GR-1244 Stratum 3/3E



<< BACK



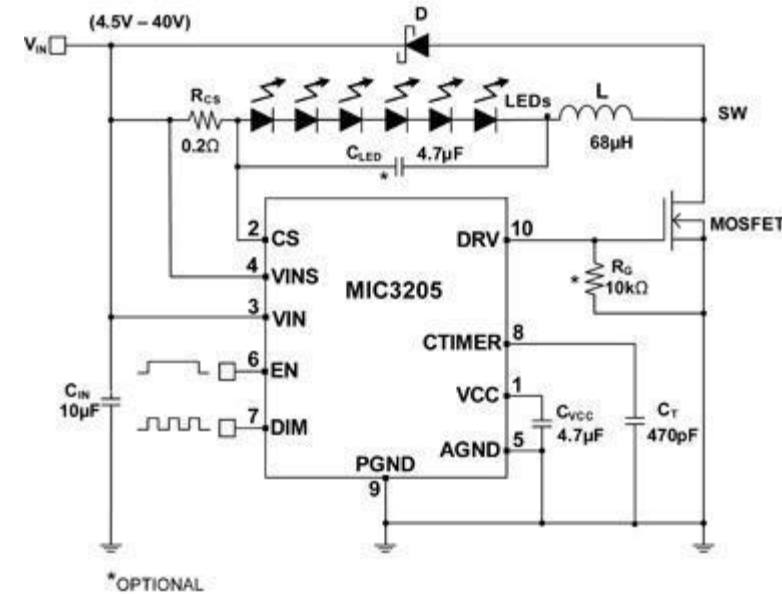
MIC3205

[Online Datasheet](#)

High-Brightness LED Driver Controller w/ Hysteretic Control

Features:

- 4.5V to 40V input voltage range
- Fixed operating frequency over input voltage range
- High efficiency (>90%)
- $\pm 5\%$ LED current accuracy
- High-side current sense
- Dedicated dimming control input
- Hysteretic control (no compensation required)
- Up to 1.5MHz switching frequency
- Adjustable constant LED current
- Over-temperature protection
- -40°C to $+125^{\circ}\text{C}$ junction temperature range



<< BACK



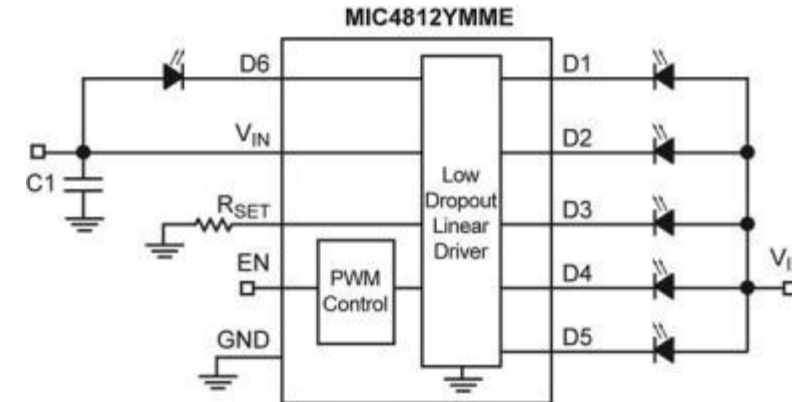
MIC4812

[Online Datasheet](#)

6-Ch Linear WLED Driver with DAM™ & Ultra Fast PWM™ Control

Features:

- High efficiency (no voltage boost losses)
- Ultra Fast PWM™ control (200Hz to 500kHz)
- Input voltage range: 3.0V to 5.5V
- LED current range up to 100mA per channel
- Programmable LED current with external resistor
- Dropout of 190mV at 100mA
- Matching better than $\pm 1\%$ (typical)
- Current accuracy better than $\pm 1\%$ (typical)
- Maintains proper regulation regardless of how –
– many channels are utilized
- 10-pin MSOP with ePad package



[<< BACK](#)



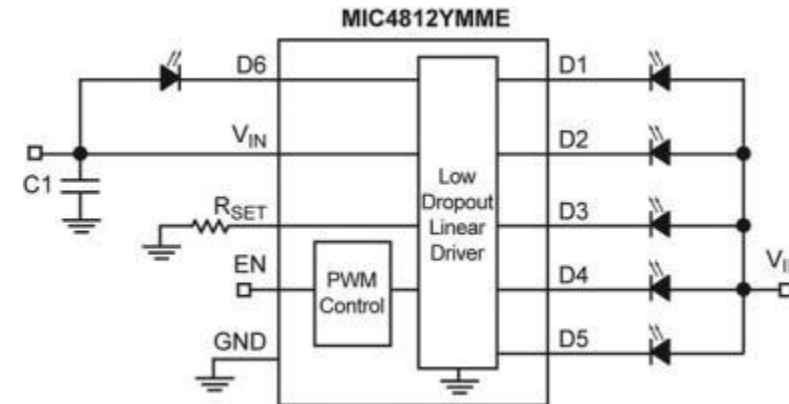
MIC4811

Online
Datasheet

6-Ch Linear WLED Driver with DAM™ & Ultra Fast PWM™ Control

Features:

- High efficiency (no voltage boost losses)
- Ultra Fast PWM™ control (200Hz to 500kHz)
- Input voltage range: 3.0V to 5.5V
- LED current range up to 50mA per channel
- Programmable LED current with external resistor
- Dropout of 100mV at 50mA
- Matching better than $\pm 1\%$ (typical)
- Current accuracy better than $\pm 1\%$ (typical)
- Maintains proper regulation regardless of how –
- many channels are utilized
- 10-pin MSOP package



<< BACK



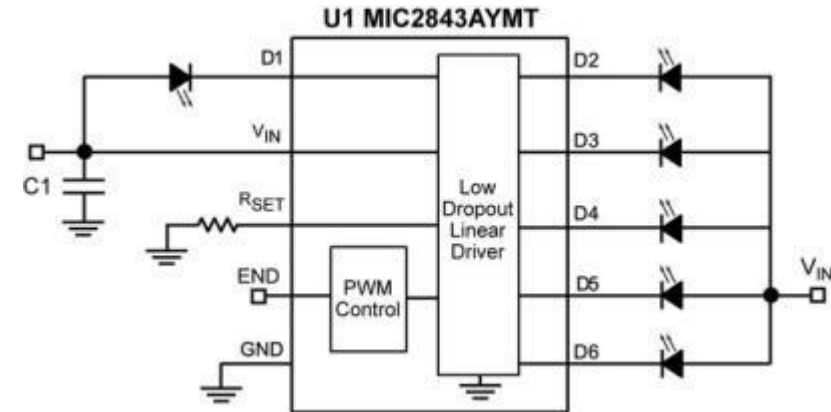
MIC2843/MIC2843A

[Online
Datasheet](#)

6-Ch Linear WLED Driver with DAM™ & Ultra Fast PWM™ Control

Features:

- High efficiency (no voltage boost losses)
- Dynamic Average Matching™ (DAM™) *
- Ultra Fast PWM™ control (200Hz to 500kHz)
- Input voltage range: 3.0V to 5.5V
- Dropout of 40mV at 20mA
- Matching better than $\pm 3\%$ (typical) - MIC2843
- Matching better than $\pm 1.5\%$ (typical) - MIC2843A
- Current accuracy better than $\pm 1.5\%$ (typical)
- Maintains proper regulation regardless of how -
- many channels are utilized
- Available in a 10-pin 2mm x 2mm Thin MLF® package



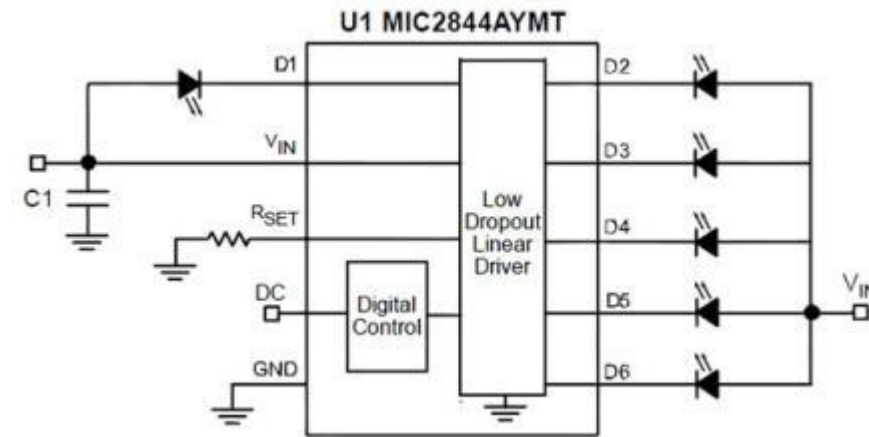
MIC2844A

[Online Datasheet](#)

6-Ch WLED Driver with DAM™ & Single Wire Digital Control

Features:

- High efficiency (no voltage boost losses)
- Dynamic Average Matching™ (DAM™)
- Single wire digital control
- Input voltage range: 3.0V to 5.5V
- Dropout of 40mV at 20mA
- Matching better than $\pm 1.5\%$ (typical)
- Current accuracy better than $\pm 1.5\%$ (typical)
- Maintains proper regulation regardless of how
 - many channels are utilized
- Available in a 10-pin 2mm x 2mm Thin MLF® - package



[<< BACK](#)



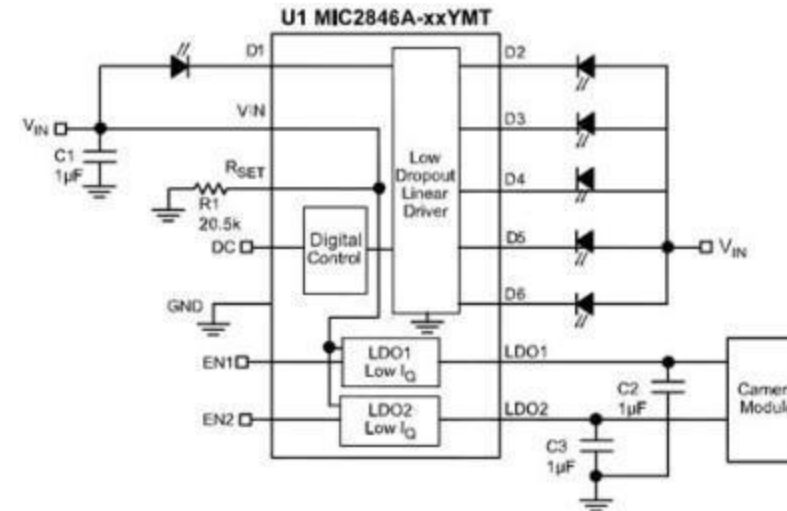
MIC2846A

Online
Datasheet

6-Ch Linear WLED Driver with DAM™ Digital Control & Dual LDOs

Features:

- High efficiency (no voltage boost losses)
- Dynamic Average Matching™ (DAM™)
- Single wire digital control
- Input voltage range: 3.0V to 5.5V
- Dropout of 40mV at 20mA
- Matching better than $\pm 1.5\%$ (typical)
- Current accuracy better than $\pm 1.5\%$ (typical)
- Maintains proper regulation regardless of how –
– many channels are utilized



<< BACK



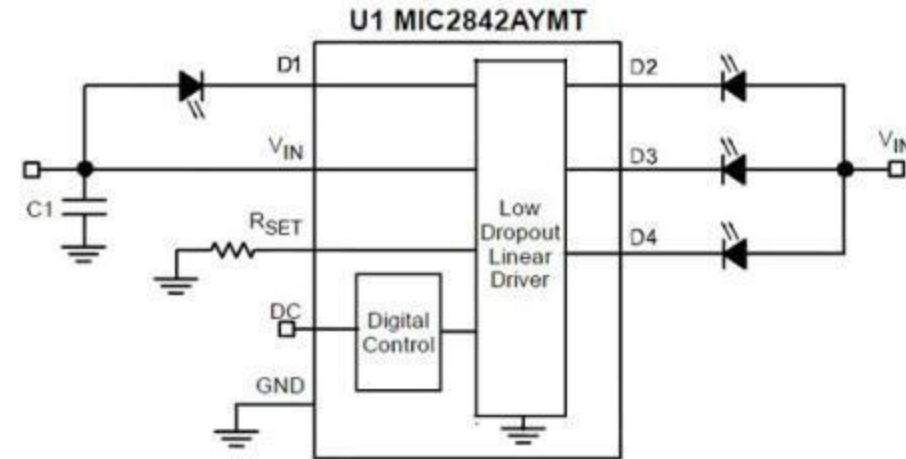
MIC2842A

[Online Datasheet](#)

4-Ch WLED Driver with DAM™ & Single Wire Digital Control

Features:

- High efficiency (no voltage boost losses)
- Dynamic Average Matching™ (DAM™)
- Single wire digital control
- Input voltage range: 3.0V to 5.5V
- Dropout of 40mV at 20mA
- Matching better than $\pm 1.5\%$ (typical)
- Current accuracy better than $\pm 1.5\%$ (typical)
- Maintains proper regulation regardless of –
 - how many channels are utilized
- Available in a 10-pin 2mm x 2mm Thin –
 - MLF® package



<< BACK



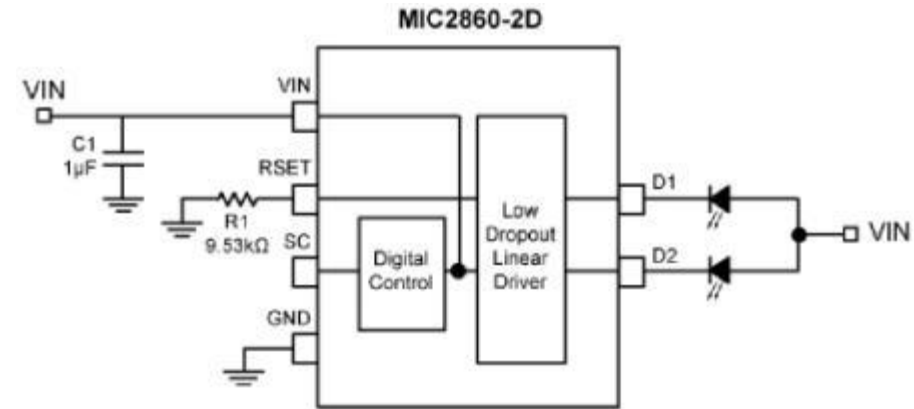
MIC2860-2D

[Online
Datasheet](#)

High Efficiency 2-Ch WLED driver with Single Wire Digital Control

Features:

- High efficiency (no switching losses)
- No charge pumps
- Two WLED driver channels
- Single wire digital control
- Input voltage range: 3.0V to 5.5V
- WLED driver dropout of 52mV at 30.2mA
- Matching better than $\pm 0.5\%$ (typical)
- Current accuracy better than $\pm 1.0\%$ (typical)
- Available in Thin SOT-23 and SC-70 6-pin –
- packages



<< BACK

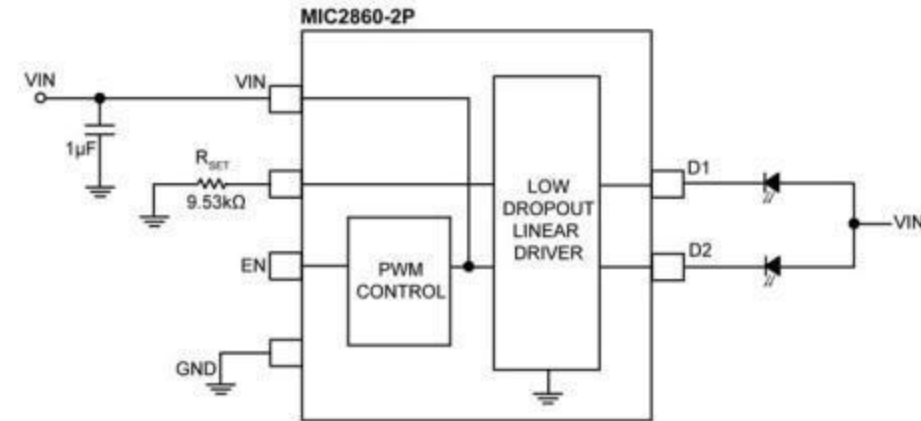
MIC2860-2P

High-Efficiency 2-Ch WLED Driver with PWM Control

[Online
Datasheet](#)

Features:

- High efficiency (no switching losses)
- PWM frequency as low as 250Hz
- Input voltage range: 3.0V to 5.5V
- Linear driver dropout of 52mV at 30.2mA
- Matching better than $\pm 0.5\%$ (typical)
- Current accuracy better than 1.0% (typical)
- Available in Thin SOT-23 and SC-70 –
- packages



[<< BACK](#)



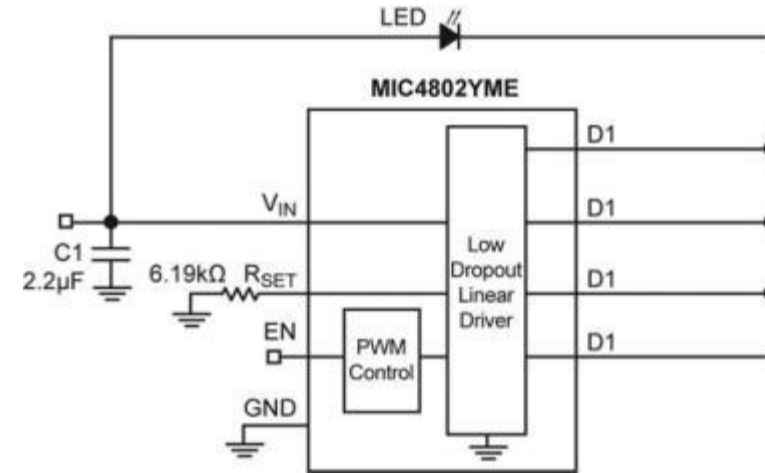
MIC4802

Online
Datasheet

800mA Linear WLED Driver w/ Ultra Fast PWM™ Control

Features:

- High efficiency (no voltage boost losses)
- Ultra Fast PWM™ control (200Hz to 500kHz)
- Input voltage range: 3.0V to 5.5V
- Dropout of 280mV at 800mA
- Programmable LED current with external resistor
- Current accuracy of $\pm 1\%$ typical



<< BACK



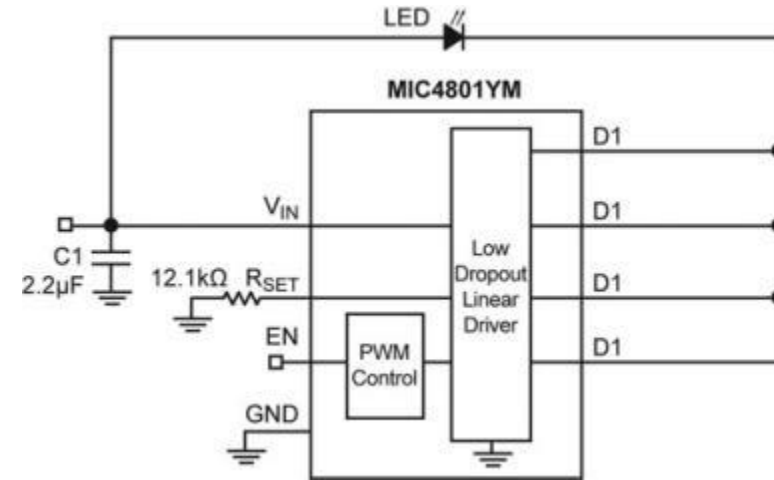
MIC4801

Online
Datasheet

600mA Linear WLED Driver w/ Ultra Fast PWM™ Control

Features:

- High efficiency (no voltage boost losses)
- Ultra Fast PWM™ control (200Hz to 500kHz)
- Input voltage range: 3.0V to 5.5V
- Dropout of 130mV at 400mA
- Programmable LED current with external resistor
- Current accuracy of $\pm 1\%$ typical



<< BACK



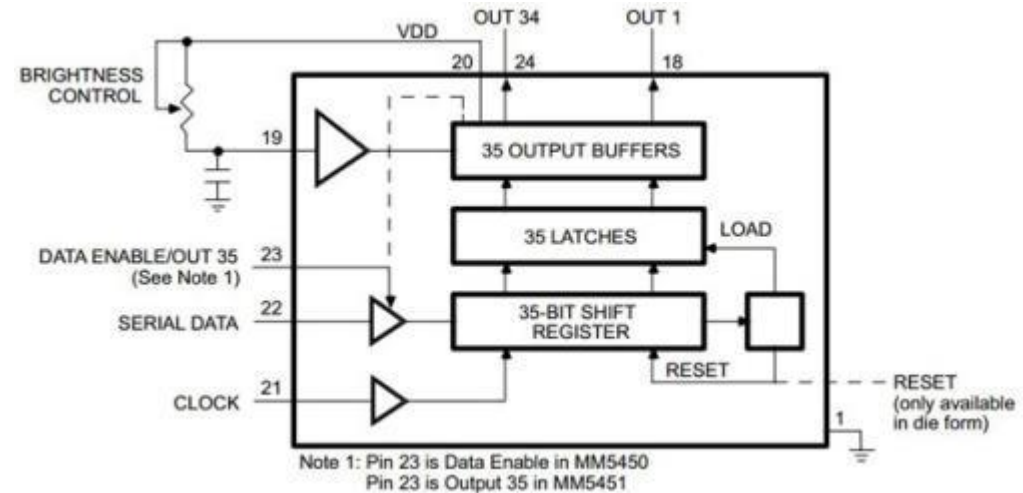
MM5450/1

LED Display Driver

[Online
Datasheet](#)

Features:

- Continuous brightness control
- Serial data input
- No load signal requirement
- Enable (on MM5450)
- Wide power supply operation
- TTL compatibility
- 34 or 35 outputs, 15mA capability
- Alphanumeric capability



<< BACK



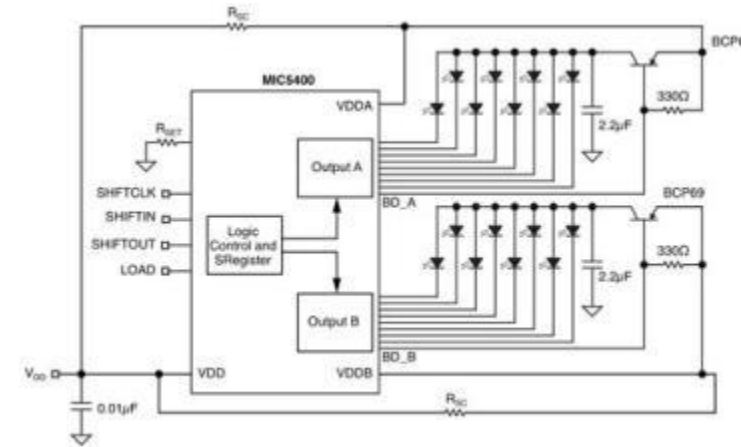
MIC5400

Online
Datasheet

Dual 8-Output 14-Bit LED Video Display Driver

Features:

- Two banks of 8 outputs
- Output characteristics:
- Current sink: 30mA:
 - Programmable brightness control:
 - Coarse: 4-Bit resolution DAC
 - Fine: 10-Bit resolution PWM
 - Resistor sets maximum LED current to -
- compensate variation in LEDs
 - Current limit on each output
- Full protection:
 - Over temperature shutdown
 - Watchdog disables output under fault condition
 - Power-on Reset [all LEDs off]
 - Soft-start on power up and watchdog recovery
 - Output open fault detection with status register read back
- Output transitions are staggered to minimize supply transients



<< BACK



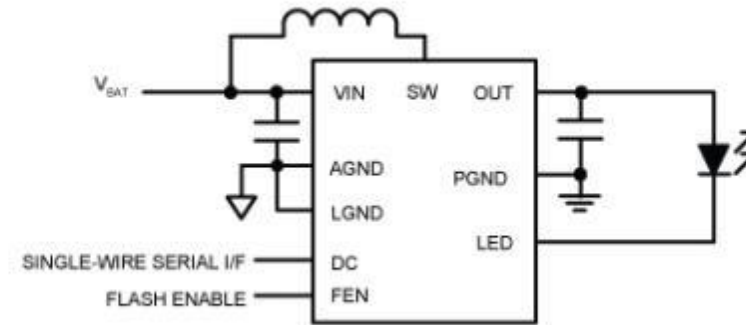
MIC2874

[Online Datasheet](#)

1.2A High-Brightness Flash LED Driver w/ Single-Wire Interface

Features:

- Up to 1.2A flash LED driving current
- Highly efficient synchronous boost driver
- Input voltage range: 2.7V to 5.5V
- True load disconnect
- Configurable safety time-out protection
- Output overvoltage protection (OVP)
- Control through single-wire serial interface or - external control pin
- LED short detection and protection
- 1 μ A shutdown current
- Available in 9-bump 1.30mm x 1.30mm WLCSP package



[<< BACK](#)



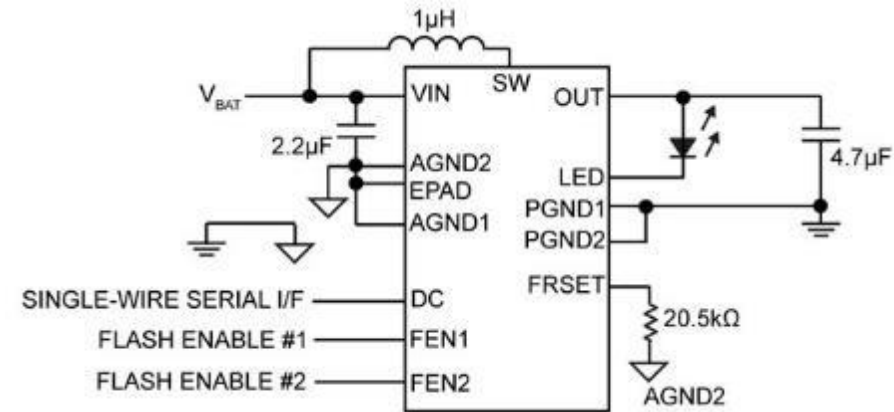
MIC2871

[Online Datasheet](#)

1.2A High-Brightness LED Flash Driver w/ Single-Wire Interface

Features:

- Up to 1.2A flash LED driving current
- $\pm 5\%$ LED current accuracy
- Input voltage range: 2.7V to 5.5V
- True load disconnect
- Configurable safety time-out protection
- Output overvoltage protection (OVP)
- Control through single-wire serial interface or - external control pins
- LED short detection and protection
- Highly efficient, synchronous boost driver (up to 94%)
- 1 μ A shutdown current
- Available in 14-pin 3mm \times 2mm LDFN package



<< BACK



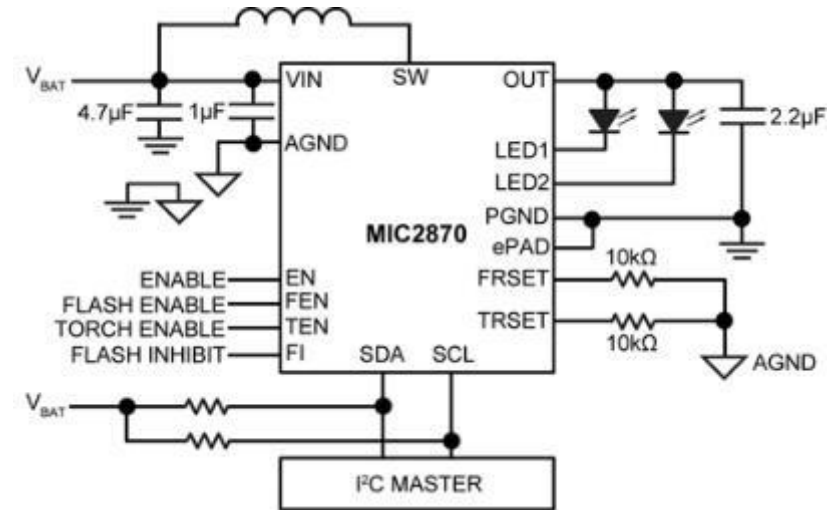
MIC2870

1.5A Synchronous Boost Flash LED Driver w/ I²C Interface

[Online Datasheet](#)

Features:

- Up to 1.5A flash LED driving current with a 2.7V - - to 5.0V input voltage range
- High-efficiency 2MHz VF adaptive boost driver
- Configurable 1 or 2 channel(s) WLED driver
- LED driving current soft-start
- Control through I²C interface or external pins
- True load disconnect
- Flash time-out protection
- 1μA shutdown current
- Available in 16-pin 2mm × 2mm TQFN package
- Flash inhibit function for GSM pulse - - synchronization



<< BACK



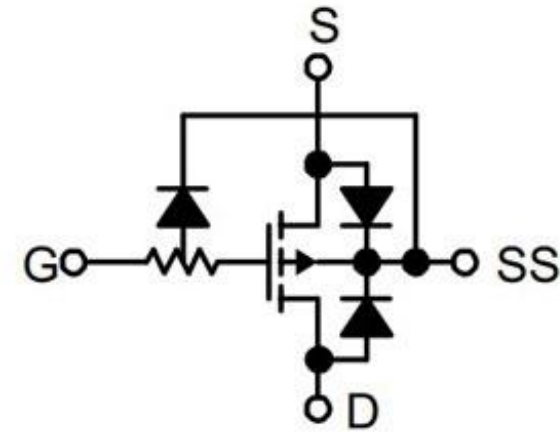
MIC94030

TinyFET® P-Channel MOSFET

[Online Datasheet](#)

Features:

- 13.5V minimum drain-to-source breakdown
- 0.75Ω typical on-resistance at 4.5V gate-to-source - voltage
- 0.45Ω typical on-resistance at 10V gate-to-source - voltage
- Operates with 2.7V gate-to-source voltage
- Separate substrate connection for added control
- Industry's smallest surface mount package



MIC94030

[<< BACK](#)



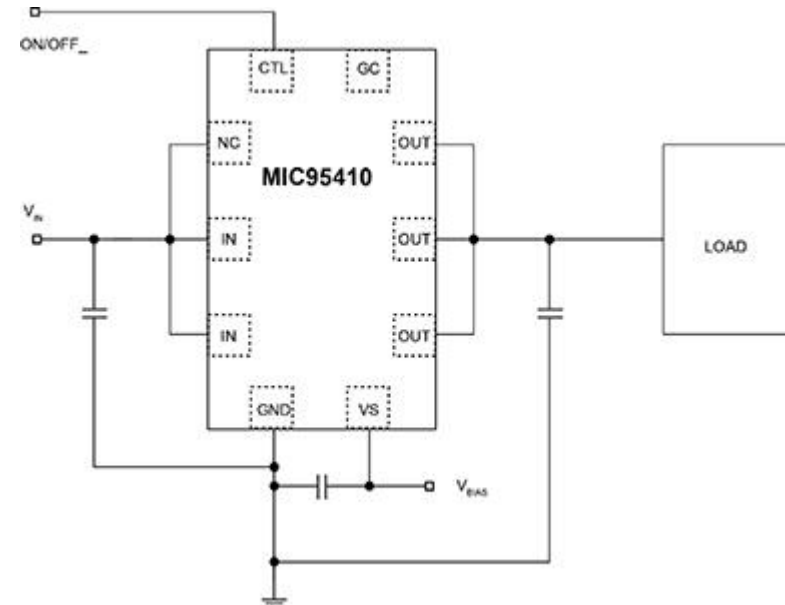
MIC95410

6.6mΩ $R_{DS(ON)}$ 7A 5.5V VIN Load Switch in 1.2×2.0 QFN Package

[Online Datasheet](#)

Features:

- Ultra-low $R_{DS(ON)}$: 6.6mΩ typical
- True 7A current capability
- Power rail switching from sub-1V to 5.5V
- Bias voltage from 2.7V to 9V
- $\leq 1\mu\text{A}$ OFF-state bias supply current
- $\leq 1\mu\text{A}$ OFF-state power switch leakage current
- Adjustable slew rate for inrush current limiting by -
- external capacitor
- Load discharge
- TTL-compatible control input
- 10-pin 1.2mm × 2.0mm QFN package, 0.5mm pin -
- pitch
- -40°C to +125°C junction temperature range



[<< BACK](#)



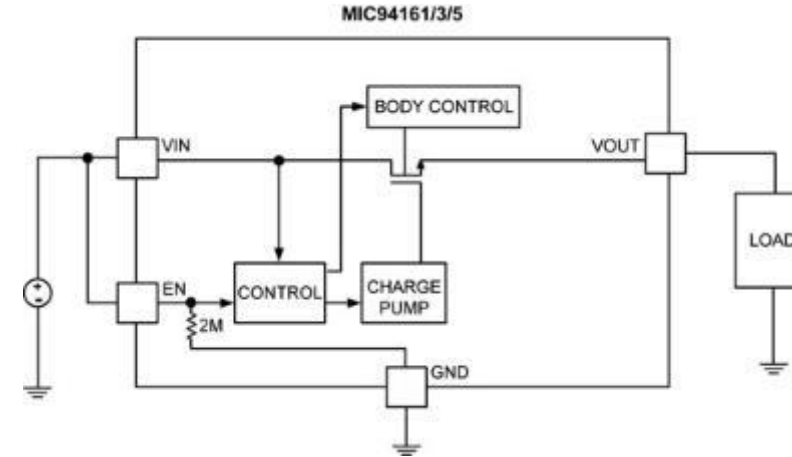
MIC94161/2/3/4/5

3A High-Side Load Switch with Reverse Blocking

[Online Datasheet](#)

Features:

- 1.5mm × 1mm 6-ball WLCSP package
- 14.5mΩ R_{DS(on)}
- 1.7V to 5.5V input voltage range
- 3A continuous operating current
- Ultra-low quiescent current
- Reverse current flow blocking (no “body diode”)
- Internal level shift for CMOS/TTL control logic
- Micropower shutdown current
- Soft-start: MIC94161/4/5 (2.7ms)
- Load discharge circuit: MIC94162/4
- Ultra-fast turn-off time
- Junction operating temperature: -40°C to +125°C



[<< BACK](#)



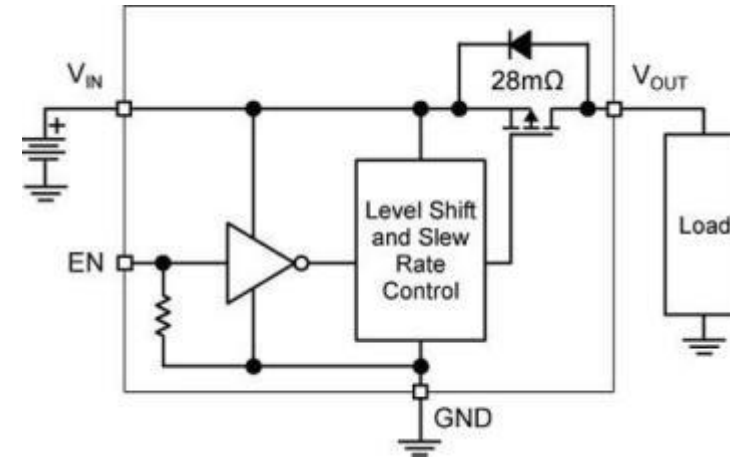
MIC94040/1/2/3

28mΩ RDSON 3A High Side Load Switch in 1.2x1.2 MLF®

[Online Datasheet](#)

Features:

- 28mΩ RDSON
- 3A continuous operating current
- 1.2mm x 1.2mm space saving 4-pin MLF® package
- 1.7V to 5.5V input voltage range
- Internal level shift for CMOS/TTL control logic
- Ultra low quiescent current
- Micro-power shutdown current
- Soft-Start: MIC94042, MIC94043
- Load discharge circuit: MIC94041, MIC94043
- Ultra fast turn off time
- Junction operating temperature: -40°C to +125°C



[<< BACK](#)



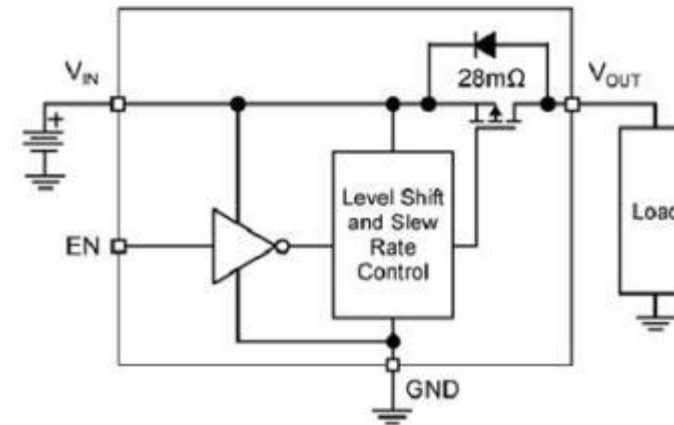
MIC94044/5

28mΩ RDS(on) 3A High Side Load Switch in 1.2x1.2 MLF®

[Online Datasheet](#)

Features:

- 28mΩ RDS(on)
- 3A continuous operating current
- 1.2mm x 1.2mm space saving 4-pin MLF® package
- 1.7V to 5.5V input voltage range
- Internal level shift for CMOS/TTL control logic
- Ultra low quiescent current
- Micro-power shutdown current
- Soft-Start: 1ms
- Load discharge circuit: MIC94045
- Ultra fast turn off time
- Junction operating temperature: -40°C to +125°C



MIC94044 (1ms soft-start)

<< BACK



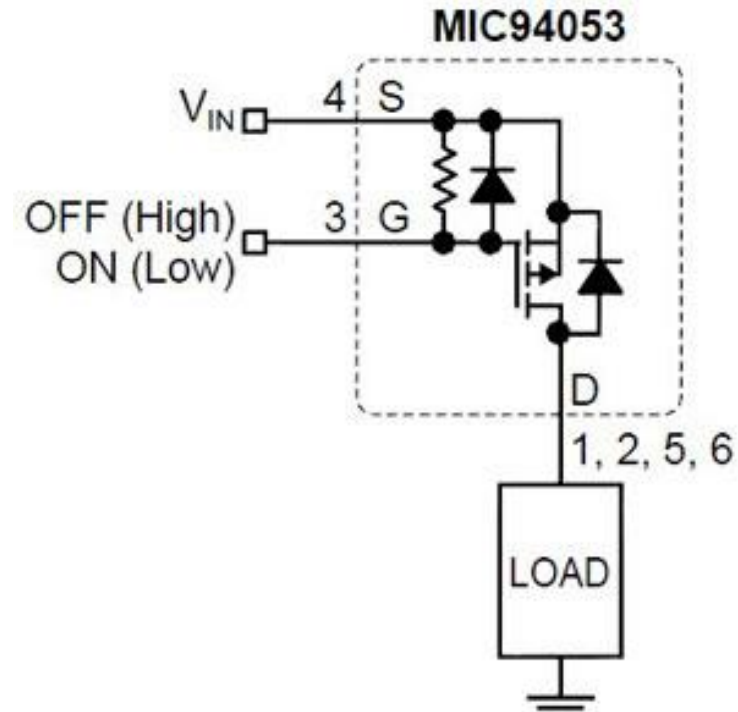
MIC94052/3

84mW P-Channel MOSFET in SC-70-6

[Online Datasheet](#)

Features:

- 1.8V to 5.5V input voltage range
- Low on-resistance P-channel MOSFET
- 70m Ω at $V_{GS} = 4.5V$ (typ)
- 2A continuous current
- V_{GS} pull-up resistor (MIC94053)
- Teeny™ SC-70-6 package
- Junction temperature range: -40°C to +150°C



<< BACK



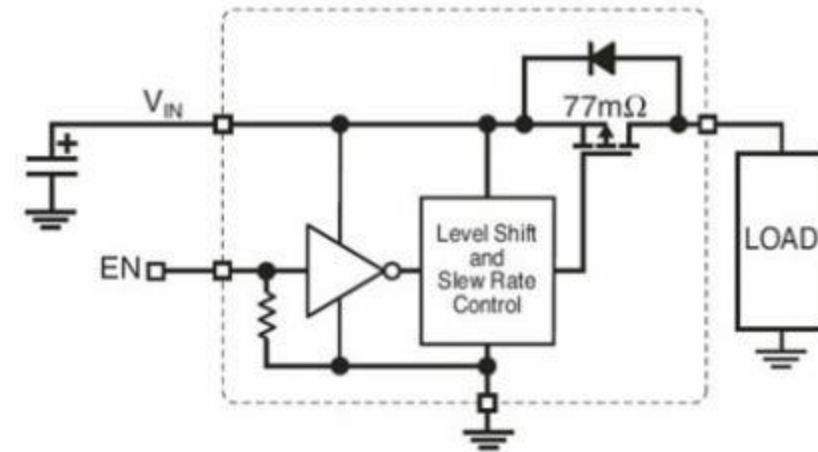
MIC94060/1/2/3

High Side Power Switches

[Online
Datasheet](#)

Features:

- High efficiency (no voltage boost losses)
- Dynamic Average Matching™ (DAM™)
- Ultra Fast PWM™ control (200Hz to 500kHz)
- Input voltage range: 3.0V to 5.5V
- Dropout of 40mV at 20mA
- Matching better than $\pm 1.5\%$ (typical)
- Current accuracy better than $\pm 1.5\%$ (typical)
- Maintains proper regulation regardless of how -
- many channels are utilized
- Available in a 10-pin 2mm x 2mm Thin MLF® -
- package



**MIC94060, 62
Load Switch Application**

<< BACK



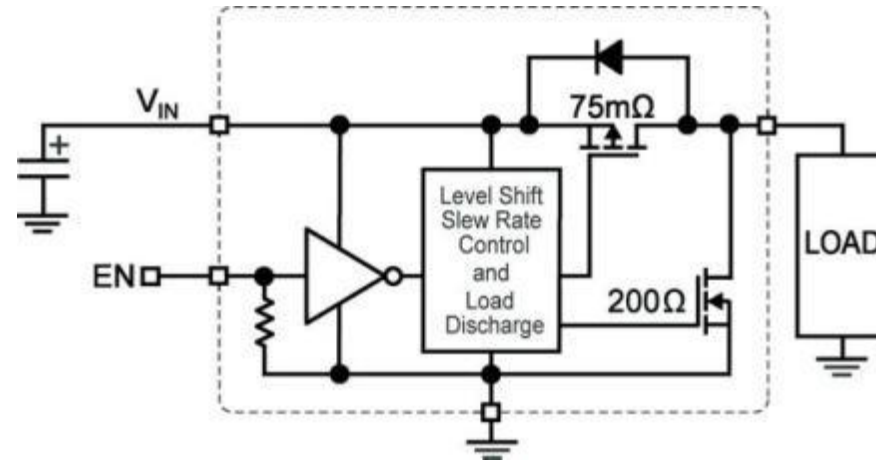
MIC94064/5

High Side Power Switches

[Online Datasheet](#)

Features:

- 1.7V to 5.5V input voltage range
- 2A continuous operating current
- 77mΩ (typ) R_{DS(on)}
- Low 2μA quiescent current
- Soft-Start: 115μs
- Micro-power shutdown <1μA
- Load discharge circuit: MIC94065
- Built-in level shift for control logic; can be –
– operated by 1.5V logic
- Space saving 1.2mm x 1.6mm Thin MLF[®] package



<< BACK



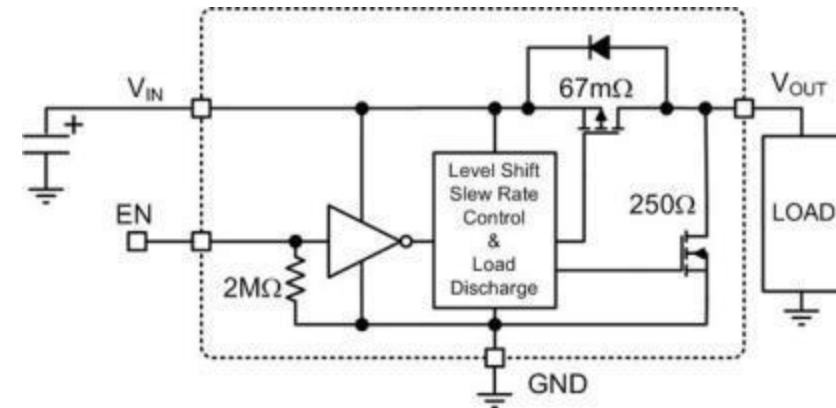
MIC94080/1/2/3/4/5

67mΩ RDS(on) 2A High Side Load Switch in 0.85x0.85 Thin MLF®

[Online Datasheet](#)

Features:

- High efficiency (no voltage boost losses)
- Dynamic Average Matching™ (DAM™)
- Ultra Fast PWM™ control (200Hz to 500kHz)
- Input voltage range: 3.0V to 5.5V
- Dropout of 40mV at 20mA
- Matching better than ±1.5% (typical)
- Current accuracy better than ±1.5% (typical)
- Maintains proper regulation regardless of how –
- many channels are utilized
- Available in a 10-pin 2mm x 2mm Thin MLF® package



<< BACK



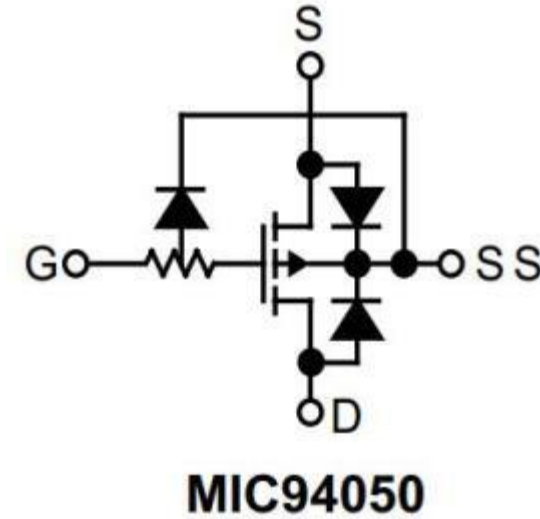
MIC94050/1

4-Terminal TinyFET® P-Channel MOSFET

[Online
Datasheet](#)

Features:

- 0.125Ω typical on-resistance at 4.5V gate-to-source – voltage
- Operates with 1.8V gate-to-source voltage
- Separate substrate connection allows reverse-blocking



<< BACK



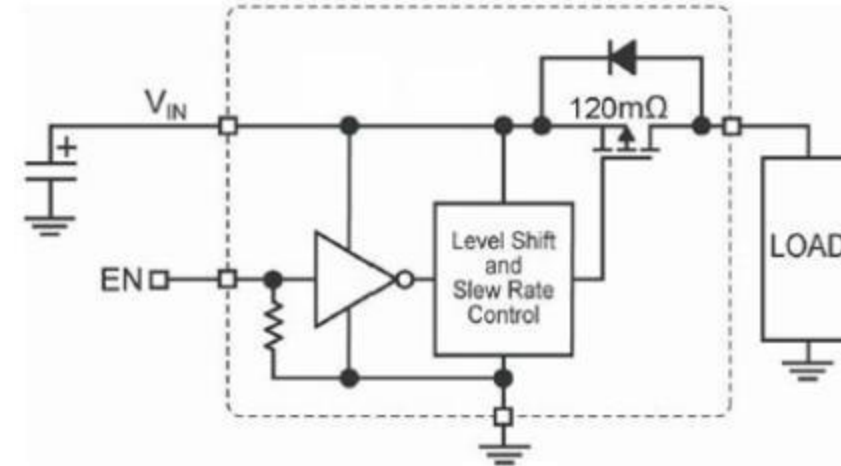
MIC94070/1/2/3

High Side Power Switches

[Online Datasheet](#)

Features:

- 1.7V to 5.5V input voltage range
- 1.2A continuous operating current
- 3A pulse current
- 120mΩ R_{DS(on)} (typical)
- Low 2μA quiescent current
- Soft-Start: MIC94072/73
- Micro-power shutdown <1μA
- Load discharge circuit: MIC94071, MIC94073
- Built-in level shift for control logic
 - Can be operated by 1.5V logic
- 1.2mm x 1.6mm Thin MLF[®] package



MIC94070, 72
Load Switch Application

<< BACK



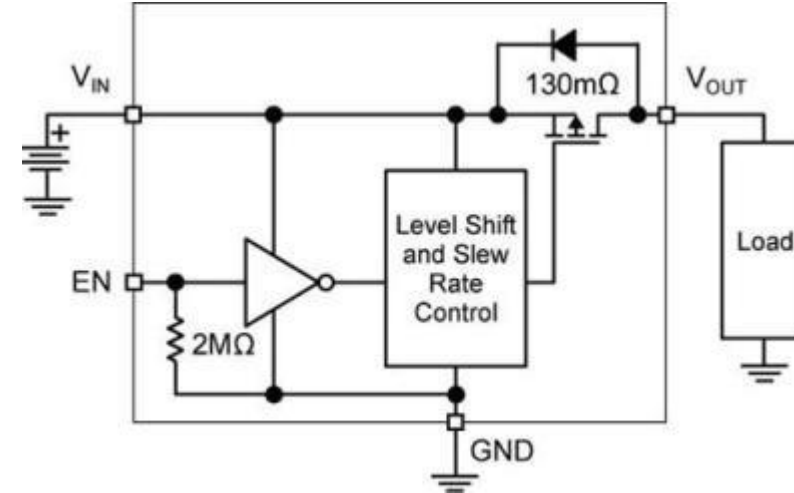
MIC94090/1/2/3/4/5

High Side Load Switches for Consumer Applications

[Online Datasheet](#)

Features:

- 1.7V to 5.5V input voltage range
- 1.2A continuous operating current
- 130m Ω R_{DS(ON)}
- Internal level shift for CMOS/TTL control logic
- Ultra low quiescent current
- Micro-power shutdown current
- Rapid turn-on: MIC94090/1
- Soft-Start: MIC94092/3 (790 μ s), MIC94094/5 – (120 μ s)
- Load discharge circuit: MIC94091/3/5
- 1.2mm x 1.2mm Thin MLF[®] and SC-70-6 packages



<< BACK



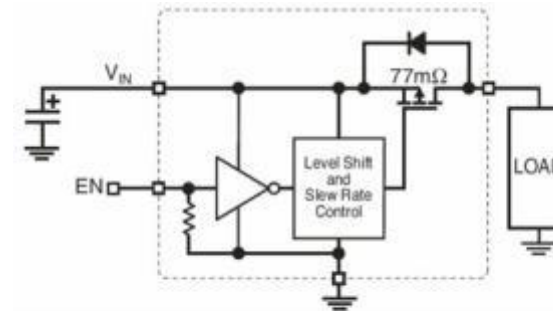
MIC94066/7/8/9

Dual High Side Power Switches

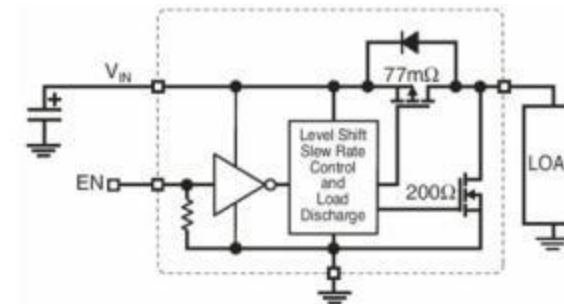
[Online
Datasheet](#)

Features:

- 1.7V to 5.5V input voltage range
- 2A continuous operating current
- 85mΩ (typ) R_{ON}
- Built-in level shift for control logic; can be operated by -1.5V logic
- Low 2μA quiescent current
- Soft-Start: MIC94068-69
- Micro-power shutdown <1μA
- Load discharge circuit: MIC94067, MIC94069
- Space saving 2mm x 2mm MLF[®] package



½ MIC94066, 68
Load Switch Application



½ MIC94067, 69
Load Switch with Capacitive Load Discharge

<< BACK



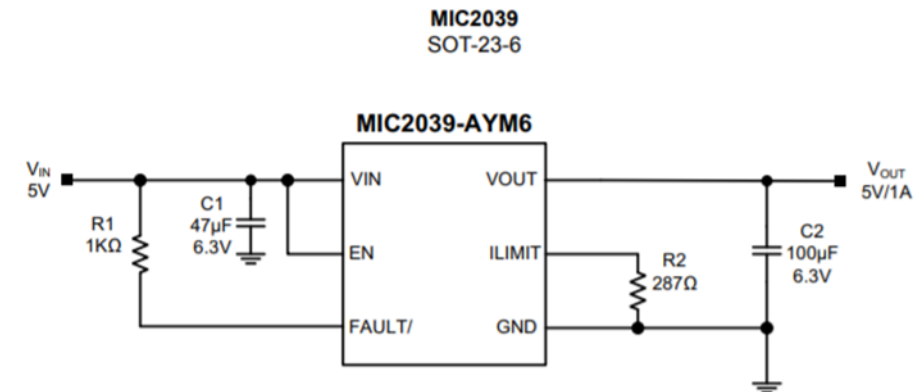
MIC2039

Online
Datasheet

High-Accuracy, High-Side, Adjustable Current-Limit Power Switch

Features:

- 75m Ω typical $R_{DS(ON)}$ at 5V
- Input supply range from 2.5V to 5.5V
- $\pm 5\%$ current-limit accuracy
- Low quiescent current: 100 μ A typical (Switch ON)
- 0.2A to 2.5A adjustable output current
- Kickstart: momentary secondary current-limit threshold (120ms period)
- Soft-start functionality
- Undervoltage Lockout (UVLO)
- Fast 10 μ s short-circuit response time (non-kickstart options)
- Fault status output flag
- Logic controlled enable (Active-high, Active-low)
- Thermal shutdown
- Pin compatible with MIC2009/MIC2019
- 6-pin 2mm x 2mm thin DFN and 6-pin SOT-23 packages
- Junction temperature range from -40°C to $+125^{\circ}\text{C}$



<< BACK



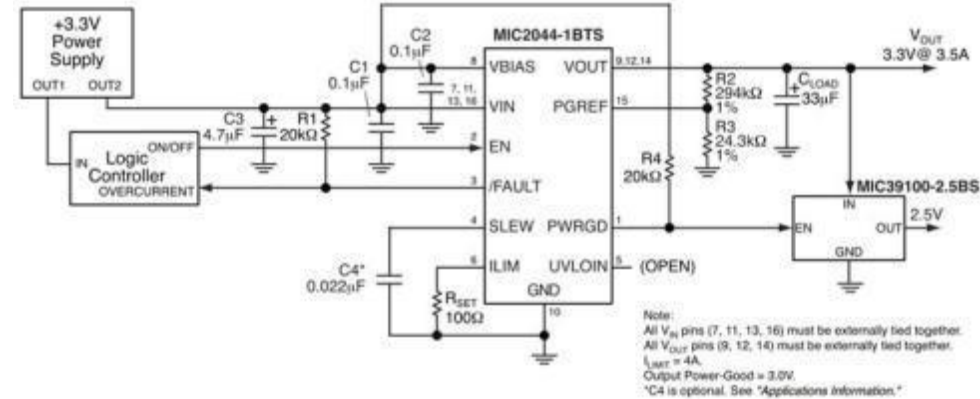
MIC2044/45

High Current Low Voltage Protected Power Distribution Switch

[Online
Datasheet](#)

Features:

- 30mΩ maximum on-resistance
- 0.8V to 5.5V operating range
- Adjustable current limit
- Up to 6A continuous output current
- Short circuit protection
- Very fast reaction to short circuits
- Thermal shutdown
- Adjustable slew-rate control
- Circuit breaker mode (MIC2045)
- Fault status flag
- Power-Good detection
- Undervoltage lockout
- No reverse current flow through the –
– switching MOSFET when OFF or disabled
- Low quiescent current



<< BACK



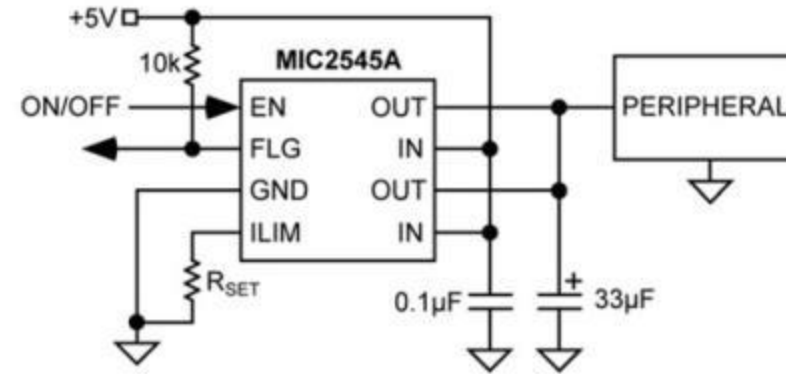
MIC2545A/49A

Programmable Current-Limit High-Side Switch

[Online Datasheet](#)

Features:

- 2.7V to 5.5V input
- Adjustable current-limit up to 3A
- Reverse current flow blocking
- 90 μ A typical on-state supply current
- 1 μ A typical off-state supply current
- 50m Ω maximum on-resistance
- Open-drain fault flag
- Thermal shutdown
- Thermal-shutdown output latch (MIC2549A)
- 2ms (slow) soft-start turn-on, fast turnoff
- Available with active-high or active-low enable



[<< BACK](#)



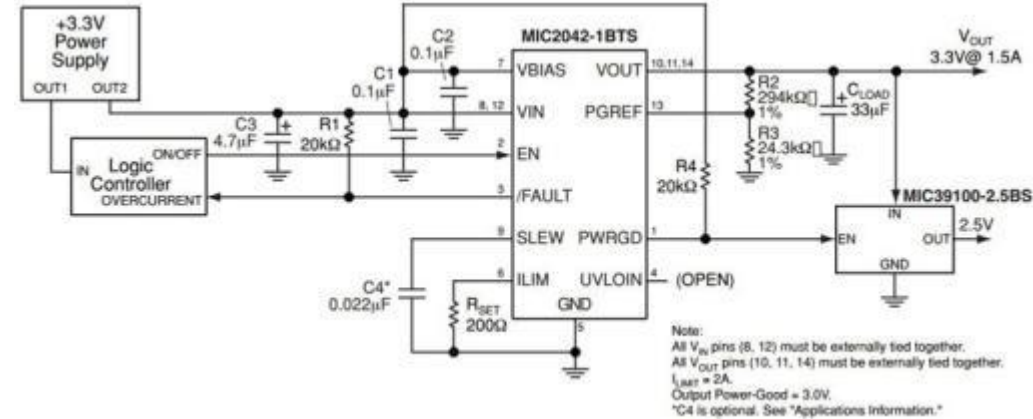
MIC2042/43

Online
Datasheet

High Current Low Voltage Protected Power Distribution Switch

Features:

- 60mΩ max. on-resistance
- 0.8V to 5.5V operating range
- Adjustable current limit
- Power-Good detection
- Up to 3A continuous output current
- Short-circuit protection with thermal –
– shutdown
- Adjustable slew-rate control
- Circuit breaker mode (MIC2043)
- Fault status flag
- Undervoltage lockout
- Output MOSFET reverse current flow block when disabled
- Very fast reaction to short-circuits
- Low quiescent current



<< BACK



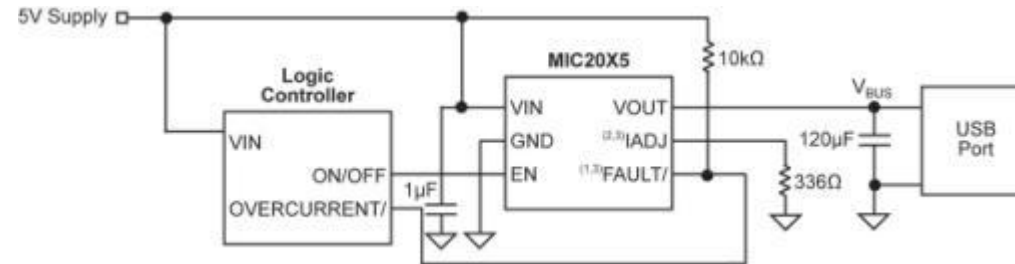
MIC2007/8/9 MIC2017/8/9

Online
Datasheet

Adjustable Current Limiting Power Distribution Switches

Features:

- 70mΩ typical on-resistance @ 5V
- Enable active high or active low
- 2.5V-5.5V operating range
- Undervoltage lock-out (UVLO)
- Variable UVLO allows adjustable –
- UVLO thresholds*
- Automatic load discharge for capacitive loads*
- Soft-start prevents large current inrush
- Adjustable slew rate allows custom slew rates*
- Automatic-on output after fault
- Thermal protection
- Adjustable current limit 0.2A to 2.0A* (MIC20X7-MIC20X9)
- Adjustable current limit 0.1A to 0.9A* (MIC20X9A)



<< BACK



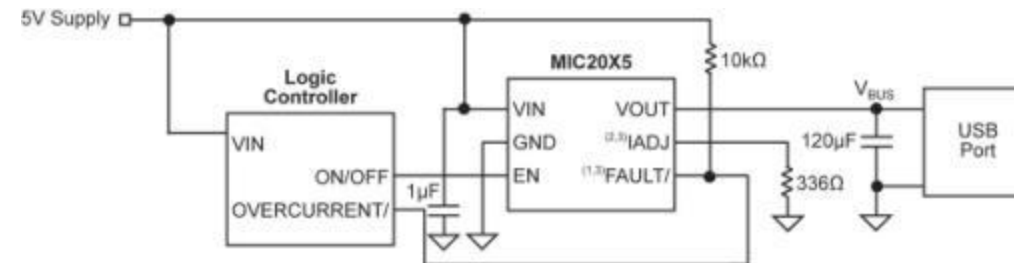
MIC2009A

Online
Datasheet

Adjustable Current Limiting Power Distribution Switches

Features:

- Enable active high or active low
- 2.5V-5.5V operating range
- Undervoltage lock-out (UVLO)
- 70mΩ typical on-resistance @ 5V
- Variable UVLO allows adjustable –
- UVLO thresholds*
- Automatic load discharge for -
- capacitive loads*
- Soft-start prevents large current inrush
- Adjustable slew rate allows custom slew rates*
- Automatic-on output after fault
- Thermal protection
- Adjustable current limit 0.1A to 0.9A* (MIC20X9A)



<< BACK



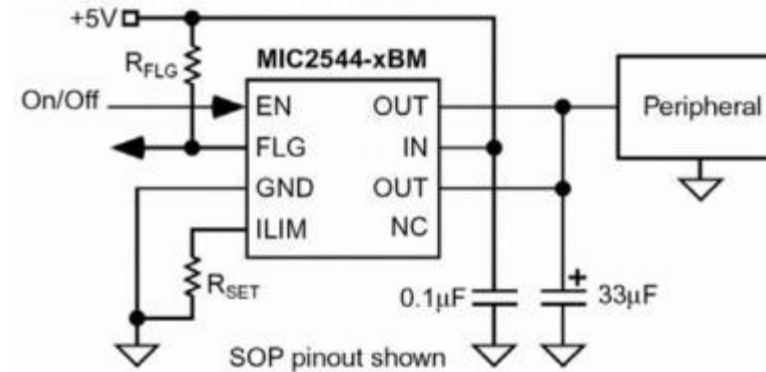
MIC2544/48

Programmable Current Limit High-Side Switch

[Online Datasheet](#)

Features:

- 2.7V to 5.5V input
- Adjustable current-limit up to 1.5A
- 75 μ A typical on-state supply current
- 1 μ A typical off-state supply current
- 120m Ω maximum on-resistance
- Open-drain fault flag
- Thermal shutdown
- Thermal shutdown output latch (MIC2548)
- 2ms (slow) turn-on and fast turnoff
- Available with active-high or active-low enable
- Reverse current flow blocking (no "body diode")



[<< BACK](#)



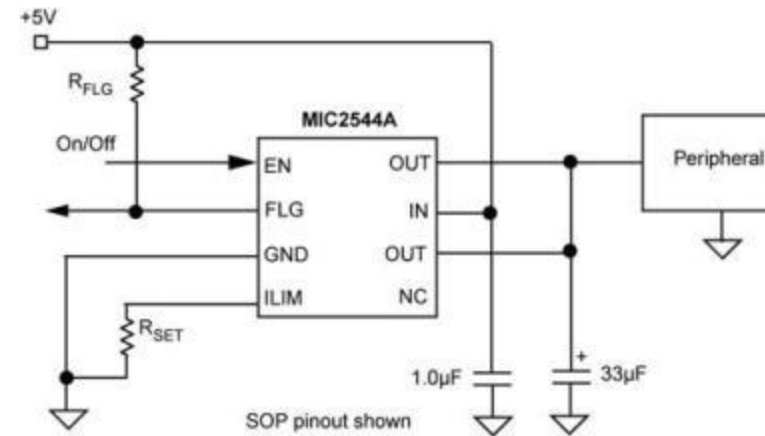
MIC2544A/48A

Programmable Current Limit High-Side Switch

[Online Datasheet](#)

Features:

- 2.7V to 5.5V input
- Adjustable current-limit up to 1.5A
- 90 μ A typical on-state supply current
- 1 μ A typical off-state supply current
- 120m Ω maximum on-resistance
- Open-drain fault flag
- Thermal shutdown
- Thermal shutdown output latch (MIC2548A)
- 2ms (slow) turn-on and fast turn-off
- Available with active-high or active-low enable
- Reverse current flow blocking (no "body diode")



<< BACK



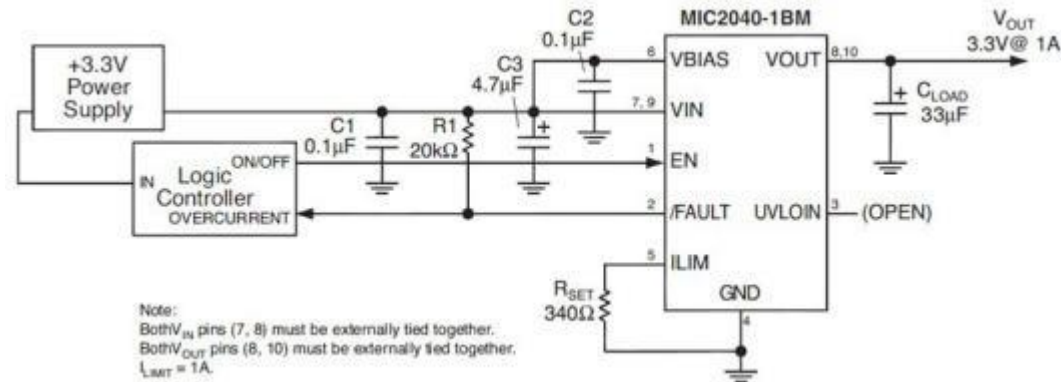
MIC2040/41

Single Channel Low Voltage Power Distribution Switch

Online
Datasheet

Features:

- 75m Ω max. on-resistance
- 0.8V to 5.5V operating range
- Adjustable current limit
- Up to 1.5A continuous output –
- current
- Circuit breaker mode (MIC2041)
- Fault status flag
- Undervoltage lockout
- Output MOSFET reverse current flow
- block when disabled
- Very fast reaction to short-circuits
- Low quiescent current
- Short circuit protection with thermal shutdown



<< BACK



MIC2003/4/5

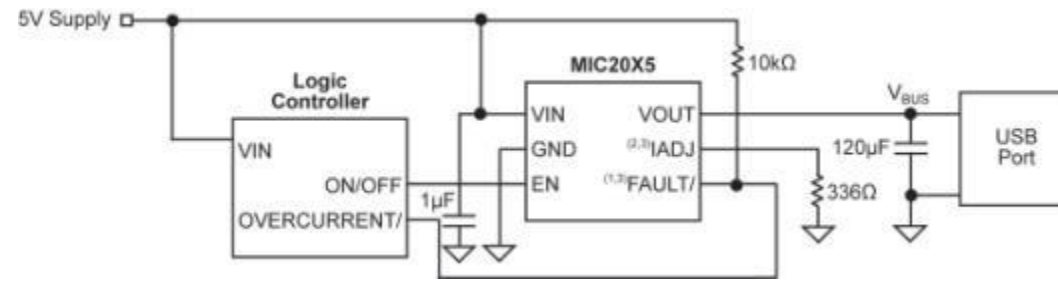
MIC2013/4/5

Features:

Fixed Current Limiting Power Distribution Switches

- 70mΩ typical on-resistance @ 5V
- Enable active high or active low
- 2.5V-5.5V operating range
- Undervoltage lock-out (UVLO)
- Pre-set current limit values of 0.5A, - 0.8A, and 1.2A*
- Variable UVLO allows adjustable – UVLO thresholds*
- Automatic load discharge for capacitive loads*
- Soft-start prevents large current inrush
- Adjustable slew rate allows custom slew rates*
- Automatic-on output after fault
- Thermal protection

[Online Datasheet](#)



<< BACK



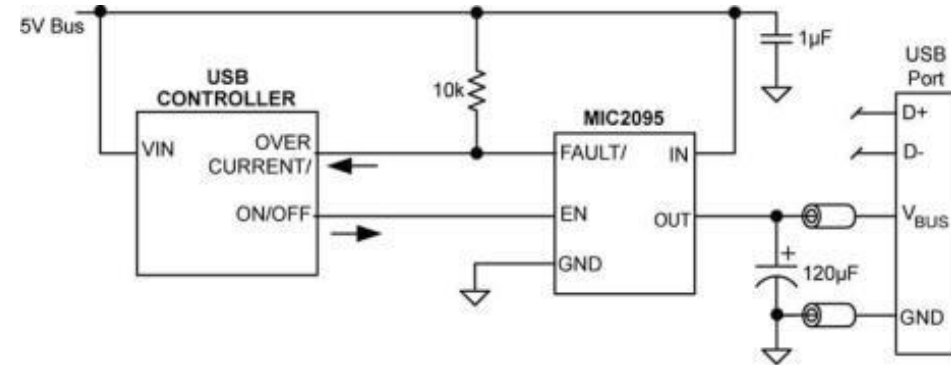
MIC2095/7/8/9

Current-Limiting Power Distribution Switches

[Online Datasheet](#)

Features:

- Under voltage lock-out (UVLO)
- Automatic-on output after fault
- Thermal protection
- Soft start prevents large current inrush
- Enable active high or active low
- 170m Ω typical on-resistance @ 5V
- 2.5V - 5.5V operating range
- MIC2095: 0.5A fixed current limit
- MIC2098: 0.9A fixed current limit
- MIC2097: Kickstart for high peak –
- current loads
- MIC2097/99: Resistor programmable –
- current limit - 0.1A to 1.1A



<< BACK



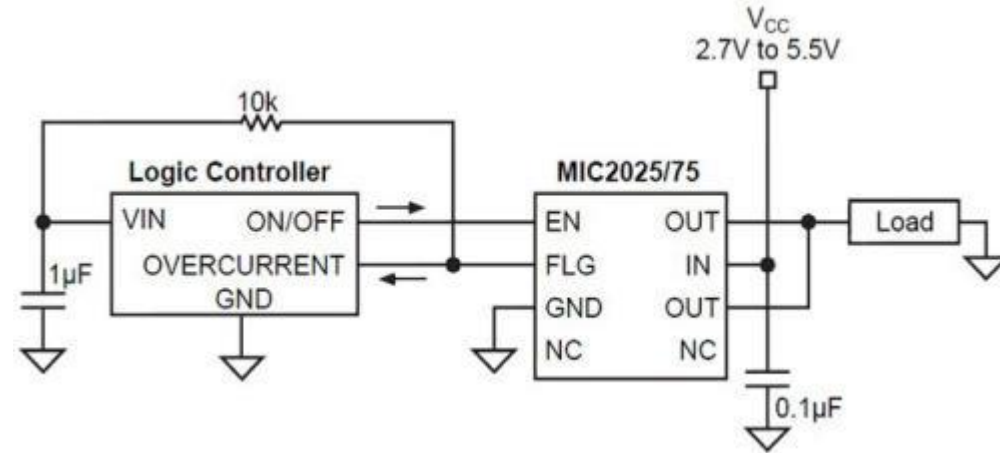
MIC2025/75

Single-Channel Power Distribution Switch MM8®

[Online Datasheet](#)

Features:

- 140mΩ maximum on-resistance
- 2.7V to 5.5V operating range
- Undervoltage lockout
- Logic-compatible input
- Soft-start circuit
- Low quiescent current
- Reverse current flow blocking (no – "body diode")
- Circuit breaker mode (MIC2075) –
 - reduces power consumption
- 500mA minimum continuous output current
- Short-circuit protection with thermal shutdown
- Fault status flag with 3ms filter eliminates false assertions
- Pin-compatible with MIC2525



[<< BACK](#)



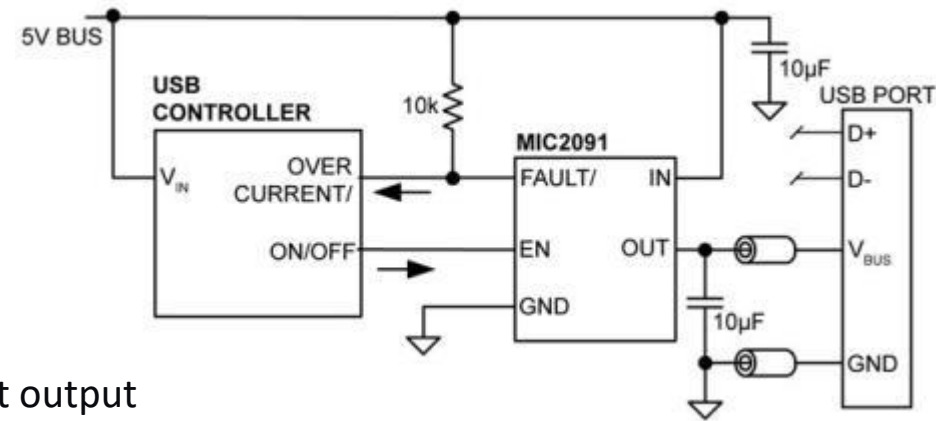
MIC2091

[Online Datasheet](#)

Current Limiting Power Distribution Switches

Features:

- 1.8V to 5.5V supply voltage
- 790 mΩ typical R_{DS(on)} at 3.3V
- 100mA minimum continuous current
- Reverse current blocking (OGI)
- Thermal shutdown
- Under-voltage lockout (UVLO)
- Low quiescent current
- 20ns super fast reaction time to hard short – at output
- 10ms fault flag delay (t_{D_FAULT/}) eliminates false assertions
- Auto-retry overcurrent and short-circuit protection (-1 version)
- Latch-off on current limit (-2 version)
- Fault status flag indicates: over-current, over-temperature, or UVLO



<< BACK



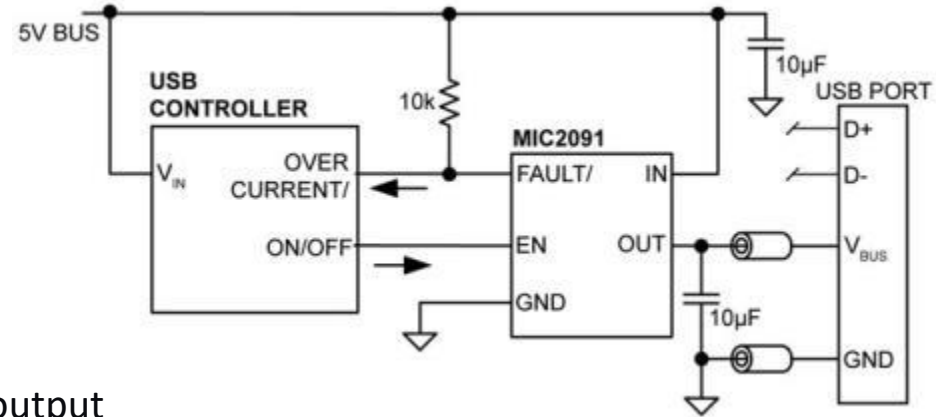
MIC2090

[Online Datasheet](#)

Current Limiting Power Distribution Switches

Features:

- 1.8V to 5.5V supply voltage
- 790 mΩ typical R_{DS(on)} at 3.3V
- 50mA minimum continuous current
- Reverse current blocking (OGI)
- Under-voltage lockout (UVLO)
- Low quiescent current
- Thermal shutdown
- 20ns super fast reaction time to hard short at output
- 10ms fault flag delay (t_{D_FAULT/}) eliminates false assertions
- Auto-retry overcurrent and short-circuit protection (-1 version)
- Latch-off on current limit (-2 version)
- Fault status flag indicates: over-current, over-temperature, or UVLO



<< BACK



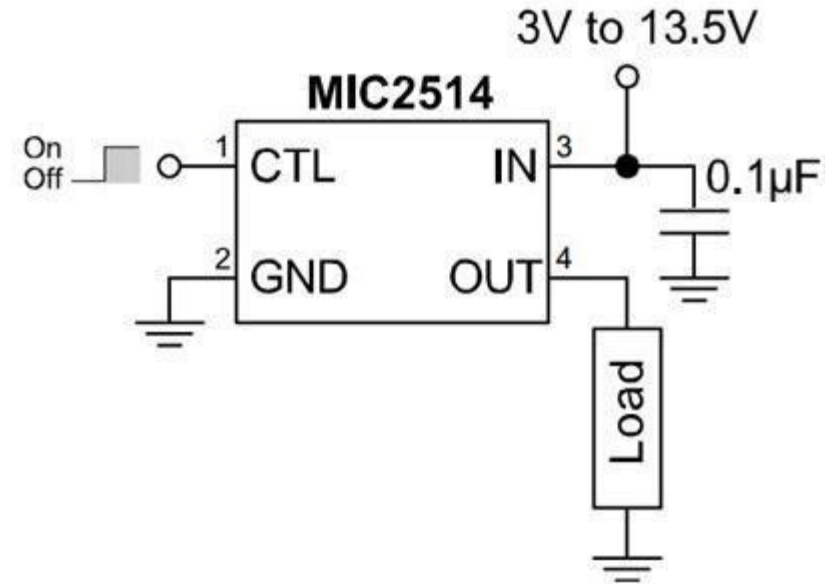
MIC2514

IttyBitty® Integrated High-Side Switch

[Online Datasheet](#)

Features:

- MOSFET on-resistance
 - 1.5Ω typical at 5V
 - 0.95Ω typical at 12V
- 3V to 13.5V input
- 25μA typical on-state supply current at 5V
- <1μA typical off-state supply current at 5V
- Current limit
- Thermal shutdown
- Slow turn-on



<< BACK



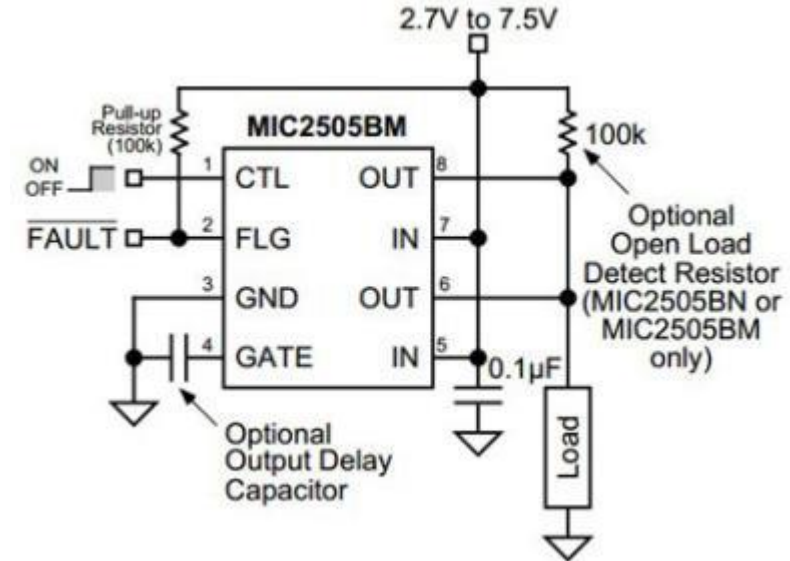
MIC2505/-1/-2

Single 2A High-Side Switches

[Online Datasheet](#)

Features:

- Low MOSFET on resistance to 2.7V
 - 30mΩ typical at 5V (MIC2505-series)
 - 35mΩ typical at 3.3V (MIC2505-series)
- 2.7V to 7.5V input
- 110μA typical on-state supply current
- 1μA typical off-state supply current
- Output can be forced higher than input (off-state)
- Current limit
- Thermal shutdown
- 2.5V undervoltage lockout (UVLO)
- Open-load detection (MIC2505 only)
- Open-drain fault flag
- 5ms (slow) turn-on and fast turnoff
- Logic-level control/enable input



[<< BACK](#)



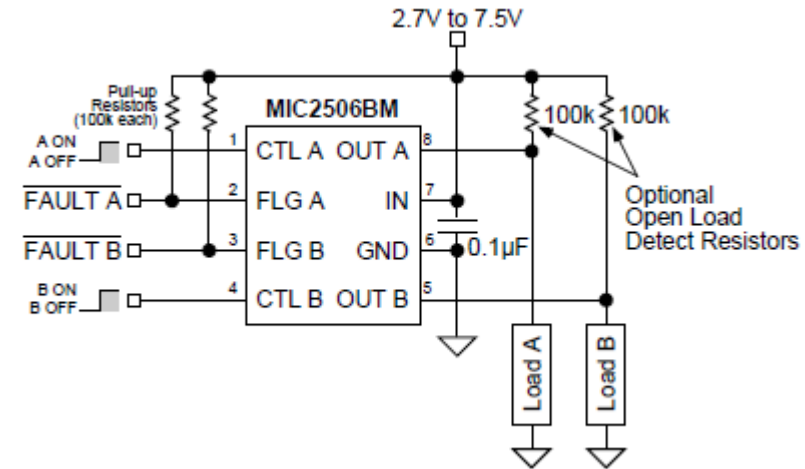
MIC2506

Dual 1A High-Side Switches

Online
Datasheet

Features:

- Low MOSFET on resistance to 2.7V
 - 75m Ω typical at 5V (each MIC2506 output)
 - 80m Ω typical at 3.3V (each MIC2506 output)
- 2.7V to 7.5V input
- 110 μ A typical on-state supply current
- 1 μ A typical off-state supply current
- Output can be forced higher than input (off-state)
- Current limit
- Thermal shutdown
- 2.5V undervoltage lockout (UVLO)
- Open-load detection (MIC2506 only)
- Open-drain fault flag
- 5ms (slow) turn-on and fast turnoff
- Logic-level control/enable input

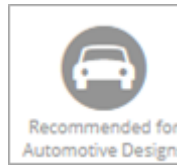


<< BACK



UCS2112

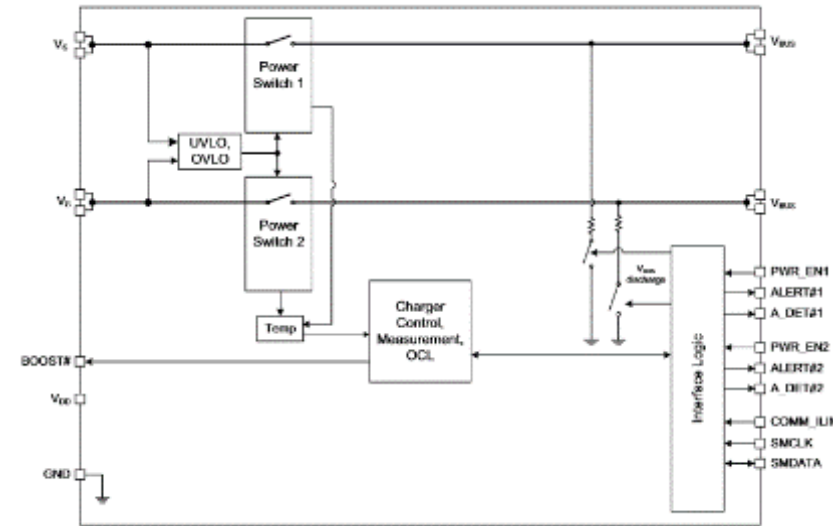
USB Dual-Port Power Switch and Current Monitor



Online
Datasheet

Features:

- Dual-Port Power Switches:
- 3.0A continuous current per VBUS port
- Independent port power switch enable pins
- Dual fault ALERT# active drain output pins
- Constant Current or Trip mode current limiting
- Undervoltage, overvoltage lockout, back-drive, - - back-voltage protection
- Auto-recovery fault handling with low test current
- BOOST# logic output to increase DC-DC converter – output under large load conditions
- A_DET# open-drain outputs for device detection
- SMBus 2.0/I²C™ Mode Features:
 - Eight programmable current limits
 - Block read and block write
- 4x4 mm 20-pin QFN
- Self-contained current monitoring
- Fully programmable per-port charge rationing and behaviors
- Per-port BC1.2 VBUS Discharge Function
- Operating Temperature Range: -40°C to +105°C
- Recommended for Automotive Design



<< BACK



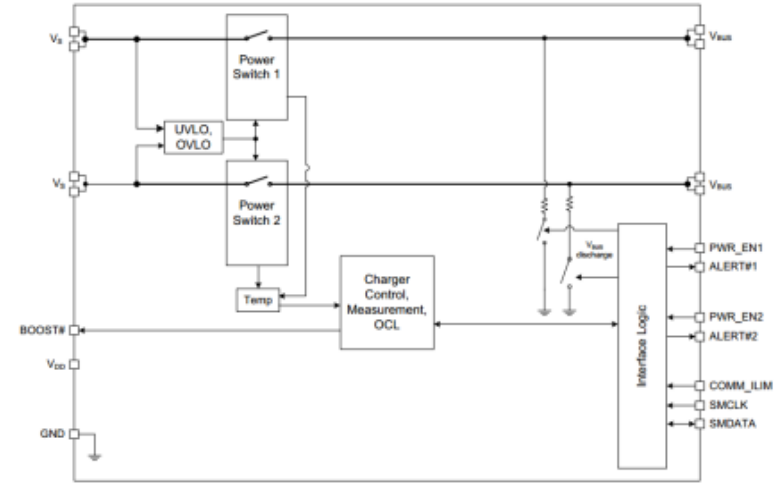
UCS2113

USB Dual-Port Power Switch and Current Monitor

Online
Datasheet

Features:

- Dual-Port Power Switches:
 - 2.9V to 5.5V source voltage range
 - 3.0A continuous current per VBUS port
 - Independent port power switch enable pins
 - Dual fault ALERT# active drain output pins
 - Constant Current or Trip mode current limiting – behaviors
 - Undervoltage and overvoltage lockout
 - Back-drive, back-voltage protection
 - Auto-recovery fault handling with low test current
 - BOOST# logic output to increase DC-DC – converter output under large load conditions
- SMBus 2.0/I2C™ Mode Features:
 - Eight programmable current limits
 - Block read and block write Block read and block write
- Self-Contained Current Monitoring)
- Fully Programmable Per-Port Charge Rationing
- Configurable Per-Port BC1.2 VBUS Discharge Function
- Operating Temperature Range: -40°C to +105°C
- 4x4 mm 20-pin QFN



<< BACK

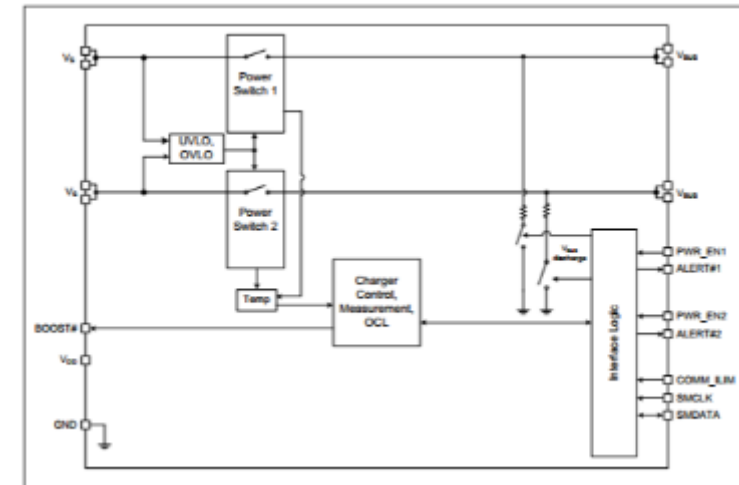


UCS2114

USB Dual-Port Power Switch and Current Monitor

Features:

- Dual-Port Power Switches:
 - 2.9V to 5.5V source voltage range
 - 18mΩ On resistance per switch
 - 3.0A continuous current per VBUS port
 - Independent port power switch enable pins
 - Dual fault ALERT# active drain output pins
 - Constant Current or Trip mode current limiting
 - Undervoltage and overvoltage lockout
 - Back-drive, back-voltage protection
 - Auto-recovery fault handling with low test current
 - BOOST# logic output to increase DC-DC converter output under large load conditions
- SMBus 2.0/I2C™ Mode Features:
 - Eight programmable current limits
 - Block read and block write Block read and block write
- Self-Contained Current Monitoring
- Fully Programmable Per-Port Charge Rationing
- Configurable Per-Port BC1.2 VBUS Discharge Function
- Operating Temperature Range: -40°C to +105°C
- 3x3 mm 20-pin QFN

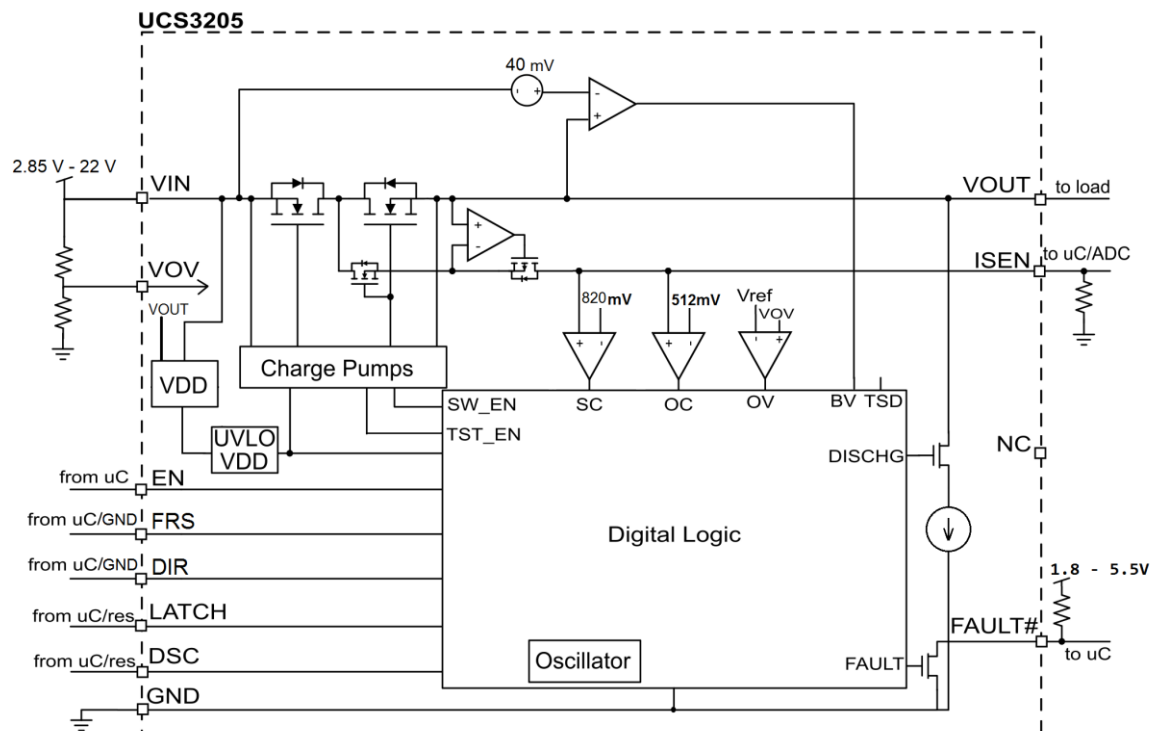


UCS3205

5A, 22V Bi-Directional Load Switch

• Features List

- Integrated N-Channel Load Switch
- Fast Role Swap capability that meets the USB Power Delivery Specification requirements
- 2.85 to 22V bidirectional load switch input voltage range (supply voltage can be VIN or VOUT)
- 5A continuous current
- 30 mΩ typical On Resistance
- Configurable Current Limit Threshold with External Resistor
- Scaled Analog Voltage Output of Current Flowing through Switch for External Measurement
- Auto-Recovery Fault Handling or Latch Mode
- Configurable over-voltage lockout
- Back-voltage protection
- Output voltage slew rate control
- Configurable Quick Output Discharge
- Over-Temperature Protection (thermal shutdown)
- Package: 19LD QFN 3x3x0.9 mm



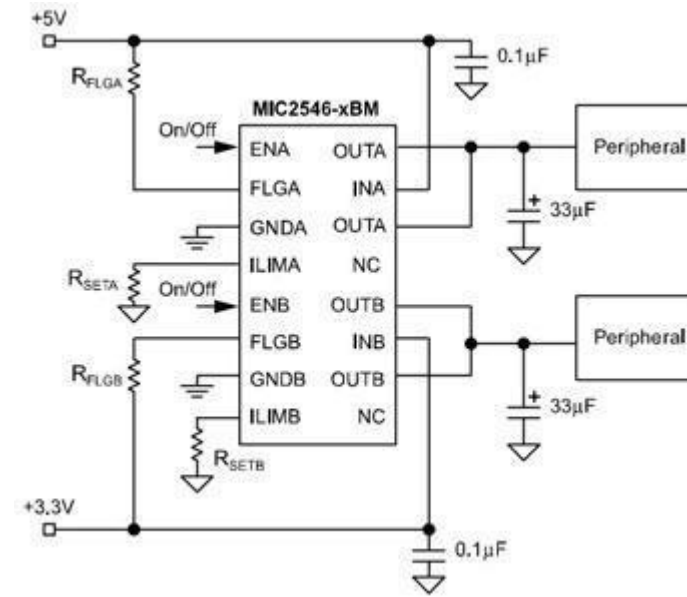
MIC2546/47

Dual Programmable Current Limit Switch

[Online Datasheet](#)

Features:

- 2.7V to 5.5V input
- Adjustable current-limit up to 1.5A
- Reverse current flow blocking (no "body diode")
- 100 μ A typical on-state supply current per channel
- 2 μ A typical off-state supply current
- 120m Ω maximum on-resistance
- Open-drain fault flag
- Thermal shutdown
- Thermal shutdown output latch (MIC2547)
- 2ms (slow) turn-on and fast turn-off
- Available with active-high or active-low enable



[<< BACK](#)



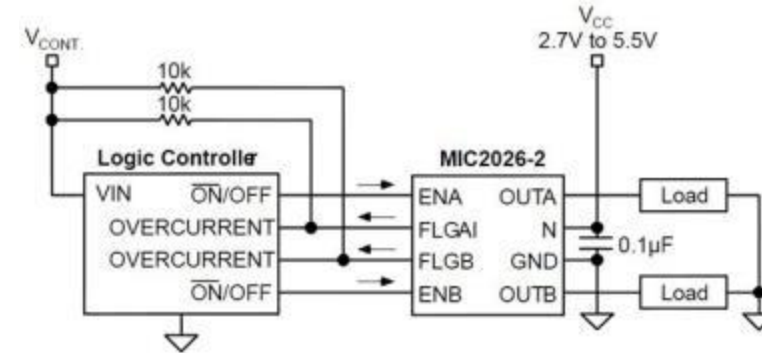
MIC2026/76

Dual-Channel Power Distribution Switch

[Online Datasheet](#)

Features:

- 140mΩ maximum on-resistance per channel
- 2.7V to 5.5V operating range
- 500mA minimum continuous current per channel
- Shortcircuit protection with thermal shutdown
- Thermally isolated channels
- Fault status flag with 3ms filter eliminates false –
– assertions
- Undervoltage lockout
- Reverse current flow blocking (no "body diode")
- Circuit breaker mode (MIC2076)
- Logic-compatible inputs
- Soft-start circuit
- Low quiescent current
- Pin compatible with MIC2526



[<< BACK](#)



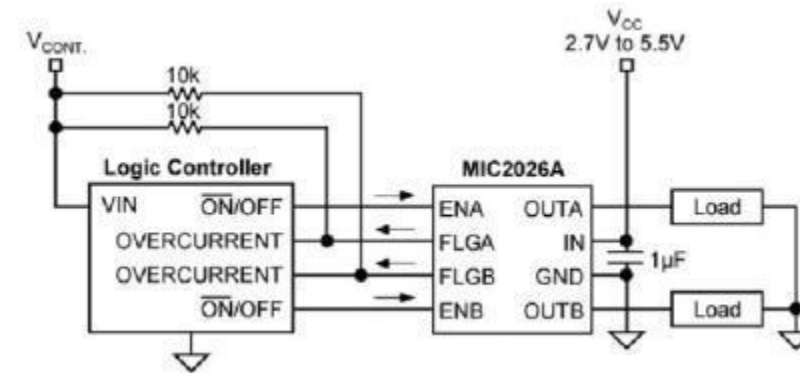
MIC2026A/76A

Dual-Channel Power Distribution Switch

[Online Datasheet](#)

Features:

- 100m Ω typical RDS(ON) at 5.0V
- 140m Ω maximum RDS(ON) at 5.0V
- 2.7 V to 5.5 V operating range
- 500mA minimum continuous current per channel
- Short circuit protection with thermal shutdown
- Thermally isolated channels
- Soft-start circuit
- Fault status flag with 3ms filter eliminates false – assertions
- UVLO (Undervoltage lockout)
- Reverse current flow blocking (no "body diode")
- Circuit breaker mode (MIC2076A)
- Pin compatible with the MIC2026/2076
- Logic-compatible inputs
- Low quiescent current



[<< BACK](#)



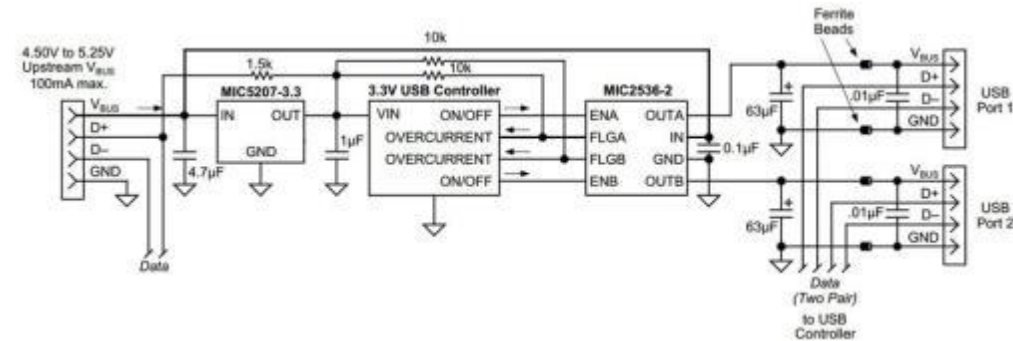
MIC2536

Online
Datasheet

Dual USB Power Distribution Switch Final Information

Features:

- Compliant to USB specifications
- 2.7V to 5.5V operating range
- Soft-start circuit
- 100 μ A maximum on-state supply – current
- <1 μ A typical off-state supply current
- Fast-acting short circuit protection with – thermal shutdown
- Integrated filter eliminates false overcurrent flag assertions
- 150mA minimum continuous load current per channel
- 400m Ω typical on-resistance
- Individual open-drain fault flag pins with transient filter
- Active-high (-1) and active-low (-2) versions
- Reverse-current blocking in off mode (no "body diode")



<< BACK



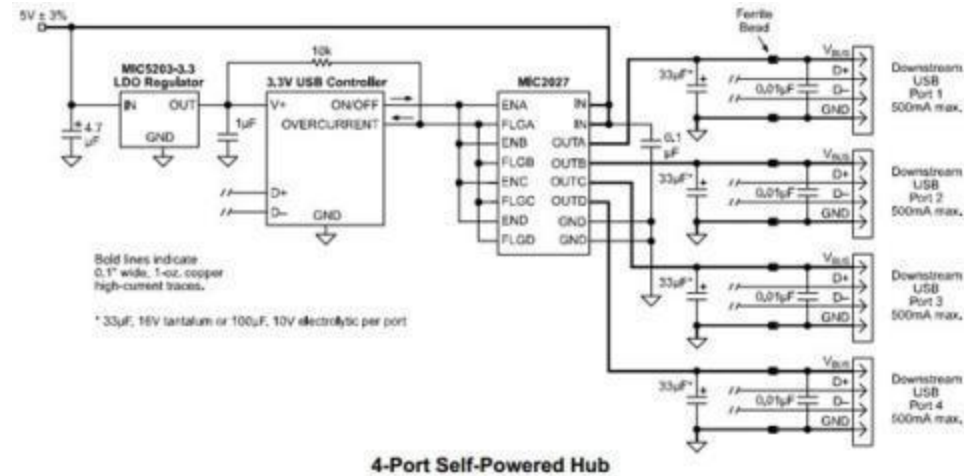
MIC2027/77

Online
Datasheet

Quad USB Power Distribution Switch

Features:

- 150mΩ maximum on-resistance per –
– channel
- 2.7V to 5.5V operating range
- 500mA minimum continuous current per –
– channel
- Short-circuit protection with thermal –
– shutdown
- Thermally isolated channels
- Fault status flag with 3ms filter eliminates –
– false assertions
- Undervoltage lockout
- Reverse current flow blocking (no "body diode")
- Circuit breaker mode (MIC2077) reduces –
– power consumption
- Logic-compatible inputs
- Soft-start circuit
- Low quiescent current
- Pin compatible with MIC2524 and MIC2527



<< BACK



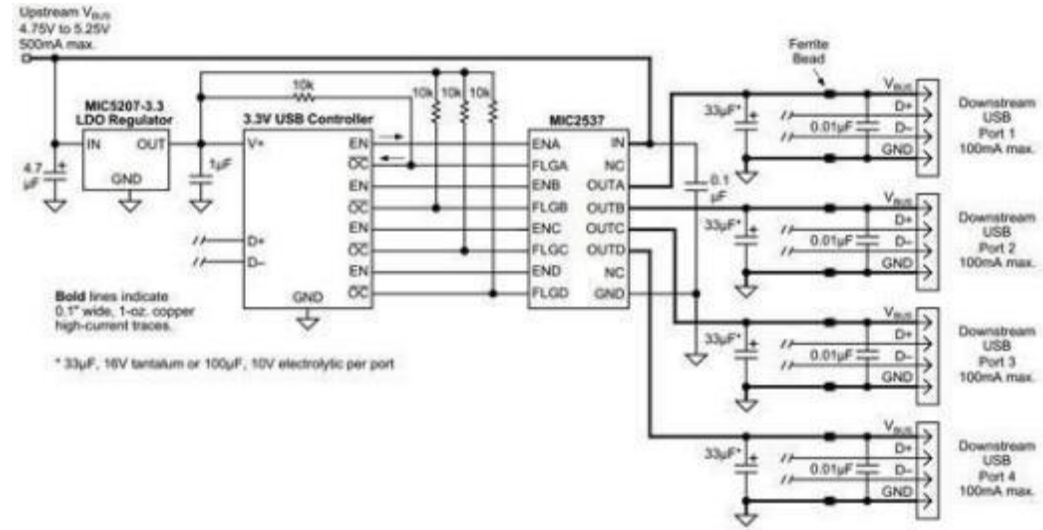
MIC2537

Online
Datasheet

Quad Power Distribution Switch Final Information

Features:

- Compliant to USB specifications
- 3V to 5.5V input
- 100mA min continuous load per port
- 425m Ω typical on-resistance
- < 400mA current limit
- Individual open-drain fault flag leads
- 3V/5V-compatible enable inputs
- Active-high (-1) and active-low (-2) – versions
- 100 μ A max. on-state supply current
- <1 μ A typical off-state supply current
- 16-lead SOP package
- Operating Temperature Range: -40 $^{\circ}$ C to +85 $^{\circ}$ C



Typical Bus-Powered Hub

<< BACK



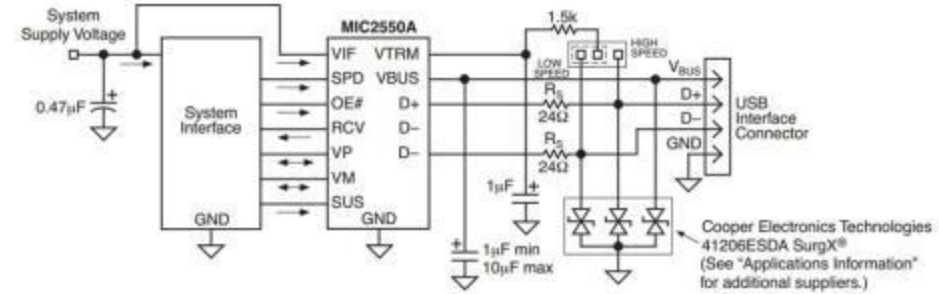
MIC2550A

Universal Serial Bus Transceiver

[Online
Datasheet](#)

Features:

- Compliant to USB Specification Rev. 2.0
 - Low-speed (1.5Mbps)
 - Full-speed (12Mbps) operation
- Compliant to IEC-61000-4.2 (Level 2)
- Operation down to 2.5V
- Dual supply voltage operation
- Integrated speed-select termination supply
- Meets USB suspend current requirements
- 14-pin TSSOP and 16-pin QFN packages



[<< BACK](#)



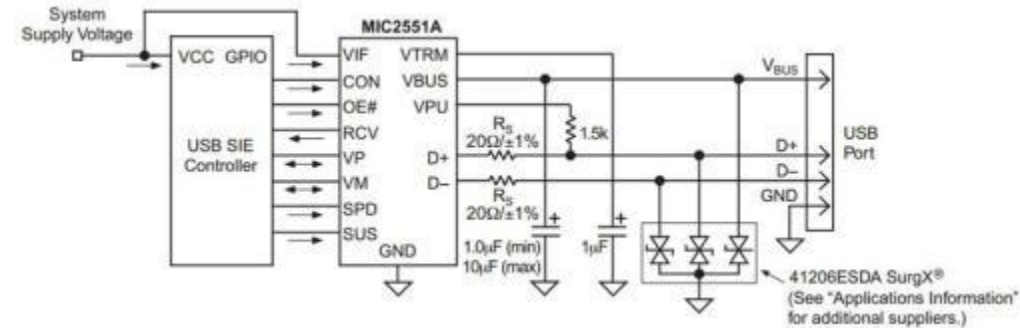
MIC2551A

USB Transceiver

Online
Datasheet

Features:

- Compliant to USB Specification –
 - Revision 2.0 for full speed (12Mbps) –
 - and low speed (1.5Mbps) operation
- Compliant to IEC-61000-4.2 (Level 3)
- Separate I/O supply with operation –
 - down to 1.6V
- Integrated speed select termination –
 - supply
- Very-low power consumption to meet USB suspend
 - current requirements
- Small TSSOP and QFN packages
- No power supply sequencing requirements
- Software controlled re-enumeration



<< BACK



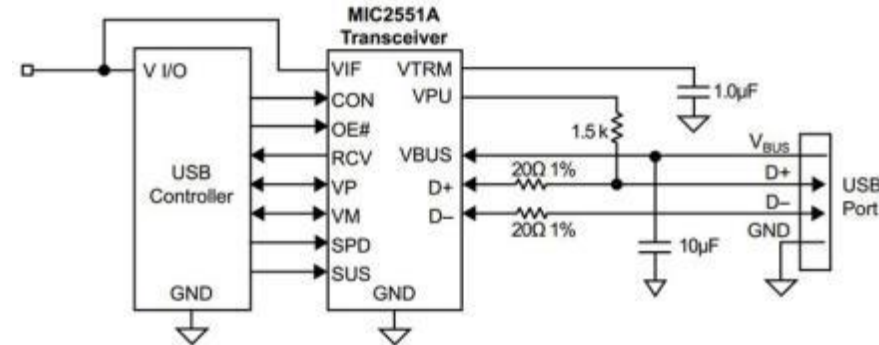
MIC2551A-2.5

USB Transceiver

[Online Datasheet](#)

Features:

- $\pm 15\text{kV}$ ESD protection on VBUS, D+ and D-
- Smaller 2.5mm x 2.5mm QFN package
- USB 1.1 and 2.0 compliant transceiver (full – speed -12Mbps and low speed - 1.5Mbps) – operation
- Separate I/O supply with operation down to – 1.6V
- Integrated speed select termination supply
- Very-low power consumption to meet USB – suspend current requirements
- No power supply sequencing requirements
- Software controlled enumeration



<< BACK



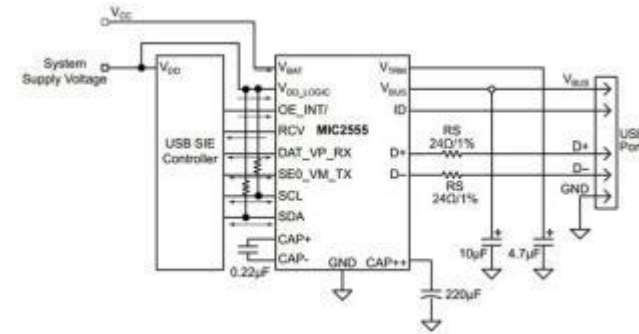
MIC2555

USB - OTG Transceiver

[Online Datasheet](#)

Features:

- Complies with USB-IF USB standard 2.0 and OTG – supplement Revision 1.0a.
- Provides signaling and control logic for SRP and HNP, – enabling USB Dual-role device operation.
- Designed for Full-speed and Low-speed USB – communications.
- I²C controller interface.
- Offers 3 modes of operation: USB; UART; Audio
- Operates with VLOGIC of 1.6V - 4.5V, assuring compatibility with – low voltage ASICs.
- Tri-level ID detection for recognition of USB and non-USB devices.
- Supports USB/Car Kit audio interface.
- Allows Single-ended and Differential Logic I/O.
- Integrated charge pump for VBUS supply.
- On-chip pull-up, pull-down resistors minimize external component – count.
- Suspend and Power-down modes for power conservation.
- Operates over the full Industrial Temperature range: -40°C to – +85°C



<< BACK



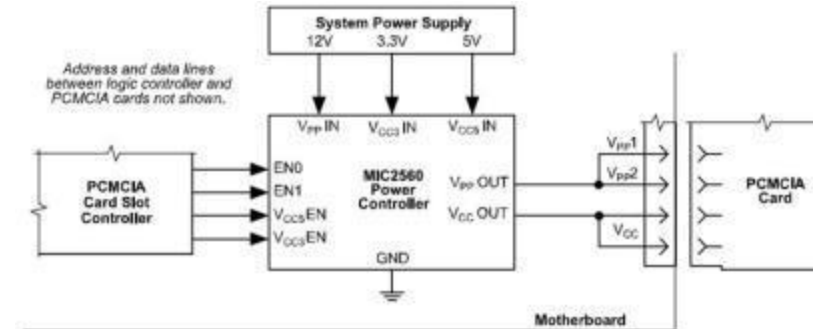
MIC2560

PCMCIA Card Socket V_{CC} & V_{PP} Switching Matrix

[Online Datasheet](#)

Features:

- Complete PCMCIA VCC and VPP switch matrix
- No external components required
- Logic compatible with industry standard –
 - PCMCIA controllers
- No voltage overshoot or switching transients
- Break-before-make switching
- Output current limit and overtemperature –
 - shutdown
- Digital flag for error condition indication
- Ultra-low power consumption
- Digital selection of VCC and VPP voltages
- Over 1A VCC output current
- 200mA VPP (12V) output current
- Options for direct compatibility with industry –
 - standard PCMCIA controllers
- 16-Pin SOIC package



<< BACK



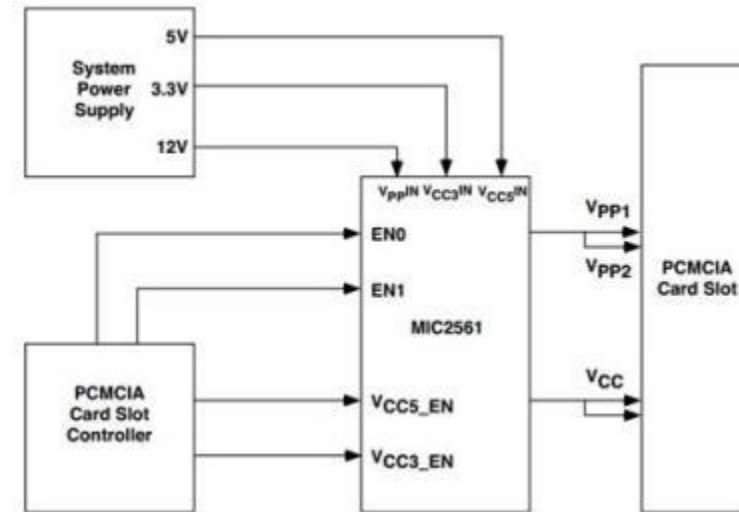
MIC2561

PCMCIA Card Socket V_{CC} & V_{PP} Switching Matrix

[Online Datasheet](#)

Features:

- Complete PCMCIA VCC and VPP Switch Matrix in – a Single IC
- No External Components Required
- Controlled Switching Times
- Logic Options for Compatible with Industry –
 - Standard PCMCIA Controllers
- No Voltage Overshoot or Switching Transients
- Break-Before-Make Switching
- Output Current Limit and Over-Temperature –
 - Shutdown
- Digital Flag for Error Condition Indication
- Ultra Low Power Consumption
- Digital Selection of VCC and VPP Voltages
- Over 750mA of VCC Output Current
- 200mA of VPP Output Current
- 14-Pin SOIC Package



<< BACK



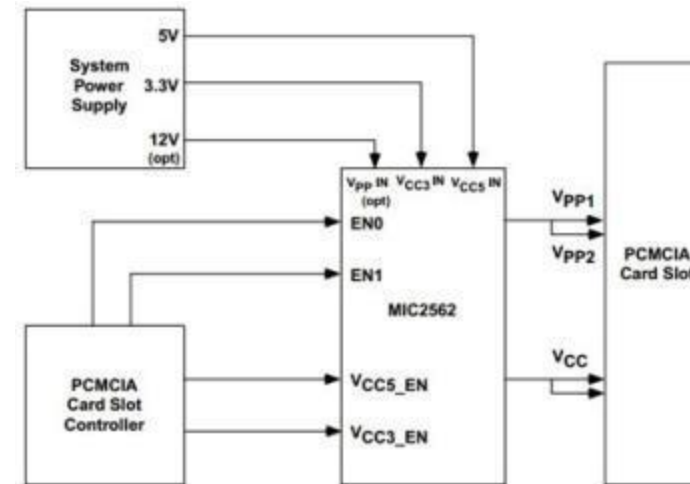
MIC2562A

PCMCIA/CardBus Socket Power Controller

[Online Datasheet](#)

Features:

- High-efficiency, low-resistance switches require no –
– 12V bias supply
- No external components required
- Output current limit and overtemperature shutdown
- Open-drain flag for error condition indication
- Ultra-low power consumption
- Complete PC Card/CardBus VCC and VPP switch –
– matrix in a single package
- Logic compatible with industry standard PC Card –
– logic controllers
- No voltage shoot-through or switching transients
- Break-before-make switching
- Digital selection of VCC and VPP voltages
- Over 1A VCC output current
- Over 200mA VPP output current
- Pb-free SOIC packages



[<< BACK](#)



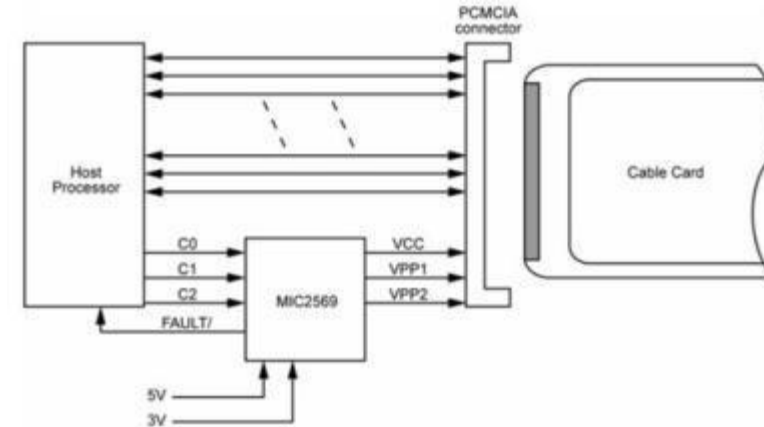
MIC2569

CableCARD™ Power Switch

[Online Datasheet](#)

Features:

- 110 mΩ maximum V_{CC} on resistance
- 400 mΩ maximum V_{PP} on resistance
- 3.0V to 3.6V for the 3.3V_{IN} operating range
- 3.0V to 5.5V for the 5V_{IN} operating range
- 1.3A minimum V_{CC} current limit
- 150mA minimum V_{PP} current limit –
- (150mA each)
- Compact 16-pin QSOP packaging
- Operating temperatures from -40°C to –
- +85°C Low quiescent current
- Soft start turn-on
- Break-before-make voltage switching
- Short-circuit protection with thermal shutdown
- Input under voltage lock-out (UVLO)
- ESD protection
- No external components required



[<< BACK](#)



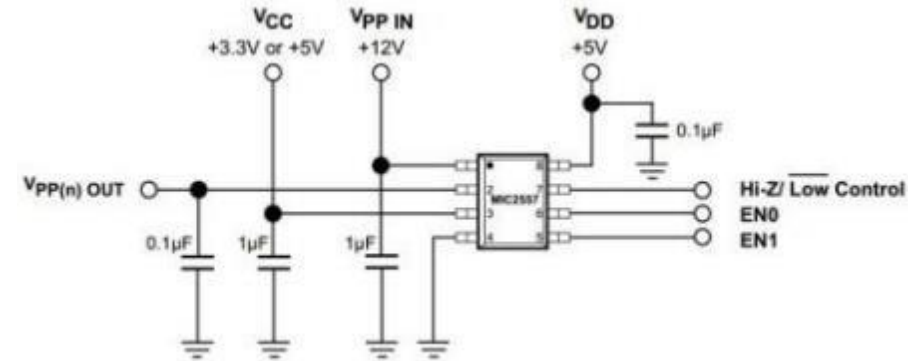
MIC2557

PCMCIA Card Socket V_{pp} Switching Matrix

[Online Datasheet](#)

Features:

- Complete PCMCIA VPP Switch Matrix in –
– a Single IC
- No External Components Required
- Digital Selection of 0V, VCC, VPP, or High –
– Impedance Output
- No VPP OUT Overshoot or Switching –
– Transients
- Break-Before-Make Switching
- Low Power Consumption
- 120mA VPP (12V) Output Current
- Optional Active Source Clamp for Zero Volt Condition
- 3.3V or 5V Supply Operation
- 8-Pin SOIC Package



<< BACK



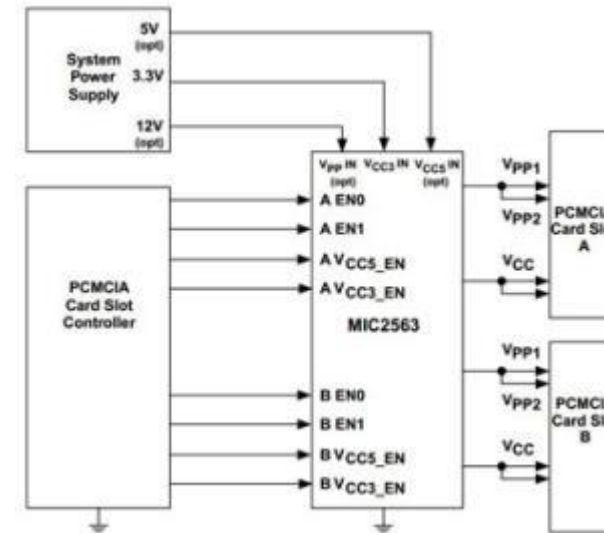
MIC2563A

Dual-Slot PCMCIA/CardBus Power Controller

[Online Datasheet](#)

Features:

- Single package controls two PC Card slots
- High-efficiency, low-resistance switches require no 12V – bias supply
- No external components required
- Output current limit and overtemperature shutdown
- Ultra-low power consumption
- Complete dual-slot PC Card/CardBus VCC and VPP – switch matrix in a single package
- Logic compatible with industry standard PC Card logic – controllers
- No voltage shoot-through or switching transients
- Break-before-make switching
- Digital selection of VCC and VPP voltages
- Over 1A VCC output current for each section
- Over 250mA VPP output current for each section
- Lead-free 28-pin SSOP package



[<< BACK](#)



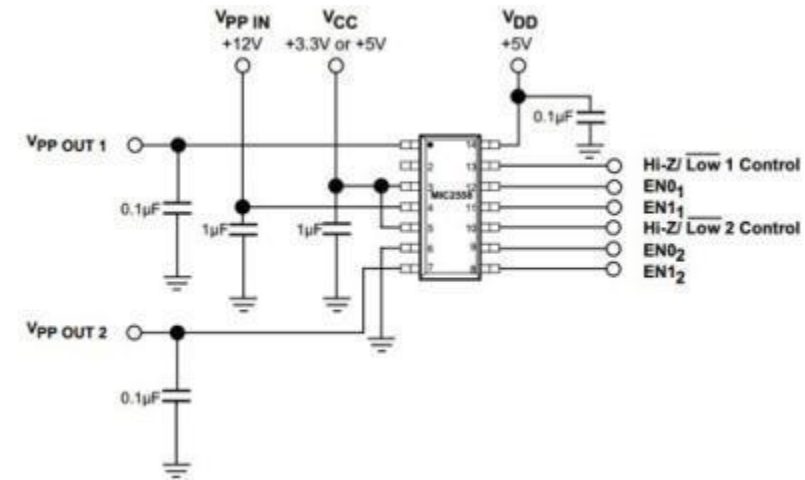
MIC2558

PCMCIA Dual Card Socket V_{pp} Switching Matrix

[Online Datasheet](#)

Features:

- Complete PCMCIA VPP Switch Matrix in a –
- Single IC
- Dual Matrix allows independent VPP1 and VPP2
- Digital Selection of 0V, VCC, VPP, or High –
- Impedance Output
- No VPP_{OUT} Overshoot or Switching Transients
- Break-Before-Make Switching
- Ultra Low Power Consumption
- 120mA VPP (12V) Output Current
- Optional Active Source Clamp for Zero Volt –
- Condition
- 3.3V or 5V Supply Operation
- 14-Pin SOIC Package



[<< BACK](#)

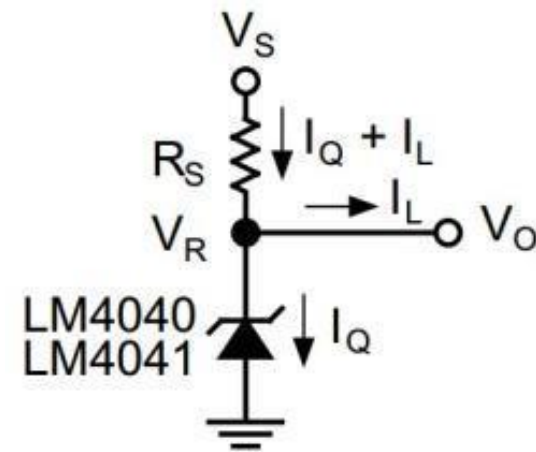


LM4040/1C

Precision Micropower Shunt Voltage Reference

Features:

- Initial Accuracy: 0.5%
- Small SOT-23 package
- No output capacitor required
- Tolerates capacitive loads
- Fixed reverse breakdown voltages of 2.5V, 4.096V –
- and 5.0V (LM4040)
- 1.225V or Adjustable reverse
breakdown versions (LM4041)

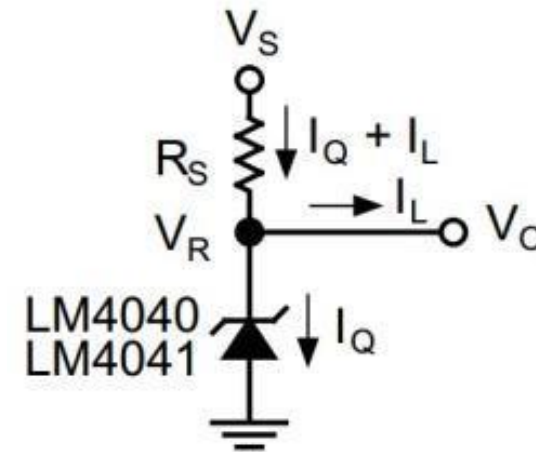


LM4040/1D

Precision Micropower Shunt Voltage Reference

Features:

- Initial Accuracy: 1%
- Small SOT-23 package
- No output capacitor required
- Tolerates capacitive loads
- Fixed reverse breakdown voltages of 2.5V, 4.096V – and 5.0V (LM4040)
- 1.225V or Adjustable reverse breakdown versions (LM4041)

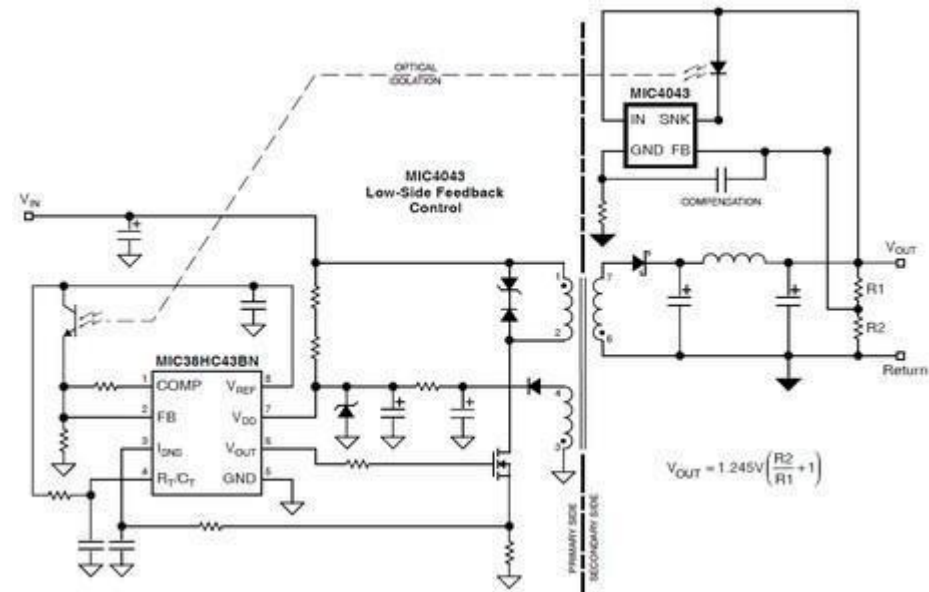


MIC4043

Low-Voltage Secondary-Side Shunt Regulator

Features:

- Ideal for 1.8V switching converters
- Low-voltage operation: 400mV –
- maximum saturation over operating temperature range
- Easy to use: voltage in, current out
- 2% voltage tolerance over operating temperature range



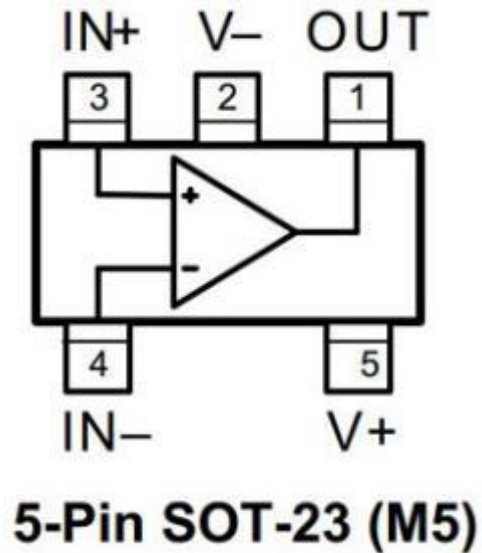
MIC6270

IttyBitty® Comparator

[Online Datasheet](#)

Features:

- 2V to 36V supply
- 300 μ A supply current independent of supply
- 25nA input bias current
- \pm 5nA input offset current
- \pm 3mV input offset voltage
- Input common-mode voltage range includes ground
- 250mV at 4mA output saturation voltage
- Differential input voltage range equal to the power –
- supply voltage
- Output compatible with TTL, DTL, ECL, MOS, and –
- CMOS logic



[<< BACK](#)



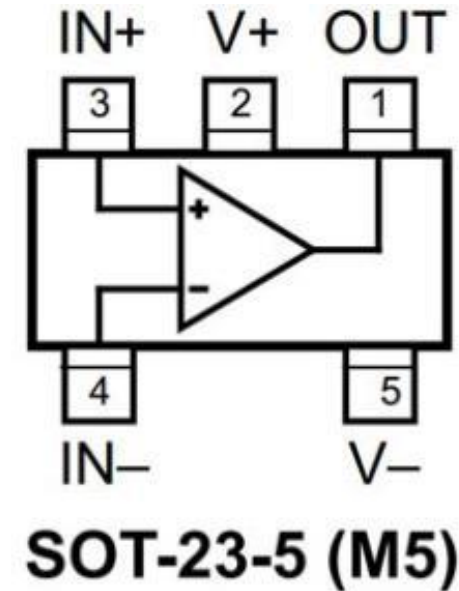
MIC7211/21

IttyBitty® Rail-to-Rail Input Comparator

[Online
Datasheet](#)

Features:

- Small footprint SOT-23-5 package
- Guaranteed performance at 2.2V, 2.7V, -5V, and 10V
- 7 μ A typical supply current at 5V
- <5 μ s response time at 5V
- Push-pull output (MIC7211)
- Open-drain output (MIC7221)
- Input voltage range may exceed supply - voltage by 0.3V
- >100mA typical sink or source



[<< BACK](#)



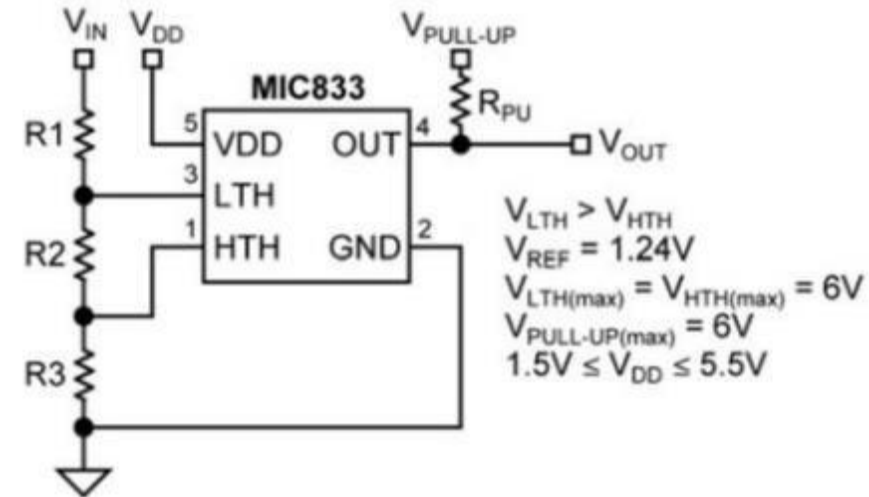
MIC833

Online
Datasheet

Comparator and Reference with Adj. Hysteresis

Features:

- Optimized for PDAs, cellular telephones, -
- pagers, and other battery-powered devices
- Inputs and output can pull up to 6V -
- regardless of supply voltage
- Independently adjustable high- and low -
- voltage thresholds
- High $\pm 1.5\%$ voltage threshold accuracy
- Extremely low $1\mu\text{A}$ typical supply current
- Immune to brief input transients
- 5-lead SOT-23 package



<< BACK



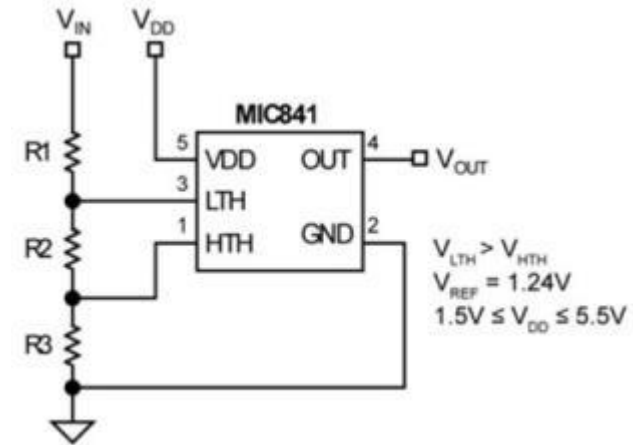
MIC841/2

[Online Datasheet](#)

Comparator with 1.25% Reference & Adjustable Hysteresis

Features:

- 1.5V to 5.5V operating range
- 1.5 μ A typical supply current
- \pm 1.25% voltage threshold accuracy
- 10nA maximum input leakage current over temperature
- Externally adjustable hysteresis (MIC841)
- Internal 20mV hysteresis (MIC842)
- Output options:
 - Push-pull, active high
 - Push-pull, active low
 - Open drain, active low
- Immune to brief input transients
- Teeny™ 5-pin SC-70 package
- 6-pin 1.6mm x 1.6mm TDFN (MIC841)
- 4-pin 1.2mm x 1.6mm TDFN (MIC842)



[<< BACK](#)

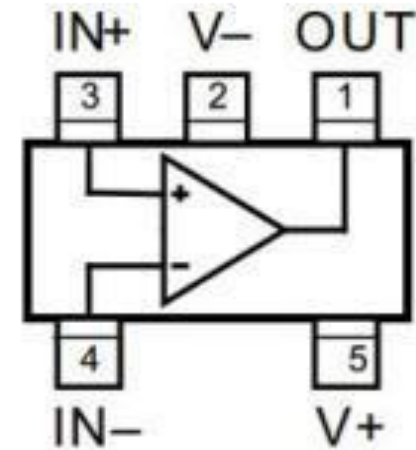


MIC6211

IttyBitty[®] Operational Amplifier

- **Features:**

- 4V to 32V operation
- Small footprint package
- Unity gain stable
- 2.5 MHz unity gain bandwidth
- 6V/ μ s typical slew rate
- Short circuit protected



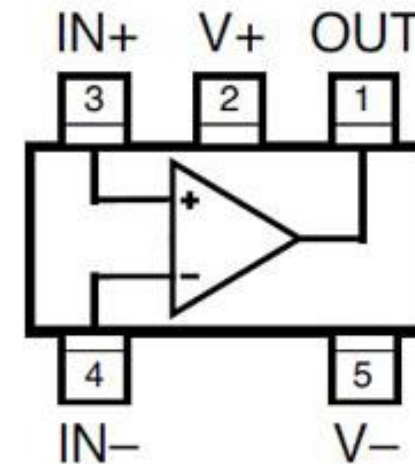
SOT-23-5 (M5)

LMC7101

Low-Power Operational Amplifier

- **Features:**

- Small footprint SOT-23-5 package
- Guaranteed 2.7V, 3V, 5V, and 12V performance
- 500kHz gain-bandwidth
- 0.01% total harmonic distortion at 10kHz (5V, 2k Ω)
- 0.5mA typical supply current at 5V



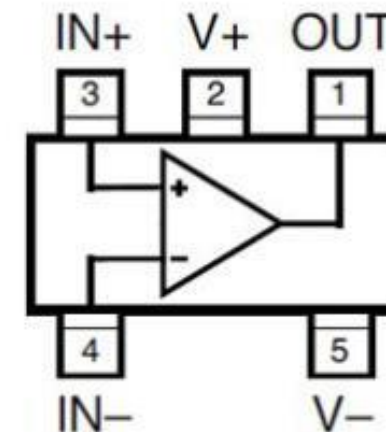
SOT-23-5 (M5)

MIC7111

1.8V IttyBitty® Rail-to-Rail Input/Output Op Amp

- **Features:**

- Output swing to within 1mV of rails with 1.8V supply and -
 - - 100k Ω load
- Small footprint SOT-23-5 package
- Guaranteed performance at 1.8V, 2.7V, 5V, and 10V
- 15 μ A typical supply current at 1.8V
- 25kHz gain-bandwidth at 5V
- Suitable for driving capacitive loads



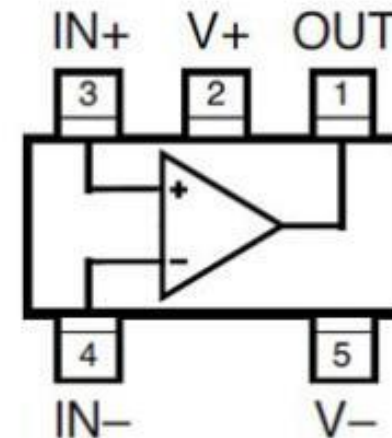
SOT-23-5 (M5)

MIC7300

High-Output Drive Rail-to-Rail Op Amp

- **Features:**

- Output swing to within 1mV of rails with 1.8V supply and –
 - - 100k Ω load
- Small footprint SOT-23-5 package
- Guaranteed performance at 1.8V, 2.7V, 5V, and 10V
- 15 μ A typical supply current at 1.8V
- 25kHz gain-bandwidth at 5V
- Suitable for driving capacitive loads



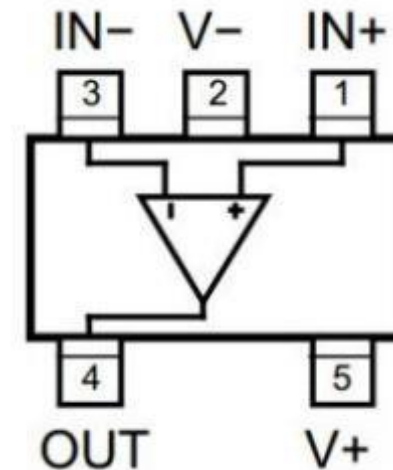
SOT-23-5 (M5)

MIC860

Teeny™ Ultra-Low Power Op Amp

- **Features:**

- Teeny™ SC70 packaging
- 4MHz gain-bandwidth product
- 30 μ A supply current
- Rail-to-rail output
- Ground sensing at input common mode to GND
- Common mode to GND
- Drive large capacitive loads

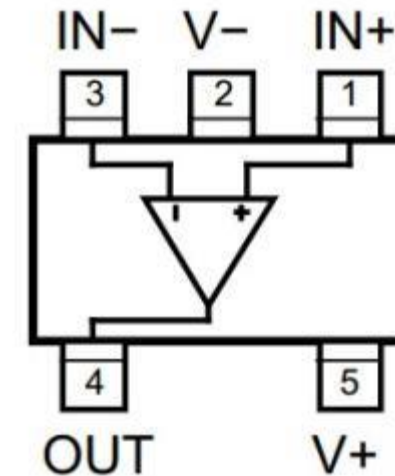


MIC861

Teeny™ Ultra-Low Power Op Amp

- **Features:**

- Teeny™ SC70 packaging
- 400kHz gain-bandwidth product
- 650kHz, -3dB bandwidth
- 4.6 μ A supply current
- Rail-to-Rail output
- Ground sensing at input (common mode to GND)
- Drives large capacitive loads (1000pF)
- Unity gain stable



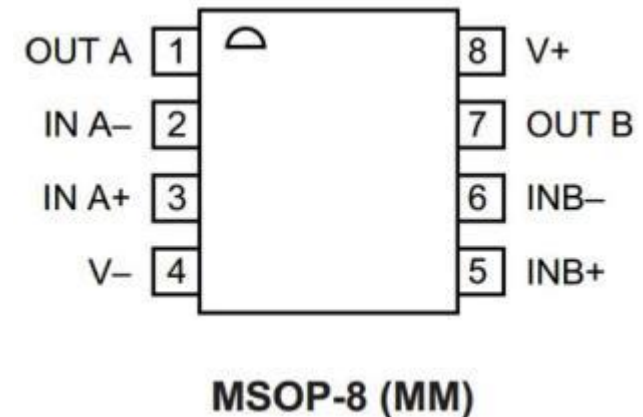
MIC7122



- **Features:**

- Small footprint MSOP-8 package
- 350 μ A supply current per op amp at 2.2V supply
- Guaranteed 2.2V, 5V, and 15V performance
- 750kHz gain-bandwidth product at 2.2V supply
- 0.01% total harmonic distortion at 1kHz (15V, 2k Ω)
- Drives 200pF at 5V and greater supply voltages

Rail-to-Rail Dual Op Amp

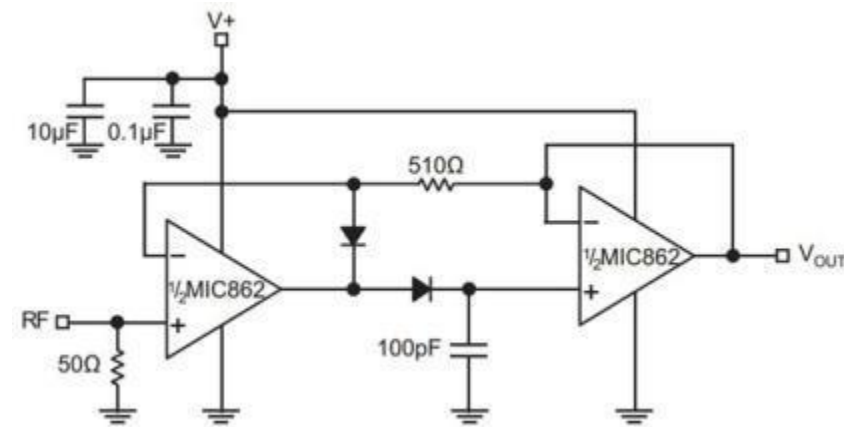


MIC862

Dual Ultra Low Power Op Amp in SOT23-8

- **Features:**

- SOT23-8 packaging
- 3MHz gain-bandwidth product
- 5MHz, -3dB bandwidth
- 31 μ A supply current
- Rail-to-rail output
- Ground sensing at input (common mode – to GND)
- Drive large capacitive loads
- Unity gain stable

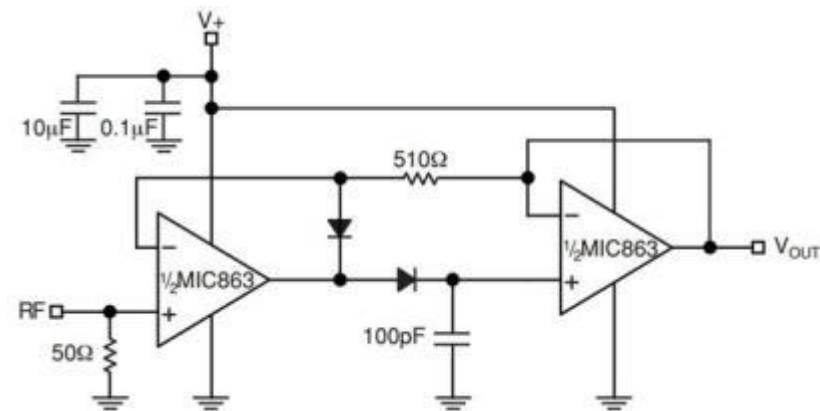


MIC863

Dual Ultra Low Power Op Amp in SOT23-8

- **Features:**

- SOT23-8 packaging
- 450kHz gain-bandwidth product
- 800kHz, -3dB bandwidth
- 4.2 μ A supply current/channel
- Rail-to-rail output
- Ground sensing at input (common mode to GND)
- Drives large capacitive loads (0.02 μ F)
- Unity gain stable

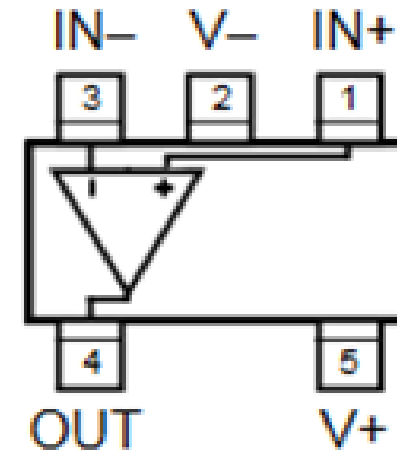


MIC920

80MHz Low-Power SC-70 Op Amp

- **Features:**

- Gain Bandwidth Product: 80 MHz (typical)
- Supply Current: 550 μ A (typical)
- Input Offset Voltage (max): ± 5 mV
- Supply Voltage: ± 2.5 V to ± 9 V
- Phase Margin: 32° (typ.)
- Short Circuit Current: 63 mA (typical)
- Noise: 11 nV/ $\sqrt{\text{Hz}}$ (typical, at 10 kHz)
- Slew Rate: 3000 V/ μ s (typical)
- Industrial Temperature Range: -40°C to $+85^\circ\text{C}$
- Packages: SC-70



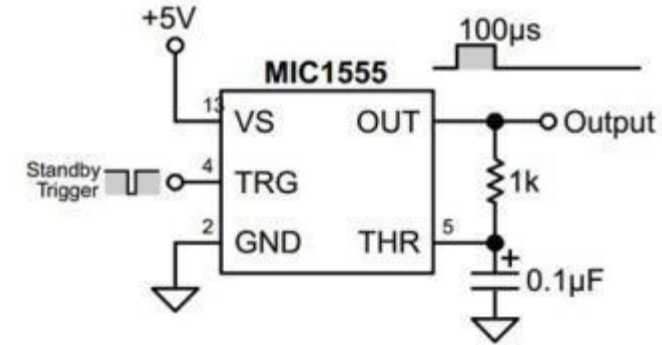
MIC1555

IttyBitty® RC Timer / Oscillator

[Online Datasheet](#)

Features:

- +2.7V to +18V operation
- Low current
- <math><1\mu\text{A}</math> typical shutdown mode (MIC1557)
- 200 μA typical (TRG and THR low) at 3V supply
- Timing from microseconds to hours
- "Zero" leakage trigger and threshold inputs
- 50% square wave with one Resistor, one Capacitor
- Threshold input precedence over trigger input
- <math><15\Omega</math> output on resistance
- No output cross-conduction current spikes
- <math><0.005\%/^{\circ}\text{C}</math> temperature stability
- <math><0.055\%/V</math> supply stability
- SOT-23-5 package



Monostable (One-Shot)

<< BACK



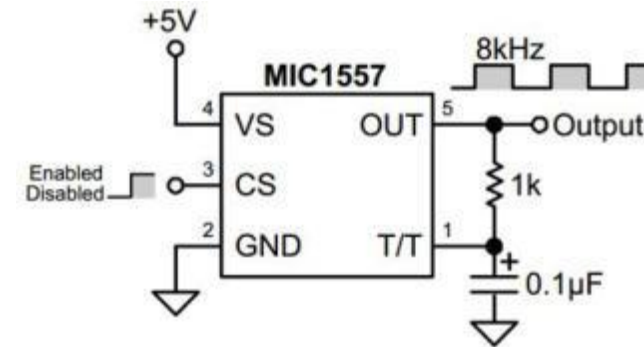
MIC1557

IttyBitty® RC Timer / Oscillator

[Online Datasheet](#)

Features:

- +2.7V to +18V operation
- Low current
- <math><1\mu\text{A}</math> typical shutdown mode (MIC1557)
- 200 μA typical (TRG and THR low) at 3V supply
- Timing from microseconds to hours
- "Zero" leakage trigger and threshold inputs
- 50% square wave with one Resistor, one Capacitor
- Threshold input precedence over trigger input
- <math><15\Omega</math> output on resistance
- No output cross-conduction current spikes
- <math><0.005\%/^{\circ}\text{C}</math> temperature stability
- <math><0.055\%/V</math> supply stability
- SOT-23-5 package



Astable (Oscillator)

[<< BACK](#)



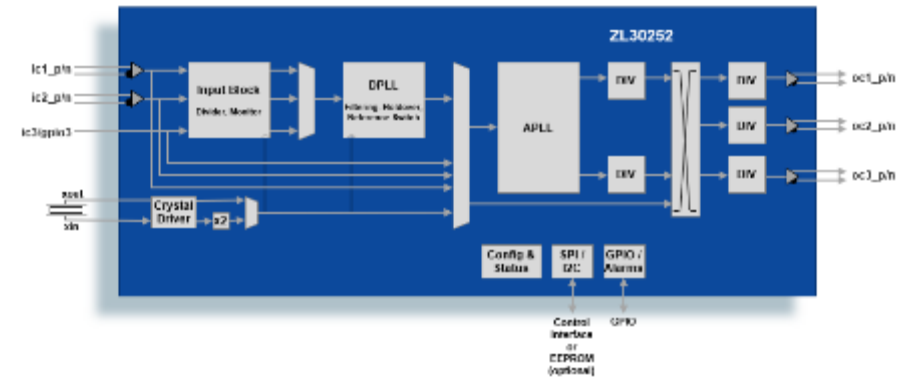
ZL30252

[Online Datasheet](#)

4-Input, 3-Output Any-to-Any Clock Multiplier and Frequency Synthesizer IC

Features

- Three inputs: two differential/CMOS, one CMOS
- Any input frequency from 1kHz to 1250MHz
- (1kHz to 300MHz for CMOS)
- Inputs continually monitored for activity and frequency accuracy
- Automatic or manual reference switching
- Low-Bandwidth DPLL
- Digitally controlled phase adjustment
- Automatic self-configuration at power-up from external EEPROM; u
- Numerically controlled oscillator mode
- Spread-spectrum modulation mode
- Zero-delay mode with external feedback
- SPI or I2C processor Interface
- Easy-to-use evaluation software



[<< BACK](#)



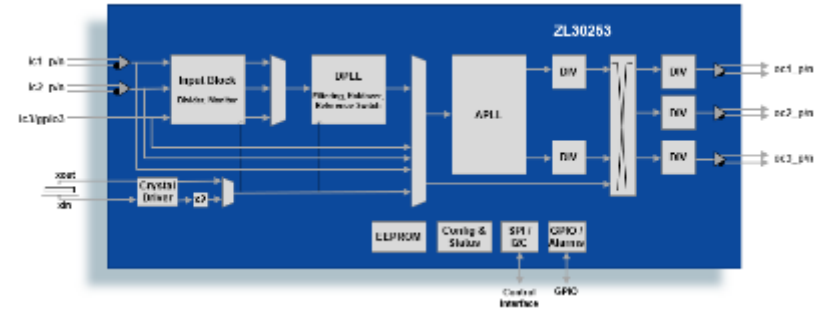
ZL30253

Online
Datasheet

4-Input, 3-Output Any-to-Any Clock Multiplier and Frequency Synthesizer IC with Internal EEPROM

Features

- Three inputs: two differential/CMOS, one CMOS
- Any input frequency from 1kHz to 1250MHz
- (1kHz to 300MHz for CMOS)
- Inputs continually monitored for activity and frequency accuracy
- Automatic or manual reference switching
- Low-Bandwidth DPLL
- Digitally controlled phase adjustment
- Automatic self-configuration at power-up from internal EEPROM; up to 4096 bits
- Numerically controlled oscillator mode
- Spread-spectrum modulation mode
- Zero-delay mode with external feedback
- SPI or I2C processor Interface
- Easy-to-use evaluation software



<< BACK



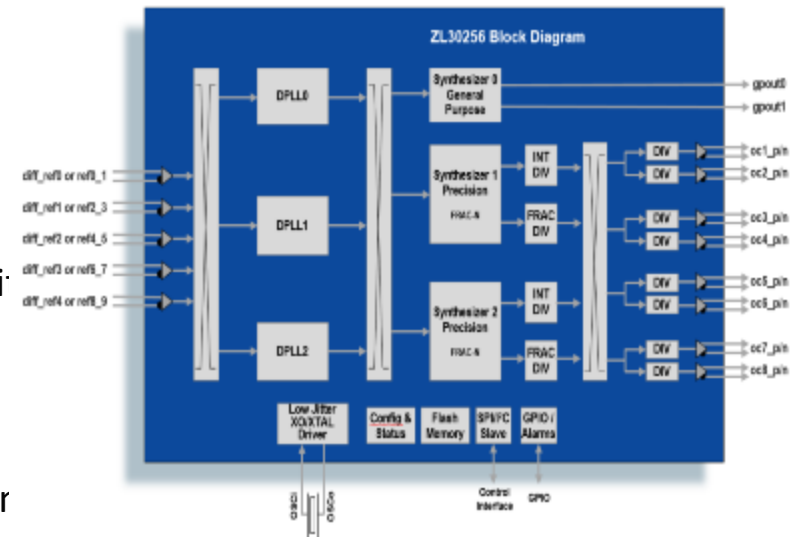
ZL30256

3-Channel, 10-Input, 18-Output
General-Purpose Jitter Attenuator

Online
Datasheet

Features

- One, Two or Three DPLL Channels
- Programmable bandwidth, 14Hz to 470Hz
- Free-run or holdover on loss of all inputs
- Hitless reference switching
- High-resolution holdover averaging
- Per-DPLL phase adjustment, 1ps resolution
- Programmable tracking range, phase-slope, limiting, frequency-change limit
- Output Clock Frequency Generation
- Automatic self-configuration at power-up from internal Flash memory
- Input-to-output alignment <200ps (ext feedback)
- Internal compensation (1ppt) for local oscillator frequency error in DPLLs and numerically controlled oscillator behavior in each DPLL and each fractional
- Easy-to-configure design requires no external VCXO or loop filter components
- 7 GPIO pins with many possible behaviors
- SPI or I2C processor Interface
- 1.8V and 3.3V core VDD voltages
- Power: 1.3W for 2 inputs, 1 synth, 6 LVDS out
- Easy-to-use evaluation/programming software



<< BACK

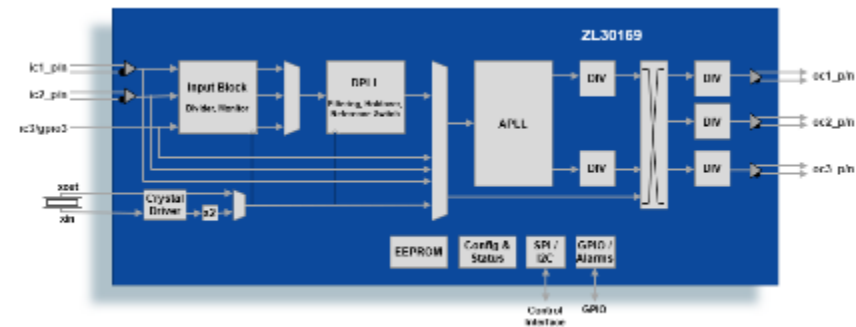


ZL30169

[Online Datasheet](#)

Tiny 3-Input, 3-Output
Clock Translator for OTN
Input clocks

- Three inputs, two differential/CMOS, one CMOS
- Any input frequency from 1kHz to 1250MHz
- (1kHz to 300MHz for CMOS)
- Inputs continually monitored for activity and frequency accuracy
- Automatic or manual reference switching
- Low-bandwidth DPLL
- Low-jitter fractional-N APLL and 3 outputs
- Automatic self-configuration at power-up from internal EEPROM; up to four configurations
- pin-selectable
- Numerically controlled oscillator mode
- Zero-delay mode with external feedback
- SPI or I2C processor Interface
- Easy-to-use evaluation software

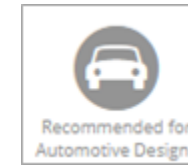


[<< BACK](#)



MAQ3203

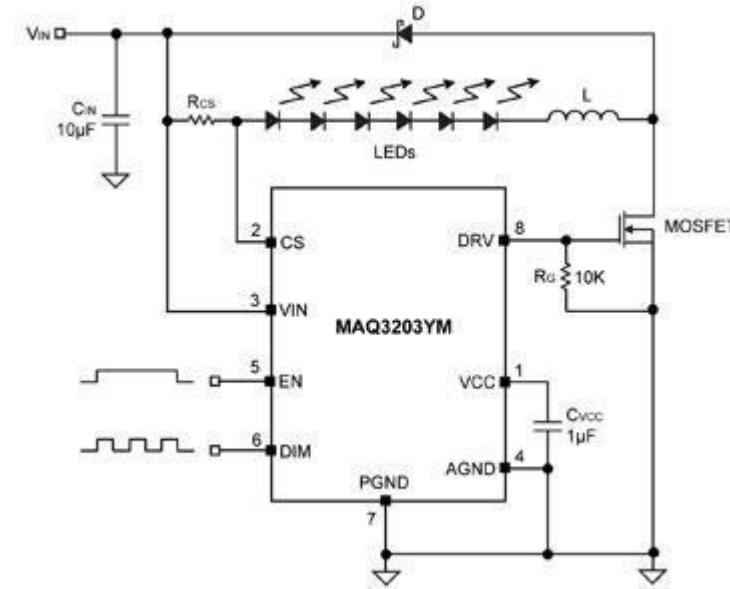
High Brightness LED Driver with High-Side Current Sense



Online
Datasheet

Features:

- AEC-Q100 qualified
- 4.5V to 42V input voltage range
- High efficiency (>90%)
- $\pm 5\%$ LED current accuracy
- Dither enabled for low EMI
- High-side current sense
- Dedicated dimming control input
- Hysteretic control (no compensation)
- Up to 1.5MHz switching frequency
- Adjustable constant LED current
- Over-temperature protection
- -40°C to $+125^{\circ}\text{C}$ junction temperature range
- Recommended for Automotive Design



<< BACK



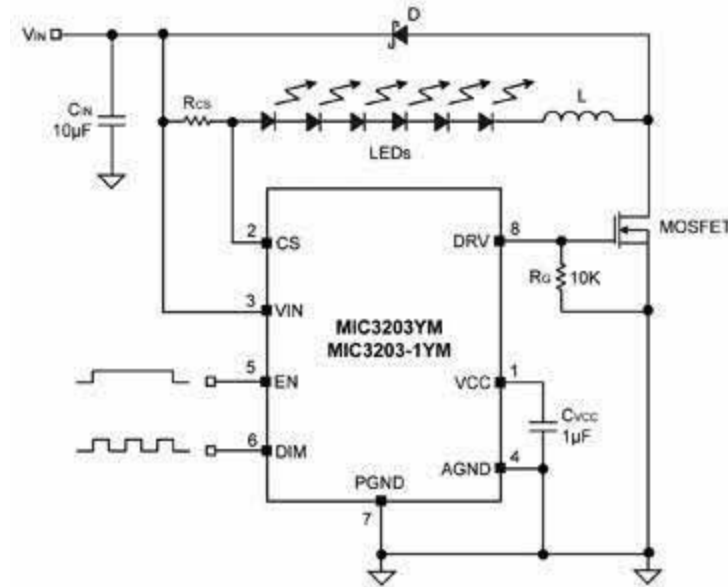
MIC3203 / MIC3203-1

Online
Datasheet

High-Brightness LED Driver Controller with
High-Side Current Sense

Features:

- 4.5V to 42V input voltage range
- High efficiency (>90%)
- $\pm 5\%$ LED current accuracy
- MIC3203: Dither enabled for low EMI
- MIC3203-1: Dither disabled
- High-side current sense
- Dedicated dimming control input
- Hysteretic control (no compensation required)
- Up to 1.5MHz switching frequency
- Adjustable constant LED current
- Over-temperature protection
- -40°C to $+125^{\circ}\text{C}$ junction temperature range



<< BACK



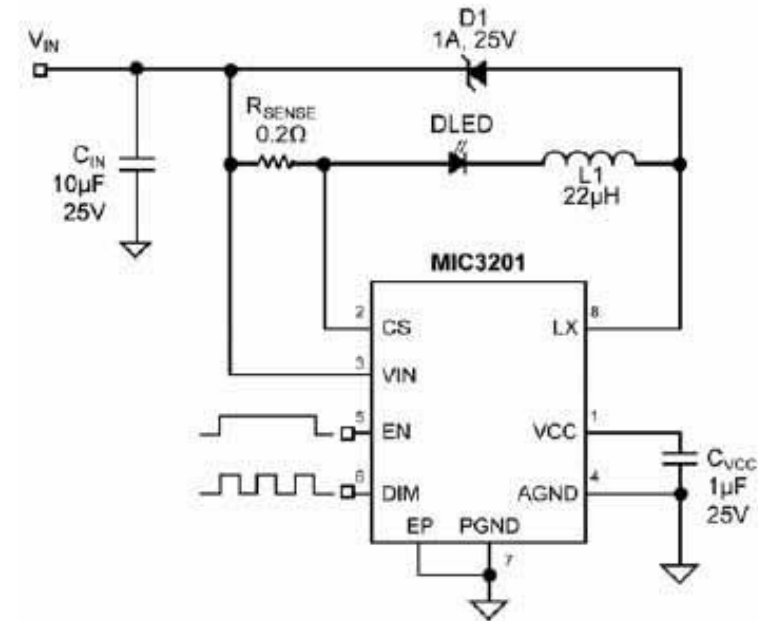
MIC3201

Online
Datasheet

High Brightness LED Driver with High-Side Current Sense

Features:

- 6.0V to 20V input voltage range
- High efficiency (>90%)
- $\pm 5\%$ LED current accuracy
- High-side current sense
- Dedicated dimming control input
- Hysteretic control (no compensation!)
- 1A internal power switch
- Up to 1MHz switching frequency
- Adjustable constant LED current
- 5V on board regulator
- Over-temperature protection
- -40°C to $+125^{\circ}\text{C}$ Junction temperature range
- Available in an 8-Pin ePad SOIC package



<< BACK



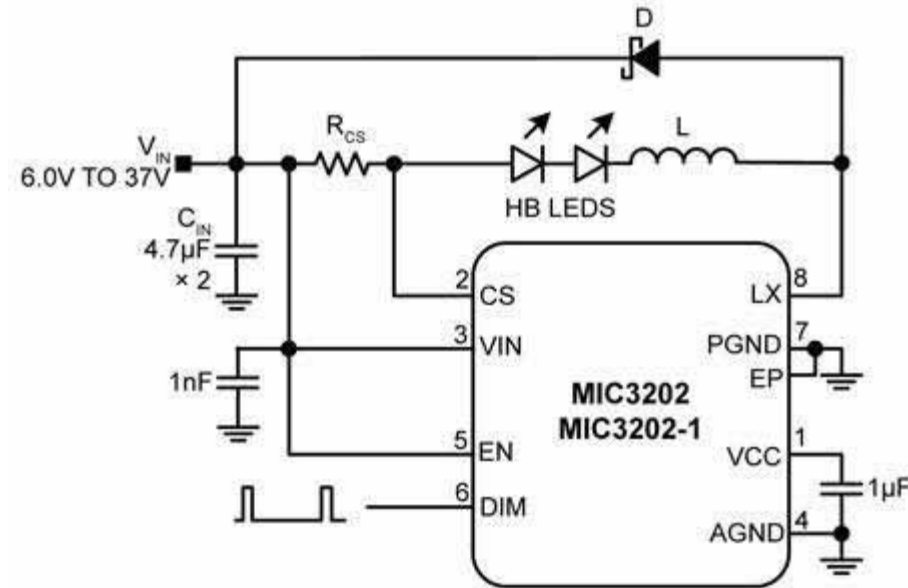
MIC3202/-1

[Online Datasheet](#)

High-Brightness LED Driver w/Integrated MOSFET and High-Side Current Sense

Features:

- 6V to 37V input voltage range
- High efficiency (>90%)
- $\pm 5\%$ LED current accuracy
- MIC3202: Dither enabled for low EMI
- MIC3202-1: Dither disabled
- High-side current sense (up to 1A)
- Dedicated dimming control input
- Hysteretic control (no compensation required)
- Up to 1MHz switching frequency
- Adjustable constant LED current
- Over-temperature protection
- -40°C to $+125^{\circ}\text{C}$ junction temperature range



[<< BACK](#)



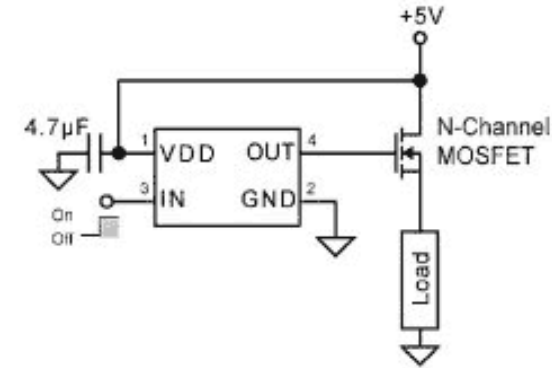
MIC5019

Ultra Small High-Side N-Channel MOSFET Driver
with Integrated Charge Pump

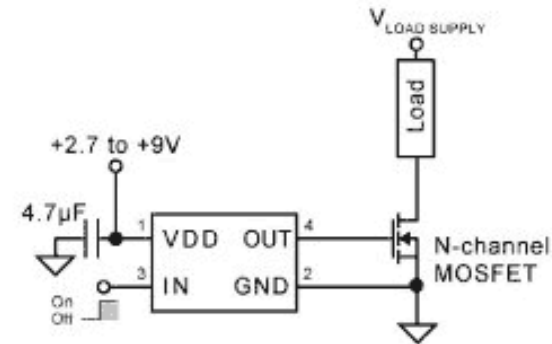
[Online
Datasheet](#)

Features:

- 4-pin 1.2mm x 1.2mm Thin QFN Package
- +2.7V to +9V supply voltage range
- 16V gate drive at $V_{DD} = 9V$
- 8V gate drive at $V_{DD} = 2.7V$
- Operates in low and high side configurations
- 150 μ A (typical) supply current at $V_{DD} = 5V$
- <1 μ A shutdown supply current
- -40 $^{\circ}$ C to +125 $^{\circ}$ C Junction Temperature Range



Low-Voltage High-Side Power Switch



Low-Side Power Switch

[<< BACK](#)



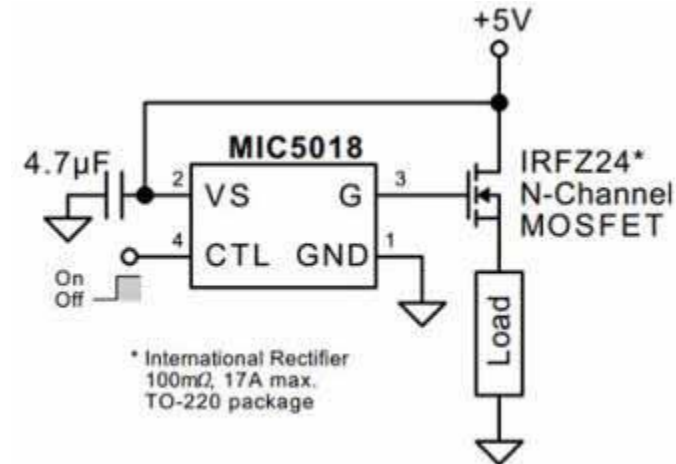
MIC5018

IttyBitty® High-Side MOSFET Driver

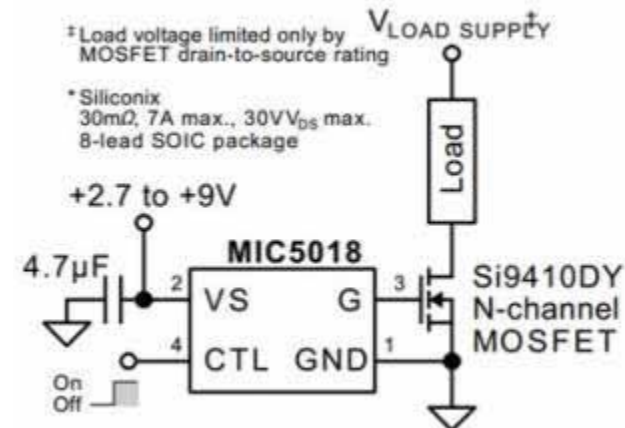
Online
Datasheet

Features:

- +2.7V to +9V operation
- 150 μ A typical supply current at 5V supply
- $\leq 1\mu$ A typical standby (off) current
- Charge pump for high-side low-voltage applications
- Internal Zener diode gate-to-ground MOSFET – protection
- Operates in low- and high-side configurations
- TTL compatible input
- ESD protected



Low-Voltage High-Side Power Switch



Low-Side Power Switch

<< BACK



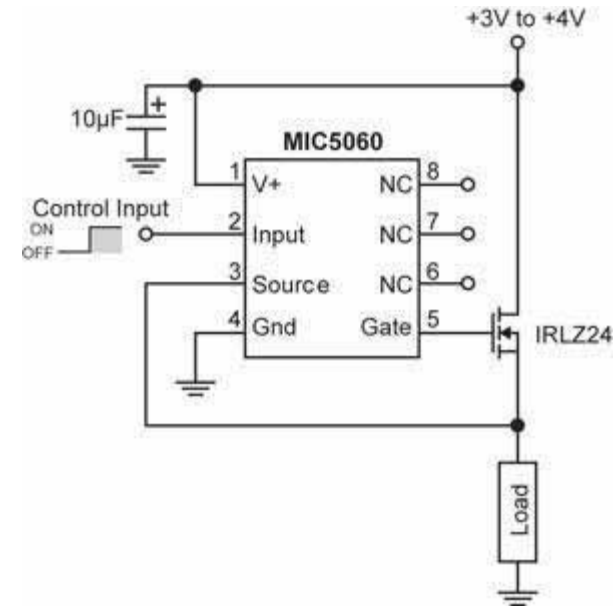
MIC5060

Small High-Side MOSFET Driver

[Online Datasheet](#)

Features:

- 2.75V to 30V operation
- 100 μ A maximum supply current (5V supply)
- 15 μ A typical off-state current
- Internal charge pump
- TTL-compatible input
- Withstands 60V transient (load dump)
- Reverse battery protected to -20V
- Inductive spike protected to -20V
- Overvoltage shutdown at 35V
- Internal 15V gate protection
- Minimum external parts
- Operates in high-side or low-side configurations
- 1 μ A control input pull-off
- Available in 8-pin 3mm x 3mm MLF[®] package



[<< BACK](#)



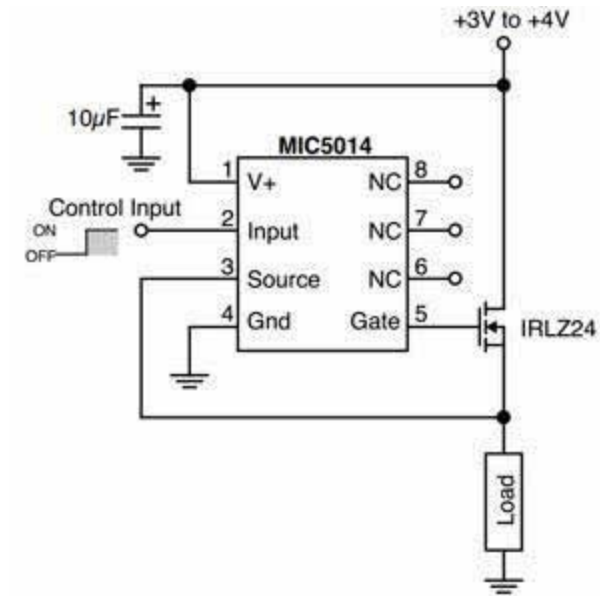
MIC5014/15

Low-Cost High- or Low-Side MOSFET Driver

[Online Datasheet](#)

Features:

- +2.75V to +30V operation
- 100 μ A maximum supply current (5V supply)
- 15 μ A typical off-state current
- Internal charge pump
- TTL compatible input
- Withstands 60V transient (load dump)
- Reverse battery protected to -20V
- Inductive spike protected to -20V
- Overvoltage shutdown at 35V
- Internal 15V gate protection
- Minimum external parts
- Operates in high-side or low-side configurations
- 1 μ A control input pull-off
- MIC5015: Inverting
- MIC5014: Non-inverting versions



[<< BACK](#)



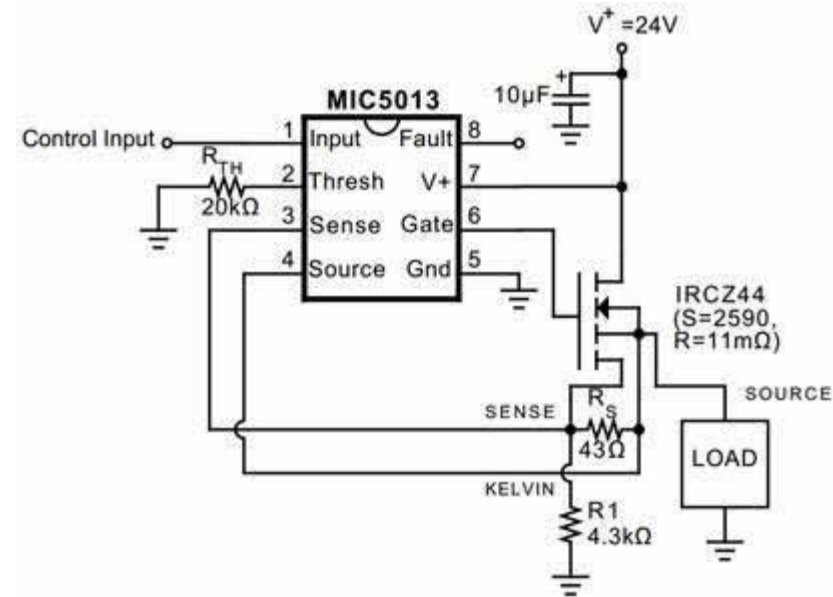
MIC5013

Online
Datasheet

Protected High- or Low-Side MOSFET Driver

Features:

- +7.0V to +32V operation
- Less than 1 μ A current in the "off" state
- Internal charge pump to drive the gate of an N – channel power FET above supply
- Available in small outline SOIC packages
- Internal Zener clamp for gate protection
- 60 μ s typical turn-on time to 50% gate overdrive
- Programmable over-current sensing
- Dynamic current threshold for high in-rush loads
- Fault output pin indicates current faults
- Implements high- or low-side switches



<< BACK



MIC5011

Minimum Parts High- or Low-Side MOSFET Driver

[Online Datasheet](#)

Features:

- +4.75V to +32V operation
- Less than 1 μ A current in the "off" state
- Internal charge pump to drive the gate of an N-channel – power FET above supply
- Available in small outline SOIC packages
- Internal Zener clamp for gate protection
- Minimum external parts count
- Can be used to boost drive to low-side power FETs –
 - operating on logic supplies
- 25 μ s typical turn-on time with optional external –
 - capacitors
- Implements high- or low-side drivers

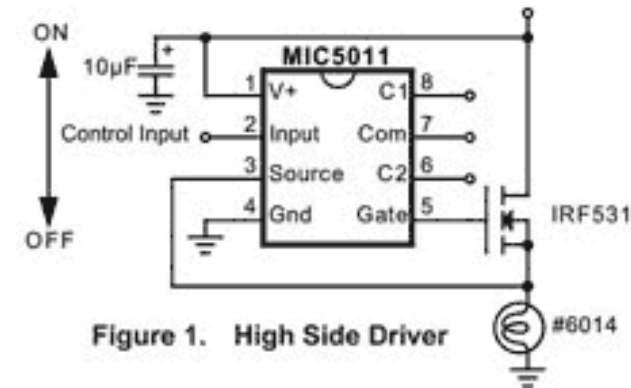


Figure 1. High Side Driver

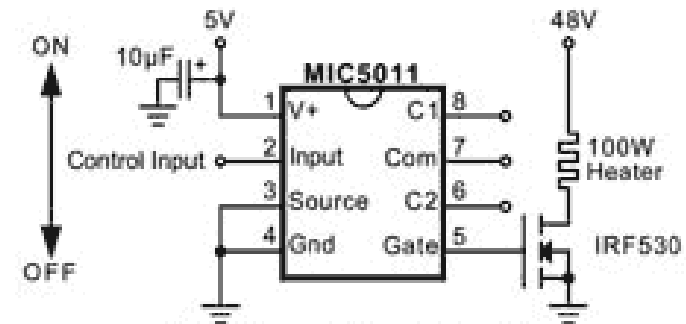


Figure 2. Low Side Driver

[<< BACK](#)



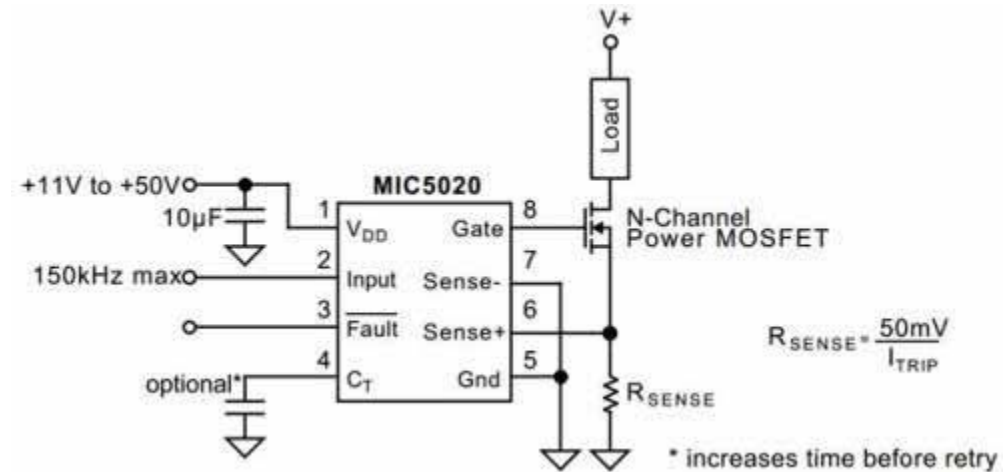
MIC5020

Current-Sensing Low-Side MOSFET Driver

[Online Datasheet](#)

Features:

- 11V to 50V operation
- 175ns rise/fall time driving 2000pF
- TTL compatible input with internal pull –
- down resistor
- Overcurrent limit
- Fault output indication
- Gate to source protection
- Compatible with current sensing –
- MOSFETs



<< BACK



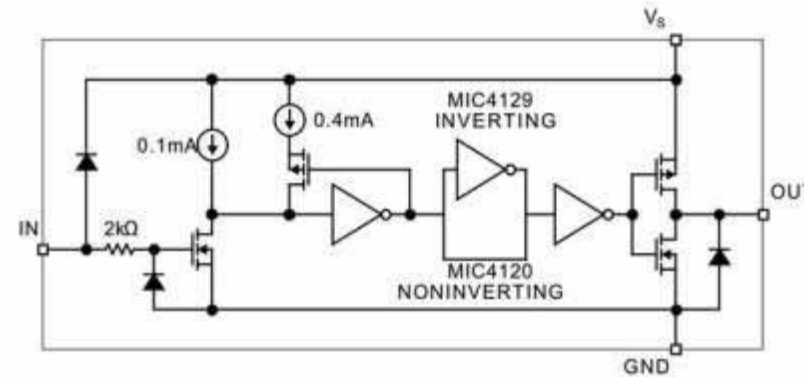
MIC4120/9

Online
Datasheet

6A-Peak Low-Side MOSFET Driver Bipolar/CMOS/DMOS Process

Features:

- Latch-up protected: will withstand $>200\text{mA}$ –
– reverse output current
- Logic input withstands negative swing of up to 5V
- Matched rise and fall times of 25ns
- High peak output current at 6A
- Wide operating range from 4.5V to 20V
- High capacitive load drive of 10,000pF
- Logic high input for any voltage from 2.4V to V_S
- Low equivalent input capacitance (typ) at 6pF
- Low supply current is $450\mu\text{A}$ with logic 1 input
- Low output impedance is 2.5Ω
- Output voltage swing within 25mV of ground or V_S
- Exposed backside pad packaging reduces heat
 - ePad SOIC-8L ($\theta_{JA} = 58^\circ\text{C/W}$)
 - 3mm x 3mm MLF[®]-8L ($\theta_{JA} = 60^\circ\text{C/W}$)



<< BACK



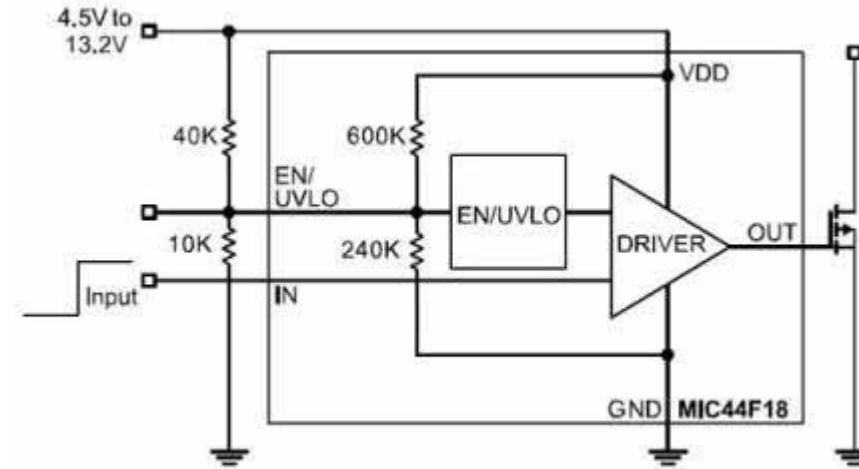
MIC44F18/19/20

6A High Speed MOSFET Drivers in 2mm x 2mm Package

[Online Datasheet](#)

Features:

- 4.5V to 13.2V input operating range
- 6A peak output current
- High accuracy $\pm 5\%$ enable input threshold
- High speed switching capability:
 - 10ns rise time in 1000pF load
 - <15ns propagation delay time
- Flexible UVLO function:
 - 4.2V internally set UVLO
 - Programmable with external resistors
- Latch-up protection to >500mA reverse – current on the output pin
- Enable function
- Thermally enhanced ePad MSOP-8 package option
- Miniature 2mm x 2mm MLF[®]-8 package option
- Pb-free packaging



<< BACK



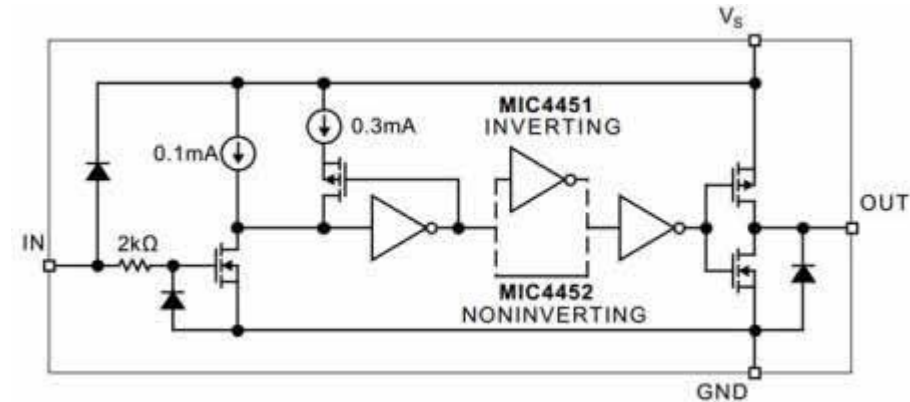
MIC4451/2

Online
Datasheet

12A Peak Low-Side MOSFET Driver Bipolar/CMOS/DMOS Process

Features:

- BiCMOS/DMOS construction
- Latch-up proof: fully isolated process is –
– inherently immune to any latch-up.
- Input will withstand negative swing of –
– up to 5V
- Matched rise and fall times 25ns
- High peak output current 12A peak
- Wide operating range 4.5V to 18V
- High capacitive load drive 62,000pF
- Low delay time 30ns typ.
- Logic high input for any voltage from 2.4V to VS
- Low equivalent input capacitance (typ.) 7pF
- Low supply current 450 μ A with logic 1 input
- Low output impedance 1.0 Ω
- Output voltage swing to within 25mV of ground or VS



<< BACK



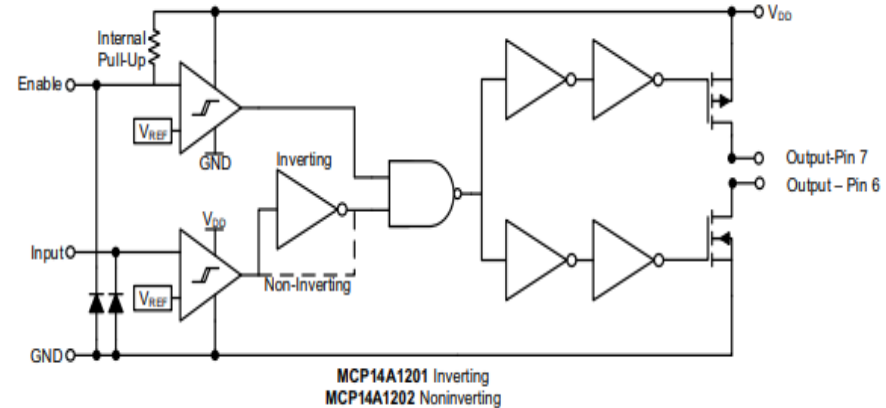
MCP14A1201/2

Description Sub-Title of the Device

[Online Datasheet](#)

Features List:

- High Peak Output Current: 12.0A (typical)
- Wide Input Supply Voltage Operating Range:
 - 4.5V to 18V
- Low Shoot-Through/Cross-Conduction Current in Output Stage
- High Capacitive Load Drive Capability:
 - 15,000 pF in 25 ns (typical)
- Short Delay Times: 28 ns (tD1), 28 ns (tD2) (typical)
- Low Supply Current: 360 μ A (typical)
- Low-Voltage Threshold Input and Enable with Hysteresis
- Latch-Up Protected: Withstands 500 mA Reverse Current
- Space-Saving Packages:
 - 8-Lead MSOP
 - 8-Lead SOIC
 - 8-Lead 2 x 3 TDFN



<< BACK

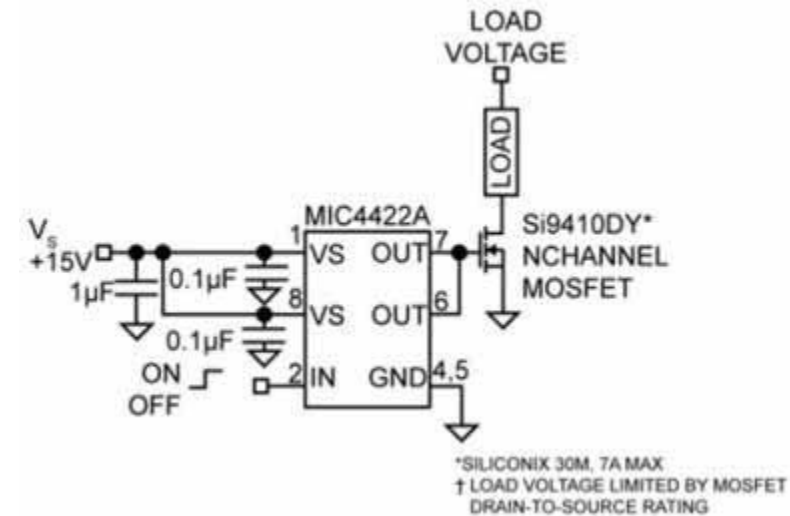
MIC4421A/2A

12A Peak Low-Side MOSFET Driver Bipolar/CMOS/DMOS Process

[Online Datasheet](#)

Features:

- High peak-output current: 9A peak (typ.)
- Wide operating range: 4.5V to 18V (typ.)
- Minimum pulse width: 50ns
- Input will withstand negative swing of up to 5V
- High capacitive load drive: 47,000pF
- Low delay time: 15ns (typ.)
- Logic high input for any voltage from 2.4V to VS
- Low equivalent input capacitance (typ.): 7pF
- Low supply current: 500 μ A (typ.)
- Latch-up proof: fully isolated process is inherently –
– immune to any latch-up.
- Output voltage swing to within 25mV of ground or VS



[<< BACK](#)



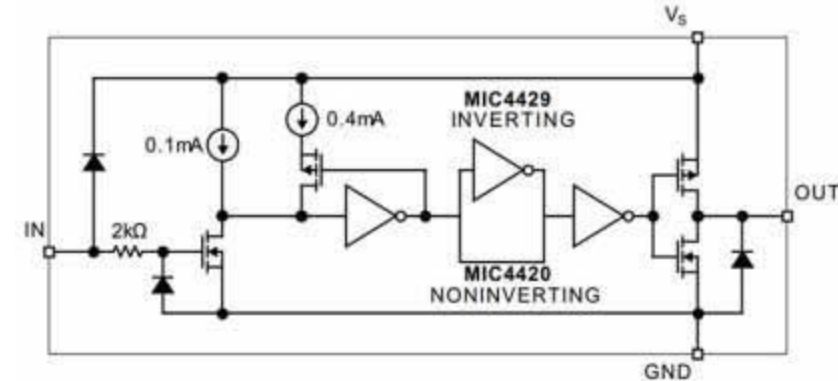
MIC4420/9

[Online Datasheet](#)

6A-Peak Low-Side MOSFET Driver Bipolar/CMOS/DMOS Process

Features:

- CMOS construction
- Latch-up protected: will withstand $>500\text{mA}$ –
– reverse output current
- Logic input withstands negative swing of up to 5V
- Matched rise and fall times of 25ns
- High peak output current at 6A
- Wide operating range from 4.5V to 18V
- High capacitive load drive of 10,000pF
- Low delay time of 55ns typical
- Low delay time 55ns typ.
- Logic high input for any voltage from 2.4V to V_S
- Low equivalent input capacitance (typ.) 6pF
- Low supply current 450 μA with logic 1 input
- Low output impedance 2.5 Ω
- Output voltage swing within 25mV of ground or V_S



[<< BACK](#)



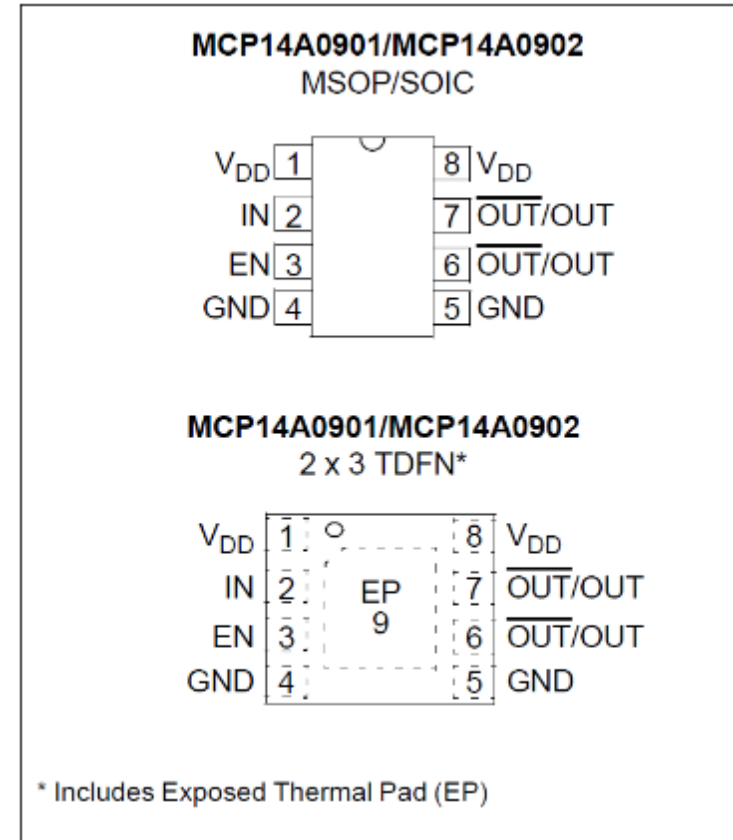
MCP14A0901/2

Online
Datasheet

9A MOSFET Driver with Low Threshold Input and Enable

Features:

- High Peak Output Current: 9.0A (typical)
- Wide Input Supply Voltage Operating Range: -4.5V to 18V
- Low Shoot-Through/Cross-Conduction Current in Output Stage
- High Capacitive Load Drive Capability: -10,000 pF in 24 ns (typical)
- Short Delay Times: 27 ns (tD1), 27 ns (tD2) (typical)
- Low Supply Current: 360 μ A (typical)
- Low-Voltage Threshold Input and Enable with Hysteresis
- Latch-Up Protected: Withstands 500 mA Reverse Current
- Space-Saving Packages:
 - 8-Lead MSOP
 - 8-Lead SOIC
 - 8-Lead 2 x 3 TDFN



<< BACK



MCP14A0601/2

6A MOSFET Driver with Low Threshold Input and Enable

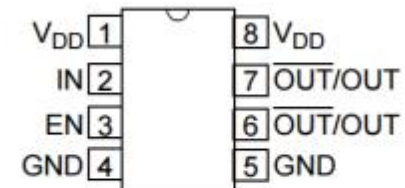
Online
Datasheet

Features:

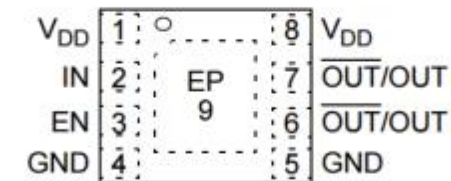
- Peak Output Current: 6 A (typical)
- Wide Supply Voltage Range: 4.5 V to 18 V
- Low Shoot-Through/Cross-Conduction Current –
- in Output Stage
- High Capacitive Load Drive Capability:
 - 2500 pF in 10 ns (typ.)
 - Short Delay: 22 ns (tD1), 22 ns (tD2) (typ.)
- Low Supply Current: 375 μ A (typ.)
- Low Voltage Threshold Input and Enable
 - Hysteresis: 1.2 to 1.6 V
- Latch-Up Protected:
 - Withstands 500 mA Reverse Current
- Small Packages:
 - 8- Lead MSOP
 - 8- Lead SOIC
 - 8- Lead 2x3 TDFN

Package Types

MCP14A0601/MCP14A0602
MSOP/SOIC



MCP14A0601/MCP14A0602
2 x 3 TDFN*



* Includes Exposed Thermal Pad (EP); see [Table 3-1](#).

<< BACK



MCP14A0451/2

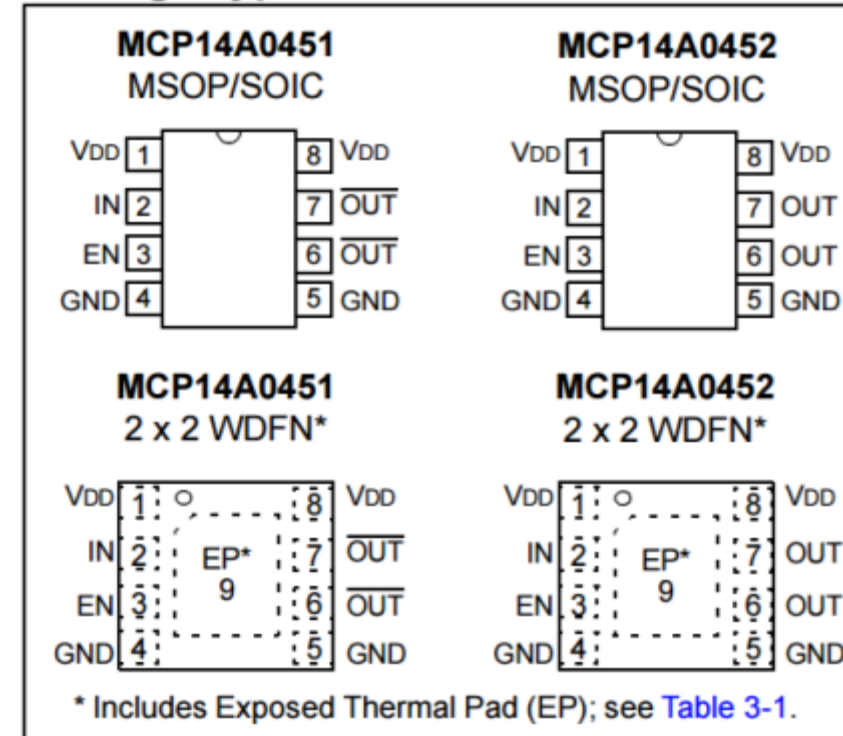
Online
Datasheet

4.5A MOSFET Driver with Low Threshold Input and Enable

Features:

- Peak Output Current: 4.5 A (typical)
- Wide Supply Voltage Range: 4.5 V to 18 V
- Low Shoot-Through/Cross-Conduction –
– Current in Output Stage
- High Capacitive Load Drive Capability:
 - 2200 pF in 9.5 ns (typ.)
 - Short Delay: 16 ns (tD1), 19.5 ns (tD2) –
– (typ.)
- Low Supply Current: 355 μ A (typ.)
- Low Voltage Threshold Input and Enable
 - Hysteresis: 1.2 to 1.6 V
- Latch-Up Protected:
 - Withstands 500 mA Reverse Current
- Small Packages:
 - 8- Lead MSOP
 - 8- Lead SOIC
 - 8- Lead 2x2 WDFN

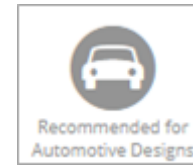
Package Types



<< BACK

MCP1406/7

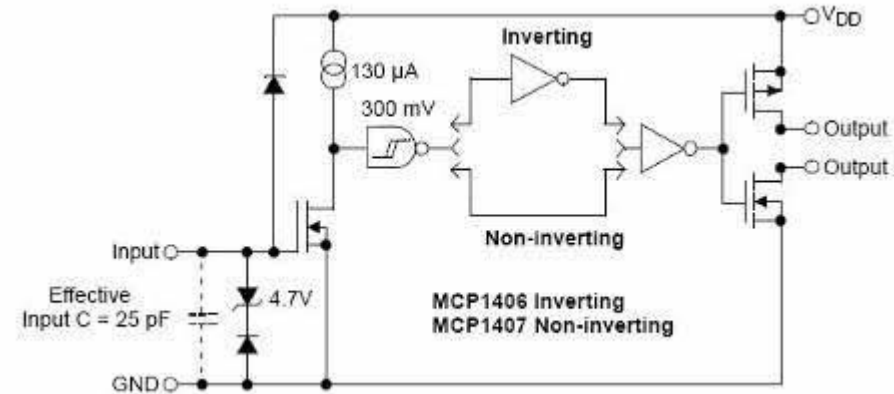
6A High-Speed Power MOSFET Drivers



Online
Datasheet

Features:

- High Peak Output Current: 6.0A (typ.)
- Wide Input Supply Voltage Operating Range:
 - 4.5V to 18V
- High Capacitive Load Drive Capability:
 - 2500pF in 20ns
 - 6800pF in 40ns
- Short Delay Times: 40ns (typ.)
- Matched Rise/Fall Times
- Low Supply Current:
 - With Logic '1' Input: 130 μ A (typ.)
 - With Logic '0' Input: 35 μ A (typ.)
- Latch-Up Protected: Will Withstand 1.5A
- Reverse Current
- Logic Input Will Withstand Negative
- Swing up to 5V
- Pin compatible with the TC4420/TC4429
- Space-saving 8-Pin SOIC, PDIP and 8-Pin
- 6x5 DFN Packages
- Recommended for Automotive Design



<< BACK



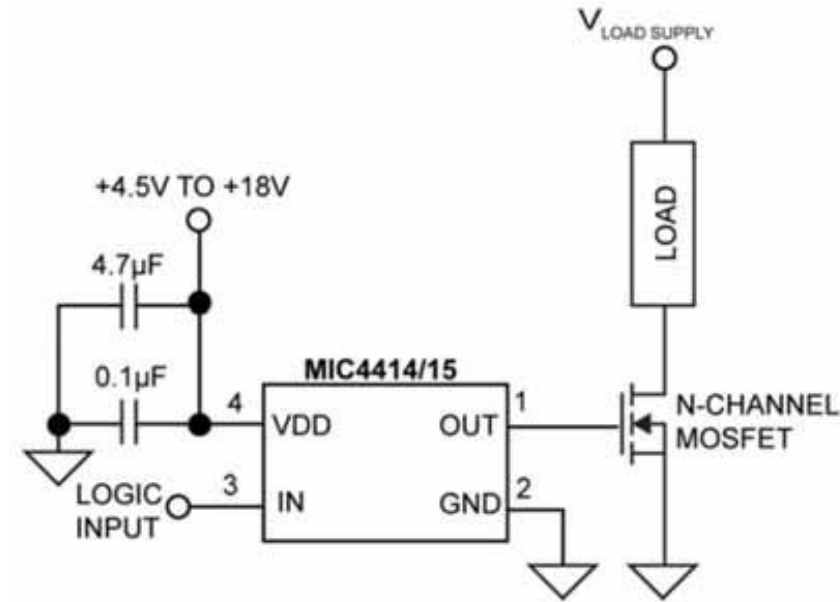
MIC4414/5

1.5A 4.5V to 18V Low-Side MOSFET Driver

[Online Datasheet](#)

Features:

- Ultra-small 4-pin 1.2mm x 1.2mm thin QFN –
- package
- +4.5V to +18V operating supply voltage range
- 1.5A peak current
 - 3.5Ω output resistance at 18V
 - 9Ω output resistance at 5V
- Low steady-state supply current
 - 77μA control input low
 - 445μA control input high
- 12ns rise and fall times into 1000pF load
- MIC4414 (non-inverting)
- MIC4415 (inverting)
- -40°C to +125°C junction temperature
- MIC4414 (non-inverting)
- MIC4415 (inverting)



[<< BACK](#)



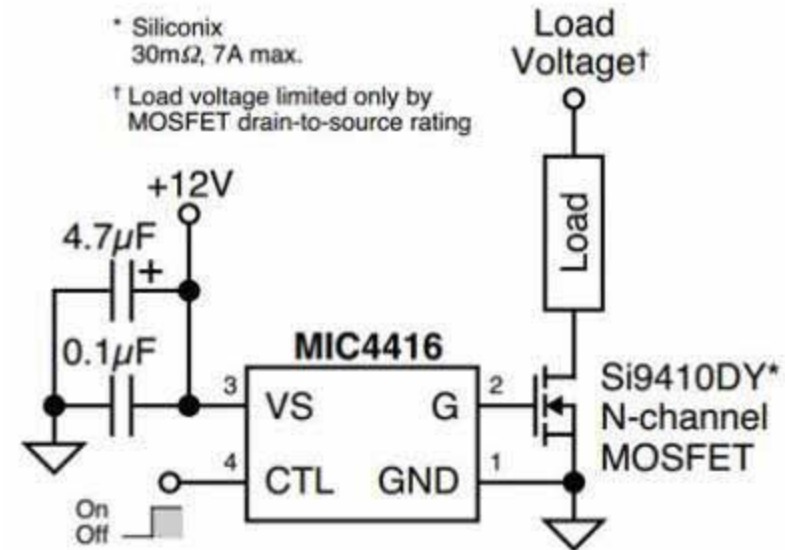
MIC4416/7

IttyBitty® Low-Side MOSFET Driver

Online
Datasheet

Features:

- +4.5V to +18V operation
- Low steady-state supply current
 - 50 μ A typical, control input low
 - 370 μ A typical, control input high
- 1.2A nominal peak output
 - 3.5 Ω typical output resistance at 18V supply
 - 7.8 Ω typical output resistance at 5V supply
- Operates in low-side switch circuits
- TTL-compatible input withstands -20V
- ESD protection
- 25mV maximum output offset from supply or ground
- Inverting and noninverting versions

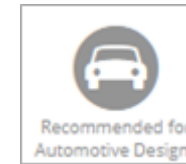


<< BACK



MAQ4123/4/5

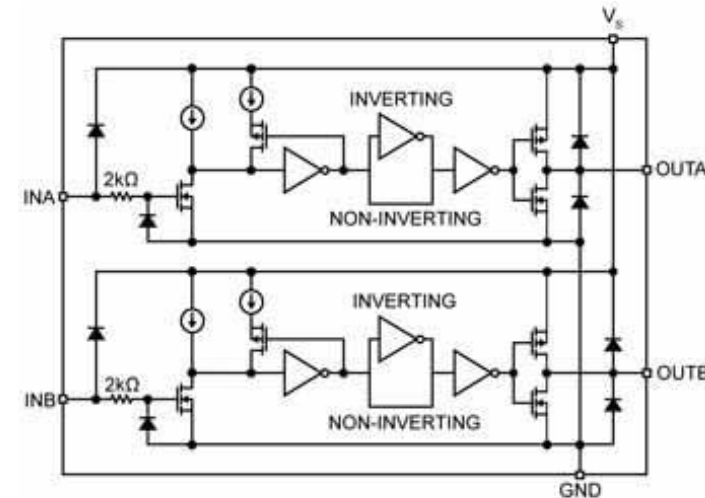
Automotive AEC-Q100 Qualified Dual 3A Peak
Low-Side MOSFET Driver



Online
Datasheet

Features:

- Automotive AEC-Q100 qualified
- High $\pm 3\text{A}$ peak output current
- Wide 4.5V to 20V supply voltage range
- Low 2.3Ω output resistance
- Logic input withstands swing to -5V
- Output voltage swings within 25mV of ground or V_S
- Low supply current
 - 2.0mA with logic 1 input (maximum over – temperature)
 - 300 μA with logic 0 input (maximum over – temperature)
- '426/7/8-, '1426/7/8-, '4426/7/8 industry standard pin out
- Fast 10ns rise/fall times with 1800pF capacitive load
- TTL/CMOS logic inputs independent of supply voltage
- Inverting, non-inverting, and differential configurations
- -40°C to +125°C temperature range
- Recommended for Automotive Design



INTEGRATED COMPONENT
COUNT:
• 4 RESISTORS
• 4 CAPACITORS
• 52 TRANSISTORS

<< BACK



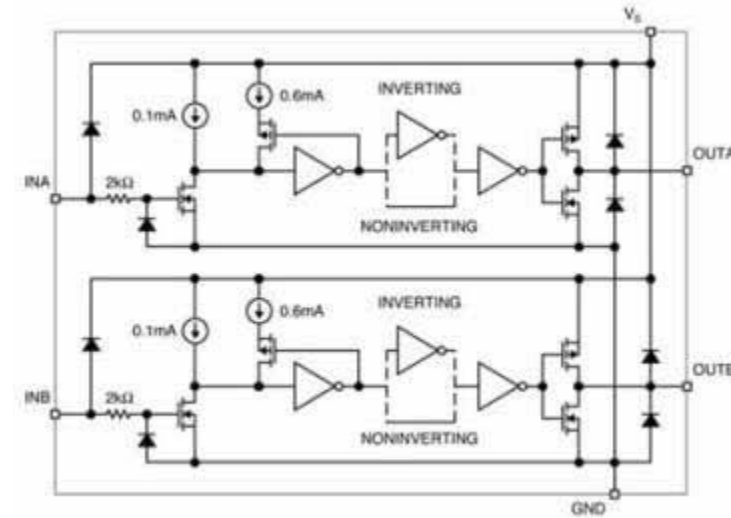
MIC4126/7/8

[Online Datasheet](#)

Dual 1.5A-Peak Low-Side MOSFET Drivers in Advanced Packaging

Features:

- Dual 1.5A-peak drivers
- 4.5V to 20V operating range
- Exposed backside pad packaging reduces heat
 - ePad SOIC-8L ($\theta_{JA} = 58^{\circ}\text{C/W}$)
 - ePad MSOP-8L ($\theta_{JA} = 60^{\circ}\text{C/W}$)
 - 3mm x 3mm MLF[®]-10L ($\theta_{JA} = 60^{\circ}\text{C/W}$)
- Bipolar/CMOS/DMOS construction
- 25mV maximum output offset from supply or ground
- Latch-up protection to >500mA reverse current
- Switches 1000pF in 25ns
- Logic-input threshold independent of supply voltage
- Logic-input protection to -5V
- 6pF typical equivalent input capacitance
- -40°C to +125°C operating junction temperature range



<< BACK



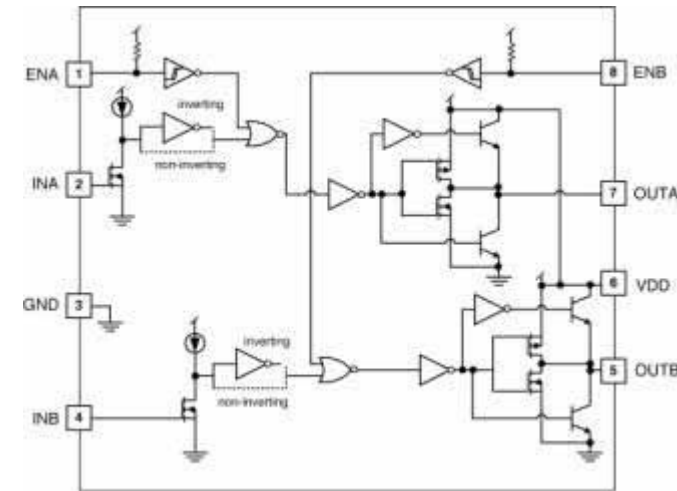
MIC4223/4/5

Dual 4A 4.5V to 18V 15ns Switch Time Low-Side
MOSFET Drivers with Enable

[Online
Datasheet](#)

Features:

- 4.5V to 18V supply voltage operating range
- High peak source/sink current
 - $\pm 3\text{A}$ at $V_{\text{DD}} = 8\text{V}$
 - $\pm 4\text{A}$ at $V_{\text{DD}} = 12\text{V}$
- 15ns/15ns rise and fall times with 2000pF load
- 25ns/35ns (rising/falling) input propagation delay
- 20ns/45ns (rising/falling) enable propagation delay
- Active-high driver enable inputs with 100k Ω pull-ups
- Output latch-up protection to >500mA reverse current
- Industry standard pin out with two package options
 - ePad MSOP-8 ($\theta_{\text{JA}} = 60^{\circ}\text{C/W}$)
 - 8-pin SOIC ($\theta_{\text{JA}} = 120^{\circ}\text{C/W}$)
- Available in dual-inverting (MIC4223), dual non-inverting –
– (MIC4224) and complementary (MIC4225)
- -40 $^{\circ}\text{C}$ to +125 $^{\circ}\text{C}$ operating junction temperature range



<< BACK



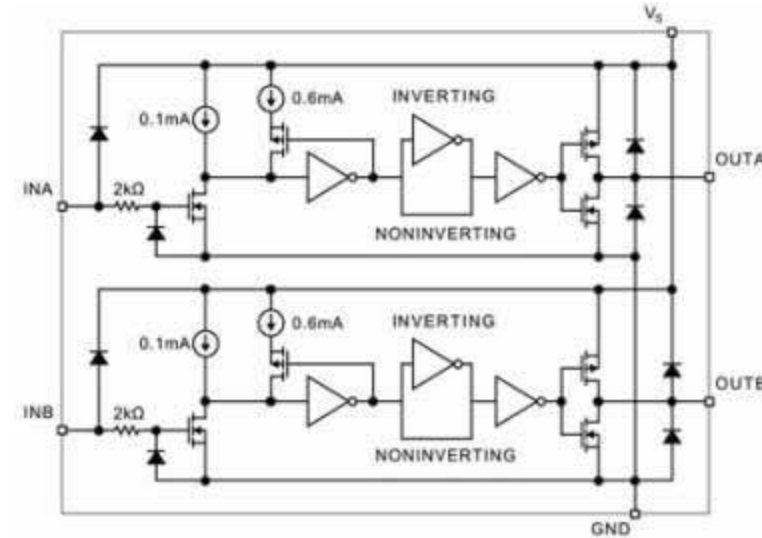
MIC4423/4/5

Dual 3A-Peak Low-Side MOSFET Driver
Bipolar/CMOS/DMOS Process

[Online Datasheet](#)

Features:

- Reliable, low-power bipolar/CMOS/DMOS – - construction
- Latch-up protected to >500mA reverse current
- Logic input withstands swing to -5V
- High 3A peak output current
- Wide 4.5V to 18V operating range
- Drives 1800pF capacitance in 25ns
- Short <40ns typical delay time
- Low equivalent 6pF input capacitance
- 3.5mA with logic 1 input
- 350 μ A with logic 0 input
- Low 3.5 Ω typical output impedance
- Output voltage swings within 25mV of ground or VS.
- '426/7/8-, '1426/7/8-, '4426/7/8-compatible pinout
- Inverting, noninverting, and differential configurations



<< BACK



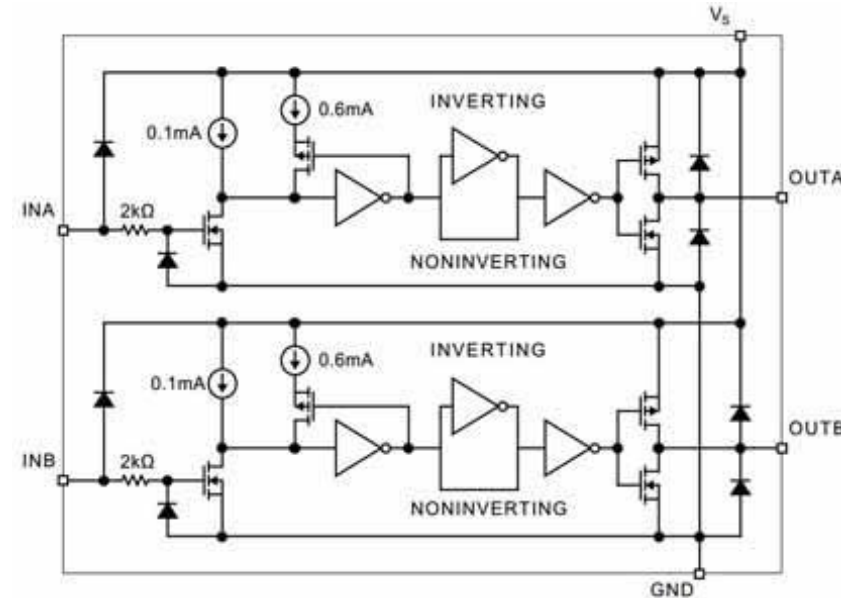
MIC4426/7/8

Dual 1.5A-Peak Low-Side MOSFET Driver

[Online Datasheet](#)

Features:

- Latch-up protection to >500mA reverse current
- 1.5A peak output current
- 4.5V to 18V operating range
- Low quiescent supply current
 - 4mA at logic 1 input
 - 400 μ A at logic 0 input
- Switches 1000pF in 25ns
- 7 Ω output impedance
- <40ns typical delay
- 6pF typical equivalent input capacitance
- 25mV max. output offset from supply or ground
- Replaces MIC426/427/428 and MIC1426/1427/1428
- Dual inverting, dual noninverting, and inverting/ - noninverting configurations
- ESD protection



<< BACK



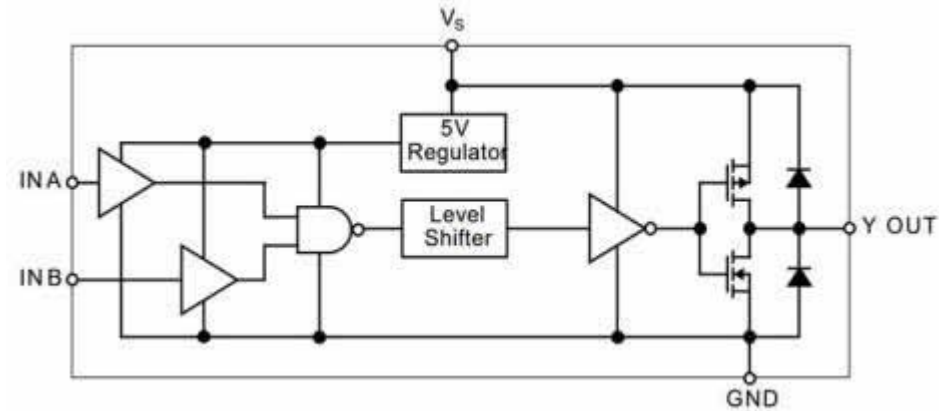
MIC4467/8/9

Quad 1.2A-Peak Low-Side MOSFET Driver

[Online Datasheet](#)

Features:

- Built using reliable, low power CMOS –
– processes
- Latchproof: withstands 500mA inductive –
– kickback
- Three input logic choices
- Symmetrical rise and fall times 25ns
- Short, equal delay times 75ns
- High peak output current 1.2A
- Wide operating range 4.5 to 18V
- Low equivalent input capacitance (typ) 6pF
- Inputs = Logic 1 for any input from 2.4V to VS
- ESD protected



[<< BACK](#)



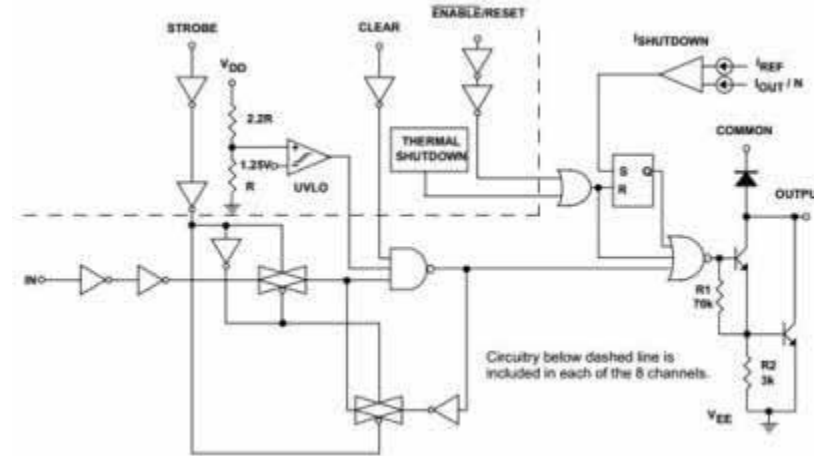
MIC58P01

[Online
Datasheet](#)

8-Bit Parallel-Input Protected Latched Driver

Features:

- 4.4MHz Minimum Data Input Rate
- High-Voltage, High-Current Outputs
- Per-Output Overcurrent Shutdown (500mA –
– typical)
- Under Voltage Lockout
- Thermal Shutdown
- Output Transient Protection Diodes
- CMOS, PMOS, NMOS, and TTL Compatible –
– Inputs
- Internal Pull-Down Resistors
- Low-Power CMOS Latches



[<< BACK](#)



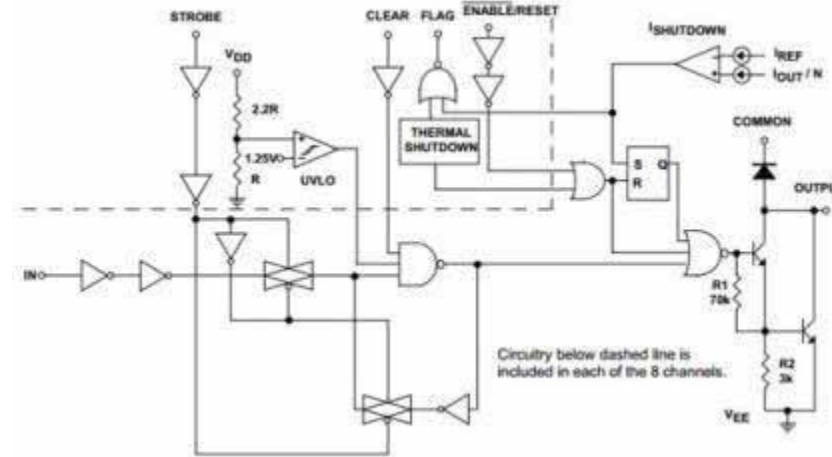
MIC59P50

Online
Datasheet

8-Bit Parallel-Input Protected Latched Driver

Features:

- 4.4 MHz Minimum Data Input Rate
- High-Voltage, High-Current Outputs
- Undervoltage Lockout
- Thermal Shutdown
- Output Fault Flag
- Output Transient Protection Diodes
- CMOS-, PMOS-, NMOS-, and TTL-compatible
 - Inputs
- Internal Pull-Down Resistors
- Per-Output Over-Current Shutdown (500mA –
– Typical)
- Low-Power CMOS Latches
- Single or Split Supply Operation



<< BACK



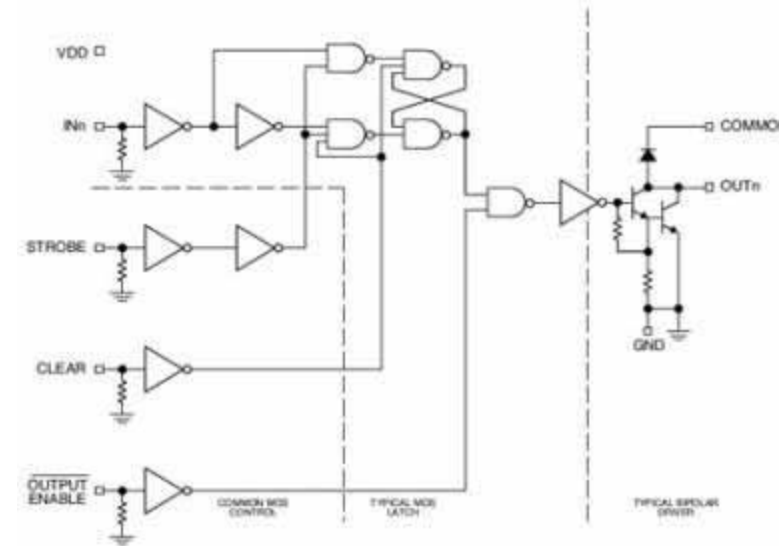
MIC5800/1

4/8-Bit Parallel-Input Latched Drivers

[Online Datasheet](#)

Features:

- CMOS, PMOS, NMOS, and TTL Compatible –
– Inputs
- 4.4MHz Minimum Data Input Rate
- High-Voltage, Current Sink Outputs
- Output Transient Protection
- Internal Pull-Down Resistors
- Low-Power CMOS Latches



[<< BACK](#)



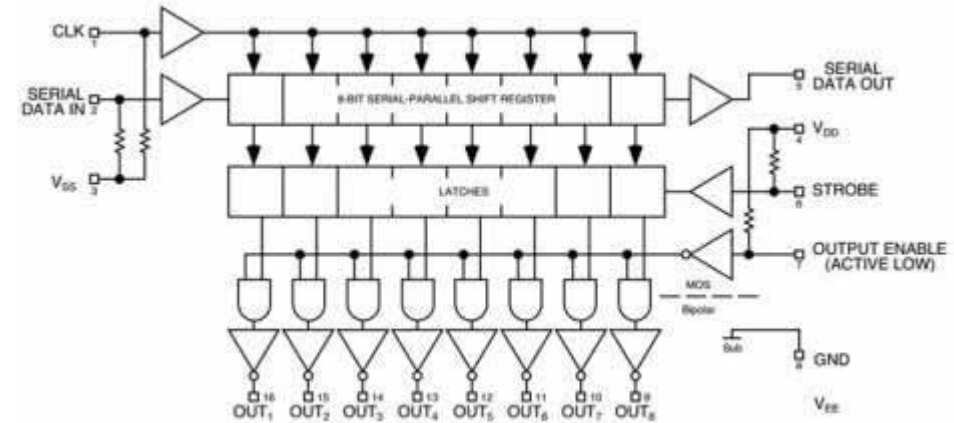
MIC5822

8-Bit Serial-Input Latched Drivers

[Online Datasheet](#)

Features:

- 3.3 MHz Minimum Data-Input Rate
- CMOS, PMOS, NMOS, TTL Compatible
- Internal Pull-Down or Pull-Up Resistors
- Low-Power CMOS Logic and Latches
- High-Voltage Current-Sink Outputs
- Single or Split Supply Operation



[<< BACK](#)



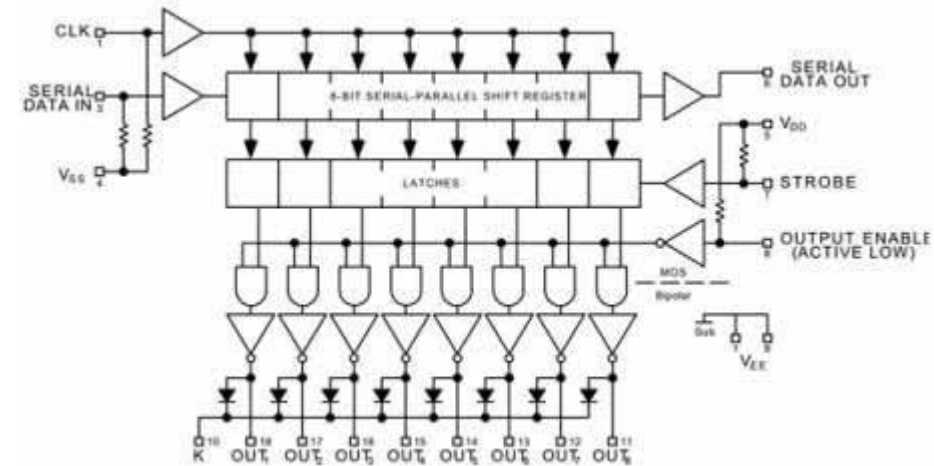
MIC5841/2

8-Bit Serial-Input Latched Drivers

[Online
Datasheet](#)

Features:

- 3.3 MHz Minimum Data-Input Rate
- CMOS, PMOS, NMOS, TTL Compatible
- Internal Pull-Up/Pull-Down Resistors
- Low-Power CMOS Logic and Latches
- High-Voltage Current-Sink Outputs
- Output Transient-Protection Diodes
- Single or Split Supply Operation



<< BACK



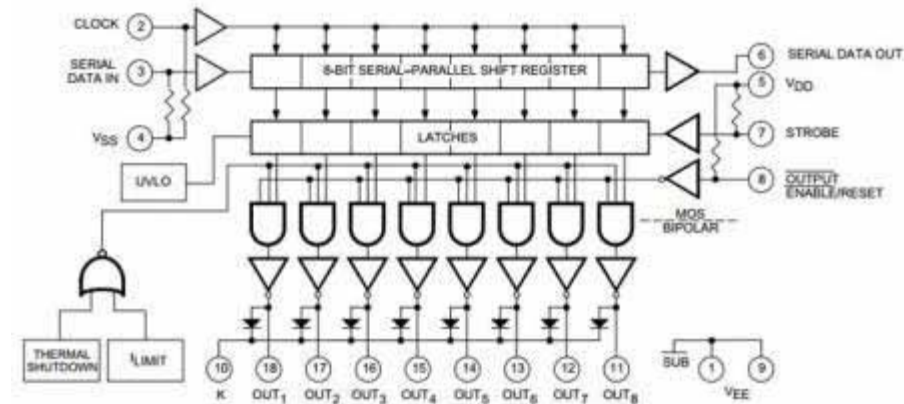
MIC58P42

Online
Datasheet

8-Bit Serial-Input Protected Latched Driver

Features:

- 3.3 MHz Minimum Data-Input Rate
- CMOS, PMOS, NMOS, and TTL Compatible
- Internal Pull-Up/Pull-Down Resistors
- Low Power CMOS Logic and Latches
- High Voltage (80V) Current-Sink Outputs
- Output Transient-Protection Diodes
- Single or Split Supply Operation
- Thermal Shutdown
- Under-Voltage Lockout
- Per-Output Over-Current Shutdown (500mA typical)



<< BACK



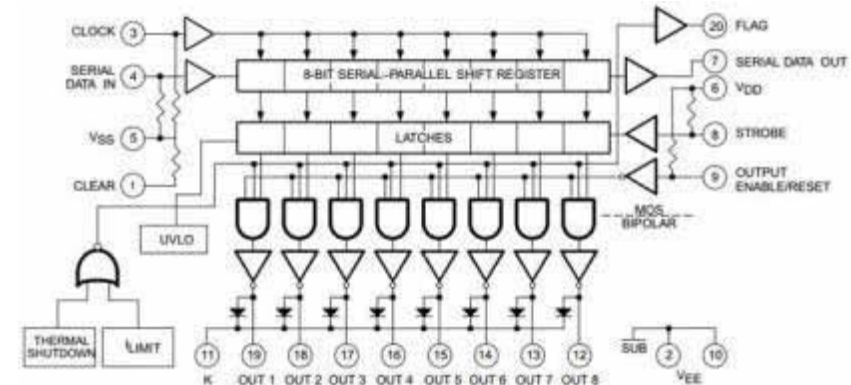
MIC59P60

[Online Datasheet](#)

8-Bit Serial-Input Protected Latched Driver

Features:

- 3.3 MHz Minimum Data-Input Rate
- Output Current Shutdown (500mA Typical)
- Under Voltage Lockout
- Thermal Shutdown
- Output Fault Flag
- CMOS, PMOS, NMOS, and TTL Compatible
- Internal Pull-Up/Pull-Down Resistors
- Low Power CMOS Logic and Latches
- High Voltage Current Sink Outputs
- Output Transient-Protection Diodes
- Single or Split Supply Operation



[<< BACK](#)



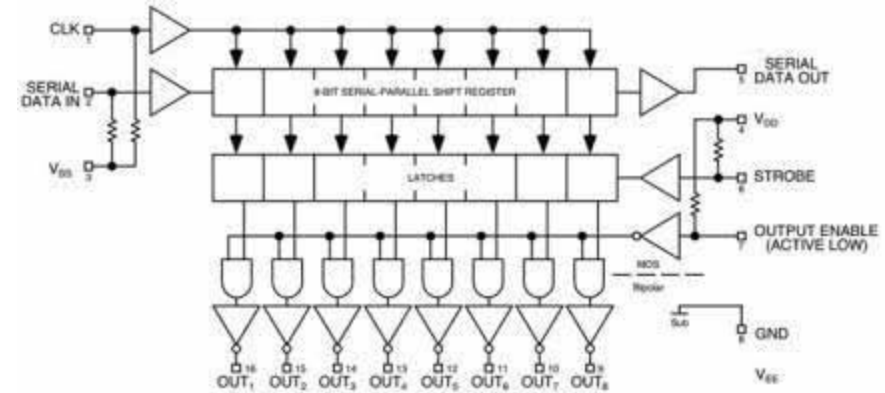
MIC5821

8-Bit Serial-Input Latched Drivers

[Online Datasheet](#)

Features:

- 3.3 MHz Minimum Data-Input Rate
- CMOS, PMOS, NMOS, TTL Compatible
- Internal Pull-Down or Pull-Up Resistors
- Low-Power CMOS Logic and Latches
- High-Voltage Current-Sink Outputs
- Single or Split Supply Operation



[<< BACK](#)



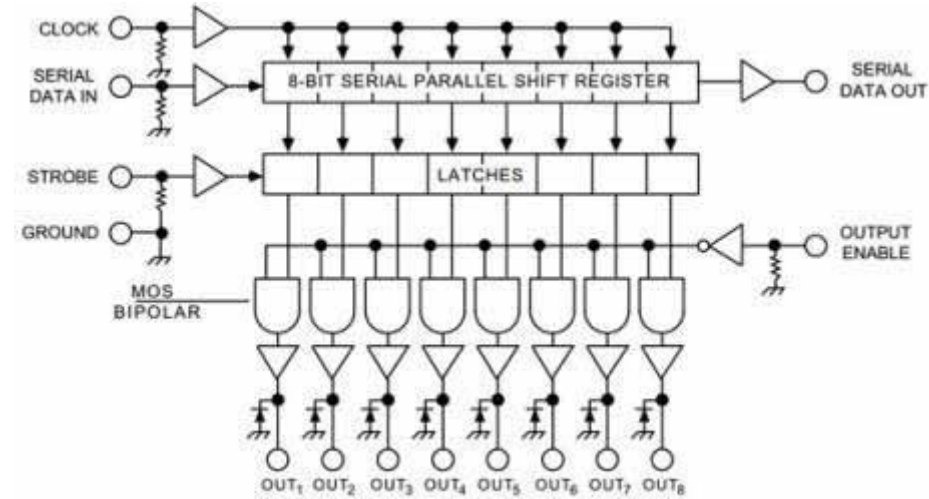
MIC5891

8-Bit Serial-Input Latched Source Driver

[Online Datasheet](#)

Features:

- High-voltage, high-current outputs
- Output transient protection diodes
- CMOS-, PMOS-, NMOS-, and TTL - compatible inputs
- 5MHz typical data input rate
- Low-power CMOS latches



[<< BACK](#)



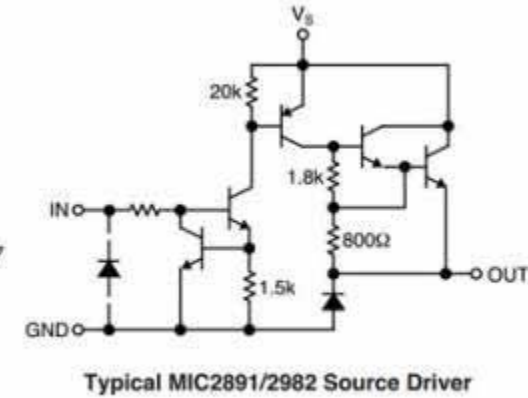
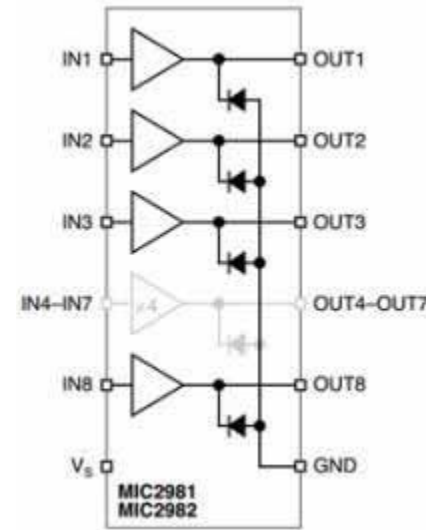
MIC2981/2

High-Voltage High-Current Source Driver Array

[Online Datasheet](#)

Features:

- Output voltage to 50V
- Output current to 500mA
- Transient-protected outputs
- Integral clamp diodes
- TTL-, CMOS-, or PMOS-compatible – inputs



<< BACK



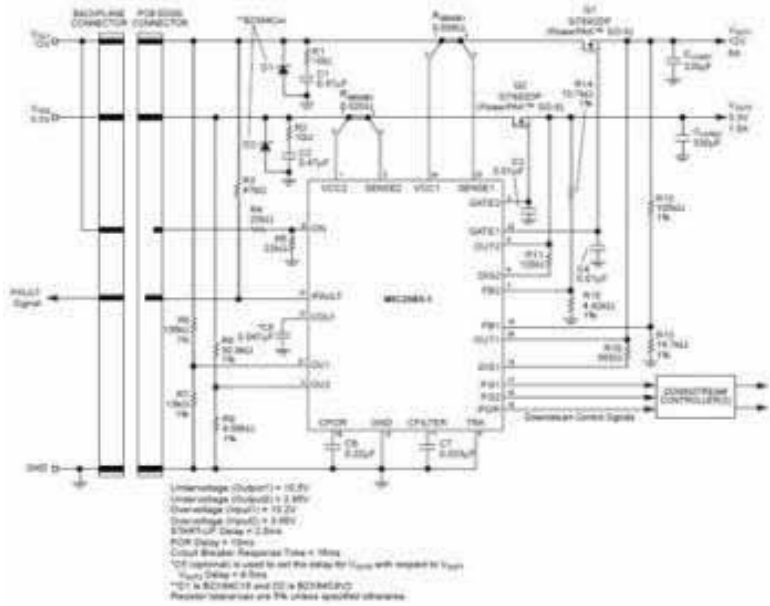
MIC2584

Online Datasheet

Dual-Channel Hot Swap Controller/Sequencer

Features:

- 1.0V to 13.2V supply voltage operation
- Surge voltage protection up to 20V
- Programmable inrush current limiting
- Electronic circuit breaker
- Undervoltage lockout protection
- Fast response to short circuit conditions ($1\mu s$)
- Dual-level overcurrent fault sensing eliminates – false tripping
- Current regulation limits inrush current regardless – of load capacitance



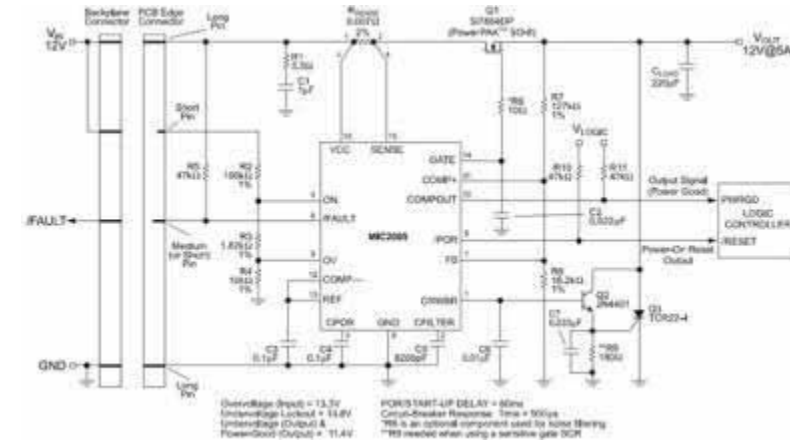
MIC2085/6

Single Channel Hot Swap Controllers

Online
Datasheet

Features:

- MIC2085: Pin for pin functional equivalent to the –
– LTC1642
- 2.3V to 16.5V supply voltage operation
- Surge voltage protection to 33V
- Operating temperature range -40°C to +85°C –
– Programmable inrush current limiting
- Analog foldback current limiting
- Electronic circuit breaker
- Dual-level overcurrent fault sensing
- Fast response to short circuit conditions (<1μs)
- Programmable output undervoltage detection
- Undervoltage lockout protection
- Power-on reset (MIC2085/86) and power-good (MIC2086) status outputs
- Driver for SCR crowbar on overvoltage Single Channel Hot Swap Controllers



<< BACK



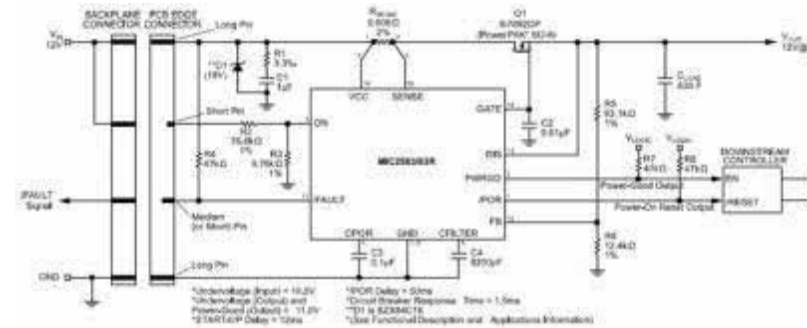
MIC2582/3/3R

Single Channel Hot Swap Controllers

Online
Datasheet

Features:

- MIC2582: Pin-for-pin functional equivalent – to the LTC1422
- 2.3V to 13.2V supply voltage operation
- Surge voltage protection up to 20V
- Programmable inrush current limiting
- Electronic circuit breaker
- Fast response to short-circuit conditions ($<1\mu\text{s}$)
- Programmable output undervoltage detection
- Undervoltage Lockout (UVLO) protection
- Auto-restart function (MIC2583R)
- Power-on-Reset status output
- Power good (PG) status output (MIC2583 and MIC2583R)
- /FAULT status output (MIC2583 and MIC2583R)
- Current regulation limits inrush current regardless of load capacitance



<< BACK



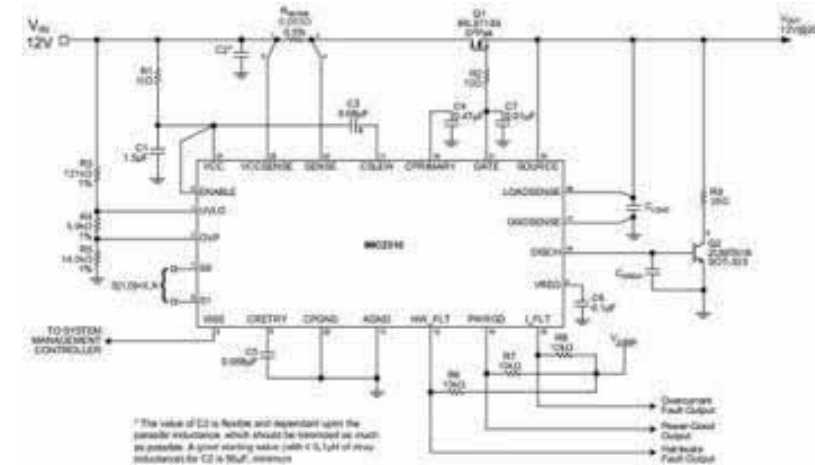
MIC2310

Online
Datasheet

Single-FET Constant Power-Limit Hot Swap Controller

Features:

- Provides safe PCB insertion and removal from –
- live +12V backplanes
- Patent-pending, adaptive circuit breaker –
- threshold control
- Maintains constant power product at output
- Power-limit product (VA) is externally –
- programmable for various power applications
- Dual-level, dual-speed overcurrent –
- detection/protection
- Programmable primary detector response time
- Fast ($<1\mu\text{s}$) secondary detector response time to short circuit conditions
- User-programmable threshold settings via (2) digital inputs
- Programmable inrush current slew-rate control
- Electronic circuit breaker functions after fault
- Latch off
- Automatic retry
- Fault reporting:
 - Open-drain 'Power-is-Good' output
 - Open-drain 'I_FLT' output signaling for all current faults
 - Shorted RSENSE and Damaged MOSFET detection (D-G and D-S shorts)



<< BACK



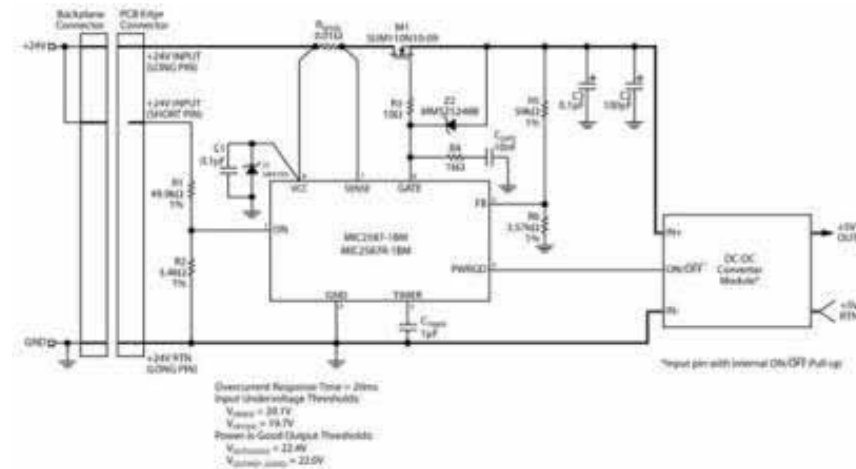
MIC2587

Online
Datasheet

Single-Channel Positive High-Voltage Hot Swap Controller

Features:

- MIC2587: Pin-for-pin functional equivalent to –
– the LT1641
- Fast responding circuit breaker ($< 2\mu\text{s}$) to short
– circuit loads
- Operates from +10V to +80V with 100V ABS –
– MAX operation
- Fault Reporting: Open-drain "Power-is-Good" –
– output for enabling DC/DC converter(s)
- Active-HIGH: MIC2587-1/MIC2587R-1
- Active-LOW: MIC2587-2/MIC2587R-2
- Industrial temperature specifications at –
– VCC = +24V and VCC = +48V
- Active current regulation minimizes inrush current
- Electronic circuit breaker for overcurrent fault protection
- Output latch off (MIC2587) or
- Output auto-retry (MIC2587R)



<< BACK



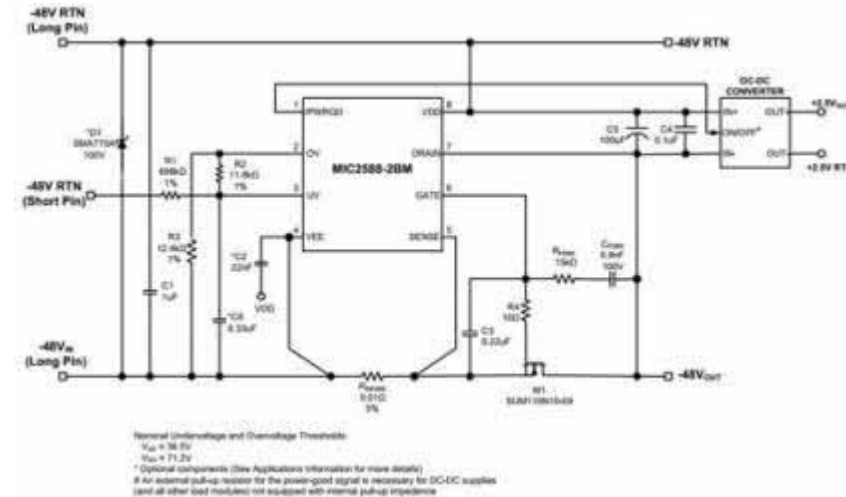
MIC2588/94

Online
Datasheet

Single-Channel Negative High-Voltage Hot Swap Power Controllers

Features:

- MIC2588: Pin-for-pin functional equivalent to the – LT1640/LT1640A/LT4250
- Provides safe insertion and removal from live – - 48V (nominal) backplanes
- Operates from -19V to -80V
- Electronic circuit breaker function
- Built-in 400 μ s "nuisance-trip" delay (tFLT)
- Regulated maximum output current into faults
- Programmable inrush current limiting
- Fast response to short circuit conditions (< 1 μ s)
- Programmable undervoltage and overvoltage – - lockouts (MIC2588-xBM)
- Programmable UVLO hysteresis (MIC2594-xBM)
- Fault reporting: Active-HIGH (-1BM) and Active – - LOW (-2BM) Power-Good output signal



<< BACK



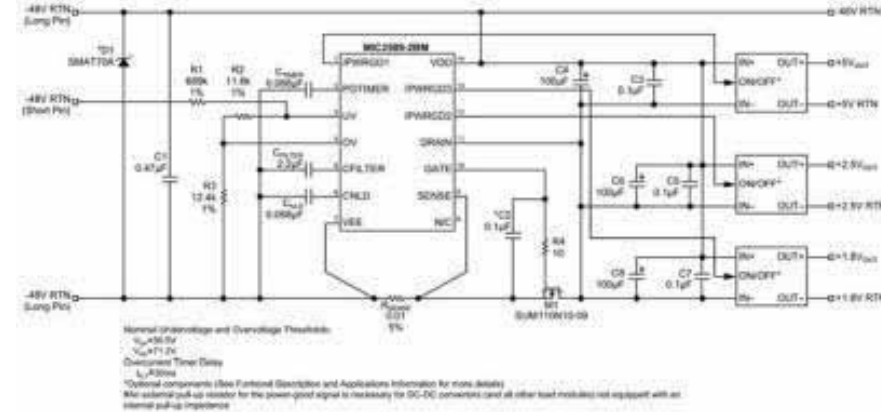
MIC2595

Online
Datasheet

Single-Channel Negative High-Voltage Hot Swap
Power Controller/Sequencer

Features:

- Operates from -19V to -80V
- Electronic circuit breaker function:
 - Output latch OFF (MIC2595)
 - Output auto-retry (MIC2595R)
- Active current regulation to control inrush – currents
- Programmable UVLO hysteresis
- Provides safe insertion and removal from – live 48V (nominal) backplanes
- User-programmable overcurrent detector – response time
- Fast responding circuit breaker ($<1\mu\text{s}$) to – short circuit conditions
- Staggered 'Power-Good' output signals – provide load sequencing:
 - Active-HIGH (-1)
 - Active-LOW (-2)



<< BACK



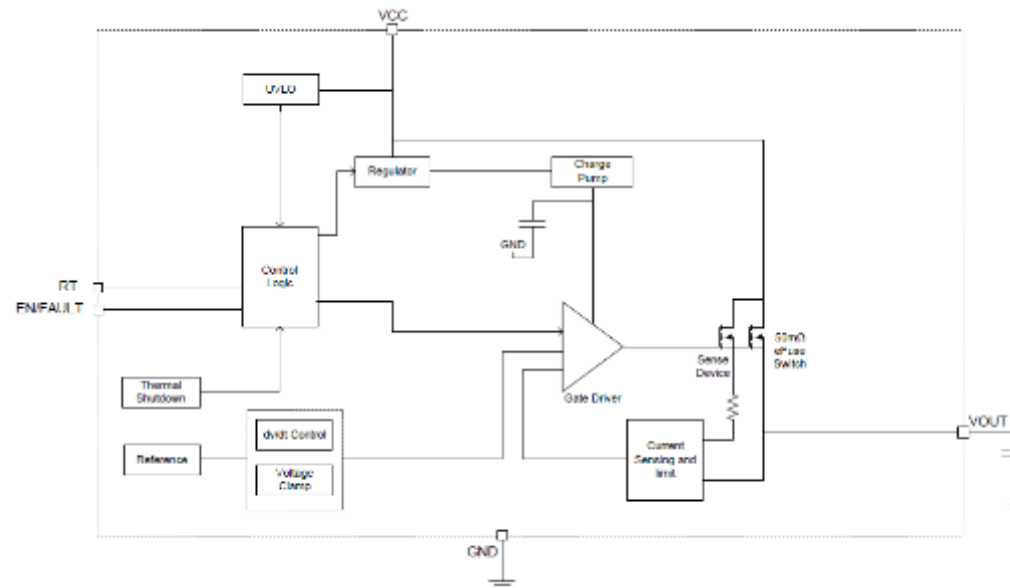
LX8204

3.5A, 12V E-Fuse with Hot-Swap and Voltage Surge Protection

Online
Datasheet

Features:

- Protected from Hot-Swap Condition
- 50mΩ(typ.) $R_{DS(ON)}$ Internal eFuse FET
- Up to 24V Transient Input Range
- < 15V Output Voltage Clamp incl. Dynamic Transient
- Continuous Operation During VCC Surge
- 3.5A Current Limit at Overloading
- Over-Temperature Protection
- 13ms and 1.4ms Softstart Rise Time
- Current Limit During Vout Softstart
- UVLO Detection
- 3mm x 3mm DFN



<< BACK



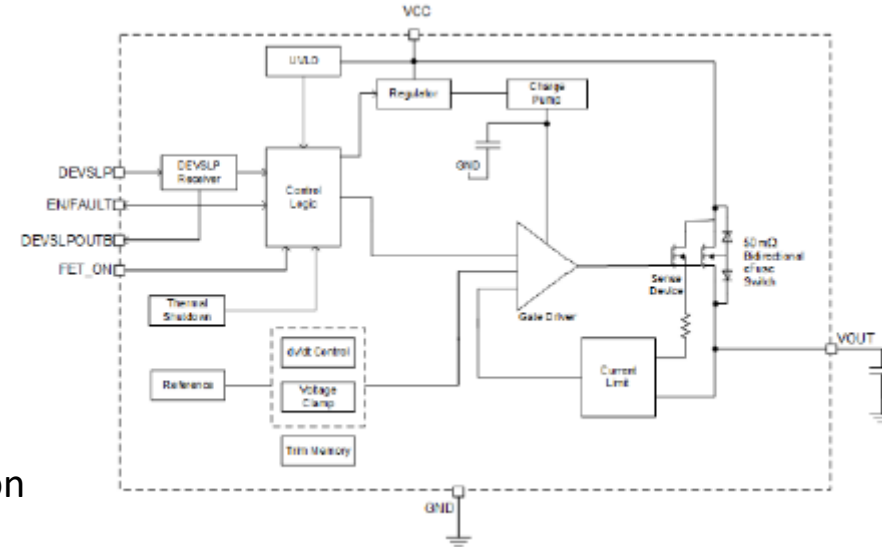
LX8233

2.5A, 5V E-Fuse with Bidirectional Protection Switch and DevSleep/Disable Mode

Online
Datasheet

Features:

- 50mΩ (typ) $R_{\text{DS(on)}}$ Internal eFuse FET
- Bi-directional current blocking switch
- Up to 15 V transient input range
- 6 V output voltage clamp
- SATA DevSleep support
- SAS-DISABLE support
- Continuous operation during VCC surge
- Current limit at overload and short-circuit protection
- Over-temperature protection
- Selectable soft-start, 13ms or 1.4ms rise time
- UVLO detection
- 2 mm x 3 mm VQFN



<< BACK



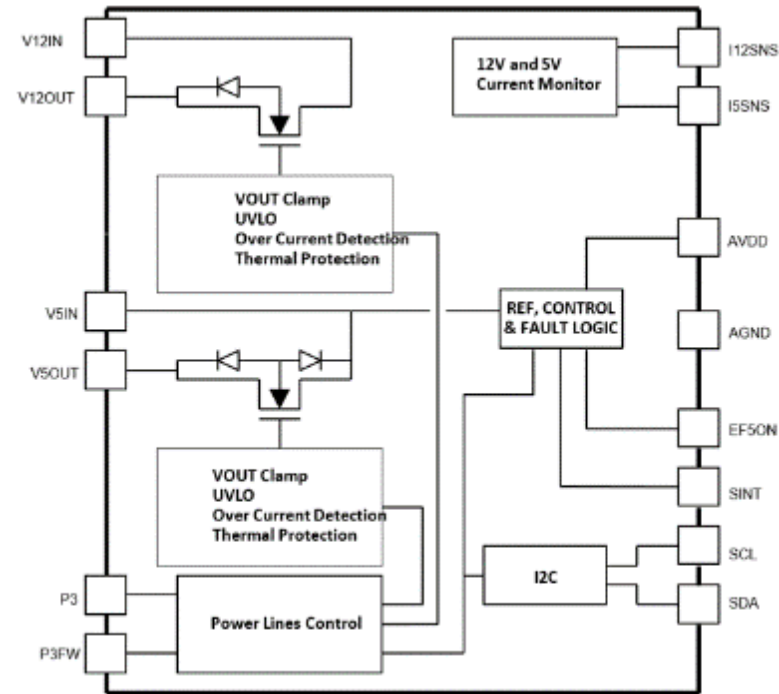
LX8247

Dual E-Fuse with Current Monitors and I²C

Online
Datasheet

Features List:

- 4A 12v E-Fuse
- 4A 5v E-Fuse with Bi-Switch
- Current Monitor Output
- P3 Enable Option via I²C
- Inrush Current Limiting
- Ultra Fast Clamping
- Over Current / Short Current Limit
- Thermal Protection
- Fault Pin for Over-Current and Thermal
- Output Voltage Soft-start Control



<< BACK



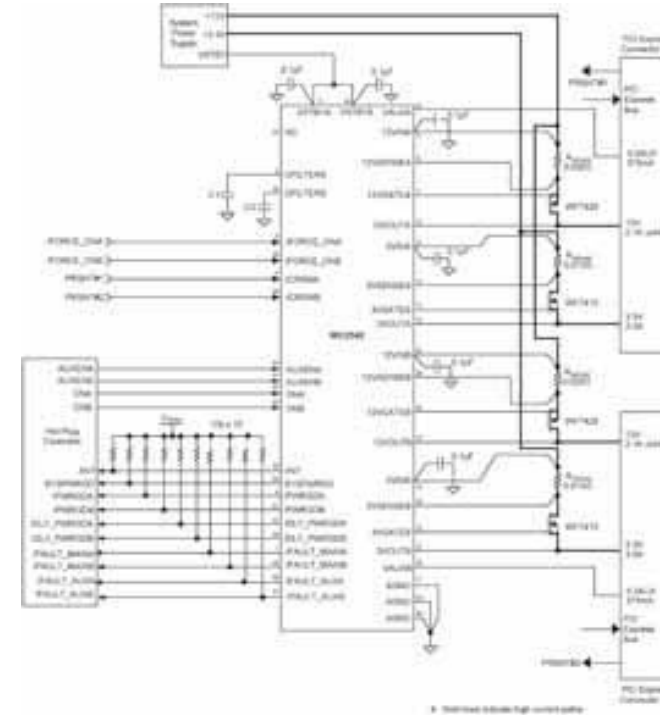
MIC2342

Dual-Slot PCI Express® Hot-Plug Controller

[Online Datasheet](#)

Features:

- Supports two independent PCI Express slots
- MAIN & AUX outputs are inter-dependent during AUX – overcurrent conditions
- 12V, 3.3V, and 3.3VAUX supplies supported per PCI – Express Specification v1.0a, v.2.0
- Integrated Power MOSFETS for 3.3VAUX rails
- Electronic circuit breakers for each supply per slot
- Programmable gate voltage slew-rate control
- Active current regulation controls inrush current
- User-programmable Primary Overcurrent Detector
- /PWRGD and Delayed /PWRGD (164 ms) Signal – Outputs per slot
- Separate /FAULT output signals for MAIN and AUX – rails for each slot
- Internally de-bounced Plug-in Card Retention Switch – Inputs per slot.



[<< BACK](#)



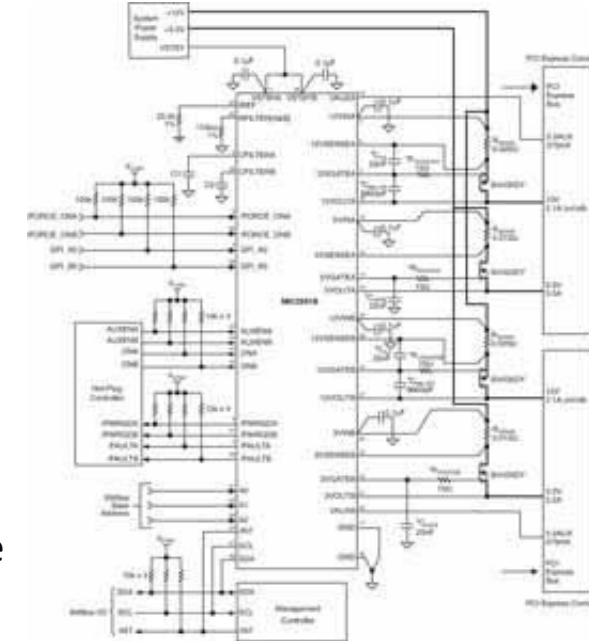
MIC2591B

Online
Datasheet

Dual-Slot PCI Express Hot-Plug Controller

Features:

- Voltage-tolerant I/O for compatibility with SMBus 2.0 –
- systems
- 12V, 3.3V, and 3.3VAUX supplies supported per PCI –
- Express Specification v1.0a
 - Integrated power MOSFETs for 3.3VAUX rails
 - Standby operation for Wake-on-LAN applications with low backfeed on Main +12V and +3.3V rails.
- On-chip circuitry for data collection of each rail output –
- voltage and output current for both slots
 - Integral analog multiplexer and 8-bit $\Delta\Sigma$ ADC
 - Compliant to the Intelligent Platform Management Interface (IPMI) Specification v1.0
 - Conversion results available via an SMBus interface
- Programmable inrush current limiting
- Active current regulation controls inrush current
- Electronic circuit breaker for each supply to each slot
- Thermal isolation between circuitry for Slot A and Slot B



<< BACK



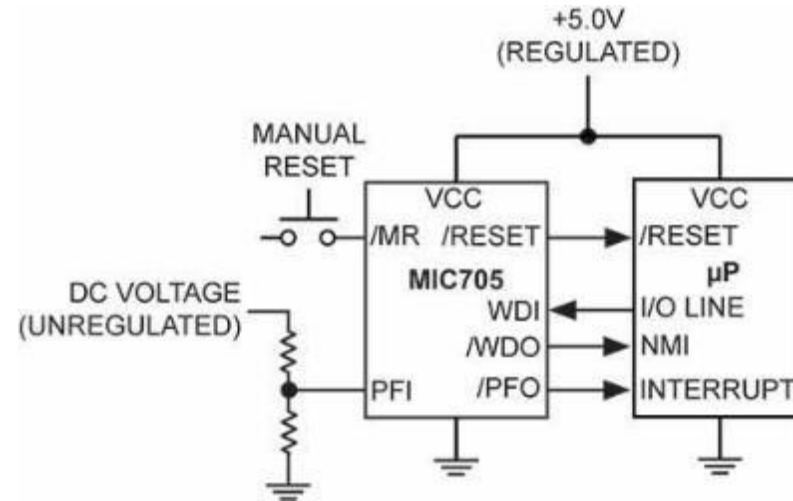
MIC705/6

μP Supervisory Circuit

[Online Datasheet](#)

Features:

- De-bounced manual reset input is TTL/CMOS – Compatible
- Reset pulse width: 200ms
- Watchdog timer, 1.6s (MIC705/706)
- 4.65V or 4.40V Precision Voltage Monitor
- Early power fail warning or low battery detect



[<< BACK](#)



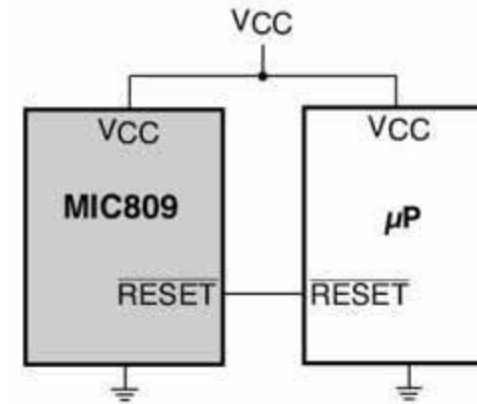
MIC809

Microprocessor Reset Circuits

[Online Datasheet](#)

Features:

- Precision voltage monitor for 3V, 3.3V or 5V power supplies
- /RESET remains valid with VCC as low as 1.4V for SOT-23 – packaged part
- /RESET remains valid with VCC as low as 1V for SC70 – packaged part
- Typically less than 15 μ A supply current for SOT-23 packaged – part
- 5 μ typical supply current for SC70 packaged part
- 140ms minimum reset pulse widths available
- Available in 3-pin SOT-23 and SC-70 package



[<< BACK](#)



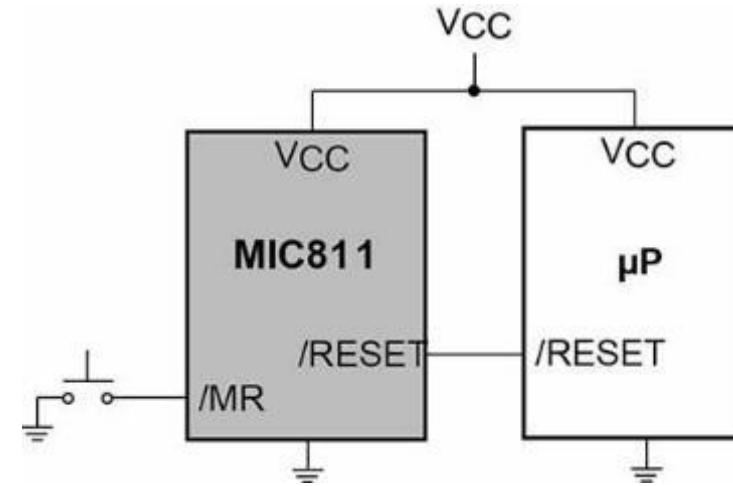
MIC811

Microprocessor Reset Circuits

[Online Datasheet](#)

Features:

- Precision voltage monitor for 3V, 3.3V or 5V – - power supplies
- /RESET remains valid with VCC as low as 1V
- 5 μ A typical supply current
- 140ms minimum reset pulse width available
- Manual reset input
- Available in 4-pin SOT-143 package



<< BACK



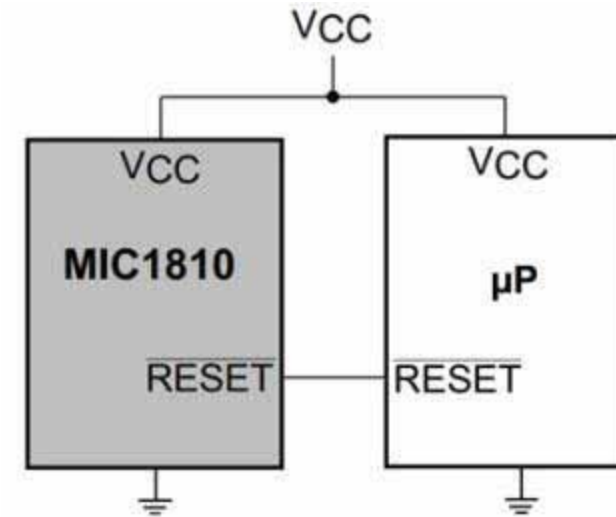
MIC1810

Microprocessor Reset Circuit

[Online Datasheet](#)

Features:

- Precision voltage monitor for 5%, 10%, or 15% drop – in 5V power supplies
- /RESET remains valid with VCC as low as 1V
- 5 μ A supply current (typical)
- 100ms minimum reset pulse width
- No external components required
- Available in 3-pin SOT-23 package



<< BACK



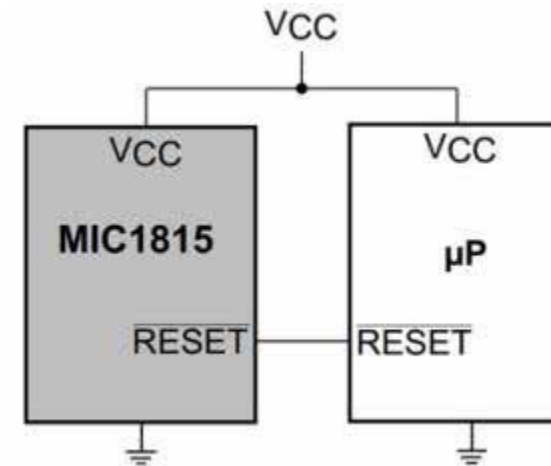
MIC1815

Microprocessor Reset Circuit

[Online Datasheet](#)

Features:

- Precision voltage monitor for 10% or 20% drop in –
– 3.3V power supplies
- /RESET remains valid with VCC as low as 1V
- 5 μ A supply current
- 100ms minimum reset pulse width
- No external components required
- Available in 3-pin SOT-23 package



<< BACK



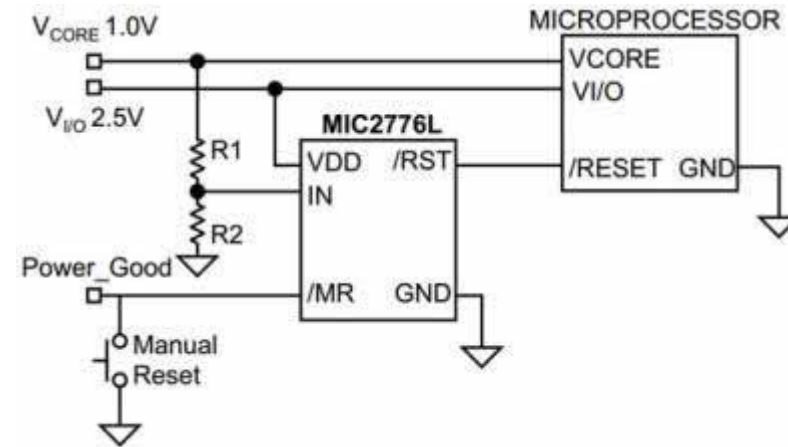
MIC2776L

Micro-Power Low Voltage Supervisor

[Online
Datasheet](#)

Features:

- $\pm 1.5\%$ threshold accuracy
- Separate V_{DD} input
- Generates power-on reset pulse (140ms min.)
- Manual reset input
- Inputs can be pulled above V_{DD} (7V abs. max.)
- Ultra-low supply current, 3.0 μ A typical
- Rejects brief input transients
- User-adjustable input can monitor supplies as low –
- as 0.3V
- Choice of active-high, active-low or open-drain –
- active-low reset output
- IttyBitty® SOT-23-5 package
- Open-drain output can be pulled above V_{DD} (7V –
- abs. max.)



<< BACK



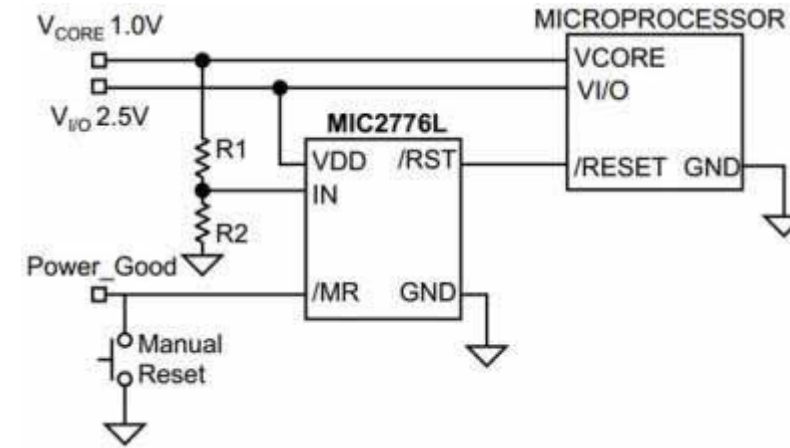
MIC2779L

[Online Datasheet](#)

Voltage Monitor with Adjustable Hysteresis

Features:

- Optimized for PDAs, cellular telephones, pagers, -
- and other battery-powered devices
- Independently adjustable high- and low-voltage -
- thresholds
- Internal logic prevents battery-voltage-fluctuation -
- chatter
- For applications requiring open-drain output, see -
- MIC2778
- High $\pm 2\%$ voltage threshold accuracy
- Built in 140ms (minimum) delay deglitches output
- Extremely low $1\mu\text{A}$ typical supply current
- Immune to brief power supply transients
- 5-lead SOT-23 package



[<< BACK](#)



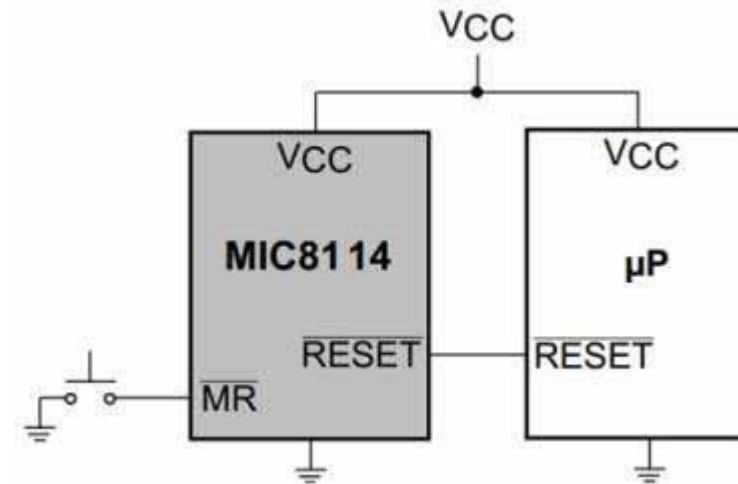
MIC8114

Microprocessor Reset Circuit

[Online Datasheet](#)

Features:

- Precision voltage monitor for 3.3V power supplies
- Specifically tailored to the AMD Elan SC400/410
- /RESET remains valid with VCC as low as 1V
- 5 μ A typical supply current
- 790ms minimum reset pulse width
- Manual reset input
- Available in 4-Pin SOT-143 Package



[<< BACK](#)



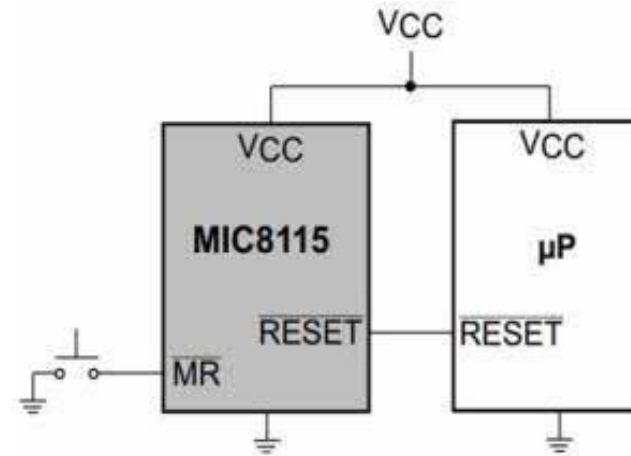
MIC8115

Microprocessor Reset Circuit

[Online Datasheet](#)

Features:

- Precision voltage monitor for 3.3V power supplies
- Specifically tailored to the AMD Elan SC500 Series
- /RESET remains valid with VCC as low as 1V
- 5 μ A typical supply current
- 1100ms minimum reset pulse width
- Manual reset input
- Available in 4-Pin SOT-143 Package



[<< BACK](#)



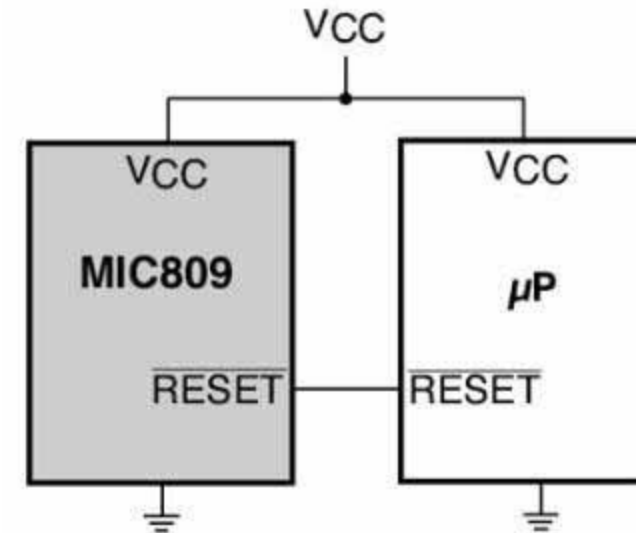
MIC810

Microprocessor Reset Circuits

[Online Datasheet](#)

Features:

- Precision voltage monitor for 3V, 3.3V or 5V power –
- supplies
- /RESET remains valid with VCC as low as 1.4V for –
- SOT-23 packaged part
- /RESET remains valid with VCC as low as 1V for –
- SC70 packaged part
- Typically less than 15 μ A supply current for SOT-23 –
- packaged part
- 5 μ typical supply current for SC70 packaged part
- 140ms minimum reset pulse widths available
- Available in 3-pin SOT-23 and SC-70 package



[<< BACK](#)



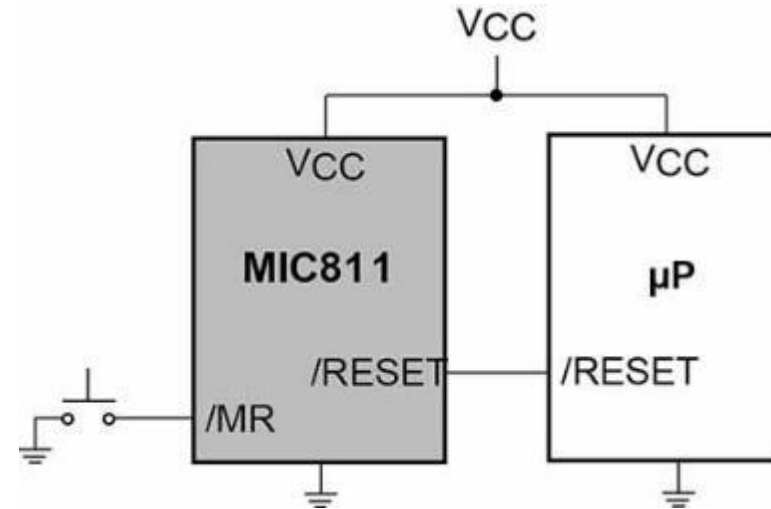
MIC812

Microprocessor Reset Circuits

[Online Datasheet](#)

Features:

- Precision voltage monitor for 3V, 3.3V or 5V – - power supplies
- /RESET remains valid with VCC as low as 1V
- 5 μ A typical supply current
- 140ms minimum reset pulse width available
- Manual reset input
- Available in 4-pin SOT-143 package



[<< BACK](#)



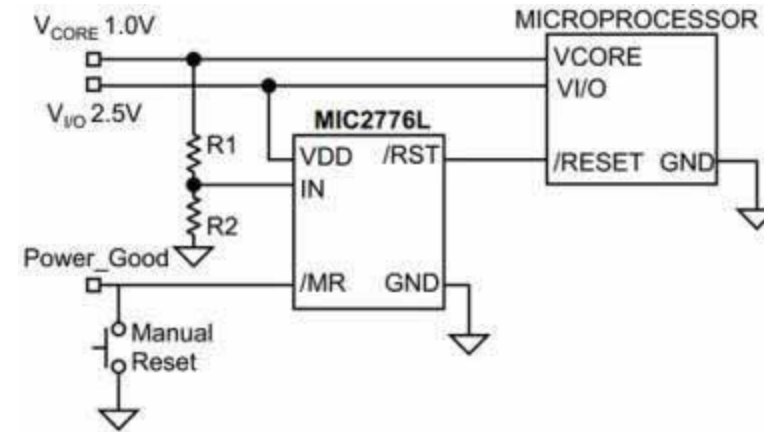
MIC2776H

Micro-Power Low Voltage Supervisor

[Online Datasheet](#)

Features:

- $\pm 1.5\%$ threshold accuracy
- Separate V_{DD} input
- Generates power-on reset pulse (140ms min.)
- Manual reset input
- Inputs can be pulled above V_{DD} (7V abs. max.)
- Open-drain output can be pulled above V_{DD} (7V – abs. max.)
- Ultra-low supply current, 3.0 μ A typical
- Rejects brief input transients
- Choice of active-high, active-low or open-drain – active low reset output
- IttyBitty® SOT-23-5 package
- User-adjustable input can monitor supplies as low as 0.3V



<< BACK



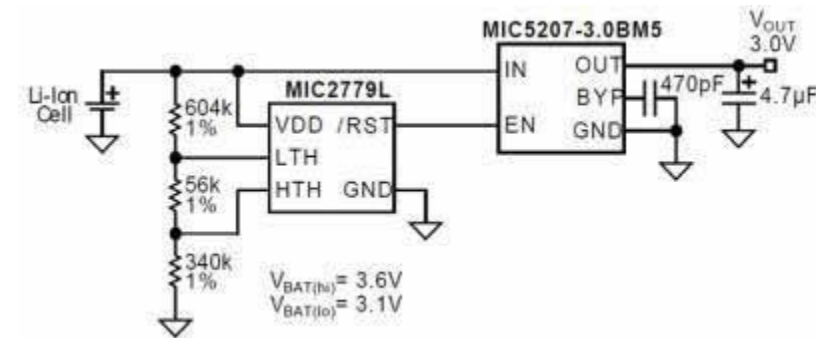
MIC2779H

Voltage Monitor with Adjustable Hysteresis

[Online
Datasheet](#)

Features:

- Optimized for PDAs, cellular telephones, pagers, - and other battery-powered devices
- Independently adjustable high- and low-voltage – - thresholds
- For applications requiring open-drain output, see – MIC2778
- Internal logic prevents battery-voltage-fluctuation – chatter
- High $\pm 2\%$ voltage threshold accuracy; 1% - - available
- Built in 140ms (minimum) delay deglitches output
- Extremely low $1\mu\text{A}$ typical supply current
- Immune to brief power supply transients
- 5-lead SOT-23 package



<< BACK



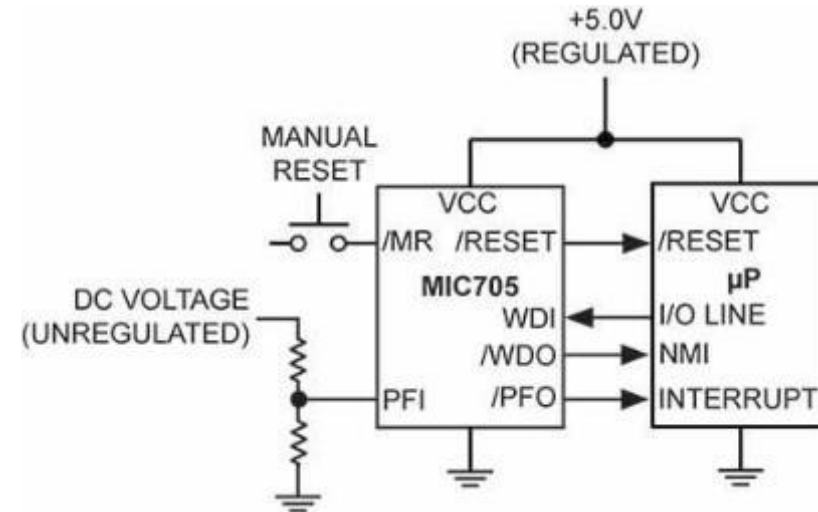
MIC707/8

μP Supervisory Circuit

[Online Datasheet](#)

Features:

- De-bounced manual reset input is TTL/CMOS –
- Compatible
- Reset pulse width: 200ms
- Watchdog timer, 1.6s (MIC705/706)
- 4.65V or 4.40V Precision Voltage Monitor
- Early power fail warning or low battery detect



<< BACK



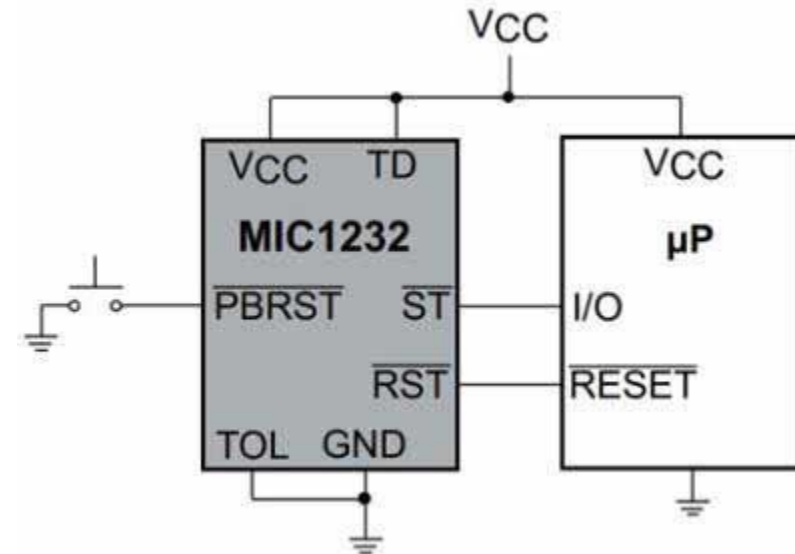
MIC1232

μP Supervisory Circuit

[Online Datasheet](#)

Features:

- Power OK/Reset time delay, 250ms min.
- Watchdog timer, 150ms, 600ms, or 1.2s typical
- Precision supply voltage monitor, select between -
– 5% or 10% of supply voltage
- Available in 8-pin surface mount (SO)
- De-bounced External reset input
- Low supply current, <math><18\mu\text{A}</math> typical



[<< BACK](#)



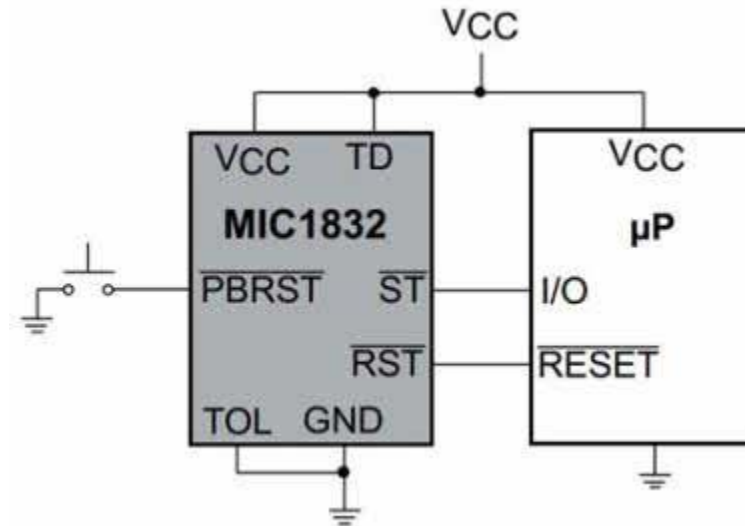
MIC1832

μP Supervisory Circuit

[Online Datasheet](#)

Features:

- Power OK/Reset time delay, 250ms min.
- Watchdog timer, 150ms, 600ms, or 1.2s typical
- Precision supply voltage monitor, select –
- between 5% or 10% of supply voltage
- Available in 8-pin surface mount (SO)
- De-bounced External reset input
- Low supply current, <math><18\mu\text{A}</math> typical



[<< BACK](#)



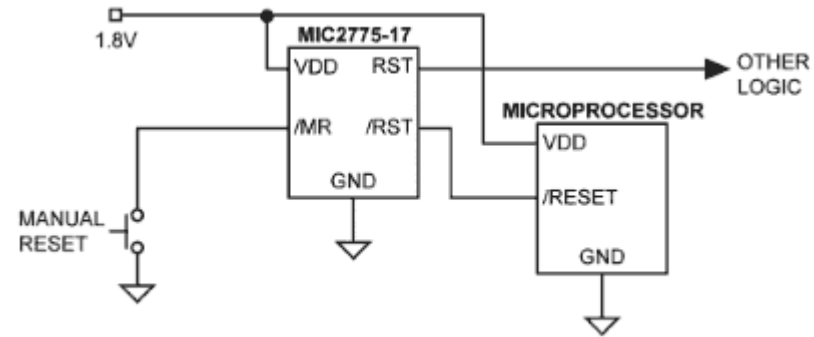
MIC2775

Micro-Power Voltage Supervisor

[Online
Datasheet](#)

Features:

- Monitors power supply for under-voltage –
– conditions
- Choice of factory-programmed thresholds
- Generates 140ms (minimum) power-on –
– RESET pulse
- Manual reset capability
- Both active-high and active-low RESET –
– outputs
- /RST output valid down to 1.2V
- Ultra-low supply current, 3.5 μ A typical
- Rejects brief input transients
- No external components
- Pin compatible upgrade for MAX825
- IttyBitty[®] 5-pin SOT-23 package



<< BACK



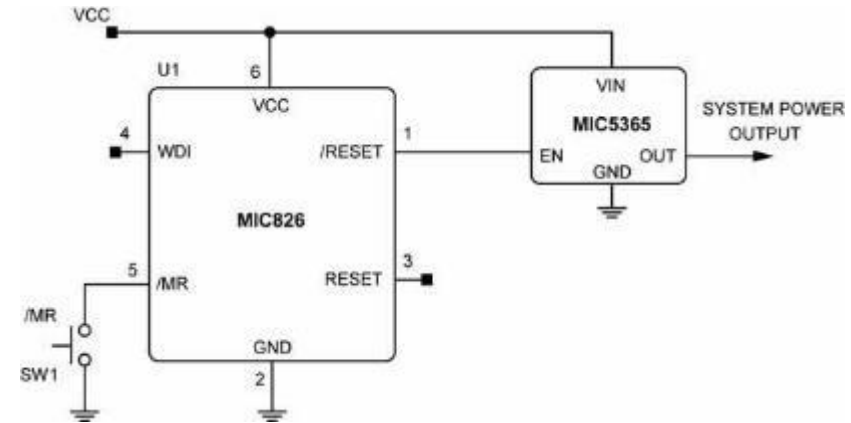
MIC826

[Online
Datasheet](#)

Voltage Supervisor with Watchdog Timer Manual
Reset & Dual Outputs

Features:

- Precision 1.8V to 5V power supply monitor
- $\pm 0.5\%$ threshold accuracy at $T_A = +25^\circ\text{C}$
- $\pm 1.5\%$ threshold accuracy from $T_A = -40^\circ\text{C}$ to $+125^\circ\text{C}$
- $3.8\mu\text{A}$ supply current (MIC826S/R/T/W/Y/Z)
- $4.8\mu\text{A}$ supply current (MIC826L/M)
- 140ms (min.) reset timeout period
- 1.6s (typ.) watchdog timeout period
- Active-high and active-low push-pull outputs
- Guaranteed reset output valid to $V_{CC} = 1\text{V}$
- -40°C to $+125^\circ\text{C}$ junction temperature range
- 6-pin 1.6x1.6x0.5mm Thin DFN package
- 50% smaller version of MAX823/MAX824/MAX825/ -
- ADM823/ADM824/ADM825
- 8x lower watchdog input current than competition



<< BACK



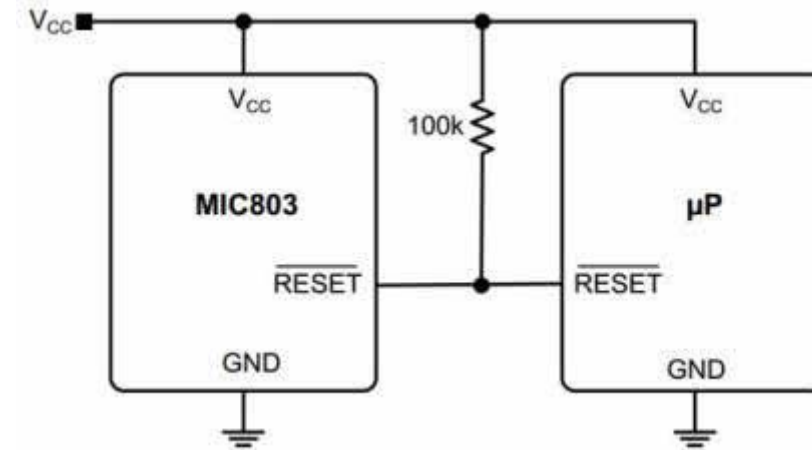
MIC803

[Online Datasheet](#)

3-Pin Microprocessor Supervisor Circuit with Open-Drain Reset Output

Features:

- 4.5 μ A supply current (typical) at 3.6V
- Open-Drain /RESET output
- /RESET remains valid with VCC as low as 1V
- 20ms, 140ms, or 1120ms (min) reset timeout –
- Options
- 2.63V to 4.63V Preset Voltage Threshold –
- Options
- 2.5% Voltage Threshold Accuracy over –
- temperature
- 3-pin SC70-3 and 3-pin SOT-23 package
- -40 $^{\circ}$ C to +125 $^{\circ}$ C Junction Temperature Range



[<< BACK](#)



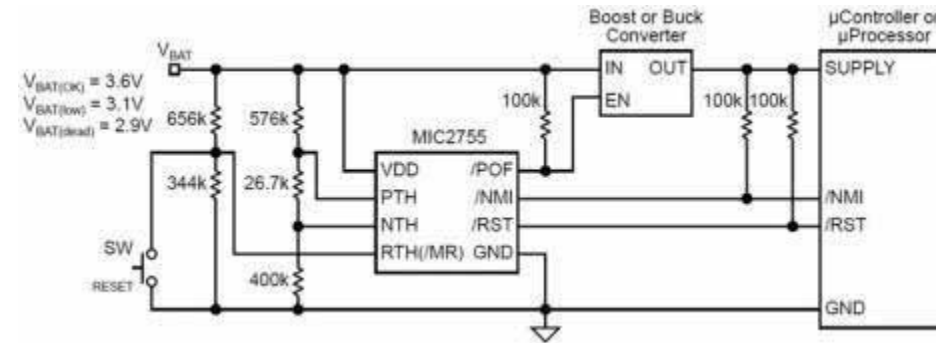
MIC2755

Battery System Supervisor

[Online
Datasheet](#)

Features:

- Optimized for PDAs, pagers and other –
– hand-held devices.
- Detects multiple battery states: Battery –
– OK, Low battery, Dead battery.
- Adjustable voltage thresholds
- High accuracy $\pm 2\%$ voltage thresholds
- Reset generation at power-on (700ms –
– min.)
- De-bounced manual reset function
- Internal logic prevents chatter if battery voltage fluctuates
- Extremely low $2\mu\text{A}$ typical supply current
- 8-pin MSOP package



<< BACK



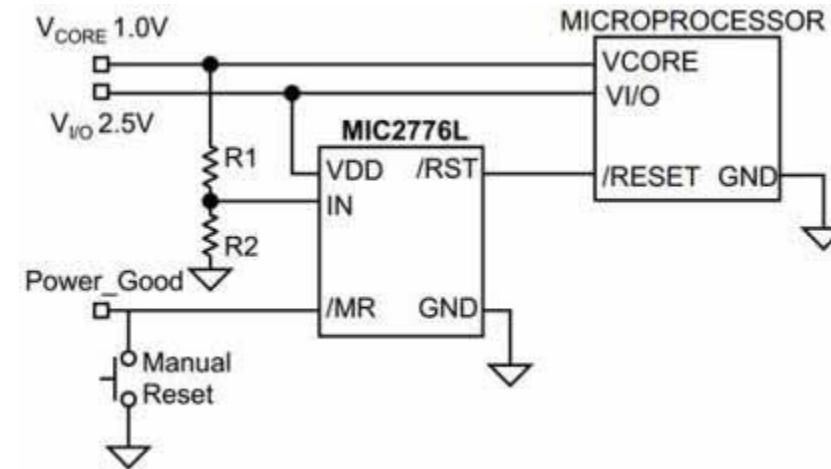
MIC2776N

Micro-Power Low Voltage Supervisor

[Online Datasheet](#)

Features:

- User-adjustable input can monitor supplies as –
– low as 0.3V
- $\pm 1.5\%$ threshold accuracy
- Separate V_{DD} input
- Generates power-on reset pulse (140ms min.)
- Choice of active-high, active-low or open-drain
– activelow reset output
- Inputs can be pulled above V_{DD} (7V abs. max.)
- Open-drain output can be pulled above V_{DD} –
– (7V abs. max.)
- Ultra-low supply current, 3.0 μ A typical
- Rejects brief input transients
- SOT-23-5 package



<< BACK



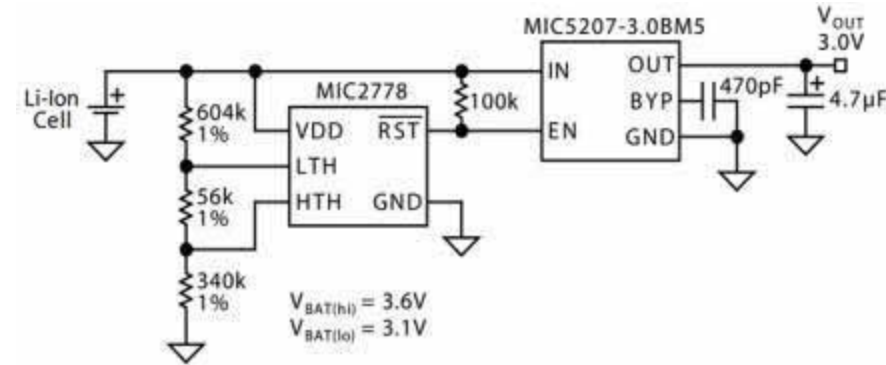
MIC2778

[Online Datasheet](#)

Voltage Monitor with Adjustable Hysteresis

Features:

- Optimized for PDAs, cellular telephones, -
- pagers, and other battery-powered devices
- Independently adjustable high- and low -
- voltage thresholds
- Internal logic prevents battery-voltage -
- fluctuation chatter
- High $\pm 2\%$ voltage threshold accuracy; 1% -
- available
- Built in 140ms (minimum) delay deglitches output
- For applications not requiring built-in delay, see MIC841
- Immune to brief power supply transients
- 5-lead SOT-23 package



<< BACK



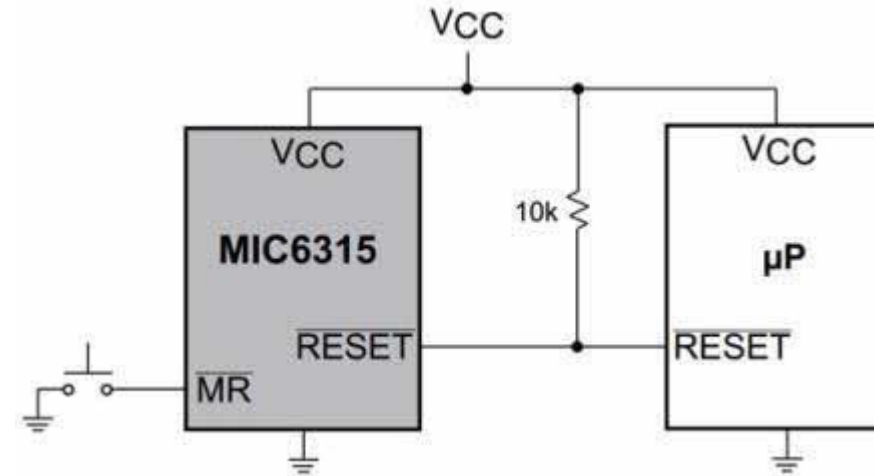
MIC6315

Open-Drain μ P Reset Circuit

[Online Datasheet](#)

Features:

- Precision voltage monitor for 3V, 3.3V or 5V –
- power supplies
- /RESET remains valid with VCC as low as 1V
- 5 μ A supply current
- 20ms, 140ms, or 1100ms minimum reset –
- pulse widths available
- Manual reset input
- 4-pin SOT-143 package



[<< BACK](#)



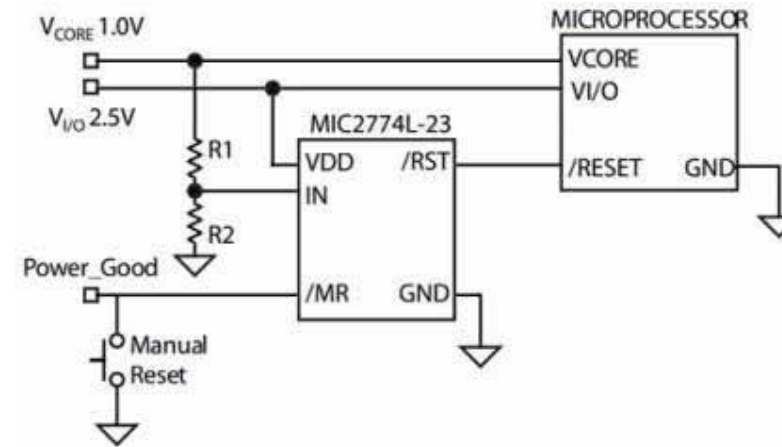
MIC2774L

Dual Micro-Power Low Voltage Supervisor

[Online
Datasheet](#)

Features:

- Monitors two independent power supplies –
- for under-voltage conditions
- One fixed and one user adjustable input
- Choice of factory-programmed thresholds
- Adjustable input can monitor supplies as –
- low as 0.3V
- Generates 140ms (minimum) power-on –
- reset pulse
- Inputs may be pulled above V_{DD} (7V abs. max.)
- /RST output valid down to 1.2V
- Ultra-low supply current, 3.5 μ A typical
- Rejects brief input transients
- 5-lead SOT-23 package
- Pin compatible upgrade for MAX6306/09/12



<< BACK



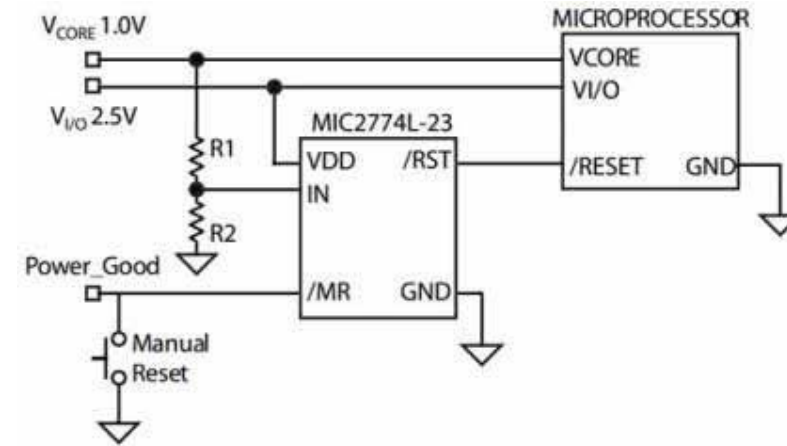
MIC2774H

Dual Micro-Power Low Voltage Supervisor

[Online Datasheet](#)

Features:

- Monitors two independent power supplies for –
– under-voltage conditions
- One fixed and one user adjustable input
- Choice of factory-programmed thresholds
- Adjustable input can monitor as low as 0.3V
- Generates 140ms (min) power-on reset pulse
- Choice of active-high, active-low, or open-drain –
– active low reset outputs
- Inputs may be pulled above V_{DD} (7V abs. max.)
- /RST output valid down to 1.2V
- Ultra-low supply current, 3.5 μ A typical
- Rejects brief input transients
- 5-lead SOT-23 package
- Pin compatible upgrade for MAX6306/09/12



<< BACK



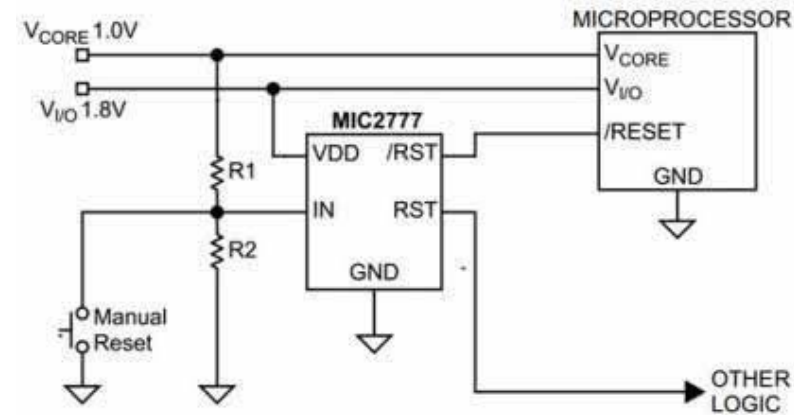
MIC2777

Dual Micro-Power Low Voltage Supervisor

[Online Datasheet](#)

Features:

- Monitors two independent power supplies for –
– under-voltage conditions
- One fixed and one user adjustable input
- 1.5% threshold accuracy
- Choice of factory-programmed thresholds
- User-adjustable input can monitor supplies –
– as low as 0.3V
- Generates 140ms (min) power-on RESET pulse
- Manual reset capability
- Input may be pulled above V_{DD} (abs. max.)
- /RST output valid down to 1.2V
- Ultra-low supply current, 3.5 μ A typical
- Rejects brief input transients
- 5-pin SOT-23 package



<< BACK



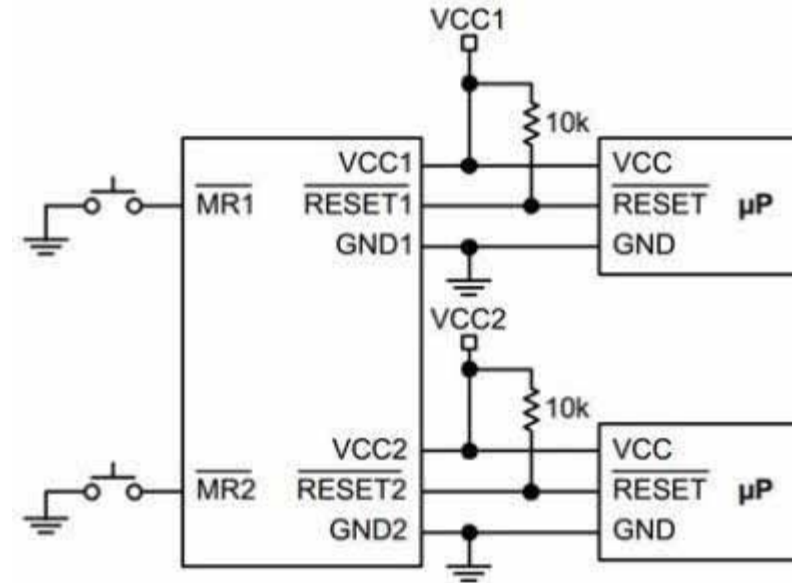
MIC2772

Dual Voltage Supervisor

[Online
Datasheet](#)

Features:

- Two independent voltage supervisors
- Directly replaces discrete supervisors
- Generates power-on reset pulses
- De-bounced manual reset inputs
- Choice of voltage thresholds
- 20, 140, or 1100ms reset timeouts
- Reset output may be pulled above VCC
- Rejects brief input transients
- Ultra-small 2mm x 2mm MLF[®] package



[<< BACK](#)



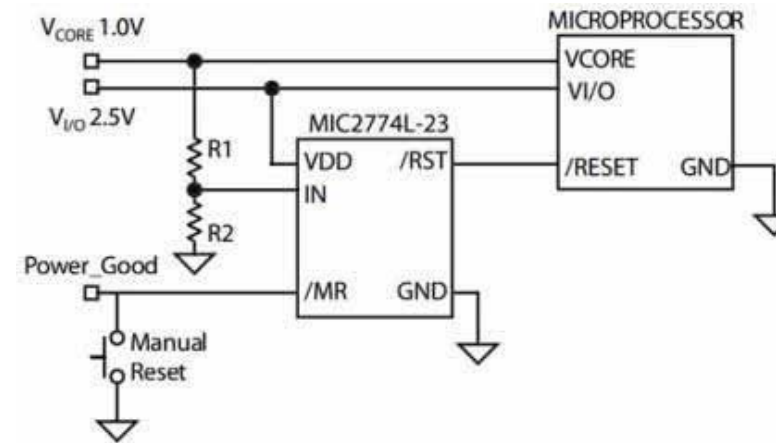
MIC2774N

Dual Micro-Power Low Voltage Supervisor

[Online
Datasheet](#)

Features:

- Monitors two independent power supplies for –
– under-voltage conditions
- One fixed and one user adjustable input
- Choice of factory-programmed thresholds
- Adjustable input can monitor as low as 0.3V
- Generates 140ms (min) power-on reset pulse
- Manual reset input
- Inputs may be pulled above V_{DD} (7V abs. max.)
- /RST output valid down to 1.2V
- Ultra-low supply current, 3.5 μ A typical
- Rejects brief input transients
- 5-lead SOT-23 package
- Pin compatible upgrade for MAX6306/09/12



<< BACK



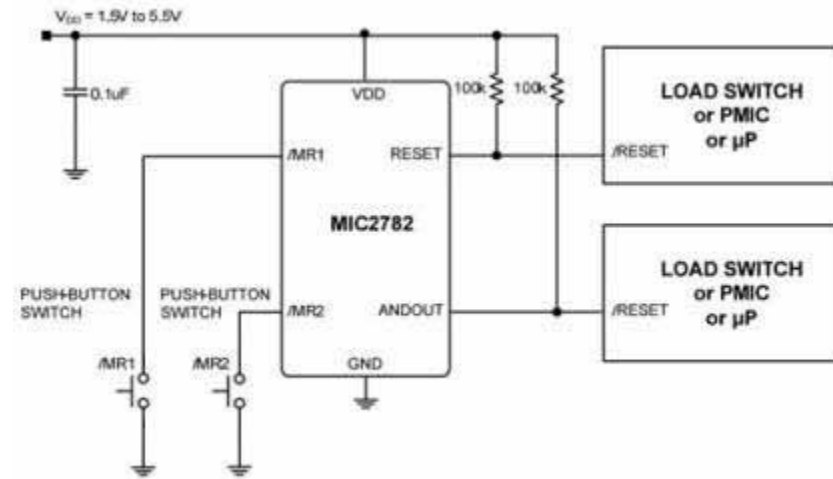
MIC2782

Online
Datasheet

Dual-Input Push Button Reset IC with Immediate
and Delayed Outputs

Features:

- 1.5V to 5.5V Operating Supply Voltage Range
- 2.2 μ A Supply Current with /MR1, /MR2 not –
- asserted
- Factory programmed setup periods of 6s, 8s, –
- 10s, or 12s
- Factory programmed reset timeout periods of –
- 0.5s, 1s, or 2s
- Integrated 65k Ω /MR1 and /MR2 Pull-Up –
- Resistors
- RESET asserts after /MR1 and /MR2 are –
- asserted low for a setup period
- ANDOUT asserts after /MR1 and /MR2 are –
- asserted low for a de-bounce time (1.5ms)



<< BACK



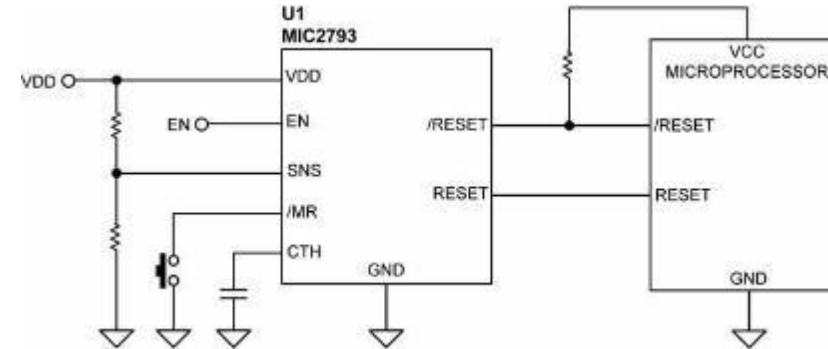
MIC2790/1/3

Supervisor with High-Accuracy Ultra-Fast
Propagation Delay Reset Delay

[Online
Datasheet](#)

Features:

- 1.5V to 5.5V operating supply voltage range
- Ultra-fast propagation delay (1 μ s typically)
- 0.4V reference voltage (SNS pin)
 - $\pm 1.0\%$ threshold accuracy from -40 $^{\circ}$ C to – +125 $^{\circ}$ C
 - Monitored voltage range from 0.4V to 5.5V
- Active-high enable input pin (MIC2793 only)
- The MIC2790/1/3 features multiple options:
 - Open-drain active-low (/RESET)
 - Push-pull active-low (/RESET)
 - Push-pull active-high (RESET)
- -40 $^{\circ}$ C to +125 $^{\circ}$ C junction temperature range
- 6-pin TSOT-23 (MIC2790)
- 6-pin 2 \times 2mm Thin DFN (MIC2790)
- 6-pin 1.6 \times 1.6mm Thin DFN (MIC2791)
- 8-pin 2 \times 2mm Thin DFN (MIC2793)



<< BACK



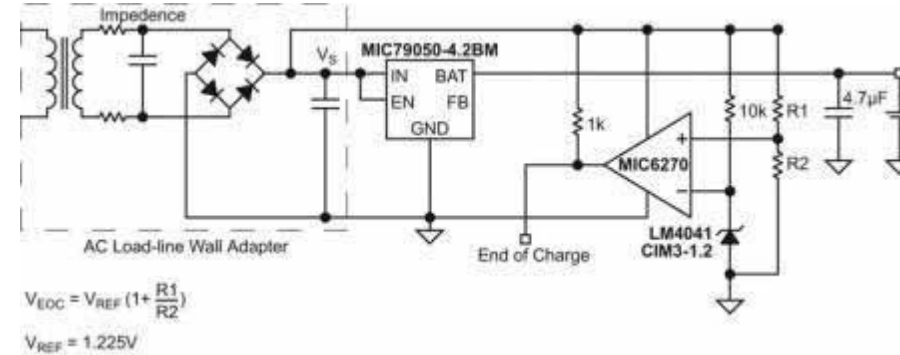
MIC79050

Simple Lithium-Ion Battery Charger

[Online Datasheet](#)

Features:

- High accuracy:
 - $\pm 0.75\%$ over -5°C to $+60^{\circ}\text{C}$
- Zero off-mode current
- $10\mu\text{A}$ reverse leakage
- Ultra-low 380mV dropout at 500mA
- Wide input voltage range
- Logic controlled enable input –
 - (8-pin devices only)
- Thermal shutdown and current limit –
 - protection
- Power MSOP-8, Power SOIC-8, and –
 - SOT-223
- Pulse charging capability



<< BACK



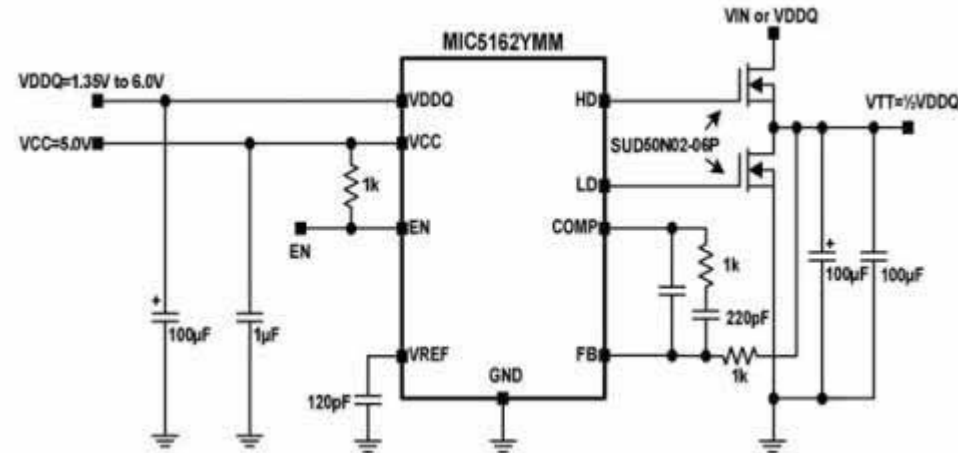
MIC5162

Online
Datasheet

Dual Regulator Controller for DDR3 GDDR3/4/5 Memory

Features:

- Input voltage range: 1.35V to 6V
- Up to 7A VTT Current
- Tracking programmable output
- Wide bandwidth
- Logic controlled enable input
- Requires minimal external components
- DDR, DDR2, DDR3, memory termination
- $-40^{\circ}\text{C} < T_J < +125^{\circ}\text{C}$
- JEDEC Compliant Bus termination for –
 - SCSI, GTL, SSTL, HSTL, LV-TTL, -
 - Rambus, LV-PECL, LV-ECL, etc
- Tiny MSOP-10 package



<< BACK



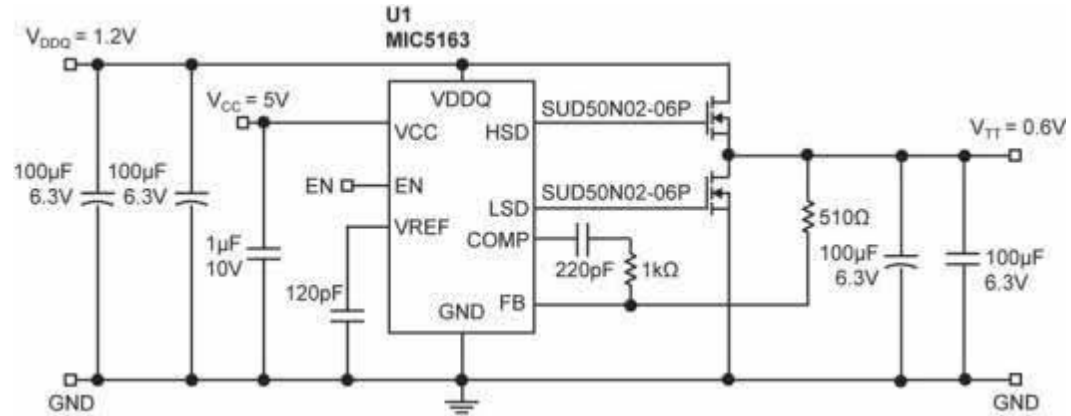
MIC5163

Online
Datasheet

Dual Regulator Controller for DDR3 GDDR3/4/5

Features:

- 0.75V to 6V input supply voltage
- Memory termination for: DDR3, -
- GDDR3/4/5
- Tracking programmable output
- Logic controlled enable input
- Wide bandwidth
- Minimal external components –
- required
- Tiny MSOP-10 package
- $-40^{\circ}\text{C} < T_J < +125^{\circ}\text{C}$



<< BACK



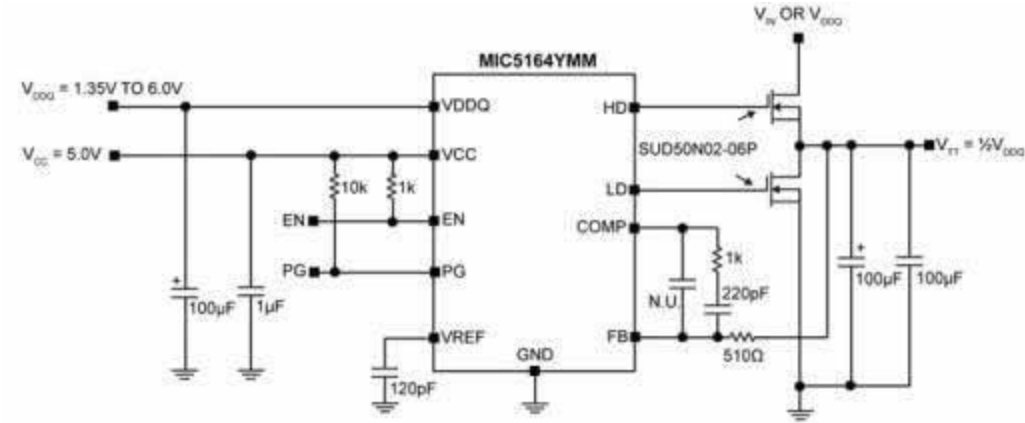
MIC5164

Dual Regulator Controller for DDR3 GDDR3/4/5

[Online Datasheet](#)

Features:

- Input voltage range: 1.35V to 6V
- Up to 7A VTT Current
- Tracking programmable output
- Power Good (PG) signal
- Wide bandwidth
- Logic controlled enable input
- Requires minimal external components
- DDR, DDR2, DDR3, memory termination
- $-40^{\circ}\text{C} < T_J < +125^{\circ}\text{C}$
- JEDEC-compliant bus termination for –
 - SCSI, GTL, SSTL, HSTL, LV-TTL, -
 - Rambus, LV-PECL, LV-ECL, etc
- Tiny MSOP-10 package



[<< BACK](#)



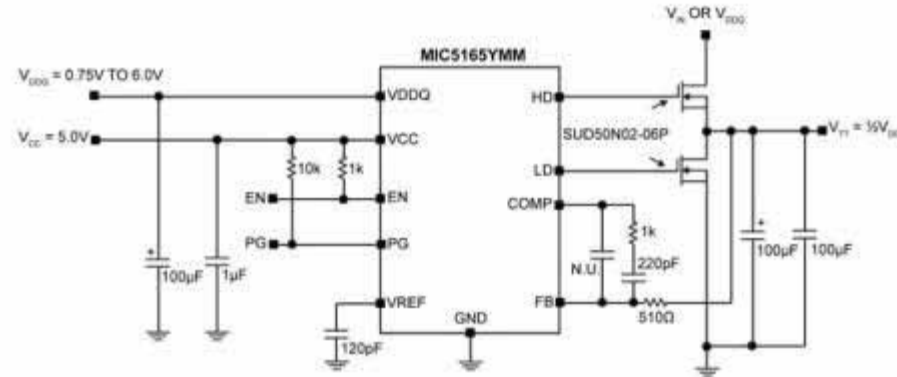
MIC5165

Dual Regulator Controller for DDR3 GDDR3/4/5

[Online Datasheet](#)

Features:

- Input voltage range: 0.75V to 6V
- Up to 7A VTT Current
- Tracking programmable output
- Power Good signal
- Wide bandwidth
- Logic-controlled enable input
- Requires minimal external components
- DDR3, GDDR3/4/5 memory termination
- $-40^{\circ}\text{C} < T_J < +125^{\circ}\text{C}$
- Tiny MSOP-10 package



[<< BACK](#)



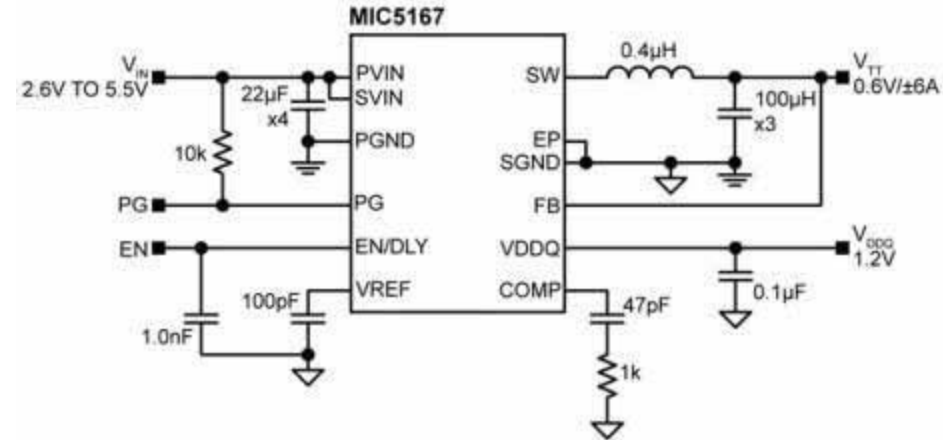
MIC5167

Online
Datasheet

1MHz 6A Integrated Switch Synch. Buck DDR Memory Terminator

Features:

- Input voltage range: 2.6V to 5.5V
- VTT voltage adjustable down to 0.35V
- Output load current up to $\pm 6A$
- Power Good fault flag
- Efficiency > 94% across a broad load range
- Ultra fast transient response
- Easy RC compensation
- 100% maximum duty cycle
- Fully integrated MOSFET switches
- Micropower shutdown
- Thermal shutdown and current-limit protection
- 24-pin 4mm x 4mm MLF[®]
- -40°C to +125°C junction temperature range



<< BACK

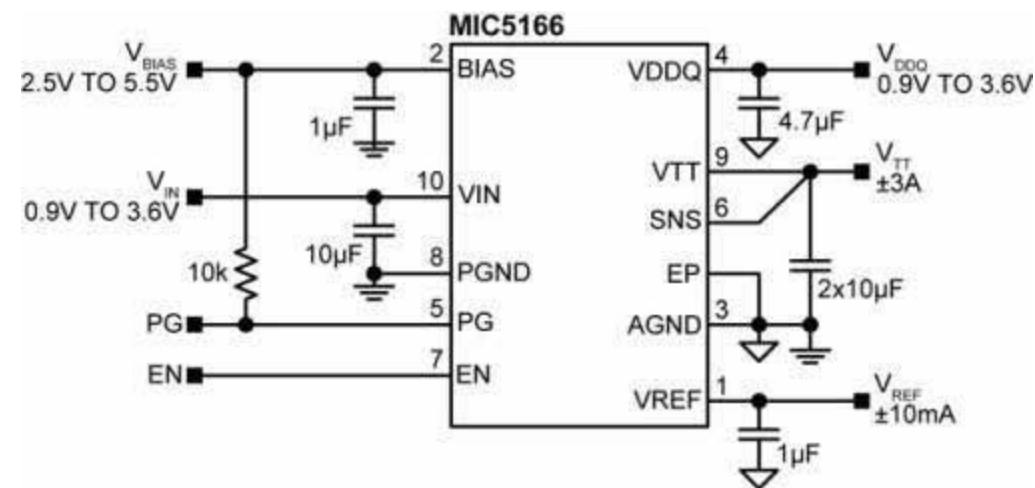


MIC5166

3A High-Speed Low VIN DDR Terminator

Features:

- Operating voltage range:
- VDDQ Supply: 0.9V to 3.6V
- Bias Supply: 2.5V to 5.5V
- High output voltage accuracy:
- 0.015% line regulation
- 1.5% load regulation
- Logic level enable input
- Power Good (PG)
- High bandwidth – very fast transient response
- Stable with two 10 μ F ceramic output capacitors
- Two 10 μ F output capacitors used in most – applications
- Thermally enhanced 3mm \times 3mm MLF[®]
- Junction temperature range -40 $^{\circ}$ C to +125 $^{\circ}$ C



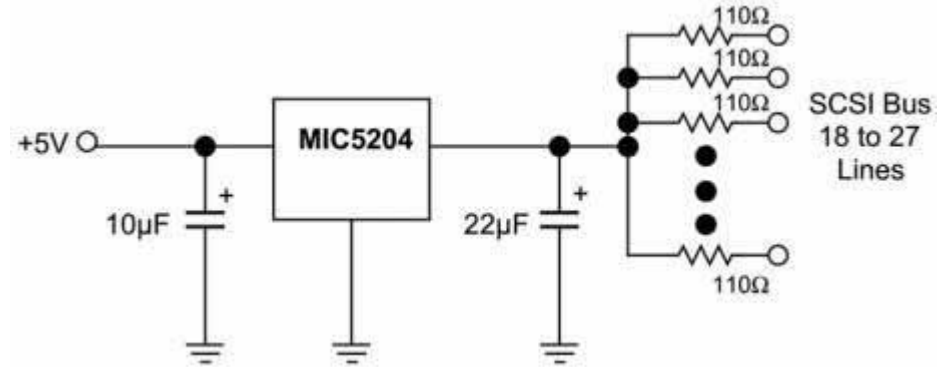
MIC5204

SCSI-II Active Terminator

[Online Datasheet](#)

Features:

- $\pm 1\%$ output voltage accuracy
- Guaranteed 500mA output
- Low quiescent current
- Low dropout voltage
- Extremely tight load and line regulation
- Very low temperature coefficient
- Current and thermal limiting
- Zero off-mode current
- Logic-controlled electronic shutdown
- Available in SO-8 and SOT-223 packages



[<< BACK](#)



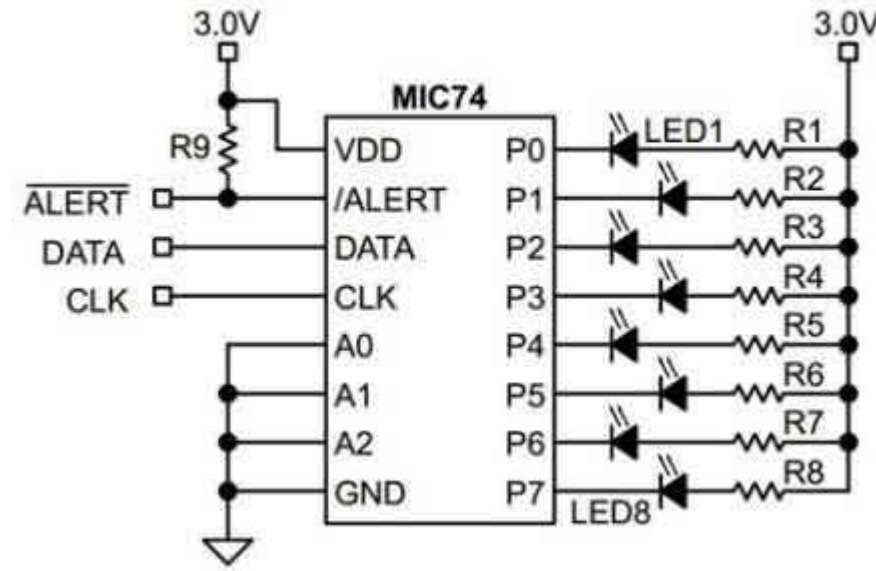
MIC74

2-Wire Serial I/O Expander & Fan Controller

[Online Datasheet](#)

Features:

- Provides eight bits of general purpose I/O
- Built in fan speed control logic (optional)
- 2-wire SMBus™/I²C™ compatible serial – interface plus interrupt output
- 2.7V to 3.6V operating voltage range
- 5V-tolerant I/O
- Low quiescent current: 2µA (typical)
- Bit-programmable I/O options:
 - Input or output
 - Push-pull or open-drain output
 - Interrupt on input changes
- Outputs can directly drive LEDs (10mA IOL)
- Up to 8 devices per bus



<< BACK



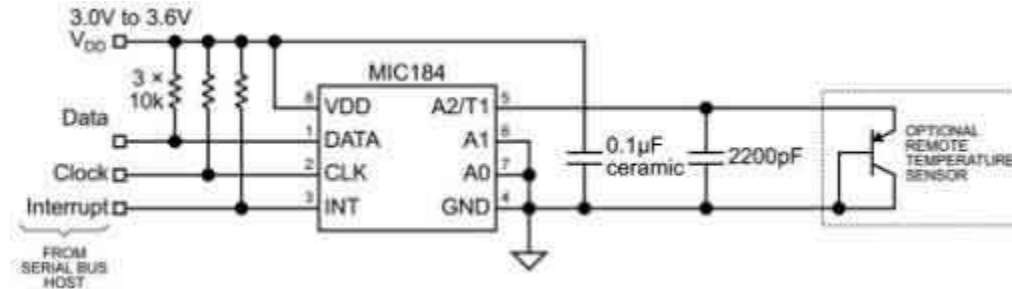
MIC184

Local/Remote Thermal Supervisor

[Online Datasheet](#)

Features:

- Measures local and remote –
– temperatures
- Pin and software backward –
– compatible to LM75
- 9-bit sigma-delta ADC
- 2-wire I²C/SMBus compatible –
– interface
- Programmable thermostatic settings –
– for either internal or external zone
- Open-drain comparator/interrupt output pin
- Interrupt mask and status bits
- Low-power shutdown mode
- Fail-safe response to diode faults
- 2.7V to 5.5V power supply range
- 8-Lead SOP and MSOP packages



<< BACK



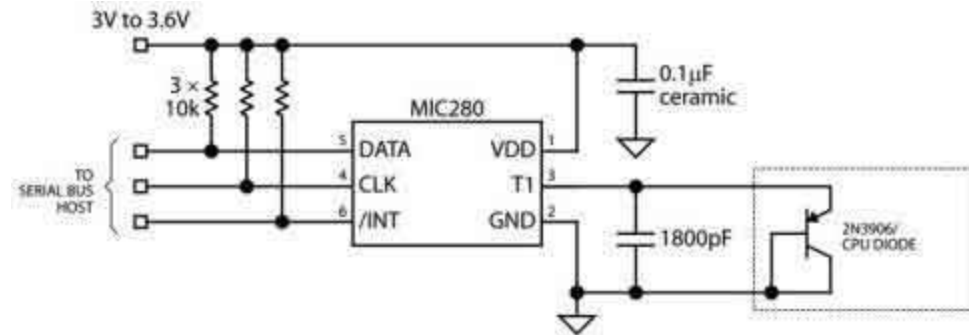
MIC280

Precision Thermal Supervisor

[Online Datasheet](#)

Features:

- Measures local and remote –
 - temperature
- Highly accurate remote sensing $\pm 1^{\circ}\text{C}$ –
 - max., 60°C to 100°C
- Superior noise immunity for reduced –
 - temperature guardbands
- 9-bit to 12-bit temperature resolution for –
 - remote zone
- Fault queues to further reduce nuisance –
 - tripping
- Programmable high, low, and over –
 - temperature thresholds for each zone
- SMBus 2.0 compatible serial interface –
 - including device timeout to prevent –
 - bus lockup
- 3.0V to 3.6V power supply range
- SOT23-6 package



[<< BACK](#)



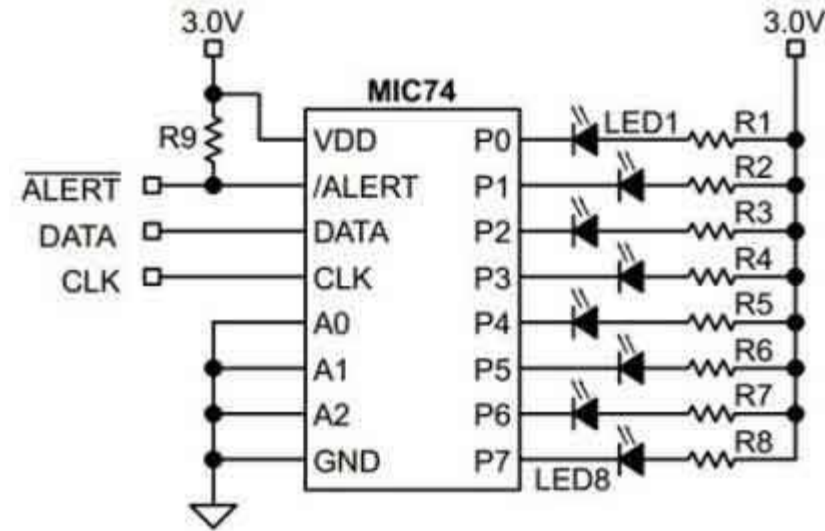
MIC74

2-Wire Serial I/O Expander and Fan Controller

[Online Datasheet](#)

Features:

- Provides eight bits of general purpose I/O
- Built in fan speed control logic (optional)
- 2-wire SMBus™/I²C™ compatible serial – interface plus interrupt output
- 2.7V to 3.6V operating voltage range
- 5V-tolerant I/O
- Low quiescent current: 2µA (typical)
- Bit-programmable I/O options:
- Input or output
- Push-pull or open-drain output
- Interrupt on input changes
- Outputs can directly drive LEDs (10mA IOL)
- Up to 8 devices per bus



<< BACK



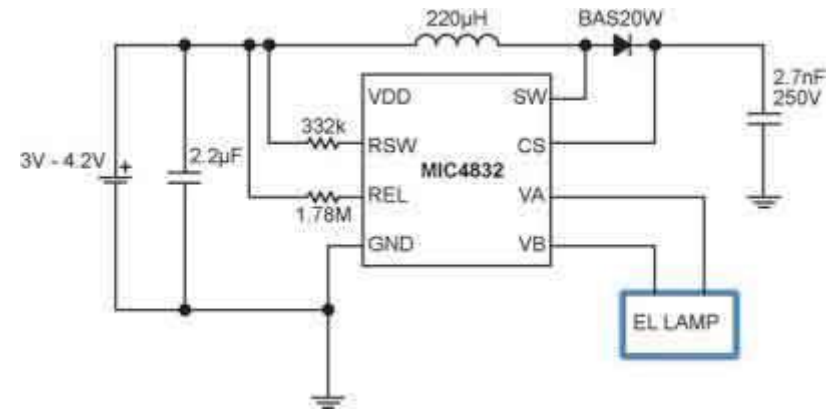
MIC4832

Low Noise 220VPP EL Driver

[Online
Datasheet](#)

Features:

- 1.8V to 5.5V DC input voltage
- 220VPP output voltage capable
- Low audible noise EL drive waveform
- Supports EL panel sizes up to 3in² (19cm²)
- Low 25μA operating supply current
- Small inductor size with low profile (220μH)
- Tiny 8-pin 3mm x 3mm MLF[®] package
- Adjustable boost converter frequency
- Adjustable EL lamp frequency
- 10nA shutdown current



<< BACK



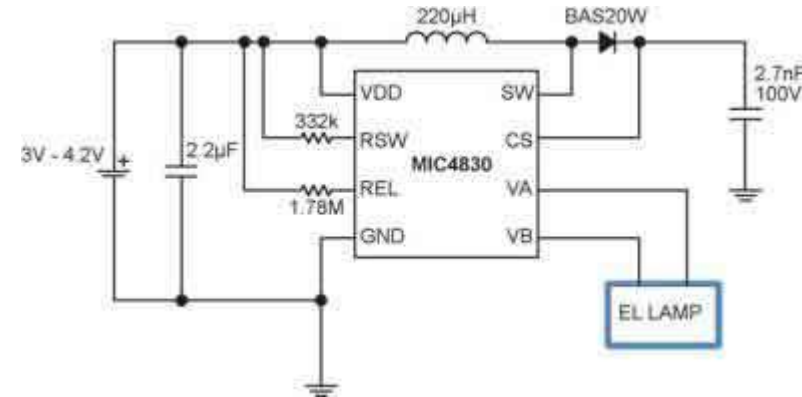
MIC4830

Low Noise 180Vpp EL Driver

[Online Datasheet](#)

Features:

- 1.8V to 5.5V input voltage
- 180VPP output voltage
- Low audible noise EL drive waveform
- Supports EL panel sizes up to 4in² (25cm²)
- Low 45μA operating supply current
- Small inductor size with low profile (220μH)
- Tiny 8-pin 3mm x 3mm MLF[®] package
- Adjustable boost converter frequency
- Adjustable EL lamp frequency
- Low 10nA shutdown current



<< BACK



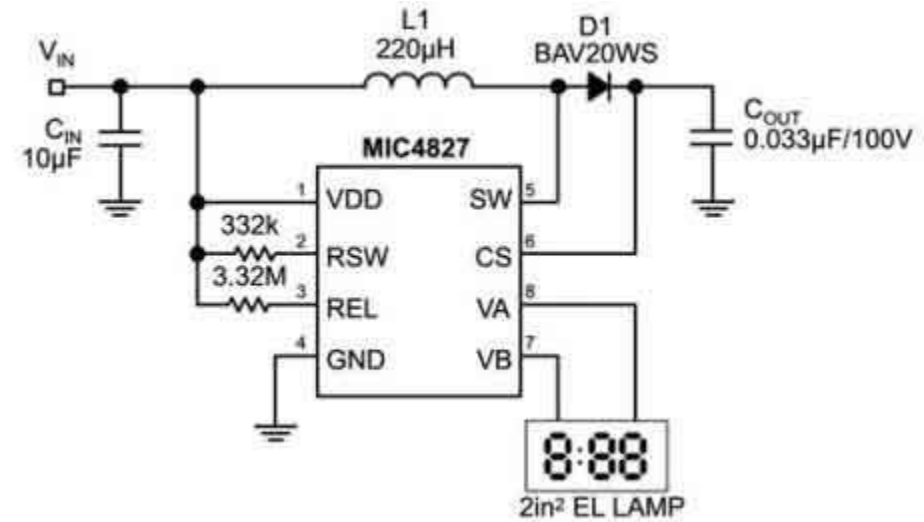
MIC4827

Low Input Voltage 180VPP Output Voltage EL Driver

[Online Datasheet](#)

Features:

- 1.8V to 5.5V DC input voltage
- 180VPP regulated AC output waveform
- Independently adjustable EL lamp frequency
- Independently adjustable boost converter – frequency
- 0.1 μ A shutdown current



<< BACK



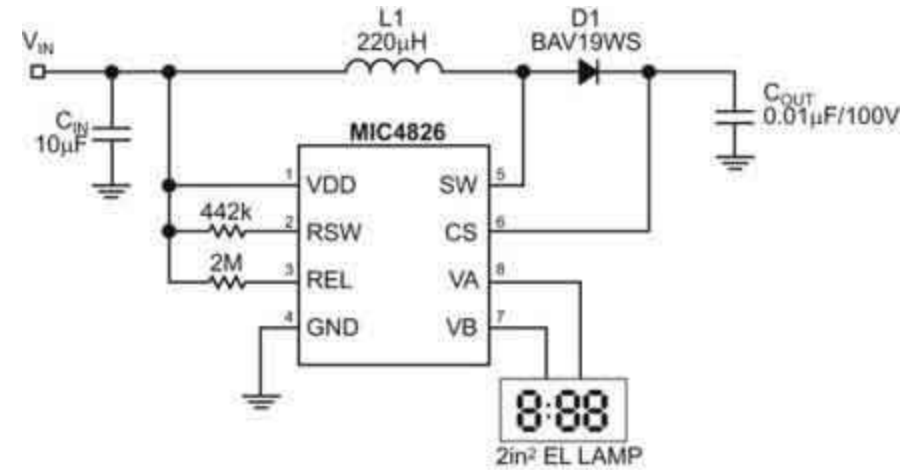
MIC4826

Low Input Voltage 160VPP Output Voltage EL Driver

[Online Datasheet](#)

Features:

- 1.8V to 5.5V DC input voltage
- 160VPP regulated AC output waveform
- Independently adjustable EL lamp frequency
- Independently adjustable boost converter – frequency
- 0.1 μ A shutdown current



<< BACK



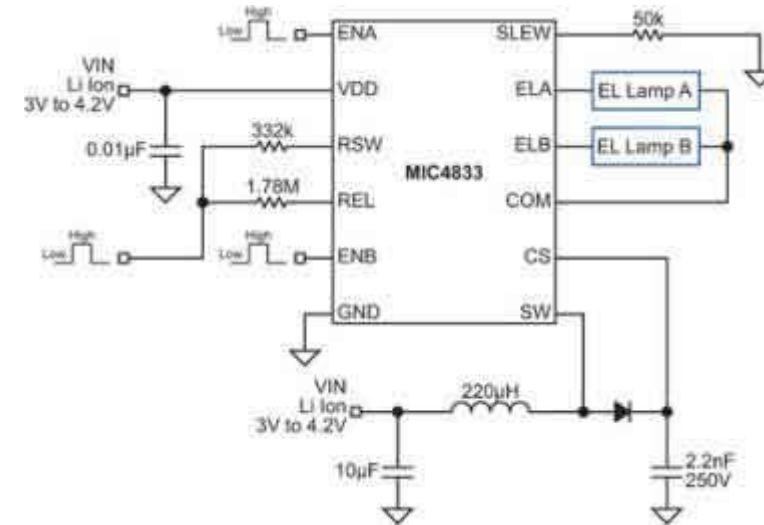
MIC4833

Low Noise Dual 220Vpp EL Driver

[Online Datasheet](#)

Features:

- Drives two EL panels
 - Up to 4in² each at full brightness
- Independent input control for each of the two – panels and allows PWM dimming.
- 220VPP regulated AC output waveform
- 2.3V to 5.8V DC input voltage
- Wave-shaping circuit to reduce audible noise
- Adjustable slew rate for audible noise reduction
- Single inductor to power both panels
- 0.1μA typical shutdown current
- 12-pin 3mm x 3mm MLF[®] package
- -40°C to +125°C junction temperature range
- Independently adjustable boost converter – and EL panel frequency



[<< BACK](#)



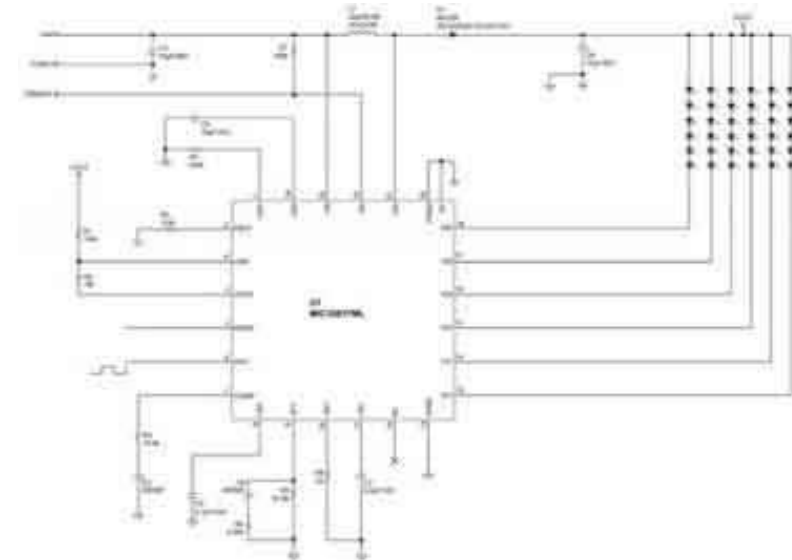
MIC3263

[Online Datasheet](#)

6-Ch WLED Driver for Backlighting with Flicker-Free Dimming

Features:

- 6V to 40V wide input voltage range
- Drives six channels of up to 10 white LEDs
- Programmable WLED current from 15mA to –
– 30mA
- Highly reliable operation with open and short –
– LEDs
- Accurate 16 dimming log levels sets the dimming –
– ratio from 1% to 100%
- Flicker-Free Dimming filters the jitter from the –
– dimming control input signal and eliminates –
– dimming flicker
- Accurate LED channel current matching $\pm 3\%$
- Accurate initial LED current setting $\pm 2\%$
- High efficiency up to 90%
- Low ($<40\mu\text{A}$) shutdown current over temperature
- -40°C to $+125^{\circ}\text{C}$ junction temperature range
- Available in 24-pin 4mm x 4mm MLF[®] package



[<< BACK](#)



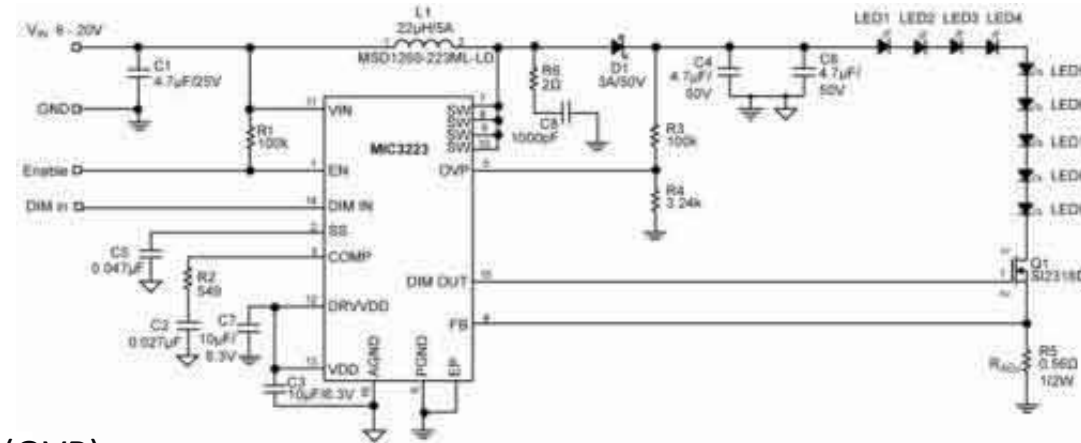
MIC3223

Online
Datasheet

High Power Boost LED Driver with Integrated FET

Features:

- 4.5V to 20V supply voltage
- 1MHz switching frequency
- 100mΩ/3.5A internal power –
- FET switch
- LEDs can be dimmed with a –
- PWM signal
- Externally programmable soft-start
- Protection features that include:
 - Output over voltage protection (OVP)
 - Under voltage lockout (UVLO)
 - Over temperature protection
- Junction temperature range: -40°C to +125°C
- Available in an exposed pad 16-pin –
- TSSOP package
- 200mV feedback voltage
- Step-up output voltage (boost) up to 37V



<< BACK



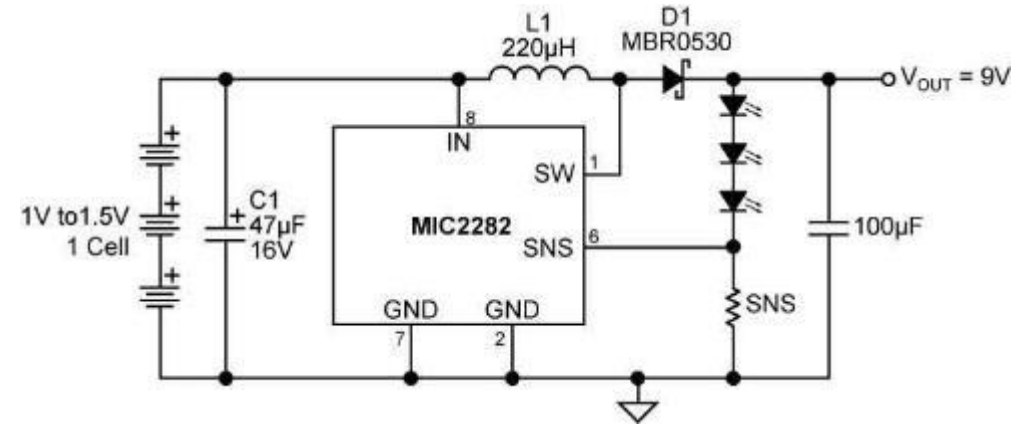
MIC2282

Single-Cell Ultra Low EMI Boost LED Driver

[Online Datasheet](#)

Features:

- Operates from a single-cell supply –
- ($V_{IN} = 0.9V$ to $15V$)
- Ultra Low EMI
- $120\mu A$ typical quiescent current
- Adjustable output voltages
- $220mV$ sense voltage
- $20kHz$ switching frequency
- Over temperature protection
- 8-pin MSOP package
- Low component count solution



[<< BACK](#)



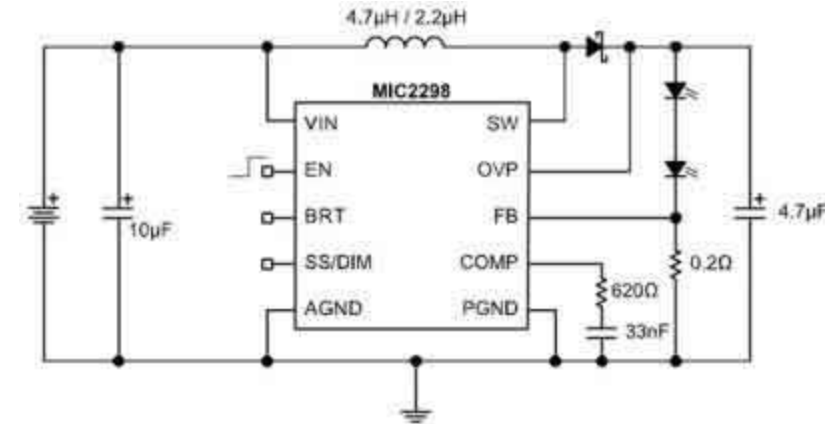
MIC2298

Online
Datasheet

3.5A Minimum 1MHz Boost High Brightness White LED Driver

Features:

- 3.5A minimum switch current delivers at least -
- 7W of output power over temperature
- 200mV $\pm 10\%$ feedback voltage
- 2.5V to 10V input voltage
- Output voltage up to 30V (max)
- 12-pin 3mm x 3mm leadless MLF[®] package
- Output over voltage protection (OVP)
- <1% line regulation
- 1 μ A shutdown current
- Over-temperature protection
- Externally programmable soft-start
- Under voltage lockout (UVLO)
- -40°C to +125°C junction temperature range



<< BACK



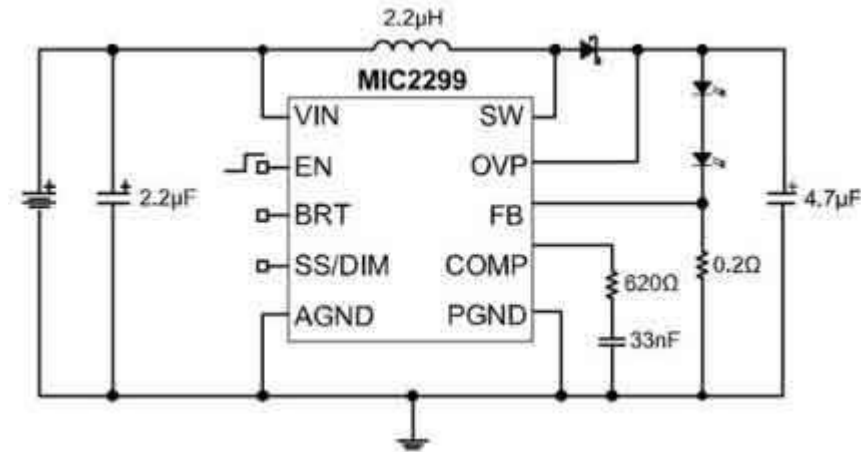
MIC2299

Online
Datasheet

3.5A Minimum 2MHz High Brightness LED Driver

Features:

- Programmable current control
- 200mV $\pm 10\%$ feedback voltage
- 2.5V to 10V input voltage
- Output over voltage protection (OVP)
- Output voltage up to 30V (max)
- Fixed 2.0MHz Operation
- Guaranteed 3.5A switch current over – temperature
- Solution size of just 0.25in² (1.6cm²)
- Output power range of 7W to 12W
- <1% line regulation
- 1 μ A shutdown current
- Under-voltage lockout (UVLO)
- 12-pin 3mm x 3mm leadless MLF[®] package
- -40°C to +125°C junction temperature range



<< BACK



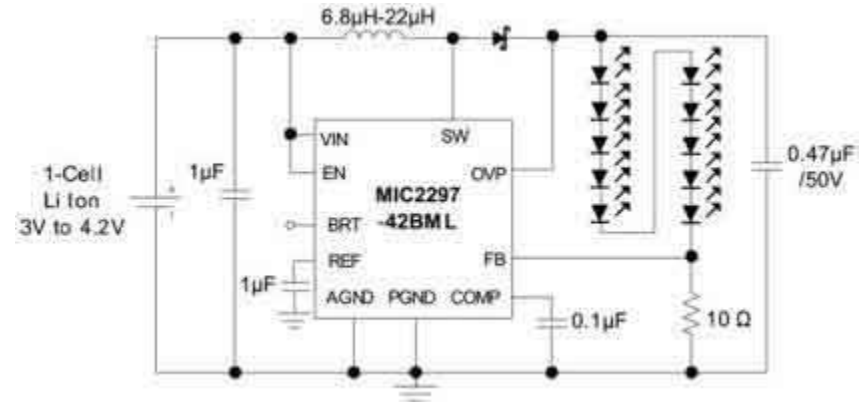
MIC2297

40V PWM Boost Regulator White LED Driver

[Online Datasheet](#)

Features:

- 2.5V to 10V input voltage range
- Output voltage up to 40V
- 1.2A switch current
- 600kHz PWM operation
- Trimmed 200mV feedback voltage
- Output over voltage protection (fixed or – adjustable)
- PWM brightness control
- DAC brightness control
- <1% line regulation
- 1μA shutdown current
- Over temperature protection
- UVLO
- 10-pin 2.5mm x 2.5mm MLF® package
- -40°C to +125°C junction temperature range



<< BACK



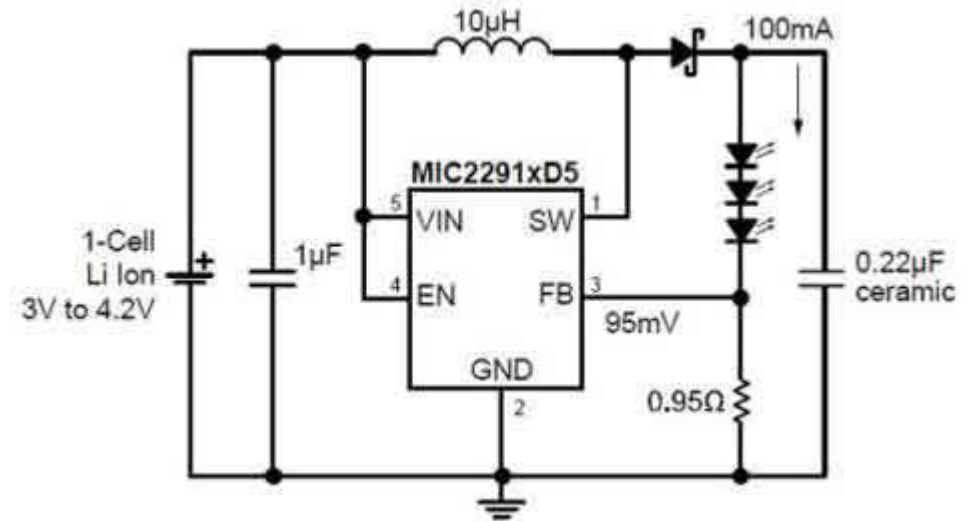
MIC2291

Online
Datasheet

1.2A PWM Boost Regulator Photo Flash LED Driver

Features:

- 2.5V to 10V input voltage
- Output voltage up to 34V
- 1.2A switch current
- 1.2MHz PWM operation
- 95mV feedback voltage
- Over voltage protection (OVP)
- Options for 15V and 34V
- Stable with ceramic capacitors
- <1% line and load regulation
- 1 μ A shutdown current
- UVLO
- Low-profile Thin SOT23-5 package option
- 2mm x 2mm MLF[®] package option
- -40°C to +125°C junction temperature range



<< BACK



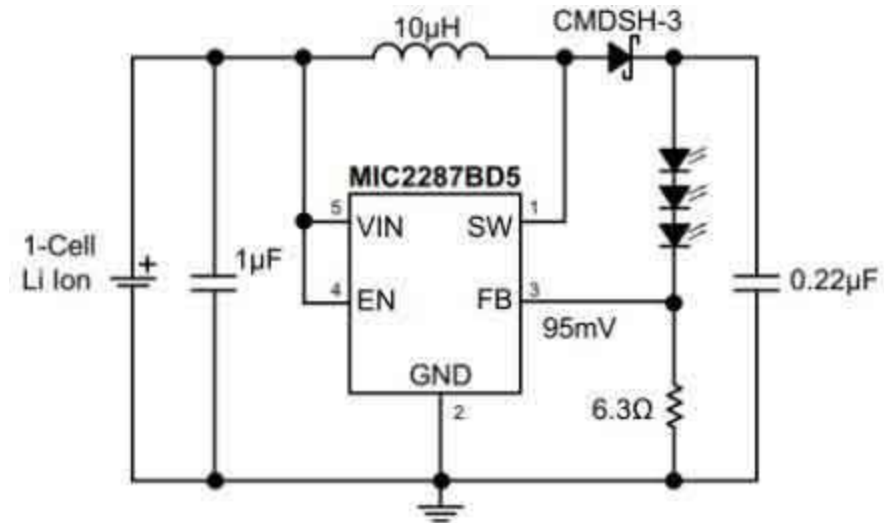
MIC2287

Online
Datasheet

1.2MHz PWM White LED Driver with OVP in
2mm x 2mm MLF® & Thin SOT-23

Features:

- 2.5V to 10V input voltage
- Output voltage up to 34V
- Over 500mA switch current
- 1.2 MHz PWM operation
- 95mV feedback voltage
- Output over voltage protection (OVP)
- Options for 15V, 24V, and 34V OVP
- <1% line and load regulation
- <1μA shutdown current
- Over-temperature protection
- UVLO
- Low profile Thin SOT-23-5 package option
- 8-lead 2mm x 2mm MLF® package option
- -40°C to +125°C junction temperature range



<< BACK



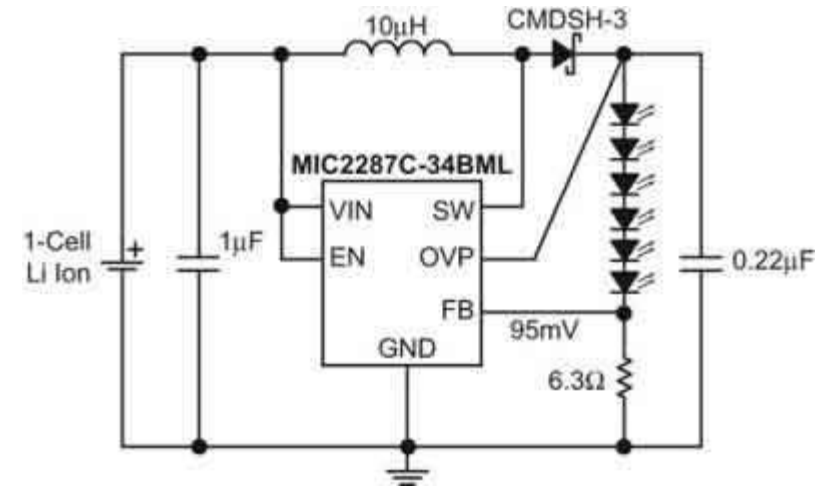
MIC2287C

Online
Datasheet

1.2MHz PWM White LED Driver with OVP

Features:

- 2.5V to 10V input voltage
- Output voltage up to 34V
- Over 500mA switch current
- 1.2 MHz PWM operation
- 95mV feedback voltage
- Output over voltage protection (OVP)
- Options for 15V, 24V, and 34V OVP
- Over-temperature protection
- UVLO
- Low profile Thin SOT-23-5 package option
- 8-lead 2mm x 2mm MLF® package option
- -40°C to +125°C junction temperature range
- For higher performance specifications see the MIC2287



<< BACK



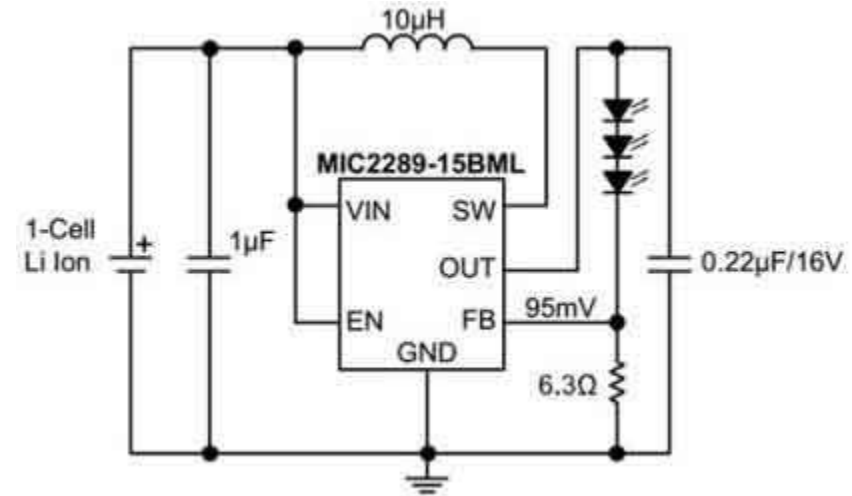
MIC2289

Online
Datasheet

White LED Driver with Internal Schottky Diode & OVP

Features:

- 2.5V to 10V input voltage
- Output voltage up to 34V
- Internal Schottky diode
- 15V, 24V, 34V output OVP options
- 1.2MHz PWM operation
- Over 500mA switch current
- 95mV feedback voltage
- <1% line and load regulation
- <1 μ A shutdown current
- Over-temperature protection
- UVLO
- 8-pin 2mm x 2mm MLF[®] package
- -40 $^{\circ}$ C to +125 $^{\circ}$ C junction temperature range



<< BACK



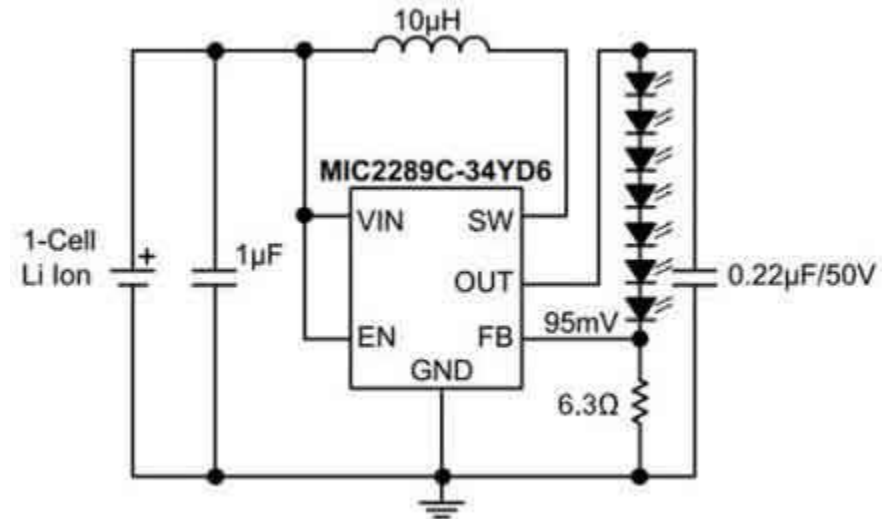
MIC2289C

Online
Datasheet

1.2MHz PWM White LED Driver with OVP

Features:

- 2.5V to 10V input voltage
- Output voltage up to 34V with OVP
- Internal Schottky diode
- Over 500mA switch current
- 1.2MHz PWM operation
- 95mV feedback voltage
- <1% line and load regulation
- <1 μ A shutdown current
- Over-temperature protection
- UVLO
- Thin SOT-23 6-pin package
- -40°C to +125°C junction temperature range
- For higher performance specifications see the MIC2289



<< BACK



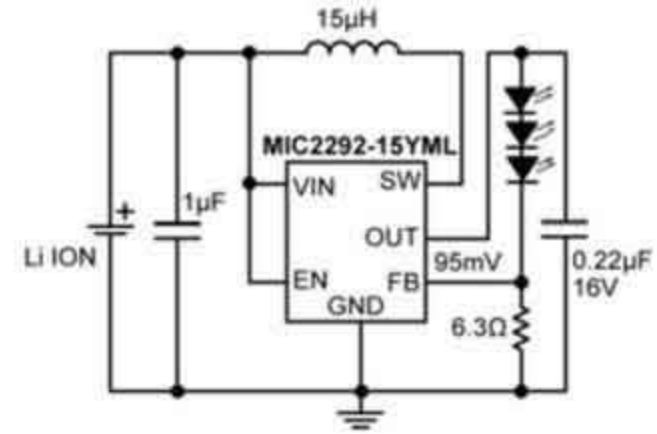
MIC2292/3

[Online Datasheet](#)

High Frequency PWM White LED Drivers w/ Internal Schottky Diode

Features:

- 2.5V to 10V input voltage
- Output voltage up to 34V
- Internal Schottky diode
- 1.6MHz PWM operation (MIC2292)
- 2.0MHz PWM operation (MIC2293)
- 15V and 34V output overvoltage protection options
- 500mA switch current rating
- 95mV feedback voltage
- <1% line and load regulation
- <1 μ A shutdown current
- Over-temperature protection
- OVP, UVLO
- 8-pin 2mm x 2mm MLF[®] package
- -40°C to +125°C junction temperature range



[<< BACK](#)



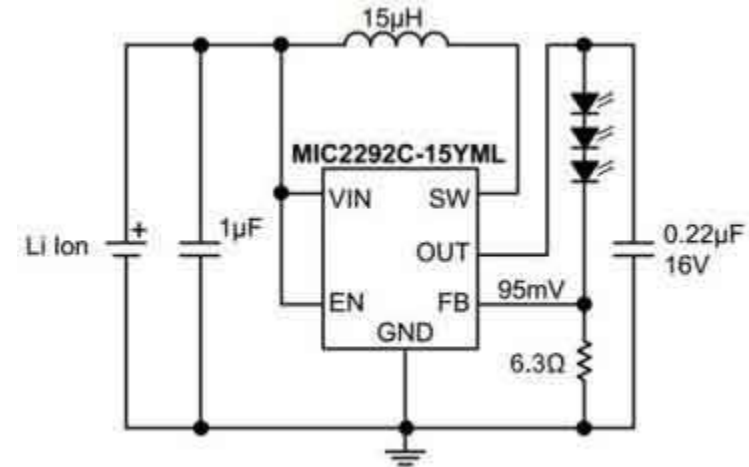
MIC2292C/3C

[Online Datasheet](#)

High Frequency PWM White LED Drivers w/ Internal Schottky Diode

Features:

- 2.5V to 10V input voltage
- Output voltage up to 34V
- Internal Schottky diode
- 1.6MHz PWM operation (MIC2292C)
- 2.0MHz PWM operation (MIC2293C)
- 15V and 34V output overvoltage protection – options
- 500mA switch current rating
- 95mV feedback voltage
- <1% line and load regulation
- <1 μ A shutdown current
- Over-temperature protection
- OVP, UVLO
- 8-pin 2mm x 2mm MLF[®] package
- -40°C to +125°C junction temperature range



[<< BACK](#)



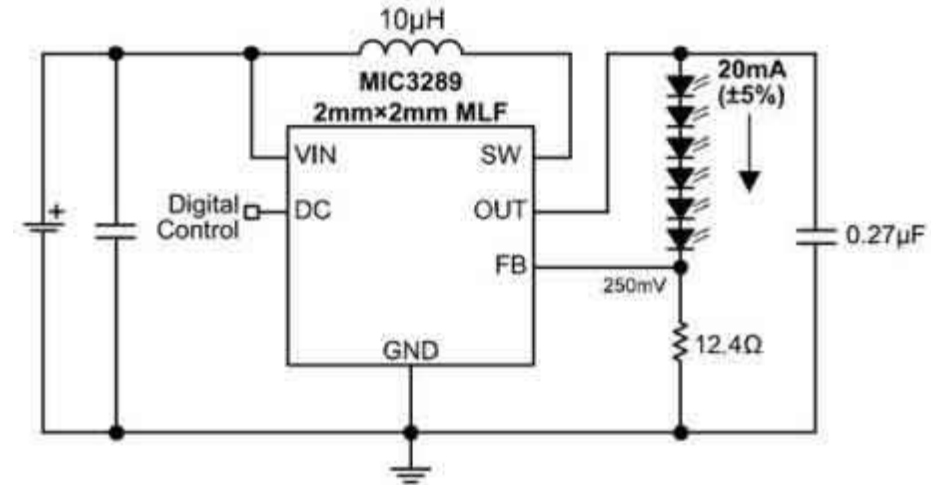
MIC3289

Online
Datasheet

1.2MHz PWM White LED Driver with True 1-Wire Control

Features:

- Single wire combines 16 level logarithmic –
- brightness and shutdown control
- 16V/24V OVP options supports up to 4 -
- and 6 WLEDs
- Start-up in any one of 16 brightness levels
- Internal Schottky diode
- 2.5V to 6.5V input voltage
- 1.2MHz PWM operation
- Over 500mA switch current
- 250mV reference voltage
- $\pm 5\%$ LED current accuracy
- $< 1\mu\text{A}$ shutdown current
- UVLO
- Thin SOT23-6L package option
- 2mm x 2mm leadless MLF[®]-8L package option
- -40°C to $+125^{\circ}\text{C}$ junction temperature range



<< BACK



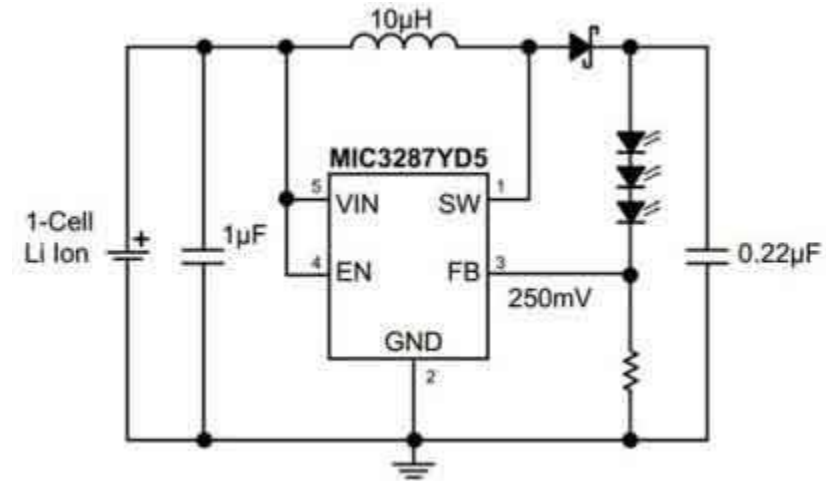
MIC3287

[Online Datasheet](#)

1.2MHz PWM White LED Driver with OVP

Features:

- 2.8V to 6.5V input voltage
- 350mA switch current
- Optional 24V output over voltage protection – (OVP)
- 1.2MHz PWM operation
- 250mV feedback voltage
- <1% line and load regulation
- <1 μ A shutdown current
- Over-temperature protection
- Under voltage lockout (UVLO)
- Low profile Thin SOT-23 package option
- 8-pin 2mm x 2mm MLF[®] package option
- -40 $^{\circ}$ C to +125 $^{\circ}$ C junction temperature range



[<< BACK](#)



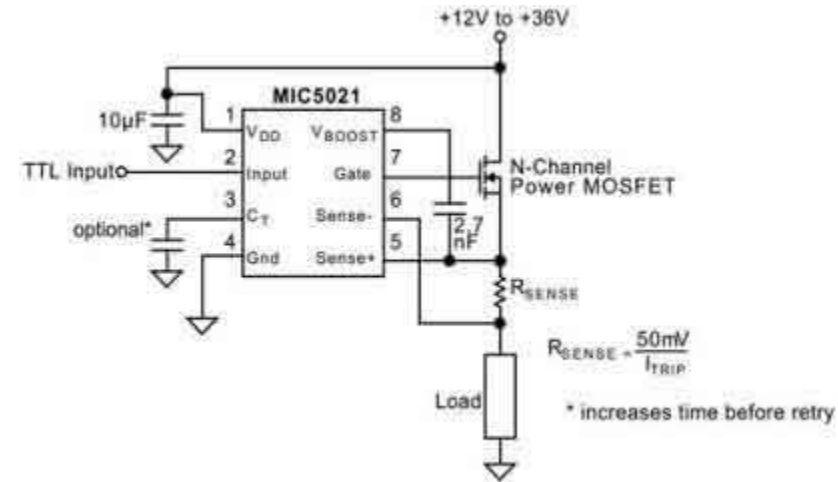
MIC5021

High-Speed High-Side MOSFET Driver

Online
Datasheet

Features:

- 12V to 36V operation
- 550ns rise/fall time driving 2000pF
- TTL compatible input with internal pull-down – resistor
- Overcurrent limit
- Gate to source protection
- Internal charge pump
- 100kHz operation guaranteed over full – temperature and operating voltage range
- Compatible with current sensing MOSFETs
- Current source drive reduces EMI



<< BACK



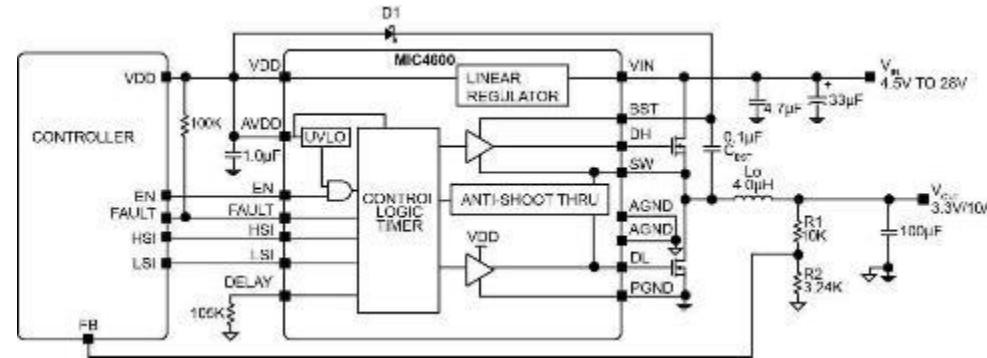
MIC4600

28V Half-Bridge MOSFET Driver

[Online
Datasheet](#)

Features:

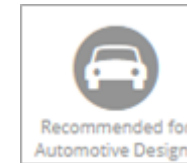
- Adjustable dead time circuitry
- Anti-shoot-through protection
- Internal LDO for single supply operation
- Input voltage range: 4.5V to 28V
- Fast propagation delay: 20ns
- Up to 1.5 MHz operation
- Low voltage logic level inputs for μC or –
– FPGA driven power solutions
- Independent inputs for low and high side –
– drivers
- 2 Ω gate drive capable of driving 3000pF –
– load with 15ns rise and fall times
- Low 450 μA typical quiescent current
- 3mm x 3mm QFN package
- -40°C to +125°C junction temperature range



[<< BACK](#)

MIC4605

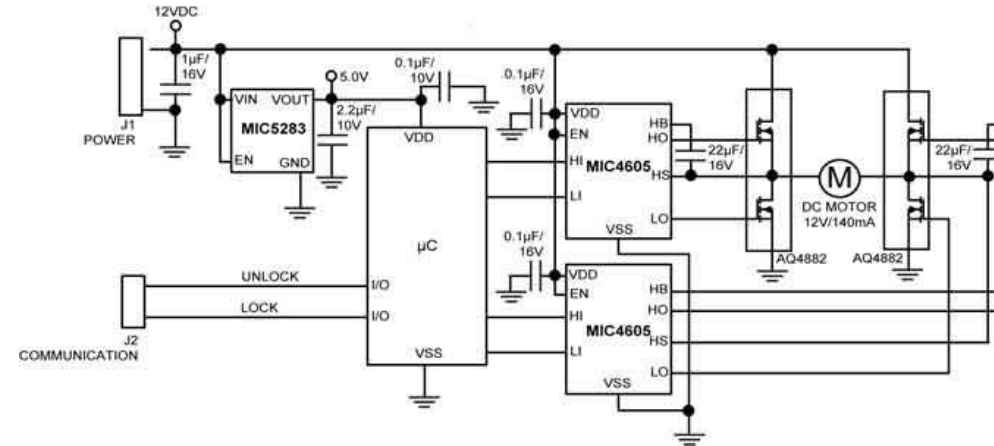
85V Half-Bridge MOSFET Driver, Adaptive Dead Time, Shoot-Thru Protection



Online
Datasheet

Features:

- 5.5V to 16V gate drive supply voltage – range
- Advanced adaptive-dead-time
- Intelligent shoot-through protection
- MIC4605-1: Dual TTL inputs
- MIC4605-2: Single PWM input
- Enable input for on/off control
- On-chip bootstrap diode
- Fast 35ns propagation times
- Drives 1000pF load with 20ns rise – and fall times
- Low power consumption: 135 μ A quiescent current
- Separate high- and low-side under-voltage protection
- -40°C to +125°C junction temperature range



<< BACK to Gate Drive
Motor Driver ICs

<< BACK to Half Bridge
MOSFET Drivers



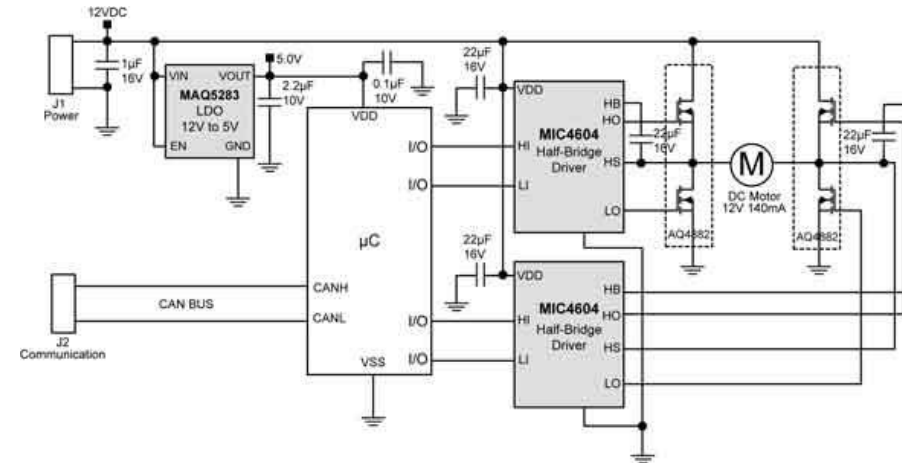
MIC4604

[Online Datasheet](#)

85V Half Bridge MOSFET Drivers with Programmable Gate Drive

Features:

- 5.5V to 16V gate drive supply voltage range
- Drives high-side and low-side N-Channel –
– MOSFETs with independent inputs
- TTL input thresholds
- On chip bootstrap diode
- Fast 39ns propagation times
- Drives 1000pF load with 20ns rise and –
– fall times
- Low power consumption
- Supplies under-voltage protection
- -40°C to +125°C junction temperature range



[<< BACK to Gate Drive Motor Driver ICs](#)

[<< BACK to Half Bridge MOSFET Drivers](#)



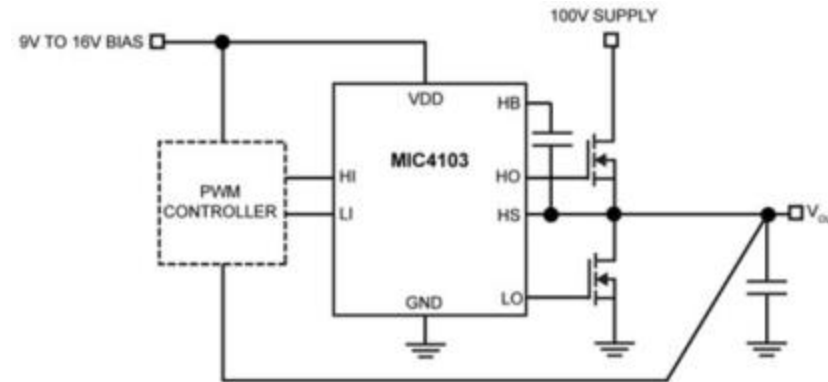
MIC4103/4

[Online Datasheet](#)

100V Half Bridge MOSFET Drivers 3/2A Sinking/Sourcing Current

Features:

- Asymmetrical, low impedance outputs drive –
 - 1000pF load with 10ns rise times and 6ns –
 - fall times
- Bootstrap supply max voltage to 118V DC
- Supply voltage up to 16V
- Drives high- and low-side N-Channel MOSFETs –
 - with independent inputs
- CMOS input thresholds (MIC4103)
- TTL input thresholds (MIC4104)
- On-chip bootstrap diode
- Fast 24ns propagation times
- Low power consumption
- Supply under-voltage protection
- Typical 2.5Ω pull up and 1.25Ω pull down output –
 - driver resistance
- -40°C to +125°C junction temperature range



[<< BACK](#)



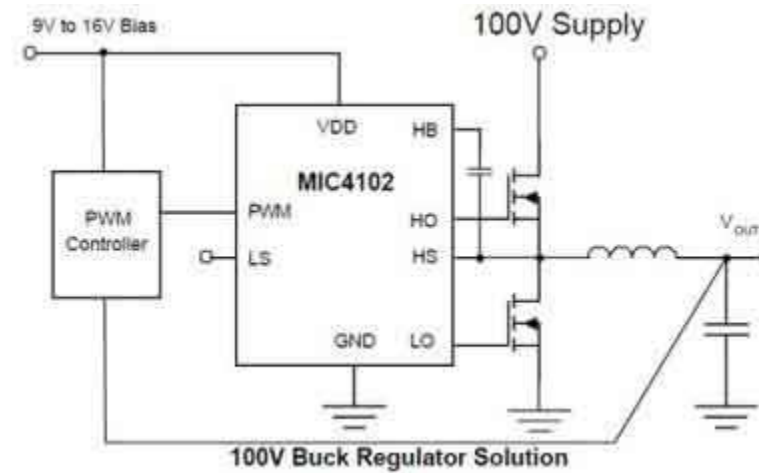
MIC4102

100V Half Bridge MOSFET Driver with Anti-Shoot-Through Protection

[Online Datasheet](#)

Features:

- Drives high- and low-side N-Channel MOSFETs –
- with single input
- Adaptive anti-shoot-through protection
- Low side drive disable pin
- Bootstrap supply voltage to 118V DC
- Supply voltage up to 16V
- TTL input thresholds
- On-chip bootstrap diode
- Fast 30ns propagation times
- Drives 1000pF load with 10ns rise and fall times
- Low power consumption
- Supply under-voltage protection
- 2.5Ω pull up, 1.5Ω pull down output resistance
- Space saving SOIC-8L package
- -40°C to +125°C junction temperature range



[<< BACK](#)



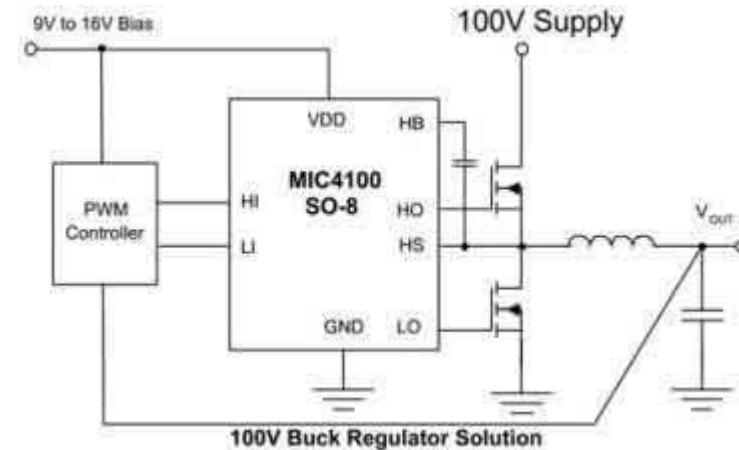
MIC4100/1

100V Half Bridge MOSFET Drivers

[Online Datasheet](#)

Features:

- Bootstrap supply max voltage to 118V DC
- Supply voltage up to 16V
- Drives high- and low-side N-Channel MOSFETs –
- with independent inputs
- CMOS input thresholds (MIC4100)
- TTL input thresholds (MIC4101)
- On-chip bootstrap diode
- Fast 30ns propagation times
- Drives 1000pF load with 10ns rise and fall times
- Low power consumption
- Supply under-voltage protection
- 3Ω pull up, 3Ω pull down output resistance
- Space saving SOIC-8L package
- -40°C to +125°C junction temperature range



[<< BACK](#)



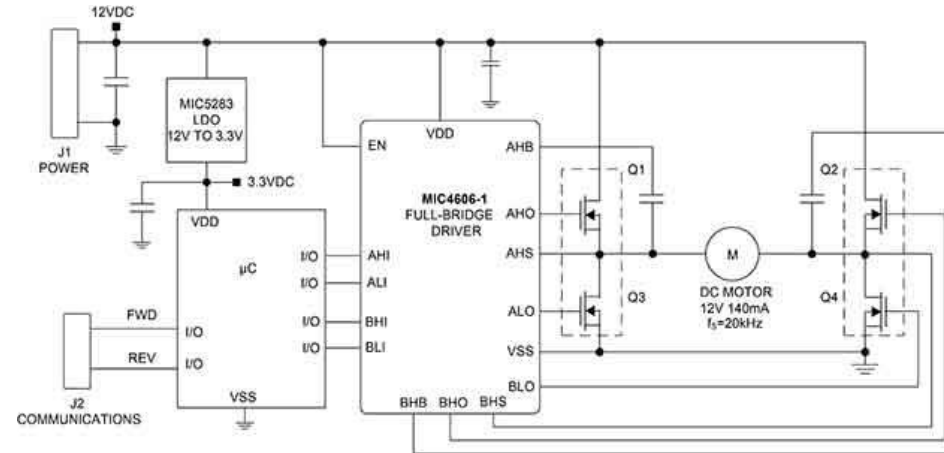
MIC4606

Online
Datasheet

85V Full-Bridge MOSFET Driver, Adaptive Dead Time, Shoot Thru Protection

Features:

- 5.5V to 16V gate drive supply voltage – range
- Advanced adaptive-dead-time
- Intelligent shoot-through protection
- MIC4606-1: 4 Independent TTL inputs
- MIC4606-2: 2 PWM inputs
- Enable input for on/off control
- On-chip bootstrap diodes
- Fast 35ns propagation times
- Drives 1000pF load with 20ns rise and – fall times
- Low power consumption: 235 μ A quiescent current
- Separate high- and low-side under-voltage protection
- -40°C to +125°C junction temperature range



<< BACK to Gate Drive
Motor Driver ICs

<< BACK to Half Bridge
MOSFET Drivers

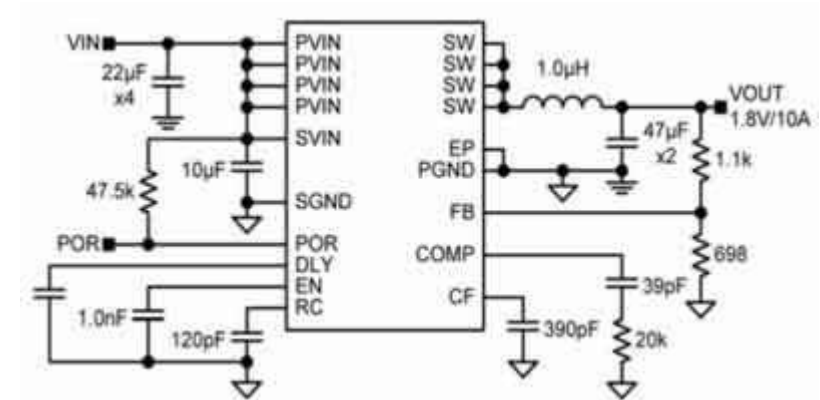


MIC22950

10A Integrated Switch Synch. Buck Regulator w/ Programmable Frequency

Features:

- 2.6V to 5.5V supply voltage
- Fully integrated MOSFET switches
- Adjustable output voltage option down to 0.7V
- Output load current up to 10A
- Full sequencing and tracking capability
- Power On Reset
- Efficiency >95% across a broad load range
- Operating frequency programmable: 400kHz to –
– 2MHz
- Ultra-fast transient response
- 100% maximum duty cycle
- Micropower shutdown
- Thermal shutdown and current-limit protection
- Available in a 32-pin 5mm x 5mm MLF[®] package
- -40°C to +125°C junction temperature range

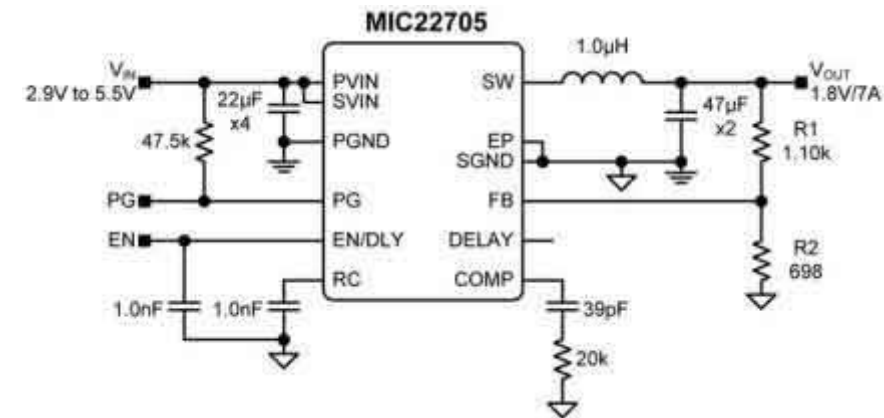


MIC22705

1MHz 7A Integrated Switch High-Efficiency Synch. Buck Regulator

Features:

- Input voltage range: 2.9V to 5.5V
- Output load current up to 7A
- Output voltage adjustable down to 0.7V
- Safe start-up into a pre-biased load
- Full sequencing and tracking capability
- Power Good output
- Efficiency >95% across a broad load range
- Ultra-fast transient response
- Easy RC compensation
- 100% maximum duty cycle
- Fully-integrated MOSFET switches
- Thermal-shutdown and current-limit protection
- 24-pin 4mm x 4mm MLF[®]
- -40°C to +125°C junction temperature range



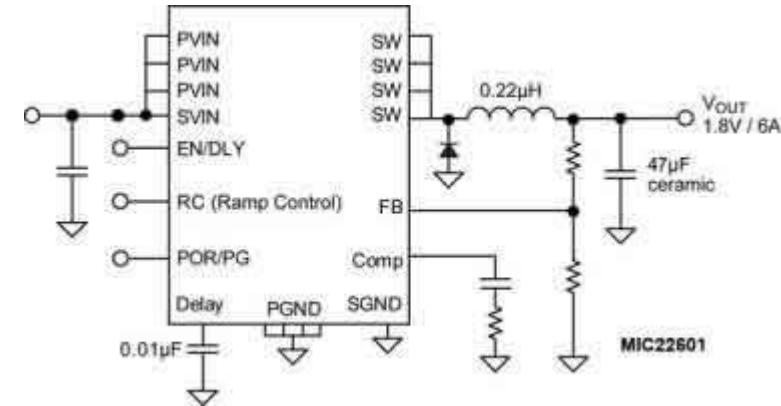
MIC22601

4MHz 6A Integrated Switch Synch. Buck Regulator

[Online Datasheet](#)

Features:

- Input voltage range: 2.6V to 5.5V
- 4MHz PWM frequency
- Output current to 6A
- Small Passive components: 0.22 μ H and 22 μ F
- Full sequence and tracking ability
- Power On Reset/Power Good
- Adjustable output voltage option down to 0.7V
- Ultra fast transient response:
 - Easy RC compensation
- 100% maximum duty cycle
- Fully integrated MOSFET switches
- Thermal shutdown and current limit protection
- 24-pin 4mmx4mm MLF[®] package
- -40°C to +125°C junction temperature range



[<< BACK](#)

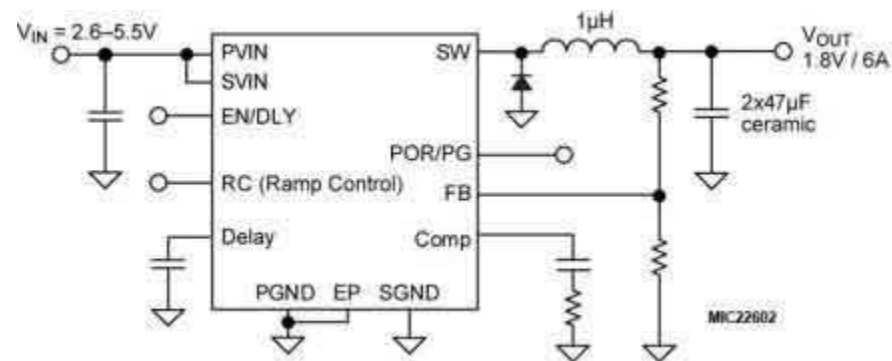


MIC22602

1MHz 6A Integrated Switch High Efficiency Synch. Buck Regulator

Features:

- Input voltage range: 2.6V to 5.5V
- Output voltage adjustable down to 0.7V
- Output load current up to 6A
- Full sequencing and tracking capability
- Power on Reset/Power Good output
- Efficiency >95% across a broad load range
- Ultra fast transient response-Easy RC compensation
- 100% maximum duty cycle
- Fully integrated MOSFET switches
- Hiccup mode current limiting
- Micropower shutdown
- Thermal shutdown and current limit protection
- 24-pin 4mm x 4mm MLF[®]
- -40°C to +125°C junction temperature range



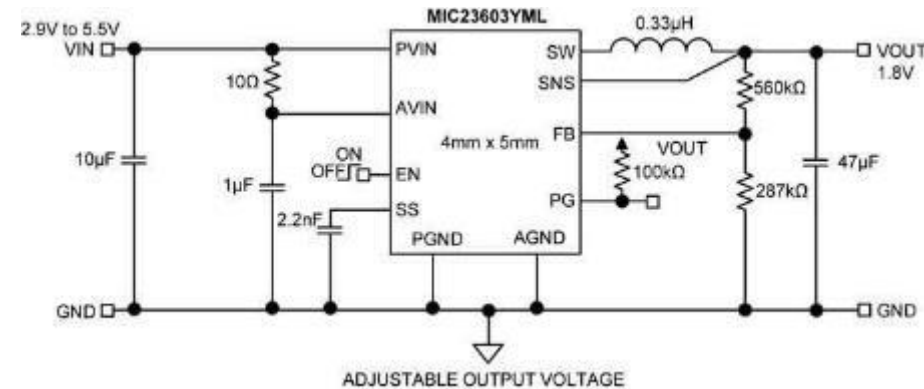
MIC23603

Online
Datasheet

4MHz PWM 6A Buck Regulator with HyperLight Load[®]

Features:

- Input voltage: 2.7V to 5.5V
- 6A output current
- Up to 93% efficiency and 81% at 1mA
- 24 μ A typical quiescent current
- 4MHz PWM operation in continuous mode
- Ultra-fast transient response
- Power Good
- Programmable soft-start
- Low voltage output ripple:
 - 14mVpp ripple in HyperLight Load[®] mode
 - 5mV output voltage ripple in full PWM mode
- Fully integrated MOSFET switches
- 0.01 μ A shutdown current
- Thermal shutdown and current limit protection
- Output voltage as low as 0.65V
- 20-pin 4mm x 5mm DFN



<< BACK



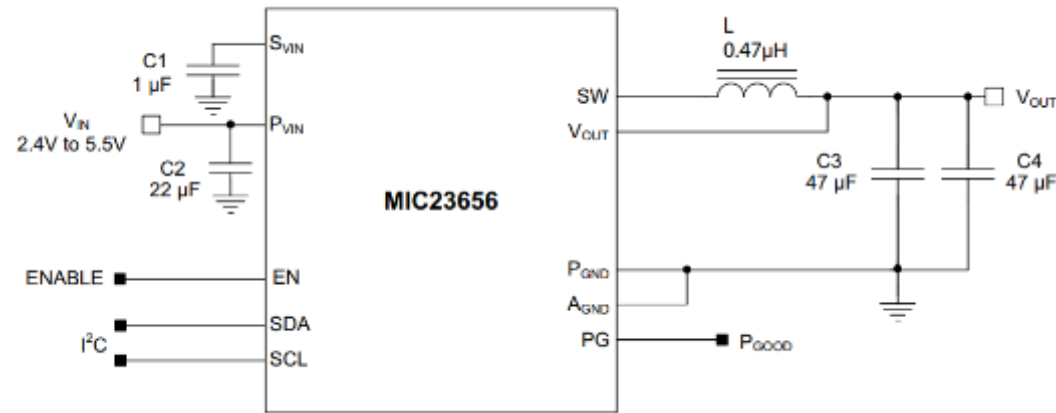
MIC23656

6A, Step-Down Converter with HyperLight Load™ and I²C Interface

Online
Datasheet

Features List:

- Input Voltage Range: 2.4V to 5.5V
- 6A (pulsed) Output Current
- Multiple Faults Indication through I²C
- I²C Programmable:
 - Output Voltage:
 - 0.6V - 1.28V, 5 mV Resolution
 - 0.6V - 3.84V, 10/20 mV Resolution
 - Slew Rate: 0.2 ms/V - 3.2 ms/V
 - ON time (Switching Frequency)
 - High Side Current Limit: 3.5A - 10A
 - Enable Delay: 0.2 ms - 3 ms
 - Output Discharge when Disabled (EN = GND)
- High Efficiency (up to 95%)
- Ultra-Fast Transient Response
- ±1.5% Output Voltage Accuracy Over Line/Load/Temp Safe Start-Up with Pre-Biased Output
- Typical 1.5 μ A Shutdown Supply Current
- Low Dropout (100% Duty Cycle) Operation
- Latch-Off Thermal Shutdown Protection
- Latch-Off Current Limit Protection
- Power-Good (PG) Open-Drain Output
- 2.5mm x 2.5mm FTQFN Package



<< BACK

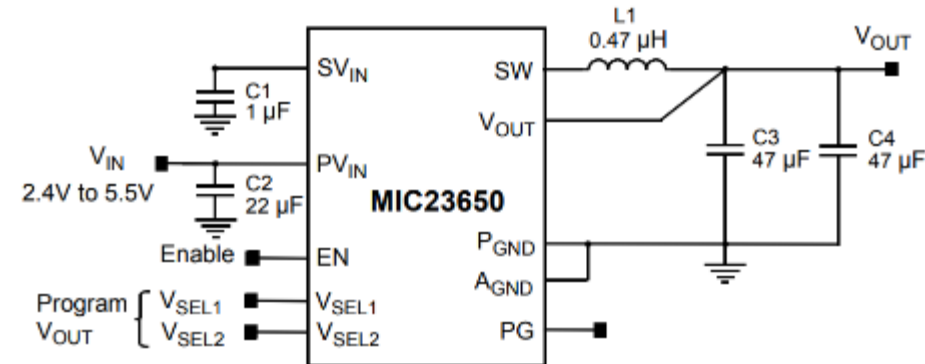
MIC23650

6A, Step-Down Converter with HyperLight Load™ and Output Voltage Select

[Online
Datasheet](#)

Features List:

- Input Voltage Range: 2.4V to 5.5V
- 6A (pulsed) Output Current
- Pin Strapping Output Voltage Selection:
 - Three-State pins (nine voltage options)
 - 0.6V, 0.8V, 0.9V, 1.0V, 1.2V, 1.5V, 1.8V, 2.5V or 3.3V
- Reduced Component Count
 - (No Feedback Resistors)
- High Efficiency (up to 95%)
- Output Discharge when Disabled
- Constant-ON-Time Control with High Switching Frequency:
 - 1.2 MHz typical at 1.0V output voltage
- 0.8 ms/V Soft Start Speed
- Ultra-Fast Transient Response
- $\pm 1.5\%$ Output Voltage Accuracy Over Line/Load/Temp
- Safe Start-Up with Pre-Biased Output
- Typical 1.5 μA Shutdown Supply Current
- Low Dropout (100% Duty Cycle) Operation
- Latch-Off Thermal Shutdown Protection
- Latch-Off Current Limit Protection
- Power-Good (PG) Open-Drain Output



[<< BACK](#)

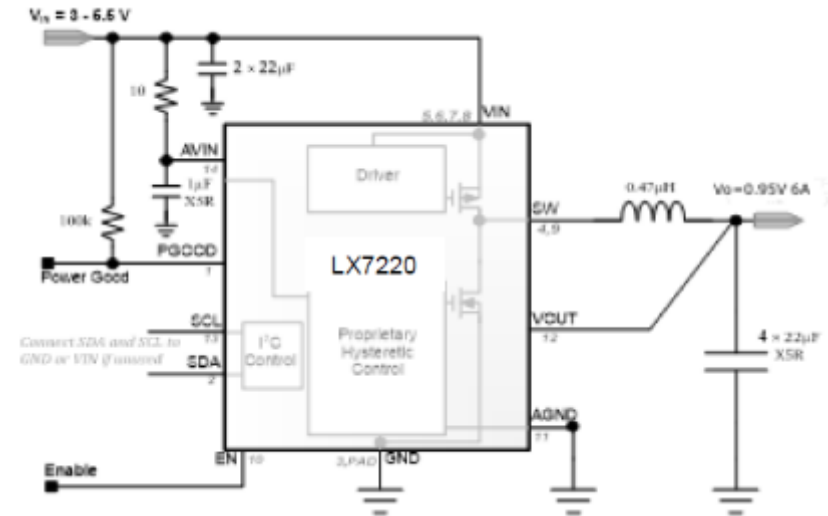
LX7220

1.2MHz, 6A Constant Frequency Hysteretic Synchronous Buck Regulator with I²C

Online
Datasheet

Features:

- Constant Frequency Hysteretic Control
- Extremely Fast Line/Load Transient Response
- I²C for Output Adjustment (3.4Mbps)
- 1.2 MHz Switching Frequency
- Extremely Low-R_{DS(on)} MOSFETS
- Input Supply Voltage Range: 2.7V to 5.5V
- Load Currents up to 6A
- Default Power Save Mode for Light-Load Efficiency
- UVLO, OVP, OCP
- -40°C to +85°C Ambient Temperature
- 2mm x 3mm VQFN



<< BACK



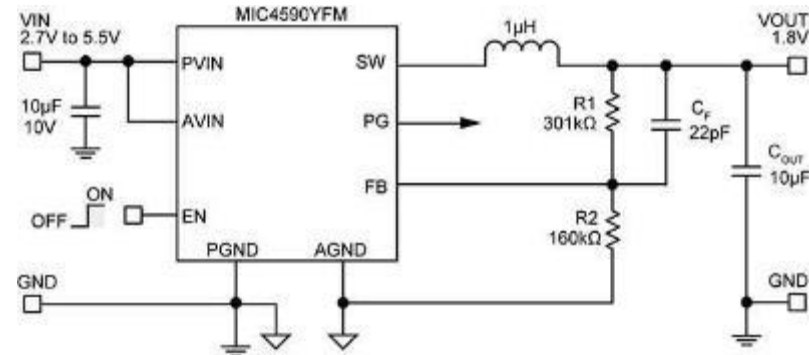
MIC4950

Hyper Speed Control™ 5A Buck Regulator

[Online Datasheet](#)

Features:

- Input voltage: 2.7V to 5.5V
- 5A output current
- Up to 95% efficiency
- Up to 3.3MHz operation
- Safe start-up into a pre-biased output
- Power Good output
- Ultra-fast transient response
- Low output voltage ripple
- Low RDS(ON) integrated MOSFET switches
- 0.01 μ A shutdown current
- Thermal shutdown and current limit protection
- Output voltage as low as 0.7V
- 8-pin SOIC and 3mm \times 4mm DFN-10L
- -40°C to +125°C junction temperature range



[<< BACK](#)

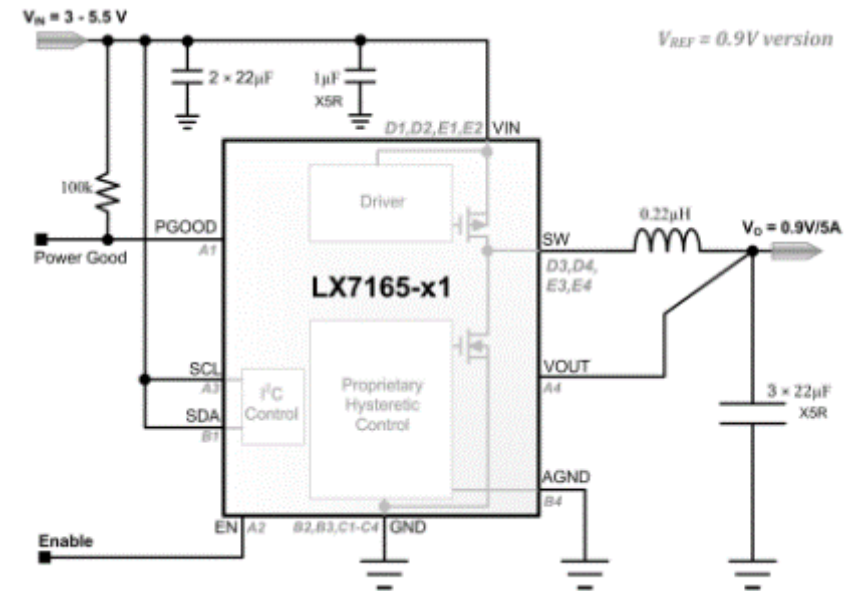


LX7165

1.875MHz, 5A Constant Frequency Hysteretic Synchronous Buck Regulator with I2C

Features:

- Constant Frequency Hysteretic Control
- Extremely Fast Line/Load Transient Response
- I²C for Output Adjustment (3.4Mbps)
- 1.875 MHz Switching Frequency
- Extremely Low-R_{DS(on)} MOSFETS
- Input Supply Voltage Range: 3.0V to 5.5V
- Load Currents up to 5A
- I²C Selectable Power Save Mode for Light-Load Efficiency
- UVLO, OVP, OCP
- 4 fixed output voltage options:
 - 0.8, 0.9V, 0.95V, and 0.97V (no voltage divider is necessary)
- Output adjustable up to 3.3V w/voltage divider
- 1.6mm x 2mm WLCSP-20 (0.4mm pitch)



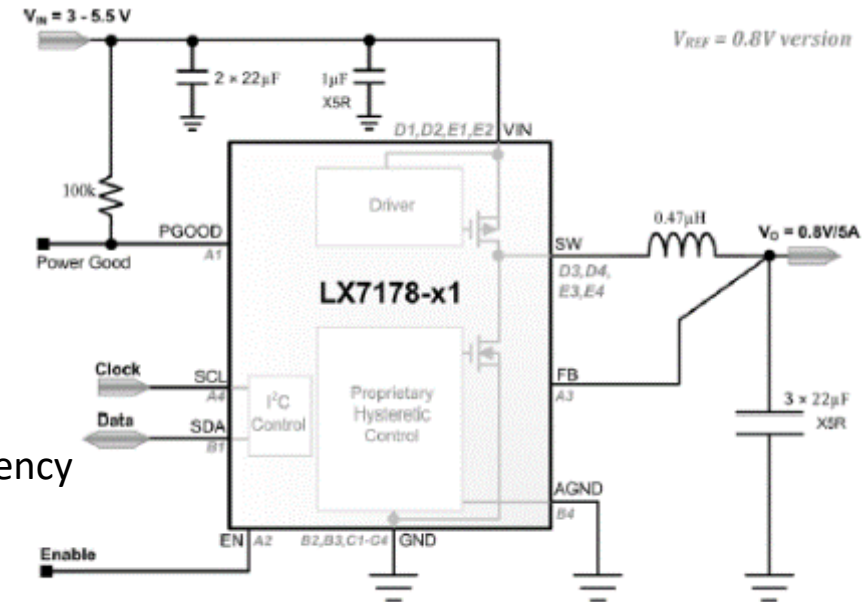
LX7178

1.875MHz, 5A Constant Frequency Hysteretic Synchronous Buck Regulator with I²C

Online
Datasheet

Features:

- Constant Frequency Hysteretic Control
- Extremely Fast Line/Load Transient Response
- I²C for Output Adjustment (3.4Mbps)
- 1.875 MHz Switching Frequency
- Extremely Low-R_{DS(on)} MOSFETS
- Input Supply Voltage Range: 3.0V to 5.5V
- Load Currents up to 5A
- I²C Selectable Power Save Mode for Light-Load Efficiency
- UVLO, OVP, OCP
- Fixed 0.8V output (no voltage divider is necessary)
- Output adjustable up to 3.3V w/voltage divider
- 1.6mm x 2mm WLCSP-20 (0.4mm pitch)



<< BACK



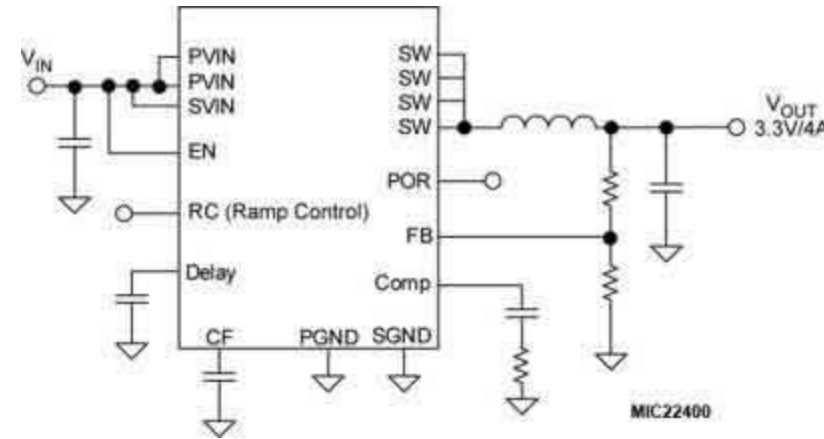
MIC22400

Online
Datasheet

4A Synch. Buck Regulator with Programmable Frequency

Features:

- Input voltage range: 2.6V to 5.5V
- Output voltage adjustable down to 0.7V
- Output current up to 4A
- Full sequencing and tracking ability
- Power-On-Reset (POR)
- Efficiency > 90% across a broad load range
- Programmable frequency 300kHz to 4MHz
- Easy Ramp Control™ (RC) compensation
- 100% maximum duty cycle
- Fully-integrated MOSFET switches
- Thermal-shutdown and current limit protection
- 20-pin 3mm x 4mm MLF®
- 20-pin ePad TSSOP
- -40°C to +125°C junction temperature range



<< BACK

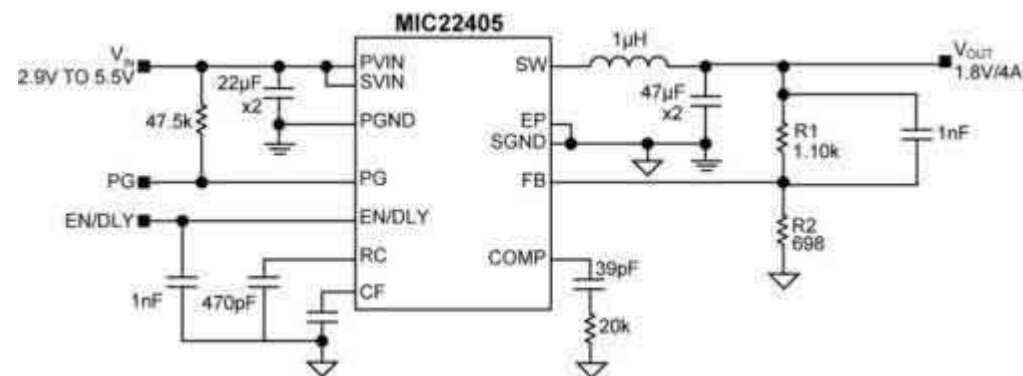


MIC22405

4A High-Efficiency Synch. Buck Regulator w/ Programmable Frequency

Features:

- Input voltage range: 2.9V to 5.5V
- Ultra-fast transient response
- Output load current up to 4A
- Safe start-up into a pre-biased output
- Full sequencing and tracking capability
- Efficiency > 95% across a broad load range
- Programmable frequency 300kHz to 4MHz
- Easy RC compensation
- 100% maximum duty cycle
- Fully-integrated MOSFET switches
- Thermal shutdown and current-limit protection
- 20-pin 3mm x 4mm MLF[®]
- -40°C to +125°C junction temperature range
- Output voltage adjustable down to 0.7V



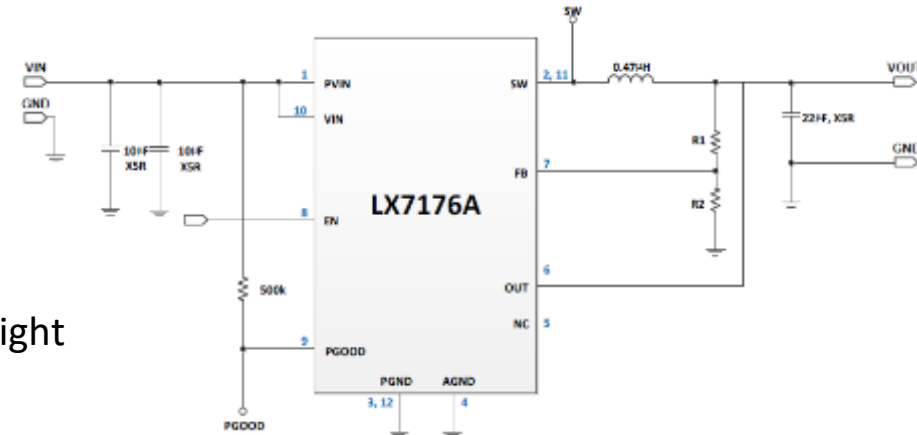
LX7176A

1.65MHz, 4A Synchronous Buck Regulator

[Online Datasheet](#)

Features:

- Load current up to 4A
- Input Supply Voltage Range: 3V - 5.5V
- Hysteretic control offers best transient response
- CCM switching at a constant 1.65MHz
- Automatically switches to DCM switching under light loads to improve efficiency
- 100% Duty Ratio Operation
- Input under voltage and over voltage protection
- Enable and Power Good Function
- Internal soft-start
- Cycle-by-Cycle Over Current Protection
- Hiccup Mode protects against short circuit faults
- 2mm x 2mm QFN



[<< BACK](#)

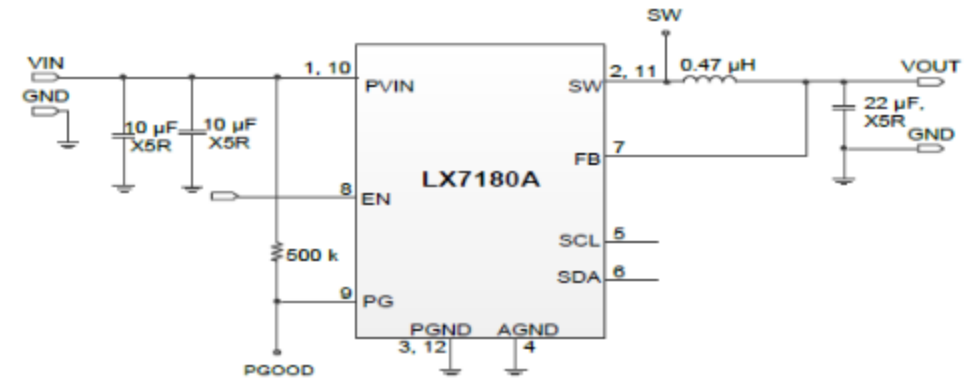


LX7180A

1.65MHz, 4A Synchronous Buck Regulator with I2C

Features:

- Load Current up to 4A
- Input Supply Voltage Range: 3.0V - 5.5V
- Hysteretic Control Offers Best Transient Response
- PWM Switching at a Constant 1.65 MHz
- Power Save Mode (PSM) can be Selected to Improve Light Load Efficiency.
- 100% Duty Ratio Operation
- Input Under Voltage and Over Voltage Protection
- Enable and Power Good Function
- Internal Soft-start
- Cycle-by-Cycle Over Current Protection
- Hiccup Mode Protects Against Short Circuit Faults
- I²C Serial Interface at 3.4 Mbps
- Seven Bit Adjustable Reference Voltage via I²C Bus



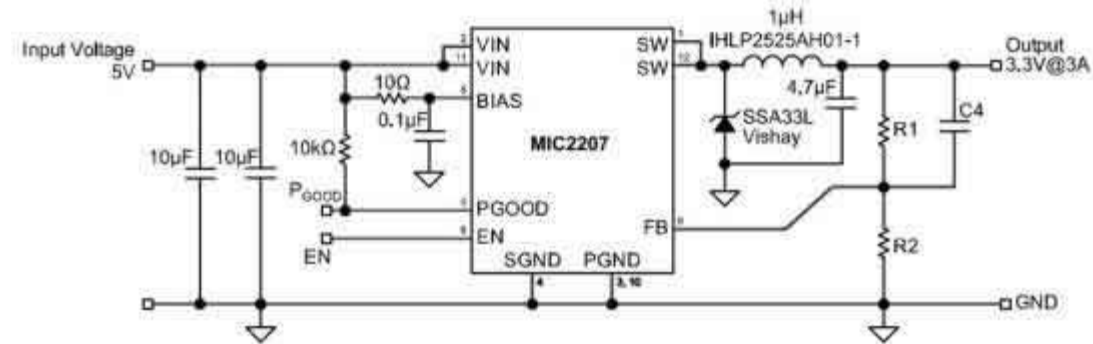
MIC2207

2MHz 3A Buck Regulator

Online
Datasheet

Features:

- 2.7V to 5.5V supply voltage
- 2MHz PWM mode
- Output current to 3A
- >94% efficiency
- 100% maximum duty cycle
- Adjustable output voltage option –
- down to 1V
- Ultra-fast transient response
- Ultra-small external components stable with a –
- 1 μ H inductor and a 4.7 μ F output capacitor
- Fully integrated 3A MOSFET switch
- Micropower shutdown
- Thermal shutdown and current limit protection
- 12-pin 3mm x 3mm MLF[®] package
- -40°C to +125°C junction temperature range



<< BACK



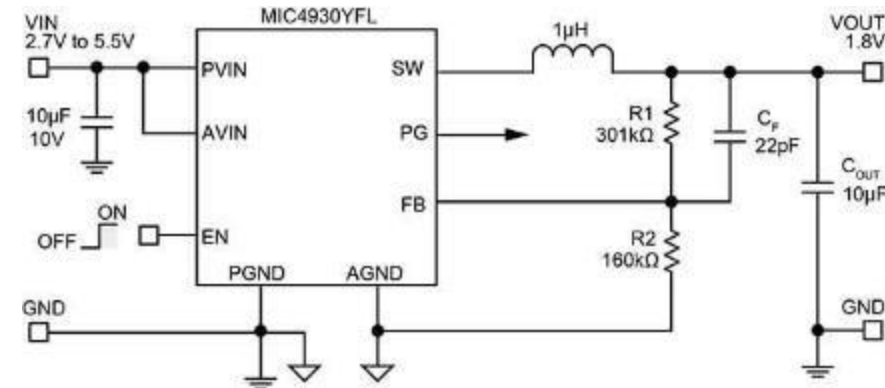
MIC4930

Hyper Speed Control™ 3A Buck Regulator

[Online Datasheet](#)

Features:

- Input voltage: 2.7V to 5.5V
- 3A output current
- Up to 95% efficiency
- Up to 3.3MHz operation
- Safe start-up into a pre-biased output
- Power Good output
- Ultra-fast transient response
- Low output voltage ripple
- Low RDS(ON) integrated MOSFET switches
- 0.01 μ A shutdown current
- Thermal shutdown and current limit protection
- Output voltage as low as 0.7V
- 3mm \times 4mm DFN-10L
- -40°C to +125°C junction temperature range



<< BACK

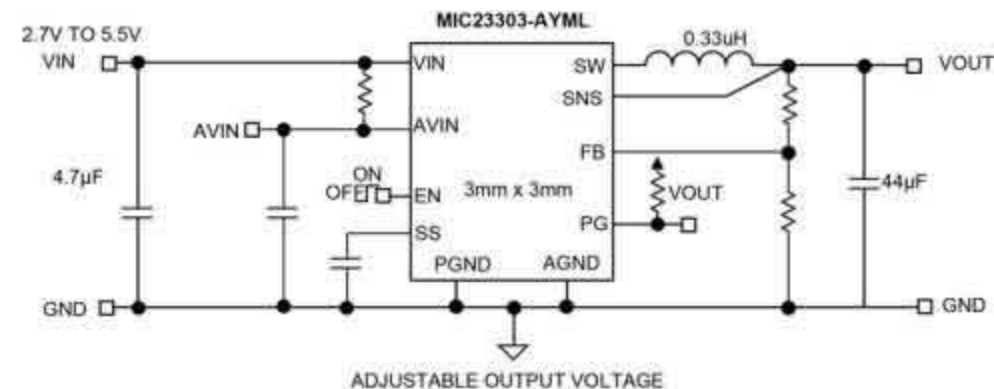


MIC23303

4MHz PWM 3A Buck Regulator with HyperLight Load® & Power Good

Features:

- Input voltage: 2.7V to 5.5V
- Output voltage: down to 0.65V
- Up to 3A output current
- Up to 93% peak efficiency
- 80% typical efficiency at 1mA
- 24 μ A typical quiescent current
- 4MHz PWM operation in continuous mode
- 35mVpp ripple in HyperLight Load® mode
- 5mV output voltage ripple in full PWM mode
- Fully integrated MOSFET switches
- 0.01 μ A shutdown current
- Thermal-shutdown and current-limit protection
- 12-pin 3mm x 3mm DFN
- -40°C to +125°C junction temperature range

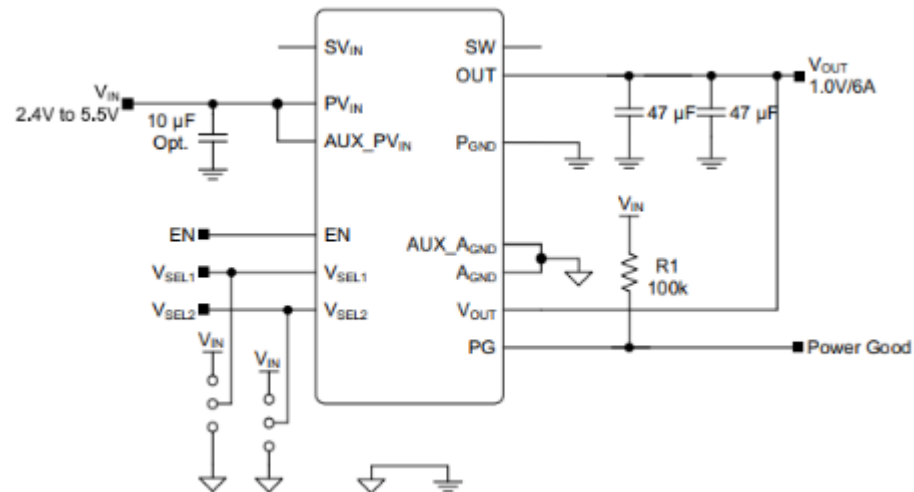


MIC33M650

6A Step Down Power Module

Features

- 2.4V to 5.5V Input Voltage Range
- 6A Output Current
- Pin Strapping Voltage Selection:
 - Tri-state pins (nine voltage options)
 - 0.6V, 0.8V, 0.9V, 1.0V, 1.2V, 1.5V, 1.8V, 2.5V or 3.3V output voltage
- Reduced Component Count (No Feedback Resistors)
- High Efficiency (up to 95%)
- Output Discharge when Disabled
- Constant-On-Time (COT) Control with High Switching Frequency:
 - 1.2 MHz typical at 1.0V output voltage
- $\pm 1.5\%$ Output Voltage Accuracy Over Line/Load/Temperature Range
- 0.8 ms/V Soft Start Speed
- Supports Safe Start-up with Pre-Biased Output
- Typical 1.5 μ A Shutdown Supply Current
- Low Dropout Operation (100% Duty Cycle)
- Ultra-Fast Transient Response
- Latch-Off Thermal Shutdown Protection
- Latch-Off Current Limit Protection
- Power Good (PG) Open-Drain Output
- Meets CISPR32 Class B Emissions
- Package: 53-Lead, 6 mm x 10 mm B1QFN

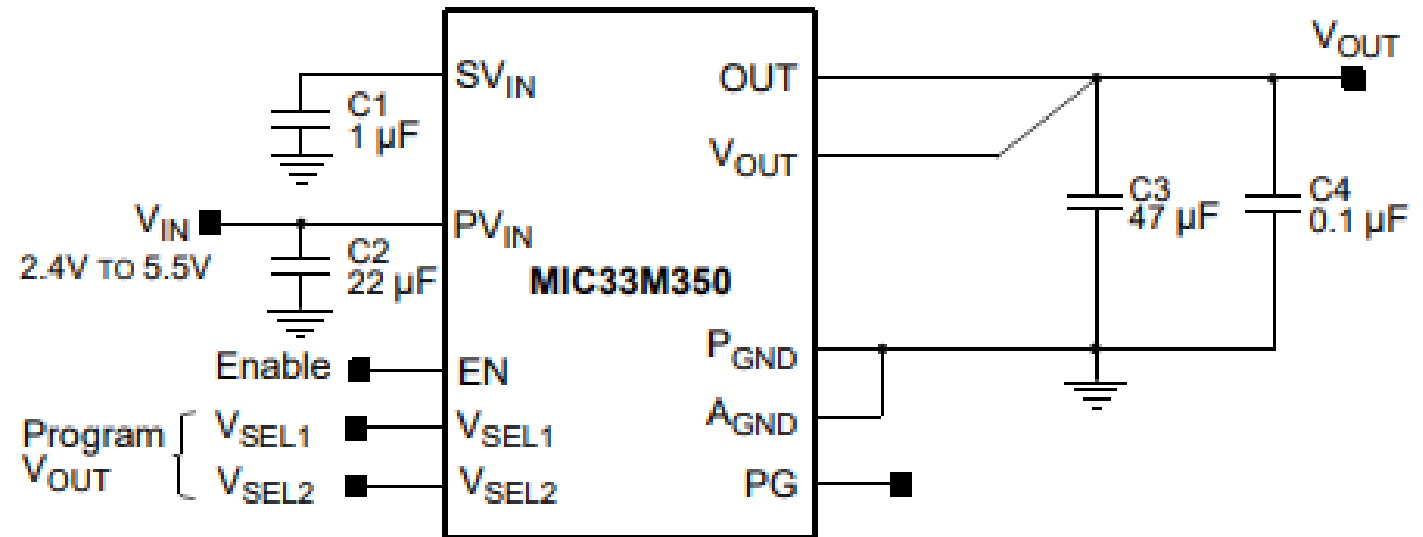


MIC33M350

3A Step Down Power Module

Features

- 2.4V to 5.5V Input Voltage Range
- 3A Output Current
- Pin Strapping Voltage Selection:
 - Three-state pins (nine voltage combinations)
 - 0.6V, 0.8V, 0.9V, 1.0V, 1.2V, 1.5V, 1.8V, 2.5V or 3.3V output voltage
- Reduced Component Count (no feedback resistors)
- High Efficiency (up to 95%)
- Output Discharge when Disabled
- Constant On-Time Control with High Switching Frequency:
 - 1.2 MHz typical at 1.0V output voltage
- $\pm 1.5\%$ Output Voltage Accuracy Over Line/Load/Temperature Range
- 0.8 ms/V Soft Start Speed
- Supports Safe Start-up with Pre-Biased Output
- Typical 1.5 μA Shutdown Supply Current
- Low Dropout Operation (100% duty cycle)
- Ultra Fast Transient Response
- Latch-Off Thermal Shutdown Protection
- Latch-Off Current Limit Protection
- Power Good (PG) Open-Drain Output
- Meets CISPR32 Class B Emissions
- Package: 3.0 mm \times 4.5 mm \times 1.8 mm, 24-Lead QFN

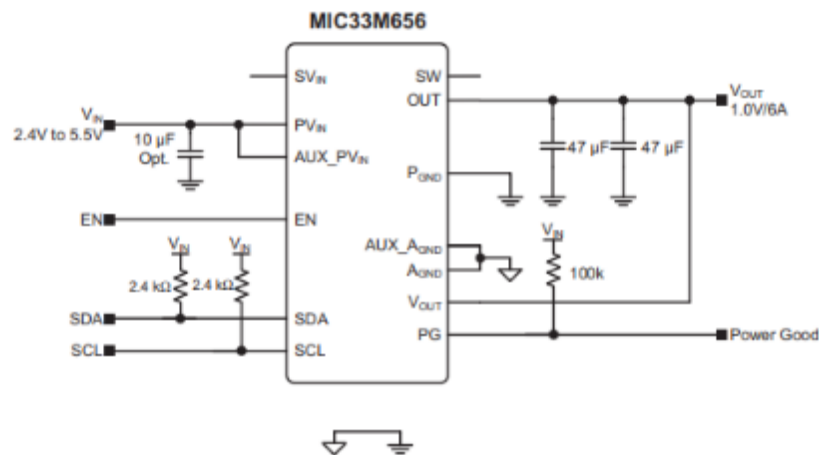


MIC33M656

Online
Datasheet

Features

- Input Voltage Range: 2.4V to 5.5V
- 6A Output Current
- Multiple Faults Indication through I²C
- I²C Programmable:
 - Output voltage: 0.6V-1.28V, 5 mV resolution;
0.6V-3.84V, 10/20 mV resolution
 - Slew rate: 0.2 ms/V-3.2 ms/V
 - On time (switching frequency)
 - High-side current limit: 3.5A-10A
 - Enable delay: 0.2 ms-3 ms
 - Output discharge when disabled (EN = GND)
- High Efficiency (up to 95%)
- Ultra-Fast Transient Response
- ±1.5% Output Voltage Accuracy Over Line/Load/Temperature Range
- Safe Start-up with Pre-Biased Output
- Typical 1.5 μ A Shutdown Supply Current
- Low Dropout (100% Duty Cycle) Operation
- I²C Speed, Up to 3.4 MHz
- Latch-Off Thermal Shutdown Protection
- Latch-Off Current Limit Protection
- Meets CISPR32 Class B Emissions
- Power Good (PG) Open-Drain Output
- Package: 53-Lead, 6 mm x 10 mm B1QFN



<< BACK



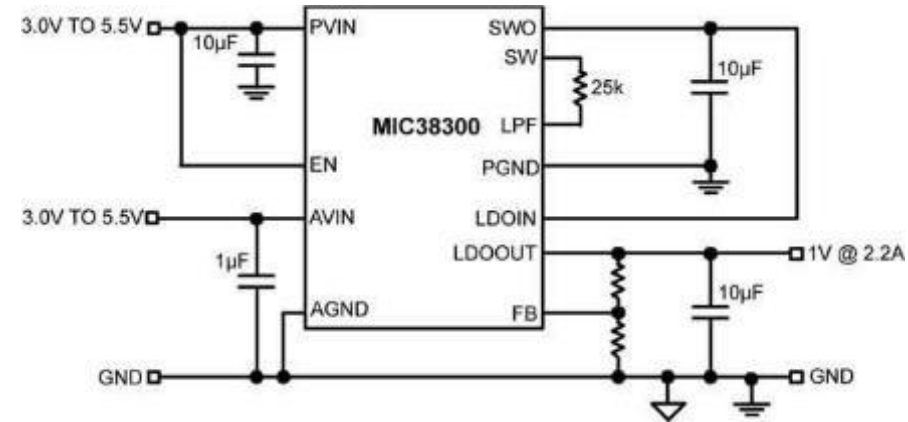
MIC38300

HELDO® 3A High Efficiency Low Dropout Regulator

[Online Datasheet](#)

Features:

- 3A peak output current
- 2.2A continuous operating current
- Input voltage range: 3.0V to 5.5V
- Adjustable output voltage down to 1.0V
- Output noise less than 5mV
- Ultra fast transient performance
- Unique switcher plus LDO architecture
- Fully integrated MOSFET switches
- Micro-power shutdown
- Easy upgrade from LDO as power dissipation –
- becomes an issue
- Thermal shutdown and current limit protection
- 4mm x 6mm x 0.9mm MLF® package



[<< BACK](#)



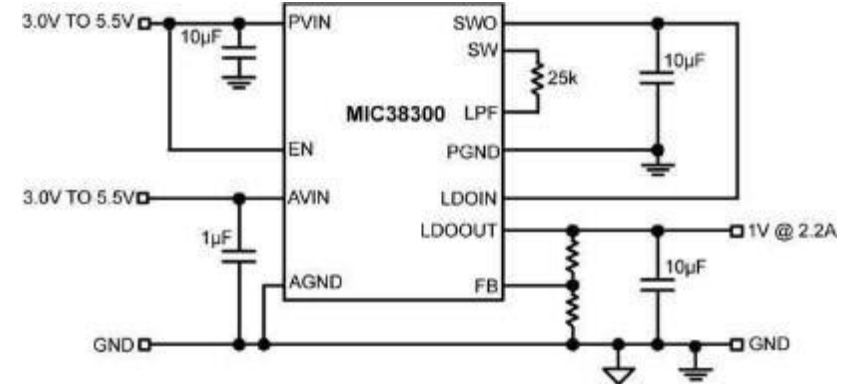
MIC4722

2.7MHz 3A PWM Buck

[Online
Datasheet](#)

Features:

- 2.7V to 5.5V supply voltage
- 2.7MHz PWM mode
- Output current to 3A
- >92% efficiency
- Adjustable output voltage option down to 1V
- 100% maximum duty cycle
- Ultra-fast transient response
- Ultra-small external components Stable with a –
– 0.47 μ H inductor and a 4.7 μ F output capacitor
- Fully integrated 3A MOSFET switch
- Micropower shutdown
- Thermal shutdown and current limit protection
- Pb-free 12-pin 3mm x 3mm MFL[®] package
- -40°C to +125°C junction temperature range



<< BACK



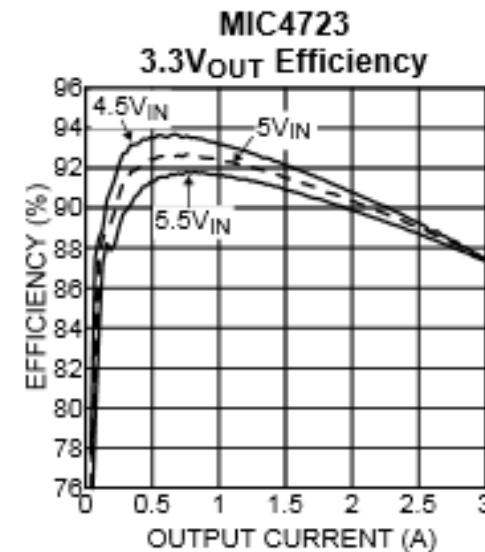
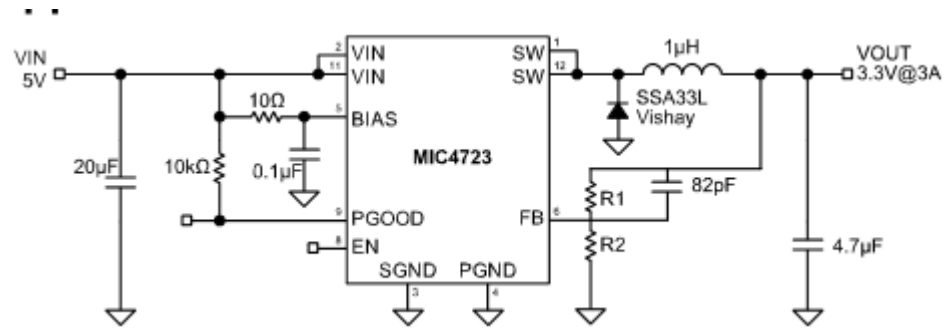
MIC4723

Online
Datasheet

3A 2MHz Integrated Switch Buck Regulator

Features:

- 2.7V to 5.5V supply voltage
- 2.0MHz PWM mode
- Output current to 2A
- Up to 94% efficiency
- 100% maximum duty cycle
- Adjustable output voltage option down –
- to 1V
- Ultra-fast transient response
- Ultra-small external components Stable –
- with a 1 μ H inductor and a 4.7 μ F output capacitor
- Fully integrated 2A MOSFET switch
- Thermal shutdown and current limit protection
- Pb-free 12-pin 3mm x 3mm MLF[®] package
- -40°C to +125°C junction temperature range
- Pb-free 10-pin ePad MSOP package



<< BACK



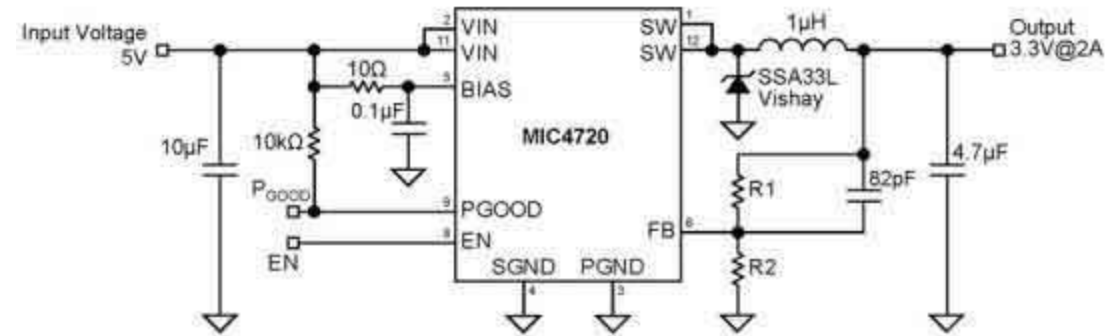
MIC4720

2.0MHz 2A Buck Regulator

[Online Datasheet](#)

Features:

- 2.7V to 5.5V supply voltage
- 2.0MHz PWM mode
- Output current to 2A
- Up to 94% efficiency
- 100% maximum duty cycle
- Adjustable output voltage option –
- down to 1V
- Ultra-fast transient response
- Ultra-small external components –
- Stable with a 1 μ H inductor and –
- a 4.7 μ F output capacitor
- Fully integrated 2A MOSFET switch
- Thermal shutdown and current limit protection
- Pb-free 12-pin 3mm x 3mm MLF[®] package
- -40°C to +125°C junction temperature range
- Pb-free 10-pin ePad MSOP package



[<< BACK](#)



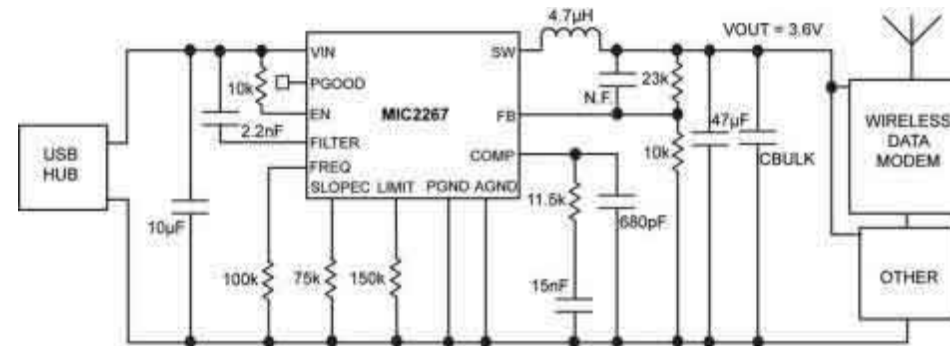
MIC2267

Online
Datasheet

Input Current Limiting Synchronous Buck Regulator

Features:

- Input voltage range: 3.0V to 5.5V
- Micropower shutdown
- Fast transient response
- Output voltage adjustable down to 1.0V
- Up to 96% efficiency at 500mA output
- Efficiency <90% across a broad load range
- Adjustable frequency from 400kHz to 1.5MHz
- Adjustable input current limiting 100mA –
- to over 1A
- 100% maximum duty cycle
- Fully integrated MOSFET switches
- Thermal shutdown and output current limit protection
- 12-pin 3mm x 3mm MFL[®]
- Junction temperature range: -40°C to +125°C



<< BACK



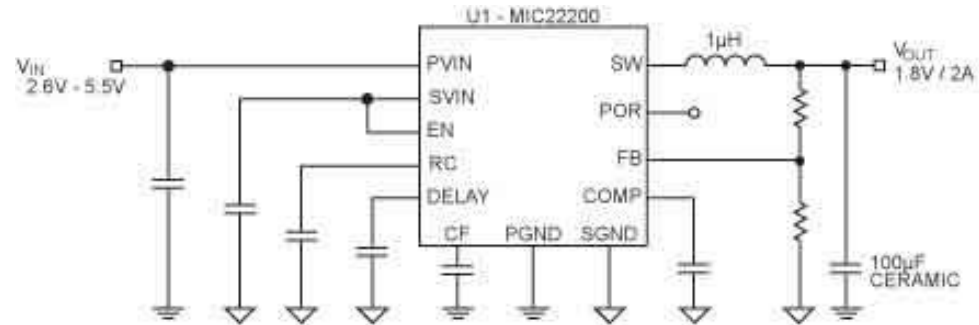
MIC22200

[Online Datasheet](#)

2A Synch. Buck Regulator w/ Programmable Frequency

Features:

- Input voltage range: 2.6V to 5.5V
- Output current to 2A
- Full sequencing and tracking capability
- Easy RC compensation
- Power On Reset (POR) output
- Adjustable output voltage option down –
- to 0.7V
- Efficiency >90% across a broad load range
- Operating frequency: Programmable –
- from 800 kHz up to 4MHz
- Ultra fast transient response
- 100% maximum duty cycle
- Fully integrated MOSFET switches
- Thermal shutdown and current limit protection
- Available in Pb-free 3mm x 3mm 12-pin –
- MLF[®] package
- -40°C to +125°C junction temperature range



[<< BACK](#)



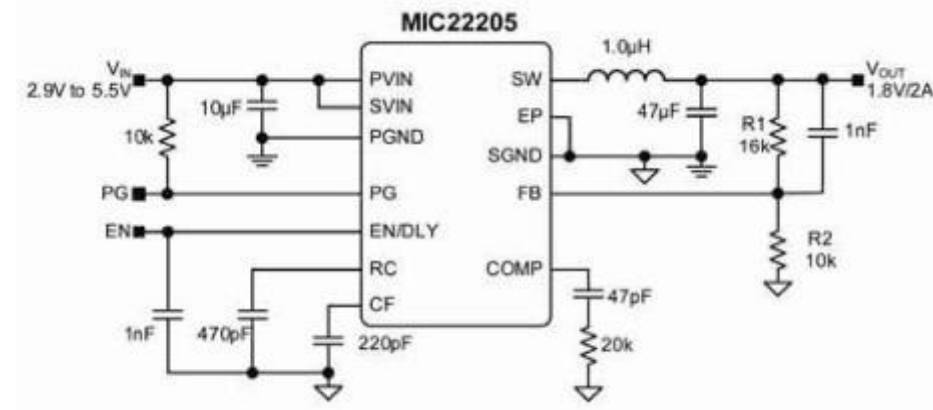
MIC22205

[Online Datasheet](#)

2A High-Efficiency Synch. Buck Regulator w/ Programmable Frequency

Features:

- Input voltage range: 2.9V to 5.5V
- Output voltage adjustable down to 0.7V
- Output load current up to 2A
- Safe start-up into a pre-biased output
- Full sequencing and tracking capability
- Power Good (PG) output
- Efficiency >95% across a broad load range
- Programmable frequency 300kHz to 4MHz
- Easy RC compensation
- 100% maximum duty cycle
- Fully-integrated MOSFET switches
- Thermal-shutdown and current-limit protection
- 12-pin 3mm x 3mm MLF[®]
- -40°C to +125°C junction temperature range



<< BACK



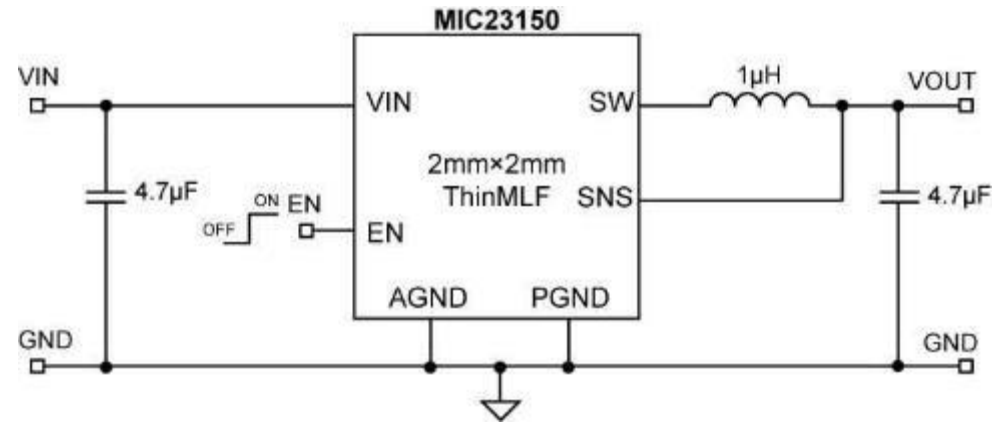
MIC23150

4MHz PWM 2.0A Buck Regulator w/ HyperLight Load®

[Online Datasheet](#)

Features:

- Input voltage: 2.7V to 5.5V
- 2.0A output current
- Up to 93% peak efficiency
- 87% typical efficiency at 1mA
- 23µA typical quiescent current
- 4MHz PWM operation in continuous –
- mode
- Low ripple output voltage
- 14mVpp ripple in HyperLight Load® –
- mode
- 5mV output voltage ripple in full PWM mode
- Fully integrated MOSFET switches
- 0.01µA shutdown current
- Output Voltage as low as 0.95V
- 8-pin 2mm x 2mm Thin MLF®
- -40°C to +125°C junction temperature range



<< BACK



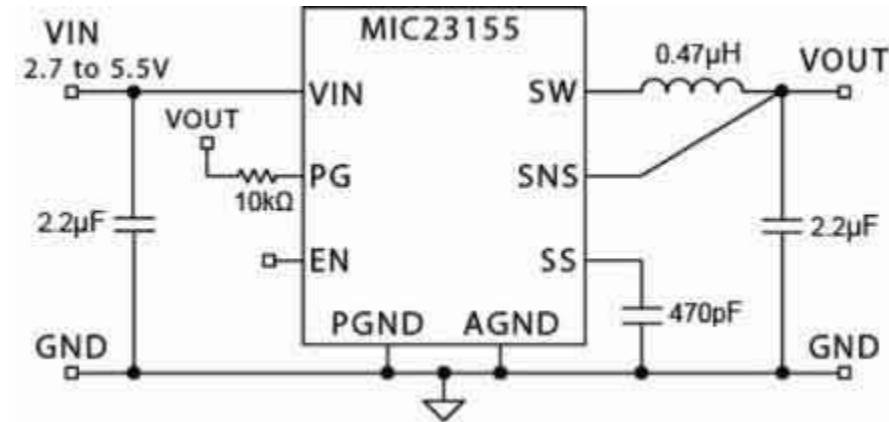
MIC23155

Online
Datasheet

3MHz PWM 2A Buck Regulator w/ HyperLight Load® & Power Good

Features:

- Input voltage: 2.7V to 5.5V
- Up to 2A output current
- Up to 94% peak efficiency
- 85% typical efficiency at 1mA
- Programmable soft-start
- 22 μ A typical quiescent current
- Output voltage: fixed or adjustable –
- (down to 0.7V)
- 3MHz PWM operation in continuous –
- conduction mode
- Active output discharge when disabled
- Fully integrated MOSFET switches
- 0.01 μ A shutdown current
- Thermal shutdown and current limit protection
- 10-pin 2.5mm x 2.5mm Thin MLF®
- -40°C to +125°C junction temperature range



<< BACK



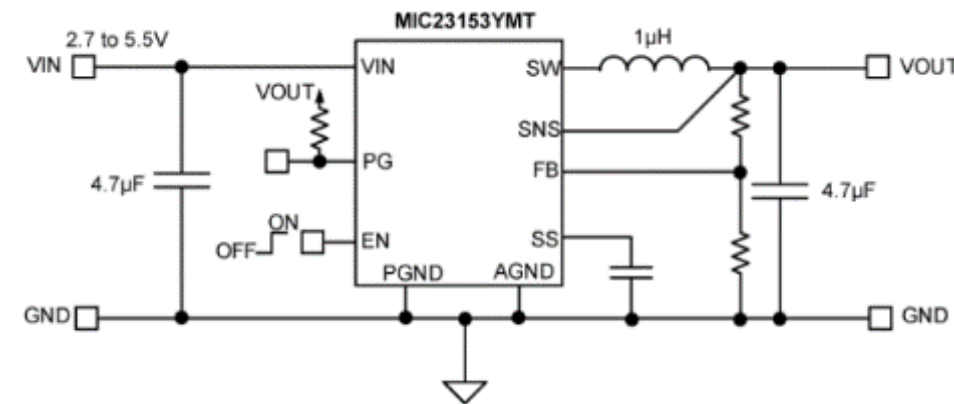
MIC23153

[Online Datasheet](#)

4MHz 2A Buck Regulator w/ HyperLight Load®, Soft-Start, Power Good

Features:

- Input voltage: 2.7V to 5.5V
- Output voltage fixed or adjustable (0.62V to 3.6V)
- Up to 2A output current
- Up to 93% peak efficiency
- 85% typical efficiency at 1mA
- Power good output
- Programmable soft-start
- 22 μ A typical quiescent current
- 4MHz PWM operation in continuous mode
- Low ripple output voltage
 - 35mVpp ripple in HyperLight Load® mode
 - 5mV output voltage ripple in full PWM mode
- Fully integrated MOSFET switches
- 0.01 μ A shutdown current
- Thermal shutdown and current limit protection
- 10-pin 2.5mm x 2.5mm Thin MLF®
- -40°C to +125°C junction temperature range



<< BACK



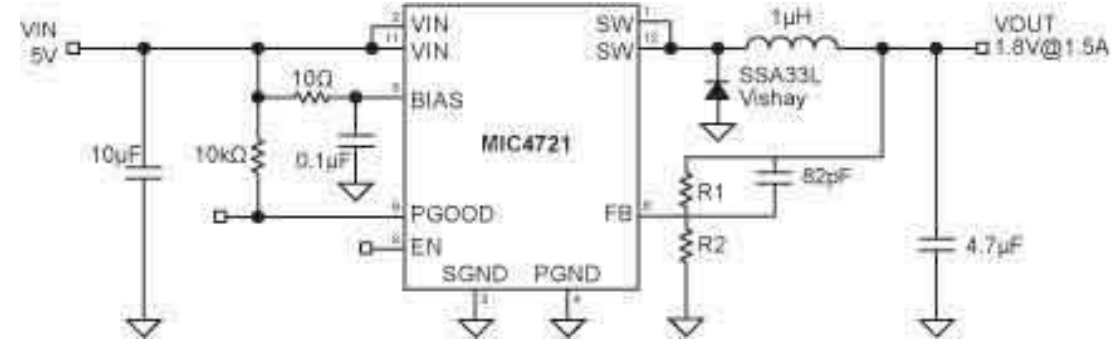
MIC4721

Online
Datasheet

1.5A 2MHz Integrated Switch Buck Regulator

Features:

- 2.7V to 5.5V supply voltage
- 2MHz PWM mode
- Output current to 1.5A
- Up to 94% efficiency
- 100% maximum duty cycle
- Adjustable output voltage option –
- down to 1V
- Ultra-fast transient response
- Stable with a 1μH inductor and a 4.7μF output capacitor
- Fully integrated 1.5A MOSFET switch
- Micropower shutdown
- Power Good pin
- Thermal shutdown and current limit protection
- 10-pin MSOP package
- -40°C to +125°C junction temperature range



<< BACK



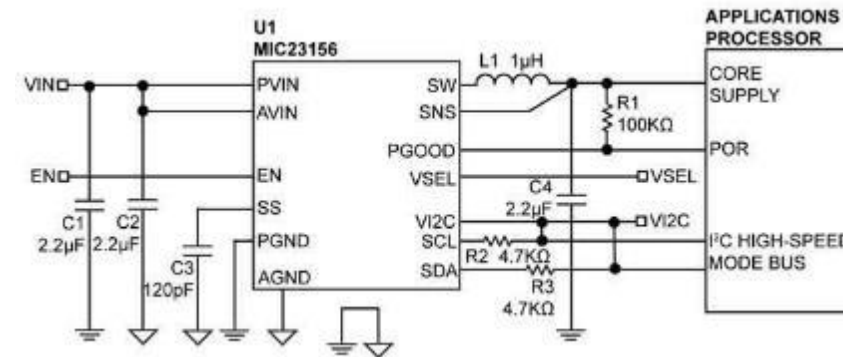
MIC23156

Online
Datasheet

1.5A 3MHz Synch. Buck w/ HyperLight Load® & Dynamic Voltage Scaling

Features:

- Input voltage: 2.7V to 5.5V
- Up to 1.5A output current
- Safe startup in to pre-biased output
- Up to 93% peak efficiency
- Fast pin-selectable output voltage
- 1MHz I²C-controlled adjustable output: -
- $V_{OUT} = 0.7$ to $2.4V$ in $10mV$ steps
- High output voltage accuracy ($\pm 1.5\%$ over temperature)
- Programmable soft-start using external capacitor
- Ultra-low quiescent current of $30\mu A$ when not switching
- Thermal-shutdown and current-limit protection
- Stable with $1\mu H$ output inductor and $2.2\mu F$ ceramic capacitor
- Junction temperature range of $-40^{\circ}C$ to $+125^{\circ}C$



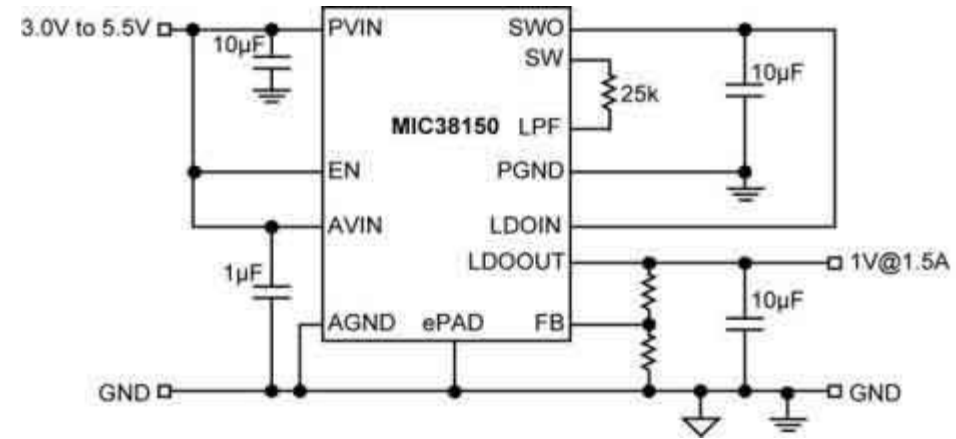
MIC38150

HELDO® 1.5A High Efficiency Low Dropout Regulator

[Online Datasheet](#)

Features:

- Output current up to 1.5A
- Input voltage range: 3.0V to 5.5V
- Adjustable output voltage down to 1.0V
- Output noise less than 5mV
- Ultra fast transient performance
- Unique switcher plus LDO architecture
- Fully integrated MOSFET switches
- Micro-power shutdown
- Easy upgrade from LDO as power –
- dissipation becomes an issue
- Thermal shutdown and current limit protection
- 4mm x 6mm x 0.9mm MLF® package



[<< BACK](#)



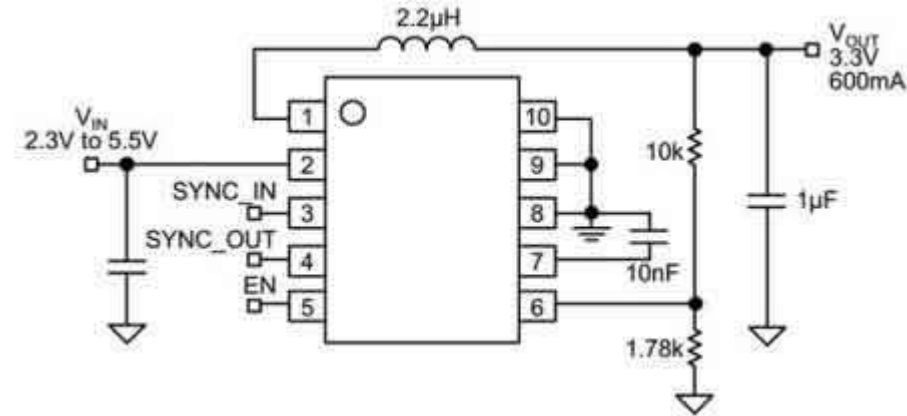
MIC2202

Online
Datasheet

High Efficiency 1 μ F Stable 2MHz Synch. Buck Converter

Features:

- Input voltage range: 2.3V to 5.5V
- Output down to 0.5V @ 600mA
- 2MHz PWM operation
- Stable with 1 μ F ceramic output capacitor.
- Ultra-fast transient response (up to 500kHz – GBW)
- All ceramic capacitors
- >95% efficiency
- Fully integrated MOSFET switches
- Easily synchronized to external clock
- SYNCLOCK feature to daisy chain multiple 2202s
- Requires only 4 external components
- 1% line and load regulation
- 10-pin MSOP and 3mm x 3mm MLF[®]-10L package options
- -40°C to +125°C junction temperature range



<< BACK



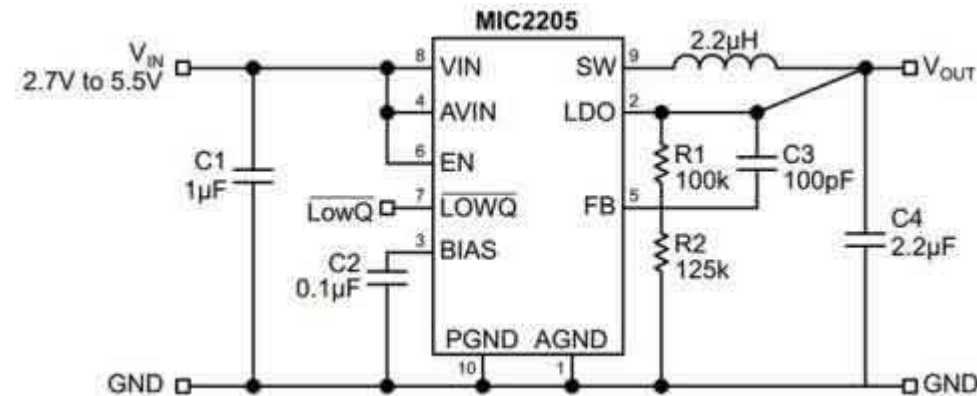
MIC2205

[Online Datasheet](#)

2MHz PWM Synch. Buck Regulator w/ LDO Standby Mode

Features:

- 2.7V to 5.5V supply voltage
- Light load LowQ[®] LDO mode
- 18 μ A quiescent current
- Low noise, 75mVrms
- 2MHz PWM mode
- Output current to 600mA
- >95% efficiency
- 100% maximum duty cycle
- Adjustable output voltage option down to 1V
- Fixed output voltage option available
- Ultra-fast transient response
- Stable with 1 μ F ceramic output capacitor
- Fully integrated MOSFET switches
- 3mm x 3mm MLF[®]-10L package
- -40°C to +125°C junction temperature range



<< BACK

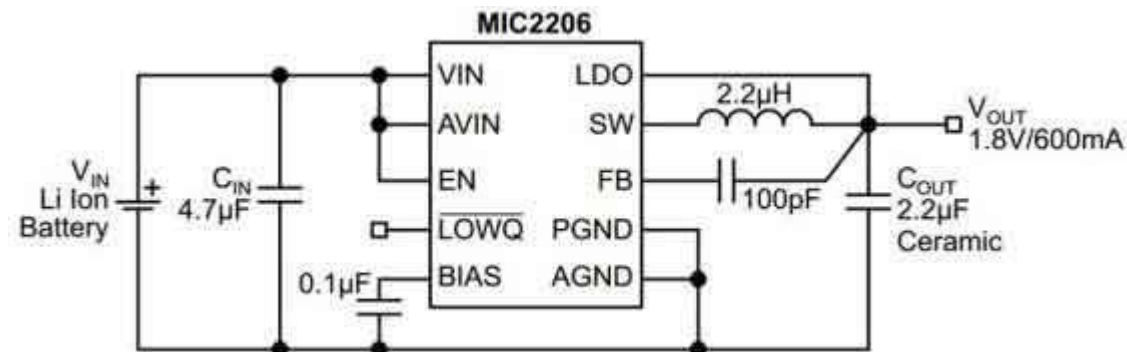


MIC2206

2MHz PWM Synch. Buck Regulator w/ LowQ[®] Mode & Voltage Scaling

Features:

- 2.7V to 5.5V supply voltage
- Light load LowQ[®] LDO mode:
 - 18 μ A quiescent current
 - Low noise, 75 μ Vrms
- 2MHz PWM mode
- Output current to 600mA:
 - >95% efficiency
 - 100% maximum duty cycle
- Output Voltage Scaling (1V output in LowQ[®] Mode)
- Stable with 1mF ceramic output capacitor
- Fully integrated MOSFET switches
- Thermal shutdown and current limit protection
- 3mm x 3mm MLF[®]-10L package
- -40 $^{\circ}$ C to +125 $^{\circ}$ C junction temperature range



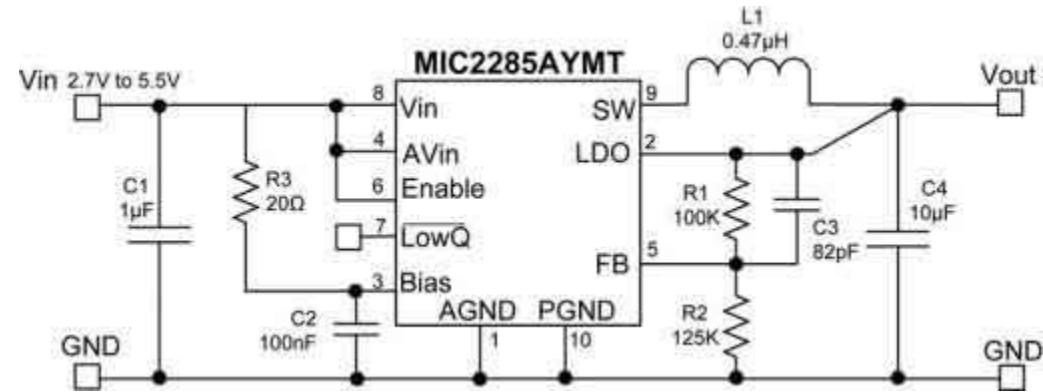
MIC2285A

[Online
Datasheet](#)

8MHz PWM Synchronous Buck Regulator
with LDO Standby Mode

Features:

- Light load LowQ[®] LDO mode:
 - 20 μ A quiescent current
 - Low noise, 75 μ Vrms
- 8MHz PWM mode:
 - Output current to 600mA
 - >90% efficiency
 - 100% maximum duty cycle
- Adjustable output voltage option –
- down to 1V:
 - Fixed output voltage options available
- Requires only a 0.47 μ H inductor
- Enables sub 0.55mm profile solution
- Fully integrated MOSFET switches
- Thermal shutdown and current limit protection
- 10-pin 2mm x 2mm x 0.55mm MLF[®] package
- -40°C to +125°C junction temperature range



<< BACK

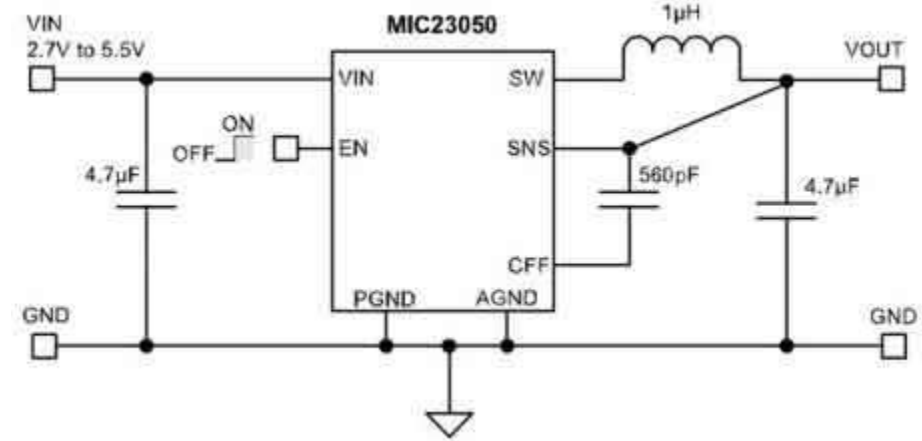


MIC23050

4MHz PWM Buck Regulator with HyperLight Load[®]

Features:

- Input voltage range: 2.7V to 5.5V
- 600mA output current
- Fixed output voltage from 0.72V to 3.3V
- Ultra fast transient response
- 20 μ A typical quiescent current
- 4MHz in PWM in constant current mode
- 0.47 μ H to 2.2 μ H inductor
- Low voltage output ripple:
 - 25mVpp in HyperLight Load[®] mode
 - 3mV output voltage ripple in full PWM mode
- >93% efficiency
- ~89% at 1mA
- Available in 8-pin 2mm x 2mm MLF[®]
- -40 $^{\circ}$ C to +125 $^{\circ}$ C junction temperature range



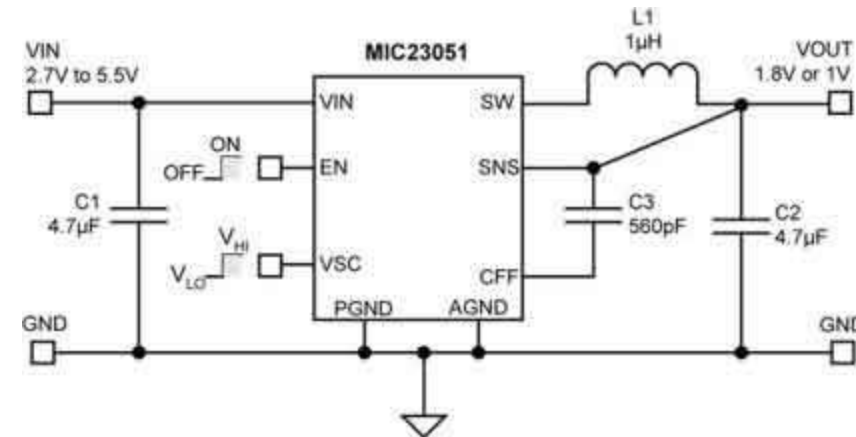
MIC23051

[Online
Datasheet](#)

4MHz PWM Buck Regulator with HyperLight Load® & Voltage Scaling

Features:

- Input voltage range: 2.7V to 5.5V
- 600mA output current
- Fixed output voltage from 0.72V to 3.3V
- Output voltage scaling option
- 20 μ A typical quiescent current
- 4MHz in CCM PWM operation in –
 - normal mode
- 0.47 μ H to 2.2 μ H inductor
- Low voltage output ripple
- 25mVpp in HyperLight Load® mode
- 3mV output voltage ripple in full –
 - PWM mode
- >93% efficiency
- ~85% at 1mA
- Available in 8-pin 2mm x 2mm MLF®
- -40°C to +125°C junction temperature range



<< BACK



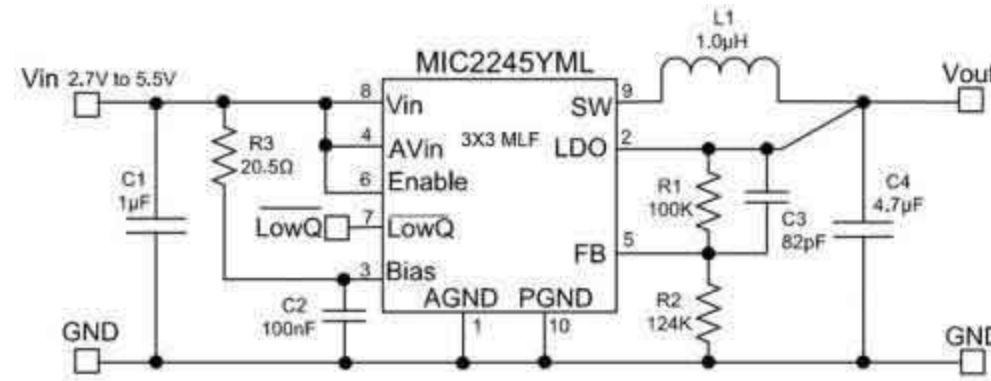
MIC2245

[Online
Datasheet](#)

4MHz PWM Synchron. Buck Regulator w/ LDO Standby Mode

Features:

- 2.7V to 5.5V supply/input voltage
- Light load LowQ[®] LDO mode
- 20 μ A quiescent current
- Low noise, 75 μ Vrms
- 4MHz PWM mode
- Output current to 500mA
- >92% efficiency
- 100% maximum duty cycle
- Adjustable output voltage option down to 1V
- Fixed output voltage options available
- Uses a tiny 1 μ H inductor
- Fully integrated MOSFET switches
- Thermal shutdown and current limit protection
- 10-pin 3mm x 3mm MLF[®] package
- -40 $^{\circ}$ C to +125 $^{\circ}$ C junction temperature range



[<< BACK](#)



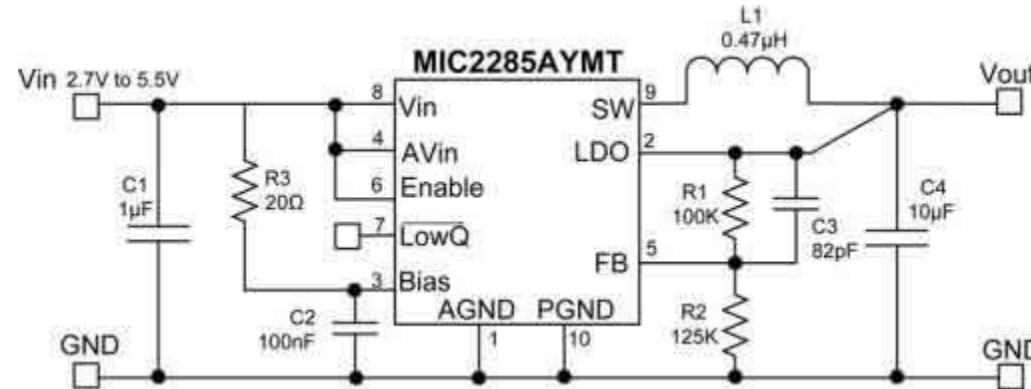
MIC2285

Online
Datasheet

8MHz PWM Synch. Buck Regulator w/ LDO Standby Mode

Features:

- 2.7 to 5.5V supply/input voltage
- Light load LowQ[®] LDO mode:
 - 20 μ A quiescent current
 - Low noise, 75 μ Vrms
- 8MHz PWM mode:
 - Output current to 500mA
 - >90% efficiency
 - 100% maximum duty cycle
- Adjustable output voltage option down –
- to 1V:
 - Fixed output voltage options available
- Ultra-fast transient response
- Uses a tiny 0.47 μ H inductor
- Enables sub 1mm profile solution
- Fully integrated MOSFET switches
- 10-pin 3mm x 3mm MLF[®] package
- -40 $^{\circ}$ C to +125 $^{\circ}$ C junction temperature range



<< BACK



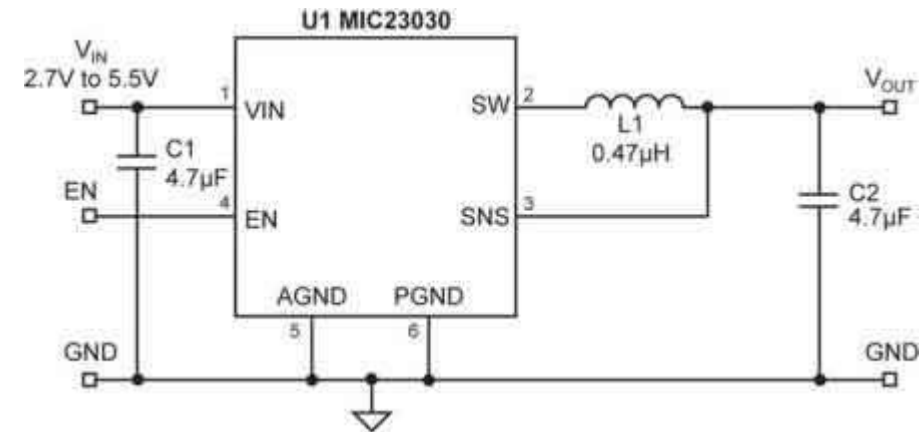
MIC23030

Online
Datasheet

8MHz PWM 400mA Buck Regulator w/ HyperLight Load®

Features:

- Input voltage: 2.7V to 5.5V
- 400mA output current
- Up to 91% efficiency and 83% at 1mA
- 21 μA typical quiescent current
- 8MHz PWM operation in continuous mode
- Ultra fast transient response
- Low voltage output ripple:
 - 14mVpp ripple in HyperLight Load® mode
 - 5mV output voltage ripple in full PWM mode
- Fully integrated MOSFET switches
- 0.01 μA shutdown current
- Fixed and adjustable output voltage options –
- available
- 6-pin 1.6mm x 1.6mm Thin MLF®
- -40°C to +125°C junction temperature range



<< BACK



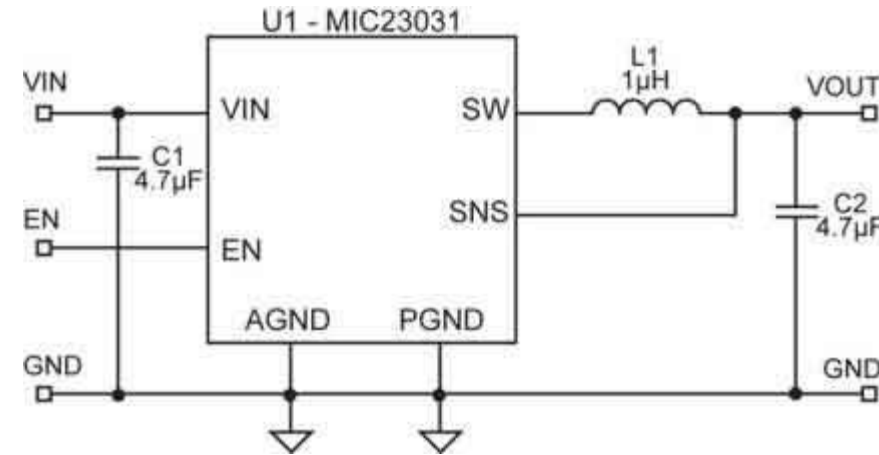
MIC23031

[Online Datasheet](#)

4MHz PWM 400mA Buck Regulator w/ HyperLight Load®

Features:

- Input voltage range: 2.7V to 5.5V
- 400mA output current
- Up to 93% efficiency and 88% at 1mA
- 21 μ A typical quiescent current
- 4MHz PWM operation in continuous mode
- Ultra fast transient response
- Low voltage output ripple:
 - 20mVpp ripple in HyperLight Load® mode
 - 3mV output voltage ripple in full PWM mode
- 0.01 μ A shutdown current
- Fixed and adjustable output voltage options –
- available
- 6-pin 1.6mm x 1.6mm Thin MLF®
- -40°C to +125°C junction temperature range



<< BACK



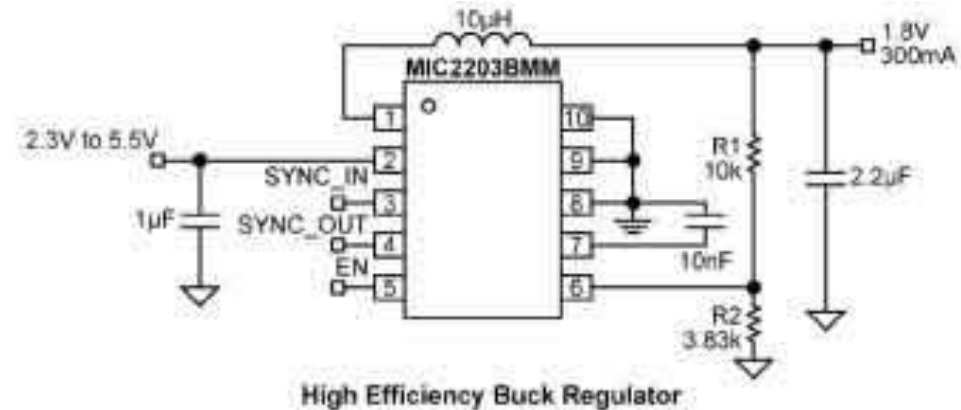
MIC2203

High Efficiency 1MHz Synchronous Buck Regulator

[Online
Datasheet](#)

Features:

- Input voltage range: 2.3V to 5.5V
- Output voltage adjustable down to 0.5V
- 300mA output current
- Constant 1MHz PWM switching frequency
- > 95% efficiency
- < 1mA switching supply current
- < 350 μ A static quiescent current
- < 1 μ A shutdown current
- All-ceramic capacitors
- Easily synchronized to external clock
- SYNCLOCK feature to daisy chain multiple devices
- Thermal shutdown and current limit protection
- 10-pin MSOP, and 3mm x 3mm MLF[®]-10L package options
- -40°C to +125°C junction temperature range



<< BACK



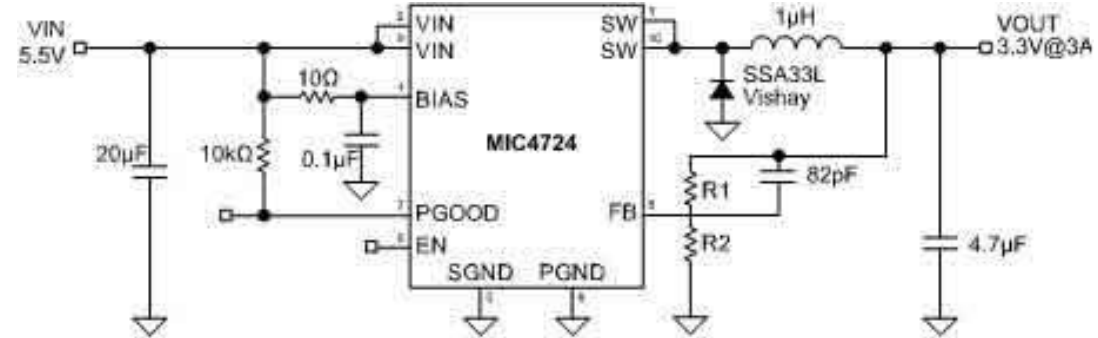
MIC4724

3A 6V 2MHz Buck Regulator

[Online
Datasheet](#)

Features:

- 3.0 to 6.0V supply voltage
- 2.0MHz PWM mode
- Output current to 3A
- Up to 94% efficiency
- 100% maximum duty cycle
- Adjustable output voltage option –
- down to 1V
- Ultra-fast transient response
- Ultra-small external components stable with –
- a 1 μ H inductor and a 4.7 μ F output capacitor
- Fully integrated 3A MOSFET switch
- Micropower shutdown
- Thermal shutdown and current limit protection
- 10-pin ePad MSOP package
- -40°C to +125°C junction temperature range



<< BACK



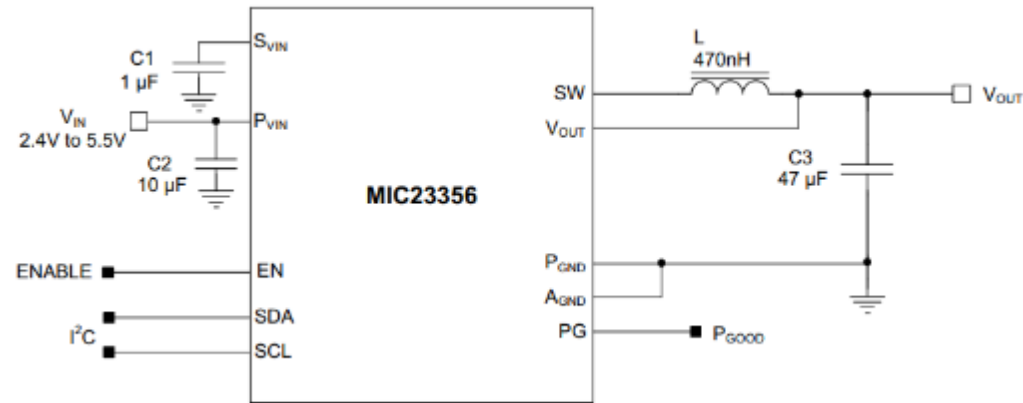
MIC23356

3A, Step-Down Converter with HyperLight Load™ and I²C Interface

Online
Datasheet

Features List:

- Input Voltage Range: 2.4V to 5.5V
- 3A Continuous Output Current
- Multiple Faults Indication through I²C
- I²C Programmable:
 - Output Voltage:
 - 0.6V - 1.28V, 5 mV Resolution
 - 0.6V - 3.84V, 10/20 mV Resolution
 - Slew Rate: 0.2 ms/V - 3.2 ms/V
 - ON time (Switching Frequency)
 - High Side Current Limit: 3.5A - 5A
 - Enable Delay: 0.2 ms - 3 ms
 - Output Discharge when Disabled (EN = GND)
- High Efficiency (up to 95%)
- Ultra-Fast Transient Response
- ±1.5% Output Voltage Accuracy Over Line/Load/Temp Safe Start-Up with Pre-Biased Output
- Typical 1.5 μ A Shutdown Supply Current
- Low Dropout (100% Duty Cycle) Operation
- Latch-Off Thermal Shutdown Protection
- Latch-Off Current Limit Protection
- Power-Good (PG) Open-Drain Output
- 2.5mm x 2.5mm FTQFN Package



<< BACK



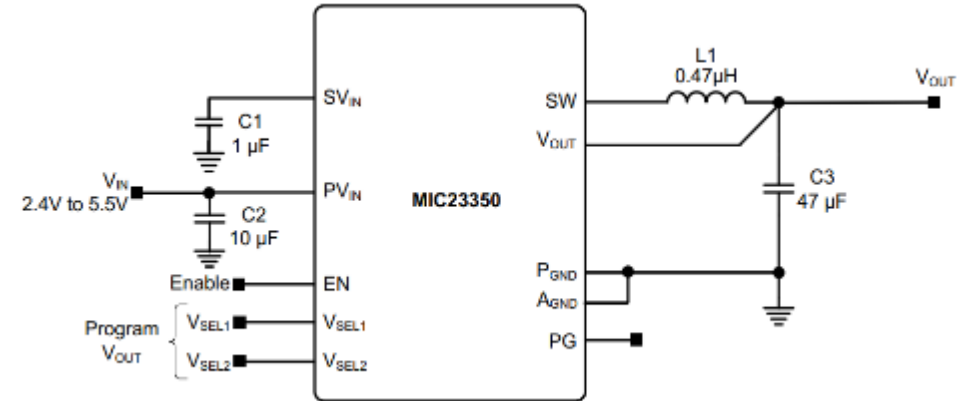
MIC23350

3A, Step-Down Converter with HyperLight Load™ and Output Voltage Select

[Online Datasheet](#)

Features List:

- Input Voltage Range: 2.4V to 5.5V
- 3A Continuous Output Current
- Pin Strapping Output Voltage Selection:
 - Three-State pins (nine voltage options)
 - 0.6V, 0.8V, 0.9V, 1.0V, 1.2V, 1.5V, 1.8V, 2.5V or 3.3V
- Reduced Component Count
 - (No Feedback Resistors)
- High Efficiency (up to 95%)
- Output Discharge when Disabled
- Constant-ON-Time Control with High Switching Frequency:
 - 1.2 MHz typical at 1.0V output voltage
- 0.8 ms/V Soft Start Speed
- Ultra-Fast Transient Response
- $\pm 1.5\%$ Output Voltage Accuracy Over Line/Load/Temp
- Safe Start-Up with Pre-Biased Output
- Typical 1.5 μA Shutdown Supply Current
- Low Dropout (100% Duty Cycle) Operation
- Latch-Off Thermal Shutdown Protection
- Latch-Off Current Limit Protection
- Power-Good (PG) Open-Drain Output



[<< BACK](#)



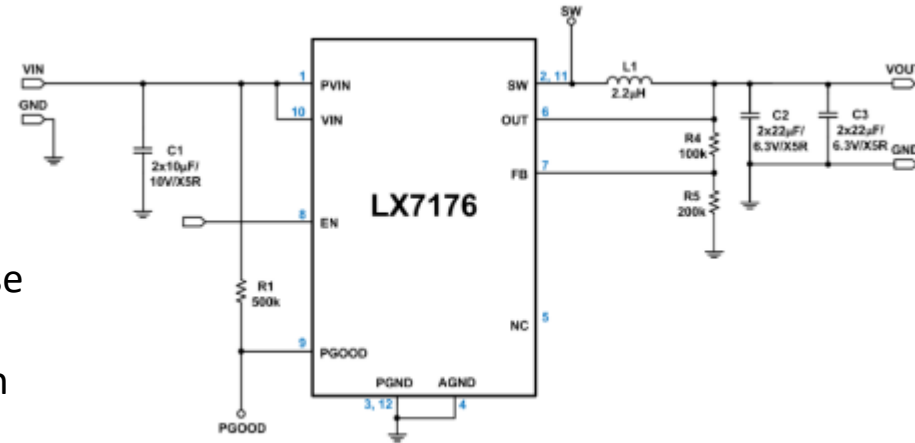
LX7176

1.65MHz, 3A Synchronous Buck Regulator

[Online Datasheet](#)

Features:

- Load Current up to 3A
- Input Supply Voltage Range: 3.0V - 5.5V
- Integrated PMOS and NMOS
- Hysteretic Control Offers Best Transient Response
- PWM Switching at a Constant 1.65MHz
- Input Under-voltage and Over-voltage Protection
- Enable and Power Good Function
- Internal Soft-start
- Cycle-by-Cycle Over Current Protection
- Hiccup Mode Protects Against Short Circuit Faults
- 2mm x 2mm QFN



[<< BACK](#)

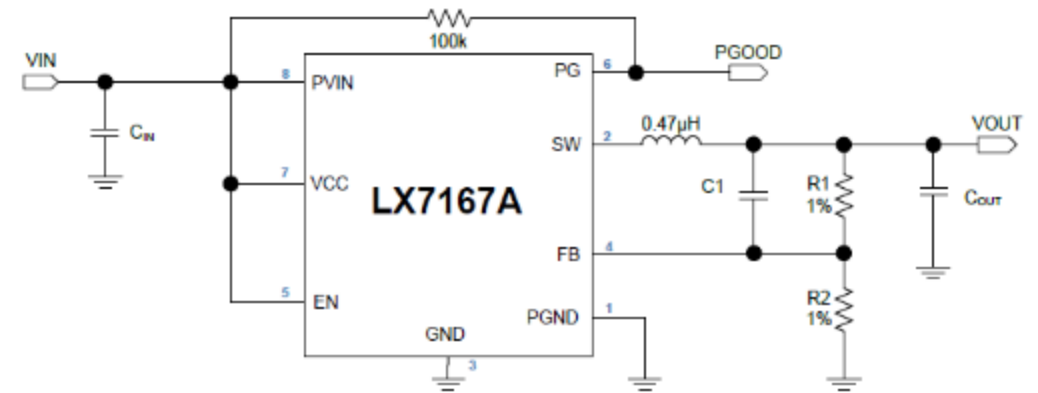


LX7167A

3MHz, 2.4A Constant Frequency Hysteretic Synchronous Buck Regulator

Features:

- Load Current up to 2.4A
- Constant Frequency Hysteretic Control
- Input Supply Voltage Range: 3V - 5.5V
- Integrated PMOS and NMOS
- 3MHz Switching Frequency
- SKIP Pulse to Improve Light Load Efficiency
- Input UVLO and OV Protection
- Enable Pin
- Power Good
- Internal Soft-start
- Cycle-by-Cycle Over Current Protection
- Hiccup Mode Operation Under FB UVLO
- 2mm x 2mm DFN



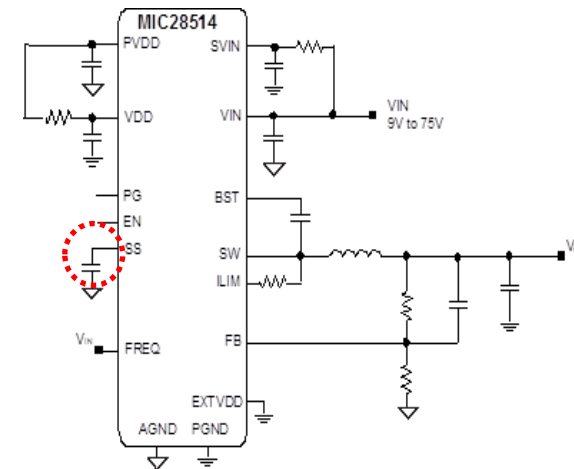
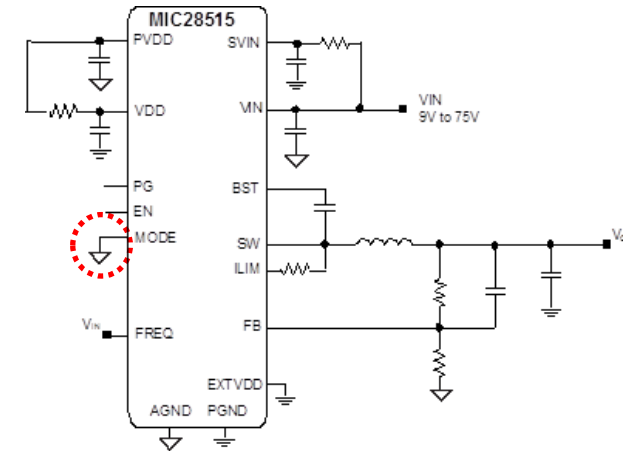
MIC28514/MIC28515

High Performance 75V/5A Synch. DC/DC Buck Regulator Family

Online
Datasheet

Features:

- Input voltage range: 4.5V to 75V
- Adjustable output from 0.6V to 32V (Limited by duty cycle)
- High Current capability of 5A
- Adaptive Constant On Time Control
- 0.6V Internal reference
- 270 KHZ to 800KHZ switching Frequency
- High Voltage Internal LDO for single supply operation
- Operation with both internal and external VDD
- Supports start up to pre-bias output
- Internal compensator for tight output regulation
- Enable function for low stand-by current
- External programmable soft start to reduce inrush
- (MIC28514 Only)
- External MODE pin to select DCM/CCM operation
- (MIC28515 Only)
- Programmable current limit and hiccup short circuit protection
- Thermal shut down with hysteresis
- CCM only operation for reduced noise at low output current
- Compact size – 6 X 6 mm VQFN
- -40°C to $+125^{\circ}\text{C}$ junction temperature range



<< BACK



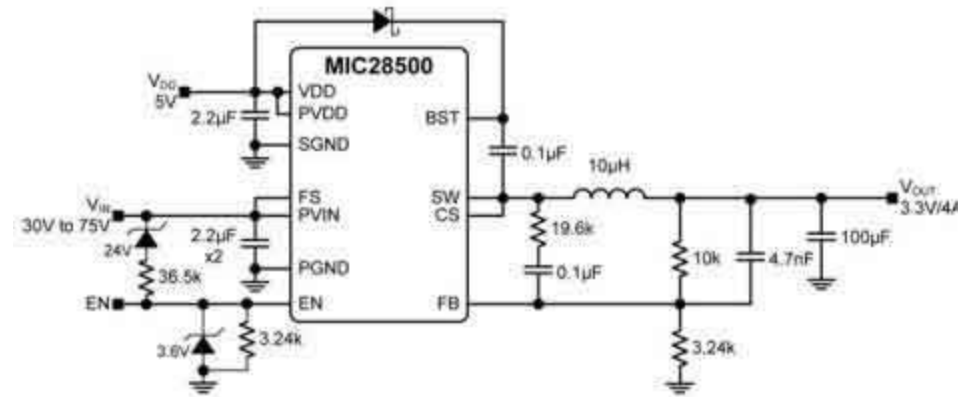
MIC28500

Online
Datasheet

75V/4A Hyper Speed Control™ Synch. DC-DC Buck Regulator

Features:

- Hyper Speed Control™ architecture –
- enables
- High delta V operation ($V_{IN} = 75V$ and –
- $V_{OUT} = 0.8V$)
- Small output capacitance
- 30V to 75V voltage input
- Adjustable output down to 0.8V
- $\leq 1\%$ FB accuracy
- Any Capacitor™ stable
- Zero-ESR to high-ESR output capacitors
- 4A output current capability, up to 90% -
- efficiency
- 100kHz to 500kHz switching frequency
- Fold-back current-limit and "hiccup" mode –
- short-circuit protection
- Supports safe startup into a pre-biased load
- $-40^{\circ}C$ to $+125^{\circ}C$ junction temperature range
- 28-pin 5mm x 6mm MLF® package



<< BACK



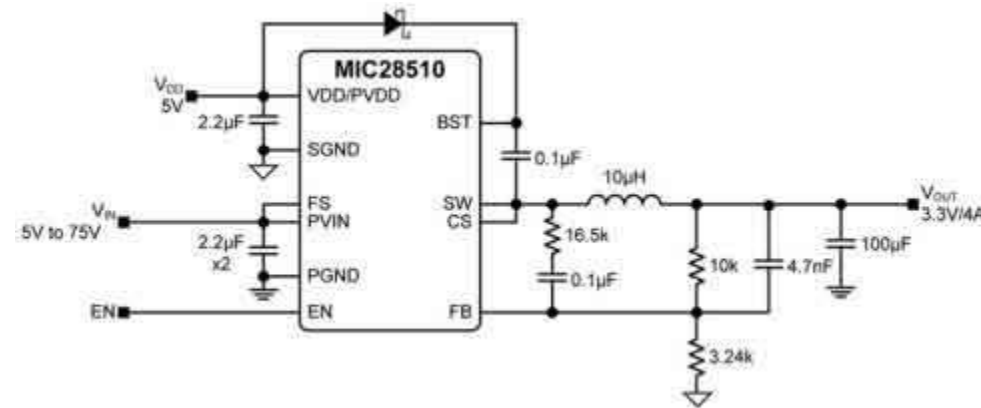
MIC28510

75V/4A Hyper Speed Control™ Synch. DC/DC Buck Regulator

Online
Datasheet

Features:

- Hyper Speed Control™ architecture –
- enables
- Any Capacitor™ stable
- Small output capacitance
- 4.5V to 75V voltage input
- $\leq 1\%$ FB accuracy
- 4A output current capability, up to 95% -
- efficiency
- Adjustable output voltage form 0.8V to 24V
- High delta V operation ($V_{IN} = 75V$ and $V_{OUT} = 0.8V$)
- Zero-ESR to high-ESR output capacitors
- 100kHz to 500kHz switching frequency
- Fold-back current-limit and “hiccup” mode –
- short-circuit protection
- Supports safe startup into a pre-biased load
- $-40^{\circ}C$ to $+125^{\circ}C$ junction temperature range
- 28-pin 5mm x 6mm MLF® package



<< BACK



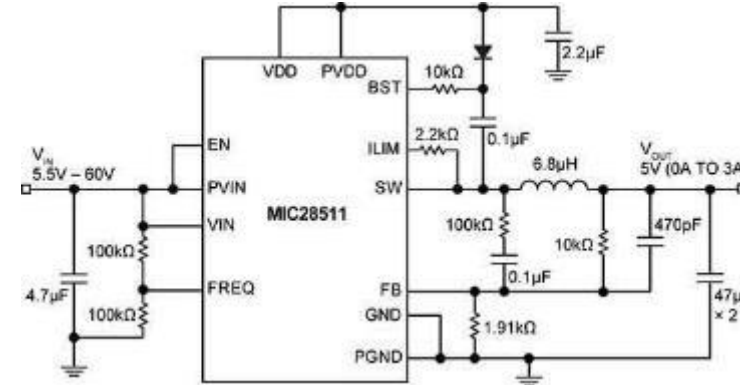
MIC28511

60V 3A Synchronous Buck Regulator

[Online Datasheet](#)

Features:

- 4.6V to 60V operating input voltage supply
- Up to 3A output current
- Integrated high-side and low-side N-channel – MOSFETs
- HyperLight Load (MIC28511-1) architecture
- Hyper Speed Control (MIC28511-2) architecture
- Enable input and power good (PGOOD) output
- Programmable current limit
- Fold-back “hiccup” mode short-circuit protection
- Built-in 5V regulator for single-supply operation
- Adjustable 200kHz to 680KHz switching frequency
- Fixed 5ms soft-start
- Internal compensation and thermal shutdown.
- Thermally-enhanced 24-pin 3mm × 4mm FCQFN package
- Junction temperature range of -40°C to +125°C



[<< BACK](#)



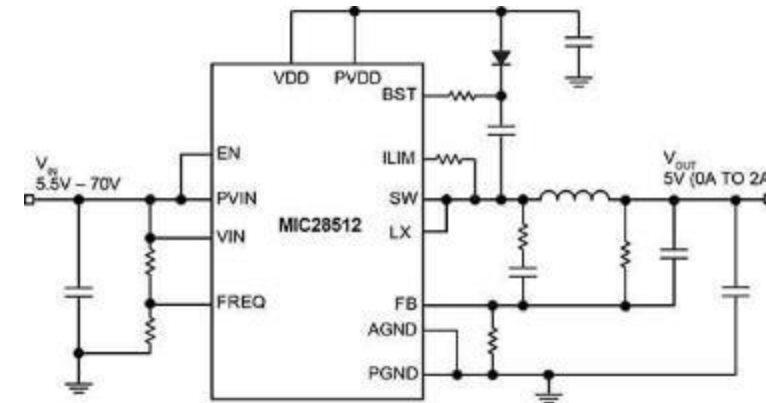
MIC28512

70V 2A Synchronous Buck Regulator

[Online Datasheet](#)

Features:

- 4.6V to 70V operating input voltage supply
- Up to 2A output current
- Integrated high-side and low-side N-channel – MOSFETs
- MIC28512-1: HyperLight Load architecture
- MIC28512-2: Hyper Speed Control architecture
- Enable input, Power Good output
- Built-in 5V regulator for single supply operation
- Adjustable 200kHz to 680kHz switching frequency
- Fixed 5ms soft-start
- Programmable current limit and fold-back “hiccup” – mode short circuit protection
- Internal compensation and thermal shutdown.
- Thermally enhanced 24-pin 3mm × 4mm FCQFN
- Junction temperature range of -40°C to +125°C



[<< BACK](#)



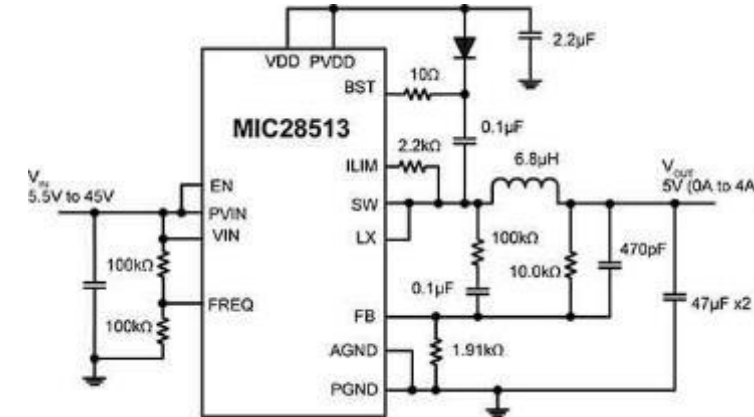
MIC28513

45V 4A Synchronous Buck Regulator

[Online
Datasheet](#)

Features:

- 4.6V to 45V operating input voltage supply
- Up to 4A output current
- Integrated high-side and low-side N-channel – MOSFETs
- MIC28513-1: HyperLight Load architecture
- MIC28513-2: Hyper Speed Control architecture
- Enable input, Power Good output
- Built-in 5V regulator for single supply operation
- Adjustable 200kHz to 680kHz switching – frequency
- Fixed 5ms soft-start
- Programmable current limit and fold-back – “hiccup” mode short circuit protection
- Internal compensation and thermal shutdown.
- Thermally enhanced 24-pin 3mm × 4mm FCQFN
- Junction temperature range of -40°C to +125°C



<< BACK



MIC4684

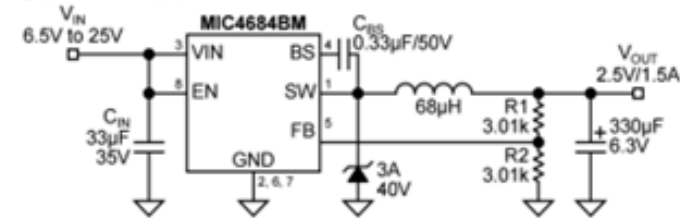
30V 2A Buck Regulator

[Online Datasheet](#)

Features:

- SO-8 package with 2A continuous output current
- Over 85% efficiency
- Fixed 200kHz PWM operation
- Wide input voltage range: 4V to 30V
- Output voltage adjustable to 1.235V
- All surface mount solution
- Internally compensated with fast transient response
- Over-current protection
- Frequency fold-back short-circuit protection
- Thermal shutdown

Typical Application



Adjustable Buck Converter

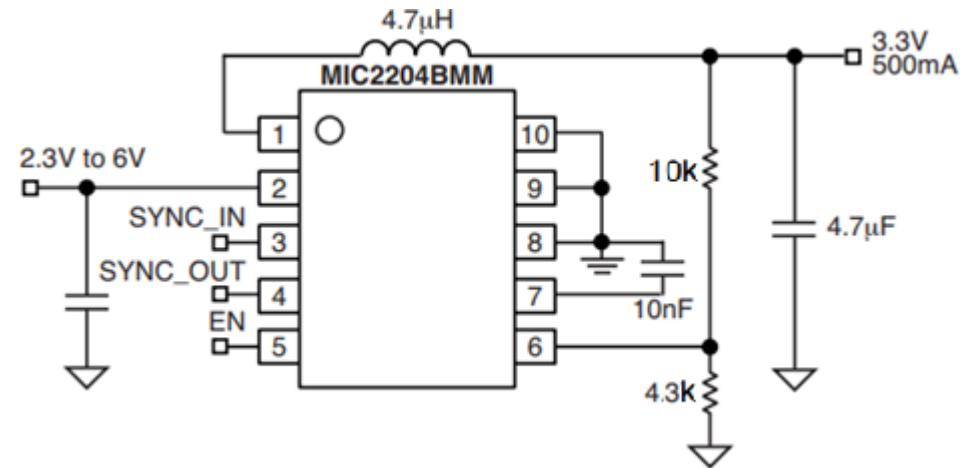
<< BACK



MIC2204

High-Efficiency 2MHz Synchronous Buck Converter

- Features:
- Input voltage range: 2.3V to 5.5V
- Output down to 1V/ 600mA
- 2MHz PWM operation
- Internal compensation
- All ceramic capacitors
- >95% efficiency
- Fully integrated MOSFET switches
- Easily synchronized to external clock
- Ultra-fast transient response (typical 200kHz GBW)
- SYNCLOCK feature to daisy-chain multiple 2204s
- <340 μ A quiescent current
- Thermal shutdown and current limit protection
- 10-pin MSOP and 3mm \times 3mm MLFTM-10L
- -40 $^{\circ}$ C to +125 $^{\circ}$ C junction temperature range

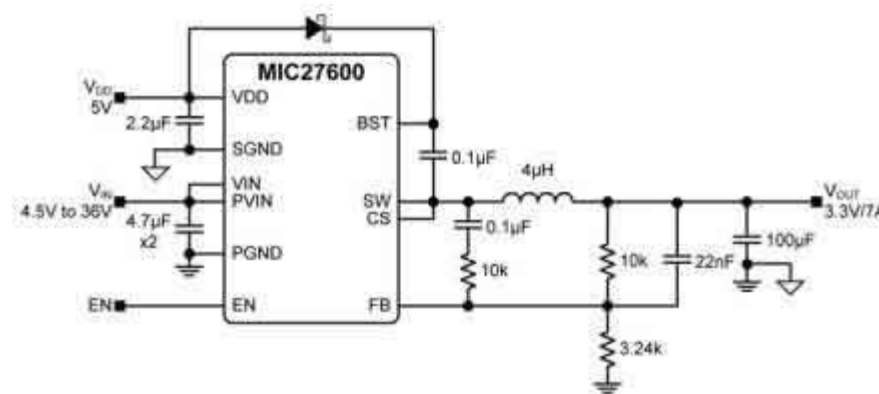


MIC27600

36V 7A Hyper Speed Control™ Synch. DC-DC Buck Regulator

Features:

- Hyper Speed Control™ architecture enables:
 - High delta V operation ($V_{IN} = 36V$ and $-V_{OUT} = 0.8V$)
 - Small output capacitance
- 4.5V to 36V voltage input
- $\pm 1\%$ FB accuracy
- Adjustable output from 0.8V to 5.5V (VHSD $\leq -28V$)
- Adjustable output from 0.8V to 3.6V (VHSD $\leq 36V$)
- Any Capacitor™ Stable - Zero-ESR to high-ESR
- 7A output current capability, up to 95% efficiency
- 300kHz switching frequency
- Internal compensation, 6ms Internal soft-start
- Fold-back current-limit and "hiccup" mode – short-circuit protection
- $-40^{\circ}C$ to $+125^{\circ}C$ junction temperature range
- 28-pin 5mm - 6mm MLF® package



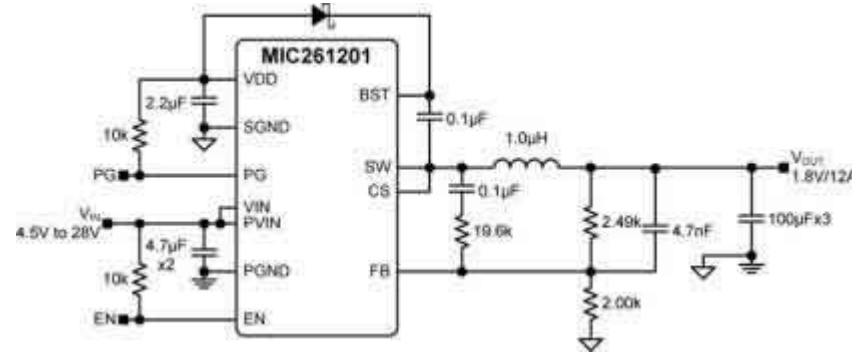
MIC261201

Online
Datasheet

28V 12A Hyper Speed Control™ Synch. Buck Regulator SuperSwitcher II™

Features:

- Hyper Speed Control™ architecture enables
- High delta V operation ($V_{IN} = 28V$ and $-V_{OUT} = 0.8V$)
- Small output capacitance
- 4.5V to 28V voltage input
- 12A output current capability, up to 95% - efficiency
- Adjustable output from 0.8V to 5.5V
- $\pm 1\%$ feedback accuracy
- Any Capacitor® stable - zero-to-high ESR
- 600kHz switching frequency
- No external compensation
- Power Good (PG) output
- Fold-back current-limit and "hiccup" mode – short-circuit protection
- $-40^{\circ}C$ to $+125^{\circ}C$ junction temperature range
- 28-pin 5mm x 6mm MLF® package



<< BACK



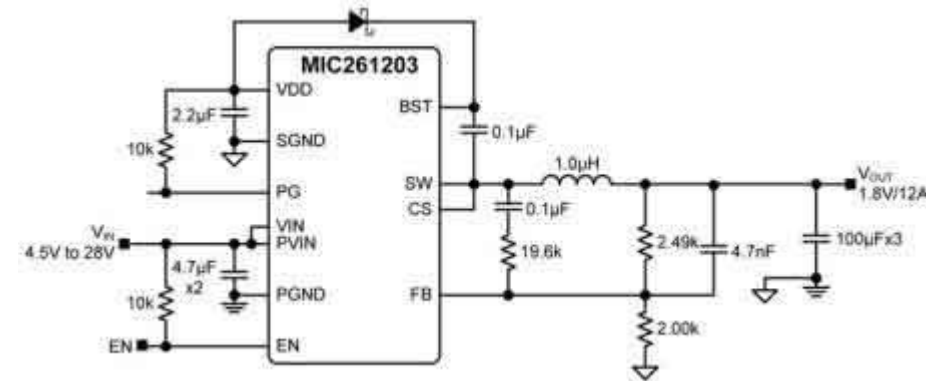
MIC261203

Online
Datasheet

28V 12A HyperLight Load® Synch. Buck Regulator SuperSwitcher IIG™

Features:

- HyperLight Load® efficiency - up to 80% at –
- 10mA
- Hyper Speed Control™ architecture enables:
 - High delta V operation ($V_{IN} = 28V$ and
- $V_{OUT} = 0.8V$)
 - Small output capacitance
 - Input voltage range: 4.5V to 28V
 - Output current up to 12A
 - Up to 95% efficiency
 - Adjustable output voltage from 0.8V to 5.5V
- $\pm 1\%$ FB accuracy
- Any Capacitor™ stable - zero-to-high ESR
- 600kHz switching frequency
- Power Good (PG) output
- Fold-back current-limit and "hiccup" mode –
- short-circuit protection
- 5mm x 6mm MLF® package
- $-40^{\circ}C$ to $+125^{\circ}C$ junction temperature range



<< BACK



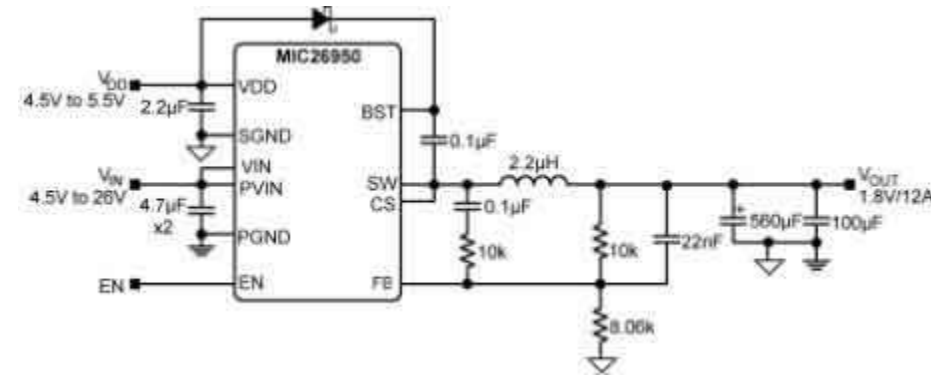
MIC26950

12A Hyper Speed Control™ Synch. Buck Regulator

Online
Datasheet

Features:

- 4.5V to 26V input voltage
- Any Capacitor™ Stable
- Zero ESR to high-ESR output capacitance
- 12A output current capability
- Hyper Speed Control™ architecture enables
- High delta V operation ($V_{IN} = 26V$ and $-V_{OUT} = 0.8V$)
- Small output capacitance
- 300kHz switching frequency
- Adjustable output from 0.8V to 5.5V ($\pm 1\%$ accuracy)
- Up to 95% efficiency
- 6ms Internal soft-start
- Fold-back current-limit and "hiccup" mode – short-circuit protection
- $-40^{\circ}C$ to $+125^{\circ}C$ junction temperature range
- 28-pin 5mm x 6mm MLF® package



<< BACK



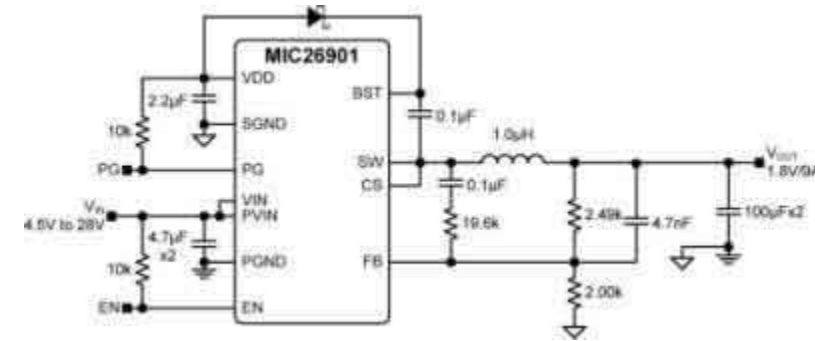
MIC26901

Online
Datasheet

28V 9A Hyper Speed Control™ Synch. Buck Regulator SuperSwitcher II™

Features:

- Hyper Speed Control™ architecture enables
- High delta V operation ($V_{IN} = 28V$ and $-V_{OUT} = 0.8V$)
- Small output capacitance
- 4.5V to 28V voltage input
- 9A output current capability, up to 95% efficiency
- Adjustable output from 0.8V to 5.5V
- $\pm 1\%$ feedback accuracy
- Any Capacitor™ stable -zero-to-high ESR
- 600kHz switching frequency
- No external compensation
- Fold-back current-limit and "hiccup mode" – short-circuit protection
- Supports safe startup into a pre-biased load
- $-40^{\circ}C$ to $+125^{\circ}C$ junction temperature range
- 28-pin 5mm x 6mm MLF® package



<< BACK



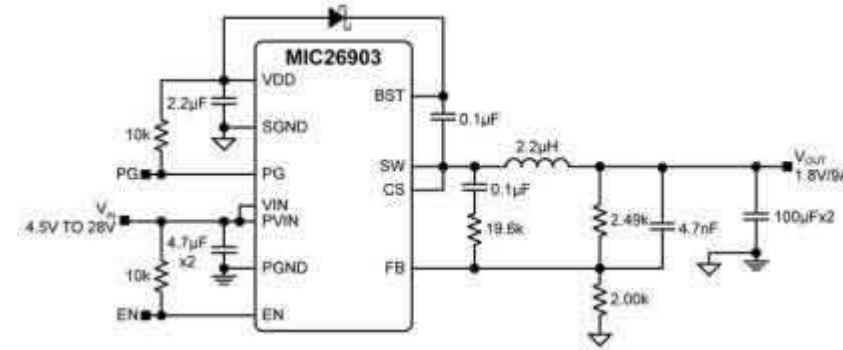
MIC26903

Online
Datasheet

28V 9A HyperLight Load® Synch. BuckRegulator SuperSwitcher IIG™

Features:

- HyperLight Load® efficiency - up to 80% at –
- 10mA
- Hyper Speed Control™ architecture enables:
 - High delta V operation ($V_{IN} = 28V$ and –
- $V_{OUT} = 0.8V$)
 - Small output capacitance
 - Input voltage range: 4.5V to 28V
 - Output current up to 9A
 - Up to 95% efficiency
 - Adjustable output voltage from 0.8V to 5.5V
- $\pm 1\%$ FB accuracy
- Any Capacitor™ stable - zero-to-high ESR
- 600kHz switching frequency
- Power Good (PG) output
- Fold-back current-limit and "hiccup" mode –
- short-circuit protection
- 5mm x 6mm MLF® package
- $-40^{\circ}C$ to $+125^{\circ}C$ junction temperature range



<< BACK



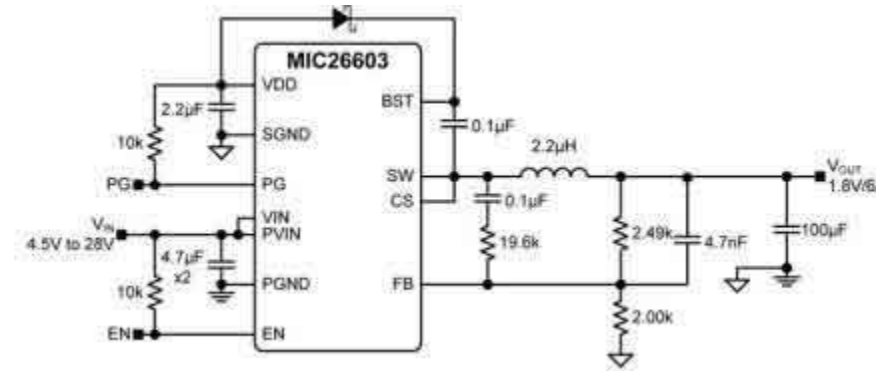
MIC26603

Online
Datasheet

28V 6A HyperLight Load® Synch Buck Regulator SuperSwitcher IIG™

Features:

- HyperLight Load® efficiency - up to 80% at –
– 10mA
- Hyper Speed Control™ architecture enables
- High delta V operation ($V_{IN} = 28V$ and –
– $V_{OUT} = 0.8V$)
- Small output capacitance
- Input voltage range: 4.5V to 28V
- Output current up to 6A
- Up to 95% efficiency
- Adjustable output voltage from 0.8V to 5.5V
- $\pm 1\%$ FB accuracy
- Any Capacitor™ stable - zero-to-high ESR
- 600kHz switching frequency
- Fold-back current-limit and "hiccup" mode short
– circuit protection
- Safe start-up into pre-biased loads
- 5mm x 6mm MLF® package
- $-40^{\circ}C$ to $+125^{\circ}C$ junction temperature range



<< BACK



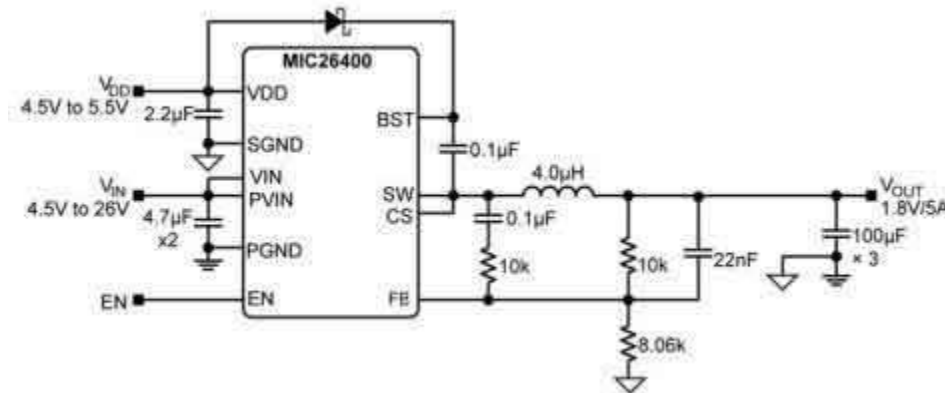
MIC26400

Online
Datasheet

5A Hyper Speed Control™ Synch. Buck Regulator SuperSwitcher II™

Features:

- 4.5V to 26V input voltage
- Any Capacitor™ Stable:
 - Zero ESR to high-ESR output –
- capacitance
- 5A output current capability
- Hyper Speed Control™ architecture –
- enables:
 - High delta V operation ($V_{IN} = 26V$ –
- and $V_{OUT} = 0.8V$)
 - Small output capacitance
- Adjustable output from 0.8V to 5.5V ($\pm 1\%$ accuracy)
- 300kHz switching frequency
- Up to 95% efficiency
- 6ms Internal soft-start
- Fold-back current limit and "hiccup" mode short –
- circuit protection
- -40°C to $+125^{\circ}\text{C}$ junction temperature range
- 28-pin 5mm X 6mm MLF® package



<< BACK

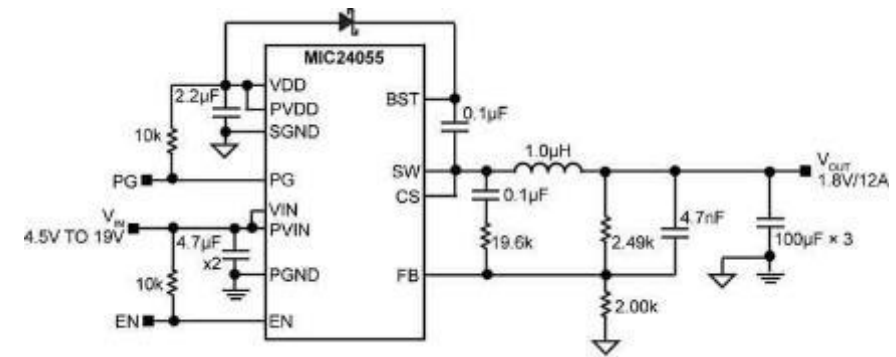


MIC24055/56

12V 12A High-Efficiency Buck Regulator SuperSwitcher II™

Features:

- HyperLight Load® efficiency – up to 80% at –
– 10mA:
 - Hyper Speed Control™ architecture –
– enables
 - High delta V operation ($V_{IN} = 19V$ and –
– $V_{OUT} = 0.8V$)
- Small output capacitance
- Input voltage range: 4.5V to 19V
- Output current up to 12A
- Up to 95% efficiency
- Adjustable output voltage from 0.8V to 5.5V
- $\pm 1\%$ feedback accuracy
- Any Capacitor™ stable - zero-to-high ESR
- 600kHz switching frequency
- Foldback current-limit and "hiccup" mode short –
– circuit protection
- $-40^{\circ}C$ to $+125^{\circ}C$ junction temperature range
- Available in 28-pin 5mm × 6mm QFN package



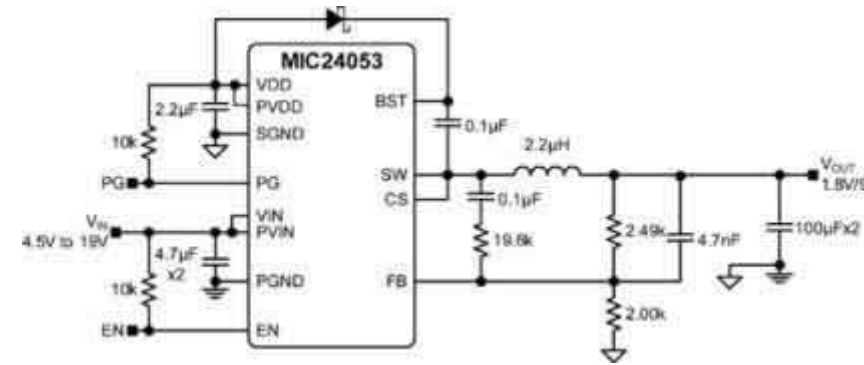
MIC24053/54

12V 9A High-Efficiency Buck Regulator SuperSwitcher II™

[Online
Datasheet](#)

Features:

- HyperLight Load® efficiency - up to 80% at –
- 10mA:
 - Hyper Speed Control™ architecture enables
 - High delta V operation ($V_{IN} = 19V$ and –
- $V_{OUT} = 0.8V$)
- Small output capacitance
- Input voltage range: 4.5V to 19V
- Output current up to 9A, up to 95% efficiency
- Adjustable output voltage from 0.8V to 5.5V
- $\pm 1\%$ feedback accuracy
- Any Capacitor™ stable - zero-to-high ESR
- 600kHz switching frequency
- No external compensation
- Fold-back current-limit and "hiccup" mode –
- short-circuit protection
- Supports safe start-up into pre-biased loads
- $-40^{\circ}C$ to $+125^{\circ}C$ junction temperature range
- Available in 28-pin 5mm × 6mm QFN package



[<< BACK](#)



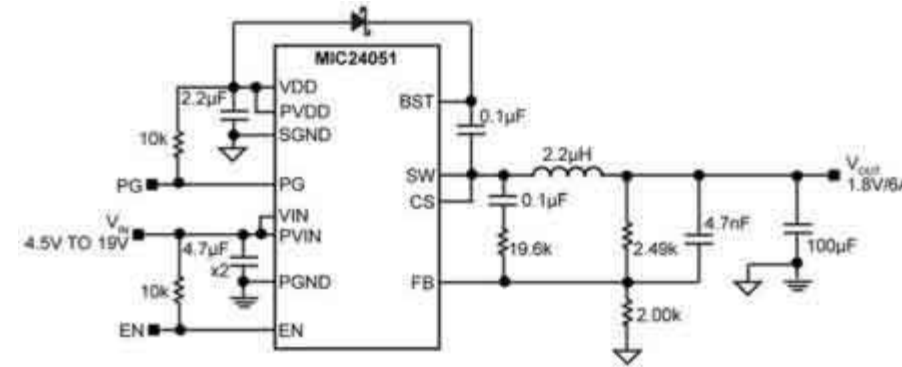
MIC24051/52

12V 6A High-Efficiency Buck Regulator SuperSwitcher II™

[Online
Datasheet](#)

Features:

- Hyper Speed Control™ architecture enables
- High delta V operation ($V_{IN} = 19V$ and $-V_{OUT} = 0.8V$)
- Small output capacitance
- 4.5V to 19V input voltage
- No external compensation
- Any Capacitor™ stable - Zero-to-high ESR
- 6A output current capability, up to 95% - efficiency
- 600kHz switching frequency
- Adjustable output from 0.8V to 5.5V ($\pm 1\%$ - accuracy)
- Power Good (PG) output
- Fold-back current limit and "hiccup" mode – short-circuit protection
- Supports safe start-up into a pre-biased load
- $-40^{\circ}C$ to $+125^{\circ}C$ junction temperature range
- Available in 28-pin 5mm X 6mm QFN package



[<< BACK](#)

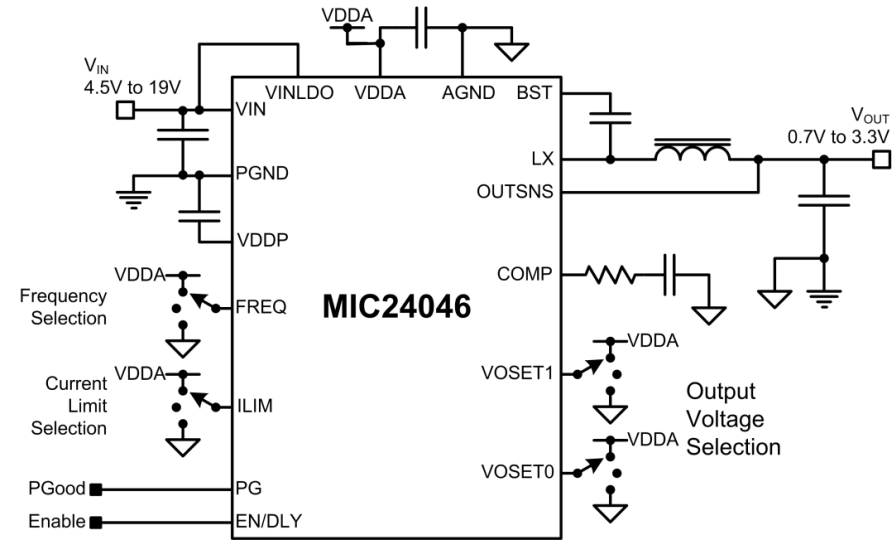


MIC24046

Pin-Programmable 19V 5A Step-Down Converter

Features:

- Input voltage range: 4.5V to 19V
- 5A output current
- >90% efficiency over wide load range
- 9 pin-selectable output voltage value: -
 - 0.7V, 0.8V, 0.9V, 1.0V, 1.2V, 1.5V, 1.8V,
 - 2.5V, 3.3V
- Pin-selectable current limit: -
 - for 3A to 5A applications, 3 values
- Pin-selectable switching frequency:
 - 400kHz, 565kHz, 790kHz
- Capacitor-adjustable turn-on delay
- Power Good Status Output
- 20-pin 3mm x 3mm QFN package (0.5mm – pin pitch)



Applications:

Network Switch and Routers
Base Station, Telecom Servers
Storage
FPGA and DSP Power
Micro Servers



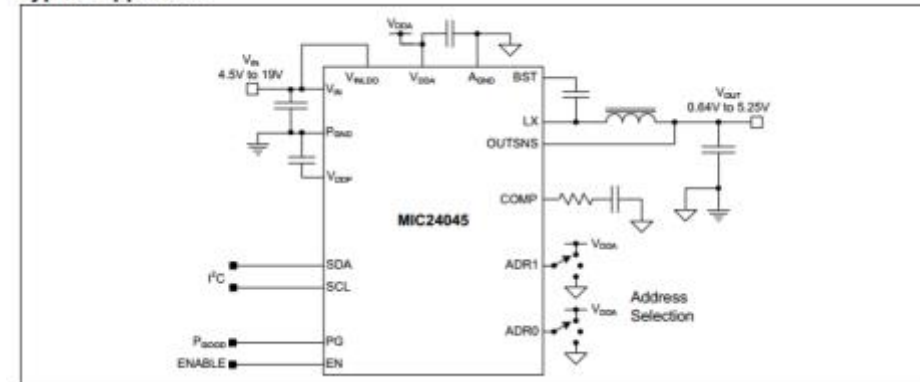
MIC24045

I²C Programmable 4.5V-19V Input 5A Step-Down Converter

Features:

- 4.5V to 19V Input Voltage Range
- 5A (maximum) Output Current
- I²C Programmable Output Voltage:
 - 0.64V to 5.25V in 5 mV, 10 mV, 30 – mV and
- 50 mV steps
- High Efficiency (>95%)
- I²C Programmability of:
 - Soft-Start: 0.16, 0.38, 0.76 and – 1.5V/ms ramp rates
 - Switching Frequency: 310 kHz, 400 – kHz, 500 kHz, 570 kHz, 660 kHz, – 780 kHz, 1 MHz, 1.2 MHz
 - Current Limits for 2A, 3A, 4A and 5A loads
 - Output Voltage Margining: -5%, +5%
 - Start-up delays: 0 ms to 10 ms
- ±1% Output Voltage Accuracy Over Temperature
- Supports Safe Start-Up with Pre-Biased Output
- Extensive Diagnostics through I²C Interface

Typical Application



Applications:

Network Switch and Routers
 Base Station, Telecom
 Servers
 Storage
 FPGA and DSP Power
 Micro Servers

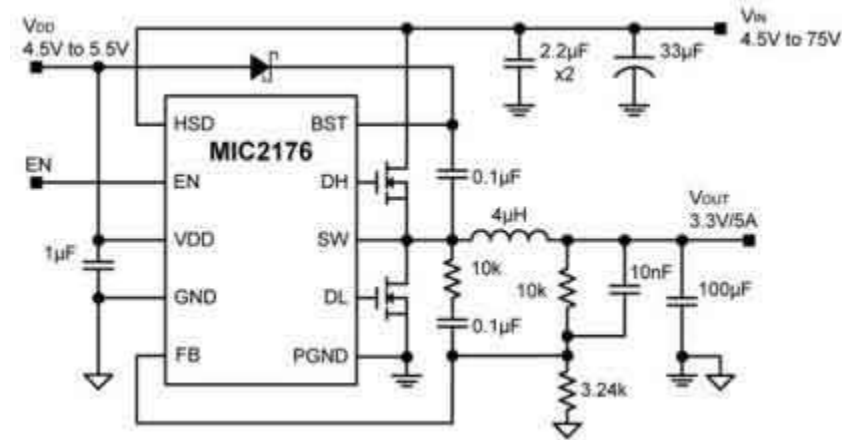
MIC2176-1/2/3

Online
Datasheet

Wide Input Voltage Synch. Buck Controllers
with Adaptive On-Time Control

Features:

- Hyper Speed Control™ architecture enables
- High delta V operation –
– ($V_{IN} = 75V$ and $V_{OUT} = 1.2V$)
- Small output capacitance
- 4.5V to 75V input voltage
- Output down to 0.8V with $\pm 1\%$ accuracy
- Any Capacitor™ stable
- Zero-ESR to high-ESR output capacitance
- 100kHz/200kHz/300kHz switching frequency
- Internal compensation
- 6ms Internal soft-start
- Fold-back current limit and "hiccup" mode short -
– circuit protection
- Thermal shutdown
- Supports safe start-up into a pre-biased output
- $-40^{\circ}C$ to $+125^{\circ}C$ junction temperature range
- Available in 10-pin MSOP package



<< BACK



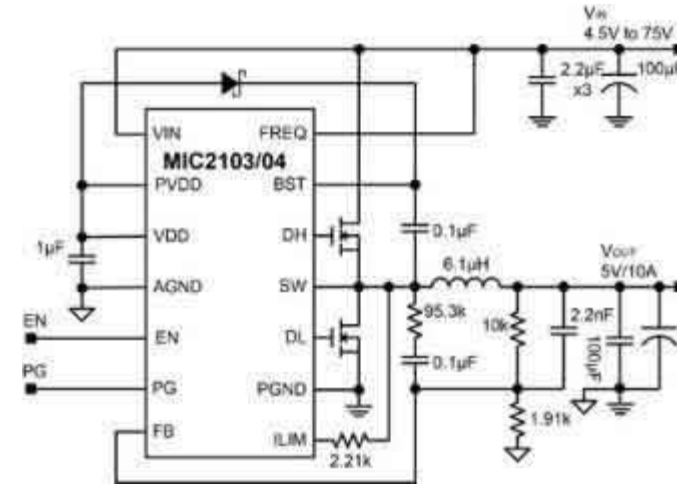
MIC2103/4

Online
Datasheet

75V Synch. Buck Controllers with Adaptive On-Time Control

Features:

- Hyper Speed Control™ architecture enables:
 - High delta V operation ($V_{IN}=75V$ and -
- $V_{OUT}=1.2V$)
 - Any Capacitor™ stable
- 4.5V to 75V input voltage
- 0.8V Reference Voltage with $\pm 1\%$ accuracy
- 200kHz - 600kHz, programmable switching freq.
- Hyper Light Load Control (MIC2103 only)
- Hyper Speed Control (MIC2104 only)
- Enable input, Power-Good output
- Built-in 5V regulator for single-supply operation
- Programmable current limit and fold-back –
- “hiccup” mode short-circuit protection
- 5ms internal soft-start, internal compensation, -
- and thermal shutdown
- Supports safe start-up into a pre-biased output
- $-40^{\circ}C$ to $+125^{\circ}C$ junction temperature range
- Available in 16-pin 3mm x 3mm MLF® package



<< BACK



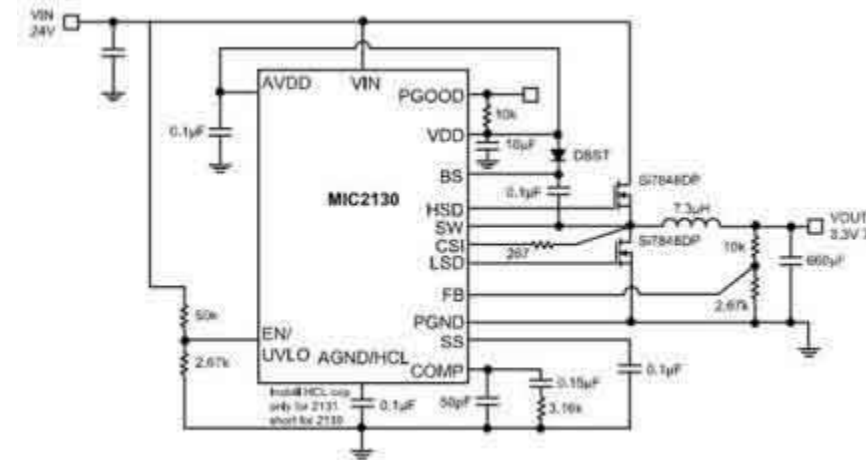
MIC2130/1-1/4

High Voltage Synchronous Buck Control IC with Low EMI Option

[Online Datasheet](#)

Features:

- 8V to 40V input voltage range
- Adjustable output voltages down to 0.7V
- Low EMI option (MIC2131)
- Fixed 150kHz and 400kHz frequency options
- Adaptive gate drive allows efficiencies over 95%
- Programmable current limit with no sense – resistor
- Senses low-side MOSFET current
- Excellent line and load regulation due to fast hysteretic control loop during transients
- Internal drivers allow 15A output current
- Power Good output allow simple sequencing
- 100% increase in current limit (MIC2131)
- 16-pin e-TSSOP and 16-pin 4mm x 4mm MLF®
- Junction temperature range of -40°C to +125°C



[<< BACK](#)



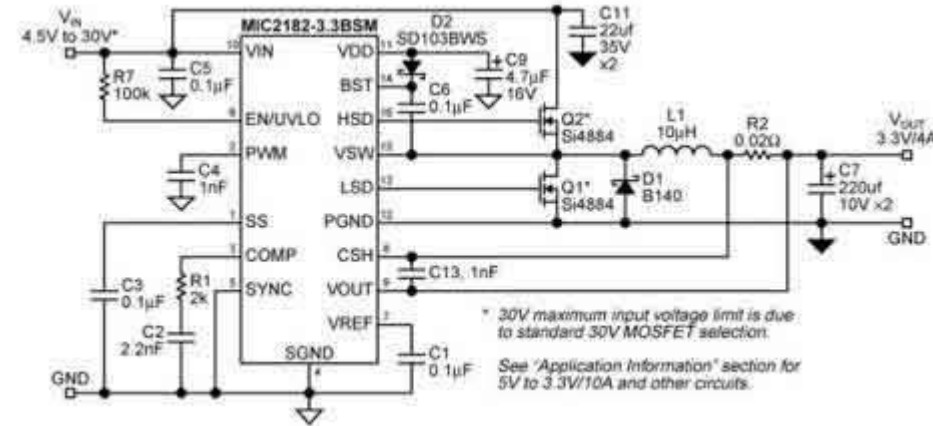
MIC2182

High-Efficiency Synchronous Buck Controller

Online
Datasheet

Features:

- 4.5V to 32V Input voltage range
- 1.25V to 6V Output voltage range
- 95% efficiency
- 300kHz oscillator frequency
- 5 ω impedance MOSFET Drivers
- Drives N-Channel MOSFETs
- 600 μ A typical quiescent current (skip-mode)
- Logic controlled micropower shutdown (IQ – < 0.1 μ A)
- Cycle-by-cycle current limiting
- Precision 1.245V reference output
- 0.6% total regulation
- 16-pin SOP and SSOP packages
- Sustained short-circuit protection at any input voltage
- 20A output current capability



<< BACK



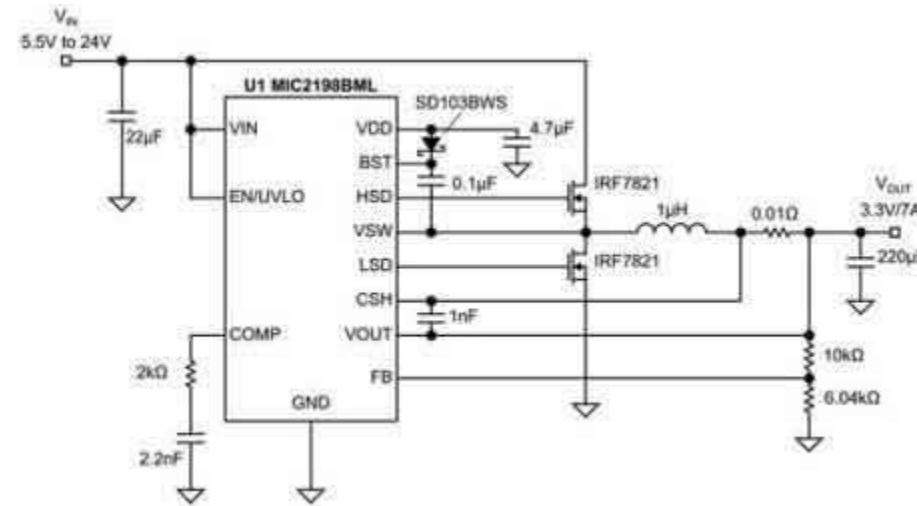
MIC2198

500kHz 4mm x 4mm Synchronous Buck Controller

[Online Datasheet](#)

Features:

- 4.5V to 32V input range
- 4mm x 4mm MLF[®] package
- 500kHz PWM operation
- >90% efficiency
- Output voltage adjustable down to 0.8V
- 20A output current capability
- Drives all N-Channel MOSFETs
- Logic controlled micropower shutdown
- Cycle-by-cycle current limiting
- Adjustable under-voltage lockout
- Frequency fold-back overcurrent protection



<< BACK



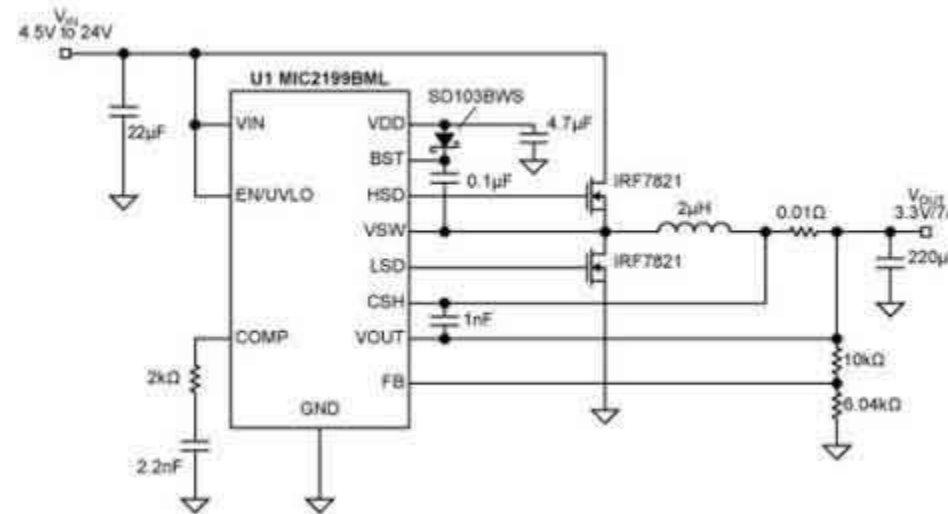
MIC2199

300kHz 4mm x 4mm Synchronous Buck Controller

[Online Datasheet](#)

Features:

- 4.5V to 32V input range
- 4mm x 4mm MLF[®] package
- 300kHz PWM operation
- 95% efficiency
- Output voltage adjustable down to 0.8V
- 20A output current capability
- Drives all N-Channel MOSFETs
- Logic controlled micropower shutdown
- Cycle-by-cycle current limiting
- Adjustable under-voltage lockout
- Frequency fold-back overcurrent protection



[<< BACK](#)



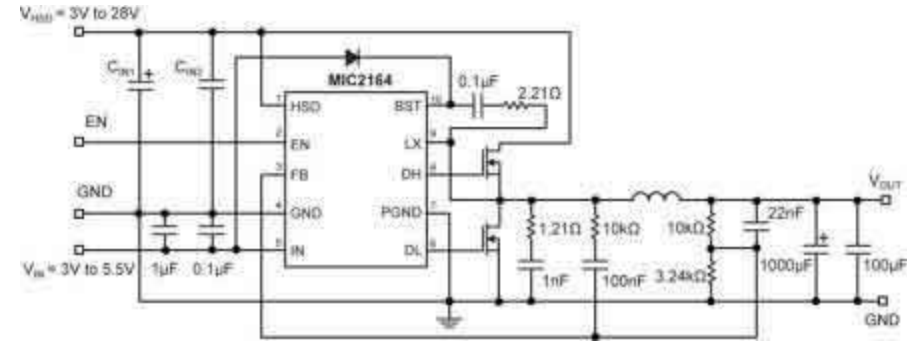
MIC2164/-2/-3/C

300kHz PWM Buck Controller

Online
Datasheet

Features:

- 3V to 28V input voltage
- Zero ESR to high ESR
- 25A output current capability
- 300kHz/600kHz/1MHz switching frequency
- Adaptive on-time mode control
- Hyper Speed Control™ architecture enables
- High delta V operation ($V_{HSD}=28V$ and $V_{OUT}=0.8V$)
- Smaller output capacitors than competitors
- Adjustable output from 0.8V to 5.5V with $\pm 1\%$ -
- (MIC2164/-2/-3) or $\pm 3\%$ (MIC2164C) feedback accuracy
- Up to 95% efficiency
- Fold-back current limit and "hiccup" mode short-circuit protection
- $-40^{\circ}C$ to $+125^{\circ}C$ junction temperature range
- Available in 10-pin MSOP package



<< BACK



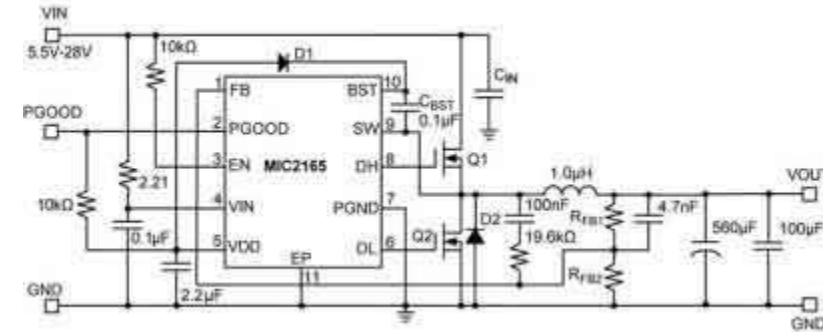
MIC2165

Adaptive On-Time DC-DC Controller w/ HyperLight Load® Hyper Speed Control™

[Online Datasheet](#)

Features:

- Hyper Speed Control™ architecture enables:
 - High V_{IN} /Low V_{OUT} operation ($V_{IN}=28V$ – and $V_{OUT}=0.8V$)
 - Smallest output capacitance
- HyperLight Load® Efficiency
- Built-in 5V regulator for single-supply operation
- Any Capacitor™ stable: Zero ESR to high ESR
- Power-Good output
- Input voltage range: 4.5V to 28V
- 5 μA typical shutdown current
- 25A output current drive capability
- Adjustable output from 0.8V to 5.5V with $\pm 1\%$ – FB Accuracy
- 600kHz switching frequency
- Internal 5ms digital soft start
- Thermal shutdown and "hiccup" current limit – protection
- No external current-sense resistor required
- Safe start-up into pre-biased loads
- 10-pin MSOP ePad package



[<< BACK](#)



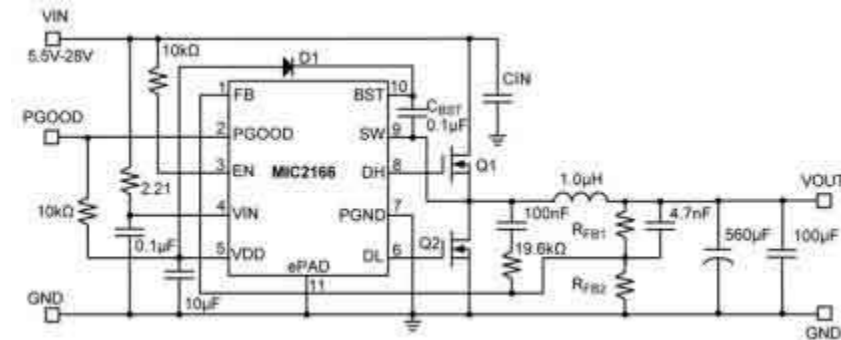
MIC2166

Online
Datasheet

Adaptive On-Time DC-DC Controller Hyper Speed Control™ Family

Features:

- Hyper Speed Control™ architecture enables:
 - High delta V operation ($V_{IN} = 28V$ and $-V_{OUT} = 0.8V$)
 - Smallest output capacitance
- Built-in 5V regulator for single-supply operation
- Any Capacitor™ stable: Zero ESR to high ESR
- Power Good (PGOOD) output
- Input voltage range: 4.5V to 28V
- 5µA typical shutdown current
- 25A output current drive capability
- Adjustable output from +0.8V to 5.5V with $\pm 1\%$ - accuracy
- 600kHz switching frequency
- Internal 5ms digital soft-start
- Thermal shutdown and "hiccup" current limit - protection
- No external current-sense resistor required
- Safe start-up into pre-biased loads
- 10-pin MSOP ePad package



<< BACK



MIC2125

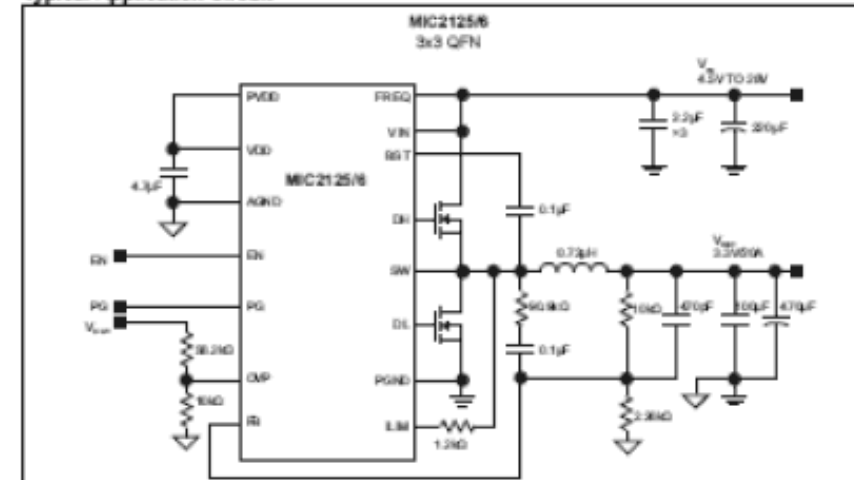
Online
Datasheet

28V Synchronous Buck Controllers Ft. Adaptive ON-Time Control

Features:

- Hyper Speed Control Architecture Enables:
 - High delta V operation ($V_{IN} = 28V$ and $-V_{OUT} = 0.6V$)
 - Any Capacitor™ stable
- 4.5V to 28V Input Voltage
- Adjustable Output Voltage from 0.6V to 24V
- 200 kHz to 750 kHz Programmable Switching –
- Frequency
- HyperLight Load® (MIC2125)
- Enable Input and Power Good Output
- Built-in 5V Regulator for Single-Supply Operation
- Programmable current limit and “hiccup” mode –
- short-circuit protection
- 7 ms internal soft-start, internal compensation, -
- and thermal shutdown
- Supports Safe Start-Up into a Pre-biased Output
- $-40^{\circ}C$ to $+125^{\circ}C$ Junction Temperature Range
- Available in 16-pin, 3 mm × 3 mm QFN Package

Typical Application Circuit



<< BACK

MIC2126

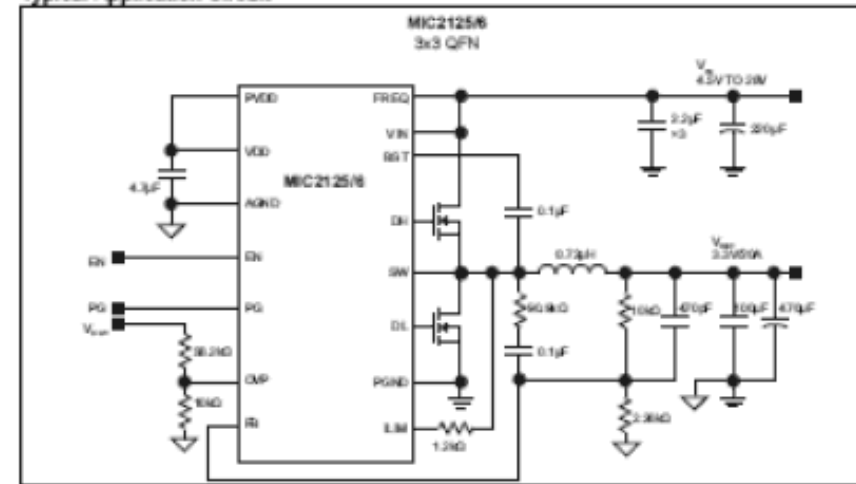
Online
Datasheet

28V Synchronous Buck Controllers w/ Adaptive ON-Time Control

Features:

- Hyper Speed Control Architecture Enables:
 - High delta V operation ($V_{IN} = 28V$ and -
- $V_{OUT} = 0.6V$)
 - Any Capacitor™ stable
- 4.5V to 28V Input Voltage
- Adjustable Output Voltage from 0.6V to 24V
- 200 kHz to 750 kHz Programmable Switching –
- Frequency
- Hyper Speed Control® (MIC2126)
- Enable Input and Power Good Output
- Built-in 5V Regulator for Single-Supply Operation
- Programmable current limit and “hiccup” mode -
- short-circuit protection
- 7 ms internal soft-start, internal compensation, -
- and thermal shutdown
- Supports Safe Start-Up into a Pre-biased Output
- $-40^{\circ}C$ to $+125^{\circ}C$ Junction Temperature Range
- Available in 16-pin, 3 mm × 3 mm QFN Package

Typical Application Circuit



<< BACK



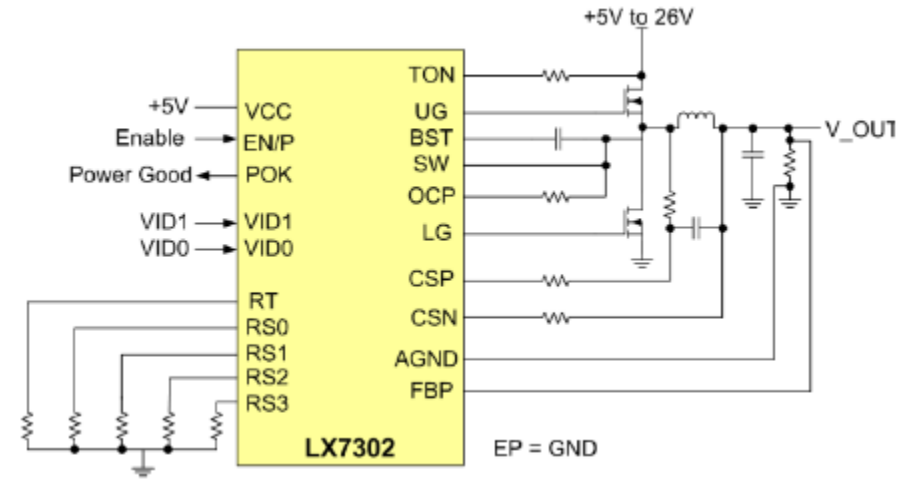
LX7302

5V to 26V Synchronous Step Down DC-DC Controller

[Online
Datasheet](#)

Features:

- Integrated High & Low Side Drivers
- Input Voltage Range 5V to 26V
- 200kHz to 1MHz Switching Frequency
- Differential Feedback
- Inductor Current Sensing
- Droop Control
- Enable/Disable
- VID Control or Ext Reference
- Power Saving Mode
- OCP, OVP, UVP, OTP, UVLO
- 3mm x 3mm VQFN



[<< BACK](#)



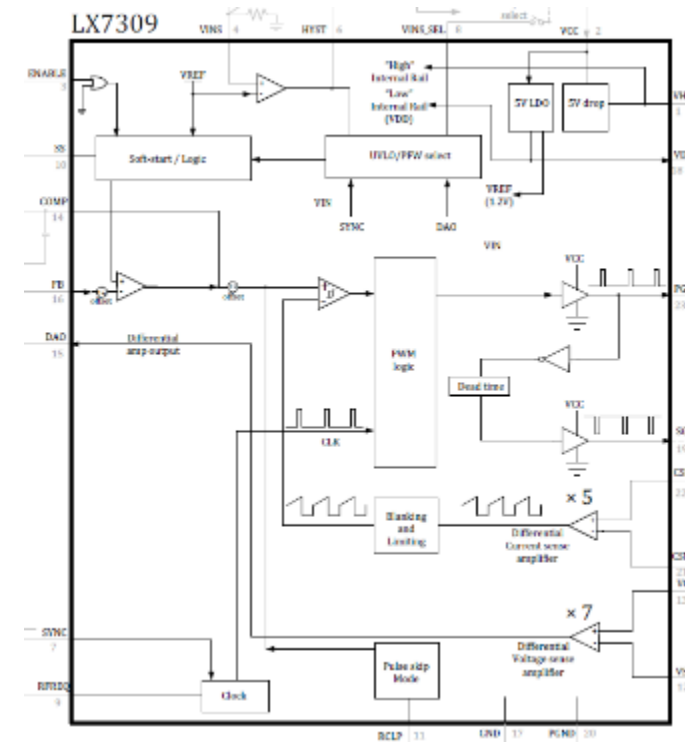
LX7309

Advanced Multi-topology Current-Mode Controller

Online
Datasheet

Features:

- Current-mode control for fast line and load correction responses
- 50% duty cycle limit for simple Forward converters and for avoiding subharmonic instability in Flyback, Boost and Buck-Boost
- 200mV peak current sense signal with differential Kelvin sensing for noise immunity and higher efficiency
- Two out-of-phase driver stages for synchronous rectification or active clamp
- 24-pin, 4x4 mm QFN



<< BACK



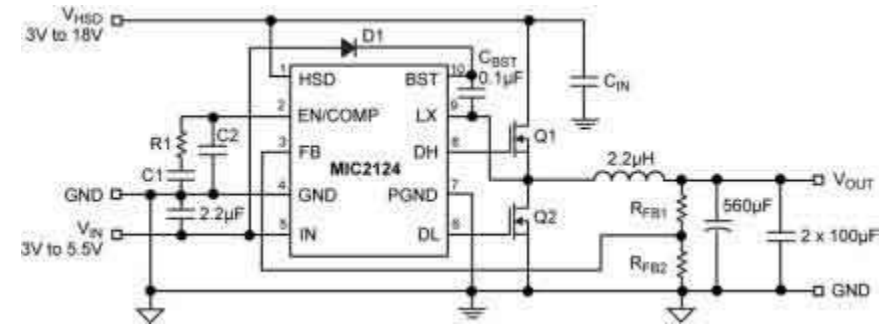
MIC2124

Online
Datasheet

Synch. Current Mode Buck Controller w/ Adaptive On-Time Control

Features:

- +3V to +18V input voltage
- 25A output current capability
- Any Capacitor™ stable:
 - Zero ESR to high ESR
- Output down to 0.8V with $\pm 1\%$ FB accuracy
- Up to 94% efficiency
- 300kHz switching frequency
- All N-Channel MOSFET design
- Shutdown feature with EN/COMP
- No current-sense resistor needed
- Internal 4ms digital soft-start
- Cycle-by-Cycle fold-back current-limit protection
- 10-pin MSOP package
- -40°C to $+125^{\circ}\text{C}$ junction temperature range



<< BACK



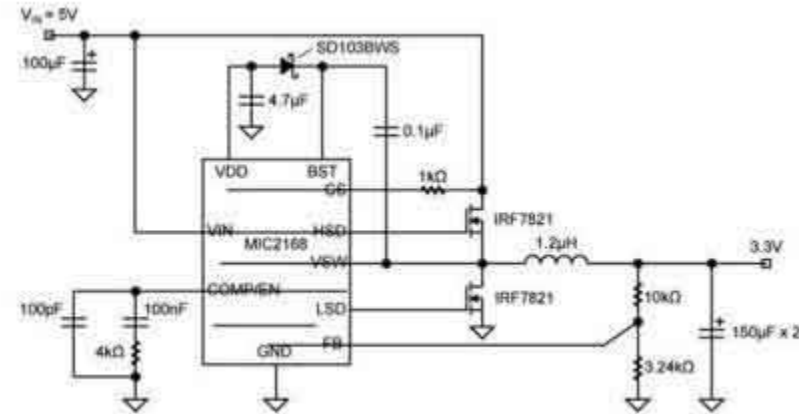
MIC2168/A

1MHz PWM Synchronous Buck Control IC

Online
Datasheet

Features:

- 3V to 14.5V input voltage range
- Adjustable output voltage down to 0.8V
- Up to 95% efficiency
- 1MHz PWM operation
- No external current sense resistor
- Adaptive gate drive increases efficiency
- Adjustable current-limit senses high-side –
- N-Channel MOSFET current
- Ultra-fast response with hysteretic transient –
- recovery mode
- Overvoltage protection protects the load in –
- fault conditions
- Dual mode current limit speeds up recovery time
- "Hiccup" mode short-circuit protection Internal soft-start
- Dual function COMP and EN pin allows low-power shutdown
- Small size MSOP 10-lead package



<< BACK



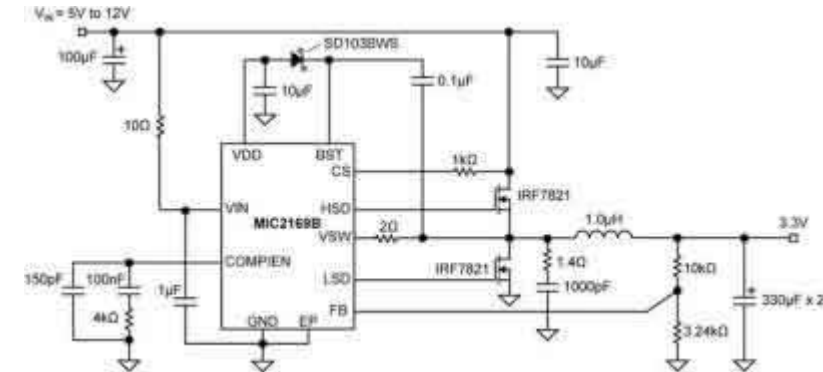
MIC2169/A/B

500kHz PWM Synchronous Buck Control IC

Online
Datasheet

Features:

- 3V to 14.5V input voltage range
- Adjustable output voltage down to 0.8V
- 500kHz PWM operation
- Up to 95% efficiency
- Output pre-biased protection
- Built-in 2.2 ω drivers to drive two N-Channel –
– MOSFETs
- Adaptive gate drive increases efficiency
- Simple, externally-compensated voltage-mode –
– PWM control
- Short minimum ON time of 30ns allowing very low duty cycle
- Fast transient response
- Adjustable current limit senses high-side N-Channel MOSFET current
- Hiccup mode short-circuit protection
- Dual function COMP and EN pin allows low-power shutdown
- Available in a small size 10-pin MSOP and 10-pin MSOP ePad package



<< BACK



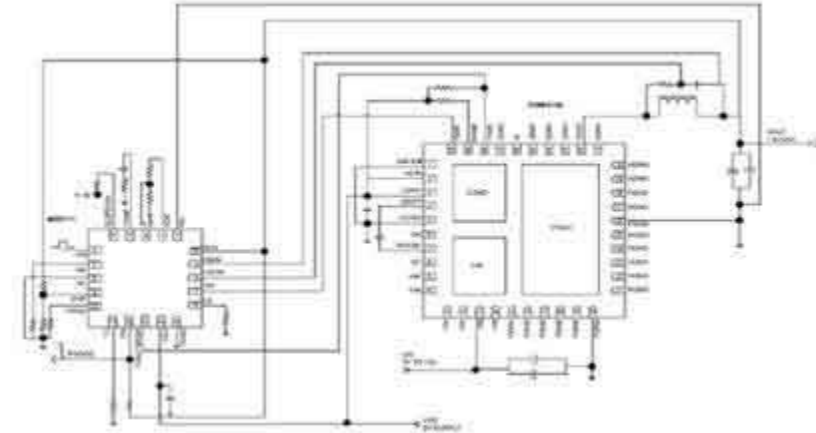
MIC2111

[Online Datasheet](#)

Single-Phase Multi-Mode Step-Down PWM Controller

Features:

- Single 3.3V or 5V supply
- Supports load currents more than 50A
- Programmable valley-current/voltage-mode –
- PWM architecture
- 3.3V logic PWM outputs compatible with power –
- stage modules and DrMOS modules
- Programmable switching frequency: 200kHz to –
- 2MHz
- Differential remote sensing for output voltage –
- and inductor current
- 0.6V reference voltage with total $\pm 1\%$ accuracy for output
- Adjustable soft-start/soft-stop and pre-biased safe startup
- Programmable OCP, OVP, OTP, and dedicated FAULT –
- pin for system safe startup/stop
- -40°C to $+125^{\circ}\text{C}$ junction temperature range
- Available in 20-pin $3\text{mm} \times 3\text{mm}$ TQFN package



[<< BACK](#)



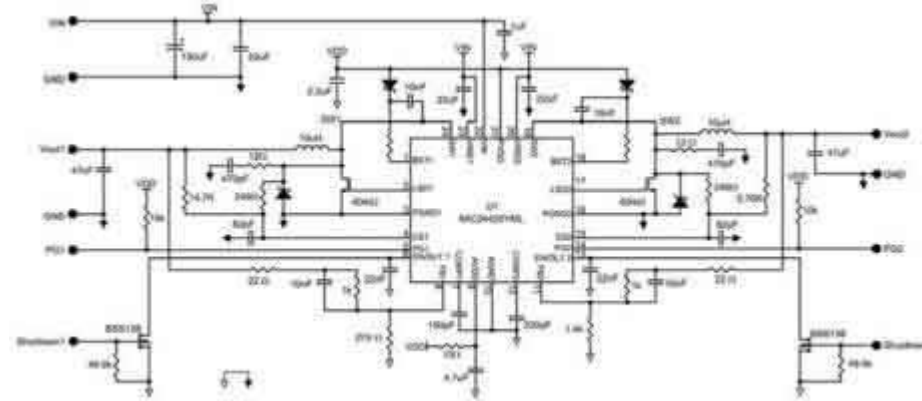
MIC24420/1

[Online Datasheet](#)

2.5A Dual Output PWM Synchronous Buck Regulator

Features:

- 4.5V to 15V input voltage range
- Adjustable output voltages down to 0.7V
- 2.5A per channel
- 180° out of phase operation
- Pre-biased output startup capability
- Low-side driver for synchronous operation
- 2% output voltage accuracy (over – temperature)
- 500kHz (MIC24421) and 1MHz – (MIC24420) switching frequency
- Programmable max current limit
- Ramp Control™ provides soft-start
- Low-side current sensing allows very low duty-cycle
- Works with ceramic output capacitors
- 24-pin 4mm x 4mm MLF® package
- Junction temperature range of -40°C to +125°C



[<< BACK](#)



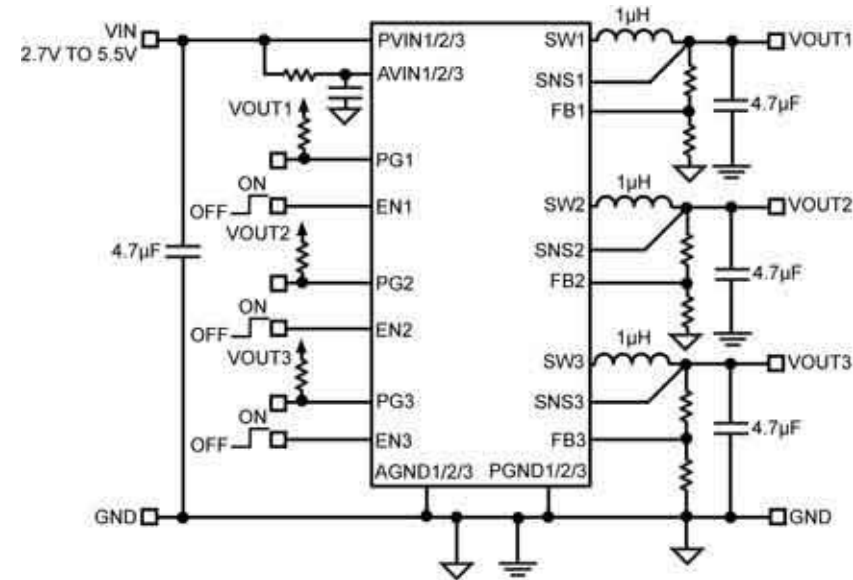
MIC23450

Online
Datasheet

3MHz PWM 2A Triple Buck Regulator w/ HyperLight Load® & Power Good

Features:

- Input voltage: 2.7V to 5.5V
- Three independent 2A outputs
- Up to 93% peak efficiency
- 81% typical efficiency at 1mA
- 23 μ A typical quiescent current (per channel)
- 3MHz PWM operation in continuous mode
- Low voltage output ripple:
 - 30mVpp ripple in HyperLight Load® mode
 - 5mV output voltage ripple in full PWM mode
- Fully integrated MOSFET switches
- 0.01 μ A shutdown current (per channel)
- Thermal-shutdown and current-limit protection
- Output voltage as low as 1V
- 32-pin 5mm x 5mm QFN
- -40°C to +125°C junction temperature range



<< BACK



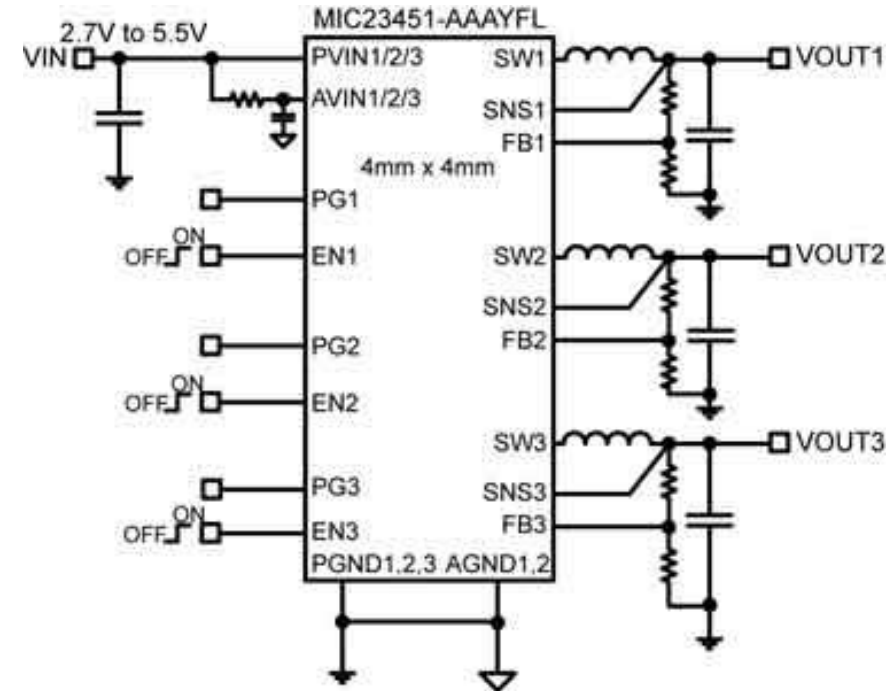
MIC23451

Online
Datasheet

3MHz 2A Triple Synch. Buck Regulator w/ HyperLight Load® & Power Good

Features:

- Input voltage: 2.7V to 5.5V
- Three independent 2A outputs
- Up to 93% peak efficiency
- 81% typical efficiency at 1mA
- 24 μ A typical quiescent current (per channel)
- 3MHz PWM operation in continuous mode
- Ultra-fast transient response
- Low voltage output ripple:
 - 30mVpp ripple in HyperLight Load® mode
 - 5mV output voltage ripple in full PWM mode
- Fully integrated MOSFET switches
- Thermal shutdown and current limit protection
- Output voltage as low as 1.0V
- 26-pin 4mm x 4mm QFN package
- Junction temperature range of -40°C to +125°C



<< BACK



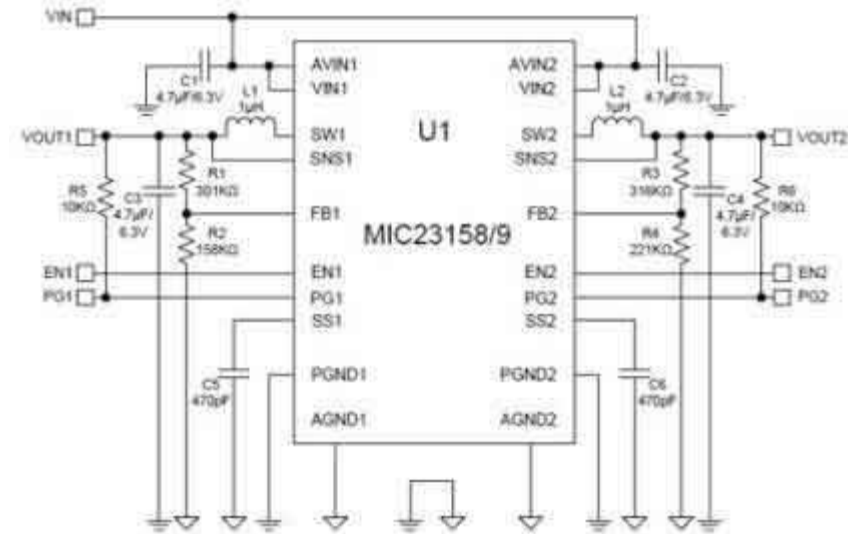
MIC23158/9

Online
Datasheet

3MHz PWM Dual 2A Buck Regulator w/ HyperLight Load® & Power Good

Features:

- Input voltage: 2.7V to 5.5V
- Output voltage: Adjustable (down to 1.0V)
- Two independent 2A outputs
- Up to 94% peak efficiency
- 83% typical efficiency at 1mA
- Two independent Power Good Indicators
- Independent programmable Soft Start
- 45 μ A typical quiescent current
- 3MHz PWM operation in continuous conduction – mode
- Fully integrated MOSFET switches
- 0.01 μ A shutdown current
- Thermal shutdown and current limit protection
- 20-pin 3mm x 4mm MLF® package
- Junction temperature range of -40°C to +125°C



<< BACK



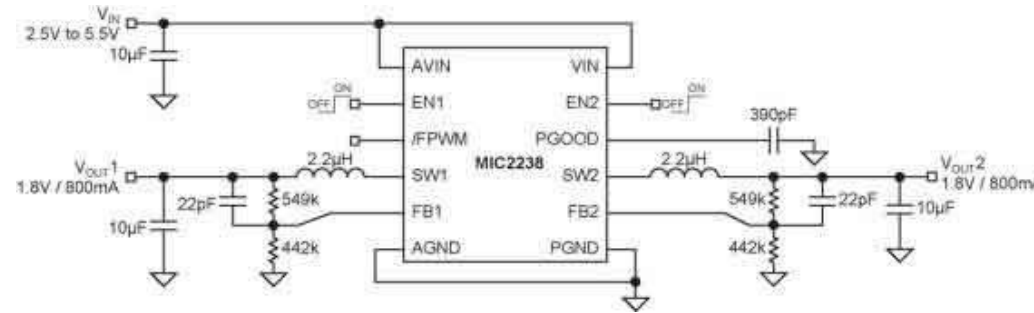
MIC2238

2MHz Dual 2A Integrated Switch Buck Regulator

[Online Datasheet](#)

Features:

- Input voltage range: 2.5V to 5.5V
- 28 μ A quiescent current
- Fixed output voltage versions
- Adjustable version down to 0.8V
- Low noise 2.5MHz PWM –
- operation
- Dual output voltages running –
- out of phase
- 800mA output current capability for each channel
- Stable with 2.2 μ H inductor, 2.2 μ F ceramic cap
- Automatic switching into light load mode of operation
- /FPWM pin allows low noise all-PWM mode operation
- Power good output with internal 5 μ A current source –
- allows sequencing with programmable delay time
- Current limit protection
- Pb-Free 3mm x 3mm MLF[®]-12L package



[<< BACK](#)



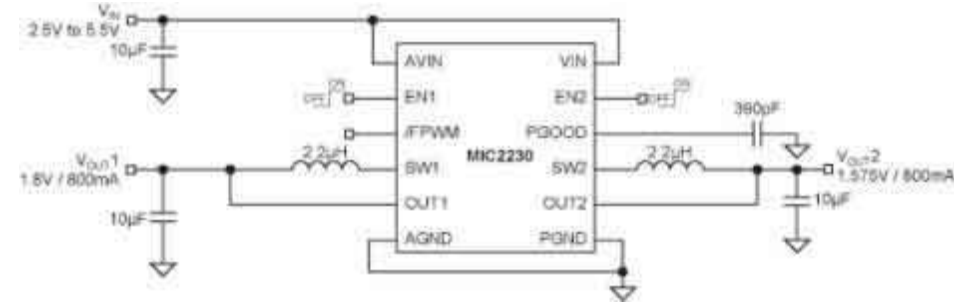
MIC2230

Online
Datasheet

Dual Synchronous 800mA/800mA Step-Down Regulator

Features:

- High Efficiency: Over 96%
- Ultra-low quiescent current: Only 28 μ A
- Ultra-low shutdown current less than 1 μ A
- Fast transient performance
- 2.5MHz PWM operation
- High output current capability per channel: -
- 800mA
- No Schottky Diodes Required
- Stable with 2.2 μ H inductor, 2.2 μ F ceramic cap
- Adjustable output voltage down to 0.8V
- Built-in soft-start circuitry
- /FPWM pin allows low noise all-PWM mode operation
- Power good output with internal 5 μ A current source –
- allows sequencing with programmable delay time
- Small Thermally Enhanced 3mm \times 3mm MLF[®] package



<< BACK



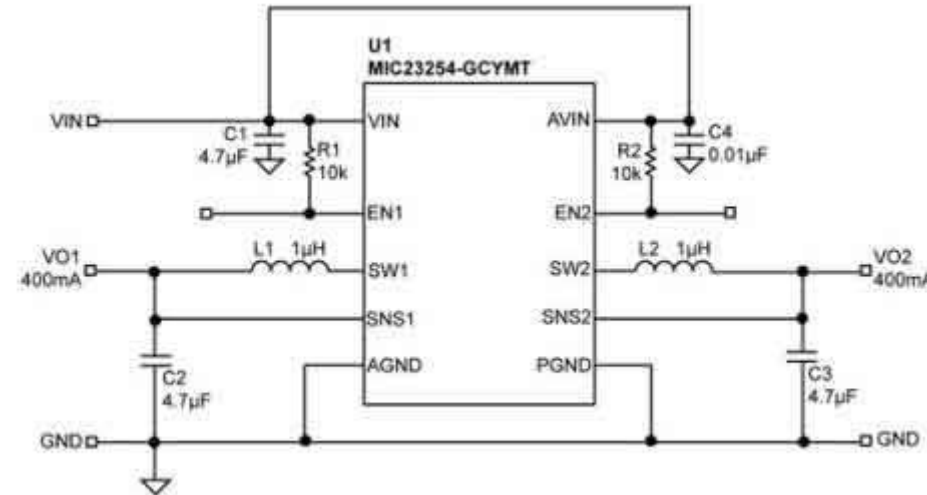
MIC23254

Online
Datasheet

4MHz Dual 400mA Synch. Buck w/ Low Input Voltage & HyperLight Load™

Features:

- Low input voltage range: 2.5V to 5.5V
- Dual output current 400mA/400mA
- 33 μ A dual quiescent current
- 1 μ H inductor with a 4.7 μ F capacitor
- 4MHz in PWM operation
- Ultra-fast transient response
- Low voltage output ripple
- Up to 94% peak efficiency and 85% - efficiency at 1mA
- 20mVpp in HyperLight Load® mode
- 3mV output voltage ripple in full PWM mode
- 0.01 μ A shutdown current
- Fixed output: 10-pin 2mm x 2mm Thin MLF®
- -40°C to +125°C junction temperature range



<< BACK



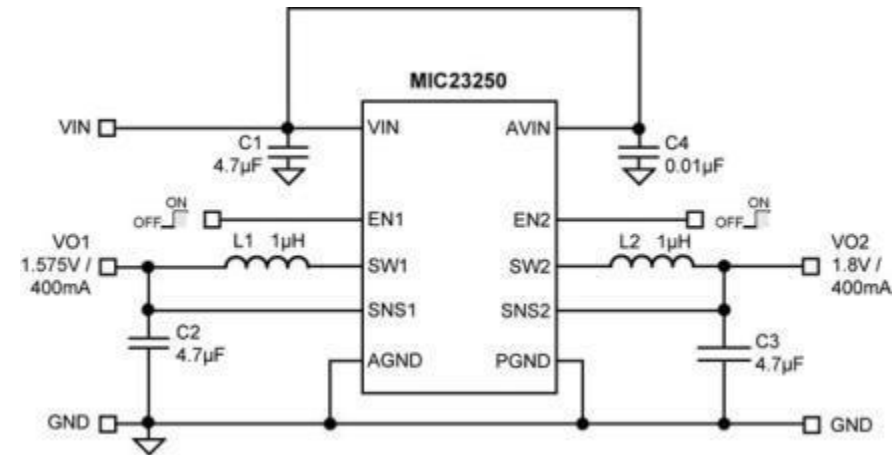
MIC23250

Online
Datasheet

4MHz Dual 400mA Synch. Buck Regulator w/ HyperLight Load™

Features:

- Input voltage range: 2.7V to 5.5V
- Dual output current 400mA/400mA
- 33 μ A dual quiescent current
- 1 μ H inductor with a 4.7 μ F capacitor
- 4MHz in PWM operation
- Ultra fast transient response
- Low voltage output ripple
- 20mVpp in HyperLight Load® mode
- Up to 94% peak efficiency and 85% efficiency –
- at 1mA
- 3mV output voltage ripple in full PWM mode
- 0.01 μ A shutdown current
- Fixed output: 10-pin 2mm x 2mm Thin MLF®
- Adjustable output: 12-pin 2.5mm x 2.5mm Thin MLF®
- -40°C to +125°C junction temperature range



<< BACK



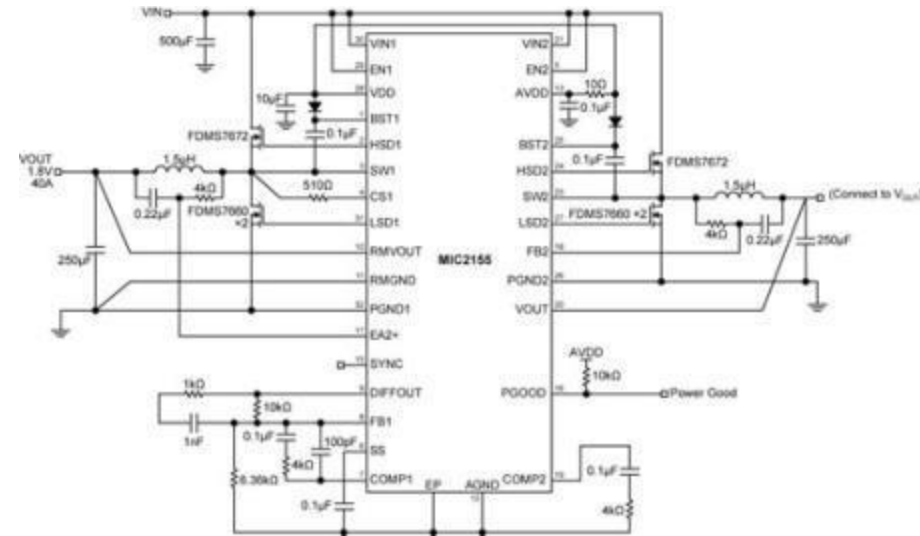
MIC2155

Online
Datasheet

2-Phase PWM Synchronous Buck Control IC

Features:

- Synchronous Buck Control ICs with outputs –
 - switching 180° out-of-phase
- Remote sensing with internal differential –
 - amplifier
- 4.5V to 14.5V input voltage range
- Adjustable output voltages down to 0.7V
- Starts up into a pre-biased output
- 500kHz PWM operation (MIC2155)
- Adaptive gate drive allows efficiencies over –
 - 95%
- Senses low-side MOSFET current
- Internal drivers allow 25A per phase
- Dual enables with micro-power shutdown –
 - and UVLO
- Single output high current capability with –
 - master-slave current sharing
- Small footprint 32-pin 5mm x 5mm MLF®
- Junction temperature range of -40°C to +125°C



<< BACK



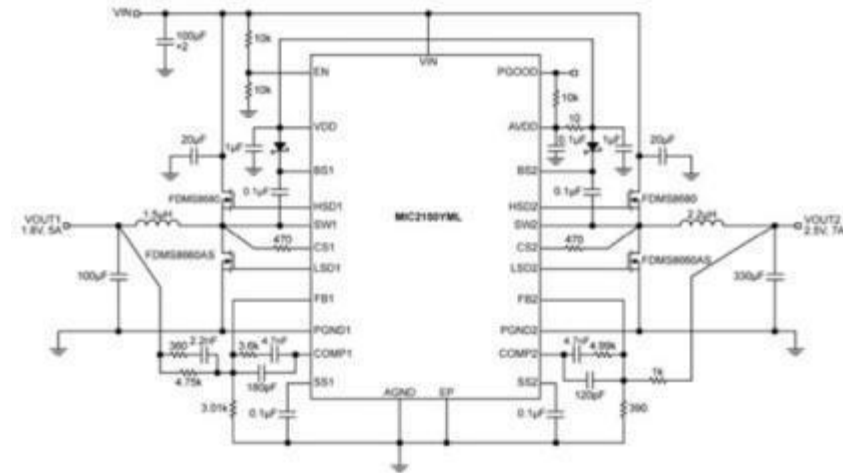
MIC2150/1

Online
Datasheet

2-Phase Dual Output PWM Synch. Buck Control

Features:

- Dual Synchronous Buck Control IC with outputs -
– switching 180° out-of-phase
- 4.5V to 14.5V input voltage range
- Adjustable output voltages down to 0.7V
- 1% output voltage accuracy
- MIC2150: 500kHz PWM operation
- MIC2151: 300kHz PWM operation
- Adaptive gate drive allows efficiencies over 95%
- Adjustable current limit with no sense resistor –
– Senses low-side MOSFET current
- Internal drivers allow 20A per phase
- Power Good output allow simple sequencing
- Output over-voltage protection
- Tiny 4mm x 4mm 24-Pin MLF® package
- Junction temperature range of -40°C to +125°C



<< BACK



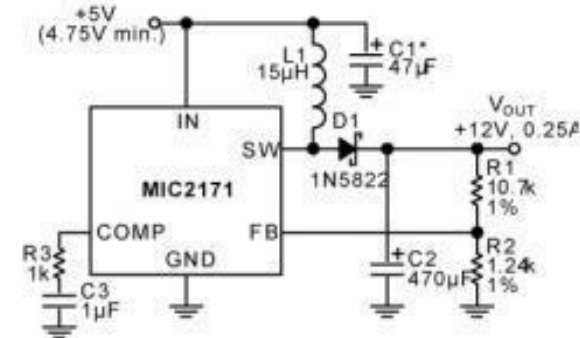
MIC2171

100kHz 2.5A Switching Regulator

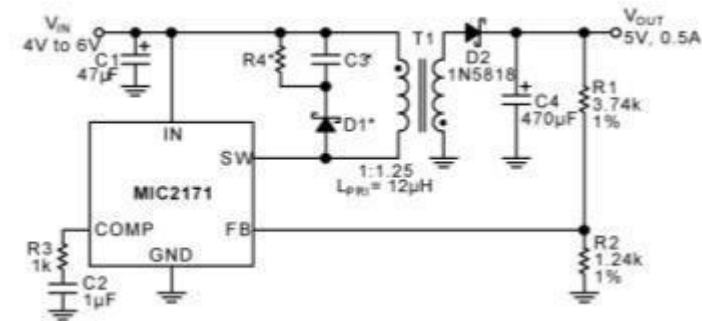
Online
Datasheet

Features:

- 2.5A, 65V internal switch rating
- 3V to 40V input voltage range
- Current-mode operation, 2.5A peak
- Internal cycle-by-cycle current limit
- Twice the frequency of the LM2577
- Low external parts count
- Operates in most switching topologies
- 7mA quiescent current (operating)
- Fits LT1171/LM2577 TO-220 and TO-263 –
- sockets



* Locate near MIC2171 when supply leads > 2"



* Optional voltage clipper (may be req'd if T1 leakage inductance too high)

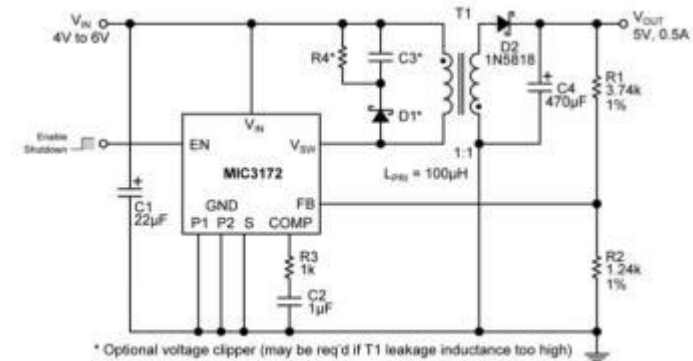
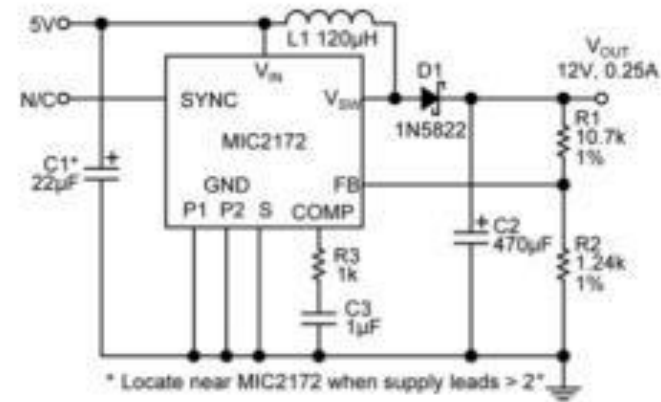
MIC2172

100kHz 2.5A Switching Regulator

Online
Datasheet

Features:

- 1.25A, 65V internal switch rating
- 3V to 40V input voltage range
- Current-mode operation
- Thermal shutdown
- Low external parts count
- Internal cycle-by-cycle current limit
- Operates in most switching topologies
- 7mA quiescent current (operating)
- <math><1\mu\text{A}</math> quiescent current, shutdown mode –
- (MIC3172)
- TTL shutdown compatibility (MIC3172)
- External frequency synchronization (MIC2172)
- External frequency trim (MIC2172)
- Fits most LT1172 sockets (see applications info)



<< BACK



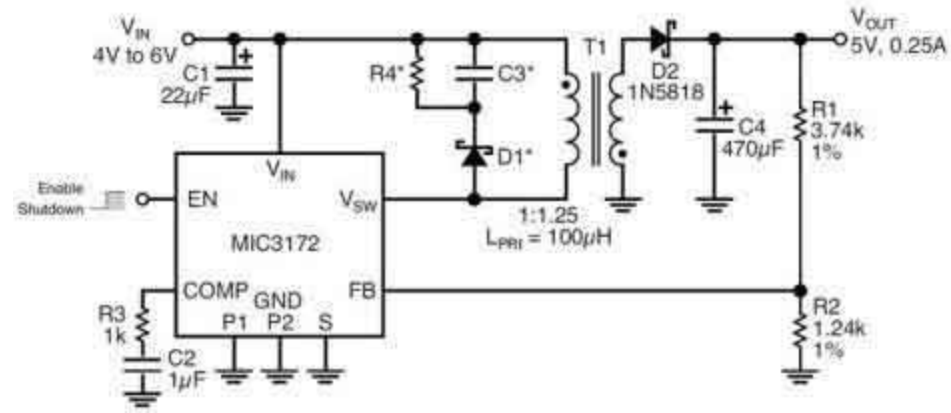
MIC3172

100kHz 1.25A Switching Regulators

Online
Datasheet

Features:

- 1.25A, 65V internal switch rating
- 3V to 40V input voltage range
- Current-mode operation
- Internal cycle-by-cycle current limit
- Thermal shutdown
- Low external parts count
- Operates in most switching topologies
- 7mA quiescent current (operating)
- <math><1\mu\text{A}</math> quiescent current, shutdown mode –
- (MIC3172)
- TTL shutdown compatibility (MIC3172)
- External frequency synchronization (MIC2172)
- External frequency trim (MIC2172)
- Fits most LT1172 sockets (see applications info)



<< BACK



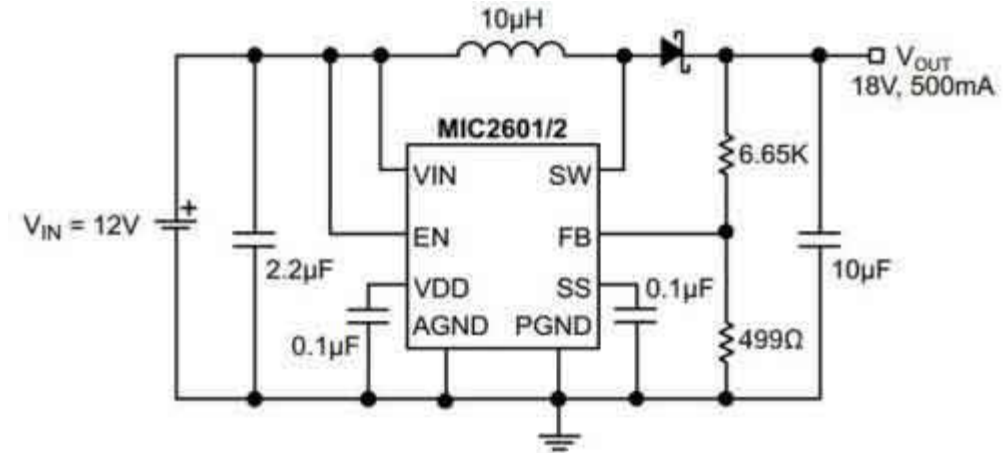
MIC2601/2

Online
Datasheet

1.2A Wide Input Range with Integrated Switch Boost Regulator

Features:

- Wide input voltage range: 4.5V to 20V
- Output voltage adjustable to 40V
- 1.2A switch current
- MIC2601 operates at 1.2MHz
- MIC2602 operates at 2MHz
- Stable with small size ceramic capacitors
- High efficiency
- Programmable soft start
- <math><10\ \mu\text{A}</math> shutdown current
- UVLO
- Output over-voltage protection
- Over temperature shutdown
- 8-pin 2mm x 2mm MFL[®] package
- -40°C to +125°C junction temperature range



<< BACK



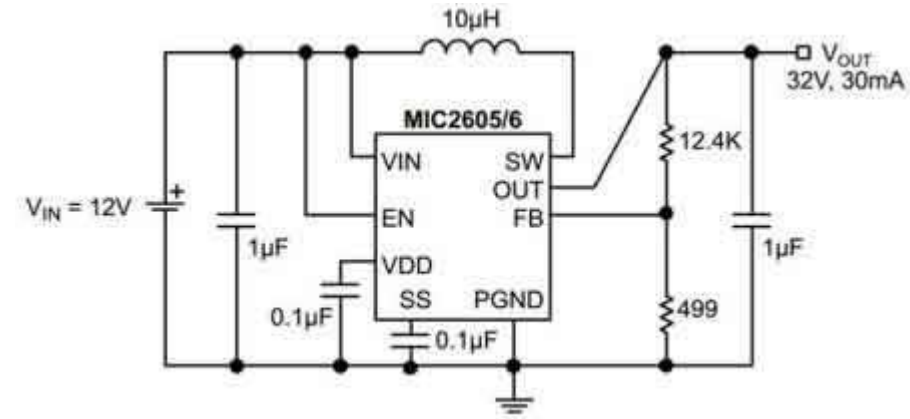
MIC2605/6

[Online Datasheet](#)

0.5A Wide Input Range Boost Regulator w/ Switch & Schottky Diode

Features:

- Wide input voltage range: 4.5V to 20V
- Output voltage adjustable to 40V
- 0.5A switch current and Schottky diode
- MIC2605 operates at 1.2MHz
- MIC2606 operates at 2MHz
- Programmable soft start
- Stable with small size ceramic capacitors
- High efficiency
- Low input and output ripple
- <math><10\mu\text{A}</math> shutdown current
- UVLO
- Output over-voltage and over-temperature protection
- 8-pin 2mm x 2mm MLF[®] package
- -40°C to +125°C junction temperature range



[<< BACK](#)



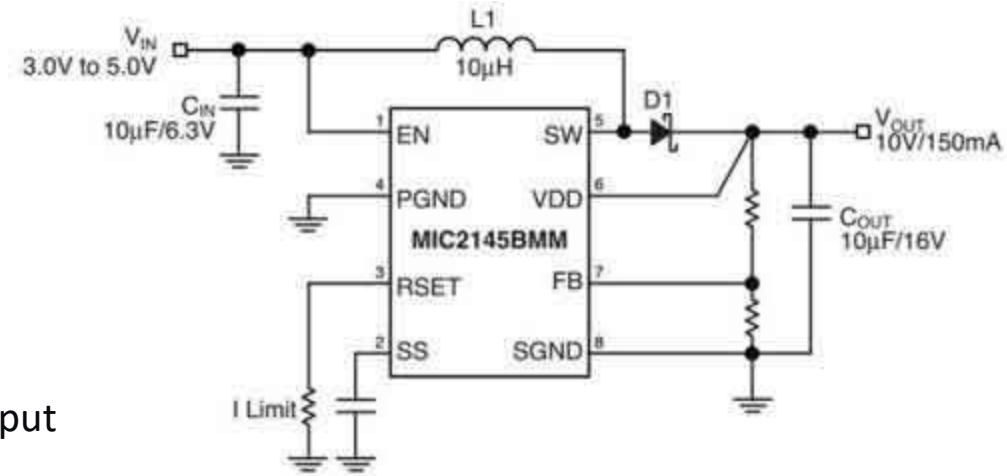
MIC2145

High Efficiency 2.5W Boost Converter

Online
Datasheet

Features:

- 2.4V to 16V input voltage
- Output adjustable to 16V
- Programmable peak current limit
- Soft start
- Up to 450kHz switching frequency
- 0.5 μ A shutdown current
- 200 μ A quiescent current
- Capable of 5V/500mA output with 3.3V input
- Achieves over 85% efficiency
- Implements low power boost, SEPIC, and – flyback topologies
- MSOP-8 and 3mm x 3mm MLF[®]-10L



<< BACK



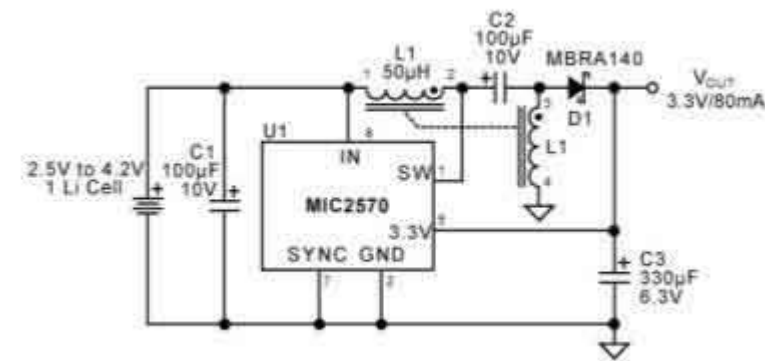
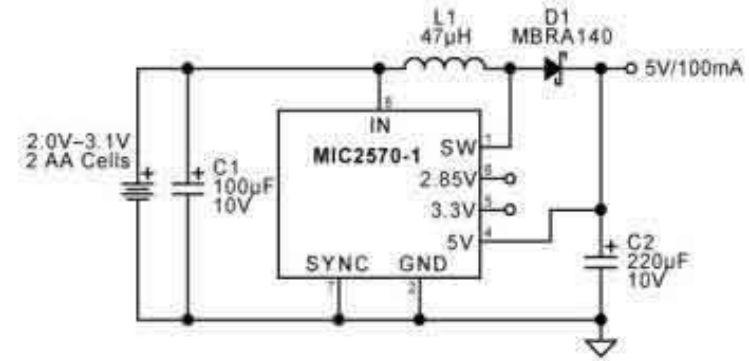
MIC2570

Micropower Boost Converter

Online
Datasheet

Features:

- Operates from a two-cell supply:
 - 1.3V to 15V operation
- 130 μ A typical quiescent current
- Complete regulator fits 0.6 in² area
- 2.85V/3.3V/5V selectable output voltage –
- (MIC2570-1)
- Adjustable output up to 36V (MIC2570-2)
- 1A current limited pass element
- Frequency synchronization input
- 8-lead SOIC package



<< BACK



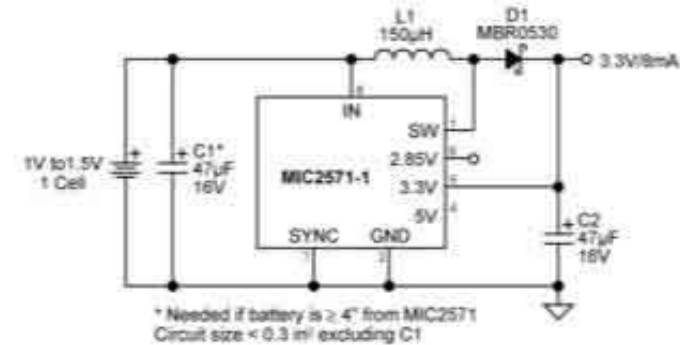
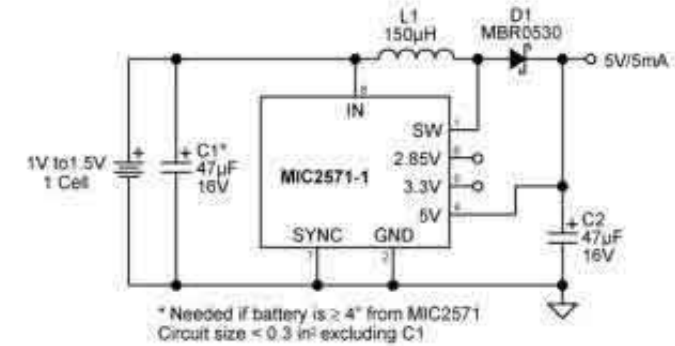
MIC2571

Single-Cell Switching Regulator

[Online Datasheet](#)

Features:

- Operates from a single-cell supply:
 - 0.9V to 15V operation
- 120 μ A typical quiescent current
- Complete regulator fits 0.3 in² area
- 2.85V/3.3V/5V selectable output voltage – (MIC2571-1)
- Adjustable output up to 36V (MIC2571-2)
- 1A current limited pass element
- Frequency synchronization input
- 8-lead MSOP package



[<< BACK](#)

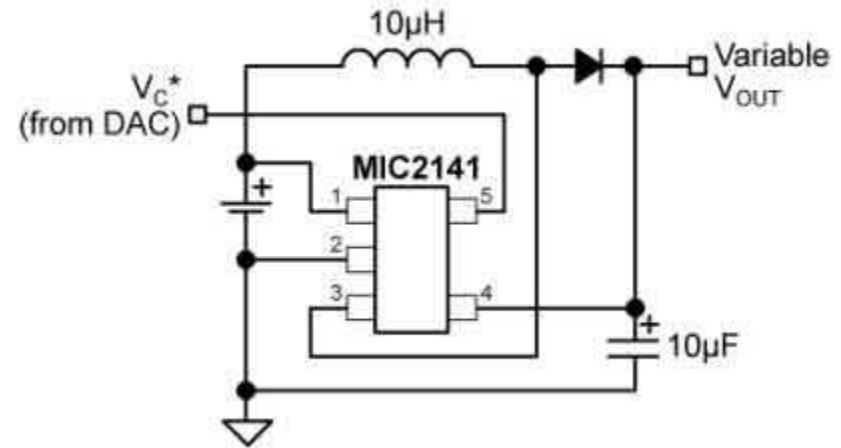


MIC2141

Micropower Boost Converter

Features:

- Implements low-power boost, SEPIC, -
- - or fly-back
- 2.2V to 14V input voltage
- 330kHz switching frequency
- $<2\mu\text{A}$ shutdown current
- $70\mu\text{A}$ quiescent current
- 1.24V bandgap reference
- Typical output current 1mA to 10mA
- SOT-23-5 package



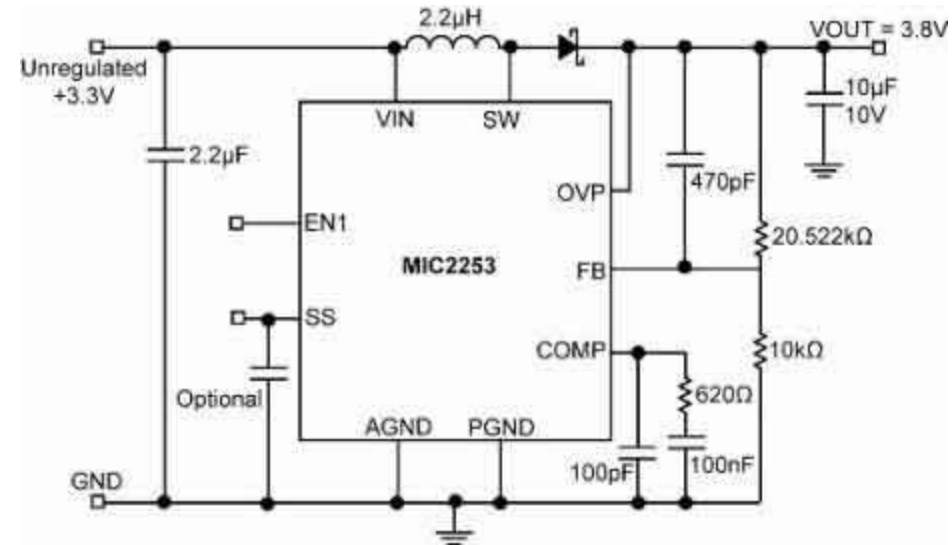
MIC2253

Online
Datasheet

3.5A 1MHz High Efficiency Boost Regulator w/ OVP & Softstart

Features:

- 3.5A minimum switch current
- 1.245V \pm 3% feedback voltage
- 2.5V to 10V input voltage
- Output over-voltage protection (OVP)
- Externally programmable soft-start
- Output voltage up to 30V (max)
- Fixed 1MHz operation
- <1% line regulation
- 0.1 μ A shutdown current
- Over temperature protection
- Under-voltage lockout (UVLO)
- 12-pin 3mm x 3mm leadless MLF[®] package
- -40 $^{\circ}$ C to +125 $^{\circ}$ C junction temperature range



<< BACK



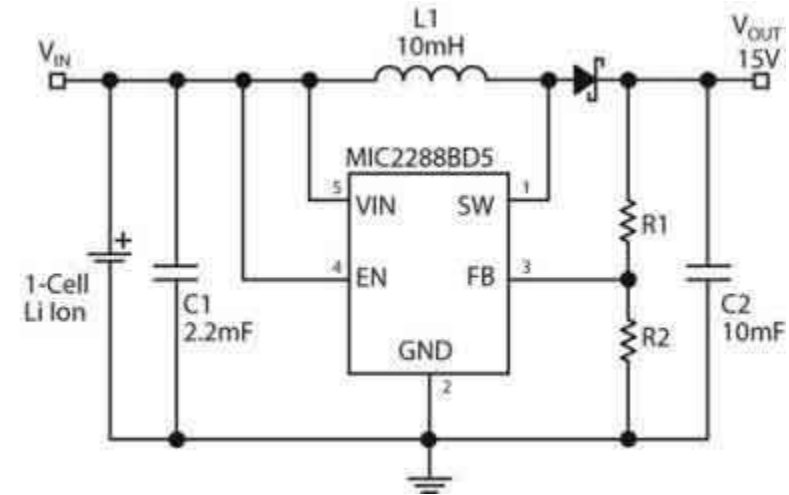
MIC2288

Online
Datasheet

1A 1.2MHz PWM Boost Converter in Small Packaging

Features:

- 2.5V to 10V input voltage range
- Output voltage adjustable to 34V
- Over 1A switch current
- 1.2MHz PWM operation
- Stable with ceramic capacitors
- <1% line and load regulation
- Low input and output ripple
- <1 μ A shutdown current
- Output overvoltage protection (MIC2288BML)
- Over temperature shutdown
- Thin SOT-23-5 package option
- 2mm x 2mm leadless MLF[®]-8L package option
- -40 $^{\circ}$ C to +125 $^{\circ}$ C junction temperature range



<< BACK



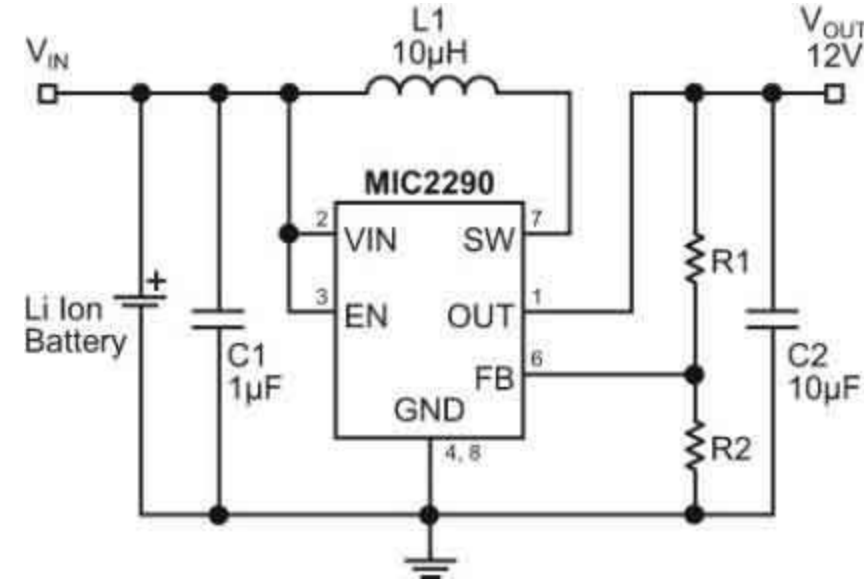
MIC2290

Online
Datasheet

2mm x 2mm PWM Boost Regulator with Internal Schottky Diode

Features:

- Internal Schottky diode
- 2.5V to 10V input voltage
- Output voltage adjustable to 34V
- Over 500mA switch current
- 1.2MHz PWM operation
- Stable with ceramic capacitors
- <1% line and load regulation
- Low input and output ripple
- <1 μ A shutdown current
- UVLO
- Output overvoltage protection
- Over temperature protection
- 2mm x 2mm 8-pin MLF[®] package
- -40 $^{\circ}$ C to +125 $^{\circ}$ C junction temperature range



<< BACK



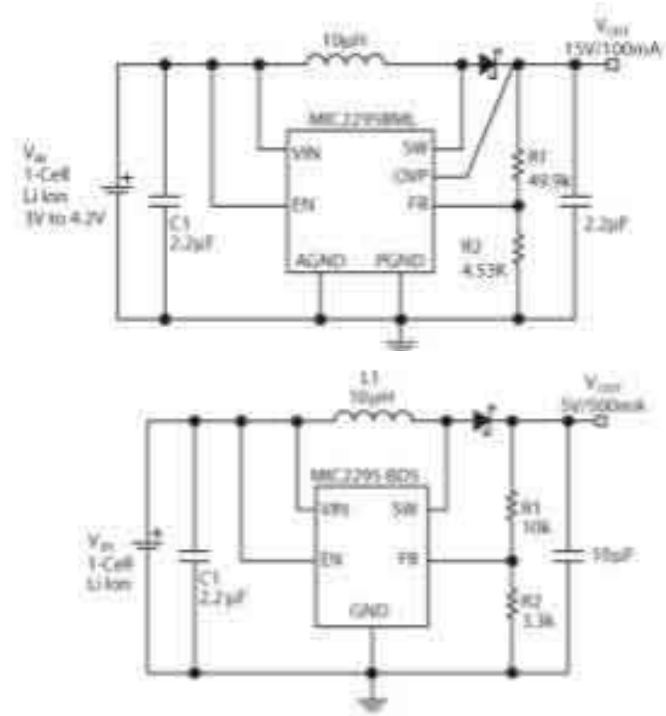
MIC2295

High Power Density 1.2A Boost Regulator

Online
Datasheet

Features:

- 2.5V to 10V input voltage range
- Output voltage adjustable to 34V
- 1.2A switch current
- 1.2MHz PWM operation
- Stable with small size ceramic capacitors
- High efficiency
- Low input and output ripple
- <math><1\mu\text{A}</math> shutdown current
- UVLO
- Output over-voltage protection (MIC2295BML)
- Over temperature shutdown
- Thin SOT23-5 package option
- 2mm x 2mm leadless 8-lead MLF[®] package option
- -40°C to +125°C junction temperature range



<< BACK



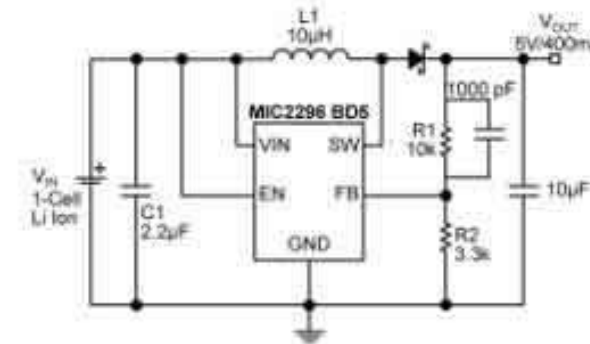
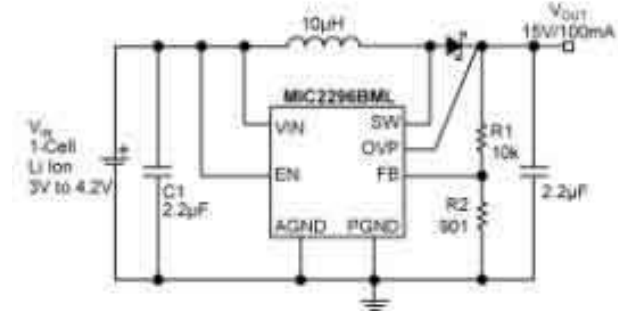
MIC2296

High Power Density 1.2A Boost Regulator

Online
Datasheet

Features:

- 2.5V to 10V input voltage range
- Output voltage adjustable to 34V
- 1.2A switch current
- 600kHz PWM operation
- Stable with small size ceramic capacitors
- High efficiency
- Low input and output ripple
- $<1 \mu\text{A}$ shutdown current
- UVLO
- Output over-voltage protection (MIC2296BML)
- Over temperature shutdown
- 2mm x 2mm leadless 8-lead MLF[®] package option
- -40°C to $+125^{\circ}\text{C}$ junction temperature range



<< BACK



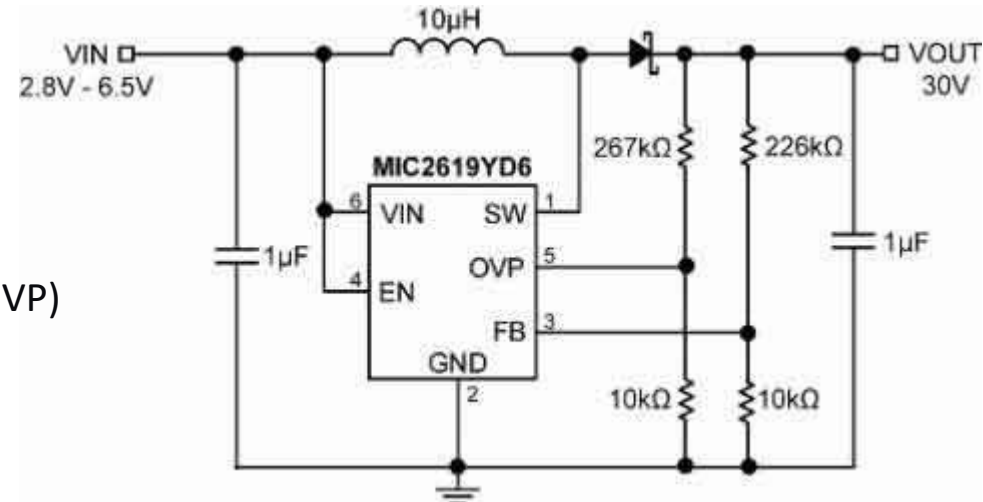
MIC2619

Online
Datasheet

1.2MHz PWM Boost Converter with OVP

Features:

- 2.8V to 6.5V input voltage
- 350mA switch current
- Output voltage up to 35V
- 1.2MHz PWM operation
- 1.265V feedback voltage
- Programmable over-voltage protection (OVP)
- <1% line regulation
- <1 μ A shutdown current
- Over-temperature protection
- Under-voltage lock out (UVLO)
- Low profile Thin SOT-23-6 package
- -40 $^{\circ}$ C to +125 $^{\circ}$ C junction temperature range



<< BACK



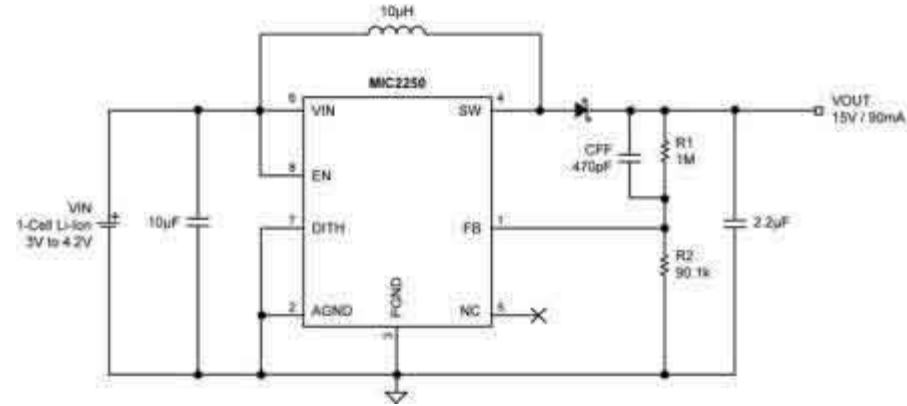
MIC2250

High Efficiency Low EMI Boost Regulator

Online
Datasheet

Features:

- Over 80% efficient for a 300:1 load range
- 2.5V to 5.5V input voltage range
- Output voltage adjustable to 32V
- 52 μ A (typ) quiescent current
- EMI reduction circuitry
- Stable with small ceramic capacitors
- <1 μ A shutdown current
- Constant peak current control reduces –
- output ripple
- UVLO and thermal shutdown
- 8-pin 2mm x 2mm leadless MLF[®] package (MIC2250)
- 5-pin Thin SOT-23 package (MIC2250-1 and -2)
- -40 $^{\circ}$ C to +125 $^{\circ}$ C junction temperature range



<< BACK



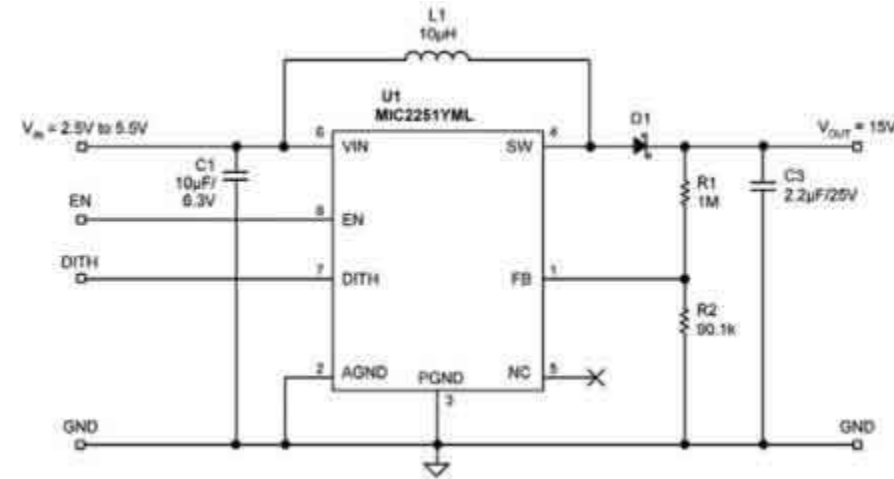
MIC2251

High Efficiency Low EMI Boost Regulator

Online
Datasheet

Features:

- Over 80% efficient for a 300:1 load range
- 2.5V to 5.5V input voltage range
- Output voltage adjustable to 37V
- 52 μ A (typ) quiescent current
- EMI reduction circuitry
- Stable with small ceramic capacitors
- <1 μ A shutdown current
- UVLO and thermal shutdown
- Constant peak current control reduces –
- output ripple
- 8-pin 2mm x 2mm leadless MLF[®] package (MIC2251)
- 5-pin Thin SOT-23 package (MIC2251-1 and -2)
- -40 $^{\circ}$ C to +125 $^{\circ}$ C junction temperature range



<< BACK



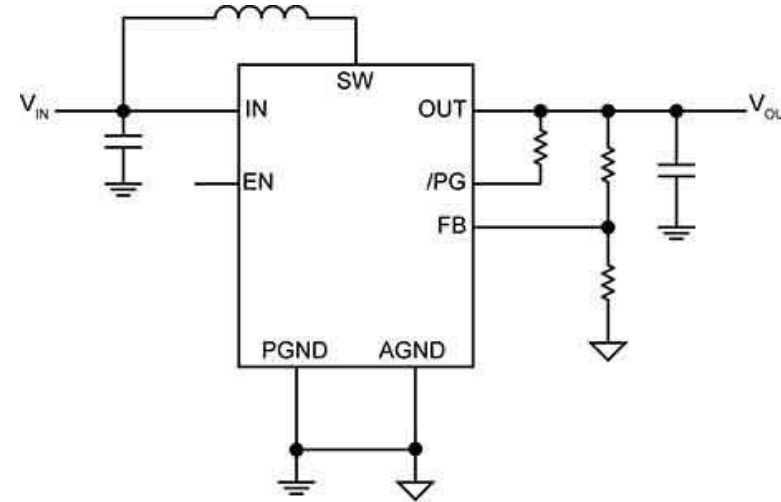
MIC2875

[Online Datasheet](#)

4.8A I_{SW} Synch. Boost Regulator w/ Bi-Directional Load Disconnect

Features:

- Input voltage range: 2.5V to 5.5V
- Fully integrated, high-efficiency, 2MHz – synchronous boost regulator
- Bi-directional true load disconnect
- Integrated anti-ringing switch
- Minimum switching frequency of 45kHz
- Up to 95% efficiency
- $<1\mu\text{A}$ shutdown current
- Bypass mode for $V_{IN} \geq V_{OUT}$ Overcurrent protection and thermal shutdown
- Fixed and adjustable output versions
- 8-pin 2mm \times 2mm TDFN package



[<< BACK](#)



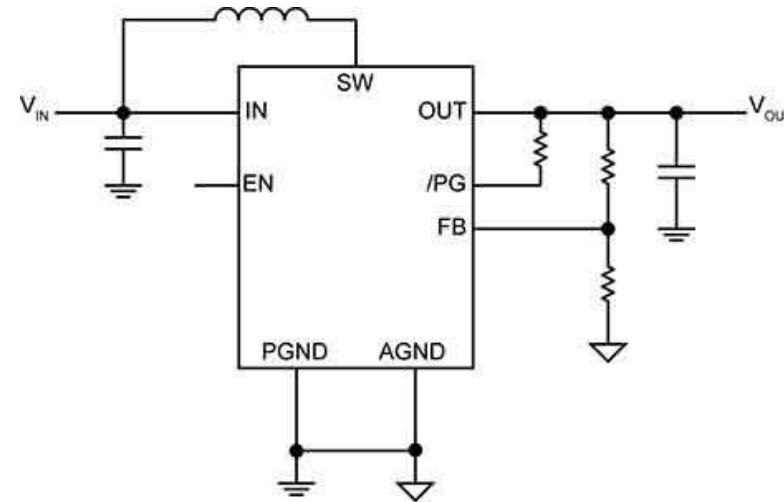
MIC2876

[Online Datasheet](#)

4.8A I_{SW} Synch. Boost Regulator w/ Bi-Directional Load Disconnect

Features:

- Input voltage range: 2.5V to 5.5V
- Fully integrated, high-efficiency, 2MHz – synchronous boost regulator
- Bi-directional true load disconnect
- Integrated anti-ringing switch
- Up to 95% efficiency
- $<1\mu\text{A}$ shutdown current
- Bypass mode for $V_{IN} \geq V_{OUT}$ Overcurrent protection and thermal shutdown
- Fixed and adjustable output versions
- 8-pin 2mm \times 2mm TDFN package



<< BACK



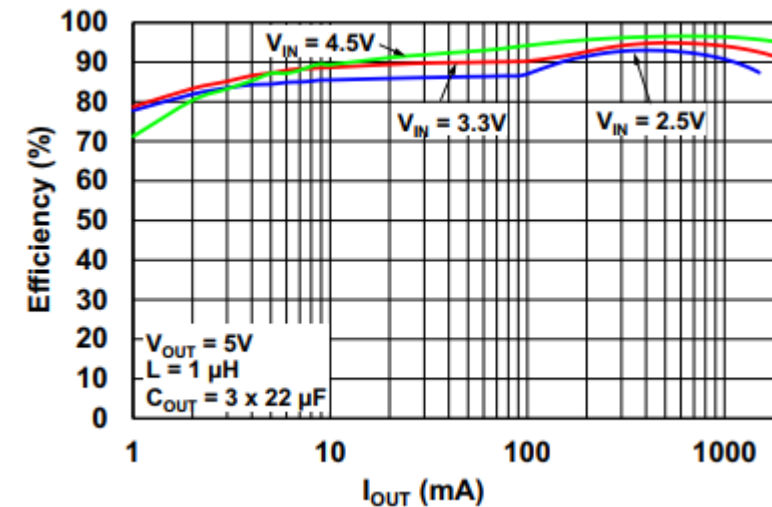
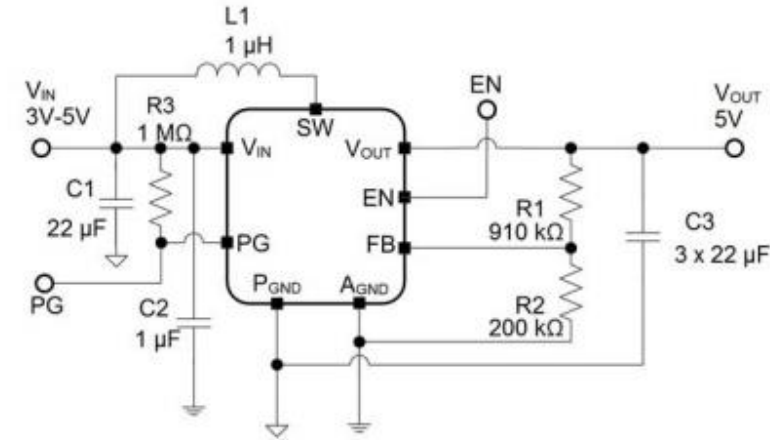
MIC2877

Online
Datasheet

6.5A I_{SW} Synch. Boost Regulator w/ Bi-Directional Load Disconnect

Features:

- Up to 95% Efficiency
- Fully Integrated, High Efficiency, 2MHz Switching Frequency
- Bidirectional True Load Disconnect, Overvoltage Protection (OVP) and Undervoltage Lockout (UVLO)
- Controlled Pre-Charge Current Limit at Start-Up
- Ultra-Fast Transient Response
- Input Voltage Range from 2.5V to 5.5V
- Maximum Output Current:
 - 1.5A, $V_{IN} = 2.5V$ and $V_{OUT} = 5V$
 - 2A, $V_{IN} = 3V$ and $V_{OUT} = 5V$
- Output Voltage Range:
 - Adjustable
 - Fixed Versions: 4.75V, 5V, 5.25V, 5.5V
- Integrated Anti-Ringing Switch for EMI Reduction
- Typically Less than $2\mu A$ Shutdown Current
- Internal Compensation
- Bypass Mode for $V_{IN} \geq V_{OUT}$
- Power Good (PG) Output
- Overcurrent Protection and Thermal Shutdown
- Available Package: 8-pin FTQFN 2mm x 2mm



<< BACK



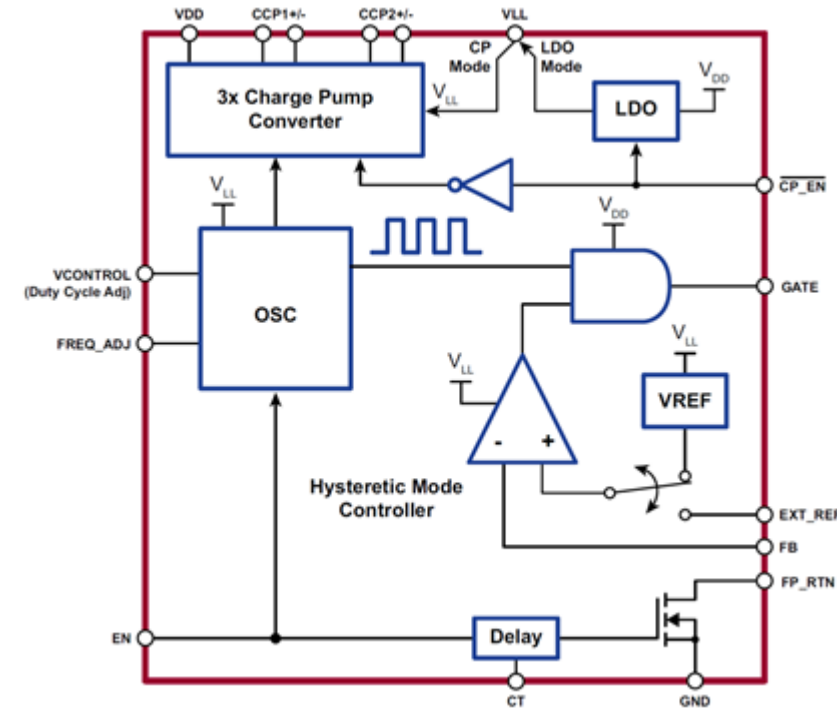
HV9150

Online
Datasheet

High-Voltage Output Hysteretic-Mode Step-Up DC/DC Controller

Features:

- Wide output range: 6V to 500V
- Low 2.7V input
- 5W max output power w/external MOSFET
- Built-in charge pump for gate drive voltage
- Fsw programmable: 40kHz to 400kHz
- 4 Duty Cycle Selections: 50% to 87.5%
- FB return ground switch for power savings – applications
- Built-in delay timer for internal protection



<< BACK



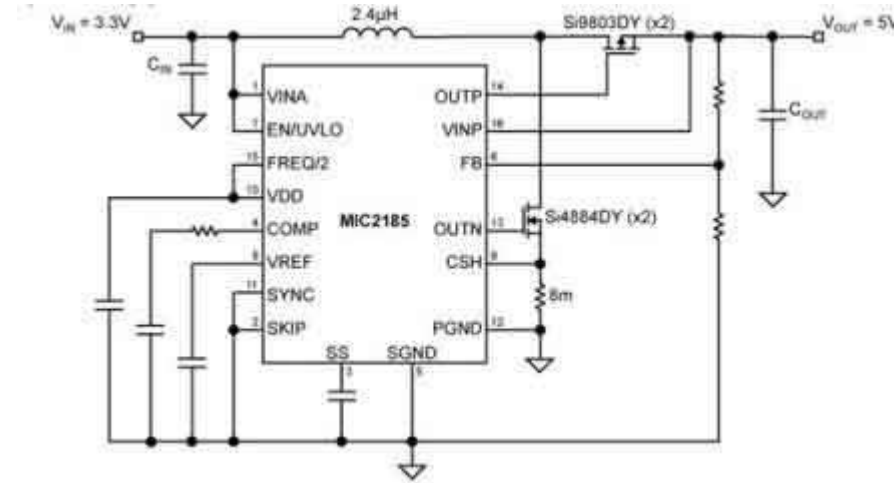
MIC2185

Low Voltage Synchronous Boost PWM Control IC

[Online Datasheet](#)

Features:

- Input voltage range: 2.9V to 14V
- 95% efficiency
- Oscillator frequency of 200kHz/400kHz
- Frequency sync to 600kHz
- 0.5 μ A shutdown current
- Two 5 Ω output drivers
- Front edge blanking
- PWM current mode control
- Cycle-by-cycle current limiting
- Frequency fold-back protection
- Adjustable under-voltage lockout
- Precision 1.245V reference output
- 16-pin SOIC narrow body package



[<< BACK](#)



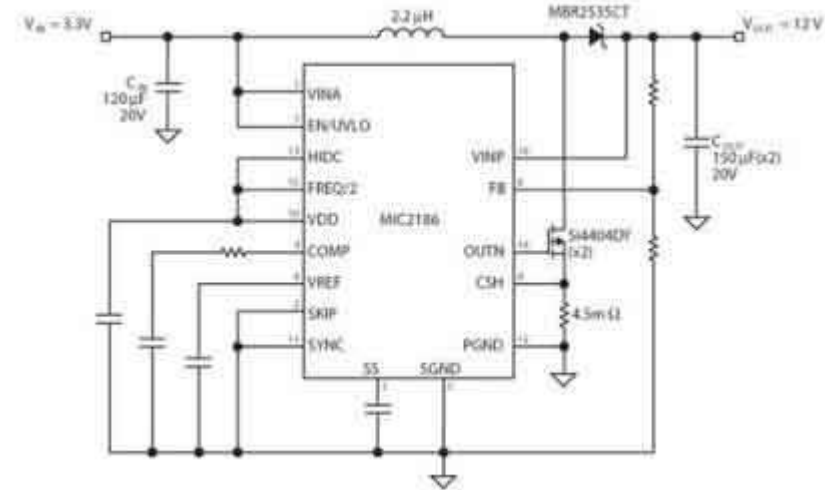
MIC2186

Low Voltage Boost PWM Control IC

[Online
Datasheet](#)

Features:

- Input voltage range: 2.9V to 14V
- 1.6Ω output driver
- Oscillator frequency of 100kHz/200kHz/400kHz
- Frequency sync to 600kHz
- Front edge blanking
- PWM Current Mode Control
- Selectable light load SKIP mode
- 600μA quiescent current (SKIP-Mode)
- 0.5μA shutdown current
- Cycle-by-cycle current limiting
- Frequency fold-back protection
- Precision 1.245V reference output
- 16-pin SOIC and QSOP package options
- Selectable 50% maximum duty cycle for fly-back applications



<< BACK



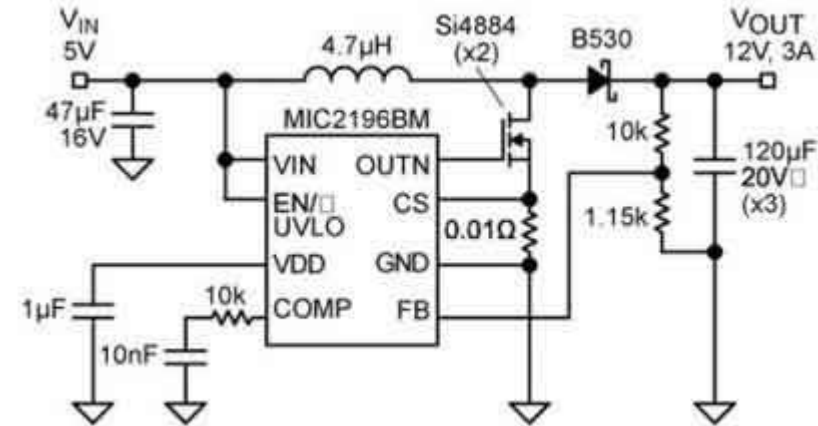
MIC2196

Low Voltage Boost PWM Control IC

[Online Datasheet](#)

Features:

- 2.9V to 14V input voltage range
- >90% efficiency
- 2Ω output driver
- 400kHz oscillator frequency
- PWM current mode control
- 0.5μA micro-power shutdown
- Programmable UVLO
- Front edge blanking
- Cycle-by-cycle current limiting
- Frequency foldback short-circuit protection
- 8-pin SOIC package



<< BACK



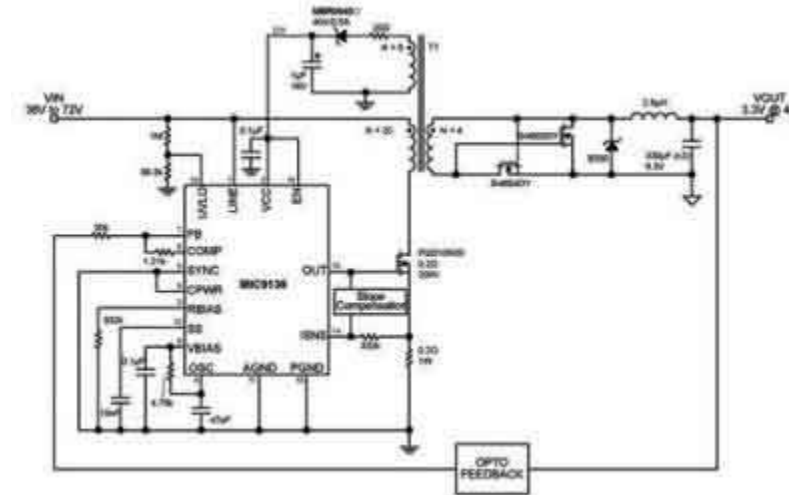
MIC9130

High-Voltage High-Speed Telecom DC-to-DC Controller

[Online Datasheet](#)

Features:

- Input voltages up to 180V
- Internal oscillator capable of >2.5MHz operation
- Synchronization capability to 4MHz
- Current sense delay of 34ns
- Minimum pulse width <25ns
- 90% efficiency
- 1.3mA quiescent current
- 1 μ A shutdown current
- Resistor programmable current sense threshold
- Selectable sort-start retry
- 4 Ω sink, 12 Ω source output driver
- Programmable under-voltage lockout
- Constant-frequency PWM current-mode control
- 16-pin SOIC and 16-pin QSOP



[<< BACK](#)



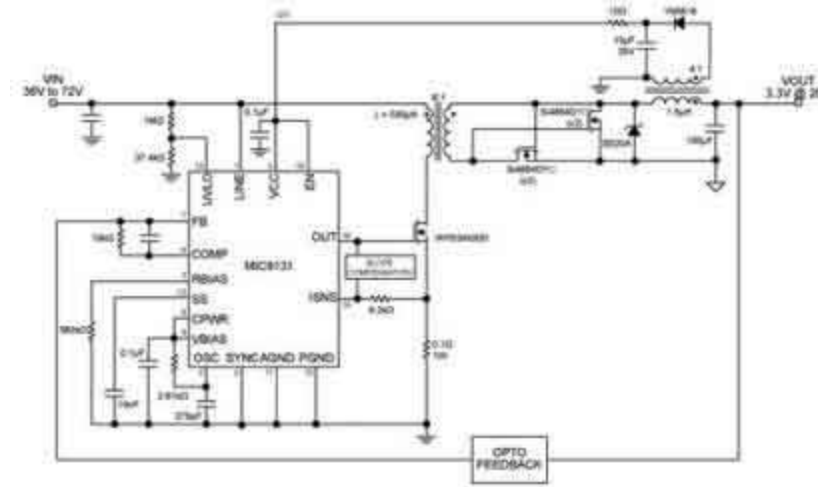
MIC9131

High-Voltage High-Speed Telecom DC-to-DC Controller

[Online Datasheet](#)

Features:

- Input voltages up to 180V
- Internal oscillator capable of >2.5MHz operation
- Accurate 75% maximum duty cycle
- Synchronization capability to 6MHz
- Current sense delay of 34ns
- Minimum pulse width of <25ns
- 90% efficiency
- 1.3mA quiescent current
- 1 μ A shutdown current
- Resistor programmable current sense threshold
- 4 Ω sink, 12 Ω source output driver
- Programmable under-voltage lockout
- Constant-frequency PWM current-mode control
- 16-pin SOIC and 16-pin QSOP



[<< BACK](#)



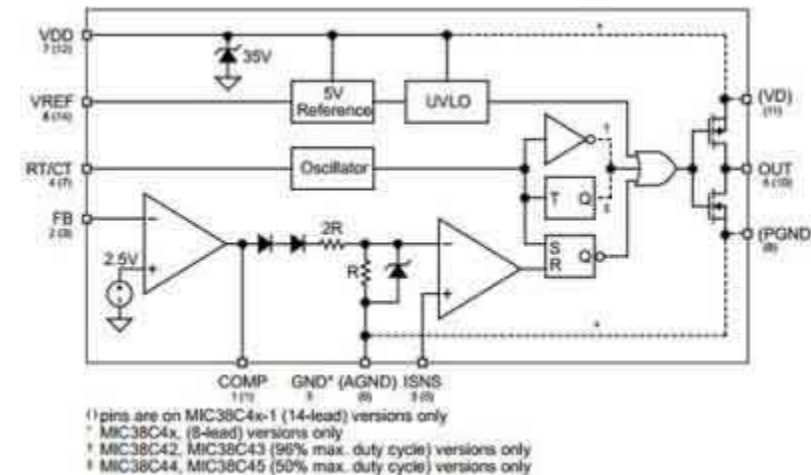
MIC38C42/43/44/45

BiCMOS Current-Mode PWM Controller

[Online
Datasheet](#)

Features:

- Fast 40ns output rise and 30ns output fall times
- Ultra-low start-up current (50µA typical)
- Low operating current (4mA typical)
- CMOS outputs with rail-to-rail swing
- ≥500kHz current-mode operation
- Trimmed 5V bandgap reference
- Trimmed oscillator discharge current
- -40°C to +85°C temperature range meets –
– UC284x specifications
- High-performance, low-power BiCMOS Process
- UVLO with hysteresis
- Pin-for-pin compatible with UC3842/3843/3844/3845(A)
- Low cross-conduction currents



<< BACK



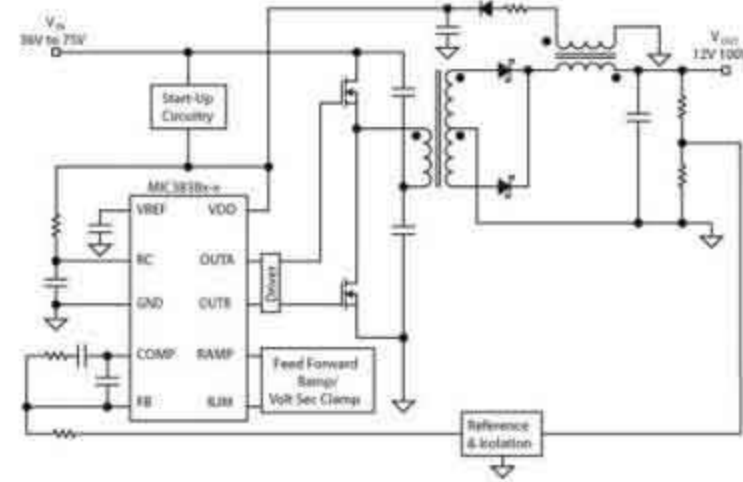
MIC38C42A/43A/ 44A/45A

[Online
Datasheet](#)

Features:

BiCMOS Current-Mode PWM Controllers

- Fast 40ns output rise and 30ns output fall times
- -40°C to +85°C temperature range meets UC284x – specifications
- High-performance, low-power BiCMOS Process
- Ultra-low start-up current (100µA typical)
- Low operating current (4mA typical)
- CMOS outputs with rail-to-rail swing
- CMOS outputs with rail-to-rail swing
- Current-mode operation up to 500kHz
- Trimmed 5V bandgap reference
- Pin-for-pin compatible with UC3842/3843/3844/3845(A)
- Trimmed oscillator discharge current
- UVLO with hysteresis
- Low cross-conduction currents



<< BACK



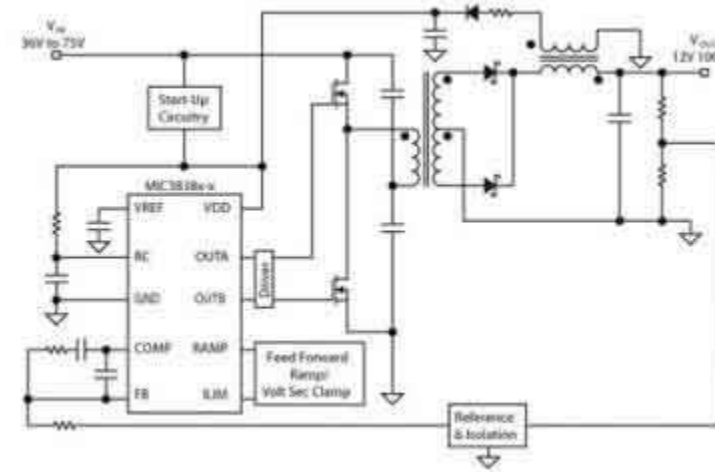
MIC38HC42/43/44/45

BiCMOS 1A Current-Mode PWM Controllers

Online
Datasheet

Features:

- Fast 20ns output rise and 15ns output fall times
- High-performance, low-power BiCMOS Process
- Ultra-low start-up current (50 μ A typical)
- Low operating current (4mA typical)
- High output drive (1A peak current, HC version)
- CMOS outputs with rail-to-rail swing
- Current-mode operation up to 500kHz
- Trimmed 5V bandgap reference
- -40 $^{\circ}$ C to +85 $^{\circ}$ C temperature range exceeds –
– UC284x specifications
- Pin-for-pin compatible with UC3842/3843/3844/3845(A)
- Trimmed oscillator discharge current
- UVLO with hysteresis
- Low cross-conduction currents



<< BACK



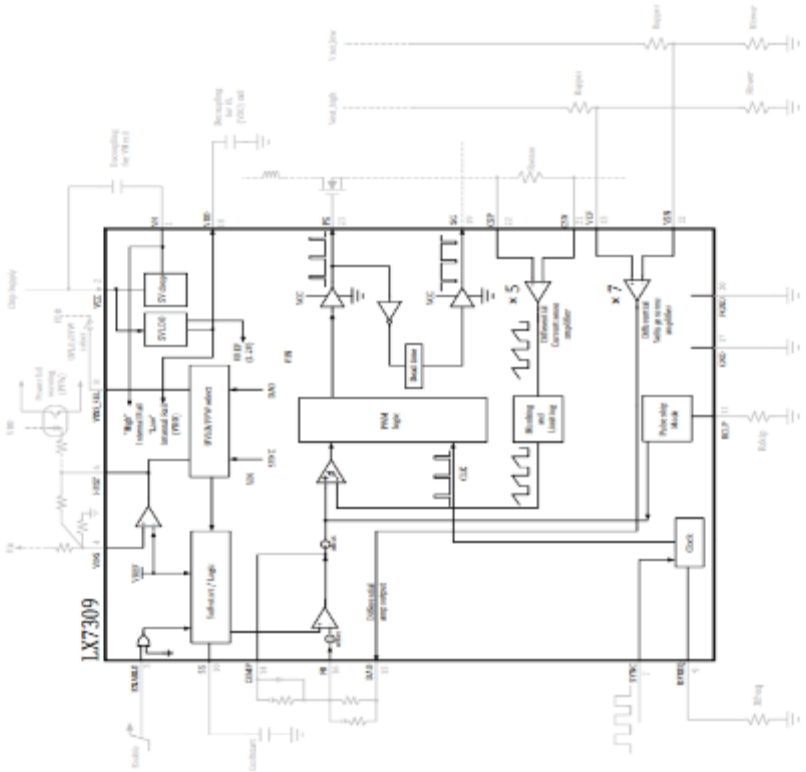
LX7309

[Online Datasheet](#)

Advanced Multi-topology Current-Mode Controller

Features:

- Current-mode control for fast line and load correction responses
- 50% duty cycle limit for simple Forward converters and for avoiding shoot-through
- 200mV peak current sense signal with differential Kelvin sensing for accurate current sensing
- Two out-of-phase driver stages for synchronous rectification or active clamp
- ROHS-compliant, 24-pin, 4x4 mm QFN



st



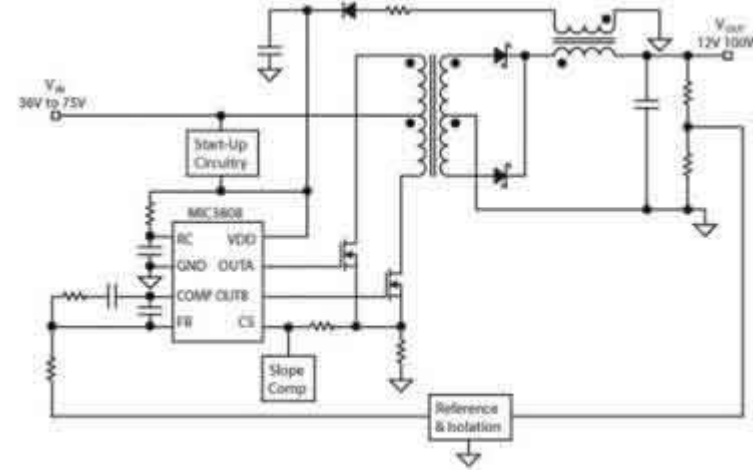
MIC3808/9

Push-Pull PWM Controller

[Online Datasheet](#)

Features:

- Dual output drive stages in push-pull –
- configuration
- Leading edge current-sense blanking
- 130 μ A typical start-up current
- 1mA typical run current
- Operation to 1MHz
- Internal soft start
- On-chip error amplifier with 4MHz gain –
- bandwidth product
- On-chip V_{DD} clamping
- Output drive stages capable of 500mA –
- peak source current, 1A peak sink current



[<< BACK](#)



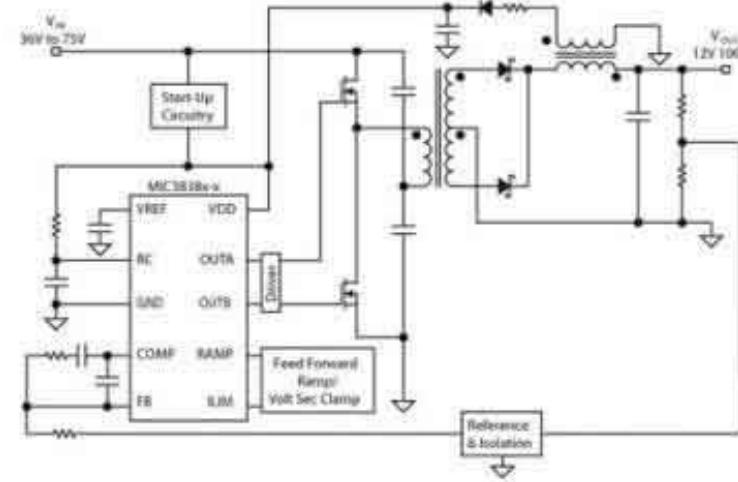
MIC3838/9

Flexible Push-Pull PWM Controller

Online
Datasheet

Features:

- Dual output drive stages in push-pull - configuration
- Configurable for current-mode or - voltage-mode control
- Easily implements volt-second clamp
- Leading edge current-sense blanking
- 3V reference output available
- 130 μ A typical start-up current
- 1mA typical run current
- Operation to 1MHz
- On-chip error amplifier with 4MHz - gain bandwidth product
- Internal soft start
- On-chip V_{DD} clamping
- Output drive stages capable of 500mA peak - source current, 1A peak sink current



<< BACK



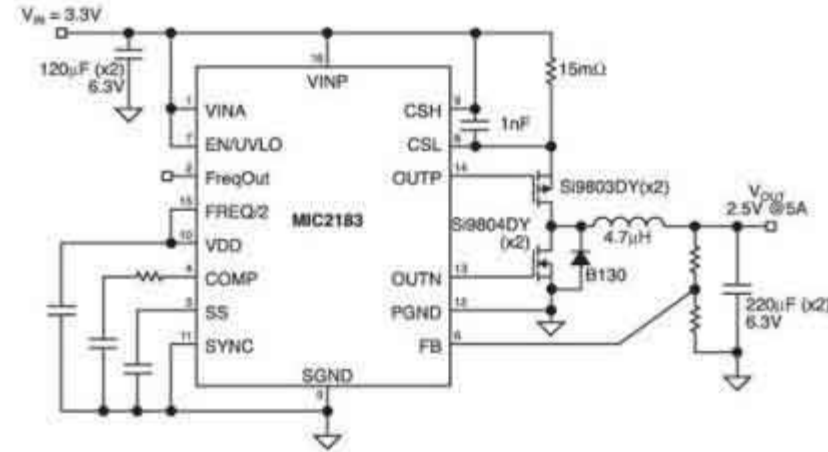
MIC2183

Low Voltage Synchronous Buck PWM Control IC

[Online Datasheet](#)

Features:

- Input voltage range: 2.9V to 14V
- >90% efficiency
- Oscillator frequency of 400kHz
- Frequency divide-by-two pin
- Frequency sync to 600kHz
- Front edge blanking
- 5 ω output drivers (typical)
- FreqOut oscillator output allows simple charge – pump implementation in low voltage systems
- PWM current mode control
- 1 μ A shutdown current
- Cycle-by-cycle current limiting
- Frequency fold-back short circuit protection
- 16-pin narrow-body SOP and QSOP package options



<< BACK



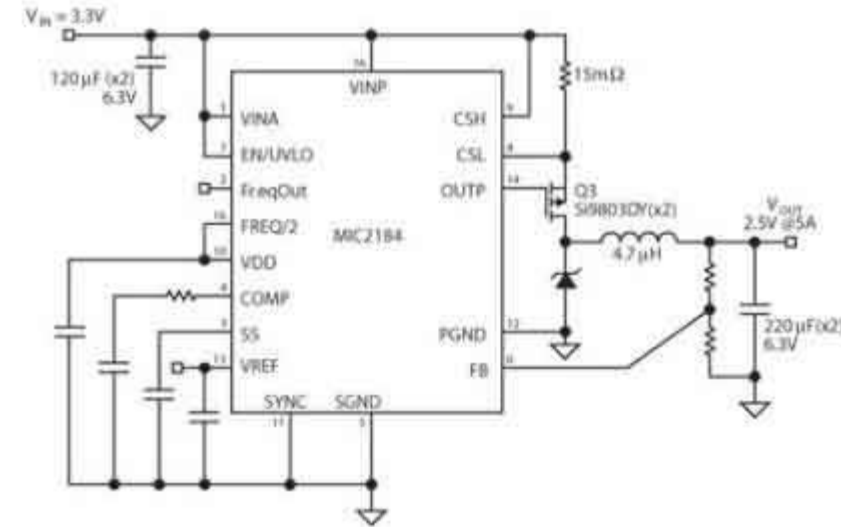
MIC2184

Low Voltage Buck PWM Control IC

[Online Datasheet](#)

Features:

- Input voltage range: 2.9V to 14V
- >90% efficiency
- Oscillator frequency of 400kHz
- Frequency divide-by-two pin
- Frequency sync to 600kHz
- FreqOut oscillator output allows simple charge – pump implementation in low voltage systems
- 1.245V reference output
- Front edge blanking
- 5w output driver
- PWM current mode control
- 1μA shutdown current
- Frequency fold-back short circuit protection
- 16-pin narrow-body SOIC and QSOP package options



[<< BACK](#)



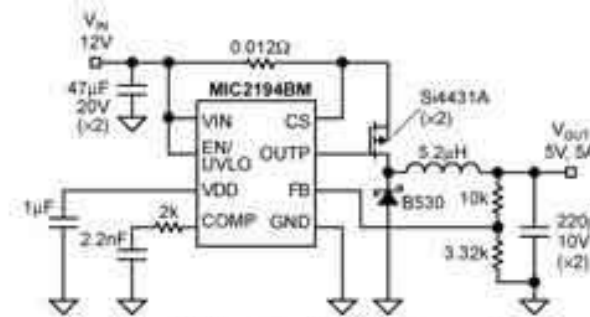
MIC2194

Low Voltage Buck PWM Control IC

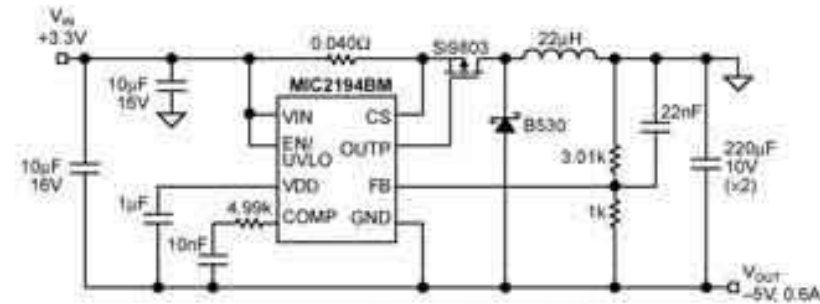
Online
Datasheet

Features:

- 2.9V to 14V input voltage range
- 400kHz oscillator frequency
- PWM current mode control
- 100% maximum duty cycle
- Front edge blanking
- Four output drivers
- Cycle-by-cycle current limiting
- Frequency fold-back short circuit protection
- 8-lead SOIC package



Adjustable Output Buck Converter



Positive-to-Negative Buck-Boost Converter

<< BACK



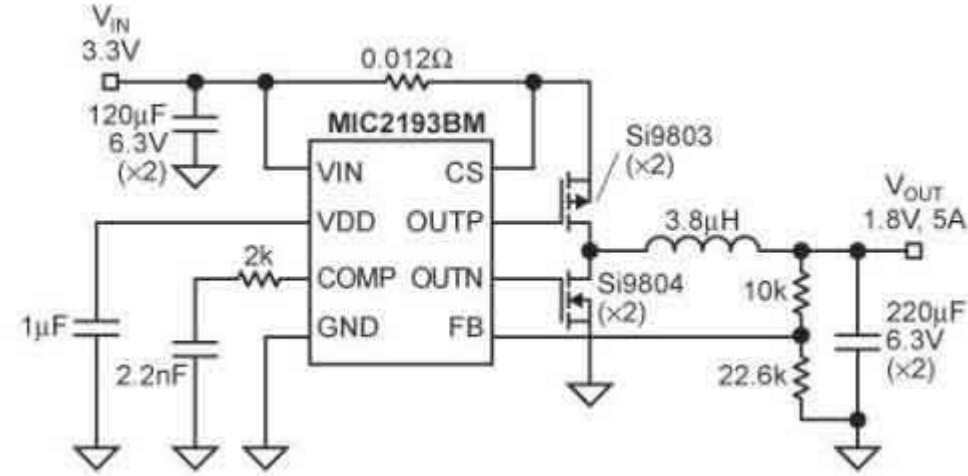
MIC2193

400kHz Synchronous Buck Control IC

[Online Datasheet](#)

Features:

- 2.9V to 14V input voltage range
- 400kHz oscillator frequency
- PWM current mode control
- 2 ω output drivers
- 100% maximum duty cycle
- 0.5 μ A micro-power shutdown
- Programmable UVLO
- Front edge blanking
- Cycle-by-cycle current limiting
- Frequency fold-back short –
- circuit protection
- 8-lead SOIC package



[<< BACK](#)



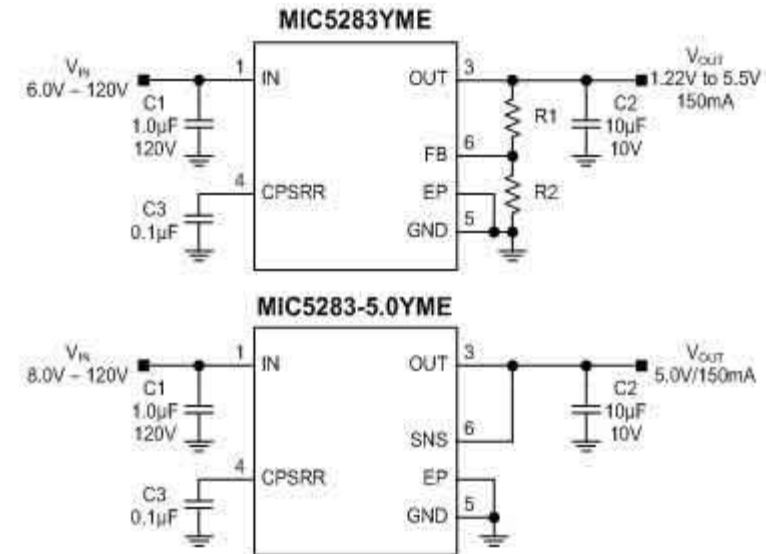
MIC5283

120V 150mA Ultra-Low IQ High-PSRR Linear Regulator

[Online Datasheet](#)

Features:

- Wide input voltage range: 6V to 120V DC
- Ultra-low quiescent current: 8 μ A
- 150mA guaranteed output current
- Adjustable output from 1.22V to 5.5V
- Stable with ceramic output capacitors
- Ultra-high PSRR (75dB at 10kHz)
- Ultra-high line rejection (load dump)
- High output accuracy:
 - $\pm 3\%$ initial accuracy
- Thermal shutdown and current limit protection
- Thermally efficient 8-pin ePad SOIC packages
- Very low profile 3mm x 3mm MLF[®] package



[<< BACK](#)



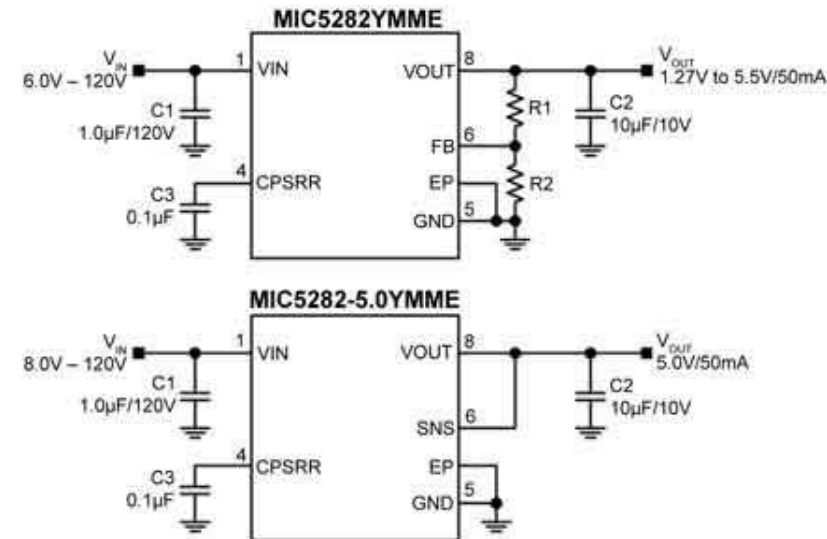
MIC5282

120V 50mA Ultra-Low IQ High-PSRR Linear Regulator

[Online Datasheet](#)

Features:

- Wide input voltage range: 6V to 120V DC
- Ultra-low quiescent current: 6 μ A
- 50mA guaranteed output current
- Adjustable output from 1.27V to 5.5V
- Withstands up to +120V DC at the input
- Stable with ceramic output capacitors
- Ultra-high PSRR (80dB at 10kHz)
- Ultra-high line rejection (load dump)
- High output accuracy:
 - $\pm 3\%$ initial accuracy
- Thermal shutdown and current limit protection
- Thermally efficient, 8-pin MSOP and 8-pin ePad –
- MSOP packages



[<< BACK](#)



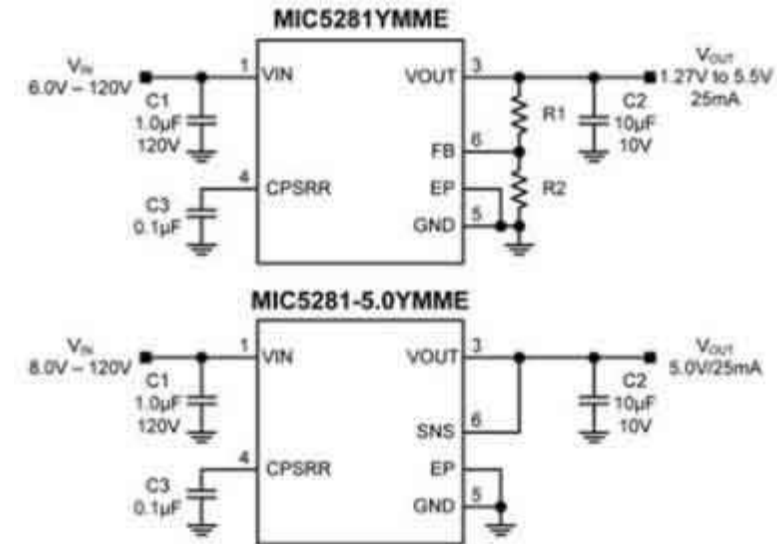
MIC5281

120V 25mA Ultra-Low IQ High-PSRR Linear Regulator

[Online Datasheet](#)

Features:

- Wide input voltage range: 6V to 120V DC
- Ultra-low quiescent current: 6 μ A
- 25mA guaranteed output current
- Adjustable output from 1.27V to 5.5V
- Withstands up to +120V DC at the input
- Stable with ceramic output capacitors
- Ultra-high PSRR <90dB
- Ultra-high line rejection (load dump)
- High output accuracy:
 - $\pm 3\%$ initial accuracy
- Thermal shutdown and current limit protection
- Thermally efficient 8-pin MSOP and 8-pin ePad –
 - MSOP packages



[<< BACK](#)



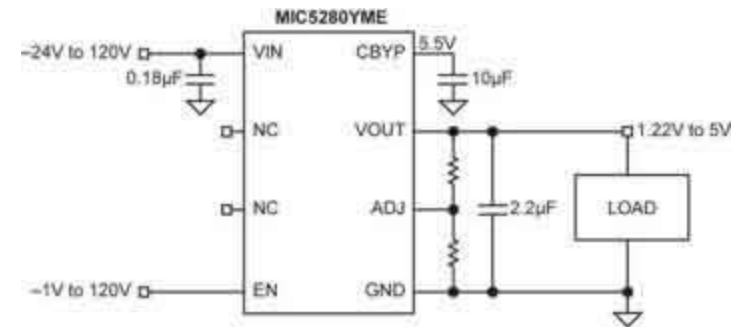
MIC5280

120V 25mA Low IQ High-PSRR Linear Regulator

[Online
Datasheet](#)

Features:

- Wide input voltage range: 4.5V to 120V DC
- Very low quiescent current: 31 μ A typical
- 25mA guaranteed output current
- Adjustable output from 1.215V to 5V
- DC voltage protection down to -24V
- Ability to withstand up to +120V DC at the input
- Stable with ceramic output capacitors
- Ultra-high PSRR >80dB for RF applications
- High output accuracy
 - $\pm 2\%$ initial accuracy
 - $\pm 3\%$ over temperature (-40°C to +125°C)
- Thermal shutdown and current limit protection
- Thermally efficient 8-pin ePad SOIC package



[<< BACK](#)



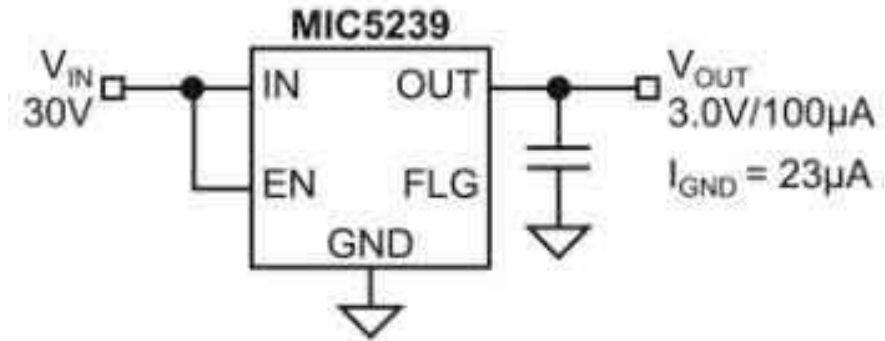
MIC5239

Low Quiescent Current 500mA μ Cap LDO

[Online
Datasheet](#)

Features:

- Ultra-low quiescent current –
- ($I_Q = 23\mu\text{A}$ @ $I_O = 100\mu\text{A}$)
- Continuous 500mA output current
- Wide input range: 2.3V to 30V
- Low dropout voltage: 350mV at 500mA
- $\pm 1.0\%$ initial output accuracy
- Stable with ceramic or tantalum output capacitor
- Logic-compatible enable input
- Low output voltage error flag indicator
- Overcurrent protection
- Thermal shutdown
- Reverse leakage protection
- Reverse battery protection
- High power SOIC-8, MSOP-8 and SOT-223 packages



<< BACK



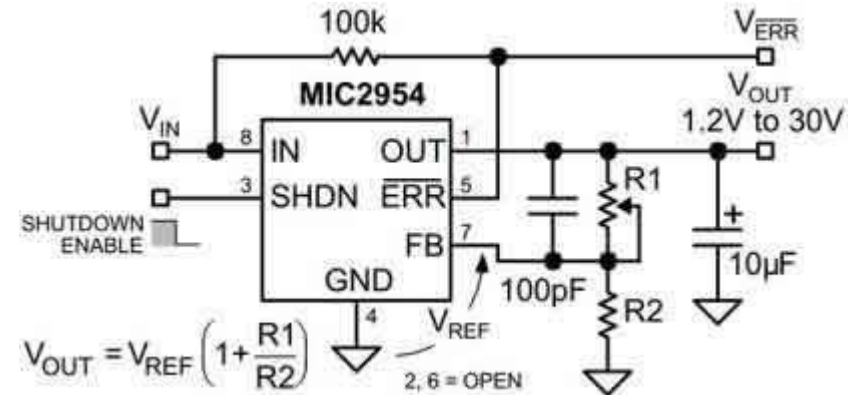
MIC2954

250mA LDO

[Online Datasheet](#)

Features:

- High-accuracy: 5V, guaranteed 250mA output
- Low quiescent current
- Low dropout voltage
- Extremely tight load and line regulation
- Very low temperature coefficient
- Current and thermal limiting
- Input can withstand -20V reverse battery –
- and +60V positive transients
- Error flag warns of low output voltage
- Logic-controlled electronic shutdown
- Output programmable from 1.24V to 29V –
- (MIC2954-07/08)
- Available in TO-220, TO-92, and surface –
- mount SOT-223 and SOP-8 packages



<< BACK



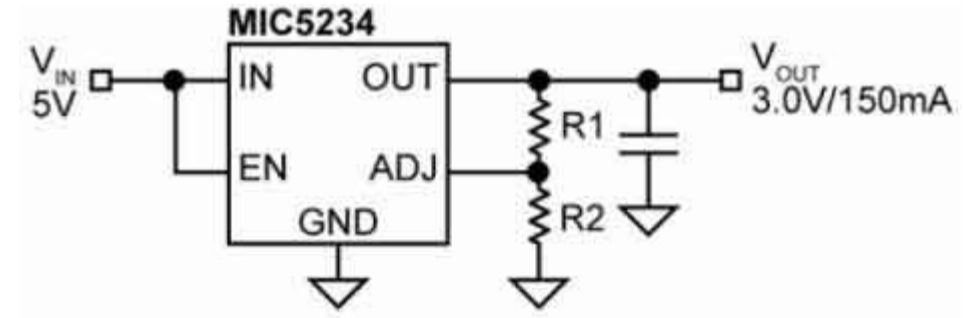
MIC5234

Low-Quiescent Current 150mA LDO

[Online
Datasheet](#)

Features:

- Ultra-low quiescent current (I_Q equals –
– $20\mu\text{A}$ at I_O equals $100\mu\text{A}$)
- Wide input voltage range: 2.3V to 30V
- Low dropout:
 - 230mV at 50mA
 - 320mV at 150mA
- Adjustable output voltage
- Typical $\pm 1.0\%$ initial output accuracy
- Logic-compatible enable input
- Overcurrent protection
- Thermal shutdown protection
- Reverse leakage and reverse battery protection
- Thermally enhanced 8-pin ePad SOIC package



<< BACK



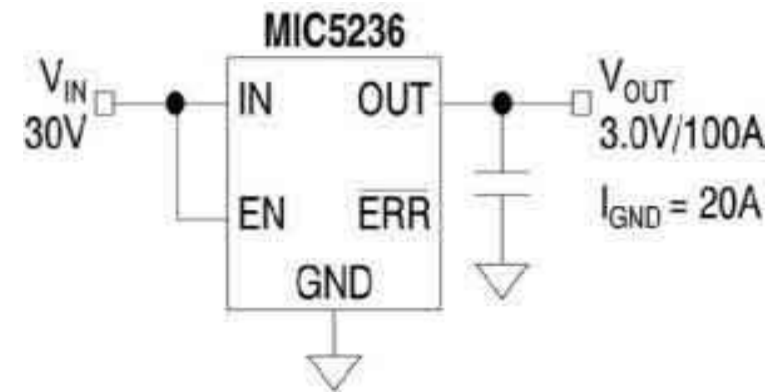
MIC5236

Low Quiescent Current μ Cap LDO

[Online Datasheet](#)

Features:

- Ultra-low quiescent current –
 - (I_Q equals $20\mu\text{A}$ at I_O equals $100\mu\text{A}$)
- Wide input range: 2.3V to 30V
- Low dropout:
 - 230mV at 50mA;
 - 300mV at 150mA
- Fixed 2.5V, 3.0V, 3.3V, 5.0V and –
 - adjustable outputs
- $\pm 1.0\%$ initial output accuracy
- Stable with ceramic or tantalum –
 - output capacitor
- Load dump protection: -20V –
 - to +60V input transient survivability
- Logic-compatible enable input
- Low output flag indicator
- Reverse leakage protection
- Reverse battery protection
- High power SOP-8 and MSOP-8



<< BACK



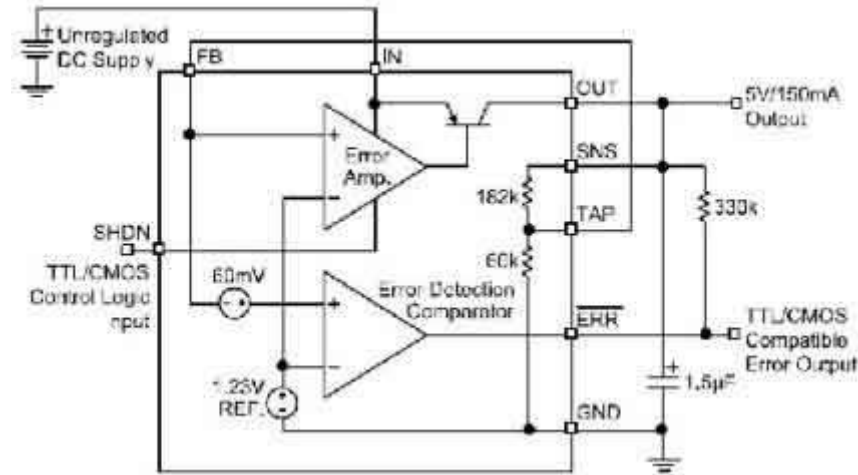
MIC2951

150mA LDO

Online
Datasheet

Features:

- High accuracy: 3.3V, 4.85V, or 5V with –
– guaranteed 150mA output
- Extremely low quiescent current
- Low-dropout voltage
- Extremely tight load and line regulation
- Very low temperature coefficient
- Use as regulator or reference
- Needs only 1.5 μ F for stability
- Current and thermal limiting
- Unregulated DC input can withstand –20V –
– reverse battery and +60V positive transients
- Error flag warns of output dropout
- Logic-controlled electronic shutdown
- Output programmable from 1.24V to 29V

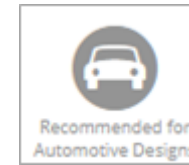


<< BACK



MIC5233

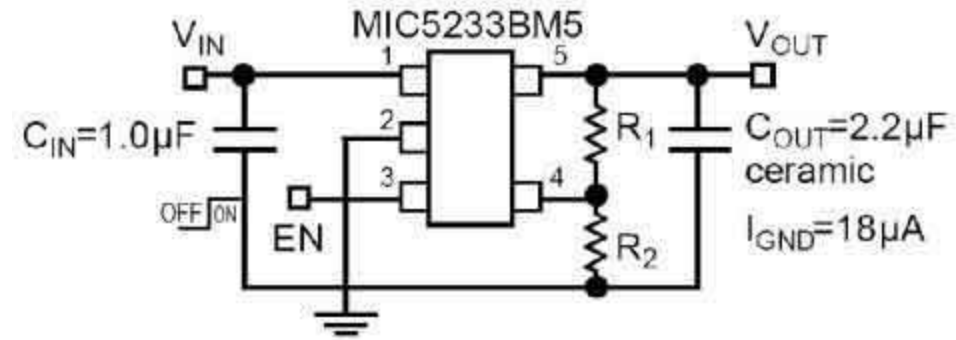
High Input Voltage Low IQ μ Cap LDO



Online
Datasheet

Features:

- Wide input voltage range: 2.3V to 36V
- Ultra-low ground current: 18 μ A
- Low dropout voltage of 270mV at 100mA
- High output accuracy of $\pm 2.0\%$ over –
– temperature
- μ Cap: stable with ceramic or tantalum –
– capacitors
- Excellent line and load regulation –
– specifications
- Zero off-mode current
- Reverse battery protection
- Reverse leakage protection
- Thermal shutdown and current limit protection
- IttyBitty[®] SOT-23-5 package
- Recommended for Automotive Design



<< BACK



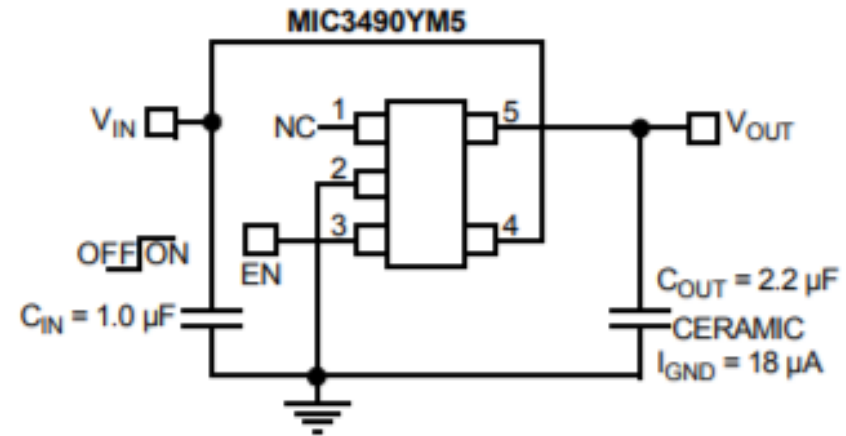
MIC3490

High Input Voltage Low IQ μ Cap LDO

[Online Datasheet](#)

Features:

- Wide input voltage range: 2.3V to 36V
- Ultra-low ground current: 18 μ A
- Low dropout voltage of 270mV at 100mA
- High output accuracy of $\pm 2.0\%$ over –
 - temperature
- μ Cap: stable with ceramic or tantalum –
 - capacitors
- Excellent line and load regulation –
 - specifications
- Near Zero off-mode current: Typical 0.1 μ A
- Reverse battery protection
- Reverse leakage protection
- Thermal shutdown and current limit protection
- SOT-23-5 package
- The MIC3490 is Pin-to-Pin Compatible with LM3490



<< BACK



MCP1792/3

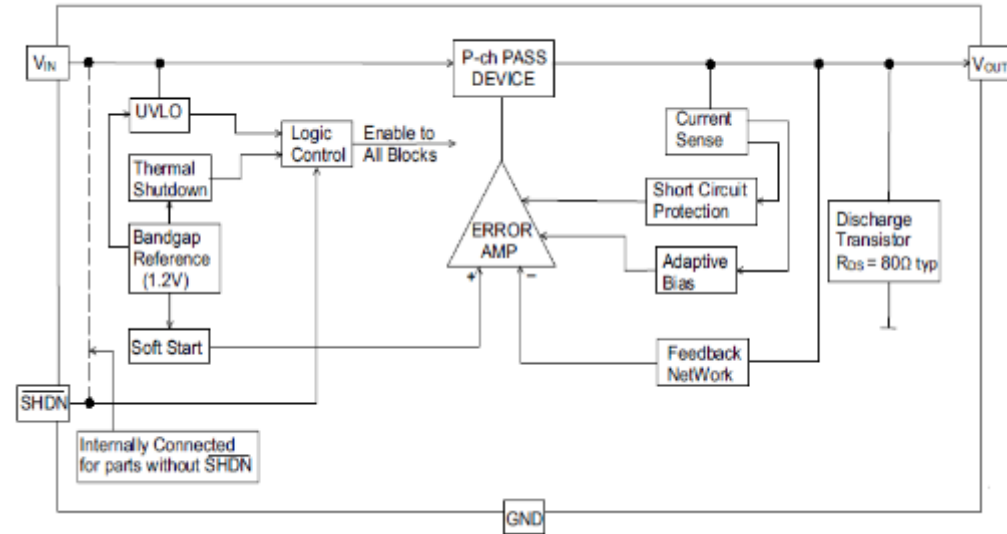


100mA High-Voltage Automotive LDO

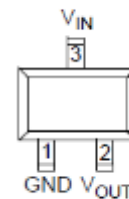
Features

- **Wide Input Voltage Range: 4.5V – 55V**
- **Up to 70V transient**
- **Under Voltage Lock Out: 2.7V typ**
- **AEC-Q100 and PPAP Capable with Grade 0**

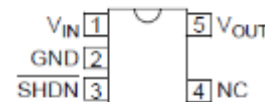
- **Extended Operating Temperature Range**
- **-40 to 150C**
- **Low Quiescent Supply Current: 25 uA typ**
- **Low Shutdown Supply Current: 2 uA typ**
- **Standard Output Voltages: 3.3V and 5.0V**
- **Tolerance: 2% typ**
- **Stable with Ceramic Output Capacitor: 2.2 μ F**
- **Output Current Capability: 100mA typ**
- **Short Circuit Current Foldback Protection**
- **Thermal Shutdown Protection: 175C**
- **High PSRR**
- **80dB @ 100Hz typ**
- **55dB @ 100kHz typ**
- **Available in the following packages:**
 - - 3-Lead SOT-23A (MCP1792)
 - - 3-Lead SOT-223 (MCP1792)
 - - 5-Lead SOT-23 (MCP1793)
 - - 5-Lead SOT-223 (MCP1793)



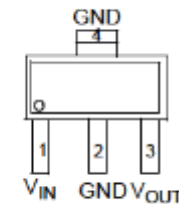
3-Pin SOT-23A



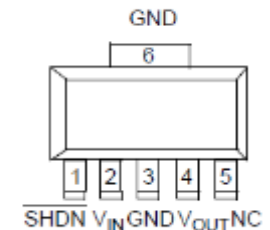
5-Pin SOT-23



3-Pin SOT-223



5-Pin SOT-223



TOP VIEW



MCP1799



80 mA High-Voltage Automotive LDO

Features:

- AEC-Q100 with Grade 0 and PPAP Capable
- Wide Input Voltage Range: 4.5V to 45V
- Under Voltage Lock Out: 2.8V typical
- Extended Working Temperature Range: -40°C to +150°C
- Standard Output Regulated Voltages (VR): 3.3V and 5.0V
- Tolerance $\pm 2\%$
- Low Quiescent Supply Current: 25 μA typical
- Output Current Capability: 80 mA typical
- Stable with 1 μF Ceramic Output Capacitor
- Short Circuit Protection
- Thermal Shutdown Protection:
 - +180°C typical
 - Hysteresis: 22°C typical
- High PSRR: -70 dB @ 1 kHz typical
- Available in the Following Packages:
 - 3-Lead SOT-23
 - 3-Lead SOT-223

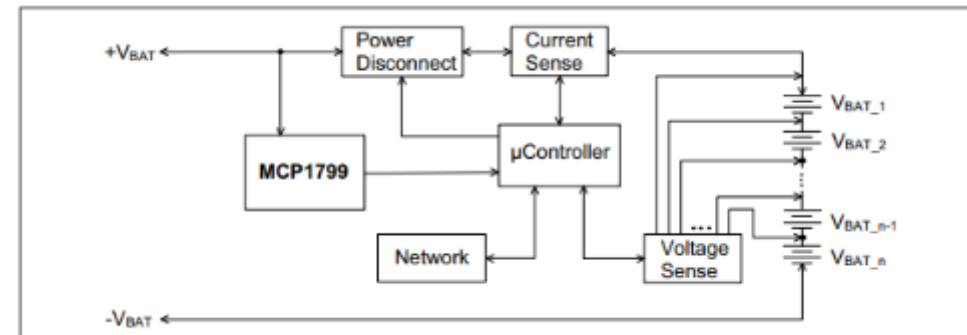
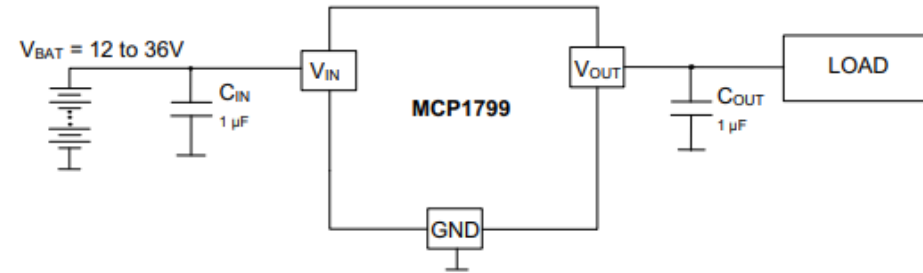
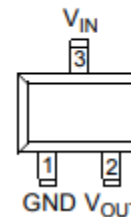
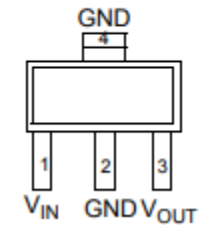


FIGURE 6-1: Smart Battery Pack Application Example.

3-Pin SOT-23



3-Pin SOT-223



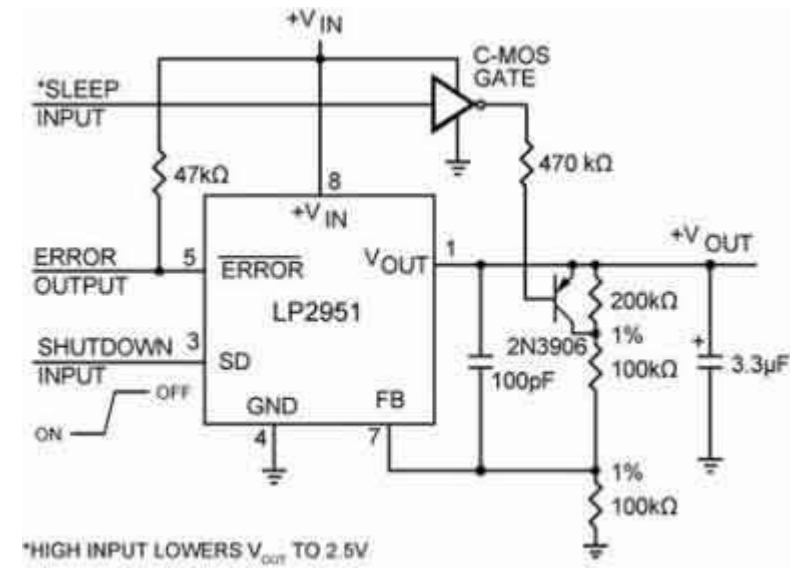
LP2951

100mA LDO

[Online Datasheet](#)

Features:

- High accuracy 5V, guaranteed 100 mA output
- Extremely low quiescent current
- Low-dropout voltage
- Extremely tight load and line regulation
- Very low temperature coefficient
- Use as regulator or reference
- Needs only $1\mu\text{F}$ for stability
- Current and thermal limiting
- LP2951 Versions Only:
 - Error flag warns of output dropout
 - Logic-controlled electronic shutdown
 - Output programmable from 1.24V to 29V



<< BACK



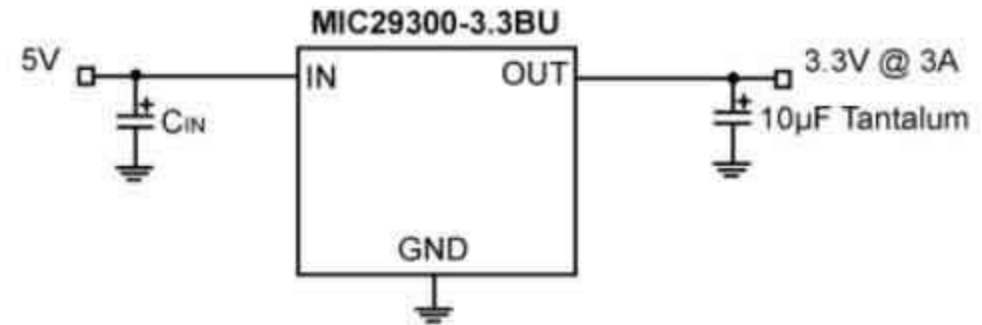
MIC29500/1/2/3

High-Current LDOs

[Online Datasheet](#)

Features:

- High current capability:
 - MIC29150/29151/29152/29153: 1.5A
 - MIC29300/29301/29302/29303: 3A
 - MIC29500/29501/29502/29503: 5A
 - MIC29750/29751/29752: 7.5A
- Low dropout voltage
- Low ground current
- Accurate 1% guaranteed tolerance
- Reverse-battery and load dump protection
- Zero-current shutdown mode (5-pin versions)
- Error flag signals output out-of-regulation (5-pin versions)
- Also characterized for smaller loads with industry –
 - leading performance specifications
- Fixed voltage and adjustable versions



[<< BACK](#)



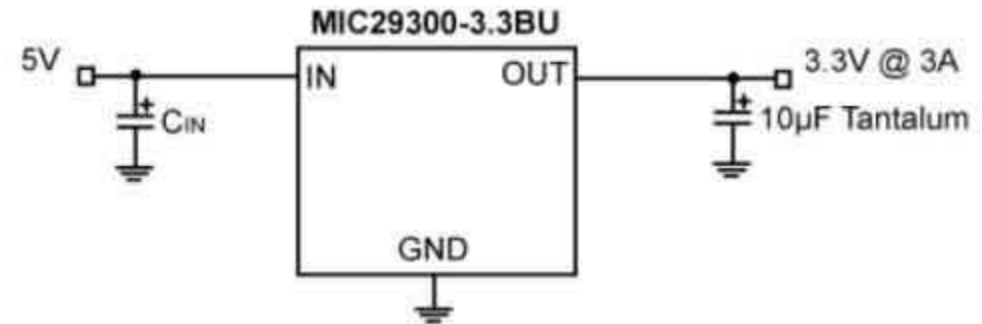
MIC29300/1/2/3

High-Current LDOs

[Online Datasheet](#)

Features:

- High current capability:
 - MIC29150/29151/29152/29153: 1.5A
 - MIC29300/29301/29302/29303: 3A
 - MIC29500/29501/29502/29503: 5A
 - MIC29750/29751/29752: 7.5A
- Low dropout voltage
- Low ground current
- Accurate 1% guaranteed tolerance
- Extremely fast transient response
- Reverse-battery and load dump protection
- Zero-current shutdown mode (5-pin versions)
- Error flag signals output out-of-regulation (5-pin versions)
- Also characterized for smaller loads with industry-leading –
- performance specifications
- Fixed voltage and adjustable versions



[<< BACK](#)



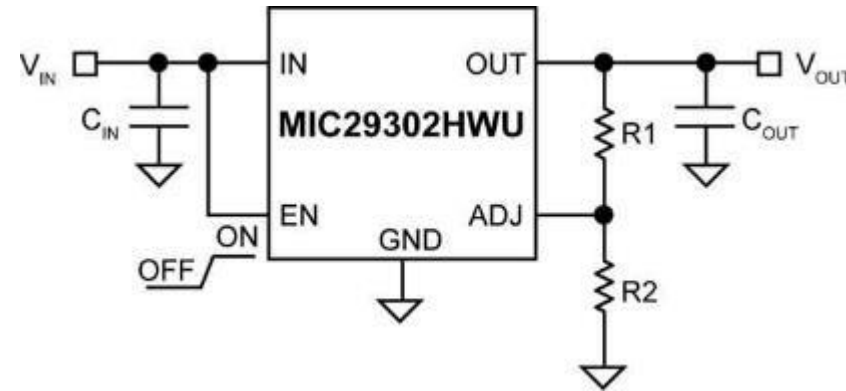
MIC29302HWU

High-Current LDO

[Online Datasheet](#)

Features:

- 3A current capability
- Low dropout voltage
- Low ground current
- Accurate 1% guaranteed tolerance
- Extremely fast transient response
- Reverse-battery and “Load Dump” protection
- Zero-current shutdown mode
- Error flag signals output out-of-regulation
- Also characterized for smaller loads with industry –
- leading performance specifications



[<< BACK](#)



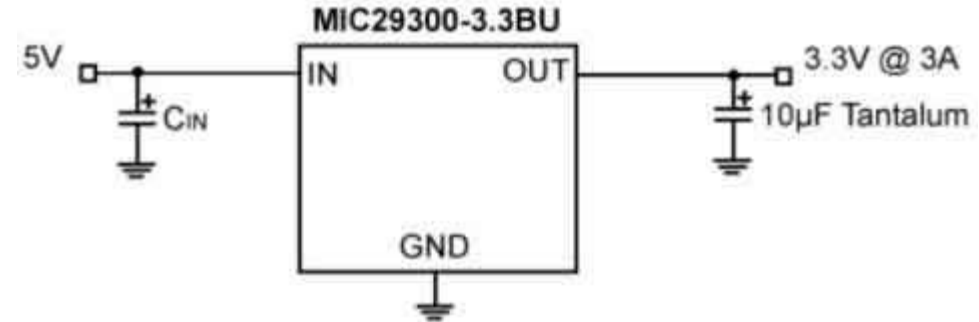
MIC29150/1/2/3

High-Current LDOs

[Online Datasheet](#)

Features:

- High current capability:
 - MIC29150/29151/29152/29153: 1.5A
 - MIC29300/29301/29302/29303: 3A
 - MIC29500/29501/29502/29503: 5A
 - MIC29750/29751/29752: 7.5A
- Low dropout voltage
- Low ground current
- Accurate 1% guaranteed tolerance
- Extremely fast transient response
- Reverse-battery and load dump protection
- Zero-current shutdown mode (5-pin versions)
- Error flag signals output out-of-regulation (5-pin versions)
- Also characterized for smaller loads with industry –
 - leading performance specifications
- Fixed voltage and adjustable versions



<< BACK



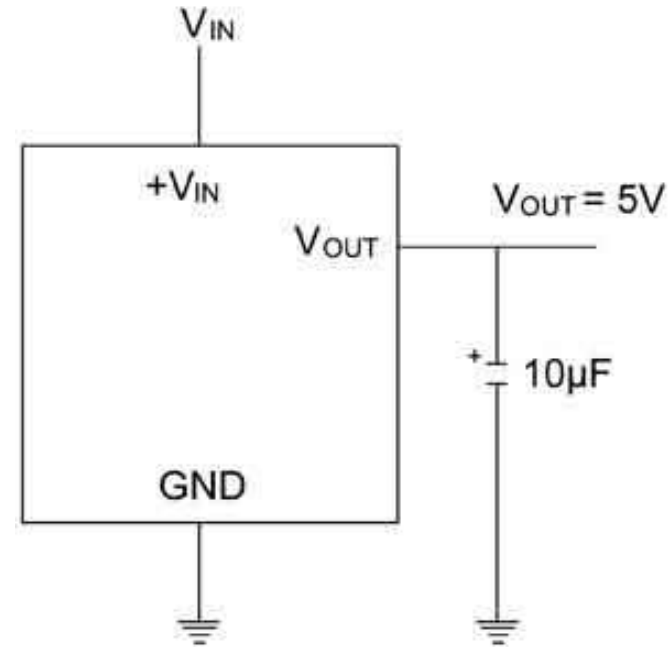
MIC2940A/41A

1.25A LDOs

[Online
Datasheet](#)

Features:

- High output voltage accuracy
- Guaranteed 1.25A output
- Low quiescent current
- Low dropout voltage
- Extremely tight load and line regulation
- Very low temperature coefficient
- Current and thermal limiting
- High output voltage accuracy
- Guaranteed 1.25A output
- Low quiescent current
- Low dropout voltage
- Extremely tight load and line regulation
- Very low temperature coefficient
- Current and thermal limiting



[<< BACK](#)



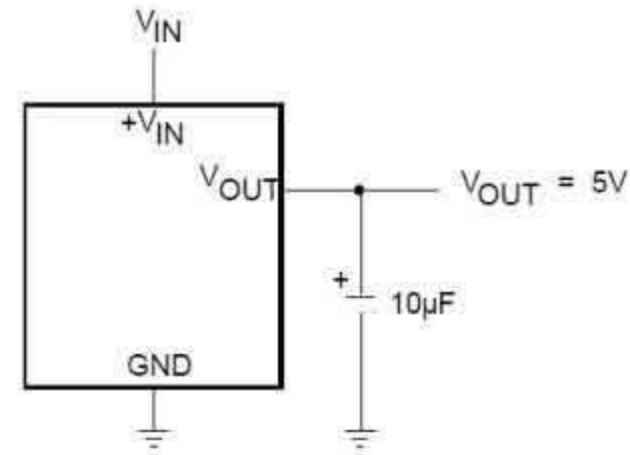
MIC2937A/1/2

750mA LDOs

[Online Datasheet](#)

Features:

- High output voltage accuracy
- Guaranteed 750mA output
- Low quiescent current
- Low dropout voltage
- Extremely tight load and line regulation
- Very low temperature coefficient
- Current and thermal limiting
- Input can withstand -20V reverse battery and +60V –
- positive transients
- Error flag warns of output dropout
- Logic-controlled electronic shutdown
- Output programmable from 1.24V to 26V (MIC29372)
- Available in TO-220, TO-263, TO-220-5, and –
- TO-263-5 packages



[<< BACK](#)



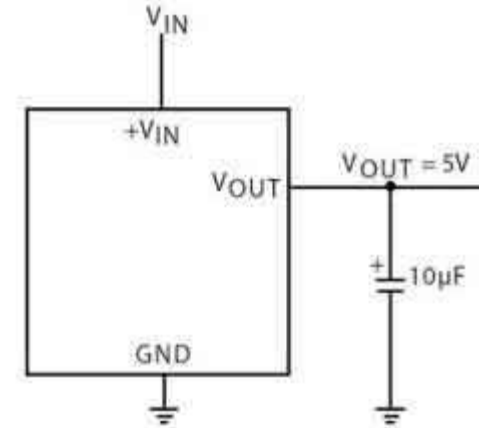
MIC2920A/1/2/4

400mA LDOs

[Online
Datasheet](#)

Features:

- High output voltage accuracy
- Guaranteed 400mA output
- Low quiescent current
- Low dropout voltage
- Extremely tight load and line regulation
- Very low temperature coefficient
- Current and thermal limiting
- Input withstands -20V reverse battery and +60V –
- positive transients
- Error flag warns of output dropout
- Logic-controlled electronic shutdown
- Output programmable from 1.24V to 26V –
- (MIC29202/MIC29204)
- Available in TO-220, TO-220-5, and surface-mount –
- TO-263-5, SOT-223, and SO-8 packages.



[<< BACK](#)



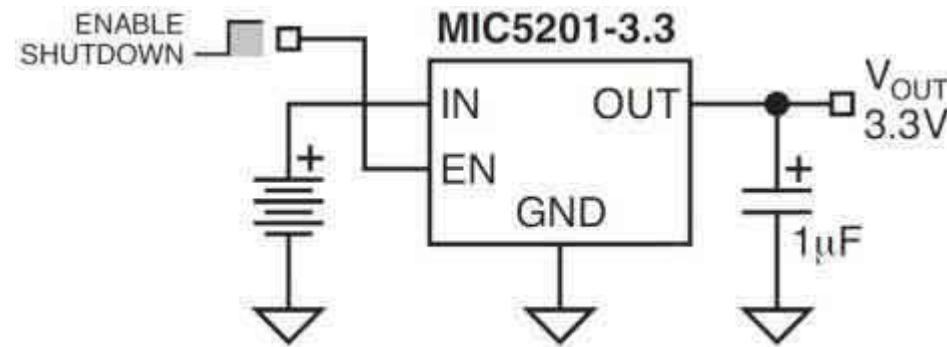
MIC5201

200mA LDO

[Online Datasheet](#)

Features:

- High output voltage accuracy
- Variety of output voltages
- Guaranteed 200mA output
- Low quiescent current
- Low dropout voltage
- Extremely tight load and line regulation
- Very low temperature coefficient
- Current and thermal limiting
- Reversed battery protection
- Load-dump protection (fixed voltage versions)
- Zero off-mode current state
- Logic-controlled electronic enable
- Available in SO-8 and SOT-223 packages



[<< BACK](#)



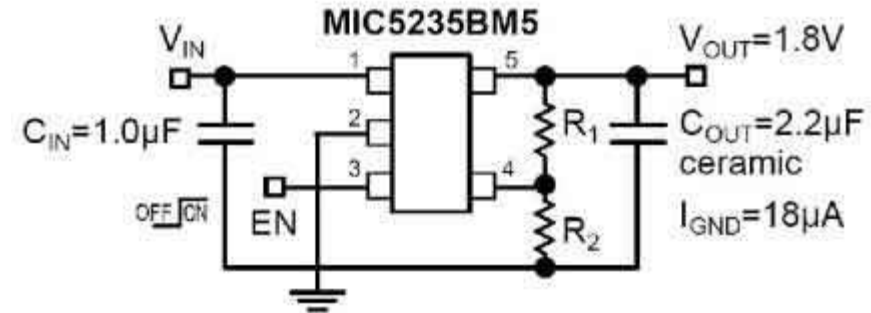
MIC5235

Ultra-Low Quiescent Current 150mA μ Cap LDO

[Online
Datasheet](#)

Features:

- Wide input voltage range: 2.3V to 24V
- Ultra-low ground current: 18 μ A
- Low dropout voltage: 310mV at 150mA
- High output accuracy: $\pm 2.0\%$ over temperature
- μ Cap: stable with ceramic or tantalum capacitors
- Excellent line and load regulation specifications
- Zero off-mode current
- Reverse battery protection
- Reverse leakage protection
- Thermal shutdown and current limit protection
- IttyBitty[®] SOT-23-5 package



<< BACK



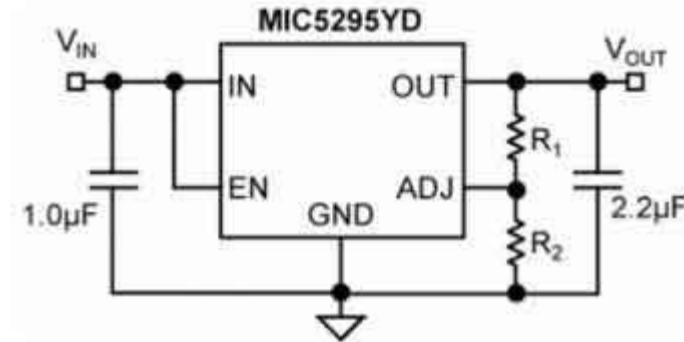
MIC5295

Low Quiescent Current 150mA LDO

[Online Datasheet](#)

Features:

- Wide input voltage range: 2.3V to 24V
- Ultra-low ground current: 18 μ A
- Low dropout voltage: 300mV at 150mA
- High initial output accuracy: $\pm 1.0\%$
- Stable with ceramic or tantalum capacitors
- Excellent line and load regulation specifications
- Reverse battery protection
- Reverse leakage protection
- Thermal shutdown and current limit protection
- Power TO-252-5 (D-Pak) package
- Adjustable output from 1.24V to 20V



[<< BACK](#)



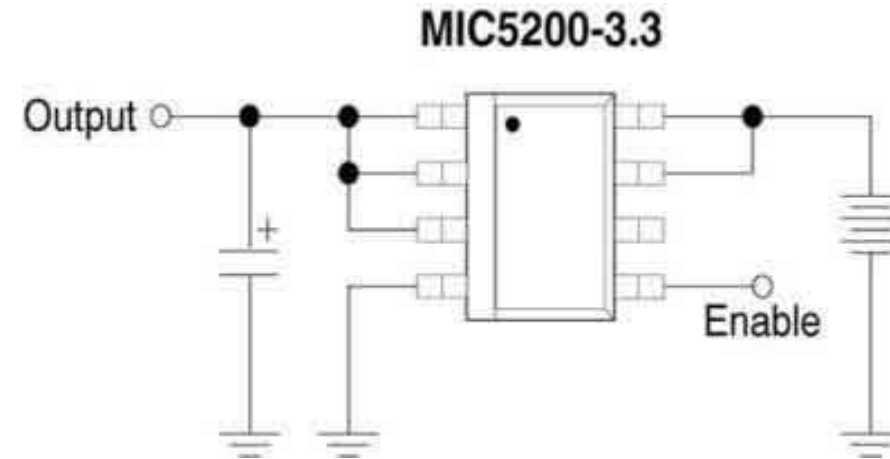
MIC5200

100mA LDO

[Online Datasheet](#)

Features:

- High output voltage accuracy
- Variety of output voltages
- Guaranteed 100mA output
- Low quiescent current
- Low dropout voltage
- Extremely tight load and line regulation
- Very low temperature coefficient
- Current and thermal limiting
- Zero off-mode current
- Logic-controlled electronic shutdown
- Available in 8-pin SOIC, MM8[®] 8-pin –
- MSOP and SOT-223 packages



<< BACK



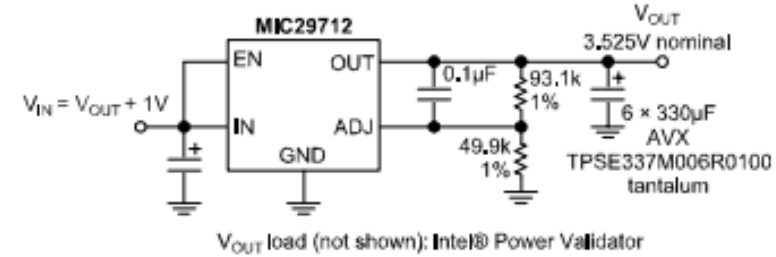
MIC29712

7.5A Fast-Response LDO Regulator

[Online Datasheet](#)

Features:

- Fast transient response
- 7.5A current capability
- 700mV dropout voltage at full load
- Low ground current
- Accurate 2% guaranteed tolerance
- Zero-current shutdown mode
- No minimum load current
- Fixed voltage and adjustable versions



MIC29710 Load Transient Response Test Circuit

<< BACK



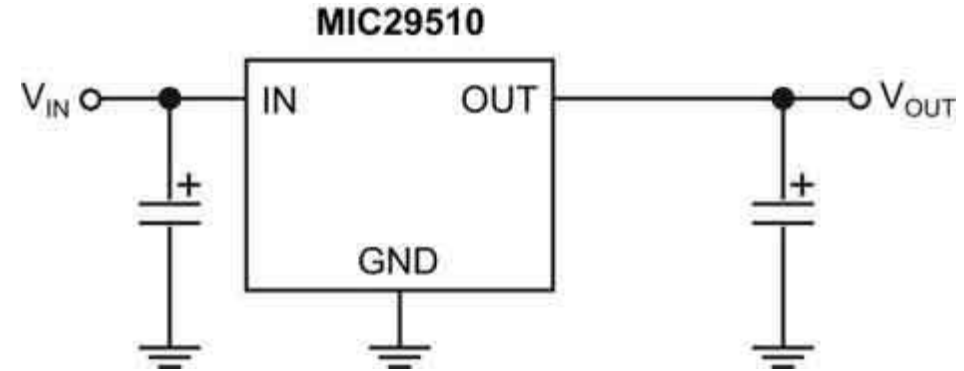
MIC29510/2

5A Fast-Response LDO Regulator

[Online Datasheet](#)

Features:

- Fast transient response
- 5A current capability
- 700mV dropout voltage at full load
- Low ground current
- Accurate 1% guaranteed tolerance
- Zero current shutdown mode (MIC29512)
- Fixed voltage and adjustable versions



[<< BACK](#)



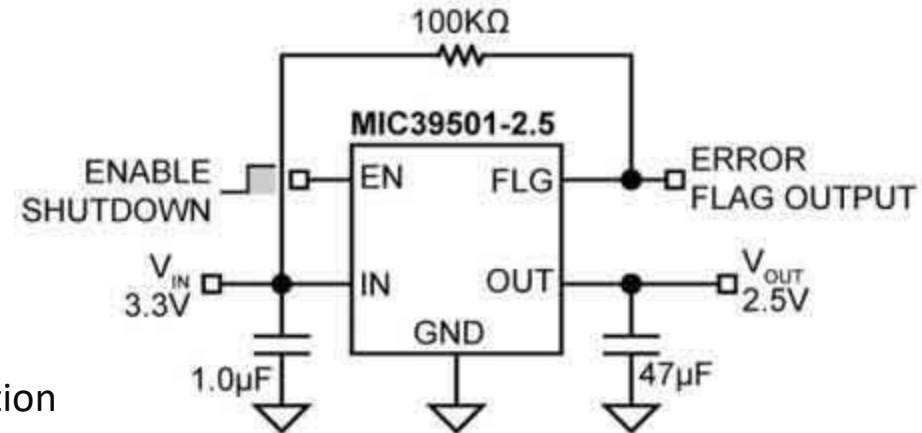
MIC39500/1

5A Low-Voltage Low-Dropout Regulator

[Online Datasheet](#)

Features:

- 5A minimum guaranteed output current
- 400mV dropout voltage:
 - Ideal for 3.0V to 2.5V conversion
 - Ideal for 2.5V to 1.8V conversion
- 1% initial accuracy
- Low ground current
- Current limiting and thermal shutdown
- Reverse battery and reverse lead insertion protection
- Reverse leakage protection
- Fast transient response
- TO-263 and TO-220 packages
- TTL/CMOS-compatible enable pin (MIC39501 only)
- Error flag output (MIC39501 only)
- Ceramic capacitor stable (See application information)



<< BACK



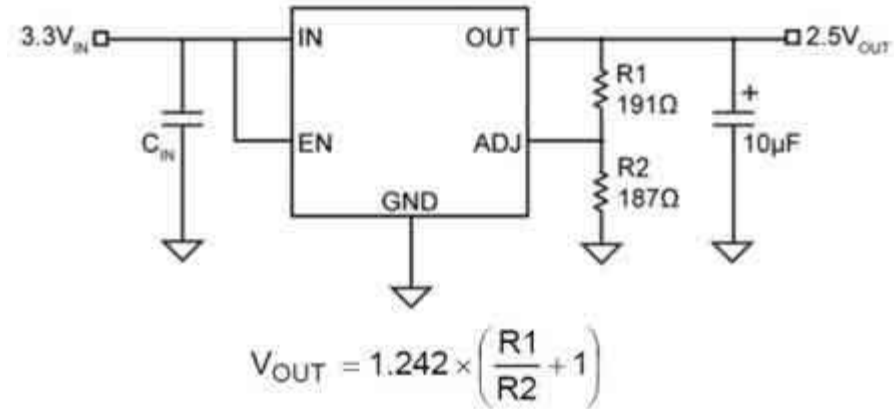
MIC29302A

3A Fast-Response LDO Regulator

[Online Datasheet](#)

Features:

- High current capability:
 - 3A over full temperature range
- Low dropout voltage of 450mV at full load
- Low ground current
- Accurate 1% guaranteed tolerance
- Extremely fast transient response
- Zero-current shutdown mode
- Error flag signals output out-of-regulation
- Adjustable output voltage
- Available in TO-263-L and TO-252-5L packages



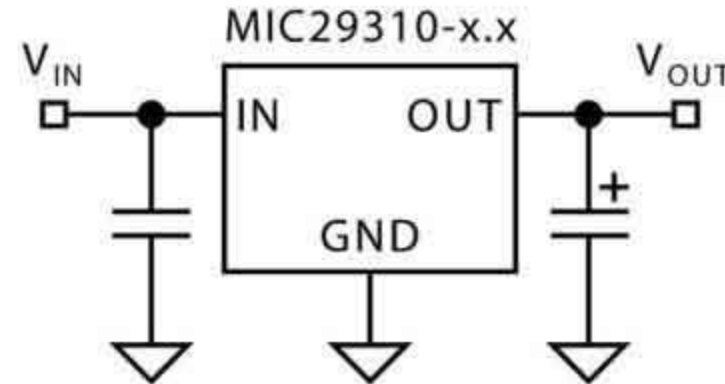
MIC29310/12

3A Fast-Response LDO Regulator

[Online
Datasheet](#)

Features:

- Low cost versions of MIC29300 family
- Fast transient response
- 3A current over full temperature range
- 600mV dropout voltage at full load
- Low ground current
- Accurate 1% guaranteed tolerance
- Zero current shutdown mode (MIC29312)
- Fixed voltage and adjustable versions



<< BACK



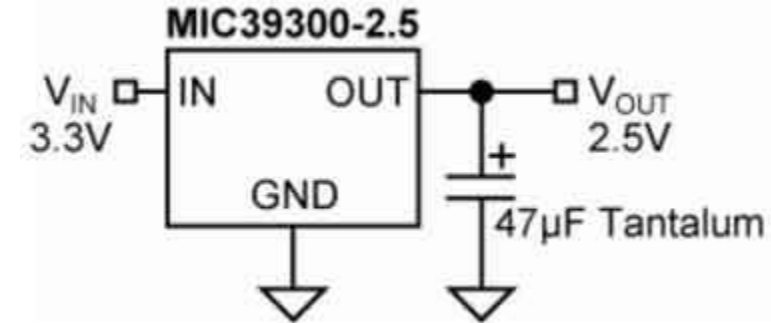
MIC39300/1/2

3A Low-Voltage Low-Dropout Regulator

[Online
Datasheet](#)

Features:

- 3.0A minimum guaranteed output current:
 - Ideal for 3.0V to 2.5V conversion
 - Ideal for 2.5V to 1.8V conversion
- 1% initial accuracy
- Low ground current
- 550mV maximum dropout voltage over –
– temperature
- Current limiting and thermal shutdown
- Reverse battery protection
- Reverse leakage protection
- Fast transient response
- TO-263 (D2Pak) and TO-220 packaging
- TTL/CMOS compatible enable pin (MIC39301/2 only)
- Error flag output (MIC39301 only)
- Adjustable output (MIC39302 only)



[<< BACK](#)



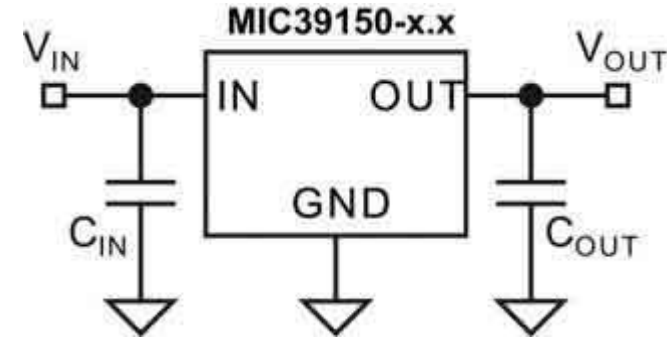
MIC39150/1/2

1.5A Low-Voltage Low-Dropout Regulator

[Online
Datasheet](#)

Features:

- 1.5A minimum guaranteed output current
- 500mV maximum dropout voltage over temperature:
 - Ideal for 3.0V to 2.5V conversion
 - Ideal for 2.5 to 1.8V or 1.65V conversion
- 1% initial accuracy
- Low ground current
- Current limiting and thermal shutdown
- Reverse battery and reverse lead insertion protection
- Reverse leakage protection
- TTL/CMOS-compatible enable pin (MIC39151/2 only)
- Error flag output (MIC39151 only)
- Adjustable output (MIC39152 only)
- Power D-Pak package (TO-252) Adjustable only
- Power D²Pak Package (TO-263)



<< BACK



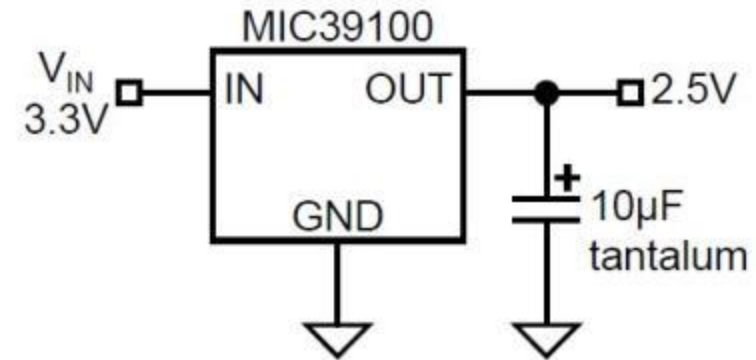
MIC39100/1/2

1A Low-Voltage Low-Dropout Regulator

[Online
Datasheet](#)

Features:

- Fixed and adjustable output voltages to 1.24V
- 410mV typical dropout at 1A:
 - Ideal for 3.0V to 2.5V conversion
 - Ideal for 2.5V to 1.8V conversion
- 1A minimum guaranteed output current
- 1% initial accuracy
- Low ground current
- Current limiting and thermal shutdown
- Reversed-battery protection
- Reversed-leakage protection
- Fast transient response
- Low-profile SOT-223 package
- Power SO-8 package



[<< BACK](#)



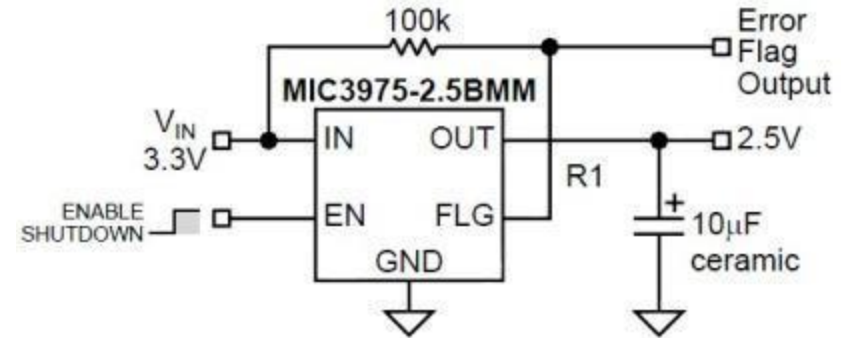
MIC3975

1A Low-Voltage Low-Dropout Regulator

[Online Datasheet](#)

Features:

- Fixed and adjustable output voltages to 1.24V
- 280mV typical dropout at 750mA:
 - Ideal for 3.0V to 2.5V conversion
 - Ideal for 2.5V to 1.8V or 1.65V conversion
- Stable with ceramic capacitor
- 750mA minimum guaranteed output current
- 1% initial accuracy
- Low ground current
- Current limiting and thermal shutdown
- Reverse battery protection
- Reverse leakage protection
- Fast transient response
- Low-profile MSOP-8



<< BACK

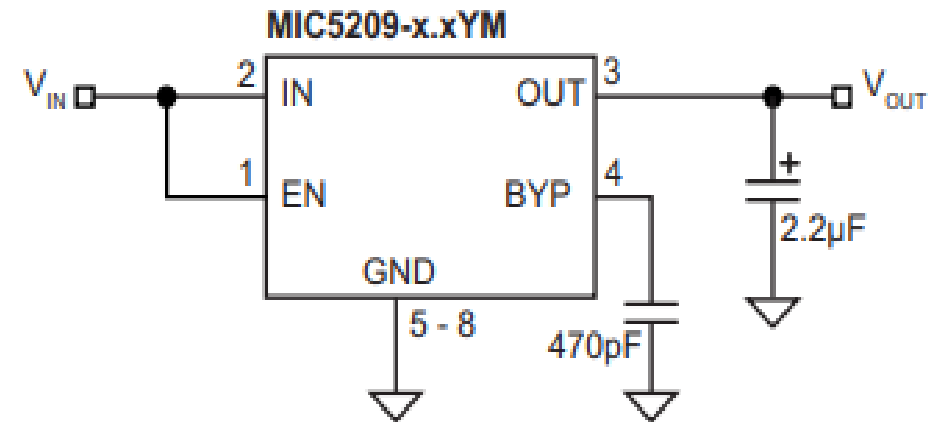


MIC5209

500mA, 1% Accuracy, Low Noise LDO

Features:

- Output voltage range: 1.8V – 15V
- Guaranteed 500mA output over full operating temp
- Low 500mV max dropout voltage at full load
- Extremely tight load and line regulation
- 1% initial accuracy
- No-load stability
- Current limiting and thermal shutdown
- Reverse battery protection
- Ultra low noise capability in SOIC-8, DDPAK, SOT-223 and DFN packages



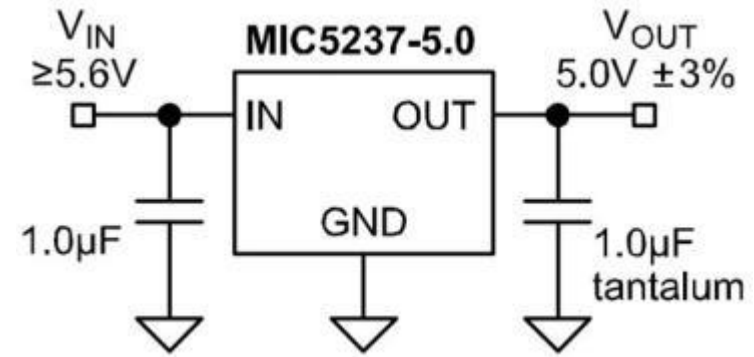
MIC5237

500mA LDO

[Online Datasheet](#)

Features:

- Low 300mV typical dropout voltage at full load
- Extremely tight load and line regulation
- Current and thermal limiting
- Reversed battery protection
- TO-220 and TO-263 packages
- Low temperature coefficient
- Guaranteed 500mA output over the full operating – temperature range
- No-load stability
- Low noise output



<< BACK



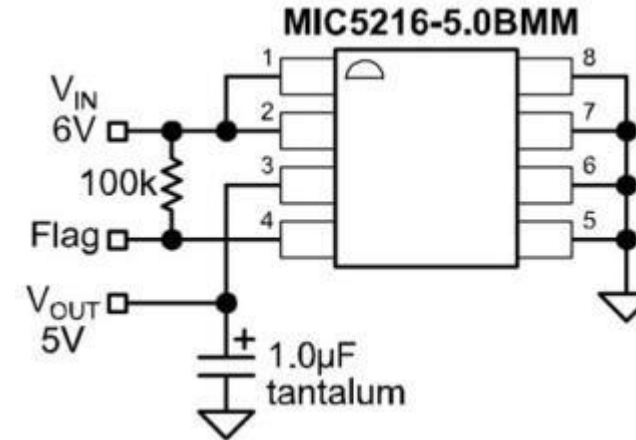
MIC5216

500mA-Peak Output LDO

[Online Datasheet](#)

Features:

- Error flag indicates under-voltage fault
- Low 500mV maximum dropout voltage at full load
- Extremely tight load and line regulation
- Tiny SOT-23-5 and MM8[®] power MSOP-8 package
- Low noise output
- Low temperature coefficient
- Current and thermal limiting
- Reversed battery protection
- Guaranteed 500mA peak output over the full –
- operating temperature range
- CMOS/TTL-compatible enable/shutdown control
- Near-zero shutdown current



[<< BACK](#)



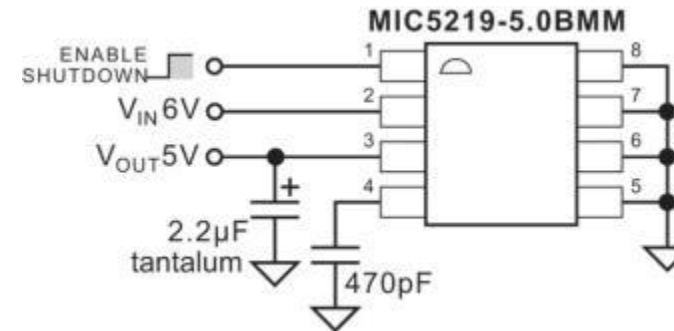
MIC5219

500mA-Peak Output LDO

[Online Datasheet](#)

Features:

- Low 500mV maximum dropout voltage at full load
- Extremely tight load and line regulation
- Ultra-low noise output
- Low temperature coefficient
- Current and thermal limiting
- Tiny SOT-23-5 and MM8[®] power MSOP-8 package
- 500mA output current capability:
 - SOT-23-5 package - 500mA peak
 - 2mm x 2mm MLF[®] and Thin MLF[®] packages –
- 500mA continuous
 - MSOP-8 package - 500mA continuous
- Reversed battery protection
- CMOS/TTL-compatible enable/shutdown control
- Near-zero shutdown current



[<< BACK](#)



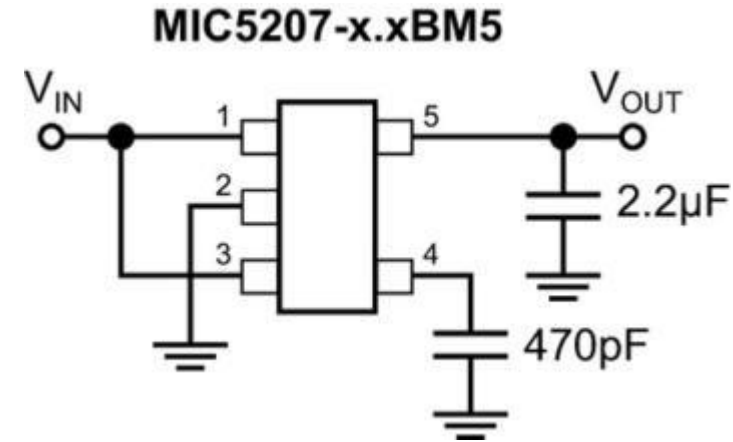
MIC5207

180mA Low-Noise LDO

[Online
Datasheet](#)

Features:

- Ultra-low noise output
- High output voltage accuracy
- Guaranteed 180mA output
- Low quiescent current
- Low dropout voltage
- Extremely tight load and line regulation
- Very low temperature coefficient
- Current and thermal limiting
- Reverse battery protection
- Zero off-mode current state
- Logic-controlled electronic enable



[<< BACK](#)



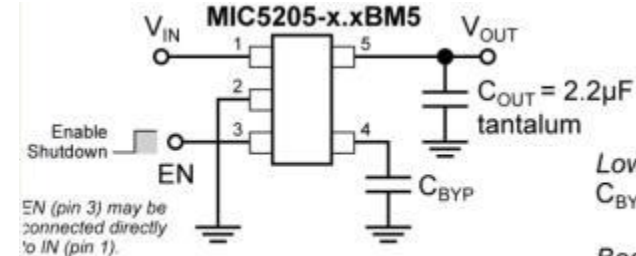
MIC5205

150mA Low-Noise LDO

[Online Datasheet](#)

Features:

- Ultra-low noise output
- High output voltage accuracy
- Guaranteed 150mA output
- Low quiescent current
- Low dropout voltage
- Extremely tight load and line regulation
- Very low temperature coefficient
- Current and thermal limiting
- Reverse battery protection
- Zero off-mode current
- Logic-controlled electronic enable



Low-Noise Operation:
 $C_{BYT} = 470\text{pF}$, $C_{OUT} \geq 2.2\mu\text{F}$

Basic Operation:
 $C_{BYT} = \text{not used}$, $C_{OUT} \geq 1\mu\text{F}$

<< BACK



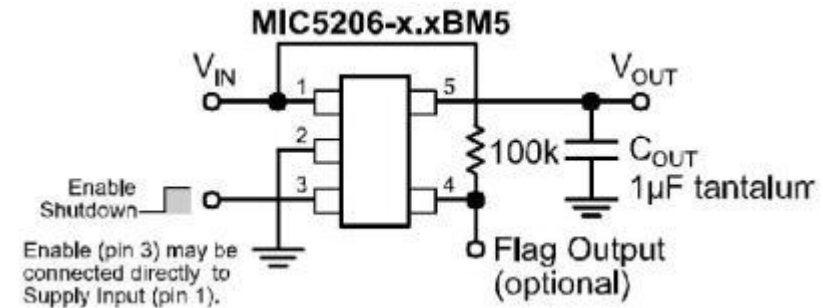
MIC5206

150mA Low-Noise LDO

[Online Datasheet](#)

Features:

- Error flag indicates under-voltage fault
- High output voltage accuracy
- Guaranteed 150mA output
- Ultra-low noise output (8-pin versions)
- Low quiescent current
- Low dropout voltage
- Extremely tight load and line regulation
- Very low temperature coefficient
- Current and thermal limiting
- Reversed battery protection
- Zero off-mode current
- Logic-controlled electronic enable



<< BACK



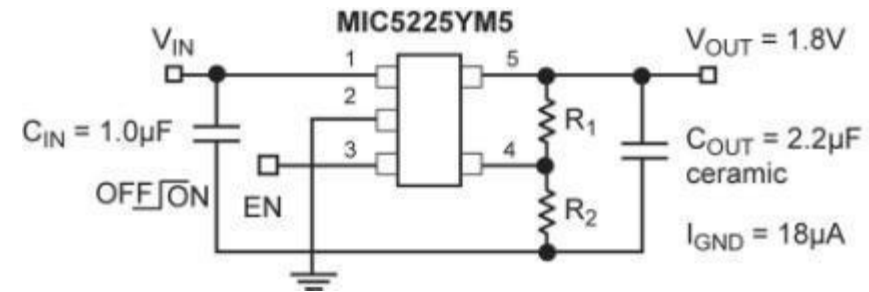
MIC5225

Low Quiescent Current 150mA μ Cap LDO

[Online Datasheet](#)

Features:

- Wide input voltage range: 2.3V to 16V
- High output accuracy of $\pm 2.0\%$ over – temperature
- Guaranteed 150mA output
- Very low ground current: 29 μ A
- Low dropout voltage of 310mV at 150mA
- μ Cap: stable with ceramic or tantalum capacitors
- Excellent line and load regulation specifications
- Reverse battery protection
- Reverse leakage protection
- Zero off-mode current
- Thermal shutdown and current limit protection
- IttyBitty[®] SOT-23-5 package



<< BACK



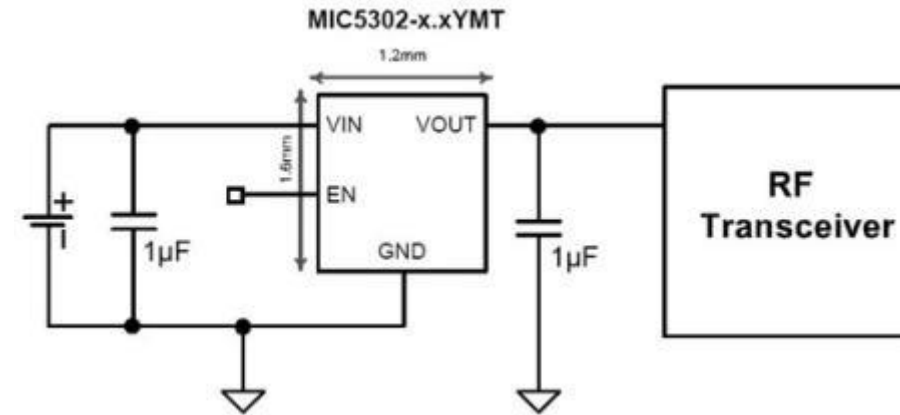
MIC5203

μCap 80mA LDO

[Online Datasheet](#)

Features:

- Tiny 4-lead and 5-lead surface-mount – – packages
- Wide selection of output voltages
- Guaranteed 80mA output
- Low quiescent current
- Low dropout voltage
- Tight load and line regulation
- Low temperature coefficient
- Current and thermal limiting
- Reversed input polarity protection
- Zero off-mode current
- Logic-controlled shutdown
- Stability with low-ESR ceramic capacitors



[<< BACK](#)



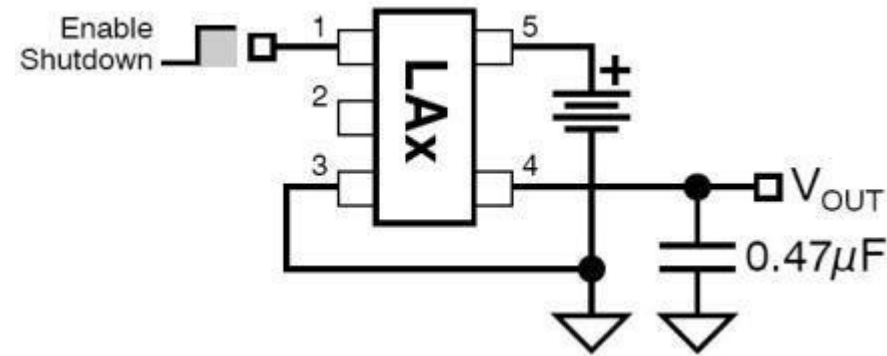
MIC5213

Teeny™ SC-70 μ Cap LDO

[Online Datasheet](#)

Features:

- Teeny™ SC-70 package
- Wide selection of output voltages
- Guaranteed 80mA output
- Low quiescent current
- Low dropout voltage
- Tight load and line regulation
- Low temperature coefficient
- Current and thermal limiting
- Reversed input polarity protection
- Zero off-mode current
- Logic-controlled shutdown
- Stability with low-ESR ceramic capacitors



[<< BACK](#)



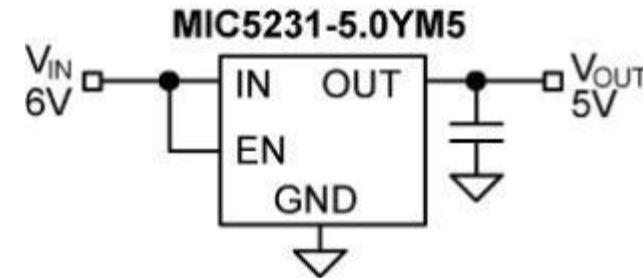
MIC5231

10mA μ Cap™ LDO

[Online
Datasheet](#)

Features:

- Extremely low quiescent current: only 0.65 μ A
- No output capacitor requirement
- Stable with ceramic or tantalum capacitors
- IttyBitty® SOT-23-5 surface-mount package
- 10mA output drive
- Low 150mV at 10mA dropout voltage
- Tight load and line regulation
- Low temperature coefficient
- Logic-level enable input



[<< BACK](#)



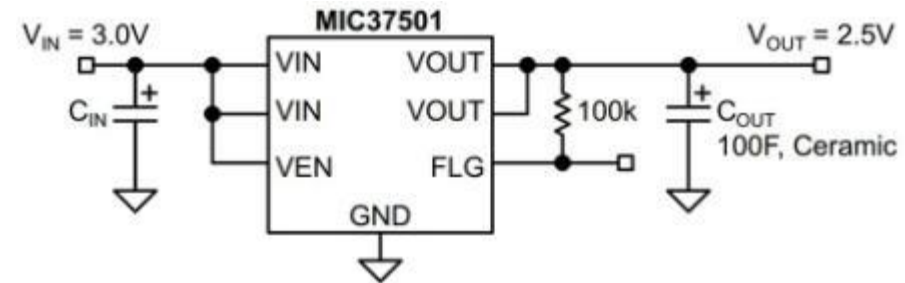
MIC37501/2

5A Low Voltage μ Cap LDO Regulator

[Online
Datasheet](#)

Features:

- 5A minimum guaranteed output current
- 500mV maximum dropout voltage:
 - Ideal for 3.0V to 2.5V conversion
 - Ideal for 2.5V to 1.8V, 1.65V, or 1.5V –
- conversion
- Stable with ceramic or tantalum capacitor:
 - V_{IN} : 2.3V to 6.0V
- $\pm 1.0\%$ initial output tolerance
- Fixed and adjustable output voltages:
 - MIC37501 -7 terminal fixed voltage
 - MIC37502 -5 (TO-263) and 7 (SPAK) terminal –
- adjustable voltage
- Excellent line and load regulation specifications
- Logic controlled shutdown
- Thermal shutdown and current-limit protection
- Reverse leakage protection
- Low-profile S-Pak and TO-263 packages



[<< BACK](#)



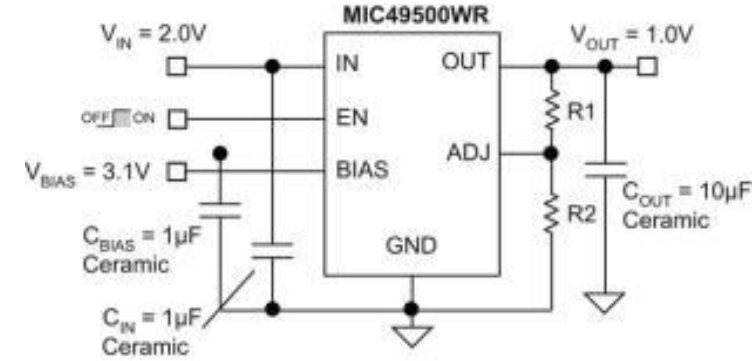
MIC49500

5A Dual Supply Low Voltage High Bandwidth LDO

[Online Datasheet](#)

Features:

- Input voltage range: 2.7V to 6.0V:
 - V_{IN} : 1.4V to 6V
 - V_{BIAS} : 3V to 6V
- Stable with 10 μ F ceramic output capacitor
- $\pm 1.0\%$ initial output tolerance
- Maximum dropout ($V_{IN} - V_{OUT}$) is 500mV over –
– temperature
- Adjustable output voltage down to 0.7V
- Ultra-fast transient response (Up to 10MHz bandwidth)
- Excellent line and load regulation specifications
- Logic controlled shutdown option
- Thermal shutdown and current limit protection
- Thin 7-pin S-Pak package
- TO-263 7-pin package
- -40°C to +125°C operating junction temperature range



<< BACK



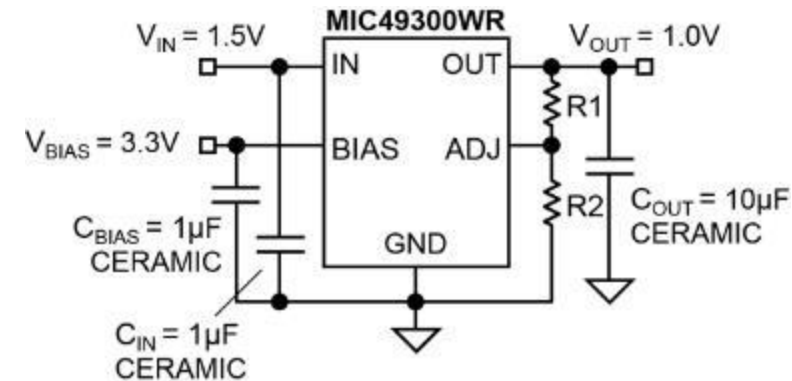
MIC49300

[Online Datasheet](#)

3.0A Low Voltage LDO w/Dual Input Voltages

Features:

- Input voltage range:
 - V_{IN} : 1.4V to 6.5V
 - V_{BIAS} : 3.0V to 6.5V
- Stable with 1 μ F ceramic capacitor
- $\pm 1\%$ initial tolerance
- Maximum dropout voltage ($V_{IN} - V_{OUT}$) of 500mV –
- over temperature
- Adjustable output voltage down to 0.9V
- Ultra-fast transient response (Up to 10MHz bandwidth)
- Excellent line and load regulation specifications
- Logic controlled shutdown option
- Thermal shutdown and current limit protection
- Power S-Pak package
- Junction temperature range: -40°C to +125°C



<< BACK



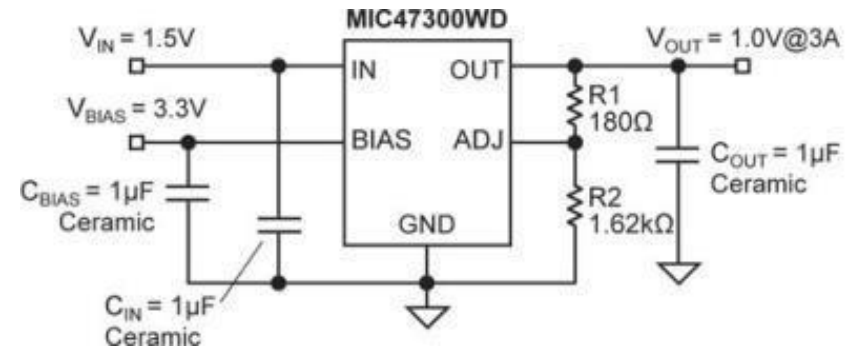
MIC47300

Online
Datasheet

3A Low Voltage Adj. LDO with Dual Input Supply

Features:

- Input voltage range:
 - V_{IN} : 1.4V to 6.5V
 - V_{BIAS} : 3.0V to 6.5V
- Stable with 1 μ F ceramic capacitor
- $\pm 1\%$ initial tolerance
- Maximum dropout voltage ($V_{IN} - V_{OUT}$) of –400mV over temperature
- Adjustable output voltage down to 0.9V
- Ultra fast transient response (Up to 10MHz bandwidth)
- Excellent line and load regulation specifications
- Power D-Pak package (TO-252)
- Thermal shutdown and current limit protection
- Junction temperature range: -40°C to +125°C



<< BACK



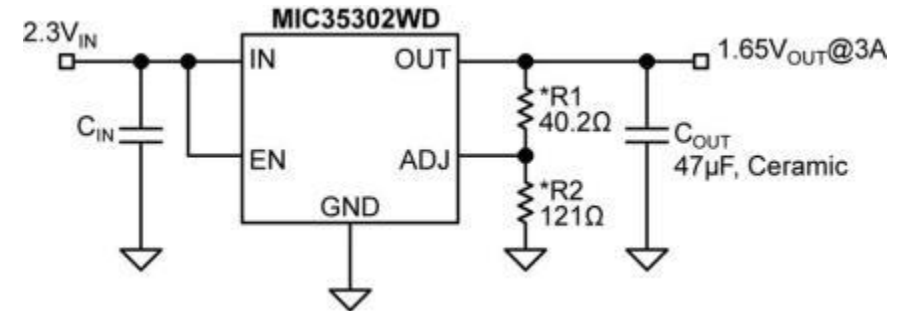
MIC35302

3A Low-Voltage μ Cap LDO

[Online
Datasheet](#)

Features:

- Ideal for 3.0V to 2.5V conversion
- Stable with ceramic or tantalum capacitor
- Wide input voltage range:
 - V_{IN} : 2.25V to 6.0V
- Excellent line and load regulation specifications
- 3.0A minimum guaranteed output current
- Ideal for 2.5V to 1.8V, 1.65V, or 1.5V conversion
- 600mV maximum dropout voltage over temperature
- Logic-controlled shutdown
- Thermal shutdown and current limit protection
- Reverse leakage protection
- -40°C to +125°C junction temperature
- Power D-Pak package (TO-252)



<< BACK



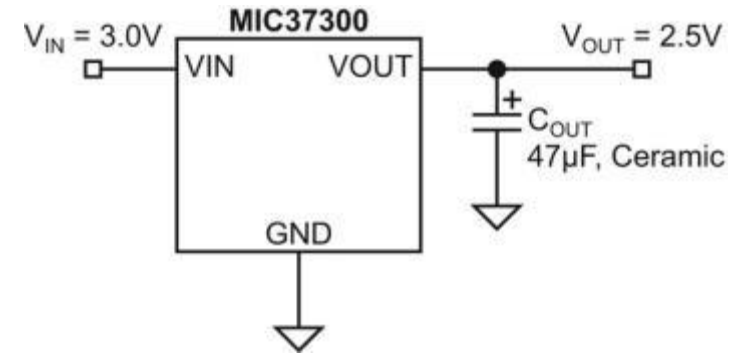
MIC37300/1/2/3

3.0A Low-Voltage μ Cap LDO

[Online Datasheet](#)

Features:

- 3.0A minimum guaranteed output current
- 500mV maximum dropout voltage over-temperature
- Ideal for 3.0V to 2.5V conversion
- Ideal for 2.5V to 1.8V, 1.65V, or 1.5V conversion
- Stable with ceramic or tantalum capacitor
- Wide input voltage range:
 - V_{IN} : 2.25V to 6.0V
 - $\pm 1.0\%$ initial output tolerance
- Fixed and adjustable output voltages:
 - MIC37300 3-pin fixed voltages
 - MIC37301 5-pin S-Pak or 8-pin ePad SOIC fixed –
- voltages with flag
 - MIC37302 5-pin adjustable voltage
 - MIC37303 8-pin ePad SOIC adjustable voltage with flag
- Thermal shutdown and current limit protection
- Reverse leakage protection



[<< BACK](#)



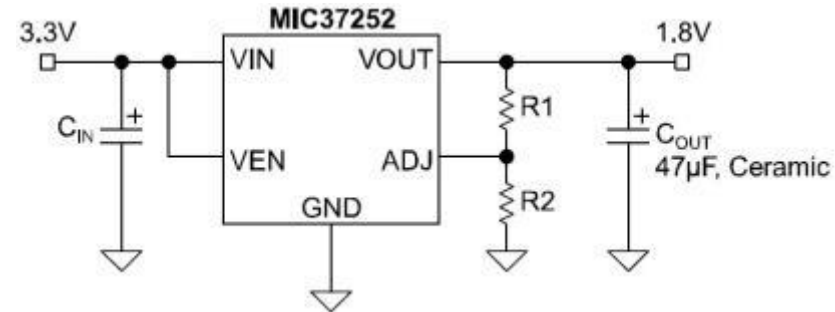
MIC37252

2.5A Low Voltage μ Cap LDO

[Online Datasheet](#)

Features:

- 2.5A minimum guaranteed output current
- Ideal for 3.3V to 1.8V conversion
- Stable with ceramic or tantalum capacitor
- $\pm 2.0\%$ initial output tolerance
- Dropout voltage is 550mV at 2.5A
- Excellent line and load regulation specifications
- Logic controlled shutdown
- Thermal shutdown and current limit protection
- Reverse leakage protection
- S-Pak and TO-263 packages



[<< BACK](#)



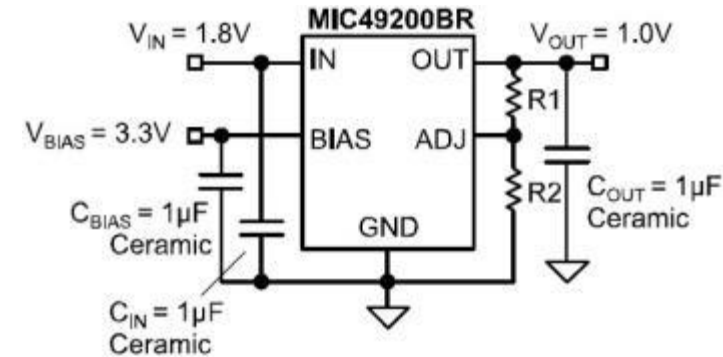
MIC49200

2A Low Voltage LDO with Dual Input Voltages

[Online
Datasheet](#)

Features:

- Input voltage range: 2.7V to 6.0V:
 - V_{IN} : 1.4V to 6.5V
 - V_{BIAS} : 3.0V to 6.5V
- Stable with 1 μ F ceramic output capacitor
- $\pm 1.0\%$ initial output tolerance
- Maximum dropout ($V_{IN} - V_{OUT}$) is 500mV over –
– temperature
- Adjustable output voltage down to 0.9V
- Ultra-fast transient response (up to 10MHz bandwidth)
- Excellent line and load regulation specifications
- Logic-controlled shutdown option
- Thermal shutdown and current limit protection
- Thin 5-pin S-Pak package
- -40°C to +125°C operating junction temperature range



<< BACK



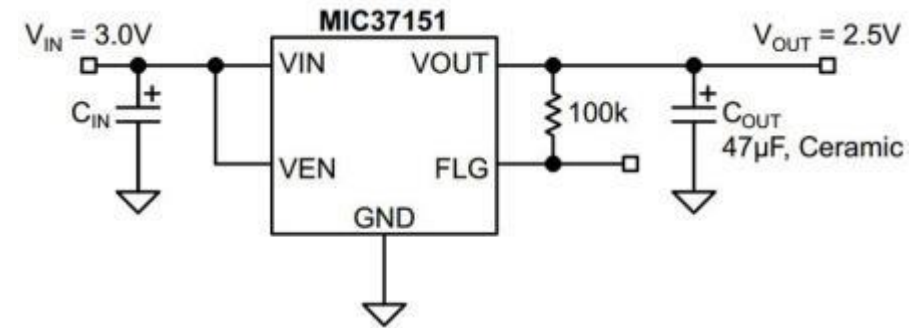
MIC37150/1/2/3

1.5A Low Voltage μ Cap LDO

[Online
Datasheet](#)

Features:

- 1.5A minimum guaranteed output current
- 500mV maximum dropout voltage over – temperature:
 - Ideal for 3.0V to 2.5V conversion
 - Ideal for 2.5V to 1.8V, 1.65V, or 1.5V – conversion
- Stable with ceramic or tantalum capacitor
- Wide input voltage range:
 - V_{IN} : 2.25V to 6.0V
- $\pm 1.0\%$ initial output tolerance
- Fixed and adjustable output voltages
 - MIC37150 - 3-pin fixed voltages
 - MIC37151 - 5-pin S-Pak or 8-pin ePad SOIC
- Fixed voltages with flag:
 - MIC37152 - 5-pin adjustable voltage
 - MIC37153 - 8-pin adjustable voltage with flag
- Thermal shutdown and current limit protection
- Low profile 3 or 5-pin S-Pak packages or 8-pin ePad SOIC



<< BACK



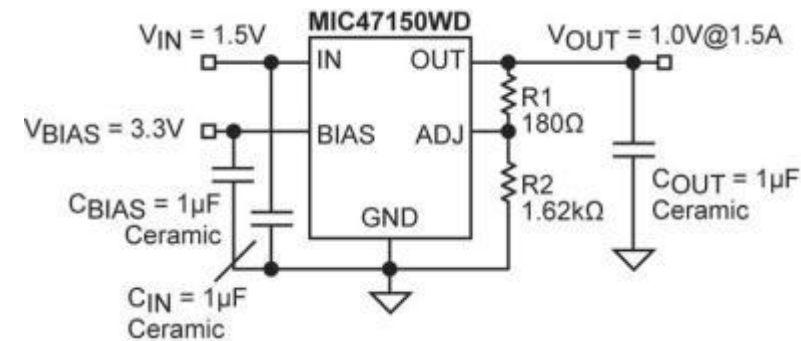
MIC47150

Online
Datasheet

1.5A Low Voltage Adj. High-Bandwidth LDO with Dual Input Supplies

Features:

- Input voltage range:
 - V_{IN} : 1.4V to 6.5V
 - V_{BIAS} : 3.0V to 6.5V
- Stable with 1 μ F ceramic capacitor
- $\pm 1\%$ initial tolerance
- Maximum dropout voltage ($V_{IN} - V_{OUT}$) of –
– 500mV over temperature
- Adjustable output voltage down to 0.9V
- Ultra fast transient response (up to 10MHz –
– bandwidth)
- Excellent line and load regulation specifications
- Power D-Pak package (TO-252)
- Thermal shutdown and current limit protection
- Junction temperature range: -40°C to +125°C



<< BACK



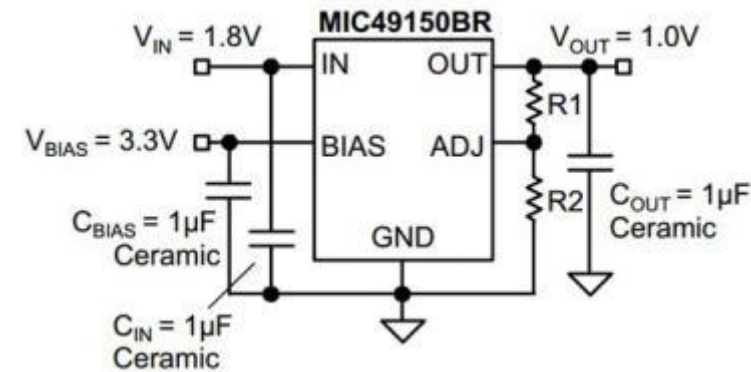
MIC49150

Online
Datasheet

1.5A Low Voltage LDO with Dual Input Voltages

Features:

- Input voltage range:
 - V_{IN} : 1.4V to 6.5V
 - V_{BIAS} : 3.0V to 6.5V
- Stable with 1 μ F ceramic capacitor
- $\pm 1\%$ initial tolerance
- Maximum dropout voltage ($V_{IN} - V_{OUT}$) of –
– 500mV over temperature
- Adjustable output voltage down to 0.9V
- Ultra fast transient response (up to 10MHz bandwidth)
- Excellent line and load regulation specifications
- Logic-controlled shutdown option
- Thermal shutdown and current limit protection
- Power MSOP-8 and S-Pak packages
- Junction temperature range: -40°C to +125°C



<< BACK



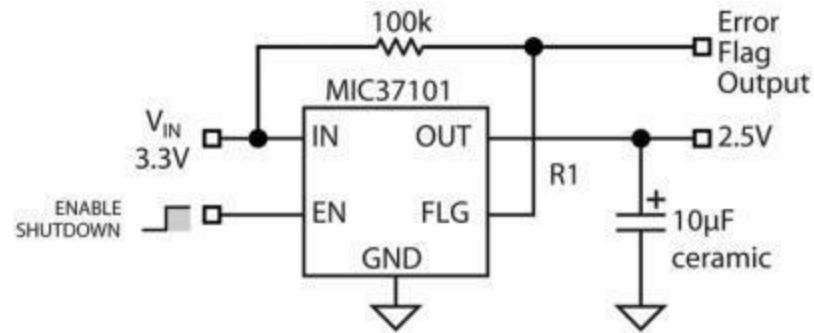
MIC37100/1/2

1A Low-Voltage μ Cap LDO

[Online Datasheet](#)

Features:

- Fixed and adjustable output voltages to 1.24V
- μ Cap Regulator, 10 μ F ceramic output capacitor - stable
- 280mV typical dropout at 1A:
 - Ideal for 3.0V to 2.5V conversion
 - Ideal for 2.5V to 1.8V, 1.65V, or 1.5V conversion
- 1A minimum guaranteed output current
- 1% initial accuracy
- Low ground current
- Current limiting and thermal shutdown
- Reverse leakage protection
- Fast transient response
- Low-profile SOT-223 package
- Power SO-8 package
- S-PAK package (MIC37102 only)



<< BACK



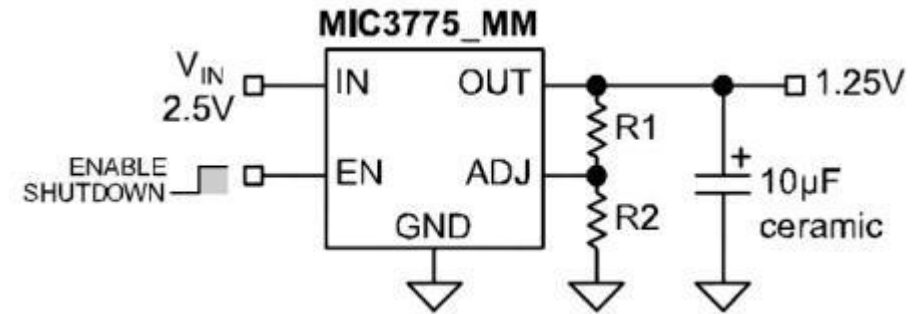
MIC3775

750mA μ Cap Low-Voltage LDO

[Online Datasheet](#)

Features:

- Fixed and adjustable output voltages –
- to 1.24V
- 280mV typical dropout at 750mA:
 - Ideal for 3.0V to 2.5V conversion
 - Ideal for 2.5V to 1.8V or 1.65V –
- conversion
- Stable with ceramic capacitor
- 750mA minimum guaranteed output current
- 1% initial accuracy
- Low ground current
- Current limiting and thermal shutdown
- Reverse leakage protection
- Fast transient response
- Low-profile power MSOP-8 package



<< BACK



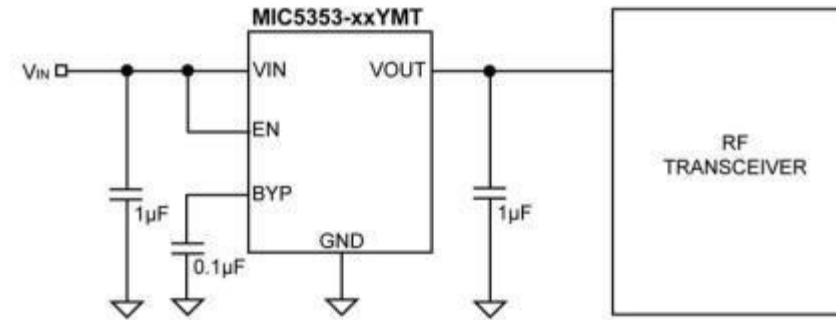
MIC5353

500mA LDO in 1.6mm x 1.6mm Package

[Online
Datasheet](#)

Features:

- 500mA guaranteed output current
- Input voltage range: 2.6V to 6V
- Ultra-low dropout voltage: 160mV at 500mA
- $\pm 2\%$ initial accuracy
- Ultra-low output noise: 30 μ Vrms
- Low quiescent current: 90 μ A
- Stable with ceramic output capacitors
- 35 μ s turn-on time
- Thermal shutdown and current limit protection
- Tiny 6-pin 1.6mm x 1.6mm Thin MLF[®] lead-less package



[<< BACK](#)



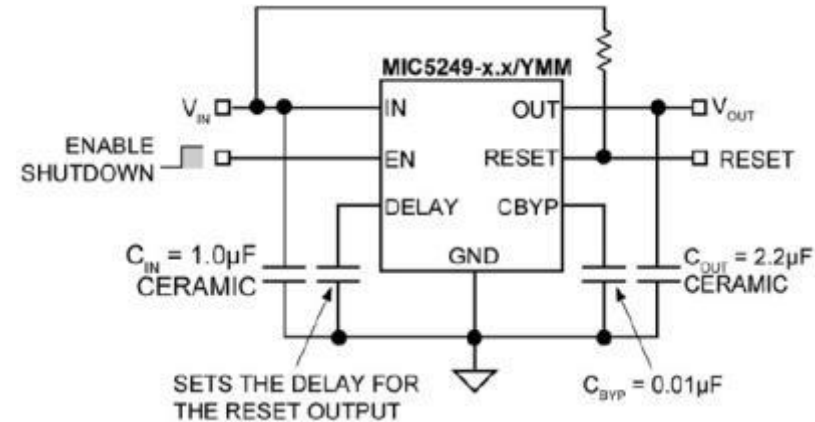
MIC5249

Online
Datasheet

300mA μ Cap LDO with Programmable Power-On Reset Delay

Features:

- 300mA output current
- High PSRR: 65dB at 120Hz
- Stable with ceramic output capacitor
- Power-on reset output with adjustable –
– delay time
- High output accuracy:
 - $\pm 1.0\%$ initial accuracy
 - $\pm 3.0\%$ over temperature
- Low dropout voltage: 400mV at 300mA
- Low quiescent current: 85mA
- Zero off-mode current state
- Thermal shutdown protection
- Current limit protection
- Tiny MSOP-8 package



<< BACK



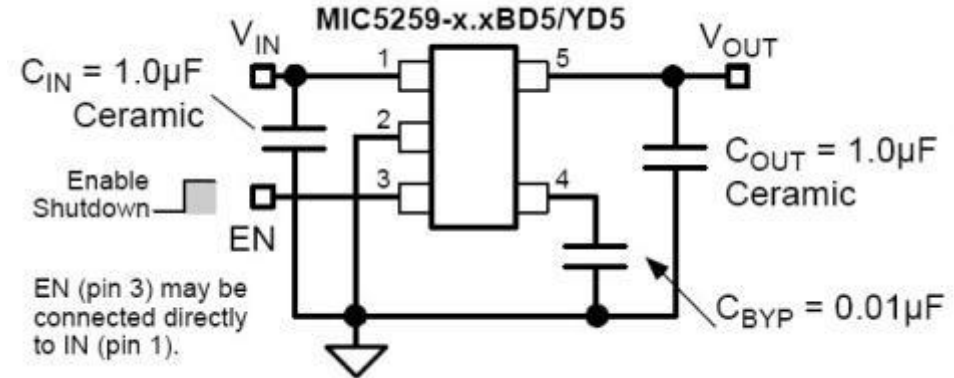
MIC5259

300mA High PSRR Low Noise μ Cap CMOS LDO

[Online Datasheet](#)

Features:

- Input voltage range: 2.7V to 6.0V
- PSRR: 70dB at 1kHz
- Low output noise: 30 μ Vrms
- Stability with ceramic output capacitors
- Low dropout: 300mV at 300mA
- High output accuracy:
 - 1.5% initial accuracy
 - 3.0% over temperature
- Low quiescent current: 105 μ A
- Tight load and line regulation
- TTL logic-controlled enable input
- Zero off-mode current state
- Thermal shutdown and current limit protection



<< BACK



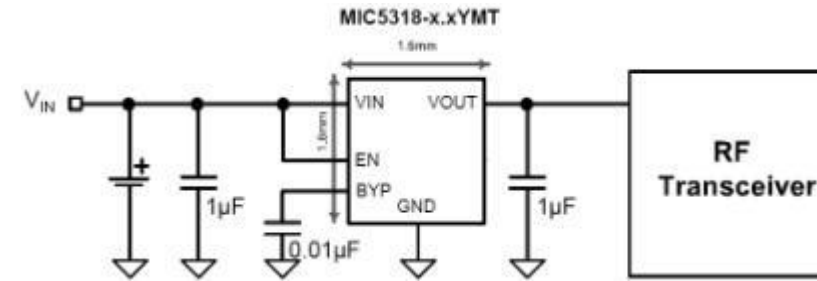
MIC5318

High Performance 300mA μ Cap ULDO

[Online
Datasheet](#)

Features:

- Ultra-low dropout voltage: 110mV at 300mA
- Input voltage range: 2.3V to 6.0V
- 300mA guaranteed output current
- Stable with ceramic output capacitors
- Ultra-low output noise: 30 μ Vrms
- Low quiescent current: 85 μ A total
- High PSRR: >70dB at 1kHz
- Less than 35 μ s turn-on time
- High output accuracy:
 - $\pm 2\%$ initial accuracy
 - $\pm 3\%$ over temperature
- Thermal shutdown and current limit protection
- Tiny 6-pin 1.6mm x 1.6mm Thin MLF[®] package
- Thin SOT23-5 package



<< BACK



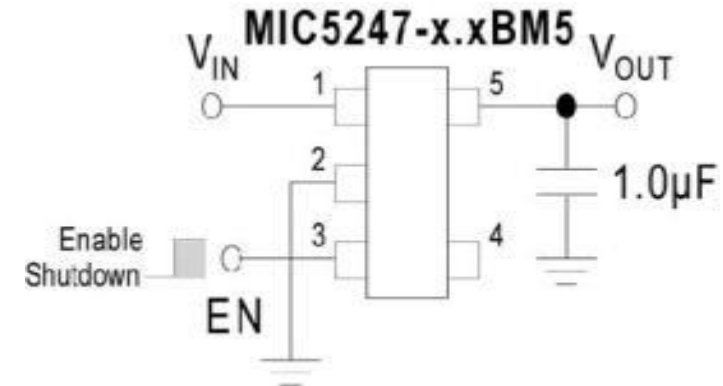
MIC5247

150mA Low-Voltage μ Cap LDO

[Online
Datasheet](#)

Features:

- Ultra-low noise
- Low voltage outputs
- Load-independent, ultra-low ground current: 85mA
- 150mA output current
- Current limiting
- Thermal shutdown
- Tight load and line regulation
- Zero off-mode current
- Stability with low-ESR capacitors
- Fast transient response
- Logic-controlled enable input



<< BACK



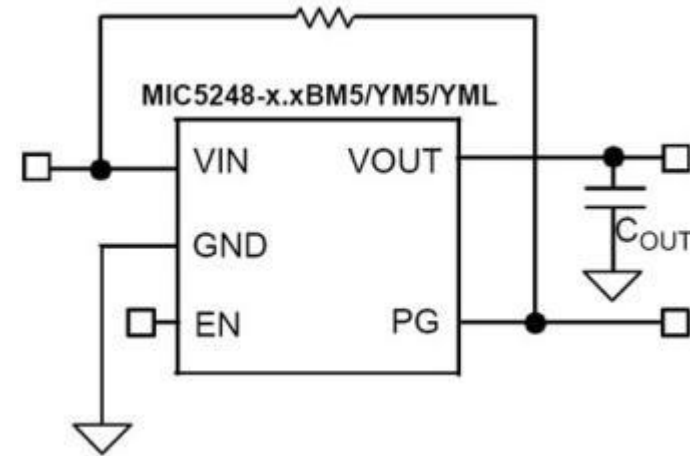
MIC5248

150mA μ Cap CMOS LDO with Power Good

[Online Datasheet](#)

Features:

- Power Good indicator
- Load-independent, ultra-low ground current: 100 μ A
- 150mA output current
- Current limiting
- Thermal shutdown
- Tight load and line regulation
- Zero off-mode current
- Stability with low-ESR capacitors
- Fast transient response
- TTL logic-controlled enable input



<< BACK



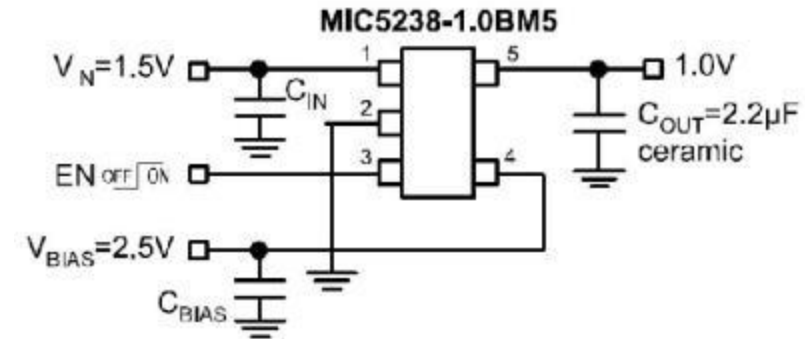
MIC5238

Ultra-Low Quiescent Current 150mA μ Cap LDO

[Online Datasheet](#)

Features:

- Ultra-low input voltage range: 1.5V to 6V
- Low dropout voltage: 310mV at 150mA
- High output accuracy: $\pm 2.0\%$ over temperature
- μ Cap: stable with ceramic or tantalum capacitors
- Excellent line and load regulation specifications
- Zero off-mode current
- Ultra-low output voltage: 1.1V minimum output – voltage
- Reverse leakage protection
- Thermal shutdown and current limit protection
- IttyBitty[®] SOT-23-5 package



<< BACK



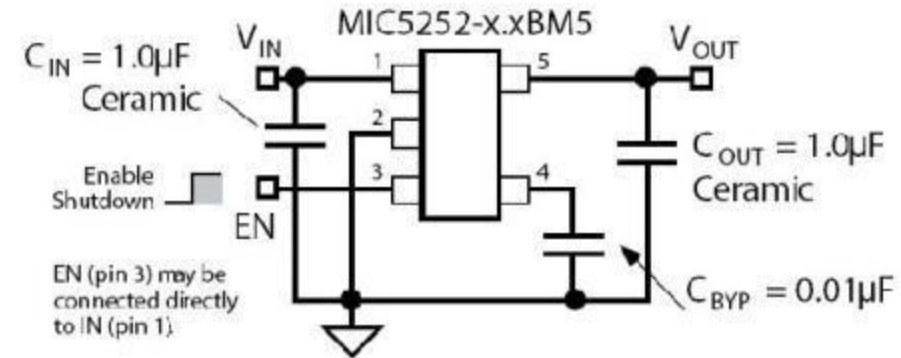
MIC5252

150mA High PSRR Low Noise μ Cap CMOS LDO

[Online Datasheet](#)

Features:

- Input voltage range: 2.7V to 6.0V
- PSRR equals 50dB at $V_O + 0.3V$
- Ultra-low output noise: $30\mu V_{rms}$
- Stability with ceramic output capacitors
- Ultra-low dropout: 135mV at 150mA
- High output accuracy:
 - 1.0% initial accuracy
 - 2.0% over temperature
- Low quiescent current: $90\mu A$
- Tight load and line regulation
- TTL logic-controlled enable input
- Zero off-mode current
- Thermal shutdown and current limit protection



[<< BACK](#)



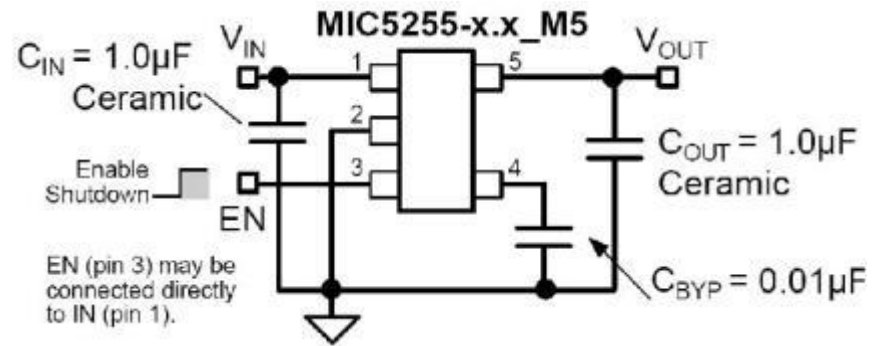
MIC5255

150mA Low Noise μ Cap CMOS LDO

[Online Datasheet](#)

Features:

- Input voltage range: 2.7V to 6.0V
- Thin SOT package: 1mm height SOT-23-5
- Ultra-low output noise: 30 μ V(rms)
- Stability with ceramic output capacitors
- Ultra-low dropout: 135mV at 150mA
- High output accuracy:
 - 1.0% initial accuracy
 - 2.0% over temperature
- Low quiescent current: 90 μ A
- Tight load and line regulation
- TTL logic-controlled enable input
- Zero off-mode current
- Thermal shutdown and current limit protection



<< BACK



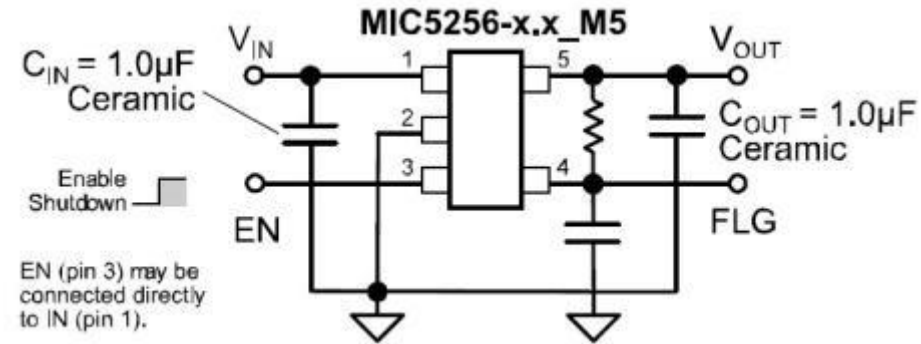
MIC5256

150mA μ Cap LDO with Error Flag

Online
Datasheet

Features:

- Input voltage range: 2.7V to 6.0V
- Thin SOT package: 1mm height
- Error flag indicates fault condition
- Stable with ceramic output capacitor
- Ultra-low dropout: 135mV at 150mA
- High output accuracy:
 - 1.0% initial accuracy
 - 2.0% over temperature
- Low quiescent current: 90 μ A
- Tight load and line regulation
- Thermal shutdown and current limit protection
- Zero off-mode current
- TTL logic-controlled enable input



<< BACK



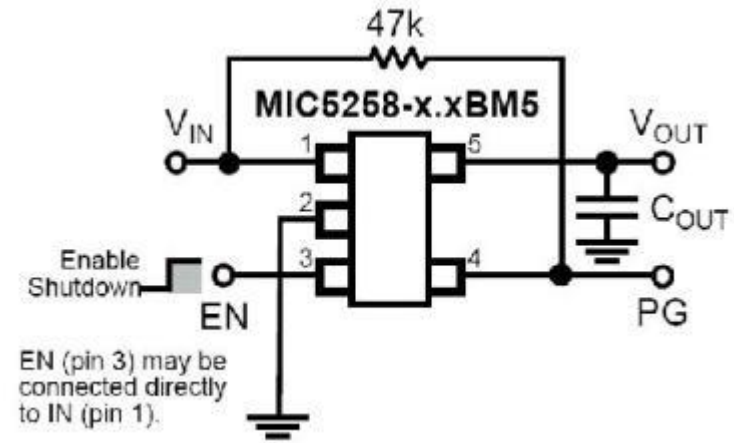
MIC5258

150mA μ Cap CMOS LDO with Power Good

[Online Datasheet](#)

Features:

- Power Good indicator
- Load-independent, ultra-low ground current: 100mA
- 150mA output current
- Current limiting
- Thermal shutdown
- Tight load and line regulation
- Zero off-mode current
- Stability with low-ESR capacitors
- Fast transient response
- TTL logic-controlled enable input



<< BACK



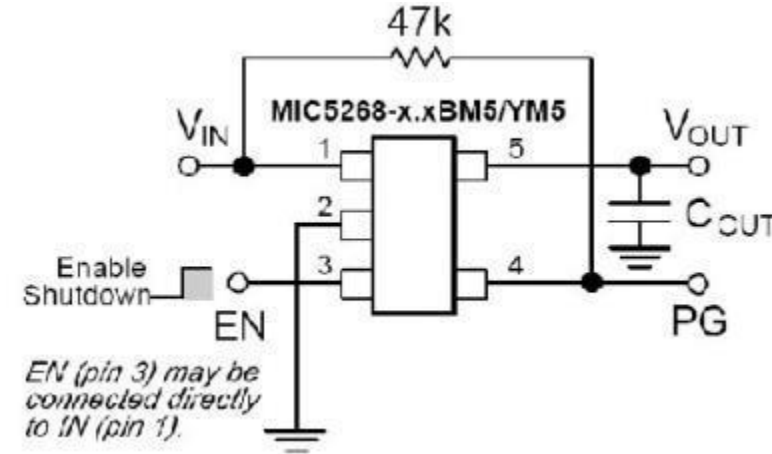
MIC5268

150mA μ Cap CMOS LDO with Power Good

[Online Datasheet](#)

Features:

- Power Good indicator
- Load-independent, ultra-low ground current: 100mA
- 150mA output current
- Current limiting
- Thermal shutdown
- Tight load and line regulation
- Zero off-mode current
- Stability with low-ESR capacitors
- Fast transient response
- TTL logic-controlled enable input



<< BACK



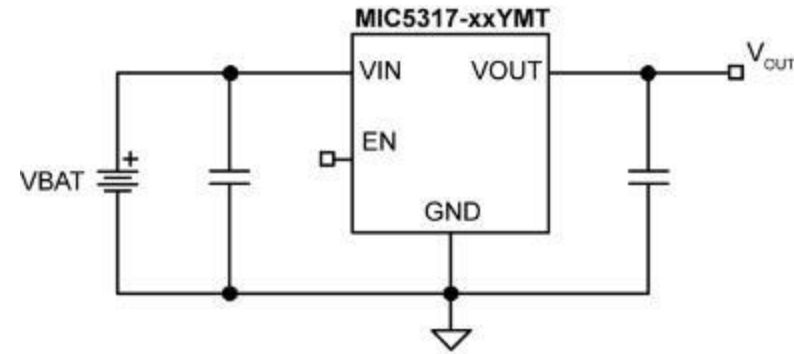
MIC5317

High-Performance Single 150mA LDO

[Online Datasheet](#)

Features:

- Tiny 1mm × 1mm Thin DFN, SOT23-5 and – – TSOT23-5 packages
- Wide 2.5V to 6V operating range
- 150mA guaranteed output current
- Stable with 1 μ F ceramic output capacitors
- Low dropout voltage: 155mV @ 150mA
- Excellent load/line transient response
- Low quiescent current: 29 μ A
- High PSRR: 70dB
- Thermal-shutdown and current-limit protection



[<< BACK](#)



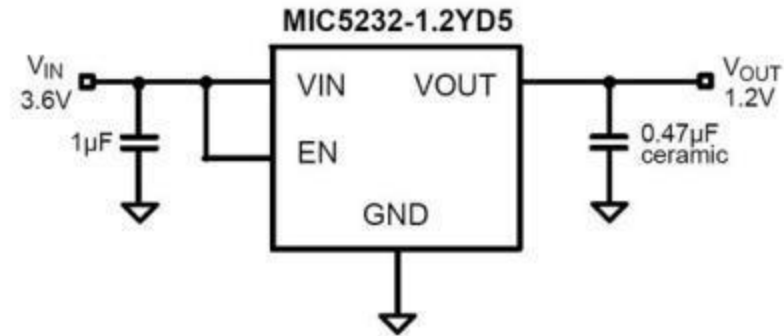
MIC5232

10mA Ultra-Low Quiescent Current μ Cap LDO

[Online Datasheet](#)

Features:

- Input voltage range: 2.7V to 7.0V
- Ultra-low I_q : Only 1.8 μ A operating current
- Stable with 0.47 μ F ceramic output capacitor
- Low dropout voltage of 100mV at 10mA
- Reverse Battery Protection
- High output accuracy:
 - +2.0% initial accuracy
 - +3.0% over temperature
- Logic-Level Enable Input
- Miniature 6-pin 2mm x 2mm MLF[®] package
- Lead-Free Thin SOT-23-5 Package
- Tight Load and Line Regulation



[<< BACK](#)

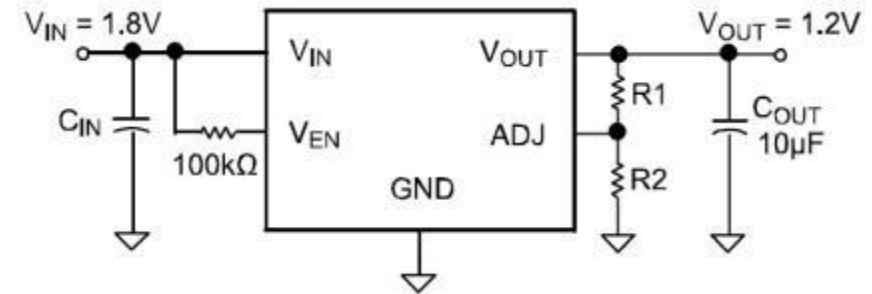


MIC69502

5A Low V_{IN} & Low V_{OUT} μ Cap LDO

Features:

- Input voltage range: V_{IN} : 1.65V to 5.5V
- $\pm 1.0\%$ initial output tolerance
- Adjustable output voltage down to 0.5V
- Max. dropout ($V_{IN} - V_{OUT}$) of 500mV over –
– temperature
- Stable with $10\mu\text{F}$ ceramic output capacitor (5A)
- Excellent line and load regulation specifications
- Logic controlled shutdown
- Thermal shutdown and current limit protection
- 7-Pin S-Pak package
- -40°C to $+125^\circ\text{C}$ temperature junction



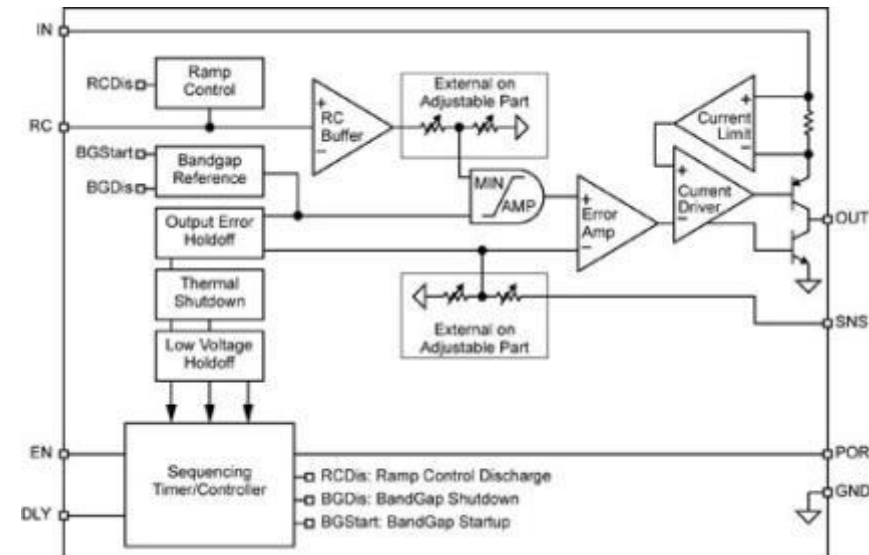
MIC68400

Online
Datasheet

4A Sequencing LDO with Tracking and Ramp Control™

Features:

- Stable with 10µF ceramic capacitor
- Input voltage range: 1.65V to 5.5V
- ±2.0% output tolerance over temperature
- 4A maximum output current - peak start up
- 3A continuous operating current
- Timing controlled sequencing on/off
- Tiny 4mm x 4mm MLF® package
- Fixed and adjustable output voltages
- Maximum dropout ($V_{IN} - V_{OUT}$) of 500mV –
- over temperature at 3A output current
- Thermal shutdown and current limit protection
- Programmable Ramp Control™ for:
 - In-rush current limiting
 - Slew rate control of the output voltage
- Single Master can control multiple Slave –
- regulators with tracking output voltages



<< BACK



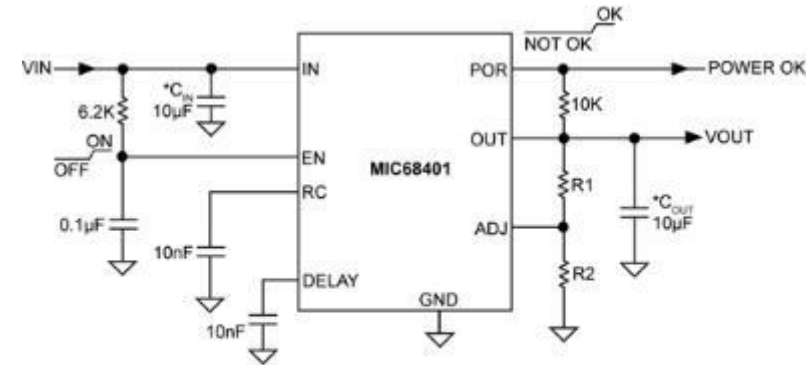
MIC68401

Online
Datasheet

4A Sequencing LDO with Tracking and Ramp Control™

Features:

- Stable with 10 μ F ceramic capacitor
- Input voltage range: 1.65V to 5.5V
- Low 0.5V reference voltage
- \pm 2.0% output tolerance over temperature
- 4A output current
- Timing-controlled sequencing on/off
- Programmable Ramp Control™ for:
 - In-rush current limiting
 - Slew rate control of the output voltage
- Power-on-reset (POR) supervisor
 - Programmable delay time
- Single master can control multiple slave regulators –
 - with tracking output voltages
- Small 4mm \times 4mm QFN package
- Maximum dropout ($V_{IN} - V_{OUT}$) of 500mV over –
 - temperature at 3A output current
- Fixed and adjustable output voltages



*MINIMUM CAPACITANCE. FOR GUIDANCE ON THE VALUE OF C_{in} AND C_{out} , PLEASE REFER TO THE APPLICATIONS INFORMATION SECTION

<< BACK



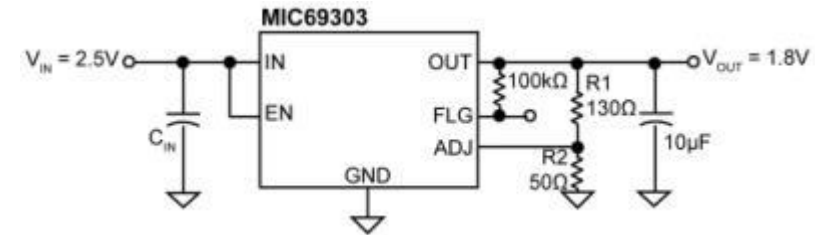
MIC69301/2/3

Single Supply Low V_{IN} & Low V_{OUT} 3A LDO

[Online
Datasheet](#)

Features:

- Input voltage range: V_{IN} : 1.65V to 5.5V
- Adjustable output voltage down to 0.5V
- Stable with 10 μ F ceramic output capacitor
- Maximum dropout ($V_{IN} - V_{OUT}$) of 500mV over –
– temperature
- Excellent line and load regulation
- Logic controlled shutdown
- Thermal shutdown and current limit protection
- Error flag output
- 5-Pin TO-263
- 5-Pin S-Pak package
- ePad SOIC-8 package
- 12-Pin 4mm x 4mm MLF[®] package (MIC69303 only)
- -40 $^{\circ}$ C to +125 $^{\circ}$ C junction temperature range



<< BACK



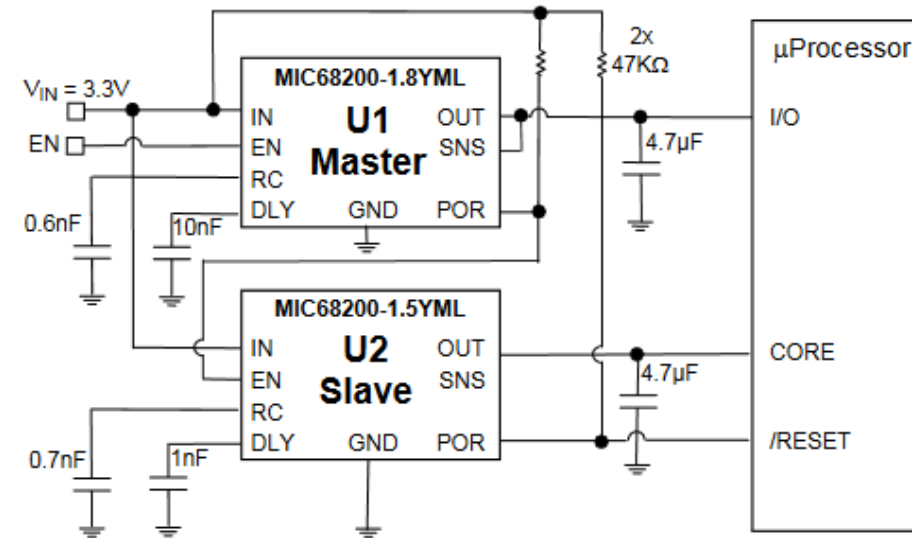
MIC68200

Online
Datasheet

2A Sequencing LDO with Tracking and Ramp Control™

Features:

- Stable with 4.7μF ceramic capacitor
- Input voltage range: 1.65V to 5.5V
- ±1.0% initial output tolerance
- 2A maximum output current
- 1A continuous operating current
- Tiny 3mm x 3mm MLF® package
- Programmable Ramp Control™ for:
 - In-rush current limiting
 - Slew rate control of the output voltage
- Power-on reset (POR) supervisor
 - Programmable delay time
- Single master can control multiple slave –
 - regulators with tracking output voltages
- Maximum dropout ($V_{IN} - V_{OUT}$) of 500mV –
 - over temperature at 1A output current
- Fixed and adjustable output voltages
- Thermal shutdown and current limit protection



<< BACK



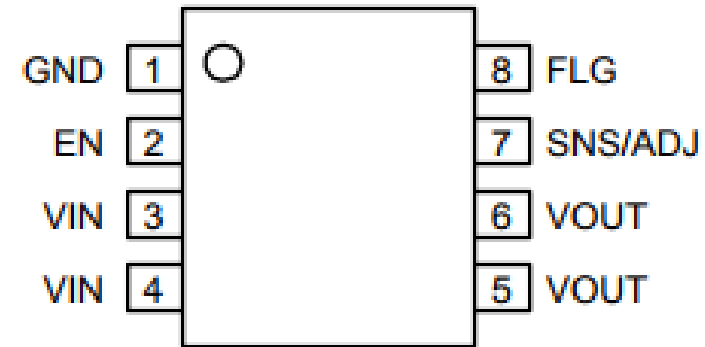
MIC69153

Single Supply Low V_{IN} & Low V_{OUT} 1.5A LDO

[Online Datasheet](#)

Features:

- Adjustable output voltage down to 0.5V
- Stable with 10 μ F ceramic output capacitor
- 10-Pin 3mm x 3mm MLF[®] package
- Thermal shutdown and current limit protection
- Single input voltage range: V_{IN} : 1.65V to 5.5V
- -40 $^{\circ}$ C to +125 $^{\circ}$ C junction temperature
- Excellent line and load regulation specifications
- Logic controlled shutdown
- Maximum dropout ($V_{IN} - V_{OUT}$) of 500mV –
- over temperature



8-Pin EPAD SOIC (ME)

[<< BACK](#)



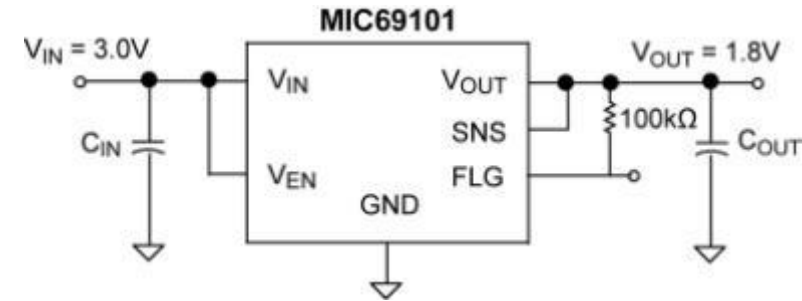
MIC69101/3

Single Supply Low V_{IN} & Low V_{OUT} 1A LDO

[Online Datasheet](#)

Features:

- Adjustable output voltage down to 0.5V
- Stable with 4.7 μ F ceramic output capacitor
- Excellent line and load regulation specifications
- Logic-controlled shutdown
- Single input voltage range: V_{IN} : 1.65V to 5.5V
- Maximum dropout ($V_{IN} - V_{OUT}$) of 500mV over –
– temperature
- Thermal shutdown and current limit protection
- 10-Pin 3mm x 3mm MLF[®] package
- -40°C to +125°C junction temperature



[<< BACK](#)



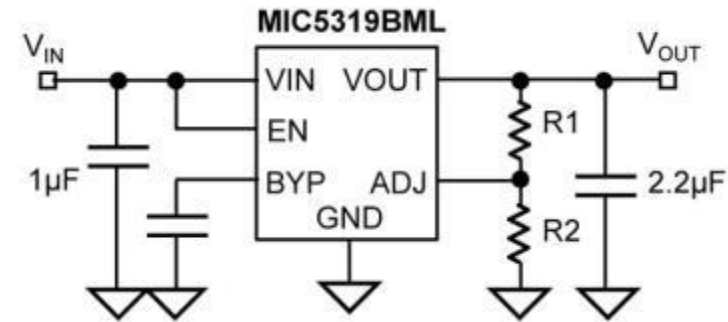
MIC5319

500mA μ Cap Ultra-Low Dropout High PSRR LDO

[Online
Datasheet](#)

Features:

- Ultra-low dropout voltage 200mV @ 500mA
- Input voltage range: 2.5 to 5.5V
- Stable with ceramic output capacitor
- Low output noise 30 μ Vrms
- Low quiescent current of 90 μ A total
- High PSRR, up to 70dB @1kHz
- Fast turn-on-time 40 μ s typical
- High output accuracy:
 - $\pm 1.0\%$ initial accuracy
 - $\pm 2.0\%$ over temperature
- Thermal shutdown protection
- Tiny 2mm x 2mm MLF[®] package, 500mA continuous
- Thin SOT-23-5 package, 500mA peak



[<< BACK](#)

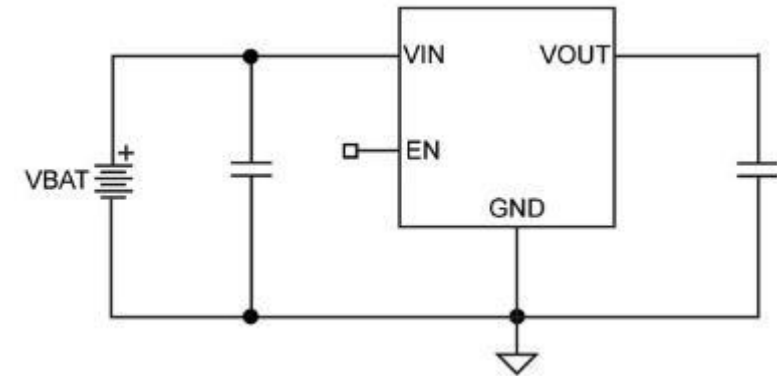


MIC5524

High-Performance 500mA LDO in Thin DFN

Features:

- Input voltage range: 2.5V to 5.5V
- Fixed output voltages down to 1.0V
- 500mA guaranteed output current
- High output initial accuracy ($\pm 1\%$)
- High PSRR: 80dB
- Low quiescent current: 38 μ A
- Stable with 2.2 μ F ceramic output capacitors
- Low dropout voltage: 260mV @ 500mA
- Auto-discharge and internal enable pulldown
- Thermal-shutdown and current-limit protection
- 4-pin 1mm x 1mm Thin DFN package



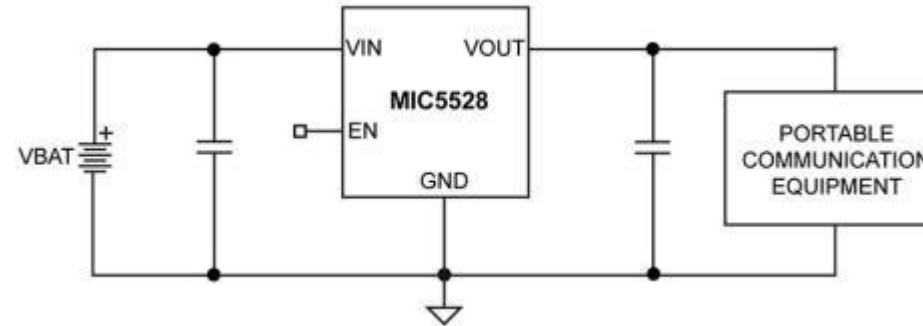
MIC5528

High-Performance 500mA LDO in Thin DFN

[Online
Datasheet](#)

Features:

- Input voltage range:
 - 2.5V to 5.5V
- Fixed output voltages –
 - down to 1.0V
- $\pm 2\%$ Room temperature accuracy
- Low quiescent current: 38 μ A
- Stable with 2.2 μ F ceramic output –
 - capacitors
- Low dropout voltage: 260mV @ 500mA
- Auto-discharge and internal enable pulldown
- Thermal-shutdown and current-limit protection
- 6-pin 1.2mm x 1.2mm extra thin DFN package
- 6-pin 1.2mm x 1.2mm thin DFN package



[<< BACK](#)



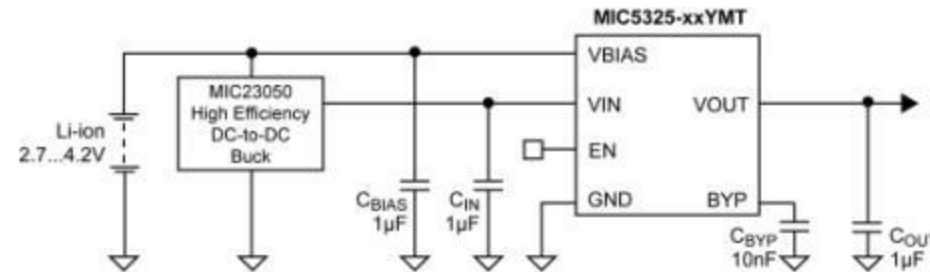
MIC5325

Low V_{IN}/V_{OUT} 400mA ULDO with Ultra-Low I_Q

[Online
Datasheet](#)

Features:

- Wide input voltage range:
 - 1.7V to 5.5V
- Very fast transient response
- Bias supply voltage range:
 - 2.5V to 5.5V
- Ultra-low ground current:
 - 35 μ A typical
- 400mA maximum output –
- current per LDO
- Thermal shutdown and current limit protection
- Tiny 6-pin 2mm x 2mm Thin MLF[®] package
- Ultra-low dropout voltage ULDO[™]: 110mV at 400mA
- Stable with 1 μ F ceramic output capacitor
- \pm 2% voltage accuracy over temperature
- Adjustable output voltage range: 0.8V to 2.0V



[<< BACK](#)



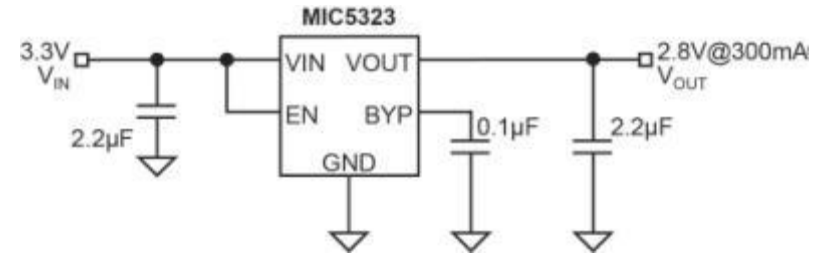
MIC5323

Low V_{IN}/V_{OUT} 400mA ULDO with Ultra-Low I_Q

[Online
Datasheet](#)

Features:

- Input voltage range: 2.65 to 5.5V
- Stable with ceramic output capacitor
- Ultra-low dropout voltage of 120mV at 300mA
- 300mA guaranteed output current
- Low output noise: 20 μ Vrms
- High PSRR: up to 80dB at 1kHz
- Less than 30 μ s turn-on time with CBYP = 0.1 μ F
- High output accuracy: \pm 2.0% over temperature
- Thermal shutdown protection
- Current limit protection
- 6-pin 2mm \times 2mm Thin MLF[®] package
- Thin SOT-23-5 package



<< BACK



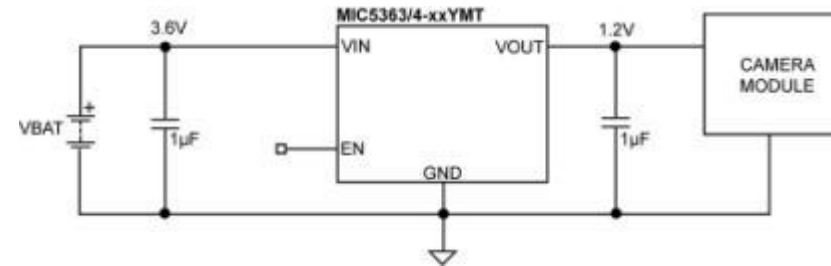
MIC5363/4

High-PSRR 300mA μ Cap LDO in 1.2mm \times 1.2mm Thin MLF[®]

[Online
Datasheet](#)

Features:

- 2.5V to 5.5V input voltage range
- 300mA output
- High output accuracy: $\pm 2\%$
- Low quiescent current: typically 38 μ A
- Stable with 1 μ F ceramic capacitors
- High PSRR: 70dB at 1kHz
- Low dropout voltage: 225mV at 300mA
- Thermal shutdown protection
- Current limit protection
- Active output discharge circuit: MIC5364
- 6-pin 1.2mm x 1.2mm Thin MLF[®] package



[<< BACK](#)



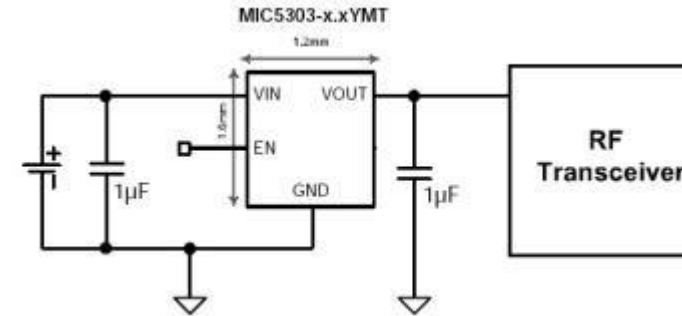
MIC5303

300mA Ultra-Small ULDO

[Online
Datasheet](#)

Features:

- Ultra-small 1.2mm x 1.6mm Thin MLF[®] package
- Low dropout voltage: 100mV at 300mA
- Output noise: 120 μ Vrms
- Input voltage range: 2.3V to 5.5V
- 300mA guaranteed output current
- Stable with ceramic output capacitors
- Low quiescent current: 85 μ A total
- 35 μ s turn-on time
- High output accuracy:
 - \pm 2% initial accuracy
 - \pm 3% over temperature
- Thermal shutdown and current limit protection



<< BACK



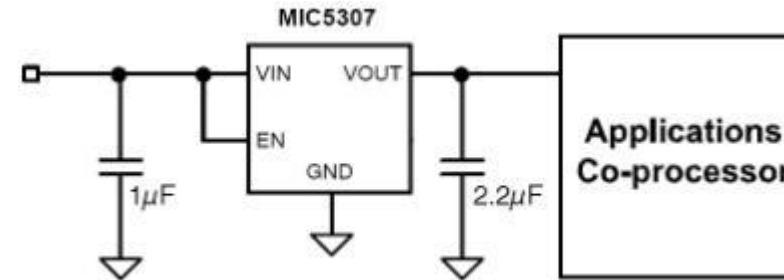
MIC5307

300mA Micropower μ Cap Baseband LDO

[Online
Datasheet](#)

Features:

- Input voltage range: 2.4V to 5.5V
- Ultra-low IQ: only 20 μ A operating current
- Stable with ceramic output capacitor
- Low dropout voltage of 120mV at 300mA
- High output accuracy:
 - $\pm 1.0\%$ initial accuracy
 - $\pm 2.0\%$ over temperature
- Thermal shutdown protection
- Current limit protection



[<< BACK](#)



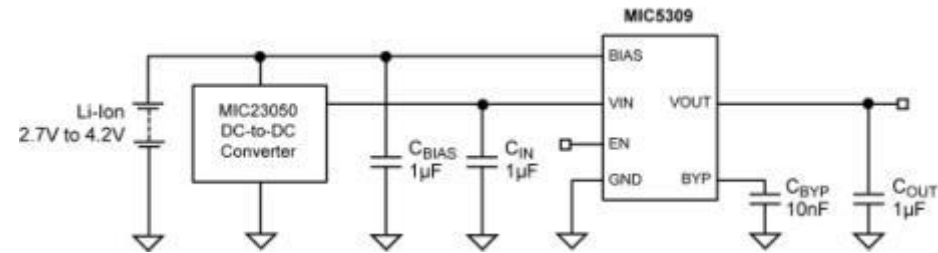
MIC5309

Online
Datasheet

Low V_{IN}/V_{OUT} 300mA High PSRR ULDO with Ultra-Low I_Q

Features:

- Input voltage range: 1.7V to 5.5V
- Guaranteed 300mA over temperature
- High PSRR: up to 90dB at 1kHz
- Ultra-low dropout voltage: 100mV for –
– typical 300mA load
- Output Voltage range: 0.8V to 2.0V
- Very low ground current: 23 μ A under full load
- Bias supply voltage range: 2.5V to 5.5V
- Stable with 1 μ F ceramic output capacitor
- 300mA maximum output current at 1.7V input voltage
- Very fast transient response ideal for digital loads
- Thermal shutdown and current limit protection
- Tiny 6-pin 1.6mm x 1.6mm Thin MLF[®] package
- 6-pin TSOT-23 package



<< BACK



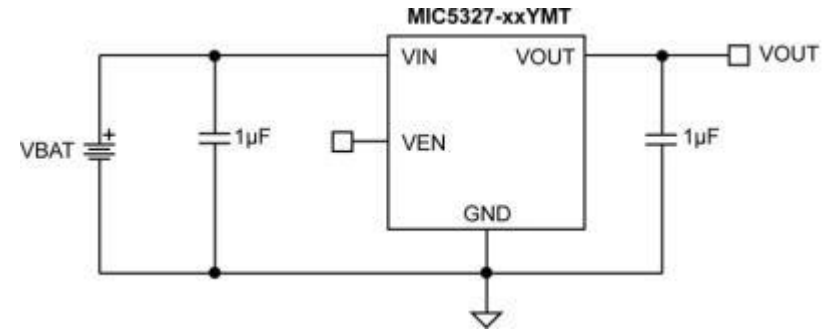
MIC5327

300mA Low Quiescent Current LDO

[Online Datasheet](#)

Features:

- 300mA output current
- Input voltage range: 2.3V to 5.5V
- Low 24 μ A operating current
- Low dropout voltage of 180mV at 300mA
- Fixed output voltages
- Stable with 1 μ F ceramic capacitors
- Thermal shutdown and current limit protection
- Tiny 4-pin 1.2mm x 1.6mm Thin MLF[®] package



[<< BACK](#)



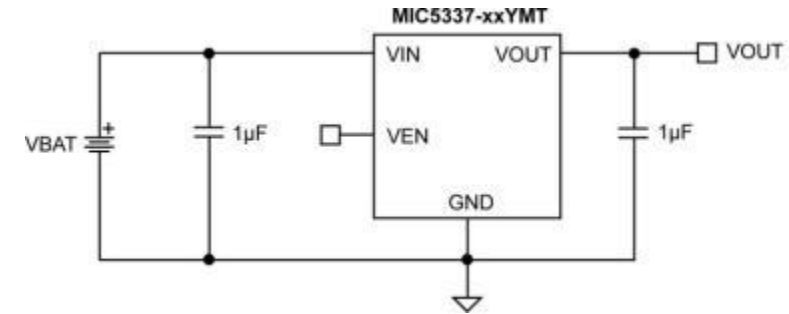
MIC5337

[Online Datasheet](#)

1.2x 1.6mm 300mA Low I_Q & Ultra Low Dropout LDO w/ Auto Discharge

Features:

- 300mA output current
- Low I_Q : only 24 μ A operating current
- Low dropout voltage: 180mV at 300mA
- Active discharge when enable pin is low
- Input voltage range: 2.3V to 5.5V
- Fixed output voltages
- Stable with 1 μ F ceramic capacitors
- Thermal shutdown and current limit protection
- Tiny 4-pin 1.2mm x 1.6mm Thin MLF[®] package



[<< BACK](#)

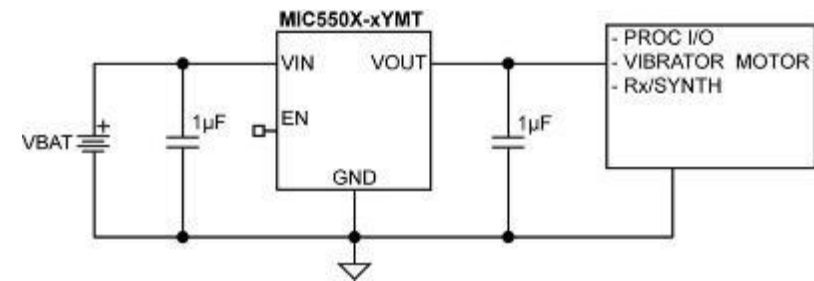


MIC5501/2/3/4

300mA LDO in 1.0x1.0mm DFN

Features:

- Input voltage range: 2.5V to 5.5V
- Fixed output voltages from 1.0V to 3.3V
- 300mA guaranteed output current
- High output accuracy ($\pm 2\%$)
- Low quiescent current: $38\mu\text{A}$
- Stable with $1\mu\text{F}$ ceramic output capacitors
- Low dropout voltage: 160mV @ 300mA
- Output discharge circuit: MIC5502, MIC5504
- Internal enable pull-down: MIC5503, MIC5504
- Thermal-shutdown and current-limit protection
- 4-lead 1.0mm x 1.0mm Thin DFN package
- MIC5504 5-pin SOT23 package



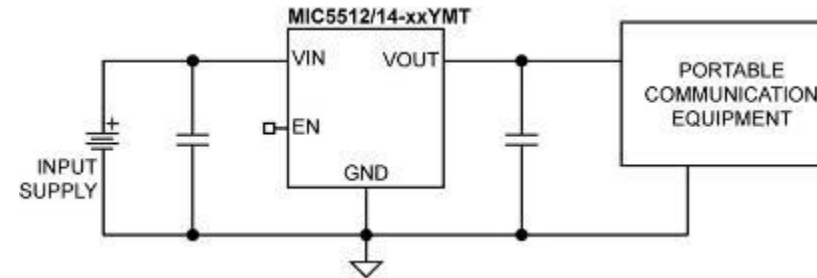
MIC5512/4

300mA LDO in 1.6x1.6mm Thin DFN

[Online Datasheet](#)

Features:

- Input voltage range: 2.5V to 5.5V
- Fixed output voltages from 1.0V to 3.3V
- 300mA guaranteed output current
- $\pm 1\%$ initial output accuracy
- Stable with $1\mu\text{F}$ ceramic output capacitors
- Low dropout voltage: 160mV @ 300mA
- Output discharge circuit
- Internal enable pull-down resistor (MIC5514)
- Available in ultra-small 6-pin 1.6mm \times 1.6mm Thin DFN package

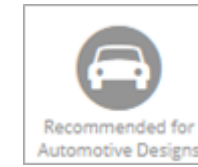


[<< BACK](#)



MAQ5300

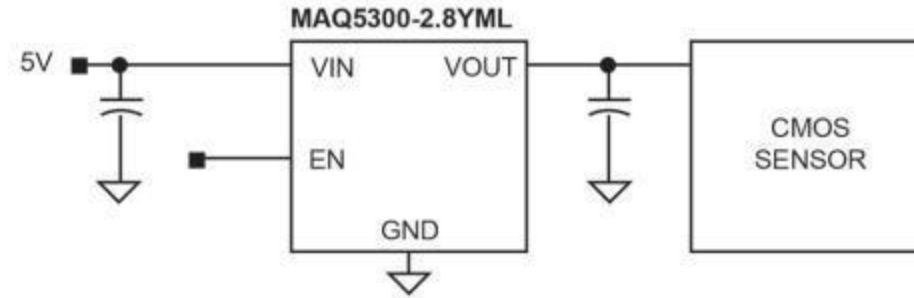
Automotive Qualified Single Output 300mA μ Cap LDO



Online
Datasheet

Features:

- Small 2mm \times 2mm DFN package
- Low dropout voltage: 100mV at 300mA
- Output noise 120 μ V_{RMS}
- Input voltage range: 2.3V to 5.5V
- 300mA guaranteed output current
- Stable with ceramic output capacitors
- Low quiescent current: 85 μ A total
- 30 μ s turn-on time
- High output accuracy:
 - \pm 2% initial accuracy
 - \pm 3% over temperature
- Thermal shutdown and current-limit protection
- Recommended for Automotive Design



<< BACK



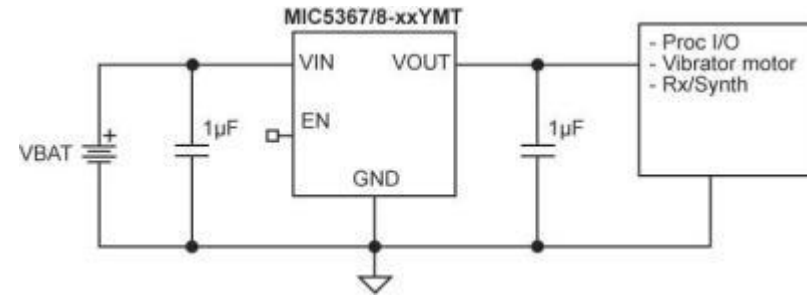
MIC5367/8

High Performance 200mA Peak LDO in 1.6x1.6mm Thin MLF®

[Online
Datasheet](#)

Features:

- Input voltage range: 2.5V to 5.5V
- Stable with 1 μ F ceramic output capacitors
- Low dropout voltage: 180mV at 150mA
- Excellent load/line transient response
- Low quiescent current: 29 μ A
- 200mA peak (150mA continuous) output current
- High PSRR: 65dB
- Output discharge circuit -- MIC5368
- High output accuracy: \pm 2% initial accuracy
- Tiny 1.6mm x 1.6mm Thin MLF® package
- Thermal shutdown and current limit protection



[<< BACK](#)



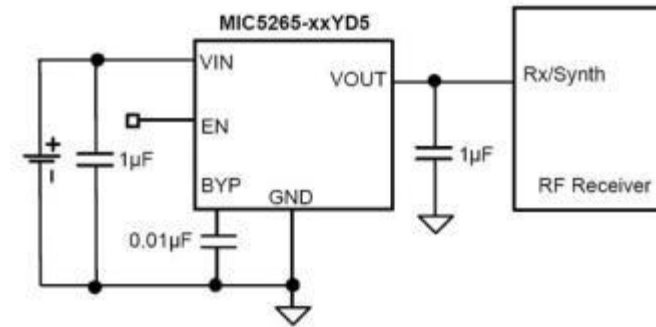
MIC5265

150mA μ Cap LDO Regulator

[Online
Datasheet](#)

Features:

- 2.7V to 5.5V supply voltage
- Low 90 μ A quiescent current per LDO
- Thin SOT-23-5 package
- Low Noise: 57 μ Vrms
- High PSRR: 70dB at 1kHz
- Low dropout voltage: 210mV at 150mA
- Stable with ceramic output capacitors
- Independent enable pins
- Fast transient response
- Active shutdown on both outputs



[<< BACK](#)



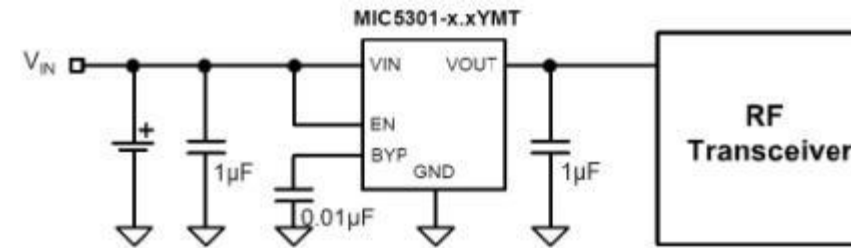
MIC5301

Single 150mA μ Cap ULDO

[Online
Datasheet](#)

Features:

- Ultra-low dropout voltage:
 - 40mV at 150mA
- Input voltage range:
 - 2.3V to 5.5V
- 150mA guaranteed output current
- Stable with ceramic output capacitors
- Ultra-low output noise: 30 μ Vrms
- Low quiescent current: 85 μ A total
- High PSRR: up to 75dB at 1kHz
- 35 μ s turn-on time
- High output accuracy:
 - $\pm 2\%$ initial accuracy
 - $\pm 3\%$ over temperature
- Thermal shutdown and current limit protection
- Tiny 6-pin 1.6mm x 1.6mm MLF[®] lead-less package



[<< BACK](#)



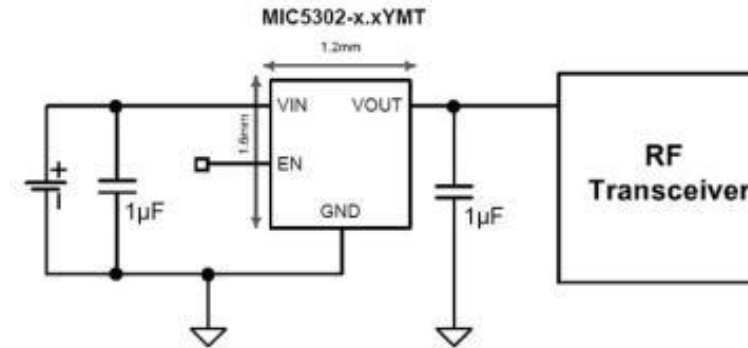
MIC5302

150mA ULDO in Ultra-Small 1.2x1.6mm Thin MLF[®]

[Online
Datasheet](#)

Features:

- Ultra-small 1.2mm x 1.6mm –
- Thin MLF[®] package
- Low dropout voltage:
 - 50mV at 150mA
- Output noise: 120 μ Vrms
- Input voltage range:
 - 2.3V to 5.5V
- 150mA guaranteed output current
- Stable with ceramic output capacitors
- Low quiescent current: 85 μ A total
- 35 μ s turn-on time
- High output accuracy:
 - \pm 2% initial accuracy
 - \pm 3% over temperature
- Thermal shutdown and current limit protection



[<< BACK](#)



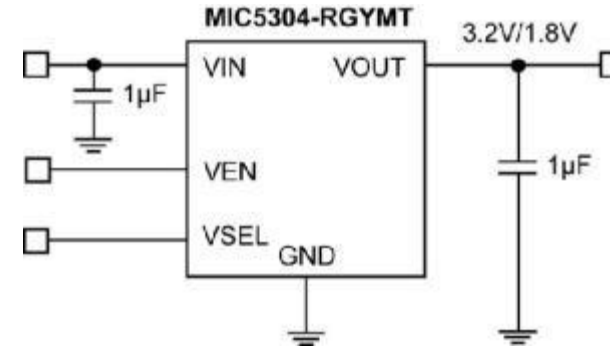
MIC5304

Single 150mA Low Operating Current LDO w/ Dual Voltage Pin Select

[Online Datasheet](#)

Features:

- 150mA output current
- Logic-controlled selectable output voltage
- Input voltage range: 2.3V to 5.5V
- Low 24 μ A operating current
- Fast transition time between –
- selected output voltages
- Stable with 1 μ F ceramic capacitors
- Low dropout voltage: 85mV at 150mA
- Thermal shutdown and current limit protection
- Tiny 6-pin 1.6mm x 1.6mm Thin MLF[®] package



[<< BACK](#)



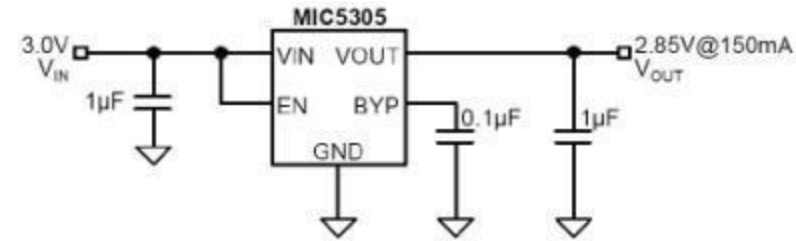
MIC5305

150mA μ Cap Ultra-Low Dropout LDO Regulator

[Online
Datasheet](#)

Features:

- Ultra-low dropout voltage: 60mV at 150mA
- Input voltage range: 2.25V to 5.5V
- Stable with ceramic output capacitor
- 150mA guaranteed output current
- Low output noise: 20 μ Vrms
- Low quiescent current: 90 μ A total
- High PSRR: up to 85dB at 1kHz
- Less than 30 μ s turn-on time w/CBYP = 0.01 μ F
- High output accuracy
- Thermal shutdown protection
- Current limit protection
- Tiny 6-pin 2mm x 2mm MLF[®] package
- Ultra-Thin 6-pin 2mm x 2mm Thin MLF[®] package



<< BACK



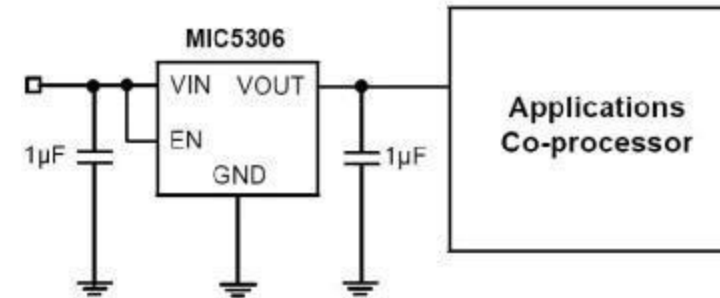
MIC5306

150mA Micropower μ Cap Baseband LDO

[Online
Datasheet](#)

Features:

- Input voltage range: 2.25V to 5.5V
- Ultra-low IQ: only 16 μ A operating current
- Stable with ceramic output capacitor
- Low dropout voltage: 45mV at 100mA
- High output accuracy:
 - $\pm 1.0\%$ initial accuracy
 - $\pm 2.0\%$ over temperature
- Thermal shutdown protection
- Current limit protection



[<< BACK](#)



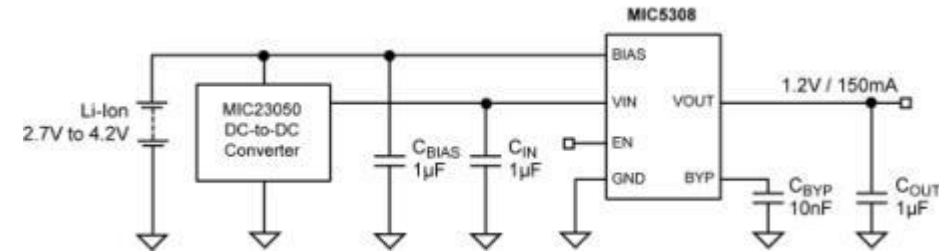
MIC5308

[Online
Datasheet](#)

Low V_{IN}/V_{OUT} 150mA High PSRR ULDO with Ultra-Low IQ

Features:

- Input voltage range: 1.6V to 5.5V
- High PSRR: up to 90dB at 1kHz
- Guaranteed 150mA over temperature
- Ultra-low dropout voltage: 45mV at 150mA
- Output voltage range: 0.8V to 2.0V
- Very low ground current: 23 μ A under full load
- Bias supply voltage range: 2.5V to 5.5V
- Stable with 1 μ F ceramic output capacitor
- Input voltage range: 1.6V to 5.5V
- Guaranteed 150mA over temperature
- Ultra-low dropout voltage: 45mV at 150mA
- High PSRR: up to 90dB at 1kHz
- Output voltage range: 0.8V to 2.0V



<< BACK

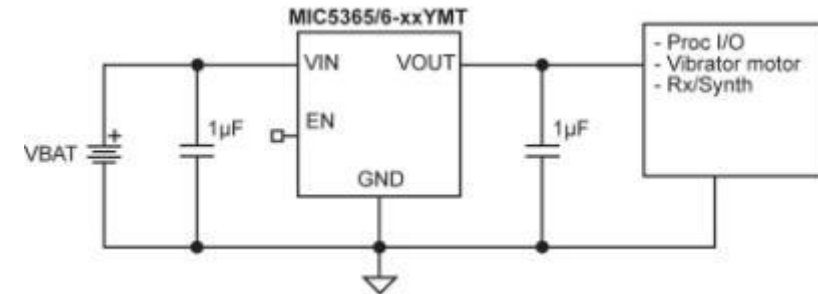


MIC5365/66

High Performance Single 150mA LDO

Features:

- Input voltage range: 2.5V to 5.5V
- 150mA guaranteed output current
- Stable with ceramic output capacitors
- Low dropout voltage: 180mV at 150mA
- Tiny 1mm x 1mm Thin MLF®, SC-70-5, and –
– Thin SOT23-5 packages
- Excellent Load/Line Transient Response
- Low quiescent current: 32μA
- High PSRR: 70dB
- Output discharge circuit (MIC5366)
- High output accuracy:
 - ±2% initial accuracy
- Thermal shutdown and current limit protection

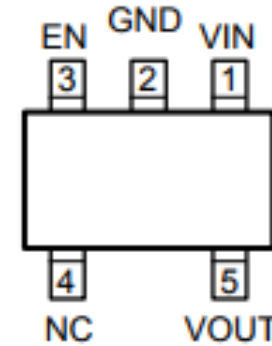


MIC5376/7/8

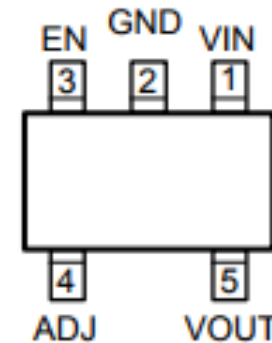
High Performance Low Dropout 150mA LDO

Features:

- Low cost 5-pin SC-70 package
- Low dropout voltage: 120mV at 150mA
- Input voltage range: 2.5V to 5.5V
- 150mA guaranteed output current
- 8-pin 1.2mm x 1.2mm Thin MLF[®] package
- Stable with 0402 ceramic capacitors as low as 1 μ F
- Low quiescent current: 29 μ A
- Adjustable output -- MIC5377/8
 - $\pm 2\%$ initial accuracy
- Output discharge circuit -- MIC5376/8
- High output accuracy:
 - $\pm 2\%$ initial accuracy
- Thermal shutdown and current limit protection



**5-Pin SC-70 (C5)
MIC5375/6 Fixed Output**



**5-Pin SC-70 (C5)
MIC5377/8 Adjustable Output**

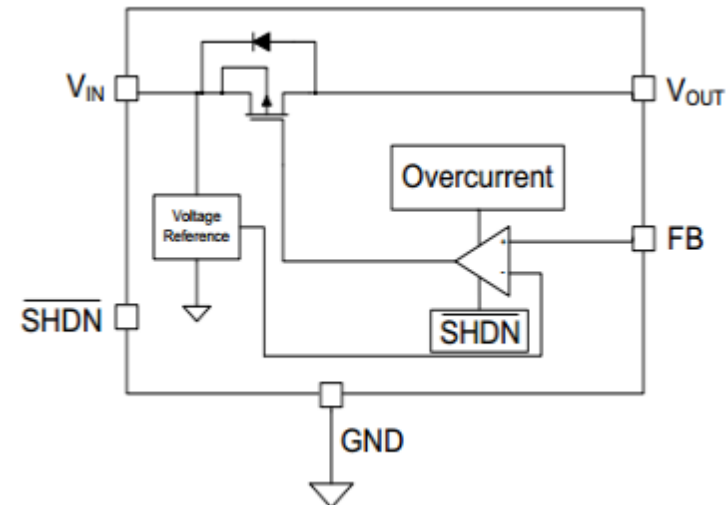
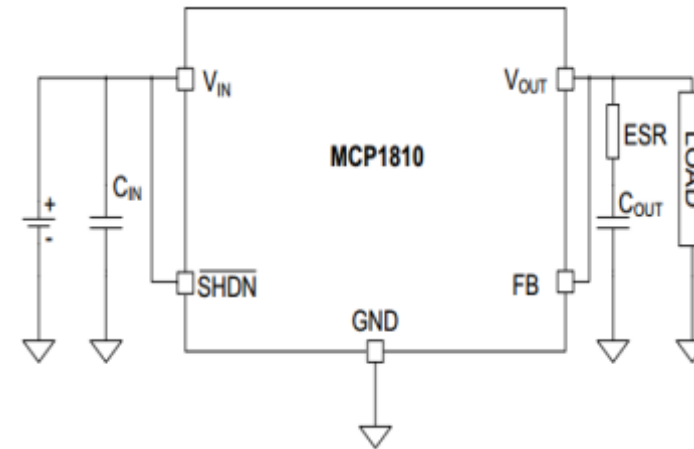
MCP1810

150mA 20nA Ultra Low IQ LDO

Online
Datasheet

Features:

- Ultra-Low Quiescent Current: 20 nA (typical)
- Ultra-Low Shutdown Supply Current: 1 nA (typ)
- 150 mA Output Current Capability for $V_R \leq 3.5V$ –
– 100 mA Output Current Capability for $V_R > 3.5V$
- Input Operating Voltage Range: 2.5V to 5.5V
- Standard Output Voltages (VR): 1.2V, 1.8V, 2.5V, -
– 3.0V, 3.3V, 4.2V
- Low Dropout Voltage: 380 mV max at 150 mA
- Stable with 1.0 μF Ceramic Output Capacitor
- Overcurrent Protection
- Space Saving, 8-Lead 2 x 2 mm VDFN



<< BACK



MCP1811

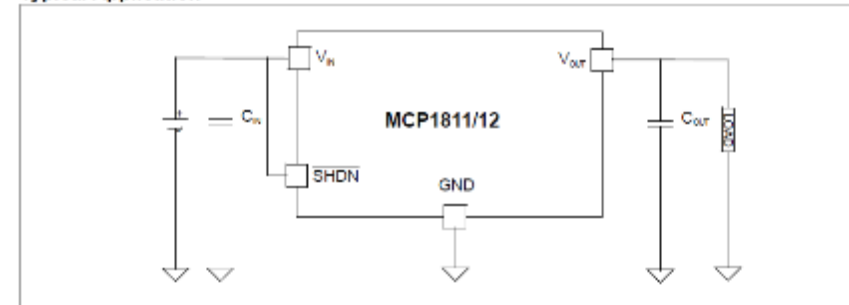
150mA 250nA Ultra Low IQ LDO

Online
Datasheet

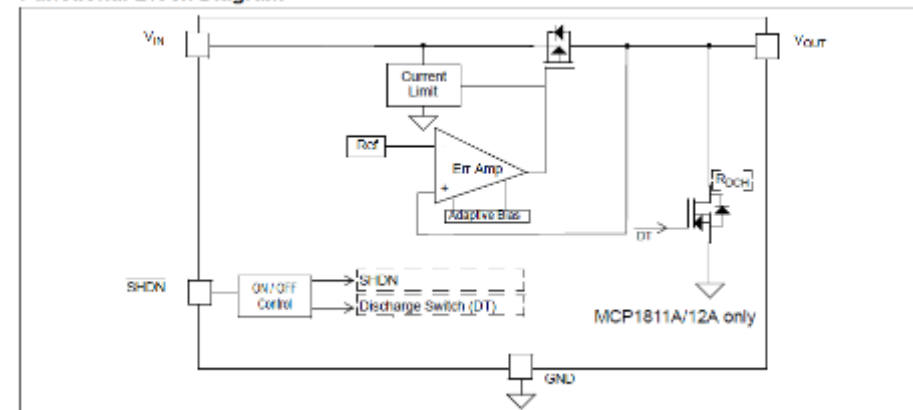
Features:

- Ultra-Low Quiescent Current: 250 nA (typical)
- Ultra-Low Shutdown Supply Current
 - 10 nA typical for MCP1811A/12A
 - 5 nA typical for MCP1811B/12B
- Output Current Capability:
 - 150 mA for MCP1811A/B
 - 300 mA for MCP1812A/B
- Input Voltage range: 1.8V to 5.5V
- Standard Output Voltages (VR): 1V, 1.2V, 1.8V, 2.0V, 2.5V, 2.8V, 3.0V, 3.3V and 4.0V.
- Constant Low Dropout Voltage: 550 mV
- Stable with Ceramic Output Capacitor: 1.0 μ F (MCP1811) and 2.2 μ F (MCP1812)
- Overcurrent Protection
- Output Discharge (Shutdown mode, SHDN=GND)
- MCP1811A/12A
 - Available in the following packages:
 - 3-Lead SOT-23
 - 3-Lead SC70
 - 5-Lead SOT-23
 - 5-Lead SC70
 - 4-Lead 1 x 1 mm UDFN

Typical Application



Functional Block Diagram



<< BACK



MCP1812

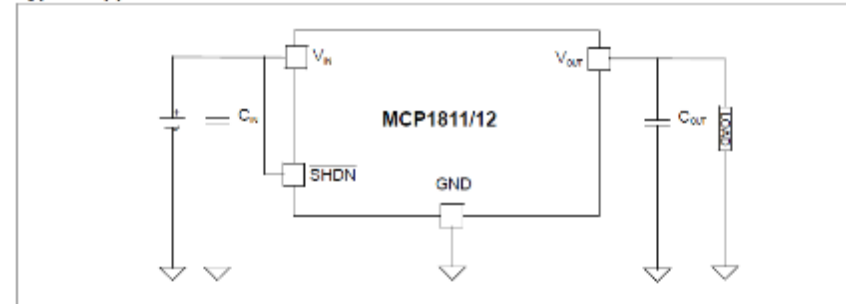
300mA 250nA Ultra Low IQ LDO

Online
Datasheet

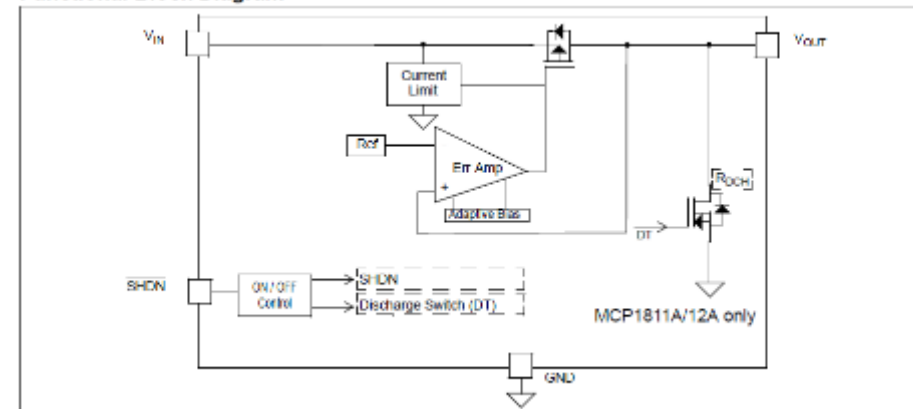
Features:

- Ultra-Low Quiescent Current: 250 nA (typical)
- Ultra-Low Shutdown Supply Current:
 - 10 nA typical for MCP1811A/12A
 - 5 nA typical for MCP1811B/12B
- Output Current Capability:
 - 150 mA for MCP1811A/B
 - 300 mA for MCP1812A/B
- Input Voltage range: 1.8V to 5.5V
- Standard Output Voltages (VR): 1V, 1.2V, 1.8V, 2.0V, 2.5V, 2.8V, 3.0V, 3.3V and 4.0V.
- Constant Low Dropout Voltage: 550 mV
- Stable with Ceramic Output Capacitor:
 - 1.0 μF (MCP1811) and 2.2 μF (MCP1812)
- Overcurrent Protection
- Output Discharge (Shutdown mode, SHDN=GND)
MCP1811A/12A
- Available in the following packages:
 - 3-Lead SOT-23
 - 3-Lead SC70
 - 5-Lead SOT-23
 - 5-Lead SC70
 - 4-Lead 1 x 1 mm UDFN

Typical Application



Functional Block Diagram



<< BACK



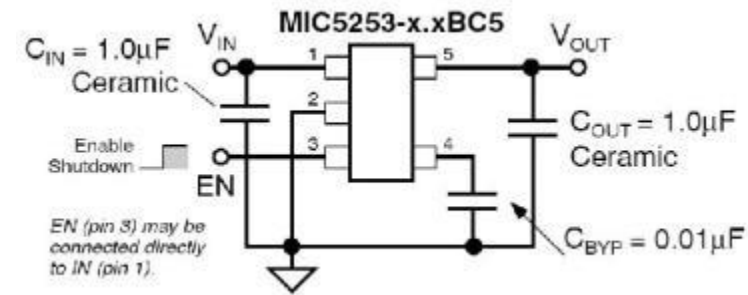
MIC5253

100mA Low Noise μ Cap Teeny™ LDO

Online
Datasheet

Features:

- Input voltage range: 2.7V to 5.5V
- Teeny™ SC-70-5 package
- Ultra-low output noise: 30 μ Vrms
- Stability with ceramic output capacitors
- 100mA continuous output current, 150mA –
– peak current
- Ultra-low dropout: 165mV at 100mA
- High output accuracy:
 - 1.5% initial accuracy
 - 3.0% over temperature
- Low ground current 95 μ A
- TTL logic-controlled enable input
- Zero off-mode current
- Thermal shutdown and current limit protection



<< BACK



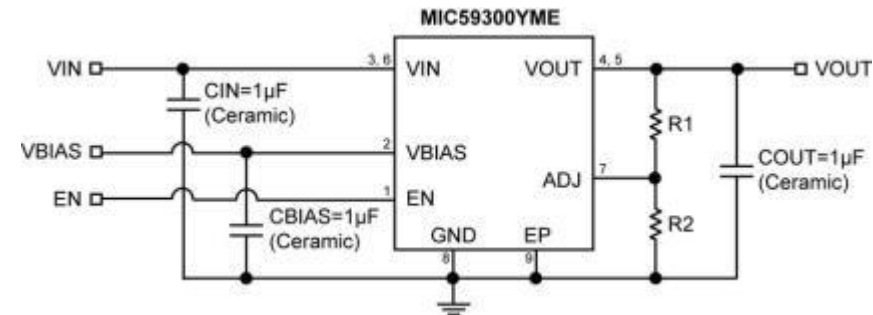
MIC59300

Ultra High Speed 3A LDO

[Online
Datasheet](#)

Features:

- Input voltage range:
 - $V_{IN} = 1.0V$ to $3.8V$
 - $V_{BIAS} = 3.0V$ to $5.5V$
- Stable with $1\mu F$ ceramic capacitor
- $\pm 1\%$ initial tolerance
- Maximum dropout voltage of $500mV$ over –
– temperature
- Adjustable output voltage down to $0.5V$
- Ultra-fast transient response
- Logic controlled shutdown option
- Thermal shutdown and current limit protection
- $-40^{\circ}C$ to $+125^{\circ}C$ junction temperature range
- TO-263 and 8-pin ePad SOIC
- Pin compatible upgrade to MIC49300



[<< BACK](#)



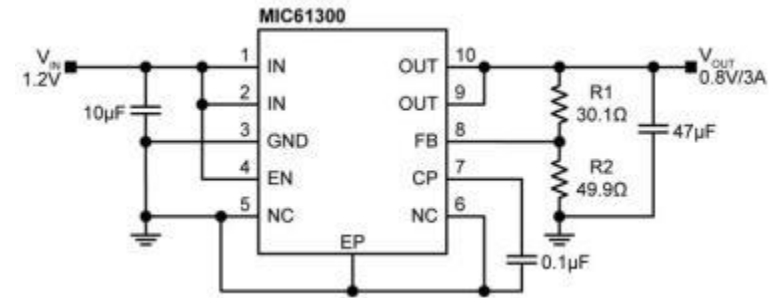
MIC61300

Low Input Voltage Single-Supply High-Current LDO

[Online Datasheet](#)

Features:

- Single V_{IN} rail: 1.1V to 3.6V
- Soft-start control via external capacitor
- Typical dropout of 150mV at room temperature
- Output voltage adjustable down to 0.5V
- Soft-start control via external capacitor
- Excellent line and load regulation
- Logic controlled shutdown
- Thermal shutdown and current limit protection
- 10-pin 3mm x 3mm MLF[®] package
- 10-pin ePad MSOP package
- Junction temperature range from -40°C to +125°C
- Maximum dropout of 350mV at full load over temperature
- Soft-start control via external capacitor



<< BACK



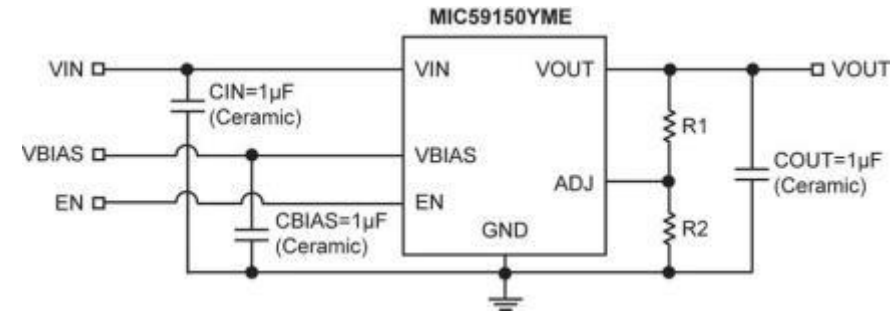
MIC59150

Ultra High Speed 1.5A LDO

[Online Datasheet](#)

Features:

- Input voltage range:
 - $V_{IN} = 1.0V$ to $3.8V$
 - $V_{BIAS} = 3.0V$ to $5.5V$
- Stable with $1\mu F$ ceramic capacitor
- Maximum dropout voltage of $250mV$ over –
– temperature
- Adjustable output voltage down to $0.5V$
- Ultra fast transient response
- Excellent line and load regulation specifications
- Logic controlled shutdown option
- Thermal shutdown and current limit protection
- Junction temperature range: $-40^{\circ}C$ to $+125^{\circ}C$
- 8-pin EPAD SOIC



<< BACK



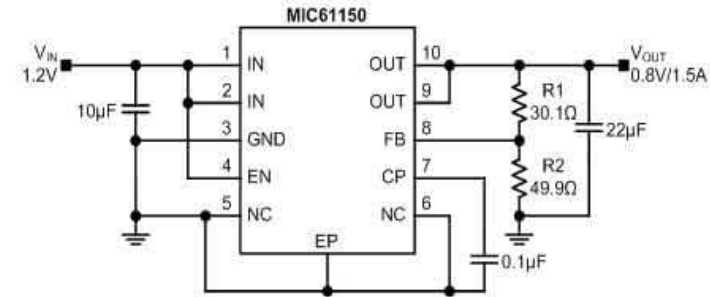
MIC61150

Low Input Voltage Single-Supply High-Current LDO

[Online Datasheet](#)

Features:

- Single V_{IN} rail: 1.1V to 3.6V
- Typical dropout of 75mV at room temperature
- C_{OUT} as low as 22 μ F (ceramic capacitor)
- Output voltage adjustable down to 0.5V
- Soft-start control via external capacitor
- Excellent line and load regulation
- Logic controlled shutdown
- Thermal shutdown and current limit protection
- 10-pin 3mm x 3mm MLF[®] package
- 10-pin ePad MSOP package
- Output voltage accuracy: $\pm 2.5\%$ over temperature
- Maximum dropout of 200mV at full load over temperature
- Junction temperature range from -40 $^{\circ}$ C to +125 $^{\circ}$ C



[<< BACK](#)



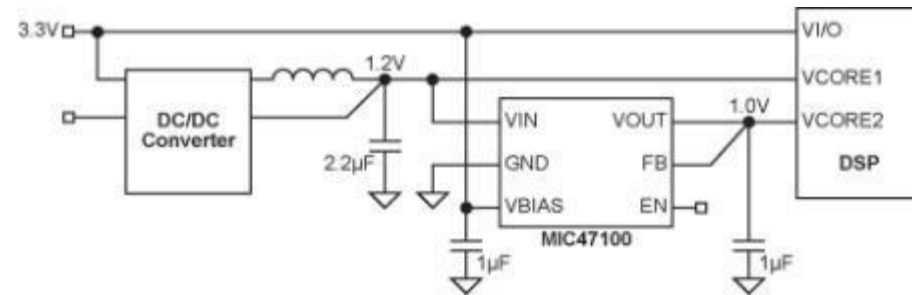
MIC47100

1A High Speed Low V_{IN} LDO

[Online
Datasheet](#)

Features:

- Operating voltage range:
 - Input Supply: 1.0V to 3.6V
 - Bias Supply: 2.3V to 5.5V
- 0.8V to 2.0V output voltage range
- PSRR >50dB at 100kHz
- Stable with a 1 μ F ceramic output capacitor
- Low dropout voltage of 80mV at 1A
- High output voltage accuracy:
 - $\pm 1.5\%$ initial accuracy
 - $\pm 2\%$ over temperature
- UVLO on both supply voltages for easy turn-on
- ePad MSOP-8 -- small form factor power package
- Thermally enhanced 2mm x 2mm MLF[®] -- smallest solution

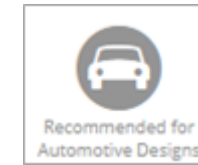


[<< BACK](#)



MIC47050

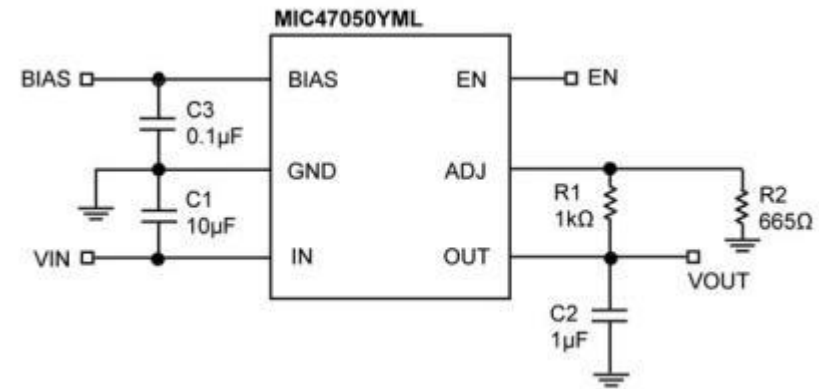
500mA ULDO with Low Input and Low Output Voltage



Online
Datasheet

Features:

- Input voltage range: 1.0V to 3.6V
- Stable with 1 μ F ceramic output capacitor
- $\pm 1.5\%$ initial output voltage accuracy
- Bias supply voltage range: 2.3V to 5.5V
- Adjustable output voltage range: 0.4V to 2.0V
- Logic-level enable input
- 400mA maximum output current per LDO
- Very fast transient response
- UVLO on both supply packages
- Thermally enhanced 2mm x 2mm MLF[®] and –
– Thin MLF[®] packages
- Junction temperature range of -40 $^{\circ}$ C to +125 $^{\circ}$ C
- Low dropout voltage ULDO[™]: 44mV at 500mA
- Recommended for Automotive Design



<< BACK



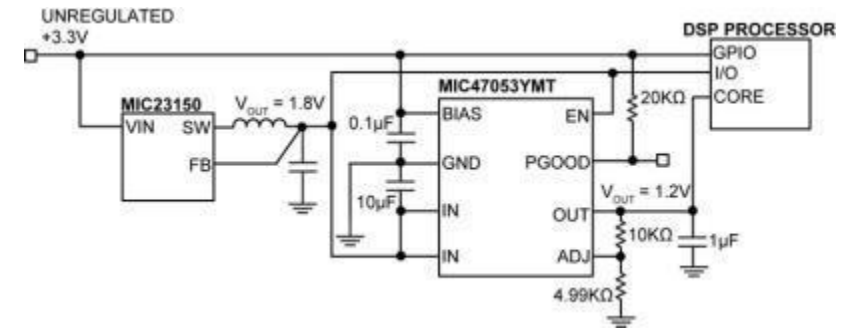
MIC47053

500mA Micropower ULDO™ Linear Regulator

[Online
Datasheet](#)

Features:

- Input voltage range: 1.0V to 3.6V
- Stable with 1 μ F ceramic output capacitor
- Low dropout voltage: 49mV at 500mA
- $\pm 2\%$ initial output voltage accuracy over temperature
- Bias supply voltage range: 2.3V to 5.5V
- Adjustable output voltage range down to 0.4V
- Logic-level enable input
- UVLO on both supply voltages
- High bandwidth - very fast transient response
- Low shutdown current: 0.1 μ A typical
- Thermally enhanced 2mm x 2mm Thin DFN package
- Junction temperature range of -40°C to +125°C



<< BACK



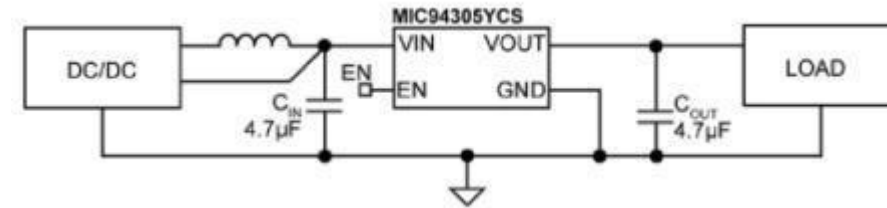
MIC94305

500mA Switch with Ripple Blocker™ Technology

[Online
Datasheet](#)

Features:

- 1.8V to 3.6V input voltage range
- Active noise rejection over a wide –
- frequency - band: >60dB from 40kHz –
- to 5MHz
- Rated to 500mA output current
- Current-limit and thermal-limit protected
- 1.6mm x 1.6mm, 6-pin Thin DFN
- Logic-controlled enable pin
- -40°C to +125°C junction temperature range



[<< BACK](#)



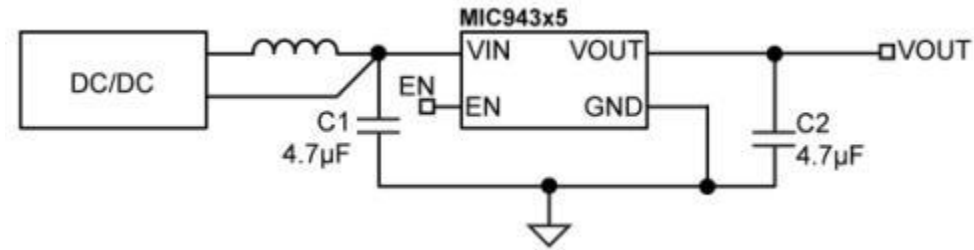
MIC94325/45/55

500mA LDO with Ripple Blocker™ Technology

[Online Datasheet](#)

Features:

- 1.8V to 3.6V input voltage range
- Active noise rejection over a wide –
 - frequency band: >50dB from –
 - 10Hz to 5MHz at 500mA load
- Rated to 500mA output current
- Fixed and adjustable output voltages
- Optional output auto-discharge when disabled
- Current-limit and thermal-limit protected
- 1.6mm x 1.6mm, 6-pin Thin DFN
- -40°C to +125°C junction temperature range



[<< BACK](#)



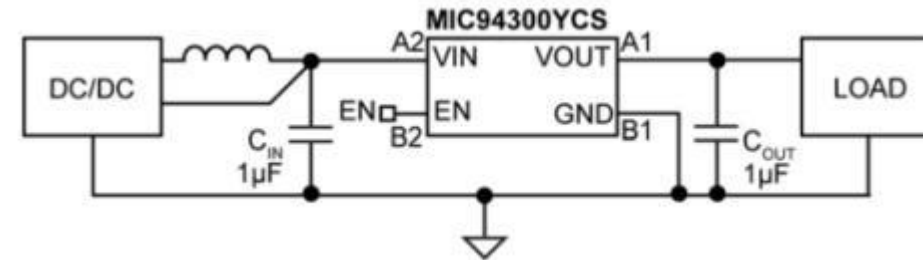
MIC94300

200mA Switch with Ripple Blocker™ Technology

[Online
Datasheet](#)

Features:

- 1.8V to 3.6V input voltage range
- Active noise rejection over a wide –
- frequency band: >60dB from 40kHz –
- to 5MHz
- Rated to 200mA output current
- Current-limit and thermal-limit protected
- 1.2mm x 1.6mm, 4-pin Thin MLF®
- Logic-controlled enable pin
- -40°C to +125°C junction temperature range



<< BACK



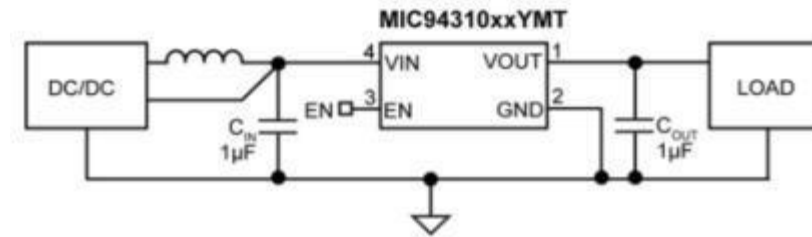
MIC94310

200mA LDO with Ripple Blocker™ Technology

[Online
Datasheet](#)

Features:

- 1.8V to 3.6V input voltage range
- Active noise rejection over a wide –
– frequency band: >50dB from –
– 10Hz to 10MHz at 200mA load
- Rated to 200mA output current
- -40°C to +125°C junction temperature range
- Fixed output voltages
- Current-limit and thermal-limit protected
- 1.2mm x 1.6mm, 4-pin Thin DFN
- 5-pin SOT-23
- Logic-controlled enable pin



[<< BACK](#)



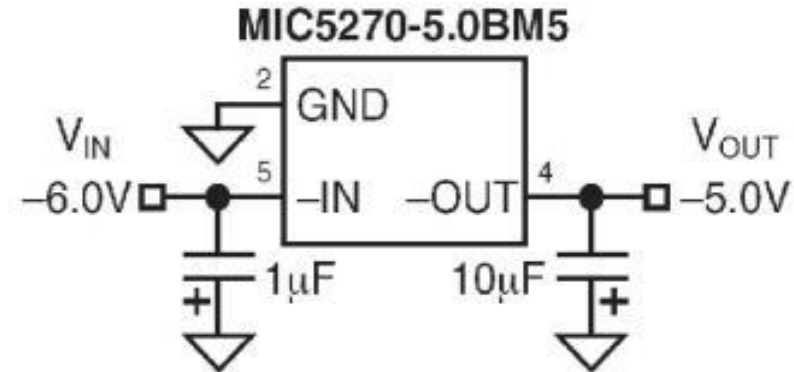
MIC5270

µCap Negative Low-Dropout Regulator

[Online Datasheet](#)

Features:

- Stable with ceramic or tantalum capacitor
- Low dropout voltage:
 - 500mV at 100mA
- Tight initial accuracy: $\pm 2\%$
- Tight load and line regulation
- Low ground current:
 - 35µA at load equals 100µA
- Thermal shutdown
- Current limiting
- IttyBitty® SOT-23-5 packaging



[<< BACK](#)



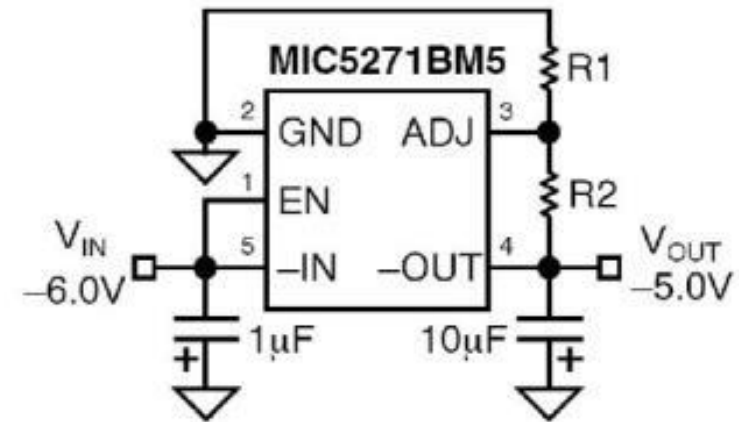
MIC5271

μCap Negative Low-Dropout Regulator

[Online Datasheet](#)

Features:

- Stable with ceramic or tantalum capacitor
- Positive and negative enable thresholds
- Low dropout voltage: 500mV at 100mA
- Low ground current: 35μA at load equals 100μA
- Tight initial accuracy: ±2%
- Tight load and line regulation
- Thermal shutdown
- Current limiting
- SOT-23-5 packaging
- Zero off-mode current



<< BACK



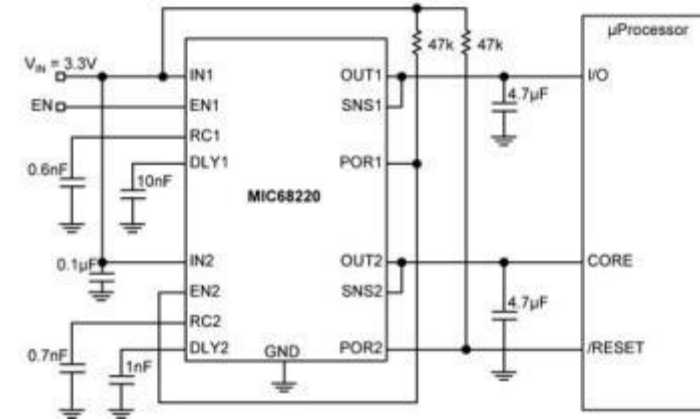
MIC68220

Dual 2A LDO Regulator

[Online Datasheet](#)

Features:

- Stable with 4.7 μ F ceramic output capacitor
- Input voltage range: 1.65V to 5.5V
- $\pm 1.0\%$ initial output tolerance
- 2A maximum output current - peak start up
- 1A Continuous operating current
- Programmable Ramp Control™ with:
 - For in-rush current limiting
 - Slew rate control of the output voltage
- Power-on Reset (POR) supervisor
 - Programmable delay time
- Single Master can control multiple Slave –
 - regulators with tracking output voltages
- Tiny 4mm x 5mm MLF® package
- Maximum dropout ($V_{IN} - V_{OUT}$) of 500mV –
 - over temperature at 1A output current
- Fixed and adjustable output voltages
- Thermal shutdown and current limit protection



<< BACK



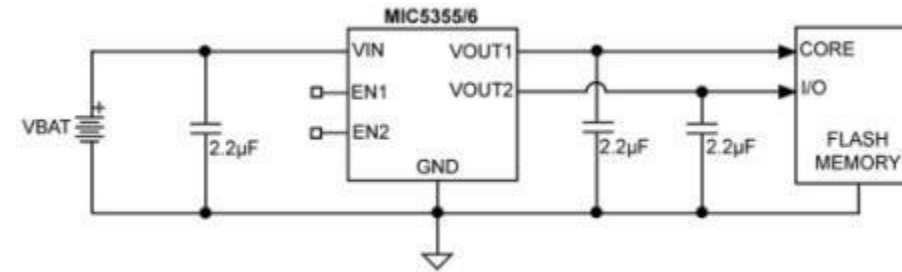
MIC5355

Dual 500mA μ Cap Low Dropout Micropower LDO

[Online
Datasheet](#)

Features:

- 2.5V to 5.5V input voltage range
- 2% initial output accuracy
- Wide output voltage range: 1.0V to 3.3V
- Low quiescent current: 38 μ A per output
- Low shutdown current : <1 μ A typical
- μ Cap stable with 2.2 μ F ceramic capacitor
- Low dropout voltage: 350mV at 500mA
- Excellent load/line transient response
- Independent logic controlled enable pins
- Output discharge circuit (MIC5356)
- Current and thermal limit protection
- Power 8-pin ePad MSOP package



<< BACK



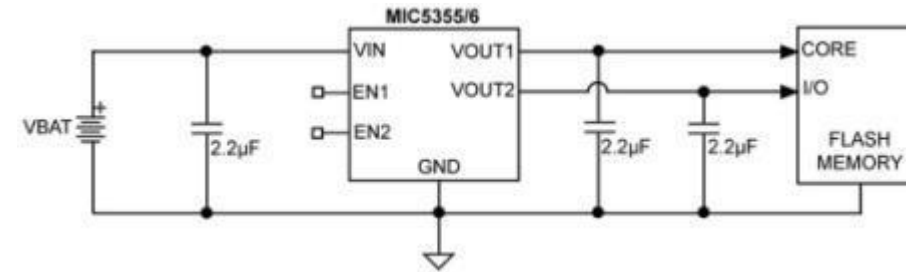
MIC5356

Dual 500mA μ Cap Low Dropout Micropower LDO

[Online
Datasheet](#)

Features:

- 2.5V to 5.5V input voltage range
- 2% initial output accuracy
- Wide output voltage range: 1.0V to 3.3V
- Low quiescent current: 38 μ A per output
- Very low quiescent current in shutdown: -
- <1 μ A typical
- μ Cap stable with 2.2 μ F ceramic capacitor
- Low dropout voltage: 350mV at 500mA
- Excellent load/line transient response
- Independent logic controlled enable pins
- Output discharge circuit (MIC5356)
- Current and thermal limit protection
- Power 8-pin ePad MSOP package



<< BACK



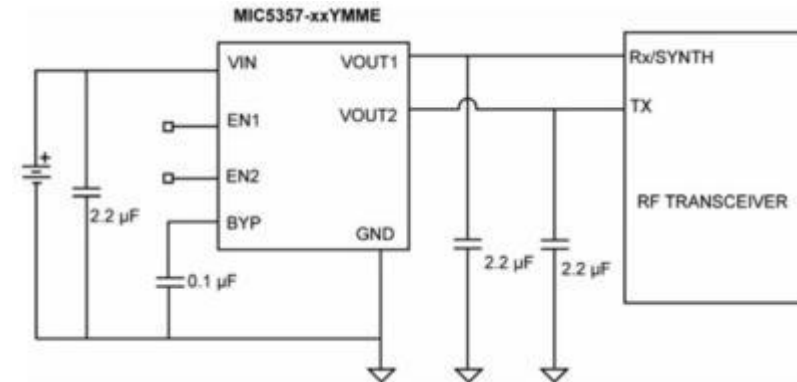
MIC5357

High Performance Low Noise Dual 500mA ULDO

[Online Datasheet](#)

Features:

- 2.6V to 5.5V input voltage range
- Ultra-low output noise: 51 μ Vrms
- \pm 2% initial output accuracy
- Small 8-pin ePad MSOP package
- Excellent Load/Line transient response
- Ultra-low dropout voltage: 130mV @ 500mA
- Fast start up time: 38 μ s
- μ Cap stable with 2.2 μ F ceramic capacitors
- Thermal shutdown protection
- Low quiescent current: 160 μ A with both outputs –
- at maximum load



[<< BACK](#)



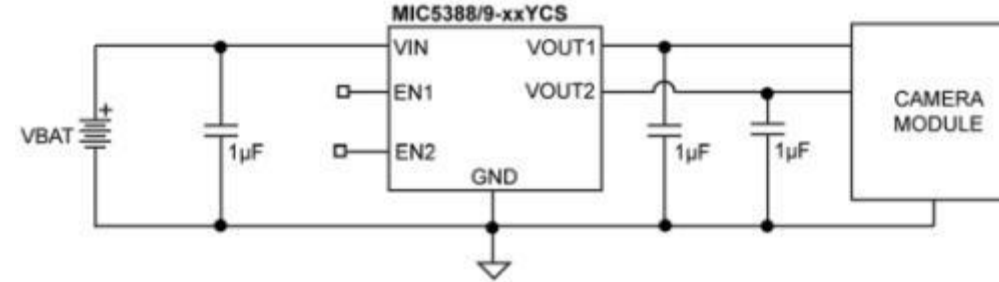
MIC5388/9

Dual 200mA Peak LDO in Wafer Level Chip Scale Package

[Online Datasheet](#)

Features:

- 2.5V to 5.5V input voltage range
- Independent enable pins
- High output accuracy: $\pm 2\%$
- Low quiescent current:
 - 32 μ A per LDO
- Stable with 1 μ F ceramic –
 - output capacitors
- Two 200mA peak output current LDOs
- Low dropout voltage: 175mV at 150mA
- Output discharge circuit (MIC5389)
- Thermal shutdown protection
- Current limit protection
- 6-bump 1.5mm x 1.0mm WLCSP package



[<< BACK](#)



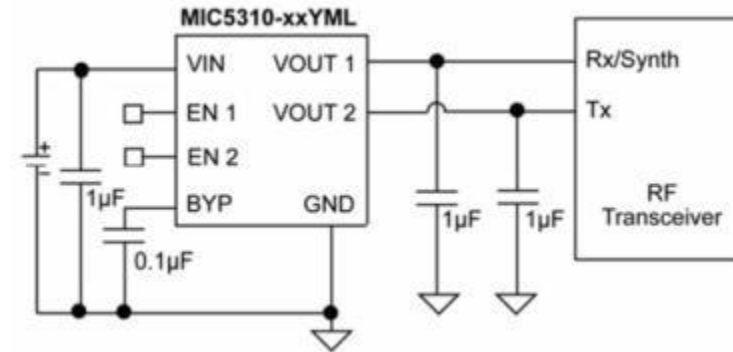
MIC5310

Dual 150mA μ Cap in 2mm x 2mm MLF[®]

[Online
Datasheet](#)

Features:

- Ultra-low dropout voltage ULDO 35mV @ 150mA
- High PSRR: >70dB @ 1KHz
- Ultra-low output noise: 30 μ Vrms
- \pm 2% initial output accuracy
- 2.3V to 5.5V input voltage range
- Tiny 8-pin 2mm x 2mm MLF[®] leadless package
- Excellent load/line transient response
- Fast start-up time: 30 μ s
- μ Cap stable with 1 μ F ceramic capacitor
- Thermal shutdown protection
- Low quiescent current: 75 μ A per output
- Current limit protection



<< BACK



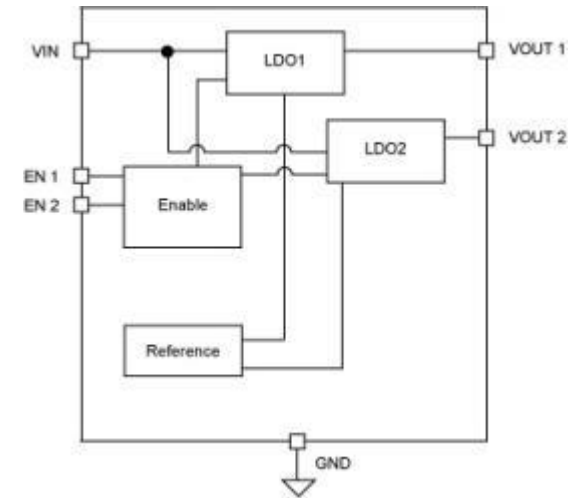
MIC5320

Dual High Performance 150mA μ Cap ULDO

[Online Datasheet](#)

Features:

- 2.3V to 5.5V input voltage range
- Ultra-low dropout voltage ULDO: 35mV @ 150mA
- Independent enable pins
- Tiny 6-pin 1.6mm x 1.6mm Thin MLF[®] leadless package
- Low cost TSOT-23-6 package
- PSRR: >65dB on each LDO
- 150mA output current per LDO
- μ Cap stable with 1 μ F ceramic capacitor
- Low quiescent current: 85 μ A per output
- Fast turn-on time: 30 μ s
- Thermal shutdown protection
- Current limit protection



[<< BACK](#)



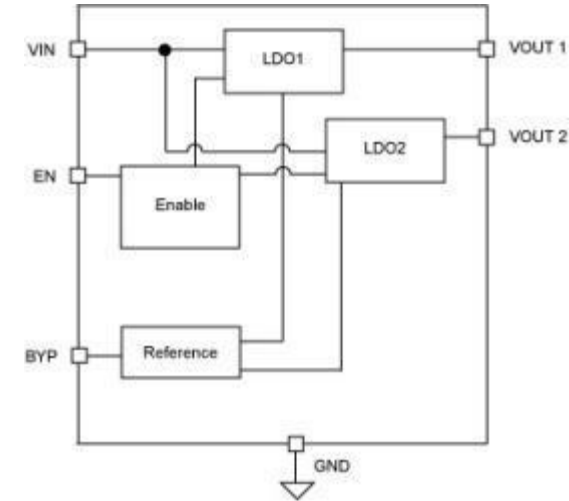
MIC5321

Dual High Performance 150mA μ Cap ULDO

[Online Datasheet](#)

Features:

- 2.3V to 5.5V input voltage range
- Ultra-low dropout voltage ULDO: 35mV @ 150mA
- Tiny 6-pin 1.6mm x 1.6mm MLF[®] leadless package
- Low cost TSOT-23-6 package
- Bypass pin for improved noise performance
- High PSRR: >75dB on each LDO
- Ultra low noise output: > 30 μ Vrms
- Dual 150mA outputs
- μ Cap stable with 1 μ F ceramic capacitor
- Low quiescent current: 150 μ A per output
- Fast turn-on time: 45 μ s
- Thermal shutdown protection
- Current limit protection



<< BACK



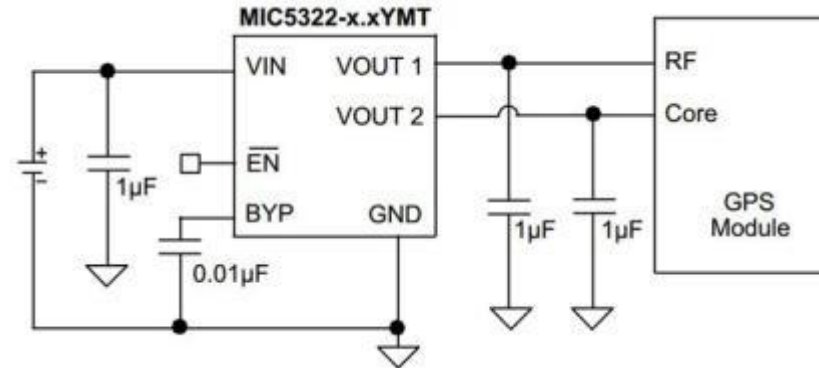
MIC5322

Dual, High Performance 150mA μ Cap ULDO

[Online
Datasheet](#)

Features:

- 2.3V to 5.5V input voltage range
- Dual 150mA outputs
- μ Cap stable with 1 μ F ceramic capacitor
- Low quiescent current: 150 μ A
- Fast turn-on time: 45 μ s
- Ultra-low dropout voltage ULDO: 35mV –
- @ 150mA
- Tiny 6-pin 1.6mm x 1.6mm Thin MLF[®] -
- leadless package
- Bypass pin for improved noise performance
- High PSRR: >75dB on each LDO
- Ultra-low noise output: > 30 μ Vrms
- Thermal shutdown protection
- Current limit protection



[<< BACK](#)



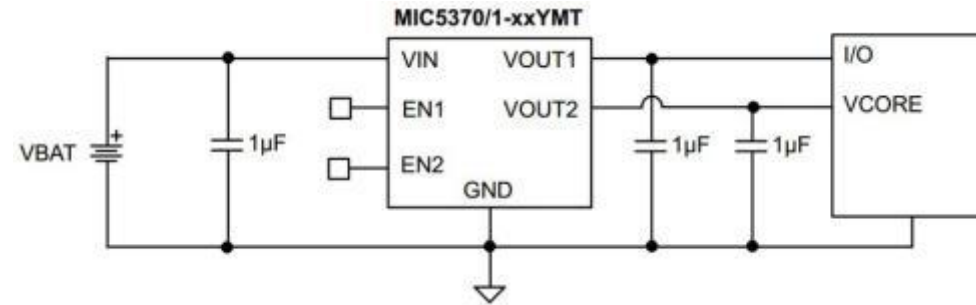
MIC5370/1

High-Performance Dual 150mA LDO 1.6mm x 1.6mm Thin MLF®

[Online
Datasheet](#)

Features:

- 2.5V to 5.5V input voltage range
- Two 150mA output current LDOs
- High output accuracy:
 - $\pm 2\%$ initial accuracy
- Low quiescent current 32 μ A per LDO
- Stable with 1 μ F ceramic output capacitors
- Independent enable pins
- Low dropout voltage: 155mV at 150mA
- Thermal shutdown protection
- Current limit protection
- Output discharge circuit (MIC5371)
- 6-pin 1.6mm x 1.6mm Thin MLF® package



<< BACK



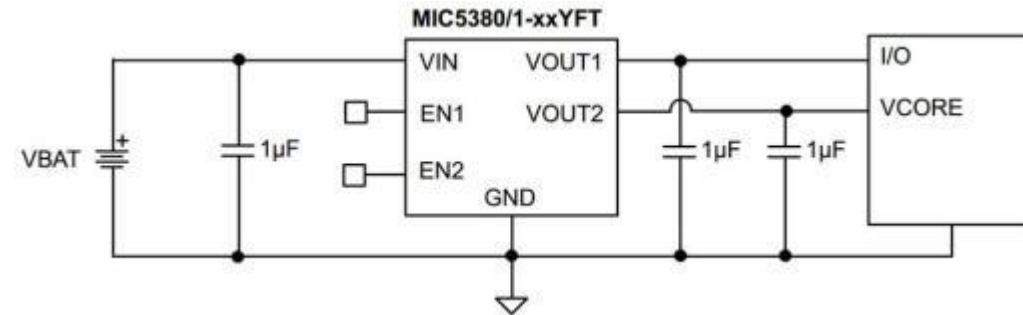
MIC5380/1

High Performance Dual 150mA LDO 1mm x 1mm Thin MLF®

[Online Datasheet](#)

Features:

- 6-pin 1mm x 1mm Thin MLF® package
- 2.5V to 5.5V input voltage range
- 150mA output current per LDO
- High output accuracy $\pm 1\%$ typical
- Low quiescent current 32 μ A per LDO
- Stable with 0402 1 μ F ceramic output –
– capacitors
- Low dropout voltage: 155mV at 150mA
- Output discharge circuit (MIC5381)
- Independent enable pins
- Thermal shutdown protection
- Current limit protection



[<< BACK](#)



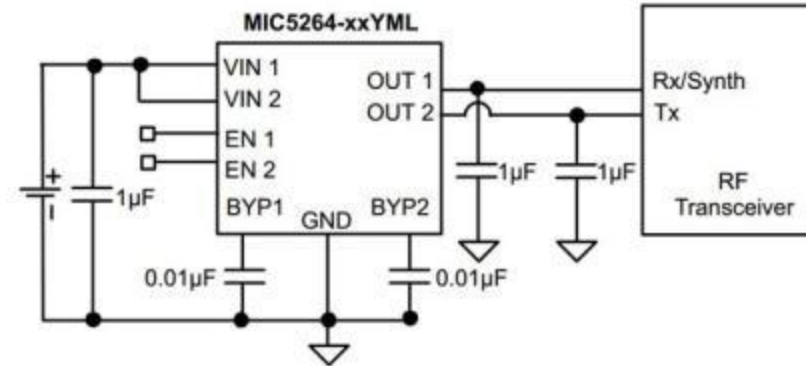
MIC5264

150mA μ Cap Dual LDO Regulator

[Online
Datasheet](#)

Features:

- 2.7V to 5.5V supply voltage
- Low 90 μ A quiescent current per LDO
- Tiny 2.5mm x 2.5mm MLF[®] package
- Low noise: 57 μ Vrms
- High PSRR: 70dB at 1kHz
- Low dropout voltage: 210mV at 150mA
- Stable with ceramic output capacitors
- Independent enable pins
- Fast transient response
- Active shutdown on both outputs



[<< BACK](#)



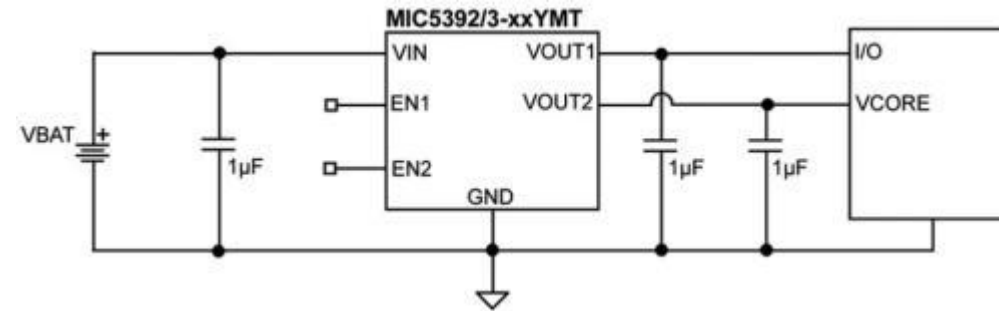
MIC5392/3

High-Performance Dual 150mA LDO

[Online Datasheet](#)

Features:

- 2.5V to 5.5V input voltage range
- Two 150mA output current LDOs
- Independent enable pins
- High output accuracy: $\pm 2\%$ initial – accuracy
- Low quiescent current (32 μ A per LDO)
- Stable with 1 μ F ceramic output capacitors
- Low dropout voltage (155mV at 150mA)
- Thermal-shutdown protection
- Current-limit protection
- Internal 25 Ω output discharge circuit (MIC5393)
- Tiny 6-pin 1.2mm x 1.2mm Thin DFN package



[<< BACK](#)



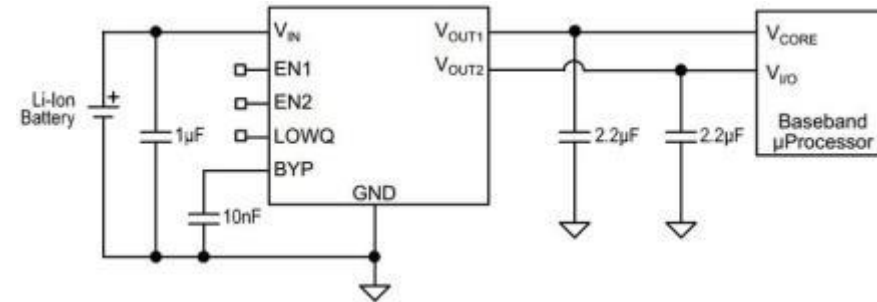
MIC5311

LowQ[®] Dual μ Cap LDO in 3mm x 3mm MLF[®]

[Online
Datasheet](#)

Features:

- Input voltage range: 2.25V to 5.5V
- LowQ[®] Mode:
 - 7 μ A total quiescent current
 - 10mA output current capable LowQ[®] mode
 - Logic level control with external pin
- Stable with ceramic output capacitor
- 2 LDO outputs: 300mA each
- Tiny 10-pin 3mm x 3mm MLF[®] package
- Low dropout voltage of 60mV @ 150mA
- Ultra-low quiescent current of 28 μ A total in full current mode
- High output accuracy:
 - $\pm 1.0\%$ initial accuracy
 - $\pm 2.0\%$ over temperature
- Thermal shutdown protection
- Current limit protection



[<< BACK](#)



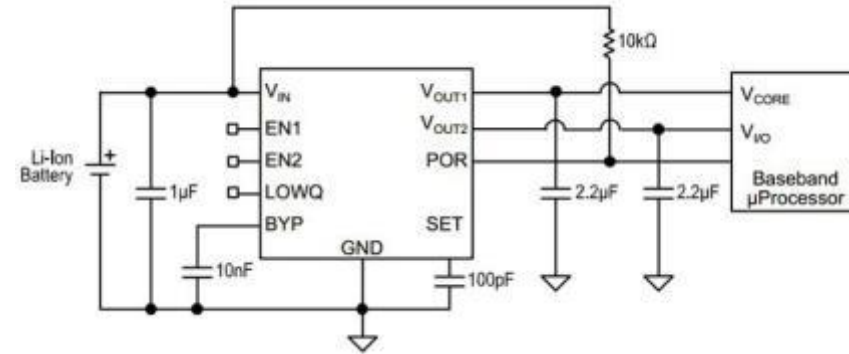
MIC5312

LowQ[®] Dual μ Cap LDO w/Integrated POR in 3mm x 3mm MLF[®]

[Online Datasheet](#)

Features:

- Input voltage range: 2.25V to 5.5V
- LowQ[®] Mode:
 - 7 μ A total quiescent current
 - 10mA output current capable LowQ[®] mode
 - Logic level control with external pin
- Stable with ceramic output capacitor
- 2 LDO outputs: 300mA each
- Integrated power-on reset (POR) with –
- adjustable delay time
- Tiny 3mm x 3mm MLF[®]-10 package
- Low dropout voltage of 60mV @ 150mA
- Ultra-low quiescent current of 28 μ A total in full current mode
- High output accuracy:
 - $\pm 1.0\%$ initial accuracy
 - $\pm 2.0\%$ over temperature
- Thermal shutdown protection



[<< BACK](#)



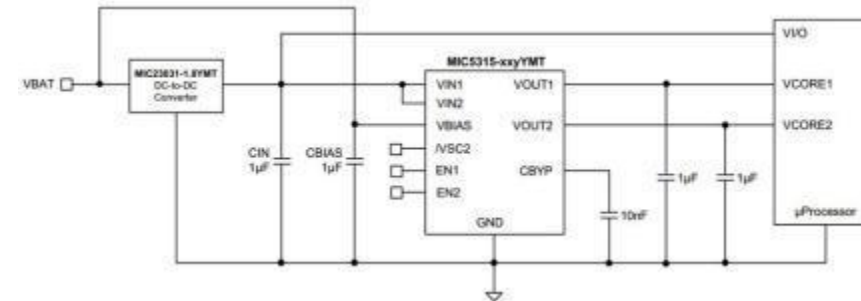
MIC5315

[Online Datasheet](#)

Low Voltage Dual 300mA LDO with Voltage Select

Features:

- 300mA output current for each LDO
- Voltage select function
- Dual low voltage regulator inputs: 1.7V to 5.5V
- Low output voltage range: 0.8V to 2.0V
- Ultra-low dropout voltage of 85mV @ 300mA
- Stable with 1 μ F ceramic output capacitors
- Very fast transient response
- Thermal shutdown and current limit protection
- Tiny 10-pin 2mm x 2mm Thin MLF[®] package



<< BACK



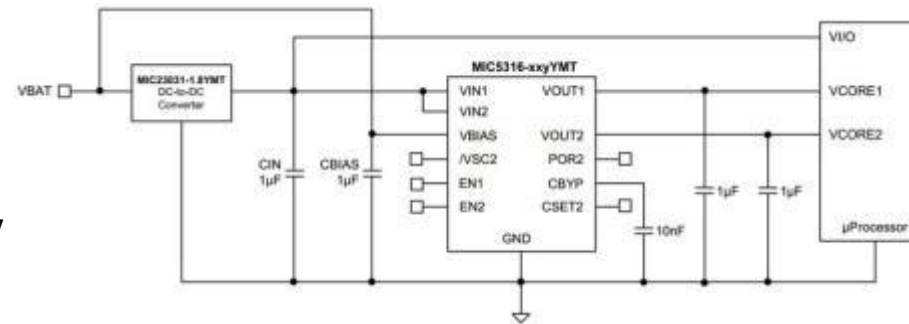
MIC5316

Online
Datasheet

Low Voltage Dual 300mA LDO with Power on
Reset and Voltage Select

Features:

- 300mA output current for each LDO
- Voltage select function
- Low output voltage range: 0.8V to 2.0V
- Very fast transient response
- Dual low voltage regulator inputs: 1.7V to 5.5V
- Ultra-low dropout voltage of 85mV @ 300mA
- Power on Reset output with adjustable delay
- Stable with 1 μ F ceramic output capacitors
- Thermal shutdown and current limit protection
- Tiny 12-pin 2.5mm x 2.5mm Thin MLF[®] package



<< BACK



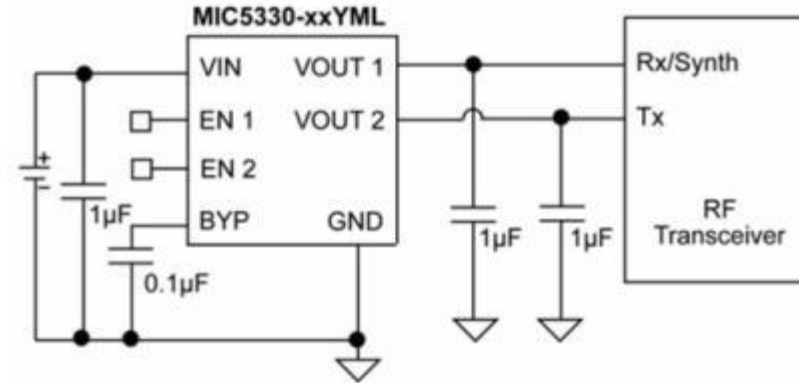
MIC5330

Dual 300mA μ Cap in 2mm x 2mm MLF[®]

[Online Datasheet](#)

Features:

- 2.3V to 5.5V input voltage range
- High PSRR: >70dB @ 1KHz
- Ultra-low output noise: 30 μ Vrms
- \pm 2% initial output accuracy
- Fast start-up time: 30 μ s
- Tiny 8-pin 2mm x 2mm MLF[®] -
- leadless package
- Excellent Load/Line transient response
- Ultra-low dropout voltage ULDO 75mV @ 300mA
- 300mA output current per LDO
- Thermal shutdown protection
- Low quiescent current: 75 μ A per output
- Current limit protection



[<< BACK](#)



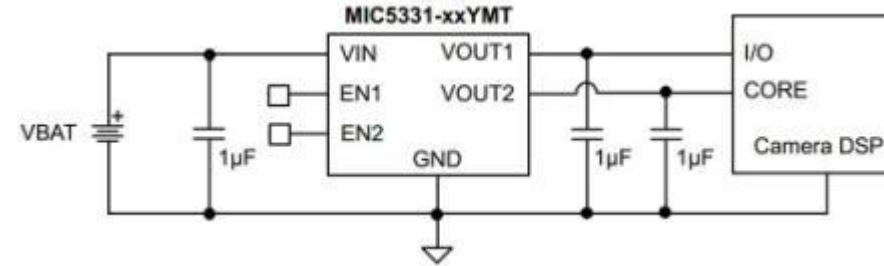
MIC5331

Micro-Power High Performance Dual 300mA ULDO

[Online Datasheet](#)

Features:

- 2.3V to 5.5V input voltage range
- 300mA output current per LDO
- Very low quiescent current: 25 – μ A per LDO
- High PSRR: >65dB on each LDO
- Stable with 1 μ F ceramic output – capacitors
- Tiny 8-pin 2mm x 2mm Thin MLF[®] package
- Ultra-low dropout voltage: 120mV @ 300mA
- Low output voltage noise: 50 μ V_{rms}
- Thermal shutdown protection
- Current limit protection



<< BACK



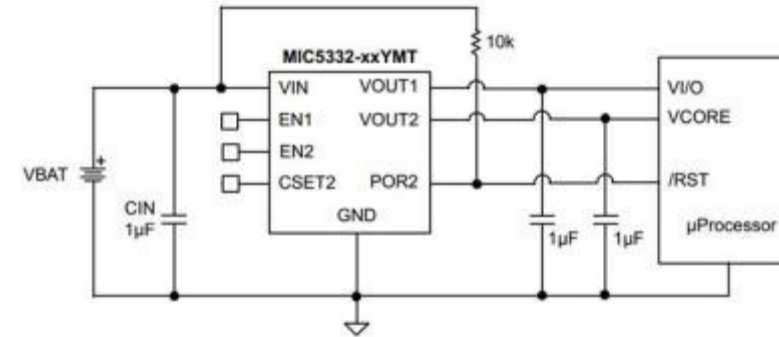
MIC5332

Micro-Power High Performance Dual 300mA ULDO

[Online
Datasheet](#)

Features:

- POR output with programmable delay on LDO2
- 300mA output current per LDO
- Very low quiescent current: 25 μ A per LDO
- High PSRR: >65dB on each LDO
- 2.3V to 5.5V input voltage range
- Stable with 1 μ F ceramic output capacitors
- Tiny 8-pin 2mm x 2mm Thin MLF[®] package
- Ultra-low dropout voltage: 120mV @ 300mA
- Low output voltage noise: 50 μ V_{rms}
- Thermal shutdown protection
- Current limit protection



<< BACK



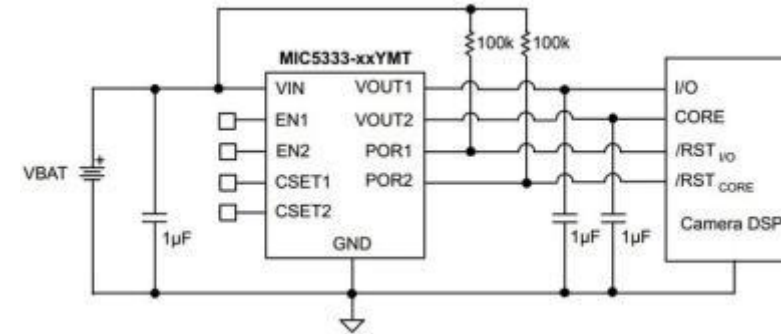
MIC5333

[Online Datasheet](#)

Micro-Power High Performance Dual 300mA ULDO with Dual POR

Features:

- 2.3V to 5.5V input voltage range
- 300mA output current per LDO
- Very low quiescent current:
 - 25 μ A per LDO
- Stable with 1 μ F ceramic output –
- capacitors
- POR output with programmable –
- delay for each LDO
- High PSRR: >65dB on each LDO
- Tiny 10-pin 2.5mm x 2.5mm Thin MLF[®] package
- Ultra-low dropout voltage: 120mV @ 300mA
- Low output voltage noise: 50 μ V_{rms}
- Thermal shutdown protection
- Current limit protection



<< BACK



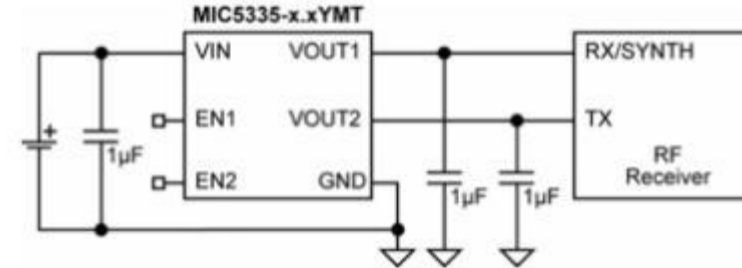
MIC5335

Dual High Performance 300mA μ Cap ULDO

[Online Datasheet](#)

Features:

- 2.3V to 5.5V input voltage range
- Ultra-low dropout voltage:
 - 75mV at 300mA
- Independent enable pins
- Ultra Thin 1.6mm x 1.6mm –
 - 6-pin MLF[®] package
- High PSRR: >65dB
- 300mA output current per LDO
- μ Cap Stable with 1 μ F ceramic capacitor
- Low quiescent current: 90 μ A/LDO
- Fast turn-on time: 30 μ s
- Low output voltage noise: 24 μ V_{rms}
- Thermal shutdown protection
- Current limit protection



<< BACK



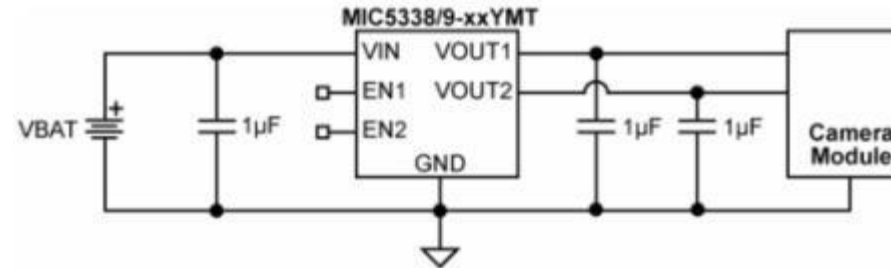
MIC5338/9

Dual 300mA μ Cap LDO in 1.6mm x 1.6mm Thin MLF[®]

[Online
Datasheet](#)

Features:

- 2.5V to 5.5V input voltage range
- Two 300mA outputs
- High output accuracy: 2%
- Low quiescent current: 70 μ A total
- Stable with ceramic output capacitors
- Independent enable pins
- Low dropout voltage: 220mV at 300mA
- Low output noise
- Thermal shutdown protection
- Current limit protection
- Output discharge circuit (MIC5339)
- 6-pin 1.6mm x 1.6mm Thin MLF[®] package



<< BACK



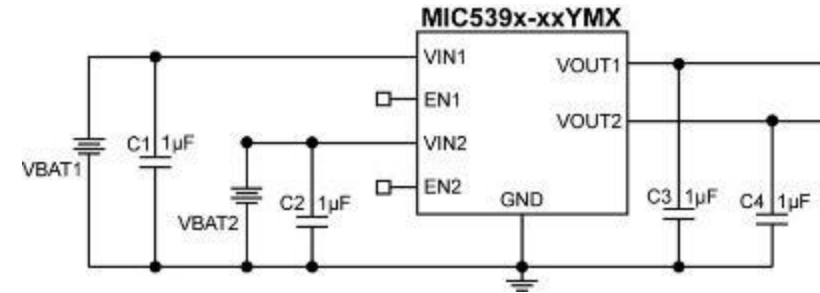
MIC5396/7/8/9

Low-Power Dual 300mA LDO in 1.2mm x 1.6mm Extra Thin DFN

[Online
Datasheet](#)

Features:

- 2.5V to 5.5V input voltage range
- Independent power inputs
- Output voltage range from 1V to 3.3V
- Two 300mA outputs
- High output accuracy ($\pm 2\%$)
- Low quiescent current: 37 μ A typical/LDO
- Stable with 1 μ F ceramic output capacitors
- Low dropout voltage (160mV at 300mA)
- Internal enable pull-down (MIC5398, MIC5399)
- Output discharge circuit (MIC5397, MIC5399)
- Thermal-shutdown protection
- Current-limit protection
- 8-pin 1.2mm x 1.6mm Extra Thin DFN package



[<< BACK](#)



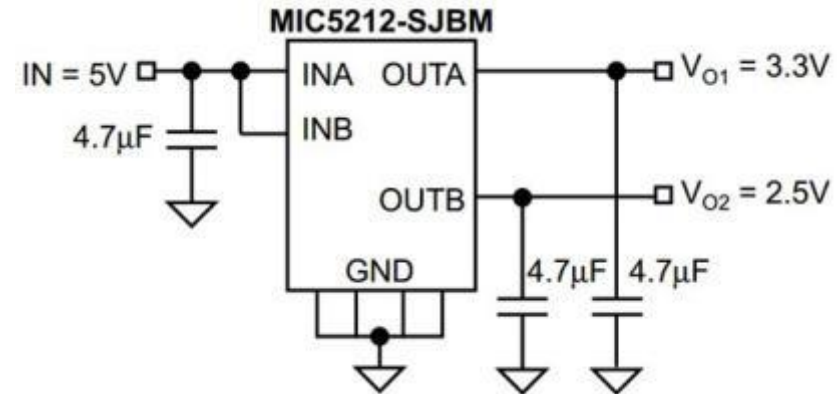
MIC5212

Dual 500mA LDO

[Online Datasheet](#)

Features:

- Fused lead frame SOIC-8
- Up to 500mA per regulator output
- Low quiescent current
- Low dropout voltage
- Tight load and line regulation
- Low temperature coefficient
- Current and thermal limiting
- Reversed input polarity protection



[<< BACK](#)



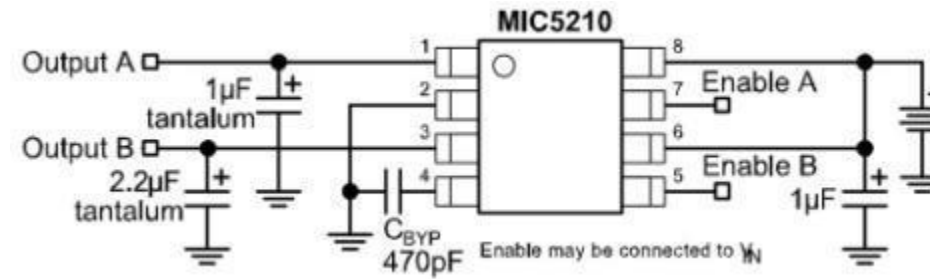
MIC5210

Dual 150mA LDO

[Online Datasheet](#)

Features:

- Micrel Mini 8[®]; MSOP package
- Up to 150mA per regulator output
- Low quiescent current
- Low dropout voltage
- Wide selection of output voltages
- Tight load and line regulation
- Low temperature coefficient
- Current and thermal limiting
- Reversed input polarity protection
- Zero off-mode current
- Logic-controlled electronic enable



<< BACK



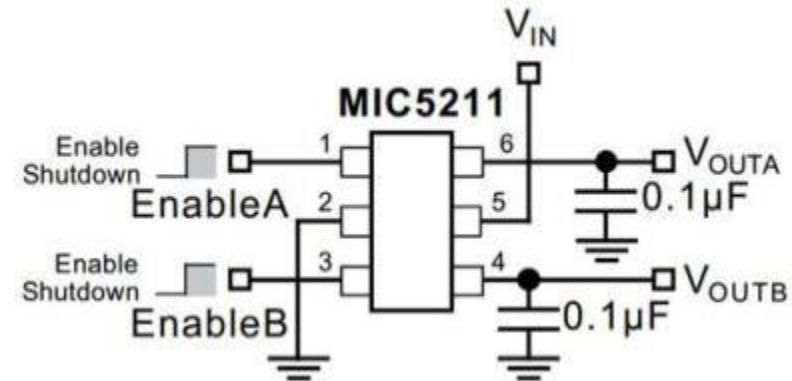
MIC5211

Dual μ Cap 80mA LDO

[Online Datasheet](#)

Features:

- Stable with low-value ceramic or tantalum capacitors
- Independent logic controls
- Low quiescent current
- Low dropout voltage
- Mixed voltages available
- Tight load and line regulation
- Low temperature coefficient
- Current and thermal limiting
- Reversed input polarity protection
- Zero off-mode current
- Dual regulator in tiny SOT-23 package
- 2.5V to 16V input range



[<< BACK](#)



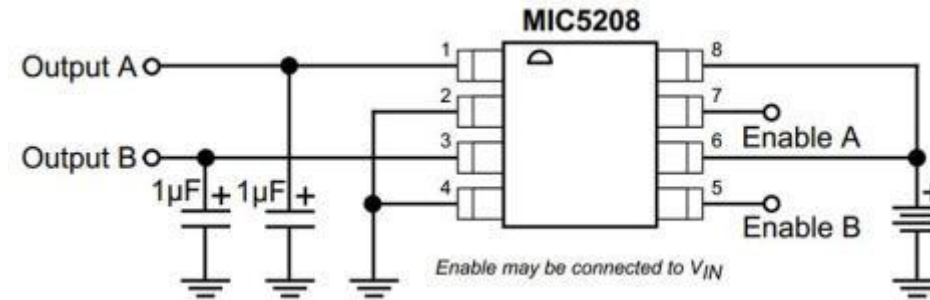
MIC5208

Dual 50mA LDO

[Online Datasheet](#)

Features:

- Micrel Mini 8[®] MSOP package
- Guaranteed 50mA output
- Low quiescent current
- Low dropout voltage
- Wide selection of output voltages
- Tight load and line regulation
- Low temperature coefficient
- Current and thermal limiting
- Reversed input polarity protection
- Zero off-mode current
- Logic-controlled electronic enable



<< BACK



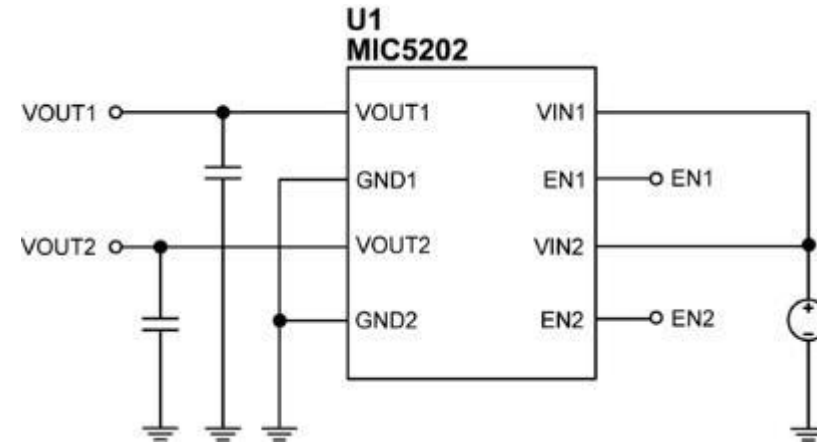
MIC5202

Dual 100mA LDO

[Online Datasheet](#)

Features:

- High output voltage accuracy
- Variety of output voltages
- Up to 100mA of continuous output current
- Low ground current
- Low dropout voltage
- Excellent line and load regulations
- Extremely low temperature coefficient
- Current and thermal limit protections
- Reverse-battery protection
- Zero off-mode current
- Logic-controlled electronic shutdown
- 8-pin SOIC package



[<< BACK](#)

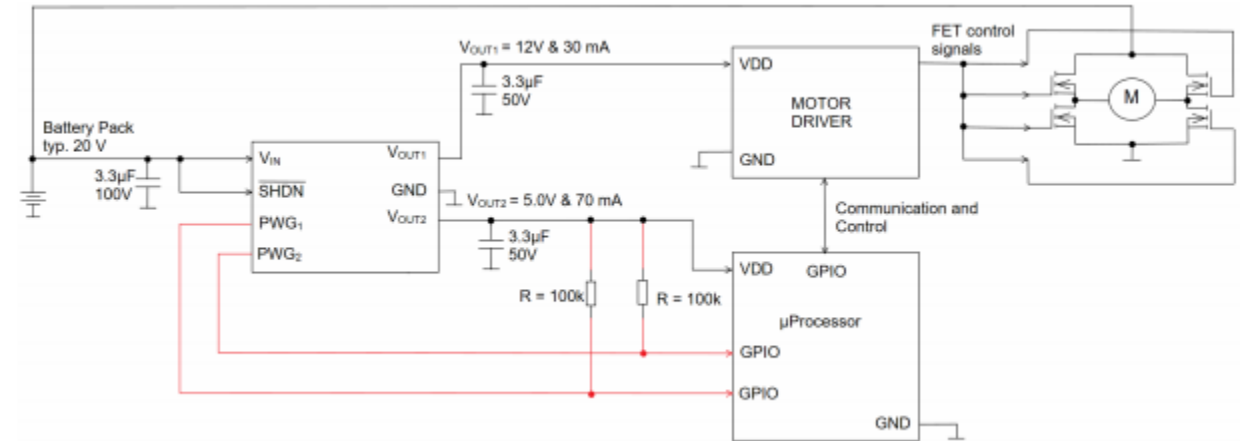


MCP1722

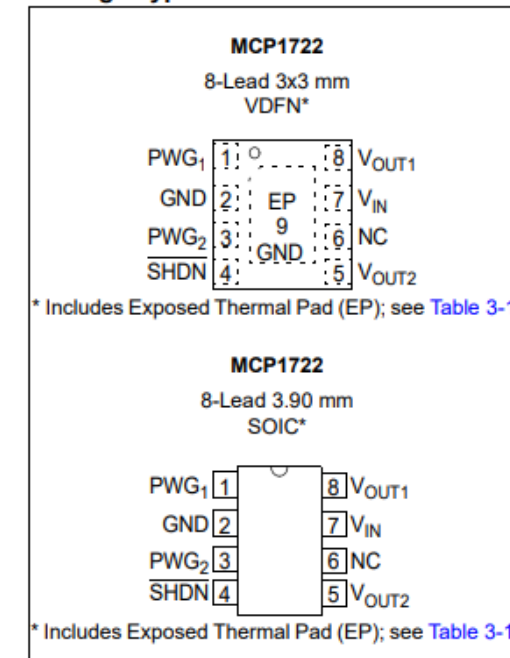
High Voltage Dual Output LDO

• Features

- AEC-Q100 Grade 0 Qualified and PPAP Capable
- Wide Input Voltage Range: 4.5V-55V
- Under Voltage Lock Out (UVLO): 2.7V Typical
- Extended Junction Temperature Range: -40C to +150C
- Vout1: 10V or 12V
- Vout2: 3.3V or 5.0V
- Iout1: 50mA and Iout2: 100mA
- +/-2% Tolerance for each LDO
- Open Drain Power Good Pins for Both Output Pins
- High PSRR: 80dB @100Hz Typical



Package Types



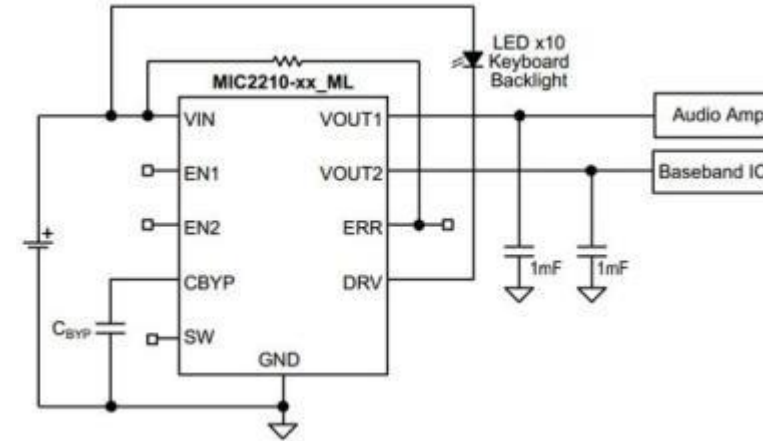
MIC2210

Dual μ Cap LDO with Open-Drain Driver

[Online Datasheet](#)

Features:

- Input voltage range: 2.25V to 5.5V
- Stable with ceramic output capacitor
- 2 LDO outputs
- Output 1: 150mA output current
- Output 2: 300mA output current
- 1 Open-drain driver
- Low dropout voltage of 80mV @ 100mA
- Ultra-low quiescent current of 48 μ A
- High output accuracy:
 - $\pm 1.0\%$ initial accuracy
 - $\pm 2.0\%$ over temperature
- Thermal shutdown protection
- Current limit protection
- Tiny 10-pin 3mm x 3mm MLF[®] package



<< BACK



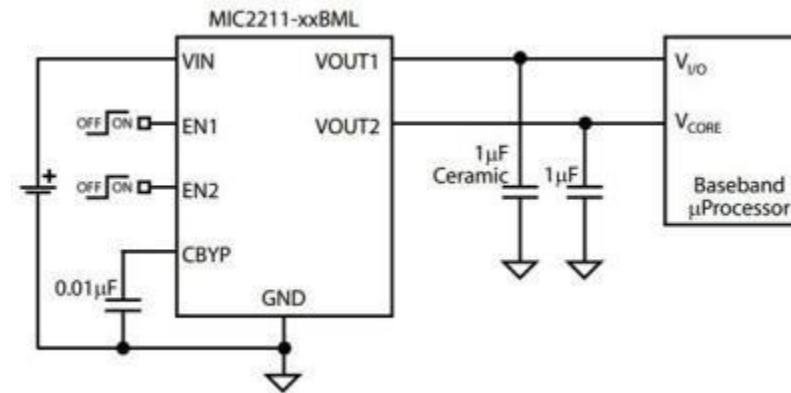
MIC2211

Dual μ Cap LDO in 3mm x 3mm MLF[®]

[Online Datasheet](#)

Features:

- Input voltage range: 2.25V to 5.5V
- Stable with ceramic output capacitor
- 2 LDO outputs:
 - Output 1: 150mA output current
 - Output 2: 300mA output current
- Low dropout voltage of 80mV @ 100mA
- Ultra-low quiescent current of 48 μ A total - (24 μ A/LDO)
- High output accuracy:
 - $\pm 1.0\%$ initial accuracy
 - $\pm 2.0\%$ over temperature
- Thermal shutdown protection
- Current limit protection
- Tiny 10-pin 3mm x 3mm MLF[®] package



[<< BACK](#)



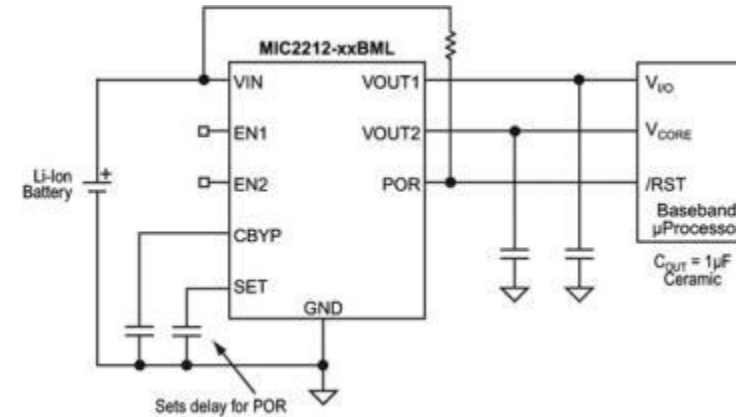
MIC2212

Dual μ Cap LDO and Power-On Reset

[Online Datasheet](#)

Features:

- Input voltage range: 2.25V to 5.5V
- Stable with ceramic output capacitor
- 2 LDO outputs:
 - Output 1: 150mA output current
 - Output 2: 300mA output current
- Power-on reset function with adjustable –
– delay time
- Low dropout voltage of 80mV @ 100mA
- Ultra-low quiescent current of 48 μ A
- High output accuracy:
 - $\pm 1.0\%$ initial accuracy
 - $\pm 2.0\%$ over temperature
- Thermal shutdown protection
- Current limit protection
- Tiny 10-pin 3mm x 3mm MLF[®] package



<< BACK



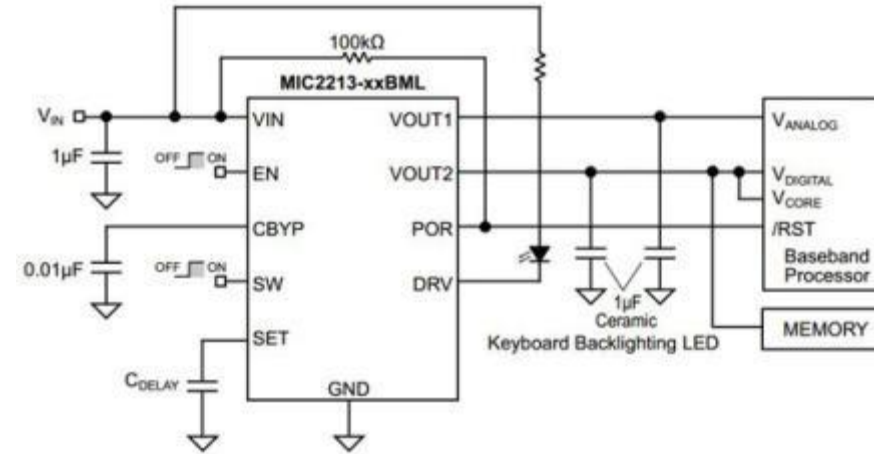
MIC2213

Sequenced Portable Power Management IC

Online
Datasheet

Features:

- 2 LDO outputs:
 - Output 1: 150mA output current
 - Output 2: 300mA output current
- 1 Open-drain driver
- Sequencing between outputs 1 and 2
- Input voltage range: 2.25V to 5.5V
- Stable with ceramic output capacitor
- Power-on reset function with adjustable –
- delay time
- Low dropout voltage of 80mV @ 100mA
- Ultra-low quiescent current of 48 μ A
- High output accuracy:
 - $\pm 1.0\%$ initial accuracy
 - $\pm 2.0\%$ over temperature
- Thermal shutdown protection
- Tiny 3mm x 3mm MLF[®]-10 package



<< BACK



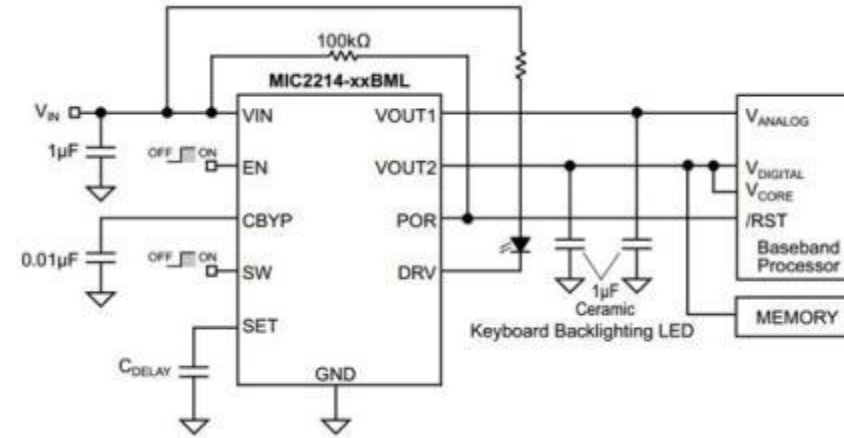
MIC2214

Portable Power Management IC

[Online Datasheet](#)

Features:

- Input voltage range: 2.25V to 5.5V
- Stable with ceramic output capacitor
- 2 LDO outputs:
 - Output 1: 150mA output current
 - Output 2: 300mA output current
- 1 Open-drain driver
- Power-on reset function with adjustable – delay time
- Low dropout voltage of 80mV @ 100mA
- Ultra-low quiescent current of 48 μ A
- High output accuracy:
 - $\pm 1.0\%$ initial accuracy
 - $\pm 2.0\%$ over temperature
- Thermal shutdown protection
- Current limit protection
- Tiny 3mm x 3mm MLF[®]-10 package



[<< BACK](#)



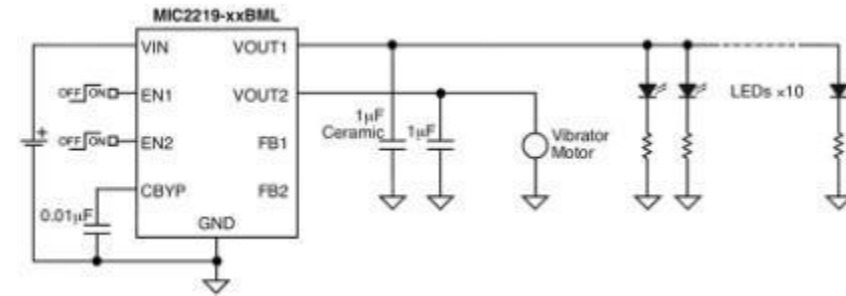
MIC2219

Dynamically Adjustable Dual μ Cap LDO

[Online
Datasheet](#)

Features:

- Input voltage range: 2.25V to 5.5V
- Stable with ceramic output capacitor
- 2 LDO outputs:
 - Output 1: 150mA output current
 - Output 2: 300mA output current
- Feedback pins externally accessible
- Low dropout voltage of 80mV @ 100mA
- Ultra-low quiescent current of 48 μ A –
– total (24 μ A/LDO)
- High output accuracy:
 - $\pm 1.0\%$ initial accuracy
 - $\pm 2.0\%$ over temperature
- Thermal shutdown protection
- Current limit protection
- Tiny 10-pin 3mm x 3mm MLF[®] package



<< BACK



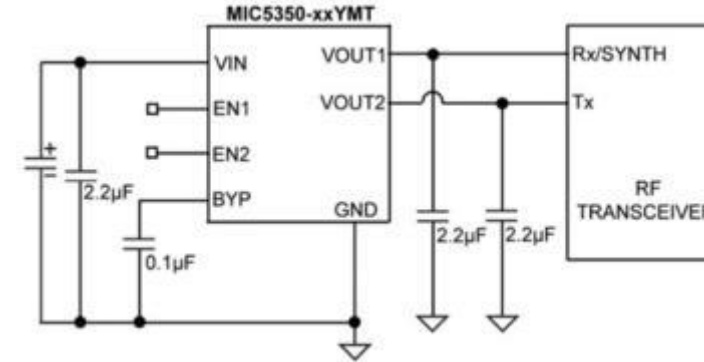
MIC5350

Dual 300mA/500mA LDO in 2x2mm Thin MLF®

[Online
Datasheet](#)

Features:

- 2.6V to 5.5V input voltage range
- Ultra-low output noise: 30µVrms
- ±2% initial output accuracy
- Excellent Load/Line transient response
- Fast start-up time: 30µs
- Ultra-low dropout voltage: 75mV @ 300mA –
- and 125mV @ 500mA
- µCap stable with 2.2µF ceramic capacitors
- Thermal shutdown protection
- Low quiescent current: 130µA with both outputs –
- at maximum load
- Current limit protection
- 8-pin 2mm x 2mm Thin MLF® package



[<< BACK](#)



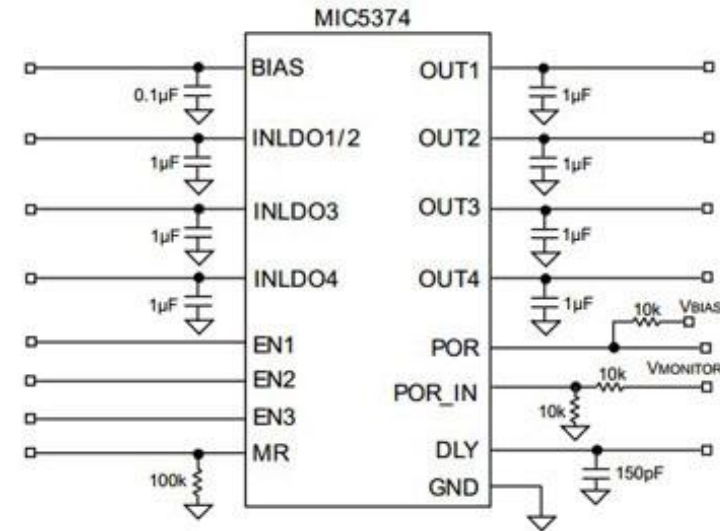
MIC5374

Triple 200mA μ Cap LDO & 1mA RTC LDO in 2.5x2.5mm Thin QFN

Online
Datasheet

Features:

- 1.7V to 5.5V input supply voltage range
- Output current: 200mA LDO1/2/3, 1mA LDO4
- LDO4: Ultra low 8 μ A I BIAS for RTC support
- High output accuracy ($\pm 2\%$)
- Independent enable pins
- Thermal shutdown and current limit protection
- POR with user-defined voltage monitoring
- POR voltage input
- Adjustable delay time
- Manual reset pin
- Low dropout voltage: 170mV at 150mA
- High PSRR: 55dB at 1kHz on each LDO
- Stable with tiny ceramic output capacitors
- 2.5mm x 2.5mm Thin QFN 16-pin package



Typical MIC5374-xxxxYMT Circuit

<< BACK



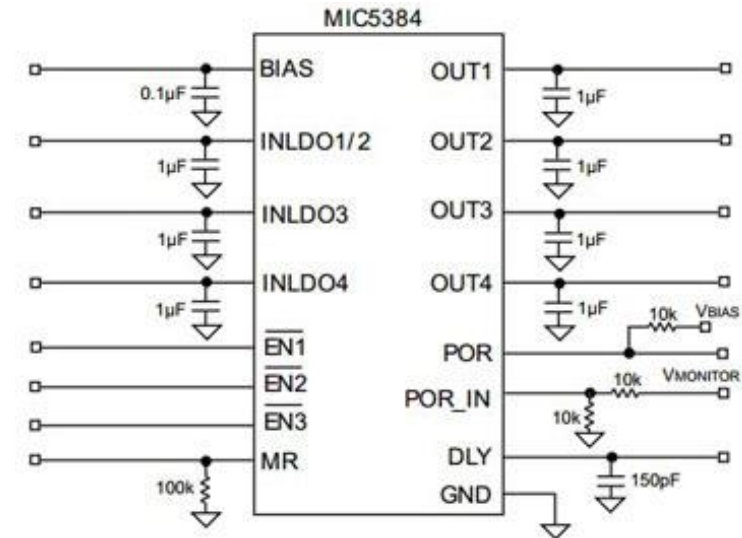
MIC5384

Triple 200mA μ Cap LDO & 1mA RTC LDO in 2.5x 2.5mm Thin QFN

[Online Datasheet](#)

Features:

- 1.7V to 5.5V input supply voltage range
- Output current: 200mA LDO1/2/3, 1mA LDO4
- LDO4: Ultra low 8 μ A I BIAS for RTC support
- High output accuracy ($\pm 2\%$)
- Independent enable pins
- 2.5mm x 2.5mm Thin QFN 16-pin package
- Thermal shutdown and current limit protection
- POR with user-defined voltage monitoring
- POR voltage input
- Adjustable delay time
- Manual reset pin
- Low dropout voltage: 170mV at 150mA
- High PSRR: 55dB at 1kHz on each LDO
- Stable with tiny ceramic output capacitors



Typical MIC5384-xxxxYMT Circuit

[<< BACK](#)



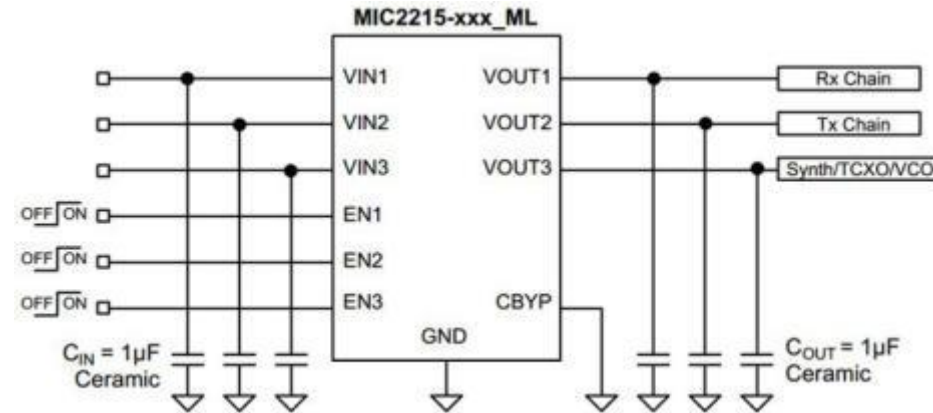
MIC2215

Triple High PSRR Low Noise μ Cap LDO

[Online Datasheet](#)

Features:

- Input voltage range: +2.25V to +5.5V
- 70dB PSRR
- Stable with ceramic output capacitor
- High output accuracy:
 - $\pm 1.0\%$ initial accuracy
 - $\pm 2.0\%$ over temperature
- Low dropout voltage of 100mV –
- @ 150mA
- Low quiescent current: 110 μ A per –
- regulator
- Fast turn-on time: 30 μ s
- Zero off-mode current
- Thermal shutdown protection
- Current-limit protection
- 16-pin (4mm x 4mm) MLF[®] package



<< BACK



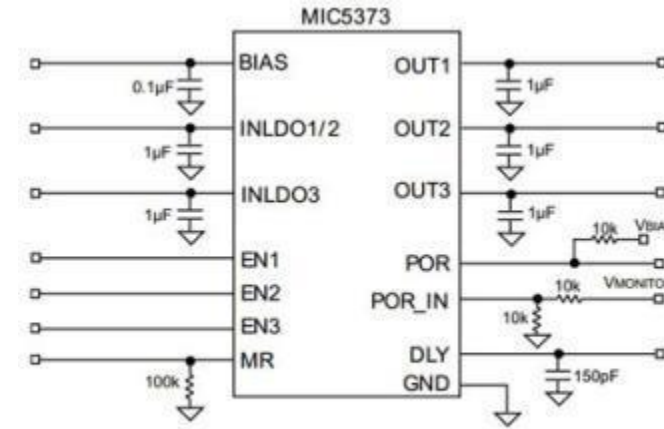
MIC5373/83

Triple 200mA μ Cap LDO in 2.5 x 2.5 Thin MLF[®]

[Online
Datasheet](#)

Features:

- 1.7V to 5.5V input supply voltage range
- Output current: 200mA LDO1/2/3
- High output accuracy ($\pm 2\%$)
- Independent enable pins
- POR with user-defined voltage monitoring:
 - POR voltage input
 - Adjustable delay time
 - Manual reset pin
- Low dropout voltage: 170mV at 150mA
- High PSRR: 55dB at 1kHz on each LDO
- Stable with tiny ceramic output capacitors
- Thermal shutdown and current limit protection
- 2.5mm x 2.5mm Thin MLF[®] 16-pin package



Typical MIC5373-xxxYMT Circuit

<< BACK



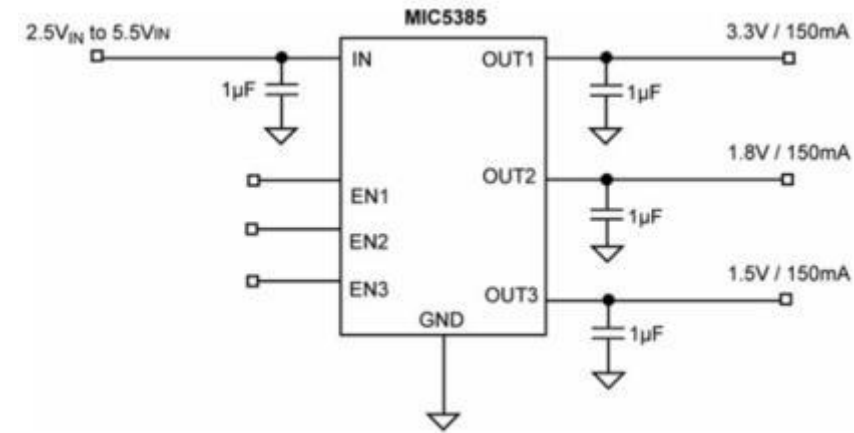
MIC5385

Ultra Small Triple 150mA Output LDO

[Online Datasheet](#)

Features:

- Input voltage range: 2.5V to 5.5V
- 150mA guaranteed output current for –
– each output
- Stable with ceramic output capacitors
- Low dropout voltage: 180mV @ 150mA
- Excellent Load/Line Transient Response
- Low quiescent current: 32 μ A per LDO
- High PSRR: 70dB
- High output accuracy:
 - $\pm 2\%$ initial accuracy
- Thermal shutdown and current limit protection
- 2mm x 2mm Thin MLF



[<< BACK](#)



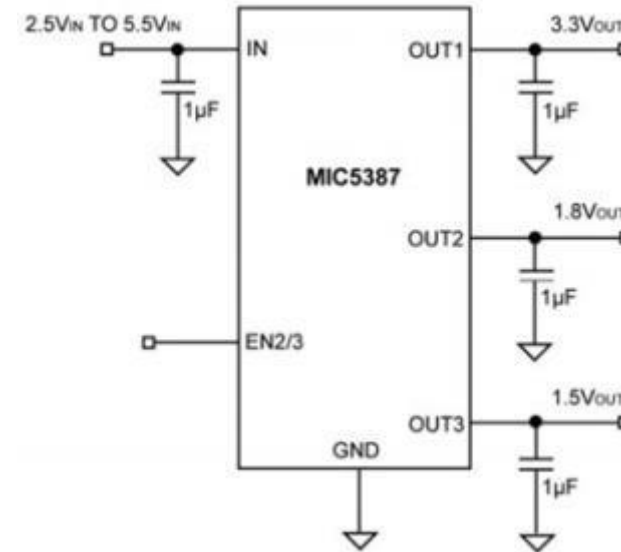
MIC5387

Ultra Small Triple 150mA Output LDO

[Online Datasheet](#)

Features:

- Input voltage range: 2.5V to 5.5V
- 150mA guaranteed output current for each output
- Stable with ceramic output capacitors
- Low dropout voltage: 180mV @ 150mA
- Excellent Load/Line Transient Response
- Low quiescent current: 32 μ A per LDO
- High PSRR: 70dB
- High output accuracy:
 - $\pm 2\%$ initial accuracy
- Thermal-shutdown and current-limit protection
- Tiny 6-pin 1.6mm x 1.6mm Thin MLF



[<< BACK](#)



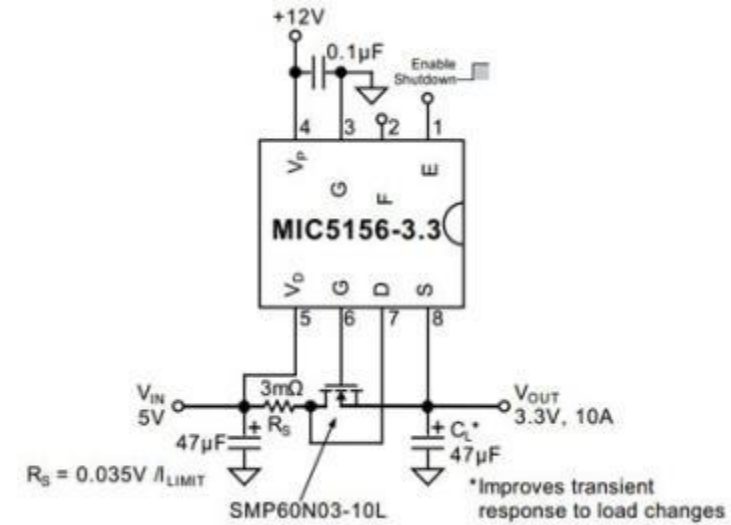
MIC5156/57/58

Super LDO Regulator Controller

[Online
Datasheet](#)

Features:

- 4.5mA typical operating current
- $1\mu\text{A}$ typical standby current
- Low external parts count
- Optional current limit (35mV typical threshold)
- 1% initial output voltage tolerance in most – configurations
- 2% output voltage tolerance over temperature
- Fixed output voltages of 3.3V, 5.0V (MIC5156)
- Fixed output voltages of 3.3V, 5.0V, 12V (MIC5157)
- Programmable (1.3V to 36V) with 2 resistors – (MIC5156/8)
- Internal charge pump voltage tripler (MIC5157/8)
- Enable pin to activate or shutdown the regulator
- Internal gate-to-source protective clamp
- All versions available in DIP and SOIC



<< BACK



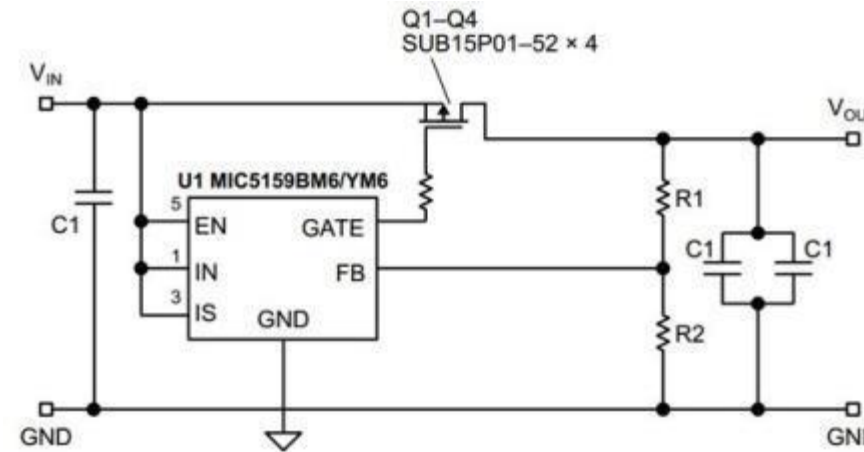
MIC5159

Programmable Current Limit μ Cap LDO Regulator Controller

[Online Datasheet](#)

Features:

- Fast transient response
- Input voltage range: V_{IN} : 1.65V to 5.5V
- $\pm 1.0\%$ initial output tolerance
- Stable with ceramic output capacitor
- Capable up to 10A
- Logic-controlled shutdown
- Programmable current limit
- Excellent line and load regulation – specifications
- Fixed 1.8V or adjustable output – voltage down to 1.25V
- Current limit protection
- Extended temperature range:
 - -40°C to $+125^{\circ}\text{C}$
- SOT-23-6 Package



[<< BACK](#)



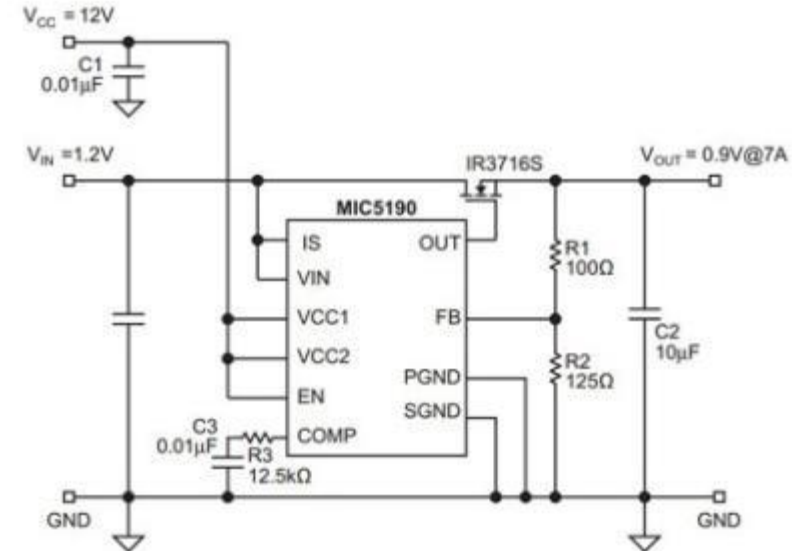
MIC5190

Online
Datasheet

Ultra High-Speed High-Current Active Filter/LDO Controller

Features:

- Input voltage range:
 - $V_{IN} = 0.9V$ to $5.5V$
- $\pm 1.0\%$ initial output tolerance
- Dropout down to $25mV$ @ $10A$
- Filters out switching frequency –
 - noise on input
- Very high large signal bandwidth $>500kHz$
- PSRR $>40dB$ at $500kHz$
- Adjustable output voltage down to $0.5V$
- Stable with any output capacitor
- Excellent line and load regulation –
 - specifications
- Logic controlled shutdown
- Current limit protection
- $3mm \times 3mm$ 10-lead MLF[®] and –
 - MSOP-10 packages
- Available $-40^{\circ}C$ to $+125^{\circ}C$ junction –
 - temperature



<< BACK



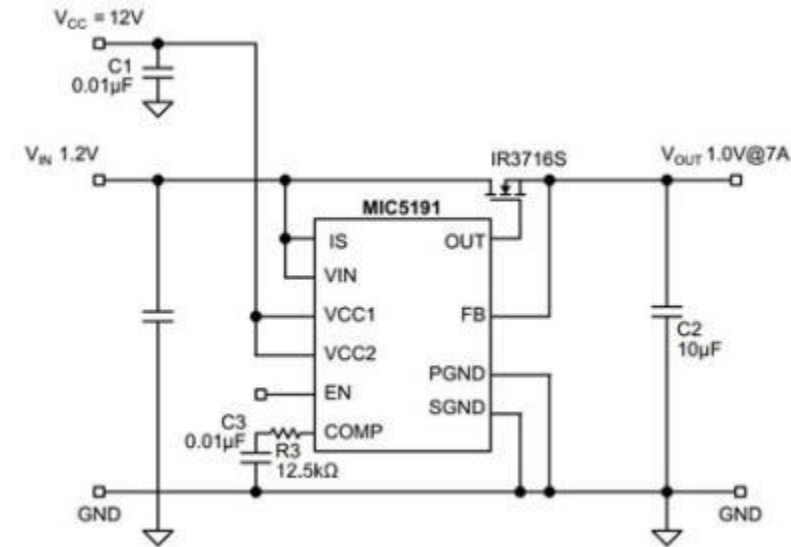
MIC5191

Ultra High-Speed High-Current Active Filter/LDO Controller

[Online Datasheet](#)

Features:

- Input voltage range:
 - $V_{IN} = 1.0V$ to $5.5V$
- $\pm 1.0\%$ initial output tolerance
- Dropout down to $25mV$ @ $10A$
- Filters out switching frequency noise on input
- Very high large signal bandwidth $>500kHz$
- PSRR $>40dB$ at $500kHz$
- Adjustable output voltage down to $1.0V$
- Stable with any output capacitor
- Excellent line and load regulation specifications
- Logic controlled shutdown
- Current limit protection
- 10-lead MLF[®] and MSOP-10 packages
- Available $-40^{\circ}C$ to $+125^{\circ}C$ junction temperature



[<< BACK](#)



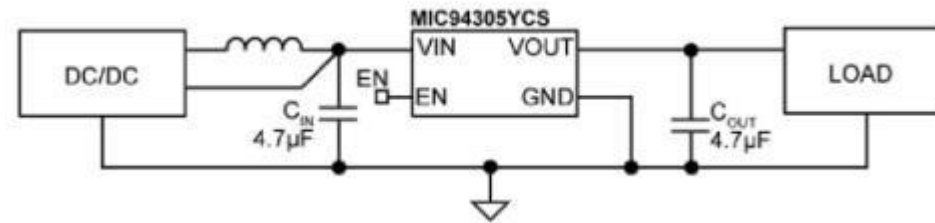
MIC94305

500mA Switch with Ripple Blocker™ Technology

[Online Datasheet](#)

Features:

- 1.8V to 3.6V input voltage range
- Active noise rejection over a wide –
– frequency band: >60dB from –
– 40kHz to 5MHz
- Rated to 500mA output current
- Current-limit and thermal-limit protected
- 1.6mm x 1.6mm, 6-pin Thin DFN
- Logic-controlled enable pin
- -40°C to +125°C junction temperature range



[<< BACK](#)



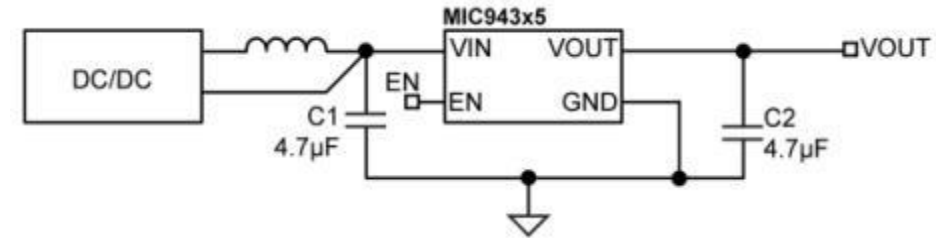
MIC94325/45/55

500mA LDO with Ripple Blocker™ Technology

[Online Datasheet](#)

Features:

- 1.8V to 3.6V input voltage range
- Active noise rejection over a wide –
 - frequency band: >50dB from 10Hz –
 - to 5MHz at 500mA load
- Rated to 500mA output current
- Fixed and adjustable output voltages
- Optional output auto-discharge when disabled
- Current-limit and thermal-limit protected
- 1.6mm x 1.6mm, 6-pin Thin DFN
- -40°C to +125°C junction temperature range



[<< BACK](#)



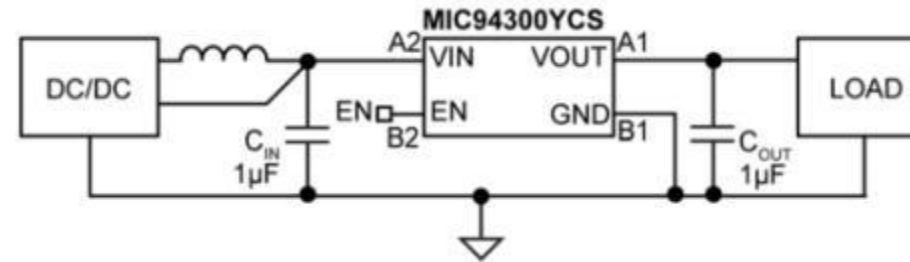
MIC94300

200mA Switch with Ripple Blocker™ Technology

[Online Datasheet](#)

Features:

- 1.8V to 3.6V input voltage range
- Active noise rejection over a wide –
– frequency band: >60dB from –
– 40kHz to 5MHz
- Rated to 200mA output current
- Current-limit and thermal-limit protected
- 1.2mm x 1.6mm, 4-pin Thin MLF®
- Logic-controlled enable pin
- -40°C to +125°C junction temperature range



<< BACK



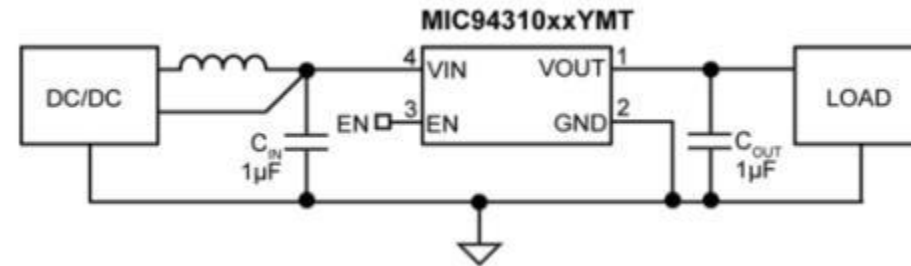
MIC94310

200mA LDO with Ripple Blocker™ Technology

[Online
Datasheet](#)

Features:

- 1.8V to 3.6V input voltage range
- Active noise rejection over a wide -
- frequency band: Rated >50dB, 10Hz
- 10MHz
- -40°C to +125°C junction temperature range
- Fixed output voltages
- Current-limit and thermal-limit protected
- 1.2mm x 1.6mm, 4-pin Thin DFN
- 5-pin SOT-23
- Logic-controlled enable pin

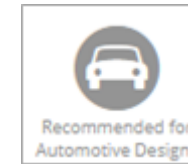


[<< BACK](#)



MAQ5280

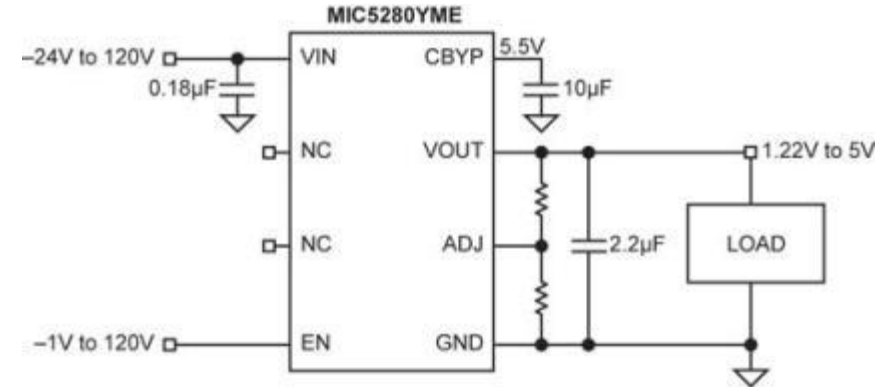
25mA 120V Low IQ High-PSRR LDO



Online
Datasheet

Features:

- Wide input voltage range:
 - 4.5V to 120V DC
- Very low quiescent current:
 - 31 μ A typical
- 25mA guaranteed output current
- Adjustable output from 1.215V to 5V
- DC voltage protection down to -24V
- Ability to withstand up to +120V DC –
- at the input
- Stable with ceramic output capacitors
- Ultra high PSRR >80dB for RF applications
- High output accuracy:
 - $\pm 2\%$ initial accuracy
 - $\pm 3\%$ over temperature (-40°C to +125°C)
- Thermal shutdown and current limit protection
- Thermally efficient 8-pin ePad SOIC package
- AEC-Q100 qualified
- Recommended for Automotive Design

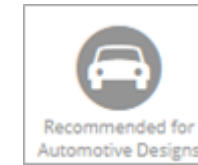


<< BACK



MAQ5281

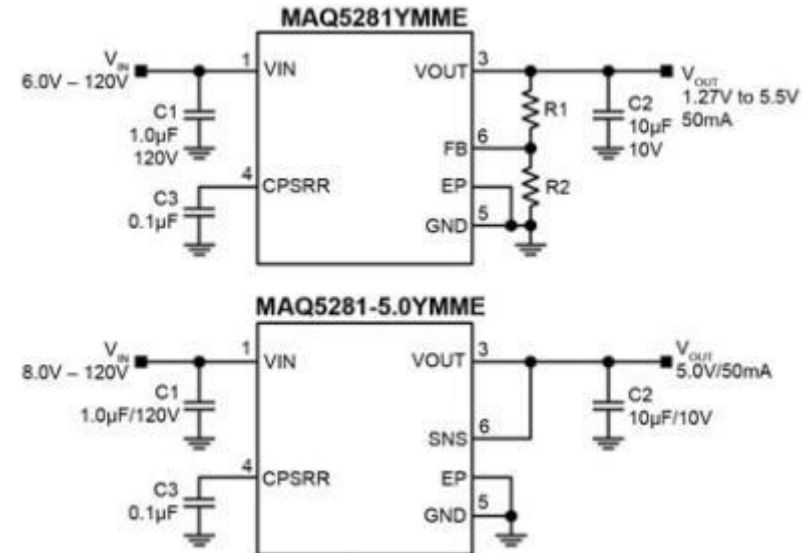
120 V_{IN} 25mA Ultra-Low IQ High-PSRR Linear Regulator



Online
Datasheet

Features:

- Wide input voltage range: 6V to 120V DC
- Ultra-low quiescent current: 6 μ A
- 25mA guaranteed output current
- Adjustable output from 1.27V to 5.5V
- Withstands up to +120V DC at the input
- Stable with ceramic output capacitors
- Ultra-high PSRR <90dB
- Ultra-high line rejection (load dump)
- High output accuracy:
 - $\pm 3\%$ initial accuracy
- Thermal shutdown and current limit protection
- Thermally efficient 8-pin ePad MSOP package
- Recommended for Automotive Design



<< BACK



MAQ5282

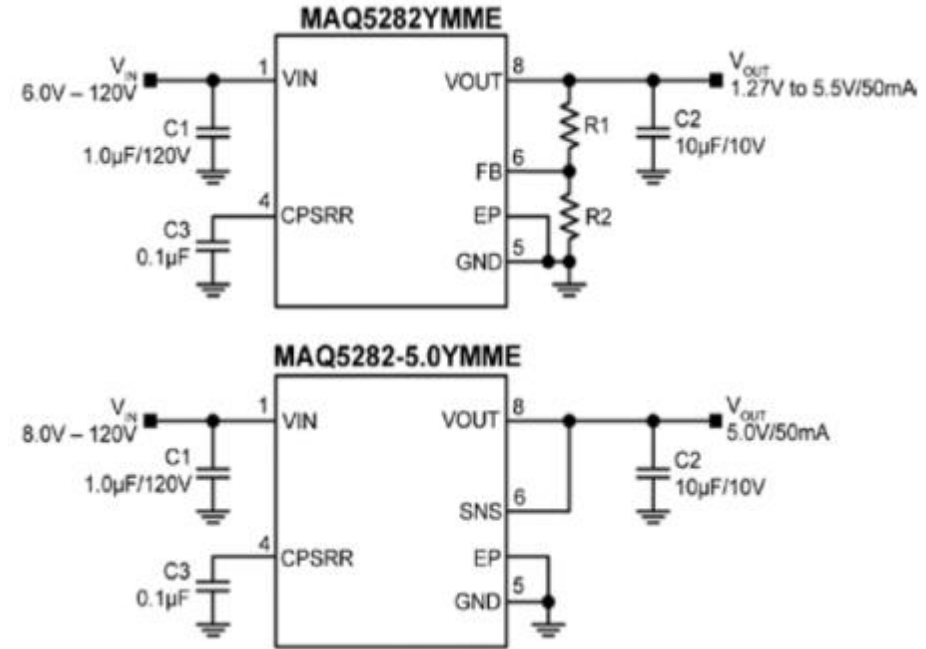
120V_{IN} 50mA Ultra-Low I_Q High-PSRR Linear Regulator



Online
Datasheet

Features:

- AEC-Q100 qualified
- Wide input voltage range: 6V to 120V DC
- Ultra-low quiescent current: 6μA
- 50mA guaranteed output current
- Adjustable output from 1.27V to 5.5V
- Withstands up to +120V DC at the input
- Stable with ceramic output capacitors
- Ultra-high PSRR (80dB at 10kHz)
- Ultra-high line rejection (load dump)
- High output accuracy: ±3% initial accuracy
- Thermal shutdown and current limit protection
- Thermally efficient 8-pin ePad MSOP package
- Recommended for Automotive Design



<< BACK



MAQ5283

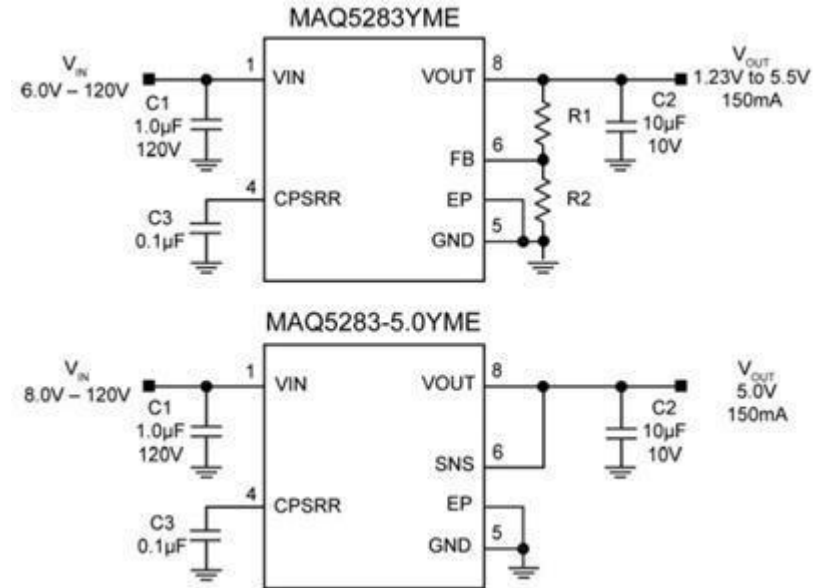
120V_{IN} 150mA Ultra-Low I_Q High-PSRR Linear Regulator



Online
Datasheet

Features:

- AEC-Q100 qualified
- Wide input voltage range: 6V to 120V DC
- Ultra-low quiescent current: 8 μ A
- 150mA guaranteed output current
- Adjustable output from 1.23V to 5.5V
- Stable with ceramic capacitors
- Ultra-high PSRR (75dB at 10kHz)
- Ultra-high line rejection (load dump)
- High output accuracy: $\pm 3\%$ initial accuracy
- Thermal shutdown and current limit protection
- Thermally efficient, 8-pin ePad SOIC package
- Recommended for Automotive Design



<< BACK

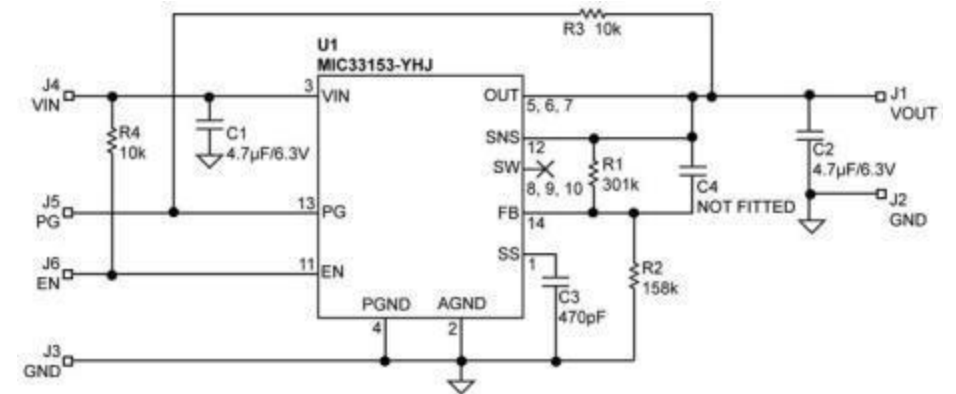


MIC33153

4MHz PWM 1.2A Buck Regulator w/ HyperLight Load[®] & Power Good

Features:

- Internal inductor simplifies design
- Input voltage: 2.7V to 5.5V
- Output voltage: fixed or adjustable from 0.62V to 3.6V
- Up to 1.2A output current
- Up to 93% peak efficiency
- 85% typical efficiency at 1mA
- Power Good (PG) output
- Programmable soft start
- 22 μ A typical quiescent current
- 4MHz PWM operation in continuous mode
- Ultra-fast transient response
- Low ripple output voltage:
 - 35mVpp ripple in HyperLight Load[®] mode
 - 7mV output voltage ripple in full PWM mode
- 0.01 μ A shutdown current
- Thermal shutdown

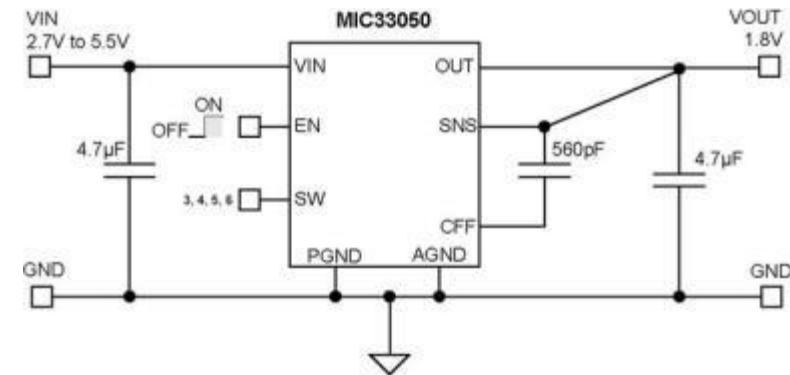


MIC33050

4MHz Internal Inductor PWM Buck Regulator with HyperLight Load®

Features:

- Input voltage range: 2.7V to 5.5V
- Fixed output voltage options from –
– 0.72V to 3.3V
- Output current guaranteed up to 600mA
- Ultra fast transient response
- 20µA typical quiescent current
- 4MHz in PWM in constant current mode
- HyperLight Load® mode
- No external inductor required
- Low voltage output ripple:
 - 25mVpp in HyperLight Load® mode
 - 3mV output voltage ripple in full PWM mode
- >93% efficiency, >83% at 1mA
- Fully integrated MOSFET switches
- Micropower shutdown
- Thermal shutdown and current limit protection
- 3mm x 3mm MLF®-12L

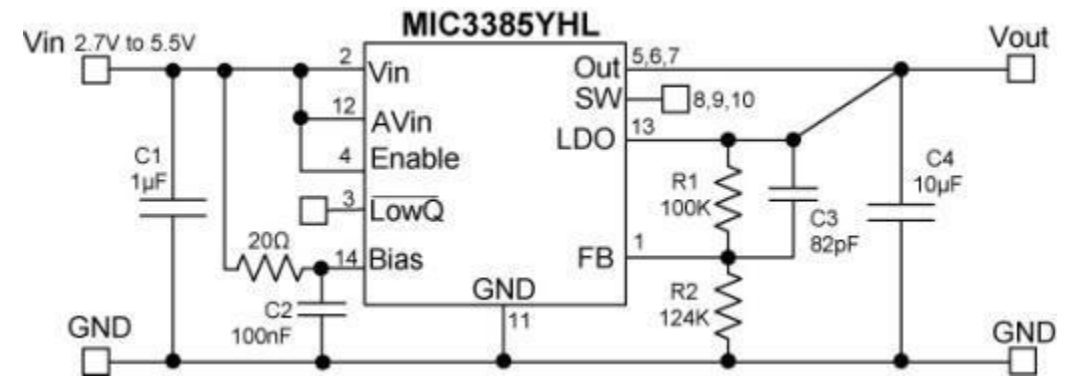


MIC3385

8MHz Power System Module with LDO Standby Mode

Features:

- 2.7 to 5.5V supply voltage
- Light load LowQ[®] LDO mode
- 18 μ A quiescent current
- Low noise, 75 μ Vrms
- 8MHz PWM mode
- Output current to 600mA
- >90% efficiency
- 100% maximum duty cycle
- Adjustable output voltage option –
- down to 1V
- Ultra-fast transient response
- No external inductor required
- Enables sub 1mm profile solution
- Fully integrated MOSFET switches
- Micropower shutdown
- Thermal shutdown and current limit protection
- 14-pin 3mm x 3.5mm MLF[®] package



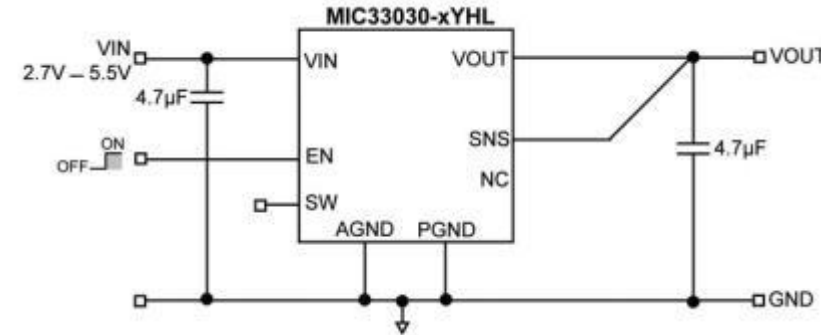
MIC33030

8MHz 400mA Internal Inductor Buck Regulator w/ HyperLight Load®

[Online Datasheet](#)

Features:

- Internal inductor simplifies design –
 - to two external capacitors
- Input voltage: 2.7V to 5.5V
- Output voltage accuracy of $\pm 2.5\%$ -
 - over temperature
- 400mA output current
- Efficiency up to 75% at 1mA
- 21 μ A typical quiescent current
- Up to 8MHz PWM operation in continuous mode
- Ultra fast transient response
- Low-voltage output ripple:
 - 30mVpp ripple in HyperLight Load® mode
 - 7mV output voltage ripple in full PWM mode
- Fully-integrated MOSFET switches
- 0.01 μ A shutdown current
- Thermal shutdown and current-limit protection
- Output voltage options: Fixed and adjustable 0.7V to 3.6V
- 2.5mm x 2.0mm 10-Lead HMLF®



<< BACK



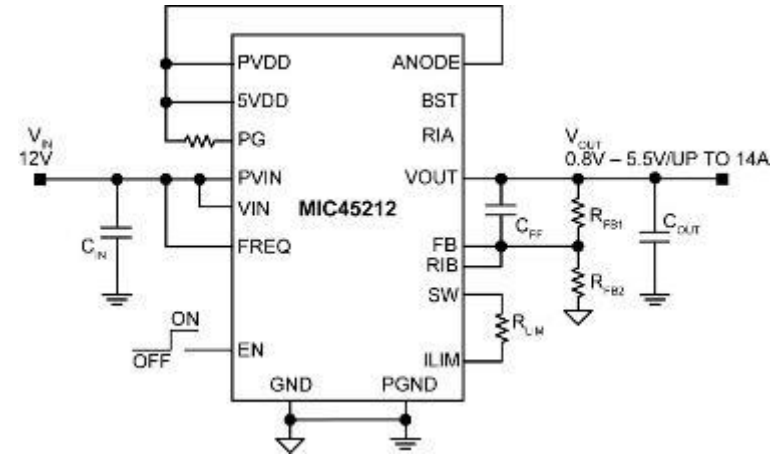
MIC45212

26V 14A DC-to-DC Power Module

[Online Datasheet](#)

Features:

- No compensation required
- Up to 14A output current
- >93% peak efficiency
- Output voltage:
 - 0.8V to 85% of VIN with $\pm 1\%$ accuracy
- Adjustable switching frequency:
 - 200kHz to 600kHz
- Enable input and open-drain power good output
- Hyper Speed Control™ (45212-2) architecture –
 - enables fast transient response
- HyperLight Load® (45212-1) improves light –
 - load efficiency
- Supports safe startup into pre-biased output
- CISPR22, Class B complaint
- -40°C to +125°C junction temperature range
- Thermal shutdown protection
- Short-circuit protection with hiccup mode
- Adjustable current limit
- Package: 64-pin 12mm x 12mm x 4mm QFN



[<< BACK](#)

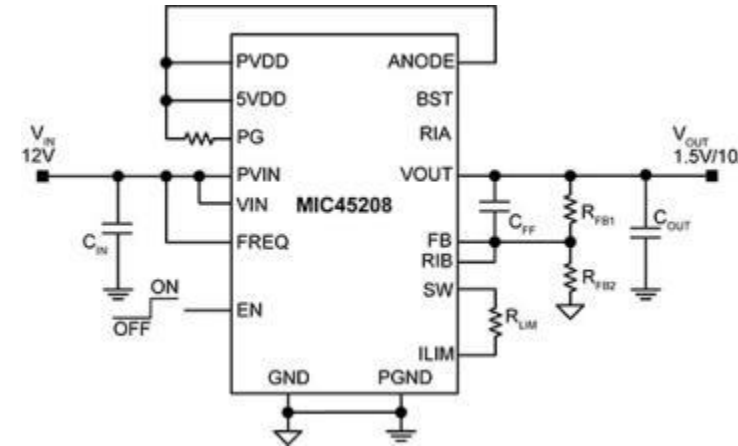


MIC45208

26V 10A DC-to-DC Power Module

Features:

- No compensation required
- Up to 10A output current
- >93% peak efficiency
- Output voltage:
 - 0.8V to 85% of V_{IN} with $\pm 1\%$ accuracy
- Adjustable switching frequency:
 - 200kHz to 600kHz
- Enable input and open-drain power good output
- Hyper Speed Control™ (45208-2) architecture –
- enables fast transient response
- HyperLight Load® (45208-1) improves light load –
- efficiency
- Supports safe startup into pre-biased output
- CISPR22, Class B complaint
- -40°C to +125°C junction temperature range
- Thermal shutdown protection
- Short-circuit protection with hiccup mode
- Adjustable current limit
- Package: 52-pin 10mm x 10mm x 4mm QFN



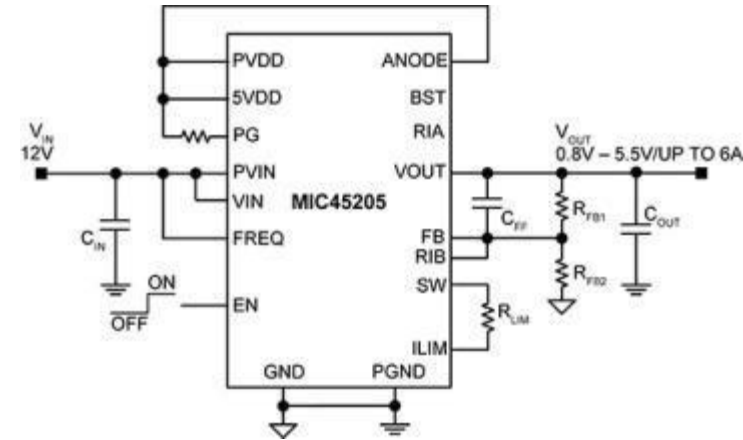
MIC45205

26V 6A DC-to-DC Power Module

Online
Datasheet

Features:

- No compensation required
- Up to 6A output current
- >93% peak efficiency
- Output voltage:
 - 0.8V to 5.5V with $\pm 1\%$ accuracy
- Adjustable switching frequency:
 - 200kHz to 600kHz
- Enable input and open-drain power –
 - good output
- Hyper Speed Control™ (45205-2) –
 - architecture enables fast transient response
- HyperLight Load® (45205-1) improves light load efficiency
- Supports safe startup into pre-biased output
- CISPR22, Class B complaint
- -40°C to +125°C junction temperature range
- Thermal shutdown protection
- Short-circuit protection with hiccup mode
- Adjustable current limit
- Package: 52-pin 8mm x 8mm x 3mm QFN



<< BACK

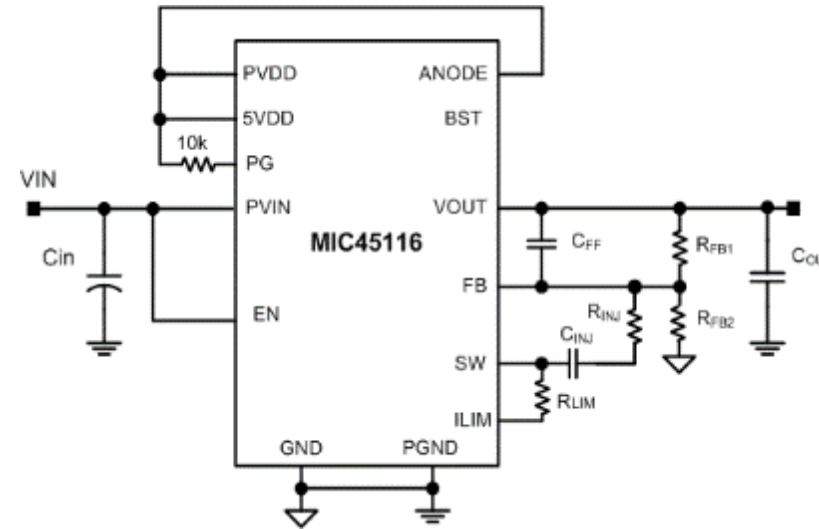


MIC45116

600 KHz 6A High Density Power Module w/ Hyper Speed & Hyper Light

Features:

- Highly integrated solution including controller, - inductor, FETs, and passives
- Hyper Speed Control® architecture for fast – load transient response
- HyperLight Load® operation for high efficiency at light loads
- Adjustable output voltage:
 - 0.8V to 85% of input with $\pm 1\%$ accuracy
- Wide input operating range: 4.75V to 20V
- 1% accurate internal reference
- 600 kHz Fixed switching frequency
- Adjustable current limit and ripple injection
- Hiccup mode short circuit protection
- Thermal protection
- Safe startup into pre-biased output
- 8 mm x 8 mm X 3 mm, 52 pin QFN package
- -40°C to +125°C temperature range



Applications

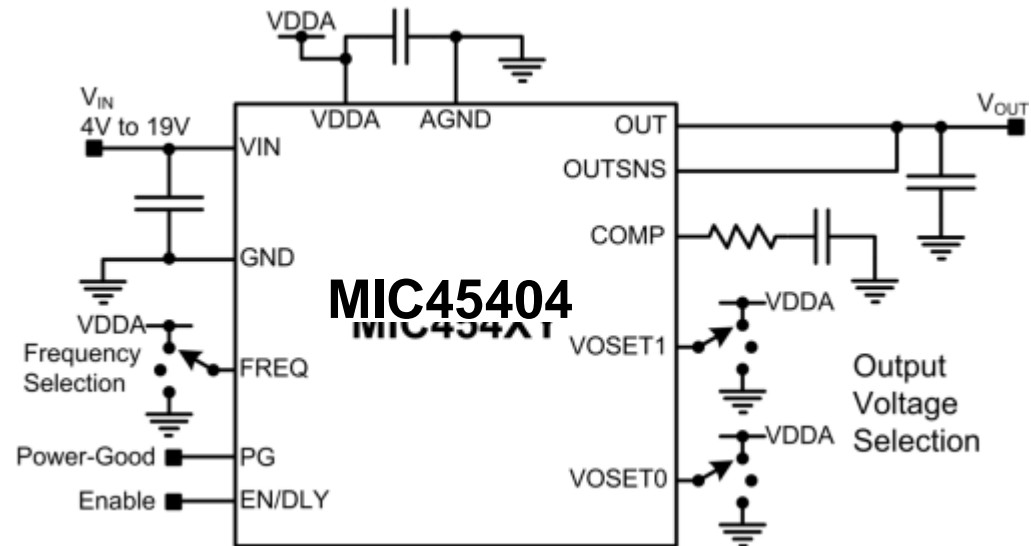
- General purpose High density POL application
- Datacom/Networking/Computing
- Storage
- Base Stations
- Industrial
- FPGA Power

MIC45404

19V 5A Ultra Low Profile Power Module

Features:

- Input voltage range: 4V to 19V
- 5A output current
- > 90% efficiency over wide load – range
- 9 pin-selectable output voltage – values (GND/float/ V_{DDA}): 0.7V, - 0.8V, 0.9V, 1.0V, 1.2V, 1.5V, - 1.8V, 2.5V, 3.3V
- Pin-selectable switching frequency – (400kHz, 565kHz, 790kHz)
- Capacitor-adjustable turn-on delay – at EN/DLY
- Supports safe pre-biased start-up
- Thermal shutdown
- Hiccup mode short-circuit protection
- -40°C to +125°C operating – temperature range
- 54-pin 10mm x 6mm QFN package
- Ultra-Low profile: 2mm package height



Applications

- Network Switches and Routers
- Base stations, Telecom
- Servers & Storage
- SSD
- Industrial
- FPGA and DSP Power

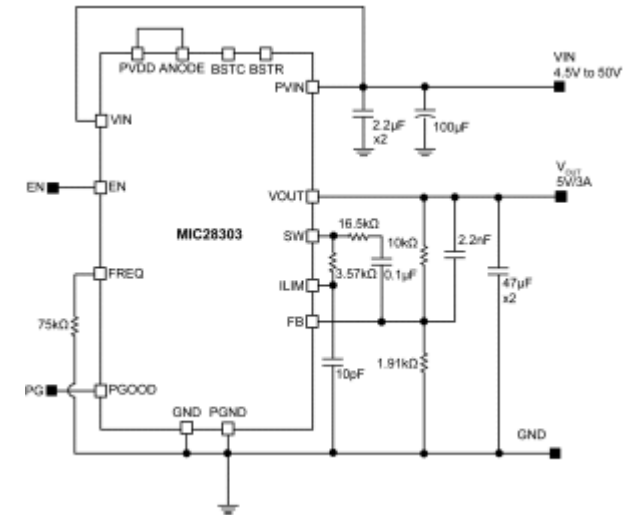
MIC28303

50V 3A DC-to-DC Power Module

Online
Datasheet

Features:

- Easy to use:
 - Stable with low-ESR ceramic output capacitor
 - No compensation and no inductor to choose
- 4.5V to 50V input voltage
- Single-supply operation
- Power Good (PG) output
- Low radiated emission (EMI) per EN55022, Class B
- Adjustable current limit
- Adjustable output voltage from 0.9V to 24V (also – limited by duty cycle)
- 200kHz to 600kHz, programmable switching frequency
- Supports safe start-up into a pre-biased output
- -40°C to +125°C junction temperature range
- Package: 64-pin, 12mm x 12mm x 3mm QFN



<< BACK



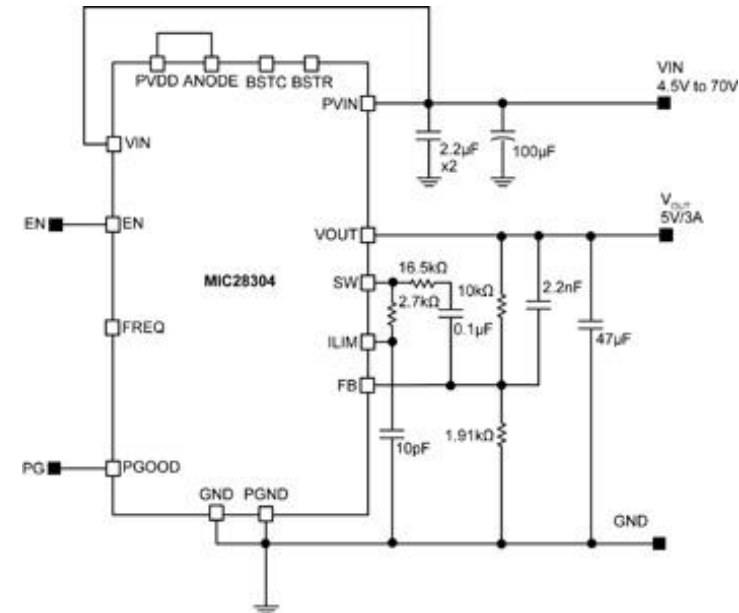
MIC28304

70V 3A DC-to-DC Power Module

[Online
Datasheet](#)

Features:

- Easy to use:
 - Stable with low-ESR ceramic output capacitor
 - No compensation and no inductor to choose
- 4.5V to 70V input voltage
- HyperLight Load® Control (MIC28304-1)
- Hyper Speed Control™ (MIC28304-2)
- Single-supply operation
- Power Good (PG) output
- Hiccup mode current limit
- Low radiated emission (EMI) per EN55022, class B
- 5ms internal soft-start, internal compensation, and –
– thermal shutdown
- Adjustable current limit
- 0.8V Reference voltage with $\pm 1\%$ accuracy
- Adjustable output voltage from 0.8V to 24V (also limited by duty cycle)
- 200kHz to 600kHz, programmable switching frequency
- Supports safe start-up into a pre-biased output
- Package: 64-pin, 12mm x 12mm x 3.5mm QFN



[<< BACK](#)

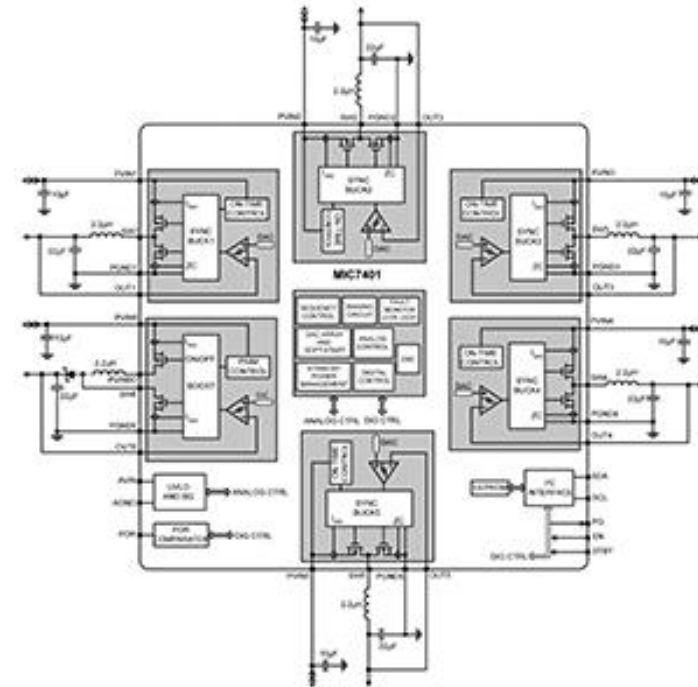


MIC7401

5-Ch Buck Regulator Plus One-Boost w/ HyperLight Load[®], I2C Control

Features:

- Input voltage: 2.4V to 5.5V
- Five independent synchronous bucks up to 3A
- One independent non-synchronous boost 200mA
- 200 μ A quiescent current (all regulators on)
- 5 μ A typical shutdown current
- 93% peak buck efficiency, 85% typical efficiency –
- at 1mA
- Dual power mode: stand-by and normal mode
- I2C interface up to 3.4MHz
- I2C on-the-fly EEPROM programmability, featuring:
- Buck and boost output voltage scaling
- Power-on-Reset (PoR) threshold and delay
- Power-up sequencing/sequencing delay
- Buck and boost current limit / pull-down when disabled
- Individual ON, OFF, and stand-by modes
- Soft-start and global power-good masking
- 23 μ A buck, 70 μ A boost typ quiescent currents
- 1.5% output accuracy over temperature/line/load
- Thermal-shutdown and current-limit protection
- 36-pin 4.5mm x 4.5mm x 0.85mm FQFN package

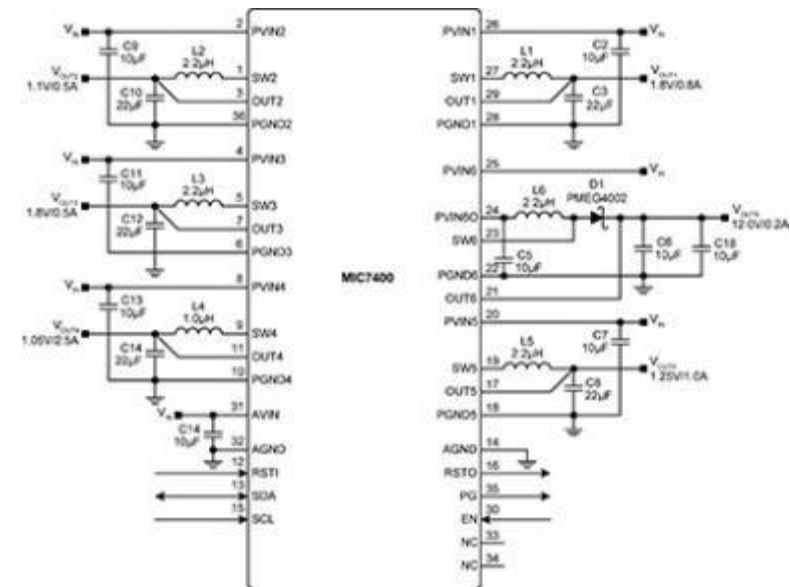


MIC7400

5-Ch Buck Regulator Plus One-Boost, HyperLight Load® & I2C Control

Features:

- Input voltage: 2.4V to 5.5V
- Five independent synchronous bucks up to 3A
- One independent non-synchronous boost 200mA
- 200µA quiescent current (all regulators on)
- Dual power mode: stand-by and normal mode
- I2C interface up to 3.4MHz
- 93% peak buck efficiency, 85% typ. efficiency –
- at 1mA
- I2C on-the-fly EEPROM programmability, featuring:
- Buck and boost output voltage scaling
- Power-on-reset threshold and delay
- Power-up sequencing/sequencing delay
- Buck and boost current limit
- Buck and boost pull-down when disabled
- Individual ON, OFF, and standby modes
- Soft-start and global power-good masking
- 1.5% output accuracy over temperature/line/load

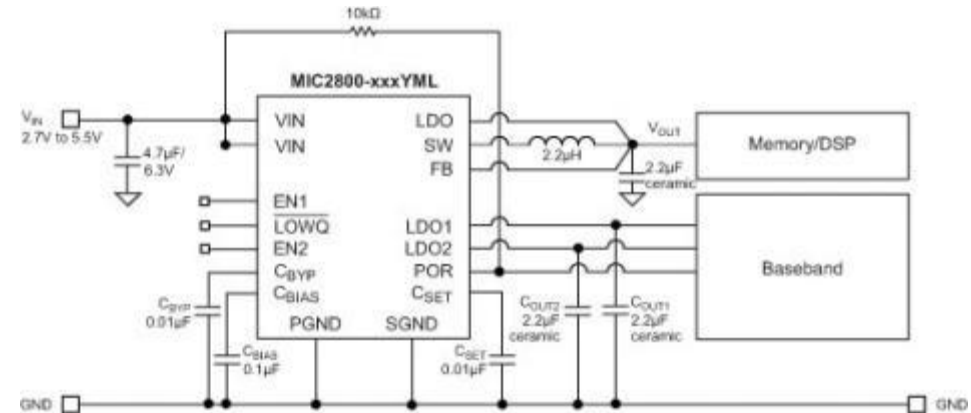


MIC2800

Digital Baby Power Management IC

Features:

- 2.7V to 5.5V input voltage range
- 2MHz DC/DC converter and two stand –
- alone LDOs
- Integrated power-on reset (OR function –
- for all outputs)
- 30 μ A Total IQ when in LowQ[®] mode
- DC/DC Converter:
- DC to DC Converter
- Output current to 600mA in PWM mode
- LowQ[®] Mode: no noise light load mode
- 75 μ V RMS output noise in LowQ[®] mode
- 2 MHz PWM operation in normal mode
- LDOs:
- LDOs
- Ideal for 1.8V to 1.5V conversion
- 300mA output current from 1.8V input
- Output voltage down to 0.8V
- LDO2: 300mA output current capable

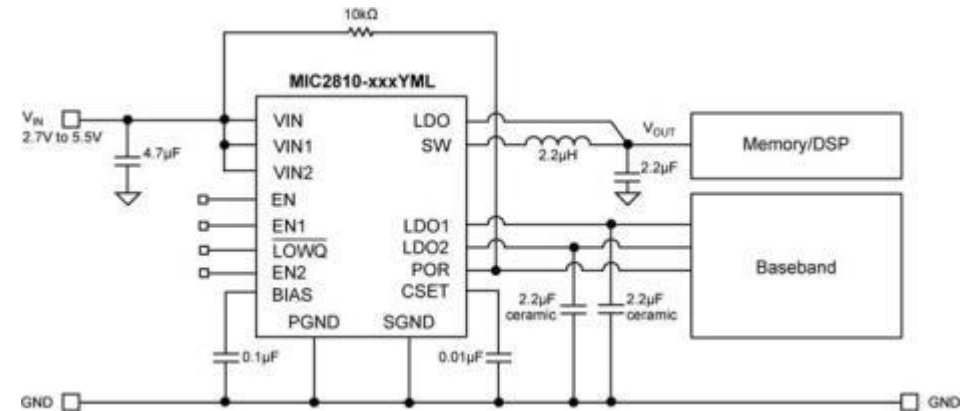


MIC2810

Digital PMIC 2MHz 600mA DC/DC w/Dual 300mA/300mA Low VIN LDOs

Features:

- LowQ[®] mode:
- 30 μ A Total IQ when in LowQ[®] mode
- Tiny 16-pin 3mm x 3mm MLF[®] package
- DC/DC Converter
- 2.7V to 5.5V input voltage range
- Output current to 600mA in PWM mode
- LowQ[®] Mode: no noise light load mode:
- 53 μ Vrms Output noise in LowQ[®] - mode
-
-
- LDOs:
- LDO1:
- 1.65V to 5.5V input voltage range
- 300mA Output current
- LDO2:
- 2.7V to 5.5V input voltage range
- 300mA Output current

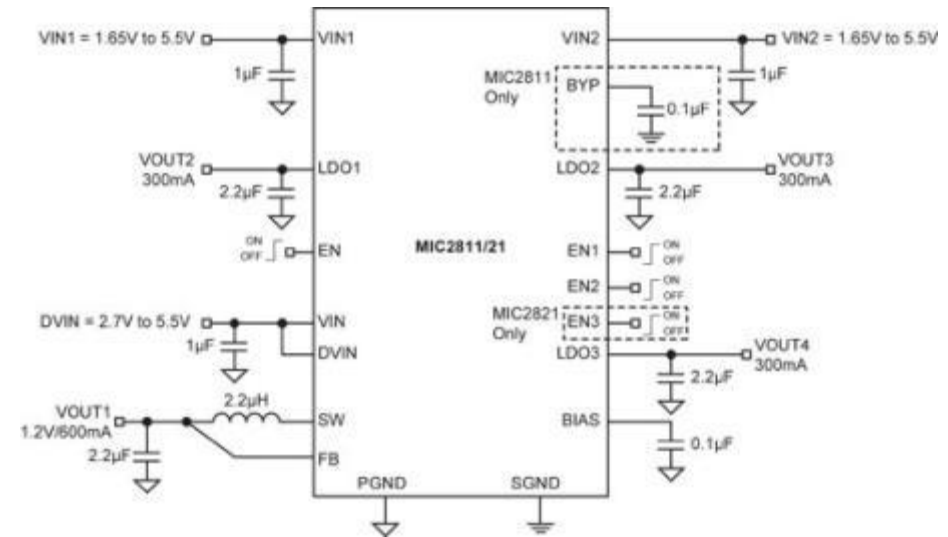


MIC2811

Digital PMIC 2MHz 600mA DC/DC with Triple 300mA LDOs

Features:

- 2MHz DC/DC converter and 3 LDOs
- $\pm 2\%$ Output Voltage Accuracy on all outputs
- DC/DC Converter:
 - 2.7V to 5.5V input voltage range
 - Output current to 600mA
 - Up to 86% efficiency (1.2V output)
- LDO 1 and 2:
 - 1.65V to 5.5V input voltage range
 - Fixed Output voltage as low as 0.8V
 - 70dB PSRR at 1kHz
- LDO 3:
 - 2.7V to 5.5V input voltage range
 - 300mA output current
 - Fixed Output voltage as low as 1.0V

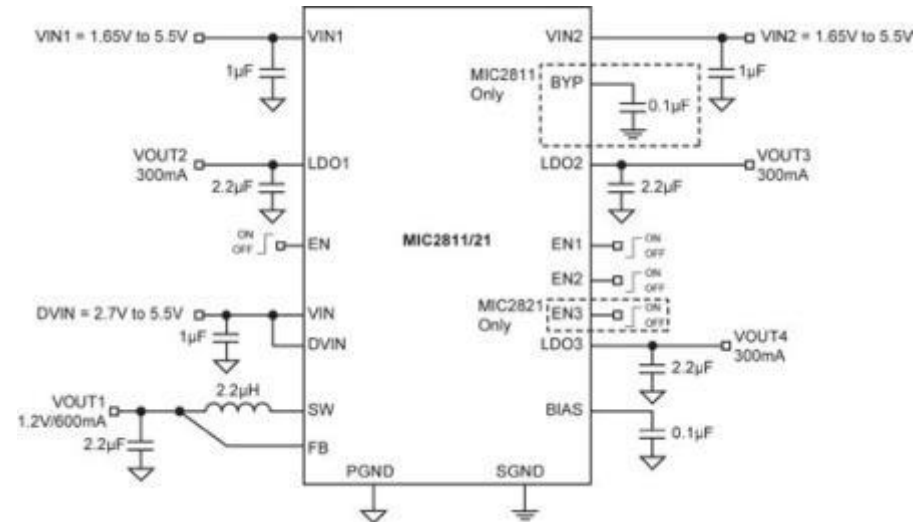


MIC2821

Digital PMIC 2MHz 600mA DC/DC with Triple 300mA LDOs

Features:

- 2MHz DC/DC converter and 3 LDOs
- $\pm 2\%$ Output Voltage Accuracy on all outputs
-
- DC/DC Converter:
 - 2.7V to 5.5V input voltage range
 - 2MHz PWM operation
 - Up to 86% efficiency (1.2V output)
- LDO 1 and 2:
 - 1.65V to 5.5V input voltage range
 - Fixed Output voltage as low as 0.8V
 - 70dB PSRR at 1kHz
- LDO 3:
 - 2.7V to 5.5V input voltage range
 - 300mA output current
 - Fixed Output voltage as low as 1.0V

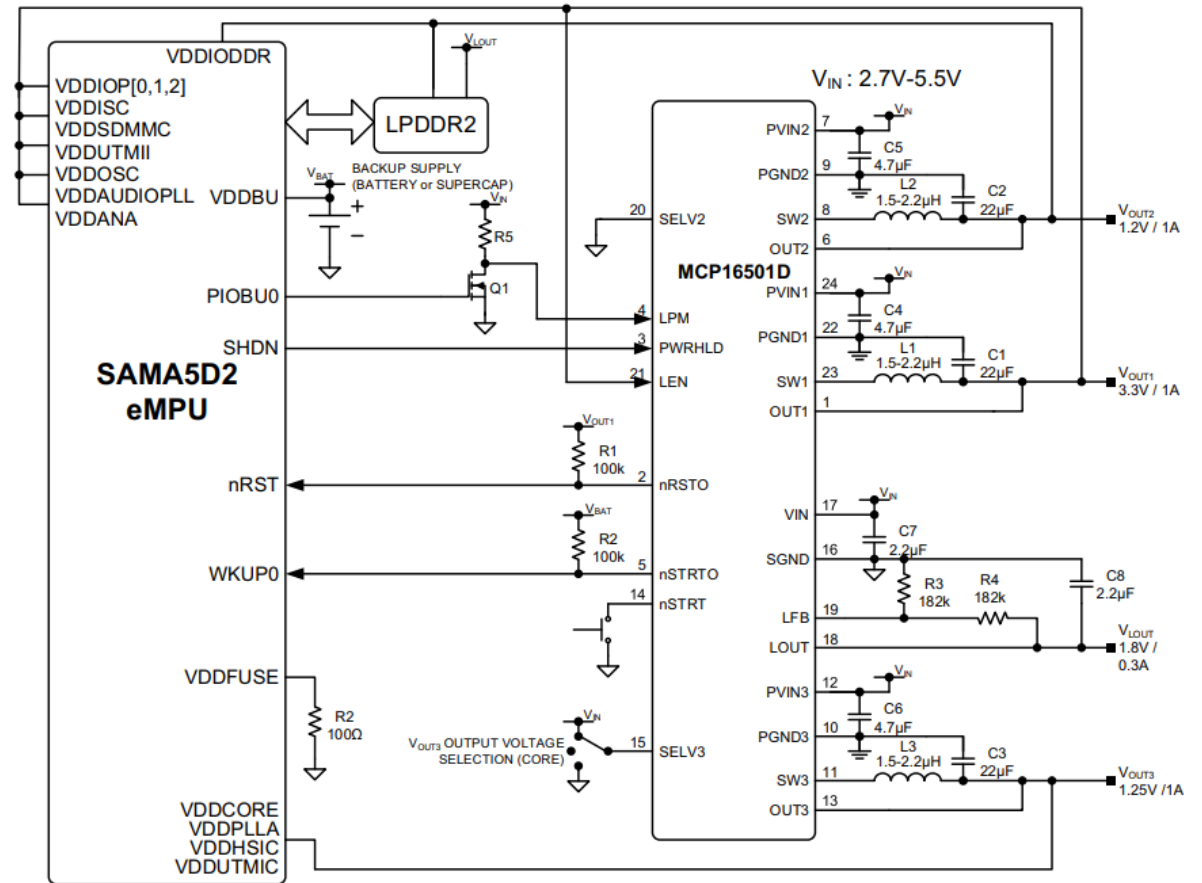


MCP16501

Cost/Size Optimized PMIC for eMPUs

Features

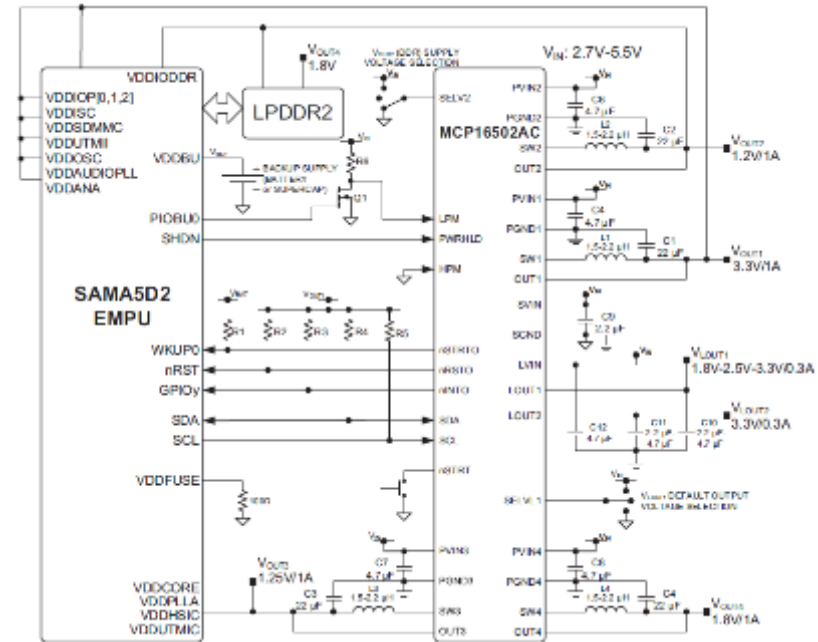
- Input voltage: 2.7V to 5.5V
- 3x 1A Buck DC-DC channels, 1x 300mA LDO integrated
- 100% Maximum Duty Cycle capability
- 2 MHz PWM operation in continuous mode
- +/-1% voltage accuracy for DDR (Buck2), core (Buck3)
- Pin-Selectable / Pin-pin compatible variants for memory configurability
- MPU-compatible default channel sequencing and nRSTO assertion delay
- Support of HIBERNATE, Low-Power and High-Performance Modes
- Seamless support of DDR self-refresh mode
- Low-noise, forced-PWM and low I_Q light-load high-efficiency mode available
- Robust MPU interfacing with optimized ESD
- 250 μ A low-power mode typical quiescent current
- 6 μ A maximum shutdown current
- Separate LDO EN input, compatible to LV logic
- Thermal-shutdown and current-limit protection
- 24-pin 4mm x 4mm VQFN package
- -40°C to +125°C junction temperature range



High Performance PMIC for SAMA5DX/SAM9X6 MPUs

Features

- Input voltage: 2.7V to 5.5V
- 4x 1A DC-DC Buck regulators, 2x 300mA LDOs integrated
- 100% Maximum Duty Cycle capability
- 2 MHz PWM operation in continuous mode
- +/-1% voltage accuracy for Buck2-4
- Pin-Selectable / Pin-pin compatible variants for memory configurability
- MPU-compatible default channel sequencing and nRSTO assertion delay
- I2C interface for programming and diagnostics
- Multimode operation and Dynamic Voltage Scaling
- Low-noise forced-PWM and low Iq light-load high-efficiency mode available
- Robust interfacing to MPU through optimized ESD protection: no leakage from VDDBU possible
- < 300 μ A low-power mode typical quiescent current (operational, 4 Bucks + 1 LDO ON)
- 10 μ A maximum shutdown current (Vin=4.5V)
- Thermal-shutdown and current-limit protection
- User-programmable overcurrent response behavior
- 32-pin 5mm x 5mm VQFN package
- -40°C to +125°C junction temperature range



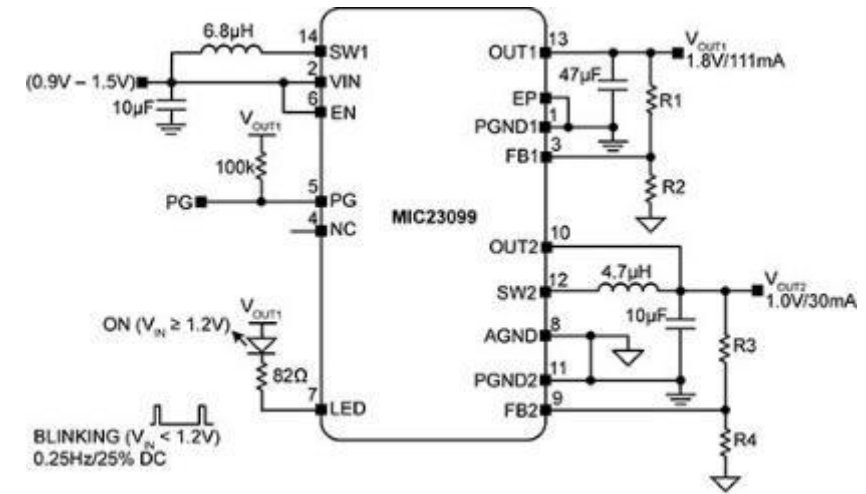
MIC23099



Single AA/AAA Cell Step-Up/Step-Down Regulators w/ Battery Monitoring

Features:

- VIN range from 0.85V to 1.6V
- VOUT1 (step-up) adjustable from 1.8V to 3.3V
- VOUT2 (step-down) adjustable from 1.0V to VOUT2
- VOUT1/400mW and VOUT2/30mA from a single cell
- Minimizes switching noise in the audio band
- Anti-ringing control circuit to minimize EMI
- Turn-on inrush current limiting and soft-start
- Automatic output discharge
- Step-up regulator with output disconnect in –
- shutdown
- Low-battery indicator
- Power Good (PG) output
- Low output ripple < 10mV
- 14-pin 2.5mm × 2.5mm × 0.55mm thin QFN –
- (TQFN) package
- -40°C to +125°C junction temperature range



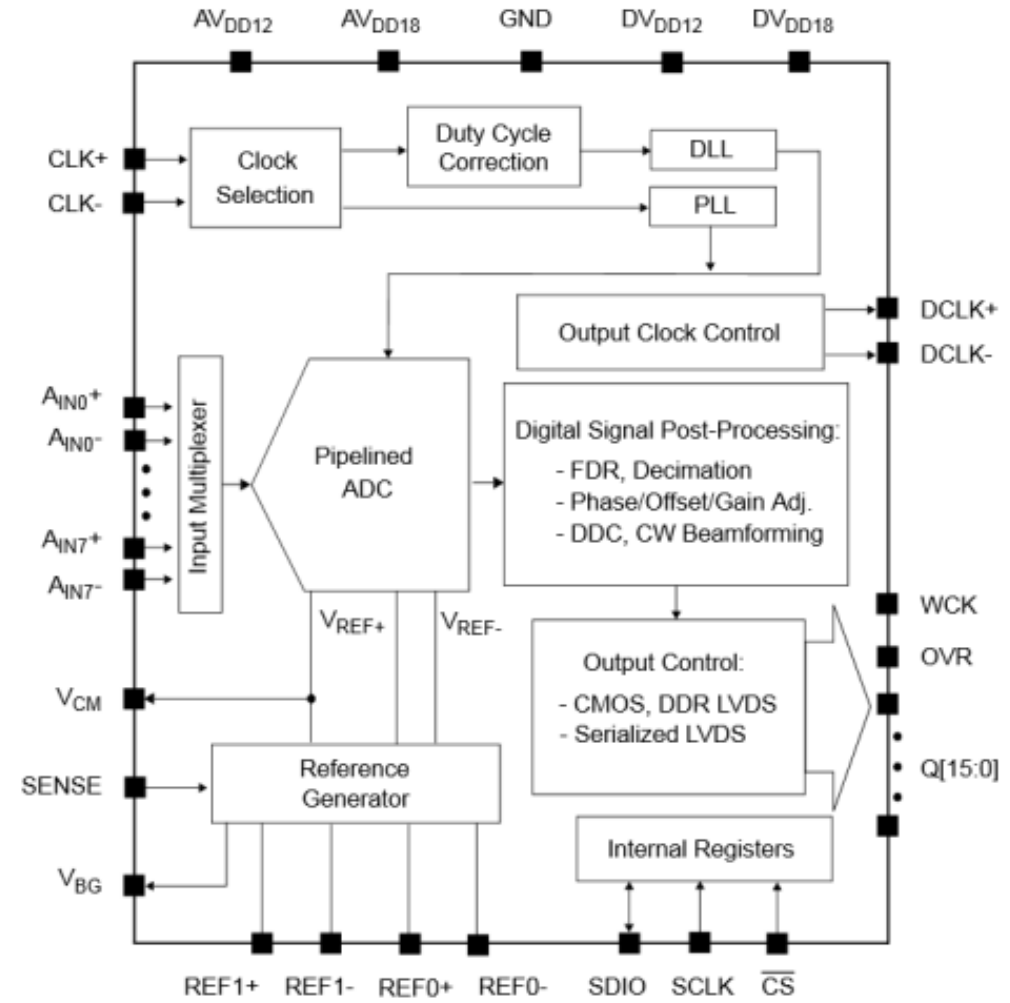
MCP37D31-200

16-Bit, 200 MSPS, 8-channel ADC



Features:

- 16-bit resolution
- 200 MSPS sampling rate
- Low power 490 mW at full sample rate, LVDS:
 - 144 mW Standby, 28 mW Shutdown
- >74.7 dBFS SNR at 200 MSPS
- >90 dBFS SFDR at 200 MSPS
- Internal Digital Down-converter (DDC)
- Decimation filters for improved SNR
- Phase, offset and gain adjust of each channel
- 8-channel mux
- Fractional delay recovery for time-delay –
 - Corrections in multi-channel operations
- Input channel bandwidth of 500 MHz
- Output data in serial DDR LVDS or CMOS
- Configuration via SPI
- Temperature range: -40°C to +85°C
- Packaging:
 - TFBGA-121 (8 mm x 8 mm)
 - AVTLA-124 (9 mm x 9 mm x 0.9 mm)
- AEC-Q100 qualified
 - Temperature Grade 1: -40°C to +125°C



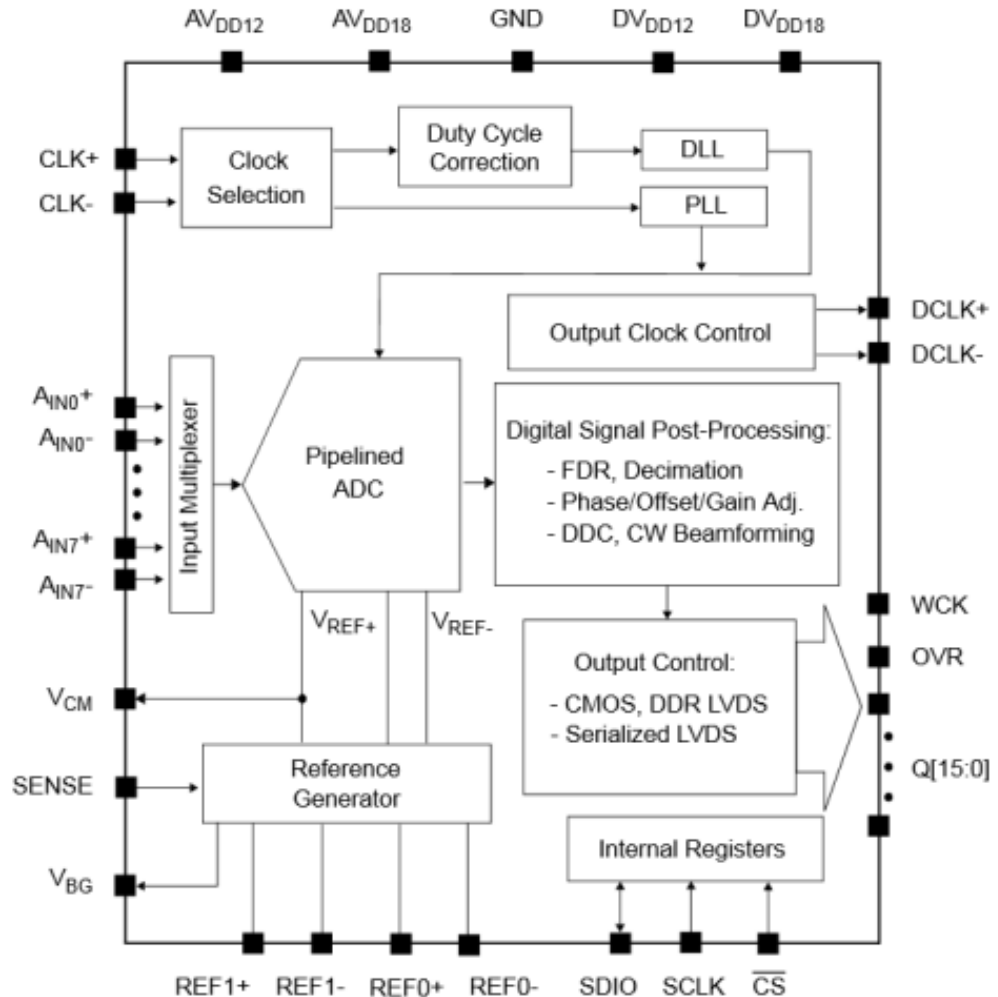
MCP37231-200



16-Bit, 200 MSPS, 8-channel ADC

Features:

- 16-bit resolution
- 200 MSPS sampling rate
- Low power 490 mW at full sample rate, LVDS:
 - 144 mW Standby, 28 mW Shutdown
- >74.7 dBFS SNR at 200 MSPS
- >90 dBFS SFDR at 200 MSPS
- Internal Digital Down-converter (DDC)
- Decimation filters for improved SNR
- Phase, offset and gain adjust of each channel
- 8-channel mux
- Fractional delay recovery for time-delay
 - Corrections in multi-channel operations
- Input channel bandwidth of 500 MHz
- Output data in serial DDR LVDS or CMOS
- Configuration via SPI
- Temperature range: -40°C to +85°C
- Packaging:
 - TFBGA-121 (8 mm x 8 mm)
 - VTLA-124 (9 mm x 9 mm x 0.9 mm)
- AEC-Q100 qualified
 - Temperature Grade 1: -40°C to +125°C



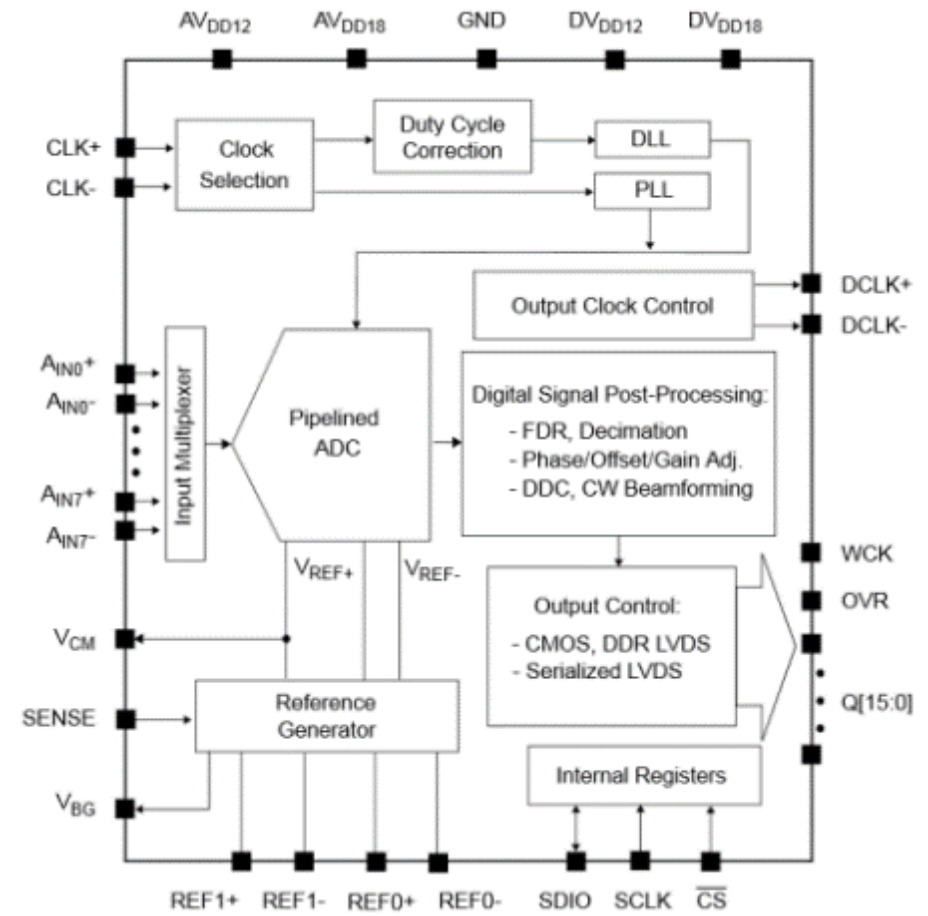
MCP37D21-200



14-Bit, 200 MSPS, 8-channel ADC

Features:

- 14-bit resolution
- 200 MSPS sampling rate
- Low power 490 mW at full sample rate, LVDS:
 - 144 mW Standby, 28 mW Shutdown
- >74.7 dBFS SNR at 200 MSPS
- >90 dBFS SFDR at 200 MSPS
- Internal Digital Down-converter (DDC)
- Decimation filters for improved SNR
- Phase, offset and gain adjust of channels
- 8-channel mux
- Fractional delay recovery for time-delay
 - Corrections in multi-channel operations (dual/octal-channel modes)
- Input channel bandwidth of 500 MHz
- Output data in serial DDR LVDS or CMOS
- Configuration via SPI
- Temperature range : -40°C to +85°C
- Packaging:
 - TFBGA-121 (8 mm x 8 mm)
 - VTLA-124 (9 mm x 9 mm x 0.9 mm)
- AEC-Q100 qualified
 - Temperature Grade 1: -40°C to +125°C



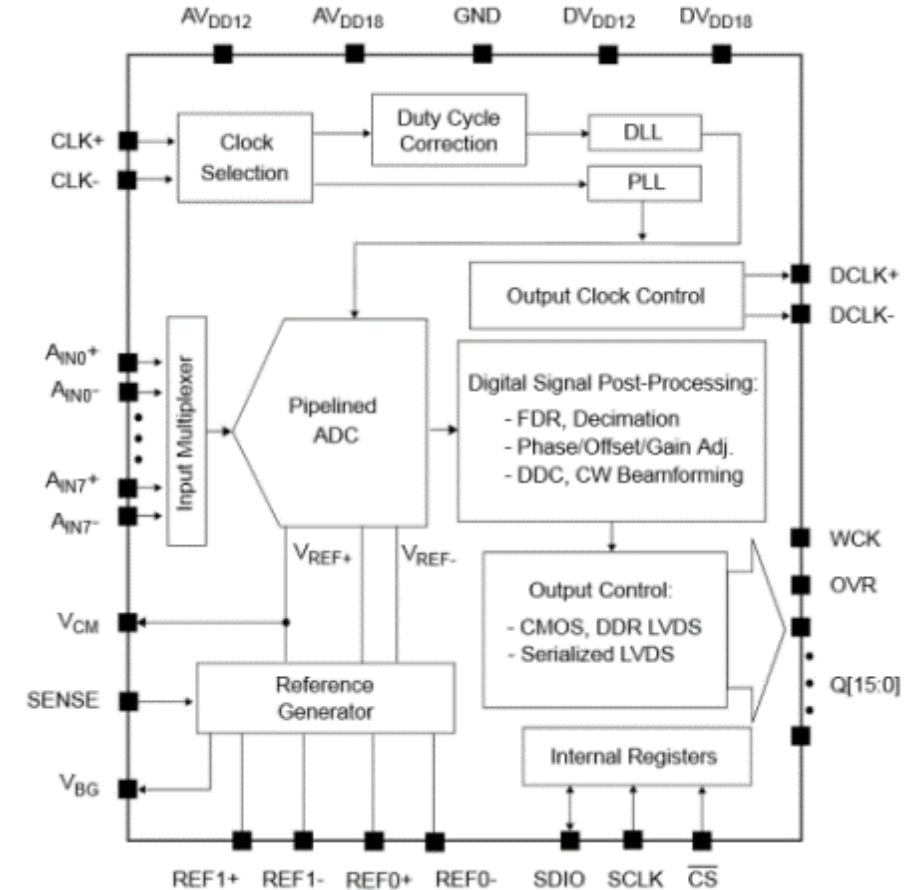
MCP37D11-200



12-Bit, 200 MSPS, 8-channel ADC

Features:

- 12-bit resolution
- 200 MSPS sampling rate
- Low power 468 mW at full sample rate, LVDS:
 - 144 mW Standby, 28 mW Shutdown
- >74.7 dBFS SNR at 200 MSPS
- >90 dBFS SFDR at 200 MSPS
- Internal Digital Down-converter (DDC)
- Decimation filters for improved SNR
- Noise-shaping requantizer
- Phase, offset, gain adjust of channels
- 8-channel mux
- Fractional delay recovery for time-delay
 - Corrections in multi-channel operations
- Input channel bandwidth of 500 MHz
- Output data in serial DDR LVDS or CMOS
- Configuration via SPI
- Temperature range: -40°C to +85°C
- Packaging:
 - TFBGA-121 (8 mm x 8 mm)
 - VTLA-124 (9 mm x 9 mm x 0.9 mm)
- AEC-Q100 qualified
 - Temperature Grade 1: -40°C to +125°C



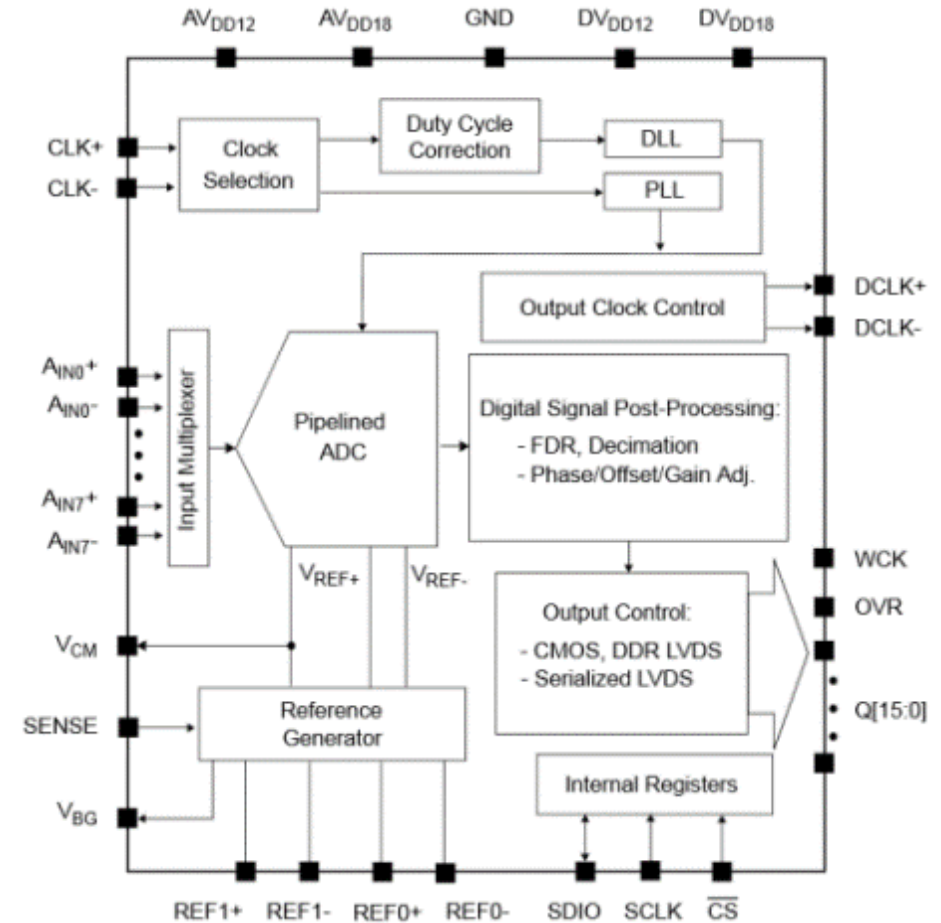
MCP37221-200



14-Bit, 200 MSPS, 8-channel ADC

Features:

- 14-bit resolution
- 200 MSPS sampling rate
- Low power 490 mW at full sample rate ,LVDS:
 - 144 mW Standby, 28 mW Shutdown
- >74.7 dBFS SNR at 200 MSPS
- >90 dBFS SFDR at 200 MSPS
- Decimation filters for improved SNR
- Phase, offset and gain adjust of channels
- 8-channel mux
- Fractional delay recovery for time-delay
 - Corrections in multi-channel operations
- Input channel bandwidth of 500 MHz
- Output data in serial DDR LVDS or CMOS
- Configuration via SPI
- Temperature range : -40°C to +85°C
- Packaging:
 - TFBGA-121 (8 mm x 8 mm)
 - VTLA-124 (9 mm x 9 mm x 0.9 mm)
- AEC-Q100 qualified
 - Temperature Grade 1: -40°C to +125°C



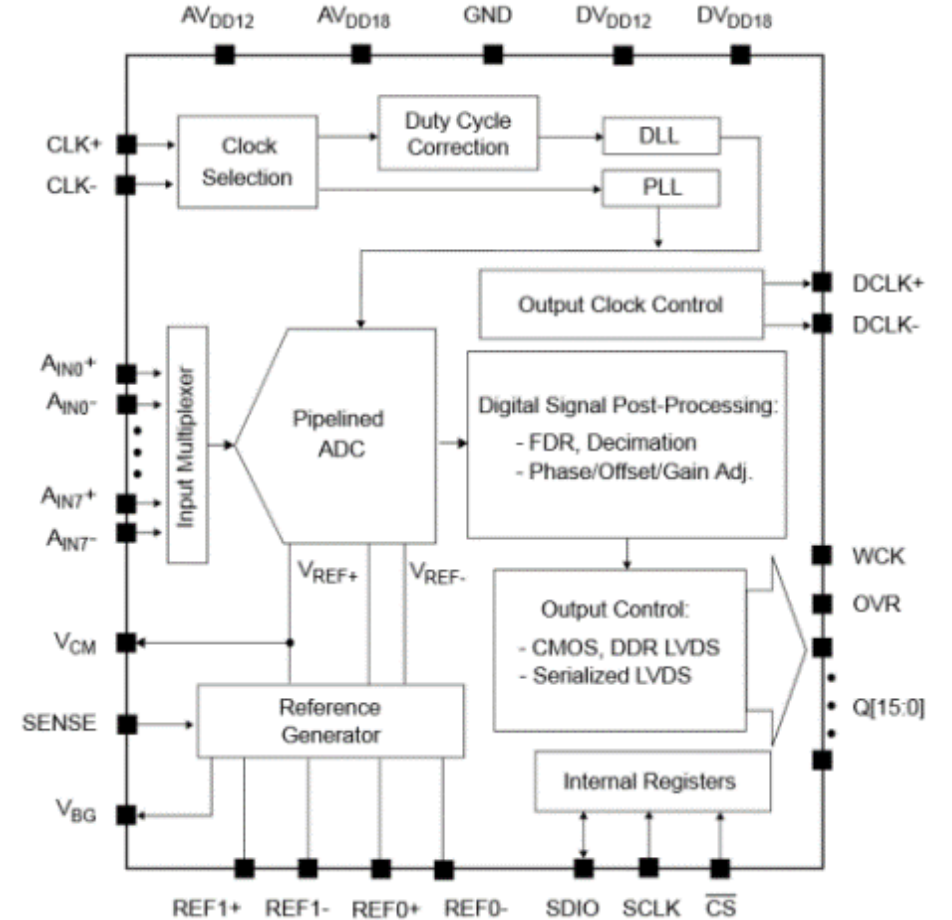
MCP37211-200



12-Bit, 200 MSPS, 8-channel ADC

Features:

- 12-bit resolution
- 200 MSPS sampling rate
- Low power 468 mW operation at full sampling rate, including LVDS digital I/O:
 - 144 mW Standby, 28 mW Shutdown
- >74.7 dBFS SNR at 200 MSPS
- >9 dBFS SFDR at 200 MSPS
- Decimation filters for improved SNR
- Noise-shaping requantizer
- Phase, offset, gain adjust of channels
- 8-channel mux
- Fractional delay recovery for time-delay
 - Corrections in multi-channel operations
- Input channel bandwidth of 500 MHz
- Output data in serial DDR LVDS or CMOS
- Configuration via SPI
- Temperature range: -40°C to +85°C
- Packaging:
 - TFBGA-121 (8 mm x 8 mm)
 - VTLA-124 (9 mm x 9 mm x 0.9 mm)
- AEC-Q100 qualified
 - Temperature Grade 1: -40°C to +125°C

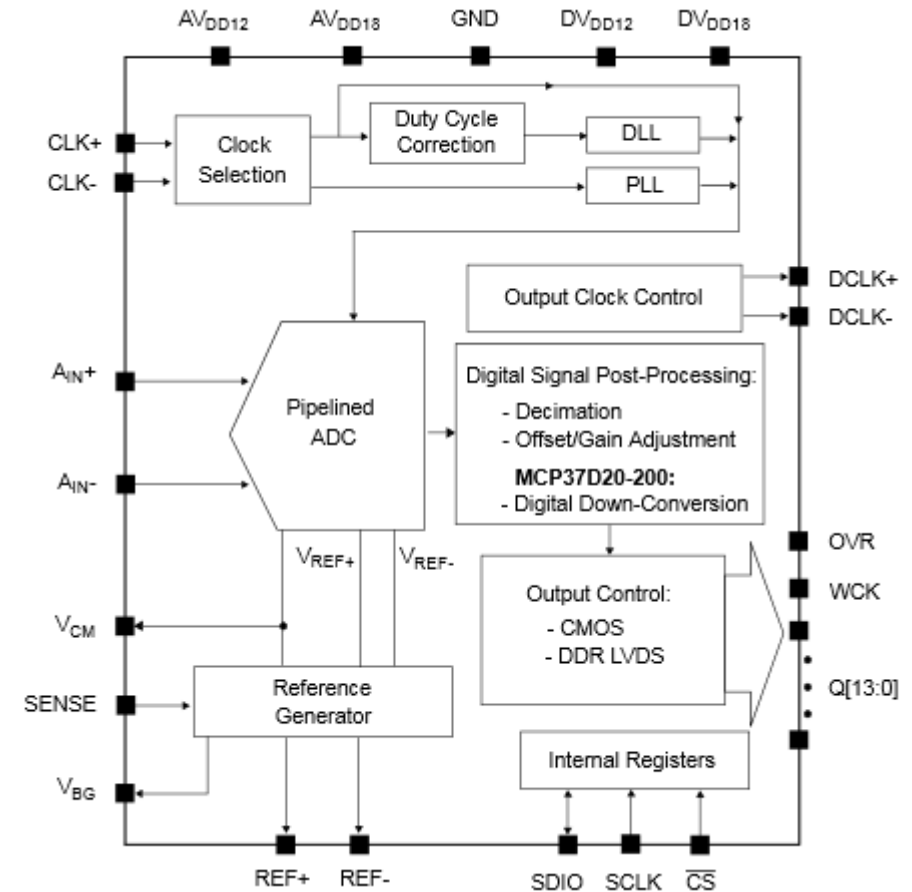


MCP37220-200

14-Bit, 200 MSPS, Single Channel ADC

Features:

- 14-bit resolution
- 200 MSPS sampling rate
- Low power consumption: 346 mW with LVDS Digital I/O at full sampling rate
 - 89 mW Standby, 24 mW Shutdown
- 67.8 dBFS SNR at 200 MSPS
- 96 dBFS SFDR at 200 MSPS
- Decimation filters for improved SNR
- Phase, offset and gain adjustments
- Input channel bandwidth of 650 MHz
- Output data format in serial DDR LVDS or parallel CMOS
- Configuration via SPI
- Industrial temperature range: -40°C to +85°C
- Packaging:
 - VTLA-124 (9 mm x 9 mm x 0.9 mm)
 - TFBGA-121 (8 mm x 8 mm)

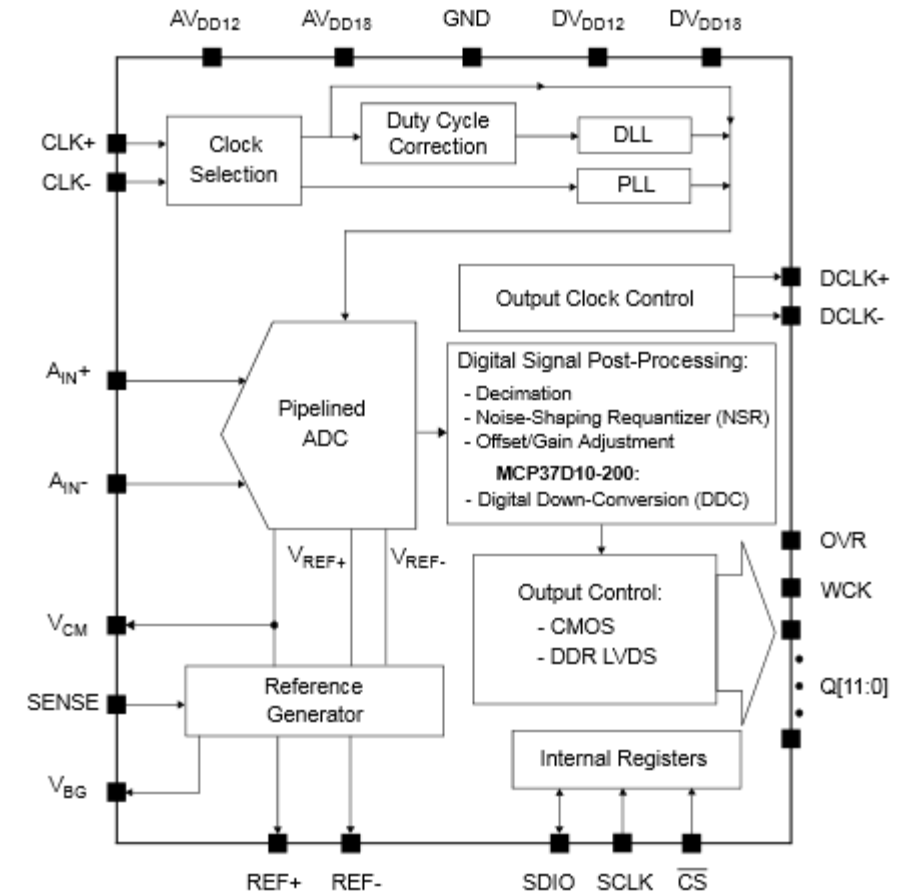


MCP37210-200

12-Bit, 200 MSPS, Single Channel ADC

Features:

- 12-bit resolution
- 200 MSPS sampling rate
- Low power consumption: 337 mW with LVDS Digital I/O at full sample rate:
 - 89 mW Standby, 24 mW Shutdown
- 67 dBFS SNR at 200 MSPS
- 96 dBFS SFDR at 200 MSPS
- Decimation filters for improved SNR
- Phase, offset and gain adjustments
- Input channel bandwidth of 650 MHz
- Output data format in serial DDR LVDS or –
 - - parallel CMOS
- Configuration via SPI
- Industrial temperature range: -40°C to +85°C
- Packaging:
 - VTLA-124 (9 mm x 9 mm x 0.9 mm)
 - TFBGA-121 (8 mm x 8 mm)

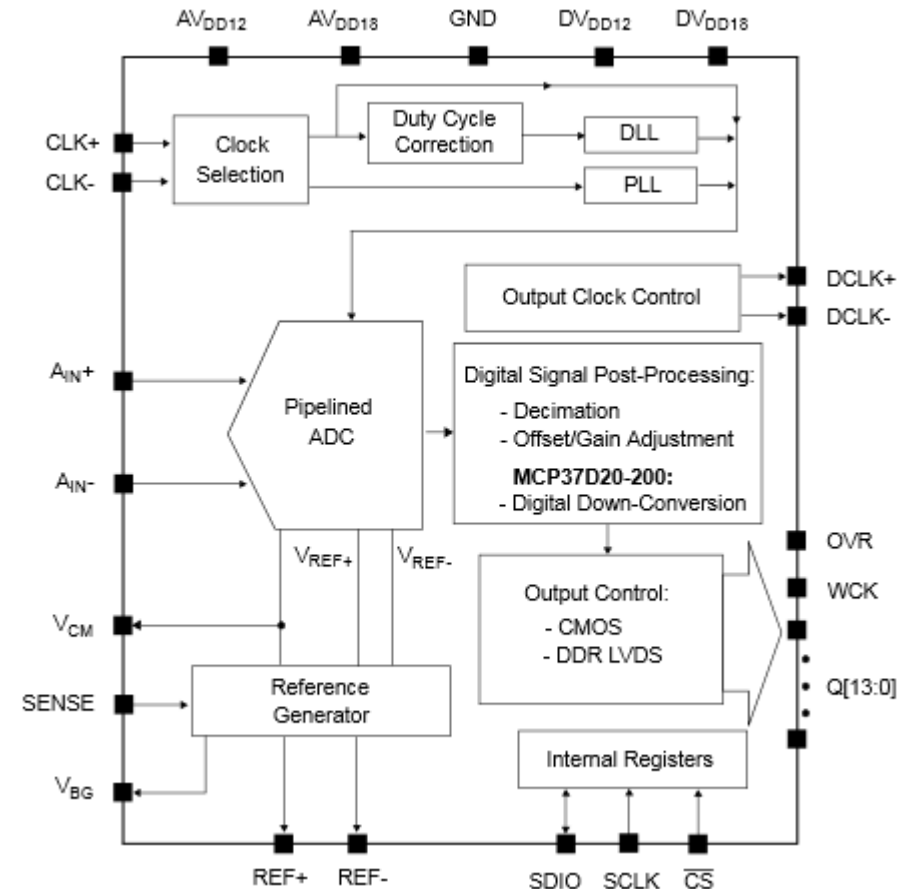


MCP37D20-200

14-Bit, 200 MSPS, Single Channel ADC

Features:

- 14-bit resolution
- 200 MSPS sampling rate
- Low power consumption: 346 mW with LVDS Digital I/O at full sample rate
 - 89 mW Standby, 24 mW Shutdown
- 67.8 dBFS SNR at 200 MSPS
- 96 dBFS SFDR at 200 MSPS
- Integrated digital down-converter
- Decimation filters for improved SNR
- Phase, offset and gain adjustments
- Input channel bandwidth of 650 MHz
- Output data format in serial DDR LVDS or parallel CMOS
- Configuration via SPI
- Industrial temperature range: -40°C to +85°C
- Packaging:
 - VTLA-124 (9 mm x 9 mm x 0.9 mm)
 - TFBGA-121 (8 mm x 8 mm)

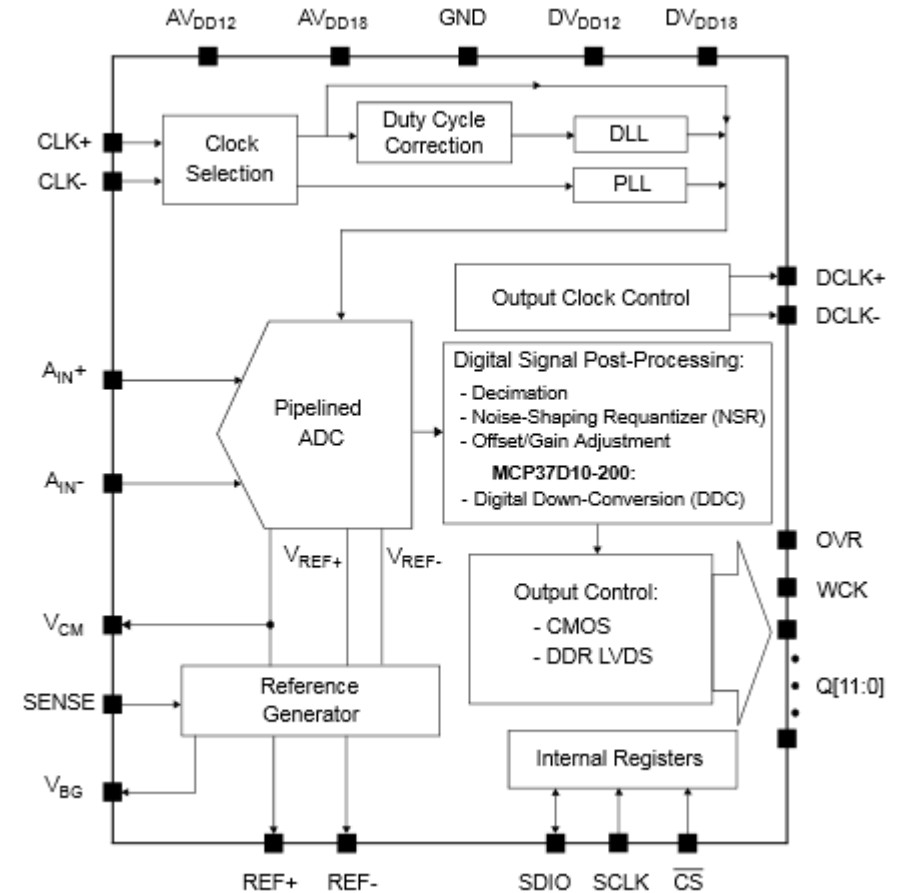


MCP37D10-200

12-Bit, 200 MSPS, Single Channel ADC

Features:

- 12-bit resolution
- 200 MSPS sampling rate
- Low power consumption: 337 mW with LVDS Digital I/O at full sample rate
 - 89 mW Standby, 24 mW Shutdown
- 67 dBFS SNR at 200 MSPS
- 96 dBFS SFDR at 200 MSPS
- Integrated digital down-converter
- Decimation filters for improved SNR
- Phase, offset and gain adjustments
- Input channel bandwidth of 650 MHz
- Output data format in serial DDR LVDS or parallel CMOS
- Configuration via SPI
- Industrial temperature range: -40°C to +85°C
- Packaging:
 - VTLA-124 (9 mm x 9 mm x 0.9 mm)
 - TFBGA-121 (8 mm x 8 mm)



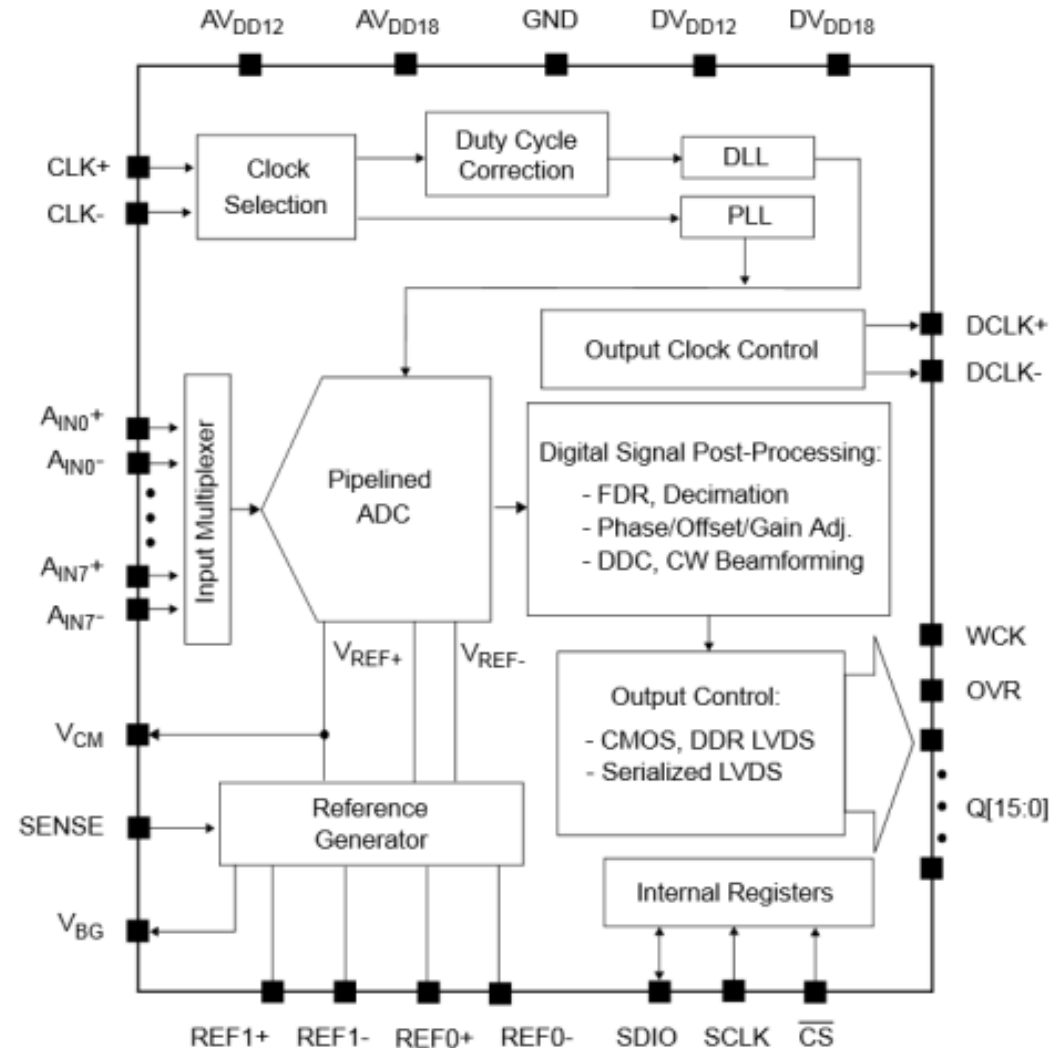
MCP37D31-80



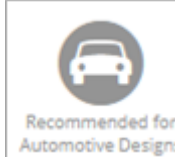
80 Msps, 16-Bit Low-Power ADC with 8-Channel MUX

Features:

- 16-bit resolution
- 80 Msps sampling rate
- Low power 329 mW at full sample rate, LVDS:
 - 79 mW Standby, 22 mW Shutdown
- 73.9 dBFS SNR at 80 Msps
- 93 dBFS SFDR at 80 Msps
- Internal Digital Down-converter (DDC)
- Decimation filters for improved SNR
- Phase, offset and gain adjust of each channel
- 8-channel mux
- Fractional delay recovery for time-delay –
 - - corrections in multi-channel operations
- Input channel bandwidth of 500 MHz
- Output data in serial DDR LVDS or CMOS
- Configuration via SPI
 - AEC-Q100 qualified
 - Temperature Grade 1: -40°C to +125°C
 - Includes embedded decoupling capacitors for reference pins and bandgap output pin



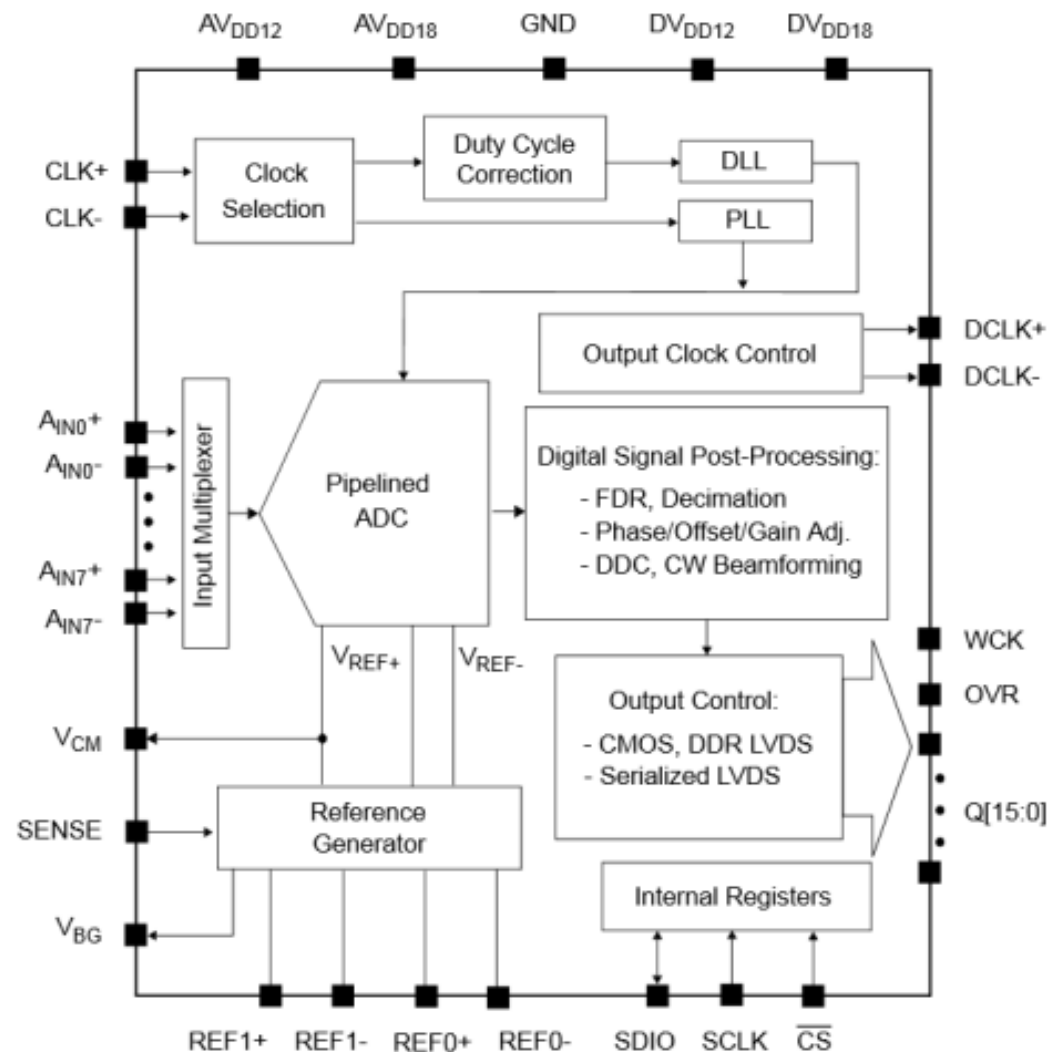
MCP37D21-80



80 Msps, 14-Bit Low-Power ADC with 8-Channel MUX

Features:

- 14-bit resolution
- 80 Msps sampling rate
- Low power 320 mW at full sample rate, LVDS:
 - 79 mW Standby, 22 mW Shutdown
- 73.9 dBFS SNR at 80 Msps
- 93 dBFS SFDR at 80 Msps
- Internal Digital Down-converter (DDC)
- Decimation filters for improved SNR
- Phase, offset and gain adjust of each channel
- 8-channel mux
- Fractional delay recovery for time-delay –
 - - corrections in multi-channel operations
- Input channel bandwidth of 500 MHz
- Output data in serial DDR LVDS or CMOS
- Configuration via SPI
 - AEC-Q100 qualified
 - Temperature Grade 1: -40°C to +125°C
 - Includes embedded decoupling capacitors for reference pins and bandgap output pin



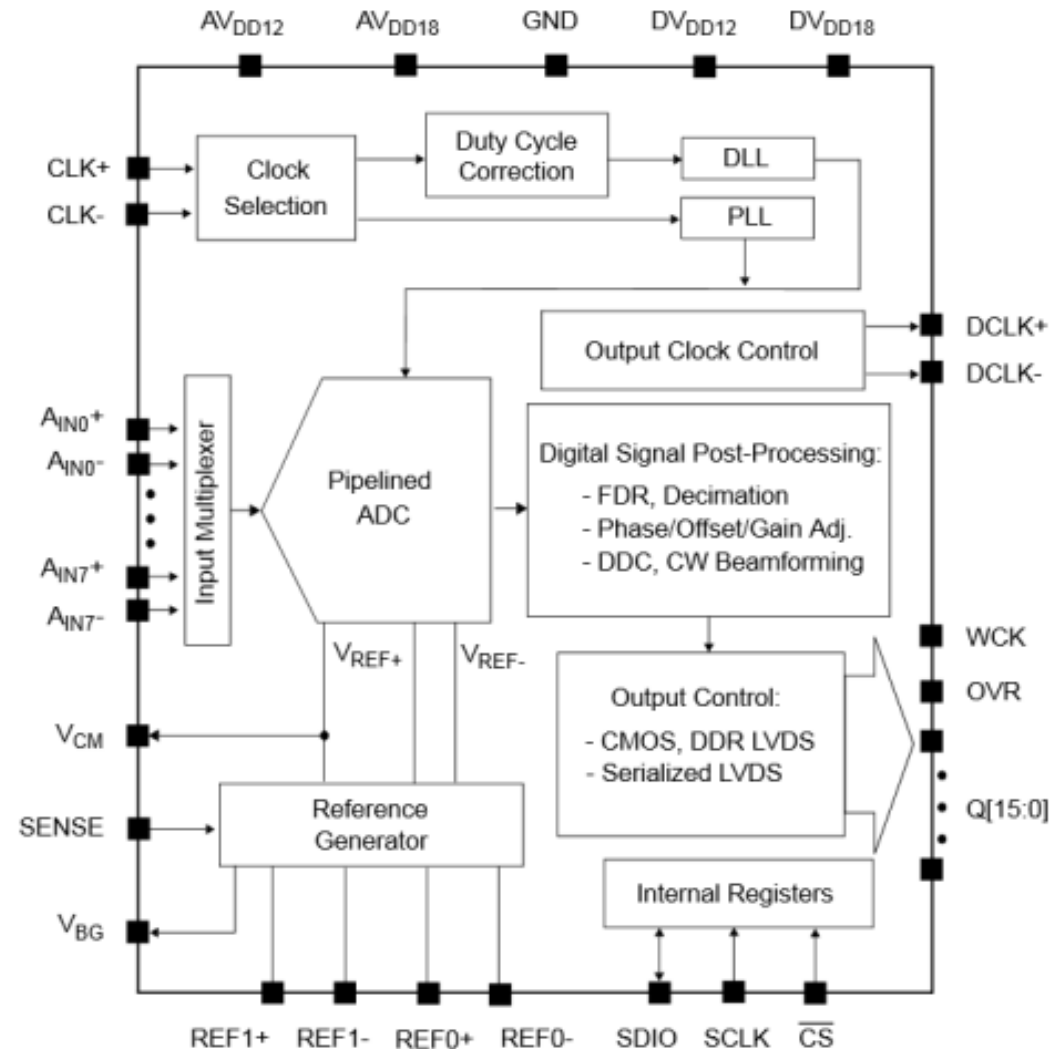
MCP37D11-80



80 Msps, 12-Bit Low-Power ADC with 8-Channel MUX

Features:

- 12-bit resolution
- 80 Msps sampling rate
- Low power 311 mW at full sample rate, LVDS:
 - 79 mW Standby, 22 mW Shutdown
- 70.9 dBFS SNR at 80 Msps
- 92.2 dBFS SFDR at 80 Msps
- Internal Digital Down-converter (DDC)
- Decimation filters for improved SNR
- Phase, offset and gain adjust of each channel
- 8-channel mux
- Fractional delay recovery for time-delay –
 - - corrections in multi-channel operations
- Input channel bandwidth of 500 MHz
- Output data in serial DDR LVDS or CMOS
- Configuration via SPI
 - AEC-Q100 qualified
 - Temperature Grade 1: -40°C to +125°C
 - Includes embedded decoupling capacitors for reference pins and bandgap output pin



LP0701

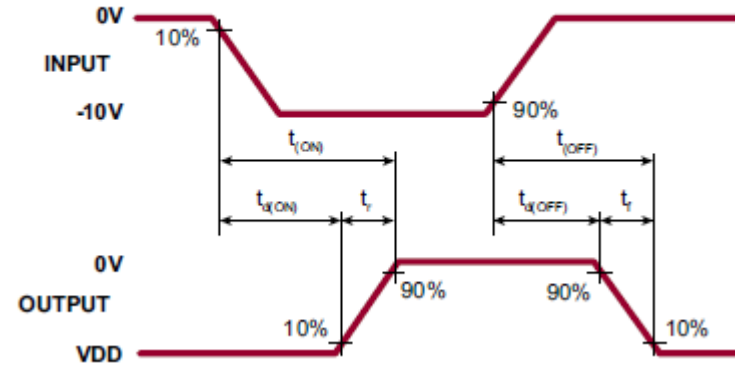
P-Channel Enhancement-Mode Lateral MOSFET

Online
Datasheet

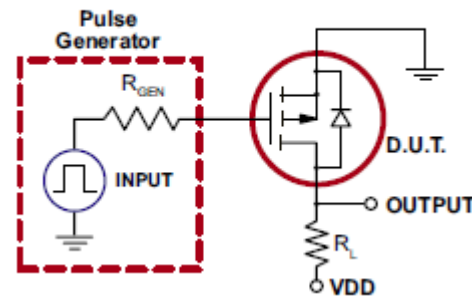
Features:

- BV_{DSS} : -16.5V min
- $R_{DS(ON)}$: 1.5 Ω max
- Ultra-low threshold
- High input impedance
- Low input capacitance
- Fast switching speeds
- Low on-resistance
- Freedom from secondary breakdown
- Low input and output leakage
- Operating Temperature Range:
 - -55°C to +150°C
- Package Option: TO-92, SOIC-8

Switching Waveform



Test Circuit



<< BACK

TP0604

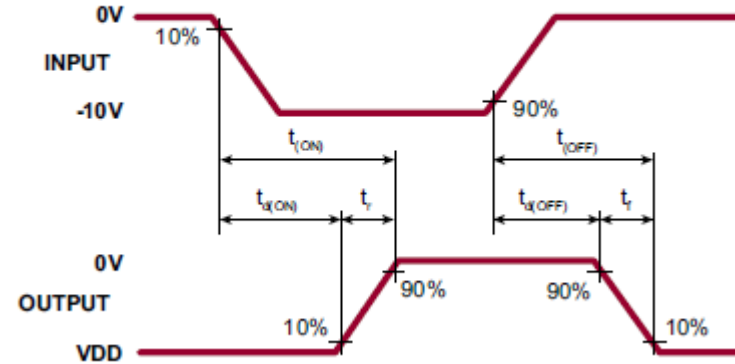
P-Channel Enhancement-Mode Vertical DMOS FET

Online
Datasheet

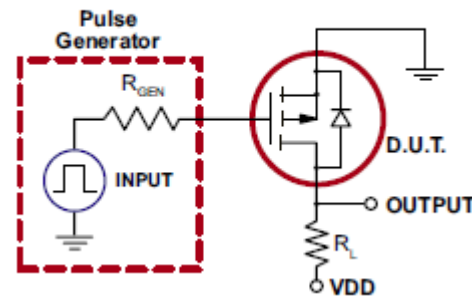
Features:

- BV_{DSS} : -40V min
- $R_{DS(ON)}$: 2.0 Ω max
- Low threshold: -2.4V max
- High input impedance
- Low input capacitance: 95pF typ
- Fast switching speeds
- Low on-resistance
- Free from secondary breakdown
- Low input and output leakage
- Operating Temperature Range:
 - -55°C to +150°C
- Package Option: TO-92

Switching Waveform



Test Circuit



<< BACK

TP0610

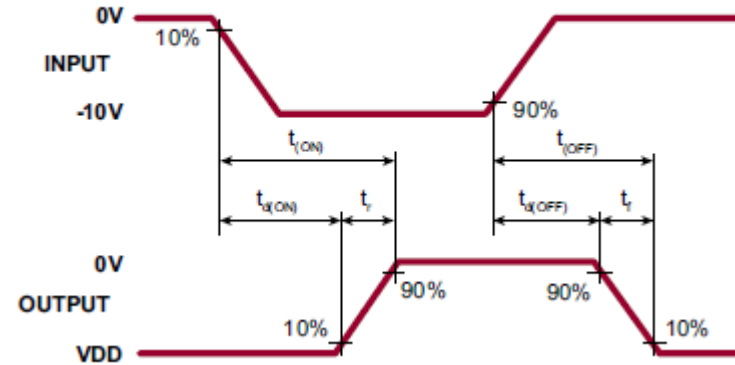
N-Channel Enhancement-Mode Vertical DMOS FET

Online
Datasheet

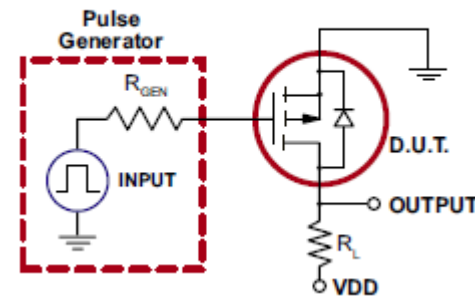
Features:

- BV_{DSS} : -60V min
- $R_{DS(ON)}$: 10 Ω max
- High input impedance and high gain
- Low power drive requirement
- Ease of paralleling
- Low C_{ISS} and fast switching speeds
- Excellent thermal stability
- Integral source-drain diode
- Free from secondary breakdown
- Operating Temperature Range:
 - -55°C to +150°C
- Package Option: SOT-23

Switching Waveform



Test Circuit



<< BACK

TP0620

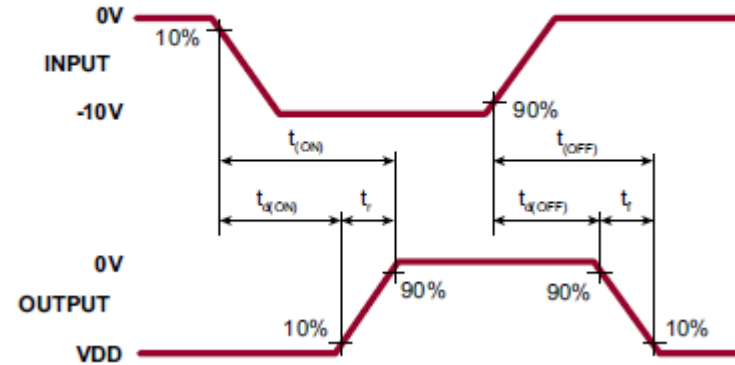
N-Channel Enhancement-Mode Vertical DMOS FET

Online
Datasheet

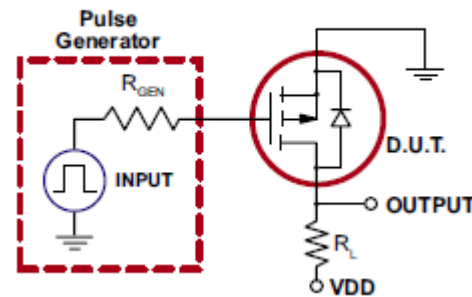
Features:

- BV_{DSS} : -200V min
- $R_{DS(ON)}$: 12 Ω max
- Low threshold: -2.4V max
- High input impedance
- Low input capacitance: 85pF typ
- Fast switching speeds
- Low on-resistance
- Free from secondary breakdown
- Low input and output leakage
- Operating Temperature Range:
 - -55°C to +150°C
- Package Option: TO-92

Switching Waveform



Test Circuit



<< BACK

TP2104

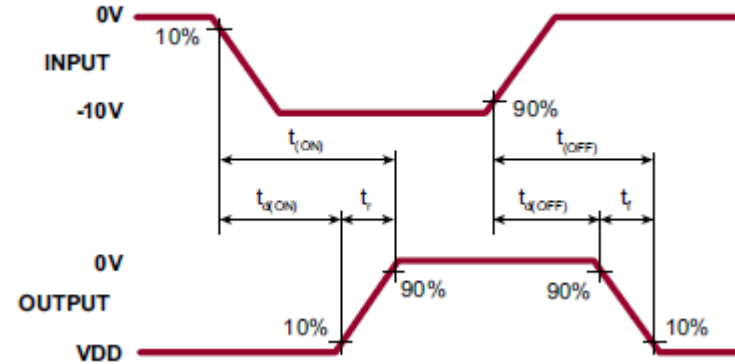
P-Channel Enhancement-Mode Vertical DMOS FET

Online
Datasheet

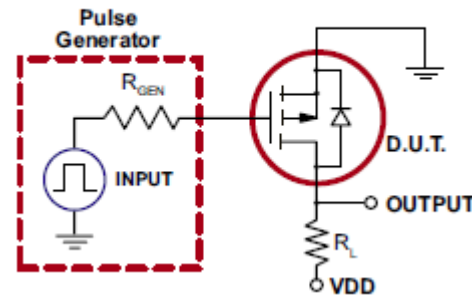
Features:

- BV_{DSS} : -40V min
- $R_{DS(ON)}$: 6.0 Ω max
- High input impedance and high gain
- Low power drive requirement
- Ease of paralleling
- Low C_{ISS} and fast switching speeds
- Excellent thermal stability
- Integral source-drain diode
- Free from secondary breakdown
- Operating Temperature Range:
 - -55°C to +150°C
- Package Option: TO-92, SOT-23

Switching Waveform



Test Circuit



<< BACK

TP2424

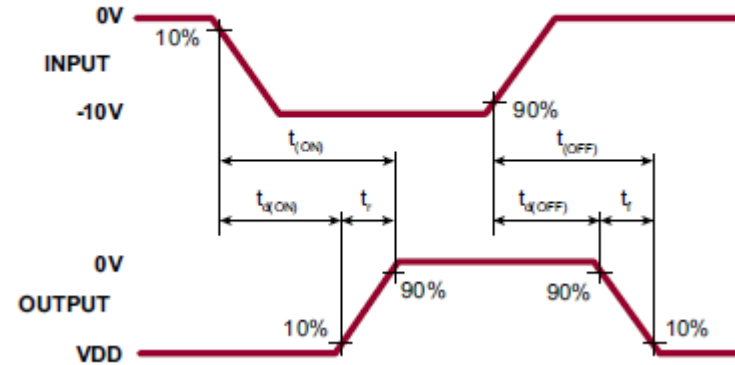
P-Channel Enhancement-Mode Vertical DMOS FET

Online
Datasheet

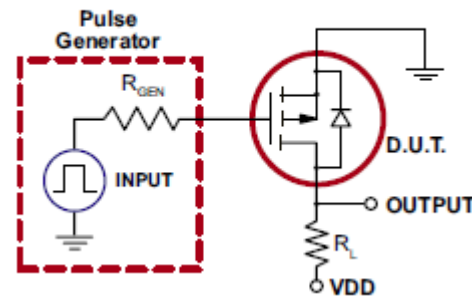
Features:

- BV_{DSS} : -240V min
- $R_{DS(ON)}$: 8.0 Ω max
- Low threshold
- High input impedance
- Low input capacitance
- Fast switching speeds
- Free from secondary breakdown
- Low input and output leakage
- Operating Temperature Range:
 - -55°C to +150°C
- Package Option: SOT-89

Switching Waveform



Test Circuit



<< BACK

TP2435

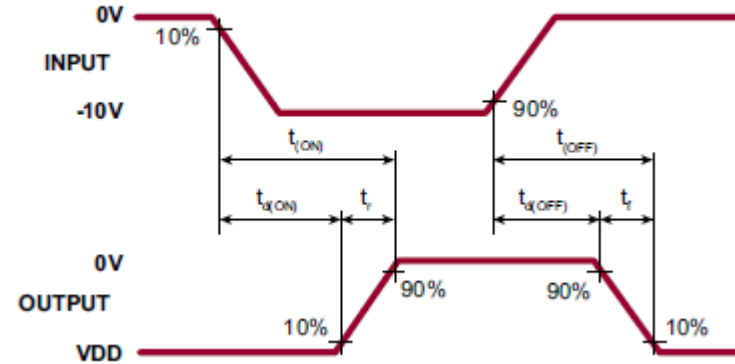
P-Channel Enhancement-Mode Vertical DMOS FET

Online
Datasheet

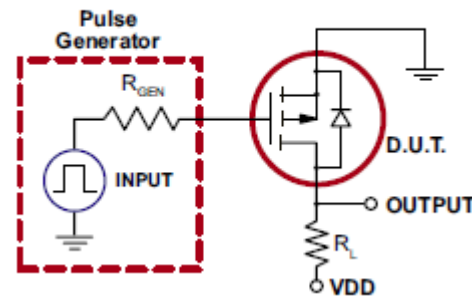
Features:

- BV_{DSS} : -350V min
- $R_{DS(ON)}$: 15 Ω max
- Low threshold
- High input impedance
- Low input capacitance
- Fast switching speeds
- Free from secondary breakdown
- Low input and output leakage
- Operating Temperature Range:
 - -55°C to +150°C
- Package Option: SOT-89

Switching Waveform



Test Circuit



<< BACK



TP2502

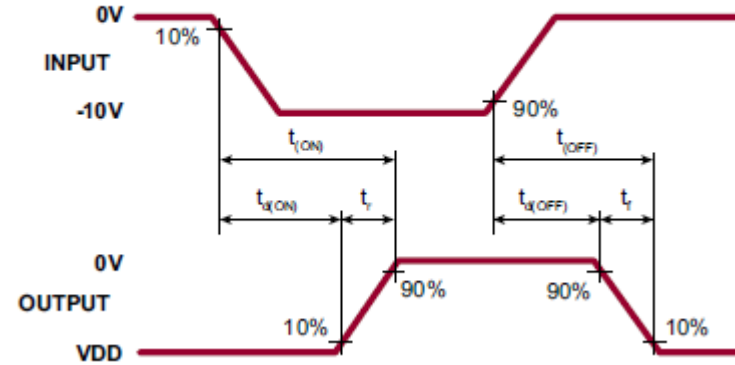
P-Channel Enhancement-Mode Vertical DMOS FET

Online
Datasheet

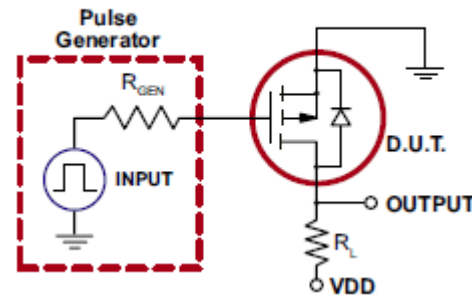
Features:

- BV_{DSS} : -20V min
- $R_{DS(ON)}$: 2.0 Ω max
- Low threshold: -2.4V max
- High input impedance
- Low input capacitance: 125pF max
- Fast switching speeds
- Free from secondary breakdown
- Low input and output leakage
- Operating Temperature Range:
 - -55°C to +150°C
- Package Option: SOT-89

Switching Waveform



Test Circuit



<< BACK



TP2510

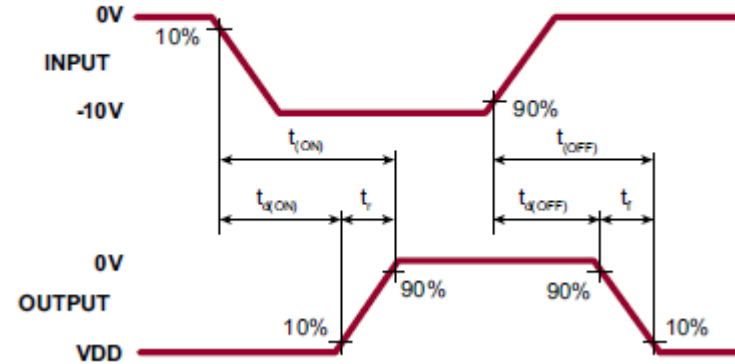
P-Channel Enhancement-Mode Vertical DMOS FET

Online
Datasheet

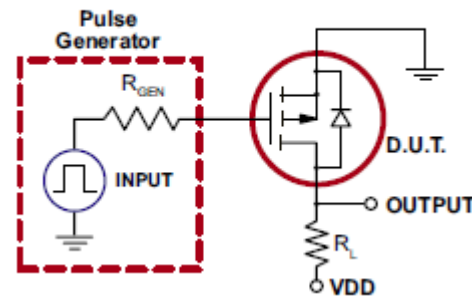
Features:

- BV_{DSS} : -100V min
- $R_{DS(ON)}$: 3.5Ω max
- Low threshold: -2.4V max
- High input impedance
- Low input capacitance: 125pF max
- Fast switching speeds
- Free from secondary breakdown
- Low input and output leakage
- Operating Temperature Range:
 - -55°C to $+150^{\circ}\text{C}$
- Package Option: SOT-89

Switching Waveform



Test Circuit



<< BACK

TP2520

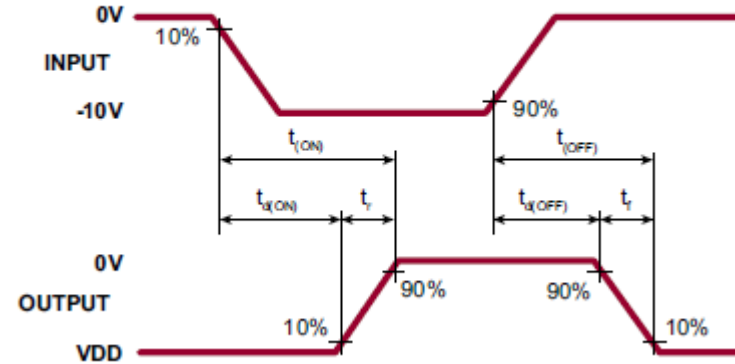
P-Channel Enhancement-Mode Vertical DMOS FET

Online
Datasheet

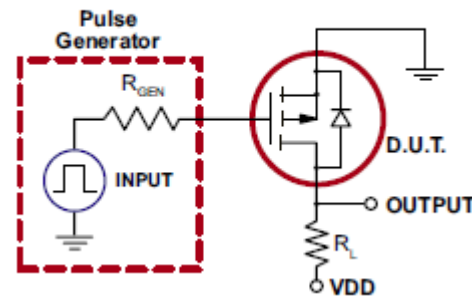
Features:

- BV_{DSS} : -200V min
- $R_{DS(ON)}$: 12 Ω max
- Low threshold: -2.4V max
- High input impedance
- Low input capacitance: 125pF max
- Fast switching speeds
- Free from secondary breakdown
- Low input and output leakage
- Operating Temperature Range:
 - -55°C to +150°C
- Package Option: SOT-89

Switching Waveform



Test Circuit



<< BACK

TP2522

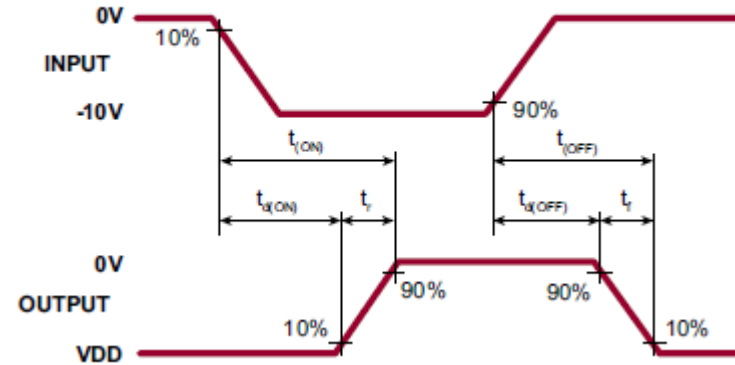
P-Channel Enhancement-Mode Vertical DMOS FET

Online
Datasheet

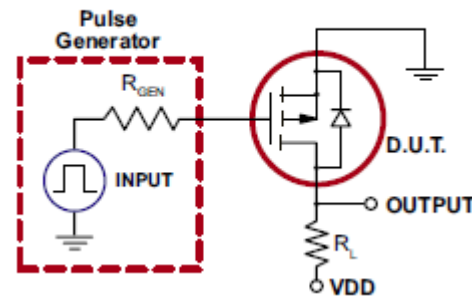
Features:

- BV_{DSS} : -220V min
- $R_{DS(ON)}$: 12 Ω max
- Low threshold: -2.4V max
- High input impedance
- Low input capacitance: 125pF max
- Fast switching speeds
- Free from secondary breakdown
- Low input and output leakage
- Operating Temperature Range:
 - -55°C to +150°C
- Package Option: SOT-89

Switching Waveform



Test Circuit



<< BACK

TP2535

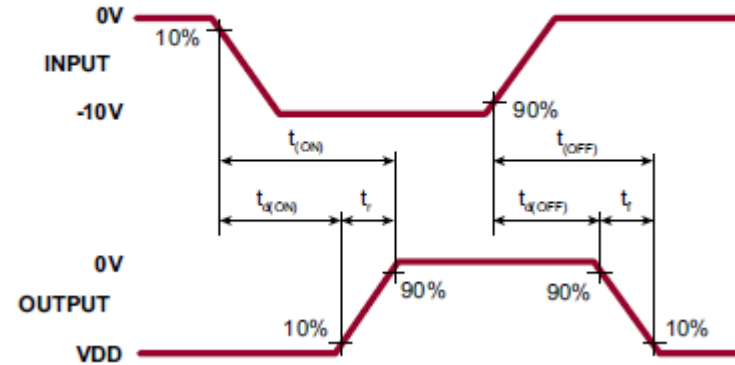
P-Channel Enhancement-Mode Vertical DMOS FET

Online
Datasheet

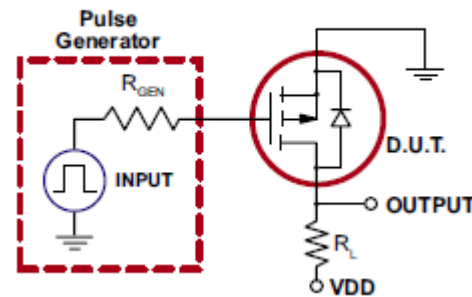
Features:

- BV_{DSS} : -350V min
- $R_{DS(ON)}$: 25 Ω max
- Low threshold: -2.4V max
- High input impedance
- Low input capacitance: 60pF typ
- Fast switching speeds
- Free from secondary breakdown
- Low input and output leakage
- Operating Temperature Range:
 - -55°C to +150°C
- Package Option: TO-92

Switching Waveform



Test Circuit



<< BACK

TP2540

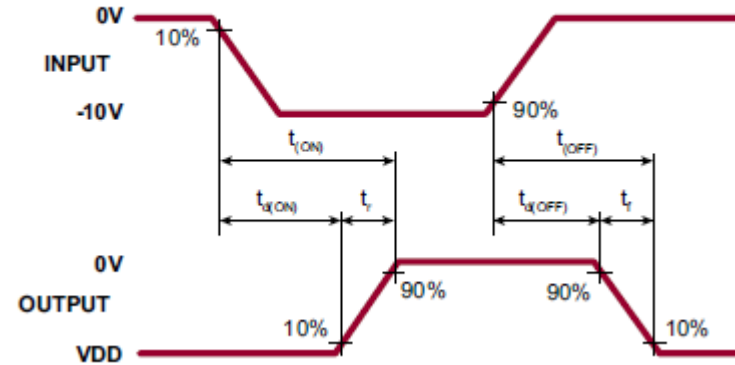
P-Channel Enhancement-Mode Vertical DMOS FET

Online
Datasheet

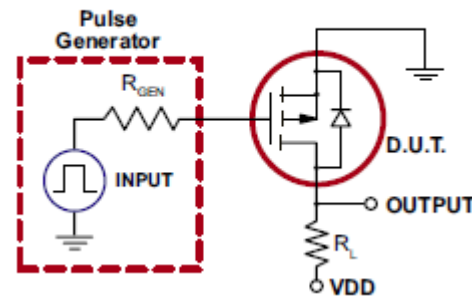
Features:

- BV_{DSS} : -400V min
- $R_{DS(ON)}$: 25 Ω max
- Low threshold: -2.4V max
- High input impedance
- Low input capacitance: 60pF typ
- Fast switching speeds
- Free from secondary breakdown
- Low input and output leakage
- Operating Temperature Range:
 - -55°C to +150°C
- Package Option: TO-92, TO-92, SOT89

Switching Waveform



Test Circuit



<< BACK

TP2635

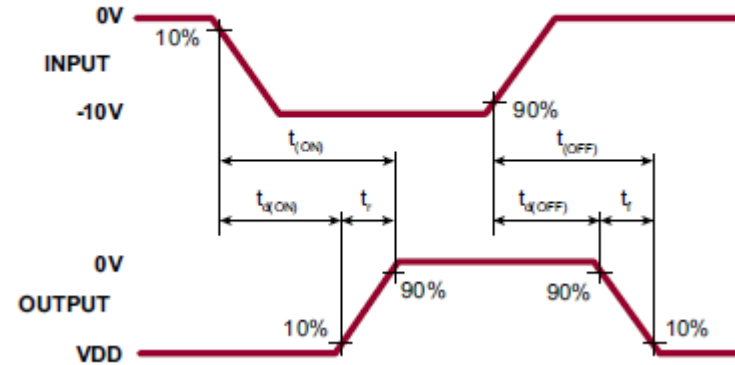
P-Channel Enhancement-Mode Vertical DMOS FET

Online
Datasheet

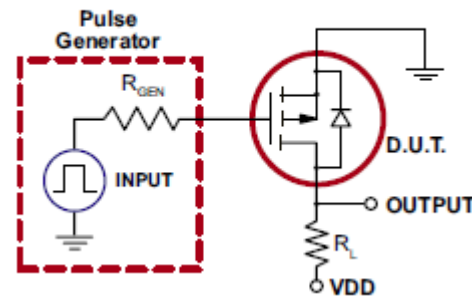
Features:

- BV_{DSS} : -350V min
- $R_{DS(ON)}$: 15 Ω max
- Low threshold: -2.0V max
- High input impedance
- Low input capacitance
- Fast switching speeds
- Low on-resistance
- Free from secondary breakdown
- Low input and output leakage
- Operating Temperature Range:
 - -55°C to +150°C
- Package Option: TO-92

Switching Waveform



Test Circuit



<< BACK

TP2640

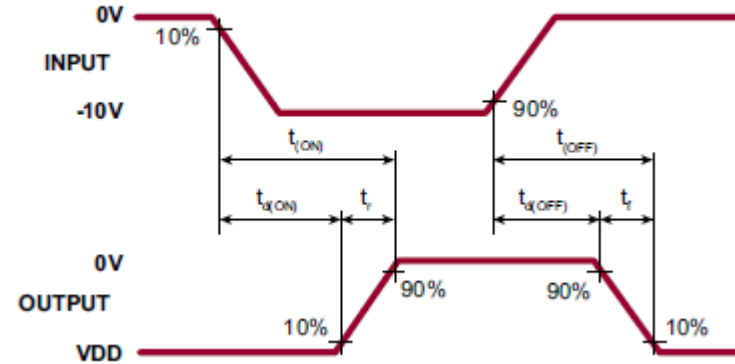
P-Channel Enhancement-Mode Vertical DMOS FET

Online
Datasheet

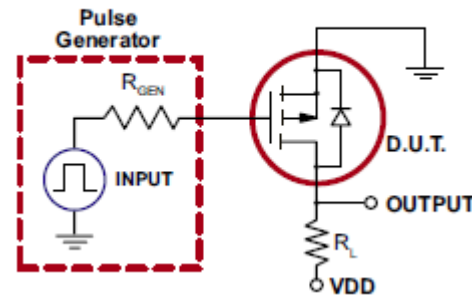
Features:

- BV_{DSS} : -400V min
- $R_{DS(ON)}$: 15 Ω max
- Low threshold: -2.0V max
- High input impedance
- Low input capacitance
- Fast switching speeds
- Low on-resistance
- Free from secondary breakdown
- Low input and output leakage
- Operating Temperature Range:
 - -55°C to +150°C
- Package Option: TO-92

Switching Waveform



Test Circuit



<< BACK

TP5322

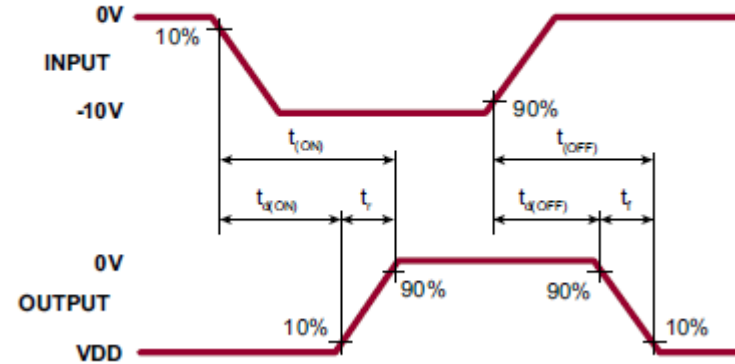
P-Channel Enhancement-Mode Vertical DMOS FET

Online
Datasheet

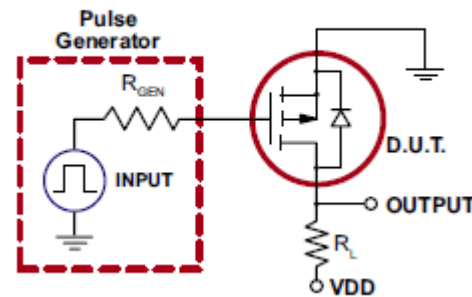
Features:

- BV_{DSS} : -220V min
- $R_{DS(ON)}$: 12 Ω max
- Low threshold: -2.4V max
- High input impedance
- Low input capacitance: 110pf max
- Fast switching speeds
- Low on-resistance
- Free from secondary breakdown
- Low input and output leakage
- Operating Temperature Range:
 - -55°C to +150°C
- Package Option: TO-92, SOT-23

Switching Waveform



Test Circuit



<< BACK

TP5335K1-G-VAO



P-Channel Enhancement Mode Vertical DMOS FET with Auto Qual

Features

- High input impedance and high gain
- Low power drive requirement
- Ease of paralleling
- Low CISS and fast switching speeds
- Excellent thermal stability
- Integral source-drain diode
- Free from secondary breakdown
- AECQ-100 Qualified



VP0104

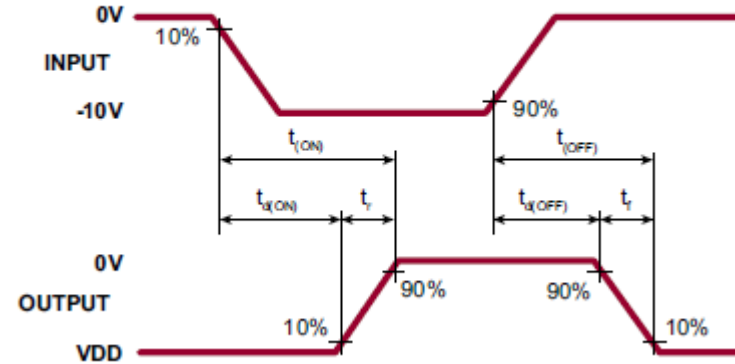
P-Channel Enhancement-Mode Vertical DMOS FET

Online
Datasheet

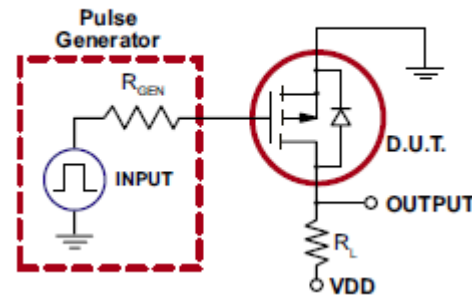
Features:

- BV_{DSS} : -40V min
- $R_{DS(ON)}$: 8.0 Ω max
- Free from secondary breakdown
- Low power drive requirement
- Ease of paralleling
- Low C_{ISS} and fast switching speeds
- Excellent thermal stability
- Integral source-drain diode
- High input impedance and high gain
- Operating Temperature Range:
 - -55°C to +150°C
- Package Option: TO-92

Switching Waveform



Test Circuit



<< BACK

VP0106

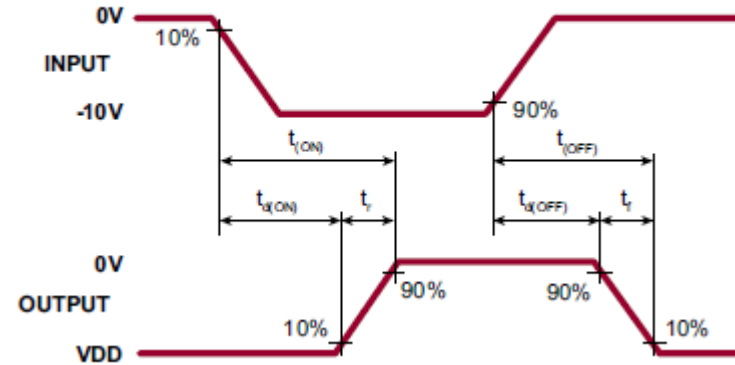
P-Channel Enhancement-Mode Vertical DMOS FET

Online
Datasheet

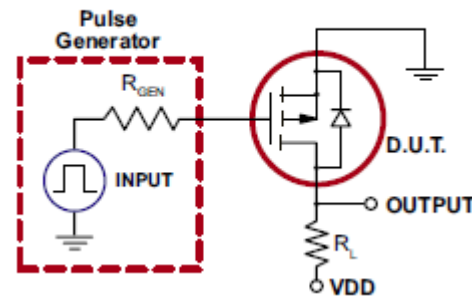
Features:

- BV_{DSS} : -60V min
- $R_{DS(ON)}$: 8.0 Ω max
- Free from secondary breakdown
- Low power drive requirement
- Ease of paralleling
- Low C_{ISS} and fast switching speeds
- Excellent thermal stability
- Integral source-drain diode
- High input impedance and high gain
- Operating Temperature Range:
 - -55°C to +150°C
- Package Option: TO-92

Switching Waveform



Test Circuit



<< BACK



VP0109

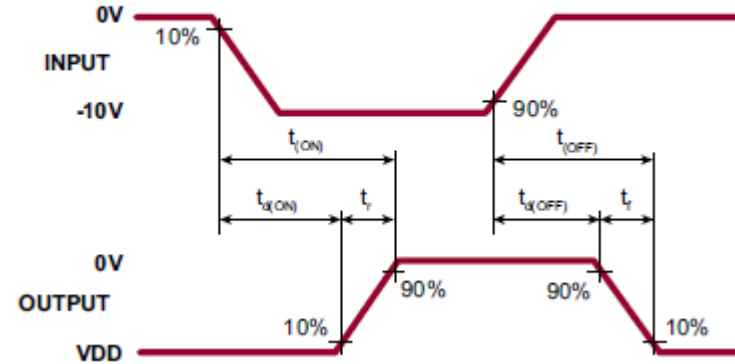
P-Channel Enhancement-Mode Vertical DMOS FET

Online
Datasheet

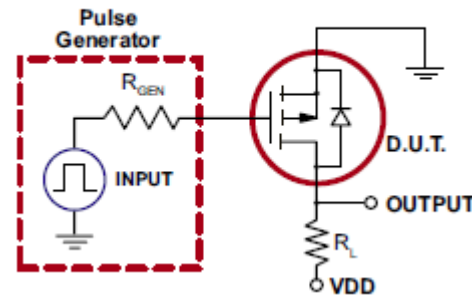
Features:

- BV_{DSS} : -90V min
- $R_{DS(ON)}$: 8.0 Ω max
- Free from secondary breakdown
- Low power drive requirement
- Ease of paralleling
- Low C_{ISS} and fast switching speeds
- Excellent thermal stability
- Integral source-drain diode
- High input impedance and high gain
- Operating Temperature Range:
 - -55°C to +150°C
- Package Option: TO-92

Switching Waveform



Test Circuit



<< BACK



VP0550

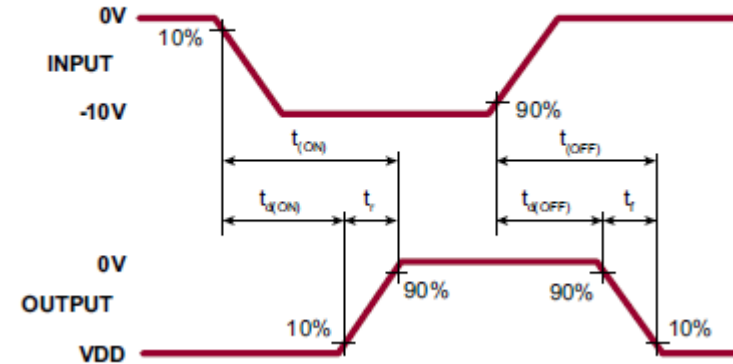
P-Channel Enhancement-Mode Vertical DMOS FET

Online
Datasheet

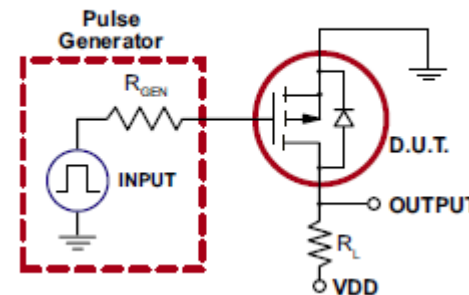
Features:

- BV_{DSS} : -500V min
- $R_{DS(ON)}$: 125 Ω max
- Free from secondary breakdown
- Low power drive requirement
- Ease of paralleling
- Low C_{ISS} and fast switching speeds
- Excellent thermal stability
- Integral source-drain diode
- High input impedance and high gain
- Operating Temperature Range:
 - -55°C to +150°C
- Package Option: TO-92

Switching Waveform



Test Circuit



<< BACK



VP0808

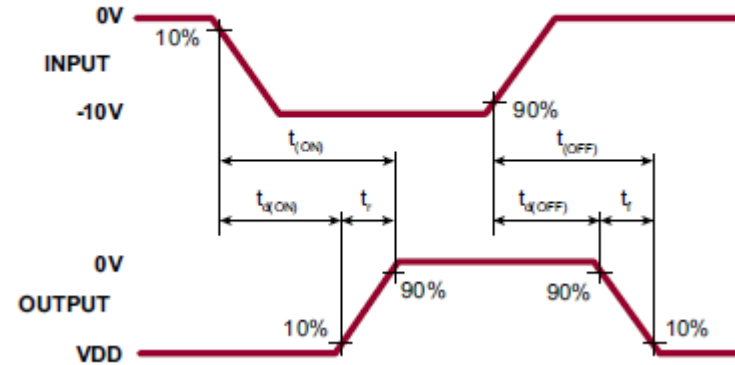
P-Channel Enhancement-Mode Vertical DMOS FET

Online
Datasheet

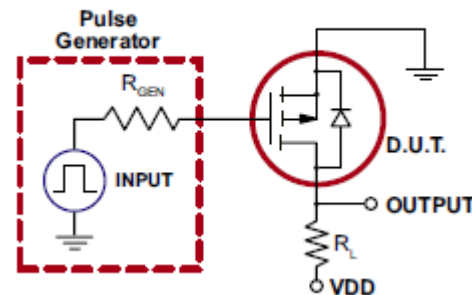
Features:

- BV_{DSS} : -80V min
- $R_{DS(ON)}$: 5.0 Ω max
- Free from secondary breakdown
- Low power drive requirement
- Ease of paralleling
- Low C_{ISS} and fast switching speeds
- Excellent thermal stability
- Integral source-drain diode
- High input impedance and high gain
- Operating Temperature Range:
 - -55°C to +150°C
- Package Option: TO-92

Switching Waveform



Test Circuit



<< BACK



VP2106

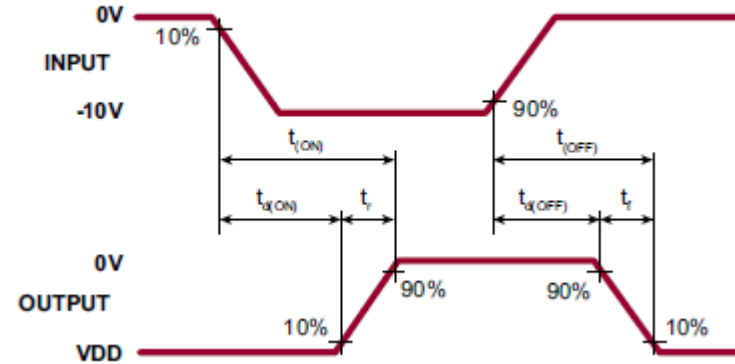
P-Channel Enhancement-Mode Vertical DMOS FET

Online
Datasheet

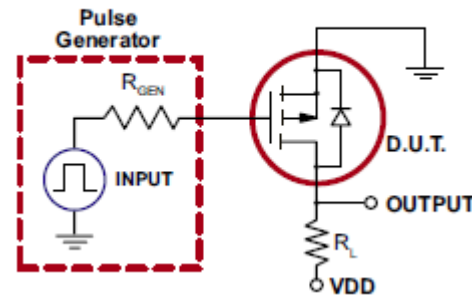
Features:

- BV_{DSS} : -60V min
- $R_{DS(ON)}$: 12 Ω max
- Free from secondary breakdown
- Low power drive requirement
- Ease of paralleling
- Low C_{ISS} and fast switching speeds
- Excellent thermal stability
- Integral source-drain diode
- High input impedance and high gain
- Operating Temperature Range:
 - -55°C to +150°C
- Package Option: TO-92

Switching Waveform



Test Circuit



<< BACK

VP2110

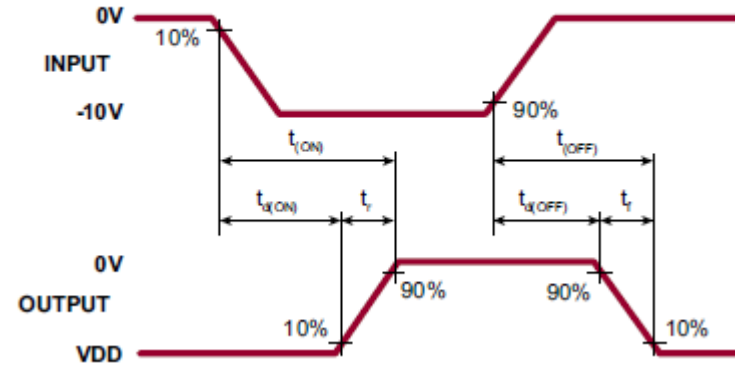
P-Channel Enhancement-Mode Vertical DMOS FET

Online
Datasheet

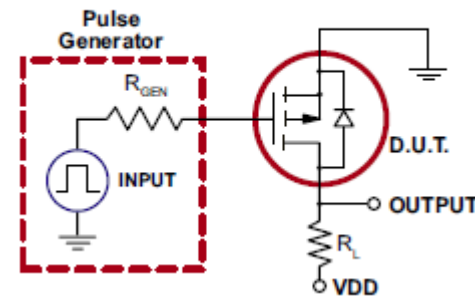
Features:

- BV_{DSS} : -100V min
- $R_{DS(ON)}$: 12 Ω max
- Free from secondary breakdown
- Low power drive requirement
- Ease of paralleling
- Low C_{ISS} and fast switching speeds
- Excellent thermal stability
- Integral source-drain diode
- High input impedance and high gain
- Operating Temperature Range:
 - -55°C to +150°C
- Package Option: SOT-23

Switching Waveform



Test Circuit



<< BACK



VP2206

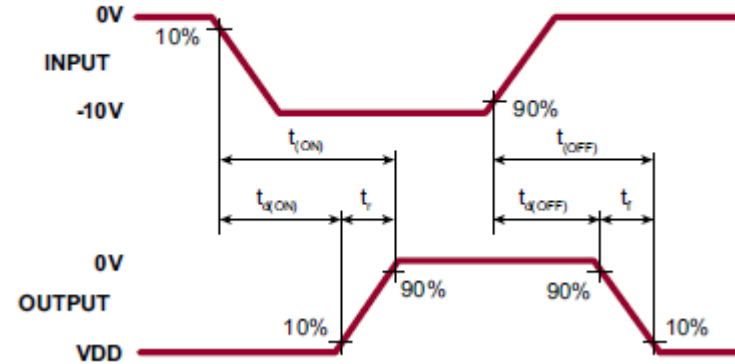
P-Channel Enhancement-Mode Vertical DMOS FET

Online
Datasheet

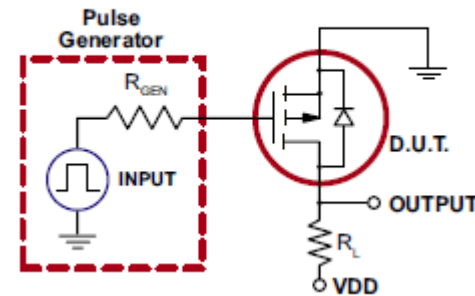
Features:

- BV_{DSS} : -60V min
- $R_{DS(ON)}$: 0.9 Ω max
- Free from secondary breakdown
- Low power drive requirement
- Ease of paralleling
- Low C_{ISS} and fast switching speeds
- Excellent thermal stability
- Integral source-to-drain diode
- High input impedance and high gain
- Operating Temperature Range:
 - -55°C to +150°C
- Package Option: TO-39, TO-92

Switching Waveform



Test Circuit



<< BACK

VP2450

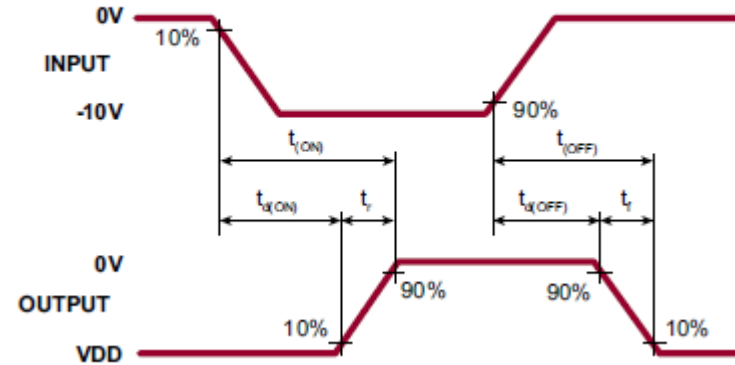
P-Channel Enhancement-Mode Vertical DMOS FET

Online
Datasheet

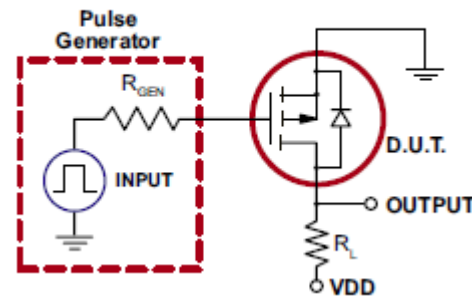
Features:

- BV_{DSS} : -500V min
- $R_{DS(ON)}$: 30 Ω max
- Free from secondary breakdown
- Low power drive requirement
- Ease of paralleling
- Low C_{ISS} and fast switching speeds
- Excellent thermal stability
- Integral source-to-drain diode
- High input impedance and high gain
- Operating Temperature Range:
 - -55°C to +150°C
- Package Option: TO-92, SOT-89

Switching Waveform



Test Circuit



<< BACK

VP3203

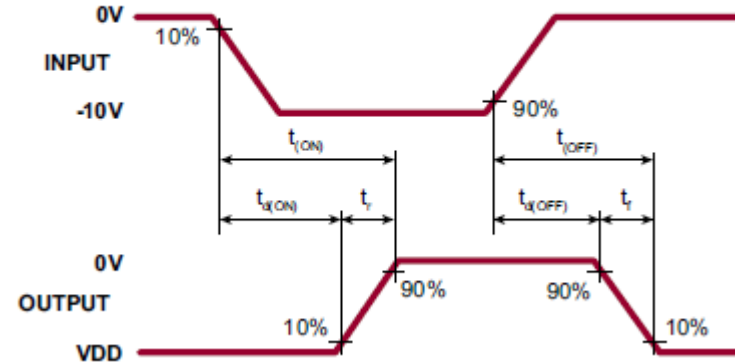
P-Channel Enhancement-Mode Vertical DMOS FET

Online
Datasheet

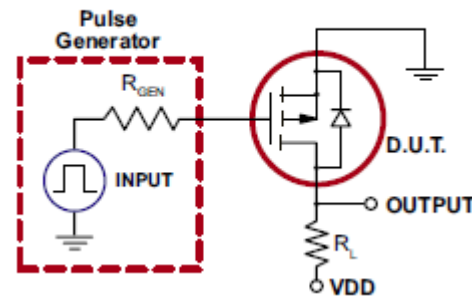
Features:

- BV_{DSS} : -30V min
- $R_{DS(ON)}$: 0.6 Ω max
- Free from secondary breakdown
- Low power drive requirement
- Ease of paralleling
- Low C_{ISS} and fast switching speeds
- Excellent thermal stability
- Integral source-to-drain diode
- High input impedance and high gain
- Operating Temperature Range:
 - -55°C to +150°C
- Package Option: TO-92, SOT-89

Switching Waveform



Test Circuit



<< BACK

2N6660

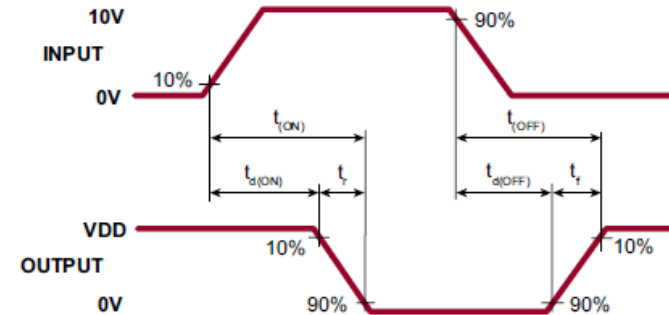
N-Channel, Enhancement-Mode, Vertical DMOS FET

Online
Datasheet

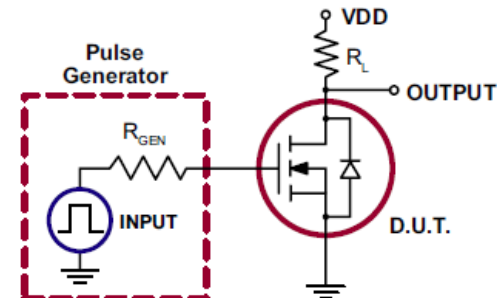
Features:

- BV_{DSS} : 60V min
- $R_{DS(ON)}$: 3.0 Ω max
- Free from secondary breakdown
- Low power drive requirement
- Ease of paralleling
- Low C_{ISS} and fast switching speeds
- Excellent thermal stability
- Integral source-drain diode
- High input impedance and high gain
- Operating Temperature Range:
 - -55°C to +150°C
- Package Option: TO-39 Metal Can

Switching Waveform



Test Circuit



<< BACK



2N6661

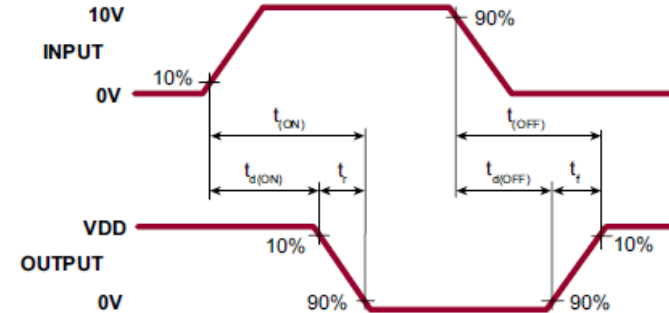
N-Channel Enhancement-Mode, Vertical DMOS FET

[Online Datasheet](#)

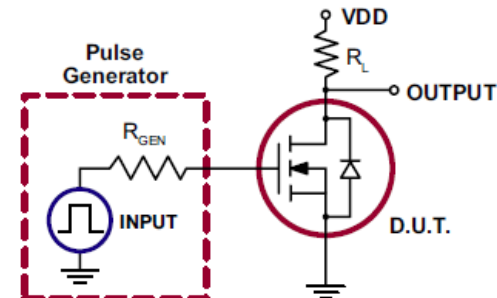
Features:

- BV_{DSS} : 90V min
- $R_{DS(ON)}$: 4.0 Ω max
- Free from secondary breakdown
- Low power drive requirement
- Ease of paralleling
- Low C_{ISS} and fast switching speeds
- Excellent thermal stability
- Integral source-drain diode
- High input impedance and high gain
- Operating Temperature Range:
 - -55°C to +150°C
- Package Option: TO-39 metal can

Switching Waveform



Test Circuit



<< BACK



2N7000

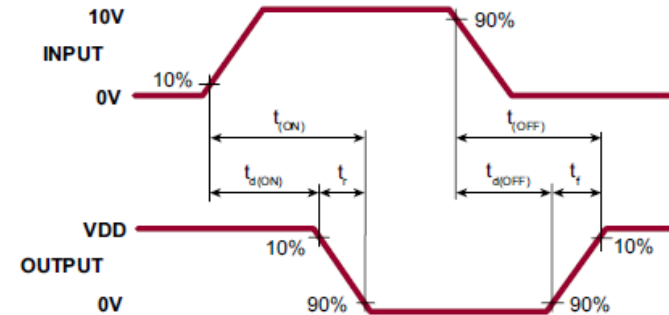
N-Channel Enhancement-Mode, Vertical DMOS FET

Online
Datasheet

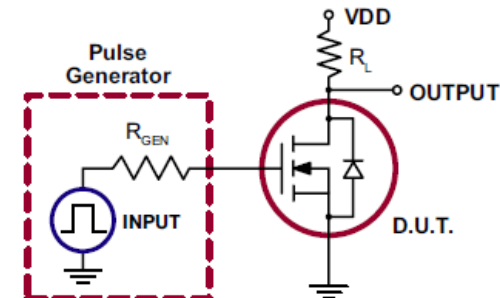
Features:

- BV_{DSS} : 60V min
- $R_{DS(ON)}$: 5.0 Ω max
- Free from secondary breakdown
- Low power drive requirement
- Ease of paralleling
- Low C_{ISS} and fast switching speeds
- Excellent thermal stability
- Integral source-drain diode
- High input impedance and high gain
- Operating Temperature Range:
 - -55°C to +150°C
- Package Option: TO-92

Switching Waveform



Test Circuit



<< BACK



2N7002

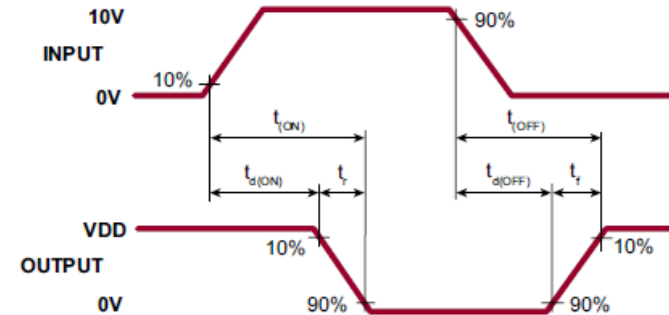
N-Channel Enhancement-Mode, Vertical DMOS FET

Online
Datasheet

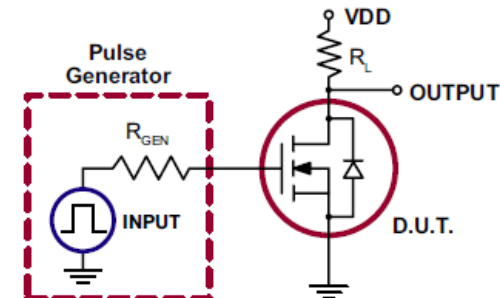
Features:

- BV_{DSS} : 60V min
- $R_{DS(ON)}$: 7.5 Ω max
- Free from secondary breakdown
- Low power drive requirement
- Ease of paralleling
- Low C_{ISS} and fast switching speeds
- Excellent thermal stability
- Integral source-drain diode
- High input impedance and high gain
- Operating Temperature Range:
 - -55°C to +150°C
- Package Option: SOT-23 (TO-236AB)

Switching Waveform



Test Circuit



<< BACK

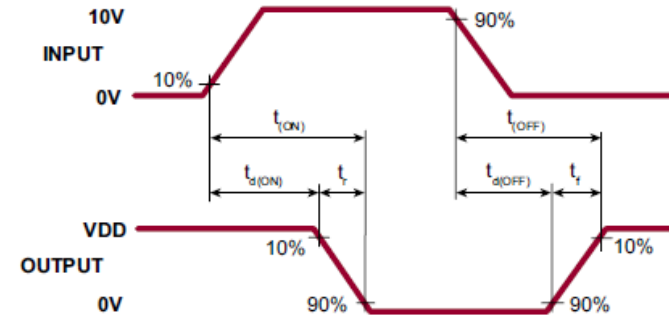


N-Channel Enhancement-Mode, Vertical DMOS FET

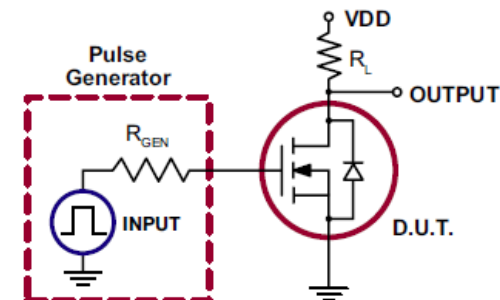
Features:

- BV_{DSS} : 60V min
- $R_{DS(ON)}$: 7.5 Ω max
- Free from secondary breakdown
- Low power drive requirement
- Ease of paralleling
- Low C_{ISS} and fast switching speeds
- Excellent thermal stability
- Integral source-drain diode
- High input impedance and high gain
- Operating Temperature Range:
 - -55 $^{\circ}$ C to +150 $^{\circ}$ C
- Package Option: TO-92

Switching Waveform



Test Circuit

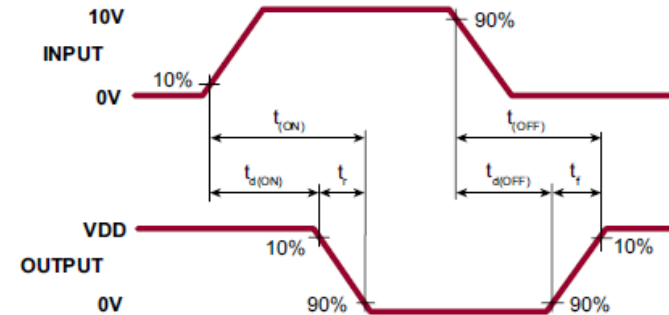


N-Channel Enhancement-Mode, Vertical DMOS FET

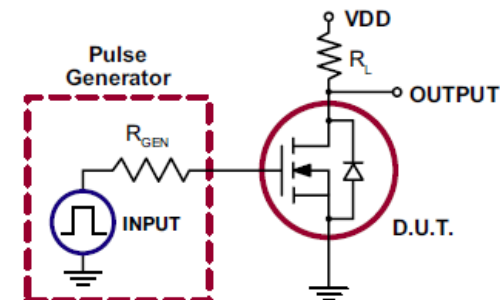
Features:

- BV_{DSS} : 40V min
- $R_{DS(ON)}$: 1.8 Ω max for TO-92 pkg
- $R_{DS(ON)}$: 2.0 Ω max for SOT-89 pkg
- Low threshold: 1.6V max
- High input impedance
- Low input capacitance
- Fast switching speeds
- Low on-resistance
- Free from secondary breakdown
- Low input and output leakage
- Operating Temperature Range:
 - -55°C to +150°C
- Package Option: TO-92, SOT-89

Switching Waveform



Test Circuit

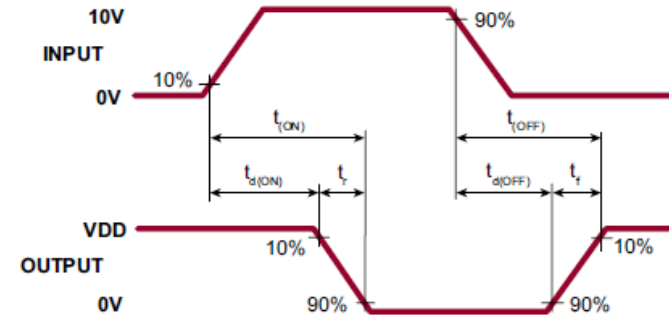


N-Channel Enhancement-Mode, Vertical DMOS FET

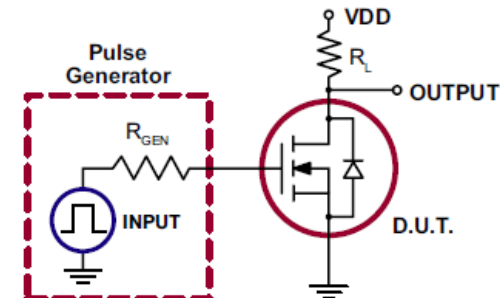
Features:

- BV_{DSS} : 60V min
- $R_{DS(ON)}$: 3.0 Ω max
- Low threshold: 2.0V max
- High input impedance
- Low input capacitance: 50pF typ
- Fast switching speeds
- Low on-resistance
- Free from secondary breakdown
- Low input and output leakage
- Operating Temperature Range:
 - -55°C to +150°C
- Package Option: TO-92

Switching Waveform



Test Circuit

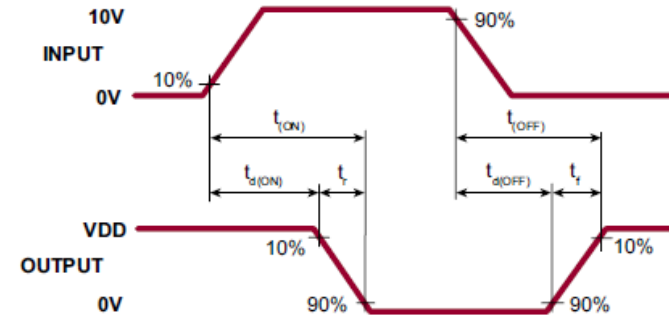


N-Channel Enhancement-Mode, Vertical DMOS FET

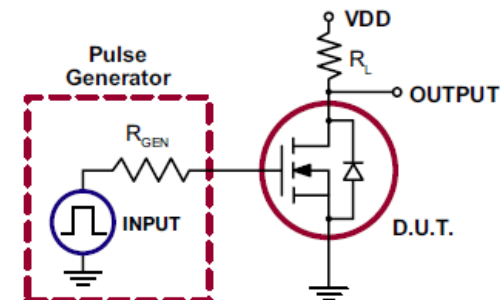
Features:

- BV_{DSS} : 100V min
- $R_{DS(ON)}$: 3.0 Ω max
- Low threshold: 2.0V max
- High input impedance
- Low input capacitance: 50pF typ
- Fast switching speeds
- Low on-resistance
- Free from secondary breakdown
- Low input and output leakage
- Operating Temperature Range:
 - -55°C to +150°C
- Package Option: TO-92

Switching Waveform



Test Circuit

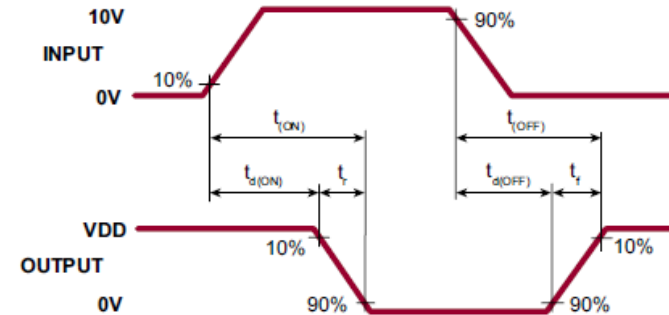


N-Channel Enhancement-Mode, Vertical DMOS FET

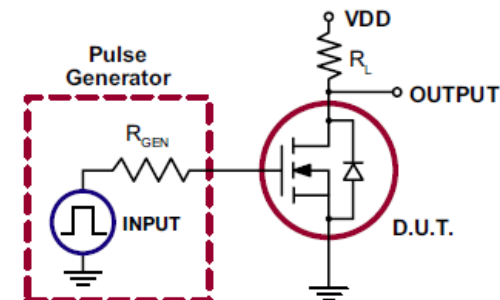
Features:

- BV_{DSS} : 40V min
- $R_{DS(ON)}$: 0.75 Ω max
- Low threshold: 1.6V max
- High input impedance
- Low input capacitance: 140pF typ
- Fast switching speeds
- Low on-resistance
- Free from secondary breakdown
- Low input and output leakage
- Operating Temperature Range:
 - -55°C to +150°C
- Package Option: TO-92

Switching Waveform



Test Circuit

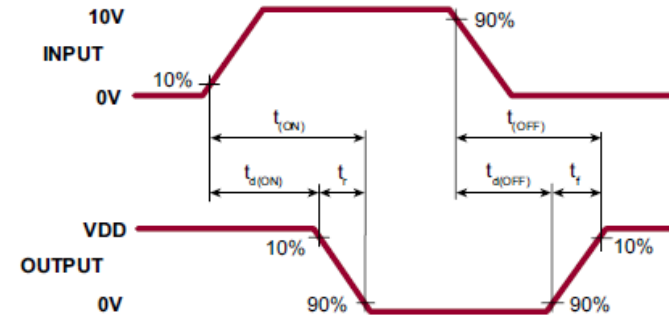


N-Channel Enhancement-Mode, Vertical DMOS FET

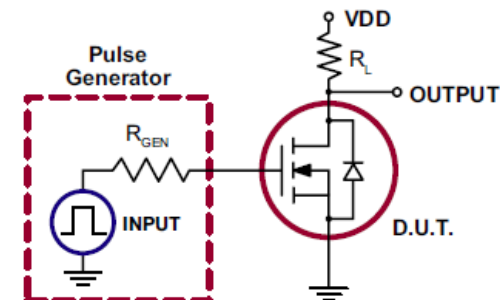
Features:

- BV_{DSS} : 60V min
- $R_{DS(ON)}$: 1.5 Ω max
- Low threshold: 2.0V max
- High input impedance
- Low input capacitance: 100pF typ
- Fast switching speeds
- Low on-resistance
- Free from secondary breakdown
- Low input and output leakage
- Operating Temperature Range:
 - -55°C to +150°C
- Package Option: TO-92

Switching Waveform



Test Circuit

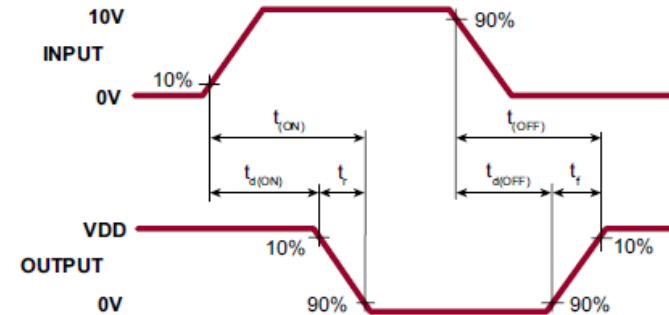


N-Channel Enhancement-Mode, Vertical DMOS FET

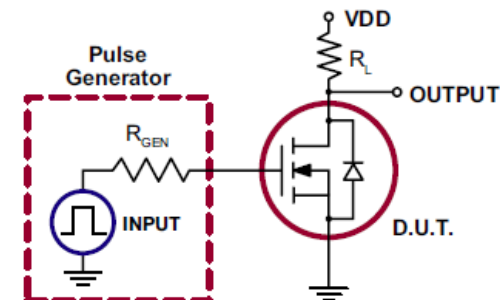
Features:

- BV_{DSS} : 60V min
- $R_{DS(ON)}$: 1.5 Ω max
- Low threshold: 2.0V max
- High input impedance
- Low input capacitance: 100pF typ
- Fast switching speeds
- Low on-resistance
- Free from secondary breakdown
- Low input and output leakage
- Operating Temperature Range:
 - -55°C to +150°C
- Package Option: TO-92

Switching Waveform



Test Circuit

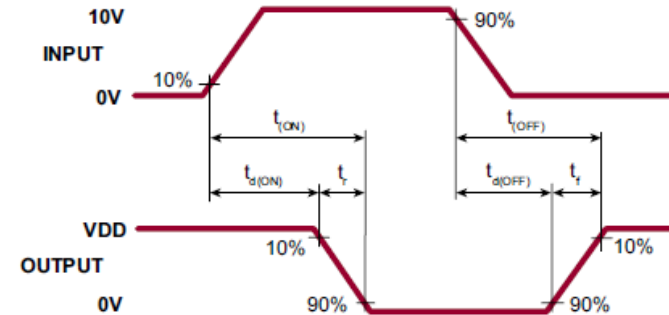


N-Channel Enhancement-Mode, Vertical DMOS FET

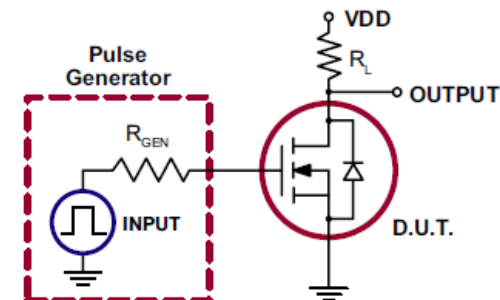
Features:

- BV_{DSS} : 100V min
- $R_{DS(ON)}$: 1.5 Ω max
- Low threshold: 2.0V max
- High input impedance
- Low input capacitance: 100pF typ
- Fast switching speeds
- Low on-resistance
- Free from secondary breakdown
- Low input and output leakage
- Operating Temperature Range:
 - -55°C to +150°C
- Package Option: TO-92

Switching Waveform



Test Circuit



TN0620

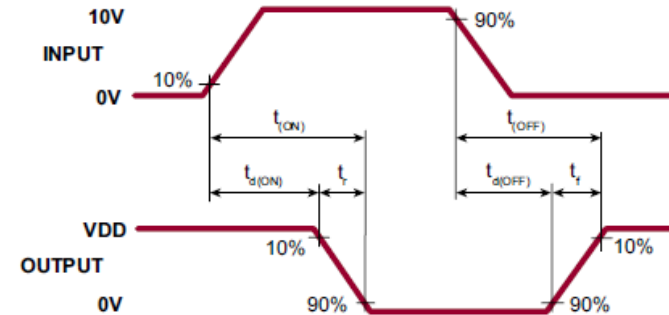
N-Channel Enhancement-Mode, Vertical DMOS FET

[Online Datasheet](#)

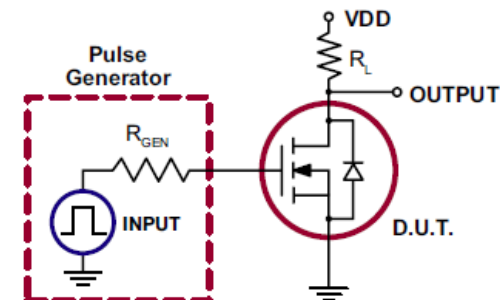
Features:

- BV_{DSS} : 200V min
- $R_{DS(ON)}$: 6.0 Ω max
- Low threshold: 1.6V max
- High input impedance
- Low input capacitance: 110pF typ
- Fast switching speeds
- Low on-resistance
- Free from secondary breakdown
- Low input and output leakage
- Operating Temperature Range:
 - -55°C to +150°C
- Package Option: TO-92

Switching Waveform



Test Circuit



<< BACK



TN0702

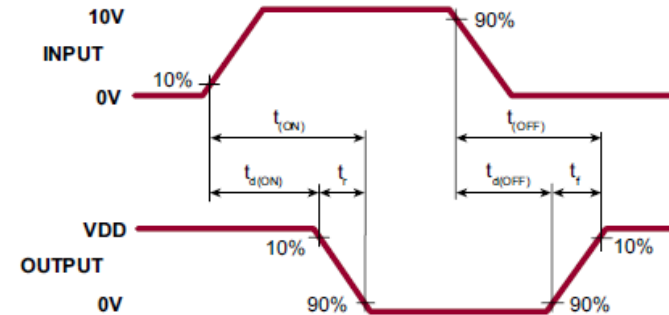
N-Channel Enhancement-Mode, Vertical DMOS FET

Online
Datasheet

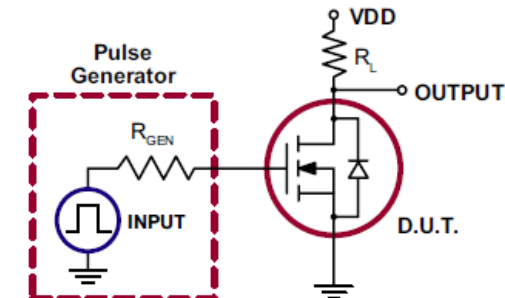
Features:

- BV_{DSS} : 20V min
- $R_{DS(ON)}$: 1.3 Ω max
- Low threshold: 1.6V max
- High input impedance
- Low input capacitance: 130pF typ
- Fast switching speeds
- Low on-resistance
- Free from secondary breakdown
- Low input and output leakage
- Operating Temperature Range:
 - -55°C to +150°C
- Package Option: TO-92

Switching Waveform



Test Circuit



<< BACK



TN2106

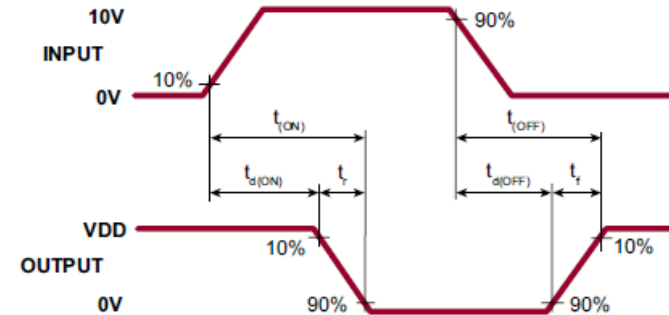
N-Channel Enhancement-Mode, Vertical DMOS FET

Online
Datasheet

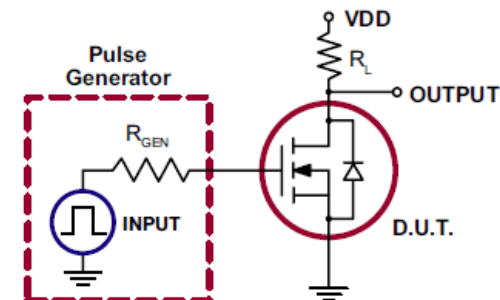
Features:

- BV_{DSS} : 60V min
- $R_{DS(ON)}$: 2.5 Ω max
- Free from secondary breakdown
- Low power drive requirement
- Ease of paralleling
- Low C_{ISS} and fast switching speeds
- Excellent thermal stability
- Integral source-drain diode
- High input impedance and high gain
- Operating Temperature Range:
 - -55°C to +150°C
- Package Option: TO-92, SOT-23

Switching Waveform



Test Circuit



<< BACK



TN2124

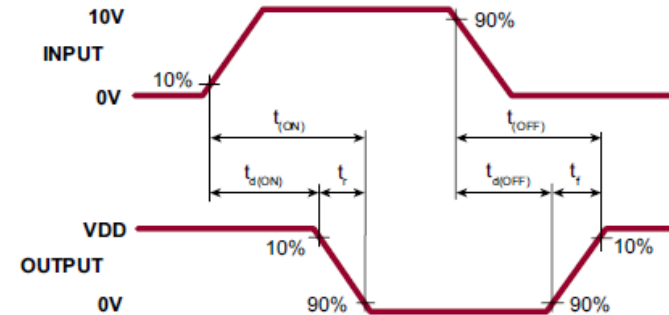
N-Channel Enhancement-Mode, Vertical DMOS FET

Online
Datasheet

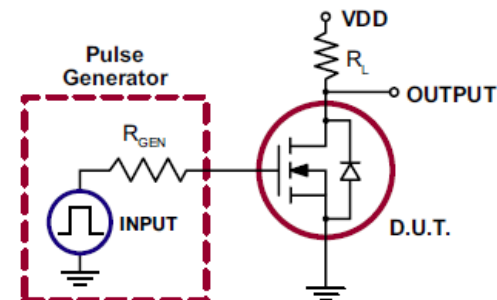
Features:

- BV_{DSS} : 240V min
- $R_{DS(ON)}$: 15 Ω max
- Free from secondary breakdown
- Low power drive requirement
- Ease of paralleling
- Low C_{ISS} and fast switching speeds
- Excellent thermal stability
- Integral source-drain diode
- High input impedance and high gain
- Operating Temperature Range:
 - -55°C to +150°C
- Package Option: SOT-23

Switching Waveform



Test Circuit



<< BACK



TN2130K1-G-VAO



N-Channel Enhancement Mode MOSFET with Auto Qual

Features:

- Free from secondary breakdown
- Low power drive requirement
- Ease of paralleling
- Low CISS and fast switching speeds
- Excellent thermal stability
- Integral source-drain diode
- High input impedance and high gain
- AECQ-100 Qualified



TN2425

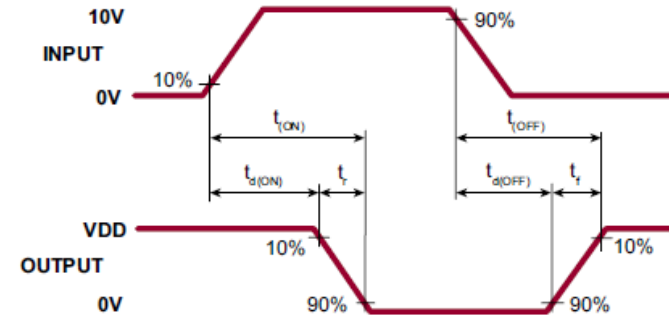
N-Channel Enhancement-Mode, Vertical DMOS FET

Online
Datasheet

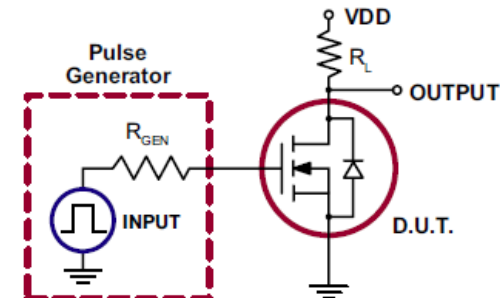
Features:

- BV_{DSS} : 250V min
- $R_{DS(ON)}$: 3.5 Ω max
- Low threshold
- High input impedance
- Low input capacitance
- Fast switching speeds
- Low on-resistance
- Free from secondary breakdown
- Low input and output leakage
- Operating Temperature Range:
 - -55°C to +150°C
- Package Option: SOT-89

Switching Waveform



Test Circuit



<< BACK



TN2435

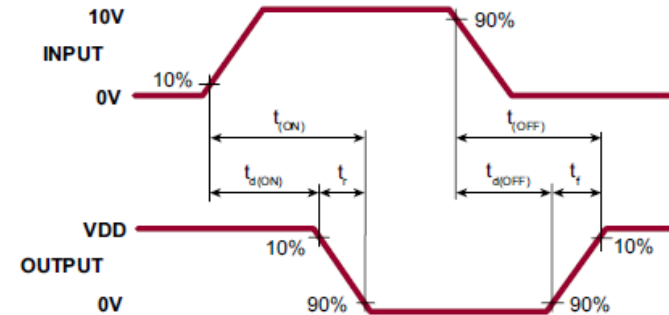
N-Channel Enhancement-Mode, Vertical DMOS FET

Online
Datasheet

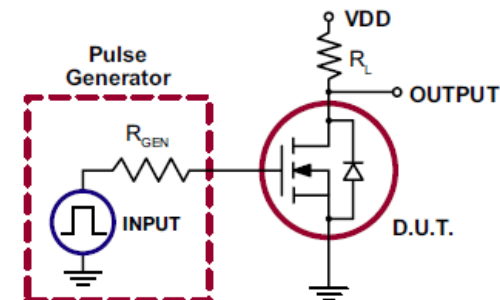
Features:

- BV_{DSS} : 350V min
- $R_{DS(ON)}$: 6.0 Ω max
- Low threshold
- High input impedance
- Low input capacitance
- Fast switching speeds
- Low on-resistance
- Free from secondary breakdown
- Low input and output leakage
- Operating Temperature Range:
 - -55°C to +150°C
- Package Option: SOT-89

Switching Waveform



Test Circuit



<< BACK



TN2501

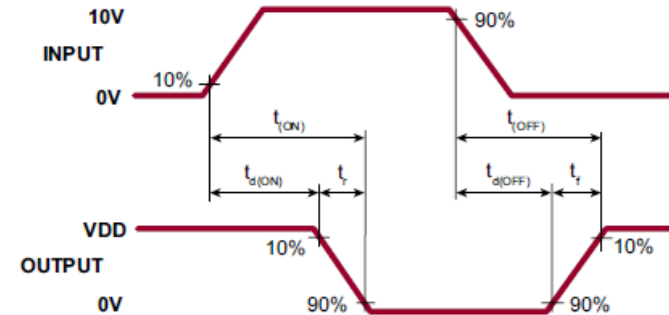
N-Channel Enhancement-Mode, Vertical DMOS FET

Online
Datasheet

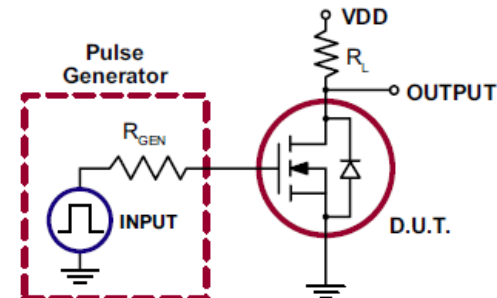
Features:

- BV_{DSS} : 18V min
- $R_{DS(ON)}$: 2.5 Ω max
- Low threshold
- High input impedance
- Low input capacitance
- Fast switching speeds
- Low on-resistance
- Free from secondary breakdown
- Low input and output leakage
- Operating Temperature Range:
 - -55°C to +150°C
- Package Option: SOT-89

Switching Waveform



Test Circuit



<< BACK



TN2504

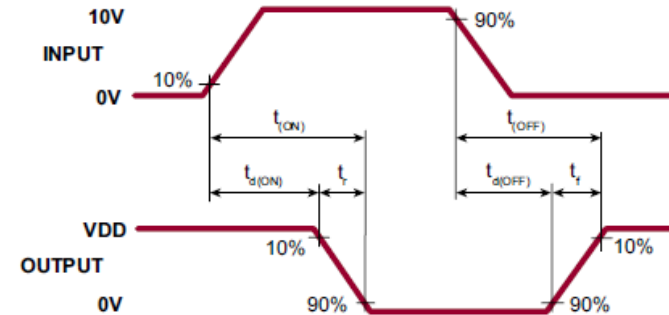
N-Channel Enhancement-Mode, Vertical DMOS FET

[Online Datasheet](#)

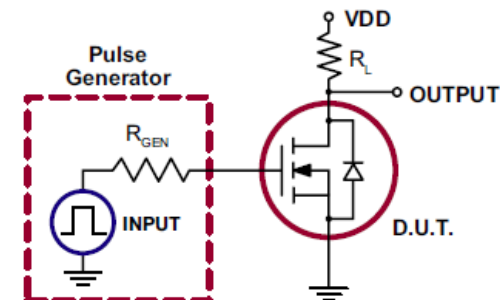
Features:

- BV_{DSS} : 40V min
- $R_{DS(ON)}$: 1.0 Ω max
- Low threshold: 1.6V max
- High input impedance
- Low input capacitance: 125pF max
- Fast switching speeds
- Low on-resistance
- Free from secondary breakdown
- Low input and output leakage
- Operating Temperature Range:
 - -55°C to +150°C
- Package Option: SOT-89

Switching Waveform



Test Circuit



<< BACK



TN2510

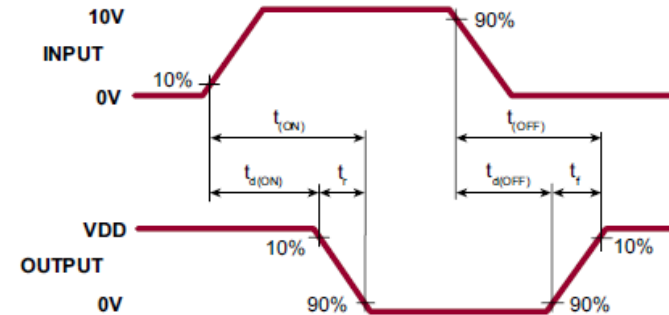
N-Channel Enhancement-Mode, Vertical DMOS FET

Online
Datasheet

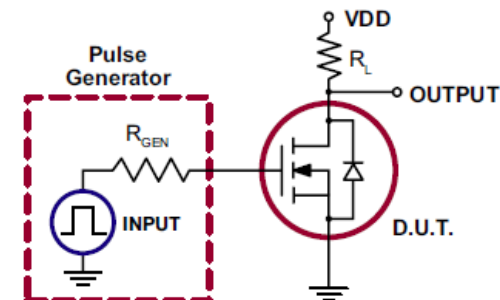
Features:

- BV_{DSS} : 100V min
- $R_{DS(ON)}$: 1.5 Ω max
- Low threshold: 2.0V max
- High input impedance
- Low input capacitance: 125pF max
- Fast switching speeds
- Low on-resistance
- Free from secondary breakdown
- Low input and output leakage
- Operating Temperature Range:
 - -55°C to +150°C
- Package Option: SOT-89

Switching Waveform



Test Circuit



<< BACK



TN2524

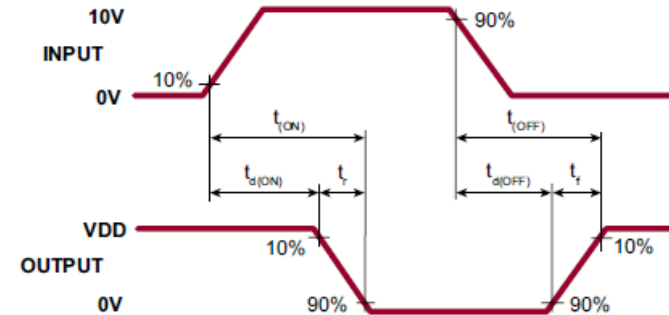
N-Channel Enhancement-Mode, Vertical DMOS FET

Online
Datasheet

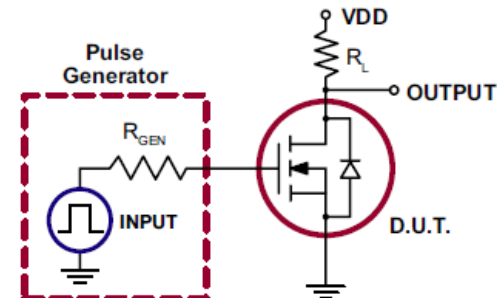
Features:

- BV_{DSS} : 240V min
- $R_{DS(ON)}$: 6.0 Ω max
- Low threshold: 2.0V max
- High input impedance
- Low input capacitance: 125pF max
- Fast switching speeds
- Low on-resistance
- Free from secondary breakdown
- Low input and output leakage
- Operating Temperature Range:
 - -55°C to +150°C
- Package Option: SOT-89

Switching Waveform



Test Circuit



<< BACK



TN2540

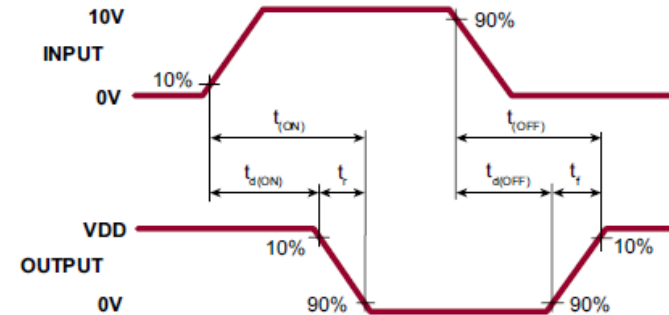
N-Channel Enhancement-Mode, Vertical DMOS FET

Online
Datasheet

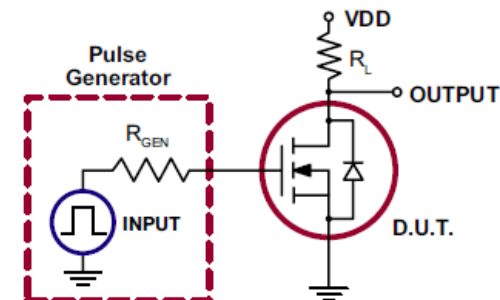
Features:

- BV_{DSS} : 400V min
- $R_{DS(ON)}$: 12 Ω max
- Low threshold: 2.0V max
- High input impedance
- Low input capacitance: 125pF max
- Fast switching speeds
- Low on-resistance
- Free from secondary breakdown
- Low input and output leakage
- Operating Temperature Range:
 - -55°C to +150°C
- Package Option: TO-92, SOT-89

Switching Waveform



Test Circuit



<< BACK



TN2640

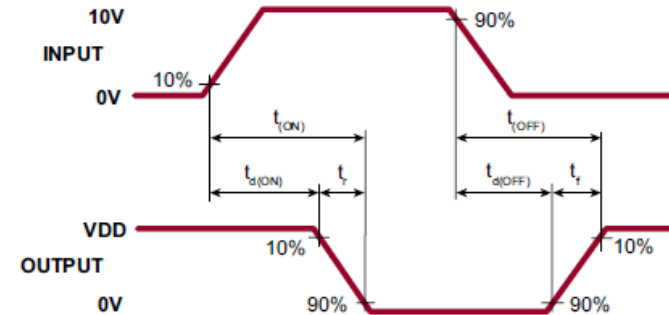
N-Channel Enhancement-Mode, Vertical DMOS FET

Online
Datasheet

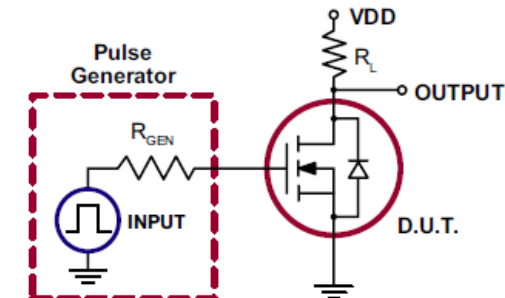
Features:

- BV_{DSS} : 400V min
- $R_{DS(ON)}$: 5.0 Ω max
- Low threshold: 2.0V max
- High input impedance
- Low input capacitance
- Fast switching speeds
- Low on-resistance
- Free from secondary breakdown
- Low input and output leakage
- Operating Temperature Range:
 - -55°C to +150°C
- Package Option: TO-252, TO-92, SOIC-8

Switching Waveform



Test Circuit



<< BACK



TN5325

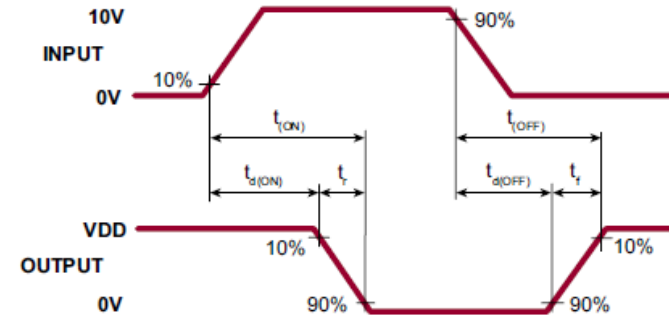
N-Channel Enhancement-Mode, Vertical DMOS FET

Online
Datasheet

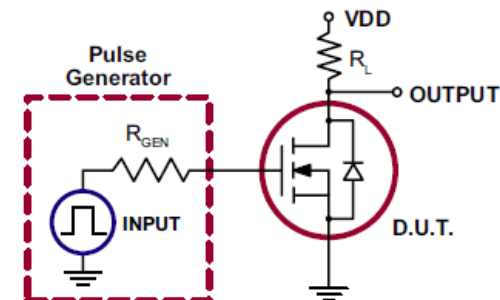
Features:

- BV_{DSS} : 250V min
- $R_{DS(ON)}$: 7.0 Ω max
- Low threshold: 2.0V max
- High input impedance
- Low input capacitance
- Fast switching speeds
- Low on-resistance
- Free from secondary breakdown
- Low input and output leakage
- Operating Temperature Range:
 - -55°C to +150°C
- Package Option: SOT-23, TO-92, SOT-89

Switching Waveform



Test Circuit



<< BACK



TN5335

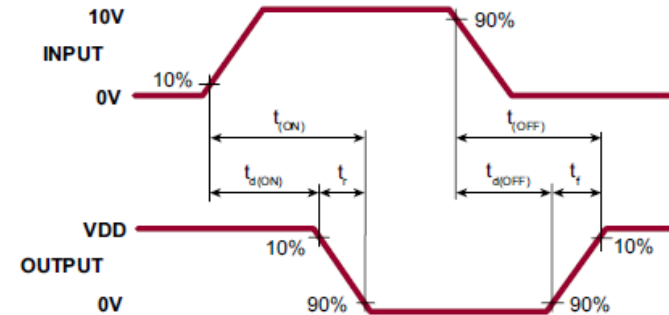
N-Channel Enhancement-Mode, Vertical DMOS FET

Online
Datasheet

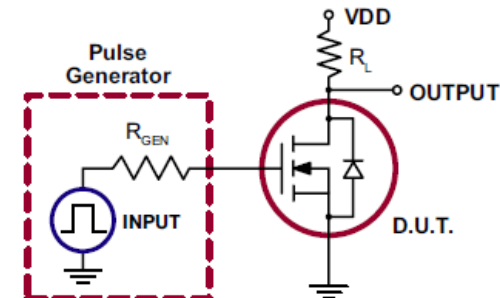
Features:

- BV_{DSS} : 350V min
- $R_{DS(ON)}$: 15 Ω max
- Low threshold
- High input impedance
- Low input capacitance
- Fast switching speeds
- Low on-resistance
- Free from secondary breakdown
- Low input and output leakage
- Operating Temperature Range:
 - -55°C to +150°C
- Package Option: SOT-23, SOT-89

Switching Waveform



Test Circuit



<< BACK



VN0104

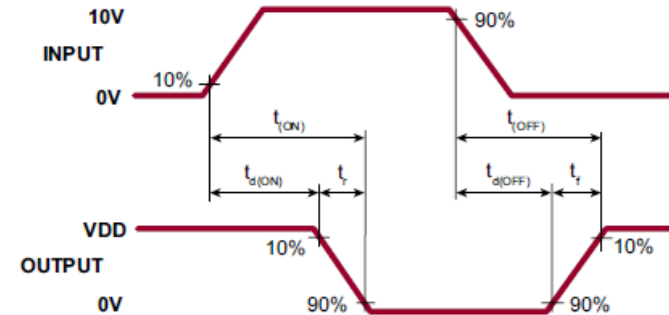
N-Channel Enhancement-Mode, Vertical DMOS FET

Online
Datasheet

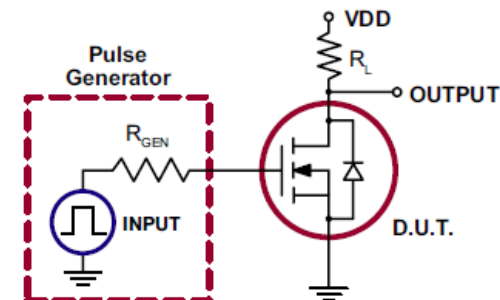
Features:

- BV_{DSS} : 40V min
- $R_{DS(ON)}$: 3.0 Ω max
- Free from secondary breakdown
- Low power drive requirement
- Ease of paralleling
- Low C_{ISS} and fast switching speeds
- Excellent thermal stability
- Integral source-drain diode
- High input impedance and high gain
- Operating Temperature Range:
 - -55°C to +150°C
- Package Option: TO-92

Switching Waveform



Test Circuit



<< BACK



VN0106

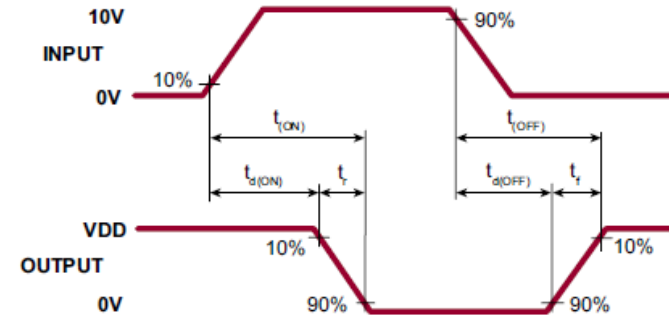
N-Channel Enhancement-Mode, Vertical DMOS FET

Online
Datasheet

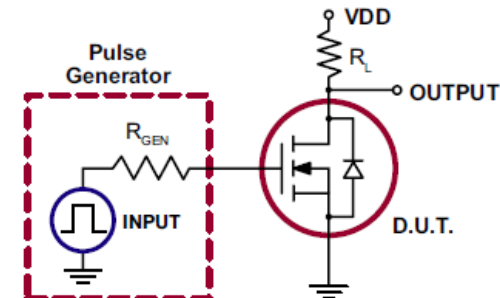
Features:

- BV_{DSS} : 60V min
- $R_{DS(ON)}$: 3.0 Ω max
- Free from secondary breakdown
- Low power drive requirement
- Ease of paralleling
- Low C_{ISS} and fast switching speeds
- Excellent thermal stability
- Integral source-drain diode
- High input impedance and high gain
- Operating Temperature Range:
 - -55°C to +150°C
- Package Option: TO-92

Switching Waveform



Test Circuit



<< BACK



VN0109

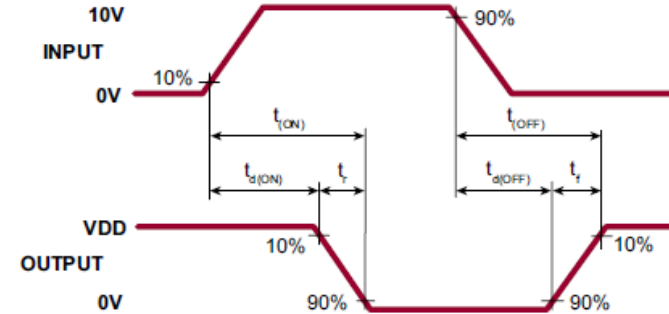
N-Channel Enhancement-Mode, Vertical DMOS FET

Online
Datasheet

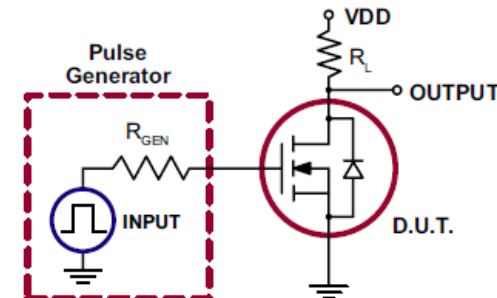
Features:

- BV_{DSS} : 90V min
- $R_{DS(ON)}$: 3.0 Ω max
- Free from secondary breakdown
- Low power drive requirement
- Ease of paralleling
- Low C_{ISS} and fast switching speeds
- Excellent thermal stability
- Integral source-drain diode
- High input impedance and high gain
- Operating Temperature Range:
 - -55°C to +150°C
- Package Option: TO-92

Switching Waveform



Test Circuit



<< BACK



VN0300

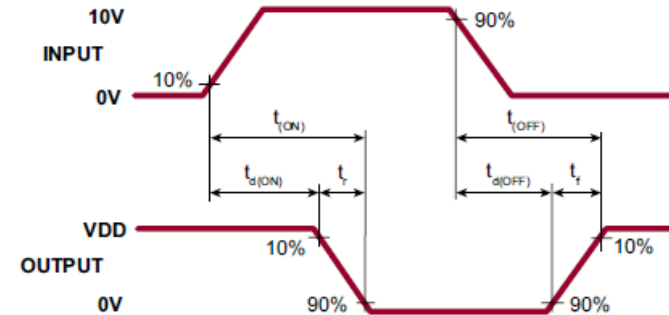
N-Channel Enhancement-Mode, Vertical DMOS FET

[Online Datasheet](#)

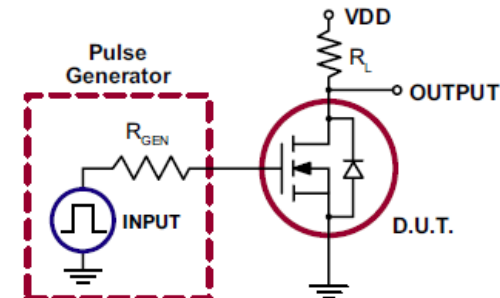
Features:

- BV_{DSS} : 30V min
- $R_{DS(ON)}$: 1.2 Ω max
- Free from secondary breakdown
- Low power drive requirement
- Ease of paralleling
- Low C_{ISS} and fast switching speeds
- Excellent thermal stability
- Integral source-drain diode
- High input impedance and high gain
- Operating Temperature Range:
 - -55°C to +150°C
- Package Option: TO-92

Switching Waveform



Test Circuit



[<< BACK](#)



VN0606

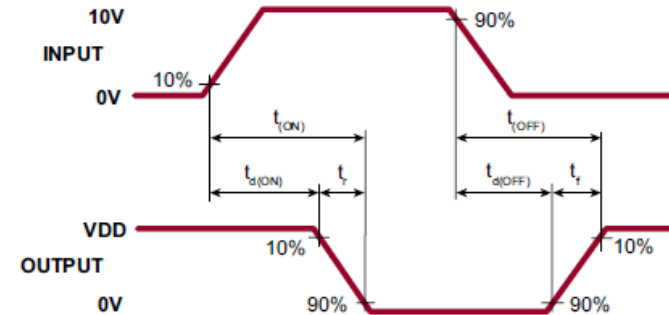
N-Channel Enhancement-Mode, Vertical DMOS FET

Online
Datasheet

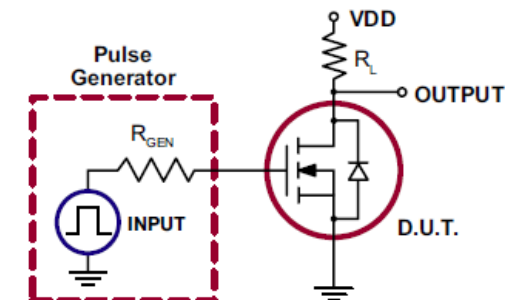
Features:

- BV_{DSS} : 60V min
- $R_{DS(ON)}$: 3.0 Ω max
- Free from secondary breakdown
- Low power drive requirement
- Ease of paralleling
- Low C_{ISS} and fast switching speeds
- Excellent thermal stability
- Integral source-drain diode
- High input impedance and high gain
- Operating Temperature Range:
 - -55°C to +150°C
- Package Option: TO-92

Switching Waveform



Test Circuit



<< BACK



VN0808

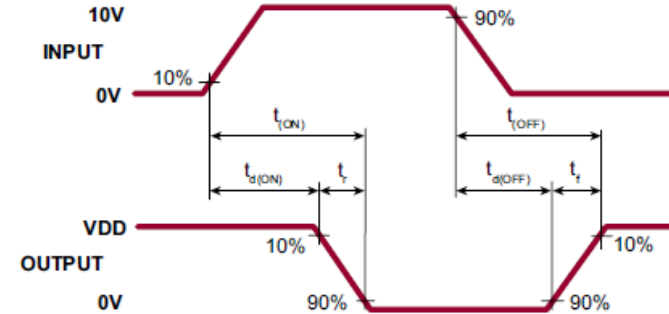
N-Channel Enhancement-Mode, Vertical DMOS FET

Online
Datasheet

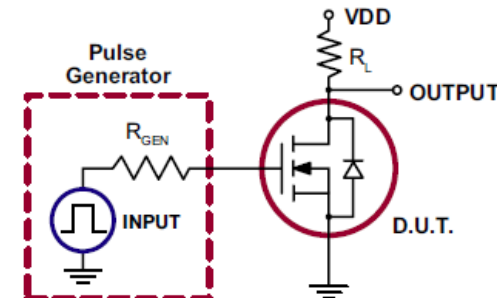
Features:

- BV_{DSS} : 80V min
- $R_{DS(ON)}$: 4.0 Ω max
- Free from secondary breakdown
- Low power drive requirement
- Ease of paralleling
- Low C_{ISS} and fast switching speeds
- Excellent thermal stability
- Integral source-drain diode
- High input impedance and high gain
- Operating Temperature Range:
 - -55°C to +150°C
- Package Option: TO-92

Switching Waveform



Test Circuit



<< BACK



VN10K

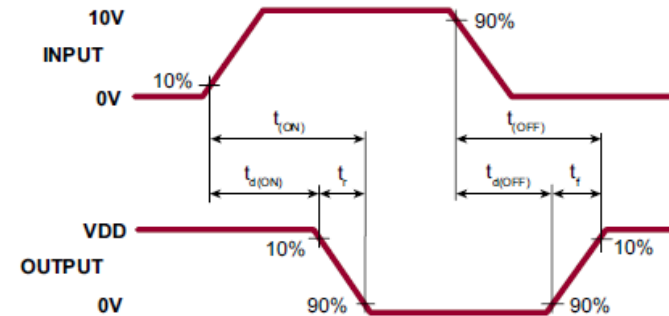
N-Channel Enhancement-Mode, Vertical DMOS FET

Online
Datasheet

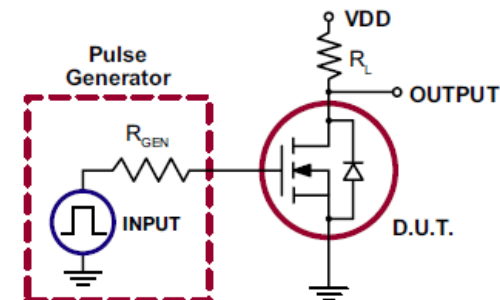
Features:

- BV_{DSS} : 60V min
- $R_{DS(ON)}$: 5.0 Ω max
- Free from secondary breakdown
- Low power drive requirement
- Ease of paralleling
- Low C_{ISS} and fast switching speeds
- Excellent thermal stability
- Integral source-drain diode
- High input impedance and high gain
- Operating Temperature Range:
 - -55°C to +150°C
- Package Option: TO-92

Switching Waveform



Test Circuit



<< BACK



VN1206

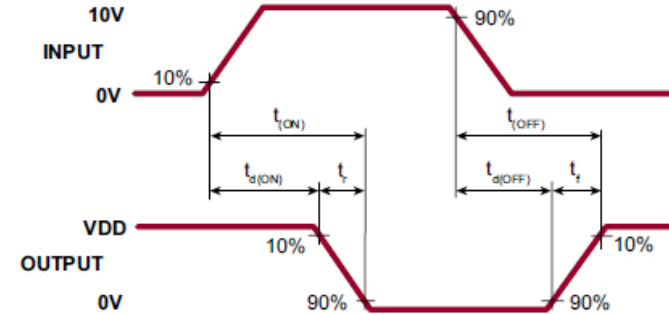
N-Channel Enhancement-Mode, Vertical DMOS FET

Online
Datasheet

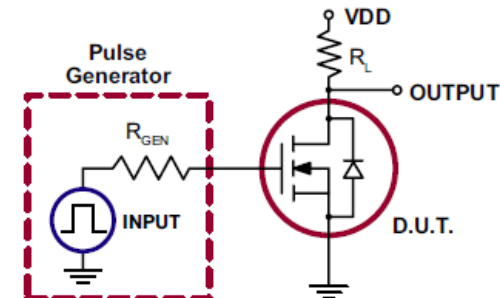
Features:

- BV_{DSS} : 120V min
- $R_{DS(ON)}$: 6.0 Ω max
- Free from secondary breakdown
- Low power drive requirement
- Ease of paralleling
- Low C_{ISS} and fast switching speeds
- Excellent thermal stability
- Integral source-drain diode
- High input impedance and high gain
- Operating Temperature Range:
 - -55°C to +150°C
- Package Option: TO-92

Switching Waveform



Test Circuit



<< BACK



VN2106

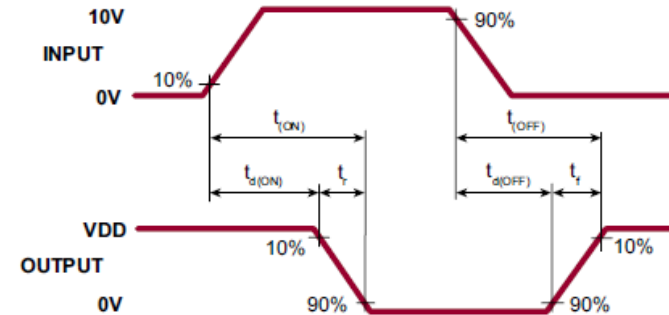
N-Channel Enhancement-Mode, Vertical DMOS FET

Online
Datasheet

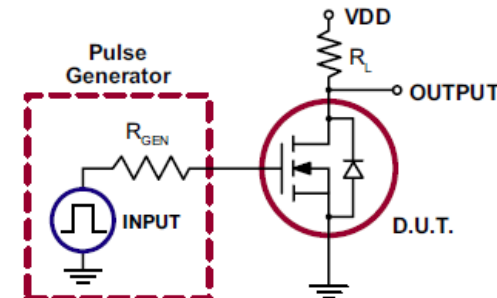
Features:

- BV_{DSS} : 60V min
- $R_{DS(ON)}$: 4.0 Ω max
- Free from secondary breakdown
- Low power drive requirement
- Ease of paralleling
- Low C_{ISS} and fast switching speeds
- Excellent thermal stability
- Integral source-drain diode
- High input impedance and high gain
- Operating Temperature Range:
 - -55°C to +150°C
- Package Option: TO-92

Switching Waveform



Test Circuit



<< BACK



VN2110

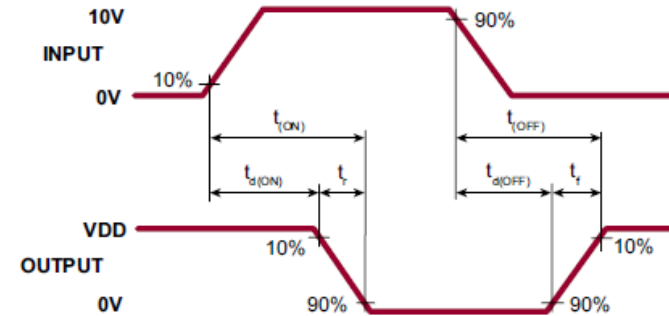
N-Channel Enhancement-Mode, Vertical DMOS FET

Online
Datasheet

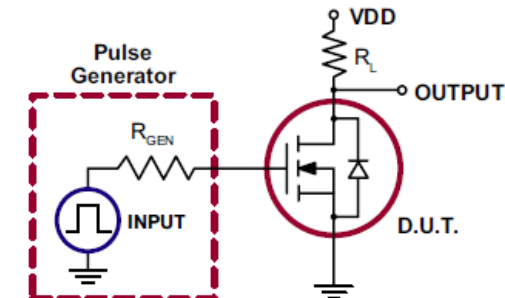
Features:

- BV_{DSS} : 100V min
- $R_{DS(ON)}$: 4.0 Ω max
- Free from secondary breakdown
- Low power drive requirement
- Ease of paralleling
- Low C_{ISS} and fast switching speeds
- High input impedance and high gain
- Operating Temperature Range:
 - -55°C to +150°C
- Package Option: SOT-23

Switching Waveform



Test Circuit



<< BACK



VN2210

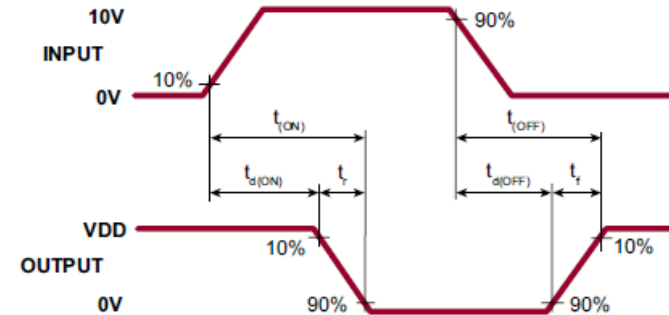
N-Channel Enhancement-Mode, Vertical DMOS FET

Online
Datasheet

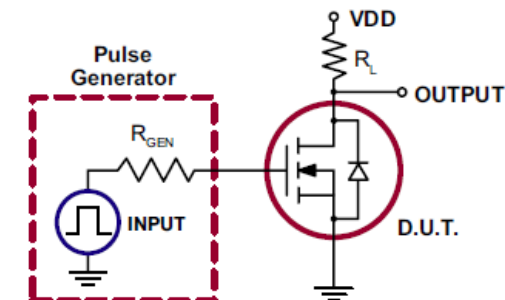
Features:

- BV_{DSS} : 100V min
- $R_{DS(ON)}$: 0.35 Ω max
- Free from secondary breakdown
- Low power drive requirement
- Ease of paralleling
- Low C_{ISS} and fast switching speeds
- Excellent thermal stability
- Integral source-drain diode
- High input impedance and high gain
- Operating Temperature Range:
 - -55°C to +150°C
- Package Option: TO-39, TO-92

Switching Waveform



Test Circuit



<< BACK



VN2222

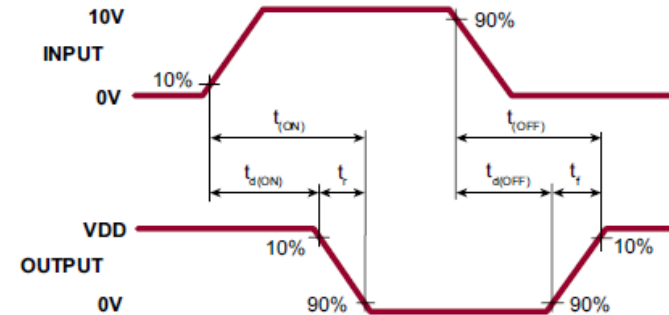
N-Channel Enhancement-Mode, Vertical DMOS FET

Online
Datasheet

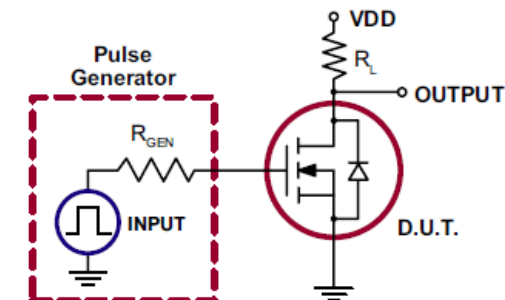
Features:

- BV_{DSS} : 60V min
- $R_{DS(ON)}$: 7.5 Ω max
- Free from secondary breakdown
- Low power drive requirement
- Ease of paralleling
- Low C_{ISS} and fast switching speeds
- Excellent thermal stability
- Integral source-drain diode
- High input impedance and high gain
- Operating Temperature Range:
 - -55°C to +150°C
- Package Option: TO-92

Switching Waveform



Test Circuit



<< BACK



VN2224

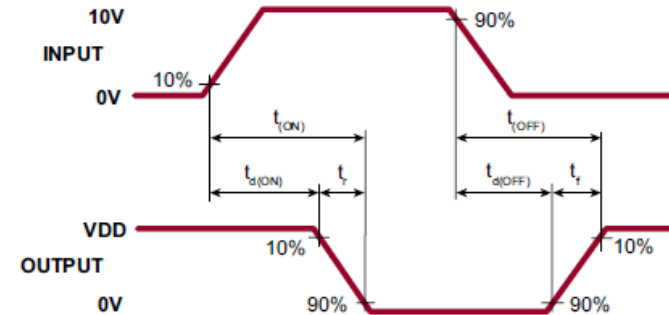
N-Channel Enhancement-Mode, Vertical DMOS FET

Online
Datasheet

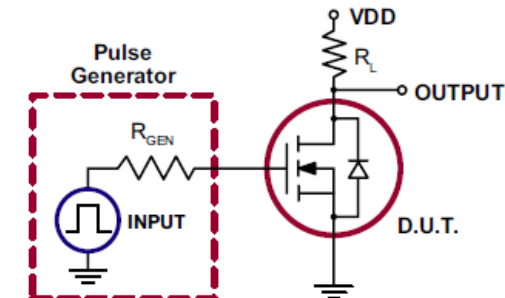
Features:

- BV_{DSS} : 240V min
- $R_{DS(ON)}$: 1.25 Ω max
- Free from secondary breakdown
- Low power drive requirement
- Ease of paralleling
- Low C_{ISS} and fast switching speeds
- Excellent thermal stability
- Integral source-drain diode
- High input impedance and high gain
- Operating Temperature Range:
 - -55°C to +150°C
- Package Option: TO-92

Switching Waveform



Test Circuit



<< BACK



VN2406

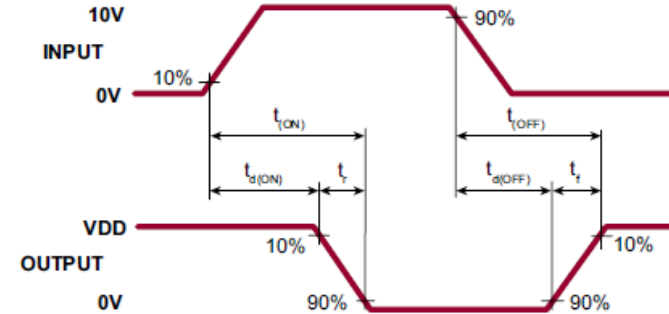
N-Channel Enhancement-Mode, Vertical DMOS FET

Online
Datasheet

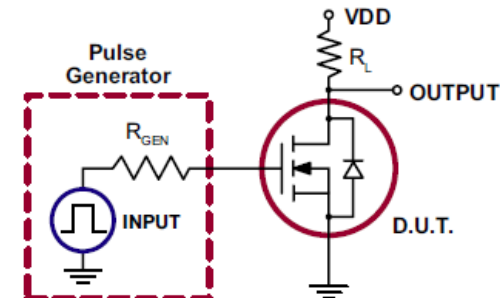
Features:

- BV_{DSS} : 240V min
- $R_{DS(ON)}$: 6.0 Ω max
- Free from secondary breakdown
- Low power drive requirement
- Ease of paralleling
- Low C_{ISS} and fast switching speeds
- Excellent thermal stability
- Integral source-drain diode
- High input impedance and high gain
- Operating Temperature Range:
 - -55°C to +150°C
- Package Option: TO-92

Switching Waveform



Test Circuit



<< BACK



VN2410

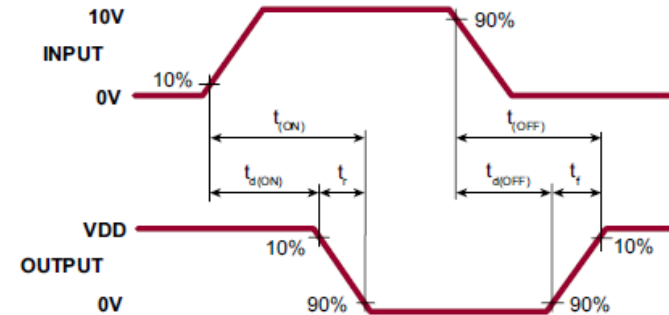
N-Channel Enhancement-Mode, Vertical DMOS FET

Online
Datasheet

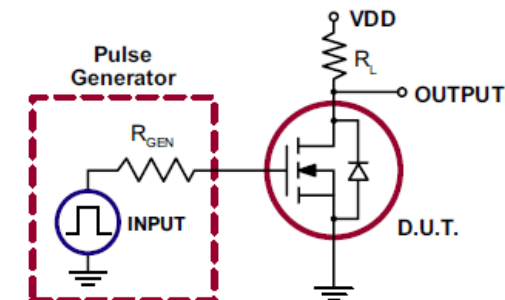
Features:

- BV_{DSS} : 240V min
- $R_{DS(ON)}$: 10 Ω max
- Free from secondary breakdown
- Low power drive requirement
- Ease of paralleling
- Low C_{ISS} and fast switching speeds
- Excellent thermal stability
- Integral source-drain diode
- High input impedance and high gain
- Operating Temperature Range:
 - -55°C to +150°C
- Package Option: TO-92

Switching Waveform



Test Circuit



<< BACK



VN2450

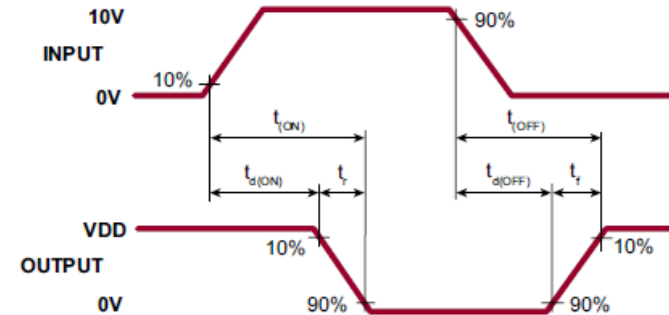
N-Channel Enhancement-Mode, Vertical DMOS FET

Online
Datasheet

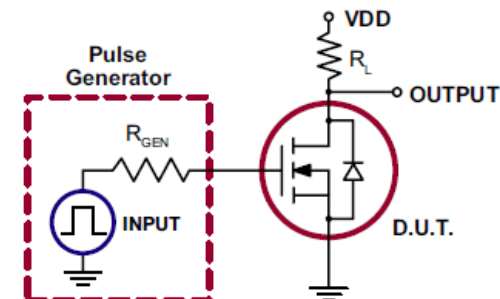
Features:

- BV_{DSS} : 500V min
- $R_{DS(ON)}$: 13 Ω max
- Free from secondary breakdown
- Low power drive requirement
- Ease of paralleling
- Low C_{ISS} and fast switching speeds
- Excellent thermal stability
- Integral source-drain diode
- High input impedance and high gain
- Operating Temperature Range:
 - -55°C to +150°C
- Package Option: TO-92, SOT-89

Switching Waveform



Test Circuit



<< BACK



VN2460

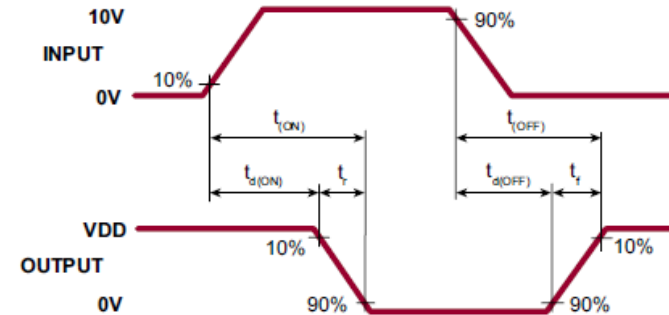
N-Channel Enhancement-Mode, Vertical DMOS FET

Online
Datasheet

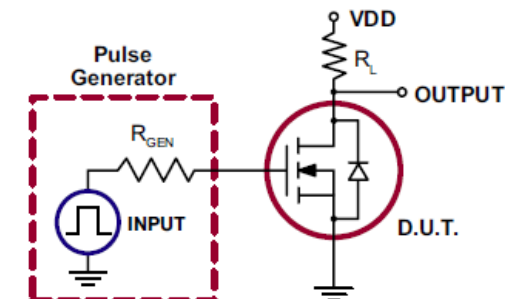
Features:

- BV_{DSS} : 600V min
- $R_{DS(ON)}$: 20 Ω max
- Free from secondary breakdown
- Low power drive requirement
- Ease of paralleling
- Low C_{ISS} and fast switching speeds
- Excellent thermal stability
- Integral source-drain diode
- High input impedance and high gain
- Operating Temperature Range:
 - -55°C to +150°C
- Package Option: TO-92, SOT-89

Switching Waveform



Test Circuit



<< BACK



VN3205

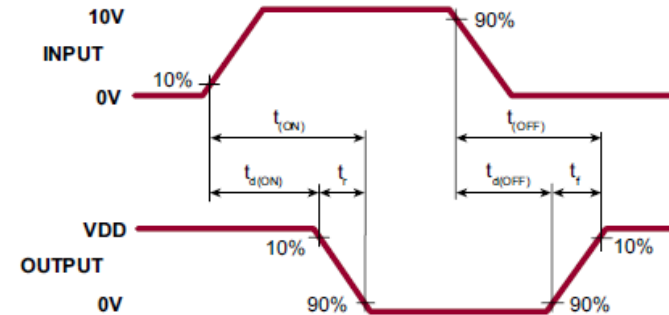
N-Channel Enhancement-Mode, Vertical DMOS FET

Online
Datasheet

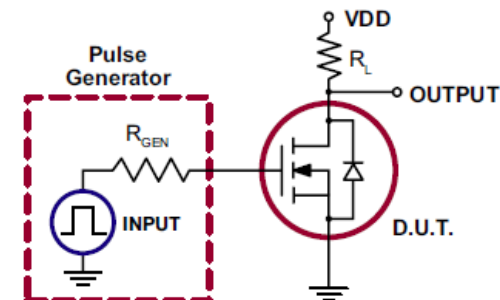
Features:

- BV_{DSS} : 50V min
- $R_{DS(ON)}$: 0.3 Ω max
- Free from secondary breakdown
- Low power drive requirement
- Ease of paralleling
- Low C_{ISS} and fast switching speeds
- Excellent thermal stability
- Integral source-drain diode
- High input impedance and high gain
- Operating Temperature Range:
 - -55°C to +150°C
- Package Option: TO-92, SOT-89

Switching Waveform



Test Circuit



<< BACK



VN4012

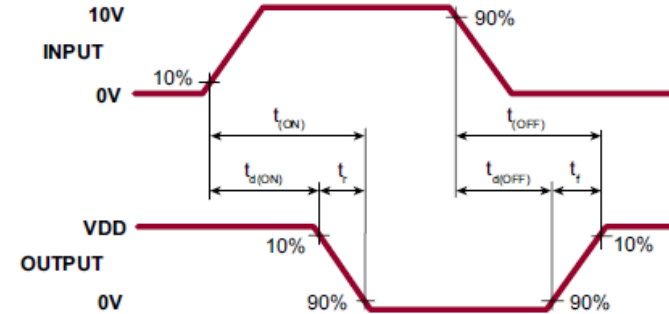
N-Channel Enhancement-Mode, Vertical DMOS FET

Online
Datasheet

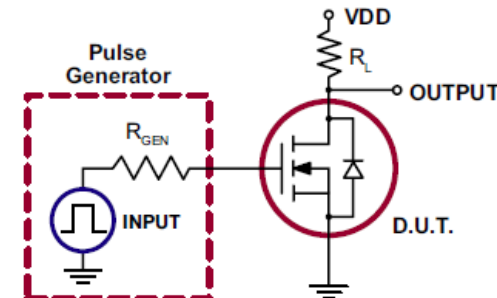
Features:

- BV_{DSS} : 400V min
- $R_{DS(ON)}$: 12 Ω max
- Free from secondary breakdown
- Low power drive requirement
- Ease of paralleling
- Low C_{ISS} and fast switching speeds
- Excellent thermal stability
- Integral source-drain diode
- High input impedance and high gain
- Operating Temperature Range:
 - -55°C to +150°C
- Package Option: TO-92

Switching Waveform



Test Circuit



<< BACK



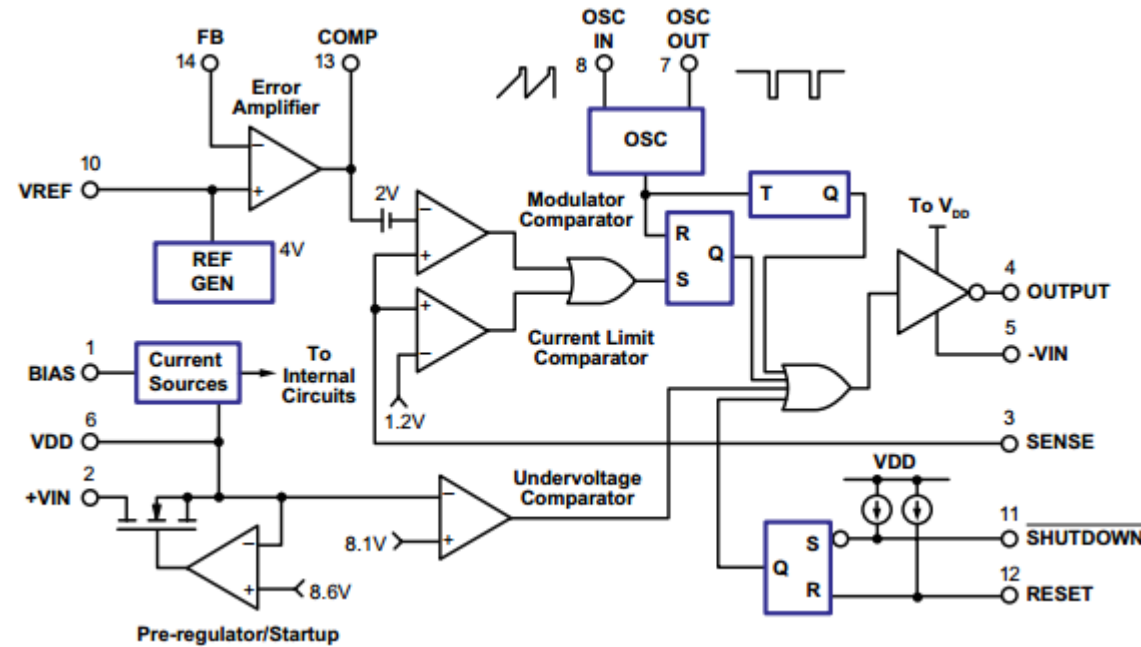
HV9110

High-Voltage Current-Mode, PWM Controller

Online
Datasheet

Features:

- 10 to 120V input voltage range
- Current-mode control
- High efficiency
- Up to 1.0MHz internal oscillator
- Internal start-up circuit
- Low internal noise
- 50% maximum duty cycle
- Operating Temperature Range:
 - -55°C to +125°C
- Package Option: SOIC-14



<< BACK



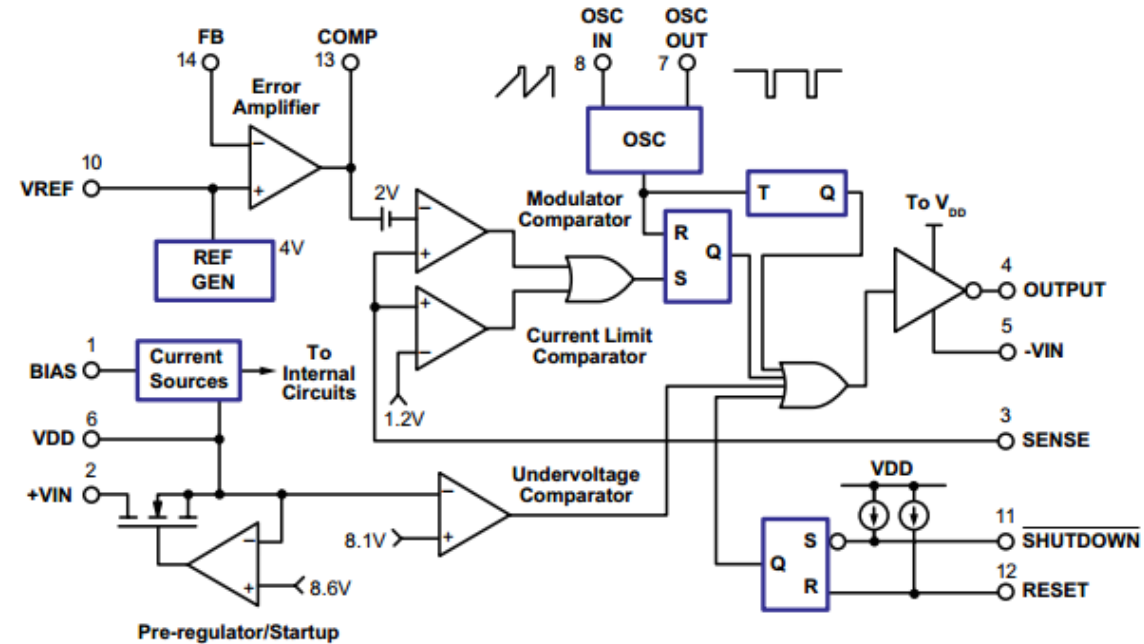
HV9112

High-Voltage, Current-Mode, PWM Controller

Online
Datasheet

Features:

- 9.0 to 80V input voltage range
- Current-mode control
- High efficiency
- Up to 1.0MHz internal oscillator
- Internal start-up circuit
- Low internal noise
- 50% maximum duty cycle
- Operating Temperature Range:
 - -55°C to +125°C
- Package Option: SOIC-14



<< BACK



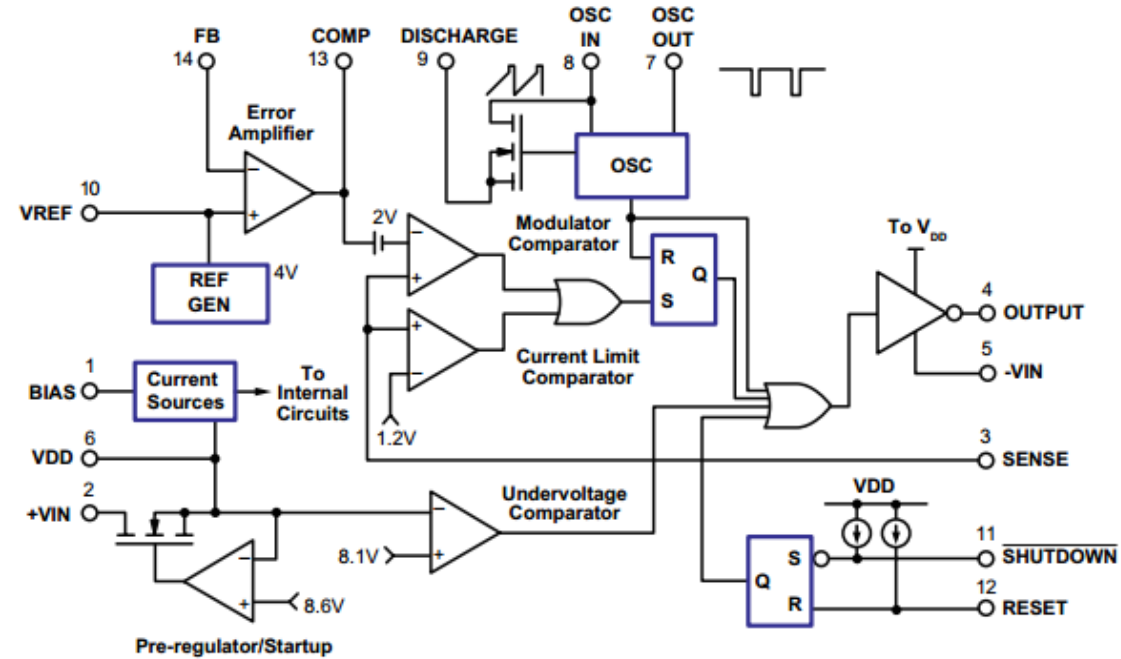
HV9113

High-Voltage, Current-Mode, PWM Controller

Online
Datasheet

Features:

- 10 to 120V input voltage range
- Current-mode control
- High efficiency
- Up to 1.0MHz internal oscillator
- Internal start-up circuit
- Low internal noise
- 99% maximum duty cycle
- Operating Temperature Range:
 - -55°C to +125°C
- Package Option: SOIC-14



<< BACK



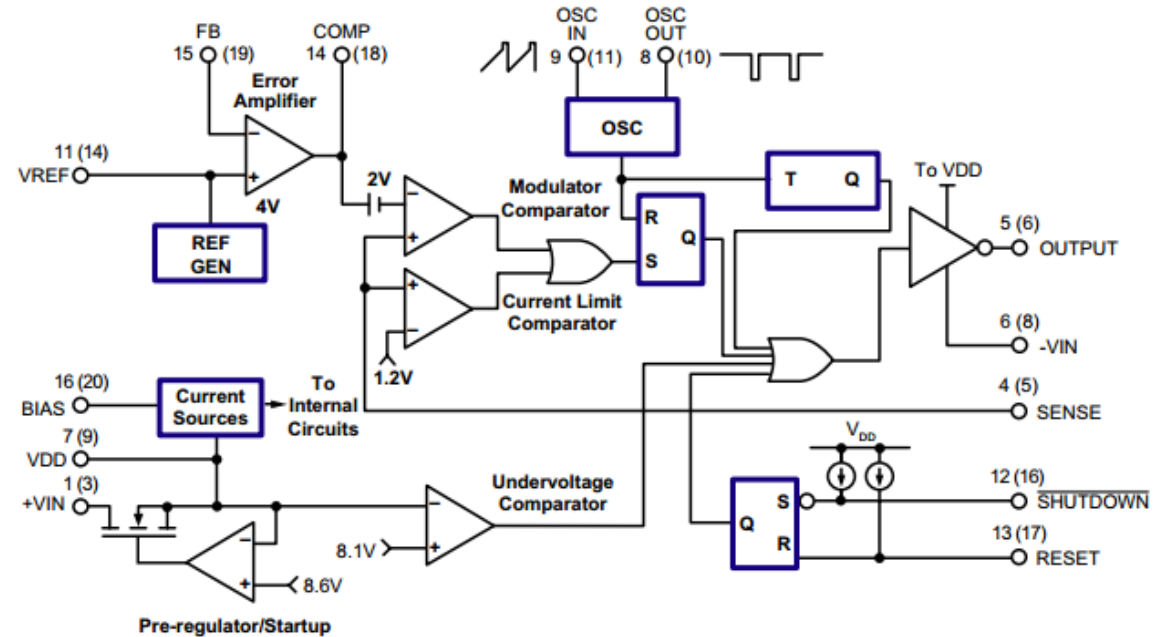
HV9120

High-Voltage, Current-Mode, PWM Controller

Online
Datasheet

Features:

- 10 to 450V input voltage range
- <1.3mA supply current
- >1.0MHz clock
- >20:1 dynamic range @ 500KHz
- 49% Maximum duty cycle version
- Low internal noise
- Operating Temperature Range:
 - -55°C to +125°C
- Package Option: SOIC-16



<< BACK



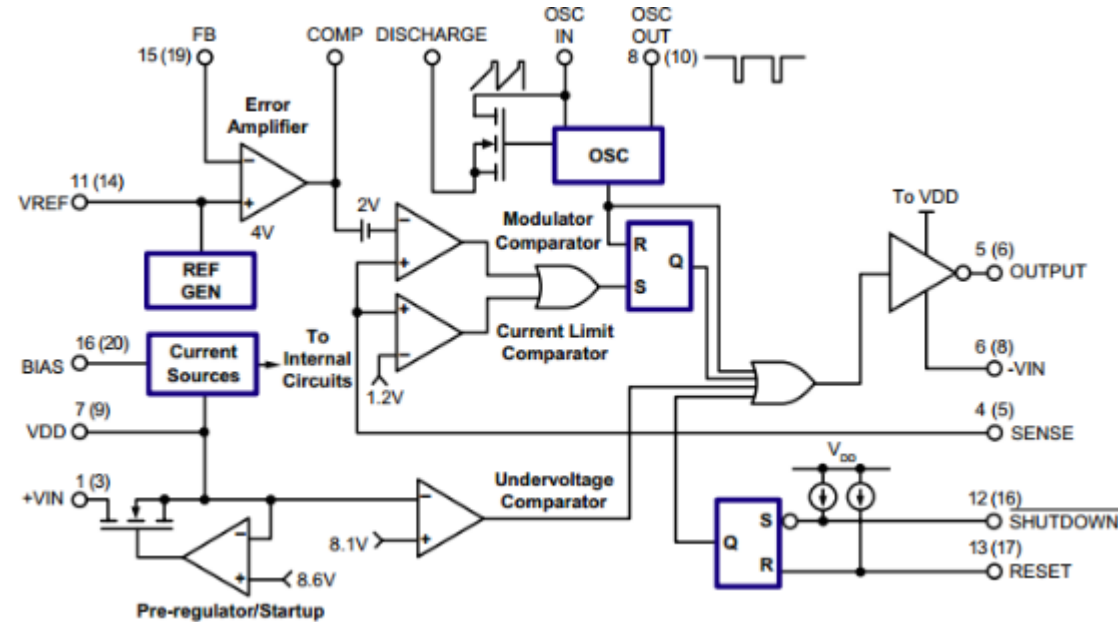
HV9123

High-Voltage, Current-Mode, PWM Controller

Online
Datasheet

Features:

- 10 to 450V input voltage range
- <1.3mA supply current
- >1.0MHz clock
- >20:1 dynamic range @ 500kHz
- 99% Maximum duty cycle version
- Low internal noise
- Operating Temperature Range:
 - -55°C to +125°C
- Package Option: SOIC-16



<< BACK



TD9944

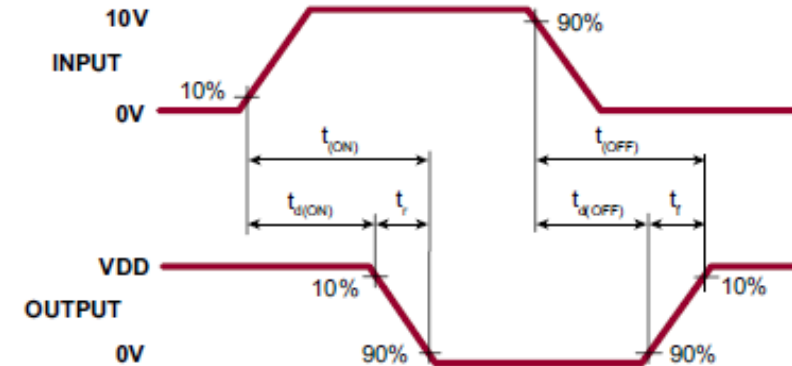
Dual N-Channel Enhancement-Mode Vertical DMOS FET

Online
Datasheet

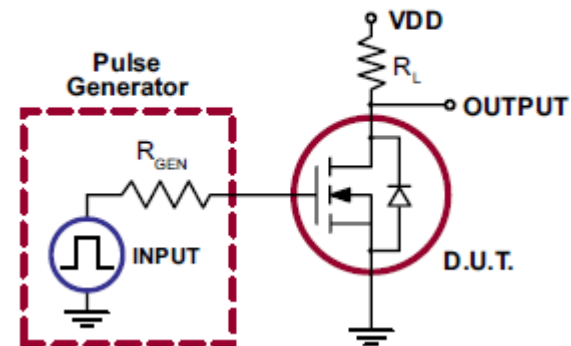
Features:

- BV_{DSS} : 240V min
- $R_{DS(ON)}$: 6 Ω max
- Dual N-channel devices
- Low threshold: 2.0V max
- High input impedance
- Low input capacitance: 125pF max
- Fast switching speeds
- Low on-resistance
- Free from secondary breakdown
- Low input and output leakage
- Operating Temperature Range:
 - -55°C to +150°C
- Package Option: SOIC-8

Switching Waveform



Test Circuit



<< BACK



TC1550

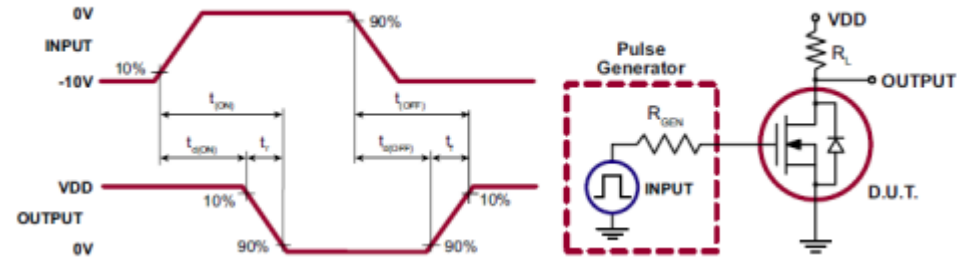
N- and P-Channel Enhancement-Mode Dual MOSFET

Online
Datasheet

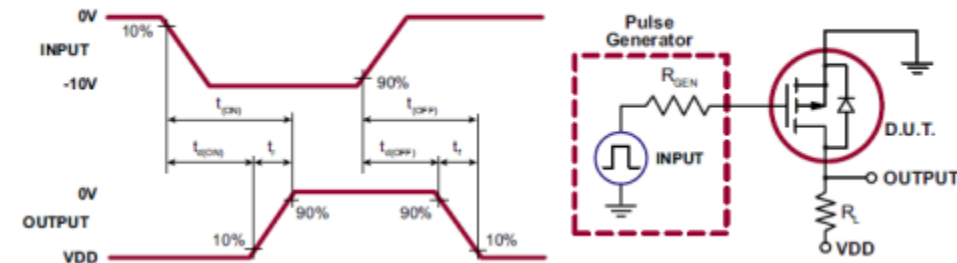
Features:

- N-Channel:
 - BV_{DSS} : 500V min, $R_{DS(ON)}$: 60 Ω max
- P-Channel:
 - BV_{DSS} : -500V min, $R_{DS(ON)}$: 125 Ω max
- Independent N- and P-channels
- Electrically isolated N- and P-channels
- Low input capacitance
- Fast switching speeds
- Free from secondary breakdowns
- Low input and output leakage
- Operating Temperature Range:
 - -55°C to +150°C
- Package Option: SOIC-8

N-Channel Switching Waveform and Test Circuit



P-Channel Switching Waveform and Test Circuit



<< BACK

TC2320

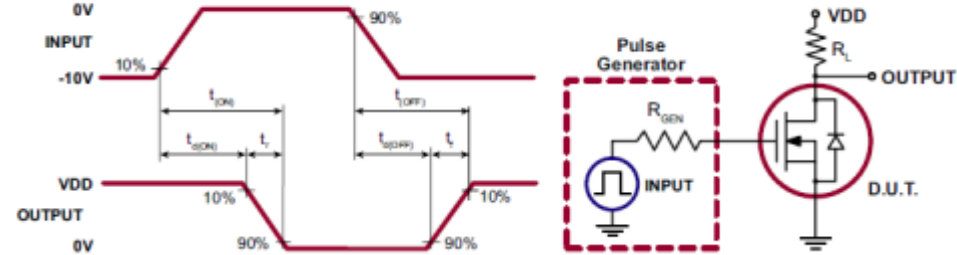
N- and P-Channel Enhancement-Mode Dual MOSFET

Online
Datasheet

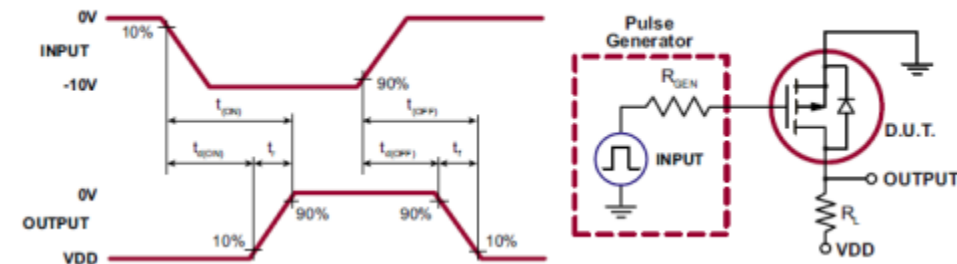
Features:

- N-Channel:
 - BV_{DSS} : 200V min, $R_{DS(ON)}$: 7.0 Ω max
- P-Channel:
 - BV_{DSS} : -200V min, $R_{DS(ON)}$: 12 Ω max
- Low threshold
- Low on-resistance
- Low input capacitance
- Fast switching speeds
- Freedom from secondary breakdown
- Low input and output leakage
- Independent, electrically isolated N- and –
– P-channels
- Low input and output leakage
- Operating Temperature Range:
 - -55°C to +150°C
- Package Option: SOIC-8

N-Channel Switching Waveform and Test Circuit



P-Channel Switching Waveform and Test Circuit



<< BACK



TC6215

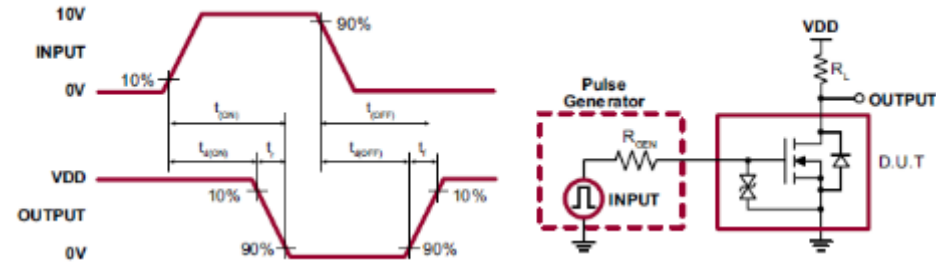
N- and P-Channel Enhancement-Mode Dual MOSFET

Online
Datasheet

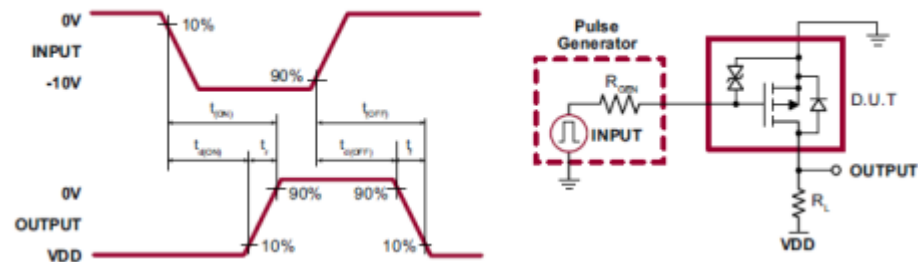
Features:

- N-Channel
 - BV_{DSS} : 150V min, $R_{DS(ON)}$: 4.0 Ω max
- P-Channel
 - BV_{DSS} : -150V min, $R_{DS(ON)}$: 7.0 Ω max
- Back to back gate-source Zener diodes
- Guaranteed $R_{DS(ON)}$ at 4.0V gate drive
- Low threshold and low on-resistance
- Independent N- and P-channels
- Electrically isolated N- and P-channels
- Low input capacitance
- Fast switching speeds
- Free from secondary breakdowns
- Low input and output leakage
- Operating Temperature Range:
 - -55°C to +150°C
- Package Option: SOIC-8

N-Channel Switching Waveform and Test Circuit



P-Channel Switching Waveform and Test Circuit



<< BACK



TC6320

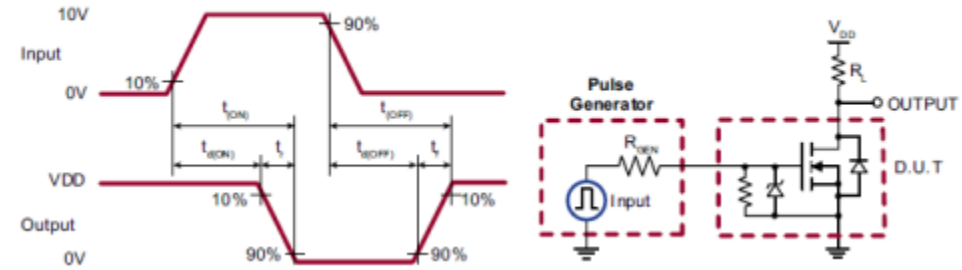
N- and P-Channel Enhancement-Mode MOSFET Pair

Online
Datasheet

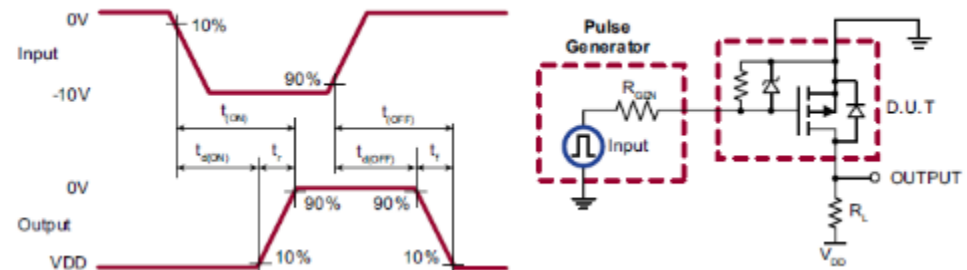
Features:

- N-Channel:
 - BV_{DSS} : 200V min, $R_{DS(ON)}$: 7.0 Ω max
- P-Channel:
 - BV_{DSS} : -200V min, $R_{DS(ON)}$: 8.0 Ω max
- Integrated GATE-to-SOURCE resistor
- Integrated GATE-to-SOURCE Zener diode
- Low threshold and low on-resistance
- Low input capacitance
- Fast switching speeds
- Free from secondary breakdown
- Low input and output leakage
- Independent, electrically isolated N- and –
- P-channels
- Operating Temperature Range:
 - -55°C to +150°C
- Package Option: SOIC-8, VDFN-8

N-Channel Switching Waveform and Test Circuit



P-Channel Switching Waveform and Test Circuit



<< BACK



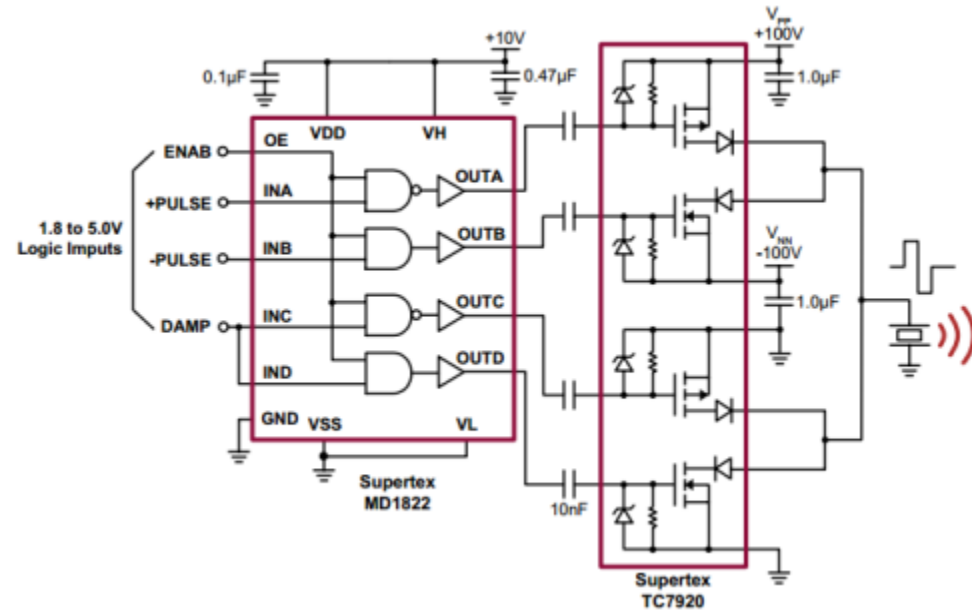
TC7920

Two Pair, N- and P-Channel Enhancement-Mode
MOSFET with Drain-Diodes

Online
Datasheet

Features:

- N-Channel:
 - BV_{DSS} : 200V min, $R_{DS(ON)}$: 7.0 Ω max
- P-Channel:
 - BV_{DSS} : -200V min, $R_{DS(ON)}$: 8.0 Ω max
- High voltage, vertical DMOS technology
- Integrated drain output high voltage diodes
- Integrated gate-to-source resistor
- Integrated gate-to-source Zener diode
- Low threshold, Low on-resistance
- Low input & output capacitance
- Fast switching speeds
- Electrically isolated N- and P-MOSFET pairs
- Operating Temperature Range:
 - -55°C to +150°C
- Package Option: VDFN-12



<< BACK



TC8020

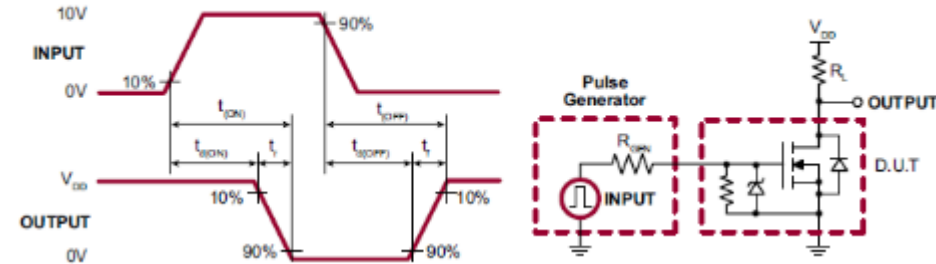
Six Pair, N- and P-Channel Enhancement-Mode MOSFET

Online
Datasheet

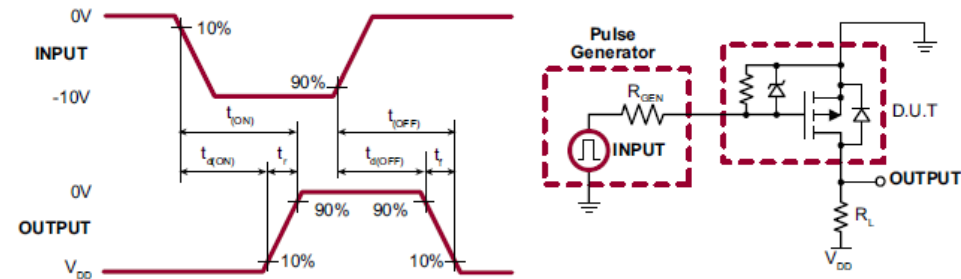
Features:

- N-Channel:
 - BV_{DSS} : 200V min
 - $R_{DS(ON)}$: 8.0 Ω max
- P-Channel:
 - BV_{DSS} : -200V min
 - $R_{DS(ON)}$: 9.5 Ω max
- High voltage, vertical DMOS technology
- Integrated gate-to-source resistor
- Integrated gate-to-source Zener diode
- Typical peak output +/-3.5A at 50V
- Low threshold, low on-resistance
- Low input & output capacitance
- Fast switching speeds
- Electrically isolated N- and –
- P-MOSFET pairs
- Operating Temperature Range:
 - -55°C to +150°C
- Package Option: VQFN-56

N-Channel Switching Waveform and Test Circuit



P-Channel Switching Waveform and Test Circuit



<< BACK

TC8220

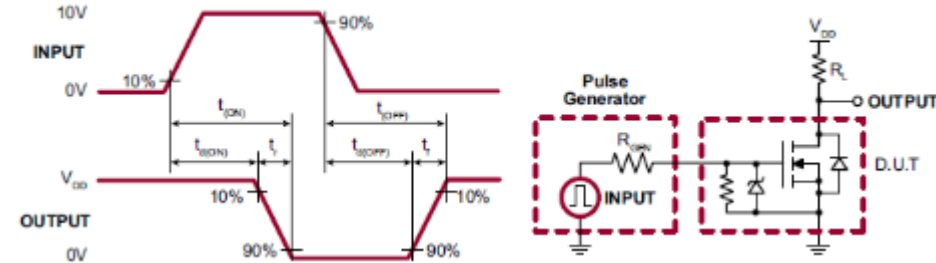
Two Pair, N- and P-Channel Enhancement-Mode MOSFET

Online
Datasheet

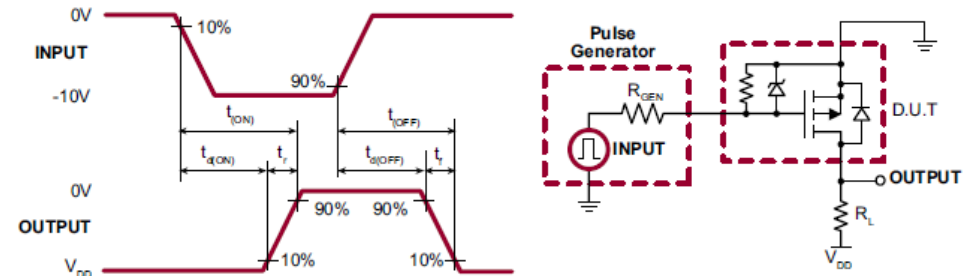
Features:

- N-Channel:
 - BV_{DSS} : 200V min
 - $R_{DS(ON)}$: 5.3 Ω max
- P-Channel:
 - BV_{DSS} : -200V min
 - $R_{DS(ON)}$: 6.5 Ω max
- High voltage, vertical DMOS technology
- Integrated gate-to-source resistor
- Integrated gate-to-source Zener diode
- Typical peak output +/-3.5A at 50V
- Low threshold, low on-resistance
- Low input & output capacitance
- Fast switching speeds
- Electrically isolated N- and –
- P-MOSFET pairs
- Operating Temperature Range:
 - -55°C to +150°C
- Package Option: VDFN-12

N-Channel Switching Waveform and Test Circuit



P-Channel Switching Waveform and Test Circuit



<< BACK



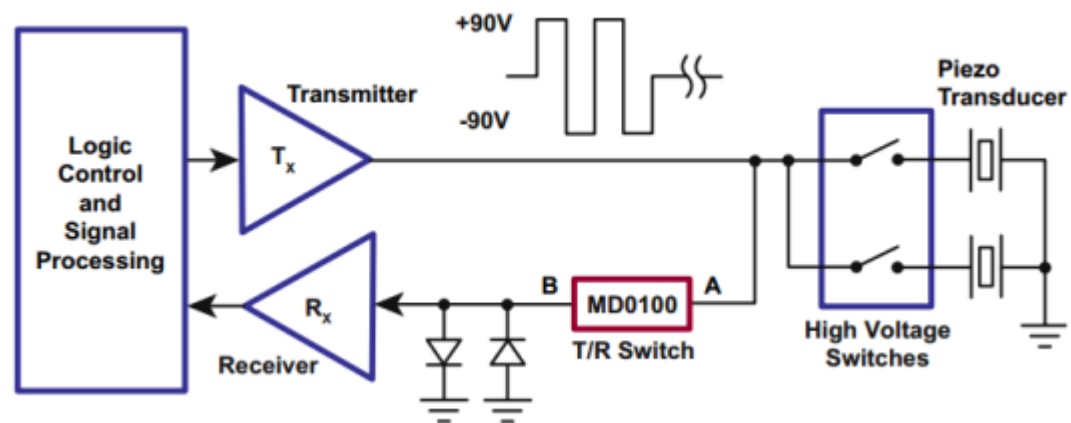
MD0100 / MD0100D

High Voltage Protection T/R Switch

Online
Datasheet

Features:

- Up to $\pm 100\text{V}$ input voltage –
- protection
- Low on resistance - 15Ω typical
- Fast switching speed
- Effectively, a simple two –
- terminal device
- No external supplies needed
- Dual & single channel versions –
- of device
- Operating Temperature Range:
 - 0°C to $+125^\circ\text{C}$
- Package Option: DFN-8, SOT-89



<< BACK



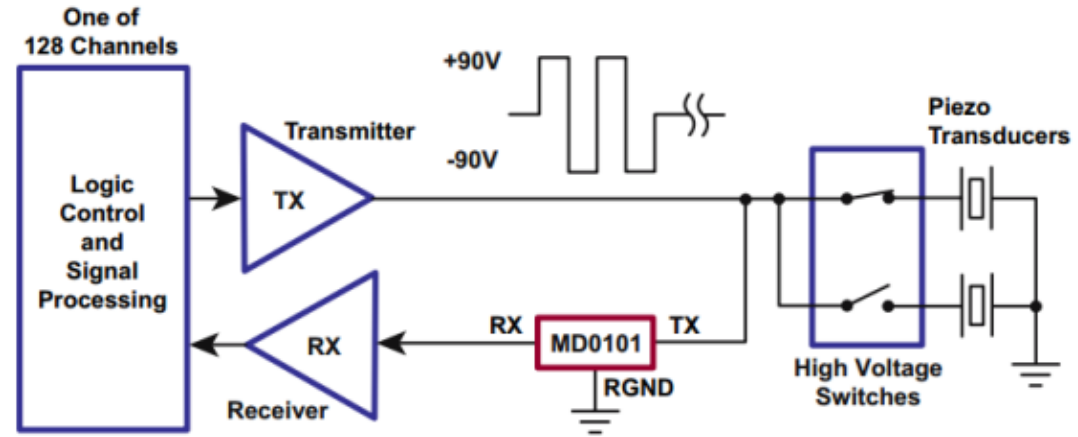
MD0101

High Voltage Protection T/R Switch with Clamp Diodes

[Online Datasheet](#)

Features:

- Up to $\pm 100\text{V}$ input voltage – protection
- Low on resistance - 15Ω typical
- Integrated clamp diodes
- Fast switching speed
- Four electrically isolated – channels
- No external supplies needed
- Operating Temperature Range:
 - 0°C to $+125^\circ\text{C}$
- Package Option: DFN-18



<< BACK



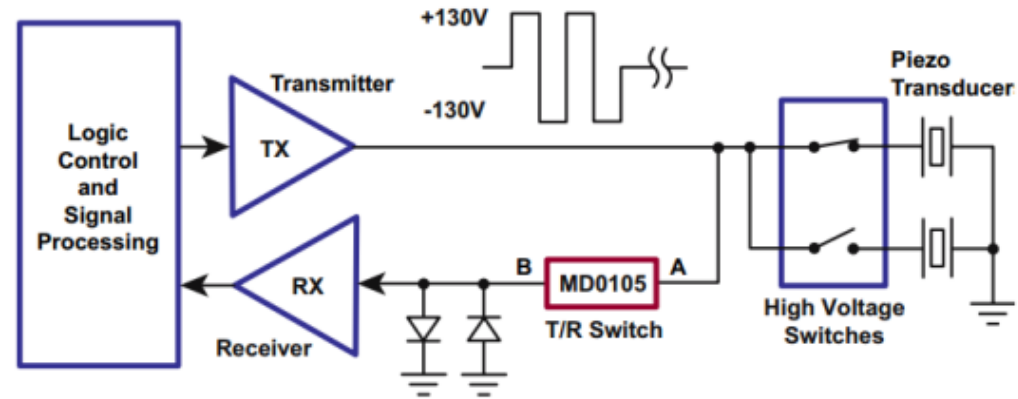
MD0105

Four-Channel High Voltage Protection T/R Switch

[Online Datasheet](#)

Features:

- Up to $\pm 130\text{V}$ input voltage – protection
- Low on resistance - 15Ω typical
- Fast switching speed
- Four electrically isolated channels
- No external supplies needed
- Operating Temperature Range:
 - 0°C to $+125^{\circ}\text{C}$
- Package Option: DFN-18



<< BACK



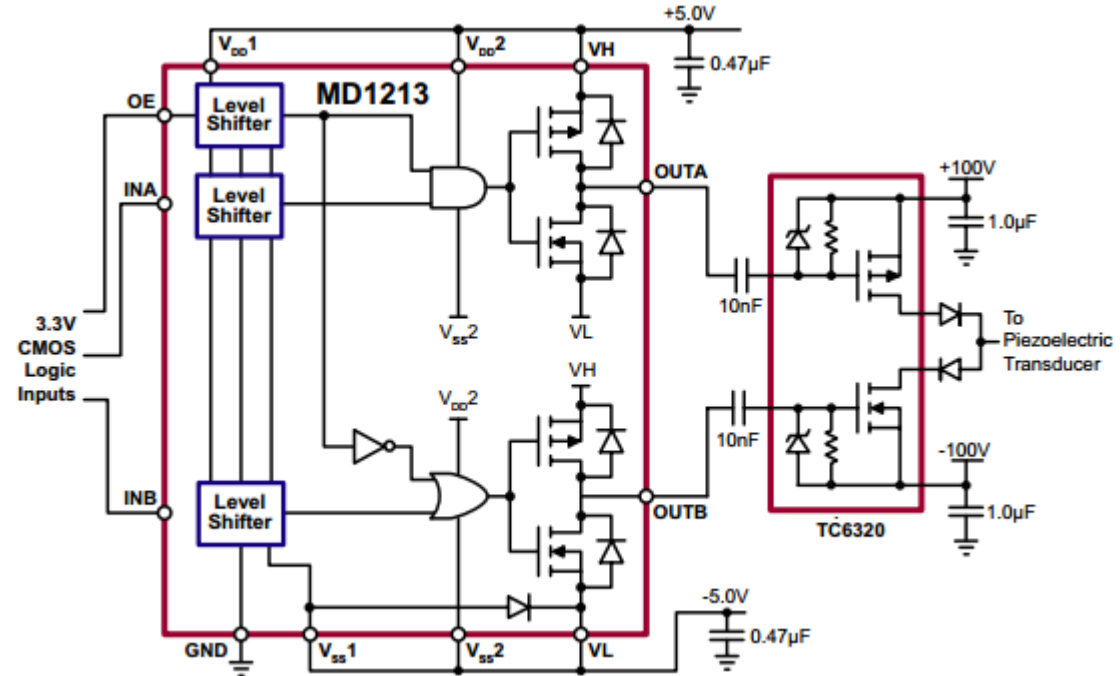
MD1213

High-Speed, Dual-MOSFET Driver

Online
Datasheet

Features:

- 6.0ns rise and fall time with –
– 1000pF load
- 2.0A peak output source/sink –
– current
- 1.8 to 5.0V input CMOS –
– compatible
- 4.5 to 13V total supply voltage
- Smart logic threshold
- Low jitter design
- Two matched channels
- Outputs can swing below ground
- Low inductance package
- Thermally-enhanced package
- Operating Temperature Range:
 - -20°C to +85°C
- Package Option: QFN-12



<< BACK

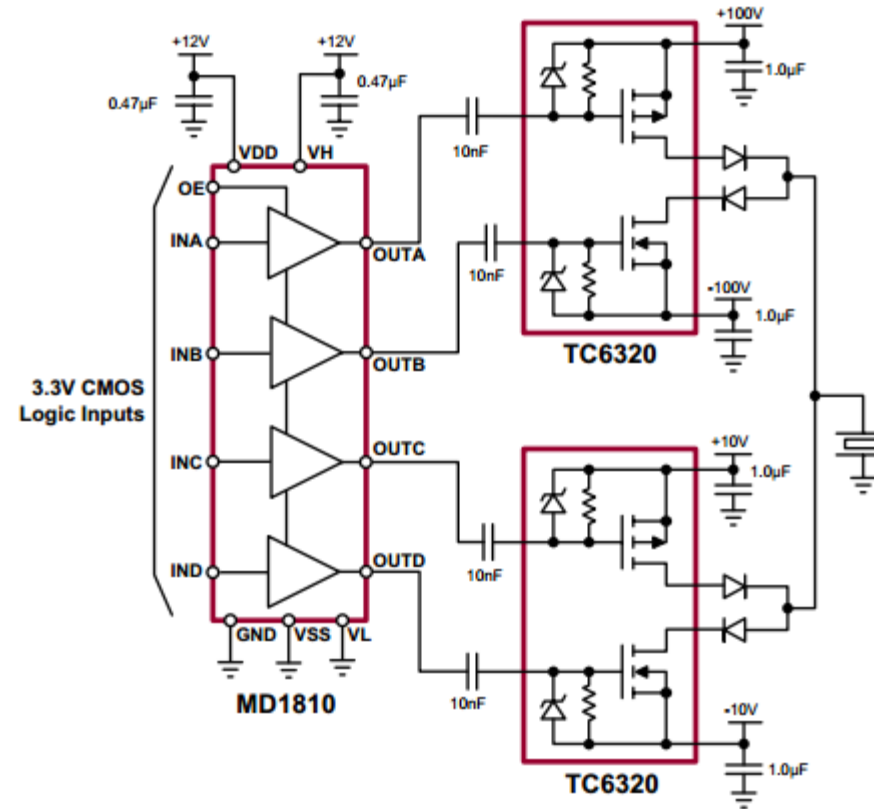
MD1810

High Speed, Quad-MOSFET Driver

Online
Datasheet

Features:

- 6.0ns rise and fall time with 1000pF load
- 2.0A peak output source/sink current
- 1.8 to 5.0V input CMOS compatible
- 5.0 to 12V total supply voltage
- Smart logic threshold
- Low jitter design
- Four matched channels
- Outputs can swing below ground
- Output is high impedance when disabled
- Low inductance package
- Operating Temperature Range:
 - -20°C to +85°C
- Package Option: QFN-16



<< BACK



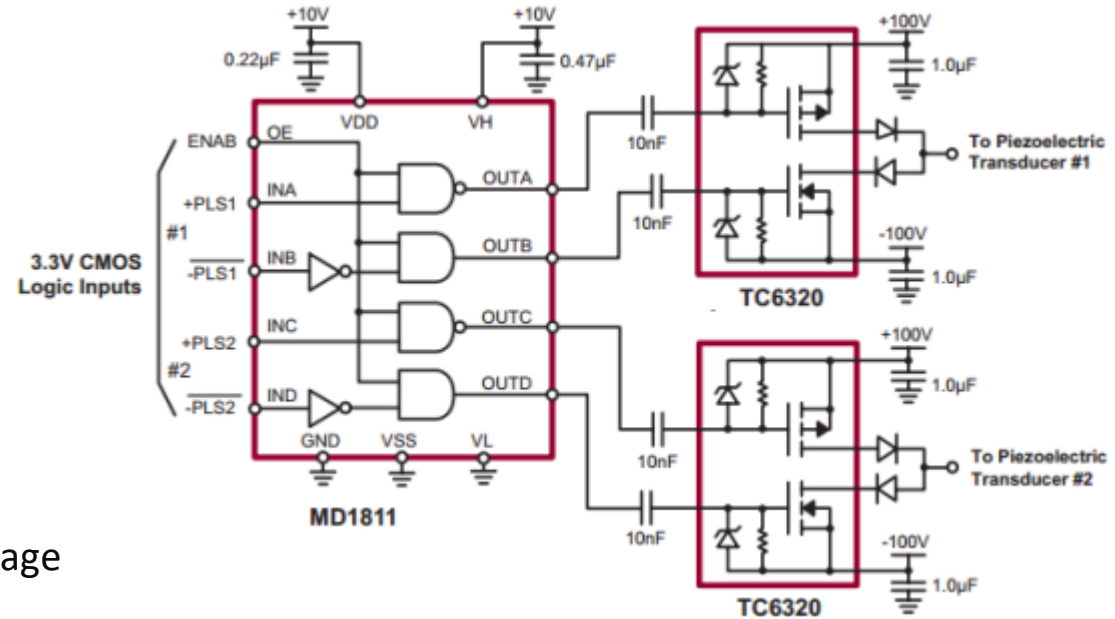
MD1811

High Speed, Quad-MOSFET Driver

Online
Datasheet

Features:

- 6.0ns rise and fall time
- 2.0A peak output source/sink current
- 1.8 to 5.0V input CMOS compatible
- 5.0 to 12V total supply voltage
- Smart logic threshold
- Low jitter design
- Quad matched channels
- Drives two P- and two N-channel –
– MOSFETs
- Outputs can swing below ground
- Low inductance quad flat no-lead package
- Operating Temperature Range:
 - -20°C to +85°C
- Package Option: QFN-16



<< BACK

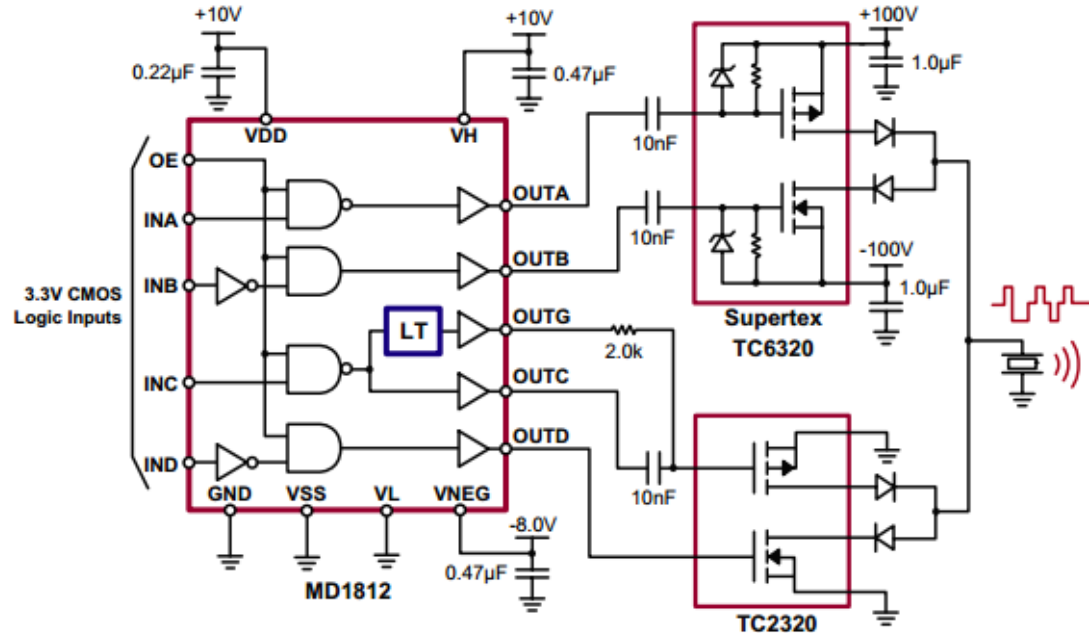
MD1812

High-Speed, Quad-MOSFET Driver

Online
Datasheet

Features:

- 6.0ns rise and fall time
- 2.0A peak output source/sink current
- 1.8 to 5.0V input CMOS compatible
- Smart logic threshold
- Low jitter design
- Quad matched channels
- Drives two N and two P-channel – MOSFETs
- Outputs can swing below ground
- Built-in level translator for negative – gate bias
- User-defined damping for return-to – zero application
- Low inductance quad flat no-lead package
- Operating Temperature Range:
 - -25°C to +125°C
- Package Option: QFN-16



<< BACK

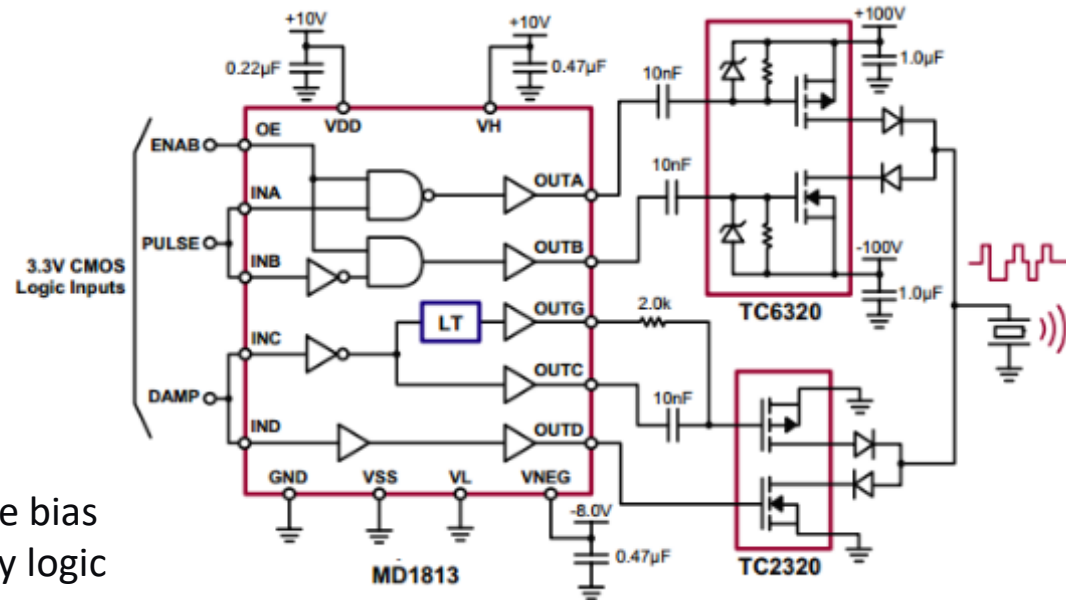
MD1813

High-Speed, Quad-MOSFET Driver

Online
Datasheet

Features:

- 6ns rise and fall time
- 2.0A peak output source/sink current
- 1.8 to 5.0V input CMOS compatible
- Smart Logic threshold
- Low jitter design
- Quad matched channels
- Drives two N and two P-channel –
- MOSFETs
- Outputs can swing below ground
- Built-in level translator for negative gate bias
- Non-inverting gate driver OUTD for easy logic
- Operating Temperature Range:
 - -20°C to +85°C
- Package Option: QFN-16



<< BACK



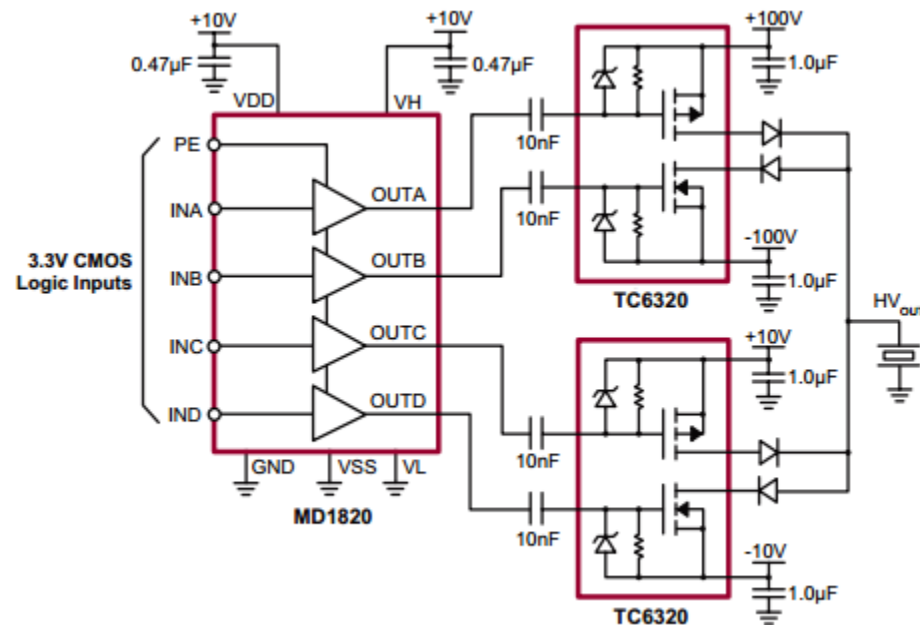
MD1820

High-Speed 4-Channel MOSFET Driver with Non-Inverting Outputs

Online
Datasheet

Features:

- Non-inverting, four channel MOSFET driver
- 6.0ns rise and fall time
- 2.0A peak output source/sink current
- 1.8 to 5.0V input CMOS compatible
- 5.0 to 10V total supply voltage
- Smart logic threshold
- Low jitter design
- Four matched channels
- Drives two P- and two N-channel MOSFETs
- Outputs can swing below ground
- Operating Temperature Range:
 - -20°C to +85°C
- Package Option: QFN-16



<< BACK



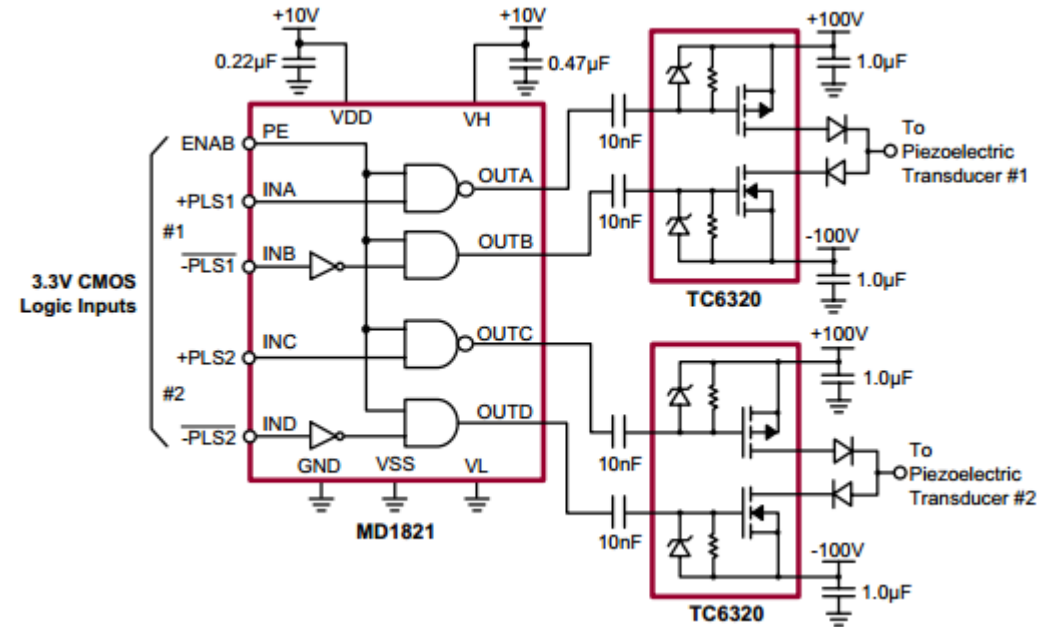
MD1821

High-Speed 4-Channel MOSFET Driver with Inverting Outputs

Online
Datasheet

Features:

- Inverting MOSFET driver
- 6.0ns rise and fall time
- 2.0A peak output source/sink current
- 1.8 to 5.0V input CMOS compatible
- 5.0 to 10V total supply voltage
- Smart logic threshold
- Low jitter design
- Four matched channels
- Drives two P- and two N-channel –
– MOSFETs
- Outputs can swing below ground
- Operating Temperature Range:
 - 20°C to +85°C
- Package Option: QFN-16



<< BACK



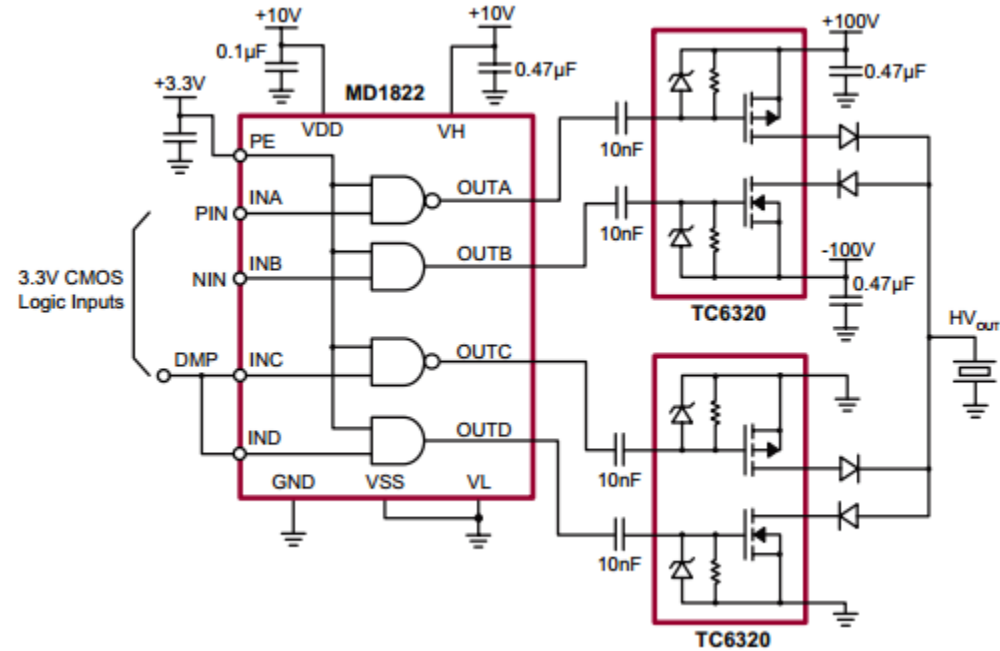
MD1822

Three Level High Speed $\pm 100\text{V}$ 2.5A Pulser Demoboard

[Online Datasheet](#)

Features:

- Mixed inversion MOSFET driver
- 6.0ns rise and fall time
- 2.0A peak output source/sink current
- 1.8 to 5.0V input CMOS compatible
- 5.0 to 10V total supply voltage
- Smart logic threshold
- Low jitter design
- Four matched channels
- Drives two P- and two N-channel – MOSFETs
- Outputs can swing below ground
- Operating Temperature Range:
 - -20°C to $+85^{\circ}\text{C}$
- Package Option: QFN-16



[<< BACK](#)



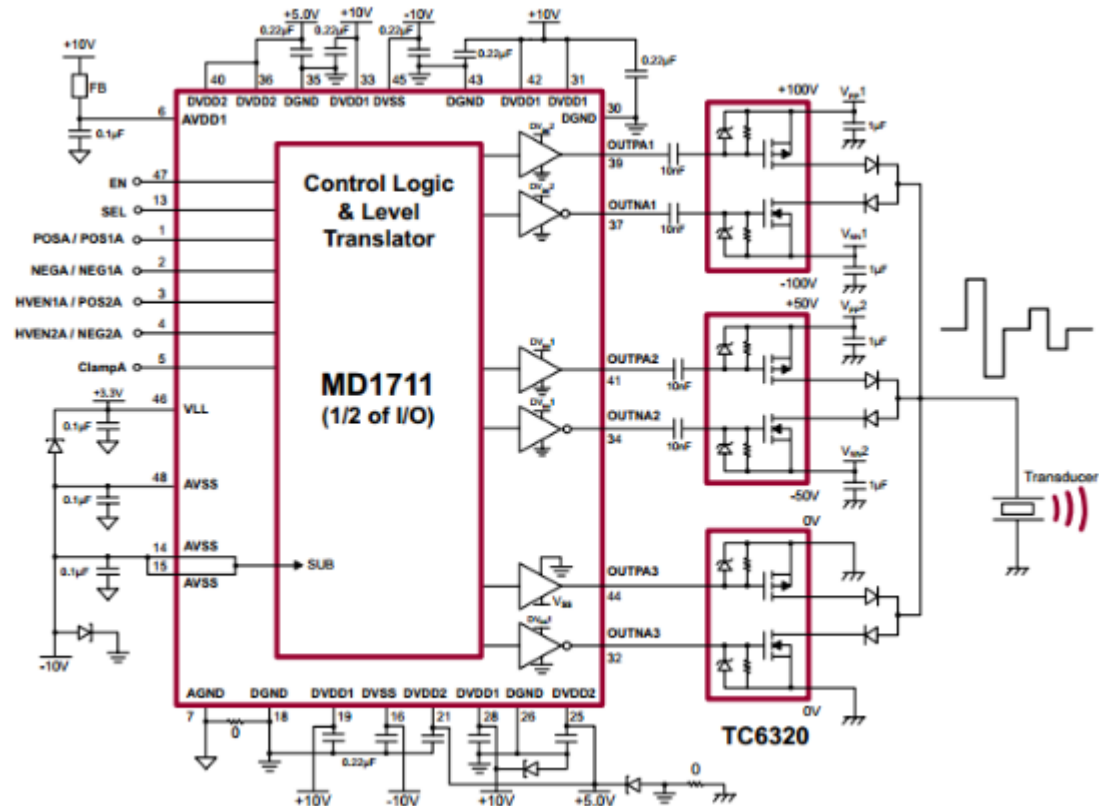
MD1711

Five-Level, Dual Channel $\pm 100\text{V}$ 2.0A RTZ Pulser

Online
Datasheet

Features:

- Drives two ultrasound transducer –
– channels
- Generates 5-level waveform
- Drives 12 high voltage MOSFETs
- $\pm 2.0\text{A}$ source and sink peak current
- Up to 20MHz output frequency
- 12V/ns slew rate
- $\pm 3\text{ns}$ matched delay times
- Second harmonic is less than -40dB
- Two separate gate drive voltages
- 1.8 to 3.3V CMOS logic interface
- Operating Temperature Range:
 - 0°C to $+125^\circ\text{C}$
- Package Option: LQFP-48, QFN-48



<< BACK

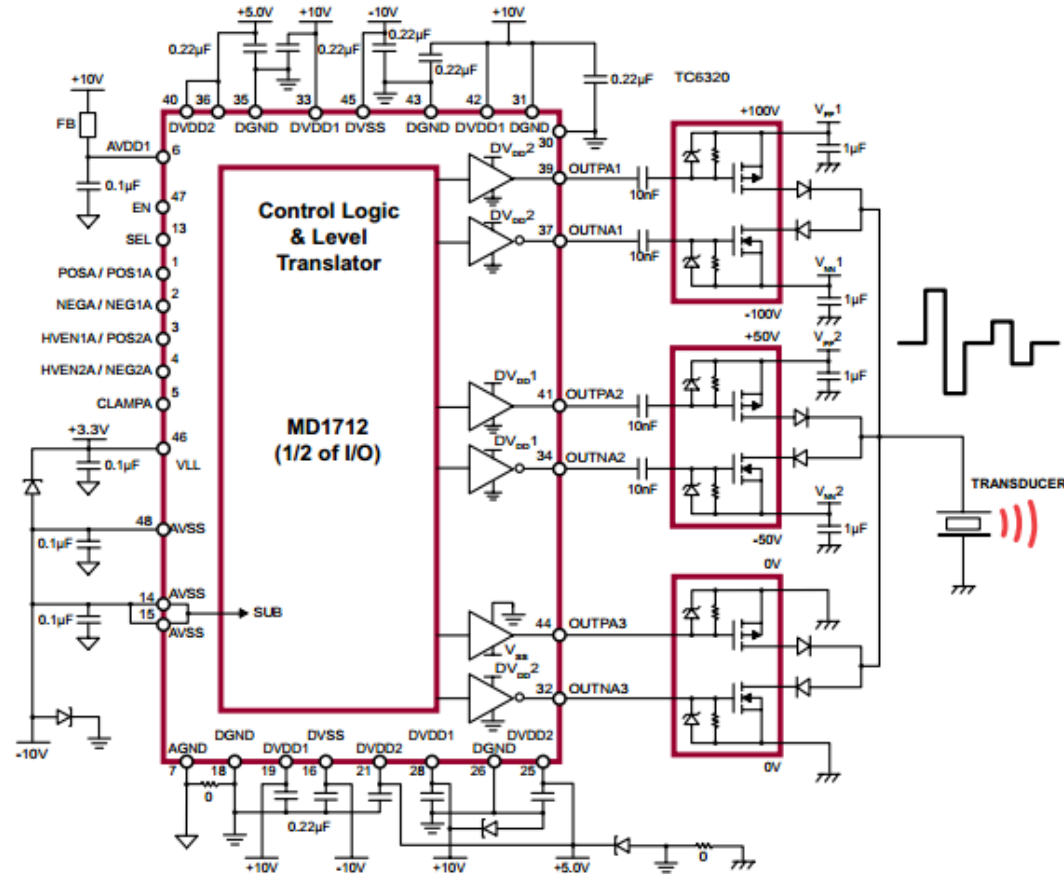
MD1712

High Speed, Integrated Ultrasound Driver IC

Online
Datasheet

Features:

- Drives two ultrasound transducer – channels
- Generates five-level waveform
- Drives 12 high voltage MOSFETs
- $\pm 2.0\text{A}$ source and sink peak – current
- Up to 20MHz output frequency
- 12V/ns slew rate
- $\pm 3.0\text{ns}$ matched delay times
- Second harmonic is less than – 40dB
- Two separate gate drive voltages
- 1.8 to 3.3V CMOS logic interface
- Operating Temperature Range:
 - 0°C to $+125^\circ\text{C}$
- Package Option: LQFP-48, - QFN-48



<< BACK

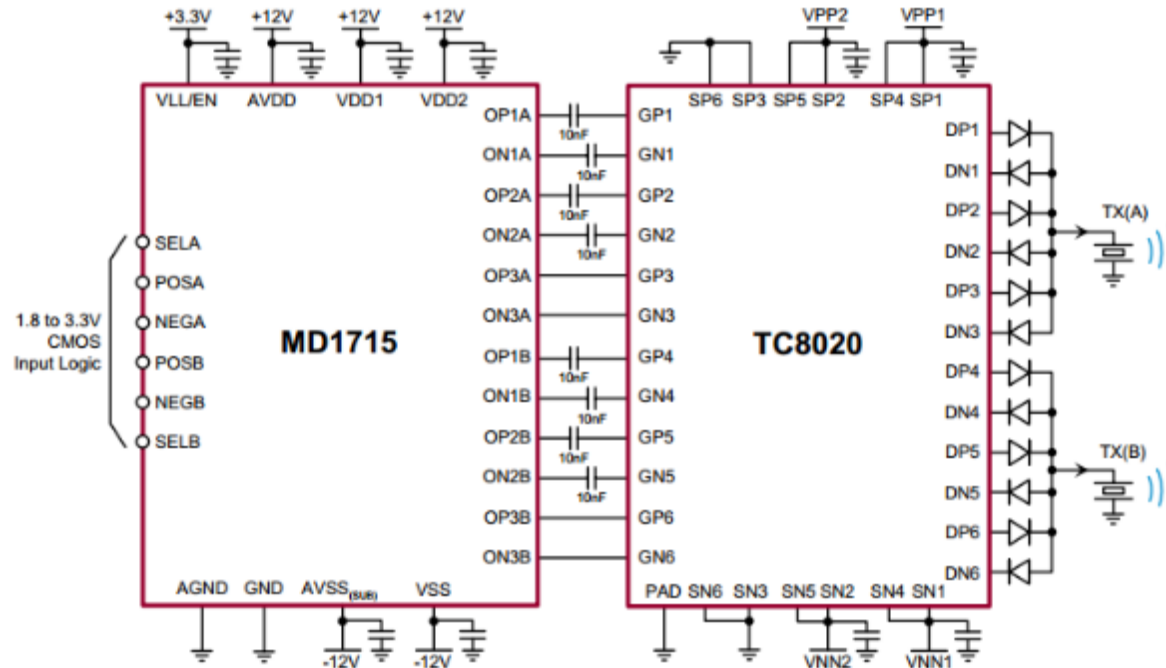
MD1715

High Speed $\pm 100\text{V}$ 3.2A Pulser

Online
Datasheet

Features:

- Advanced CMOS technology
- ± 4.75 to 12.9V gate drive –
– voltage
- 2A output source and sink –
– current
- 6.5ns rise and fall time with –
– 1nF load
- 10ns propagation delay
- $\pm 2\text{ns}$ matched delay times
- 12 matched channels
- 1.8V to 3.3V CMOS logic –
– interface
- Smart logic threshold
- Low inductance package
- Operating Temperature Range:
 - 0°C to $+70^\circ\text{C}$
- Package Option: QFN-40



<< BACK



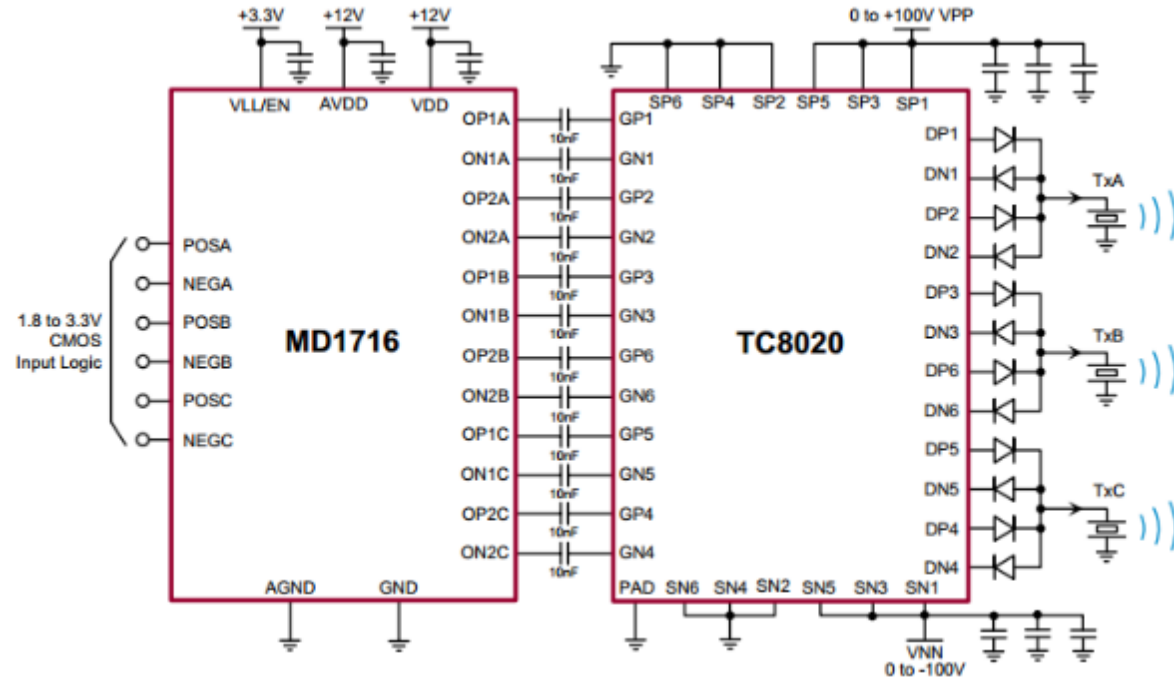
MD1716

Three Channel, Three Level, High Speed Ultrasound Driver IC

Online
Datasheet

Features:

- Advanced CMOS technology
- 4.5 to 12.5V power supply –
- voltage
- 2.0A output source and sink –
- current
- 6.5ns rise and fall time with –
- 1.0nF load
- 10ns propagation delay
- ± 2 ns matched delay times
- 12 matched channels
- 1.8 to 3.3V CMOS logic –
- interface
- Smart logic threshold
- Operating Temperature Range:
• 0°C to +125°C
- Package Option: QFN-40



<< BACK



MD2131

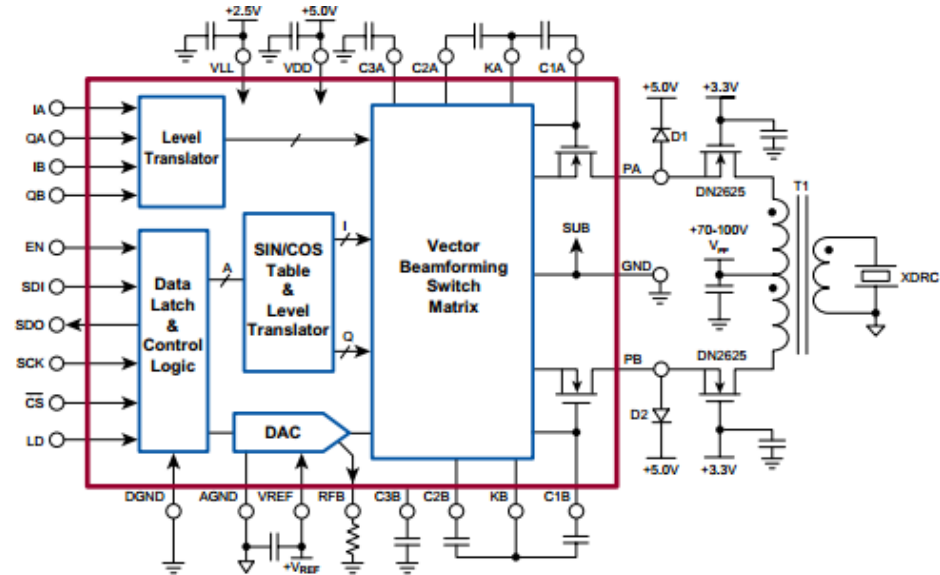
High Speed Ultrasound Beamforming Source Driver

Online
Datasheet

Features:

- High resolution transmitting waveform
- Up to 3.0A push-pull source-driving current
- 230VP-P maximum output, uses two FETs
- Angle vector beamforming I-Q switcher – matrix
- 8-bit apodization DAC and 7.5° angular – resolution
- Flexible frequency-resolution trade-off
- Programmable aperture windowing
- 250MHz maximum sampling rate
- 25MHz ultrasound maximum frequency
- PWM modulation push-pull current source
- Focusing phase adjustment & chirp waveform
- Fast SPI interface
- 2.5V CMOS logic interface
- Low second order harmonic distortions
- Operating Temperature Range: 0°C to +70°C
- Package Option: QFN-40

DN2625



<< BACK



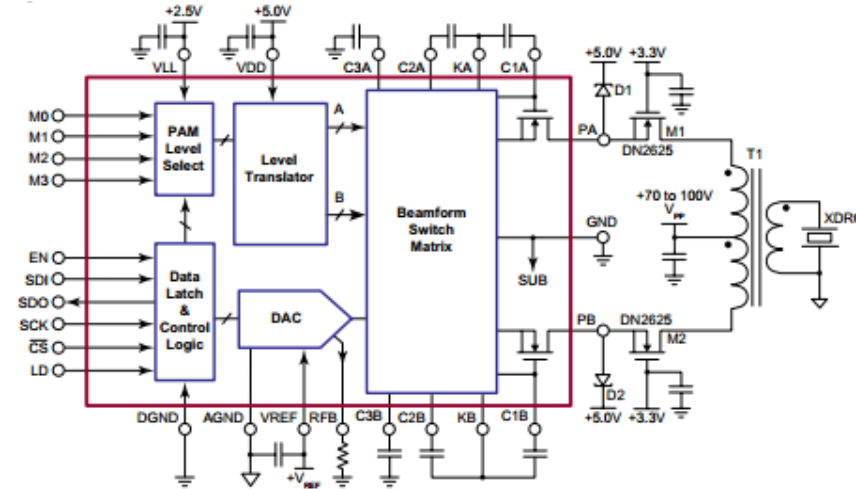
MD2134

High Speed Ultrasound Beamforming Source Driver

Online
Datasheet

Features:

- Multiple-level ultrasound pulser
- Fast switching current source for push-pull topology
- 250MHz maximum frequency
 - 4.0ns input to output delay
- 15 independent programmable output level registers
- Pulse amplitude modulation (PAM) with 8-bit – resolution
- 8-bit apodization DAC for peak output current –
- Very low second order harmonic distortion
- Picoseconds time-jitter from input to output
- Fast SPI write and read-back of level & DAC registers
- +5.0V power supply, 2.5V CMOS logic interface
- Drives DN2625 MOSFETs output up to 230VP-P
- Programmable aperture windowing
- Operating Temperature Range: 0°C to +70°C
- Package Option: QFN-40



<< BACK



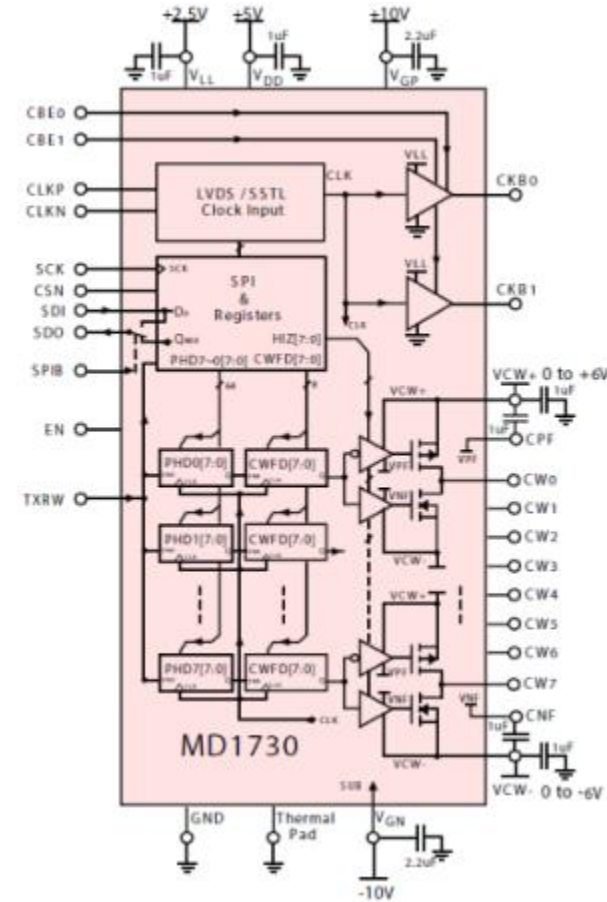
MD1730

8-Channel Ultra-Low Phase Noise Continuous
Waveform Transmitter w/ Beamformer

Online
Datasheet

Features:

- 8-Channel Ultrasound Continuous Waveform (CW) –
- Transmitter with Integrated Beamformer
- CW Output $\pm 1V$ to $\pm 6V_{p-p}$ with Low R_{ON}
- -160 dbc/Hz Ultra-Low Phase Noise at 1 kHz Offset –
- and 5 MHz
- 8-bit Programmable Per-Channel Beamforming Phase –
- Delay
- 8-bit Programmable Dividers for CW Frequency with –
- Input Clock Frequency
- Input Clock Compatible with LVDS/SSTL or Single –
- Ended LVCMOS
- LVCMOS 2.5V Logic for the Control I/O pins
- Fast SPI Interface Supports up to 200 MHz
- SPI Interface Supports Daisy Chaining and –
- Broadcasting Mode



<< BACK



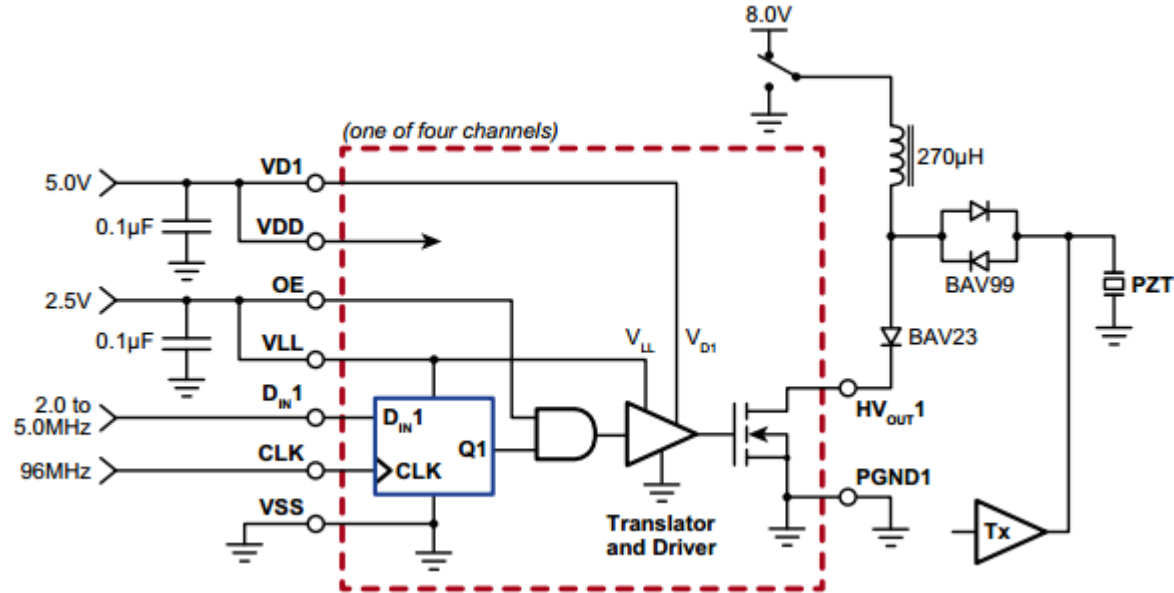
CW01

Four-Channel, Low Phase Noise, Low Power,
Continuous Wave Transmitter

Online
Datasheet

Features:

- Low phase noise
- 100V open drain N-channel
- High speed D flip-flop
- High speed MOSFET gate – driver
- Up to 200MHz clock input
- V_{DD} and V_{LL} under-voltage – lockout
- Operating Temperature Range:
 - 0°C to $+70^{\circ}\text{C}$
- Package Option: QFN-24



<< BACK

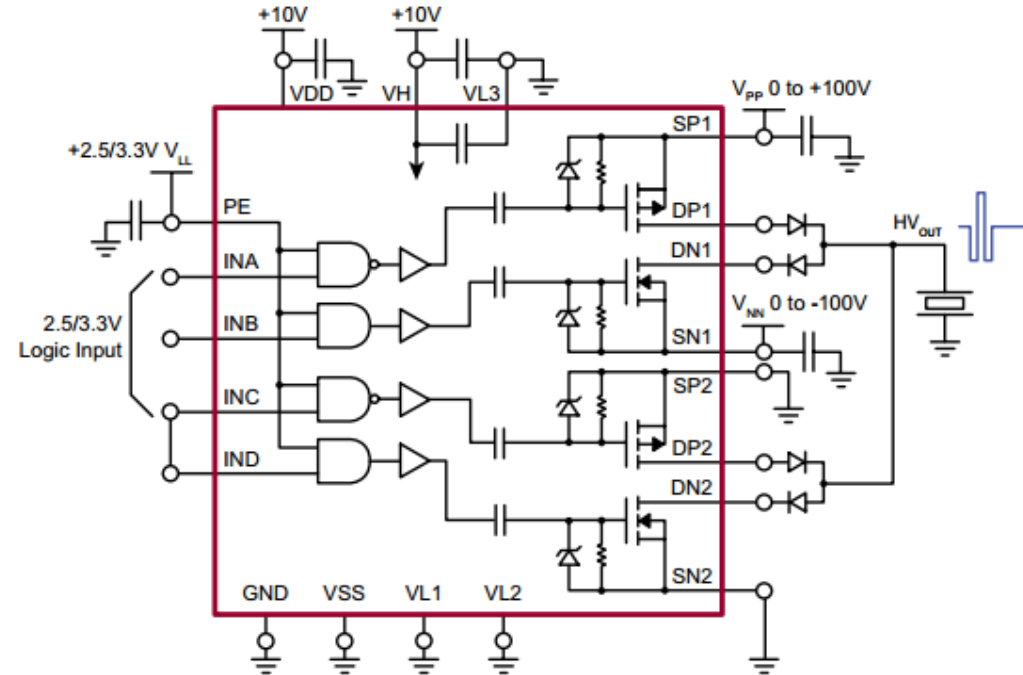
HV7360

High-Speed $\pm 100\text{V}$ 2.5A Two-or-Three-Level Ultrasound Pulsers

Online
Datasheet

Features:

- HVCMOS[®] technology for high –
– performance
- High density integration AC coupled –
– pulser
- 0 to $\pm 100\text{V}$ output voltage
- $\pm 2.5\text{A}$ source and sink minimum –
– pulse current
- Up to 35MHz operating frequency
- 2.0ns matched delay times
- 2.5, 3.3 or 5.0V CMOS logic interface
- Low power consumption and very –
– simple to use
- Operating Temperature Range:
 - 0°C to $+70^{\circ}\text{C}$
- Package Option: LFGA-22



<< BACK



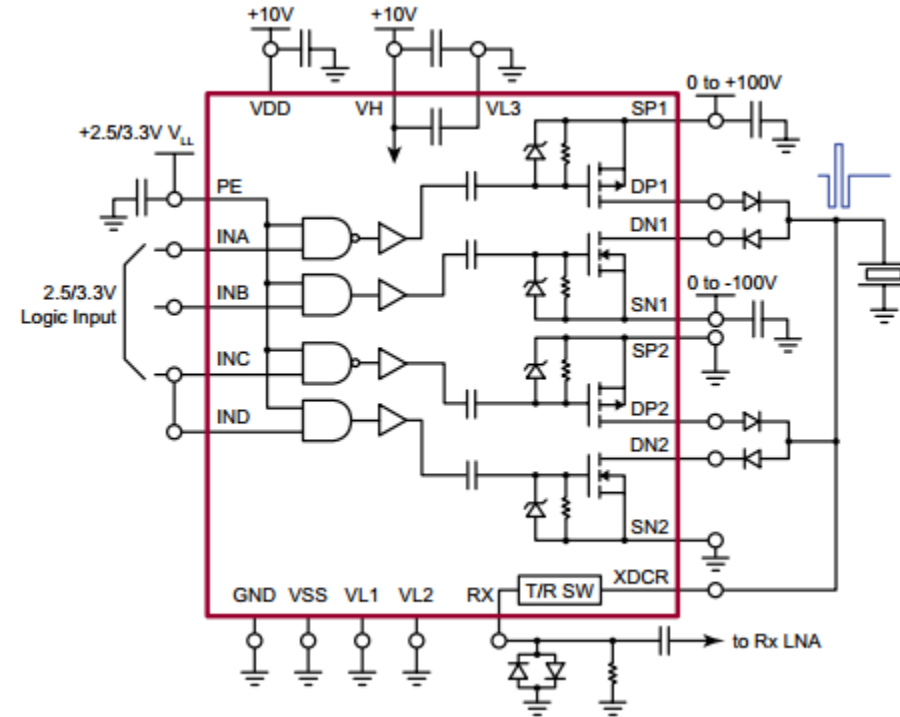
HV7361

High-Speed $\pm 100\text{V}$ 2.5A Two-or-Three-Level Ultrasound Pulsers

[Online Datasheet](#)

Features:

- HVCMOS[®] technology for high performance
- High density integration AC coupled pulser
- 0 to $\pm 100\text{V}$ output voltage
- $\pm 2.5\text{A}$ source and sink minimum pulse current
- Up to 35MHz operating frequency
- 2.0ns matched delay times
- 2.5, 3.3 or 5.0V CMOS logic interface
- Built-in two terminal, low noise T/R switch
- Low power consumption and very simple to use
- Operating Temperature Range:
 - 0°C to $+70^{\circ}\text{C}$
- Package Option: LFGA-22



<< BACK



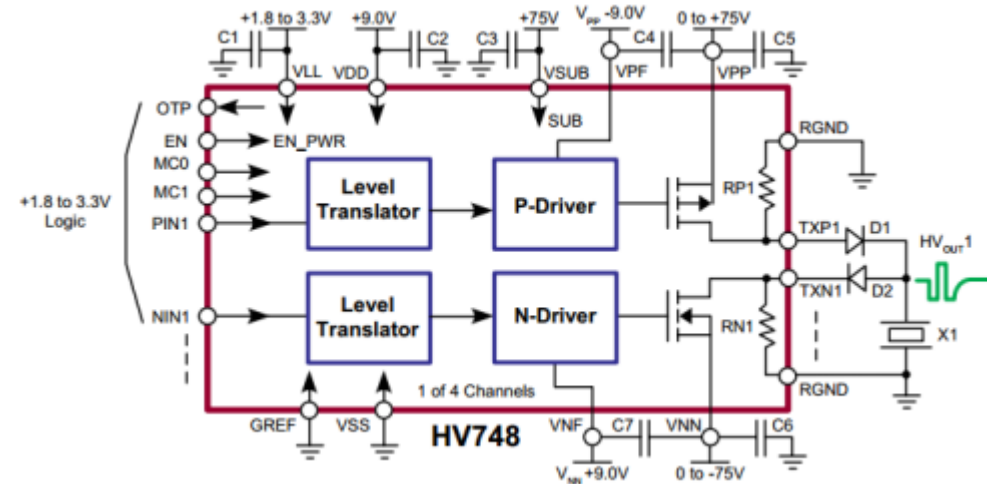
HV748

Four-Channel, High Speed, $\pm 75\text{V}$ 1.25A Ultrasound Pulser

Online
Datasheet

Features:

- HVCMOS technology for high –
- performance
- High density integration ultrasound –
- transmitter
- 0 to $\pm 75\text{V}$ output voltage
- $\pm 1.25\text{A}$ source and sink current in pulse –
- mode
- $\pm 400\text{mA}$ source and sink current in CW –
- mode
- Up to 20MHz operating frequency
- Matched delay times
- 1.2V to 5.0V CMOS logic interface
- Built-in output drain bleed resistors
- Operating Temperature Range:
 - 0°C to $+70^\circ\text{C}$
- Package Option: QFN-48



<< BACK



HV7321

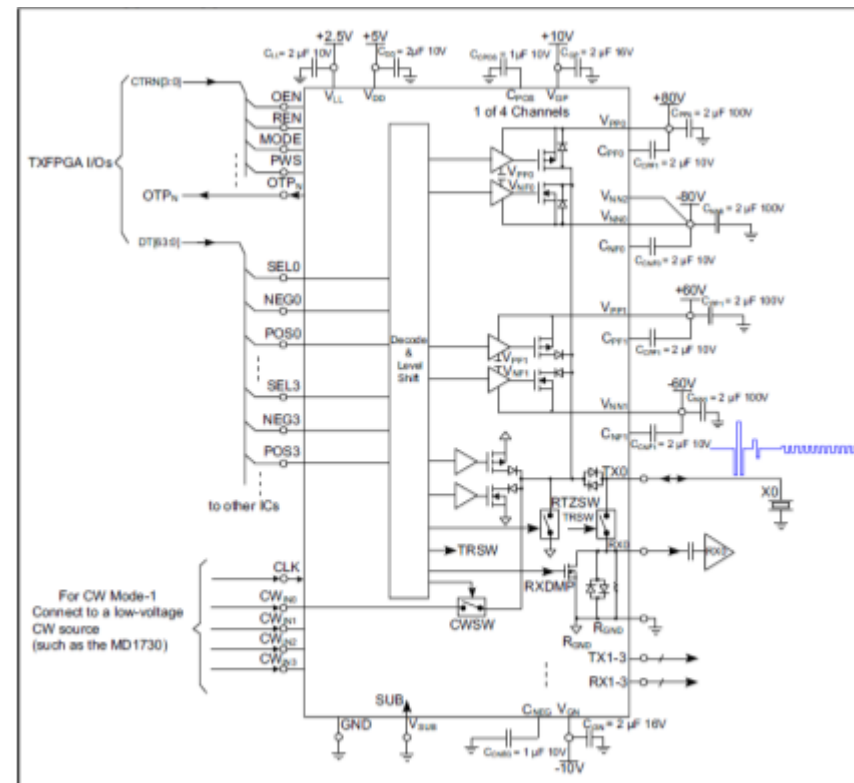
4-Ch. 5-Level +80V High-Voltage Ultrasound Pulsar with T/R Switches

Online
Datasheet

Features:

- Power sequencing free 5 output levels –
 - including RTZ (Return-to-Zero)
- -44 dB single-cycle pulse-inversion second –
 - harmonic distortion (HD2) at 5 MHz
- Output voltage up to $\pm 80V$
- ± 2.5 peak output current
- ± 300 mA current from VPP1/VNN1 in CW –
 - Mode-0
- Integrated T/R switch & RX damper switch
- Bleeder switches achieve true zero during –
 - RTZ
- Supports both transparent and re-timing mode
- Re-timing clock frequency supports up to 220 –
 - MHz
- Built-in output protection diodes and clamp –
 - diodes
- 2.5/3.3V input logic
- Built-in CW switches to pair with external CW –
 - transmitters (CW Mode-1)
- 9x9 64-lead VQFN package

Typical application circuit



<< BACK

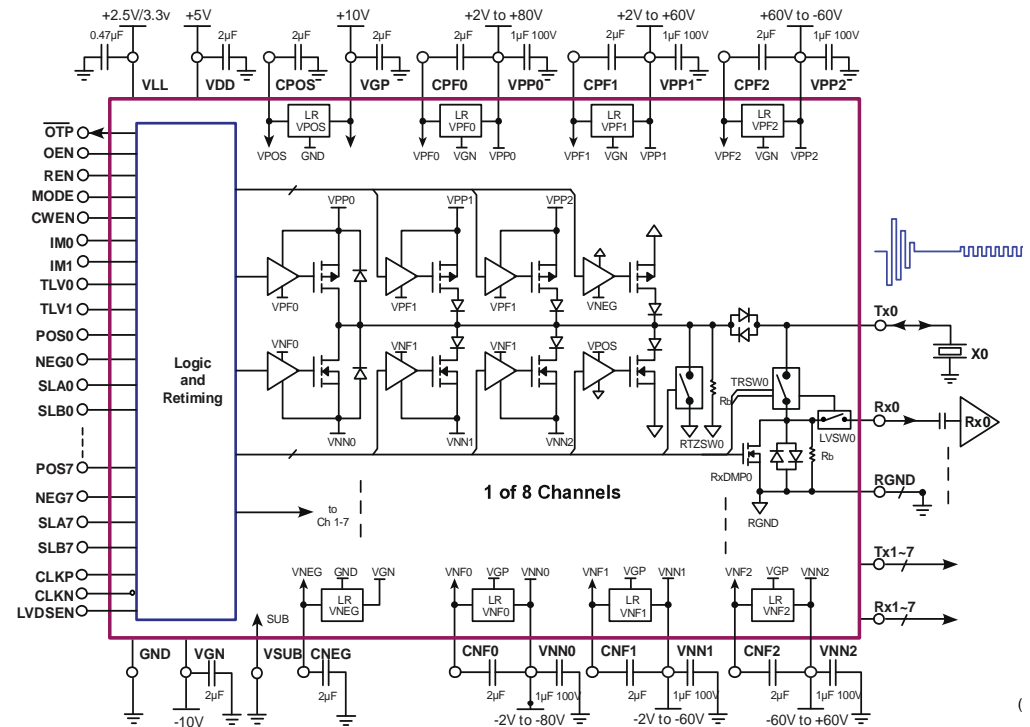
HV7322

8-Ch, True 5-Level or Pseudo 7-Level, $\pm 2A$ $\pm 80V$ Tx Pulser

Online
Datasheet

Features:

- 8-Channel true-5-level/pseudo 7-level
- $\pm 80V$ w/ active return to zero.
- Programmable output current: 0.5A, 1A, 1.5A and 2A
- Integrated output protection diode, clamp diode, and damping circuit
- Integrated dual T/R switch
- TON(1:0) for adjusting the TR switch on delay time
- Output frequency up to 20MHz
- Retiming clock frequency up to 220MHz.
- -40dBc HD2 at 5MHz
- Package: 12 x 12 mm BGA



<< BACK



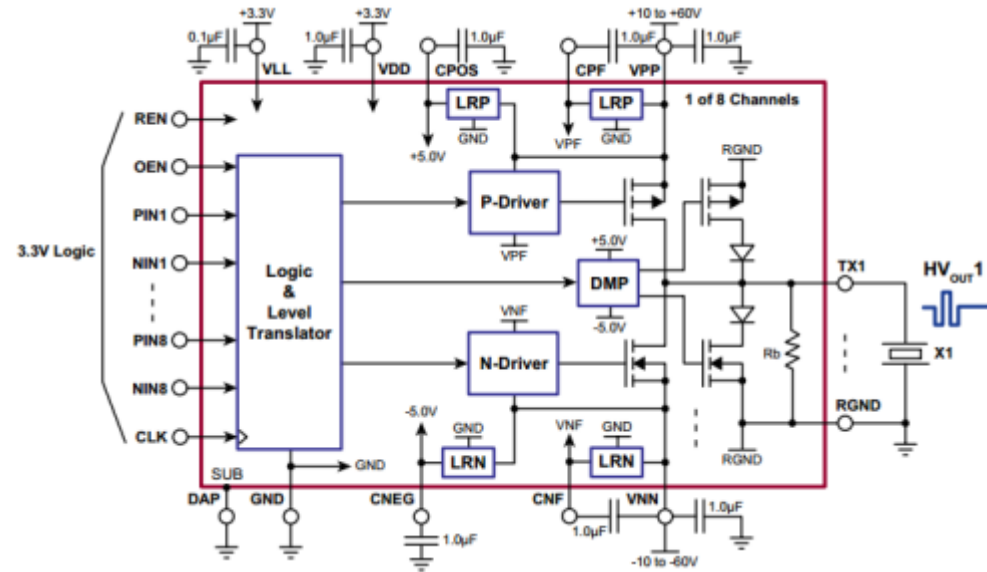
HV7350

8-Channel High-Speed $\pm 60\text{V}$ $\pm 1\text{A}$ Ultrasound RTZ Pulser

Online
Datasheet

Features:

- HVCMOS technology for high performance
- High density integrated ultrasound –
- transmitter
- 0 to $\pm 60\text{V}$ output voltage
- $\pm 1.0\text{A}$ source and sink current in pulse –
- mode
- $\pm 1.0\text{A}$ source and sink current in RTZ –
- mode
- Up to 20MHz operating frequency
- Matched delay times
- Optional clock re-alignment
- 3.3V CMOS logic interface and reference
- +3.3V low voltage supply for V_{DD}
- Built-in linear regulators for floating gate –
- driver
- Built-in output drain diodes & bleed –
- resistors
- Operating Temperature Range:
 - 0°C to $+70^{\circ}\text{C}$
- Package Option: QFN-56



<< BACK



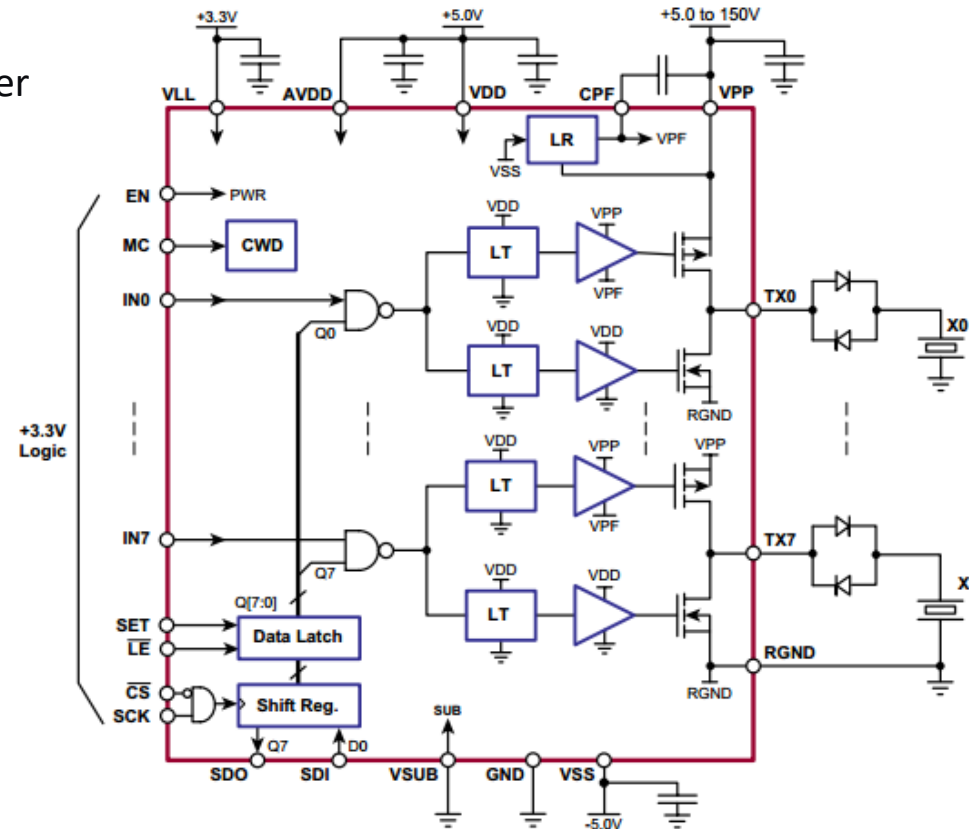
HV7355

Eight Channel, High Speed, Unipolar, Ultrasound Pulser 1.5A 150V

Online
Datasheet

Features:

- HVCMOS technology for high performance
- High density integrated ultrasound transmitter
- 0 to +150V output voltage
- $\pm 1.5A$ source and sink current (min.)
- $\pm 300mA$ current in CW mode
- Up to 18MHz operating frequency
- Matched delay times
- Built-in gate driver floating voltage – regulator
- 2.5 to 3.3V CMOS logic interface
 - 0°C to +70°C
- Package Option: QFN-56



<< BACK



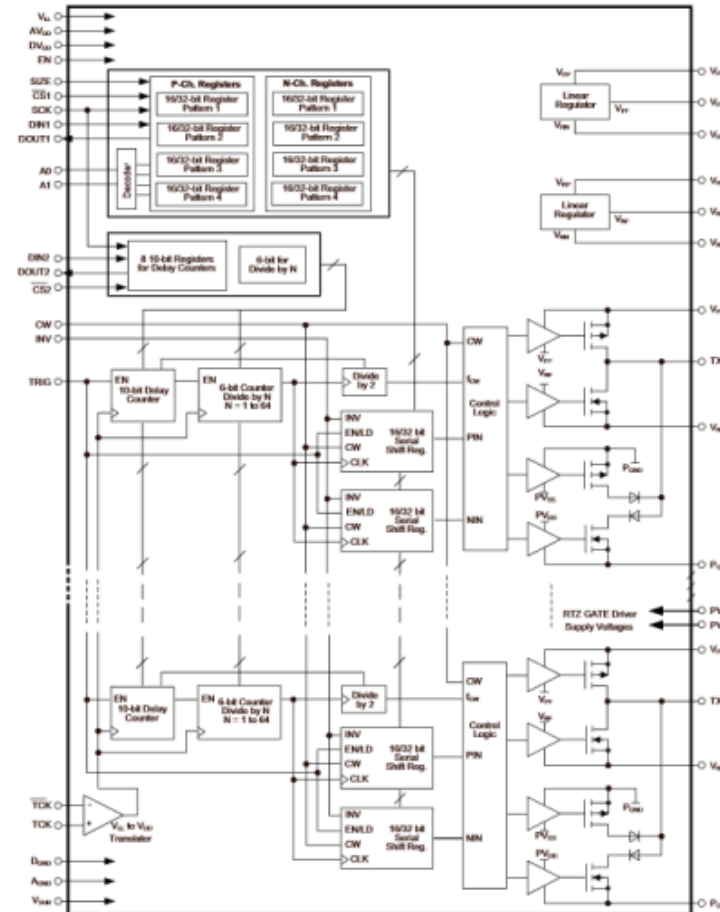
HV7351

8-Channel, $\pm 70V$, 3A Programmable High-Voltage
Ultrasound-Transmit Beamformer

Online
Datasheet

Features:

- Eight channels with Return to Zero (RTZ)
- Up to $\pm 70V$ Output Voltage
- $\pm 3.0A$ Output Current
- Built-in digital transmit beamformer
 - Pulse-Echo mode and CW mode
 - Stores up to four 64-bit transmit patterns
 - 6-bit divide by N counter for controlling the -
- transmit frequency
 - 10-bit delay counter for each channel
 - INV pin for inverting the transmit pattern -
- for pulse inversion harmonic imaging
- Differential clock input supports up to 200Mhz
- 80Mhz daisy-chainable SPI interface for fast -
- device programming
- 3.3V CMOS logic interface
- Power-up sequence free
- 11x11 mm QFN-80 package



<< BACK



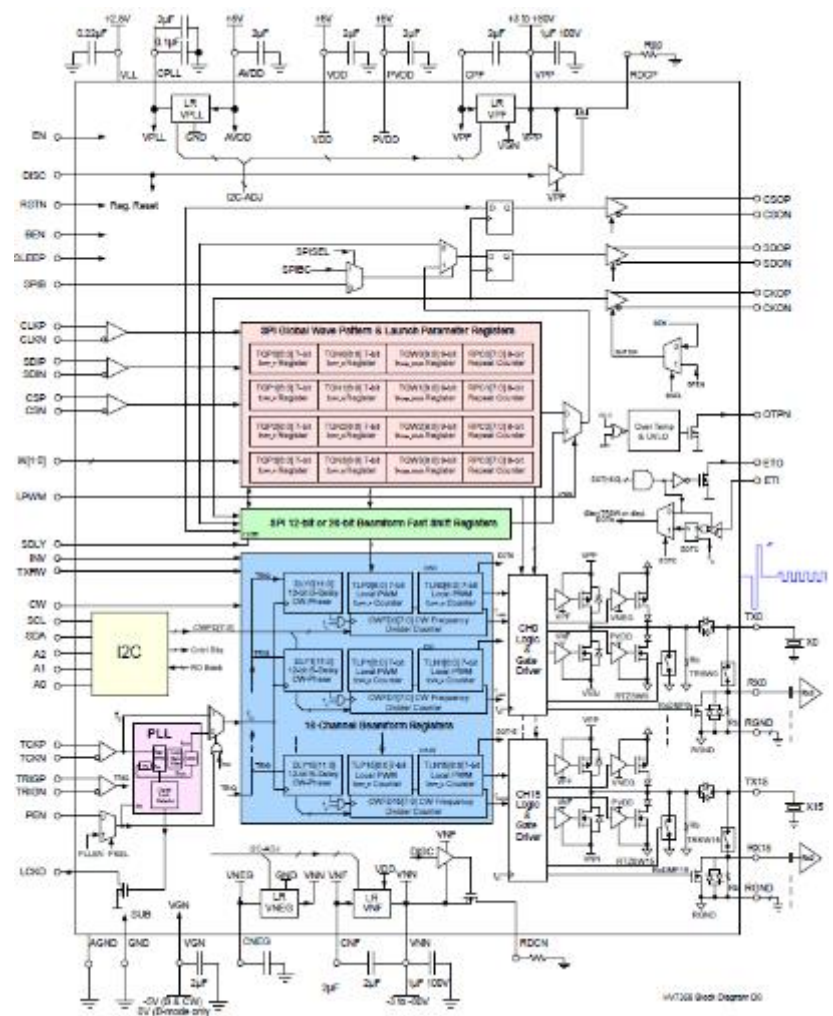
HV7358 16-Ch 3-L $\pm 80V$ Beamformer

with TRSW, RTZSW, RXDMP & 240MHz PLL

Online
Datasheet

Features

- 16-channel $\pm 80V$ output with T/R switches
- $\pm 0.3, 0.6, 1.2$ & $1.6A$ programmable peak current
- $-40dB$ HD2 at 5MHz pulse inversion
- PLL up to 240MHz Tx clock frequency
- 200MHz of SPI with LVDS interface
- 2-wire I2C interface for control, status
- 12-bit delay for beamform per Ch.
- Store Up to 4 Tx Patterns with PWM
- Support 16 or 32-bit register width
- Programmable CW frequency divider
- 13x13mm TFBGA pkg & 0.8 mm pitch.



HV7358 Block Diagram 01

<< BACK



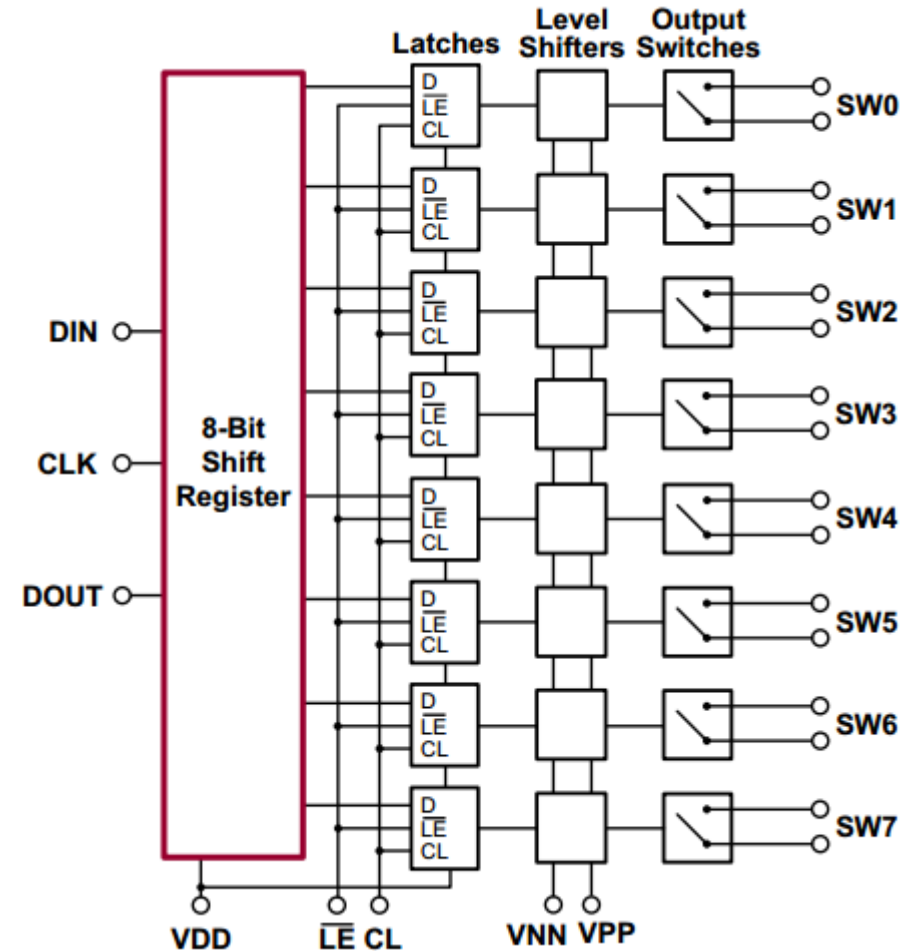
HV20220

Low Charge Injection, 8-Channel, High Voltage Analog Switches

[Online
Datasheet](#)

Features:

- 8 Channel SPST
- 5.0V to 12.0V CMOS logic compatibility
- 5MHz data shift clock frequency
- HVCMOS® technology for high performance
- Very low quiescent power dissipation (10µA)
- Output on-resistance typically 22Ω
- Low parasitic capacitances
- DC to 50MHz small signal frequency response
- -60dB typical output off isolation at 5.0MHz
- CMOS logic circuitry for low power
- Excellent noise immunity
- On-chip shift register, latch and clear –
- logic circuitry
- Flexible high voltage supplies
- Operating Temperature Range: 0°C to +70°C
- Package Option: LQFP-48, PLCC-28



<< BACK

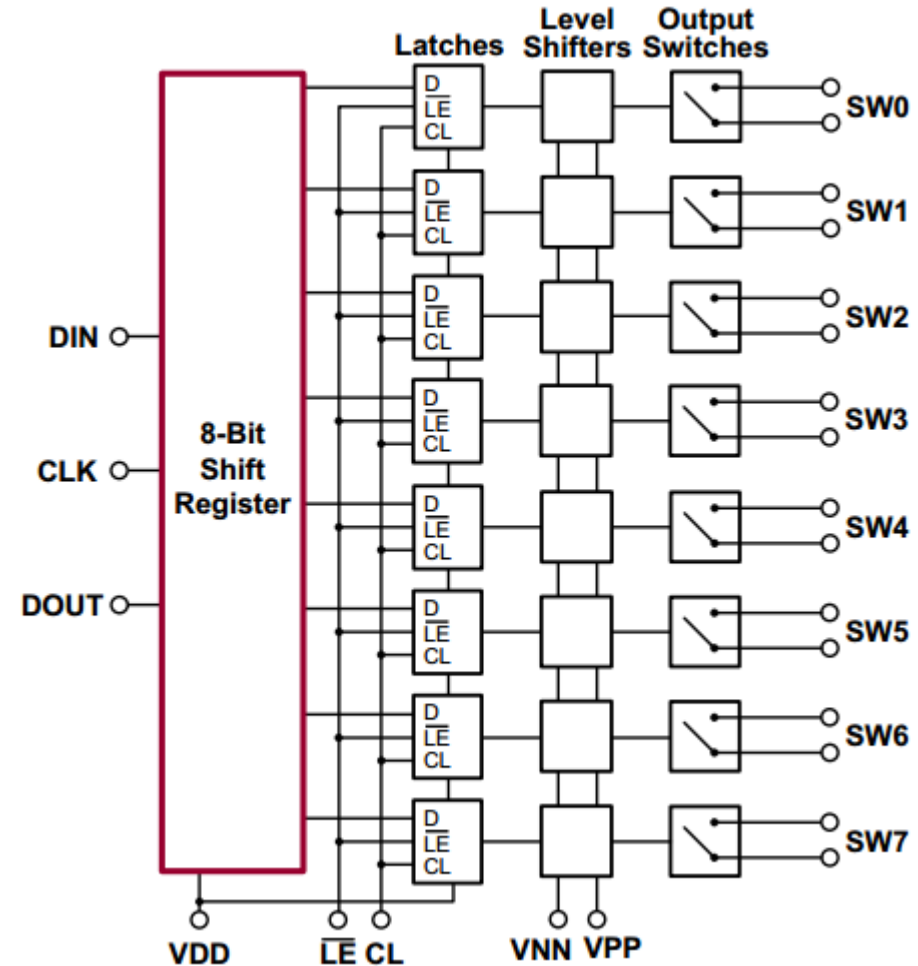
HV20320

Low Charge Injection 8-Channel High Voltage Analog Switch

[Online Datasheet](#)

Features:

- 8 Channel SPST
- 5.0V to 12.0V CMOS logic compatibility
- 5MHz data shift clock frequency
- HVCMOS® technology for high performance
- Very low quiescent power dissipation (10µA)
- Output on-resistance typically 22Ω
- Low parasitic capacitances
- DC to 50MHz small signal frequency response
- -60dB typical output off isolation at 5.0MHz
- CMOS logic circuitry for low power
- Excellent noise immunity
- On-chip shift register, latch and clear logic circuitry
- Flexible high voltage supplies
- Operating Temperature Range: 0°C to +70°C
- Package Option: PLCC-28



<< BACK

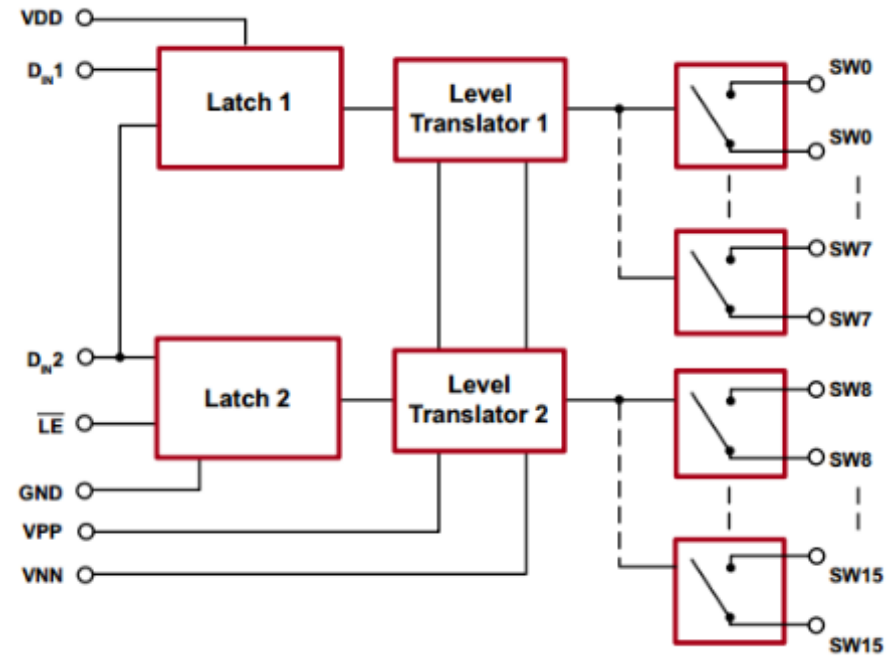
HV20822

16-Channel, High Voltage Analog Switch

Online
Datasheet

Features:

- HVCMOS® technology for high performance
- Two Banks of 8 x SPST Configuration
- Support bank switching
- 220V operating conditions
- Output on-resistance typically 22Ω
- 5.0 and 12.0V CMOS logic compatibility
- Very low quiescent current consumption –
- (-10μA)
- -45dB min off isolation at 7.5MHz
- Low parasitic capacitance
- Excellent noise immunity
- Flexible high voltage supplies
- Operating Temperature Range:
 - 0°C to +70°C
- Package Option: LQFP-48



<< BACK



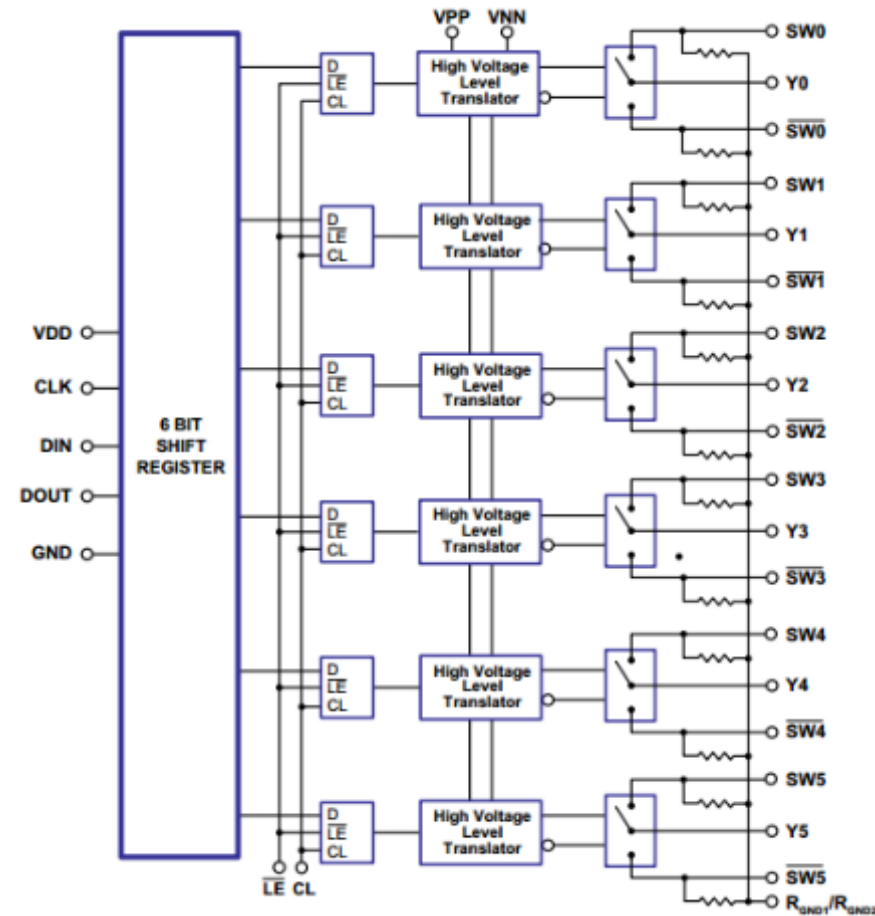
HV209

12-Channel High Voltage Analog Switch

Online
Datasheet

Features:

- 6 x 2:1 Mux Configuration
- 5MHz data shift clock frequency
- HVCMOS® technology for high performance
- Operating voltage of up to 200V
- Output on-resistance typically 22Ω
- Integrated bleed resistors on the outputs
- 5.0V to 12.0V CMOS logic compatibility
- Very low quiescent current consumption
- -58dB typical off isolation at 5.0MHz
- Low parasitic capacitance
- Excellent noise immunity
- Flexible high voltage supplies
- Operating Temperature Range:
 - 0°C to +70°C
- Package Option: LQFP-48



<< BACK



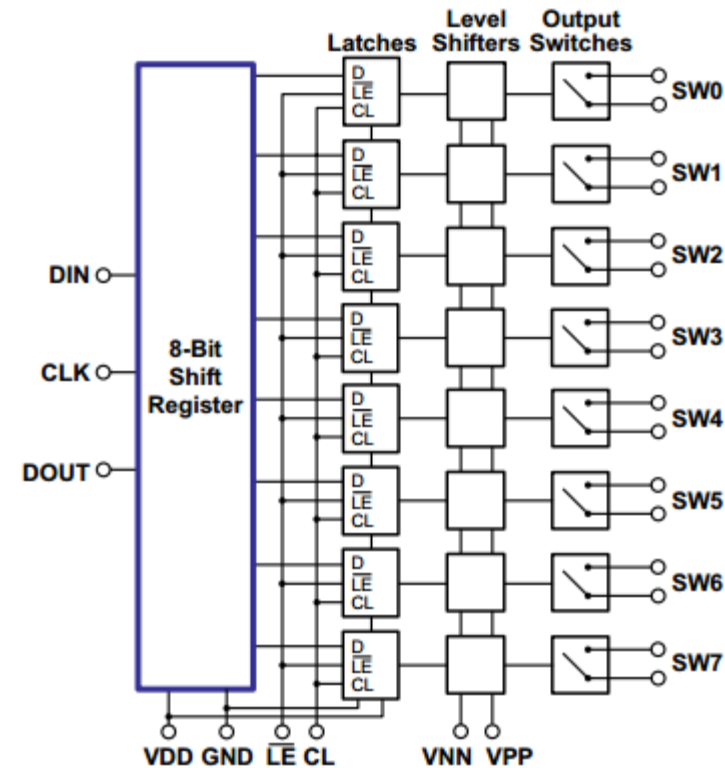
HV219

200V Low Charge Injection 8-Channel High Voltage Analog Switch

Online
Datasheet

Features:

- 8 Channel SPST
- 5.0V to 12.0V CMOS logic compatibility
- 5MHz data shift clock frequency
- HVCMOS® technology for high performance
- Very low quiescent power dissipation
- Output on-resistance typically 11Ω
- Low parasitic capacitance
- DC to 50MHz small signal frequency –
- response
- -60dB typical off-isolation at 5.0MHz
- CMOS logic circuitry for low power
- Excellent noise immunity
- Serial shift register logic control with latches
- Flexible operating supply voltages
- Surface mount packages
- Operating Temperature Range:
 - 0°C to +70°C
- Package Option: LQFP-48, PLCC-28



<< BACK



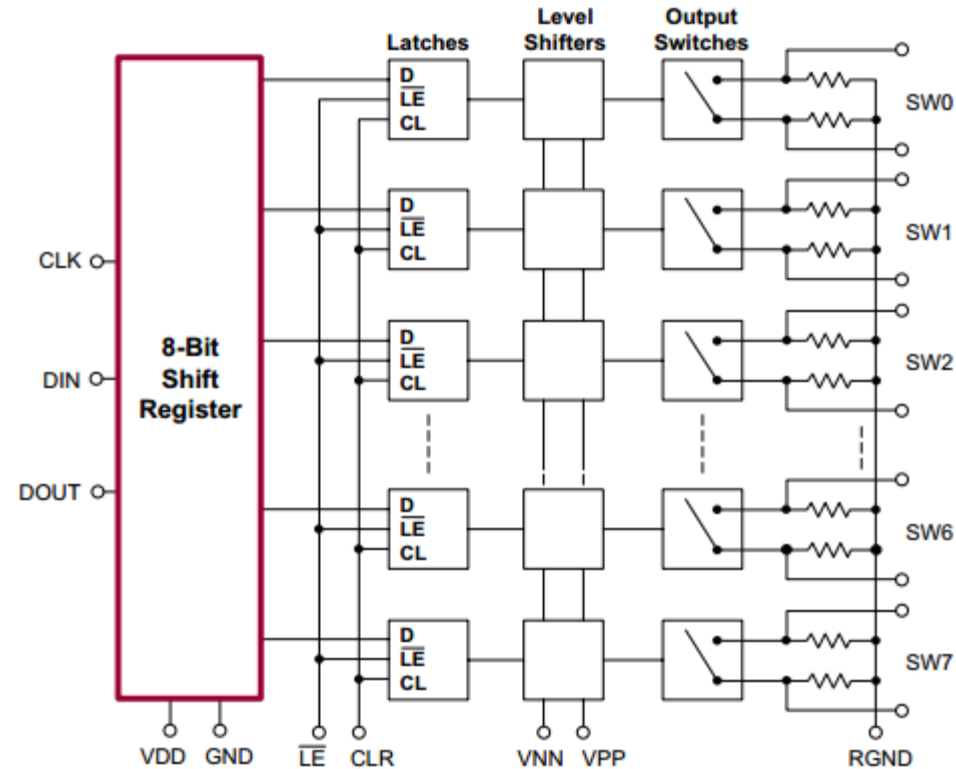
HV2201 / HV2301

Low Charge Injection, 8-Channel,
Enhanced, High Voltage Analog Switch

Online
Datasheet

Features:

- 8 Channel SPST
- HV2201 without bleed resistors
- HV2301 with integrated bleed resistors
- HVCMOS technology for high performance
- 8 Channels of high voltage analog switch
- 3.3 or 5.0V CMOS input logic level
- 20MHz data shift clock frequency
- Very low quiescent power dissipation
- Low parasitic capacitance
- DC to 50MHz analog signal frequency
- -60dB typical off-isolation at 5MHz
- CMOS logic circuitry for low power
- Excellent noise immunity
- Cascadable serial data register with latches
- Flexible operating supply voltages
- Operating Temperature Range:
 - 0°C to +70°C
- Package Option: LQFP-48, PLCC-28



<< BACK



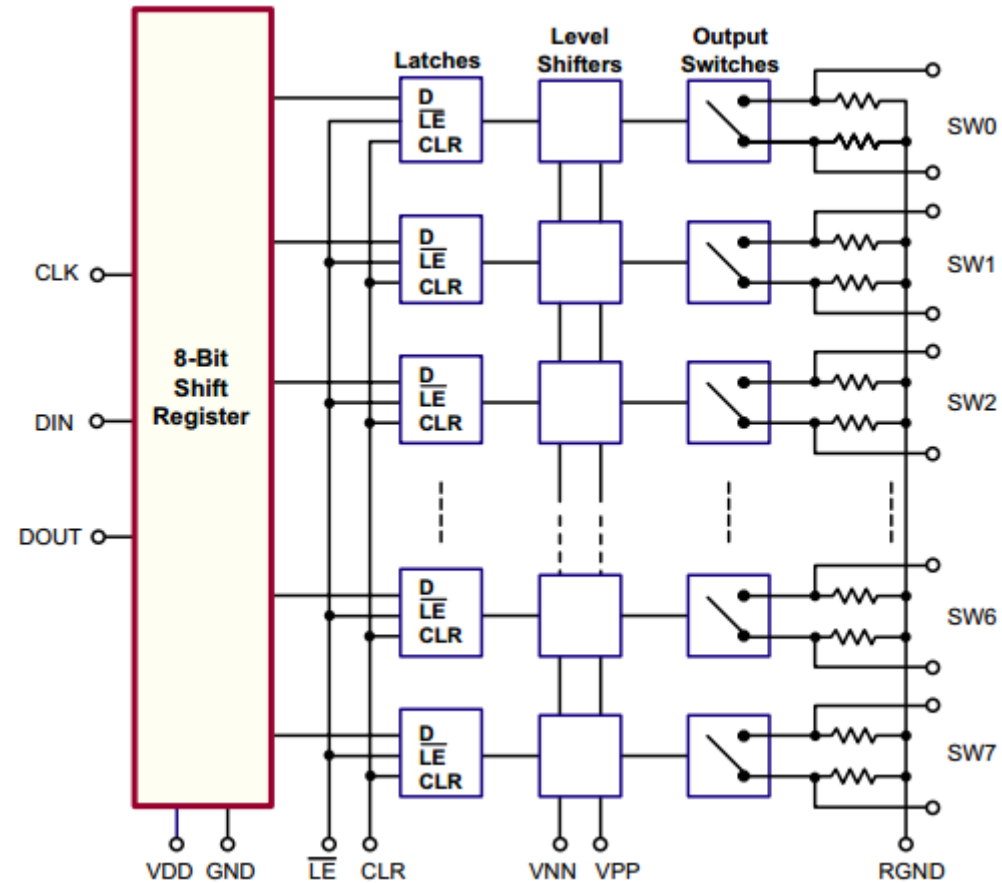
HV2221 / HV2321

Low Charge Injection, 8-Channel,
Unipolar, Negative High Voltage, Analog Switch

Online
Datasheet

Features:

- Unipolar with Negative High Voltage
- 8 Channel SPST
- Low Charge Injection
- HV2221 without bleed resistors
- HV2321 with bleed resistors
- Low on-resistance, 15Ω max.
- HVCMOS technology for high performance
- 3.3 or 5.0V CMOS input logic level
- 20MHz data shift clock frequency
- Very low quiescent power dissipation
- Low parasitic capacitance
- DC to 50MHz small signal frequency response
- -60dB typical off-isolation at 5MHz
- CMOS logic circuitry for low power
- Excellent noise immunity
- Cascadable serial data register with latches
- Flexible operating supply voltages
- Operating Temperature Range: 0°C to +70°C
- Package: LQFP-48



<< BACK



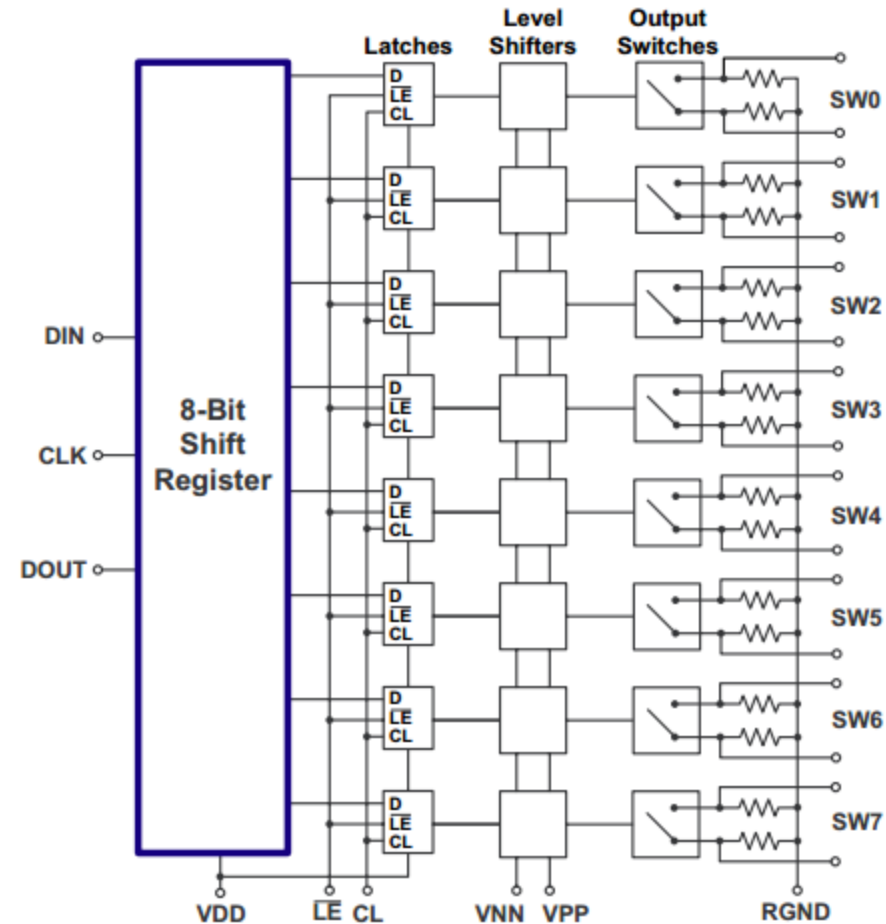
HV232

Low Charge Injection 8-Channel High Voltage
Analog Switches with Bleed Resistors

Online
Datasheet

Features:

- 8 Channel SPST
- HVCMOS® technology for high performance
- Very low quiescent power dissipation –
- (10µA max.)
- Output on-resistance (22Ω typ.)
- Integrated bleed resistors on the outputs
- Low parasitic capacitances
- DC to 50MHz small signal frequency response
- -60dB typical output off isolation at 5.0MHz
- CMOS logic circuitry for low power
- Excellent noise immunity
- 5.0V to 12.0V CMOS logic compatibility
- 5Mhz data shift clock frequency
- On-chip shift register, latch and clear logic –
- circuitry
- Flexible high voltage supplies
- Temperature Range: 0°C to +70°C
- Package : LQFP-48, PLCC-28



<< BACK



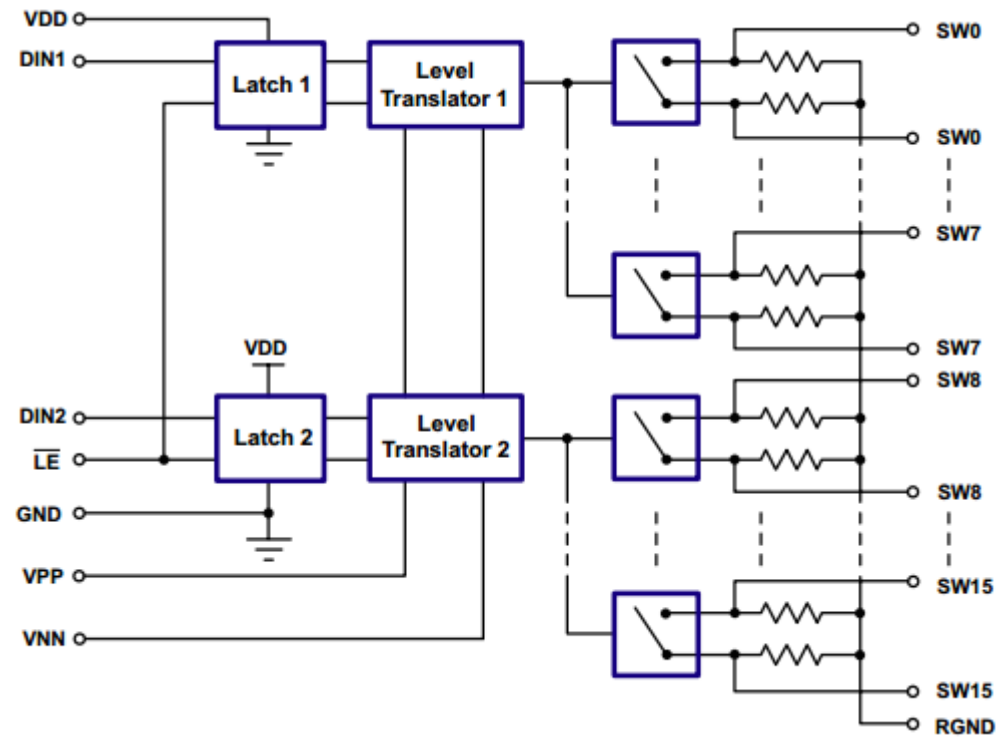
HV238

16-Channel High Voltage Analog Switch With Bleed Resistors

Online
Datasheet

Features:

- HVCMOS® technology for high –
– performance
- Two Banks of 8 x SPST configuration
- Support bank switching
- 220V operating conditions
- Output on-resistance typically 22Ω
- Integrated bleed resistors on the outputs
- 5.0 and 12.0V CMOS logic compatibility
- Very low quiescent power dissipation –
– (-10μA)
- -45dB min off isolation at 7.5MHz
- Low parasitic capacitance
- Excellent noise immunity
- Flexible operating supply voltages
- Operating Temperature Range:
 - 0°C to +70°C
- Package Option: LQFP-48



<< BACK



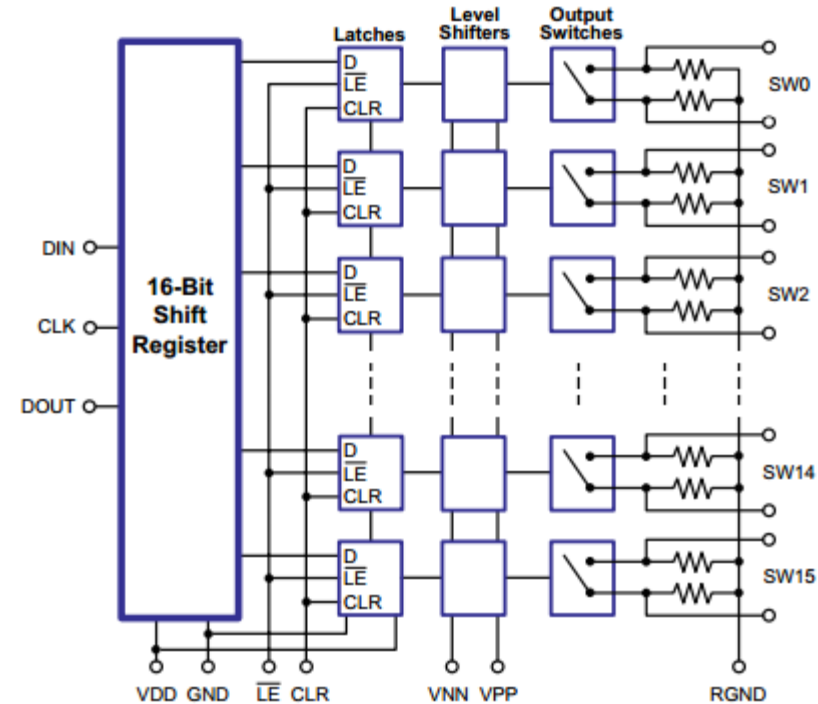
HV2601 / HV2701

Low-Charge Injection, 16-Channel, High-Voltage Analog Switch

Online
Datasheet

Features:

- 16-channel SPST high voltage analog switch
- HV2601 without bleed resistors
- HV2701 with bleed resistors
- HVCMOS technology for high performance
- Integrated bleed resistors on the outputs
- 3.3V and 5V input logic level compatible
- 20MHz data shift clock frequency
- Very low quiescent power dissipation ($-10\mu\text{A}$)
- Low parasitic capacitance
- DC to 50MHz small signal frequency response
- -60dB typical OFF-isolation at 5.0MHz
- CMOS logic circuitry for low power
- Excellent noise immunity
- Cascadable serial data register with latches
- Flexible operating supply voltages
- Temperature Range:
 - 0°C to $+70^{\circ}\text{C}$
- Package: LQFP-48, Bumped Die



<< BACK



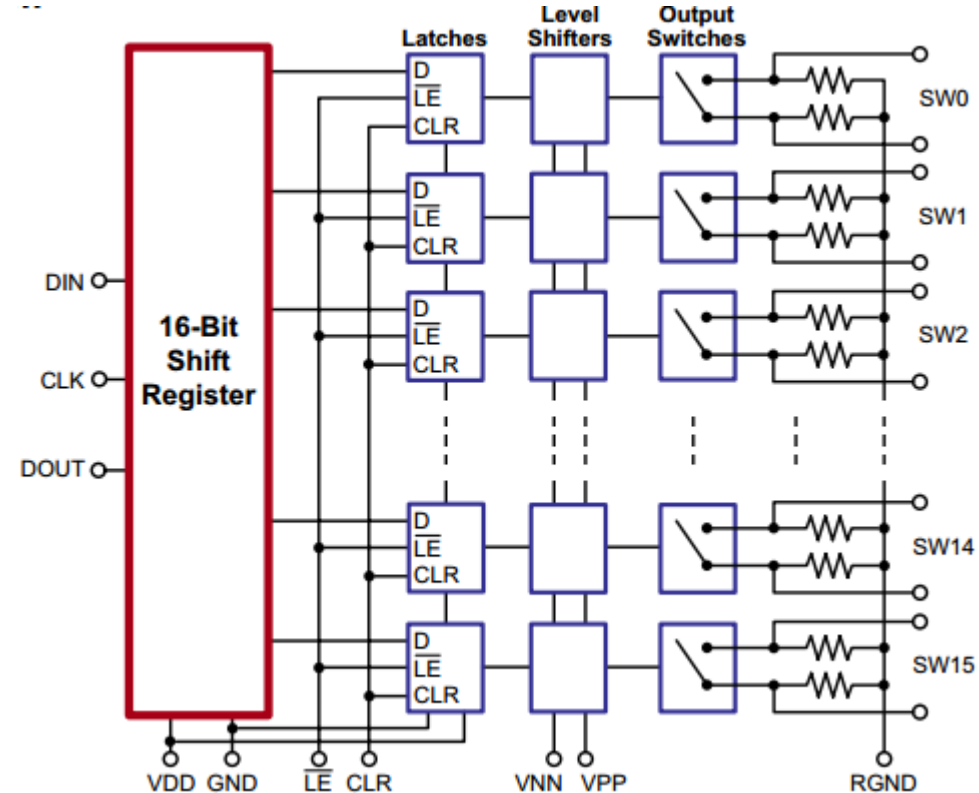
HV2605 / HV2705

Low Harmonic Distortion 16-Channel High Voltage Analog Switch

Online
Datasheet

Features:

- 16-channel SPST high voltage analog switch
- Low Harmonic Distortion
 - C_{sg} on/off = 13/10pF
- HV2605 is without bleed resistors
- HV2705 is with bleed resistors
- HVCMOS technology for high performance
- Integrated bleed resistors on the outputs
- 3.3V and 5V input logic level compatible
- 20MHz data shift clock frequency
- Very low quiescent power dissipation (10 μ A)
- Low parasitic capacitance
- DC to 50MHz small signal frequency response
- -60dB typical off-isolation at 5.0MHz
- CMOS logic circuitry for low power
- Low harmonic distortion
- Cascadable serial data register with –
 - latches
- Flexible operating supply voltages
- Operating Temperature Range: 0°C to +70°C
- Package: LQFP-48, Bumped Die



<< BACK



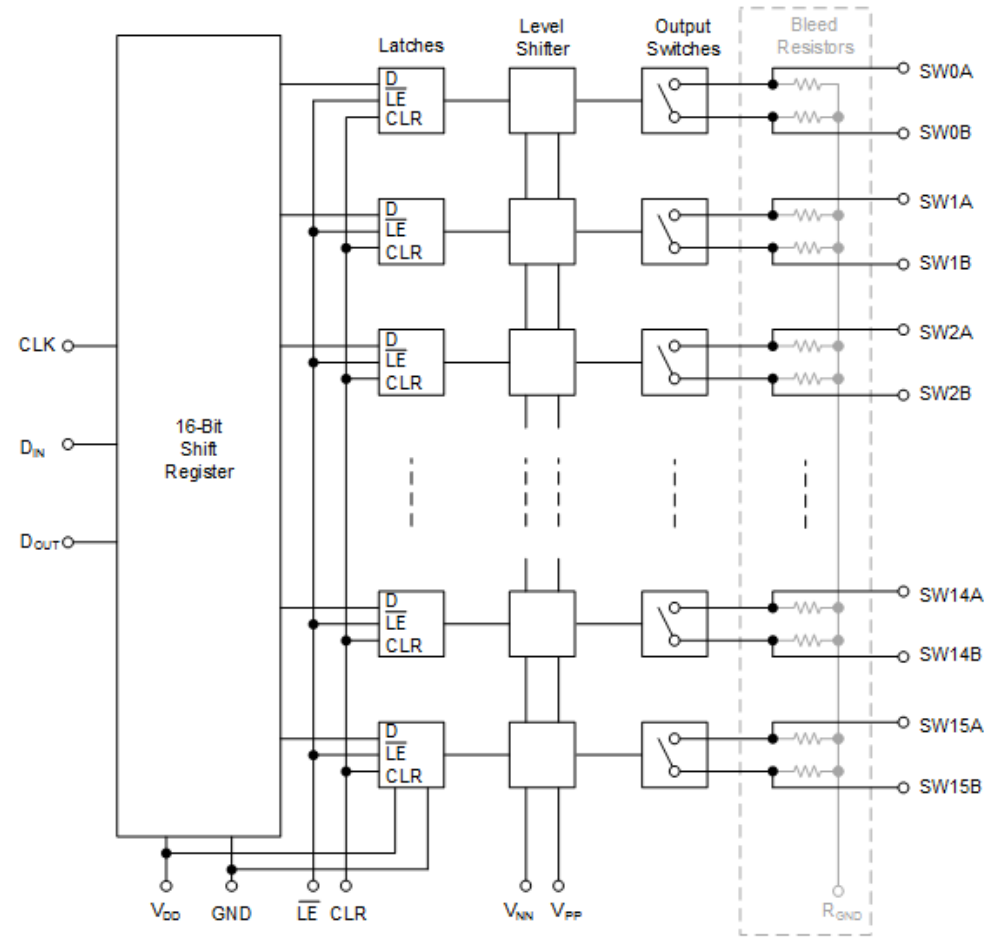
HV2621/HV2721/HV2722

16-Ch 300V, Low Charge Injection, High-Voltage Analog Switch

[Online
Datasheet](#)

Features

300V



HV2721 has bleed resistors at $SWxA$ and $SWxB$
HV2722 has bleed resistors at $SWxA$ only

[<< BACK](#)

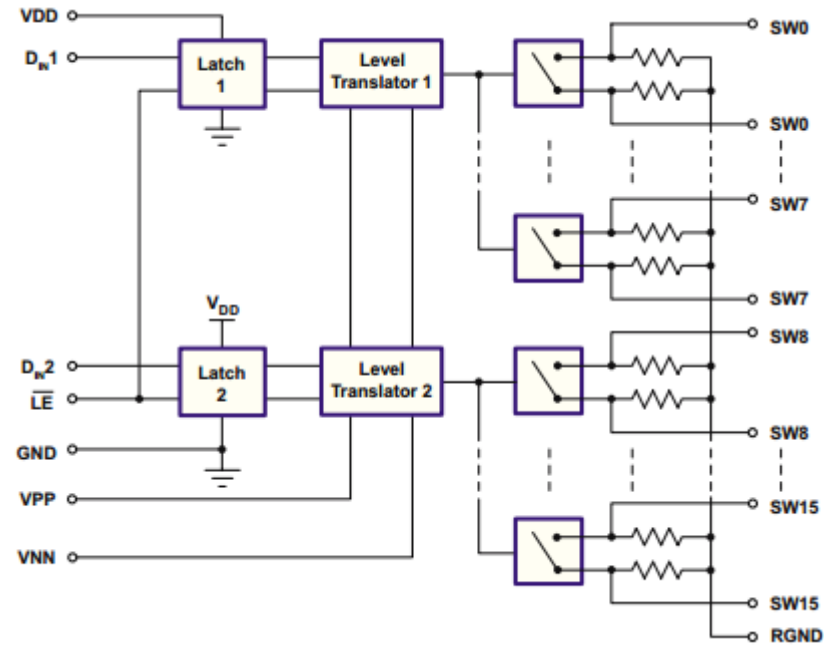
HV2631 / HV2731

16-Channel (2 Banks of 8-Channels), High Voltage Analog Switch

Online
Datasheet

Features:

- Two Banks of 8 x SPST configuration
- Support bank switching
- HV2631 without bleed resistors
- HV2731 with bleed resistors
- HVCMOS® technology for high performance
- 220V operating conditions
- 22Ω typical output on-resistance
- Integrated bleed resistors on the outputs
- 3.3V and 5.0V CMOS logic compatibility
- Very low quiescent power dissipation (-10μA)
- -45dB min off isolation at 7.5MHz
- Low parasitic capacitance
- Excellent noise immunity
- Flexible operating supply voltages
- 48-lead LQFP package
- Temperature Range:
 - 0°C to +70°C
- Package: LQFP-48



<< BACK



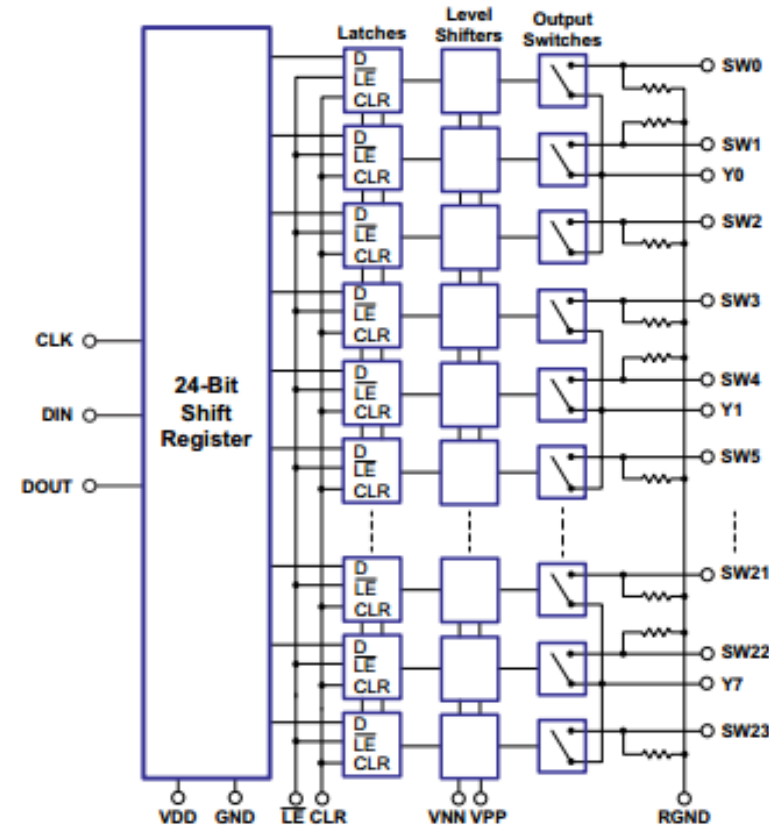
HV2661 / HV2761

Low Charge Injection 24-Channel High Voltage Analog Switch

Online
Datasheet

Features:

- HV2661 without bleed resistors
- HV2761 with bleed resistors
- 24-channel high voltage analog switch
- Integrated bleed resistors on the outputs
- 3.3 or 5.0V CMOS input logic level
- 3:1 MUX-deMUX with 8 states
- 20MHz data shift clock frequency
- HVCMOS technology for high performance
- Very low quiescent power dissipation, 10 μ A
- Low parasitic capacitance
- DC to 50MHz analog signal frequency
- -60dB typical OFF-isolation at 5.0MHz
- CMOS logic circuitry for low power
- Excellent noise immunity
- Cascadable serial data register with latches
- Flexible operating supply voltages
- Temperature Range:
 - 0°C to +70°C
- Package: LQFP-48



<< BACK



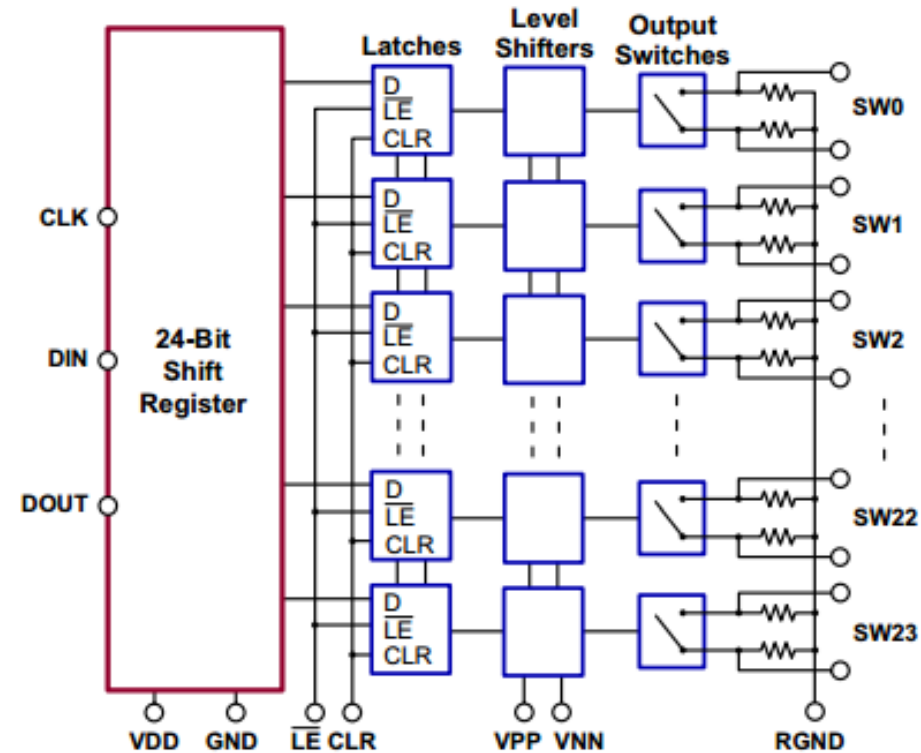
HV2662 / HV2762

Low Harmonic Distortion, 24-Channel SPST
High Voltage Analog Switch

Online
Datasheet

Features:

- 24 Channel SPST configuration
- Low Harmonic Distortion
- C_{sg} on/off = 12/9 pF
- HV2662 without bleed resistors
- HV2762 with bleed resistors
- 3.3 or 5.0V CMOS input logic level
- 20MHz data shift clock frequency
- HVCMOS technology for high performance
- Very low quiescent power dissipation –
- (10 μ A)
- DC to 50MHz analog signal frequency
- -60dB typical OFF-isolation at 5.0MHz
- CMOS logic circuitry for low power
- Excellent noise immunity
- Cascadable serial data register with latches
- Flexible operating supply voltages
- Temperature Range: 0°C to +70°C
- Package : LFGA-64



<< BACK



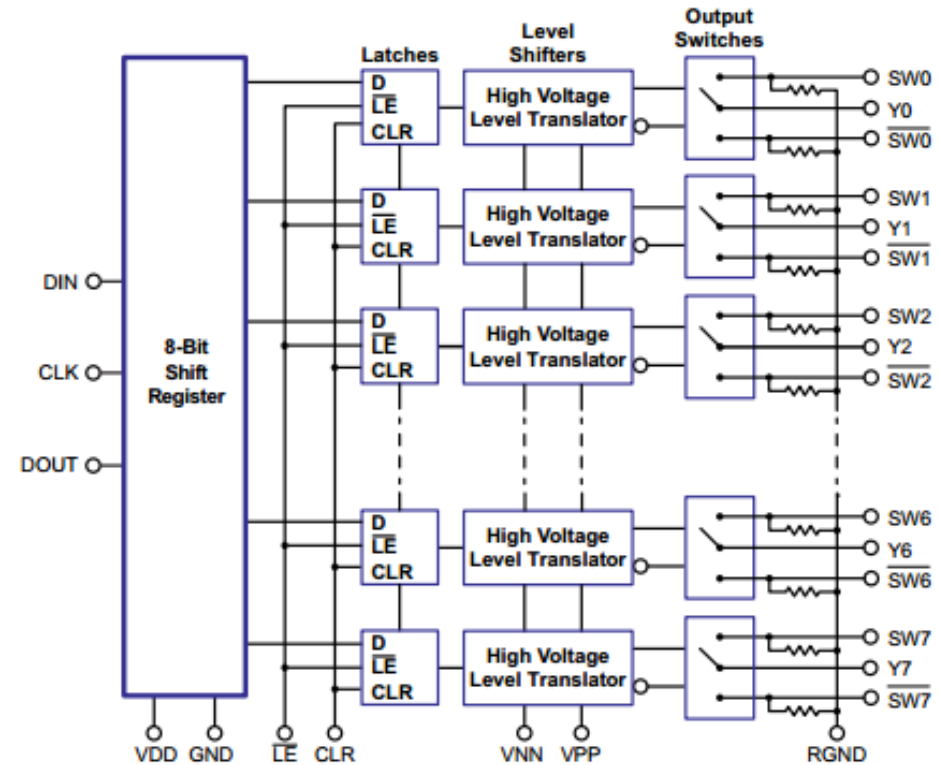
HV2733

16-Channel, Low Harmonic Distortion, High Voltage
Analog Switch with Bleed Resistors

Online
Datasheet

Features:

- 8 x SPDT Configuration
- Low harmonic distortion
- Integrated bleed resistors on the outputs
- 3.3 and 5.5V CMOS input logic level
- 20MHz data shift clock frequency
- HVCMOS technology for high –
- performance
- Very low quiescent power dissipation –
- (-10 μ A)
- Low parasitic capacitance
- DC to 50MHz small signal frequency –
- response
- CMOS logic circuitry for low power
- Excellent noise immunity
- Cascadable serial data register with –
- latches
- Flexible operating supply voltages
- Temperature Range: 0°C to +70°C
- Package: LQFP-48



<< BACK

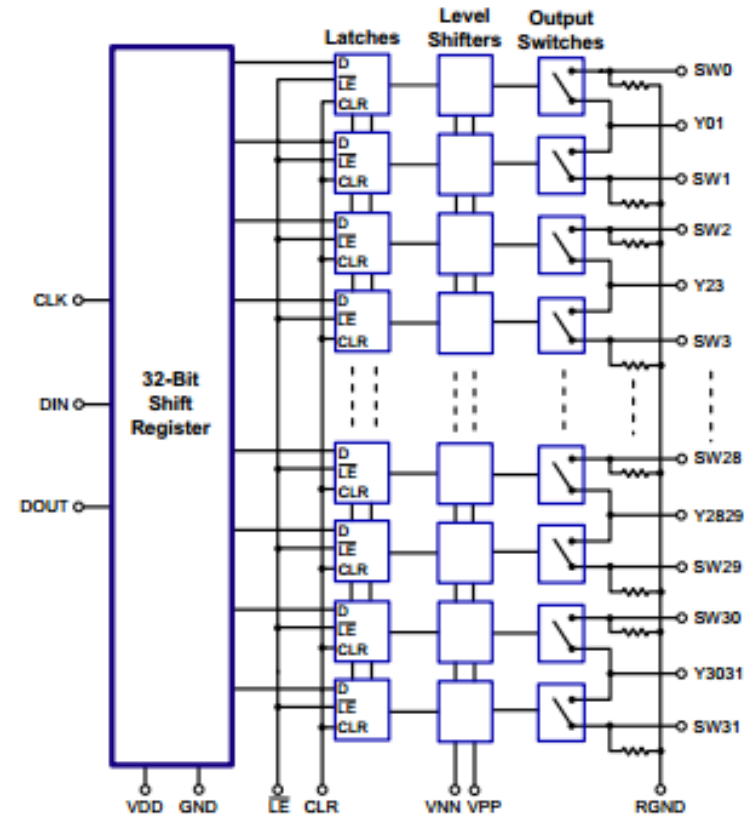


HV2801 / HV2901

Low Charge Injection 32-Channel High Voltage Analog Switch

Features:

- 16 x 2:1 Mux configuration
- HV2801 without bleed resistors
- HV2901 with bleed resistors
- 3.3V or 5.0V CMOS input logic level
- 20MHz data shift clock frequency
- HVCMOS technology for high performance
- Very low quiescent power dissipation -10 μ A
- Low parasitic capacitance
- DC to 50MHz analog signal frequency
- -60dB typical OFF-isolation at 5.0MHz
- CMOS logic circuitry for low power
- Excellent noise immunity
- Cascadable serial data register with latches
- Flexible operating supply voltages
 - 0°C to +70°C
- Package: QFN-64

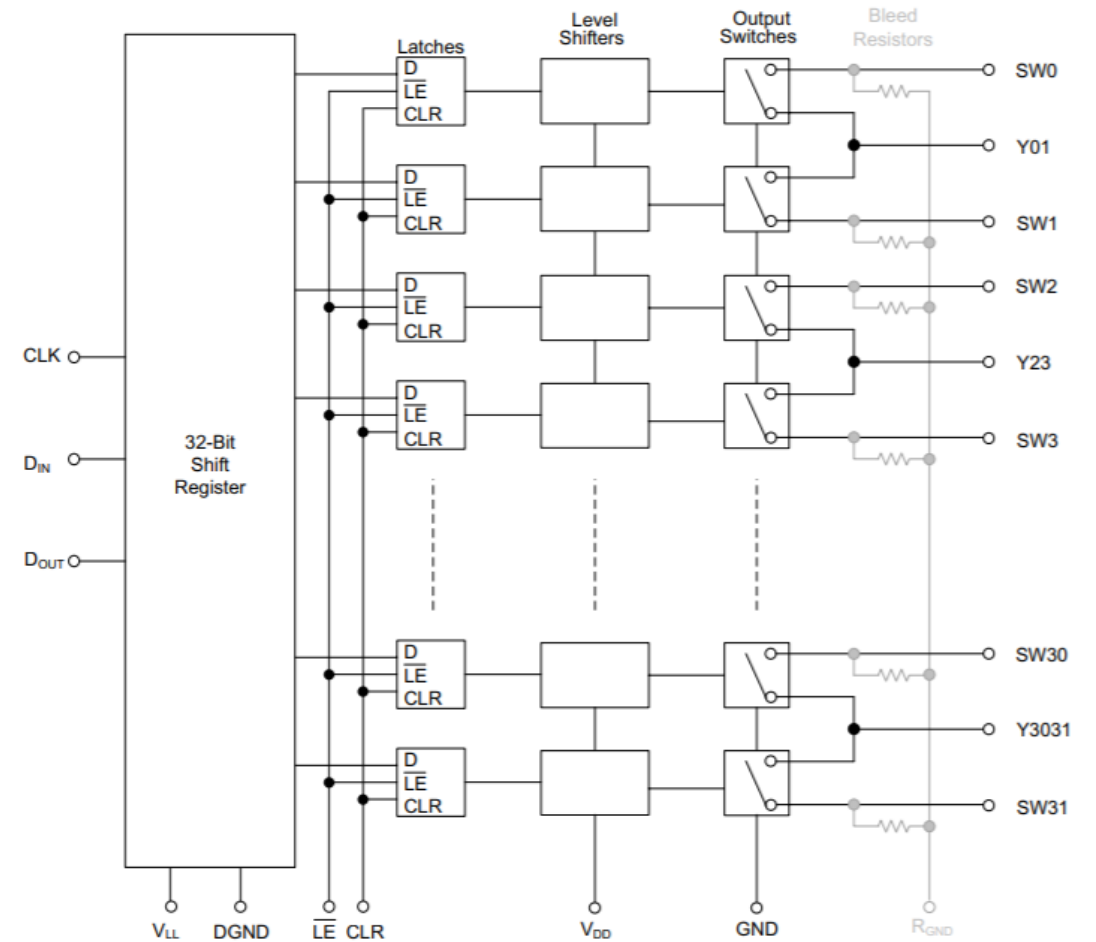


HV2818/2918

32Ch High Voltage Multiplexer w/+5V bias

Features:

- 32-channel (16 X 2:1 MUX) High-Voltage Analog Switch
- Only +5V Bias Supply Required (LV-bias MUX)
- Asymmetric Switch Topology for Small Size
- $\pm 100\text{V}$ Peak-to-Peak Analog Signal Voltage
- 2.7A Switch-On Peak Current
- 3.3V and 5V CMOS Input Logic Level
- 66 MHz Data Shift Clock Frequency
- Low-Parasitic Capacitance and Low Harmonic Distortion
- 200 kHz to 50 MHz Large Signal Frequency
- -70 dB Typical Off Isolation at 5.0 MHz
- Excellent Noise Immunity
- Cascadable Serial Data Register with Latches
- Integrated Bleed Resistors on the SW Outputs (HV2918 only)



HV2918 has bleed resistor at SWx pins

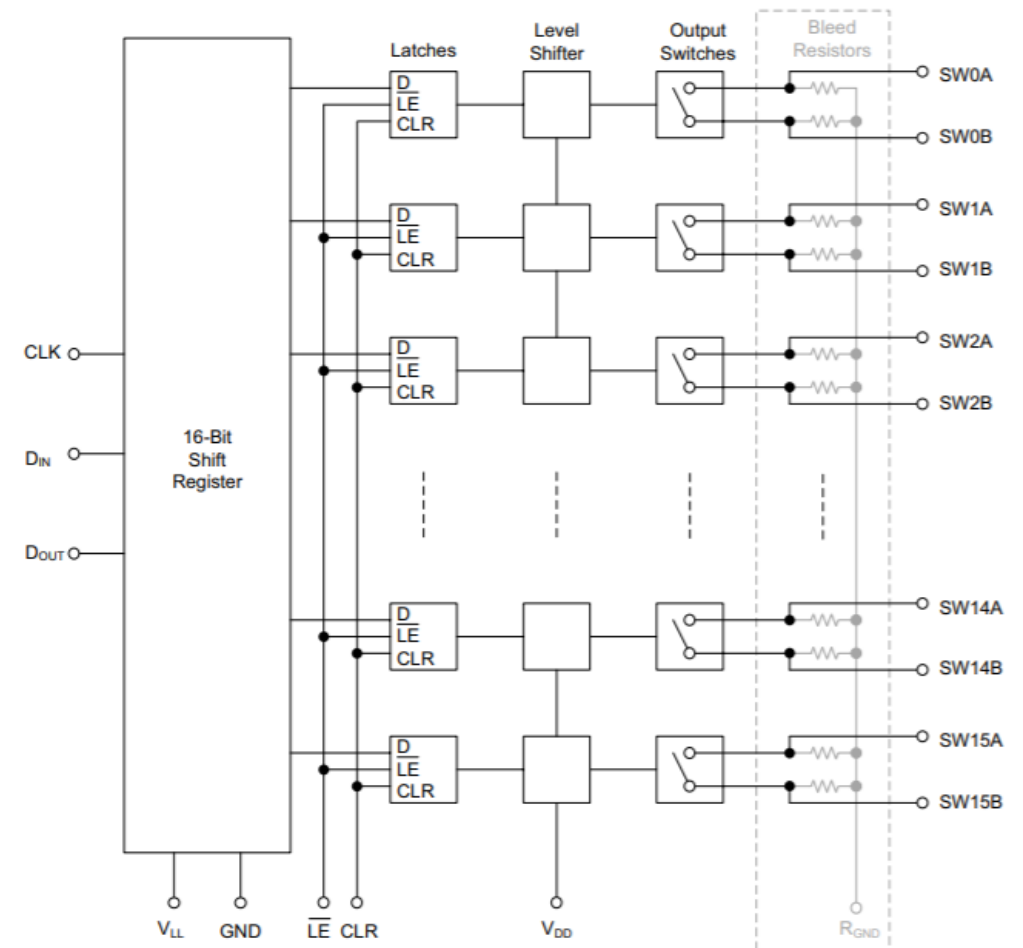


HV2607/HV2707/HV2708

16Ch High Voltage Analog Switches with +5V Bias Supply

Features:

- 16-channel SPST high voltage analog switch
- Analog signal voltage up to $\pm 100\text{V}$
- Only +5V bias supply required
- 3.3V and 5V CMOS input logic level
- Peak Switch-on Current 1.9A
- 66MHz data shift clock frequency
- Ultra-low quiescent current $< 10\mu\text{A}$
- Low parasitic capacitance, Low harmonic distortion
- DC to 100MHz analog small signal frequency
- 200kHz to 50MHz large signal frequency
- -76dB typical off isolation at 5.0MHz
- Excellent noise immunity
- Cascadable serial data register with latches
- Integrated bleed resistors on the outputs (both sides for HV2707, one side for HV2708)



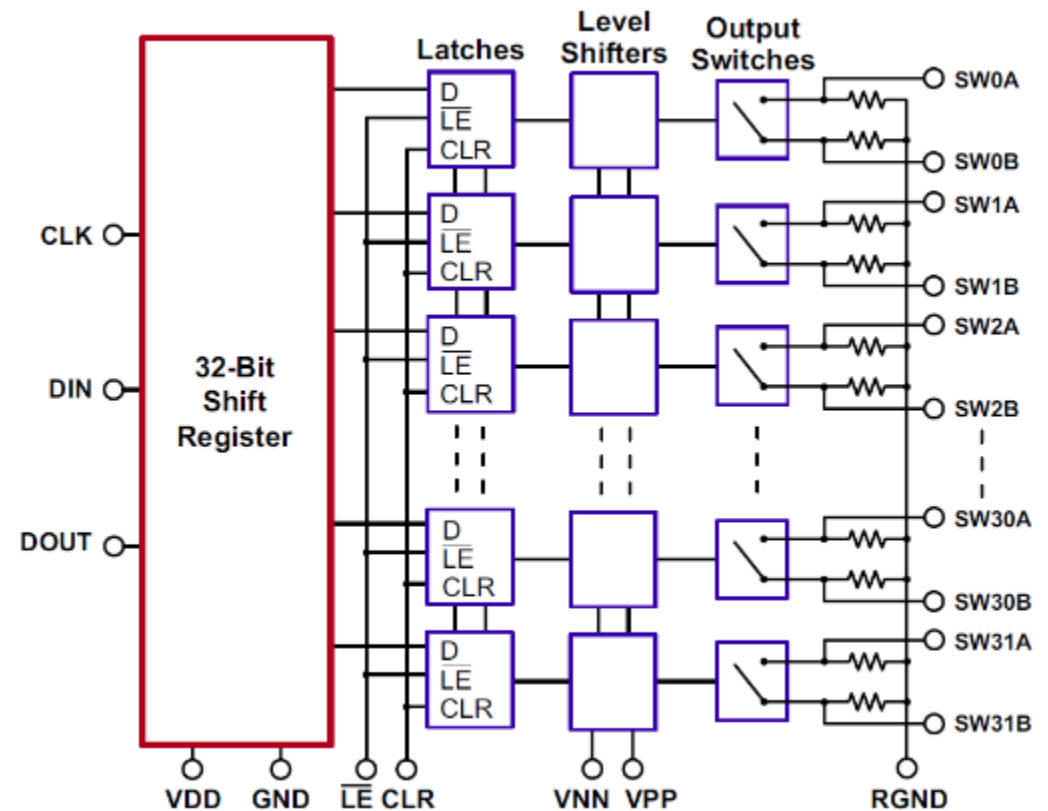
HV2707 has bleed resistors at SWxA and SWxB
 HV2708 has bleed resistors at SWxA only

HV2802 / HV2902

Low Harmonic Distortion, 32-Channel SPST, High-Voltage Analog Switch

Features:

- 32-Channel SPST high voltage –
- analog switch
- Low Harmonic Distortion
- Cgs on/off = 13/10 pF
- +/-100V Analog Signal Voltage Range
- 20Mhz data shift clock frequency
- Integrated 35KΩ bleeder resistor –
- (HV2902 only)
- -60dB off isolation
- 22Ω on-resistance
- 3.0A peak analog signal current per –
- channel
- DC to 50Mhz analog signal bandwidth
- Low parasitic capacitance
- CMOS logic circuitry for low power
- Package: 78-Ball BGA 9x9 mm

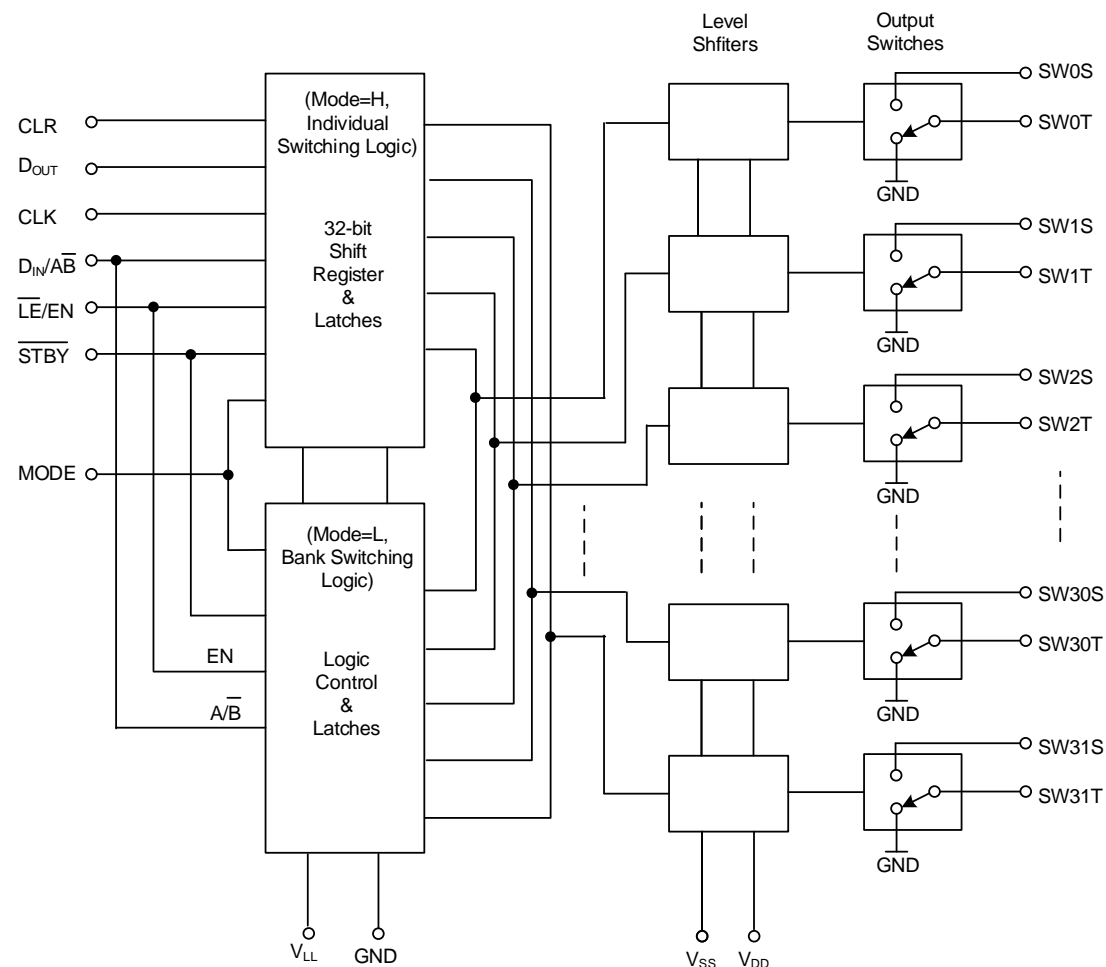


HV2070

32-Channel SPST, High-Voltage Analog Switch, Low Ron

Feature

- 32-Ch $\pm 100\text{V}$ Analog L-Switches SPST
- Bias voltages $V_{DD}/V_{SS} = \pm 5\text{V}$
- $R_{on} = 4.5\Omega$, $I_{pk} = 3.7\text{A}$
- 20pF C_{sg-on} , 11pF C_{sg-off}
- DC to 100MHz small signal BW
- 100KHz to 50MHz large signal BW
- -70dBc second harmonic distortion
- -66dB Off-Isolation at 5.0MHz
- 3.3V Logic 66MHz Clock frequency
- 10x10mm TFBGA-121 package

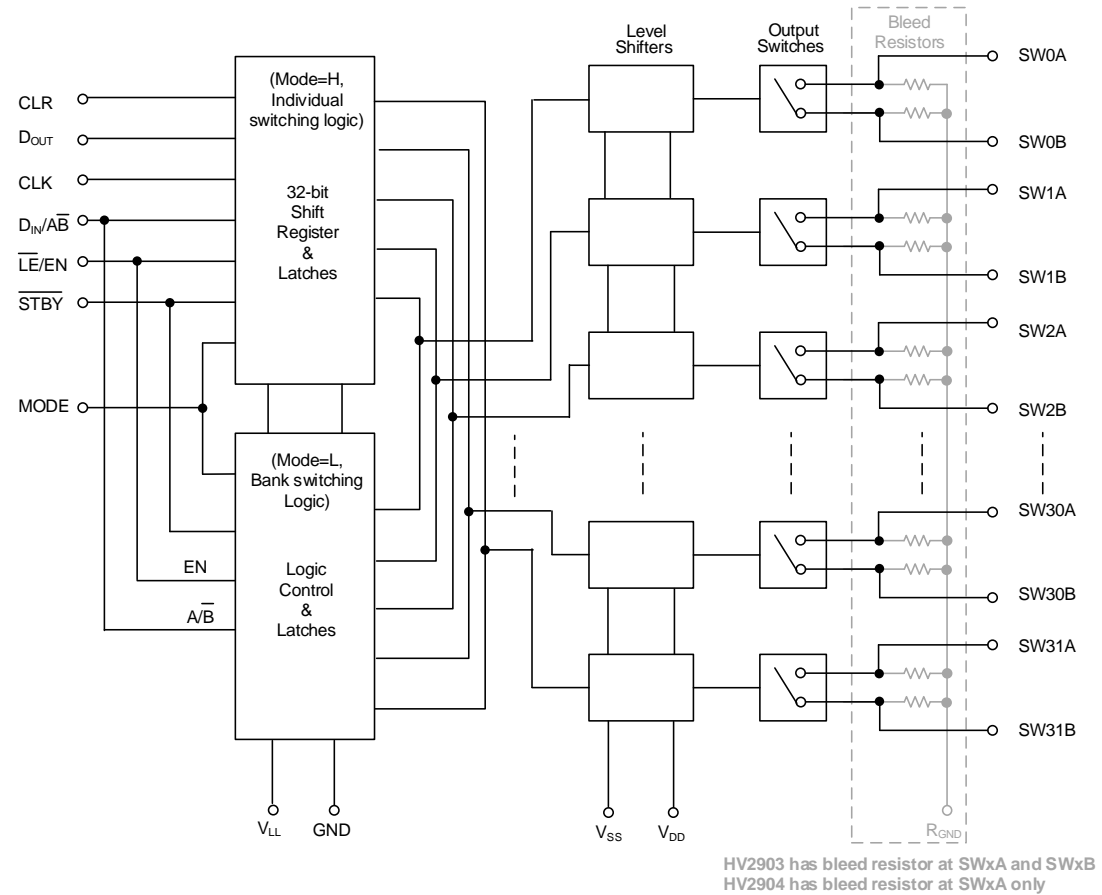


HV2803 / 2903 / 2904

32-Ch SPST, No HV Bias, $\pm 100V$ High Voltage Analog Switch

Features:

- 32-Channel SPST high voltage analog switch
- $\pm 100V$ Analog Signal Voltage Range
- $\pm 5V$ bias supply voltages
- 66Mhz data shift clock frequency
- Integrated Rb two for HV2903, one HV2904
- -70dB typical off isolation at 5MHz
- 10 Ω switch-on resistance
- Csg(on)/off=27pF/9pF
- 3A peak analog signal current per channel
- DC to 50Mhz Small-Signal Analog Bandwidth
- 200kHz to 50Mhz Large-Signal Analog Bandwidth
- 12mm x 12mm x 1.1mm TFBGA package

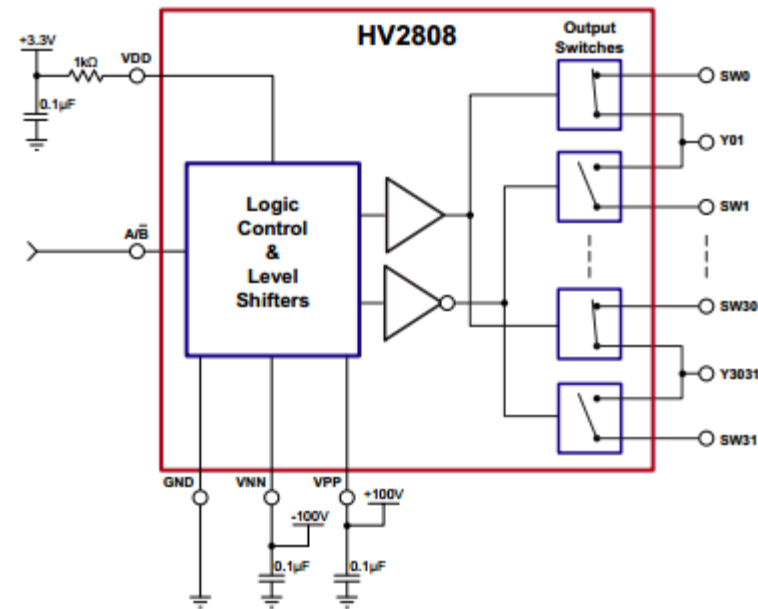


HV2808

Low Harmonic Distortion, 32-Channel, High Voltage Analog Switch IC

Features:

- Two Banks of 16 SPST configuration
- Support bank switching
- 3.3 or 5.0V CMOS input logic level
- HVCMOS technology for high performance
- Very low quiescent power dissipation -10 μ A
- Low parasitic capacitance
- DC to 50MHz analog signal frequency
- -60dB typical OFF-isolation at 5.0MHz
- CMOS logic circuitry for low power
- Excellent noise immunity
- Flexible operating supply voltages
- Temperature Range:
 - 0°C to +70°C
- Package: QFN-56
- Ideal for ultrasound probe slot multiplexing

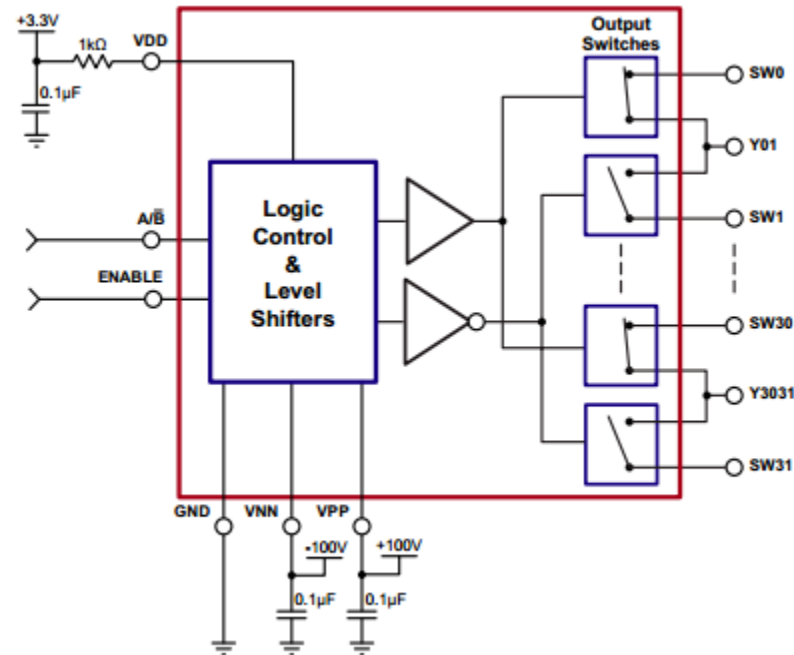


HV2809

Low Harmonic Distortion, 32-Channel, High Voltage Analog Switch Relay Replacement IC

Features:

- Two banks of 16 SPST configuration
- Support bank switching
- Enable control for all-OFF state
- 3.3 or 5.0V CMOS input logic level
- HVCMOS technology for high performance
- Very low quiescent power dissipation, 10 μ A
- Low parasitic capacitance
- DC to 50MHz analog signal frequency
- -60dB typical OFF-isolation at 5.0MHz
- CMOS logic circuitry for low power
- Excellent noise immunity
- Flexible operating supply voltages
- Temperature Range:
 - 0°C to +70°C
- Package: QFN-56
- Ideal for ultrasound probe slot multiplexing

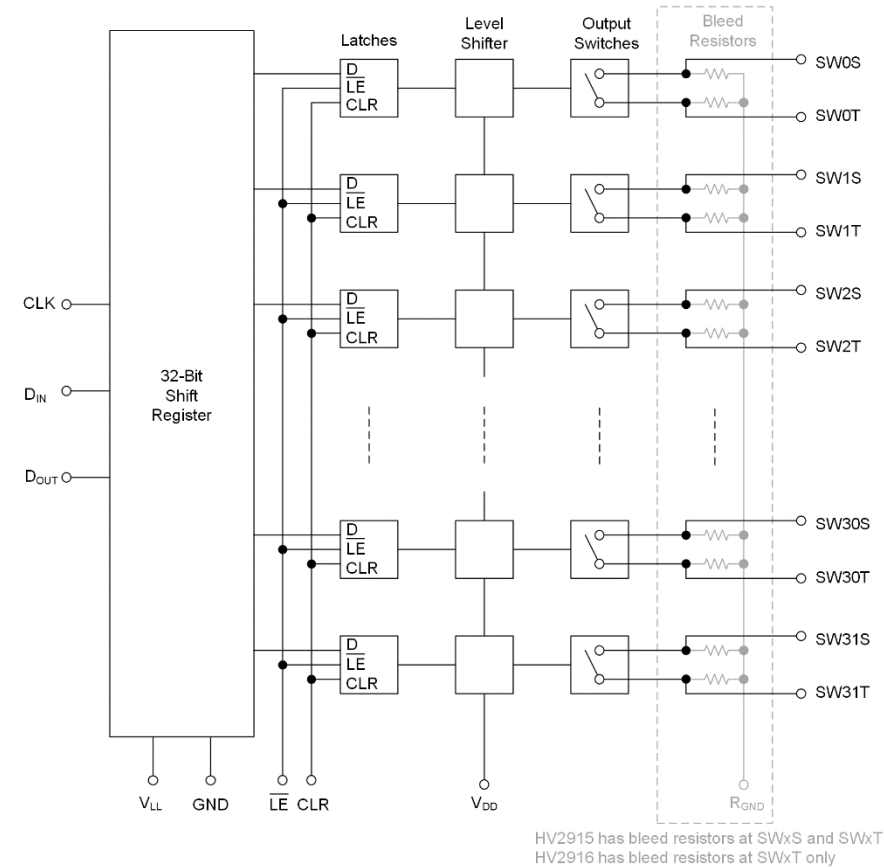


HV2815/HV2915/HV2916

32Ch High Voltage Analog Switches with +5V Bias Supply

Features

- 32-channel High-Voltage Analog Switch in SPST configuration
- Only +5V Bias Supply Required
- +/-100V Peak-to-Peak Analog Signal Voltage
- 2.9A Switch-On Peak Current
- 3.3V and 5V CMOS Input Logic Level
- 66 MHz Data Shift Clock Frequency
- Low-Parasitic Capacitance and Low Harmonic Distortion
- Low output voltage spike
- 200 kHz to 50 MHz Large Signal Frequency
- -70 dB Typical Off Isolation at 5.0 MHz
- Excellent Noise Immunity
- Cascadable Serial Data Register with Latches
- 10mm x 10mm x 1.1mm TFBGA Package
- HV2815 has no bleed resistors
- HV2915 has two bleed resistors on both the SWT and SWS pins
- HV2916 has one bleed resistor on SWT pins of the switch only



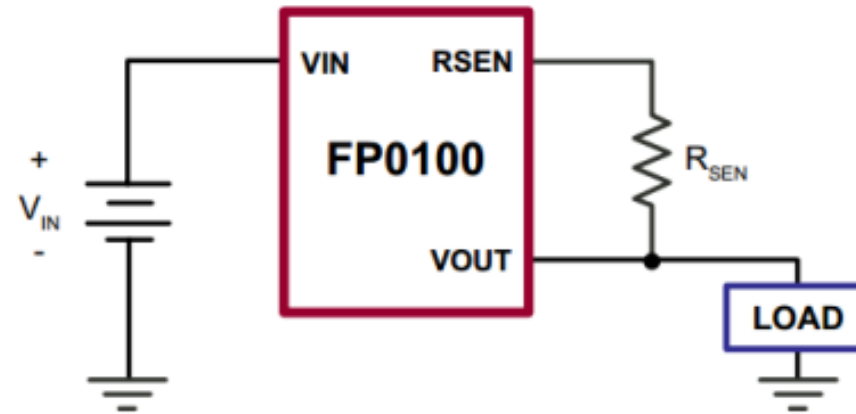
FP0100

Fault Protection Switch with Current Fold-back

[Online Datasheet](#)

Features:

- Up to 100V input voltage protection
- Low on resistance – 4.0Ω typical
- Fast switching speed
- No external supplies needed
- Operating Temperature Range:
 - -40°C to +125°C
- Package Option: SOT-89



<< BACK



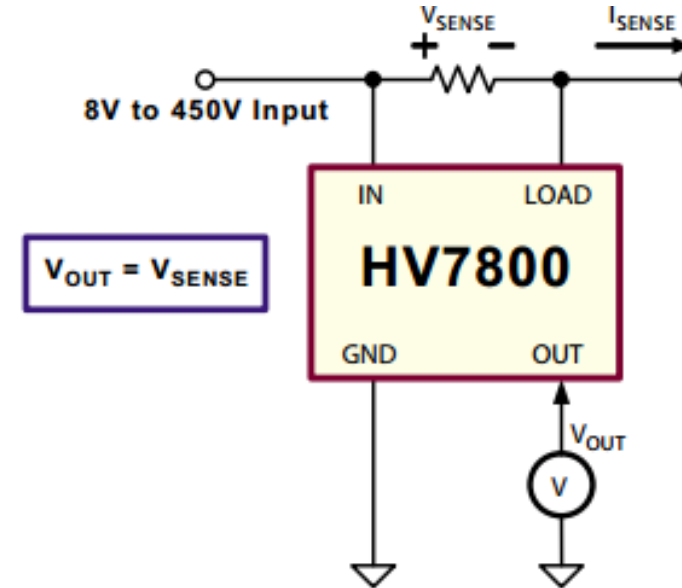
HV7800

High Side Current Monitor 8.0 to 450V Voltage Gain of 1

[Online Datasheet](#)

Features:

- Supply voltage 8.0 to 450V
- Voltage output device
- Typical gain $1.0 \pm 1\%$
- Max V_{SENSE} 500mV
- Fast rise and fall times, 700ns to $2.0\mu s$
- Maximum quiescent current $50\mu A$
- Operating Temperature Range:
 - $-40^{\circ}C$ to $+125^{\circ}C$
- Package Option: 5L SOT-23



[<< BACK](#)



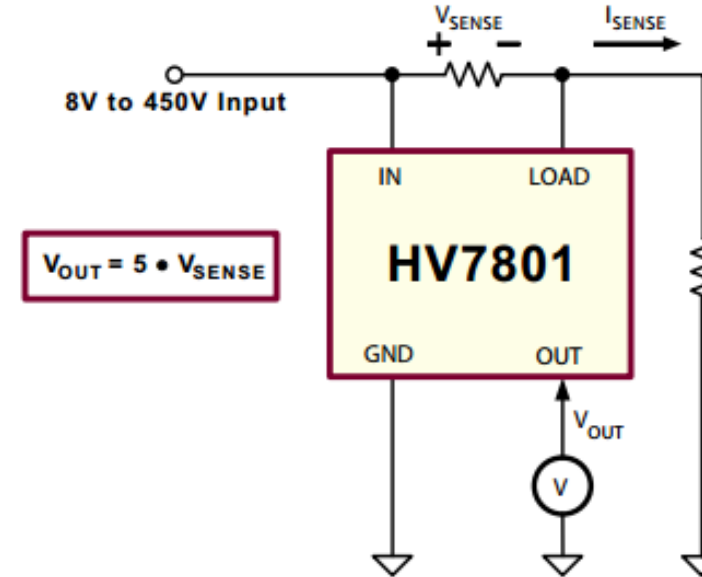
HV7801

High Side Current Monitor 8.0 to 450V Voltage Gain of 5

[Online Datasheet](#)

Features:

- Supply voltage 8.0 to 450V
- Voltage output device
- Typical gain $5.0 \pm 1\%$
- Max V_{SENSE} 500mV
- Fast rise and fall times, 700ns to $2.0\mu s$
- Maximum quiescent current $50\mu A$
- Operating Temperature Range:
 - $-40^{\circ}C$ to $+125^{\circ}C$
- Package Option: 5L SOT-23



<< BACK



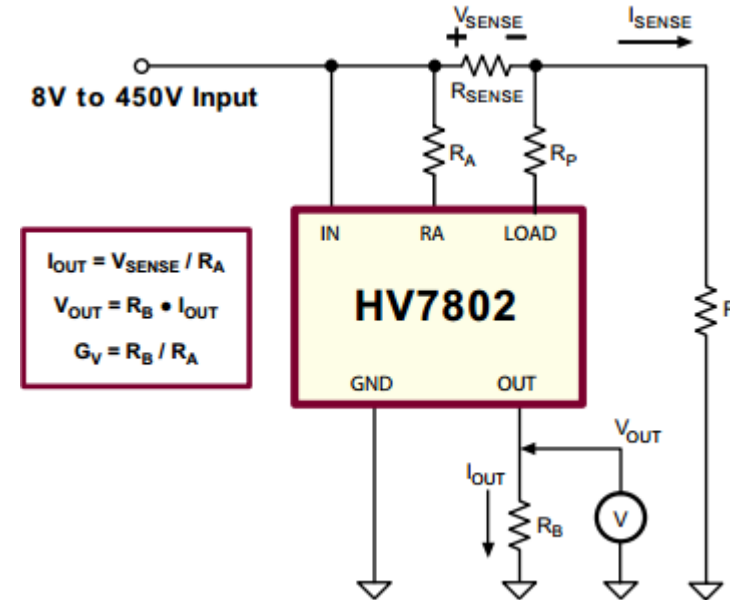
HV7802

High Side Current Monitor 8V to 450V Configurable Output

Online
Datasheet

Features:

- Supply voltage 8V to 450V
- Configurable as a current or – voltage output device
- Maximum sense amplifier – offset of 15mV
- Max V_{SENSE} of 500mV
- Fast rise and fall times, from – 700ns to 2.0μs
- Maximum quiescent current of 50μA
- Operating Temperature Range:
 - -40°C to +125°C
- Package Option: MSOP-8



<< BACK

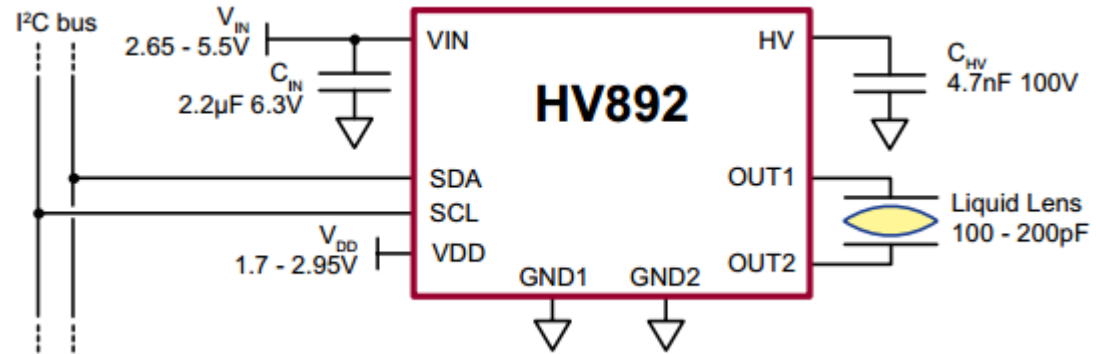
HV892

Inductorless Liquid Lens Driver

Online
Datasheet

Features:

- Drives capacitive loads up to –
– 200pF
- Programmable drive amplitude –
– (compatible with 40VRMS to –
– 60VRMS lenses)
- On-chip boost converter
- No external inductor
- I²C interface
- Low operating current ($\leq 20\text{mA}$)
- Low standby current ($\leq 1.0\mu\text{A}$)
- Controlled drive edge reduces –
– EMI
- Operating Temperature Range:
 - -40°C to $+85^{\circ}\text{C}$
- Package Option: WDFN-10



<< BACK

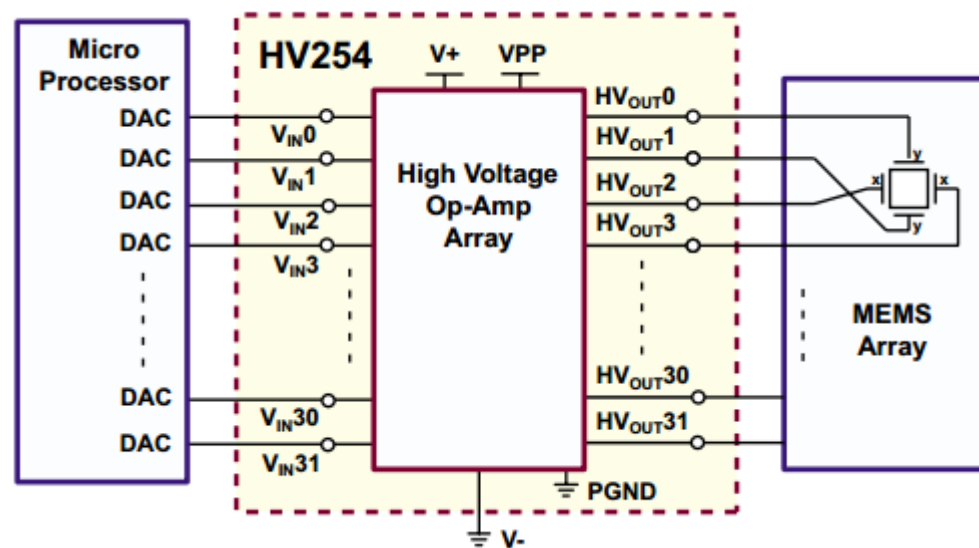


HV254

32-Channel High Voltage Amplifier Array

Features:

- 32 independent high voltage amplifiers
- Up to 250V output voltage
- 3.0V/ μ s typical output slew rate
- Very low operating current (typically –
 - - 45 μ A per channel)
- High value internal feedback resistors
- Fixed gain of 50V/V
- Integrated silicon diode for –
 - - temperature sensing
- Operating Temperature Range:
 - -10°C to +125°C
- Package Option: MQFP-100

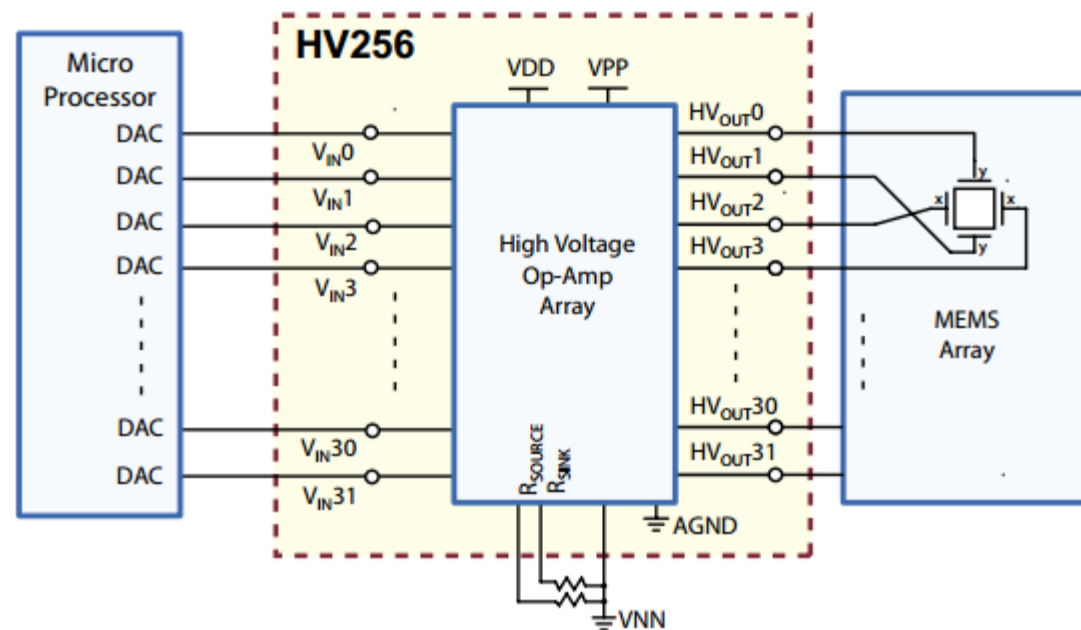


HV256

32-Channel High Voltage Amplifier Array

Features:

- 32 independent high voltage –
 - - amplifiers
- 300V operating voltage
- 295V output voltage
- 2.2V/ μ s typical output slew rate
- Adjustable output current –
 - - source limit
- Adjustable output current sink –
 - - limit
- Internal closed loop gain of –
 - - 72V/V
- 12M Ω feedback impedance
- Operating Temperature Range:
 - -10°C to +85°C
- Package Option: MQFP-100

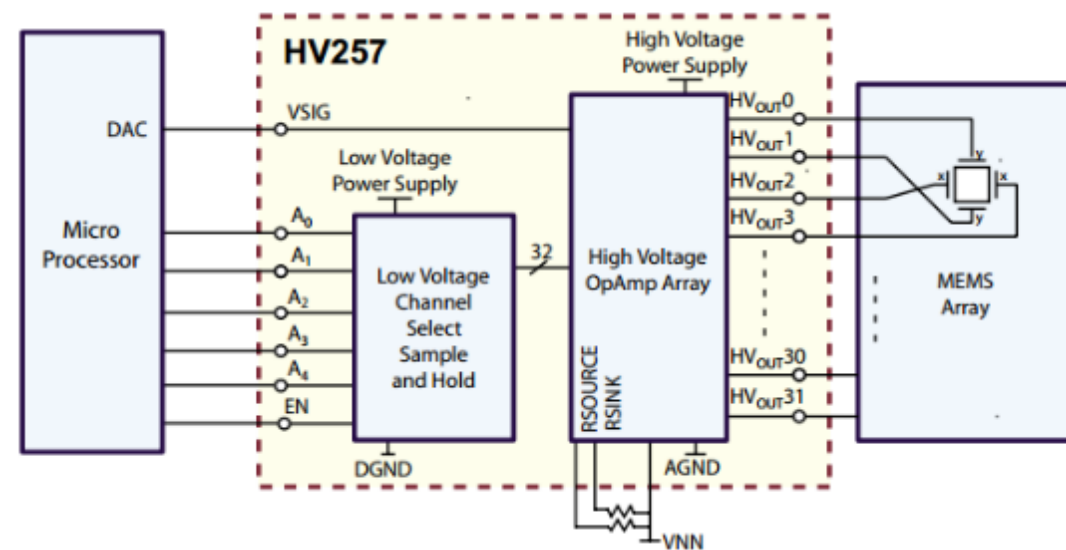


HV257

32-Channel High Voltage Sample and Hold Amplifier Array

Features:

- 32 independent high voltage –
- - amplifiers
- 300V operating voltage
- 295V output voltage
- 2.2V/ μ s typical output slew rate
- Adjustable output current source –
- - limit
- Adjustable output current sink limit
- Internal closed loop gain of 72V/V
- 12M Ω feedback impedance
- Layout ideal for die applications
- Operating Temperature Range:
- -10°C to +85°C
- Package Option: MQFP-100



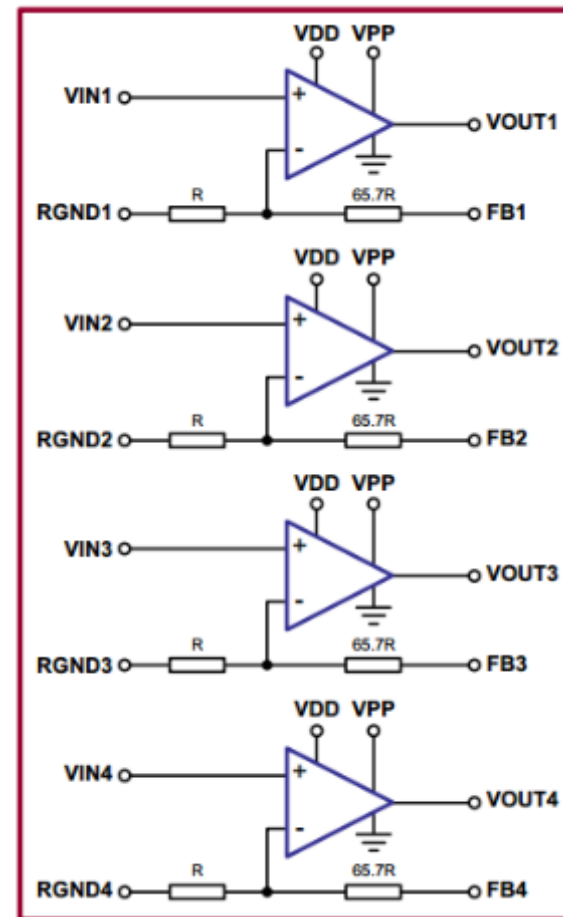


HV264

Quad, High Voltage, Amplifier Array

Features:

- Four independent high voltage amplifiers
- 190V output swing
- 9.0V/ μ s typical output slew rate
- Fixed gain of 66.7V/V
- High value internal feedback resistors
- Very low operating current
- Operating Temperature Range:
 - -40°C to +100°C
- Package Option: TSSOP-24

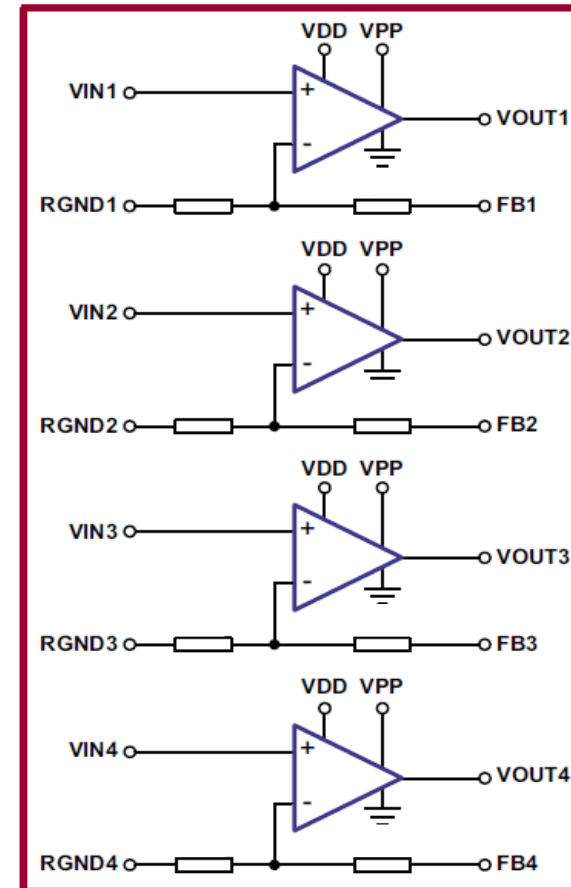


HV265

4-Channel HV Amplifier Array

Features:

- Four Channels High Voltage Amplifier
- Capacitive Load: 100-200pF
- Min Output Slew Rate: 0.02V/us
(200V in 10 milliseconds)
- Maximum Settling Time: 10ms
- Minimum Gain Bandwidth Product: 30kHz
- Fixed Gain of 82 V/V
- Internal Gain Resistor Network
- Output Impedance: <1k
- Crosstalk Rejection: 80dB
- Very Low Operating Current
- Operating Junction Temperature : -40°C to +125°C
- Package: 24-Lead TSSOP

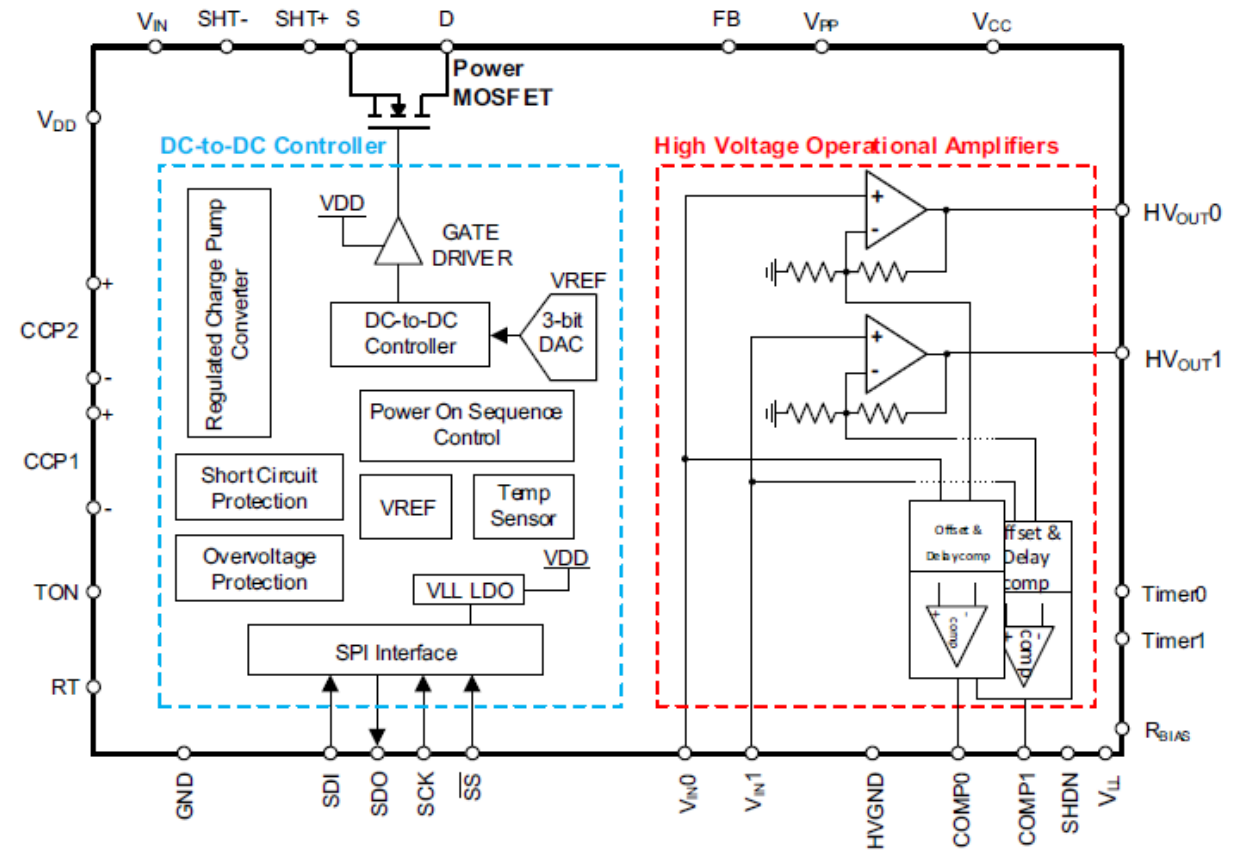


HV56020

Dual High Voltage Op Amp with Step-Up Converter and Power MOSFET

- **Features**

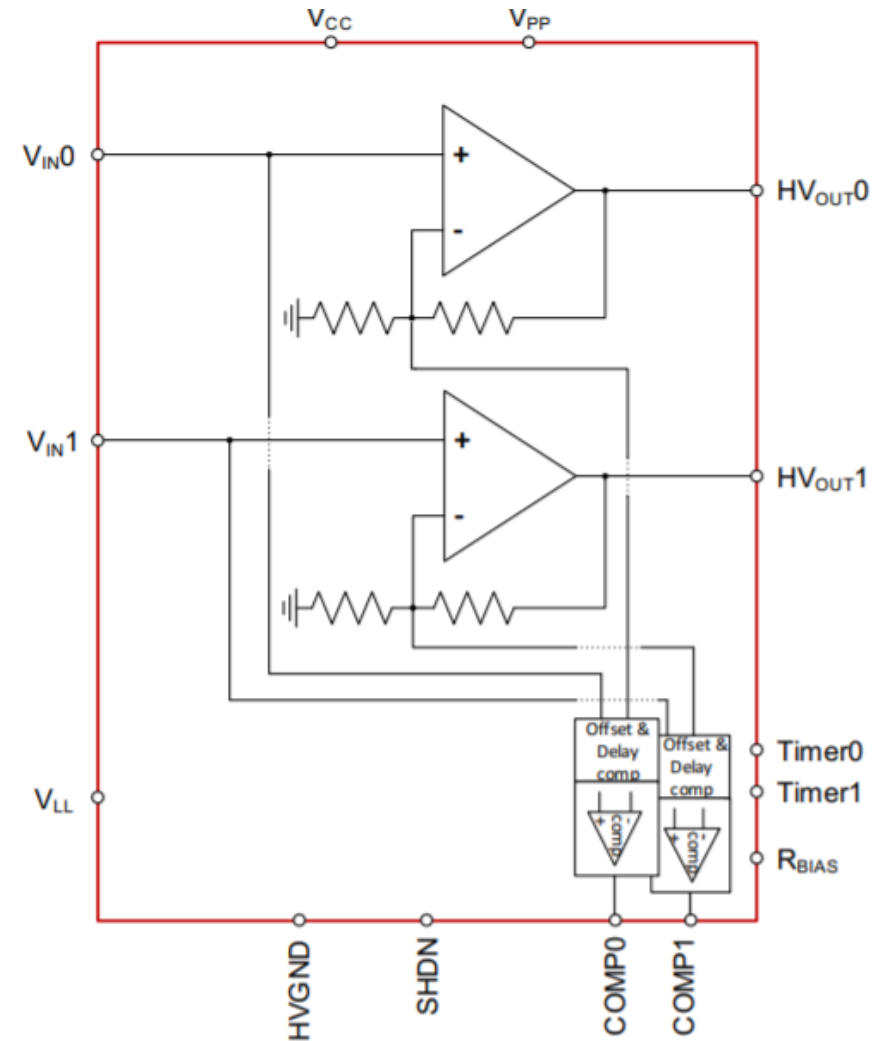
- Dual 250V Operational Amplifiers
- HVout to 225V, Iout to 40mA Min (Source/Sink)
- Vout Comparators for OCP (-124 Hz -3 dB BW w/0.22 μ F Load)
- Integrated Flyback Converter (VIN: 2.7V to 5.5V, Vout: Typ 250V Max)
- 3-Bit DAC for Boost Output Control (Minimize P_{diss} vs. Drive Waveform)
- Integrated FET (V_{dss}, Max 60V, R_{ds,on} 10m Ω Max, 25°C)
- Integrated Protection Features: OVP, UVP, OCP
- Stand-By Mode (Min Current Mode)
- Temperature Sensor
- Power-On Reset
- 24 MHz SPI Interface
- 43-Ld. 7mm x 7mm VQFN, 0.9mm Thick



HV56022

Dual High Voltage Op Amp

- **Features**
- Dual 250V Operational Amplifiers
- HVout to 225V, Iout to 40mA Min (Source/Sink)
- Vout Comparators for OCP (- 124 Hz -3 dB BW w/0.22 μ F Cload)
- 20-Ld. 4mm x 4mm VQFN, 0.9m Thick



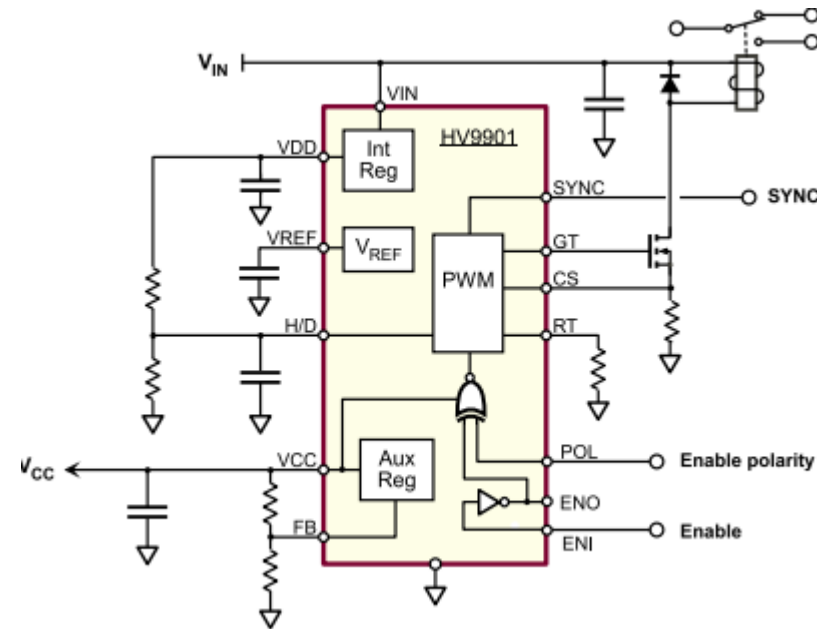
HV9901

Universal Relay Driver

Online
Datasheet

Features:

- 10 to 450V input voltage range
- Energy saving hold current mode
- Adjustable microcontroller supply
- Low supply current <1.0mA
- Constant current coil
- Programmable pull-in current, pull-in time, -
- and hold current
- Efficient PWM operation using the relay –
- coils' inductance
- Operating Temperature Range:
 - -40°C to +85°C
- Package Option: SOIC-16



<< BACK



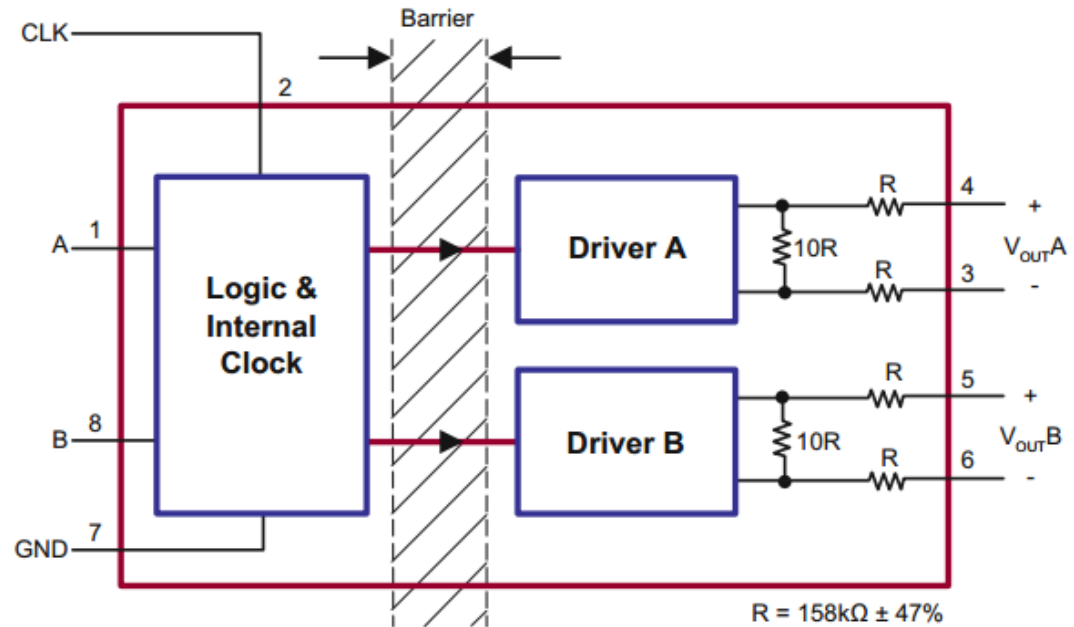
HT0440

Dual, High Voltage, Isolated MOSFET Driver

Online
Datasheet

Features:

- $\pm 400\text{V}$ input to output isolation
- $\pm 700\text{V}$ isolation between outputs
- No external voltage supply required
- Dual isolated output drivers
- Option of internal or external clock
- Operating Temperature Range:
 - -40°C to $+85^{\circ}\text{C}$
- Package Option: VDFN-10, SOIC-8



<< BACK



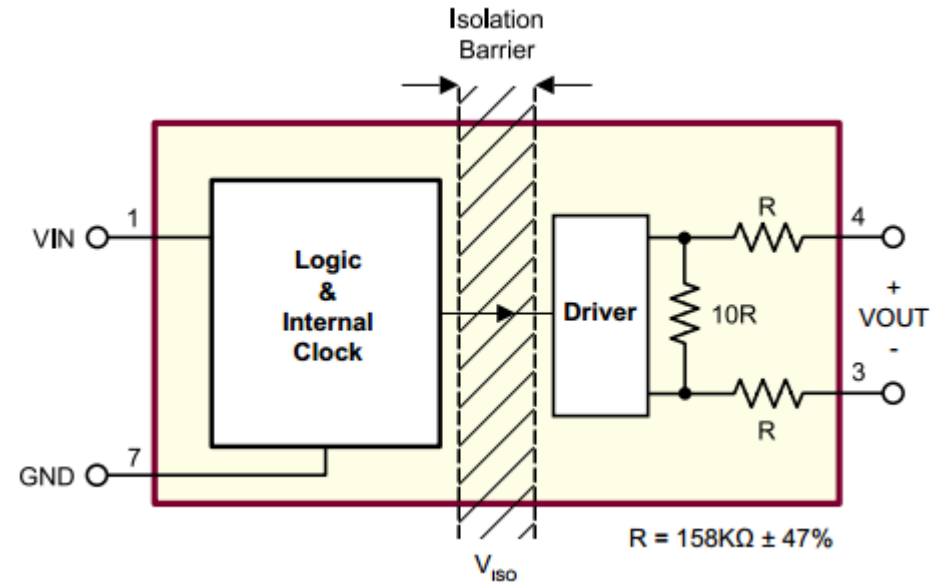
HT0740

High-Voltage Isolated MOSFET Driver

Online
Datasheet

Features:

- $\pm 400\text{V}$ input to output isolation
- Low input logic current, $500\mu\text{A}$ max
- No external voltage supply required
- Floating isolated output drivers
- 5.0V logic compatible
- Operating Temperature Range:
 - -40°C to $+85^\circ\text{C}$
- Package Option: SOIC-8



<< BACK



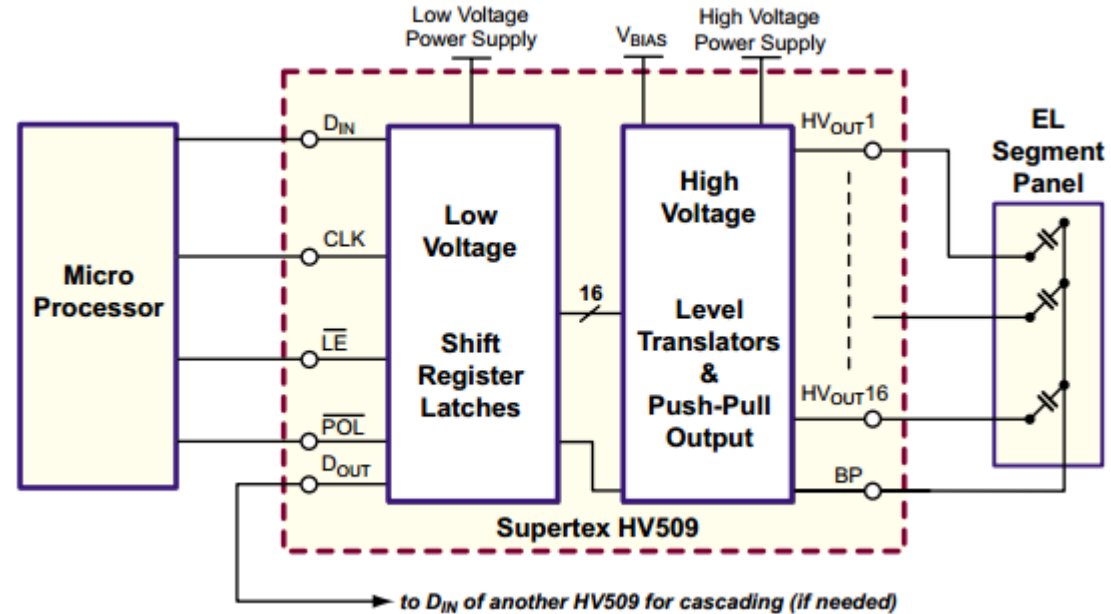
HV509

16-Channel Serial to Parallel Converter with High Voltage Backplane Driver and Push-Pull Outputs

Online
Datasheet

Features:

- Output voltage up to +200V
- Shift register speed 500kHz –
– @ $V_{DD} = 2.0V$
- 16 high voltage outputs
- High voltage backplane driver
- CMOS input levels
- Operating Temperature Range:
 - $-40^{\circ}C$ to $+125^{\circ}C$
- Package Option: VQFN-32



<< BACK

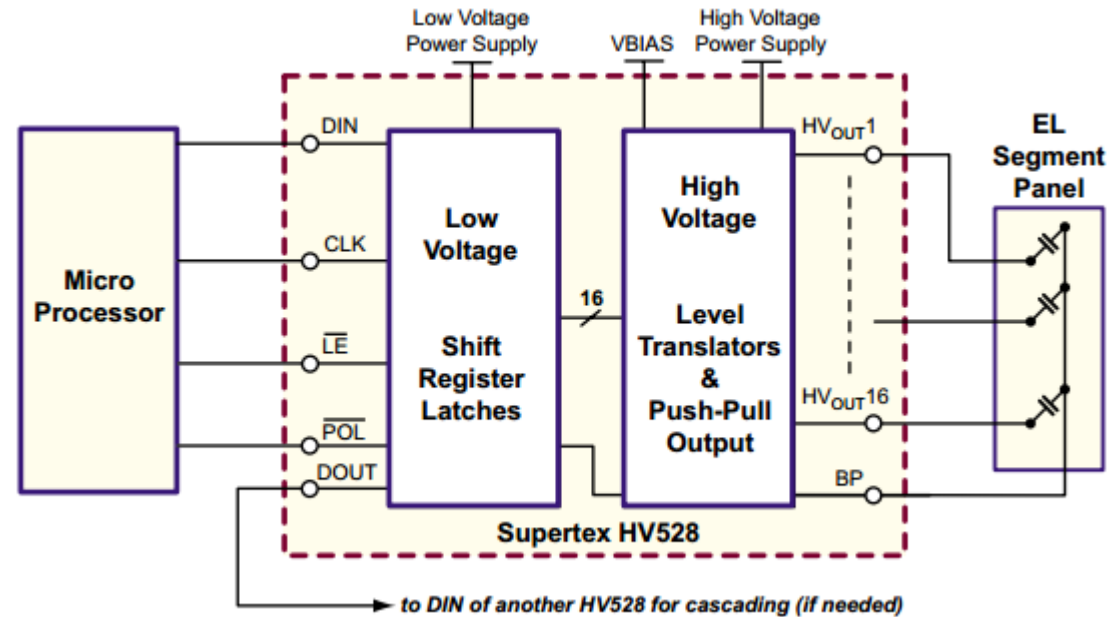
HV528

16-Channel Serial to Parallel Converter with High Voltage Backplane Driver and Push-Pull Outputs

Online
Datasheet

Features:

- Output voltage up to +200V
- Shift register speed 500kHz –
- @ $V_{DD} = 1.7V$
- 16 high voltage outputs
- High voltage backplane driver
- CMOS input levels
- Operating Temperature Range:
 - $-40^{\circ}C$ to $+125^{\circ}C$
- Package Option: VQFN-3



<< BACK

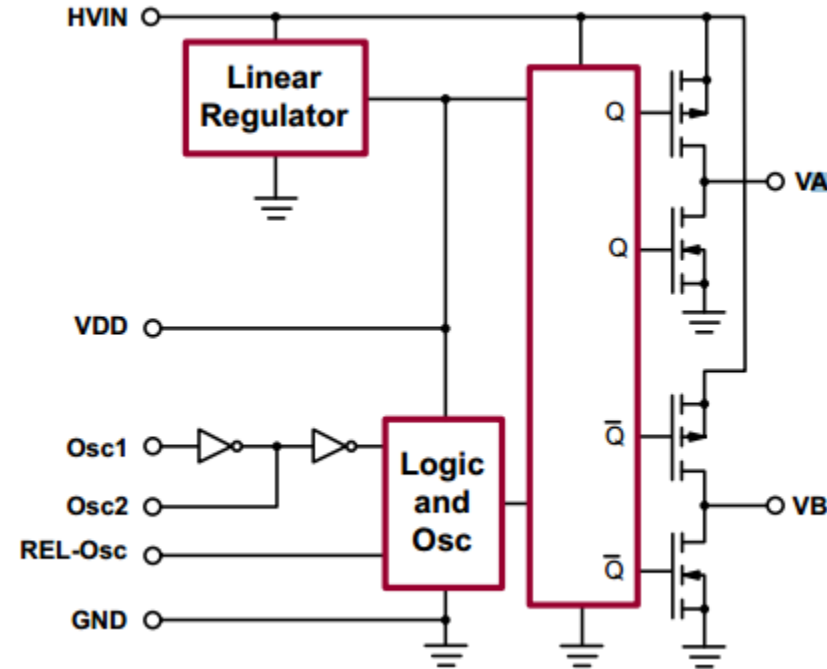
HV809

Off-Line, High Voltage EL Lamp Driver

Online
Datasheet

Features:

- Input voltage up to 200V DC
- 400V peak-to-peak output voltage
- Output load up to 350nF (100in² for -
- 3.5nF/in² lamp)
- Adjustable output lamp frequency
- Adjustable on/off pulsing frequency
- Operating Temperature Range:
 - -25°C to +85°C
- Package Option: SOIC-8, SOIC-8 w/HS



<< BACK



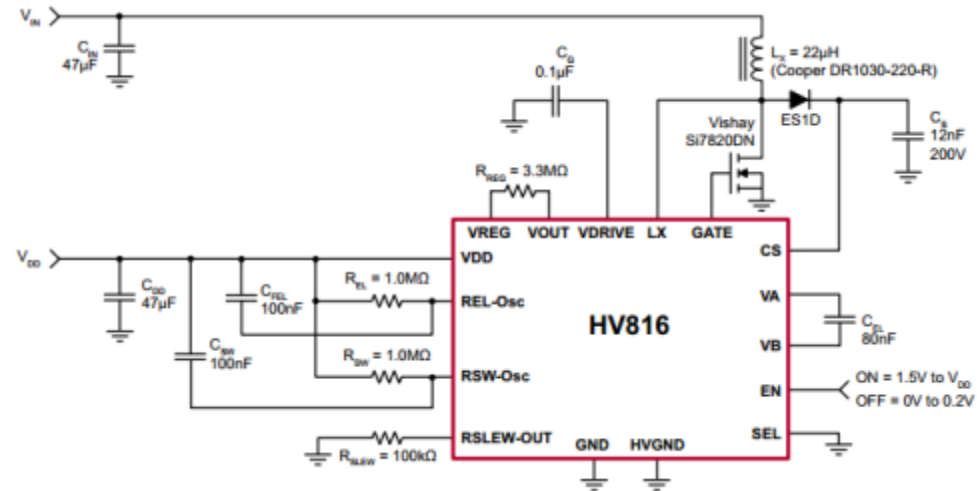
HV816

High Voltage, Dimmable EL Lamp Driver

Online
Datasheet

Features:

- 360V_{pp} output voltage for high –
- brightness
- Large output load capability of up to –
- 150nF
- 2.7 to 5.5V operating supply voltage
- Single lithium ion cell compatible
- Adjustable output regulation for –
- dimming
- External switching MOSFET
- Low audible noise
- Output discharge slew rate control
- 1.5V logic
- Dedicated Enable pin
- Two EL frequency controls
- Independent lamp and converter –
- frequency setting
- Split supply capability
- Operating Temperature Range:
 - -40°C to +125°C
- Package Option: QFN-16



<< BACK



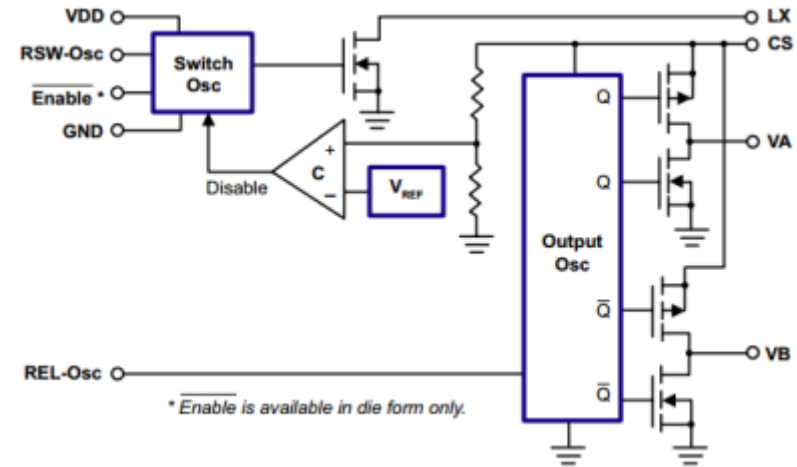
HV823

High Voltage EL Lamp Driver IC

Online
Datasheet

Features:

- 2.0 to 9.5V operating supply voltage
- DC to AC conversion
- 180V peak-to-peak typical output voltage
- Large output load capability typically 50nF
- Permits the use of high-resistance elastomeric –
- lamp components
- Adjustable output lamp frequency to control –
- lamp color, lamp life, and power consumption
- Adjustable converter frequency to eliminate –
- harmonics and optimize power consumption
- Enable/disable function
- Low current draw under no load condition
- Operating Temperature Range:
 - -25°C to +85°C
- Package Option: SOIC-8



<< BACK



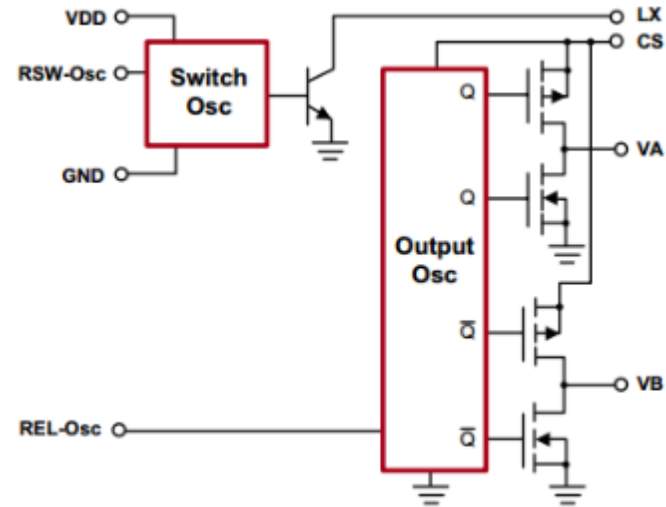
HV825

High-Voltage EL Lamp Driver IC

[Online
Datasheet](#)

Features:

- 1.0 to 1.6V operating supply voltage
- DC to AC conversion
- Output load of typically up to 6.0nF
- Adjustable output lamp frequency
- Adjustable converter frequency
- Enable function
- Operating Temperature Range:
 - -25°C to +85°C
- Package Option: SOIC-8, MSOP-8



<< BACK



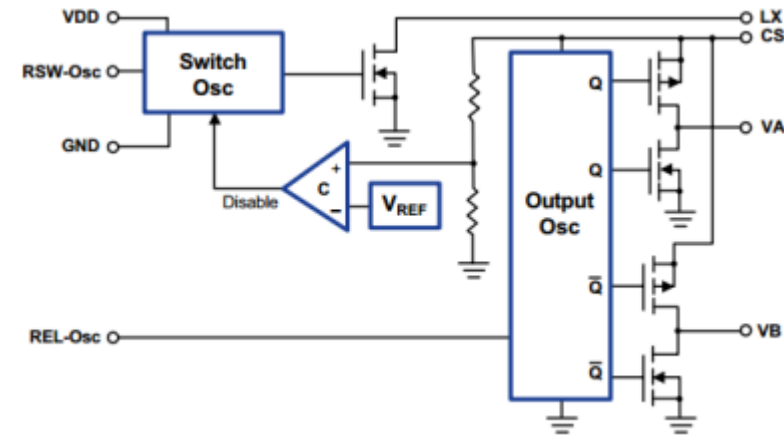
HV830

High Voltage EL Lamp Driver IC

Online
Datasheet

Features:

- 2.0 to 9.5V operating supply voltage
- DC to AC conversion
- 200V peak-to-peak typical output voltage
- Large output load capability typically 50nF
- Permits the use of high-resistance elastomeric –
- lamp components
- Adjustable output lamp frequency to control –
- lamp color, lamp life, and power consumption
- Enable/disable function
- Low current draw under no load condition
- Very low standby current - 30nA typical
- Operating Temperature Range:
 - -25°C to +85°C
- Package Option: SOIC-8, MSOP-8



<< BACK



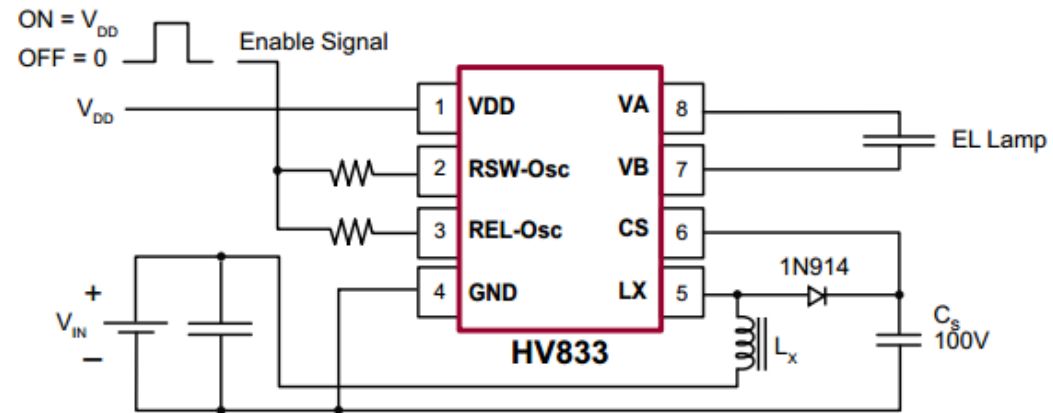
HV833

High Voltage EL Lamp Driver

[Online Datasheet](#)

Features:

- 1.8 to 6.5V operating supply voltage
- DC to AC conversion
- Separately adjustable lamp and –
- converter frequency
- Output voltage regulation
- Enable/disable function
- Patented output timing for high –
- efficiency
- <100nA shutdown current
- Split supply capability
- LCD backlighting
- Operating Temperature Range:
 - -40°C to +85°C
- Package Option: MSOP-8



<< BACK



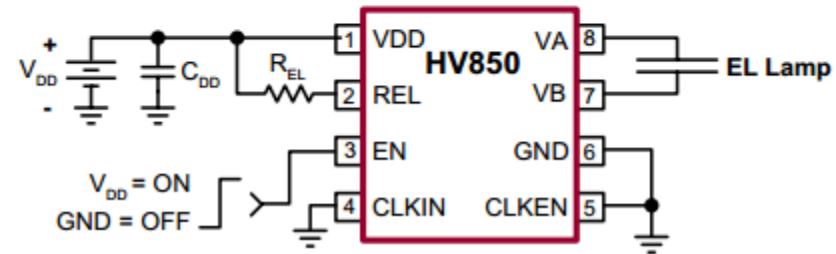
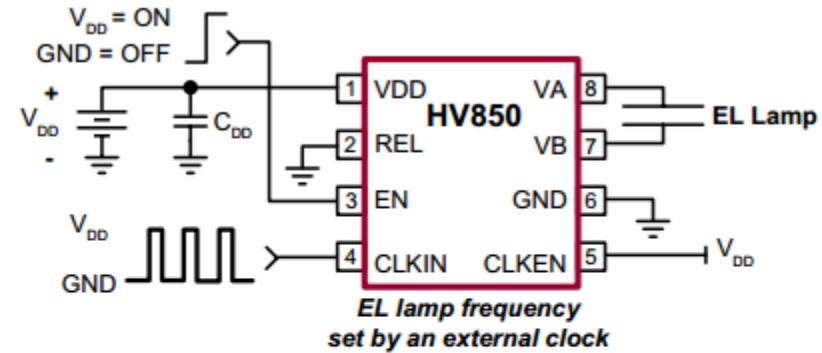
HV850

High Voltage, Low Noise, Inductorless EL Lamp Driver

Online
Datasheet

Features:

- No external components required when –
 - using an external EL clock frequency
- EL frequency can be set by an external –
 - resistor
- Low noise
- DC to AC converter
- Drives up to 5.0nF load (approx. 1.5in2 –
 - lamp)
- Output voltage regulation
- Enable function
- EL Lamp dimming
- Operating Temperature Range:
 - -25°C to +85°C
- Package Option: MSOP-8



<< BACK



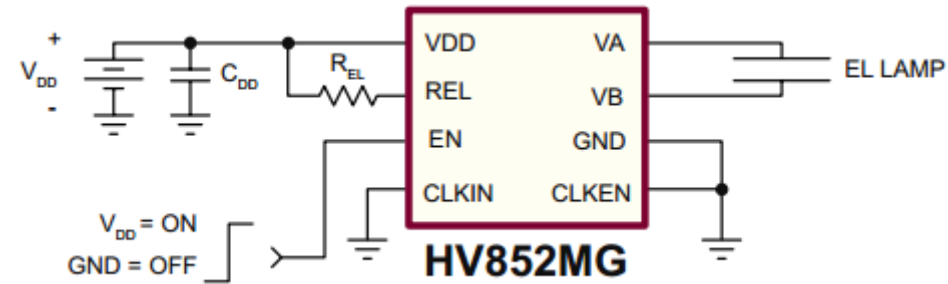
HV852

High Voltage, Low Noise, Inductorless EL Lamp Driver

Online
Datasheet

Features:

- No external components required when –
 - using an external EL clock frequency
- EL frequency can be set by an external –
 - resistor
- Low Noise
- DC to AC converter
- Drives up to 5.3nF (approx. 1.5in2 lamp)
 - load
- Output voltage regulation
- Enable function
- EL Lamp dimming
- Operating Temperature Range:
 - -25°C to +85°C
- Package Option: MSOP-8, WDFN-10



<< BACK



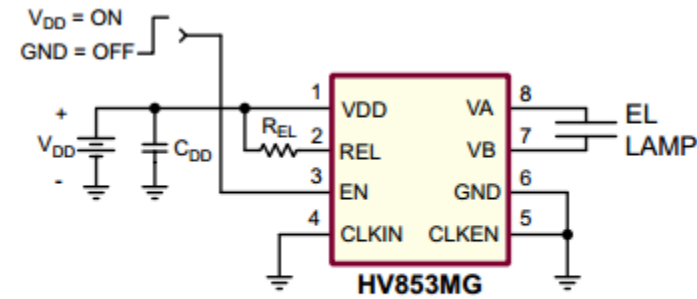
HV853

High Voltage, Low Noise, Inductorless EL Lamp Driver Demoboard

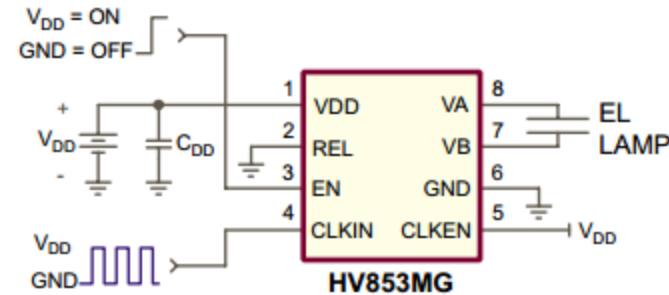
Online
Datasheet

Features:

- No external components required when using –
– an external EL clock frequency
- Audible noise reduction with improved EMI
- EL frequency can be set by an external resistor
- DC to AC converter
- Drives up to 5.3nF (approx. 1.5in2 lamp) load
- Output voltage regulation
- Enable function
- EL Lamp dimming
- Operating Temperature Range:
 - -25°C to +85°C
- Package Option: MSOP-8, WDFN-10



EL Lamp Frequency set by R_{EL}



EL Lamp Frequency set by External Clock

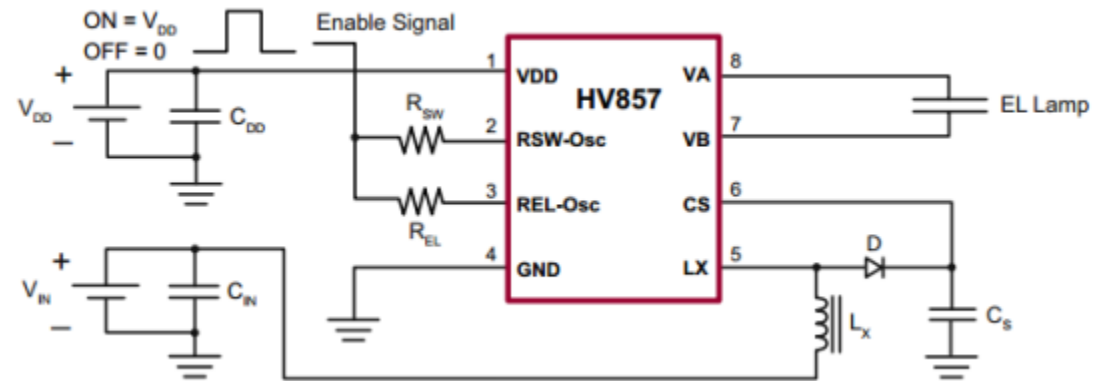
HV857

Low Noise, High Voltage EL Lamp Driver IC

Online
Datasheet

Features:

- Patented audible noise reduction
- Patented lamp aging –
- compensation
- Patented output timing for high –
- efficiency
- 190 V_{PP} output voltage for –
- higher brightness
- Single cell lithium ion compatible
- 150nA shutdown current
- Wide input voltage range 1.8V to –
- 5.0V
- Separately adjustable lamp and –
- converter frequencies
- Output voltage regulation
- Split supply capability
- Operating Temperature Range:
 - -40°C to +85°C
- Package Option: WDFN-8, MSOP-8



<< BACK



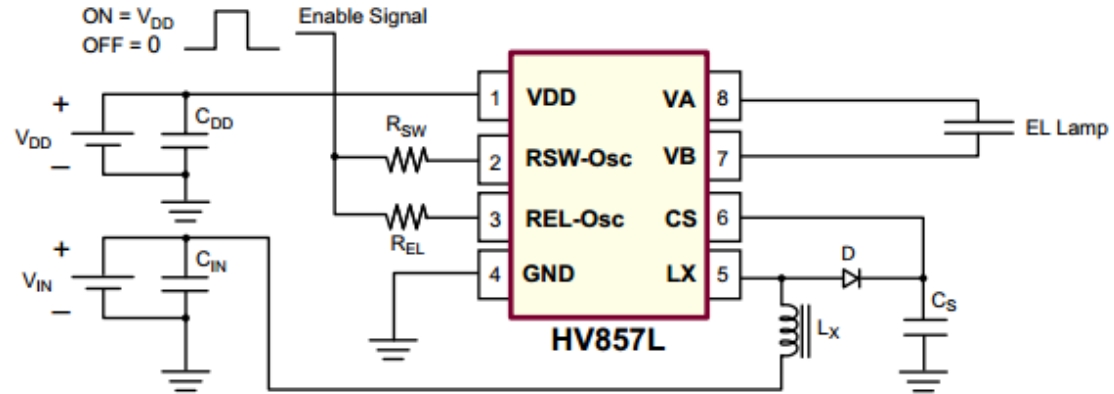
HV857L

Low Noise, High Voltage EL Lamp Driver IC

Online
Datasheet

Features:

- Audible noise reduction
- 190 V_{pp} output voltage for –
- higher brightness
- Single cell lithium ion compatible
- 150nA shutdown current
- Wide input voltage range 1.8V –
- to 5.0V
- Separately adjustable lamp and –
- converter frequencies
- Output voltage regulation
- Split supply capability
- Operating Temperature Range:
 - -40°C to +85°C
- Package Option: WDFN-8, MSOP-8



<< BACK

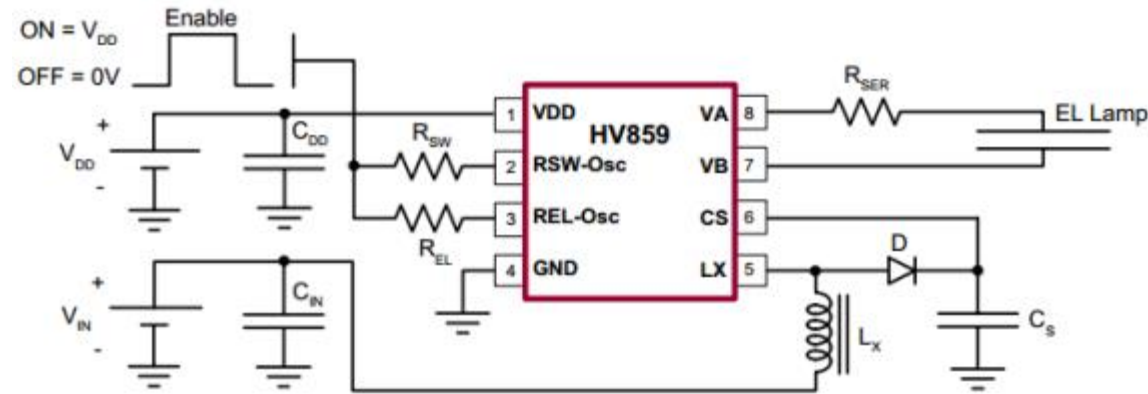
HV859

High Voltage EL Lamp Driver for Low Noise Applications

Online
Datasheet

Features:

- Patented audible noise –
 - reduction & lamp aging –
 - compensation
- Patented output timing for high –
 - efficiency
- 210 V_{PP} output voltage for –
 - higher brightness
- Single cell lithium ion –
 - compatible
- 150nA shutdown current
- Wide input voltage range 1.8 to 5.0V
- Separately adjustable lamp and –
 - converter frequencies
- Output voltage regulation
- Split supply capability
- Operating Temperature Range:
 - -40°C to +85°C
- Package Option: WDFN-8, MSOP-8



<< BACK



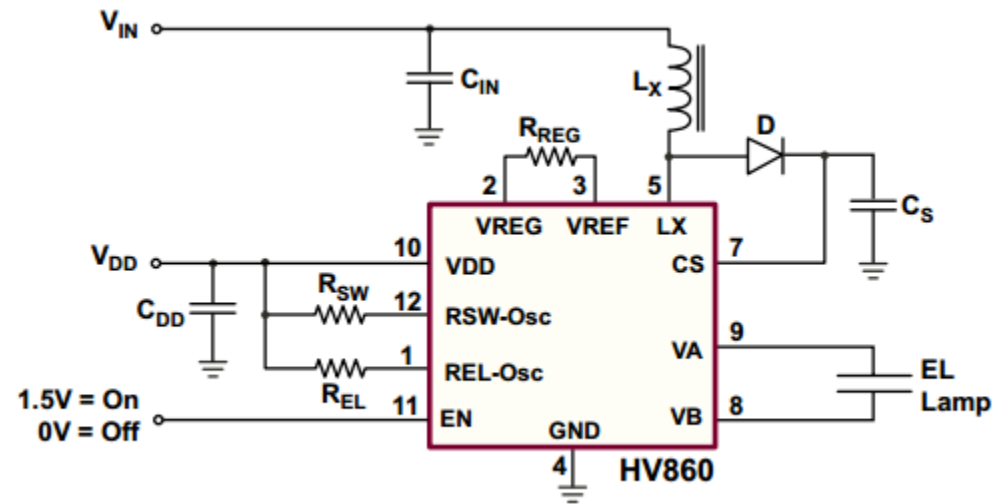
HV860

Low Noise, Dimmable EL Lamp Driver

[Online Datasheet](#)

Features:

- Adjustable output regulation for dimming
- 220V_{pp} output voltage for higher brightness
- Single cell lithium ion compatible
- 150nA shutdown current
- Separately adjustable lamp and converter frequencies
- Split supply capability
- Operating Temperature Range:
 - -40°C to +85°C
- Package Option: WQFN-12



<< BACK



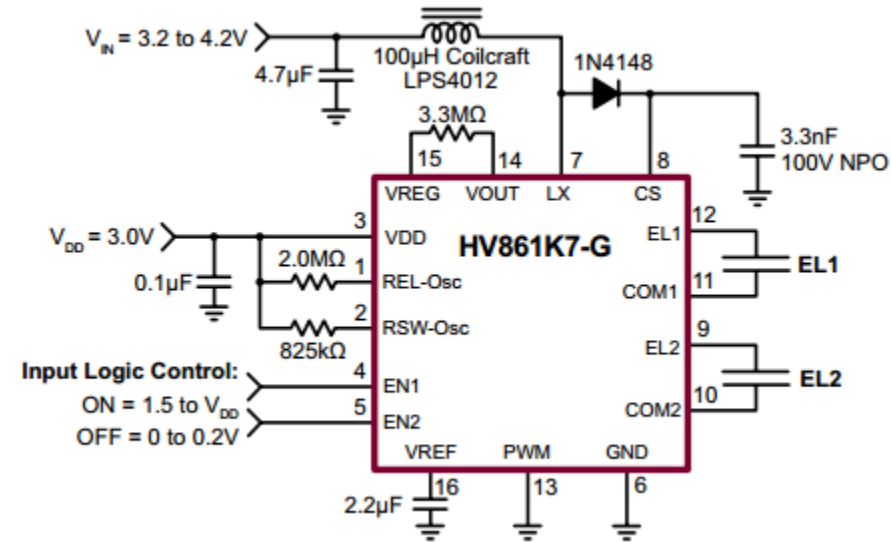
HV861

Dimmable, Low Noise, Dual EL Lamp Driver

Online
Datasheet

Features:

- Adjustable output regulation for –
– dimming
- Lamp fade-in/fade-out capability
- Low audible noise
- 180VPP output voltage for higher –
– brightness
- 1.5V enable input logic high
- Single cell lithium ion compatible
- One miniature inductor to power both –
– lamps
- Separately adjustable lamp and –
– converter frequencies
- Split supply capability
- Operating Temperature Range:
 - -40°C to +85°C
- Package Option: WQFN-16



<< BACK



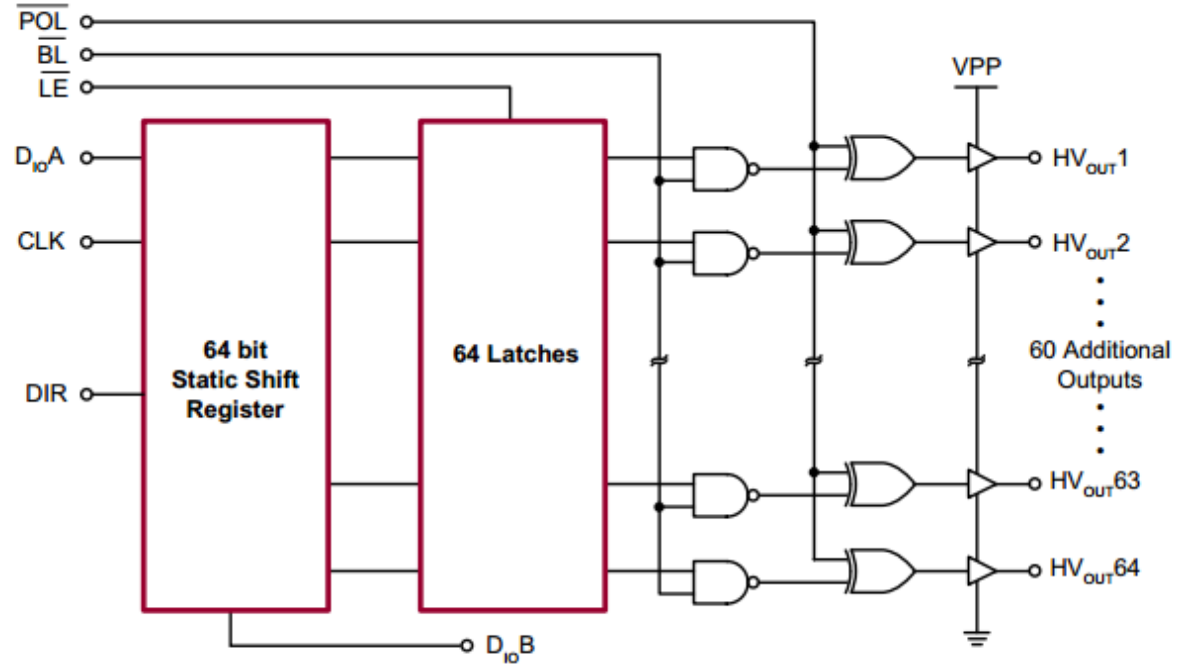
HV3418

64-Channel Serial to Parallel Converter With High Voltage Push-Pull Outputs

[Online Datasheet](#)

Features:

- Output voltages to 180V
- Low power level shifting
- Shift register speed:
 - 6.0MHz @ $V_{DD} = 5.0V$
 - 12MHz @ $V_{DD} = 12V$
- Latched data outputs
- Output polarity and blanking
- CMOS compatible inputs
- Forward and reverse shifting – options
- Operating Temperature Range:
 - -40°C to +85°C
- Package Option: PQFP-80



[<< BACK](#)



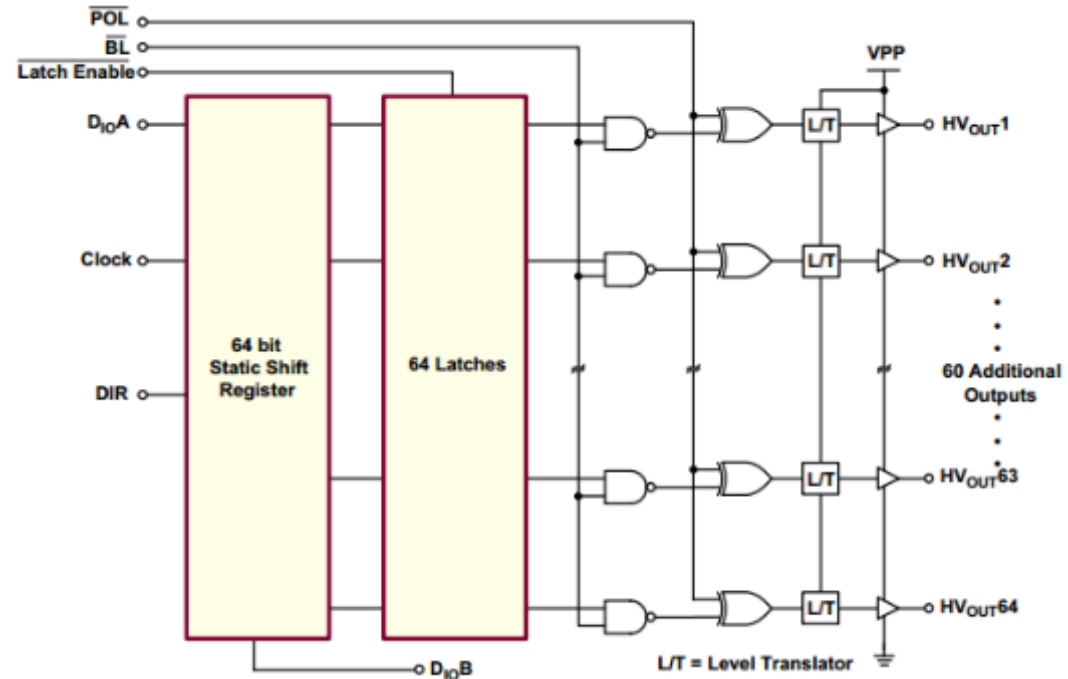
HV507

64-Channel Serial to Parallel Converter
With High Voltage Push-Pull Outputs

Online
Datasheet

Features:

- Operating output voltages to 300V
- Low power level shifting from 5.0 – to 300V
- Shift register speed: 8.0MHz @ - $V_{DD} = 5.0V$
- 64 latched data outputs
- Output polarity and blanking
- CMOS compatible inputs
- Forward and reverse shifting options
- Operating Temperature Range:
 - 0°C to +70°C
- Package Option: PQFP-80



<< BACK



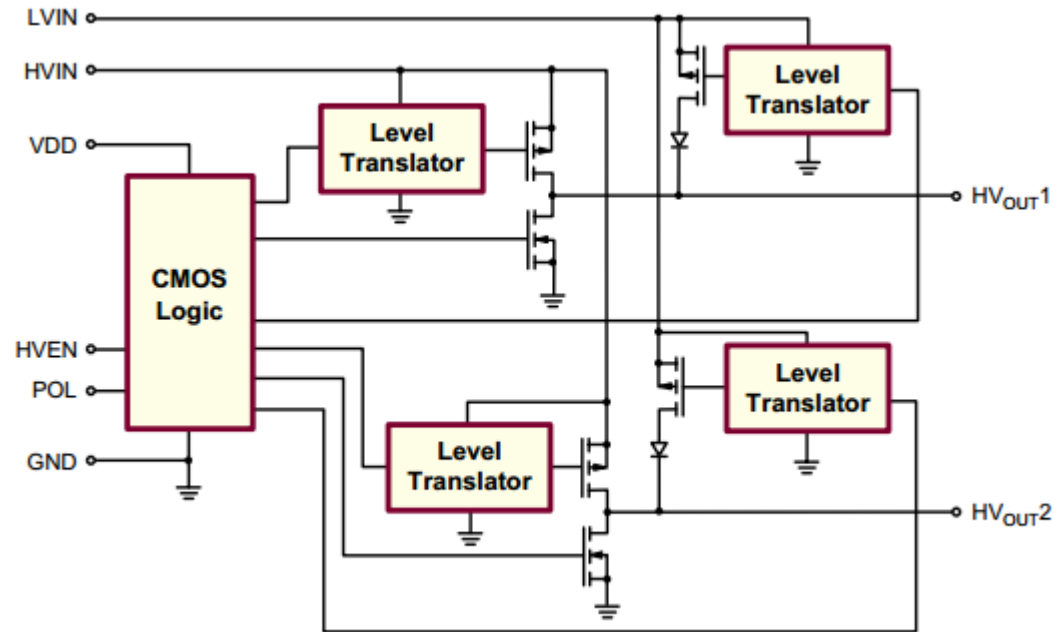
HV508

High-Voltage Liquid Crystal Shutter Driver

Online
Datasheet

Features:

- Logic-selectable output voltage
- 100nF drive capability
- Up to 90V_{p-p}
- 25μs response time
- Operating Temperature Range:
 - -5°C to +60°C
- Package Option: SOIC-8



<< BACK



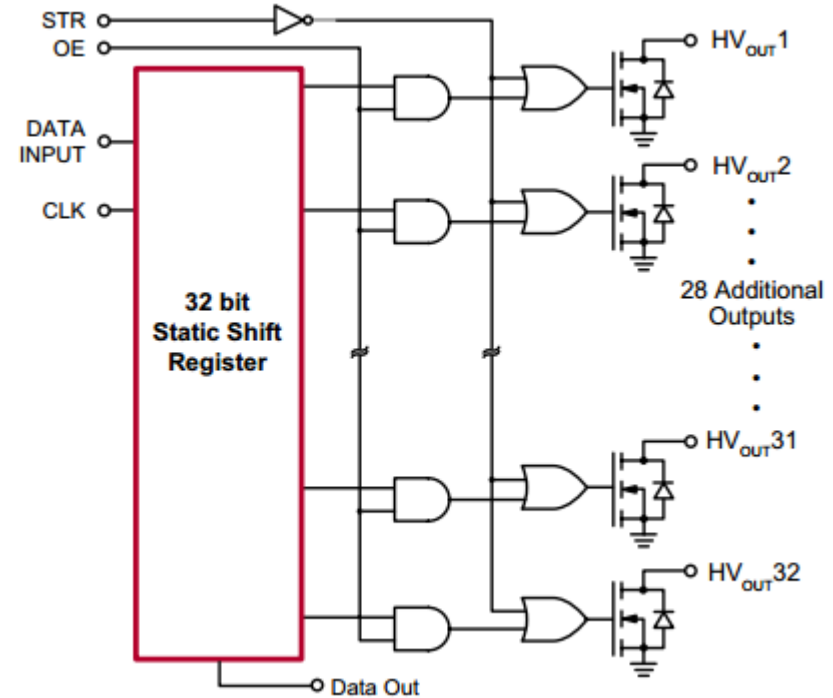
HV5122

32-Channel, Serial-to-Parallel Converter with Open-Drain Outputs

[Online Datasheet](#)

Features:

- Output voltages to 225V using a –
– ramped supply voltage
- SINK current minimum 100mA
- Shift register speed 8.0MHz
- Strobe and enable inputs
- CMOS compatible inputs
- Forward and reverse shifting options
- Operating Temperature Range:
 - -40°C to +85°C
- Package Option: PQFP-44, PLCC-44



<< BACK

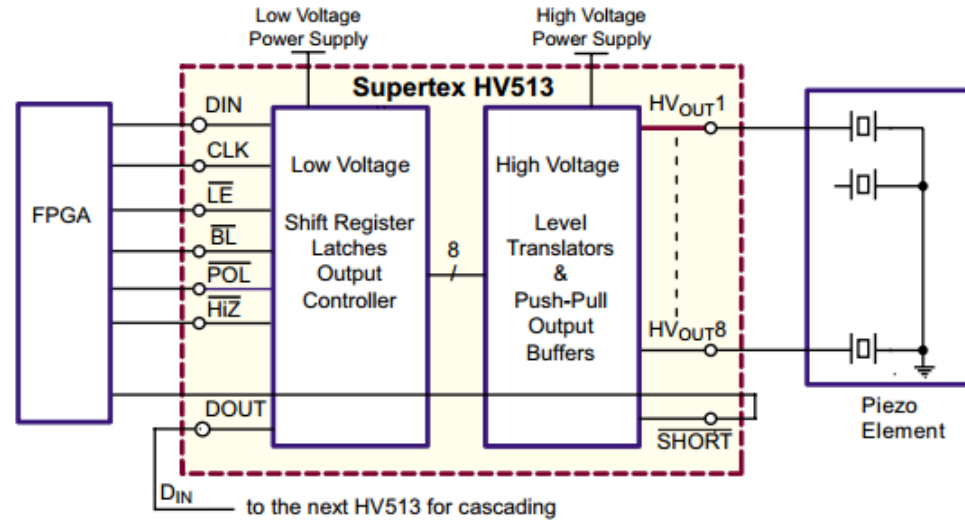
HV513

8-Channel Serial to Parallel Converter with High Voltage
Push-Pull Outputs, POL, Hi-Z, and Short Circuit Detect

Online
Datasheet

Features:

- Operating output voltage of 250V
- Low power level shifting from 5.0 –
– to 250V
- Shift register speed 8.0MHz @ –
– $V_{DD} = 5.0V$
- 8 latch data outputs
- Output polarity and blanking
- Output short circuit detect
- Output high-Z control
- CMOS compatible inputs
- Operating Temperature Range:
 - $-40^{\circ}C$ to $+85^{\circ}C$
- Package Option: WQFN-32, –
– SOIC-24 (300mil)



<< BACK



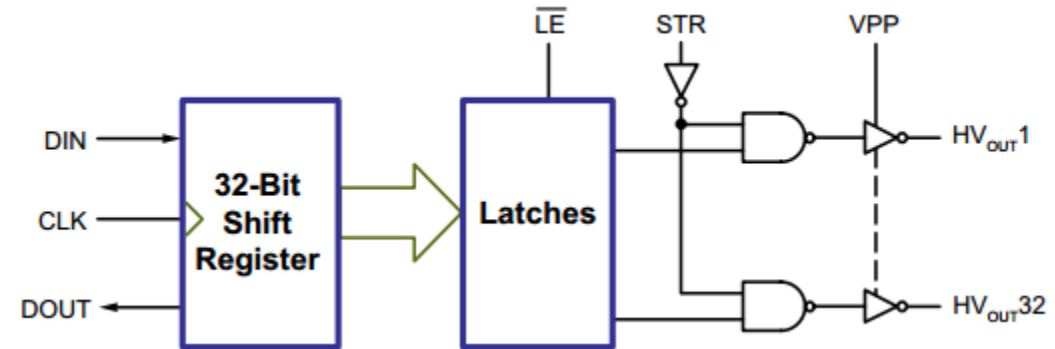
HV518

32-Channel Vacuum-Fluorescent Display Driver

[Online Datasheet](#)

Features:

- 32 output lines
- 90V output swing
- Active pull-down
- Latches on all outputs
- Up to 6.0MHz @ $V_{DD} = 5.0V$
- Operating Temperature Range:
 - $-40^{\circ}C$ to $+85^{\circ}C$
- Package Option: PDIP-40, PLCC-44



<< BACK



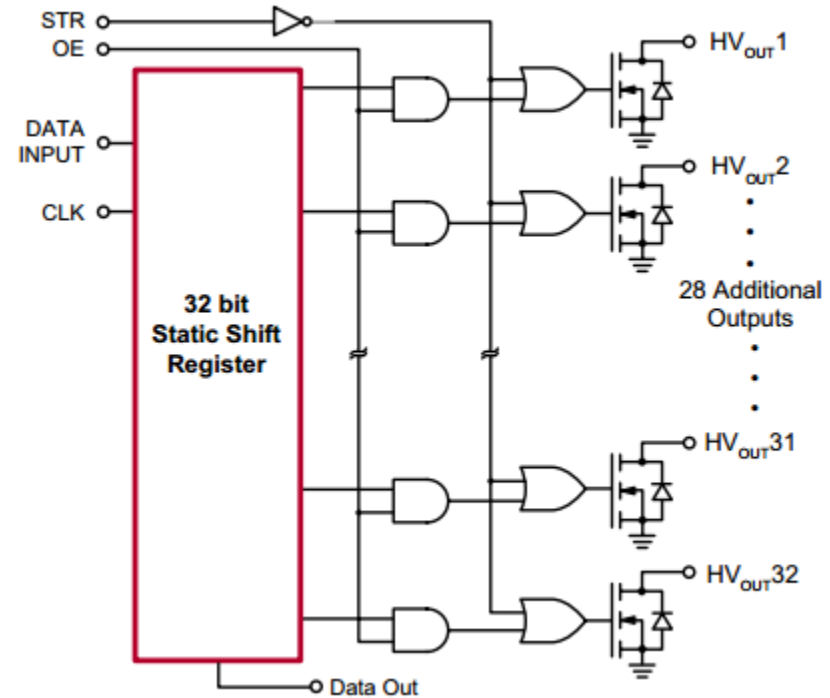
HV5222

32-Channel, Serial-to-Parallel Converter with Open-Drain Outputs

Online
Datasheet

Features:

- Output voltages to 225V using a –
– ramped supply voltage
- SINK current minimum 100mA
- Shift register speed 8.0MHz
- Strobe and enable inputs
- CMOS compatible inputs
- Forward and reverse shifting options
- Operating Temperature Range:
 - -40°C to +85°C
- Package Option: PQFP-44, PLCC-44



<< BACK



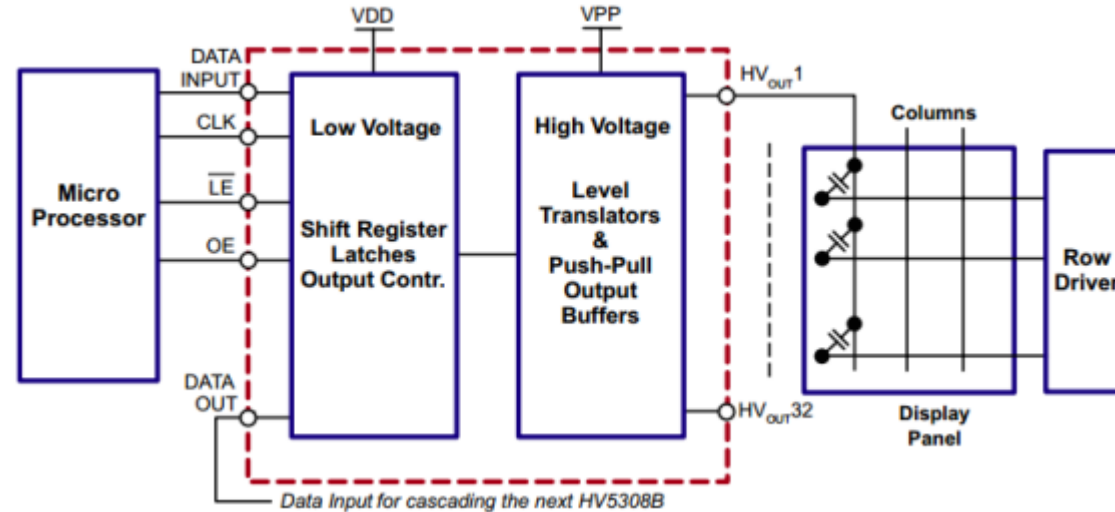
HV5308

32-Channel, Serial-to-Parallel Converter with High-Voltage Push-Pull Outputs

[Online Datasheet](#)

Features:

- Processed with HVCMOS® -
- technology
- Low power level shifting
- Source/sink current minimum
– 20mA
- Shift register speed 8.0MHz
- Latched data outputs
- CMOS compatible inputs
- Forward and reverse shifting –
- options
- Diode to V_{pp} allows efficient –
- power recovery
- Operating Temperature Range:
 - -40°C to +85°C
- Package Option: PQFP-44, -
- PLCC-44



<< BACK



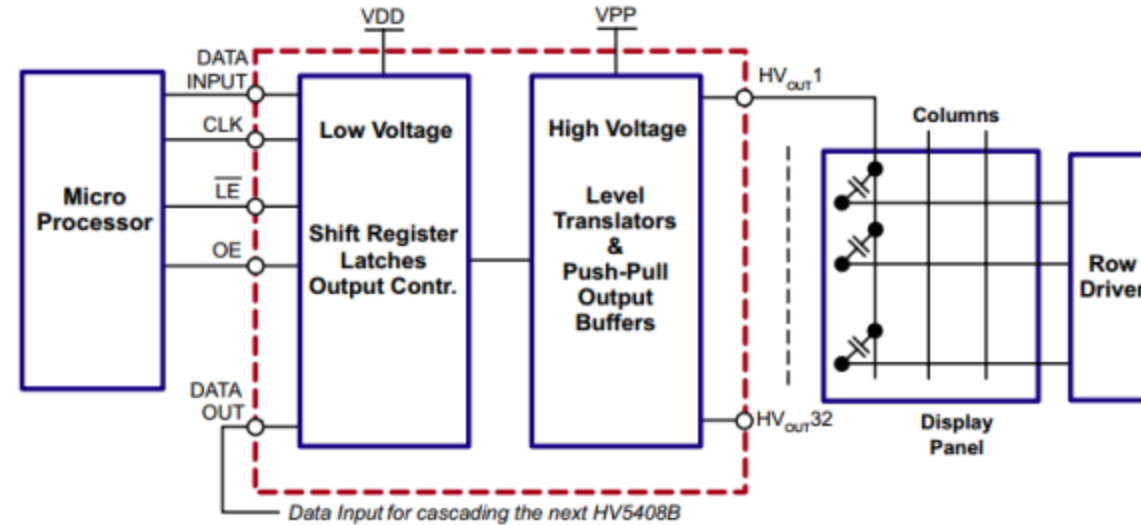
HV5408

32-Channel, Serial-to-Parallel Converter
with High-Voltage Push-Pull Outputs

Online
Datasheet

Features:

- Processed with HVCMOS® -
- technology
- Low power level shifting
- SOURCE/SINK current –
- minimum 20mA
- Shift register speed 8.0MHz
- Latched data outputs
- CMOS compatible inputs
- Forward and reverse shifting –
options
- Diode to V_{pp} allows efficient –
- power recovery
- Operating Temperature -
- Range:
 - -40°C to +85°C
- Package Option: PQFP-44, -
- PLCC-44



<< BACK



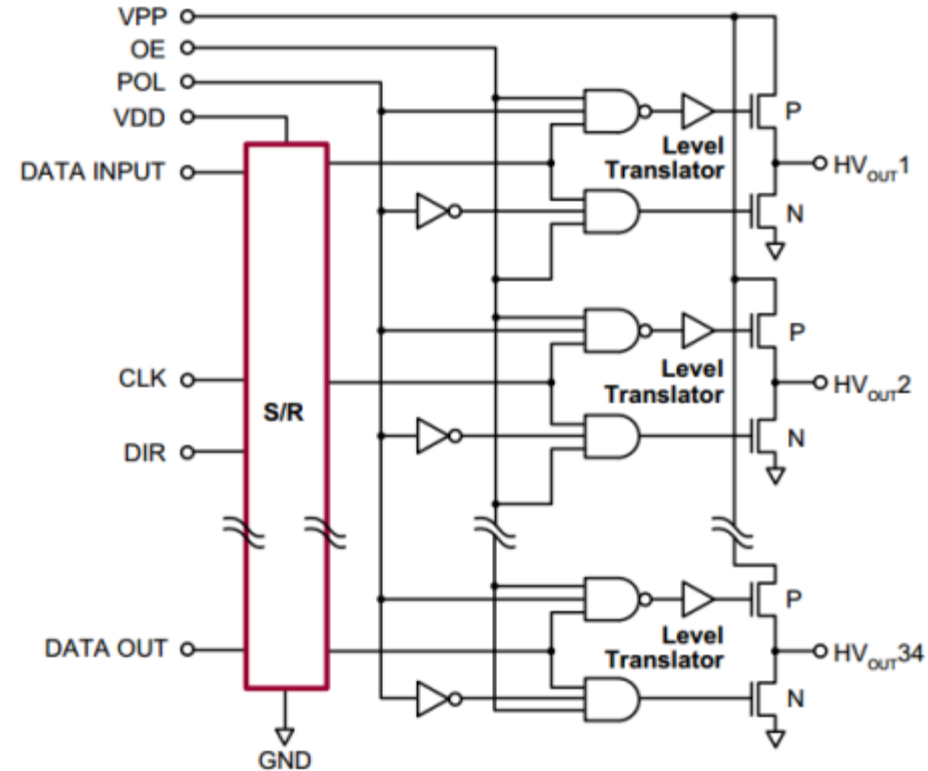
HV7022

34-Channel Symmetric Row Driver

[Online
Datasheet](#)

Features:

- HVCMOS® technology
- Symmetric row drive (reduces latent imaging in ACTFEL displays)
- Output voltage up to +230V
- Low power level shifting
- Source/sink current minimum 70mA
- Shift register speed 4.0MHz
- Pin-programmable shift direction
 - -40°C to +85°C
- Package Option: PLCC-44



<< BACK



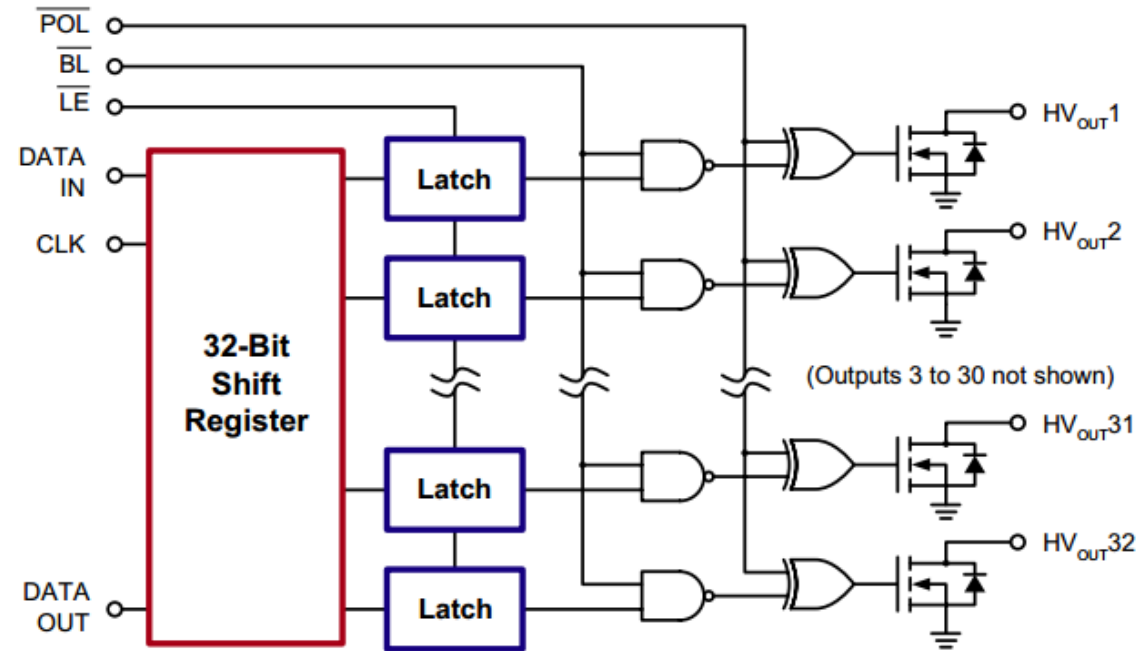
HV5522

Online
Datasheet

32-Channel Serial to Parallel Converter with Open Drain Outputs

Features:

- Sink current minimum 100mA
- Shift register speed 8.0MHz
- Polarity and blanking inputs
- CMOS compatible inputs
- Forward and reverse shifting –
- options
- Diode to VPP allows efficient –
- power recovery
- Operating Temperature Range:
 - -40°C to +85°C
- Package Option: PQFP-44, –
- PLCC-44



<< BACK



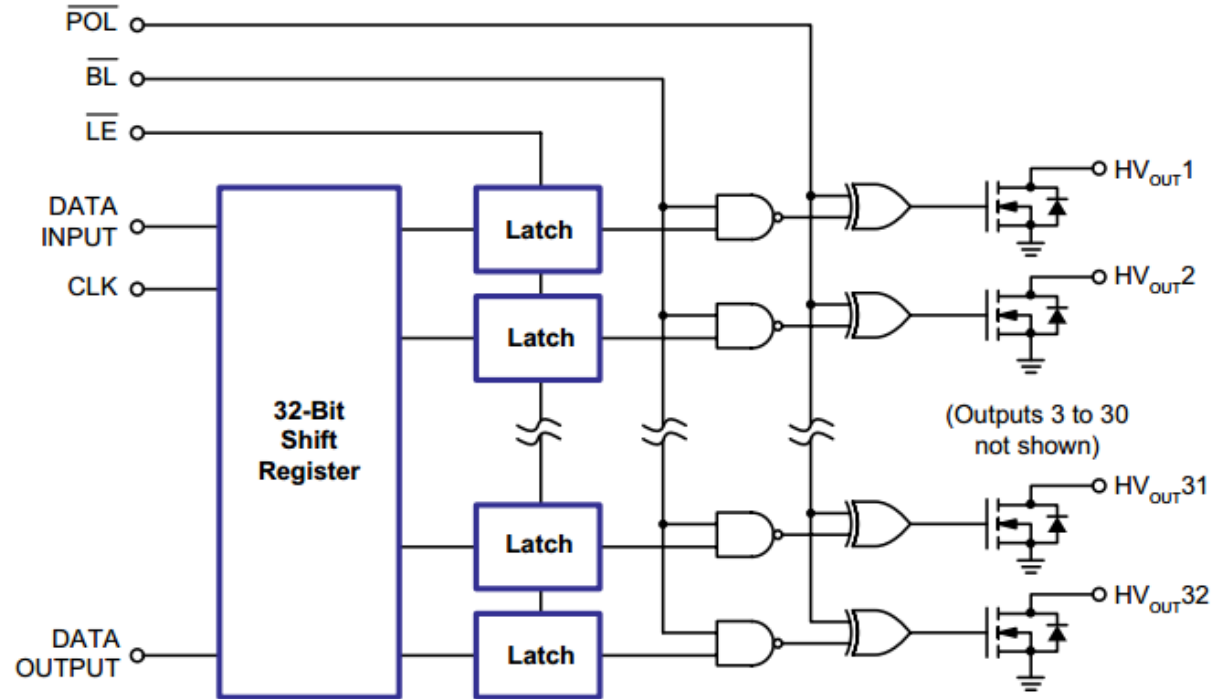
HV5523

Online
Datasheet

32-Channel Serial To Parallel Converter with Open Drain Outputs

Features:

- Sink current minimum 100mA
- Shift register speed 16MHz
- Polarity and blanking inputs
- CMOS compatible inputs
- Operating Temperature –
- Range:
 - -40°C to +85°C
- Package Option: WQFN-44



<< BACK



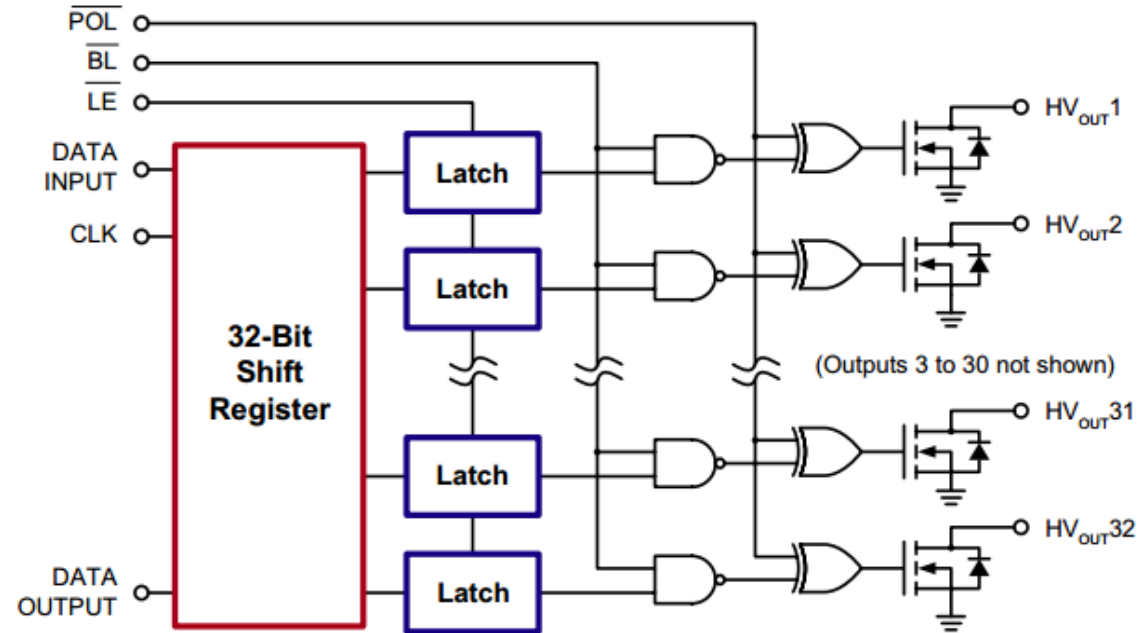
HV5530

Online
Datasheet

32-Channel Serial to Parallel Converter with Open Drain Outputs

Features:

- Sink current minimum 100mA
- Shift register speed 8.0MHz
- Polarity and blanking inputs
- CMOS compatible inputs
- Forward and reverse shifting – options
- Diode to V_{pp} allows efficient – power recovery
- Operating Temperature Range:
 - -40°C to $+85^{\circ}\text{C}$
- Package Option: PQFP-44, - PLCC-44



<< BACK



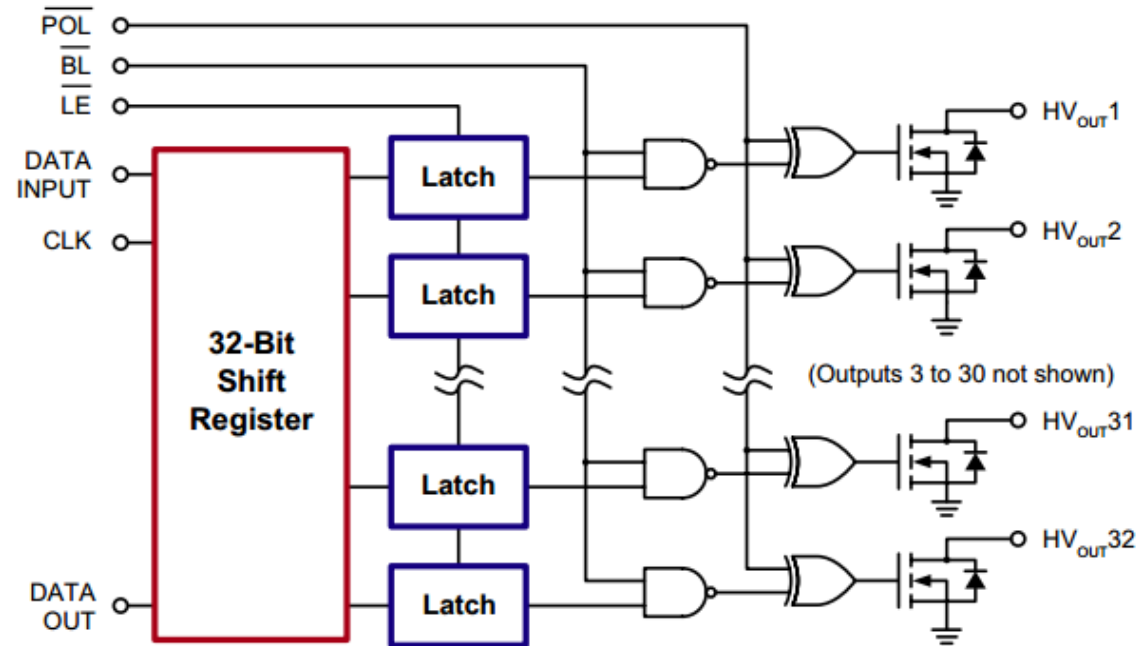
HV5622

Online
Datasheet

32-Channel Serial to Parallel Converter with Open Drain Outputs

Features:

- Sink current minimum 100mA
- Shift register speed 8.0MHz
- Polarity and blanking inputs
- CMOS compatible inputs
- Forward and reverse shifting –
- options
- Diode to VPP allows efficient –
- power recovery
- Operating Temperature Range:
 - -40°C to +85°C
- Package Option: PQFP-44, –
- PLCC-44



<< BACK



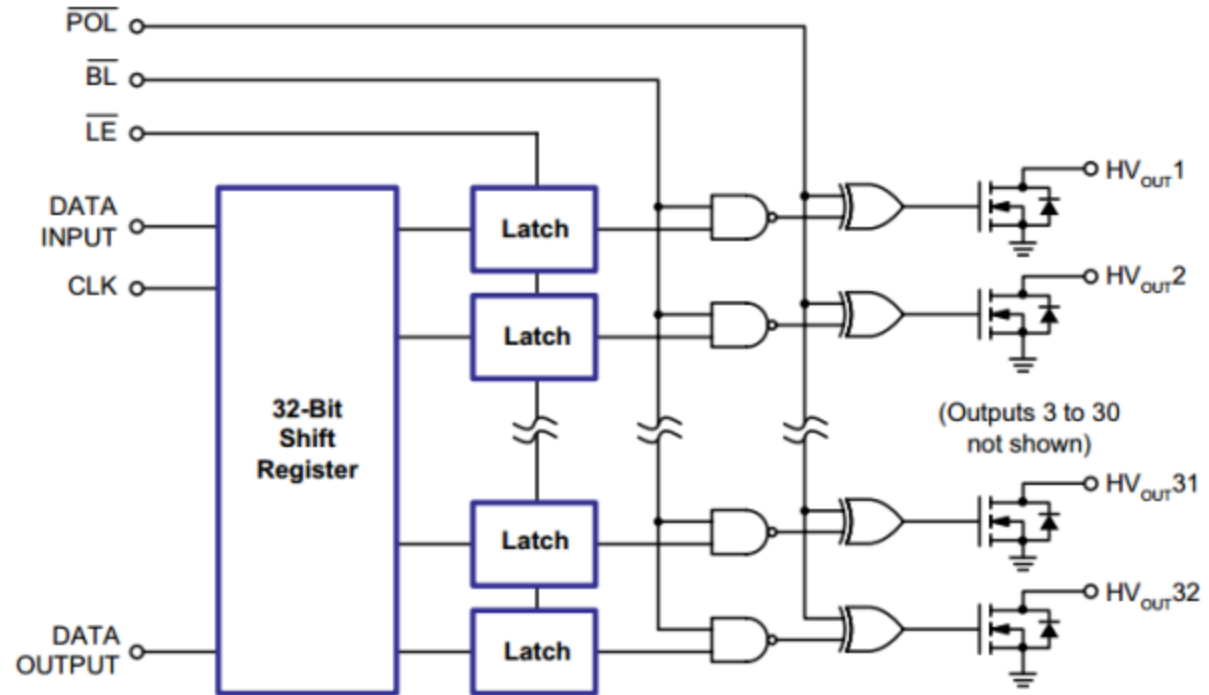
HV5623

Online
Datasheet

32-Channel Serial To Parallel Converter with Open Drain Outputs

Features:

- Sink current minimum 100mA
- Shift register speed 16MHz
- Polarity and blanking inputs
- CMOS compatible inputs
- Operating Temperature –
 - Range:
 - -40°C to +85°C
- Package Option: WQFN-44



<< BACK



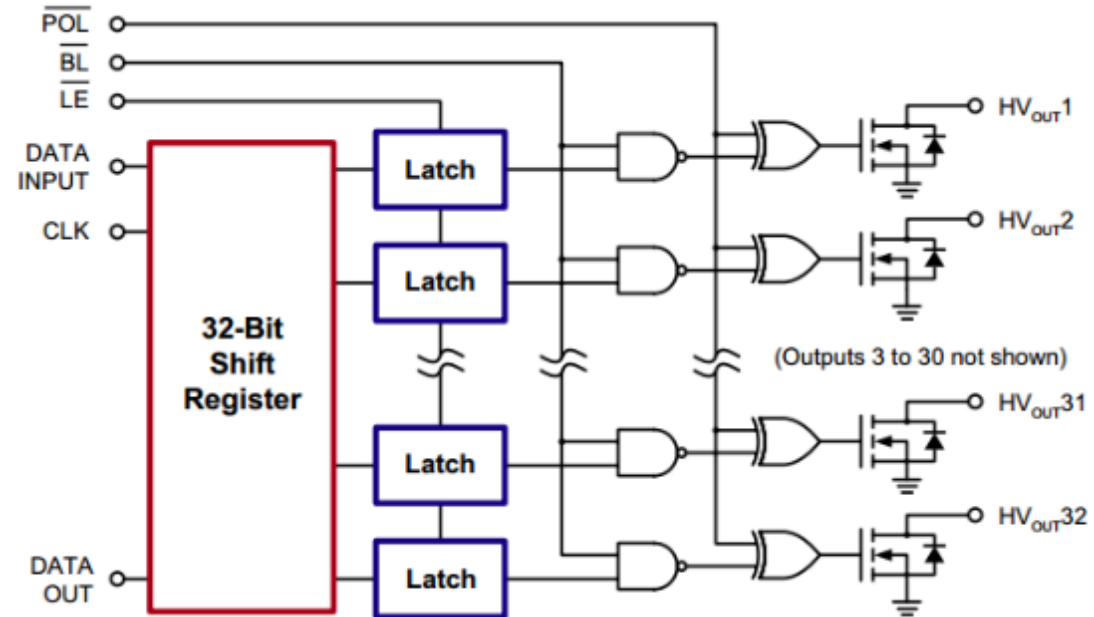
HV5630

Online
Datasheet

32-Channel Serial to Parallel Converter with Open Drain Outputs

Features:

- Sink current minimum 100mA
- Shift register speed 8.0MHz
- Polarity and blanking inputs
- CMOS compatible inputs
- Forward and reverse shifting – options
- Diode to VPP allows efficient – power recovery
- Operating Temperature Range:
 - -40°C to +85°C
- Package Option: PLCC-44



<< BACK



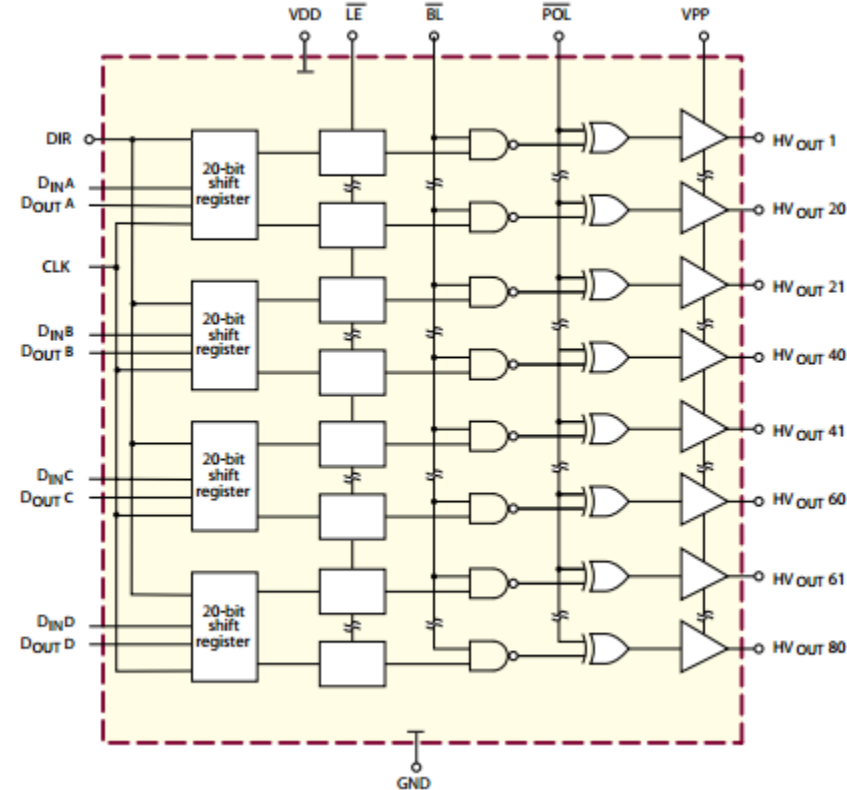
HV574

100MHz, 80-Channel Serial to Parallel Converter with Push-Pull Outputs

Online
Datasheet

Features:

- 5.0V CMS Logic
- Output voltage up to 80V
- Low power level shifting
- 100MHz equivalent data rate using four –
- dynamic shift registers
- Latched data outputs
- Forward and reverse shifting options –
- (DIR pin)
- Diode to VPP allows efficient power –
- recovery
- Outputs may be hot switched
- Operating Temperature Range:
 - -40°C to +85°C
- Package Option: PQFP-100



<< BACK



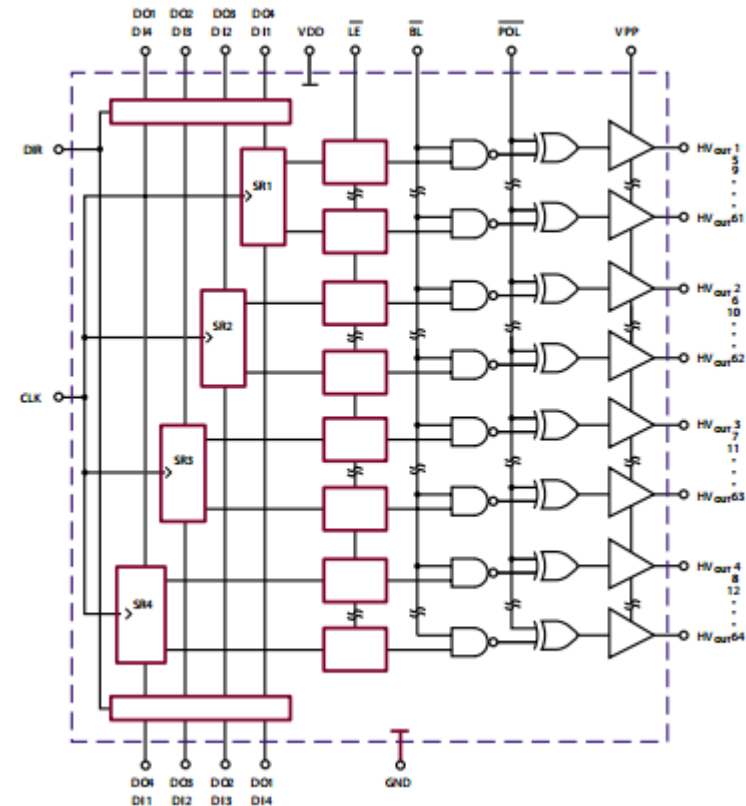
HV57708

32MHz, 64-Channel Serial to Parallel Converter with Push-Pull Outputs

[Online Datasheet](#)

Features:

- 5.0V CMS Logic
- Output voltage up to +80V
- Low power level shifting
- 32MHz equivalent data rate
- Latched data outputs
- Forward and reverse shifting options –
- (DIR pin)
- Diode to VPP allows efficient power –
- recovery
- Outputs may be hot switched
- Operating Temperature Range:
 - -40°C to +85°C
- Package Option: PQFP-80



<< BACK



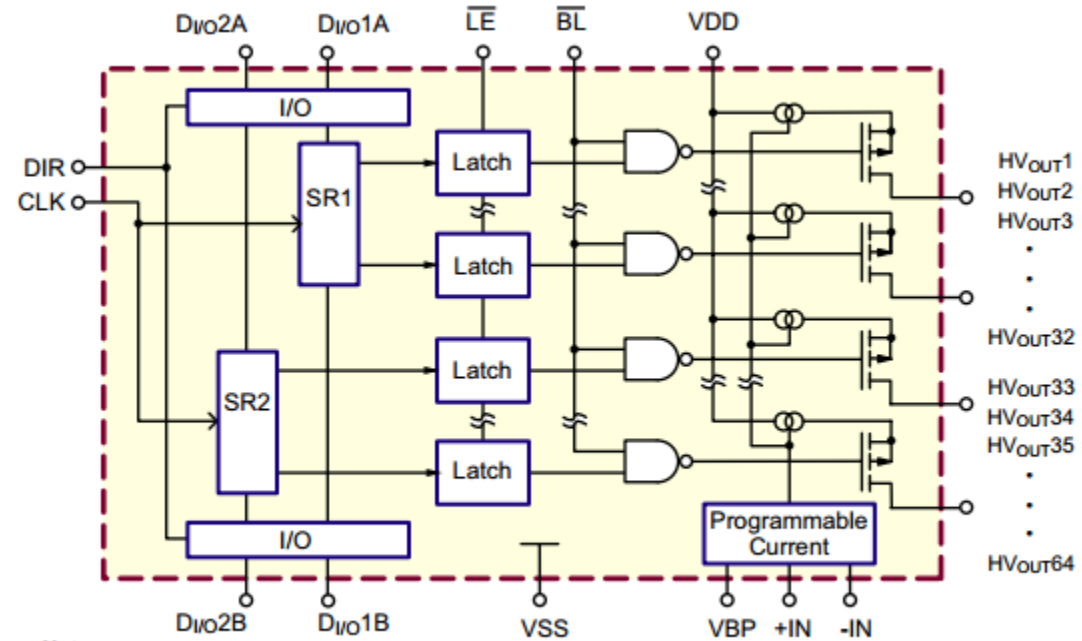
HV57009

64-Channel Serial to Parallel Converter with P-Channel
Open Drain Controllable Output Current

[Online
Datasheet](#)

Features:

- 5.0V CMOS Logic
- Output voltage up to -85V
- Output current source control
- 16MHz equivalent data rate
- Latched data outputs
- Forward and reverse shifting – options (DIR pin)
- Diode to V_{DD} allows efficient – power recovery
- Operating Temperature Range:
 - -40°C to +85°C
- Package Option: PQFP-44



Note:

Each SR (shift register) provides 32 outputs. SR1 supplies outputs 1 to 32 and SR2 supplies outputs 33 to 64.



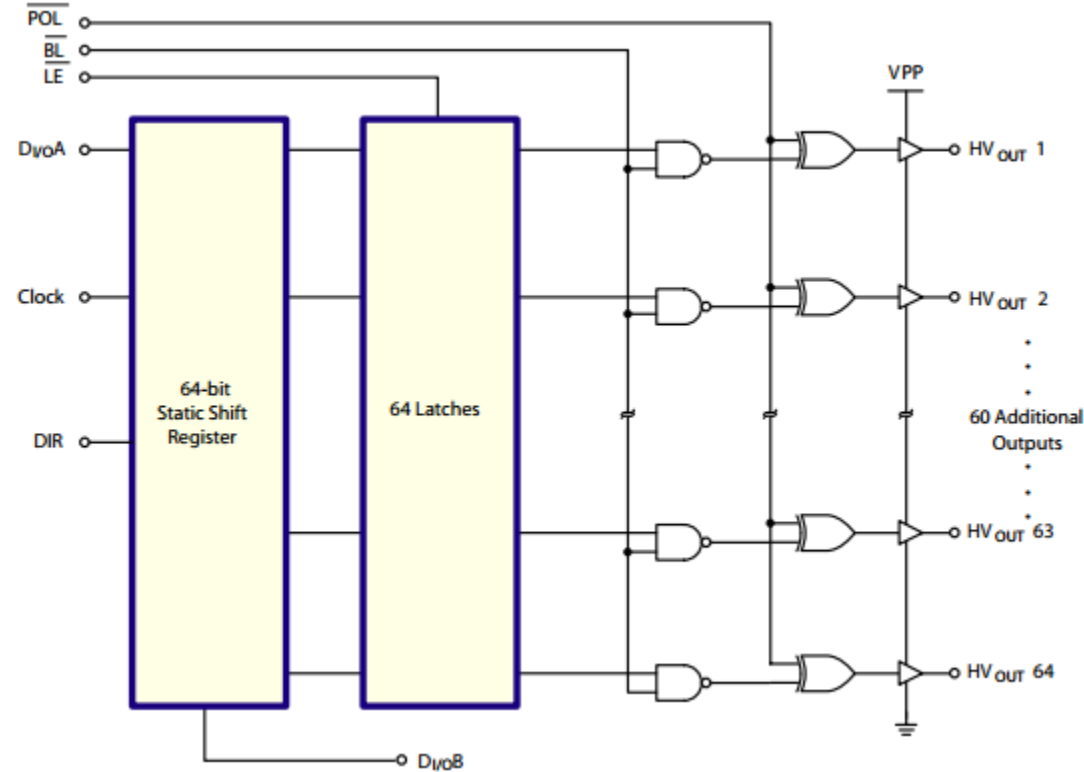
HV57908

8MHz, 64-Channel Serial to Parallel Converter with Push-Pull Outputs

Online
Datasheet

Features:

- 5.0V CMS Logic
- Output voltage up to +80V
- Low power level shifting
- 8.0MHz data rate
- Latched data outputs
- Forward and reverse shifting – options (DIR pin)
- Diode to VPP allows efficient – power recovery
- Outputs may be hot switched
- Operating Temperature Range:
 - -40°C to +85°C
- Package Option: PQFP-80



<< BACK

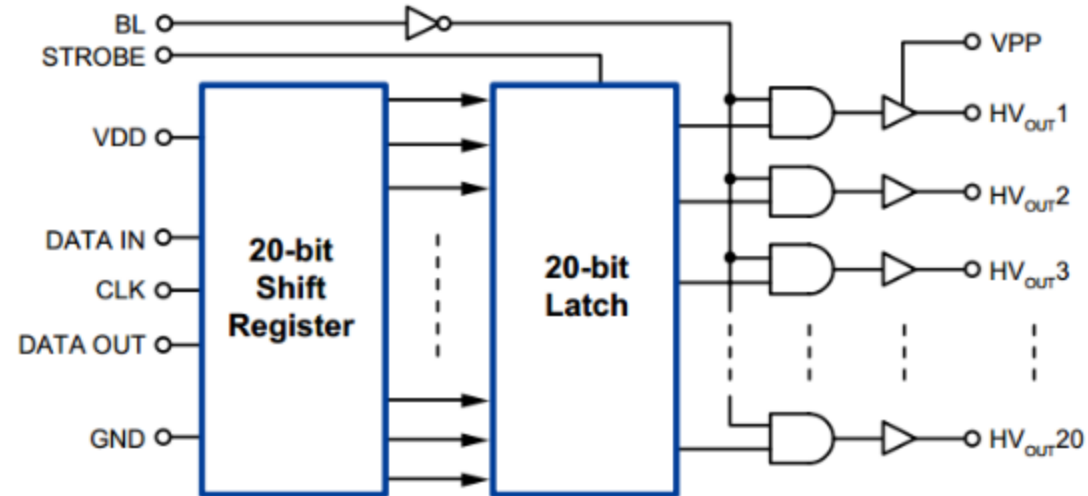
HV5812

20-Channel Serial-Input Vacuum Fluorescent
Display Driver for Anode or Grid

Online
Datasheet

Features:

- Operating voltage up to 80V
- High speed source driver
- 5.0V CMOS logic circuitry
- Up to 5.0MHz data input rate
- Excellent noise immunity
- Flexible high voltage supplies
- Operating Temperature Range:
 - -40°C to +125°C
- Package Option: PDIP-28, -
- PLCC-28, SOIC-28 (300mil)



<< BACK



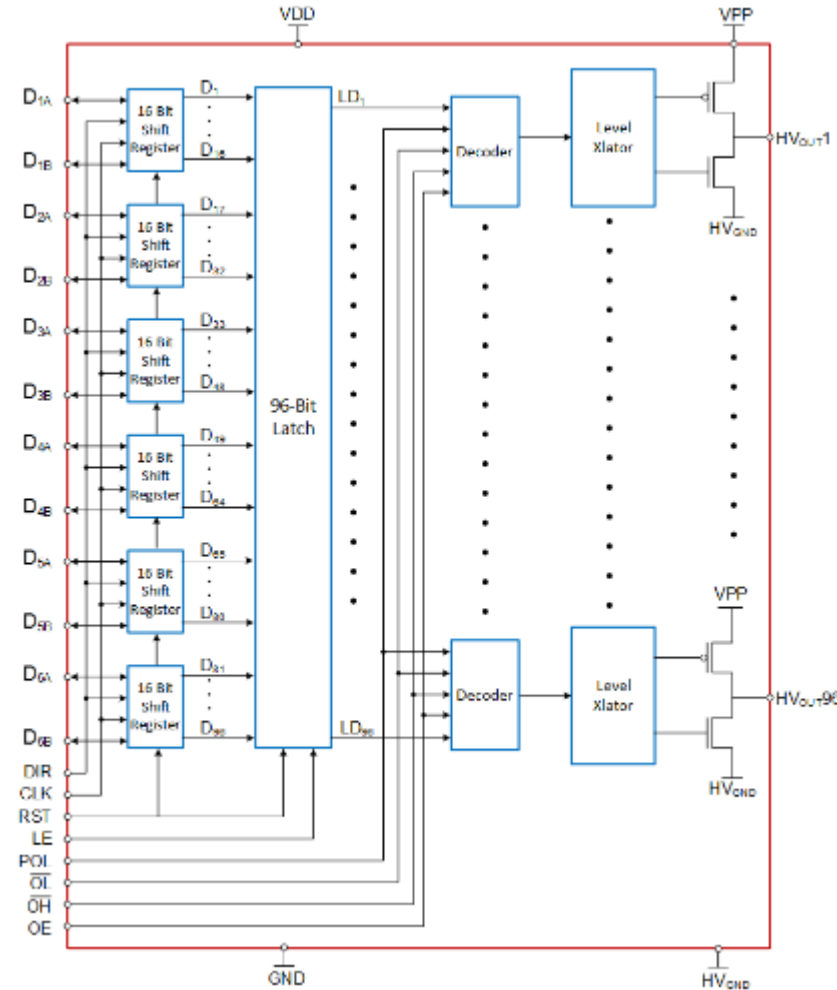
HV582

96-Channel Serial to Parallel Converter with Push-Pull Outputs

Online
Datasheet

Features:

- 96 High Voltage Channels
 - Up to 80V Operating Output Voltage
 - 75 mA sink/source peak current
- 6 Interleaved 16-bit Shift Registers
 - Clockwise and Counter-Clockwise –
- Data Shifting via DIR pin
- 30 MHz Data Rate
- Operating Junction Temperature: -40°C –
- to 125°C
- Package 169- Ball 10x10x1.1mm TFBGA



<< BACK



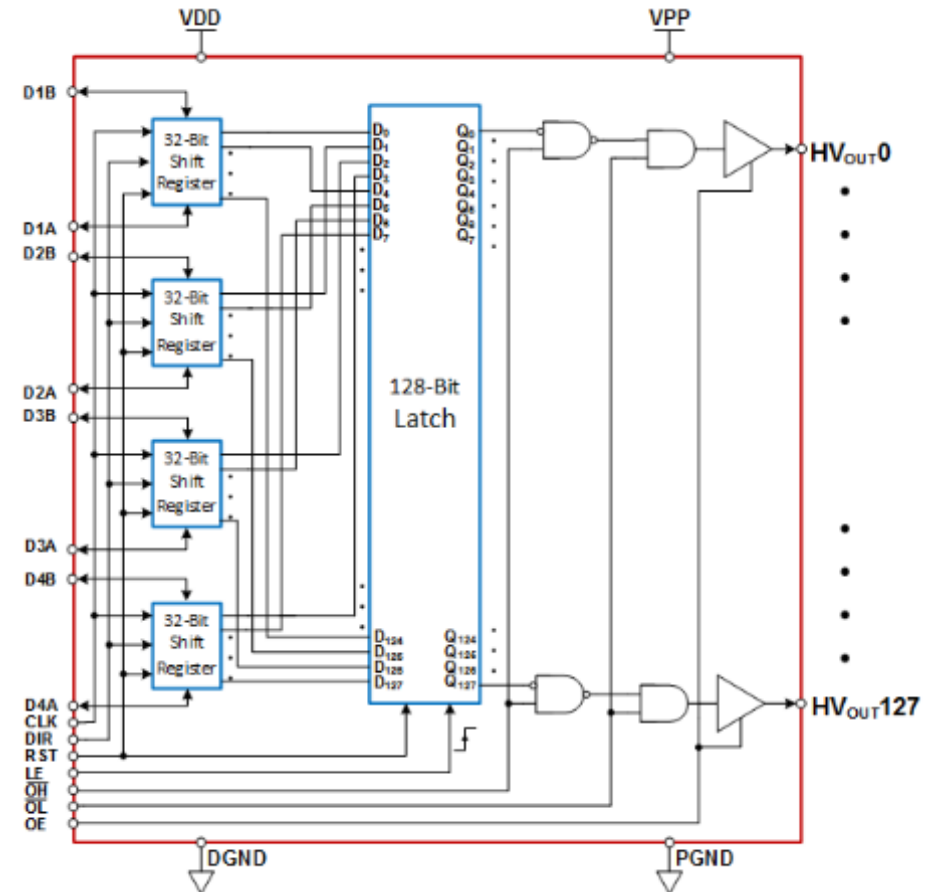
HV583

128-Channel Serial to Parallel Converter with Push-Pull Outputs

Online
Datasheet

Features:

- 128 High Voltage Channels
- Up to 80V Operating Output Voltage
- 30 mA sink/source peak current
- 4 Interleaved 32-bit Shift Registers
- Clockwise and Counter-Clockwise Data –
– Shifting via DIR pin
- 40 MHz Data Rate
- Operating Junction Temperature: -25°C
– to 125°C
- Package 169- Ball 10x10x1.1mm TFBGA



<< BACK



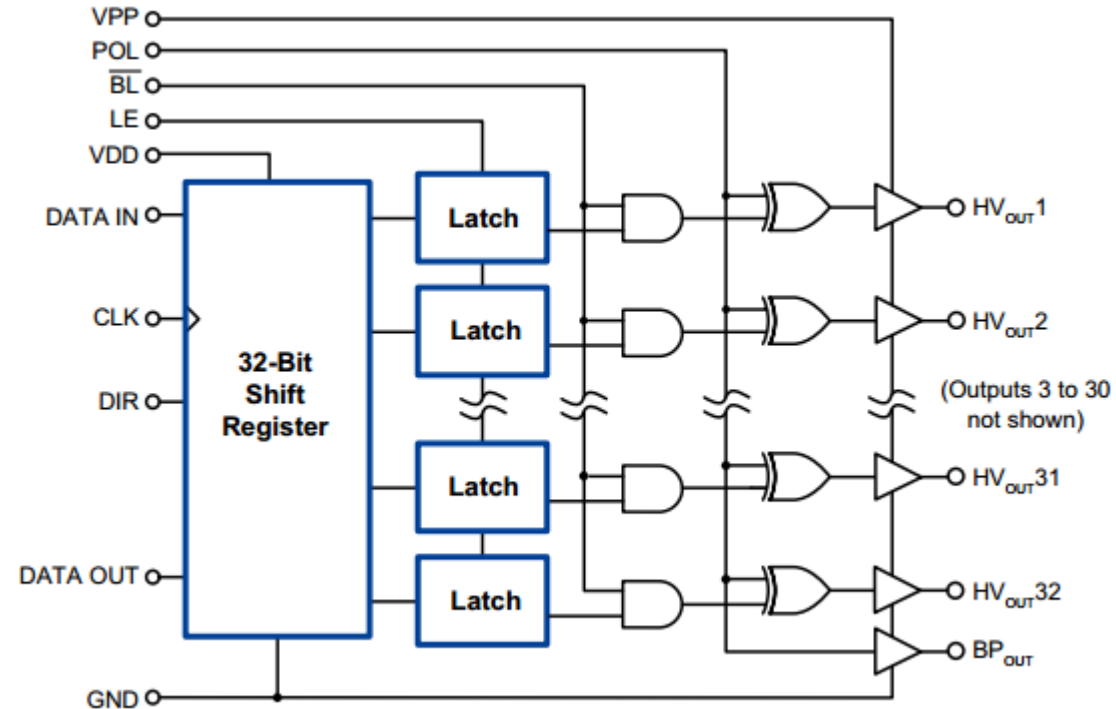
HV66

32-Channel LCD Driver with Separate Backplane Output

Online
Datasheet

Features:

- 32 push-pull CMOS output up to –60V
- Low power level shifting
- Shift register speed 5.0MHz
- Latched data outputs
- Bidirectional shift register (DIR)
- Backplane output
- Operating Temperature Range:
 - -40°C to +85°C
- Package Option: PQFP-44, -PLCC-44



<< BACK



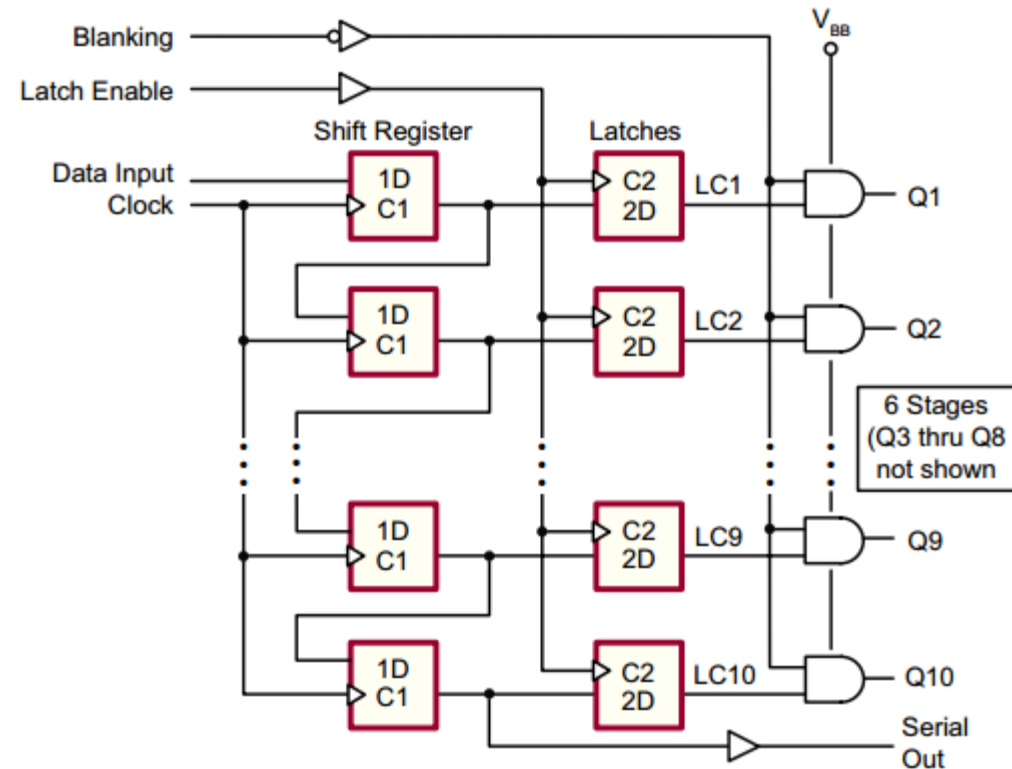
HV6810

10-Channel Serial-Input Latched Display Driver

Online
Datasheet

Features:

- High output voltage 80V
- High speed 5MHz @5.0V_{DD}
- Low power I_{BB} ≤ 0.1mA (all high)
- Active pull down 100μA min @25OC
- Output source current 25mA @60V –
– V_{BB}
- Each device drives 10 lines
- High-speed serially-shifted data input
- 5.0V CMOS-compatible inputs
- Latches on all driver outputs
- Operating Temperature Range:
 - -45°C to +85°C
- Package Option: SOIC-20 (300mil)



<< BACK



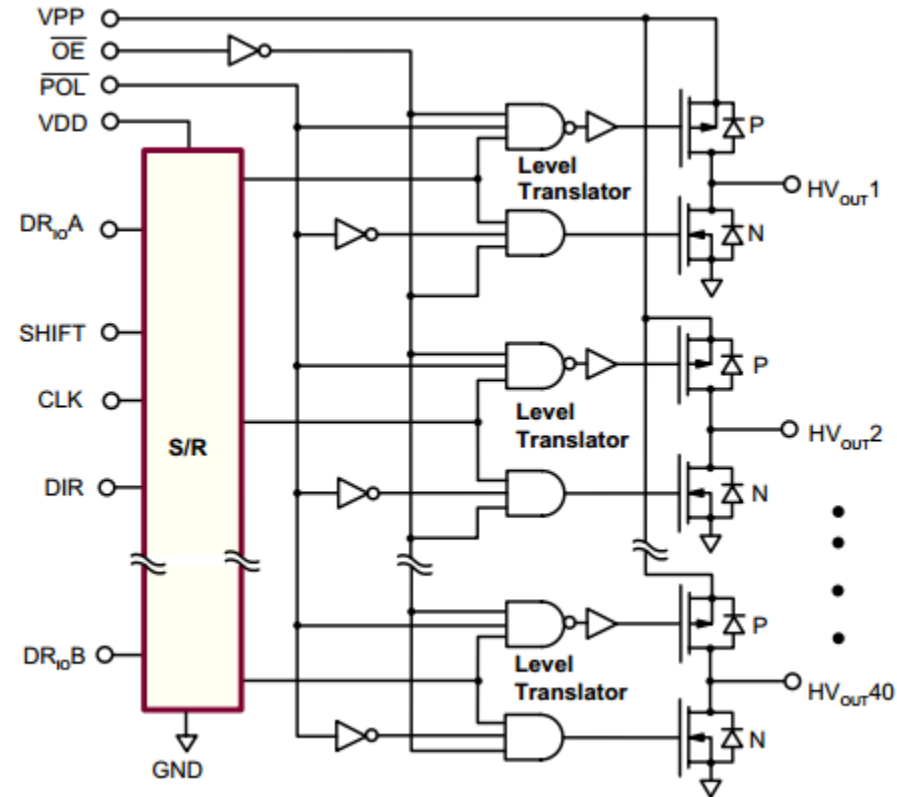
HV7224

40-Channel Symmetric Row Driver

[Online Datasheet](#)

Features:

- Symmetric row drive (reduces latent imaging in ACTFEL displays)
 - Output voltage up to +240V
 - Low power level shifting
 - Source/sink current minimum 70mA
 - Shift register speed 3.0MHz
 - Pin-programmable shift direction
- Operating Temperature Range:
- -40°C to +85°C
- Package Option: PQFP-64



<< BACK



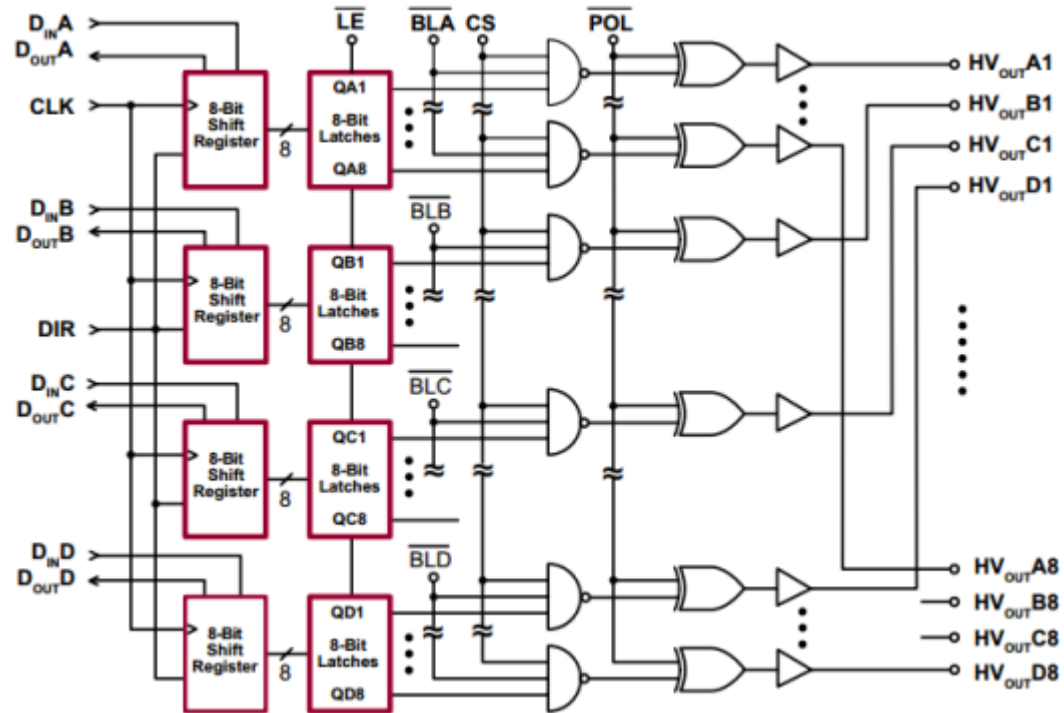
HV7620

40MHz, 32-Channel Serial to Parallel Converter with Push-Pull Outputs

[Online Datasheet](#)

Features:

- 5.0V logic and 12V supply rail
- Output voltage up to +200V
- Low power level shifting
- Source/sink current minimum 50mA
- 40MHz equivalent data rate
- Latched data outputs
- Forward and reverse shifting options
- Chip select
- Polarity function
- Operating Temperature Range:
 - -40°C to +85°C
- Package Option: PQFP-64



<< BACK



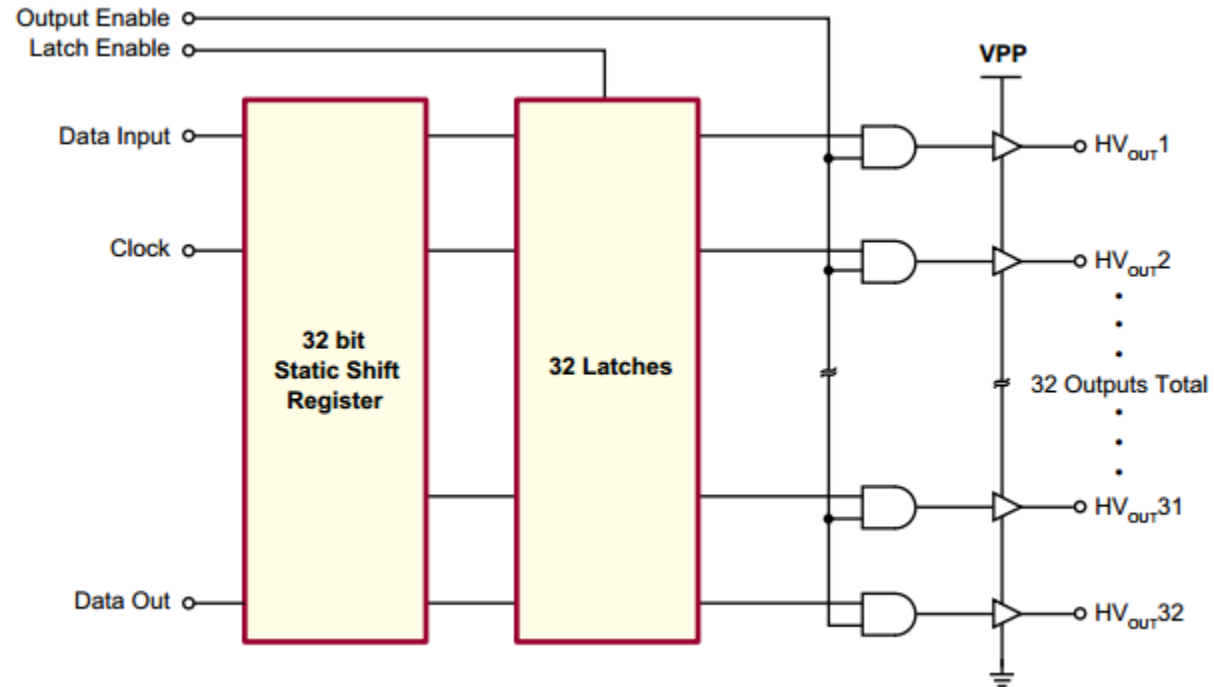
HV9308

32-Channel Serial to Parallel Converter
with High Voltage Push-Pull Outputs

[Online
Datasheet](#)

Features:

- Low power level shifting
- Shift register speed 8.0MHz
- Latched data outputs
- 5.0V CMOS compatible –
- inputs
- Forward and reverse shifting –
- options
- Diode to VPP allows efficient –
- power recovery
- Operating Temperature Range:
 - -40°C to +85°C
- Package Option: PQFP-44



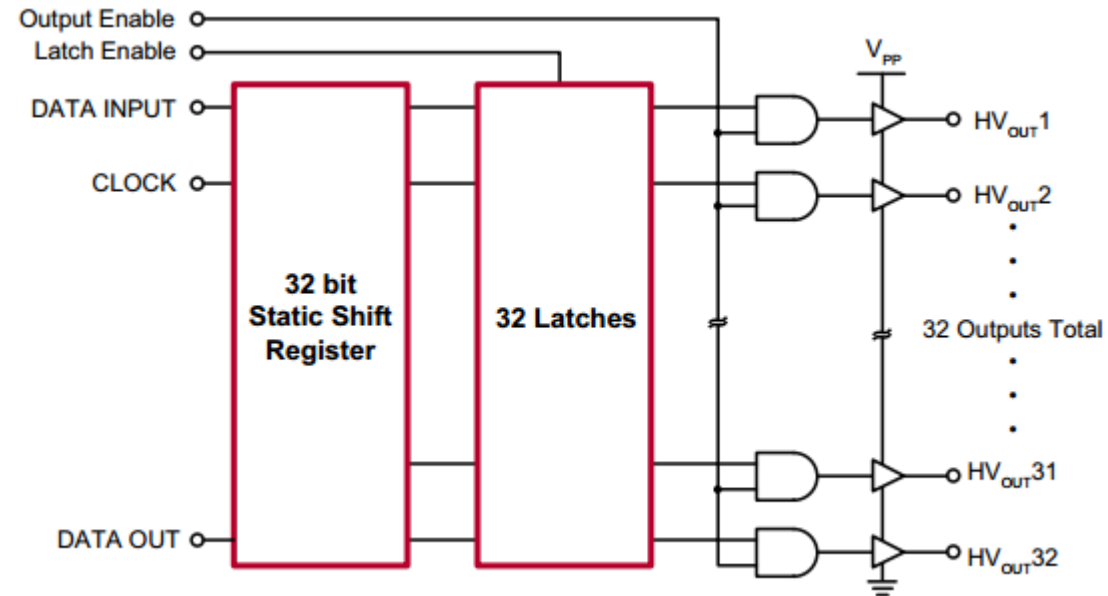
HV9408

32-Channel Serial to Parallel Converter
with High Voltage Push-Pull Outputs

Online
Datasheet

Features:

- Output voltages up to 80V
- Low power level shifting
- Shift register speed 8.0MHz
- Latched data outputs
- 5.0V CMOS compatible inputs
- Forward and reverse shifting –
- options
- Diode to VPP allows efficient –
- power recovery
- Operating Temperature Range:
 - -40°C to +85°C
- Package Option: PQFP-44



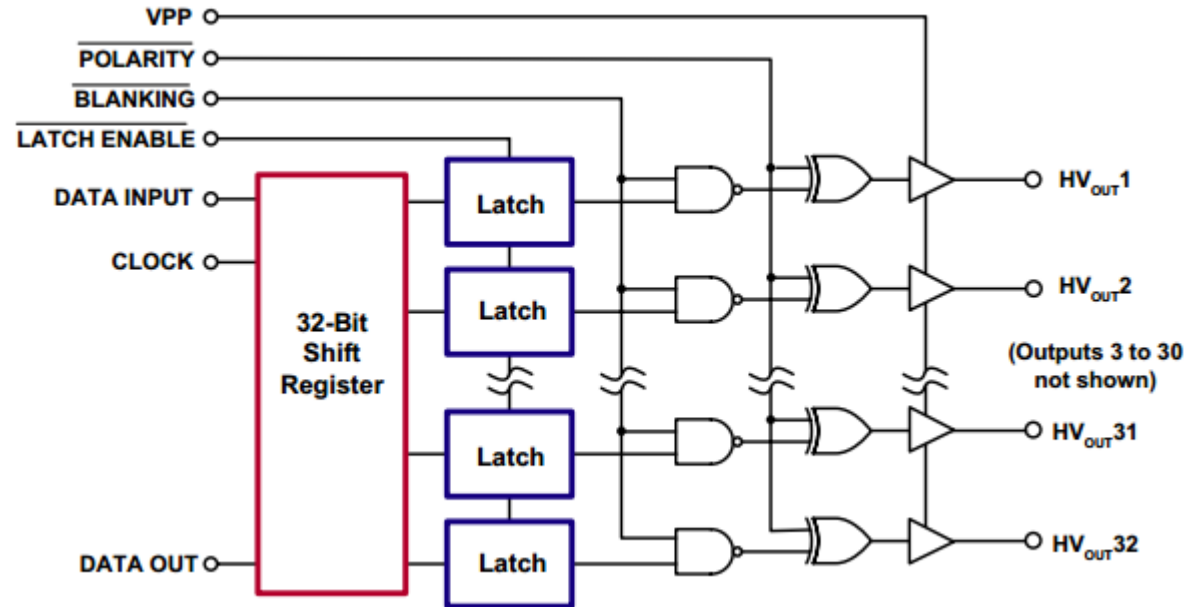
HV9808

32-Channel Serial to Parallel Converter
with High Voltage Push-Pull Outputs

Online
Datasheet

Features:

- Output voltages up to 80V
- Low power level shifting
- Shift register speed 8.0MHz
- Latched data outputs
- 5.0V CMOS compatible inputs
- Forward and reverse shifting –
– options
- Diode to VPP allows efficient –
– power recovery
- Operating Temperature Range:
 - -40°C to +85°C
- Package Option: PQFP-44



<< BACK



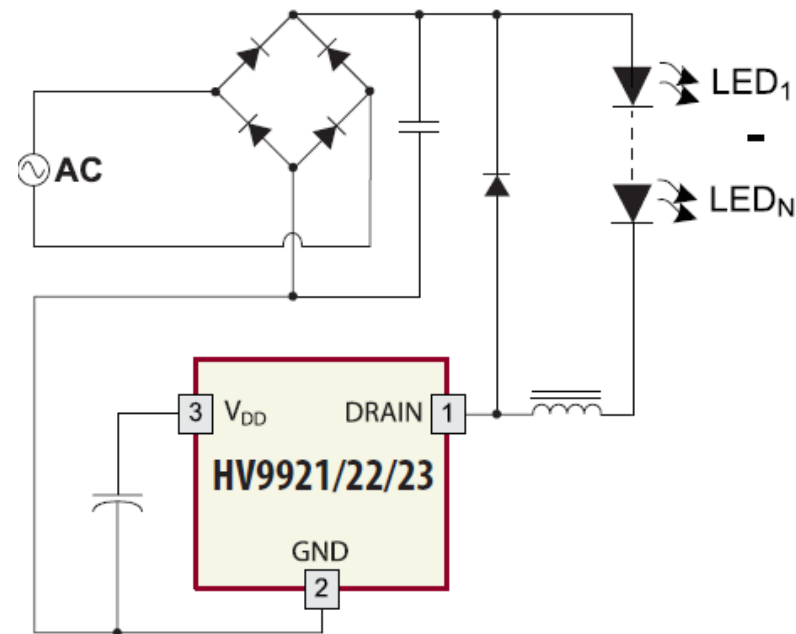
HV9921/2/3

3-Pin Switch-Mode LED Lamp Driver ICs

[Online
Datasheet](#)

Features:

- Constant Output Current:
 - 20mA HV9921
 - 50mA HV9922
 - 30mA HV9923
- Universal 85 - 265VAC Operation
- Fixed OFF-Time Buck Converter
- Internal 475V Power MOSFET
- Operating Temperature Range:
 - -40°C to +125°C
- Package Options: TO-92, SOT-89



<< BACK



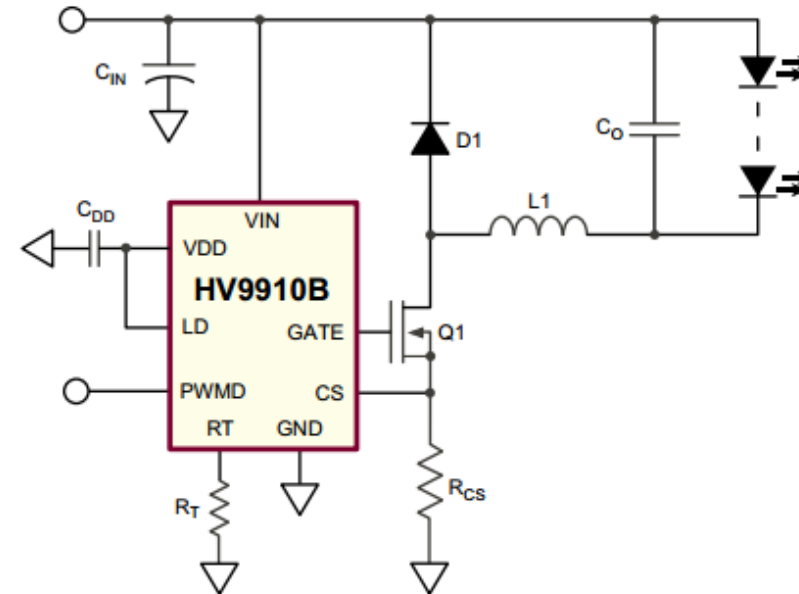
HV9910B

Universal High-Brightness LED Driver

Online
Datasheet

Features:

- Features:
- Switch mode controller for single switch –
- LED drivers
- Open loop peak current controller
- Internal 8.0 to 450V linear regulator
- Constant frequency or constant off-time –
- operation
- Linear and PWM dimming capability
- Requires few external components for –
- operation
- Operating Temperature Range:
 - -40°C to +125°C
- Package Options: SOIC-8, SOIC-16



<< BACK



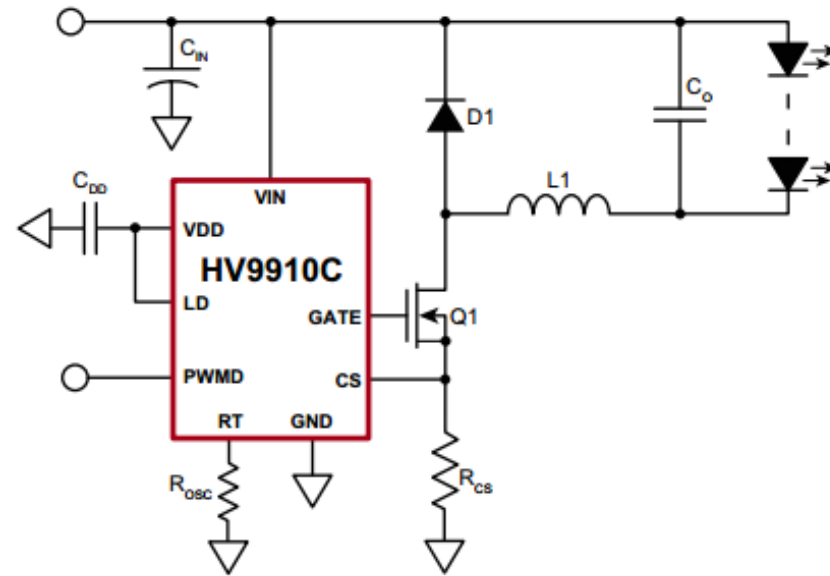
HV9910C

Universal High-Brightness LED Driver

Online
Datasheet

Features:

- Switch mode controller for single switch –
- LED drivers
- Open loop peak current controller
- Internal 15 to 450V linear regulator
- Constant frequency or constant off-time –
- operation
- Linear and PWM dimming capability
- Requires few external components for operation
- Over-temperature protection
- Operating Temperature Range:
 - -40°C to +125°C
- Package Options: SOIC-8, SOIC-16, SOIC-8 w/HS



<< BACK



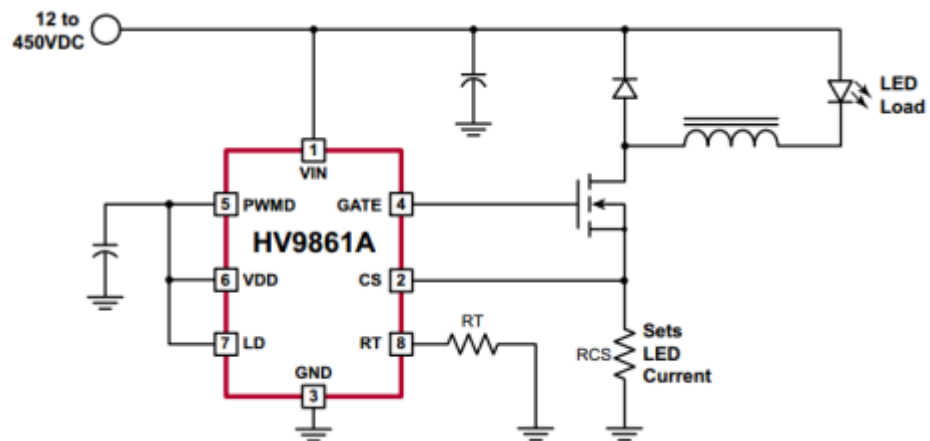
HV9861A

LED Driver with Average-Mode Constant Current Control

[Online
Datasheet](#)

Features:

- Fast average current control
- Programmable constant off-time –
- switching
- PWM / linear dimming input
- Output short circuit protection with –
- skip mode
- Operating Temperature Range:
 - -40°C to +125°C
- Package Options: SOIC-8, SOIC-16



<< BACK



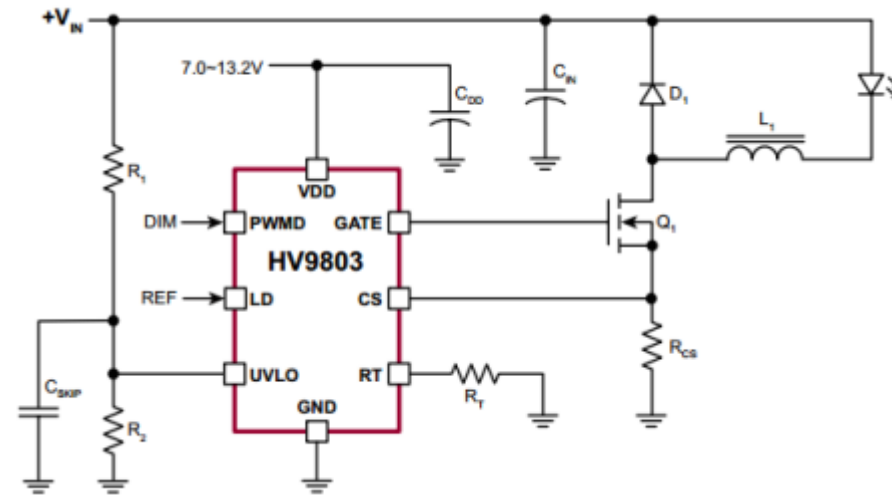
HV9803

LED Driver IC with Average-Mode Constant Current Control

Online
Datasheet

Features:

- Fast average current control
- Correction for propagation delay and – offset voltage
- Fixed off-time switching mode
- Linear dimming input
- PWM dimming input
- Output short circuit protection with – programmable skip mode
- Input under-voltage shutdown
- Operating Temperature Range:
 - -40°C to +150°C
- Package Options: SOIC-8



<< BACK



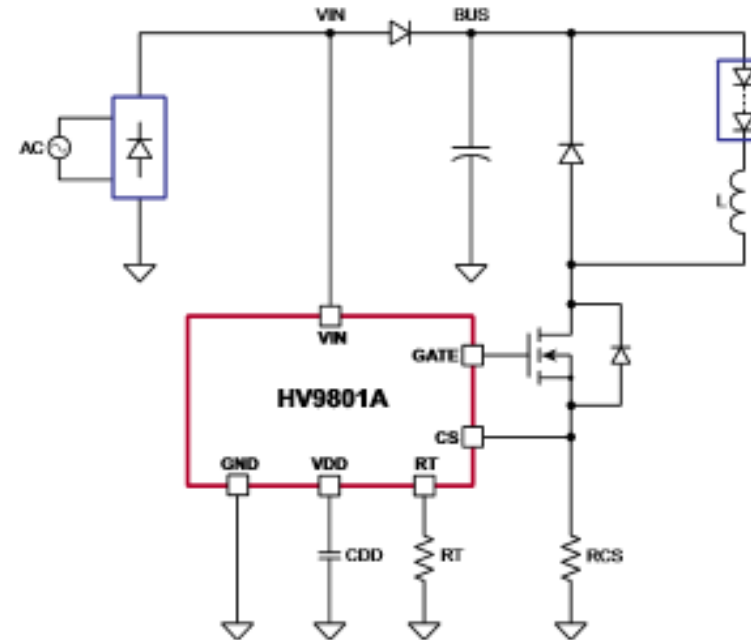
HV9801A

Switch Dimmable LED Driver

[Online Datasheet](#)

Features:

- Four level switch dimming
- Very accurate current regulator
- Output over-current/short circuit protection
- IC over-temperature protection
- Operating Temperature Range:
 - -40°C to +125°C
- Package Option: SOIC-8, SOIC-16



<< BACK



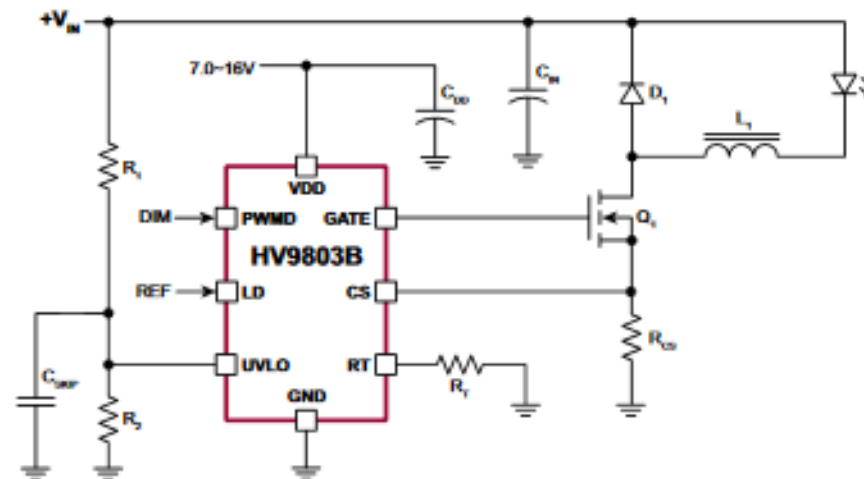
HV9803B

LED Driver IC with Average-Mode Constant Current Control

Online
Datasheet

Features:

- Fast average current control
- Correction for propagation delay and offset voltage
- Fixed off-time switching mode
- Linear dimming input
- PWM dimming input
- Output short circuit protection
- Input under-voltage shutdown
- Operating Temperature Range:
 - -40°C to +125°C
- Package Option: SOIC-8



<< BACK



HV9805

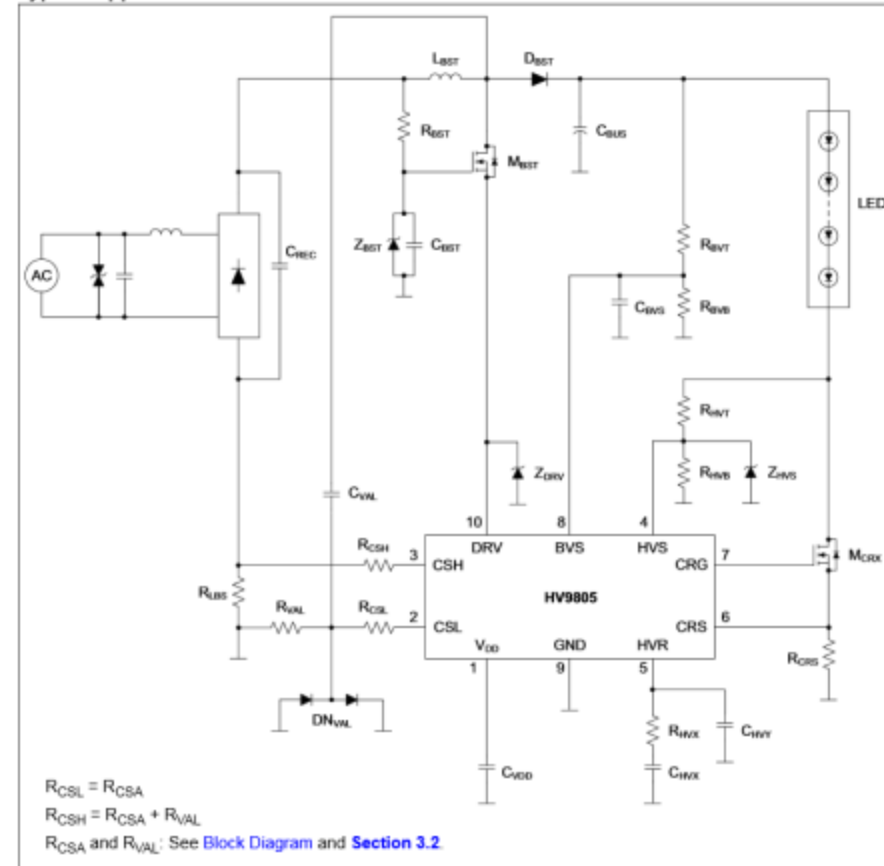
Off-Line LED Driver with True DC Output Current

Online
Datasheet

Features:

- Provides True DC Light and protects –
 - load from line voltage transients
- Driver topology includes: Boundary –
 - Conduction Mode (BCM) Boost –
 - Converter with Power Factor Correction
 - High Power Factor(98%+)
 - High Efficiency (90%+)
- Linear Post-Regulator with Low Overhead Voltage
 - Zero LED Current/Brightness Ripple
 - Overvoltage Protection for LEDs
 - High Efficiency
 - $\pm 4\%$ Reference over Temperature
- Simple V_{DD} Supply: No Auxiliary Winding
 - Boost Converter Cascode Switch: Internal Switch rated at 700 mA peak
 - Supports up to 25W at 120VAC
 - Supports up to 50W at 230VAC
- Compatibility with SEPIC Topology for Low Output Voltage Applications

Typical Application Circuit



<< BACK



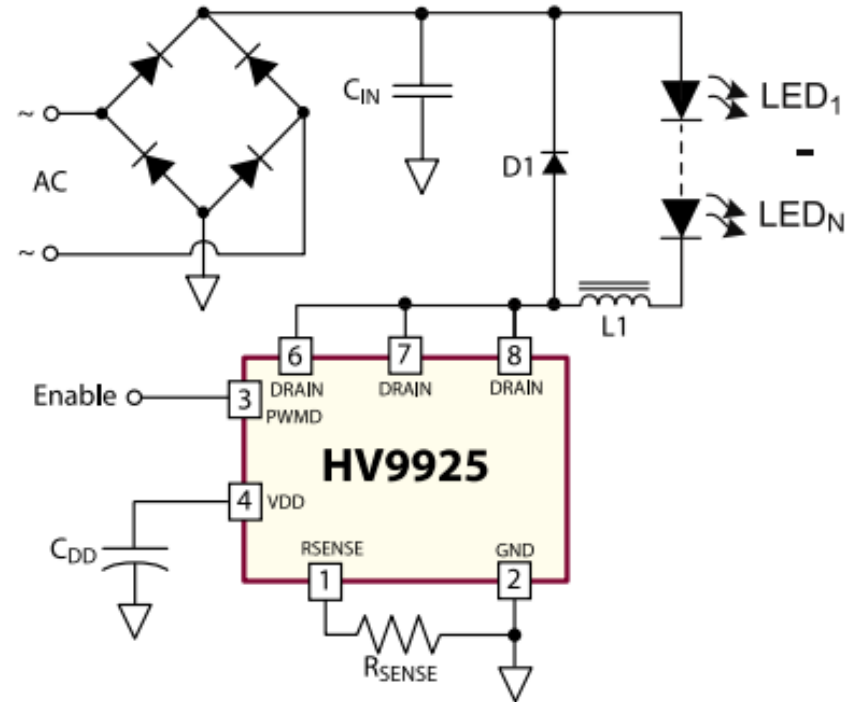
HV9925

Programmable-Current LED Lamp Driver IC with PWM Dimming

Online
Datasheet

Features:

- Programmable output current to 50mA
- PWM dimming / enable
- Universal 85 - 264VAC operation
- Fixed off-time buck converter
- Internal 475V power MOSFET
- Over-temperature protection with hysteresis
- Operating Temperature Range:
 - -40°C to +125°C
- Package Option: SOIC-8 w/Heat Slug



<< BACK



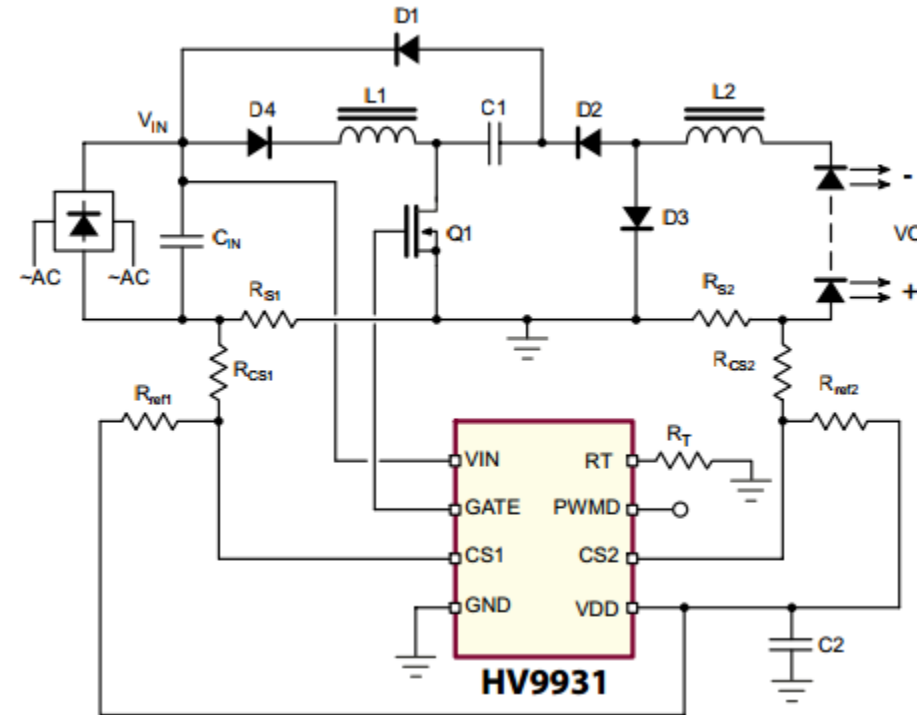
HV9931

HV9931 Unity Power Factor LED Lamp Driver

Online
Datasheet

Features:

- Constant output current
- Large step-down ratio
- Unity power factor
- Low input current harmonic distortion
- Fixed frequency or fixed off-time – operation
- Internal 450V linear regulator
- Input and output current sensing
- Input current limit
- Enable, PWM and phase dimming
- Operating Temperature Range:
 - -40°C to +125°C
- Package Option: SOIC-8 w/Heat Slug



<< BACK



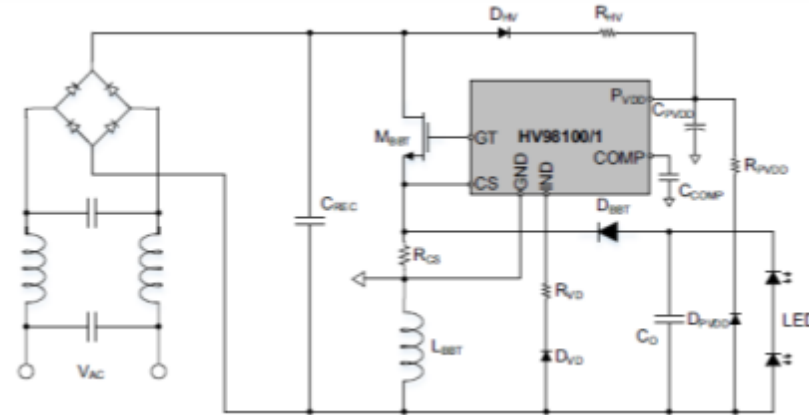
HV98100/101

Online
Datasheet

Non-Dimmable, Off-line, Buck-Boost LED Drivers with high PF & low THD

Features:

- Good LED Current Regulation:
 - Better than 5% accuracy
- Valley Switching Buck-Boost Converter with –
– Power Factor Correction (PFC):
 - 0.97 Power Factor (typical)
 - 5% Total Harmonic Distortion (THD) (typical)
- Uses a Standard Off-the-Shelf Inductor:
 - No auxiliary winding required
- Single Input Voltage Range:
 - HV98100: 110VAC±15%
 - HV98101: 230VAC±15%
- Supports 5W-15W Output Power
- Space-saving SOT-23-6L Package



<< BACK



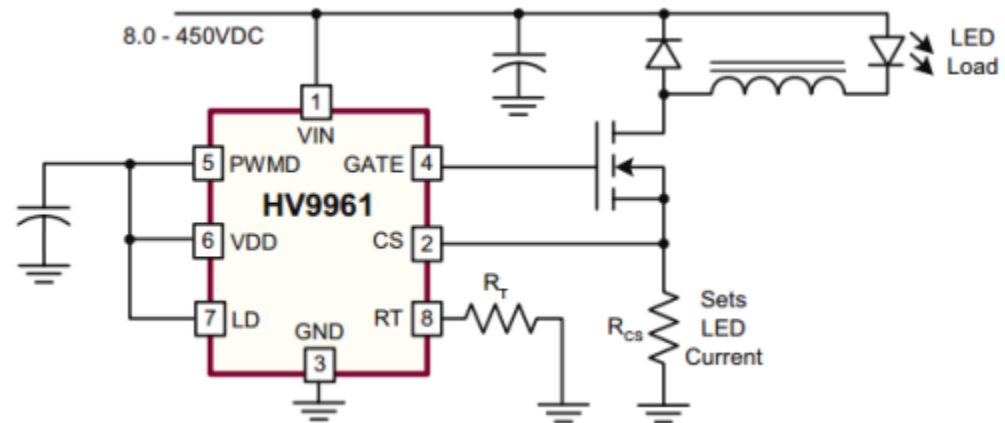
HV9961

LED Driver with Average-Mode Constant Current Control

[Online Datasheet](#)

Features:

- Fast average current control
- Programmable constant off-time –
- switching
- Linear dimming input
- PWM dimming input
- Output short circuit protection with –
- skip mode
- Operating Temperature Range:
 - -40°C to +125°C
- Package Option: SOIC-8, SOIC-16



<< BACK



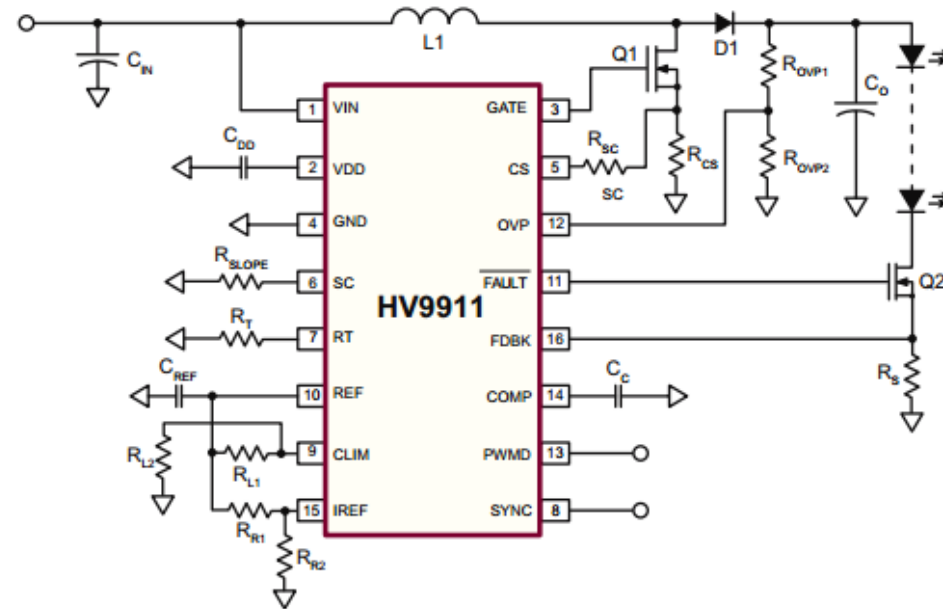
HV9911

Switch-Mode LED Driver IC with High Current Accuracy

Online
Datasheet

Features:

- Switch mode controller for single –
 - switch drivers: Buck, Boost, -
 - Buck-boost, and SEPIC
- Closed loop control of output current
- High PWM dimming ratio
- Programmable slope compensation
- Enable & PWM dimming
- Output short circuit & over voltage –
 - protection
- Synchronization capability
- Programmable MOSFET current limit
- Operating Temperature Range:
 - -40°C to +125°C
- Package Option: SOIC-8, SOIC-16



<< BACK



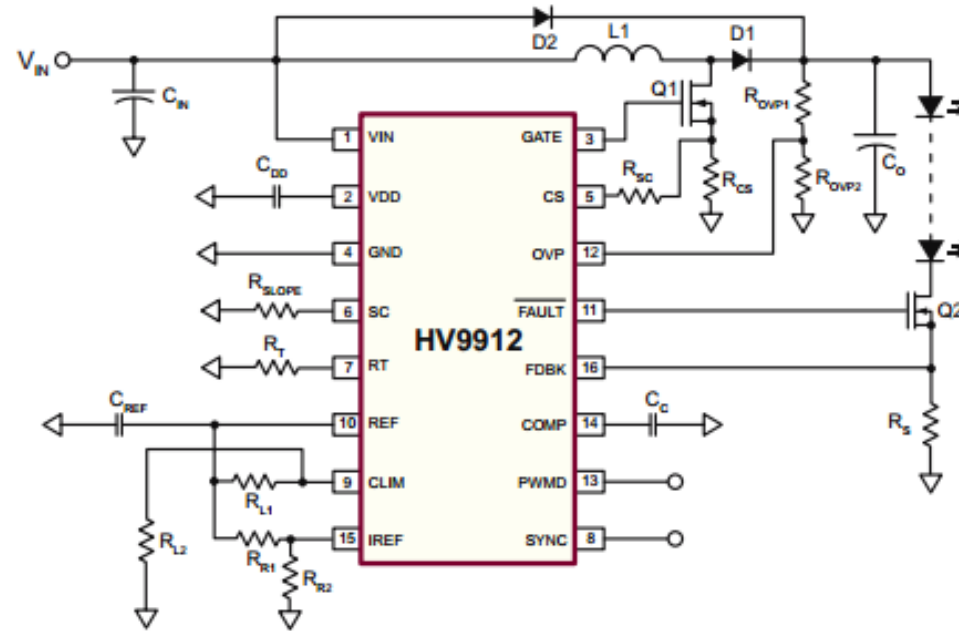
HV9912

Switch-Mode LED Driver IC with High Current Accuracy
and Hiccup Mode Protection

Online
Datasheet

Features:

- Switch mode controller for single –
 - switch drivers: Buck, Boost, Buck –
 - boost, and SEPIC
- Works with high side current sensors
- Closed loop control of output current
- High PWM dimming ratio
- Programmable slope compensation
- Linear & PWM dimming
- Hiccup mode protection for both –
 - short circuit and open circuit –
 - conditions
- Synchronization capability
- Operating Temperature Range:
 - -40°C to +125°C
- Package Option: SOIC-16



<< BACK

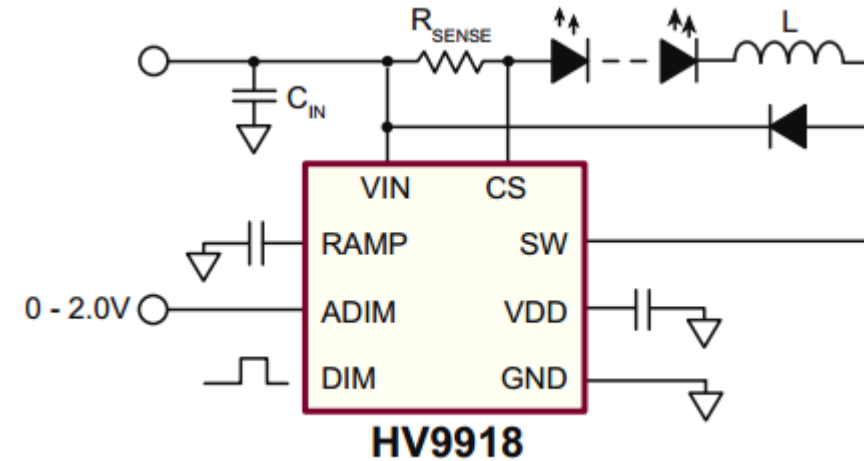
HV9918

Hysteretic, Buck, High Brightness LED Driver
with High-Side Current Sensing

[Online
Datasheet](#)

Features:

- Hysteretic control with high-side current – sensing
- Integrated 40V 1.0Ω MOSFET
- >90% Efficiency
- Wide input voltage range: 4.5 to 40V
- ±5% LED current accuracy
- Up to 2.0MHz switching frequency
- Adjustable constant LED current
- Analog or PWM control signal for PWM – dimming
- Over-temperature protection
- Operating Temperature Range:
 - -40°C to +125°C
- Package Option: WDFN-8 (3x3)



<< BACK



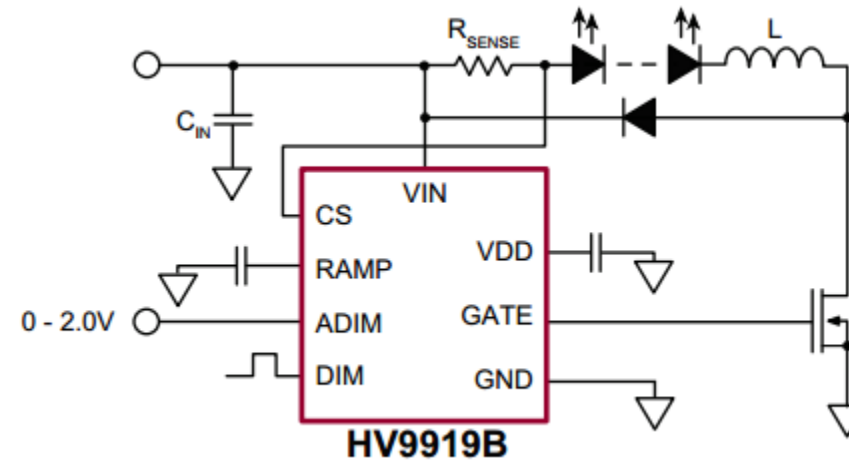
HV9919B

Hysteretic, Buck, High Brightness LED Driver
with High-Side Current Sensing

[Online
Datasheet](#)

Features:

- Hysteretic control with high-side current – sensing
- Wide input voltage range: 4.5 to 40V
- >90% Efficiency
- Typical $\pm 5\%$ LED current accuracy
- Up to 2.0MHz switching frequency
- Adjustable constant LED current
- Analog or PWM control signal for PWM – dimming
- Over-temperature protection
- Operating Temperature Range:
 - -40°C to +125°C
- Package Option: WDFN-8 (3x3)



<< BACK



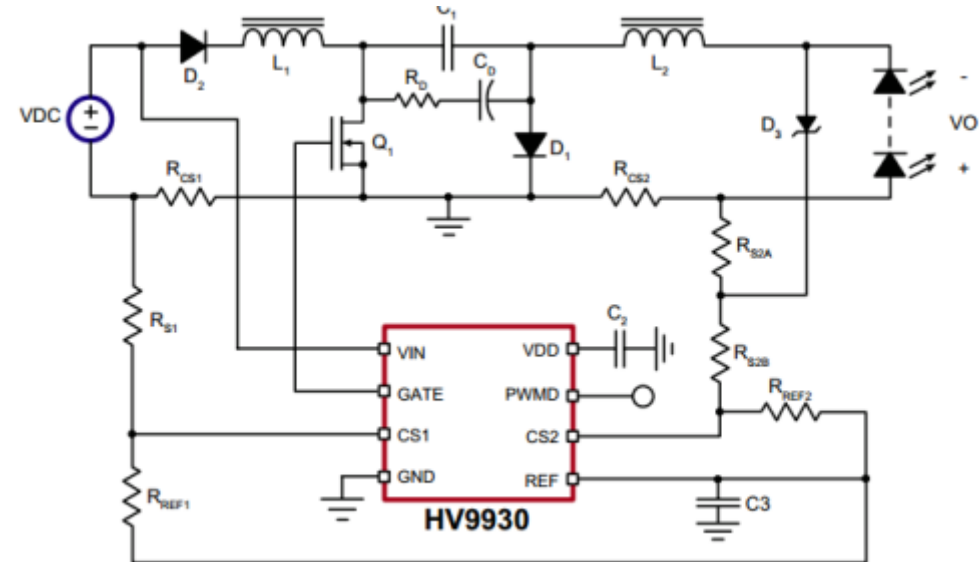
HV9930

Hysteretic Boost-Buck (Ćuk) LED Driver IC

Online
Datasheet

Features:

- Constant output current LED driver
- Steps output voltage up or down
- Low EMI
- Variable frequency operation
- Internal 8.0 - 200V linear regulator
- Input and output current sensing
- Input current limit
- Enable & PWM dimming
- Operating Temperature Range:
 - -40°C to +125°C
- Package Option: SOIC-8



<< BACK



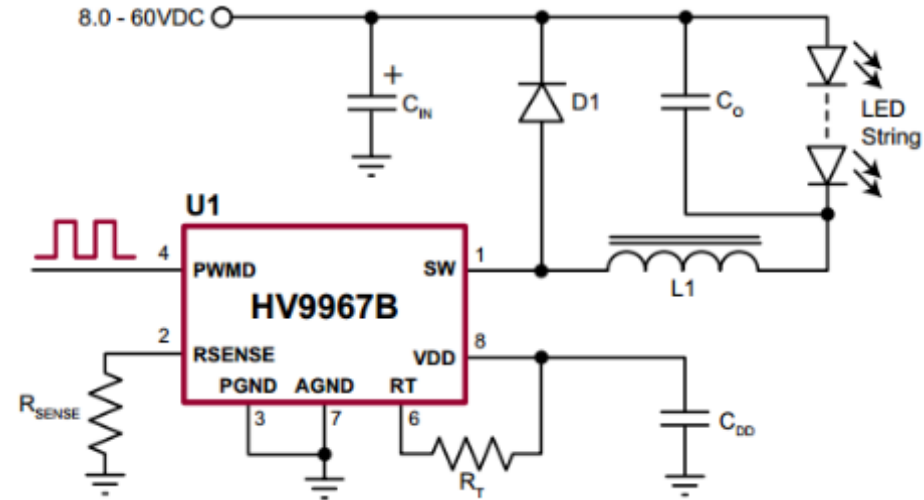
HV9967B

Integrated LED Driver with Average-Mode Current Control

Online
Datasheet

Features:

- 3% accurate LED current
- Integrated 60V, 0.8 Ω MOSFET
- Low sensitivity to external component –
- variation
- Single resistor LED current setting
- Fixed off-time control
- PWM dimming input
- Output short circuit protection with skip –
- mode
- Over-temperature protection
- Operating Temperature Range:
 - -40 $^{\circ}$ C to +150 $^{\circ}$ C
- Package Options: DFN-8, MSOP-8



<< BACK



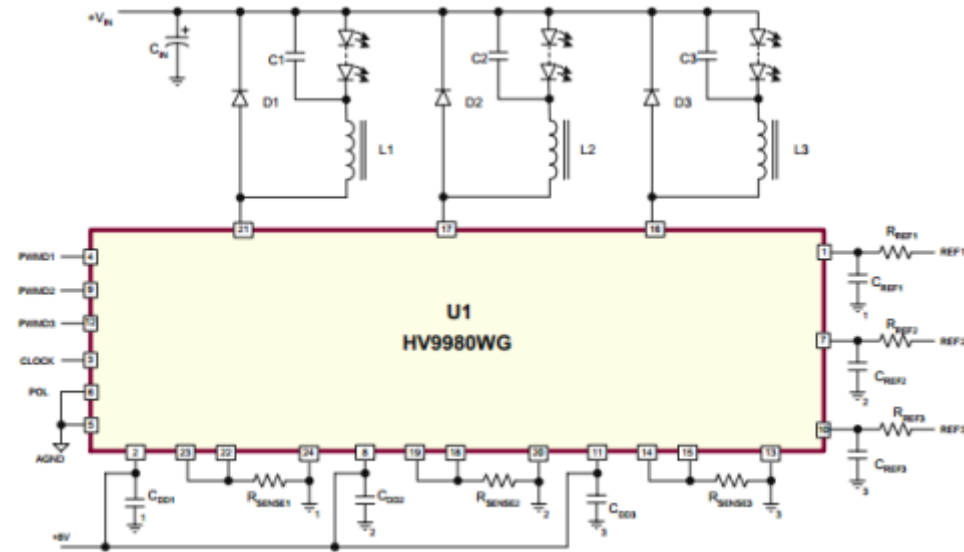
HV9980

3-Channel LED Array Driver IC

Online
Datasheet

Features:

- Integrated 200V, 25 Ω (typ.) MOSFETs
- Programmable output current to 80mA -
– per channel
- TTL compatible PWM dimming inputs
- 3-Phase synchronous operation
- Leading edge blanking
- Short circuit protection with skip mode
- Over-temperature protection
- Operating Temperature Range:
 - -40 $^{\circ}$ C to +150 $^{\circ}$ C
- Package Options: SOIC-24 (300mil)



<< BACK

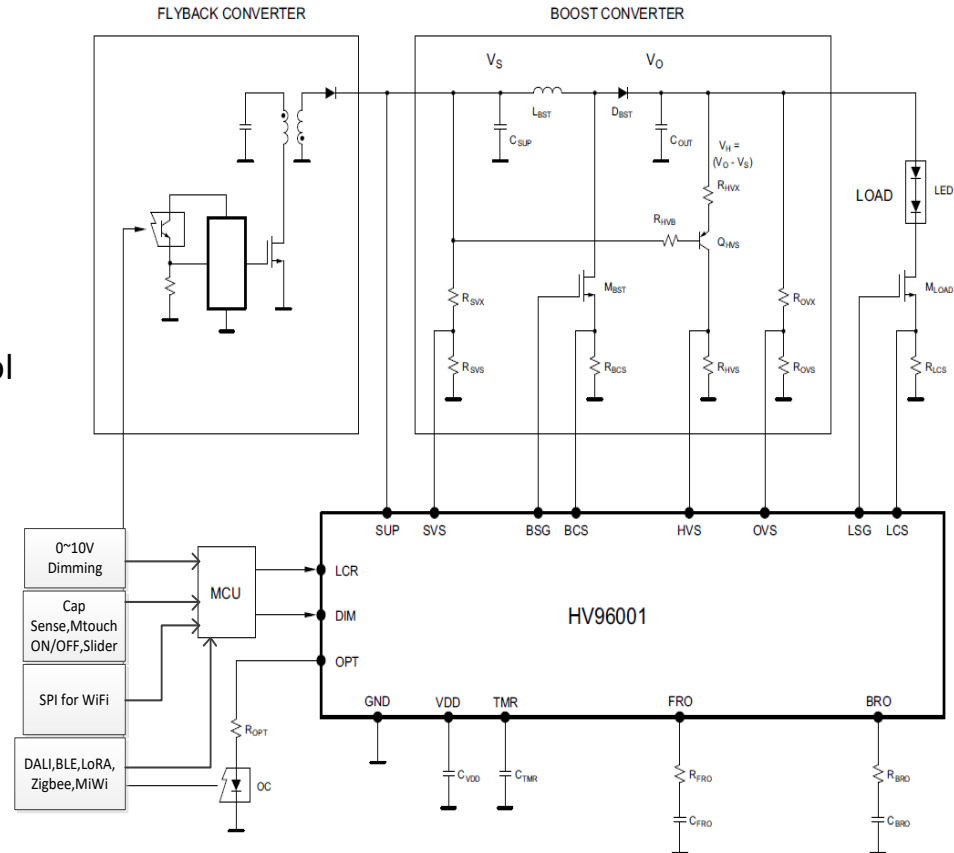


HV96001

Online
Datasheet

Secondary-side Controller for Digital Solution with Deep Dimming Features:

- Deep Dimming Performance
 - PWM Dim down to 0.1% and lower
 - PWM pulse width down to 250ns
 - Wide range of linear Dimming
- Boost Converter controls
 - Peak Current Mode Logic
 - 200KHz frequency switching
 - SEPIC Topology compatible
- Fly back Converter controls
 - Adaptive control of output voltage or boost headroom voltage control
 - Opto-coupled feedback control signal
- 8V-60V input voltage range
- 5V/10mA VDD regulator for house keeping
- Output OVP /OCP/UVLO protections
- Load short protection
- DIM stuck at zero detection
- 16-pin SOIC, 3mmx3mm QFN package



<< BACK

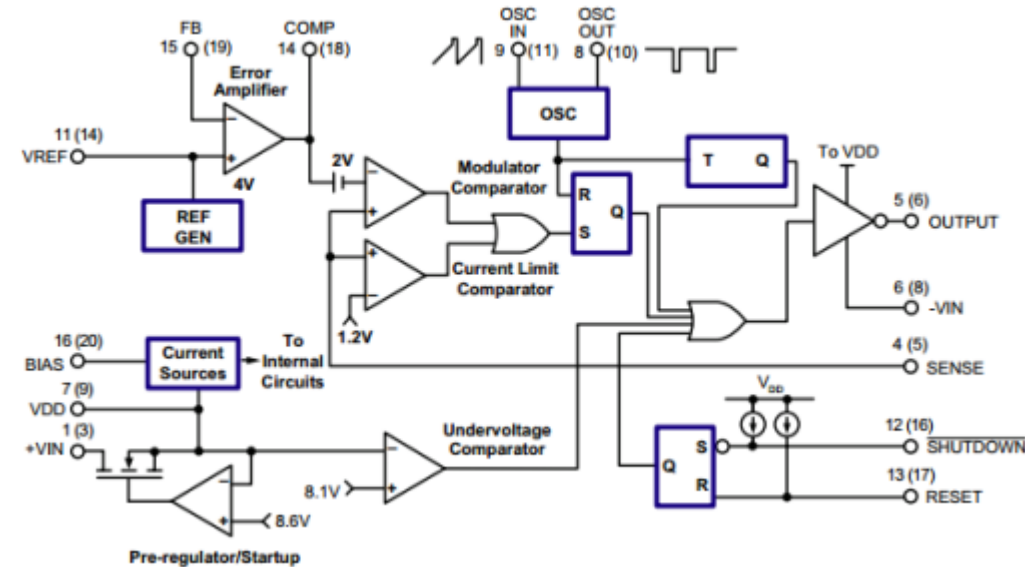
HV9120

High-Voltage, Current-Mode, PWM Controller

Online
Datasheet

Features:

- 10 to 450V input voltage range
- <1.3mA supply current
- >1.0MHz clock
- >20:1 dynamic range @ 500KHz
- 49% Maximum duty cycle version
- Low internal noise
- Operating Temperature Range:
 - -40°C to +125°C
- Package Options: SOIC-16, PDIP-16



<< BACK



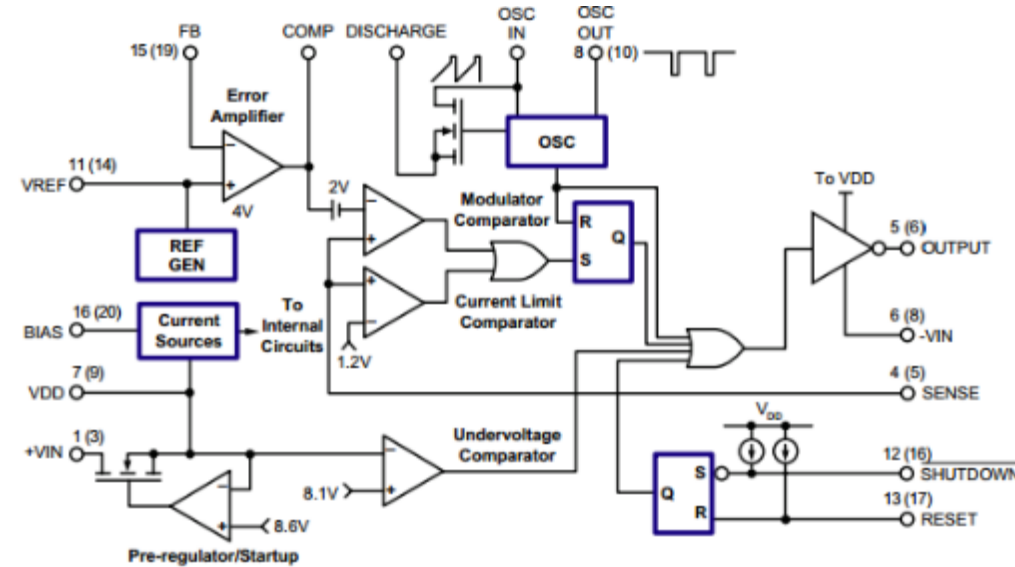
HV9123

High-Voltage, Current-Mode, PWM Controller

Online
Datasheet

Features:

- 10 to 450V input voltage range
- <1.3mA supply current
- >1.0MHz clock
- >20:1 dynamic range @ 500KHz
- 99% Maximum duty cycle version
- Low internal noise
- Operating Temperature Range:
 - -40°C to +125°C
- Package Options: SOIC-16, PDIP-16



<< BACK



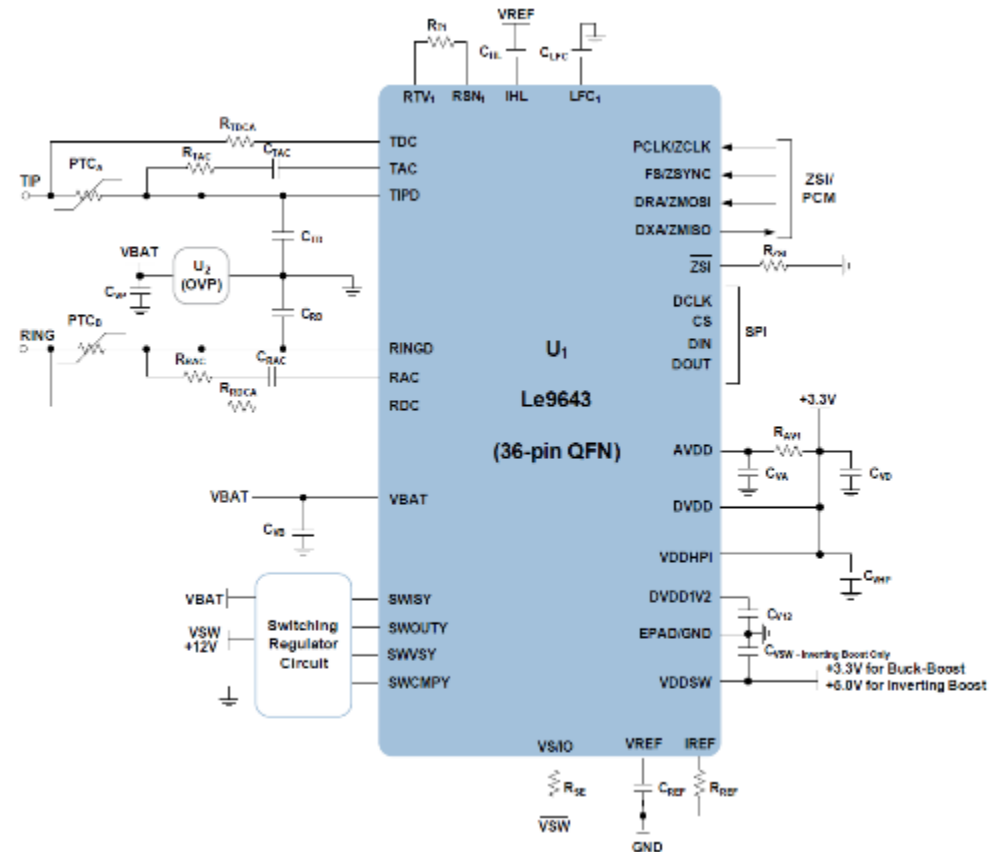
Le9643 / 53

36-pin Single Channel miSLIC Device

Online
Datasheet

Features:

- Two ring voltage options
 - Le9643 95V
 - Le9653 150V
- Easy Upgrade (SW and HW)
 - Software compatible with Le9641/51
 - All the features of the Le9641/51
 - Same pin order as Le9641/51
- Package
 - 36-pin, 4x6 QFN
 - 0.4mm pin pitch
 - Increased HV pin spacing
 - 50% smaller than Le9641/51



World's Smallest 1 FXS with PCM Interface

<< BACK



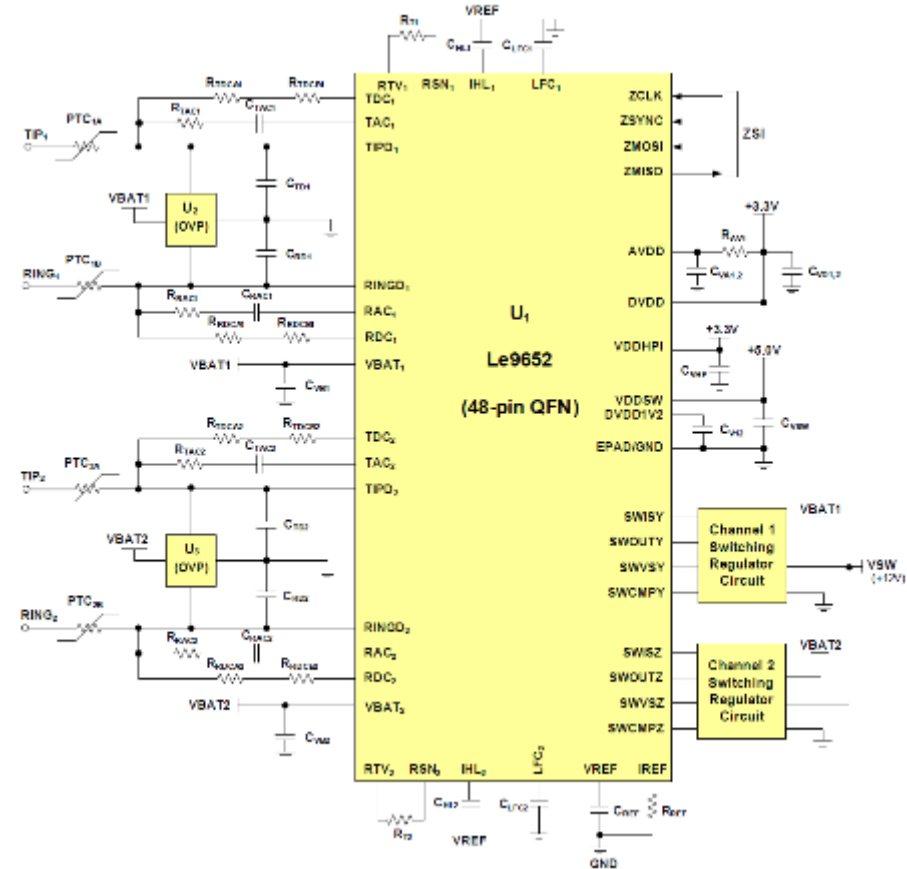
Le9652

48-pin Dual Channel Tracker ZSI miSLIC Device

Online
Datasheet

Features:

- High voltage ringing capability
 - 150V with Flyback power supply
 - 135V with Inverting Boost supply
- ZSI interface to SoC
 - Ideal for dual FXS with high voltage ringing
 - Single channel population option w/Le9651
- Simple 4-wire interface
 - Interfaces to leading partner solutions
- Package
 - 48-pin, 7x7 QFN
 - 0.5mm pin pitch



Ideal for 2 FXS Solutions with High Voltage Ringing

<< BACK



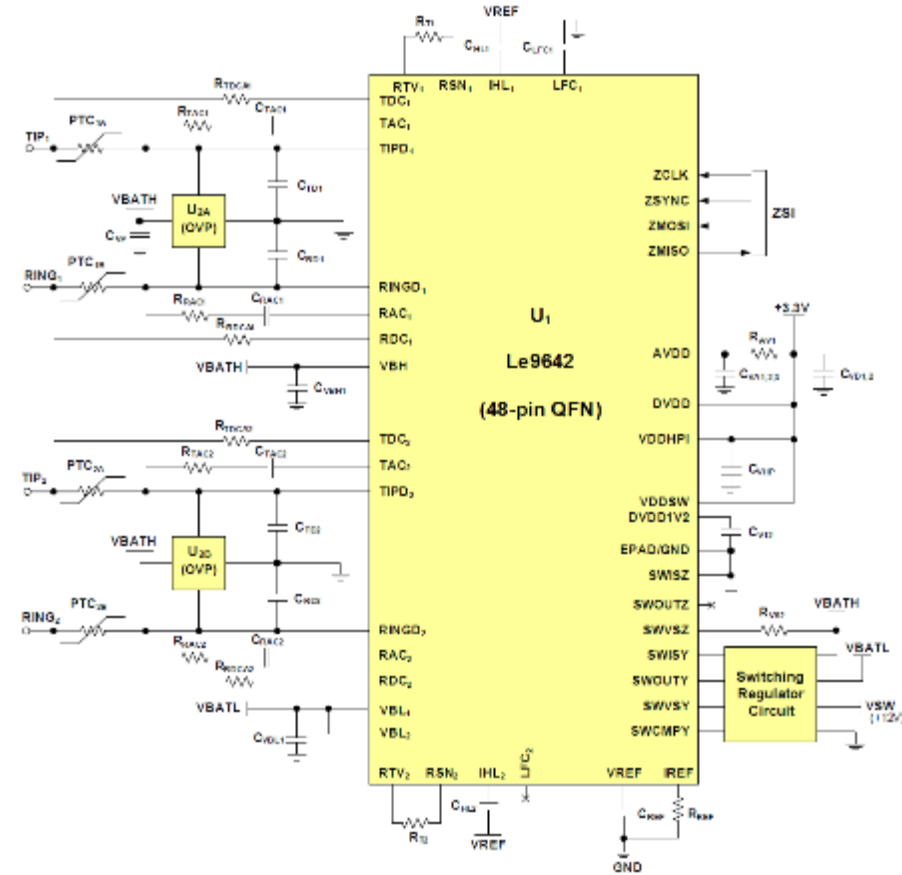
Le9642

48-pin Dual Channel Shared ZSI miSLIC Device

[Online Datasheet](#)

Features:

- Shared battery up to 120V
 - Also supports 90V BBABS for 2 channels
- ZSI interface to SoC
 - Ideal for dual FXS with shared power supply
 - Single channel population option w/Le9641
- Simple 4-wire interface
 - Interfaces to leading partner solutions
- Package
 - 48-pin, 7x7 QFN
 - 0.5mm pin pitch



Lowest Cost 2 FXS Solution Utilizing Shared Power Supply

<< BACK



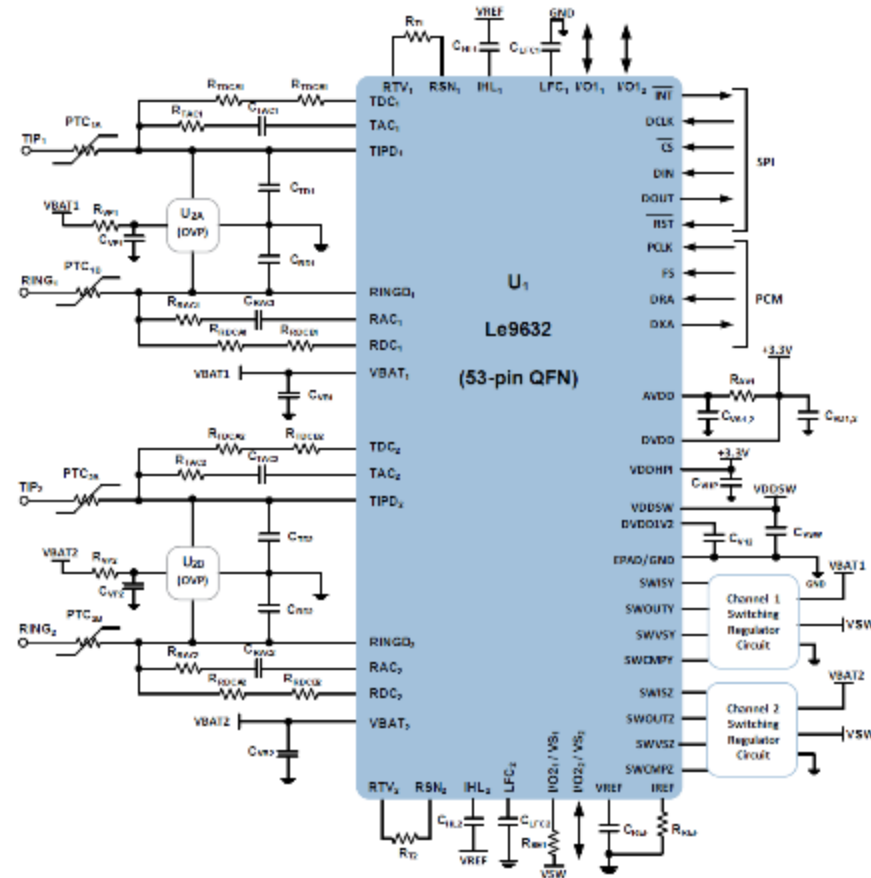
Le9632

53-pin Dual Channel Tracker PCM/SPI miSLIC Device

[Online
Datasheet](#)

Features:

- High voltage ringing capability
 - 150V with Flyback power supplies
 - 135V with Inverting Boost supplies
- PCM/SPI interface to SoC
 - Suitable for 4 or more FXS
- Easy Upgrade (SW and HW)
 - Software compatible with ZL88701/2
 - All the features of the ZL88702
 - Same pin order as ZL88702
- Package
 - 53-pin, 7x7 QFN
 - 0.4mm pin pitch
 - Increased HV pin spacing



World's Smallest Dual Tracking FXS with PCM Interface

[<< BACK](#)



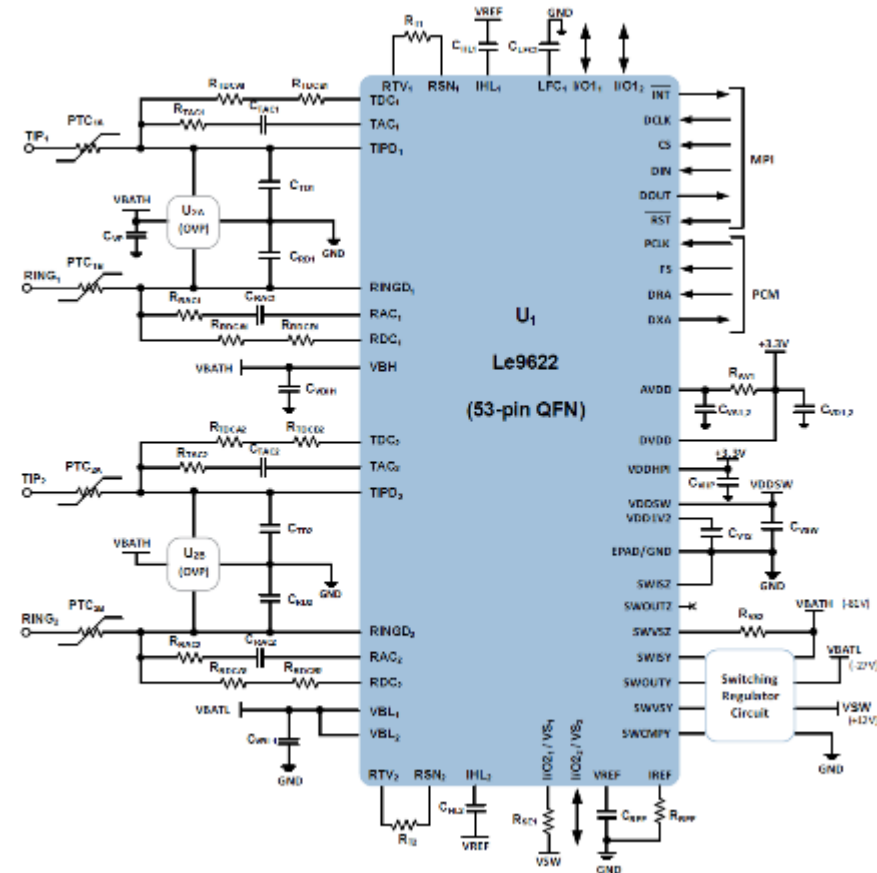
Le9622

53-pin Dual Channel Shared PCM/SPI miSLIC Device

Online
Datasheet

Features:

- Shared Battery up to 120V
 - BBABS for 2 Channels
 - 2 x IB for 4-8 Channels
- PCM/SPI interface to SoC
 - Suitable for 4 or more FXS
- Easy Upgrade (SW and HW)
 - Software compatible with ZL88601/2
 - All the features of the ZL88602
 - Same pin order as ZL88602
- 2 and 3 battery reference designs for 8 lines
 - Extends loop reach
 - 12V and -48V input options
- Package
 - 53-pin, 7x7 QFN
 - 0.4mm pin pitch



World's Smallest Dual Shared FXS with PCM Interface

<< BACK

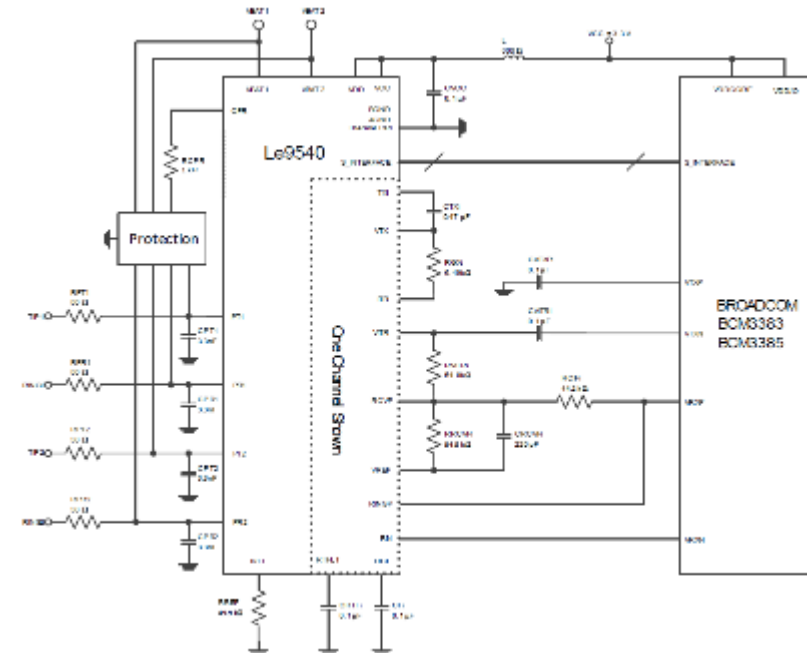
Le9540

40-pin Dual Channel SLIC

Online
Datasheet

Features:

- Dual channel SLIC which interfaces to current generation Broadcom Cable and PON SoCs (BCM3384, BCM3390, BCM6838, etc.)
- Two ring voltage options
 - Le9540C 100V
 - Le9540D 145V
- Same 40-pin QFN (6x6mm) package for Le9540 and Le9541
 - Pin out supports a dual footprint
 - Allows use of a common PCB with common components
- Package
 - 40-pin, 6x6 QFN
 - 0.5mm pin pitch



<< BACK



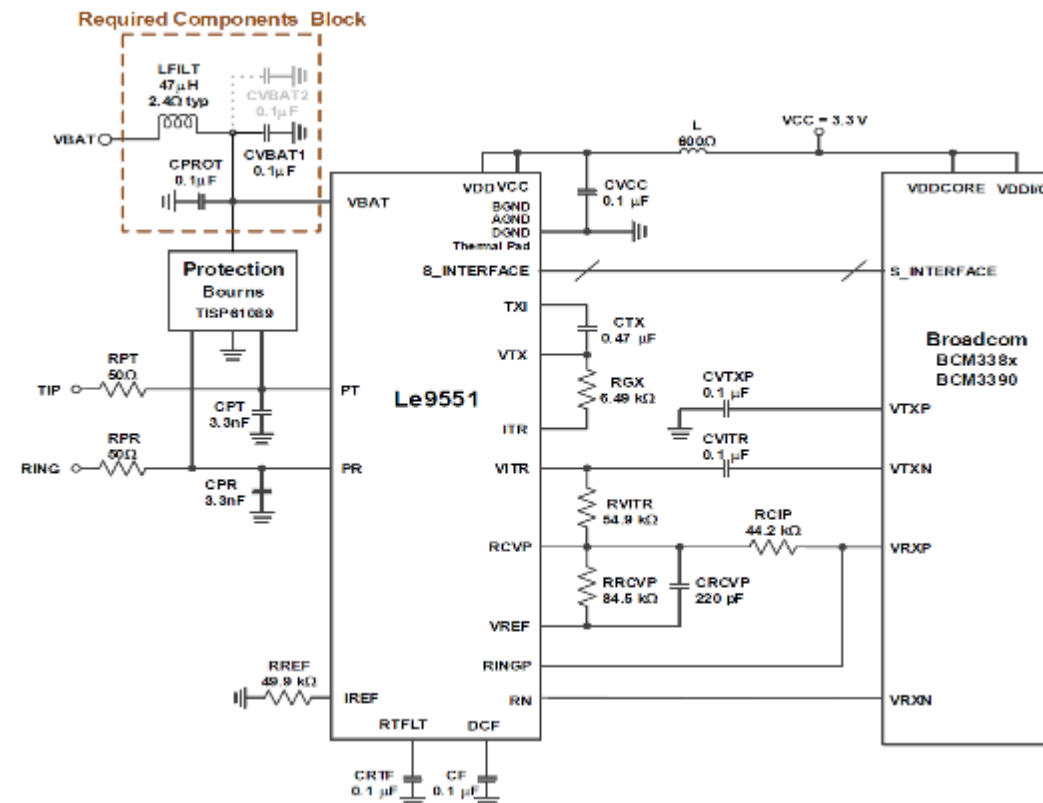
Le9551

28-pin Single Channel SLIC

Online
Datasheet

Features:

- Single channel SLIC which interfaces to current generation Broadcom Cable and PON SoCs (BCM3384, BCM3390, BCM6838, etc.)
- Two ring voltage options
 - Le9551C 100V
 - Le9551D 145V
- Easy Upgrade (SW and HW)
 - All the features of the Le9541
 - Same pin order as Le9541
- Package
 - 28-pin, 4x5 QFN
 - 0.5mm pin pitch
 - 55% smaller than Le9541



<< BACK



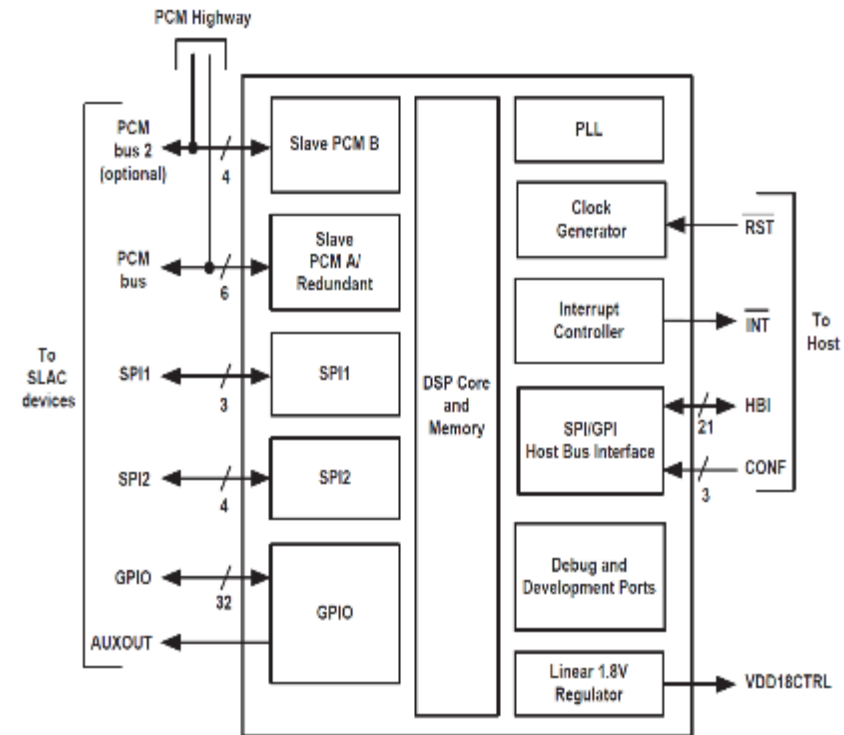
Le79124

72 Channel Voice Control Processor

Online
Datasheet

Features:

- Aggregated call control lowers demand on host micro-processor
 - 72 channels of call control
- Provides expanded line and circuit testing in conjunction with Microsemi's NGCC chipset
 - Provides 4 channels of simultaneous line testing
- Software interface using VoicePath™ API-II
- Software downloadable, field upgradeable, expandable
- Serial and parallel host controller interface options
- Complete control of up to 9 Octal NGSLAC devices



<< BACK



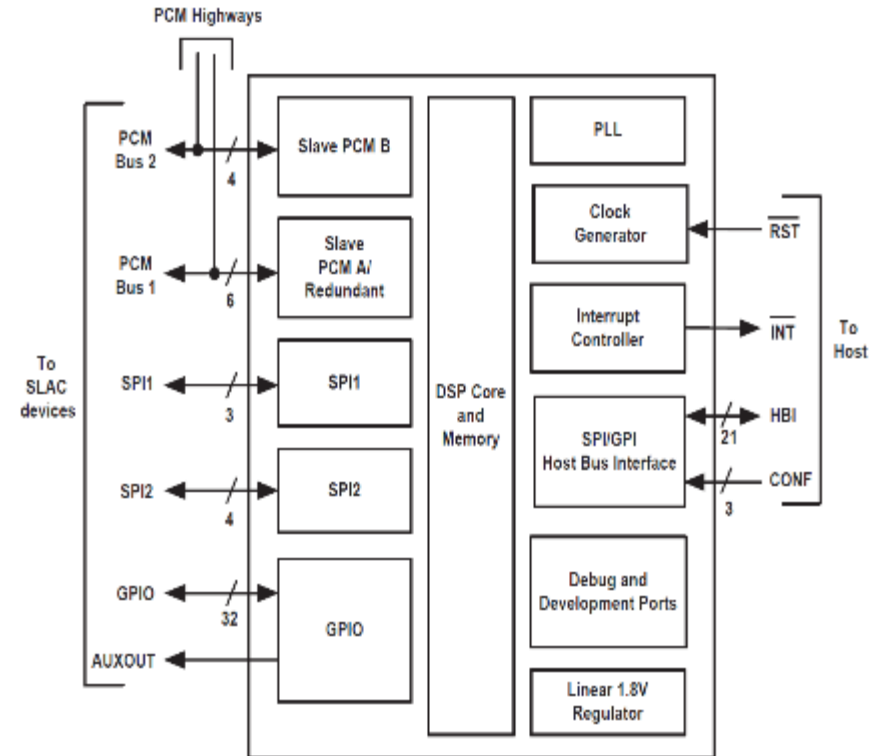
Le79128

128 Channel Voice Control Processor

Online
Datasheet

Features:

- Aggregated call control lowers demand on host micro-processor
 - 128 channels of call control
- Provides expanded line and circuit testing in conjunction with Microsemi's NGCC chipset
 - Provides 4 channels of simultaneous line testing
- Software interface using VoicePath™ API-II
- Software downloadable, field upgradeable, expandable
- Serial and parallel host controller interface options
- Complete control of up to 16 Octal NGSLAC devices



<< BACK



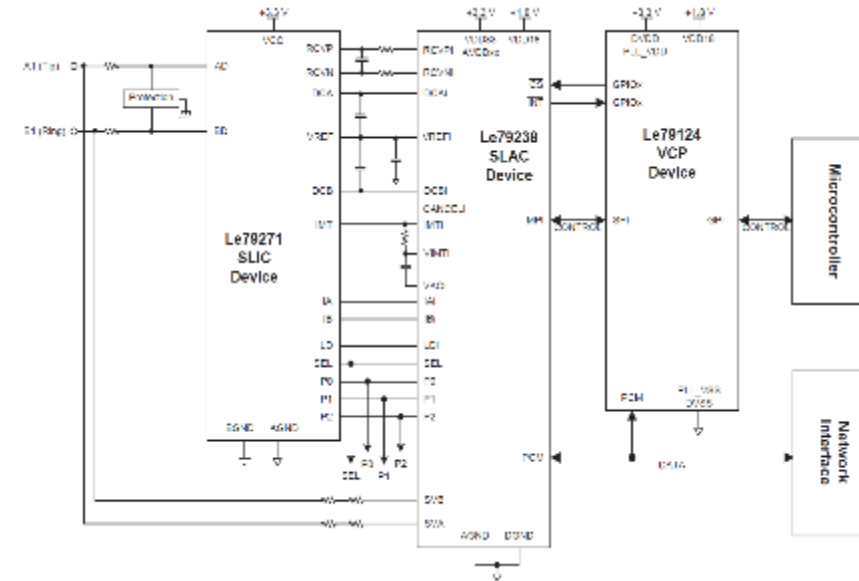
Le792388

8 Channel Carrier Class Subscriber Line Access Circuit

Online
Datasheet

Features:

- Eight channel Subscriber Line Access Circuit
 - Next Generation Carrier Class for long loop applications
- Ideal for high density, medium and large line count applications
- Wideband 16 kHz sampling mode capability
- High performance digital signal processor provides programmable control of all major line card functions
- GR-844 equivalent testing with Voice Control Processor
- Enhanced line control and line-test support



<< BACK



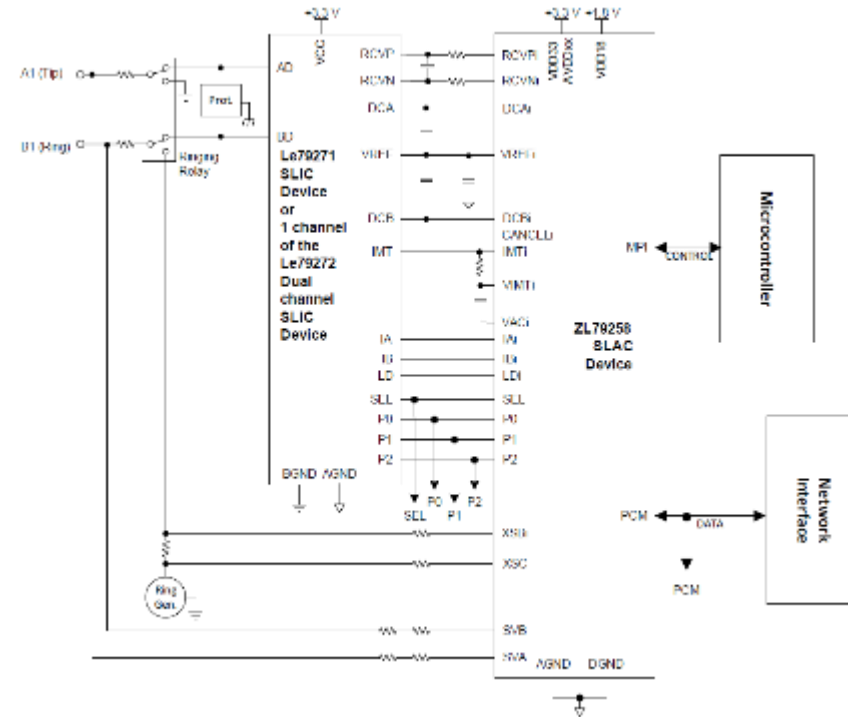
ZL792588

8 Channel Carrier Class SLAC with External Ringing Option

Online
Datasheet

Features:

- Eight channel Subscriber Line Access Circuit
 - Next Generation Carrier Class for long loop applications
- External / Internal ringing option
- Ideal for high density, medium and large line count applications
- Wideband 16 kHz sampling mode capability
- High performance digital signal processor provides programmable control of all major line card functions
- GR-844 equivalent testing with Voice Control Processor
- Enhanced line control and line-test support



<< BACK



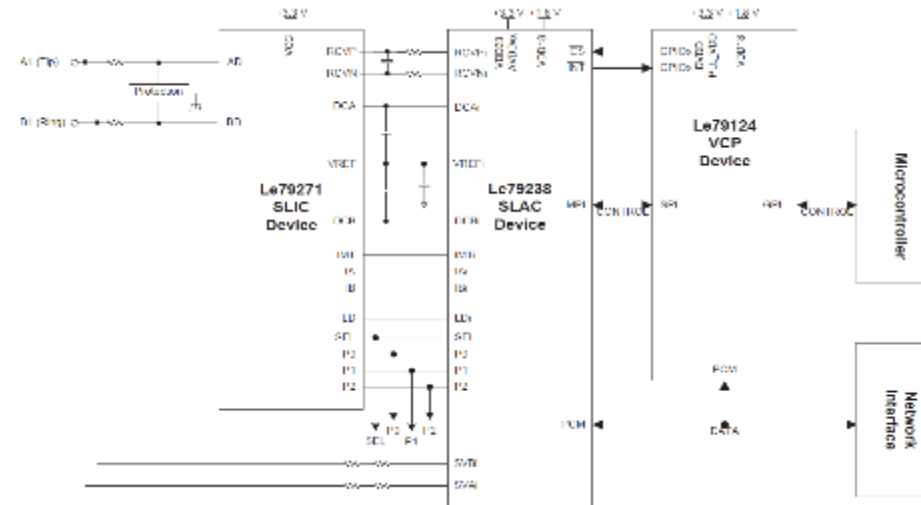
Le79271

Single Channel Carrier Class Subscriber Line Interface Circuit (SLIC)

Online
Datasheet

Features:

- Single channel Subscriber Line Interface Circuit
 - Next Generation Carrier Class for long loop applications
 - 150Vpk Ringing
- 3.3 V and battery supplies
 - Supports two negative and one positive battery
- Dual battery operation for system power saving
 - Automatic battery switching
 - Intelligent thermal management
- 5 REN with DC offset
- Tip-open mode supports ground start signaling
- Metering capable
- Designed to minimize POTS transients, optimizing
- Best-in-class GR-844 equivalent testing
 - Integrated test load switch



<< BACK



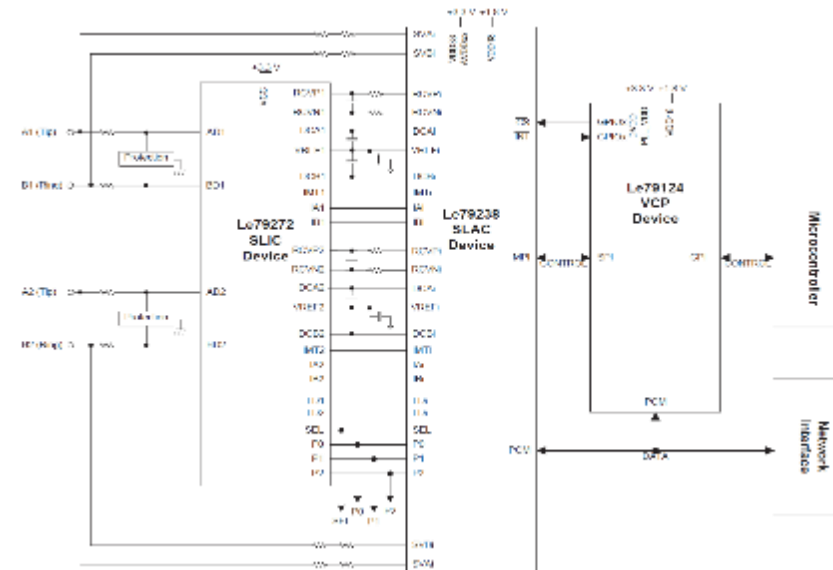
Le79272

Dual Channel Carrier Class Subscriber Line Interface Circuit (SLIC)

Online
Datasheet

Features:

- Dual channel Subscriber Line Interface Circuit
 - Next Generation Carrier Class for long loop applications
 - 150Vpk Ringing
- 3.3 V and battery supplies
 - Supports two negative and one positive battery
- Dual battery operation for system power saving
 - Automatic battery switching
 - Intelligent thermal management
- 5 REN with DC offset
- Tip-open mode supports ground start signaling
- Metering capable
- Designed to minimize POTS transients, optimizing
- Best-in-class GR-844 equivalent testing
 - Integrated test load switch



<< BACK



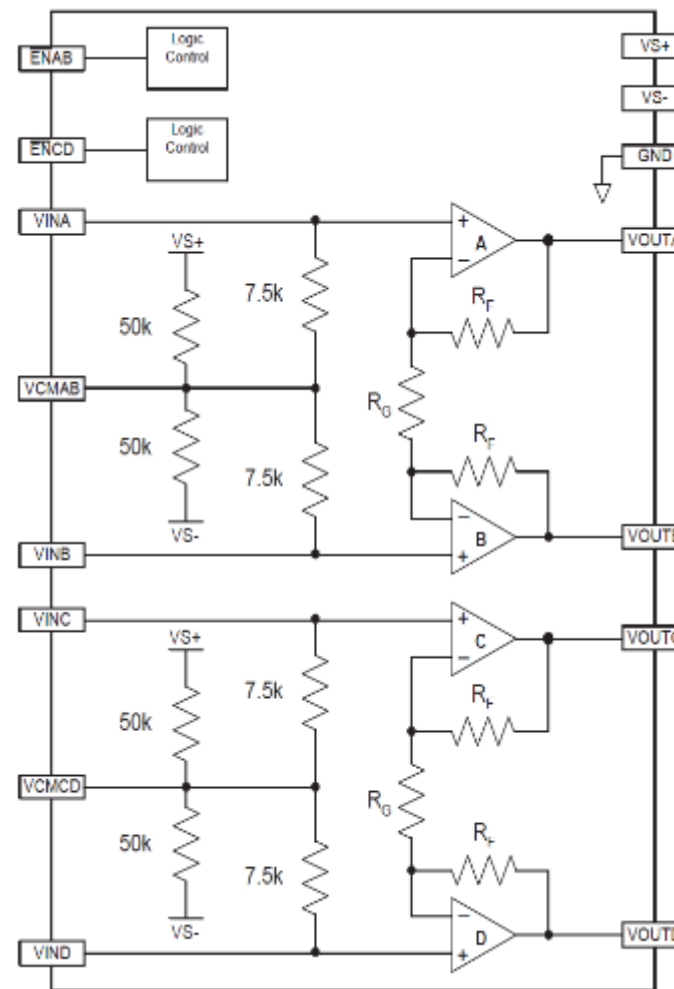
Le87251

Dual Channel ADSL2+ Line Driver

Online
Datasheet

Features:

- Fixed Voltage Gain Of 13
- 450 mA Peak Output Drive Capability
- Dual and Single Supply Option
 - ± 5 V to ± 12 V Dual Supplies
 - 10 V to 24 V Single Supply
- 44 Vp-p Differential Output Into a 100 Ω Load
- 40.5 Vp-p Differential Output Into a 60 Ω Load
- Low-power Disable Mode For Each Driver
- 4 mA Per Amplifier Quiescent Supply Current
- -75 dBc THD With 1 MHz Signal Into 60 Ω
- 16-pin (4 mm x 4 mm) QFN Package



<< BACK



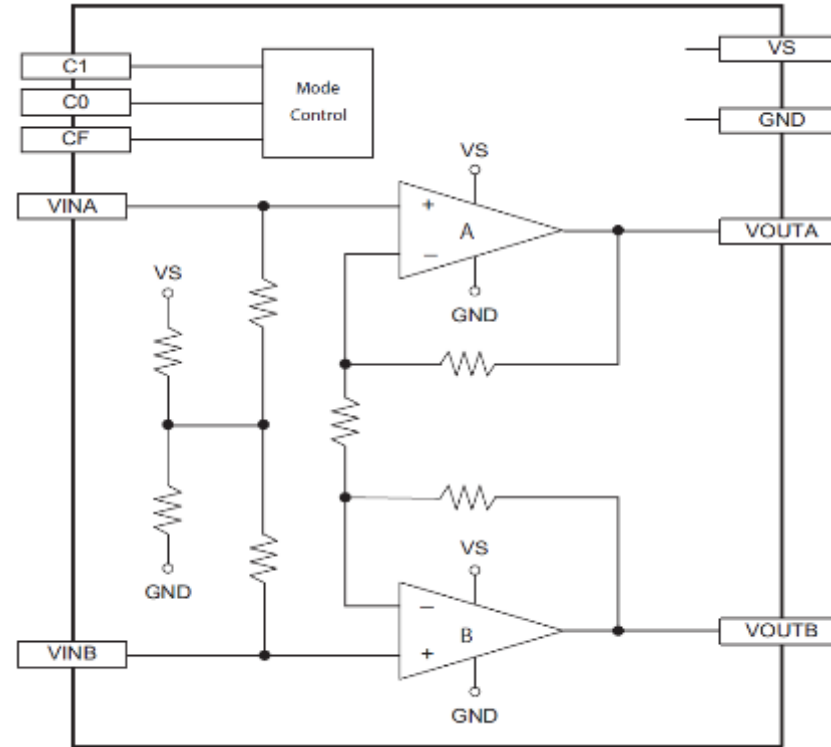
Le87270

Single Channel VDSL2 Class AB Line Driver

Online
Datasheet

Features:

- VDSL2 30a profile, 14.5 dBm Line Driver
- Very low power dissipation
 - Class AB operation
- Up to 8 programmable states
- No external gain resistors required
- Small footprint package
 - 16-pin (4 mm x 4 mm) QFN



<< BACK



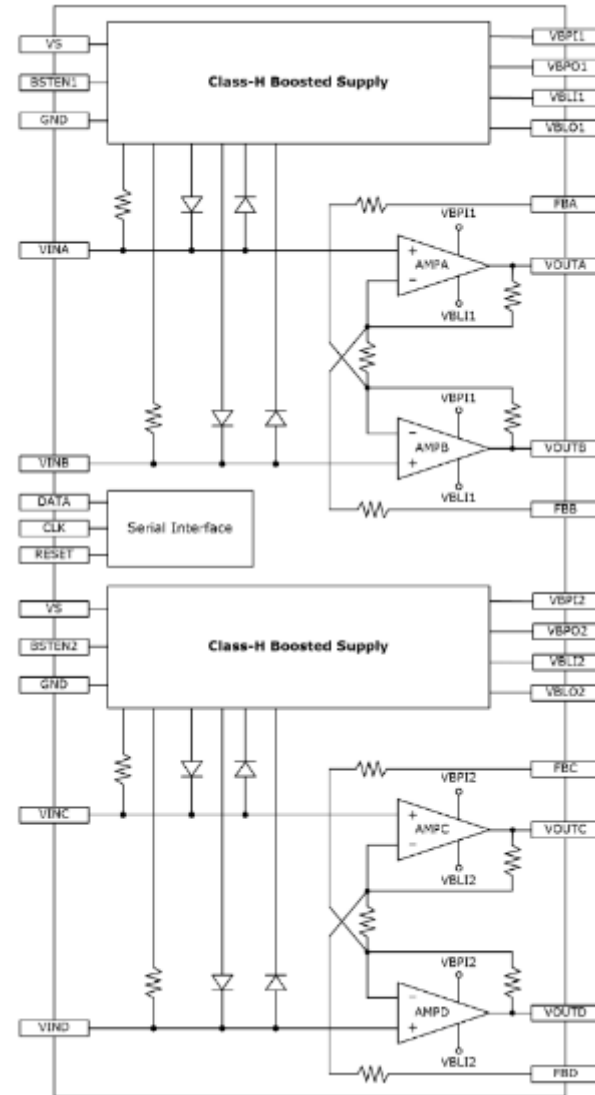
Le87290

Dual Channel VDSL2 Class H Line Driver

[Online Datasheet](#)

Features:

- Support ADSL2+ and VDSL2 profiles up to 35b
 - Delivers signal strengths up to 20 dBm
- Very low power dissipation
 - Class H operation
- Independent channel state control
- Serial control interface
- No external gain resistors required
- Small footprint package
 - 32-pin (5 mm x 5 mm) QFN



[<< BACK](#)



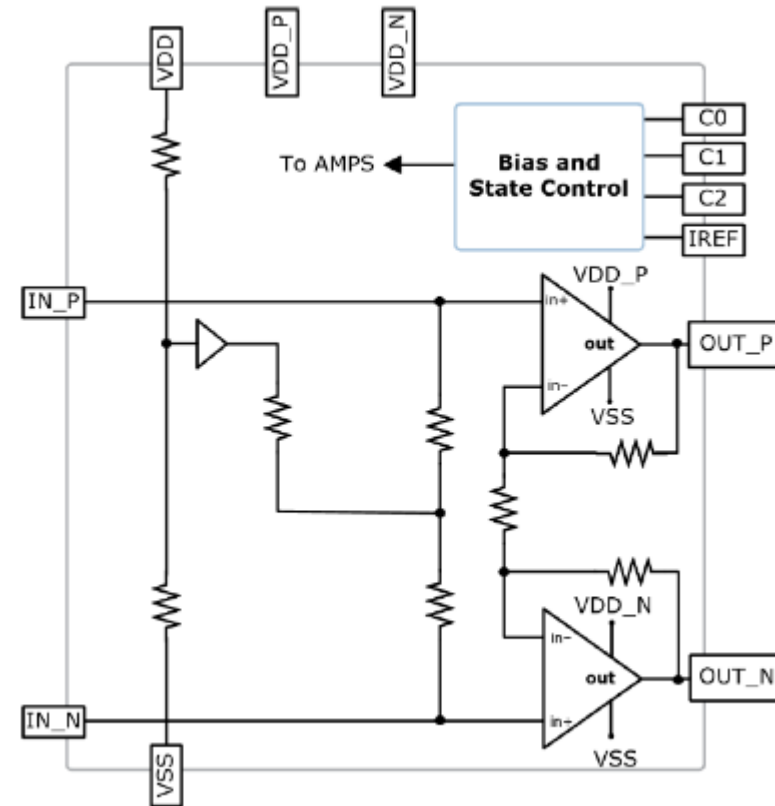
Le87271

xDSL CPE Line Driver

Online
Datasheet

Features:

- High-power differential output
 - Delivers line power up to 14 dBm
 - Operates at 14V \pm 10%
- Class AB amplifiers
- Four biased up states for VDSL applications
- Four biased up state for ADSL applications
- Power down states
- Thermal shutdown circuitry
- Miniature 4 x 4mm thermally enhanced package
- RoHS compliant



<< BACK



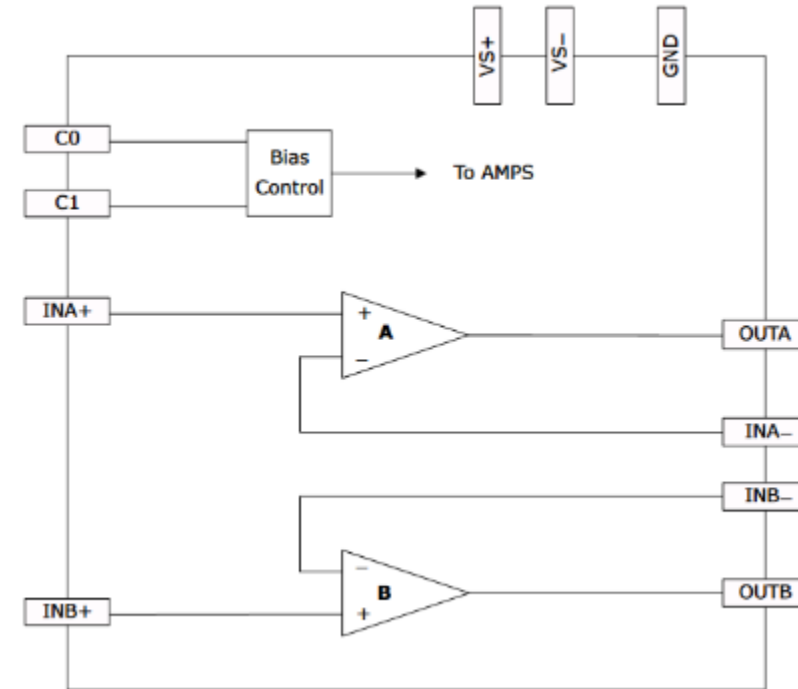
Le87557

xDSL CPE Line Driver

Online
Datasheet

Features:

- High-power differential output
 - Delivers signal strengths up to 21dBm
 - Operates up to 12V from single supply or $\pm 6V$ from dual power supplies
 - Driver capability up to 750mA from a single 12V supply
- User settable gain and bandwidth
 - Bandwidth up to 300MHz
- Class AB amplifiers
- Four operational states, lower power operation
- Thermal shutdown circuitry
- Miniature 4 x 4mm thermally enhanced package
- RoHS compliant
- Pin-compatible with industry standard line drivers



<< BACK



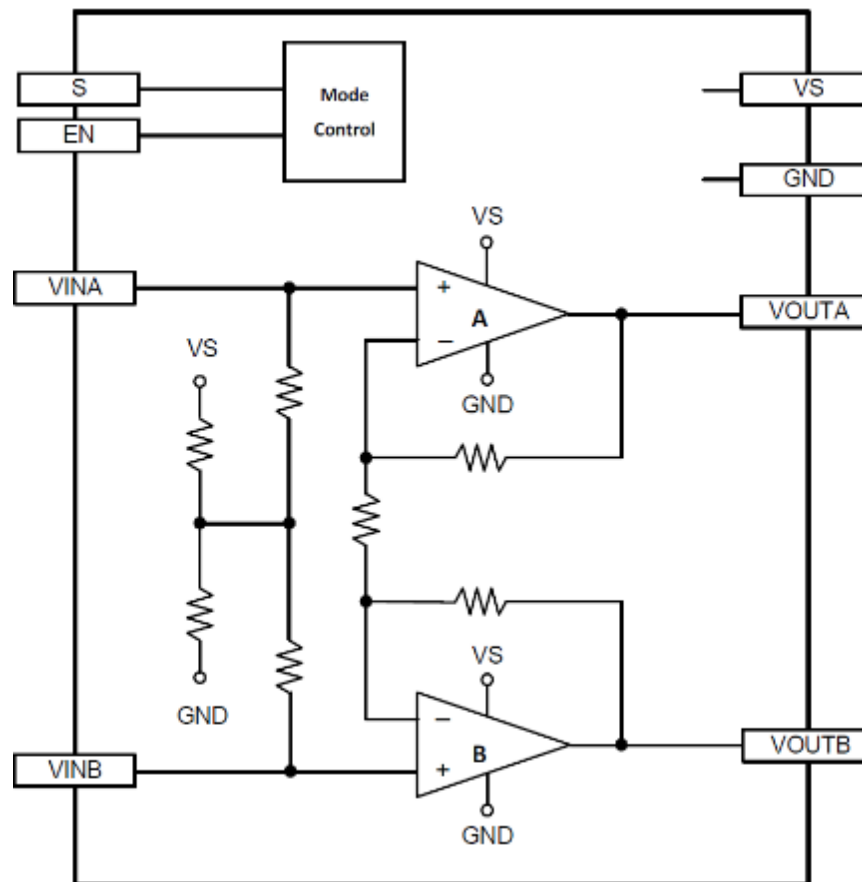
Le87281

Single Channel G.Fast Line Driver

Online
Datasheet

Features:

- Supports high frequency G.Fast transmission
- Supports VDSL2 and ADSL2+ operation
- Very low power dissipation
 - Class AB operation
- 5 programmable states
- No external gain resistors required
- Small footprint package
 - 16-pin (4 mm x 4 mm) QFN



<< BACK



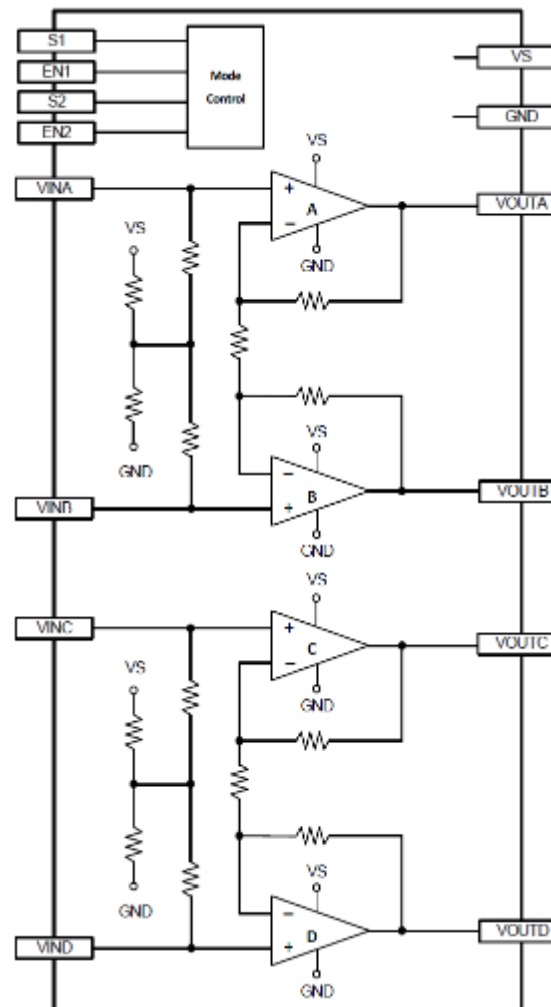
Le87282

Dual Channel G.Fast Line Driver

Online
Datasheet

Features:

- Supports two independent channels of high frequency G.Fast transmission
- Supports VDSL2 and ADSL2+ operation
- Very low power dissipation
 - Class AB operation
- 5 programmable states
 - Independent channel control
- No external gain resistors required
- Operates from a wide range of supply voltages
- Small footprint package
 - 28-pin (4 mm x 5 mm) QFN



<< BACK



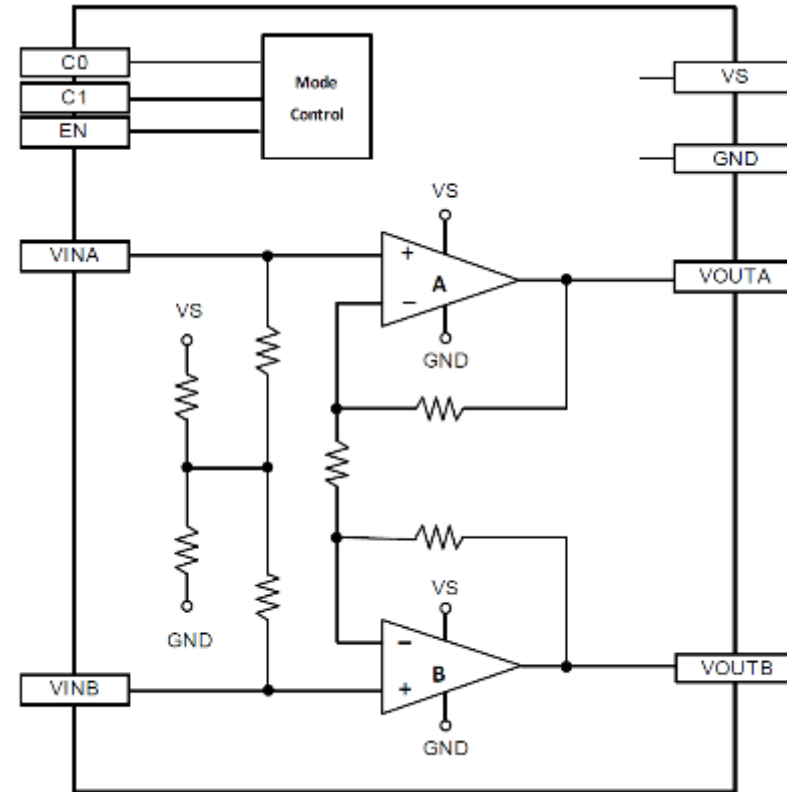
Le87285

Single Channel G.Fast Line Driver

Online
Datasheet

Features:

- Supports high frequency G.Fast transmission
- Supports VDSL2 and ADSL2+ operation
- Very low power dissipation
 - Class AB operation
- 5 programmable states
- No external gain resistors required
- Small footprint package
 - 16-pin (4 mm x 4 mm) QFN



<< BACK



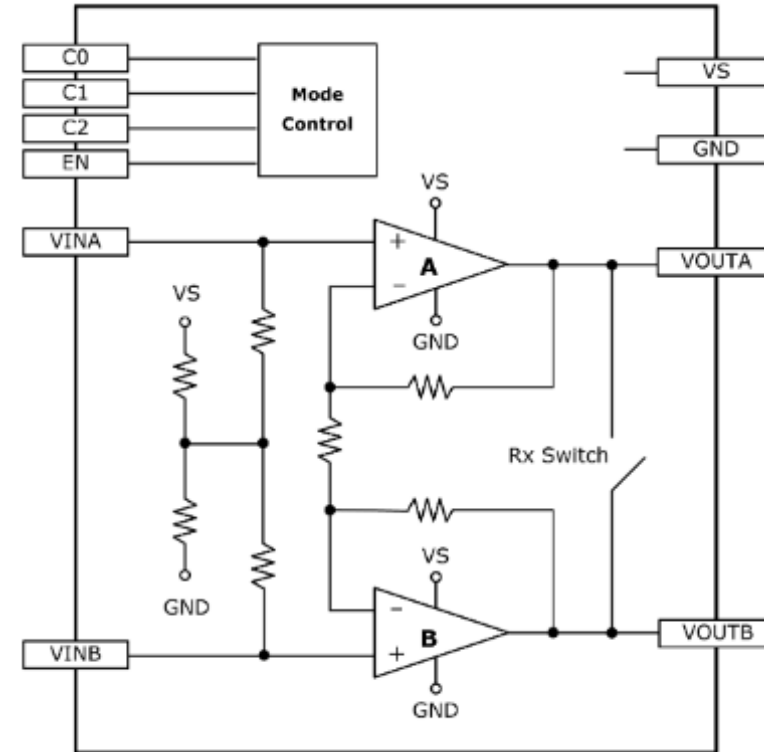
Le87286

212MHz G.Fast Single Channel Line Driver

Online
Datasheet

Features:

- Support high frequency (up to 212 MHz) G.Fast transmission
- Very low power dissipation
 - Class AB operation
- 2 programmable gain levels
- 3 programmable transmit (TX) states and Receive (RX) states
- No external gain resistors required
- Small footprint package
 - 16-pin (4 mm x 4 mm) QFN



<< BACK



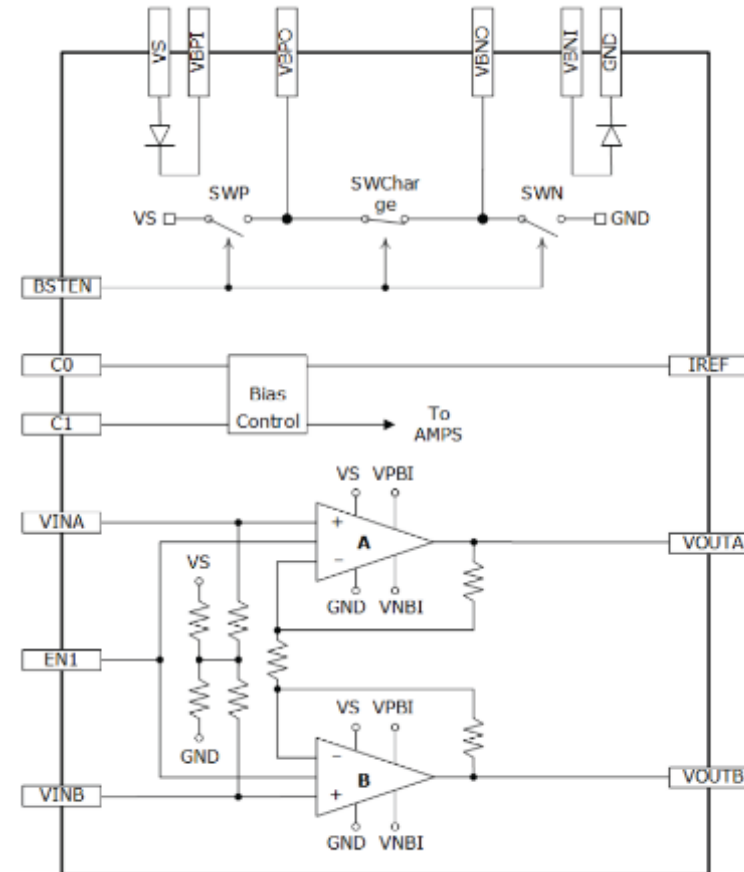
Le87401

Single Channel Class GH PLC Line Driver

Online
Datasheet

Features:

- Designed for HPAV2 Standard
- Class GH Operation
- Operation to 86 MHz
- MIMO or SISO Operation
- Supports HPAV2 Power Save Mode
- Channel Enable/Disable Control
- Drives Line Impedance Between 12 Ω to 100 Ω
- High Signal Level Operation
 - -54.5 dBm/Hz, 2 - 30 MHz
 - -85.0 dBm/Hz, 30 - 86 MHz
- +12 V Operation
- Low Power Operation
- Small 16-pin, 4x4 mm Package



<< BACK



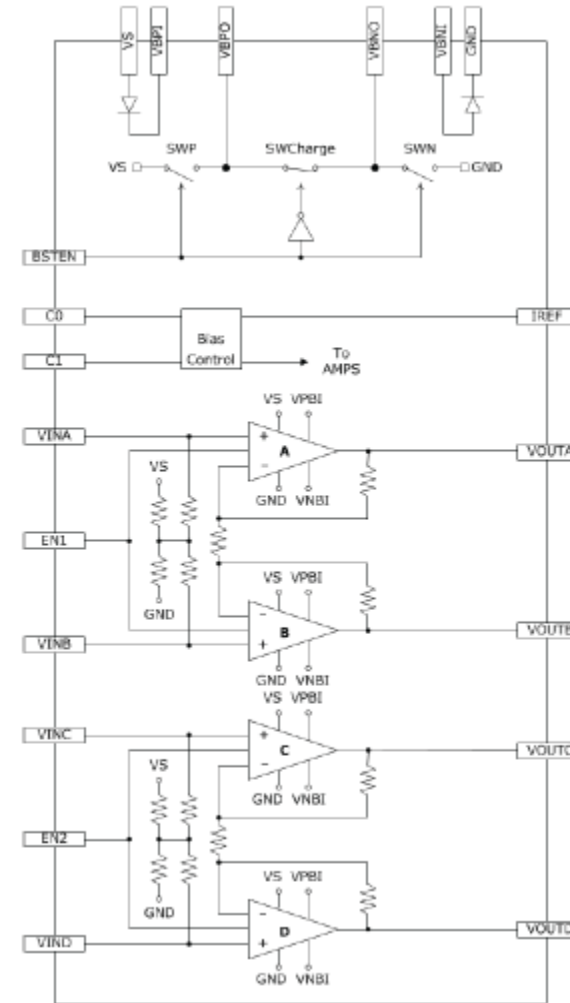
Le87402

Dual Channel Class GH PLC Line Driver

Online
Datasheet

Features:

- Designed for HPAV2 Standard
- Dual Channel Architecture
- Class GH Operation
- Operation to 86 MHz
- MIMO or SISO Operation
- Supports HPAV2 Power Save Mode
- Independent Channel Enable/Disable Control
- Drives Line Impedance Between 12 Ω to 100 Ω
- High Signal Level Operation
 - -54.5 dBm/Hz, 2 - 30 MHz
 - -85.0 dBm/Hz, 30 - 86 MHz
- +12 V Operation
- Low Power Operation
- Small 28-pin, 4x5 mm Package



<< BACK



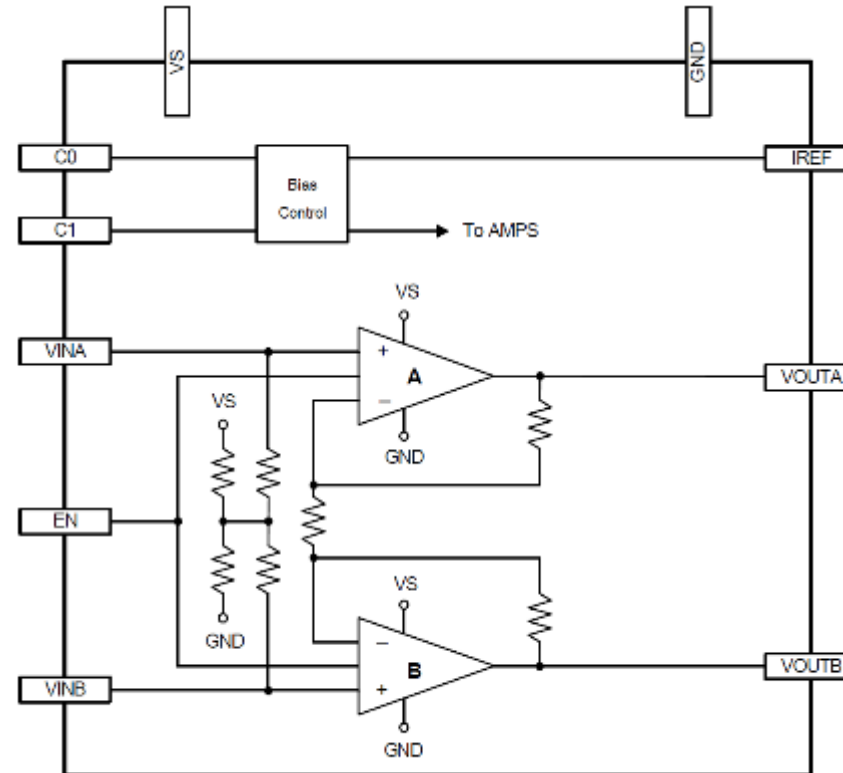
Le87501

Single Channel Class AB PLC Line Driver

[Online Datasheet](#)

Features:

- Class AB Operation
- Operation to 86 MHz
- Enable/Disable Control
- Drives Line Impedance Between 12 Ω to 100 Ω
- Low Power Operation
- Small 16-pin, 4x4 mm Package



[<< BACK](#)



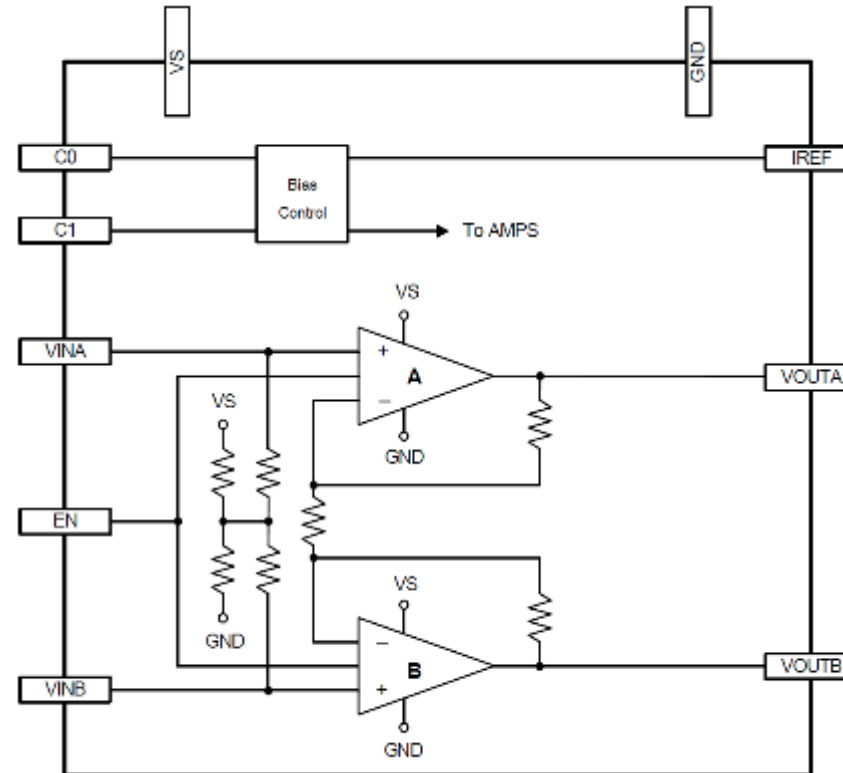
Le87511

Single Channel Class AB PLC Line Driver with High Gain

Online
Datasheet

Features:

- High Voltage Gain - 25 dB
- Class AB Operation
- Operation to 86 MHz
- Enable/Disable Control
- Drives Line Impedance Between 50 Ω to 200 Ω
- Low Power Operation
- Small 16-pin, 4x4 mm Package



<< BACK



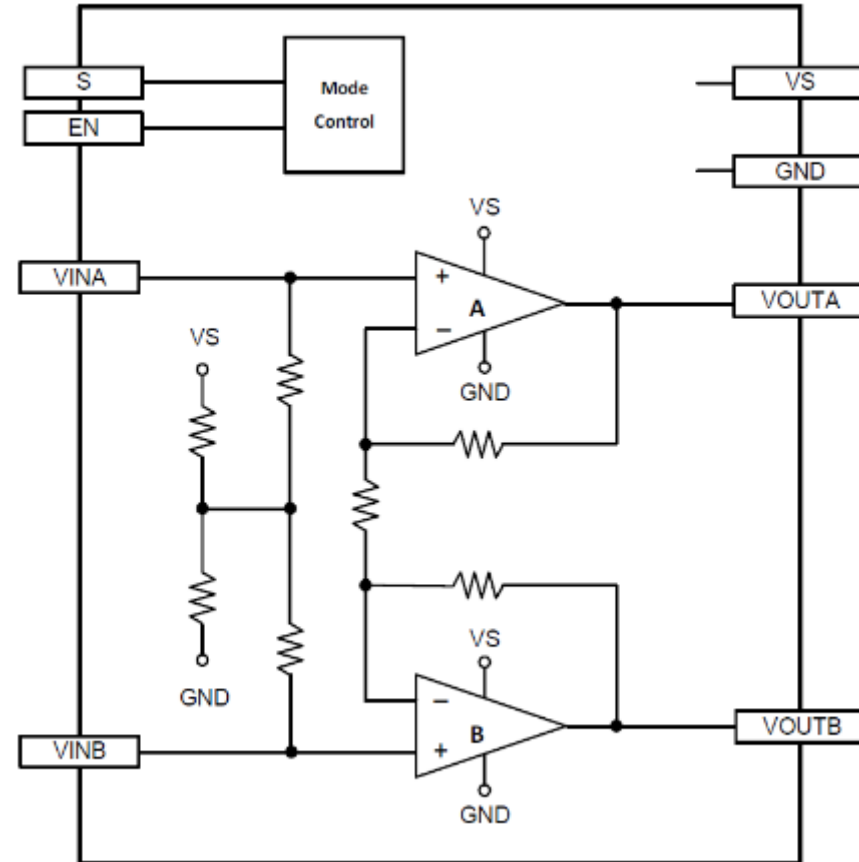
Le87611

Single Channel Class AB PLC Line Driver with 100mA Driver Output

[Online Datasheet](#)

Features:

- Class AB Operation
- Very Low Power Operation
- 4 Programmable States
- No External Gain Resistors Required
- Small 16-pin, 4x4 mm Package



[<< BACK](#)



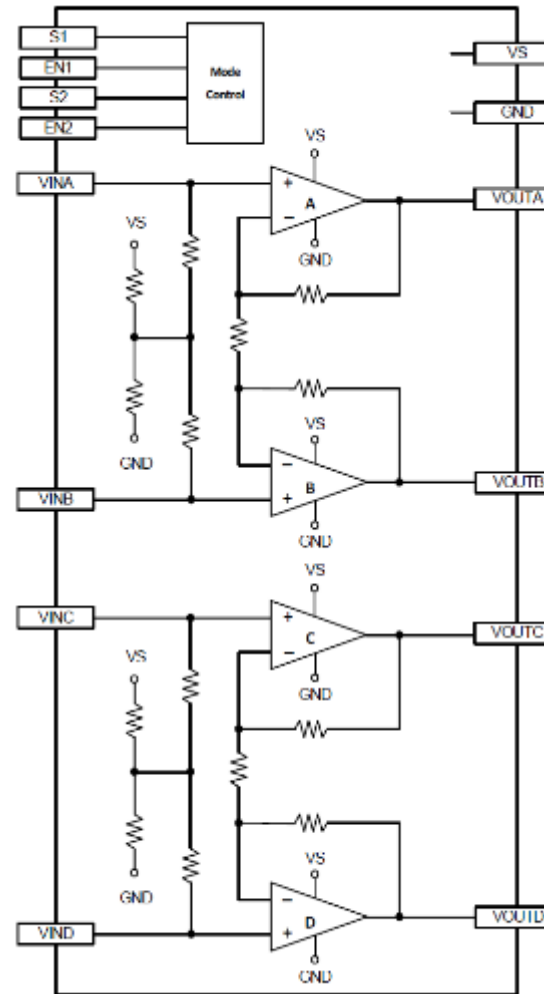
Le87612

Dual Channel Class AB PLC Line Driver with 100mA Driver Output

[Online
Datasheet](#)

Features:

- Class AB Operation
- Very Low Power Operation
- 4 Programmable States
- No External Gain Resistors Required
- Small 28-pin, 4x5 mm Package

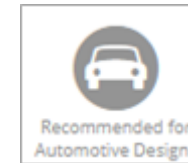


[<< BACK](#)



AT9917

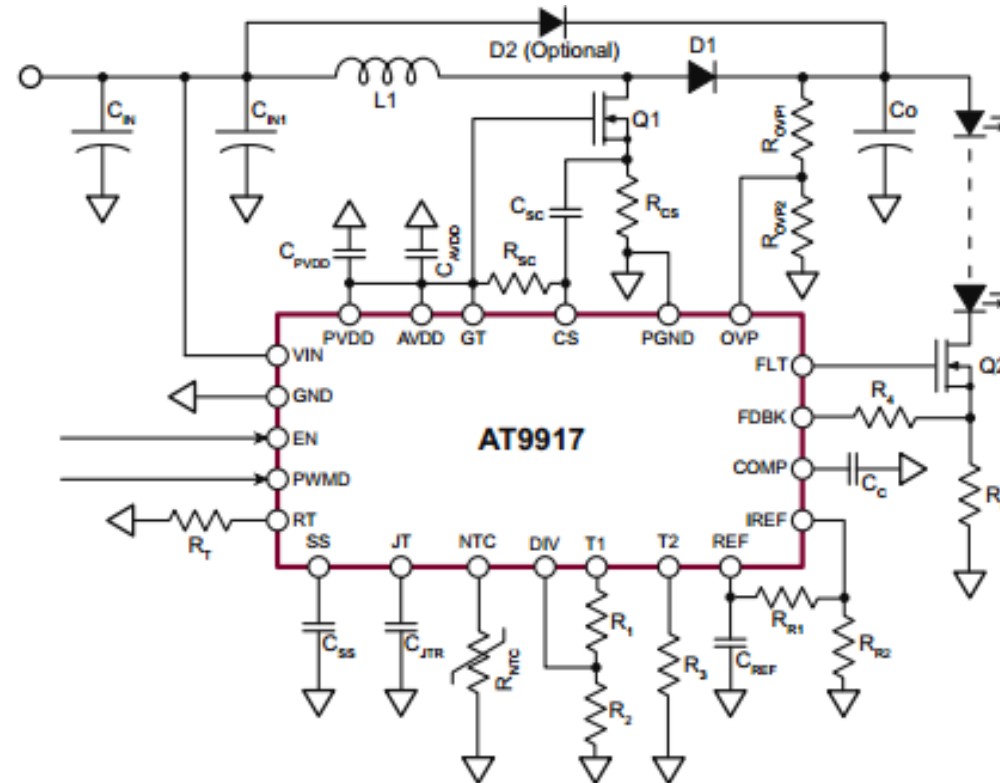
Automotive LED Driver IC with High Current Accuracy



Online
Datasheet

Features:

- Switch mode controller for boost, -
- SEPIC & buck converters
- Closed loop control of output current
- Constant frequency operation with -
- programmable slope compensation
- Linear and PWM dimming
- Programmable jitter to reduce EMI
- Output short circuit & over voltage -
- protection
- Programmable hiccup timer
- Temperature fold-back with external -
- NTC resistor
- Meets AEC-Q100 requirements
- Operating Temperature Range:
 - -40°C to +125°C
- Package Option: TSSOP-24
- Recommended for Automotive Design

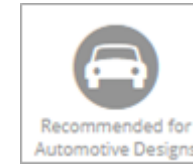


<< BACK



AT9919

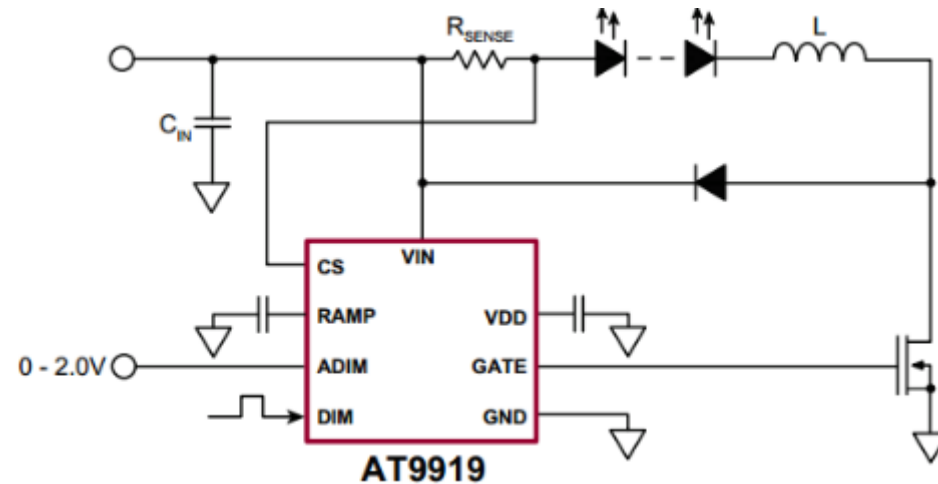
Hysteretic Buck High-Brightness LED Driver
with High-Side Current Sensing



Online
Datasheet

Features:

- Hysteretic control with high-side –
– current sensing
- Wide input voltage range: 4.5 to 40V
- >90% Efficiency
- Typical $\pm 5\%$ LED current accuracy
- Up to 2.0MHz switching frequency
- Adjustable constant LED current
- Analog or PWM control signal for –
– PWM dimming
- Over-temperature protection
- Meets AEC-Q100 requirements
- Operating Temperature Range:
 - -40°C to $+125^{\circ}\text{C}$
- Package Option: WDFN-8 (3x3)
- Recommended for Automotive Design

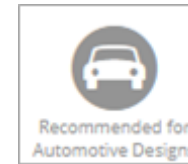


<< BACK



AT9932

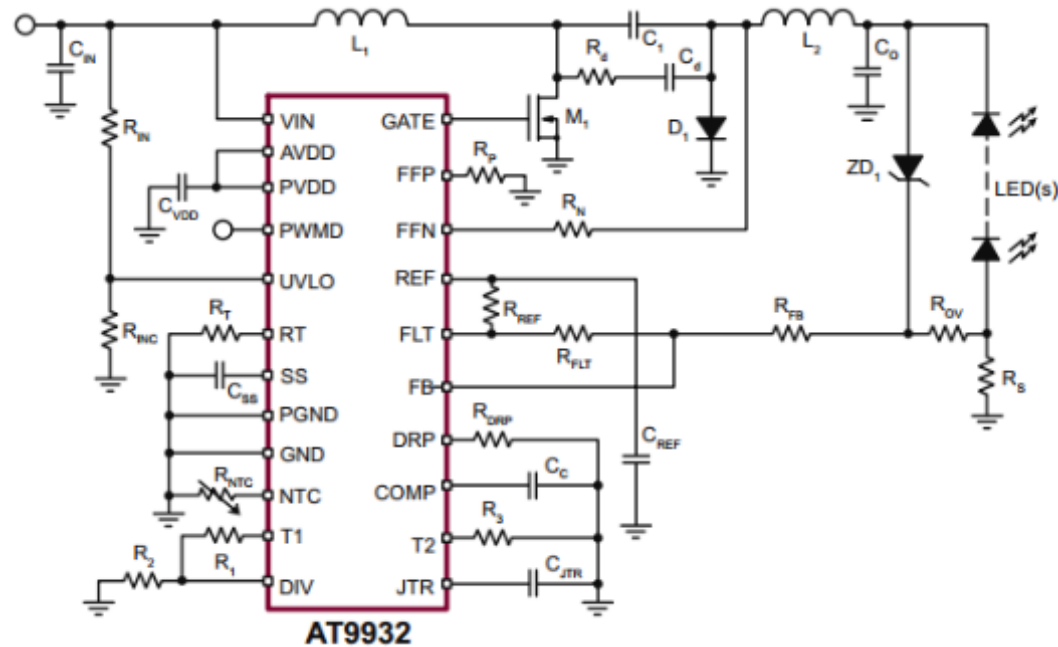
Automotive Boost-Buck LED Lamp Driver IC



Online
Datasheet

Features:

- Constant output current
- Steps output voltage up or down
- Externally programmable fixed –
– switching frequency
- Temperature fold-back with –
– external NTC resistor
- Internal 40V voltage regulator
- $\pm 1\text{A}$ MOSFET gate driver
- Short LED & Open LED protection
- Input under voltage protection
- Enable & PWM dimming
- Trimmed reference ($\pm 3\%$ accurate)
- Meets AEC-Q100 requirements
- Operating Temperature Range:
• -40°C to $+125^\circ\text{C}$
- Package Option: TSSOP-24
- Recommended for Automotive Design

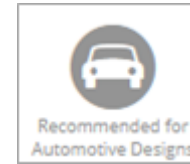


<< BACK



AT9933

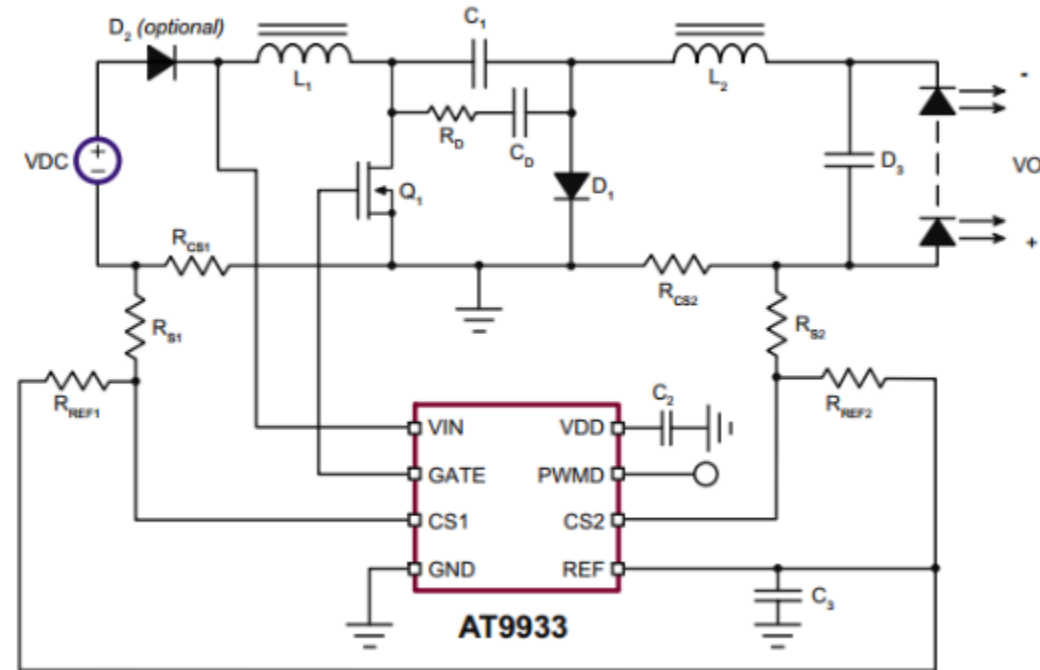
Hysteretic Boost-Buck (Ćuk) LED Driver IC



Online
Datasheet

Features:

- Constant current LED Driver
- Steps input voltage up or down
- Low EMI
- Variable frequency operation
- Internal 75V linear regulator
- Input and output current sensing
- Input current limit
- Enable & PWM dimming
- Meets AEC-Q100 requirements
- Operating Temperature Range:
 - -40°C to +125°C
- Package Option: TSSOP-24
- Recommended for Automotive Design



<< BACK



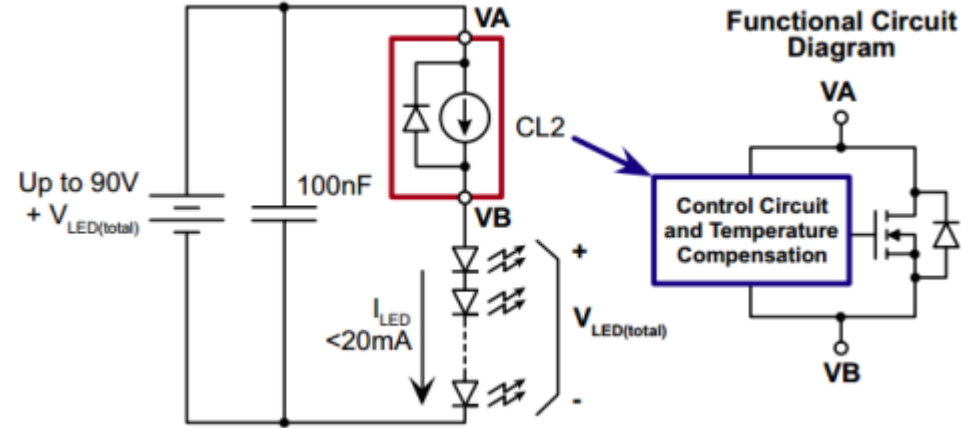
CL2

Simple 90V, 20mA, Temperature Compensated,
Constant-Current LED Driver IC

Online
Datasheet

Features:

- 5.0 to 90V operating range (VA-B)
- 20mA $\pm 10\%$ at 5.0 - 90V
- 0.01%/°C typical temperature –
– coefficient
- Can be paralleled for higher current
- Operating Temperature Range:
 - -40°C to +125°C
- Package Options: SOT-89, TO-252 –
– (D-PAK), TO-92



<< BACK



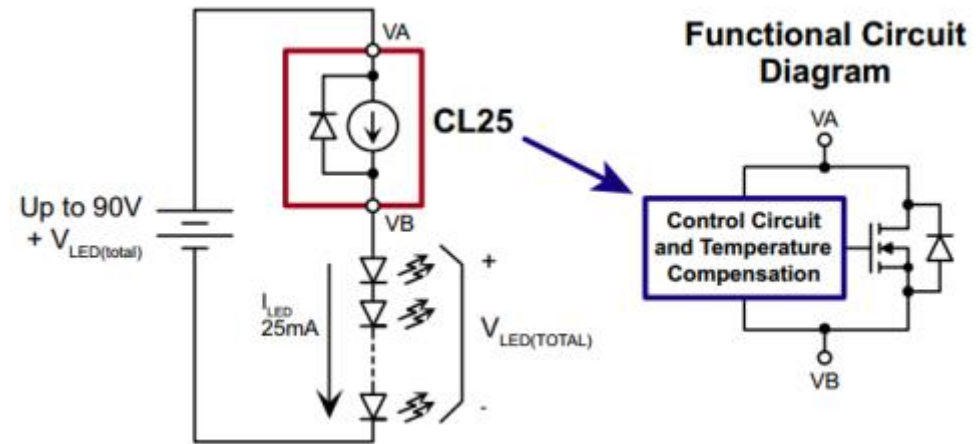
CL25

Simple 90V, 25mA, Temperature Compensated,
Constant Current, LED Driver IC

Online
Datasheet

Features:

- 5.0 - 90V operating range (VA-B)
- 25mA $\pm 10\%$ at 5.0 - 90V
- 0.01%/°C typical temperature coefficient
- No external components (two terminal – device)
- Can be paralleled for higher current
- Operating Temperature Range:
 - -40°C to +125°C
- Package Options: SOT-89, TO-92



<< BACK



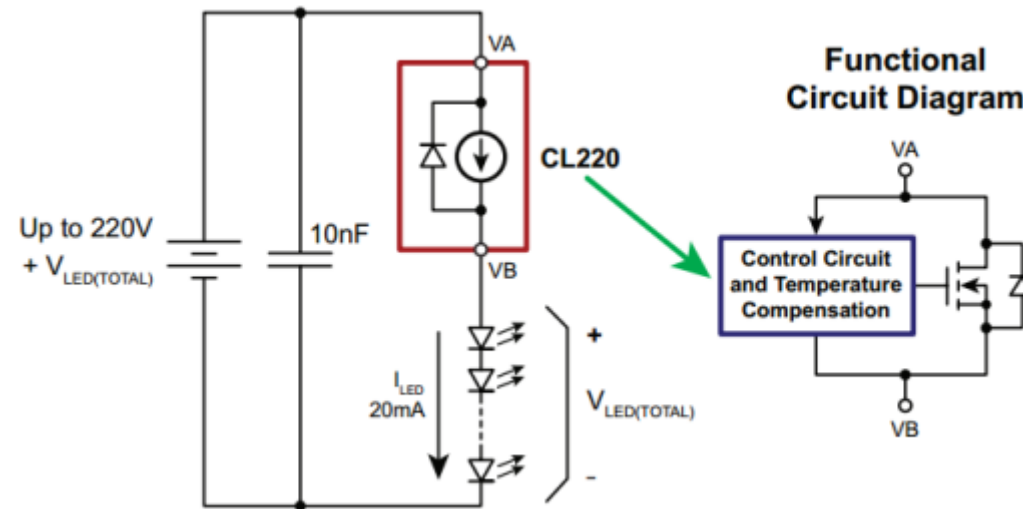
CL220

Simple, 220V, 20mA, Temperature-Compensated,
Constant-Current, LED Driver IC

[Online
Datasheet](#)

Features:

- 5.0 to 220V operating range (VA-B)
- 20mA $\pm 10\%$ at 5.0 - 160V
- 0.01%/°C typical temperature –
- coefficient
- Can be paralleled for higher current
- Operating Temperature Range:
 - -40°C to +125°C
- Package Options: TO-252 (DPAK), -
- TO-220



<< BACK



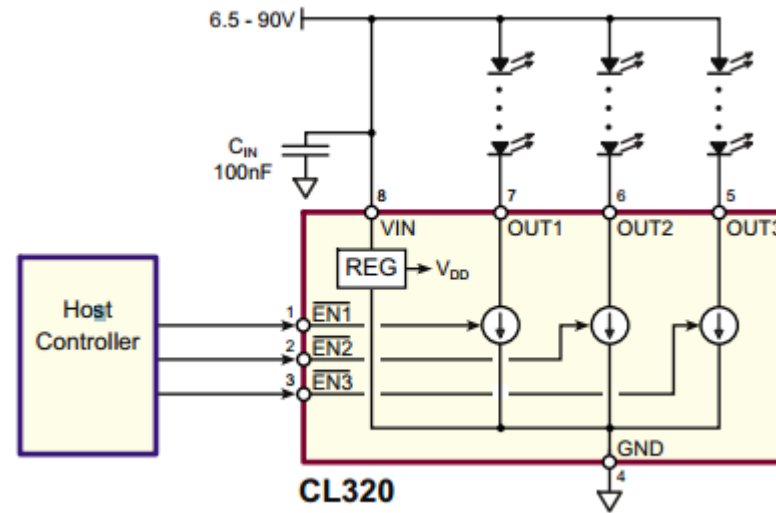
CL320

3-Channel Linear LED Drivers

[Online
Datasheet](#)

Features:

- $\pm 6.0\%$ current accuracy @ 4.0 -15V
- 90V standoff voltage
- Separate enable pins for each channel allow –
- for PWM dimming
- Over-temperature protection
- Operating Temperature Range:
 - -40°C to $+125^{\circ}\text{C}$
- Package Options: SOIC-8 w/Heat Slug



<< BACK



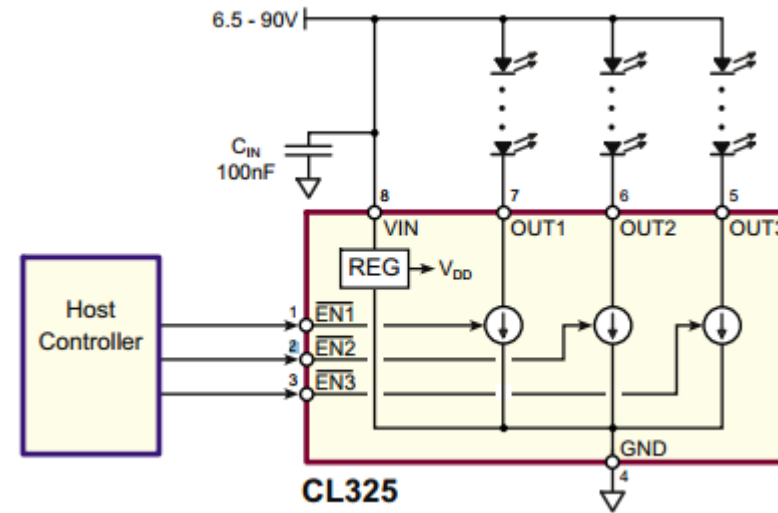
CL325

3-Channel Linear LED Drivers

[Online Datasheet](#)

Features:

- $\pm 6\%$ current accuracy @ 4.0 -15V
- 90V standoff voltage
- Separate enable pins for each channel allow –
- for PWM dimming
- Over-temperature protection
- Operating Temperature Range:
 - -40°C to +125°C
- Package Options: SOIC-8 w/Heat Slug



<< BACK



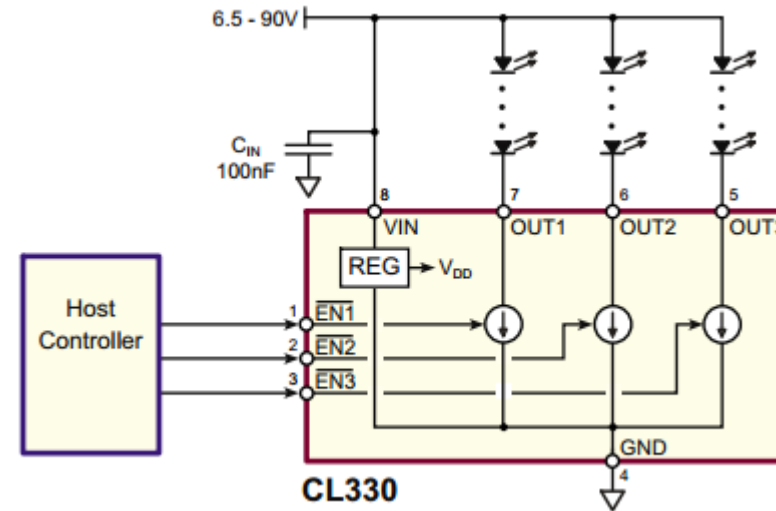
CL330

3-Channel Linear LED Drivers

Online
Datasheet

Features:

- $\pm 6.0\%$ current accuracy @ 4.0 -15V
- 90V standoff voltage
- Separate enable pins for each channel allow –
- for PWM dimming
- Over-temperature protection
- Operating Temperature Range:
 - -40°C to $+125^{\circ}\text{C}$
- Package Options: SOIC-8 w/Heat Slug



<< BACK



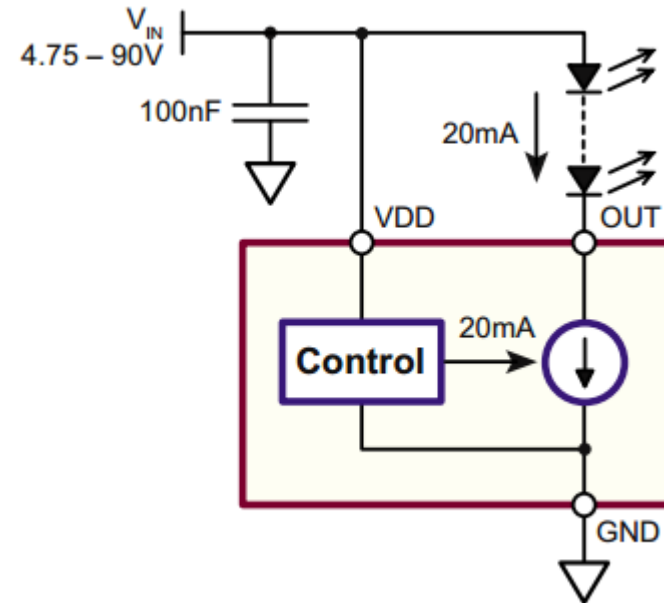
CL520

Linear, Fixed Constant Current LED Driver

[Online Datasheet](#)

Features:

- 20mA \pm 10% constant current drive
- 1.0V dropout
- 90V rating for transient immunity
- Temperature compensated
- 4.75 - 90V supply range
- Operating Temperature Range:
 - -40°C to +125°C
- Package Options: TO-252 (DPAK), TO-92



<< BACK



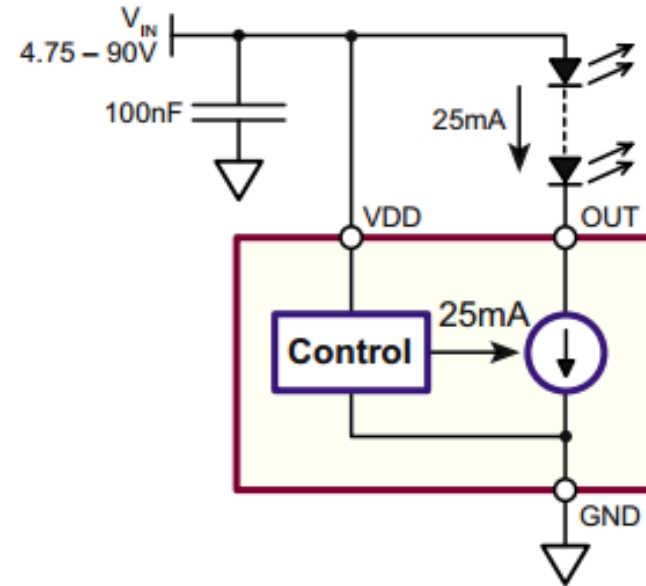
CL525

Linear, Fixed Constant Current LED Driver

[Online
Datasheet](#)

Features:

- 25mA \pm 10% constant current drive
- 1.0V dropout
- 90V rating for transient immunity
- Temperature compensated
- 4.75 - 90V supply range
- Operating Temperature Range:
 - -40°C to +125°C
- Package Options: TO-252 (DPAK), TO-92



<< BACK



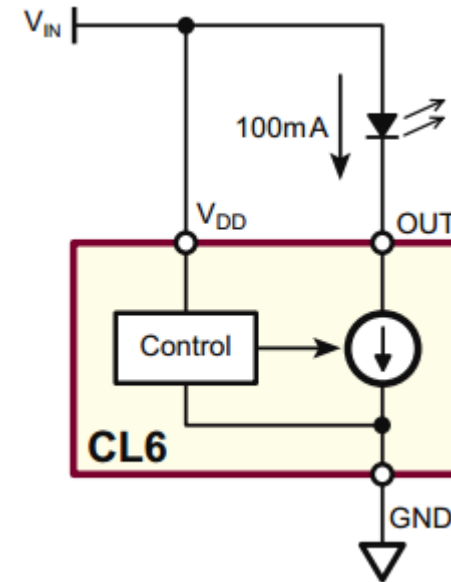
CL6

Linear, Fixed, 100mA, Constant Current LED Driver

[Online
Datasheet](#)

Features:

- 100mA \pm 5% constant current drive
- Built-in reverse polarity protection
- Dimmable via PWM supply
- Over temperature protection
- Tab ground allows direct heat sinking to chassis
- 90V max rating for transient immunity
- Operating Temperature Range:
 - -40°C to +125°C
- Package Options: TO-252 (DPAK), TO-220



<< BACK



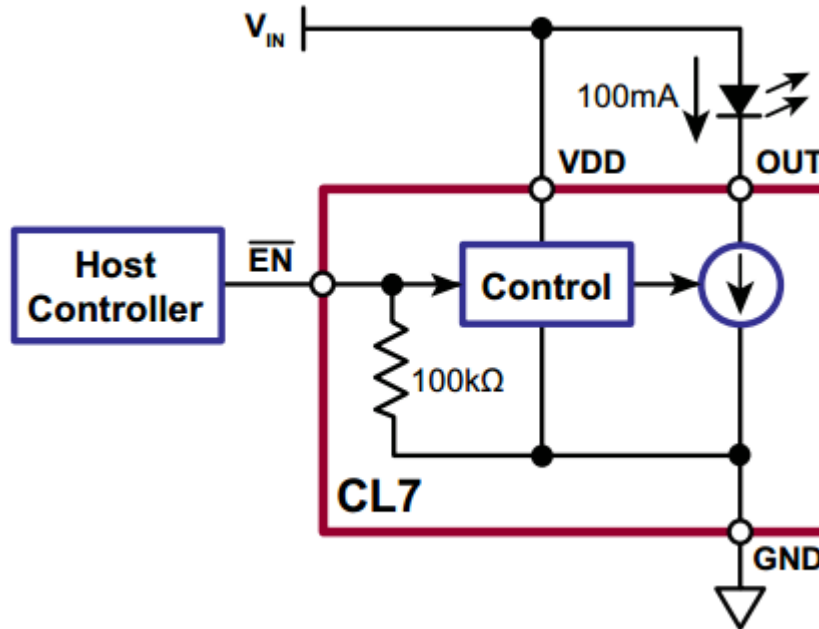
CL7

100 mA Constant-Current Linear LED Driver with Enable Input

[Online Datasheet](#)

Features:

- 100mA \pm 5% constant current drive
- Built-in reverse polarity protection
- Logic level enable
- Dimmable via EN pin
- Over temperature protection
- 90V max rating for transient immunity
- Operating Temperature Range:
 - -40°C to +125°C
- Package Options: SOIC-8 w/Heat Slug



<< BACK



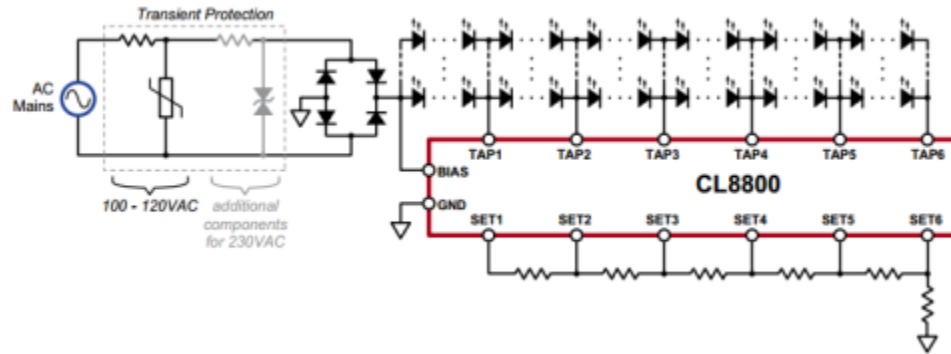
CL8800

Sequential Linear LED Driver

[Online Datasheet](#)

Features:

- Minimal component count (base –
 - config: CL8800 + 6 resistors + -
 - diode bridge)
- No magnetics, no capacitors
- Up to 7.5W output (13W w/ heat sink)
- >110Lm/W using efficient LEDs
- 85% typical electrical efficiency
- >0.95 power factor
- <20% THD line current
- Low conducted EMI w/o filters
- 85% LED luminous utilization
- Phase dimmer compatible with an –
 - RC network
- Operating Temperature Range:
 - -40°C to +125°C
- Package Options: VQFN-33 (6x6)



<< BACK



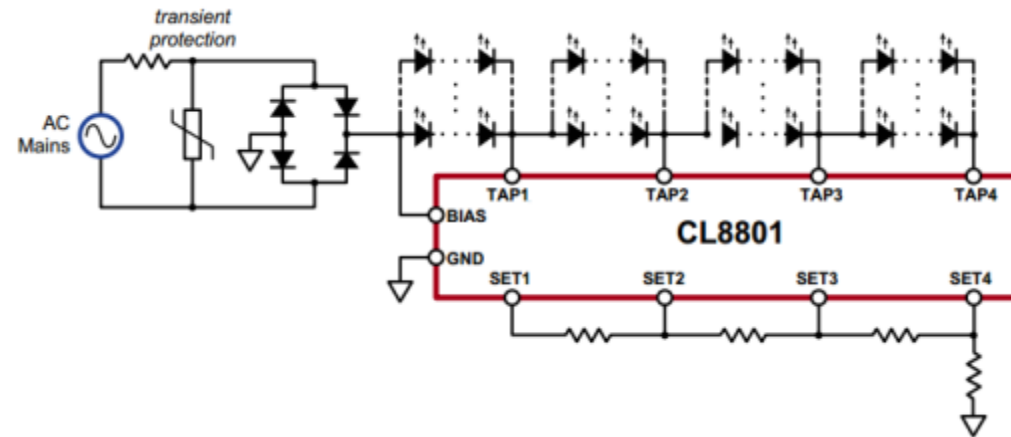
CL8801

Sequential Linear LED Driver

Online
Datasheet

Features:

- Minimal component count (base –
– config: CL8801 + 4 resistors + –
– diode bridge)
- No magnetics, no capacitors
- Up to 7.5W output (13W w/ heat –
– sink)
- >110lm/W using efficient LEDs
- 85% typical electrical efficiency
- >0.95 power factor
- <30% THD line current
- Low conducted EMI w/o filters
- 85% LED luminous utilization
- Phase dimmer compatible with an –
– RC network
- Operating Temperature Range:
 - -40°C to +125°C
- Package Options: VQFN-33 (6x6)



<< BACK



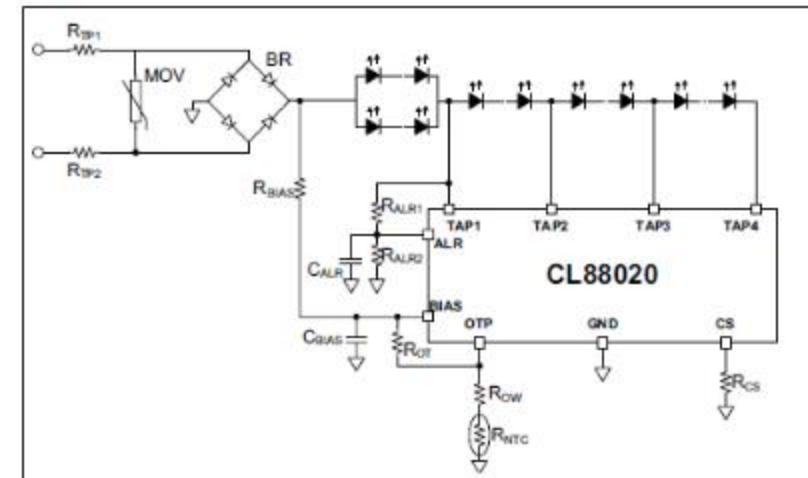
CL88020

Online
Datasheet

Triac Dimmable, Off-line AC Direct Drive for
120V_{AC}, Sequential Linear, 4-Tap

Features:

- Optimized for 120 VAC Nominal Input Voltage:
 - 120 VAC \pm 15% input voltage
- Targeted for 8.5W Output Power
- Programmable Over-temperature Protection:
 - Gradual Reduction in Light Output
- Active Line Regulation:
 - Typical Line Regulation of -12% to $+0\%$
- Four Taps with Two Current Set Resistors:
 - Allows Optimization of THD
- Percent Flicker = 90.3%, Flicker Index = 0.288
- Optional Reduced Light Output Ripple:
 - Provides Continuous Power to the LED
 - Eliminates Strobing
 - Uses an External Ceramic Storage Capacitor
- TRIAC Dimmer Compatible
- Thermally Enhanced 8-Lead SOIC Package:
 - Larger Creepage Distances between High – Voltage and Low Voltage Pins



<< BACK



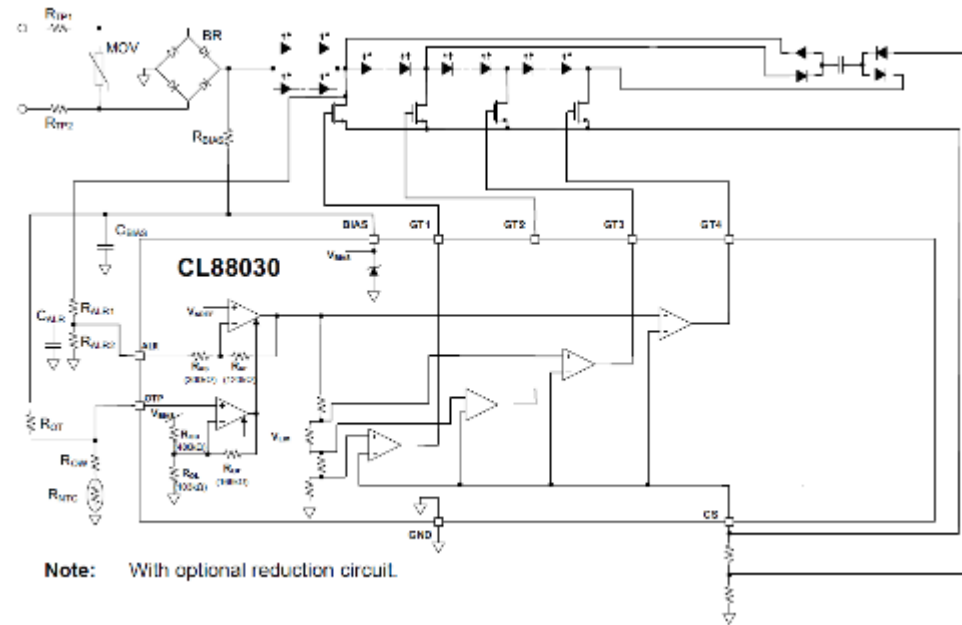
CL88030

4 Taps Sequential Linear Driver

[Online Datasheet](#)

Features:

- Suitable for 120VAC/230VAC/277VAC nominal input voltage
 - $\pm 15\%$ input voltage tolerance recommended
- Programmable Overtemperature Protection
 - Provides gradual reduction in light output with increasing temperature
- Active Line Regulation
 - Provides fairly constant output power over variations in AC line voltage
 - Adjustable “knee” of regulation
- 4 Taps with two Current Set Resistors
 - Allows optimization of THD
- Optional Reduced Flicker Index
 - Provides near-continuous power to the LEDs
 - Reduces Strobing
 - Uses an external Capacitor
- Compatible with Phase-cut Dimming, both leading and Trailing Edge



<< BACK



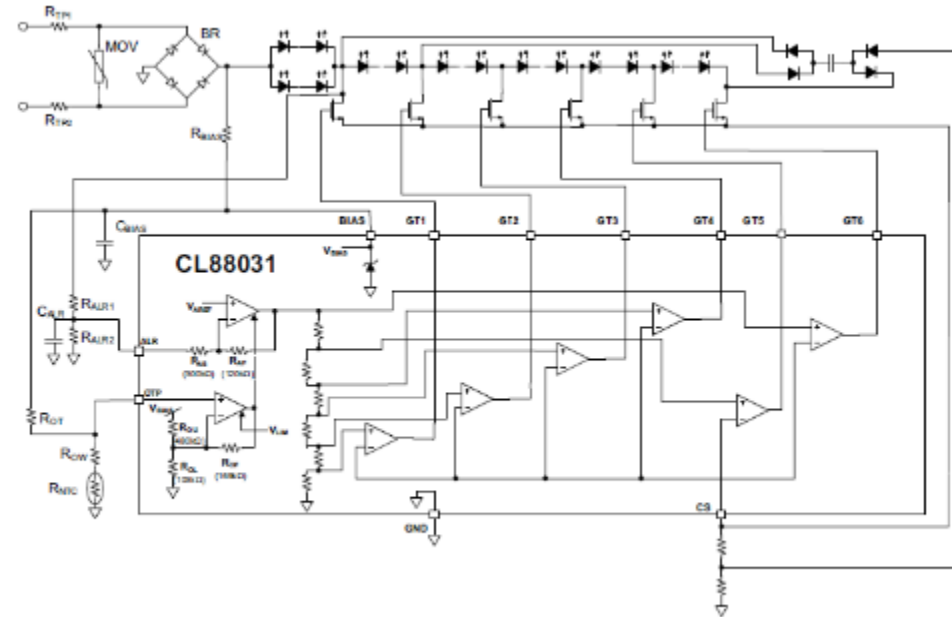
CL88031

6 Taps Sequential Linear Driver

[Online Datasheet](#)

Features:

- Suitable for 120VAC/230VAC/277VAC nominal input voltage
 - $\pm 15\%$ input voltage tolerance recommended
- Programmable Overtemperature Protection
 - Provides gradual reduction in light output with increasing temperature
- Active Line Regulation
 - Provides fairly constant output power over variations in AC line voltage
 - Adjustable “knee” of regulation
- 6 Taps with two Current Set Resistors
 - Allows optimization of THD
- Optional Reduced Flicker Index
 - Provides near-continuous power to the LEDs
 - Reduces Strobbling
 - Uses an external Capacitor
- Compatible with Phase-cut Dimming, both leading and Trailing Edge



[<< BACK](#)



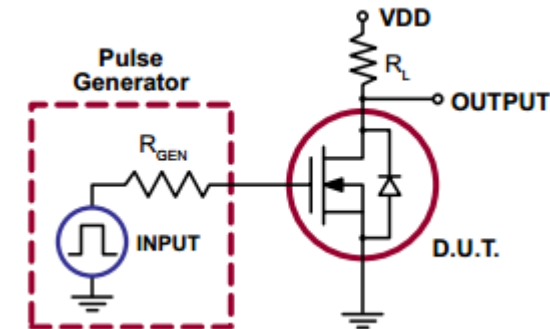
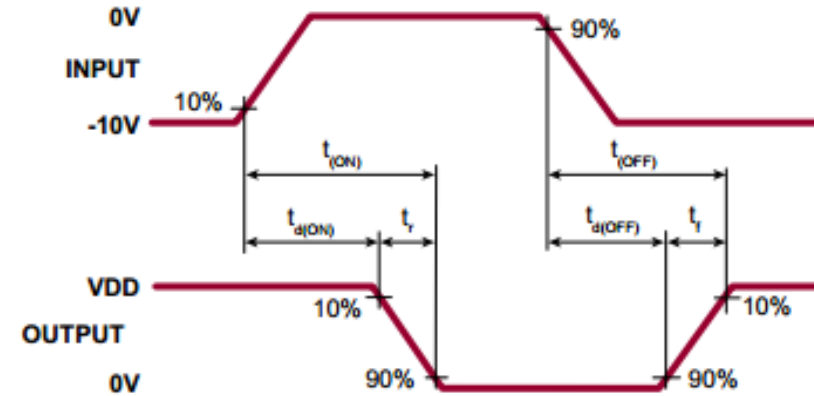
DN1509

N-Channel, Depletion-Mode, Vertical DMOS FET

[Online Datasheet](#)

Features:

- 90V $BV_{DSX(min)}$
- $6.0\Omega R_{DS(on)(max)}$
- High Input Impedance
- Low Input Capacitance
- Fast Switching Speeds
- Low On-Resistance
- Free from Secondary Breakdown
- Low Input and Output Leakages
- Operating Temperature Range:
 - -55°C to $+150^{\circ}\text{C}$
- RoHS Compliant Package:
 - 3L SOT-89, 5L SOT-23



[<< BACK](#)



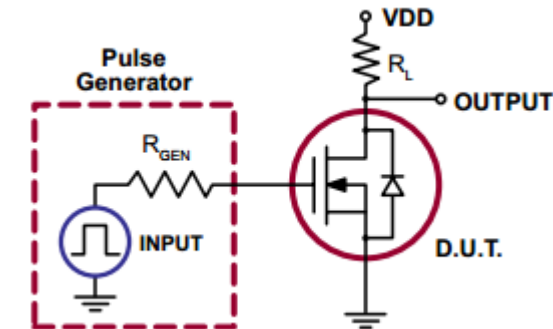
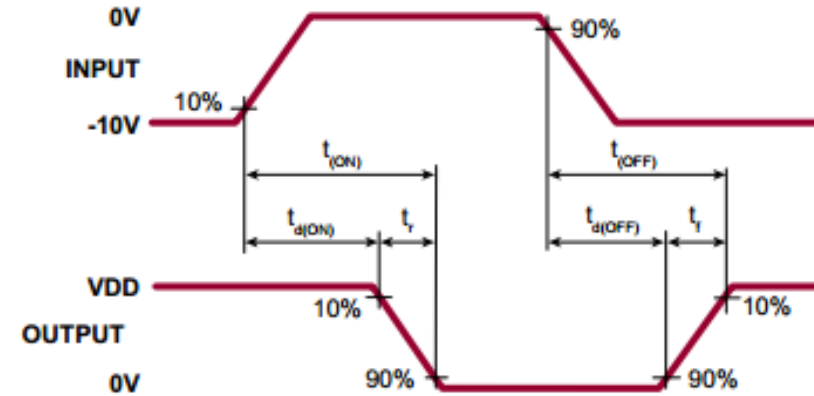
DN2450

N-Channel, Depletion-Mode, Vertical DMOS FET

Online
Datasheet

Features:

- 500V $BV_{DSX(min)}$
- $10\Omega R_{DS(on)(max)}$
- High Input Impedance
- Low Input Capacitance
- Fast Switching Speeds
- Low On-Resistance
- Free from Secondary Breakdown
- Low Input and Output Leakages
- Operating Temperature Range:
 - -55°C to $+150^{\circ}\text{C}$
- RoHS Compliant Package:
 - TO-252 (DPAK), SOT-89



<< BACK



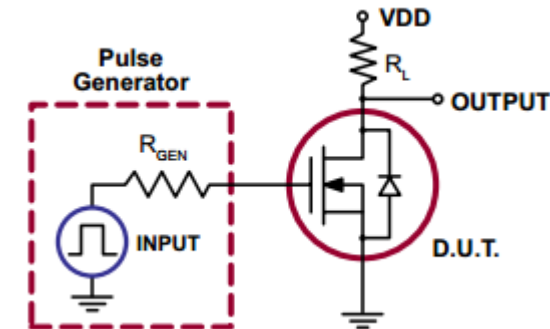
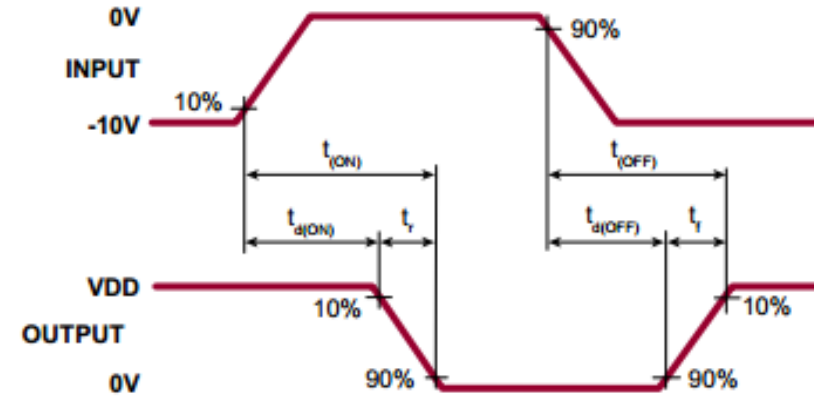
DN2470

N-Channel, Depletion-Mode, Vertical DMOS FET

Online
Datasheet

Features:

- 700V $BV_{DSX(min)}$
- $42\Omega R_{DS(on)(max)}$
- High Input Impedance
- Low Input Capacitance
- Fast Switching Speeds
- Low On-Resistance
- Free from Secondary Breakdown
- Low Input and Output Leakages
- Operating Temperature Range:
 - -55°C to $+150^{\circ}\text{C}$
- RoHS Compliant Package:
 - TO-252 (DPAK)



<< BACK



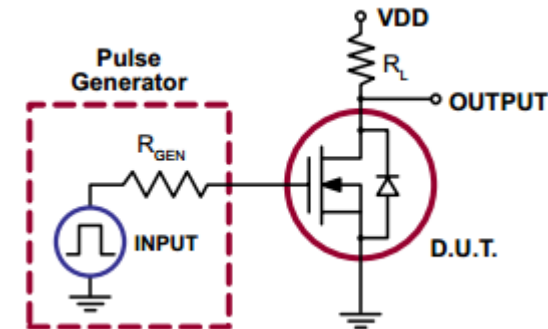
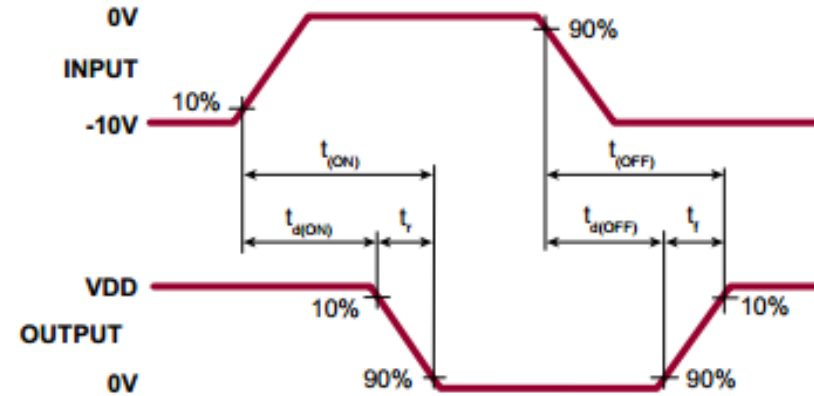
DN2530

N-Channel, Depletion-Mode, Vertical DMOS FET

Online
Datasheet

Features:

- 300V $BV_{DSX(min)}$
- 12Ω $R_{DS(on)(max)}$
- High Input Impedance
- Low Input Capacitance
- Fast Switching Speeds
- Low On-Resistance
- Free from Secondary Breakdown
- Low Input and Output Leakages
- Operating Temperature Range:
 - -55°C to $+150^{\circ}\text{C}$
- RoHS Compliant Package:
 - TO-92, SOT-89



<< BACK



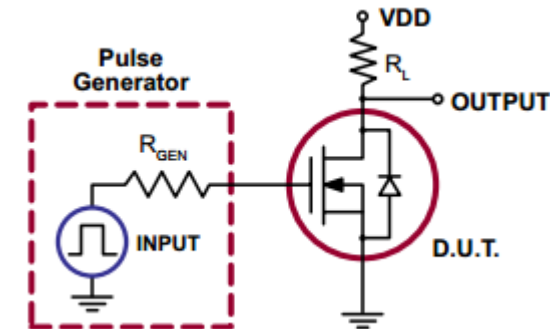
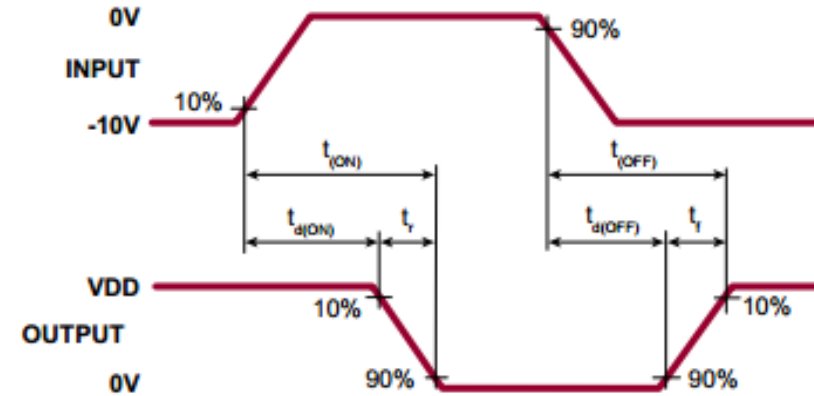
DN2535

N-Channel, Depletion-Mode, Vertical DMOS FET

Online
Datasheet

Features:

- 350V $BV_{DSX(min)}$
- $25\Omega R_{DS(on)(max)}$
- High Input Impedance
- Low Input Capacitance
- Fast Switching Speeds
- Low On-Resistance
- Free from Secondary Breakdown
- Low Input and Output Leakages
- Operating Temperature Range:
 - -55°C to $+150^{\circ}\text{C}$
- RoHS Compliant Package:
 - TO-92, TO-220



<< BACK



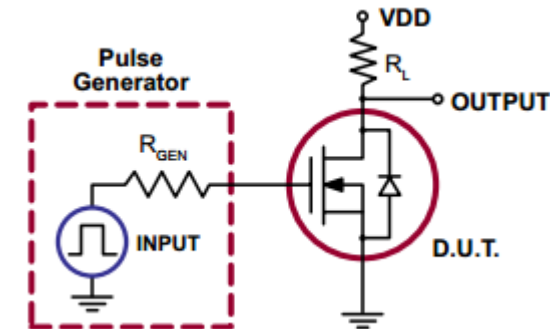
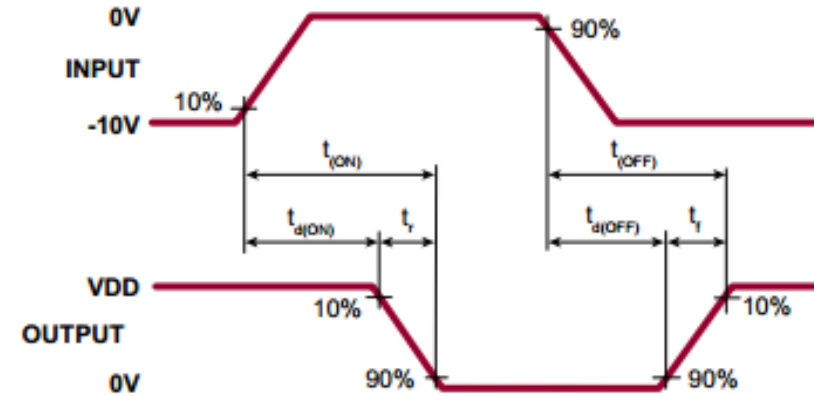
DN2540

N-Channel Depletion-Mode Vertical DMOS FETs

[Online Datasheet](#)

Features:

- 400V $BV_{DSX(min)}$
- $25\Omega R_{DS(on)(max)}$
- High Input Impedance
- Low Input Capacitance
- Fast Switching Speeds
- Low On-Resistance
- Free from Secondary Breakdown
- Low Input and Output Leakages
- Operating Temperature Range:
 - $-55^{\circ}C$ to $+150^{\circ}C$
- RoHS Compliant Package: -
 - TO-92, TO-220, SOT-89



<< BACK



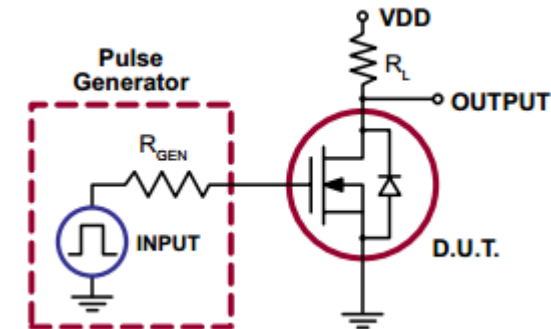
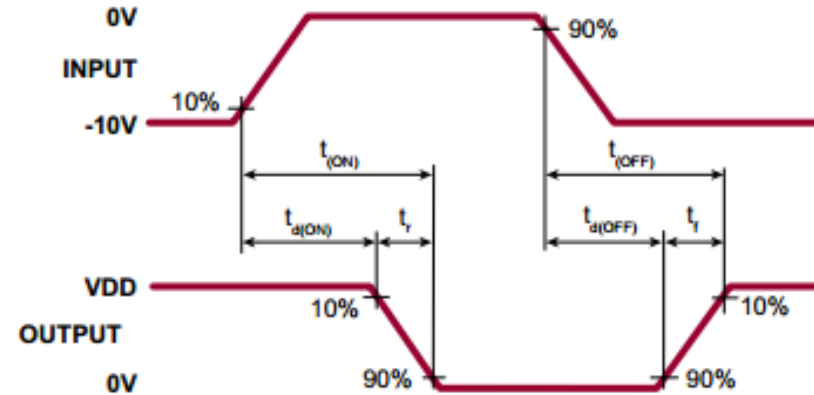
DN2625

N-Channel Depletion-Mode Vertical DMOS FET
in Single and Dual Options

Online
Datasheet

Features:

- 250V $BV_{DSX(min)}$
- 3.5Ω $R_{DS(on)(max)}$
- High Input Impedance
- Low Input Capacitance
- Fast Switching Speeds
- Low On-Resistance
- Free from Secondary Breakdown
- Low Input and Output Leakages
- Operating Temperature Range:
 - -55°C to $+150^{\circ}\text{C}$
- RoHS Compliant Package: -
 - TO-252 (DPAK)



<< BACK



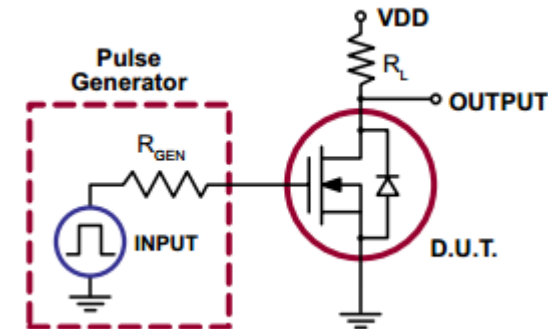
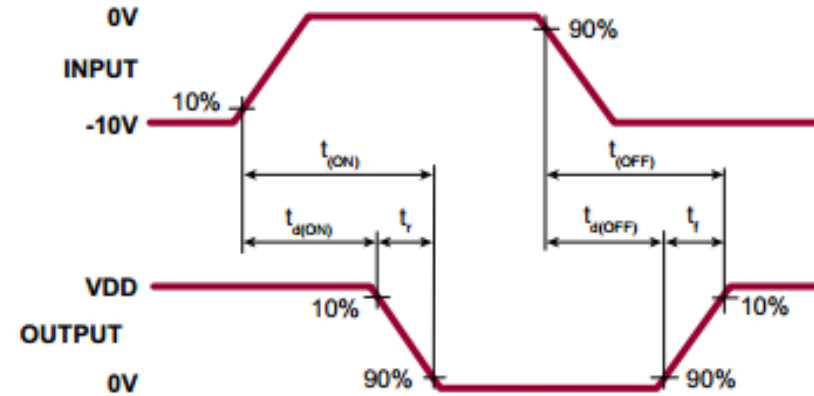
DN3135

N-Channel Depletion-Mode Vertical DMOS FET

Online
Datasheet

Features:

- 350V $BV_{DSX(min)}$
- $35\Omega R_{DS(on)(max)}$
- High Input Impedance
- Low Input Capacitance
- Fast Switching Speeds
- Low On-Resistance
- Free from Secondary Breakdown
- Low Input and Output Leakages
- Operating Temperature Range:
 - -55°C to $+150^{\circ}\text{C}$
- RoHS Compliant Package: -
 - SOT-23, SOT-89



<< BACK



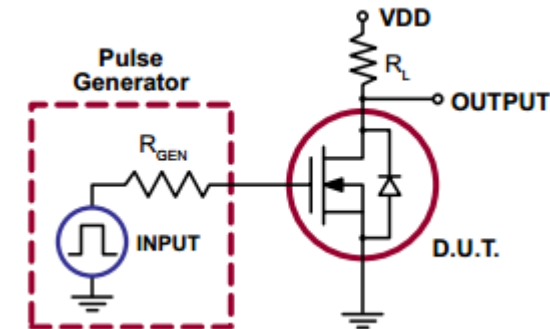
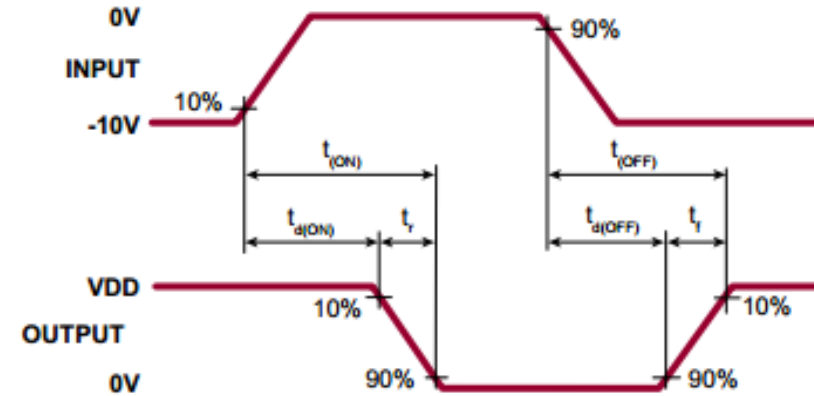
DN3145

N-Channel Depletion-Mode Vertical DMOS FETs

Online
Datasheet

Features:

- 450V $BV_{DSX(min)}$
- $60\Omega R_{DS(on)(max)}$
- High Input Impedance
- Low Input Capacitance
- Fast Switching Speeds
- Low On-Resistance
- Free from Secondary Breakdown
- Low Input and Output Leakages
- Operating Temperature Range:
 - -55°C to $+150^{\circ}\text{C}$
- RoHS Compliant Package: SOT-89



<< BACK



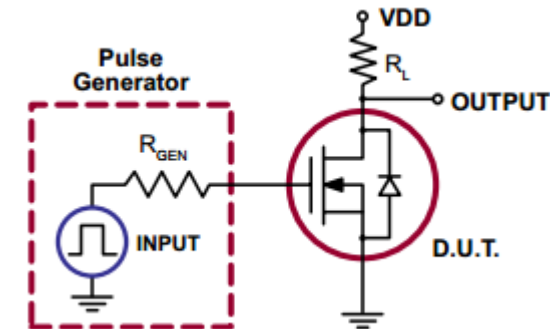
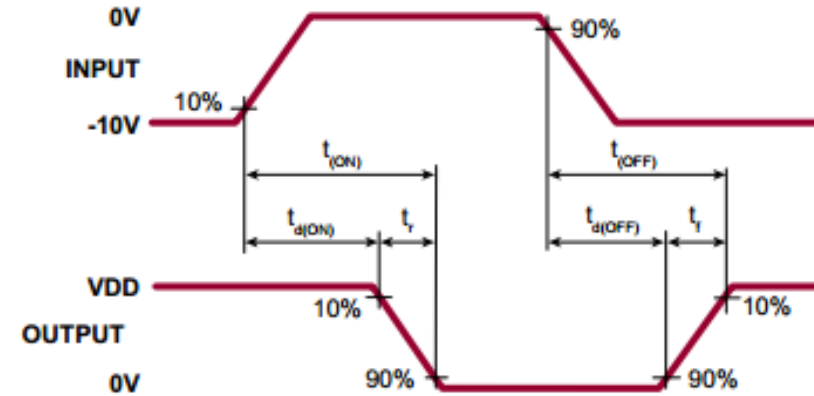
DN3525

N-Channel Depletion-Mode Vertical DMOS FETs

Online
Datasheet

Features:

- 250V $BV_{DSX(min)}$
- 6.0Ω $R_{DS(on)(max)}$
- High Input Impedance
- Low Input Capacitance
- Fast Switching Speeds
- Low On-Resistance
- Free from Secondary Breakdown
- Low Input and Output Leakages
- Operating Temperature Range:
 - -55°C to $+150^{\circ}\text{C}$
- RoHS Compliant Package: SOT-89



<< BACK



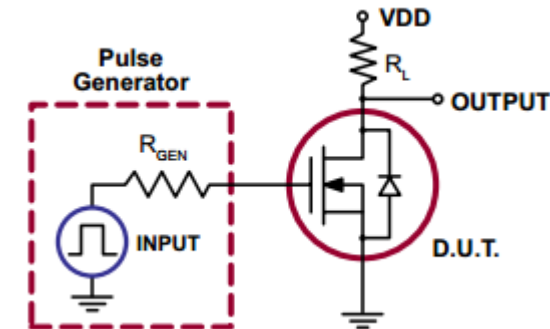
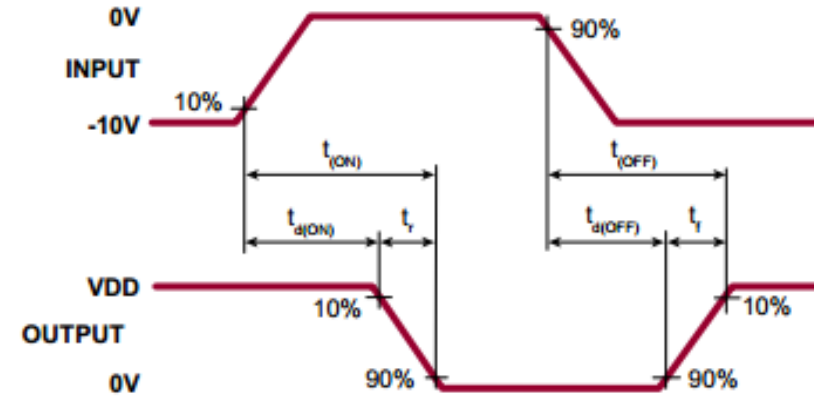
DN3535

N-Channel Depletion-Mode Vertical DMOS FETs

Online
Datasheet

Features:

- 350V $BV_{DSX(min)}$
- 10Ω $R_{DS(on)(max)}$
- High Input Impedance
- Low Input Capacitance
- Fast Switching Speeds
- Low On-Resistance
- Free from Secondary Breakdown
- Low Input and Output Leakages
- Operating Temperature Range:
 - -55°C to $+150^{\circ}\text{C}$
- RoHS Compliant Package: SOT-89



<< BACK



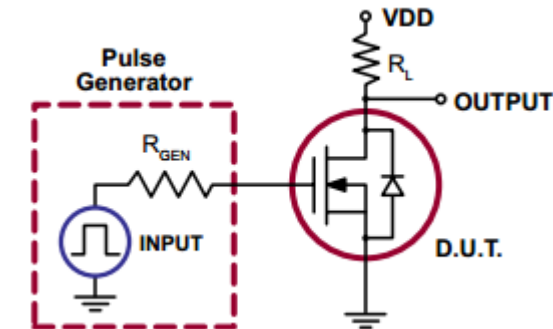
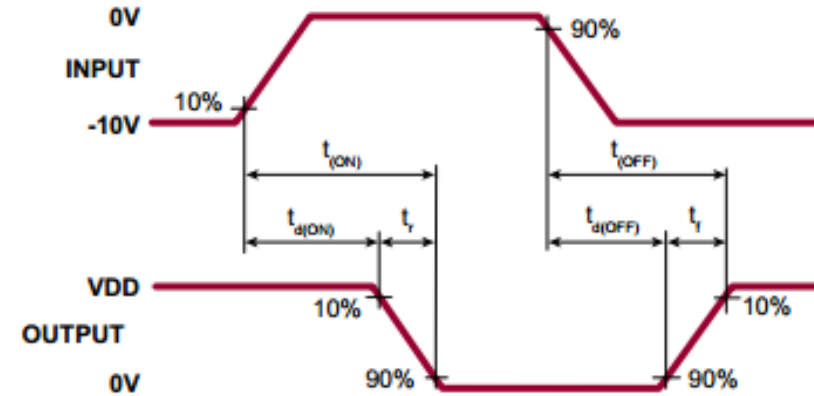
DN3545

N-Channel Depletion-Mode Vertical DMOS FETs

Online
Datasheet

Features:

- 450V $BV_{DSX(min)}$
- $20\Omega R_{DS(on)(max)}$
- High Input Impedance
- Low Input Capacitance
- Fast Switching Speeds
- Low On-Resistance
- Free from Secondary Breakdown
- Low Input and Output Leakages
- Operating Temperature Range:
 - -55°C to $+150^{\circ}\text{C}$
- RoHS Compliant Package: -
 - TO-92, SOT-89



<< BACK



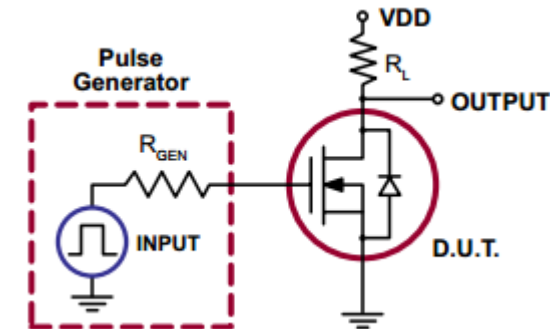
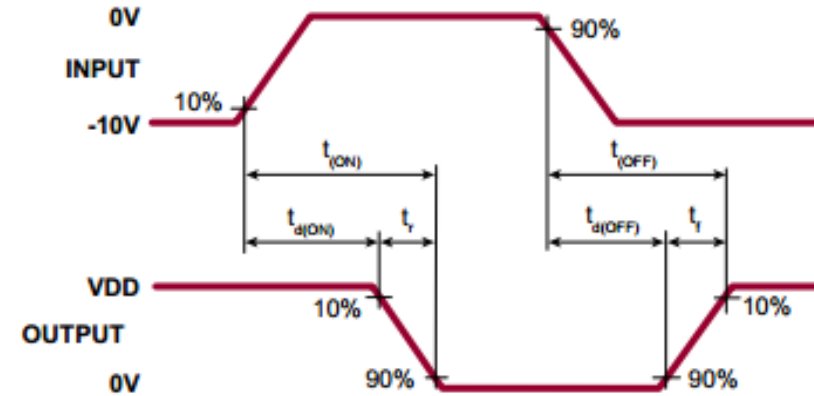
DN3765

N-Channel Depletion-Mode Vertical DMOS FETs

Online
Datasheet

Features:

- 650V $BV_{DSX(min)}$
- 8.0Ω $R_{DS(on)(max)}$
- High Input Impedance
- Low Input Capacitance
- Fast Switching Speeds
- Low On-Resistance
- Free from Secondary Breakdown
- Low Input and Output Leakages
- Operating Temperature Range:
 - -55°C to $+150^{\circ}\text{C}$
- RoHS Compliant Package: -
 - TO-252 (DPAK)



<< BACK



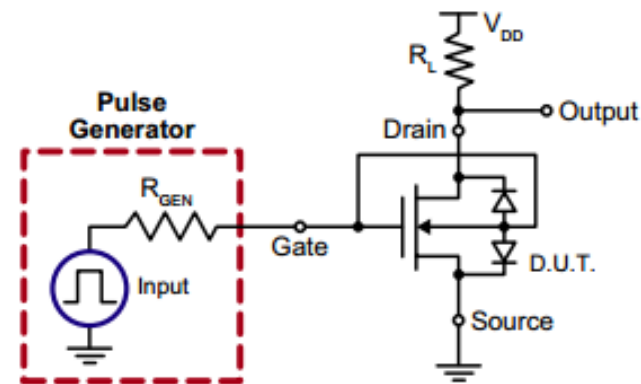
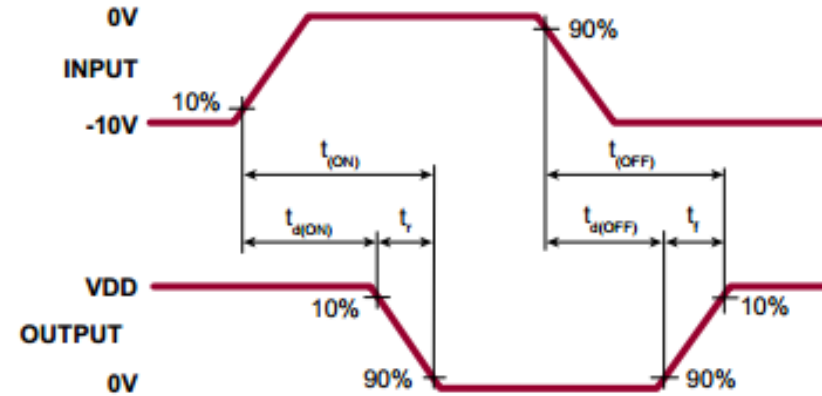
LND01

Lateral N-Channel Depletion-Mode MOSFET

Online
Datasheet

Features:

- 9.0V $BV_{DSX(min)}$
- 1.4Ω $R_{DS(on)(max)}$
- Bi-directional
- Low On-Resistance
- Low Input Capacitance
- Fast Switching Speeds
- High Input Impedance and High Gain
- Low Power Drive Requirement
- Ease of Paralleling
- Operating Temperature Range:
 - -55°C to +150°C
- RoHS Compliant Package: -
 - 5L SOT-23



<< BACK



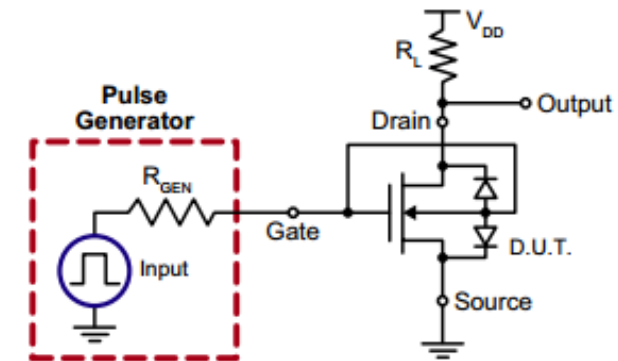
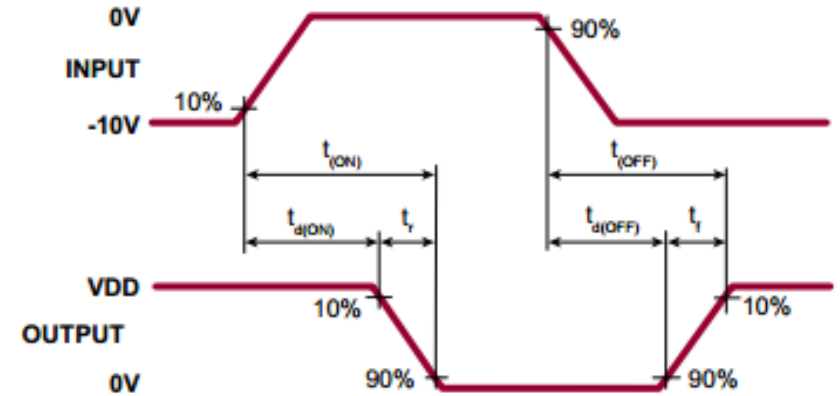
LND150

N-Channel Depletion-Mode DMOS FET

Online
Datasheet

Features:

- 500V $BV_{DSX(min)}$
- $1000\Omega R_{DS(on)(max)}$
- Bi-directional
- Low On-Resistance
- Low Input Capacitance
- Fast Switching Speeds
- High Input Impedance and High Gain
- Low Power Drive Requirement
- Ease of Paralleling
- Operating Temperature Range:
 - -55°C to $+150^{\circ}\text{C}$
- RoHS Compliant Package: -
 - SOT-23, TO-92, SOT-89



<< BACK



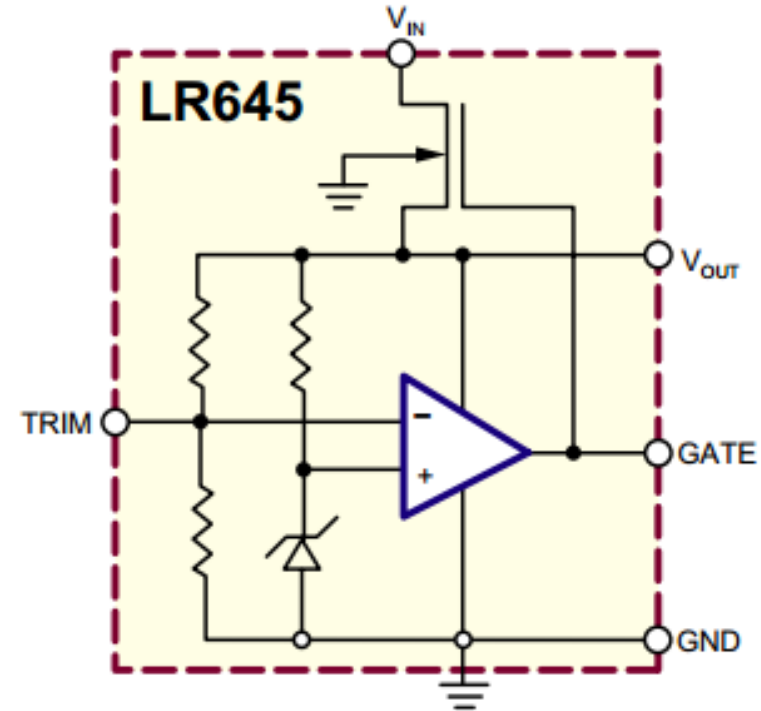
LR645

High-Input Voltage SMPS, Start-up/Linear Regulator

[Online Datasheet](#)

Features:

- Accepts Inputs from 15V to 450V
- Output currents up to 3.0mA –
 - continuous, 30mA peak
- Supply Current Typically 50 μ A
- Line regulation typically 0.1mV/V
- Output can be trimmed from 8.0 to 12V
- Output current can be increased –
 - to 150mA with external FET
- Operating Temperature Range:
 - -55 $^{\circ}$ C to +150 $^{\circ}$ C
- Package Options: SOIC-8, TO-92, -
 - TO-220, SOT-89



<< BACK



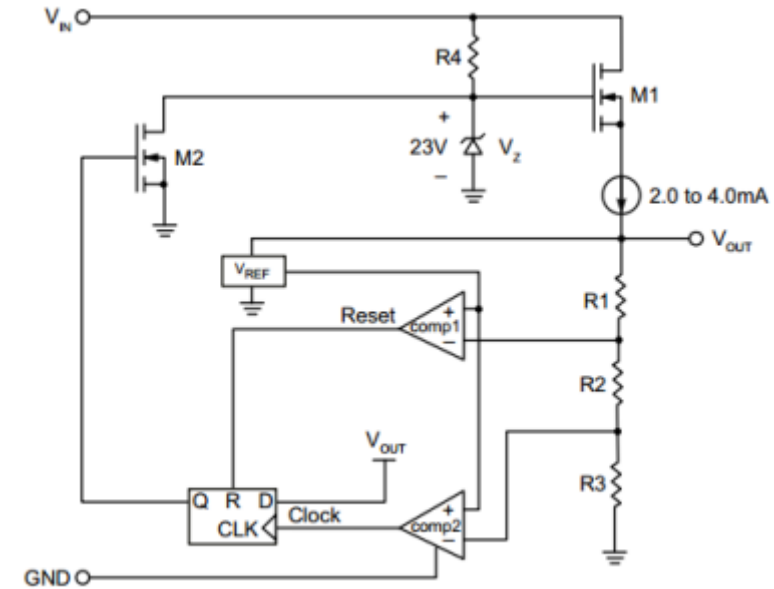
LR745

High-Input Voltage, Adjustable, 3-Terminal, Linear Regulator

Online
Datasheet

Features:

- Accepts Inputs from 35V to 450V
- Output Current Limiting
- For PWM ICs with Start-up Threshold
- Voltage of 13.9V – 18.0V
- Very Low Power Consumption After Start-up
- Operating Temperature Range:
 - -55°C to +150°C
- Package Options: TO-92, SOT-89



<< BACK



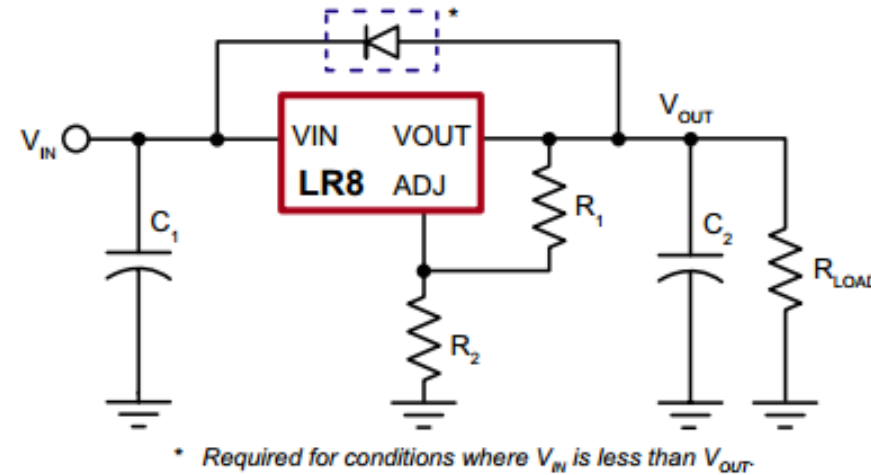
LR8

High-Input Voltage, Adjustable, 3-Terminal, Linear Regulator

Online
Datasheet

Features:

- 13.2V - 450V input voltage range
- Adjustable 1.2V - 440V output regulation
- 5% output voltage tolerance
- Output current limiting
- 10 μ A typical ADJ current
- Internal junction temperature limiting
- Operating Temperature Range:
 - -55 $^{\circ}$ C to +150 $^{\circ}$ C
- Package Options: TO-252 (DPAK), -
- TO-92, SOT-89



<< BACK



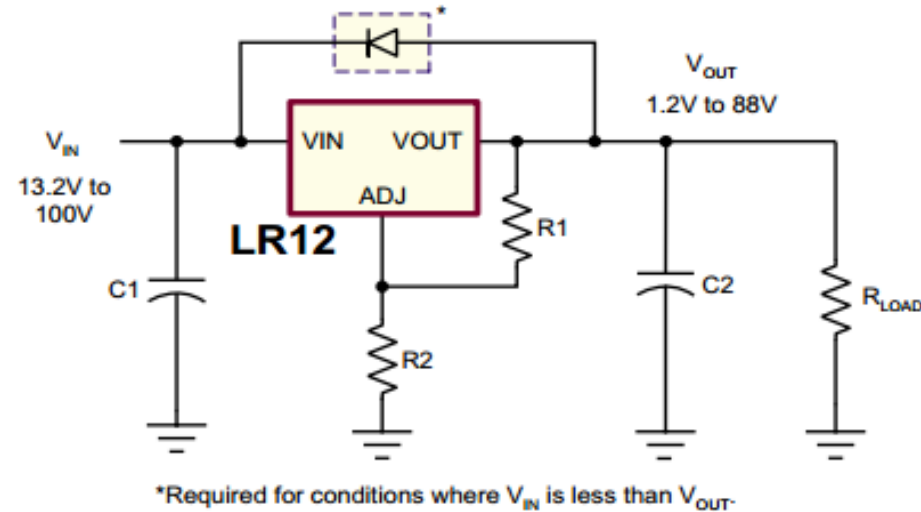
LR12

High Input Voltage, Adjustable 3-Terminal Linear Regulator

Online
Datasheet

Features:

- 13.2V to 100V input voltage range
- Stable with 100nF output capacitor
- Adjustable 1.2V to 88V output –
- regulation
- 5% reference voltage tolerance
- Output current limiting, 50mA min.
- 10 μ A typical ADJ current
- Over temperature protection
- Operating Temperature Range:
 - -55 $^{\circ}$ C to +150 $^{\circ}$ C
- Package Options: TO-252 (DPAK), -
- TO-92, SOIC-8



<< BACK



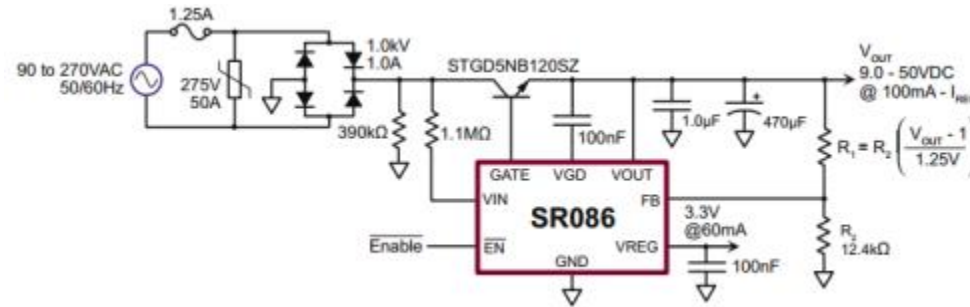
SR086

Adjustable Offline Inductorless Switching Regulators

Online
Datasheet

Features:

- Efficient operation without magnetics
- No high voltage capacitors
- Adjustable main output voltage –
- (9.0 to 50V)
- Additional 3.3V internal regulator
- Up to 100mA combined output current
- Single BOM for 120VAC/230VAC
- Built-in soft start
- Less than 200mW standby power
- Operating Temperature Range:
 - -40°C to +125°C
- Package Options: SOIC-8 w/Heat Slug



<< BACK



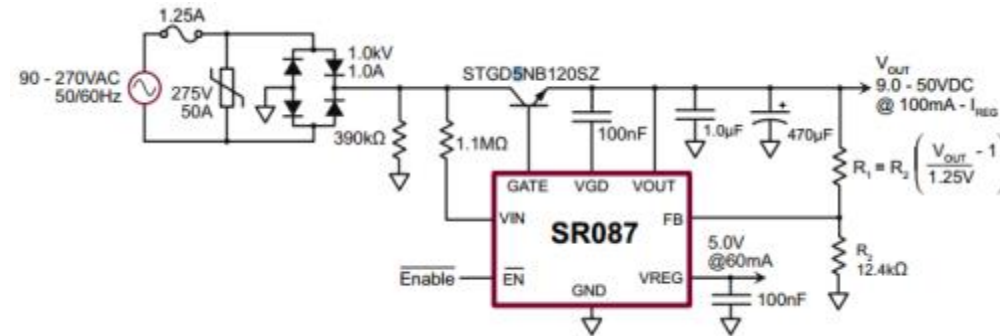
SR087

Adjustable Offline Inductorless Switching Regulators

Online
Datasheet

Features:

- Efficient operation without magnetics
- No high voltage capacitors
- Adjustable main output voltage –
- (9.0 to 50V)
- Additional 5.0V internal regulator
- Up to 100mA combined output current
- Single BOM for 120VAC/230VAC
- Built-in soft start
- Less than 200mW standby power
- Operating Temperature Range:
 - -40°C to +125°C
- Package Options: SOIC-8 w/Heat Slug



<< BACK



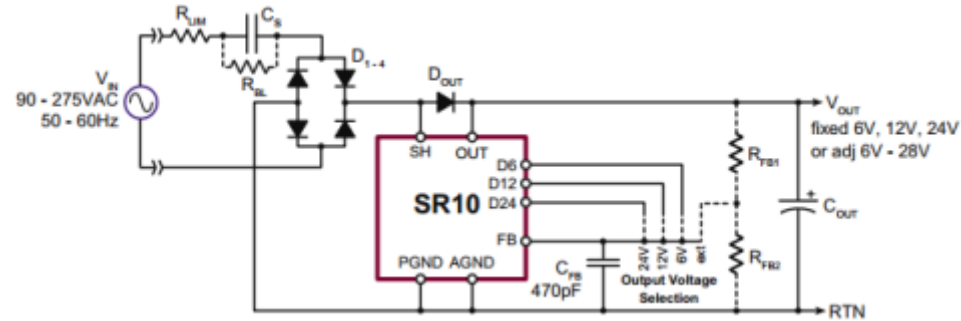
SR10

Capacitor-Coupled, Switched Shunt, (CCSS) Regulator

Online
Datasheet

Features:

- Efficiencies up to 75% at 20mA
- Less than 20mW standby power
- Optional 6.0V, 12V or 24V fixed –
- output voltage, or adjustable –
- from 6.0V to 28V
- Output current scalable up to 50mA
- 120VAC to 240VAC input
- No magnetics
- Inherent short circuit protection
- Operating Temperature Range:
 - -40°C to +125°C
- Package Options: SOIC-8



<< BACK



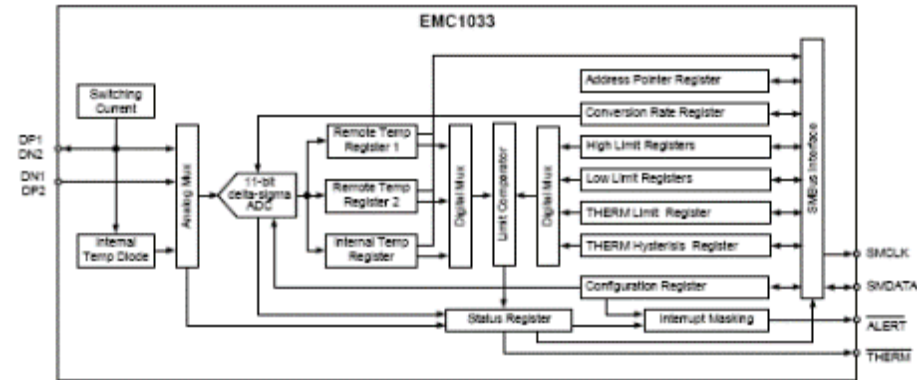
EMC1033

1 C Triple SMBus Sensor with Resistance Error Correction

Online
Datasheet

Features:

- Resistance Error Correction
- Ideality Factor Configuration
- Remote Thermal Zones
- $\pm 1.0^{\circ}\text{C}$ Accuracy (40°C to 80°C)
- 0.125°C resolution
- Internal Thermal Zone
- $\pm 3.0^{\circ}\text{C}$ Accuracy (0°C to 85°C)
- Maskable Interrupt
- One-shot Command during standby
- Programmable Temperature Conversion Rate
- Extended temperature (-64°C to 191°C)
- Over-limit Filtering with Consecutive Counter
- SMBus Interface
- 8-pin TSSOP



<< BACK



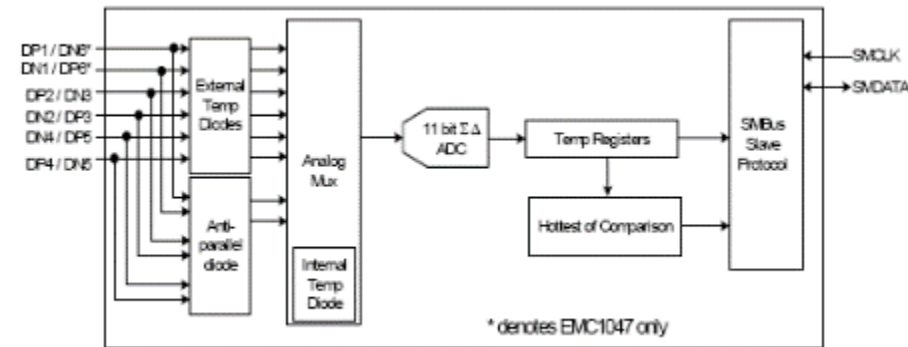
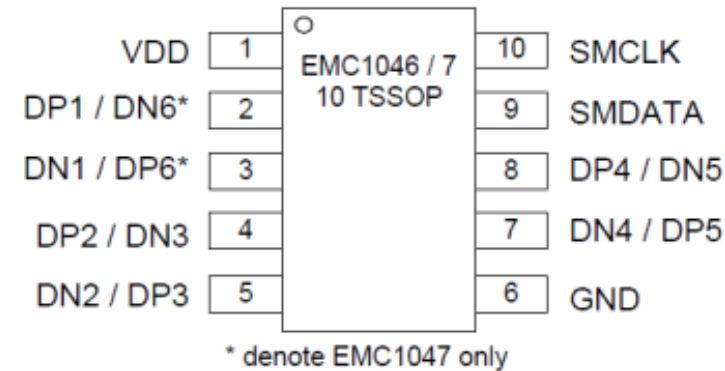
EMC1046/7

1 C Multiple Temperature Sensor w/ Beta Compensation
& Hottest of Thermal Zones

Online
Datasheet

Features:

- 6 / 7 (EMC1046/EMC1047) channel –
 - temp sensor
- Supports diodes requiring the BJT or transistor model such as substrate and CPU diodes
- Resistance Error Correction
- Up to six External Temperature Monitors:
 - $\pm 1^{\circ}\text{C}$ Accuracy ($60^{\circ}\text{C} < T_{\text{DIODE}} < 100^{\circ}\text{C}$)
 - 0.125°C Resolution
 - Supports up to 2.2nF filter capacitor
 - Anti-parallel diodes for extra diode – support and compact design
- Internal Temperature Monitor
 - $\pm 2^{\circ}\text{C}$ accuracy
- 3.3V Operation
- 10-pin TSSOP



<< BACK



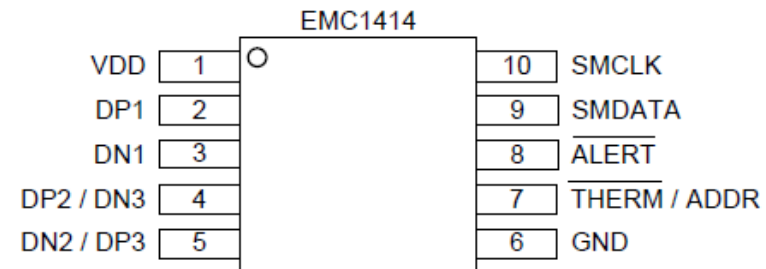
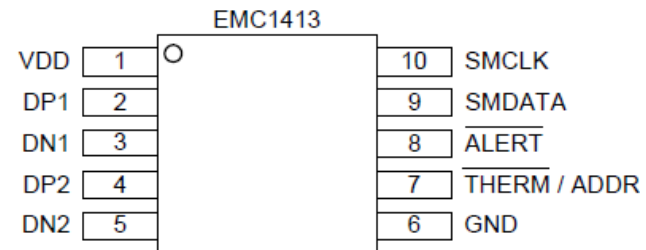
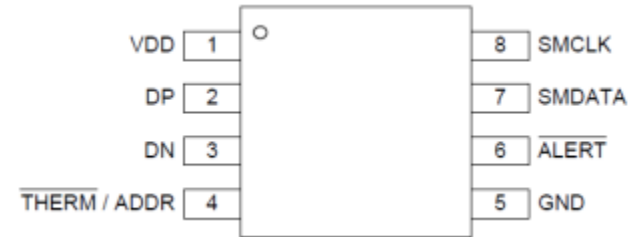
EMC1412/3/4

Multiple Channel 1 C Temperature Sensor with Beta Compensation

Online
Datasheet

Features:

- 2 Channel temperature sensor (EMC1412)
- 3 Channel temperature sensor (EMC1413)
- 4 Channel temperature sensor (EMC1414)
- Remote temperature sensors (1,2,or 3 channels):
 - Automatically determines external diode type
 - Supports BJT/transistor model for –
- substrate diode
 - Resistance Error Correction
- EMC1412 compatible w ADM1032, MAX6649, LM99
- External temperature monitor accuracy:
 - $\pm 1^{\circ}\text{C}$ Accuracy ($20^{\circ}\text{C} < T_{\text{DIODE}} < 110^{\circ}\text{C}$)
 - 0.125°C resolution
 - Supports up to 2.2nF diode filter capacitor
- Internal temperature monitor accuracy:
 - $\pm 1^{\circ}\text{C}$ accuracy
- Programmable temperature limits for ALERT# -
- and THERM#
- Programmable or fixed SMBus/I²C Address
- 3.3V Operation
- 8-pin 2x3 TDFN, MSOP; 10-pin DFN, MSOP



<< BACK

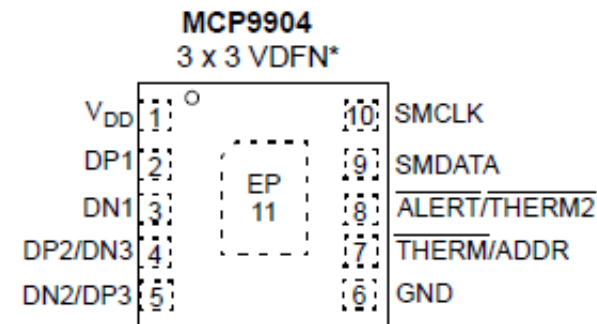
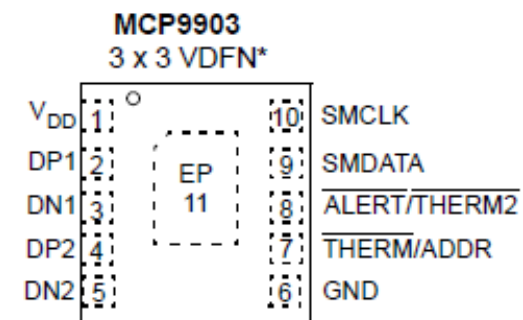
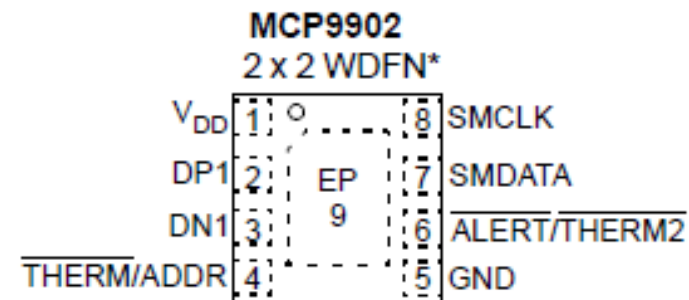
MCP9902/3/4

Multi-Channel Low-Temperature Remote Diode Sensor

Online
Datasheet

Features:

- 2, 3, 4 temperature sensor optimized for low – temperature
- External temperature monitor accuracy
- $\pm 1^{\circ}\text{C}$ maximum accuracy ($-40^{\circ}\text{C} < T_{\text{DIODE}} < 65^{\circ}\text{C}$)
- $\pm 2^{\circ}\text{C}$ maximum accuracy ($85^{\circ}\text{C} < T_{\text{DIODE}} < +125^{\circ}\text{C}$)
- 0.125°C resolution
- Supports up to 2.2nF diode filter capacitor
- Remote temperature sensor:
 - Automatically determines external diode type
 - Supports BJT/transistor model for substrate diode
 - Resistance Error Correction
- Internal temperature monitor accuracy:
 - $\pm 1^{\circ}\text{C}$ accuracy
 - 0.125°C resolution
- Programmable temperature limits for ALERT# - and THERM#
- Programmable or fixed SMBus/I²C Address
- 3.3V Operation
- 8-Lead 2x2 mm WDFN package
- Temperature Range: -40°C to $+125^{\circ}\text{C}$



<< BACK

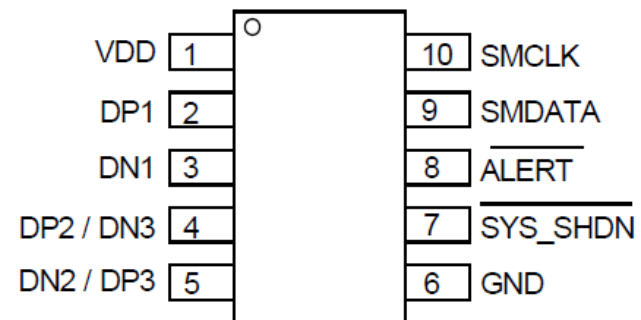
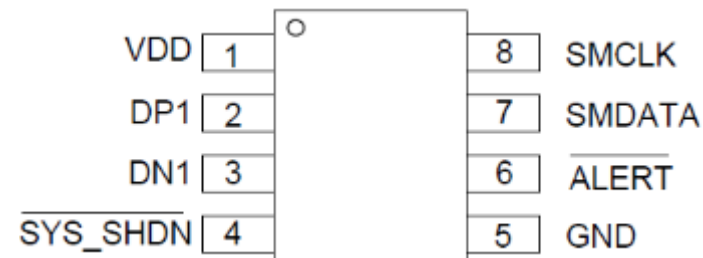
EMC1422/3/4

1 C Temperature Sensor with Hardware Thermal Shutdown

[Online Datasheet](#)

Features:

- 2 Channel temperature sensor (EMC1422)
- 3 Channel temperature sensor (EMC1423)
- 4 Channel temperature sensor (EMC1424)
- Remote temperature sensors (1,2,or 3 channels):
 - Automatically determines external diode type
 - Supports BJT/transistor model for substrate diode
 - Resistance Error Correction
- EMC1422 compatible with ADM1032, MAX6649, LM99
- Hardware Thermal Shutdown with dedicated pin:
 - Configured range 77°C to 112°C in 1°C steps
 - Cannot be disabled or modified by software
- External temperature monitor accuracy:
 - $\pm 1^\circ\text{C}$ Accuracy ($60^\circ\text{C} < T_{\text{DIODE}} < 100^\circ\text{C}$)
 - 0.125°C resolution
 - Anti-parallel diodes for extra diode support
- Internal temperature monitor accuracy:
 - $\pm 2^\circ\text{C}$ accuracy
- Programmable temperature limits for ALERT#
- 3.3V Operation
- 8-pin MSOP, 10-pin MSOP



<< BACK



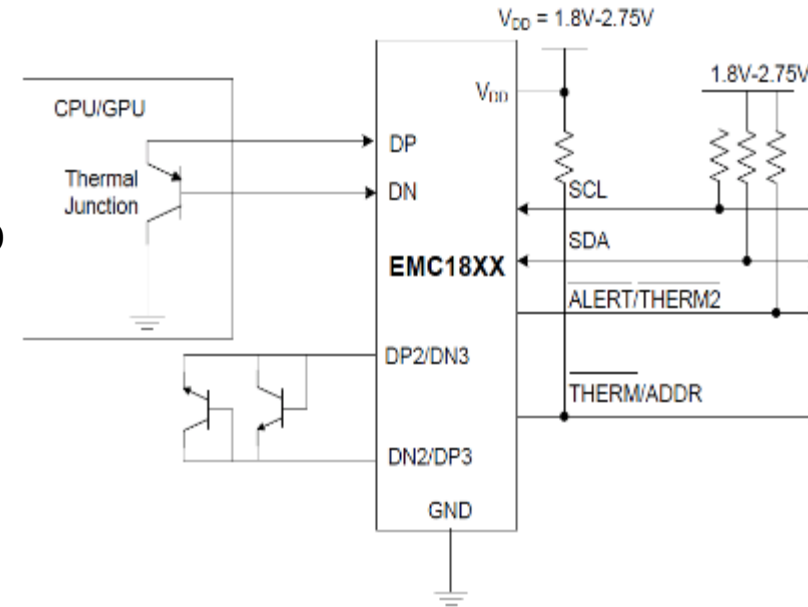
EMC1812/3/4/5 EMC1833

Online
Datasheet

2 to 5 Channel Temperature Sensor with Rate of Change Measurement

Features:

- Measures Temperature Rate of Change Calculation with Preemptive Alert(s) Limits
- Up to four External Temperature Monitors
- Accuracy:
 - $\pm 1^{\circ}\text{C}$ (max) $+25^{\circ}\text{C}$ to $+125^{\circ}\text{C}$ TA, 0°C to $+125^{\circ}\text{C}$ TD
 - $\pm 2^{\circ}\text{C}$ (max) -40°C to $+125^{\circ}\text{C}$ TA, -40°C to $+127^{\circ}\text{C}$ TD
- Internal Temperature Sensor:
 - $\pm 1^{\circ}\text{C}$ maximum accuracy, -40°C to $+127^{\circ}\text{C}$
 - Resolution (Internal/External): 0.125°C
- 2-Wire/I2C-Compatible Interface (up to 400 kHz)
- Programmable or fixed address options
- Configurable Alert Pins
- Operating Voltage: 1.62V to 3.6V
- Temperature Range: -40°C to $+125^{\circ}\text{C}$
- Other Features: Auto-Beta Compensation, Configurable Ideality Factor, Hottest Diode Compare, Resistance Error Correction
- Available in 8-Lead 2x2 mm WDFN and 10-Lead 2.5x2.0 mm VDFN Packages



<< BACK



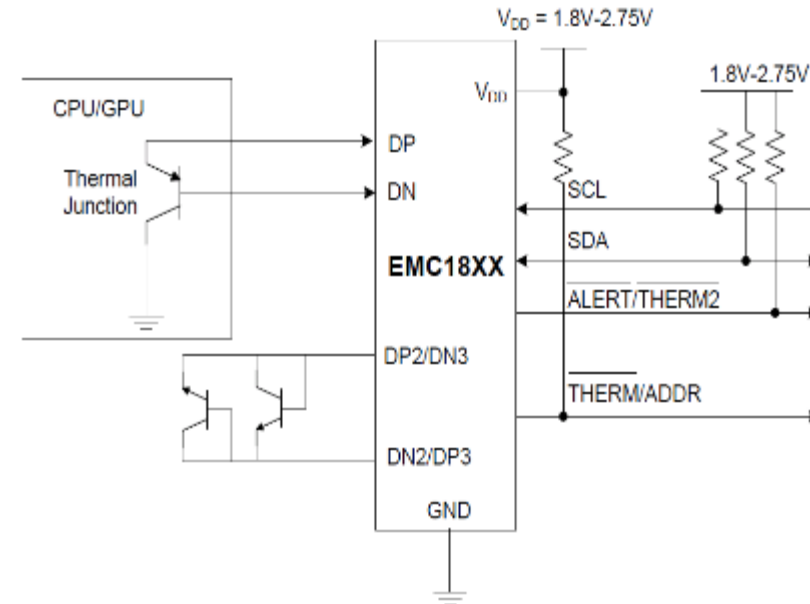
EMC1822/3/4/5 EMC1843

Online
Datasheet

2 to 5 Channel Temperature Sensor with Rate of Change Measurement

Features:

- Measures Temperature Rate of Change Calculation with Preemptive Alert(s) Limits
- Up to four External Temperature Monitors
- Accuracy:
 - $\pm 1^{\circ}\text{C}$ (max) -20°C to $+105^{\circ}\text{C}$ TA, 0°C to $+125^{\circ}\text{C}$ TD
 - $\pm 1.5^{\circ}\text{C}$ (max) -40°C to $+125^{\circ}\text{C}$ TA, -40°C to $+127^{\circ}\text{C}$ TD
- Internal Temperature Sensor:
 - $\pm 1^{\circ}\text{C}$ maximum accuracy, -40°C to $+127^{\circ}\text{C}$
 - Resolution (Internal/External): 0.125°C
- 2-Wire/I2C-Compatible Interface (up to 400 kHz)
- Programmable or fixed address options
- Configurable Alert Pins
- Operating Voltage: 1.62V to 3.6V
- Temperature Range: -40°C to $+125^{\circ}\text{C}$
- Other Features: Auto-Beta Compensation, Configurable Ideality Factor, Hottest Diode Compare, Resistance Error Correction
- Available in 8-Lead 2x2 mm WDFN and 10-Lead 2.5x2.0 mm VDFN Packages



<< BACK



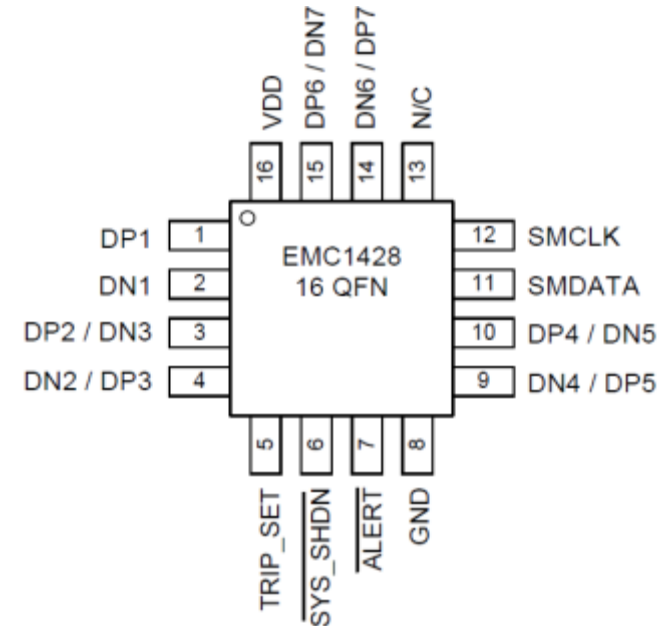
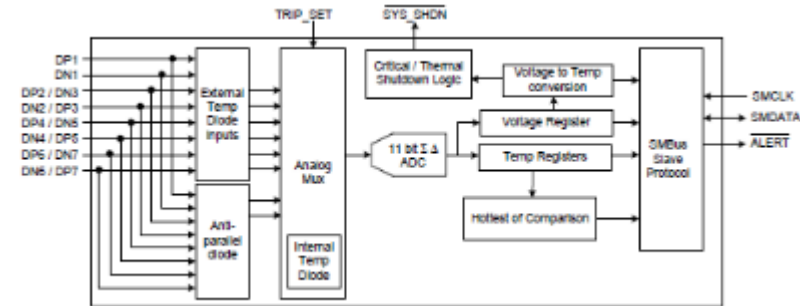
EMC1428

1 C Multiple Temperature Sensor with HW Thermal Shutdown & Hottest of Thermal Zones

Online
Datasheet

Features:

- 8 Channel temperature sensor
- Hardware Thermal Shutdown
- Triggers dedicated SYS_SHDN pin
- Configured range 77°C to 112°C in 1°C steps
- Cannot be disabled or modified by software
- Support for diodes requiring BJT/transistor model
- Designed to support 45nm, 65nm and 90nm –
- processors
- Resistance Error Correction
- Up to 7 External Temperature Monitors:
 - $\pm 1^\circ\text{C}$ Accuracy ($60^\circ\text{C} < T_{\text{DIODE}} < 100^\circ\text{C}$)
 - 0.125°C resolution
- Supports up to 2.2nF diode filter capacitor
- Anti-parallel diodes for extra diode support
- Internal Temperature Monitor:
 - $\pm 2^\circ\text{C}$ accuracy
- Programmable temperature limits for ALERT#
- 3.3V Operation
- 16-pin 4x4 QFN



<< BACK



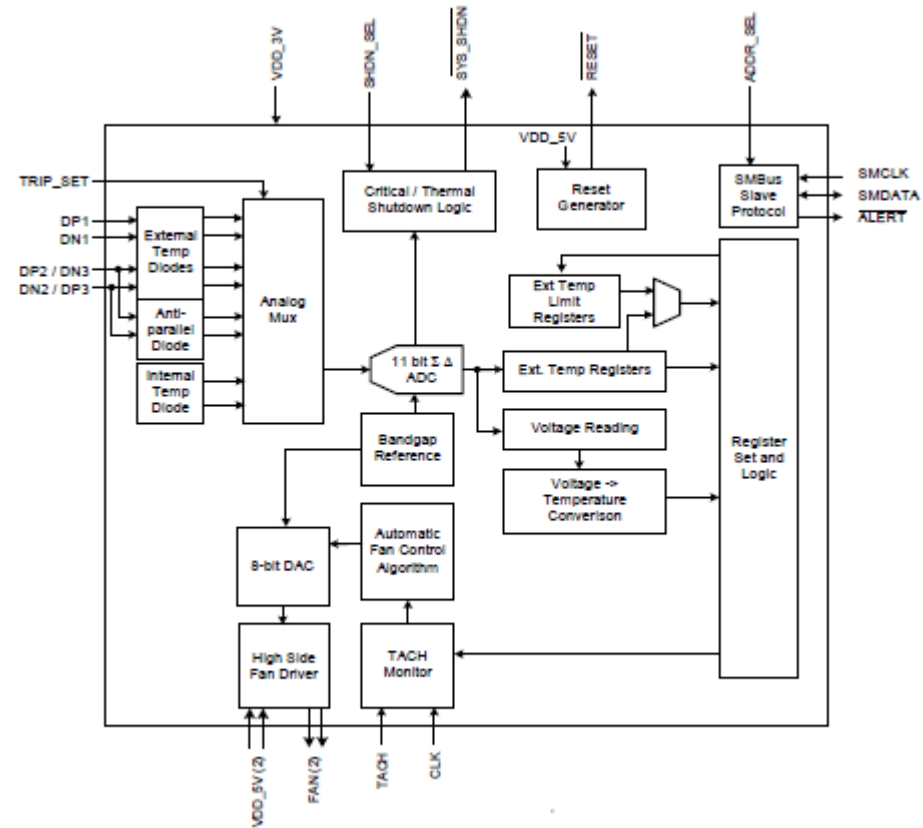
EMC2112

RPM-Based Linear Fan Controller with Hardware Thermal Shutdown

Online
Datasheet

Features:

- 3.0 – 3.6V Supply Voltage
- Closed-Loop RPM-Based Fan Controller:
 - 1% accuracy with external clock input
 - 3% accuracy with internal clock
 - Internal clock can be used as a source
 - Aging fan detection
- Integrated Linear Fan Driver:
 - 600mA drive capability
- HW Thermal Shutdown (SYS_SHDN#)
- Reset Function (RESET#) On 5V Supply
- Up to Three Remote Thermal Zones:
 - $\pm 1^{\circ}\text{C}$ accuracy (60°C to 100°C)
 - 0.125°C resolution
 - Designed to support 45nm, 65nm, and 90nm CPU Diodes
 - Eliminates temperature offset due to –
 - series resistance from PCB traces –
 - and thermal 'Diode'
- I²C/SMBus Interface
- 20-pin 4x4 QFN package



<< BACK



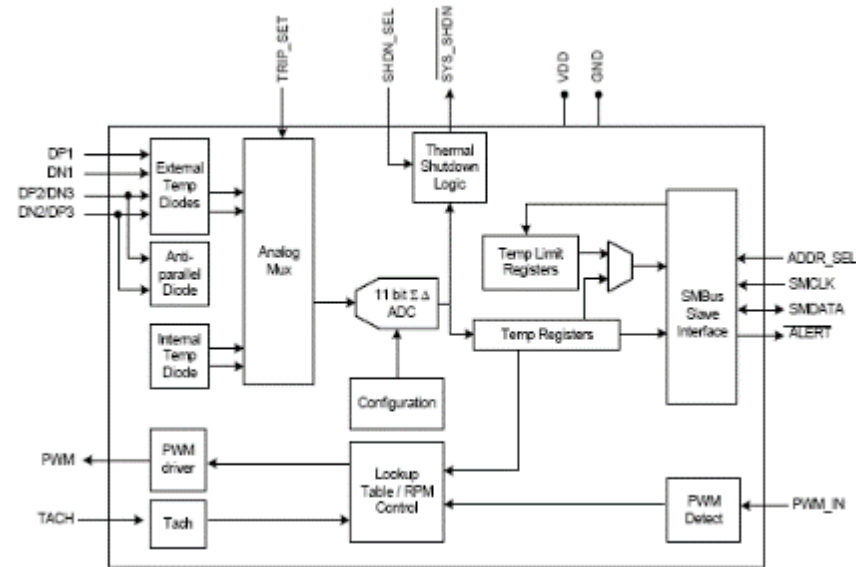
EMC2113

RPM-Based Fan Controller with Multiple Temperature Zones & Hardware Thermal Shutdown

Online
Datasheet

Features:

- Programmable Fan Control circuit:
 - 4-wire fan compatible
 - Both low and high frequency PWM
- RPM-based fan control algorithm:
 - 2% accurate from 500 – 16k RPM
- Temperature Look-Up Table:
 - Eight steps that incorporate up to four – temperature zones
- Up to Three External Temperature Channels
- Hardware Programmable Thermal Shutdown
- Internal Temperature Monitor
- 3.3V Supply Voltage
- Open-drain interrupt pin
- SMBus 2.0 Interface
- 16-pin 4x4 QFN package



<< BACK



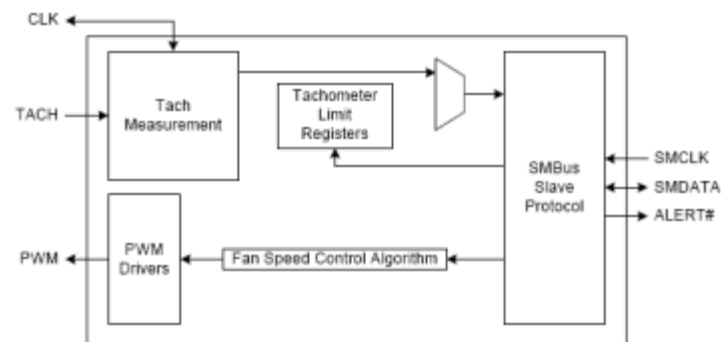
EMC2301

Multiple Channel 1 C Temperature Sensor with Beta Compensation

Online
Datasheet

Features:

- Programmable Fan Control circuit:
 - 4-wire fan compatible
 - High and low speed PWM
 - Optional detection of aging fans
 - Fan Spin Up Control and Ramp Rate Control
 - Alert on fan stall
- Watchdog Timer
- RPM-based fan control algorithm:
 - 0.5% accuracy from 500 – 16k RPM (ext. xtal)
 - 1% accuracy from 500 – 16k RPM (int. clock)
- SMBUS 2.0 Interface
- CLK Pin can provide a clock source output
- 8-pin MSOP



<< BACK



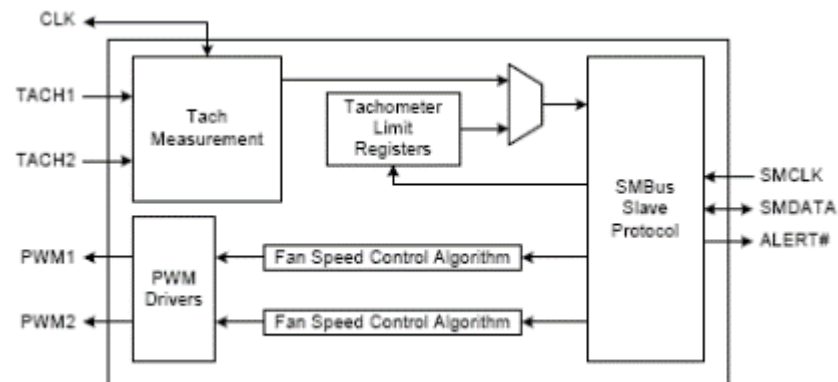
EMC2302

Multi-Channel Low-Temperature Remote Diode Sensor

Online
Datasheet

Features:

- Two Programmable Fan Control circuits:
 - 4-wire fan compatible
 - High and low speed PWM
 - Optional detection of aging fans
 - Fan Spin Up Control and Ramp Rate – Control
 - Alert on fan stall
- Watchdog Timer
- RPM-based fan control algorithm:
 - 0.5% accuracy from 500 – 16k RPM (ext. xtal)
 - 1% accuracy from 500 – 16k RPM (int. clock)
- SMBUS 2.0 Interface
- CLK Pin can provide a clock source output
- 10-pin MSOP



<< BACK



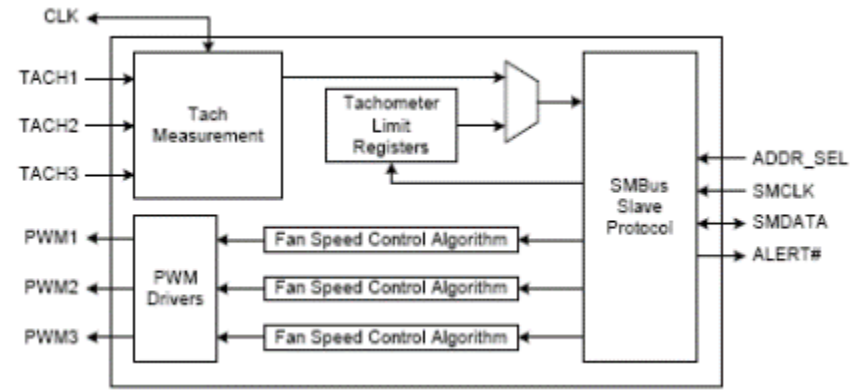
EMC2303

Dual Channel 1 C Temperature Sensor with Beta Compensation
and 1.8V SMBus Communications

Online
Datasheet

Features:

- Three Programmable Fan Control circuits:
 - 4-wire fan compatible
 - High and low speed PWM
 - Optional detection of aging fans
 - Fan Spin Up Control and Ramp Rate – Control
 - Alert on fan stall
- Watchdog Timer
- RPM-based fan control algorithm:
 - 0.5% accuracy from 500 – 16k RPM (ext. xtal)
 - 1% accuracy from 500 – 16k RPM (int. clock)
- SMBUS 2.0 Interface
- CLK Pin can provide a clock source output
- 12-pin 4x4 QFN



<< BACK



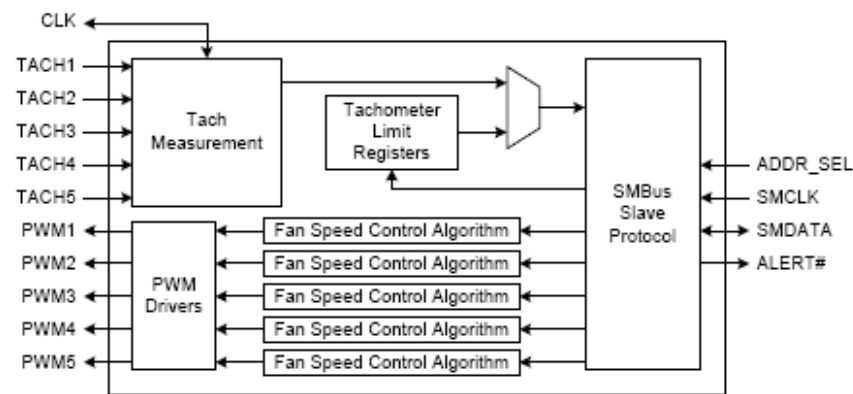
EMC2305

1 C Temperature Sensor with Hardware Thermal Shutdown

Online
Datasheet

Features:

- Five Programmable Fan Control circuits:
 - 4-wire fan compatible
 - High and low speed PWM
 - Optional detection of aging fans
 - Fan Spin Up Control and Ramp Rate – Control
 - Alert on fan stall
- Watchdog Timer
- RPM-based fan control algorithm:
 - 0.5% accuracy from 500 – 16k RPM (ext. xtal)
 - 1% accuracy from 500 – 16k RPM (int. clock)
- SMBUS 2.0 Interface
- CLK Pin can provide a clock source output
- 16-pin 4x4 QFN



<< BACK



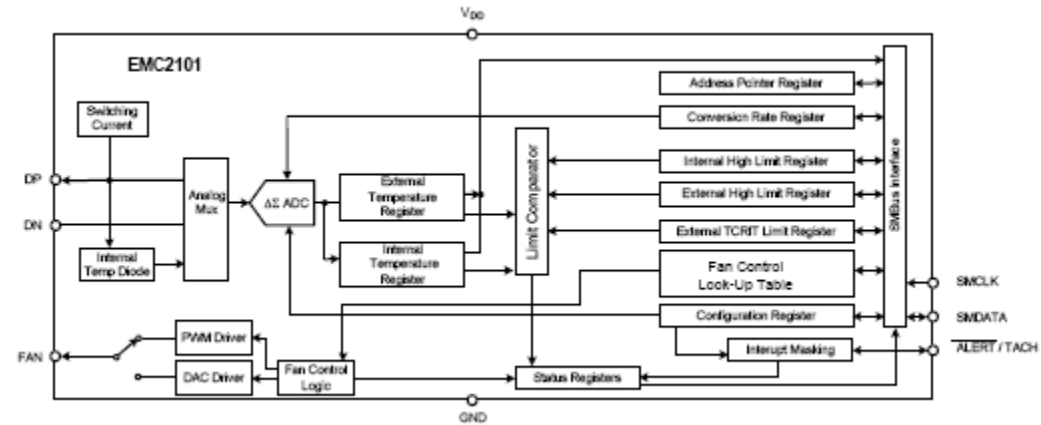
EMC2101

Dual Channel 1 C Temperature Sensor with Hardware Thermal Shutdown and 1.8V SMBus Communications

Online
Datasheet

Features:

- 3.3V Operation
- Automatic Beta Compensation
- Resistance Error Correction
- Self-programming with EEPROM
- Selectable PWM or DAC fan driver – output
- Temperature Monitors:
 - External channel $\pm 1^{\circ}\text{C}$ accuracy
 - Internal channel $\pm 2^{\circ}\text{C}$ accuracy
- SMBus 2.0 Interface
- 8-pin MSOP and SOIC



<< BACK



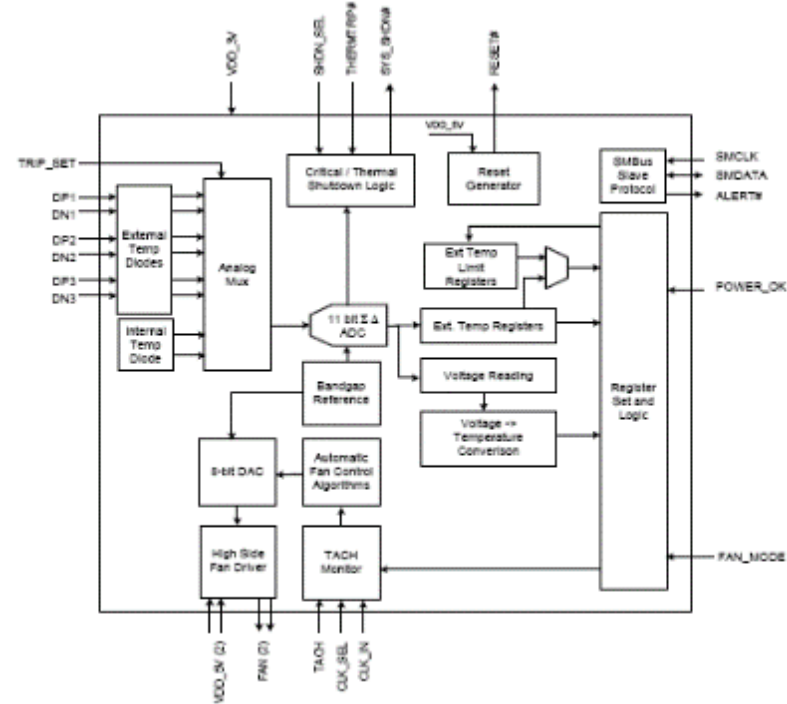
EMC2102

1 C Multiple Temperature Sensor with HW Thermal Shutdown & Hottest of Thermal Zones

Online
Datasheet

Features:

- Supports 45nm, 65nm, 90nm CPU Diodes
- Supports BJT and transistor models
- 3.0 – 3.6V Operation
- Closed-loop RMP based Fan Controller
- Integrated Linear Fan Driver:
 - 600 mA drive capability
- HW Thermal Shutdown
- Reset Function on 5V Supply
- Three Remote Thermal Zones:
 - $\pm 1^{\circ}\text{C}$ accuracy (60°C to 100°C)
 - 1°C Resolution
- Resistance Error Correction
- 28-pin 5x5 QFN



<< BACK



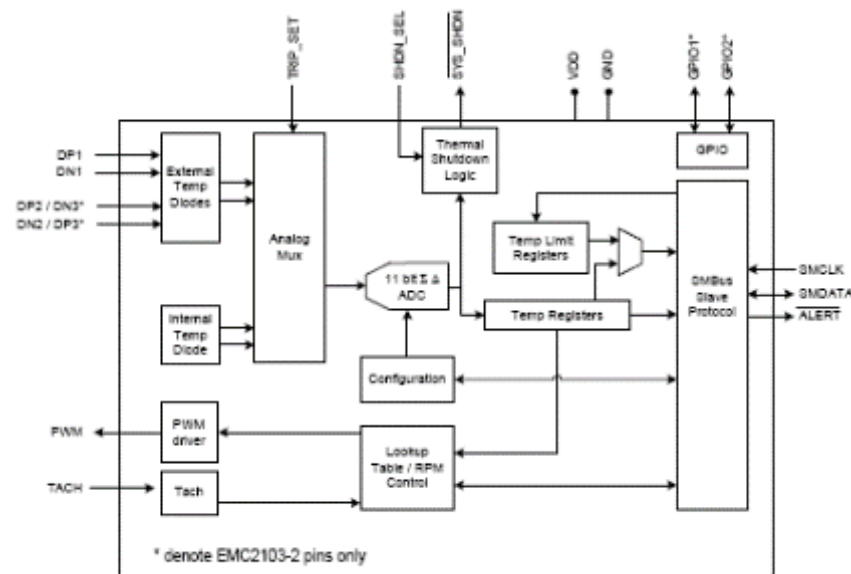
EMC2103

RPM-Based Linear Fan Controller with Hardware Thermal Shutdown

Online
Datasheet

Features:

- 3.3V Operation
- Programmable Fan Control circuit:
 - 4-wire fan compatible
 - High and low frequency PWM
- RPM-based fan control algorithm:
 - 2.5% accuracy from 500 – 16k RPM
- Temperature Look-up Table:
 - Controls fan speed or PWM drive
 - Supports DTS data from CPU
- Up to Three External Temperature Channels:
 - Supports 45nm, 65nm, 90nm CPU Diodes
 - Supports BJT and transistor models
 - Resistance error correction
 - Supports discrete transistors (i.e. 2N3904)
 - $\pm 1^{\circ}\text{C}$ accuracy (60°C to 100°C)
 - 0.125°C Resolution
- Hardware Programmable Thermal Shutdown
- Internal Temperature Monitor
- SMBus 2.0 Interface
- 12-pin 4x4 QFN and 16-pin 4x4 QFN



<< BACK



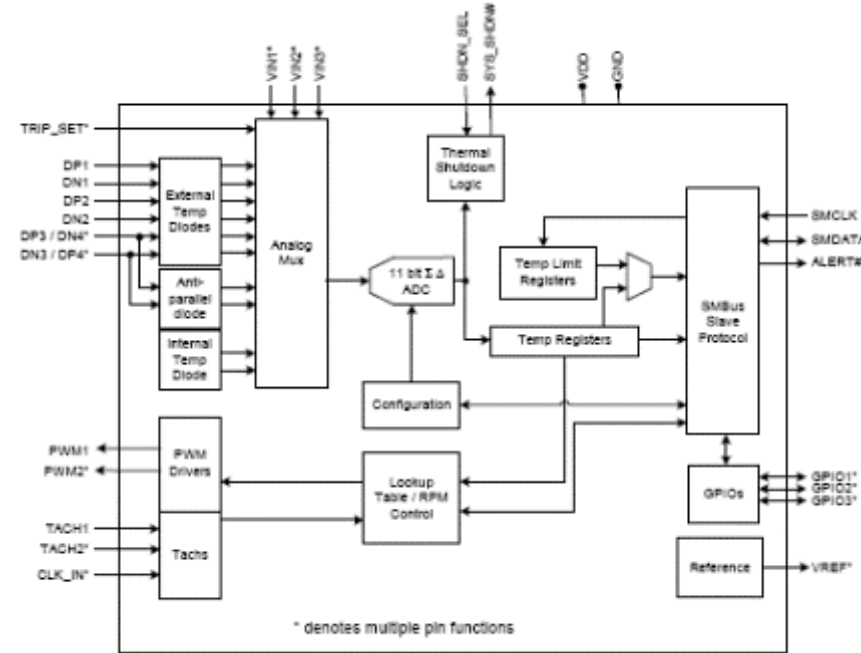
EMC2104

RPM-Based Fan Controller with Multiple Temperature Zones & Hardware Thermal Shutdown

Online
Datasheet

Features:

- 3.3V Operation
- Two Programmable Fan Control circuit:
 - 4-wire fan compatible
 - High and low frequency PWM
- RPM-based fan control algorithm:
 - 2.5% accuracy from 500 – 16k RPM
- Temperature Look-up Table:
 - Controls fan speed or PWM drive
 - Supports DTS data from CPU
- Up to Four External Temperature Channels:
 - Supports 45nm, 65nm, 90nm CPU Diodes
 - Supports BJT and transistor models
 - Resistance error correction
 - $\pm 1^{\circ}\text{C}$ accuracy (60°C to 100°C)
 - 0.125°C Resolution
- Up to three thermister compatible voltage inputs
- Hardware Programmable Thermal Shutdown
- Internal Temperature Monitor
- SMBus 2.0 Interface
- 20-pin 4x4 QFN

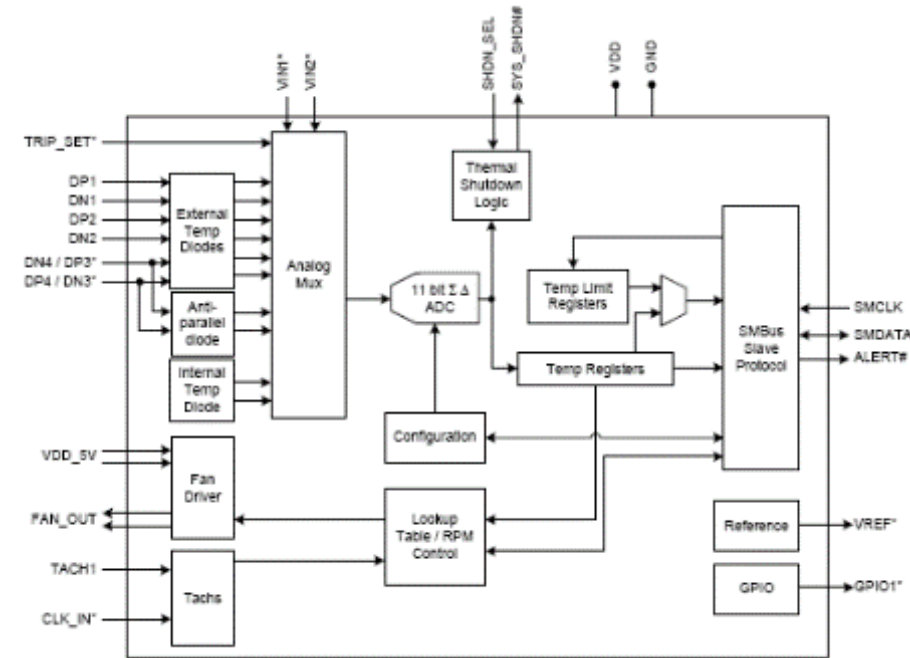


<< BACK



Features:

- 3.3V Operation
- Programmable Fan Control circuit:
 - 600 mA, 5V, high side fan driver
- RPM based fan control algorithm:
 - 2% accuracy from 500 – 16k RPM
- Temperature Look-up Table:
 - 1 to 4 thermal zones
 - Controls fan speed or fan drive
 - Allows external data to control fan –
- drivers including two DTS channels
- Up to Four External Temperature Channels:
 - Supports 45nm, 65nm, 90nm CPU –
- Diodes and BJT and transistor models
 - Resistance error correction
 - $\pm 1^{\circ}\text{C}$ accuracy (60°C to 100°C)
 - 0.125°C Resolution
- SMBus 2.0 Interface
- 20-pin 4x4 QFN



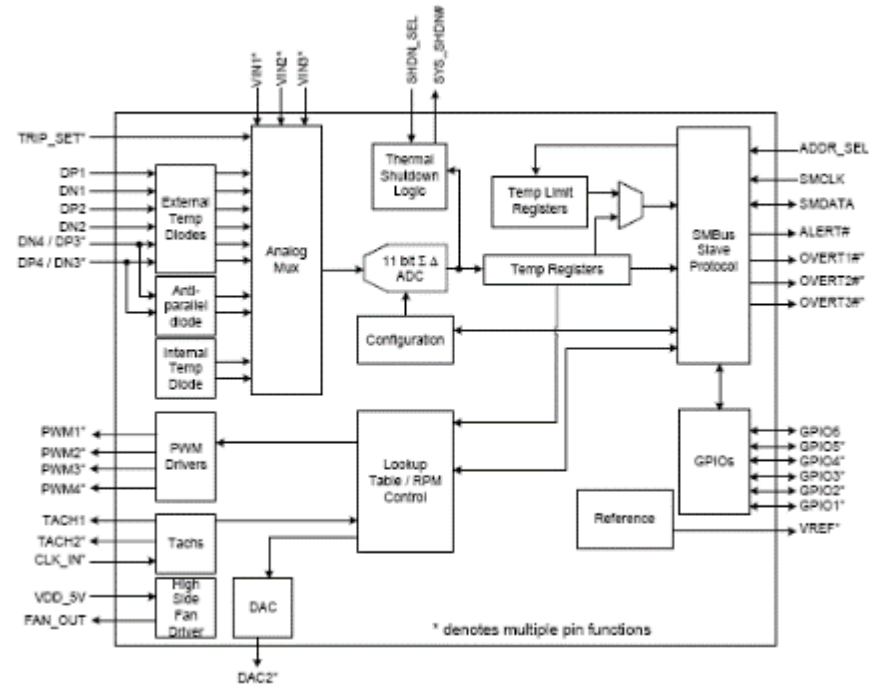
EMC2106

Dual RPM-Based Linear Fan Controller with Hardware Thermal Shutdown

Online
Datasheet

Features:

- 3.3V Operation
- Two Programmable Fan Control circuit:
 - 4-wire fan compatible
 - High and Low speed PWM
 - 600 mA, 5V, high side fan driver
- RPM based fan control algorithm:
 - 2% accuracy from 500 – 16k RPM
- Temperature Look-up Table:
 - 1 to 4 thermal zones
 - Controls fan speed or fan drive
 - Allows external data to control fan drivers – including two DTS channels
- Up to Four External Temperature Channels:
 - Supports 45nm, 65nm, 90nm CPU –
- Diodes and BJT and transistor models
 - Resistance error correction
 - $\pm 1^{\circ}\text{C}$ accuracy (60°C to 100°C)
 - 0.125°C Resolution
- SMBus 2.0 Interface
- 28-pin 5x5 QFN



<< BACK



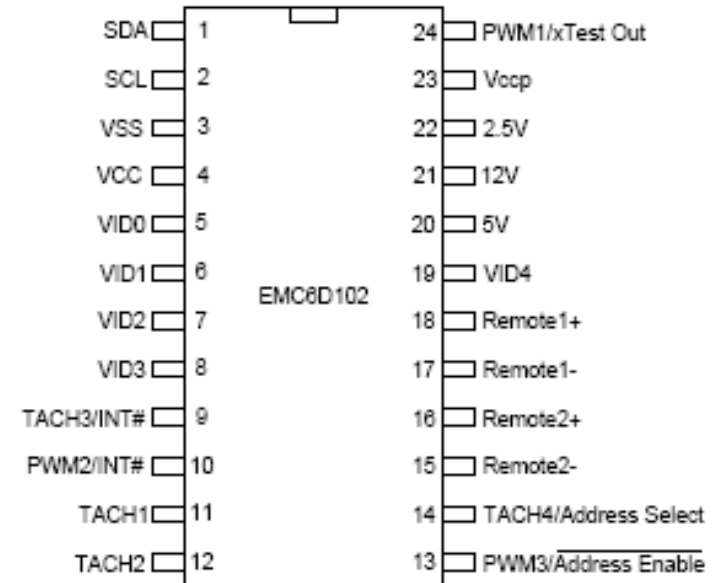
EMC6D102

Fan Control Device with Hardware Monitoring
and Acoustic Noise Reduction Features

Online
Datasheet

Features:

- 3.3V Operation
- Fan Control:
 - Three PWM Outputs
 - Four Fan Tachometer Inputs
 - Fan ramp rate control for noise reduction
- Temperature Monitor:
 - Monitoring two remote thermal diodes
 - Internal ambient temperature measurement
- Voltage Monitor:
 - Monitor power supplies (2.5V, 5V, 12V, Vcc)
- Power saving modes
- 5 VID (Voltage Identification Inputs)
- XNOR Tree Test Mode
- SMBus 2.0 Interface
- 24-pin SSOP



<< BACK



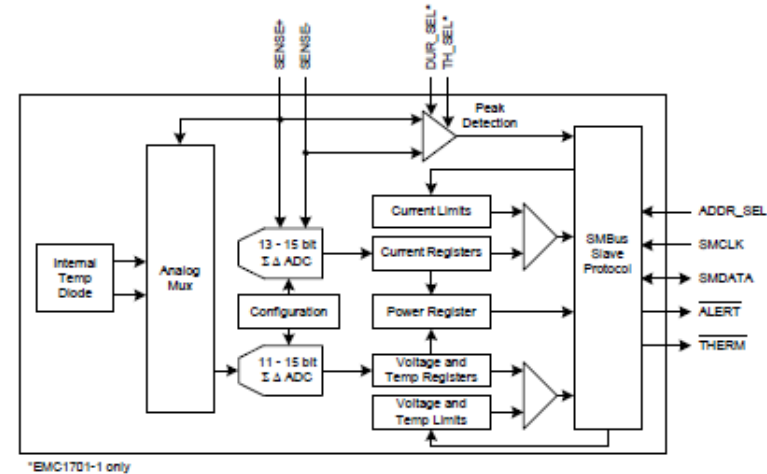
EMC1701

High-Side Current-Sense and Internal 1 °C Temperature Monitor

Online
Datasheet

Features:

- High-side current sensor:
 - Bi-directional current measurement
 - Measures bus voltage
 - 1% current measurement accuracy
 - Integrated over 82ms to 2.6sec, 11-bit – resolution
 - 3V to 24V voltage bus voltage range
- Calculates proportional power
- Independent hardware set instantaneous –
 - current peak detector (EMC1701-1 only):
 - Software controls to program time duration –
 - and magnitude threshold
- Power supply options:
 - Bus or separately powered
- Internal temperature monitor:
 - $\pm 1^{\circ}\text{C}$ accuracy ($-5^{\circ}\text{C} < \text{TA} < 85^{\circ}\text{C}$)
- Voltage, and out-of-current limit reporting
- I²C/SMBus 2.0 Interface
- Industrial temperature range: -40°C to $+85^{\circ}\text{C}$
- 10-pin MSOP, 12-pin 4x4 QFN



<< BACK



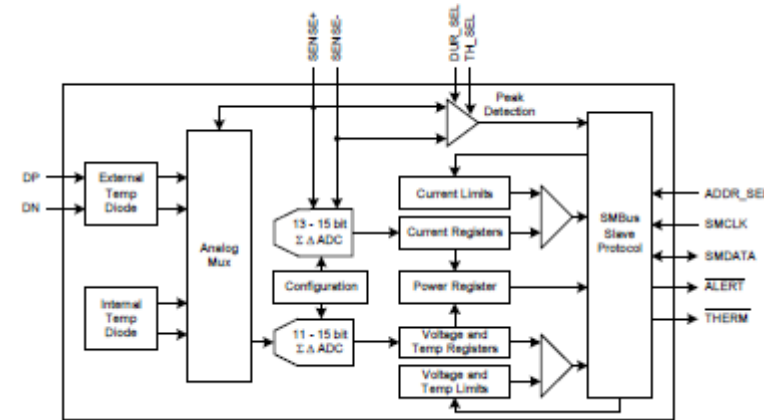
EMC1702

High-Side Current-Sense and Dual 1 C Temperature Monitor

Online
Datasheet

Features:

- High-side current sensor:
 - Bi-directional current measurement
 - Measures bus voltage
 - 1% current measurement accuracy
 - Integrated over 82ms to 2.6sec, 11-bit resolution
 - 3V to 24V voltage bus voltage range
- Calculates proportional power
- Hardware instantaneous current peak detector
- Power supply options:
 - Bus or separately powered for low voltage operation
- Internal temperature monitor:
 - $\pm 1^{\circ}\text{C}$ accuracy ($-5^{\circ}\text{C} < T_A < 85^{\circ}\text{C}$)
- One external temperature monitor:
 - 1°C accuracy ($20^{\circ}\text{C} < T_{\text{DIODE}} < 110^{\circ}\text{C}$) with –
– 0.125 $^{\circ}\text{C}$ resolution
- ALERT# and THERM# outputs for temperature, -
- voltage, and out-of-current limit reporting
- I²C/SMBus 2.0 interface
- Industrial temperature range: -40 $^{\circ}\text{C}$ to +85 $^{\circ}\text{C}$
- 12-pin 4x4 QFN



<< BACK



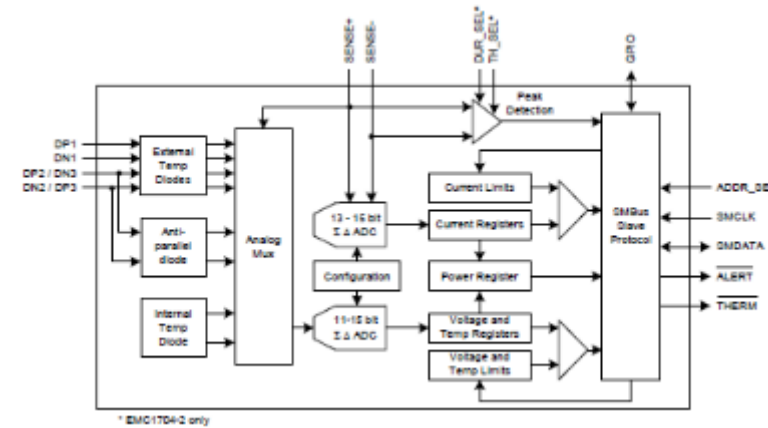
EMC1704

High-Side Current-Sense and Multiple 1 C Temperature Monitor

Online
Datasheet

Features:

- High-side current sensor:
 - Bi-directional current measurement
 - Measures bus voltage
 - 1% current measurement accuracy
 - Integrated over 82ms to 2.6sec, 11-bit resolution
 - 3V to 24V voltage bus voltage range
- Calculates proportional power
- Hardware set instantaneous current peak detector
- Bus or separately powered for low voltage operation
- Internal temperature monitor
 - $\pm 1^{\circ}\text{C}$ accuracy ($-5^{\circ}\text{C} < \text{TA} < 85^{\circ}\text{C}$)
- Up to 3 external temperature monitor:
 - 1°C accuracy ($20^{\circ}\text{C} < T_{\text{DIODE}} < 110^{\circ}\text{C}$) with –
– 0.125 $^{\circ}\text{C}$ resolution
- ALERT# and THERM# outputs for temperature, -
- voltage, and out-of-current limit reporting
- General purpose I/O
- I²C/SMBus 2.0 interface
- Industrial temperature range: 40 $^{\circ}\text{C}$ to +85 $^{\circ}\text{C}$
- 14-pin SOIC, 16-pin 4x4 QFN



<< BACK



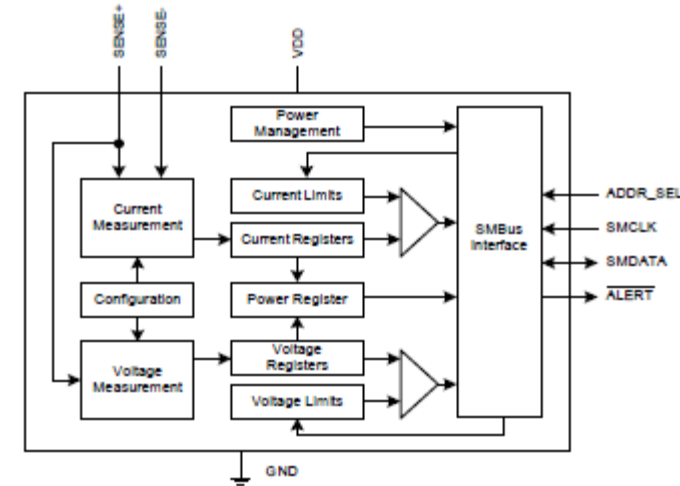
PAC1710

Single and Dual High-Side Current-Sense Monitor with Power Calculation

Online
Datasheet

Features:

- High-side current sensor:
 - Current measurement is integrated over
 - 2.5ms to 2.6sec with up to 11-bit resolution
 - 1% current measurement accuracy
 - Measures V_{SOURCE} voltage
- Calculates proportional power
- V_{SOURCE} voltage range 0V to 40V:
 - Bi-directional current sensing
- Auto-zero input offset voltage
- Digital averaging
- 5 μ A typical Standby current
- Programmable sense voltage range:
 - ± 10 mV, ± 20 mV, ± 40 mV, and ± 80 mV
- Industrial temperature range:
 - -40°C to +85°C
- ALERT# output for voltage and current out of limit transients
- SMBus 2.0 communications interface
- Sample time configurable from 2.5ms-320ms:
 - With averaging effective sampling times up to 2.6sec
- Power supply range 3.0V to 5.5V
- 10-pin 3x3 DFN



<< BACK



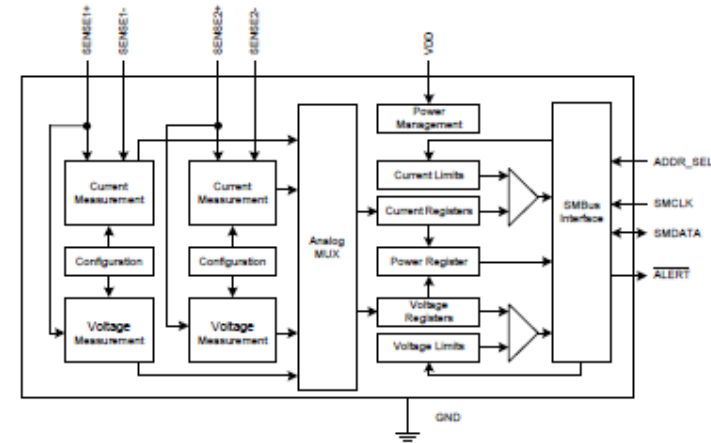
PAC1720

Single and Dual High-Side Current-Sense Monitor with Power Calculation

Online
Datasheet

Features:

- Dual High-side current sensor:
 - Current measurement is integrated over
 - 2.5ms to 2.6sec with up to 11-bit resolution
 - 1% current measurement accuracy
 - Measures V_{SOURCE} voltage
- Calculates proportional power
- V_{SOURCE} voltage range 0V to 40V:
 - Bi-directional current sensing
- Auto-zero input offset voltage
- Digital averaging
- 5 μ A typical Standby current
- Programmable sense voltage range:
 - $\pm 10\text{mV}$, $\pm 20\text{mV}$, $\pm 40\text{mV}$, and $\pm 80\text{mV}$
- Industrial temperature range: -40°C to $+85^{\circ}\text{C}$
- ALERT# output for voltage and current out of limit transients
- SMBus 2.0 communications interface
- Sample time configurable from 2.5ms-320ms:
 - With averaging effective sampling times up to 2.6sec
- Power supply range 3.0V to 5.5V
- 10-pin 3x3 DFN



<< BACK



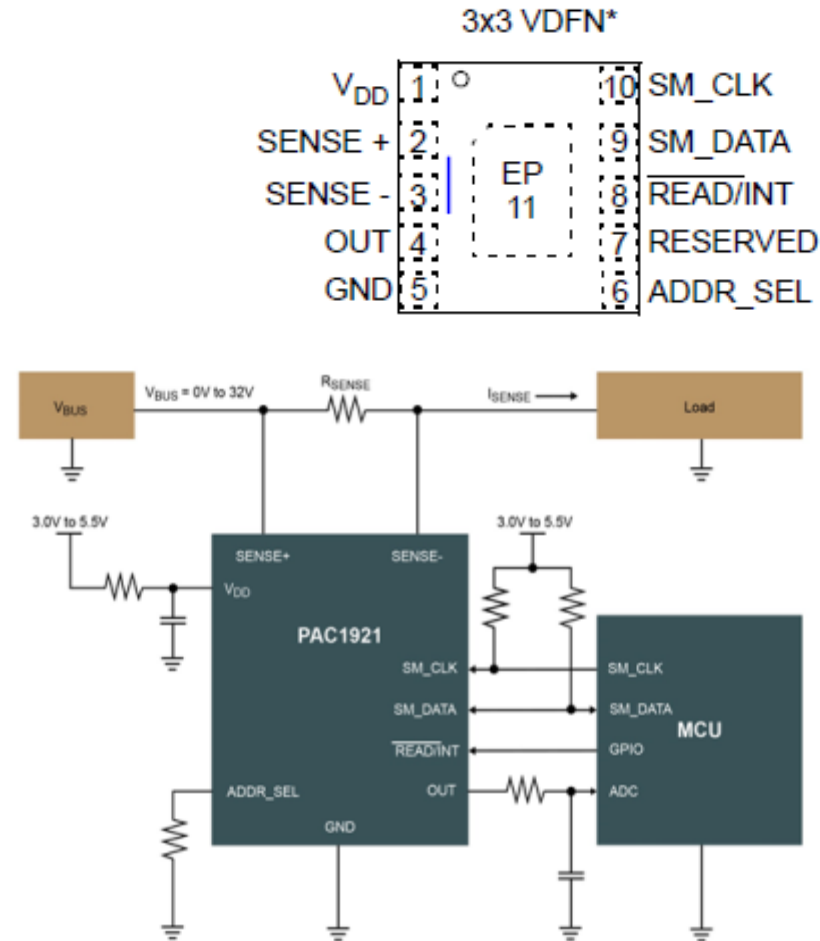
PAC1921

High-Side Power/Current Monitor with Analog Output

Online
Datasheet

Features:

- High-side current sensor:
 - Power, current & voltage available on
 - 2-wire and configurable analog output
 - 100mV full scale current sense voltage –
– range
 - 1% power measurement accuracy
 - 2nd order $\Delta\Sigma$ ADC : 11- or 14-bit –
– resolution
 - Selectable current gain: 1X - 128X
- Configurable measurement type output:
 - Measured power, current, or bus voltage
 - Output voltage range 1V, 1.5V, 2V, or 3V
- 2 Wire digital, I²C compatible
- Bus range 0V to 32V
- Power supply:
 - V_{DD} = 3.3V nominal, (3V-5.5V)



<< BACK

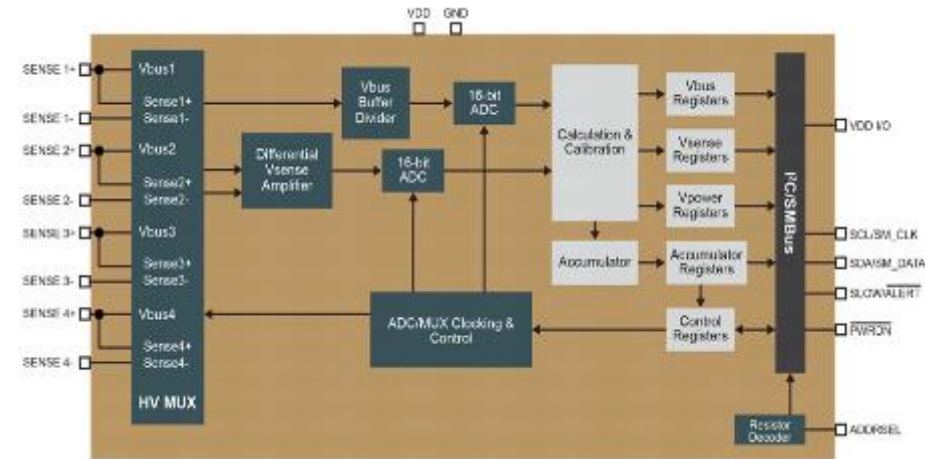
PAC1931/2/3/4

DC Power/Energy Monitor with Accumulator

Online
Datasheet

Features:

- High-Side Current sensor (1, 2, 3 and 4 Channels)
 - 100 mV full scale voltage sense range
 - 16-bit resolution
 - Bidirectional or unidirectional options
- Wide Bus Voltage Range for Voltage Monitoring
 - 0V to 32V input common-mode voltage
 - 16-bit resolution for voltage measurements
- 2.7V to 5.5V supply operation
 - Separate I/O pin for digital I/O
 - 1.62-5.5V capable
 - I2C Fast Mode Plus (1Mb/S) and SMBus 3.0
- 1% power measurement accuracy over full range
- On-Chip accumulation of 28-bit power results for energy measurement
 - 48-bit power accumulator register for recording accumulated power data
 - 24-bit accumulator count
 - User programmable sampling rates of 8, 64, 256, and 1024 samples per second
 - 17 minutes of power data accumulation at 1024 samples per second
- Alert for overflow events and conversion complete
- WLCSP package (2.225 x 2.17 1, 2, 3, 4 channels)
- 16-lead 4 x 4 x 0.5 uQFN for 2, 3, 4 channels only



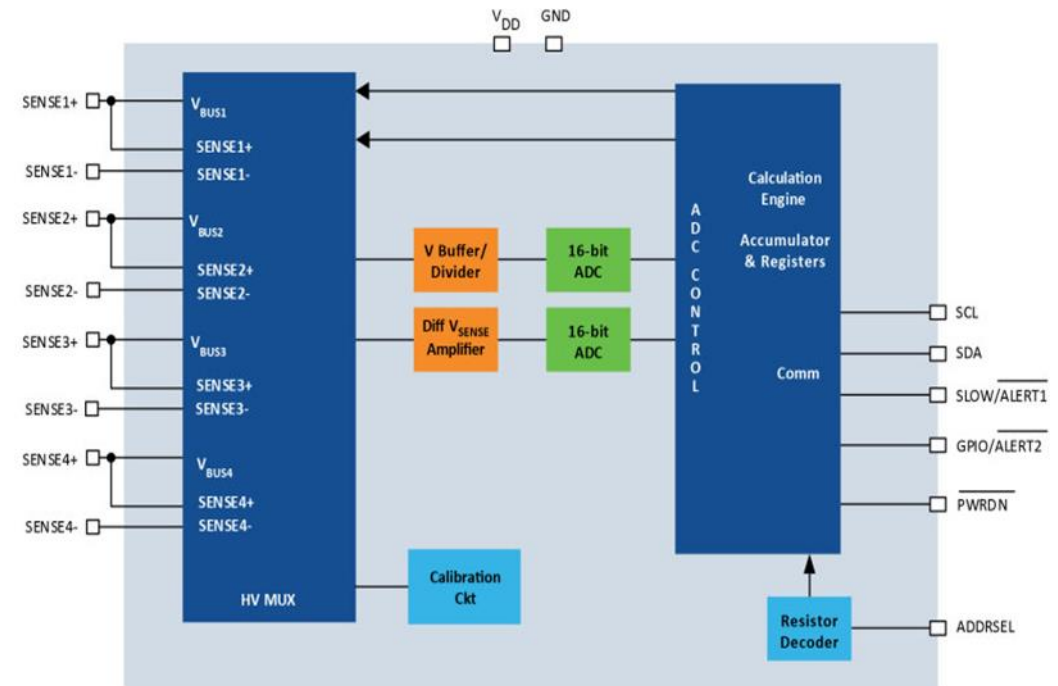
<< BACK



PAC1941/2/3/4

9V Power/Energy Monitor with Accumulator and 2 Alert Outputs

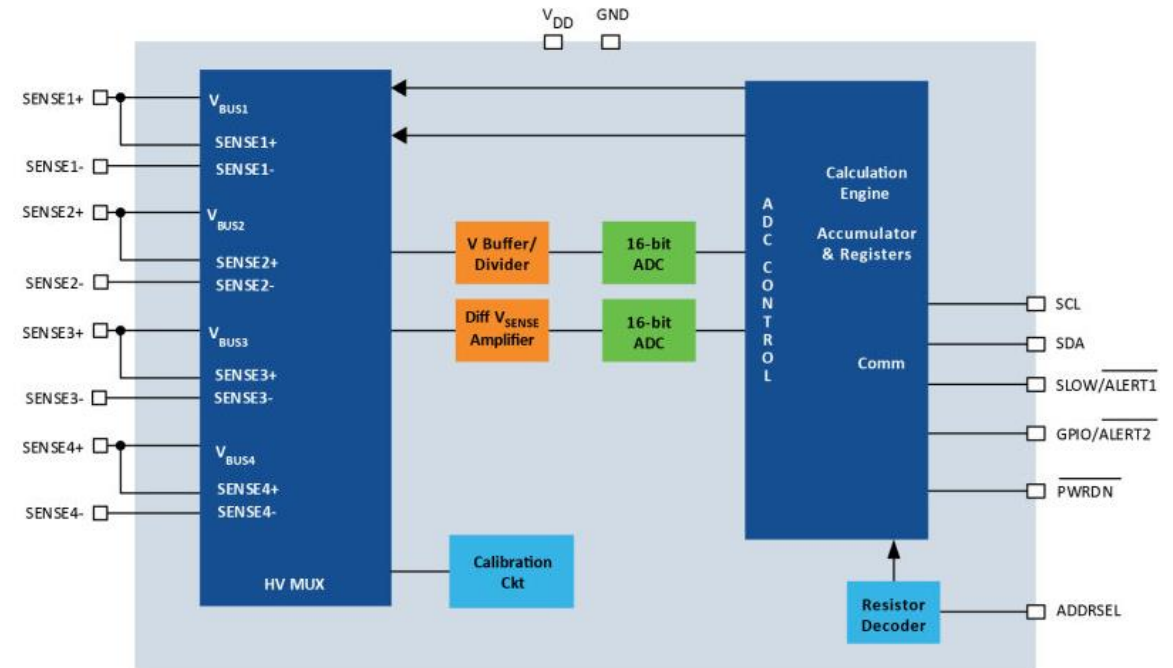
- **Features:**
- **High-Side/Low-Side Current Monitor with One, Two, Three or Four Channels:**
 - 100 mV Full-Scale Range (FSR) for current sense voltage
 - Programmable FSR: -50 mv to +50 mv
 - 16-bit resolution for current measurements
 - External sense resistor sets the full-scale current range
- **Voltage Monitor with Wide VBUS Range**
 - 0V to 9V FSR, with 16-bit monitoring for voltage
 - 4.5V programmable VBUS option
- **Real-Time Auto-Calibration of Offset Error**
- **1% Power Measurement Accuracy, Wide Dynamic Range**
- **On-Chip Accumulation of 30-bit Power Results**
 - Programmable sampling rates of 8, 64, 256, 1024 SPS
 - 5120 SPS for a single channel in Burst mode
- **2.7V to 5.5V Supply Operation**
- **1.62-5.5V capable I2C/SMBus and digital I/O**
 - Up to High-Speed mode (3.4 Mbps)
- **2 ALERT outputs for event detection of current, voltage and power events**
- **Coulomb Counting measurement option**
- **8X Averaging Mode for One-Shot Measurements to Reduce Noise and Offset**
- **3 x 3 mm 16-Lead VQFN and 2.225 x 2.17 mm 16-Lead WLCSP**



PAC1951/2/3/4

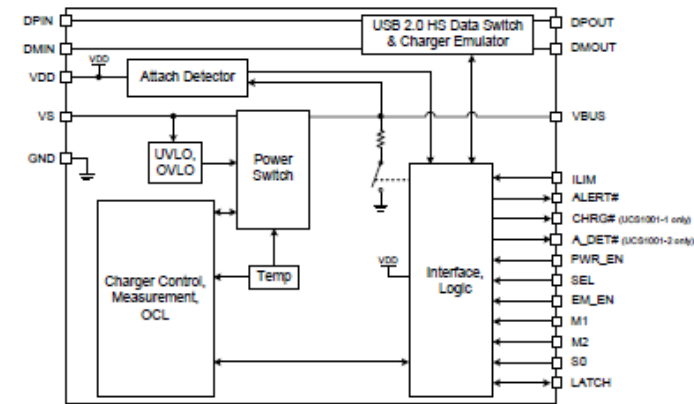
32V Power/Energy Monitor with Accumulator and 2 Alert Outputs

- **Features:**
- **High-Side/Low-Side Current Monitor with One, Two, Three or Four Channels:**
 - 100 mV Full-Scale Range (FSR) for current sense voltage
 - Programmable FSR: -50 mv to +50 mv
 - 16-bit resolution for current measurements
 - External sense resistor sets the full-scale current range
- **Voltage Monitor with Wide VBUS Range**
 - 0V to 32V FSR, with 16-bit monitoring for voltage
 - 16V programmable VBUS option
- **Real-Time Auto-Calibration of Offset Error**
- **1% Power Measurement Accuracy, Wide Dynamic Range**
- **On-Chip Accumulation of 30-bit Power Results**
 - Programmable sampling rates of 8, 64, 256, 1024 SPS
 - 5120 SPS for a single channel in Burst mode
- **2.7V to 5.5V Supply Operation**
- **1.62-5.5V capable I2C/SMBus and digital I/O**
 - Up to High-Speed mode (3.4 Mbps)
- **2 ALERT outputs for event detection of current, voltage and power events**
- **Coulomb Counting measurement option**
- **8X Averaging Mode for One-Shot Measurements to Reduce Noise and Offset**
- **3 x 3 mm 16-Lead VQFN and 2.225 x 2.17 mm 16-Lead WLCSP**



Features:

- Port power switch with two current limit behaviors:
 - 2.9 V to 5.5 V source voltage range
 - Up to 2.5 A current with 55 mΩ On Resistance
 - Over-current trip or constant current limiting
 - Under- and over-voltage lockout
 - Back-drive, back-voltage protection
 - Latch or auto-recovery (low test current) fault handling
 - BC1.2 VBUS discharge port renegotiation function
- Selectable/automatic cycling of charger emulation profiles:
 - USB-IF BC1.2 charging downstream port (CDP) and dedicated charging port (DCP) modes, YD/T-1591, and most Apple® and RIM® protocols standard
 - USB 2.0 compliant high-speed data switch
 - Nine preloaded charger emulation profiles
- Fault Alert open-drain output
- Optional split supply support for VBUS and V_{DD}
- Wake on Attach USB (UCS1001-2)
- Industrial temperature range: -40°C to +85°C
- IEC61000-4-2 8 / 15 kV ESD immunity
- UL recognized and EN/IEC 60950-1 (CB) certified



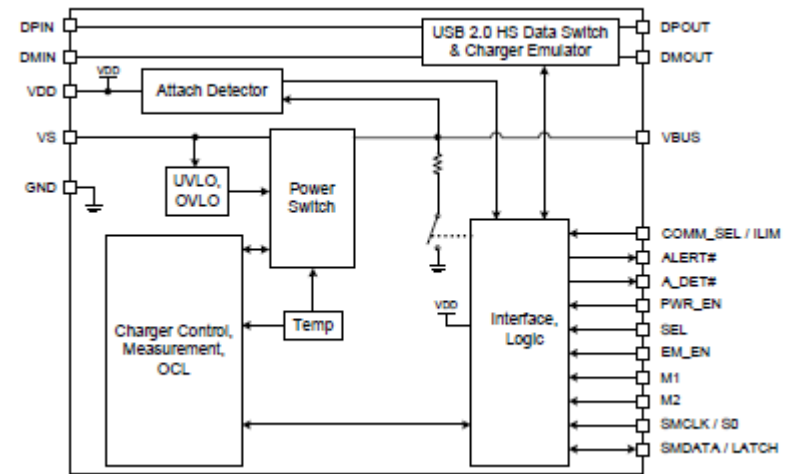
UCS1002

Programmable USB Port Power Controller with Charger Emulation

Online
Datasheet

Features:

- Port power switch with two current limit behaviors:
 - 2.9 V to 5.5 V source voltage range
 - Up to 2.5 A current with 55 mΩ On Resistance
 - Over-current trip or constant current limiting
 - UVLO/OVLO & Back-drive, back-voltage protection
 - Latch or auto-recovery (low test current) fault handling
 - BC1.2 VBUS discharge port renegotiation function
- Selectable/automatic cycling of charger emulation profiles:
 - USB-IF BC1.2 charging downstream port (CDP) – and dedicated charging port (DCP) modes, - YD/T = 1591, and most Apple® and RIM® protocols
 - USB 2.0 compliant high-speed data switch
 - Nine preloaded charger emulation profiles
 - One custom programmable charger profile
 - Self-contained current monitoring and charge rationing
 - Automatic shutdown when Battery Full & Sleep modes
- Wake on Attach USB
- SMBus 2.0/I²C communications
- IEC61000-4-2 8 / 15 kV ESD immunity
- UL recognized and EN/IEC 60950-1 (CB) certified

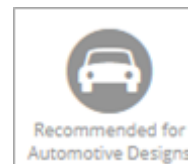


<< BACK



UCS81001/2

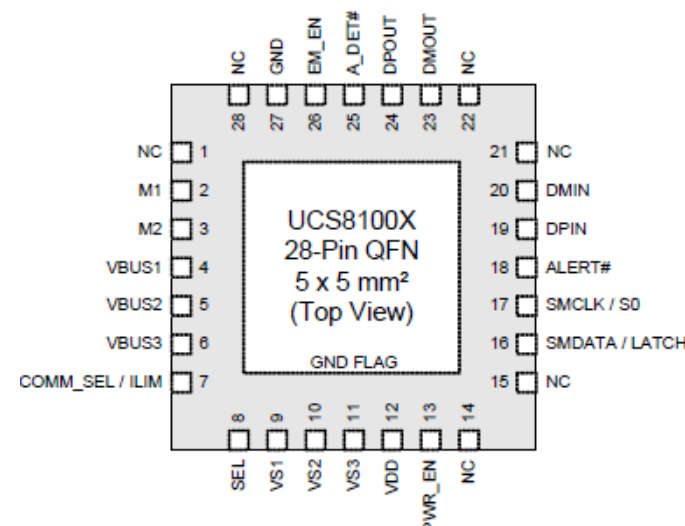
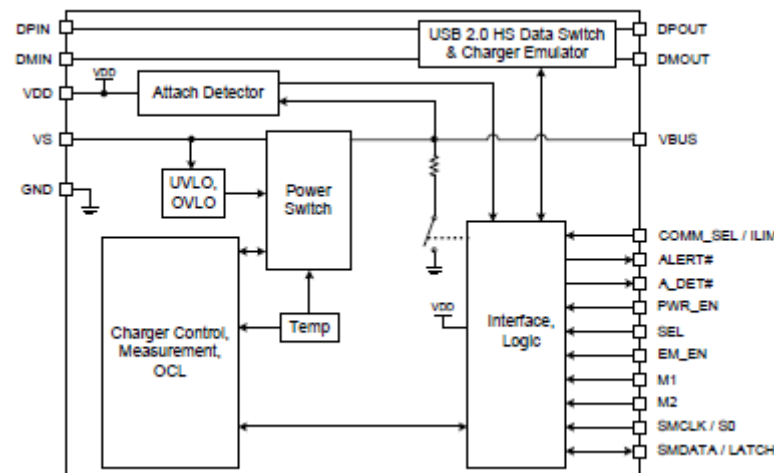
Automotive USB Port Power Controller with Charger Emulation



Online Datasheet

Features:

- Port power switch with two current limit behaviors:
 - 2.9 V to 5.5 V source voltage range
 - Up to 2.5 A current with 55 mΩ On Resistance
 - Over-current trip or constant current limiting
 - Programmable current limit
 - Dynamic thermal management
 - ULVO/OVLU & Back-drive, back-voltage protection
 - BC1.2 VBUS discharge port renegotiation function
- Selectable/automatic cycling of charger emulation profiles:
 - USB-IF BC1.2 charging downstream port (CDP) and dedicated charging port (DCP) modes, YD/T-1591, and most Apple® and RIM® protocols standard
 - USB 2.0 compliant high-speed data switch
 - Nine preloaded charger emulation profiles
 - One custom programmable charger profile
- Automatic shutdown when Battery Full & Sleep modes
- Wake on Attach USB
- UCS81002 issues an Alert on Reset
- SMBus 2.0/I²C communications
- IEC61000-4-2 8 / 15 kV ESD immunity
- Recommended for Automotive Design



<< BACK



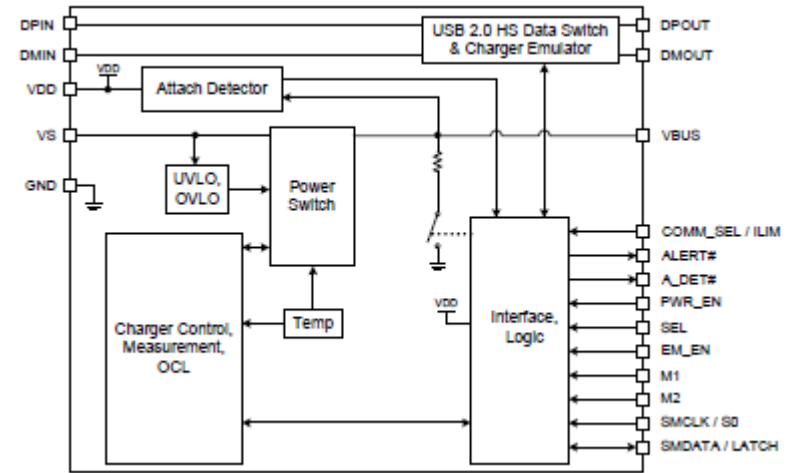
UCS1003

USB Port Power Controller with Charger Emulation

Online
Datasheet

Features:

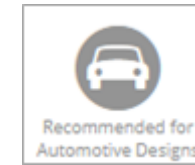
- Port power switch with two current limit behaviors:
 - 2.9 V to 5.5 V source voltage range
 - Up to 2.7 A current with 55 mΩ On Resistance
 - Over-current trip or constant current limiting
 - Programmable current limit
 - UVLO/OVLO, Back-drive, back-voltage protection
 - Latch or auto-recovery (low test current) fault handling
 - BC1.2 VBUS discharge port renegotiation function
- Selectable/automatic cycling of charger emulation profiles:
 - USB-IF BC1.2 charging downstream port (CDP) and dedicated charging port (DCP) modes, YD/T-1591, and most Apple®, Samsung & RIM® protocols
 - USB 2.0 compliant high-speed data switch
 - Nine preloaded charger emulation profiles
 - One custom programmable charger profile
- Automatic shutdown when Battery Full & Sleep modes
- Low power Attach Detection and open-drain A_DET# pin
- Wake on Attach USB
- SMBus 2.0/I²C communications
- Industrial temperature range: 40°C to +85°C



<< BACK

UCS81003

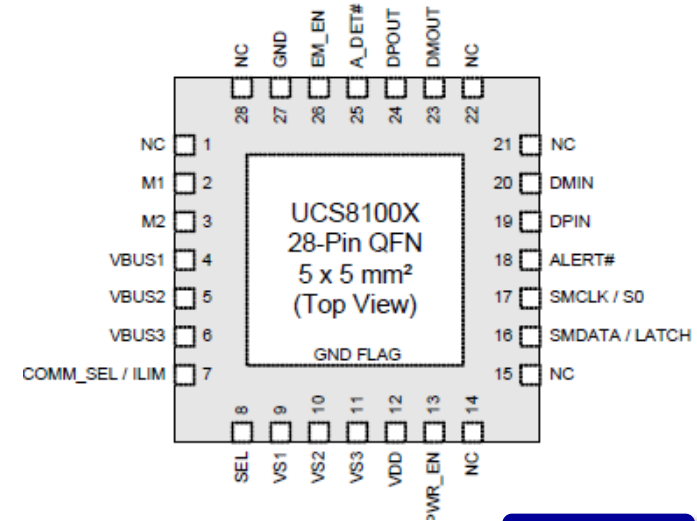
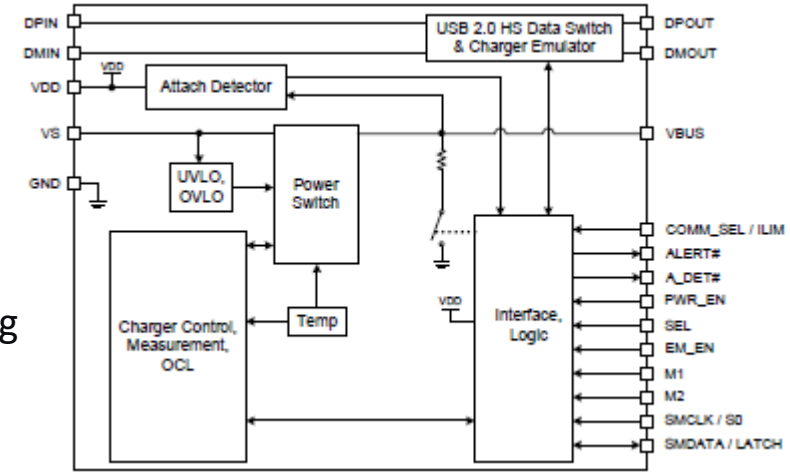
Automotive USB Port Power Controller with Charger Emulation



Online Datasheet

Features:

- Port power switch with two current limit behaviors:
 - 2.9 V to 5.5 V source voltage range
 - Up to 2.7 A current with 55 mΩ On Resistance
 - Over-current trip or constant current limiting
 - Programmable current limit
 - UVLO/OVLO, Back-drive, back-voltage protection
 - Latch or auto-recovery (low test current) fault handling
 - BC1.2 VBUS discharge port renegotiation function
- Selectable/automatic cycling charger emulation profiles:
 - USB-IF BC1.2 charging downstream port (CDP) – and dedicated charging port (DCP) modes, YD/T-1591, and most Apple®, Samsung & RIM® protocols
 - USB 2.0 compliant high-speed data switch
 - Nine preloaded charger emulation profiles
 - One custom programmable charger profile
- Automatic shutdown when Battery Full and Sleep modes
- Wake on Attach USB
- SMBus 2.0/I²C communications
- Industrial temperature range: -40°C to +85°C
- IEC61000-4-2 8 / 15 kV ESD immunity
- Recommended for Automotive Design

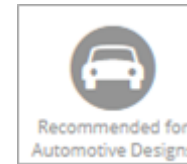


<< BACK



TC620/TC621

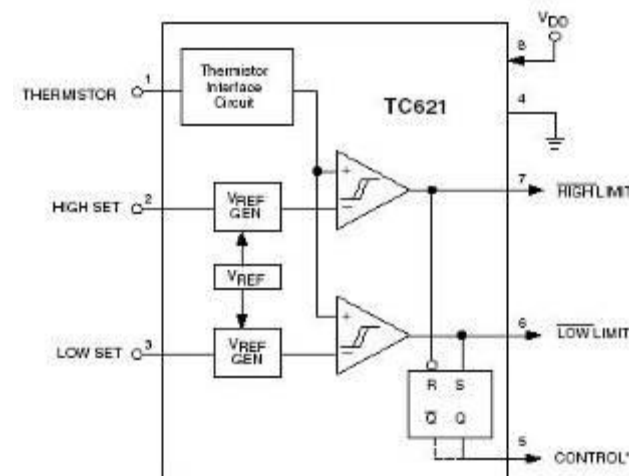
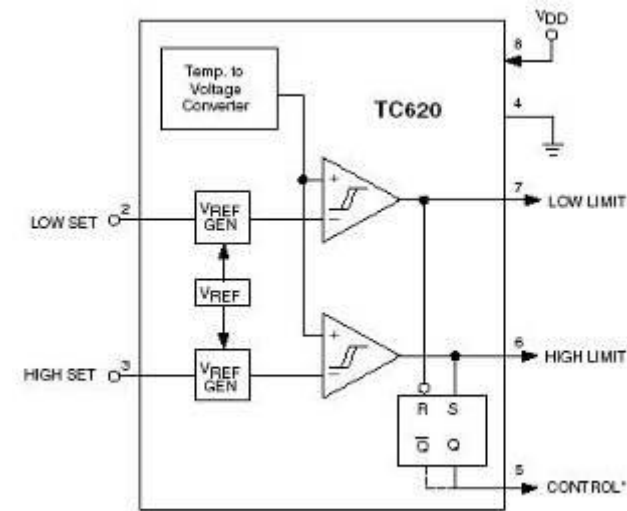
5V, Dual Trip Point Temperature Sensor



Online
Datasheet

Features:

- User Programmable Hysteresis and –
–Temperature Set Point
- Easily Programs with 2 External Resistors
- Wide Temperature Detection Range:
 - 0°C to 70°C: (TC620/TC621CCX)
 - -40°C to +125°C: (TC620/TC621CVX)
 - -40°C to +85°C: (TC620/TC621CEX)
 - -55°C to +125°C: (TC620/TC621CMX)
- Onboard Temperature Sensing Applications (TC620X)
- External NTC Thermistor for Remote Sensing –
– Applications (TC621X)
- Available in 8-Pin PDIP and SOIC Packages
- Recommended for Automotive Design (TC621)



<< BACK



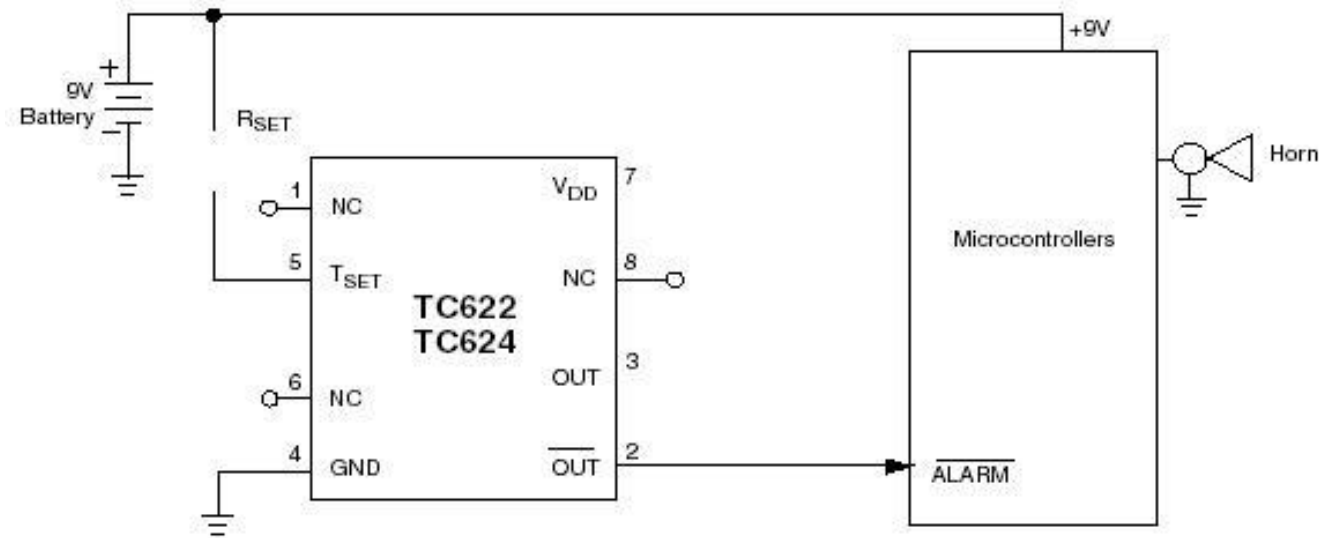
TC622/4

Low Cost Single Trip Point Temperature Sensor

[Online Datasheet](#)

Features:

- Temperature Set Point Easily Programs with –
 - a Single External Resistor
- Operates with 2.7V Power Supply (TC624)
- TO-220 Package for Direct Mounting to –
 - Heatsink (TC622XAT) or Standard 8-Pin –
 - PDIP and SOIC



[<< BACK](#)



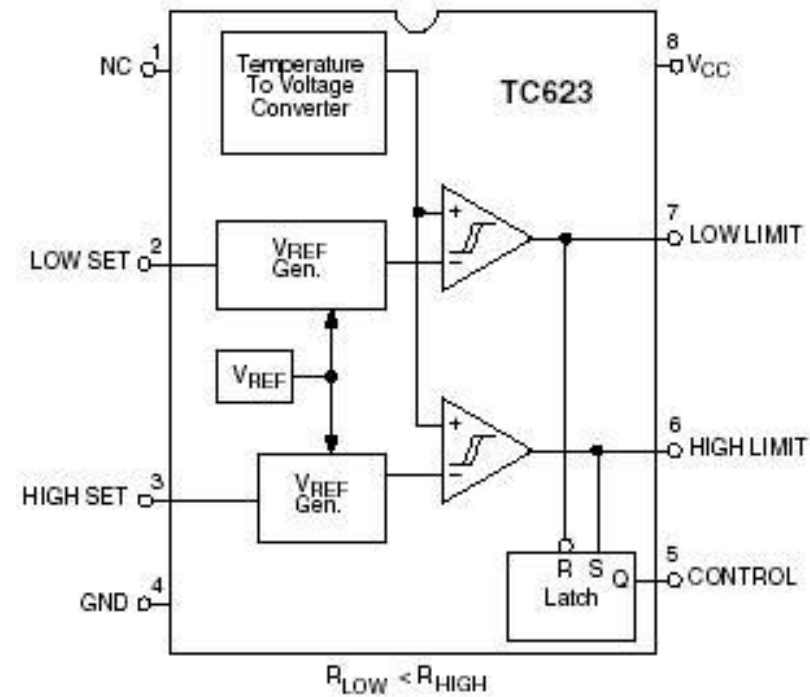
TC623

3V, Duel Trip Point Temperature Sensor

Online
Datasheet

Features:

- Integrated Temp Sensor and Detector
- Operate from a Supply Voltage as Low as 2.7V
- Replaces Mechanical Thermostats and Switches
- On-Chip Temperature Sense
- 8-Pin DIP or SOIC for Direct PCB Mounting
- 2 User Programmable Temperature Set Points
- 2 Independent Temperature Limit Outputs
- Heat/Cool Regulate Output



<< BACK



MCP9700A

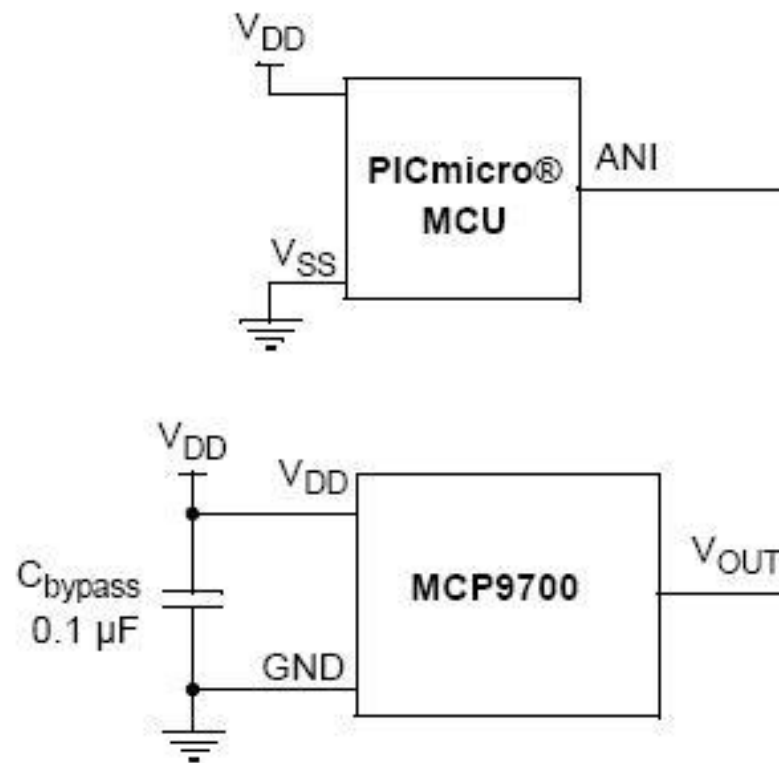
Low-Power Linear Active Thermistor ICs



Online
Datasheet

Features:

- Tiny Analog Temperature Sensor
- Available Packages: SC-70-5, SOT-23-5, -TO-92-3
- Wide Temperature Measurement Range:
 - -40°C to $+125^{\circ}\text{C}$
- Accuracy:
 - $\pm 2^{\circ}\text{C}$ (max.), 0°C to $+70^{\circ}\text{C}$ (MCP9700A/9701A)
 - $\pm 4^{\circ}\text{C}$ (max.), 0°C to $+70^{\circ}\text{C}$ (MCP9700/9701)
- Optimized for Analog-to-Digital Converters – (ADCs):
 - $10.0\text{ mV}/^{\circ}\text{C}$ (typ.) MCP9700/9700A
 - $19.5\text{ mV}/^{\circ}\text{C}$ (typ.) MCP9701/9701A
- Wide Operating Voltage Range:
 - $V_{\text{DD}} = 2.3\text{V}$ to 5.5V MCP9700/9700A
 - $V_{\text{DD}} = 3.1\text{V}$ to 5.5V MCP9701/9701A
- Low Operating Current: $6\text{ }\mu\text{A}$ (typ.)
- Optimized to Drive Large Capacitive Loads
- Recommended for Automotive Design (MCP9700/1)



<< BACK



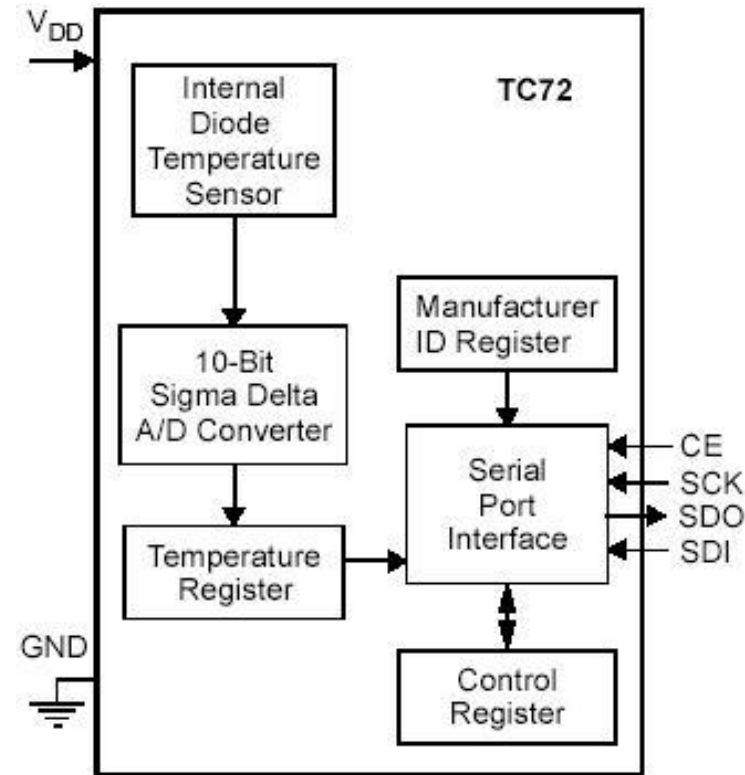
TC72

Digital Temperature Sensor with SPI Interface

Online
Datasheet

Features:

- Temperature-to-Digital Converter
- SPI™ Compatible Interface
- 10-Bit Resolution (0.25°C/Bit)
- ±2°C (max.) Accuracy from -40°C to +85°C
- ±3°C (max.) Accuracy from -55°C to +125°C
- 2.65V to 5.5V Operating Range
- Low Power Consumption:
 - 250µA (typ.) Continuous Temperature Conversion Mode
 - 1µA (max.) Shutdown Mode
- Power Saving One-Shot Temperature – Measurement
- Industry Standard 8-Pin MSOP Package
- Space Saving 8-Pin DFN (3x3 mm) Package



<< BACK



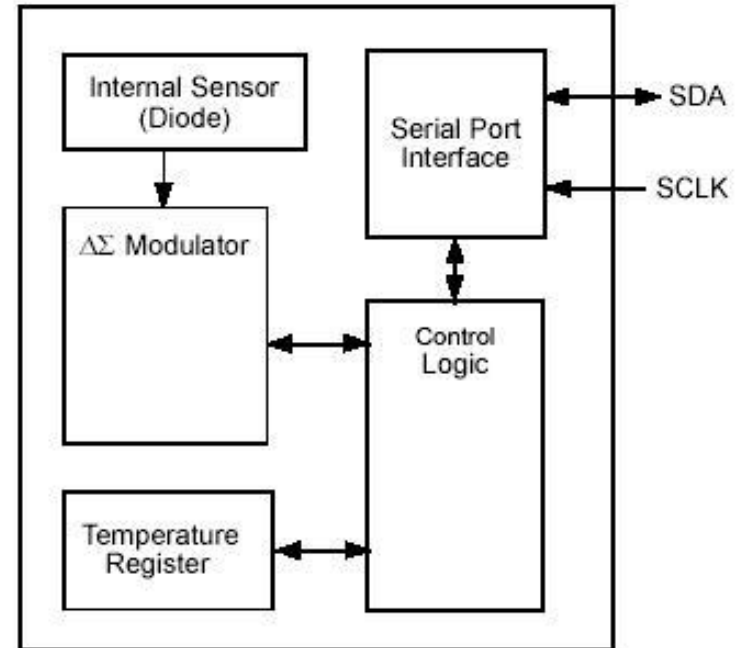
TC74

Tiny Serial Digital Thermal Sensor

Online
Datasheet

Features:

- Digital Temperature Sensing in SOT-23-5 or –
– TO-220 Packages
- Outputs Temperature as an 8-Bit Digital Word
- Simple SMBus/I²C™ Serial Port Interface
- Solid-State Temperature Sensing:
 - $\pm 2^{\circ}\text{C}$ (max.) Accuracy from $+25^{\circ}\text{C}$ to $+85^{\circ}\text{C}$
 - $\pm 3^{\circ}\text{C}$ (max.) Accuracy from 0°C to $+125^{\circ}\text{C}$
- 2.65V to 5.5V Operating Range
- Supply voltage of 2.7V to 5.5V
- Low Power Consumption:
 - 250 μA (typ.) Operating Current
 - 1 μA (max.) Standby Mode Current

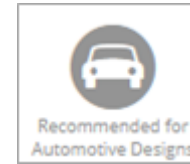


<< BACK



TCN75A

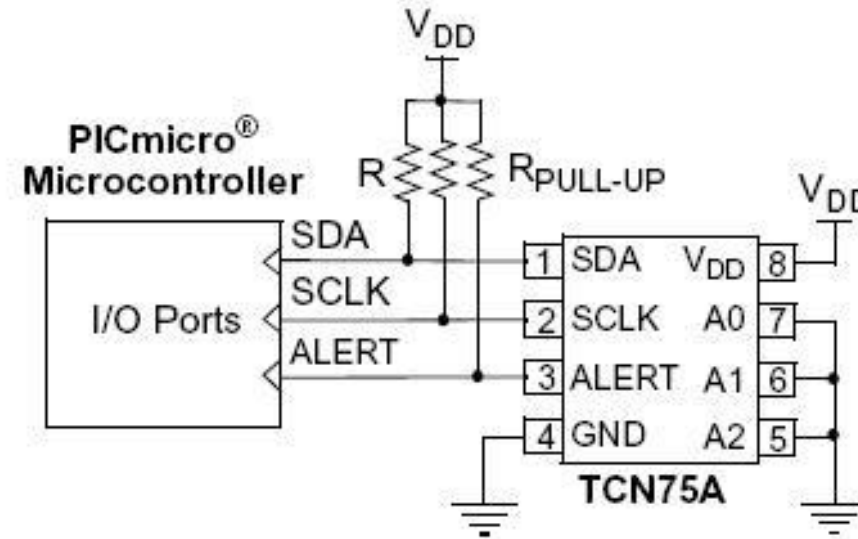
2-Wire Serial Temperature Sensor



Online
Datasheet

Features:

- Temperature-to-Digital Converter
- Accuracy:
 - $\pm 1^{\circ}\text{C}$ (typ.) from -40°C to $+125^{\circ}\text{C}$
 - $\pm 2^{\circ}\text{C}$ (max.) from -40°C to $+125^{\circ}\text{C}$
- User-selectable Resolution:
- 0.5°C to 0.0625°C
- Operating Voltage Range: 2.7V to 5.5V
- 2-wire Interface: I²C™ Compatible
- Operating Current: 200 μA (typ.)
- Shutdown Current: 2 μA (max.)
- Power-saving One-shot Temperature –
– Measurement
- Available Packages:
 - MSOP-8, SOIC-8
- Recommended for Automotive Design



<< BACK



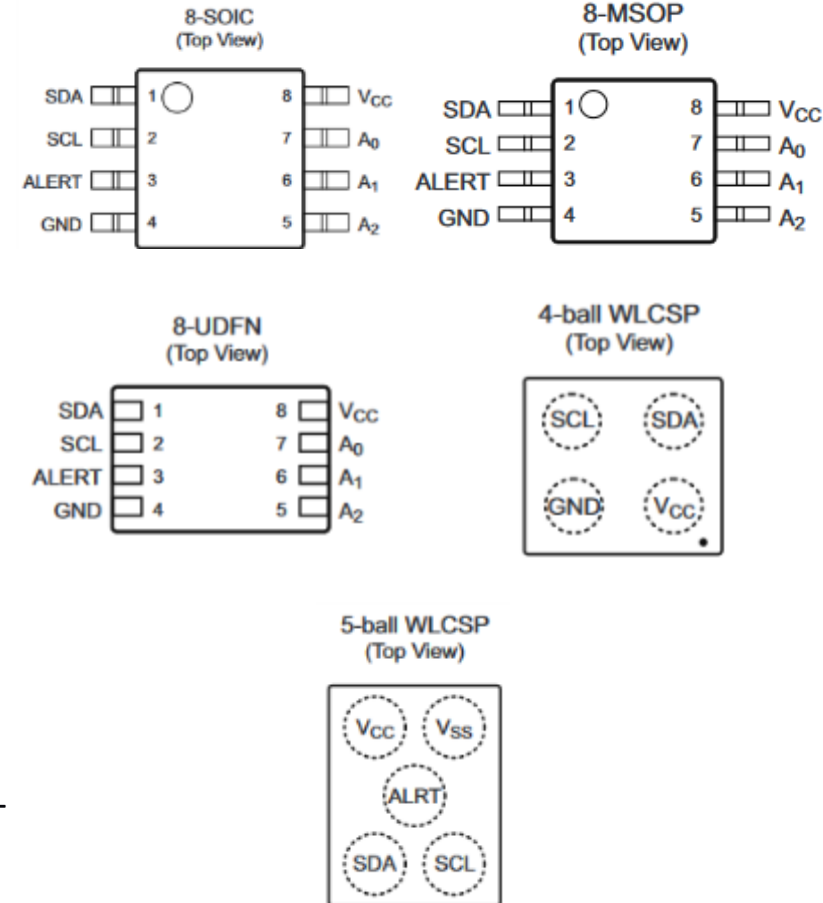
AT30TS74

9-to 12-bit Selectable, ± 1.0 C Accurate Digital Temperature Sensor

[Online Datasheet](#)

Features:

- Temperature-to-Digital Converter
- High Accuracy with 12-bit Resolution:
 - $\pm 2^{\circ}\text{C}$ (max.) accuracy from -20°C to $+100^{\circ}\text{C}$
 - $\pm 3^{\circ}\text{C}$ (max.) accuracy from -40°C to $+125^{\circ}\text{C}$
- User-selectable Resolution: 9 - 12 bit
- 1.7V to 5.5V Operating Voltage Range
- I²C™/SMBus Compatible Interface
- Low Power
- 85 μA (typ.) Operating Current
- 1 μA (typ.) Shutdown Mode
- Power-saving One-shot Measurement
- Built-in noise Suppression Filtering for Clock and Data Input Signals
- Pin and Software Compatible to Industry standard LM75-type Devices
- Packages: SOIC-8, MSOP-8, 2x3 DFN-8, 4-ball WLCSP, 5-ball WLCSP



<< BACK



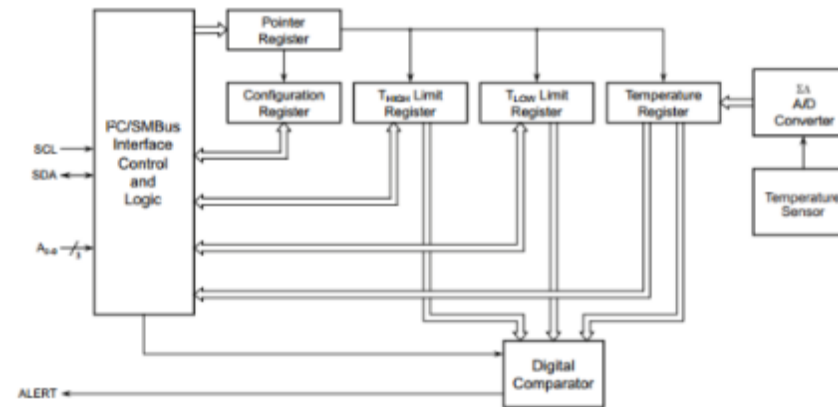
AT30TS75A

9- to 12-bit Selectable, $\pm 0.5^{\circ}\text{C}$ Accurate Digital Temperature Sensor

[Online Datasheet](#)

Features:

- Temperature-to-Digital Converter
- High Accuracy with 12-bit Resolution
 - $\pm 1^{\circ}\text{C}$ (max.) accuracy from 0°C to $+85^{\circ}\text{C}$
 - $\pm 2^{\circ}\text{C}$ (max.) accuracy from -25°C to $+105^{\circ}\text{C}$
 - $\pm 3^{\circ}\text{C}$ (max.) accuracy from -40°C to $+125^{\circ}\text{C}$
- User-selectable Resolution: 9 - 12 bit
- 1.7V to 5.5V Operating Voltage Range
- I²C™/SMBus Compatible Interface
- Low Power
- 85 μA (typ.) Operating Current
- 1 μA (typ.) Shutdown Mode
- Power-saving One-shot Measurement
- Built-in noise Suppression Filtering for Clock and Data Input Signals
- Pin and Software Compatible to Industry standard LM75-type Devices
- Packages: SOIC-8, MSOP-8, 2x3 DFN-8



<< BACK



AT30TS750A

±0.5°C Digital Temperature Sensor w/ Nonvolatile Registers

[Online Datasheet](#)

Features:

- Temperature-to-Digital Converter
- High Accuracy with 12-bit Resolution:
 - ±1°C (max.) accuracy, 0°C to +85°C
 - ±2°C (max.) accuracy, -25°C to +105°C
 - ±3°C (max.) accuracy, -40°C to +125°C
- Nonvolatile Registers to Retain Configuration
- User-selectable Resolution: 9 - 12 bit
- 1.7V to 5.5V Operating Voltage Range
- I²C™/SMBus Compatible
- Low Power
- 75µA (typ.) Operating Current
- 1µA (typ.) Shutdown Mode
- Power-saving One-shot Temperature Measurement
- Pin and Software Compatible to Industry standard LM75
- Packages: SOIC-8, MSOP-8, 2x3 DFN-8

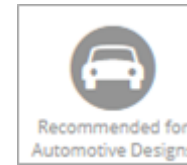


<< BACK



TC77

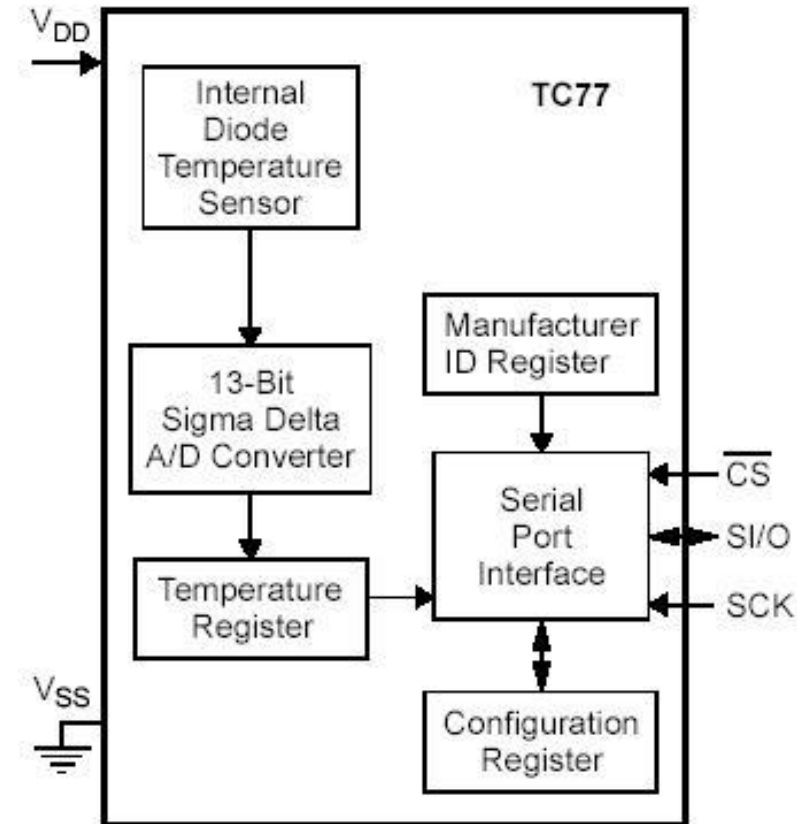
Thermal Sensor with SPI Interface



Online
Datasheet

Features:

- Digital Temperature Sensing in 5-Pin SOT-23A –
– and 8-Pin SOIC Packages
- Outputs Temperature as a 13-Bit Digital Word
- SPI and MICROWIRE™ Compatible Interface
- Solid State temperature Sensing:
 - $\pm 1^{\circ}\text{C}$ (max.) accuracy from $+25^{\circ}\text{C}$ to $+65^{\circ}\text{C}$
 - $\pm 2^{\circ}\text{C}$ (max.) accuracy from -40°C to $+85^{\circ}\text{C}$
 - $\pm 3^{\circ}\text{C}$ (max.) accuracy from -55°C to $+125^{\circ}\text{C}$
- 2.7V to 5.5V Operating Voltage Range
- Lower Power
- 250 μA (typ.) Continuous Conversion Mode
- 0.1 μA (typ.) Shutdown Mode
- Recommended for Automotive Design

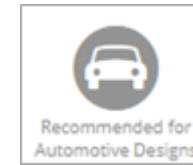


<< BACK



MCP9800/1/2/3

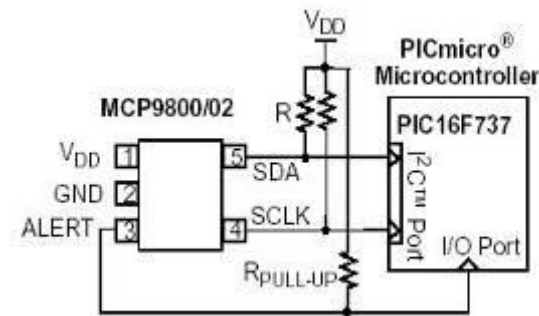
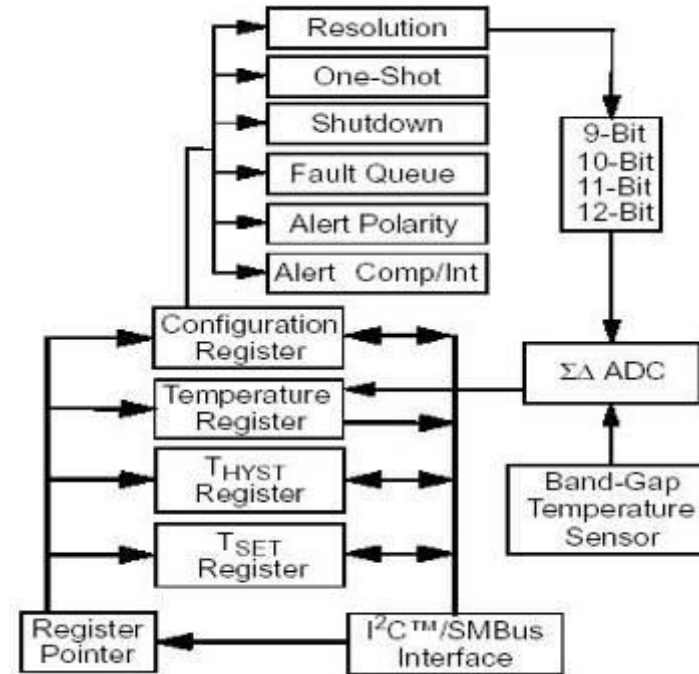
2-Wire High-Accuracy Temperature Sensor



Online
Datasheet

Features:

- Temperature-to-Digital Converter
- Accuracy with 12-bit Resolution:
 - $\pm 1^{\circ}\text{C}$ (max.) accuracy from -10°C to $+85^{\circ}\text{C}$
 - $\pm 2^{\circ}\text{C}$ (max.) accuracy from -10°C to $+125^{\circ}\text{C}$
 - $\pm 3^{\circ}\text{C}$ (max.) accuracy from -55°C to $+125^{\circ}\text{C}$
- User-selectable Resolution: 9 - 12 bit
- 2.7V to 5.5V Operating Voltage Range
- 2-wire Interface: I²C™/SMBus Compatible
- Lower Power
- 200 μA (typ.) Operating Current
- 1 μA (max.) Shutdown Mode
- Power-saving One-shot Temperature Measurement
- Packages: SOT-23-5, MSOP-8, SOIC-8
- Recommended for Automotive Design (MCP9800/3)

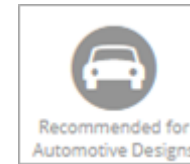


<< BACK



MCP9804

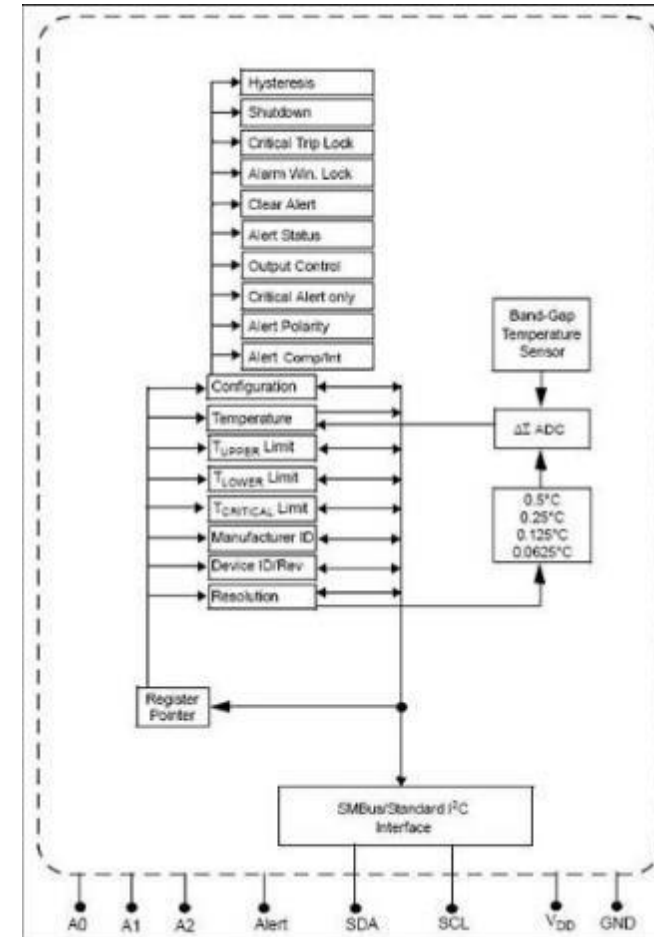
±0.25°C Typical Accuracy Digital Temperature Sensor



Online
Datasheet

Features:

- Accuracy:
 - - ±0.25°C (typical) from -40°C to +125°C
 - - ±1°C (maximum) from -40°C to +125°C
- User Selectable Measurement Resolution:
 - 0.5°C, 0.25°C, 0.125°C, 0.0625°C
- User Programmable Temperature Limits:
 - - Temperature Window Limit
 - - Critical Temperature Limit
- User Programmable Temperature Alert Output
- Operating Voltage Range: 2.7V to 5.5V
- Operating Current: 200 µA (typical)
- Shutdown Current: 0.1 µA (typical)
- 2-wire Interface: I²C/SMBus Compatible
- Packages: 2x3 DFN-8, MSOP-8
- Recommended for Automotive Design



<< BACK



MCP9808

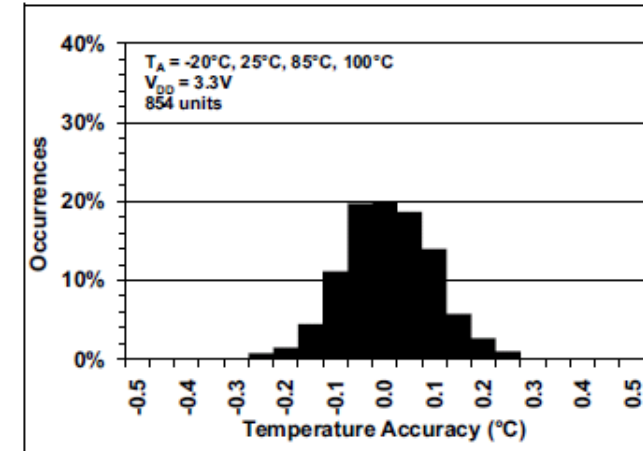
±0.5°C Maximum Accuracy Digital Temperature Sensor

Online
Datasheet

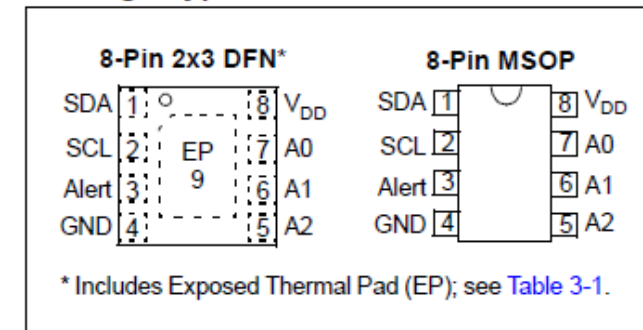
Features:

- Accuracy:
 - ±0.25 (typical) from -40°C to +125°C
 - ±0.5°C (maximum) from -20°C to 100°C
 - ±1°C (maximum) from -40°C to +125°C
- User-Selectable Measurement Resolution:
 - +0.5°C, +0.25°C, +0.125°C, +0.0625°C
- User-Programmable Temperature Limits:
 - Temperature Window Limit
 - Critical Temperature Limit
- User-Programmable Temperature Alert Output
- Operating Voltage Range: 2.7V to 5.5V
- Operating Current: 200 µA (typical)
- Shutdown Current: 0.1 µA (typical)
- 2-wire Interface: I²C™/SMBus Compatible
- Available Packages: 2x3 DFN-8, MSOP-8

Temperature Accuracy



Package Types



<< BACK



MCP98243

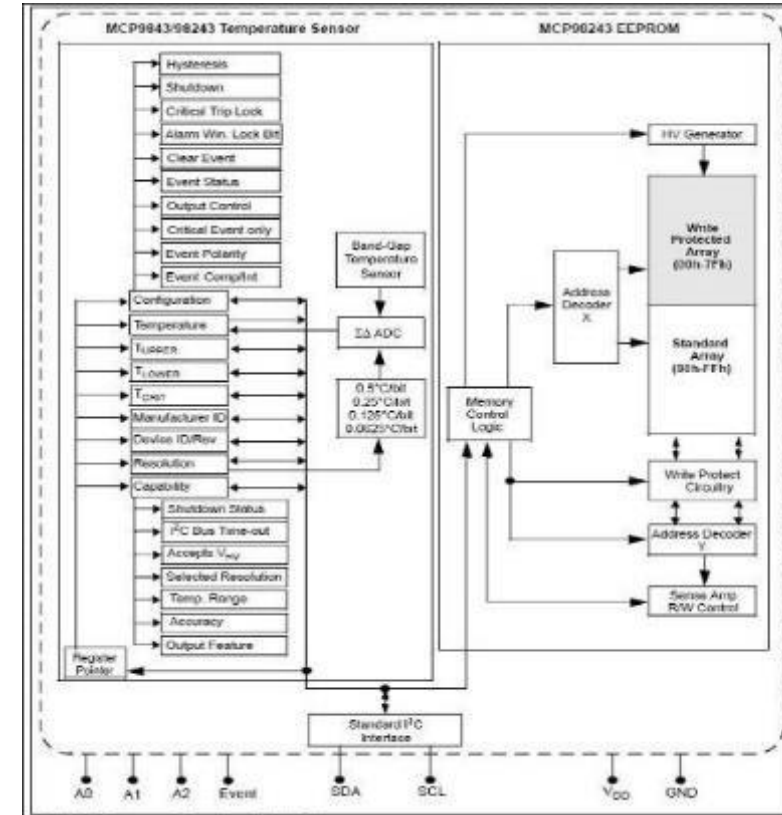
Memory Module Temperature Sensor w/ EEPROM for SPD



Online
Datasheet

Features:

- Temperature Sensor
 - JC42.4-TSE2002B3
 - Temperature Sensor with 2 Kbit Serial
- EEPROM for Serial Presence Detect (SPD)
- I²C/SMBus Interface
- Temperature Sensor Features (Grade B):
 - $\pm 0.2^{\circ}\text{C}/\pm 1^{\circ}\text{C}$ (typ./max.), $+75^{\circ}\text{C}$ to $+95^{\circ}\text{C}$
 - $\pm 0.5^{\circ}\text{C}/\pm 2^{\circ}\text{C}$ (typ./max.), $+40^{\circ}\text{C}$ to $+125^{\circ}\text{C}$
 - $\pm 1^{\circ}\text{C}/\pm 3^{\circ}\text{C}$ (typ./max.), -20°C to $+125^{\circ}\text{C}$
- Operating Current: 200 μA (typical)
- V_{DD} : 2.7V to 5.5V
- Serial EEPROM Features:
 - V_{DD} : 1.8V to 5.5V
 - Write : 1.1 mA (typical) for 3.5 ms
 - Read : 100 μA (typical)
- Permanent & Reversible Software Write Protect
- Packages: DFN-8, TDFN-8, UDFN-8, TSSOP-8
- Recommended for Automotive Design



<< BACK



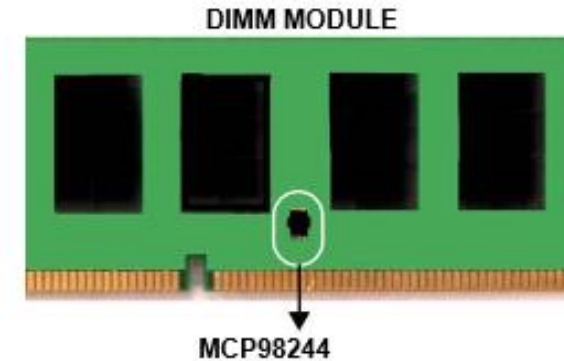
MCP98244

DDR4 DIMM Temperature Sensor with EEPROM for SPD

[Online Datasheet](#)

Features:

- Meets JEDEC Specification:
 - JC42.4-TSE2004B1 Temp-Sensor w/ 4 Kbit Serial EEPROM for Serial Presence Detect (SPD)
- 1MHz, 2-wire I²C Interface
- V_{DD}: 1.7V to 3.6V
- Operating Current: 100 μ A (typ., EEPROM Idle)
- Temperature Sensor Features (Grade B):
 - $\pm 0.2^{\circ}\text{C}/\pm 1^{\circ}\text{C}$ (typ./max.), $+75^{\circ}\text{C}$ to $+95^{\circ}\text{C}$
 - $\pm 0.5^{\circ}\text{C}/\pm 2^{\circ}\text{C}$ (typ./max.), $+40^{\circ}\text{C}$ to $+125^{\circ}\text{C}$
 - $\pm 1^{\circ}\text{C}/\pm 3^{\circ}\text{C}$ (typ./max.), -40°C to $+125^{\circ}\text{C}$
- Serial EEPROM Features:
 - Write: 250 μ A (typical) for 3 ms
 - Read :100 μ A (typical)
- Reversible Software Write Protect
- Software Write Protection for each 1 Kbit Block
- Organized as two banks of 256 x 8-bit (2 Kbit x 2)
- Package: TDFN-8



8-Pin 2x3 TDFN*

A0	1	8	V _{DD}
A1	2	7	Event
A2	3	6	SCL
GND	4	5	SDA

<< BACK



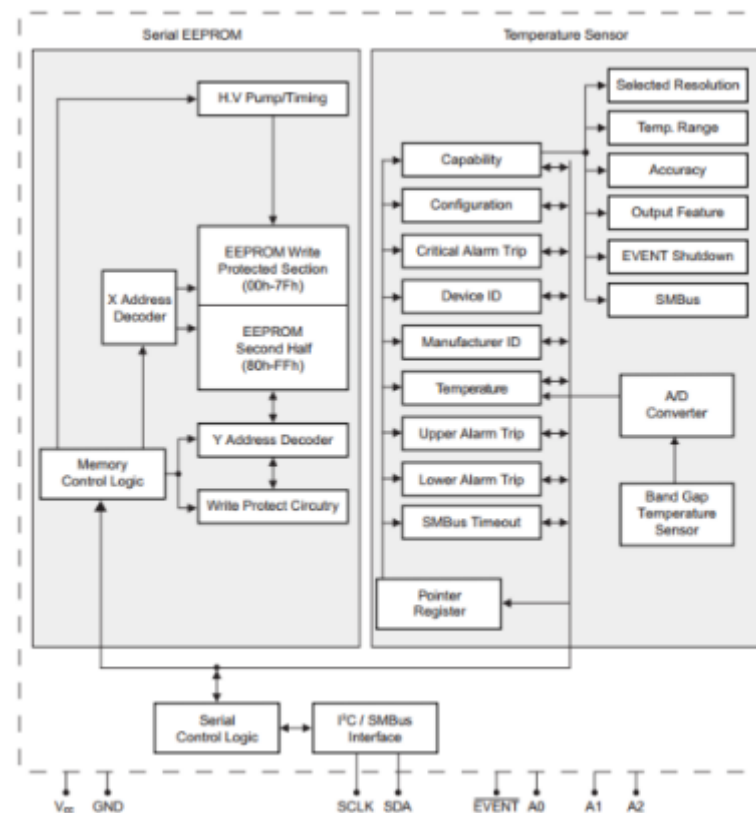
AT30TSE002B

Integrated Temperature Sensor with EEPROM

Online
Datasheet

Features:

- Temperature Sensor with 2Kb Serial EEPROM
 - JC42.4-TSE2002B3
 - EEPROM for Serial Presence Detect (SPD)
- I²C/SMBus Interface
- Package: UDFN-8
- Temperature Sensor Features:
 - Sensor Accuracy (Grade B):
 - $\pm 1^{\circ}\text{C}$ (max.) $\rightarrow +75^{\circ}\text{C}$ to $+95^{\circ}\text{C}$
 - $\pm 2^{\circ}\text{C}$ (max.) $\rightarrow +40^{\circ}\text{C}$ to $+125^{\circ}\text{C}$
 - $\pm 3^{\circ}\text{C}$ (max.) $\rightarrow -20^{\circ}\text{C}$ to $+125^{\circ}\text{C}$
- Operating Current: 200 μA (typical)
- V_{DD} : 2.7V to 3.6V
- Serial EEPROM Features:
- Operating Current:
 - Write : 1.5 mA (typical)
 - Read : 200 μA (typical)
- Permanent and Reversible Software Write Protect
- Endurance: 1 Million Write Cycles



<< BACK

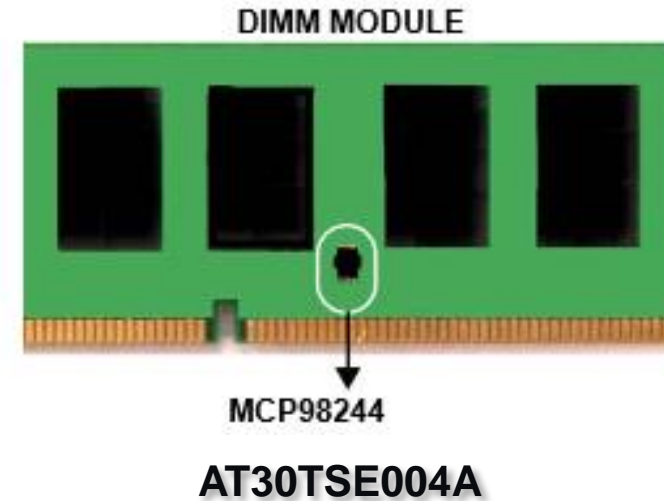


AT30TSE004A

[Online Datasheet](#)

Features:

- Meets JEDEC Specification:
 - JC42.4-TSE2004B1 Temperature Sensor –
 - with 4 Kbit
- Serial EEPROM for Serial Presence Detect (SPD)
- 1MHz, 2-wire I²C Interface
- V_{DD}: 1.7V to 3.6V
- Operating Current: 200 μ A (typ., EEPROM Idle)
- Package: TDFN-8, UDFN-8
- Temperature Sensor:
 - Sensor Accuracy (Grade B):
 - $\pm 1^{\circ}\text{C}$ (max.) between $+75^{\circ}\text{C}$ to $+95^{\circ}\text{C}$
 - $\pm 2^{\circ}\text{C}$ (max.) between $+40^{\circ}\text{C}$ to $+125^{\circ}\text{C}$
 - $\pm 3^{\circ}\text{C}$ (max.) between -20°C to $+125^{\circ}\text{C}$
- Serial EEPROM Features:
 - Operating Current:
 - Write: 1.5mA (typical)
 - Read: 200 μ A (typical)
- Reversible Software Write Protect
- Software Write Protection for each 1 Kbit Block



[<< BACK](#)



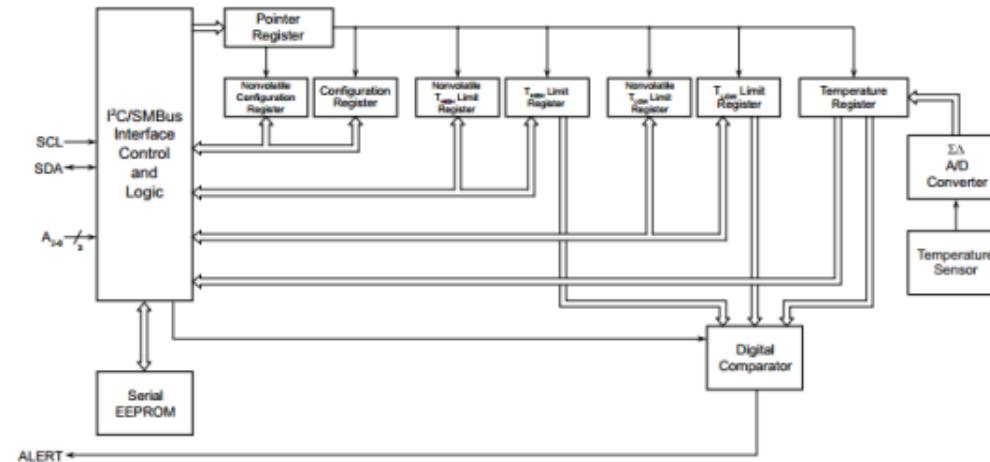
AT30TSE752/4/8A

9- to 12-bit Selectable, $\pm 0.5^{\circ}\text{C}$ Accurate Digital Temperature Sensor with Nonvolatile Registers and Serial EEPROM

Online
Datasheet

Features:

- Temperature-to-Digital Converter
- High Accuracy with 12-bit Resolution:
 - $\pm 1^{\circ}\text{C}$ (max.) accuracy, 0°C to $+85^{\circ}\text{C}$
 - $\pm 2^{\circ}\text{C}$ (max.) accuracy, 25°C to $+105^{\circ}\text{C}$
 - $\pm 3^{\circ}\text{C}$ (max.) accuracy, -40°C to $+125^{\circ}\text{C}$
- Nonvolatile Registers to Retain Config
- 2/4/8Kb of Serial EEPROM
- User-selectable Resolution:
 - 9 - 12 bit
- 1.7V to 5.5V Operating Voltage Range
- I²C™, SMBus Compatible
- Low Power:
 - 75 μA (typ.) Operating Current
 - 1 μA (typ.) Shutdown Mode
- Power-saving One-shot Measurement
- Pin and Software Compatible to Industry standard LM75
- Packages: SOIC-8, MSOP-8, 2x3 UDFN-8



<< BACK



MCP9844

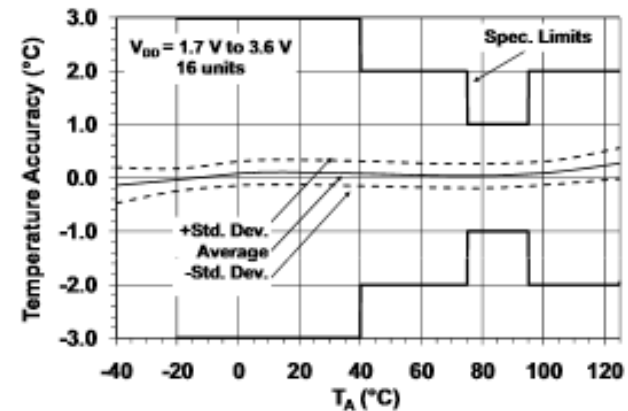
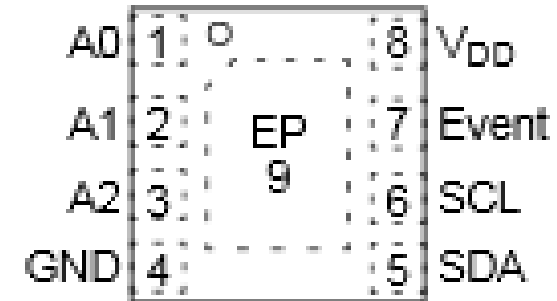
±1°C Accurate, 1.8V Digital Temperature Sensor

Online
Datasheet

Features:

- User Selectable Measurement Resolution:
 - +0.5°C, +0.25°C, +0.125°C, +0.0625°C
- User Programmable Temperature Limits:
 - Temperature Window Limit
 - Critical Temperature Limit
- User Programmable Temperature Alert Output
- I²C Interface
- V_{DD}: 1.7V to 3.6V
- Operating Current: 100 µA (typ.)
- Package: 8-lead TDFN
- Temperature Sensor Features (Grade B):
 - ±0.2°C/±1°C (typ./max.), +75°C to +95°C
 - ±0.5°C/±2°C (typ./max.), +40°C to +125°C
 - ±1°C/±3°C (typ./max.), -40°C to +125°C

8-Pin 2x3 TDFN *



<< BACK



MCP9501/2/3/4

Temperature Switch with Selectable Hysteresis

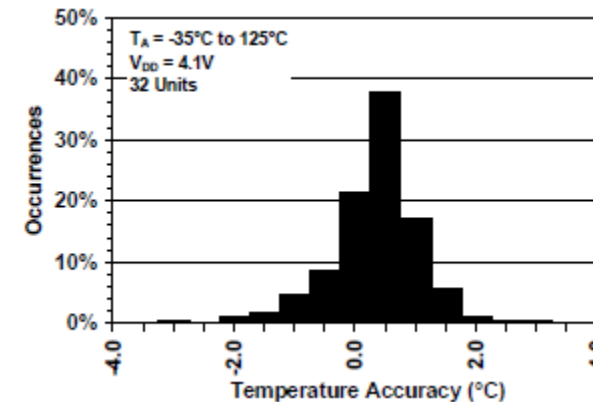
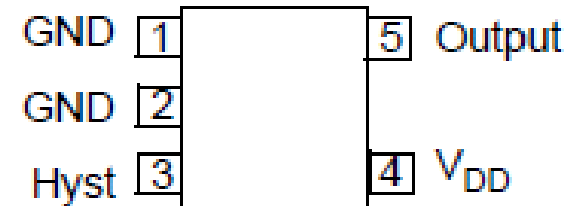
Online
Datasheet

Features:

- Factory Set Temperature Switch
- Wide Operating Voltage Range: 2.7V to 5.5V
- Low Supply Current: 25 μ A (typ.)
- Temperature Switch Accuracy:
 - $\pm 1^\circ\text{C}$ (typical)
 - $\pm 4^\circ\text{C}$ (maximum) -15°C to $+75^\circ\text{C}$
 - $\pm 6^\circ\text{C}$ (maximum) -40°C to $+125^\circ\text{C}$
- Switch Threshold Options (Hot/Cold):
 - Rising Temp: MCP9501/2 (Hot Option)
 - Falling Temp: MCP9503/4 (Cold Option)
- Output Configuration Options:
 - Active Low, Open-Drain Output: MCP9501/3
 - Uses External Pull-up Resistor
 - Active-High, Push-Pull Output: MCP9502/4
- User Selectable Hysteresis: 2°C or 10°C (typical)
- 5-lead SOT-23 package

MCP9501/2/3/4

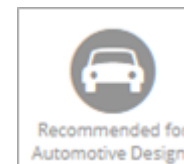
SOT-23-5



<< BACK

MCP9509/10

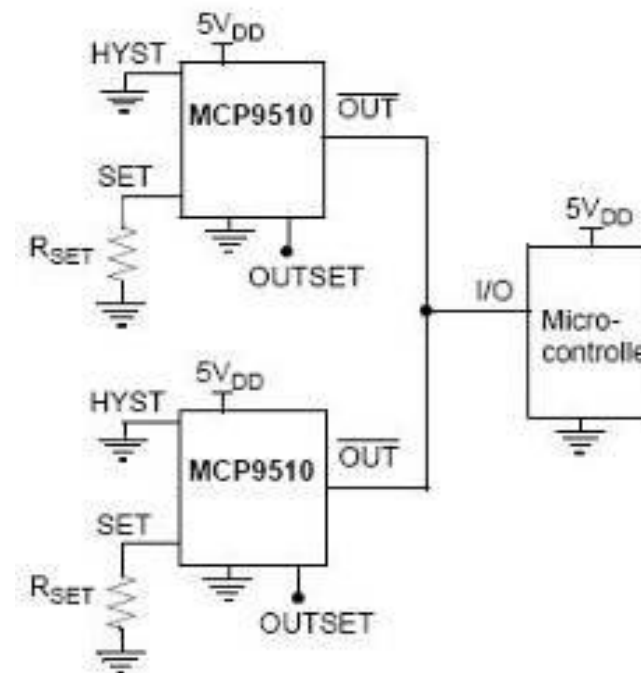
Resistor-Programmable Temperature Switches



Online
Datasheet

Features:

- Resistor-Programmable Temperature Switch
- Wide Operating Voltage Range: 2.7V to 5.5V
- Low Supply Current: 30 μ A (typ.)
- Temperature Switch Accuracy:
 - $\pm 0.5^{\circ}\text{C}$ (typ.) at $+25^{\circ}\text{C}$, $+45^{\circ}\text{C}$
 - $\pm 1^{\circ}\text{C}$ (typ.) 0°C to $+70^{\circ}\text{C}$
 - $\pm 3.5^{\circ}\text{C}$ (max.) 0°C to $+125^{\circ}\text{C}$
 - $\pm 4.5^{\circ}\text{C}$ (max.) -20°C to $+125^{\circ}\text{C}$
 - $\pm 2^{\circ}\text{C}$ (typ.) -40°C to $+125^{\circ}\text{C}$
- Sensor Options available:
 - Switch for rising temperature: Cold to Hot (H)
 - Switch for falling temperature: Hot to Cold (C)
- Output Configurations:
 - Open-Drain:
 - External Pull-up Resistor: MCP9509
 - Internal Pull-up Resistor: MCP9510
 - Active-Low, Push-Pull: MCP9510
 - Active-High, Push-Pull: MCP9510
- User Selectable Hysteresis: 2°C or 10°C (typ.)
- Space-Saving SOT-23-5, SOT-23-6 Packages
- Recommended for Automotive Design (MCP9510)



MCP9510 Wired-Or Output Configuration
with Internal Pull-up Resistor.

<< BACK



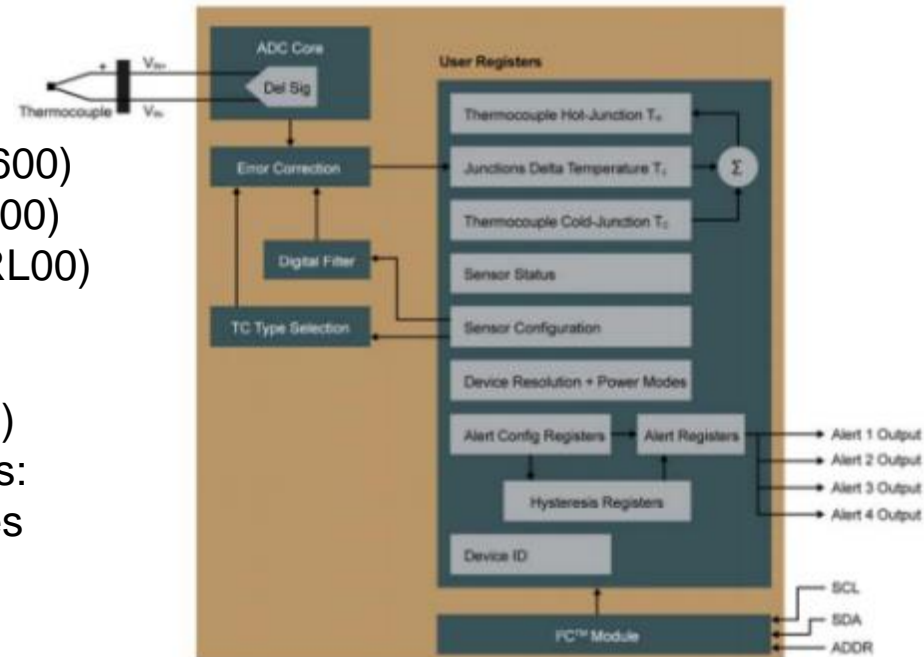
MCP9600/96L00/96RL00

Thermocouple EMF to Temperature Converters,
 $\pm 1.5^\circ\text{C}$ / $\pm 4^\circ\text{C}$ / $\pm 8^\circ\text{C}$ Maximum Accuracy

Online
Datasheet

Features:

- Thermocouple Voltage to $^\circ\text{C}$ Converter
 - Integrated Cold-Junction Compensation
- Supported Types (NIST ITS-90):
 - Types K, J, T, N, S, E, B and R
- $\pm 1.5^\circ\text{C}$ (Max.) Measurement Accuracy (MCP9600)
- $\pm 4^\circ\text{C}$ (Max.) Measurement Accuracy (MCP96L00)
- $\pm 8^\circ\text{C}$ (Max.) Measurement Accuracy (MCP96RL00)
- $\pm 1.0^\circ\text{C}$ (Max.) Cold-Junction (MCP9600/L00)
- Temperature Measurement Resolution:
 - Hot and Cold-Junctions: 0.0625°C (typical)
- Four Programmable Temperature Alert Outputs:
 - Monitor Hot or Cold-Junction Temperatures
 - Detect rising or falling temperatures
 - Up to 255°C of Programmable Hysteresis
- Programmable Digital Filter for Temperature
- Low Power: Shutdown Mode and Burst Mode
- I²C Compatible
 - 100 kHz, supports up to 8 devices/bus
- Operating Voltage Range: 2.7V to 5.5V
- Operating Current: 500 μA (typical)
- Package: 20-lead MQFN



<< BACK



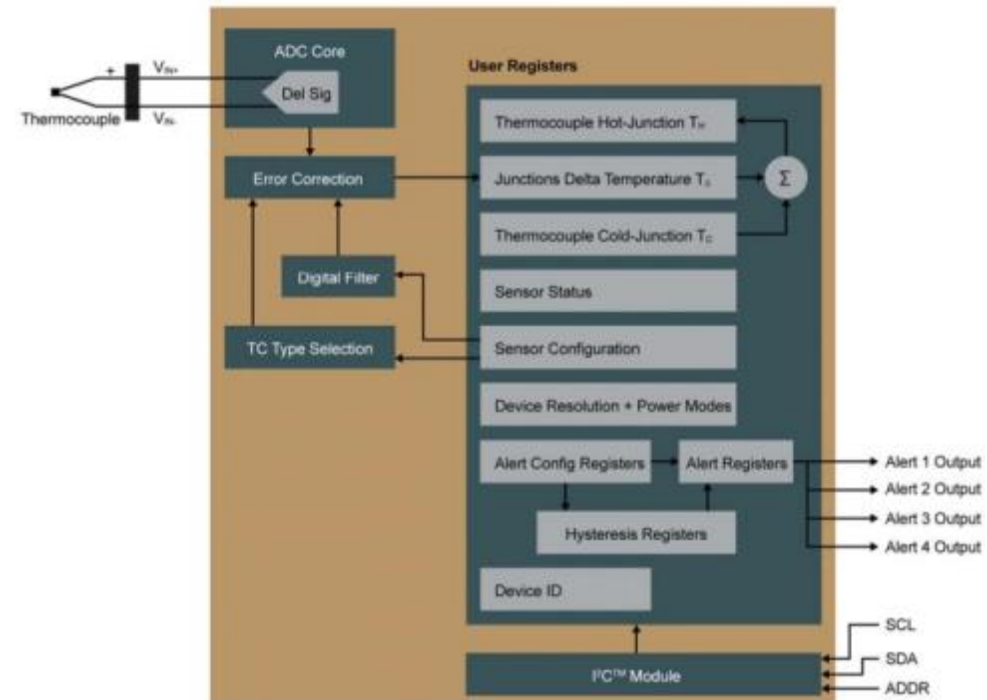
MCP9601/96L01/96RL01

Thermocouple EMF to °C Temperature Converters,
±1.5°C / ±4°C / ±8°C Maximum Accuracy, Thermocouple Opens/Shorts Detection

Online
Datasheet

Features:

- Thermocouple Voltage to °C Converter
 - Integrated Cold-Junction Compensation
 - Integrated Thermocouple open-circuit and short-circuit detection
- Supported Types (NIST ITS-90):
 - Types K, J, T, N, S, E, B and R
- ± 1.5°C (Max.) Measurement Accuracy (MCP9601)
- ± 4°C (Max.) Measurement Accuracy (MCP96L01)
- ± 8°C (Max.) Measurement Accuracy (MCP96RL01)
- ± 1.0°C (Max.) Cold-Junction (MCP9601/L01/RL01)
- Temperature Measurement Resolution:
 - Hot and Cold-Junctions: 0.0625°C (typical)
- Four Programmable Temperature Alert Outputs:
 - Monitor Hot or Cold-Junction Temperatures
 - Detect rising or falling temperatures
 - Up to 255°C of Programmable Hysteresis
- Programmable Digital Filter for Temperature
- Low Power: Shutdown Mode and Burst Mode
- I²C Compatible
 - 100 kHz, supports up to 8 devices/bus
- Operating Voltage Range: 2.7V to 5.5V
- Operating Current: 500 µA (typical)
- Package: 20-lead MQFN



<< BACK



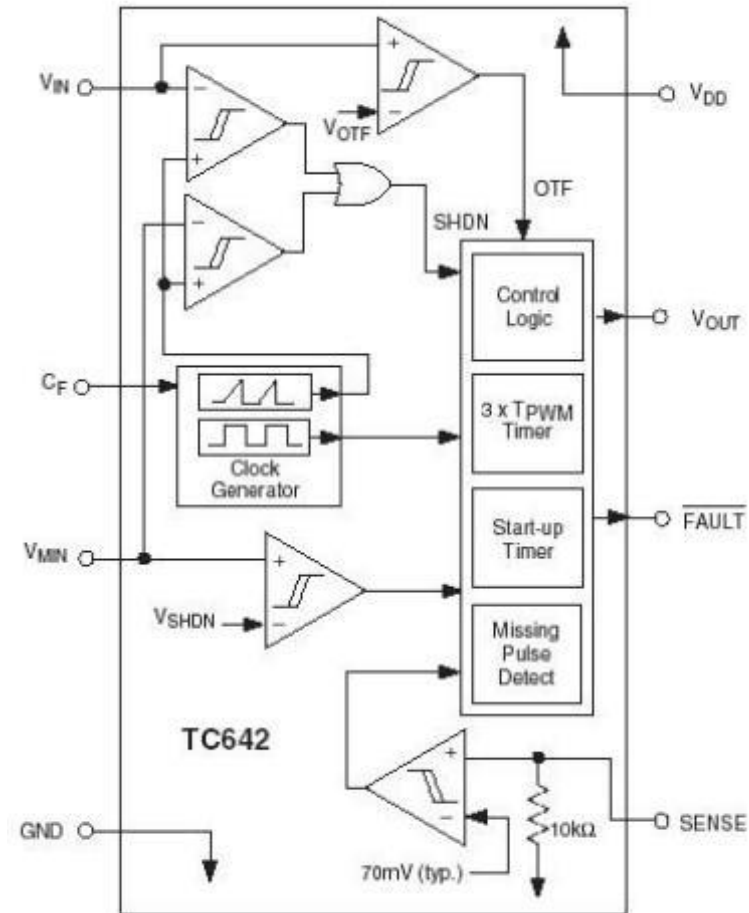
TC642

PWM Fan Speed Controller with FanSense™ Technology

Online
Datasheet

Features:

- Temperature Proportional Fan Speed for –
 - Acoustic Control and Longer Fan Life
- Efficient PWM Fan Drive
- 3.0V to 5.5V Supply Range:
 - Fan Voltage Independent of TC647
 - Supply Voltage
- Supports any Fan Voltage
- FanSense™ Fault Detection Circuits Protect –
 - Against Fan Failure and Aid System Testing
- Shutdown Mode for “Green” Systems
- Supports Low Cost NTC/PTC Thermistors
- Over-temperature Indication
- Space Saving 8-Pin MSOP Package



<< BACK



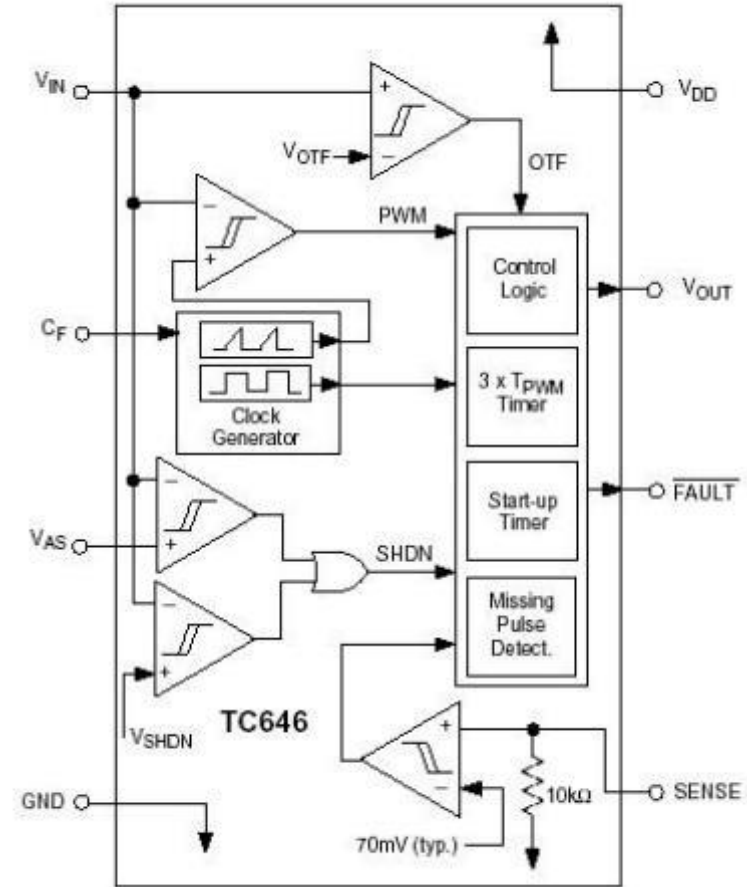
TC646

PWM Fan Speed Controller with Auto-Shutdown
and FanSense™ Technology

Online
Datasheet

Features:

- Temperature Proportional Fan Speed for –
 - Acoustic Control and Longer Fan Life
- Efficient PWM Fan Drive
- 3.0V to 5.5V Supply Range:
 - Fan Voltage Independent of TC646 –
 - Supply Voltage
 - Supports any Fan Voltage
- FanSense™ Fault Detection Circuits Protect –
 - Against Fan Failure and Aid System Testing
- Shutdown Mode for “Green” Systems
- Supports Low Cost NTC/PTC Thermistors
- Over-temperature Indication



<< BACK



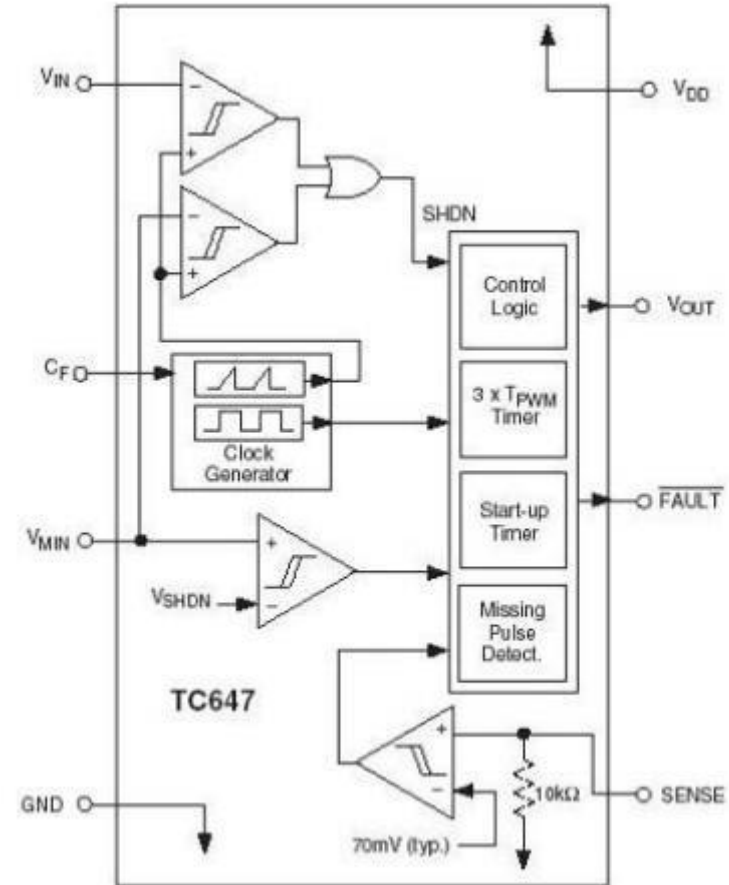
TC647

PWM Fan Speed Controller with FanSense™ Technology

Online
Datasheet

Features:

- Temperature Proportional Fan Speed for Acoustic –
- Control and Longer Fan Life
- Efficient PWM Fan Drive
- 3.0V to 5.5V Supply Range:
 - Fan Voltage Independent of TC647 Supply –
- Voltage
 - Supports any Fan Voltage
- FanSense™ Fault Detection Circuits Protect –
- Against Fan Failure and Aid System Testing
- Shutdown Mode for “Green” Systems
- Supports Low Cost NTC/PTC Thermistors
- Over-temperature Indication
- Space Saving 8-Pin MSOP Package



<< BACK



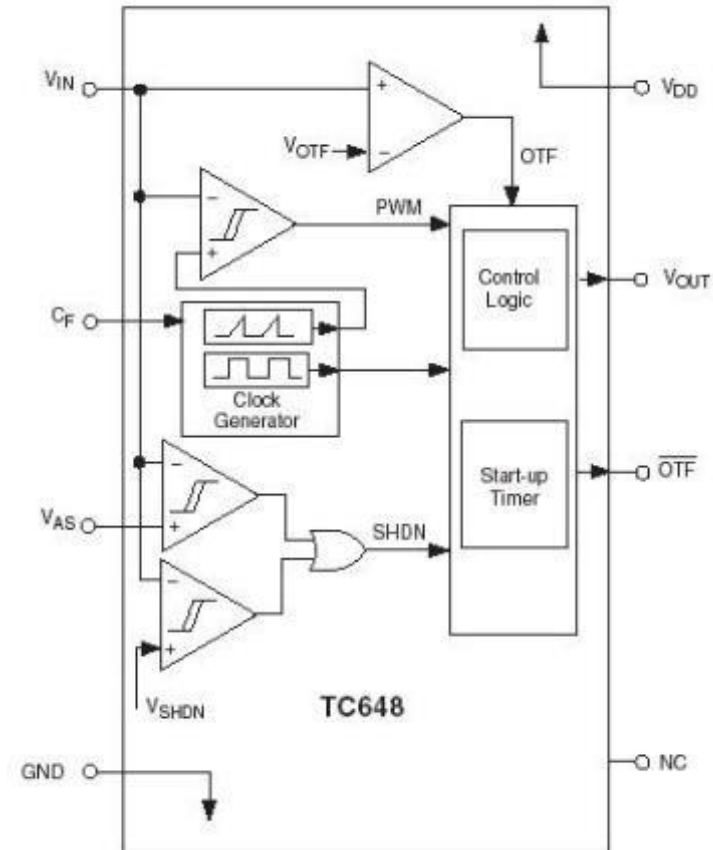
TC648

Fan Speed Controller with Auto-Shutdown and Over-Temperature Alert

Online
Datasheet

Features:

- Temperature Proportional Fan Speed for Acoustic – Control and Longer Fan Life
- Efficient PWM Fan Drive
- 3.0V to 5.5V Supply Range:
 - Fan Voltage Independent of TC647 Supply – Voltage
 - Supports any Fan Voltage
- Over-temperature Fan Detection
- Shutdown Mode for “Green” Systems
- Supports Low Cost NTC/PTC Thermistors
- Space Saving 8-Pin MSOP Package



<< BACK



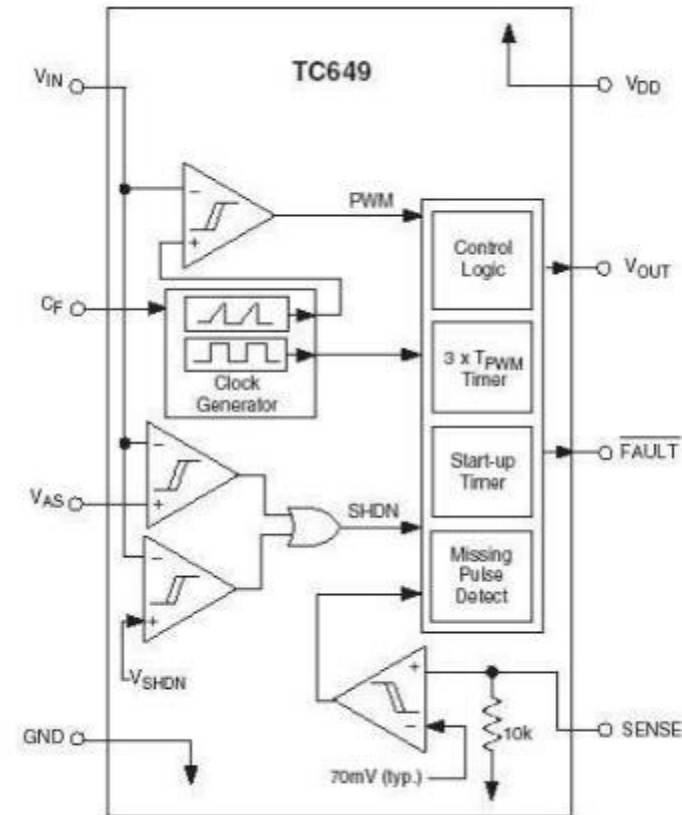
TC649

PWM Fan Speed Controller with Auto-Shutdown
and FanSense™ Technology

Online
Datasheet

Features:

- Temperature Proportional Fan Speed for Acoustic –
- Control and Longer Fan Life
- Efficient PWM Fan Drive
- 3.0V to 5.5V Supply Range:
 - Fan Voltage Independent of TC649 Supply –
- Voltage
 - Supports any Fan Voltage
- FanSense™ Fault Detection Circuits
- Protect Against Fan Failure and Aid
- System Testing
- Shutdown Mode for “Green” Systems
- Supports Low Cost NTC/PTC Thermistors
- Over-temperature Indication
- Space Saving 8-Pin MSOP Package



<< BACK



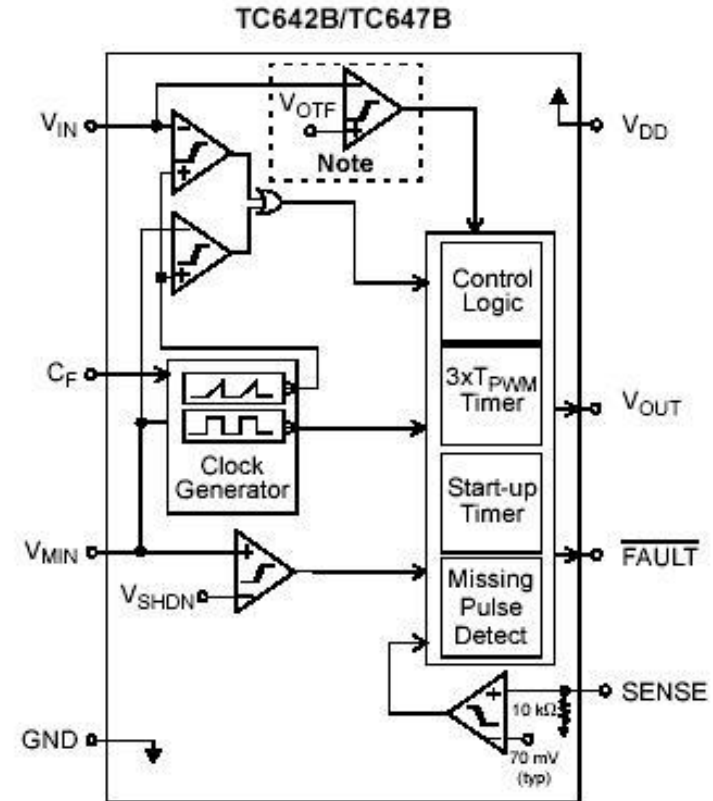
TC642B

PWM Fan Speed Controllers With Minimum Fan Speed, Fan Restart and FanSense™ Technology for Fault Detection

Online
Datasheet

Features:

- Temperature Proportional Fan Speed for Acoustic –
- Control and Longer Fan Life
- Efficient PWM Fan Drive
- 3.0V to 5.5V Supply Range:
 - Fan Voltage Independent of TC642B/TC647B –
- Supply Voltage
 - Supports any Fan Voltage
- FanSense™ Fault Detection Circuits Protect Against –
- Fan Failure and Aid System Testing
- Shutdown Mode for “Green” Systems
- Supports Low Cost NTC/PTC Thermistors
- Over-temperature Indication
- Fan Auto-Restart
- Space Saving 8-Pin MSOP Package



Note: The V_{OTF} comparator is for the TC642B device only.

<< BACK

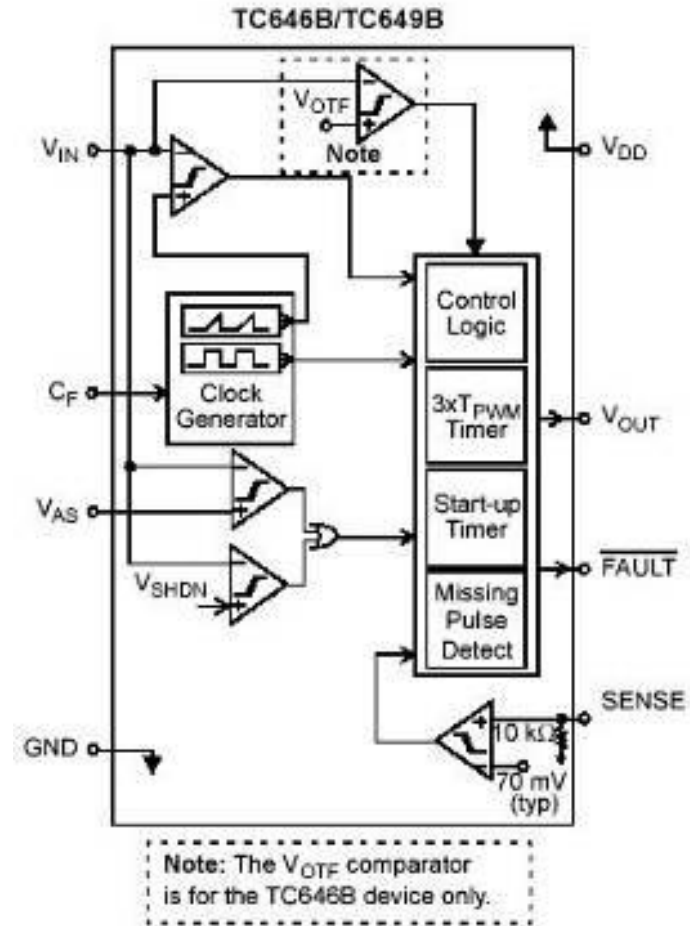
TC646B/648B/649B

PWM Fan Speed Controllers With Auto-Shutdown, Fan Restart and FanSense™ Technology for Fault Detection

Online
Datasheet

Features:

- Temperature Proportional Fan Speed for Acoustic –
- Control and Longer Fan Life
- Efficient PWM Fan Drive
- 3.0V to 5.5V Supply Range:
 - Fan Voltage Independent of –
- TC646B/TC648B/TC649B Supply Voltage
 - Supports any Fan Voltage
- FanSense™ Fault Detection Circuits Protect Against –
- Fan Failure and Aid System Testing
- (TC646B/TC649B)
- Shutdown Mode for “Green” Systems
- Supports Low Cost NTC/PTC Thermistors
- Over-temperature Indication (TC646B/TC648B)
- Fan Auto-Restart
- Space Saving 8-Pin MSOP Package



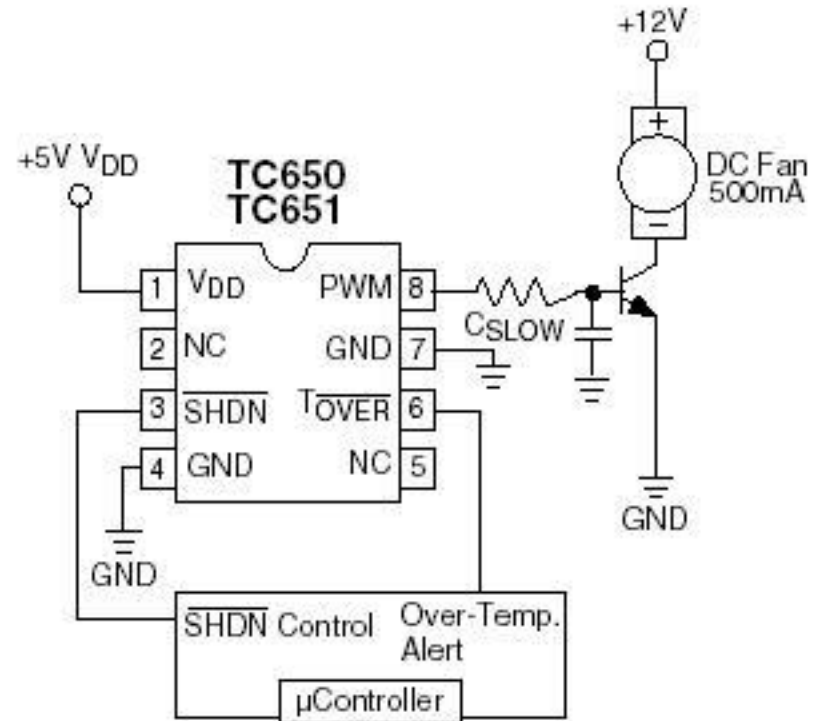
<< BACK

TC650/1

Tiny Integrated Temperature Sensor & Brushless DC Fan Controller with Overtemperature Alert

- **Features:**

- Integrated Temperature Sensing and Multi-Speed Fan Control
- Built-in Over Temperature Alert
- Temperature Proportional Fan Speed Control -
 - for Acoustic Noise Reduction and Longer Fan Life
 - Pulse Width Modulation Output Drive for Cost and Power Savings
- Solid-State Temperature Sensing
- $\pm 1^{\circ}\text{C}$ (typ.) accuracy $+25^{\circ}\text{C}$ to $+70^{\circ}\text{C}$
- 2.8V to 5.5V Operating Range
- TC651 includes Auto Fan Shutdown
- Low Operating Current $50\mu\text{A}$ (typ.)



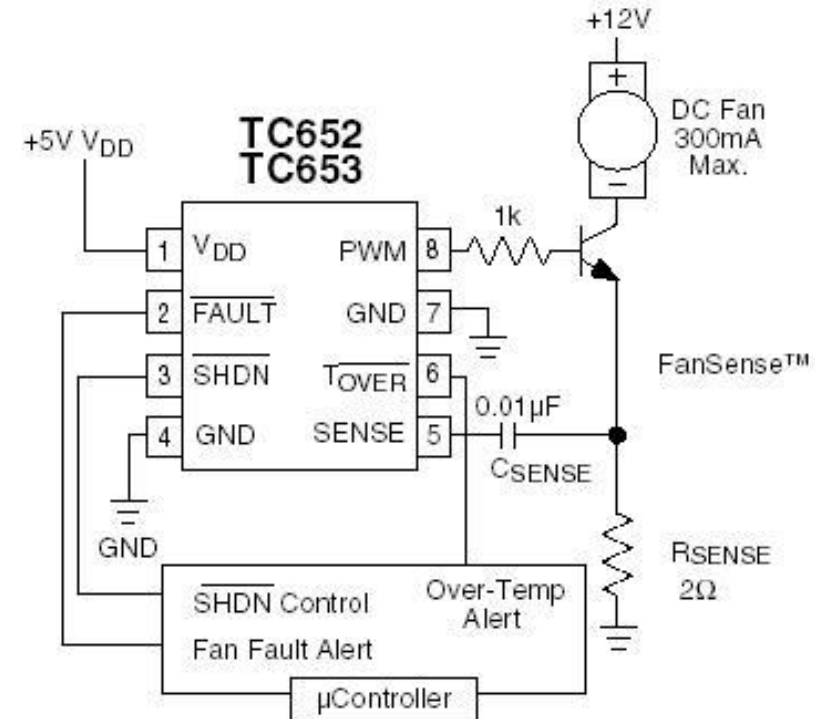
TC652/3

Integrated Temperature Sensor & Brushless DC Fan Controller
with FanSense™ Detect & Over-Temperature

Online
Datasheet

Features:

- Integrated Temperature Sensing and Multi –
 - Speed Fan Control
- FanSense™ Fan Fault Detect Circuitry
- Built-in Over Temperature Alert
- Temperature Proportional Fan Speed Control –
 - for Acoustic Noise Reduction and Longer –
 - Fan Life
- Pulse Width Modulation Output Drive for Cost –
 - and Power Savings
- Solid-State Temperature Sensing
- $\pm 1^{\circ}\text{C}$ (typ.) Accuracy $+25^{\circ}\text{C}$ to $+70^{\circ}\text{C}$
- 2.8V to 5.5V Operating Range
- TC653 includes Auto Fan Shutdown
- Low Operating Current $50\mu\text{A}$ (typ.)



<< BACK



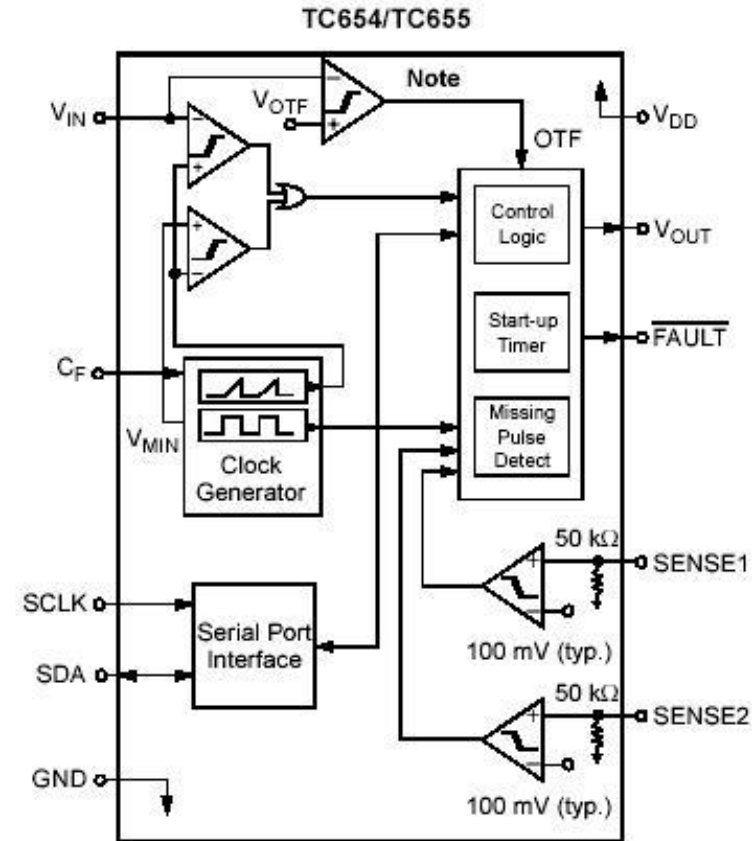
TC654/5

Dual SMBus™ PWM Fan Speed Controllers With Fan Fault Detection

[Online Datasheet](#)

Features:

- FanSense™ Protects against Fan Failure and
 - Eliminates the Need for 3-wire Fans
- Temperature Proportional Fan Speed Control –
 - for Acoustic Noise Reduction and Longer –
 - Fan Life
- Over Temperature Detection (TC655)
- Provides RPM Data
- 2-Wire SMBus™ Compatible Interface
 - “Green” Systems
- Supports Low Cost NTC/PTC Thermistors
- Space Saving 10-pin MSOP Package
- Temperature Range: -40°C to +85°C



<< BACK



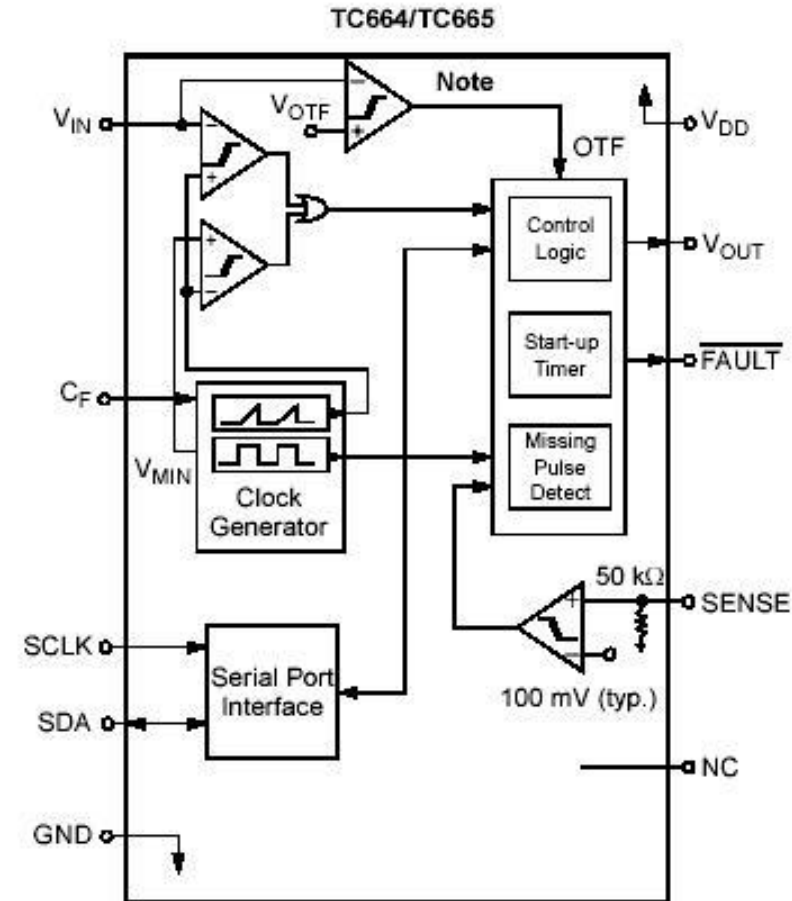
TC664/5

SMBus™ PWM Fan Speed Controllers With Fan Fault Detection

Online
Datasheet

Features:

- FanSense™ Protects against Fan Failure and –
 - Eliminates the Need for 3-wire Fans
- Temperature Proportional Fan Speed Control –
 - for Acoustic Noise Reduction and Longer –
 - Fan Life
- Over Temperature Detection (TC665)
- Provides RPM Data
- 2-Wire SMBus™ Compatible Interface
- Supports any Fan Voltage
- Software Controlled Shutdown Mode for –
 - “Green” Systems
- Supports Low Cost NTC/PTC Thermistors
- Space Saving 10-pin MSOP Package
- Temperature Range: -40°C to +85°C



Note: OTF condition applies for the TC665 device only.

<< BACK



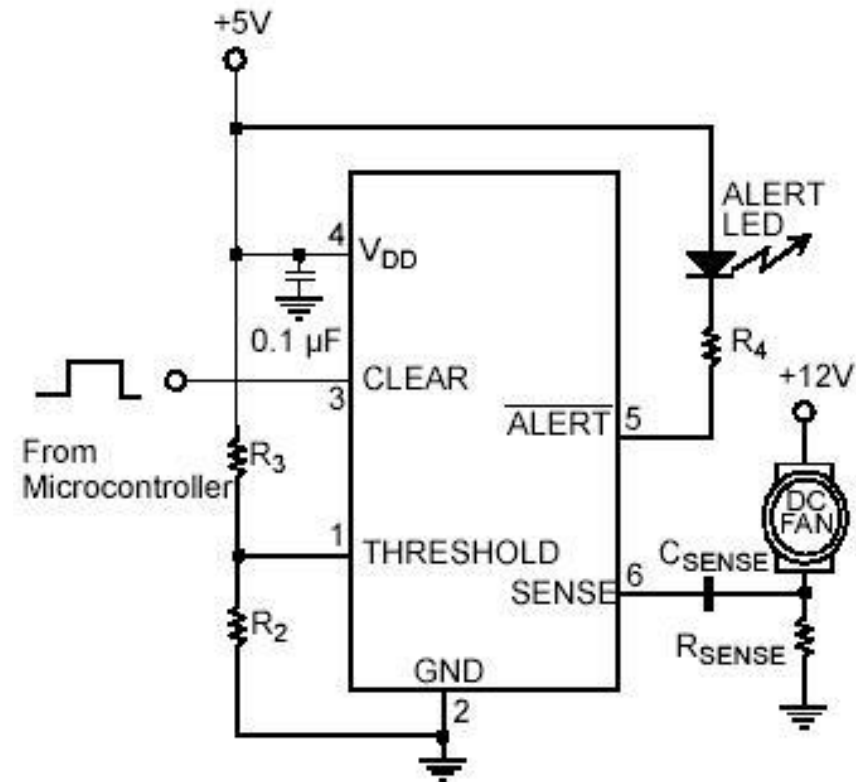
TC670

Tiny Predictive Fan Failure Detector

Online
Datasheet

Features:

- Fan Wear-Out Detection for 2-Wire Linear -
- Controlled Fans
- Replacement System for 3-Wire Fans
- Fan Alert Signal when Fan Speed is below –
- Programmed Threshold
- CLEAR Capability for Eliminating False Alarm
- Low Operating Current, 90 μ A (typ.)
- V_{DD} Range 3.0V to 5.5V
- Available in a 6-Pin SOT-23 Package



<< BACK



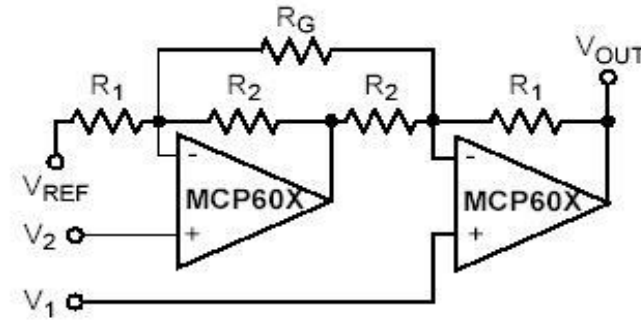
MCP601/2/3/4



2.7V to 6.0V Single Supply CMOS Op Amps

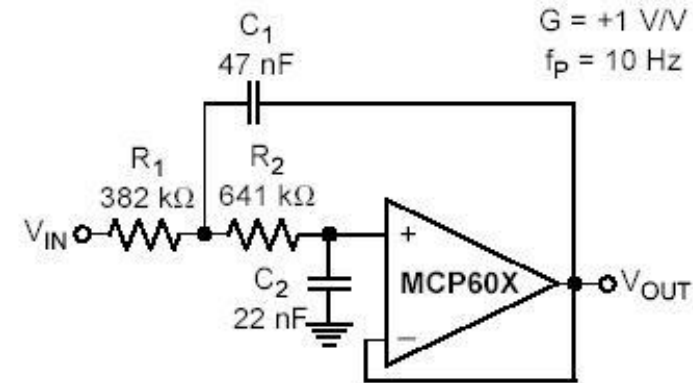
• Features:

- Gain Bandwidth Product:
 - 2.8MHz (typ.)
- Low Quiescent Current:
 - 230µA/amplifier (typ.)
- Input Offset Voltage (max):
 - ±2 mV
- Single-Supply:
 - 2.7V to 6V
 - Rail-to-Rail Output
- Input Range Includes Ground
- Unity-Gain Stable
- Chip Select (CS): MCP603 only
- Temperature Ranges:
 - Industrial: -40°C to +85°C
 - Extended: -40°C to +125°C
- Available in Single, Dual and Quad
- Recommended for Automotive Design (MCP601/2/4)



$$V_{OUT} = (V_1 - V_2) \left(1 + \frac{R_1}{R_2} + \frac{2R_1}{R_G} \right) + V_{REF}$$

Two-Op Amp Instrumentation Amplifier

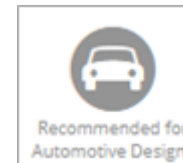


Second-Order, Low-Pass Sallen-Key Filter



MCP606/7/8/9

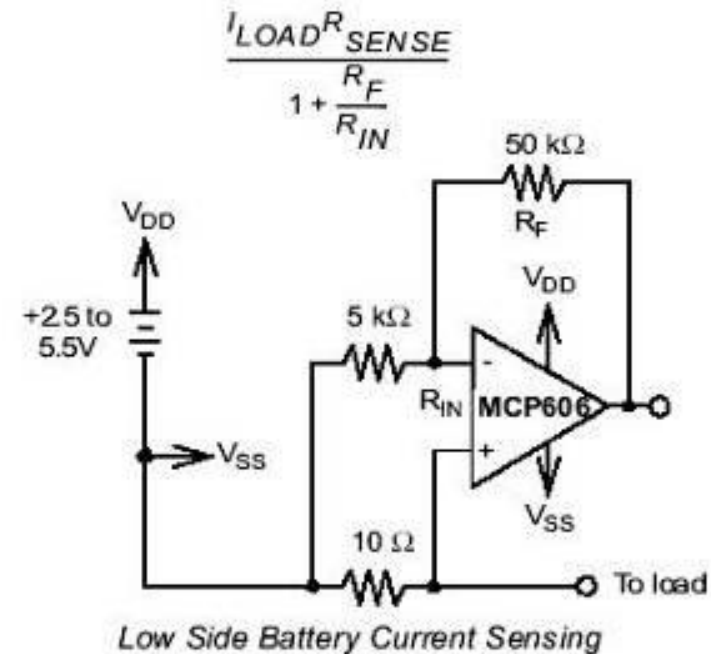
2.5V to 6.0V Micropower CMOS Op Amp



Online
Datasheet

Features:

- Gain Bandwidth Product:
 - 155 kHz
- Low Quiescent Current:
 - 25µA (max.)
- Low Input Offset Voltage:
 - ±250µV (max.)
- Power Supply Voltage:
 - 2.5V to 6V
- Low Input Bias Current:
 - 80pA (max.) at 85°C
- Unity Gain Stable
- Rail to Rail Output
- Chip Select Capability: MCP608
- Industrial Temperature Range:
 - -40°C to +85°C
- Available in Single, Dual and Quad Packages
- Available in PDIP, SOIC, MSOP, TSSOP
- Recommended for Automotive Design (MCP606/9)

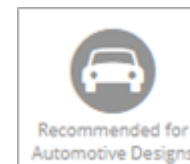


<< BACK



MCP616/7/8/9

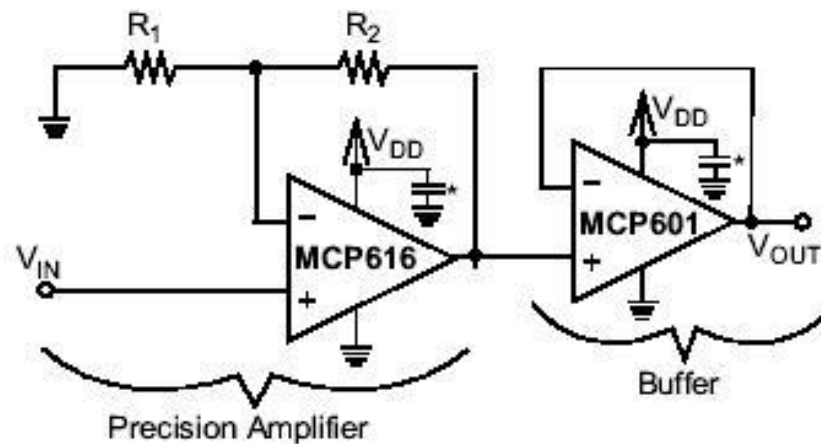
2.3V to 5.5V Micropower Bi-CMOS Op Amps



Online
Datasheet

Features:

- Gain Bandwidth Product:
 - 190 kHz
- Low Quiescent Current:
 - 25 μ A (max.)
- Low Input Offset Voltage:
 - \pm 150 μ V (max.)
- Power Supply Voltage:
 - 2.3V to 5.5V
- Low Noise:
 - 2.2 μ VP-P (typ.), 0.1Hz to 10Hz
- Low Input Offset Current:
 - 0.3nA (typ.)
- Rail to Rail Output
- Unity Gain Stable
- Chip Select Capability: MCP618
- Industrial Temperature Range:
 - -40 $^{\circ}$ C to +85 $^{\circ}$ C
- Available in Single, Dual and Quad
- Available in PDIP, SOIC, MSOP, TSSOP
- Recommended for Automotive Design (MCP619)



*Bypass Capacitor, 1 μ F

Precision Gain with Good Load Isolation

<< BACK



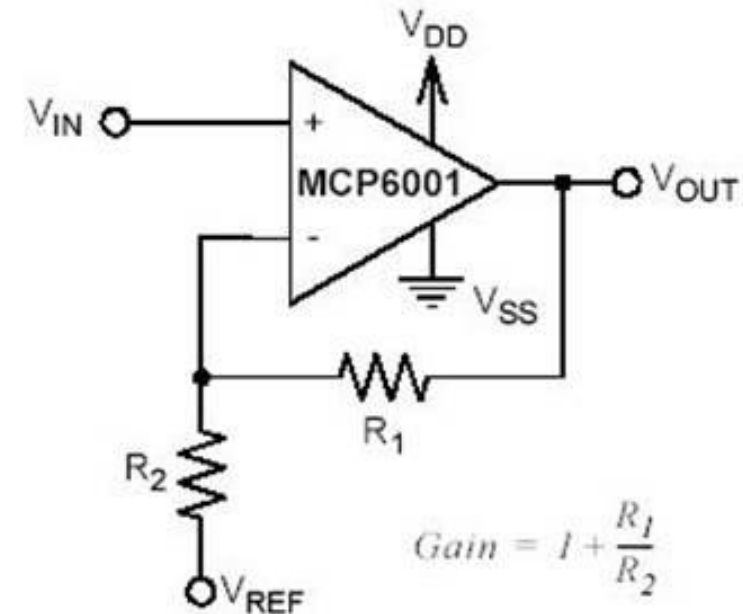
MCP6001/2/4



1 MHz, Low-Power Op Amp

• Features:

- Gain Bandwidth Product:
- 1MHz (typ.)
- Supply Current:
- 100µA (typ.)
- Input Offset Voltage (max):
- ±4.5 mV
- Supply Voltage:
- 1.8V to 6V
- Rail to Rail Input/Output
- Phase Margin: 90° (typ.)
- Temperature Ranges:
- Industrial: -40°C to +85°C
- Extended: -40°C to +125°C
- Available Packages:
- Single: SOT23, SC70
- Dual: MSOP, 2x3 DFN
- Quad: SOIC, TSSOP
- Recommended for Automotive Design



Non-Inverting Amplifier



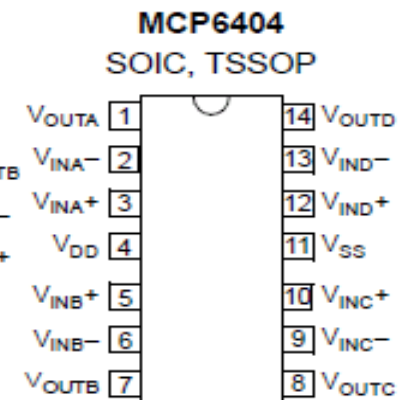
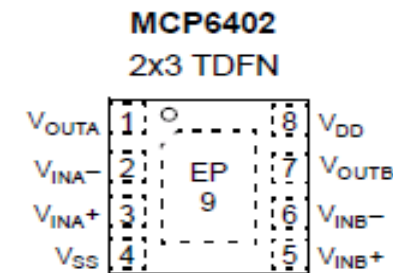
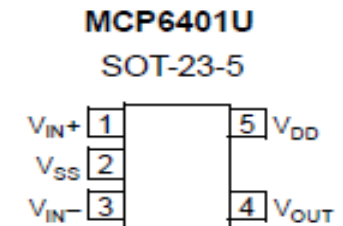
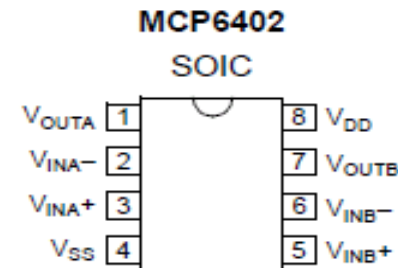
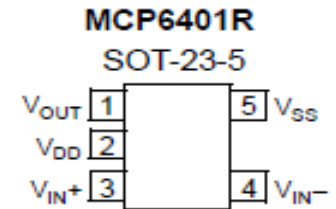
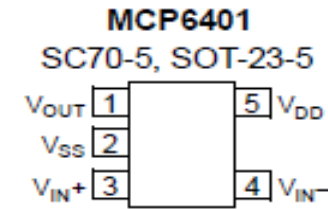
MCP6401/2/4 and MCP6406/7/9



45 μ A, 1 MHz Operational Amplifiers

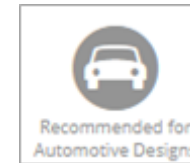
• Features

- Gain Bandwidth Product: 1 MHz
- Supply Current: 45 μ A (typ)
- Input Offset Voltage (max): ± 4.5 mV
- Supply Voltage Range: 1.8 to 6.0V
- Rail-to-Rail Input/Output
- Temperature Ranges:
 - Extended: -40 $^{\circ}$ C to +125 $^{\circ}$ C
 - H-Temp: -40 $^{\circ}$ C to +150 $^{\circ}$ C (MCP6406/7/9 only)
- Recommended for Automotive Design



MCP6406/7/9

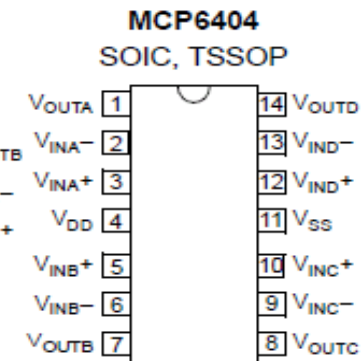
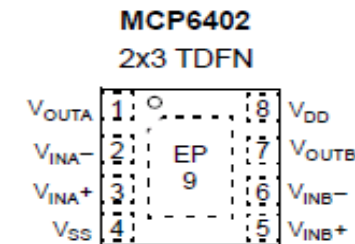
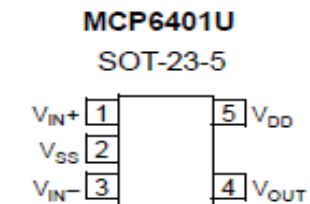
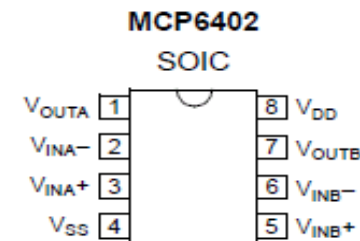
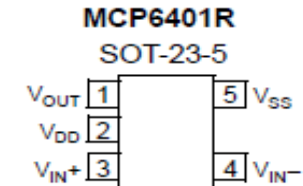
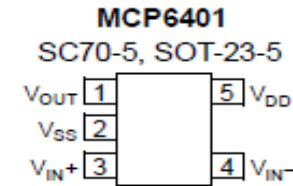
1 MHz, 45 μ A Op Amps



Online
Datasheet

Features:

- Gain Bandwidth Product:
 - 1MHz (typ.)
- Supply Current:
 - 45 μ A (typ.)
- Input Offset Voltage (max):
 - \pm 4.5 mV
- Supply Voltage:
 - 1.8V to 6V
- Phase Margin: 65° (typ.)
- Rail to Rail Input/Output
- Temperature Ranges:
 - Extended: -40°C to +125°C
 - H-Temp: -40°C to +125°C (MCP6406/7/9 only)
- Available Packages:
 - Singles: SC70, SOT23
 - Dual: SOIC, 2x3 TDFN
 - Quad: TSSOP, SOIC
- Recommended for Automotive Design



<< BACK



MCP6Lxx

1 MHz, 85 μ A Op Amps

Product	# per Package	GBWP (kHz)	Iq Max (μ A)	Vos Max (μ V)	Operating Voltage Range (V)	Rail-To-Rail	Packages	Online Datasheet
MCP6L01/2/4	1/2/4	1000	170	5000	1.8 - 6.0	In/Out	Singles: SC70, SOT23 Duals: MSOP, SOIC Quads: TSSOP, SOIC	MCP6L01/2/4 Datasheet
MCP6L71/2/4	1/2/4	2000	240	4000	2.0 - 6.0	In/Out		MCP6L71/2/4 Datasheet
MCP6L1/2/4	1/2/4	2800	330	3000	2.7 - 6.0	Out		MCP6L1/2/4 Datasheet
MCP6L91/2/4	1/2/4	10000	1350	4000	2.4 - 6.0	In/Out		MCP6L91/2/4 Datasheet



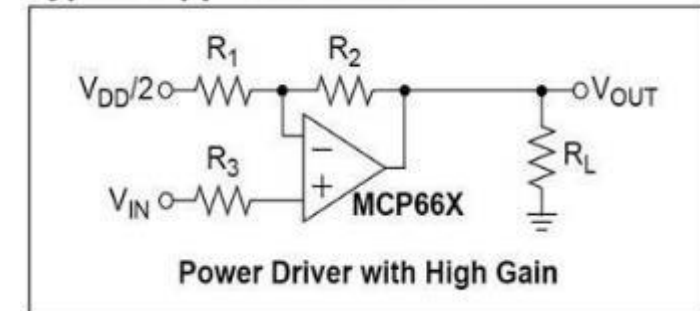
MCP660/1/2/3/4/5/9

60 MHz, 32 V/ μ s Rail-to-Rail Output (RRO) Op Amps

- **Features:**

- Gain Bandwidth Product:
 - 60 MHz (typical)
- Supply Current:
 - 6.0 mA (typical)
- Input Offset Voltage (max): ± 8 mV
- Supply Voltage:
 - 2.5V to 5.5V
- Short Circuit Current: 90 mA (typical)
- Noise: 6.8 nV/ $\sqrt{\text{Hz}}$ (typical, at 1 MHz)
- Rail-to-Rail Output
- Slew Rate: 32 V/ μ s (typical)
- Available in Single, Dual and Quad
- Chip Select: MCP663, MCP665, MCP669
- Extended Temperature Range:
 - -40°C to $+125^{\circ}\text{C}$
- Recommended for Automotive Design (MCP661/2/4)

Typical Application Circuit

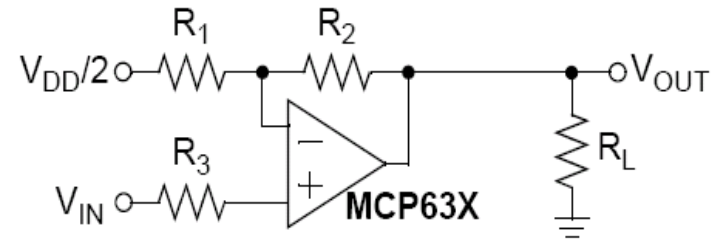


MCP631/2/3/4/5/9

24 MHz, 2.5 mA Rail-to-Rail Output (RRO) Op Amps

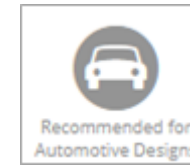
- **Features:**

- Gain Bandwidth Product:
 - 24 MHz (typical)
- Supply Current:
 - 2.5 mA (typical)
- Input offset voltage (max): ± 8 mV
- Power Supply:
 - 2.5V to 5.5V
- Short Circuit Current:
 - 70 mA (typical)
- Noise: 10 nV/ $\sqrt{\text{Hz}}$ (typical, at 1 MHz)
- Rail-to-Rail Output
- Slew Rate: 10 V/ μs (typical)
- Available in Single, Dual and Quad
- Chip Select: MCP633, MCP635, MCP639
- Extended Temperature Range:
 - -40°C to $+125^{\circ}\text{C}$
- Recommended for Automotive Design (MCP631/2/4)



Power Driver with High Gain

MCP6021/2/3/4

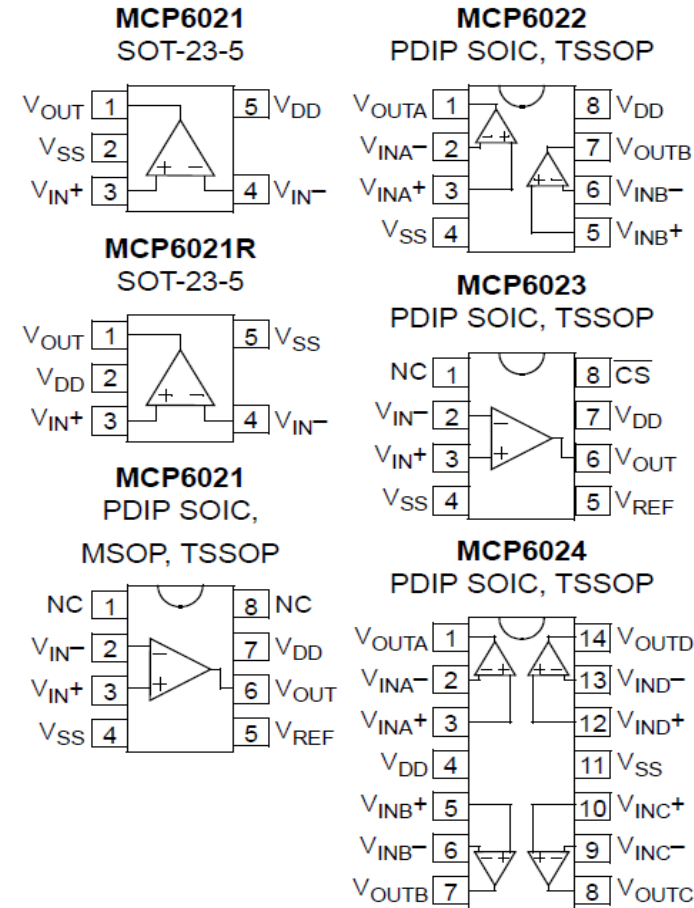


Online Datasheet

Rail-to-Rail Input/Output, 10 MHz Op Amps

Features:

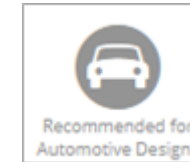
- Gain Bandwidth Product :
 - 10MHz (typ.)
- Low Supply Current:
 - 1mA (typ.)
- Low Offset Voltage:
- Industrial Temperature:
 - $\pm 500\mu\text{V}$ (max.)
- Extended Temperature:
 - $\pm 250\mu\text{V}$ (max.)
- Power Supply Range:
 - 2.5V to 5.5V
- Low Noise:
 - 8.7nV/ $\sqrt{\text{Hz}}$, at 10kHz (typ.)
- Rail-to-Rail Input/Output
- Mid-Supply V_{REF} : MCP6021 and MCP6023
- Unity Gain Stable
- Temperature Range:
 - -40°C to $+125^{\circ}\text{C}$
- Recommended for Automotive Design (MCP6021/2/4)



<< BACK



MCP651/1S/2/3/5/9



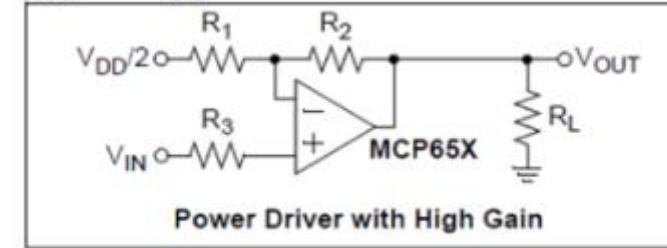
Online
Datasheet

50 MHz, 200 μ V Op Amps with mCal

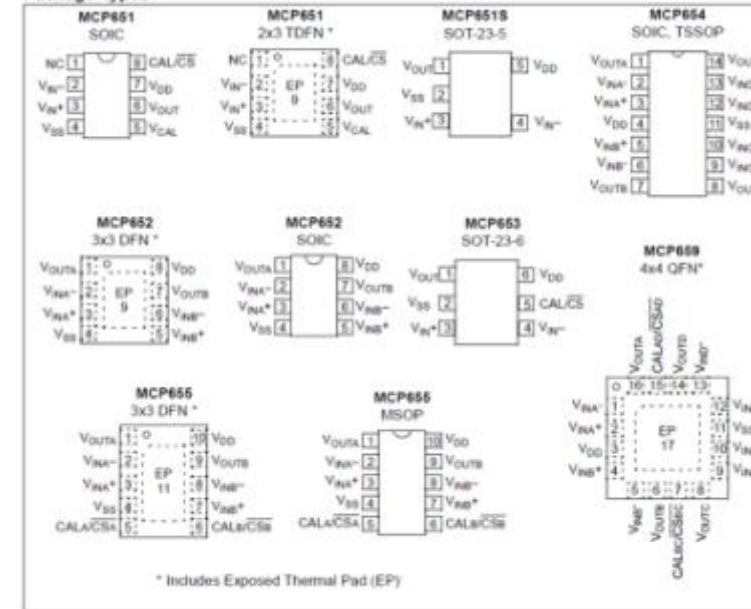
Features:

- Gain Bandwidth:
 - 50MHz (typ.)
- Low Supply Current:
 - 6mA (typ.)
- Calibrated Offset Voltage:
 - $\pm 200\mu$ V (max.)
- Power Supply Range:
 - 2.5V to 5.5V
- Short Circuit Current:
 - 100mA (typ.)
- Low Noise:
 - 7.5nV/ $\sqrt{\text{Hz}}$, at 1MHz (typ.)
- Slew Rate: 30V/ μ s (typ.)
- Rail-to-Rail Output
- Calibrate/Chip Select Pin Options
- Temperature Range:
 - -40°C to $+125^{\circ}\text{C}$ (Extended)
- Recommended for Automotive Design (MCP651S/52/54)

Typical Application Circuit



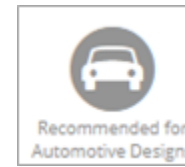
Package Types



<< BACK



MCP621/1S/2/3/4/5/9



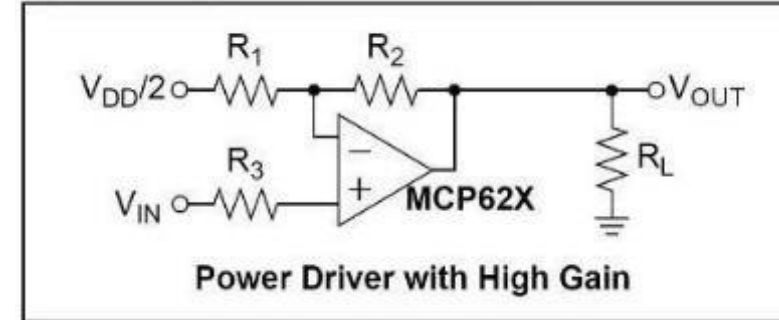
Online
Datasheet

20 MHz, 200 μ V Op Amps with mCal

Features:

- Gain Bandwidth Product:
 - 20MHz (typ.)
- Single/Dual/Quad
- Supply Current:
 - 2.5mA (typ.)
- Calibrated Input Offset:
 - $\pm 200\mu$ V (max.)
- Power Supply:
 - 2.5V to 5.5V
- Short Circuit Current:
 - 70mA (typ.)
- Noise: 13nV/ \sqrt Hz (typ., at 1MHz)
- Rail-to-Rail Output
- Slew Rate: 10V/ μ s (typ.)
- Calibrate/Chip Select Pin Options
- Extended Temperature Range:
 - -40° C to $+125^{\circ}$ C
- Recommended for Automotive Design (MCP621S/4)

Typical Application Circuit



<< BACK



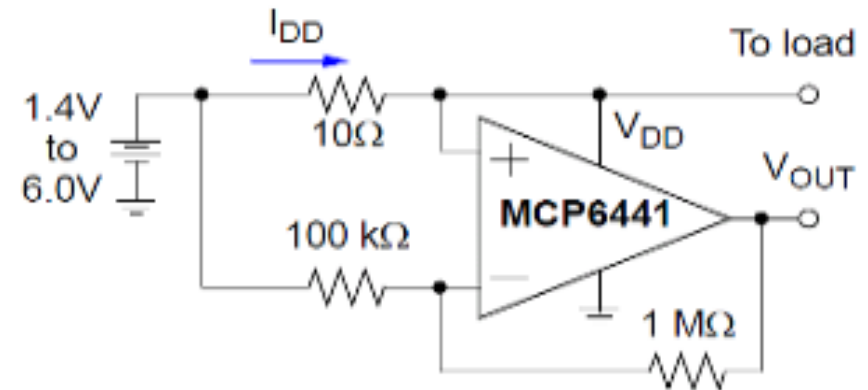
MCP6441/2



450 nA, 9 kHz Op Amp

• Features:

- Gain Bandwidth Product:
 - 9kHz (typ.)
- Low Supply Current:
 - 450nA/Amplifier (typ.)
- Input Offset Voltage (max):
 - ± 4.5 mV
- Supply Voltage Range:
 - 1.4V to 6V (max.)
- Rail-to-Rail Input/ Output
- Unity Gain Stable
- Available Packages:
 - Singles: SC70, SOT23
 - Dual: SOIC, MSOP
 - Quad: TSSOP, SOIC
- Recommended for Automotive Design



$$I_{DD} = \frac{V_{DD} - V_{OUT}}{(10 \text{ V/V}) \cdot (10 \Omega)}$$

Battery Current Sensing



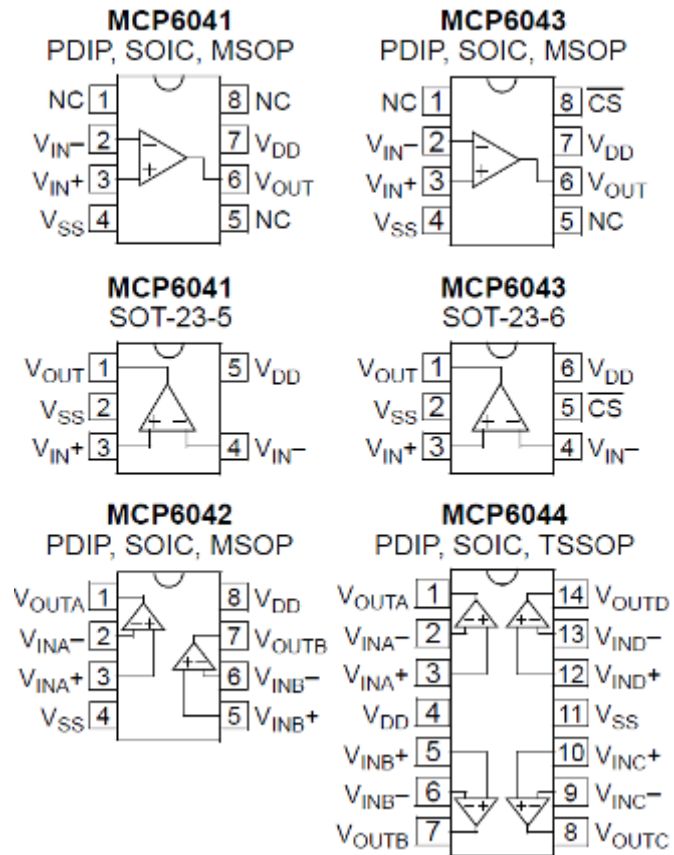


MCP6041/2/3/4

600 nA, Rail-to-Rail Input/Output Op Amps

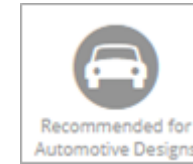
• Features:

- Gain Bandwidth Product: 14kHz (typ.)
- Low Supply Current: 600nA/Amplifier (typ.)
- Input Offset Voltage (max): ± 3 mV
- Supply Voltage Range: 1.4V to 6V (max.)
- Rail-to-Rail Input/ Output
- Unity Gain Stable
- Available in Single, Dual and Quad
- Chip Select (CS) with MCP6043
- Recommended for Automotive Design (MCP6041/2/4)



MCP6031/2/3/4

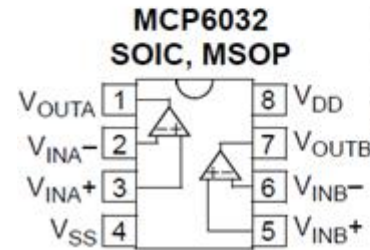
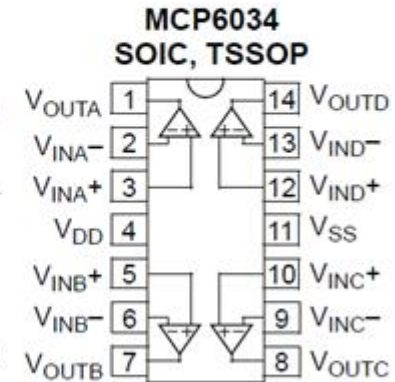
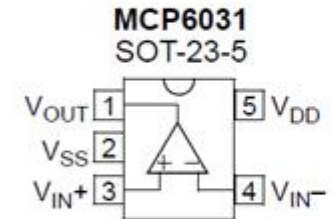
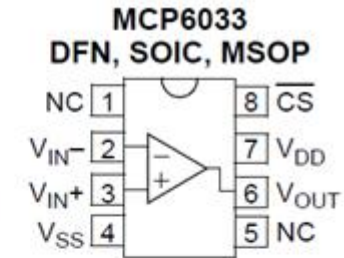
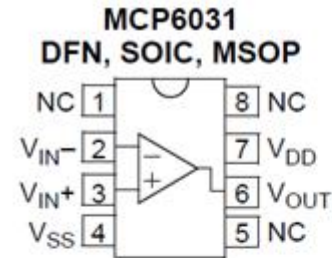
0.9 μA , High Precision Op Amps



Online
Datasheet

Features:

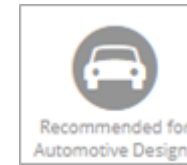
- Gain Bandwidth Product: 10 kHz (typ.)
- Ultra Low Quiescent Current: 0.9 μA (typ.)
- Low Offset Voltage: $\pm 150\mu\text{V}$ (max.)
- Wide Power Supply Voltage: 1.8V to 5.5V
- Rail-to-Rail Input and Output
- Unity Gain Stable
- Chip Select (CS) capability: MCP6033
- Extended Temperature Range:
 - -40°C to +125°C
- Recommended for Automotive Design (MCP6031/2/4)



<< BACK



MCP6051/2/4

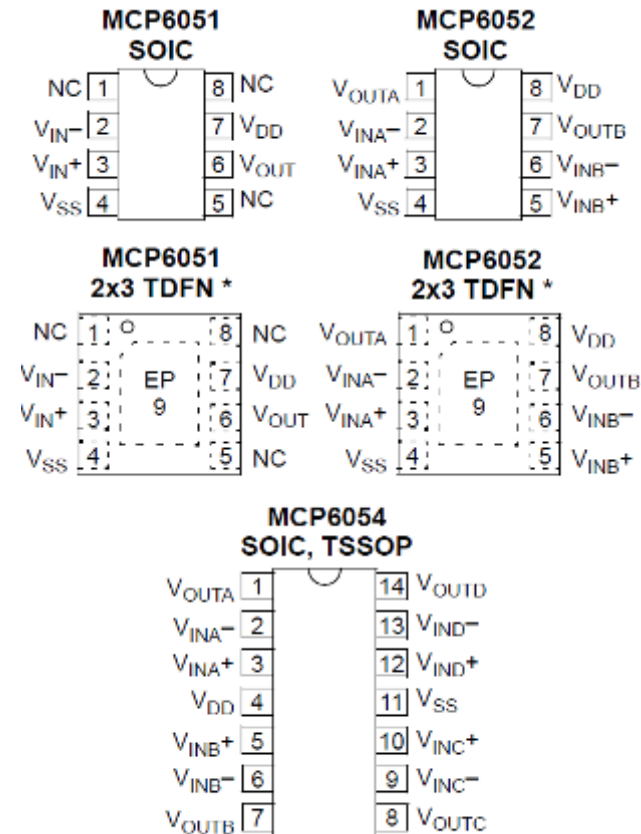


Online Datasheet

30 μ A, High Precision Op Amps

Features:

- Gain Bandwidth Product: 385kHz (typ.)
- Ultra Low Quiescent Current: 30 μ A (typ.)
- Low Offset Voltage: $\pm 150\mu$ V (max.)
- Wide Power Supply Voltage: 1.8V to 6.0V
- Rail-to-Rail Input and Output
- Unity Gain Stable
- Extended Temperature Range:
 - -40 $^{\circ}$ C to +125 $^{\circ}$ C
- Recommended for Automotive Design



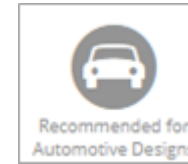
* Includes Exposed Thermal Pad (EP); see Table 3-1.

<< BACK



MCP6061/2/4

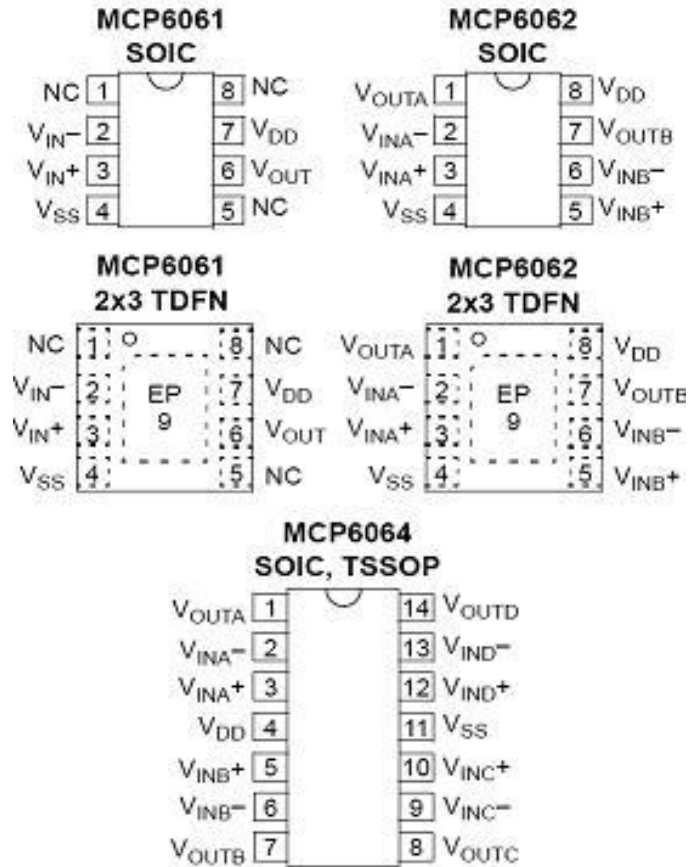
60 μ A, High Precision Op Amps



Online
Datasheet

Features:

- Gain Bandwidth Product: 730kHz (typ.)
- Ultra Low Quiescent Current: 60 μ A (typ.)
- Low Offset Voltage: $\pm 150\mu$ V (max.)
- Wide Power Supply Voltage: 1.8V to 6.0V
- Rail-to-Rail Input and Output
- Unity Gain Stable
- Extended Temperature Range:
 - -40°C to +125°C
- Recommended for Automotive Design (MCP6061/4)

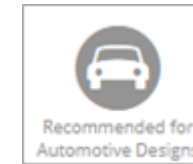


<< BACK



MCP6071/2/4

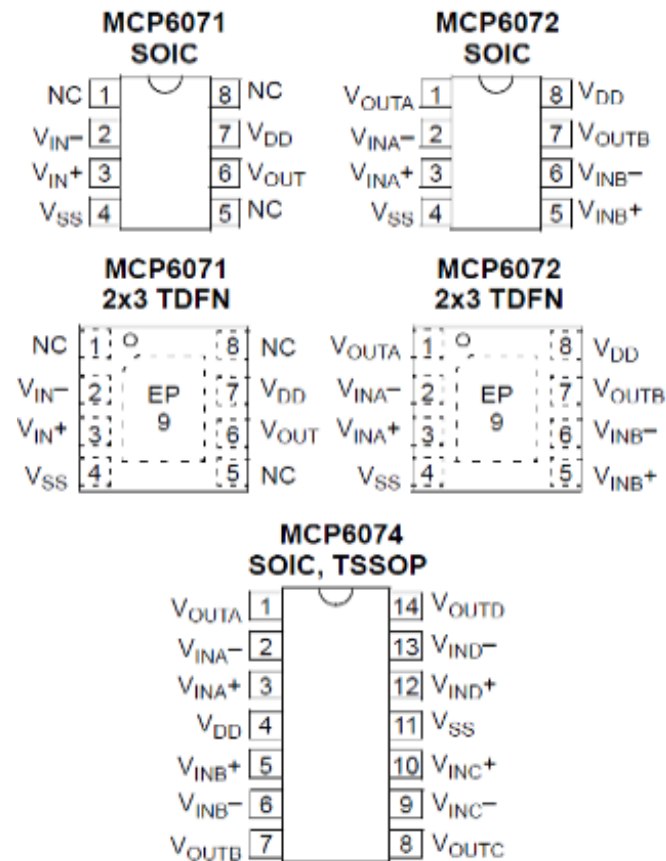
110 μ A, High Precision Op Amps



Online
Datasheet

Features:

- Gain Bandwidth Product: 1.2MHz (typ.)
- Ultra Low Quiescent Current: 110 μ A (typ.)
- Low Offset Voltage: $\pm 150\mu$ V (max.)
- Wide Power Supply Voltage: 1.8V to 6.0V
- Rail-to-Rail Input and Output
- Unity Gain Stable
- Extended Temperature Range:
 - -40 $^{\circ}$ C to +125 $^{\circ}$ C
- Recommended for Automotive Design



* Includes Exposed Thermal Pad (EP); see Table 3-1.

<< BACK



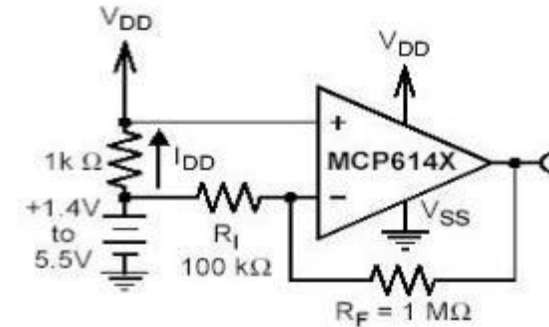
MCP6141/2/3/4



110 μ A, High Precision Op Amps

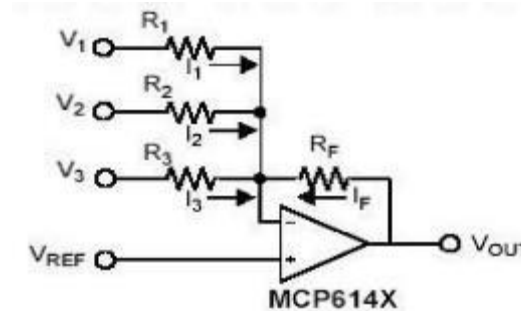
• Features:

- Gain Bandwidth Product: 100kHz (typ.)
- Low Quiescent Current: 600nA/amplifier (typ.)
- Input Offset Voltage: ± 3 mV (max)
- Wide Supply Voltage Range: 1.4V to 6V
- Stable for gains of 10 V/V or higher
- Rail-to-Rail Input/Output
- Available in Single, Dual, and Quad
- Chip Select (CS) with MCP6143
- Available in 5-lead and 6-lead SOT-23
- Temperature Ranges:
 - Industrial: -40°C to $+85^{\circ}\text{C}$
 - Extended: -40°C to $+125^{\circ}\text{C}$
- Recommended for Automotive Design (MCP6141/2/4)



High Side Battery Current Sensor

$$G_n = \left(1 + \frac{R_F}{R_1}\right) \geq 10V/V$$



Summing Amplifier

$$G_n = 1 + R_F \left(\frac{1}{R_1} + \frac{1}{R_2} + \frac{1}{R_3} \right) \geq 10V/V$$



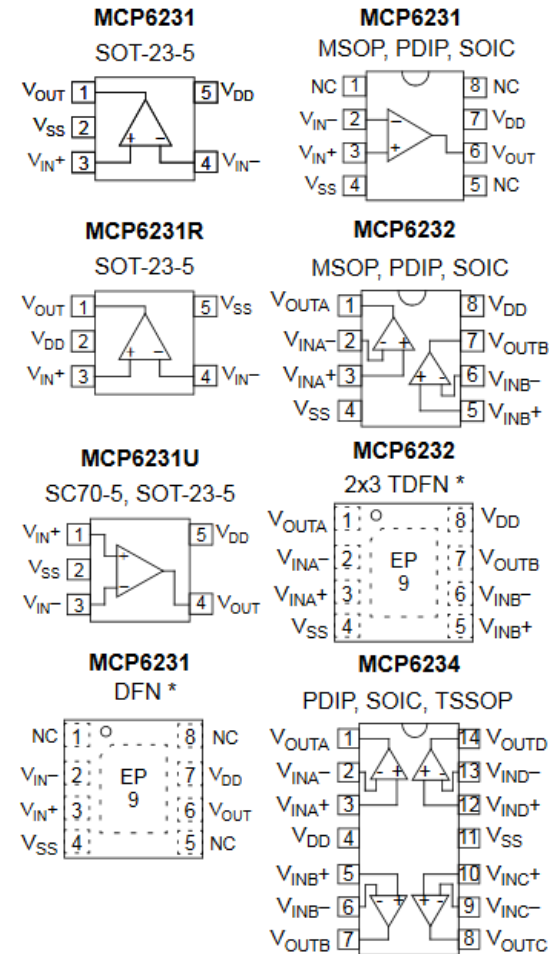


MCP6231/2/4

20 μ A, 300 kHz Rail-to-Rail Op Amp

• Features:

- Gain Bandwidth Product: 300kHz (typ.)
- Supply Current: $I_Q = 20\mu\text{A}$ (typ.)
- Input Offset voltage: ± 5 mV (max)
- Supply Voltage: 1.8V to 6V
- Rail-to-Rail Input/Output
- Extended Temperature Range:
 - -40°C to $+125^\circ\text{C}$
- Available in 5-pin SC-70 and SOT-23
- Recommended for Automotive Design

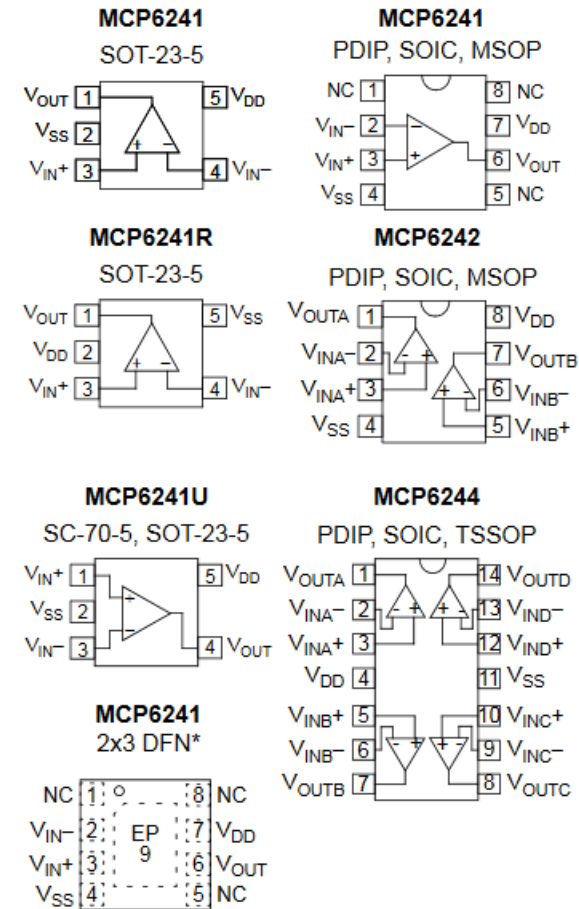


MCP6241/2/4

50 μ A, 550 kHz Rail-to-Rail Op Amp

• Features:

- Gain Bandwidth Product: 550kHz (typ.)
- Supply Current: $I_Q = 50\mu\text{A}$ (typ.)
- Input Offset Voltage: ± 5 mV (max)
- Supply Voltage: 1.8V to 5.5V
- Rail-to-Rail Input/Output
- Extended Temperature Range:
- -40°C to $+125^\circ\text{C}$
- Available in 5-pin SC-70 and SOT-23
- Recommended for Automotive Design

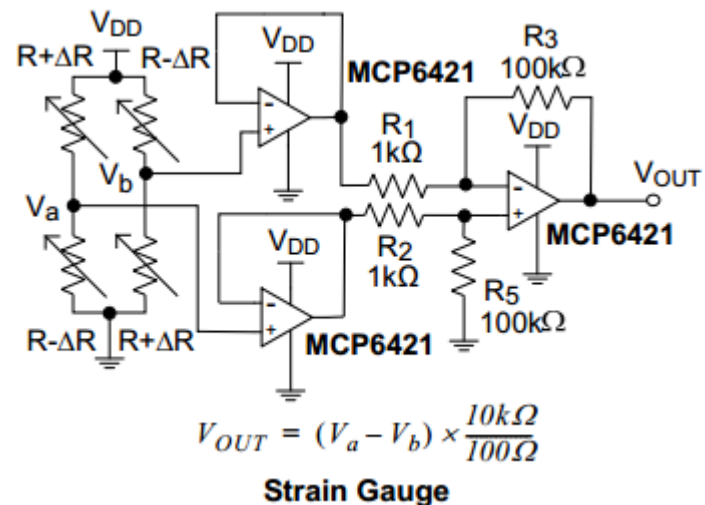


MCP6421/2/4

4.4 μA /Amplifier, 90 kHz Op Amp

• Features:

- Gain Bandwidth Product: 90kHz (typ.)
- Supply Current: $I_Q = 4.4 \mu\text{A}$ (typ.)
- Input Offset Voltage: $\pm 1 \text{ mV}$ (max)
- Supply Voltage: 1.8V to 5.5V
- Rail-to-Rail Input/Output
- Enhanced EMI Protection:
- Electromagnetic Interference Rejection Ratio –
 - - (EMIRR) 97 dB at 1.8 GHz
- Extended Temperature Range:
 - -40°C to $+125^\circ\text{C}$
- Available in Single, Dual and Quad Packages
- Recommended for Automotive Design

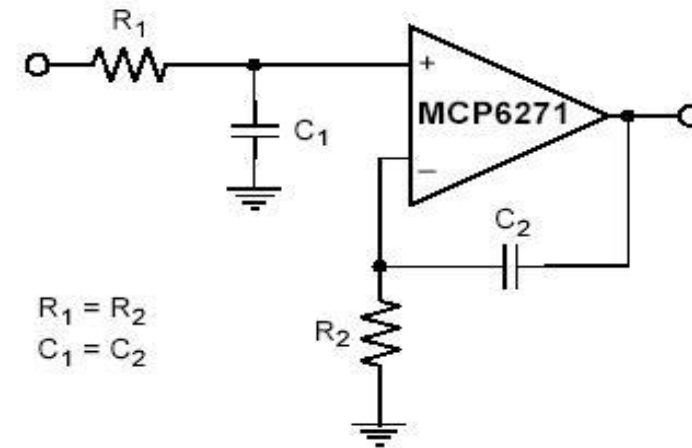


MCP6271/2/3/4/5

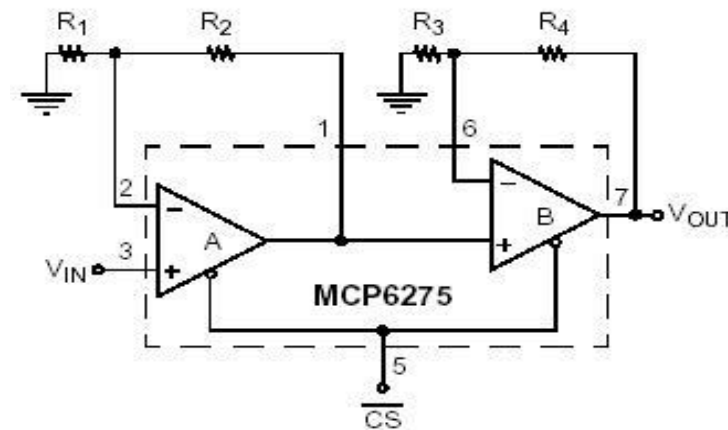
170 μA , 2 MHz Rail-to-Rail Op Amp

• Features:

- Gain Bandwidth Product: 2MHz (typ.)
- Supply Current: $I_Q = 170\mu\text{A}$ (typ.)
- Input Offset Voltage: $\pm 3\text{ mV}$ (max)
- Supply Voltage: 2.0V to 6V
- Rail-to-Rail Input/Output
- Dual with Chip Select (MCP6275)
- Extended Temperature Range:
 - -40°C to $+125^\circ\text{C}$
- Available in Single, Dual and Quad Packages
- Recommended for Automotive Design (MCP6271/2/4)



Non-Inverting Integrator



Cascaded Gain with Chip Select

[MCP6285 >>](#)

[MCP6281/2/3/4 >>](#)

[MCP6295 >>](#)

[MCP6291/2/3/4 >>](#)

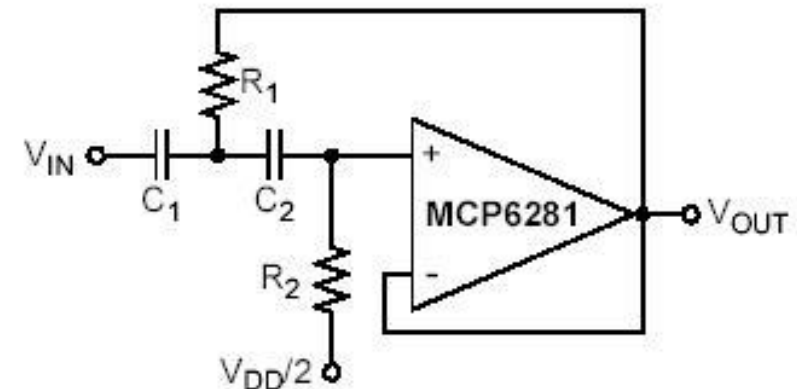


MCP6281/2/3/4

450 μ A, 5 MHz Rail-to-Rail Op Amp

• Features:

- Gain Bandwidth Product: 5MHz (typ.)
- Supply Current: $I_Q = 450\mu\text{A}$ (typ.)
- Input Offset Voltage: ± 3 mV (max)
- Supply Voltage: 2.2V to 6V
- Rail-to-Rail Input/Output
- Extended Temperature Range:
 - -40°C to $+125^\circ\text{C}$
- Available in Single, Dual and Quad Packages
- Recommended for Automotive Design (MCP6281/2/4)



Sallen-Key Highpass Filter

[MCP6275 >>](#)

[MCP6285 >>](#)

[MCP6295 >>](#)

[MCP6271/2/3/4 >>](#)

[MCP6291/2/3/4 >>](#)

MCP6286

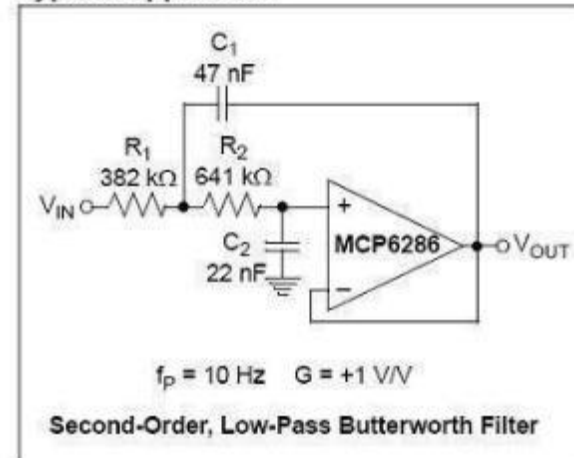


Low Noise, Low Power Op Amp

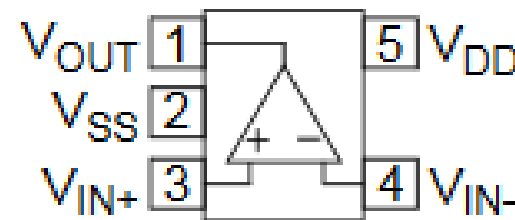
• Features:

- Low Noise: 5.4nV/√Hz (typ.)
- Gain Bandwidth Product: 3.5MHz (typ.)
- Low Quiescent Current: 520μA (typ.)
- Input Offset voltage: ±1.5 mV (max)
- Wide Supply Voltage Range: 2.2V to 5.5V
- PSRR: 100 dB (typ.), CMRR: 95 dB (typ.)
- Extended Temperature Range:
 - -40°C to +125°C
- Unity Gain Stable
- Small Package: SOT- 23
- Recommended for Automotive Design

Typical Application



MCP6286
SOT-23-5



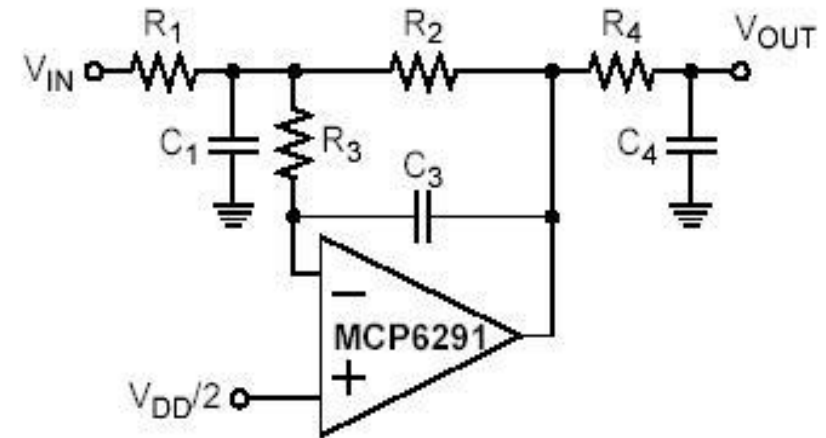
MCP6291/2/3/4



1.0 mA, 10 MHz Rail-to-Rail Op Amp

• Features:

- Gain Bandwidth Product: 10MHz (typ.)
- Supply Current: $I_Q = 1.0 \text{ mA}$ (typ.)
- Supply Voltage: 2.4V to 6V
- Input Offset Voltage: $\pm 3 \text{ mV}$ (max)
- Rail-to-Rail Input/Output
- Extended Temperature Range:
 - -40°C to $+125^\circ\text{C}$
- Available in Single, Dual and Quad Packages
- Recommended for Automotive Design (MCP6291/2/4)



Multiple Feedback Lowpass Filter

[MCP6275 >>](#)

[MCP6285 >>](#)

[MCP6295 >>](#)

[MCP6271/2/3/4 >>](#)

[MCP6291/2/3/4 >>](#)



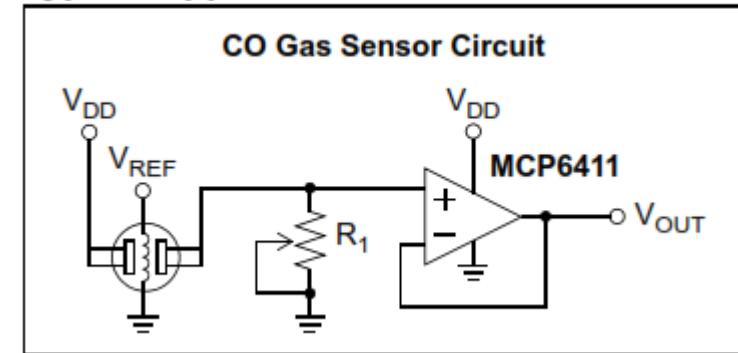
MCP6411

1 MHz Operational Amplifier with EMI Filtering

- **Features:**

- Low Quiescent Current: 50 μA (typical)
- Low Input Offset Voltage:
 - ± 1.0 mV (maximum)
- Enhanced EMI Protection:
 - EMIRR 97 dB at 1.8 GHz
- Supply Voltage Range: 1.7V to 5.5V
- Gain Bandwidth Product: 1 MHz (typical)
- Rail-to-Rail Input/Output
- Slew Rate: 0.5 V/ μs (typical)
- Unity Gain Stable
- No Phase Reversal
- Small Packages: SC70-5, SOT-23-5
- Extended Temperature Range:
 - - 40°C to +125°C

Typical Application



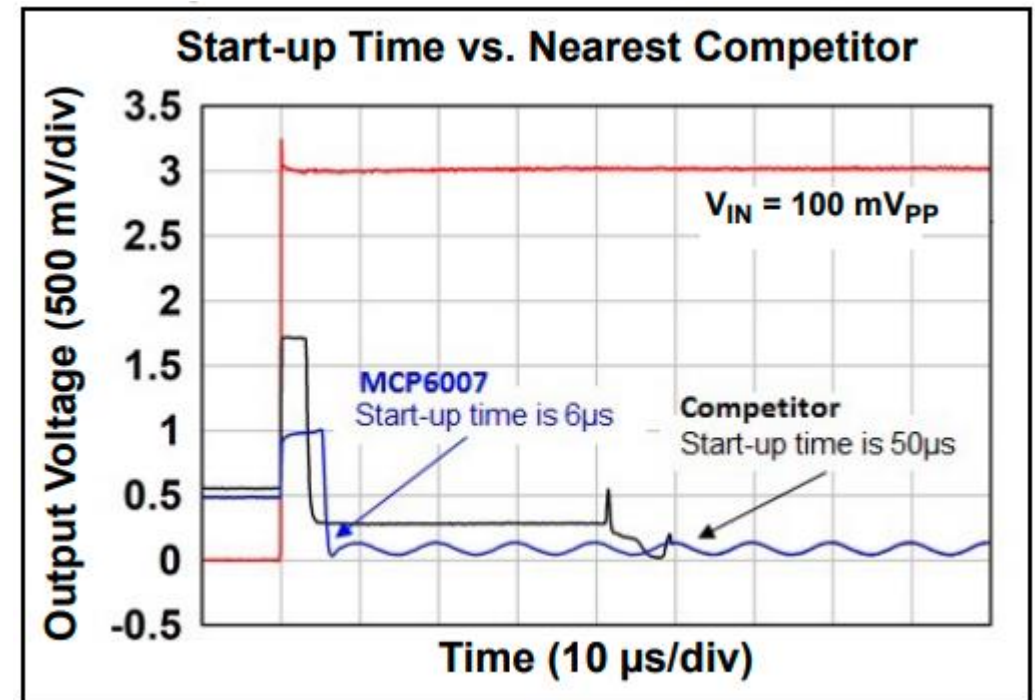
MCP6006/7/9



50 μ A, 1 MHz Op Amps with Enhanced EMI Rejection

- **Features:**

- Gain Bandwidth Product: 1 MHz
- Supply Current: 50 μ A (typ)
- Input Offset Voltage (max): ± 1.6 mV
- Supply Voltage Range: 1.8 to 5.5V
- Enhanced EMI Rejection
- EMIRR at 1.8 GHz: 95 dB
- Fast Start-up Time: 6 μ S (typ)
- Rail-to-Rail Input/Output
- Temperature Range: -40°C to $+125^{\circ}\text{C}$



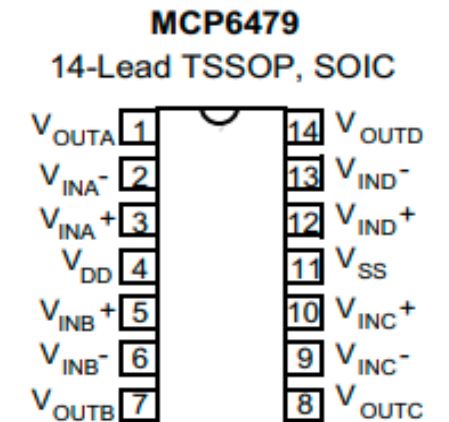
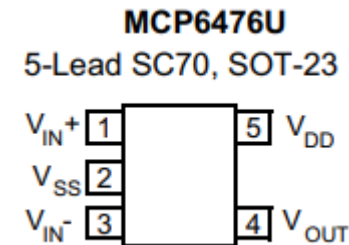
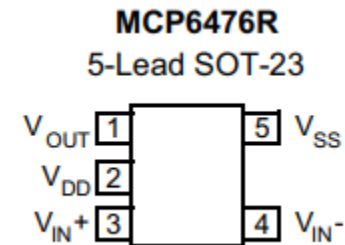
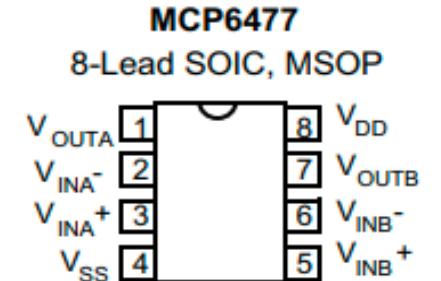
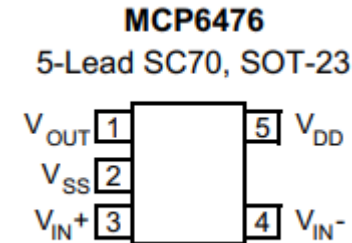
MCP6476/7/9



140 μ A, 3 MHz Op Amps with Enhanced EMI Rejection

• Features:

- Gain Bandwidth Product: 3 MHz
- Supply Current: 140 μ A (typ)
- Input Offset Voltage (max): ± 1.6 mV
- Supply Voltage Range: 1.8 to 5.5V
- Enhanced EMI Rejection
- EMIRR at 1.8 GHz: 90 dB
- Fast Start-up Time: 6 μ S (typ)
- Rail-to-Rail Input/Output
- Temperature Range: -40°C to $+125^{\circ}\text{C}$



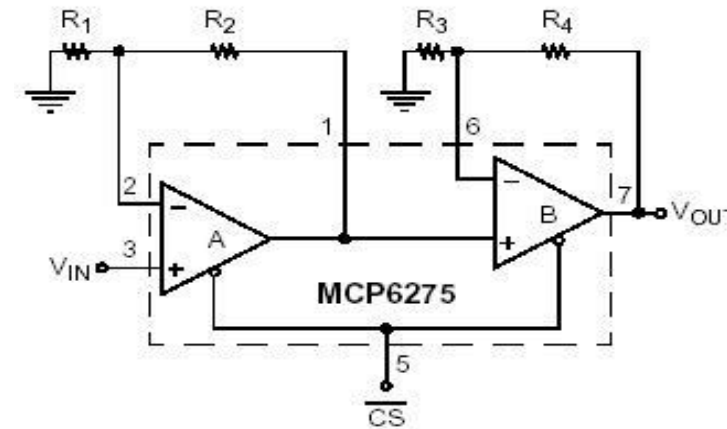
MCP6275

[Online Datasheet](#)

170 μ A, 2 MHz Rail-to-Rail Op Amp

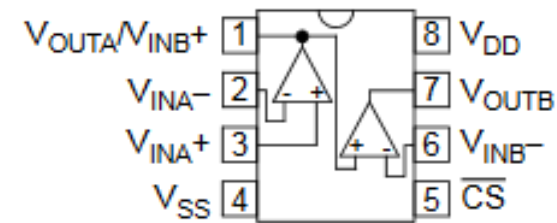
Features:

- Gain Bandwidth Product: 2 MHz (typ.)
- Supply Current: $I_Q = 170 \mu\text{A}$ (typ.)
- Input Offset Voltage: $\pm 3 \text{ mV}$ (max)
- Supply Voltage: 2.0V to 6V
- Rail-to-Rail Input/Output
- Dual with Chip Select
- Extended Temperature Range:
 - -40°C to $+125^\circ\text{C}$



Cascaded Gain with Chip Select

MCP6275 PDIP, SOIC, MSOP



[MCP6281/2/3/4 >>](#)

[MCP6285 >>](#)

[MCP6271/2/3/4 >>](#)

[MCP6295 >>](#)

[MCP6291/2/3/4 >>](#)

[<< BACK](#)



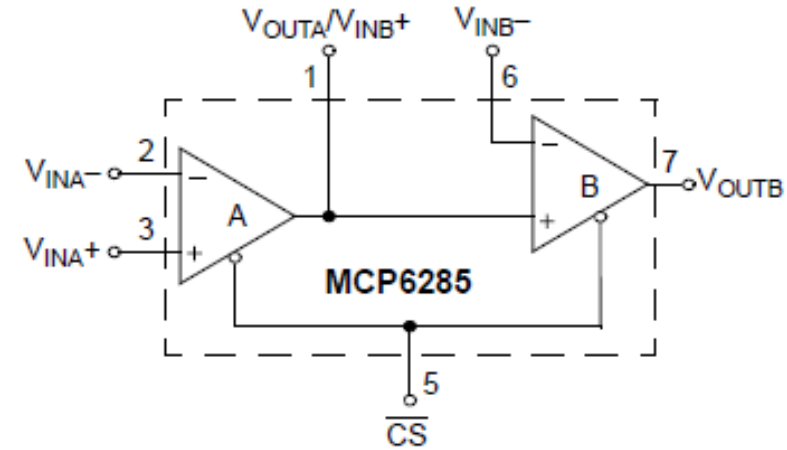
MCP6285

[Online Datasheet](#)

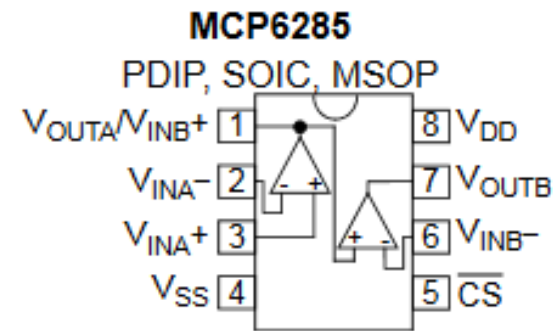
450 μ A, 5 MHz Rail-to-Rail Op Amp

Features:

- Gain Bandwidth Product: 2 MHz (typ.)
- Supply Current: $I_Q = 170 \mu\text{A}$ (typ.)
- Input Offset Voltage: $\pm 3 \text{ mV}$ (max)
- Supply Voltage: 2.0V to 6V
- Rail-to-Rail Input/Output
- Dual with Chip Select
- Extended Temperature Range:
 - -40°C to $+125^\circ\text{C}$



Cascaded Gain Amplifier



[MCP6275 >>](#)

[MCP6281/2/3/4 >>](#)

[MCP6271/2/3/4 >>](#)

[MCP6295 >>](#)

[MCP6291/2/3/4 >>](#)

[<< BACK](#)



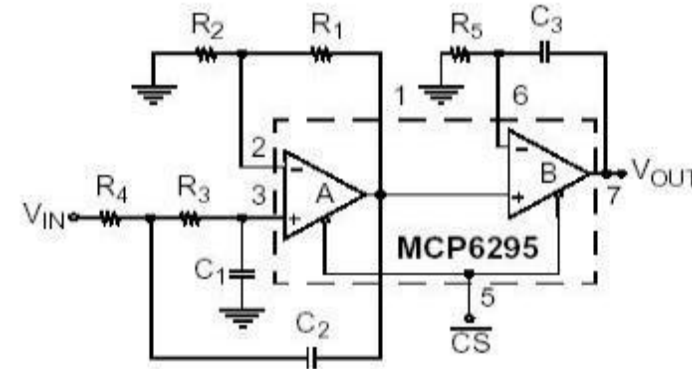
MCP6295

[Online Datasheet](#)

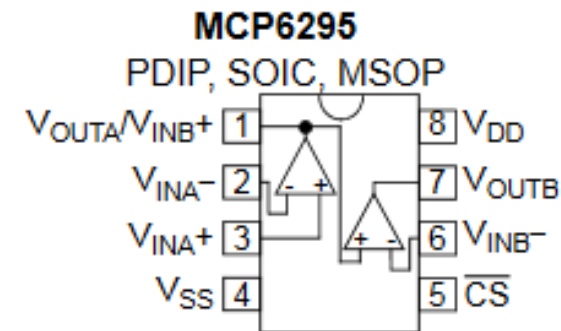
1.0 mA, 10 MHz Rail-to-Rail Op Amp

Features:

- Gain Bandwidth Product: 10 MHz (typ.)
- Supply Current: $I_Q = 1.0$ mA (typ.)
- Input Offset Voltage: ± 3 mV (max)
- Supply Voltage: 2.4V to 6V
- Rail-to-Rail Input/Output
- Dual with Chip Select
- Extended Temperature Range:
 - -40°C to $+125^{\circ}\text{C}$



Second-Order Sallen-Key Low-Pass Filter with an Extra Pole-Zero Pair and a Chip Select.



[MCP6275 >>](#)

[MCP6281/2/3/4 >>](#)

[MCP6285 >>](#)

[MCP6271/2/3/4 >>](#)

[MCP6291/2/3/4 >>](#)

[<< BACK](#)



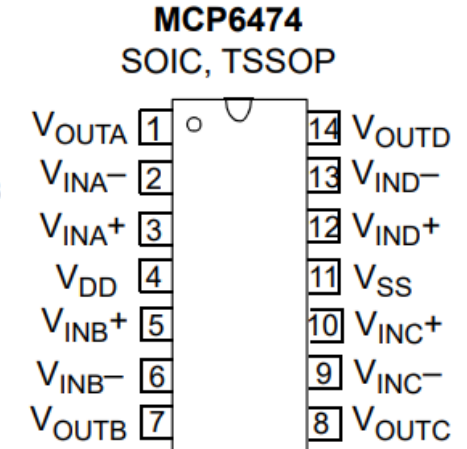
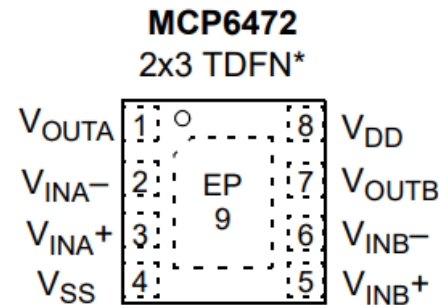
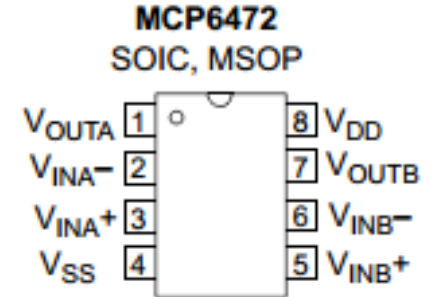
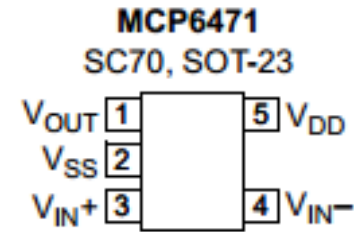


MCP6471/2/4

2 MHz, Low-Input Bias Current Op Amps

• Features:

- Gain Bandwidth Product: 2 MHz (typ.)
- Supply Current: 100 μ A (typ.)
- Input Offset Voltage: ± 1.5 mV (max)
- Supply Voltage: 2.0V to 5.5V
- Rail-to-Rail Input/Output
- Extended Temperature Range:
• -40°C to $+125^{\circ}\text{C}$
- Available in Single, Dual and Quad Packages
- Recommended for Automotive Designs



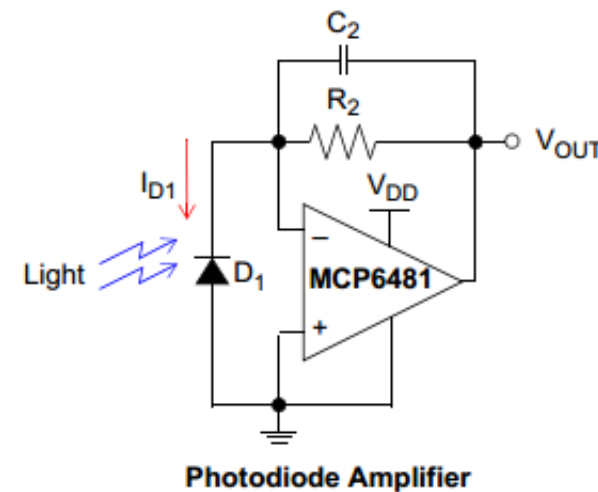
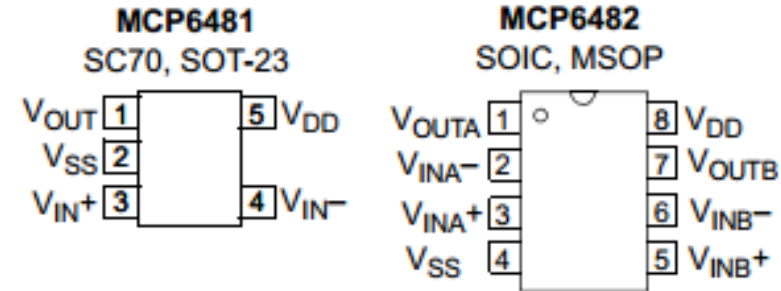
MCP6481/2/4



4 MHz, Low-Input Bias Current Op Amps

• Features:

- Gain Bandwidth Product: 4 MHz (typ.)
- Supply Current: $I_Q = 240 \mu\text{A}$ (typ.)
- Input Offset Voltage: $\pm 1.5 \text{ mV}$ (max)
- Supply Voltage: 2.0V to 5.5V
- Rail-to-Rail Input/Output
- Extended Temperature Range:
 - -40°C to $+125^\circ\text{C}$
- Available in Single, Dual and Quad Packages
- Recommended for Automotive Design



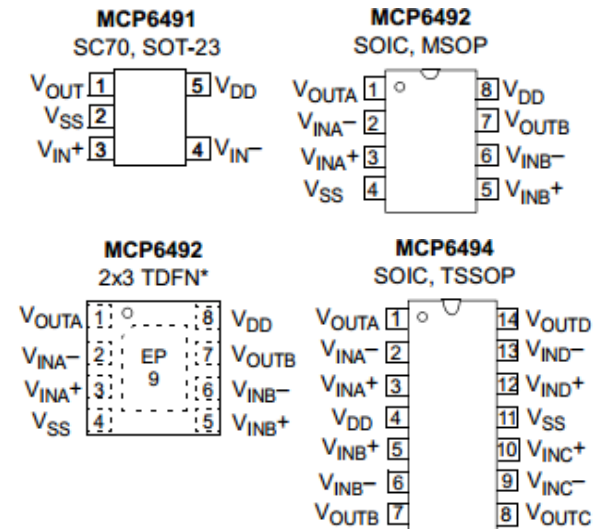
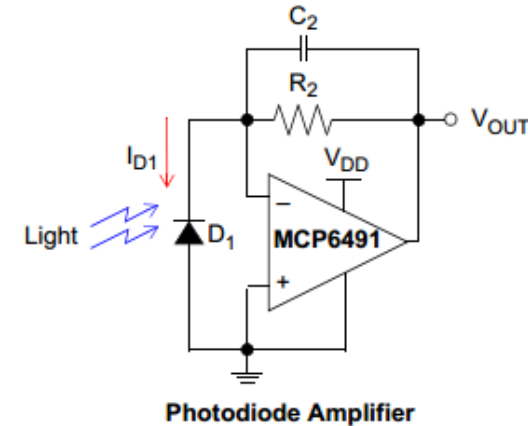
MCP6491/2/4



7.5 MHz, Low-Input Bias Current Op Amps

• Features:

- Gain Bandwidth Product: 7.5 MHz (typ.)
- Supply Current: $I_Q = 530 \mu\text{A}$ (typ.)
- Input Offset Voltage: $\pm 1.5 \text{ mV}$ (max)
- Supply Voltage: 2.0V to 5.5V
- Rail-to-Rail Input/Output
- Extended Temperature Range:
 - -40°C to $+125^\circ\text{C}$
- Available in Single, Dual and Quad Packages
- Recommended for Automotive Design (MCP6491/2/4)



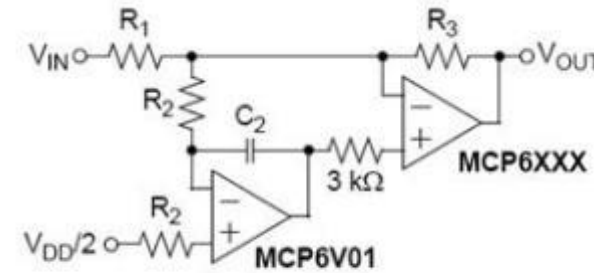
MCP6V01/2/3



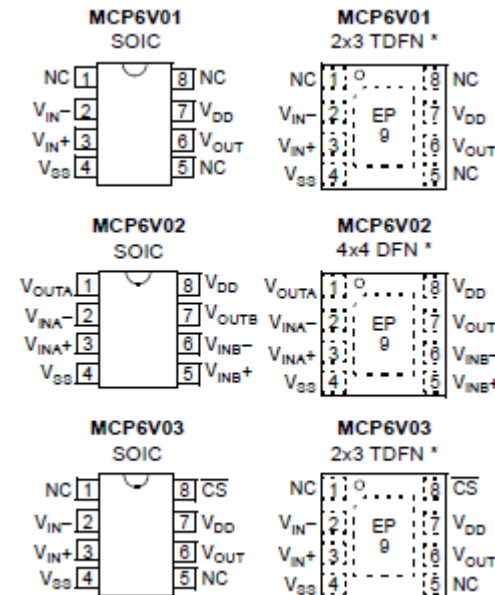
300 μ A, Auto-Zeroed Op Amps

Features:

- Gain Bandwidth Product: 1.3 MHz (typ.)
- Low Power and Supply Voltages:
 - I_Q : 300 μ A/amplifier (typ.)
 - Wide Supply Voltage Range: 1.8V to 5.5V
- High DC Precision:
 - VOS Drift: ± 50 nV/ $^{\circ}$ C (max.)
 - Input Offset Voltage: $V_{OS} = \pm 2$ μ V (max.)
 - AOL: 130 dB (min.)
 - PSRR: 130 dB (min.)
 - CMRR: 130 dB (min.)
 - Eni : 2.5 μ V_{p-p} (typ.), $f = 0.1$ Hz to 10Hz
 - Eni : 0.79 μ V_{p-p} (typ.), $f = 0.01$ Hz to 1Hz
- Rail-to-Rail Input/Output
- Unity Gain Stable
- Available in Single and Dual
 - Single with Chip Select (CS): MCP6V03
- Extended Temperature Range: -40 $^{\circ}$ C to +125 $^{\circ}$ C
- Recommended for Automotive Design (MCP6V01/2)



Offset Voltage Correction for Power Driver



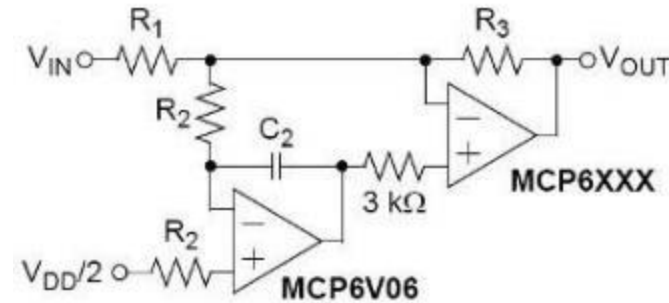
MCP6V06/7/8



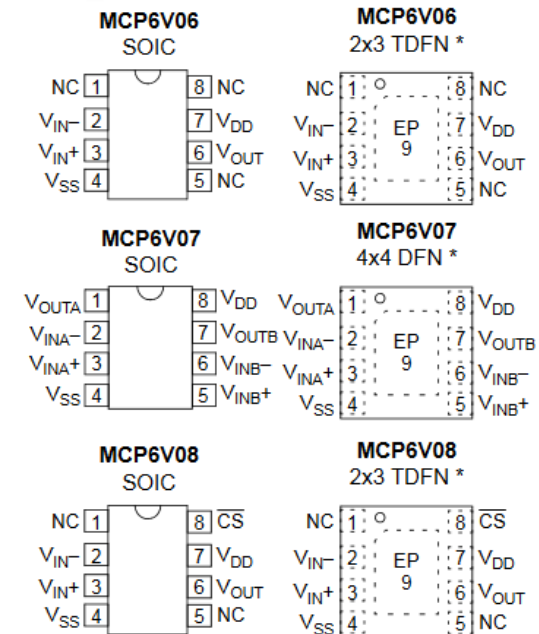
300 μ A, Auto-Zeroed Op Amps

Features:

- Gain Bandwidth Product: 1.3 MHz (typ.)
- Low Power and Supply Voltages:
 - I_Q : 300 μ A/amplifier (typ.)
 - Wide Supply Voltage Range: 1.8V to 5.5V
- High DC Precision:
 - Input Offset Voltage: ± 3 μ V (max.)
 - VOS Drift: ± 50 nV/ $^{\circ}$ C (max.)
 - AOL: 125 dB (min.)
 - PSRR: 125 dB (min.)
 - CMRR: 120 dB (min.)
 - Eni : 1.7 μ VP-P (typ.), $f = 0.1$ Hz to 10Hz
 - Eni : 0.54 μ VP-P (typ.), $f = 0.01$ Hz to 1Hz
- Rail-to-Rail Input/Output
- Unity Gain Stable
- Available in Single and Dual
 - Single with Chip Select (CS): MCP6V08
- Extended Temperature Range: -40° C to 125° C
- Recommended for Automotive Design (MCP6V06/7)



Offset Voltage Correction for Power Driver

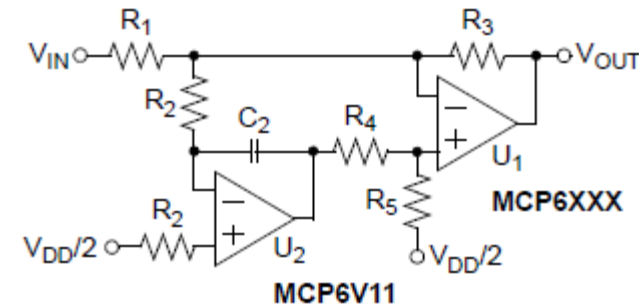
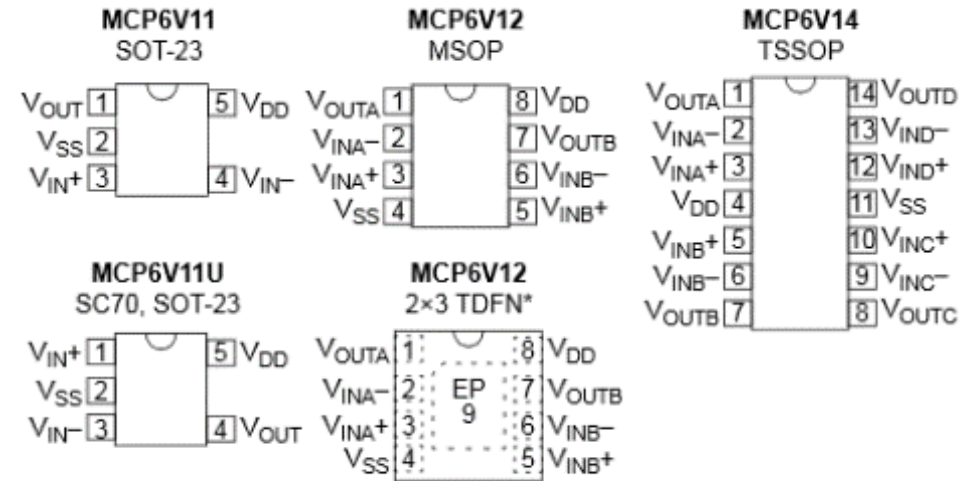


MCP6V11/1U/2/4

7.5 μA , 80 kHz Zero-Drift Op Amps

Features:

- Gain Bandwidth Product: 80 kHz (typ.)
- Low Power and Supply Voltages:
 - I_Q : 7.5 μA /amplifier (typ.)
 - Wide Supply Voltage Range:
 - 1.6V to 5.5V
- High DC Precision:
 - Input Offset Voltage: $\pm 8 \mu\text{V}$ (max.)
 - VOS Drift: $\pm 50\text{nV}/^\circ\text{C}$ (max.)
 - AOL: 112 dB (min.)
 - PSRR: 118 dB (min.)
 - CMRR: 119 dB (min.)
 - Eni: 2.1 $\mu\text{V}_{\text{p-p}}$ (typ.), $f = 0.1\text{Hz}$ to 10Hz
 - Eni: 0.67 $\mu\text{V}_{\text{p-p}}$ (typ.), $f = 0.01\text{Hz}$ to 1Hz
- Rail-to-Rail Input/Output
- Unity Gain Stable
- Small Packages:
 - Singles in SC70, SOT-23
 - Duals in MSOP-8, 2x3 TDFN
 - Quad in TSSOP-14
- Extended Temperature Range: -40°C to 125°C
- Recommended for Automotive Design



Offset Voltage Correction for Power Driver

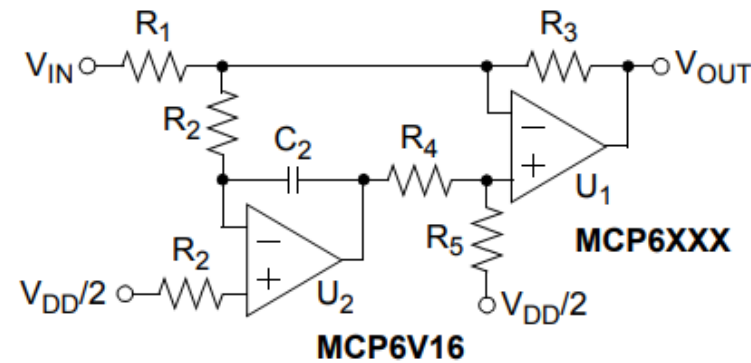
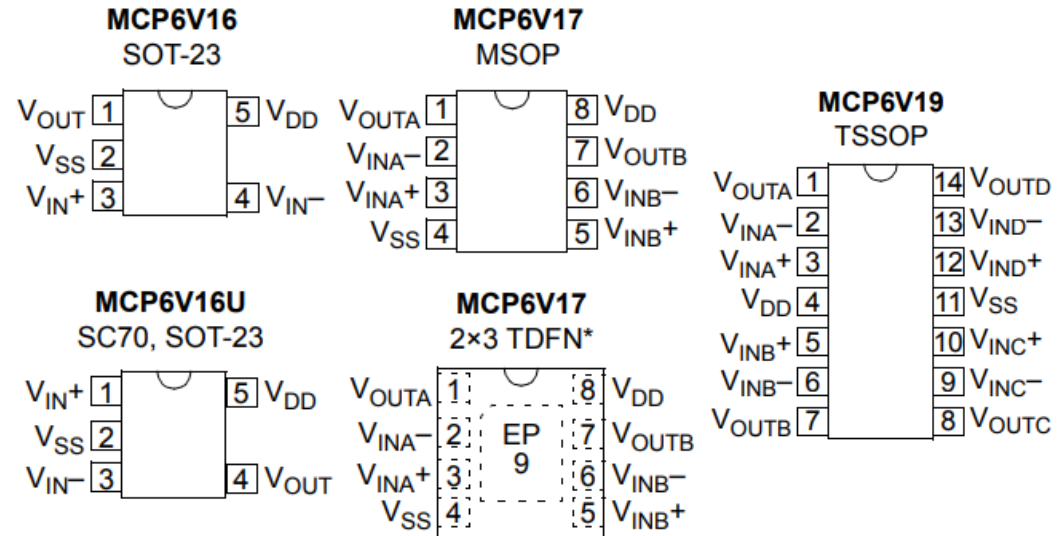


MCP6V16/6U/7/9

7.5 μA , 80 kHz Zero-Drift Op Amps

Features:

- Gain Bandwidth Product: 80 kHz (typ.)
- Low Power and Supply Voltages:
 - I_Q : 7.5 μA /amplifier (typ.)
 - Wide Supply Voltage Range:
 - 1.6V to 5.5V
- High DC Precision:
 - Input Offset Voltage: $\pm 25 \mu\text{V}$ (max.)
 - VOS Drift: $\pm 150\text{nV}/^\circ\text{C}$ (max.)
 - AOL: 102 dB (min.)
 - PSRR: 108 dB (min.)
 - CMRR: 109 dB (min.)
 - Eni: 2.1 $\mu\text{V}_{\text{p-p}}$ (typ.), $f = 0.1\text{Hz}$ to 10Hz
 - Eni: 0.67 $\mu\text{V}_{\text{p-p}}$ (typ.), $f = 0.01\text{Hz}$ to 1Hz
- Rail-to-Rail Input/Output
- Unity Gain Stable
- Small Packages:
 - Singles in SC70, SOT-23
 - Duals in MSOP-8, 2x3 TDFN
 - Quad in TSSOP-14
- Extended Temperature Range: -40°C to 125°C



Offset Voltage Correction for Power Driver



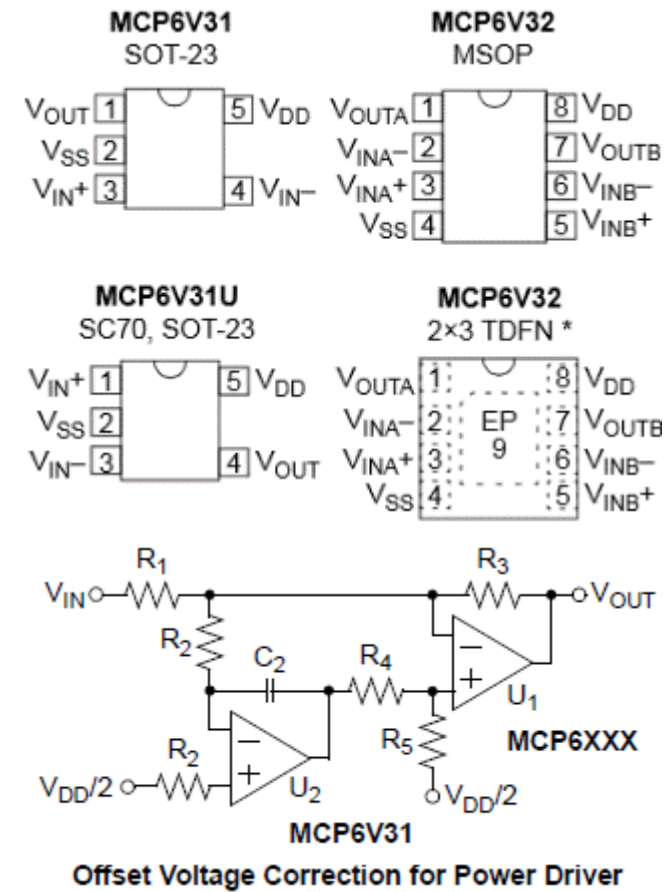


MCP6V31/2/4

23 μ A, 300 kHz Zero-Drift Op Amps

Features:

- Gain Bandwidth Product: 300 kHz (typ.)
- Low Power and Supply Voltages:
 - IQ: 23 μ A/amplifier (typ.)
 - Wide Supply Voltage Range: 1.8V to 5.5V
- High DC Precision:
 - Input Offset Voltage: ± 8 μ V (max.)
 - VOS Drift: ± 50 nV/ $^{\circ}$ C (max.)
 - AOL: 120 dB (min.)
 - PSRR: 120 dB (min.)
 - CMRR: 120 dB (min.)
 - Eni: 1.0 μ VP-P (typ.), $f = 0.1$ Hz to 10Hz
 - Eni: 0.33 μ VP-P (typ.), $f = 0.01$ Hz to 1Hz
- Rail-to-Rail Input/Output
- Unity Gain Stable
- Small Packages:
 - Singles in SC70, SOT-23
 - Duals in MSOP-8, 2x3 TDFN
 - Quad in TSSOP-14
- Extended Temperature Range: -40° C to 125° C
- Recommended for Automotive Design



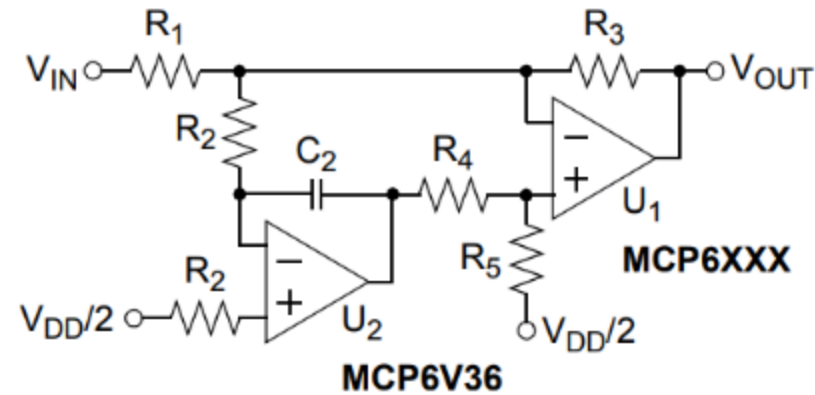
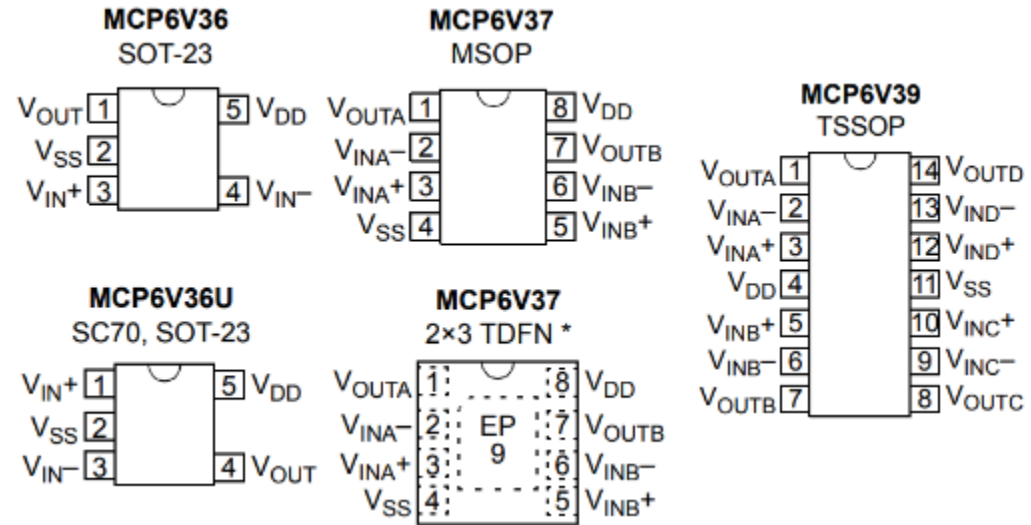


MCP6V36/6U/7/9

23 μ A, 300 kHz Zero-Drift Op Amps

Features:

- Gain Bandwidth Product: 300 kHz (typ.)
- Low Power and Supply Voltages:
 - IQ: 23 μ A/amplifier (typ.)
 - Wide Supply Voltage Range: 1.8V to 5.5V
- High DC Precision:
 - Input Offset Voltage: ± 25 μ V (max.)
 - VOS Drift: ± 150 nV/ $^{\circ}$ C (max.)
 - AOL: 110 dB (min.)
 - PSRR: 110 dB (min.)
 - CMRR: 110 dB (min.)
 - Eni: 1.0 μ VP-P (typ.), f = 0.1Hz to 10Hz
 - Eni: 0.33 μ VP-P (typ.), f = 0.01Hz to 1Hz
- Rail-to-Rail Input/Output
- Unity Gain Stable
- Small Packages:
 - Singles in SC70, SOT-23
 - Duals in MSOP-8, 2x3 TDFN
 - Quad in TSSOP-14
- Extended Temperature Range: -40° C to 125° C



Offset Voltage Correction for Power Driver



MCP6V26/7/8

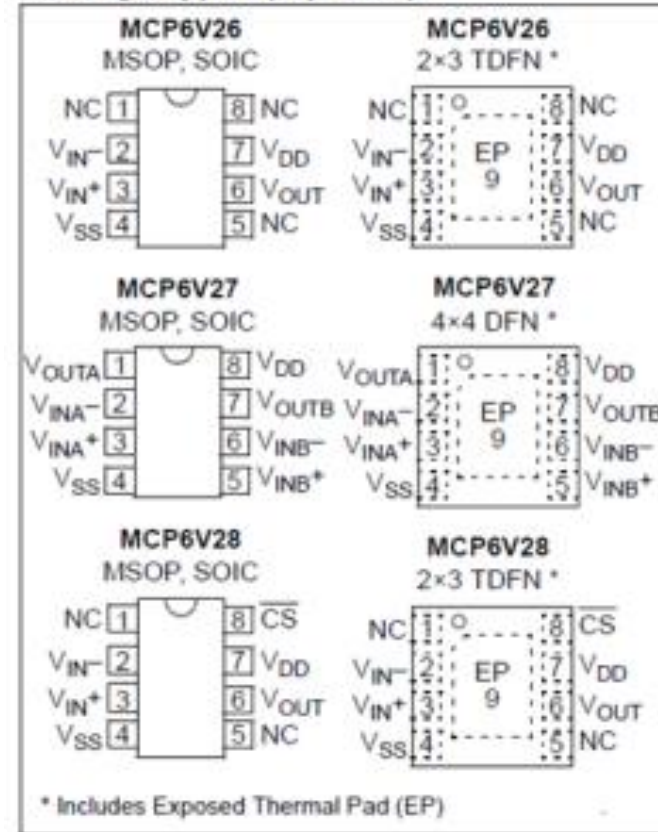


620 μ A, 2 MHz Auto-Zeroed Op Amps

Features:

- Gain Bandwidth Product: 2 MHz (typ.)
- Supply Current: 620 μ A/amplifier (typ.)
- Input Offset Voltage (max): ± 2 μ V (max.)
- Supply Voltage Range: 2.3V to 5.5V
- Single and Dual Channel
- High DC Precision:
 - VOS Drift: ± 50 nV/ $^{\circ}$ C (max.)
 - AOL: 133 dB (min.)
 - PSRR: 125 dB (min.)
 - CMRR: 125 dB (min.)
 - Eni: 1 μ Vp-p (typ.), $f = 0.1$ Hz to 10 Hz
 - Eni: 0.32 μ Vp-p (typ.), $f = 0.01$ Hz to 1 Hz
- Rail-to-Rail Input/Output
- Unity Gain Stable
- 8-Pin SOIC and 4x4 DFN Packages
- Extended Temperature Range: -40° C to $+125^{\circ}$ C
- Recommended for Automotive Design (MCP6V26/7)

Package Types (top view)

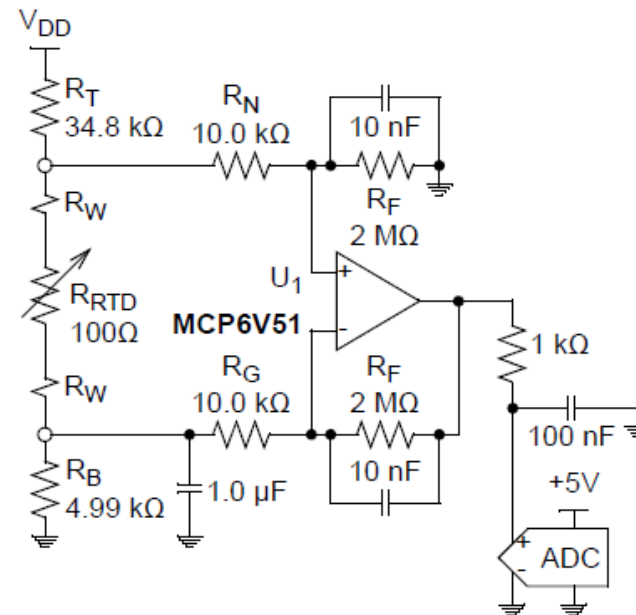
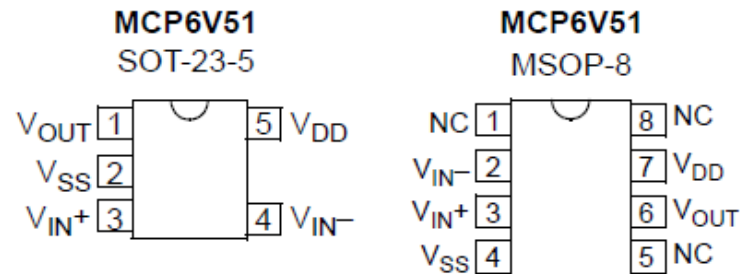


MCP6V51

45V, 2 MHz, Zero-Drift Operational Amplifier

Features:

- Single Channel
- High DC Precision:
 - V_{os} Drift: 15 nV/°C (max.)
 - V_{os} : ± 15 μ V (max.)
 - Open-Loop Gain: 140 dB (min.)
 - CMRR: 135 dB (min.)
 - PSRR: 134 dB (min.)
- Low Noise:
 - 10.2 nV/ $\sqrt{\text{Hz}}$ at 1 kHz
 - E_{ni} : 0.21 μ V_{p-p}, $f = 0.1$ Hz to 10 Hz
- Easy to Use:
 - Input Range Includes Negative Rail
 - Rail-to-Rail Output
 - EMI Filtered Inputs
 - Gain Bandwidth Product: 2 MHz
 - Unity Gain Stable
- Small Packages:
 - 5-pin SOT-23
 - 8-pin MSOP
- Extended Temperature Range:
 - -40°C to +125°C

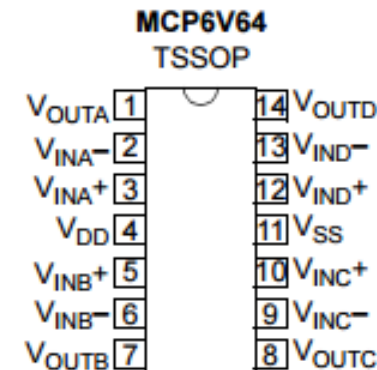
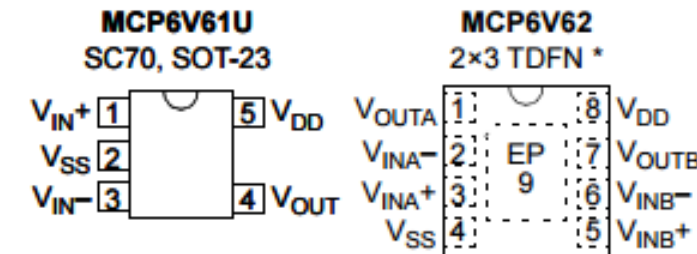
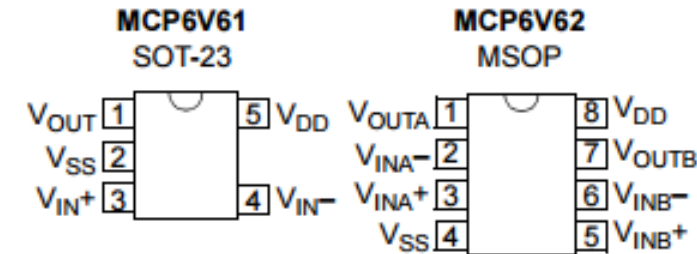


MCP6V61/2/4

80 μ A, 1 MHz Zero-Drift Op Amps

Features:

- Gain Bandwidth Product: 1 MHz (typ.)
- Supply Current: 80 μ A/amplifier (typ.)
- Input Offset Voltage (max): ± 8 μ V (max.)
- Supply Voltage Range: 1.8V to 5.5V
- High DC Precision:
 - VOS Drift: ± 15 nV/ $^{\circ}$ C (max.)
 - AOL: 125 dB (min.)
 - PSRR: 117 dB (min.)
 - CMRR: 120 dB (min.)
 - Eni: 0.54 μ Vp-p (typ.), $f = 0.1$ Hz to 10 Hz
 - Eni: 0.17 μ Vp-p (typ.), $f = 0.01$ Hz to 1 Hz
- Rail-to-Rail Input/Output
- Unity Gain Stable
- Enhanced EMI Rejection
- Small Packages
- Single: 5-pin SC-70, SOT-23
- Dual: 8-pin MSOP, 8-pin 2x3 TDFN
- Quad: 14-pin TSSOP
- Extended Temperature Range: -40° C to $+125^{\circ}$ C
- Recommended for Automotive Design



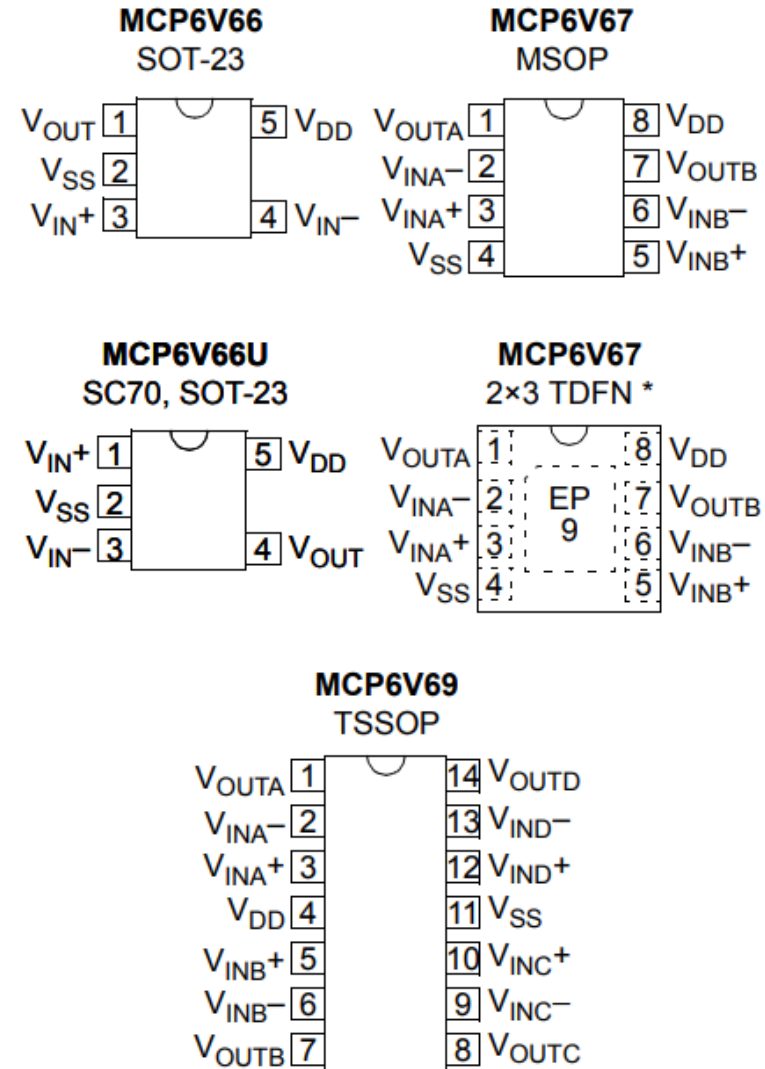
MCP6V66/7/9



80 μ A, 1 MHz Zero-Drift Op Amps

Features:

- Gain Bandwidth Product: 1 MHz (typ.)
- Supply Current: 80 μ A/amplifier (typ.)
- Input Offset Voltage (max): ± 25 μ V (max.)
- Supply Voltage Range: 1.8V to 5.5V
- High DC Precision:
 - VOS Drift: ± 150 nV/ $^{\circ}$ C (max.)
 - AOL: 110 dB (min.)
 - PSRR: 110 dB (min.)
 - CMRR: 111 dB (min.)
 - Eni: 0.54 μ Vp-p (typ.), $f = 0.1$ Hz to 10 Hz
 - Eni: 0.17 μ Vp-p (typ.), $f = 0.01$ Hz to 1 Hz
- Rail-to-Rail Input/Output
- Unity Gain Stable
- Enhanced EMI Rejection
- Small Packages
- Single: 5-pin SC-70, SOT-23
- Dual: 8-pin MSOP, 8-pin 2x3 TDFN
- Quad: 14-pin TSSOP
- Extended Temperature Range: -40° C to $+125^{\circ}$ C
- Recommended for Automotive Design

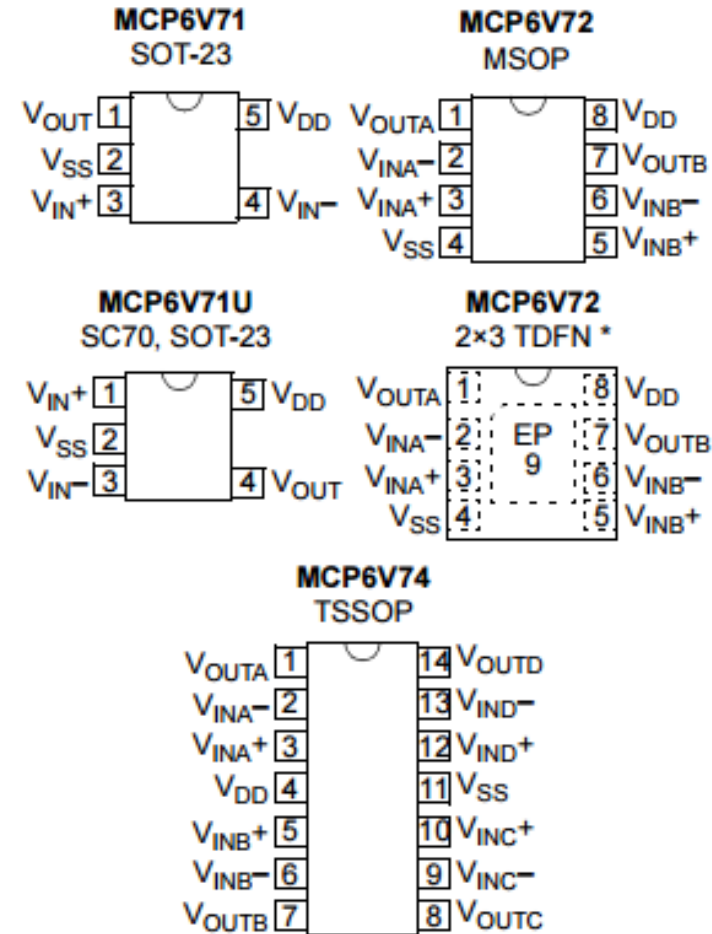


MCP6V71/2/4

170 μ A, 2 MHz Zero-Drift Op Amps

Features:

- Gain Bandwidth Product: 2 MHz (typ.)
- Supply Current: 170 μ A/amplifier (typ.)
- Input Offset Voltage (max): ± 8 μ V (max.)
- Supply Voltage Range: 2.0V to 5.5V
- High DC Precision:
 - VOS Drift: ± 15 nV/ $^{\circ}$ C (max.)
 - AOL: 126 dB (min.)
 - PSRR: 115 dB (min.)
 - CMRR: 117 dB (min.)
 - Eni: 0.45 μ Vp-p (typ.), f = 0.1 Hz to 10 Hz
 - Eni: 0.15 μ Vp-p (typ.), f = 0.01 Hz to 1 Hz
- Rail-to-Rail Input/Output
- Unity Gain Stable
- Enhanced EMI Rejection
- Small Packages
- Single: 5-pin SC-70, SOT-23
- Dual: 8-pin MSOP, 8-pin 2x3 TDFN
- Quad: 14-pin TSSOP
- Extended Temperature Range: -40° C to $+125^{\circ}$ C
- Recommended for Automotive Design

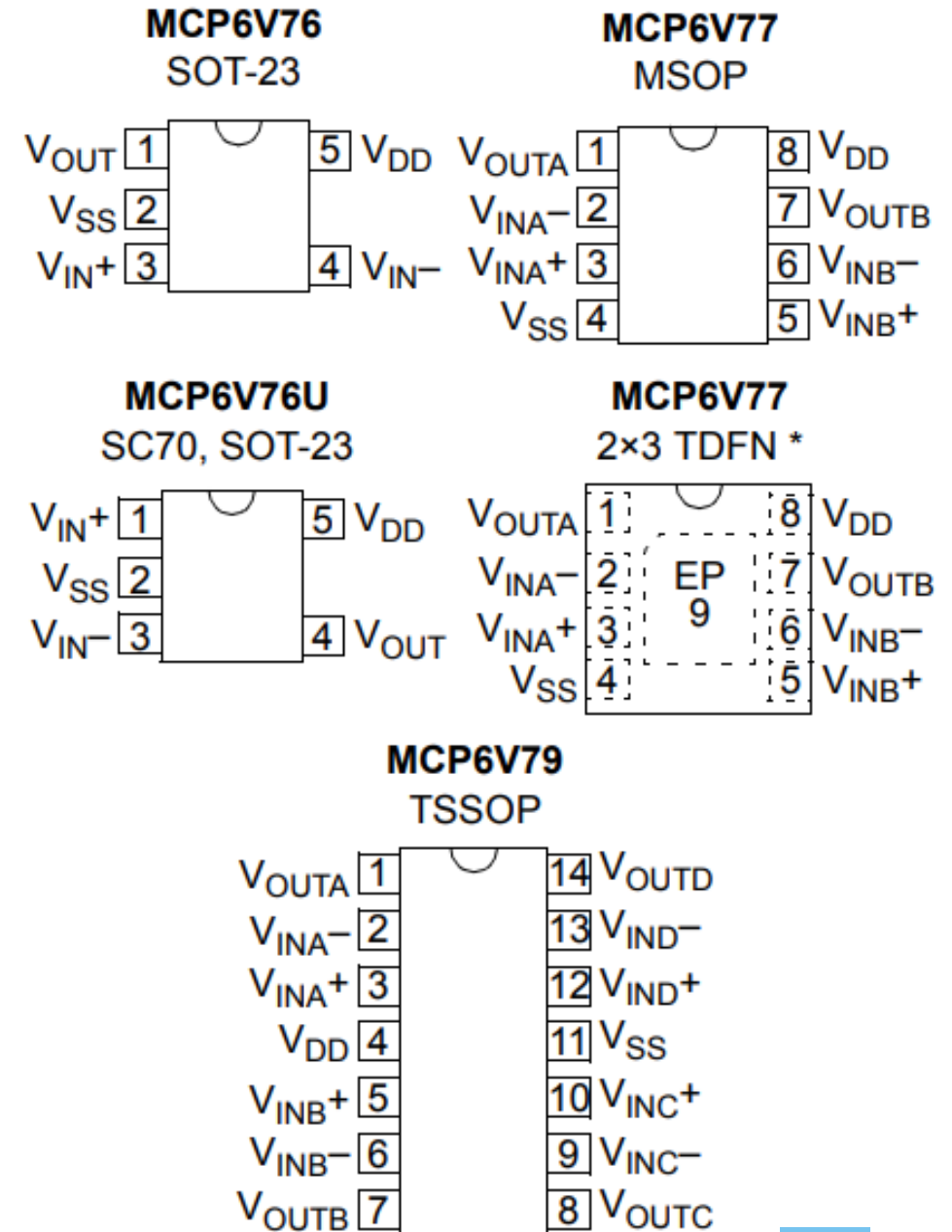


MCP6V76/7/9

170 μ A, 2 MHz Zero-Drift Op Amps

• Features

- Gain Bandwidth Product: 2 MHz
- Supply Current: 170 μ A (typ)
- Input Offset Voltage (max): $\pm 25 \mu$ V
- Supply Voltage Range: 2.0 to 5.5V
- High DC Precision
 - Vos Drift: ± 150 nV/ $^{\circ}$ C
 - AOL: 111 dB (min)
 - PSRR/CMRR: > 110 dB
- Enhanced EMI Rejection
- Temperature Range: -40° C to $+125^{\circ}$ C



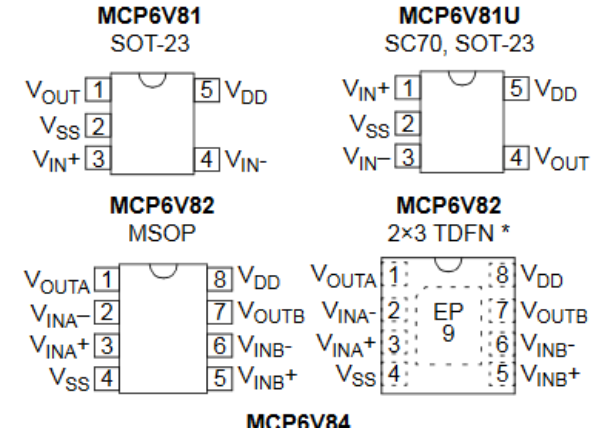
MCP6V81/2/4



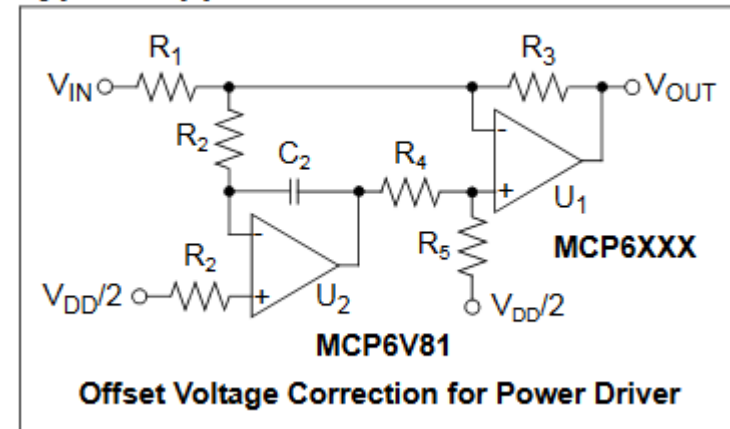
5 MHz, 0.5 mA, Zero-Drift Op Amps

Features:

- Gain Bandwidth Product: 5 MHz (typ.)
- Supply Current: 500 μ A/amplifier (typ.)
- Input Offset Voltage (max): ± 9 μ V (max.)
- Supply Voltage Range: 2.2V to 5.5V
- High DC Precision:
 - VOS Drift: ± 20 nV/ $^{\circ}$ C (max.)
 - AOL: 126 dB (min.)
 - PSRR: 117 dB (min.)
 - CMRR: 118 dB (min.)
 - Eni: 0.28 μ Vp-p (typ.), $f = 0.1$ Hz to 10 Hz
 - Eni: 0.10 μ Vp-p (typ.), $f = 0.01$ Hz to 1 Hz
- Rail-to-Rail Input/Output
- Unity Gain Stable
- Enhanced EMI rejection
- Packages
 - Single: 5-pin SC-70, SOT-23
 - Dual: 8-pin MSOP, 8-pin 2x3 TDFN
 - Quad: 14-pin TSSOP
- Extended Temperature Range: -40° C to $+125^{\circ}$ C
- Recommended for Automotive Design



Typical Application Circuit

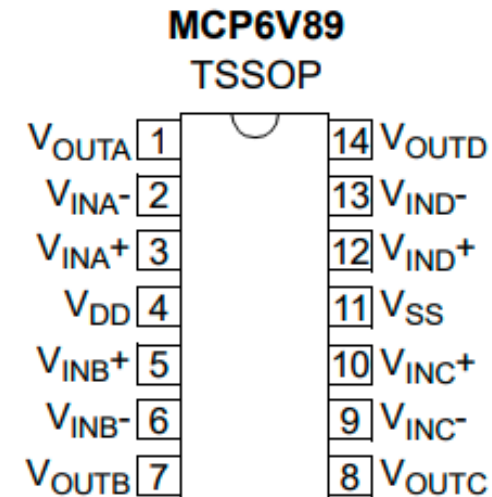
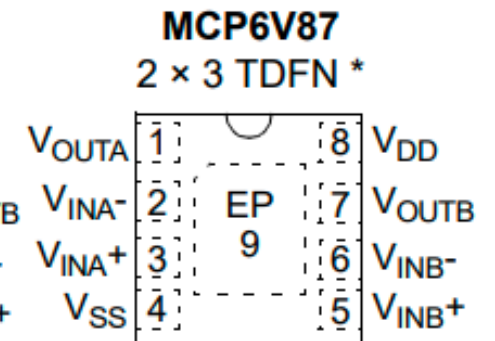
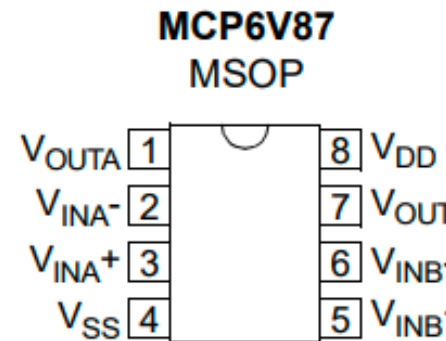
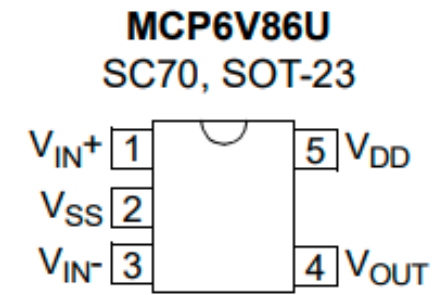
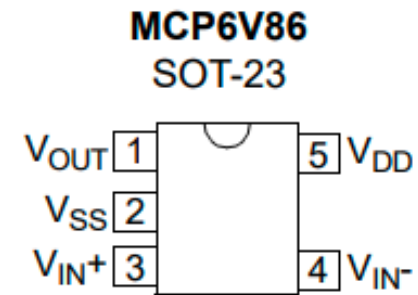


MCP6V86/7/9

500 μ A, 5 MHz Zero-Drift Op Amps

• Features

- Gain Bandwidth Product: 5 MHz
- Supply Current: 500 μ A (typ)
- Input Offset Voltage (max): $\pm 25 \mu$ V
- Supply Voltage Range: 2.2 to 5.5V
- High DC Precision
 - Vos Drift: $\pm 150 \text{ nV}/^\circ\text{C}$
 - AOL: 111 dB (min)
 - PSRR/CMRR: $> 110 \text{ dB}$
- Enhanced EMI Rejection
- Temperature Range: -40°C to $+125^\circ\text{C}$

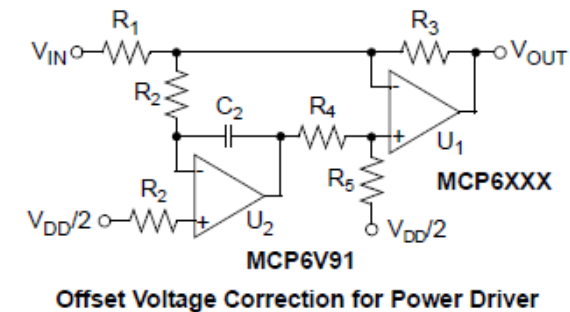
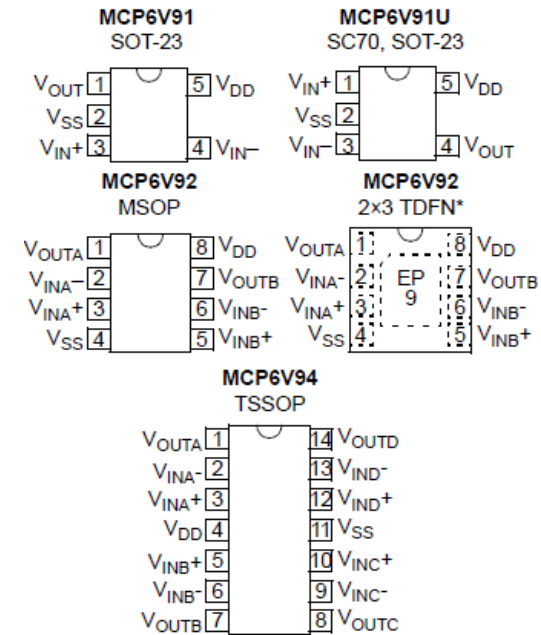


MCP6V91/1U/2/4

10 MHz, Zero-Drift Op Amps

Features:

- Gain Bandwidth Product: 10 MHz (typ.)
- Supply Current: 1100 μ A/amplifier (typ.)
- Input Offset Voltage (max): ± 9 μ V (max.)
- Supply Voltage Range: 2.4V to 5.5V
- High DC Precision:
 - Vos Drift: ± 20 nV/ $^{\circ}$ C (max.)
 - AOL: 126 dB (min.)
 - PSRR: 117 dB (min.)
 - CMRR: 118 dB (min.)
- Rail-to-Rail Input/Output
- Unity Gain Stable
- Enhanced EMI rejection
- Packages:
 - Single: 5-pin SC-70, SOT-23
 - Dual: 8-pin MSOP, 8-pin 2x3 TDFN
 - Quad: 14-pin TSSOP
- Extended Temperature Range: -40° C to $+125^{\circ}$ C
- Recommended for Automotive Design



Offset Voltage Correction for Power Driver

MCP6Hxx



1.2 MHz, 16V Op Amps

Product	# per Package	GBWP (kHz)	Iq Typical (µA)	Iq Max (uA)	Vos Max (uV)	Operating Voltage Range (V)	Rail-To-Rail	Packages	Online Datasheet
MCP6H01/2/4	1/2/4	1200	135	185	3500	3.5 - 16	Out	5/SC-70, 8/TDFN, 8/SOIC, 14/TSSOP, 14/SOIC,	MCP6H01/2/4 Datasheet
MCP6H71/2/4	1/2/4	2700	480	600	4000	3.5 - 12	Out		MCP6H71/2/4 Datasheet
MCP6H81/2/4	1/2/4	5500	700	1300	4000	3.5 - 12	Out		MCP6H81/2/4 Datasheet
MCP6H91/2/4	1/2/4	10000	2000	2800	4000	3.5 - 12	Out		MCP6H91/2/4 Datasheet

- Recommended for Automotive Design
 - MCP6H01/2/4
 - MCP6H74
 - MCP6H82/4
 - MCP6H94



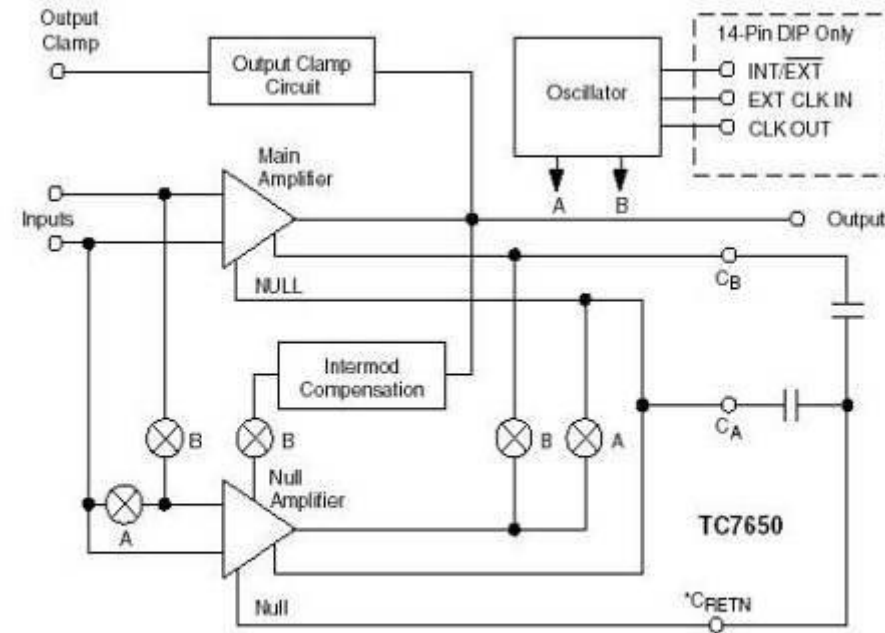
TC7650

Online
Datasheet

Chopper Stabilized Operational Amplifier

Features:

- Gain Bandwidth: 2 MHz
- Supply current: 3.5 mA (max)
- Low Input Offset Voltage: $\pm 5 \mu\text{V}$ (typ.)
- Supply Voltage Range: 4.5V to 16V
- Low Input Offset Voltage Drift:
 - $0.05 \mu\text{V}/^\circ\text{C}$ (max.)
- Low Input Bias Current: 10pA (max.)
- High Impedance Differential CMOS Inputs:
 - $10^{12} \Omega$
- High Open Loop Voltage Gain:
 - 120dB (min.)
- Low Input Noise Voltage: $2.0 \mu\text{V}_{\text{p-p}}$
- High Slew Rate: $2.5 \text{V}/\mu\text{s}$
- Low Power Operation: 20mW
- Output Clamp Speeds Recovery Time
- Compensated Internally for Stable Unity Gain
- Direct Replacement for ICL7650
- Packages: 8-Pin PDIP, 14-Pin PDIP



* For 8-Pin DIP, connect to V_{SS}

<< BACK



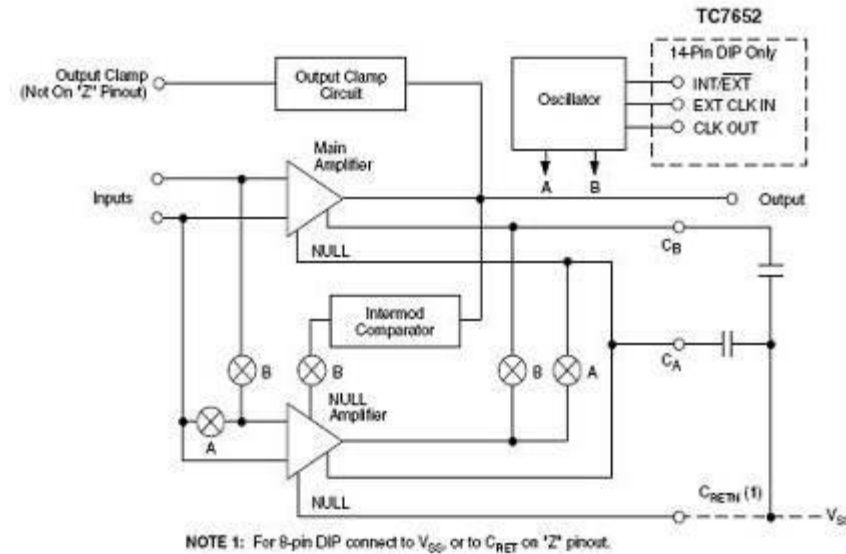
TC7652

Online
Datasheet

Chopper Stabilized Operational Amplifier

Features:

- Gain Bandwidth Product: 0.4 MHz
- Supply Current: 3 mA (max)
- Low Offset Over Temperature Voltage: 10 μ V
- Supply Voltage Range: 5V to 16V
- Ultra Low Long Term Drift: 150nV/month
- Low Temperature Drift: 100nV/ $^{\circ}$ C
- Low DC Input Bias Current: 15pA
- High Gain, CMRR and PSRR: 110dB (min.)
- Low Input Noise Voltage: 0.2 μ V_{p-p} (DC to 1Hz)
- Compensated Internally for Stable Unity Gain
- Clamp circuit for Fast Overload Recovery



<< BACK



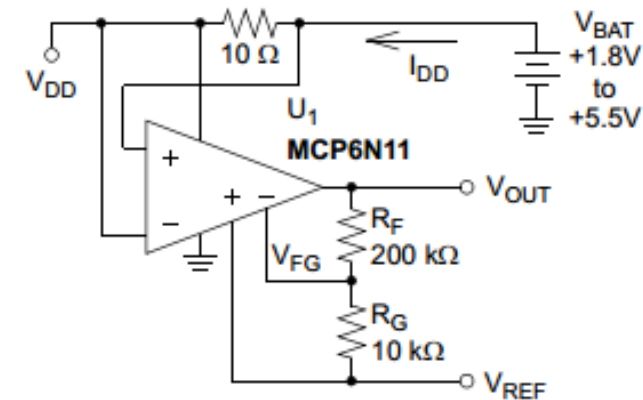
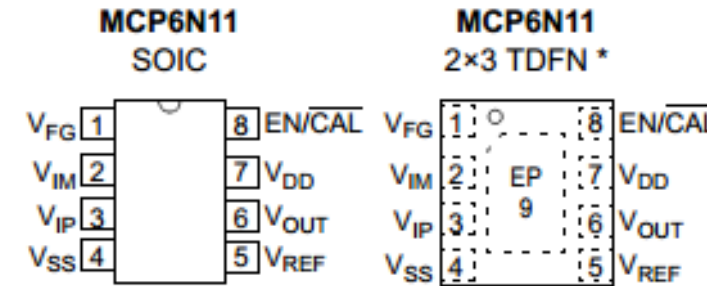
MCP6N11

Online
Datasheet

500 kHz, 800 μ A Instrumentation Amplifier

Features:

- Bandwidth: 500 kHz (typical, Gain = GMIN)
- Rail-to-Rail Input and Output
- Gain Set by 2 External Resistors
- Minimum Gain (GMIN) Options:
 - n1, 2, 5, 10 or 100 V/V
- Common Mode Rejection Ratio (CMRR):
 - 115 dB (typical, GMIN = 100)
- Power Supply Rejection Ratio (PSRR):
 - 112 dB (typical, GMIN = 100)
- Supply Current: 800 μ A/channel (typical)
- Single Channel
- Enable/VOS Calibration pin: (EN/CAL)
- Power Supply:
 - 1.8V to 5.5V
- Extended Temperature Range: -40°C to +125°C

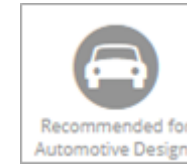


<< BACK



MCP6N16

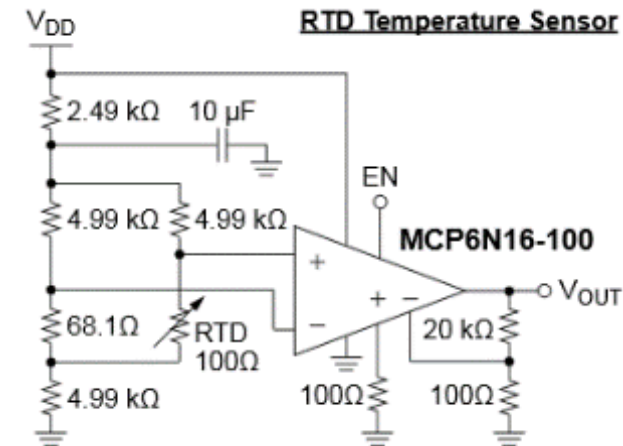
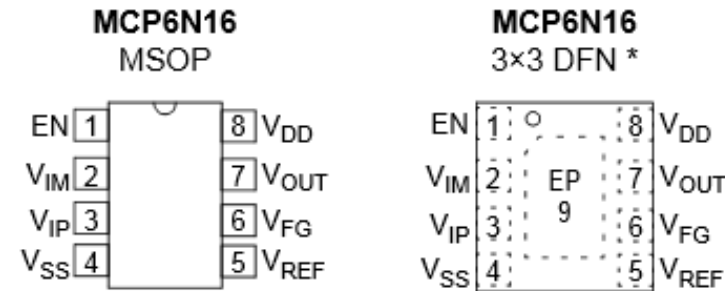
Zero-Drift Instrumentation Amplifier



Online
Datasheet

Features:

- Zero-Drift Architecture
 - Low V_{os} , 17 μV ($G_{min} = 100$)
 - Low offset drift: $\pm 60 \text{ nV}/^\circ\text{C}$
 - No $1/f$ noise
 - CMRR: 112 dB minimum
 - PSRR: 110 dB minimum
- Flexibility:
 - Rail to rail input/output
 - Gain set by two external resistors
- Enhanced EMI Protection
- Bandwidth of 500 kHz
- Operating voltage: 1.8 to 5.5V
- Recommended for Automotive Design



<< BACK



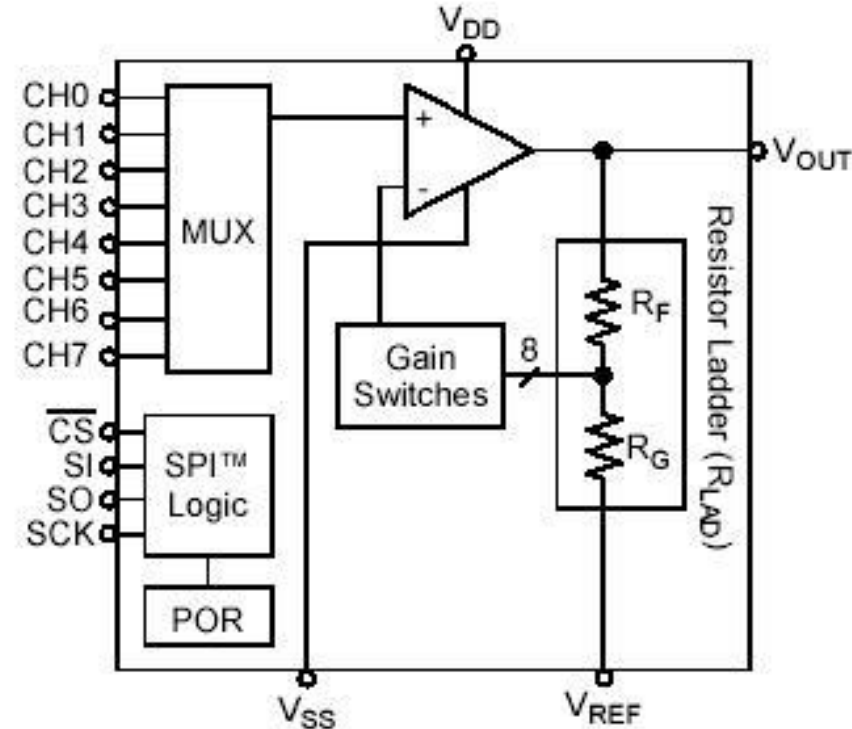
MCP6S21/2/6/8

Online
Datasheet

Single-Ended, Rail-to-Rail I/O, Low Gain PGA

Features:

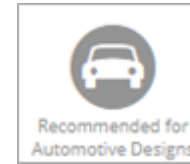
- Multiplexed Inputs: 1, 2, 6 or 8 Channels
- 8 Gain Selections:
 - +1, +2, +4, +5, +8, +10, +16, or +32 V/V
- Serial Peripheral Interface (SPI)
- Rail-to-Rail Input and Output
- Low Gain Error: $\pm 1\%$ (max.)
- Low Offset: $\pm 275\mu\text{V}$ (max.)
- High Bandwidth: 2 to 12MHz (typ.)
- Low Noise: 10nV/√Hz @ 10kHz (typ.)
- Low Supply Current 1.0mA (typ.)
- Single Supply: 2.5V to 5.5V



<< BACK



MCP6S91/2/3

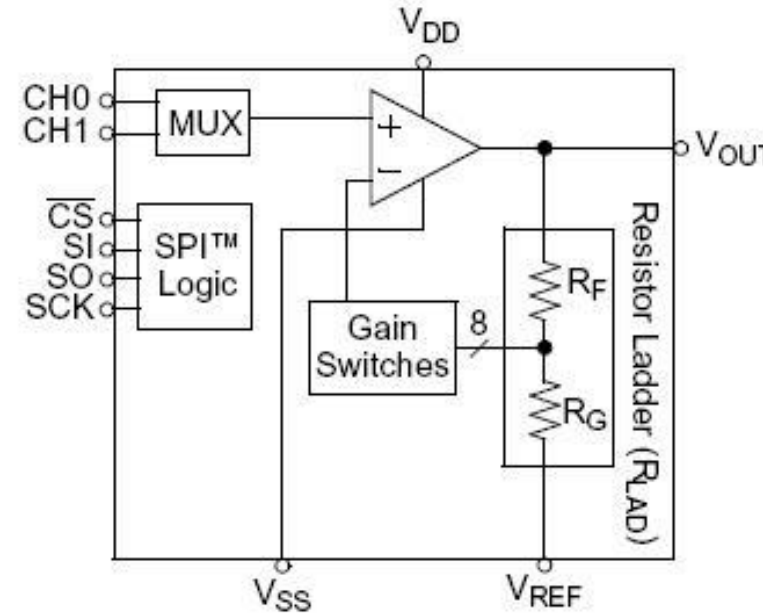


Online
Datasheet

Single-Ended, Rail-to-Rail I/O, Low-Gain PGA

Features:

- Multiplexed Inputs: 1 or 2 Channels
- 8 Gain Selections:
 - +1, +2, +4, +5, +8, +10, +16, or +32 V/V
- Serial Peripheral Interface (SPI)
- Rail-to-Rail Input and Output
- Low Gain Error: $\pm 1\%$ (max.)
- Offset Mismatch Between Channels: $0\mu\text{V}$
- High Bandwidth: 1 to 18MHz (typ.)
- Low Noise: 10 nV/ $\sqrt{\text{Hz}}$ @ 10kHz (typ.)
- Low Supply Current 1.0mA (typ.)
- Single Supply: 2.5V to 5.5V
- Extended Temperature Range:
 - -40°C to $+125^{\circ}\text{C}$
- Recommended for Automotive Design (MCP6S91/2)



<< BACK



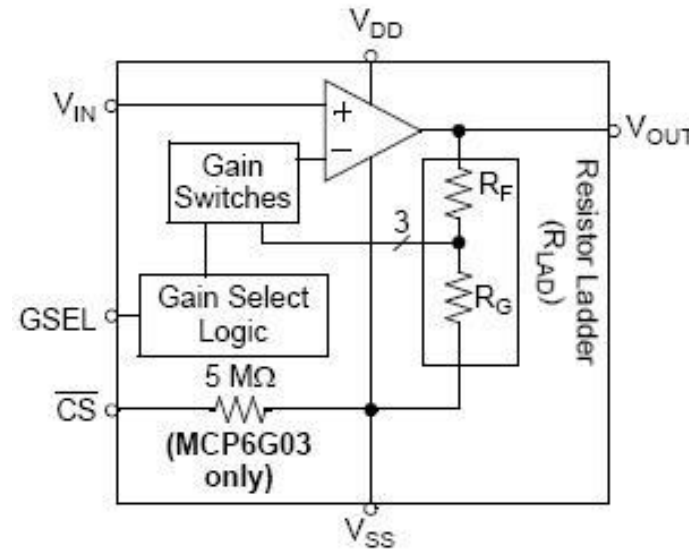
MCP6G01/2/3/4

Online
Datasheet

110 μ A Selectable Gain Amplifier

Features:

- 3 Gain Selections:
 - +1, +10, +50 V/V
- One Gain Select Input per Amplifier
- Rail-to-Rail Input and Output
- Low Gain Error: $\pm 1\%$ (max.)
- High Bandwidth: 250 to 900kHz (typ.)
- Low Supply Current: 110 μ A (typ.)
- Single Supply: 1.8V to 5.5V
- Extended Temperature Range:
 - -40°C to +125°C



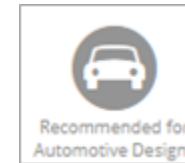
Gain (V/V)	GSEL Voltage (Typ.) (V)
1	$V_{DD}/2$ (or open)
10	0
50	V_{DD}

Note: V_{SS} is assumed to be 0V

<< BACK



MCP6C02

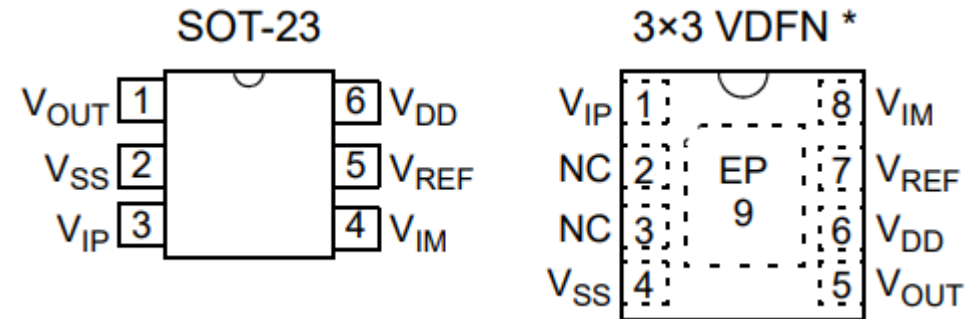


Online
Datasheet

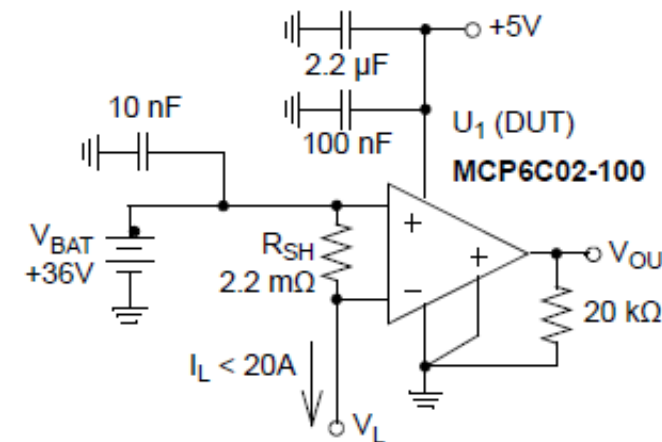
65V, 500kHz, Zero-Drift Current Sense Amplifier

Features:

- Bidirectional or Unidirectional
- Input (Common-Mode) Voltages:
 - +3.0V to +65V, specified
 - +2.8V to +68V, operating
 - -0.3V to +70V, survival
- Power Supply:
 - 2.0V to 5.5V
 - Single or Dual (split) Supplies
- High DC Precision:
 - V_{os} : $\pm 1.65 \mu\text{V}$ (typical)
 - CMRR: 154 dB (typical)
 - PSRR: 138 dB (typical)
 - Gain Error: $\pm 0.1\%$ (typical)
- Preset Gains: 20, 50 and 100 V/V
- Bandwidth: 500 kHz (typical)
- Supply Current: 490 μA (typical)
- Enhanced EMI Protection:
 - EMIRR: 118 dB at 2.4 GHz (typical)
- Temperature Range:
 - -40°C to $+125^\circ\text{C}$ (SOT-23 Package)
 - -40°C to $+150^\circ\text{C}$ (VDFN Package)
- Recommended for Automotive Designs



Typical Application Circuit



<< BACK



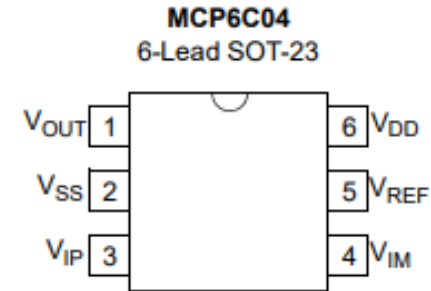
MCP6C04

Online
Datasheet

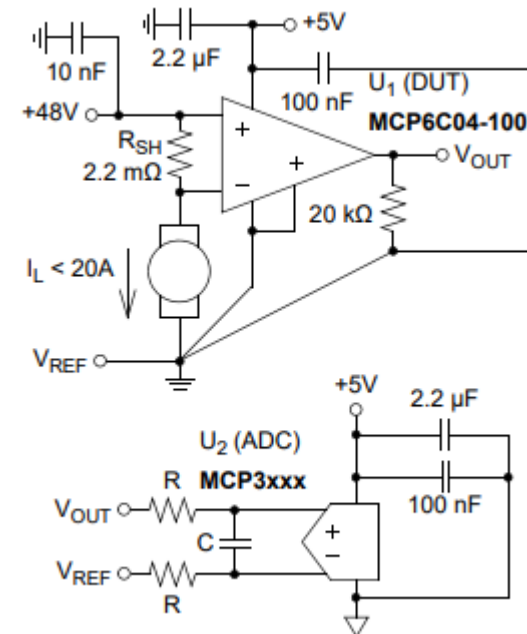
52V, 500kHz, Zero-Drift Current Sense Amplifier

Features:

- Bidirectional or Unidirectional
- Input (Common-Mode) Voltages:
 - +3.0V to +52V, specified
 - +2.8V to +54V, operating
 - -0.3V to +56V, survival
- Power Supply:
 - 2.0V to 5.5V
 - Single or Dual (split) Supplies
- High DC Precision:
 - V_{os} : $\pm 3.3 \mu\text{V}$ (typical)
 - CMRR: 150 dB (typical)
 - PSRR: 127 dB (typical)
 - Gain Error: $\pm 0.2\%$ (typical)
- Preset Gains: 20, 50 and 100 V/V
- Bandwidth: 500 kHz (typical)
- Supply Current: 500 μA (typical)
- Enhanced EMI Protection:
 - EMIRR: 118 dB at 2.4 GHz (typical)
- Extended Temperature Range:
 - -40°C to $+125^\circ\text{C}$



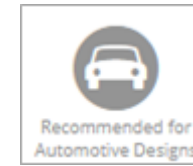
Motor Current Monitor



<< BACK



MCP6541/2/3/4

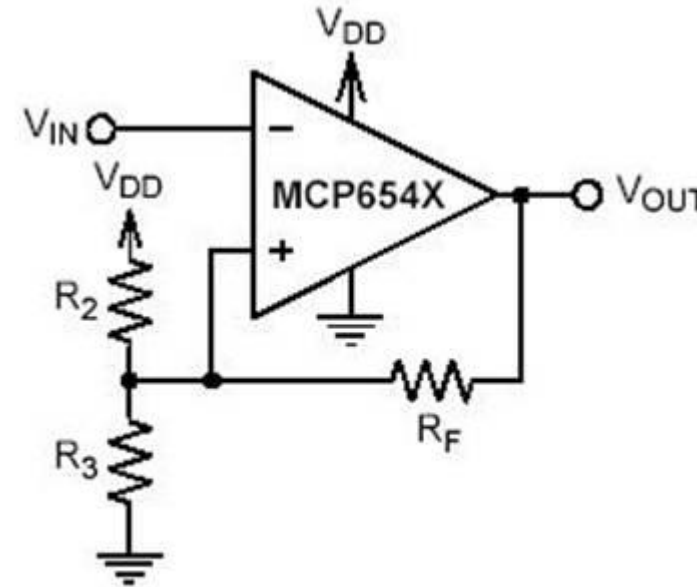


Online
Datasheet

Push-Pull Output Sub-Microamp Comparators

Features:

- Low Quiescent Current:
 - 600nA/comparator (typ.)
- Rail-to-Rail Input:
 - $V_{SS} - 0.3V$ to $V_{DD} + 0.3V$
- CMOS/TTL-Compatible Output
- Propagation Delay:
 - 4 μ s (typ.), 100mV Overdrive
- Wide Supply Voltage Range: 1.6V to 5.5V
- Available in Single, Dual and Quad
- Single available in SOT-23-5, SC-70-5
- Chip Select (CS) with MCP6543
- Low Switching Current
- Internal Hysteresis: 3.3mV (typ.)
- Temperature Ranges:
 - Industrial: -40°C to +85°C
 - Extended: -40°C to +125°C
- Recommended for Automotive Design (MCP6541/2/4)

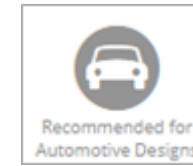


Inverting Circuit With Hysteresis

<< BACK



MCP6546/7/8/9

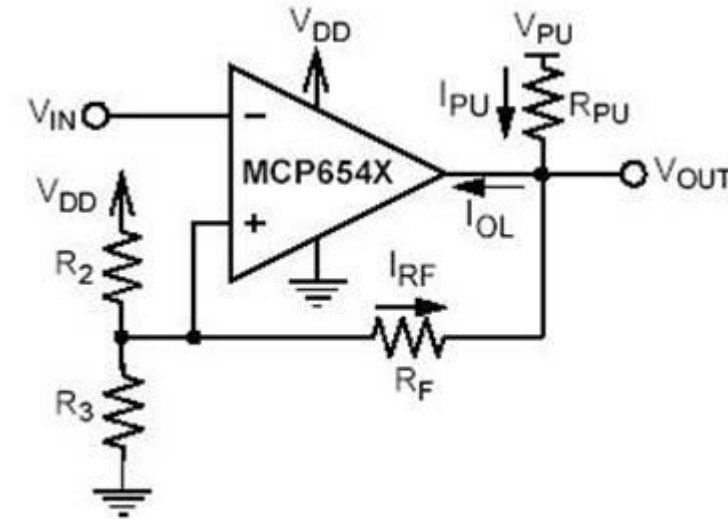


Online
Datasheet

Open-Drain Output Sub-Microamp Comparators

Features:

- Low Quiescent Current:
 - 600nA/comparator (typ.)
- Rail-to-Rail Input:
 - $V_{SS} - 0.3V$ to $V_{DD} + 0.3V$
- Open-Drain Output: $V_{OUT} \leq 10V$
- Propagation Delay:
 - 4 μ s (typ.), 100 mV Overdrive
- Wide Supply Voltage Range: 1.6V to 5.5V
- Single available in SOT-23-5, SC-70-5
- Available in Single, Dual and Quad
- Chip Select (CS) with MCP6548
- Low Switching Current
- Internal Hysteresis: 3.3mV (typ.)
- Temperature Range:
 - Industrial: -40°C to +85°C
 - Extended: -40°C to +125°C
- Recommended for Automotive Design (MCP6546/7/9)



Inverting circuit with hysteresis

<< BACK



MCP65R41/46

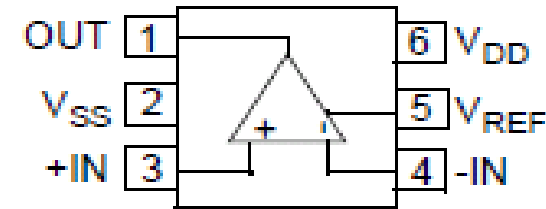
Online
Datasheet

3 μA Comparator with Integrated Reference Voltage

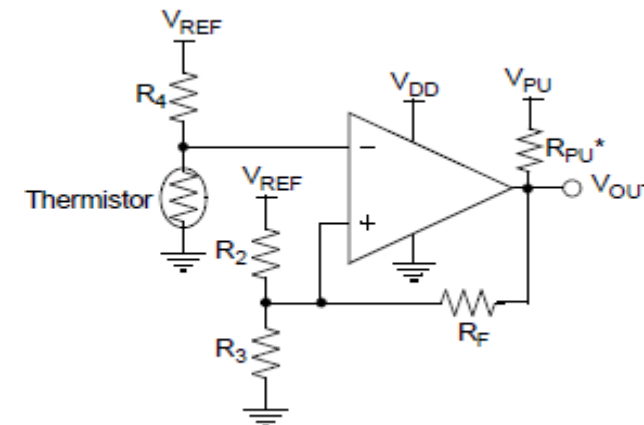
Features:

- Integrated Reference Voltage
 - Factory Set Reference Voltage:
 - 1.21V or 2.4V
 - Tolerance: $\pm 1\%$ (typ.)
- Low Quiescent Current: 2.5 μA (typ.)
- Propagation Delay:
 - 4 μs (typ.), 100mV Overdrive
- Input Offset Voltage: $\pm 3\text{mV}$ (typ.)
- Rail-to-Rail Input:
 - $V_{SS} - 0.3\text{V}$ to $V_{DD} + 0.3\text{V}$
- CMOS/TTL-Compatible Output
- Wide Supply Voltage Range:
 - 1.8V to 5.5V
- Output Options:
 - MCP65R41 Push-Pull
 - MCP65R46 Open-Drain
- SOT-23-6
- Extended Temperature Ranges:
 - -40°C to $+125^\circ\text{C}$

MCP65R41/6
SOT23-6



Over Temperature Alert

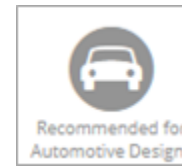


* Pull-up resistor required for the MCP65R46 only.

<< BACK



MCP6561/1R/2/4



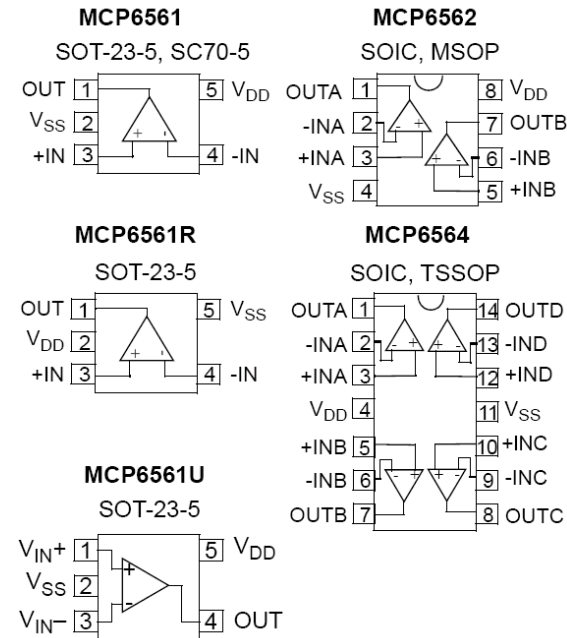
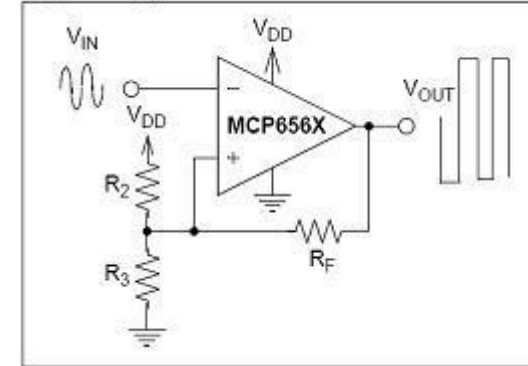
Online
Datasheet

1.8V Low-Power Push-Pull Output Comparator

Features:

- Propagation Delay at 1.8VDD:
 - 56ns (typ.) High to Low
 - 49ns (typ.) Low to High
- Low Quiescent Current: 100 μ A (typ.)
- Input Offset Voltage: \pm 3mV (typ.)
- Rail-to-Rail Input: $V_{SS} - 0.3V$ to $V_{DD} + 0.3V$
- CMOS/TTL Compatible Output
- Wide Supply Voltage Range: 1.8V to 5.5V
- Available in Single, Dual, and Quad
- Packages: SC70-5, SOT-23-5, SOIC, MSOP, TSSOP
- Recommended for Automotive Design (MCP6561/2/4)

Typical Application



<< BACK



MCP6566/6R/7/9



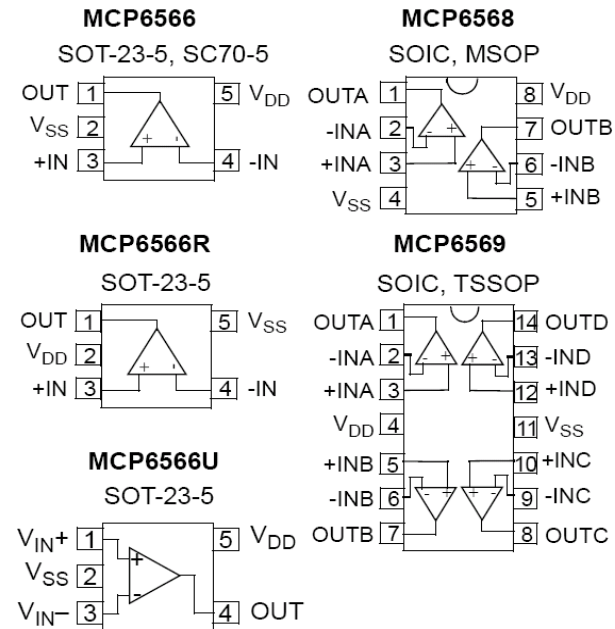
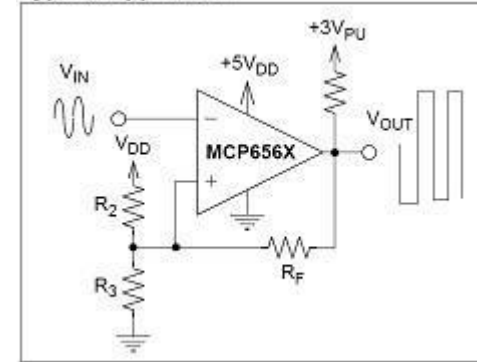
Online Datasheet

1.8V Low-Power Open-Drain Output Comparator

Features:

- Propagation Delay at 1.8VDD:
 - 56ns (typ.) High to Low
- Low Quiescent Current: 100µA (typ.)
- Input Offset Voltage: ±3mV (typ.)
- Rail-to-Rail Input: $V_{SS} - 0.3V$ to $V_{DD} + 0.3V$
- Open-Drain Output
- Wide Supply Voltage Range: 1.8V to 5.5V
- Available in Single, Dual, and Quad
- Packages: SC70, SOT-23-5, SOIC, MSOP, TSSOP
- Recommended for Automotive Design (MCP6566/7/9)

Typical Application



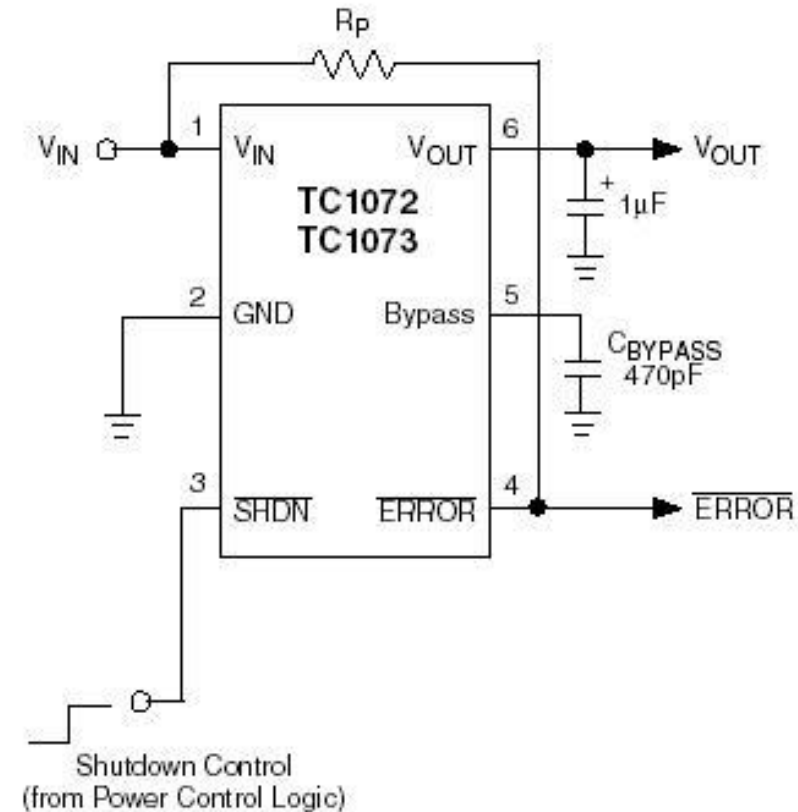
<< BACK



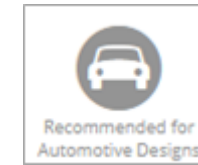
50mA and 100mA CMOS LDOs with Shutdown, ERROR Output and VREF Bypass

Features:

- 50 μ A Ground Current for Longer Battery Life
- Very Low Dropout Voltage
- Choice of 50mA (TC1072) and 100mA (TC1073) - Output
- High Output Voltage Accuracy
- Standard or Custom Output Voltages
- Power-Saving Shutdown Mode
- ERROR Output Can Be Used as a Low Battery – Detector or Processor Reset Generator
- Bypass Input for Low Noise Operation
- Overcurrent and Overtemperature Protection
- Space-Saving 6-Pin SOT-23 Package
- Pin Compatible Upgrades for Bipolar Regulators
- Standard Output Voltage Options:
 - 1.8V, 2.5V, 2.6V, 2.7V, 2.8V, 2.85V, 3.0V,
 - 3.3V, 3.6V, 4.0V, 5.0V
- Other output voltages are available.



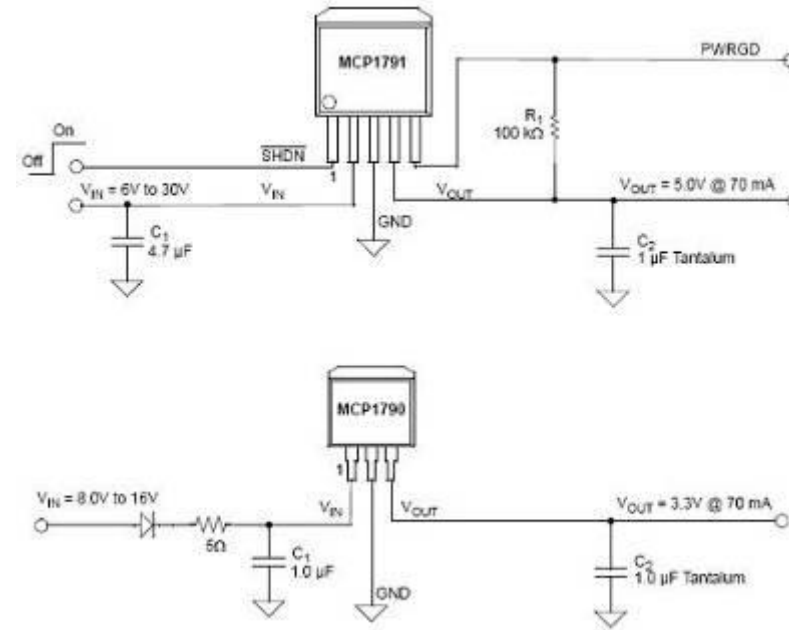
70 mA, High Voltage Regulator



Online
Datasheet

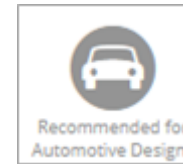
Features:

- 48V (43.5V \pm 10%) load dump protected for 180ms with a 30 second repetition rate (FORD Test Pulse G Loaded)
- Wide steady state supply voltage, 6.0V to 30.0V
- Extended Temperature Range: -40°C to +125°C
- Fixed output voltages: 3.0V, 3.3V, 5.0V
- Low quiescent current: 70 μ A (typ.)
- Low shutdown quiescent current: 10 μ A (typ.)
- Output Voltage Tolerances of \pm 2.5%
- Maximum output current of 70mA @ +125°C
- Maximum continuous input voltage of 30V
- Internal thermal overload protection +157°C (typ.)
- Internal short circuit current limit
- Short Circuit Current Foldback
- Shutdown Input option (MCP1791)
- Power Good Output option (MCP1791)
- High PSRR, -90 dB @100Hz (typ.)
- Stable with 1 μ F to 1000 μ F tantalum and electrolytic Capacitors
- Stable with 4.7 μ F to 1000 μ F ceramic capacitors
- Recommended by Automotive Design



<< BACK



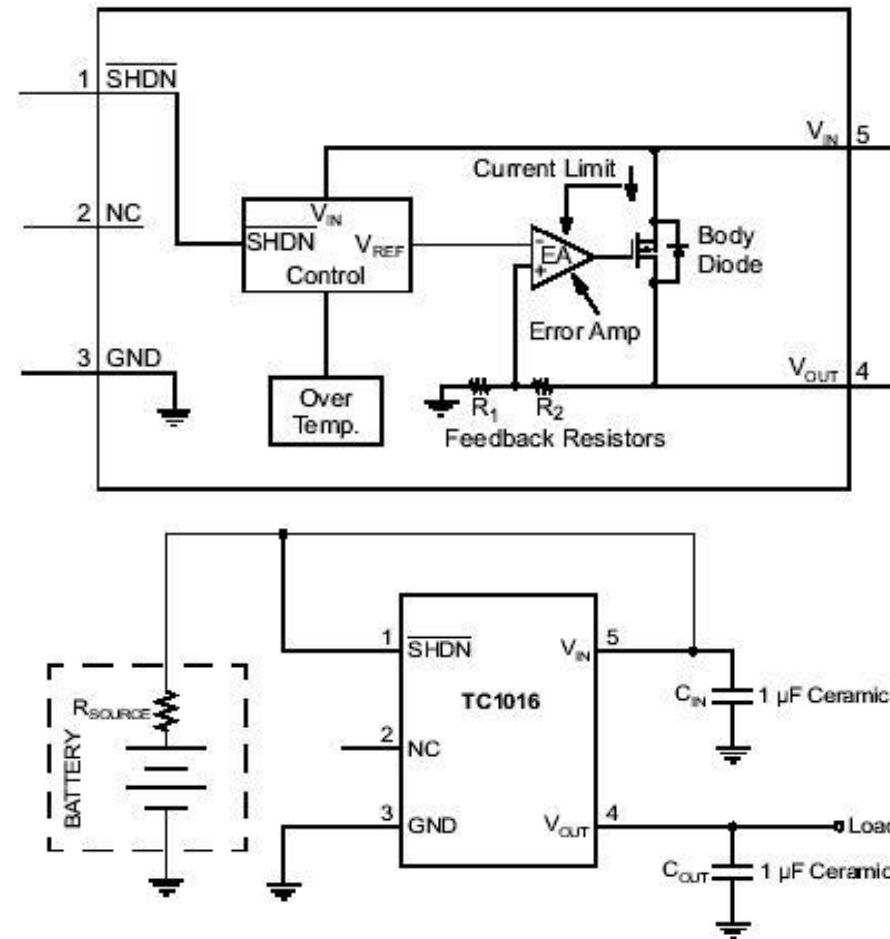


Online
Datasheet

80 mA, Tiny CMOS LDO w/ Shutdown

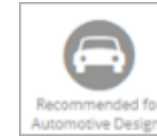
Features:

- Space-Saving 5-Pin SC-70 Package
- Low Operating Current: 53 μ A (typ.) –
- Shutdown Mode: 0.05 μ A (typ.)
- Very Low Dropout Voltage
- Rated 80mA Output Current
- Requires only 1 μ F Ceramic Output –
- Capacitance
- High Output Voltage Accuracy:
 - $\pm 0.5\%$ (typ.)
- 10 μ s (typ.) Wake-Up Time from SHDN
- Overcurrent and Over temperature –
- Protection
- Pin Compatible Upgrades for Bipolar –
- Regulators
- Recommended for Automotive Design



<< BACK



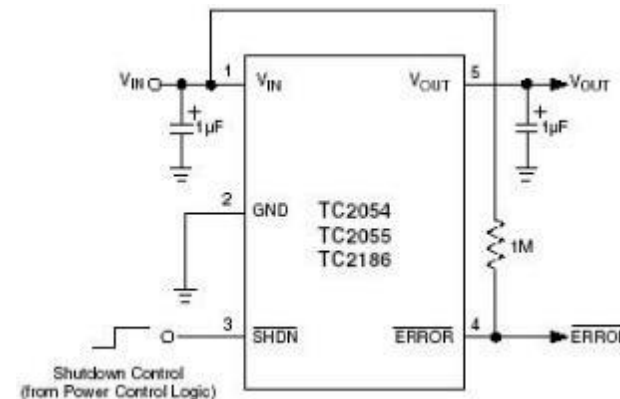
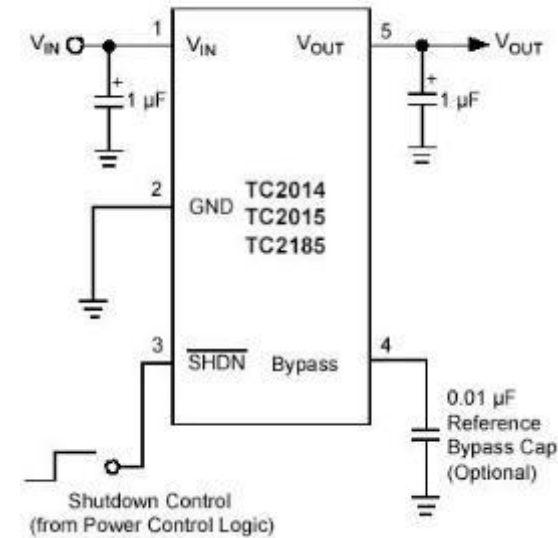


Online
Datasheet

50 mA, 100 mA, 150 mA CMOS LDOs with Shutdown and Reference Bypass

Features:

- Output Current: 50mA (TC2014/54) 100mA –
– (TC2015/55) 150mA (TC2185/6)
- Low Supply Current: 55 μ A (typical)
- Low Dropout Voltage: 90 mV (typ.) @ 100 mA
- High-Output Voltage Accuracy: $\pm 0.4\%$ (typ.)
- Standard or Custom Output Voltages
- Power-Saving Shutdown Mode
- Fast Shutdown Response Time: 60 μ s (typ.)
- Over-current and Over-temperature Protection
- Space-Saving 5-Pin SOT-23A Package
- Stable with Ceramic Output Capacitors
- Wide Operating Temperature Range:
 - -40°C to +125°C
- TC2014/054/185: Reference Bypass Input for Ultra –
– Low-Noise Operation
- TC2054/055/186: Error Output Can Be Used as a –
– Low Battery Detector or Microcontroller Reset –
– Generator
- Recommended for Automotive Design (TC2014, TC2185)



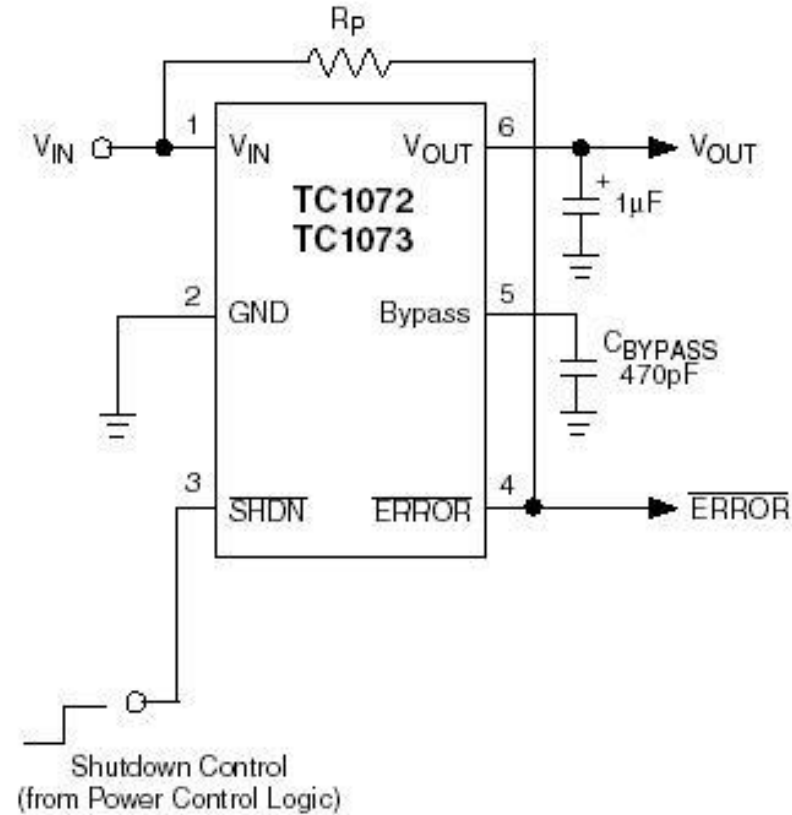
<< BACK



50mA and 100mA CMOS LDOs with Shutdown, ERROR
Output and VREF Bypass

Features:

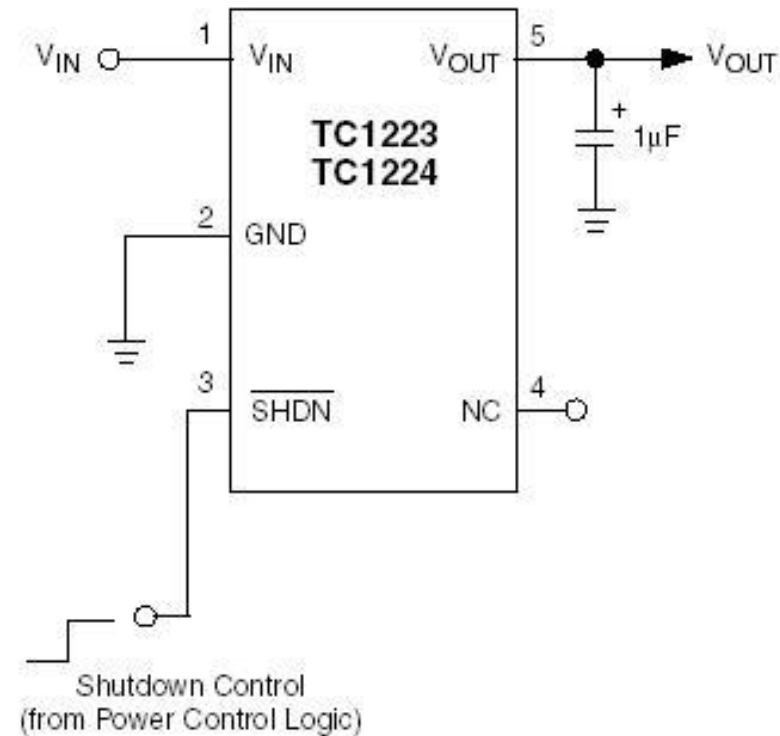
- 50µA Ground Current for Longer Battery Life
- Adjustable Output Voltage
- Very Low Dropout Voltage
- Choice of 50mA (TC1070), 100mA (TC1071) and 150mA (TC1187) Output
- Power-Saving Shutdown Mode
- Overcurrent and Overtemperature Protection
- Space-Saving 5-Pin SOT-23 Package
- Pin Compatible with Bipolar Regulators



50mA and 100mA CMOS LDOs with Shutdown

Features:

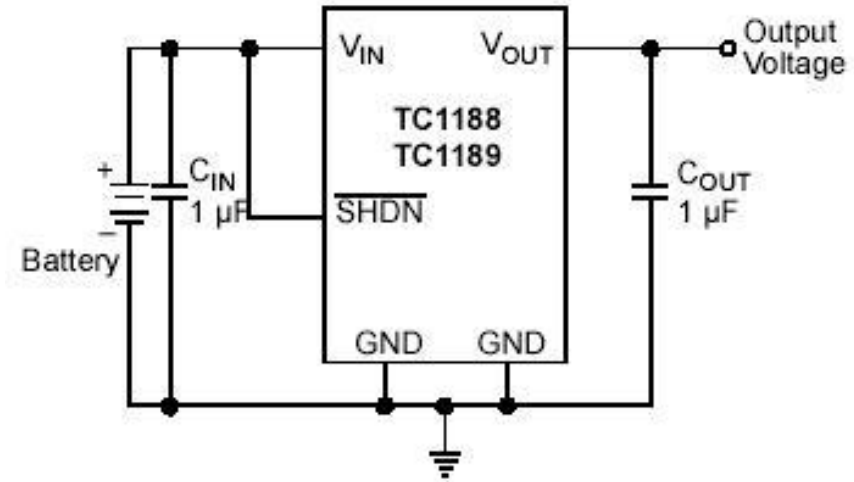
- Low Ground Current for Longer Battery Life
- Low Dropout Voltage
- Choice of 50mA (TC1223), 100mA (TC1224) –
– Output Current
- High Output Voltage Accuracy
- Standard of Custom Output Voltages
- Power Saving Shutdown Mode
- Overcurrent and Overtemperature Protection
- Space-Saving 5-Pin SOT-23A Package
- Pin Compatible Upgrades for Bipolar Regulators



MAX8863/64 Pin Compatible, Low Dropout, 120 mA Linear Regulators

Features:

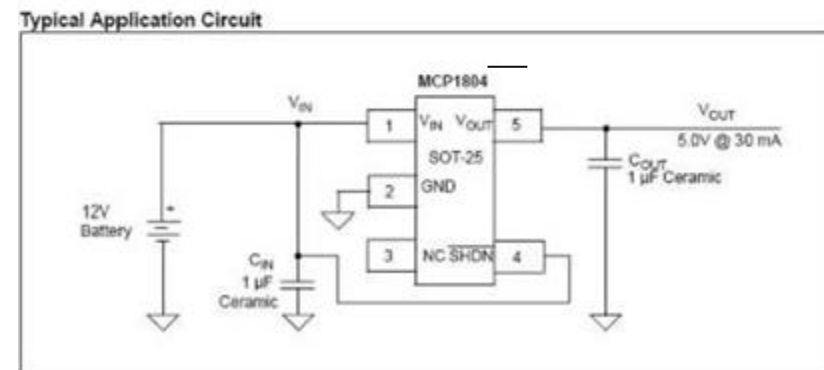
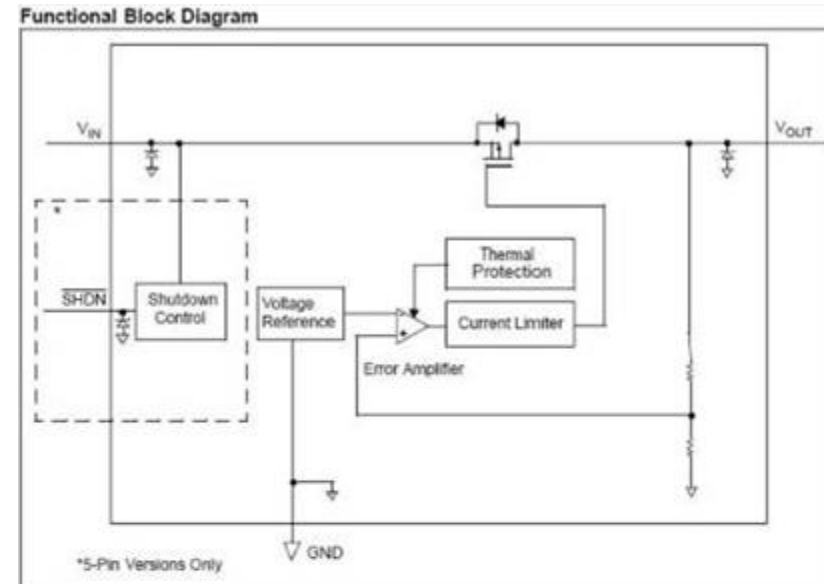
- Input Voltage Range: 2.7V to 6.0V
- 120mA Output Current
- Low Supply Current: 50 μ A, (typ.)
- Low Dropout Voltage:
 - 110mV (typ.) @ 100mA
- Fast Turn-On from Shutdown:
 - 140 μ s (typ.)
- Low Output Noise
- Overcurrent and Overtemperature Protection
- Low Power Shutdown Mode
- Auto Discharge of Output Capacitor (TC1189)



150 mA, 28V LDO Regulator With Shutdown

Features:

- 150 mA Output Current
- Low Dropout Voltage, 260mV typ. @ 20mA, -
- VR=3.3V
- 50 μ A Typical Quiescent Current
- 0.01 μ A Typical Shutdown Current
- Input Operating Voltage Range: 2.0V to 28.0V
- Standard Output Voltage Options (1.8V, -
- 2.5V, 3.0V, 3.3V, 5.0V, 10.0V, 12.0V)
- Output Voltage Accuracy: \pm 2%
- Output voltages from 1.8V to 18.0V in 0.1V –
- increments are available upon request
- Stable with Ceramic output capacitors
- Current Limit Protection With Current Foldback
- Shutdown pin
- High PSRR: 50 dB typical @ 1 kHz

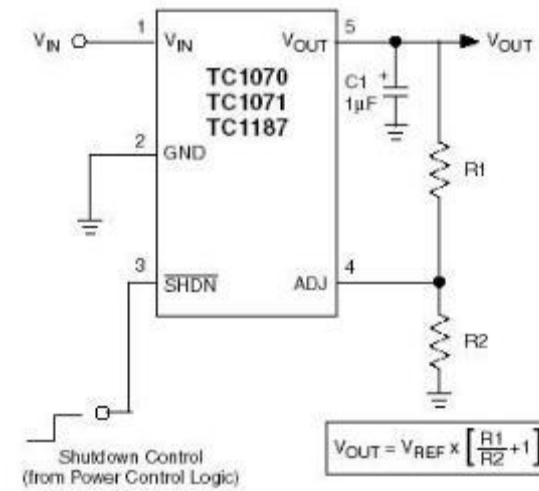
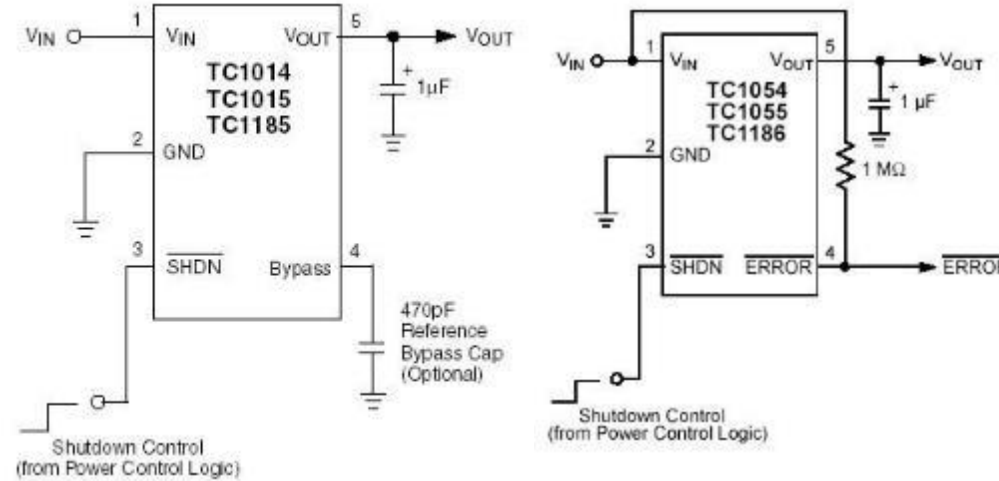




50 mA, 100 mA and 150 mA CMOS LDOs with Shutdown and Reference Bypass

Features:

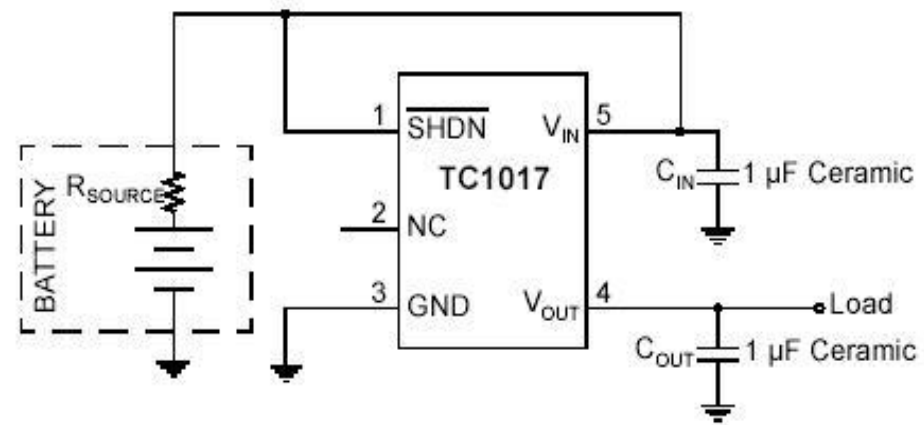
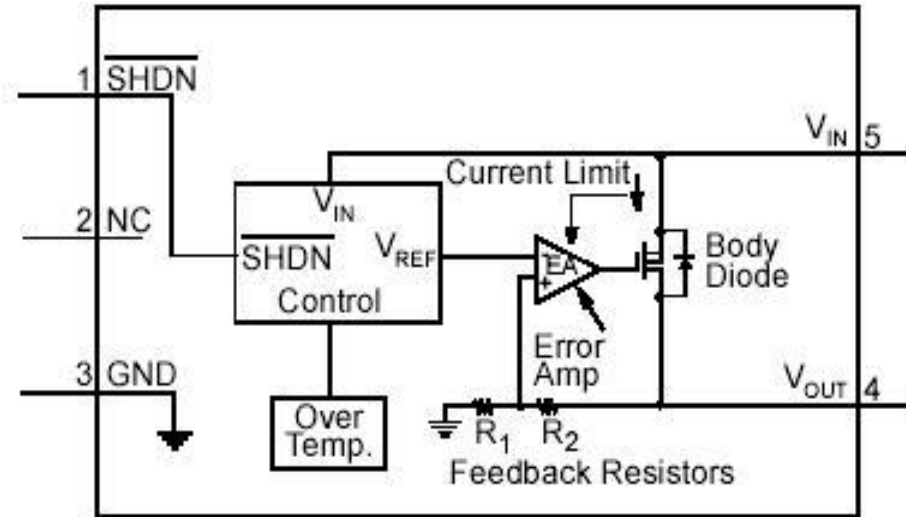
- Low Supply Current: 50µA (typ.)
- Low Dropout Voltage
- Output current: 50mA (TC1014/54/70) –
 - 100mA (TC1015/55/71) 150mA –
 - (TC1185/6/7)
- High Output Voltage Accuracy
- Standard or Custom Output Voltages
- Power-Saving Shutdown Mode
- Overcurrent and Over temperature –
 - Protection
- Space-Saving 5-Pin SOT-23 Package
- TC1014/015/185: Reference Bypass –
 - Input for Ultra Low-Noise Operation
- TC1054/055/1186: Error Output Can –
 - Be Used as a Low Battery Detector –
 - or Microcontroller Reset Generator
- TC1070/1071/1187: Adjustable Output Voltage
- Recommended for Automotive Design:
 - TC1014/15
 - TC1185/7



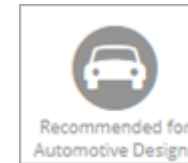
150 mA, Tiny CMOS LDO With Shutdown

Features:

- Space Saving 5-Pin SC-70 and SOT-23 –
- Packages
- Low Operating Current: 53 μ A (typ.) –
- Shutdown Mode: 0.05 μ A (typ.)
- High Output Voltage Accuracy:
 - \pm 0.5% (typ.)
- Very Low Dropout Voltage
- Rated 150mA Output Current
- Wake-Up Time from SHDN:
 - 10 μ s (typ.)
- Overcurrent and Over temperature –
- Protection
- Pin Compatible Upgrades for Bipolar –
- Regulators
- Requires Only 1 μ F Ceramic Output –
- Capacitance



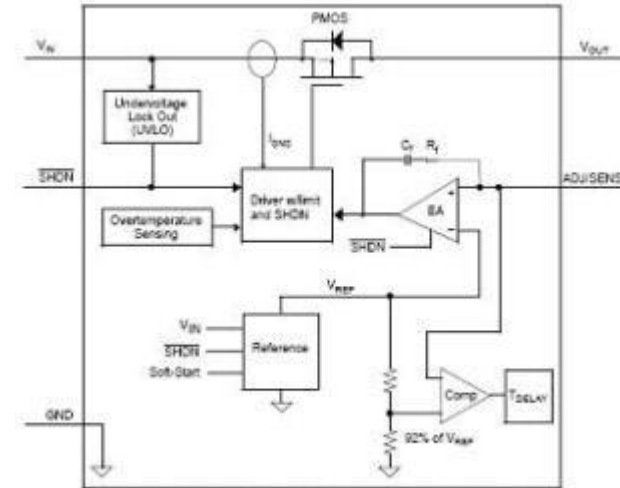
300 mA, Low Voltage, Low Quiescent Current LDO Regulator



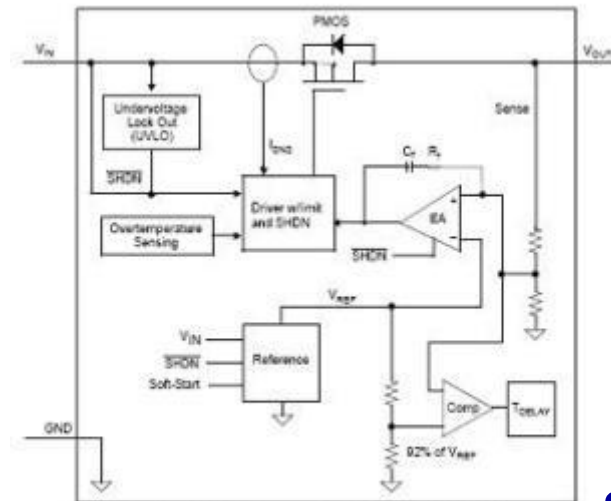
Online
Datasheet

Features:

- 300mA Output Current Capability
- Input Operating Voltage Range: 2.1V to 6.0V
- Adjustable Output Voltage: 0.8V to 5.0V (MCP1824)
- Standard Fixed Output Voltages:
 - 0.8V, 1.2V, 1.8V, 2.5V, 3.0V, 3.3V, 5.0V
- Other Fixed Output Voltage Options Available Upon Request
- Low Dropout Voltage: 200mV (typ.) @ 300mA
- Typical Output Voltage Tolerance: 0.4%
- Stable with 1.0 μ F Ceramic Output Capacitor
- Fast Response to Load Transients
- Low Supply Current: 120 μ A (typ.)
- Shutdown Current: 0.1 μ A (typ.) (MCP1824)
- Fixed Delay on Power Good Output (MCP1824)
- Short Circuit Current Limiting and Over temperature Protection
- Packages: SOT-223, SOT-23
- Recommended for Automotive Design (MCP1824)



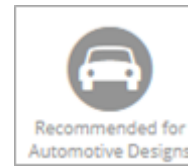
Functional Block Diagram - Adjustable Output (MCP1824)



Functional Block Diagram - Fixed Output (MCP1824S)

<< BACK



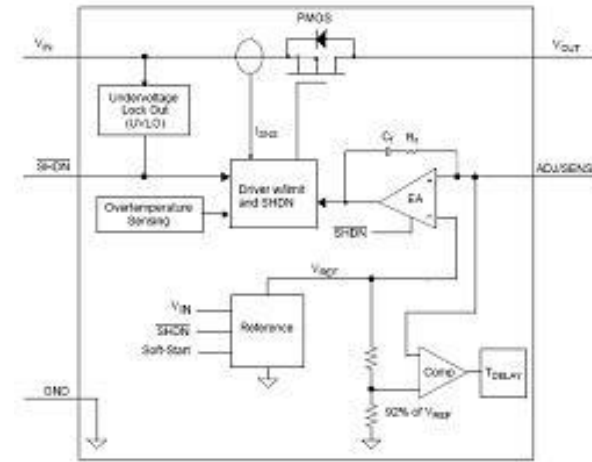


Online
Datasheet

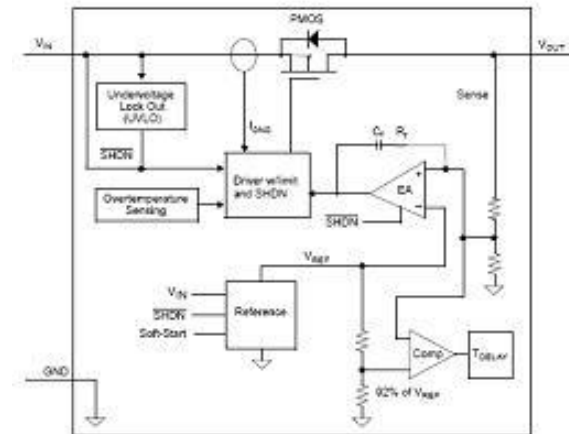
500 mA, Low Voltage, Low Quiescent Current LDO Regulator

Features:

- 500mA Output Current Capability
- Input Operating Voltage Range: 2.1V to 6.0V
- Adjustable Output Voltage Range:
 - 0.8V to 5.0V (MCP1825)
- Standard Fixed Output Voltages:
 - 0.8V, 1.2V, 1.8V, 2.5V, 3.0V, 3.3V, 5.0V
- Other Fixed Output Voltage Options Available
- Upon Request
- Low Dropout Voltage: 210mV (typ.) at 500mA
- Typical Output Voltage Tolerance: 0.5%
- Stable with 1.0 μ F Ceramic Output Capacitor
- Fast response to Load Transients
- Low Supply Current: 120 μ A (typ.)
- Low Shutdown Supply Current:
 - 0.1 μ A (typ.) (MCP1825)
- Fixed Delay on Power Good Output (MCP1825 only)
- Short Circuit Current Limiting and
- Over temperature Protection
- Packages: TO-263 (DDPAK), TO-220, SOT-223
- Recommended for Automotive Design



Functional Block Diagram - Adjustable Output



Functional Block Diagram - Fixed Output (3-Pin)

<< BACK





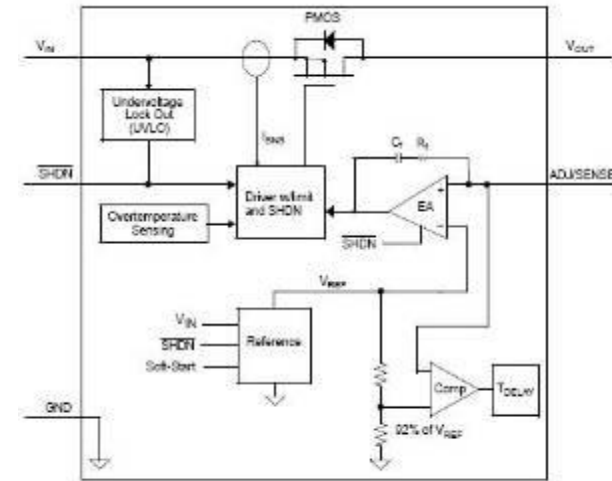
Recommended for
Automotive Designs

Online
Datasheet

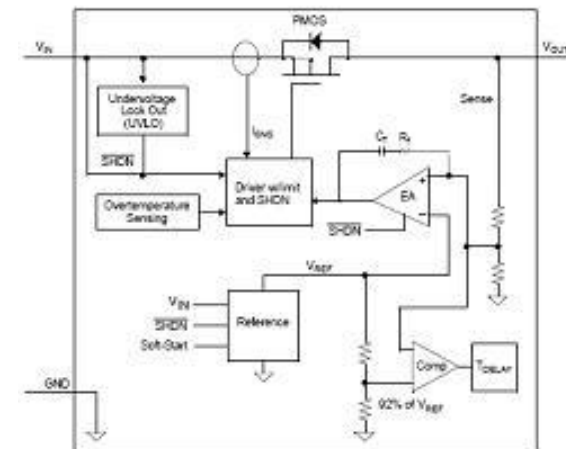
1000 mA, Low-Voltage, Low Quiescent Current LDO Regulator

Features:

- 1000mA Output Current Capability
- Input Operating Voltage Range:
 - 2.3V to 6.0V
- Adjustable Output Voltage Range:
 - 0.8V to 5.0V (MCP1826)
- Standard Fixed Output Voltages:
 - 0.8V, 1.2V, 1.8V, 2.5V, 3.0V, 3.3V, 5.0V
- Other Fixed Output Voltage Options
- Available Upon Request
- Low Dropout Voltage: 250mV (typ.) @ 1000mA
- Typical Output Voltage Tolerance: 0.5%
- Stable with 1.0 μ F Ceramic Output Capacitor
- Fast response to Load Transients
- Low Supply Current: 120 μ A (typ.)
- Low Shutdown Supply Current:
 - 0.1 μ A (typ.) (MCP1826)
- Fixed Delay on Power Good Output (MCP1826 only)
- Short Circuit Current Limiting & Overtemp Protection
- Packages: TO-263-5 (DDPAK), TO-220, SOT-223
- Recommended for Automotive Design (MCP1826S)



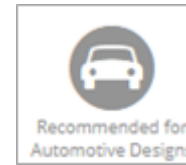
Functional Block Diagram - Adjustable Output



Functional Block Diagram - Fixed Output (3-Pin)

<< BACK



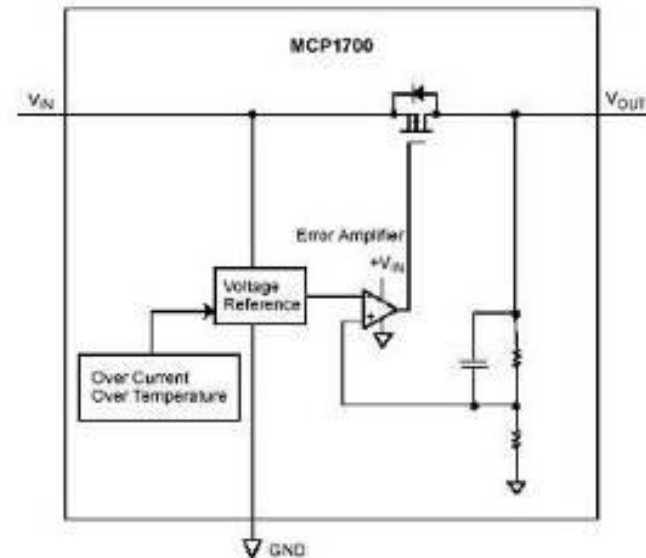
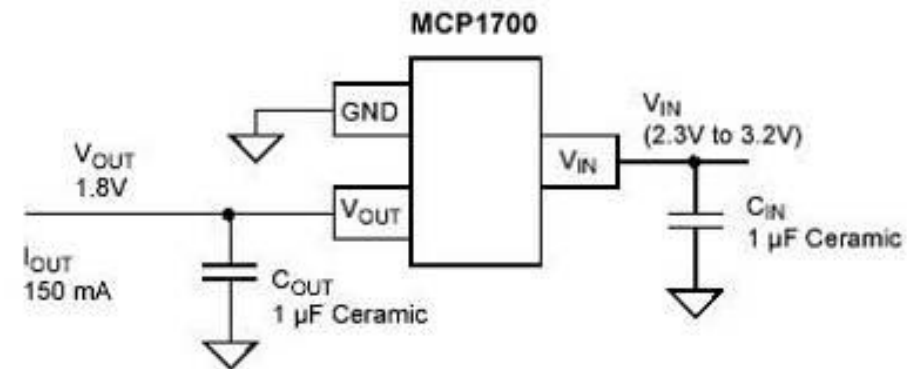


Online
Datasheet

Low Quiescent Current LDO

Features:

- 1.6 μ A (typ.) Quiescent Current
- Input Operating Voltage Range:
 - 2.3V to 6.0V
- Output Voltage Range:
 - 1.2V to 5.0V
- 250mA Output Current for Output –
- Voltages \geq 2.5V
- 200mA Output Current for Output –
- Voltages $<$ 2.5V
- Low Dropout voltage: 178mV (typ.) –
- @ 250mA for $V_{OUT} = 2.8V$
- 0.4% (typ.) Output Voltage Tolerance
- Stable with 1.0 μ F Ceramic Output Capacitor
- Short Circuit Protection
- Over temperature Protection
- Recommended for Automotive Design



<< BACK



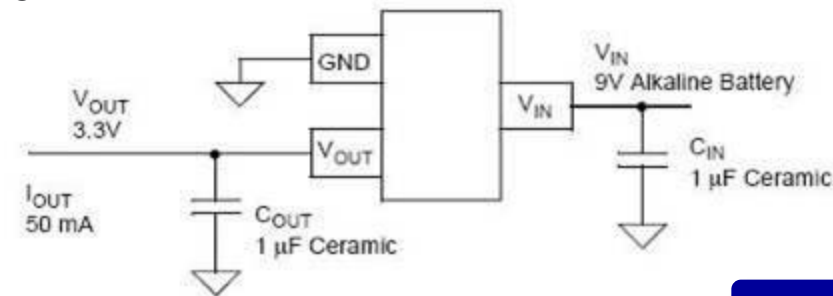
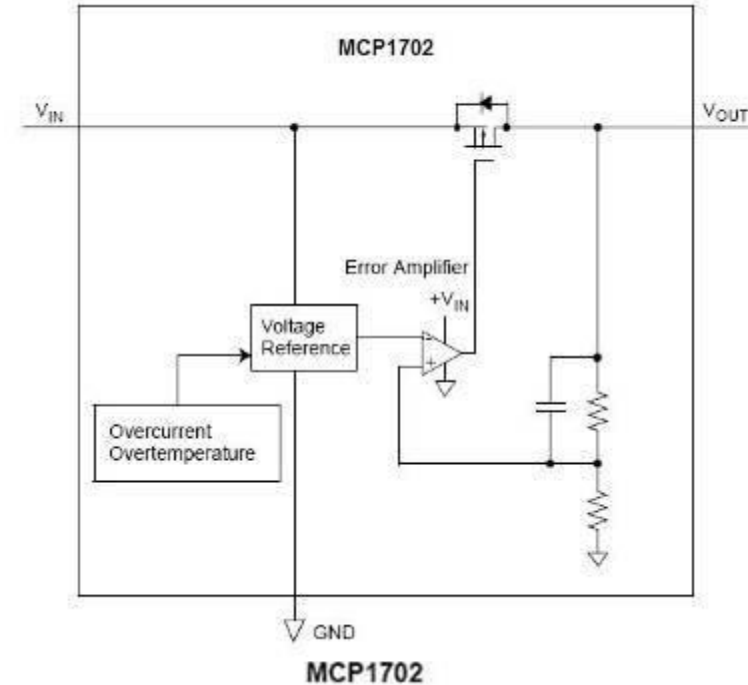


Online
Datasheet

250 mA Low Quiescent Current LDO Regulator

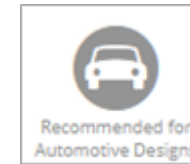
Features:

- 2.0 μ A Quiescent Current (typ.)
- Input Operating Voltage Range:
 - 2.7V to 13.2V
- 250mA Output Current for Output –
- Voltages \geq 2.5V
- 200mA Output Current for Output –
- Voltages $<$ 2.5V
- Output voltage range 1.2V to 5.5V –
- in 0.1V increments (50mV increments –
- available upon request)
- Stable with 1.0 μ F to 22 μ F Output Capacitor
- Short-Circuit Protection
- Overtemperature Protection
- Package Options: 3-Pin SOT-23A, 3-Pin SOT-89, TO-92-3
- Recommended for Automotive Design



<< BACK



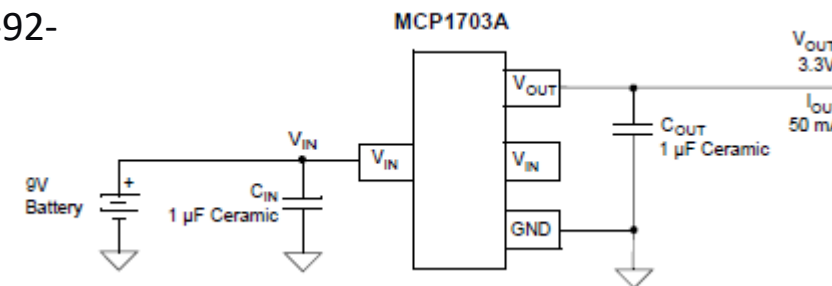
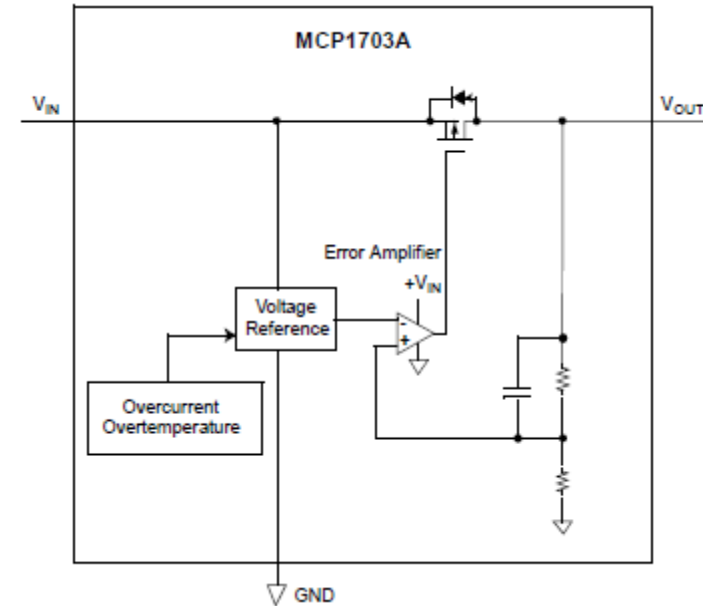


Online
Datasheet

250 mA, 16V, Low Quiescent Current LDO Regulator

Features:

- 2.0 μ A Quiescent Current (typ.)
- Input Operating Voltage Range: 2.7V to 16V
- 250mA Output Current for Output –
 - Voltages \geq 2.5V
- 200mA Output Current for Output –
 - Voltages $<$ 2.5V
- 0.4% (typ.) Output Voltage Tolerance
- Output voltage range 1.2V to 5.5V in 0.1V –
 - increments (50mV increments available –
 - upon request)
- Stable with 1.0 μ F to 22 μ F Output Capacitor
- Short-Circuit Protection
- Overtemperature Protection
- Package Options: 3-Pin SOT-23A, 3-Pin SOT-89, TO-92-3, 2x3 DFN
- Recommended for Automotive Design



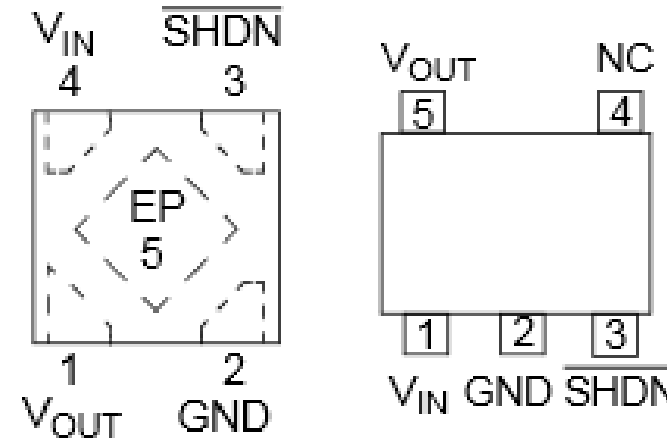
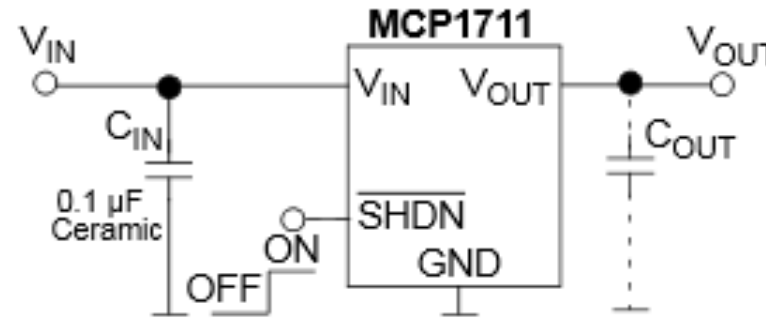
<< BACK



150 mA Ultra-Low Quiescent Current, Capacitorless LDO Regulator

Features:

- Ultra-Low Quiescent Current: 600 nA (typ)
- Shutdown Supply Current: 10 nA (typ)
- Input Operating Voltage Range: 1.4V to 6.0V
- 150 mA Output Current Capability
- Output Capacitor:
 - Low Equivalent Series Resistance (ESR)
 - or Capacitorless Compatible
- Low Dropout Voltage:
 - 450 mV Maximum at 200 mA
- Stable with 1.0 μ F Ceramic Output Capacitor
- Protection Circuits:
 - Current Limiter, Short Circuit, Foldback
- Space Saving 4L 1x1 DFN and 5L SOT-23



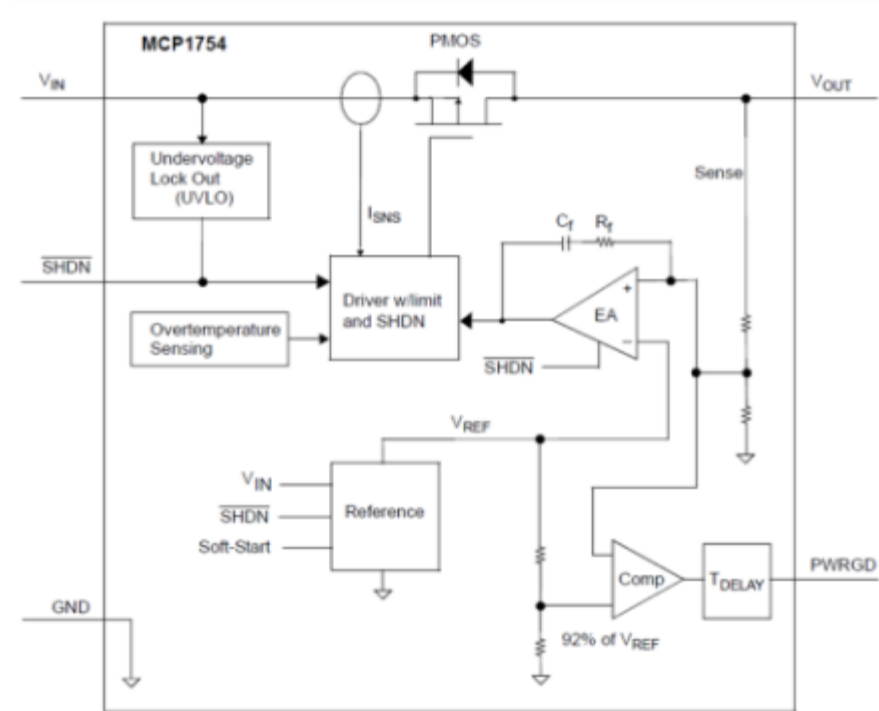
MCP1754/S

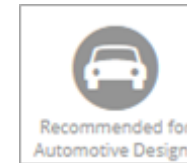


150 mA, 16V, High-Performance LDO

Features:

- High PSRR: >70 dB @ 1 kHz typical
- 56.0 μ A Typical Quiescent Current
- Input Operating Voltage Range:
 - 3.6V to 16.0V
- 150 mA Output Current
- Low Dropout Voltage: 300 mV (typ.) @ 150 mA
- 0.4% Typical Output Voltage Tolerance
- Standard Output Voltage Options: 1.8V, 2.5V, 2.8V, 3.0V, 3.3V, 4.0V, 5.0V
- Output Voltage Range 1.8V to 5.5V in 0.1V increments
- Output Voltage Tolerances of $\pm 2.0\%$
- Stable with min. 1.0 μ F Output Capacitance
- Power Good Output
- Shutdown Input
- True Current Foldback Protection
- Short-Circuit Protection
- Over temperature Protection
- Packages: SOT-23, SOT-89, SOT-223, 2x3 DFN
- Recommended for Automotive Design (MCP1754)



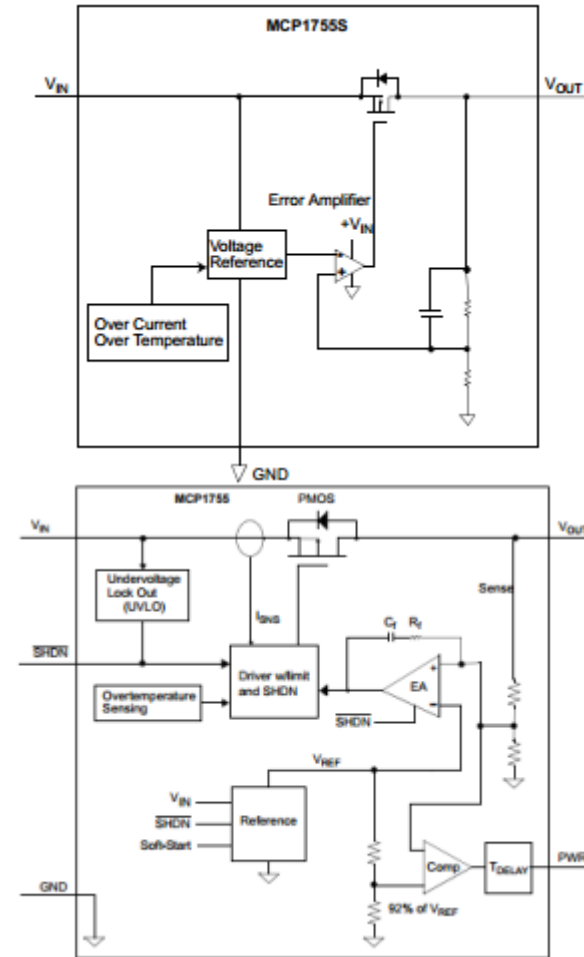


Online
Datasheet

300 mA, 16V, High-Performance LDO

Features:

- High PSRR: >70 dB @ 1 kHz typical
- 68.0 μ A Typical Quiescent Current
- Input Operating Voltage Range: 3.6V to 16.0V
- 300 mA Output Current
- Low Dropout Voltage, 300 mV Typical @ 300 mA
- 0.85% Typical Output Voltage Tolerance
- Standard Output Voltage Options: 1.8V, 2.5V, 2.8V, 3.0V, 3.3V, 4.0V, 5.0V
- Output Voltage Range 1.8V to 5.5V in 0.1V increments
- Output Voltage Tolerances of $\pm 2.0\%$
- Stable with Minimum 1.0 μ F Output Capacitance
- Power Good Output
- Shutdown Input
- True Current Foldback Protection
- Short-Circuit Protection
- Overtemperature Protection
- Package Options: SOT-23, SOT-223, 2x3 DFN
- Recommended for Automotive Design (MCP1755)



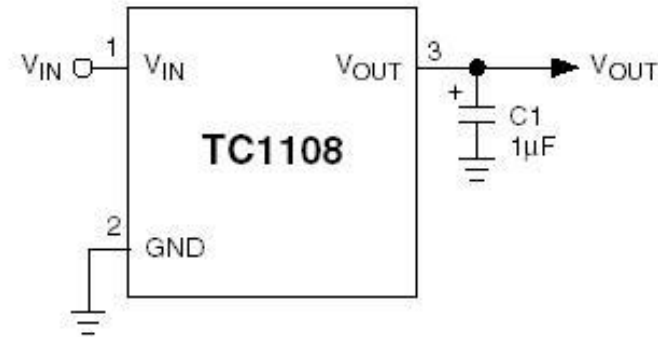
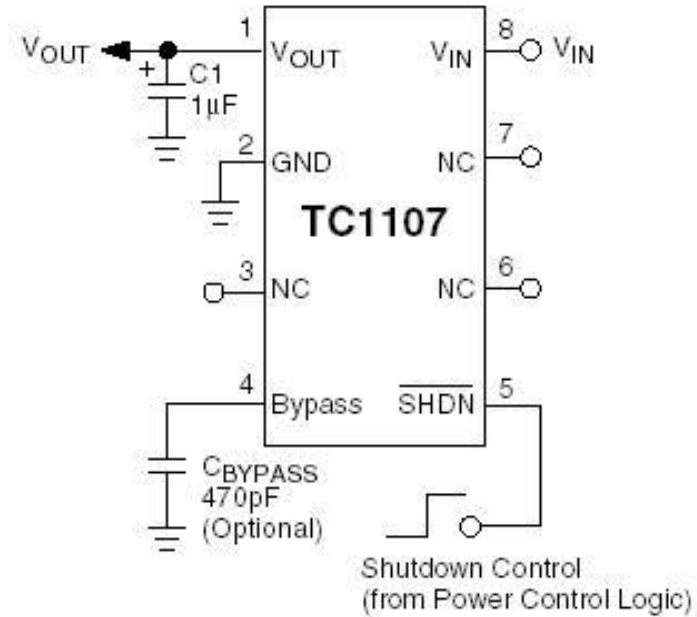
<< BACK



300mA CMOS LDO with Shutdown and VREF Bypass

Features:

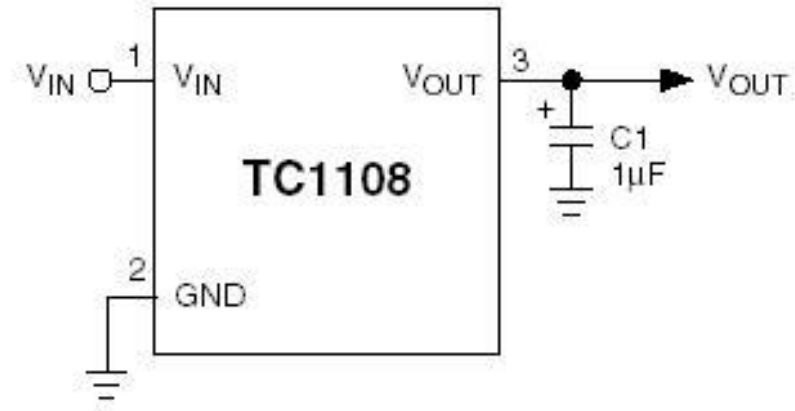
- Extremely Low Supply Current: 50 μ A (typ.)
- Very Low Dropout Voltage
- 300mA Output Current
- High Output Voltage Accuracy
- Standard or Custom Output Voltages
- Overcurrent and Overtemperature Protection
- Power Saving Shutdown Mode (TC1107)
- Bypass Input for Ultra-Quiet Operation (TC1107)
- TC1107: 8L SOIC, MSOP
- TC1108: 3L SOT-223



300mA CMOS LDO

Features:

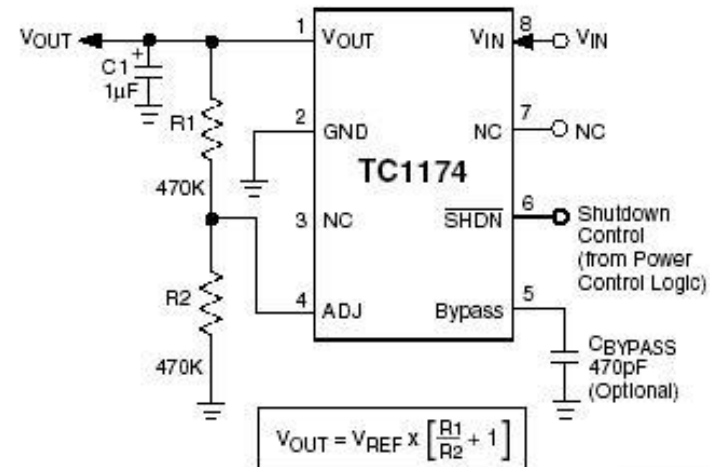
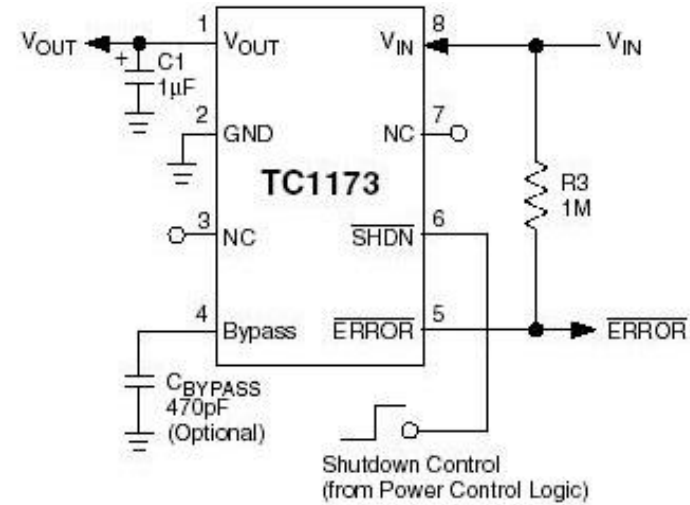
- Extremely Low Supply Current: 50 μ A (typ.)
- Very Low Dropout Voltage
- 300mA Output Current
- High Output Voltage Accuracy
- Standard or Custom Output Voltages
- Overcurrent and Overtemperature Protection



300mA CMOS LDO with Shutdown ERROR Output and Bypass

Features:

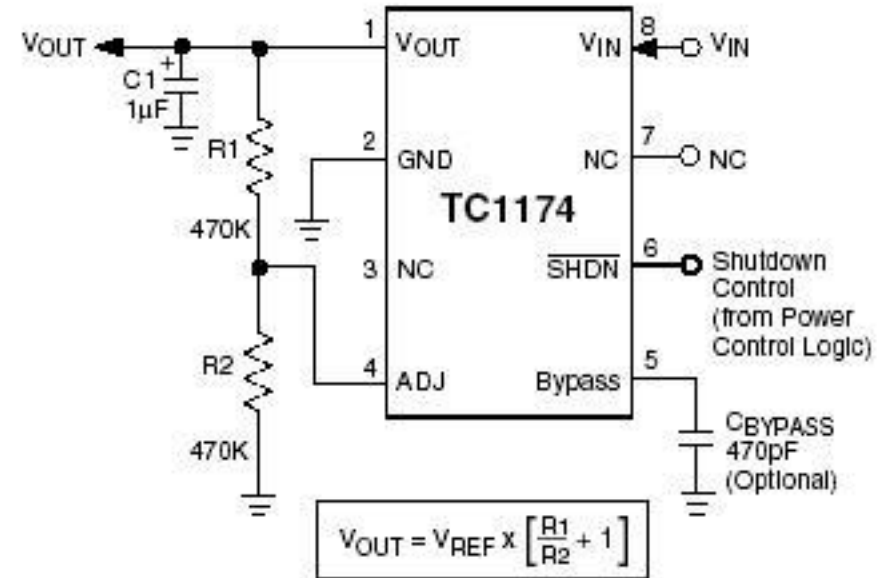
- Extremely Low Supply Current
- Very Low Dropout Voltage
- 300mA Output Current
- Bypass Input for Ultra-Quiet Operation
- Standard or Custom Output Voltages
- Overcurrent and Overtemperature Protection
- ERROR Output can be used as a Low Battery –
 - Detector or Processor Reset Generator –
 - (TC1173)
- Shutdown Mode (TC1173)
- Packages: 8L SOIC, 8L MSOP



300mA CMOS LDO with Shutdown and VREF Bypass

Features:

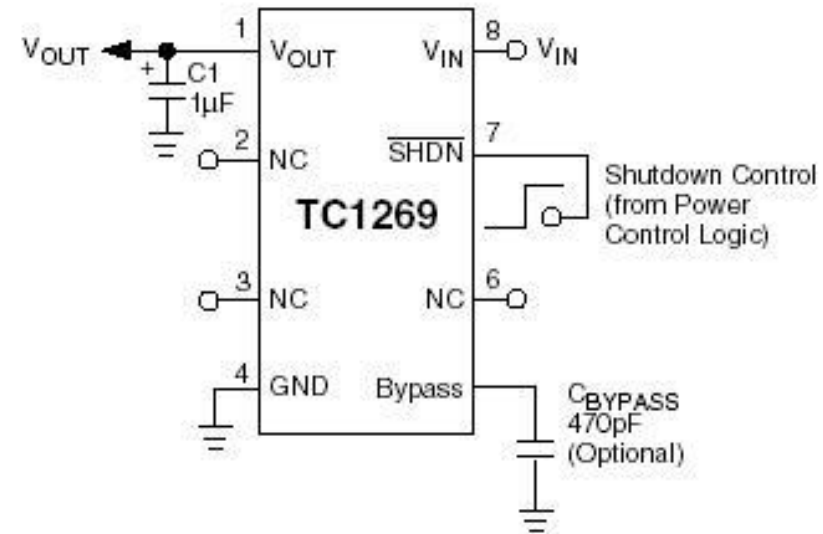
- Extremely Low Supply Current: 50µA (typ.)
- Very Low Dropout Voltage
- 300mA Output Current
- Adjustable Output Voltage
- Power Saving Shutdown Mode
- Bypass Input for Ultra-Quiet Operation
- Overcurrent and Overtemperature Protection
- Space Saving MSOP Package Option



300mA CMOS LDO with Shutdown and VREF Bypass

Features:

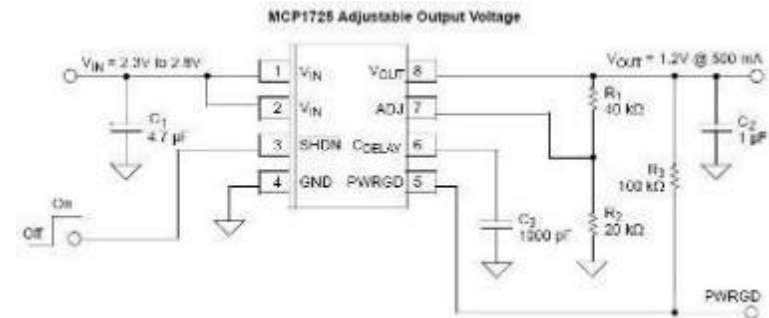
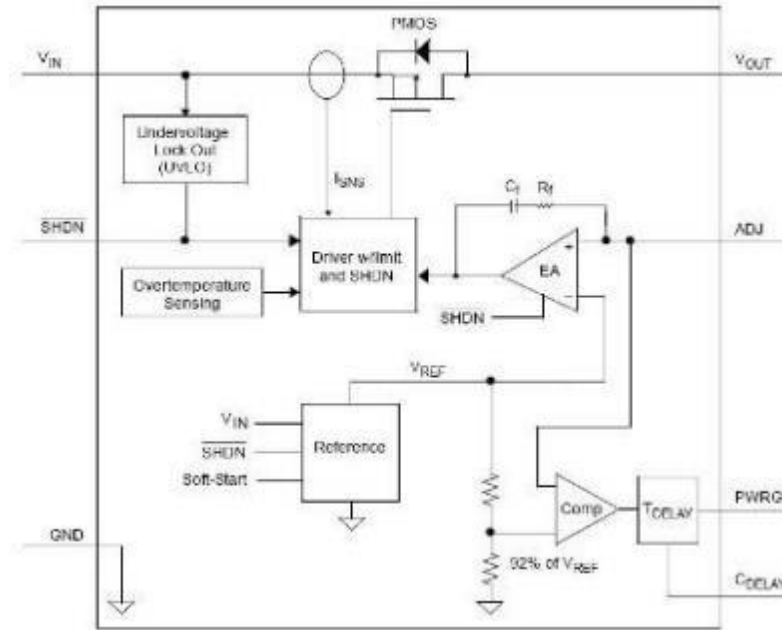
- Very Low Ground Current for Longer –
- Battery Life
- Very Low Dropout Voltage
- 300mA Output Circuit
- High Output Voltage Accuracy
- Standard or Custom Output Voltages
- Power Saving Shutdown Mode
- Bypass Input for Ultra-Quiet Operation
- Over Current and Over Temperature Protection
- Space-Saving MSOP Package



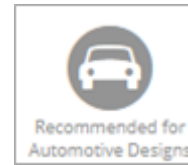
500 mA, Low Voltage, Low Quiescent Current LDO Regulator

Features:

- 500mA Output Current Capability
- Input Operating Voltage Range: 2.3V to 6.0V
- Adjustable Output Voltage Range: 0.8V to 5.0V
- Standard Fixed Output Voltages:
 - 0.8V, 1.2V, 1.8V, 2.5V, 3.0V, 3.3V, 5.0V
- Other Fixed Output Voltage Options Available Upon Request
- Low Dropout Voltage: 210mV (typ.) @ 500mA
- Output Voltage Tolerance: 0.5% (typ.)
- Stable with 1.0µF Ceramic Output Capacitor
- Low Supply Current: 120µA (typ.)
 - Shutdown Current: 0.1 µA (typ)
- Adjustable Delay on Power Good Output
- Short Circuit Current Limiting and Overtemperature Protection
- Small Packaging: 2x3 DFN-8 and SOIC-8 Packages



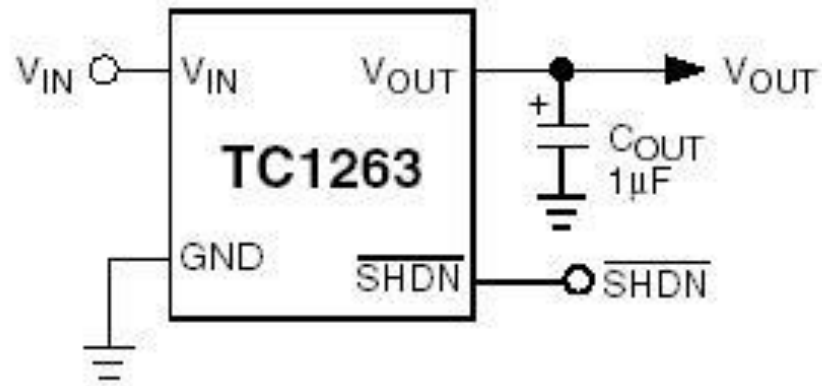
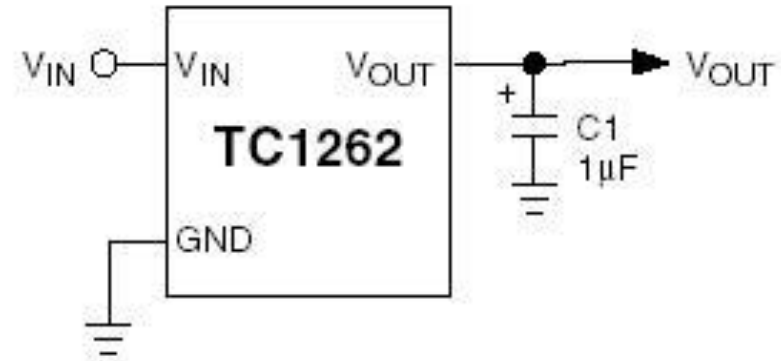
500mA Fixed Output CMOS LDO



Online
Datasheet

Features:

- Very Low Dropout Voltage
- 500mA Output Current
- High Output Voltage Accuracy
- Standard or Custom Output Voltages
- Overcurrent Protection
- Overtemperature Protection
- Shutdown Mode (TC1263)
- ERROR Output can be used as a Low Battery Detector (SOIC only, TC1263)
- Recommended for Automotive Design (TC1262)



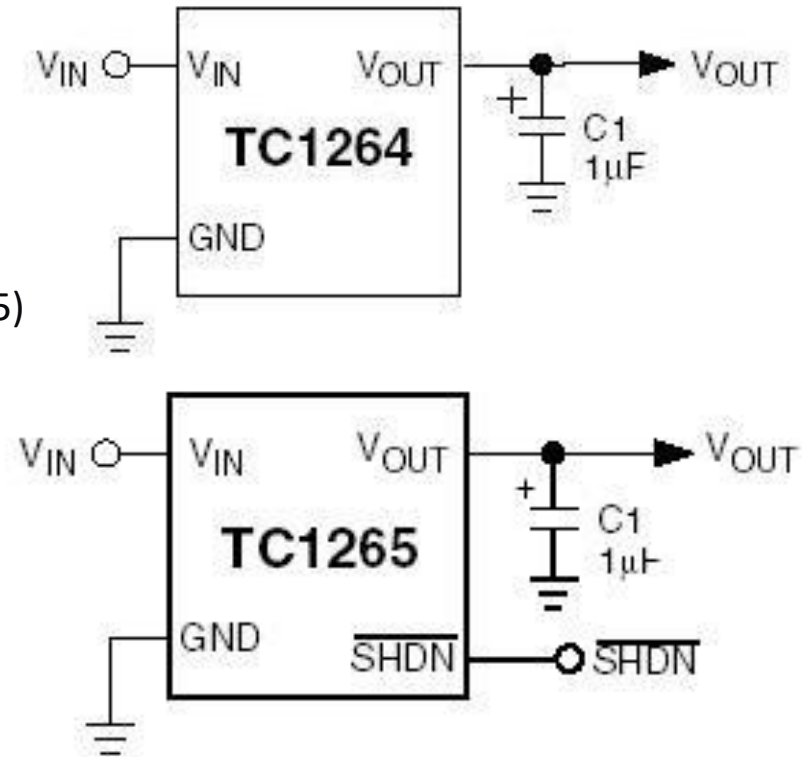
<< BACK



800 mA Fixed-Output CMOS LDO with Shutdown

Features:

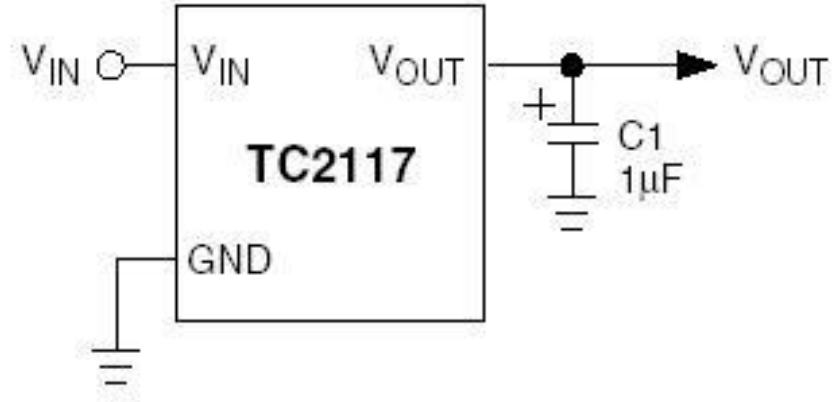
- Very Low Dropout Voltage
- 800mA Output Current
- High Output Voltage Accuracy
- Standard or Custom Output Voltages
- Overcurrent Overtemperature Protection
- SHDN Input for Active Power Management (TC1265)
- ERROR Output to Detect Low Battery (SOIC only, TC1265)

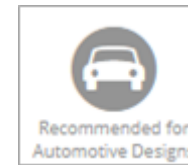


800 mA Fixed Low Dropout Positive Regulator

Features:

- Very Low Dropout Voltage
- 800mA Output Current
- High Output Voltage Accuracy
- Standard or Custom Output Voltages
- Overcurrent and Overtemperature Protection
- Space Saving SOT-223 Package
- Fixed Output Voltages:
 - 1.8V, 2.5V, 3.0V, 3.3V



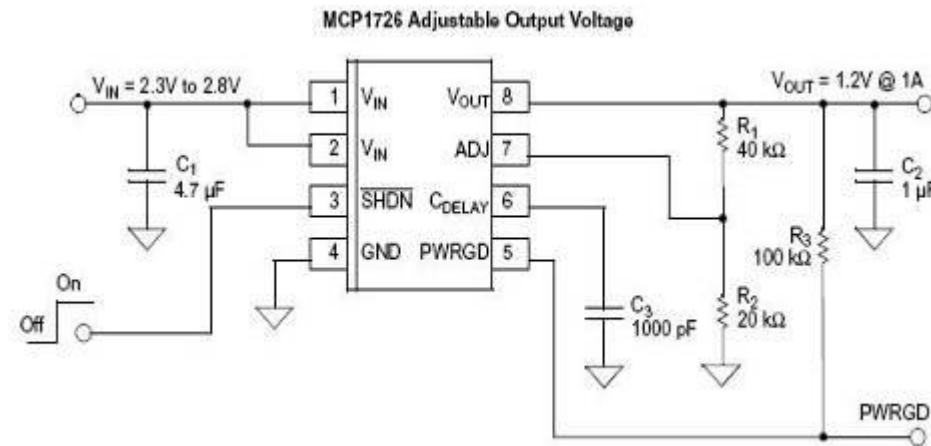
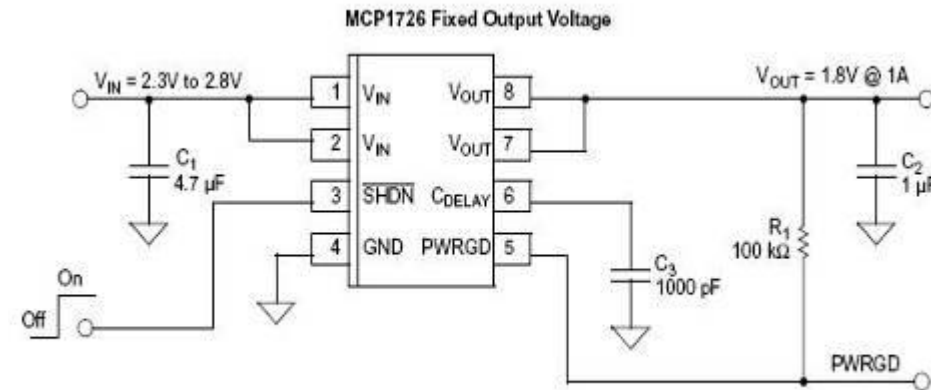


Online
Datasheet

1A, Low-Voltage, Low Quiescent Current LDO Regulator

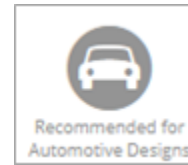
Features:

- 1A Output Current Capability
- Input Operating Voltage Range:
 - 2.3V to 6.0V
- Adjustable Output Voltage Range:
 - 0.8V to 5.0V
- Standard Fixed Output Voltages:
 - 0.8V, 1.2V, 1.8V, 2.5V, 3.0V, -
 - 3.3V, 5.0V
- Low Dropout Voltage: 220mV (typ.) @ 1A
- Output Voltage Tolerance: 0.4% (typ.)
- Stable with 1.0 μ F Ceramic Output Capacitor
- Fast response to Load Transients
- Low Supply Current: 140 μ A (typ.)
 - Shutdown Current: 0.1 μ A (typ)
- Adjustable Delay on Power Good Output
- Short Circuit Current Limiting and
- Overtemperature Protection
- 3x3 DFN-8 and SOIC-8 Package Options
- Recommended for Automotive Design



<< BACK



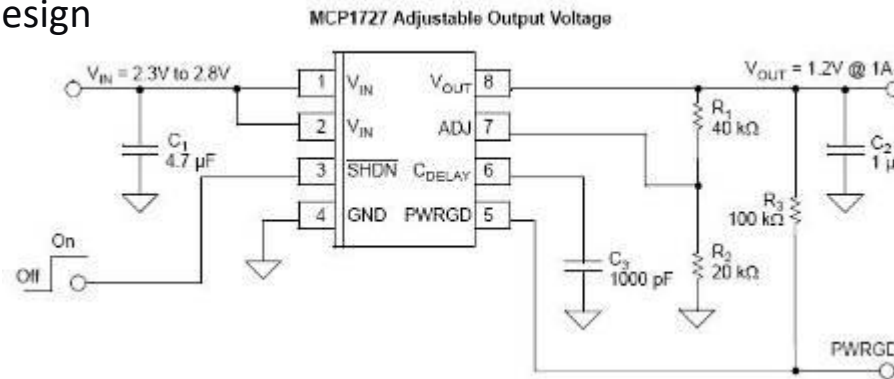
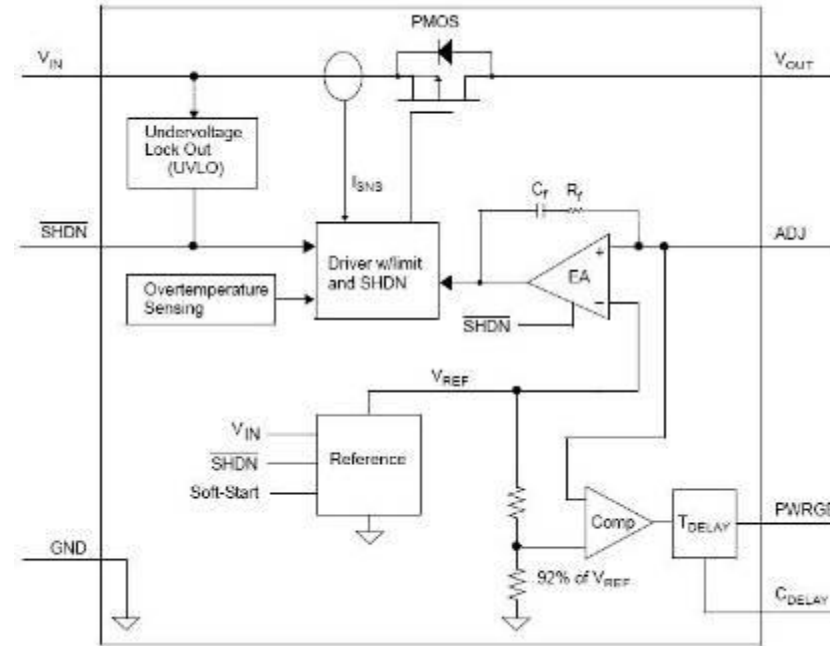


Online
Datasheet

1.5A, Low Voltage, Low Quiescent Current LDO Regulator

Features:

- Up to 1.5A output load current
- Low Dropout Voltage: 330mV (typ.) @ 1.5A
- Output voltage from 0.8V to 5.0V, both fixed – and adjustable
- Stable with 1.0 μ F ceramic output capacitor
- Output Voltage Tolerance: 0.5% (typ.)
- Power good output with adjustable delay
 - Shutdown Current: 0.1 μ A (typ)
- Short Circuit Current Limiting and – Overtemperature Protection
- DFN-8 3x3 and SOIC-8 Pb-free packages
- Recommended for Automotive Design



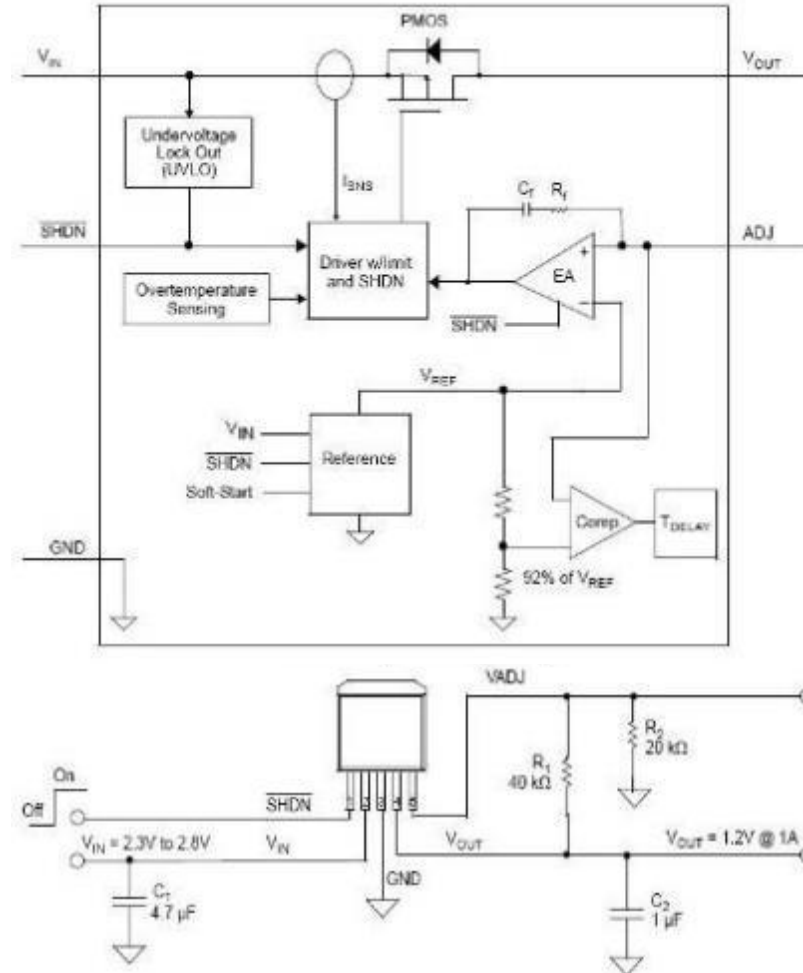
<< BACK



1.5A, Low-Voltage, Low Quiescent Current LDO Regulator

Features:

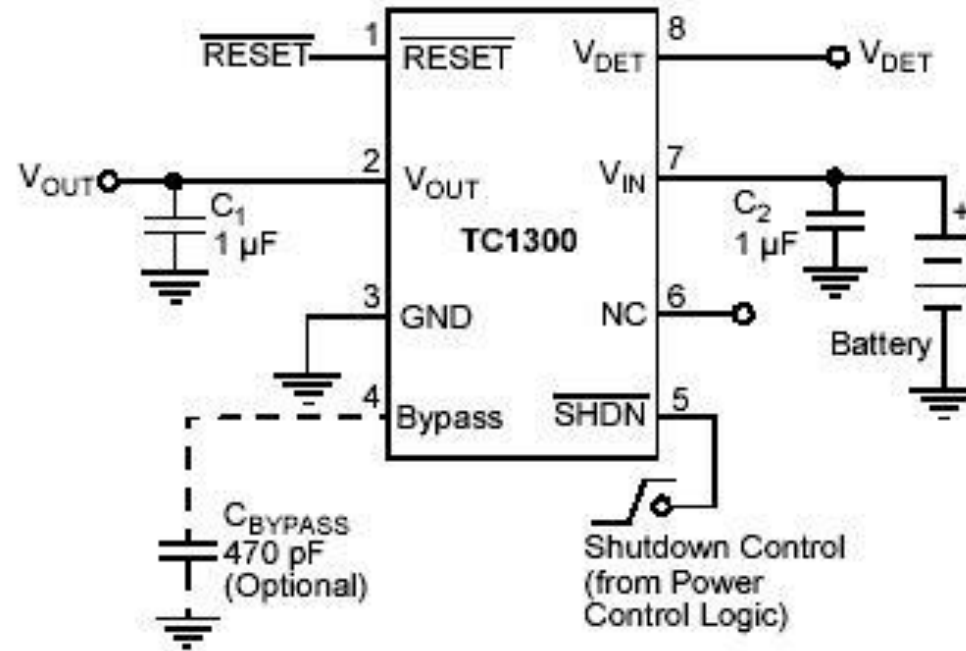
- 1.5A Output Current Capability
- Input Operating Voltage Range:
 - 2.3V to 6.0V
- Adjustable Output Voltage Range:
 - 0.8V to 5.0V (MCP1827)
- Standard Fixed Output Voltages:
 - 0.8V, 1.2V, 1.8V, 2.5V, 3.0V, 3.3V, 5.0V
- Other Fixed Output Voltage Options Available Upon Request
- Low Dropout Voltage: 330mV (typ.) @ 1.5A
- Output Voltage Tolerance: 0.5% (typ.)
- Stable with 1.0µF Ceramic Output Capacitor
- Fast response to Load Transients
- Low Supply Current: 120µA (typ.)
 - Shutdown Current: 0.1 µA (typ.) (MCP1827)
- Fixed Delay on Power Good Output (MCP1827)
- Short Circuit Current Limiting and –
 - Over temperature Protection
- Packages: DDPAK, TO-220



300 mA CMOS LDO with Shutdown, Bypass and Independent Delayed Reset Function

Features:

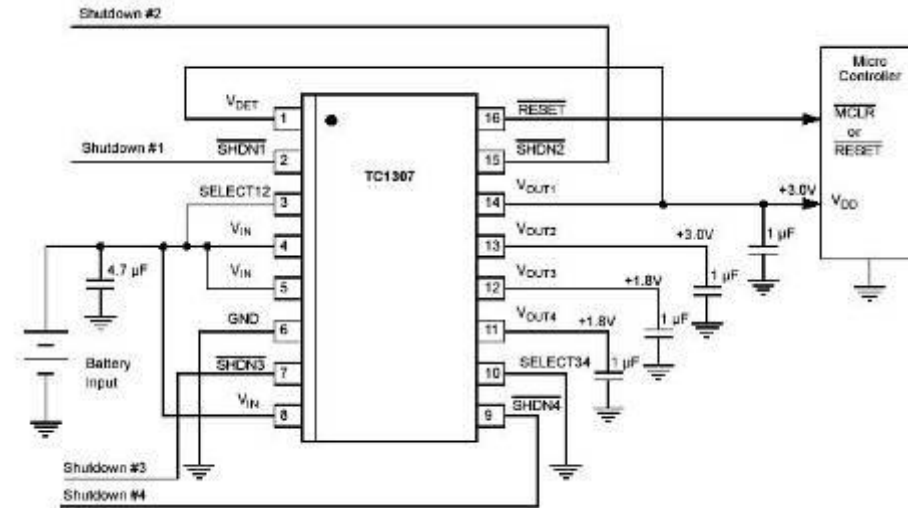
- LDO with Integrated Microprocessor –
 - Reset Monitor Functionality
- Low Supply Current: 80 μ A (typ.)
- Stable with Any Type of Capacitor
- Very Low Dropout Voltage
- 10 μ s (typ.) Wake Up Time from SHDN
- Standard or Custom Output and –
 - Detected Voltages
- Power-Saving Shutdown Mode
- Bypass Input for Ultra-Quiet Operation
- Separate Input and Detected Voltage
- 140ms Guaranteed Minimum RESET –
 - Output Duration



Four-Channel CMOS LDO with Select Mode, Shutdown and Independent Reset

Features:

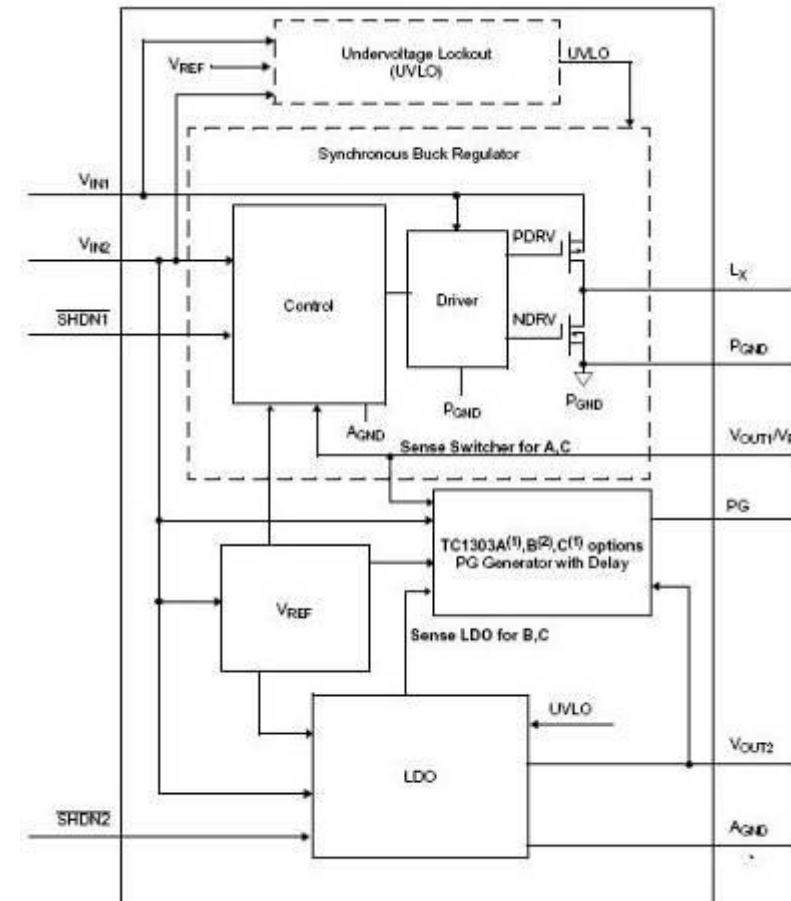
- Four Independent 150mA LDOs
- Low Supply Current 220µA (typ.)
- SelectMode™: Selectable Output –
 - Voltages for High Design Flexibility
- Low Dropout Voltage: 100mV (typ.) –
 - with 150mA load
- 10µs (typ.) Wake Up Time from SHDN
- High Output Voltage Accuracy: 0.5% (typ.)
- Power-Saving Shutdown Mode
- RESET Output used as a Low Battery –
 - Detector or Processor Reset Generator
- Overcurrent and Overtemperature Protection
- Small 16-Pin QSOP Package



500 mA Synchronous Buck Regulator + 300 mA LDO
w/ Power-Good Output

Features:

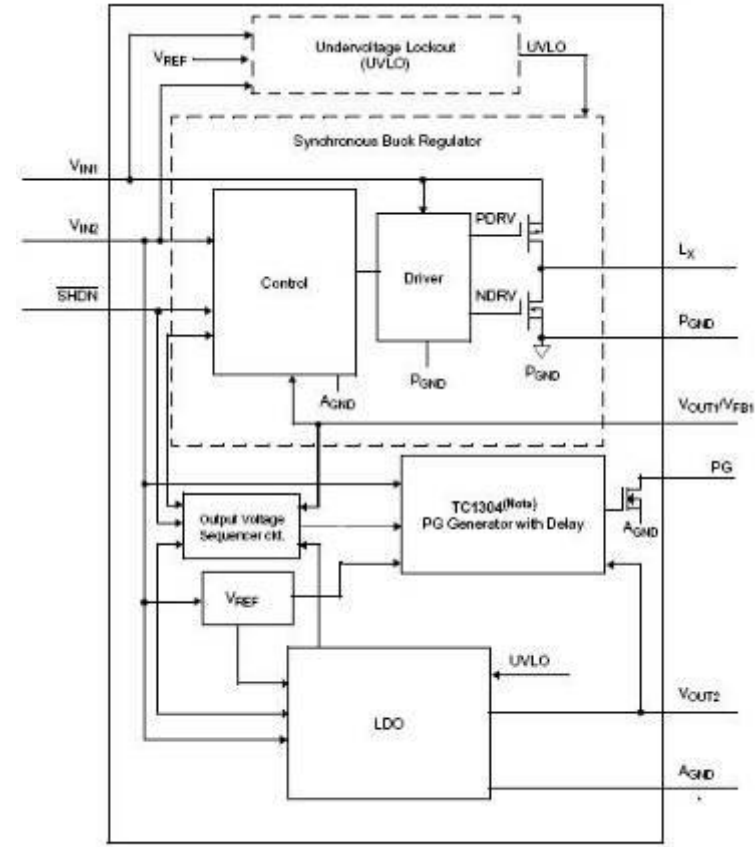
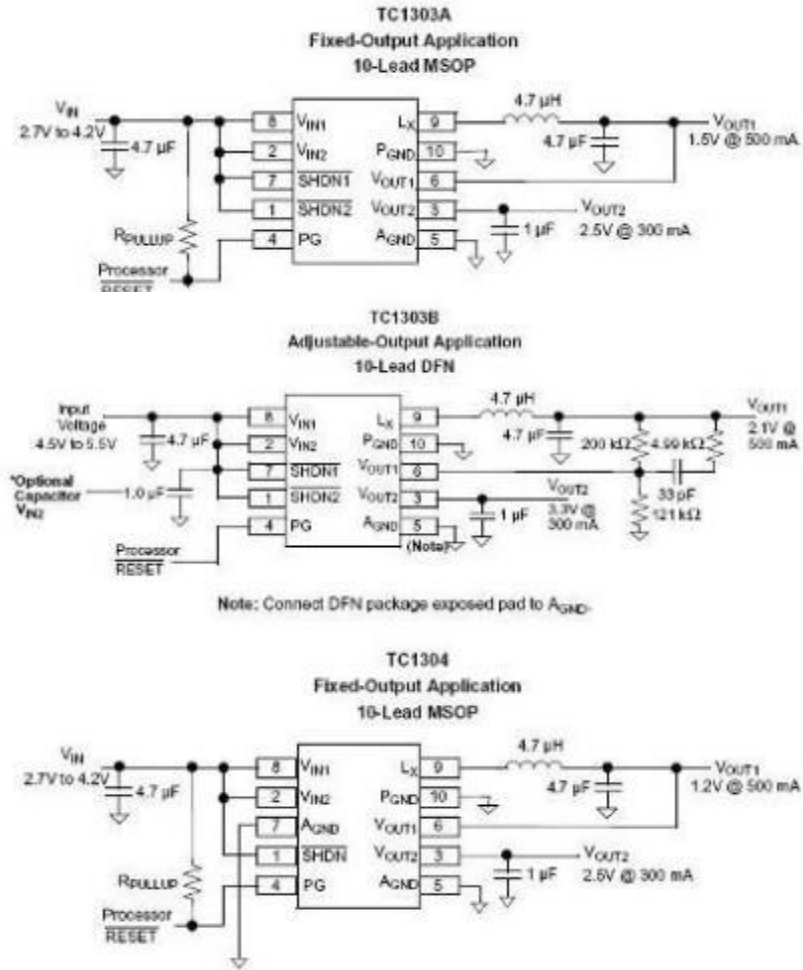
- Dual-Output Regulator
 - 500mA Buck Regulator and 300mA LDO
- Power-Good Output with 300ms Delay
- Quiescent Current: 65µA (typ.)
- Independent Shutdown for Buck & LDO (TC1303)
- Synchronous Buck Regulator:
 - Over 90% (typ.) Efficiency
 - 2.0MHz Fixed-Frequency PWM
 - Automatic PWM to PFM Mode Transition
 - Low-Dropout Regulator:
 - Dropout Voltage: 137mV @ 200mA (typ.)
 - Standard Fixed Output Voltages
- Power-Good Function:
 - Monitors Buck Output Function (TC1303A)
 - Monitors LDO Output Function (TC1303B)
 - Monitors Both Buck and LDO Output Function (TC1303C and TC1304)
- Sequenced Startup and Shutdown (TC1304)
- Packages: 3x3 DFN or MSOP Package



Note 1: PG open-drain for A,C options
2: PG push-pull output for B option



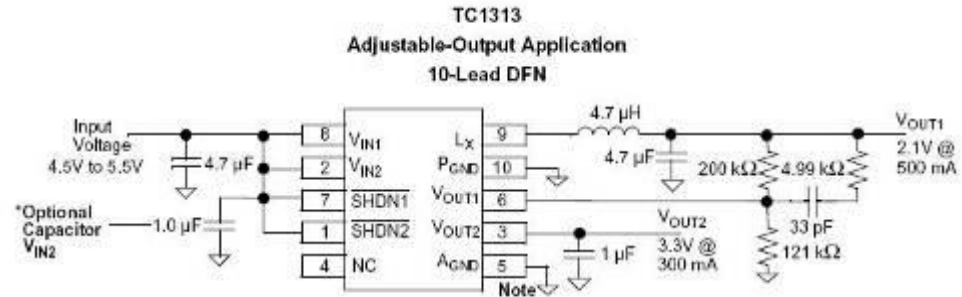
500 mA Synchronous Buck Regulator + 300 mA
LDO w/ Power-Good Output



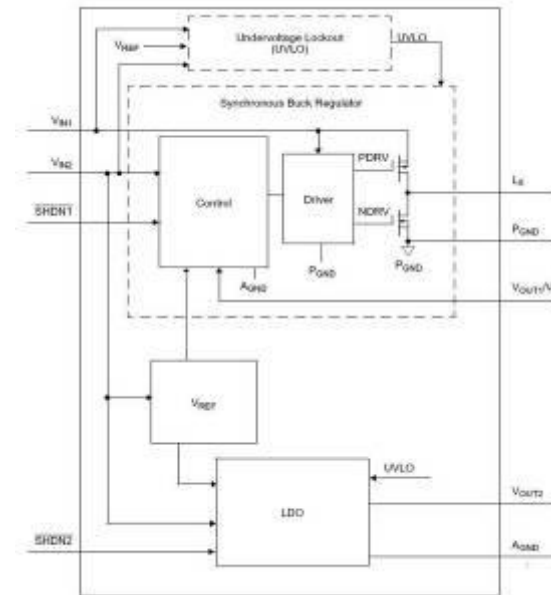
500 mA Synchronous Buck Regulator, + 300 mA LDO

Features:

- Dual-Output Regulator (500mA Buck – Regulator and 300mA LDO)
- Quiescent Current: 57µA (typ.)
- Independent Shutdown for Buck and – LDO Outputs
- Synchronous Buck Regulator:
 - Over 90% (typ.) Efficiency
 - 2.0MHz Fixed-Frequency PWM
 - Automatic PWM to PFM Mode Transition
 - Adjustable and Standard Output Voltages
- Low-Dropout Regulator:
 - Dropout Voltage: 137mV @ 200mA (typ.)
 - Standard Fixed Output Voltages
- Undervoltage Lockout (UVLO)
- Output Short Circuit Protection
- Overtemperature Protection
- Small 10-Pin 3x3 DFN or MSOP Package



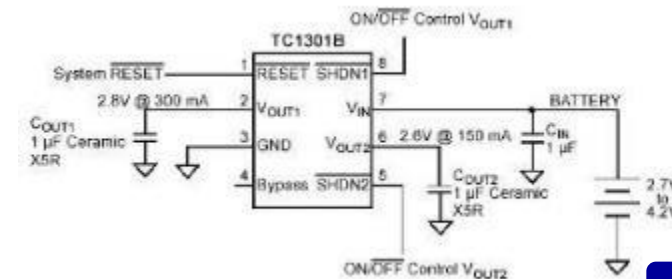
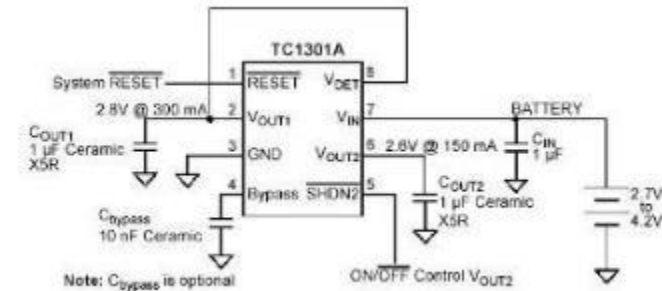
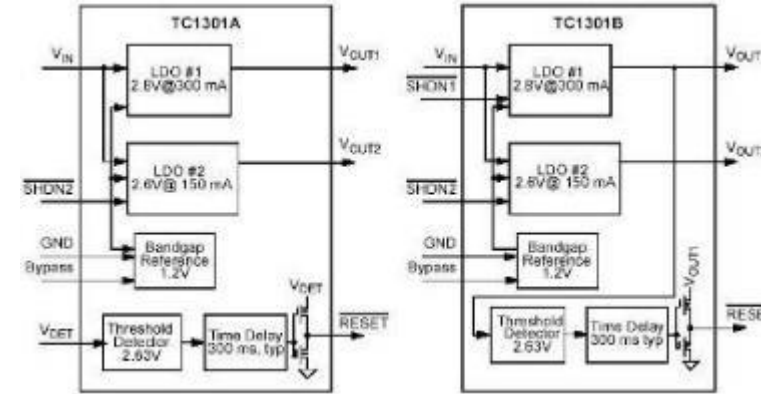
Note: Connect DFN package exposed pad to A_GND.



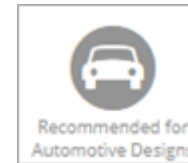
Dual Output LDO with Voltage Detect (VDET) and microcontroller RESET capability

Features:

- Dual Output LDO with Microcontroller Reset
- Monitor Functionality:
 - $V_{OUT1} = 1.5$ to $3.3V @ 300mA$
 - $V_{OUT2} = 1.5V$ to $3.3V @ 150mA$
 - $V_{RESET} = 2.20V$ to $3.20V$
- Output Voltage and RESET Threshold Voltage Options Available (See Table 8-1)
- Low Dropout Voltage:
 - $V_{OUT1}: 104mV @ 300mA$ (typ.)
 - $V_{OUT2}: 150mV @ 150mA$ (typ.)
- Low Supply Current: $116\mu A$ (typ.)
- Reference Bypass Input for Low Noise
- Output Stable with a Min. $1\mu F$ Ceramic Capacitor
- Separate Input for RESET Detect Voltage (TC1301A)
- Separate V_{OUT1} & V_{OUT2} SHDN Pins (TC1301B)
- Power Saving Shutdown Mode
- Packages: DFN and MSOP



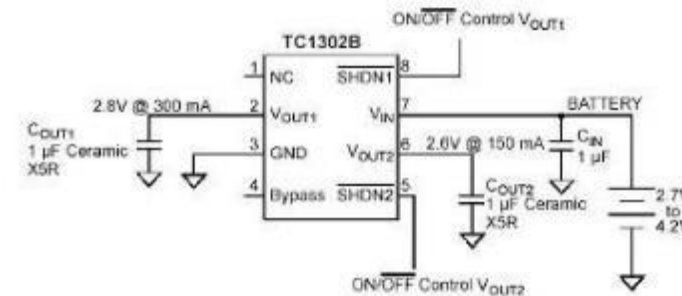
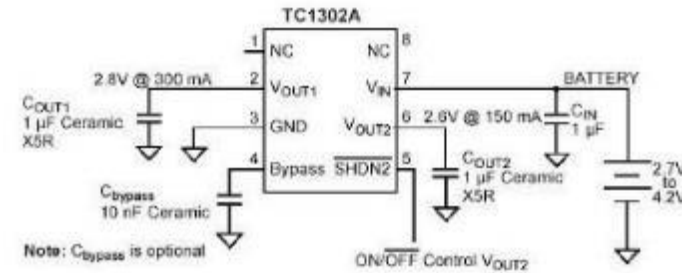
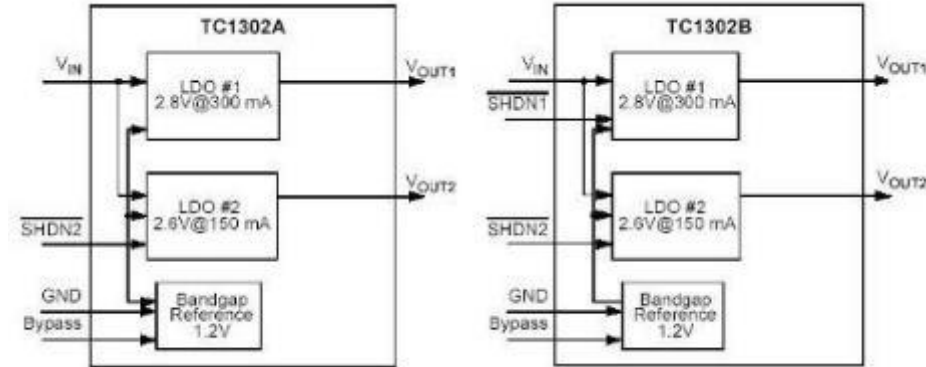
Dual Output LDO with Voltage Detect (VDET) and microcontroller RESET capability



Online
Datasheet

Features:

- Dual Output LDO:
 - $V_{OUT1} = 1.5$ to $3.3V @ 300mA$
 - $V_{OUT2} = 1.5V$ to $3.3V @ 150mA$
 - $V_{RESET} = 2.20V$ to $3.20V$
- Output Voltage Options (See Table 8-1)
- Low Dropout Voltage:
 - V_{OUT1} : $104mV @ 300mA$ (typ.)
 - V_{OUT2} : $150mV @ 150mA$ (typ.)
- Low Supply Current: $116\mu A$ (typ.)
- Reference Bypass Input for Low Noise
- Output Stable with Min. $1\mu F$ Ceramic Capacitor
- Separate V_{OUT1} and V_{OUT2} SHDN Pins (TC1302B)
- Power Saving Shutdown Mode
- Overtemperature & Overcurrent Protection
- Small 8-Pin DFN and MSOP Packages
- Recommended for Automotive Design (TC1302B)



TC1301 >>

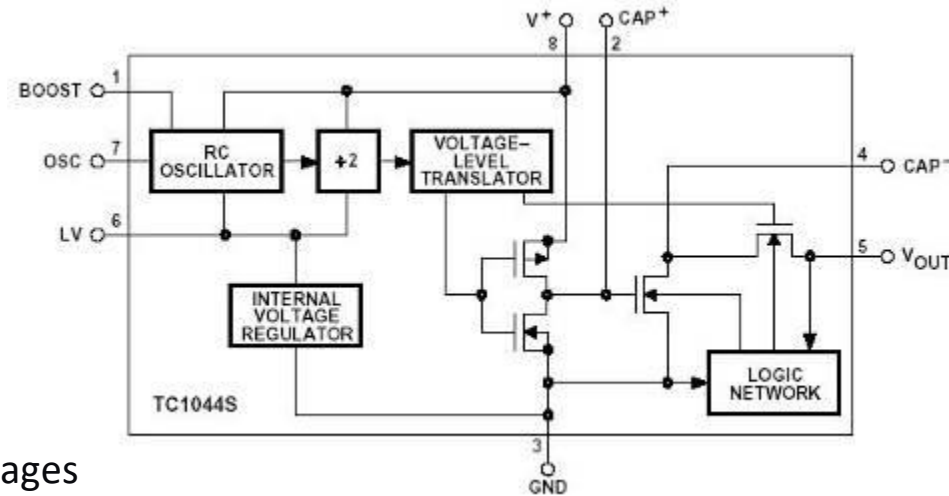
<< BACK



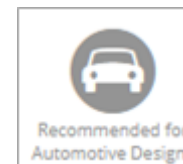
Charge Pump DC-TO-DC Voltage Converter

Features:

- Converts +5V Logic Supply to $\pm 5V$ System
- Wide Input Voltage Range: 1.5V to 12V
- Efficient Voltage Conversion: 99.9%
- Excellent Power Efficiency: 98%
- Low Power Consumption: $80\mu A$ @ $V_{IN} = 5V$
- Low Cost and Easy to Use
- Only Two External Capacitors Required
- RS-232 Negative Power Supply
- Available in 8-Pin SOIC and 8-Pin Plastic DIP Packages
- Improved ESD Protection: Up to 10kV
- No External Diode Required for High Voltage Operation
- Frequency Boost Raises F_{OSC} to 45kHz



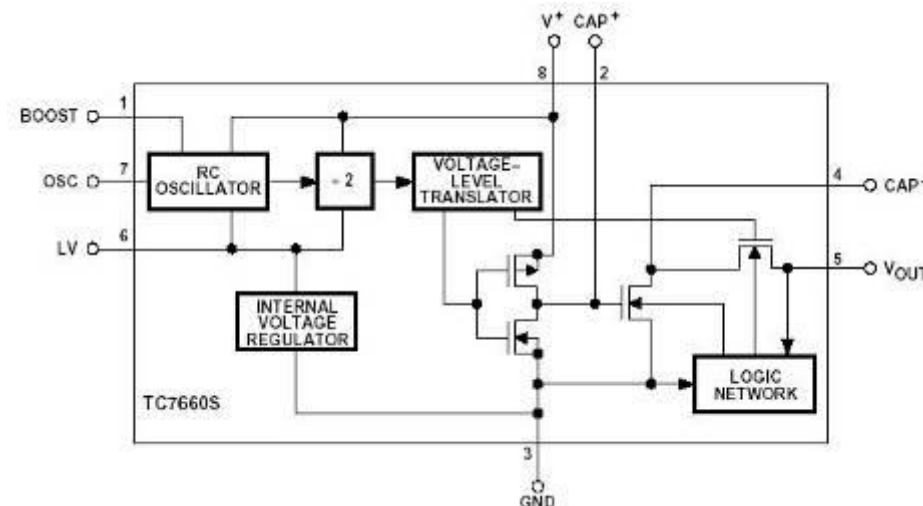
Super Charge Pump DC-to-DC Voltage Converter



Online
Datasheet

Features:

- Oscillator Boost from 10kHz to 45kHz
- Converts +5V Logic Supply to $\pm 5V$ System
- Wide Input Voltage Range: 1.5V to 12V
- Efficient Voltage Conversion: 99.9%
- Excellent Power Efficiency: 98%
- Low Power Consumption: $80\mu A$ @ $V_{IN} = 5V$
- Low Cost and Easy to Use
- Only Two External Capacitors Required
- Available in 8-Pin SOIC Package
- Improved ESD Protection: Up to 10kV
- No External Diode Required for High Voltage Operation
- Recommended for Automotive Design



TC1044S >>

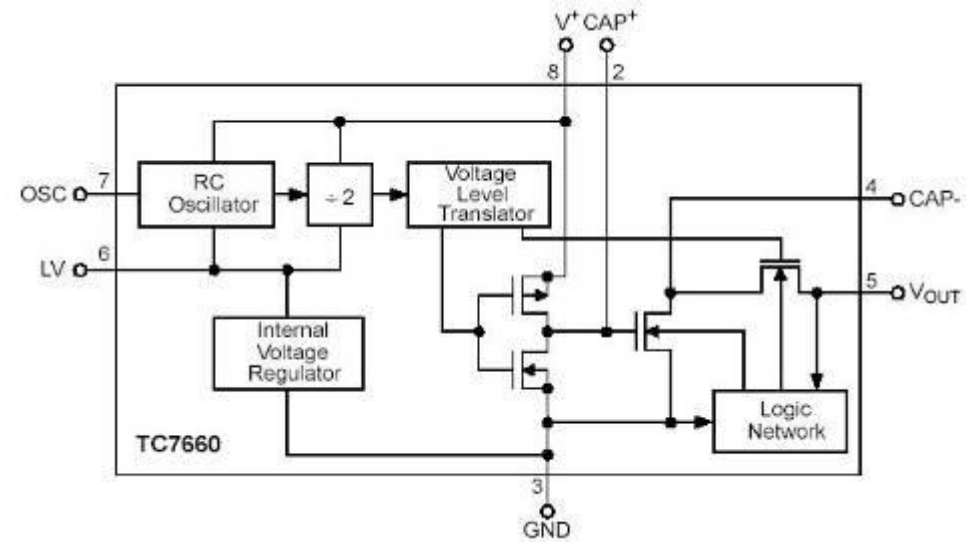
<< BACK



Super Charge Pump DC-to-DC Voltage Converter

Features:

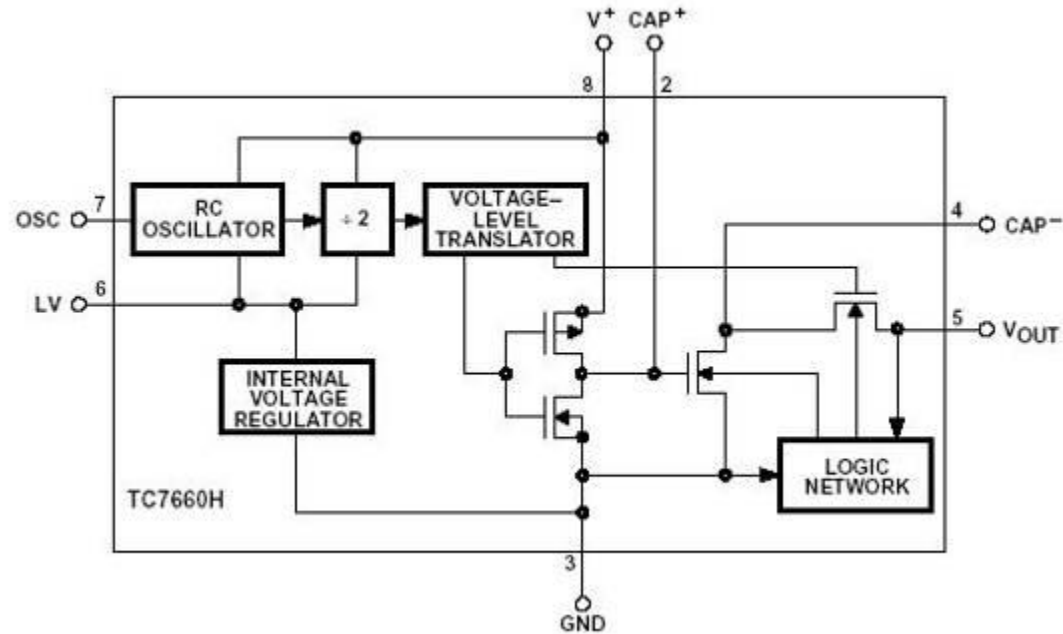
- Wide Input Voltage Range: 1.5V to 12V
- Efficient Voltage Conversion: 99.9%
- Excellent Power Efficiency: 98%
- Low Power Consumption: 80 μ A @ -
- $V_{IN} = 5V$
- Low Cost and Easy to Use
- Only Two External Capacitors Required
- Available in 8-Pin SOIC Package, PDIP, -
- and CERDIP Packages
- Improved ESD Protection: 3kV HBM
- No External Diode Required for High -
- Voltage Operation



Super Charge Pump DC-to-DC Voltage Converter

Features:

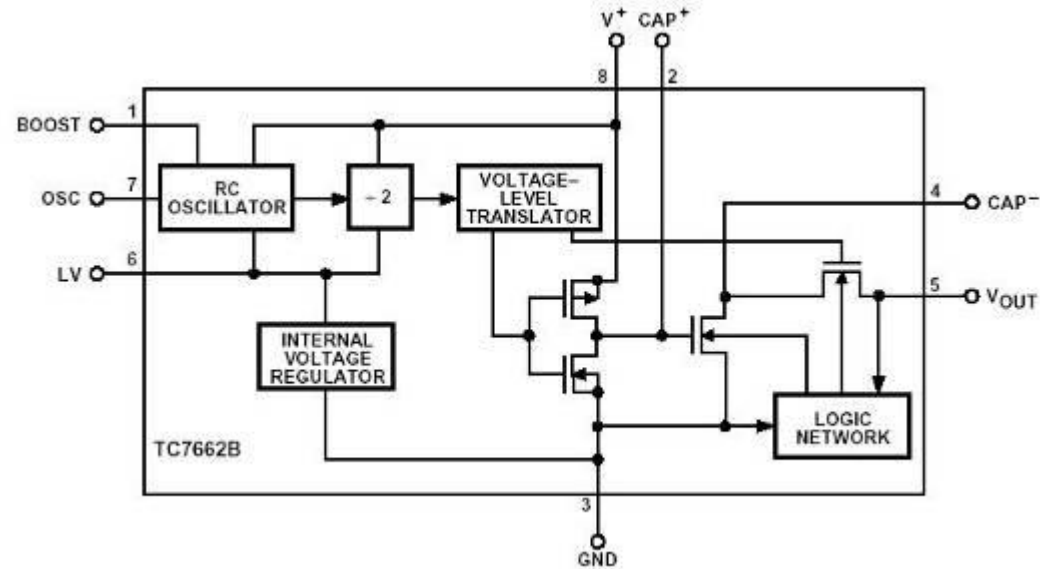
- Wide Input Voltage Range:
 - 1.5V to 10V
- Efficient Voltage Conversion: 99.7%
- Power Efficiency: 85%
- Pin Compatible with TC7660, High –
- Frequency Performance DC-to-
- DC Converter
- Low Cost, Only Two External
- Capacitors Required (1 μ F)
- Available in 8-Pin SOIC Package and
• PDIP Packages



Super Charge Pump DC-to-DC Voltage Converter

Features:

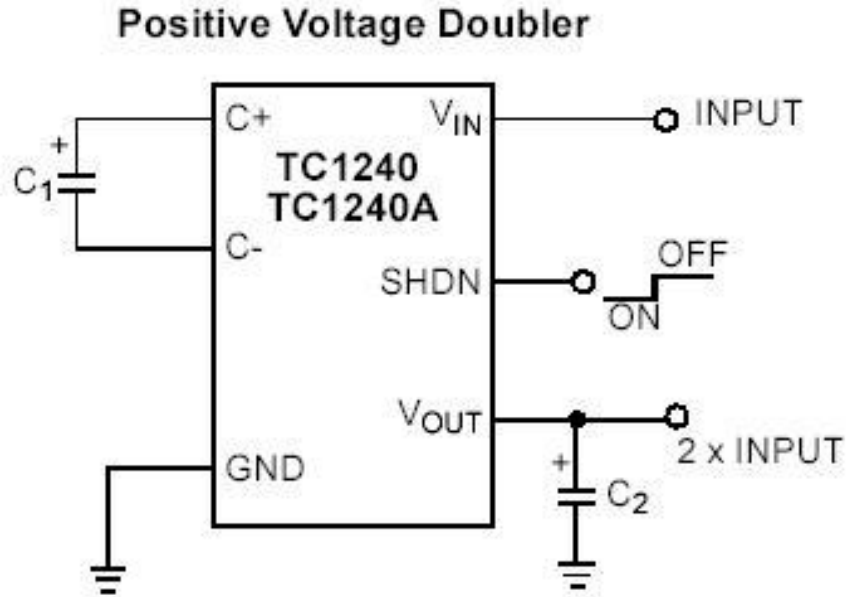
- Wide Operating Voltage Range:
 - 1.5V to 15V
- Boost Pin (Pin 1) for Higher –
- Switching Frequency
- High Power Efficiency: 96%
- Easy to Use:
 - Requires Only 2 External –
- Non-Critical Passive
- Components
- Improved Direct Replacement for
- Industry Standard ICL7660 and –
- Other Second Source Devices



Positive Doubling Charge Pumps with Shutdown
in a SOT-23 Package

Features:

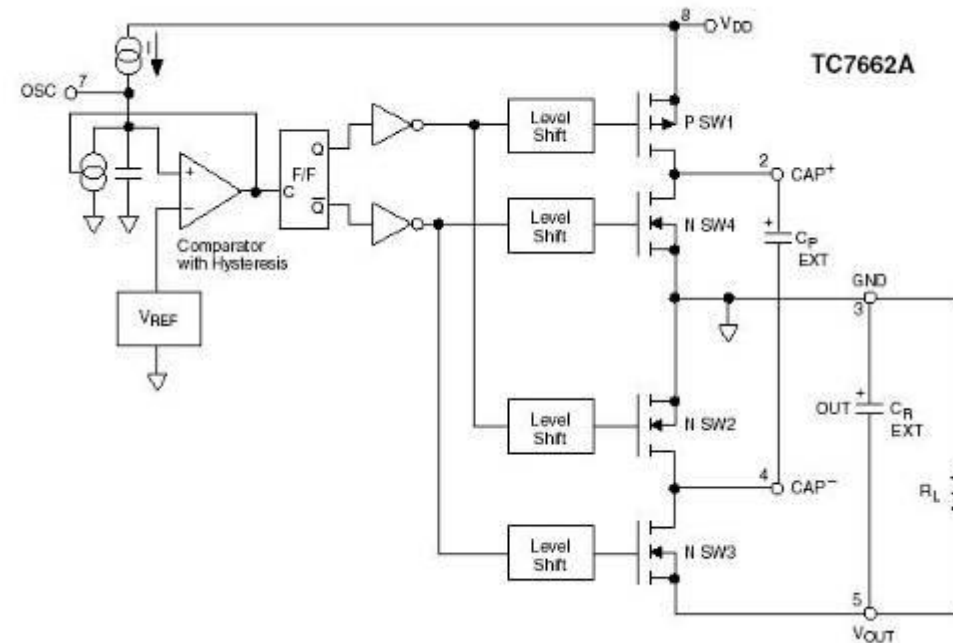
- 6-Pin SOT-23A Package
- >99% Typical Voltage Conversion Efficiency
- Voltage Doubling
- Input Voltage Range:
 - TC1240: +2.5 to +4.0V
 - TC1240A: +2.5V to +5.5V
- Low Output Resistance:
 - TC1240: 17Ω (typ.)
 - TC1240A: 17Ω (typ.)
- Only Two External Capacitors Required
- Low Supply Current
 - TC1240: 180μA (typ.)
 - TC1240A: 550μA (typ.)
- Power-Saving Shutdown Mode: 1μA (max.)
- Fully Compliant with 1.8V Logic Systems



Charge Pump DC-to-DC Converter

Features:

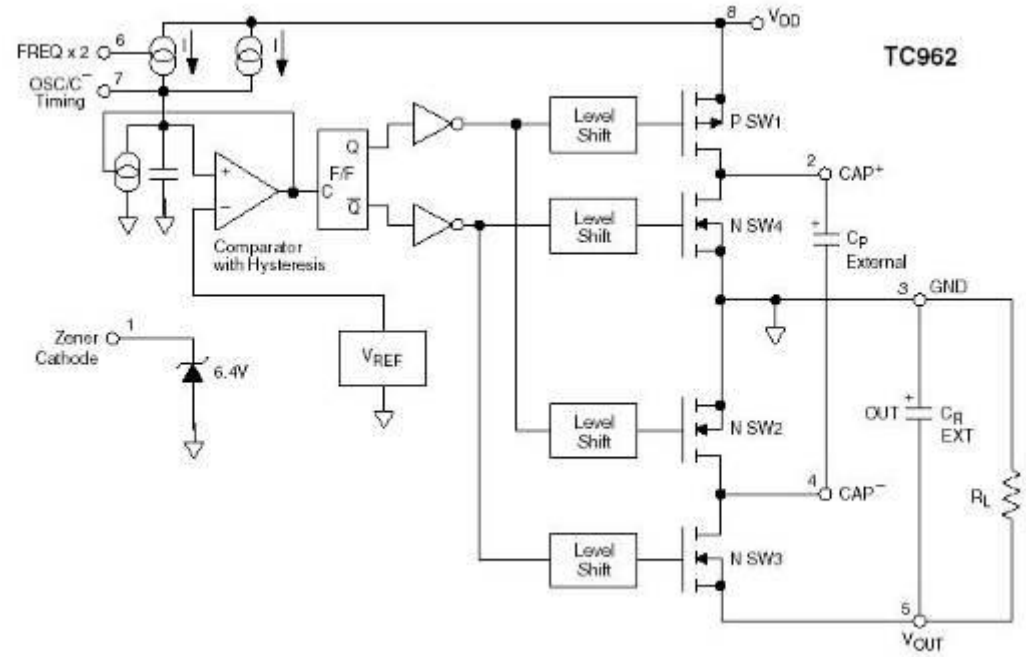
- Wide Operating Range: 3V to 18V
- 40mA Output Current
- Pin Compatible with –
– ICL7662/SI7661/TC7660/ LTC1044
- No External Diodes Required
- Low Output Impedance @ $I_L = 20\text{mA}$, –
– 40Ω (typ.)
- No Low-Voltage Terminal Required
- CMOS Construction
- Available in 8-Pin PDIP Package



High Current Charge Pump DC-to-DC Converter

Features:

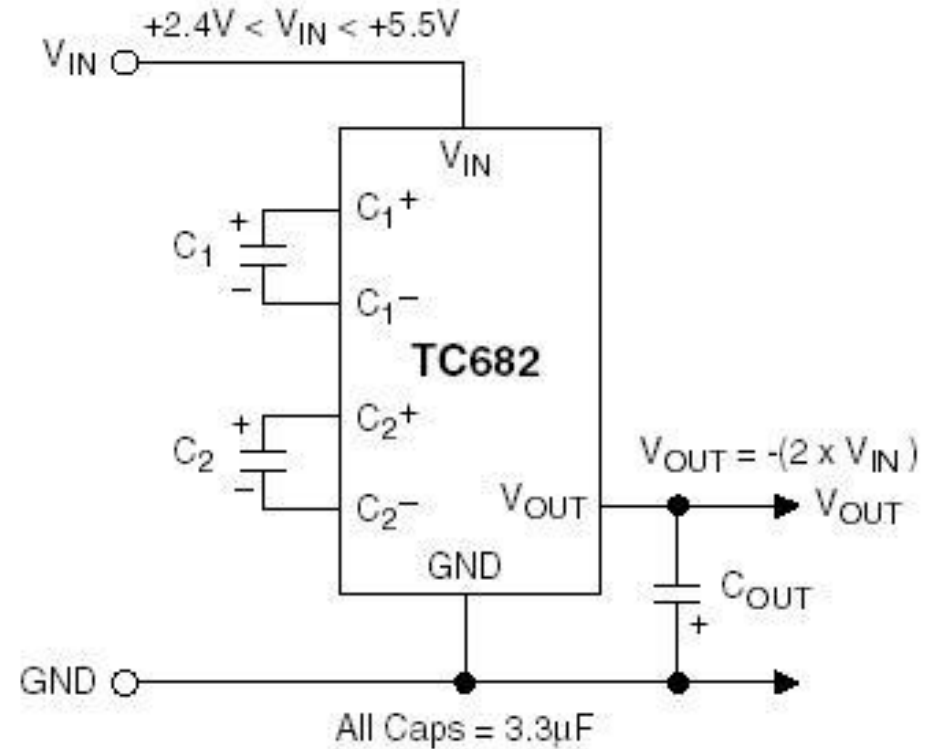
- Pin Compatible With –
- TC7662/ICL7662/SI7661
- High Output Current: 80mA
- No External Diodes Required.
- Wide Operating Range: 3V to 18V
- Low Output Impedance: 28Ω (typ.)
- No Low Voltage Terminal Required
- Application Zener On Chip
- OSC Frequency Doubling Pin –
- Option for Smaller Output Capacitors

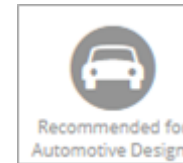


Inverting Voltage Doubler

Features:

- Doubling/Inverting Functionality
- 99.9% Voltage Conversion Efficiency
- 92% Power Conversion Efficiency
- Wide Input Voltage Range:
 - +2.4V to +5.5V
- Only 3 External Capacitors Required
- 185µA Supply Current
- Space Saving 8-Pin SOIC and –
- PDIP Packages



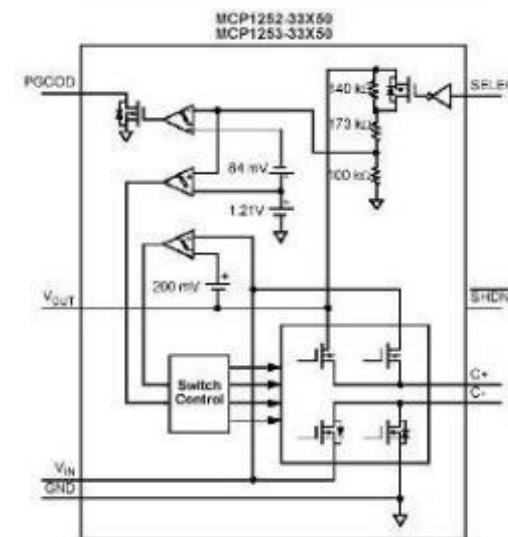
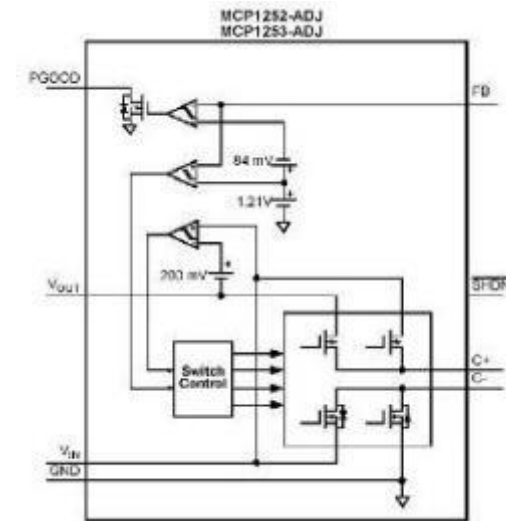


Online
Datasheet

Low-Noise, Positive-Regulated Charge Pump

Features:

- Inductorless, Buck/Boost, DC/DC Converter
- Low Power: 80 μ A (typ.)
- High Output Voltage Accuracy:
 - $\pm 2.5\%$ (V_{OUT} Fixed)
- 120mA Output Current
- Wide Operating Temperature Range:
 - -40°C to $+85^{\circ}\text{C}$
- Thermal Shutdown and Short-Circuit Protection
- Uses Small Ceramic Capacitors
- Switching Frequency:
 - MCP1252: 650kHz
 - MCP1253: 1MHz
- Low Power Shutdown Mode: 0.1 μ A (typ.)
- Shutdown Input Compatible 1.8V Logic
- V_{IN} Range: 2.1V to 5.5V
- Selectable Output Voltage (3.3V or 5.0V) or –
– Adjustable Output Voltage
- Space-saving, 8-Lead MSOP
- Soft-Start Circuitry to Minimize In-Rush Current
- Recommended for Automotive Design



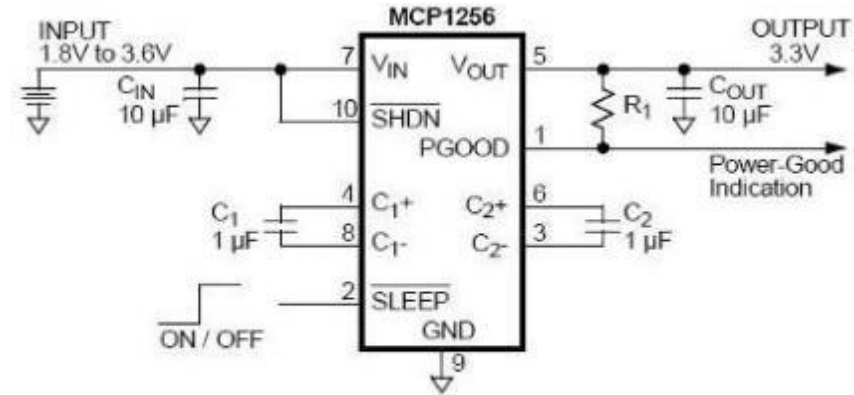
<< BACK



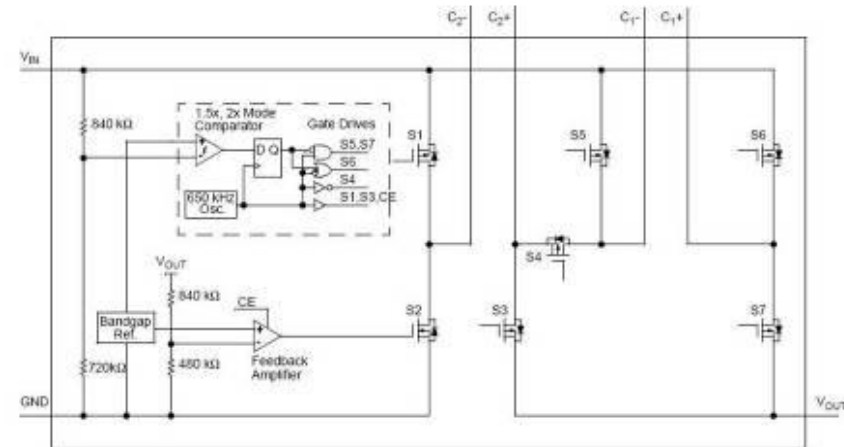
Regulated 3.3V, Low-Ripple Charge Pump with Low-Operating Current SLEEP Mode or BYPASS Mode

Features:

- Inductorless 1.5x, 2x Boost DC/DC Converter
- Output Voltage: 3.3V
- Voltage Accuracy: $\pm 3.0\%$ (V_{OUT} Fixed)
- Output Current Up To 100mA
- 20mVP-P Output Voltage Ripple
- Temperature Range: -40°C to $+125^{\circ}\text{C}$
- Thermal Shutdown and Short Circuit Protection
- Uses small Ceramic Capacitors
- Switching Frequency: 650kHz
- Power Good Output
- Low Power SLEEP Mode: MCP1256/7
- Low Power Shutdown Mode: $0.1\mu\text{A}$ (typ.)
- Shutdown Input Compatible with 1.8V Logic
- VIN Range: 1.8V to 3.6V
- Soft-Start Circuitry to Minimize In-Rush Current
- Packages: 10-Pin MSOP, 10-Lead 3x3 DFN



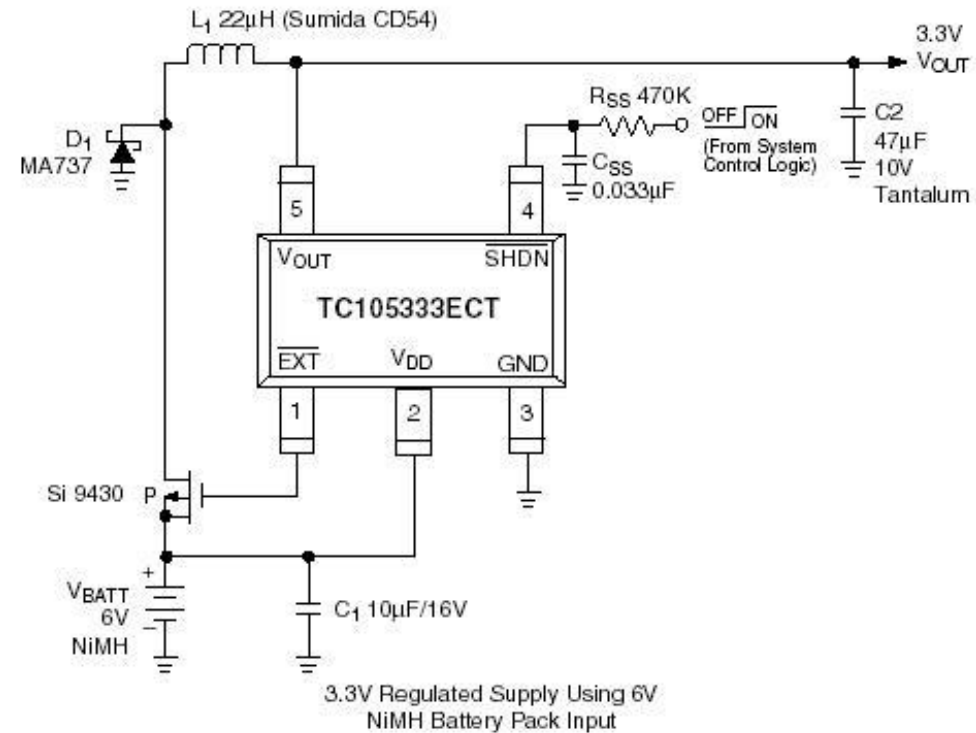
Typical Application with Power-Good Indication



PFM/PWM Step-Down DC/DC Controller

Features:

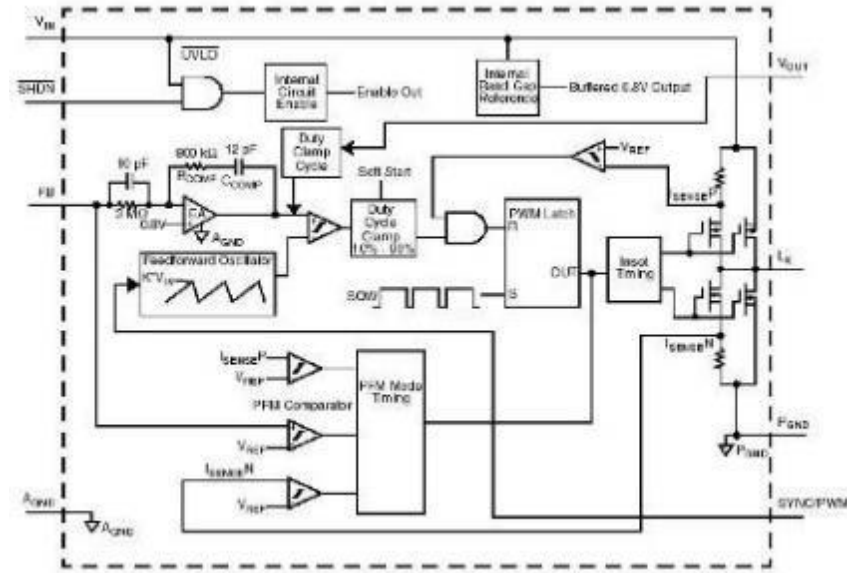
- 57 μ A (typ.) Supply Current
- 1A Output Current
- 0.5 μ A Shutdown Mode
- 300 kHz Switching Frequency for –
– Small Inductor Size
- Programmable Soft-Start
- 92% Efficiency (typ.)
- Small Package: 5-Pin SOT-23A



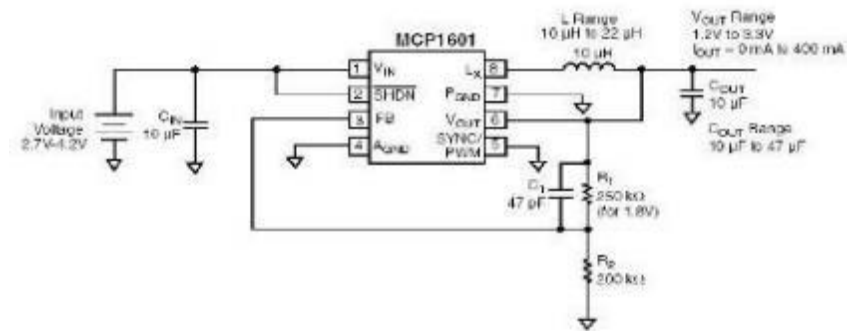
500 mA Synchronous BUCK Regulator

Features:

- Input Range: 2.7V to 5.5V
- Low Output Voltage Capability: 0.9V
- 500mA Continuous Output Current
- 3 operating modes: PWM, PFM and LDO
- Auto-Switching from PWM/PFM Operation
- Integrated Buck and Synchronous Switches
- Ceramic or Electrolytic Filtering Capacitors
- Shutdown mode
- 750kHz Fixed Switching Frequency
- Oscillator Synchronization to 1.0MHz PWM
- Integrated UVLO, Soft-start, and –
– Overtemperature protection
- Short circuit protection
- Temperature Range: -40°C to +85°C
- Small 8-Pin MSOP Package



Typical Application (2.7V to 4.2V)

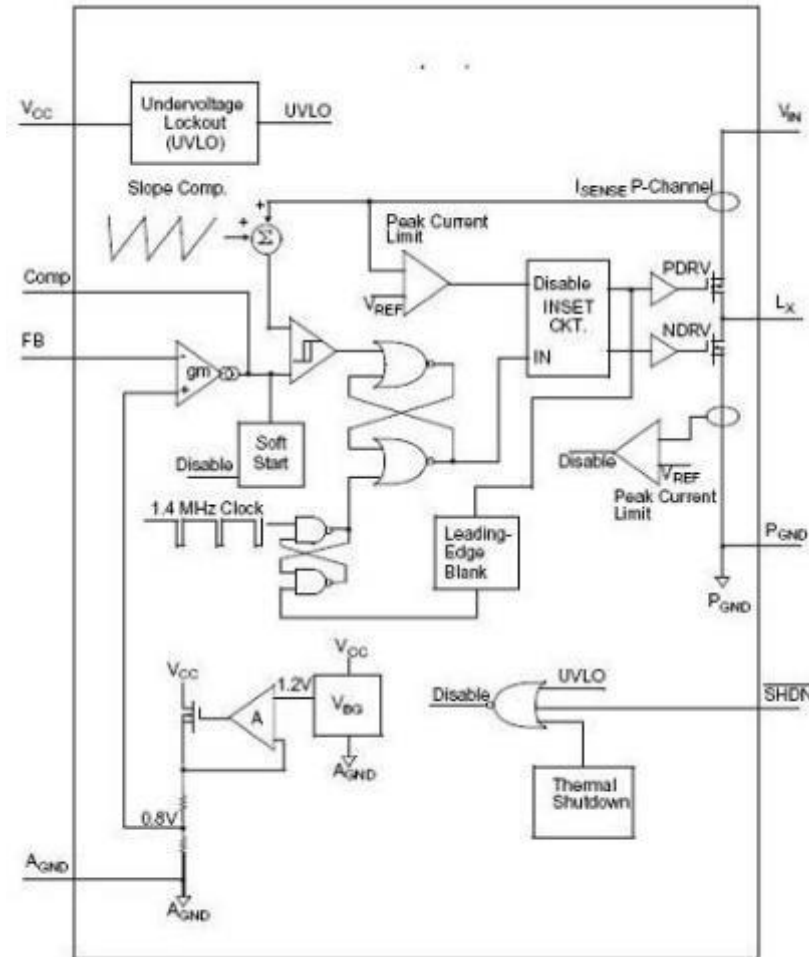


MCP1612

Single 1A, 1.4 MHz Synchronous Buck Regulator

Features:

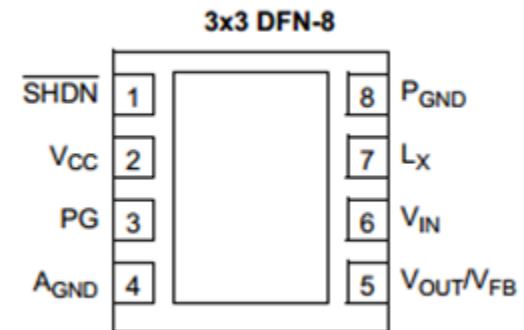
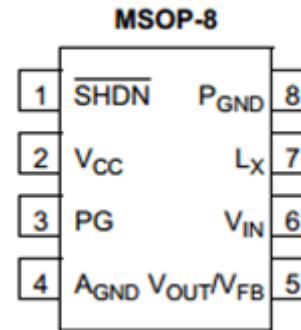
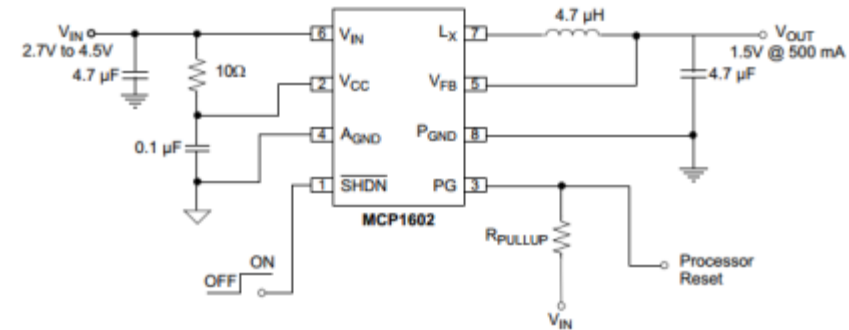
- Input Voltage Range: 2.7V to 5.5V
- Fixed switching frequency: 1.4MHz
- Integrated Buck and Synchronous Switches
- Continuous Output Current: 1A
- Adjustable Output Voltage Range:
 - 0.8V to 5.0V
- 100% duty cycle capability for Low Input –
– Voltages
- Shutdown Control with $I_Q < 0.01\mu\text{A}$ (typ.)
- Overvoltage, Overcurrent, and Thermal –
– Protection
- Under Voltage Lockout (UVLO)
- Integrated soft start
- Space Saving 8-Pin MSOP, DFN Packages
- Extended Temperature Range: -40°C to $+85^\circ\text{C}$



2.0 MHz, 500 mA Synchronous Buck Regulator with Power-Good

Features:

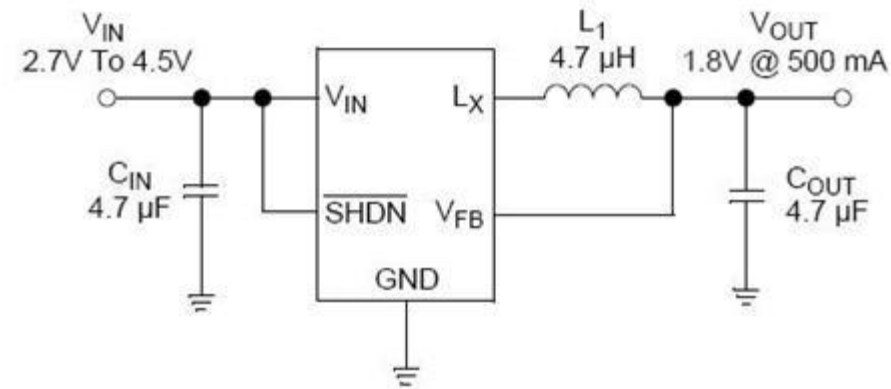
- Power-Good Output with 262ms Delay
- Over 90% Efficiency (typ.)
- Output Current: up to 500mA
- Low Quiescent Current: 45µA (typ.)
- Low Shutdown Current: 0.05µA (typ.)
- Automatic PWM to PFM Mode Transition
- Adjustable Output Voltage:
 - 0.8V to 4.5V
- Fixed Output Voltage:
 - 1.2V, 1.5V, 1.8V, 2.5V, 3.3V
- 2.0MHz Fixed-Frequency PWM (Heavy – Load)
- Internally Compensated
- Under voltage Lockout (UVLO)
- Over temperature Protection
- Overcurrent Protection
- 8-Lead MSOP, 8-Lead 3x3 DFN



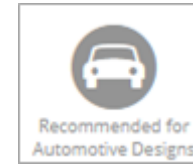
2.0 MHz, 500 mA Synchronous Buck Regulator

Features:

- Over 90% Efficiency (typ.)
- Output Current: up to 500mA
- Low Quiescent Current: 45 μ A (typ.)
- Low Shutdown Current: 0.01 μ A (typ.)
- Automatic PWM to PFM Mode Transition
- Adjustable Output Voltage:
 - 0.8V to 4.5V
- Fixed Output Voltage:
 - 1.2V, 1.5V, 1.8V, 2.5V, 3.3V
- 2.0MHz Fixed-Frequency PWM (Heavy Load)
- Internally Compensated
- Undervoltage Lockout (UVLO)
- Overtemperature Protection
- 100% Duty Cycle Operation
- Packages: 5-Lead TSOT, 8-Lead 2x3 DFN



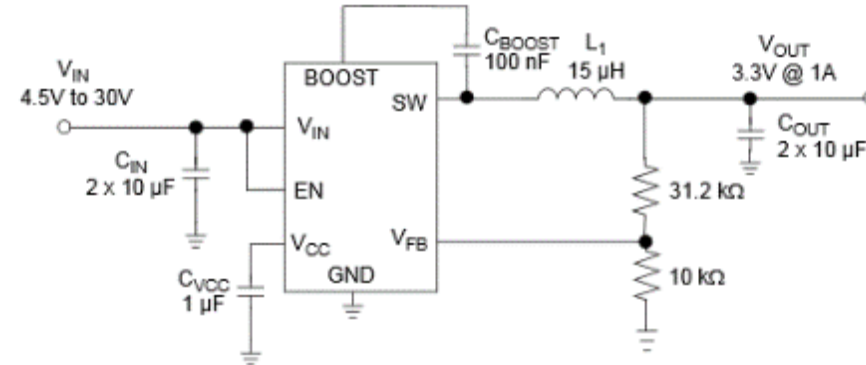
30V Input, 1A Output, High-Efficiency, Integrated Synchronous Switch Step-Down Regulator



Online
Datasheet

Features:

- Up to 95% Typical Efficiency
- Input Voltage Range: 4.4V to 30V
- 1A Output Current Capability
- Output Voltage Range: 2.0V to 24V
- Integrated N-Channel High-Side Switch:
 - 300 m Ω
- Integrated N-Channel Low-Side Switch:
 - 170 m Ω
- Stable Reference Voltage: 0.8V
- Automotive PFM/PWM Operation
 - 500 kHz PWM Operation
 - MCP16312 proved PWM-Only Operation
- Low Quiescent Current
 - 44 μ A (PFM Mode, typical)
 - 3 μ A Shutdown (typical)
- Peak Current Mode Control
- Undervoltage Lockout (UVLO)
- Overtemperature Protection
- 8-lead MSOP and 2x3 TDFN
- Recommended for Automotive Design



<< BACK



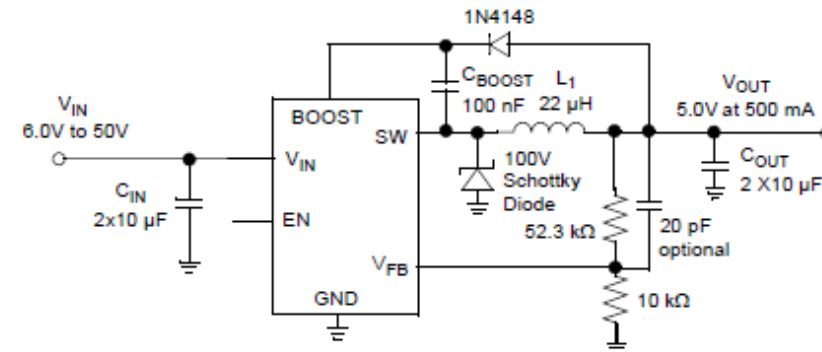
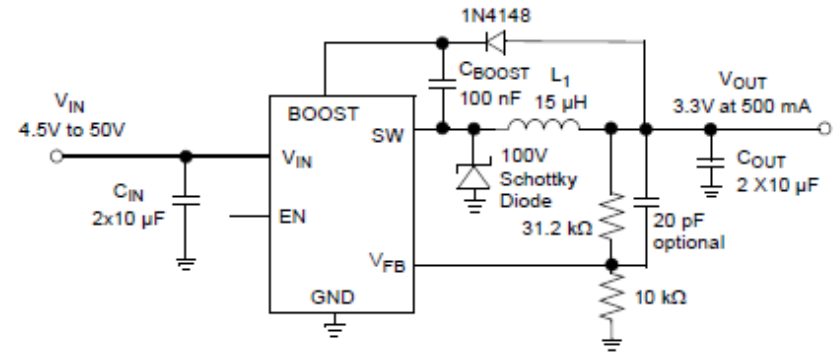
MCP16331



High-Voltage Input Integrated Switch Step-Down Regulator

Features:

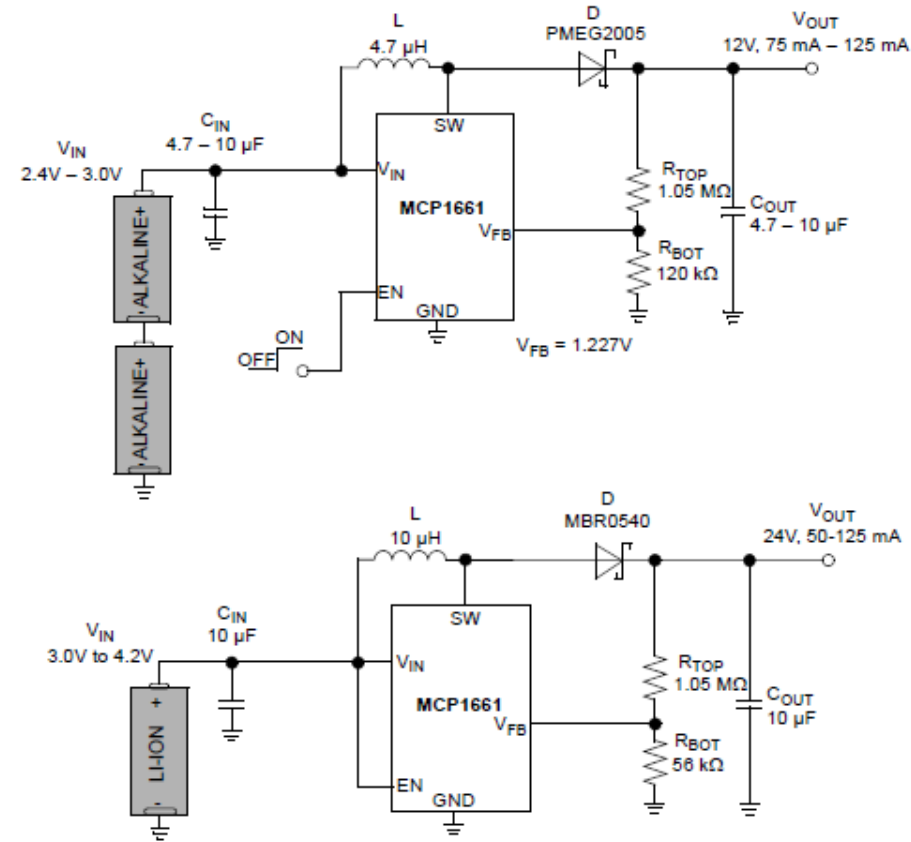
- Up to 96% Efficiency
- Input Voltage Range: 4.4V to 50V
- Output Voltage Range: 2.0V to 24V
- 2% Output Voltage Accuracy
- AEC-Q100 Rev. G, Grade 1 (-40°C to 125°C)
- Minimum 500 mA Output Current
- Figure 2-9 for Max Output Current vs VIN
- Up to 1.2A Output Current at 3.3V and –
– 5V VOUT, VIN >12V, SOT-23 at 25°C
- Up to 0.8A Output Current at 12V VOUT, –
– VIN >18V, SOT-23 at 25°C
- 500 kHz Fixed Frequency
- Low Device Shutdown Current
- Peak Current Mode Control
- Internal Compensation
- Internal Soft-Start
- Internal pull up on EN
- Cycle-by-Cycle Peak Current Limit
- UVLO & Overtemperature Protection
- Packages: 6-Lead SOT-23, 8-Lead 2x3 TDFN
- Recommended for Automotive Design



High-Voltage Integrated Switch PWM Boost Regulator with UVLO

Features:

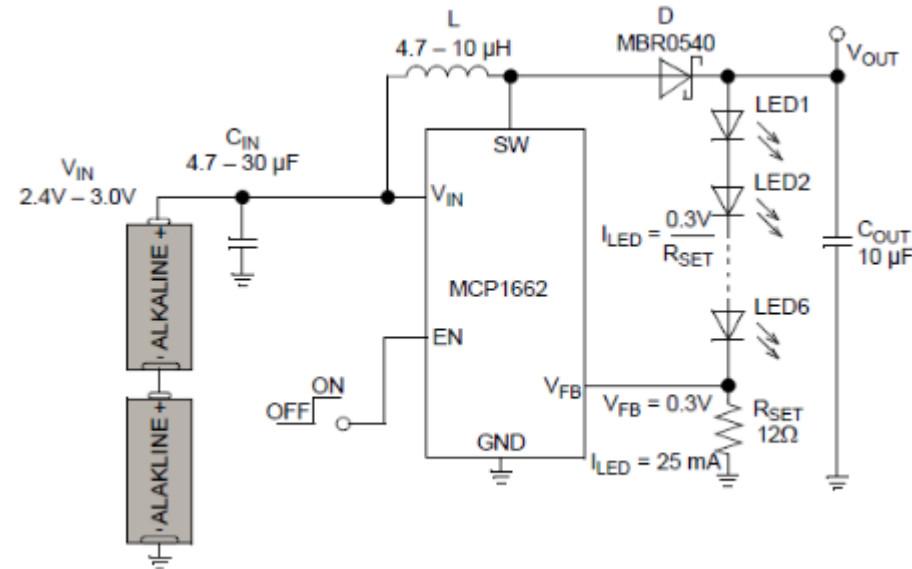
- Up to 92% Efficiency
- High Output Voltage Range: up to 32V
- 1.3A Peak Input Current Limit:
 - $I_{OUT} > 200 \text{ mA}$ @ $5.0\text{V } V_{IN}$,
 - $12\text{V } V_{OUT}$ $I_{OUT} > 125 \text{ mA}$ @ $3.3\text{V } V_{IN}$,
 - $12\text{V } V_{OUT}$ $I_{OUT} > 100 \text{ mA}$ @ $4.2\text{V } V_{IN}$,
 - $24\text{V } V_{OUT}$ Input Voltage: 2.4V to 5.5V
- Undervoltage Lockout (UVLO):
- No Load Input Current: 250 μA , typical
- Sleep mode: 200 nA
- PWM Operation with Skip mode: 500 kHz
- Feedback Voltage Reference: 1.227V
- Cycle-by-Cycle Current Limiting
- Internal Compensation
- Inrush Current Limiting & Internal Soft-Start
- Output Overvoltage Protection (OVP)
- Overtemperature Protection
- Easily Configurable for SEPIC or Flyback Topologies
- Packages: 5-Lead SOT-23, 2x3 8-Lead TDFN



High-Voltage Step-Up LED Driver with UVLO and Open Load Protection

Features:

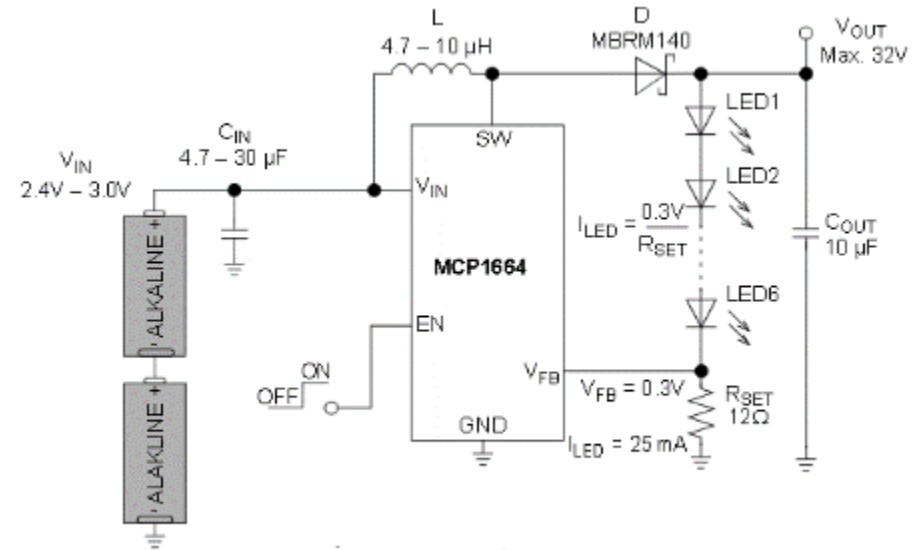
- Up to 92% Efficiency
- Drive LED Strings in Constant Current
- 1.3A Peak Input Current Limit:
 - ILED up to 200 mA @ 5.0V V_{IN} , -
- 4 White LEDs
 - ILED up to 125 mA @ 3.3V V_{IN} , -
- 4 White LEDs
 - ILED up to 100 mA @ 4.2V V_{IN} , -
- 8 White LEDs
- Input Voltage Range: 2.4V to 5.5V
- Feedback Voltage Reference: $V_{FB} = 300\text{ mV}$
- Undervoltage Lockout (UVLO):
- Sleep Mode: 200 nA
- PWM Operation: 500 kHz Switching Frequency
- Cycle-by-Cycle Current Limiting
- Internal Compensation
- Inrush Current Limiting and Internal Soft Start
- Open Load Protection (OLP)
- Overtemperature Protection
- Packages: 5-Lead SOT-23, 8-Lead 2x3 TDFN



High-Voltage Step-Up LED Driver with UVLO and Open Load Protection

Features:

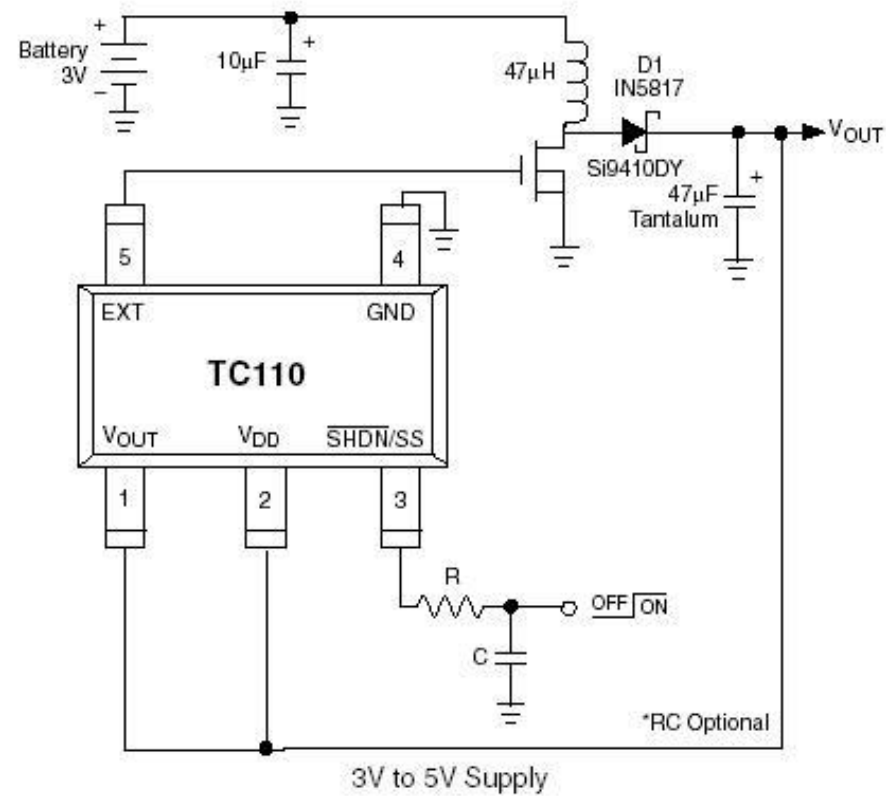
- Up to 92% Efficiency
- High Output Voltage Range: up to 32V
- 1.8A Peak Input Current Limit:
 - ILED up to 300 mA @ 5.0V V_{IN} ,
- 4 White LEDs
 - ILED up to 200 mA @ 3.3V V_{IN} ,
- 4 White LEDs
 - ILED up to 150 mA @ 4.2V V_{IN} ,
- 8 White LEDs
- Input Voltage Range: 2.4V to 5.5V
- Undervoltage Lockout (UVLO)
- No Load Input Current: 250 μ A, typical
- Sleep mode: 200 nA Typical
- PWM Operation with Skip mode: 500 kHz
- Feedback Voltage Reference: V_{FB} = 300 mV
- Cycle-by-Cycle Current Limiting
- Inrush Current Limiting and Internal Soft-Start
- Output Overvoltage Protection (OVP)
- Overtemperature Protection
- Packages: 5-Lead SOT-23 or 2x3 8-Lead TDFN



PFM/PWM Step-Up DC/DC Controller

Features:

- Guaranteed Start-Up at 0.9V
- Supply Current: 50 μ A @ 100kHz (typ.)
- Shutdown Mode: 0.5 μ A
- 300mA Output Current @ $V_{IN} \geq 2.7V$
- 100KHz and 300KHz Switching –
- Frequency Options
- Programmable Soft-Start
- 84% Efficiency
- Small Package: 5-Pin SOT-23A



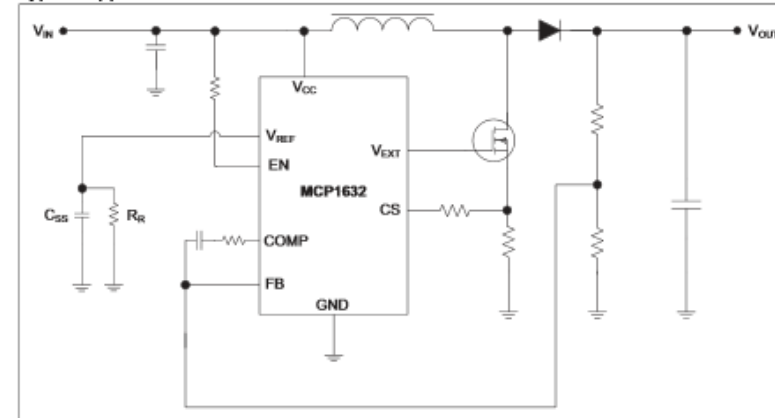
MCP1632

High-Speed, Low-Side PWM Controller

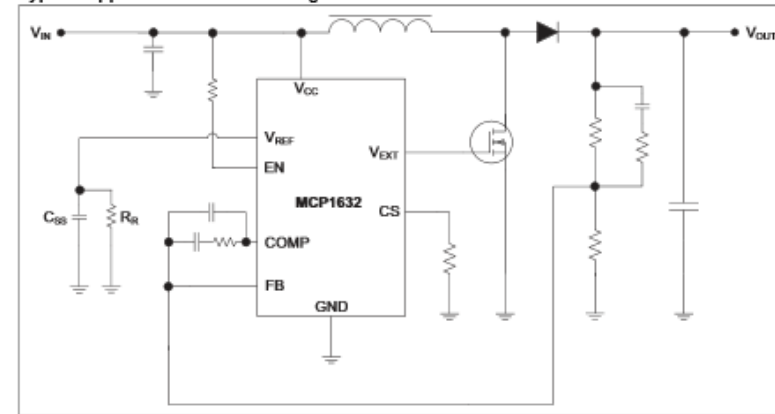
Features:

- High-Speed PWM Controller
- 300 or 600 kHz
- Integrated Low-Side MOSFET Driver support –
 - - many Low-Side Power Conversion Topologies
- Configurable as either a Peak Current Mode –
 - - Controller or a Voltage Mode Controller
- Internal UVLO, OVLO, and over temperature –
 - - protection
- Low Operating Current < 5 mA (typical)
- Extended Temperature Range:
 - -40°C to +125°C

Typical Application Circuit – Peak Current Mode Control



Typical Application Circuit – Voltage Mode Control

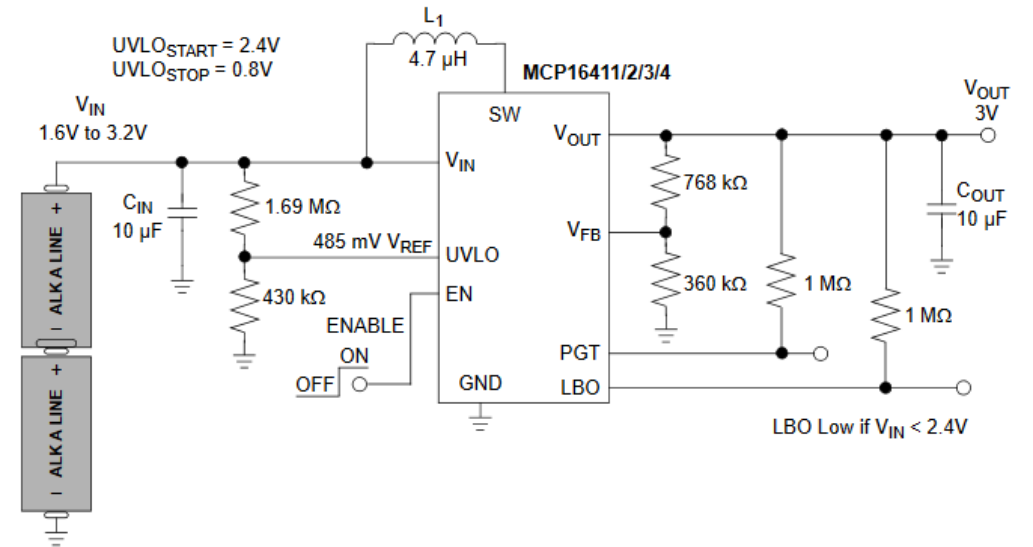
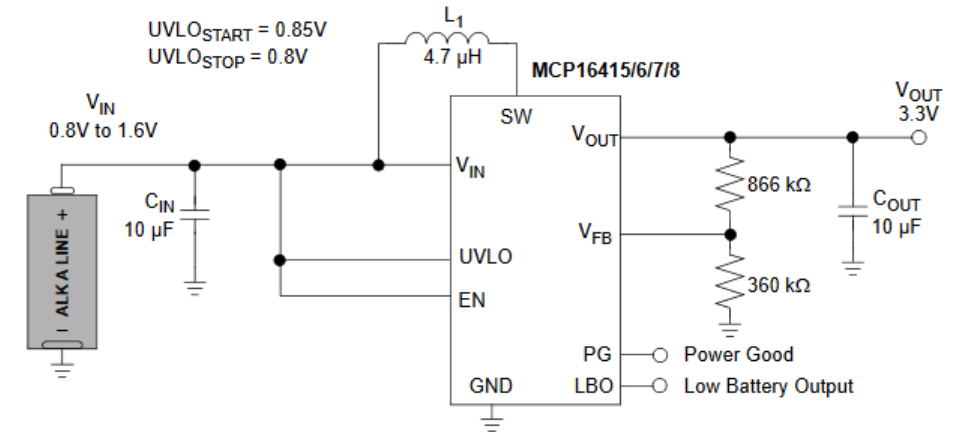


MCP16411/2/3/4/5/6/7/8

Low IQ Boost Converter with Programmable Low Battery, UVLO and Automatic Input-to-Output Bypass Operation

Features

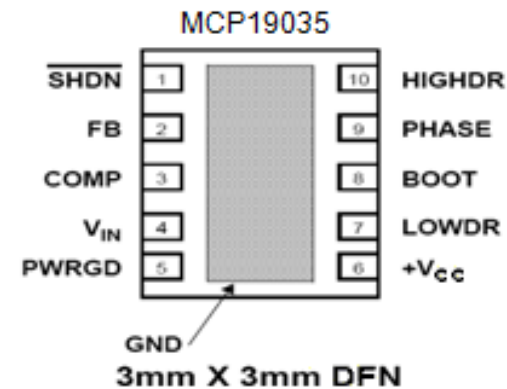
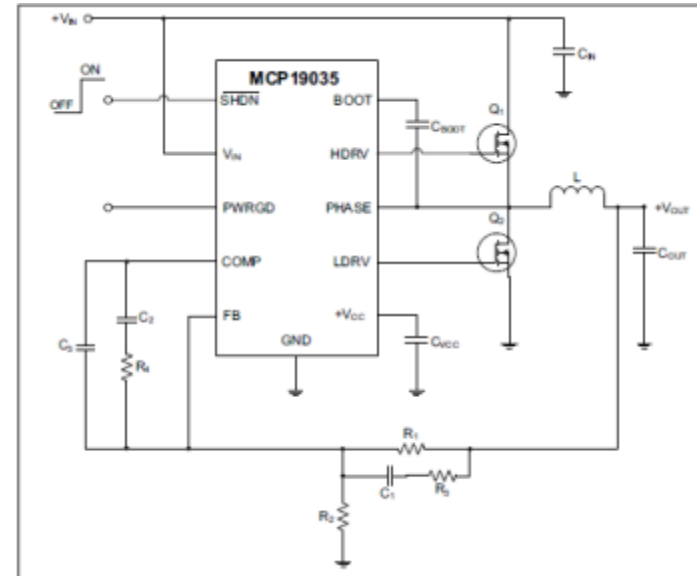
- Input Voltage Range: 0.8V (after Start-up) to 5.25V
- Low Device Quiescent Current: 5 μ A Typically, PFM Mode (not switching)
- Up to 96% Efficiency
- 1A Typical Inductor Peak Current Limit:
 - $I_{OUT} > 170$ mA @ $2V V_{OUT}$, $1.2V V_{IN}$
 - $I_{OUT} > 200$ mA @ $3.3V V_{OUT}$, $1.5V V_{IN}$
 - $I_{OUT} > 600$ mA @ $5.0V V_{OUT}$, $3.6V V_{IN}$
- Adjustable Output Voltage Range
- Automatic Input-to-Output Bypass Operation
- Selectable Switching Mode:
 - PWM operation: 500 kHz (MCP16412/4/6/8)
 - Automatic PFM/PWM operation (MCP16411/3/5/7)
- Programmable Undervoltage Lockout (UVLO)
- Programmable Low Battery Output (LBO)
- Selectable Status Indicator:
 - Power Good and die overtemperature output (MCP16411/2/3/4)
 - Power Good output (MCP16415/6/7/8)
- Internal Synchronous Rectifier
- Internal Compensation
- Inrush Current Limiting and Internal Soft Start
- Low Noise, Anti-Ringing Control
- Thermal Shutdown
- Selectable Shutdown States:
 - Output discharge option (MCP16411/2/5/6)
 - Input-to-output bypass option (MCP16413/4/7/8)
- Shutdown Current: 2.3 μ A Typically
- Available Packages:
 - 10-lead MSOP
 - 10-lead 3 mm x 3 mm TDFN



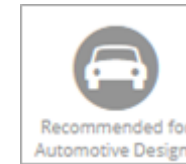
High-Speed Synchronous Buck Controller

Features:

- V_{IN} Range: 5.0V to 30.0V
- Voltage Mode Controller
- Switching Freq:
 - 300 kHz
 - 600 kHz
- Dead Time Options: 12ns/20ns
- Integrated Current limit
- Integrated MOSFET Driver
- Logic-Level (5V) Drive
- 1/2A – Source/Sink Drive Strength
- Over temperature Protection
- Package: 10-lead 3x3 DFN
- Extended Temperature Range:
 - -40°C to $+125^{\circ}\text{C}$



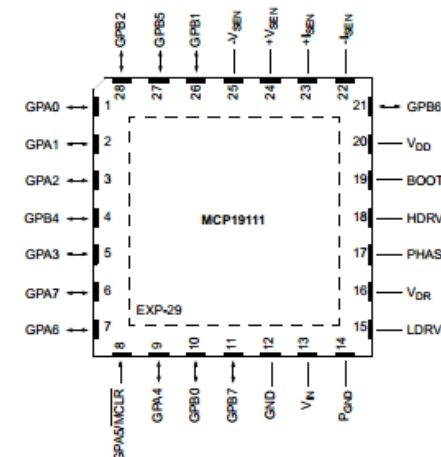
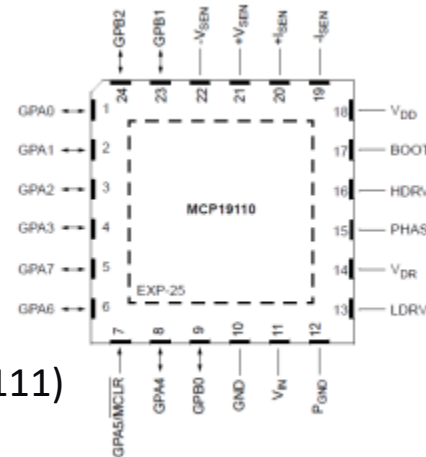
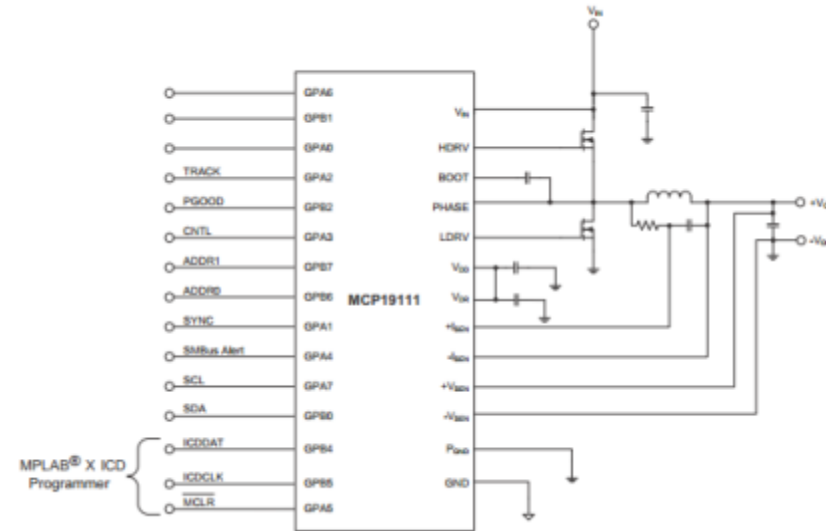
Digitally-Enhanced Power Analog Controller with Integrated Synchronous Driver



Online
Datasheet

Features:

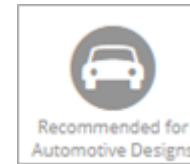
- Wide Operating Voltage Range: 4.5-32V
- Analog Peak-Current Mode PWM Control
- Integrated 8-Bit PIC® Microcontroller
- Significant Configurability: Adjustable Analog –
 - Compensation, Switching Frequency, -
 - MOSFET Deadtime, Etc...
- PMBUS® Compliant I²C Interface
- Integrated Synchronous High- and Low-Side –
 - MOSFET Drivers
- Integrated Current Sense
- Minimal External Components Needed
- Custom Algorithm Support
- Package:
 - MCP19110 – 24 lead 4x4 mm QFN
 - MCP19111 – 28 lead 5x5 mm QFN
- Extended Temperature Range:
 - -40°C to +125°C
- Recommended for Automotive Design (MCP19111)



<< BACK



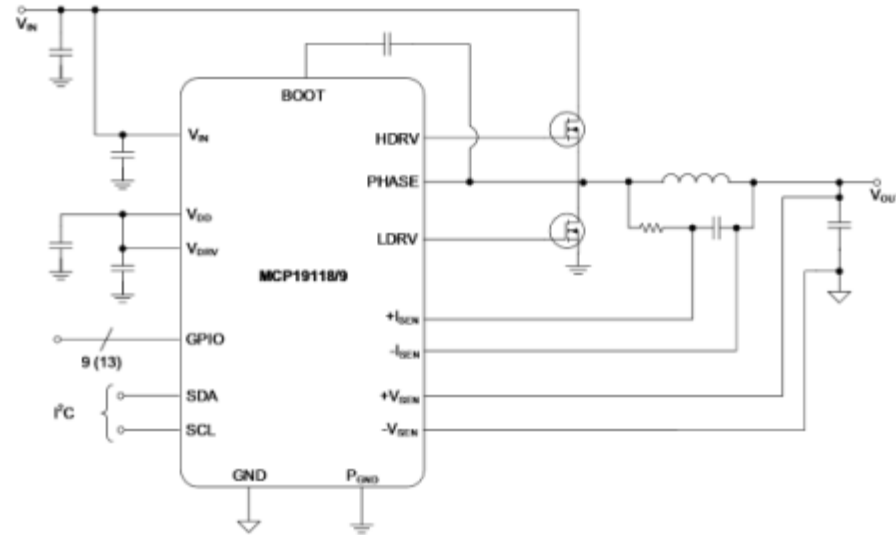
Digitally-Enhanced Power Analog Controller with Integrated Synchronous Driver



Online
Datasheet

Features:

- Wide Operating Voltage Range: 4.5-40V
- Analog Peak-Current Mode PWM Control
- Integrated 8-Bit PIC® Microcontroller
- Significant Configurability: Adjustable Analog –
 - Compensation, Switching Frequency, -
 - MOSFET Deadtime, Etc...
- Integrated Synchronous High- and Low-Side –
 - MOSFET Drivers
- Integrated Current Sense
- Integrated 10 bit A/D Converter
- Minimal External Components Needed
- Custom Algorithm Support
- Package:
 - MCP19118 – 24 lead 4x4 mm QFN
 - MCP19119 – 28 lead 5x5 mm QFN
- Extended Temperature Range:
 - -40°C to +125°C
- Recommended for Automotive Design



<< BACK



Digitally Enhanced Power Analog Controller w/ Integrated Synchronous Driver



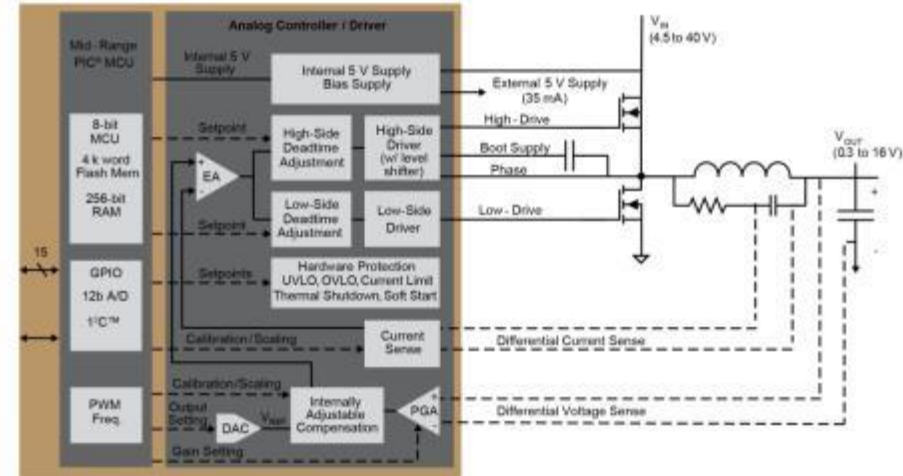
Online
Datasheet

Features:

- V_{IN} range: 4.5V to 40V
 - 48V load dump capability
- Integrated MOSFET Driver:
 - Logic-level drive (5V)
 - 2A source/4A sink drive current
- Fully programmable (midrange core):
 - MPLABX support, GUI-configurable
 - 4k word flash, 256B RAM
 - Internal, adjustable compensation
 - Adjustable deadtime control
 - Switching freq: 100kHz to 1.6MHz
- 11/15 general purpose I/O
- PMBus™ / I²C™ compatible interface
- Low current (75 μ A) sleep mode
- DC current measurement <5% Acc.
- Dual capture / compare module
- Master/Slave and multi-phase operation
- Packages: 24L 4x4mm QFN, 28L 5x5mm QFN
- Recommended for Automotive Design (MCP19123)



MCP19123 Digitally-Enhanced Power Analog



<< BACK



Digitally Enhanced Power Analog Synchronous Low-Side PWM Controller

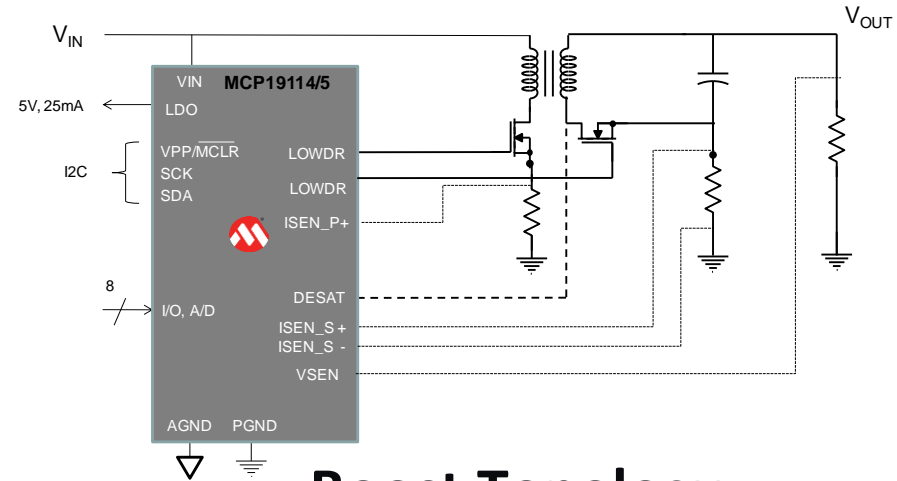


Online Datasheet

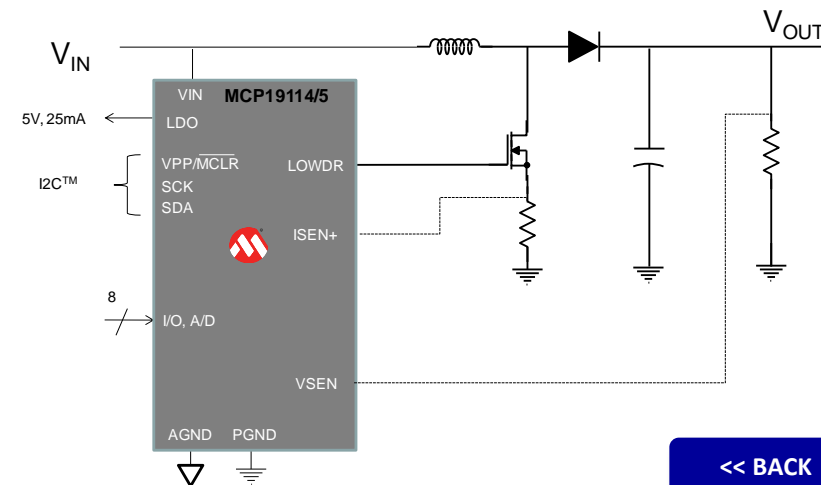
Features:

- Dual low-side gate drive outputs
- V_{IN} Range: 4.5V to 42.0V
- Switching Freq: 100kHz to 1MHz
 - Supports Quasi-Resonant Mode
- 5V LDO w/ 15mA auxiliary output
- Integrated, Low-Side MOSFET Driver
 - 1A Source, 1.5A Sink
 - Supports Flyback, SEPIC, Boost, - and Ćuk Topologies.
- Fully Programmable – Integrated PIC16 Core
 - MPLABX Support, GUI-Configurable
 - 4k word Flash, 256b RAM
 - Adjustable Current limit/ULVO/OVLO/...
 - Up to 12 General Purpose I/O
 - I²C™ Communication Interface
- Operating Temperature: -40°C to +125°C
- Packages: 24L QFN 4x4mm , 28L QFN 5x5mm
- Recommended for Automotive Design

Sync. Flyback Topology



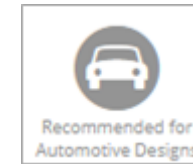
Boost Topology



<< BACK



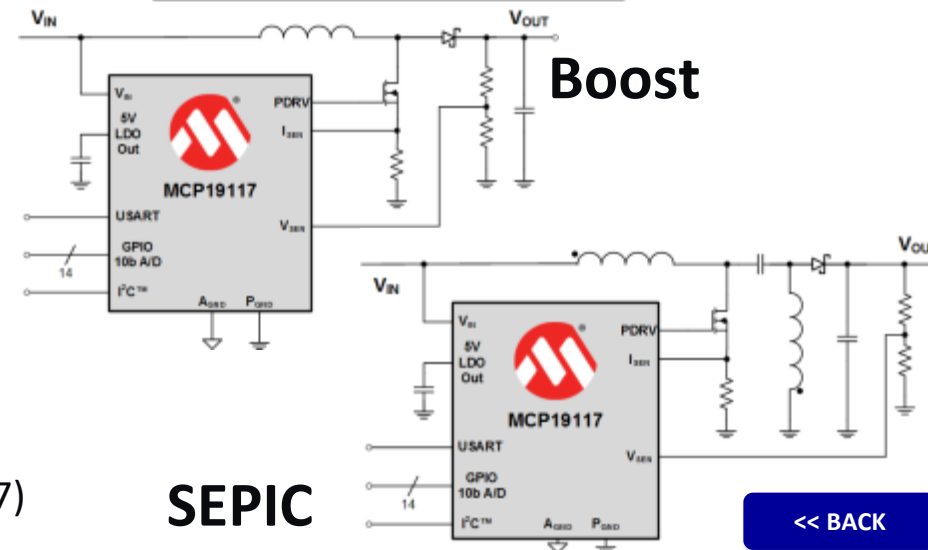
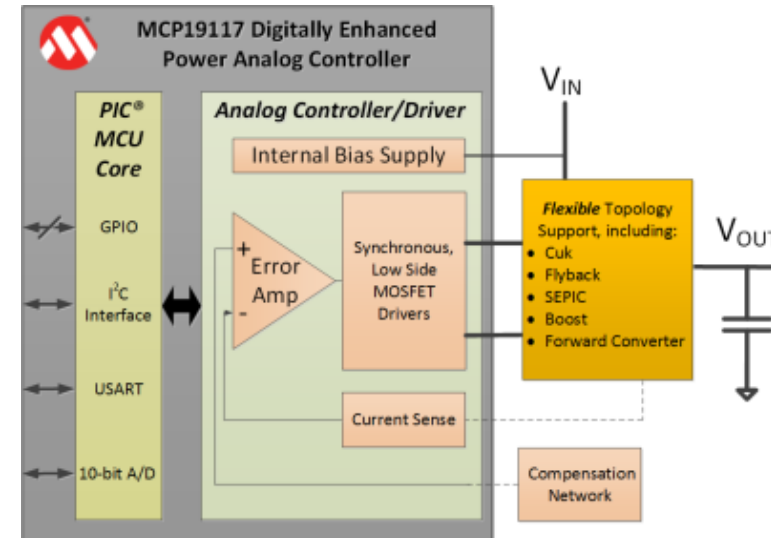
Digitally Enhanced Power Analog Synchronous Low-Side PWM Controller with Improved 8k Word Core



Online Datasheet

Features:

- Extremely accurate current regulation:
 - $\pm 1\%$ at 25C, $\pm 2.5\%$ over full temperature
- Capable of dynamic current output adjustments
- Dual low-side gate drive outputs; 1A source/sink
- Supports flyback, SEPIC, boost, and Ćuk designs
- Fully Programmable PIC[®] core:
 - MPLABX Support, GUI-Configurable
 - 8k word Flash, 336B RAM
 - Up to 12 General Purpose I/O
 - i²C[™] and USART Communication
- Optional debug interface (MCP19117)
- V_{IN} Range: 4.5V to 42.0V
- Switching Freq: 31kHz to 2.0MHz
- Supports Quasi-Resonant Mode
- 5V LDO w/ 15mA auxiliary output
- Adjustable Current limit/ULVO/OVLO/thermal - responses
- Operating Temperature: -40°C to +125°C
- Packages: 24L QFN 4x4mm , 28L QFN 5x5mm
- Recommended for Automotive Design (MCP19117)



Boost

SEPIC

<< BACK



MCP19124/5

Synchronous Low-Side PWN Controller w/ Integrated MCU
& MOSFET Driver

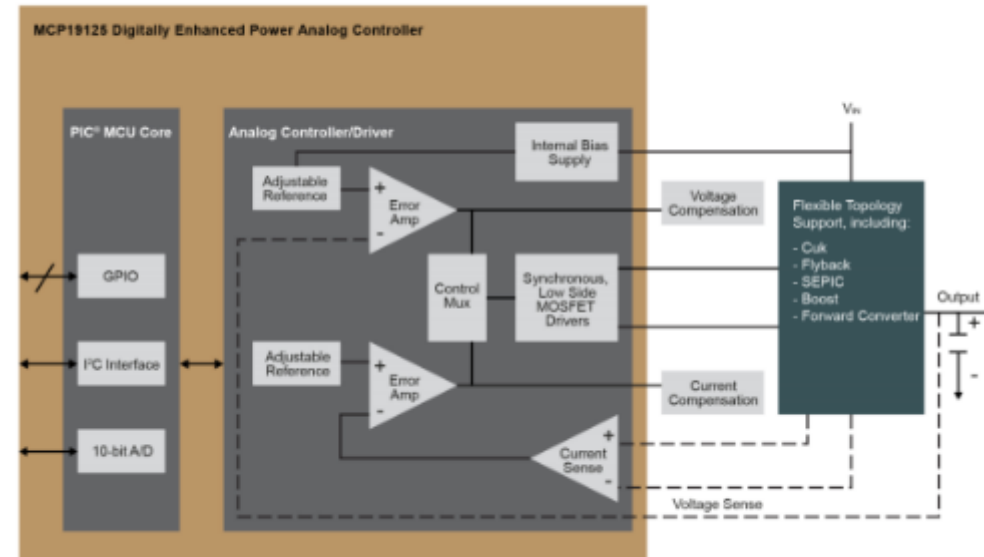
Online
Datasheet

Features:

- V_{IN} Range: 4.5V to 42.0V
 - 48V Load Dump Capability
- Switching Freq: 32kHz to 2MHz
- Integrated MOSFET Drivers, LDO
- External Compensation
- Two Independent Control Loops
 - Voltage control loop with V_{ref}
 - Current control loop with I_{ref}
- Fully Programmable
 - Integrated mid-range PIC core
 - MPLABX Support, GUI-Configurable
 - 4k word Flash, 256B RAM
 - Adjustable Current limit/ULVO/-
- OVLO/Freq
 - Up to 13 General Purpose I/O
 - I²C™ Communication Interface
- Operating Temperature: -40°C to +125°C
- Packages: 24L 4x4mm QFN, 28L 5x5mm QFN



MCP19125 Digitally Enhanced Power Analog Controller



<< BACK



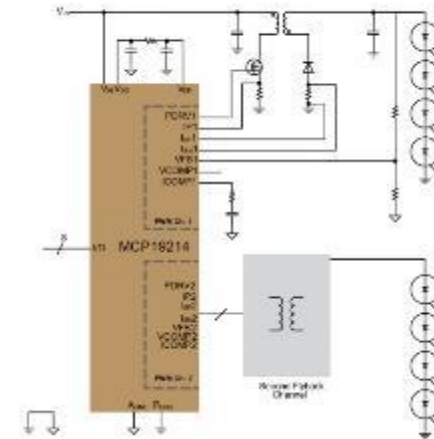
Digitally Enhanced Power Analog, Dual Channel, Low-Side PWM Controller

Online
Datasheet

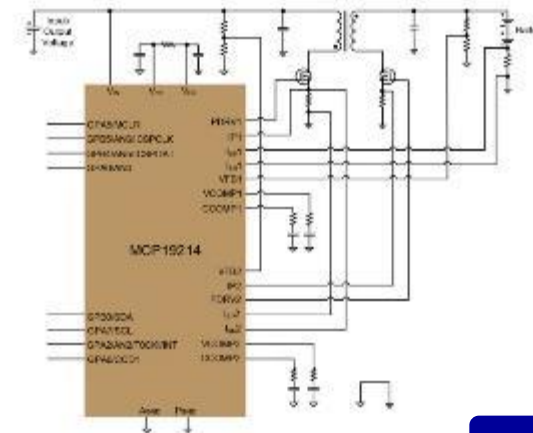
Features:

- Dual Channel Control and Drive
- V_{IN} Range: 4.5V to 42.0V:
 - 48V Load Dump Capability
- Integrated MOSFET Drivers
- Fixed Switching Freq: 100kHz to 2.0MHz
- Fully Programmable (per channel):
 - Integrated PIC12F (mid-range) Core
 - MPLABX Support, GUI-Configurable
 - 8k word Flash, 336B RAM
 - Current limit/ULVO/OVLO/fault protection
- Up to 12 General Purpose I/O
- I²C™ and UART Communication Interfaces
- Low current sleep mode
- Operating Temperature: -40°C to +125°C
- Packages: 28L 5x5mm QFN, 32L 5x5mm QFN

MICROCHIP MCP19214/5 Dual LED Driver



MICROCHIP MCP19214/5 Bidirectional Converter



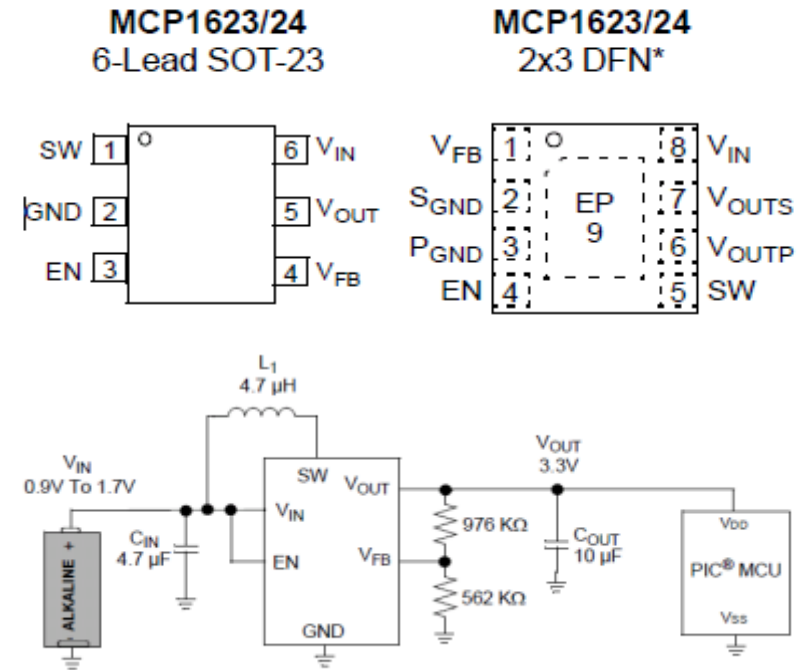
<< BACK



Low-Voltage Input Boost Regulator
for PIC® Microcontrollers

Features:

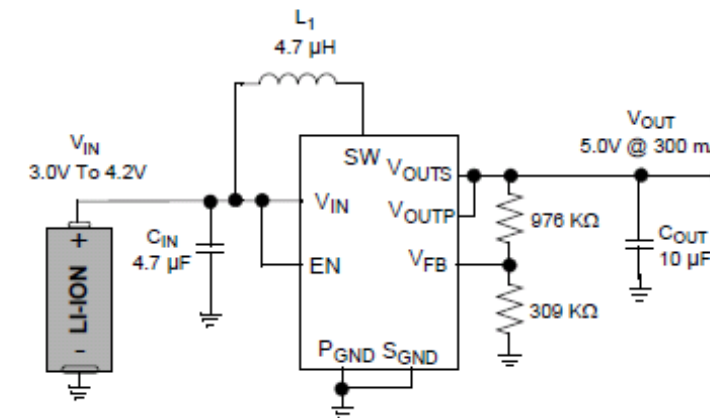
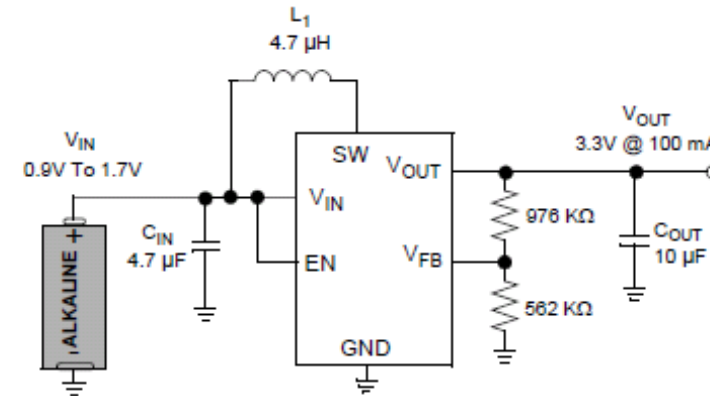
- Up to 96% Typical Efficiency
- 425 mA Typical Peak Input Current Limit:
 - $I_{OUT} > 50 \text{ mA @ } 1.2\text{V } V_{IN}, 3.3\text{V } V_{OUT}$
 - $I_{OUT} > 175 \text{ mA @ } 2.4\text{V } V_{IN}, 3.3\text{V } V_{OUT}$
 - $I_{OUT} > 175 \text{ mA @ } 3.3\text{V } V_{IN}, 5.0\text{V } V_{OUT}$
- Low Start-up Voltage: 0.65V, @3.3V_{OUT}/1 mA
- Operating Input Voltage: 0.35V @3.3V_{OUT}/1 mA
- Adjustable Output Voltage: 2.0V to 5.5V
- Maximum Input Voltage: $V_{OUT} < 5.5\text{V}$
- Automatic PFM/PWM Operation (MCP1624):
 - PFM Only Operation (MCP1623)
 - 500 kHz PWM Operation
- Low Quiescent Current: 19 μA typ. (PFM Mode)
- Internal Synchronous Rectifier
- Internal Compensation
- Inrush Current Limiting and Internal Soft-Start
- Shutdown Current: $< 1 \mu\text{A}$
- Low Noise, Anti-Ringing Control
- Over temperature Protection
- Packages: SOT23-6, 2x3 8-Lead DFN



0.65V Start-Up Synchronous Boost Regulator with True
Output Disconnect or Input/Output Bypass Option

Features:

- Up to 96% Typical Efficiency
- 800 mA Typical Peak Input Current Limit:
 - $I_{OUT} > 100 \text{ mA}$ @ $1.2\text{V } V_{IN}$, $3.3\text{V } V_{OUT}$
 - $I_{OUT} > 350 \text{ mA}$ @ $2.4\text{V } V_{IN}$, $3.3\text{V } V_{OUT}$
 - $I_{OUT} > 350 \text{ mA}$ @ $3.3\text{V } V_{IN}$, $5.0\text{V } V_{OUT}$
- Low Start-up Voltage: 0.65V @ $3.3\text{V}_{OUT}/1 \text{ mA}$
- Operating Input Voltage: 0.35V @ $3.3\text{V}_{OUT}/1 \text{ mA}$
- Adjustable Output Voltage: 2.0V to 5.5V
- Maximum Input Voltage: $V_{OUT} < 5.5\text{V}$
- Automatic PFM/PWM Operation (MCP1640/C):
 - PFM Operation Disabled (MCP1640B/D)
 - PWM Operation: 500 kHz
- Low Quiescent Current: $19 \mu\text{A}$ typ. (PFM Mode)
- Internal Synchronous Rectifier & Compensation
- Inrush Current Limiting and Internal Soft-Start
- Selectable, Logic Controlled, Shutdown States:
 - True Load Disconnect Option (MCP1640/B)
 - Input to Output Bypass Option (MCP1640C/D)
- Over temperature Protection
- Packages: SOT23-6, 2x3 8-Lead DFN



MCP1642B/D

1.8A Input Current Switch, 1 MHz Low-Voltage Start-Up
Synchronous Boost Regulator

Online
Datasheet

Features:

- Up to 96% Typical Efficiency
- 1.8A Typical Peak Input Current Limit
- Up to 550 mA LED Load Current
- Low Start-up Voltage: 0.65V
- Low Operating Input Voltage: down to 0.35V
- Output Voltage Range:
 - Reference Voltage, $V_{FB} = 1.21V$
 - 1.8V to 5.5V for adjustable version
 - 1.8V, 3.0V, 3.3V and 5.0V fixed options
- Max Input Voltage $\leq V_{OUT} < 5.5V$
- PWM Operation: 1 MHz
- Power Good Open-Drain Output
- Internal Synchronous Rectifier
- Internal Compensation
- Selectable, Logic-Controlled Shutdown States:
 - True Load Disconnect: MCP1642B
 - Input-to-Output Bypass: MCP1642D
- Shutdown Current: 1 μA
- Inrush Current Limiting and Internal Soft-Start
- Packages: MSOP-8, 2x3 DFN-8

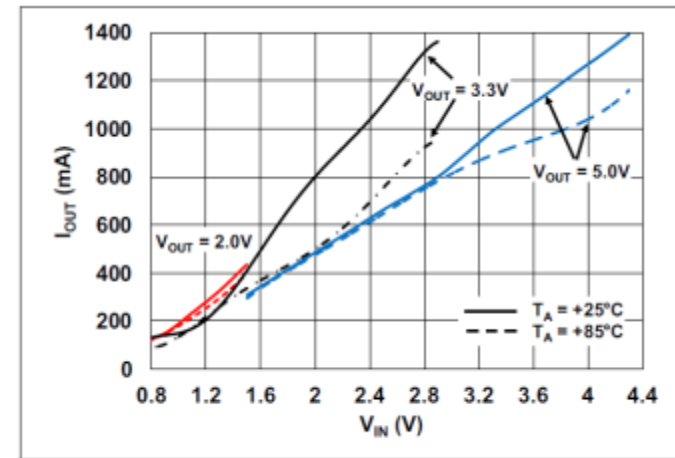
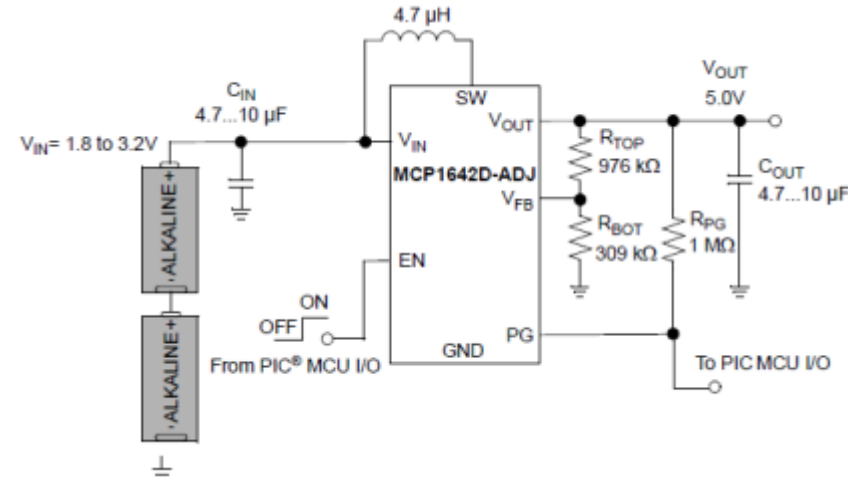


FIGURE 2-7: Maximum I_{OUT} vs. V_{IN} .

<< BACK

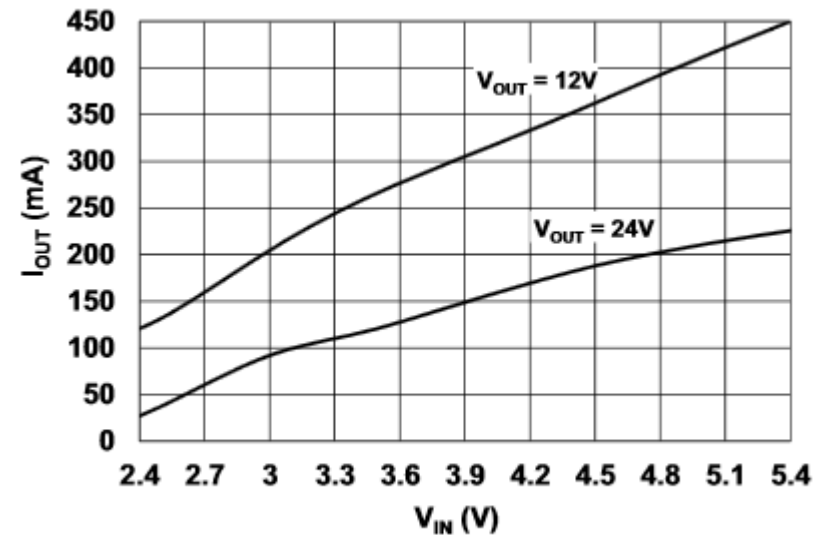
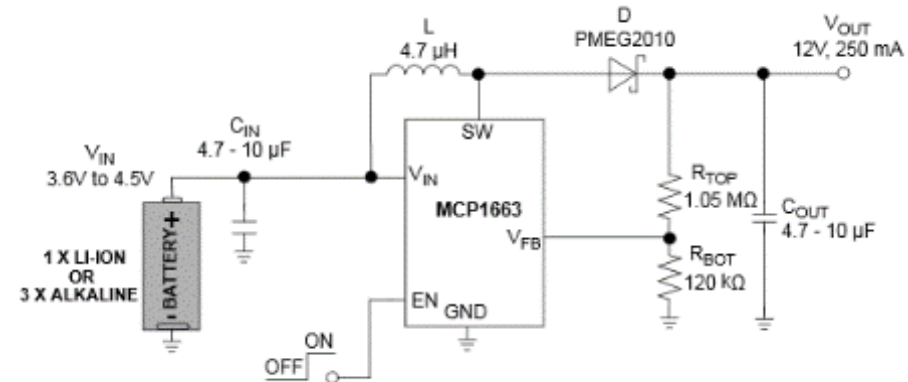
MCP1663

High-Voltage Integrated Switch PWM Boost Regulator with UVLO

Online
Datasheet

Features:

- Up to 92% Efficiency
- High Output Voltage Range: up to 32V
- 1.8A Peak Input Current Limit:
- Input Voltage Range: 2.4V to 5.5V
- Undervoltage Lockout (UVLO)
- No Load Input Current: 250 μ A, typical
- Sleep mode with 200 nA Typical Quiescent –
– Current
- PWM Operation with Skip mode: 500 kHz
- Feedback Voltage Reference: V_{FB} = 1.227V
- Cycle-by-Cycle Current Limiting
- Internal Compensation
- Inrush Current Limiting & Internal Soft-Start
- Output Overvoltage Protection (OVP):
 - Feedback pin shorted to GND
 - Disconnected feedback divider
- Overtemperature Protection
- Configurable for SEPIC or Flyback Topologies
- Packages: 5-Lead SOT-23, 2x3 8-Lead TDFN



Maximum Output Current vs. Input Voltage

<< BACK



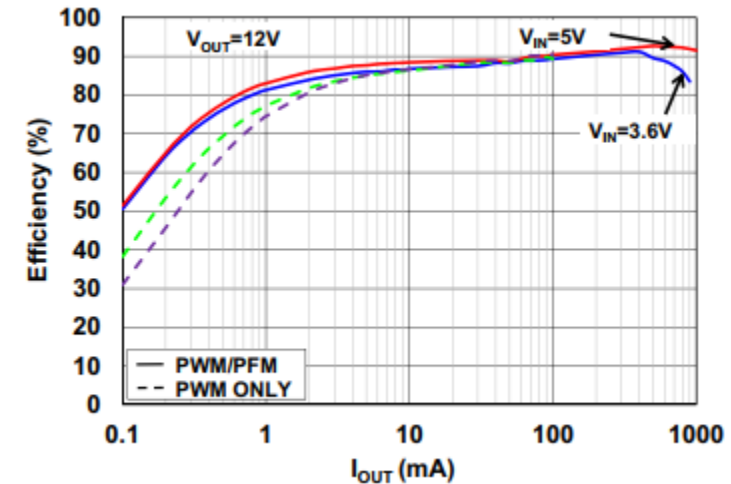
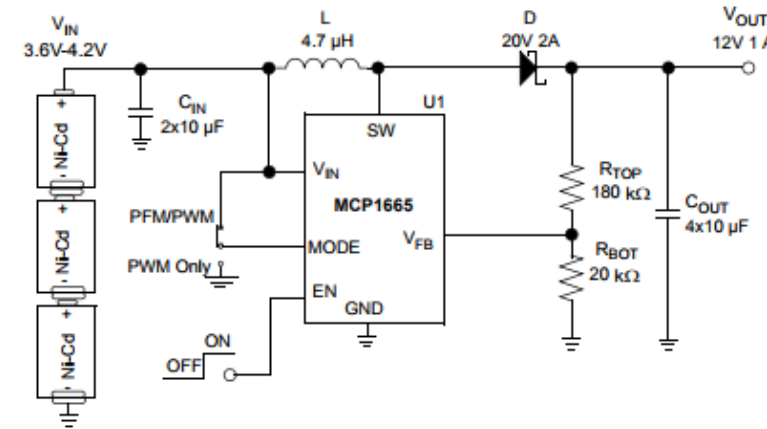
MCP1665

High-Voltage Integrated Switch PWM Boost Regulator with UVLO

Online
Datasheet

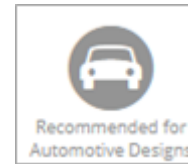
Features:

- Up to 92% Efficiency
- Output Voltage Range: Up to 32V
- 3.6A Typical Peak Input Current Limit:
- Input Voltage Range: 2.9V to 5V
- Input Undervoltage Lockout (UVLO)
- No Load Input Current: 250 μ A Typically for PFM, 500 μ A Typically for PWM
- Shutdown Mode with 0.4 μ A Typical Quiescent Current
- Automatically PFM/PWM or Selected by the MODE Pin, for High Efficiency
- 500 kHz PWM Operation with Skipping Mode Operation Selectable by Dedicated MODE Pin
- Feedback Voltage Reference: $V_{FB} = 1.2V$
- Cycle-by-Cycle Current Limiting
- Internal Compensation
- Inrush Current Limiting and Internal Soft Start
- Output Overvoltage Protection (OVP) and Open-Load Protection (OLP)
- Easily Configurable for SEPIC, Cuk or Flyback
- Available Package: 10-Lead 2x2 mm VQFN



<< BACK



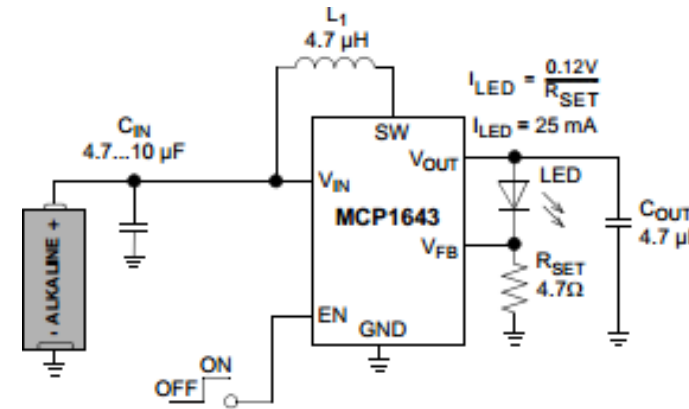


Online
Datasheet

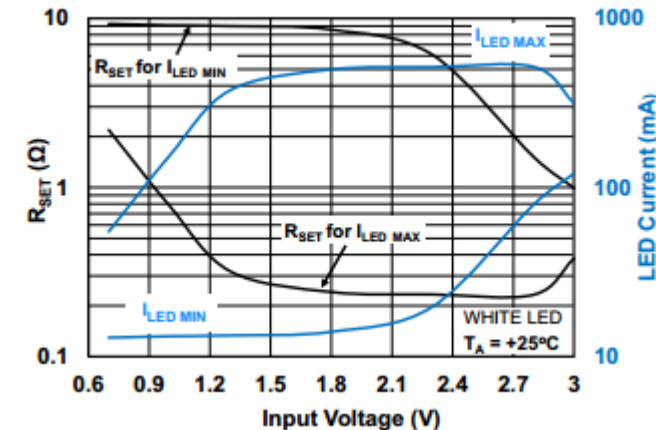
1 MHz Low Start-up Voltage Synchronous Boost LED Constant Current Regulator

Features:

- 1.6A Typical Peak Input Current Limit
- Up to 550 mA LED Load Current
- Low Start-up Voltage: 0.65V (typical, 25 mA – LED Current)
- Low Operating Input Voltage: down to 0.5V
- Maximum Input Voltage $< V_{LED} < 5.0V$
- Maximum Output Voltage: 5.0V
- Overvoltage Protection
- Low Reference Voltage: $V_{FB} = 120\text{ mV}$
- Pulse-Width Modulation Mode (1 MHz)
- Internal Synchronous Rectifier
- Internal Compensation
- Inrush Current Limiting
- Internal Soft-Start (240 μs typical)
- Shutdown (EN = GND): True Load Disconnect
- Dimming Control by Variable Duty Cycle
- Shutdown Current: 1.2 μA (typical)
- Overtemperature protection
- Packages: MSOP-8, 2x3 DFN-8
- Recommended for Automotive Design



R_{SET} Minimum and Maximum Limits for I_{LED} in Regulation, with $\pm 6\%$ Tolerance



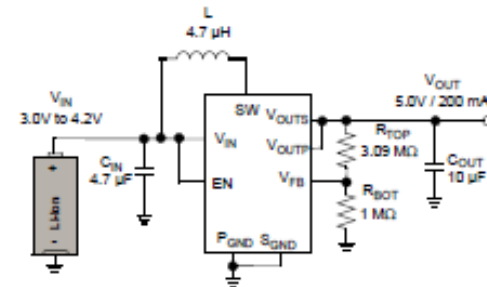
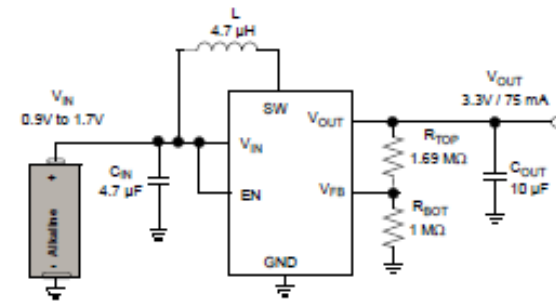
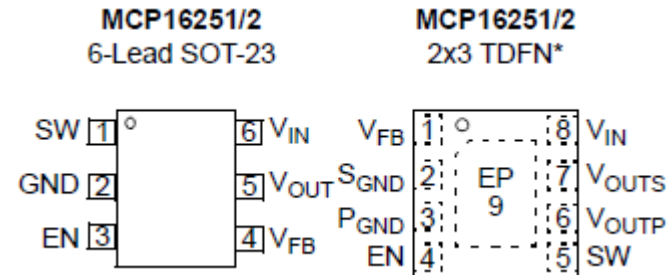
<< BACK



Low Quiescent Current, PFM/PWM Synchronous Boost Regulator
with True Output Disconnect or Input/Output Bypass Option

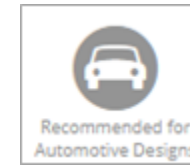
Features:

- Up to 96% Typical Efficiency
- 650mA Typical Peak Input Current Limit:
 - $I_{OUT} > 100 \text{ mA}$ @ $3.3\text{V } V_{OUT}, 1.2\text{V } V_{IN}$
 - $I_{OUT} > 250 \text{ mA}$ @ $3.3\text{V } V_{OUT}, 2.4\text{V } V_{IN}$
 - $I_{OUT} > 225 \text{ mA}$ @ $5.0\text{V } V_{OUT}, 3.3\text{V } V_{IN}$
- Low Power: $<4 \mu\text{A}$ Quiescent, $0.6 \mu\text{A}$ Shutdown
- Low Start-up Voltage: 0.82V , 1 mA load
- Low Operating Input Voltage: down to 0.35V
- Adjustable Output Voltage Range: 1.8V to 5.5V
- Maximum Input Voltage $\leq V_{OUT} < 5.5\text{V}$
- Automatic PFM/PWM Operation:
 - PWM Operation: 500 kHz
 - PFM Output Ripple: 150 mV typical
- Internal Synchronous Rectifier & Compensation
- Inrush Current Limiting and Internal Soft Start
- Selectable, Logic Controlled, Shutdown States:
 - True Load Disconnect Option (MCP16251)
 - Input to Output Bypass Option (MCP16252)
- Anti-Ringing Control, Over-temperature Protection
- Packages: SOT-23-6, 8-L 2x3 TDFN



MCP16301/H

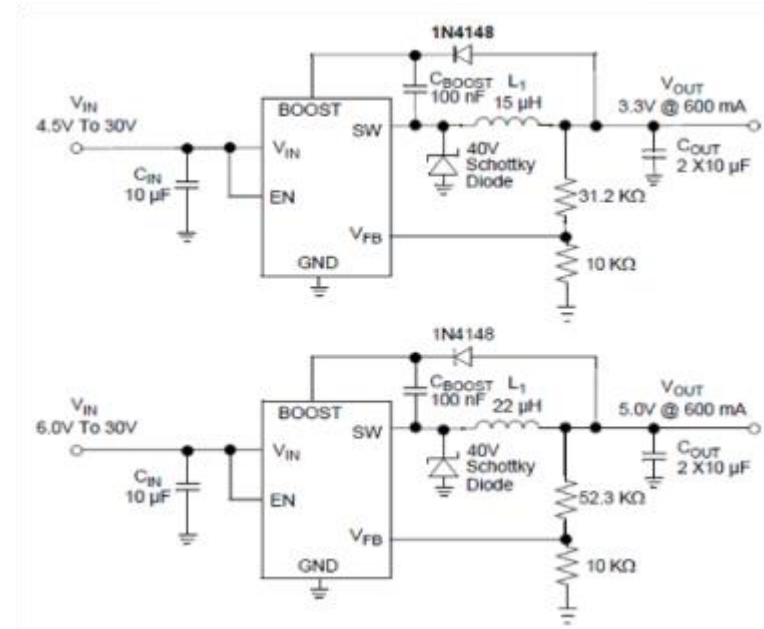
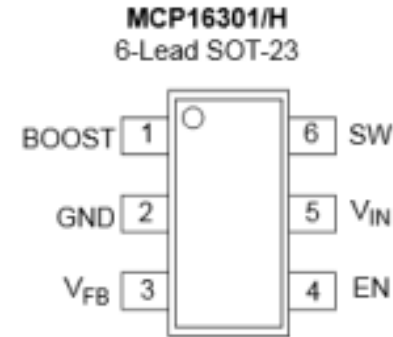
High-Voltage Input Integrated Switch Step-Down Regulator



Online
Datasheet

Features:

- Up to 96% Typical Efficiency
- Input Voltage Range:
 - 4.0V to 30V (MCP16301)
 - 4.7V to 36V (MCP16301H)
- Output Voltage Range: 2.0V to 15V
- 2% Output Voltage Accuracy
- Integrated N-Channel Buck Switch
- 600 mA Output Current
- 500 kHz Fixed Frequency
- Adjustable Output Voltage
- Low Device Shutdown Current
- Peak Current Mode Control
- Internal Compensation
- Stable with Ceramic Capacitors
- Internal Soft-Start
- Cycle by Cycle Peak Current Limit
- Under Voltage Lockout (UVLO): 3.5V
- Overtemperature Protection
- SOT-23-6 Package
- Temperature Range: -40°C to +85°C
- Recommended for Automotive Design (MCP16301)

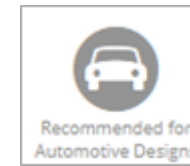


<< BACK



MCP1631/HV MCP1631V/VHV

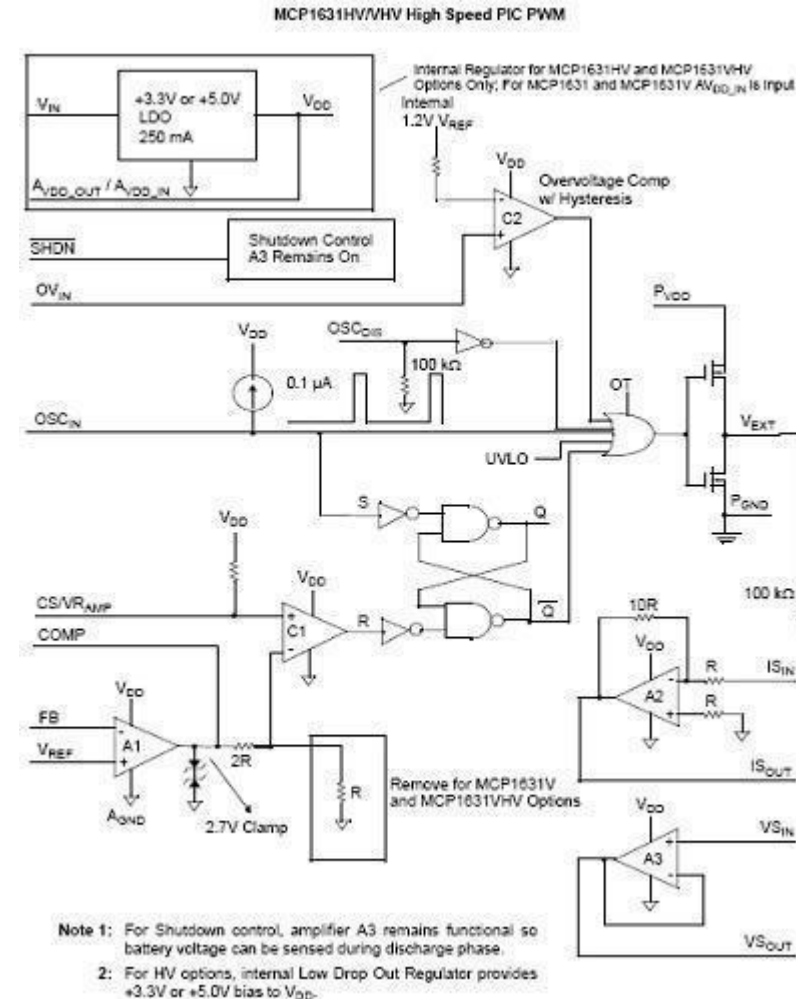
High-Speed, Pulse Width Modulator



Online
Datasheet

Features:

- Programmable Switching Battery Charger –
- Designs
- High-Speed Analog PWM Controller: 2MHz
- Peak Current Mode Control (MCP1631)
- Voltage Mode Control (MCP1631V)
- High Voltage Options Operate to +16V Input:
 - MCP1631HV Current Mode
 - MCP1631VHV Voltage Mode
- Output Voltage Options: +5.0V or +3.3V, 250mA
- External Oscillator and Ext. Reference Inputs
- Error Amplifier, Battery Current ISNS Amplifier, -
- Battery Voltage VSNS Amplifier Integrated
- Integrated Overvoltage Comparator
- Integrated Low Side MOSFET Driver: 1A Peak
- Shutdown mode reduces IQ to 2.4 μ A (typ.)
- Internal Overtemperature Protection
- Undervoltage Lockout (UVLO)
- Package Options:
 - 4x4 20-Lead QFN (MCP1631/MCP1631V)
 - 20-Lead TSSOP, 20-Lead SSOP (all devices)
- Recommended for Automotive Design (MCP1631)

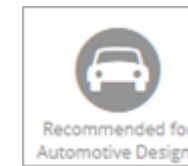


<< BACK



MCP1631/HV MCP1631V/VHV

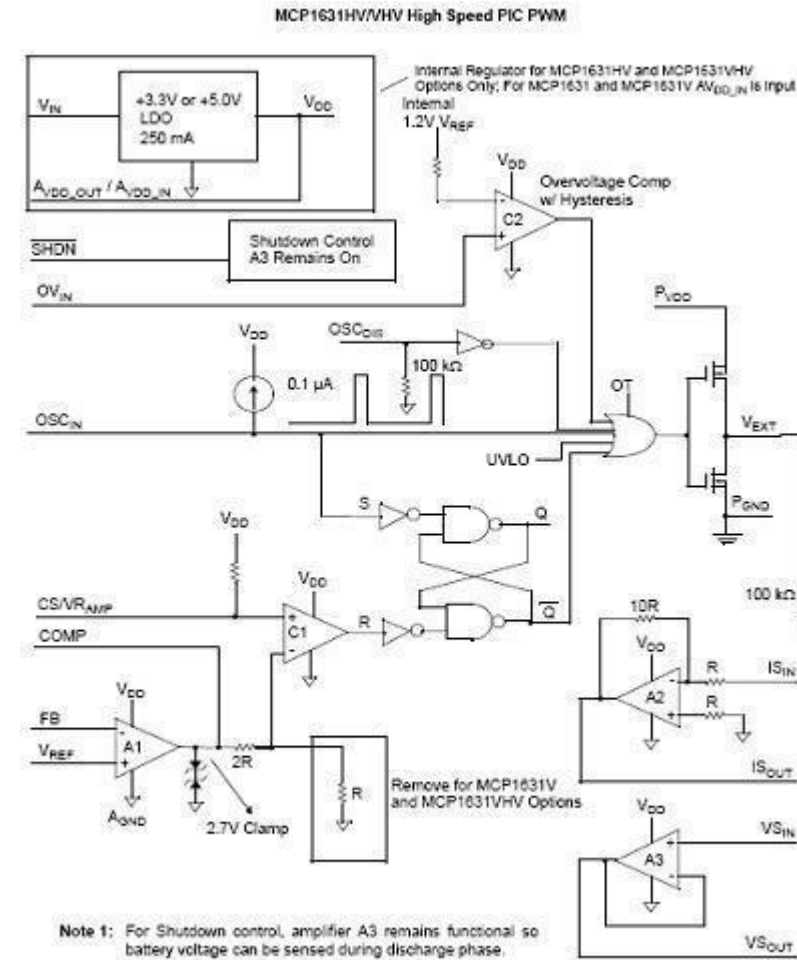
High-Speed, Pulse Width Modulator



Online
Datasheet

Features:

- Programmable Switching Battery Charger Designs
- High-Speed Analog PWM Controller: 2MHz
- Peak Current Mode Control (MCP1631)
- Voltage Mode Control (MCP1631V)
- High Voltage Options Operate to +16V Input:
 - MCP1631HV Current Mode
 - MCP1631VHV Voltage Mode
- Output Voltage Options: +5.0V or +3.3V, 250mA
- External Oscillator and Ext. Reference Inputs
- Error Amplifier, Battery Current ISNS Amplifier, -
- Battery Voltage V_{SNS} Amplifier Integrated
- Integrated Overvoltage Comparator
- Integrated Low Side MOSFET Driver: 1A Peak
- Shutdown mode reduces I_Q to 2.4 μ A (typ.)
- Internal Overtemperature Protection
- Undervoltage Lockout (UVLO)
- Package Options:
 - 4x4 20-Lead QFN (MCP1631/MCP1631V)
 - 20-Lead TSSOP, 20-Lead SSOP (all devices)
- Recommended for Automotive Design (MCP1631)



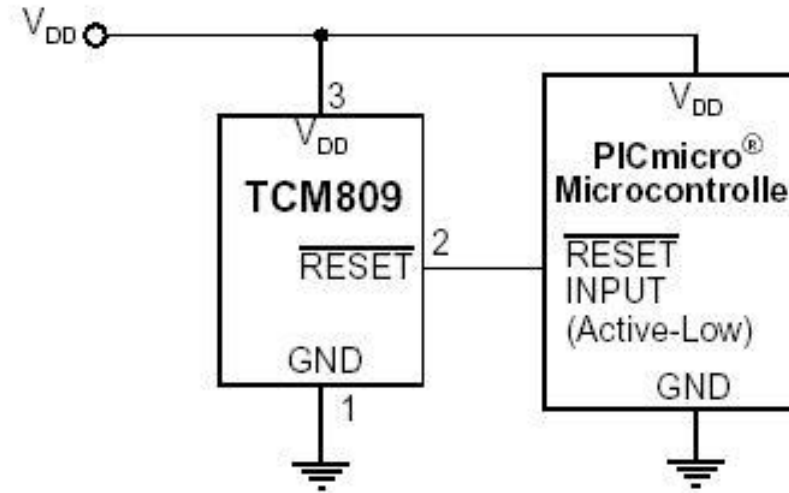
<< BACK

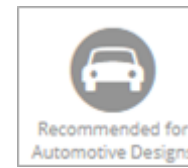


3-Pin Microcontroller Reset Monitors

Features:

- Precision VCC Monitor for 2.5V, 3.0V, 3.3V, - 5.0V Nominal Voltage Supplies
- 140ms Minimum RESET Time Out Period
- RESET Output Guaranteed to $V_{CC} = 1.0V$ – (TCM809)
- Low 12 μ A Supply Current
- Push-Pull RESET Output
- No External Components
- Temperature Range:
 - Industrial SC-70 (E): -40°C to +85°C
 - Extended SOT-23 (V): -40°C to +125°C



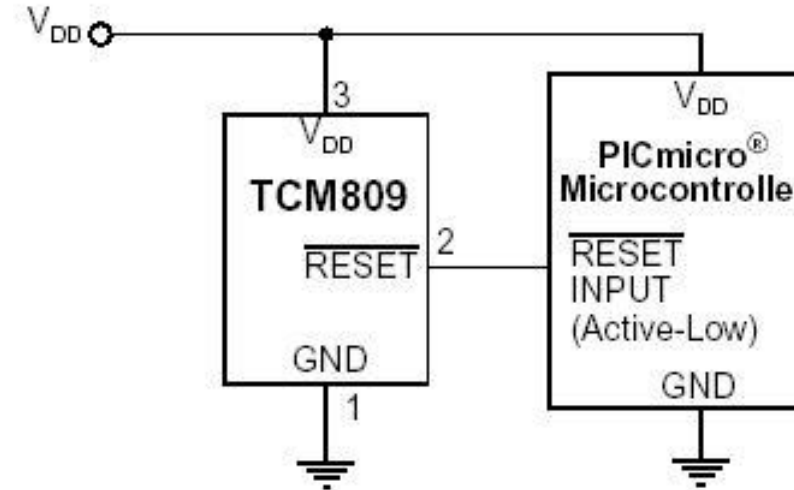


Online
Datasheet

3-Pin Microcontroller Reset Monitors

Features:

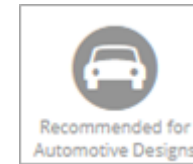
- Precision VCC Monitor for 2.5V, 3.0V, 3.3V, - 5.0V Nominal Voltage Supplies
- 140ms Minimum RESET Time Out Period
- RESET Output Guaranteed to $V_{CC} = 1.0V$ – (TCM809)
- Low 12 μ A Supply Current
- Push-Pull RESET Output
- No External Components
- Temperature Range:
 - Industrial SC-70 (E): -40°C to +85°C
 - Extended SOT-23 (V): -40°C to +125°C
- Recommended for Automotive Design (TCM809)



<< BACK



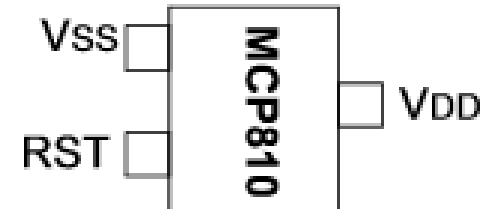
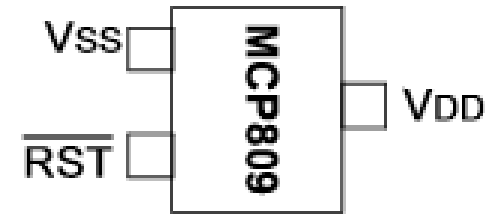
Microcontroller Supervisory Circuit w/ Push-Pull Output



Online
Datasheet

Features:

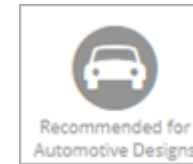
- Holds microcontroller in reset until supply – voltage reaches stable operating voltage
- Resets microcontroller during power loss
- Precision monitoring of 3V, 3.3V and 5V systems
- Active low RESET pin (MCP809)
- Active high RESET (MCP810)
- Push-pull output
- Holds RESET for 350ms (typical)
- RESET to $V_{DD} = 1.0V$
- Accuracy:
 - $\pm 125mV$ for 5V systems
 - $\pm 75mV$ for 3V systems
- 45uA typical operating current
- Industrial Temperature Range: $-40^{\circ}C$ to $+85^{\circ}C$
- Recommended for Automotive Design (MCP809)



<< BACK



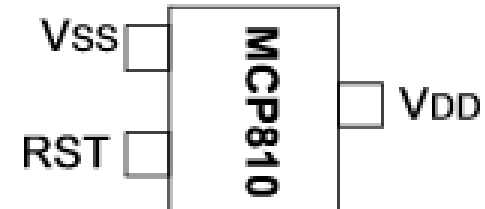
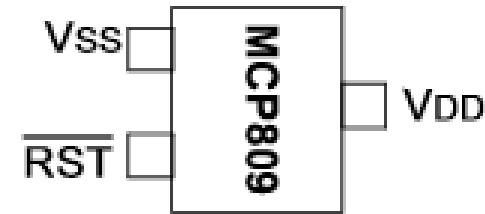
Microcontroller Supervisory Circuit w/ Push-Pull Output



Online
Datasheet

Features:

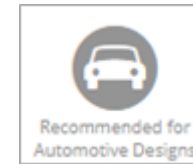
- Holds microcontroller in reset until supply – voltage reaches stable operating voltage
- Resets microcontroller during power loss
- Precision monitoring of 3V, 3.3V and 5V systems
- Active low RESET pin (MCP809)
- Active high RESET (MCP810)
- Push-pull output
- Holds RESET for 350ms (typical)
- RESET to $V_{DD} = 1.0V$
- Accuracy:
 - $\pm 125mV$ for 5V systems
 - $\pm 75mV$ for 3V systems
- 45uA typical operating current
- Industrial Temperature Range: $-40^{\circ}C$ to $+85^{\circ}C$
- Recommended for Automotive Design (MCP809)



<< BACK



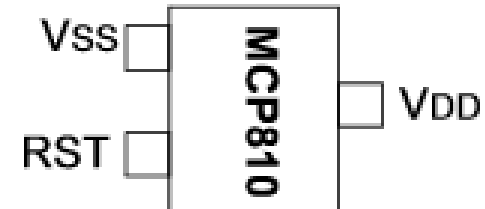
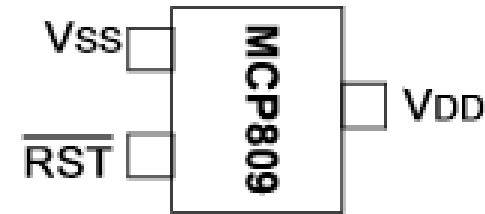
Microcontroller Supervisory Circuit w/ Push-Pull Output



Online
Datasheet

Features:

- Holds microcontroller in reset until supply – voltage reaches stable operating voltage
- Resets microcontroller during power loss
- Precision monitoring of 3V, 3.3V and 5V systems
- Active low RESET pin (MCP809)
- Active high RESET (MCP810)
- Push-pull output
- Holds RESET for 350ms (typical)
- RESET to $V_{DD} = 1.0V$
- Accuracy:
 - $\pm 125mV$ for 5V systems
 - $\pm 75mV$ for 3V systems
- 45uA typical operating current
- Industrial Temperature Range: $-40^{\circ}C$ to $+85^{\circ}C$
- Recommended for Automotive Design (MCP809)



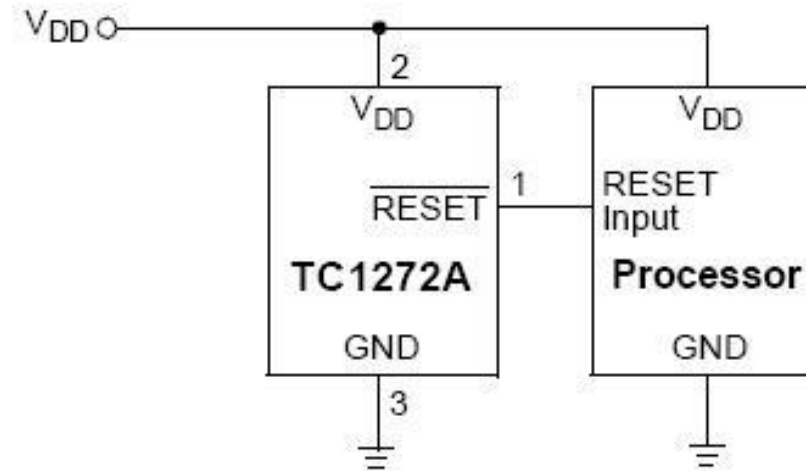
<< BACK



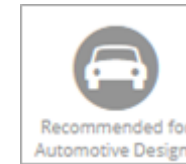
3-Pin Reset Monitor

Features:

- Precision V_{DD} Monitor
- 140ms Minimum RESET Output Duration
- Output Valid to $V_{DD} = 1.2V$
- V_{DD} Transient Immunity
- Small 3-Pin SOT-23B Package
- No External Components



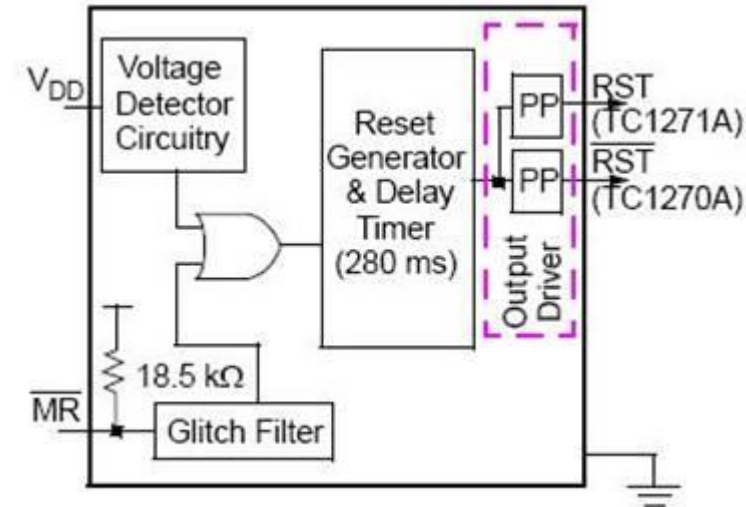
Voltage Supervisor with Manual Reset Input



Online
Datasheet

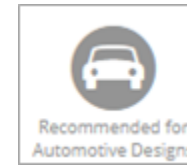
Features:

- Precision Voltage Monitor: 2.63V, 2.93V, - 3.08V, 4.38V and 4.63V trip points (typ.)
- Manual Reset input
- Reset Time-Out Delay:
 - Standard: 280ms (typ.)
 - Optional: 2.19ms, and 35ms (typ.)
- Power Consumption $\leq 15\mu\text{A}$ (max.)
- Active Low Output Options:
 - Push-Pull Output and Open-Drain Output
- Active High Output Option: Push-Pull Output
- Replacement for (Specification compatible):
 - TC1270, TC1271, TCM811, TCM812
- Low Voltage Operation: (1.0V)
- ESD protection:
 - $\geq 4\text{kV}$ Human Body Model (HBM)
 - $\geq 400\text{V}$ Machine Model (MM)
- Extended (E) Temperature Range: -40°C to $+125^{\circ}\text{C}$
- Package Options:
 - 4-lead SOT-143, 5-lead SOT-23
- Recommended for Automotive Design
 - (TC1270AN & TC1270A)



<< BACK



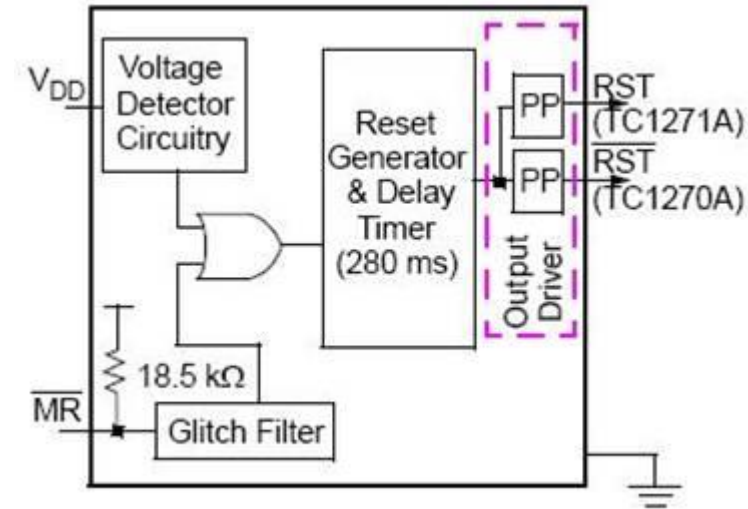


Online
Datasheet

Voltage Supervisor with Manual Reset Input

Features:

- Precision Voltage Monitor: 2.63V, 2.93V, - 3.08V, 4.38V and 4.63V trip points (typ.)
- Manual Reset Input
- Reset Time-Out Delay:
 - Standard: 280ms (typ.)
 - Optional: 2.19ms, and 35ms (typ.)
- Power Consumption $\leq 15\mu\text{A}$ (max.)
- Active Low Output Options:
 - Push-Pull Output and Open-Drain Output
- Active High Output Option: Push-Pull Output
- Replacement for (Specification compatible):
 - TC1270, TC1271, TCM811, TCM812
- Low Voltage Operation: (1.0V)
- ESD protection:
 - $\geq 4\text{kV}$ Human Body Model (HBM)
 - $\geq 400\text{V}$ Machine Model (MM)
- Extended (E) Temperature Range: -40°C to $+125^{\circ}\text{C}$
- Package Options:
 - 4-lead SOT-143, 5-lead SOT-23
- Recommended for Automotive Design
 - (TC1270AN & TC1270A)



<< BACK



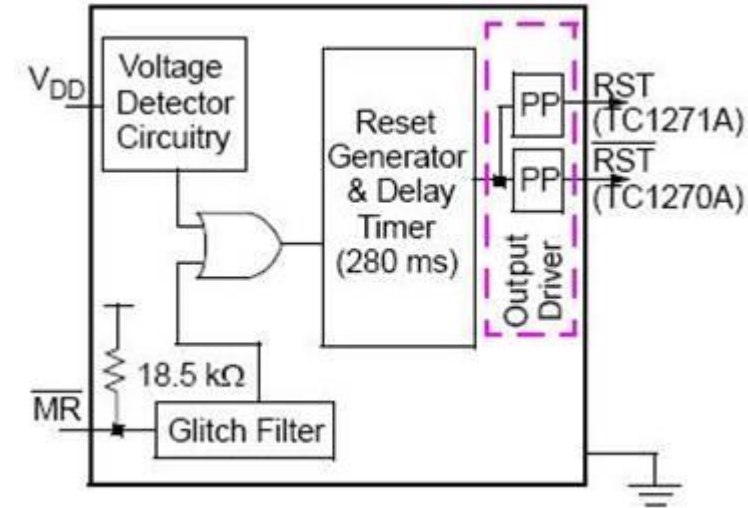


Online
Datasheet

Voltage Supervisor with Manual Reset Input

Features:

- Precision Voltage Monitor: 2.63V, 2.93V, - 3.08V, 4.38V and 4.63V trip points (typ.)
- Manual Reset input
- Reset Time-out Delay:
 - Standard: 280ms (typ.)
 - Optional: 2.19ms, and 35ms (typ.)
- Power Consumption $\leq 15\mu\text{A}$ (max.)
- Active Low Output Options:
 - Push-Pull Output and Open-Drain Output
- Active High Output Option: Push-Pull Output
- Replacement for (Specification compatible):
 - TC1270, TC1271, TCM811, TCM812
- Low Voltage Operation: (1.0V)
- ESD protection:
 - $\geq 4\text{kV}$ Human Body Model (HBM)
 - $\geq 400\text{V}$ Machine Model (MM)
- Extended (E) Temperature Range: -40°C to $+125^{\circ}\text{C}$
- Package Options:
 - 4-lead SOT-143, 5-lead SOT-23
- Recommended for Automotive Design
 - (TC1270AN & TC1270A)



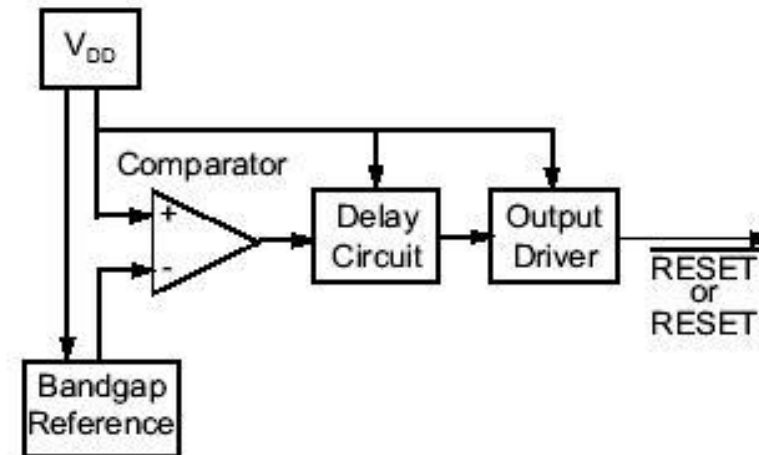
<< BACK



Microcontroller Supervisory Circuit w/ Push-Pull Output

Features:

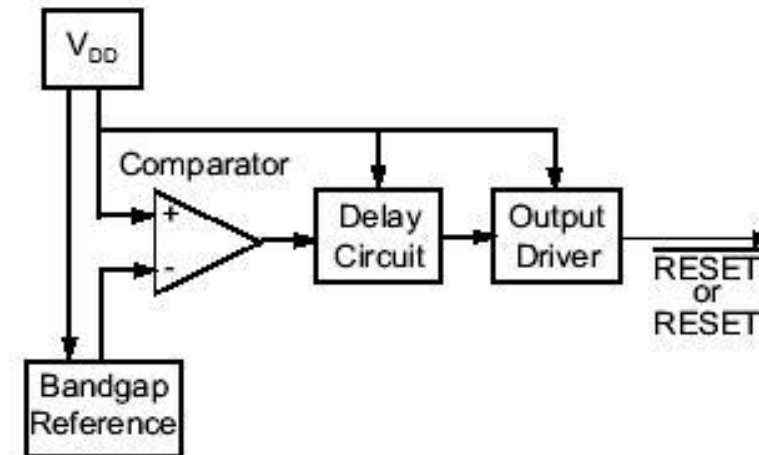
- Holds Microcontroller in Reset until Supply
 - Voltage Reaches Stable Operating Level
- Resets Microcontroller during Power Loss
- Precision Monitoring of 3.0V, 3.3V, and 5V –
– Systems
- 7 Voltage Trip Points Available
- Active Low RESET Pin (MCP100) of –
– Active high RESET (MCP101)
- Push-Pull Output
- Holds RESET'/RESET for 350ms (typ.)
- RESET'/RESET to $V_{DD} = 1.0V$
- Accuracy of $\pm 125mV$ for 5V Systems -
– and $\pm 75mV$ for 3V Systems Over –
– Temperature
- 45 μA Typical Operating Current
- Temperature Range:
 - $-40^{\circ}C$ to $+85^{\circ}C$



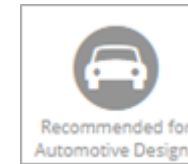
Microcontroller Supervisory Circuit w/ Push-Pull Output

Features:

- Holds Microcontroller in Reset until Supply –
 - Voltage Reaches Stable Operating Level
- Resets Microcontroller during Power Loss
- Precision Monitoring of 3.0V, 3.3V, and 5V –
 - Systems
- 7 Voltage Trip Points Available
- Active Low RESET Pin (MCP100) or Active –
 - high RESET (MCP101)
- Push-Pull Output
- Holds RESET'/RESET for 350ms (typ.)
- RESET'/RESET to $V_{DD} = 1.0V$
- Accuracy of $\pm 125mV$ for 5V Systems and ± 75 –
 - mV for 3V Systems Over Temperature
- 45 μA Typical Operating Current
- Temperature Range:
 - -40°C to +85°C



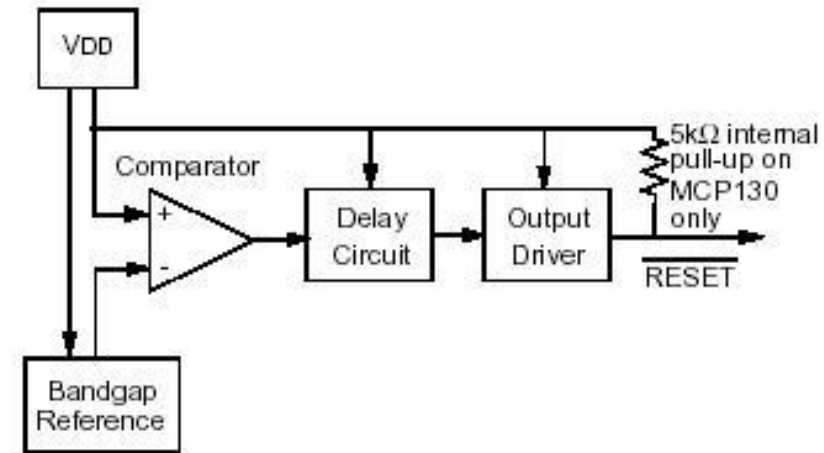
Microcontroller Supervisory Circuit w/ Open Drain Output



Online
Datasheet

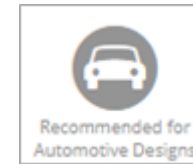
Features:

- Holds Microcontroller in Reset until Supply –
– Voltage Reaches Stable Operating Level
- Resets Microcontroller during Power Loss
- Precision Monitoring of 3.0V, 3.3V, and 5V –
– Systems
- 7 Voltage Trip Points Available
- Active Low RESET Pin
- Open Drain Output
- Internal Pull-Up Resistor: 5k Ω (MCP130)
- Holds RESET for 350ms (typ.)
- RESET to $V_{DD} = 1.0V$
- Accuracy of $\pm 125mV$ for 5V Systems –
– and $\pm 75mV$ for 3V Systems Over –
– Temperature
- 45 μA (typ.) Operating Current
- Temperature Range:
 - -40 $^{\circ}C$ to +85 $^{\circ}C$
- Recommended for Automotive Design (MCP130)



<< BACK

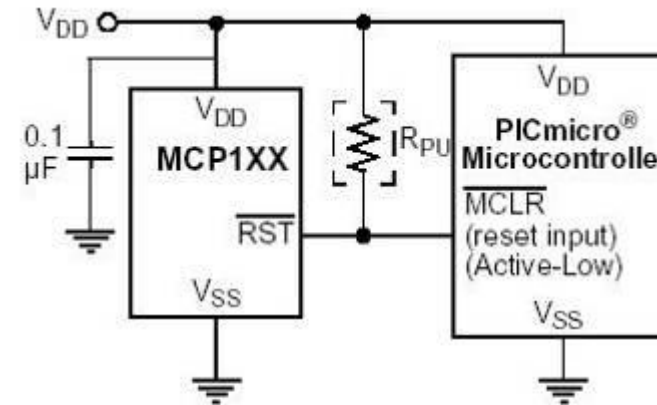




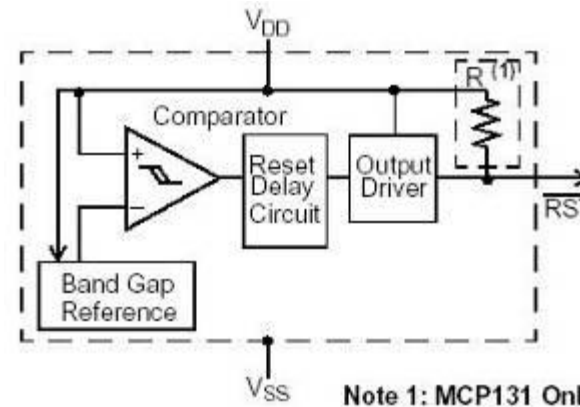
Online
Datasheet

Features:

- Ultra Low Supply Current: 1.75µA (max.)
- Precision Monitoring of: 1.90V, 2.32V, -
- 2.63V, 2.93V, 3.08V, 4.38V and 4.63V
- Resets Microcontroller during Power Loss
- Active Low RESET Pin
- MCP121: Active-Low, Open-Drain
- MCP131: Active-Low, Open-Drain with –
- Internal Pull-Up Resistor Reset Delay Timer:
- 120ms Delay (typ.)
- MCP102 and MCP103: Active-Low, Push-Pull
- Space Saving SOT-23-3, TO-92 and SC70 –
- Packages
- Temperature Range:
 - -40°C to +125°C (except MCP1xx-195)
 - -40°C to +85°C
- Recommended for Automotive Design
 - MCP103/121/131



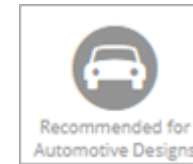
Note 1: Resistor R_{PU} may be required with the MCP121 due to the open-drain output. Resistor R_{PU} may not be required with the MCP131 due to the internal pull-up resistor. The MCP102 and MCP103 do not require the external pull-up resistor.



Note 1: MCP131 Only

<< BACK

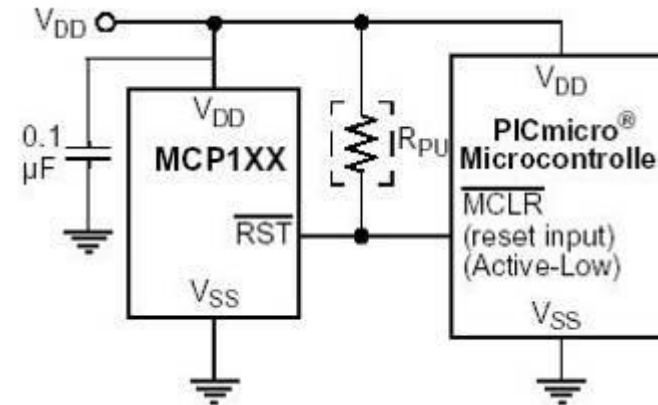




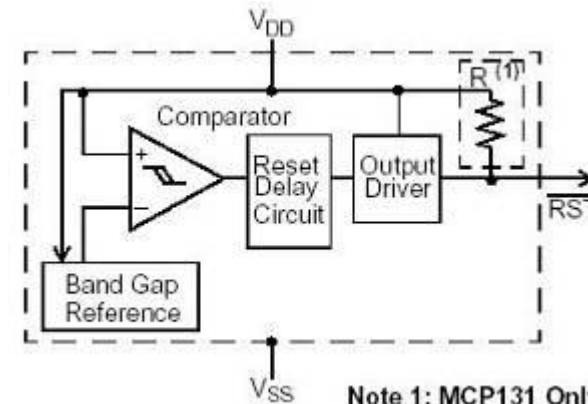
Online
Datasheet

Features:

- Ultra Low Supply Current: 1.75µA (max.)
- Precision Monitoring of: 1.90V, 2.32V, -
- 2.63V, 2.93V, 3.08V, 4.38V and 4.63V
- Resets Microcontroller during Power Loss
- Active Low RESET Pin
- MCP121: Active-Low, Open-Drain
- MCP131: Active-Low, Open-Drain with –
- Internal Pull-Up Resistor
- MCP102 and MCP103: Active-Low, Push-Pull
- Reset Delay Timer: 120ms Delay (typ.)
- Space Saving SOT-23-3, TO-92 and SC70 –
- Packages
- Temperature Range:
 - -40°C to +125°C (except MCP1xx-195)
 - -40°C to +85°C
- Recommended for Automotive Design
 - MCP103/121/131



Note 1: Resistor R_{PU} may be required with the MCP121 due to the open-drain output. Resistor R_{PU} may not be required with the MCP131 due to the internal pull-up resistor. The MCP102 and MCP103 do not require the external pull-up resistor.



Note 1: MCP131 Only

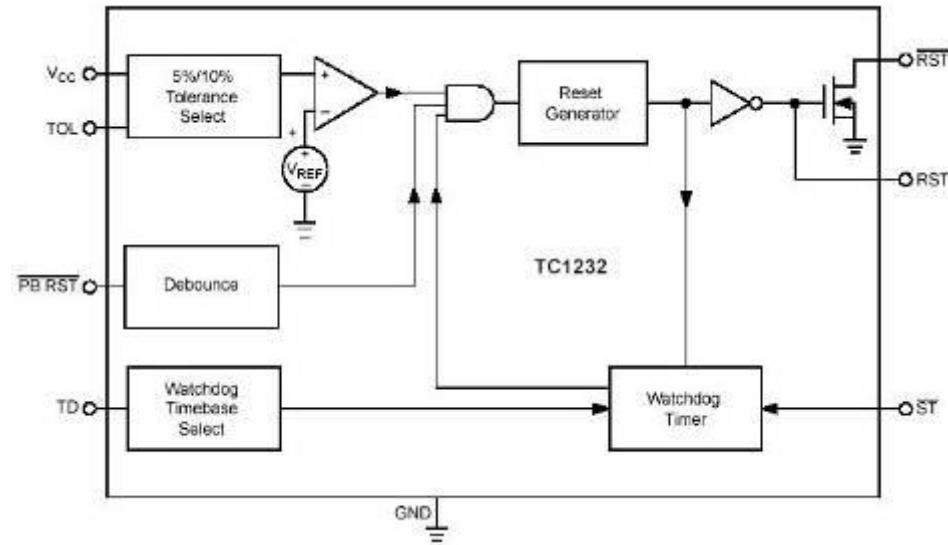
<< BACK

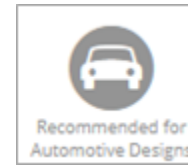


Microprocessor Monitor

Features:

- Precision Voltage Monitor:
 - Adjustable +4.5V or +4.75V
- Reset Pulse Width: 250ms (min.)
- No External Components
- Adjustable Watchdog Timer:
 - 150ms, 600ms or 1.2s
- Debounced Manual Reset Input –
- for External Override





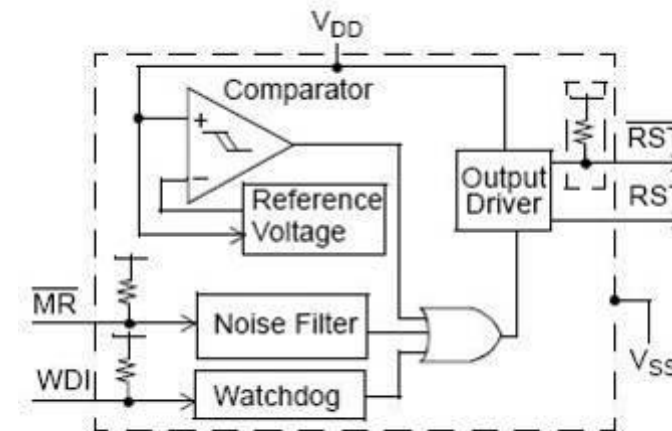
Online
Datasheet

Voltage Supervisor

Features:

- Low supply current: 1 μ A (typ.)
- Precision monitoring trip point options:
 - 2.9V and 4.6V (Standard)
 - 2.0V to 4.7V in 100 mV increments
- Resets MCU in a power loss event
- Reset Delay Time Out Option:
 - 1.4ms, 30ms, 200ms, or 1.6s (typ.)
- Watchdog Timer Input Time Out Options:
 - 6.3ms, 102ms, 1.6s, or 25.6s (typ.)
- Manual Reset (MR) Input (Active-low)
- Single and Complementary Reset Output(s)
- Reset Output Options:
 - Push-Pull (Active-high or Active-low)
 - Open-Drain (Internal or External Pull-up)
- Temperature Range:
 - -40°C to +85°C for trip points 2.0 to 2.4V
 - -40°C to +125°C for trip points > 2.5V
- Voltage Range: 1.0V to 5.5V
- Packages: SOT-23-5
- Recommended for Automotive Design

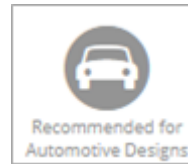
Device	Reset Output A			Reset Output B			WDI Input	$\overline{\text{MR}}$ Input
	Type	Pull-up Resistor	Active Level	Type	Pull-up Resistor	Active Level		
MCP1316	Push-Pull	—	Low	—	—	—	Yes	Yes
MCP1316M	Open-Drain	Internal	Low	—	—	—	Yes	Yes
MCP1317	Push-Pull	—	High	—	—	—	Yes	Yes
MCP1318	Push-Pull	—	Low	Push-Pull	—	High	Yes	No
MCP1318M	Open-Drain	Internal	Low	Push-Pull	—	High	Yes	No
MCP1319	Push-Pull	—	Low	Push-Pull	—	High	No	Yes
MCP1319M	Open-Drain	Internal	Low	Push-Pull	—	High	No	Yes
MCP1320	Open-Drain	External	Low	—	—	—	Yes	Yes
MCP1321	Open-Drain	External	Low	Push-Pull	—	High	Yes	No
MCP1322	Open-Drain	External	Low	Push-Pull	—	High	No	Yes



Note: Features available depend on the device

<< BACK





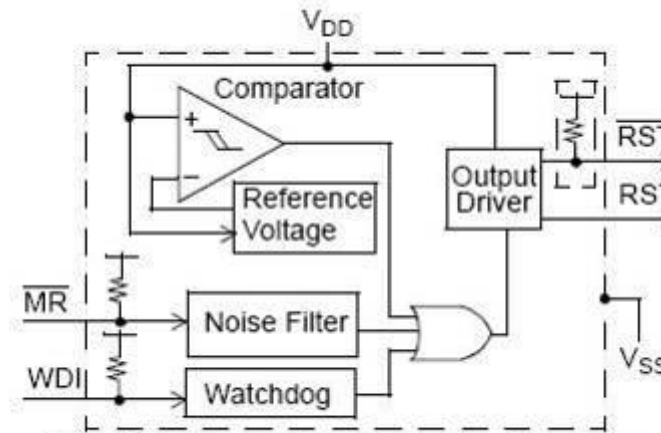
Online
Datasheet

Voltage Supervisor

Features:

- Low supply current: 1 μ A (typ.)
- Precision monitoring trip point options:
 - 2.9V and 4.6V (Standard)
 - 2.0V to 4.7V in 100 mV increments
- Resets MCU in a power loss event
- Reset Delay Time Out Option:
 - 1.4ms, 30ms, 200ms, or 1.6s (typ.)
- Watchdog Timer Input Time Out Options:
 - 6.3ms, 102ms, 1.6s, or 25.6s (typ.)
- Manual Reset (MR) Input (Active-low)
- Single and Complementary Reset Output(s)
- Reset Output Options:
 - Push-Pull (Active-high or Active-low)
 - Open-Drain (Internal or External Pull-up)
- Temperature Range:
 - -40°C to +85°C for trip points 2.0-2.4V
 - -40°C to +125°C for trip points > 2.5V
- Voltage Range: 1.0V to 5.5V
- Packages: SOT-23-5
- Recommended for Automotive Design

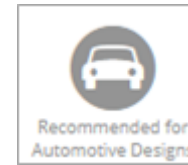
Device	Reset Output A			Reset Output B			WDI Input	$\overline{\text{MR}}$ Input
	Type	Pull-up Resistor	Active Level	Type	Pull-up Resistor	Active Level		
MCP1316	Push-Pull	—	Low	—	—	—	Yes	Yes
MCP1316M	Open-Drain	Internal	Low	—	—	—	Yes	Yes
MCP1317	Push-Pull	—	High	—	—	—	Yes	Yes
MCP1318	Push-Pull	—	Low	Push-Pull	—	High	Yes	No
MCP1318M	Open-Drain	Internal	Low	Push-Pull	—	High	Yes	No
MCP1319	Push-Pull	—	Low	Push-Pull	—	High	No	Yes
MCP1319M	Open-Drain	Internal	Low	Push-Pull	—	High	No	Yes
MCP1320	Open-Drain	External	Low	—	—	—	Yes	Yes
MCP1321	Open-Drain	External	Low	Push-Pull	—	High	Yes	No
MCP1322	Open-Drain	External	Low	Push-Pull	—	High	No	Yes



Note: Features available depend on the device

<< BACK





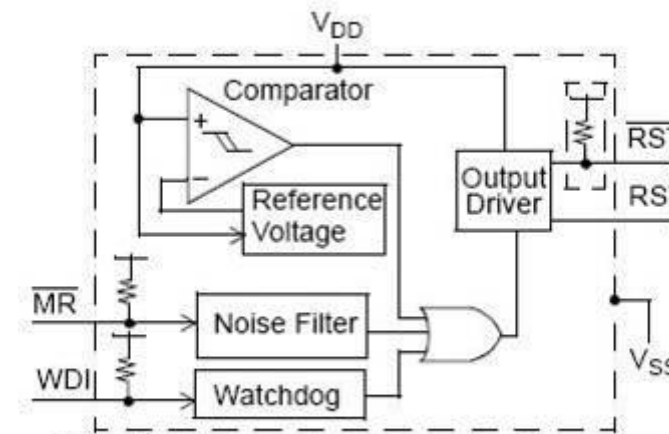
Online Datasheet

Voltage Supervisor

Features:

- Low supply current: 1 μ A (typ.)
- Precision monitoring trip point options:
 - 2.9V and 4.6V (Standard)
 - 2.0V to 4.7V in 100 mV increments
- Resets MCU in a power loss event
- Reset Delay Time Out Option:
 - 1.4ms, 30ms, 200ms, or 1.6s (typ.)
- Watchdog Timer Input Time Out Options:
 - 6.3ms, 102ms, 1.6s, or 25.6s (typ.)
- Manual Reset (MR) Input (Active-low)
- Single and Complementary Reset Output(s)
- Reset Output Options:
 - Push-Pull (Active-high or Active-low)
 - Open-Drain (Internal or External Pull-up)
- Temperature Range:
 - -40 $^{\circ}$ C to +85 $^{\circ}$ C for trip points 2.0 to 2.4V
 - -40 $^{\circ}$ C to + 125 $^{\circ}$ C for trip points > 2.5V
- Voltage Range: 1.0V to 5.5V
- Packages: SOT-23-5
- Recommended for Automotive Design

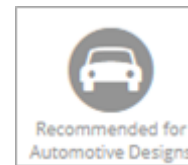
Device	Reset Output A			Reset Output B			WDI Input	$\overline{\text{MR}}$ Input
	Type	Pull-up Resistor	Active Level	Type	Pull-up Resistor	Active Level		
MCP1316	Push-Pull	—	Low	—	—	—	Yes	Yes
MCP1316M	Open-Drain	Internal	Low	—	—	—	Yes	Yes
MCP1317	Push-Pull	—	High	—	—	—	Yes	Yes
MCP1318	Push-Pull	—	Low	Push-Pull	—	High	Yes	No
MCP1318M	Open-Drain	Internal	Low	Push-Pull	—	High	Yes	No
MCP1319	Push-Pull	—	Low	Push-Pull	—	High	No	Yes
MCP1319M	Open-Drain	Internal	Low	Push-Pull	—	High	No	Yes
MCP1320	Open-Drain	External	Low	—	—	—	Yes	Yes
MCP1321	Open-Drain	External	Low	Push-Pull	—	High	Yes	No
MCP1322	Open-Drain	External	Low	Push-Pull	—	High	No	Yes



Note: Features available depend on the device

<< BACK





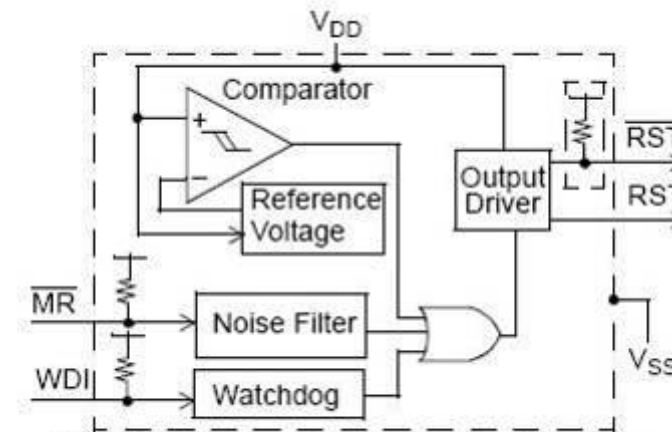
Online Datasheet

Voltage Supervisor

Features:

- Low supply current: 1 μ A (typ.)
- Precision monitoring trip point options:
 - 2.9V and 4.6V (Standard)
 - 2.0V to 4.7V in 100 mV increments
- Resets MCU in a power loss event
- Reset Delay Time Out Option:
 - 1.4ms, 30ms, 200ms, or 1.6s (typ.)
- Watchdog Timer Input Time Out Options:
 - 6.3ms, 102ms, 1.6s, or 25.6s (typ.)
- Manual Reset (MR) Input (Active-low)
- Single and Complementary Reset Output(s)
- Reset Output Options:
 - Push-Pull (Active-high or Active-low)
 - Open-Drain (Internal or External Pull-up)
- Temperature Range:
 - -40 $^{\circ}$ C to +85 $^{\circ}$ C for trip points 2.0 to 2.4V
 - -40 $^{\circ}$ C to +125 $^{\circ}$ C for trip points > 2.5V
- Voltage Range: 1.0V to 5.5V
- Packages: SOT-23-5
- Recommended for Automotive Design

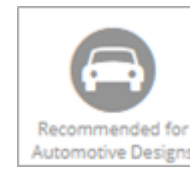
Device	Reset Output A			Reset Output B			WDI Input	$\overline{\text{MR}}$ Input
	Type	Pull-up Resistor	Active Level	Type	Pull-up Resistor	Active Level		
MCP1316	Push-Pull	—	Low	—	—	—	Yes	Yes
MCP1316M	Open-Drain	Internal	Low	—	—	—	Yes	Yes
MCP1317	Push-Pull	—	High	—	—	—	Yes	Yes
MCP1318	Push-Pull	—	Low	Push-Pull	—	High	Yes	No
MCP1318M	Open-Drain	Internal	Low	Push-Pull	—	High	Yes	No
MCP1319	Push-Pull	—	Low	Push-Pull	—	High	No	Yes
MCP1319M	Open-Drain	Internal	Low	Push-Pull	—	High	No	Yes
MCP1320	Open-Drain	External	Low	—	—	—	Yes	Yes
MCP1321	Open-Drain	External	Low	Push-Pull	—	High	Yes	No
MCP1322	Open-Drain	External	Low	Push-Pull	—	High	No	Yes



Note: Features available depend on the device

<< BACK



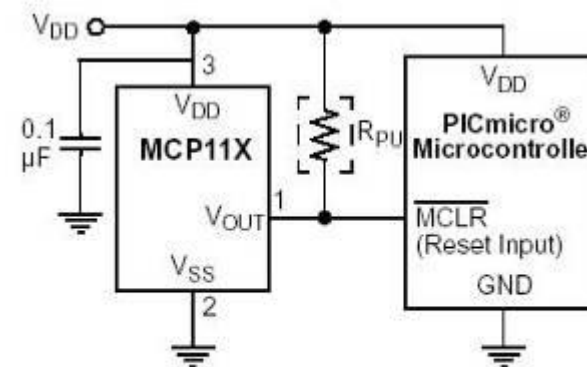
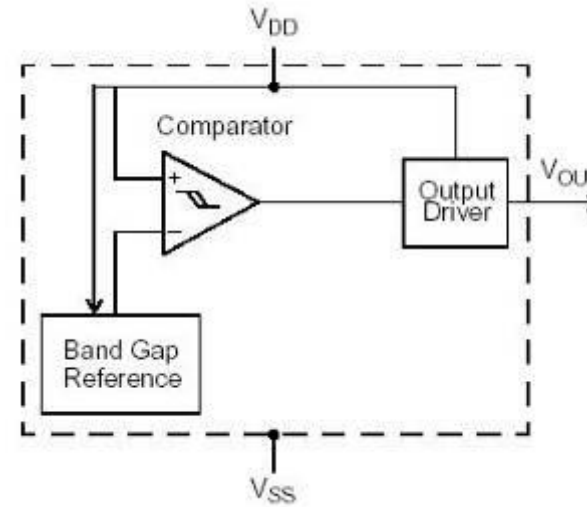


Online
Datasheet

Micropower Voltage Detector

Features:

- Low Supply Current: 1.75 μ A (max.)
- Precision Monitoring Options:
 - 1.90V, 2.32V, 2.63V, 2.90V, 2.93V, -
- 3.08V, 4.38V and 4.63V
- Resets Microcontroller in a Power-loss Event
- Active-low VOUT Pin:
 - MCP111: Active-low, Open-drain
 - MCP112: Active-low, Push-pull
- Temperature Range:
 - -40 $^{\circ}$ C to +125 $^{\circ}$ C (except MCP1xx-195)
 - -40 $^{\circ}$ C to +85 $^{\circ}$ C
- Packages: SC-70, SOT23-3 and TO-92
- Recommended for Automotive Designs



Note 1: R_{PU} may be required with the MCP111 due to the open-drain output. Resistor R_{PU} is not required with the MCP112.

<< BACK



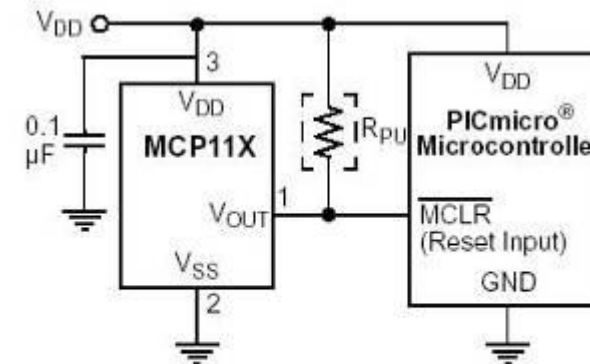
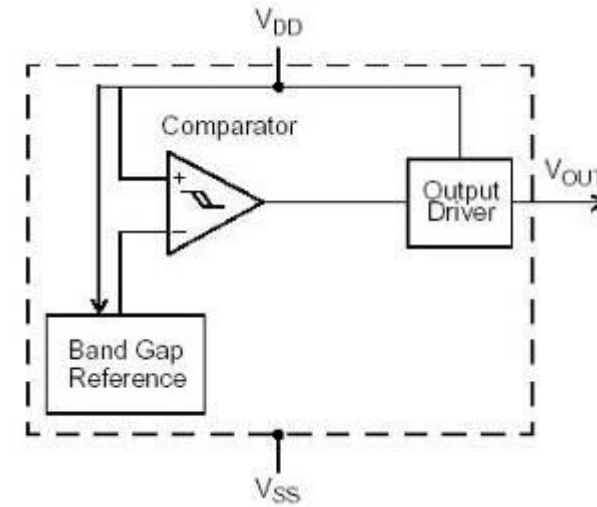
Micropower Voltage Detector



Online
Datasheet

Features:

- Low Supply Current: 1.75 μ A (max.)
- Precision Monitoring Options:
 - 1.90V, 2.32V, 2.63V, 2.90V, 2.93V, 3.08V,
 - 4.38V and 4.63V
- Resets Microcontroller in a Power-loss Event
- Active-low VOUT Pin:
 - MCP111: Active-low, Open-drain
 - MCP112: Active-low, Push-pull
- Temperature Range:
 - -40 $^{\circ}$ C to +125 $^{\circ}$ C (except MCP1xx-195)
 - -40 $^{\circ}$ C to +85 $^{\circ}$ C
- Packages: SC-70, SOT23-3 and TO-92
- Recommended for Automotive Design



Note 1: R_{PU} may be required with the MCP111 due to the open-drain output. Resistor R_{PU} is not required with the MCP112.

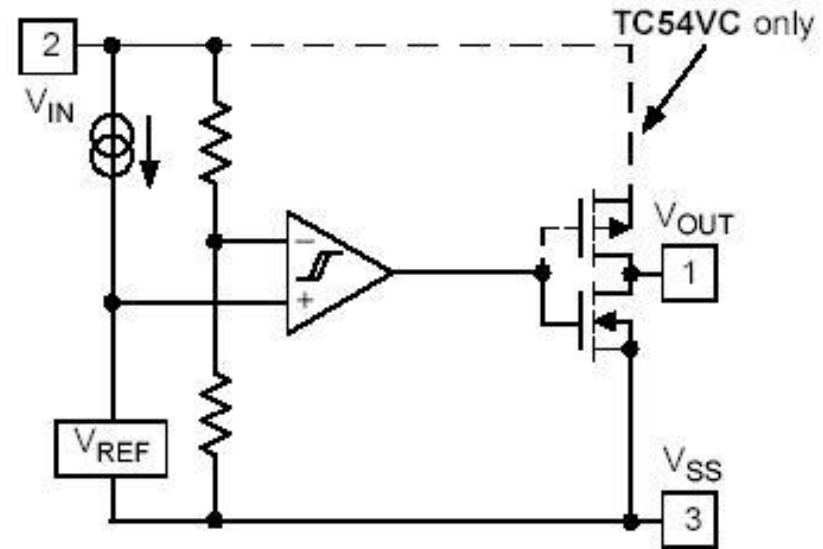
<< BACK



Voltage Detector

Features:

- Precise Detection Thresholds:
- Standard $\pm 2.0\%$, Custom $\pm 1.0\%$
- Small Packages:
 - 3-Pin SOT-23A
 - 3-Pin SOT-89
- Low Current Drain: $1\mu\text{A}$ (typ.)
- Wide Detection Range:
 - 1.1V to 6.0V
- Wide Operating Voltage Range:
 - 0.7V to 10V
- Packages: 3-pin SOT-23A and SOT-89



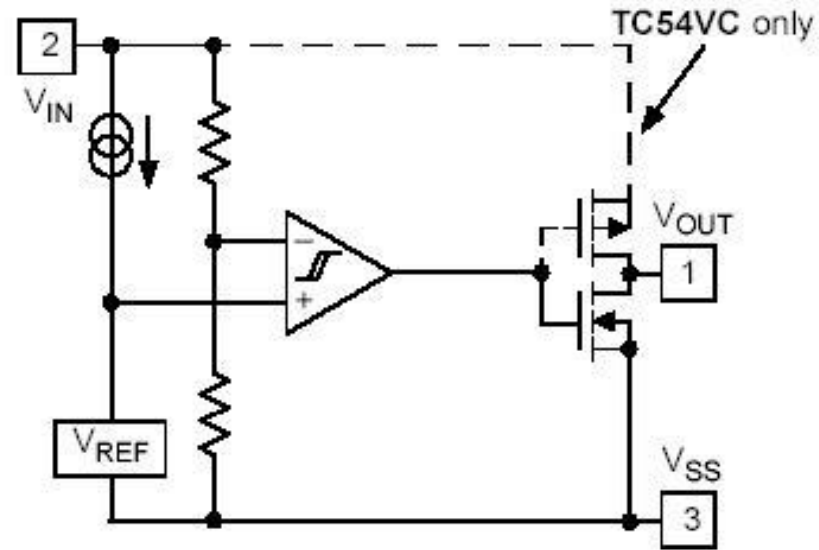
TC54VN has open-drain output.
TC54VC has complementary output.



Voltage Detector

Features:

- Precise Detection Thresholds:
- Standard $\pm 2.0\%$, Custom $\pm 1.0\%$
- Small Packages:
 - 3-Pin SOT-23A
 - 3-Pin SOT-89
- Low Current Drain: $1\mu\text{A}$ (typ.)
- Wide Detection Range:
 - 1.1V to 6.0V
- Wide Operating Voltage Range:
 - 0.7V to 10V
- Packages: 3-pin SOT-23A and SOT-89



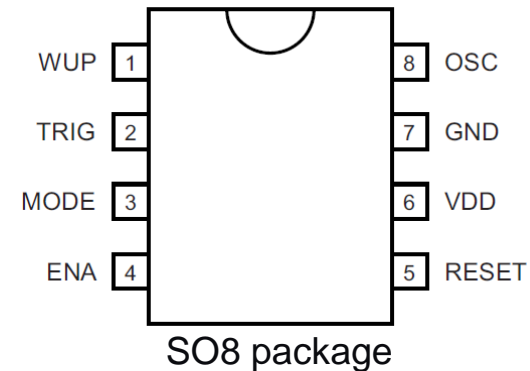
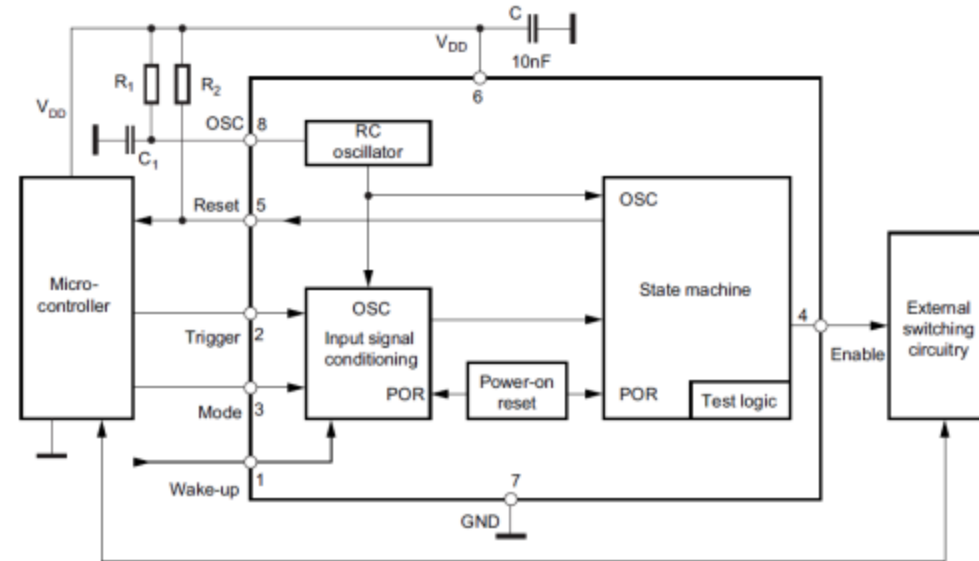
TC54VN has open-drain output.
TC54VC has complementary output.



Digital Window Watchdog Timer

Features:

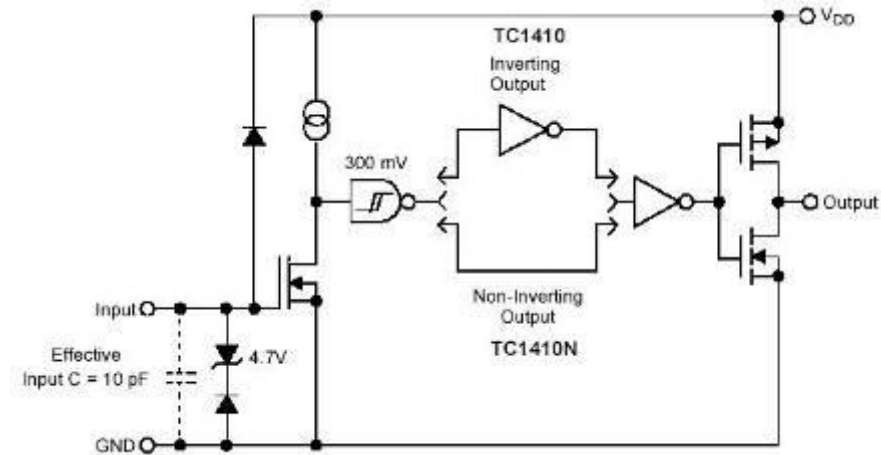
- Low current consumption:
 - $I_{VDD} < 25\mu A$
- RC oscillator
- Internal reset during power-up and –
– supply voltage drops (POR)
- “Short” trigger window for active mode
- “Long” trigger window for sleep mode
- Cyclical wake-up of the microcontroller –
– in sleep mode
- Trigger input
- Single wake-up input
- Reset output
- Enable output
- Qualified according to AEC-Q100



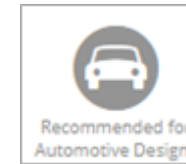
8-Pin SOIC/MSOP/TSSOP/DIP Evaluation Board

Features:

- Latch-Up Protected:
 - Will Withstand 500mA Reverse Current
- Input Will Withstand Negative Inputs Up to 5V
- ESD Protected: 4kV
- High Peak Output Current: 0.5A
- Wide Input Supply Voltage Operating Range:
 - 4.5V to 16V
- High Capacitive Load Drive Capability:
 - 500pF in 25ns (typ.)
- Short Delay Time: 30ns (typ.)
- Consistent Delay Times With Changes in –
 - Supply Voltage
- Matched Delay Times
- Low Supply Current
 - With Logic '1' Input: 500µA
 - With Logic '0' Input: 100µA
- Low Output Impedance: 16Ω
- Pinout Same as TC1411/TC1412/TC1413
- Packages: 8-pin MSOP



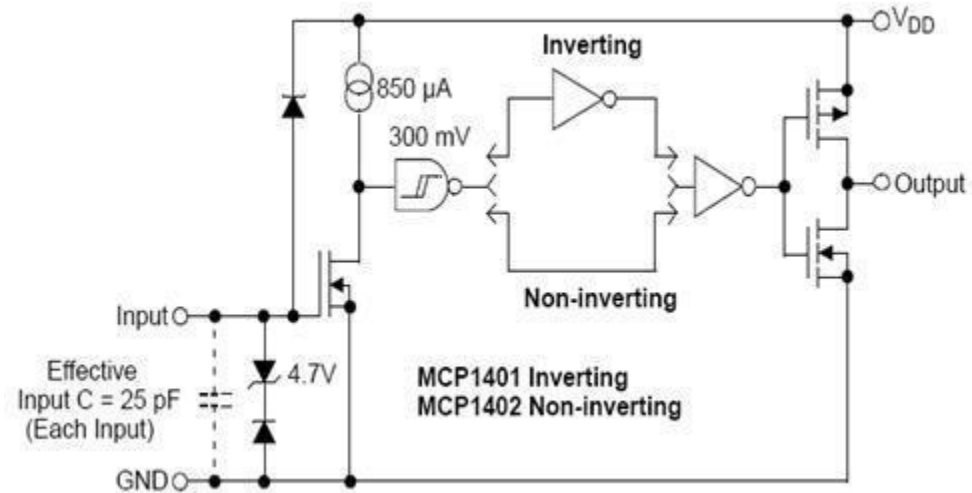
Tiny 500 mA, High-Speed Power MOSFET Driver



Online
Datasheet

Features:

- High Peak Output Current: 500mA (typ.)
- Wide Input Supply Voltage Operating Range:
 - 4.5V to 18V
- Low Shoot-Through/Cross-Conduction –
- Current in Output Stage
- High Capacitive Load Drive Capability:
 - 470pF in 19ns (typ.)
 - 1000pF in 34ns (typ.)
- Short Delay Times: 35ns (typ.)
- Matched Rise/Fall Times
- Low Supply Current:
 - With Logic '1' Input – 0.85mA (typ.)
 - With Logic '0' Input – 0.10mA (typ.)
- Latch-Up Protected: Will Withstand 500mA –
- Reverse Current
- Logic Input Will Withstand Negative Swing –
- Up To 5V
- Packages: 5-Pin SOT-23
- Recommended for Automotive Design (MCP1401)



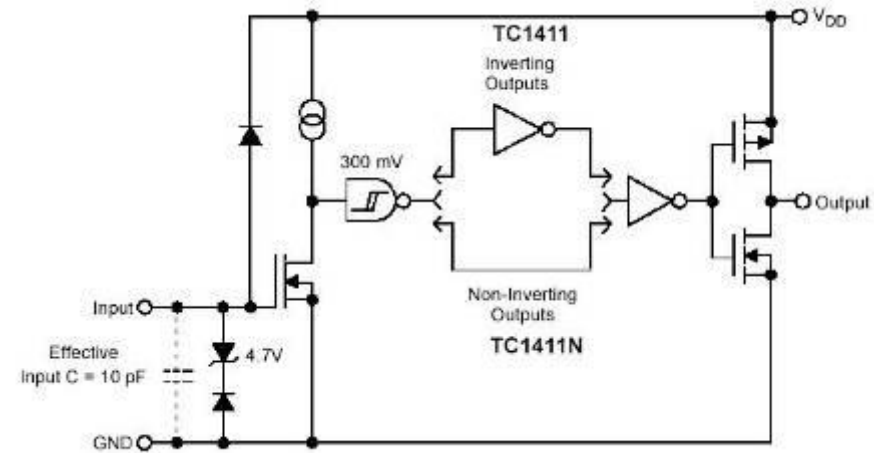
<< BACK



8-Pin SOIC/MSOP/TSSOP/DIP Evaluation Board

Features:

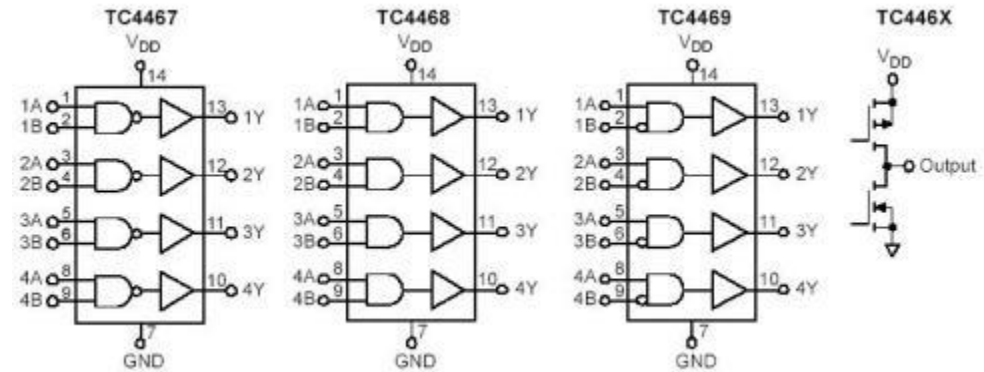
- Latch-Up Protected: Will Withstand 500mA –
– Reverse Current
- Input Will Withstand Negative Inputs Up to 5V
- ESD Protected: 4kV
- High Peak Output Current: 1A
- Wide Input Supply Voltage Operating
 - Range: 4.5V to 16V
- High Capacitive Load Drive Capability:
 - 1000pF in 25ns (typ.)
- Short Delay Time: 30ns (typ.)
- Matched Delay Times
- Low Supply Current
 - With Logic '1' Input: 500 μ A
 - With Logic '0' Input: 100 μ A
- Low Output Impedance: 8 Ω
- Available in Space-Saving 8-pin MSOP Package
- Pinout Same as TC1410/TC1412/TC1413



Logic-Input CMOS Quad Drivers

Features:

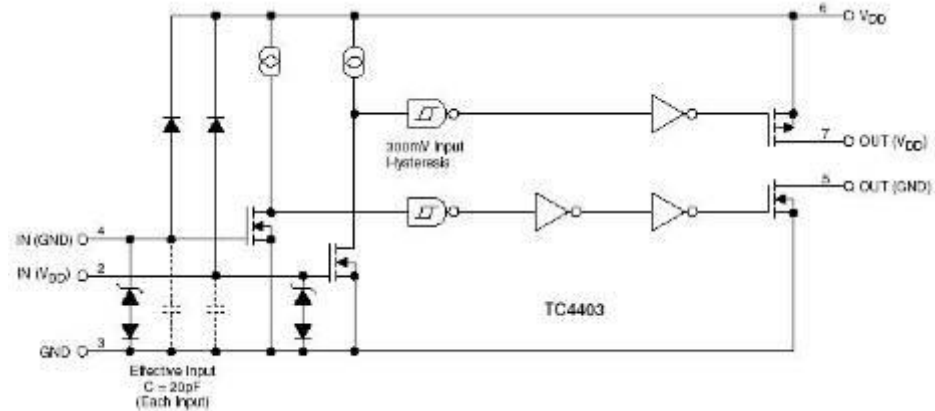
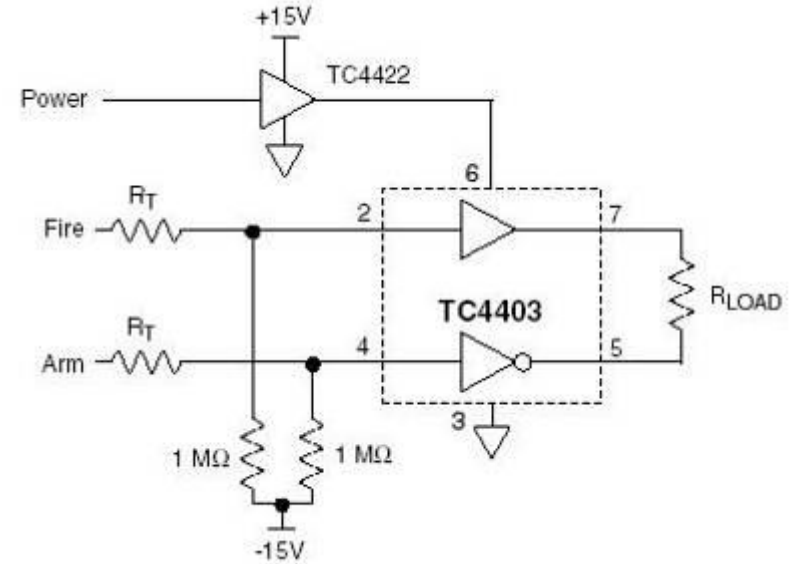
- High Peak Output Current: 1.2A
- Wide Operating Range: 4.5V to 18V
- Symmetrical Rise/Fall Times: 25ns
- Short, Equal Delay Times: 75ns
- Latch-proof. Will Withstand 500mA –
- Inductive Kickback
- 3 Input Logic Choices: AND / NAND / -
- AND + Inv
- ESD Protection on all pins: 2kV



1.5A High-Speed, Floating Load Driver

Features:

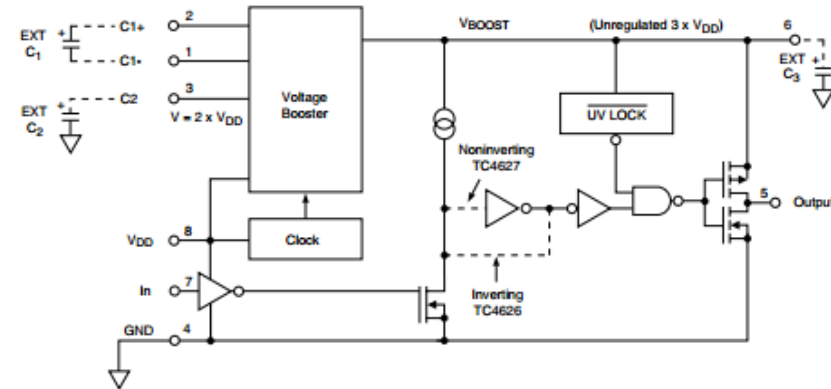
- Low Quiescent Current: 300 μ A (max.)
- Capacitive Inputs With 300mV Hysteresis
- Both Inputs Must Be Driven to Drive Load
- Low Output Leakage
- High Peak Current Capability
- Fast Output Rise Time
- Outputs Individually Testable

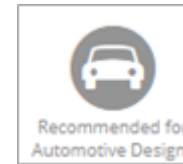


Power CMOS Drivers w/ Voltage Tripler

Features:

- Power Driver With On Board Voltage Booster
- Low I_{DD} : <4mA
- Small Package: 8-Pin PDIP
- Under-Voltage Circuitry
- Fast Rise-Fall Time: <40ns @1000pF
- Below-Rail Input Protection



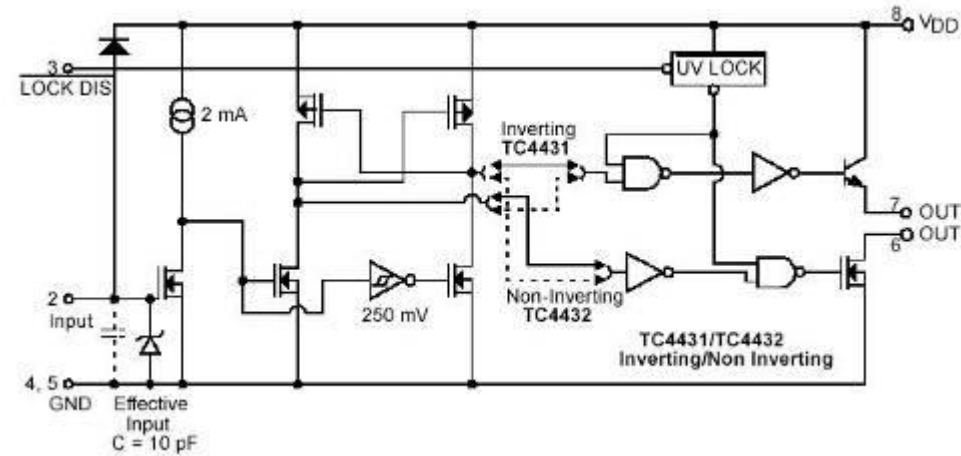


Online
Datasheet

1.5A High-Speed 30V MOSFET Drivers

Features:

- High Peak Output Current: 1.5A
- Wide Operating Range: 4.5V to 30V
- High Capacitive Load Drive –
 - Capability: 1000pF in 25ns
- Short Delay Times: < 78ns (typ.)
- Low Supply Current:
 - With Logic '1' Input: 2.5mA
 - With Logic '0' Input: 300µA
- Low Output Impedance: 7Ω (typ.)
- Latch-Up Protected: Will Withstand -
 - > 300mA Reverse Current
- ESD Protected: 4kV
- Recommended for Automotive Design (TC4431)



<< BACK



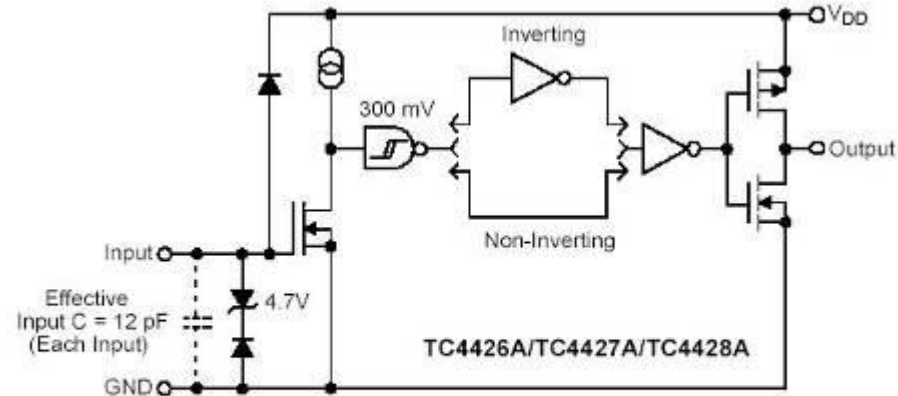


Online
Datasheet

1.5A Dual High-Speed Power MOSFET Drivers

Features:

- High Peak Output Current: 1.5A
- Wide Input Supply Voltage Operating Range:
 - 4.5V to 18V
- High Capacitive Load Drive Capability:
 - 1000pF in 25ns (typ.)
- Short Delay Times: 30ns (typ.)
- Matched Rise, Fall and Delay Times
- Low Supply Current:
 - With Logic '1' Input: 1mA (typ.)
 - With Logic '0' Input: 100µA (typ.)
- Low Output Impedance: 7Ω (typ.)
- Latch-Up Protected: Will Withstand 0.5A –
- Reverse Current
- Input Will Withstand Negative Inputs Up to 5V
- ESD Protected: 4kV
- Pin-compatible with TC426/27/28 and -
- TC4426/27/28
- 8-Pin MSOP and 8-Pin 6x5 DFN Packages
- Recommended for Automotive Design (TC4426A/27/28)



Note 1: TC4426A has two inverting drivers; TC4427A has two non-inverting drivers; TC4428A has one inverting and one non-inverting driver.

2: Ground any unused driver input.

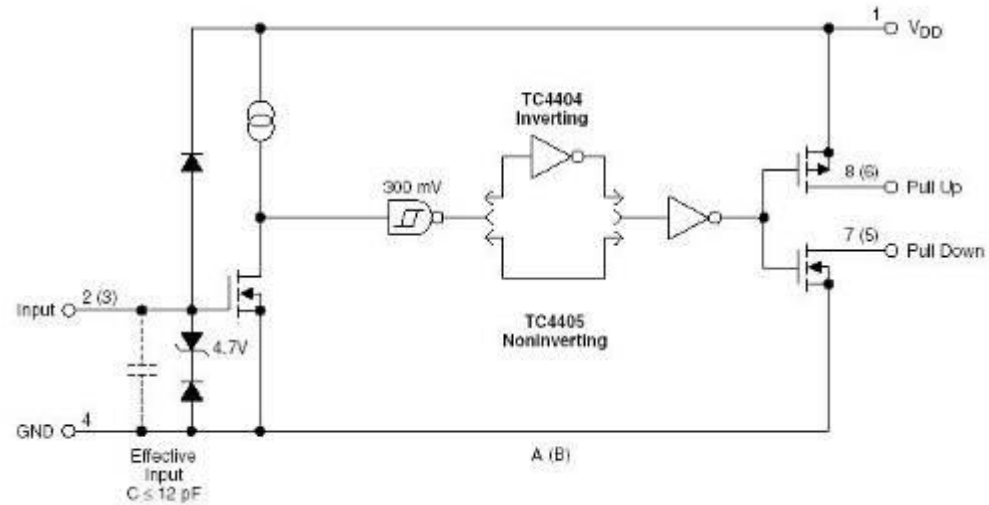
<< BACK



1.5A Dual Open-Drain MOSFET Drivers

Features:

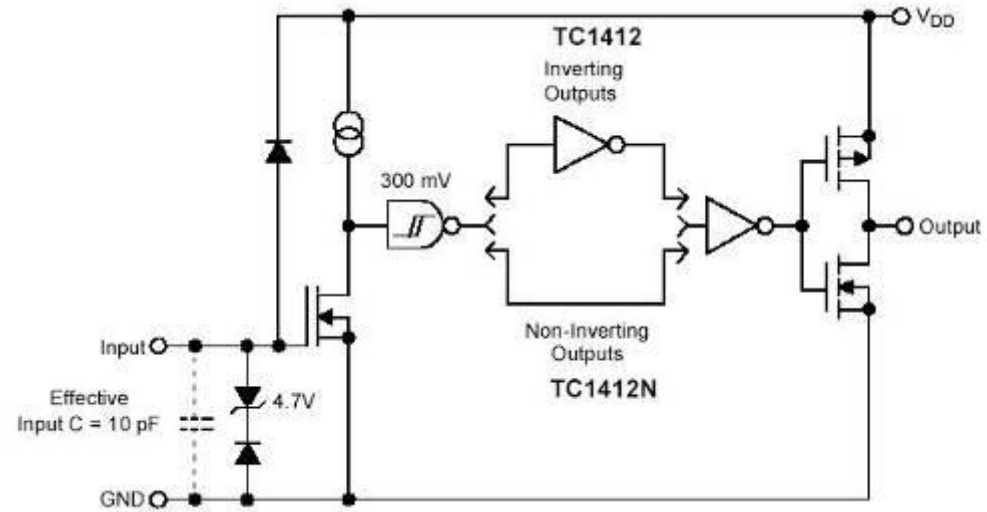
- Independently-Programmable Rise – and Fall Times
- Low Output Impedance: 7Ω (typ.)
- High Speed t_R, t_F :
 - $< 30\text{ns}$ with 1000pF Load
- Short Delay Times: $< 30\text{ns}$
- Wide Operating Range: 4.5V to 18V
- Latch-Up Protected:
 - Will Withstand $> 500\text{mA}$
 - Reverse Current (Either Polarity)
- Input Withstands Negative Swings – Up to -5V



2A High-Speed MOSFET Drivers

Features:

- High Peak Output Current: 2A
- Latch-Up Protected: Will Withstand –
 - 500mA Reverse Current
- Input Will Withstand Negative –
 - Inputs Up to 5V
- ESD Protected: 4kV
- Wide Operating Range: 4.5V to 16V
- High Capacitive Load Drive Capability:
 - 1000pF in 18ns
- Short Delay Time: 35ns (typ.)
- Matched Delay Times
- Low Supply Current:
 - With Logic '1' Input: 500µA (typ.)
 - With Logic '0' Input: 100µA (typ.)
- Low Output Impedance: 4Ω (typ.)
- Pinout Same as TC1410/11/13
- Space Saving 8-Pin MSOP Package

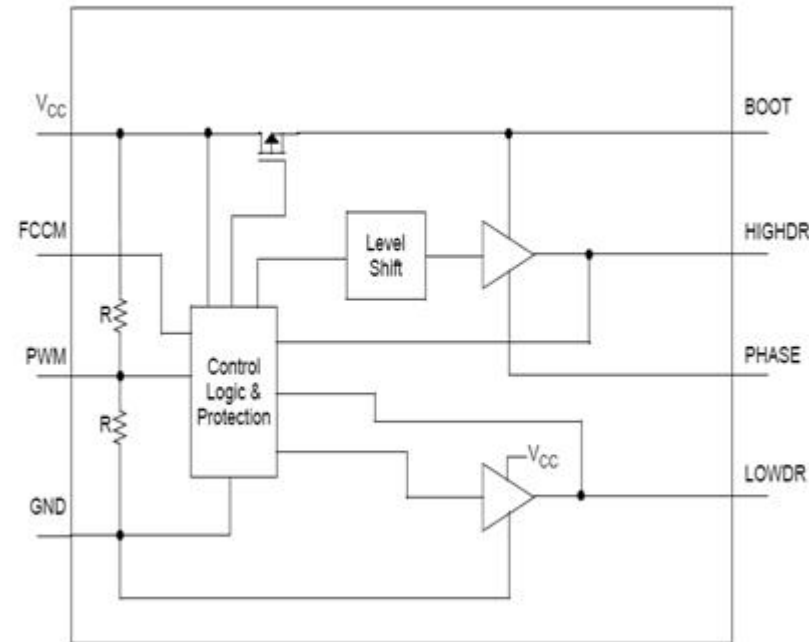


2A Synchronous Buck Power MOSFET Driver

Features:

- Dual Output MOSFET Driver for –
– Synchronous Applications
- High Peak Output Current: 2A (typ.)
- Adaptive Cross Conduction Protection
- Internal Bootstrap Blocking Device
- +36V BOOT Pin Maximum Rating
- Enhanced Light Load Efficiency Mode
- Low Supply Current: 80 μ A (typ.)
- High Capacitive Load Drive Capability:
 - 3300pF in 10ns (typ.)
- Tri-State PWM Pin for Power Stage Shutdown
- Input Voltage Under voltage Lockout Protection
- Space Saving Packages:
 - 8-Lead SOIC, 8-Lead 3x3 DFN

Functional Block Diagram

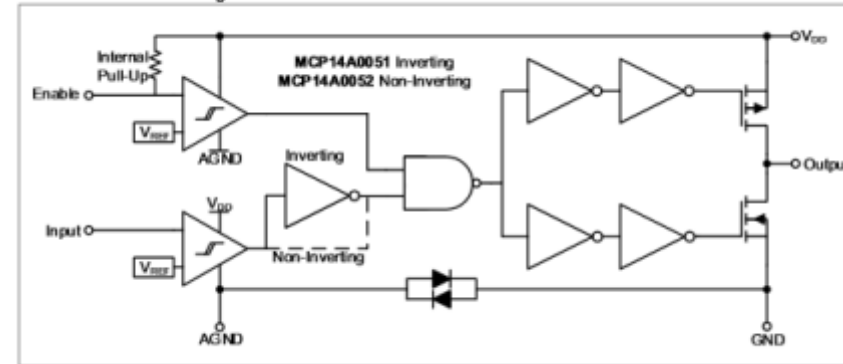


0.5A MOSFET Driver with Low Threshold Input And Enable

Features:

- Peak Output Current: 0.5 A (typical)
- Wide Supply Voltage Range: 4.5 V to 18 V
- Low Shoot-Through/Cross-Conduction –
– Current in Output Stage
- High Capacitive Load Drive Capability:
 - 1000 pF in 40 ns (typ.)
 - Short Delay: 33 ns (t_{D1}), 24 ns (t_{D2}) (typ.)
- Low Supply Current: 375 μ A (typ.)
- Low Voltage Threshold Input and Enable
 - Hysteresis: 1.2 to 1.6 V
- Latch-Up Protected:
 - Withstands 500 mA Reverse Current
- Small Packages: 6-lead SOT-23 and 2x2 DFN

Functional Block Diagram

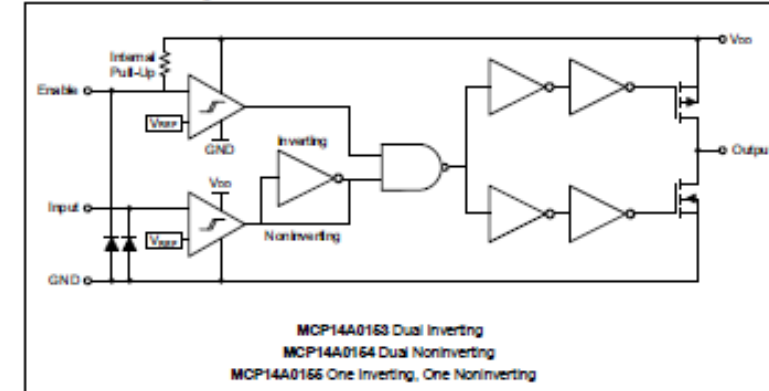


1.5A Dual MOSFET Driver with Low Threshold Input and Enable

Features:

- High Peak Output Current:
 - 1.5A (typical)
- Wide Input Supply Voltage Operating Range:
 - 4.5V to 18V
- Low Shoot-Through/Cross-Conduction –
– Current in Output Stage
- High Capacitive Load Drive Capability:
 - 1000 pF in 11.5 ns (typical)
- Short Delay Times: 25 ns (t_{D1}), 24 ns (t_{D2}) –
– (typical)
- Low Supply Current: 750 μ A (typical)
- Low-Voltage Threshold Input and Enable –
– with Hysteresis
- Latch-Up Protected: Withstands 500 mA –
– Reverse Current
- Space-Saving Packages:
 - 8-Lead MSOP
 - 8-Lead SOIC
 - 8-Lead 2x3 TDFN

Functional Block Diagram



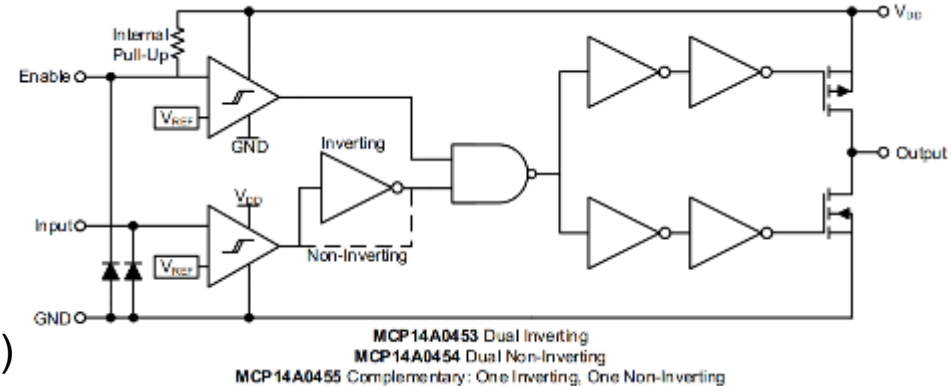
MCP14A0453/4/5

Online
Datasheet

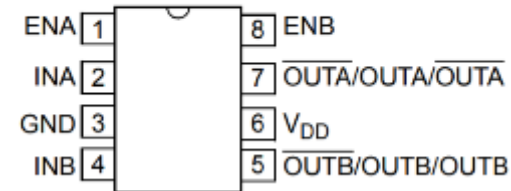
4.5A Dual MOSFET Driver with Low Threshold Input and Enable

Features:

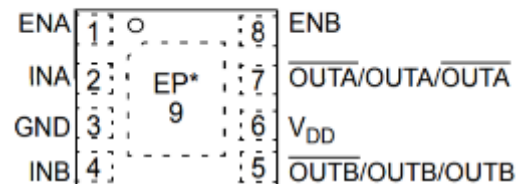
- Peak Output Current: 4.5 A
- Wide Supply Voltage Range: 4.5 V to 18 V
- Low Shoot-Through / Cross-Conduction Current in Output Stage
- High Capacitive Load Drive Capability:
 - 2200 pF in 12 ns, (t_r and t_f , typ.)
 - Short Delay: 16 ns (t_{D1}), 19 ns (t_{D2} , typ.)
- Low Supply Current: 620 μ A (typ.)
- Low Voltage Threshold Input and Enable, with hysteresis, for use with low-voltage MCUs
 - 1.3 V to 1.6 V
- Latch-Up Protected:
 - Withstands 500 mA Reverse Current
- Small Packages:
 - 8- Lead MSOP
 - 8- Lead SOIC
 - 8- Lead 2x3 TDFN



MCP14A0453/4/5 MSOP/SOIC



MCP14A0453/4/5 2 x 3 TDFN*



<< BACK

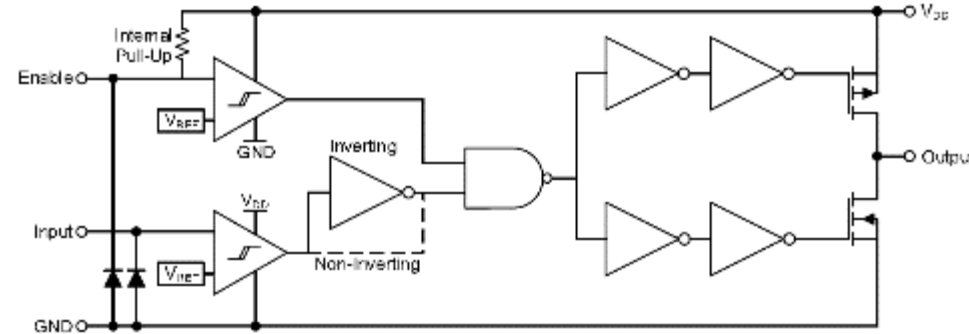
MCP14A0303/4/5

3.0A Dual MOSFET Driver with Low Threshold Input and Enable

[Online Datasheet](#)

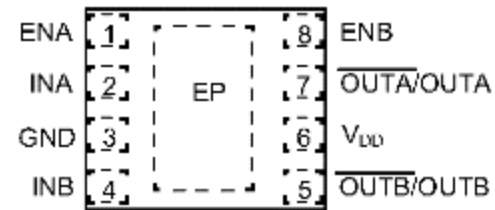
Features:

- Peak Output Current: 3.0 A
- Wide Supply Voltage Range: 4.5 V to 18 V
- Low Shoot-Through / Cross-Conduction Current in Output Stage
- High Capacitive Load Drive Capability:
 - 1800 pF in 12 ns, (t_r and t_f , typ.)
 - Short Delay: 17 ns (t_{D1}), 21 ns (t_{D2} , typ.)
- Low Supply Current: 620 μ A (typ.)
- Low Voltage Threshold Input and Enable, with hysteresis, for use with low-voltage MCUs
 - 1.3 V to 1.6 V
- Latch-Up Protected:
 - Withstands 500 mA Reverse Current
- Small Packages:
 - 8- Lead MSOP
 - 8- Lead SOIC
 - 8- Lead 2x3 TDFN

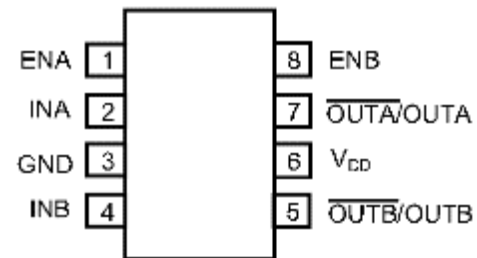


MCP14A0303/4/5

2 x 3 TDFN*



8-pin MSOP/SOIC



[<< BACK](#)

MCP14A0301/2

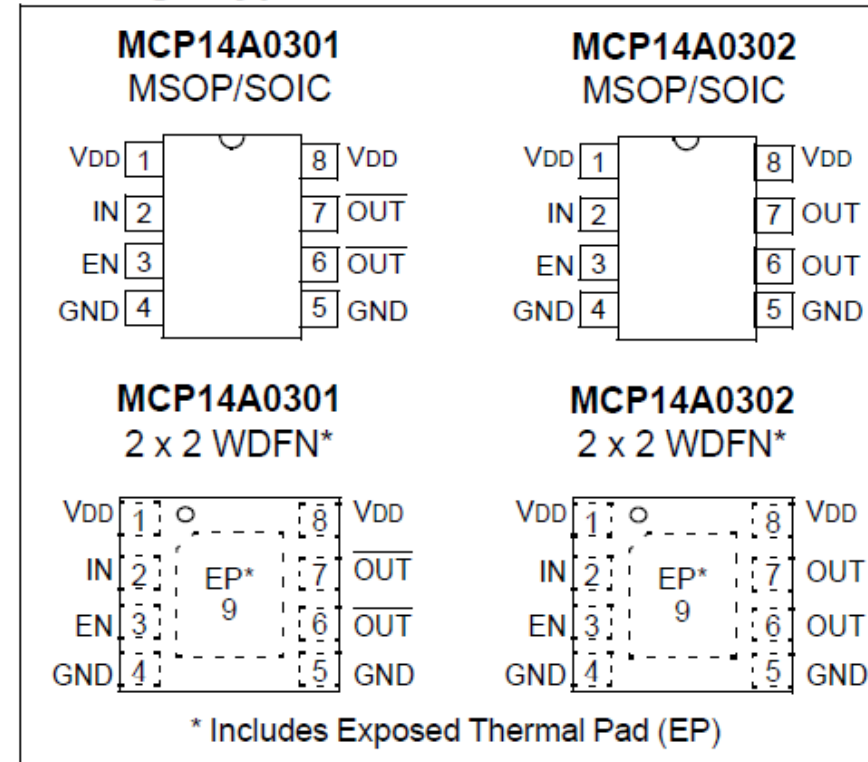
Online
Datasheet

3A MOSFET Driver with Low Threshold Input and Enable

Features:

- Peak Output Current: 3.0 A (typical)
- Wide Supply Voltage Range: 4.5 V to 18 V
- Low Shoot-Through/Cross-Conduction –
– Current in Output Stage
- High Capacitive Load Drive Capability:
 - 1800 pF in 13 ns (typ.)
 - Short Delay: 15 ns (tD1), 18 ns (tD2) –
– (typ.)
- Low Supply Current: 360 μ A (typ.)
- Low Voltage Threshold Input and Enable with Hysteresis
- Latch-Up Protected:
 - Withstands 500 mA Reverse Current
- Small Packages:
 - 8- Lead MSOP
 - 8- Lead SOIC
 - 8- Lead 2x2 WDFN

Package Types



<< BACK

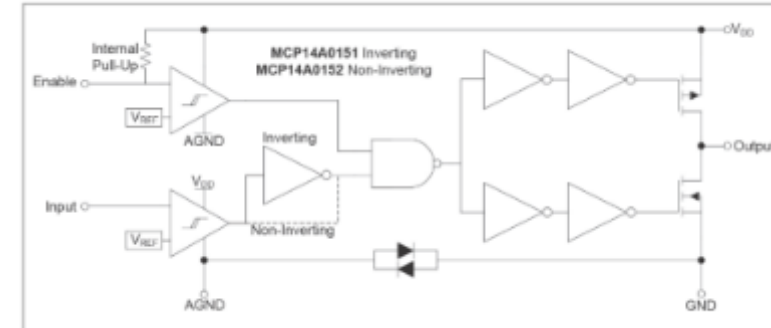


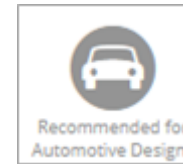
1.5A MOSFET Driver with Low Threshold Input And Enable

Features:

- Peak Output Current: 1.5 A (typical)
- Wide Supply Voltage Range: 4.5 V to 18 V
- Low Shoot-Through/Cross-Conduction Current – in Output Stage
- High Capacitive Load Drive Capability:
 - 1000 pF in 11.5 ns (typ.)
 - Short Delay: 33 ns (t_{D1}), 24 ns (t_{D2}) (typ.)
- Low Supply Current: 375 μ A (typ.)
- Low Voltage Threshold Input and Enable
 - Hysteresis: 1.2 to 1.6 V
- Latch-Up Protected:
 - Withstands 500 mA Reverse Current
- Small Packages: 6-lead SOT-23 and 2x2 DFN

Functional Block Diagram





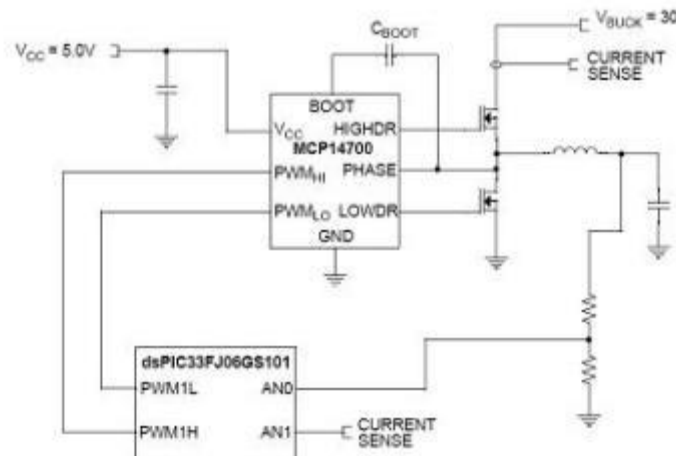
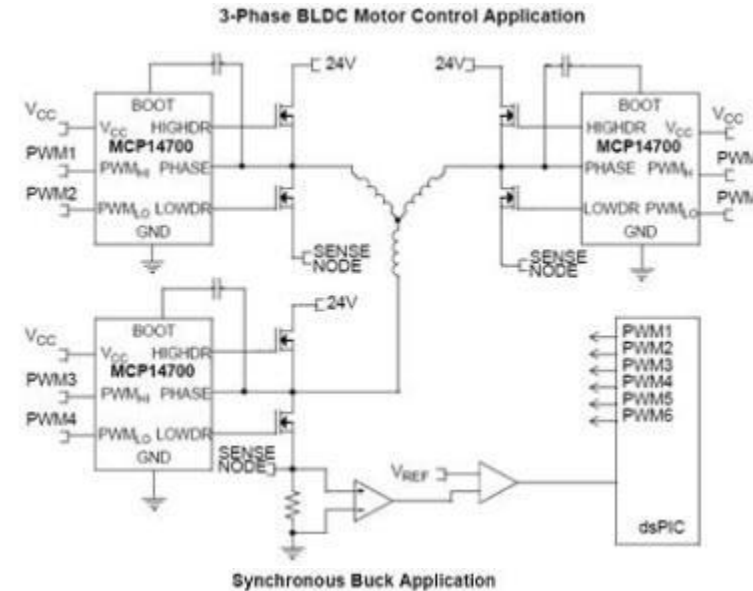
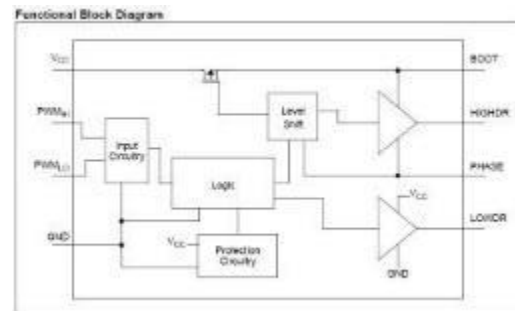
Recommended for
Automotive Designs

Online
Datasheet

Dual Input Synchronous MOSFET Driver

Features:

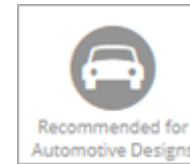
- Independent PWM Input Control for –
 - High-Side and Low-Side Gate Drive
- Logic Level Threshold 3.0V TTL Compatible
- Dual Output MOSFET Drive for Synchronous Applications
- High Peak Output Current: 2A (typ.)
- Internal Bootstrap Blocking Device
- +36V BOOT Pin Maximum Rating
- Low Supply Current: 45 μ A (typ.)
- High Capacitive Load Drive Capability:
 - 3300pF in 10.0ns (typ.)
- Under voltage Lockout Protection
- Over temperature Protection
- Packages: 8-Lead SOIC, 8-Lead 3x3 DFN
- Recommended for Automotive Design



<< BACK



Dual Input Synchronous MOSFET Driver

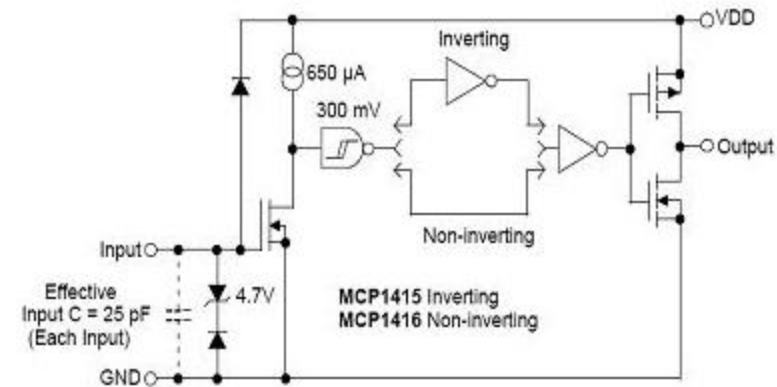


Online
Datasheet

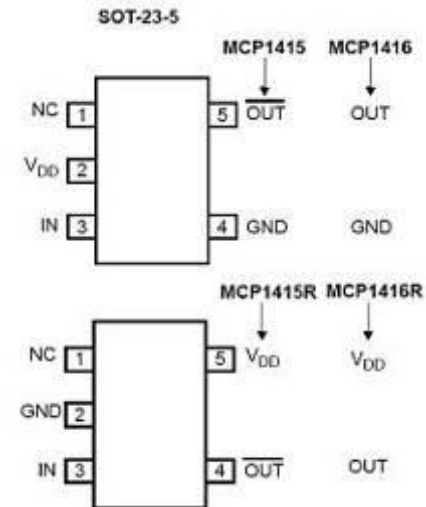
Features:

- High Peak Output Current:
 - 1.5A (typ.)
- Wide Input Supply Voltage Operating Range:
 - 4.5V to 18V
- Low Shoot-Through/Cross-Conduction -
- Current in Output Stage
- High Capacitive Load Drive Capability:
 - 470pF in 13ns (typ.)
 - 1000pF in 20ns (typ.)
- Short Delay Times: 41ns (t_{D1}), 48ns (t_{D2}), (typ.)
- Low Supply Current:
 - With Logic '1' Input: 0.65mA (typ.)
 - With Logic '0' Input: 0.1mA (typ.)
- Latch-Up Protected: Will Withstand 500mA –
- Reverse Current
- Logic Input Withstands Negative Swing up to 5V
- Space-saving 5-SOT-23 Package
- Recommended for Automotive Design

Functional Block Diagram



Note: Unused inputs should be grounded.



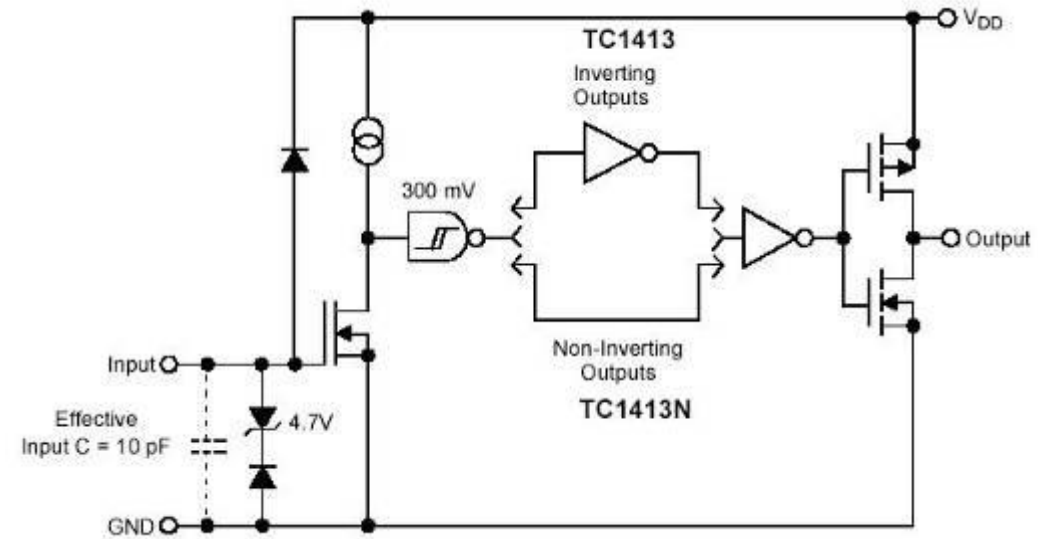
<< BACK



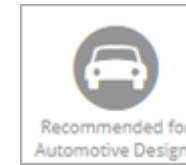
3A High-Speed MOSFET Drivers

Features:

- High Peak Output Current: 3A
- Latch-Up Protected: Will Withstand –
 - 500mA Reverse Current
- Input Will Withstand Negative Inputs –
 - Up to 5V
- ESD Protected: 4kV
- Wide Operating Range: 4.5V to 16V
- High Capacitive Load Drive Capability:
 - 1800pF in 20ns
- Short Delay Time: 35ns (typ.)
- Matched Delay Times
- Low Supply Current:
 - With Logic '1' Input: 500μA
 - With Logic '0' Input: 100μA
- Low Output Impedance: 2.7Ω
- Pinout Same as TC1410/11/12
- Space Saving 8-Pin MSOP Package



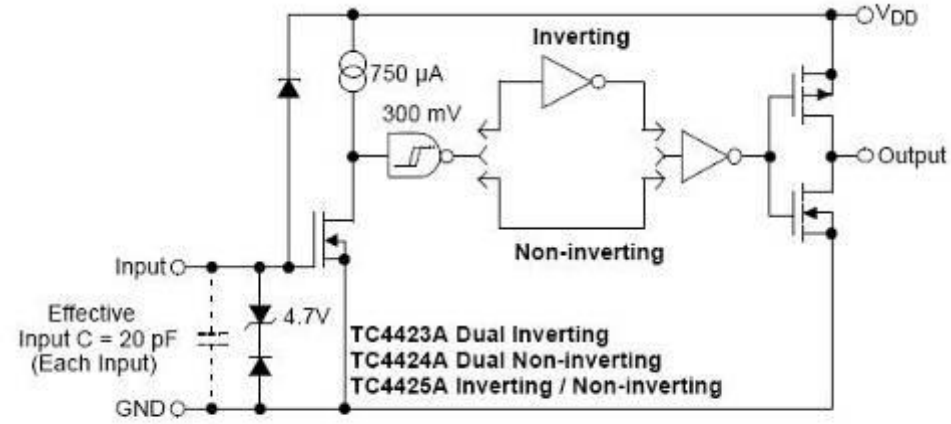
3A Dual High-Speed Power MOSFET Drivers



Online
Datasheet

Features:

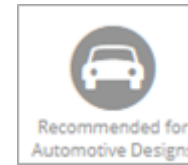
- High Peak Output Current: 4.5A
- Wide Input Supply Voltage Operating –
- Range: 4.5V to 18V
- High Capacitive Load Drive Capability:
 - 1800pF in 12ns
- Short Delay Times: 40ns (typ.)
- Matched Rise/Fall Times
- Low Supply Current:
 - With Logic '1' Input: 1.0mA (max.)
 - With Logic '0' Input: 150 μ A (max.)
- Low Output Impedance: 2.5 Ω (typ.)
- Latch-up protected: will withstand –
- 1.5A reverse current
- Logic input will withstand negative –
- swing up to 5V
- Pin compatible with the TC4423/24/25 –
and TC4426A/27A/28A
- Packages: 8-Pin SOIC, 8-Pin 6x5 DFN
- Recommended for Automotive Design (TC4424A)



Note 1: Unused inputs should be grounded.

<< BACK



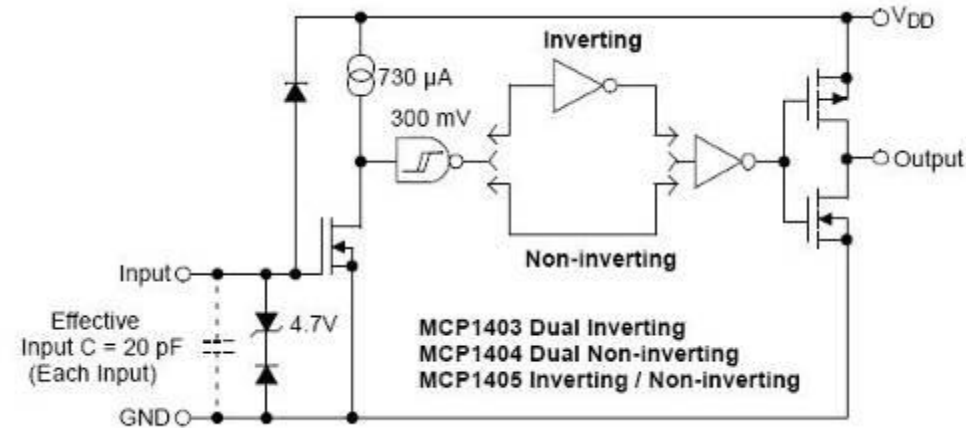


Online
Datasheet

4.5A Dual High-Speed Power MOSFET Drivers

Features:

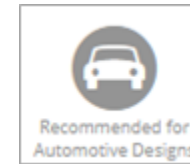
- High Peak Output Current: 4.5A
- Wide Input Supply Voltage Operating –
- Range: 4.5V to 18V
- High Capacitive Load Drive Capability:
 - 2200pF in 15ns
- Short Delay Times: 40ns (typ.)
- Low Supply Current:
 - With Logic '1' Input: 1.0mA (max.)
 - With Logic '0' Input: 150 μ A (max.)
- Latch-Up Protected: Will Withstand 1.5A
- Reverse Current
- Logic Input Will Withstand Negative
- Swing up to 5V
- Packages: 8-Pin SOIC, PDIP, 6x5 DFN, and 16-Pin SOIC
- Recommended for Automotive Design (MCP1404/5)



<< BACK



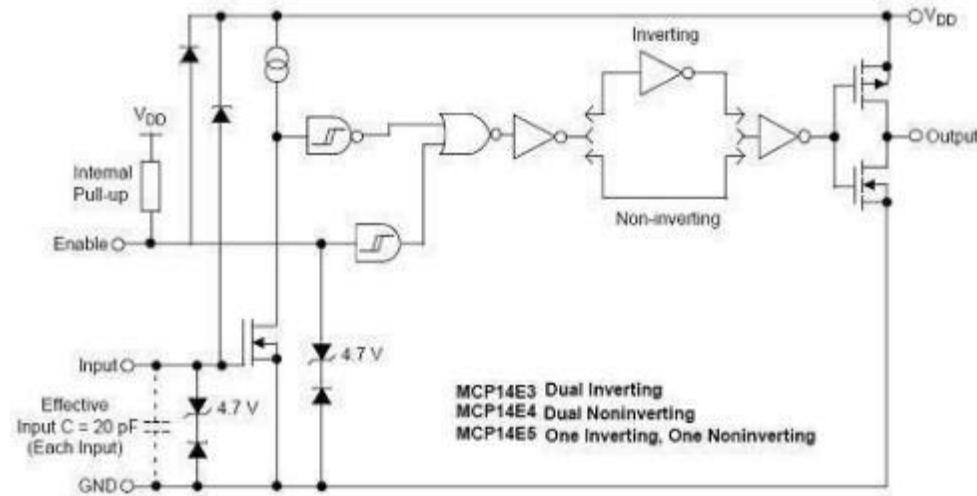
4.0A Dual High-Speed Power MOSFET Drivers With Enable



Online
Datasheet

Features:

- High Peak Output Current: 4.0A
- Independent Enable Function for –
 - Each Driver Output
- Low Shoot-Through/Cross –
 - Conduction Current in Output –
 - Stage
- Wide Input Supply Voltage –
 - Operating Range: 4.5V to 18V
- High Capacitive Load Drive Capability:
 - 2200pF in 15ns (typ.)
 - 5600pF in 26ns (typ.)
- Short Delay Times: 50ns (typ.)
- Latch-Up Protected: Will Withstand –
 - 1.5A Reverse Current
- Logic Input Will Withstand Negative –
 - Swing Up To 5V
- Packages: 8-Pin 6x5 DFN, PDIP, SOIC
- Recommended for Automotive Design (MCP14E4)



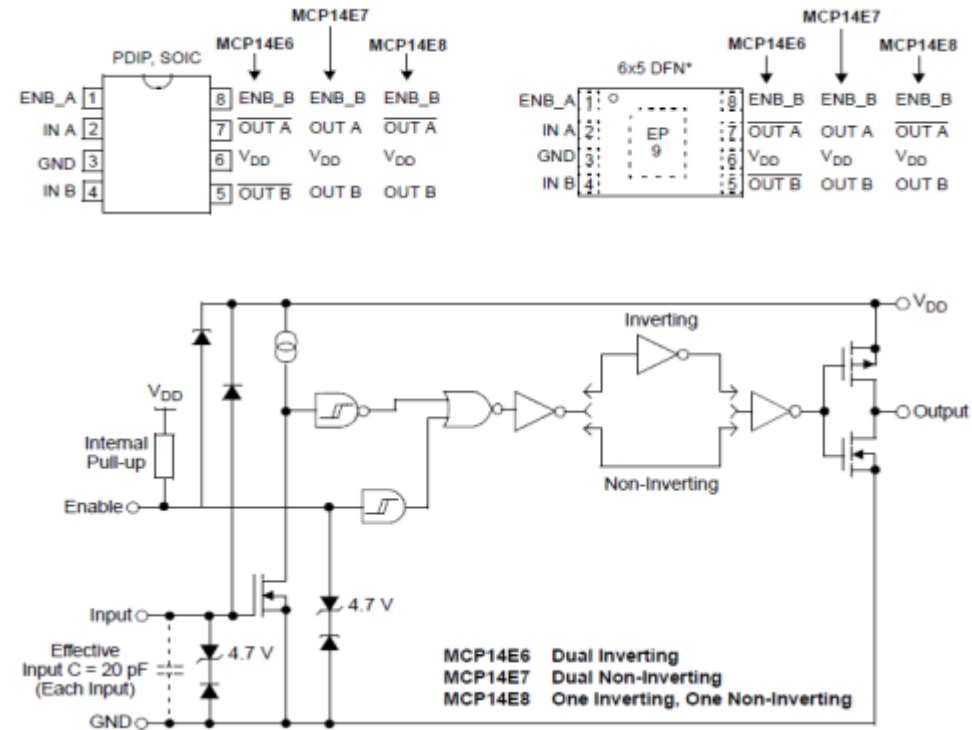
<< BACK



2.0A Dual High-Speed Power MOSFET Driver With Enable

Features:

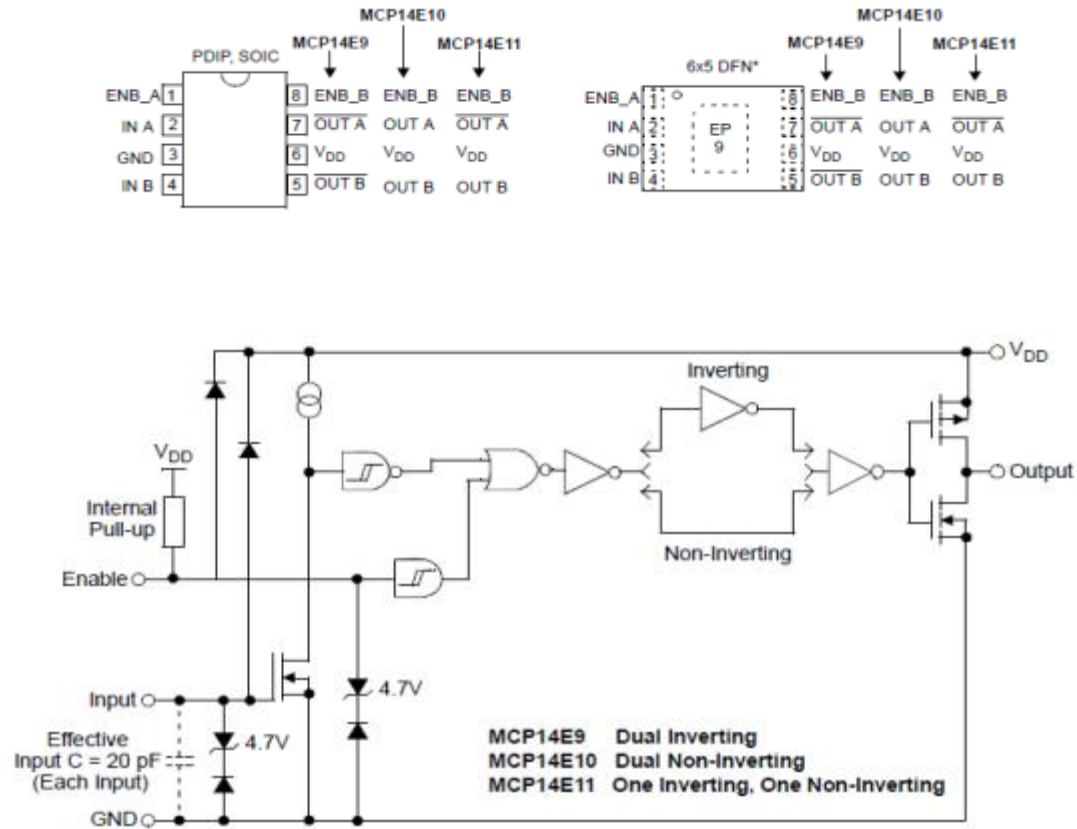
- High peak output Current: 2A (typ.)
- Dual Outputs:
 - Dual inverting: MCP14E6
 - Dual non-inverting: MCP14E7
 - Complementary outputs: MCP14E8
- Enable Function for each Driver
- Low Shoot-Through/Cross-Conduction –
- Current in output Stage
- Wide Input Operating Range: 4.5v to 18V
- High Capacitive Load drive Capability:
 - - 1000 pF in 15 nsec (typ.)
- Short Delay Times: 45 nsec (typ.)
- Latch-up Protected Passed JEDEC –
- JESD78A
- Input are TTL/CMOS compatible and –
- will withstand negative swings up to 5V
- ESD Protected: 4kV
- Packages: 8-Pin 6x5 DFN, PDIP, SOIC



3.0A Dual High-Speed Power MOSFET Driver With Enable

Features:

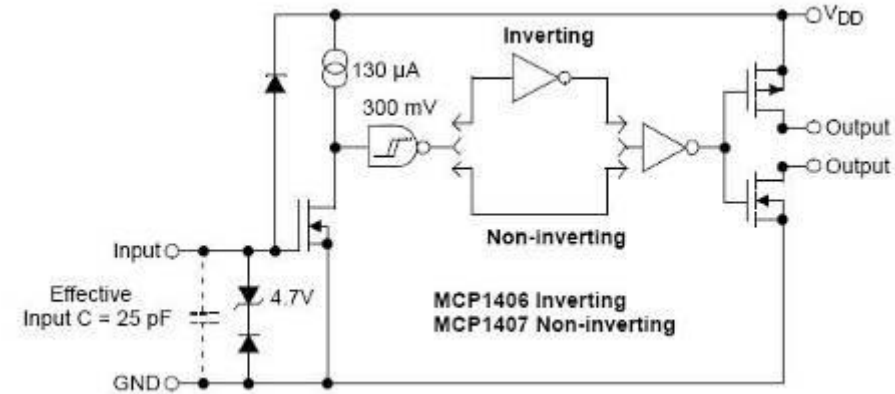
- High peak output Current: 3A (typ.)
- Dual Outputs (E9/10/11):
 - Dual inverting: MCP14E9
 - Dual non-inverting: MCP14E10
 - Complementary outputs: MCP14E11
- Enable Function for each Driver
- Low Shoot-Through/Cross-Conduction -
- Current Wide Input Operating Range:
 - 4.5v to 18V
- High Capacitive Load drive Capability:
 - 1800 pF in 17 nsec (typ.)
- Short Delay Times: 45 nsec (typ.)
- Latch-up Protected Passed JEDEC –
- JESD78A
- Input are TTL/CMOS compatible –
- and will withstand negative swings –
- Up To 5V
- ESD Protected: 4kV
- Packages: 8-Pin 6x5 DFN, PDIP, SOIC



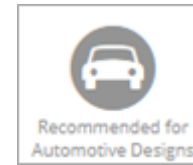
6A High-Speed Power MOSFET Drivers

Features:

- High Peak Output Current: 6.0A (typ.)
- Wide Input Supply Voltage Operating Range:
 - 4.5V to 18V
- High Capacitive Load Drive Capability:
 - 2500pF in 20ns
 - 6800pF in 40ns
- Short Delay Times: 40ns (typ.)
- Matched Rise/Fall Times
- Low Supply Current:
 - With Logic '1' Input: 130 μ A (typ.)
 - With Logic '0' Input: 35 μ A (typ.)
- Latch-Up Protected: Will Withstand 1.5A
- Reverse Current
- Logic Input Will Withstand Negative –
 - Swing up to 5V
- Pin compatible with the TC4420/TC4429
- Packages: 8-Pin SOIC, PDIP and 6x5 DFN



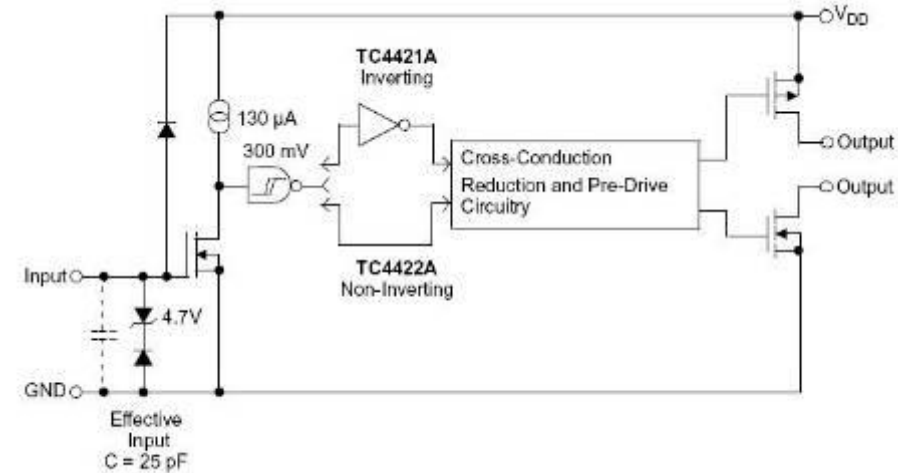
9A High-Speed MOSFET Drivers



Online
Datasheet

Features:

- High Peak Output Current: 9A
- Wide Input Supply Voltage Operating Range:
 - 4.5V to 18V
- High Continuous Output Current: 2A (max.)
- Fast Rise and Fall Times:
 - 30ns with 4,700pF Load
 - 180ns with 47,000pF Load
- Short Propagation Delays: 30ns (typ.)
- Low Supply Current:
 - With Logic '1' Input: 200 μ A (typ.)
 - With Logic '0' Input: 55 μ A (typ.)
- Low Output Impedance: 1.4 Ω (typ.)
- Latch-Up Protected: Will Withstand 1.5A
 - Output Reverse Current
- Input Will Withstand Negative Inputs up to 5V
- Pin-Compatible with the TC4420/TC4429
- Space-saving 8-Pin 6x5 DFN Package
- Recommended for Automotive Design



<< BACK



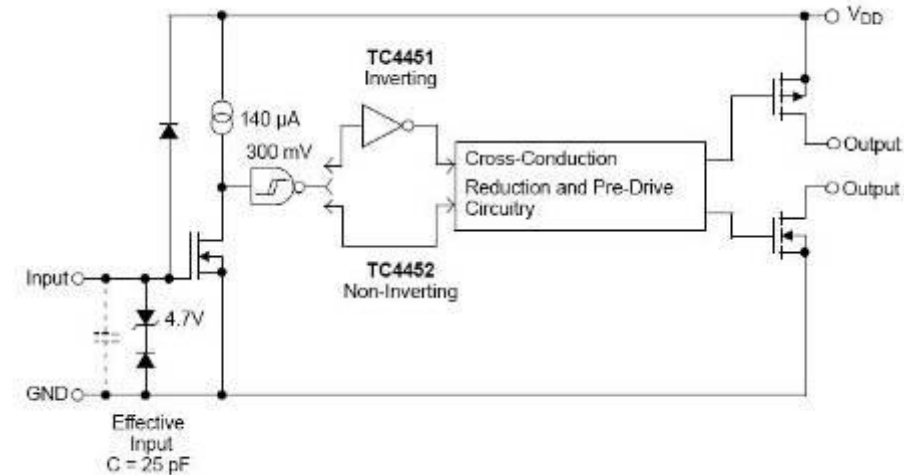
TC4451/4452



12A High-Speed MOSFET Drivers

Features:

- High Peak Output Current: 13A (typ.)
- Wide Input Supply Voltage Operating Range:
 - 4.5V to 18V
- High Continuous Output Current:
 - 2.6A (max.)
- Matched Fast Rise and Fall Times:
 - 21ns with 10,000 pF Load
 - 42ns with 22,000 pF Load
- Matched Propagation Delays: 44ns (typ.)
- Low Supply Current:
 - With Logic '1' Input: 140 μ A (typ.)
 - With Logic '0' Input: 40 μ A (typ.)
- Low Output Impedance: 0.9 Ω (typ.)
- Latch-Up Protected: Will Withstand 1.5A –
 - - Output Reverse Current
- Input Will Withstand Negative Inputs up to 5V
 - - TC4421/TC4422 and TC4421A/TC4422A
- Space-Saving, Thermally-Enhanced, - 8-Pin DFN Package
- Recommended for Automotive Design (TC4451)

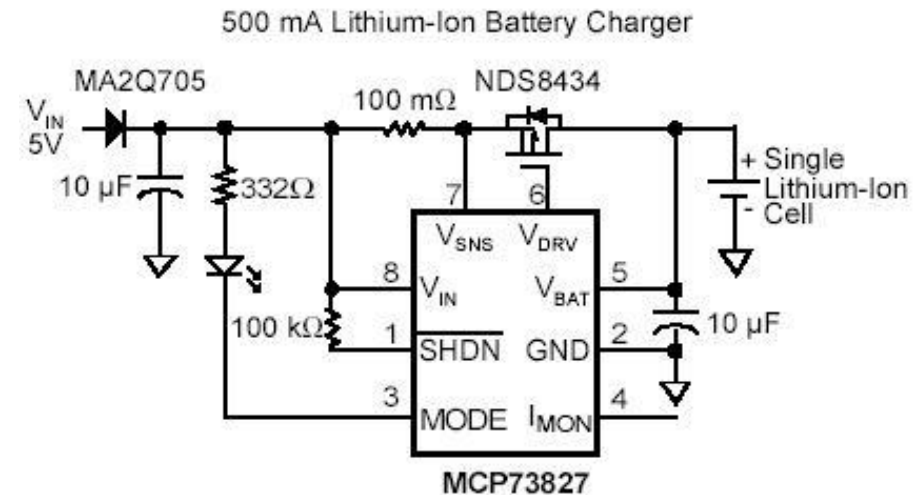


MCP73827

Single Cell Lithium-Ion Charge Management Controller with Mode Indicator and Charge Current Monitor

Features:

- Linear Charge Management Controller for Single Lithium-Ion Cells
- High Accuracy Preset Voltage Regulation: $\pm 1\%$ (max.)
- Two Preset Voltage Regulation Options:
 - 4.1V, MCP73827-4.1
 - 4.2V, MCP73827-4.2
- Programmable Charge Current
- Automatic Cell Preconditioning of Deeply Depleted Cells
- Minimizes Heat Dissipation in Initial Charge
- Charge Status Output for LED Drive or MCU
- Charge Current Monitor Output
- Automatic Power-Down when Input Power Removed
- Temperature Range: -20°C to $+85^{\circ}\text{C}$
- Packaging: 8-Pin MSOP

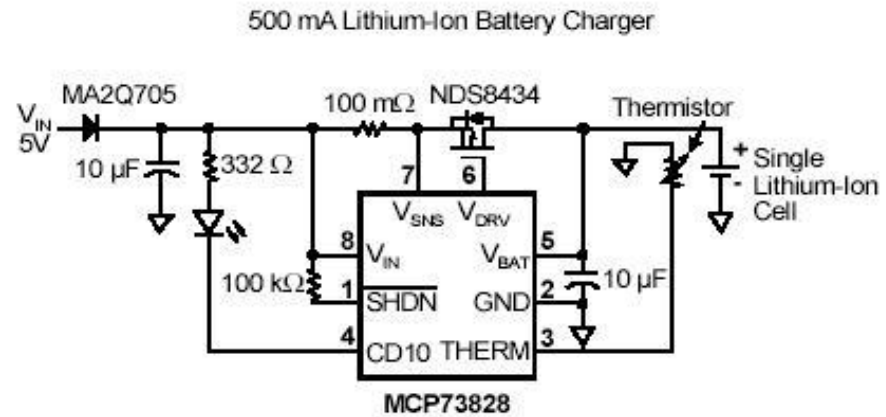


MCP73828

Single Cell Lithium-Ion Charge Management Controller with Charge Complete Indicator and Temperature Monitor

Features:

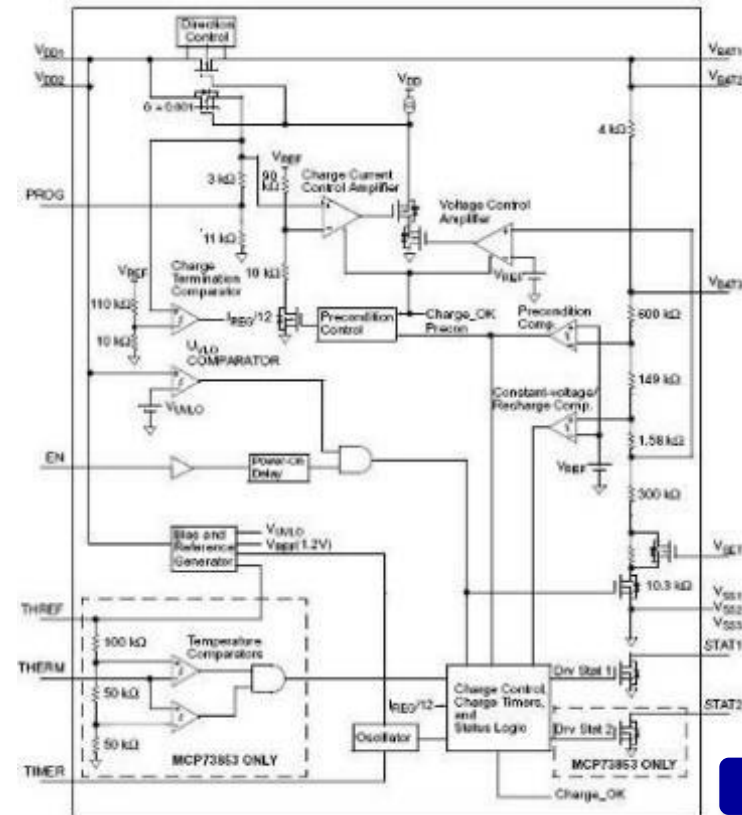
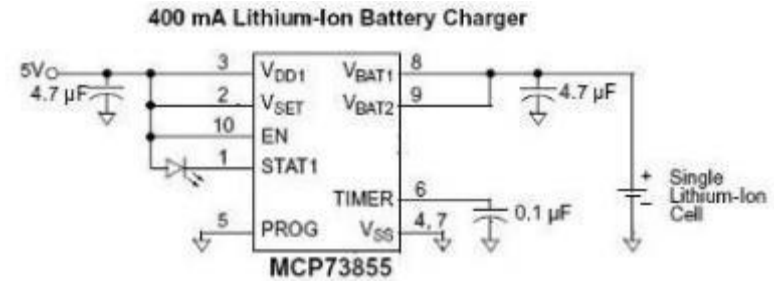
- Linear Charge Management Controller –
 - - for Single Lithium-Ion Cells
- High Accuracy Preset Voltage Regulation:
 - $\pm 1\%$ (max.)
- Two Preset Voltage Regulation
 - 4.1V, MCP73828-4.1
 - 4.2V, MCP73828-4.2
- Programmable Charge Current
- Automatic Cell Preconditioning of Deeply –
 - - Depleted Cells, Minimizing Heat -
 - - Dissipation During Initial Charge Cycle
- Charge Complete Output CD10 for LED –
 - - Drive or Microcontroller Interface
- Continuous Temperature Monitoring
- Automatic Power-Down when Input Power –
 - - Removed
- Temperature Range: -20°C to $+85^{\circ}\text{C}$
- Packaging: 8-Pin MSOP



USB Compatible Li-Ion/Li-Polymer Charge Management Controllers

Features:

- Linear Charge Management Controllers
 - Integrated Pass Transistor
 - Integrated Current Sense
 - Reverse Blocking Protection
- High-Accuracy Preset Voltage Regulation:
 - $\pm 0.5\%$ (max.)
- Two Selectable Voltage Regulation Options:
 - 4.1V, 4.2V
- Programmable Charge Current
- USB Compatible Charge Current Settings
- Programmable Safety Charge Timers
- Preconditioning of Deeply Depleted Cells
- Automatic End-of-Charge Control
- Cell Temperature Monitoring (MCP73853)
- Charge Status Output for Direct LED Drive
- Fault Output for Direct LED Drive - MCP73853
- Automatic Power-Down
- Thermal Regulation
- Temperature Range: -40°C to $+85^{\circ}\text{C}$
- Packaging: 16-L 4x4 QFN, 10-L 3x3 DFN

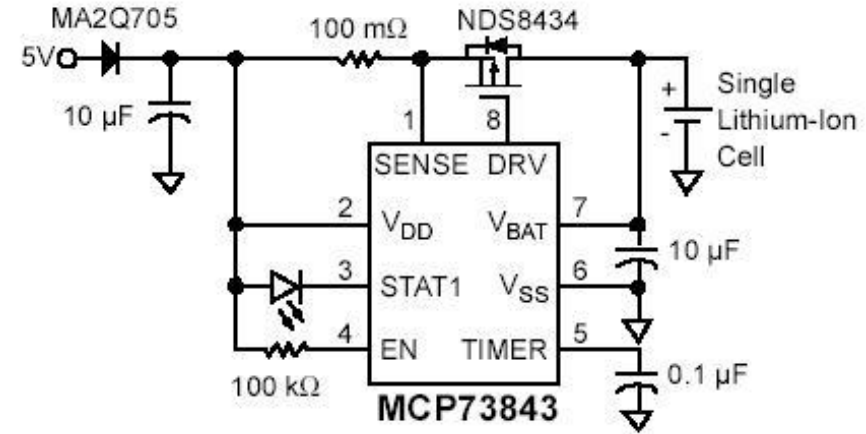


Advanced Single or Dual Cell Lithium-Ion/Lithium-Polymer Charge Management Controllers

Features:

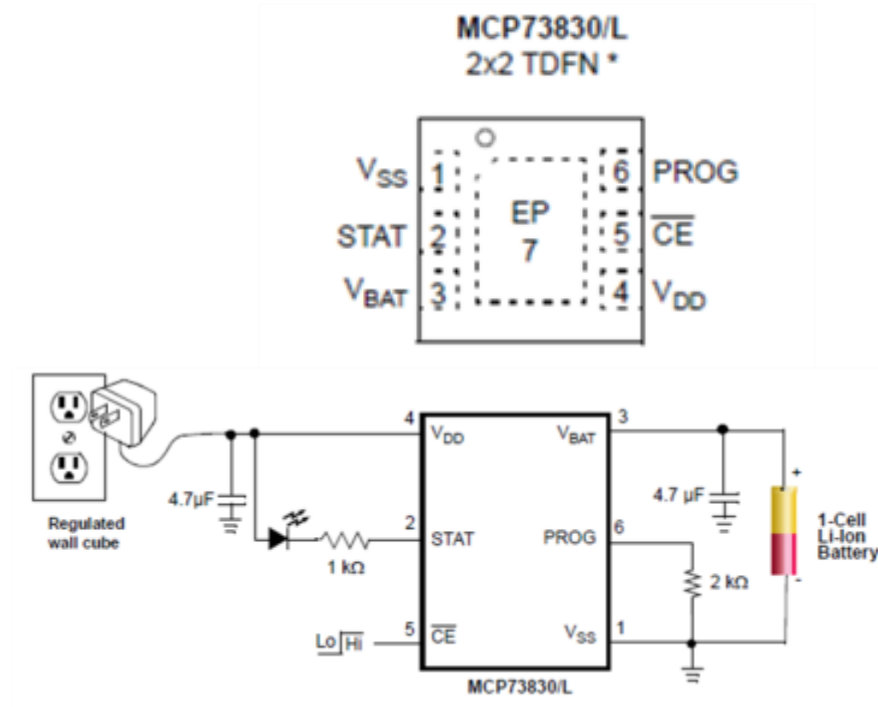
- Linear Charge Management Controllers
- High-Accuracy Preset Voltage Regulation:
 - $\pm 0.5\%$ (max.)
- Four Preset Voltage Regulation Options:
 - 4.1V, MCP73841-4.1, MCP73843-4.1
 - 4.2V, MCP73841-4.2, MCP73843-4.2
 - 8.2V, MCP73842-8.2, MCP73844-8.2
 - 8.4V, MCP73842-8.4, MCP73844-8.4
- Programmable Charge Current
- Programmable Safety Charge Timers
- Preconditioning of Deeply Depleted Cells
- Automatic End-of-Charge Control
- Optional Continuous Cell Temperature -
- Monitoring (MCP73841 and MCP73842)
- Charge Status Output for Direct LED Drive
- Automatic Power-Down when Power Removed
- Temperature Range: -40°C to 85°C
- Packaging:
 - MSOP-10: MCP73841, MCP73842
 - MSOP-8: MCP73843, MCP73844

1A Lithium-Ion Battery Charger



Features:

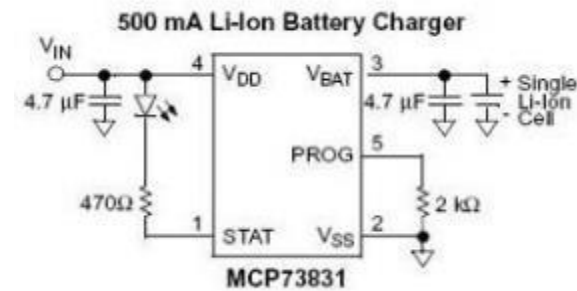
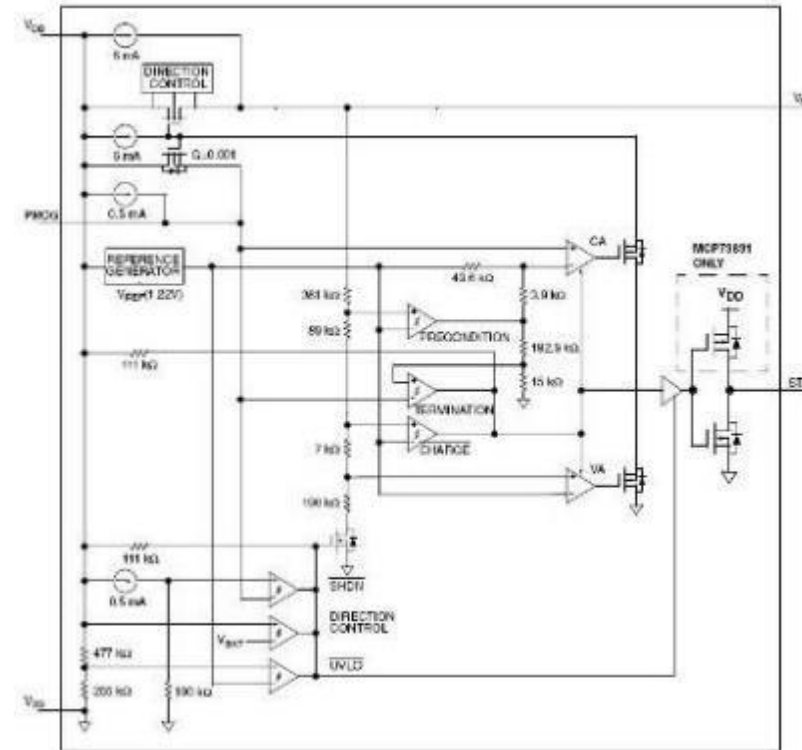
- Complete Linear Charge Management Controller
 - Integrated Pass Transistor & Current Sense
 - Integrated Reverse Discharge Protection
- Constant Current/Constant Voltage Operation
- High Accuracy Preset Voltage Regulation:
 - 4.20V + 0.75% over temperature
- Programmable Charge Current:
 - MCP73830L: 20 mA – 200 mA
 - MCP73830: 100 mA – 1000 mA
- Soft-start to avoid inrush current
- Preconditioning: 10% and No Preconditioning
- Fixed Elapse Timer: 0 Hour or 4 Hours
- Fixed Preconditioning Timer: 1 Hour
- Automatic Recharge: Optional
- Automatic End-of-Charge Control Termination:
- Automatic Power-Down when Input Removed
- Under Voltage Lockout (UVLO)
- Packaging: TDFN-6 (2x2 mm)
- Pin-to-pin functional compatible to LTC4065LX
- Temperature Range: -40°C to +85°C



Miniature Single-Cell, Fully Integrated Li-Ion, Li-Polymer
Charge Management Controllers

Features:

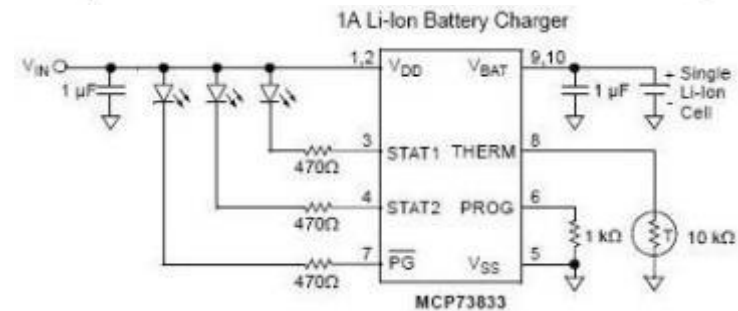
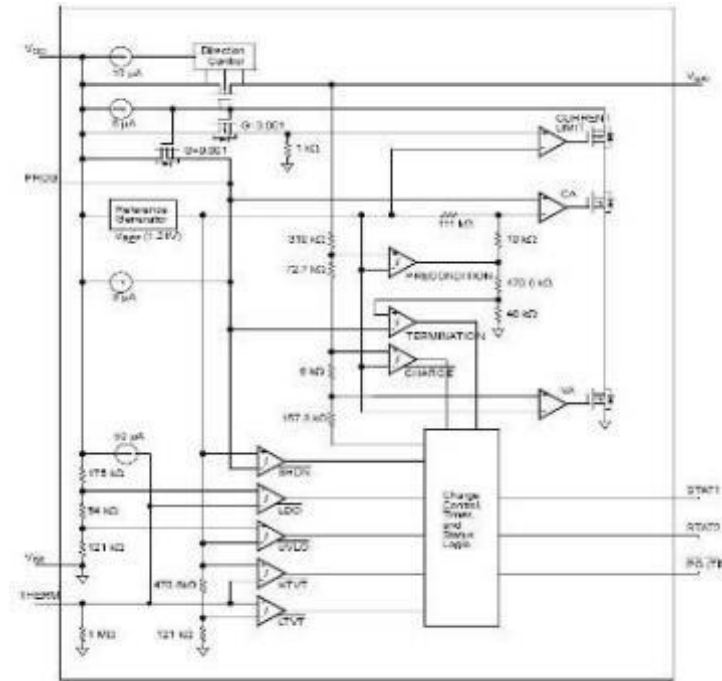
- Linear Charge Management Controller:
 - Integrated Pass Transistor
 - Integrated Current Sense
 - Reverse Discharge Protection
- High Accuracy Preset Voltage Regulation:
 - $\pm 0.75\%$
- Four Voltage Regulation Options:
 - 4.20V, 4.35V, 4.40V, 4.50V
- Programmable Charge Current: 15mA to 500mA
- Selectable Preconditioning:
 - 10%, 20%, 40%, or Disable
- Selectable End-of-Charge Control:
 - 5%, 7.5%, 10%, or 20%
- Charge Status Output
- Tri-State Output - MCP73831
- Open-Drain Output - MCP73832
- Automatic Power-Down
- Thermal Regulation
- Temperature Range: -40°C to $+85^{\circ}\text{C}$
- Packaging: 8-Pin, 2x3 mm DFN, 5-Lead, SOT-23



Stand-Alone Linear Li-Ion / Li-Polymer Charge
Management Controller

Features:

- Complete Linear Charge Management Controller:
 - Integrated Pass Transistor, Current Sense and Reverse Discharge Protection
- Constant Current / Constant Voltage Operation with Thermal Regulation
- High Accuracy Preset Voltage Regulation:
 - 4.2V, 4.35V, 4.4V, or 4.5V, $\pm 0.75\%$
- Programmable Charge Current: 1A (max.)
- Preconditioning of Deeply Depleted Cells:
 - Selectable Current Ratio & Voltage Threshold
- Automatic End-of-Charge Control
- Selectable Current Threshold
- Selectable Safety Time Period
- Automatic Recharge
- Two Charge Status Outputs
- Cell Temperature Monitor
- Low-Dropout Linear Regulator Mode
- Automatic Power-Down when Input Removed
- Under Voltage Lockout
- Packages: 3x3 DFN-10, MSOP-10

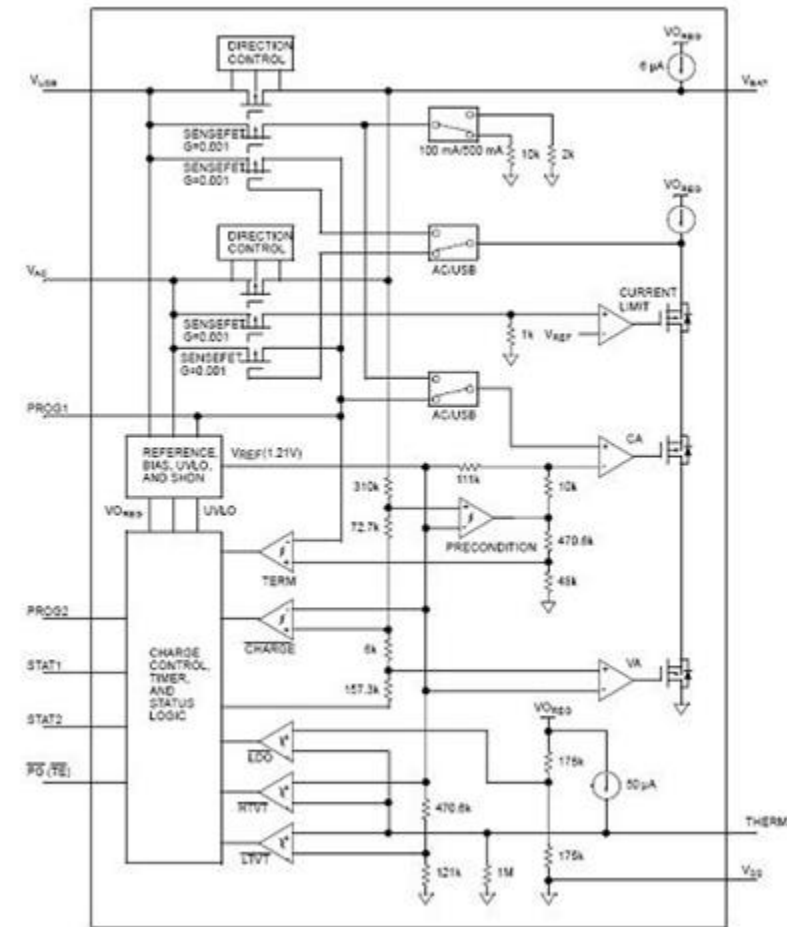


Advanced Stand-Alone Li-Ion/Li-Polymer Battery Charger

Features:

- High Accuracy Preset Voltage Regulation: + 0.5%
- Available Voltage Regulation Options:
 - 4.20V, 4.35V, 4.4V, or 4.5V
- Complete Linear Charge Management Controller:
 - Autonomous Power Source Selection
 - Integrated Pass Transistors, Current Sense and Reverse Discharge Protection
- Constant Current / Constant Voltage Operation
- Selectable USB-Port Charge Current
- Programmable AC-Adapter Charge: 15mA-1000mA
- Power-Good Monitor: MCP73837
- Timer Enable: MCP73838
- Automatic Recharge
- Automatic End-of-Charge Control
- Battery Cell Temperature Monitor
- UVLO (Undervoltage Lockout)
- Automatic Power-Down when Power is Removed
- Low-Dropout (LDO) Linear Regulator Mode
- Temperature Range: -40°C to 85°C
- Packaging: 10-Lead 3x 3 DFN, 10-Lead MSOP

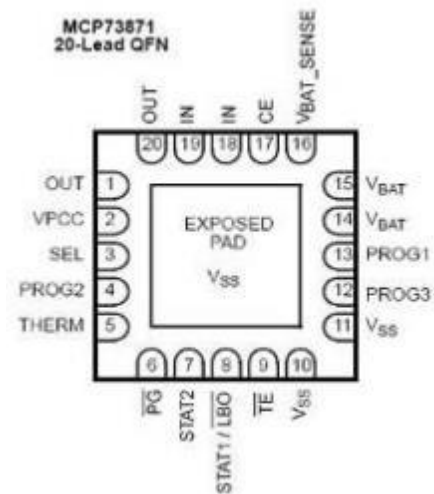
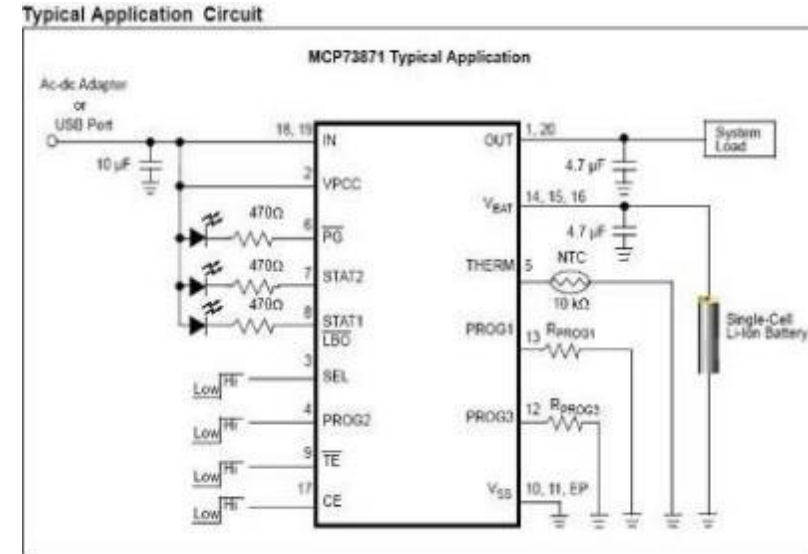
Functional Block Diagram (MCP73837/8)



Stand-Alone System Load Sharing and Li-Ion/Li-Polymer
Battery Charge Management Controller

Features:

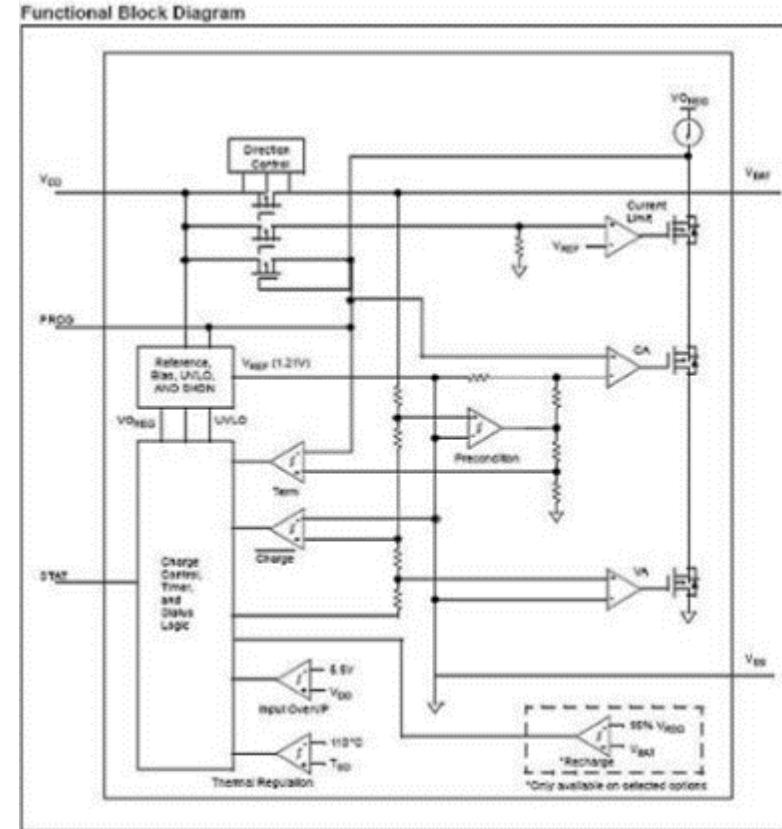
- Integrated System Load Sharing and Battery - Charge Management:
 - Simultaneously Power the System and - Charge the Li-Ion Battery
 - Programmable Fast Charge: 50mA–1A
- Integrated Pass Transistors, Current Sense and Reverse Discharge Protection
- Selectable Power Sources: USB Port/Wall Adapter
- Charge Voltage Options: 4.1V, 4.2V, 4.35V, 4.4V
- Regulation Tolerance: $\pm 0.5\%$ (typ.)
- 0.1°C Preconditioning for Deeply Depleted Cells
- Resistor Programmable Termination Set Point
- Automatic Recharge and End-of-Charge Control
- Safety Timer With Timer Enable/Disable Control
- Battery Cell Temperature Monitor
- Undervoltage Lockout (UVLO)
- Low Battery Status Indicator (LBO)
- Power-Good Status Indicator (PG)
- Temperature Range: -40°C to 85°C
- Packaging: 20-Lead 4x4 QFN



Single-Cell Li-Ion/Li-Polymer Battery Charge Management Controller with Input Overvoltage Protection

Features:

- Complete Linear Charge Management Controller:
 - Integrated Input Overvoltage Protection
 - Integrated Pass Transistor
 - Integrated Current Sense
 - Integrated Reverse Discharge Protection
- Constant Current / Constant Voltage Operation with Thermal Regulation
- 4.15V Undervoltage Lockout (UVLO)
- 18V Absolute Maximum Input with OVP
- High Accuracy Voltage Regulation: $\pm 0.5\%$
- Charge Voltage Options: 4.1V, 4.2V, 4.35V, 4.4V
- Programmable Fast Charge Current: 130mA–1.1A
- Preconditioning of Deeply Depleted Cells
- Integrated Precondition Timer
- Automatic End-of-Charge Control:
 - Automatic Recharge: 95% or Disable
- Charge Status Output
- Temperature Range: -40°C to $+85^{\circ}\text{C}$
- Packaging: 3x3 DFN-10



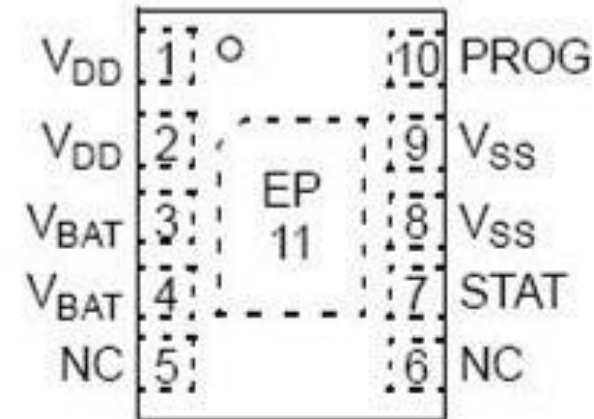
Lithium Iron Phosphate (LiFePO₄) Battery Charge Management
Controller with Input Overvoltage Protection

Online
Datasheet

Features:

- Complete Linear Charge Management Controller:
 - Integrated Input Overvoltage Protection, Pass Transistor, Current
- Sense, Reverse Discharge Protection
- Constant Current / Constant Voltage Operation
- 4.15V Undervoltage Lockout (UVLO)
- 18V Absolute Maximum Input with OVP
- High Accuracy Preset Voltage Regulation (-5°C to +55°C): ±0.5% (MCP73123), ±0.6% (MCP73223)
- Battery Charge Voltage Options:
 - 3.6V (MCP73123) and 7.2V (MCP73223)
- Programmable Fast Charge Current: 30mA – 1.1A
- Preconditioning of Deeply Depleted Cells Option
- Integrated Precondition Timer: 32 min or Disable
- Automatic End-of-Charge Control:
 - Selectable Current Ratio: 5%, 7.5%, 10%, 20%
 - Elapse Safety Timer: 4 HR, 6 HR, 8 HR or Disable
 - Automatic Recharge: 95% or Disable
- Temperature Range: -40°C to +85°C
- Packaging: 3x3 DFN-10

MCP73123/223
3x3 DFN *



<< BACK

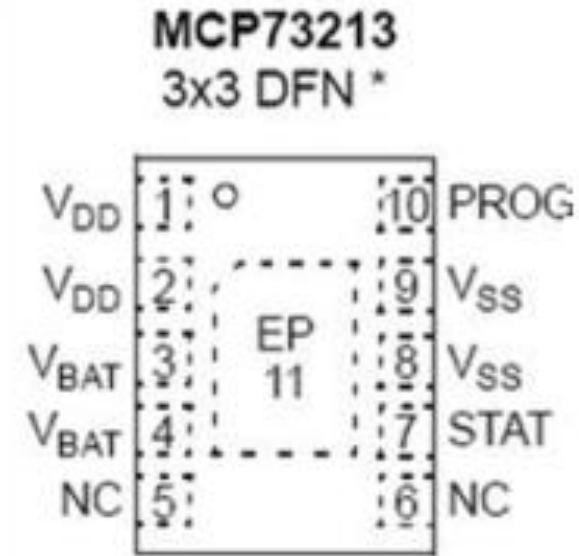


Dual-Cell Li-Ion/Li-Polymer Battery Charge Management
Controller with Input Overvoltage Protection

Online
Datasheet

Features:

- Complete Linear Charge Management Controller:
 - Integrated Input Overvoltage Protection, Pass Transistor, Current
- Sense, Reverse Discharge Protection
- Constant Current / Constant Voltage Operation
- 4.15V Undervoltage Lockout (UVLO)
- 13V Input Overvoltage Protection
- High Accuracy Preset Voltage Regulation (-5°C to +55°C): ±0.6%
- Charge Voltage Options: 8.20V, 8.40V, 8.7V, 8.8V
- Programmable Fast Charge Current: 130mA–1.1A
- Preconditioning of Deeply Depleted Cells Option
- Integrated Precondition Timer: 32 Minutes or Disable
- Automatic End-of-Charge Control:
 - Selectable Min Current Ratio: 5%, 7.5%, 10%, 20%
 - Elapse Safety Timer: 4 HR, 6 HR, 8 HR or Disable
 - Automatic Recharge: 95% or Disable
- Preset Charge Status Output: On/Off or Flashing
- Temperature Range: -40°C to +85°C
- Packaging: 3x3 DFN-10



<< BACK

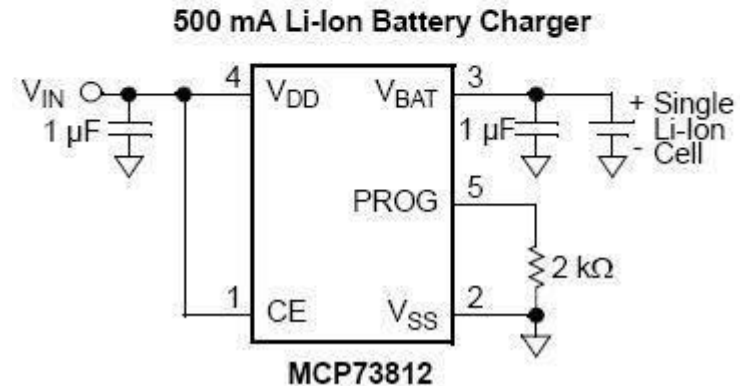
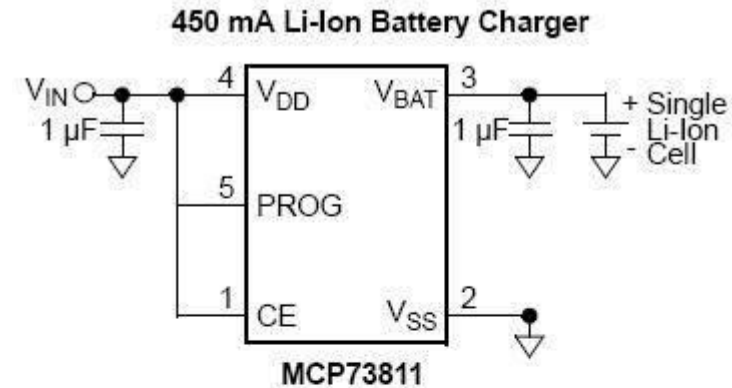


MCP73811/2

Online
Datasheet

Features:

- Complete Linear Charge Management Controller
- Integrated Pass Transistor
- Integrated Current Sense
- Integrated Reverse Discharge Protection
- Constant Current / Constant Voltage Operation –
– with Thermal Regulation
- High Accuracy Preset Voltage Regulation: $\pm 1\%$
- Voltage Regulation: 4.20V
- Selectable Charge Current:
 - MCP73811: 85mA / 450mA
 - Programmable Charge Current:
 - MCP73812: 50mA to 500mA
- Minimum External Components Required
- No Preconditioning
- External End-of-Charge Control
- Automatic Power-Down when Input Removed
- Active High Charge Enable
- Temperature Range: -40°C to $+85^{\circ}\text{C}$
- Packaging: 5-Lead SOT-23



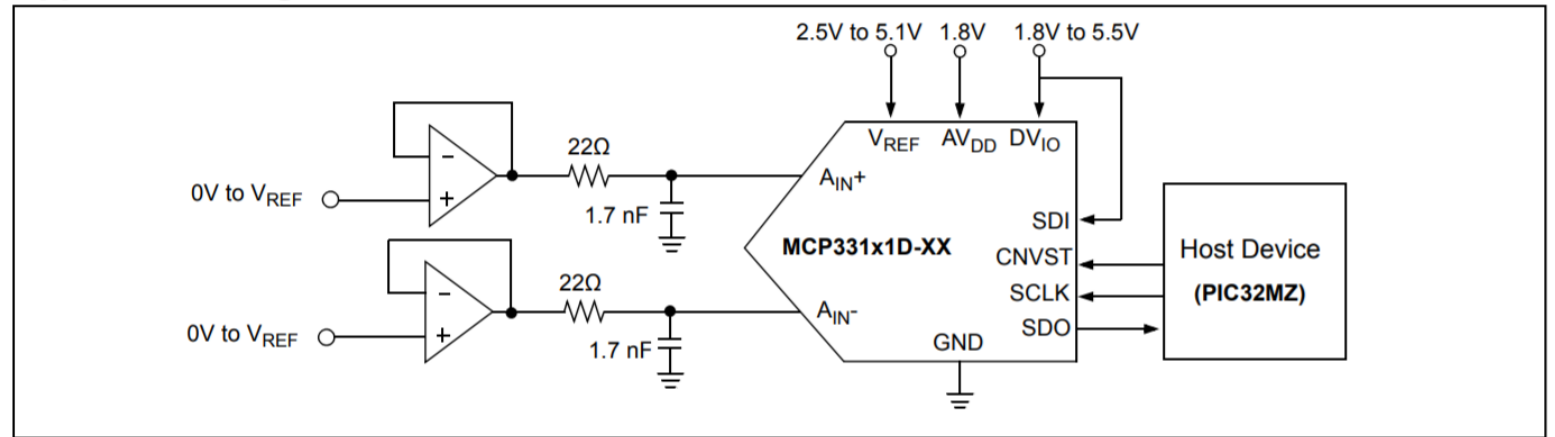
MCP33131D/21D/11D-10/05



12/14/16-Bit 500kSPS/1MSPS Single Channel ADC with SPI

Features:

- Sample Rate (Throughput):
 - MCP33131D/21D/11D-10: 1MSPS
 - MCP33131D/21D/11D-05: 500 kSPS
- 16/14/12-Bit Resolution with No Missing Codes
- Wide Operating Voltage Range:
 - Analog Supply Voltage (AVDD): 1.8V
 - Digital I/O Interface Voltage (DVIO): 1.7V - 5.5V
 - External Reference (VREF): 2.5V - 5.1V
- Differential Input Operation:
 - Input Full-Scale Range: -VREF to +VREF
- Ultra Low Current Consumption (typ):
 - Standby Mode (typical-): $\sim 0.8 \mu\text{A}$
 - Conversion Mode (typical): $\sim 1.6\text{mA}$ (for 1MSPS) and $\sim 1.4\text{mA}$ (for 500 kSPS)
- Typical Performance
 - MCP33131D-10/05: 91.3 dBFS SNR / 103.5 dB SFDR / -99.3 dB THD / ± 2 LSB INL / ± 0.8 LSB DNL
 - MCP33121D-10/05: 85.1 dBFS SNR / 103.5 dB SFDR / -99.2 dB THD / ± 0.5 LSB INL / ± 0.25 LSB DNL
 - MCP33111D-10/05: 73.9 dBFS SNR / 99.3 dB SFDR / -96.7 dB THD / ± 0.12 LSB INL / ± 0.06 LSB DNL
- SPI-Compatible Serial Communication:
 - SCLK Clock Rate: up to 100 MHz
- ADC Self-Calibration for Offset, Gain, and Linearity Errors
- AEC-Q100 Qualified (Temperature Range: -40°C to $+125^\circ\text{C}$)
- Package Options: MSOP-10 and TDFN-10



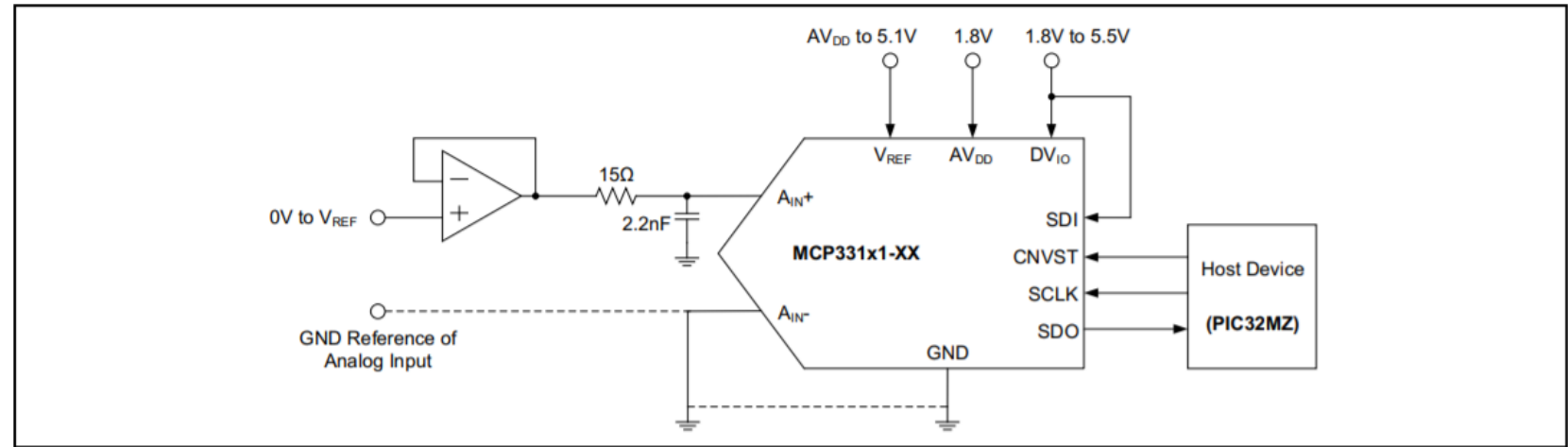
MCP33131/21/11-10/05



12/14/16-Bit 500kSPS/1MSPS Single Channel ADC with SPI

Features:

- Sample Rate (Throughput):
 - MCP33131/21/11-10: 1MSPS
 - MCP33131/21/11-05: 500 kSPS
- 16/14/12-Bit Resolution with No Missing Codes
- Wide Operating Voltage Range:
 - Analog Supply Voltage (AVDD): 1.8V
 - Digital I/O Interface Voltage (DVIO): 1.7V - 5.5V
 - External Reference (VREF): 2.5V - 5.1V
- Pseudo-Differential Input Operation:
 - Input Full-Scale Range: 0V to +VREF
- Ultra Low Current Consumption (typ):
 - Standby Mode (typical): $\sim 0.8 \mu\text{A}$
 - Conversion Mode (typical): $\sim 1.6\text{mA}$ (for 1MSPS) and $\sim 1.4\text{mA}$ (for 500 kSPS)
- Typical Performance
 - MCP33131-10/05: 86.7 dBFS SNR / 98.9 dB SFDR / -97.4 dB THD / ± 2.2 LSB INL / ± 0.9 LSB DNL
 - MCP33121-10/05: 83.5 dBFS SNR / 98.8 dB SFDR / -97.2 dB THD / ± 0.55 LSB INL / ± 0.25 LSB DNL
 - MCP33111-10/05: 73.8 dBFS SNR / 95.9 dB SFDR / -93.7 dB THD / ± 0.12 LSB INL / ± 0.06 LSB DNL
- SPI-Compatible Serial Communication:
 - SCLK Clock Rate: up to 100 MHz
- ADC Self-Calibration for Offset, Gain, and Linearity Errors
- AEC-Q100 Qualified (Temperature Range: -40°C to $+125^{\circ}\text{C}$)
- Package Options: MSOP-10 and TDFN-10



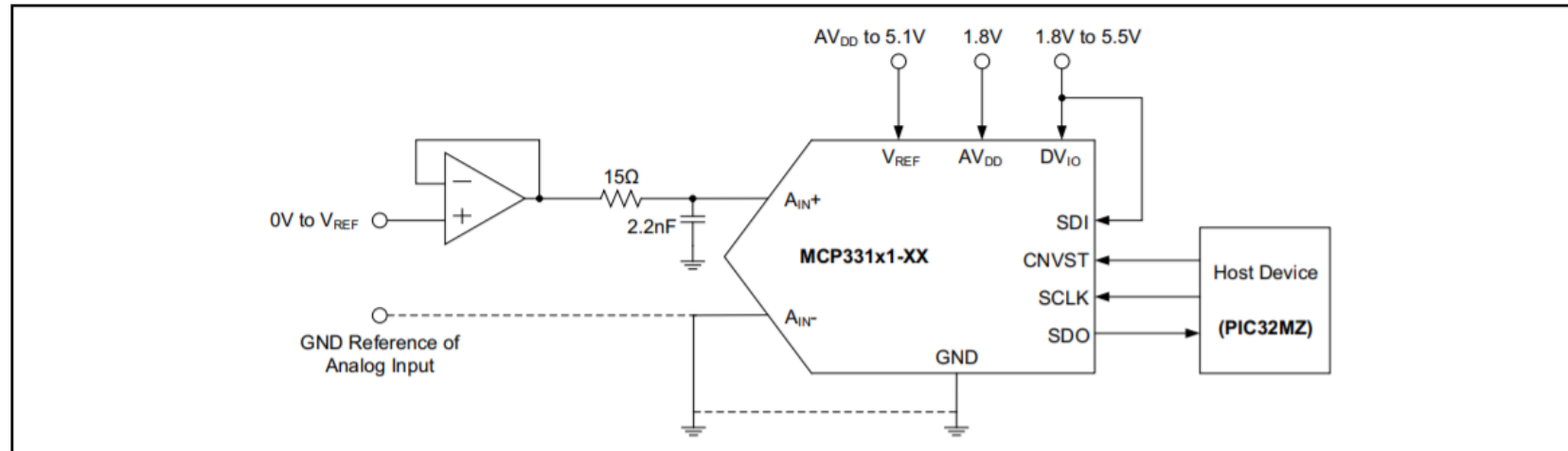
MCP33151/41-10/05



12/14-Bit 500kSPS/1MSPS Single Channel ADC with SPI

Features:

- Sample Rate (Throughput):
 - MCP33151/41-10: 1MSPS
 - MCP33151/41-05: 500 kSPS
- 14/12-Bit Resolution with No Missing Codes
- Wide Operating Voltage Range:
 - Analog Supply Voltage (AVDD): 1.8V
 - Digital I/O Interface Voltage (DVIO): 1.7V - 5.5V
 - External Reference (VREF): AVDD - 5.1V
- Differential Input Operation:
 - Input Full-Scale Range: 0 to +VREF
- Ultra Low Current Consumption (typ):
 - Standby Mode (typical): $\sim 1.5 \mu\text{A}$
 - Conversion Mode (typical): $\sim 0.66\text{mA}$ (for 1MSPS) and $\sim 0.33\text{mA}$ (for 500 kSPS)
- Typical Performance
 - MCP33151-10: 80.4 dBFS SNR / 103.9 dB SFDR / -102.5 dB THD / ± 0.39 LSB INL / ± 0.11 LSB DNL
 - MCP33141-10: 73.3 dBFS SNR / 102 dB SFDR / -100.4 dB THD / ± 0.09 LSB INL / ± 0.05 LSB DNL
 - MCP33151-05: 80.4 dBFS SNR / 102.7 dB SFDR / -100.9 dB THD / ± 0.39 LSB INL / ± 0.11 LSB DNL
 - MCP33141-05: 73.3 dBFS SNR / 99.9 dB SFDR / -99.2 dB THD / ± 0.09 LSB INL / ± 0.05 LSB DNL
- SPI-Compatible Serial Communication:
 - SCLK Clock Rate: up to 100 MHz
- ADC Self-Calibration for Offset, Gain, and Linearity Errors
- AEC-Q100 Qualified (Temperature Range: -40°C to $+125^\circ\text{C}$)
- Package Options: MSOP-10 and TDFN-10



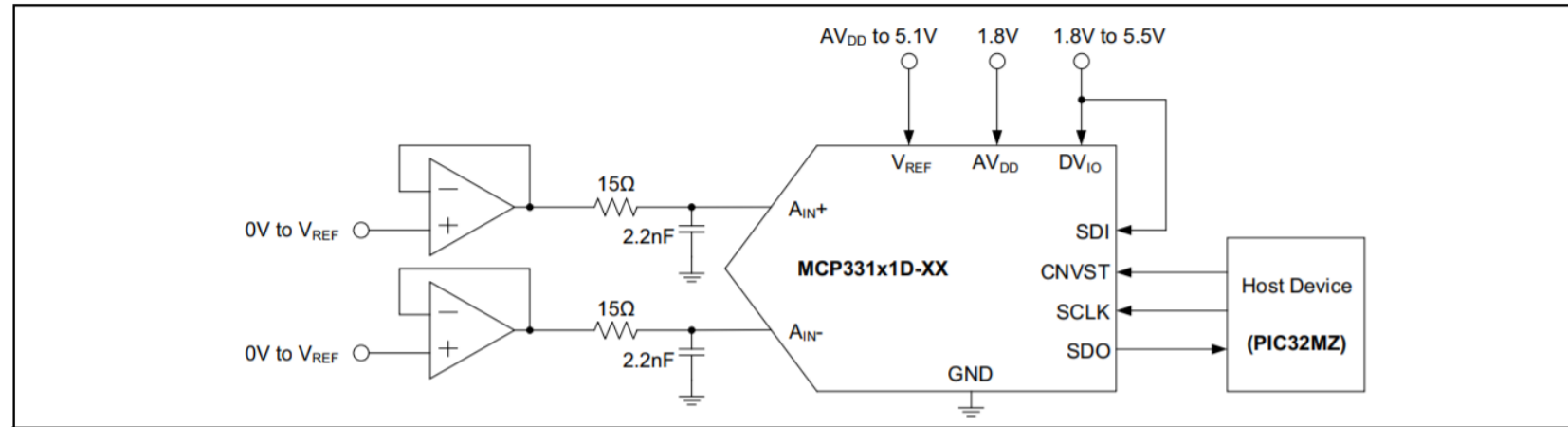
MCP33151D/41D-10/05



12/14-Bit 500kSPS/1MSPS Single Channel ADC with SPI

Features:

- Sample Rate (Throughput):
 - MCP33151D/41D-10: 1MSPS
 - MCP33151D/41D-05: 500 kSPS
- 14/12-Bit Resolution with No Missing Codes
- Wide Operating Voltage Range:
 - Analog Supply Voltage (AVDD): 1.8V
 - Digital I/O Interface Voltage (DVIO): 1.7V - 5.5V
- External Reference (VREF): AVDD - 5.1V
- Differential Input Operation:
 - Input Full-Scale Range: -VREF to +VREF
- Ultra Low Current Consumption (typ):
 - Standby Mode (typical): $\sim 1.5 \mu\text{A}$
 - Conversion Mode (typical): $\sim 0.66\text{mA}$ (for 1MSPS) and $\sim 0.33\text{mA}$ (for 500 kSPS)
- Typical Performance
 - MCP33151D-10: 83.8 dBFS SNR / 107.3 dB SFDR / -104.7 dB THD / ± 0.27 LSB INL / ± 0.11 LSB DNL
 - MCP33141D-10: 73.8 dBFS SNR / 100 dB SFDR / -101.5 dB THD / ± 0.07 LSB INL / ± 0.05 LSB DNL
 - MCP33151D-05: 83.7 dBFS SNR / 103.8 dB SFDR / -100.9 dB THD / ± 0.27 LSB INL / ± 0.11 LSB DNL
 - MCP33141D-05: 73.8 dBFS SNR / 99.8 dB SFDR / -98.9 dB THD / ± 0.07 LSB INL / ± 0.05 LSB DNL
- SPI-Compatible Serial Communication:
 - SCLK Clock Rate: up to 100 MHz
- ADC Self-Calibration for Offset, Gain, and Linearity Errors
- AEC-Q100 Qualified (Temperature Range: -40°C to $+125^\circ\text{C}$)
- Package Options: MSOP-10 and TDFN-10



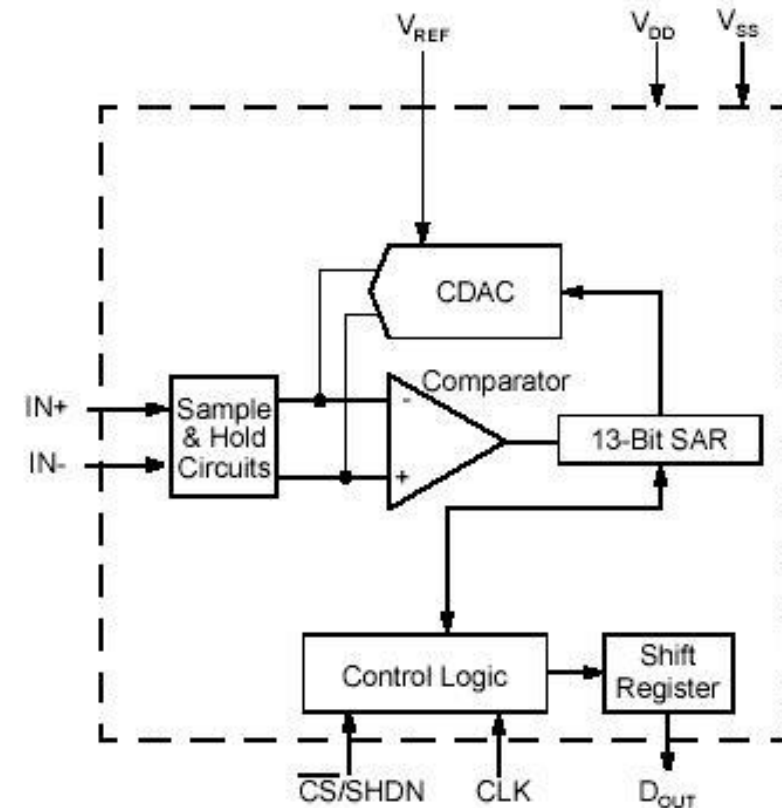
MCP3301



13-Bit Differential Input, Low Power A/D Converter with SPI Serial Interface

Features:

- Full Differential Inputs
- 13-bit Resolution
- ± 1 LSB (max.) DNL
- ± 1 LSB (max.) INL (MCP3301-B)
- ± 2 LSB (max.) INL (MCP3301-C)
- Single Supply Operation:
 - 2.7V to 5.5V
- 100 ksps Sampling Rate with 5V Supply Voltage
- 50 ksps Sampling Rate with 2.7V Supply Voltage
- 50nA (typ.) Standby Current
- 450 μ A (max.) Active Current at 5V
- Industrial Temperature Range:
 - -40°C to +85°C
- 8-Pin MSOP, PDIP and SOIC Packages
- MXDEV™ Evaluation Kit Available
- Recommended for Automotive Design

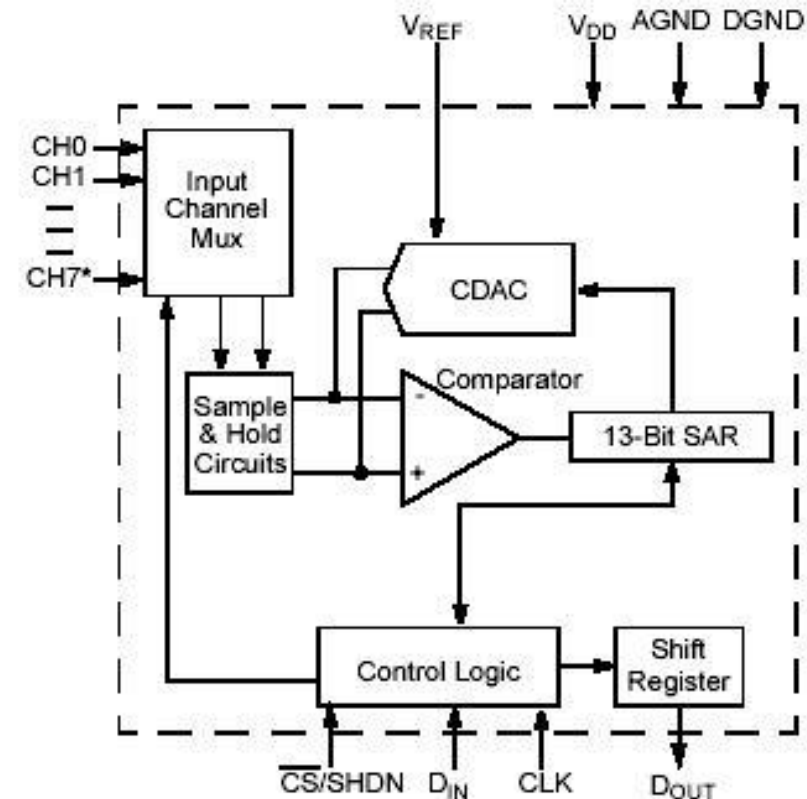


MCP3302/4

13-Bit Differential Input, Low Power AD Converter with SPI Serial Interface

Features:

- Full Differential Inputs
- 13-bit Resolution
- MCP3302: 2 Differential or 4 Single Ended Inputs
- MCP3304: 4 Differential or 8 Single Ended Inputs
- ± 1 LSB (max.) DNL
- ± 1 LSB (max.) INL (MCP3302/04-B)
- ± 2 LSB (max.) INL (MCP3302/04-C)
- Single Supply Operation:
 - 2.7V to 5.5V
- 100 kps Sampling Rate with 5V Supply Voltage
- 50 kps Sampling Rate with 2.7V Supply Voltage
- 50nA (typ.) Standby Current
- 450 μ A (max.) Active Current at 5V
- Industrial Temperature Range:
 - -40°C to +85°C
- 14 and 16-Pin PDIP, SOIC and TSSOP Packages
- MXDEV™ Evaluation Kit Available



* Channels 5-7 available on MCP3304 Only

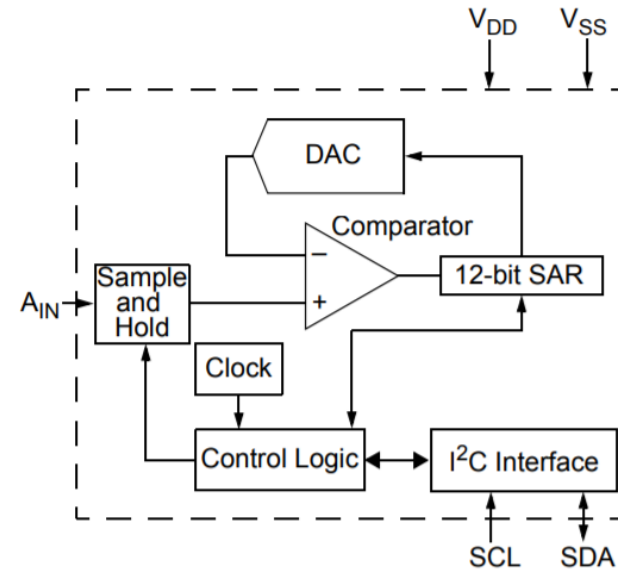
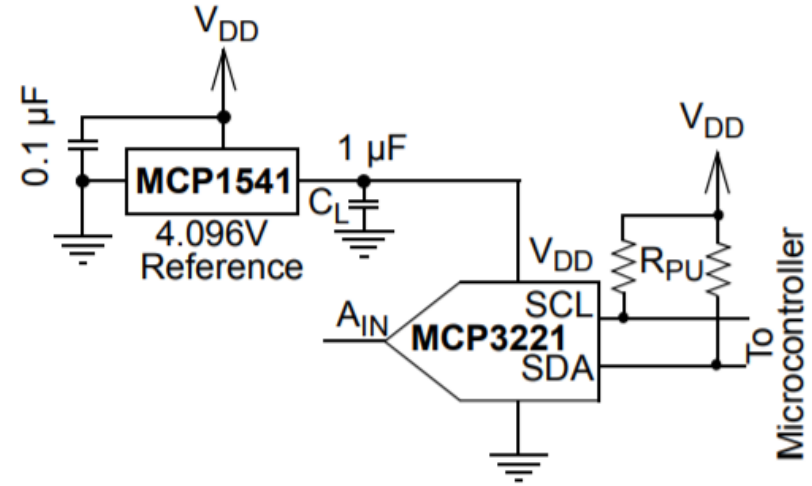
MCP3221



12-Bit, 22 kSPS Single Channel ADC with I2C

Features:

- 12-bit Resolution
- ± 1 LSB DNL, ± 2 LSB INL (max.)
- 250 μ A (max.) Conversion Current
- 5nA (typ.) Standby Current
- I²C™ Compatible Serial Interface:
 - 100 kHz Standard Mode
 - 400 kHz Fast Mode
- Up to 8 Devices on a Single 2-Wire Bus
- Single-Ended Analog Input Channel
- On-Chip Sample and Hold
- On-Chip Conversion Clock
- Single-Supply: 2.7V to 5.5V
- Temperature Range:
 - Extended: -40°C to +125°C
- Small SOT-23 Package
- Recommended for Automotive Design



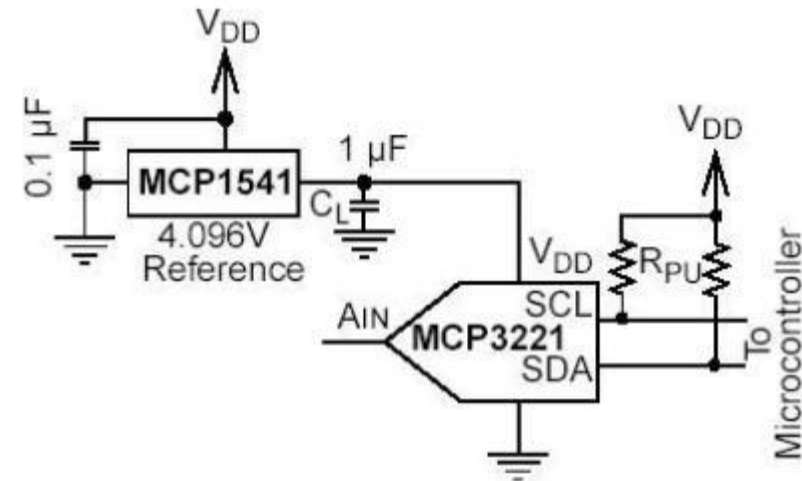
MCP3221



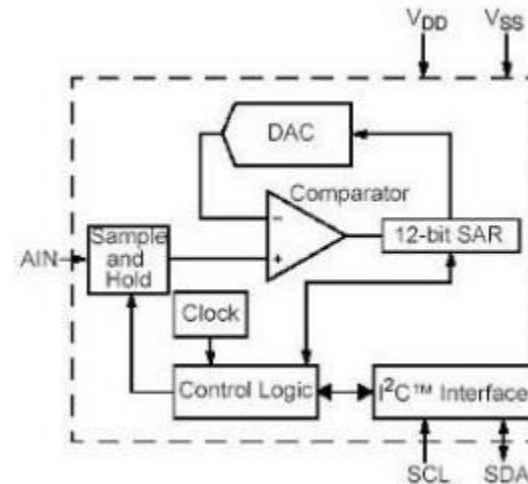
Low-Power 12-Bit A/D Converter with I2C Interface

Features:

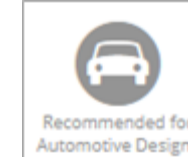
- 12-bit Resolution
- ± 1 LSB DNL, ± 2 LSB INL (max.)
- 250 μ A (max.) Conversion Current
- 5nA (typ.) Standby Current
- I²C™ Compatible Serial Interface:
 - 100 kHz Standard Mode
 - 400 kHz Fast Mode
- Up to 8 Devices on a Single 2-Wire Bus
- Single-Ended Analog Input Channel
- On-Chip Sample and Hold
- On-Chip Conversion Clock
- Single-Supply: 2.7V to 5.5V
- Temperature Range:
 - Extended: -40°C to +125°C
- Small SOT-23 Package
- Recommended for Automotive Design



Stable Power and Reference Configuration



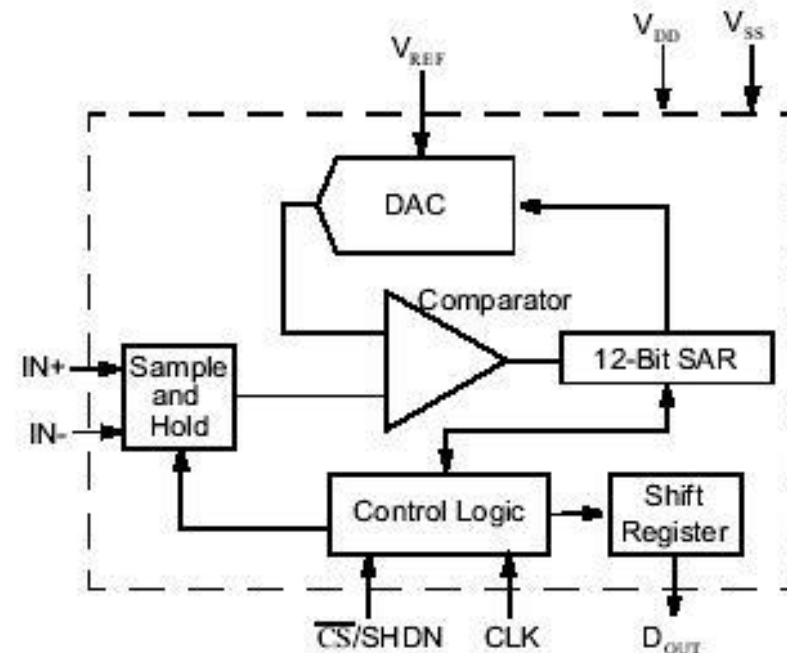
MCP3201



2.7V 12-Bit A/D Converter with SPI Serial Interface

Features:

- 12-bit Resolution
- ± 1 LSB (max.) DNL
- ± 1 LSB (max.) INL (MCP3301-B)
- ± 2 LSB (max.) INL (MCP3301-C)
- SPI Serial Interface:
 - Modes 0,0 and 1,1
- Single Supply Operation:
 - 2.7V to 5.5V
- 100 ksps (max.) Sampling Rate at 5V
- 50 ksps (max.) Sampling Rate at 2.7V
- 500nA (typ.) Standby Current
- 400 μ A (max.) Active Current at 5V
- On-Chip Sample and Hold
- Recommended for Automotive Design
- Industrial Temperature Range:
 - -40°C to +85°C
- Packages: 8-Pin MSOP, PDIP, SOIC and TSSOP



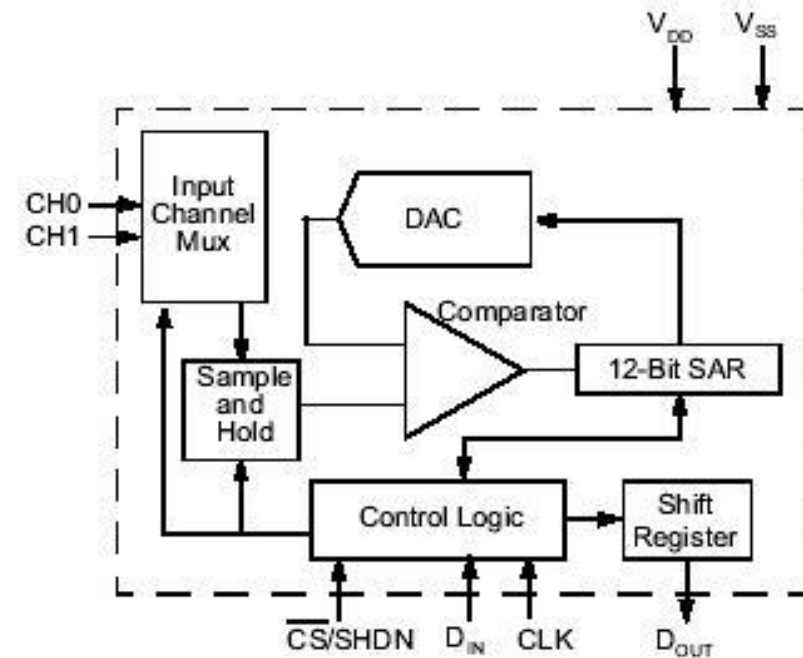
MCP3202



2.7V Dual Channel 12-Bit A/D Converter with SPI Serial Interface

Features:

- 12-bit Resolution
- ± 1 LSB (max.) DNL
- ± 1 LSB (max.) INL (MCP3302-B)
- ± 2 LSB (max.) INL (MCP3302-C)
- 2 Input Channels
- Analog Inputs Programmable as Single – Ended or Pseudo-Differential Pairs
- SPI Serial Interface: Modes 0,0 and 1,1
- Single Supply Operation: 2.7V to 5.5V
 - 100 ksps (max.) Sampling Rate at 5V
 - 50 ksps (max.) Sampling Rate at 2.7V
- 500nA (typ.) Standby Current
- 550 μ A (max.) Active Current at 5V
- On-Chip Sample and Hold
- Industrial Temperature Range: -40°C to +85°C
- Packages: 8-Pin MSOP, PDIP, SOIC, TSSOP
- Recommended for Automotive Design



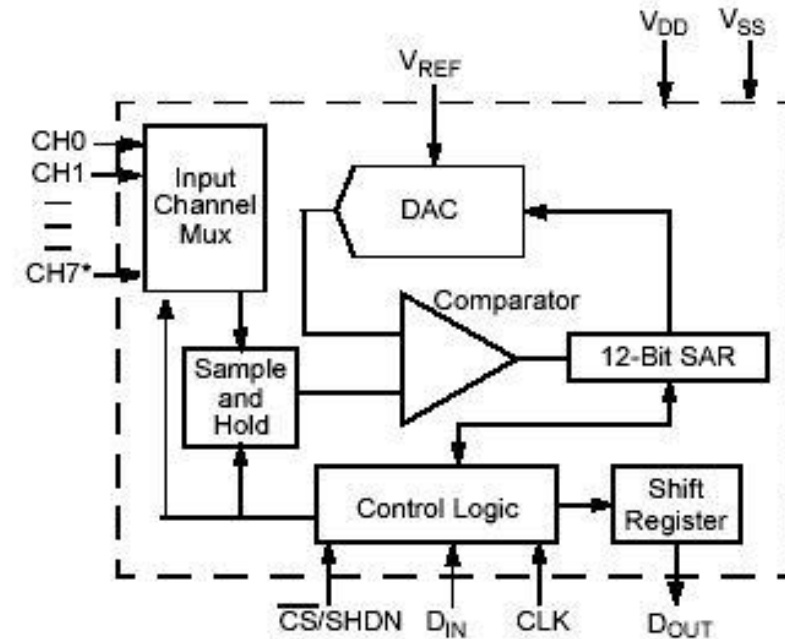
MCP3204/8



2.7V 4-Channel/8-Channel 12-Bit A/D Converters with SPI Serial Interface

Features:

- 12-bit Resolution
- ± 1 LSB (max.) DNL
- ± 1 LSB (max.) INL (MCP3304/08-B)
- ± 2 LSB (max.) INL (MCP3304/08-C)
- 4 (MCP3204) or 8 (MCP3208) Input Channels
- Analog Inputs Programmable as Single-Ended –
– or Pseudo-Differential Pairs
- SPI Serial Interface: Modes 0,0 and 1,1
- Single Supply Operation: 2.7v to 5.5V
 - 100 ksp/s (max.) Sampling Rate at 5V
 - 50 ksp/s (max.) Sampling Rate at 2.7V
- 500nA (typ.) Standby Current
- 400 μ A (max.) Active Current at 5V
- On-Chip Sample and Hold
- Industrial Temperature Range: -40°C to +85°C
- Packages: PDIP, SOIC and TSSOP
- Recommended for Automotive Design (MCP3208)



* Note: Channels 5-7 available on MCP3208 Only



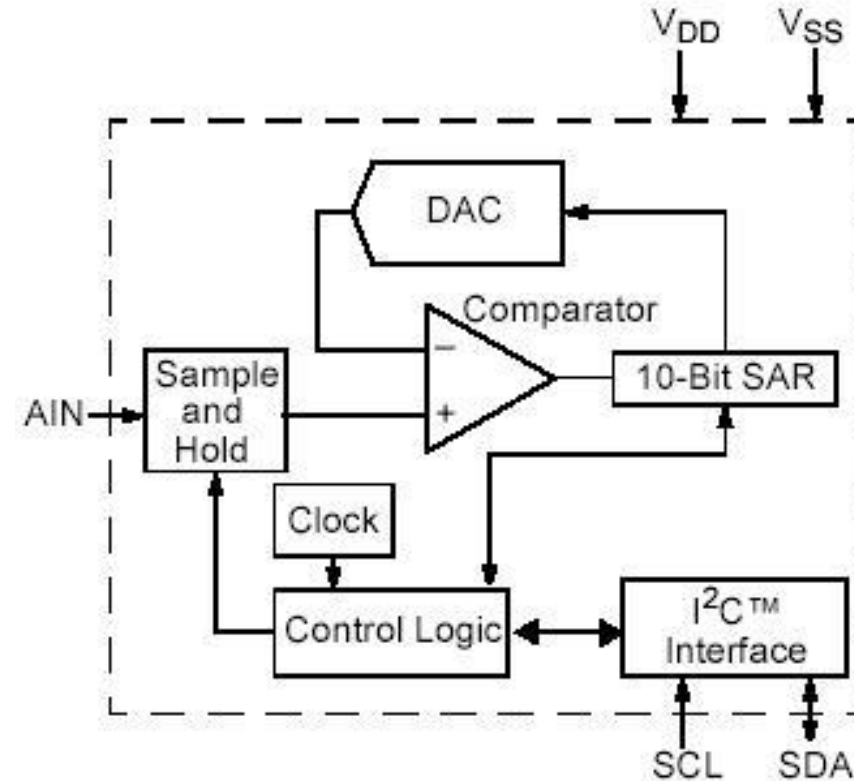
MCP3021



Low-Power 10-Bit A/D Converter with I2C Interface

Features:

- 10-bit Resolution
- Singly Supply:
 - 2.7V to 5.5V
- ± 1 LSB DNL, ± 1 LSB INL (max.)
- 250 μ A (max.) Conversion Current
- 5nA (typ.) Standby Current, 1 μ A (max.)
- I²C™ Compatible Serial Interface:
 - 100 kHz Standard Mode
 - 400 kHz Fast Mode
- 22.3 ksps in Fast Mode
- Up to 8 Devices on Single 2-Wire Bus
- Single-Ended Analog Input Channel
- On-Chip Sample and Hold
- On-Chip Conversion Clock
- Extended Temperature Range: -40°C to +125°C
- Small SOT-23 Package
- Recommended for Automotive Design



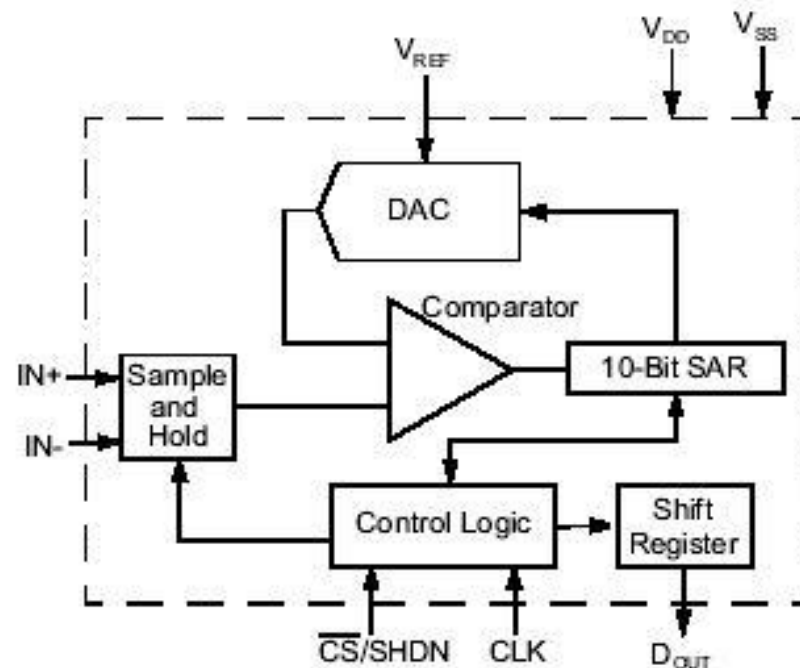
MCP3001



2.7V 10-Bit A/D Converter with SPI™ Serial Interface

Features:

- 10-bit Resolution
- Singly Supply: 2.7V to 5.5V
 - 200 ksps Sampling Rate at 5V
 - 75 ksps Sampling Rate at 2.7V
- ± 1 LSB DNL, ± 1 LSB INL (max.)
- SPI Serial Interface: modes 0,0 and 1,1
- On-Chip Sample and Hold
- Low Power CMOS Technology:
- 5nA (typ.) Standby Current, 2 μ A (max.)
- 500 μ A (max.) Active Current at 5V
- Industrial Temperature Range:
 - -40°C to +85°C
- Packages: 8-Pin SOIC, MSOP, TSSOP, PDIP

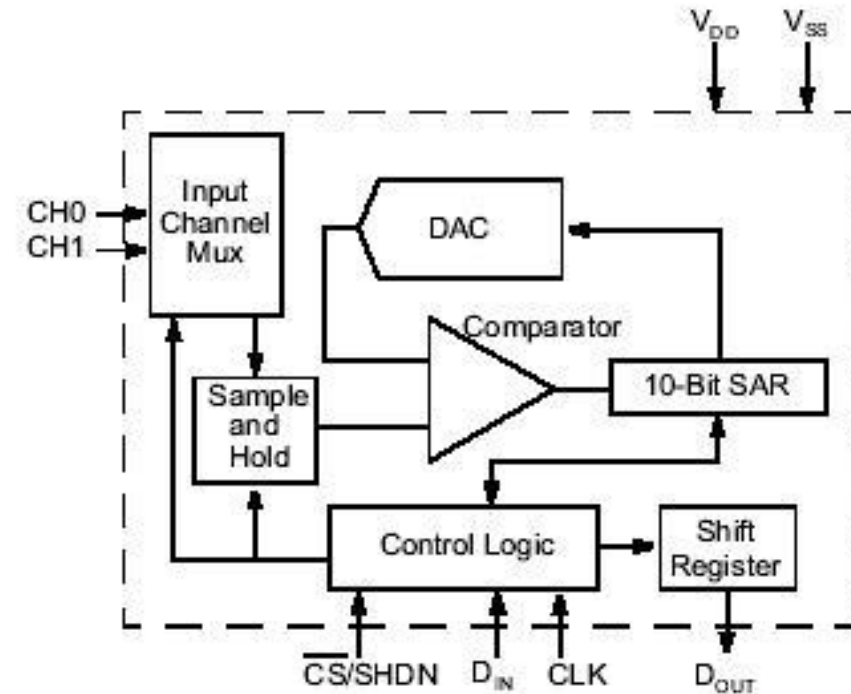


MCP3002

2.7V Dual Channel 10-Bit A/D Converter with SPI Serial Interface

Features:

- 10-bit Resolution
- Single Supply: 2.7V to 5.5V
 - 200 ksps Sampling Rate at 5V
 - 75 ksps Sampling Rate at 2.7V
- ± 1 LSB DNL, ± 1 LSB INL (max.)
- Analog Inputs:
- Single-Ended or Pseudo-Differential Pairs
- SPI Serial Interface: modes 0,0 and 1,1
- On-Chip Sample and Hold
- Low Power CMOS Technology:
 - 5nA (typ.) Standby Current, 2 μ A (max.)
 - 550 μ A (max.) Active Current at 5V
- Industrial Temperature Range:
 - -40°C to +85°C
- Packages: 8-Pin SOIC, MSOP, TSSOP, PDIP



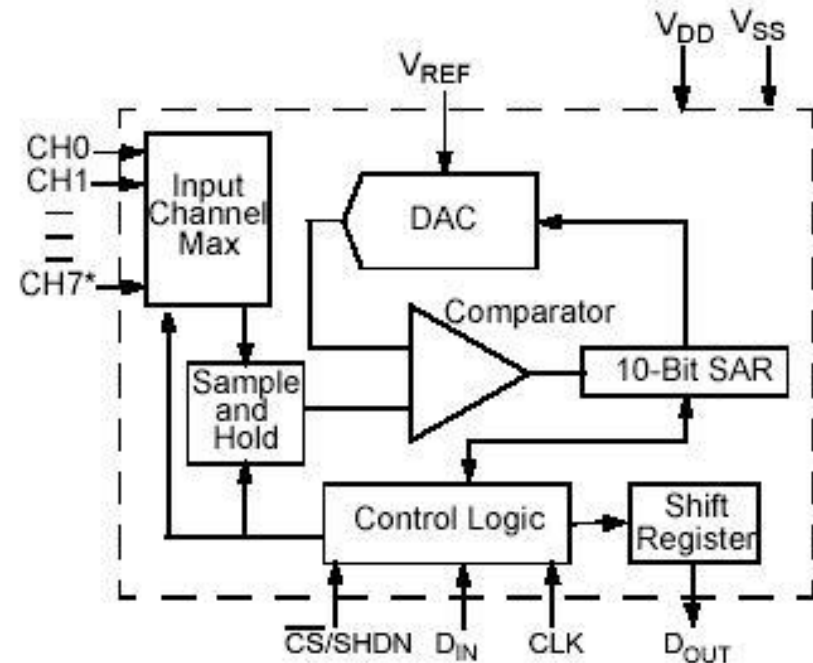
MCP3004/8



2.7V 4-Channel/8-Channel 10-Bit A/D Converters with SPI Serial Interface

Features:

- 10-bit Resolution
- Singly Supply: 2.7V to 5.5V
 - 200 ksps Sampling Rate at 5V
 - 75 ksps Sampling Rate at 2.7V
- 4 (MCP3004) or 8 (MCP3008) Input Channels
- ± 1 LSB DNL, ± 1 LSB INL (max.)
- Analog Inputs:
 - Single-Ended or Pseudo-Differential Pairs
- SPI Serial Interface: modes 0,0 and 1,1
- On-Chip Sample and Hold
- Low Power CMOS Technology:
 - 5nA (typ.) Standby Current, 2 μ A (max.)
 - 500 μ A (max.) Active Current at 5V
- Industrial Temperature Range: -40°C to +85°C
- SOIC, TSSOP and PDIP Packages
- Recommended for Automotive Design



* Note: Channels 4-7 available on MCP3008 Only



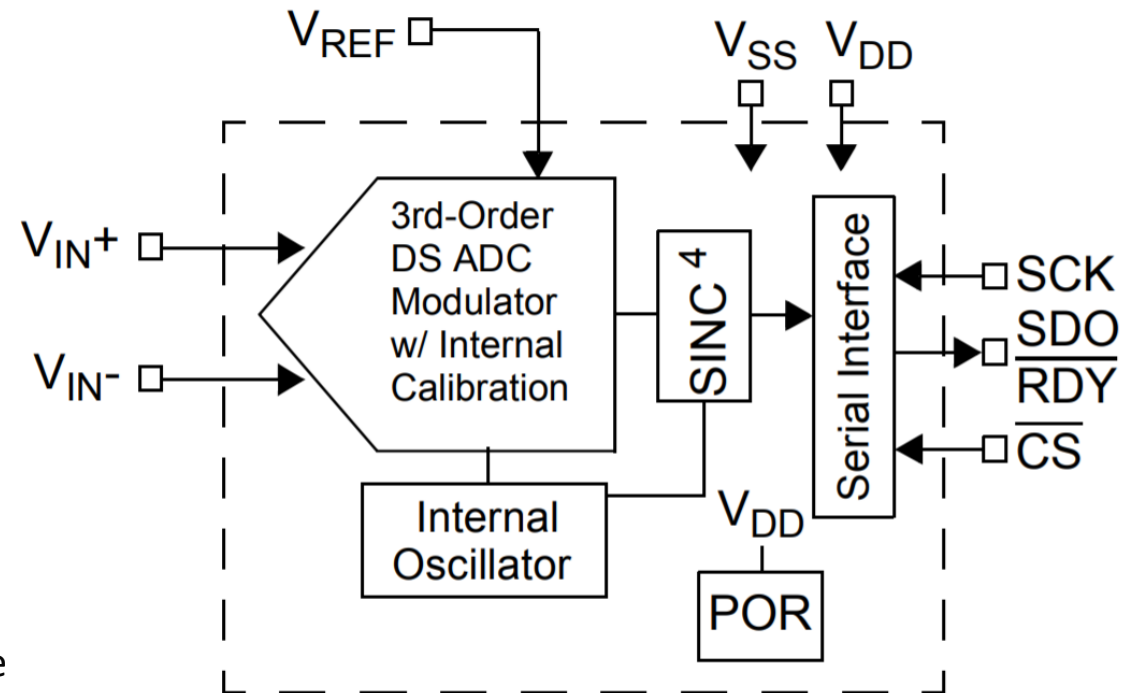
MCP3550/1/3



22-Bit, 15 SPS/60 SPS Single Channel ADC with SPI

Features:

- 22-bit ADC in Small 8-pin MSOP Package
- Ultra-Low Conversion Current (MCP3550/1):
 - 100 μ A (typ.) (VDD = 2.7V)
 - 120 μ A (typ.) (VDD = 5.0V)
- Low-Output Noise of 2.5 μ V_{RMS} with Effective
- Resolution of 21.9 bits (MCP3550/1)
- Offset Error: 3 μ V (typ.)
- Full Scale Error: 2ppm (typ.)
- INL Error: 6ppm (max.)
- Total Unadjusted Error Less Than 10ppm
- Data rate:
 - MCP3550/1: 15sps
 - MCP3553: 60sps
- No Digital Filter Settling Time
 - Single-Command Conversions through 3-wire SPI Interface
- 50/60Hz Rejection (MCP3550/1)
- Differential Input with V_{SS} to V_{DD} Common Mode Range
- 2.7V to 5.5V Single-Supply Operation
- Extended Temperature Range: -40°C to +125°C



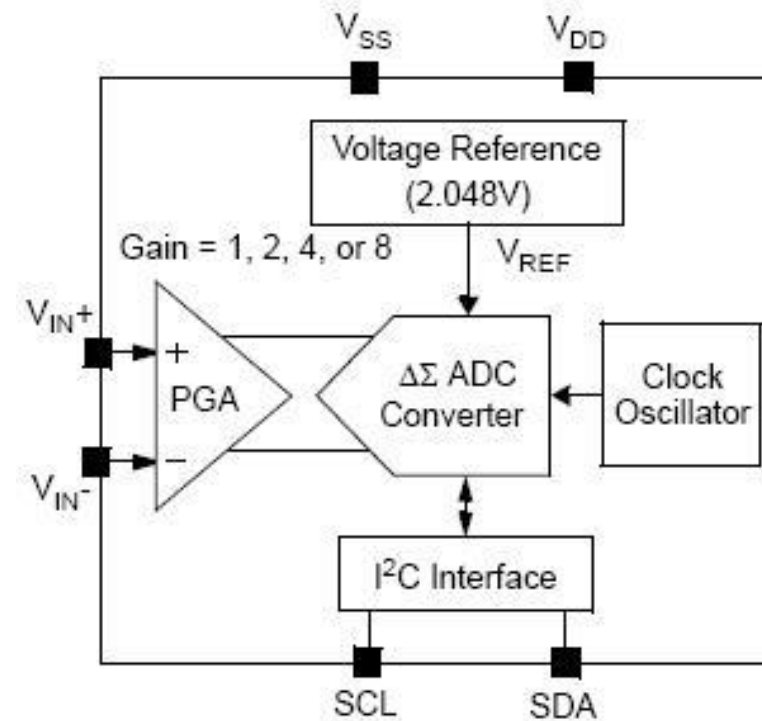
MCP3421



18-Bit Analog-to-Digital Converter with I2C Interface and On-Board Reference

Features:

- 18-bit $\Delta\Sigma$ ADC in a SOT-23-6 package
- On-board Voltage Reference
- On-board Programmable Gain Amplifier:
 - Gains of 1, 2, 4 or 8
- One-Shot or Continuous Conversion
- Low current consumption:
 - 145 μ A (typ.), $V_{DD} = 3V$, Continuous
 - 39 μ A (typ.), $V_{DD} = 3V$, One-Shot
- Programmable Data Rate Options:
 - 3.75 sps (18 bits), 15 sps (16 bits),
 - 60 sps (14 bits), 240 sps (12 bits)
- INL: 10ppm of FSR (FSR = 4.096V/PGA)
- Self Calibration of Internal Offset and Gain per each Conversion
- Differential Input Operation
- Supports I²C™ Serial Interface:
 - Standard, Fast and High Speed Modes
- Single Supply Operation: 2.7V to 5.5V
- On-board Oscillator
- Extended Temperature Range: -40°C to 125°C
- Recommended for Automotive Design



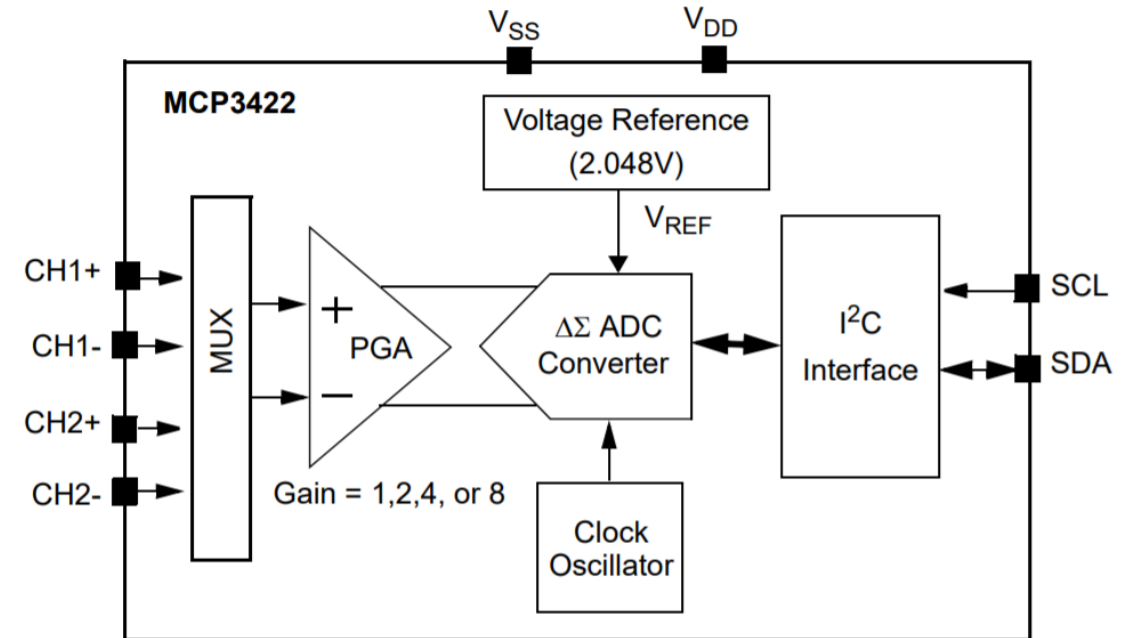
MCP3422/3/4



18-Bit, 240 SPS 2-ch/4-ch ADC with I2C and Vref

Features:

- 18-bit $\Delta\Sigma$ ADC
- Multi-Channel inputs:
 - 2-channel (MCP3422/3)
 - 4-channel (MCP3424)
- On-board Voltage Reference
- On-board Programmable Gain Amplifier:
 - Gains of 1, 2, 4 or 8
- One-Shot or Continuous Conversion
- Low current consumption:
 - 145 μ A (typ.), $V_{DD} = 3V$, Continuous
 - 39 μ A (typ.), $V_{DD} = 3V$, One-Shot
- INL: 10ppm of FSR (FSR = 4.096V/PGA)
- Programmable Data Rate Options:
 - 3.75 SPS (18 bits), 15 SPS (16 bits), 60 SPS (14 bits), 240 SPS (12 bits)
- Self Calibration of Internal Offset and Gain
- Differential Input Operation
- I²C™ Serial Interface
- Single Supply Operation: 2.7V to 5.5V
- Packages: SOIC, DFN, MSOP and TSSOP
- Extended Temperature Range: -40°C to 125°C

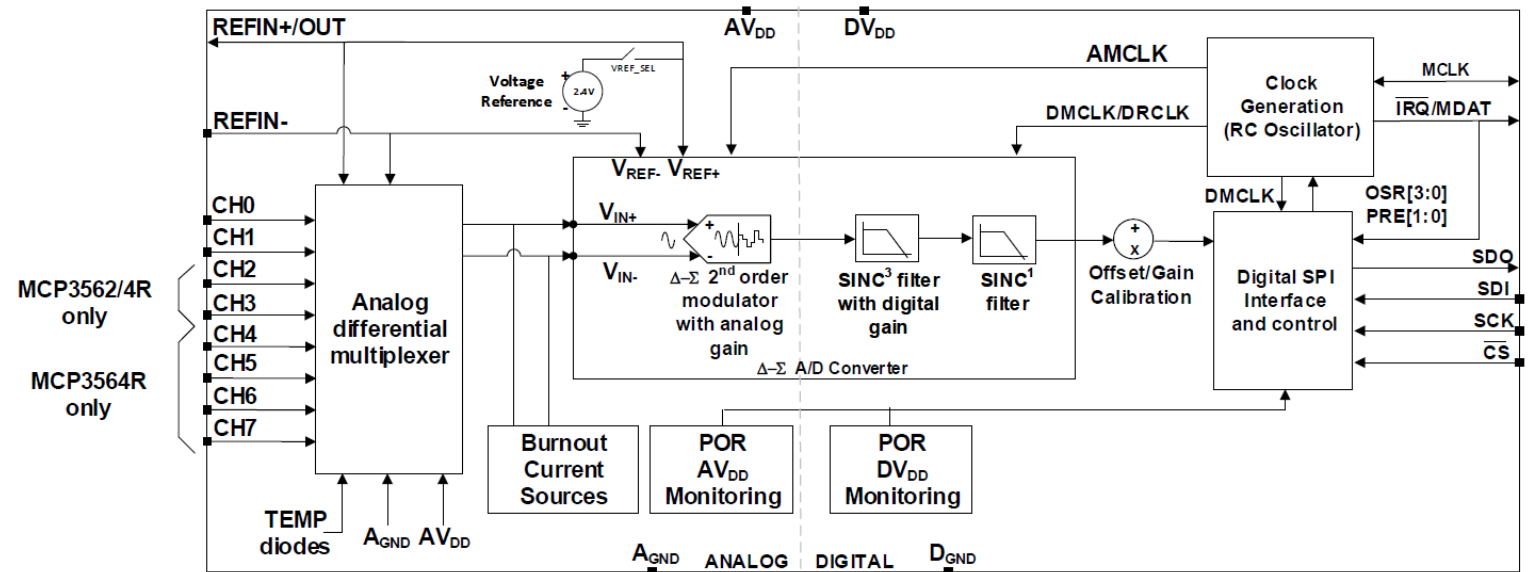


MCP3561R/2R/4R (Replaces MCP3561/2/4)

24-Bit, 153.6 kSPS 1-ch/2-ch/4-ch ADC with SPI and Vref

Features:

- 24-bit Resolution
- 1/2/4 Differential or 2/4/8 Single-ended Channels
- Programmable Data Rate: up to 153.6kSPS
- Programmable Gain: 0.33x to 64x
- Low Noise: 90nVRMS (Gain=16x @12.5SPS)
- Low Temperature Drift
 - Offset error drift: 4/Gain nV/°C (AZ_MUX = 1)
 - Gain error drift: 0.5 ppm/°C (Gain = 1X)
- Internal Vref
- Internal Oscillator or External Clock Selection
- Internal Temperature Sensor
- Internal Conversions Sequencer (SCAN Mode)
- Burnout Current Sources for Sensor Open/Short Detection
- Advanced Security Features:
 - 16-bit CRC for secure SPI communications
 - 16-bit CRC and IRQ for securing configuration
 - Register map lock with 8-bit secure key
 - Monitor controls for measurement integrity
- 20Mhz SPI-Compatible Interface
- AVDD: 2.7V to 3.6V
- DVDD: 1.8V to 3.6V
- Extended Temperature Range: -40°C to +125°C
- Package: 3mm x 3mm UQFN-20 and 6.4mm x 6.4mm TSSOP-20

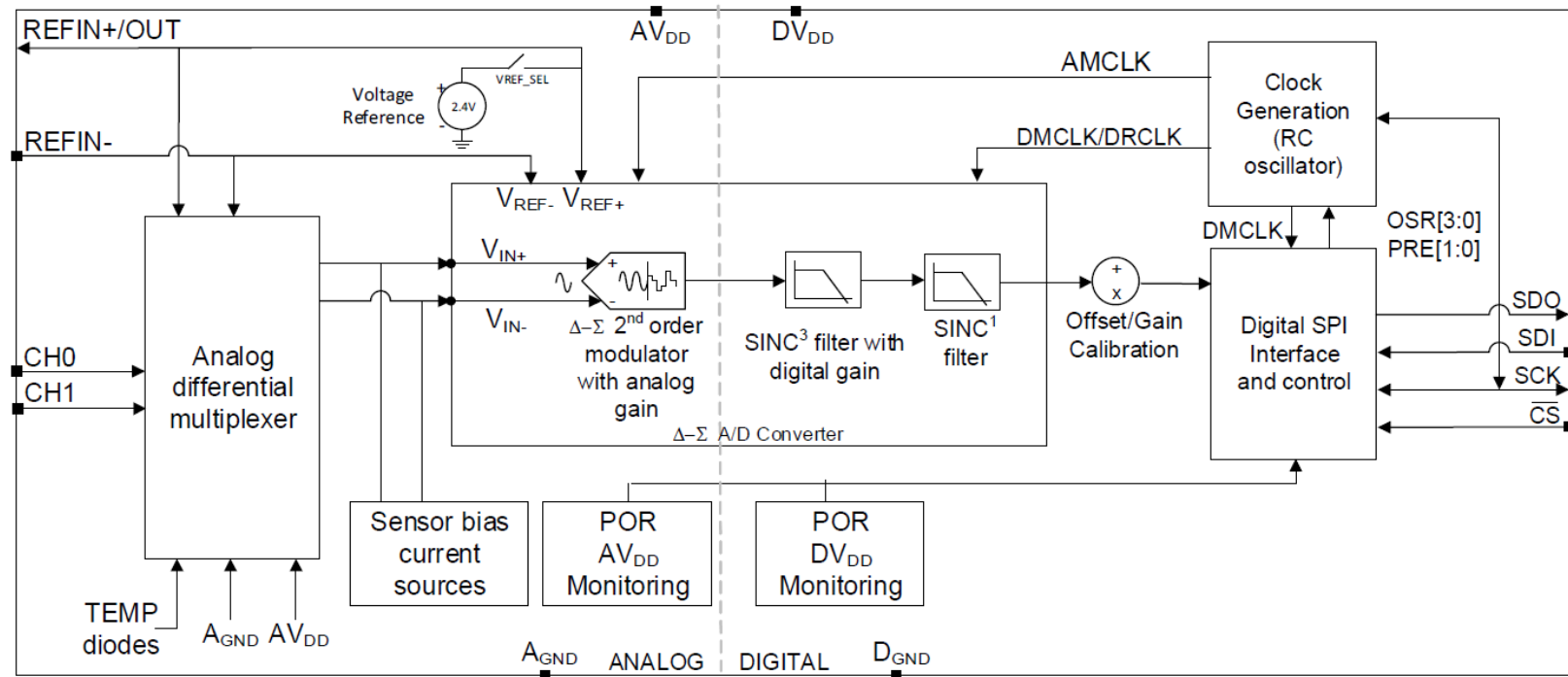


MCP3565R

24-Bit, 153.6 kSPS 1-ch ADC with SPI and Vref in 2x2 QFN

Features:

- 24-bit Resolution
- 1 Differential or 2 Single-ended Channels
- Programmable Data Rate: up to 153.6kSPS
- Programmable Gain: 0.33x to 64x
- Low Noise: 90nVRMS (Gain=16x @12.5SPS)
- Low Temperature Drift
 - Offset error drift: 4/Gain nV/°C (AZ_MUX = 1)
 - Gain error drift: 0.5 ppm/°C (Gain = 1X)
- Internal Vref
- Internal Oscillator or External Clock Selection
- Internal Temperature Sensor
- Internal Conversions Sequencer (SCAN Mode)
- Burnout Current Sources for Sensor Open/Short Detection
- Advanced Security Features:
 - 16-bit CRC for secure SPI communications
 - 16-bit CRC and IRQ for securing configuration
 - Register map lock with 8-bit secure key
 - Monitor controls for measurement integrity
- 20Mhz SPI-Compatible Interface
- AVDD: 2.7V to 3.6V
- DVDD: 1.8V to 3.6V
- Extended Temperature Range: -40°C to +125°C
- Package: 2mm x 2mm UQFN-12



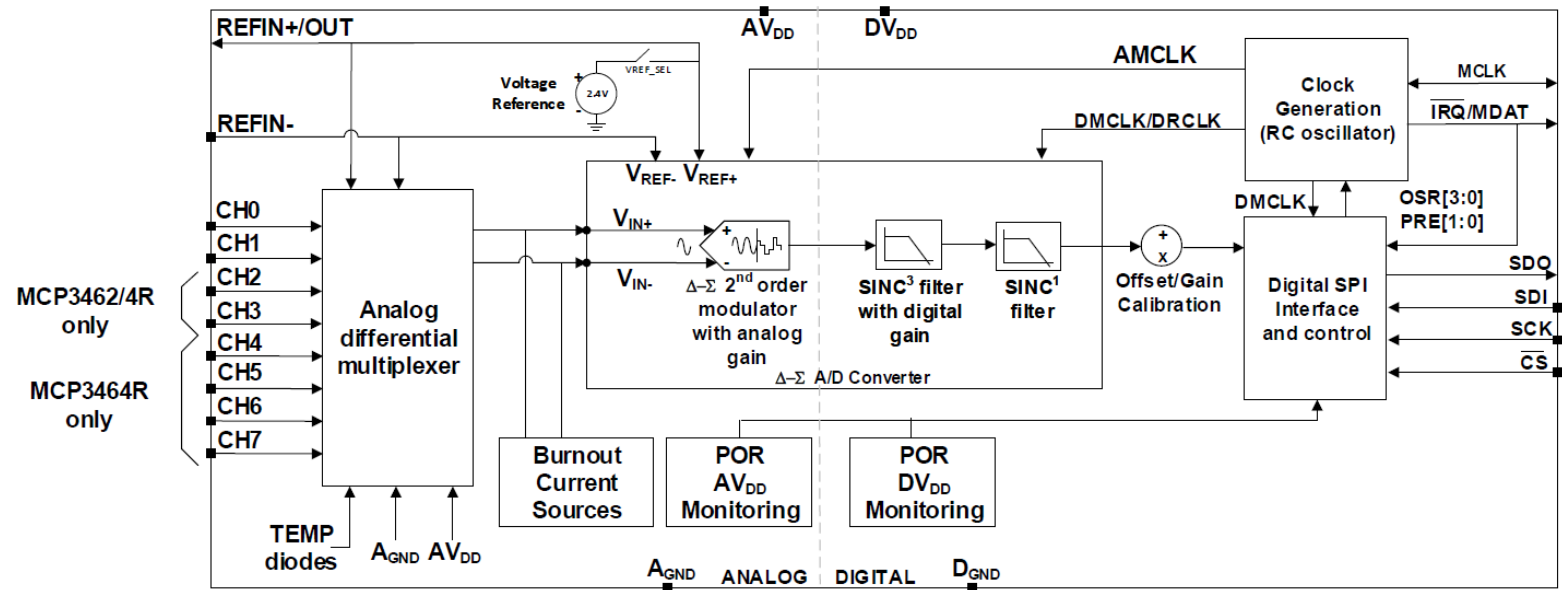


MCP3461R/2R/4R (Replaces MCP3461/2/4)

16-Bit, 153.6 kSPS 1-ch/2-ch/4-ch ADC with SPI and Vref

Features:

- 16-bit Resolution
- 1/2/4 Differential or 2/4/8 Single-ended Channels
- Programmable Data Rate: up to 153.6kSPS
- Programmable Gain: 0.33x to 64x
- Low Noise: 2.3 μ V_{RMS} (Gain=16x)
- Low Temperature Drift
 - Offset error drift: 4/Gain nV/ $^{\circ}$ C (AZ_MUX = 1)
 - Gain error drift: 0.5 ppm/ $^{\circ}$ C (Gain = 1X)
- Internal Vref
- Internal Oscillator or External Clock Selection
- Internal Temperature Sensor
- Internal Conversions Sequencer (SCAN Mode)
- Burnout Current Sources for Sensor Open/Short Detection
- Advanced Security Features:
 - 16-bit CRC for secure SPI communications
 - 16-bit CRC and IRQ for securing configuration
 - Register map lock with 8-bit secure key
 - Monitor controls for measurement integrity
- 20Mhz SPI-Compatible Interface
- AVDD: 2.7V to 3.6V
- DVDD: 1.8V to 3.6V
- Extended Temperature Range: -40 $^{\circ}$ C to +125 $^{\circ}$ C
- Package: 3mm x 3mm UQFN-20 and 6.4mm x 6.4mm TSSOP-20

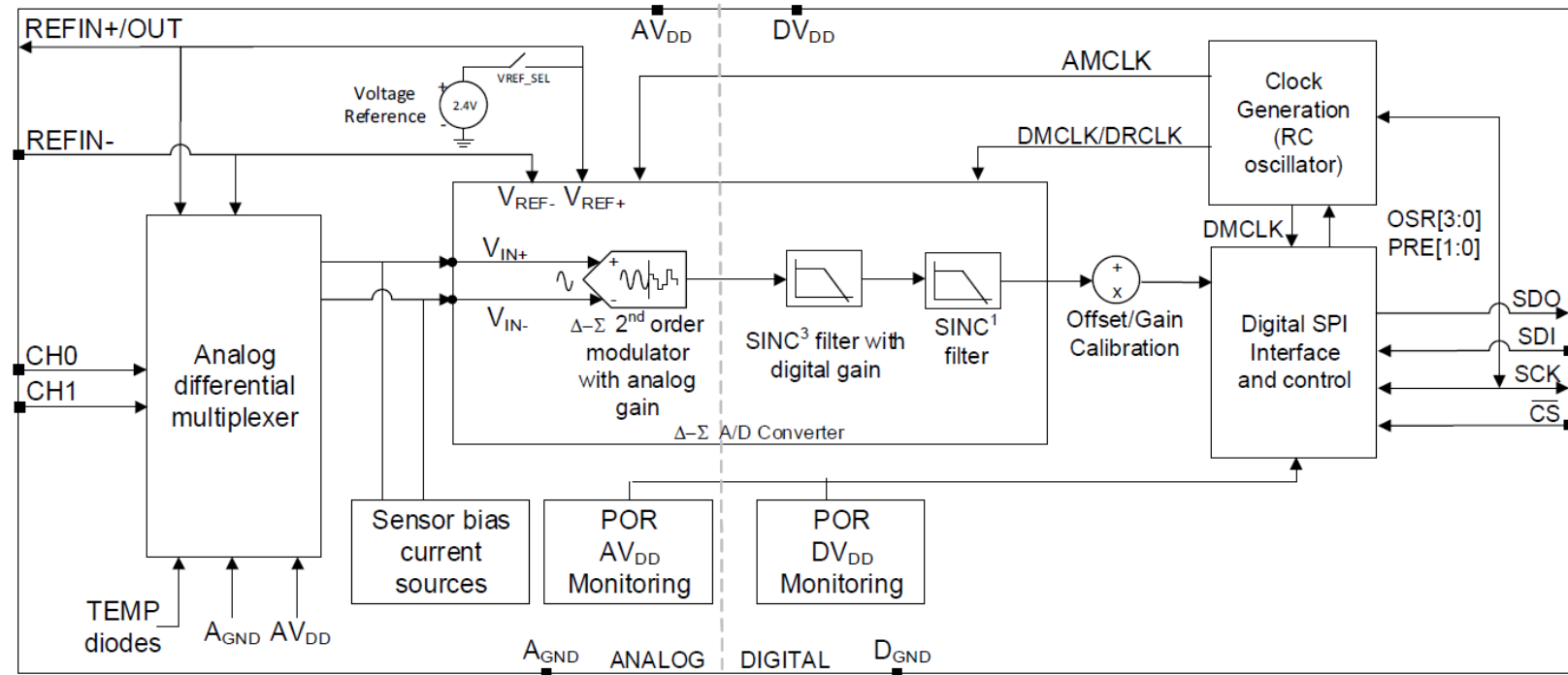


MCP3465R

16-Bit, 153.6 kSPS 1-ch ADC with SPI and Vref in 2x2 QFN

Features:

- 16-bit Resolution
- 1 Differential or 2 Single-ended Channels
- Programmable Data Rate: up to 153.6kSPS
- Programmable Gain: 0.33x to 64x
- Low Noise: 2.3 μ V_{RMS} (Gain=16x)
- Low Temperature Drift
 - Offset error drift: 4/Gain nV/ $^{\circ}$ C (AZ_MUX = 1)
 - Gain error drift: 0.5 ppm/ $^{\circ}$ C (Gain = 1X)
- Internal Vref
- Internal Oscillator or External Clock Selection
- Internal Temperature Sensor
- Internal Conversions Sequencer (SCAN Mode)
- Burnout Current Sources for Sensor Open/Short Detection
- Advanced Security Features:
 - 16-bit CRC for secure SPI communications
 - 16-bit CRC and IRQ for securing configuration
 - Register map lock with 8-bit secure key
 - Monitor controls for measurement integrity
- 20Mhz SPI-Compatible Interface
- AV_{DD}: 2.7V to 3.6V
- DV_{DD}: 1.8V to 3.6V
- Extended Temperature Range: -40 $^{\circ}$ C to +125 $^{\circ}$ C
- Package: 2mm x 2mm UQFN-12



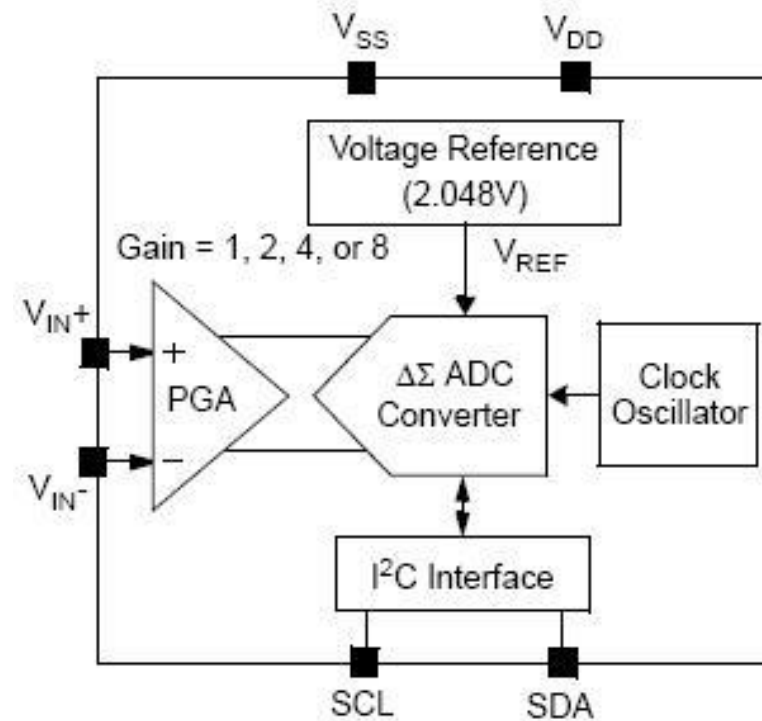
MCP3425



16-Bit, 240 SPS, Single Channel ADC with I2C Interface and Vref

Features:

- 16-bit $\Delta\Sigma$ ADC in a SOT-23-6 package
- Differential Input Operation
- Self Calibration of Internal Offset and Gain
- On-board Voltage Reference Accuracy:
 - 2.048V \pm 0.05%
- Programmable Gain Amplifier up to 8x
- Internal Oscillator
- INL: 10ppm of FSR (FSR = 4.096V/PGA)
- Programmable Data Rate Options:
 - 15 SPS @16-bits, 60 SPS @14-bits, 240 SPS @12-bits
- One-Shot or Continuous Conversion options
- One-Shot Conversion:
 - 9.7 μ A (typ.) with 16-bit mode
 - 2.4 μ A (typ.) with 14-bit mode
 - 0.6 μ A (typ.) with 12-bit mode
- Low current consumption:
 - 145 μ A typical (V_{DD} = 3V, Continuous)
- I²C™ Serial Interface
- Single Supply Operation: 2.7V to 5.5V
- Extended Temperature Range: -40°C to 125°C



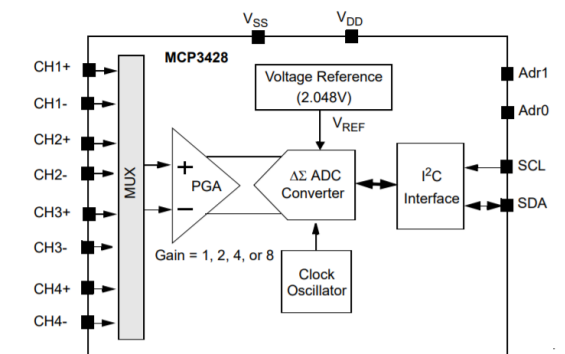
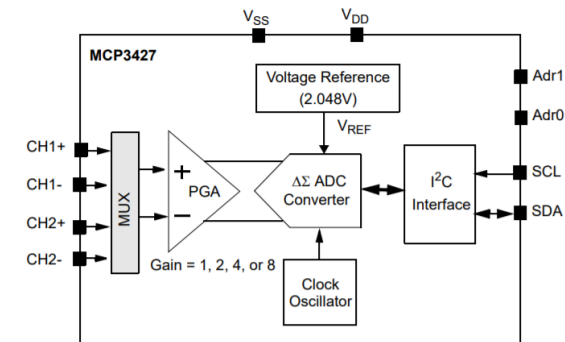
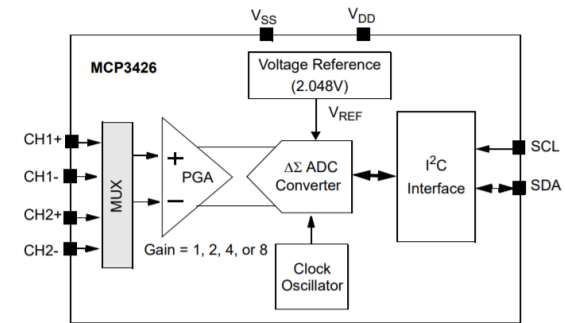
MCP3426/7/8



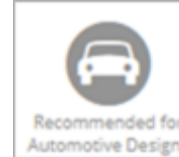
16-Bit, 240 SPS 2-ch/4-ch ADC with I2C and Vref

Features:

- 16-bit $\Delta\Sigma$ ADC:
 - 2 channels: MCP3426 and MCP3427
 - 4 channels: MCP3428
- Differential Input Full Scale Range Operation
- Self Calibration of Internal Offset and Gain
- Voltage Reference: 2.048V \pm 0.05%
- Programmable Gain Amplifier: Up to 8x
- On-board Oscillator
- INL: 10ppm of FSR
- Programmable Data Rate Options:
 - 15 SPS @16-bits, 60 SPS @14-bits, 240 SPS @12-bits
- One-Shot or Continuous Conversion options
- One-Shot Conversion for power savings
- Low current consumption:
 - 135 μ A typical (VDD = 3V, Continuous)
- Supports I²C™ Serial Interface:
 - User configurable address pins (MCP3427/MCP3428)
- Single Supply Operation: 2.7V to 5.5V
- Extended Temperature Range: -40°C to 125°C



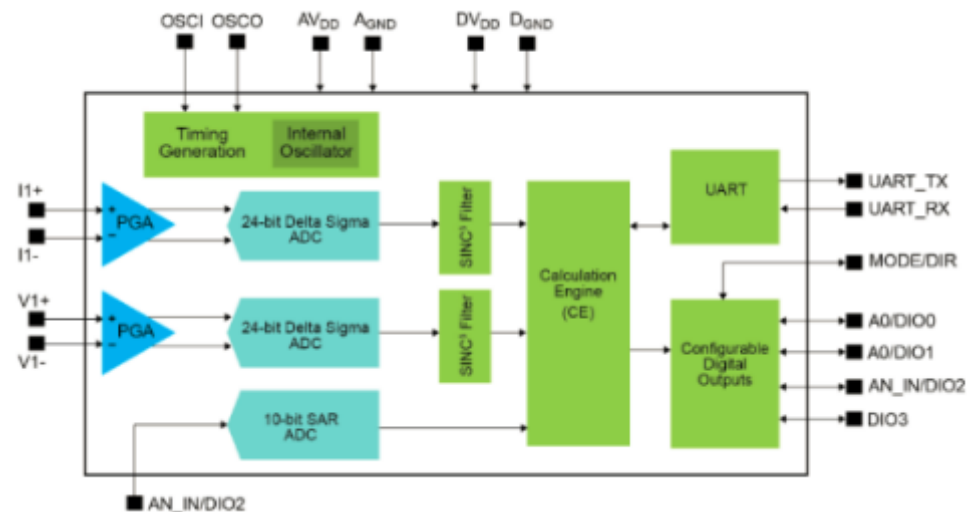
MCP39F501



Single-Phase, Power-Monitoring IC with Calculation and Event Detection

Features:

- Power Monitoring Accuracy capable of 0.1% error across 4000:1 dynamic range
- Built-in calculations:
 - Active, Reactive and Apparent Power
 - RMS Current, RMS Voltage
 - Line Frequency, Power Factor
- Fast Calibration Routine
- Programmable Event Notifications –
 - such as overcurrent and voltage –
 - sag, surge protection
- 512 bytes User-accessible EEPROM
- Non-volatile On-chip Memory, no –
 - external memory required
- 2-wire UART interface
- Low-Drift Internal Voltage Reference:
 - 10 ppm/°C typical
- 28-lead 5x5 QFN package
- Extended Temperature Range:
 - -40°C to +125°C



MCP39F511

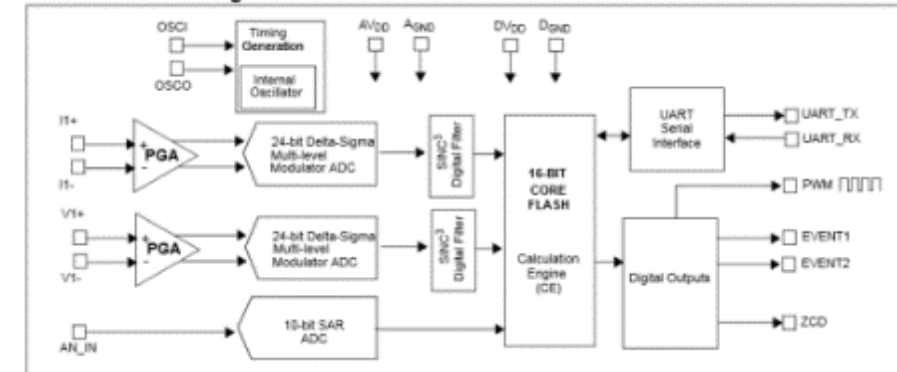


Power-Monitoring IC with Calculation and Energy Accumulation

Features:

- Power Monitoring Accuracy capable of 0.1% error across 4000:1 dynamic range
- Built-In Calculations:
 - Active, Reactive, Apparent Power
 - Active and Reactive Energy Accumulation
 - RMS Current, RMS Voltage
 - Line Frequency, Power Factor
- Dedicated Zero Crossing Detection (ZCD) Pin
- Dedicated PWM Output Pin
- Automatic Event Pin Control through Fast Voltage Surge Detection
- Fast Calibration Routines
- 2-wire UART: Baud Rate up to 115.2kbps
- 512 bytes User-accessible EEPROM
- Low-Drift Internal Voltage Reference:
 - 10 ppm/°C typical
- 28-lead 5x5 QFN package
- Extended Temperature Range:
 - -40°C to +125°C

Functional Block Diagram



MCP39F511A

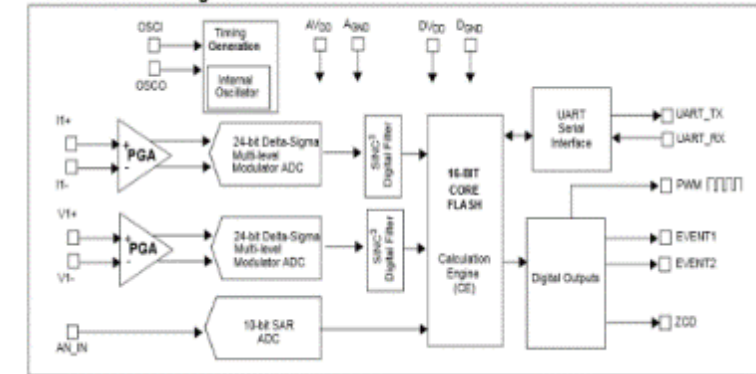


AC/DC Dual-Mode Power-Monitoring IC with Calculation and Energy Accumulation

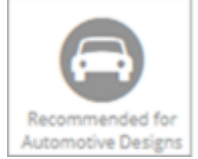
Features:

- Real-Time Measurement of Input AC or DC Power
- Automatic sensing and switching between AC and DC modes
- Capable of 0.1% accuracy across 4000:1 dynamic range
- Built-In Calculations:
 - Active, Reactive, Apparent Power
 - Active and Reactive Energy Accumulation
 - RMS Current, RMS Voltage
 - Line Frequency, Power Factor
- Automatic Saving and Loading Energy Accumulation Registers to/from EEPROM at Power Off/On
- Automatic Event Pin Control through Fast Voltage Surge Detection
- Fast Calibration Routines
- 2-wire UART: Baud Rate up to 115.2kbps
- 512 bytes User-accessible EEPROM
- Low-Drift Internal Voltage Reference: 10ppm/°C(typ)
- 28-lead 5x5 QFN package
- Extended Temperature Range : -40°C to +125°C

Functional Block Diagram



MCP39F511N

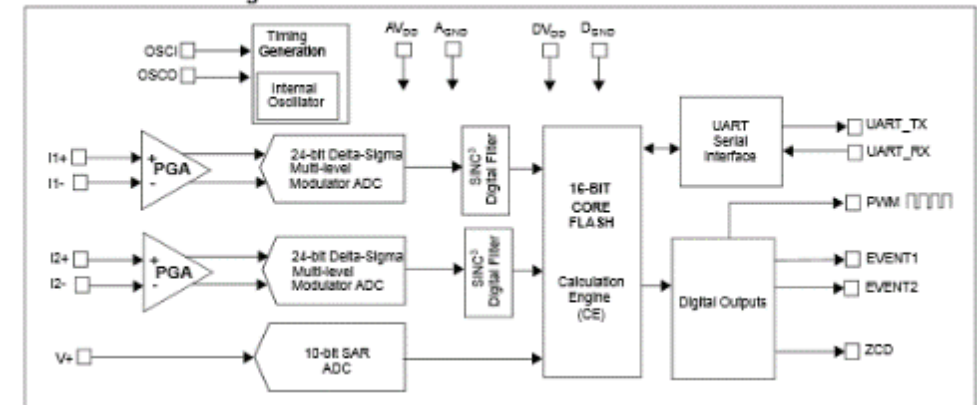


Dual-Channel, Single-Phase Power-Monitoring IC with Calculation

Features:

- Power Monitoring of Two Loads
- Capable of 0.5% error across 4000:1 dynamic range
- Built-In Calculations:
 - Active, Reactive, Apparent Power
 - Active, Reactive Energy Accumulation
 - True RMS Current, RMS Voltage
 - Line Frequency, Power Factor
- Dedicated Zero Crossing Detection (ZCD) Pin
- Dedicated PWM Output Pin
- Automatic Event Pin Control through –
 - Fast Voltage Surge Detection
- Fast Calibration Routines
- 2-wire UART: Up to 115.2kbps
- 512 bytes User-accessible EEPROM
- Internal Voltage Reference: 10 ppm/°C
- 28-lead 5x5 QFN package
- Extended Temperature Range:
 - -40°C to +125°C

Functional Block Diagram



MCP39F521

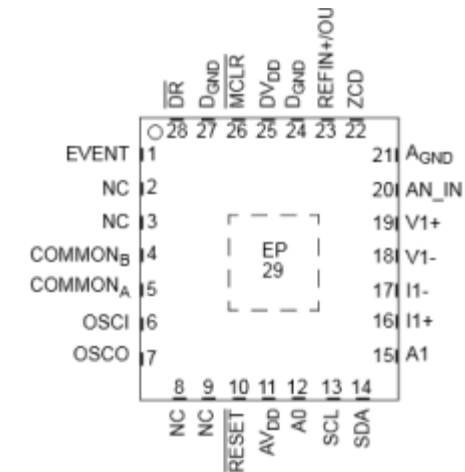
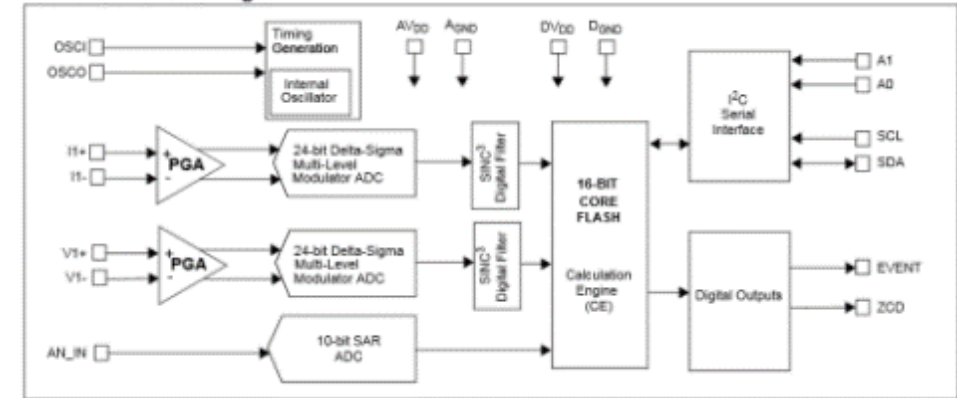


I2C Power Monitor with Calculation and Energy Accumulation

Features:

- Power Monitoring Accuracy capable of 0.1% error across 4000:1 dynamic range
- Built-In Calculations:
 - Active, Reactive, Apparent Power
 - Active, Reactive Energy Accumulation
 - RMS Current, RMS Voltage
 - Line Frequency, Power Factor
- Dedicated Zero Crossing Detection Pin
- Automatic Event Pin Control through Fast Voltage Surge Detection
- Fast Calibration Routines
- I²C Interface
- 512 bytes User-accessible EEPROM –
- through page read/write commands
- Non-volatile On-chip Memory
- Internal Voltage Reference: 10 ppm/°C
- 28-lead 5x5 QFN package
 - -40°C to +125°C

Functional Block Diagram

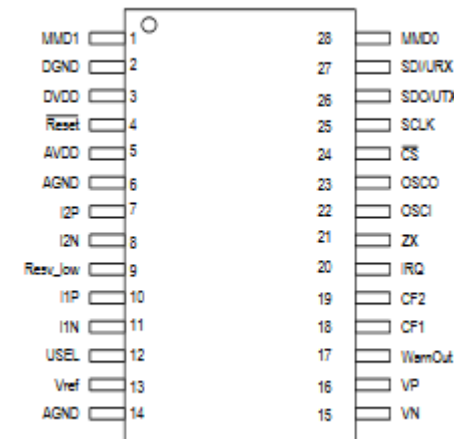
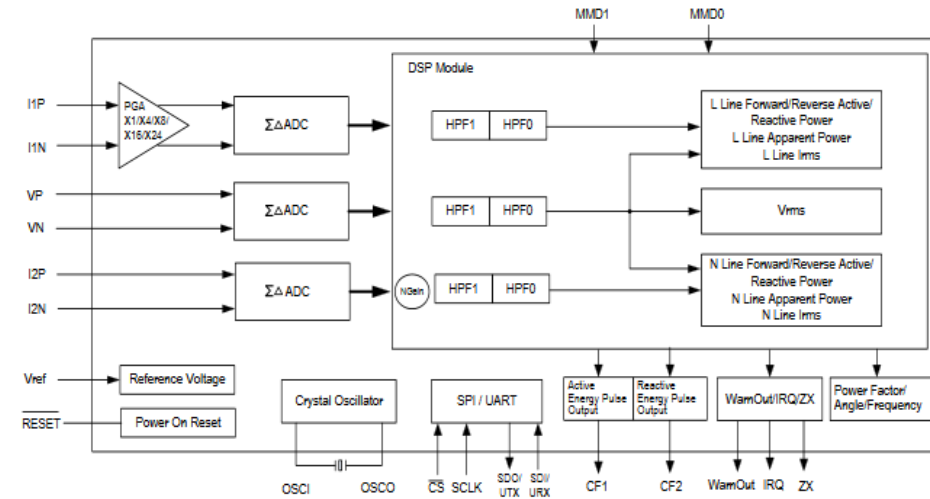


ATM90E26

Single-Phase High-Performance Wide-Span Energy Metering IC

Features:

- Fully compliant with IEC standard IEC62052-11, IEC62053-21 and IEC62053-23
- Class 1 or class 2 single-phase watt-hour meter or class 2 single-phase var-hour meter
- Accuracy of 0.1% for active energy and 0.2% for reactive energy for a 5000:1 dynamic range
- Voltage Reference: 15ppm/°C (typical)
- Less than $\pm 0.5\%$ fiducial error for V_{rms} , I_{rms} , mean active / reactive / apparent power, frequency, power factor and phase angle
- SPI or UART interface
- Dedicated ADC and different gains for L line and N line current sampling circuits
- L line and/or N line metering modes:
 - Anti-tampering mode (larger power)
 - L line mode (fixed L line)
 - L+N mode (applicable for single-phase – three-wire system)
 - Flexible mode
- Package: 28-lead SSOP

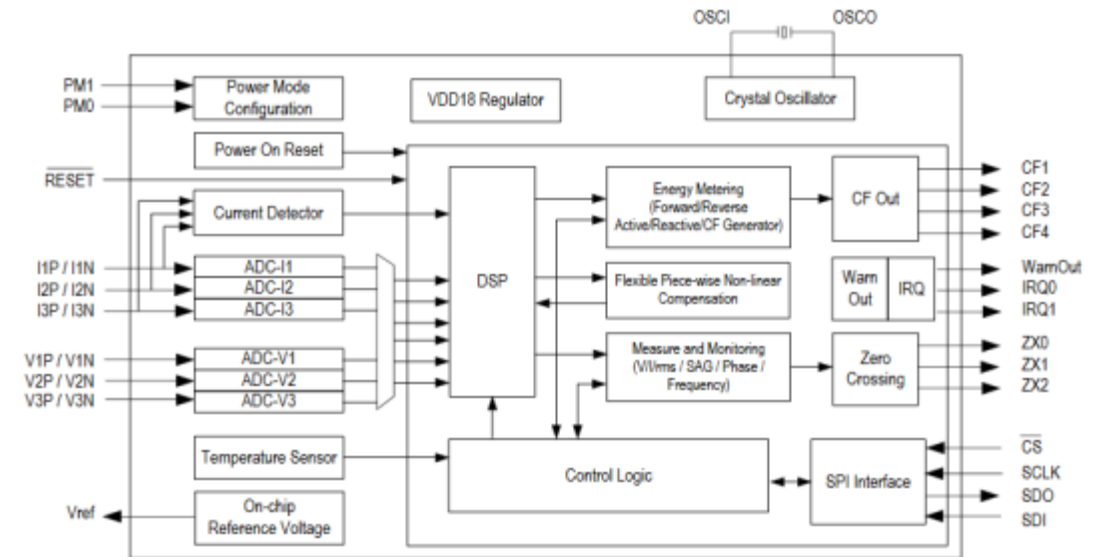


ATM90E32AS

Enhanced Poly-Phase High-Performance Wide-Span Energy Metering IC

Features:

- Compliant with IEC62052-11, IEC62053-22, IEC62053-23, ANSI C12.1, ANSI C12.20
- Class 0.5S or class 1 poly-phase –
 - watt-hour meter or class 2 poly –
 - phase var-hour meter
- Accuracy of $\pm 0.1\%$ for active –
 - energy & $\pm 0.2\%$ for reactive –
 - energy for 6000:1 dynamic range
- 6 dedicated ADCs
- Voltage Reference: 6 ppm/ $^{\circ}\text{C}$ (typ)
- $\pm 1^{\circ}\text{C}$ (typical) temperature sensor
- Less than $\pm 0.5\%$ fiducial error for V_{rms} , I_{rms} , mean active/reactive/apparent power, frequency, power factor and phase angle
- Event detection: sag, over voltage, phase loss, over current, reverse V/I phase sequence, reverse flow, calculated neutral line current INC over-current and frequency
- SPI interface
- Package: TQFP-48

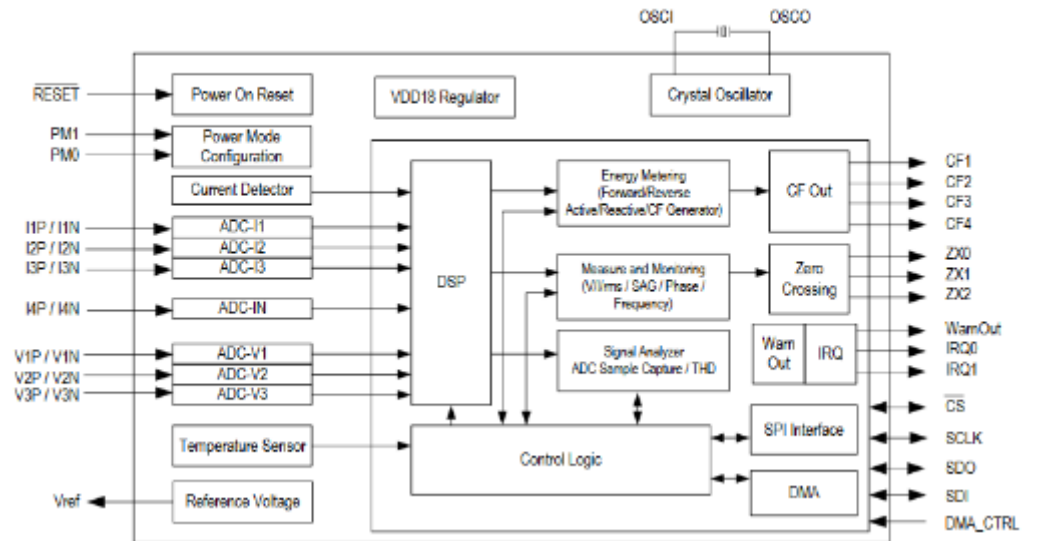


ATM90E36A

Enhanced Poly-Phase High-Performance Energy Metering IC

Features:

- Compliant with IEC62052-11, IEC62053-22, IEC62053-23, ANSI C12.1, ANSI C12.20
- Class 0.5S or class 1 poly-phase watt-hour meter or class 2 poly phase var-hour meter
- Accuracy of $\pm 0.1\%$ for active energy & $\pm 0.2\%$ for reactive energy for 6000:1 range
- 7 dedicated ADCs
- Voltage Reference: 6 ppm/ $^{\circ}\text{C}$ (typ)
- $\pm 1^{\circ}\text{C}$ (typ) temperature sensor
- Less than $\pm 0.5\%$ fiducial error for V_{rms} , I_{rms} , mean active/reactive/apparent power, frequency, power factor and phase angle
- Fundamental (0.2%) and harmonic (1%) active energy
- Total Harmonic Distortion (THD) and Discrete Fourier Transform (DFT) functions for 2~32 order harmonic component analysis for each phase's voltage and current.
- SPI interface with DMA
- Package: TQFP-48

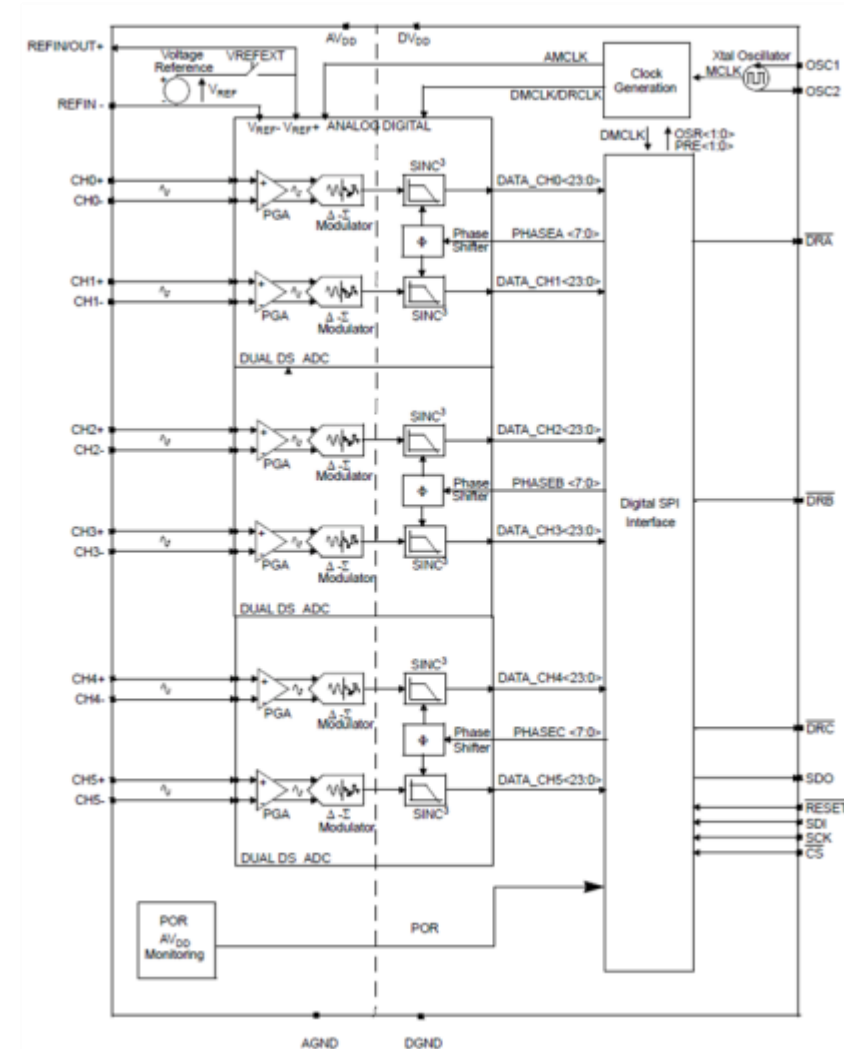


MCP3901/03

2 & 6-Ch AFEs

Features:

- MCP3901: 2-Ch AFE
- MCP3903: 6-Ch AFE
- Synchronous sampling 16/24-bit $\Delta\Sigma$ ADCs
 - Up to 91 dB SINAD, -104 dBc THD, 109 dB SFDR for each channel
- Programmable data rate up to 64 ksp/s
- Ultra low power shutdown mode with $<2\ \mu\text{A}$
- Up to -133 dB Crosstalk
- Low Drift Internal Voltage Reference
- Differential Voltage Reference Input Pins
- High Gain PGA on each channel: Up to 32x
- Phase Delay Compensation
- Separate Modulator outputs for each channel
- High-Speed Addressable SPI Interface
- 4.5V - 5.5V A_{VDD} , 2.7V - 5.5V D_{VDD}
- MCP3901 in 20-lead SSOP
- MCP3903 in 28-lead SSOP
- Extended Temperature Range: -40°C to $+125^\circ\text{C}$



MCP3905A/06

2 & 6-Ch AFEs



Features:

- MCP3901: 2-Ch AFE
- MCP3903: 6-Ch AFE
- Synchronous sampling 16/24-bit $\Delta\Sigma$ ADCs -
 - Up to 91 dB SINAD, -104 dBc THD, 109 dB - SFDR for each channel
- Programmable data rate up to 64 ksps
- Ultra low power shutdown mode with $<2 \mu\text{A}$
- Up to -133 dB Crosstalk
- Low Drift Internal Voltage Reference
- Differential Voltage Reference Input Pins
- High Gain PGA on each channel: Up to 32x
- Phase Delay Compensation
- Separate Modulator outputs for each channel
- High-Speed Addressable SPI Interface
- 4.5V - 5.5V AV_{DD} , 2.7V - 5.5V DV_{DD}
- MCP3901 in 20-lead SSOP
- MCP3903 in 28-lead SSOP
- Extended Temperature Range: -40°C to $+125^{\circ}\text{C}$



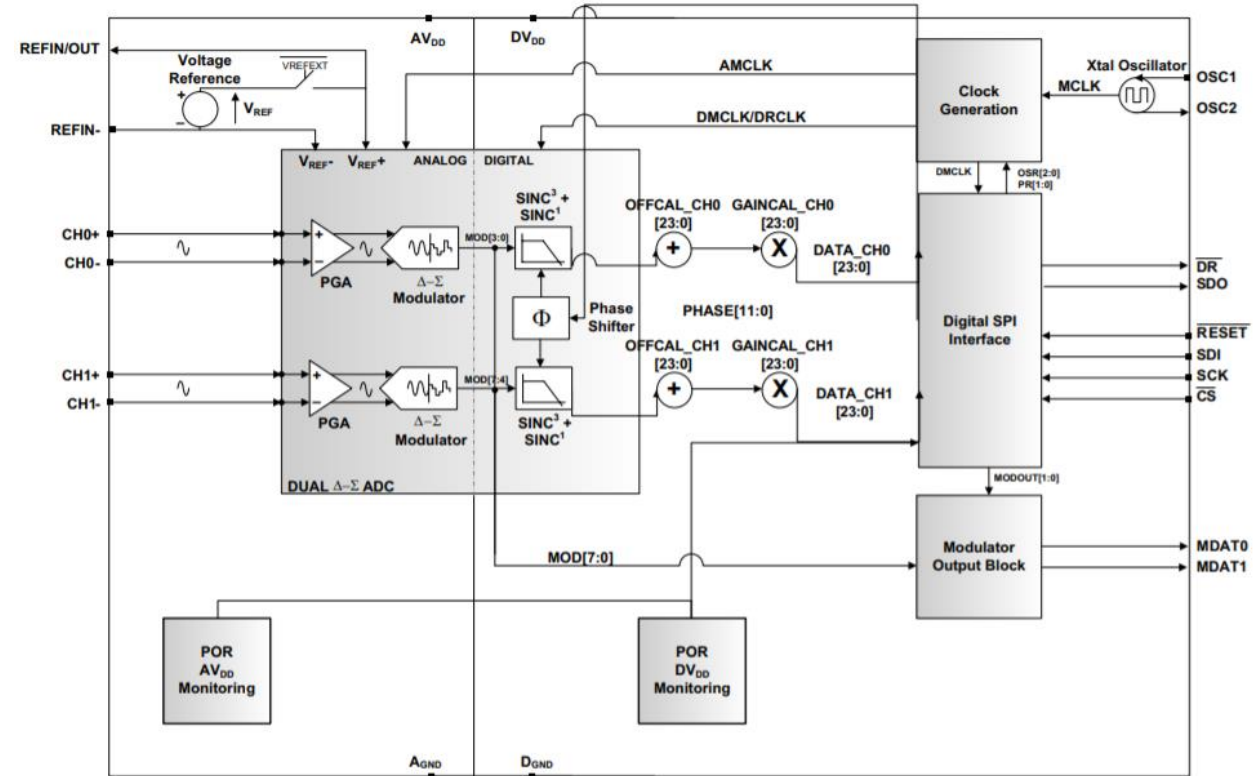
MCP3911



24-Bit, 125 kSPS 2-ch Simultaneous Sampling ADC with SPI

Features:

- Two Simultaneous Sampling 16/24-bit $\Delta\Sigma$ ADCs
- 94.5 dB SINAD, -106.5 dB THD, 111 dB SFDR
- Programmable Data Rate: up to 125 kSPS
- Oversampling Ratio up to 4096
- -122 dB Crosstalk between Channels
- 1.2V Internal Voltage Reference: 7 ppm/ $^{\circ}\text{C}$
- Differential Voltage Reference Input Pins
- PGA on Each Channel: Up to 32V/V
- Phase Delay Compensation
- Modulator Outputs for Each Channel
- Data Ready Pin for Easy Synchronization
- Individual 24-bit Digital Offset and Gain Error Correction for Each Channel
- High-Speed 20 MHz SPI Interface
- Continuous Read/Write Modes
- Low Power: Down to 5.6 mW @3.3V
- Extended Temperature Range: -40°C to $+125^{\circ}\text{C}$
- 2.7V - 3.6V AV_{DD} , DV_{DD}
- 20-lead QFN and SSOP Packages
- Pin-to-pin Compatible with MCP3901
- Recommended for Automotive Design



<< Delta-Sigma ADC

<< Power Monitoring & Metering ICs



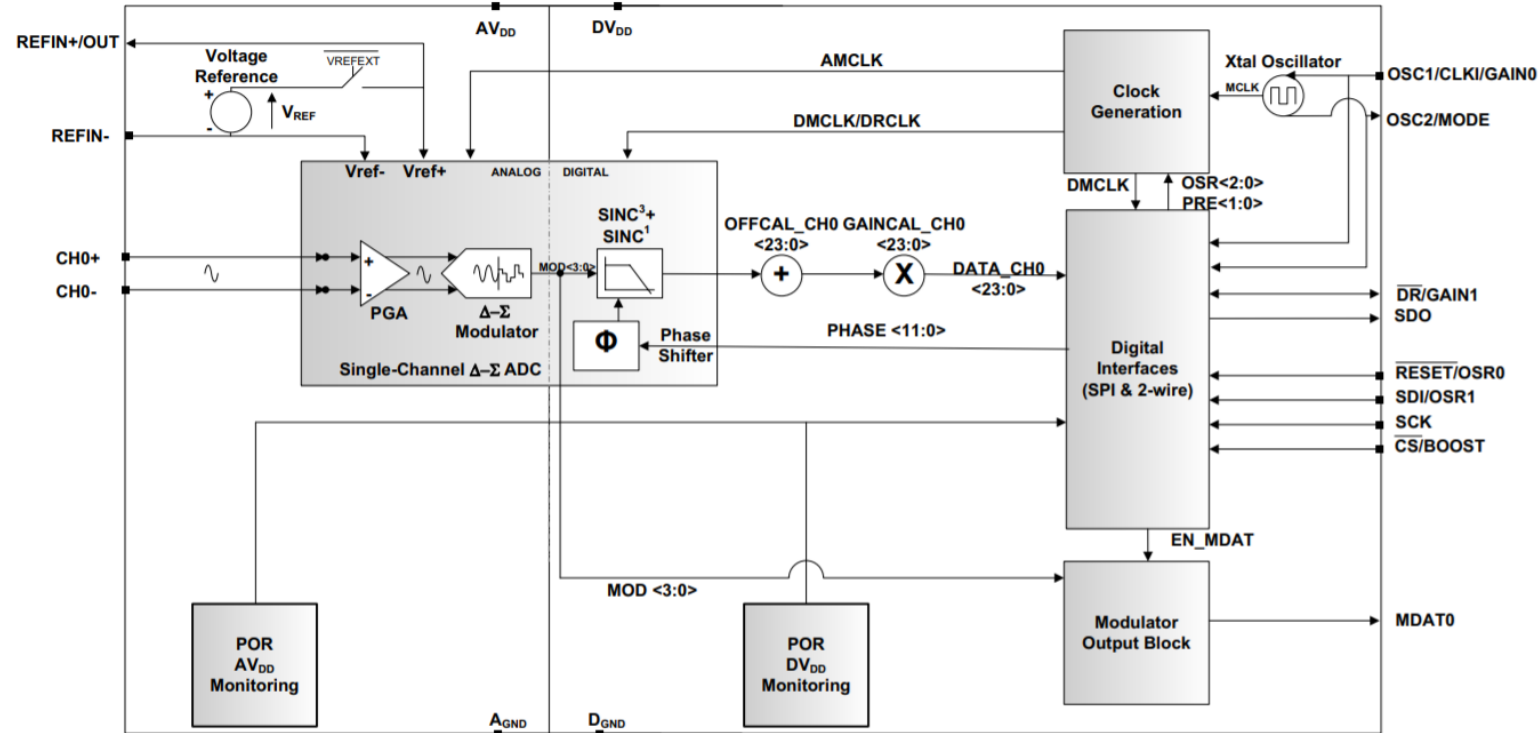
MCP3918



24-Bit, 125 kSPS Single Channel ADC with SPI

Features:

- Single 24-bit $\Delta\Sigma$ ADC
- Programmable Data Rate, up to 125 kSPS
- 93.5 dB SINAD, -107 dBc THD, 112 dBFS SFDR
- Advanced Security Features:
 - 16-bit CRC checksum
 - Register map lock with 8-bit secure key
- Oversampling Ratio up to 4096
- Internal Voltage Reference: 9 ppm/ $^{\circ}$ C drift
- PGA: up to 32 V/V
- Phase Delay Compensation
- Separate Data Ready Pin for Synchronization
- 24-bit Digital Offset and Gain Error Correction
- High-Speed 20 MHz SPI interface
- 2-Wire Interface mode ideal for Polyphase Shunt Energy Meters
- Continuous Read/Write Modes for Minimum Communication Time
- Extended Temperature Range: -45 $^{\circ}$ C to +125 $^{\circ}$ C
- 20-lead SSOP and QFN Packages
- Recommended for Automotive Design



<< Delta-Sigma ADC

<< Power Monitoring & Metering ICs



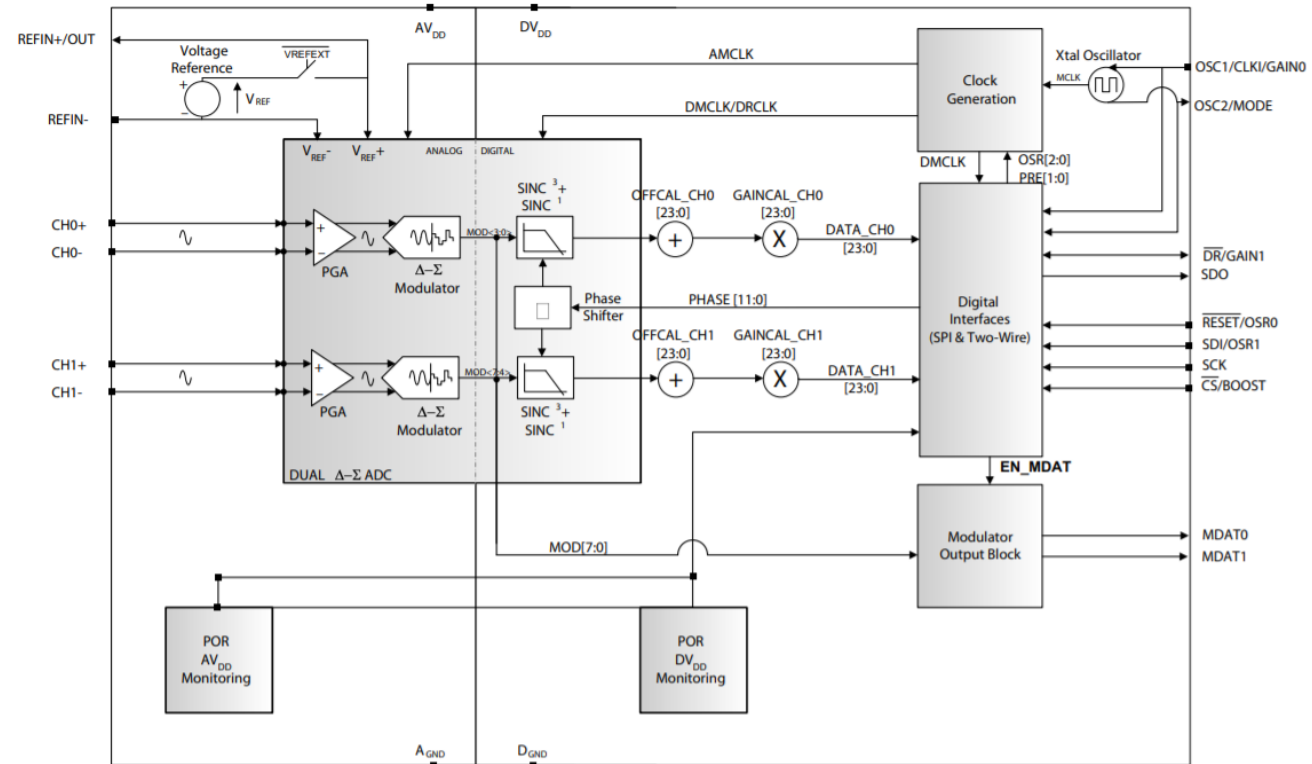
MCP3910



24-Bit, 125 kSPS 2-ch Simultaneous Sampling ADC with SPI

Features:

- Two Simultaneous Sampling 16/24-bit $\Delta\Sigma$ ADCs
- Programmable Data Rate, up to 125 kSPS
- 93.5 dB SINAD, -107 dBc THD, 112 dBFS SFDR
- 0.1% Active Power Error over 10,000:1 Dynamic Range
- Advanced Security Features:
 - 16-bit CRC checksum
 - Register map lock with 8-bit secure key
- Oversampling Ratio up to 4096
- -122 dB Crosstalk between Channels
- Internal Voltage Reference: 9 ppm/ $^{\circ}\text{C}$
- PGA on Each Channel: up to 32 V/V
- Phase Delay Compensation
- Separate Data Ready Pin for Synchronization
- 24-bit Digital Offset and Gain Error Correction
- High-Speed 20 MHz SPI interface
- 2-Wire Interface mode ideal for Polyphase Shunt Energy Meters
- Extended Temperature Range: -45°C to $+125^{\circ}\text{C}$
- 20-lead SSOP and QFN Packages
- Recommended for Automotive Design



<< Delta-Sigma ADC

<< Power Monitoring & Metering ICs



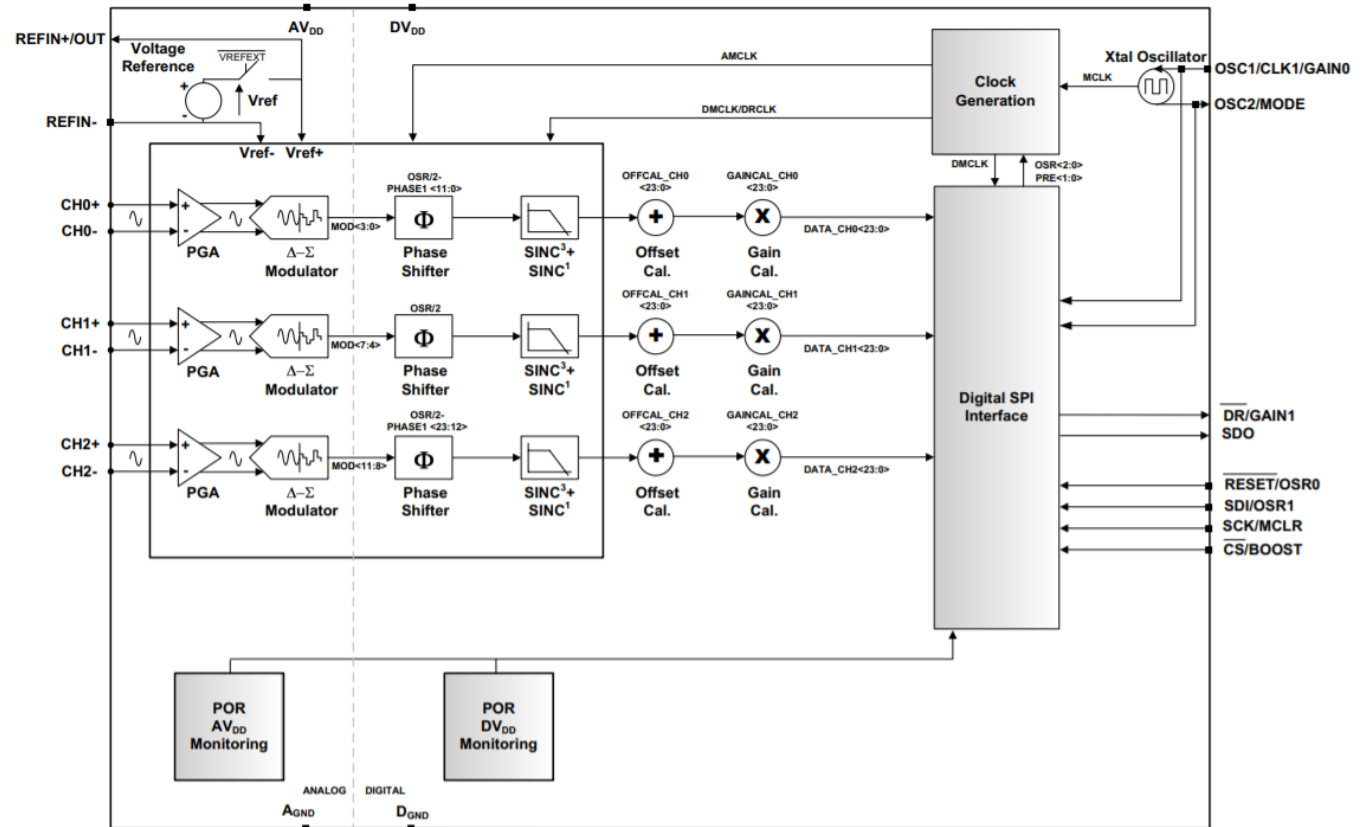
MCP3919



24-Bit, 125 kSPS 3-ch Simultaneous Sampling ADC with SPI

Features:

- Three Simultaneous Sampling 16/24-bit $\Delta\Sigma$ ADCs
- Programmable Data Rate up to 125 kSPS
- 93.5 dB SINAD, -107 dBc THD, 112 dBFS SFDR
- 0.1% Active Power Error over 10,000:1 Dynamic Range
- Advanced Security Features:
 - 16-bit CRC checksum
 - Register map lock with 8-bit secure key
- Oversampling Ratio up to 4096
- -122 dB Crosstalk between Channels
- Internal Voltage Reference: 9 ppm/°C
- PGA on Each Channel (up to 32 V/V)
- Phase Delay Compensation: 1 μ s Time Resolution
- Separate Data Ready Pin for Synchronization
- 24-bit Digital Offset and Gain Error Correction
- SPI interface with 2-Wire Interface Mode
- Extended Temperature Range: -40°C to +125°C
- 28-lead QFN and SSOP Packages
- Recommended for Automotive Design



<< Delta-Sigma ADC

<< Power Monitoring & Metering ICs



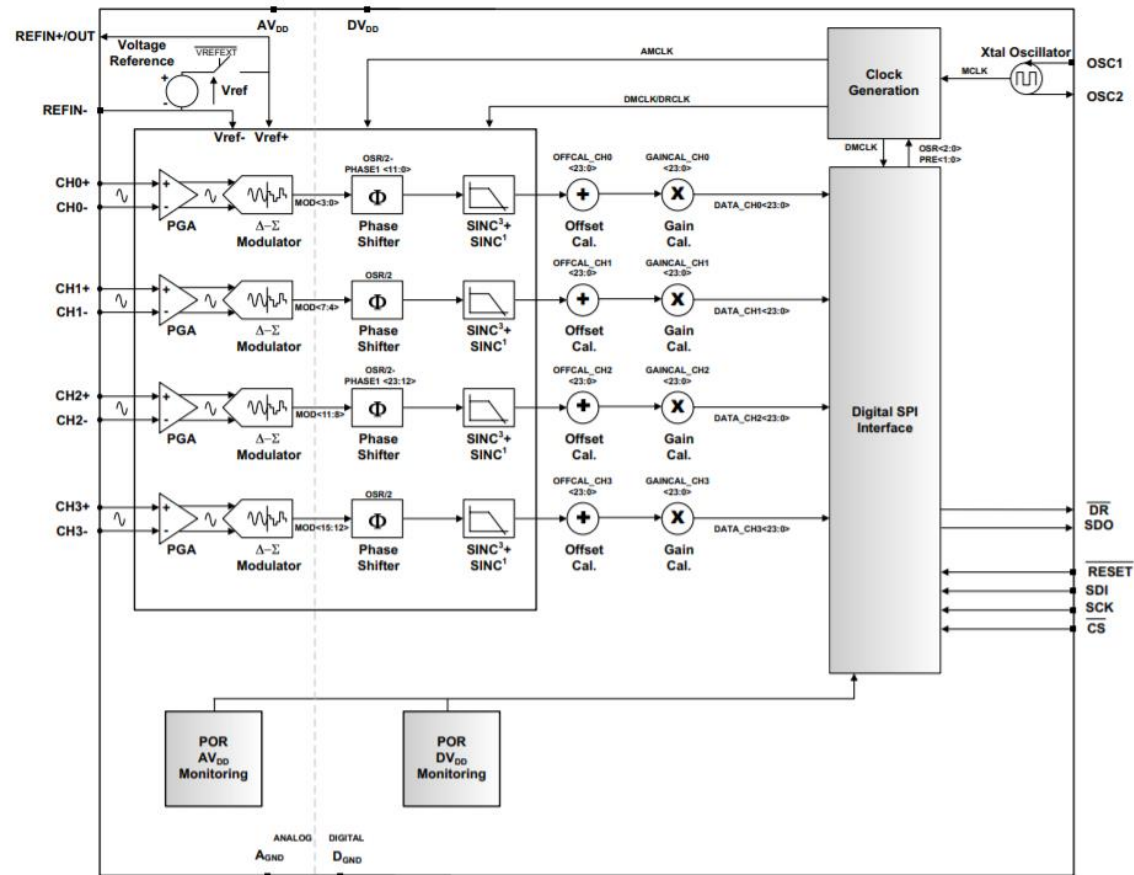
MCP3912



24-Bit, 125 kSPS 4-ch Simultaneous Sampling ADC with SPI

Features:

- Four Simultaneous Sampling 16/24-bit $\Delta\Sigma$ ADCs
- Programmable Data Rate up to 125 kSPS
- 93.5 dB SINAD, -107 dBc THD, 112 dBFS SFDR
- 0.1% Active Power Error over 10,000:1 Dynamic Range
- Advanced Security Features:
 - 16-bit CRC checksum
 - Register map lock with 8-bit secure key
- Oversampling Ratio up to 4096
- -122 dB Crosstalk between Channels
- Internal Voltage Reference: 9 ppm/ $^{\circ}\text{C}$
- PGA on Each Channel (up to 32 V/V)
- Phase Delay Compensation
- Separate Data Ready Pin for Synchronization
- 24-bit Digital Offset and Gain Error Correction
- High-Speed 20 MHz SPI interface
- Extended Temperature Range: -40 $^{\circ}\text{C}$ to +125 $^{\circ}\text{C}$
- 28-lead QFN and SSOP Packages
- Recommended for Automotive Design



<< Delta-Sigma ADC

<< Power Monitoring & Metering ICs



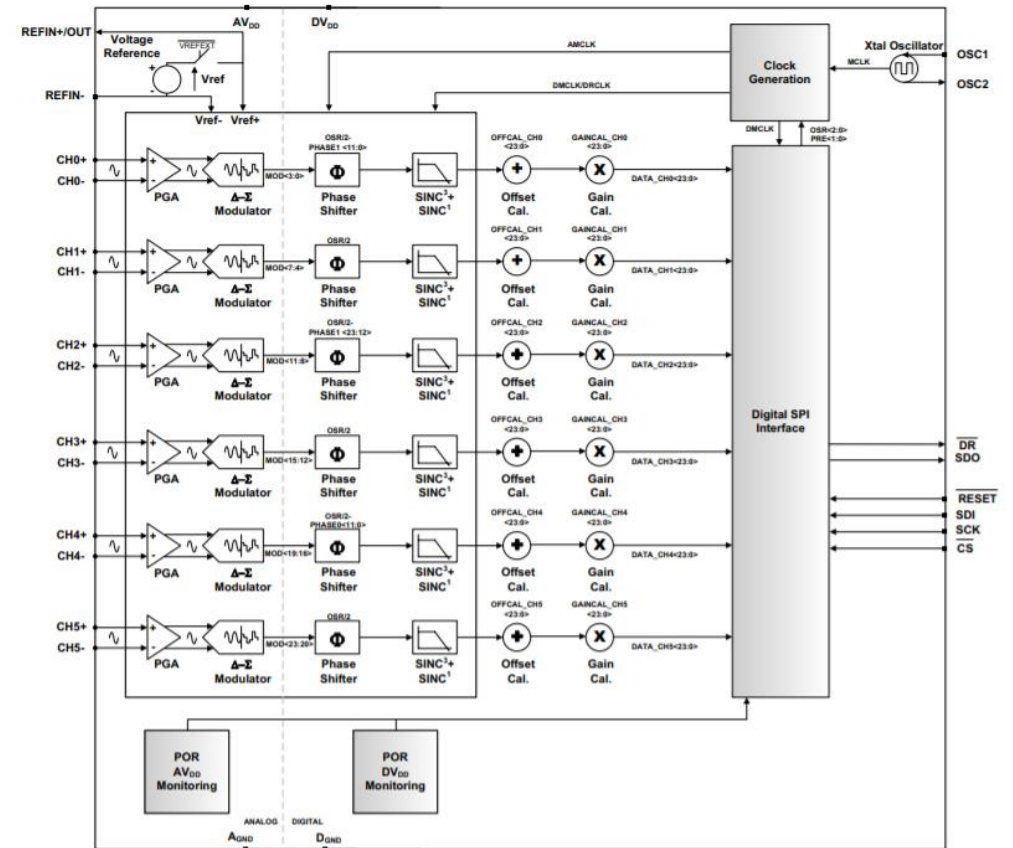
MCP3913



24-Bit, 125 kSPS 6-ch Simultaneous Sampling ADC with SPI

Features:

- Six Simultaneous Sampling 16/24-bit $\Delta\Sigma$ ADCs
- Programmable Data Rate up to 125 kSPS
- 94.5 dB SINAD, -107 dBc THD, 112 dBFS SFDR
- 0.1% Active Power Error over 10,000:1 Dynamic Range
- Advanced Security Features:
 - 16-bit CRC checksum
 - Register map lock with 8-bit secure key
- Oversampling Ratio up to 4096
- -122 dB Crosstalk between Channels
- Internal Voltage Reference: 9 ppm/ $^{\circ}\text{C}$
- PGA on Each Channel (up to 32 V/V)
- Phase Delay Compensation
- Separate Data Ready Pin for Synchronization
- 24-bit Digital Offset and Gain Error Correction
- High-Speed 20 MHz SPI interface
- Extended Temperature Range: -40°C to $+125^{\circ}\text{C}$
- 28-lead SSOP and 40-lead μQFN Package
- Recommended for Automotive Design



<< Delta-Sigma ADC

<< Power Monitoring & Metering ICs



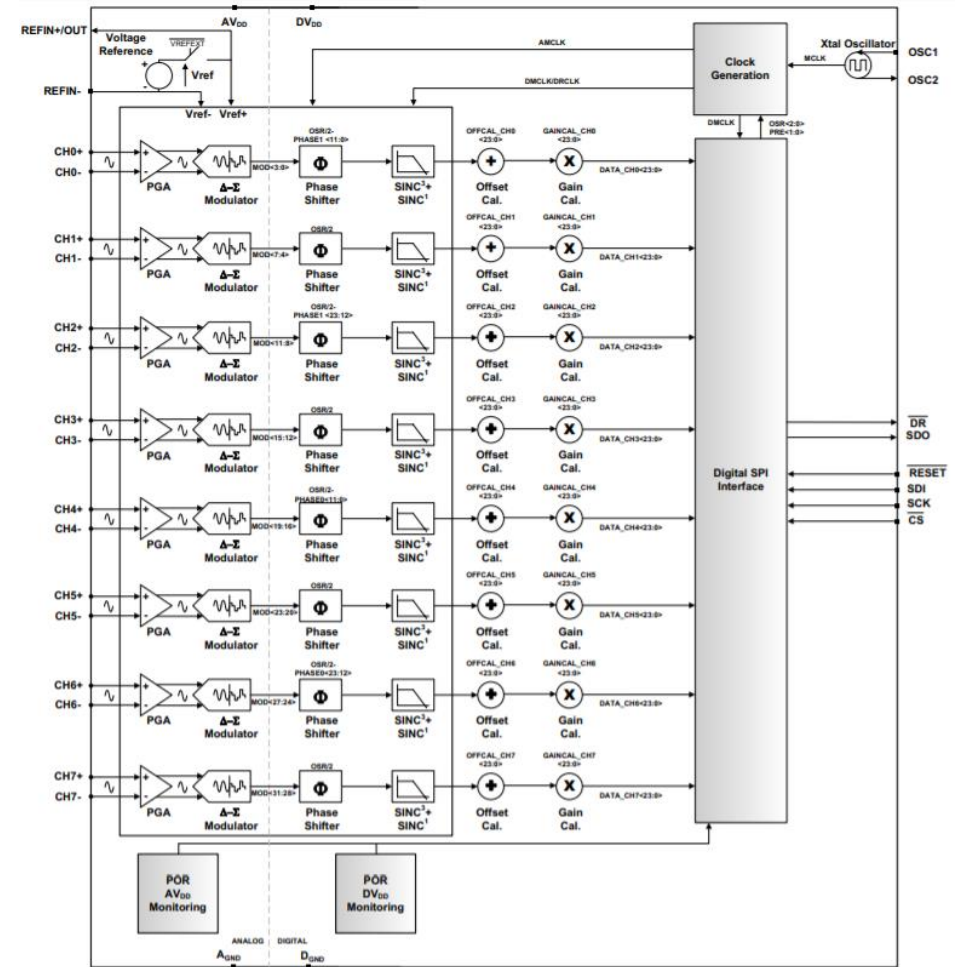
MCP3914



24-Bit, 125 kSPS 8-ch Simultaneous Sampling ADC with SPI

Features:

- Eight Simultaneous Sampling 16/24-bit $\Delta\Sigma$ ADCs
- Programmable Data Rate up to 125 kSPS
- 94.5 dB SINAD, -107 dBc THD, 112 dBFS SFDR
- 0.1% Active Power Error over 10,000:1 Dynamic Range
- Advanced Security Features:
 - 16-bit CRC checksum
 - Register map lock with 8-bit secure key
- Oversampling Ratio up to 4096
- -122 dB Crosstalk between Channels
- Internal Voltage Reference: 9 ppm/°C
- PGA on Each Channel: up to 32 V/V
- Phase Delay Compensation
- Separate Data Ready Pin for Synchronization
- 24-bit Digital Offset and Gain Error Correction
- High-Speed 20 MHz SPI interface
- Extended Temperature Range: -40°C to +125°C
- 28-lead SSOP and 40-lead μ QFN Package
- Recommended for Automotive Design



<< Delta-Sigma ADC

<< Power Monitoring & Metering ICs



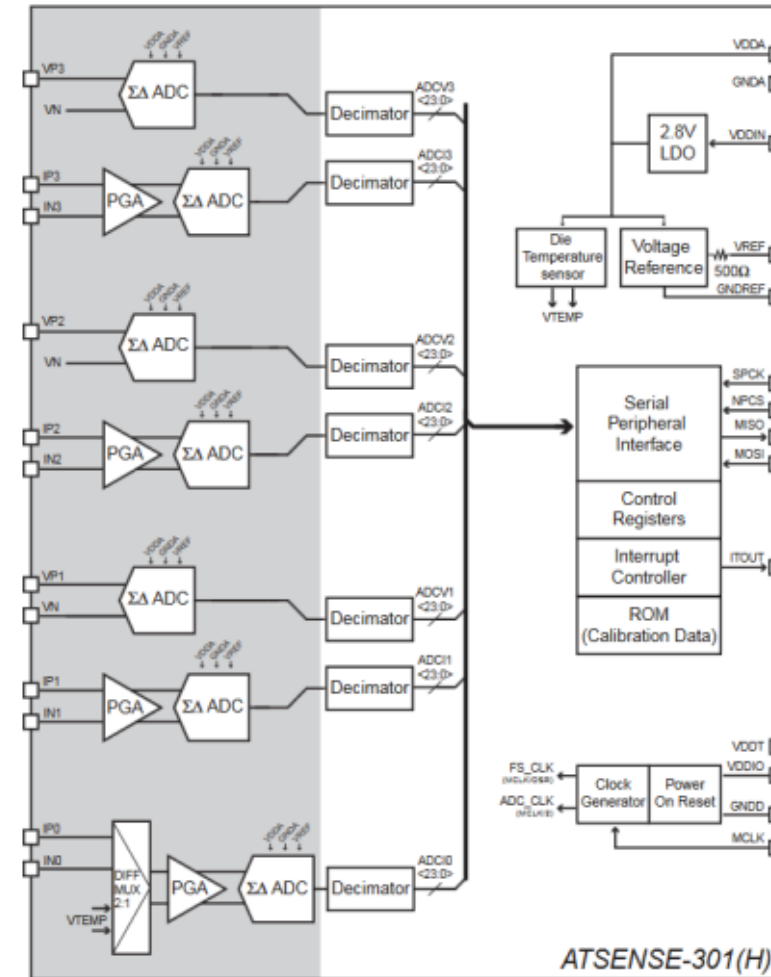
ATSENSE101

3/4/7-Ch AFE

Features:

- 3-Ch Single-phase ATSENSE101
- 4-Ch Dual-phase ATSENSE201(H)
- 7-Ch Poly-phase ATSENSE301(H)
- 84 dB SINAD
- Suitable for Atmel MCUs and Metrology Library
- Compliant with Class 0.2 Standards (ANSI – C12.20-2002 and IEC 62053-22)
- Current Channels Gain: x1, x2, x4, x8
- Integrated SINC Decimation Filters
- Output Data Rate: 16 kSps typical
- 3.0V to 3.6V Operation
- Low Power: < 2.5 mW typical/Channel @3.3V
- Industrial Temperature Range: -40°C to +85°C
- Voltage Reference: 50 ppm/°C (typ.) or 10 ppm (typ.) (ATSENSE201H/ATSENSE301H)
- 8 MHz Serial Peripheral Interface (SPI)
- Packages:
 - ATSENSE-101: 20-lead SOIC
 - ATSENSE-201/301(H): 32-lead 7x7 TQFP

ATSENSE-301(H) Functional Block Diagram



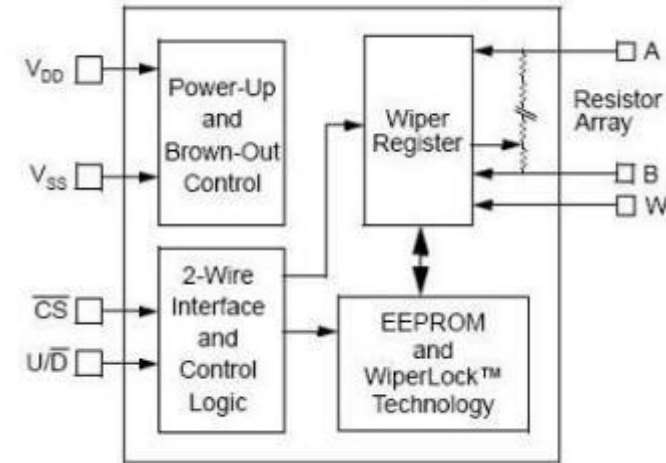
Low-Cost NV Digital POT with WiperLock™ Technology



Online
Datasheet

Features:

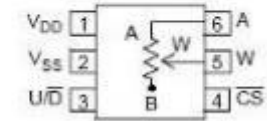
- Nonvolatile Digital Potentiometer in SOT-23,
- MSOP and SOIC Packages
- 64 Taps: 63 Resistors with Taps to V_{SS} and V_{DD}
- Simple Up/Down (U/D) Protocol
- Automatic Recall of Potentiometer Wiper Settings
- Resistance Values: 2 k Ω , 5 k Ω , 10 k Ω , 50 k Ω
- Low Tempco:
- Absolute (Rheostat): <100ppm (typ.)
- Ratiometric (Potentiometer): <10ppm (typ.)
- Low Wiper Resistance: 75 Ω (typ.)
- WiperLock™ Technology to Secure the EEPROM
- Low-Power Operation: 1 μ A (max.) Static Current
- Wide Operating Voltage:
 - 2.7V to 5.5V
- Extended Temperature Range: -40°C to +125°C
- Recommended for Automotive Design (MCP4021/2/3)



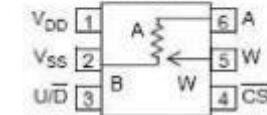
MCP4021
MSOP, SOIC
Potentiometer



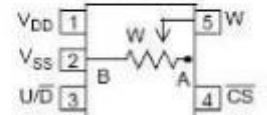
MCP4022
SOT-23-6
Rheostat



MCP4023
SOT-23-6
Potentiometer



MCP4024
SOT-23-5
Rheostat



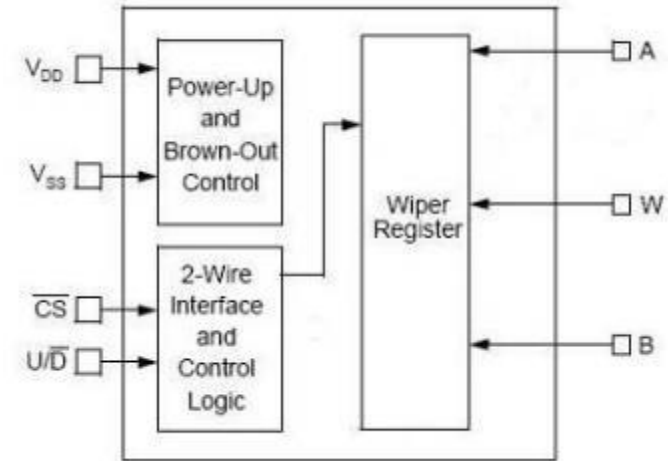
<< BACK



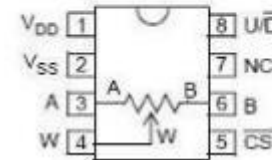
Low-Cost 64-Step Volatile Digital POT

Features:

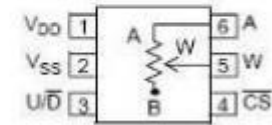
- Volatile Digital Potentiometer in SOT-23,
- MSOP and SOIC Packages
- 64 Taps: 63 Resistors with Taps to V_{SS} and V_{DD}
- Simple Up/Down (U/D) Protocol
- Automatic Recall of Potentiometer Wiper Settings
- Resistance Values: 2.1 k Ω , 5 k Ω , 10 k Ω , 50 k Ω
- Low Tempco:
- Absolute (Rheostat): 50ppm (typ.)
- Ratiometric (Potentiometer): 10ppm (typ.)
- Low Wiper Resistance: 75 Ω (typ.)
- High-Voltage Tolerant Digital Inputs: up to 12V
- Low-Power Operation: 1 μ A (max.) Static Current
- Wide Operating Voltage:
 - 2.7V to 5.5V
- Extended Temperature Range: -40 $^{\circ}$ C to +125 $^{\circ}$ C



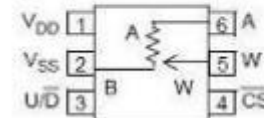
MCP4011
MSOP, SOIC
Potentiometer



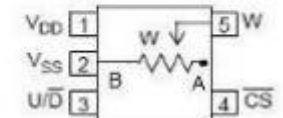
MCP4012
SOT-23-6
Rheostat

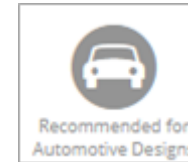


MCP4013
SOT-23-6
Potentiometer



MCP4014
SOT-23-5
Rheostat

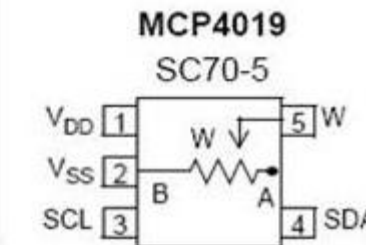
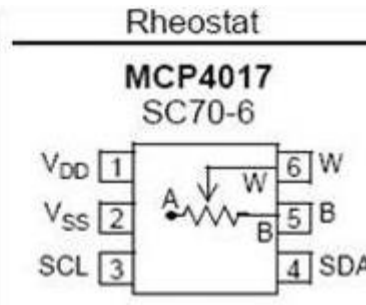
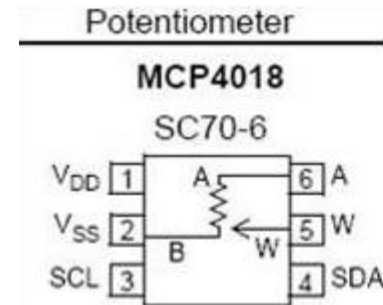
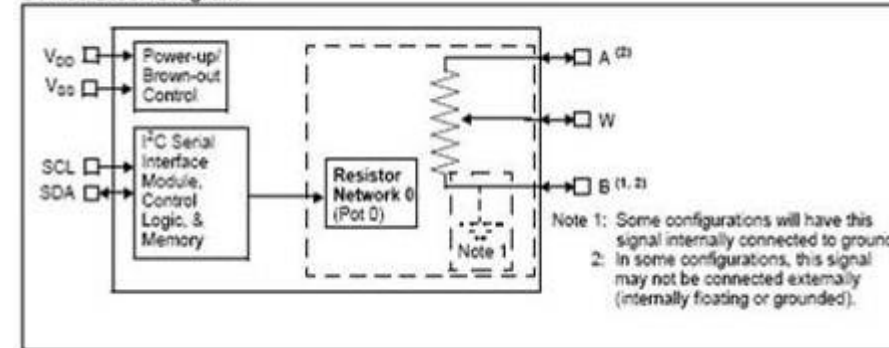




Features:

- Potentiometer or Rheostat configuration
- 7-bit: Resistor Network Resolution
 - 127 Resistors (128 Steps)
- Zero Scale to Full Scale Wiper operation
- R_{AB} Resistances: 5kΩ, 10kΩ, 50kΩ, 100kΩ
- Low Wiper Resistance: 100Ω (typ.)
- Low Tempco:
 - Absolute (Rheostat): 50ppm (typ), 0°C-70°C
 - Ratiometric (Potentiometer): 10ppm (typ)
- I²C™ Interface
- Brown-out reset protection: 1.5V (typ)
- Power-on Default Wiper Setting (mid-scale)
- Low-Power Operation: 2.5μA (typ)
- Wide Operating Voltage Range:
 - 2.7V to 5.5V - Characteristics Specified
 - 1.8V to 5.5V - Device Operation
- Wide Bandwidth (-3dB): 2MHz (typ)
- Extended temperature range: -40°C to +125°C
- Packages: SC-70
- Recommended for Automotive Design (MCP4017/8)

Device Block Diagram

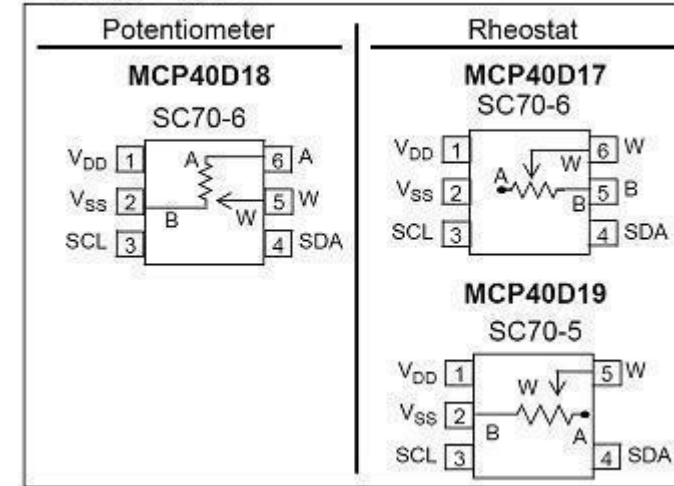


7-Bit Single I²C™ (with Command Code) Digital POT with Volatile Memory in SC70

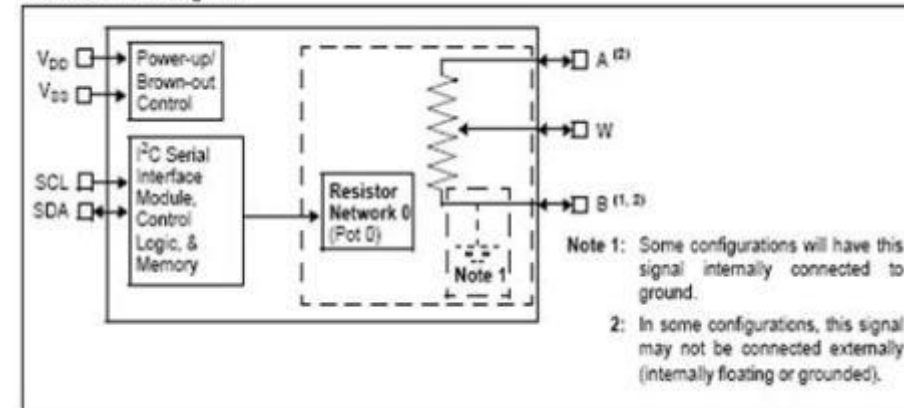
Features:

- Potentiometer or Rheostat configurations
- 7-bit: Resistor Network Resolution: 127 – Resistors (128 Steps)
- Zero Scale to Full Scale Wiper operation
- R_{AB} Resistances: 5kΩ, 10kΩ, 50kΩ, 100kΩ
- Low Wiper Resistance: 100Ω (typ.)
- Low Tempco:
 - Absolute (Rheostat): 50ppm (typ), 0°C-70°C
 - Ratiometric (Potentiometer): 15ppm (ty.)
- I²C Interface
- Brown-out reset protection: 1.5V (typ)
- Power-on Default Wiper Setting (mid-scale)
- Low-Power Operation: 2.5μA (ty.)
- Wide Operating Voltage Range:
 - 2.7V to 5.5V - Characteristics Specified
 - 1.8V to 5.5V - Device Operation
- Wide Bandwidth (-3dB): 2 MHz (typ)
- Extended temperature range: -40°C to +125°C
- Packages: SC-70

Package Types



Device Block Diagram



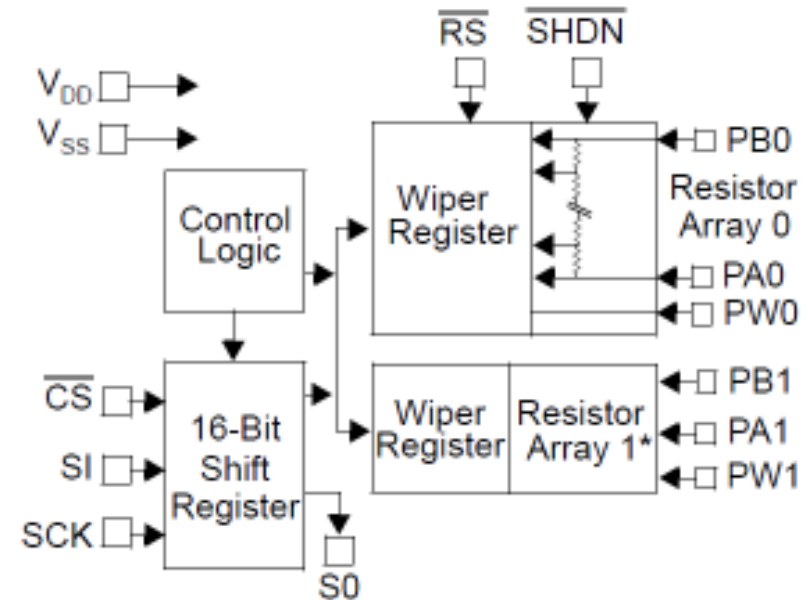
MCP41xx0/42xx0

8-Bit Single/Dual SPI Digital POT with Volatile Memory

Online
Datasheet

Features:

- 256 taps for each potentiometer
- Potentiometer values for 10 k Ω , 50 k Ω and 100 k Ω
- Single and dual versions
- SPI™ serial interface (mode 0,0 and 1,1)
- ± 1 LSB max INL & DNL
- Low power CMOS technology
- 1 μ A maximum supply current in static operation
- Multiple devices can be daisy-chained together (MCP42xxx only)
- Shutdown feature open circuits of all resistors for maximum power savings
- Hardware shutdown pin available on MCP42xxx only
- Single supply operation (2.7V - 5.5V)
- Industrial temperature range: -40°C to +85°C
- Extended temperature range: -40°C to +125°C



*Potentiometer P1 is only available on the dual MCP42XXX version.

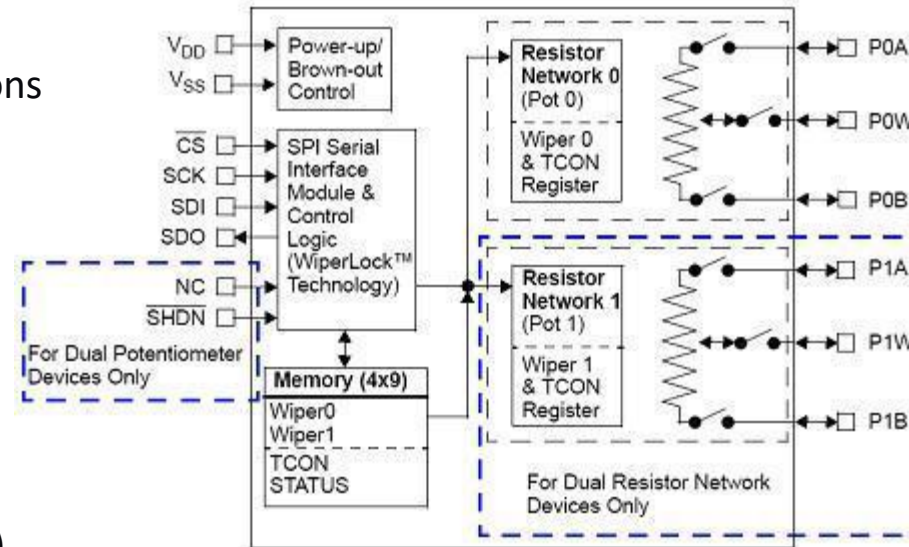
<< BACK





Features:

- Single or Dual Resistor Network options
- Potentiometer or Rheostat Configuration Options
- Resistor Network Resolution:
 - 7-bit: 128 Resistors (129 Steps)
 - 8-bit: 256 Resistors (257 Steps)
- R_{AB} Resistances options of:
 - 5k Ω , 10k Ω , 50k Ω , 100k Ω
- Low Tempco:
 - Absolute (Rheostat):
 - 50ppm (typ.) 0°C to 70°C
 - Ratiometric (Potentiometer): 15ppm (typ.)
- SPI Interface (10MHz, modes 0,0 & 1,1):
 - SDI/SDO multiplexing (MCP41X1 only)
- High-Voltage Tolerant Digital Inputs: Up to 12.5V
- Supports Split Rail Applications
- Wide Operating Voltage:
 - 2.7V to 5.5V - Characteristics Specified
 - 1.8V to 5.5V - Device Operation
- Wide Bandwidth (-3dB): 2MHz (typ.)
- Extended temperature range: -40°C to +125°C
- Recommended for Automotive Design (MCP4132/4151/4231)



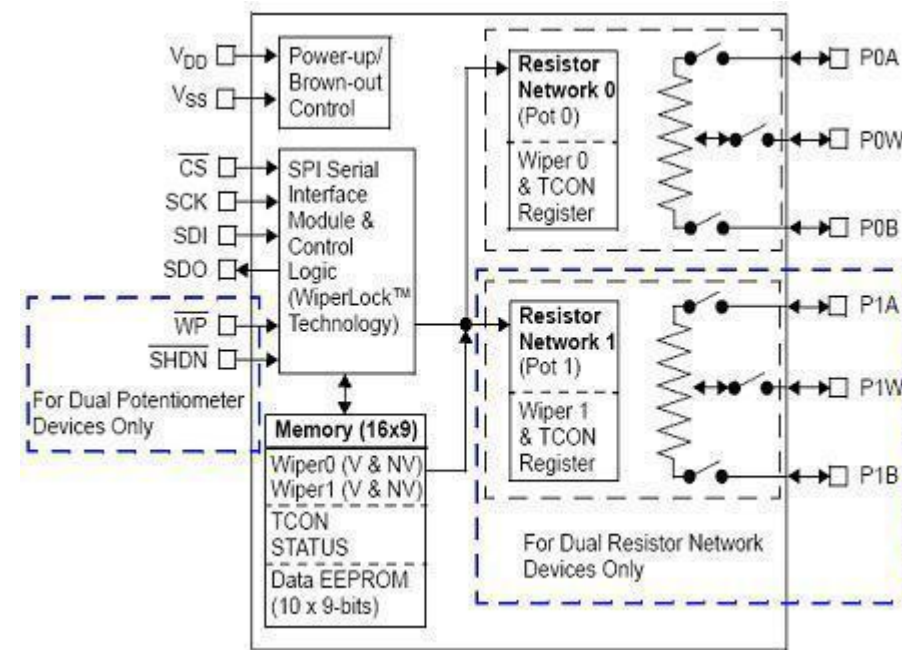


Online
Datasheet

7/8-Bit Single/Dual SPI Digital POT with Non-Volatile Memory

Features:

- Single or Dual Resistor Network options
- Potentiometer or Rheostat configurations
- Resistor Network Resolution:
 - 7-bit: 128 Resistors (129 Steps)
 - 8-bit: 256 Resistors (257 Steps)
- R_{AB} Resistances options: 5k Ω , 10k Ω , 50k Ω , 100k Ω
- Low Tempco:
 - Absolute (Rheostat): 50ppm (typ.) 0°C-70°C
 - Ratiometric (Potentiometer): 15ppm (typ.)
- SPI Interface (10MHz, modes 0,0 & 1,1):
 - Serially enabled EEPROM write protect
 - SDI/SDO multiplexing (MCP41X1 only)
- Write Protect Feature
- Supports Split Rail Applications
- Wide Operating Voltage:
 - 2.7V to 5.5V – Device Characteristics Specified
 - 1.8V to 5.5V - Device Operation
- Wide Bandwidth (-3dB) Operation: 2MHz (typ.)
- Extended temperature range: -40°C to +125°C
- Recommended for Automotive Design (MCP4141/4161/4241/4242)



<< MCP41xxx/42xxx

<< BACK



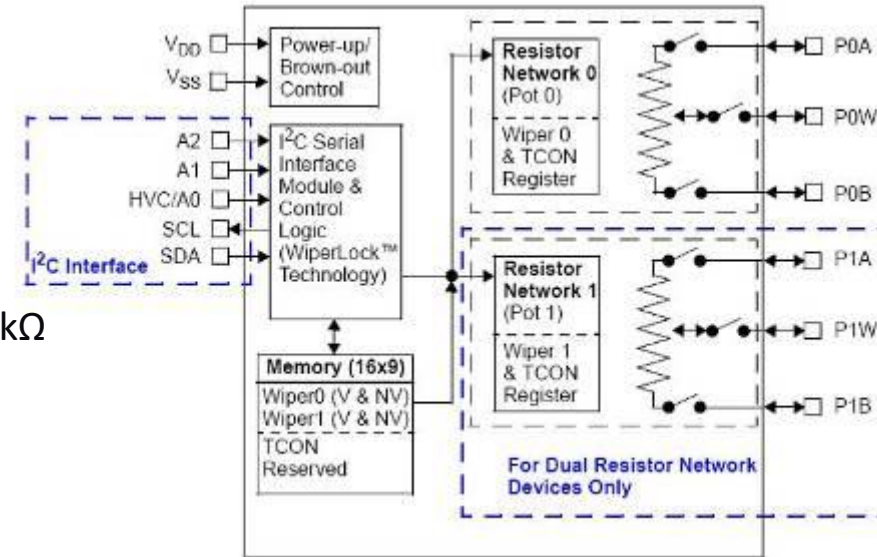
7/8-Bit Single/Dual I²C Digital POT with Nonvolatile Memory



Online
Datasheet

Features:

- Single or Dual Resistor Network options
- Potentiometer or Rheostat configurations
- Resistor Network Resolution:
 - 7-bit: 128 Resistors (129 Steps)
 - 8-bit: 256 Resistors (257 Steps)
- R_{AB} Resistances options of: 5kΩ, 10kΩ, 50kΩ, 100kΩ
- Zero-Scale to Full-Scale Wiper operation
- Low Wiper Resistance: 75Ω (typ.)
- Low Tempco:
 - Absolute (Rheostat): 50ppm (typ.) 0°C-70°C
 - Ratiometric (Potentiometer): 15ppm (typ.)
- Non-volatile Memory for Configuration
- I²C™ Serial interface
- Resistor Network Terminal Disconnect Feature
- Control (TCON) Register
- Write Protect Feature
- High-Voltage Tolerant Digital Inputs: up to 12.5V
- Operating Voltage: 1.8V to 5.5V
 - 2.7V to 5.5V - Device Characteristics Specified
- Extended temperature range: -40°C to +125°C
- Recommended for Automotive Design (MCP4541/2)



<< BACK



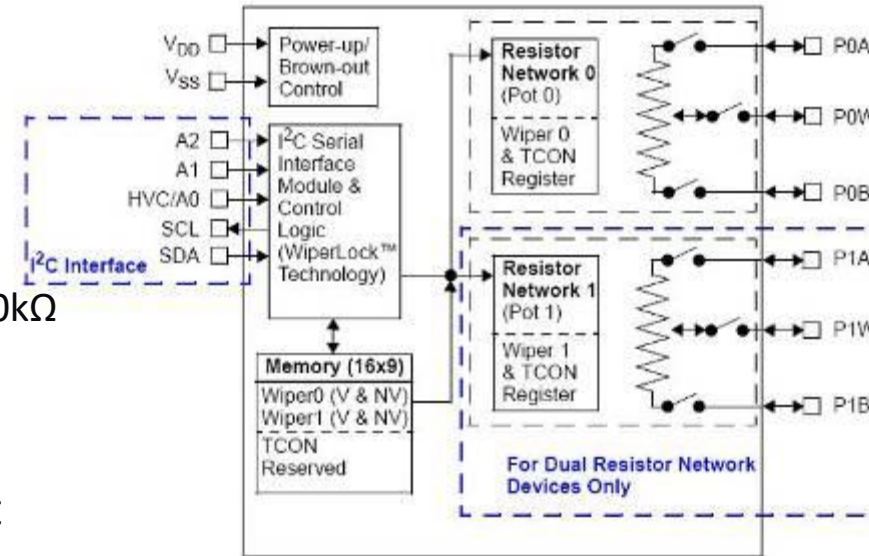
7/8-Bit Single/Dual I²C Digital POT with Nonvolatile Memory



Online
Datasheet

Features:

- Single or Dual Resistor Network options
- Potentiometer or Rheostat configurations
- Resistor Network Resolution:
 - 7-bit: 128 Resistors (129 Steps)
 - 8-bit: 256 Resistors (257 Steps)
- R_{AB} Resistances options of: 5kΩ, 10kΩ, 50kΩ, 100kΩ
- Zero-Scale to Full-Scale Wiper operation
- Low Wiper Resistance: 75Ω (typ.)
- Low Tempco:
 - Absolute (Rheostat): 50ppm (typ.) 0°C-70°C
 - Ratiometric (Potentiometer): 15ppm (typ.)
- I²C™ interface
- Resistor Network Terminal Disconnect Feature
- Brown-out reset protection: 1.5V (typ.)
- Serial Interface Inactive current: 2.5μA (typ.)
- High-Voltage Tolerant Digital Inputs: up to 12.5V
- Wide Operating Voltage:
 - 2.7V to 5.5V - Device Characteristics Specified
 - 1.8V to 5.5V - Device Operation
- Extended temperature range: -40°C to +125°C
- Recommended for Automotive Design (MCP4551)



<< BACK





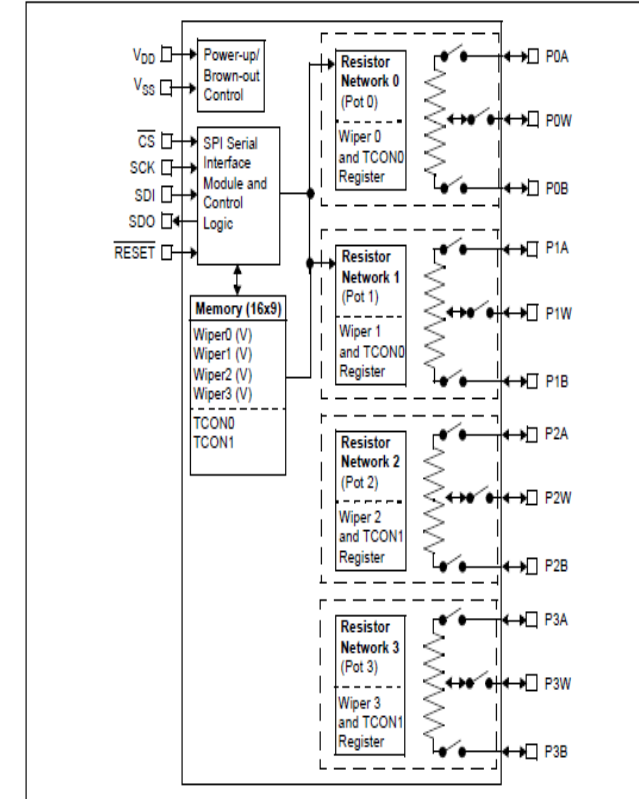
Online
Datasheet

7/8-Bit Quad SPI Digital POT with Volatile Memory

Features:

- Quad Resistor Network
- Volatile and nonvolatile memory options
- Potentiometer or Rheostat Configurations
- Resistor Network Resolution:
 - 7-bit: 128 Resistors (129 Taps)
 - 8-bit: 256 Resistors (257 Taps)
- R_{AB} Resistances Options of: 5/10/50/100 k Ω
- Zero Scale to Full Scale Wiper Operation
- Low Wiper Resistance: 75 Ω (typical)
- Low Tempco:
 - Absolute (Rheostat): 50 ppm (0°C to 70°C)
 - Ratiometric (Potentiometer): 15 ppm
- SPI Interface
- Resistor Network Terminal Disconnect Feature
- Reset Input Pin
- High-Voltage Tolerant Digital Inputs: Up to 12.5V
- Wide Operating Voltage:
 - 2.7V to 5.5V Device Specified:
 - 1.8V to 5.5V Device Operation
- Extended Temperature Range: -40°C to +125°C
- Recommended for Automotive Design (MCP4361)

Device Block Diagram



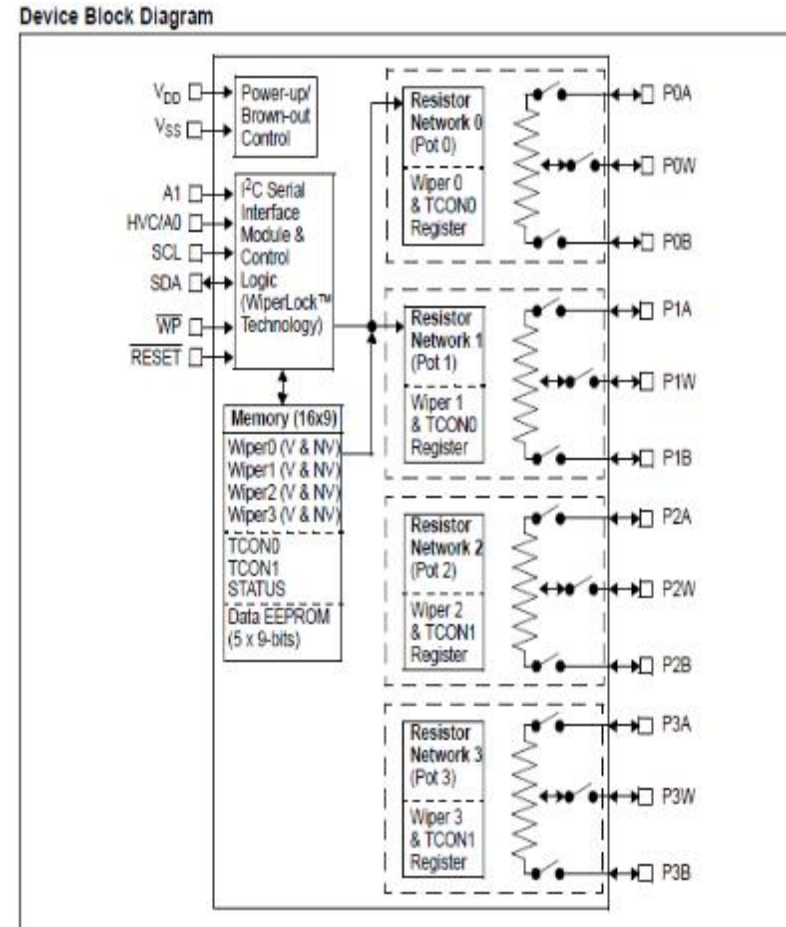
<< BACK



7/8-Bit Volatile Quad Digital POT with I²C Interface

Features:

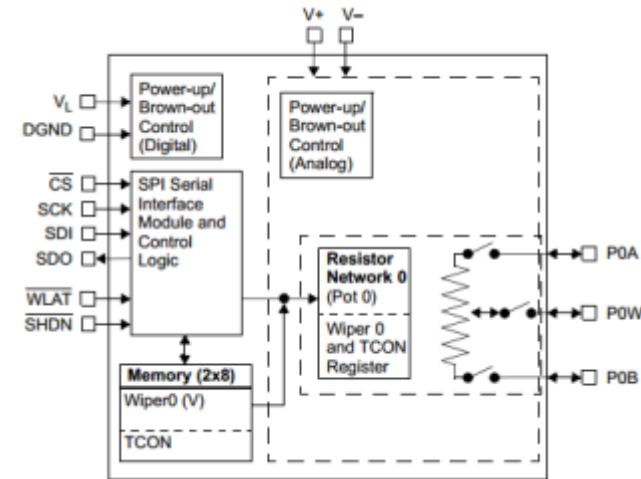
- Quad Resistor Network
- Potentiometer or Rheostat Configurations
- Resistor Network Resolution:
 - 7-bit – 128 Resistors (129 Taps)
 - 8-bit – 256 Resistors (257 Taps)
- Four R_{AB} Resistances options: 5kohm, -
- 10kohm, 50kohm, 100kohm
- Zero-scale to Full-scale Wiper Operation
- Low Wiper Resistance – 75 Ω typical
- I²C Interface
- Brown-out Reset Protection – 1.5V typical
- Serial Interface Inactive Current – 2.5 uA typical
- High-Voltage Tolerant Digital Inputs Up to 12.5V
- Wide Operating Voltage:
 - 2.7V to 5.5V - Device Specified
 - 1.8V to 5.5V - Device Operation
- Wide Bandwidth (-3 dB) Operation: 2 MHz
- Extended Temperature Range: -40°C to +125°C
- Packages: 4x4 QFN-20 TSSOP-20, TSSOP-14



7/8-Bit Single, +36V ($\pm 18V$) Digital POT with SPI
Serial Interface and Volatile Memory

Features:

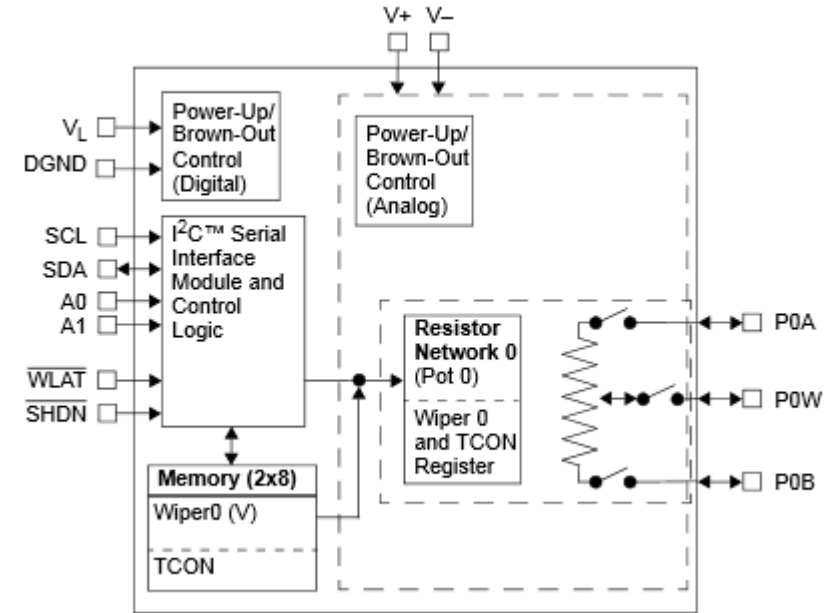
- High-Voltage Analog Support:
 - +36V Terminal Voltage Range (DGND = V-)
 - $\pm 18V$ Terminal Voltage Range (DGND = V- + 18V)
- Wide Operating Voltage:
 - Analog: 10V to 36V
 - Digital: 2.7V to 5.5V
- Resistor Network Resolution:
 - 7-bit: 127 Resistors (128 Taps) MCP41HV31
 - 8-bit: 255 Resistors (256 Taps) MCP41HV51
- R_{AB} Resistance Options: 5/10/50/100 k Ω
- Zero-Scale to Full-Scale Wiper Operation
- Low Wiper Resistance: 75 Ω (Typical)
- Low Tempco:
 - Absolute (Rheostat): 50 ppm (0°C to +70°C)
 - Ratiometric (Potentiometer): 15 ppm
- SPI Serial Interface
- Resistor Network Terminal Disconnect
- Write Latch (WLAT) Pin
- Extended Temperature Range: -40°C to +125°C
- Packages: TSSOP-14 and QFN-20 (5x5)



7/8-Bit Single, +36V ($\pm 18V$) Digital POT with I²C™
Serial Interface and Volatile Memory

Features:

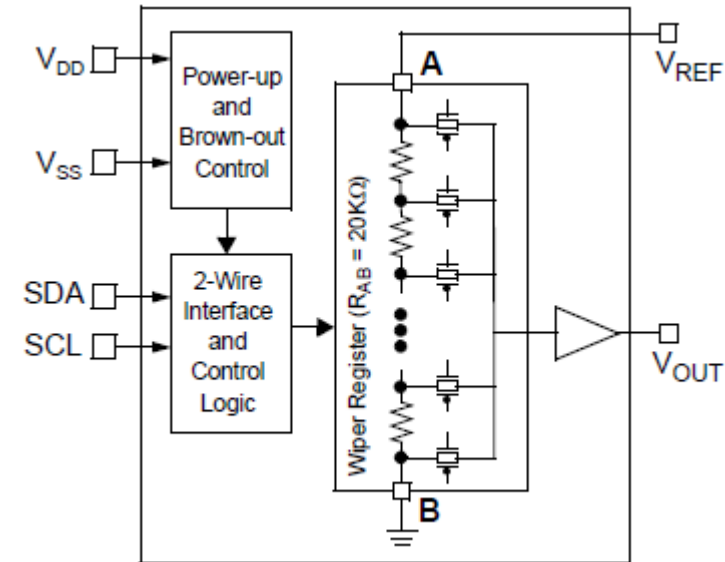
- High-Voltage Analog Support:
 - +36V Terminal Voltage Range
 - $\pm 18V$ Terminal Voltage Range
- Wide Operating Voltage:
 - Analog: 10V to 36V
 - Digital: 2.7V to 5.5V
- Resistor Network Resolution:
 - 7-bit: 127 Resistors (128 Taps) MCP45HV31
 - 8-bit: 255 Resistors (256 Taps) MCP45HV51
- R_{AB} Resistance Options: 5/10/50/100 k Ω
- Zero-Scale to Full-Scale Wiper Operation
- Low Wiper Resistance: 75 Ω (Typical)
- Low Tempco:
 - Absolute (Rheostat): 50 ppm (0°C to +70°C)
 - Ratiometric (Potentiometer): 15 ppm
- I²C Serial Interface
- Resistor Network Terminal Disconnect
- Write Latch (WLAT) Pin
- Extended Temperature Range: -40°C to +125°C
- Packages: TSSOP-14 and 5x5 QFN-20



6-Bit Volatile DAC with Command Code

Features:

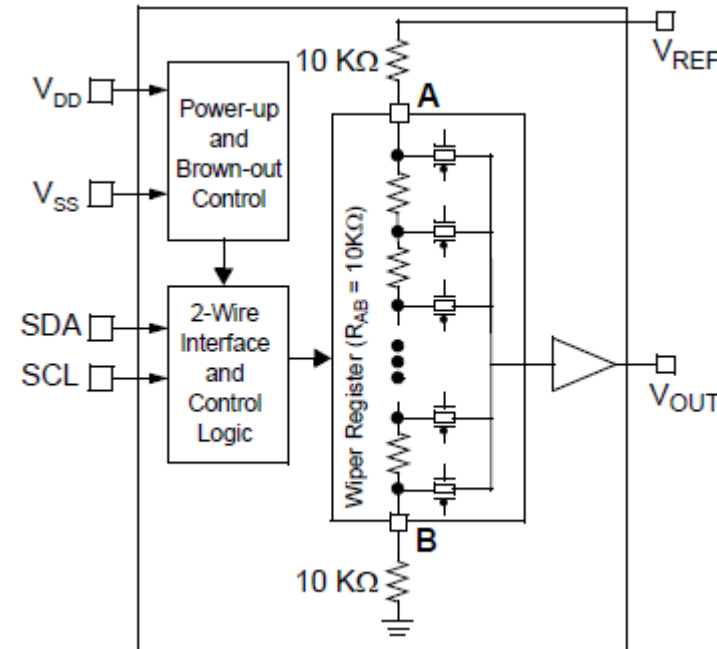
- 6-bit DAC:
 - 65 Taps: 64 Resistors with Taps to Full – Scale and Zero-Scale
- V_{REF} Pull-down Resistance: 20 kOhms (typical)
- V_{OUT} Voltage Range: V_{SS} to V_{REF} SMBus/I²C – Compatible Interface
- Brown-out Reset Protection (1.5V typical)
- Power-on Default Wiper Setting (Mid-scale)
- Low-Power Operation: 90 μ A Static Current (typ.)
- Wide Operating Voltage Range:
 - - 1.8V to 5.5V
- Low Tempco: 15 ppm (typ.)
- 100 kHz (typical) Bandwidth (-3 dB) Operation
- Extended Temperature Range:
 - -40°C to +125°C
- 6-lead SC70



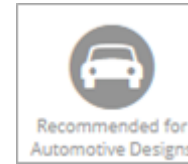
6-Bit Windowed Volatile DAC with Command Code

Features:

- 6-bit DAC:
 - 65 Taps: 64 Resistors with Taps to Full –
- Scale and Zero-Scale (Wiper Code 00h –
- to 40h)
 - 7-bit Serial Data (00h to 7Fh, 00h –
- 20h = Zero Scale and 60h - 7Fh = Full-Scale)
- V_{REF} Pull-down Resistance: 30 k Ω (typ.)
- V_{OUT} Voltage Range:
 - $1/3 * V_{REF}$ to $2/3 * V_{REF}$
- SMBus/ I²C Compatible Interface
- Brown-out Reset Protection (1.5V typ.)
- Power-on Default Wiper Setting (Mid-scale)
- Low-Power Operation: 90 μ A Static Current (typ.)
- Wide Operating Voltage Range:
 - 2.7V to 5.5V - Device Characteristics Specified
 - 1.8V to 2.7V - Device Operation
- Low Tempco: 15 ppm (typ.)
- 100 kHz (typical) Bandwidth (-3 dB) Operation
- Extended Temperature Range: -40°C to +125°C
- 6-lead SOT-23, SC70



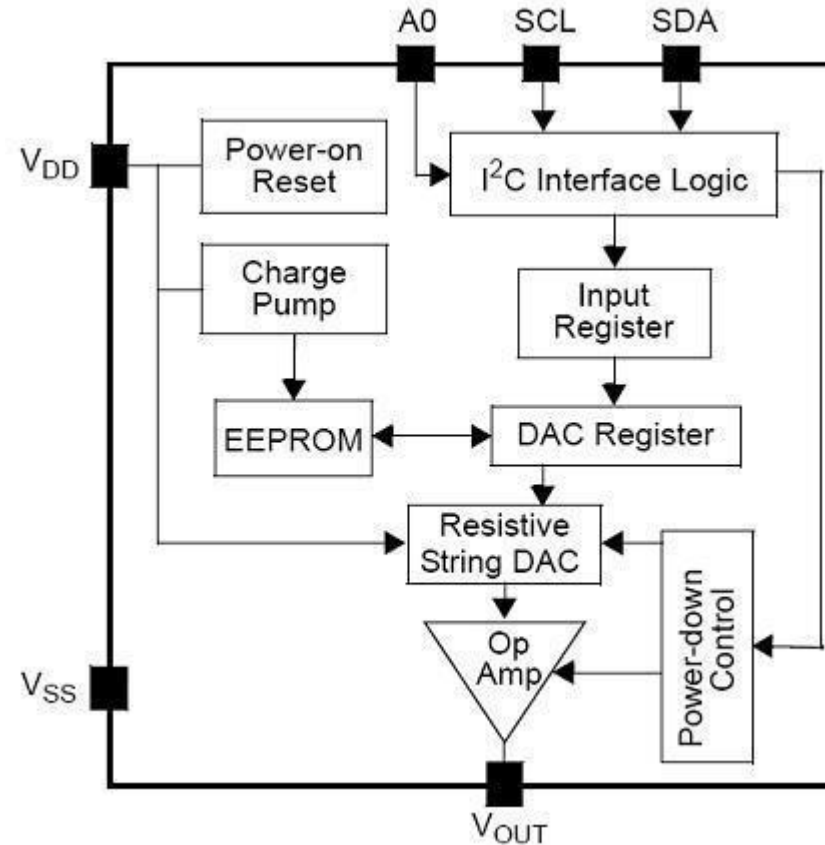
12-Bit Digital-to-Analog Converter with EEPROM Memory in SOT-23-6



Online
Datasheet

Features:

- 12-bit Resolution
- On-Board Non-Volatile Memory (EEPROM)
- ± 0.2 LSB DNL (typ.)
- External A0 Address Pin
- Normal or Power-Down Mode
- Fast Settling Time of $6\mu\text{s}$ (typ.)
- External Voltage Reference (V_{DD})
- Rail-to-Rail Output
- Low Power Consumption
- Single-Supply Operation: 2.7V to 5.5V
- I²C™ Interface:
 - Eight Available Addresses
- Extended Temperature Range:
 - -40°C to $+125^{\circ}\text{C}$
- 6-lead SOT-23 Package
- Recommended for Automotive Design



<< BACK



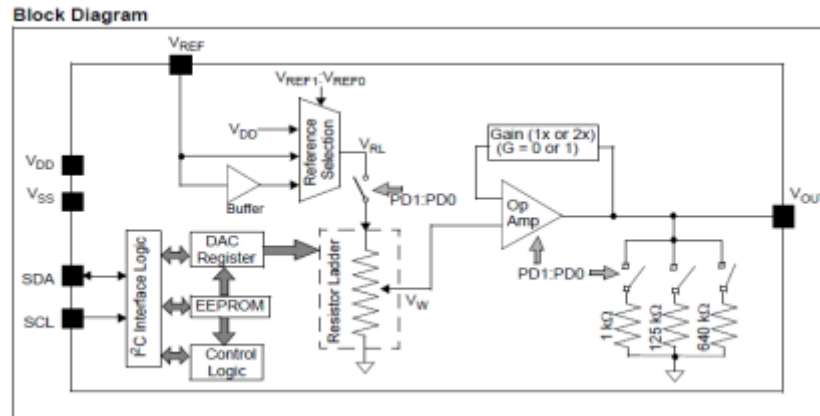
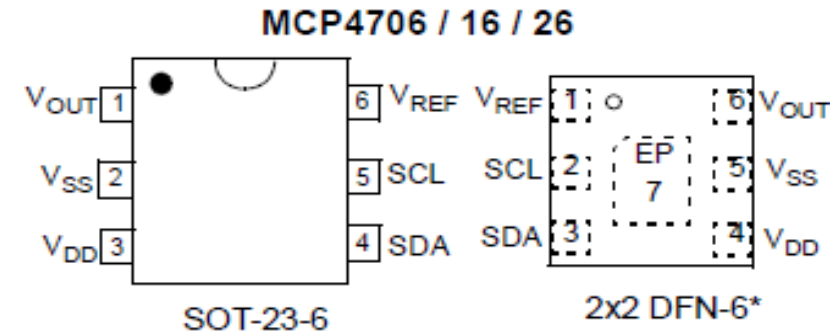
8-/10-/12-Bit Voltage Output Digital-to-Analog Converter with EEPROM and I²C™ Interface



Online
Datasheet

Features:

- Output Voltage Resolutions:
 - 12-bit: MCP4726
 - 10-bit: MCP4716
 - 8-bit: MCP4706
- Fast Settling Time of 6μs (typ.)
- Rail-to-Rail Output
- DAC Voltage Reference Options:
 - V_{DD} or V_{REF} Pin
- Output Gain Options: Unity (1x) or 2x
- Nonvolatile Memory (EEPROM):
 - Auto Recall of DAC register setting
 - Auto Recal of Device Configuration
- Low Power Consumption:
 - Normal Operation: 210 μA (typ.)
 - Power Down: 60 nA (typ.)
- Power Down Modes
- Single-Supply Operation: 2.7V to 5.5V
- I²C™ Interface
- Small 6-lead SOT-23 and 2x2 DFN Packages
- Extended Temperature Range: -40°C to +125°C
- Recommended for Automotive Design (MCP4716/26)



<< BACK





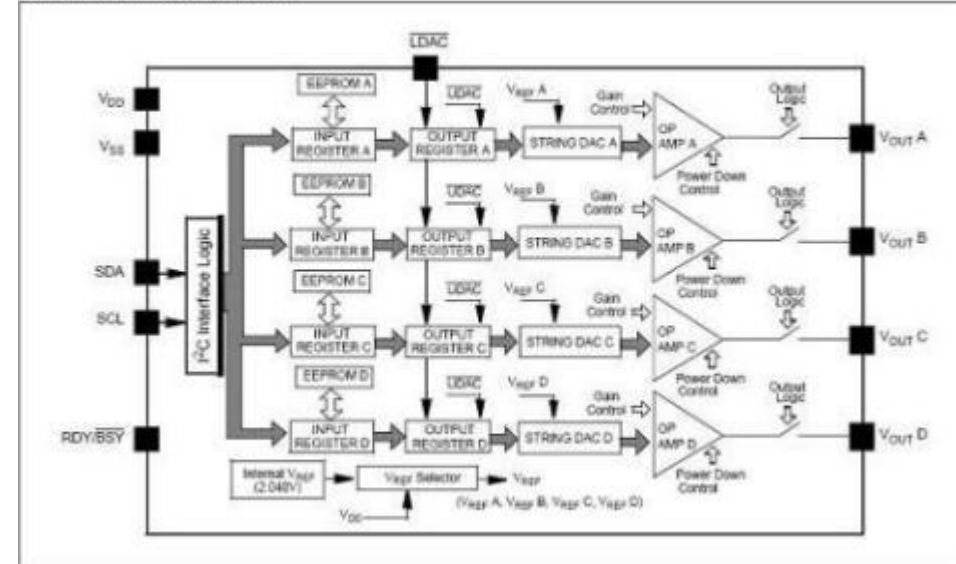
Online Datasheet

12-Bit, Quad Digital-to-Analog Converter with EEPROM Memory

Features:

- 12-Bit Voltage DAC with 4-Buffered Outputs
- On-Board Non-Volatile Memory for Config
- Internal/External Voltage Reference
- ± 0.2 LSB DNL (typ.)
- Fast Settling Time: 6 μ s (typ.)
- Normal or Power-Down Mode
- Low Power Consumption
- Single-Supply Operation: 2.7V to 5.5V
- I²C Interface:
 - Address bits: User Programmable – to EEPROM
 - Standard (100 kbps), Fast (400 – kbps) and High Speed (3.4 Mbps) – Modes
- 10-Lead MSOP Package
- Extended Temperature Range:
 - -40°C to +125°C
- Recommended for Automotive Design

Functional Block Diagram



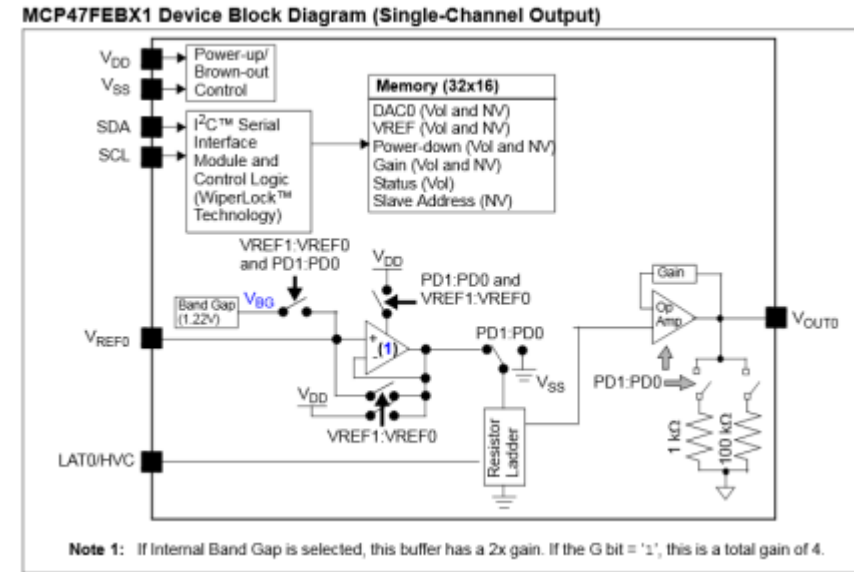
<< BACK



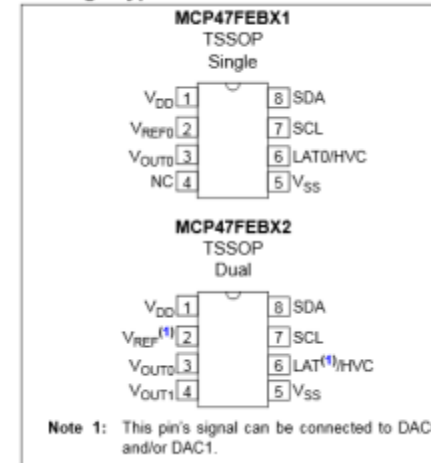
8-/10-/12-Bit Single Voltage Output Nonvolatile
Digital-to-Analog Converters with I²C™ Interface

Features:

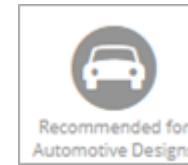
- Operating Voltage Range:
 - 2.7V to 5.5V - Full Specifications
 - 1.8V to 2.7V - Reduced Device Spec
- Single Output Voltage Resolutions:
 - 8-bit: MCP47FEB01
 - 10-bit: MCP47FEB11
 - 12-bit: MCP47FEB21
- Rail-to-Rail Output
- Fast Settling Time of 6 μs (typical)
- DAC Voltage Reference Source Options:
 - Device V_{DD} or External V_{REF} pin
 - Internal Band Gap (1.22V typical)
- Output Gain Options: Unity (1x) or 2x
- Nonvolatile Memory (EEPROM):
 - User-programmed Power-on Reset
- (POR)/Brown-out Reset (BOR):
 - Auto Recall of DAC register setting
 - Auto Recall of Device Configuration
- I²C™ Interface
- 8-lead TSSOP



Package Types



8-/10-/12-Bit Dual Voltage Output Nonvolatile Digital-to-Analog Converters with I²C™ Interface

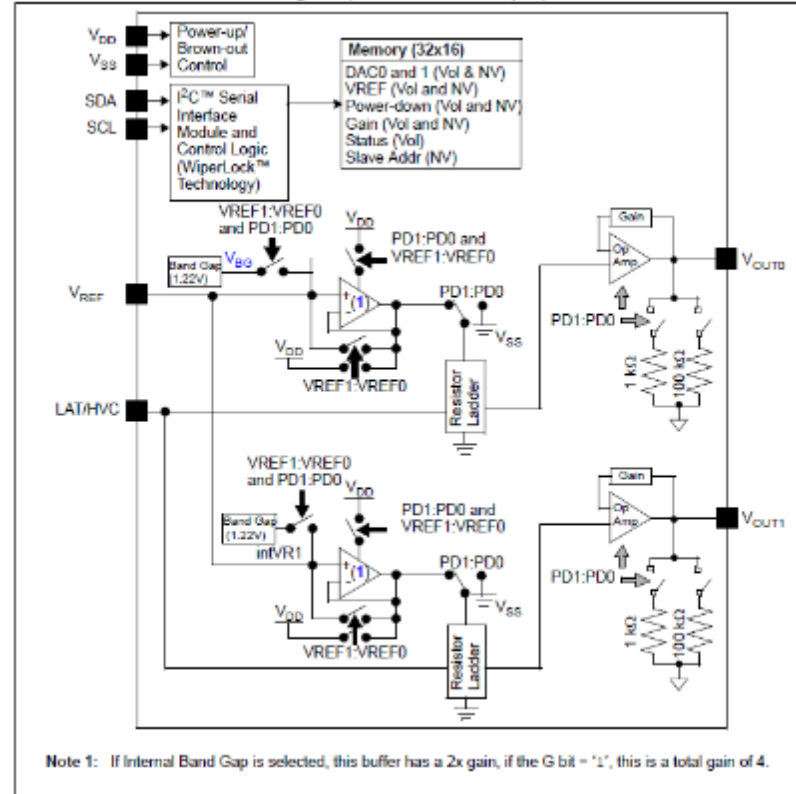


Online
Datasheet

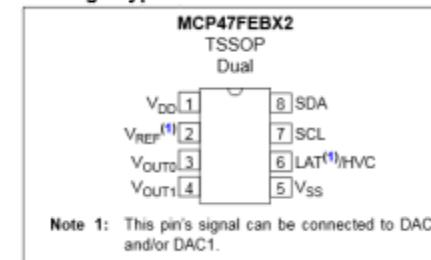
Features:

- Operating Voltage Range:
 - 2.7V to 5.5V - Full Specifications
 - 1.8V to 2.7V - Reduced Device Spec
- Dual Output Voltage Resolutions:
 - 8-bit: MCP47FEB02
 - 10-bit: MCP47FEB12
 - 12-bit: MCP47FEB22
- Rail-to-Rail Output
- Fast Settling Time of 6 μ s (typical)
- DAC Voltage Reference Source Options:
 - Device V_{DD} or External V_{REF} pin
 - Internal Band Gap (1.22V typical)
- Output Gain Options: Unity (1x) or 2x
- Nonvolatile Memory (EEPROM):
 - User-programmed Power-on Reset
- (POR)/Brown-out Reset (BOR):
 - Auto Recall of DAC register setting
 - Auto Recall of Device Configuration
- I²C™ Interface
- 8-lead TSSOP
- Recommended for Automotive Design (MCP47FEB22)

MCP47FEBX2 Device Block Diagram (Dual-Channel Output)



Package Types



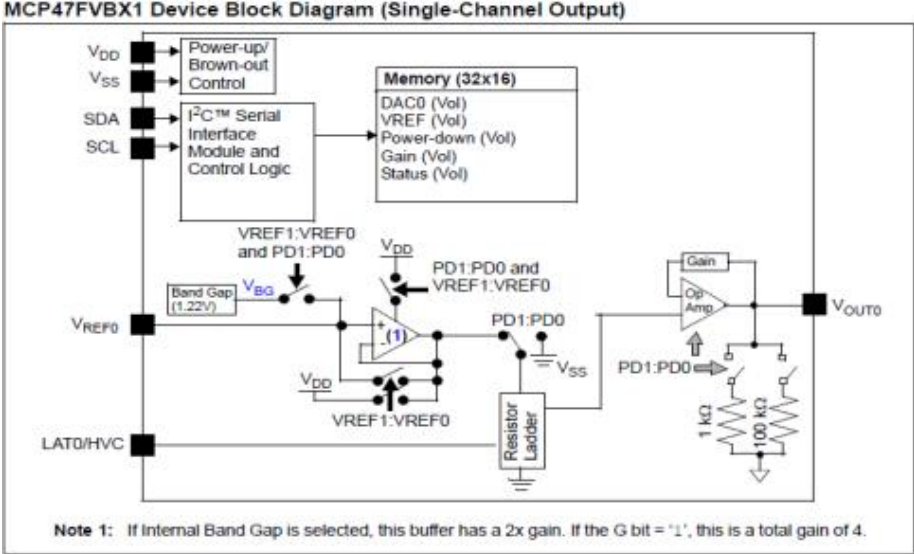
<< BACK



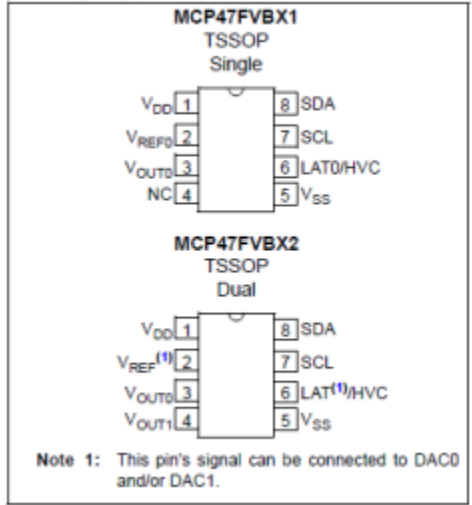
8-/10-/12-Bit Single Voltage Output Volatile Digital-to-Analog Converters with I²C™ Interface

Features:

- Operating Voltage Range:
 - 2.7V to 5.5V - Full Specifications
 - 1.8V to 2.7V - Reduced Specifications
- Single Output Voltage Resolutions:
 - 8-bit: MCP47FVB01
 - 10-bit: MCP47FVB11
 - 12-bit: MCP47FVB21
- Rail-to-Rail Output
- Fast Settling Time of 6 μs (typical)
- DAC Voltage Reference Source Options:
 - Device V_{DD} or External V_{REF} pin
 - Internal Band Gap (1.22V typical)
- Output Gain Options: Unity (1x) or 2x
 - Auto Recall of DAC register setting
 - Auto Recall of Device Configuration
- I²C™ Interface
- 8-lead TSSOP



Package Types

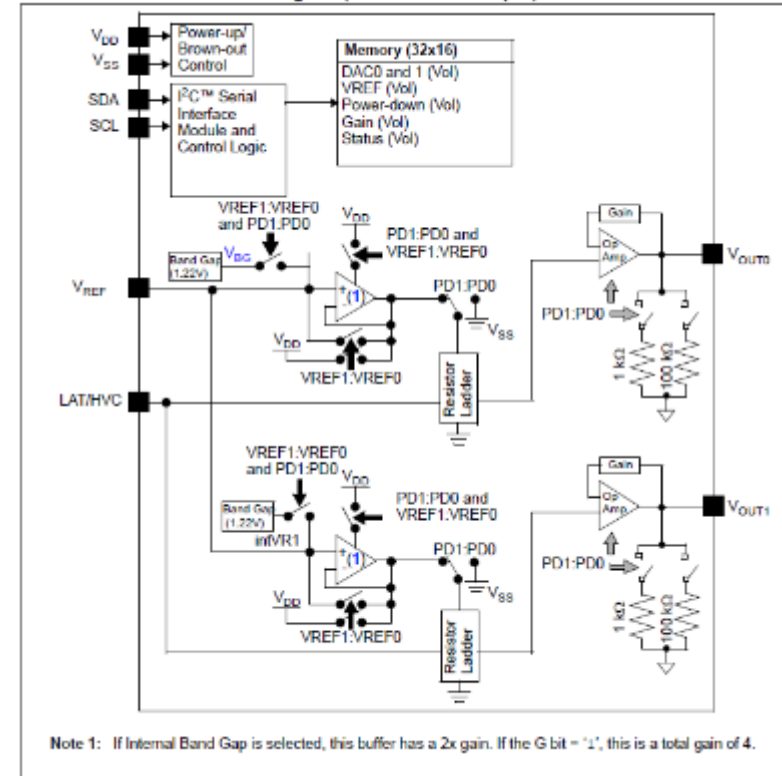


8-/10-/12-Bit Dual Voltage Output Volatile Digital-to-Analog Converters with I²C™ Interface

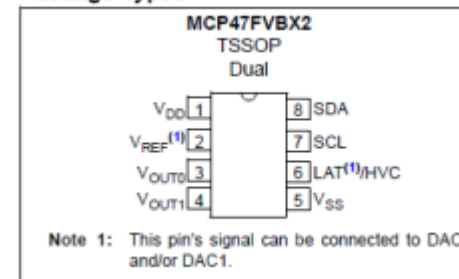
Features:

- Operating Voltage Range:
 - 2.7V to 5.5V - Full Specifications
 - 1.8V to 2.7V - Reduced Specifications
- Dual Output Voltage Resolutions:
 - 8-bit: MCP47FVB02
 - 10-bit: MCP47FVB12
 - 12-bit: MCP47FVB22
- Rail-to-Rail Output
- Fast Settling Time of 6 μs (typical)
- DAC Voltage Reference Source Options:
 - Device V_{DD} or External V_{REF} pin
 - Internal Band Gap (1.22V typical)
- Output Gain Options: Unity (1x) or 2x
- (POR)/Brown-out Reset (BOR):
 - Auto Recall of DAC register setting
 - Auto Recall of Device Configuration
- I²C™ Interface
- 8-lead TSSOP

MCP47FVBX2 Device Block Diagram (Dual-Channel Output)



Package Types

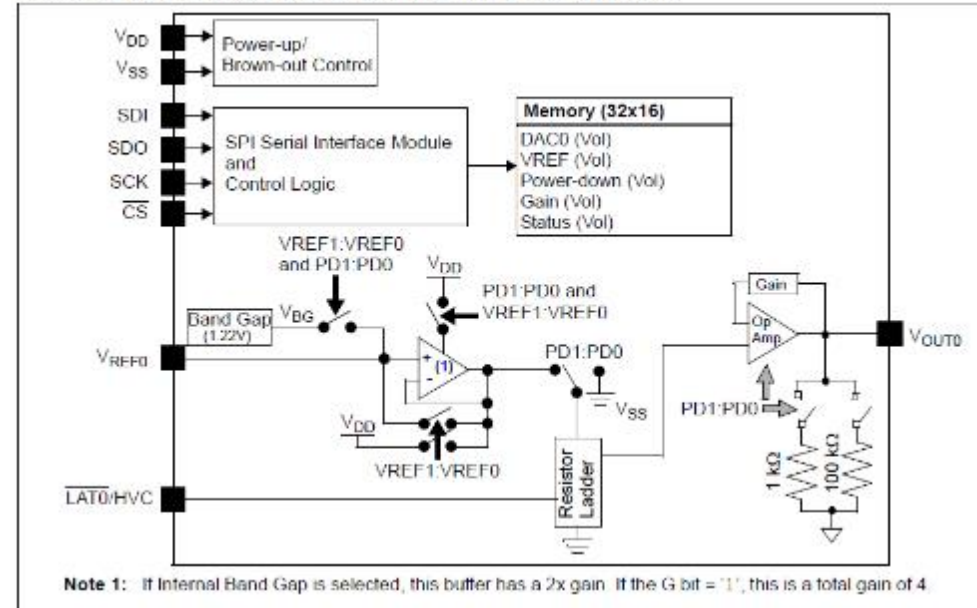


8-/10-/12-Bit Single Voltage Output Volatile Digital-to-Analog Converters with SPI Interface

Features:

- Operating Voltage Range:
 - 2.7V to 5.5V - Full Specifications
 - 1.8V to 2.7V - Reduced Specifications
- Single Output Voltage Resolutions:
 - 8-bit: MCP47FVB01
 - 10-bit: MCP47FVB11
 - 12-bit: MCP47FVB21
- Rail-to-Rail Output
- Fast Settling Time of 6 μ s (typical)
- DAC Voltage Reference Source Options:
 - Device V_{DD} or External V_{REF} pin
 - Internal Band Gap (1.22V typical)
- Output Gain Options: Unity (1x) or 2x
- (POR)/Brown-out Reset (BOR):
 - Auto Recall of DAC register setting
 - Auto Recall of Device Configuration
- SPI Interface
- 10-lead TSSOP

MCP48FVBX1 Device Block Diagram (Single-Channel Output)



Package Types

MCP48FVBX1		MSOP		Single	
V_{DD}	1	10	SDI	9	SCK
\overline{CS}	2	8	SDO	7	V_{SS}
V_{REF0}	3	6	LAT0/HVC	5	NC
V_{OUT0}	4				
NC	5				

MCP48FVBX2		MSOP		Dual	
V_{DD}	1	10	SDI	9	SCK
\overline{CS}	2	8	SDO	7	V_{SS}
$V_{REF}^{(1)}$	3	6	LAT/HVC ⁽¹⁾	5	
V_{OUT0}	4				
V_{OUT1}	5				

Note 1: Associated with both DAC0 and DAC1

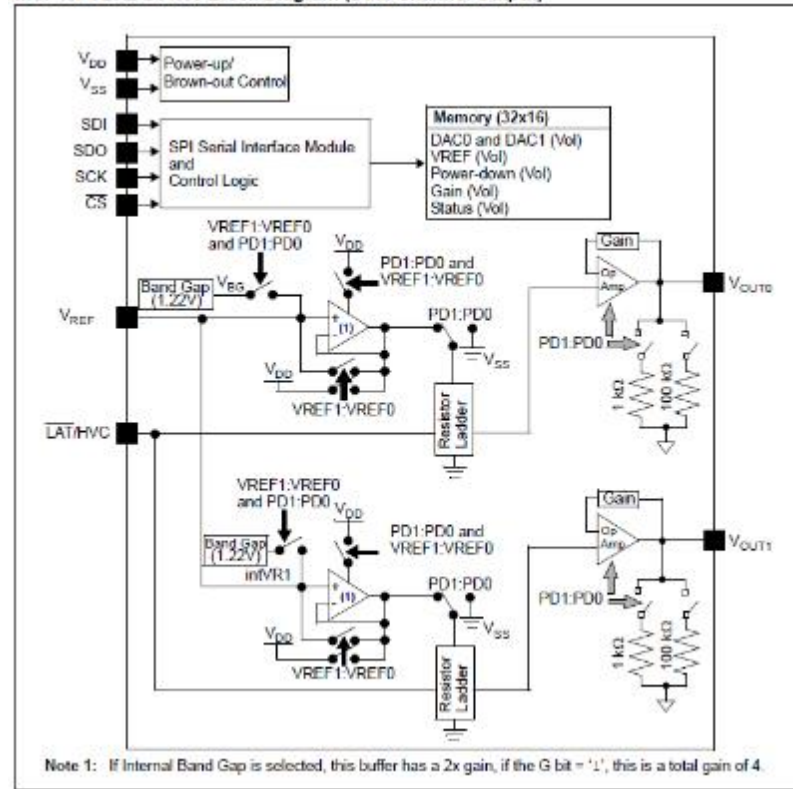


8-/10-/12-Bit Dual Voltage Output Volatile
Digital-to-Analog Converters with SPI Interface

Features:

- Operating Voltage Range:
 - 2.7V to 5.5V - Full Specifications
 - 1.8V to 2.7V - Reduced Specifications
- Dual Output Voltage Resolutions:
 - 8-bit: MCP47FVB02
 - 10-bit: MCP47FVB12
 - 12-bit: MCP47FVB22
- Rail-to-Rail Output
- Fast Settling Time of 6 μ s (typical)
- DAC Voltage Reference Source Options:
 - Device V_{DD} or External V_{REF} pin
 - Internal Band Gap (1.22V typical)
- Output Gain Options: Unity (1x) or 2x
- (POR)/Brown-out Reset (BOR):
 - Auto Recall of DAC register setting
 - Auto Recall of Device Configuration
- SPI Interface
- 10-lead TSSOP

MCP48FVBX2 Device Block Diagram (Dual-Channel Output)



Package Types

MCP48FVBX2			
MSOP Dual			
V_{DD}	1	10	SDI
CS	2	9	SCK
$V_{REF}^{(1)}$	3	8	SDO
V_{OUT0}	4	7	V_{SS}
V_{OUT1}	5	6	LAT/HVC ⁽¹⁾

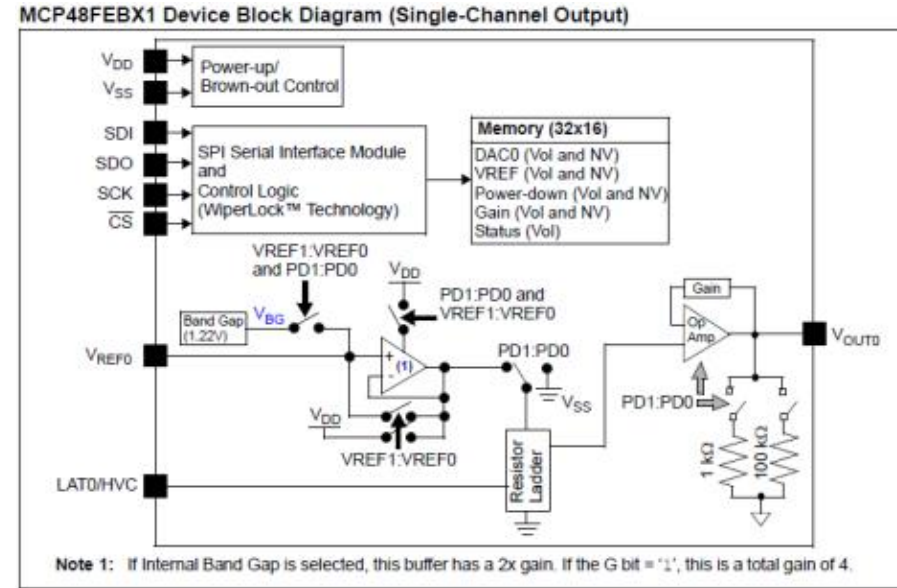
Note 1: Associated with both DAC0 and DAC1



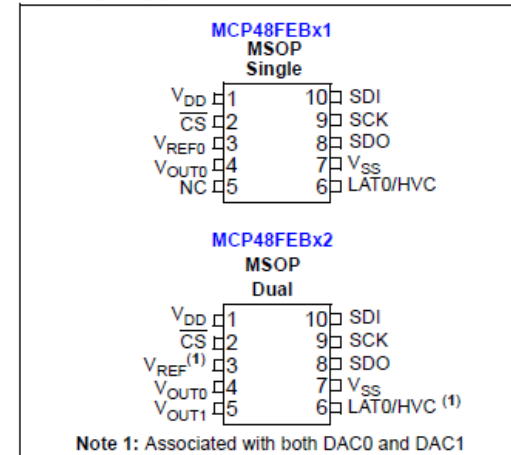
8-/10-/12-Bit Single Voltage Output Nonvolatile
Digital-to-Analog Converters with SPI Interface

Features:

- Operating Voltage Range:
 - 2.7V to 5.5V - Full Specifications
 - 1.8V to 2.7V - Reduced Specifications
- Single Output Voltage Resolutions:
 - 8-bit: MCP48FEB01
 - 10-bit: MCP48FEB11
 - 12-bit: MCP48FEB21
- Rail-to-Rail Output
- Fast Settling Time of 7.8 μ s (typical)
- DAC Voltage Reference Source Options:
 - Device V_{DD} or External V_{REF} pin
 - Internal Band Gap (1.22V typical)
- Output Gain Options: Unity (1x) or 2x
- Nonvolatile Memory (EEPROM):
 - User-programmed Power-on Reset
- (POR)/Brown-out Reset (BOR):
 - Auto Recall of DAC register setting
 - Auto Recall of Device Configuration
- SPI Interface
- 10-lead MSOP



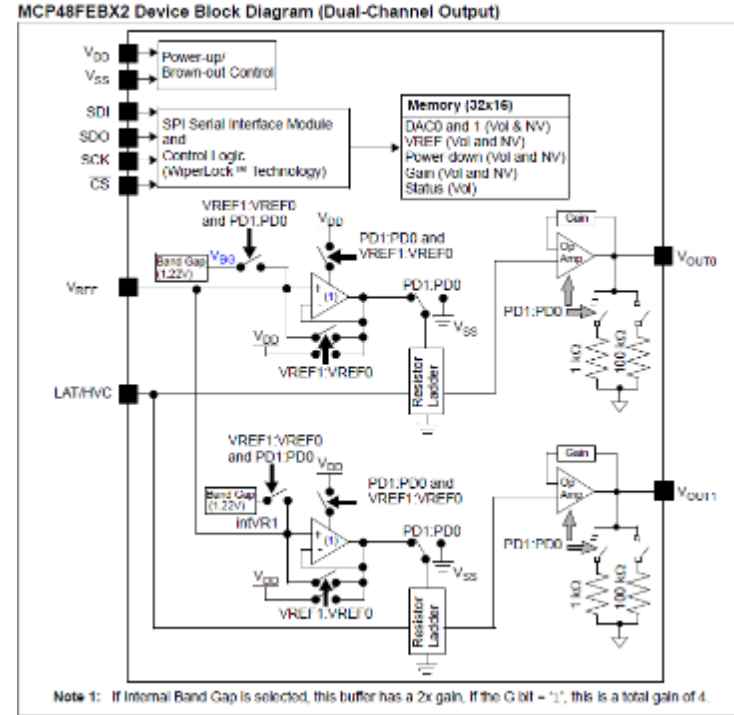
Package Types



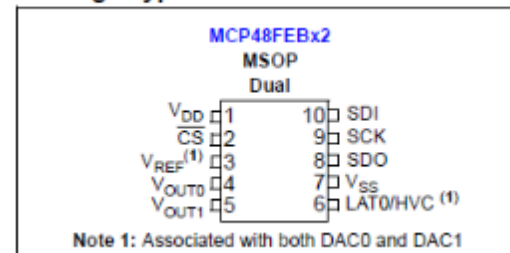
8-/10-/12-Bit Dual Voltage Output Nonvolatile Digital-to-Analog Converters with SPI Interface

Features:

- Operating Voltage Range:
 - 2.7V to 5.5V - Full Specifications
 - 1.8V to 2.7V - Reduced Specifications
- Dual Output Voltage Resolutions:
 - 8-bit: MCP48FEB02
 - 10-bit: MCP48FEB12
 - 12-bit: MCP48FEB22
- Rail-to-Rail Output
- Fast Settling Time of 7.8 μ s (typical)
- DAC Voltage Reference Source Options:
 - Device V_{DD} or External V_{REF} pin
 - Internal Band Gap (1.22V typical)
- Output Gain Options: Unity (1x) or 2x
- Nonvolatile Memory (EEPROM):
 - User-programmed Power-on Reset
- (POR)/Brown-out Reset (BOR):
 - Auto Recall of DAC register setting
 - Auto Recall of Device Configuration
- SPI Interface
- 10-lead MSOP



Package Types



MCP47CMBx1

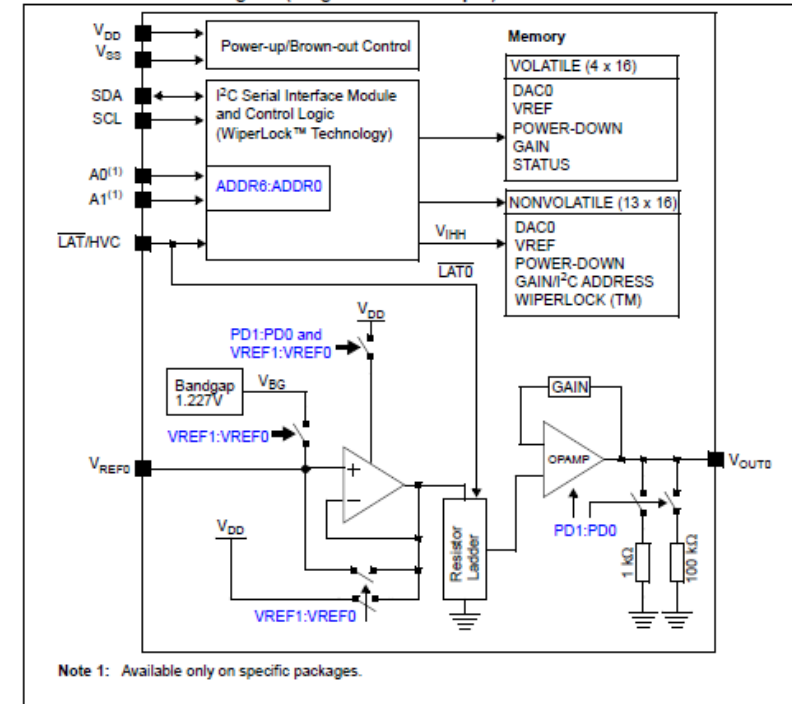
8/10/12-Bit Single Voltage Output Nonvolatile Digital-to-Analog Converters with I²C™ Interface

Online
Datasheet

Features:

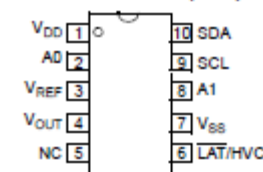
- Operating Voltage Range:
 - 2.7V to 5.5V – Full specifications
 - 1.8V to 2.7V – Reduced device specifications
- Single Output Voltage Resolutions:
 - 8-bit: MCP47CMB01
 - 10-bit: MCP47CMB11
 - 12-bit: MCP47CMB21
- Nonvolatile Memory (MTP) Size: 32 Locations
- Fast Settling time of 16 μ s (typ)
- 1 LSB Integral Nonlinearity (INL) Error
- DAC Voltage Reference Source Options:
 - Device V_{DD} or External V_{REF} pin
 - Internal Band Gap (1.227V Typ)
- Output Gain Options: Unity (1x) or (2x)
- Power-on/Brown-out Reset (POR/BOR) Protection
- I²C™ Interface
- Package Types
 - 16-lead 3x3 QFN
 - 10-lead MSOP
 - 10-lead 3x3 DFN
- Extended Temperature Range: -40°C to +125°C

MCP47CVBX1 Block Diagram (Single-Channel Output)

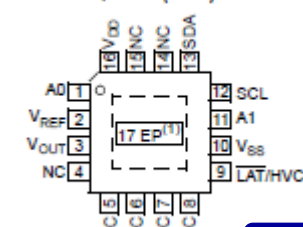


MCP47CXBx1 (Single)

MSOP-10, DFN-10 (3 x 3)



QFN-16 (3 x 3)



<< BACK



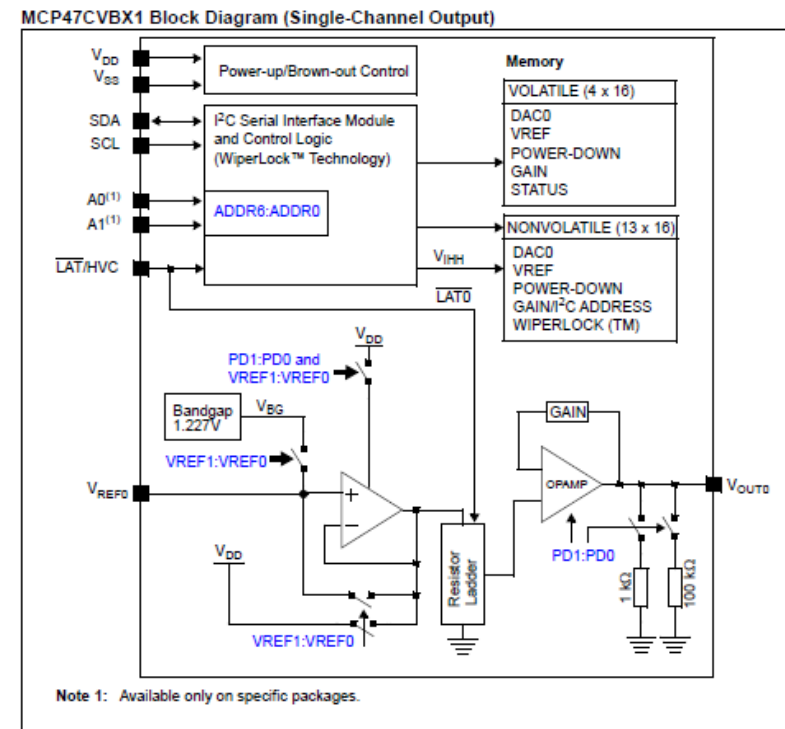
MCP47CVBx1

8/10/12-Bit Single Voltage Output Volatile
Digital-to-Analog Converters with I2C™ Interface

Online
Datasheet

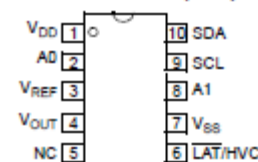
Features:

- Operating Voltage Range:
 - 2.7V to 5.5V – Full specifications
 - 1.8V to 2.7V – Reduced device specifications
- Single Output Voltage Resolutions:
 - 8-bit: MCP47CVB01
 - 10-bit: MCP47CVB11
 - 12-bit: MCP47CVB21
- Fast Settling time of 16 μ s (typ)
- 1 LSB Integral Nonlinearity (INL) Error
- DAC Voltage Reference Source Options:
 - Device V_{DD} or External V_{REF} pin
 - Internal Band Gap (1.227V Typ)
- Output Gain Options: Unity (1x) or (2x)
- Power-on/Brown-out Reset (POR/BOR) Protection
- I2C™ Interface
- Package Types
 - 16-lead 3x3 QFN
 - 10-lead MSOP
 - 10-lead 3x3 DFN
- Extended Temperature Range: -40°C to +125°C

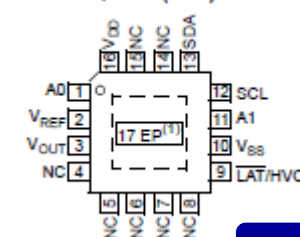


MCP47CVBx1 (Single)

MSOP-10, DFN-10 (3 x 3)



QFN-16 (3 x 3)



<< BACK



MCP47CVBx2

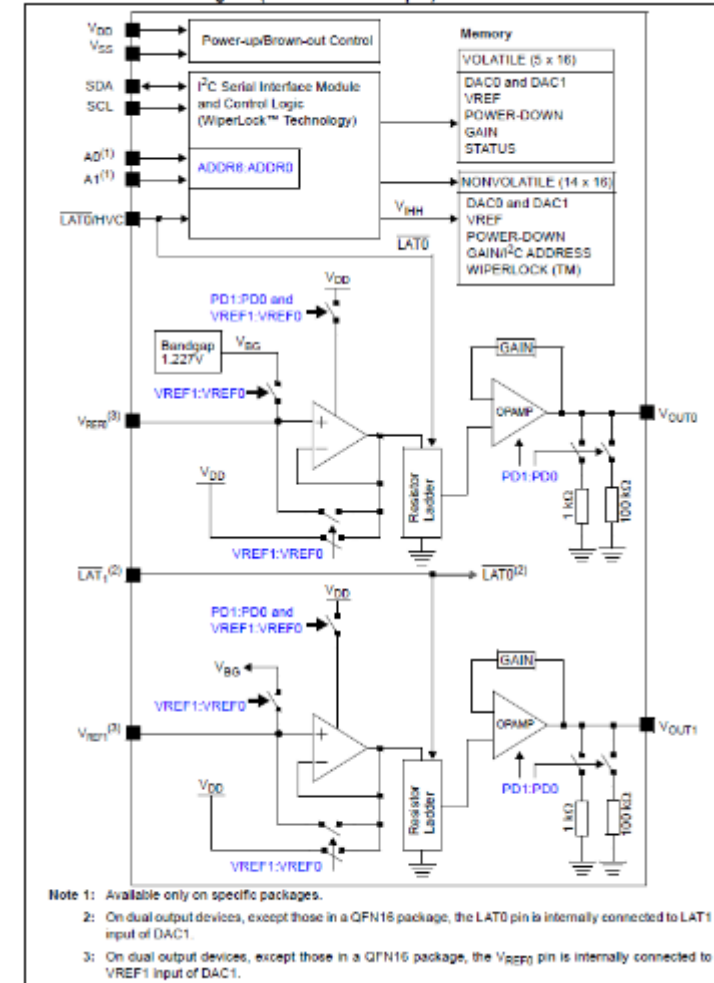
Description Sub-Title of the Device

Online
Datasheet

Features:

- Operating Voltage Range:
 - 2.7V to 5.5V – Full specifications
 - 1.8V to 2.7V – Reduced device specifications
- Dual Output Voltage Resolutions:
 - 8-bit: MCP47CVB02
 - 10-bit: MCP47CVB12
 - 12-bit: MCP47CVB22
- Fast Settling time of 16 μ s (typ)
- 1 LSB Integral Nonlinearity (INL) Error
- DAC Voltage Reference Source Options:
 - Device V_{DD} or External V_{REF} pin
 - Internal Band Gap (1.227V Typ)
- Output Gain Options: Unity (1x) or (2x)
- Power-on/Brown-out Reset (POR/BOR) Protection
- I²C™ Interface
- Package Types
 - 16-lead 3x3 QFN
 - 10-lead MSOP
 - 10-lead 3x3 DFN
- Extended Temperature Range: -40°C to +125°C

MCP47CVBx2 Block Diagram (Dual-Channel Output)



<< BACK



MCP48CMBx1

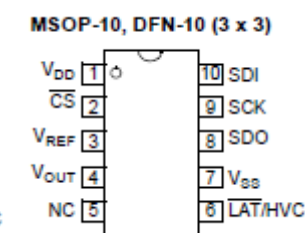
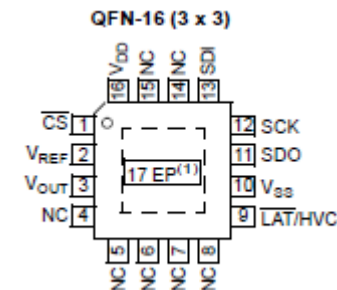
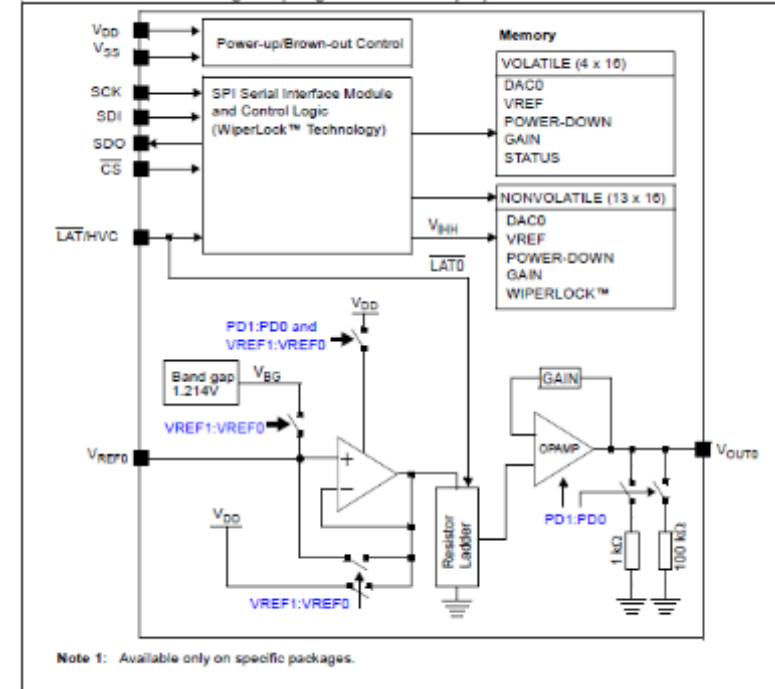
8/10/12-Bit Single Voltage Output Nonvolatile Digital-to-Analog Converters with SPI Interface

Online
Datasheet

Features:

- Operating Voltage Range:
 - 2.7V to 5.5V – Full specifications
 - 1.8V to 2.7V – Reduced device specifications
- Single Output Voltage Resolutions:
 - 8-bit: MCP48CMB01
 - 10-bit: MCP48CMB11
 - 12-bit: MCP48CMB21
- Nonvolatile Memory (MTP) Size: 32 Locations
- Fast Settling time of 16 μ s (typ)
- 1 LSB Integral Nonlinearity (INL) Error
- DAC Voltage Reference Source Options:
 - Device V_{DD} or External V_{REF} pin
 - Internal Band Gap (1.227V Typ)
- Output Gain Options: Unity (1x) or (2x)
- Power-on/Brown-out Reset (POR/BOR) Protection
- SPI Interface
- Package Types
 - 16-lead 3x3 QFN
 - 10-lead MSOP
 - 10-lead 3x3 DFN
- Extended Temperature Range: -40°C to +125°C

MCP48CMBx1 Block Diagram (Single-Channel Output)



<< BACK



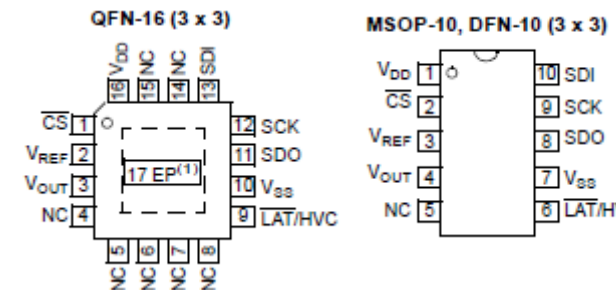
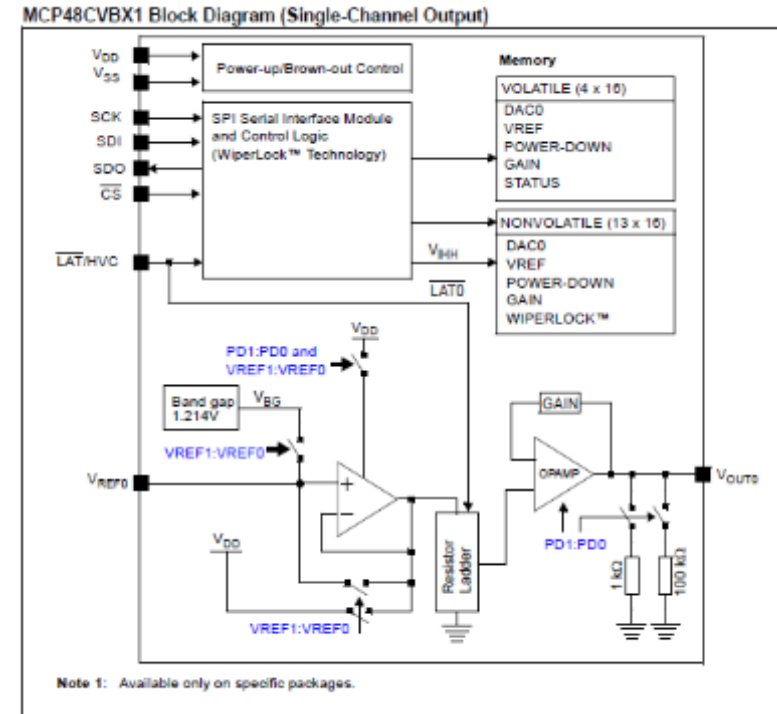
MCP48CVBx1

8/10/12-Bit Single Voltage Output Volatile
Digital-to-Analog Converters with SPI Interface

Online
Datasheet

Features:

- Operating Voltage Range:
 - 2.7V to 5.5V – Full specifications
 - 1.8V to 2.7V – Reduced device specifications
- Single Output Voltage Resolutions:
 - 8-bit: MCP48CVB01
 - 10-bit: MCP48CVB11
 - 12-bit: MCP48CVB21
- Fast Settling time of 16 μ s (typ)
- 1 LSB Integral Nonlinearity (INL) Error
- DAC Voltage Reference Source Options:
 - Device V_{DD} or External V_{REF} pin
 - Internal Band Gap (1.227V Typ)
- Output Gain Options: Unity (1x) or (2x)
- Power-on/Brown-out Reset (POR/BOR) Protection
- SPI Interface
- Package Types
 - 16-lead 3x3 QFN
 - 10-lead MSOP
 - 10-lead 3x3 DFN
- Extended Temperature Range: -40°C to +125°C



<< BACK



MCP48CMBx2

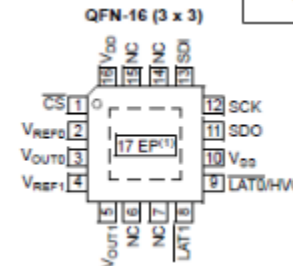
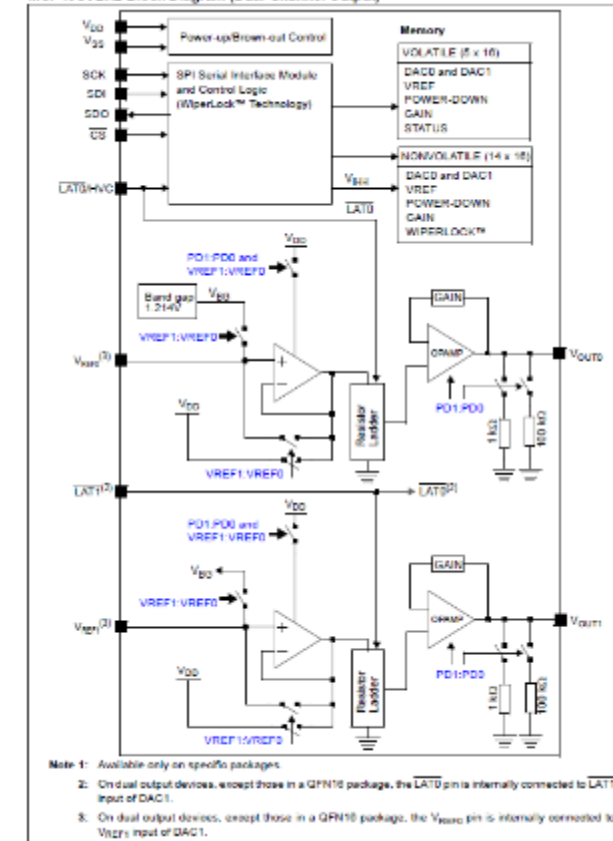
8/10/12-Bit Single Voltage Output Nonvolatile Digital-to-Analog Converters with SPI Interface

Online
Datasheet

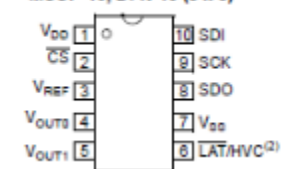
Features:

- Operating Voltage Range:
 - 2.7V to 5.5V – Full specifications
 - 1.8V to 2.7V – Reduced device specifications
- Dual Output Voltage Resolutions:
 - 8-bit: MCP48CMB02
 - 10-bit: MCP48CMB12
 - 12-bit: MCP48CMB22
- Nonvolatile Memory (MTP) Size: 32 locations
- Fast Settling time of 16 μ s (typ)
- 1 LSB Integral Nonlinearity (INL) Error
- DAC Voltage Reference Source Options:
 - Device V_{DD} or External V_{REF} pin
 - Internal Band Gap (1.227V Typ)
- Output Gain Options: Unity (1x) or (2x)
- Power-on/Brown-out Reset (POR/BOR) Protection
- SPI Interface
- Package Types
 - 16-lead 3x3 QFN
 - 10-lead MSOP
 - 10-lead 3x3 DFN
- Extended Temperature Range: -40°C to +125°C

MCP48CMBx2 Block Diagram (Dual-Channel Output)



MSOP-10, DFN-10 (3 x 3)



<< BACK



MCP48CVBx2

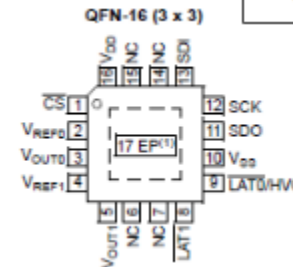
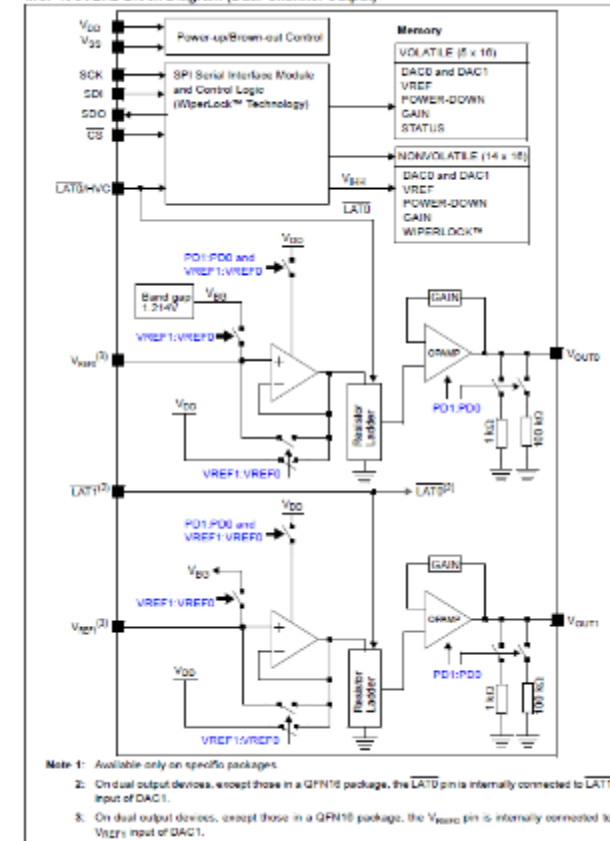
8/10/12-Bit Single Voltage Output Volatile
Digital-to-Analog Converters with SPI Interface

Online
Datasheet

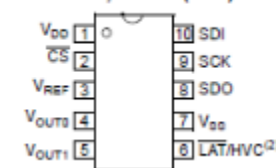
Features:

- Operating Voltage Range:
 - 2.7V to 5.5V – Full specifications
 - 1.8V to 2.7V – Reduced device specifications
- Dual Output Voltage Resolutions:
 - 8-bit: MCP48CVB02
 - 10-bit: MCP48CVB12
 - 12-bit: MCP48CVB22
- Fast Settling time of 16 μ s (typ)
- 1 LSB Integral Nonlinearity (INL) Error
- DAC Voltage Reference Source Options:
 - Device V_{DD} or External V_{REF} pin
 - Internal Band Gap (1.227V Typ)
- Output Gain Options: Unity (1x) or (2x)
- Power-on/Brown-out Reset (POR/BOR) Protection
- SPI Interface
- Package Types
 - 16-lead 3x3 QFN
 - 10-lead MSOP
 - 10-lead 3x3 DFN
- Extended Temperature Range: -40°C to +125°C

MCP48CVBx2 Block Diagram (Dual-Channel Output)



MSOP-10, DFN-10 (3 x 3)



<< BACK



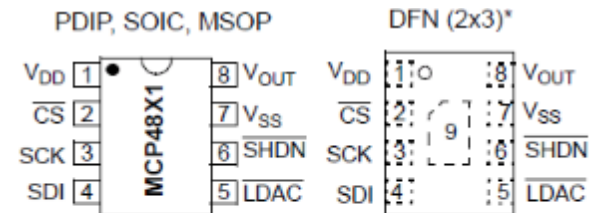
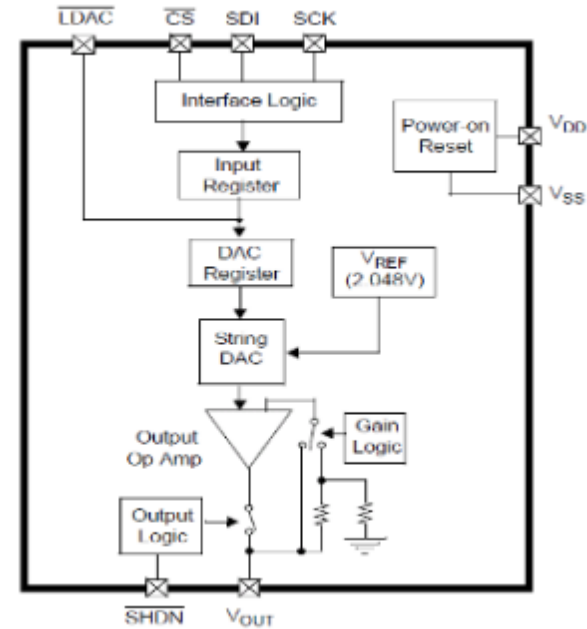
8/10/12-Bit Voltage Output Digital-to-Analog Converter with Internal V_{REF} and SPI Interface



Online
Datasheet

Features:

- MCP4801: 8-Bit Voltage Output DAC
- MCP4811: 10-Bit Voltage Output DAC
- MCP4821: 12-Bit Voltage Output DAC
- Rail-to-Rail Output
- SPI Interface with 20 MHz Clock Support
- Simultaneous Latching of the DAC Output –
– with LDAC Pin
- Fast Settling Time of 4.5 μ s
- Selectable Unity or 2x Gain Output
- 2.048V Internal Voltage Reference
- 50ppm/ $^{\circ}$ C V_{REF} Temperature Coefficient
- 2.7V to 5.5V Single-Supply Operation
- Extended Temperature Range:
 - -40 $^{\circ}$ C to +125 $^{\circ}$ C
- Recommended for Automotive Design (MCP4821)

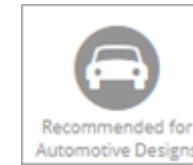


MCP4801: 8-bit single DAC
 MCP4811: 10-bit single DAC
 MCP4821: 12-bit single DAC
 * Includes Exposed Thermal Pad (EP)

<< BACK



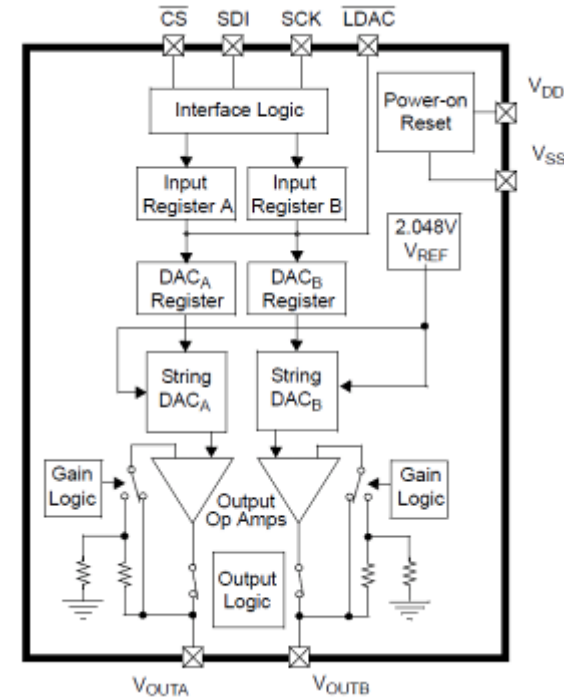
8/10/12-Bit Dual Voltage Output Digital-to-Analog Converter with Internal V_{REF} and SPI Interface



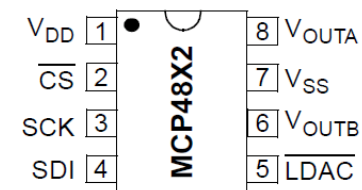
Online
Datasheet

Features:

- MCP4802: Dual 8-Bit Voltage Output DAC
- MCP4812: Dual 10-Bit Voltage Output DAC
- MCP4822: Dual 12-Bit Voltage Output DAC
- Rail-to-Rail Output
- SPI Interface with 20 MHz Clock Support
- Simultaneous Latching of the Dual DACs with – LDAC pin
- Fast Settling Time of 4.5 μ s
- Selectable Unity or 2x Gain Output
- 2.048V Internal Voltage Reference
- 50ppm/ $^{\circ}$ C V_{REF} Temperature Coefficient
- 2.7V to 5.5V Single-Supply Operation
- Extended Temperature Range:
 - -40 $^{\circ}$ C to +125 $^{\circ}$ C
- Recommended for Automotive Design (MCP4802)



8-Pin PDIP, SOIC, MSOP

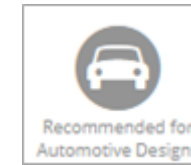


MCP4802: 8-bit dual DAC
MCP4812: 10-bit dual DAC
MCP4822: 12-bit dual DAC

<< BACK



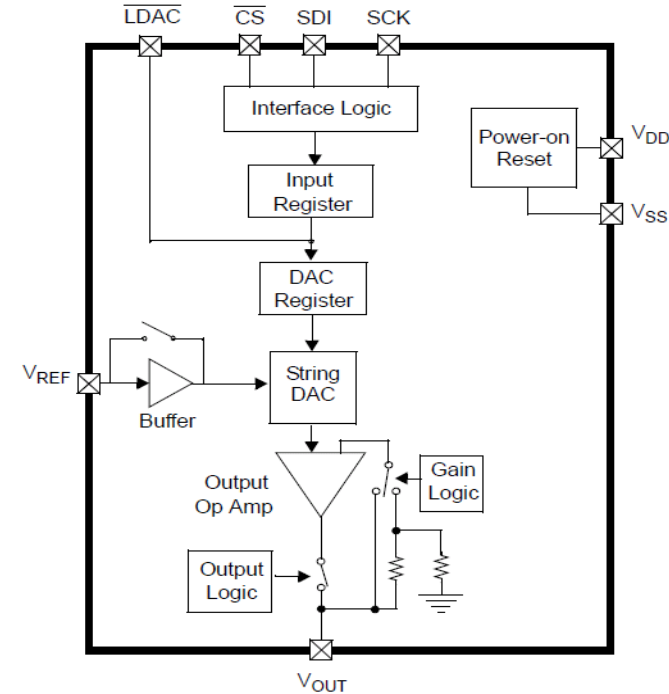
8/10/12-Bit Voltage Output Digital-to-Analog Converter with SPI Interface



Online Datasheet

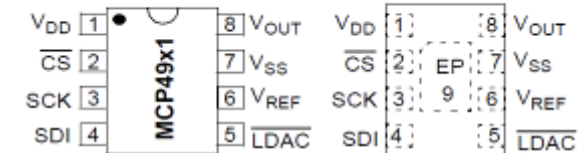
Features:

- MCP4901: 8-Bit Voltage Output DAC
- MCP4911: 10-Bit Voltage Output DAC
- MCP4921: 12-Bit Voltage Output DAC
- Rail-to-Rail Output
- SPI Interface with 20 MHz Clock Support
- Simultaneous Latching of the DAC Output – with LDAC Pin
- Fast Settling Time of 4.5 μ s
- Selectable Unity or 2x Gain Output
- External Voltage Reference Input
- External Multiplier Mode
- 2.7V to 5.5V Single-Supply Operation
- Extended Temperature Range:
 - -40°C to +125°C
- Recommended for Automotive Design (MCP4921)



8-Pin PDIP, SOIC, MSOP

DFN-8 (2x3)*



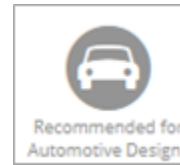
MCP4901: 8-bit single DAC
 MCP4911: 10-bit single DAC
 MCP4921: 12-bit single DAC

* Includes Exposed Thermal Pad (EP)

<< BACK



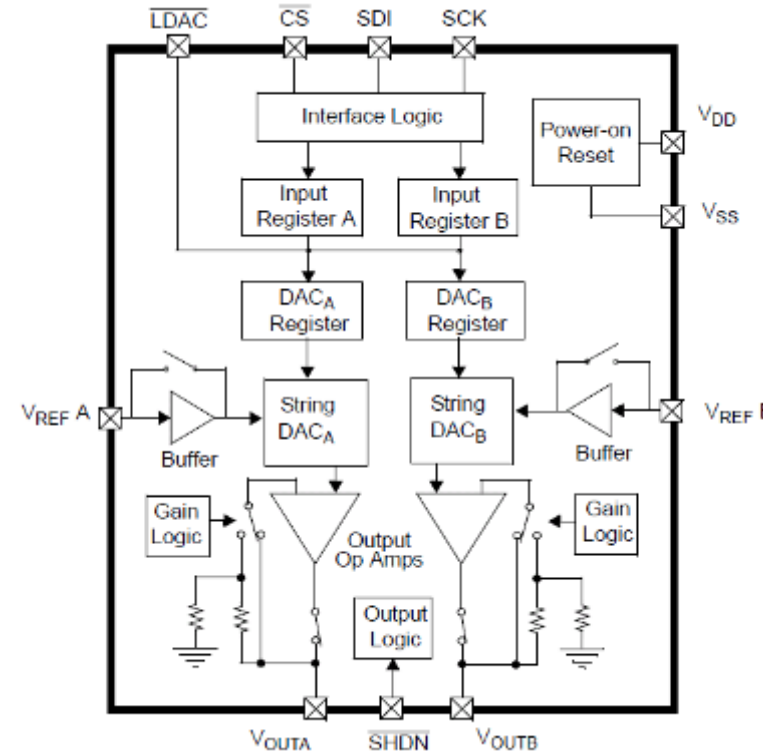
8/10/12-Bit Dual Voltage Output Digital-to-Analog Converter with SPI Interface



Online
Datasheet

Features:

- MCP4902: Dual 8-Bit Voltage Output DAC
- MCP4912: Dual 10-Bit Voltage Output DAC
- MCP4922: Dual 12-Bit Voltage Output DAC
- Rail-to-Rail Output
- SPI Interface with 20 MHz Clock Support
- Simultaneous Latching of the Dual DACs –
- with LDAC pin
- Fast Settling Time of 4.5 μ s
- Selectable Unity or 2x Gain Output
- External Voltage Reference Inputs
- External Multiplier Mode
- 2.7V to 5.5V Single-Supply Operation
- Extended Temperature Range:
 - -40°C to +125°C
- Recommended for Automotive Design (MCP4912/22)



14-Pin PDIP, SOIC, TSSOP

V _{DD}	1	14	V _{OUTA}
NC	2	13	V _{REFA}
CS	3	12	V _{SS}
SCK	4	11	V _{REFB}
SDI	5	10	V _{OUTB}
NC	6	9	SHDN
NC	7	8	LDAC

MCP4902: 8-bit dual DAC
MCP4912: 10-bit dual DAC
MCP4922: 12-bit dual DAC

<< BACK



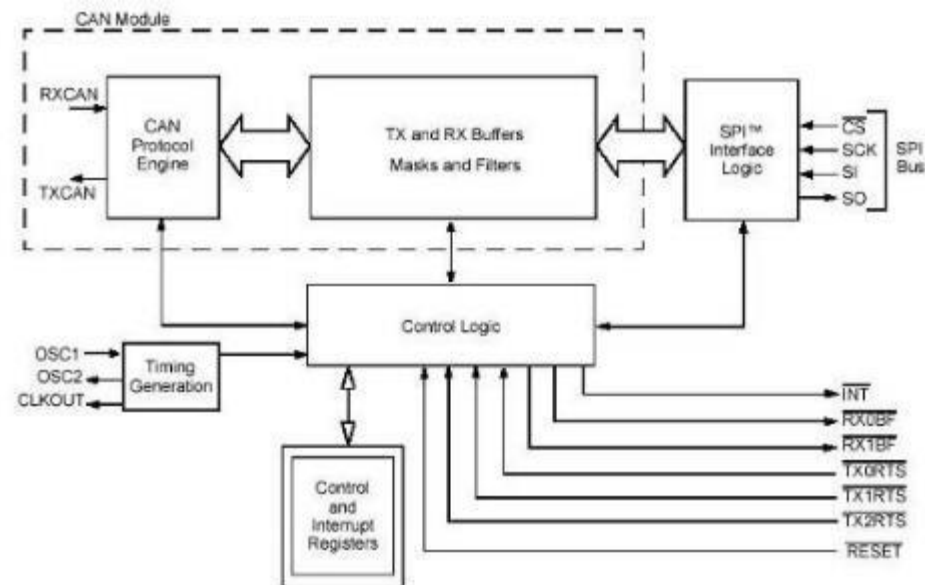
MCP2515



Stand-Alone CAN Controller with SPI Interface

Features:

- Implements CAN V2.0B at 1 Mb/s
- 0 - 8 byte length in the data field
- Standard and extended data & remote frames
- Receive buffers, masks and filters
- Data byte filtering on the first two data bytes
- Three transmit buffers
- High-speed SPITM Interface (10MHz):
- One-Shot mode
- Clock out pin with programmable prescaler
- Start-of-Frame (SOF) signal
- Interrupt output pin with selectable enables
- Buffer Full output pins configurable as
- Interrupt output for receive buffer
- General purpose Output
- Request-to-Send (RTS) input pins configurable:
 - Control pins
 - General Purpose inputs
- Operates from 2.7V to 5.5V
- 5mA active (typ.), 1µA standby (typ.)
- Extended Temperature range: -40°C to +125°C
- Recommended for Automotive Design

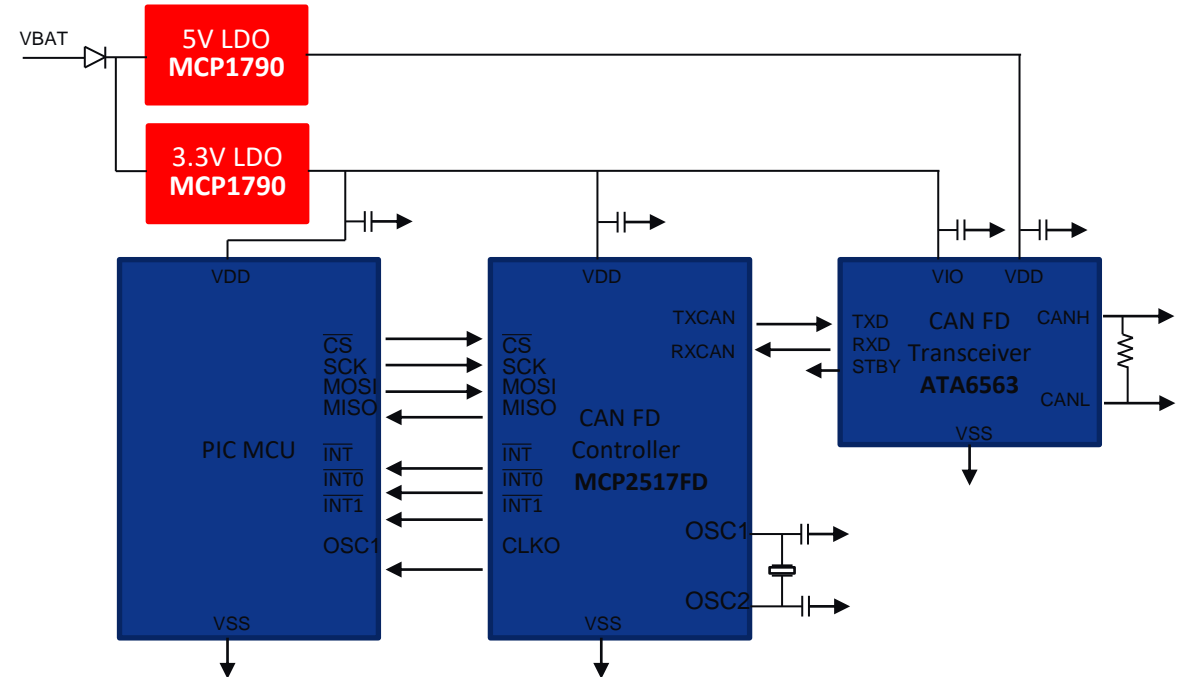


MCP2517FD



Features:

- External CAN Flexible Data-rate –
 - Controller w/SPI Interface
- Conforms to ISO11898-1:2015
- Supports both CAN 2.0B and CAN FD
- Arbitration Bit Rate up to 1 Mbps
- Data Bit Rate up to 8 Mbps
- Up to 20MHz SPI Clock Speed
- 31 FIFOs configurable as transmit or –
 - receive
- 32 Flexible Filter and Mask Objects
- One Transmit Queue
- 32-bit Time Stamp
- Bus Health Diagnostics and Error Counters
- VDD: 2.7V-5.5V
- Active Current Max: 12mA @ 5.5V, 40 –
 - MHz CAN Clock
- Sleep Current: 10uA, Typical
- Temperature Range: -40°C to +150°C
- Packages: VDFN14 (Wettable Flanks), - SOIC14
- Recommended for Automotive Design

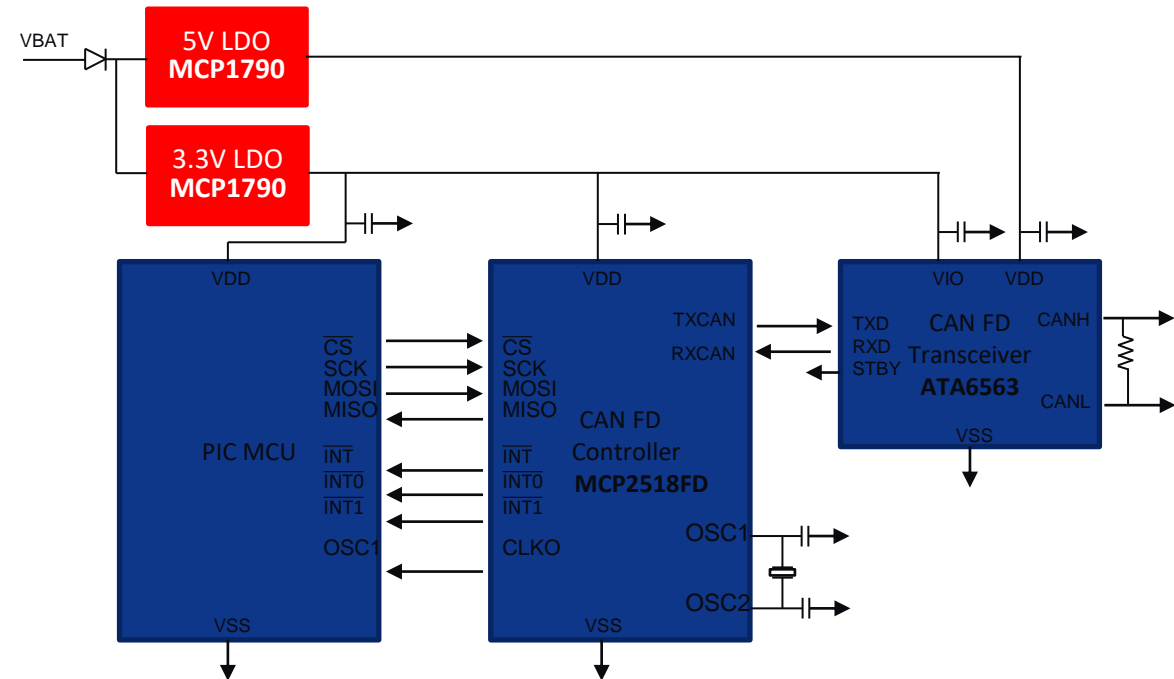


MCP2518FD



Features:

- External CAN Flexible Data-rate –
 - Controller w/SPI Interface
- Conforms to ISO11898-1:2015
- Supports both CAN 2.0B and CAN FD
- Arbitration Bit Rate up to 1 Mbps
- Data Bit Rate up to 8 Mbps
- Up to 20MHz SPI Clock Speed
- 31 FIFOs configurable as transmit or –
 - receive
- 32 Flexible Filter and Mask Objects
- One Transmit Queue
- 32-bit Time Stamp
- Bus Health Diagnostics and Error Counters
- VDD: 2.7V-5.5V
- Active Current Max: 12mA @ 5.5V, 40 –
 - MHz CAN Clock
- Low power mode: max 10 μ A over temp.
- Temperature Range: -40°C to +150°C
- Packages: VDFN14 (Wettable Flanks), - SOIC14
- Recommended for Automotive Design



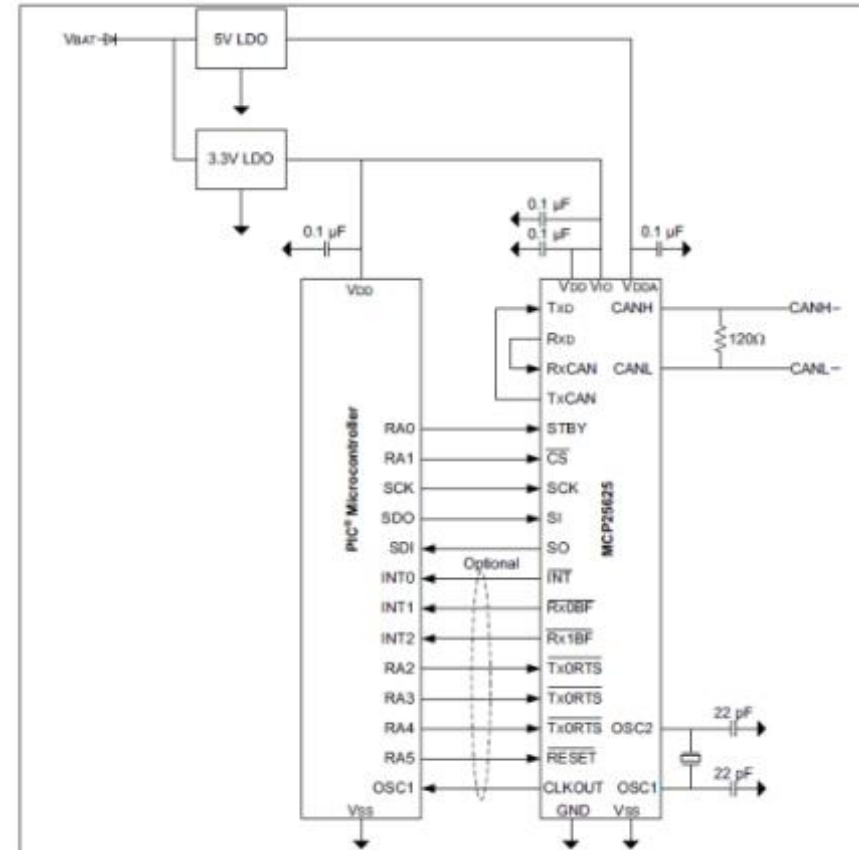
MCP25625



CAN Controller with Integrated Transceiver

Features:

- Stand-Alone CAN2.0B Controller with
- Integrated CAN Transceiver and Serial Peripheral Interface (SPI)
- Up to 1 Mb/s Operation
- Very Low Standby Current (10 μ A, typical).
- Up to 10 MHz SPI Clock Speed
- Interfaces Directly with Microcontrollers with
- 2.7V to 5.5V I/O
- Packages: SSOP-28L and 6x6 QFN-28L
- Extended Temperature Range:
 - -40°C to +125°C
- Recommended for Automotive Design

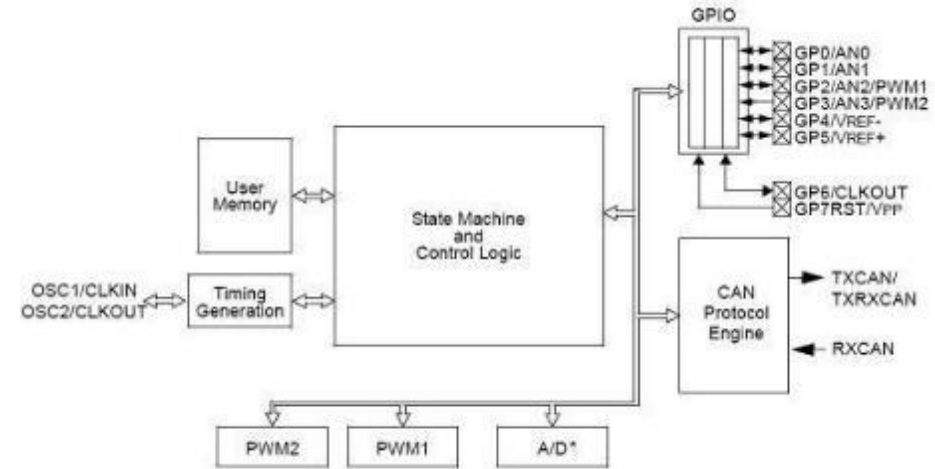


MCP25020/25

CAN I/O Expander Family

Features:

- Implements CAN V2.0B
- Programmable bit rate up to 1 Mb/s
- Programmable mask, two programmable filters
- Three auto-transmit buffers, two message buffers
- Enables simple CAN nodes without an MCU
- Non-volatile memory for user configuration
- 8 GPIO lines
- Individually selectable transmit-on-pin change
- Programmable conversion clock and –
– V_{REF} sources (MCP2505X devices only)
- Message scheduling capability
- Two 10-bit PWM outputs
- Configuration can be modified via CAN bus
- In-Circuit Serial Programming™ (ICSP™)
- Optional 1-wire CAN bus operation
- Operates from 2.7V to 5.5V
- 10mA active current (typ.), 30µA standby (typ.)
- Packaging: 14-pin PDIP and SOIC
- Industrial (I): -40°C to +85°C
- Extended (E): -40°C to +125°C



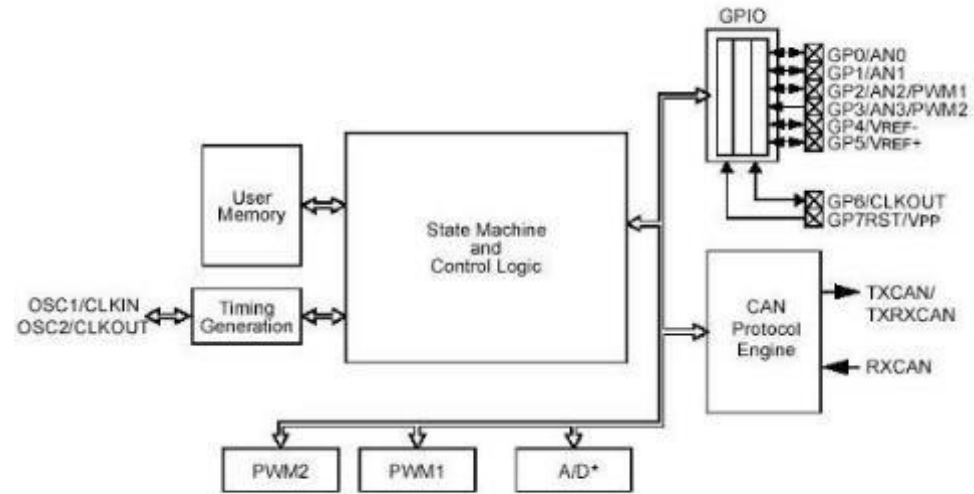
* Only the MCP2505X devices have the A/D module.

MCP25050/5

CAN I/O Expander Family

Features:

- Implements CAN V2.0B
- Programmable bit rate up to 1 Mb/s
- Non-volatile memory for configuration
- Eight general-purpose I/O lines
- Individually selectable transmit-on-pin –
– change for each input
- Programmable conversion clock and –
– V_{REF} sources (MCP2505X devices only)
- Message scheduling capability
- Two 10-bit PWM outputs
- In-Circuit Serial Programming™ (ICSP™)
- Optional 1-wire CAN bus operation
- Low-power CMOS technology
- Operates from 2.7V to 5.5V
- 30µA standby current (CAN Sleep mode)
- 14-pin PDIP and SOIC packages
- Available temperature ranges:
 - Industrial (I): -40°C to +85°C
 - Extended (E): -40°C to +125°C



* Only the MCP2505X devices have the A/D module.

12V CAN Transceiver Choice Matrix

Device	Classical CAN Transceiver Only	CAN FD Capable Transceiver (Mb/s)	Basic Remote Wake	Wake-up Pattern	Wake-up Frame (CAN PN)	Silent Mode	Standby Mode	3V & 5V Compatible	Split pin	Vio pin (range)	ISO Compliance	Package Type
ATA6560	NO	2, 5Mb/s	YES	NO	NO	YES	YES	NO	No	NO	ISO-11898-2,5 ISO 11898-2:2016	DFN 8/SOIC 8
ATA6561	NO	2, 5Mb/s	YES	NO	NO	NO	YES	YES	No	2.8V-5.5V	ISO-11898-2,5 ISO 11898-2:2016	DFN 8/SOIC 8
ATA6562	NO	2, 5Mb/s	NO	YES	NO	YES	YES	NO	No	NO	ISO-11898-2,5 ISO 11898-2:2016	DFN 8/SOIC 8
ATA6563	NO	2, 5Mb/s	NO	YES	NO	NO	YES	YES	No	2.8V-5.5V	ISO-11898-2,5 ISO 11898-2:2016	DFN 8/SOIC 8
ATA6564	NO	2, 5Mb/s	N.A.	N.A.	NO	YES	NO	YES	No	2.8V-5.5V	ISO-11898-2 ISO 11898-2:2016	DFN 8/SOIC 8
ATA6566	NO	2Mb/s	NO	YES	NO	NO	YES	YES	No	2.8V-5.5V	ISO-11898-2,5 ISO 11898-2:2016	DFN 8/SOIC 8
ATA6565	NO	2, 5Mb/s	NO	YES	NO	No	YES	NO	No	NO	ISO-11898-2,5 ISO 11898-2:2016	DFN 14/SOIC 14
ATA6570	NO	2, 5Mb/s	NO	YES	YES	YES	YES	YES	No	2.8V-5.5V	ISO-11898-2,5,6 ISO 11898-2:2016	DFN 14/SOIC 14
ATA6571	NO	2, 5Mb/s	NO	YES	NO	YES	YES	YES	No	2.8V-5.5V	ISO-11898-2,5,6 ISO 11898-2:2016	DFN 14/SOIC 14



24V CAN Transceiver Choice Matrix

Device	Classic CAN Transceiver Only	CAN FD Capable Transceiver (Mb/s)	CAN 2.0 Controller	Basic Remote Wake	Wake-up Pattern	Silent Mode	Standby Mode	3V & 5V Compatible TXD/Stby	Split pin	Vio pin (range)	ISO Compliance	Package Type
MCP2557FD	NO	2,5,8Mb/s	NO	NO	NO	YES	NO	YES	No	NO	ISO-11898-2,5 ISO/DIS-11898-2	8/DFN 8/SOIC 8/TDFN
MCP2558FD	NO	2,5,8Mb/s	NO	NO	NO	YES	NO	NO	No	1.7V-5.5V	ISO-11898-2,5 ISO/DIS-11898-2	8/DFN 8/SOIC 8/TDFN
MCP2542FD	NO	2,5,8Mb/s	NO	YES	NO	NO	YES	YES	No	1.7V-5.5V	ISO-11898-2,5 ISO/DIS-11898-2	8/DFN 8/SOIC 8/TDFN
MCP2542WFD	NO	2,5,8Mb/s	NO	NO	YES	NO	YES	YES	No	1.7V-5.5V	ISO-11898-2,5 ISO/DIS-11898-2	8/DFN 8/SOIC 8/TDFN
MCP2544FD	NO	2,5,8Mb/s	NO	YES	NO	NO	YES	YES	No	NO	ISO-11898-2,5 ISO/DIS-11898-2	8/DFN 8/SOIC 8/TDFN
MCP2544WFD	NO	2,5,8Mb/s	NO	NO	YES	NO	YES	YES	No	NO	ISO-11898-2,5 ISO/DIS-11898-2	8/DFN 8/SOIC 8/TDFN
MCP25612FD	NO	2,5,8Mb/s	NO	YES	NO	NO	YES	NO	No	NO	ISO-11898-2, 5	14/SOIC
MCP2561FD	NO	2,5,8Mb/s	NO	YES	NO	NO	YES	NO	YES	NO	ISO-11898-2, 5	8/PDIP 8/SOIC 8/DFN
MCP2562FD	NO	2,5,8Mb/s	NO	YES	NO	NO	YES	YES	No	1.8V-5.5V	ISO-11898-2, 5	8/PDIP 8/SOIC 8/DFN
MCP2561	YES	NO	NO	YES	NO	NO	YES	NO	YES	NO	ISO-11898-2, 5	8/PDIP 8/SOIC 8/DFN
MCP2562	YES	NO	NO	YES	NO	NO	YES	YES	No	1.8V-5.5V	ISO-11898-2, 5	8/PDIP 8/SOIC 8/DFN
MCP25625	YES	NO	YES	YES	NO	NO	YES	YES	No	2.7V-5.5V	ISO-11898-2, 5	28/SSOP 28/QFN



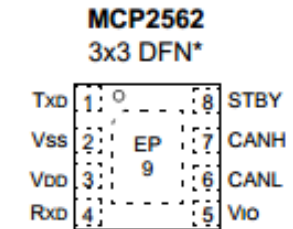
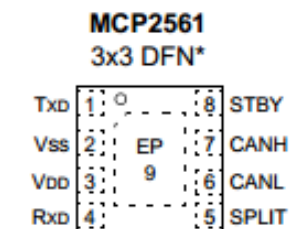
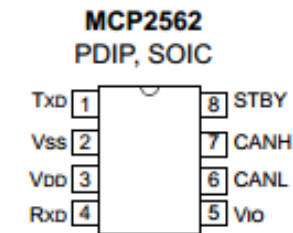
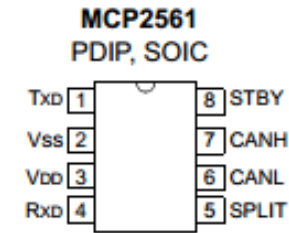
MCP2561/2

High-Speed CAN Transceiver



Features:

- Supports 1 Mb/s operation
- Implements ISO-11898-5 standard
- Very low standby current: 5 μ A (typ.)
- VIO supply pin (MCP2562) to interface directly to CAN controllers & MCUs
- SPLIT output pin (MCP2561) to stabilize common mode in biased split termination schemes
- Permanent dominant detection on TXD and bus
- Power-on Reset and brown-out protection
- Short-circuit protection
- Protection against high-voltage transients
- Thermal Shutdown protection
- Suitable for 12V and 24V systems
- Up to 112 nodes can be connected
- High-noise immunity
- ESD protection on CANH/CANL, IEC61000-4-2 > 8kV
- Available in PDIP-8L, SOIC-8L and 3x3 DFN-8L.
- Recommended for Automotive Design
- Temperature ranges:
 - Extended (E): -40°C to +125°C
 - High (H): -40°C to +150°C



MCP2561/2FD



High-Speed CAN Flexible Data Rate Transceiver

Features:

- Optimized for CAN FD (Flexible Data rate):
 - 2, 5 & 8 Mbps
- Maximum Propagation Delay: 120 ns
- Loop Delay Symmetry: -10%/+10% (2 Mbps)
- Implements ISO-11898-2 & ISO-11898-5
- Low Standby Current: 5 μ A (typical)
- VIO Pin Interfaces to CAN Controllers & MCUs
- SPLIT Output Pin
- Detection of Ground Fault
- Power-on Reset & Brown-Out Protection
- Short-Circuit Protection
- Protection Against High-Voltage Transients
- Automatic Thermal Shutdown Protection
- Suitable for 12V and 24V Systems
- Meets/exceeds automotive requirements
- ESD Protection on CANH & CANL, IEC61000-4-2 up to ± 14 kV
- Packing: PDIP-8L, SOIC-8L, 3x3 DFN-8L
- Extended Temperature (E): -40°C to +125°C
- High Temperature (H): -40°C to +150°C
- Recommended for Automotive Design (MCP2562FD)

FIGURE 1-1: MCP2561FD WITH SPLIT PIN

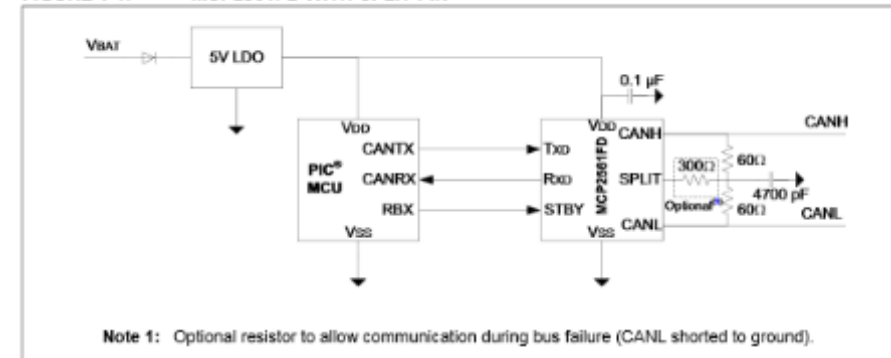
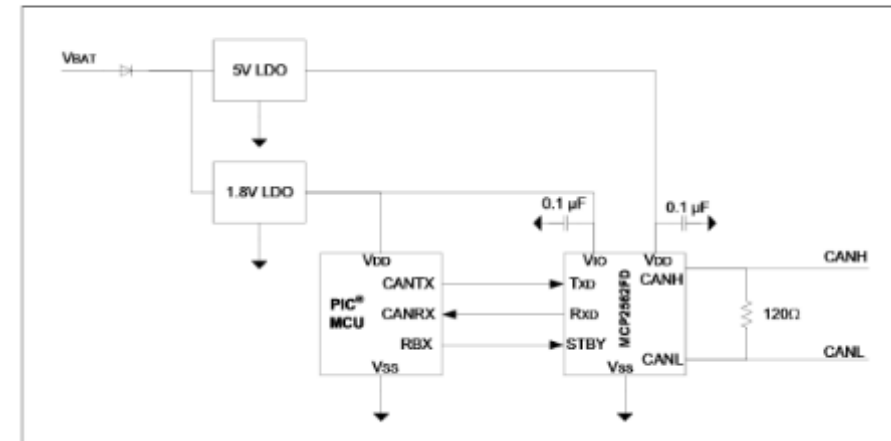


FIGURE 1-2: MCP2562FD WITH VIO PIN



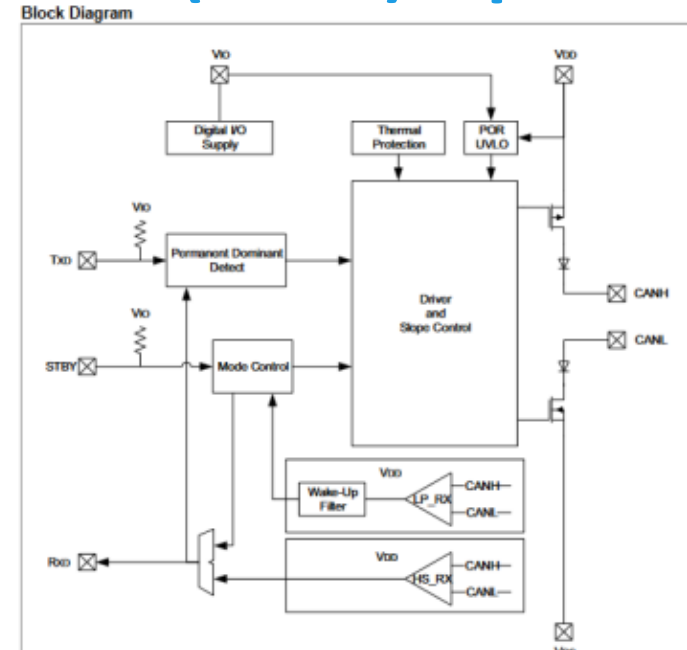
MCP2542FD & MCP2544FD



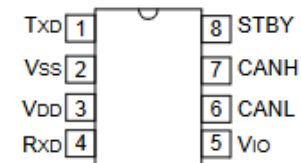
CAN FD Transceiver with Wake-Up Pattern (WUP) Option

Features:

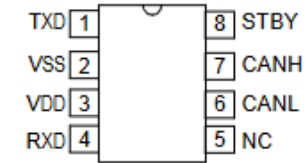
- MCP2544FD with No Connect pin 5
- MCP2542FD with VIO pin (internal level shifting)
- Classic CAN or CAN Flexible Data Rate applications
 - Optimized for CAN FD: 2, 5 and 8 Mbps
- Meets ISO/DIS 11898-2:2015 specification
- Supports Wake-up pattern
- AEC-Q100 Grade 0
- Very Low Standby Current: 5 μ A, typical
- VIO Supply Pin Interface to CAN Controllers & MCUs
- Detection of Ground Fault
- Power-on Reset and Voltage Brown-Out Protection
- Protection Against Short-Circuit Conditions
- Protection Against High-Voltage Transients
- Automatic Thermal Shutdown Protection
- Suitable for 12V and 24V Systems
- Extremely robust meeting automotive EMC requirements
- Packing: Smallest 2x3 DFN, SOIC and 3x3 DFN
- Recommended for Automotive Design (MCP2542FD)
- Temperature ranges:
 - Extended (E): -40°C to +125°C
 - High (H): -40°C to +150°C



MCP2542FD
MCP2542WFD
8-Lead SOIC



MCP2544FD
MCP2544WFD
8-Lead SOIC



Also Available in 2x3 DFN and 3x3 DFN



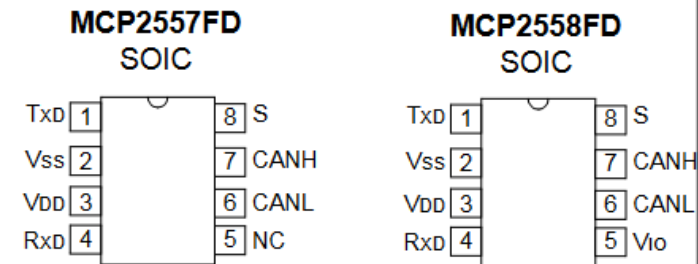
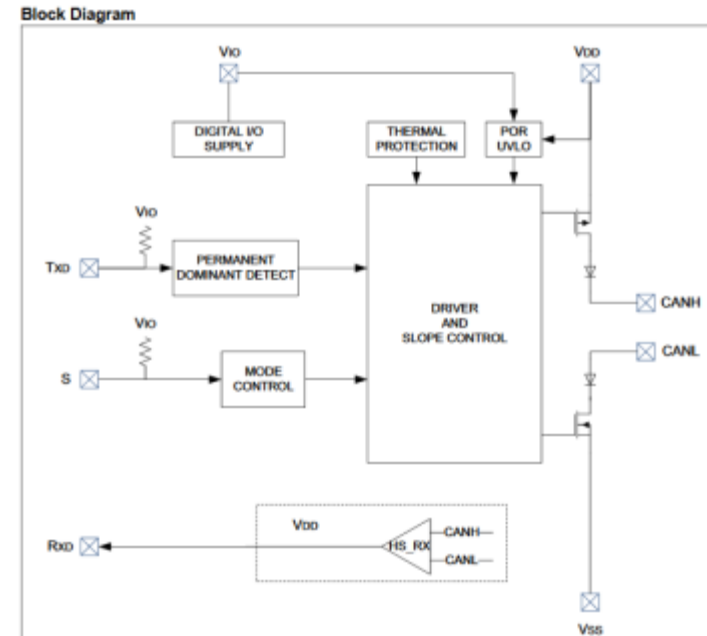
MCP2557FD & MCP2558FD

CAN FD Transceiver with Silent Mode



Features:

- MCP2557FD with No Connect pin 5
- MCP2558FD with VIO pin (internal level shifting)
- Classic CAN or CAN Flexible Data Rate
 - Optimized for CAN FD: 2, 5 and 8 Mbps
- Meets latest ISO/DIS 11898-2:2015 specification
- Supports Silent Mode
- Prevent disruption on the network due to fault
- Increased system reliability through redundancy
- Test connection of the network
- AEC-Q100 Grade 0
- VIO Supply Pin Interfaces to CAN Controllers & MCUs
- CAN Bus Pins Disconnected when Device Unpowered
- Detection of Ground Fault:
- Power-on Reset and Voltage Brown-Out Protection
- Protection Against Damage Due to Short-Circuit
- Protection Against High-Voltage Transients
- Suitable for 12V and 24V Systems
- Extremely robust meeting automotive EMC requirements
- Packaging: Smallest 2x3 TDFN, SOIC and 3x3 DFN
- Temperature ranges: High (H): -40°C to +150°C



Also Available in 2x3 and 3x3 DFN



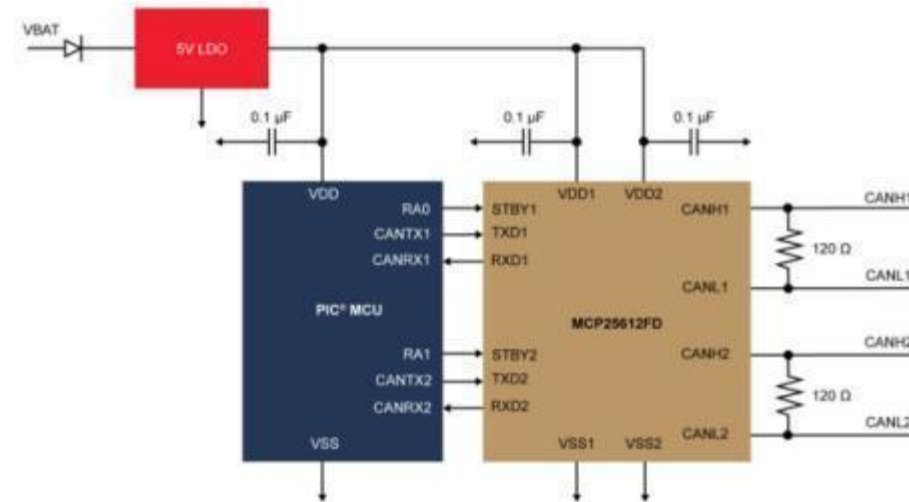
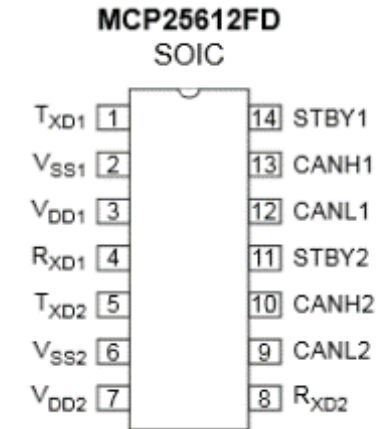
MCP25612FD



Dual CAN Flexible Data-Rate Transceiver

Features:

- Support both 'Classic CAN' and CAN FD
- Optimized for up to 8Mb/s Operation
- $V_{DD} = 4.5V$ to $5.5V$
- Standby Current: $5\mu A$, (typ.) per transceiver
- ISO 11898-2 and ISO 11898-5 compliant
- 14-lead SOIC
- Temperature Ranges:
 - Extended Temp (E): $-40^{\circ}C$ to $+125^{\circ}C$
 - High Temp (H): $-40^{\circ}C$ to $+150^{\circ}C$



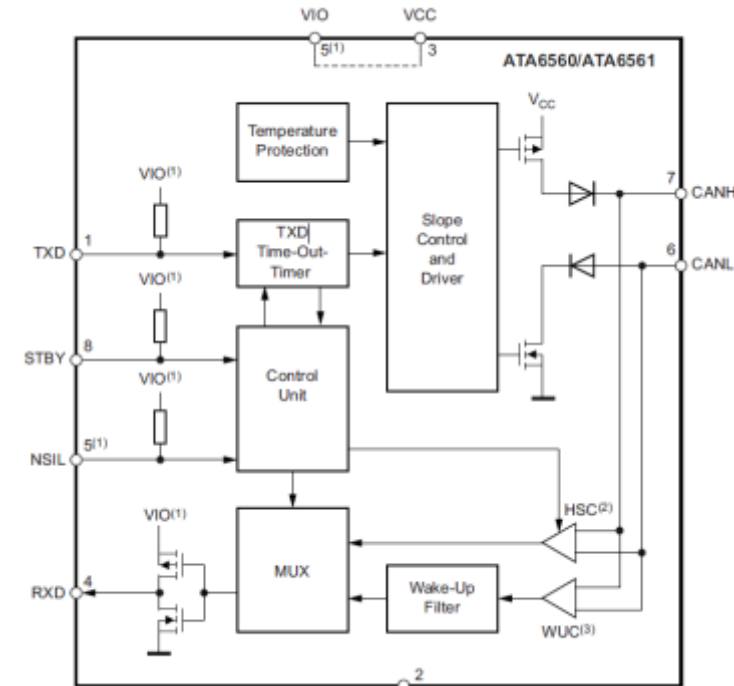
ATA6560/61



High-speed CAN Transceiver with Standby Mode CAN FD Ready

Features:

- Fully ISO 11898-2, ISO11898-5, ISO11898-2: 2016 and SAE J2962-2 compliant
- CAN FD ready, Communication speed up to 5Mbit/s
- Low electromagnetic emission (EME) and high – – electromagnetic immunity (EMI)
- Differential receiver with wide common mode range
- ATA6560: Silent mode (receive only)
- ATA6561: VIO Pin to interface direct to 2.8V – 5.5V μ Cs
- Remote wake-up capability via CAN bus
- Basic wake up
- Functional behavior defined under all supply conditions
- Transceiver disengages from the bus when unpowered
- RXD recessive clamping detection
- High ESD handling – capability on the bus pins
- Bus pins protected against automotive transients
- Transmit data (TXD) dominant time-out function
- Under-voltage detection on VCC and VIO pins
- Bus pins short-circuit and over-temperature – protected
- AEC-Q100 qualified
- Fulfills the OEM Hardware Requirements Rev. 1.3



S08 Pinning



DFN8 Pinning



DFN package with wettable flanks



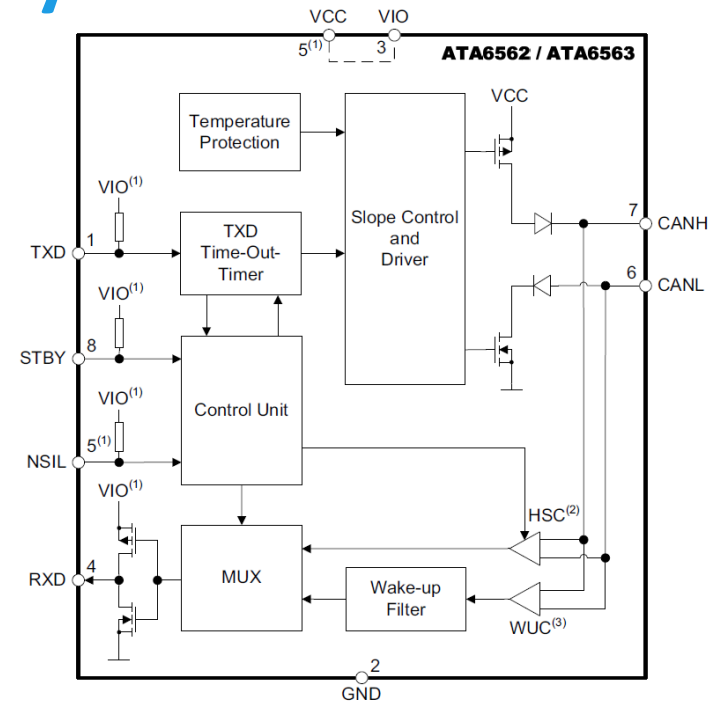
ATA6562/63



High-speed CAN Transceiver with Standby Mode CAN FD Ready

Features:

- Fully ISO 11898-2, ISO 11898-5, ISO 11898-2: 2016 and SAE J2962-2 compliant
- Communication speed up to 5Mbit/s (CAN FD – capable)
- Low EME and high EMI
- Differential receiver with wide common mode range
- ATA6562: Silent mode (receive only)
- ATA6563: VIO Pin to interface direct to 2.8V – 5.5V μ Cs
- Wake-Up via CAN Bus - Wake-Up on Pattern (WUP), - acc. ISO 11898-2: 2016, 3.8 μ s Activity Filter Time
- Functional behavior defined under all supply conditions
- Transceiver disengages from the bus when unpowered
- RXD recessive clamping detection
- High ESD handling capability on the bus pins
- Bus pins protected against automotive transients
- Transmit data (TXD) dominant time-out function
- Under-voltage detection on VCC and VIO pins
- Bus pins short-circuit and over-temperature protected
- Fulfills the OEM Hardware Requirements, Rev. 1.3
- AEC-Q100 qualified
- Two Ambient Temperature Grades: +125°C and +150°C



SO8 Pinning



DFN8 Pinning



DFN package with wettable flanks



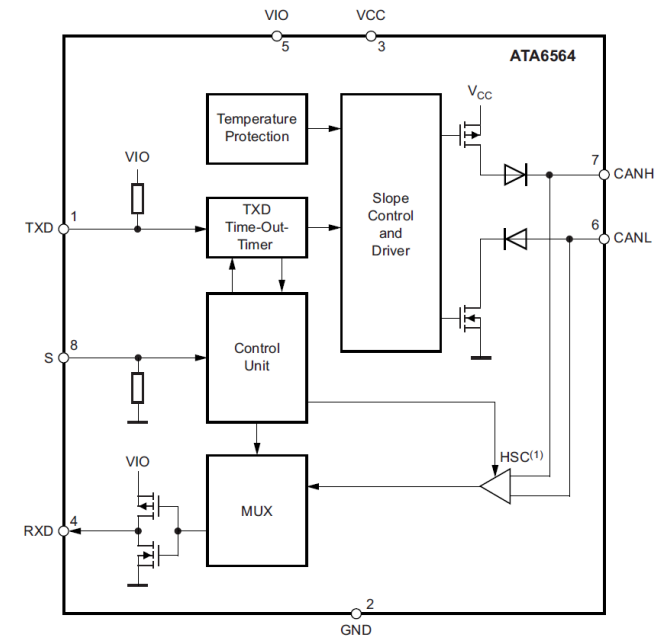
ATA6564



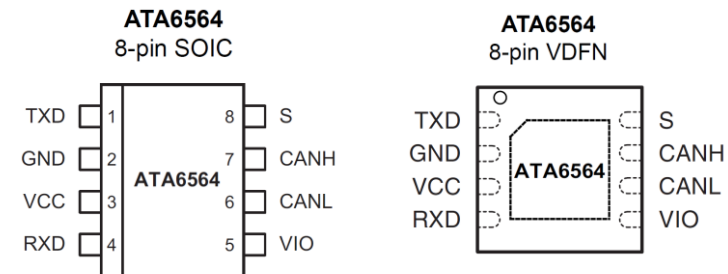
High-speed CAN Transceiver with Silent Mode CAN FD Ready

Features:

- Fully ISO 11898-2, ISO 11898-2: 2016 and SAE – J2962-2 compliant
- Communication speed up to 5Mbit/s (CAN FD capable)
- Low EME and high EMI
- Differential receiver with wide common mode range
- Compatible to 2.8V – 5.5V microcontrollers
- Functional behavior defined under all supply conditions
- Transceiver disengages from the bus when unpowered
- RXD recessive clamping detection
- High ESD handling capability on the bus pins
- Bus pins protected against automotive transients
- Transmit data (TXD) dominant time-out function
- Under-voltage detection on VCC and VIO pins
- Bus pins short-circuit and over-temperature protected
- Fulfills the OEM Hardware Requirements, Rev. 1.3
- Qualified according to AEC-Q100
- Two Ambient Temperature Grades:
 - +125°C and +150°C
- Packages: 8- pin SOIC and 8- pin VDFN



Note 1: HSC: High-speed comparator.



DFN package with wettable flanks



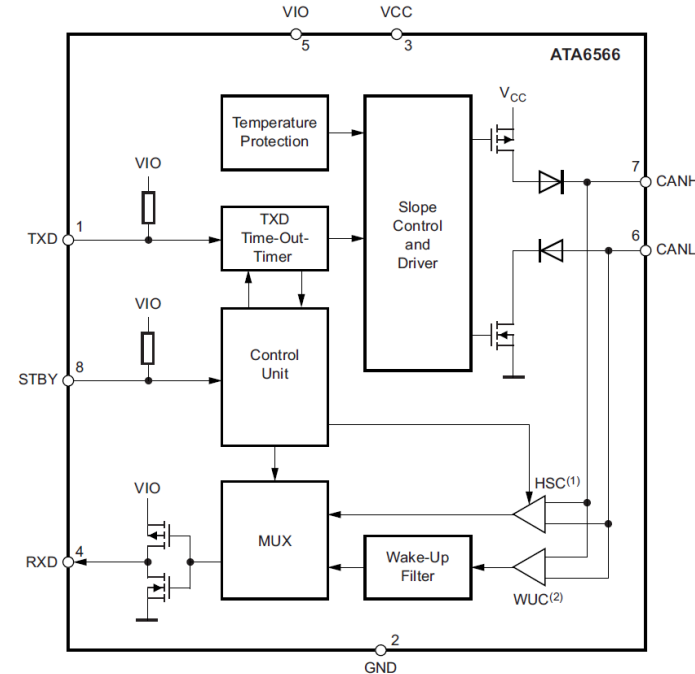
ATA6566



High-speed CAN Transceiver with Standby Mode CAN FD Ready

Features:

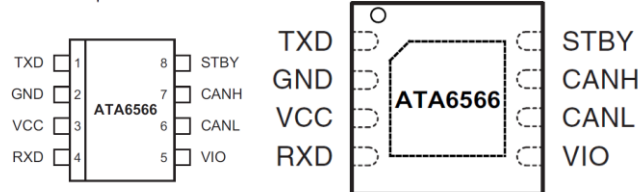
- Compliant with Japanese OEM Requirements
- Certified according latest VeLIO Test Specification
- Fully ISO 11898-2, ISO 11898-5, ISO 11898-2: 2016 – - and SAE J2962-2 compliant
- Communication speed up to 2 Mbit/s (CAN FD capable)
- Low EME and high EMI
- Differential receiver with wide common mode range
- VIO Pin to interface direct to 2.8V – 5.5V microcontroller
- Wake-Up via CAN Bus - Wake-Up on Pattern (WUP), - - acc. ISO 11898-2: 2016, 3.8 μ s Activity Filter Time
- Transceiver disengages from the bus when unpowered
- RXD recessive clamping detection
- High ESD handling capability on the bus pins
- Bus pins protected against automotive transients
- Transmit data (TXD) dominant time-out function
- Under-voltage detection on VCC and VIO pins
- Bus pins short-circuit and over- temperature protected
- Fulfills the OEM Hardware Requirements, Rev. 1.3
- Qualified according to AEC-Q100
- Two Ambient Temperature Grades: +125°C and +150°C



Note 1: HSC: High-speed comparator.
2: WUC: Wake-up comparator.

ATA6566
8-pin VDFN

ATA6566
8-pin SOIC



VDFN8 package with wettable flanks



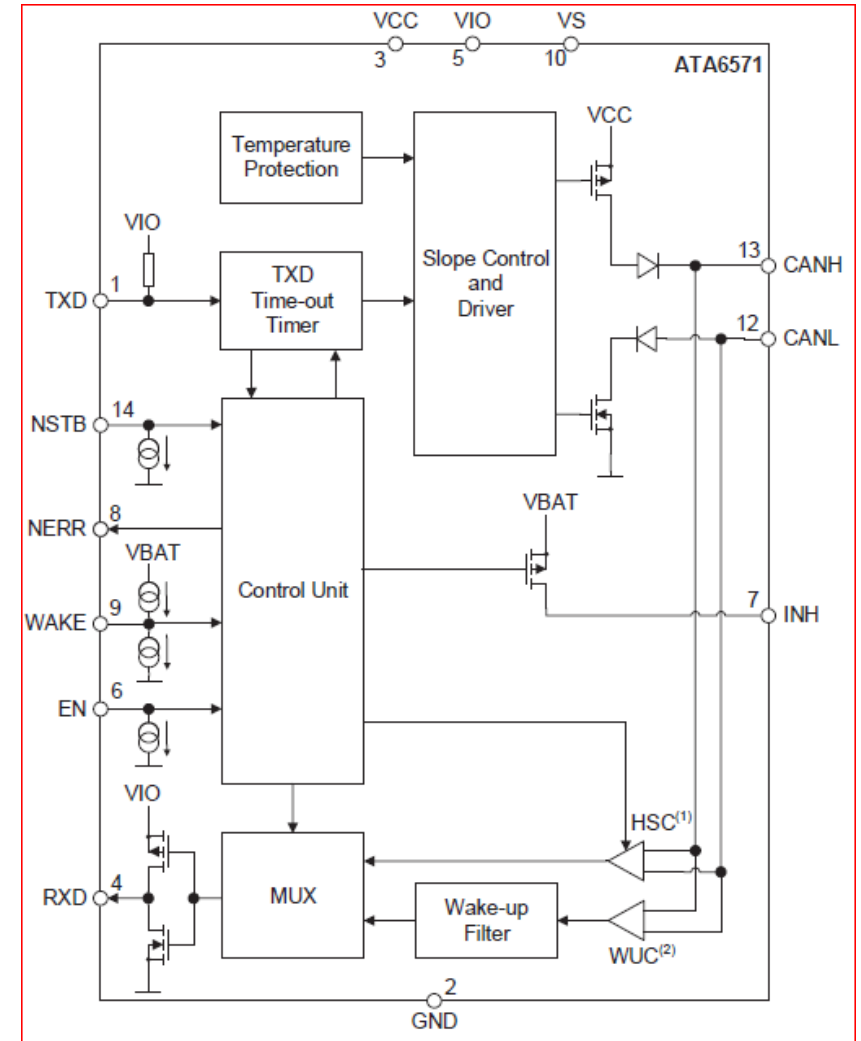
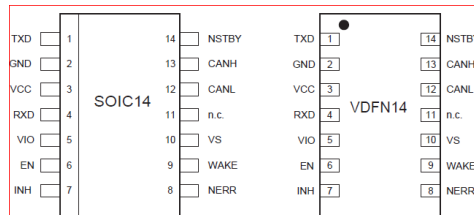
ATA6571



CAN FD Transceiver with High- Voltage WAKE Pin

Features:

- CAN FD Transceiver Fully Compliant to ISO 11898-2, ISO 11898-5, ISO 11898-2:2016 and SAE J2962-2
- ISO 26262 Functional Safety Ready
- Communication Speed up to 5Mbps
- VIO- Input for Direct Interfacing with 3V and 5V microcontrollers
- Bus Pins Protected Against Transients in Automotive environments
- INH output to Control an external Voltage regulator
- High- Voltage WAKE input Pin
- Wake- up Source Recognition
- AEC Q100 and AEC Q006 Qualified
- Two Ambient Temperature Grades: -40°C to +125°C and -40°C to +150°C
- Packages: SOIC14 and VDFN14 with Wettable Flanks



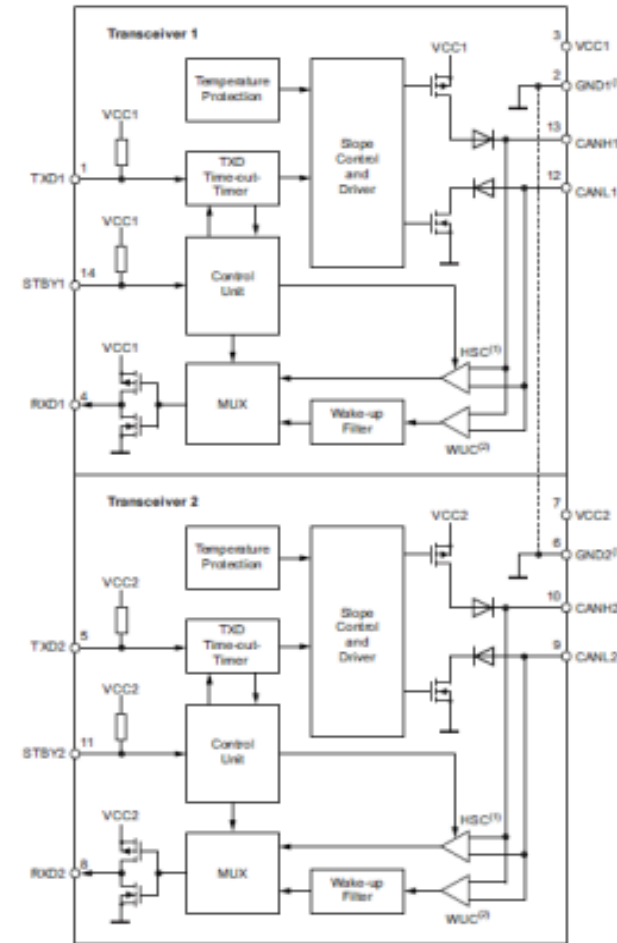
ATA6565



Dual High-Speed CAN Transceiver with Standby Mode

Features:

- Fully ISO 11898-2, ISO 11898-5, ISO 11898-2: 2016 and SAE J2962-2 compliant
- Communication speed up to 5Mbit/s (CAN FD capable)
- Low EME and high EMI
- Differential receiver with wide common mode range
- Wake-Up via CAN Bus - Wake-Up on Pattern (WUP), acc. ISO 11898-2: 2016, 3.8 μ s Activity Filter Time
- Functional behavior defined under all supply conditions
- Transceiver disengages from the bus when unpowered
- RXD recessive clamping detection
- High ESD handling capability on the bus pins
- Bus pins protected against automotive transients
- Transmit data (TXD) dominant time-out function
- Under-voltage detection on VCC pins
- Bus pins short-circuit and over-temperature protected
- Fulfills the OEM Hardware Requirements Rev. 1.3
- AEC-Q100 qualified
- Two Ambient Temperature Grades: +125°C and +150°C
- Packages: SOIC14 and VDFN14 with wettable flanks



- Notes:
1. HSC: High-speed comparator
 2. WUC: Wake-up comparator
 3. GND1 and GND2 are internally connected



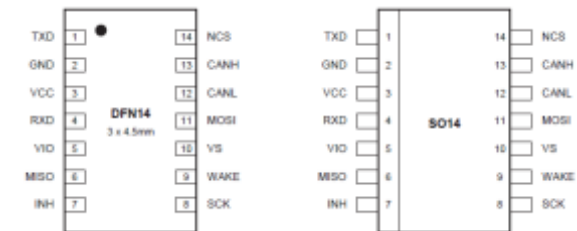
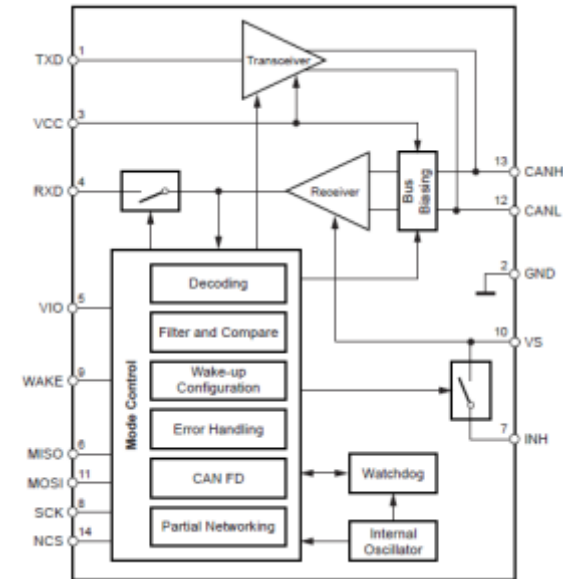
ATA6570



High-speed CAN Transceiver with Partial Networking

Features:

- High speed CAN transceiver compliant to ISO 11898-2, ISO11898-5/6, ISO 11898-2: 2016 and SAEJ2962-2
- Fulfills the OEM Requirements for Partial Networking Rev. 2.2
- Watchdog with clock source, Window & Timeout mode
- Fulfills the Auto OEM Hardware Requirements for CAN – Interfaces in Automotive Applications, Rev. 1.3
- CAN data rate up to 1Mbit/s and CAN FD data rate to 5Mbit/s
- 3.3V to 5V microcontrollers can interfaced via the VIO pin
- Battery supply and CAN bus pins protected against transients according to ISO7637
- Six operation modes:
 - Power off / MCU Reset / Sleep / Standby / Normal / Over-temp mode
- Four wake-up sources with wake-up source recognition
- Local wake-up via pin WAKE
- Remote wake-up pattern according to ISO 11898-2: 2016
- Remote wake-up frame according to ISO 11898-2: 2016
- Host wake-up via SPI
- Packages: SOIC14 and VDFN14 with wettable flanks
- AEC-Q100 qualified



DFN package with wettable flanks

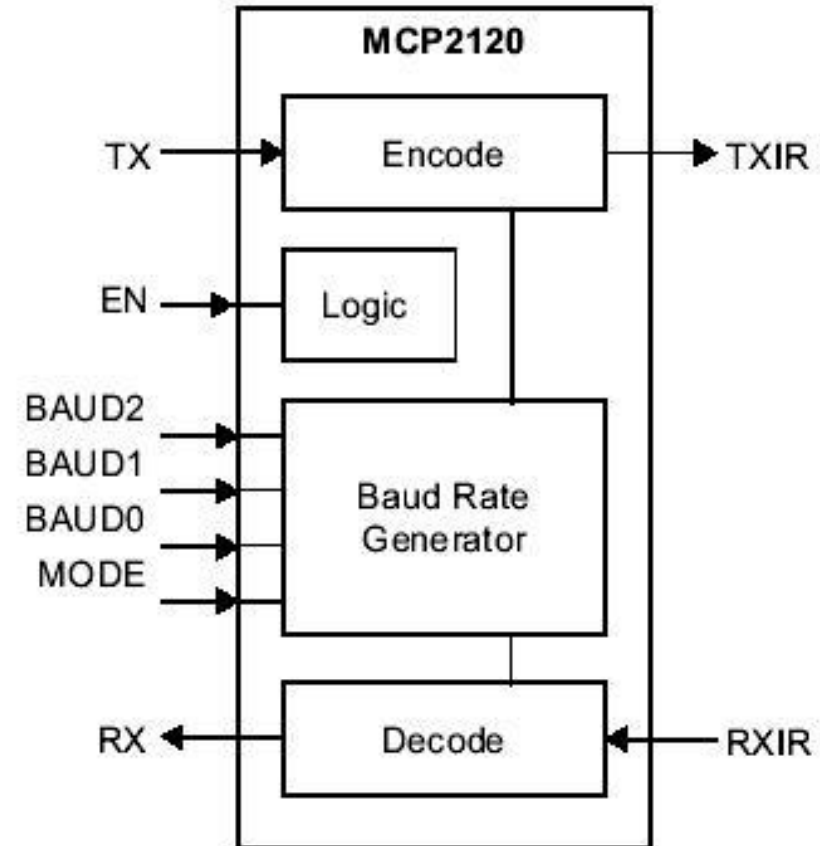


MCP2120

Infrared Encoder/Decoder

Features:

- Supports with IrDA® Physical Layer Specification –
- (version 1.3)
- UART to IR Encoder/Decoder
 - Interfaces with IrDA Compliant Transceivers
 - Used with any UART, including standard –
- 16550 UART and microcontroller UART
- Transmit/Receive formats supported:
 - 1.63μs
- Hardware or Software Baud rate selection
 - Up to IrDA standard 115.2 kbaud operation
 - Up to 312.5 kbaud operation (at 20MHz)
 - Low power mode



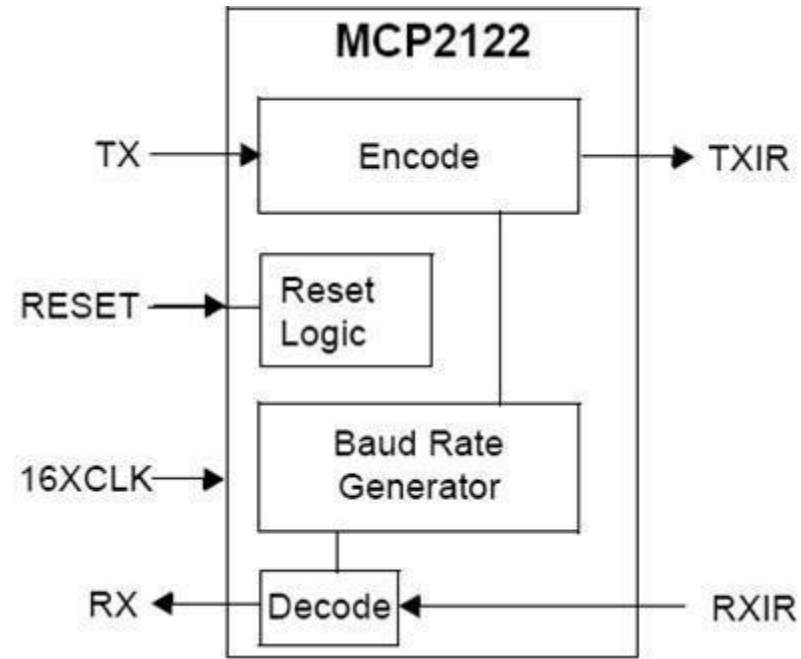
MCP2122

Infrared Encoder/Decoder



Features:

- Pinout compatible with HSDL-7000
- Compliant with IrDA® Standard Physical Layer – Specification (version 1.3)
- UART to IrDA Standard Encoder/Decoder –
 - Interfaces with IrDA Standard Compliant –
 - Transceiver
- Baud Rates:
 - Up to IrDA Standard 115.2 kbaud –
 - Operation
- Transmit/Receive Formats (Bit Width) –
 - Supported:
 - 1.63μs
- Low-power Mode (2μA at 1.8V, +125°C)
- Recommended for Automotive Design

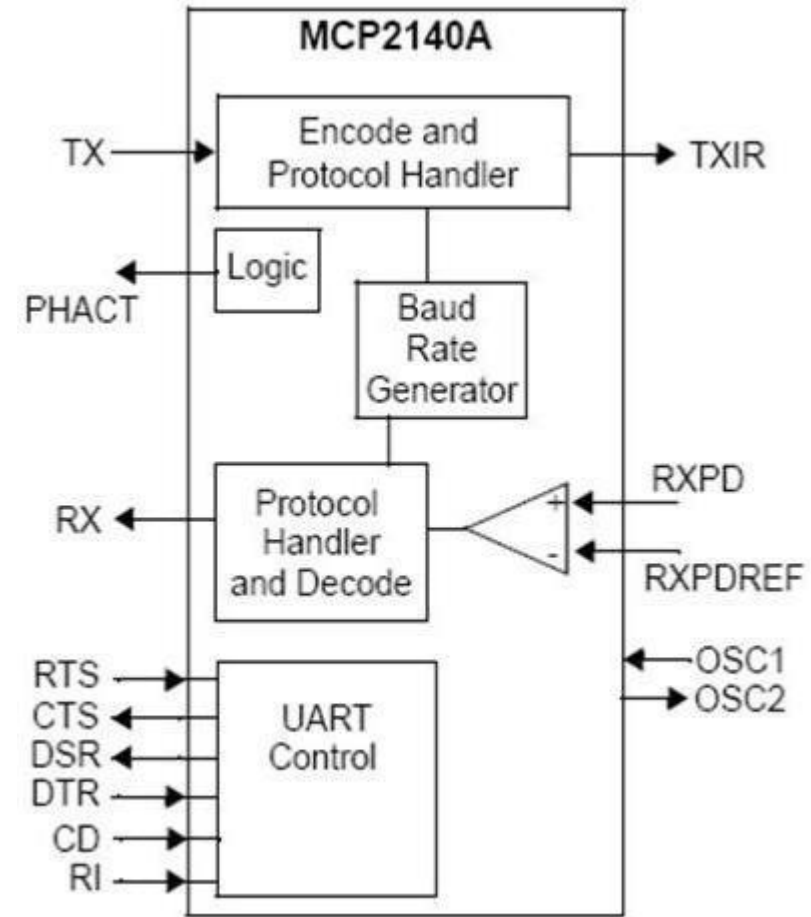


MCP2140A

IrDA® Standard Protocol Stack Controller with Fixed 9600 Baud Communication Rate

Features:

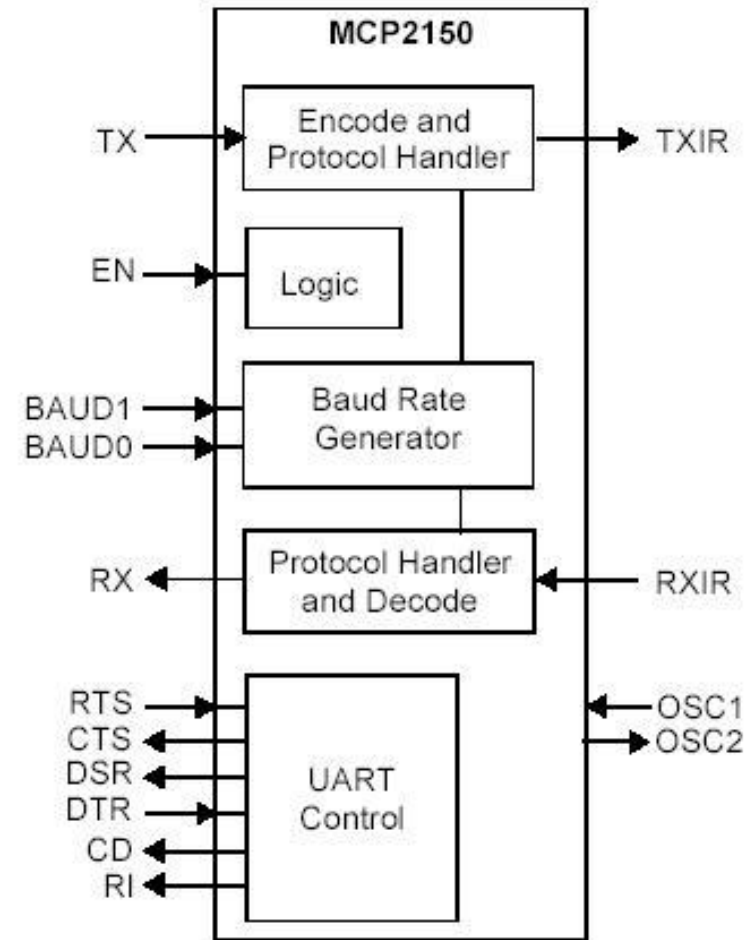
- Implements the IrDA® standard
- Provides IrDA standard physical signal layer
- Includes UART-to-IrDA standard encoder/ - decoder functionality
- Stack Library
- UART interface
- (DCE) or Data Terminal Equipment (DTE)
- Infrared Supported:
 - 9.6 kbaud baud rate, 64 Byte Packet Size (60 Data Bytes)
- Operates as Secondary Device
- Wide Operating Voltage: 2.0V to 5.5V
- Low power consumption:
 - - < 407µA (max.) @ 2.0V, 3.6864 MHz
- Automatic Low Power mode:
 - < 23µA (max.) @ 2.0V
- Footprint Compatibility with MCP2140
- Industrial temperature range: -40°C to +85°C



IrDA® Standard Protocol Stack Controller
Supporting DTE Applications

Features:

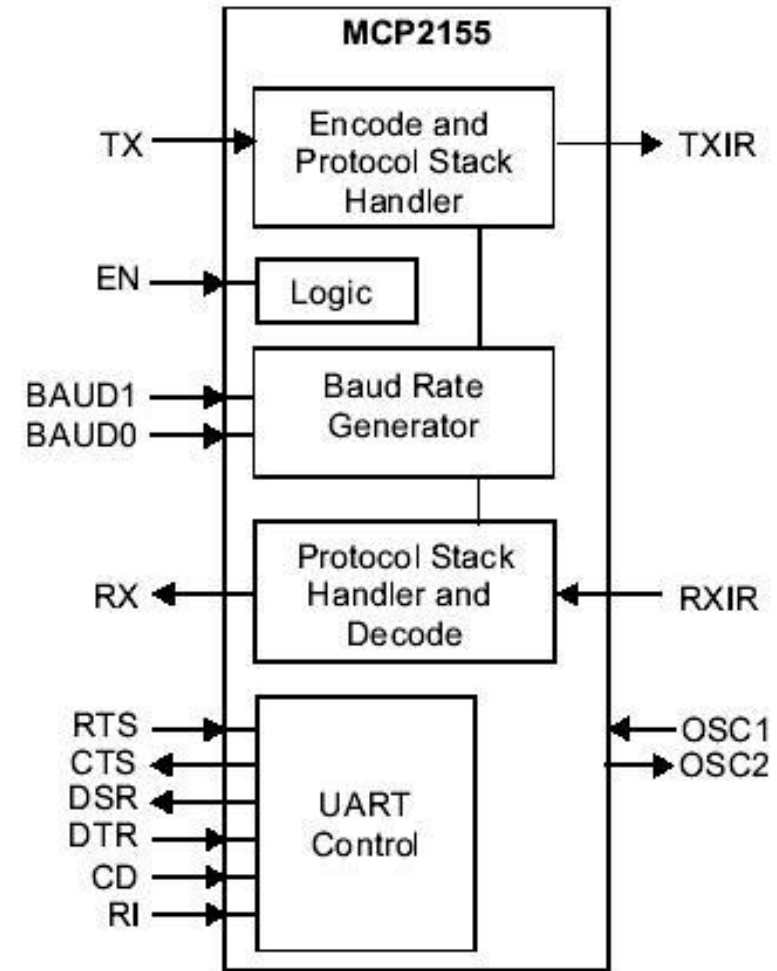
- Implements the IrDA® standard including:
 - IrLAP, IrLMP, IAS, TinyTP, IrCOMM
- Provides IrDA standard physical signal layer
- Bidirectional communication, CRC implementation
- Data communication rates up to 115.2 kbaud
- Includes UART to IrDA standard encoder/ - decoder functionality
- UART interface for Data Terminal Equipment (DTE)
- Transmit/Receive formats (bit width) supported:
 - 1.63µs
- Infrared baud rates supported:
 - 9.6/19.2/57.6/115.2 kbaud
- 64 Byte Data Packet Size
- Programmable Device ID String
- Operates as Secondary Device
 - Low power consumption
 - < 1mA @ 3.3 V, 11.0592MHz (typ.), 3µA (typ.) @ 5.0V when disabled
- Industrial Temperature Range: -40°C to +125°C



IrDA® Standard Protocol Stack Controller Supporting DCE Applications

Features:

- Implements the IrDA® standard including:
 - IrLAP, IrLMP, IAS, TinyTP, IrCOMM
- Provides IrDA standard physical signal layer
- Bidirectional communication, CRC implementation
- Data communication rates up to 115.2 kbaud
- Includes UART to IrDA standard encoder/ - decoder functionality:
- UART interface for Data Terminal Equipment
- Transmit/Receive formats supported: 1.63µs
- Hardware baud rate selection for UART:
- 9.6 kbaud, 19.2 kbaud, 57.6 kbaud, 115.2 kbaud,
- Infrared baud rates supported:
 - 9.6/19.2/38.4/57.6/115.2 kbaud
- 64 Byte Data Packet Size
- Programmable Device ID String
- Operates as Secondary Device
- Industrial Temperature Range: -40°C to +125°C
- Low power: < 1mA @ 3.3V, 11.0592MHz

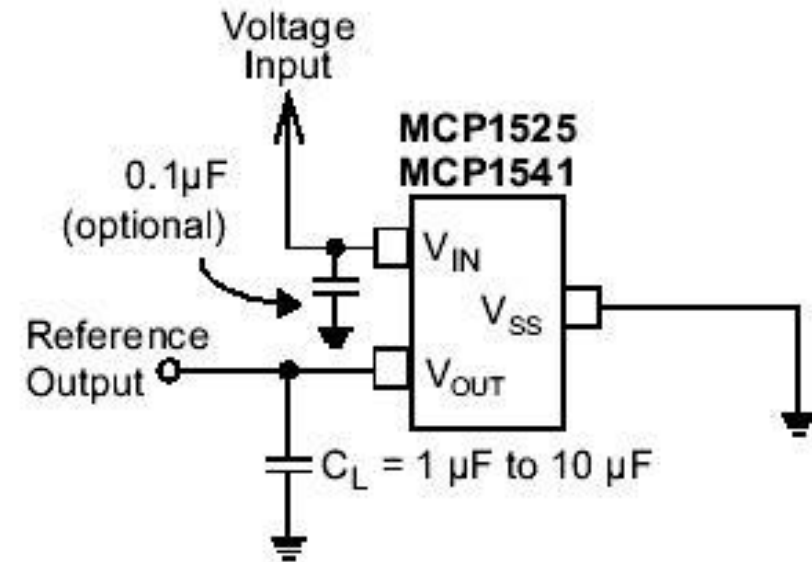


MCP1525/41

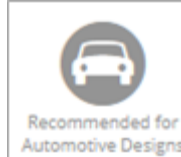
2.5V and 4.096V Voltage References

Features:

- Precision Voltage Reference
- Output Voltages of 2.5V and 4.096V
- Initial Accuracy of $\pm 1\%$ (max.)
- Temperature Drift: $\pm 50\text{ppm}/^\circ\text{C}$ (max.)
- Output Current Drive: $\pm 2\text{mA}$
- Operating Current: $100\mu\text{A}$ @ 25°C (max.)
- Small SOT23-3 and TO-92 Packages
- Industrial Temperature Range:
- -40°C to $+85^\circ\text{C}$
- Recommended for Automotive Design (MCP1525)



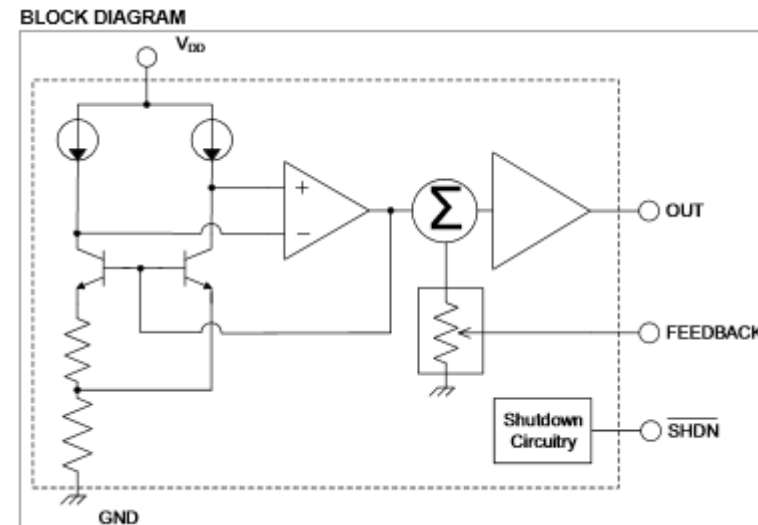
MCP1501



High-Precision Buffered Voltage Reference

Features:

- Maximum Temperature Coefficient:
 - 50 ppm/°C from -40°C to +125°C
 - Initial Accuracy: 0.10%
 - Operating Temperature Range: -40 to +125°C
 - Low Typical Operating Current: 140µA
 - Line Regulation: 50 ppm/V maximum
 - Load Regulation: 40 ppm/mA maximum
- 8 Voltage variants available:
 - 1.024V, 1.250V, 1.800V, 2.048V, 2.500V,
 - 3.000V, 3.300V, 4.096V
- Output Noise (0.1 Hz to 10 Hz): < 20 µVP-P
- Packages: 8L 2x2 WDN, 6L SOT-23, 8L SOIC
- AEC-Q100 automotive qualified (SOT-23 only)



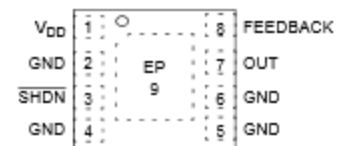
6-Lead SOT-23



8-Lead SOIC



2x2 WDFN*



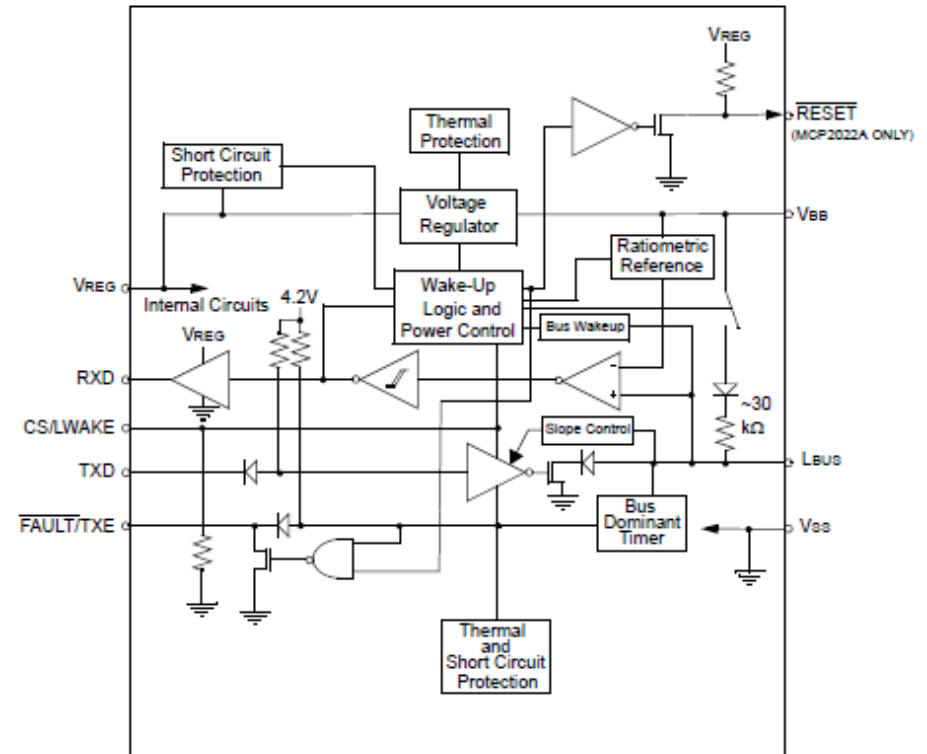
MCP2021A



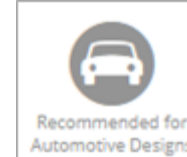
LIN Transceiver with Voltage Regulator

Features:

- The MCP2021A/2A is compliant with:
 - LIN Bus Specifications Version 1.3/2.x.
 - SAE J2602-2
- Support Baud Rates up to 20 kBaud
- 43V Load Dump Protected
- Maximum Continuous Input Voltage: 30V
- Wide LIN Compliant Supply Voltage: 6.0-18.0V
- Interface to PIC® EUSART & Standard USART
- Wake-up on LIN Bus Activity or Local Wake
- TXD and LIN Bus Dominant Time-out Function
- Two Low-Power Modes:
 - TRANSMITTER OFF Mode: 90 μ A (typ)
 - POWER DOWN Mode: 4.5 μ A (typ)
- Output Indicating Internal RESET State
- MCP2021A/2A On-chip Voltage Regulator
- Robust ESD Performance: ± 15 kV
- Transient Protection for LBUS and VBB (ISO7637)
- Extended Temperature Range: -40 to +125°C
- Packages: 8L 4x4 mm DFN, PDIP, SOIC, TSSOP
- Meets Stringent Automotive Design Requirements



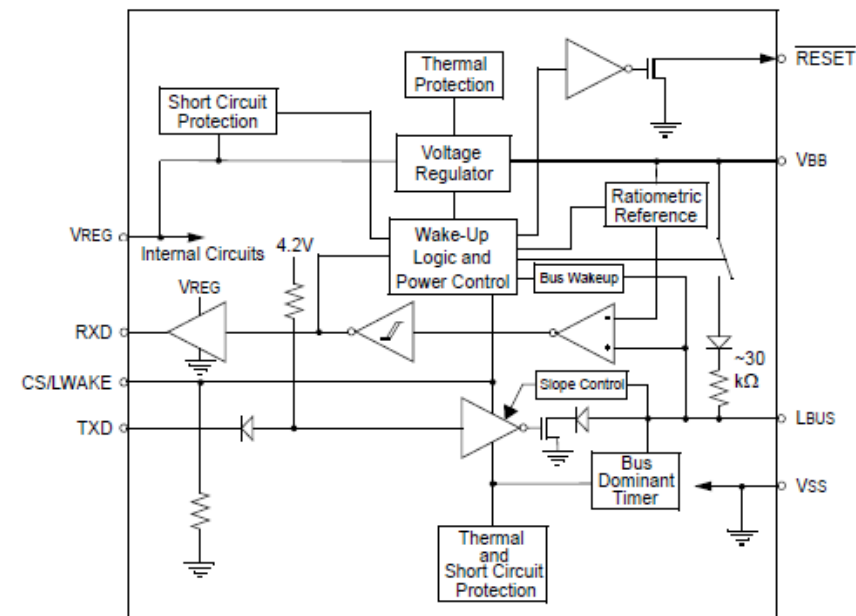
MCP2025



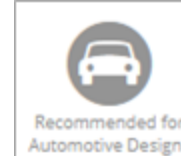
LIN Transceiver with Voltage Regulator

Features:

- The MCP2025 is compliant with:
 - LIN Bus Specifications Version 1.3, 2.x
 - SAE J2602-2
- Supports Baud Rates up to 20 kBaud
- 43V Load Dump Protected
- Maximum Continuous Input Voltage of 30V
- Wide LIN Compliant Supply Voltage: 6.0-18.0V
- Interface to PIC® EUSART & Standard USART
- Wake-up on LIN Bus Activity or Local Wake Input
- TXD and LIN Bus Dominant Time-out Function
- Two Low-power Modes:
 - TRANSMITTER-OFF: 90 μ A (typical)
 - POWER-DOWN mode: 4.5 μ A (typical)
- MCP2025 On-chip Voltage Regulator
- High EMI, Low EME (Electromagnetic Emission)
- Robust ESD Performance: ± 15 kV (IEC61000-4-2)
- Transient Protection for LBUS & VBB pins (ISO7637)
- Extended Temperature Range: -40 to +125°C
- 8-lead 4x4 mm DFN, PDIP, and SOIC
- Meets Stringent Automotive Design Requirements



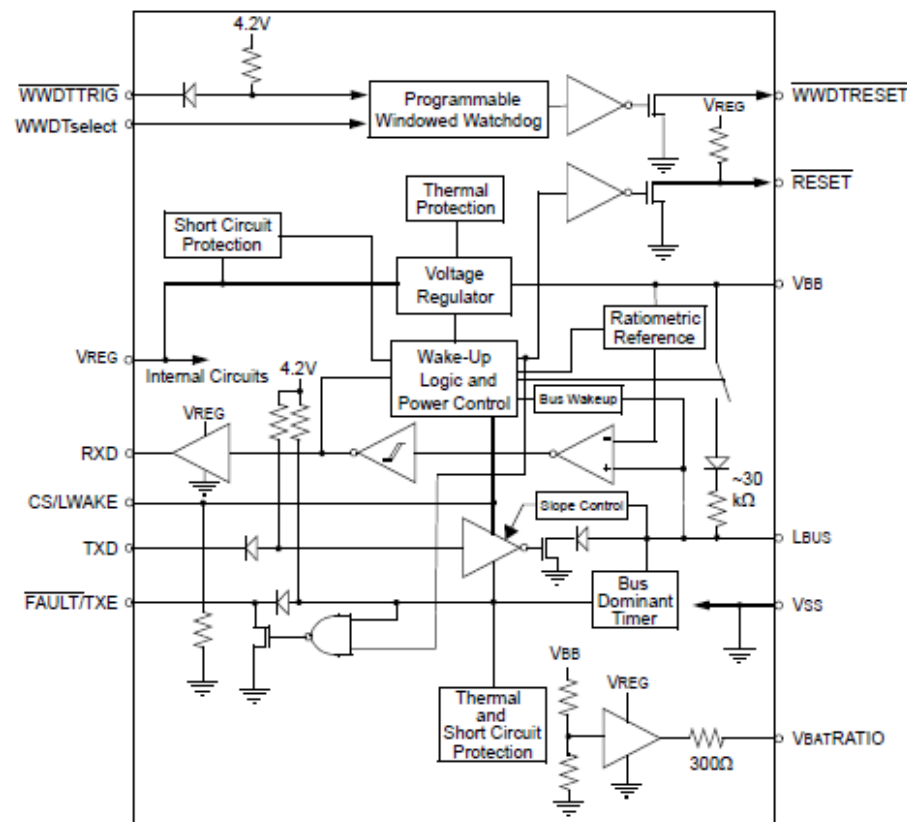
MCP2050



LIN Transceiver with Voltage Regulator

Features:

- The MCP2050 is compliant with:
 - LIN Bus Specifications Version 1.3, 2.x
 - SAE J2602-2
- Support Baud Rates Up to 20 kBaud
- 43V Load Dump Protected
- Maximum Continuous Input Voltage: 30V
- Wide LIN Compliant Supply Voltage: 6.0-18.0V
- Interface to PIC® EUSART & Standard USART
- Wake-up on LIN Bus Activity or Local Wake
- TXD and LIN Bus Dominant Time-out Function
- Two Low-power Modes:
 - TRANSMITTER OFF Mode: 90 μ A (typ)
 - POWER DOWN Mode: 4.5 μ A (typ)
- MCP2050 On-chip Voltage Regulator
- Programmable Windowed Watchdog Timer
- Ratio metric Output of V_{BAT} Voltage
- Robust ESD Performance: ± 15 kV (IEC61000-4-2)
- Transient Protection for LBUS & VBB (ISO7637)
- Meets Stringent Automotive Design Requirements
- Extended Temperature Range: -40 to +125°C

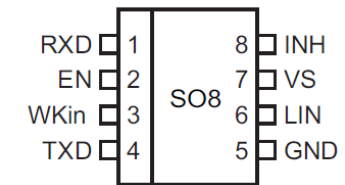
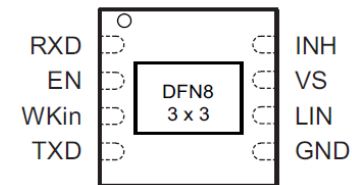
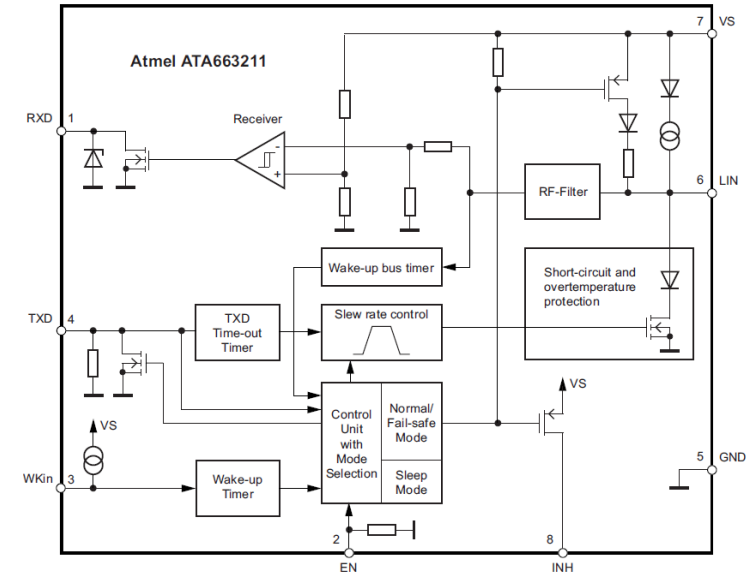


ATA663211

LIN Transceiver

Features:

- Supply voltage up to 40V
- Operating voltage $V_S = 5V$ to $28V$
- Very low supply current
- Sleep mode: typically $9\mu A$
- Fail-safe mode: typically $80\mu A$
- Normal mode: typically $250\mu A$
- Fully compatible with 3.3V and 5V devices
- According to LIN 2.0, 2.1, 2.2, 2.2A and – SAEJ2602-2
- Wake-up capability via LIN bus ($100\mu s$ dominant)
- External wake-up via WKin pin ($100\mu s$ low level)
- INH output
- Wake-up source recognition
- TXD time-out timer
- Bus pin is over-temperature & short-circuit protected
- Advanced EMC and ESD performance
- Fulfills the OEM Hardware Requirements for LIN Interfaces in Automotive Applications
- Interference and damage protection ISO7637
- Qualified according to AEC-Q100



DFN8 package with wettable flanks



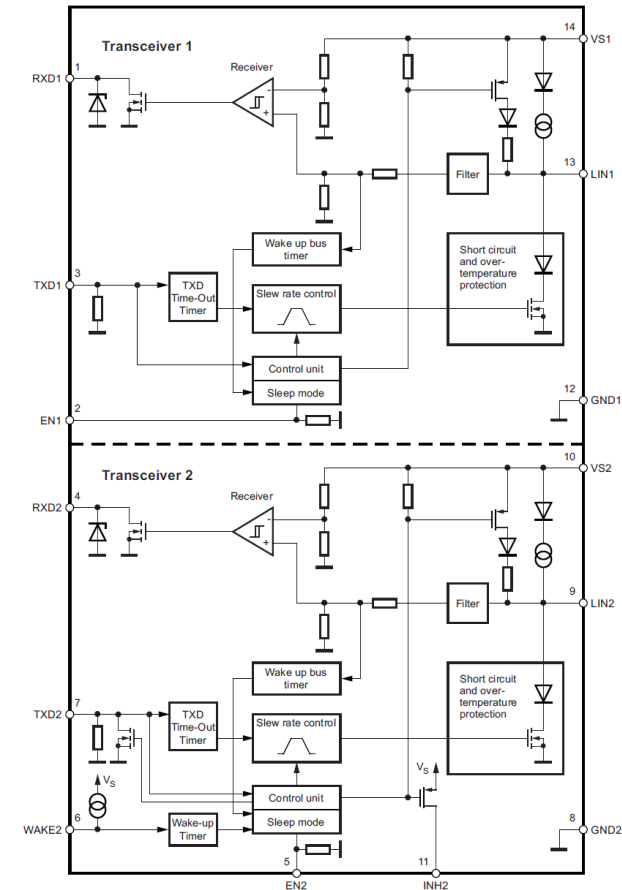
ATA6670



Dual LIN Transceiver

Features:

- Operating range from 5V to 27V
- Baud rate up to 20Kbaud
- According to LIN specification 2.0, 2.1 and SAEJ2602-2
- Fully compatible with 3.3V and 5V devices
- TXD dominant timeout timer
- Normal and sleep mode
- Wake-up capability via LIN bus (90 μ s dominant)
- Very low standby current during sleep mode (10 μ A)
- Bus pin is over-temperature and short-circuit protected -
- versus GND and battery
- LIN input current < 2 μ A if V_{BAT} is disconnected
- Over-temperature protection
- High EMC level
- Interference and damage protection according to -
- ISO/CD 7637
- Fulfills the OEM Hardware Requirements for LIN -
- Interfaces in automotive applications
- Transceiver 2: additional INH high side switch output -
- and high voltage WAKE input
- Qualified according to AEC-Q100



DFN14 package with
wetable flanks

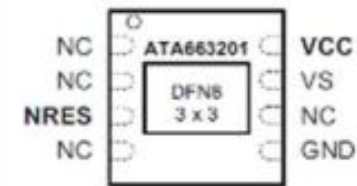
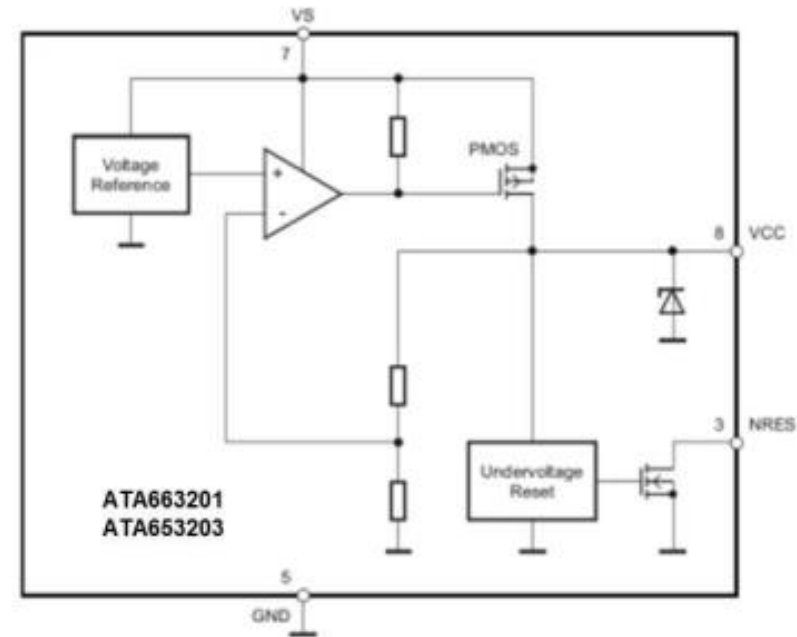


ATA663201

LIN SBC-Compatible LDO

Features:

- Footprint compatible with ATA663231 LIN SBC
- Supply voltage up to 40V
- Operating voltage $V_S = 5V$ to $28V$
- Very low current consumption at low supply –
- voltages ($2V < V_S < 5.5V$): typically $130\mu A$
- Linear low-drop voltage regulator, $85mA$ –
- current capability:
 - MLC (multi-layer ceramic) capacitor with –
- 0Ω ESR
 - ATA663201: $V_{CC} = 3.3V \pm 2\%$
 - V_{CC} under-voltage detection with open –
- drain reset output (NRES, 4ms reset time)
- Voltage regulator is short-circuit and over –
- temperature protected
- Advanced EMC and ESD performance
- Interference and damage protection according –
- to ISO7637
- Qualified according to AEC-Q100



DFN8 package with wettable flanks



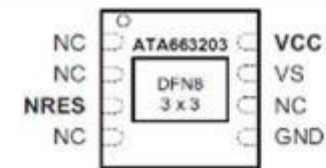
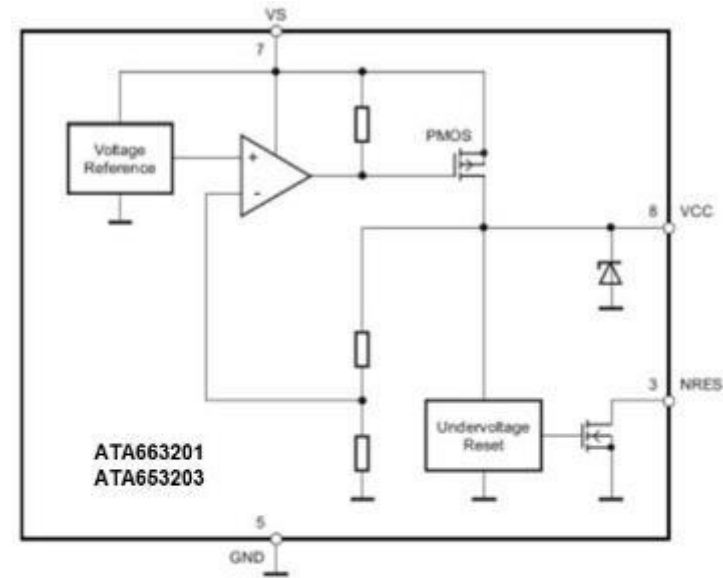
ATA663203



LIN SBC-Compatible LDO

Features:

- Footprint compatible with ATA663254 LIN SBC
- Supply voltage up to 40V
- Operating voltage $V_S = 5V$ to 28V
- Very low current consumption at low supply –
- voltages ($2V < V_S < 5.5V$): typically $130\mu A$
- Linear low-drop voltage regulator, 85mA current –
- capability:
 - MLC (multi-layer ceramic) capacitor with 0Ω -
- ESR
 - ATA663203: $V_{CC} = 5.0V \pm 2\%$
 - V_{CC} under-voltage detection with open drain –
- reset output (NRES, 4ms reset time)
- Voltage regulator is short-circuit and over –
- temperature protected
- Advanced EMC and ESD performance
- Interference and damage protection according to –
- ISO7637
- Qualified according to AEC-Q100



DFN8 package with wettable flanks



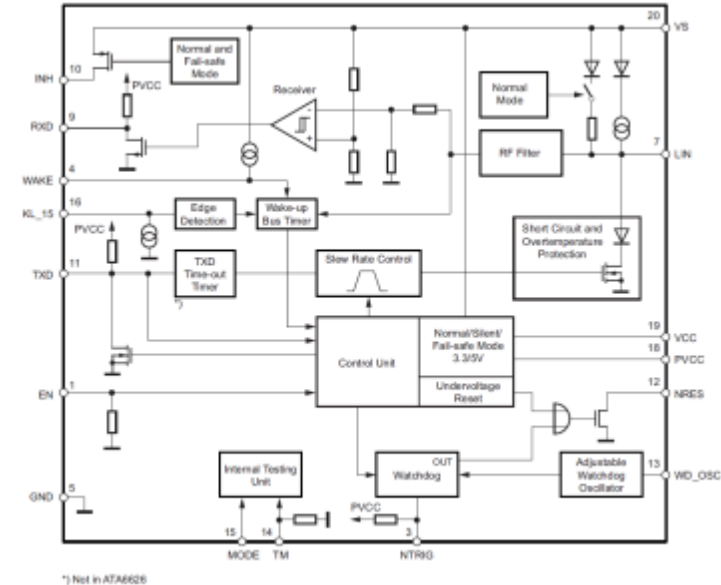
ATA6622C/24C/26C



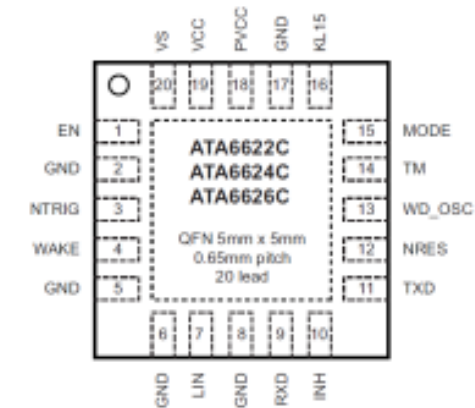
LIN Bus Transceiver with 3.3V (5V) Regulator and Watchdog

Features:

- Supply voltage up to 40V
- Operating voltage VS = 5V to 27V
- Typically 10µA supply current during Sleep Mode
- Typically 57µA supply current in Silent Mode
- Linear low-drop voltage regulator, 85mA capability
- Boosting voltage regulator possible with NPN transistor
- LIN physical layer to LIN 2.0, 2.1, SAEJ2602-2
- TXD time-out timer; ATA6626C: TXD time-out disabled
- Bus pin is over-temperature and short circuit protected
- Adjustable watchdog time via external resistor
- Negative trigger input for the window watchdog
- Advanced EMC and ESD performance
- Fulfills the OEM Hardware Requirements for LIN Interfaces in automotive Applications
- Interference and damage protection ISO7637
- Qualified according to AEC-Q100



1) Not in ATA6626

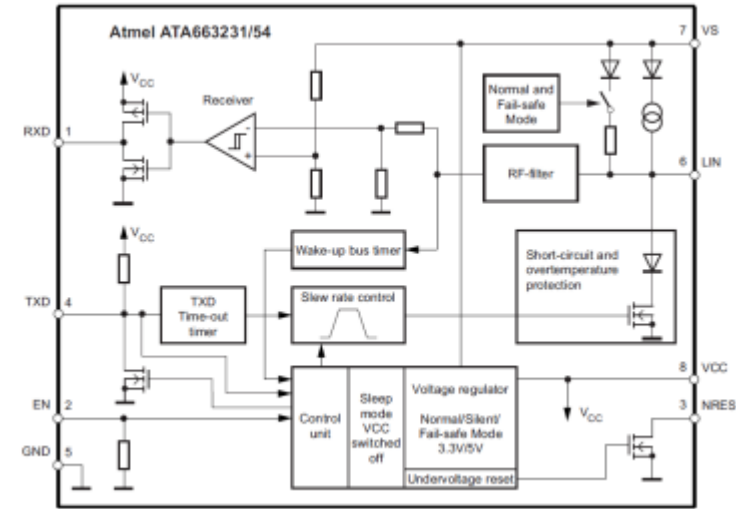


ATA663231/54

LIN SBC with LDO

Features:

- Supply voltage up to 40V
- Operating voltage $V_S = 5V$ to $28V$
- Typically $9\mu A$ supply current during sleep mode
- Typically $47\mu A$ supply current in silent mode
- Low current ($2V < V_S < 5.5V$): $130\mu A$ (typ)
- Linear low-drop voltage regulator, 85mA capability:
 - MLC capacitor with 0Ω ESR
 - Normal, fail-safe, and silent mode
 - ATA663254: $V_{CC} = 5.0V \pm 2\%$
 - ATA663231: $V_{CC} = 3.3V \pm 2\%$
- LIN physical layer LIN 2.0, 2.1, 2.2, 2.2A, SAEJ2602-2
- Wake-up capability via LIN bus (100 μs dominant)
- Wake-up source recognition
- TXD time-out timer
- Bus pin is over-temperature & short-circuit protected
- Advanced EMC and ESD performance
- Fulfills the OEM Hardware Requirements for LIN – Interfaces in Automotive Applications
- Interference and damage protection ISO7637
- Qualified according to AEC-Q100



DFN package with wettable flanks



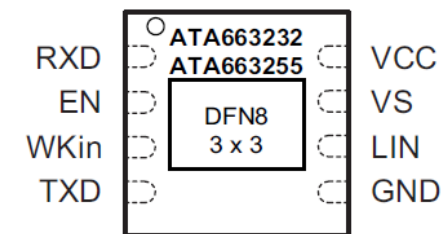
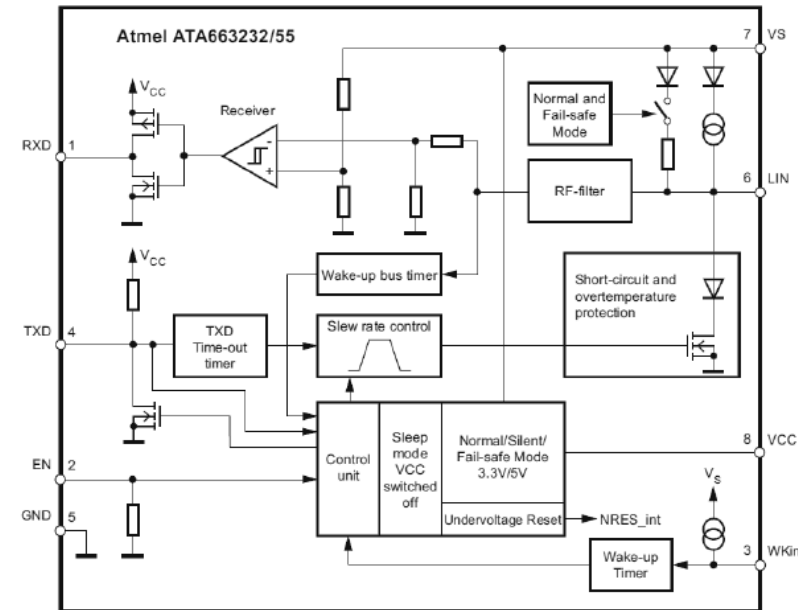
ATA663232/55



LIN SBC with LDO & HV Wake Input

Features:

- Supply voltage up to 40V
- Operating voltage $V_S = 5V$ to $28V$
- Typically $9\mu A$ supply current during sleep mode
- Typically $47\mu A$ supply current in silent mode
- Very low current ($2V < V_S < 5.5V$): $130\mu A$ (typ)
- Linear low-drop voltage regulator: $85mA$:
 - MLC capacitor with 0Ω ESR
 - Normal, fail-safe, and silent mode
 - ATA663255: $V_{CC} = 5.0V \pm 2\%$
 - ATA663232: $V_{CC} = 3.3V \pm 2\%$
- LIN physical layer: 2.0, 2.1, 2.2, 2.2A, SAEJ2602-2
- Wake-up capability via LIN bus and Wkin pin
- Wake-up source recognition
- TXD time-out timer
- Bus pin is over-temperature & short-circuit protected
- Advanced EMC and ESD performance
- Fulfills the OEM Hardware Requirements for LIN Interfaces in Automotive Applications
- Interference and damage protection ISO7637
- Qualified according to AEC-Q100



DFN package with wettable flanks



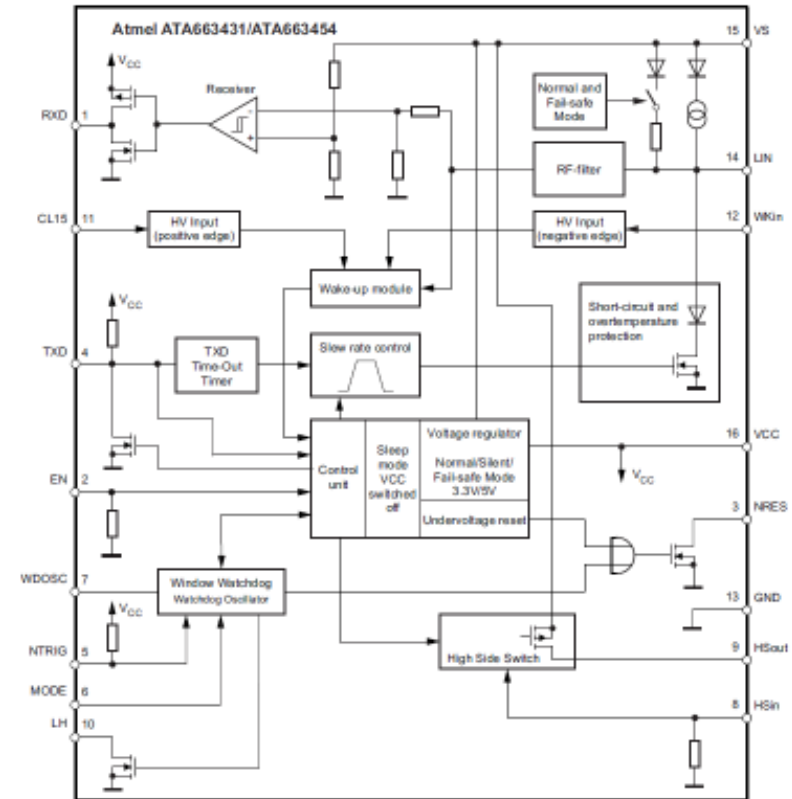
ATA663431/ATA663454



LIN SBC with Watchdog

Features:

- Supply voltage up to 40V
- Operating voltage $V_{VS} = 5V$ to $28V$
 - Sleep mode: typically $10\mu A$
 - Silent mode: typically $47\mu A$
 - Very low current ($2V < V_{VS} < 5.5V$): $150\mu A$
- LDO voltage regulator, 85mA current capability
- V_{CC} under-voltage detection with reset output
- Adjustable watchdog time via external resistor
- Limp Home watchdog failure output
- Physical layer LIN 2.0, 2.1, 2.2, 2.2A, SAEJ2602-2
- Bus pin is over-temperature & short-circuit protected
- High-side switch
- Wake-up capability via LIN Bus, WKin pin, CL 15 pin
- Wake-up source recognition
- TXD time-out timer
- Advanced EMC and ESD performance
- Fulfills the OEM Hardware Requirements for LIN Interfaces in Automotive Applications
- Interference and damage protection ISO7637
- Qualified according to AEC-Q100



DFN package with
wetable flanks



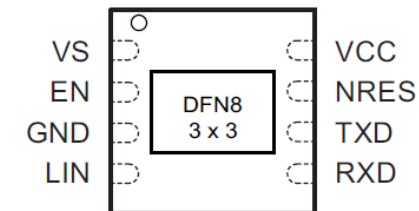
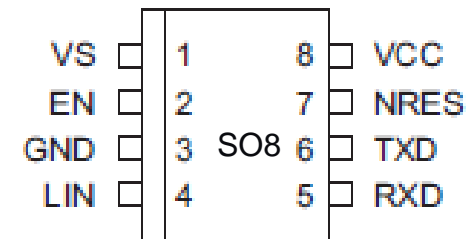
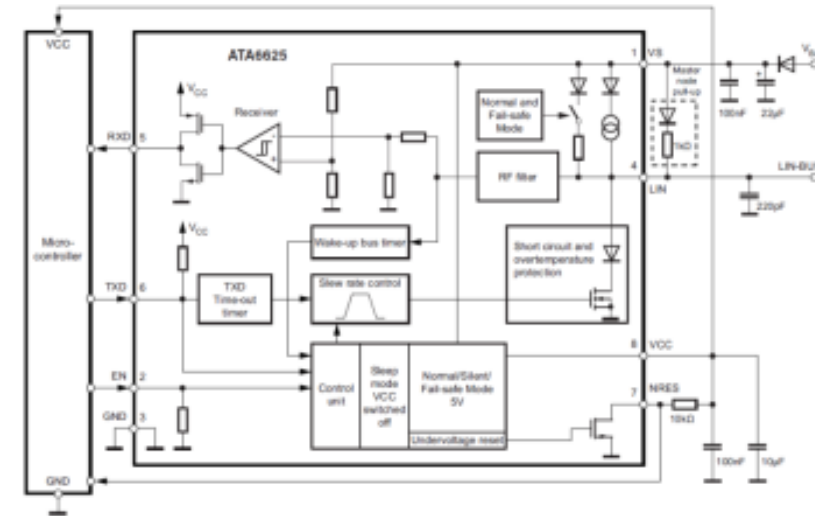
ATA6625-GxQW



LIN SBC with LDO

Features:

- Supply voltage up to 40V
- Operating voltage $V_S = 5V$ to 28V
- Typically $9\mu A$ supply current during sleep mode
- Typically $47\mu A$ Supply current in silent mode
- Very low current ($2V < V_S < 5.5V$): $130\mu A$ (typ)
- $5.0V \pm 2\%$ LDO: 85mA :
 - MLC capacitor with 0Ω ESR
 - Normal, sleep, fail-safe, and silent mode
 - VCC under-voltage detection with reset
- LIN physical layer 2.0, 2.1, 2.2, 2.2A, SAEJ2602-2
- Wake-up capability via LIN bus
- TXD time-out timer
- Bus pin is over-temperature and short-circuit protected
- Advanced EMC and ESD performance
- Fulfills the OEM Hardware Requirements for -LIN Interfaces in Automotive Applications Rev. 1.3
- Interference and damage protection acc. ISO7637
- AEC-Q100 qualified
- Package: SO8 and DFN8 with wettable flanks
- Successor of ATA6625C



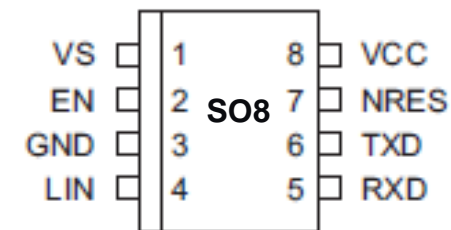
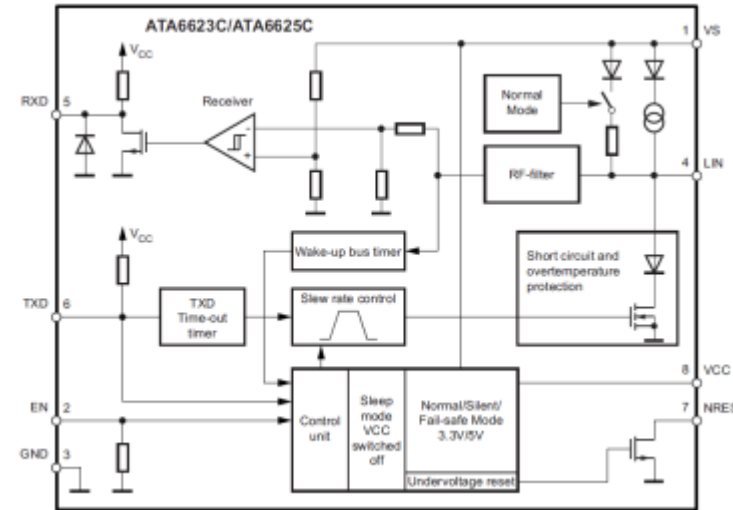
ATA6623C/25C



Recommend **ATA6625-GxQW** for new 5V designs **ATA6623C** for 3V designs

Features:

- Supply voltage up to 40V
- Operating voltage $V_S = 5V$ to 27V
- Typically 10 μ A supply current during sleep mode
- Typically 57 μ A Supply current in silent mode
- Linear low-drop voltage regulator: 85mA:
 - Normal, fail-safe, and silent mode
 - ATA6623C: $V_{CC} = 3.3V \pm 2\%$
 - ATA6625C: $V_{CC} = 5.0V \pm 2\%$
 - V_{CC} under-voltage detection with reset
- LIN physical layer LIN 2.0, 2.1, SAEJ2602-2
- Wake-up capability via LIN bus (90 μ s dominant)
- TXD time-out timer
- Bus pin is over-temperature and short-circuit protected
- Advanced EMC and ESD performance
- Fulfills the OEM Hardware Requirements for LIN –
- Interfaces in Automotive Applications
- Interference and damage protection ISO7637
- Qualified according to AEC-Q100
- Package: SO8



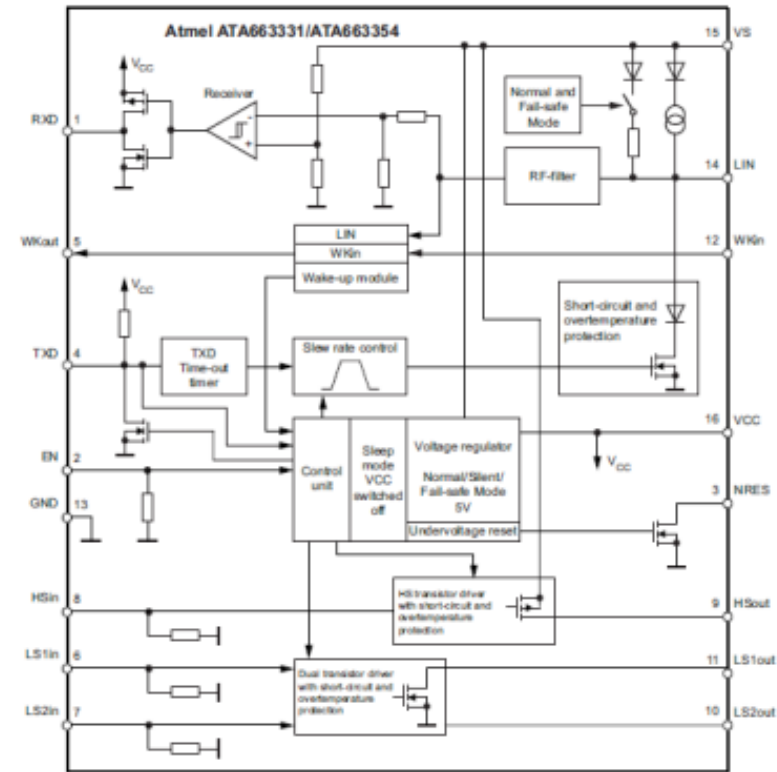
ATA663331/ATA663354



LIN SBC with 2 Relay Drivers

Features:

- Target application: Motor control via relays like – Window Lifter Trunk opener, Sunroof, seat adjust
- Supply voltage up to 40V
- Operating voltage $V_{VS} = 5V$ to 28V
- Sleep mode: typically $10\mu A$
- Silent mode: typically $47\mu A$
- Very low current ($2V < V_{VS} < 5.5V$): $130\mu A$ (typ)
- LDO voltage regulator, 85mA current capability:
 - MLC capacitor with 0Ω ESR
 - Normal, fail-safe, and silent mode:
- LIN Physical layer 2.0, 2.1, 2.2, 2.2A, SAEJ2602-2
- Bus pin is over-temp. and short-circuit protected
- Two low-side and one high side protected switches
- Wake-up capability via LIN bus and WKin pin
- Wake-up source recognition
- TXD time-out timer
- Fulfills the OEM Hardware Requirements for LIN Interfaces in Automotive Applications
- Interference/damage protection ISO7637
- Qualified according to AEC-Q100



DFN package with wettable flanks



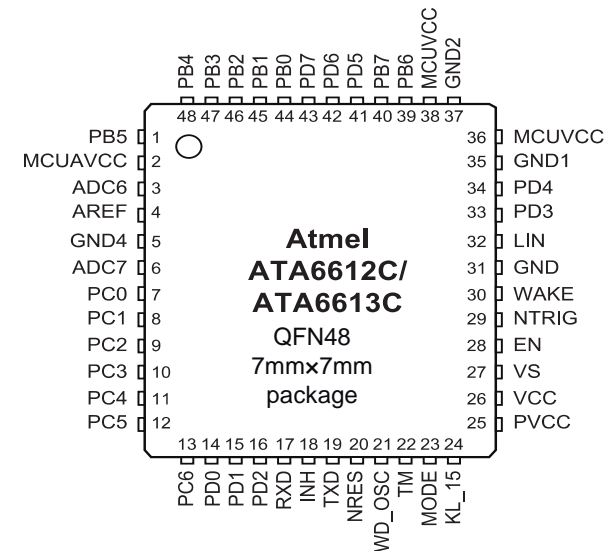
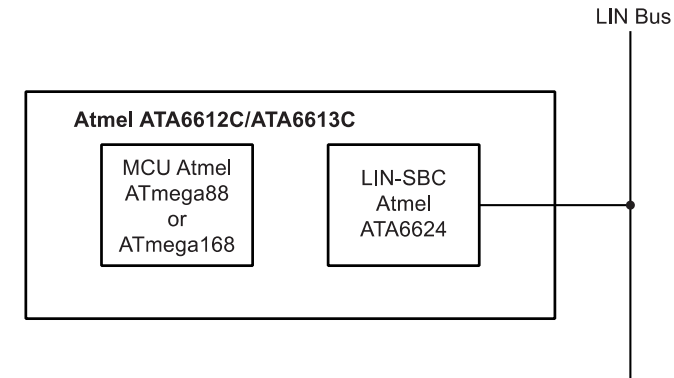
ATA6612C/ATA6613C



8K/16K Flash Microcontroller with LIN Transceiver, 5V Regulator and Watchdog

Features:

- Single package microcontroller + LIN Transceiver
- Integrated 5V voltage regulator
- Very low current consumption in sleep mode
- 8Kbytes/16Kbytes flash memory
- 512bytes EEPROM
- 1Kbyte internal SRAM
- Two 8-bit TC/ One 16-bit TC
- 8-channel 10 bit ADC
- Master/Slave SPI interface
- 23 programmable I/O lines
- LIN physical layer according to LIN 2.0, 2.1, 2.2 –
- specification and SAEJ2602-2
- Wake-up capability via LIN-bus, wake pin, or Kl_15 pin
- INH output to control an external voltage regulator or –
- o switch off the master pull Up resistor
- TXD time-out timer
- Bus pin is over temperature and short circuit –
- protected versus GND and battery
- Qualified according to AEC-Q100



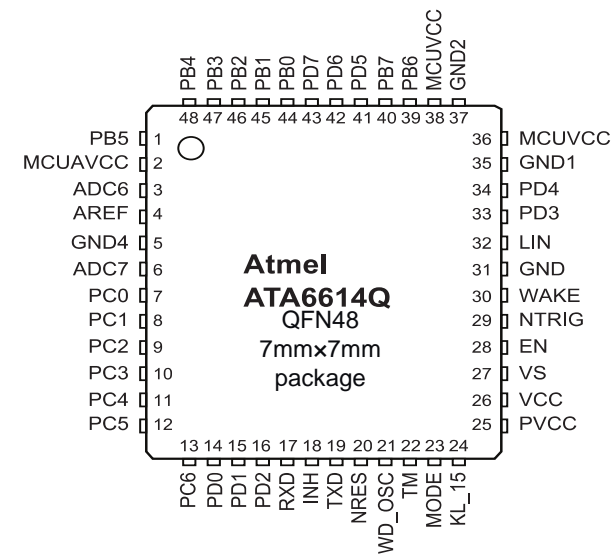
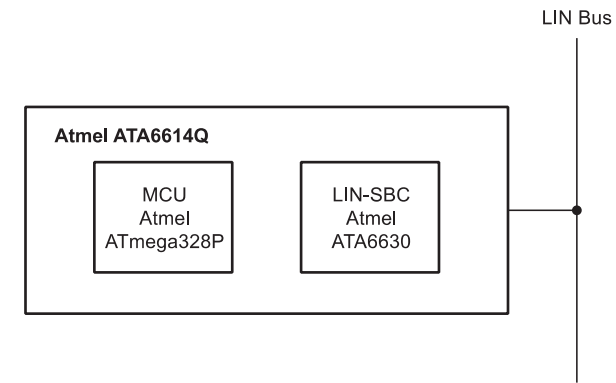
ATA6614Q



32K Flash Microcontroller with LIN Transceiver, 5V Regulator and Watchdog

Features:

- Single package microcontroller + LIN Transceiver
- Integrated 5V voltage regulator
- Very low current consumption in sleep mode
- 32Kbytes flash memory
- 1Kbytes EEPROM
- 2Kbyte internal SRAM
- Two 8-bit TC/ One 16-bit TC
- 8-channel 10 bit ADC
- Master/Slave SPI interface
- 23 programmable I/O lines
- LIN physical layer according to LIN 2.0, 2.1, 2.2 –
- specification and SAEJ2602-2
- Wake-up capability via LIN-bus, wake pin, or –
- KI_15 pin
- INH output to control an external voltage –
- regulator or to switch off the master pull Up –
- resistor
- TXD time-out timer
- Bus pin is over temperature & short circuit protected
- Qualified according to AEC-Q100



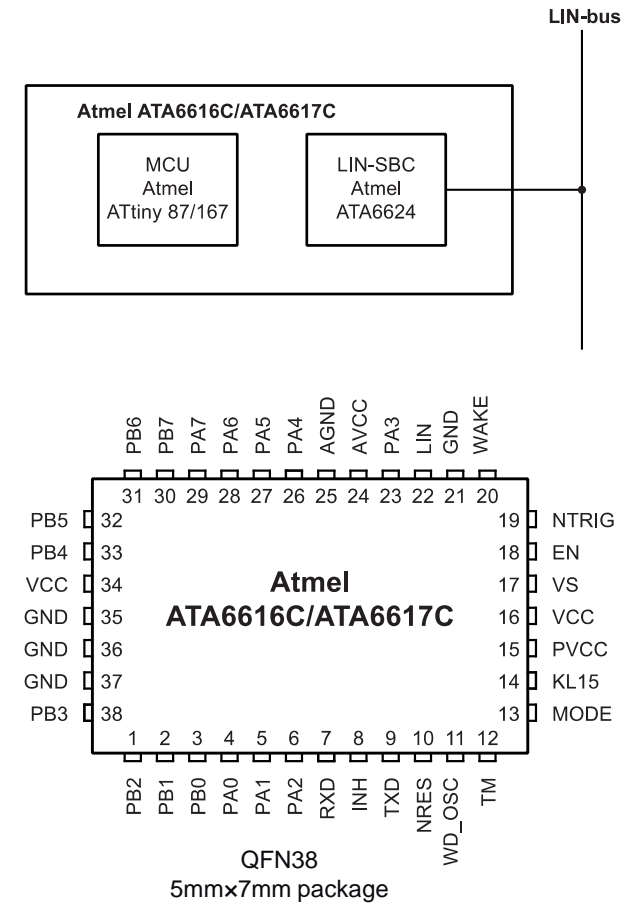
ATA6616C/ATA6617C



8K/16K Flash Microcontroller with LIN Transceiver, 5V Regulator and Watchdog

Features:

- Single package microcontroller + LIN SBC
- Integrated 5V voltage regulator
- Very low current consumption in sleep mode
- 8Kbytes/16Kbytes flash memory
- 512bytes EEPROM
- 512bytes internal SRAM
- One 8-bit TC/ One 16-bit TC
- 11-channel 10 bit ADC
- Master/Slave SPI interface
- 16 programmable I/O lines
- LIN 2.1 and 1.3 controller or 8-bit UART
- LIN physical layer according to LIN 2.0, 2.1, 2.2 –
- specification and SAEJ2602-2
- Wake-up capability via LIN-bus, wake pin, or KI_15 pin
- INH output to control an external voltage regulator or –
- to switch off the master pull Up resistor
- TXD time-out timer
- Bus pin is over temperature and short circuit protected –
- versus GND and battery
- Qualified according to AEC-Q100



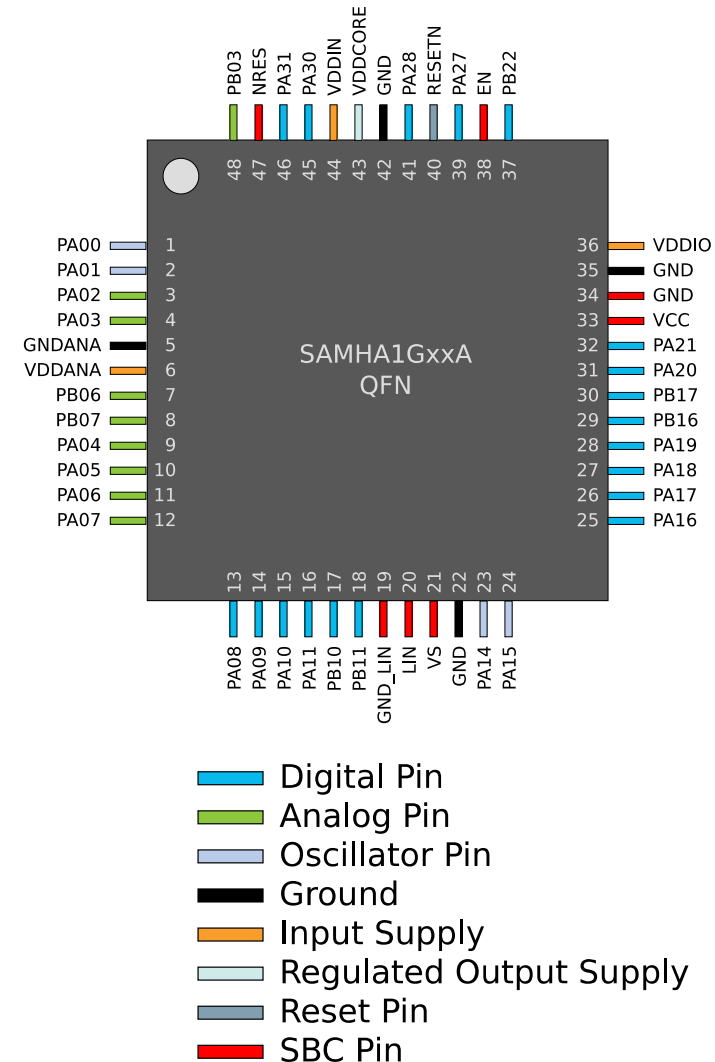
ATSAMHxGxxA



LIN SBC + Cortex M0+-based MCU SiP

Features:

- Single package CM0+ microcontroller + LIN SBC
- Integrated 3.3V voltage regulator
- 16/32/64/128Kbytes flash memory
- 512/1024/2048/4096 bytes RWW-Dataflash
- 4/4/8/16K internal SRAM
- 4+1 16-bit TC (One for internal use only, no PWM)
- 3/3/3/4 16-bit TCC (Timer counter for control)
- 13-channel 12-bit ADC
- 5 SERCOM modules capable of LIN/SPI/USART/I²C –
- 32 programmable I/O lines
- 9 Self capacitance touch channels
- 1 10-bit DAC
- 8 Channel DMA, Event system
- LIN physical layer according to LIN 2.0, 2.1, 2.2 –
- specification and SAEJ2602-2
- Wake-up capability via LIN-bus
- TXD time-out timer
- Bus pin is over temperature and short circuit protected –
- versus GND and battery
- AEC-Q100 qualified



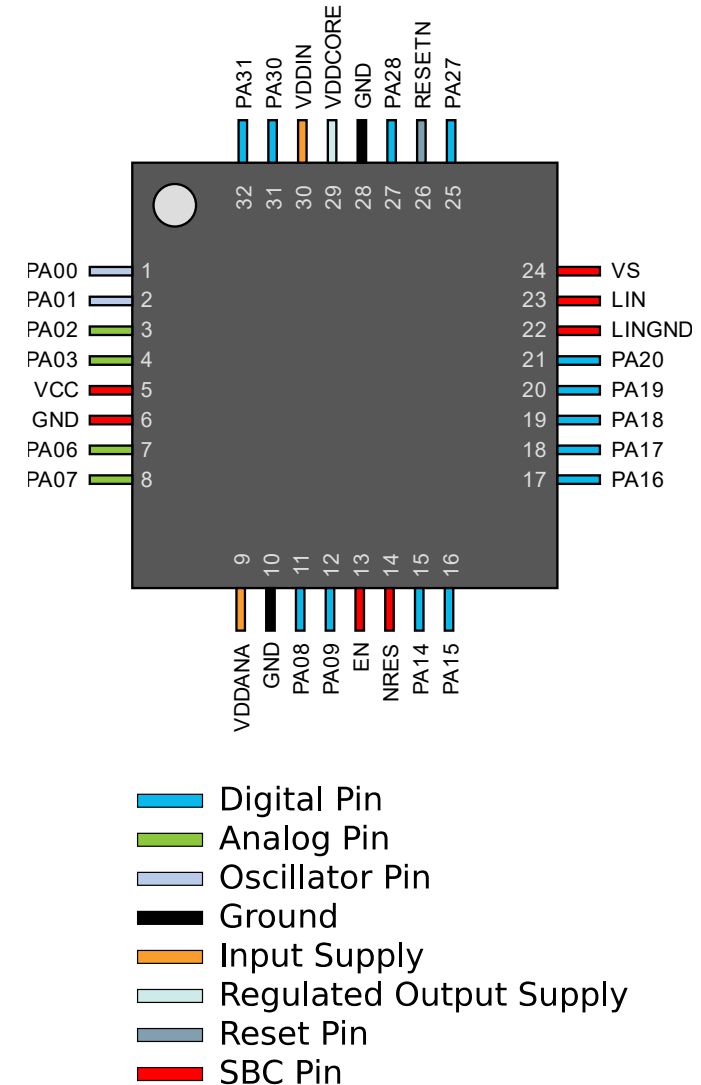
ATSAMHAXEXXA



LIN SBC + Cortex M0+-based MCU SiP

Features:

- Single package CM0+ microcontroller + LIN SBC
- Integrated 3.3V voltage regulator
- 16/32/64Kbytes flash memory
- 512/1024/2048 bytes RWW-Dataflash
- 4/4/8K internal SRAM
- 3+2 16-bit TC (Two for internal use only, no PWM)
- 3 16-bit TCC (Timer counter for control)
- 6-channel 12 bit ADC
- 4 SERCOM modules capable of LIN/SPI/USART/I²C –
- 19 programmable I/O lines
- 4 Self capacitance touch channels
- 1 10-bit DAC
- 8 Channel DMA, Event system
- LIN physical layer according to LIN 2.0, 2.1, 2.2 –
- specification and SAEJ2602-2
- Wake-up capability via LIN-bus
- TXD time-out timer
- Bus pin is over temperature and short circuit protected –
- versus GND and battery
- AEC-Q100 qualified



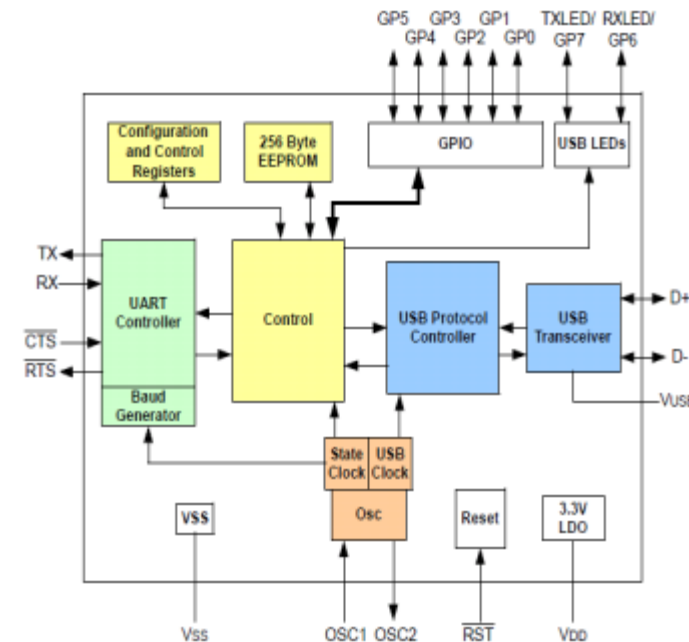
MCP2200



USB 2.0 to UART Protocol Converter with GPIO

Features:

- Universal Serial Bus (USB):
 - Supports full-speed USB (12 Mb/s)
 - Implements USB protocol composite device CDC device for communications
 - 128 byte buffer
 - Fully configurable VID and PID assignments
 - USB 2.0 Compliant
- USB Driver and Software Support:
 - Uses standard Microsoft® Windows® drivers – for Virtual Com Port (VCP)
 - Configuration utility for initial configuration
- UART Interface:
 - Supports baud rates: 300-1000k
- 8 General Purpose Input/Output (GPIO) Pins
- EEPROM: 256 bytes of user EEPROM
- Operating voltage: 3.0-5.5V
- Oscillator input: 12 MHz
- ESD protection > 4 kV HBM
- Industrial Operating Temperature: -40°C to +85°C
- Packages :20-lead 5x5 QFN, SOIC, SSOP
- Recommended for Automotive Design



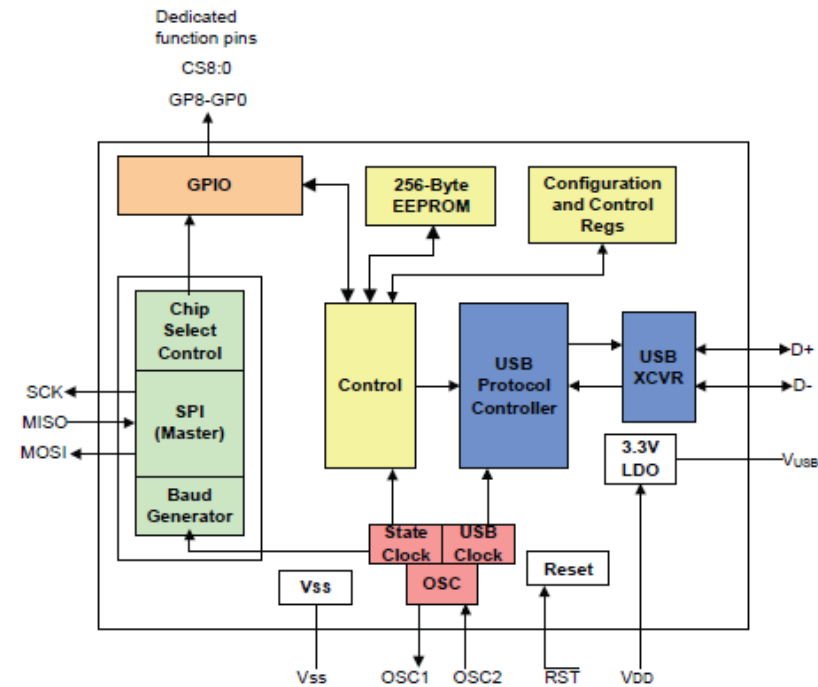
MCP2210



USB-to-SPI Protocol Converter with GPIO (Master Mode)

Features:

- Universal Serial Bus (USB):
 - Supports Full-Speed USB (12 Mb/s)
 - Human Interface Device (HID) device
 - 128-Byte Buffer to Handle Data Throughput:
 - Fully Configurable VID, PID Assignments
 - USB 2.0 Compliant
- USB Driver and Software Support:
 - Uses Standard HID Drivers
 - Configuration Utility
 - Utility for USB-SPI Communication
- SPI Master Peripheral:
 - Bit Rates from 1500 bps up to 12 Mbps
 - Up to 9 Chip Select lines
- 8 General Purpose Input/Output (GPIO) Pins
- EEPROM: 256 Bytes of User EEPROM
- Operating Voltage: 3.3-5.5V
- Oscillator Input: 12 MHz
- Packages 20-lead 5x5 QFN, SOIC, SSOP
- Recommended for Automotive Design



MCP2221A

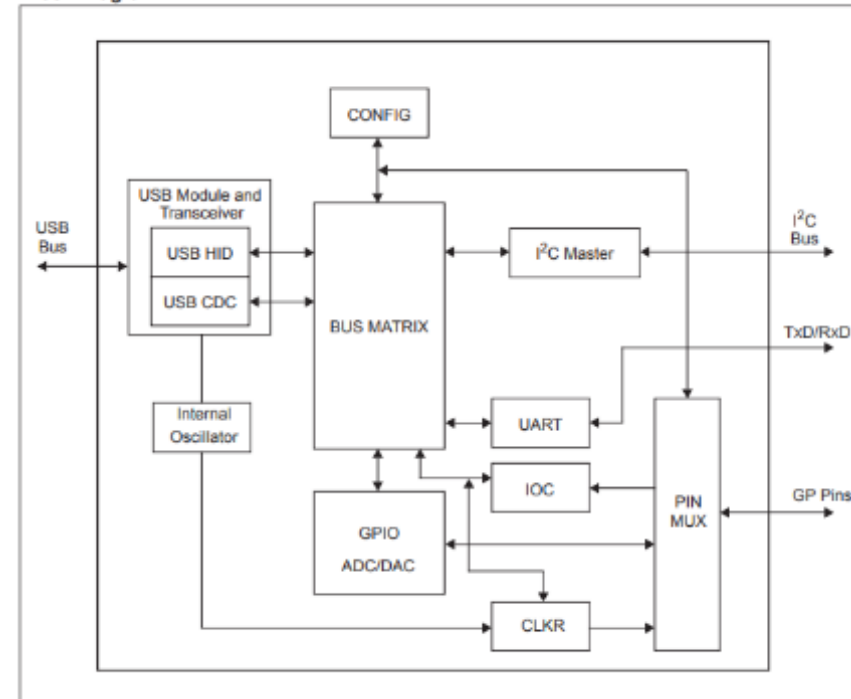


USB 2.0 to I²C/UART Protocol Converter with GPIO

Features:

- Supports Full-Speed USB (12 Mb/s)
- Implements USB Protocol Composite Device:
 - Communication Device Class (CDC)
 - Human Interface Device (HID) for I²C™ -
- Chip Control and Configuration
- 128-byte Buffer to handle data throughput at any UART baud rate –
- Throughput:
 - 64-byte Transmit, 64-byte Receive
- Fully configurable VID and PUD assignments and string descriptors
- Selectable clock output option
- Highly Configurable device and USB –
- descriptors and assignments
- Bus-powered or Self-powered
- USB 2.0 Compliant: TID# 40001594
- General Purpose Input/Output (GPIO) pins
- Recommended for Automotive Design
- SMBus Master
 - up to 400 kHz clock rate

Block Diagram



USB251xB

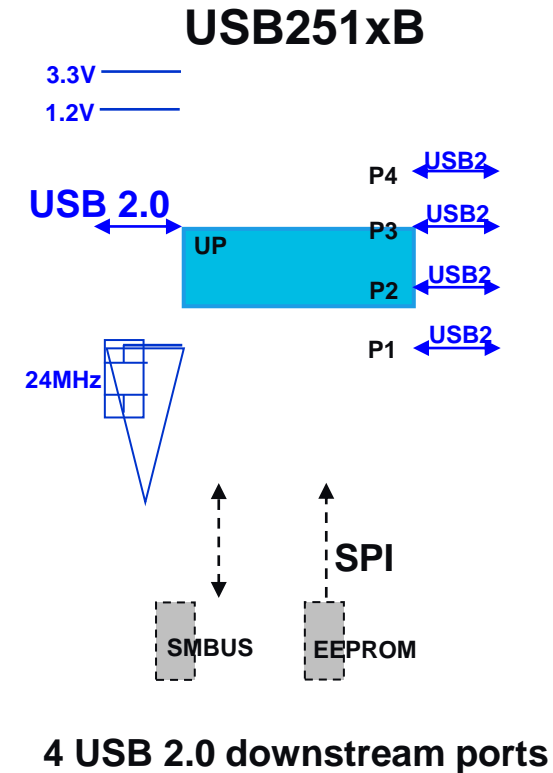
5th Gen USB 2.0 Certified Hub

Features:

- Full Featured 5th generation USB 2.0
- 2 to 4 Ports
- Fully configurable via EPPROM, SMBus
- Supports Battery Charging USB BC 1.1
- PHYBoost, PortMap, PortSwap, MultiTRAK™ Technology
- Self & Bus Powered
- Overcurrent Protection Ganged & Individual Modes
- LED Drivers
- Package: QFN36
- World class interoperability & customer support

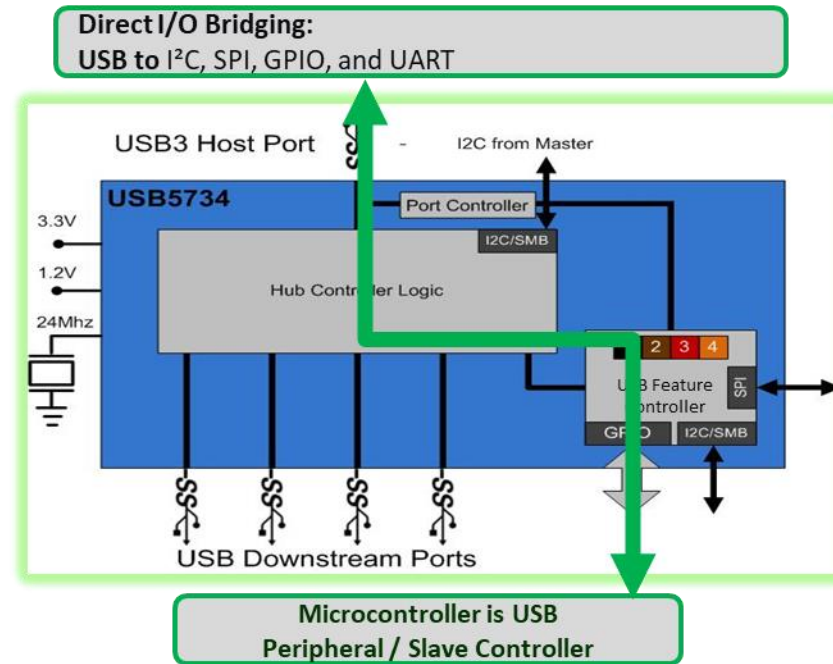
		<u>Next Gen Hubs</u>	
USB2514B	→	USB2534	} 36pin low power
USB2513B	→	USB2533	
USB2512B	→	USB2532	
USB3503 (HSIC)	→	USB3613 (HSIC)	} Mobile apps WLCSP
USB3803	→	USB3813	
USB2412	→	USB2422	} 24pin lower cost
		USB4604 (I/O Bridging)	
		USB4624 (+HSIC)	

[USB46X4/3X13 >>](#)

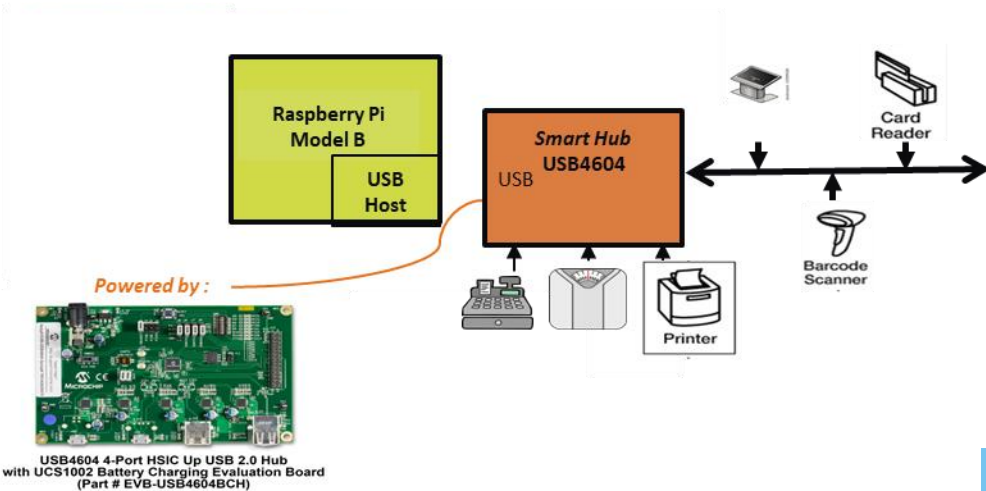


USB SmartHub™ Technology

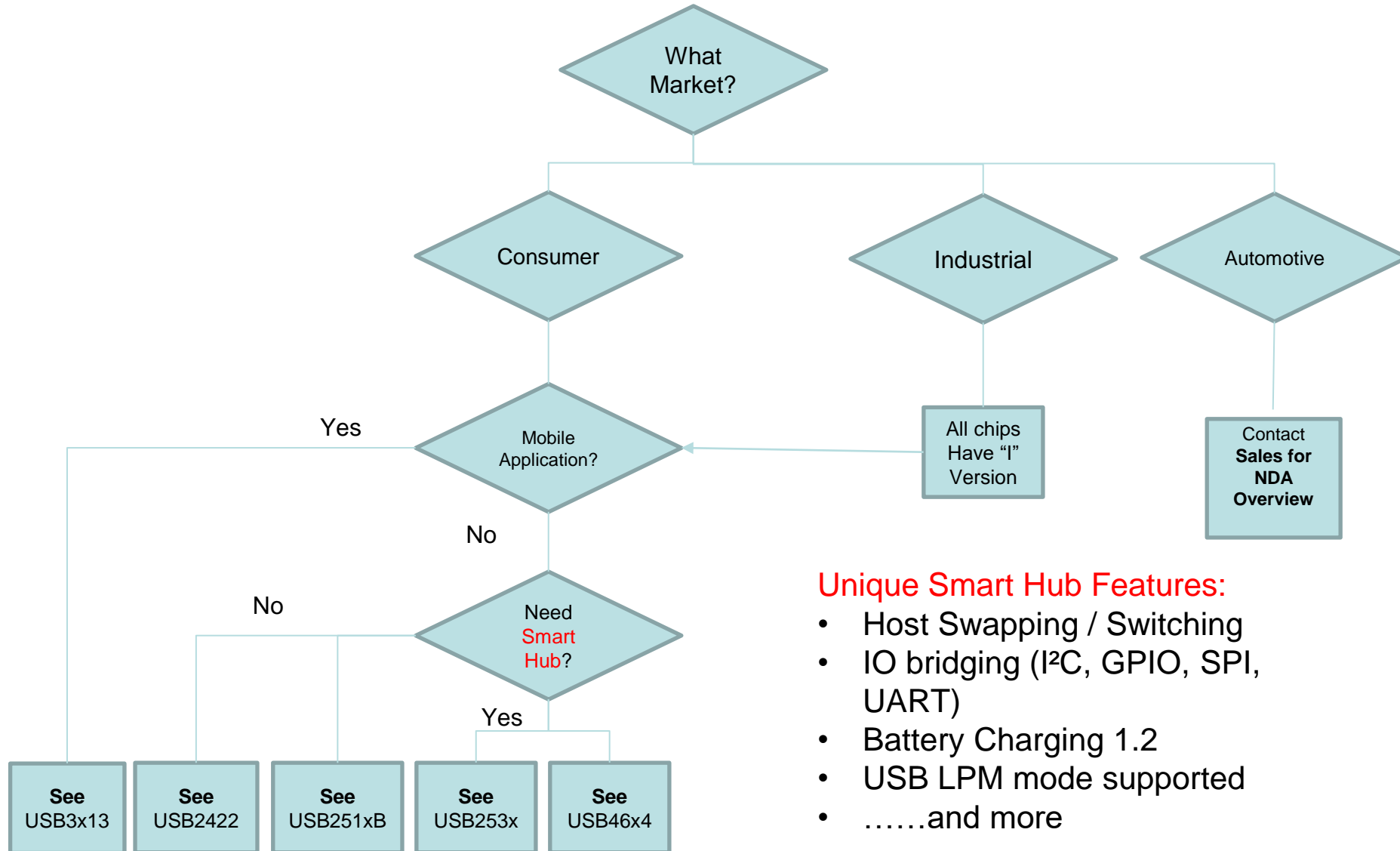
- **SmartHub™ Technology available for USB2.0 and USB3.1 speeds**
 - USB Hub with 2-4 port options
 - Hub Feature Controller (HFC)
 - FlexConnect Feature
- **Hub Feature Controller expands connectivity**
 - Single HFC executes bridging to I²C, SPI, GPIO, or UART
 - Lower cost – Single HFC can interface to multiple sub-systems and peripherals
 - Easier interface – Central Processor has easier control over the complete system
 - Flexible IO configuration via IO straps, SPI Flash, or OTP settings
- **FlexConnect allows USB Host to sit between ports / sub-systems**



Point of Sale Terminal Block Diagram



Which USB2.0 Hub to Use?



Unique Smart Hub Features:

- Host Swapping / Switching
- IO bridging (I²C, GPIO, SPI, UART)
- Battery Charging 1.2
- USB LPM mode supported
-and more



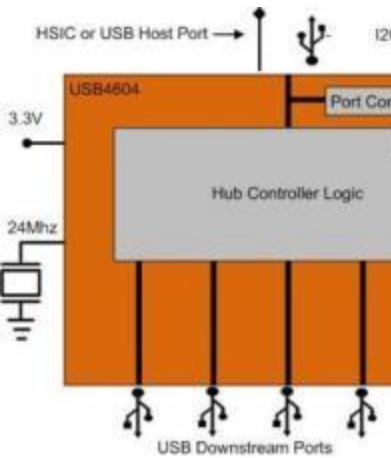
USB 2.0 Hub

Features:

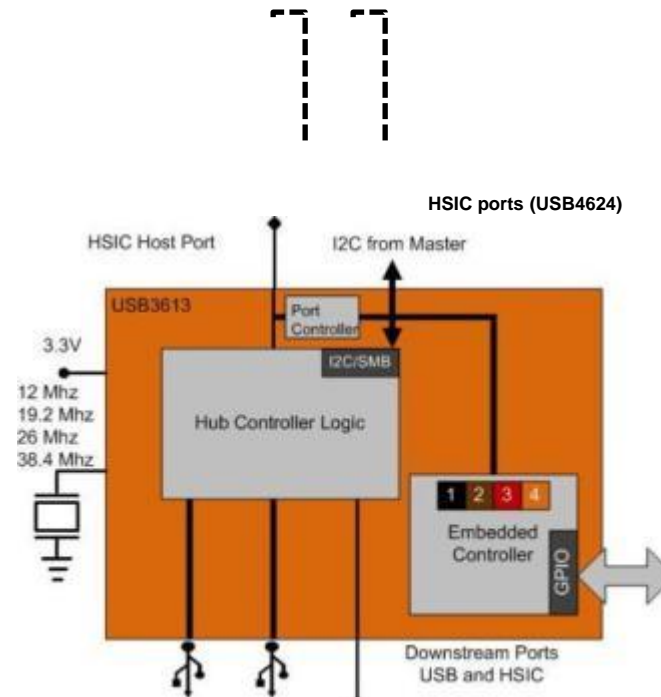
- Same features as the USB253x Family
- USB4604 and USB4624

SPECS	USB4604	USB4624
Upstream Port	USB2.0 or HSIC	
Downstream Ports	4 x USB2.0	2 x USB2.0 / 2 x HSIC
Package	48-pin QFN	

SPECS	USB3613	USB3813
Upstream Port	HSIC	USB2.0
Downstream Ports	2 x USB2.0 / 1 x HSIC	
Ref Clock	12/19.2/26/38.4Mhz*	
Package	30-ball WLCSP	



3813



* Can share system reference clock



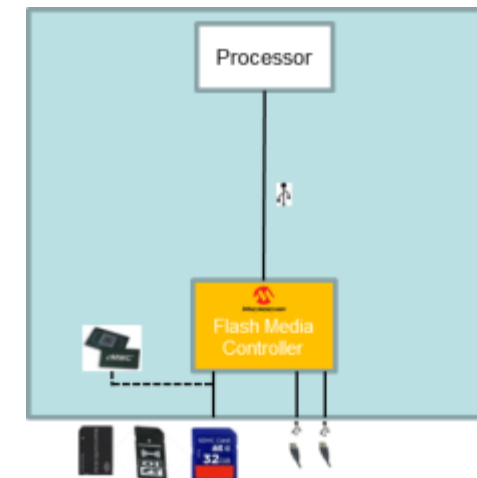
USB Flash Media Controller Overview

USB Card Reader Products	USB2244	USB2250	USB2640	USB2660	USB4640
Up Stream Interface	USB 2.0	USB 2.0	USB 2.0	USB 2.0	HSIC (USB 2.0)
Down Stream Output	SD, MMC	SD, MMC, CF, MS, xD	SD, MMC, MS, xD	2xSD, 2xMMC, MS, xD	SD, MMC, MS, xD
Down Stream USB Ports	None	None	2	2	2
Logical Units	1	1	1	1	1
Package Body size (mm)	36 QFN (6 x 6 x 0.9)	128 VTQDP (14 x 14 x 1.1)	48 QFN (7 x 7 x 0.9)	64 QFN (9 x 9 x 0.9)	48 QFN (7 x 7 x 0.9)

SD – SecureDigital, MMC – MultiMediaCard, CF – Compact Flash, MS – Memory Stick, xD – xD Picture Card

Features:

- Ultra-fast flash media reader/writer for external memory –
 - card storage or embedded flash memory
 - SD, MMC/eMMC, MS / MS-Pro / MS-Pro-HG, xD
- USB interface for design ease and flexibility on placement
- USB port expansion options



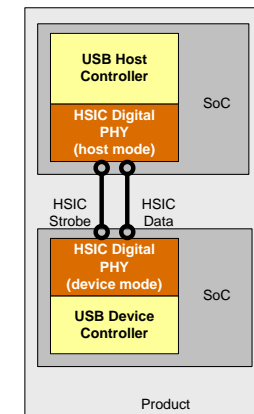
HSIC Product Portfolio



Features:

- High-Speed Inter-Chip [HSIC]; USB2 chip-to-chip interconnect
 - HSIC removes the analog transceivers designed for 5M cables in USB2 –
 - Eco Systems
 - Absolutely 100% software compatible as “USB Host” sees no different –
 - behavior

Product	Upstream	Downstream	Package	Applications
USB4640-HZH	HSIC	USB x2	48 QFN	Hub Combo (w/card reader)
USB4624-1080HN	HSIC/USB	USB x2 / HSIC x2	48 QFN	Hub Controller
USB4604-1080HN	HSIC/USB	USB x4	48 QFN	Hub Controller
USB3503A-1-GL	HSIC	USB x3	25 WLCSP	Mobile Hub with HSIC
USB3813-1080XY	USB	USB x2 / HSIC x1	30 WLCSP	Mobile Hub Controller
USB3613-1080XY	HSIC	USB x2 / HSIC x1	30 WLCSP	Mobile Low-Power Hub Controller



HSIC *lowers power* with 1.2V signaling
 **note USB2 Signaling is 3.3V

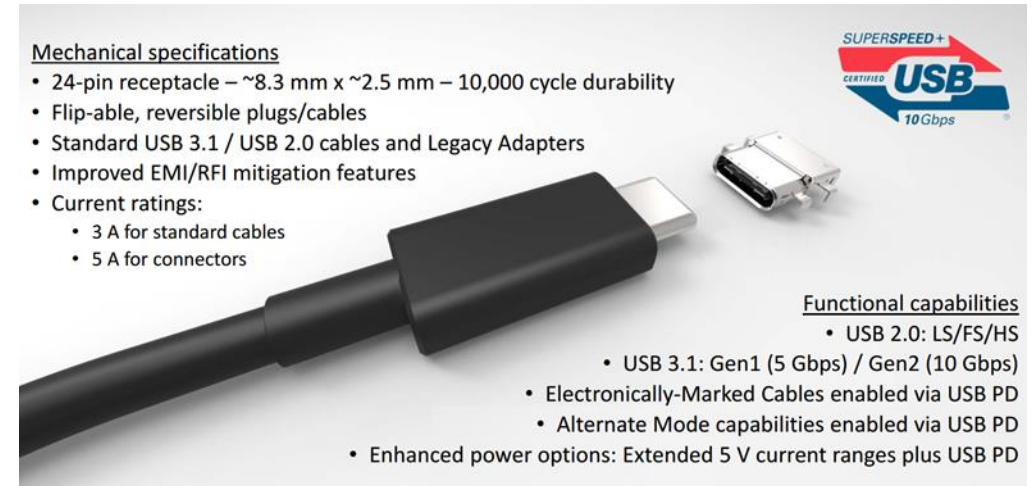


USB-C and Power Delivery Overview

Features:

- Standalone Controllers for basic port control or full PD
- Companion Transceiver option for lower system BOM
- Simple and Fast Time-to-Market Solution to add USB-C Connector to Any Product
- Flexible and Programmable Solutions for Power Delivery
- Multiple Power Control options supporting customer requirements
 - Standard 5V power profiles
 - Full PD 5V/9V/15V/20V profiles
 - Custom profiles
 - GPIO or I2C control
- Open Source PD Software Framework runs on Microchip's USB Hubs and MCUs
- *Automotive versions of all products available*

PART NUMBER	GRADE	MEDIA
UTC2000	Comm, Ind, Ext	Tape/Reel
UPD301A Source Only	Comm, Ind	Tray, T&R
UPD301B Source, Dead Battery, PSF	Comm, Ind	Tray, T&R
UPD301C Source, Sink, PSF	Comm, Ind	Tray, T&R
UPD350 Transceiver, A, B, C, D versions	Comm, Ind	Tray, T&R

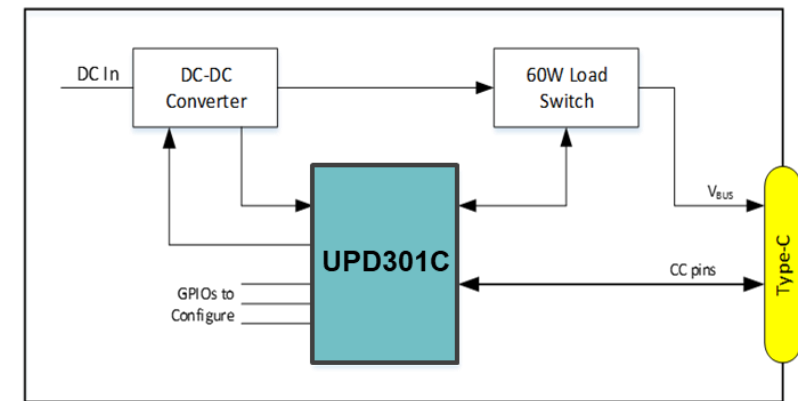


Mechanical specifications

- 24-pin receptacle – ~8.3 mm x ~2.5 mm – 10,000 cycle durability
- Flip-able, reversible plugs/cables
- Standard USB 3.1 / USB 2.0 cables and Legacy Adapters
- Improved EMI/RFI mitigation features
- Current ratings:
 - 3 A for standard cables
 - 5 A for connectors

Functional capabilities

- USB 2.0: LS/FS/HS
- USB 3.1: Gen1 (5 Gbps) / Gen2 (10 Gbps)
- Electronically-Marked Cables enabled via USB PD
- Alternate Mode capabilities enabled via USB PD
- Enhanced power options: Extended 5 V current ranges plus USB PD



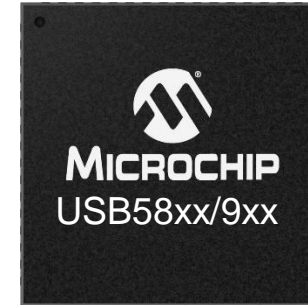
Power Source Charging Example



USB3.2 SmartHubs



- 2 and 4 Port USB3.1 SmartHubs
- Type A Gen 1 Support
- I/O Bridging and FlexConnect



- 6 and 7 Port USB3.1 SmartHubs
- Type A and C Gen 1 Support
- I/O Bridging and FlexConnect



- 4 and 6 Port USB3.1 PD SmartHubs
- Type A and C Gen 1 Support
- I/O Bridging and FlexConnect



- 4 and 6 Port USB3.1 SmartHubs
- Type A and USB-C Gen 2 Support
- I/O Bridging and FlexConnect

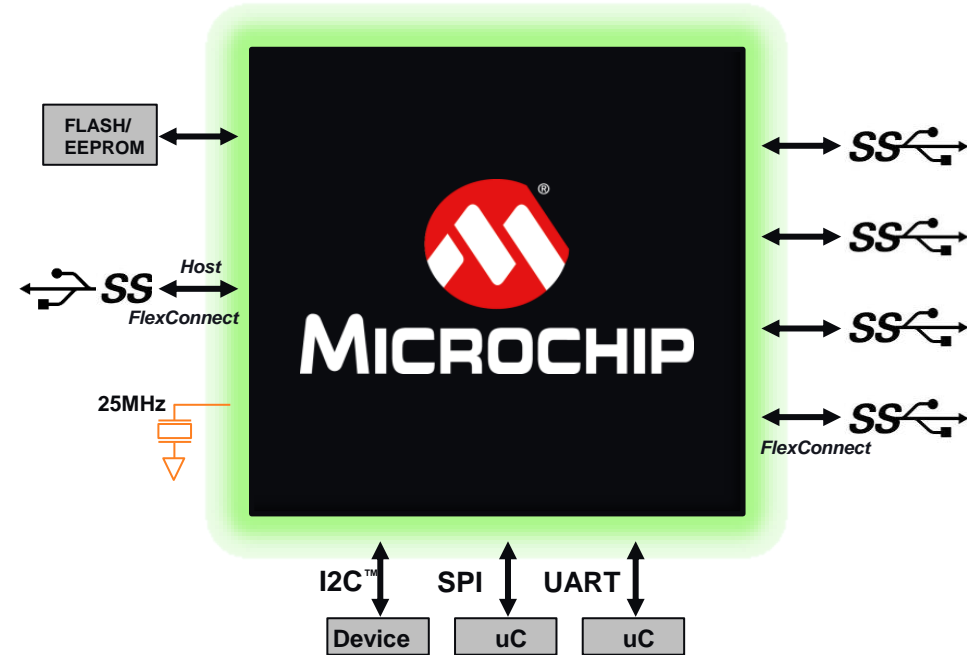
USB57xx Family – 1st USB3 SmartHub IC in Industry

- **More Intelligence via Gen1 SmartHub ICs**

- I/O Bridging
- FlexConnect

- **Family also:**

- Smallest QFN in the Industry
- Lower Power than previous gens
- Easier to Design
- MPLAB[®] Connect Configurator Tool



P/N	Downstream Ports	Package	Battery Charging	I/O Bridging	Flex Connect	Industrial Grade	USB-IF Certification
USB5742	2	56-pin SQFN	Yes	-	-	Yes	TID 330000071
USB5744	4	56-pin SQFN	Yes	-	-	Yes	TID 330000071
USB5734	4	64-pin SQFN	Yes	Yes	Yes	Yes	TID 330000071

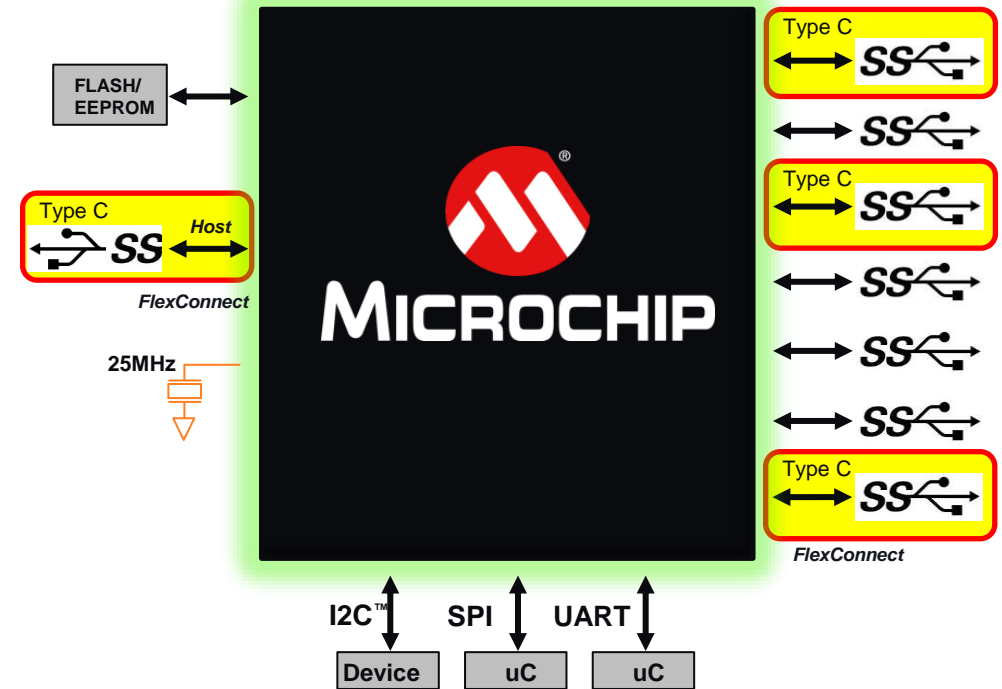
USB58xx/59xx Family – 1st 6 & 7 SmartHub ICs in Industry

- **More Intelligence via Gen1 SmartHub ICs**

- I/O Bridging, FlexConnect
- Port Splitting

- **Family also:**

- Supports USB Type-C™ designs
- 100ld QFN, Industrial Grade, BC1.2
- MPLAB® Connect Configurator Tool



P/N	Downstream Ports	Type C Support	I/O Bridging	Flex Connect	Industrial Grade	USB-IF Certification
USB5806C/7C	6 / 7	-	-	-	Yes	TID 1594 / 1595
USB5816C/26C	6	1xDown / 2xDown	Yes	Yes	Yes	TID 963 / 2716
USB5906C	6	Up Stream only	Yes	Yes	Yes	TID 3155
USB5916C / 26C	6	Up, 1xDown / 2xDown	Yes	Yes	Yes	TID 3153 / 2567

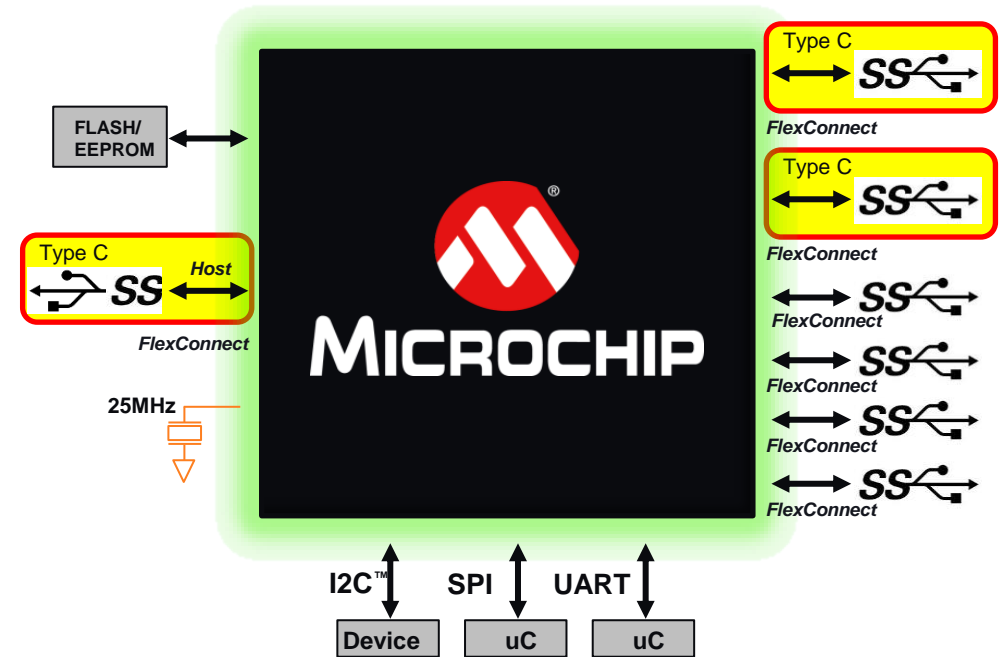
USB70xx Family – USB3 SmartHub IC with Integrated PD

- **More Intelligence via Gen1 SmartHub ICs**

- I/O Bridging
- All Port FlexConnect
- PortSplitting, MiniHost

- **Family also:**

- Native USB-C, Native PD w/ UPD350
- MPLAB® Connect Configurator Tool



P/N	Downstream Ports	Type C Up	Type C Down	Type A Down	Flex Connect	Power Delivery	USB-IF Certification
USB7002	4	Yes	2 ports, No PD	2 ports	Yes	No	TID 33000077
USB7050	4	Yes (PD)	2 port, 2 PD	2 ports	Yes	Yes	TID 1212
USB7051	4	Yes (PD)	2 ports, 1 PD	2 ports	Yes	Yes	TID 1212
USB7052	4	Yes (PD)	2 ports, No PD	2 ports	Yes	Yes	TID 1212
USB7056	6	Yes (PD)	1 Port, No PD	5 ports	Yes	Yes	TID 1212

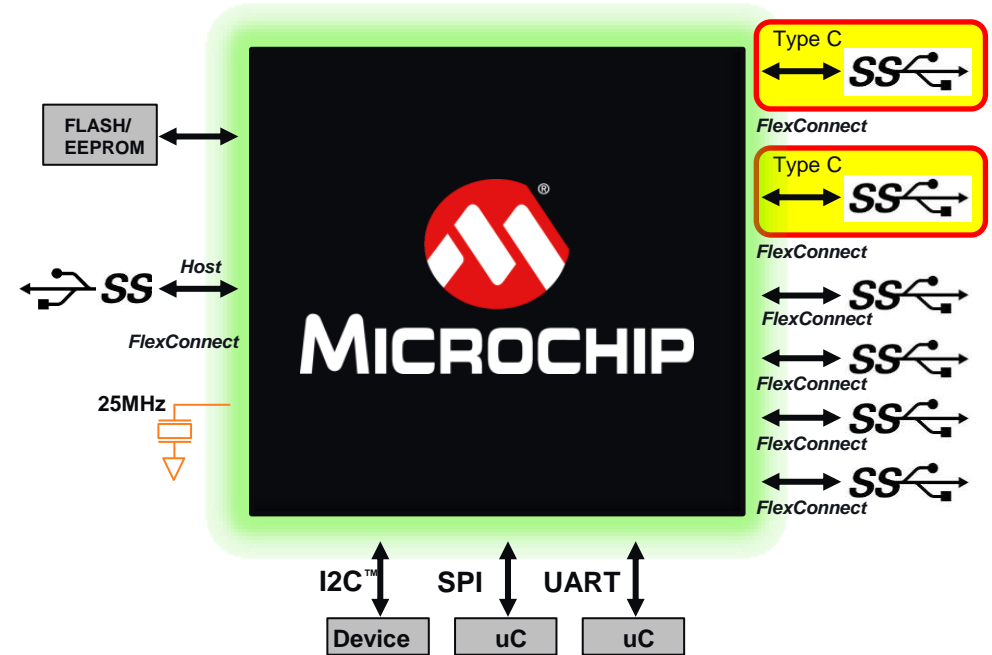
USB72xx Family – 4 & 6 port Gen2 SmartHub ICs

- **More Intelligence via Gen2 SmartHub ICs**

- I/O Bridging
- All Port FlexConnect
- PortSplitting, MiniHost

- **Family also:**

- Native USB-C
- 100ld QFN, Industrial Grade, BC1.2
- MPLAB® Connect Configurator Tool



P/N	Downstream Ports	Type C Up	Type C Down	Type A Down	I/O Bridging	Flex Connect	USB-IF	Certification
USB7206	6	No	No	6 ports	Yes	Yes		TID 1810
USB7216	6	No	1 port	5 ports	Yes	Yes		TID 2056
USB7252	4	No	2 port	2 ports	Yes	Yes		TID 3118

USB Transceiver Product Overview

USB PHY Products	USB3450	USB3500	USB3280 USB3290	USB3300	USB334x	USB333x
PHY Interface	UTMI+ (Device or Host)	UTMI+ (Device, Host, or OTG)	UTMI (Device)	ULPI (Device, Host, or OTG)	ULPI (Device, Host, or OTG)	ULPI (Device, Host, or OTG)
HS & FS USB	Yes	Yes	Yes	Yes	Yes	Yes
LS USB	Yes	Yes	No	Yes	Yes	Yes
Data Interface	8 bit Bidir	8 bit Bidir	8 bit Bidir	8 bit Bidir	8 bit Bidir	8 bit Bidir
Internal Reg	Yes	Yes	Yes	Yes	Yes	Yes
Package Body size (mm)	40 QFN (6 x 6 x 0.9)	56 QFN (8 x 8 x 0.9)	36 QFN (6 x 6 x 0.9) 40 VFBGA (4 x 4 x 0.9)	32 QFN (5 x 5 x 0.9)	24 QFN (4 x 4 x 0.9) 25 BGA (3 x 3 x 0.8)	25 WLCSP (1.9 x 1.9 x 0.5)

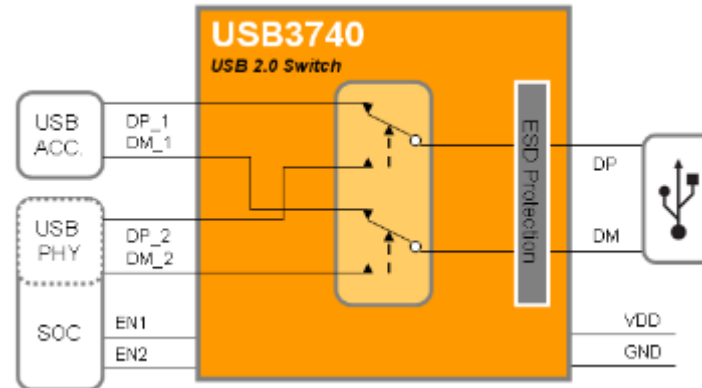


USB3740

High Speed USB 2.0 Switch with ESD Protection and Low Standby Current

Features:

- High-bandwidth USB 2.0 Switch with Dual Enables
 - For high-speed USB 2.0 data
- Multiplex differential outputs from a USB host –
 - device to one of two corresponding outputs
 - Enable DP/DM multiplexing
 - Flexible solution for embedded applications
- Ultra-low Current Consumption
 - Active (switch ON) = 5 μ A ($V_{CC} = 3V$)
 - Standby (switch OFF) = 0.01 μ A ($V_{CC} = 3V$)
- Competitive USB 2.0 Switch Specifications
 - Designed to pass USB signals from 0 to 3.3V
 - USB Mux on resistance < 6 ohms
 - USB Mux off leakage < 0.5 μ A
 - Off isolation < -40 dB
 - On capacitance < 6 pF
 - High bandwidth: 1 GHz
- Extreme ESD Protection ± 15 kV (IEC)
- Package:
 - 10-lead 1.3x1.8 QFN with 0.4 mm pitch
 - 10-lead 1.6x2.1 QFN with 0.5 mm pitch

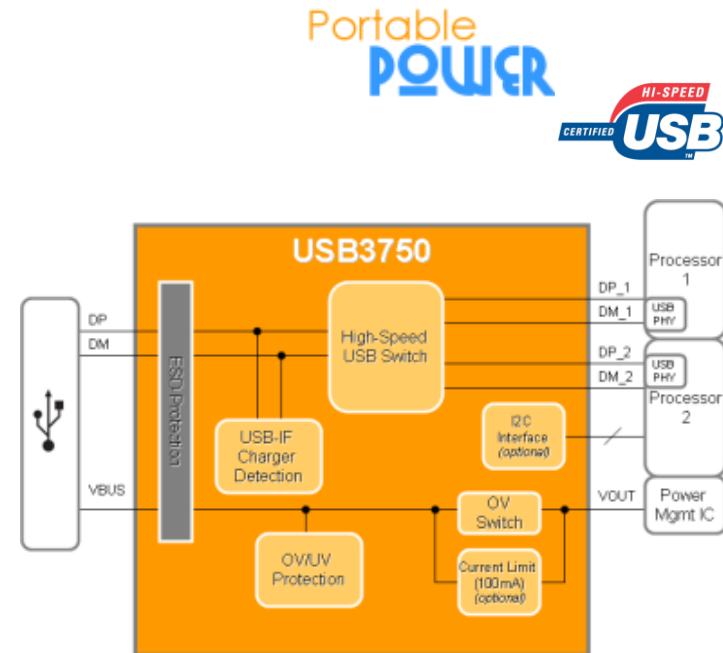


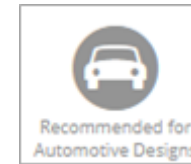
USB375X

USB 2.0 Protection IC with Battery Charger Detection

Features:

- Integrated and Flexible USB Port Protection and Detection with Hi-Speed USB Switch
- ESD Protection: Up to ± 15 kV
- VBUS Overvoltage Protection
 - Low resistance switch
 - Up to 28V of protection
- High-speed USB Switch for Port Sharing
 - Enable DP/DM multiplexing
 - Flexible solution for embedded applications
- Complete Battery Charger Detection Capability:
 - USB-IF 1.1 battery charging (up to 1.5A)
 - Dedicated charging port (DCP) i.e. Wall A/C adapter
 - Charging downstream port (CDP) i.e. USB-IF BC 1.1 port
 - Standard downstream port (SDP) i.e. PC or hub
 - Supports detection of majority USB (SE1) chargers
- Optional I²C Interface
- Package: 16-lead 3x3 QFN





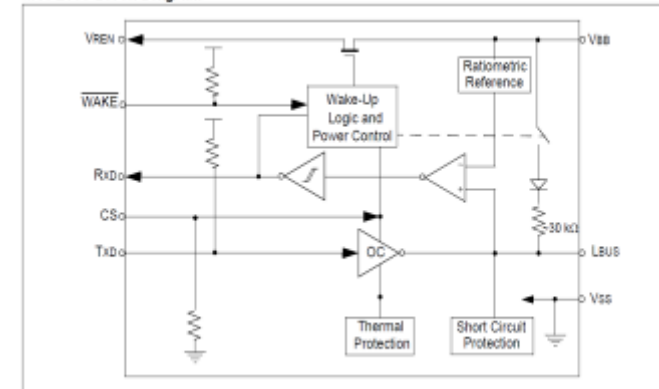
Online
Datasheet

LIN J2602 Transceiver

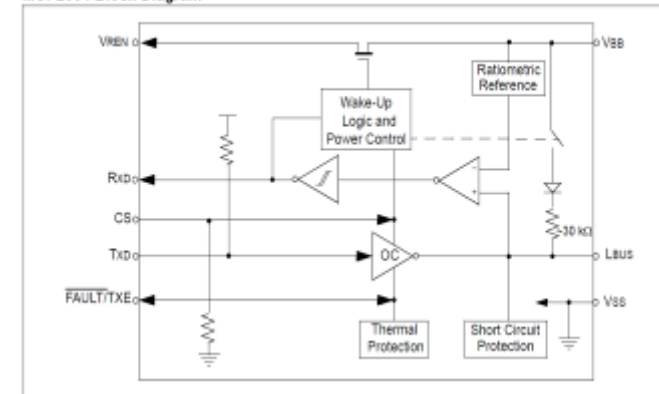
Features:

- Compliant with LIN Bus Specifications 1.3, 2.0, and – 2.1 and are compliant to SAE J2602
- MCP2003/3A is industry standard pin-out
- MCP2004/4A supports Fault/TXE pin (Fault – - Output/Transmitter Enable)
- Support Baud Rates up to 20 Kbaud
- 43V load dump protected
- Very low EMI meets stringent OEM requirements
- Very high ESD immunity
 - >20kV on VBB (IEC 61000-4-2)
 - >14kV on LBUS (IEC 61000-4-2)
- Very high immunity to RF disturbances: Meets – - stringent OEM requirements
- Wide supply voltage, 6.0V - 18.0V continuous
- Extended Temperature Range: -40 to +125°C
- Interface to PIC® EUSART and standard USARTs
- Local Interconnect Network (LIN) bus pi
- Automatic thermal shutdown
- Low-power mode: $\cong 5 \mu\text{A}$
- Software Library support for most
- Recommended for Automotive Design (MCP2003/4)

MCP2003 Block Diagram



MCP2004 Block Diagram



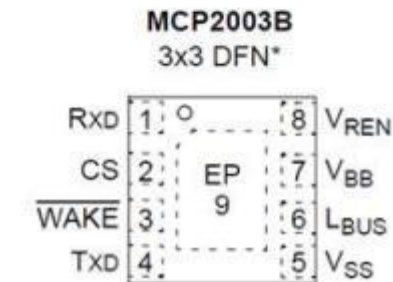
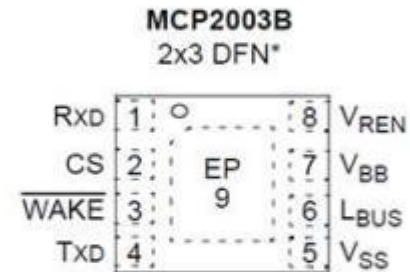
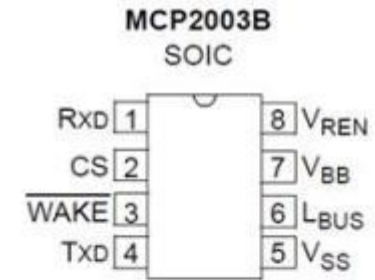
<< BACK



LIN Transceiver

Features:

- Compliant with Local Interconnect Network (LIN) Bus Specifications 1.3, 2.0, 2.1, 2.2, SAE J2602, and ISO17987
- Up to 20 Kbaud with LIN-Compatible Output Driver
- 60V Load Dump Protected
- Very High EMI Meets Stringent OEM Requirements
- Direct Capacitor Coupling Robustness without Transient Voltage Suppressor (TVS):
 - ±35V on LBUS (SAE J2962-1)
 - ±85V on VBB (SAE J2962-1)
- High Electrostatic Discharge (ESD) Immunity without TVS:
 - >25kV on LBUS (SAE J2962-1)
 - >15kV on VBB (IEC 61000-4-2)
 - >6 kV on LBUS (IEC 61000-4-2)
- Very High Immunity to RF Disturbances Meets OEM Requirements
- Wide Supply Voltage: 5.5V – 30.0V Continuous
- Extended (E) Temperature Range: -40°C to +125°C
- High (H) Temperature Range: -40°C to +150°C
- Automatic Thermal Shutdown
- Low-Power Mode:
 - Receiver monitoring bus and transmitter off (~5 µA)



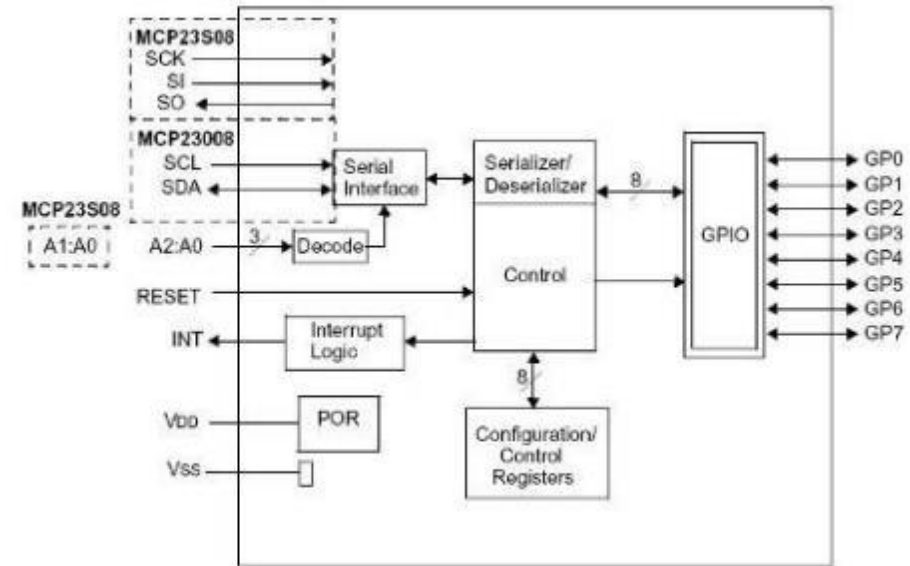
MCP23008 / 23S08



8-Bit I/O Expander with Serial Interface

Features:

- 8-bit Remote Bidirectional I/O Port
- High-speed I²C™ Interface (MCP23008):
- 100kHz, 400kHz and 1.7MHz Modes
- High-speed SPI Interface (MCP23S08):
 - 10MHz
- Hardware Address pins:
 - Three for the MCP23008 to allow up to –
- Eight Devices on the bus
 - Two for the MCP23S08 to allow up to –
- Four Devices using the same chip-select
- Configurable Interrupt Output Pin:
- Active-high, Active-low or Open-drain
- Configurable interrupt source
- Polarity Inversion Register to Configure the
- Polarity of the Input Port Data
- External Reset Input
- Low standby current: 1µA (max.)
- Operating voltage: 1.8V to 5.5V
- Recommended for Automotive Design

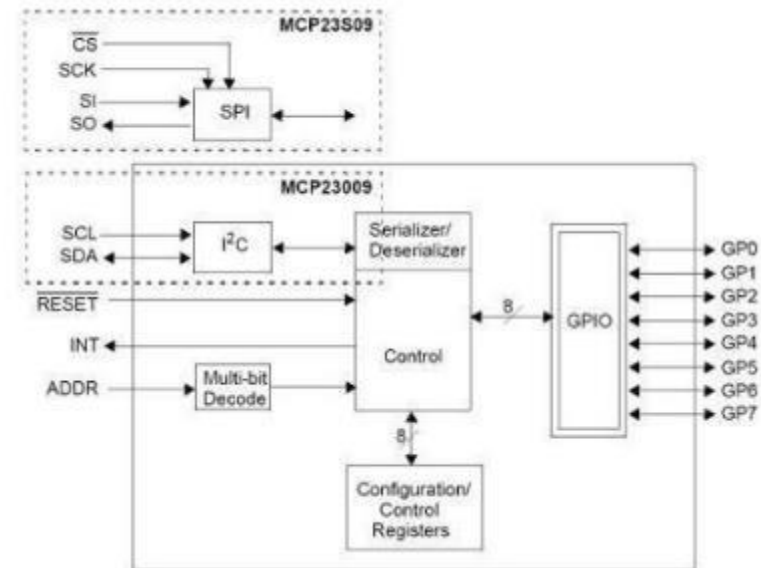


MCP23009 / 23S09

8-Bit I/O Expander with Open-Drain Outputs

Features:

- 8-bit remote bidirectional I/O port:
 - I/O pins default to input
- Open-drain outputs:
 - 5.5V tolerant, 25mA sink capable (per pin), - 200 mA total
- High-speed I²C™ interface: (MCP23009)
 - 100 kHz, 400 kHz, 3.4MHz
- High-speed SPI interface: (MCP23S09):
 - 10MHz
- Single hardware address pin: (MCP23009)
 - Voltage input to allow up to eight devices
 - Configurable interrupt output pins
- Configurable as active-high, active-low or open drain
- Configurable interrupt source
- Polarity inversion register to configure the polarity, of the input port data
- External reset input
- Low standby current as low as 1μA
- Operating voltage: 1.8V to 5.5V
- Packages: 3x3 QFN, PDIP, SOIC, SSOP



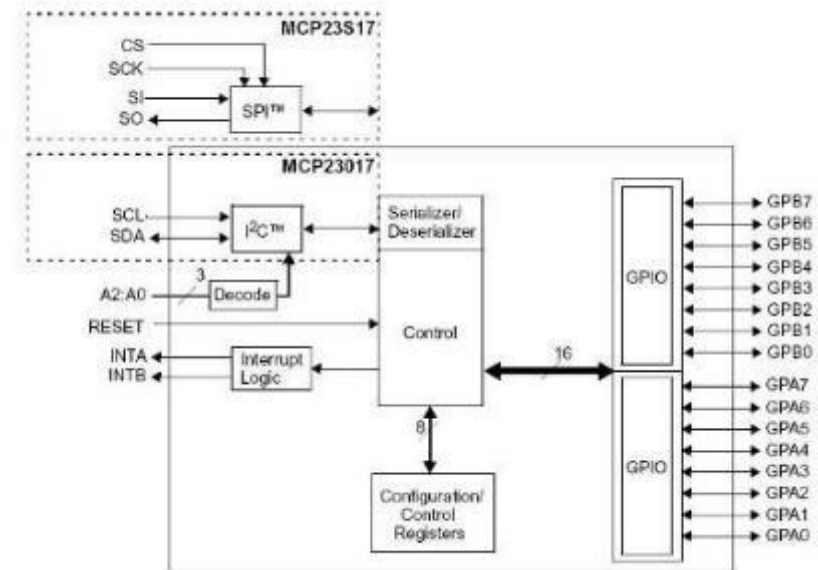
MCP23017 / 23S17



16-Bit I/O Expander with Serial Interface

Features:

- 16-bit remote bidirectional I/O Port:
- High-speed I²C™ interface (MCP23017):
- 100kHz, 400kHz and 1.7MHz modes
- High-speed SPI interface (MCP23S17):
- 10MHz (max.)
- 8 device addresses
- Configurable Interrupt Output Pins:
- Configurable as Active-high, Active-low or Open-drain
- INTA and INTB can be Configured to Operate Independently or Together
- Configurable Interrupt Source:
- Interrupt-on-change from configured register defaults or pin changes
- Polarity Inversion Register to Configure the -Polarity of the Input Port Data
- External Reset Input
- Low standby current: 1μA (max.)
- Operating voltage: 1.8V to 5.5V
- Packages: 28-pin PDIP, SOIC, SSOP and QFN
- Recommended for Automotive Design



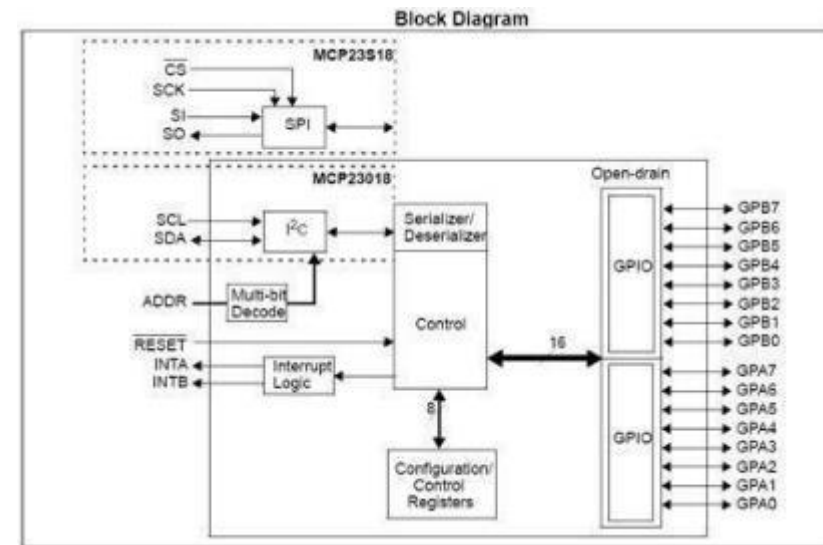
MCP23018 / 23S18



16-Bit I/O Expander with Open-Drain Outputs

Features:

- 16-bit remote bidirectional I/O port:
 - I/O pins default to input
- Open-drain outputs:
 - 5.5V tolerant, 25mA sink capable –
- (per pin), 400mA total
- High-speed I²C™ interface: (MCP23018)
- High-speed SPI interface: (MCP23S18)
- Single hardware address pin: (MCP23018)
 - Voltage input allow up to eight devices
- Configurable interrupt output pins:
 - Configurable as active-high, active-low or open-drain
- Configurable interrupt source
- Polarity inversion register to configure the polarity of the input port data
- External reset input
- Low standby current: 1μA (-40°C ≤ TA ≤ +85°C)
- Operating voltage: 1.8V to 5.5V
- Packages: PDIP, SOIC, QFN, SSOP (MCP23S18)
- Recommended for Automotive Design

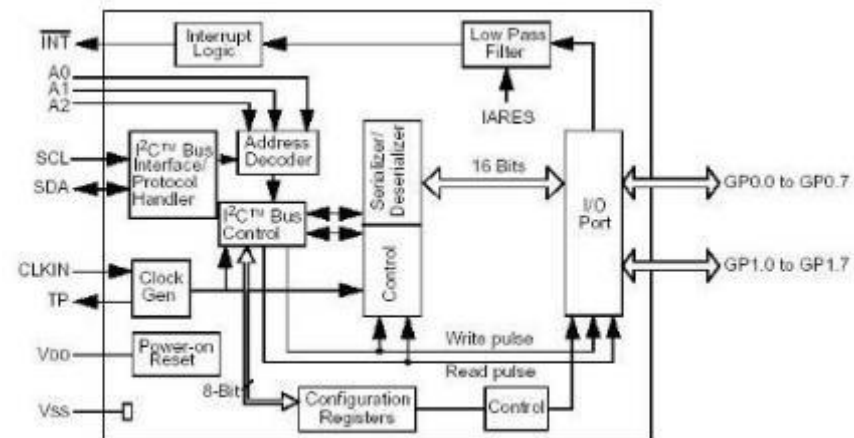


MCP23016

16-Bit I²C™ I/O Expander

Features:

- 16-Bit Remote Bidirectional I/O Port
- Fast I²C™ bus Clock Frequency (0 to 400 – kbits/s)
- Three Hardware Address Pins allow use – of up to Eight Devices
- High-current Drive Capability per I/O: ±25mA
- Open-drain interrupt output on input change
- Interrupt Port Capture Register
- Internal Power-On Reset (POR)
- Polarity Inversion Register to Configure the Polarity of the Input Port Data
- Compatible with most Microcontrollers
- Industrial temperature range: -40°C to +85°C



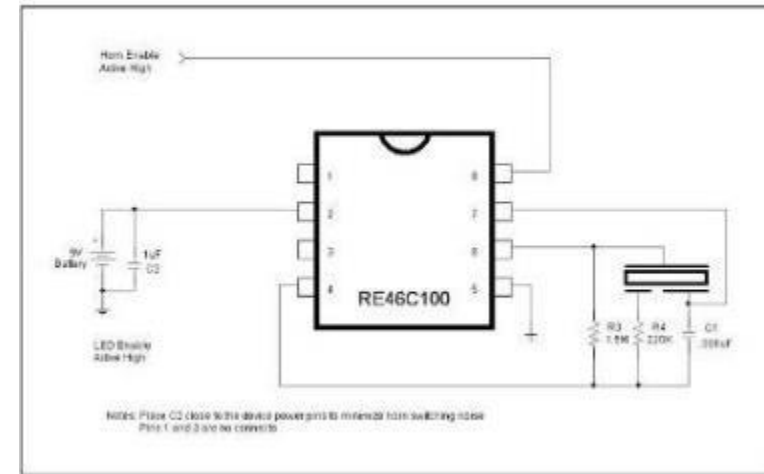
RE46C100

Piezoelectric Horn Driver Circuit

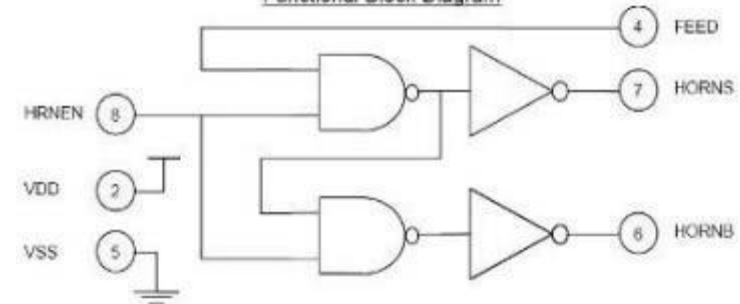
Features:

- Low Quiescent Current (<100nA)
- Low Driver RON: 20Ω (typ.) at 9V
- Wide Operating Voltage Range
- 8-pin PDIP and SOIC Packages
- Available in RoHS Compliant Pb-free Packaging

Typical Application



Functional Block Diagram

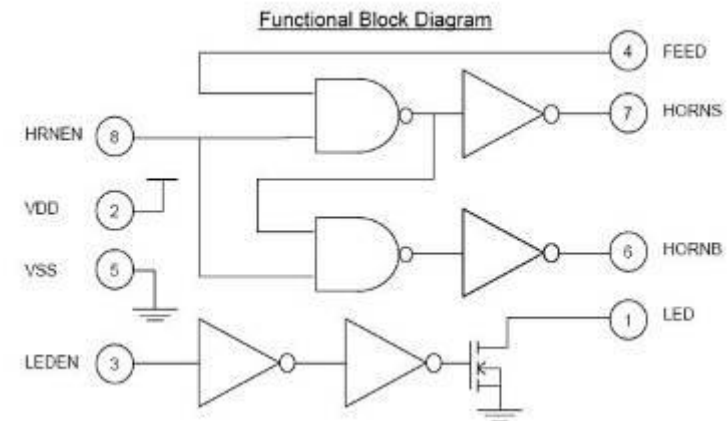
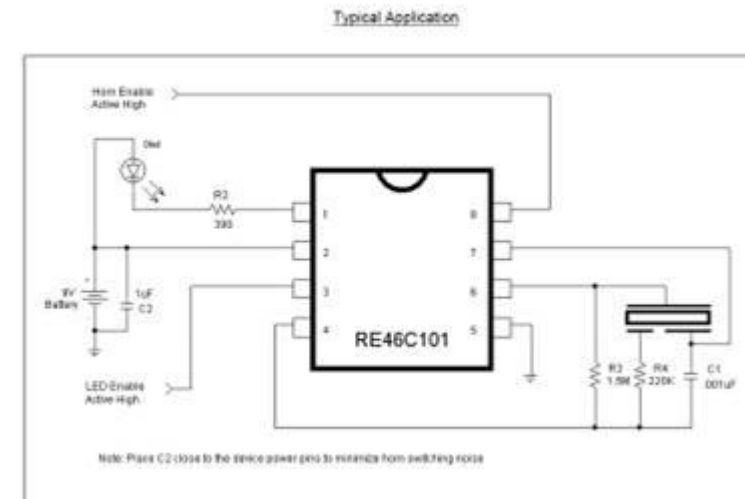


RE46C101

Piezoelectric Horn Driver and LED Driver Circuit

Features:

- Low Quiescent Current (<math><100\text{nA}</math>)
- Low Driver RON: 20Ω (typ.) at 9V
- Wide Operating Voltage Range
- 8-pin PDIP and SOIC Packages
- Available in RoHS Compliant Pb-free Packaging

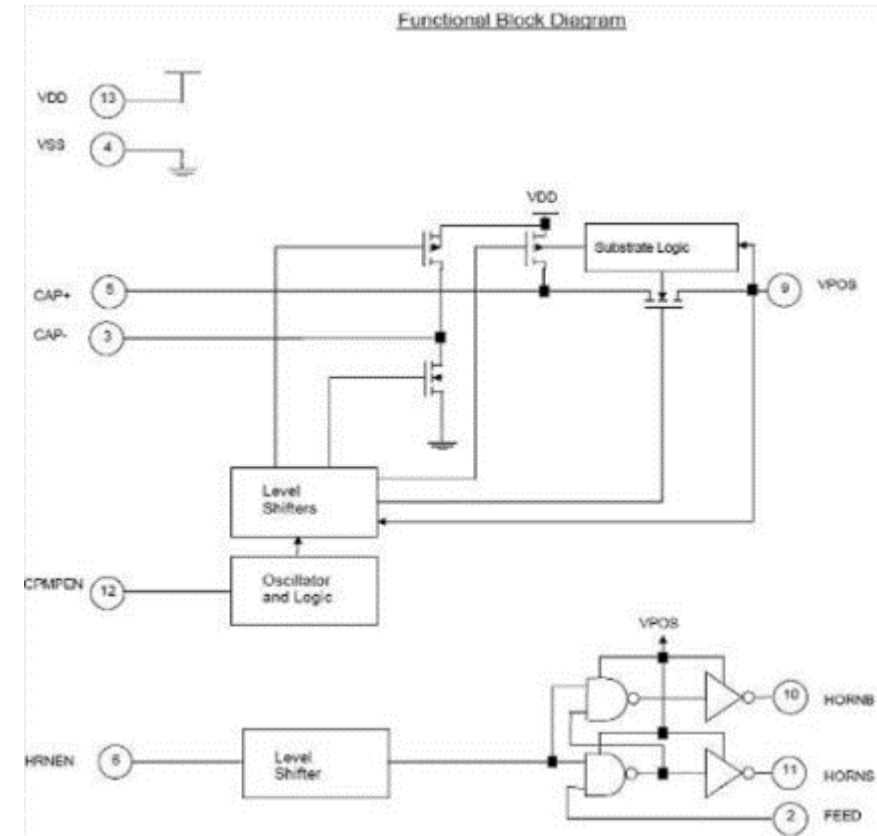
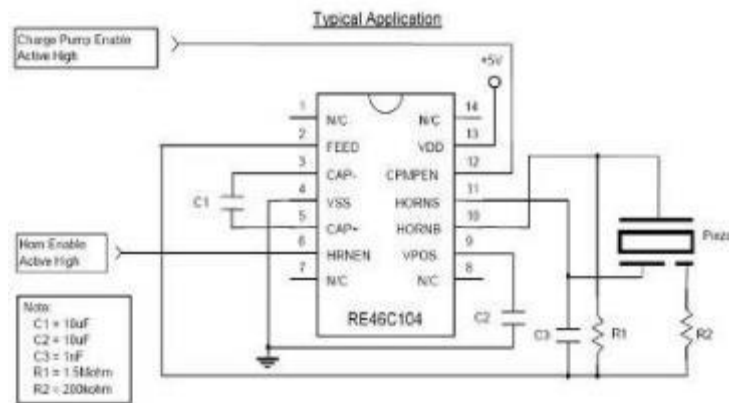


RE46C104

Piezoelectric Horn Driver and Voltage Converter

Features:

- Low Quiescent Current
- Low Driver RON
- Wide Operating Voltage Range
- Available in RoHS Compliant Pb-free Packaging

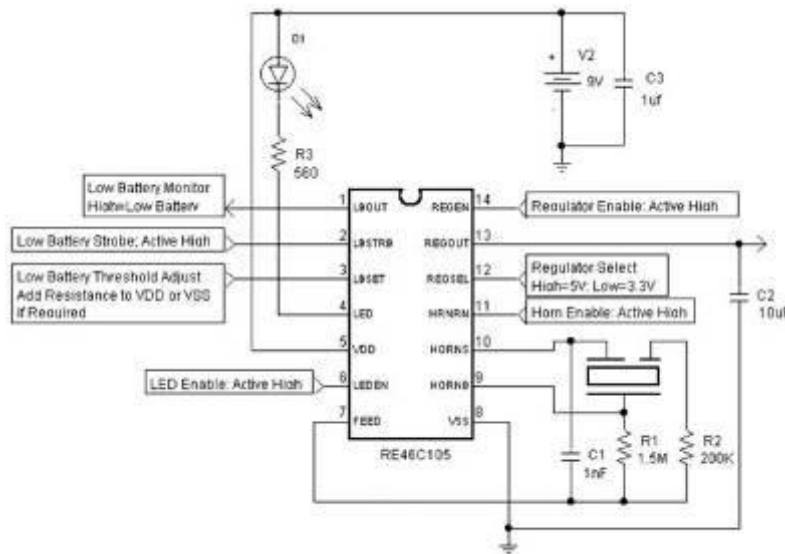


RE46C105

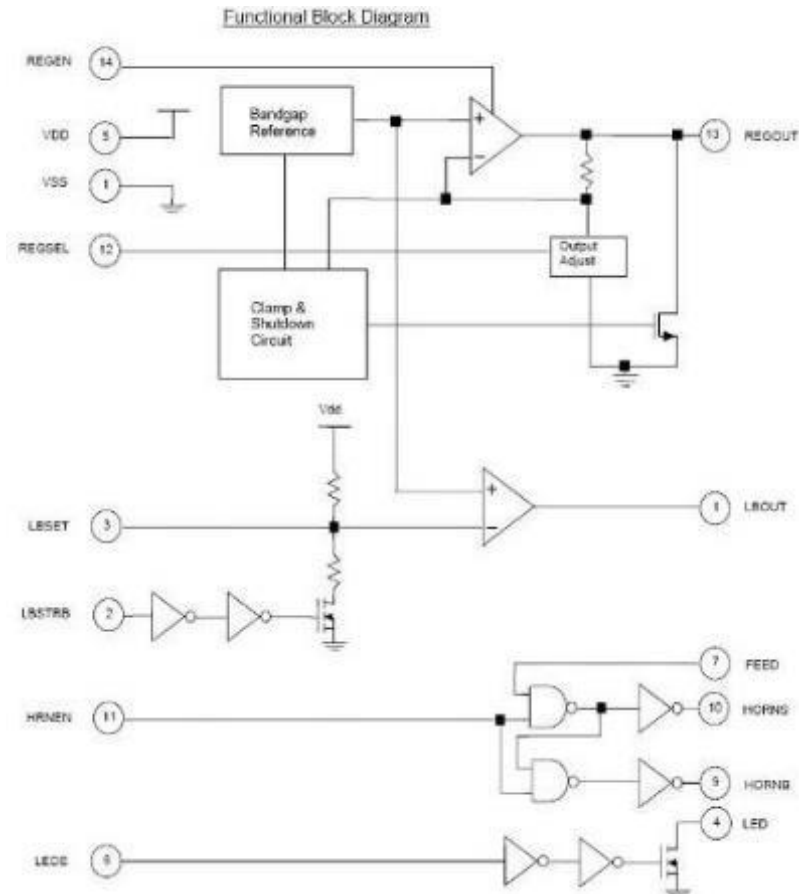
Piezoelectric Horn Driver with Voltage Regulator and LED Driver

Features:

- Low Quiescent Current
- Low Horn Driver RON
- Voltage Regulation to 3.3V or 5V
- Low Battery Detection
- Available in PDIP and SOIC packaging



Typical Application Using Self Resonating Piezoelectric Horn

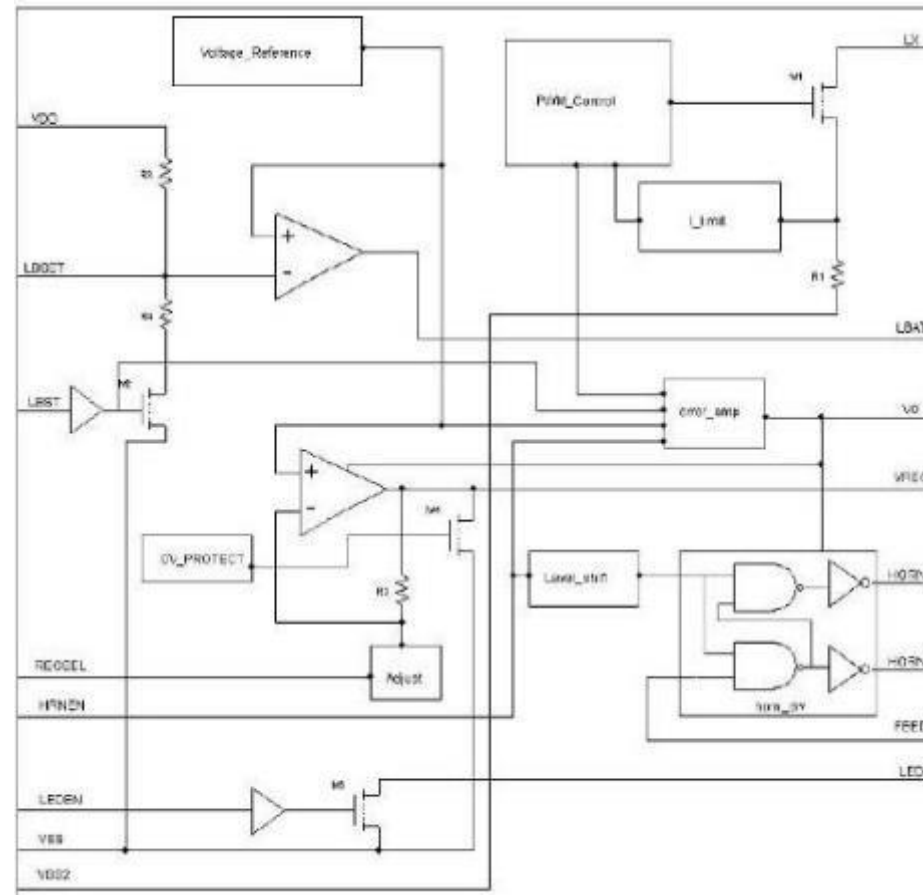
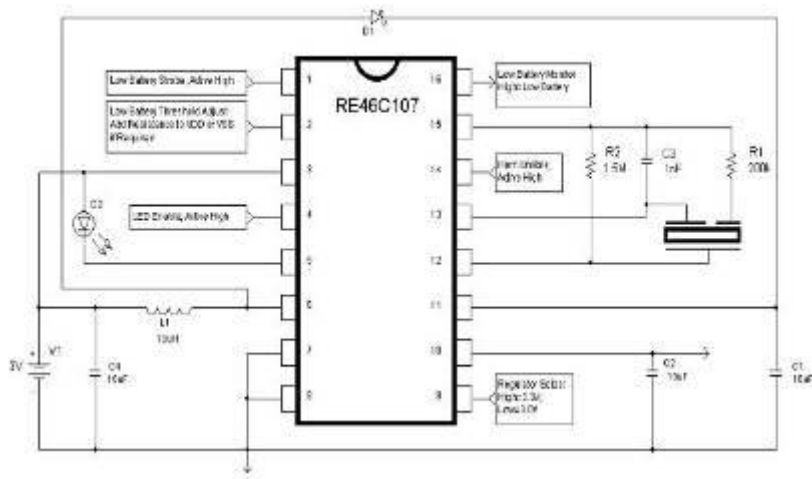


RE46C107

DC to DC Converter, Voltage Regulator and Piezoelectric Horn Driver

Features:

- Low Quiescent Current
- 10V Up Converter
- Low Horn Driver R_{ON}
- Voltage Regulation to 3.0V or 3.3V
- Low Battery Detection

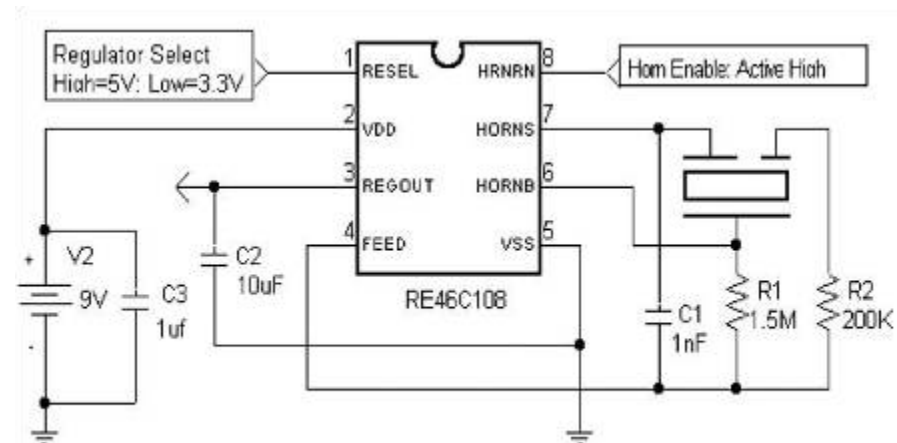
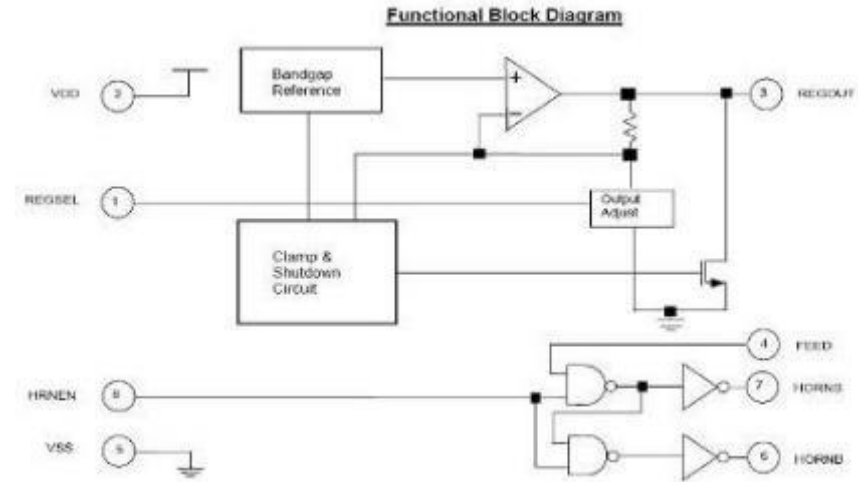


RE46C108

Piezoelectric Horn Driver and Voltage Regulator

Features:

- Low Quiescent Current
- Low Horn Driver R_{ON}
- Voltage Regulation to 3.3V or 5V
- Available in PDIP and SOIC packages



Typical Application Using Self Resonating Piezoelectric Horn

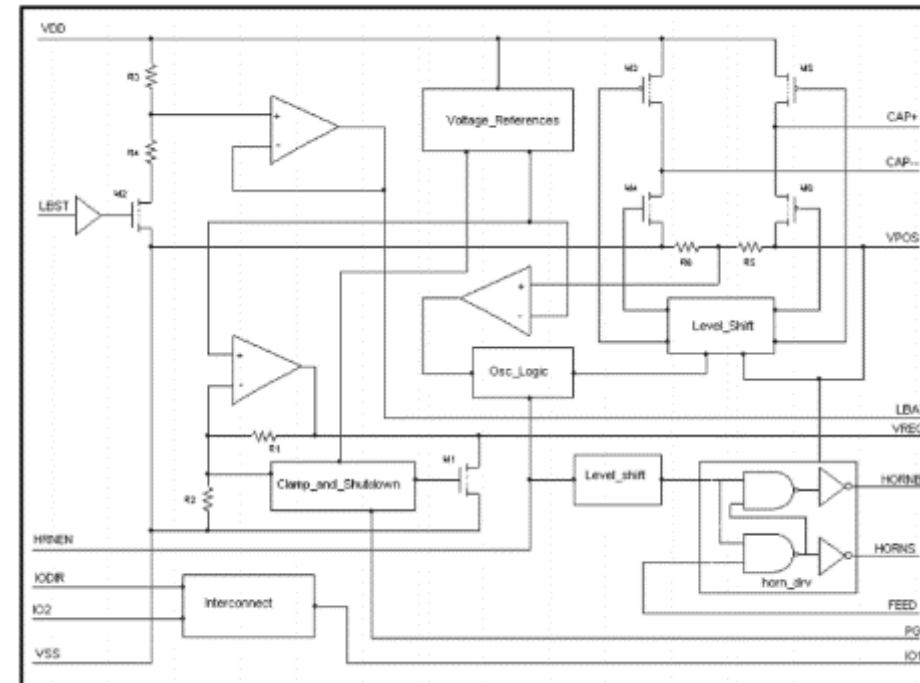


RE46C109

Voltage Regulator, Voltage Converter and Piezoelectric Horn Driver

Features:

- Low Quiescent Current
- 12V Boost Regulator
- Low Horn Driver R_{ON}
- 3V Regulator, other Options Available
- Low Battery Detection Interface
- Power Good and Brownout Circuits
- Device interconnection
- Available in PDIP and SOIC packages

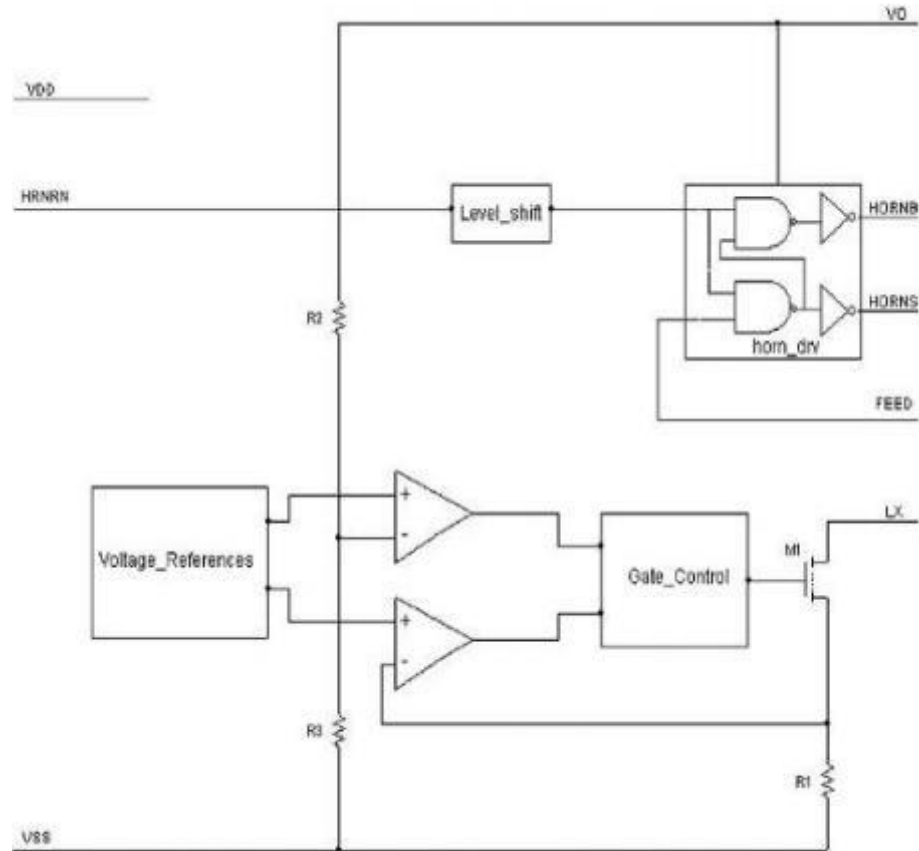
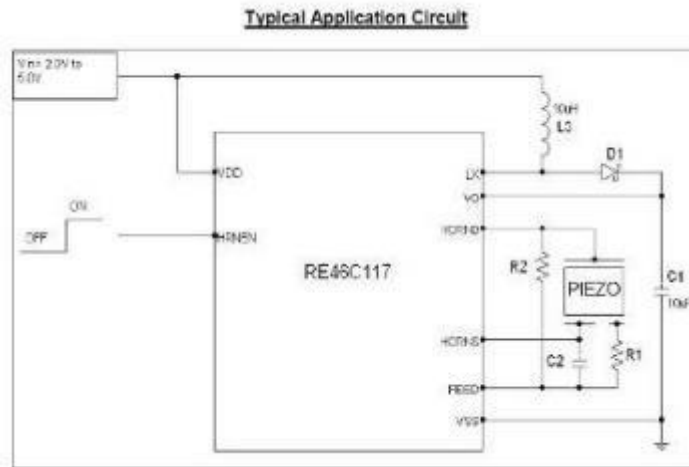


RE46C117

DC to DC Converter and Piezoelectric Horn Driver

Features:

- Low Quiescent Current
- 10V Up Converter
- Low Horn Driver R_{ON}
- Available in PDIP and SOIC Packages

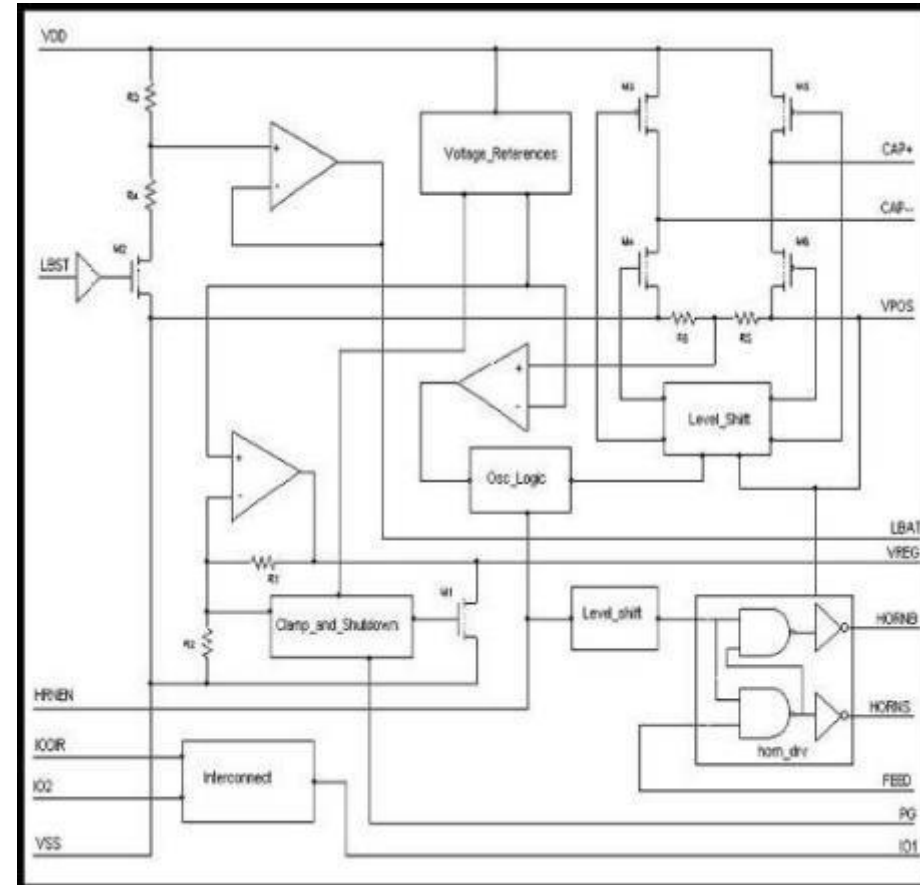
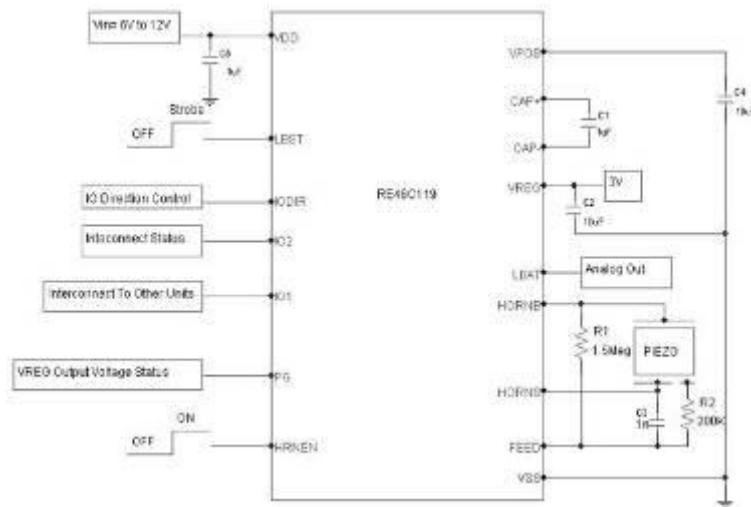


RE46C119

Voltage Regulator, Voltage Converter and Piezoelectric Horn Driver

Features:

- Low Quiescent Current
- 12V Boost Regulator
- Low Horn Driver R_{ON}
- 3V Regulator, other Options Available
- Low Battery Detection Interface
- Power Good Circuit
- Device interconnection
- Available in PDIP and SOIC packages

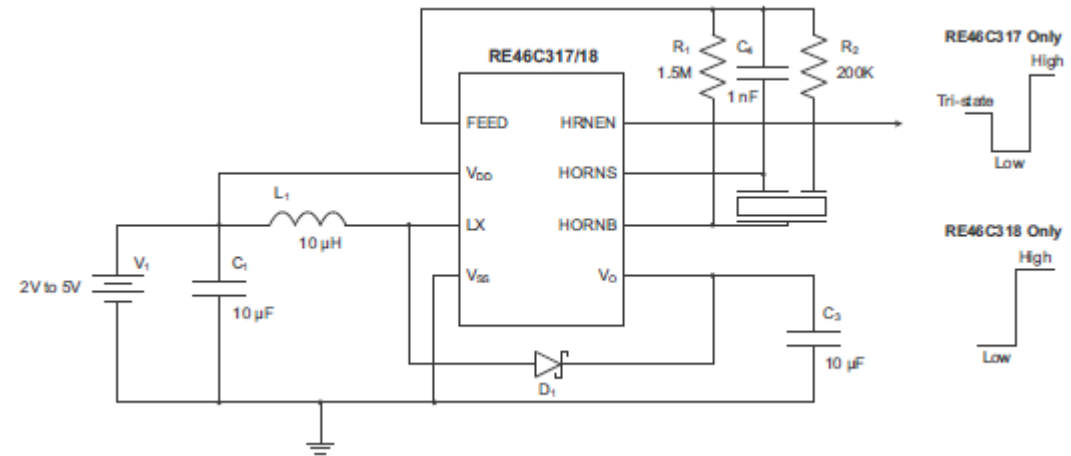


RE46C317/8

Piezoelectric Horn Driver with Boost Converter

Features:

- 3V Operation
- Low Quiescent Current
- 10V Up Converter
- Low Horn Driver R_{ON}
- Horn Enable:
 - RE46C317: Three states
 - RE46C318: Two states
- Compatible with RE46C117
- Available in 8-lead PDIP and SOIC



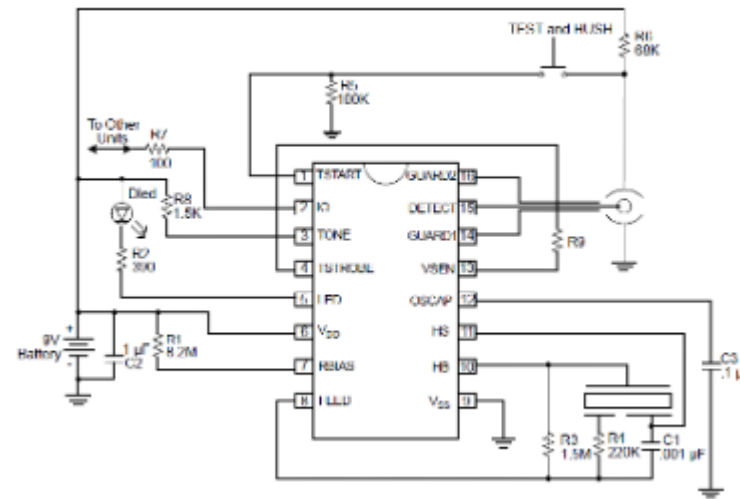
RE46C162/3

CMOS Ionization Smoke Detector ASIC with Interconnect, Timer Mode and Alarm Memory

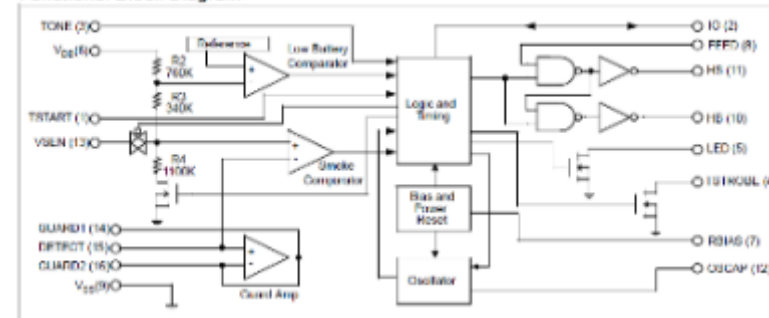
Features:

- Not for UL217 Ed.8 Smoke Detectors
- Pin Selectable Horn Patterns:
- Temporal or Continuous Horn Patterns
- Alarm Memory
- Sensitivity Control Timer:
 - 8 minute Timer for RE46C162
 - 1 minute Timer for RE46C163
- >1500V ESD Protection (HBM) on All Pins
- Guard Outputs for Ion Detector Input
- ± 0.75 pA Detect Input Current
- Internal Reverse Battery Protection
- Low Quiescent Current Consumption (<6.5 μ A)
- I/O Filter and Charge Dump
- Internal Low Battery Detection
- Power-up Low Battery Test
- Interconnect up to 66 Detectors
- RoHS Compliant, Lead Free Packaging: PDIP

RE46C162 Typical Application – Temporal Horn Pattern



Functional Block Diagram

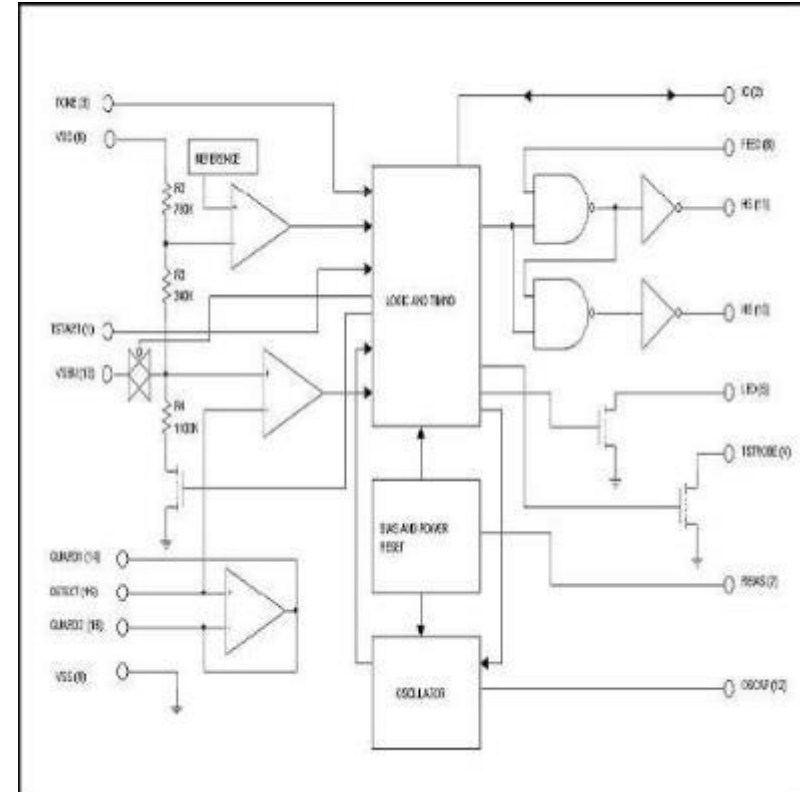
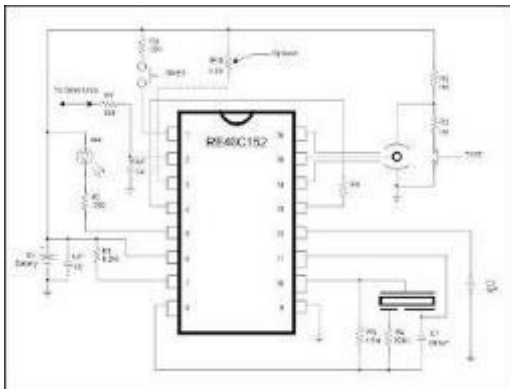


RE46C152

CMOS Ionization Smoke Detector ASIC with Interconnect, Timer Mode and Tone Select

Features:

- Not for UL217 Ed.8 Smoke Detectors
- >1500V ESD Protection (HBM) on all Pins
- Guard Outputs for Ion Detector Input
- $\pm 0.75\mu\text{pA}$ Detect Input Current
- Internal Reverse Battery Protection
- Low Quiescent Current Consumption ($<6.5\mu\text{A}$)
- Available in 16-lead PDIP package
- Internal Low Battery Detection
- Power Up Low Battery Test
- Interconnect up to 40 Detectors
- Pin selectable horn patterns
- 8 Minute Timer for Sensitivity Control

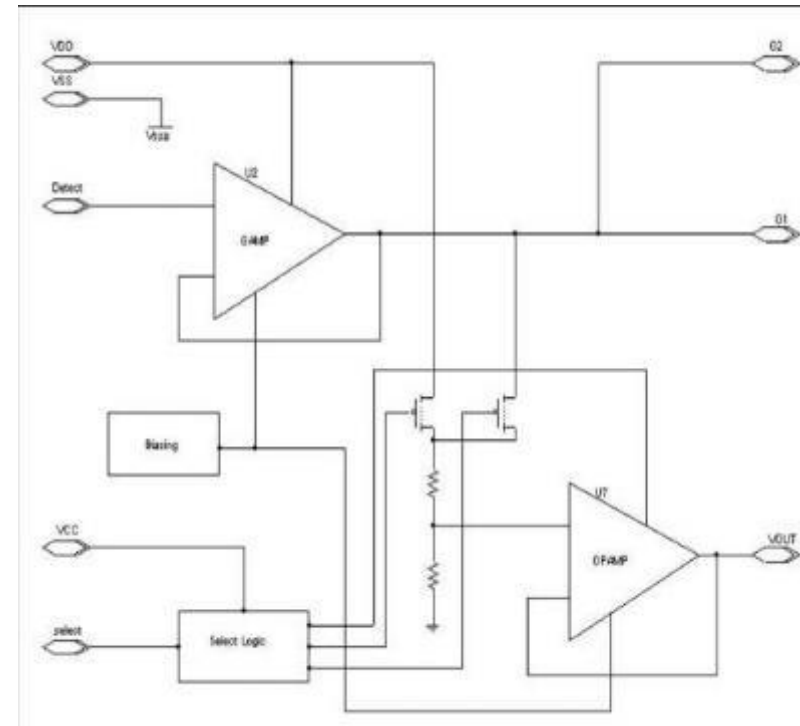
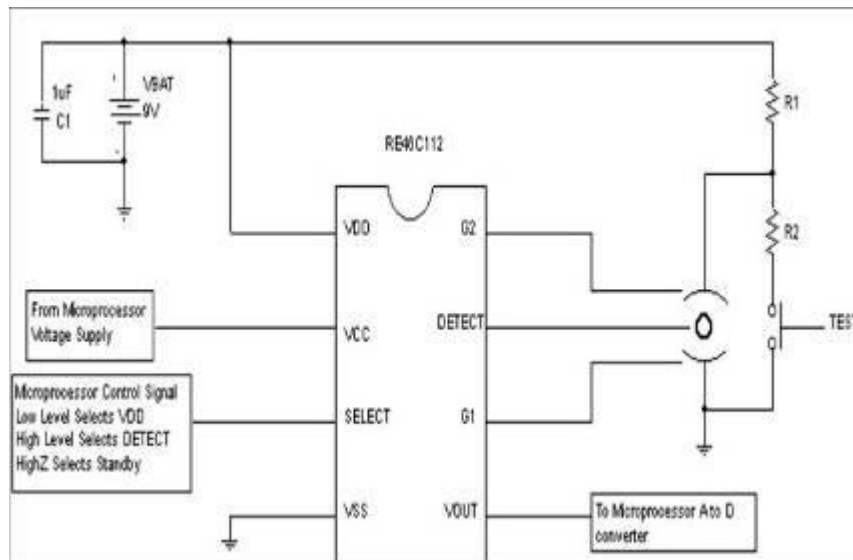


RE46C112

Ionization Smoke Detector IC

Features:

- Guard Outputs for Ion Detector Input
- $\pm 0.75\mu\text{A}$ Detect Input Current
- Microprocessor A/D Compatible Analog Output
- Low Quiescent Current Consumption ($< 10\mu\text{A}$)
- Available in 8-lead PDIP or 8-lead SOIC
- 2000V ESD Protection (HBM)

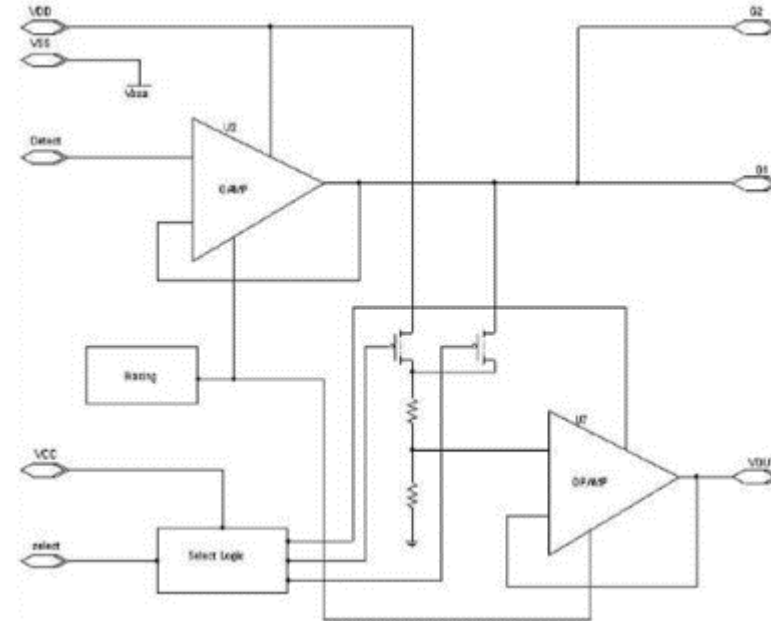
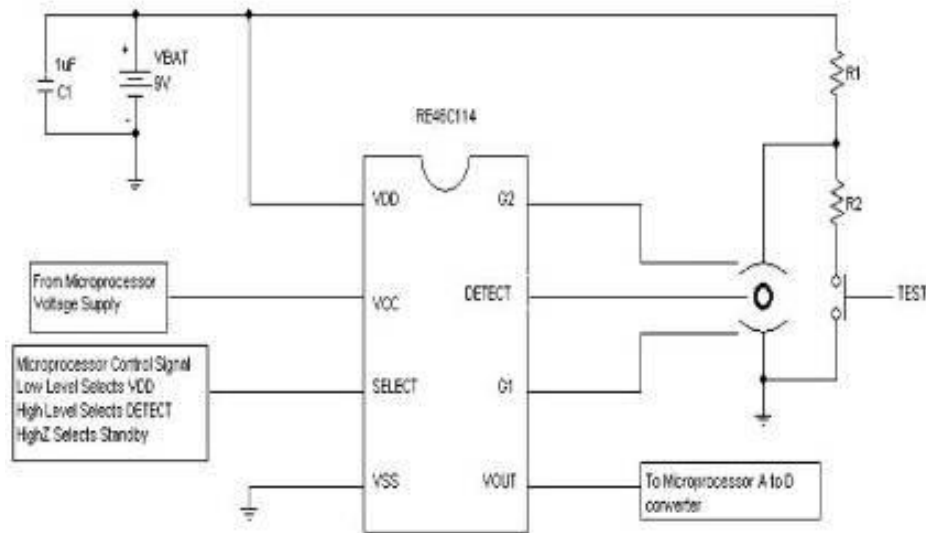


RE46C114

Ionization Smoke Detector IC

Features:

- Guard Outputs for Ion Detector Input
- $\pm 0.75\mu\text{A}$ Detect Input Current
- Microprocessor A/D Compatible Analog Output
- Low Quiescent Current Consumption ($< 10\mu\text{A}$)
- Available in 8-lead PDIP or 8-lead SOIC
- 2000V ESD Protection (HBM)



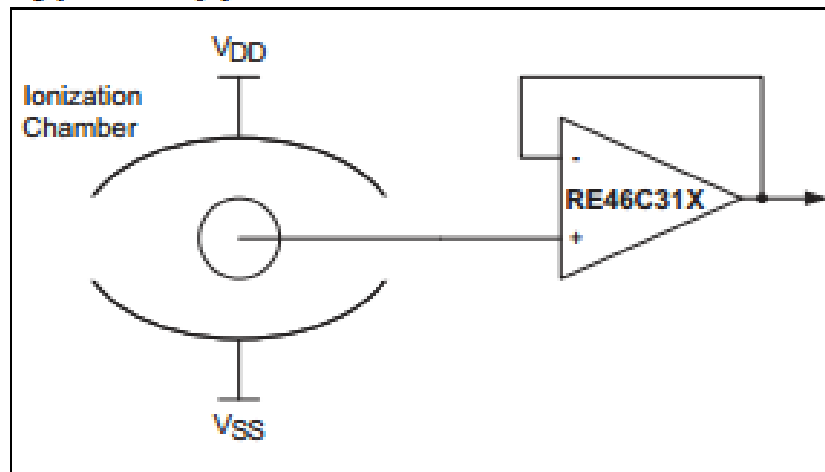
RE46C311/12

Low-Input Leakage, Rail-to-Rail Input/Output Op Amps

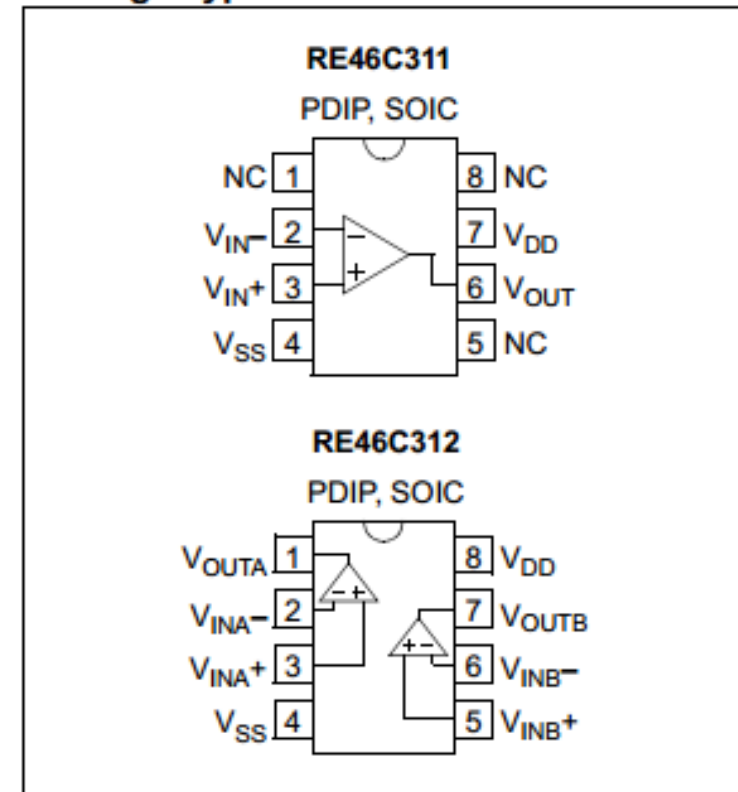
Features:

- Low Quiescent Current: 600 nA/Amplifier (typical)
- Rail-to-Rail Input/Output
- Gain Bandwidth Product: 10 kHz (typical)
- Wide Supply Voltage Range: 1.8V to 5.5V
- Unity Gain Stable
- Temperature Ranges: -10°C to $+60^{\circ}\text{C}$
- Single: RE46C311
- Dual: RE46C312

Typical Application



Package Types

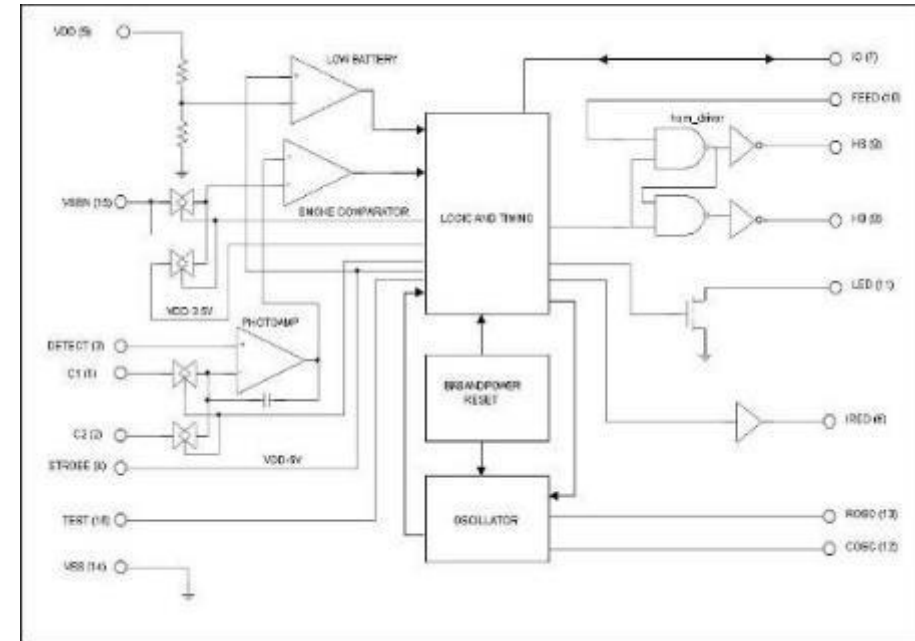
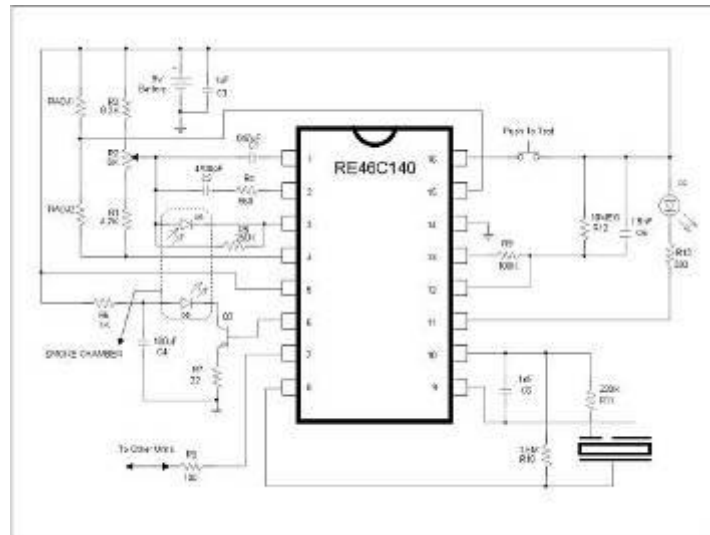


RE46C140

CMOS Photoelectric Smoke Detector ASIC with Interconnect and Timer Mode

Features:

- Not for UL217 Ed.8 Smoke Detectors
- Internal Power On Reset
- Low Quiescent Current Consumption
- Available in 16-lead PDIP or SOIC
- ESD Protection on all Pins
- Interconnect up to 40 Detectors
- 10 Minute Timer for Sensitivity Control
- Temporal Horn Pattern
- Internal Low Battery and Chamber Test

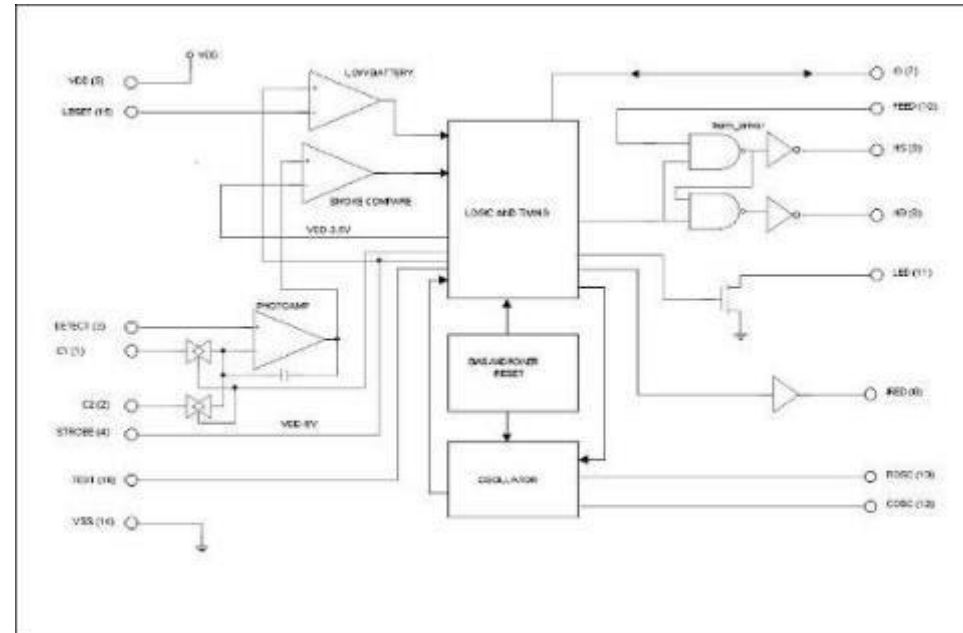
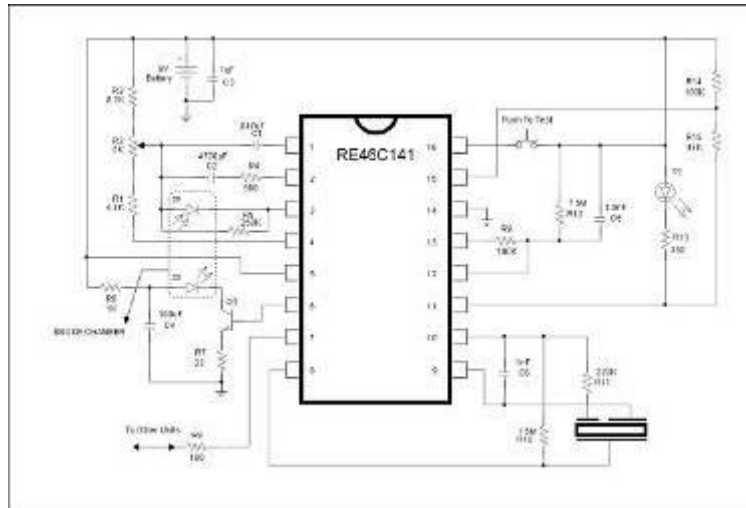


RE46C141

CMOS Photoelectric Smoke Detector ASIC with Interconnect

Features:

- Not for UL217 Ed.8 Smoke Detectors
- Low Quiescent Current Consumption
- Available in 16-lead PDIP or SOIC
- ESD Protection on all Pins
- Interconnect up to 40 Detectors
- Temporal Horn Pattern
- Low Battery and Chamber Test

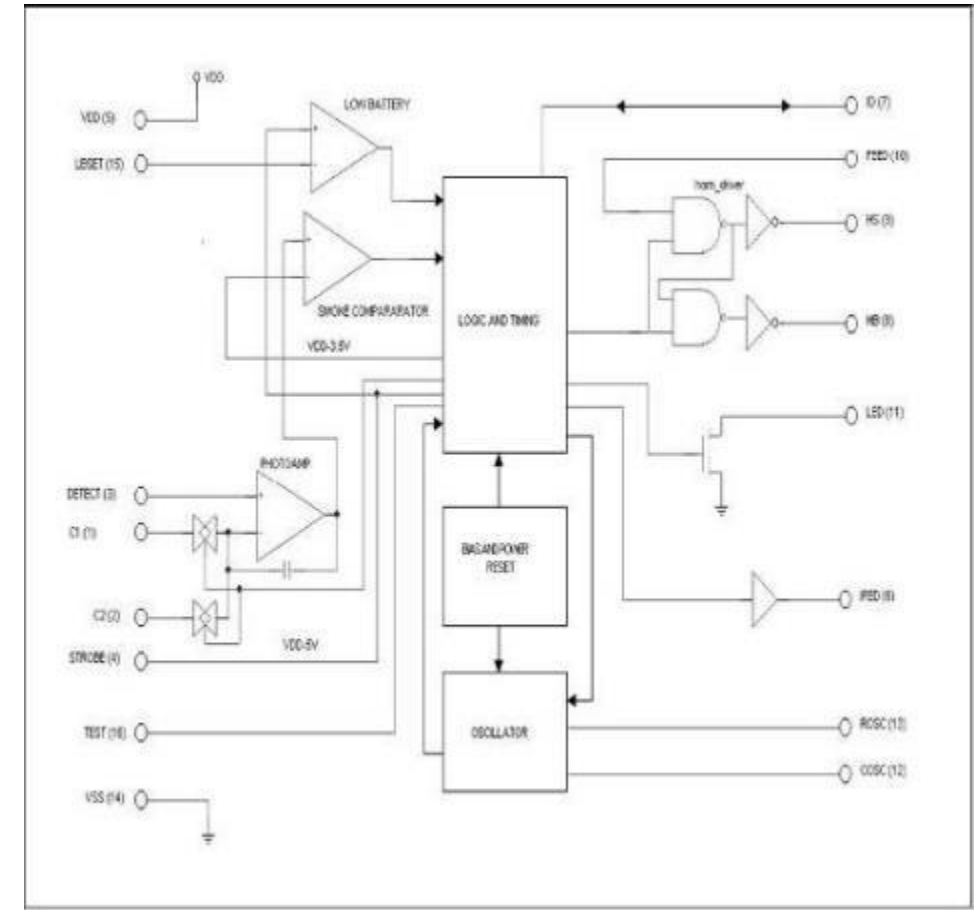
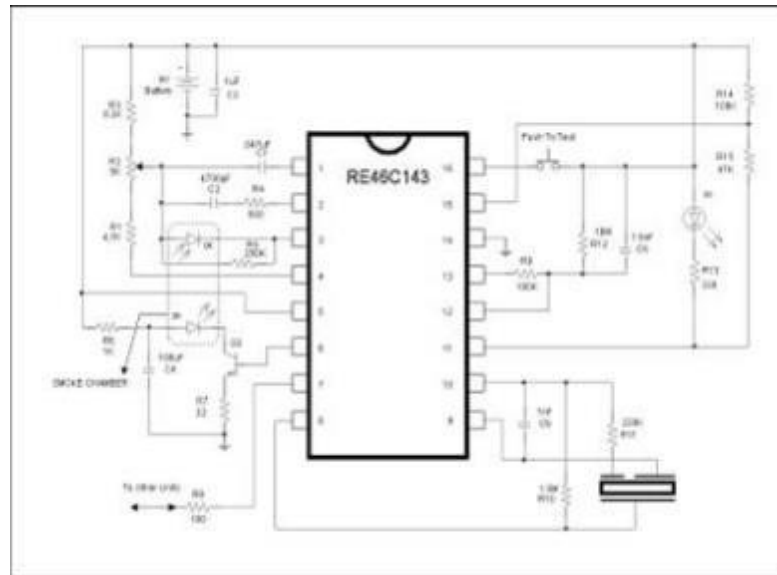


RE46C143

CMOS Photoelectric Smoke Detector ASIC with Interconnect

Features:

- Not for UL217 Ed.8 Smoke Detectors
- Internal Power On Reset
- Low Quiescent Current Consumption
- Available in 16-lead PDIP or SOIC
- ESD Protection on all Pins
- Interconnect up to 40 Detectors
- Continuous Horn Pattern
- Low Battery and Chamber Test

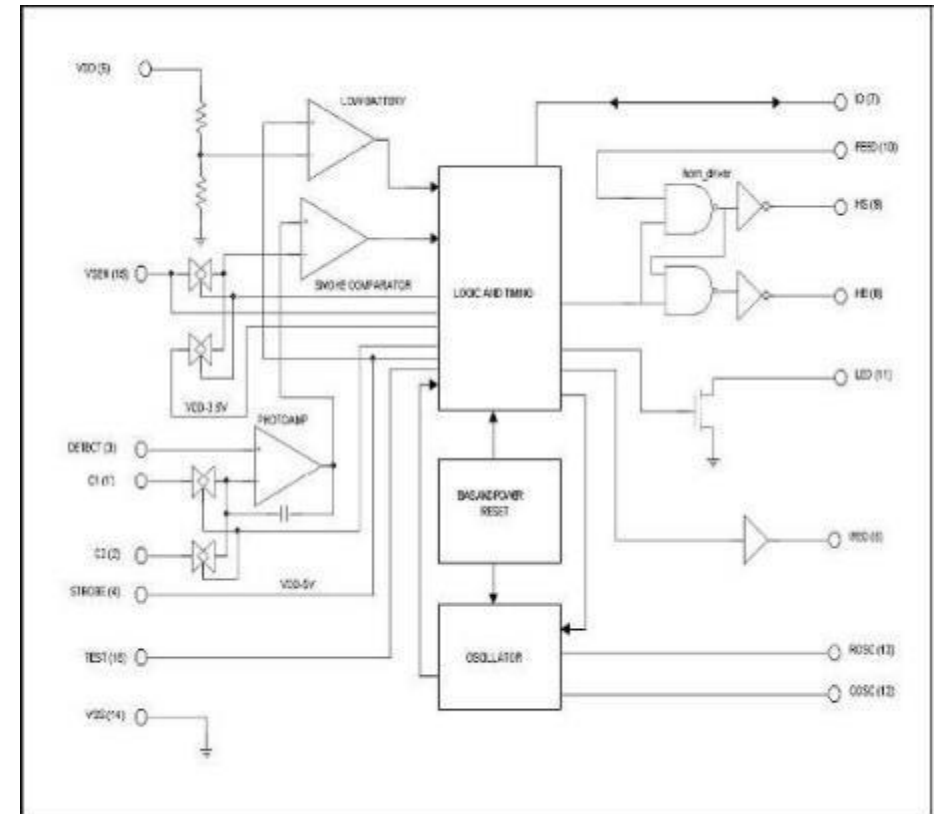
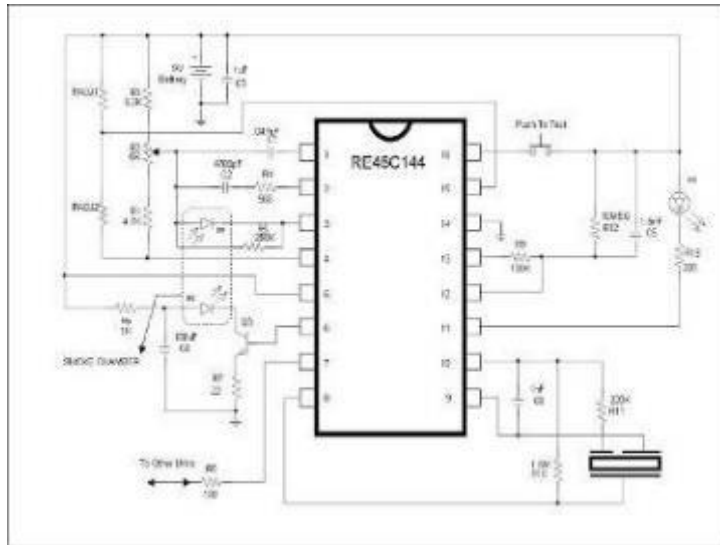


RE46C144

CMOS Photoelectric Smoke Detector ASIC with Interconnect and Timer Mode

Features:

- Not for UL217 Ed.8 Smoke Detectors
- Internal Power On Reset
- Low Quiescent Current Consumption
- Available in 16-lead PDIP or SOIC
- ESD Protection on all Pins
- Interconnect up to 40 Detectors
- 10 Minute Timer for Sensitivity Control
- Continuous Horn Pattern
- Internal Low Battery and Chamber Test

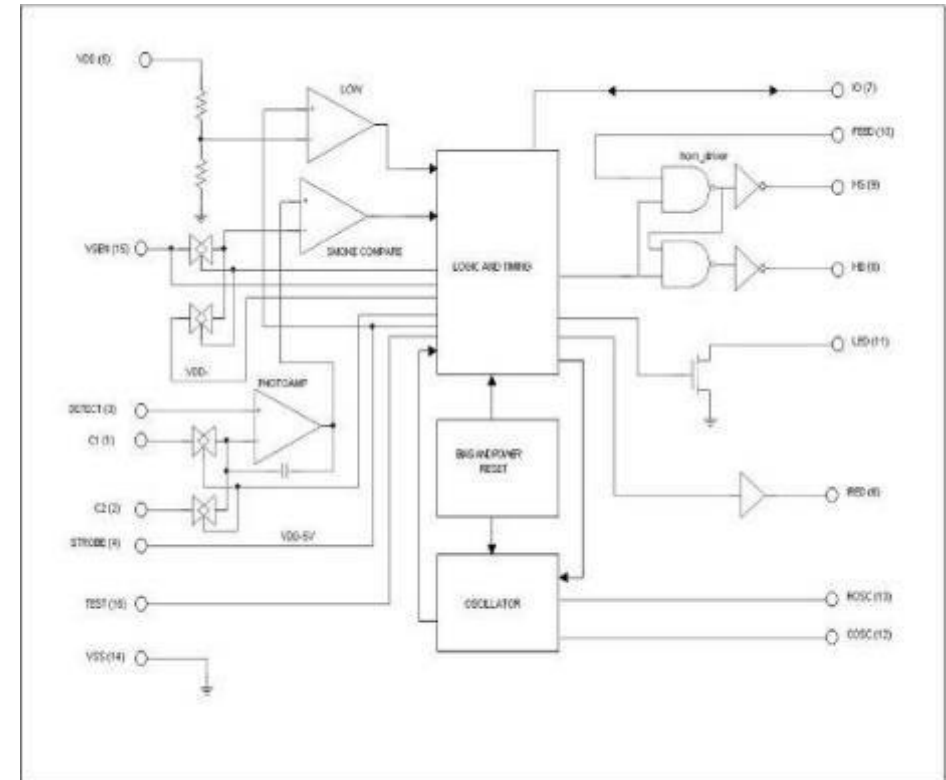
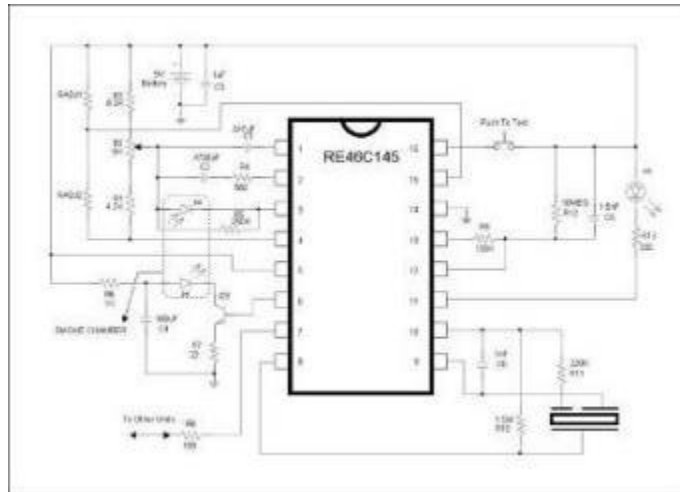


RE46C145

CMOS Photoelectric Smoke Detector ASIC with Interconnect and Timer Mode

Features:

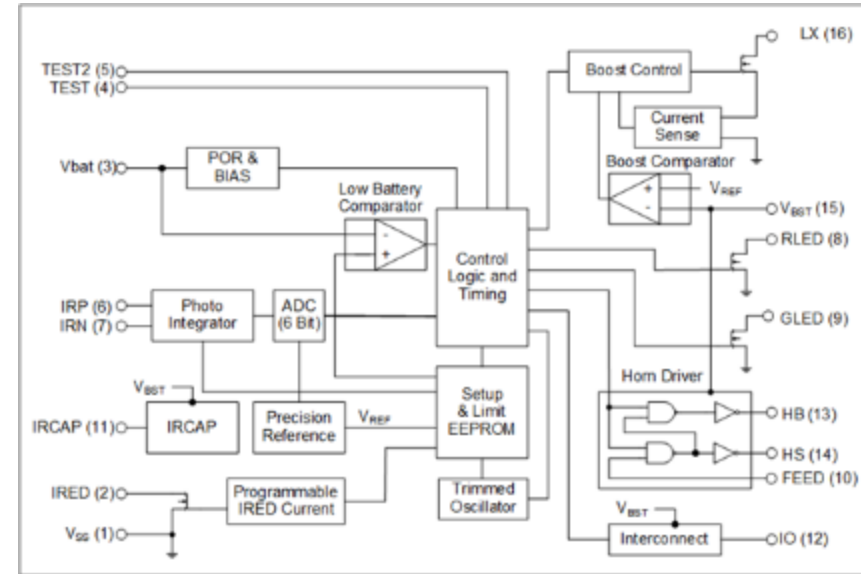
- Not for UL217 Ed.8 Smoke Detectors
- Internal Power On Reset
- Low Quiescent Current Consumption
- Available in 16-lead PDIP or SOIC
- ESD Protection on all Pins
- Interconnect up to 40 Detectors
- 10 Minute Timer for Sensitivity Control
- Temporal Horn Pattern
- Internal Low Battery and Chamber Test
- Alternate Diagnostic Mode



RE46C191

Features:

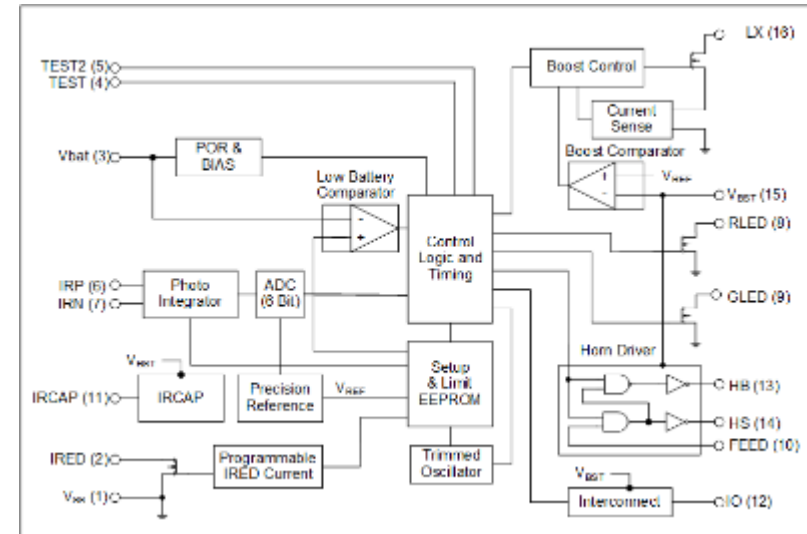
- Not for UL217 Ed.8 Smoke Detectors
- Two AA battery Operation
- Low Quiescent Current Consumption
- Programmable IRED Current
- Programmable Photo Amplifier
- 6-Bit ADC
- Programmable Smoke Alarm Levels
- Long Term Drift Adjustment
- 9 Minute Timer for Sensitivity Control
- Chamber Test with Programmable Alarm Level
- Low Battery Test with Programmable Threshold
- Interconnect up to 40 Detectors
- Local Alarm Memory
- Temporal or Continuous Horn Pattern
- 10 Year End of Life Indicator
- Pin-for-Pin Compatible with the RE46C190



RE46C194

Features:

- Not for UL217 Ed.8 Smoke Detectors
- Two AA battery Operation
- Low Quiescent Current Consumption
- Programmable IRED Current
- Programmable Photo Amplifier
- 6-Bit ADC
- Programmable Smoke Alarm Levels
- Long Term Drift Adjustment
- 9 Minute Smart Hush
- Hush with No Alarm
- Chamber Test with Programmable Alarm Level
- Low Battery Test with Programmable Threshold
- Interconnect up to 40 Detectors
- Local Alarm Memory
- Temporal or Continuous Horn Pattern
- CO Temporal Horn Pattern
- Pin-for-Pin Compatible with the RE46C190/1

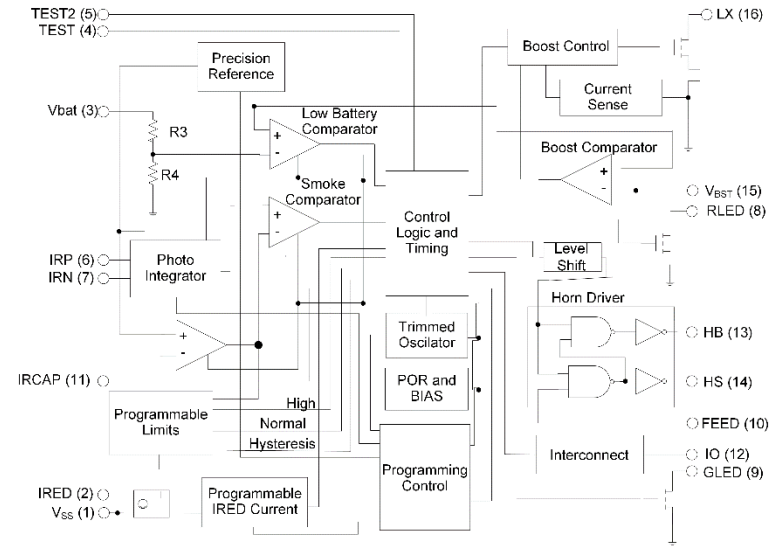


RE46C195

Low Voltage Photoelectric Smoke Detector ASIC with Interconnect and Hush

Features:

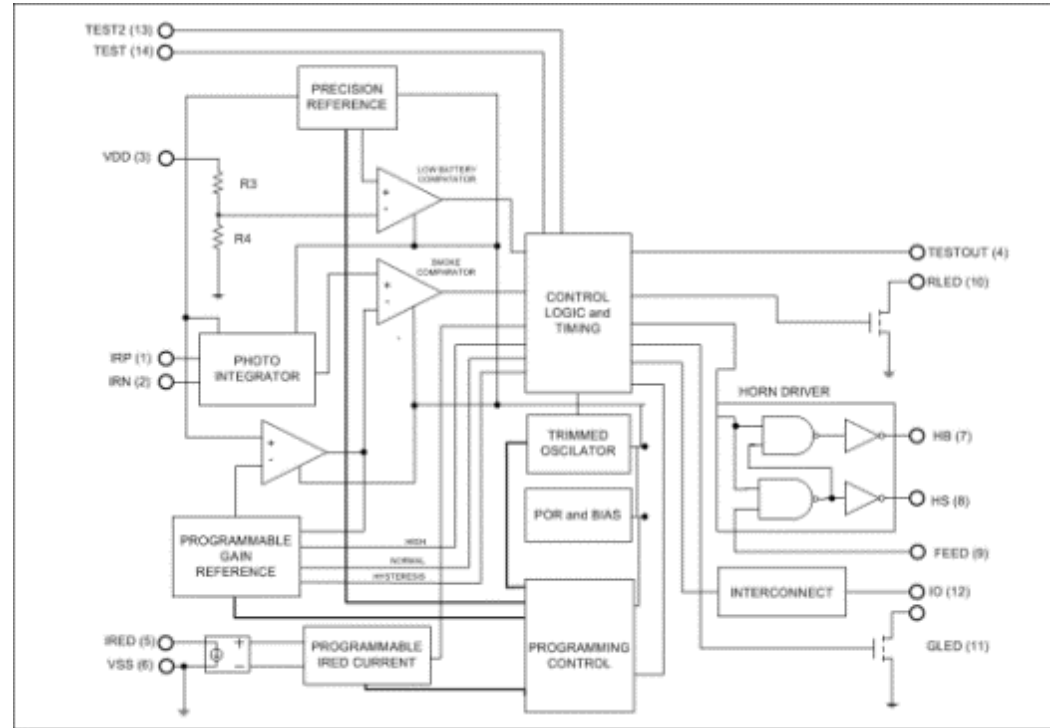
- Two AA Battery Operation
- Low Quiescent Current Consumption
- Local Alarm Memory
- Nine-Minute Timer for Sensitivity Control
- Interconnect up to 40 Detectors
- Temporal Horn Pattern
- Low Battery and Chamber Test
- All-Internal Oscillator
- Infrared Emitter Diode (IRED) Driver
- Adjustable IRED Drive Current
- Adjustable Hush Sensitivity
- Two percent Low Battery Set Point
- Pin-for-Pin Compatible with RE46C190/1



RE46C200

Features:

- 6.5 - 12V Operation
- Low Quiescent Current
- Programmable IRED Current
- Programmable Photo Amplifier
- Programmable Alarm Levels
- 6-Bit ADC
- Long Term Drift Adjustment
- Programmable Low Battery Test
- Programmable Low Battery Hush
- Programmable Horn Pattern
- Horn Synchronization
- Automatic Alarm Locate
- 10-year End-of-Life Indication
- Local Alarm Memory
- Smart IO for CO alarm option
- 9 Minute or 80 Second Hush Timer
- Smart HUSH option

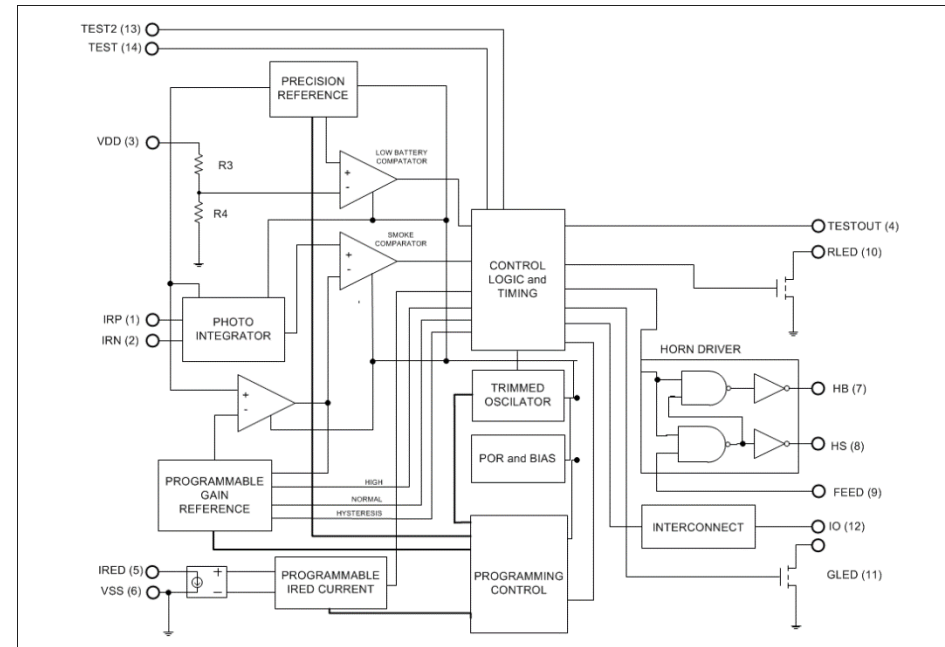


RE46C201

9V Programmable Photoelectric Smoke Detector ASIC

Features:

- 6.5V-12V Operation
- Low Quiescent Current
- Programmable IRED Current
- Programmable Low-Battery Test & Hush
- Programmable Alarm Levels
- Programmable Horn Pattern
- Horn Synchronization
- 10-year End-of-Life Indication
- IO Filter and Charge Dump
- Smart IO for CO alarm Option
- Smart Hush® Option
- Automatic Alarm Locate for Interconnected Units
- Local Alarm Memory

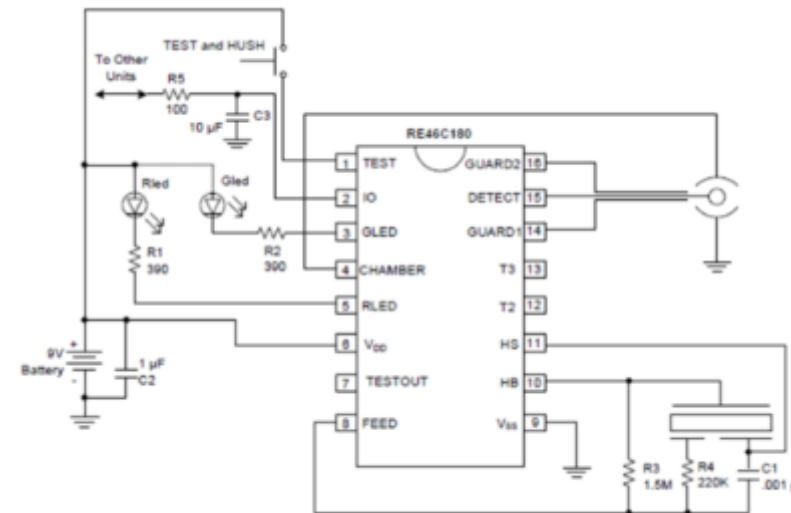


RE46C180

CMOS Programmable Ionization Smoke Detector ASIC with Interconnect, Timer Mode and Alarm Memory

Features:

- Not for UL217 Ed.8 Smoke Detectors
- 6 – 12V Operation
- Low Quiescent Current Consumption
- Programmable Standby and HUSH Sensitivity
- Programmable Hysteresis
- Programmable Chamber Voltage for Push-to-Test (PTT) and Chamber Test
- Programmable ± 150 mV Low Battery Set Point
- Internal Ionization Chamber Test
- Internal Low Battery Test
- Internal Power-On Reset and Power-up Low
- Alarm Memory, Auto Alarm Locate
- Horn Synchronization
- IO Filter and Charge Dump
- Smart Interconnect, up to 40 Detectors
- $\pm 5\%$ All Internal Oscillator
- 9 Minute or 80 Second Timer
- Temporal or Continuous Horn Pattern
- Guard Outputs for Ion Detector Input
- ± 0.75 pA Detect Input Current
- 10-year End-of-Life Indication

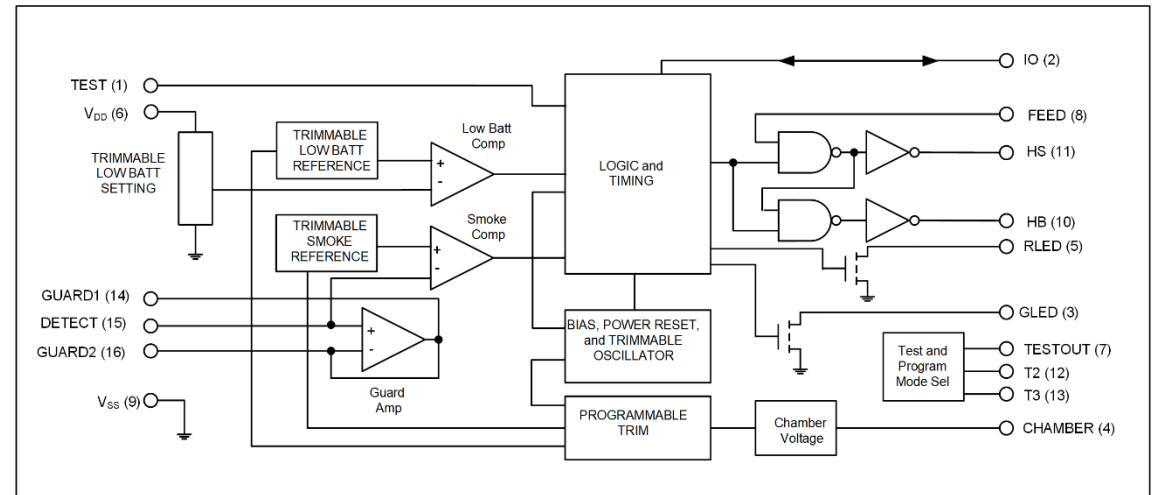


RE46C181

Programmable Ionization Smoke Detector ASIC with Interconnect and Hush

Features:

- 6.5-12V Operation
- Low Quiescent Current
- $\pm 0.75\text{pA}$ Detect Input Current
- Programmable Alarm Levels
- Programmable Chamber Voltage for Chamber Test
- Programmable Chamber Monitor
- Programmable Low-Battery Test & Hush
- Temporal Horn Pattern
- 10-year End-of-Life Indication
- Local Alarm Memory
- IO Filter and Charge Dump
- 9-Minute Hush Timer
- Smart Hush® Option

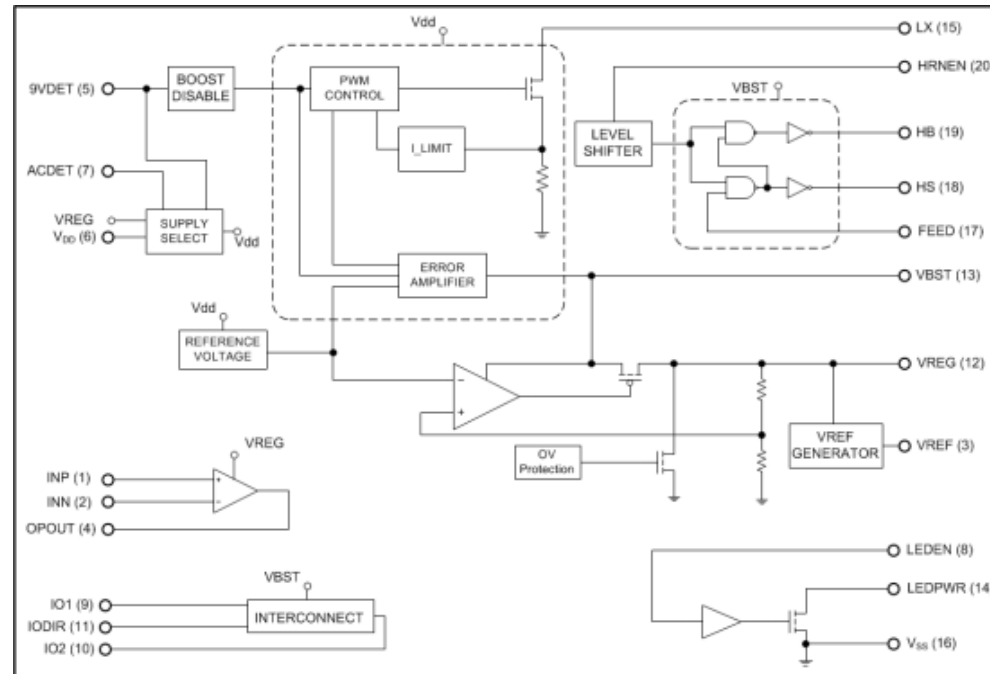


RE46C800

Carbon Monoxide Detector Companion IC

Features:

- Low Quiescent Current
- Operation from 2V to 12V
- 9.8V Boost Regulator
- Horn Driver
- LED Driver
- Bidirectional Interconnect
- 3.3V Regulator
- Internal Operation Amplifiers
 - $\pm 1\text{mV}$ Input Offset
 - Rail to Rail Input and Output
 - 10kHz Gain Bandwidth Product
 - Unity Gain Stable
- Package: 20-lead SSOP



RE46C120/1/2/6/7/9

CMOS Ionization Smoke Detector ASIC with Interconnect

Features:

- Not for UL217 Ed.8 Smoke Detectors
- Guard Outputs for Ion Detector Input
- $\pm 0.75\mu\text{A}$ Detect Input Current
- Internal Reverse Battery Protection
- Internal Low Battery Detection
- Low Quiescent Current Consumption ($<6.5\mu\text{A}$)
- Available in 16-lead PDIP
- ESD Protection on all Pins
- Internal Low Battery Detection
- Interconnect up to 40 Detectors
- Timer for Sensitivity Control
- ESD Protection on all Pins

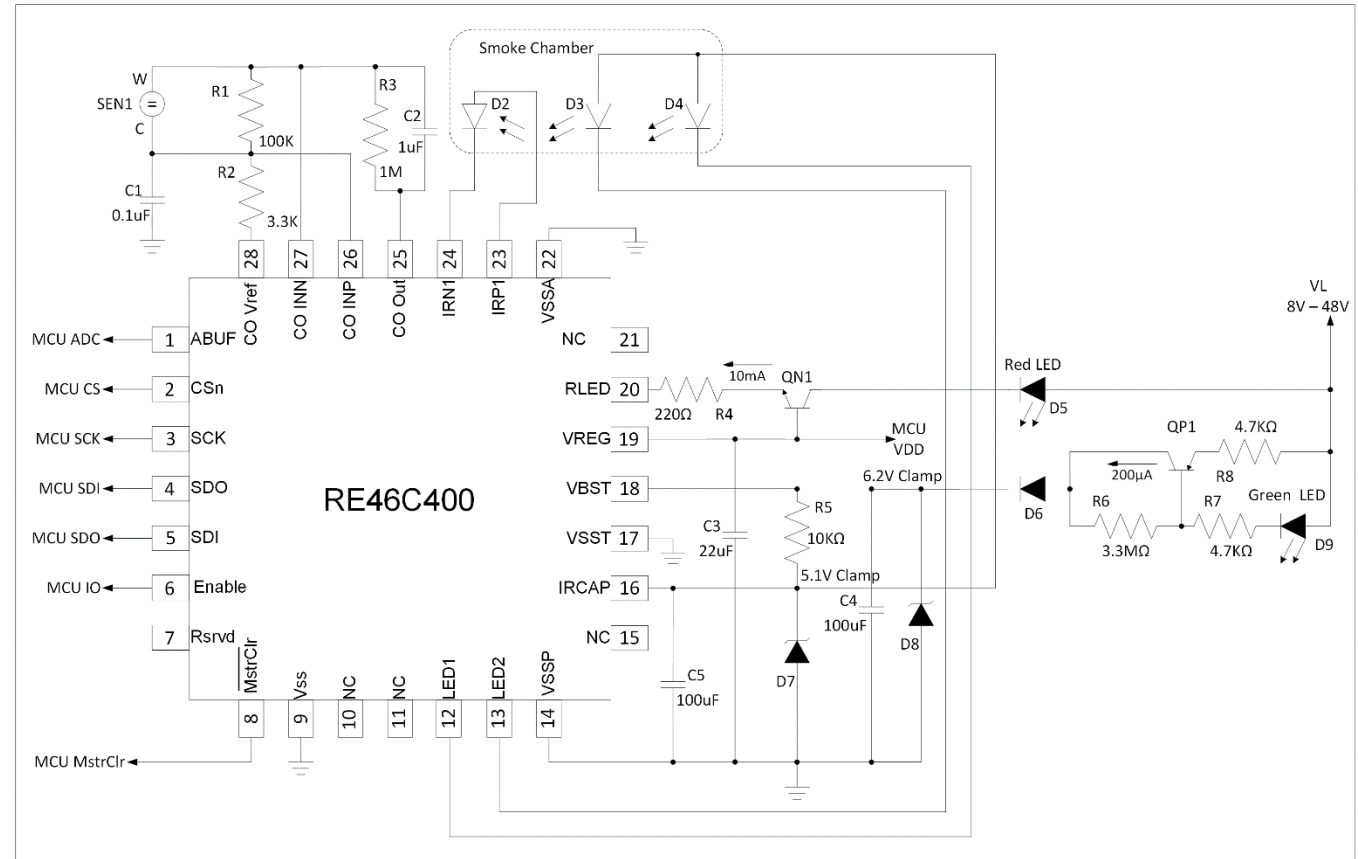
Part #	RE46C120	RE46C121	RE46C122	RE46C126	RE46C127	RE46C128	RE46C129
Pin 1	DetComp	DetComp	TSTART	DetComp	TSTART	NC	NC
Pin 2	NC	IO	IO	IO	IO	IO	IO
Pin 3	LBADJ	LBADJ	LBADJ	LBADJ	LBADJ	LBADJ	LBADJ
Pin 4	Tone	LB Strobe	TSTROBE	LB Strobe	TSTROBE	NC	NC
Pin 5	RLED	RLED	RLED	RLED	RLED	RLED	RLED
Pin 6	VDD	VDD	VDD	VDD	VDD	VDD	VDD
Pin 7	Rbias	Rbias	Rbias	Rbias	Rbias	Rbias	Rbias
Pin 8	FEED	FEED	FEED	FEED	FEED	FEED	FEED
Pin 9	VSS	VSS	VSS	VSS	VSS	VSS	VSS
Pin 10	HornB	HornB	HornB	HornB	HornB	HornB	HornB
Pin 11	HornS	HornS	HornS	HornS	HornS	HornS	HornS
Pin 12	OSCAP	OSCAP	OSCAP	OSCAP	OSCAP	OSCAP	OSCAP
Pin 13	VSEN	VSEN	VSEN	VSEN	VSEN	VSEN	VSEN
Pin 14	Guard1	Guard1	Guard1	Guard1	Guard1	Guard1	Guard1
Pin 15	Detect	Detect	Detect	Detect	Detect	Detect	Detect
Pin 16	Guard2	Guard2	Guard2	Guard2	Guard2	Guard2	Guard2



RE46C400

Features:

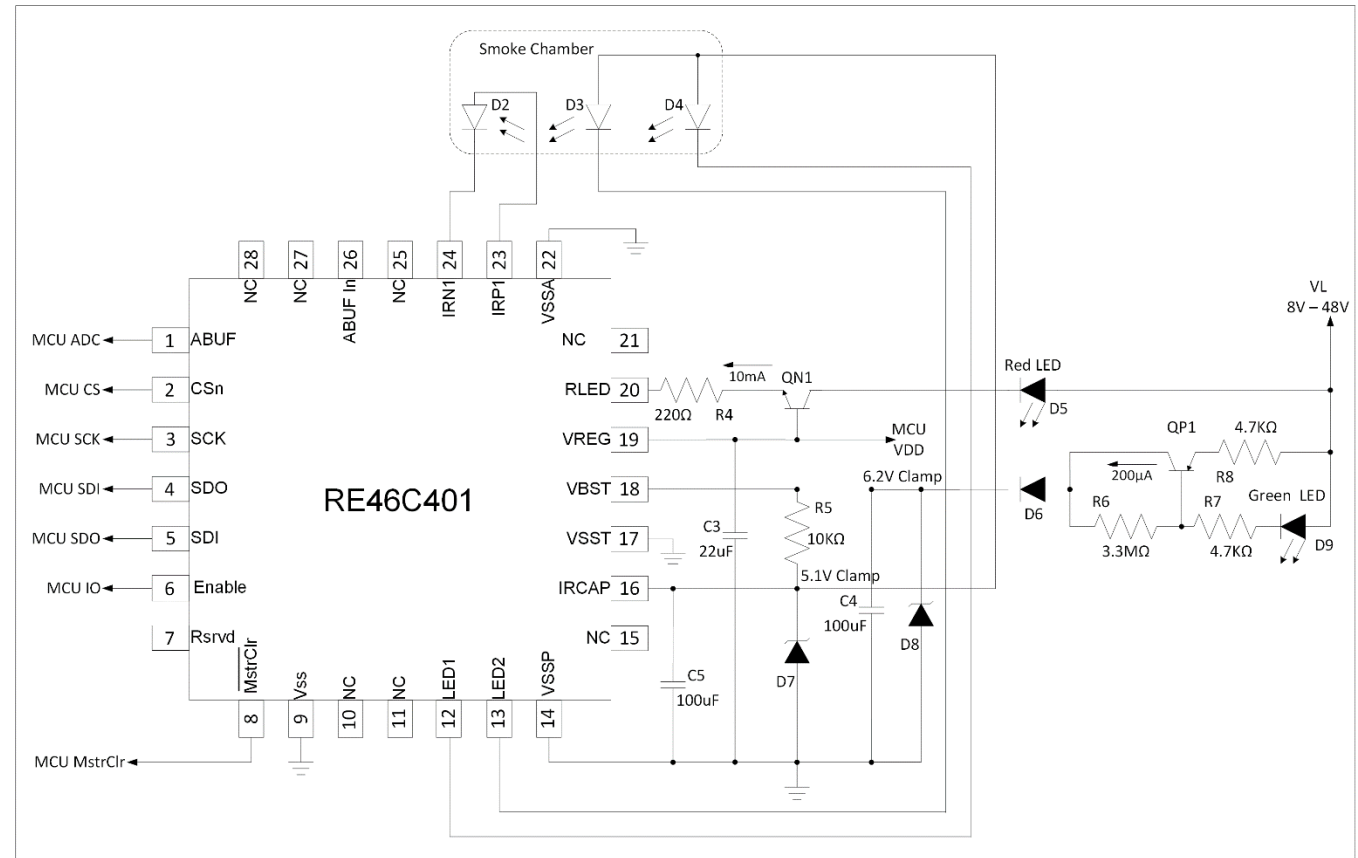
- Low Quiescent Current
- 3.3V Regulator
- Dual Independently Controlled LED Drivers with Programmable Current up to 200mA
- Single Programmable Gain Integrating Op Amp with Effective Transimpedance > 20 M Ω at 100us
- Internal Op Amp for use with CO or Toxic Gas Sensor
 - Rail-to-rail Inputs and Output
 - Unity Gain Stable
 - 10 kHz Gain Bandwidth Product
- Buffered Internal CO reference
- Voltage Monitoring Circuit (ABUF)
- Watchdog Timer
- SPI Controlled
- Powered from a current source



RE46C401

Features:

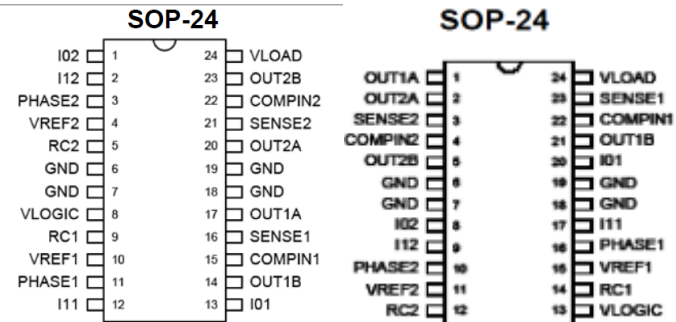
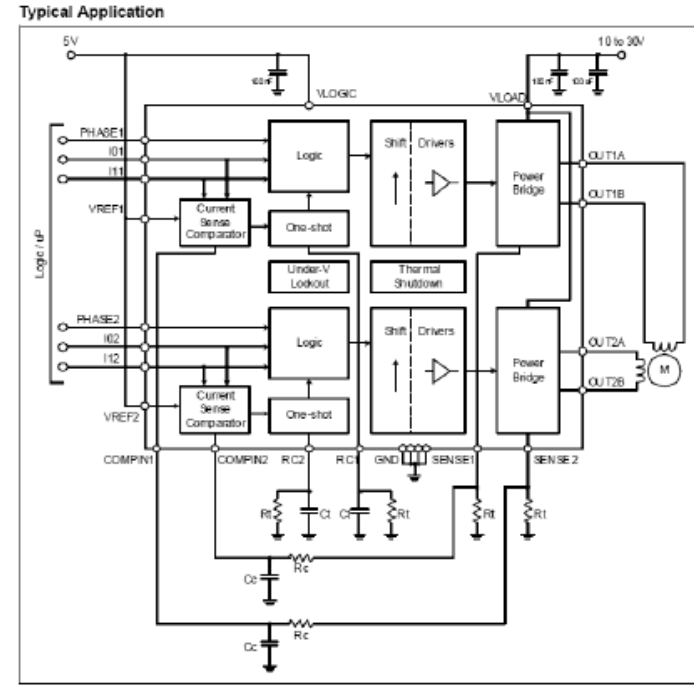
- Low Quiescent Current
- 3.3V Regulator
- Dual Independently Controlled LED Drivers with Programmable Current up to 200mA
- Single Programmable Gain Integrating Op Amp with Effective Transimpedance $> 20 \text{ M}\Omega$ at 100us
- Voltage Monitoring Circuit (ABUF)
- Watchdog Timer
- SPI Controlled
- Powered from a current source



Dual Full-Bridge Motor Driver

Features:

- Able to drive both windings of a bipolar stepper – motor
- Load voltage supply range: 10V to 40V
- Output current upto 750mA (each bridge)
- Internal fixed Toff time PWM current control
- Built-in protection diodes
- Internal thermal shutdown
- Under-voltage lockout
- LS-TTL compatible logic inputs with pull up – resistors
- Low Ron output resistance
- Low quiescent current

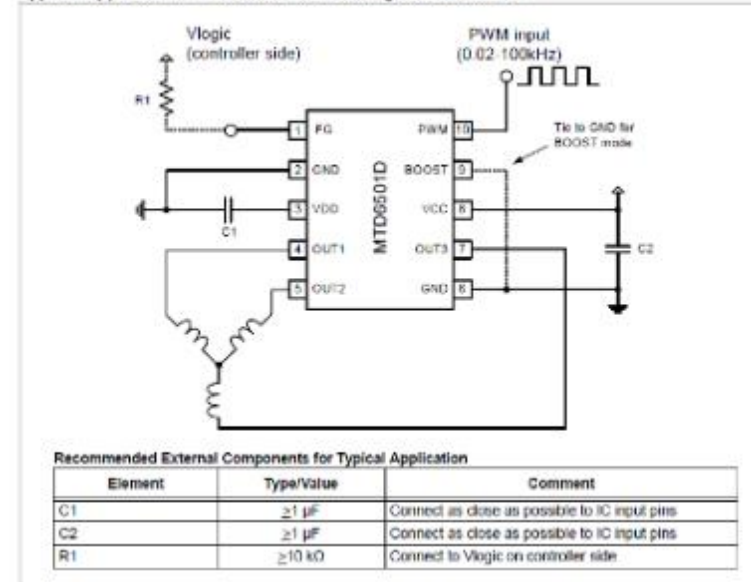


3-Phase Brushless DC Sinusoidal Sensorless Fan Motor Driver

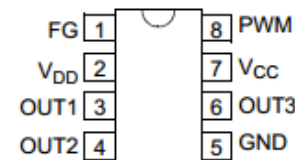
Features:

- Position sensorless BLDC drivers (no Hall – sensor required)
- 180° sinusoidal drive, for high efficiency and – low acoustic noise
- Support 2V to 14V power supplies
- Speed control through PAM and/or PWM
- Built-in frequency generator
- Built-in lockup protection and automatic – recovery circuit (external capacitor not – necessary)
- Built-in over current limitation and short circuit – protection
- Built-in thermal shutdown protection
- No external tuning required
- Boost Mode (Optional BEMF Pre-Amplification – in MTD6501D)
- 20 kHz (MTD6501C/D), 23 kHz (MTD6501G)

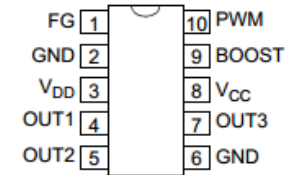
Typical Application – Fan Motor Driver Using the MTD6501D



MTD6501C, MTD6501G
SOP-8



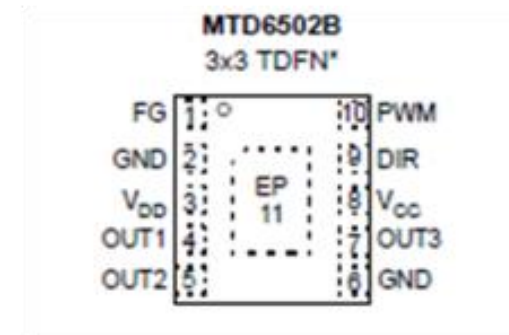
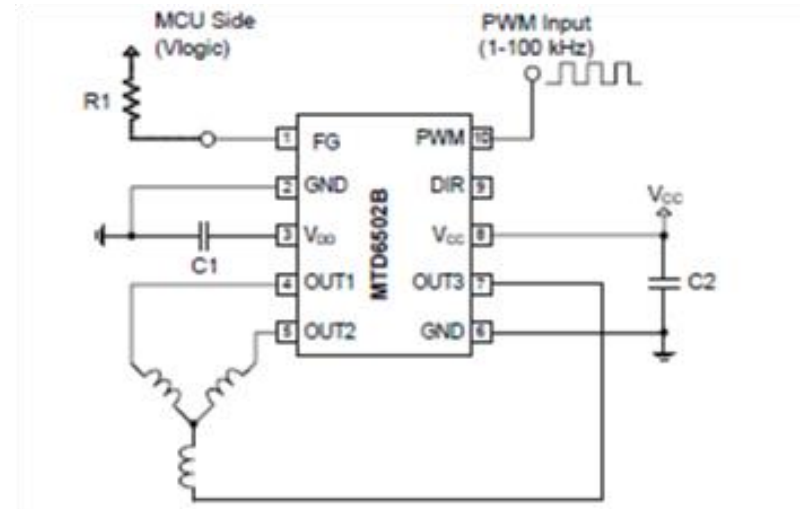
MTD6501D
MSOP



5V 3-Phase BLDC Sinusoidal Sensorless Fan Motor Driver

Features:

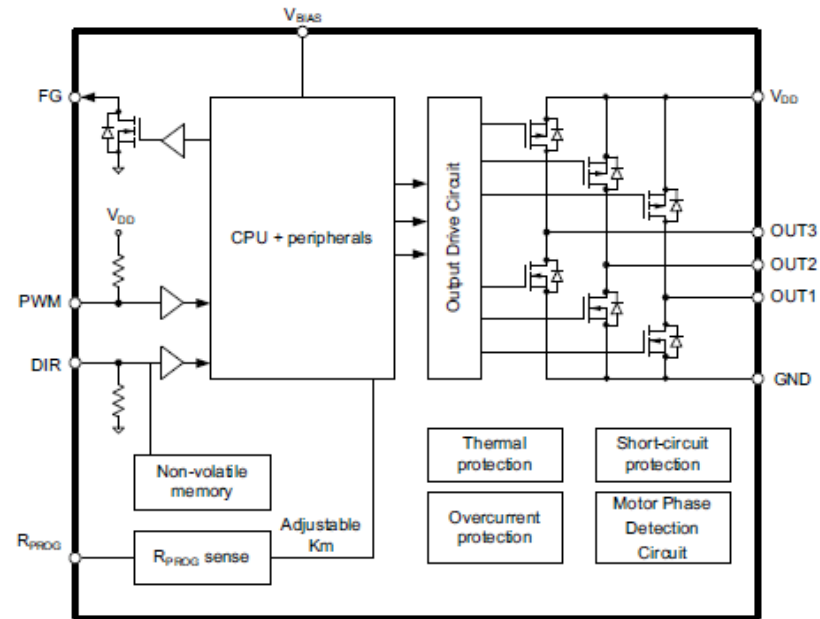
- Position Sensorless BLDC Drivers (No Hall –
- Sensor Required)
- 180° Sinusoidal Drive for High Efficiency and –
- Low Acoustic Noise
- Support 2V to 5.5V Power Supplies
- Direction Control:
 - Forward direction: connect DIR pin to GND -
- or leave floating
 - Reverse direction: connect DIR pin to V_{DD}
- Speed Control through Power Supply Modulation –
- (PSM) and/or Pulse-Width Modulation (PWM)
- Built-in Frequency Generator (FG Output Signal)
- Built-in Lock-up Protection and Automatic
- Recovery Circuit (External Capacitor not –
- Necessary)
- Built-in Over Current Limitation
- Built-in Thermal Shutdown Protection
- No External Tuning Required
- 10-lead 3x3 TDFN
- Extended Temperature Range: -40°C to +125°C



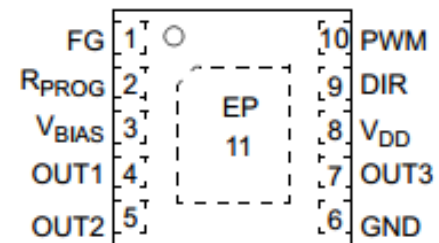
3-Phase Sinusoidal Sensorless Brushless Motor Driver

Features:

- 180° Sinusoidal Drive
 - High efficiency low acoustic noise
- Position Sensorless BLDC Drivers
- Integrated Power Transistors
- Supports 2V to 5.5V Power Supplies
- Programming Resistor (RPROG) setting
- Direction Control:
- Speed Control through Power Supply –
 - Modulation (PSM) and/or Pulse-Width –
 - Modulation (PWM)
- Built-in Frequency Generator (FG Output Signal)
- Built-in Lockup Protection and Automatic –
 - Recovery Circuit
- Built-in Overcurrent Limitation
- Built-in Thermal Shutdown Protection
- Built-in Over Voltage Protection
- No External Tuning Required
- Extended Temperature Range: -40°C to +125°C
- 10-Lead 3mm x 3mm UDFN



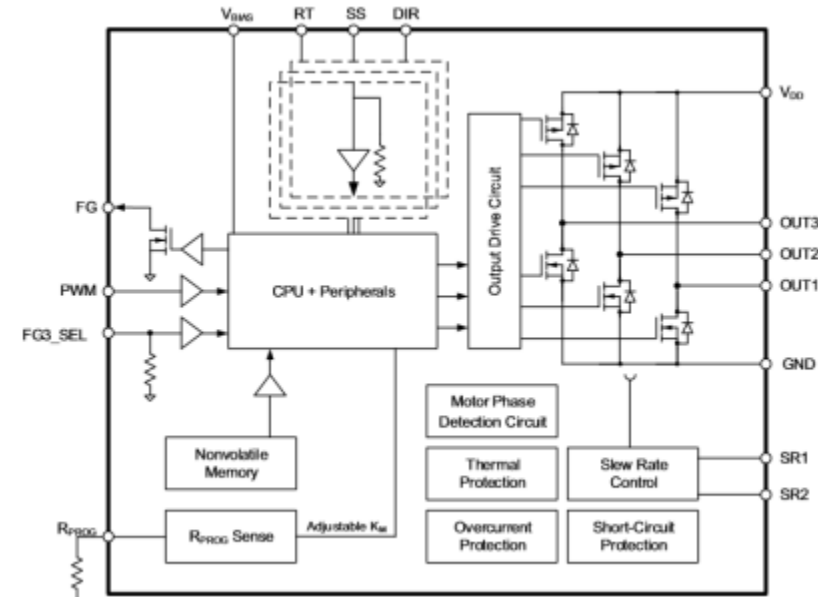
MTD6505
3x3 UDFN*



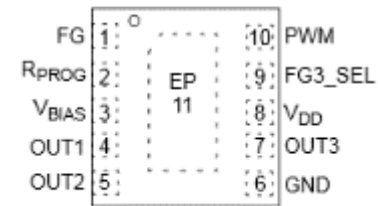
3-Phase Sinusoidal Sensorless Brushless DC Fan Motor Driver

Features:

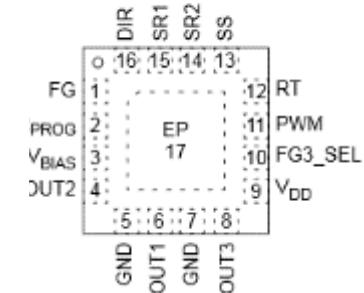
- Start-up output current controlled by PWM
- Output PWM Slew Rate Control (Adj. Ver)
- Phase Target Selection for Regulation (Adj. Ver)
- Start-up Strength Selection (Adj. Ver)
- 180° Sinusoidal Drive:
 - High efficiency and low acoustic noise
- Position Sensorless BLDC Drivers:
 - No Hall-effect sensor required
- Integrated Power Transistors
- 2V to 5.5V Operating Voltage
- Programming Resistor (RPROG) setting
- Direction Control
- Speed Control through Power Supply –
 - Modulation (PSM) and/or Pulse-Width –
 - Modulation (PWM)
- Frequency Generator (FG Output Signal)
- Lockup Protection and Automatic Recovery Circuit
- Overcurrent Limitation
- Thermal Shutdown Protection



MTD6508
3x3 UDFN-10*



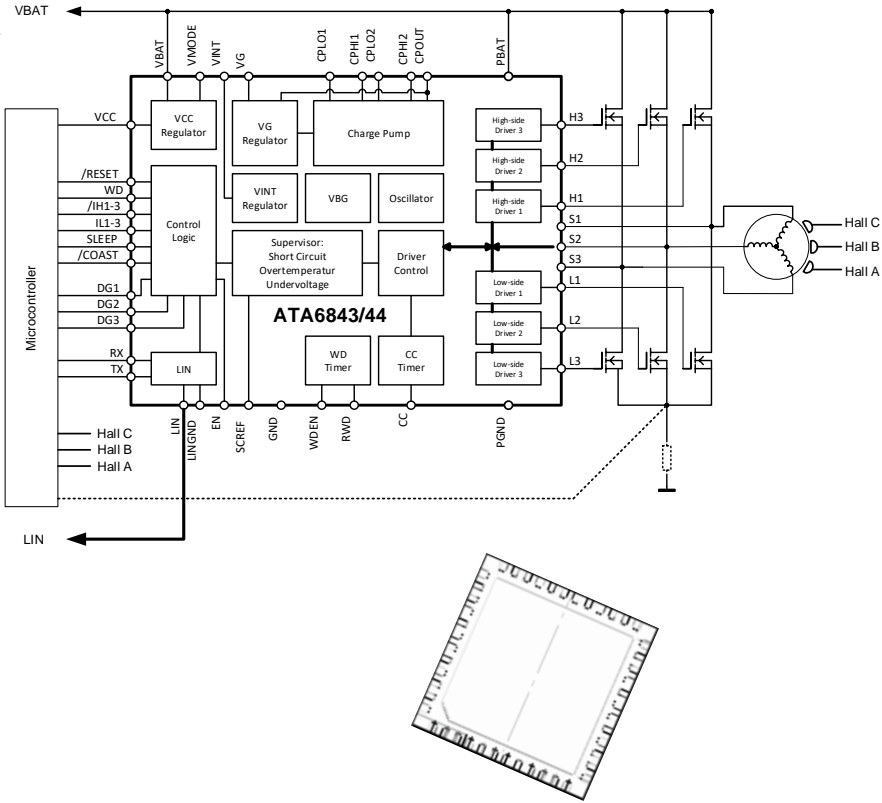
MTD6508
4x4 UQFN-16*

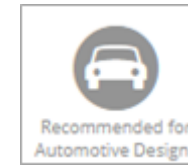


3-Phase Brushless DC (BLDC) Motor Gate Driver System Basis Chip

Features:

- Driving of 6 external NMOS transistors with maximum 50kHz switching frequency
- Broad operation voltage range from 5.25V to 32V
- Integrated charge pump to provide gate voltages for MOSFET gate drive a D-gate of the external battery reverse protection MOSFET
- Build-in 5V / 3.3V LDO with current limitation
- Sleep mode with supply current <45µA
- Wake-up via LIN or positive high voltage input signal
- Programmable window watch dog
- Battery over and under voltage protection
- Overtemperature warning and protection (shutdown)
- Jump start compatible
- LIN transceiver conformal to LIN 2.1 and SAEJ2602-2
 - Without timeout function
- ATA6844 extended temperature range $T_j=200^{\circ}\text{C}$
- QFN48 7x7mm package



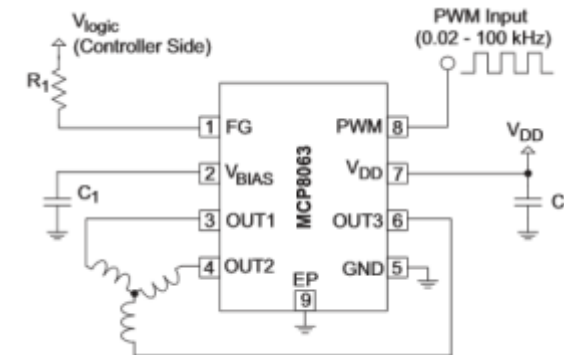
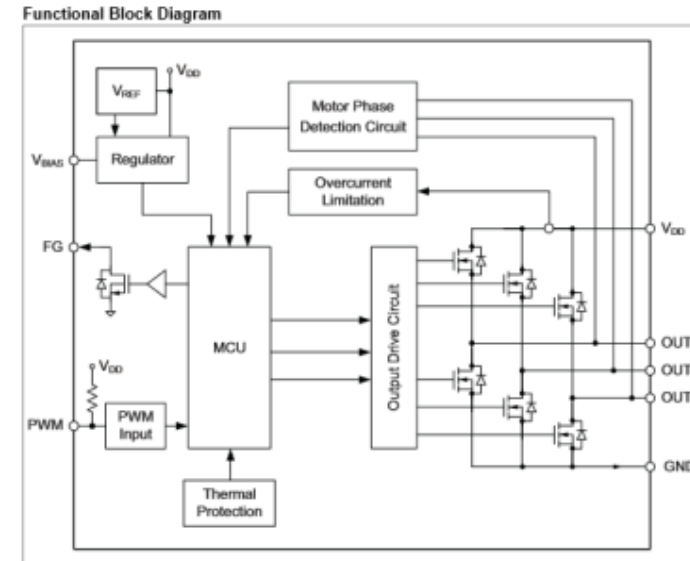


Online
Datasheet

3-Phase Brushless Sinusoidal Sensorless Motor Driver

Features:

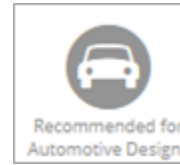
- Automotive AEC-Q100 Qualified
- Position Sensorless BLDC Drivers
 - No Hall Sensor Required
- 23 kHz PWM Output Frequency
- 180° Sinusoidal Drive
 - High Efficiency And Low Acoustic Noise
- Support 2V to 14V Power Supplies
- Speed Control Through Power Supply and/or –
– PWM
- Built-in 1.5A Over Current Limitation
- Built-in Frequency Generator (FG Output Signal)
- Built-in Lock-up Protection and Automatic –
– Recovery Circuit
- Built-in Thermal Shutdown Protection
- No External Tuning Required
- 8-lead 4x4 DFN
- Recommended for Automotive Design
- Extended Temperature Range:
 - -40 to +125°C



<< BACK



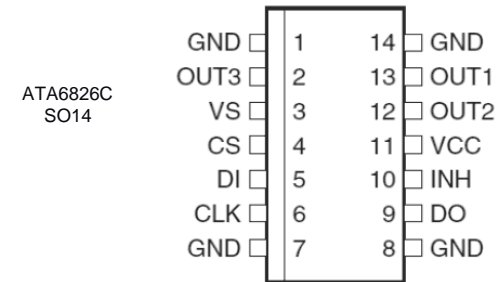
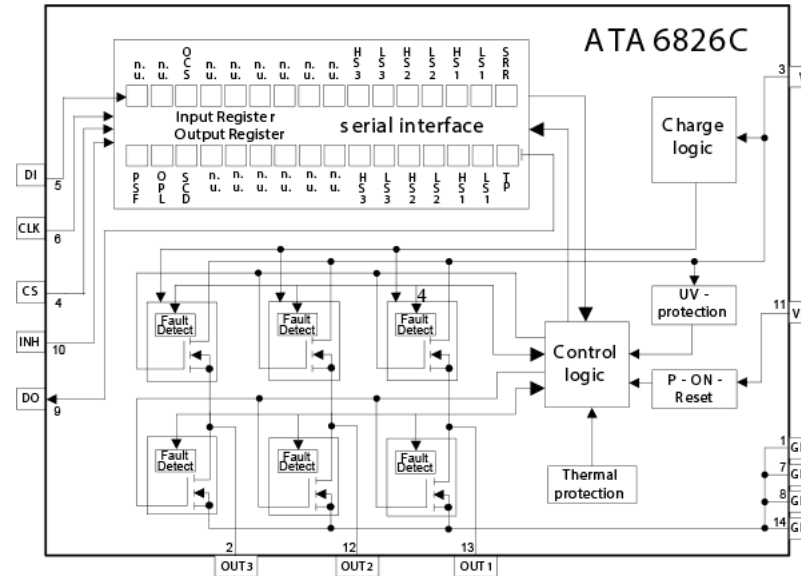
Triple Half-bridge DMOS Output Driver with Serial Input Control



Online
Datasheet

Features:

- Three half-bridge outputs
- Typical loads DC motors, relays, ...
- Supply voltage up to 40V
- $R_{DS(on)}$ typically 0.8Ω , Max 1.5Ω at 150°C
- Up to 1.0A output current
- No shoot-through current
- Quiescent current $I_S < 2\mu\text{A}$
- Outputs short-circuit protected
- Over-temperature protection and pre-warning –
- for each switch
- Undervoltage protection
- Diagnostic: Short circuit, open-load, over-
- temperature and power-supply fail detection
- SPI, daisy chain capable, up to 2MHz clock –
- frequency
- SO14 package
- Recommended for Automotive Design



<< BACK



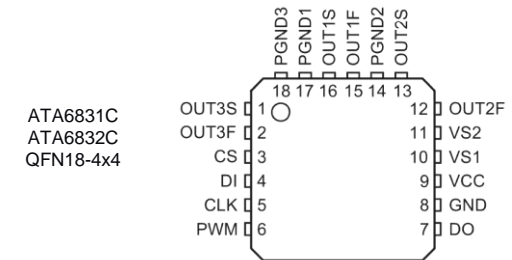
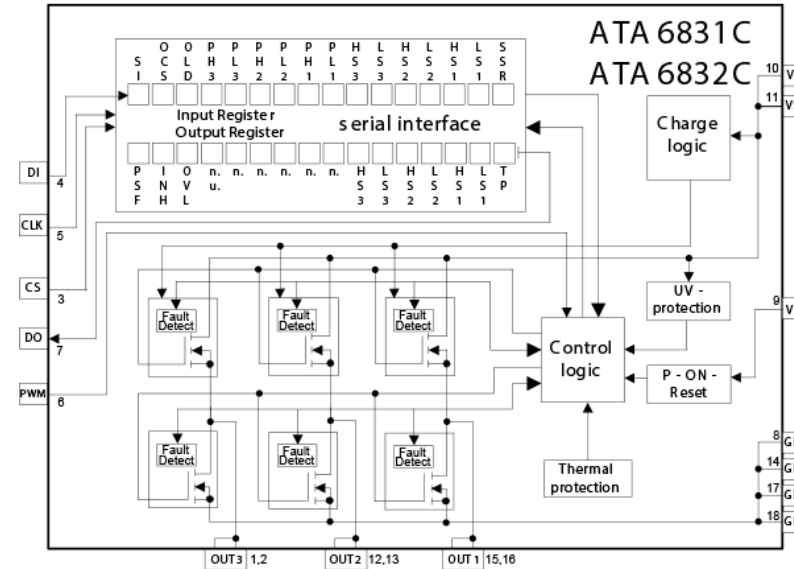
Triple Half-bridge Driver with SPI and PWM



Online
Datasheet

Features:

- Three half-bridge outputs
- Typical loads DC motors, Relays, ...
- PWM capability up to 25kHz
- Supply voltage up to 40V
- RDSon typically 0.8Ω, Max 1.5Ω at 150°C
- ATA6832C: High temperature, max Tj 200°C, -
- RDSon Max 1.8Ω at 200°C
- Up to 1.0A output current
- No shoot-through current
- Quiescent current IS < 2μA
- Outputs short-circuit protected
- Over-temperature protection and pre-warning –
- for each switch
- Under-voltage protection
- Diagnostic: Short circuit, open-Load, over-
- temperature and power-supply fail detection
- SPI, daisy chain capable, up to 2MHz clock –
- frequency
- QFN18 package
- Recommended for Automotive Design



<< BACK



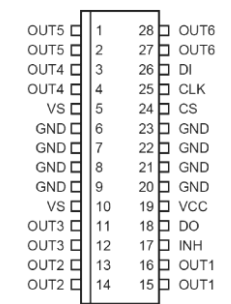
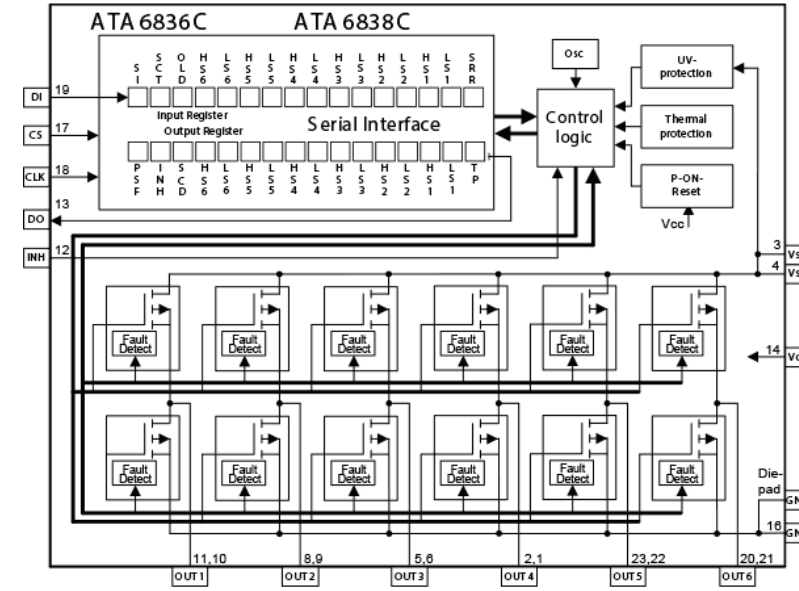


Online Datasheet

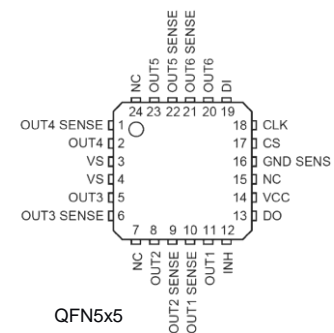
Hex Half-bridge Driver with Serial Input Control

Features:

- Six half-bridge outputs
- Typical loads DC motors, relays, ...
- Supply voltage up to 40V
- R_{DSon} typically 1.0Ω , Max 1.8Ω at 150°C
- Up to 650mA output current each
- ATA6838C: Up to 950mA output current each
- No shoot-through current
- Quiescent current $I_S < 2\mu\text{A}$
- Outputs short-circuit protected
- Over-temperature protection and pre-warning – for each switch
- Under-voltage protection
- Diagnostic: Short circuit, open-load, over – temperature and power-supply fail detection
- SPI, daisy chain capable, up to 2MHz clock – frequency
- SO28 or QFN24 power package
- Recommended for Automotive Design



SO28

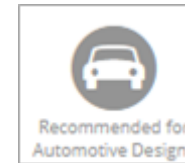


QFN5x5

<< BACK



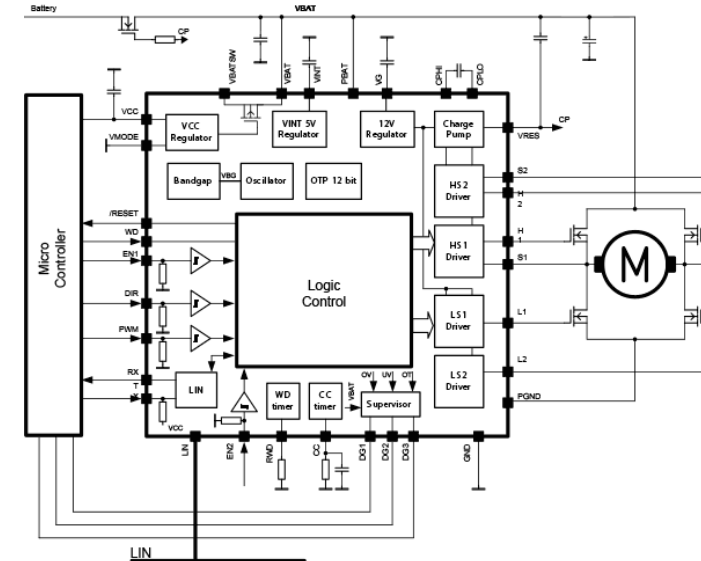
H-bridge Motor Driver



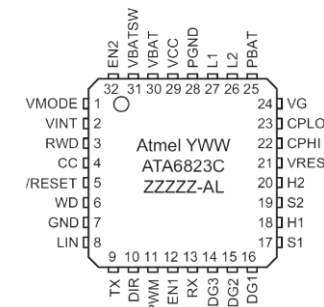
Online
Datasheet

Features:

- H-bridge motor driver SBC
- PWM and direction control
- Motor operation 7V – 21V
- Integrated charge pump:
 - for driving 4 external NMOS transistors
 - for driving reverse protection NMOS transistor
- 5V / 3.3V LDO with current limitation
- Sleep mode current < 45µA
- Wake up via LIN or ignition key (KL15)
- Programmable window watchdog
- Battery over- and under-voltage detection / -
- protection
- Over-temperature warning / protection
- LIN2.1 compliant
- QFN32 package
- Recommended for Automotive Design



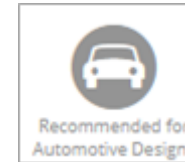
ATA6823C
QFN32-7x7



<< BACK



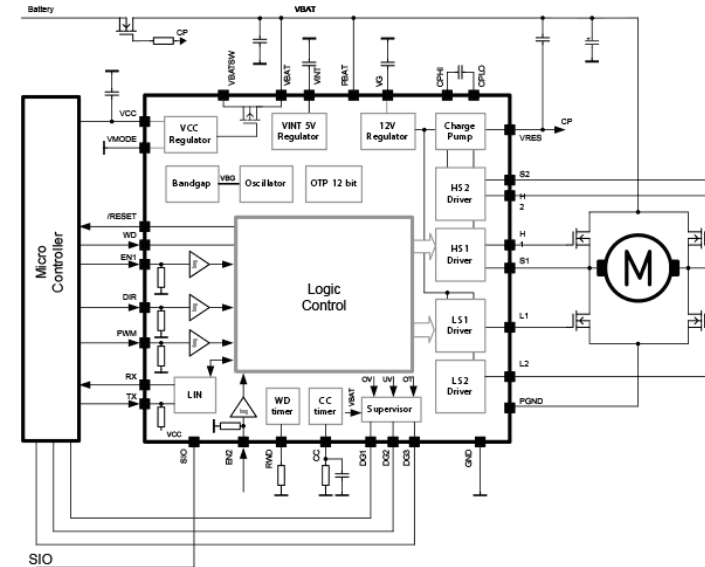
High Temperature H-bridge Motor Driver



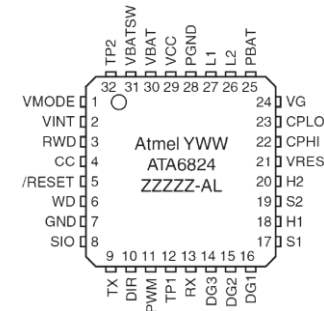
Online
Datasheet

Features:

- H-bridge motor driver SBC
- High temperature max. $T_j = 200^{\circ}\text{C}$
- PWM and direction control
- Motor operation 7V – 21V
- Integrated charge pump:
 - for driving 4 external NMOS transistors
 - for driving reverse protection NMOS transistor
- 5V / 3.3V LDO with current limitation
- Programmable window watchdog
- Battery over- and under-voltage detection / - protection
- Over-temperature warning / protection
- High voltage serial interface (SIO)
- QFN32 package
- Recommended for Automotive Design



ATA6824C
TQFP32-7x7



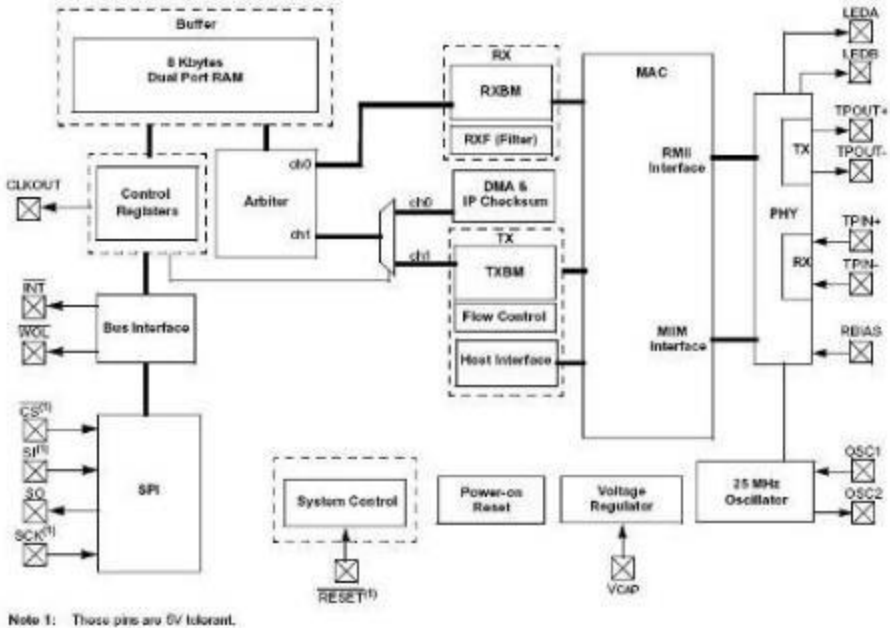
<< BACK



Stand-Alone Ethernet Controller with SPI Interface

Features:

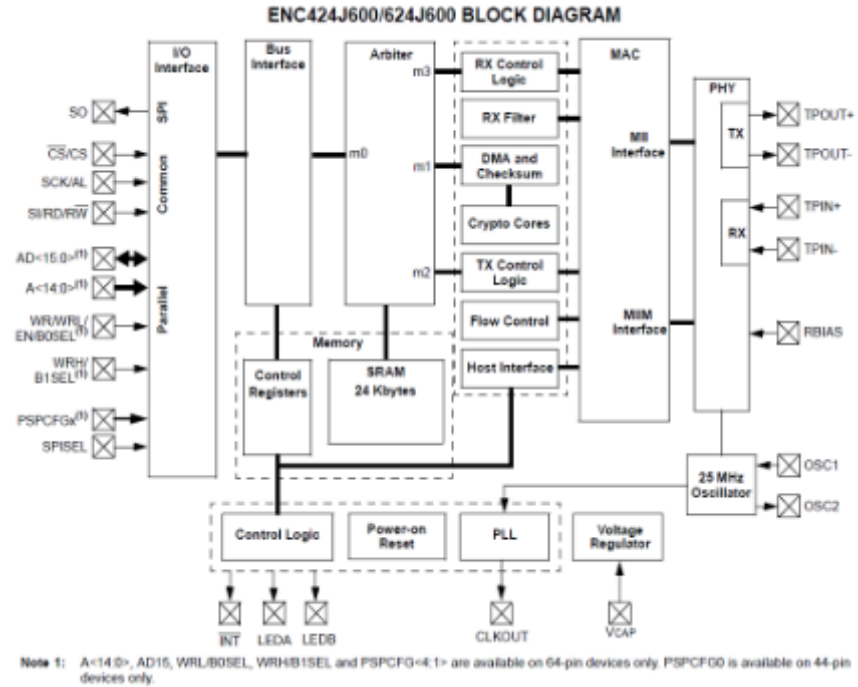
- IEEE 802.3 compatible Ethernet Controller
- Integrated MAC and 10BASE-T PHY
- Supports one 10BASE-T port with –
- Automatic Polarity Detection and –
- Correction
- Supports Full and Half-Duplex modes
- Programmable Automatic Retransmit -
- on Collision
- Programmable Padding and CRC –
- Generation
- Programmable Automatic Rejection of -
- Erroneous Packets
- SPI Interface: Clock Speeds up to 20MHz



Stand-Alone 10/100 Ethernet Controller
with SPI or Parallel Interface

Features:

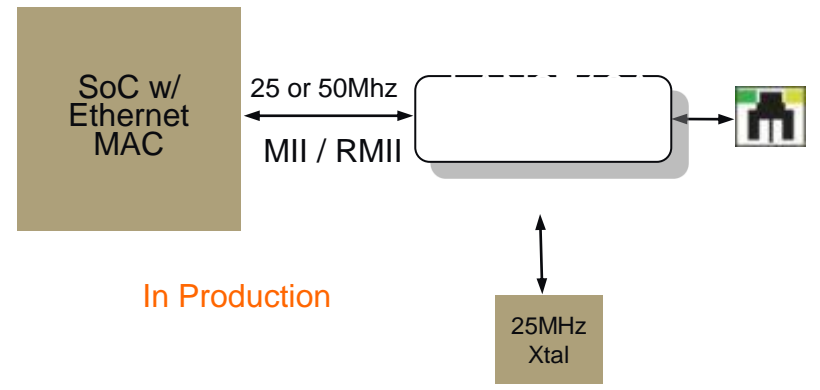
- IEEE 802.3™ Compliant Fast Ethernet –
- Controller - Integrated
- MAC and 10/100Base-T PHY Hardware Security
- Acceleration Engines
- Factory Preprogrammed Unique MAC Address
- Supports Auto-Negotiation
- Support for Pause Control Frames
- Supports Half and Full-Duplex Operation
- Programmable Automatic Retransmit on Collision
- Available MCU Interfaces:
 - 14 Mbit/s SPI interface
 - 8-bit multiplexed parallel interface
- Security Engines:
 - High-performance, modular exponentiation engine with up to 1024-bit operands
 - Supports RSA® and Diffie-Hellman key exchange algorithms
 - Fast MD5 hash computations
 - Fast SHA-1 hash computations
- Package: 44-Pin (TQFP and QFN)



LAN8710A/20A

Online Datasheet

10/100 Ethernet Physical Layer



	Other Solutions	SMSC Solutions
Ethernet PHY	Discrete	Single Solution!
Regulator	Discrete	
ESD protection	External	
Passive	30+	
		20

Features:

- Excellent ESD Protection levels without – any external protection devices:
 - Meets / exceeds IEC requirements
- Integrated DSP with adaptive equalizer
- Integrated 1.2V Linear Regulator
- Incorporates SMSC flexPWR®
 - Flexible I/O voltage down to 1.8V
 - Extremely low energy detect – - standby mode
- Uses a low cost 25MHz xtal for RMII
- Lead free ROHS compliant packages:
 - LAN8710: 32QFN 5x5mm – - (MII/RMII)
 - LAN8720: 24QFN 4x4mm (RMII – - only)
- Commercial (0 to +70C) and Industrial - - (- 40 to +85C) temperature supported

LAN8710A/20A Solution Integrates Functions 3-To-1 !!

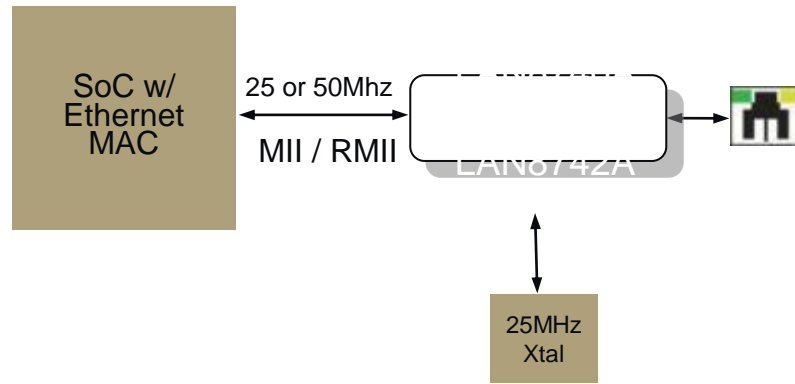
<< BACK



LAN8740A/1A/2A

[Online Datasheet](#)

Enhanced Ethernet PHY



Target Applications

- PC Docking
- Port Replicators
- USB to eNet Dongle
- Digital Signage
- Networked Printers
- Netbook/Tablet
- PVR, STB
- Digital TV
- SoC Reference Platforms

Commercial (0 to +70C) and Industrial (-40 to +85C) temperature supported

Features:

- Energy Efficient Ethernet 802.3az
- Wake On LAN support (WoL)
- Cable Diagnostics
- HP Auto-MDIX
- Compliant with IEEE 802.3/802.3u
- Integrated DSP with adaptive equalizer
- Integrated 1.2V Linear Regulator
- Uses a low cost 25MHz xtal for RMII
- Lead free ROHS compliant packages:
 - LAN8740A/41A: 32QFN (MII/RMII)
 - LAN8742A: 24QFN (RMII only)

LAN8740A/41A/42A Pin compatible with LAN8710A/20A!

<< BACK



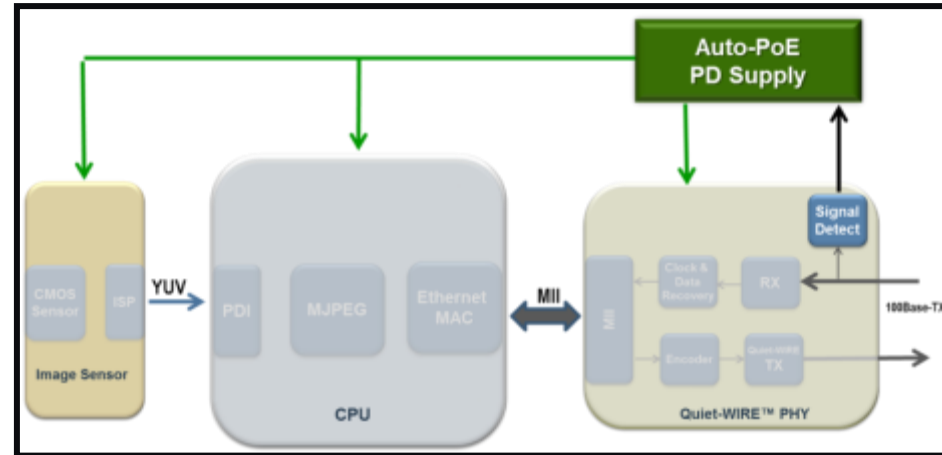
KSZ8061

10/100BASE-TX PHY



Online Datasheet

- **Quiet-WIRE™ Enhanced EMI – performance**
- Automotive & Industrial
- **EtherGREEN™ PHY technology:**
 - 150mW total power consumption
 - IEEE 802.3az Energy Efficient – Ethernet (EEE)
 - Ultra-Low Power Standby with – signal detect wakeup (<1uA)
- **Deterministic**
 - Fixed latency / Fast link up – (<20ms)
- **LinkMD+™ Link Quality Indicator**
- **32-Pin QFN (5mmx 5mm) package**
- **-40 °C to 105°C ambient**
- **AEC-Q100 Automotive Grade 2 Qualified**

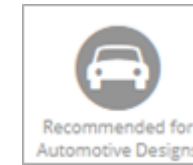


<< BACK



KSZ8051MNL/RNL

Single-port, 10/100 PHY Transceiver



Online
Datasheet

◆ Green Fast Ethernet

- Low Power (~50% power reduction vs. KSZ8041)

◆ Key Features

- MAC Interface: MII / RMII
- Management: MDC/MDIO, Interrupt output
- LED outputs
- LinkMD cable diagnostics

◆ Reduced System BOM cost

- On-chip line termination
- Flexible VDDIO: 1.8V, 2.5V, 3.3V

◆ 32-QFN Package

◆ AEC-Q100 qualified

- KSZ8051MNLV/RNLV: Grade 2 -40degC to +105degC
- KSZ8051MNLV/RNLU: Grade 3 -40degC to +85degC

32-pin QFN (5x5 mm)



<< BACK



KSZ8081

Single-port 10/100 PHY Transceiver

[Online Datasheet](#)

- **Green Fast Ethernet:**
 - Low Power (~50% power reduction vs. KSZ8041)
- **Key Features:**
 - DSP-based design with Baseline Wander –
- correction
 - MAC Interface: MII / RMII
 - Management: MDC/MDIO, Interrupt output
 - LED outputs
 - LinkMD cable diagnostics
- **Reduced System BOM cost:**
 - On-chip line termination
 - Flexible VDDIO: 1.8V, 2.5V, 3.3V
- **I Temp Support**
- **Package:**
 - 24-QFN: Smallest 10/100 PHY Package
 - 32-QFN, 48-LQFP

32-pin QFN (5x5 mm)



24-pin QFN (4x4 mm)

[<< BACK](#)



KSZ8091

Energy Efficient 10/100 PHY Transceiver

[Online Datasheet](#)

- **Pin compatible with KSZ8081**
- **Green Fast Ethernet:**
 - Low Power
 - Energy Efficient Ethernet (IEEE 802.3az)
 - Wake on LAN (WoL)
- **Key Features:**
 - DSP-based design with Baseline Wander correction
 - MAC Interface: MII / RMII
 - Management: MDC/MDIO, Interrupt output
 - LED outputs
 - LinkMD cable diagnostics
- **Reduced System BOM cost:**
 - On-chip line termination
 - Flexible VDDIO: 1.8V, 2.5V, 3.3V
- **I Temp Support**
- **Package:**
 - 24-QFN: Smallest 10/100 PHY Package with EEE
 - 32-QFN, 48-LQFP

32-pin QFN (5x5 mm)



24-pin QFN (4x4 mm)

[<< BACK](#)

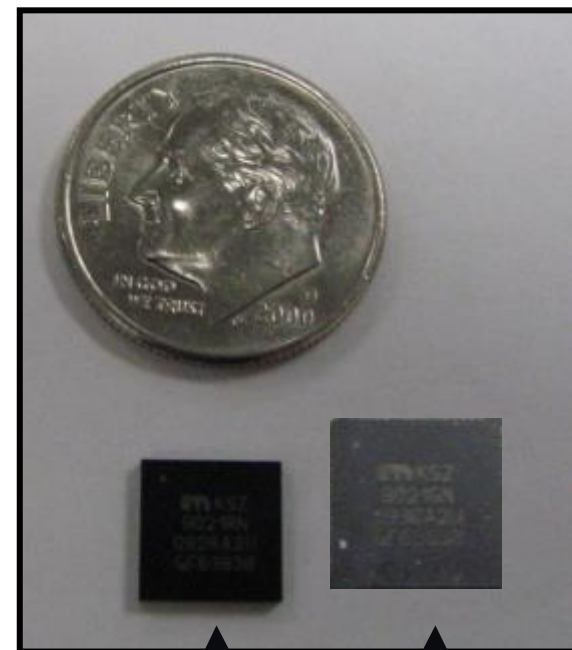


KSZ9031



Low Power Single-port 10/100/1000 PHY

- Green Gigabit Ethernet
- Lowest Power GigE PHY
- Energy Efficient Ethernet (IEEE 802.3az)
- Wake on LAN (WoL)
- Flexible I/O Voltages
 - 1.8V, 2.5V, 3.3V
- Pin & Package Compatible with KSZ9021
- Functional drop in replacement
- EEE function enabled by firmware
- WoL function enabled by firmware and strapping options pins (MODE0..3)
- Automotive Grade 3 Qualified (-40 to +85C)
- Automotive Grade 2 Qualified (-40 to +105C)



KSZ9031RN
(7x7 mm QFN)

Small GigPHY
package

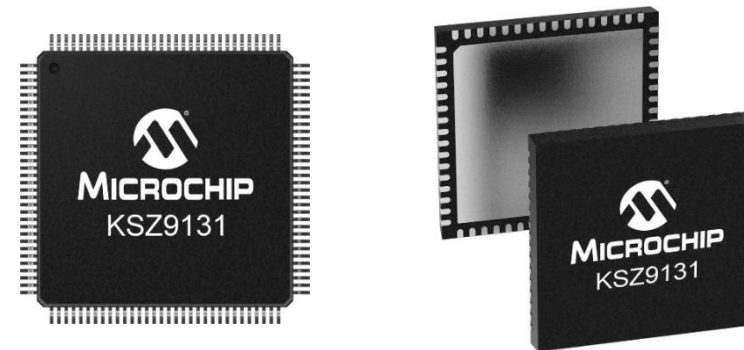
KSZ9031GN
(8x8 mm QFN)



KSZ9131



Features	Support
Bandwidth	10/100/1000 Base-T
Interface	MII/GMII/RGMII
VDD I/O	1.8V/2.5V/3.3V
Energy Efficient Ethernet	Supports IEEE Standard 802.3az
Temperature	-40 to 105°
Automotive Grade	AEC-Q100 Grade 2
Packages	48-pin QFN/VQFN (7x7mm) 64-pin QFN (8x8mm)
Evaluation Board	Plug-In Eval Board Available: EVB-KSZ9131RNX
Applications	Industrial, Automotive, Network Attached Storage & Security

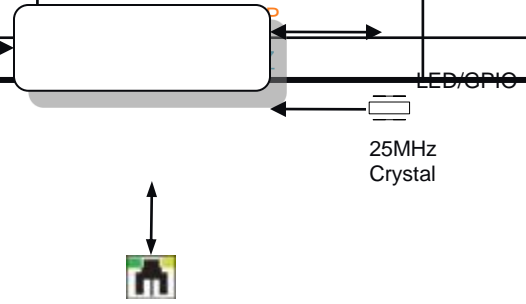


Small Form Factor Single-Chip Ethernet Controller with HP Auto-MDIX Support

	LAN9221	LAN9220	LAN9217	LAN9218
Bus Interface	16-bit	16-bit	16-bit	32-bit
I/O voltage supported	1.8v to 3.3v	1.8v to 3.3v	1.8v to 3.3v	3.3v
Performance	High	Standard	Standard	High
External MII	High performance 16/32-bit local bus =	Standard	Standard	High performance 16/32-bit local bus =
Mixed Endian	High performance 16/32-bit local bus =	Standard	Standard	High performance 16/32-bit local bus =
Industrial Temp available	High performance 16/32-bit local bus =	Standard	Standard	High performance 16/32-bit local bus =
Checksum Offload Engine	High performance 16/32-bit local bus =	Standard	Standard	High performance 16/32-bit local bus =
Package	56 QFN	56 QFN	56 QFN	100 TQFP
Datasheet	LAN9221	LAN9220	LAN9217	LAN9218

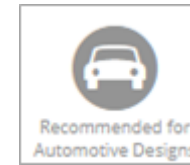
Features:

- Ethernet Controller Family
- High performance 16/32-bit local bus = Ethernet controllers
- Support HP Auto MDIX™
- Minimizes dropped packets:
 - Internal buffer memory can store over - 200 packets
 - Automatic PAUSE and back-pressure – - flow control
- Reduced host CPU MIPS consumption
- Reduced-power modes:
 - Numerous power management modes
 - Wake on LAN
 - Magic packet wakeup
 - Wakeup indicator event signal
 - Link status change
- Flexible address filtering modes
- Full Driver Support for popular OS



LAN89218 10/100

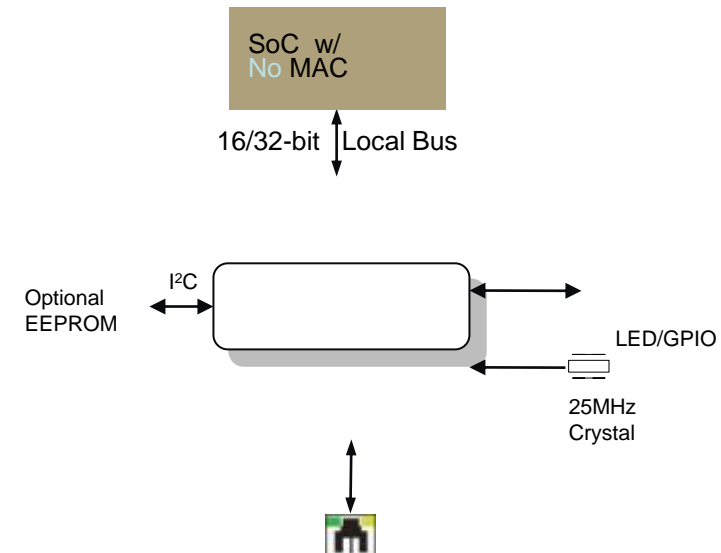
Small Form Factor Single-Chip Ethernet Controller with
HP Auto-MDIX Support



Online
Datasheet

Features:

- Ethernet Controller Family
- High performance 16/32-bit local bus –
 - Ethernet controllers
- Support HP Auto MDIX™
- 16K Byte TX/RX RAM Buffer
- Interrupt Pin support
- Reduced host CPU MIPS consumption
- Flexible address filtering modes
- Full Driver Support for popular OS
- AEC-Q100 Automotive Grade 3 Qualified (-40 to +85C)



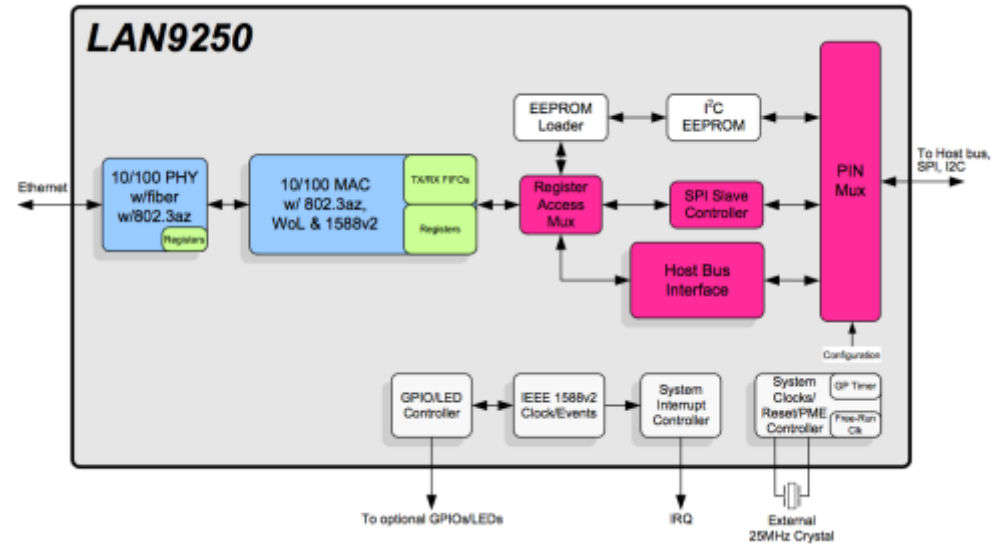
<< BACK



10/100 Industrial Ethernet Controller & PHY

Features:

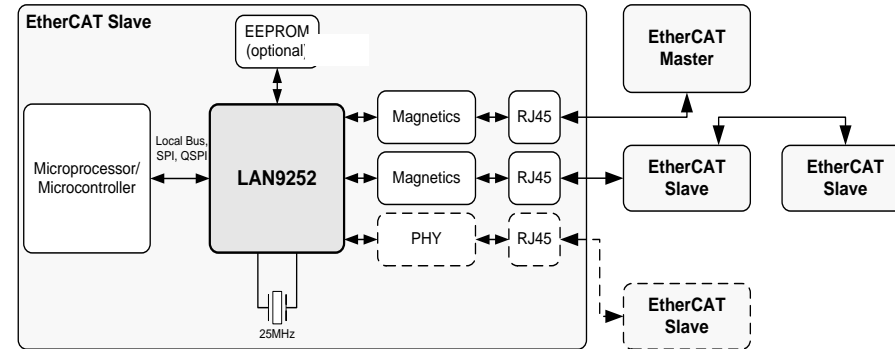
- Industrial Ethernet Controller:
- 16/32-bit local bus Ethernet controllers
- IEEE1588v2 Support
- Minimizes dropped packets:
- Internal buffer memory can store over –
– 200 packets
- Automatic PAUSE and back flow control
- Reduced host CPU MIPS consumption
- Reduced-power modes:
- Power management modes including –
– Energy Efficient Ethernet (IEEE802.3az)
- Wake on LAN
- Magic packet wakeup
- Wakeup indicator event signal
- Link status change
- Flexible address filtering modes
- Full Driver Support for popular OS



2/3-Port EtherCAT® Slave Controller with Integrated Ethernet PHYs

Features:

- 2/3-port EtherCAT slave controller
- 3 Field Bus Memory management Units
- 4 Sync managers
- Interfaces 8/16/32-bit embedded controllers
- SPI/SQI PIC32MX
- Dual integrated 10/100 PHY's
- Auto-MDIX
- Low power mode
- 1.6V to 3.6V variable I/O voltage
- IEEE 802.3u 100Base-FX Fiber Interface
- Cable Diagnostics: Open, Short, Cable – length detection
- Integrated 1.2V regulator enables 3.3V supply
- Commercial (0 to +85C), Industrial (-40 – to +85C) and Extended temp. (-40 – to +105C) supported
- Packaging: 64-pin QFN / TQFP-EP



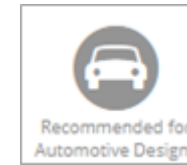
Applications

- Motor Motion Control
- Process / Factory Automation
- Communication Modules
- Interface cards
- Sensors
- Hydraulic & Pneumatic Valve systems
- Robotics



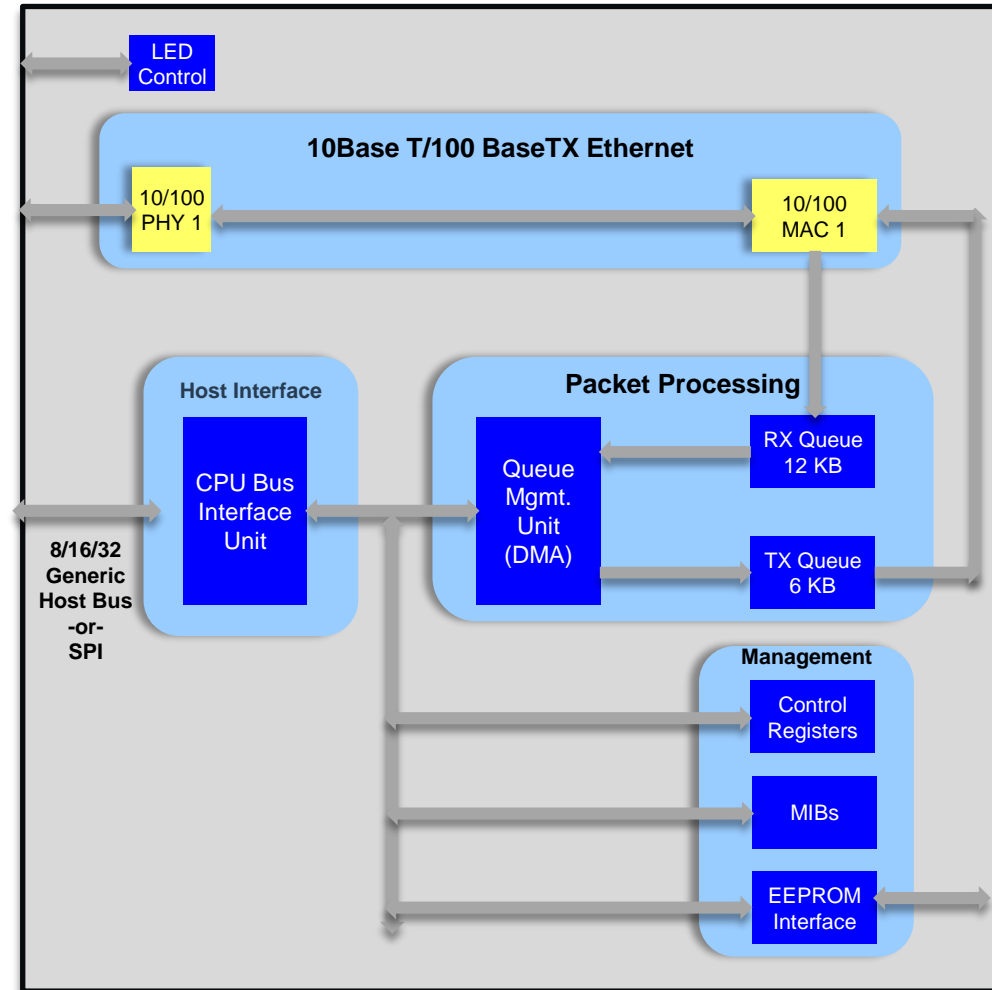
KSZ8851

1-Port 10/100 Controller



Online
Datasheet

- **Low Power:**
 - <280 mW @ VDD= 3.3 V
 - Advanced power management
 - VDDIO: 1.8/2.5/3.3V options
- **Qualified for wide range of – environments:**
 - Commercial, Industrial, -
 - Extended Temperature (125°C)
- **Flexible host interfaces:**
 - 8/16/32-bit Generic Bus
 - SPI (40 MHz) version
 - 32-pin package for low-end apps.
- **High-Performance:**
 - Queue Management Unit –
 - achieves >80 Mbps throughput
 - 4 x HD Video Streaming
 - HBM 6KV ESD rating
- **AEC-Q100 Automotive Grade 3 Qualified (-40°C to + 85°C)**



<< BACK



KSZ8863/73



Compact 3-Port 10/100 Switch

2x Integrated MAC/PHYs

- 10/100BASE-TX/FX support

Flexible MAC interfaces

- MII/RMII
- Internal 50 MHz clock
 - Eliminates expensive oscillator

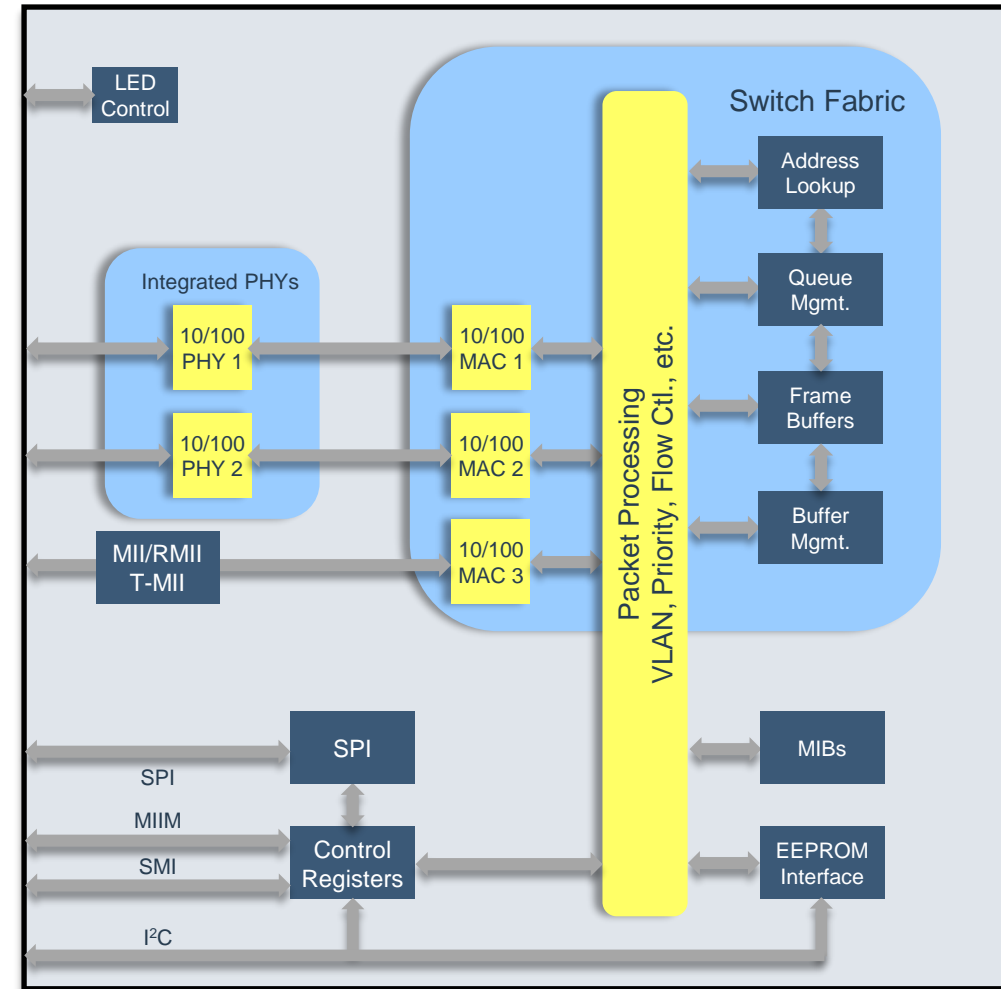
Distributed Topology support

- Bypass mode
- Source address filtering

Package Options

- KSZ8863: 48-pin LQFP (7 x 7mm)
- KSZ8873: 64-pin LQFP (10x 10mm)
- 3.3 V single supply (< 250 mw)

KSZ8873MLL AEC-Q100 Automotive Grade 3 Qualified (-40 to +85C)



KSZ8462/3

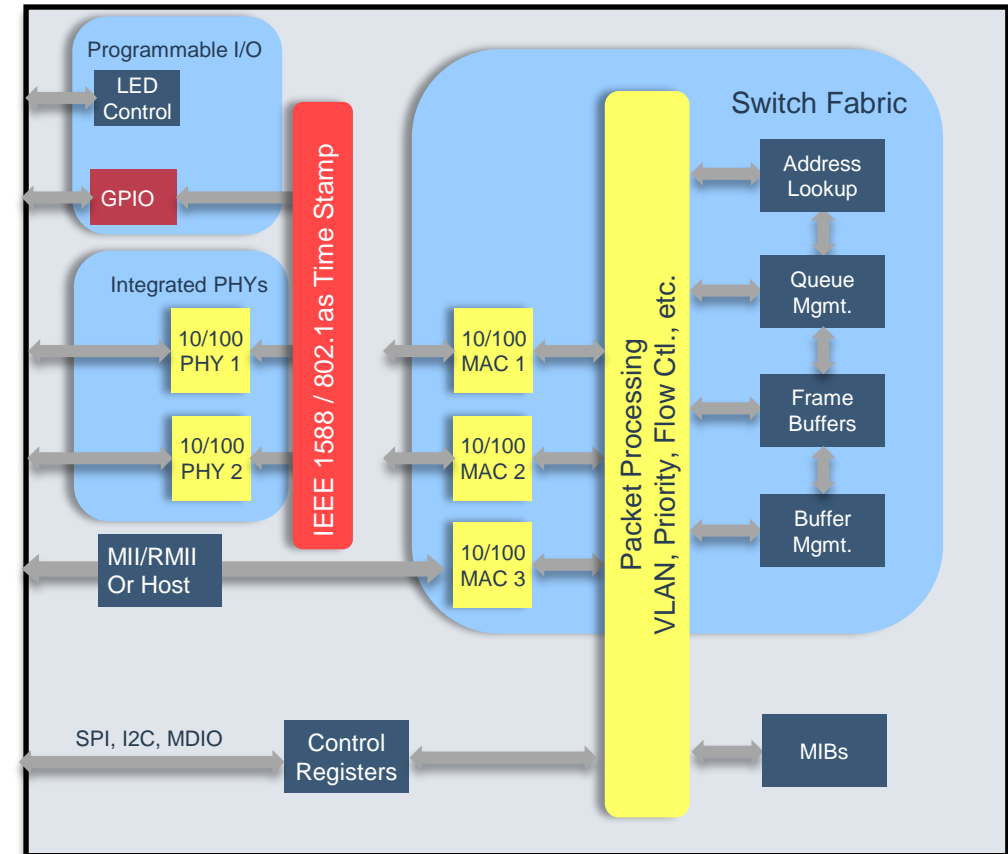
IEEE 1588 3-port Switch

802.1AS / IEEE 1588v2

- Flexible timing modes
 - MC,SC,TC / E2E, P2P
- Superior PTP* operations
 - One-step TC h/w corrections
 - Two-step also supported
- Precision GPIO
- 802.1AS/PTP software stack

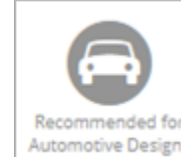
Highly integrated

- 3-port, 10/100 switch w/integrated IEEE PHYs
- Supports Copper & Fiber PHY ports
- Ring topology filtering support
- MII/RMII or 16-bit Host interface
- <300mW total power consumption
- 64-pin LQFP (10mm x 10mm)



KSZ8864 4-Port

10/100BASE-TX Switch



Unique 4-Port Switch

- 2x copper PHYs (Ports 1&2)
- 2x MAC interfaces (Ports 3&4)
- 64-pin QFN package

Cable Diagnostics

- LinkMD cable diagnostics

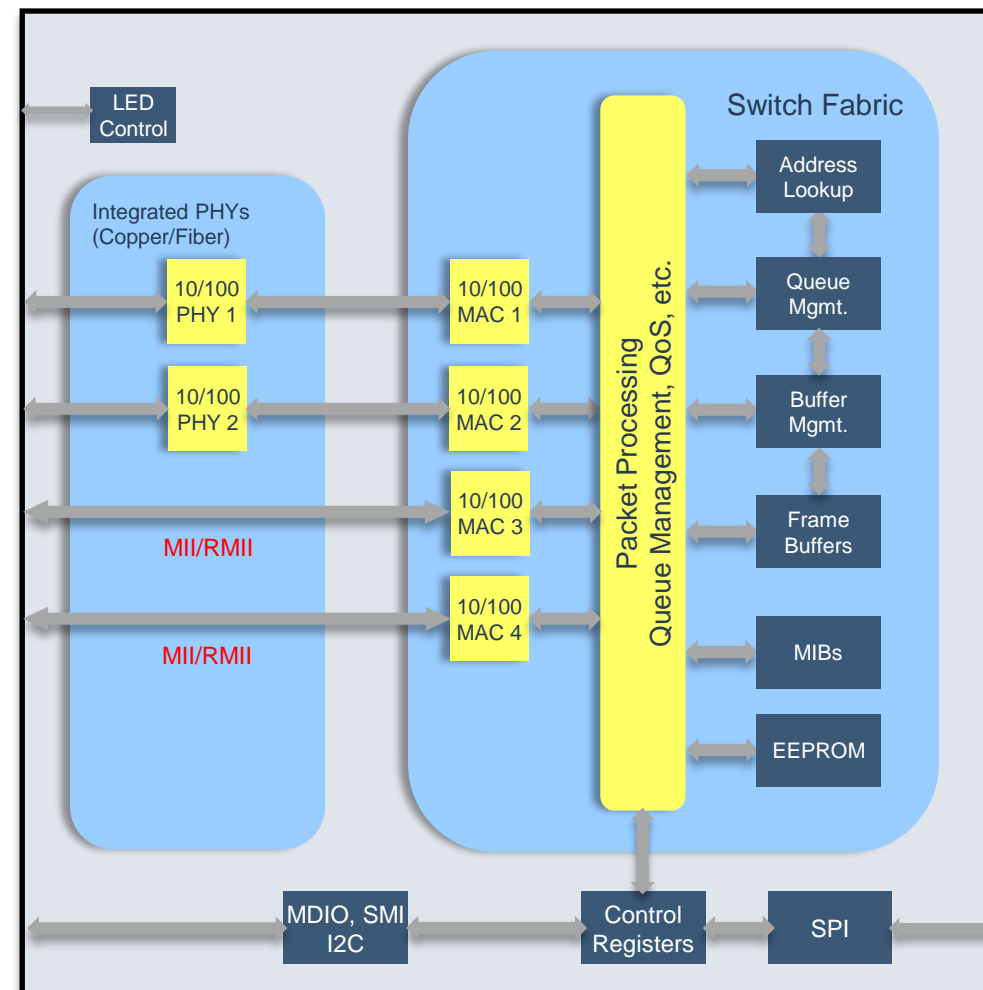
Flexible MAC interfaces

- MII/RMII selectable by strap pin
- PHY/MAC modes configurable by register
- 50MHz input/25MHz input (RMII) configurable by strap pin

EtherGREEN™

- <500mW total power-consumption

AEC-Q100 Automotive Grade 3 Qualified (-40 to +85C)



KSZ8895 5-Port

10/100BASE-TX Switch



Unique 4-Port Switch

- 2x copper PHYs (Ports 1&2)
- 2x MAC interfaces (Ports 3&4)
- 64-pin QFN package

Cable Diagnostics

- LinkMD cable diagnostics

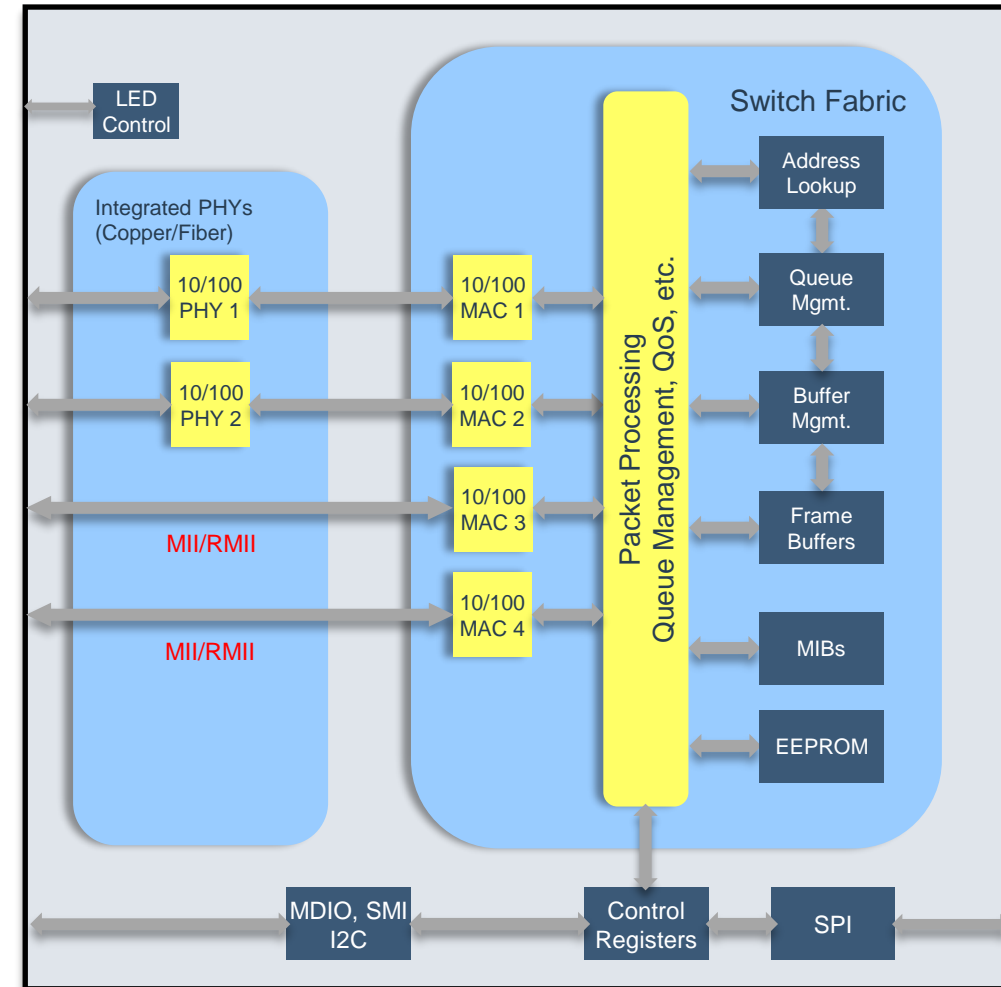
Flexible MAC interfaces

- MII/RMII selectable by strap pin
- PHY/MAC modes configurable by register
- 50MHz input/25MHz input (RMII) configurable by strap pin

EtherGREEN™

- <500mW total power consumption

AEC-Q100 Automotive Grade 3 Qualified (-40 to +85C)



KSZ87xx

5-Port 10/100 Switch w/ Gigabit Uplink

Green Ethernet Design

- 1.8/2.5/3.3V VDDIO
- < 500mW (typical)
- Energy Efficient Ethernet (IEEE802.3az)
- Wake on LAN (WoL)

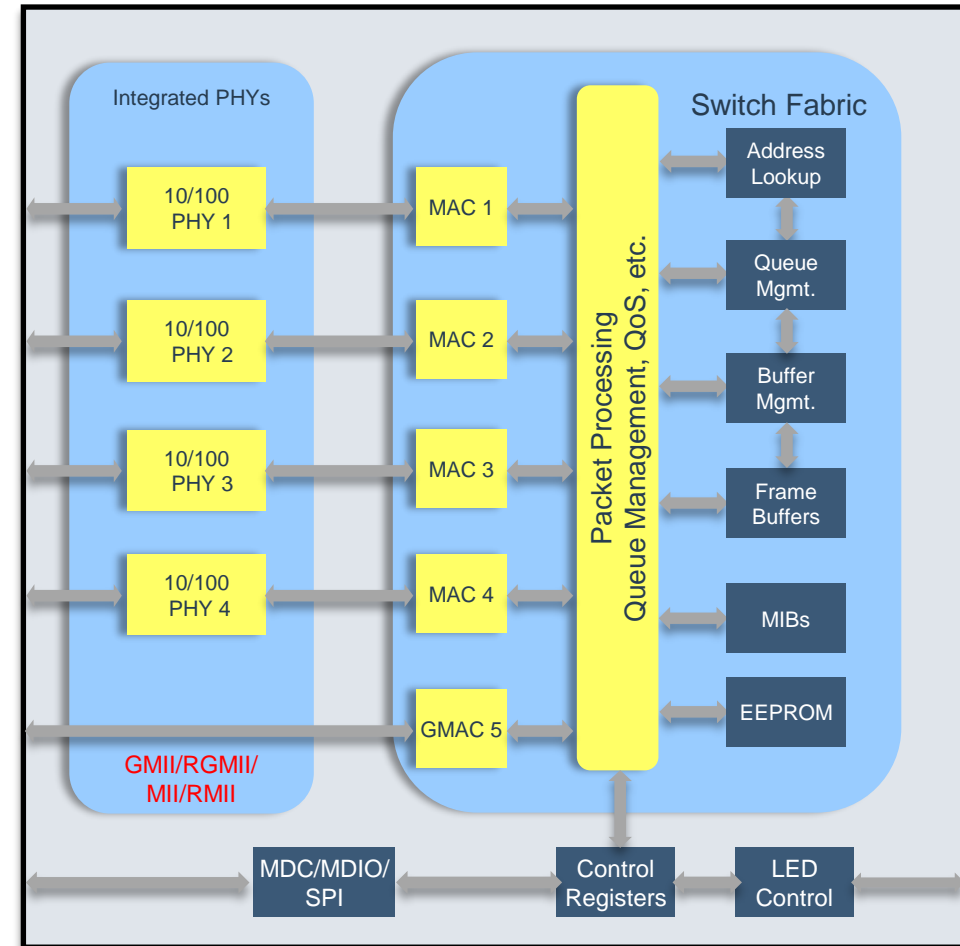
Advanced QoS functions

- Bi-directional rate limiting packet/sec
- 16-entry ACL for packet control
- QoS with 4 queues priority

Small Footprint

- 80-LQFP (10x10) for KSZ8795/8775/8765
- 64-QFN (8x8) for KSZ8794

	PHY	MAC
KSZ8795	4x 10/100 TX	1xGMII/RGMII/MII/RMII
KSZ8775	3x 10/100 TX	1x MII/RMII 1x RGMII/RMII/MII
KSZ8794	3x 10/100 TX	1x RGMII/MII/RMII
KSZ8765	2x 10/100 TX 2x 100 FX	1xGMII/RGMII/MII/RMII



KSZ9563

3-Port AVB Gigabit Switch

Advanced functions

- Traffic Scheduling/Shaping
- IEEE 1588 v2 Precision Time Protocol
- 802.1X Authentication
- ACL Filtering
- Full VLAN and QoS support
- Flexible management options (SPI, I²C, In-Band, MIIM)

Fully Managed

- VLAN / Priority based QoS
- ACL rule-based packet processing
- IEEE802.1x Authentication

EtherGREEN™

- Low-power GE PHY design
- Flexible IO supply (1.8/2.5/3.3V)
- Advanced Power Management
- Energy Efficient Ethernet, Wake-on-LAN (WoL)

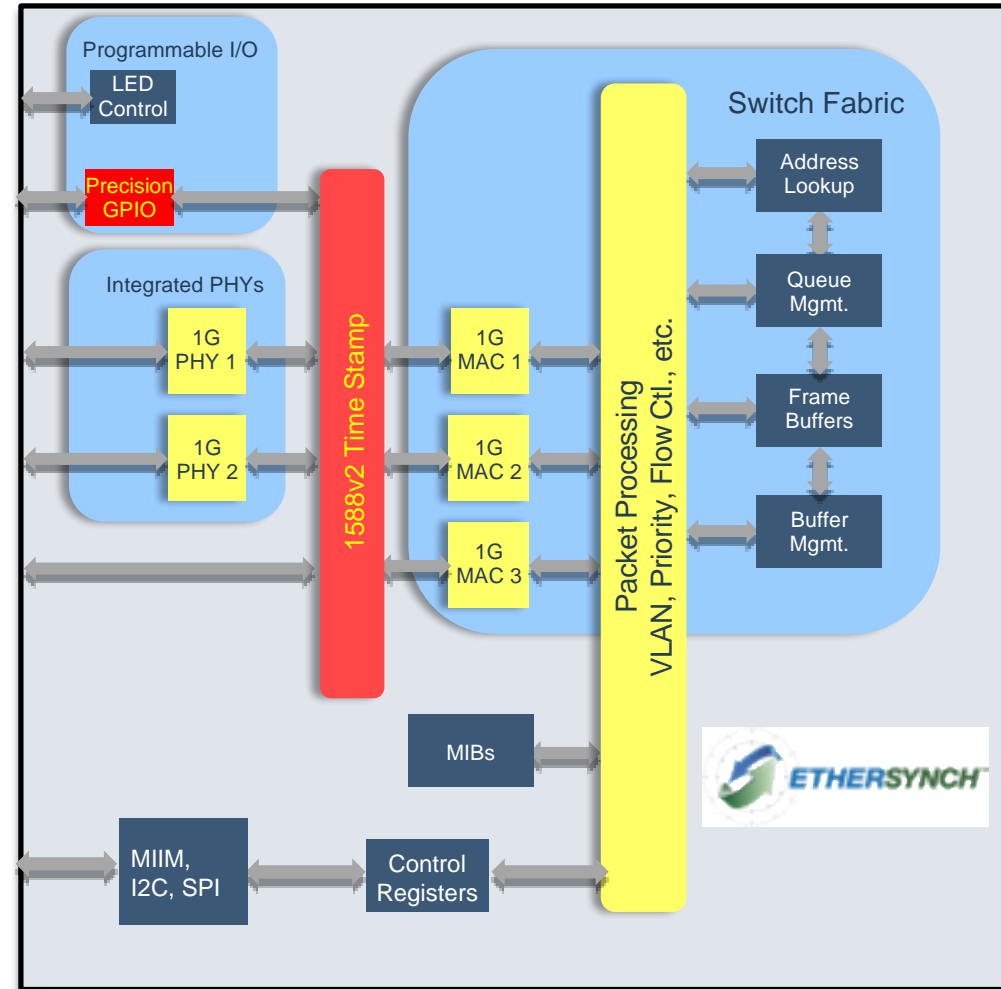
Flexible MAC interfaces:

- MII / RGMII / RMII

Package:

- 64-Pin QFN, 8x8 mm

I Temp Support



KSZ8563

3-Port AVB 10/100 Switch

Advanced functions

- Traffic Scheduling/Shaping
- IEEE 1588 v2 Precision Time Protocol
- 802.1X Authentication
- ACL Filtering
- Full VLAN and QoS support
- Flexible management options (SPI, I²C, In-Band, MIIM)

Fully Managed

- VLAN / Priority based QoS
- ACL rule-based packet processing
- IEEE802.1x Authentication

EtherGREEN™

- Low-power GE PHY design
- Flexible IO supply (1.8/2.5/3.3V)
- Advanced Power Management
- Energy Efficient Ethernet, Wake-on-LAN (WoL)

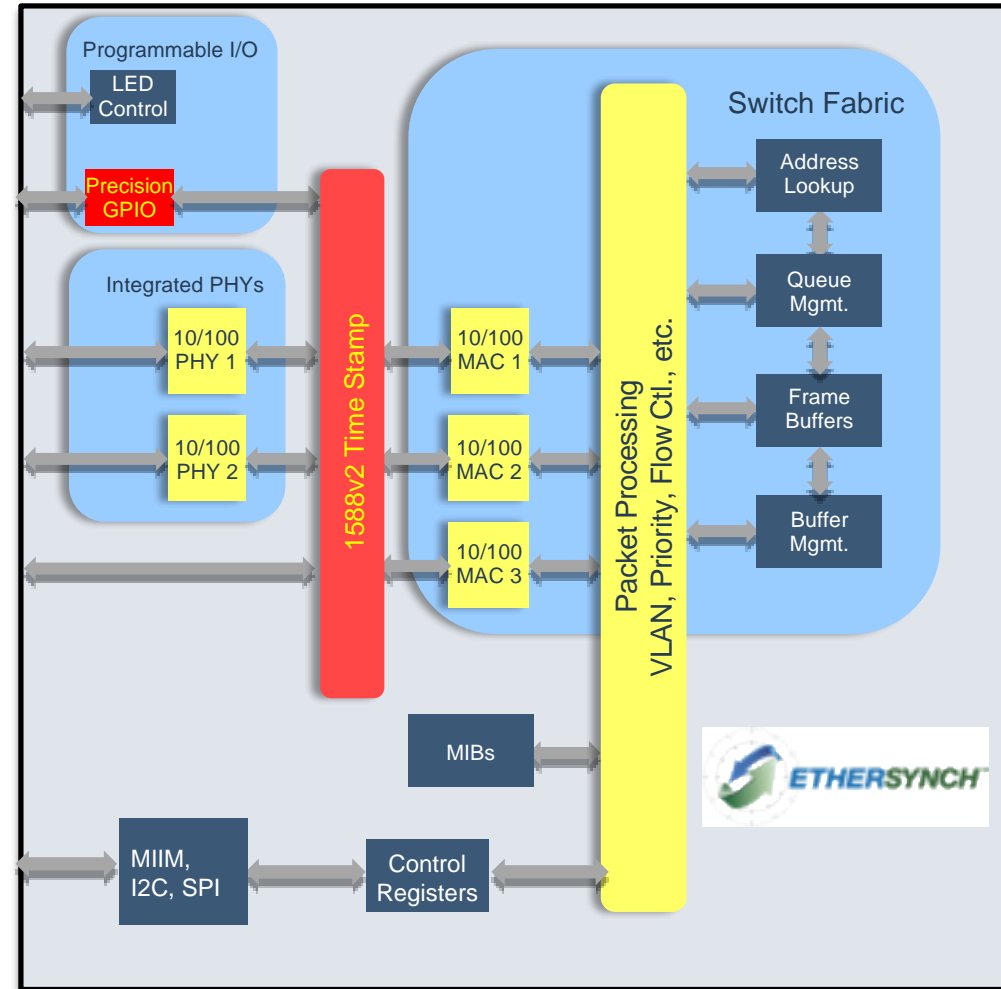
Flexible MAC interfaces:

- MII / RGMII / RMII

Package:

- 64-Pin QFN, 8x8 mm

I Temp Support



KSZ989x

6/7-Port Gigabit Switch

EtherGREEN™

- Low-power GE PHY design
- Flexible IO supply (1.8/2.5/3.3V)
- Advanced Power Management
- Energy Efficient Ethernet –(IEEE802.3az)
- Wake-on-LAN (WoL)

Fully Managed Switch

- VLAN / Priority based QoS
- ACL rule-based packet – processing
- IEEE802.1x Authentication

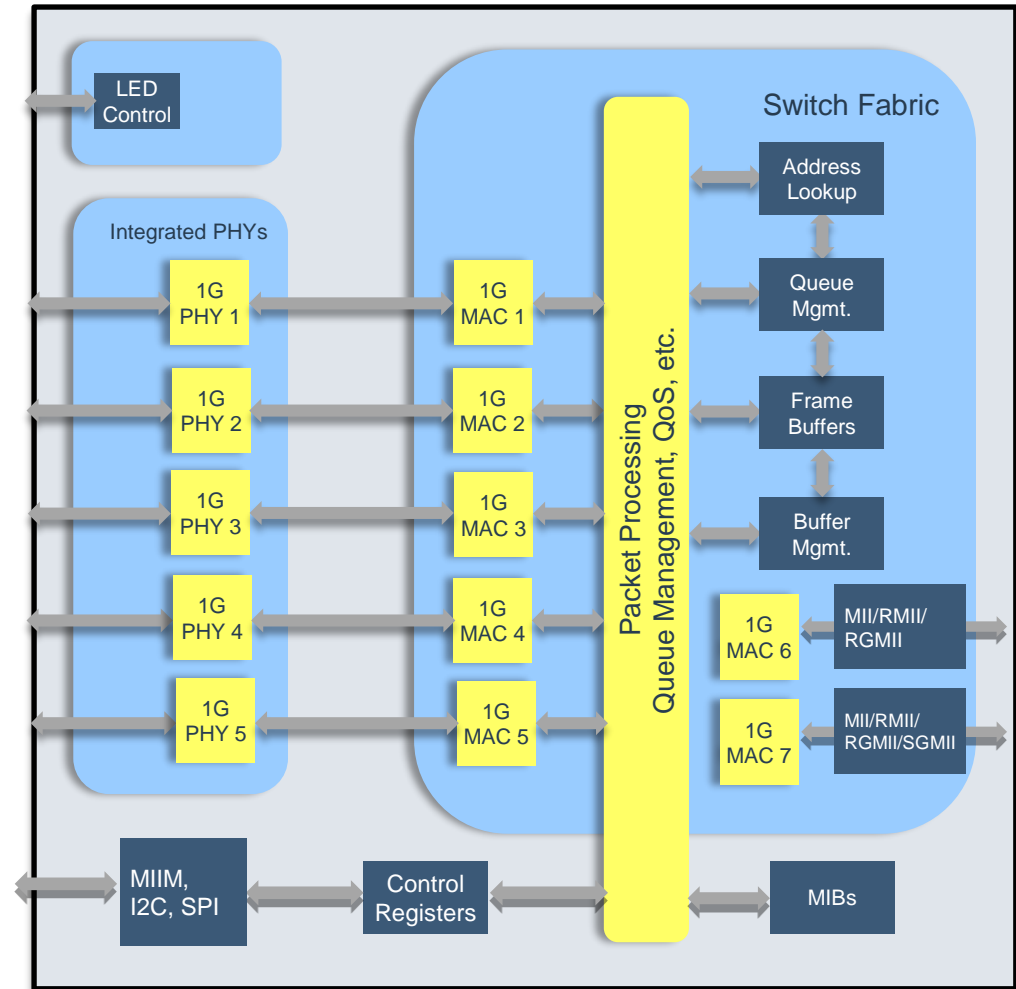
Flexible MAC interfaces

- GMII / MII
- RGMII / RMII
- SGMII / SerDes (7-Port only)

Packages

- 128-pin LQFP, 14x14 mm

Industrial Temp Support



KSZ9893

3-Port Gigabit Switch

EtherGREEN™

- Low-power GE PHY design
- Flexible IO supply (1.8/2.5/3.3V)
- Advanced Power Management
- Energy Efficient Ethernet (IEEE802.3az)
- Wake-on-LAN (WoL)

Fully Managed

- VLAN / Priority based QoS
- ACL rule-based packet processing
- IEEE802.1x Authentication

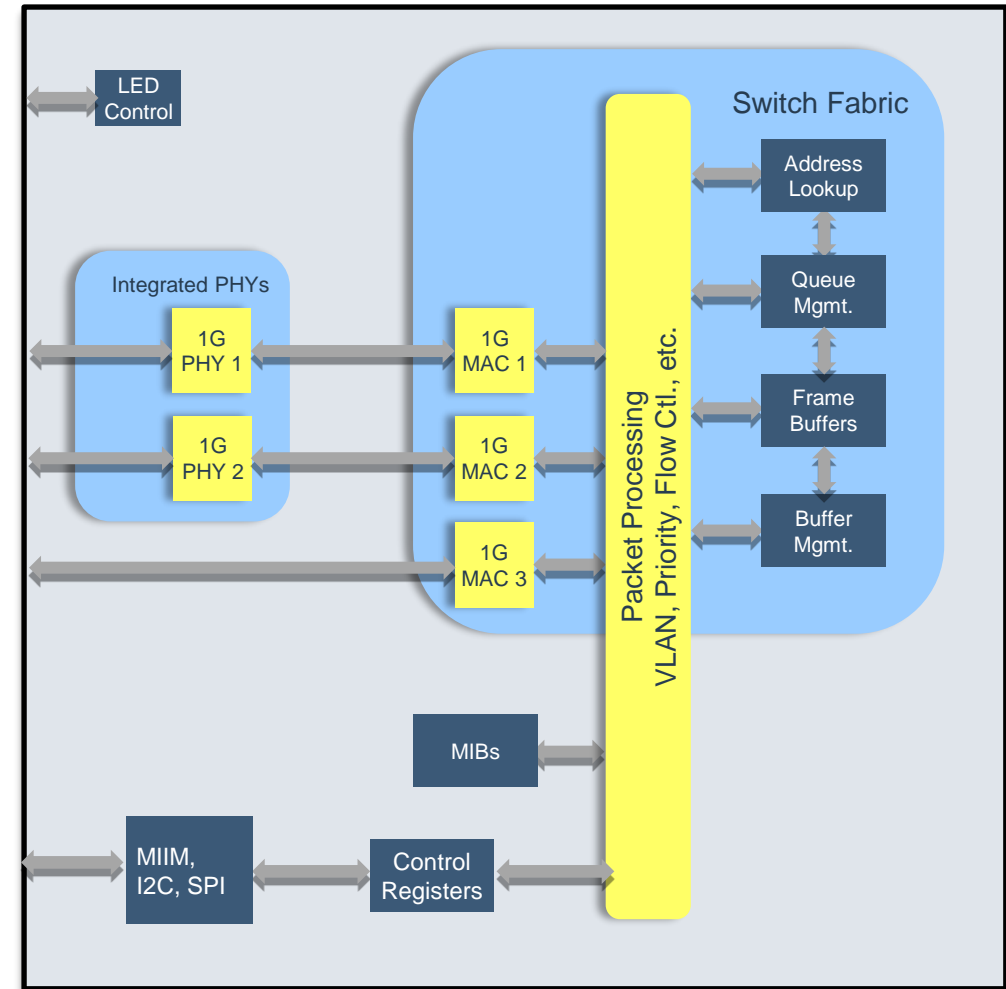
Flexible MAC Interface

- RGMII / MII / RMII

Small Package

- 64-Pin QFN, 8x8 mm

Industrial Temp Support



KSZ9567

7-Port AVB Gigabit Switch

Advanced functions

- Traffic Scheduling/Shaping
- IEEE 1588 v2 Precision Time Protocol
- 802.1X Authentication
- ACL Filtering
- Full VLAN and QoS support
- Flexible management options (SPI, I²C, In-Band, MIIM)

Fully Managed

- VLAN / Priority based QoS
- ACL rule-based packet processing
- IEEE802.1x Authentication

EtherGREEN™

- Low-power GE PHY design
- Flexible IO supply (1.8/2.5/3.3V)
- Advanced Power Management
- Energy Efficient Ethernet, Wake-on-LAN (WoL)

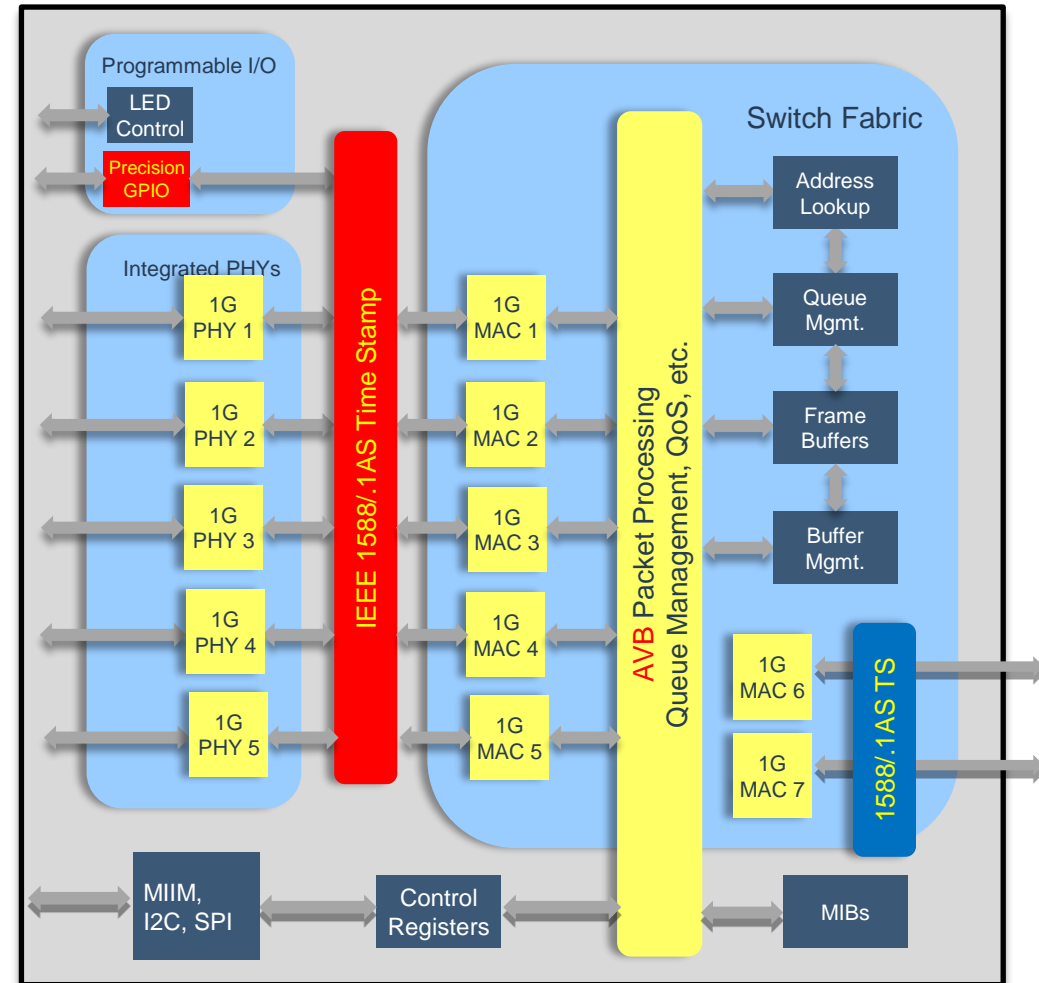
Flexible MAC interfaces:

- GMII / MII / RGMII / RMII / SGMII / SerDes

Package:

- 128-pin LQFP, 14x14 mm

I Temp Support



KSZ9477

7-Port AVB Gigabit Switch

Pin/Function Compatible with KSZ9567

Advanced functions

- Network Fault Recovery (HSR/DLR)
- Traffic Scheduling/Shaping
- IEEE 1588 v2 Precision Time Protocol
- 802.1X Authentication
- ACL Filtering
- Full VLAN and QoS support
- Flexible management options (SPI, I²C, In-Band, MIIM)

EtherGREEN™

- Low-power GE PHY design
- Flexible IO supply (1.8/2.5/3.3V)
- Advanced Power Management
- Energy Efficient Ethernet, Wake-on-LAN (WoL)

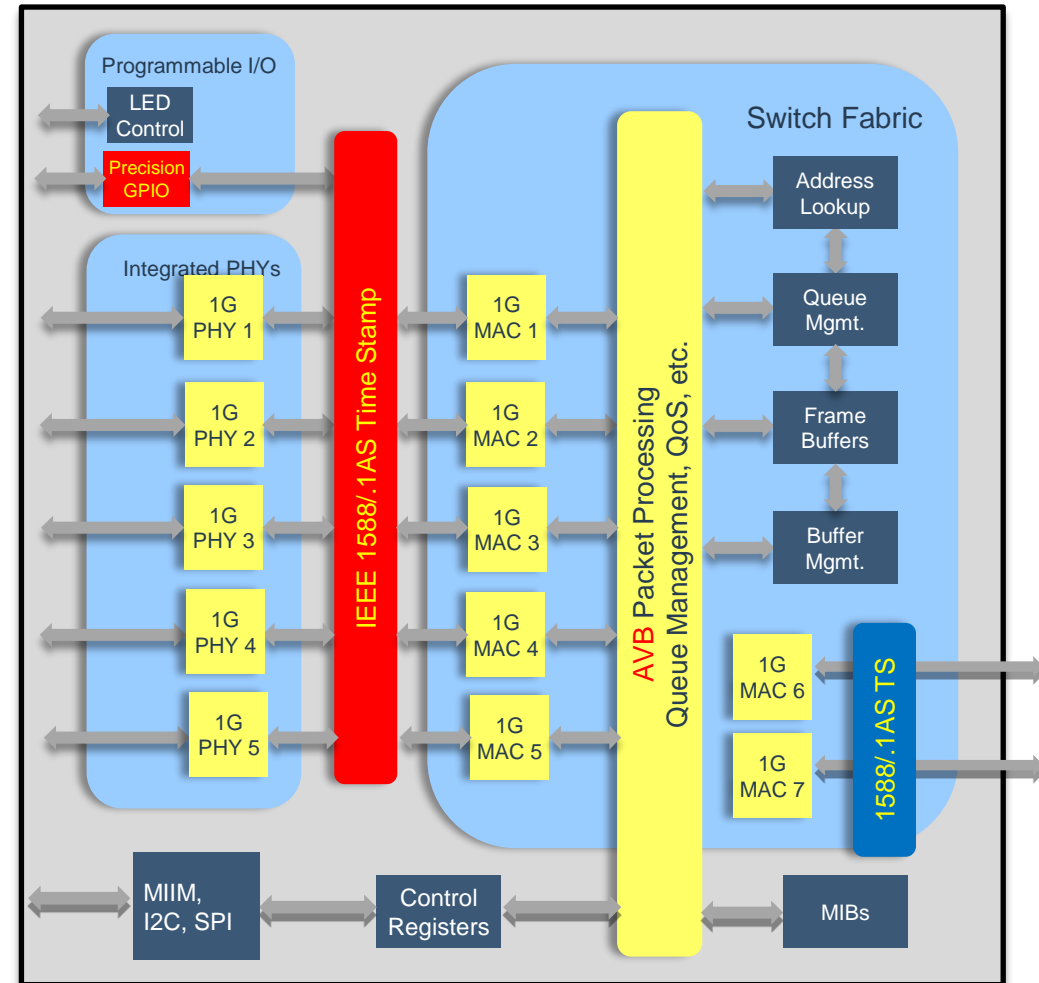
Flexible MAC interfaces:

- GMII / MII / RGMII / RMII / SGMII / SerDes

Package:

- 128-pin LQFP, 14x14 mm

I Temp Support



KSZ856x



5/7-Port 10/100 Switch w/ Gigabit Uplink

Green Ethernet Design

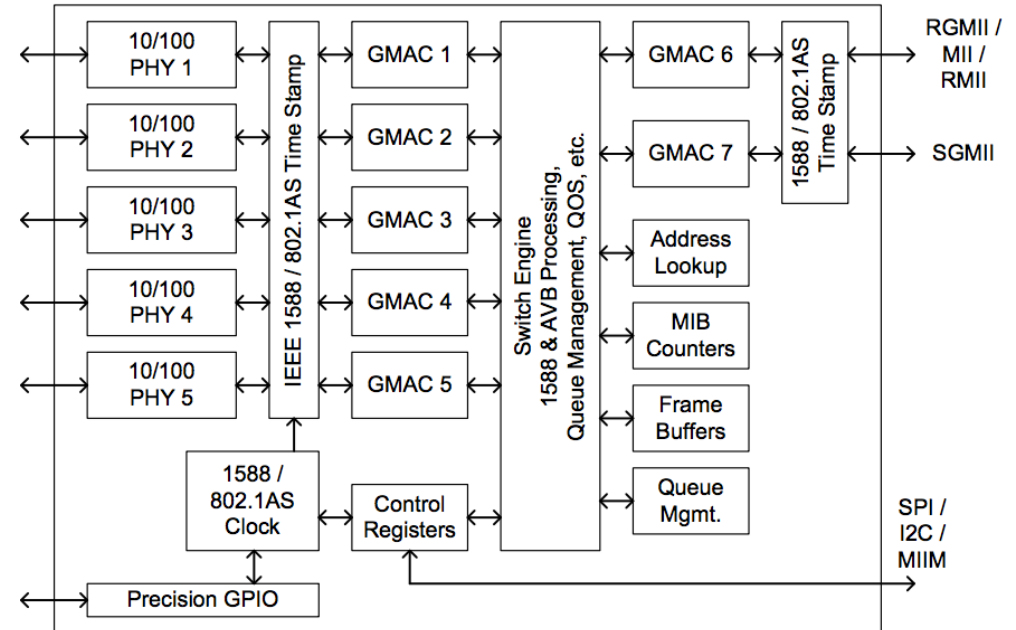
- 1.8/2.5/3.3V VDDIO
- Energy Efficient Ethernet (IEEE802.3az)
- Wake on LAN (WoL)

Advanced functions

- Traffic Scheduling/Shaping
- IEEE 1588 v2 Precision Time Protocol
- 802.1X Authentication
- ACL Filtering
- Full VLAN and QoS support
- Flexible management options
- SPI, I²C, In-Band, MIIM

Packaging

- 128-Pin TQFP-EP (14mm x 14mm)



	PHY	MAC
KSZ8563	2 x 10/100 TX	1 x RGMII/MII/RMII
KSZ8565	5 x 10/100 TX	1 x RGMII/MII/RMII
KSZ8567	5 x 10/100 TX	2 x RGMII/RMII/MII

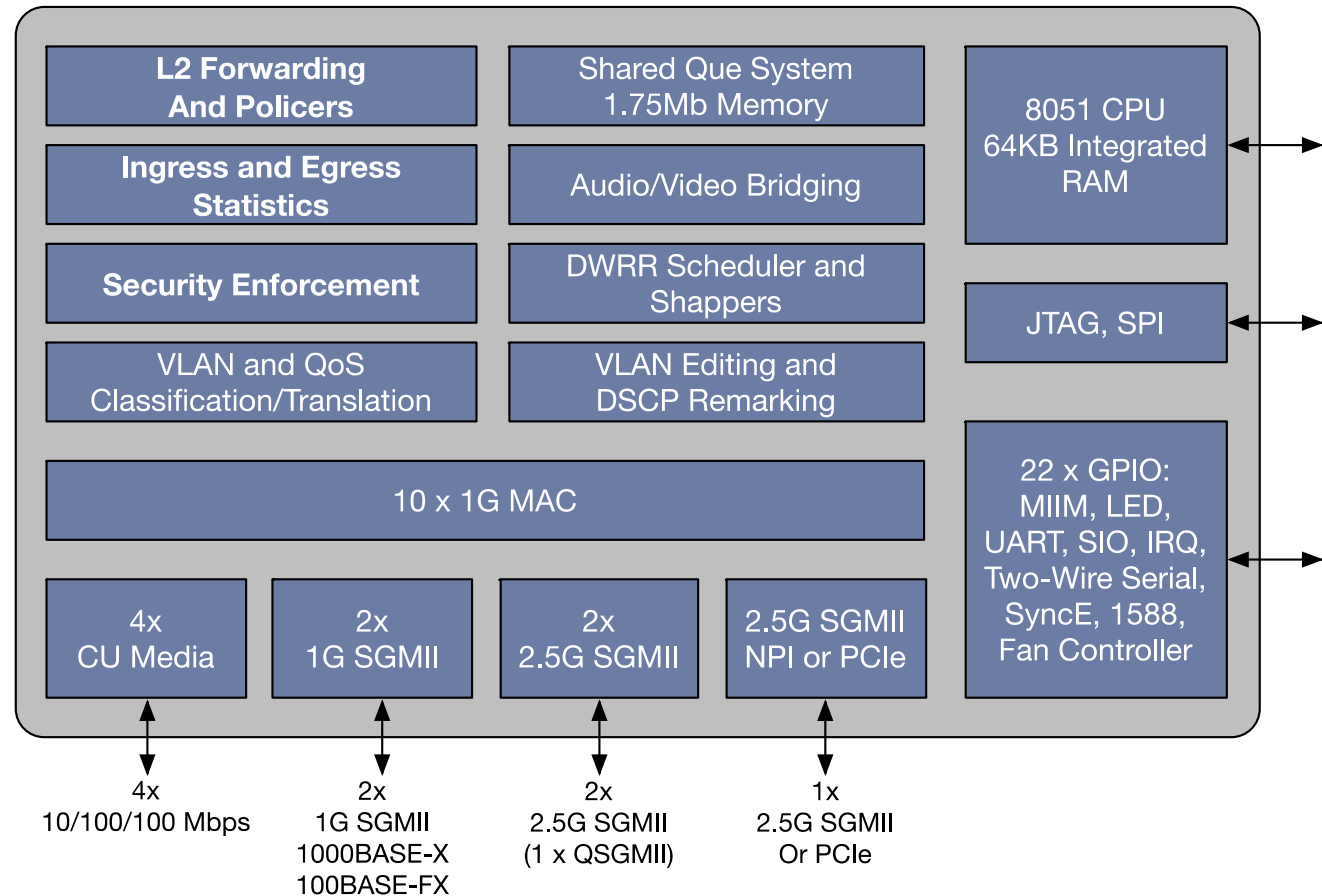


VSC7512/11

4-10 port L2 Gigabit Switch

Features:

- Integrated 8051 processor
- PCIe 1.x CPU interface
- Unmanaged Switch:
 - Port Control
 - QoS
 - Link Aggregation
- Flexible MAC interfaces:
 - SGMII / QSGMII, 1000Base-T (4)
- Software
 - MESA API
 - Ocelot Unmanaged Software
- Package:
 - 172 PQFN, 13x13mm
- Extended Temperature Support:
 - -40C ambient to 125C junction

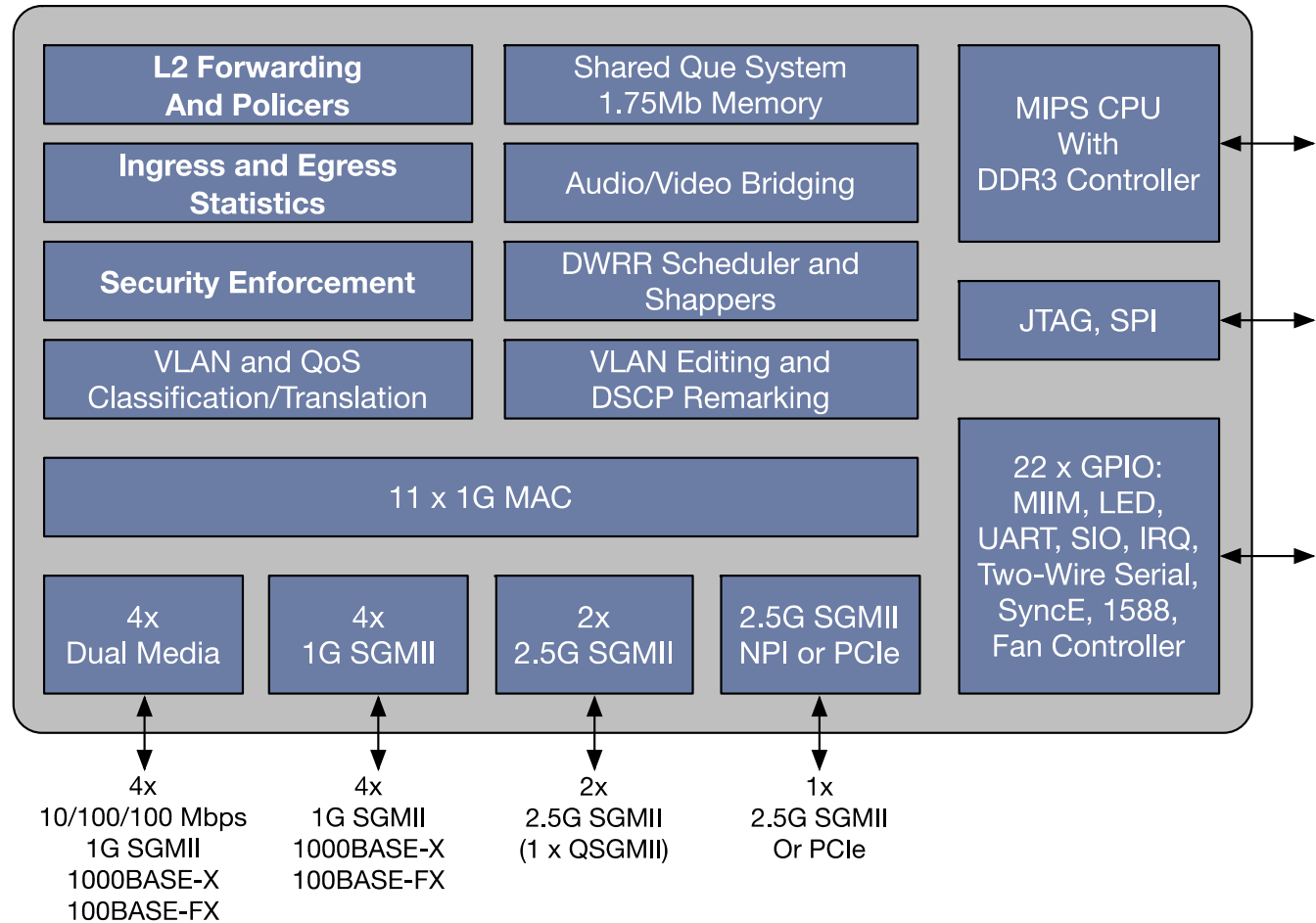


VSC7514/13

8-10 port L2 Gigabit Switch

Features:

- Integrated MIPS processor
- SyncE, IEEE1588v2, G.8032 Ring Protection
- PCIe 1.x CPU interface
- Fully Managed Switch:
 - VLAN / Priority based QoS
 - ACL rule-based packet processing
 - IEEE 802.1x authentication
- Flexible MAC interfaces:
 - SGMII / QSGMII, 1000Base-T (4)
- Software:
 - MESA API
 - WebStaX, SMBStaX, IStax
- Package:
 - 256 PBGA, 17x17mm
- Extended Temperature Support:
 - -40C ambient to 125C junction

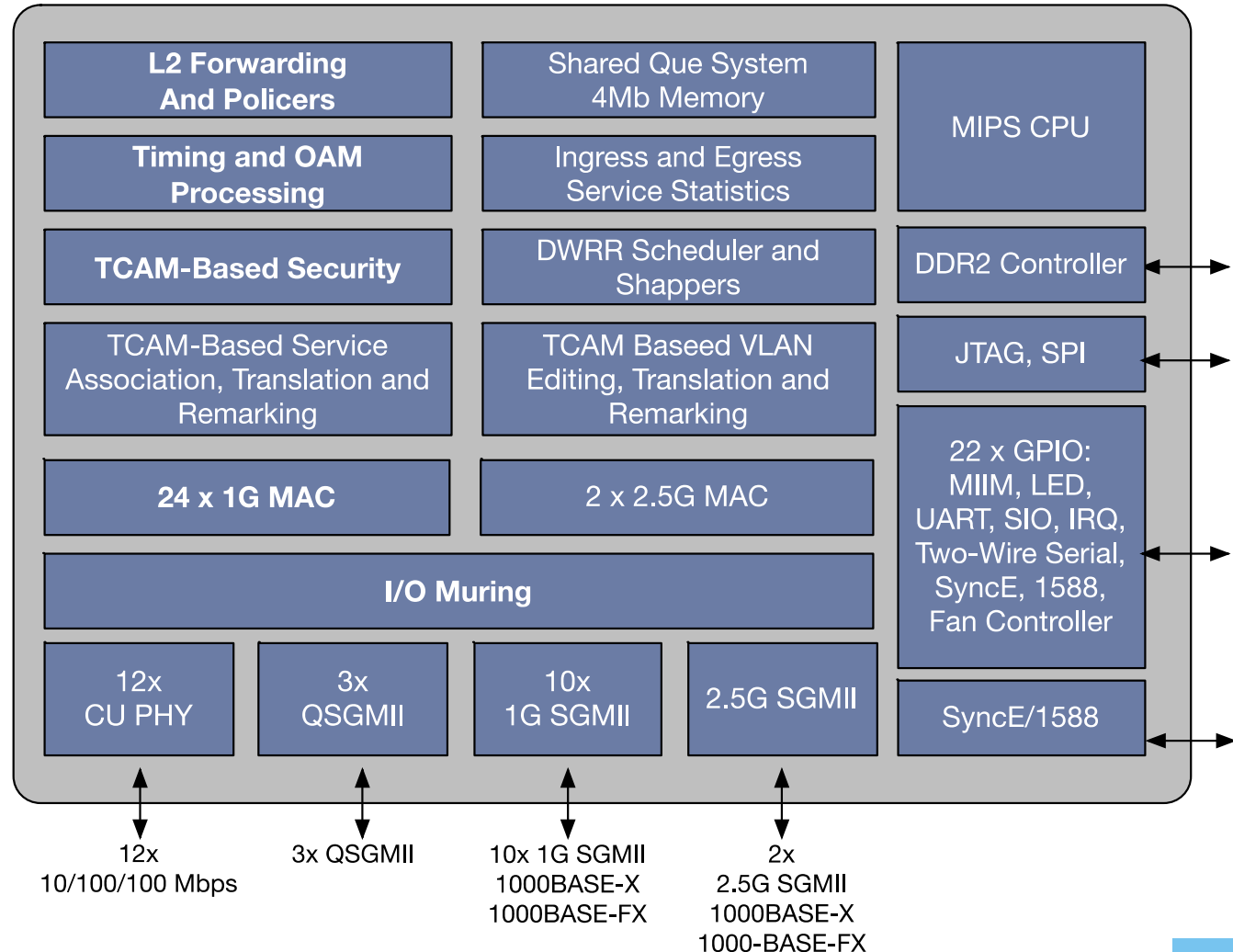


VSC7423/28/29

7-26 port L2 Gigabit Switch

Features:

- Integrated MIPS processor
- SyncE, IEEE1588v2, G.8032
- Fully Managed Switch:
 - VLAN / Priority based QoS
 - ACL rule-based packet processing
 - IEEE 802.1x authentication
- Flexible MAC interfaces:
 - SGMII / QSGMII, 1000Base-T (up to 12)
- Software:
 - MESA API
 - IStax
- Package:
 - 672 PBGA, 27x27mm
- Extended Temperature Support:
 - -40C ambient to 125C junction

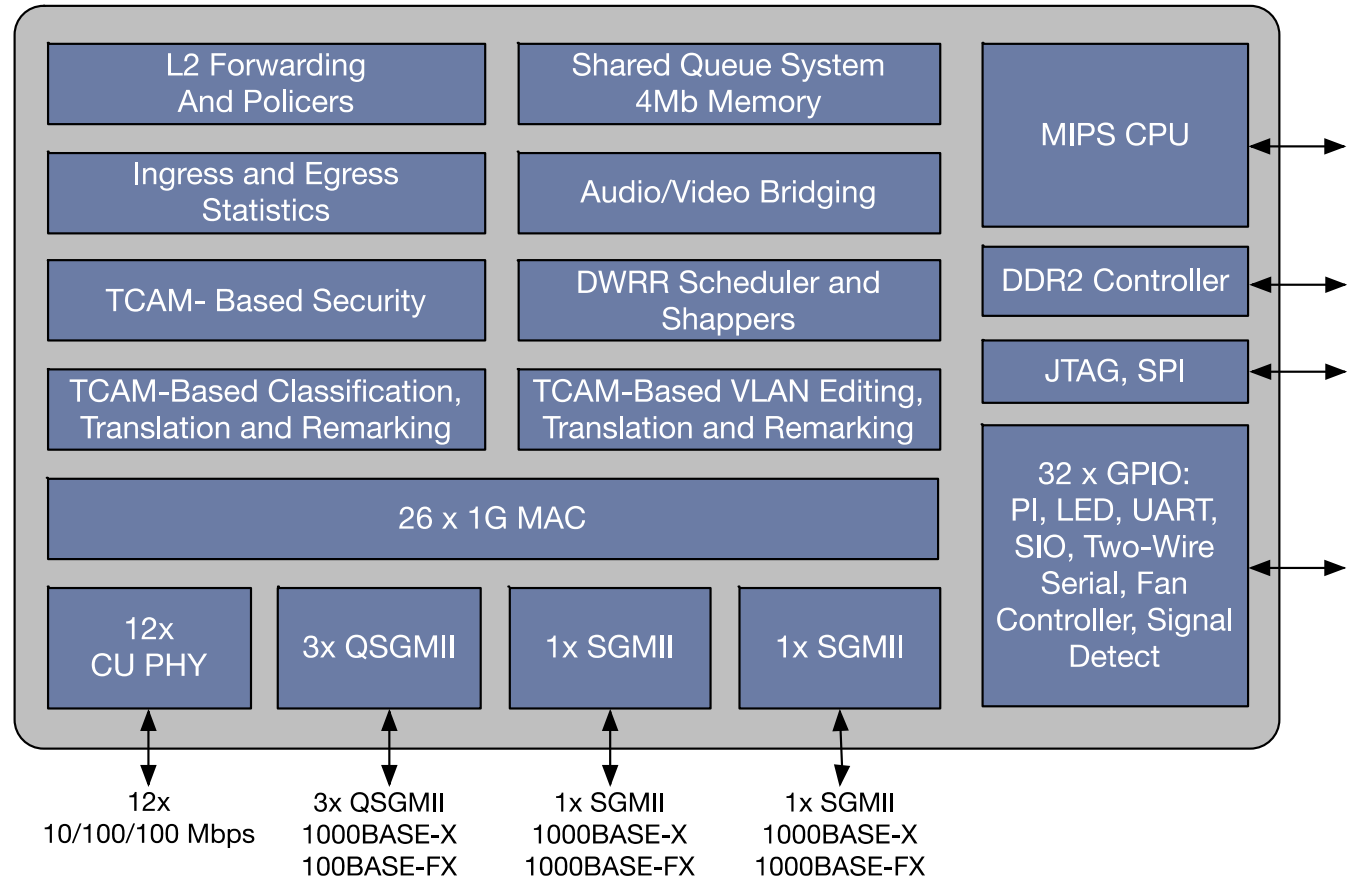


VSC7424/25/26/27

12-26 port L2 Gigabit Switch

Features:

- Integrated MIPS processor
- Fully Managed Switch:
 - VLAN / Priority based QoS
 - ACL rule-based packet processing
 - IEEE 802.1x authentication
- Flexible MAC interfaces:
 - SGMII / QSGMII, 1000Base-T (up to 12)
- Software:
 - MESA API
 - WebStaX, SMBStaX
- Package:
 - 672 PBGA, 27x27mm
- Commercial Temperature Support:
 - 0C ambient to 125C junction

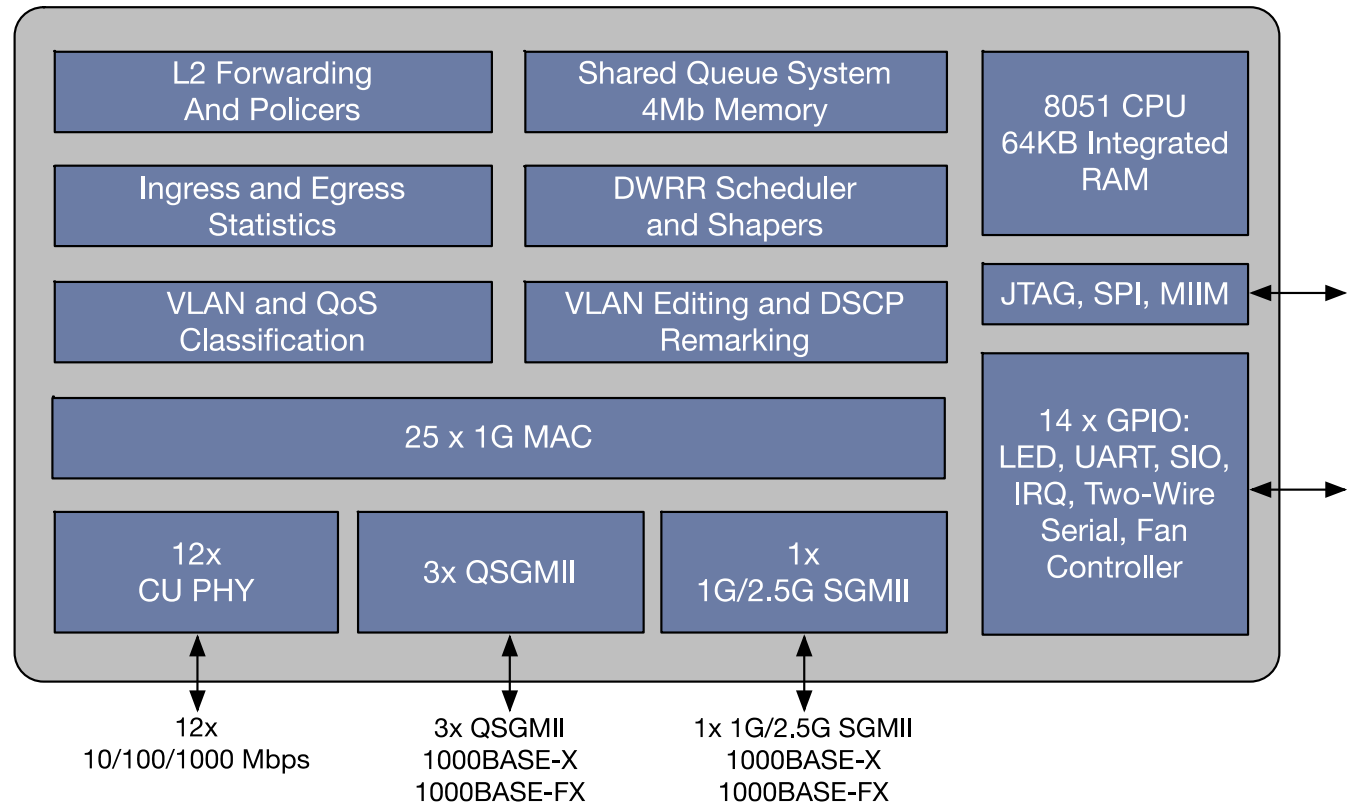


VSC7420/21/22

10-25 port L2 Gigabit Switch

Features:

- Integrated 8051 processor
- Unmanaged Switch:
 - Port Control
 - QoS
 - Link Aggregation
- Flexible MAC interfaces:
 - SGMII / QSGMII, 1000Base-T (up to 12)
- Software:
 - Unmanaged Software
- Package:
 - 672 PBGA, 27x27mm
- Extended Temperature Support:
 - -40C ambient to 125C junction

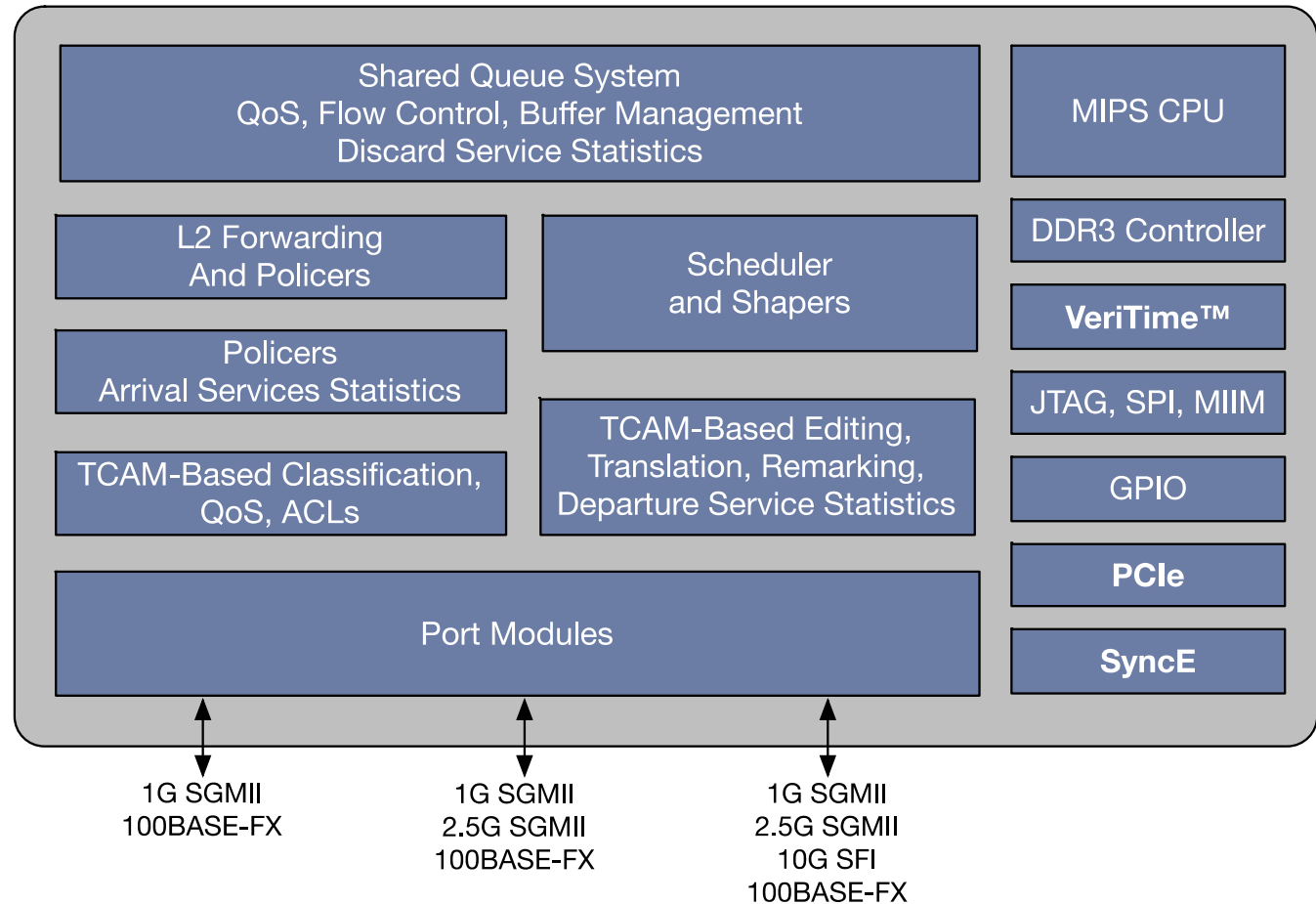


VSC7410/30/36/40

L2/L3 Gigabit Switch with 10GbE uplinks

Features:

- Up to 8x 1GbE + 2x 10GbE configuration
- Integrated MIPS processor
- SyncE, IEEE1588v2, G.8032
- PCIe 1.x CPU interface
- Carrier Ethernet and integrated PLL Options
- Fully Managed Switch:
 - VLAN / Priority based QoS
 - ACL rule-based packet processing
 - IEEE 802.1x authentication
- Flexible MAC interfaces:
 - SGMII, 1000Base-T (2)
- Software:
 - MESA API
 - WebStaX, SMBStaX, IStaX
- Package:
 - 324 PBGA, 19x19mm
- Extended Temperature Support:
 - -40C ambient to 125C junction

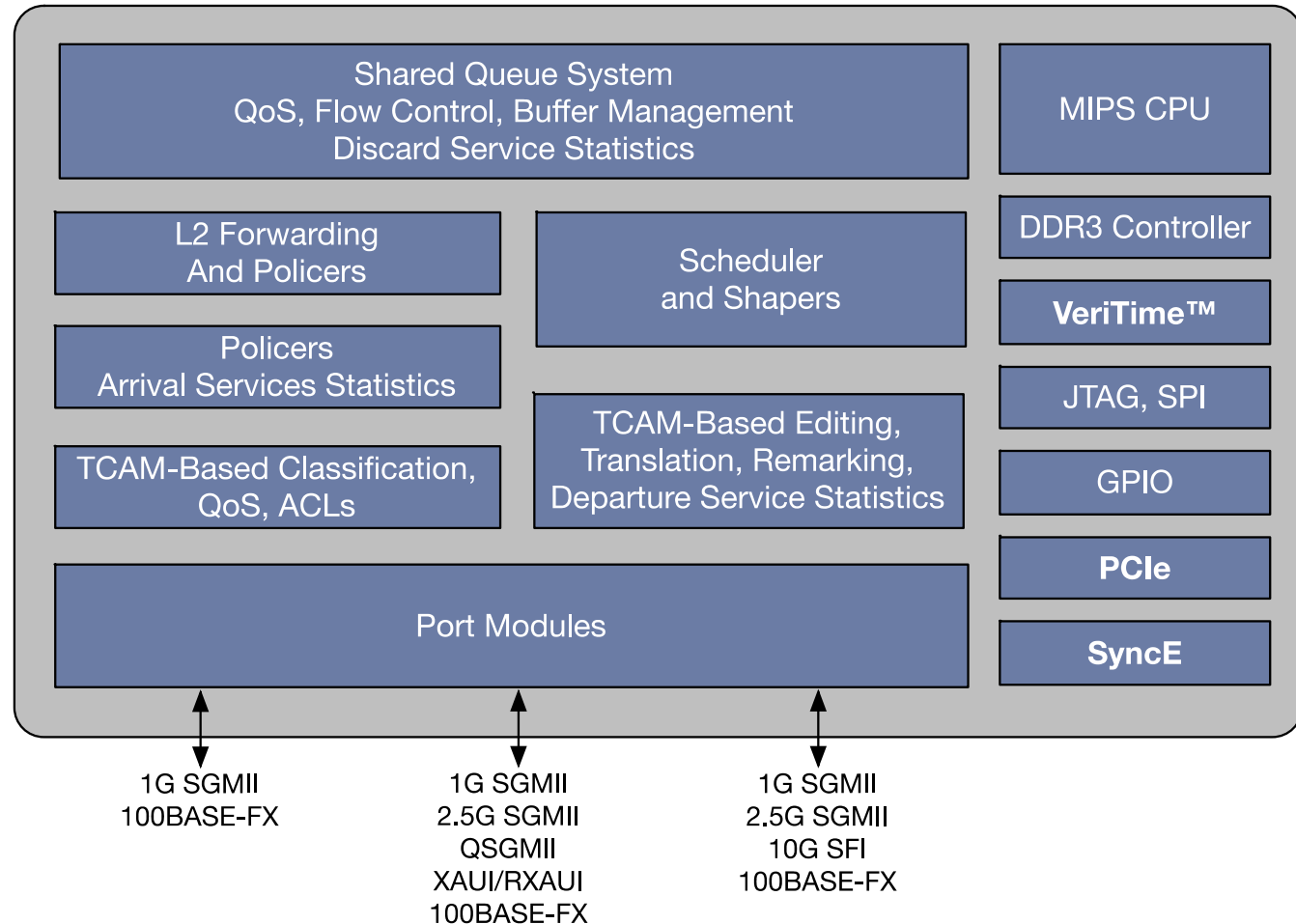


VSC7442/44/48/49

L2/L3 Gigabit Switch with 10GbE uplinks

Features:

- Up to 48x 1GbE + 4x 10GbE configuration
- Integrated MIPS processor
- SyncE, IEEE1588v2, G.8032
- PCIe 1.x CPU interface
- Fully Managed Switch:
 - VLAN / Priority based QoS
 - ACL rule-based packet processing
 - IEEE 802.1x authentication
- Flexible MAC interfaces:
 - SGMII / QSGMII
 - XAUI / RXAUI
- Software:
 - MESA API
 - WebStaX, SMBStaX, IStaX
- Package:
 - 672 FCBGA, 27x27mm
- Extended Temperature Support:
 - -40C ambient to 125C junction

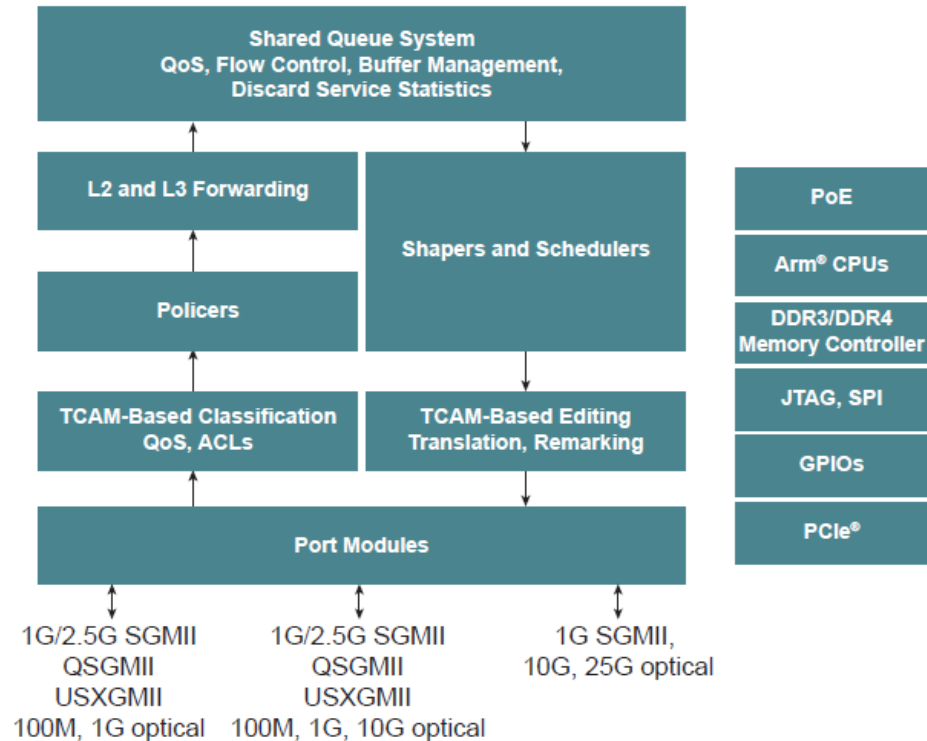


VSC7546/49/52/56/58

L2/L3 1GbE/2.5GbE/5GbE Switch with 10GbE/25GbE uplinks

Features:

- Up to 64x 1/2.5GbE, 32x5GbE, 20x10GbE, 8x25GbE
- Integrated ARM processor
- PCIe 2.0/3.0 CPU interface
- Fully Managed Switch:
 - VLAN / Priority based QoS
 - ACL rule-based packet processing
 - IEEE 802.1x authentication
- Flexible MAC interfaces:
 - SGMII / QSGMII
 - USXGMII
- Software:
 - MESA API
 - WebStaX, SMBStaX
- Package:
 - 888 FCBGA, 25x25mm
- Extended Temperature Support:
 - -40C ambient to 105C junction

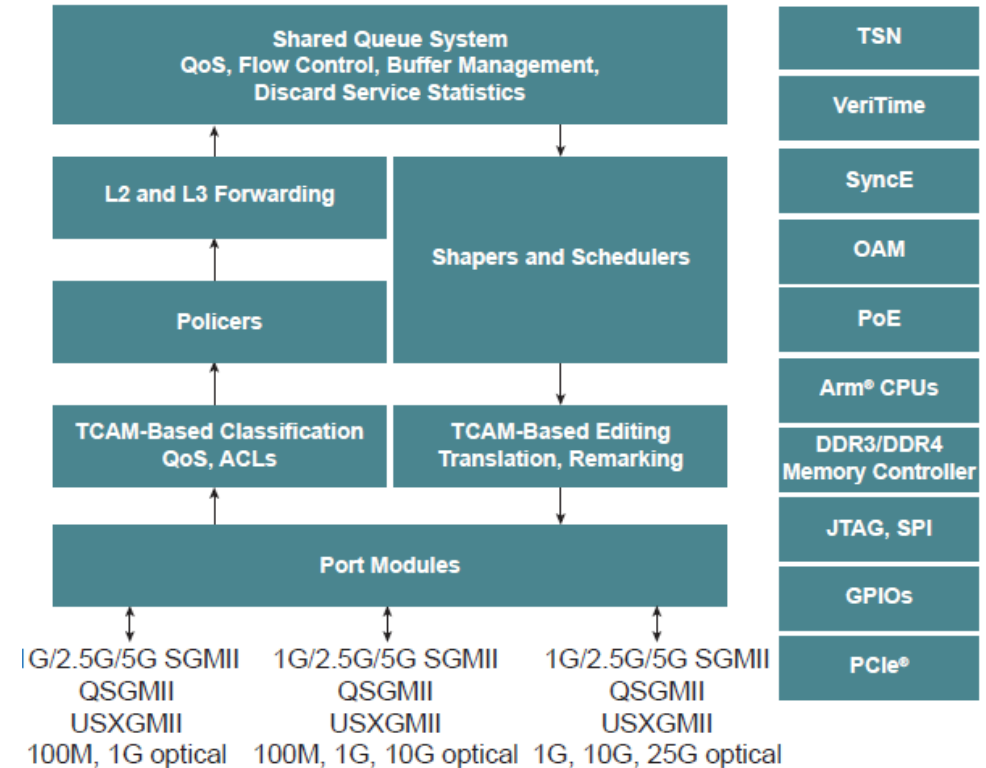


VSC7546/49/52/56/58TSN

L2/L3 1GbE/2.5GbE/5GbE Switch with 10GbE/25GbE uplinks

Features:

- Up to 64x 1/2.5GbE, 32x5GbE, 20x10GbE, 8x25GbE
- Integrated ARM processor
- SyncE, 1588v2, G.8032
- TSN feature set
- PCIe 2.0/3.0 CPU interface
- Fully Managed Switch:
 - VLAN / Priority based QoS
 - ACL rule-based packet processing
 - IEEE 802.1x authentication
- Flexible MAC interfaces:
 - SGMII / QSGMII
 - USXGMII
- Software:
 - MESA API
 - IStax
- Package:
 - 888 FCBGA, 25x25mm
- Extended Temperature Support:
 - -40C ambient to 110C junction



Single-Coax Transceiver for Fast Ethernet

Features:

- Supports full duplex bi-directional
- Ethernet speeds up to 100Mbps
- Transmit and receive signal up to –
- 180m (based on application) over –
- 75Ω coax
- Supports auto-mute functionality for –
- lowest application power
- Supports simultaneous power-over-
- coax (PoC)

Coax Interface	
Connectors	BNC True 75Ω
Cable Impedance	75Ω ± 3Ω
Connector/Coax Return Loss	Return Loss > 25 dB @ 1–200 MHz
Data Throughput	200 Mbps (Simultaneous 100 Mbps in both directions (for all cable lengths))
Aux Interface	
Connector (Head End)	RJ45 (PoE Device Compliant)
Connector (Camera Side)	RJ45 (PoE PSE Compatible)
Cable Type	Category 5 or above, Straight through or cross over (Auto MDI/MDIX)
Rates Supported	100Base-T/10Base-T, full/half duplex. Virtual wire operation with AutoNegotiation to match best capabilities of network equipment at each end
Power Supply Input (Head End Input)	
PoE via RJ45	Fully IEEE 802.3af Power over Ethernet Standard Compliant, nominal 48 V
DC Feed via Aux Power Connector	Min. 12 Vdc, Max. 48 Vdc (inner positive) PoE on RJ45 is disconnected if DC power applied via Aux Power rst Min. 24V recommended if camera is to be powered
Power Supply Output (Camera Side Output)	
PoE via RJ45	PoE Compatible, Vin @ Head End –2V-Coax DC drop (varies with cable type/length)
DC Feed via Coax	Vin @ Head End –2V-Coax DC drop per hop (varies with cable type/length) PoE on RJ45 is disconnected when DC output is used
Environmental	
Operating Temperature	0°C to +50°C
Relative Humidity	Up to 85% non-condensing
Storage Temperature	–20°C to +70°C



Single 75Ω Coax Transceiver

Features:

- Supports full duplex bi-directional
- Ethernet speeds up to 1.25Gbps.
- Transmit and receive signal up to –
- 70m (based on application) over –
- 75Ω coax
- Supports auto-mute functionality for –
- lowest application power
- Supports simultaneous power-over –
- coax (PoC)

Coax Interface	
Connectors	BNC True 75Ω
Cable Impedance	75Ω ± 3Ω
Connector/Coax Return Loss	Return Loss > 25 dB @ 1–200 MHz
Data Throughput	200 Mbps (Simultaneous 100 Mbps in both directions (for all cable lengths))
Aux Interface	
Connector (Head End)	RJ45 (PoE Device Compliant)
Connector (Camera Side)	RJ45 (PoE PSE Compatible)
Cable Type	Category 5 or above, Straight through or cross over (Auto MDI/MDIX)
Rates Supported	100Base-T/10Base-T, full/half duplex. Virtual wire operation with AutoNegotiation to match best capabilities of network equipment at each end
Power Supply Input (Head End Input)	
PoE via RJ45	Fully IEEE 802.3af Power over Ethernet Standard Compliant, nominal 48 V
DC Feed via Aux Power Connector	Min. 12 Vdc, Max. 48 Vdc (inner positive) PoE on RJ45 is disconnected if DC power applied via Aux Power rst Min. 24V recommended if camera is to be powered
Power Supply Output (Camera Side Output)	
PoE via RJ45	PoE Compatible, Vin @ Head End –2V-Coax DC drop (varies with cable type/length)
DC Feed via Coax	Vin @ Head End –2V-Coax DC drop per hop (varies with cable type/length) PoE on RJ45 is disconnected when DC output is used
Environmental	
Operating Temperature	0°C to +50°C
Relative Humidity	Up to 85% non-condensing
Storage Temperature	–20°C to +70°C



Single 75Ω Coax Transceiver

Features:

- Supports full duplex bi-directional
- Ethernet speeds up to 100Mbps
- Transmit and receive signal up to –
 - 80m (based on application) over –
 - 50Ω coax
- Supports auto-mute functionality for -
 - lowest application power
- Supports simultaneous power-over –
 - coax (PoC)

Coax Interface	
Connectors	BNC True 75Ω
Cable Impedance	50Ω ± 3Ω
Connector/Coax Return Loss	Return Loss > 25 dB @ 1–200 MHz
Data Throughput	200 Mbps (Simultaneous 100 Mbps in both directions (for all cable lengths))
Aux Interface	
Connector (Head End)	RJ45 (PoE Device Compliant)
Connector (Camera Side)	RJ45 (PoE PSE Compatible)
Cable Type	Category 5 or above, Straight through or cross over (Auto MDI/MDIX)
Rates Supported	100Base-T/10Base-T, full/half duplex. Virtual wire operation with AutoNegotiation to match best capabilities of network equipment at each end
Power Supply Input (Head End Input)	
PoE via RJ45	Fully IEEE 802.3af Power over Ethernet Standard Compliant, nominal 48 V
DC Feed via Aux Power Connector	Min. 12 Vdc, Max. 48 Vdc (inner positive) PoE on RJ45 is disconnected if DC power applied via Aux Power rst Min. 24V recommended if camera is to be powered
Power Supply Output (Camera Side Output)	
PoE via RJ45	PoE Compatible, Vin @ Head End –2V-Coax DC drop (varies with cable type/length)
DC Feed via Coax	Vin @ Head End –2V-Coax DC drop per hop (varies with cable type/length) PoE on RJ45 is disconnected when DC output is used
Environmental	
Operating Temperature	0°C to +50°C
Relative Humidity	Up to 85% non-condensing
Storage Temperature	–20°C to +70°C



Single-Coax Transceiver for LVDS and Gigabit Ethernet Applications

Features:

- Supports full duplex bi-directional
- Ethernet speeds up to 1.25Gbps
- Transmit and receive signal up to –
- 40m (based on application) over –
- 50Ω coax
- Supports auto-mute functionality for –
- lowest application power
- Supports simultaneous power-over –
- coax (PoC)

Coax Interface	
Connectors	BNC True 75Ω
Cable Impedance	50Ω ± 3Ω
Connector/Coax Return Loss	Return Loss > 25 dB @ 1–200 MHz
Data Throughput	200 Mbps (Simultaneous 100 Mbps in both directions (for all cable lengths))
Aux Interface	
Connector (Head End)	RJ45 (PoE Device Compliant)
Connector (Camera Side)	RJ45 (PoE PSE Compatible)
Cable Type	Category 5 or above, Straight through or cross over (Auto MDI/MDIX)
Rates Supported	100Base-T/10Base-T, full/half duplex. Virtual wire operation with AutoNegotiation to match best capabilities of network equipment at each end
Power Supply Input (Head End Input)	
PoE via RJ45	Fully IEEE 802.3af Power over Ethernet Standard Compliant, nominal 48 V
DC Feed via Aux Power Connector	Min. 12 Vdc, Max. 48 Vdc (inner positive) PoE on RJ45 is disconnected if DC power applied via Aux Power rst Min. 24V recommended if camera is to be powered
Power Supply Output (Camera Side Output)	
PoE via RJ45	PoE Compatible, Vin @ Head End –2V-Coax DC drop (varies with cable type/length)
DC Feed via Coax	Vin @ Head End –2V-Coax DC drop per hop (varies with cable type/length) PoE on RJ45 is disconnected when DC output is used
Environmental	
Operating Temperature	0°C to +50°C
Relative Humidity	Up to 85% non-condensing
Storage Temperature	–20°C to +70°C

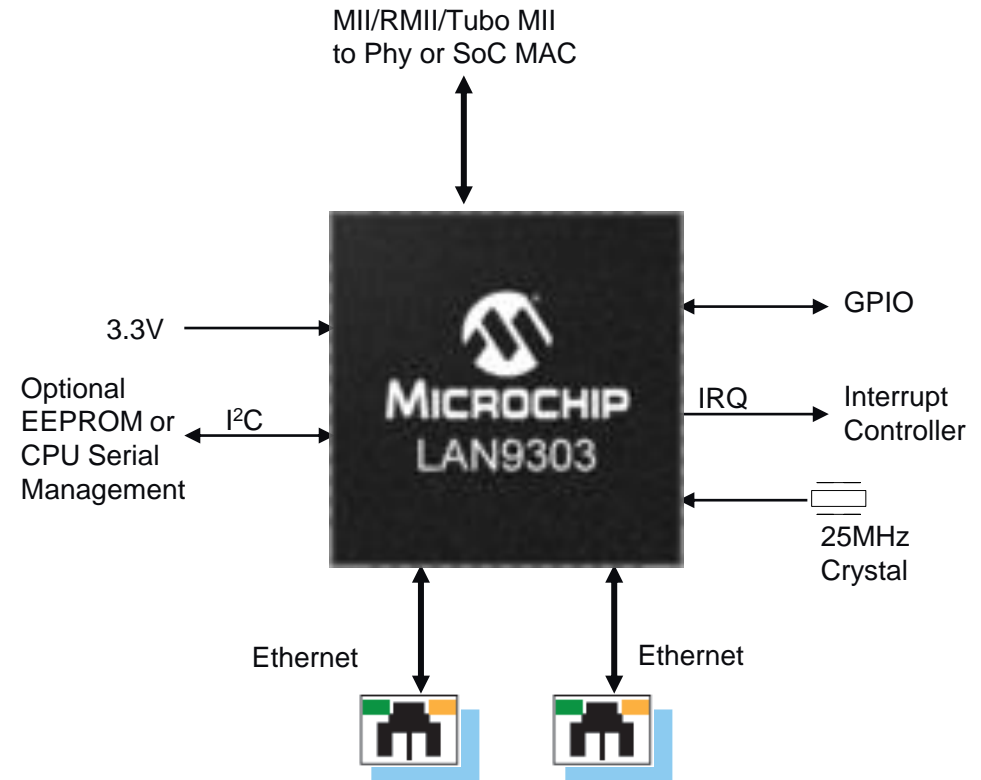


LAN9303 Enhanced

3-Port 10/100 Managed Ethernet Switch with Single MII/RMII/Turbo MII or Dual RMII

High-performance, full-featured 3 port switch

- IEEE 802.1Q VLAN support
- IGMP snooping for multicast packet filtering
- Up to 200Mbps network speed via Turbo MII interface
- Optional EEPROM or external CPU serial management support via I²C interface
- Unique virtual PHY feature simplifies software development by mimicking multiple switch ports as a single-port PHY
- Integrated reg enables single 3.3V supply
- +/- 8kV/15kV per port ESD protection
- Lead free ROHS compliant packages
- Packaging
 - LAN9303: 56-pin QFN 8x8mm
 - LAN9303M: 72-pin QFN 10x10mm
- Commercial (0 to +70C) and Industrial (-40 to +85C) temperature supported

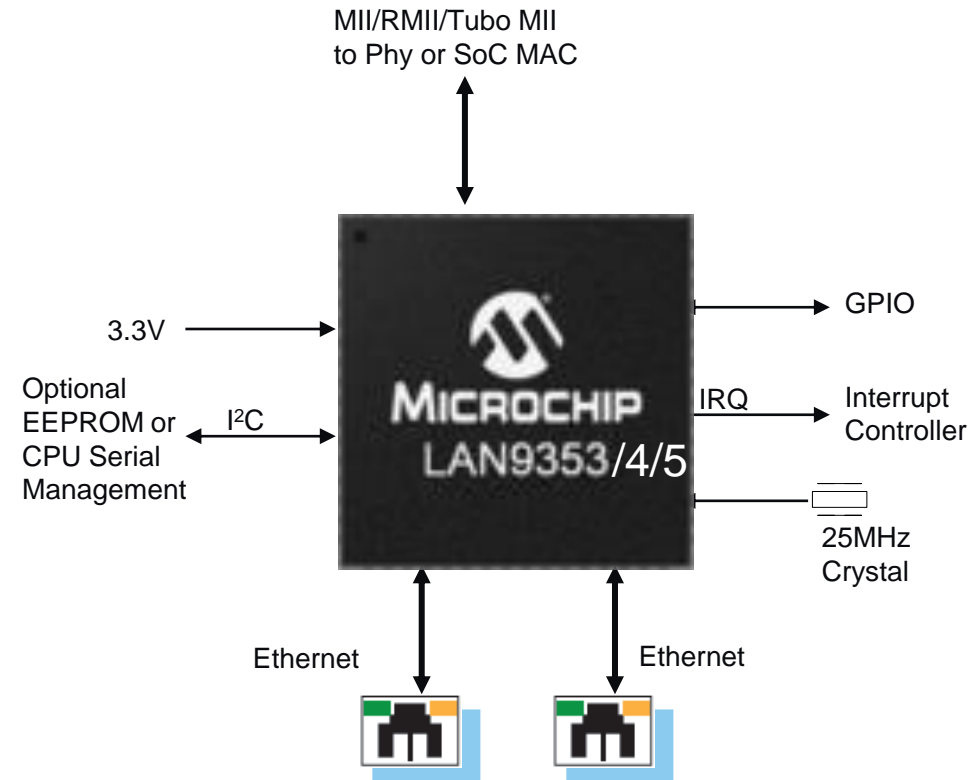


LAN9353/54/55

Enhanced 2~3 Port 10/100 Switch

Enhanced 2/3 Port Switches

- IEEE 1588-2008 Compliant
 - Supports UDP/IPv4/IPv6 and layer 2
 - Transparent and Boundary clocks
 - Smaller packet size & Increased update rate
- IEEE 802.3u 100Base-FX Fiber Interface
- IEEE 802.3az Energy Efficient Ethernet
- WoL for additional system power savings
- Cable Diagnostics: detection of Open, Short and Cable length
- Optional EEPROM or external SoC serial management support via I2C interface
- Virtual PHY support to simplify s/w development
- Integrated reg enables single 3.3V supply
- Packaging:
 - LAN9353M/2xRMII: 64-pin QFN/ 64 pin QFP-EP
 - LAN9354 RMII: 56-pin QFN
 - LAN9355/2xMII: 88-pin QFN/ 80-pin QFP-EP



Applications

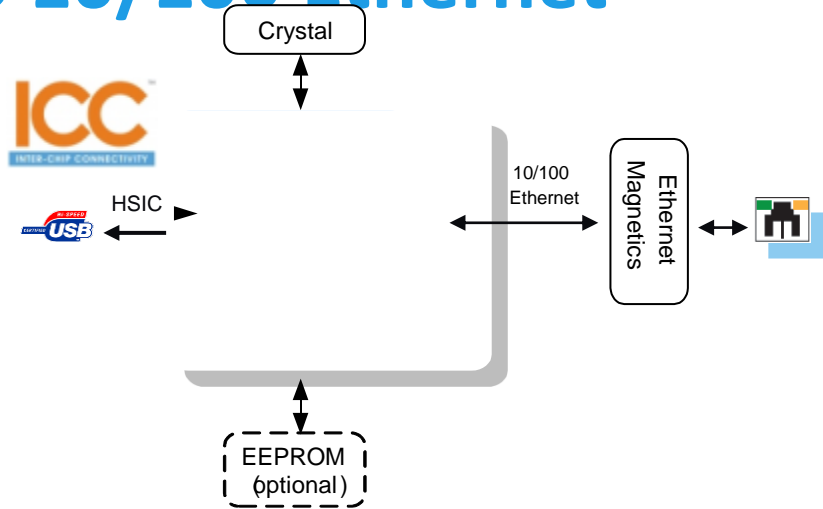
- Industrial PC
- VoIP gateway
- SOHO/SMB router
- Telecom
- Financial Transactions
- Industrial Networks
- Power Grid/Meter
- Security / Surveillance
- Transportation
- Mill/Aero



LAN9730

[Online Datasheet](#)

HSIC to 10/100 Ethernet



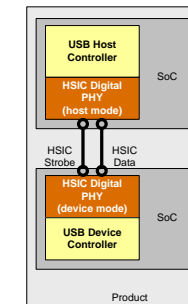
Target Applications

- IP TV Players
- Set Top Box
- Digital TV
- Docking (wireless)
- Digital Signage
- Netbook/Tablet
- SoC Reference Platforms
- TI OMAP5, Nvidia Tegra, Marvell

Features:

- Software compatibility - Transparent to –
 - USB software stack and device drivers
- Fully supports IEEE 802.3/802.3u standards
- Power savings - Eliminate two USB PHY's –
 - in on-board USB chip-to-chip connection:
 - 2-pin interface: Clock, Data
- Implements WoL support for reduced –
 - system power consumption
- Supports EEPROM-less operation for
 - reduced BOM costs
- UniClock Technology requires single 25 MHz
 - crystal for USB & Ethernet
- Lead free ROHS compliant –
 - packages
- LAN9730: 56-pin QFN 8x8mm

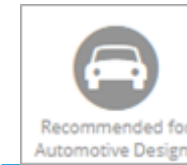
What is HSIC - USB chip-to-chip interconnect. HSIC removes the analog transceivers found in normal USB. HSIC is meant to be a point to point connection between a host and device on the same PCB.



Commercial (0 to +70C) and Industrial (-40 to +85C) temperature supported

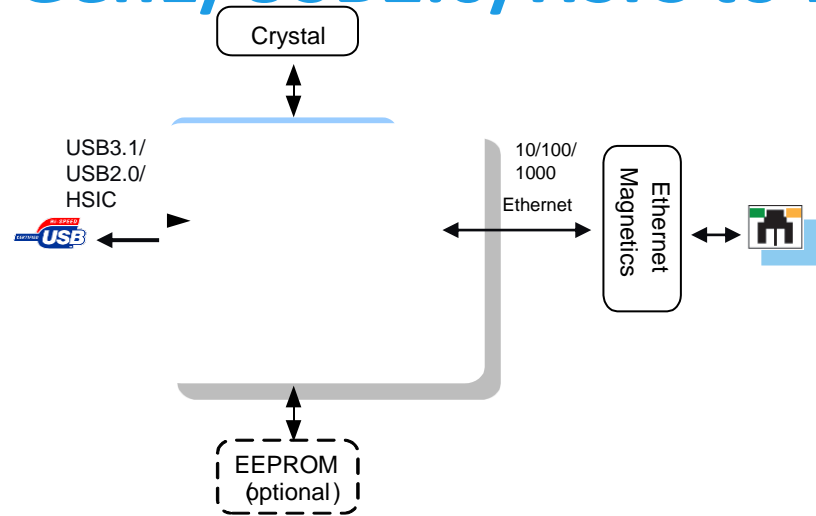


LAN7800/01/50



Online
Datasheet

USB3.1 Gen1/USB2.0/HSIC to 10/100 Ethernet

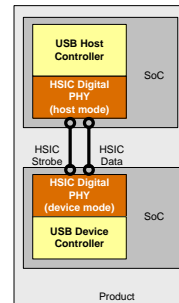


Features:

- Three product SKUs
 - LAN7800 – USB3.1 Gen1 to GigE
 - LAN7801 – USB3.1 Gen1 to RGMII - (use with external PHY)
 - LAN7850 – HSIC to GigE
- Software compatibility - Transparent to -
 - USB software stack and device drivers
- Fully supports IEEE 802.3/802.3u -
 - standards
- Implements NetDetach™ and WoL support -
 - for reduced system power consumption
- Supports EEPROM-less operation for -
 - reduced BOM costs
- UniClock Technology requires single 25 -
 - MHz crystal for USB & Ethernet
- Recommended for Automotive Design
- Temperature range: Commercial –
 - (0 to +70C) and Industrial (-40 to +85C)

Target Applications

- PC Docking
- Netbook/Tablet
- Port Replicators
- PVR, STB
- USB to eNet Dongle
- Digital TV
- Digital Signage
- SoC Reference Platforms
- Networked Printers

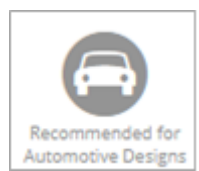


What is HSIC - USB chip-to-chip interconnect. HSIC removes the analog transceivers found in normal USB. HSIC is meant to be a point to point connection between a host and device on the same PCB.

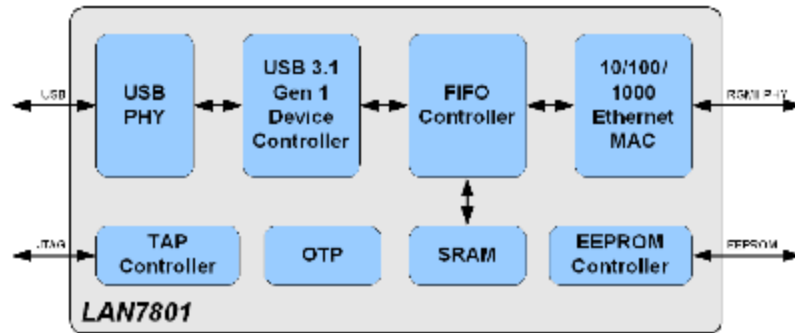
<< BACK



USB3.1 to Gigabit Ethernet: LAN7801



Online Datasheet



Features

- Single-chip, Super-Speed USB 3.1 Gen 1 to 10/100/1000 Ethernet controller
- Interface to external PHY via RGMII
- IEEE 802.3az - Energy Efficient Ethernet (EEE)
- Implements NetDetach™ and WoL support for reduced system power consumption
- Supports PCI-like PME Wake
- Supports checksum offloads (IPv4, IPv6, TCP, UDP)
- IEEE 802.1q VLAN tag based packet filtering
- Supports Win8's & Win10's Connected Standby with flexible address filtering modes, Wakeup packet support, ARP and NS offload
- Supports EEPROM-less operation for reduced BOM costs (1K OTP)
- UniClock Technology requires single 25 MHz crystal
- 64-pin SQFN (9 x 9 mm)



AEC-Q100 Grade 3 & 2 (-40 to +85C / -40 to +105C)

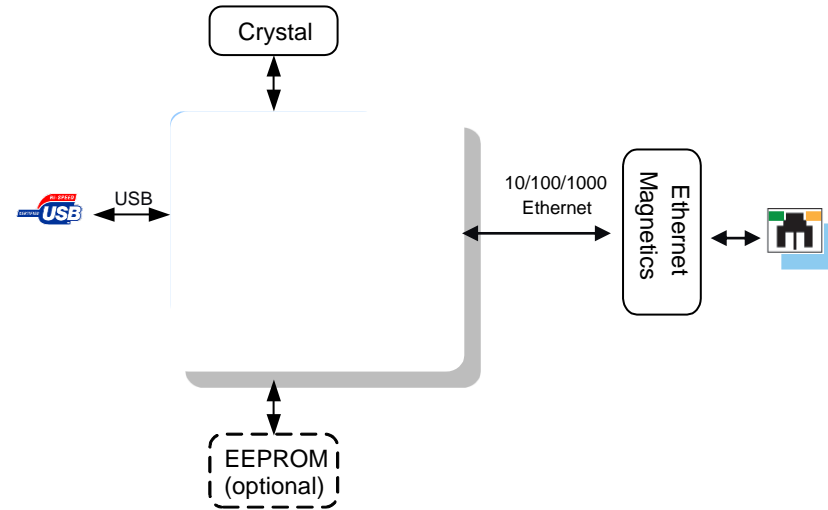


LAN7500 USB to Gigabit Ethernet

Online
Datasheet

Features:

- Fully supports IEEE 802.3/802.3u/802.3ab - standards
- Implements NetDetach™ for reduced system - power consumption
- Excellent ESD Protection levels without any - external protection device
 - $\pm 8\text{kV}$ / $\pm 15\text{kV}$ for contact/air discharge - mode per IEC61000-4-2
- Supports EEPROM-less operation for reduced - BOM costs
- UniClock Technology requires single 25 MHz - crystal for both USB and Ethernet
- Package:
 - 56-pin QFN 8x8mm
 - Commercial (0 to +70C) and Industrial (-40 to - +85C) temperature supported



Target Applications

- PC Docking
- Port Replicators
- USB to eNet Dongle
- Digital Signage
- Networked Printers
- Netbook/Tablet
- PVR, STB
- Digital TV
- SoC Reference Platforms

<< BACK



LAN951X USB 2.0 Hub

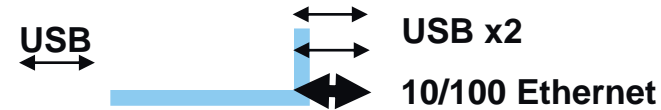
Online
Datasheet

10/100 Ethernet Combo

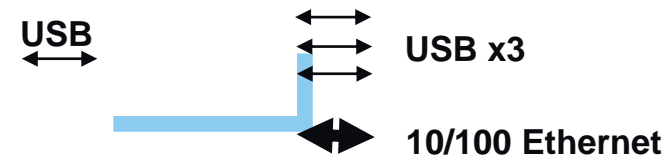
Features:

- USB to Ethernet controller with USB2.0 hub –
 - integrated
- First in the industry
- 2, 3 or 4 additional USB downstream ports –
 - and 10/100 Ethernet
- LAN9512 → 2 downstream ports
- LAN9513 → 3 downstream ports
- LAN9514 → 4 downstream ports
- Unique BOM cost saving features
- Only a single 25MHz crystal needed for both –
 - USB and Ethernet
- Built in 8kv/15kv contact/air discharge ESD –
 - protection
- 24MHz clock out provided to connect additional –
 - SMSC USB hub if needed
- Extensive power management features
- WOL, Magic Packet, GPIO assertion, Link –
 - Status Change
- Package: 64QFN 9x9mm Package

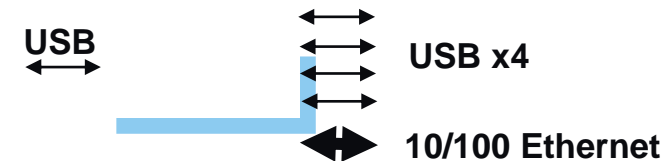
Integrated 3 Port USB Hub



Integrated 4 Port USB Hub



Integrated 5 Port USB Hub



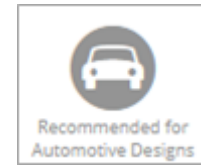
Target Applications

- PC Docking
- Port Replicators
- USB to eNet Dongle
- Digital Signage
- Networked Printers
- Netbook/Tablet
- PVR, STB
- Digital TV
- SoC Reference Platforms

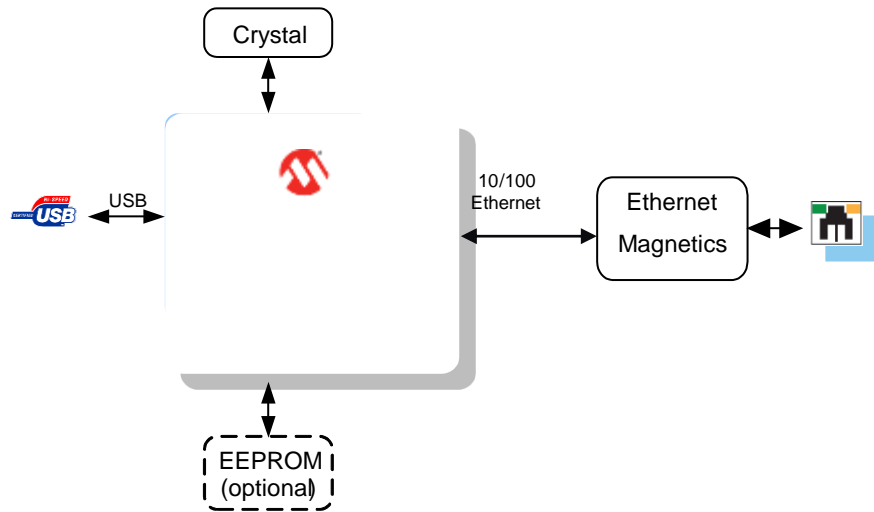
<< BACK



USB2.0 to 10/100 : Ethernet LAN89530

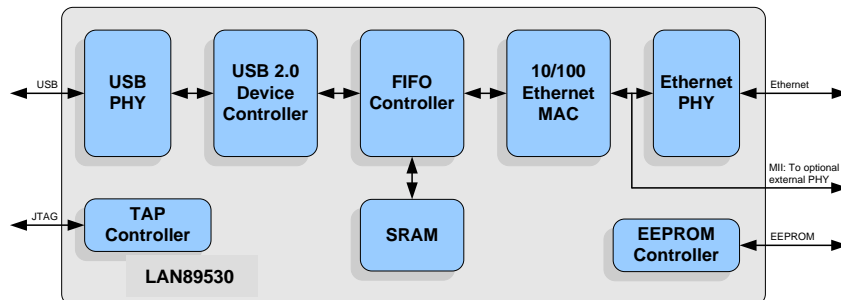


Online Datasheet



Features

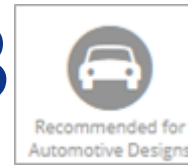
- Single Chip USB 2.0 to 10/100 Ethernet Controller
- NetDetach™ for reduced system power consumption
- EEPROM-less operation - reduced BOM costs
- UniClock™ Technology enables single 25 MHz crystal for both USB and Ethernet
- Driver support for Win 8/7/XP/Vista, Linux, CE, MAC
- Supports bus-powered and self-powered operation
- Supports MII MAC interface for external PHYs
- Extensive power management features
- GPIO assertion, WOL, Magic Packet™, Link Status Change, PME
- AEC-Q100 Grade 3 (-40 to +85C)
- 56-Pin QFN (8 x 8mm)



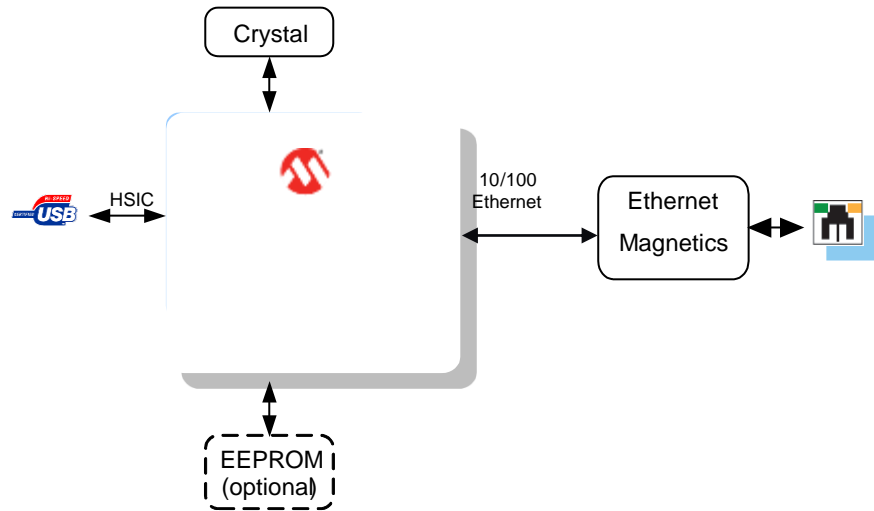
<< BACK



HSIC to 10/100 Ethernet: LAN8973



Online
Datasheet



Features

- Single Chip HSIC to 10/100 Ethernet Controller
- System power savings through chip-to-chip USB connectivity.
- Eliminate two USB PHYs
- Software compatibility - Transparent to USB software stack and device drivers
- NetDetach™ for reduced system power consumption
- EEPROM-less operation - reduced BOM costs
- Driver support for Win 8/7/XP/Vista, Linux, CE, MAC
- UniClock™ Technology - single 25 MHz crystal
- Supports MII (Turbo mode) for external PHYs
- Extensive power management features
- AEC-Q100 Grade 3 (-40 to +85C)
- 56-Pin QFN (8 x 8mm)

*Ideal for following SoC Platforms;
AMD, nVIDIA Tegra, Qualcomm Snapdragon,
Samsung Exynos, Marvell, and others*

Industry's first Single-chip, HSIC to 10/100 Ethernet controller

<< BACK

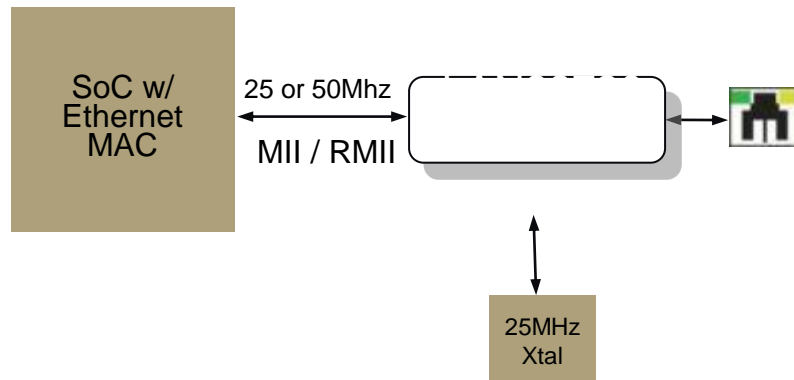


LAN88730

10/100 Ethernet Physical Layer



Online
Datasheet



Features:

- Excellent ESD Protection levels without – any external protection devices:
 - Meets / exceeds IEC requirements
- Integrated DSP with adaptive equalizer
- Integrated 1.2V Linear Regulator
- Incorporates flexPWR®
 - Flexible I/O voltage down to 1.8V
- Uses a low cost 25MHz xtal for RMII
- Small footprint (5mm x 5mm) 32-pin VQFN,
- Automotive Grade 3 Qualified (-40 to +85C)
- Automotive Grade 2 Qualified (-40 to +105C)

<< BACK

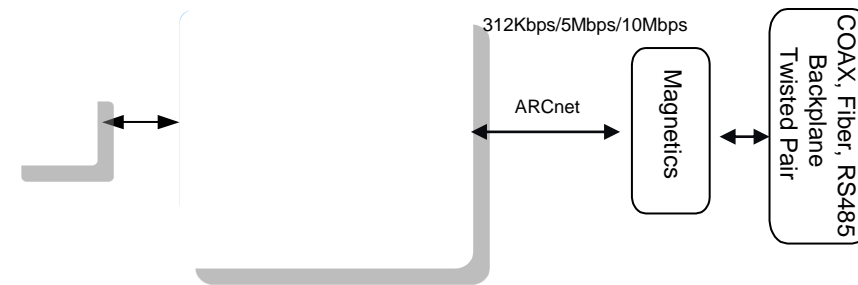


ARCnet Controllers COM20019i/20i/22i

Online
Datasheet

Features:

- ANSI Standard 878.1
- Deterministic protocol based on Token –
- Passing.
 - Perfect for Automation and Process –
- applications
- 3.3v Power Supply
- Low software overhead
- Simple address & data interface
 - Compatible with any SoC
 - 8/16 bit bus
- COM20019 312Kbps data rate
- COM20020 5Mbps data rate
- COM20022 10Mbps data rate
- Devices come in either 28PLCC or 48TQFP
 - COM20022 48TQFP only
- Commercial (0 to +70C) and Industrial –
- (-40 to +85C) temperature supported



Additional information available at the ARCnet
Trade Association WEB site www.arcnet.com

Target Applications

- Transportation
- Gaming
- Photo Development
Equipment
- Medical Equipment
- Process Equipment
- Building Automation
- ATM's
- Robotics
- Power generation

<< BACK

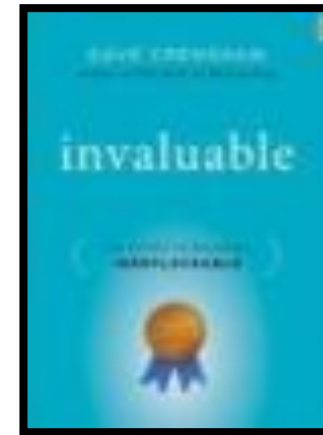


LANCheck Design Review Service

LANCheck Online Review is a personalized, value-added service available at no charge to customers who have selected our Ethernet offerings for their application design-in. LANCheck will support your design process by providing guidance through the complete design cycle – from initial schematic design to PCB design.

Benefits:

- Accelerated design cycle, reduced design risk & improves –
 - time-to-market
- Savings in PCB costs by reducing spins
- Address EMI and ESD compliance requirements early on in –
 - the design cycle
- “Heads-up” provided in the LANCheck feedback on subtle –
 - specifications for companion parts (magnetics, crystals, -
- oscillators)
- On-line documentation allows the customer to “help themselves” –
 - and eliminates any back-and-forth between the factory, -
- saving time

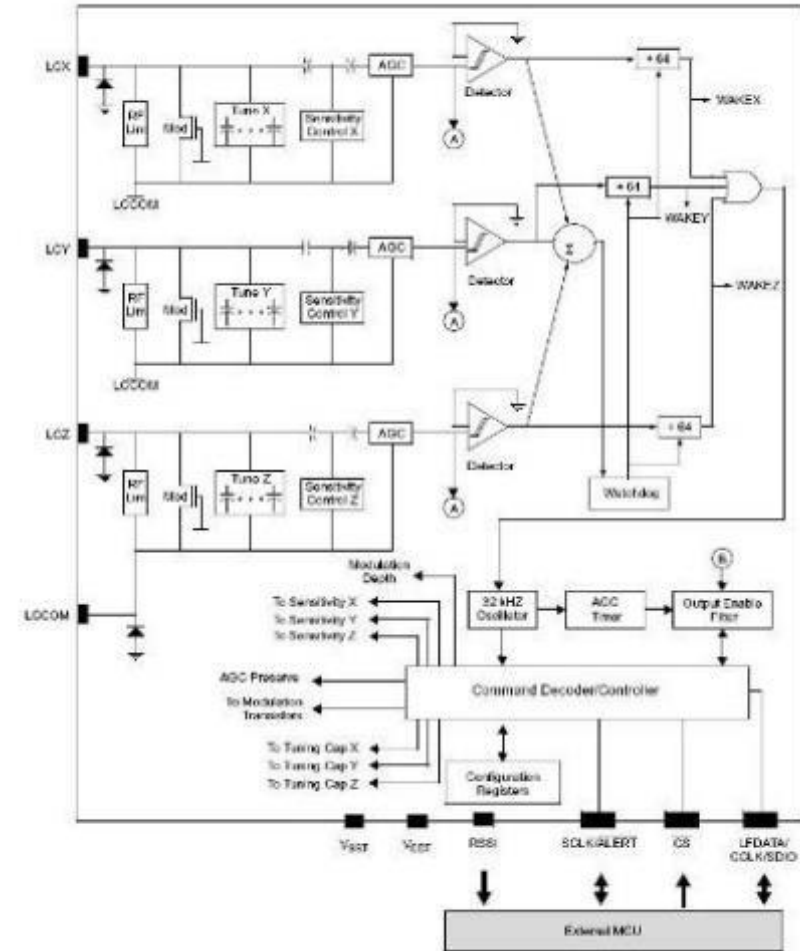


MCP2030

Three-Channel Analog Front-End Device

Features:

- Three input pins for analog input signals
- High input detection sensitivity: $3\text{mV}_{\text{P-P}}$ (typ.)
- High modulation depth sensitivity
- Three output selections: Demodulated –
- data, Carrier clock, RSSI
- Input carrier frequency: 125kHz (typ.)
- Input data rate: 10 kbps , maximum
- 8 internal Configuration registers
- Bidirectional transponder communication
- Programmable antenna tuning capacitance
- Programmable output enable filter
- Low standby current: $4\mu\text{A}$ (typ.), 3-Ch enabled
- Low operating current: $13\mu\text{A}$ (typ.), 3-Ch enabled
- SPI
- Supports Battery Back-Up mode and battery -
- less operation with external circuits
- Industrial Temperature Range: -40°C to $+85^{\circ}\text{C}$

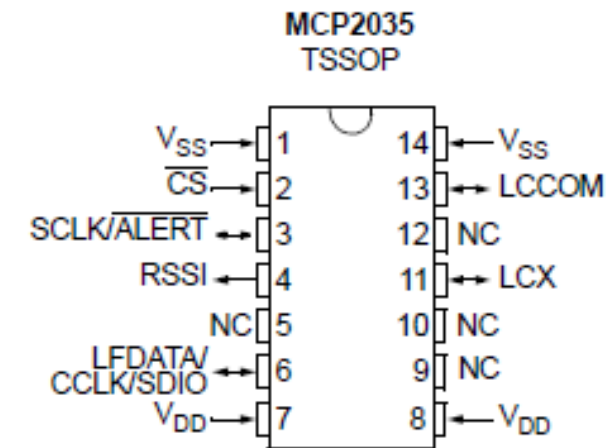


MCP2035

Analog Front-End Device for BodyCom Applications

Features:

- Single Analog Input Pin for Signal Detection
- High Input Detection Sensitivity (3 mVPP, typical)
- High Modulation Depth Sensitivity (as low as 8%)
- Three Output Type Selections:
 - Demodulated Data
 - Carrier Clock
 - Received Signal Strength Indicator (RSSI)
- Input Carrier Frequency: 125 kHz, typical
- Input Data Rate: 10 Kbps, maximum
- 8 Internal Configuration Registers
- Bidirectional Transponder Communication via the –
 - same input pin (LF talk-back)
- Programmable Antenna Tuning Capacitance (up –
 - to 63 pF, 1 pF/step)
- Programmable Output Enable Filter
- Low Standby Current: 2 μ A, typical
- Low Operating Current: 10 μ A, typical
- Serial Peripheral Interface (SPI) with external devices
- Industrial Temperature Range: -40°C to +85°C
- 14-lead TSSOP



LX3301A

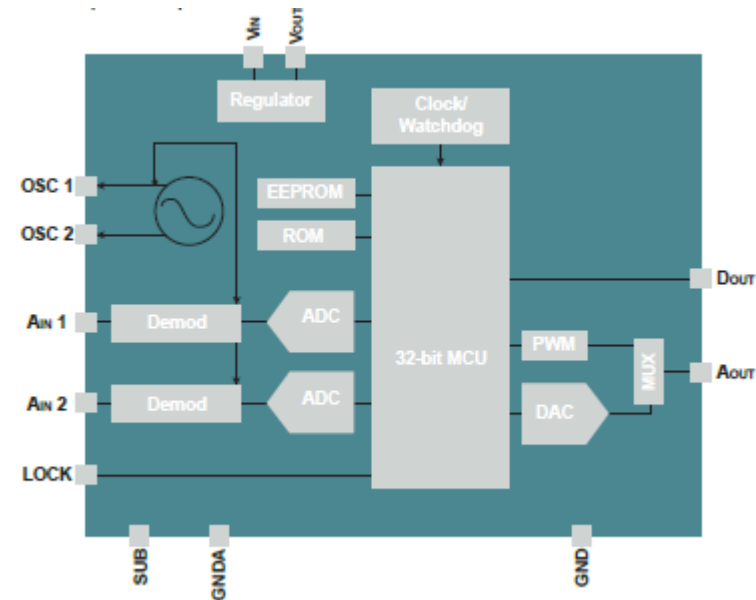


Inductive Position Sensor IC with Analog and PWM outputs

The LX3301A is an Automotive Grade 1, 125°C device with analog and PWM outputs that features an analog front-end with signal processing and control for six calibration segments to shape the output response.

Features List:

- Six Calibration Segments
- Analog and PWM output
- 12 bit output Resolution
- Sensor offset correction
- 12bit origin offset adjust
- Automatic Gain (AGC) Oscillator/demodulator
- Redundant Sensor IC Support
- AEC-Q100 Grade 1
- Temperature Range : -40 °C to 125 °C
- 14-pin TSSOP



LX3302A

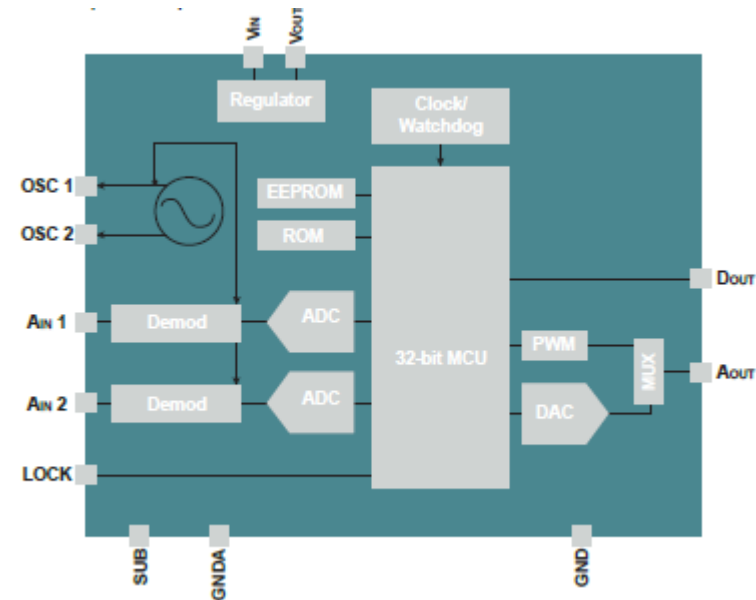


Inductive Position Sensor IC with Analog, PWM, SENT, PSI5, and Sine/Cosine outputs

The LX3302A Automotive Grade 0, 150°C device with SENT, PSI5, analog and PWM outputs features eight calibration segments for simple sensor accuracy improvements along with an options for Sine/cosine outputs, and both power line and GPIO programmability options for embedded applications

Feature List:

- Eight Calibration Segments
- SENT and PSI5 Digital outputs
- Analog and PWM output
- 12 bit output Resolution
- Sine/cosine output for resolver function
- Programmable with GPIO or Power Pins
- 10 Bit ADC for External Sensor
- On Board Temperature Sensor
- Redundant Sensor IC Support
- AEC-Q100 Grade 0
- Temperature Range: -40 °C to 150 °C
- 14-pin TSSOP



LX34050



Inductive Position Sensor IC with SIN/COS Outputs

The LX34050 Automotive Grade 0, 150°C device with options for Sine/cosine outputs

Feature List:

- Eight Calibration Segments
- Analog and PWM output
- 12 bit output Resolution
- Sine/cosine output for resolver function
- Programmable with GPIO or Power Pins
- 10 Bit ADC for External Sensor
- On Board Temperature Sensor
- Redundant Sensor IC Support
- AEC-Q100 Grade 0
- Temperature Range: -40 °C to 150 °C
- 14-pin TSSOP

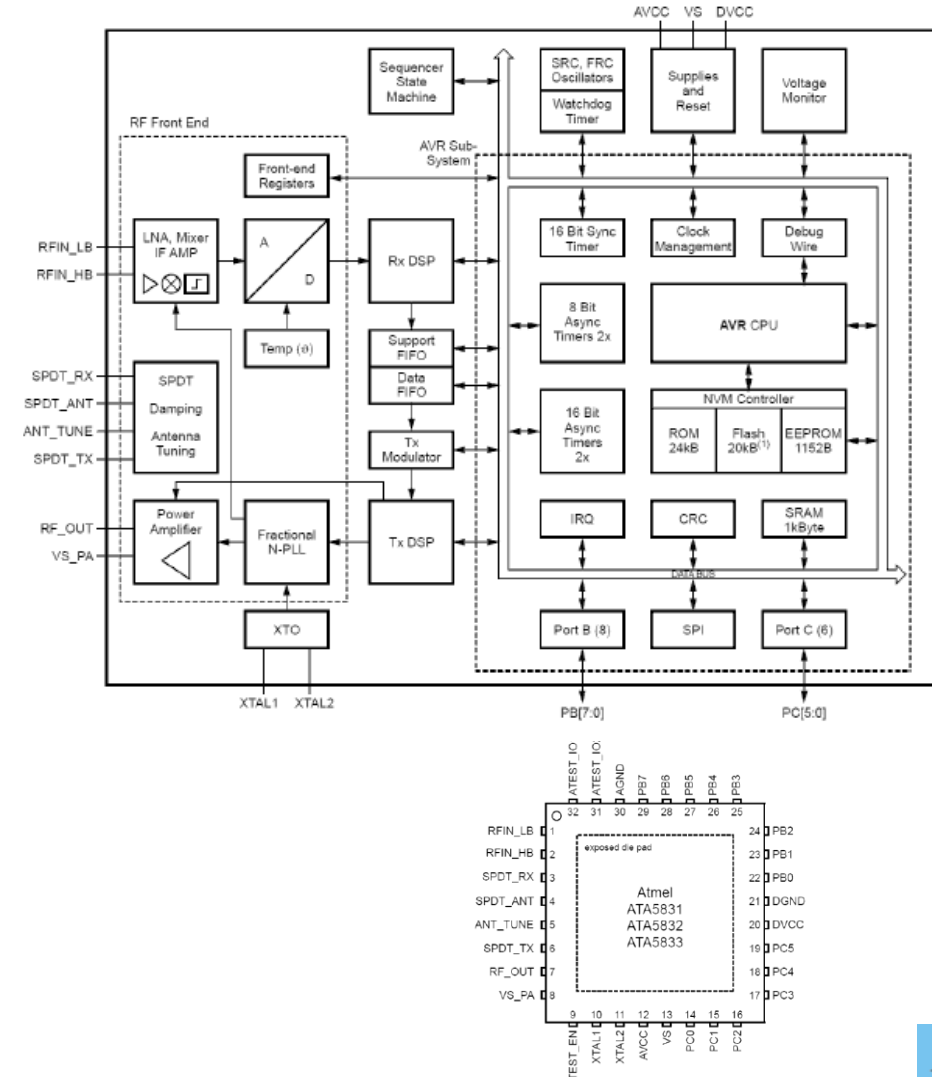


ATA5831/32/33

RF Transceiver

Features:

- AVR® microcontroller core
- ATA5831: 20Kbyte user flash
- ATA5832: 20Kbyte user ROM
- ATA5833: No user memory
- Supported frequency ranges
- Low-band 310...318 MHz, 418...477 MHz
- High-band 836...956 MHz
- 315.00/433.92/868.30/915.00 MHz – with one 24.305 MHz crystal
- Low current consumption
- Typical OFF Mode current of 5nA
- Programmable output power – –12dBm to +14.5dBm
- Supply voltage ranges 1.9V to 3.6V – and 2.4V to 5.5V
- Temperature range: -40°C to +105°C
- Small 5x5mm QFN32 package

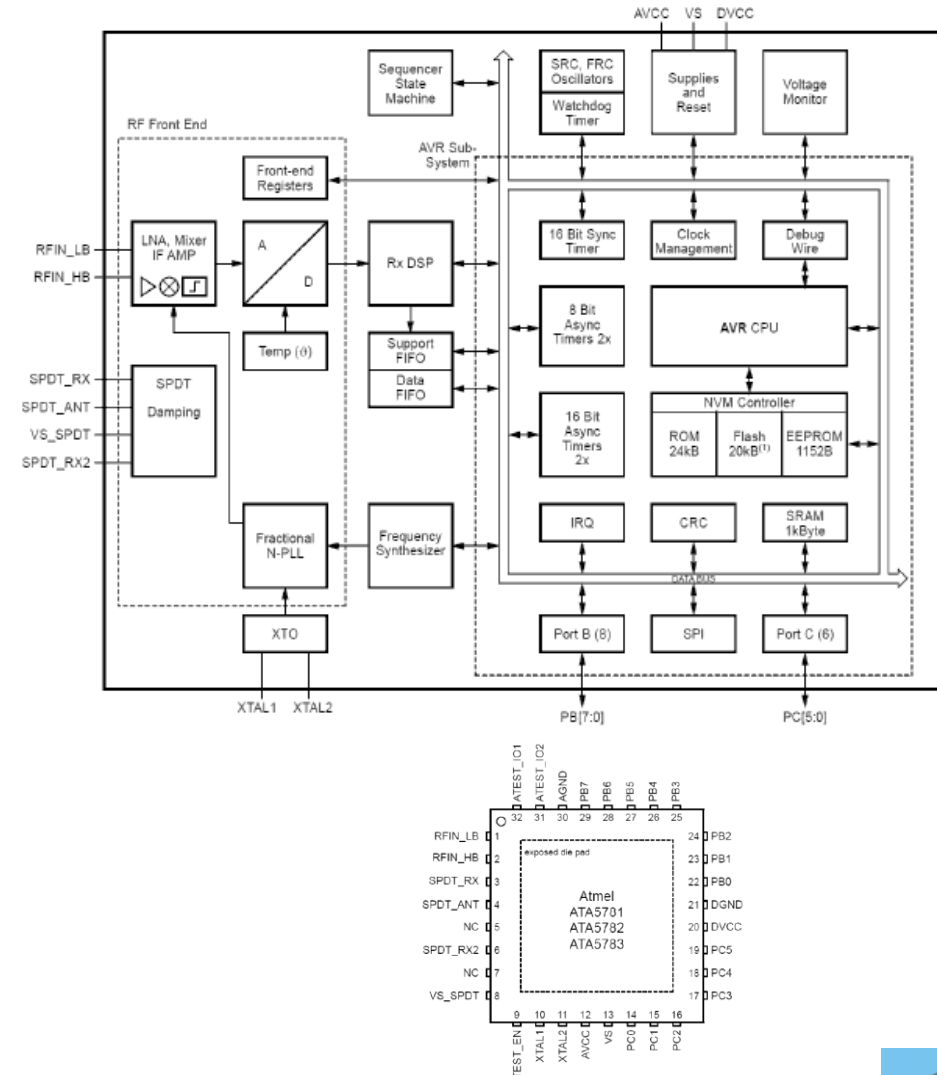


ATA5781/82/83

RF Transceiver

Features:

- AVR® microcontroller core
- ATA5782: 20Kbyte of user flash
- ATA5783: 20Kbyte of user ROM
- ATA5781: No user memory
- Supported frequency ranges:
 - Low-band 310...318 MHz, 418...477 MHz
 - High-band 836...956 MHz
 - 315.00/433.92/868.30/915.00 MHz - with one 24.305 MHz crystal
- Low current consumption
- Typical OFF Mode current of 5nA
- Blocking (BWIF = 165kHz) 64dBc –
 - at frequency offset = 1MHz and -
 - 48dBc at 225kHz
- Supply voltage ranges 1.9V to 3.6V –
 - and 2.4V to 5.5V
- Temperature range: -40°C to +105°C
- Small 5x5mm QFN32 package

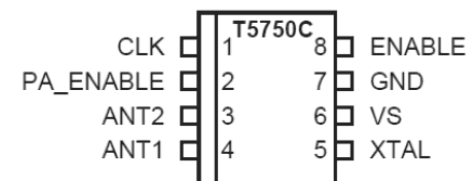
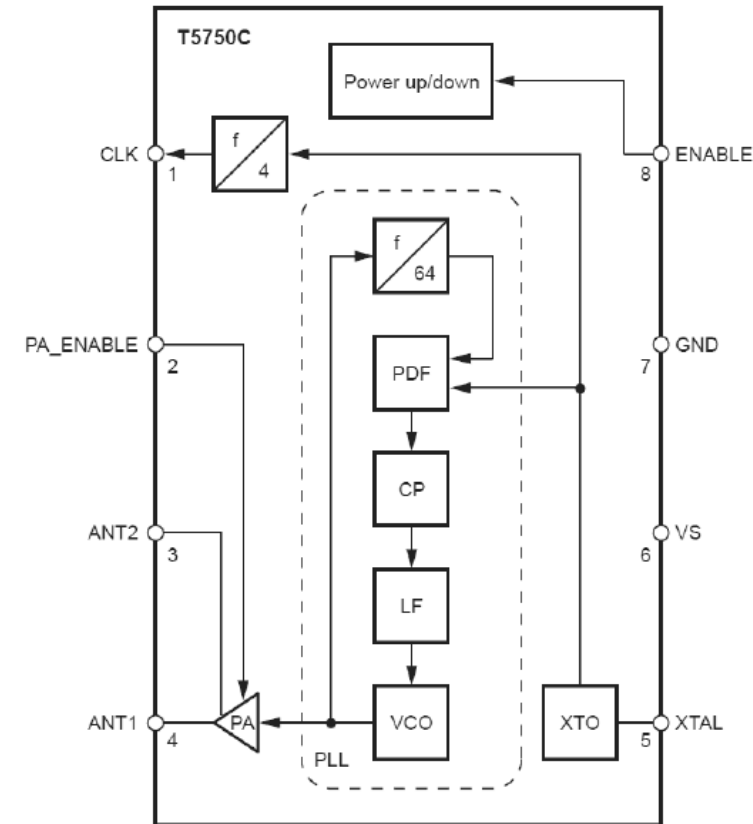


T5750C

RF Transmitter

Features:

- Transmitting frequency range is 868-928 MHz
- Integrated PLL loop filter
- ESD protection also at ANT1/ANT2
- High output power with low supply current
- Modulation scheme ASK/FSK
- FSK modulation is achieved by connecting –
 - an additional capacitor between the XTAL -
 - load capacitor and the open drain output –
 - of the modulating microcontroller
- Easy to design-in due to excellent isolation –
 - of the PLL from the PA and Power supply
- Single Li-cell for power supply
- Supply voltage 2.0V to 4.0V in the –
 - temperature range of -40°C to $+85^{\circ}\text{C}/+125^{\circ}\text{C}$
- Package TSSOP8L
- Single-ended antenna output with high –
 - efficient power amplifier
- CLK output for clocking the microcontroller
- One-chip solution with min external circuitry

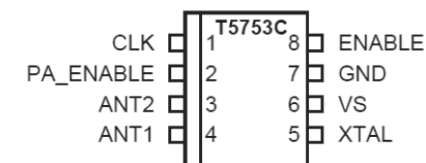
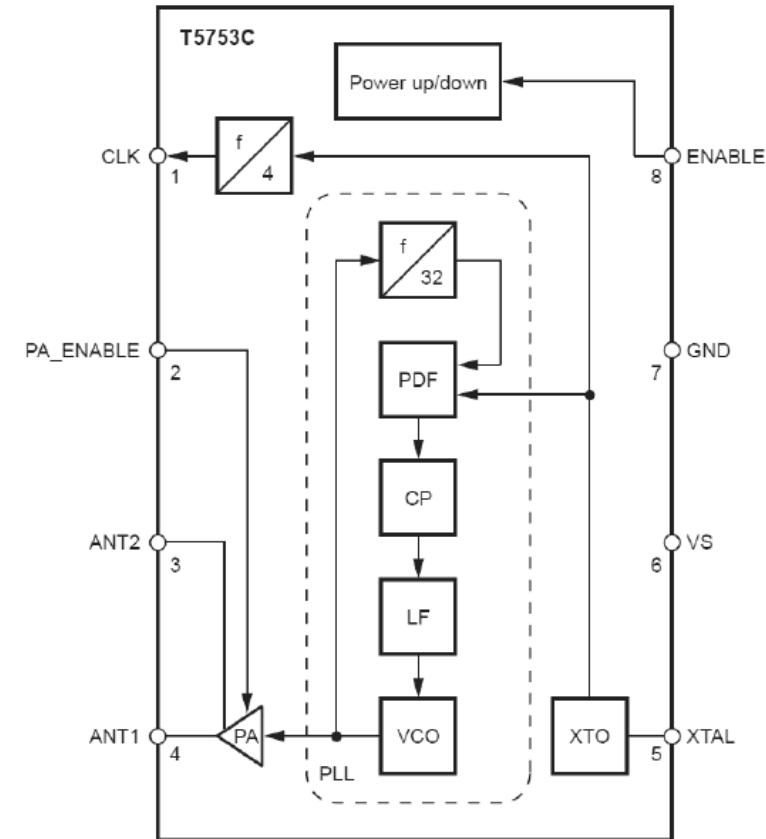


T5753C

RF Transmitter

Features:

- Transmitting frequency range is 310-350MHz
- Integrated PLL loop filter
- ESD protection also at ANT1/ANT2 -
 - (3kV HBM/150V MM; except pin 2: 3kV
 - HBM/100V MM)
- High output power with low supply current
- Modulation scheme ASK/FSK
- FSK modulation is achieved by connecting an –
 - additional capacitor between the XTAL load –
 - capacitor and the open drain output of the –
 - modulating microcontroller
- Single Li-cell for power supply
- Supply voltage 2.0V to 4.0V
- Temperature range: -40°C to +85°C/+125°C
- Package TSSOP8L
- Single-ended antenna output with high efficient –
 - power amplifier
- CLK output for clocking the microcontroller
- One-chip solution with minimum external circuitry

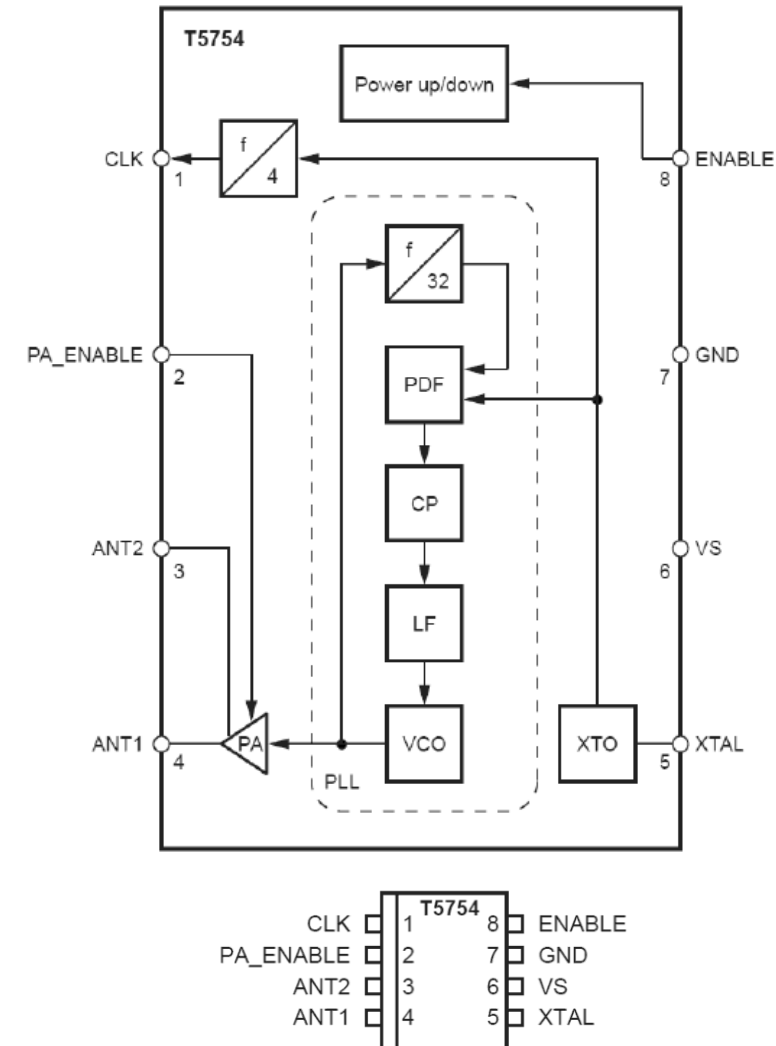


T5754C

RF Transmitter

Features:

- Transmitting frequency range is 429MHz to –
– 439MHz
- Integrated PLL loop filter
- ESD protection also at ANT1/ANT2 –
– (3kV HBM/150V MM; except pin 2: 3kV –
– HBM/100V MM)
- High output power with low supply current
- Modulation scheme ASK/FSK
- FSK modulation is achieved by connecting an –
– additional capacitor between the XTAL load –
– capacitor and the open drain output of the –
– modulating microcontroller
- Single Li-cell for power supply
- Supply voltage 2.0V to 4.0V in the –
– temperature range of –40°C to +85°C/+125°C
- Package TSSOP8L
- Single-ended antenna output with high efficient –
– power amplifier
- CLK output for clocking the microcontroller
- One-chip solution with minimum external circuitry

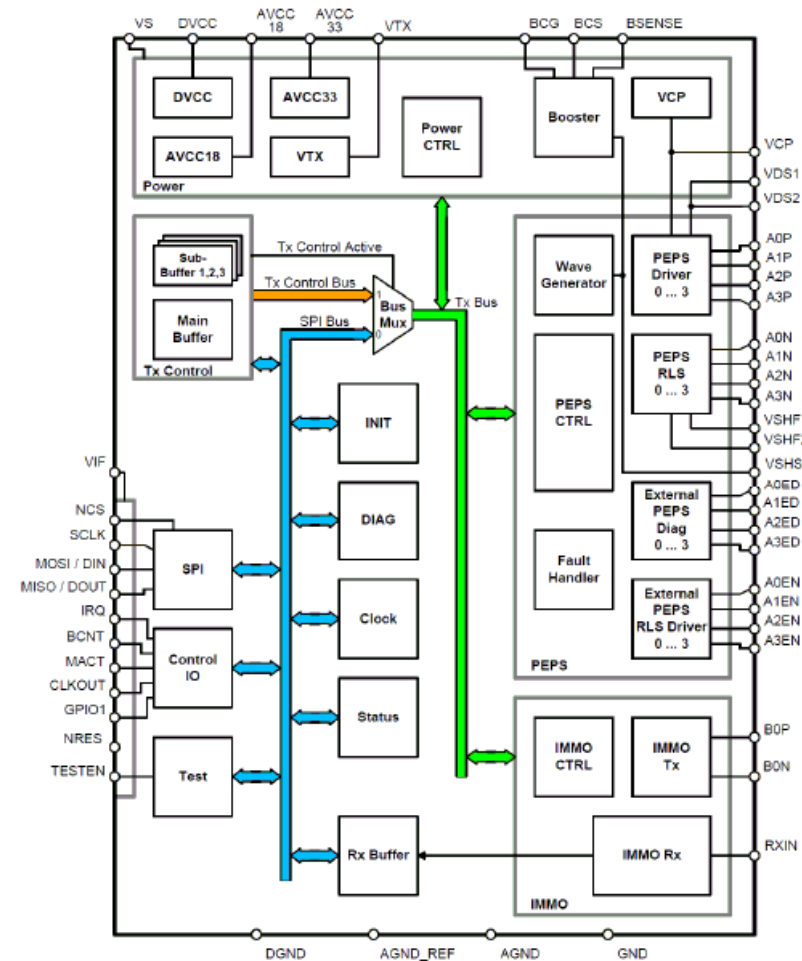


ATA5291

LF Transmitter

Features:

- 4 integrated LF drivers, programmable peak –
 - current up to $1A_p$, adjustable in 20 steps
 - Support of $2A_p$ per Antenna
- Integrated mux (4 int., 4 ext.) with the ability to –
 - drive any 2 coils simultaneously
- Independent, integrated LF Transceiver for –
 - immobilizer; stand-alone or shared
- Digital filter with excellent noise suppression –
 - for remote antenna system
- Operating supply: 7-16.5V
- Jump Start: 7V-28V; Immo down to 5V
- Integrated Boost Converter control
- Programmable carriers (sinus/square/ -
 - custom) for best EMC
- Autonomous polling mode
- Fast 2Mbit/s SPI interface
- Temperature Range: -40C to 125C
- Full diagnostic coverage for all channels Short –
 - to GND, V_{CC} , other Coils, Open detection
- Package QFN48 (7x7)

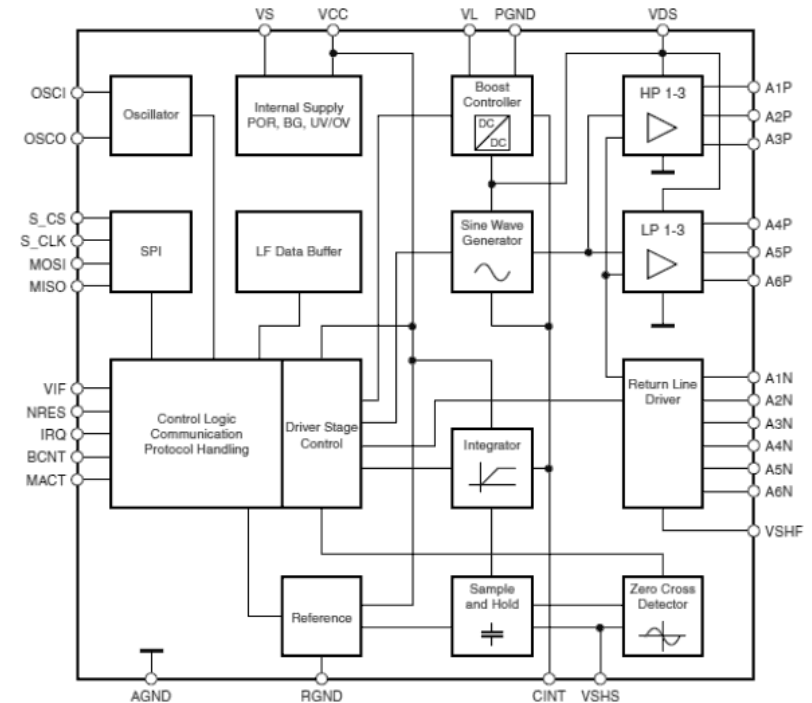


ATA5279C

LF Transmitter

Features:

- 4 integrated LF drivers, programmable peak –
- current up to $1A_p$, adjustable in 20 steps
- Support of $2A_p$ per Antenna
- Integrated mux (4 int., 4 ext.) with the ability –
- to drive any 2 coils simultaneously
- Independent, integrated LF Transceiver for –
- immobilizer; stand-alone or shared
- Digital filter with excellent noise suppression –
- for remote antenna system
- Operating supply: 7-16.5V
- Jump Start: 7V-28V; Immo down to 5V
- Integrated Boost Converter control
- Programmable carriers (sinus/square/ custom) –
- for best EMC
- Autonomous polling mode
- Fast 2Mbit/s SPI interface
- Temperature Range: -40C to 125C
- Full diagnostic coverage for all channels Short –
- to GND, V_{CC} , other Coils, Open detection
- Package QFN48 (7x7)

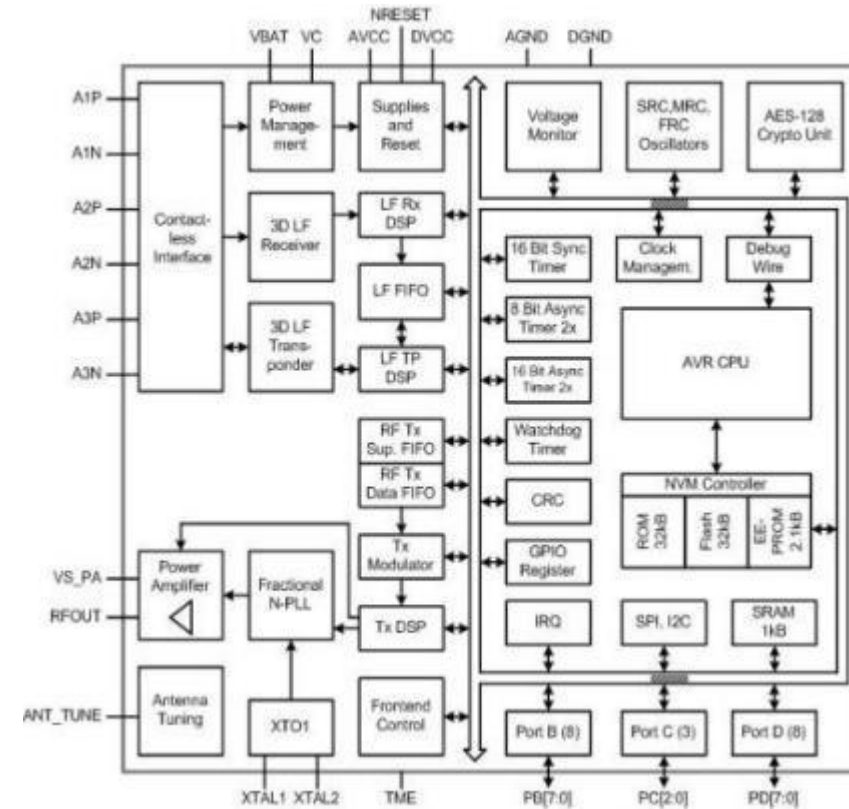


ATA5702

LF/RF Keyfob IC

Features:

- PEPS/Immobilizer keyfob IC with AES128
- 3D Immobilizer and 3D LF wake-up
- Resonance and Q trimming for 3D antenna
- Data rates: 1.95/3.9/7.8 kbit/s
- Programmable sensitivity: 100/250/500 μ Vpp
- Current @3.9kbit/s: 5.4/4.7/4.7 μ A
- Conversion time of 1 ms
- Integrated Codec's: BPLM, QPLM (Downlink), - Manchester (Uplink)
- Programmable Immobilizer Stack
- Programmable Frac-N PLL UHF Transmitter
- Support 3 UHF bands with single 24.3MHz crystal
- Programmable RF Output Power: -12...14.5dBm
- UHF modulations: ASK, FSK, GFSK
- Supply voltage: 1.9V to 4.2V
- AVR core, 32kB User Flash/2 KB User EEPROM
- 19 GPIOs incl. debug wire, SPI, TWI
- Internal SRC (125kHz), MRC (1 MHz), FRC (6 MHz)
- Timers: 2 async. 8bit, 2 async. 16bit, sync. watchdog
- Package QFN35 (5x7)

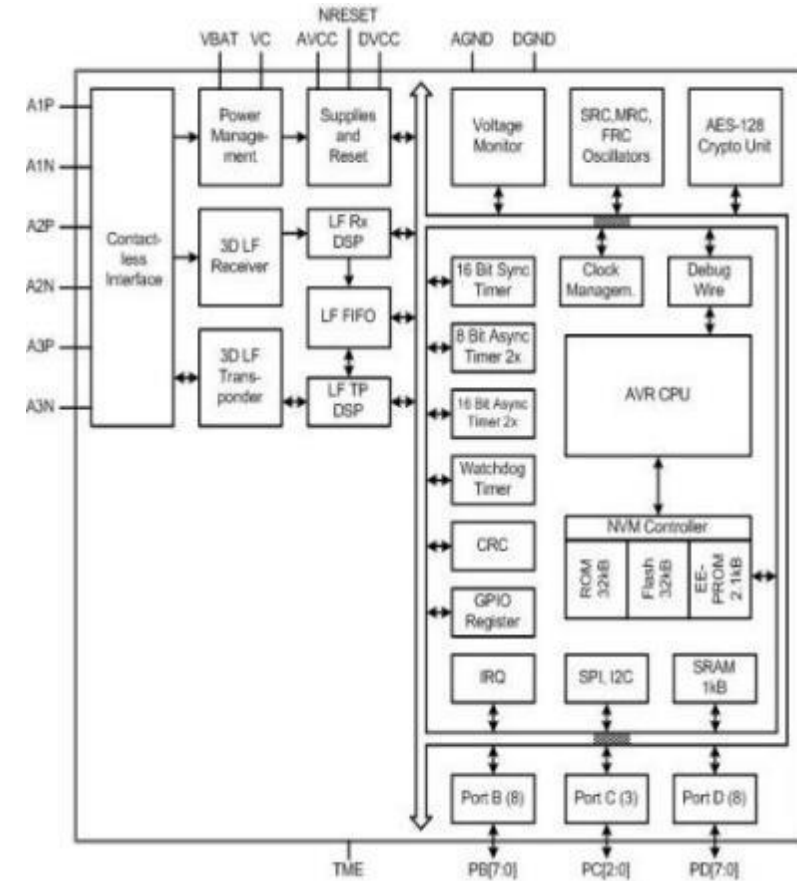


ATA5700

LF/RF Keyfob IC

Features:

- PEPS/Immobilizer keyfob IC with AES128 for –
- 100...150 kHz
- 3D Immobilizer and 3D LF wake-up
- Resonance and Q trimming for 3D antenna
- Data rates: 1.95/3.9/7.8 kbit/s
- Programmable sensitivity: 100/250/500 μ Vpp
- Current @3.9kbit/s: 5.4/4.7/4.7 μ A
- Conversion time of 1 ms
- Integrated Codec's: BPLM, QPLM (Downlink), -
- Manchester (Uplink)
- Programmable Immobilizer Stack
- Supply voltage: 1.9V to 4.2V
- AVR core, 32kB User Flash/2 KB User EEPROM
- 19 GPIOs incl. debug wire, SPI, TWI
- Internal SRC (125kHz), MRC (1 MHz), FRC –
- (6 MHz) oscillators
- Timers: 2 async. 8bit, 2 async. 16bit, sync. 16bit –
- and watchdog
- Package QFN35 (5x7)



ATWILC1000

IEEE 802.11 b/g/n Link Controller Module

Features:

- IEEE®802.11 b/g/n 20MHz (1x1) solution
- Single spatial stream in 2.4GHz ISM band
- Integrated PA and T/R Switch
- Superior Sensitivity and Range
- Advanced Equalization and Channel Estimation
- Advanced Carrier and Timing Synchronization
- Wi-Fi Direct and Soft-AP support
- Supports IEEE 802.11 WEP, WPA, WPA2 Security
- Superior MAC throughput via hardware accelerated –
 - two-level A-MSDU/A-MPDU frame aggregation and –
 - block acknowledgement
- On-chip memory management engine
- SPI and SDIO host interfaces
- 2/3 wire Bluetooth coexistence interface
- Operating temperature range of -40°C to +85°C
- Power save modes:
 - <math><1\mu\text{A}</math> Power Down mode typical @3.3V I/O
 - 380 μA Doze mode with chip settings preserved
- On-chip low power sleep oscillator



ATWILC3000

IEEE 802.11 b/g/n Link Controller Module + Bluetooth Low Energy 5

Features:

- IEEE®802.11 b/g/n 20MHz (1x1) solution with Bluetooth Low Energy 5
- Single spatial stream in 2.4GHz ISM band
- Integrated PA and T/R Switch
- Superior Sensitivity and Range
- Advanced Equalization and Channel Estimation
- Advanced Carrier and Timing Synchronization
- Wi-Fi Direct and Soft-AP support
- Supports IEEE 802.11 WEP, WPA, WPA2 Security Personal and Enterprise
- Superior MAC throughput via hardware accelerated –
 - two-level A-MSDU/A-MPDU frame aggregation and –
 - block acknowledgement
- On-chip memory management engine
- SPI and SDIO host interfaces
- 2/3 wire Bluetooth coexistence interface
- Operating temperature range of -40°C to +85°C
- Power save modes:
 - <math><1\mu\text{A}</math> Power Down mode typical @3.3V I/O
 - 380 μA Doze mode with chip settings preserved
- On-chip low power sleep oscillator



LX5575

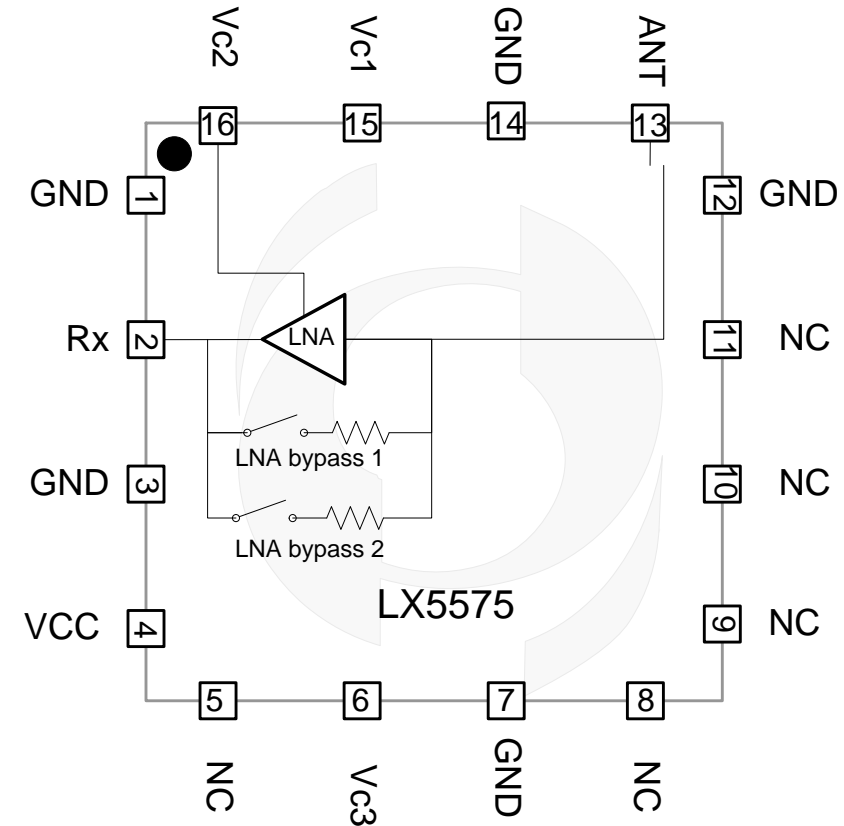
IEEE 802.11ac 5 GHz Low-Noise Amplifier / Bypass

Features:

- 5GHz LNA, footprint compatible with LX5586H
- 2 bypass modes
- 3-5V supply voltage
- 2.5x2.5x0.4mm QFN package
- Digital enabled

Key Performance:

- 12 dB gain in HG mode
- 9 dB loss in bypass1 mode; 21 dB gain step
- 20 dB loss in bypass 2 mode for high isolation state
- 1.7dB noise figure
- IIP3 12dBm in HG
- 27dBm in BP mode
- 10mA current consumption



LX5563

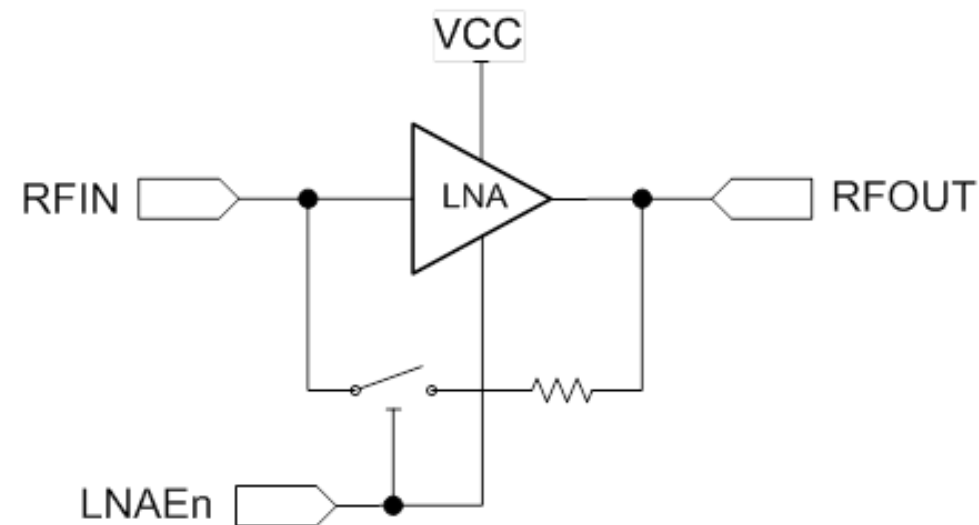
IEEE 802.11ac 2.4 GHz Low-Noise Amplifier / Bypass

Features:

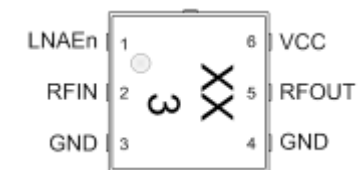
- 802.11ac
- 2.412GHz to 2.472GHz
- 3.0-3.6V supply voltage
- 1.5x1.5x0.5mm DFN package
- >1500V ESD

Key Performance:

- 15dB gain in high gain mode
- 7dB loss in bypass mode
- 1.3dB noise figure
- Input IP3 = +9 dBm (high gain)
- Input P1dB = 0 dBm (high gain) or +17dBm (bypass)
- Single control enables LNA in high gain mode,
 - or places LNA into bypass mode.



LX5563



LX5561

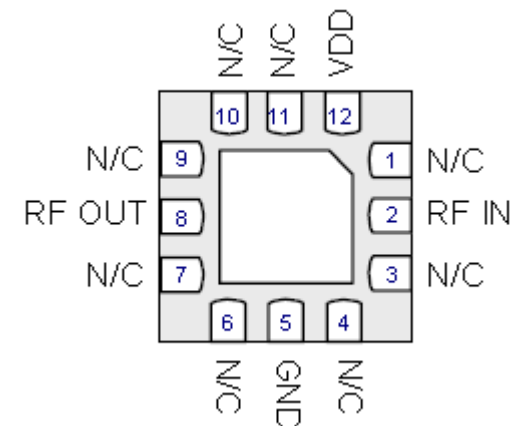
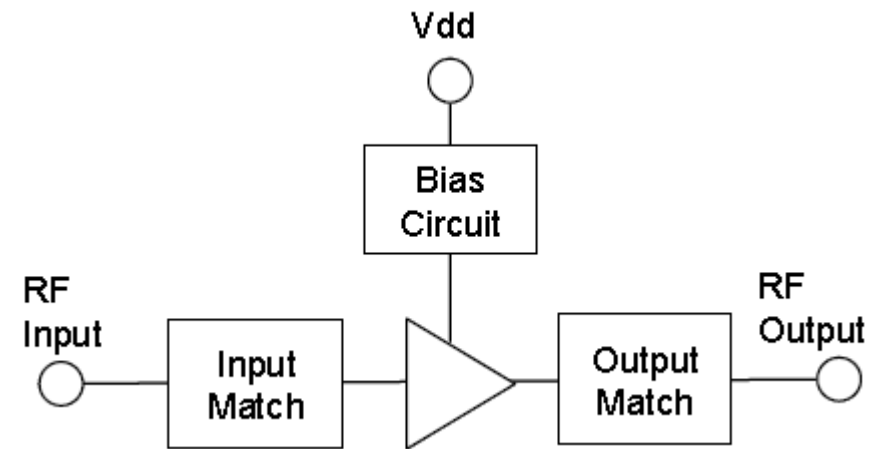
IEEE 802.11b/g 2.4 GHz Low-Noise Amplifier

Features:

- 802.11b/g
- 0.5 μ m InGaAs E-mode pHEMT
- 2.4 – 2.5GHz Operation
- Single 3.3V Supply
- On-Chip Bias Circuit
- On-Chip Input/Output Match
- 2mm x 2mm MLPQ-12L
- Low Profile 0.5mm

Key Performance:

- Gain ~ 13.0dB
- Noise Figure ~ 1.5dB
- Input IP3 ~ +6.5dBm
- Input P1dB ~ +2.5dBm



LX5531

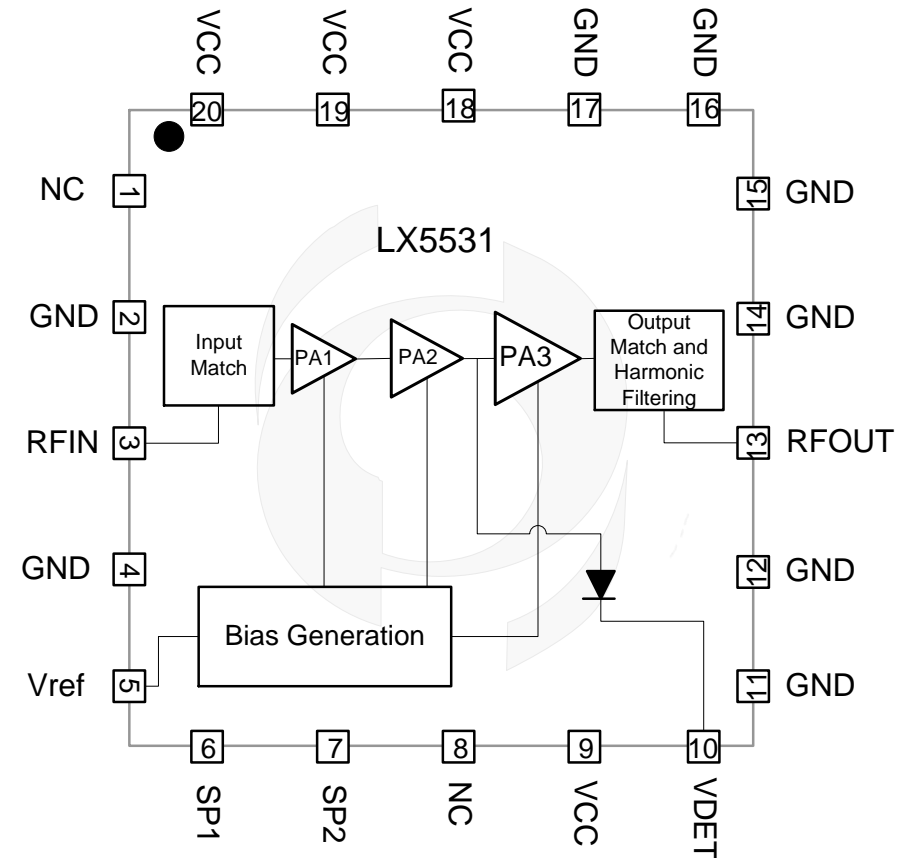
IEEE 802.11ac 5 GHz Power Amplifier

Features:

- High Power 5GHz Power Amplifier with integrated detector
- 802.11ac compliant
- 5V supply voltage
- 4x4x0.9mm QFN package
- Fully matched
- Vref controlled

Key Performance:

- <-40 dB EVM floor
- 23 dBm MCS9 (-35 dB)
- 27 dBm MCS0
- 31 dB gain
- Harmonics at -50dBm/MHz @ 27dBm
- Detector meets 200mV no RF, 0.8V at 27 dBm with square law response



LX5533

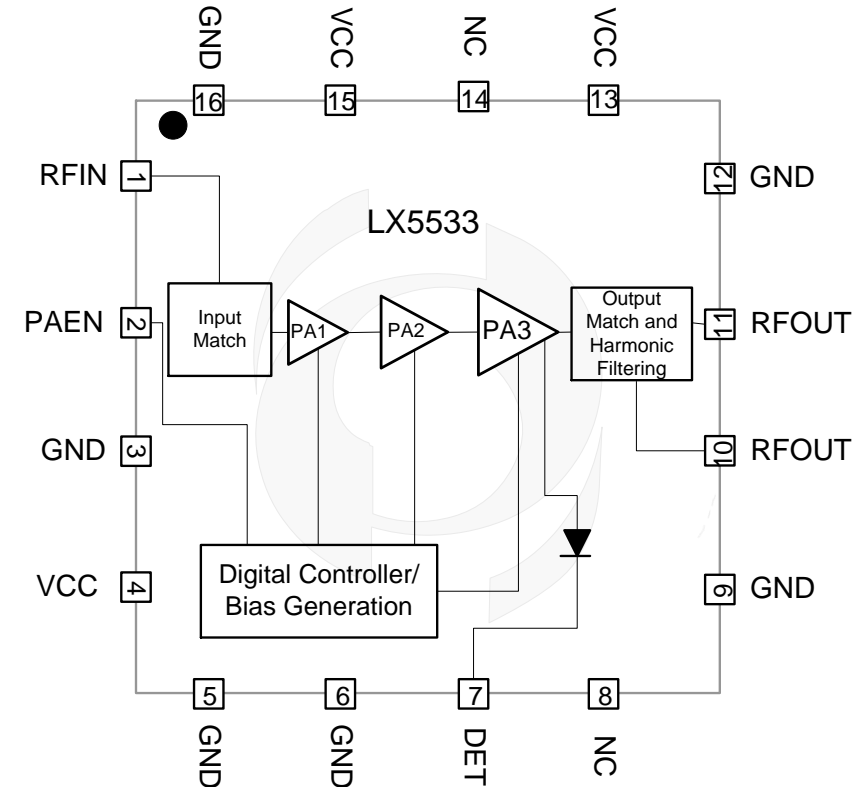
IEEE 802.11ac 2.4 GHz Power Amplifier

Features:

- High Power 2.4GHz Power Amplifier
- 802.11n/ac compliant
- 5V supply voltage
- 3x3x0.9mm QFN package
- Digital logic control

Key Performance:

- 23 dBm MCS9 (-35 dB)
- 25 dBm MCS7 (-30 dB)
- 27 dBm 802.11b 1Mbps mask
- 350 mA at 23 dBm
- >30 dB gain
- DEVM meets specs out to 5ms burst length



LX5602

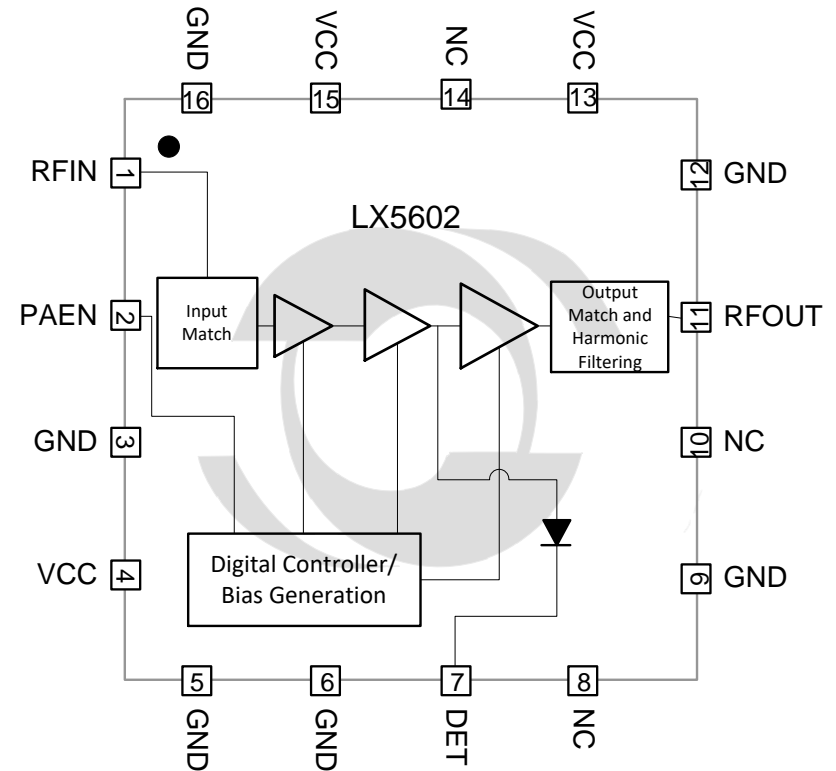
IEEE 802.11n 2.4 GHz Power Amplifier

Features:

- 802.11n
- High Power 2.4GHz Power Amplifier
- 802.11n compliant
- 5V supply voltage
- 3x3x0.9mm QFN package
- Digital logic control

Key Performance:

- 26 dBm MCS7 (-30 dB)
- 26.5 dBm MCS0 mask
- 350 mA at 23 dBm
- 30 dB gain



LX5535

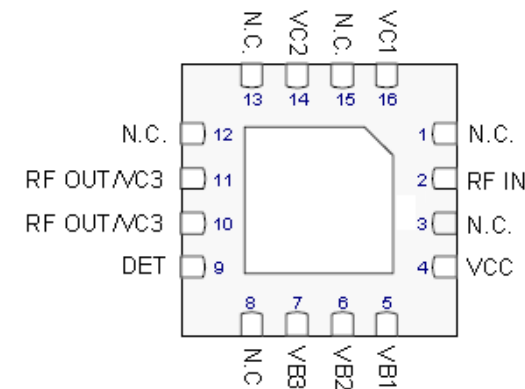
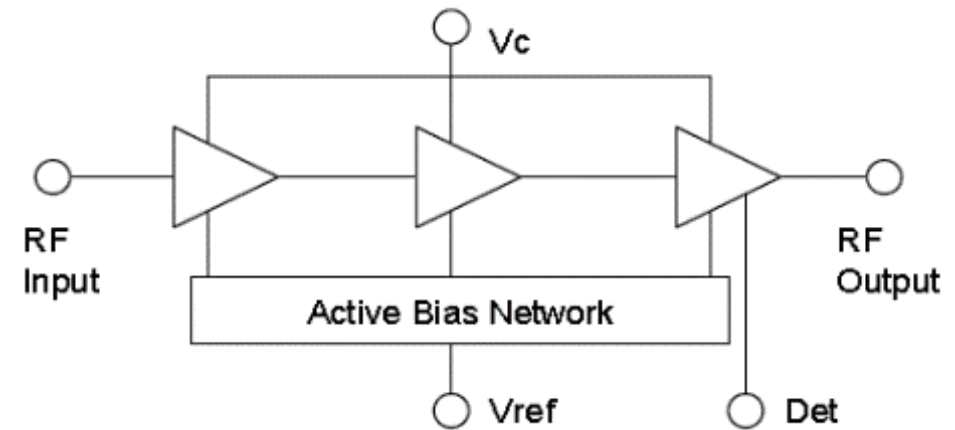
IEEE 802.11b/g 2.4 GHz Power Amplifier

Features:

- 802.11b/g & 802.16 WiMAX
- Advanced InGaP HBT
- 2.4-2.5GHz Operation
- Single-Polarity 3-5V Supply
- 3x3x0.9mm MLPQ package
- Complete On-Chip Input Match
- Simple Output Match for Optimal EVM

Key Performance:

- Power Gain 32 dB
- Quiescent Current 120mA
- Power for EVM~3.5% 54Mbps/64QAM : 25dBm
- Total Current 260mA for Pout=25dBm, 802.11g
- 802.11b mask-compliant power : 28dBm
- Total Current 370mA for Pout=+28dBm, 802.11b



LX5518

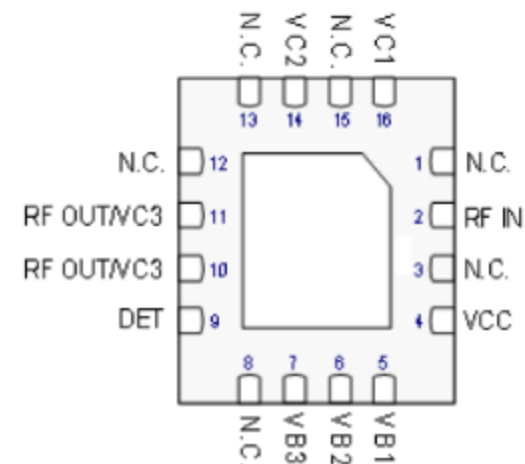
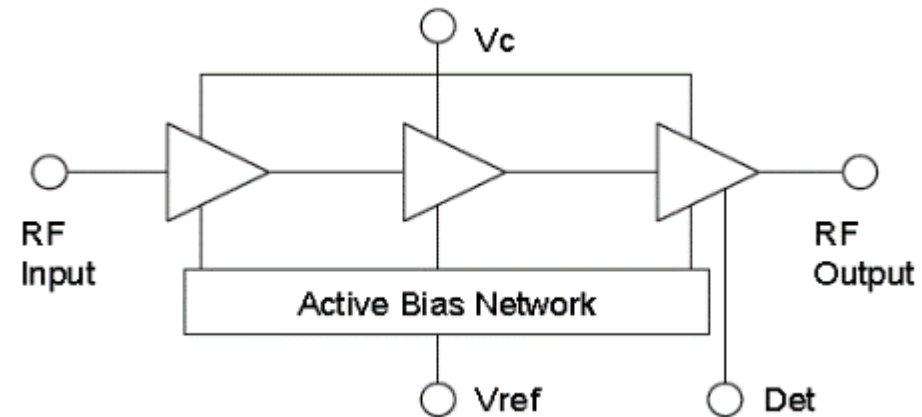
IEEE 802.11b/g/n 2.4 GHz Power Amplifier

Features:

- 802.11b/g/n
- Advanced InGaP HBT
- 2.4-2.5GHz Operation
- Single-Polarity 3-5V Supply
- 3x3x0.9mm QFN package
- Complete On-Chip Input Match
- Simple Output Match for Optimal EVM

Key Performance:

- Transmit Power
- 26dBm @3%EVM,802.11g/5V
- 24dBm @3.5%EVM,80211g/3.3V
- 28dBm @CCK,802.11b/5V
- 27dBm @CCK,802.11b/3.3V
- 24.5% Efficiency @28dBm/5V
- Power gain ~30 dB

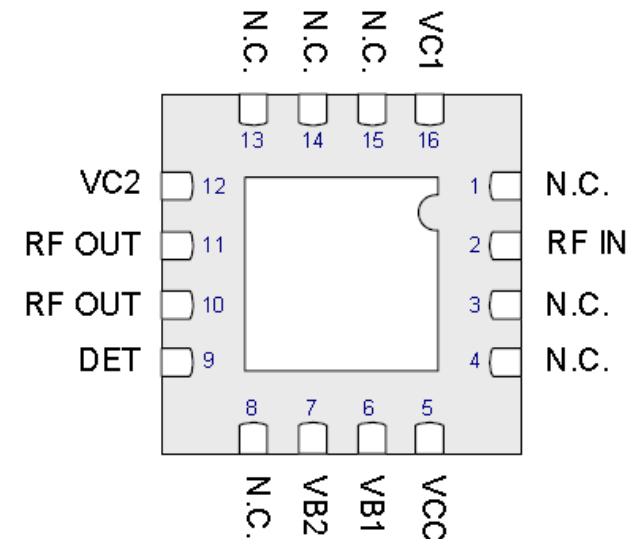
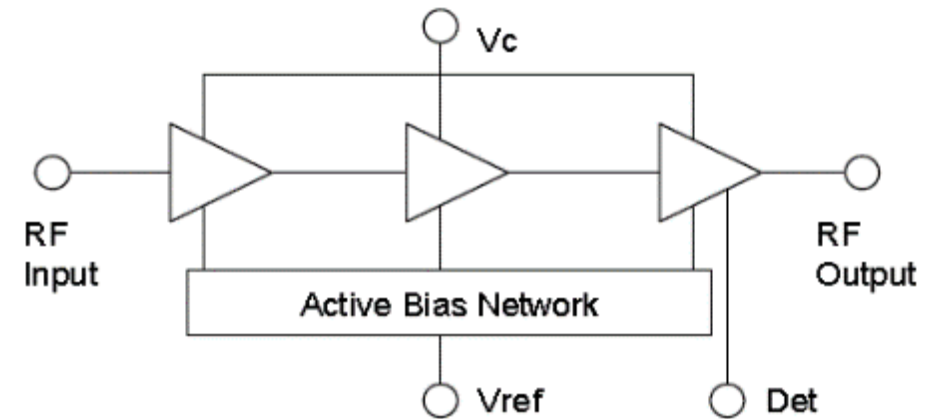


LX5511

IEEE 802.11b/g 2.4 GHz Power Amplifier

Features:

- 802.11b/g
- Advanced InGaP HBT
- 2.3-2.5GHz Operation
- Single-Polarity 3.3V Supply
- 3x3x0.9mm QFN package
- Quiescent Current 90mA
- Power Gain 26 dB
- Total Current 150mA for
- Pout=18 dBm OFDM
- EVM<3 %, 2.4% Typical
- 54Mbps/64QAM

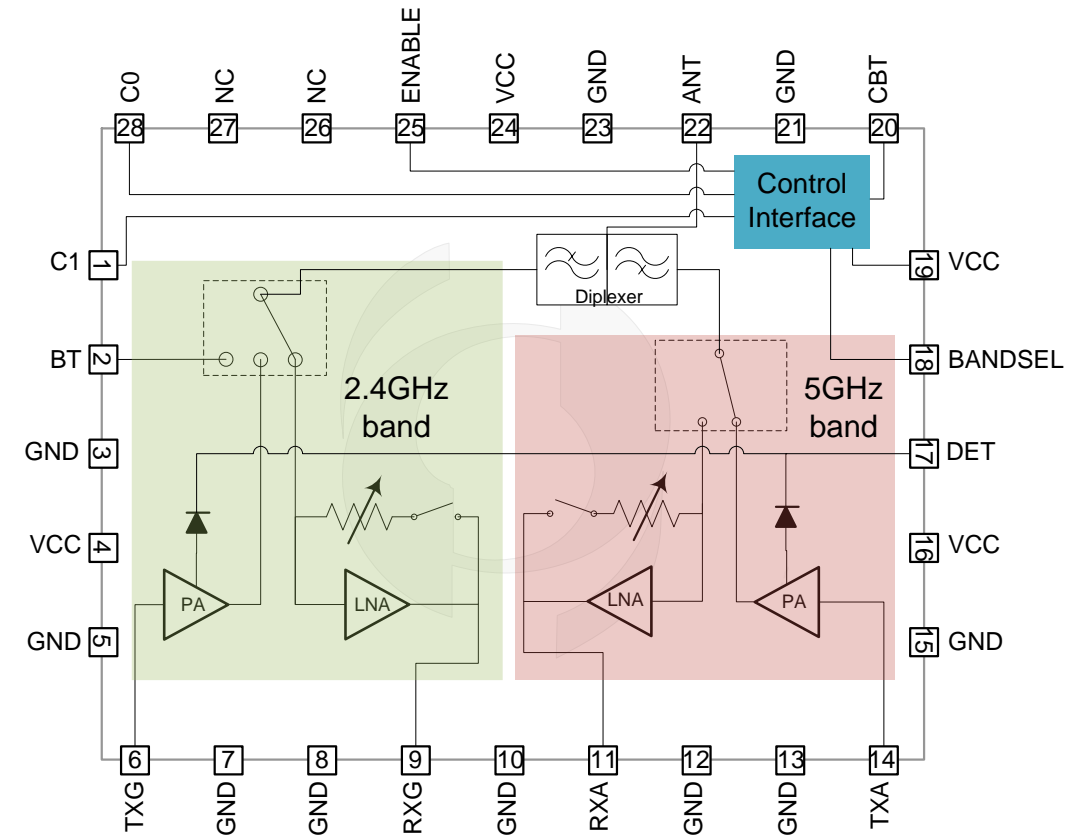


LX5591

IEEE 802.11ac Dual-band Front-End Module

Features:

- 802.11ac compliant
- 3.3V supply voltage
- 4x3x0.9mm package
- >1 kV ESD on all pins
- Dual band non-concurrent operation
- DEVM meets specs out to 5ms burst length
- Detector meets 220mV no RF
 - 925-1000mV at maximum output power

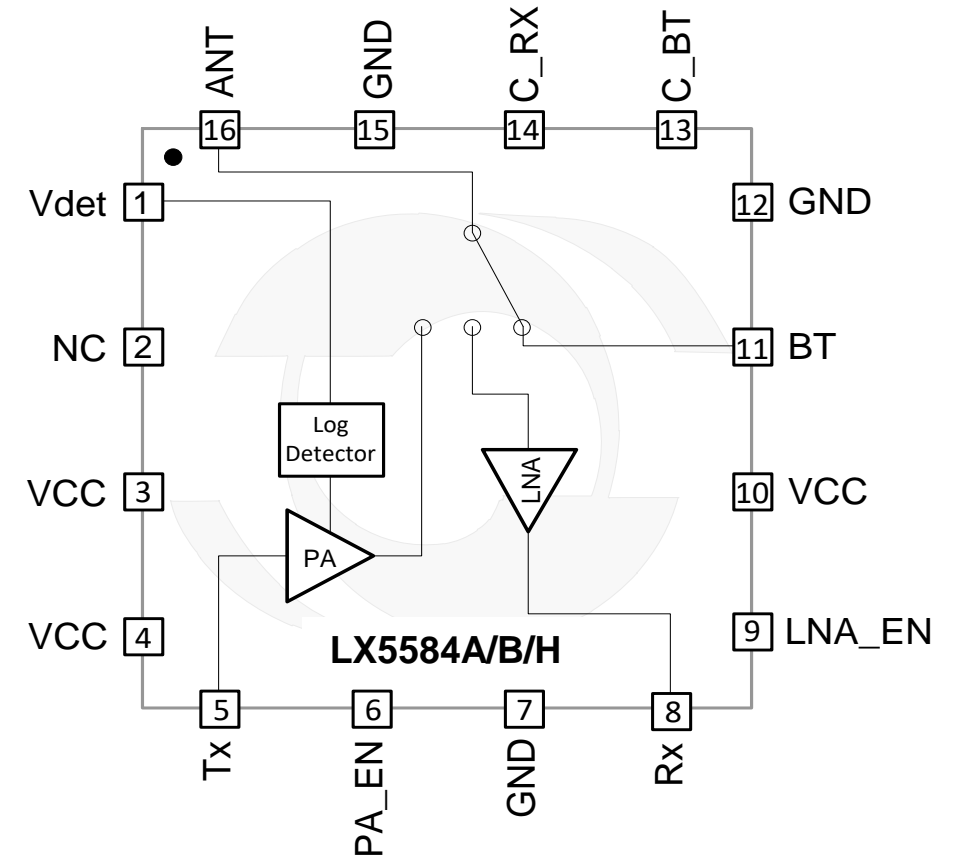


LX5584

IEEE 802.11 b/g/n/ac Front-End Modules

Features:

- 2.4GHz 802.11b/g/n/ac Wi-Fi modules
 - LX5584A: 3.3V, 3x3mm
 - LX5584B: 5.0V, 3x3mm
 - LX5584H: 5.0V, 2.5x2.5mm
- Digital Logic Control
- Tx Log Detector
- DEVM meets 5mS burst

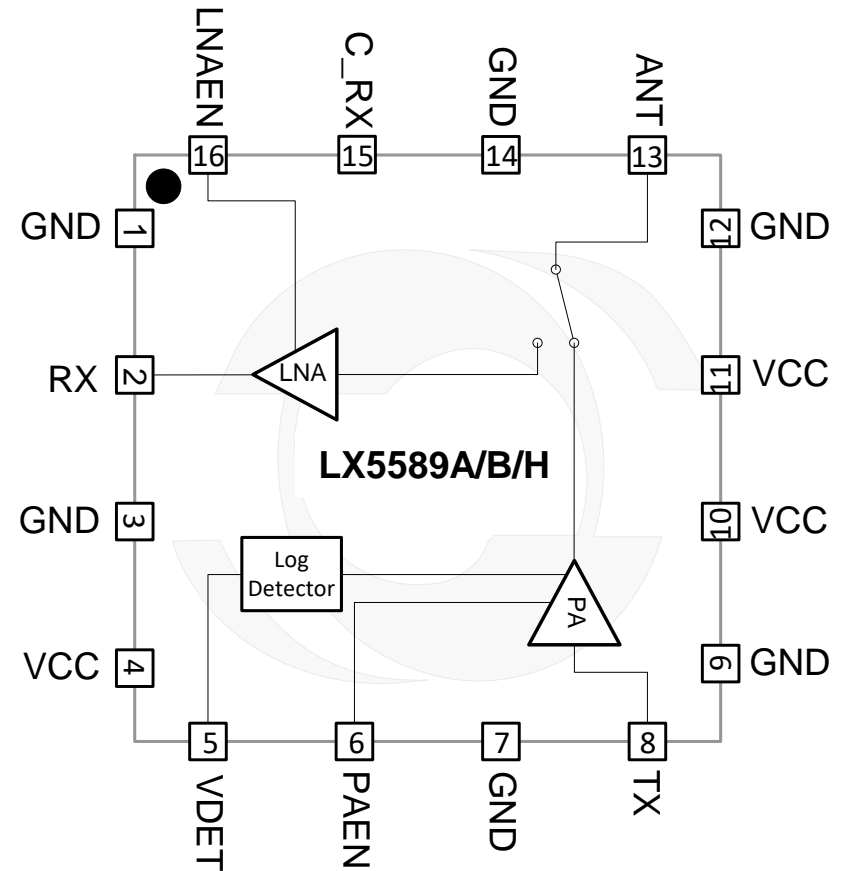


LX5589

IEEE 802.11 a/n/ac Front-End Modules

Features:

- 5GHz 802.11ac Wi-Fi modules
 - LX5589A: 3.3V, 2.5x2.5mm
 - LX5589B: 5.0V, 3x3mm
 - LX5589H: 5.0V, 2.5x2.5mm
- Digital Logic Control
- Tx Log Detector
- DEVM meets 5mS burst
- Rx embedded 2.4GHz rejection

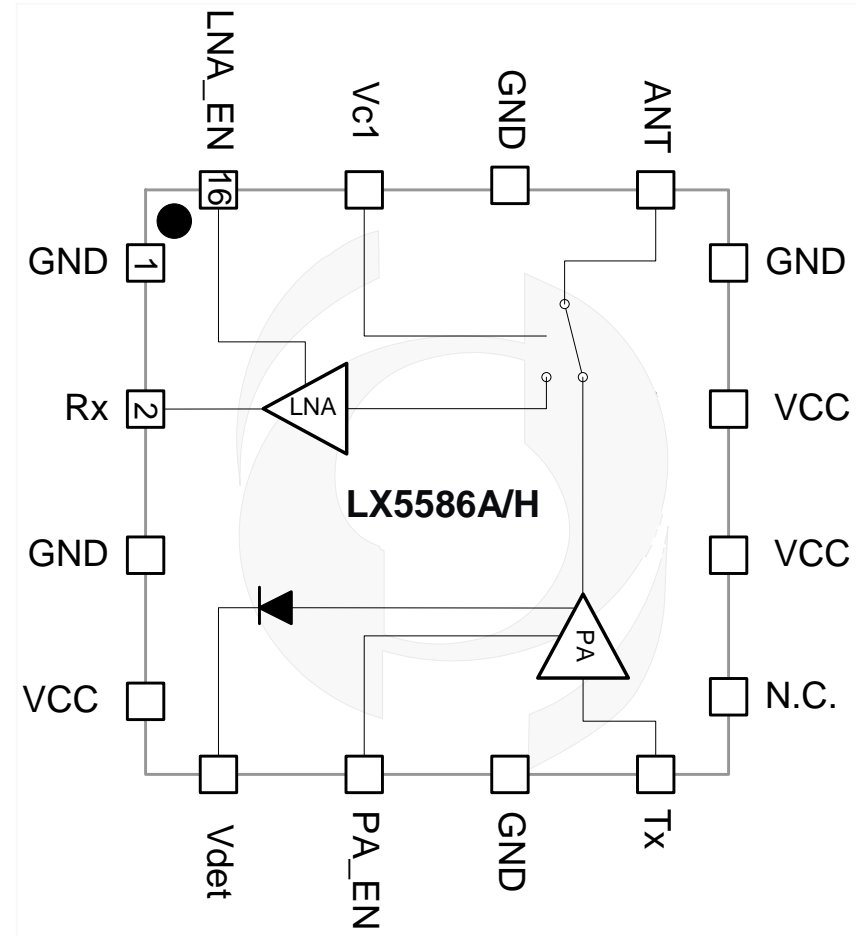


LX5586

IEEE 802.11 a/n/ac Front-End Modules

Features:

- 5GHz 802.11ac Wi-Fi modules
 - LX5586A: 3.3V, 2.5x2.5mm
 - LX5586H: 5.0V, 2.5x2.5mm
- Digital Control
 - 4mA Control pin current
- Detector meets 200mV no RF
 - 750mV at 21 dBm with square law response

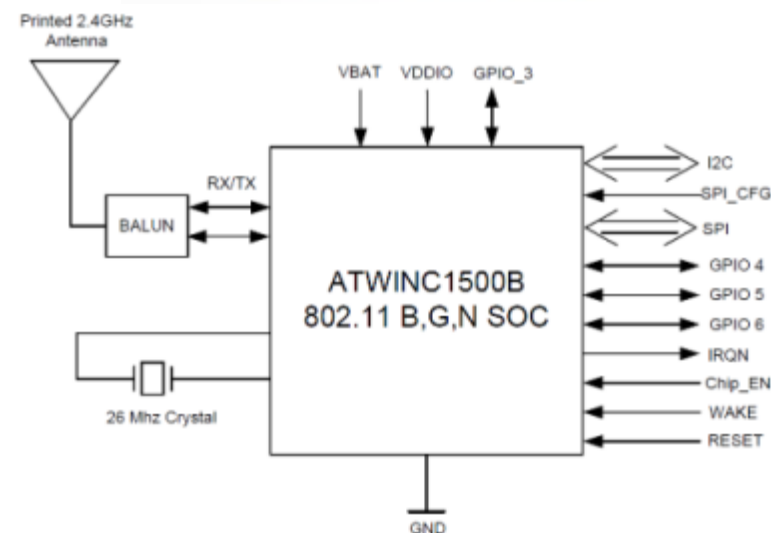


ATWINC15x0

IEEE 802.11 b/g/n SmartConnect IoT Module

Features:

- Fully-certified single-band 2.4GHz b/g/n Wi-Fi module
- Extreme low power
- Compact footprint: 21.5 x 14.5 x 2.1 mm
- Integrated PCB antenna
- Operating voltage: 3.0V to 4.2V
- Serial host interface: SPI or UART
- Security protocols supported: WPA/WPA2 Personal and Enterprise, TLS, SSL
- Network services: DHCP, DNS, TCP/IP (IPv4), UDP, HTTP, HTTPS
- Wi-Fi Station and Softcat support
- ATWINC1510 supports Host File Download
- Agency Certified in the US, Canada, Europe, Japan, Korea, China, India and Taiwan



ATWINC3400

IEEE 802.11 b/g/n SmartConnect IoT Module

Features:

- Fully-certified single-band 2.4GHz b/g/n Wi-Fi module plus Bluetooth Low Energy 5
- Extreme low power
- Compact footprint: 22.4 x 14.7 mm
- Integrated chip antenna
- Operating voltage: 2.7V to 3.6V
- Serial host interface: SPI for Wi-Fi with UART for Bluetooth
- Security protocols supported: WPA/WPA2 Personal and Enterprise, TLS, SSL
- Network services: DHCP, DNS, TCP/IP (IPv4), UDP, HTTP, HTTPS
- Wi-Fi Station and SoftAP support
- Agency Certified in the US, Canada, Europe, Japan, Korea, China, India and Taiwan



SAMW25

IEEE 802.11 b/g/n IoT Module

Features:

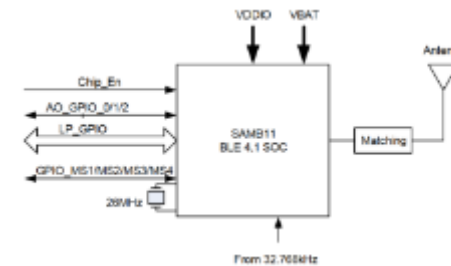
- IEEE 802.11 b/g/n (1x1) for up to 72 Mbps
- Includes a SAMD21 ARM® Cortex®-M0+
- Integrated PA and T/R switch
- Superior sensitivity & range via advanced PHY signal processing
- Wi-Fi Direct, station mode and SoftAP support
- Supports IEEE 802.11 WEP, WPA
- On-chip memory management engine to reduce host load
- 4 Mbit internal flash memory with OTA firmware upgrade
- Serial host interface SPI or UART
- TCP/IP protocol stack (client/server) sockets
 - applications
- Security protocols; WPA/WPA2 Personal,
 - TLS, and SSL
- Network services; DHCP, DNS, TCP/IP (IPv4),
 - UDP, HTTP, and HTTPS
- Operates without a host in most applications
- Compact footprint: 33.86 x 14.88 mm
- FCC, CE, IC, and TELEC Certified



Ultra Low Power BLE 4.1 Module

Features:

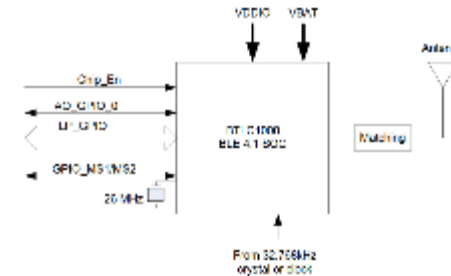
- BLE 4.1 compliant SoC and protocol stack
- Lowest BLE power consumption in industry
- ARM Cortex-M0 with 128KB RAM, 256KB flash
- Small package format: 22.88 x 15.36 mm
- Wide operating voltage range: 2.3V – 3.6V
- Fully-certified (FCC, ETSI/CE, TELEC)
- SAMB11 SoC available in small QFN package



BLE Module

Features:

- Ultra-low power Bluetooth SMART (BLE 4.1) module
- Lowest BLE power consumption in industry
- Small form factor (12.70 X 20.15 mm)
- Integrated chip antenna
- Optimized system cost - high level of -
- integration on chip reduces external Bill -
- of Material significantly
- Wide operating voltage range: 1.8 – 4.3V
- Parameter host interface: UART
- Fully-certified (FCC, ETSI/CE, TELEC)
- RoHS compliant
- BTLC1000 SoC available in small QFN or WLCSP –
- package

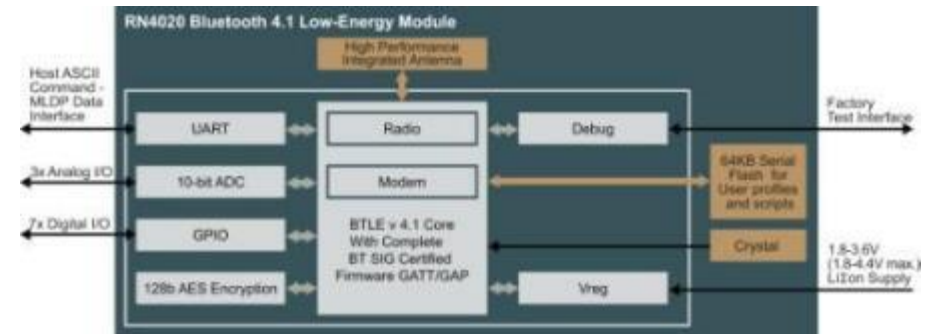


RN4020

Bluetooth® Low Energy Module

Features:

- Fully-certified Bluetooth® version 4.1 module
- On-board embedded Bluetooth low energy stack
- Simple ASCII command interface over UART
- Multiple IOs for control and status
- Secure AES128 encryption
- GAP,GATT,SM, L2CAP & integrated public profiles
- Create custom services using command API
- Data streaming with Microchip's Low Energy Data – Profile (MLDP)
- 7 dBm transit power for 100m+ range
- Field-upgradeable via UART interface or over-the-air
- Software configurable role as peripheral, central, - client or server
- Compact form factor 11.5 x 19.5 x 2.5mm
- Low power modes
- UART interface, GPIO, ADC
- 64KB internal serial flash
- Castellated SMT pads for easy and reliable - PCB mounting
- Certifications: FCC, IC, CE, QDID

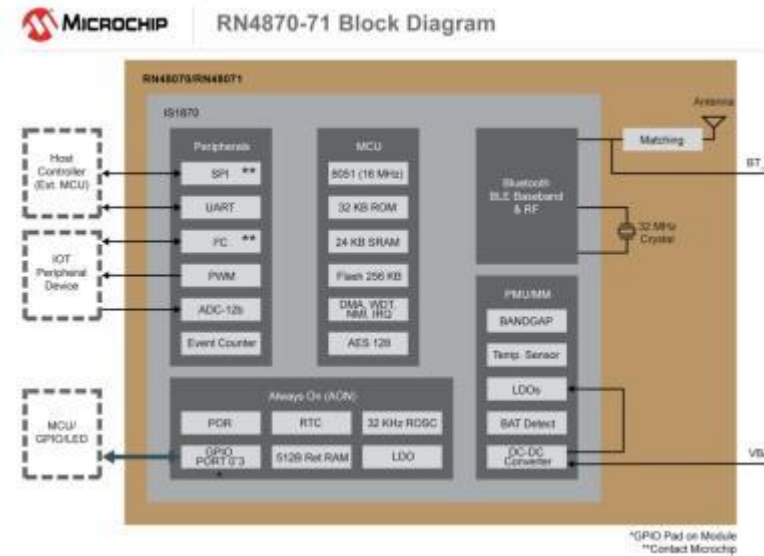


RN4870

Bluetooth® 4.2 Low Energy Module

Features:

- Bluetooth® Smart 4.2 BLE compliant
- ASCII interface commands for -
 - communication with the host -
 - microcontroller
- Scripting features to allow for operation -
 - without a host microcontroller.
- Increased privacy features
- White list for determining connections
- MLDP compatibility with RN4020
- Remote configuration capability
- 1.9V~3.6V operating range
- Antenna: Ceramic chip Antenna or -
 - external antenna connection

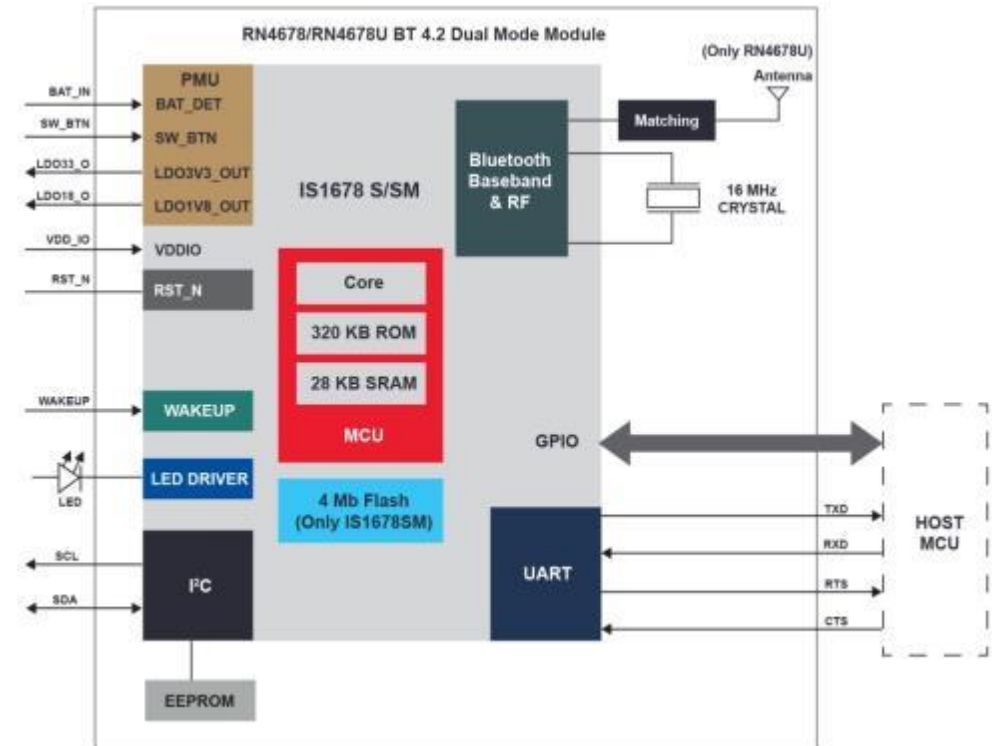


RN4678

Bluetooth® 4.2 Dual Mode Module

Features:

- Fully-certified Bluetooth Version 4.2 Module
- Bluetooth Classic and Bluetooth Low –
 - Energy Support
- Easy to use RN-style ASCII interface
- On-board embedded Bluetooth Stack
 - (GAP, SDP, SPP, GATT)
- Easy to use transparent mode for data
 - transfer via UART
- Multiple I/O pins for control and status
- Secure AES128 encryption
- +2 dBm Transmit Power
- Receiver Sensitivity -90 dBm (Classic); 92 –
 - dBm (LE)
- Firmware can be field upgradable via UART
- Compact surface mount module: 22 x 12
 - x 2.4 mm
- Temperature Range from -20°C to +70°C
- Operating Voltage: 3.3 – 4.3V
- Bluetooth SIG Certified
- Worldwide regulatory certifications



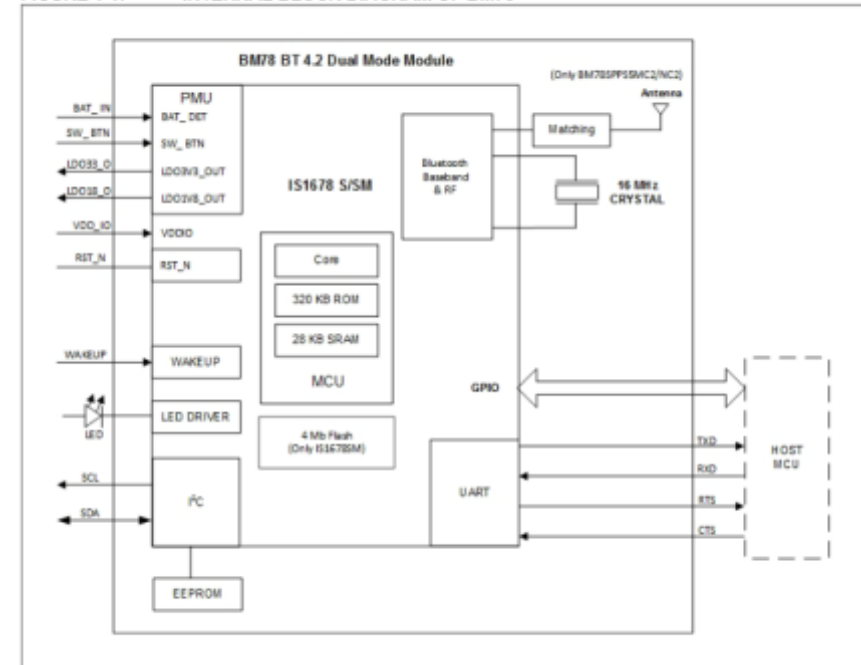
BM78

Bluetooth® 4.2 Dual-Mode Module

Features:

- Fully certified Bluetooth Version 4.2 -
- Module (BM78SPPx5MC2-0002AA)
- Bluetooth Classic and Bluetooth Low -
- Energy Support
- Bluetooth SIG Certified
- On-board embedded Bluetooth Stack
- Easy to use transparent mode for data -
- transfer via UART
- Easy to configure with Windows® GUI -
- or direct by MCU
- Multiple I/O pins for control and status
- Secure AES128 encryption
- GAP, SDP, SPP, GATT profiles
- Firmware can be field upgradable via -
- UART
- Compact surface mount module: 22 x -
- 12 x 2.4 mm
- Castellated surface mount pads for -
- easy and reliable host PCB mounting
- Worldwide regulatory certifications

FIGURE 1-1: INTERNAL BLOCK DIAGRAM OF BM78



BM70

Bluetooth® Low Energy (BLE) Module

Features:

- Bluetooth® Smart 4.2 BLE compliant
- 1.9V~3.6V operating range
- UART/ I2C/ SPI interface supported
- 3 x PWM supported
- Main Crystal : 32MHz
- Temperature sensor supported
- 12 bits ADC supported for 8CH input ports –
- and battery voltage detection
- Wake up by any GPIO
- Peak current: TX 13mA/RX 13mA
- RSSI Monitor

RF/Analog Features:

- ISM Band 2.402 to 2.480 GHz operation
- Channels 0-39
- Rx Sensitivity: -90 dBm@ BLE, in typical
- Tx Power: +2 dBm

Antenna:

- Ceramic Chip Antenna: BM70BLES1FC2/BM71BLES1FC2
- External Antenna Connection:
 - BM70BLE01FC2/BM71BLES1FC2

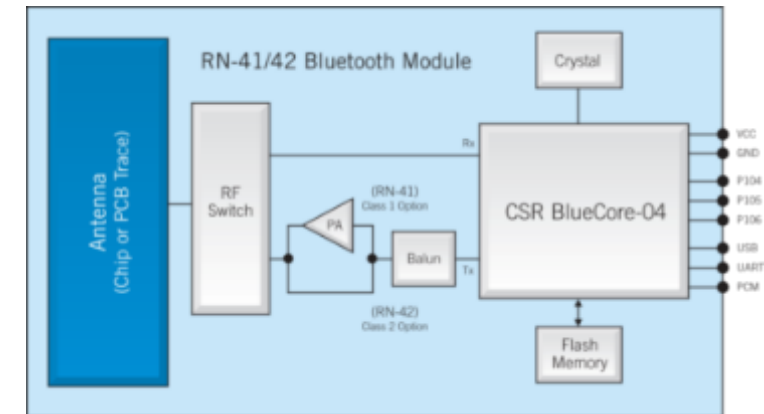


RN41 / RN42

Class 1 Bluetooth® Module with EDR Support

Features:

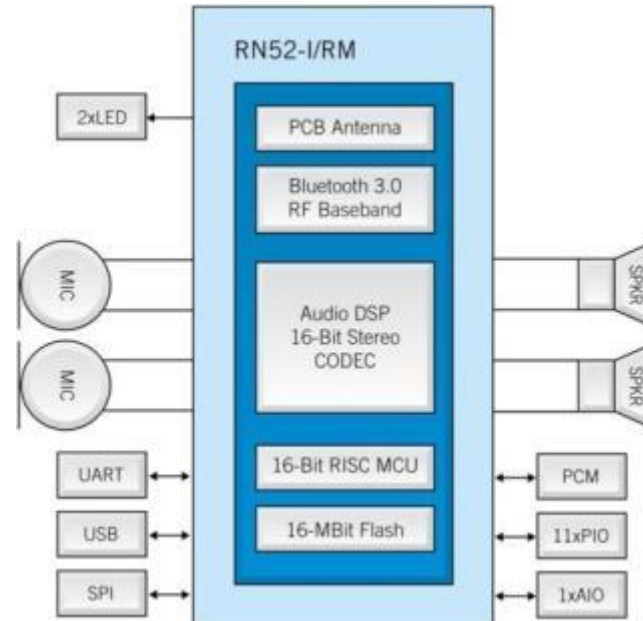
- Fully certified Class 1 (RN41), Class 2 (RN42) Bluetooth 2.1 + EDR module
- Onboard embedded Bluetooth stack
- UART (SPP or HCI) and USB (HCI only) data connection hardware interfaces
- Supports data link to iPhone/iPad/iPod Touch
- Supports HID profile for making accessories such as keyboards, mouse, pointing devices
- Programmable low power modes
- Secure communications, 128 bit encryption
- Error correction for guaranteed packet delivery
- UART local and over-the-air RF configuration
- Auto-discovery/pairing requires no software configuration (instant cable replacement)
- Castellated SMT pads for PCB mounting
- The standard part number (RN41-I/RM/RN42-I/RM) supports SPP and DUN profiles
- Available in multiple configurations
- Available without antenna (RN41N-I/RM)
- Bluetooth SIG qualified



Bluetooth® Audio Module

Features:

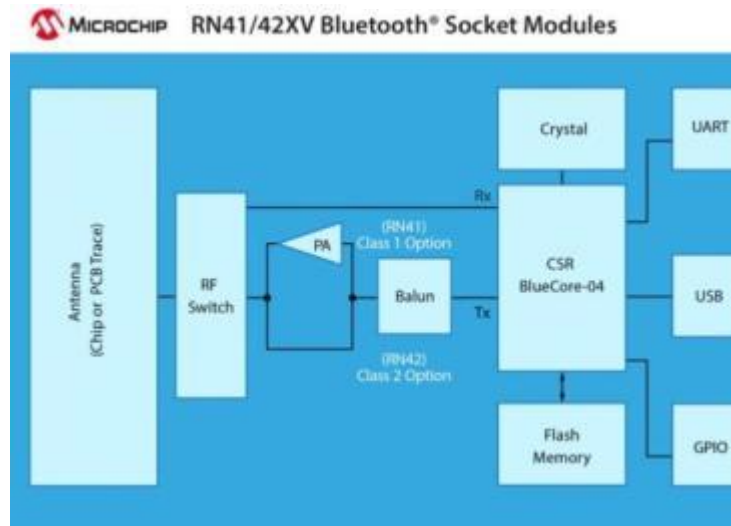
- Fully certified Bluetooth version 3.0 audio module, fully compatible with Bluetooth version 2.1+EDR, 1.2, 1.1
- Software configurable through commands over UART console
- Embedded Bluetooth stack profiles: SPP, A2DP, HFP/HSP, and AVRCP
- Supports iAP profile discovery for iPhone® and iPod® Bluetooth accessories
- Available as A2DP audio source or sink
- Postage-stamp-sized form factor, 13.5 x 26 x 2.7mm
- Dual-channel, differential audio input and output for highest quality audio
- External audio codecs supported via I2S and S/PDIF interface
- Castellated SMT pads for easy and reliable PCB mounting



Fully qualified Bluetooth® version 2.1 Data Module

Features:

- Fully certified Bluetooth® version 2.1 module, supports version 2.1 + Enhanced Data Rate (EDR)
- Backwards-compatible with Bluetooth version 2.0, 1.2, and 1.1
- Pin compatible with widely used 2 x 10 (2mm) socket
- Low power: 30 mA, < 10mA sniff mode
- UART (SPP or HCI) and USB (HCI only) data connection interfaces
- Sustained SPP data rates: 240 Kbps (slave), 300 Kbps (master)
- HCI data rates: 1.5 Mbps sustained, 3.0 Mbps burst in HCI mode
- Bluetooth SIG certified
- Certifications: FCC, IC, CE
- 2 antenna options available: Chip antenna (RN41XVC-I/RM) and U.FL connector for external antenna (RN41XVU-I/RM)



RN41SM / RN42SM

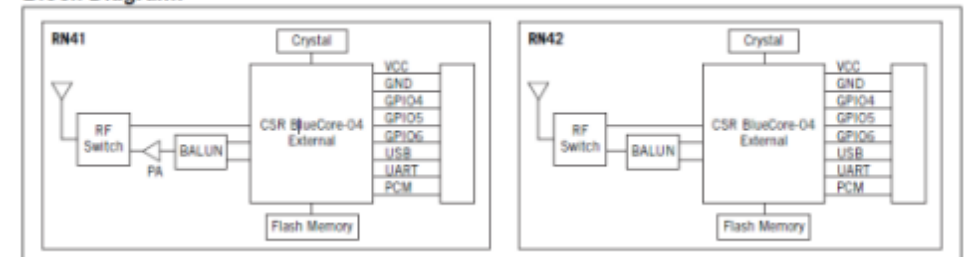
Class 1 Bluetooth® Module with EDR Support

Features:

- Socket module with UART interface
- 3.3/5V logic CMOS I/O (RS-232 as well)
- Fully qualified Bluetooth 2.1/2.0/1.2/1.1
- Bluetooth v2.1+EDR support
- Low power (8-30 mA, 2 mA idle)
- UART supports baud rates from 1,200 to 3Mbit
- Sustained SPP data rates - 240Kbps (slave),
- 300Kbps (master)
- HCI data rates - 1.5Mbps sustained, 3.0Mbps burst in HCI mode
- Embedded Bluetooth stack profiles included (requires no host stack): GAP, SDP, RFCOMM and L2CAP, with SPP, DUN and HID profiles.
- Bluetooth SIG Qualified
- Class 1 high power amplifier
- Certifications: FCC, ICS, CE
- Environmentally friendly, RoHS compliant



Block Diagram:

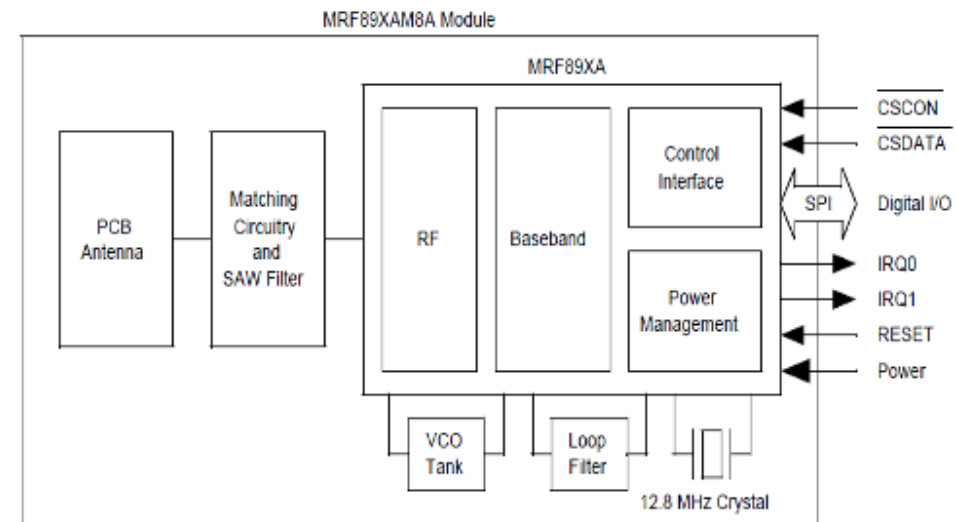


MRF89XA/M8A/M9A

Ultra Low-Power, Integrated ISM Band Sub-GHz Transceiver

Features:

- Fully integrated ultra low-power, sub-GHz transceiver
- Wide-band half-duplex transceiver
- Supports proprietary sub-GHz wireless protocols
- Simple 4-wire SPI-compatible interface
- CMOS/TTL-compatible I/Os
- On-chip oscillator circuit
- Dedicated clock output
- Operating voltage: 2.1V-3.6V
- Low-current consumption
- Supports Industrial temperature
- Complies with ETSI EN 300 220 and FCC part 15
- Small, 32-pin TQFN package



MRF24J40/MA/MD/ME

2.4 GHz IEEE Std. 802.15.4™ RF Transceiver Module with PA/LNA and External Antenna Connector

MRF24J40 is a complete IEEE 802.15.4 radio and operates in the 2.4GHz freq band. The MRF24J40 supports ZigBee™, MiWi™ protocols and proprietary protocols to provide an ideal solution for wireless sensor networks, home automation, building automation and consumer applications.

The MRF24J40MA/MD/ME are all modules built with the MRF24J40 chip

Features:

- IEEE 802.15.4™-2003 and IEEE 802.15.4-2006 Standard Compliant RF transceiver
- Multiple air data rates:
 - 250 kbps (IEEE 802.15.4)
- Configurable TX output power: -17.5 to 0 dBm
- Frame header duration scales with selected data rate
- On-the-fly, per-frame air-data-rate detection
- 20/10/5/2.5 MHz Clock Output:
- Operating Voltage: 2.4-3.6V (3.3V typ.)
- Simple, Four-Wire SPI Interface
- Low-Current Consumption



MRF24J40MA (pictured) is a 2.4 GHz IEEE Std. 802.15.4™ RF Transceiver Module with PCB Antenna

MRF24J40MD is a 2.4 GHz IEEE Std. 802.15.4 RF Transceiver Module with PA/LNA, PCB Antenna

MRF24J40ME is a 2.4 GHz IEEE Std. 802.15.4 RF Transceiver Module with PA/LNA, External Antenna Connector: Ultra Miniature Coaxial (U.FL), 50Ω



MICRF114

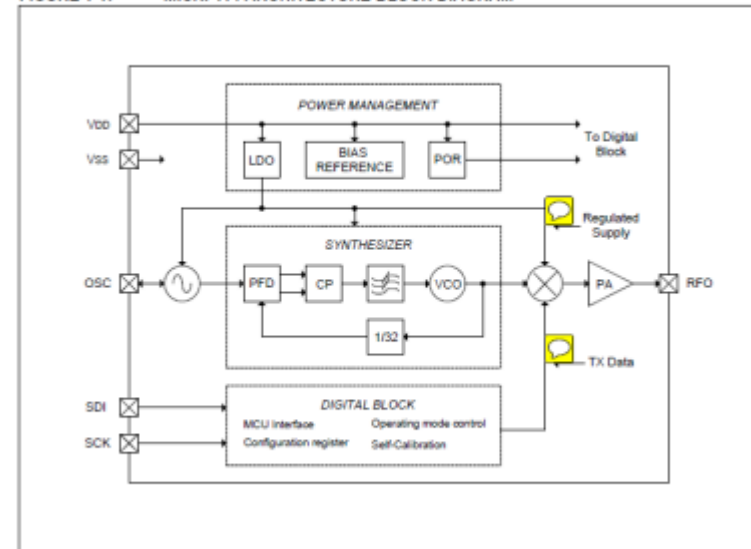
Low-Power Integrated Sub-GHz Wireless RF Transmitter

Features:

- Fully Integrated Low-Power Sub-GHz RF Transmitter
- Single-Pin Crystal Oscillator with Integrated, -
- Programmable Load Capacitor
- Wide Operating Voltage Range: 1.8V to 3.6V
- Industrial Temperature Range (-40°C to +85°C)
- Low Current Consumption: 0.2 μ A in Sleep Mode, -
- 11.7 mA in +10 dBm Transmit Mode
- Data Rate: up to 115.2 kbps NRZ, 57.6 kbps –
- Manchester Encoded
- On-Off Keying (OOK) Modulation with Power Ramp-
- up Control
- Small Footprint 6-Pin SOT-23 Package



FIGURE 1-1: MICRF114 ARCHITECTURE BLOCK DIAGRAM



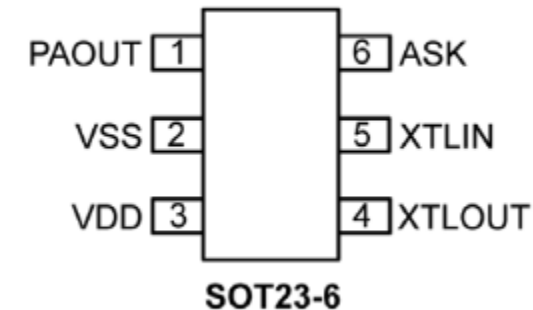
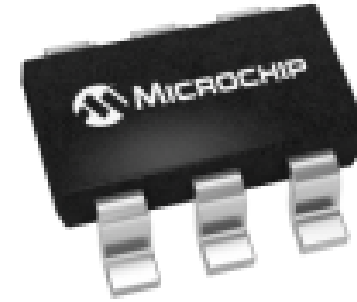
MICRF113

300MHz to 450MHz +10dBm ASK Transmitter in SOT23

- The MICRF113 is a high-performance, easy-to-use, single-chip ASK Transmitter IC for remote wireless applications in the 300MHz to 450MHz frequency band. This transmitter IC is a true "data-in, antenna-out" monolithic device.

MICRF113 has three strong attributes: power delivery, operating voltage and operating temperature. In terms of power, the MICRF113 is capable of delivering +10dBm into a 50Ω load. This power level enables a small form factor transmitter (lossy antenna) such as a key fob transmitter to operate near the maximum limit of transmission regulations. In terms of operating voltage, the MICRF113 operates from 1.8V to 3.6V. Many transmitter ICs in the same frequency band stop operating below 2.0V. The MICRF113 will work with most batteries to the end of their useful limits. In terms of operating temperature, the MICRF113 operates from -40°C to +85°C.

The MICRF113 transmitter solution is ideal for industrial and consumer applications where simplicity and form factor are important.



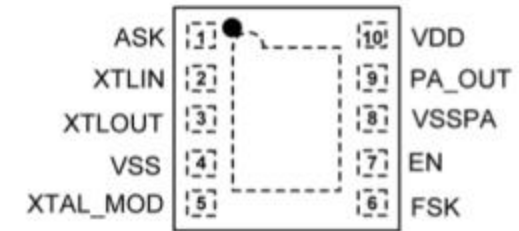
MICRF112

300MHz to 450MHz, +10dBm, 1.8V to 3.6V, ASK/FSK Transmitter with Shutdown

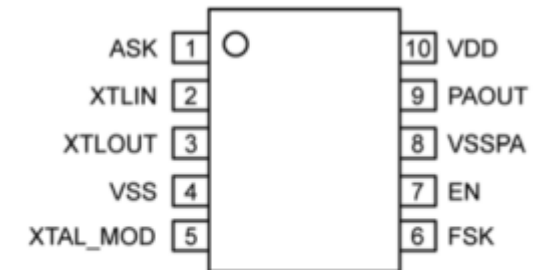
- The MICRF112 is a high performance, easy to use, single chip ASK / FSK Transmitter IC for remote wireless applications in the 300 to 450MHz frequency band. This transmitter IC is a true "data-in, antenna-out" monolithic device.

MICRF112 is high performance in three areas: power delivery, operating voltage, and operating temperature. In terms of power, the MICRF112 is capable of delivering +10 dBm into a 50Ω load. This power level enables a small form factor transmitter (lossy antenna) such as a key fob transmitter to operate near the maximum limit of transmission regulations. In terms of operating voltage, the MICRF112 operates from 3.6V to 1.8V. Many transmitter ICs in the same frequency band stop operating below 2.0V. The MICRF112 will work with most batteries to the end of their useful limits. In terms of operating temperature, the MICRF112 operates from -40°C to +125°C. This wide operating temperature range makes MICRF112 an ideal candidate for the demanding applications such as a tire pressure monitoring system.

Pin Configuration



10-Pin Ultra-Thin DFN (MU)
(2mm x 2mm x 0.4mm)
Top View



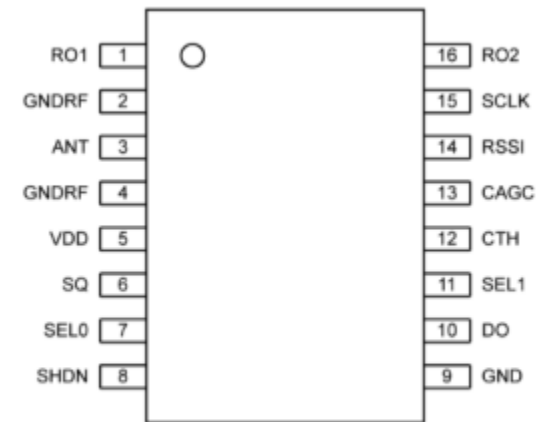
10-Pin MSOP (MM)
Top View

MICRF219A

300MHz to 450MHz, 3.3V ASK/OOK Receiver with RSSI and Squelch

Features:

- -110dBm sensitivity at 1kbps with 0.1% BER
- Auto-polling mode with bit checking
- Supports bit rates up to 20kbps at 433.92MHz
- 25dB image-reject mixer
- No IF filter required
- 60dB analog RSSI output range
- 3.0V to 3.6V supply voltage range
- 4.3mA supply current at 315MHz
- 6.0mA supply current at 434MHz
- 13µA supply current in sleep mode
- 0.1µA supply current in shutdown mode
- 16-pin QSOP package (4.9mm x 6.0mm)
- -40°C to +105°C temperature range



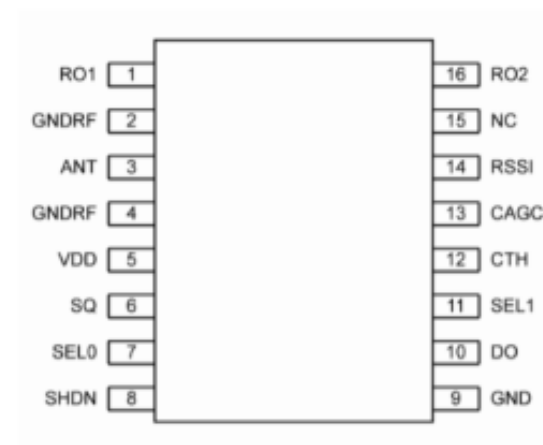
MICRF219AAYQS

MICRF220

300MHz to 450MHz, 3.3V ASK/OOK Receiver with RSSI and Squelch

Features:

- -110dBm sensitivity at 1kbps with 0.1% BER
- Supports bit rates up to 20kbps at 433.92MHz
- 25dB image-reject mixer
- No IF filter required
- 60dB analog RSSI output range
- 3.0V to 3.6V supply voltage range
- 4.3mA supply current at 315MHz
- 6.0mA supply current at 434MHz
- 0.1 μ A supply current in shutdown mode
- Data output squelch until valid bits detected
- 16-pin QSOP package (4.9mm x 6.0mm)
- -40°C to +105°C temperature range



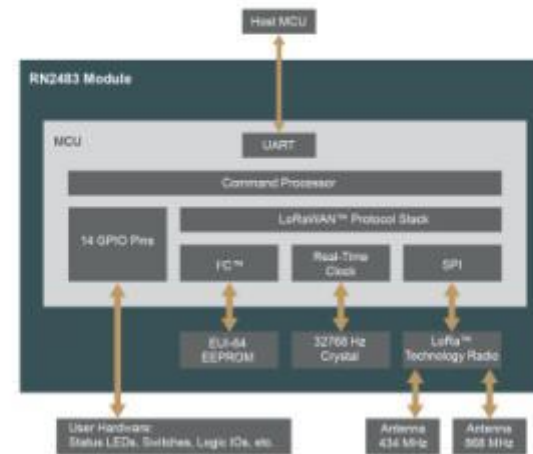
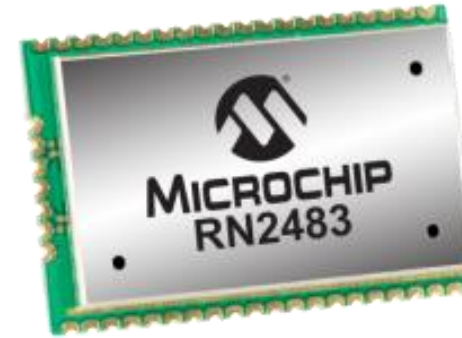
MICRF220AYQS

RN2483

Low-Power Long Range LoRa[®] Technology Transceiver Module

Features:

- Low-Power Long Range Transceiver operating in the 433 MHz and 868 MHz frequency bands
- High Receiver Sensitivity: down to -148 dBm
- TX Power: adjustable up to +14 dBm high
- FSK, GFSK, and LoRa Technology modulation
- IIP3 = -11 Db
- >15 km coverage at suburban and >5 km coverage at urban area
- On-board LoRaWAN[™] Class A protocol stack
- Compact form factor 17.8 x 26.7 x 3 mm
- Castellated SMT pads for reliable PCB mounting
- Device Firmware Upgrade (DFU) over UART

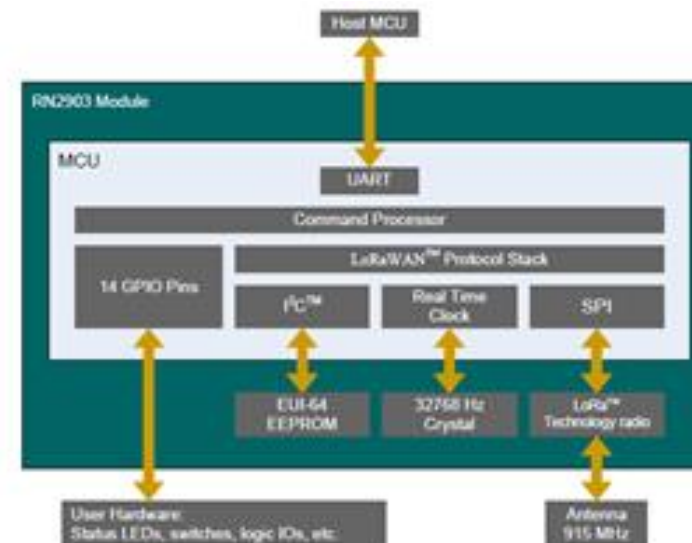
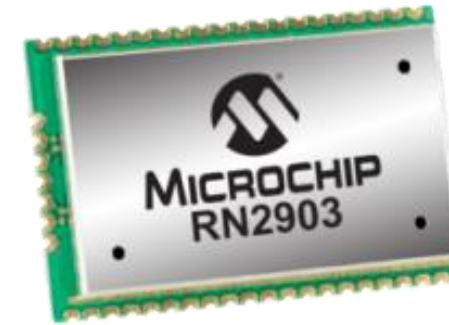


RN2903

Low-Power Long Range LoRa[®] Technology Transceiver Module

Features:

- On-board LoRaWAN[™] Class A protocol stack
- ASCII command interface over UART
- Compact form factor 17.8 x 26.7 x 3 mm
- Castellated SMT pads for easy and reliable PCB mounting
- Device Firmware Upgrade (DFU) over UART
- 14 GPIO for control, status, and ADC
- Highly integrated module with MCU, crystal, EUI 64 Node Identity Serial EEPROM, Radio transceiver with analog front end, and matching circuitry
- Environmentally friendly, RoHS compliant
- FCC and IC Certified

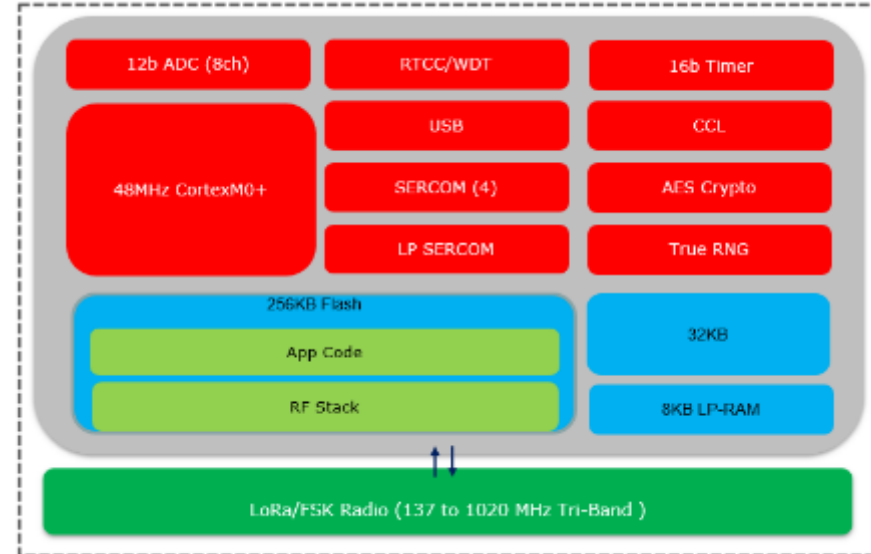


ATSAMR34 / 35

32-Bit Arm Cortex M0+ MCU and LoRa Transceiver System-in-Package

Features:

- Industry's lowest power LoRa® SiP device
- 32-bit Arm® Cortex M0+ MCU and LoRa Transceiver
- Small form factor: 6x6 mm compact BGA package
- Up to 256KB Flash and 40 KB RAM accommodates application code and stack
- Most cost and size effective solution, eliminating need for external MCU
- Fully supported 862 to 1020 MHz frequency coverage
- Down to -148 dBm Receive Sensitivity
- Up to 20 dBm maximum transmit power
- Low RX current of 17mA (typical)
- LoRa Technology, (G)FSK, (G)MSK and OOK Modulation

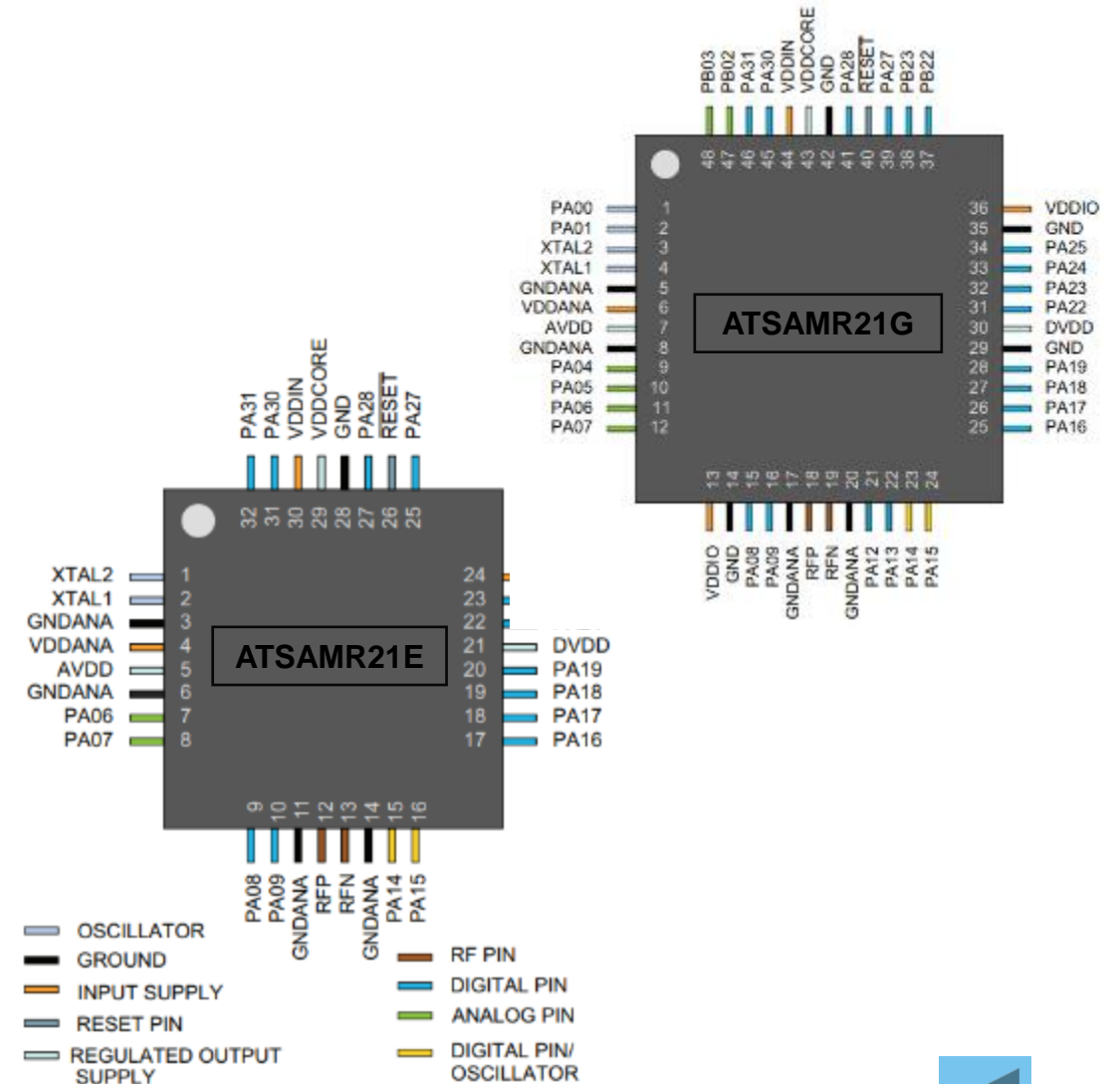


ATSAMR21



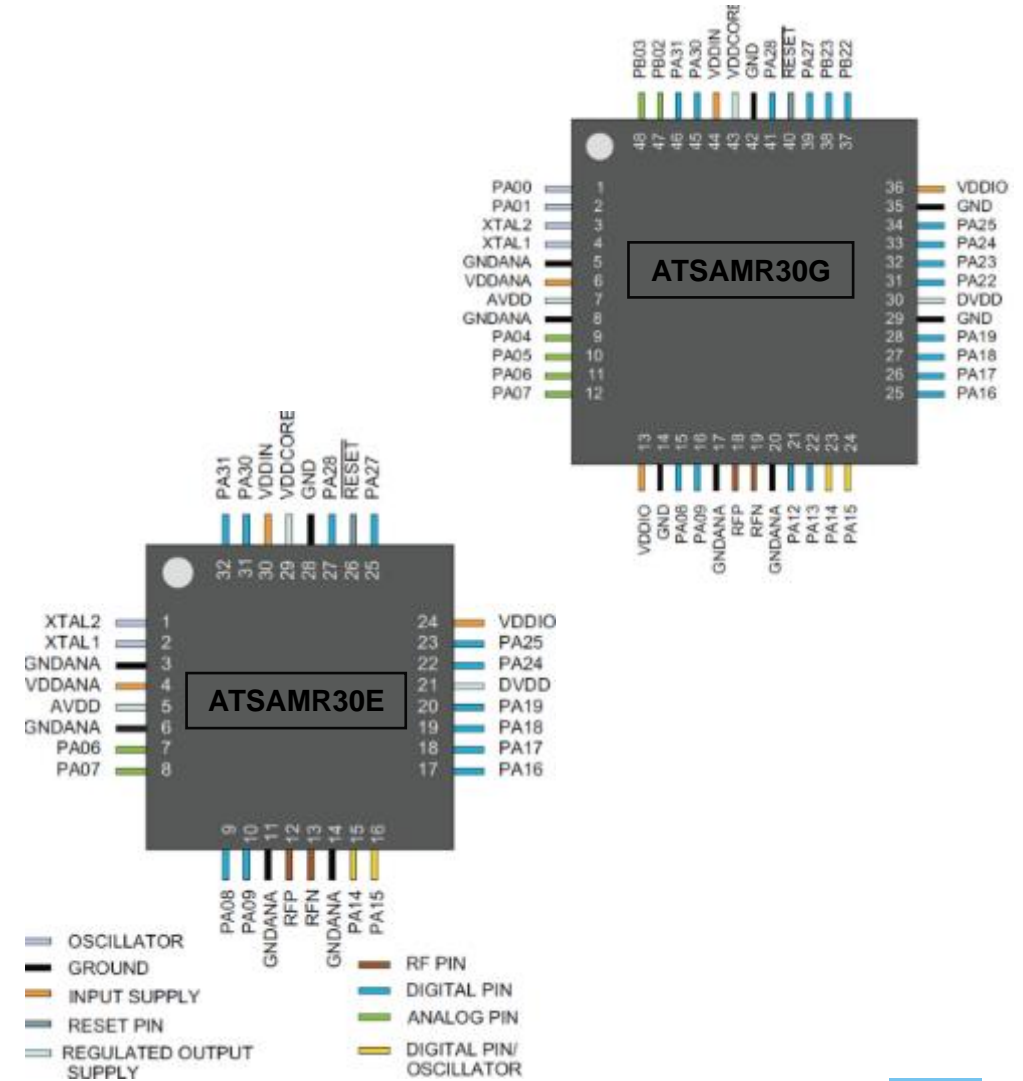
Features:

- Processor
 - ARM Cortex-M0+ CPU running at up to 48MHz
 - Single-cycle hardware multiplier
 - Micro Trace Buffer (MTB)
- Memories
 - 768(1)/256/128/64KB in-system Self-programmable Flash
 - 32/16/8KB SRAM
- Low Power
 - Idle and standby sleep modes
 - SleepWalking peripherals
- I/O and Package
 - 16/28 programmable I/O pins
 - 32-pin QFN (ATSAMR21G)
 - 48-pin QFN (ATSAMR21E)
- Operating Voltage
 - 1.8V – 3.6V
- Temperature Range
 - -40°C to +85°C Industrial
 - -40°C to +125°C Industrial
- Single-chip ARM® Cortex®-M0+ based 32-bit Microcontroller
- Low power 2.4GHz transceiver for IEEE 802.15.4 and zigbee applications



ATSAMR30

- Features:
- Cortex M0+ MCU + Sub-GHz Transceiver in a single package
- 256 KB flash / 32KB RAM
- 8 KB Low Power Mode retained RAM
- USB Host and Device
- Ultra-low power consumption
- 700 nA typical with RTC
- Hardware AES Crypto accelerators
- True Random Number Generator
- High performance ADC and analog peripherals for sensor nodes
- IEEE 802.15.4-2003/2006/2011 compliant
- 769-935 MHz band support
- I/O and Package
- 16/28 programmable I/O pins
- 5 x 5 mm 32-pin QFN available (ATSAMR30E18A)
- 7 x 7 mm 48-pin QFN available (ATSAMR30G18A)
- Operating Voltage
- 1.8V – 3.6V
- Temperature Range
- -40°C to 85°C Industrial

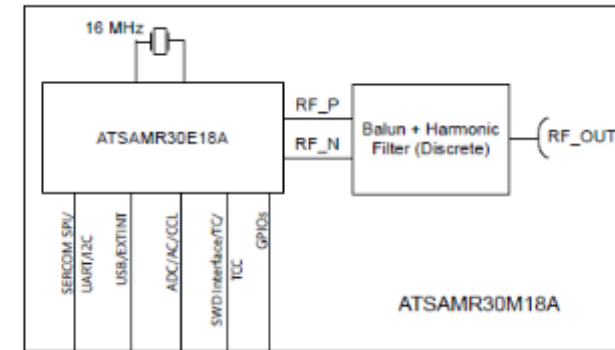


ATSAMR30M18

Features:

- Compact 802.15.4 Sub-GHz module
- ATSAMR30E18A SiP with ARM Cortex-M0+ MCU and Sub-GHz transceiver
- Integrated Ultra Low Power Transceiver for 700/800/900MHz ISM band
- 256 KB Flash
- 16 Input/Output pins
- Maximum operating frequency 48 MHz
- 128-bit Advanced Encryption Standard (AES) crypto engine
- 32-bit Medium Access Control (MAC) symbol counter
- Automatic retransmission modes
- Single 1.8V - 3.6V supply
- FCC / ETSI compliant RF front end with harmonic filter
- Two Serial Communication interface (SERCOM) units left for external applications
- High precision 16 MHz crystal oscillator
- 12-bit, 350 ksps Analog-to-Digital Converter (ADC)
- I2C up to 3.4 MHz
- Full-speed (12 Mbps) Universal Serial Bus (USB) 2.0 interface
- 16 External General Purpose Input/Output (GPIO) lines

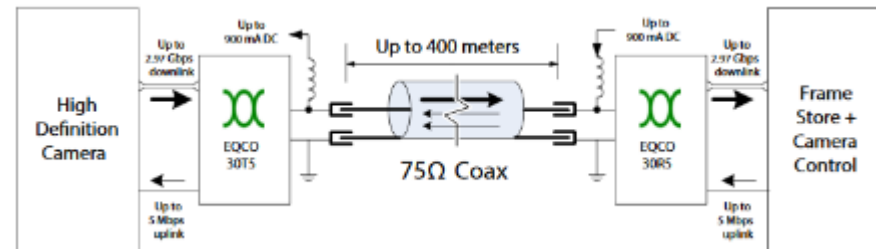
Figure 3-1. Module Block Diagram



EQCO30T5.2 3G/HD-SDI Video Cable Driver

Features:

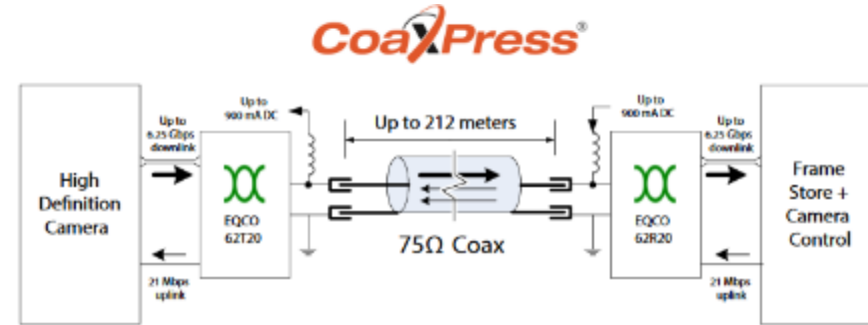
- 270Mbps to 3Gbps SDI Video Downlink
- Up to 5Mbps Uplink for camera control
- Supports distance up to 470m @ 270Mbps
- Supports distance up to 220m @3Gbps over RG-6 Coax
- Supports up to SMPTE 424M
- Supports 8b/10b coding up to 3.75Gbps
- Support power-over-coax (PoC) cable up to 900mA DC
- Operating Voltage: 3.15V to 3.45V
- Power Consumption: 150mW @ 1.2V
- Packaging: 16-lead 4x4 QFN
- Industrial Temperature Range:
 - -40°C to +85°C



Asymmetric Coax Driver

Features:

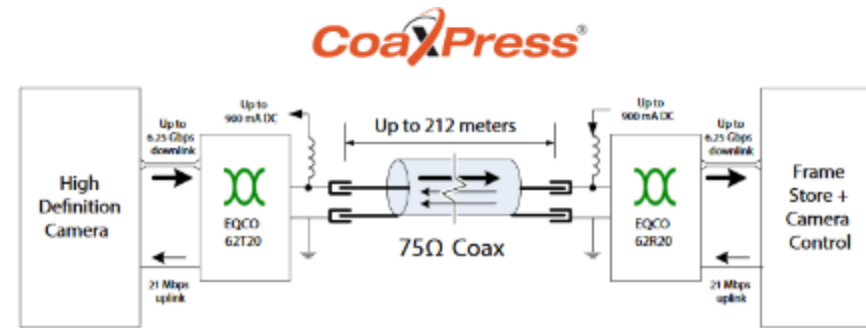
- The EQCO31T/R20 are lower-speed -\ - versions of EQCO62T/R20
- 1.25 Gbps to 3.125 Gbps Video Downlink
- Up to 20Mbps Uplink for camera control
- Supports distance up to 380m @ 1.25Gbps
- Supports distance up to 100m 3.125Gbps over RG-6 Coax
- Enables nanosecond precise triggering for camera control
- Supports 8b/10b coding up to 3.125Gbps
- Supports power over coax cable up to - 900mA DC
- Operating Voltage: 1.15V to 1.25V
- Power Consumption: <70mW @ 1.2V
- Packaging: 16-lead 4x4 QFN
- Industrial Temperature Range:
 - -40°C to +85°C



Asymmetric Coax Driver

Features:

- 1.25 Gbps to 6.25 Gbps Video Downlink
- Up to 20Mbps Uplink for camera control
- Supports distance up to 212m @ 1.25Gbps
- Supports distance up to 68m @ 6.25Gbps over RG-6 Coax
- Enables nanosecond precise triggering for camera control
- Also supports 8b/10b coding up to 6.25Gbps
- Support power over coax cable up to 900mA DC
- Operating Voltage: 1.15V to 1.25V
- Power Consumption: <70mW @ 1.2V
- Packaging: 16-lead 4x4 QFN
- Industrial Temperature Range:
 - -40°C to +85°C



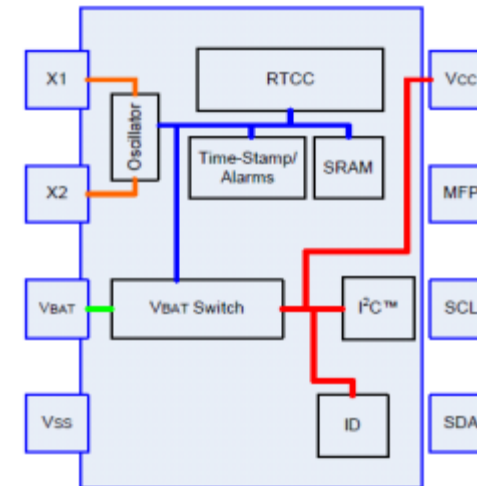
Battery-Backed I²C Real-Time Clock/Calendar with SRAM and Protected EEPROM

Features:

- Battery Backed Real-Time Clock/Calendar:
 - Hours, Minutes, Seconds, Day of Week, Day, Month & Year
 - Dual Alarms
- On-Chip Digital Trimming/Calibration
- Open-Drain Output:
 - Selectable Frequency Clock Output
 - Alarm Output
- Power-Fail Time-Stamp
- Low-Power CMOS Technology:
 - Battery Backup Current: <700nA @ 1.8V
- 400 kHz I²C™
- Packages: 8-Lead SOIC, TSSOP, 2x3 TDFN, MSOP
- Industrial Temperature Range:
 - -40°C to +85°C
- 64 Bytes Battery Backed SRAM
- Protected 64-Bit Unique ID memory space:
 - EUI-48™ or EUI-64™ MAC address
 - Custom ID Programming

Device Selection Table:

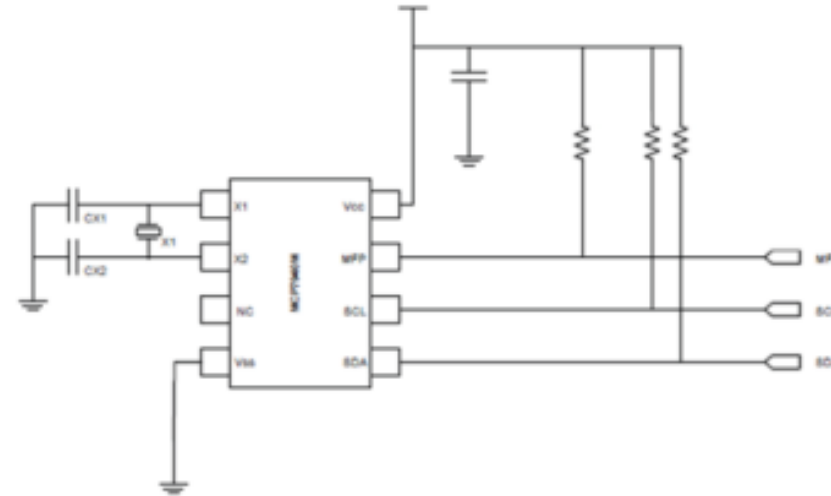
Part Number	Unique ID
MCP79400	Blank
MCP79401	EUI-48™
MCP79402	EUI-64™



Low-Cost I²C™ Real-Time Clock/Calendar with SRAM

Features:

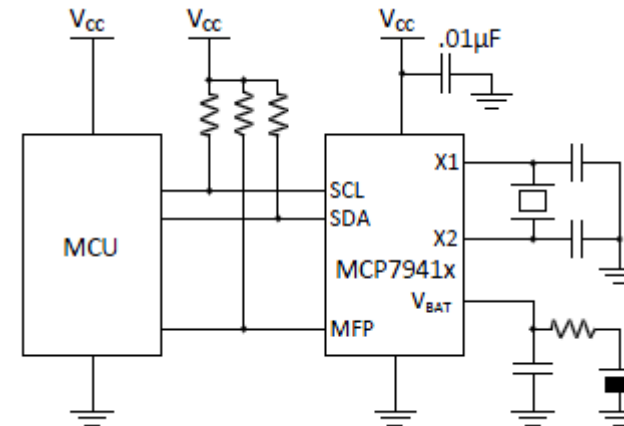
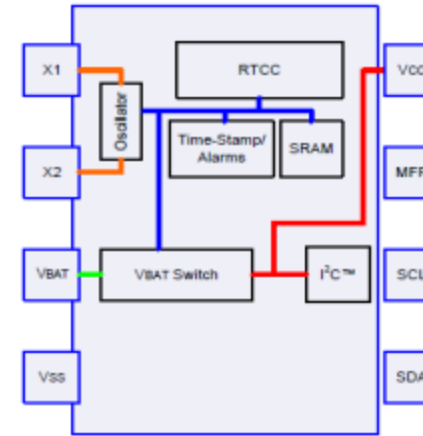
- Real-Time Clock/Calendar (RTCC):
 - Hours, Minutes, Seconds, Day of Week, -
- Day, Month & Year
- Dual Alarms
- On-Chip Digital Trimming/Calibration
- Open-Drain Output:
- Selectable Frequency Clock Output
- Alarm Output
- 400 kHz I²C™
- Packages: 8-Lead SOIC, TSSOP, 2x3 –
- TDFN, MSOP, PDIP
- Industrial Temperature Range:
 - -40°C to +85°C (Industrial)
- 64 Bytes SRAM



Battery-Backed I²C™ Real-Time Clock/Calendar with SRAM

Features:

- Battery Backed Real-Time Clock/Calendar (RTCC):
 - Hours, Minutes, Seconds, Day of Week, Day, Month & Year
 - Dual alarms
 - On-Chip Digital Trimming/Calibration
 - Open-Drain Output:
 - Selectable Frequency Clock Output
 - Alarm Output
 - Power-Fail Time-Stamp
- Low-Power CMOS Technology:
 - Battery Backup Current: <700nA @ 1.8V
- 400 kHz I²C™
- Packages: 8-Lead SOIC, TSSOP, 2x3 TDFN, MSOP, PDIP
- Temperature Ranges:
 - -40°C to +85°C (Industrial)
 - -40°C to +125°C (Extended)
- 64 Bytes Battery Backed SRAM



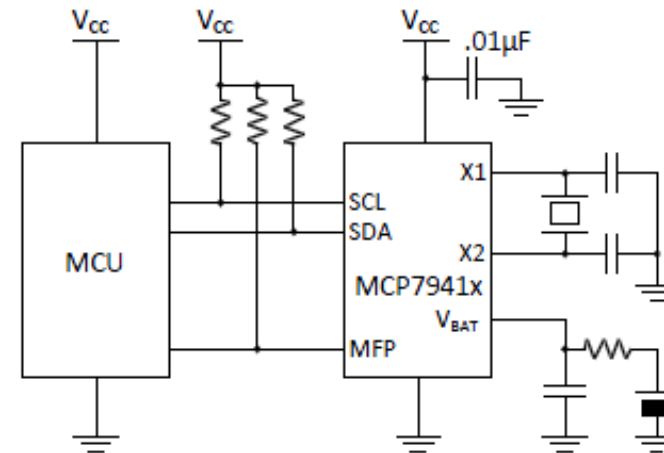
Battery-Backed I²C Real-Time Clock/Calendar with SRAM, EEPROM and Protected EEPROM

Features:

- Battery Backed Real-Time Clock/Calendar (RTCC):
- On-Chip Digital Trimming/Calibration:
- Open-Drain Output:
- Selectable Frequency Clock Output
- Alarm Output
- Power-Fail Time-Stamp
- Low-Power CMOS Technology:
 - Battery Backup Current: <700nA @ 1.8V
- 400 kHz I²C™
- Packages: 8-Lead SOIC, TSSOP, 2x3 TDFN, MSOP
- Industrial Temperature Range:
 - -40°C to +85°C (Industrial)
- 64 Bytes Battery Backed SRAM
- 1 Kbits EEPROM (128x8)
- Protected 64-Bit Unique ID memory space:
 - EUI-48™ or EUI-64™ MAC address
 - Custom ID programming

Device Selection Table:

Part Number	Unique ID
MCP79410	Blank
MCP79411	EUI-48™
MCP79412	EUI-64™



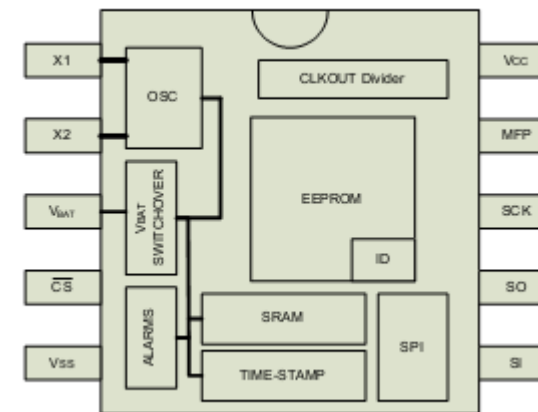
Battery-Backed SPI Real-Time Clock/Calendar

Features:

- Battery Backed Real-Time Clock/Calendar
- Open-Drain Output:
 - Selectable Frequency Clock Output
 - Alarm Output
- On-Chip Digital Trimming/Calibration
- Power-Fail Time-Stamp
- 1.8V to 3.6V Operating Voltage
- Low Operating Current:
 - V_{BAT} Timekeeping Curr: <700nA @ 1.8V
- 5 MHz SPI
- 10-lead MSOP & TDFN
- Industrial Temperature Range:
 - -40°C to +85°C
- 64-Byte Battery-Backed SRAM
- 2 Kbit and 1 Kbit EEPROM Memory
- Protected 128-Bit Unique ID memory space:
 - EUI-48™ or EUI-64™ MAC address
 - Custom ID programming

Device Selection Table:

Part Number	EEPROM (Kbits)	Unique ID
MCP79510	1	Blank
MCP79520	2	Blank
MCP79511	1	EUI-48™
MCP79521	2	EUI-48™
MCP79512	1	EUI-64™
MCP79522	2	EUI-64™



Battery-Backed SPI Real-Time Clock/Calendar with Enhanced Features

Features:

- Battery Backed Real-Time Clock/Calendar
- Open-Drain Output:
 - Selectable Frequency Clock Output
- On-Chip Digital Trimming/Calibration
- Power-Fail Time-Stamp
- 1.8V to 3.6V Operating Voltage
- Low Operating Current:
 - V_{BAT} Timekeeping Curr: <700nA @ 1.8V
- 10 MHz SPI
- 14-Lead SOIC & TSSOP
- Industrial Temperature: -40°C to +85°C
- Programmable Watchdog Timer with
- High-Speed Digital Event Detect (EVHS)
- Debounced Low-Speed Event Detect (EVLS)
- 64-Byte Battery-Backed SRAM
- 2 Kbit and 1 Kbit EEPROM Memory
- Protected 128-Bit Unique ID memory space:
 - EUI-48™ or EUI-64™ MAC address
 - Custom ID programming

Device Selection Table:

Part Number	EEPROM (Kbits)	Unique ID
MCP79510	1	Blank
MCP79520	2	Blank
MCP79511	1	EUI-48™
MCP79521	2	EUI-48™
MCP79512	1	EUI-64™
MCP79522	2	EUI-64™



PD70211EVB51F-12

Dual-IEEE 802.3at/bt Type2/PoH EVB PD70211 4pair w/isolated Flyback 12V 4.17A output

- **Summary**

The PD70211EVB51F-12 evaluation board provides designers with an environment needed for evaluating the performance and implementation of PD applications based on PD70211 controller. The board is using a single PD controller, PD70211ILQ, to support the Detection, Class, and Power Supplying phases on the 4 pairs of the Cat5 cable. The board supports sync detection of the 4 pairs. PD70211ILQ supports the current of the HDBaseT over 4 pairs, which is more than twice the power of a standard IEEE 802.3at Type 2 interface.



- **Features**

- Featuring PD70211 and PD70224
- IEEE 802.3af/at/Dual-AT/POH standard compliant
- 51W - 12V / 4.25A output voltage / current
- Flyback topology Wall adaptor support
- Power is supplied through the 4-pairs of the Cat5 cable
- Wall adapter input – standard barrel jack available for connecting to an external 48V wall adapter
- Data pass-through connector
- On board LED indicators: PSE class type; 2,3,4 and 6-events
- On board Power Good LED indicator which may be configured to monitor
- PD Front End or VPP UVLO
- Ta: 0° to +70°C (with derating curve)
- RoHS compliant

PD70211EVB72FW-12

Dual-IEEE 802.3at/bt Type2/PoH EVB PD70211 4pair w/isolated Frwd Conv 12V 6A output

- **Summary**

The PD70211EVB72FW-12 evaluation board provides designers with an environment needed for evaluating the performance and implementation of PD applications based on PD70211 controller. The board is using a single PD controller, PD70211ILQ, to support the detection, class, and power supplying phases on the 4 pairs of the Cat5 cable. The board supports sync detection of the 4 pairs. PD70211ILQ supports the current of the HDBaseT over 4 pairs, which is more than twice the power of a standard IEEE 802.3at Type 2 interface.



- **Features**

- Featuring PD70211 and PD70224
- IEEE 802.3af/at/Dual-AT/POH standard compliant
- 72W – 12V / 6A output voltage / current
- Forward topology Wall adaptor support
- Power is supplied through the 4-pairs of the Cat5 cable
- Wall adapter input – standard barrel jack available for connecting to an external 48V - 54V wall adapter
- Data pass-through connector
- On board LED indicators: PSE class type; 2,3,4 and 6-events
- On board power good LED indicator which may be configured to monitor PD front end or VPP UVLO
- Ta: -40°C to +70°C (with derating curve)
- RoHS compliant

PD70211EVB50FW-3

Dual-IEEE 802.3at/bt Type2/PoH EVB PD70211 4pair w/isolated Frwd Conv 3.3V 15A output

- **Summary**

The PD70211EVB50FW-3 evaluation board provides designers with an environment needed for evaluating the performance and implementation of PD applications based on PD70211 controller. The board is using a single PD controller, PD70211ILQ, to support the Detection, Class, and Power Supplying phases on the 4 pairs of the Cat5 cable. The board supports sync detection of the 4 pairs. PD70211ILQ supports the current of the HDBaseT over 4 pairs, which is more than twice the power of a standard IEEE 802.3at Type 2 interface.



- **Features**

- Featuring PD70211 and PD70224
- IEEE 802.3af/at/Dual-AT/POH standard compliant
- 50W - 3.3V / 15A output voltage / current
- Active clamp forward topology
- Wall adaptor support
- Power is supplied through the 4-pairs of the Cat5 cable
- Wall adapter input – standard barrel jack available for connecting to an external 42-54V Wall Adapter.
- Data pass-through connector
- On board LED indicators: PSE class type; 2,3,4 and 6-events
- On board Power Good LED indicator which may be configured to monitor
- PD front end or VPP UVLO. TA= -40°C to +70°C
- RoHS compliant

PD70211EVB50FW-5

Dual-IEEE 802.3at/bt Type2/PoH EVB PD70211 4pair w/isolated Frwd Conv 5V 10A output

- **Summary**

The PD70211EVB50FW-5 evaluation board provides designers with an environment needed for evaluating the performance and implementation of PD applications based on PD70211 controller. The board is using a single PD controller, PD70211ILQ, to support the Detection, Class, and Power Supplying phases on the 4 pairs of the Cat5 cable. The board supports sync detection of the 4 pairs. PD70211ILQ supports the current of the HDBaseT over 4 Pairs, which is more than twice the power of a standard IEEE802.3AT Type 2 interface.



- **Features**

- Featuring PD70211 and PD70224
- IEEE 802.3af/at/Dual-AT/POH standard compliant
- 50W - 5V / 10A output voltage / current
- Active clamp forward topology
- Wall adaptor support
- Power is supplied through the 4-pairs of the Cat5 cable
- Wall adapter input – standard barrel jack available for connecting to an external 48V Wall Adapter
- Data pass-through connector
- On board LED indicators: PSE class type; 2,3,4 and 6-events
- On board Power Good LED indicator which may be configured to monitor
- PD front end or VPP UVLO.
- Ta: 0°C to +70°C (with derating curve)
- RoHS compliant

PD70224EVB-wAuxPwr

Dual IEEE 802.3at/bt Type 2 / PoH PD EVB PD70210A PD and PD70224 IdealBridge

- **Summary**

The PD70224EVB with auxiliary power evaluation board provides designers with the environment needed for evaluating the performance and implementation of PD applications based on PD70224 and PD70210A devices. The board uses a single PD device, PD70210AILD, to support the detection, class, and power supplying phases on the 2/4 pairs of the Cat5 cable. EVB supports a standard Twin HDBaseT interface and compatible to IEEE802.3AT Type 2 interface. This version features the PD70210A which has a wall adapter pin (WA_EN) for adapter priority.



- **Features**

- Featuring PD70210A and PD70224
- PD70210A IEEE 802.3af/at/Dual-AT/POH standard compliant
- PD70224 IEEE 802.3af/at/bt/Dual-AT/POH standard compliant
- 95W max power Wall adaptor support
- Designed to support data and spare current using a single PD70210A device
- Data and power in RJ45 connector
- Output voltage connector
- Wall adapter connector
- On board LED indicators: 2,3,4 and 6-events
- Evaluation board working temperature: 0°C to +70°C
- RoHS compliant



PD70224EVB

Dual IEEE 802.3at/bt Type 2 / PoH PD EVB PD70210 PD and PD70224 IdealBridge

- **Summary**

PD70224EVB evaluation board provides designers with the environment needed for evaluating the performance and implementation of PD applications based on PD70224 and PD70210 devices. The board uses a single PD device, PD70210ILD, to support the detection, class, and power supplying phases on the 2/4 pairs of the Cat5 cable. The EVB supports a standard Twin HDBaseT interface and compatible to IEEE802.3AT Type 2 interface. PD70210ILD has a power good signal pin..



- **Features**

- Featuring PD70210 and PD70224
- PD70210 IEEE 802.3af/at/Dual-AT/POH standard compliant
- PD70224 IEEE 802.3af/at/bt/Dual-AT/POH standard compliant
- 95W Max power
- Designed to support data and spare current using a single PD70210 device
- Data and Power in RJ45 connector
- Output voltage connector
- On board Power Good LED indicator
- On board LED indicators: 2,3,4 and 6-events
- Evaluation Board working temperature: 0°C to +70°C
- RoHS compliant



PD70201EVB47F

IEEE 802.3at/bt Type 2 PD EVB PD70201 w/isolated flyback conv 12V 4 Amp output

- **Summary**

The PD70201EVB47F evaluation board provides designers with an environment needed to evaluate the performance and implementation of PD applications based on PD70201 device. The board is using a single PD device PD70201ILQ to support the detection, Class and Power supplying phases on the 4 pairs of the Cat5 cable. PD70201ILQ supports the current of the 4 pairs, which is twice the level of a standard IEEE802.3AT Type 2 interfaces.



- **Features**

- Featuring PD70201
- IEEE 802.3af/at standard compliant
- 47.7W - 12 V / 4 A output voltage / current
- Flyback topology
- Power is supplied through the 4-pairs of the Cat5 cable
- Two RJ45 connectors (data and power in, data out)
- Wall adapter – DC in connector
- Output voltage connector
- On board power good LED indicator
- On board AT detected LED indicator
- Pulse transformer for routing the data to PD application to enable full PD evaluation
- Evaluation Board working temperature: 0°C to +70°C
- RoHS compliant

PD70201EVB25F-12

IEEE 802.3at/bt Type 2 PD EVB PD70201 w/isolated flyback conv. 12V 2.1 Amp output

- **Summary**

The PD70201EVB25F-12 evaluation board provides designers with the environment needed for evaluating the performance and implementation of PD applications based on the PD70201 device. The board uses a single PD device, PD70201ILQ, to support the detection, class, and power supplying phases on the 2/4 pairs of the Cat5 cable. PD70201ILQ supports a standard IEEE 802.3at Type 2 interface



- **Features**

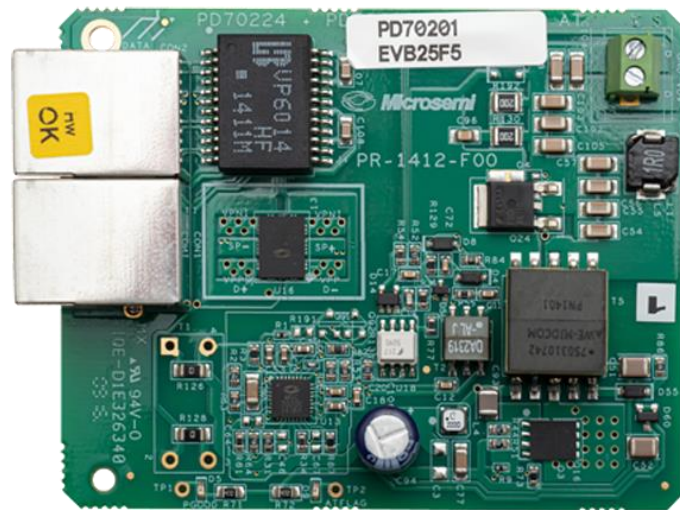
- Featuring PD70201
- IEEE 802.3af/at standard compliant
- 25W - 12V / 2.1A output voltage / current
- Flyback topology
- Two RJ45 connectors (data and power in, data out)
- Output voltage connector
- On board power good LED indicator
- On board AT detected LED indicator
- Pulse transformer for routing the data to PD application to enable full PD evaluation
- Evaluation board working temperature: 0°C to +70°C
- RoHS compliant

PD70201EVB25F-5

IEEE 802.3at/bt Type 2 PD EVB PD70201 w/isolated flyback conv. 5V 5 Amp output

- **Summary**

The PD70201EVB25F-5 evaluation board provides designers with the environment needed for evaluating the performance and implementation of PD applications based on the PD70201 device. The board uses a single PD device, PD70201ILQ, to support the detection, class, and power supplying phases on the 2/4 pairs of the Cat5 cable. PD70201ILQ supports a standard IEEE 802.3at Type 2 interface.



- **Features**

- Featuring PD70201
- IEEE 802.3af/at standard compliant
- 25W - 5V / 5A output voltage / current
- Flyback topology
- Two RJ45 connectors (data and power in, data out)
- Output voltage connector
- On board power good LED indicator
- On board AT detected LED indicator
- Pulse transformer for routing the data to PD application to enable full PD evaluation
- Evaluation board working temperature: 0°C to +70°C
- RoHS compliant

PD70201EVB25F-3

IEEE 802.3at/bt Type 2 PD EVB PD70201 w/isolated flyback conv. 3.3V 7.5A output

- **Summary**

The PD70201EVB25F-3 evaluation board provides designers with the environment needed for evaluating the performance and implementation of PD applications based on the PD70201 device. The board uses a single PD device, PD70201ILQ, to support the detection, class, and power supplying phases on the 2/4 Pairs of the Cat5 cable. PD70201ILQ supports a standard IEEE 802.3at Type 2 interface.



- **Features**

- Featuring PD70201
- IEEE 802.3af/at standard compliant
- 25W - 3.3V / 7.5A output voltage / current
- Flyback topology
- Wall adaptor support
- Two RJ45 connectors (Data and Power In, Data Out)
- Output voltage connector
- On board power good LED indicator
- On board AT detected LED indicator
- Pulse transformer for routing the data to PD application to enable full PD evaluation
- Evaluation board working temperature: -40°C to +70°C
- RoHS compliant

PD70201EVB25FW-3

IEEE 802.3at Type 2 EVB PD70201 w/isolated Frwd conv 3.3V 7.5A output

- **Summary**

The PD70201EVB25FW-3 evaluation board provides designers with an environment needed for evaluating the performance and implementation of PD applications based on PD70201 controller. The board is using a single PD controller, PD70201ILQ, to support the detection, class, and power supplying phases on the 4 pairs of the Cat5 cable. The board supports sync detection of the 4 pairs. PD70201ILQ supports the current of the HDBaseT over 4 Pairs, which is more than twice the power of a standard IEEE 802.3at Type 2 interface.



- **Features**

- Featuring PD70201
- IEEE 802.3af/at standard compliant
- 25W - 3.3V / 7.5A output voltage / current
- Active clamp forward topology
- Power is supplied through the 4-pairs of the Cat5 cable
- Wall adapter input – standard barrel jack available for connecting to an external 48-54V wall adapter
- Data pass-through connector
- On board AT detected LED indicator
- On board power good LED indicator
- TA= -40° to +70°C
- RoHS compliant

PD70201EVB-U-25F-5

IEEE 802.3at/bt Type 2 PD EVB PD70201 w/isolated flyback Conv 5V 5A out 17-54V In

- **Summary**

The PD70201EVB-U-25F-5 board is used for evaluating the performance of the PD70201 device in both standard IEEE 802.3at and non-standard applications with input 17-54 V . The board is a 25 W PD consisting of DC isolated DC-DC converter to step down voltage to 5 V. The AUX input gets priority in supplying the load, when it is connected to the application and the PD inputs act as backup power if the AUX is disconnected. The evaluation board provides designers with the environment needed for evaluating the performance and implementation of PD applications based on the PD70201 device. The board uses a single PD device (PD70201ILQ) to support the detection, classification, and power supplying phases on the 2/4 pairs of the Cat5 cable. PD70201ILQ supports a standard IEEE 802.3at Type 2 interface as well as wide range non-standard input voltage.



- **Features**

- Featuring PD70201
- IEEE 802.3af/at standard compliant
- 25W - 5V / 5A output voltage / current
- Wide inputs voltage 17-54V
- Flyback topology
- Wall adaptor support Two RJ45 connectors (data and power input, data output)
- Output voltage connector
- On board AT detected LED indicator
- Pulse transformer for routing the data to PD application to enable full PD evaluation
- Wide input voltage range
- Evaluation board working temperature: 0°C to 70°C
- RoHS compliant



PD70101EVB15F-12

IEEE 802.3af/bt Type 1 PD EVB PD70101 w/isolated flyback conv. 12V 1.1 Amp output

- **Summary**

The PD70101EVB15F-12 evaluation board provides designers with the needed environment to evaluate the performance and implementation of PD applications based on PD70101 PD-chip. The evaluation board enables PD designers to evaluate Microchip's PD-chip solution.



- **Features**

- Featuring PD70101
- IEEE 802.3af/at standard compliant
- 13.2W - 12V / 1.1A output voltage / current
- Flyback topology
- Designed to support one PD-chip application (2-pairs)
- Two RJ45 connectors (data and power in, data out)
- Optional Wall adapter – DC in connector
- Output voltage connector
- On board LED indicator
- Pulse transformers and common mode chocks
- Evaluation board working temperature: 0°C to +70°C
- RoHS compliant
- Optional standby circuitry
- RoHS compliant

PD70101EVB15F-5

IEEE 802.3af/bt Type 1 PD EVB PD70101 w/isolated flyback conv. 5V 2.6 Amp output

- **Summary**

The PD70101EVB15F-5 evaluation board provides designers with the needed environment to evaluate the performance and implementation of PD applications based on PD70101 PD-chip. The evaluation board enables PD designers to evaluate Microchip's PD-chip solution.



- **Features**

- Featuring PD70101
- IEEE 802.3af/at standard compliant
- 13W - 5 V / 2.6 A output voltage / current
- Flyback topology
- Designed to support one PD-chip application (2-pairs)
- Two RJ45 connectors (data and power in, data out)
- Optional wall adapter – DC in connector
- Output voltage connector
- On board LED indicator
- Pulse transformers and common mode chocks
- Evaluation board working temperature: 0°C to +70°C
- Optional standby circuitry
- RoHS compliant



PD70101EVB3F

IEEE 802.3af/bt Type 1 PD EVB PD70101 w/isolated flyback conv. 3.3V 1 Amp output

- **Summary**

The PD70101EVB3F evaluation board provides designers with the needed environment to evaluate the performance and implementation of PD applications based on PD70101 PD-chip. The evaluation board enables PD designers to evaluate Microchip's PD-chip solution.

- **Features**

- Featuring PD70101
- IEEE 802.3af/at standard compliant
- 3.3W - 3.3V / 1A output voltage / current
- Flyback topology
- RoHS compliant



PD70101EVB6F

IEEE 802.3af/bt Type 1 PD EVB PD70101 w/isolated flyback conv. 5V 1.2 Amp output

- **Summary**

The PD70101EVB6F evaluation board provides designers with the needed environment to evaluate the performance and implementation of PD applications based on PD70101 PD-chip. The evaluation board enables PD designers to evaluate Microchip's PD-chip solution.



- **Features**

- Featuring PD70101
- IEEE 802.3af/at standard compliant 6W - 5V / 1.2A output voltage / current
- Flyback topology
- Designed to support one PD-chip application (2-pairs)
- Two RJ45 connectors (data and power in, data out)
- Optional wall adapter – DC in connector
- Output voltage connector
- On board LED indicator
- Pulse transformers and common mode chocks
- Evaluation board working temperature: 0°C to +70°C
- RoHS compliant
- Optional standby circuitry
- RoHS compliant

PD70100EVB15B

IEEE 802.3af/bt Type 1 PD EVB featuring PD70100 w/3 output voltages

- **Summary**

The PD70100EVB15B evaluation board provides designers with the needed environment to evaluate the performance and implementation of PD applications based on PD70100 PDchip. The evaluation board enables PD designers to evaluate Microchip's PDchip solution.



- **Features**

- Featuring PD70100
- IEEE 802.3af/at/ standard compliant
- 15W power Buck topology
- Designed to support one PDchip application (2-pairs)
- Two RJ45 connectors (data and power in, data out)
- Optional Wall adapter – DC in connector
- Output voltage connectors
- On board LED indicator
- Pulse transformers and common mode chocks
- Evaluation board working temperature: 0°C to +70°C



PD70201EVB25F-D-5

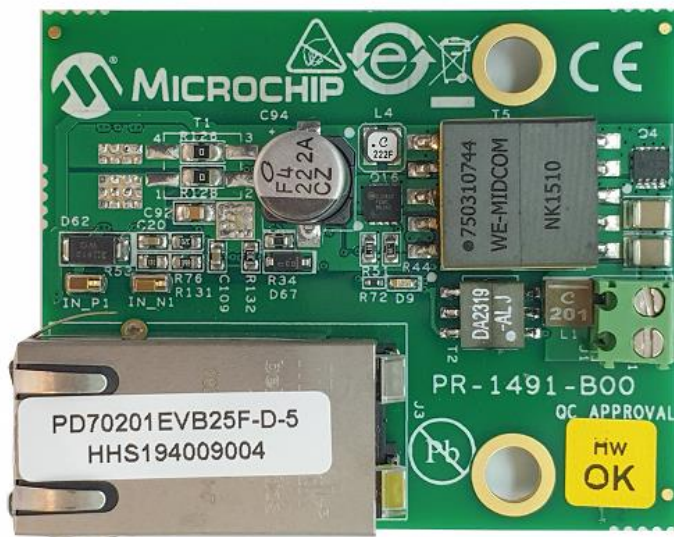
IEEE 802.3at/bt Type 2 PD Compact EVB PD70201 w/isolated flyback conv 5V 5A out

- **Summary**

The PD70201EVB-25F-D-5 evaluation board is used for evaluating the performance of the PD70201 device, which contains both the standard 802.3at PD application interface, and a PWM controller. It provides designers with the environment needed for evaluating the performance and implementation of PD applications based on the PD70201 device. The board uses a single PD device (PD70201ILQ) to support the detection, classification, and powering phases on the 2/4 pairs of the Cat5 cable. PD70201ILQ supports a standard IEEE802.3at Type 2 interface as well as wide range non-standard input voltages.

- **Features**

- Featuring PD70201
- IEEE 802.3af/at standard compliant
- Supporting HDBT standards PD interface
- Two RJ45 connectors (Data and Power Input, Data Output)
- Output voltage connector On board AT detected LED indicator
- Pulse transformer for routing the data to PD application to enable full PD evaluation
- Wide input voltage range
- Evaluation board working temperature: 0°C to 70°C
- RoHS compliant



EV18R03A

IEEE 802.3at/bt Type 2 PD EVB PD70201, w/isolated low-profile flyback 24V 1.05A

- **Summary**

This evaluation board provides designers with the environment needed for evaluating the performance and implementation of PD applications based on the PD70201 device. The board uses a single PD device, PD70201ILQ, to support the detection, class, and power supplying phases on the 2/4 pairs of the Cat5 cable. The PD70201ILQ supports a standard IEEE 802.3at Type 2 interface.



- **Features**

- Featuring PD70201
- IEEE 802.3af/at standard compliant
- 25W - 24V / 1.05A output voltage / current
- Flyback topology
- Two RJ45 connectors (data and power in, data out)
- Output voltage connector
- On board power good LED indicator
- On board AT detected LED indicator
- Pulse transformer for routing the data to PD application to enable full PD evaluation
- Low profile (8mm height)
- Evaluation board working temperature: 0°C to +70°C
- RoHS compliant



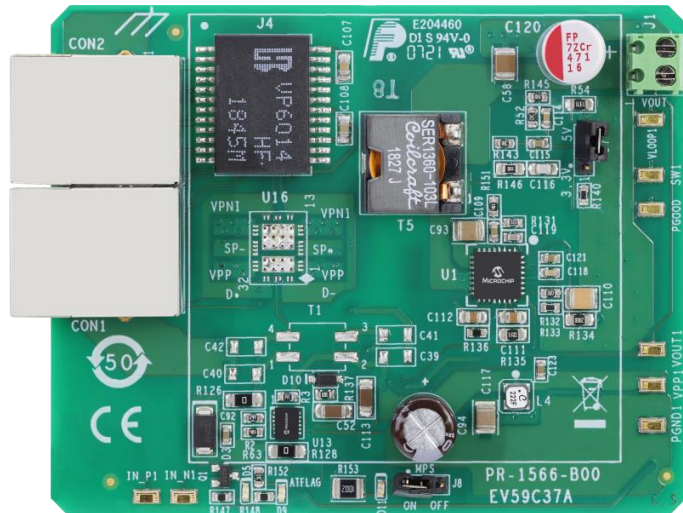
EV59C37A

IEEE 802.3at Type 2 PD EVB Featuring PD70200 w/non-isolated buck conv 5V/3.3V 5 Amp Output

- **Summary**

This evaluation board provides designers with the environment needed for evaluating the performance and implementation of non-isolated PD applications based on the PD70200 PD Front-End IC and the MIC28514 Buck regulator. The board uses a single PD device, PD70200, to support the detection, classification, and powering phases on the 2/4 pairs of the Cat 5 cable.

DC-DC conversion is implemented with the MIC28514 synchronous buck regulator. The PD70200 supports a standard IEEE® 802.3af and IEEE 802.3at Type 2 interface. The EV59C37A evaluation board supports a 5A load at 5V and 3.3V user-selectable outputs..



- **Features**

- Featuring PD70200
- IEEE 802.3at compliant
- Two RJ45 connectors (Data and Power In, Data Out)
- Output voltage connector
- On-Board Power Good LED indicator
- On-Board AT detected LED indicator
- On-Board MPS LED indicator
- Pulse transformer for routing the data to PD application to enable full PD evaluation
- Evaluation board working temperature: $-30\text{ }^{\circ}\text{C}$ to $70\text{ }^{\circ}\text{C}$ (10% per $10\text{ }^{\circ}\text{C}$ load current derating above $50\text{ }^{\circ}\text{C}$)
- RoHS compliant

PD-IM-7608M

IEEE 802.at Type 2 8 x 2-pair ports PSE EVB featuring PD69208M and PD69200

- **Summary**

The PD-IM-7608M evaluation board is developed based on PD69208M and PD69200 chipsets. PD-IM7608M demonstrates the operation of eight 2-pair ports systems; for 4-pair systems, refer to the PD-IM7604+4MH or PD-IM-7604+4T4H evaluation boards. Microchip's PD69208M Power over Ethernet (PoE) manager IC integrates power, analog, and state-of-the-art logic into a single 56-pin, plastic QFN package. The device is used in Ethernet switches and midspans to allow network devices to share power and data over the same cable. The PD69208M device is an 8-port mixed-signal and high-voltage PoE driver. Together with the PD69200 external MCU, it performs as a PSE system. Microchip's PD69200 PoE controller is a cost-effective and pre-programmed MCU designed to implement enhanced mode. The evaluation board enables PoE designers to evaluate Microchip's PoE solution with flexibility and easy configuration. The application circuit of PD69208M and PD69200 chipset is compact in size.

- **Features**

- Featuring PD69208M, PD69200
- IEEE 802.3af/at/bt Type3 standard compliant
- 8 ports
- Supporting 8 x 30W / 4 x 60W ports
- LED stream
- UART / USB host interface
- Two gangs (each contains 4 RJ45 connectors)
- Switch domain isolated from PoE domain
- Switch domain USB interface
- PoE controller manual reset
- LED status indication for all ports (LED stream)
- Requires single power source only
- 0°C to 40°C working temperature
- RoHS compliant



PD-IM-7604-4T4H

4 x 2-pair + 4 x 4-Pair ports PSE EVB PD69208T4 PD69200 loaded w/IEEE 802.3bt FW

- **Summary**

The PD-IM-7604-4T4H evaluation board is developed based on PD69208T4, PD69204T4 and PD69200 chipsets, and demonstrates the operation of four 4-pair ports and four 2-pair ports systems. The evaluation system provides designers with the required environment to evaluate the performance and implementation of PD69204T4 (four ports) and PD69208T4 (eight ports) PoE managers and PD69200 PoE controller. The evaluation board enables PoE designers to evaluate Microchip's PoE solution with flexibility and easy configuration.



- **Features**

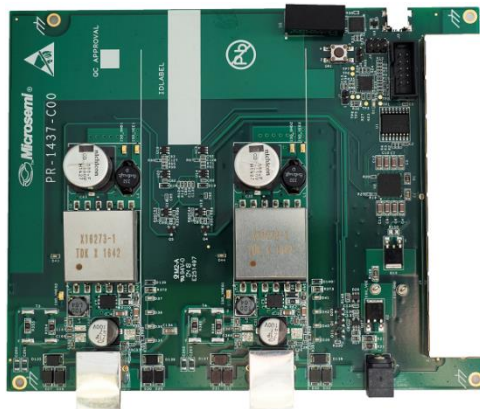
- Featuring PD69208T4, PD69204T4, PD69200
- IEEE 802.3af/at/bt/PoH standard compliant
- 4 x 2-pair + 4 x 4-pair Type4 ports
- Supporting 4 x 45W + 4 x 90W ports
- LED Stream
- UART/USB host interface
- Two gangs (each contains 4 RJ45 connectors)
- Switch domain isolated from PoE domain
- Switch domain USB interface
- PoE controller manual reset
- LED status indication for all ports (LED stream)
- Requires single power source only
- 0°C to 40°C working temperature
- RoHS compliant

PD-IM-7608M-2

IEEE 802.at Type 2 2 PoE Inputs 8 PSE ports out PD69200 PSE EVB

- **Summary**

PD-IM-7608M-2 evaluation board is developed based on PD69208M PSE manager, PD69200 PSE Controller, PD70224 ideal diode bridge and PD70211 PD IC. It provides a dual input PD-PSE system, each PD supports up to 60 watt with additional support of AUX DC input. The AUX input gets priority in supplying the load and when it is connected to the application the PD inputs are acting as backup power in case that the AUX is disconnected. When powering from two PD inputs, a current sharing mechanism is activated in order to share the current between the inputs. In this case (of feeding from two PD inputs), the overall system power is twice the lower Type PD. The evaluation board provides designers with an environment needed for evaluating the performance and implementation of PD-PSE applications.



- **Features**

- Featuring PD69208M, PD69200, PD70224, PD70211
- IEEE 802.3af/at/bt/PoH standard compliant
- 8 ports
- Supporting 8 x 30W / 4 x 60W ports
- LED stream
- UART / USB host interface
- 8 RJ45 PoE output ports
- 2 RJ45 PoE input ports + 1 Aux DC Input
- Switch domain isolated from PoE domain
- Switch domain USB interface
- PoE controller manual reset
- Option for external power supply
- 0°C to 40°C working temperature
- RoHS compliant



PD-IM-7604-4MH

4 x 2-pair + 4 x 4-Pair ports PSE EVB PD69208M PD69200 loaded w/IEEE 802.3at FW

- **Summary**

The PD-IM-7604-4MH evaluation board is developed based on PD69208M and PD69200 chipsets, and demonstrates the operation of four 4-pair ports and four 2-pair ports systems. The evaluation system provides designers with the required environment to evaluate the performance and implementation of PD69208M (eight ports) PoE manager and PD69200 PoE controller. The evaluation board enables PoE designers to evaluate Microchip's PoE solution with flexibility and easy configuration.



- **Features**

- Featuring PD69208M, PD69200
- IEEE 802.3af/at/bt Type 3 standard compliant
- 4 x 2-pair + 4 x 4-pair Type3 ports
- Supporting 4 x 30W + 4 x 60W ports
- LED Stream
- UART / USB host interface
- Two gangs (each contains 4 RJ45 connectors)
- Switch domain isolated from PoE domain
- Switch domain USB interface
- PoE controller manual reset
- LED status indication for all ports (LED stream)
- Requires single power source only
- 0°C to 40°C working temperature
- RoHS compliant

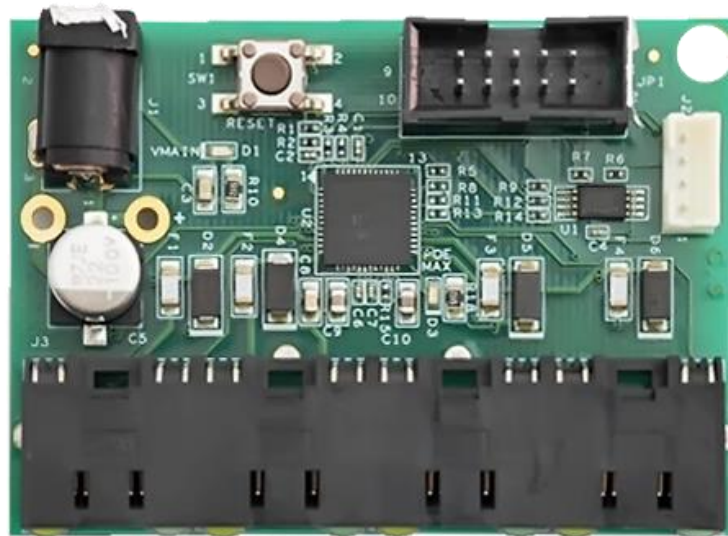


PD-IM-7504B

IEEE 802.3at/UPoE 4 ports PSE EVB featuring PD69104B1

- **Summary**

The PD-IM-7504B evaluation board provides designers with the needed environment to evaluate the performance and implementation of PoE and PoE extended mode applications, based on PD69104B1 PoE manager. The evaluation board enables PoE designers to evaluate Microchip's PoE solution with maximum flexibility and ease in configuration.



- **Features**

- Featuring PD69104B1
- IEEE 802.3af/at standard compliant 4 ports
- Supporting 4 x 30W or 2 x 60W ports
- LED stream
- Designed to support four RJ45 ports, PoE application, and PoE extended mode (2-pairs)
- Vin connector – DC jack
- On-board LEDs indicators
- Reset button EEPROM support I2C and UART communication connectors
- Marketing board working temperature: 0°C to +50°C
- RoHS compliant



PD-IM-7401

IEEE 802.3at Dual-port PSE EVB featuring PD69101

- **Summary**

The PD-IM-7401 evaluation board provides the designer with the needed environment to evaluate the performance and the implementation of PoE applications based on the PD69101 PoE Manager. The evaluation board enables PoE designers to evaluate Microchip's PoE solution with maximum flexibility and ease in configuration.



- **Features**

- Featuring PD69101
- IEEE 802.3af/at
- IEEE 802.3at compliant
- Design to support one port PoE application (2-pairs or 4-pairs)
- Two RJ45 connectors (data in, data and power out)
- Vin connectors – DC in connector
- On board LEDs indicators
- Reset button
- Pulse transformers and common mode chocks
- Easy configuration of switch's board
- Evaluation board working temperature: 0°C to +50°C
- RoHS compliant

PoE PSE EVB

PD-IM-7401

Online
Datasheet

Key Features:

- Featuring PD69101
- IEEE 802.3af/at
- IEEE 802.3at compliant
- Design to support one port PoE application (2-pairs or 4-pairs)
- Two RJ45 connectors (data in, data and power out)
- Vin connectors – DC in connector
- On board LEDs indicators
- Reset button
- Pulse transformers and common mode chocks
- Easy configuration of switch's board
- Evaluation board working temperature: 0°C to +50°C
- RoHS compliant

Kit content:

- PD-IM-7401 evaluation board
- [Design files](#)
 - Schematics
 - User guide
 - Featured IC datasheet
 - Layout and assembly files

Description:

Microchip's PD-IM-7401 evaluation board provides the designer with the needed environment to evaluate the performance and the implementation of PoE applications based on the PD69101 PoE Manager.

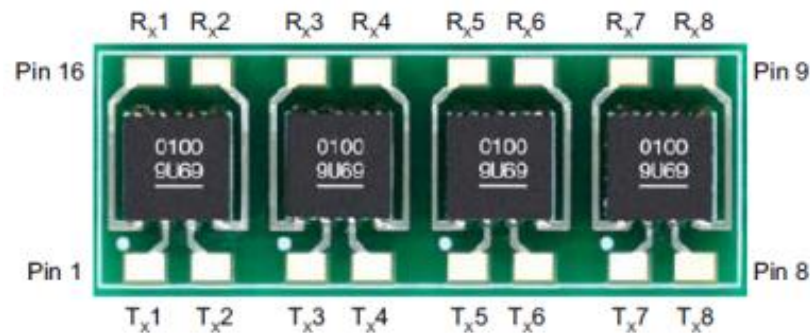
The evaluation board enables PoE designers to evaluate Microchip's PoE solution with maximum flexibility and ease in configuration.



<< BACK to PoE Products

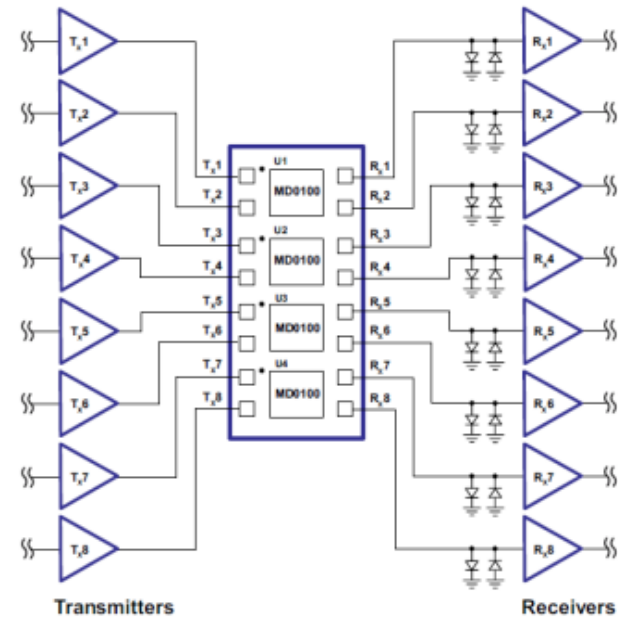
<< BACK

The MD0100DB1 demo board contains four MD0100DK6-G dual packages providing 8 T/R switches in the system. There are no other external components on the board. This demo board replaces 8 discrete diode bridge protection circuits. The input of the MD0100DB1 is called TX which is connected to the output of the transmitter, and the output is called RX which is connected to the input of the receiver. The TX and RX are interchangeable. The MD0100DB is especially laid out so that all the inputs are on one side and all the outputs are on other side of the board. It provides for easy replacement on the system for testing.

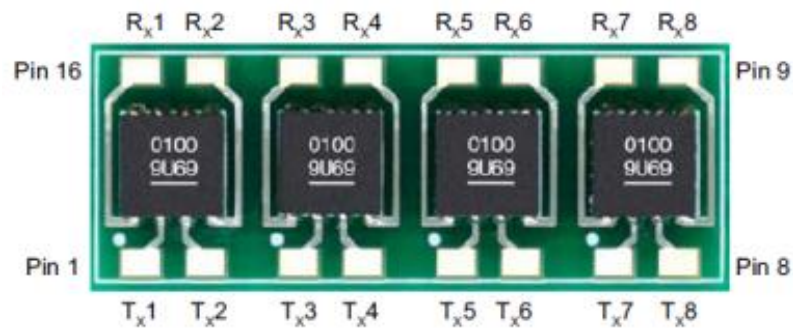


Products supported:

- MD0100

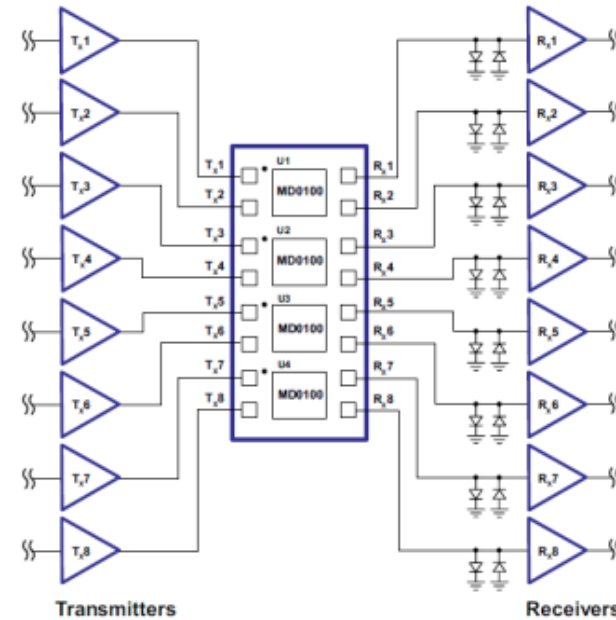


The MD0100DB1 demo board contains four MD0100DK6-G dual packages providing 8 T/R switches in the system. There are no other external components on the board. This demo board replaces 8 discrete diode bridge protection circuits. The input of the MD0100DB1 is called TX which is connected to the output of the transmitter, and the output is called RX which is connected to the input of the receiver. The TX and RX are interchangeable. The MD0100DB is especially laid out so that all the inputs are on one side and all the outputs are on other side of the board. It provides for easy replacement on the system for testing.



Products supported:

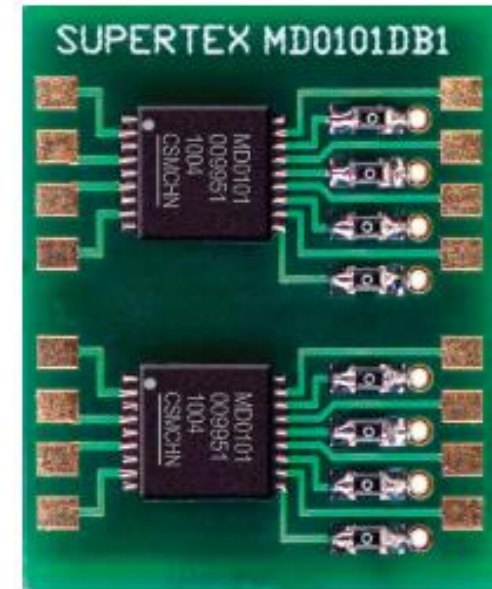
- MD0100



The MD0101DB1 demo board contains two MD0101 packages providing eight T/R switches in the system. This demo board replaces eight discrete diode bridge protection circuits. The input of the MD0101DB1 is called TX, which is connected to the output of the transmitter, and the output is called RX, which is connected to the input of the receiver. The clamping diodes are integrated between the RX and RGND. There is a 0Ω resistor connected between the RGND and the ground plane of the board. If external diodes are desired, the 0Ω resistor has to be removed and the external diodes can then be connected between the RX and RGND. The MD0101DB1 is especially laid out so that all inputs are on one side and all outputs are on the other side of the board. This provides easy access and replacement on the system for testing.

Products supported:

- MD0101



MCP37X3X-200 16-bit ADC Evaluation Board

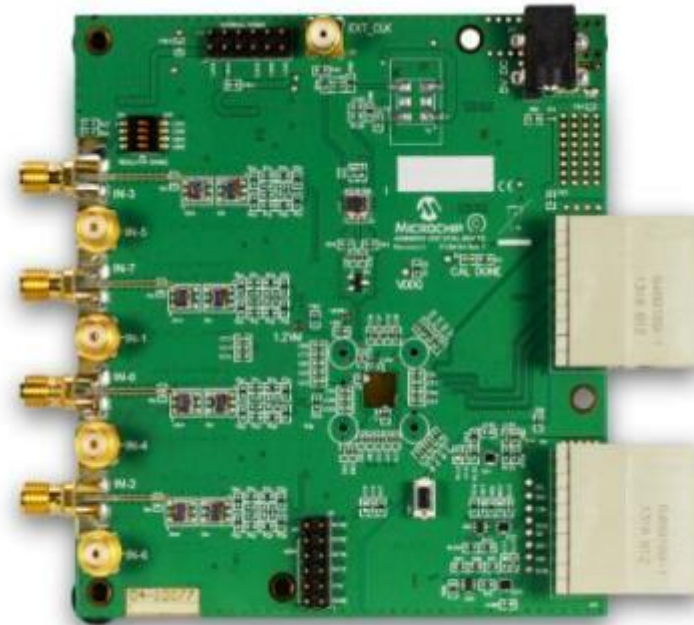
[Online
Datasheet](#)

The MCP37X3X-200 16-bit VTLA ADC Evaluation Board (ADM00505) provides the opportunity to evaluate the performance of the MCP37X3X-200 16-bit device families. With the MCP37D31-200, 200Msps pipelined A/D converter on-board, the user can evaluate the functionality of the 200Msps A/D converters and the digital signal processing features. With the help of a compatible data capture card, the evaluation board can provide the user with performance analysis features through the PC GUI.

For proper operation, this evaluation board must be used with a compatible data capture card (ADM00506).

Products supported:

- MCP37D31-200
- MCP3421
- MCP1727



[<< BACK](#)



MCP37X1X-200 12-bit ADC Evaluation Board

[Online
Datasheet](#)

The MCP37X1X-200 12-bit VTLA ADC Evaluation Board (ADM00619) provides the opportunity to evaluate the performance of the MCP37X1X-200 12-bit device families. With the MCP37D11-200, 200Msps pipelined A/D converter on-board, the user can evaluate the functionality of the 200Msps A/D converters and the digital signal processing features. With the help of a compatible data capture card, the evaluation board can provide the user with performance analysis features through the PC GUI.

For proper operation, this evaluation board must be used with a compatible data capture card (ADM00506).

Products supported:

- MCP37D11-200
- MCP3421
- MCP1727



[<< BACK](#)



MCP37XX-200 14-bit ADC Evaluation Board

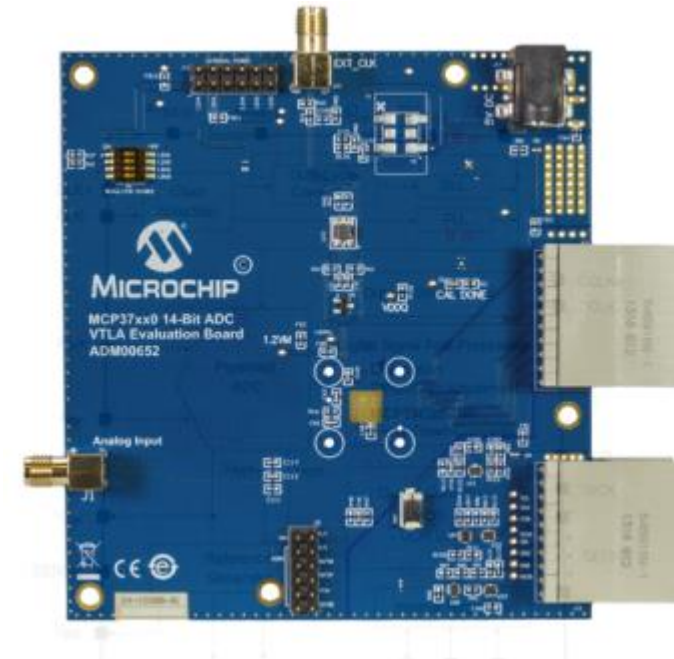
[Online
Datasheet](#)

The MCP37XX0-200, 14-bit 200 Msps ADC VTLA Evaluation Board (ADM00652) provides the opportunity to evaluate the performance of the MCP37XX0-200 Device Family. With the MCP37D20-200, 14-bit 200 Msps single channel pipelined A/D converter on-board, the user can evaluate the functionality of the 14-bit (or 12-bit) 200 Msps A/D converters and the digital signal processing features. With the help of a compatible data capture card, the evaluation board can provide the user with performance analysis features through the PC GUI.

For proper operation, this evaluation board must be used with a compatible data capture card (ADM00506).

Products supported:

- MCP37XX0-200
- MCP3421
- MCP1727



[<< BACK](#)



MCP37XXX

[Online Datasheet](#)

Data Capture Card

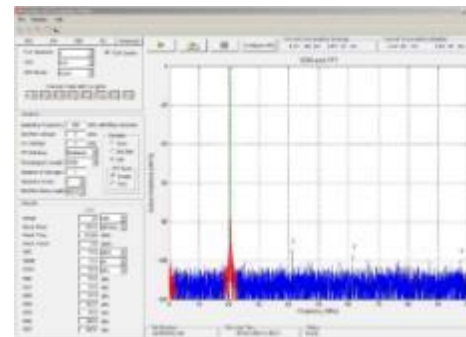
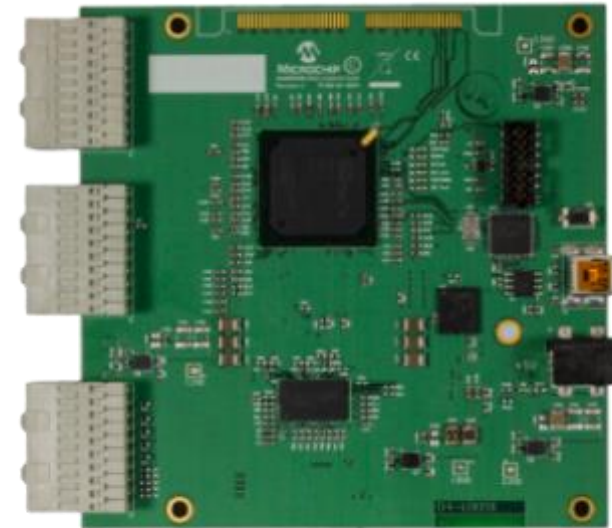
The MCP37xxx Data Capture Card (ADM00506) is an FPGA-based memory buffer for the digital data received from the Analog to Digital Converter (ADC) on board the MCP37xxx Evaluation Boards. The data capture card connects to a PC via a USB cable, providing the user with two functionalities:

- The ability to send user commands directly to the MCP37xxx device using the PC GUI.
- The ability to collect data from the Evaluation Board and send it to the PC GUI.

For proper operation, this data capture card must be used with a compatible evaluation board.

Products supported:

- MCP37XXX



P/N: ADM00506



SR086DB1

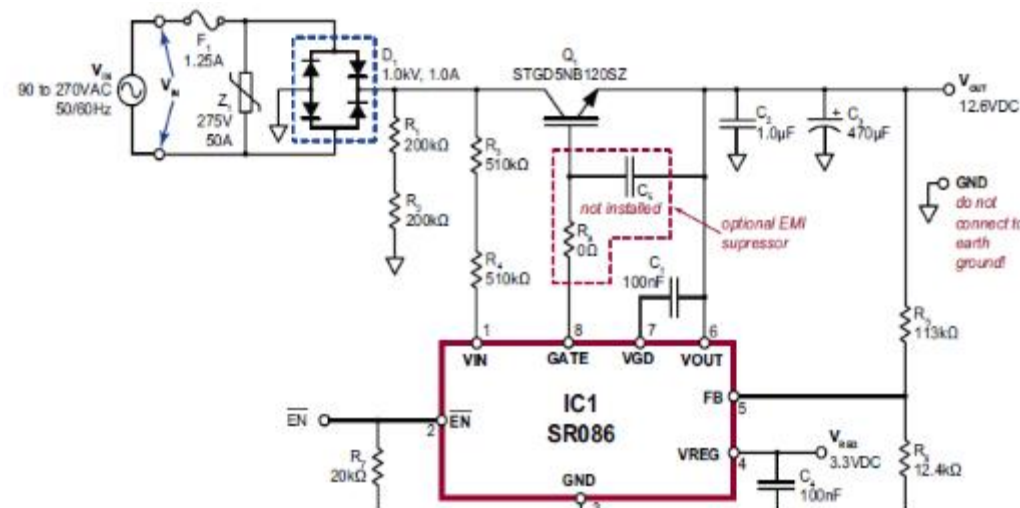
Online
Datasheet

Demo Board

The SR086DB1 demoboard is an inductorless switching power supply intended for operation directly from a 120/230VAC line. Two outputs, 12.6V and 3.3V are provided. The operating principle is to turn on a pass transistor when the rectified AC input is below the output voltage, and to turn it off when the output storage capacitor is charged up to the regulation point. Since the output capacitor charges up on the rising edge of a sine wave, reasonable efficiencies can be obtained without the use of magnetics.

Products supported:

- SR086



SR087DB1

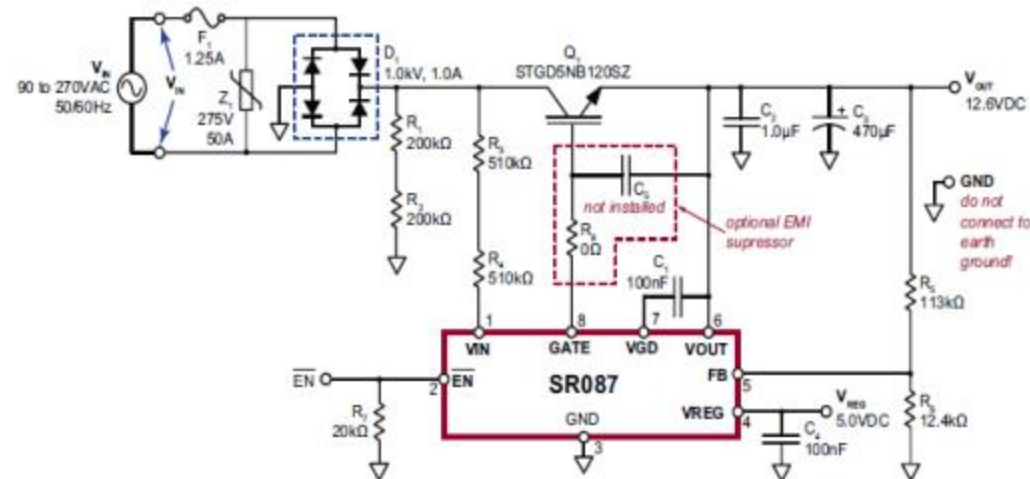
Online
Datasheet

Demo Board

The SR087DB1 demoboard is an inductorless switching power supply intended for operation directly from a 120/230VAC line. Two outputs, 12.6V and 5.0V are provided. The operating principle is to turn on a pass transistor when the rectified AC input is below the output voltage, and to turn it off when the output storage capacitor is charged up to the regulation point. Since the output capacitor charges up on the rising edge of a sine wave, reasonable efficiencies can be obtained without the use of magnetics.

Products supported:

- SR087



SR10DB1

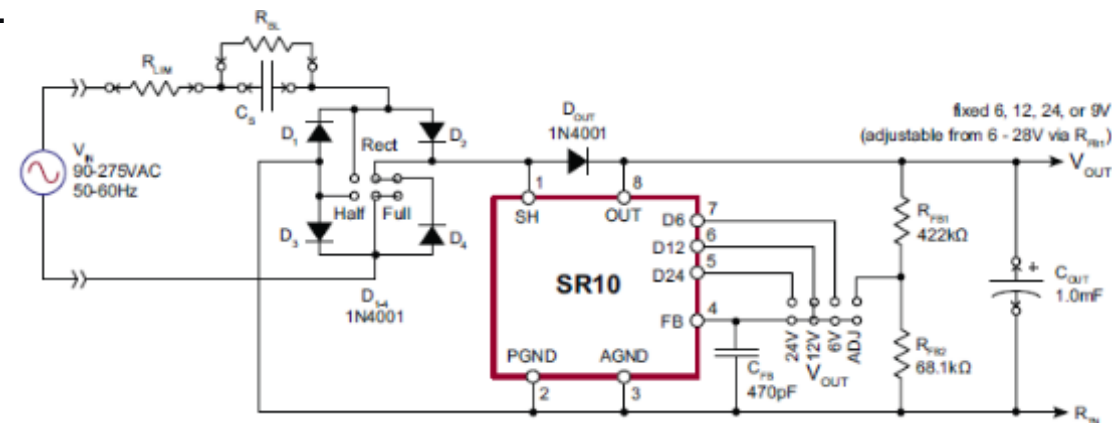
Online
Datasheet

Demo Board

The SR10 is an inductorless switching power supply controller intended for operation directly from a rectified 120/240VAC line. Due to the capacitor-coupled, switched shunt topology (CCSS), it exhibits low standby power and good efficiency while employing no magnetics nor high voltage electrolytic capacitors. To meet a wide variety of applications, the SR10DB1 is highly configurable. Many components are socketed. Half or full-wave rectification is jumper-selectable. Output voltage is jumper-selectable to 3 fixed voltages or may be set anywhere in the range of 6 - 28V using an on-board feedback divider.

Products supported:

- SR10



MD1213DB1

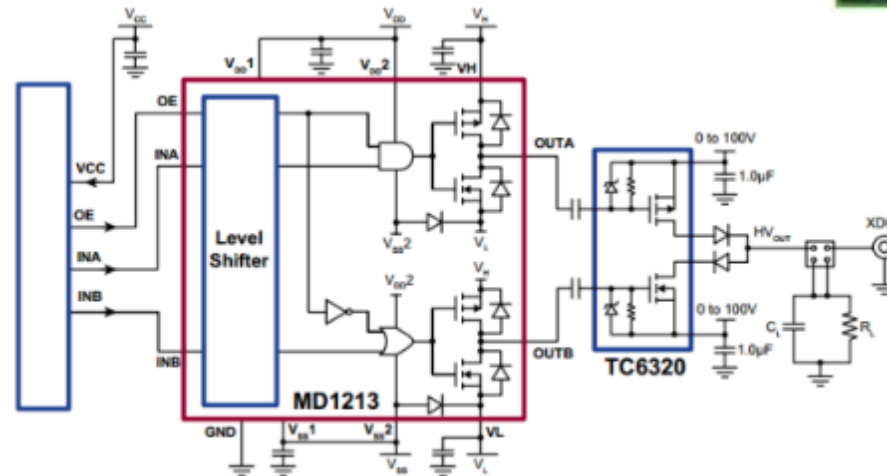
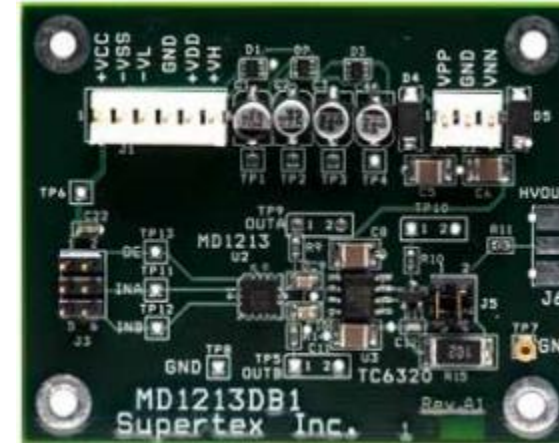
[Online Datasheet](#)

Demo Board

The MD1213DB1 can drive a transducer as a single channel transmitter for ultrasound and other applications. The demoboard consists of one MD1213 combined with TC6320. Logic control inputs INA, INB and OE of the MD1213 are controlled via the six-pin head connector on the board. Due to the fast signal rise and fall time requirement, every ground wire of the ribbon cable must be used to connect from the logic signal source. When OE is enabled, it should receive the same voltage as the logic source circuit's power supply.

Products supported:

- MD1213K6-G



MD1822DB1

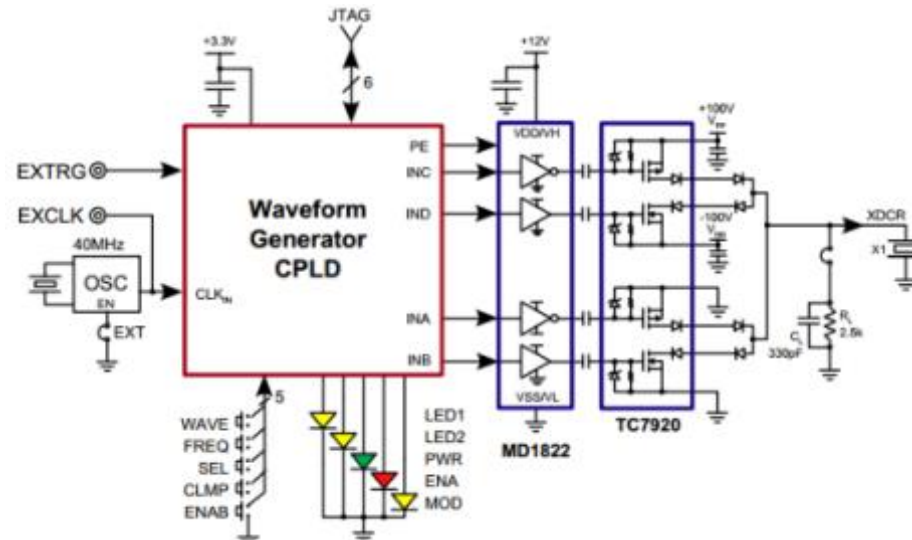
[Online
Datasheet](#)

Demo Board

The MD1822DB1 is a demoboard for the three level $\pm 100\text{V}$ 2.5A pulser chip-set of the MD1822 MOSFET driver and the TC7920 MOSFET. The demoboard consists of one MD1822 in the 3x3 QFN-16 package driving the TC7920 which has two pairs of high speed and high voltage complementary P- and N-Channel MOSFETs in one 4x4 DFN-8 package. This circuit is an ideal, cost-optimized, high voltage and high current RTZ ultrasound transmit pulser.

Products supported:

- MD1822
- TC7920



MD1822DB2

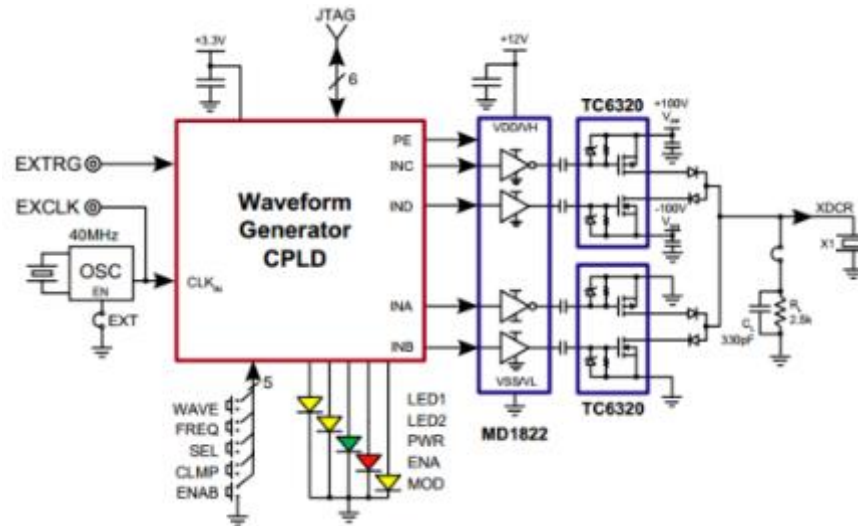
[Online Datasheet](#)

Demo Board

The MD1822DB2 is a demoboard for the three level $\pm 100\text{V}$ 2.5A pulser chip-set of the MD1822 MOSFET driver and the TC6320 MOSFET. The demoboard consists of one MD1822 in a 3x3mm, 16-lead QFN package driving the TC6320, which has one pair of high speed and high voltage complementary P- and N-Channel MOSFETs in one 4x4mm, 8-lead DFN package. This circuit is an ideal, cost-optimized, high voltage and high current RTZ ultrasound transmit pulser.

Products supported:

- MD1822
- TC6320



MD1822DB3

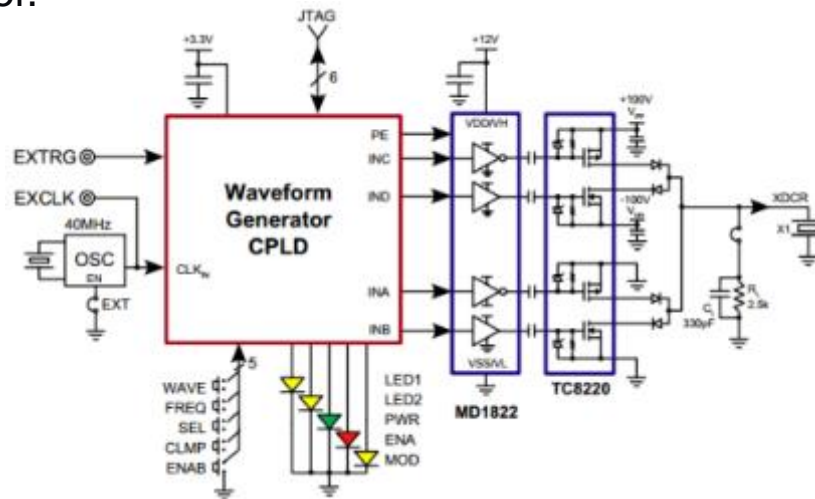
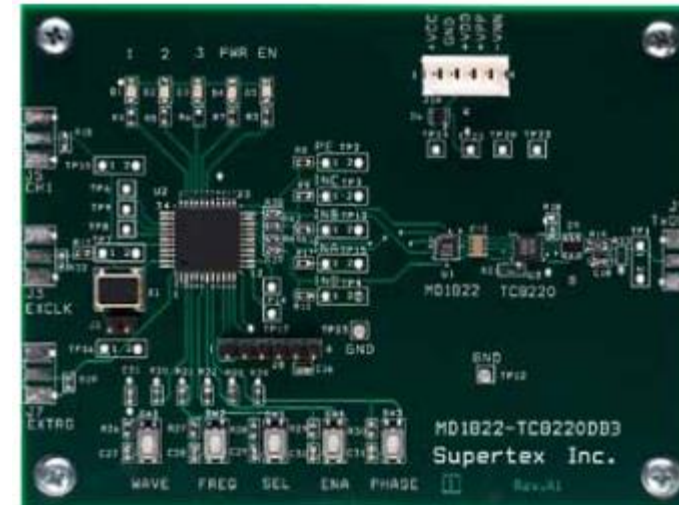
[Online Datasheet](#)

Demo Board

The MD1822DB3 is a demoboard for the three level $\pm 100\text{V}$ 2.5A pulser chip-set of the MD1822 MOSFET driver and the TC8220 MOSFET. The demoboard consists of one MD1822 in the 3x3mm 16-lead QFN package driving the TC8220 which has two pairs of high speed and high voltage complementary P- and N-MOSFETs in in one 4x4mm, 8-lead DFN package. This circuit is an ideal, cost-optimized, high voltage and high current RTZ ultrasound transmit pulser.

Products supported:

- MD1822
- TC8220



MD1711DB2

[Online Datasheet](#)

Demo Board

The MD1711DB2 demoboard is as a five-level, dual-channel, +/-100V, 2.0A, return-to-zero pulser. It can directly drive two 50 or 75Ω impedance transducers for 1.0MHz to 20MHz medical ultrasound imaging or NDT applications.

The MD1711DB2 consists of one MD1711 in a 48-Lead LQFP package driving six TC6320 complementary high voltage MOSFET pairs in 8-Lead SOIC packages. The external logic signal connector, J13, connects all the input control signals of the MD1711 to the user's logic control source via a short ribbon cable. In typical two-, three- or five-level bipolar pulsing, PW or CW waveforms can be generated by the proper input control signal listed below. Jumpers are provided for the output, such that it can drive either the on-board RC load 220pF capacitor in parallel with a 1.0KΩ resistor or with an external load of cable to the user's ultrasound testing transducer.

Products supported:

- MD1711
- TC6320



[<< BACK](#)



MD1715DB2

[Online Datasheet](#)

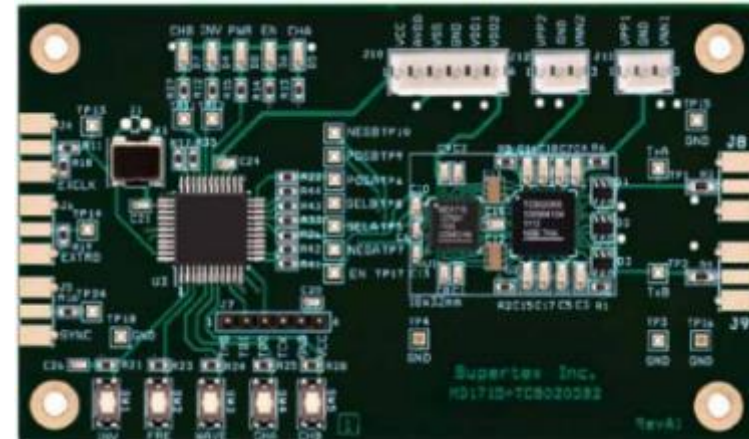
Demo Board

The MD1715DB2 demoboard can drive two transducers as a five-level, two channel transmitter for ultrasound and other applications.

The demoboard consists of one MD1715 in a 6x6mm 40-lead QFN package driving 12 high voltage FETs in six TC8020s in one 8x8mm 56-lead QFN package. The CPLD programmable logic circuit 40MHz crystal oscillator generates accurate timing high-speed waveforms on a separate CPL board. There are multiple frequency and waveform combinations that can be selected as bipolar pulse waveforms. External clock input can be used if the on board oscillator is disabled. The external trigger input can be used to synchronize the output waveforms. There are five push buttons for selecting the demo waveform, frequency, phase, mode selection functions. Color LEDs indicate the demo selection states. Jumpers on board for select the SMA connector to the external loads or the 220pF//1k on board dummy load.

Products supported:

- MD1715
- TC8020



[<< BACK](#)



MD2131DB1

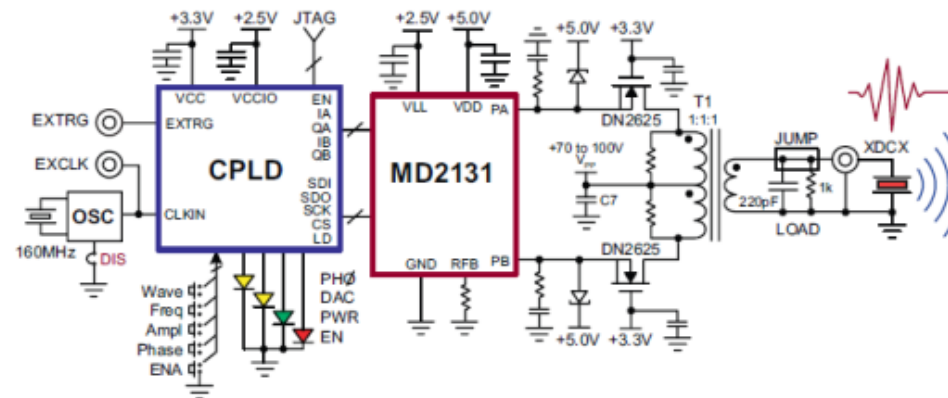
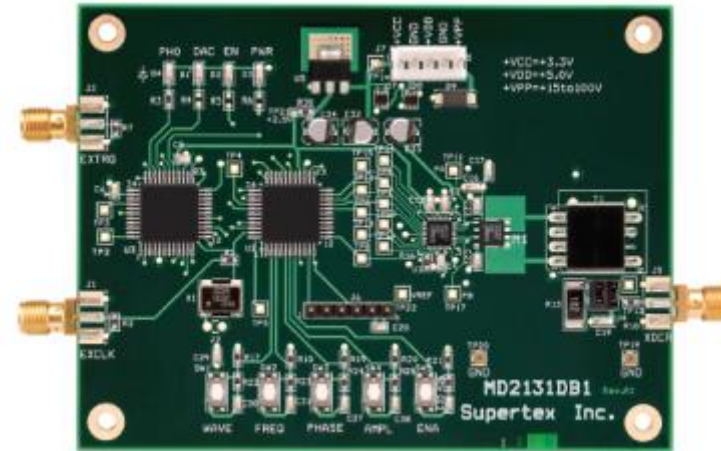
[Online Datasheet](#)

Demo Board

The MD2131DB1 demoboard is used to generate the ultrasound transmit beamforming waveform with the Gaussian profile, and the adjustable frequency, amplitude and phase angle. The MD2131DB1 circuit uses two depletion-mode MOSFETs in the push-pull mode to drive the center tapped, wide band, ultrasound output transformer. The sources of the MOSFETs are directly driven by the MD2131's two outputs, whose maximum peak sinking current is up to 3.0A. These current source outputs are controlled by the MD2131's internal angular vector switch matrix and the in-phase and quadrature PWM input signals.

Products supported:

- MD2131



MD2131DB2

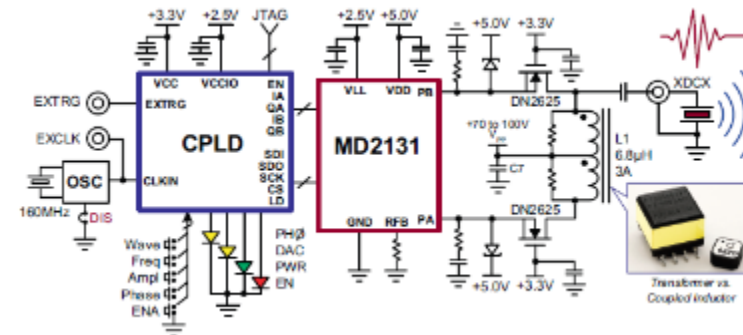
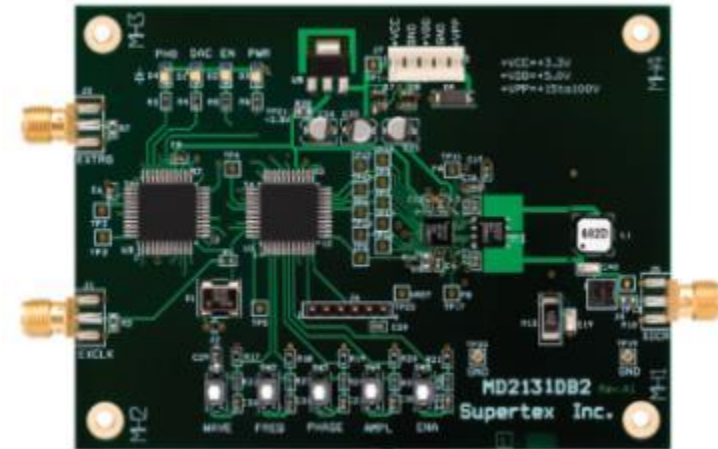
Online
Datasheet

Demo Board

The MD2131DB2 demoboard is used to generate the ultrasound transmit beamforming waveform with the Gaussian profile, and the adjustable frequency, amplitude and phase angle. It also provides information about how to design a user application circuit and PCB using the Supertex MD2131 and DN2625 devices. The MD2131DB2 circuit uses two depletion-mode MOSFETs in the push-pull mode to drive the center tapped, coupled, RF power inductor. The sources of the MOSFETs are directly driven by the MD2131's two outputs, whose maximum peak sinking current is up to 3.0A. These current source outputs are controlled by the MD2131's internal angular vector switch matrix and the in-phase and quadrature PWM input signals.

Products supported:

- MD2131



<< BACK

MD2134DB1

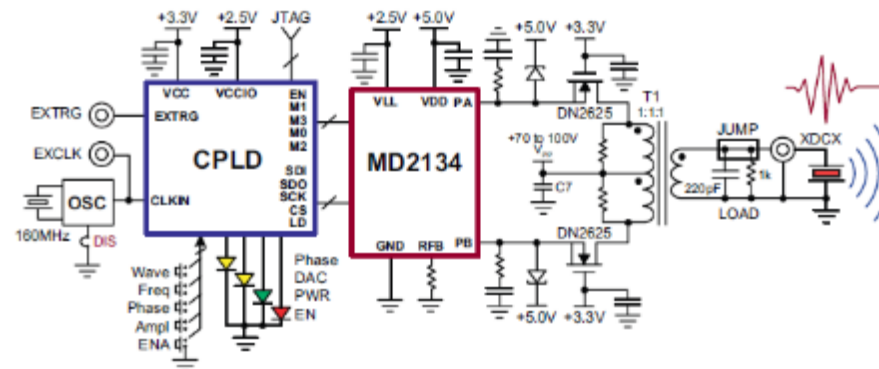
[Online Datasheet](#)

Demo Board

The MD2134DB1 demoboard is used to generate the ultrasound transmit beam forming waveform with the Gaussian profile, and the adjustable frequency, amplitude and phase angle. The MD2134DB1 circuit uses a pair of depletion mode, high voltage, DN2625 MOSFETs in the push-pull mode to drive the center-tap wide band ultrasound output transformer. The MOSFETs are in one 8-Lead DFN surface mount package. The sources of the MOSFETs are directly driven by the MD2134's two outputs, whose maximum peak sinking current is up to 3.3A. These current-source outputs are controlled by the MD2134's internal current source switch array and the input signals M[3:0].

Products supported:

- MD2134



CW01DB1

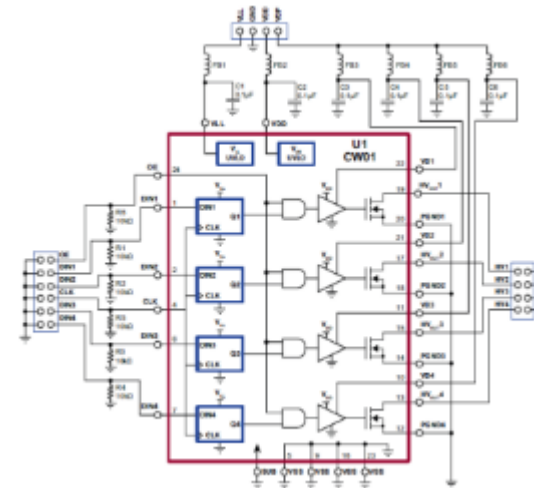
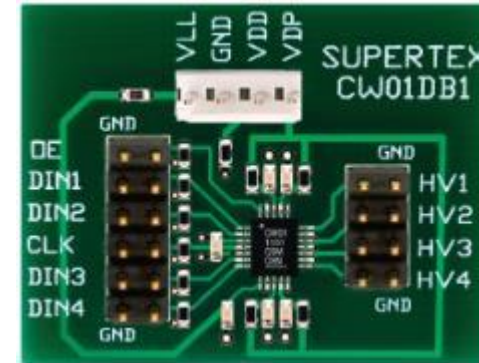
[Online
Datasheet](#)

Demo Board

The CW01 has 6 logic inputs; OE, CLK, DIN1, DIN2, DIN3, and DIN4. Every logic input has a 10k Ω pull down resistor. There are 3 power input voltages: VLL, VDD and VDX. VLL is the input logic level, typically 2.5V. VDD is the level translator, typically 5.0V. VDX is the gate drive voltage, and is at the same voltage level as VDD. High peak currents will be drawn from VDX during switching. Each supply has a series ferrite bead and a 0.1 μ F ceramic chip capacitor to keep the supply clean from high frequency noise. There are 4 outputs: HV1, HV2, HV3 and HV4. These are the connections to the drains of 100V, 7.0 Ω , N-channel MOSFETs.

Products supported:

- CW01



<< BACK



HV748DB1

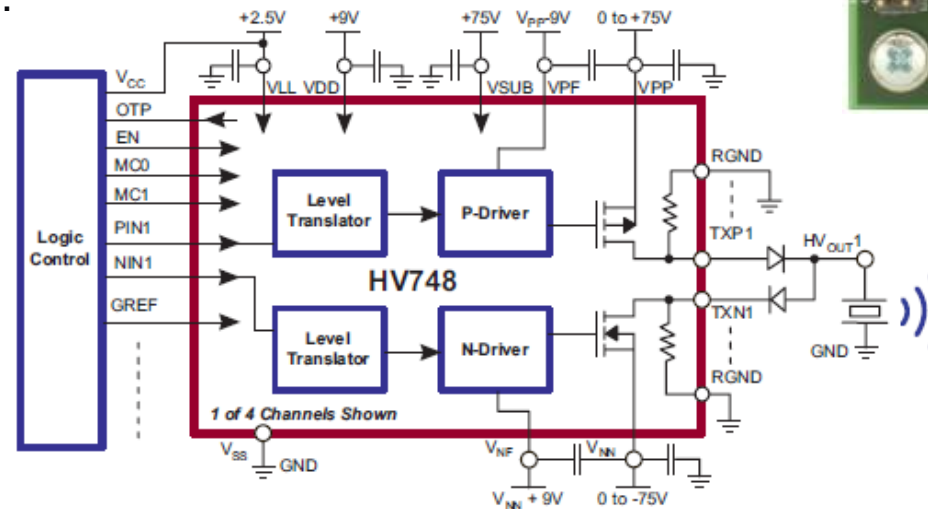
[Online Datasheet](#)

Demo Board

The HV748DB1 demoboard is used to generate the basic high voltage pulse waveform as an ultrasound transmitting pulser. The HV748 circuit uses the DC coupling method in all level translators. There are no external coupling capacitors needed. The VPP and VNN rail voltages can be changed rather quickly, compared to a high voltage capacitor gate coupled driving pulser. This direct coupling topology of the gate drivers not only saves two high voltage capacitors per channel, but also makes the PCB layout easier.

Products supported:

- HV748

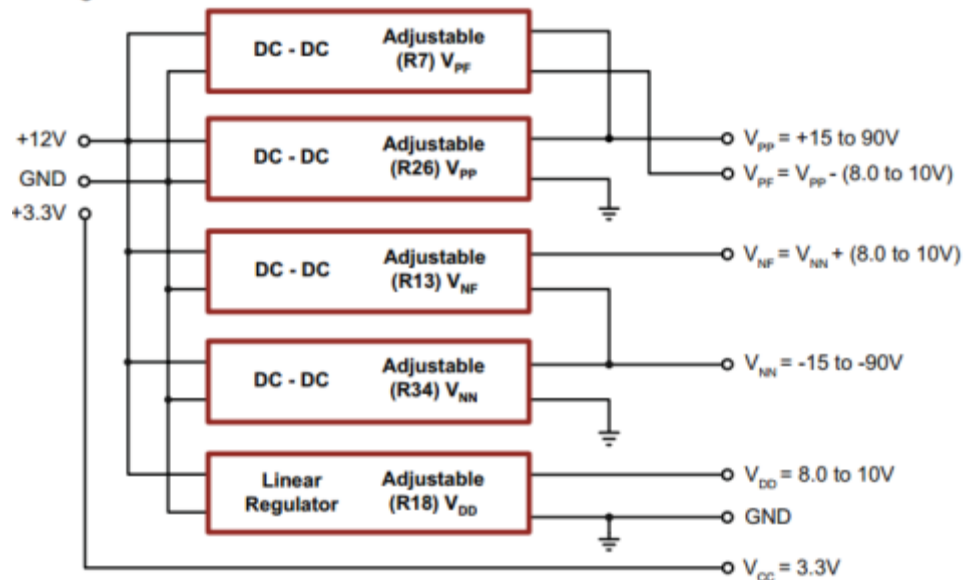


AN-H59DB1

[Online Datasheet](#)

Demo Board

The AN-H59DB1 is a high voltage DC/DC converter power supply demoboard designed to provide the required voltages needed for the HV748DB1 ultrasound transmitter demo board. It generates five output voltages from the 12V input.



Products supported:

- HV748



HV7350DB1

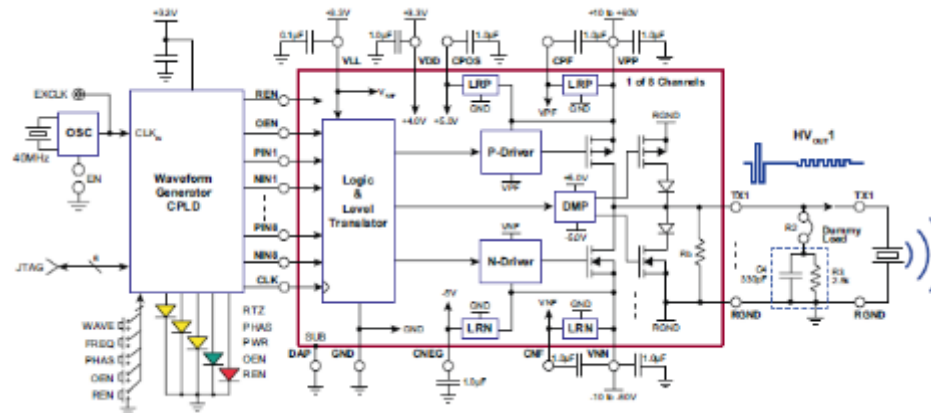
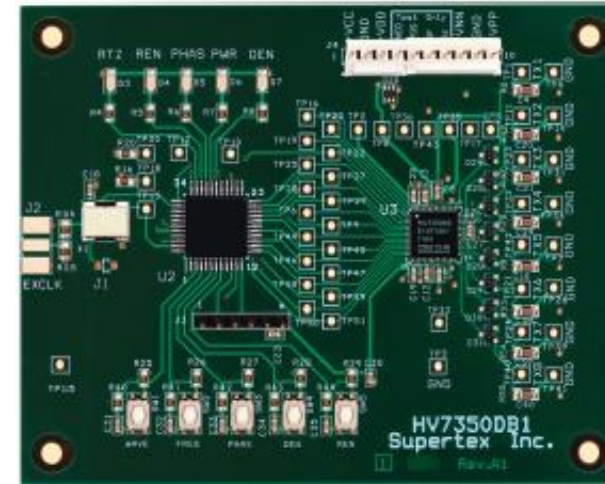
[Online Datasheet](#)

Demo Board

The HV7350DB1 demoboard is used to generate the basic high voltage pulse waveform as an ultrasound transmitting pulser. The HV7350 circuit uses DC coupling from a 3.3V logic input to output Tx1~8 internally, therefore the chip needs three sets of voltage supply rails: VLL +3.3V, VDD +5.0V and VPP/VNN ±10 to ±60V. The VPP and VNN rail voltages can be changed rather quickly, compared to the capacitor gate coupled driving pulsers. This direct coupling topology of the gate drivers not only saves two high voltage capacitors per channel, but also makes the PCB layout easier.

Products supported:

- HV7350



HV7351

Demo Board

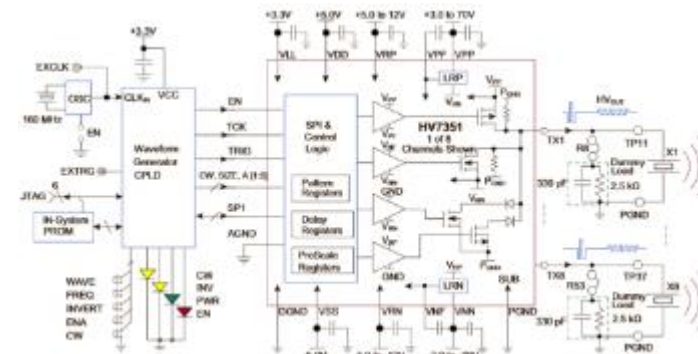
HV7351 is an 8-channel programmable high-voltage ultrasound-transmit beamformer. Each channel is capable of swinging up to +/-70V with an active discharge back to 0V. The outputs can source and sink up to 3.0A to achieve fast output rise time and fall times.

There are two complex programmable logic devices (CPLDs) and one serial EEPROM on the HV7351 demo board to provide multiple demo waveform patterns. The output waveforms can be directly displayed using an oscilloscope, by connecting the oscilloscope probe to the test points TX1 - TX8 on the demo board. The dummy load, 330 pF || 2.5K Ohm, is also provided on board for each channel.

[Online Datasheet](#)

Products supported:

- HV7351



[<< BACK](#)



HV892DB1

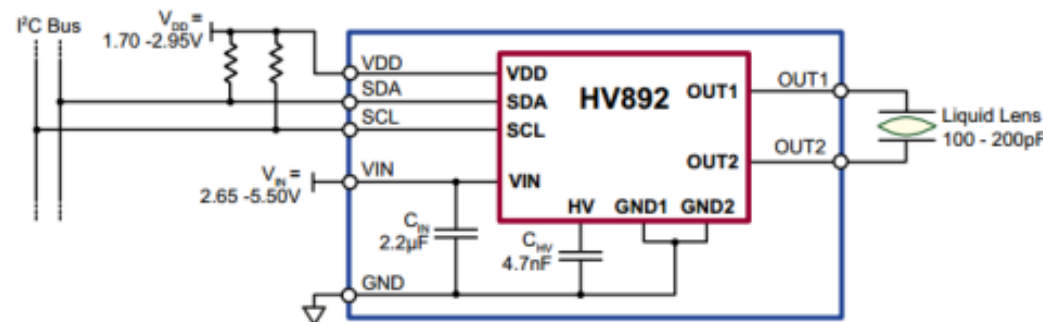
Online
Datasheet

Demo Board

The HV892DB1 liquid lens driver demoboard is controlled via an I2C interface, is capable of driving capacitive loads of up to 200pF, and is compatible with 40VRMS to 60VRMS lenses. A charge pump boost converter integrated on-chip provides the high voltage necessary for driving the lens. No external inductors or diodes are needed. The board requires only two ceramic chip capacitors to complete a lens driver circuit. An H-bridge output stage provides AC drive to the lens, allowing the use of a single high voltage boost converter while providing alternating polarity to the lens. Controlled rising and falling edges on the drive waveform reduces EMI.

Products supported:

- HV892



HV7100DB1

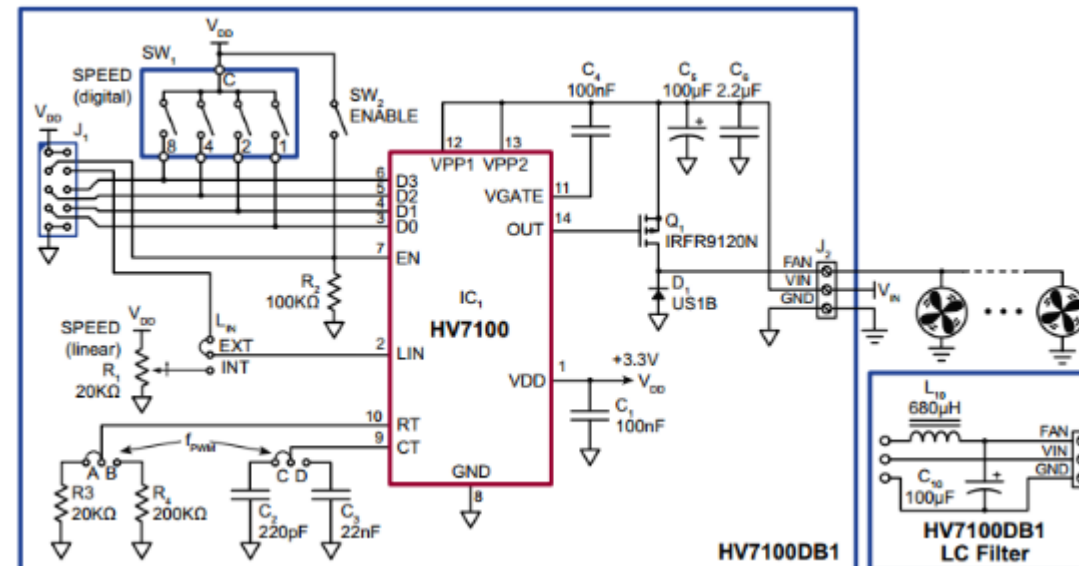
Online
Datasheet

Demo Board

The HV7100DB1 is a fan controller/driver designed to operate from +24 or +48V supplies. Fan speed is controlled by pulse width modulating the supply voltage provided to the fans. For fans that do not work properly with a PWM supply, an included daughter board contains an LC filter for converting the pulse width modulated output of the main board to a DC output voltage

Products supported:

- HV7100



<< BACK



HV264DB1

[Online Datasheet](#)

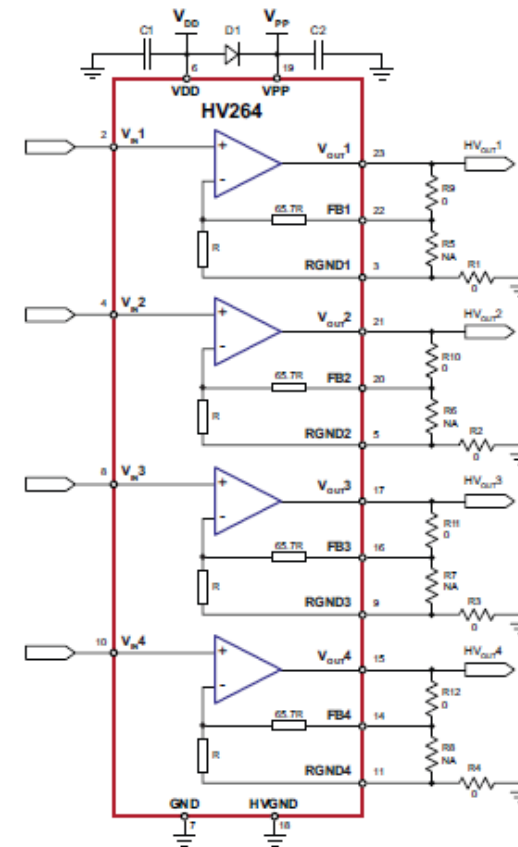
Demo Board

The HV264TS-G is a quad high voltage amplifier array device in a 24-pin TSSOP package. The HV264DB1 demo board provides a platform to evaluate this device. This demoboard requires only a minimum setup including a VDD low voltage supply, a VPP high voltage supply, and a signal source. The demoboard provides the input/output connections through two 6-pin headers.



Products supported:

- HV264TS-G



[<< BACK](#)



HV9910BDB1

Online
Datasheet

Demo Board

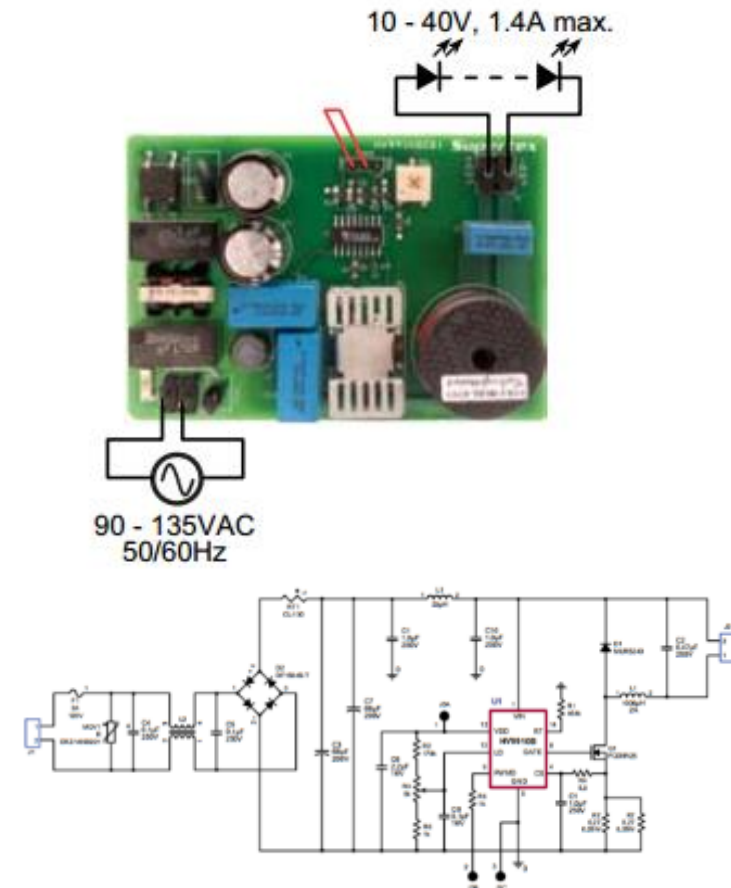
The HV9910BDB1 demoboard is an offline, high current LED driver designed to drive a 40V LED string at 1.4A from a 110V input. The demoboard uses HV9910B LED driver IC to drive a buck converter.

The HV9910BDB1 has a typical full load efficiency of 88%, with the buck converter efficiency (excluding the diode bridge rectifier and EMI filter) at 93%. The demoboard also meets CISPR-15 conducted EMI standards.

The output current can be adjusted in two ways – either with linear dimming using the onboard potentiometer or with PWM dimming by applying a TTL-compatible square wave signal at the PWMD terminal. Using linear dimming, the output current of the HV9910DB1 can be lowered to about 0.1A (note: zero output current can be obtained only by PWM dimming).

Products supported:

- HV9910BNG-G



<< BACK



HV9910BDB2

Demo Board

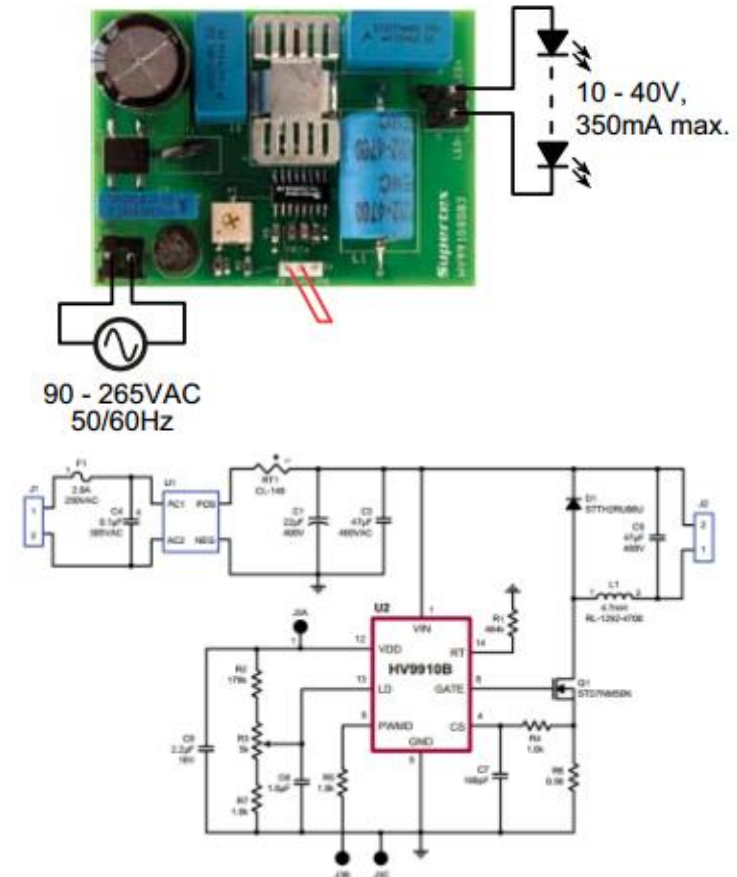
The HV9910BDB2 demoboard is a high brightness LED power driver to supply a string of LEDs using the HV9910B IC from a universal AC input. The HV9910BDB2 can supply a maximum output current of 350mA to drive 10 - 40V LED strings from a wide input voltage - 90 to 265VAC, 50/60Hz. The power conversion stage of the HV9910BDB2 consists of a diode bridge rectifier, followed by a current-controlled buck converter operating at a switching frequency of 50kHz. The nominal output current of the demoboard can be adjusted to any value between 30 and 350mA using the on-board trimming potentiometer. PWM dimming can be achieved by applying a pulse-width-modulated square wave signal between the PWMD and GND pins. Zero output current can be obtained only by PWM dimming.

The HV9910BDB2 is not CISPR-15 compliant. Additional filtering is required to make the board meet CISPR-15 limits.

[Online Datasheet](#)

Products supported:

- HV9910BNG-G



[<< BACK](#)



HV9910BDB3

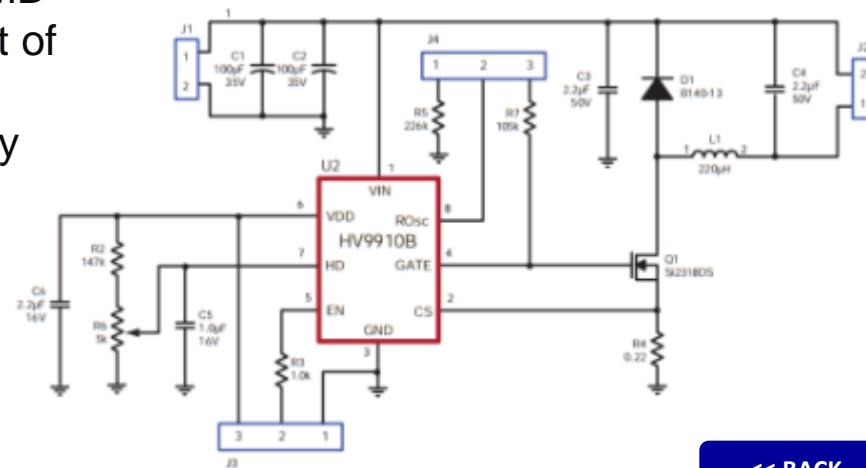
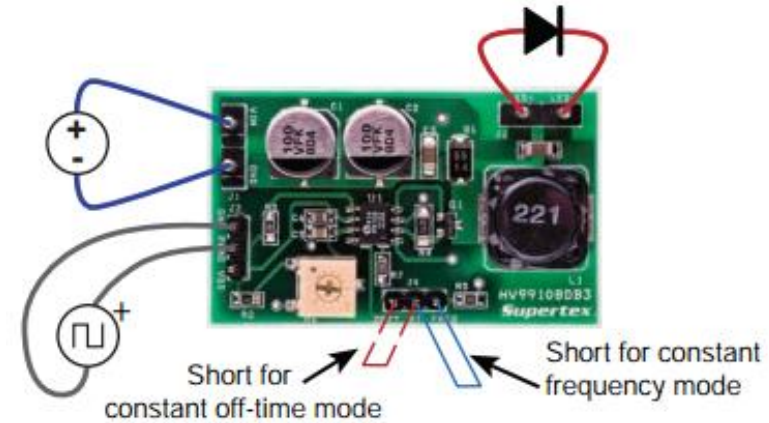
Online
Datasheet

Demo Board

The HV9910BDB3 demoboard is a high current LED driver designed to drive one LED or two LEDs in series at currents up to 1.0A from a 10 – 30VDC input. The demoboard uses HV9910B Universal LED driver IC to drive a buck converter. The HV9910BDB3 can be configured to operate in either a constant frequency mode (for driving a single LED) or in a constant off-time mode (for driving two LEDs). The output current can be adjusted in two ways – either with linear dimming using the onboard potentiometer or with PWM dimming by applying a TTL – compatible square wave signal at the PWMD terminal. Using linear dimming, the output current of the HV9910DB1 can be lowered to about 0.01A (note: zero output current can be obtained only by PWM dimming).

Products supported:

- HV9910BLG-G



<< BACK



HV9910BDB7

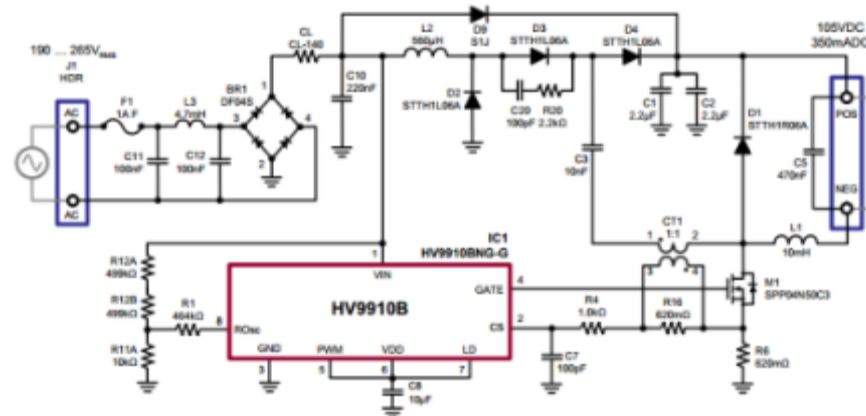
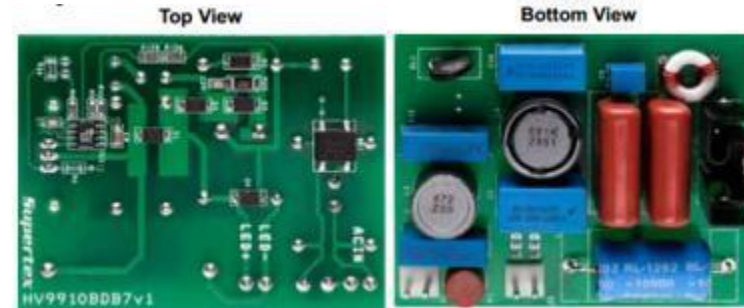
[Online Datasheet](#)

Demo Board

The HV9910BDB7 demonstrates the use of an HV9910B control IC in an off-line, High Brightness LED driver application. The board incorporates power factor correction (PFC) and satisfies the limits for harmonic currents according to the EN61000-3-2 Class C standard having total harmonic distortion (THD) less than 20%. The board features a low component count and long life operation due to the absence of electrolytic capacitors. The board is designed to supply a string of LEDs with a current of 350mA and a voltage in the 65 to 105V range from a 220/230VAC line.

Products supported:

- HV9910BLG-G



HV9921DB1

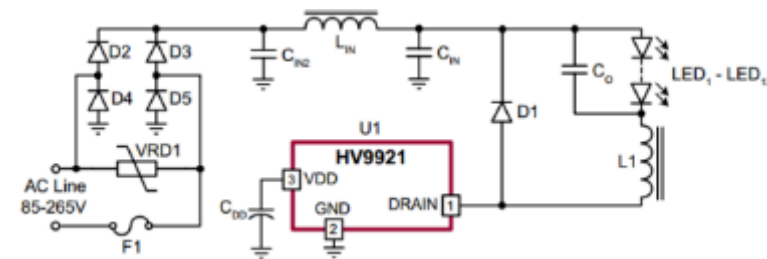
Online
Datasheet

Demo Board

The HV9921DB1 demoboard is a complete LED power driver to supply a string of LEDs using the HV9921, an integrated 3-pin high input voltage constant-current buck regulator IC. The HV9921 integrates a 500V switching MOSFET and can operate directly from the rectified universal AC line voltage range of 80 to 265VAC. The current in the LED string is internally programmed to 20mA \pm 15%. The HV9921DB1 is ideally suited for driving strings of LEDs having forward voltage from 20 to 50V at high efficiency (typically 80% at 120VAC). The HV9921DB1 is a peak current-controlled buck converter operating with fixed off-time of 10.5 μ s. Its fixed off-time control scheme provides good stability and tight regulation of the LED current throughout the input AC line voltage range. As its switching frequency varies over the AC line cycle, the HV9921 inherently introduces frequency dither and simplifies the compliance with EMI regulations.

Products supported:

- HV9921N3-G



<< BACK



HV9922DB1

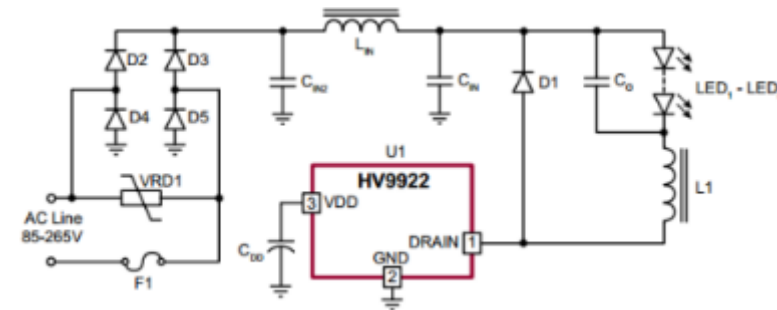
[Online
Datasheet](#)

Demo Board

The HV9922DB1 demoboard is a complete LED power driver to supply a string of LEDs using the HV9922, an integrated 3-pin high input voltage constant-current buck regulator IC. The HV9922 integrates a 500V switching MOSFET and can operate directly from the rectified universal AC line voltage range of 80 to 265VAC. The current in the LED string is internally programmed to 20mA \pm 15%. The HV9922DB1 is ideally suited for driving strings of LEDs having forward voltage from 20 to 30V at high efficiency (typically 80% at 120VAC). The HV9922DB1 is a peak current-controlled buck converter operating with fixed off-time of 10.5 μ s. Its fixed off-time control scheme provides good stability and tight regulation of the LED current throughout the input AC line voltage range. As its switching frequency varies over the AC line cycle, the HV9922 inherently introduces frequency dither and simplifies the compliance with EMI regulations.

Products supported:

- HV9922N3-G



<< BACK



HV9922DB2

Online
Datasheet

Demo Board

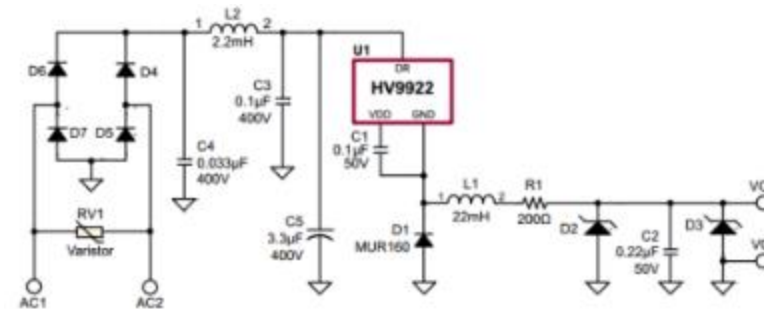
The HV9922DB2 is a universal input, offline, non-isolated auxiliary power supply using HV9922 constant current switching regulator IC. The output voltage is regulated to 23V +/-5% and is referenced to the negative side of the diode bridge rectifier (i.e. ground of the rectified DC voltage). The demoboard is protected against output open circuit and short circuit conditions and meets FCC Class B (residential) EMI limits. The HV9922 acts as a constant 50mA current source which is sourced into an output zener diode. On the demoboard, a 22V zener diode is used at D2 to regulate the output voltage to 23V within +/-5%. Lower output voltages can be obtained by using an appropriate 2W zener diode in parallel to D2 in the space provided on the demoboard (D3).

Products supported:

- HV9922N3-G



85 - 265VAC, 50/60Hz.



<< BACK



HV9923DB1

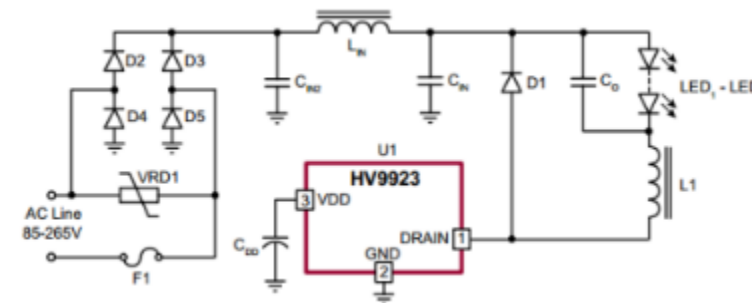
Online
Datasheet

Demo Board

The HV9923DB1 demoboard is a complete LED power driver to supply a string of LEDs using the HV9923, an integrated 3-pin high input voltage constant-current buck regulator IC. The HV9923 integrates a 500V switching MOSFET and can operate directly from the rectified universal AC line voltage range of 80 to 265VAC. The current in the LED string is internally programmed to 30mA \pm 15%. The HV9923DB1 is ideally suited for driving strings of LEDs having forward voltage from 20 to 30V at high efficiency (typically 80% at 120VAC). The HV9923DB1 is a peak current-controlled buck converter operating with fixed off-time of 10.5 μ s. Its fixed off-time control scheme provides good stability and tight regulation of the LED current throughout the input AC line voltage range. As its switching frequency varies over the AC line cycle, the HV9923 inherently introduces frequency dither and simplifies the compliance with EMI regulations.

Products supported:

- HV9923N3-G



<< BACK



HV9925DB1

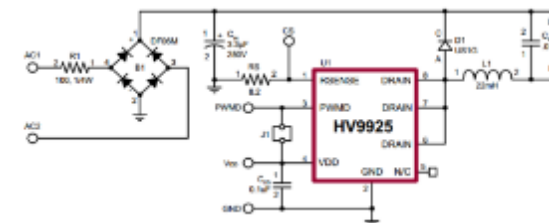
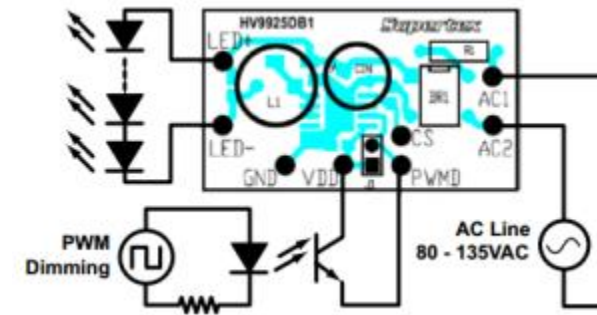
Online
Datasheet

Demo Board

The HV9925DB1 demo board is a complete LED power driver to supply a string of LEDs using the HV9925, an integrated, high-voltage, buck regulator IC featuring programmable output current and PWM dimming. The HV9925 includes a 500V switching MOSFET and can operate directly from rectified AC line voltages of 80 to 135VAC. The current in the LED string is externally programmed to $50\text{mA} \pm 10\%$ by a single resistor R_S . The HV9925DB1 is ideally suited for driving strings of LEDs having forward voltage from 20V to 60V at high efficiency. The HV9925DB1 is a peak current-controlled buck converter operating with a fixed off-time of $10.5\mu\text{s}$. Its fixed off-time control scheme provides good stability and tight regulation of the LED current throughout the input AC line voltage range. As its switching frequency varies over the AC line cycle, the HV9925 inherently introduces frequency dither and simplifies the compliance with EMI regulations.

Products supported:

- HV9925N3-G



<< BACK



HV9930DB1

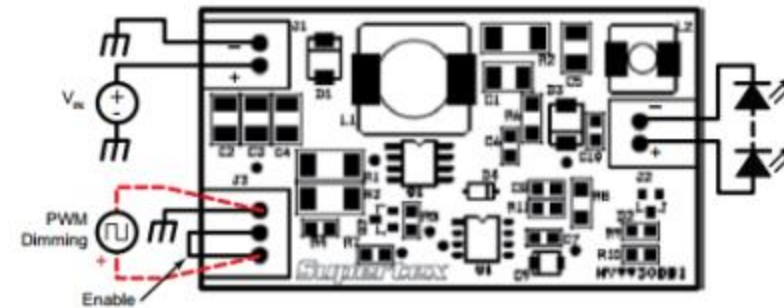
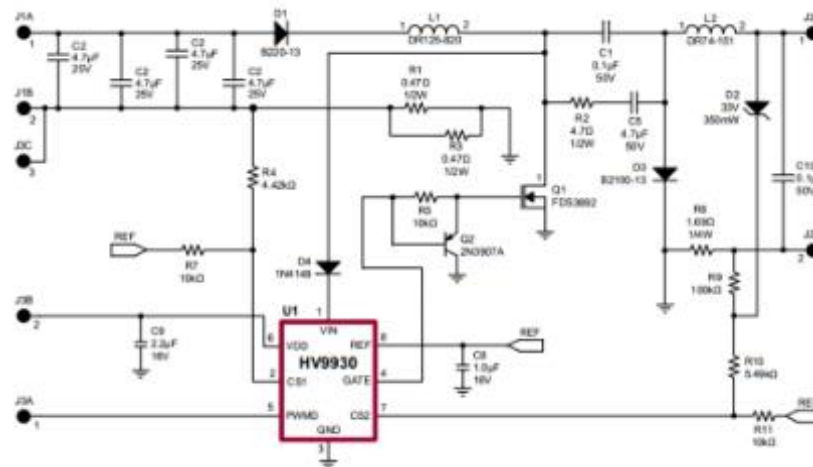
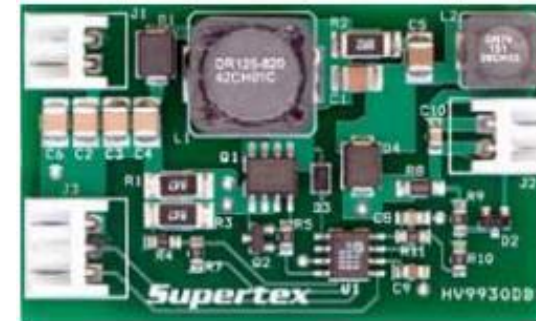
Online
Datasheet

Demo Board

The HV9930DB1 is an LED driver demoboard capable of driving up to 7 1-watt LEDs in series from an automotive input of 9 - 16VDC. The demoboard uses HV9930 in a boost-buck topology. The converter operates at frequencies in excess of 300kHz and has excellent output current regulation over the input voltage range. It can also withstand transients up to 42V and operate down to 6V input. The converter is also protected against open LED and output short circuit conditions. Protection against reverse polarity up to 20V is also included.

Products supported:

- HV9930LG-G



HV9930DB2

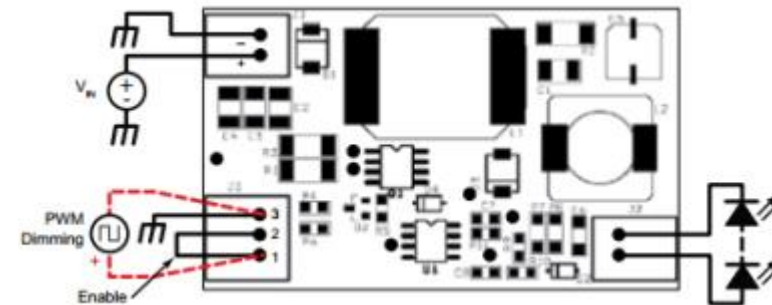
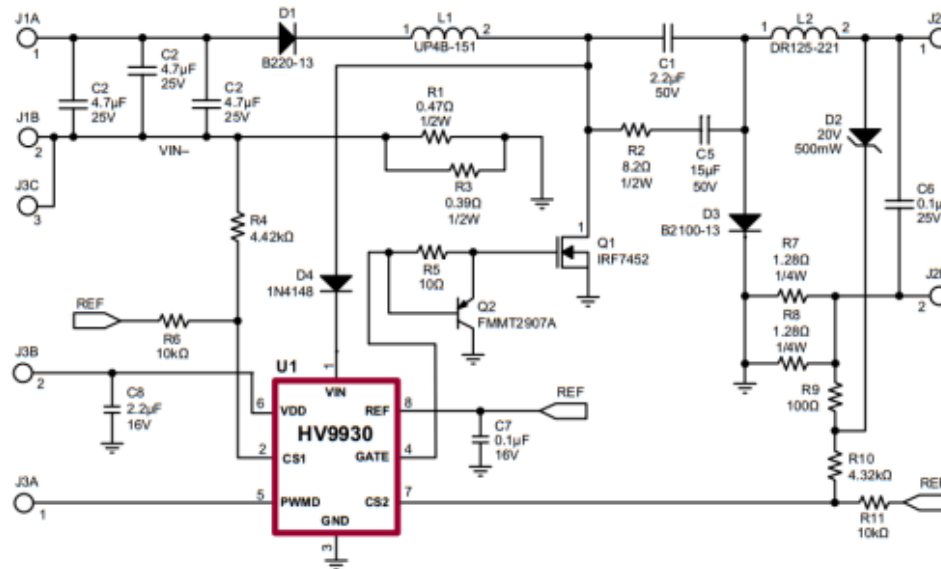
Online
Datasheet

Demo Board

The HV9930DB2 is a LED driver demoboard capable of driving 4 3-watt LEDs in series from an input of 9 - 25V DC. The demoboard uses HV9930 in a boost-buck topology. The converter has excellent line and load regulation over the entire input and output voltage range. The full load efficiency of the converter is typically greater than 80%. The converter is also protected against open LED and output short circuit conditions.

Products supported:

- HV9930LG-G



HV9931DB1

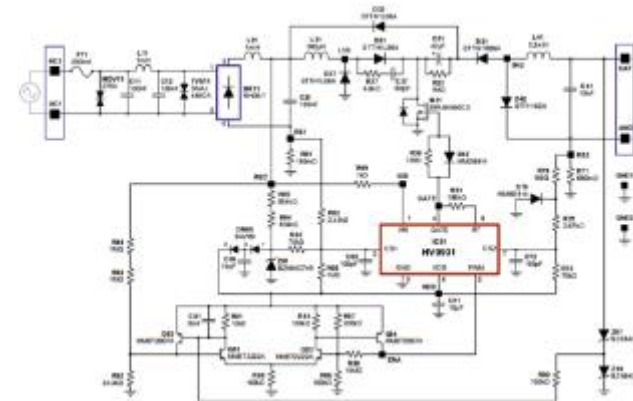
[Online Datasheet](#)

Demo Board

The HV9931 LED driver is primarily targeted at low to medium power LED lighting applications where galvanic isolation of the LED string is not an essential requirement. The driver provides near unity power factor and constant current regulation using a two stage topology driven by a single MOSFET and control IC. Triac dimming of this design is possible with the addition of some components for preloading and inrush current shaping. The HV9931DB1 is designed for a fixed string current of 350mA and a string voltage of 40V for a load power of about 14W. The board will regulate current for an output voltage down to 0V. Nominal input is 120VAC. Design for universal input (85 to 265VAC) is by all means possible but does increase cost and size while lowering efficiency.

Products supported:

- HV9931LG-G



[<< BACK](#)



HV9931DB2

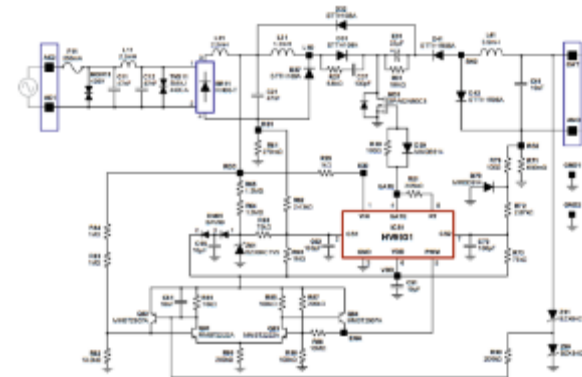
Online
Datasheet

Demo Board

The HV9931 LED driver is primarily targeted at low to medium power LED lighting applications where galvanic isolation of the LED string is not an essential requirement. The driver provides near unity power factor and constant current regulation using a two stage topology driven by a single MOSFET and control IC. Triac dimming of this design is possible with the addition of some components for preloading and inrush current shaping. The HV9931DB2 IS designed for a fixed string current of 350mA and a string voltage of 40V for a load power of about 14W. The boards will regulate current for an output voltage down to 0V. Nominal input voltage is 230VAC. Design for universal input (85 to 265VAC) is by all means possible but does increase cost and size while lowering efficiency.

Products supported:

- HV9931LG-G



<< BACK



HV9931DB5

Online
Datasheet

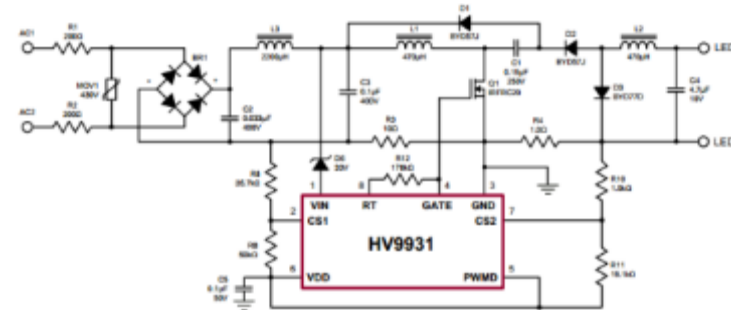
Demo Board

The HV9931DB5 demoboard is a high brightness (HB) LED power driver to supply one HB LED, using the HV9931 IC from either a 110 or 220VAC supply. The HV9931DB5 is ideal for incandescent retrofit applications, as it features a very small size and a low component count. The HV9931DB5 avoids the use of electrolytic capacitors, which reduce the lifetime of the circuit in high ambient temperatures (which would be found in the base of a bulb). The demo board can be used to test the performance of the HV9931 as a constant current driver to power LEDs. The HV9931DB5 uses a unique cascaded converter circuit, with a single active switch, to achieve the high step down conversion ratio required for operating low voltage LEDs from a high input voltage. This circuit allows the converter to operate at a high switching frequency, about 120kHz, while still regulating the output current at all times. The HV9931DB5 supplies 350mA to a 4.0V(max) LED with input voltages ranging from 90 – 265VAC 50/60Hz.

P/N: HV9931DB5

Products supported:

- HV9931LG-G



<< BACK



HV9861ADB1

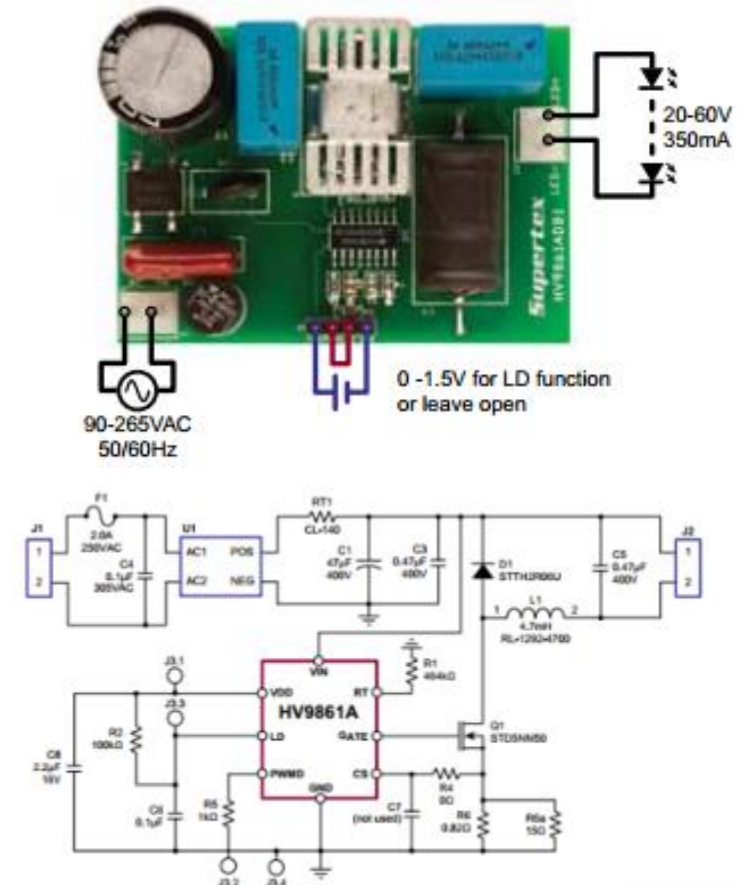
Online
Datasheet

Demo Board

The HV9861ADB1 demoboard is a high-brightness LED driver employing the patented average-mode, constant current control scheme. The power conversion stage of the HV9861ADB1 consists of a diode bridge rectifier followed by a buck converter operating with fixed off-time of 20 μ s. The HV9861ADB1 LED driver features tight regulation of the LED current within a few milliamps over the entire range of the input AC line and the output LED string voltage. The LED current accuracy is almost insensitive to the passive component tolerances, such as the output filter inductance or the timing resistor. The accuracy of the LED current is mainly determined by the internal 270mV \pm 3% reference voltage of the HV9861A control IC and by the external current sense resistor tolerance.

Products supported:

- HV9861ANG-G



<< BACK



HV9861ADB2

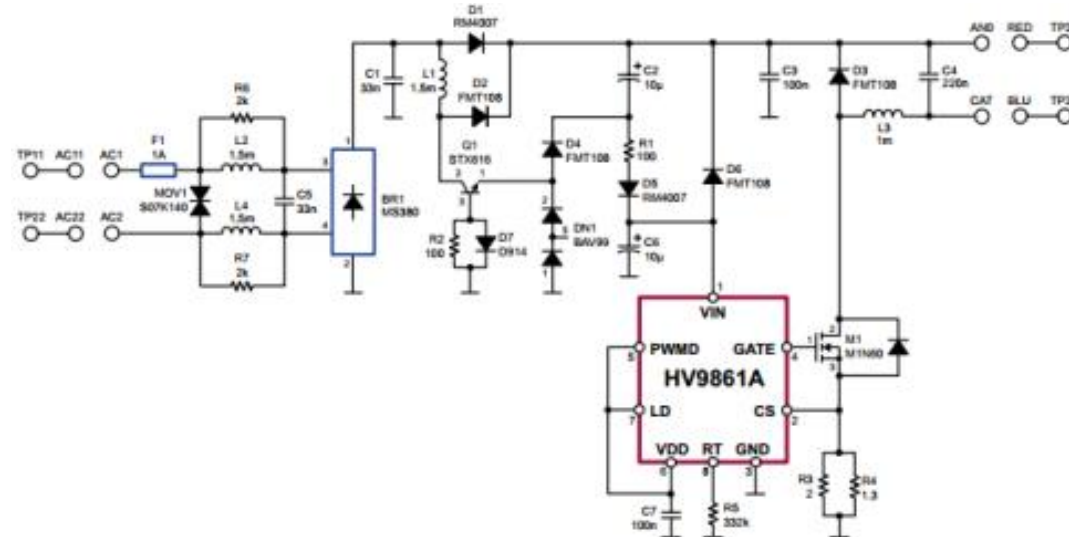
Online
Datasheet

Demo Board

Certain target markets for LED lighting require a power factor of at least 90%. A power factor over 90% can be attained using valley fill power factor correction with the addition of a small boost converter. The boost converter lowers line current distortion by adding line current draw in the valley and lowering the peak amplitude of the valley fill capacitor recharging current.

Products supported:

- HV9861LG-G



HV9911DB1

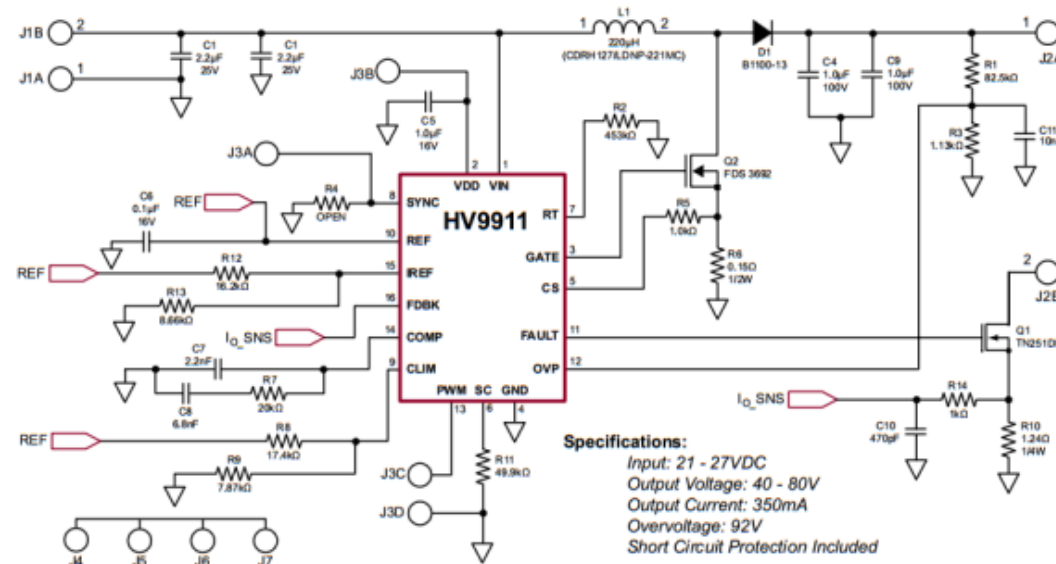
Online
Datasheet

Demo Board

The HV9911DB1 is an LED driver capable of driving up to 20 one-watt LEDs in series from an input of 21 - 27VDC. The demoboard uses HV9911 in a boost topology. The converter has a very good initial regulation ($\pm 5\%$) and excellent line and load regulation over the entire input and output voltage range ($< \pm 1\%$). The full load efficiency of the converter is typically greater than 90%.

Products supported:

- HV9911NG-G



HV9911DB2

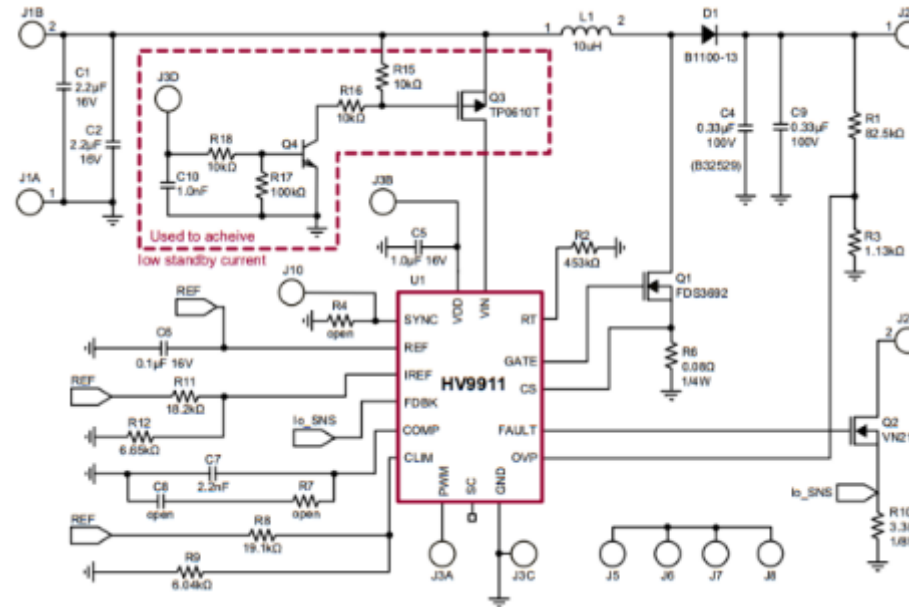
Online
Datasheet

Demo Board

The HV9911DB2 is an LED driver capable of driving up to twenty 100mA LEDs in series from an input of 9 - 16V DC. The demoboard uses HV9911 IC in a boost topology. The converter has a very good initial regulation, (+/-5%), and excellent line and load regulation over the entire input and output voltage range (<+/- 1%). The full load efficiency of the converter is typically greater than 85%.

Products supported:

- HV9911NG-G



HV9911DB3

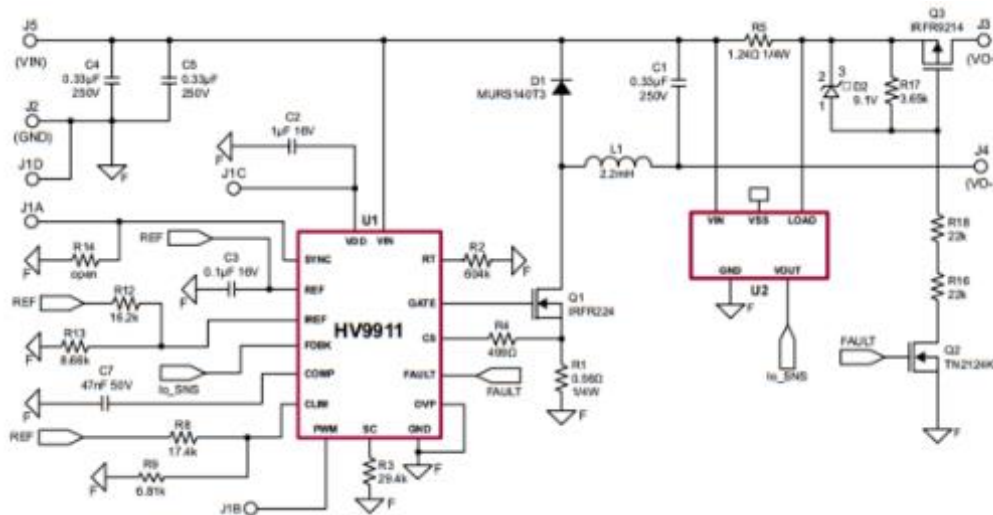
[Online
Datasheet](#)

Demo Board

The HV9911DB3 is an LED driver capable of driving up to 25 one-watt LEDs in series from an input of 130 - 200VDC. The demoboard uses Supertex's HV9911 in a buck topology with the HV7800 used for high side current sensing. The converter has a very good initial regulation ($\pm 5\%$) and excellent line and load regulation over the entire input and output voltage range ($< \pm 2\%$). The full load efficiency of the converter is typically greater than 85%.

Products supported:

- HV9911NG-G



HV9911DB4

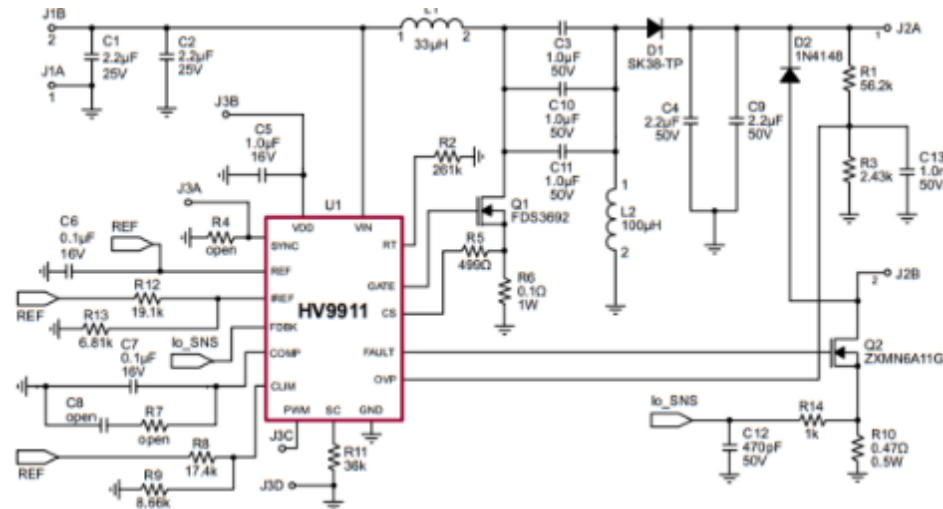
Online
Datasheet

Demo Board

The HV9911DB4 is an LED driver demoboard capable of driving one to six three-watt LEDs in series from an input of 9.0 - 16VDC. The demoboard uses HV9911 in a SEPIC topology to drive LED string voltages higher or lower than the input voltage. The converter has a very good initial regulation ($\pm 5\%$), and excellent line and load regulation over the entire input and output voltage range ($< \pm 1\%$). The full load efficiency of the converter is typically greater than 85%.

Products supported:

- HV9911NG-G



HV9912DB1

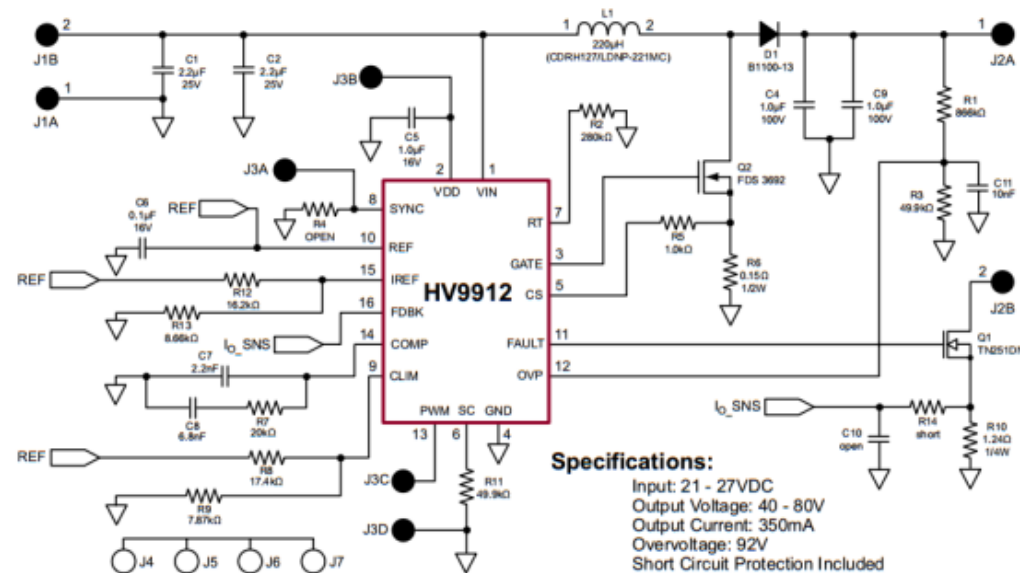
Online
Datasheet

Demo Board

The HV9912DB1 is an LED driver demoboard capable of driving up to 20 one-watt LEDs in series from an input of 21 - 27VDC. It uses the HV9912 in a boost topology. The converter has very good initial regulation ($\pm 5\%$) and excellent line and load regulation over the entire input and output voltage range ($< \pm 1\%$). The full load efficiency of the converter is typically greater than 90%.

Products supported:

- HV9912NG-G



HV9961DB1

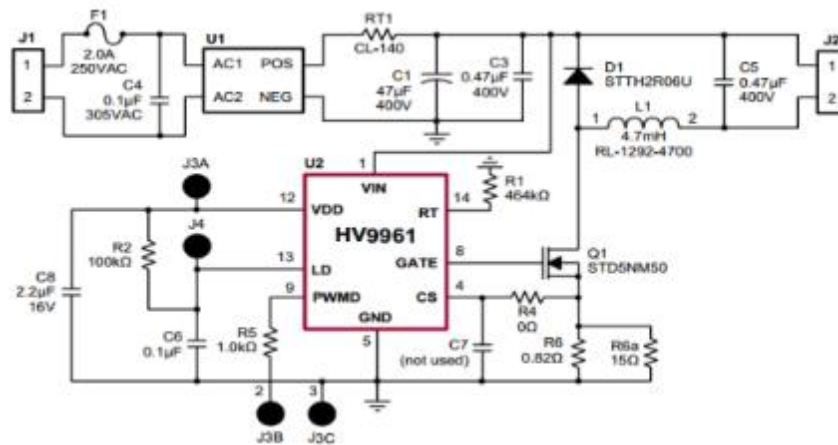
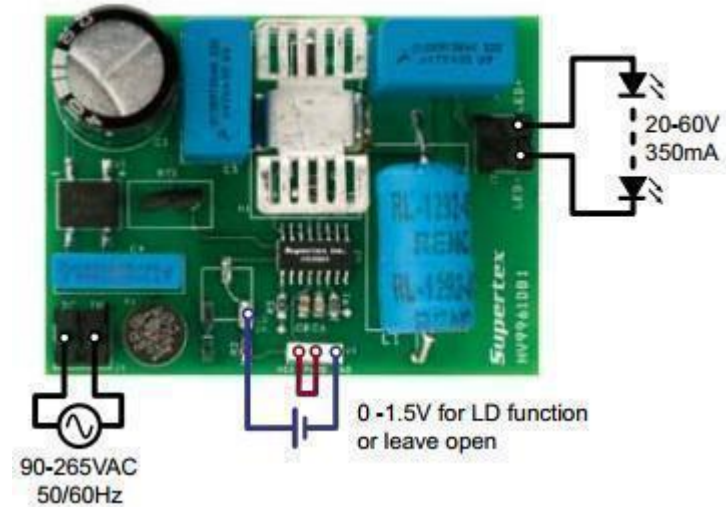
[Online Datasheet](#)

Demo Board

The HV9961 demoboard is a high-brightness LED driver employing the patent-pending average-mode constant current control scheme. The power conversion stage of the HV9961DB1 consists of a diode bridge rectifier followed by a buck converter operating with fixed off-time of 20 μ s. The HV9961DB1 LED driver features tight regulation of the LED current within a few milliamps over the entire range of the input AC line and the output LED string voltage

Products supported:

- HV9961NG-G



HV9980DB1

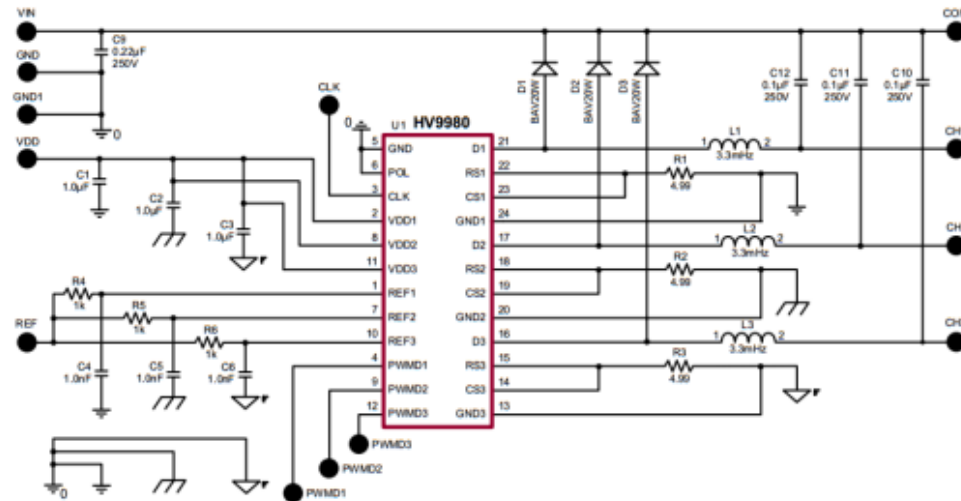
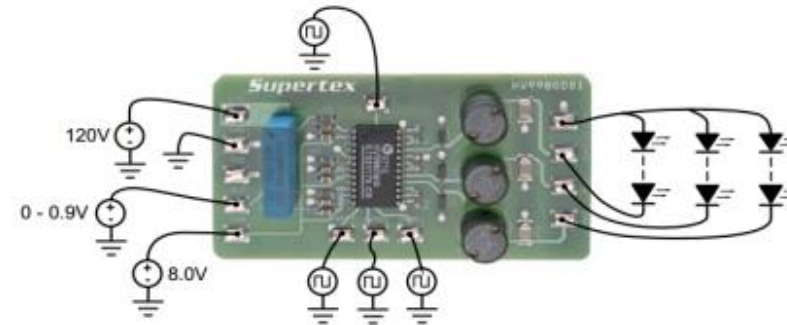
Online
Datasheet

Demo Board

The HV9980B1 demoboard is an RGB or multi-channel white LED backlight driver designed to drive LEDs for a large-screen TV. The HV9980DB1 can drive three common-anode LED strings from a 100 - 140V input at currents up to 70mA in steady state. It can also drive the LEDs at currents as large as 160mA for short durations to facilitate backlight scanning mode.

Products supported:

- HV9980WG-G



HV9967BDB1

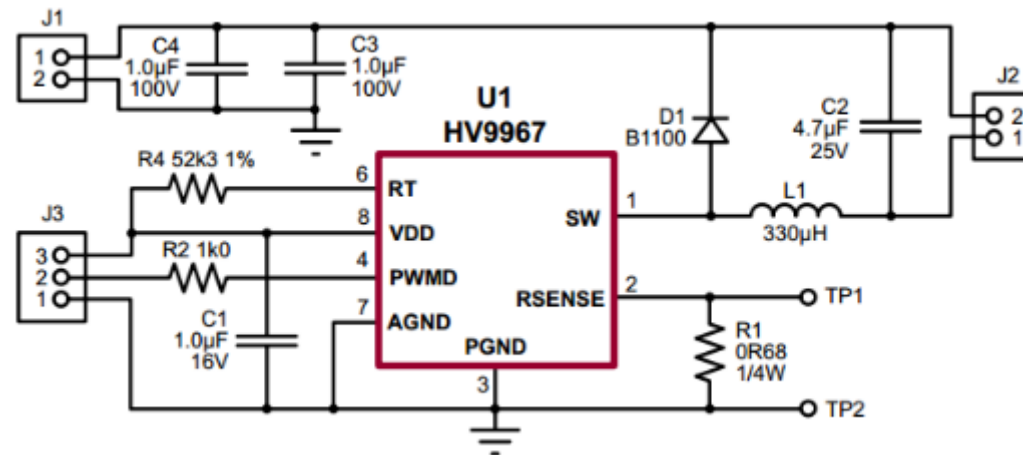
[Online Datasheet](#)

Demo Board

The HV9967BDB1 demoboard is a high-brightness LED driver designed to drive 4 LEDs in series at currents up to 350mA from a 20 - 60V DC input. The demoboard uses the HV9967B in a buck configuration in a constant off-time mode. The HV9967BDB1 LED driver features tight regulation of the LED current within a few milliamps over the entire range of the input voltage (i.e. 20 - 60VDC). The LED current accuracy is almost insensitive to the passive component tolerances, such as the inductance or the timing resistor

Products supported:

- HV9967BMG-G



HV9805 230V Boost Evaluation Board

Online
Datasheet

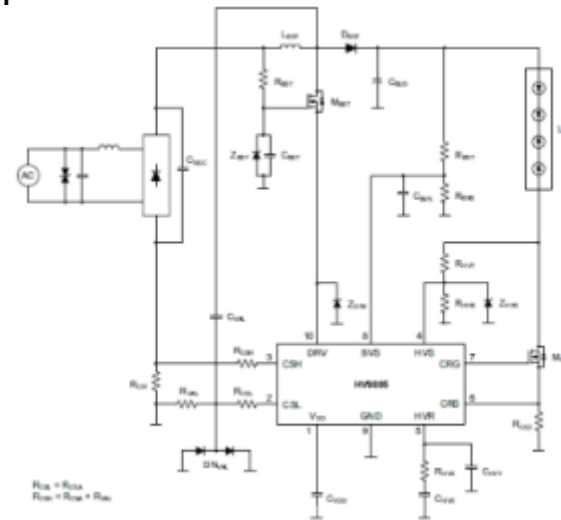
The HV9805 230V_{AC} Off-Line LED Driver Evaluation Board is used to evaluate and demonstrate Microchip Technology Inc.'s HV9805 device in the following topology:

420-430V output Boost Converter application followed by a LED-side linear current regulator, supplied from the mains 230V_{AC}, to drive a 130-150 LED string.

The HV9805 230V_{AC} Off-Line LED Driver Evaluation Board was developed to help engineers reduce the product design cycle time.

Products supported:

□ HV9805MG-G



<< BACK



HV9805 230V SEPIC Evaluation Board

Online
Datasheet

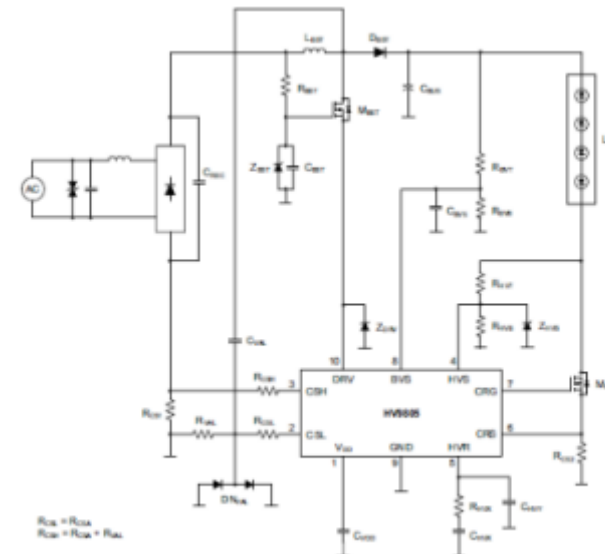
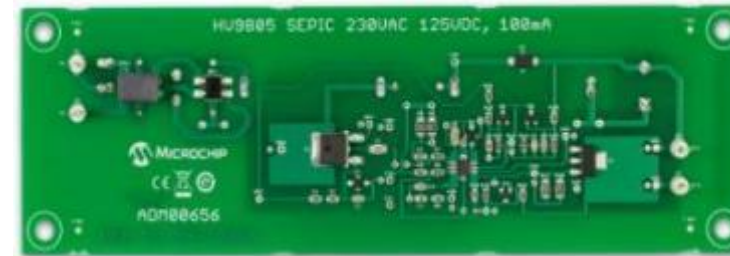
The HV9805 230V_{AC} SEPIC Evaluation Board is used to evaluate and demonstrate Microchip Technology Inc.'s HV9805 device in the following topology:

The HV9805 230V_{AC} SEPIC Evaluation Board is suited for driving a 125V/100 mA LED load from a 230VAC source.

The Single-ended primary-inductor converter (SEPIC) configuration extends the application range of the HV9805 driver Integrated Circuit (IC) to lower LED load voltages than otherwise possible with the boost configuration. Many features of the boost configuration are retained, such as a true direct current drive of the LED load, high input power factor, high efficiency and simple magnetics.

Products supported:

- HV9805MG-G



<< BACK



HV9805 120V Boost Evaluation Board

Online
Datasheet

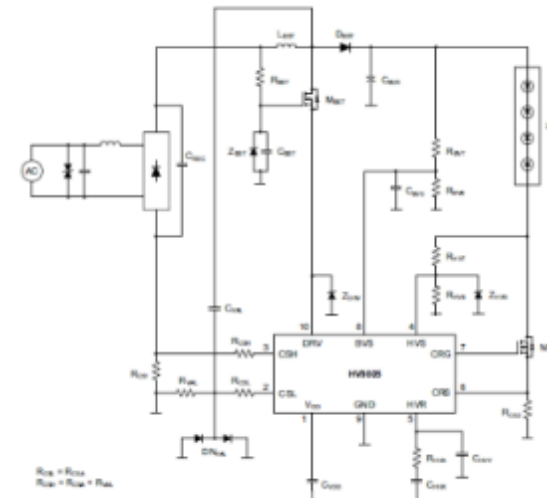
The HV9805 120V_{AC} Off-Line LED Driver Evaluation Board is used to evaluate and demonstrate Microchip Technology Inc.'s HV9805 device in the following topology:

215-265V output Boost Converter application followed by a LED-side linear current regulator, supplied from the mains 120V_{AC}, to drive a 70-90 LED string.

The HV9805 120V_{AC} Off-Line LED Driver Evaluation Board was developed to help engineers reduce the product design cycle time.

Products supported:

- HV9805MG-G



<< BACK

HV98100/101 Buck-Boost Evaluation Board

Online
Datasheet

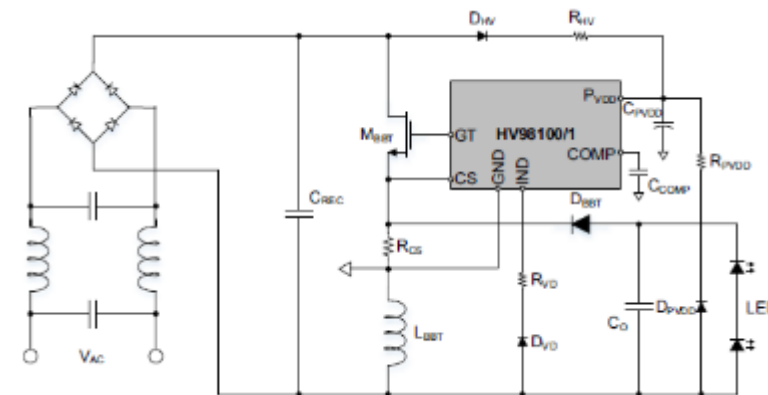
The HV98100/101 Off-Line LED Driver Evaluation Board is used to evaluate and demonstrate Microchip Technology Inc.'s HV98100/101 device in the following topology:

- HV98100: Buck-Boost Converter application, supplied from the mains $120V_{AC}$, to drive an 92-133V LED load
- HV98101: Buck-Boost Converter application, supplied from the mains $230V_{AC}$, to drive an 88-122V LED load

The HV98100/101 Off-Line LED Driver Evaluation Board was developed to help engineers reduce product design cycle time.

Products supported:

- HV98100T-E/CH
- HV98101T-E/CH



MIC3202 Eval Board

[Online Datasheet](#)

The MIC3202 is a hysteretic, step-down, constant-current, High-Brightness LED (HB LED) driver. It provides an ideal solution for interior/exterior lighting, architectural and ambient lighting, LED bulbs, and other general illumination applications.

The MIC3202 is well suited for lighting applications requiring a wide-input voltage range. The hysteretic control gives good supply rejection and fast response during load transients and PWM dimming. The high-side current sensing and on-chip current-sense amplifier delivers LED current with $\pm 5\%$ accuracy. An external high-side current-sense resistor is used to set the output current.

Products supported:

- MIC3202



MIC3203 Eval Board

[Online
Datasheet](#)

The MIC3203 is a hysteretic, step-down, constant-current, High-Brightness LED (HB LED) driver. It provides an ideal solution for interior/exterior lighting, architectural and ambient lighting, LED bulbs, and other general illumination applications.

The MIC3203 is well suited for lighting applications requiring a wide-input voltage range. The hysteretic control gives good supply rejection and fast response during load transients and PWM dimming. The high-side current sensing and on-chip current-sense amplifier delivers LED current with $\pm 5\%$ accuracy. An external high-side current-sense resistor is used to set the output current.

The MIC3203 offers a dedicated PWM input (DIM) which enables a wide range of pulsed dimming. A high-frequency switching operation up to 1.5MHz allows the use of smaller external components minimizing space and cost. The MIC3203 offers frequency dither feature for EMI control.

P/N: MIC3203YM-EV

Products supported:

- MIC3203



[<< BACK](#)



MIC3223 Eval Board

[Online Datasheet](#)

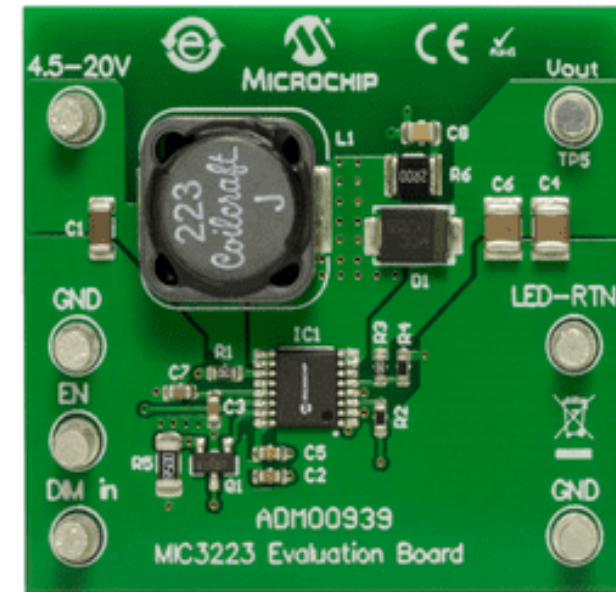
The MIC3223 is a constant current boost LED driver capable of driving a series string of high power LEDs. The MIC3223 can be used in general lighting, bulb replacement, garden pathway lighting, and other solid state illumination application.

The MIC3223 is a peak current mode control PWM boost regulator and the 4.5V and 20V operating input voltage range allows multiple applications from a 5V or a 12V bus.

The MIC3223 implements a fixed internal 1MHz switching frequency to allow for a reduction in the design footprint size. Power consumption has been minimized through the implementation of a 200mV feedback voltage that provides an accuracy of $\pm 5\%$. The MIC3223 can be dimmed through the use of a PWM signal and features an enable pin for a low power shutdown state.

Products supported:

- MIC3223



[<< BACK](#)



MIC3231 Eval Board

[Online Datasheet](#)

The MIC3231 is a constant current boost switching controller specifically designed to power one or more strings of high power LEDs. The MIC3231 has an input voltage range from 6V to 45V and are ideal for a variety of solid state lighting applications.

The MIC3231 utilizes an external power device which offers a cost conscious solution for high power LED applications. The powerful drive circuitry can deliver up to 70W to the LED system. Power consumption has been minimized through the implementation of a 250mV feedback voltage reference providing an accuracy of $\pm 3\%$. The MIC323x family is dimmable via a pulse width modulated (PWM) input signal and also features an enable pin for low power shutdown.

Products supported:

- MIC3231



[<< BACK](#)



MIC3263 Eval Board

[Online Datasheet](#)

The MIC3263 is a high-efficiency pulse-width modulation (PWM) boost switching regulator that is optimized for constant-current WLED driver backlighting applications. The MIC3263 drives six channels of up to ten WLEDs per channel. Each channel is matched in current to within $\pm 3\%$ for constant brightness across the screen and can be programmed from 15mA to 30mA.

The MIC3263 provides a very flexible dimming control scheme with better accuracy and noise immunity. The dimming frequency can be set to any value between 100Hz and 20kHz by an external resistor. The dimming ratio is determined by the duty cycle of a dimming ratio control input signal and can be set to one of 16 levels with a minimum ratio of 1%. The LED dimming current is set by an external resistor to allow programming of LED current between 15mA and 30mA.

Products supported:

- MIC3263



[<< BACK](#)



MIC4801 Eval Board

[Online Datasheet](#)

The MIC4801 is a high efficiency White LED (WLED) driver designed to drive a single LED up to 600mA. The MIC4801 constant current driver is designed to drive high power LEDs in various lighting applications. The MIC4801 provides the highest possible efficiency as this architecture has no switching losses present in traditional charge pumps or inductive boost circuits. It features a typical dropout of 130mV at 400mA. This allows the LEDs to be driven directly from the voltage source eliminating switching noise/losses present with the use of boost circuitry. The high accuracy ($\pm 1\%$ typical) current regulated WLED channel helps ensure uniform display illumination under all conditions. The brightness is controlled through an Ultra Fast PWM™ Control interface operating down to less than 1% duty cycle.

Products supported:

- MIC4801



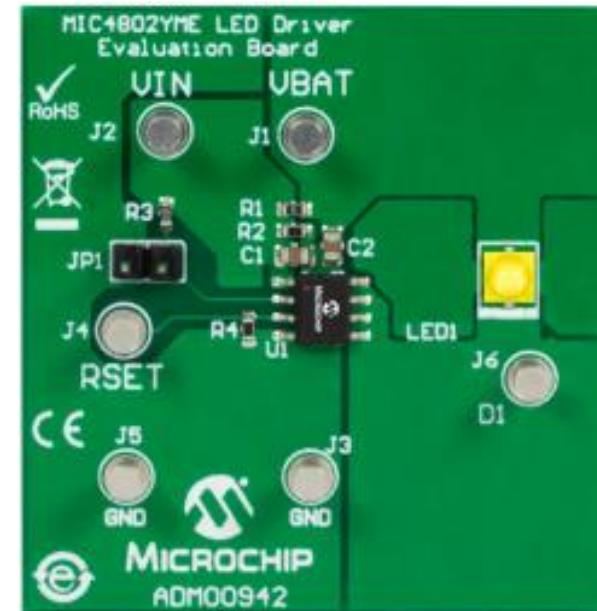
MIC4802 Eval Board

[Online Datasheet](#)

The MIC4802 is a high efficiency White LED (WLED) driver designed to drive a single LED up to 800mA. The MIC4802 constant current driver is designed to drive high power LEDs in various lighting applications. The MIC4802 provides the highest possible efficiency as this architecture has no switching losses present in traditional charge pumps or inductive boost circuits. It features a typical dropout of 280mV at 800mA. This allows the LEDs to be driven directly from the voltage source eliminating switching noise/losses present with the use of boost circuitry. The high accuracy ($\pm 1\%$ typical) current regulated WLED channel helps ensure uniform display illumination under all conditions. The brightness is controlled through an Ultra Fast PWM™ Control interface operating down to less than 1% duty cycle.

Products supported:

- MIC4802



MIC4811 Eval Board

[Online Datasheet](#)

The MIC4811 is a high efficiency linear White LED (WLED) driver designed to drive up to six high current WLEDs for signage lighting. The MIC4811 provides the highest possible efficiency as this architecture has no switching losses present in traditional charge pumps or inductive boost circuits. The MIC4811 provides six linear drivers which maintain constant current for up to six WLEDs. It features a typical dropout of 100mV at 50mA.

The MIC4811 features Dynamic Average Matching™ (DAM™) which is specifically designed to provide optimum matching across all WLEDs. The high accuracy ($\pm 1\%$ typical) current regulated WLED channels ensure uniform display illumination under all conditions. The brightness is controlled through an Ultra Fast PWM™ interface operating down to less than 1% duty cycle.

Products supported:

- MIC4811



[<< BACK](#)



MIC4812 Eval Board

[Online Datasheet](#)

The MIC4812 is a high efficiency linear White LED (WLED) driver designed to drive up to six high current WLEDs for signage lighting. The MIC4812 provides the highest possible efficiency as this architecture has no switching losses present in traditional charge pumps or inductive boost circuits. The MIC4812 provides six linear drivers which maintain constant current for up to six WLEDs. It features a typical dropout of 190mV at 100mA.

The MIC4812 features Dynamic Average Matching™ (DAM™) which is specifically designed to provide optimum matching across all WLEDs. The high accuracy ($\pm 1\%$ typical) current regulated WLED channels ensure uniform display illumination under all conditions. The brightness is controlled through an Ultra Fast PWM™ interface operating down to less than 1% duty cycle.

Products supported:

- MIC4812



[<< BACK](#)



MAQ3203 Eval Board

[Online Datasheet](#)

The MAQ3203 is a hysteretic, step-down, constant current, High-Brightness LED (HB LED) driver. It provides an ideal solution for interior/exterior lighting, architectural and ambient lighting, LED bulbs, and other general illumination applications.

The MAQ3203 is well suited for lighting applications requiring a wide-input voltage range. The hysteretic control gives good supply rejection and fast response during load transients and PWM dimming. The high-side current sensing and on-chip current-sense amplifier delivers LED current with $\pm 5\%$ accuracy. An external high-side current sense resistor is used to set the output current.

Products supported:

- MAQ3203



MIC2298 Eval Board

[Online Datasheet](#)

This board enables the evaluation of the MIC2298, a fully integrated 7W net output minimum high power white LED driver. The board includes components necessary to set the LED current to 20%, 50% and 100% of the nominal LED current (1A). The external inputs also allow the LED current to be programmed either with additional resistors or voltages on the DIM or BRT pins. Also the enable pin can be driven to force the part into low Iq mode.

Products supported:

- MIC2298



MIC2299 Eval Board

[Online Datasheet](#)

This board enables the evaluation of the 3.5A switch, high power white LED driver MIC2299. The board includes components necessary to set the LED current to 20%, 50%, and 100% of the nominal LED current (1A).

The evaluation board includes a push button switch which sends a one shot pulse of 300ms to the enable pin to prevent overheating when testing high power LEDs. Also the enable pin can be driven to force the part into low Iq mode.

Products supported:

- MIC2299



MIC2297 Eval Board

[Online Datasheet](#)

The MIC2297 is a 600kHz PWM White LED Driver optimized for 6 to 10 series WLEDs. With an output voltage of up to 42V and a guaranteed 1.2A on the internal power switch, the MIC2297 can easily drive 10WLEDs at 20mA continuous current. The MIC2297 features WLED brightness control using the BRT pin and has output over voltage protection (OVP) to protect the device in case the WLEDs are disconnected unexpectedly.

Products supported:

- MIC2297



MIC2870 Eval Board

[Online Datasheet](#)

The MIC2870 is a high-current, high-efficiency flash LED driver for one or two high-brightness camera flash LEDs.

The LED driver current is generated by an integrated inductive boost converter with 2MHz switching frequency which allows the use of a very-small inductor and output capacitor. These features make the MIC2870 an ideal solution for high-resolution camera phone LED flashlight driver applications.

MIC2870 supports two 750mA white-LEDs (WLEDs) or a single 1.5A WLED configuration. When two WLEDs are connected, their currents are matched automatically.

MIC2870 operates in either flash or torch modes that can be controlled through either an I²C interface or external pins. The brightness in the flash and torch mode can be adjusted via two external resistors individually. High-speed mode I²C interface provides a simple control at a clock speed up to 3.4MHz to support most camera functions such as auto-focus, white balance, and image capture (flash mode).

Products supported:

- MIC2870



CL88020 120V_{AC} Offline LED Driver Eval Board

Online
Datasheet

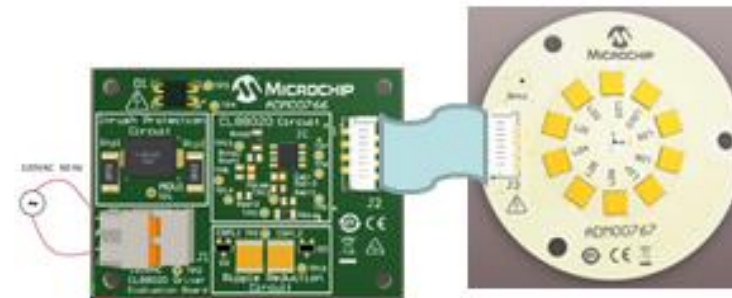
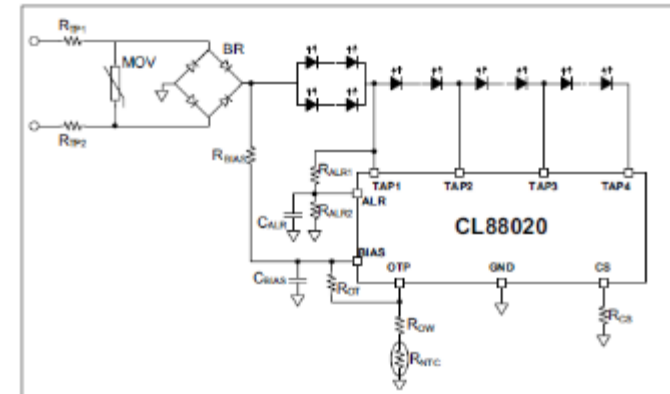
The CL88020 120V_{AC} Offline LED Driver Evaluation Board is a complete solution consisting of an LED Driver (ADM00766) and an LED Load Board (ADM00767) powered directly from the 120V_{AC} line.

Features:

- CL88020 LED Driver Evaluation Board (ADM00766):
 - Input Voltage: 120V_{rms} +/-15%, 50/60 Hz
 - Typical Output Capability: up to 130mA
 - Efficiency: Over 83%
 - Max Output Power: 8.5W
- CL88020 LED Driver Load Board (ADM00767):
 - 10 LEDs (GW P9LR31.EM) (4-tap groups)
 - An 8-wire Flat Cable Input Connector
 - One NTC For Over-temperature Protection

Products supported:

- CL88020T-E/SE



AT9919DB1

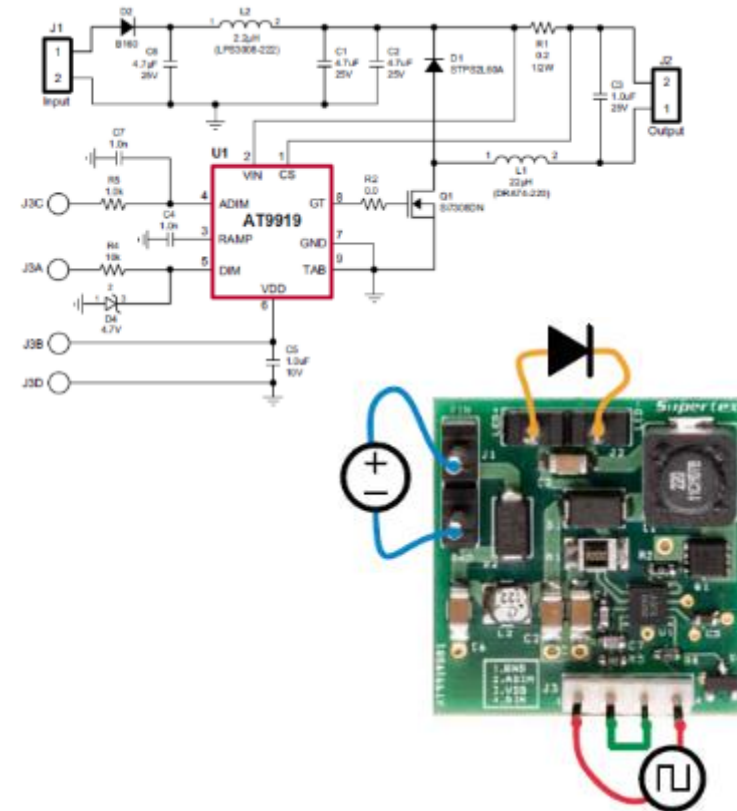
Online
Datasheet

Demo Board

The AT9919BDB1 demoboard is a high current LED driver designed to drive one LED at 1.0A from a 9.0 - 16VDC input. AT9919DB1 includes two PWM dimming modes. The analog control of the PWM dimming mode allows the user to dim the LED using a 0 - 2.0V analog signal applied between the ADIM and GND pins (0V gives 0% and 2.0V gives 100%). In this mode, the PWM dimming frequency is set to 1kHz on the board. The digital control of PWM dimming mode allows the user to dim the LEDs using an external, TTL-compatible square wave source applied between DIM and GND. In this case, the PWM dimming frequency and duty ratio are set by the external square wave source.

Products supported:

- AT9919K7-G



<< BACK



AT9933DB1

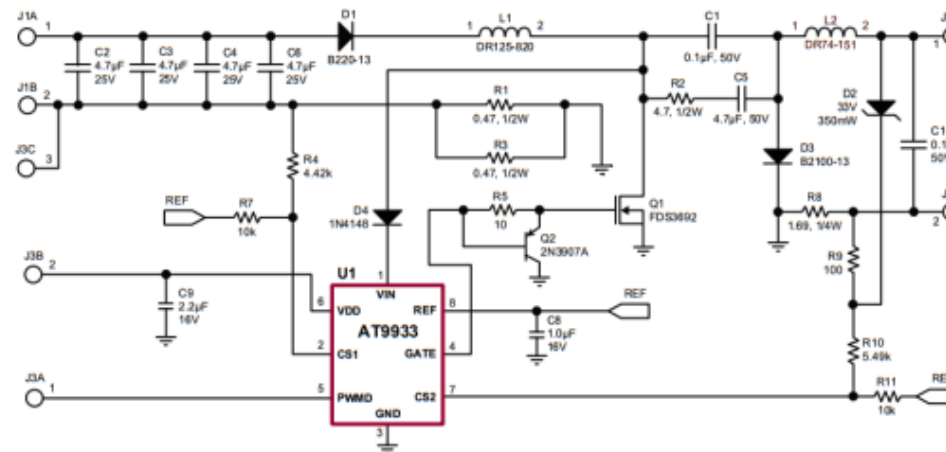
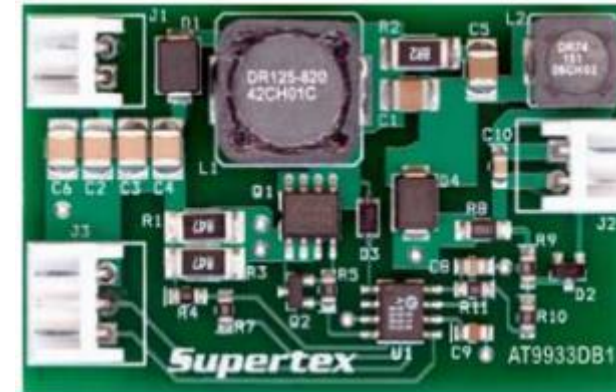
[Online Datasheet](#)

Demo Board

The AT9933DB1 is an LED driver capable of driving up to 7 1-watt LEDs in series from an automotive input of 9 - 16V DC. The demoboard uses AT9933LG-G in a boost-buck topology. The converter operates at frequencies in excess of 300kHz and has excellent output current regulation over the input voltage range. It can also withstand transients up to 42V and operate down to 6V input. The converter is also protected against open LED and output short circuit conditions. Protection against reverse polarity up to 20V is also included.

Products supported:

- AT9933LG-G



HV816DB2

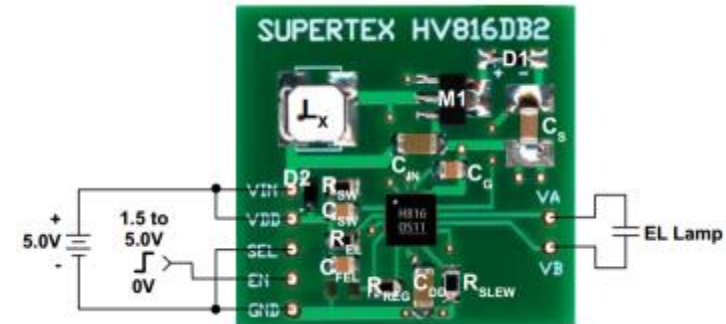
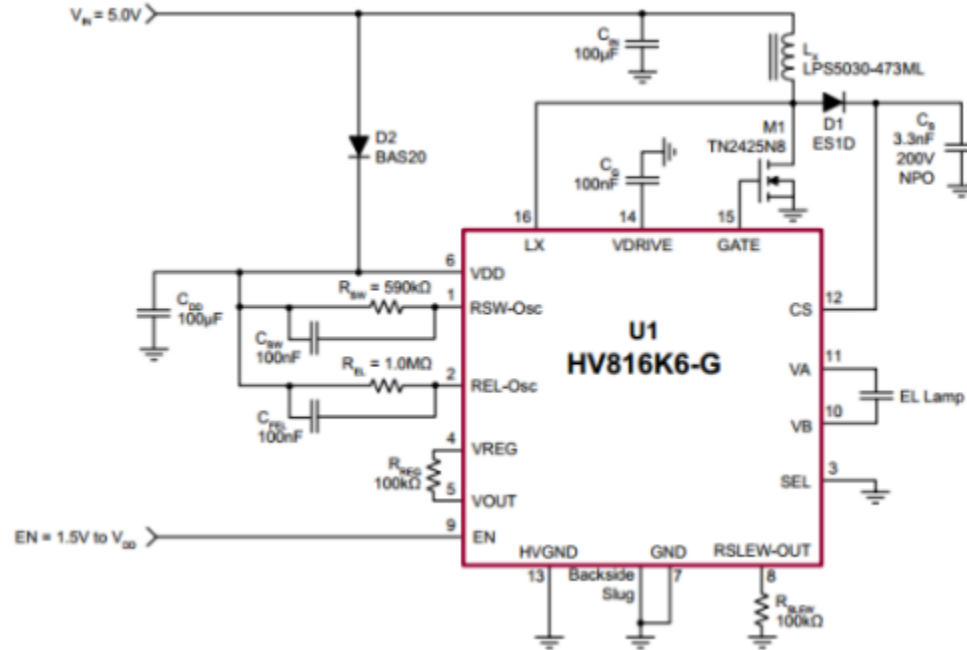
[Online Datasheet](#)

Demo Board

The HV816DB2 is a high brightness demoboard with the circuitry to drive a 10in2 EL lamp using the HV816 in a 4x4 QFN-16 package.

Products supported:

- HV816K6-G

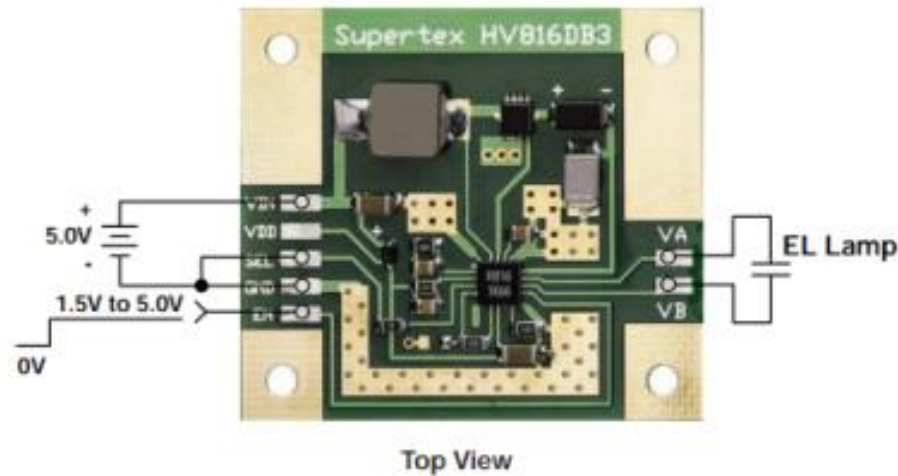


HV816DB3

Online
Datasheet

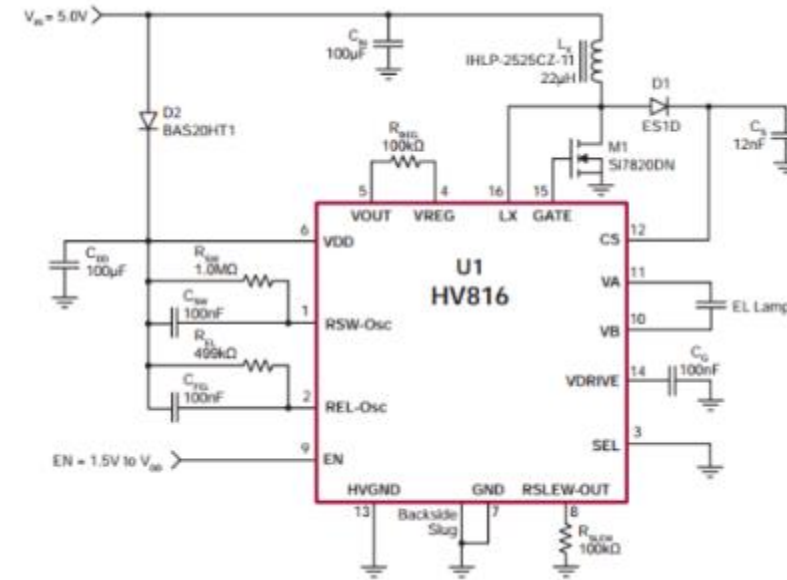
Demo Board

The HV816DB3 is a demoboard designed for high power applications using the HV816 4x4 QFN-16 package. The HV816DB3 board has the circuitry to drive a 16.5in2 EL lamp. For applications requiring smaller lamps and/or lower power, please refer to the HV816DB2 demoboard datasheet.



Products supported:

- HV816K6-G



<< BACK

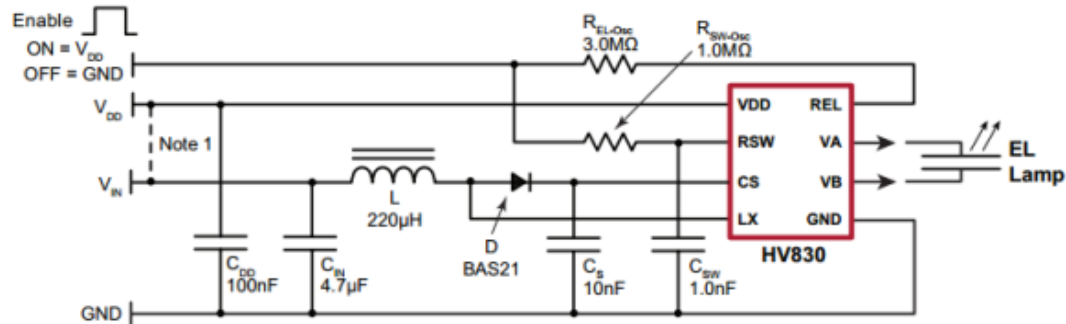


HV830DB1

[Online Datasheet](#)

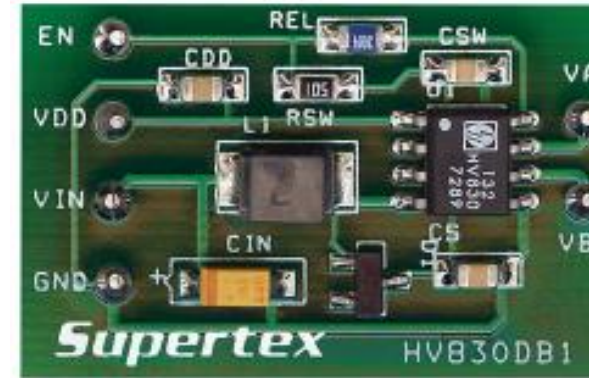
Demo Board

The HV830DB1 EL Driver demoboard contains all the circuitry necessary to drive an EL (Electroluminescent) lamp. The supplied circuit has been optimized to drive an 8.0in2 lamp from a 3.0 to 3.3V supply. The circuit may be customized with different component values to suit a particular application.



Products supported:

- HV830

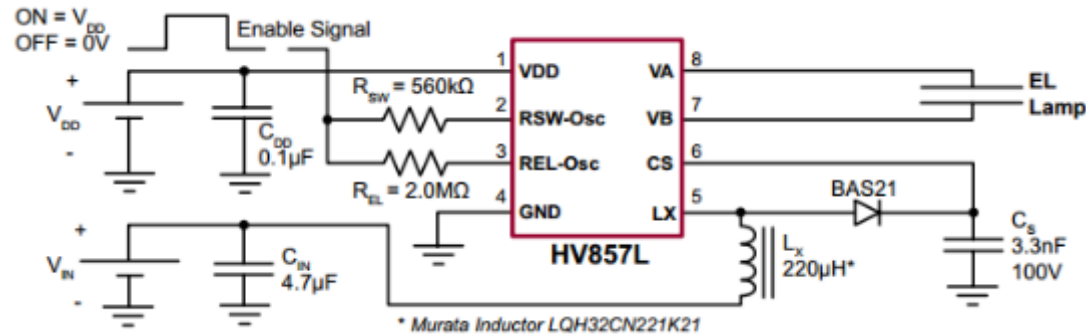


HV857LDB1

Online
Datasheet

Demo Board

The HV857LDB1 demoboard contains all necessary circuitry to demonstrate the features of the HV857L EL lamp driver.



Products supported:

- HV857LMG-G

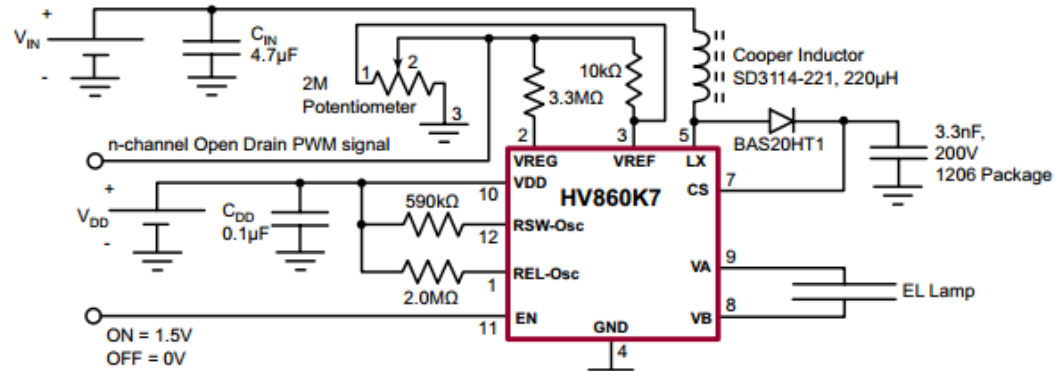


HV860DB1

[Online Datasheet](#)

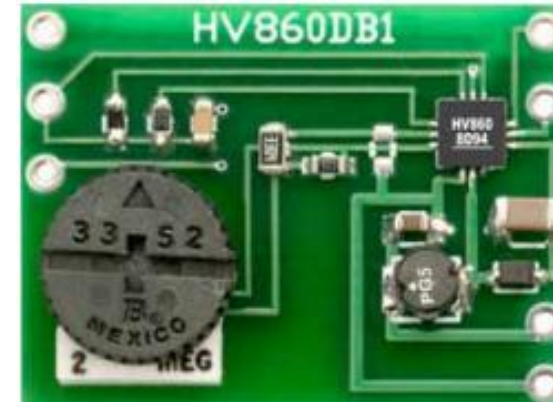
Demo Board

The HV860DB1 demoboard contains all necessary circuitry to demonstrate the features of the HV860 EL lamp driver.



Products supported:

- HV860K7-G



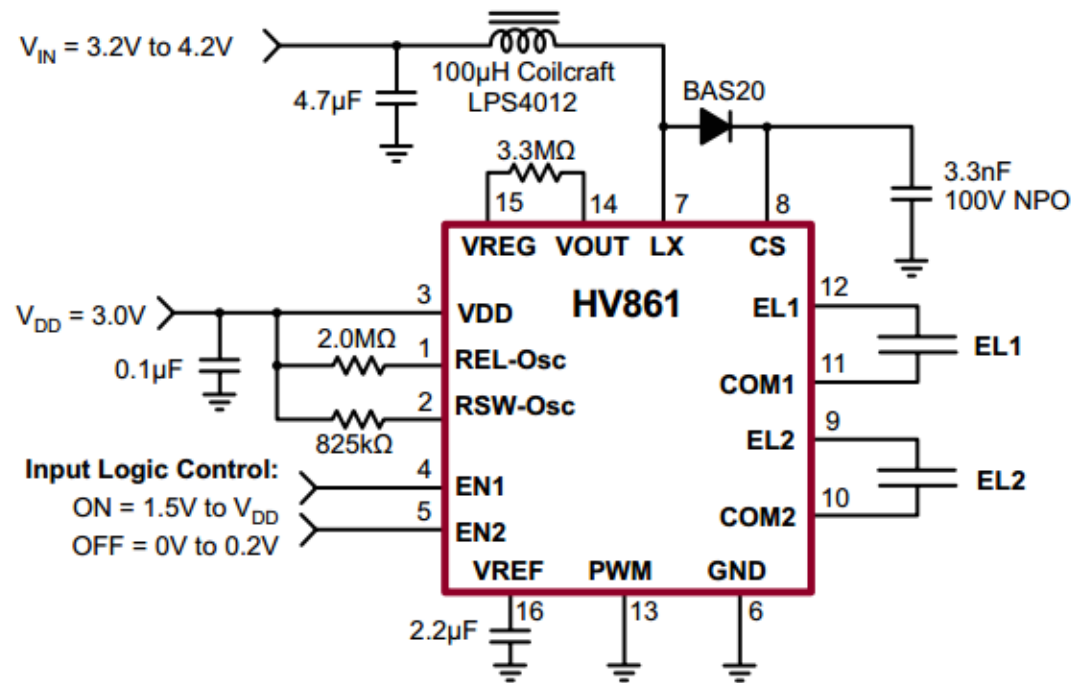
HV861DB1 Demo Board

Online
Datasheet

The HV861DB1 demoboard contains all the necessary circuitry to demonstrate the features of the HV861 dual EL Lamp driver

Products supported:

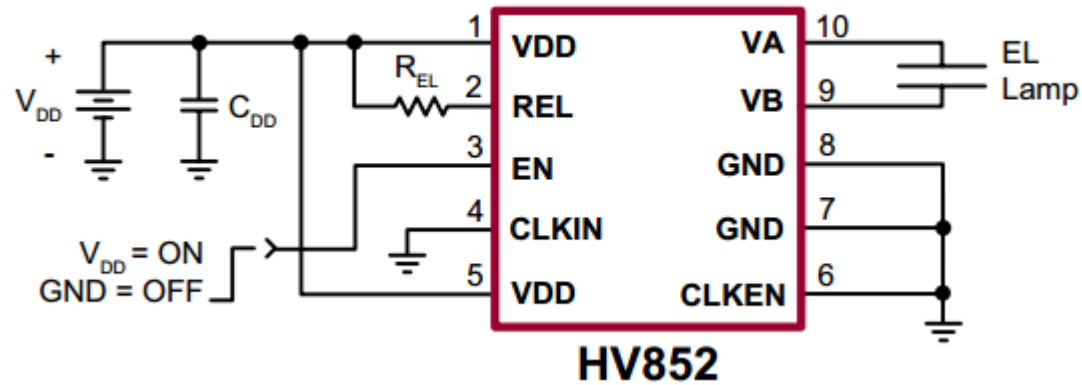
- HV861K7-G



HV852DB1 Demo Board

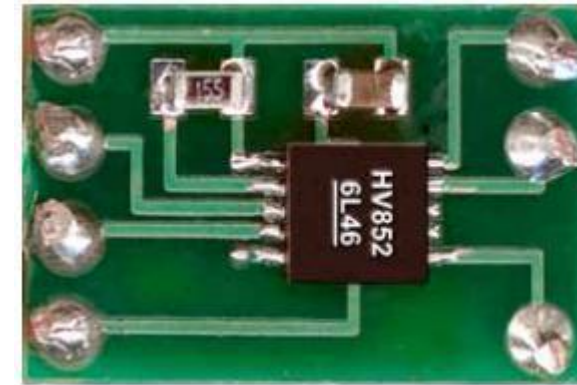
[Online Datasheet](#)

The HV852DB1 demoboard contains all necessary circuitry to demonstrate the features of the HV852 EL lamp driver.



Products supported:

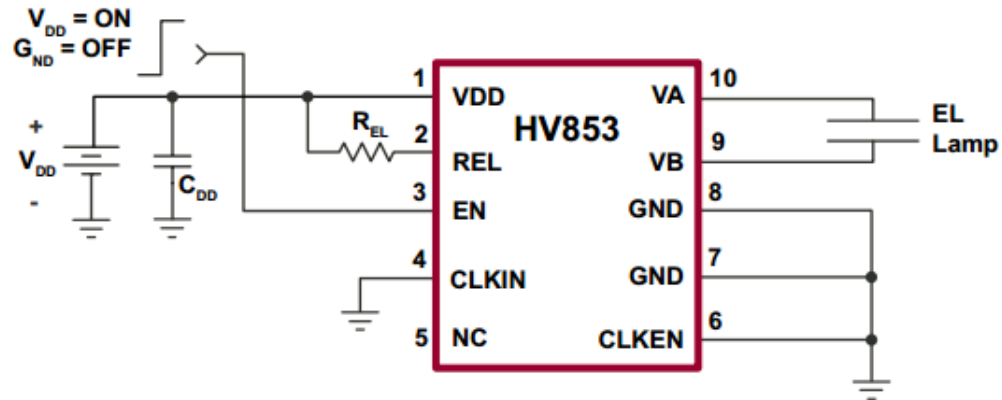
- HV852K7-G



HV853DB1 Demo Board

[Online Datasheet](#)

The HV853DB1 demoboard contains all the necessary circuitry to demonstrate the features of the HV853 EL lamp driver. The HV853 is the low noise version of the EL driver HV852 with improved EMI performance.



Products supported:

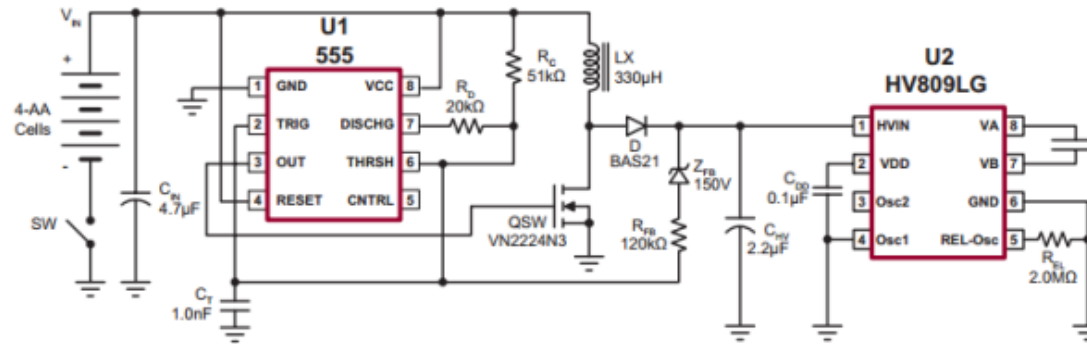
- HV853K7-G



HV809DB2 Demo Board

[Online Datasheet](#)

The HV809DB2 EL Driver demoboard contains all the circuitry necessary to drive an EL (Electroluminescent) lamp.



Products supported:

- HV809



Ethernet PHY (Transceiver) Eval Boards

[Online
Datasheet](#)



EVB8742



**PIC32 Ethernet Starter Kit II
(Part # DM320004-2)
with LAN8720A**



**KSZ8061MNX 32-QFN Evaluation Board
(Part # KSZ8061MNX-EVAL)**



Ethernet Controller & EtherCAT Eval Boards

[Online Datasheet](#)

LAN9252
3-Port EtherCAT Slave Controller



EVB-LAN9252-3PORT

LAN9252
EtherCAT Slave Controller w/HBI



EVB-LAN9252-HBI

LAN9252
EtherCAT Slave Controller w/DIGI-IO



EVB-LAN9252-DIGIO

LAN9250
10/100 Ethernet Controller



EVB-LAN9250

KSZ8851
10/100 Ethernet Controller



ATETHERNET1-XPRO



KSZ8851SNL-EVAL

[<< BACK](#)



Ethernet Switch Eval Boards

LAN & KSZ

LAN9303
3-Port Managed Ethernet Switch



EVB9303M

LAN935x
3-Port Ethernet Switch



EVB-LAN9355

KSZ9897/9477
7-Port Gigabit Ethernet Switches



KSZ9897-EVAL



LAN9303 PHY Switch Daughter Board
(Part # AC320004-4)



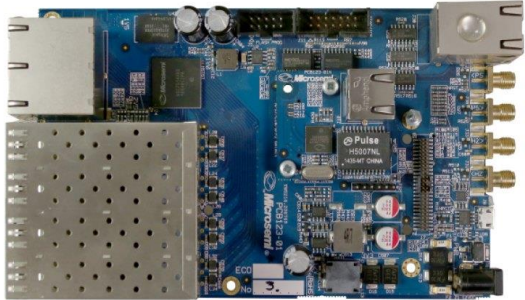
KSZ9477-EVAL



Ethernet Switch Eval Boards

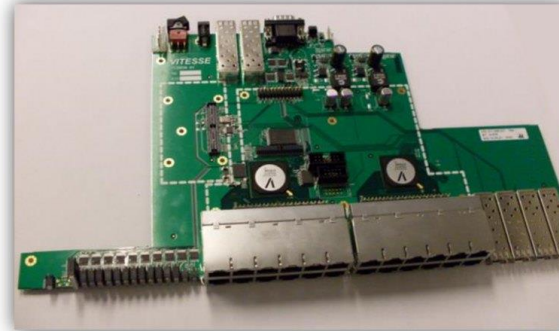
VSC

VSC7514/7513
10-port / 8-port Ethernet Switches



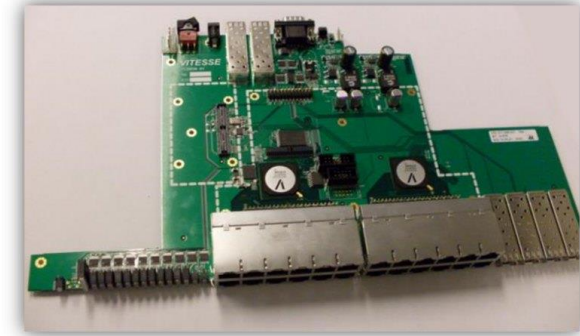
VSC7514EV

VSC7422,21,20
25-port to 10-port Ethernet Switches



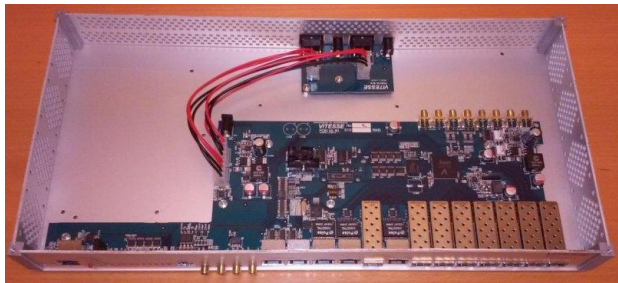
VSC5610EV-UN

VSC7429,28,27,26,25,24,23
26-port to 7-port Ethernet Switches



VSC5611EV

VSC7440,37,36,35,30,15,10
10-port / 8-port Ethernet Switches



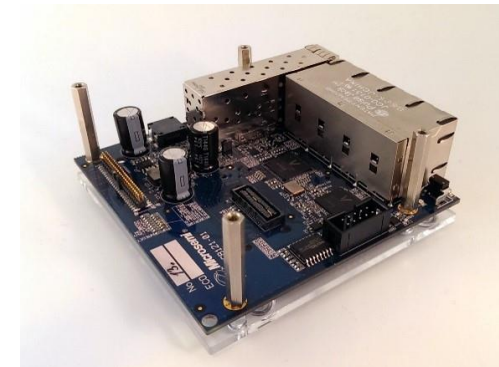
VSC5630EV

VSC7558,56,52,49,46TSN
VSC7558,56,52,49,46
Up to 64-port Ethernet Switches



VSC5640EV

VSC7512/7511
10-port / 4-port Ethernet Switches



VSC5634EV



Ethernet Bridge Eval Boards

[Online
Datasheet](#)

LAN9500A USB 2.0 to 10/100
Ethernet Evaluation Boards

EVB-LAN9500A-LC



EVB-LAN9500A-MII

LAN9730 USB 2.0 HSIC to 10/100
Ethernet Evaluation Board



EVB-LAN9730-MII

LAN7500 USB 2.0 to 10/100/1000
Ethernet Evaluation Boards



EVB-LAN7500-LC



EVB-LAN7500

LAN7800 USB 3.1 Gen1 to 10/100/1000
Ethernet Evaluation Boards



EVB-LAN7800



EVB-LAN7800LC

LAN951x USB 2.0 to 10/100
Ethernet Hub Evaluation Boards



EVB9514



EVB9512

[<< BACK](#)



EQCO-FastECoax-7501.2

Online
Datasheet

Microchip's Ethernet over coax adapters uniquely provide Power over Ethernet (PoE) bridging over the coax link to provide ample power (PoC) for remote devices, eliminating the need to bring separate power cables to cameras in remote locations.

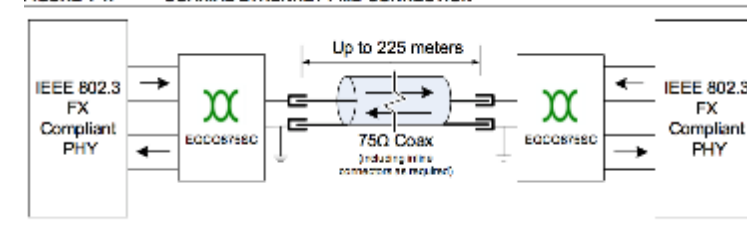
- Uses legacy analog video cabling (75Ω coax)
- Fully transparent 100Base-T full duplex Ethernet including link status pass-through
- Full 100 Mbps FDX over 250 meter coax runs*
- Can be concatenated using repeaters for even longer cable runs
- Supports 10/100Base-T Ethernet standard- definition and high-definition video camera including PoE-powered devices
- Optional DC power pass-through for remote powering of low-voltage cameras
- Small 70 mm x 37 mm enclosure can be wall mounted or the board—without enclosure—can be placed inside the camera enclosure

Microchip's Ethernet over Coax adapters (EQCO- FastECoax7501) are installed in pairs. The Head-End adapter takes conventional 100Base-T Ethernet from the NVR and passes it through the PoE-compliant Ethernet switch, or a PoE injector, to the Camera-Side unit. It can be optionally powered by an AC adapter. Power and bidirectional data is passed over the coax cable to the Camera Side adapter at the far end which optionally powers the camera.

Products supported:

- EQCO875SC.3

FIGURE 1-1: COAXIAL ETHERNET PMD CONNECTION



<< BACK



EQCO-SDI-30-7502

[Online Datasheet](#)

HD-SDI Repeater Module

Microchip's EQCO-SDI30-7501 is an extender solution for HD-SDI links, operating over a standard 75Ω coax cable. Each unit receives an attenuated HD-CCTV signal and extends it up to 220m over the coax cable.

The repeater contains three critical components to correct and then retransmit the signal:

Features:

- Adaptive Equalizer to return the signal to its original
- amplitude and modulation
- Reclocker to resynchronize the signal—bringing it back to its original condition
- Cable Driver to retransmit the signal with its original characteristics restored
- Power can be transmitted from the recorder (DVR) side to the camera over the coax cable
- Up to five repeaters may be powered from the first repeater at the DVR side over the cable; if only one or two repeaters are used, the remaining power may also be adequate to power the SDI camera at the remote end
- A control signal (RS485) can be transmitted from the recorder (DVR) side to the camera over the coax cable
- The repeater enables simultaneous signal transmission camera control, and power, over a single cable

Parameter Name	Value
Temp Range (°C)	0 to 50
Storage Temp Range (°C)	-20 to 70
Distance (meters)	220m over RG6 @ 1.5Gbps
Downlink Speed	3Gbps
Uplink Speed	38.4Kbps
Supply Voltage	12VDC or 24VDC
Power over Coax (mW)	up to 9000
Interface Connector	75-ohm BNC to BNC



[<< BACK](#)



CoaXPress Transmitter Eval Board

[Online
Datasheet](#)

The CoaXPress (CXP) machine vision standard uses asymmetric data transmission over Coax cables - with speeds of up to 6.2Gbit/s from the camera and up to 20Mbit/s control data from the frame grabber to the camera. Microchip offers fully qualified board-sets (transmitter and receiver) as an evaluation and development aid to customers.

Products supported:

- EQCO62T20.3
- EQCO31T20.3



CoaXPress® CXP Evaluation Board - Transmitter
(Part # EVB-DBSUB1584)



CoaXPress Receiver

[Online Datasheet](#)

EVB-DBSUB1586

The CoaXPress (CXP) machine vision standard uses asymmetric data transmission over Coax cables - with speeds of up to 6.2Gbit/s from the camera and up to 20Mbit/s control data from the frame grabber to the camera. Microchip offers fully qualified board-sets (transmitter and receiver) as an evaluation and development aid to customers.

Products supported:

- EQCO62R20.3
- EQCO31R20.3



CoaXPress® CXP Evaluation Board - Receiver
(Part # EVB-DBSUB1586)



TC77 PICtail™

[Online Datasheet](#)

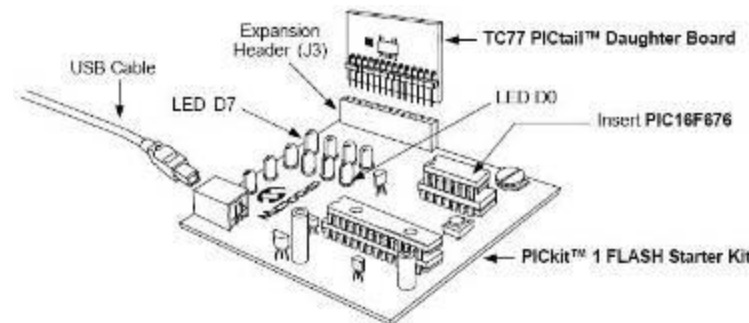
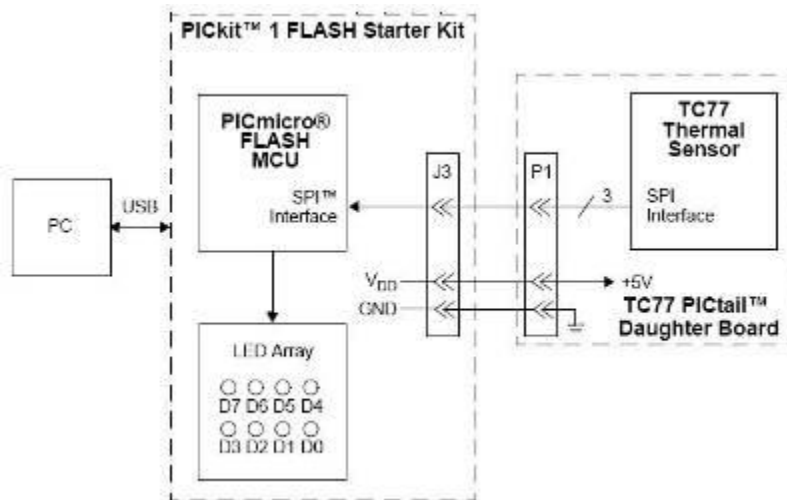
Demo Board

The TC77 Thermal Sensor PICtail™ Demo Board demonstrates how to interface the TC77 device to a microcontroller. A PIC16F676 14-pin Flash-based 8-bit CMOS microcontroller is included with the demo board, which can be used with the PICKit™ 1 Flash Starter Kit, along with firmware that provides the SPI interface and temperature conversion routines, to communicate with the TC77.

The Demo Board can also be used as a stand-alone module to quickly add thermal-sensing capability to any existing application. This basic sensor functionality is implemented on a small PCB.

Products supported:

- TC77
- PIC16F676

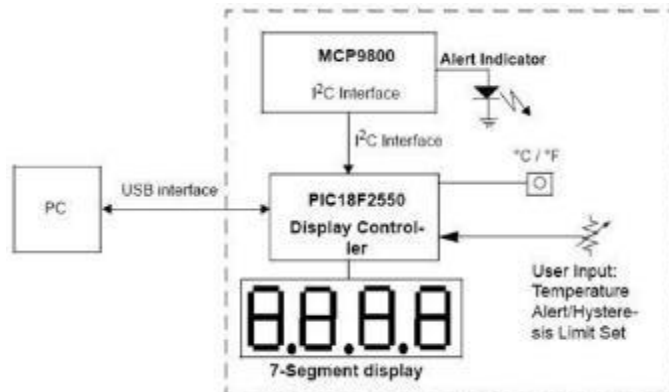


MCP9800 Temperature

Online
Datasheet

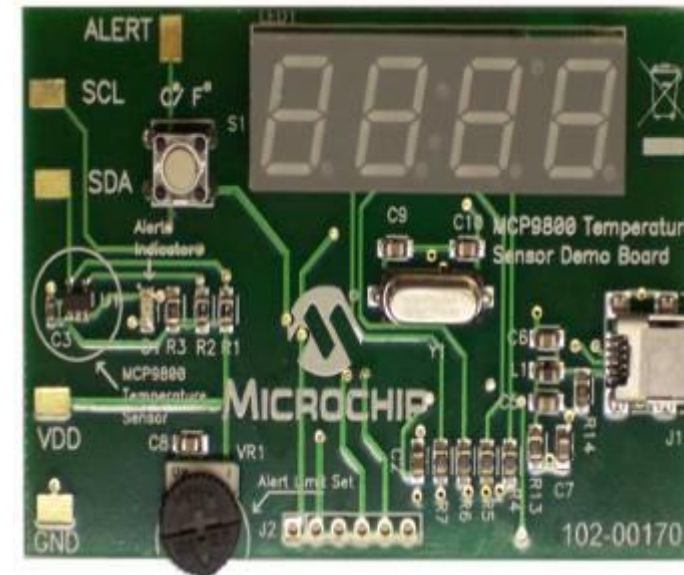
Sensor Demo Board

The MCP9800 Temperature Sensor Demo Board demonstrates the sensor's features. Users can connect the demo board to a PC with USB interface and evaluate the sensor performance. The 7-Segment LED displays temperature in degrees Celsius or degrees Fahrenheit; the temperature alert feature can be set by the users using an on board potentiometer. An alert LED is used to indicate an over temperature condition. In addition, temperature can be datalogged using the Microchip Thermal Management Software Graphical User Interface (GUI). The sensor registers can also be programmed using the GUI.



Products supported:

- MCP9800
- PIC18F2550



<< BACK



MCP9902

[Online Datasheet](#)

Evaluation Board

The MCP9902 Temp Sensor Evaluation Board that demonstrates all of the MCP9902 features, and allows a user to view and modify registers. A user may:

- Plot the temperature of the two temperature channels
- Set alert temperatures associated with those channels.

LEDs indicating status information and test points are included to enable system voltages monitoring, using a voltmeter or an oscilloscope. The board requires only one universal serial bus (USB) connection to power the board.

Products supported:

- MCP9902



[<< BACK](#)

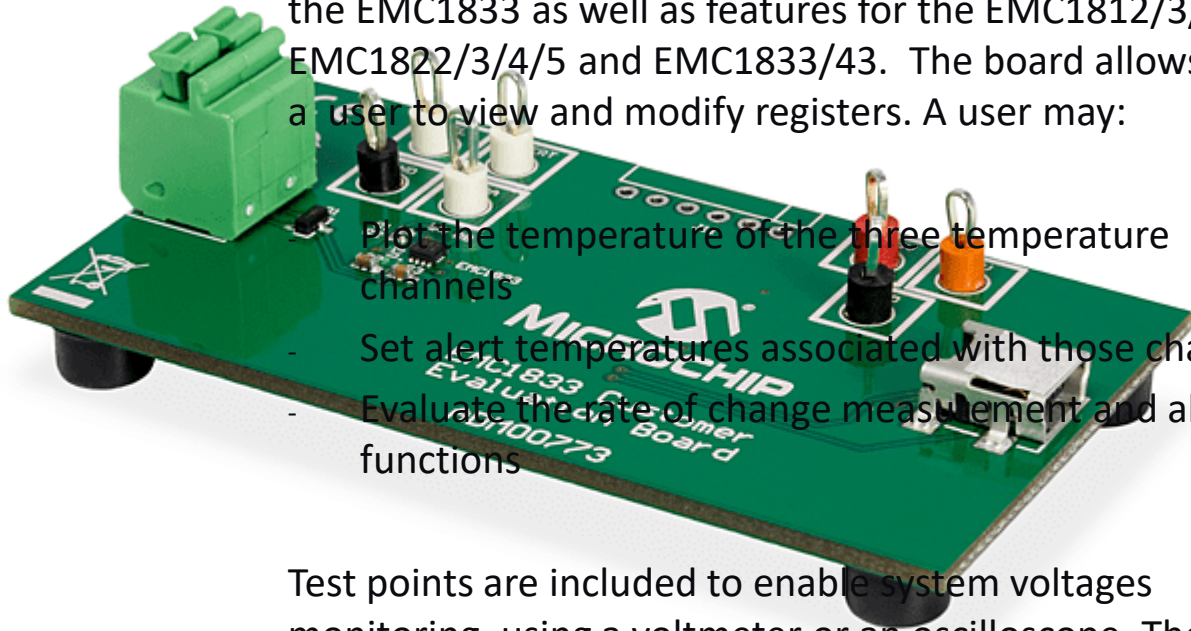


EMC1833 Evaluation Board

[Online
Datasheet](#)

Also Serves as an Evaluation Board for EMC1812/3/4/5 and EMC1822/3/4

The EMC1833 Temp Sensor Evaluation Board demonstrates the EMC1833 as well as features for the EMC1812/3/4/5, EMC1822/3/4/5 and EMC1833/43. The board allows a user to view and modify registers. A user may:



- Plot the temperature of the three temperature channels
- Set alert temperatures associated with those channels
- Evaluate the rate of change measurement and alert functions

Test points are included to enable system voltages monitoring, using a voltmeter or an oscilloscope. The board requires only one universal serial bus (USB) connection to power the board.

EMC1833 3-Channel Temperature Evaluation Board
(Part # ADM00773)



P/N ADM00773

[<< BACK](#)

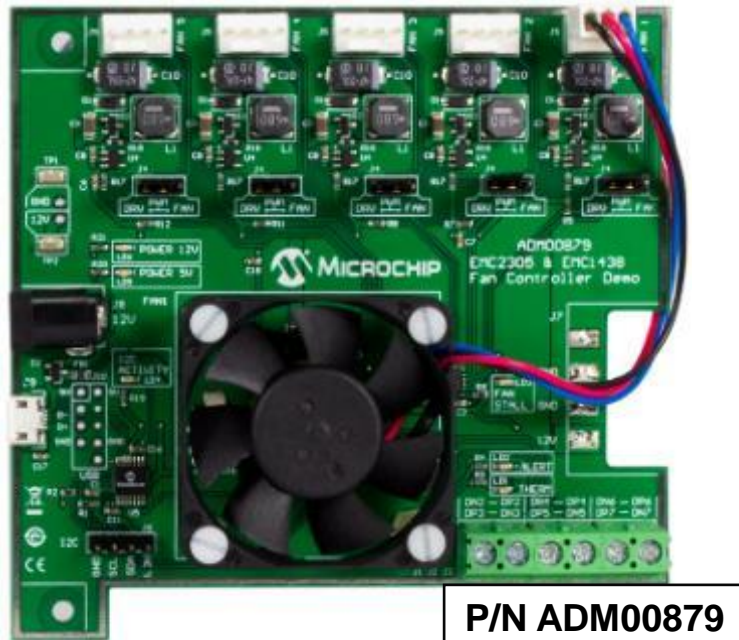


EMC2305 & EMC1438 Fan Ctrl and Temp Demo

[Online
Datasheet](#)

The ADM00879 Fan Controller Demo Board provides an example of a 12V fan control application using the EMC2305 fan controller and EMC1438 temperature sensor. There are 5 fan channels, 2 on board temperature sensors and 6 remote temperature sensor inputs available.

The demo GUI has options to manually set up all the parameters for the thermal sensor and fan controller, as well as providing a fully automatic temperature control interface where any fan channel can be linked to any temperature channel



[<< BACK to Fan Control](#)

[<< BACK to Thermal](#)



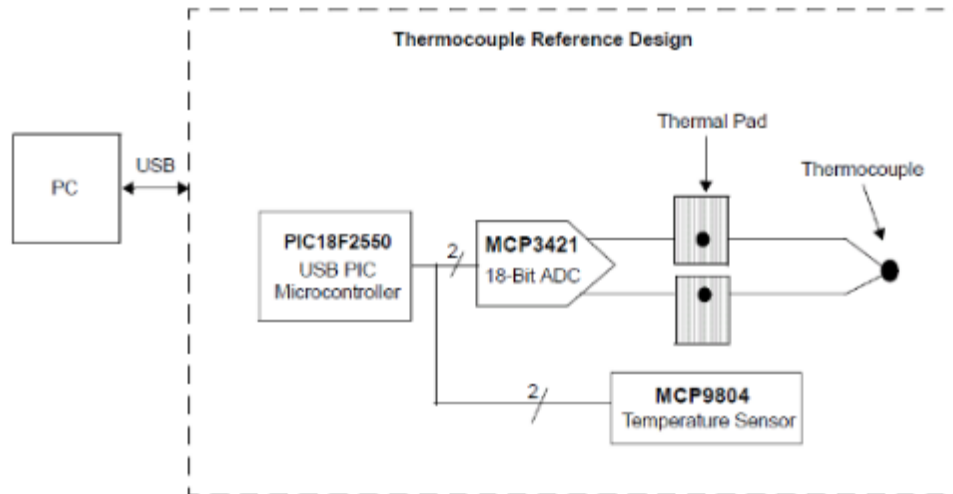
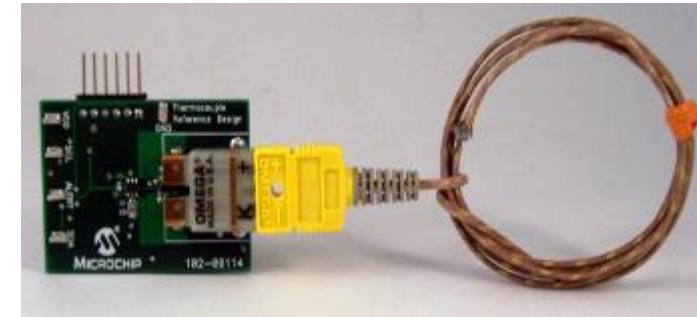
Thermocouple Reference Design

Online
Datasheet

The Thermocouple Reference Design demonstrates Microchip's solution to accurately measure temperature using a Thermocouple and an 18-bit ADC, MCP3421. This solution eliminates the need for the traditional analog instrumentation system calibration or gain and offset trimming techniques. In addition, the Thermocouple linearization techniques can be implemented in firmware or software.

Products supported:

- MCP9804
- MCP3421
- PIC18F2550



<< BACK to ADC

<< BACK to Temp. Sensors



MCP9600 Eval Board

[Online Datasheet](#)

The MCP9600 Thermocouple IC Evaluation Board is used to evaluate MCP9600 Thermocouple EMF voltage to degree Celsius converter. Users can easily evaluate all device features using a Type K thermocouple. The device also supports Types J, T, N, E, B, S and R thermocouples. Each of these types can be evaluated by replacing the Type K thermocouple connector with the corresponding connectors. In addition, the MCP9600 Thermocouple IC Evaluation Board connects to a PC via a USB interface. Temperature can be data-logged using the Microchip Thermal Management Software Graphical User Interface (GUI).

Products supported:

- MCP9600
- PIC18F2520



MCP9700 PICtail™

Demo Board

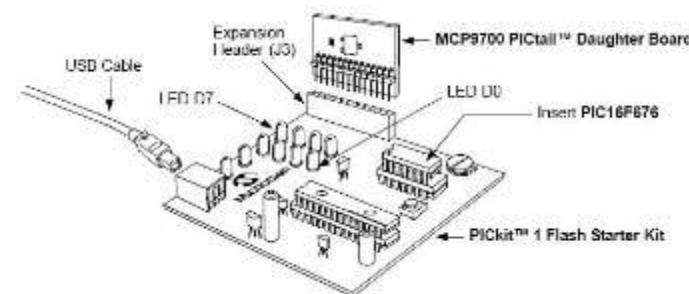
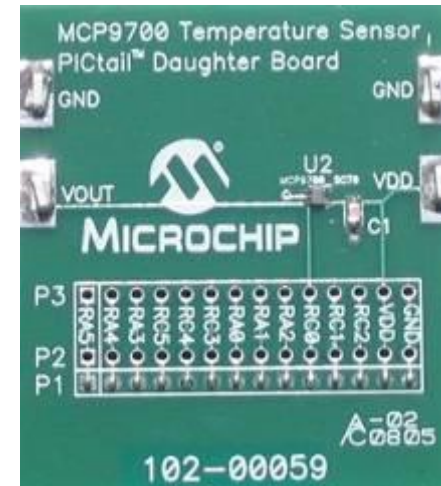
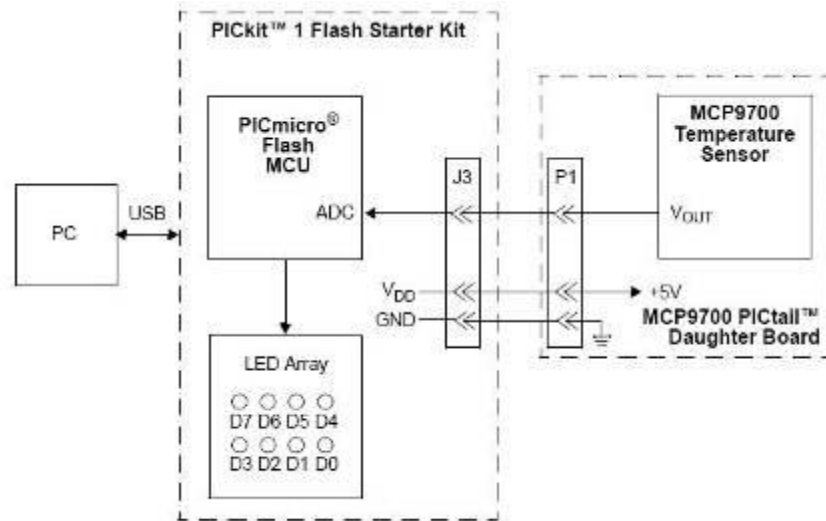
[Online Datasheet](#)

The MCP9700 Temperature-to-Voltage Converter PICtail™ Demo Board demonstrates how to interface the MCP9700 to a PIC® microcontroller using the PICkit™ 1 Flash Starter Kit as a platform. A PIC16F676 14-pin, Flash-based, 8-bit CMOS microcontroller device is included with the demo board that can be used with the PICkit™ 1 Flash Starter Kit, along with firmware that provides the interface to the MCP9700 Temperature-to-Voltage Converter PICtail™ Demo Board and the voltage-to-temperature conversion routines.

The demo board can also be used as a stand-alone module to quickly add thermal sensing capability to any existing application. This basic sensor functionality is implemented on a small PCB and an interface via a standard 100 mil header.

Products supported:

- MCP9700
- PIC16F676

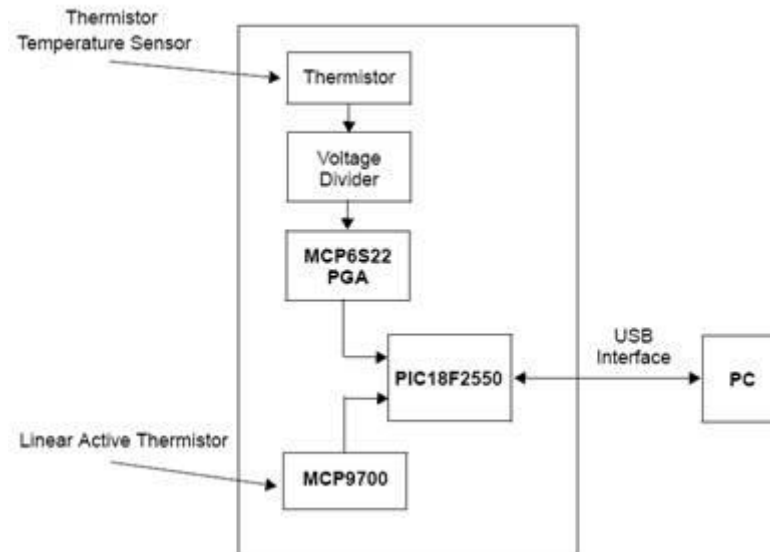


MCP9700 Thermistor

[Online Datasheet](#)

Demo Board

The MCP9700 Thermistor Demo Board contains the analog circuitry to measure temperature. It uses BC Components' 232264055103 NTC thermistor to convert temperature to resistance. The thermistor is placed in a voltage divider which converts resistance to voltage. This voltage is filtered and placed at the MCP6S22 Programmable Gain Amplifier's (PGA) CH0 input. The PGA gains and buffers the thermistor. In addition, the board includes the MCP9700 Linear Active Thermistor. The MCP9700 outputs voltage proportional to temperature. A PIC18F2550 is used to both measure the voltage output of the MCP9700 and the MCP6S22 using an integrated 10-bit Analog to Digital Converter and communicate to a PC via USB interface. Temperature can be data logged using Microchip Thermal Management Software Graphical User Interface (GUI).



Products supported:

- MCP9700
- MCP6S22
- PIC18F2550



TC1047A PICtail™

Demo Board

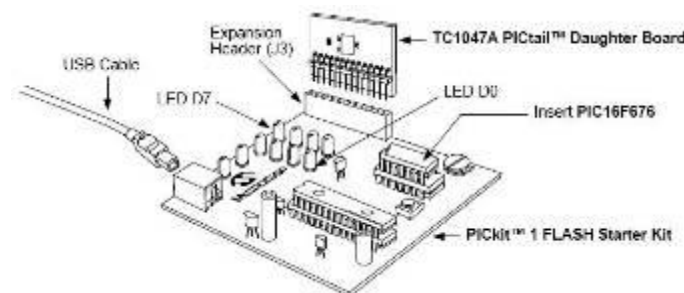
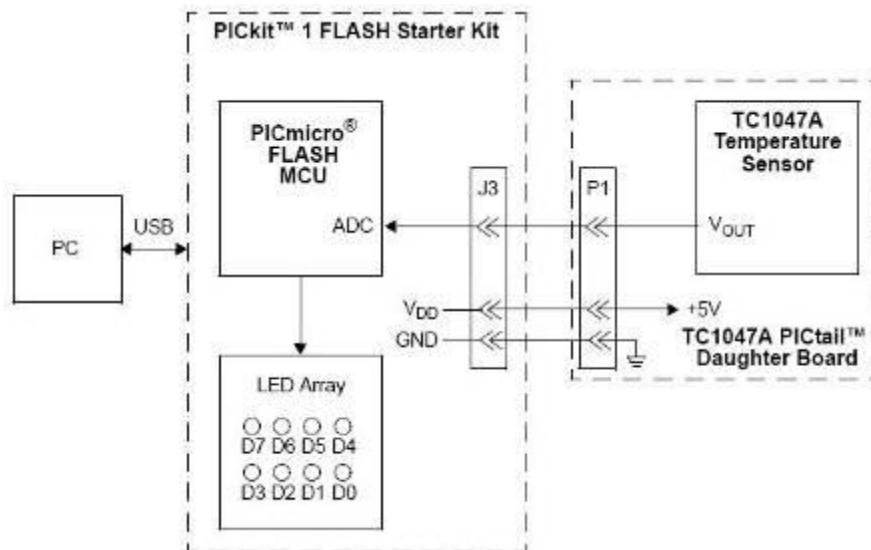
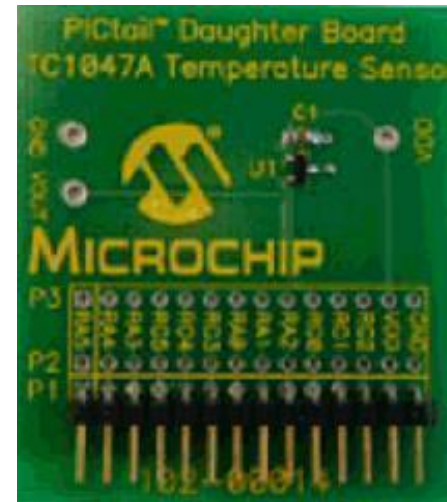
[Online Datasheet](#)

The TC1047A Temperature-to-Voltage Converter PICtail™ Demo Board demonstrates how to interface the TC1047A to a PIC® microcontroller using the PICkit™ 1 Flash Starter Kit as a platform. A PIC16F676 14-pin, Flash-based, 8-bit CMOS microcontroller device is included with the demo board that can be used with the PICkit™ 1 Flash Starter Kit, along with firmware that provides the interface to the TC1047A Temperature-to-Voltage Converter PICtail™ Demo Board and the voltage-to-temperature conversion routines.

The demo board can also be used as a stand-alone module to quickly add thermal sensing capability to any existing application. This basic sensor functionality is implemented on a small PCB and an interface via a standard 100 mil header.

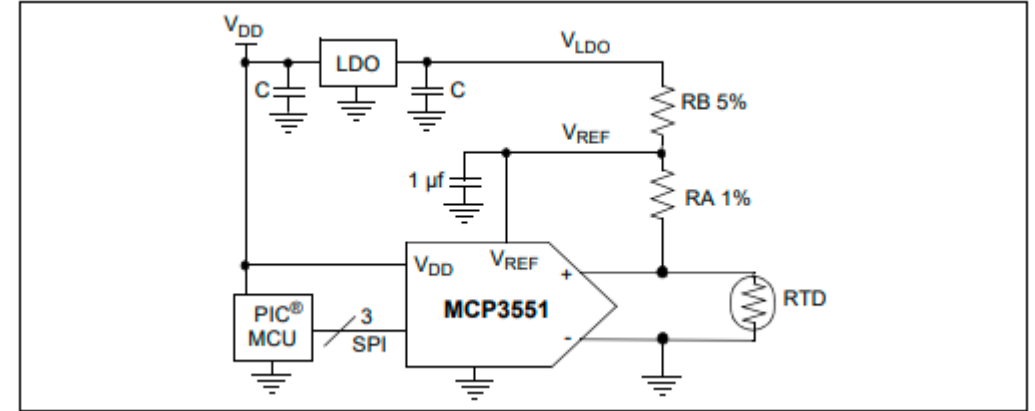
Products supported:

- TC1047A
- PIC16F676



RTD Reference Design Board

The RTD Reference Design demonstrates how to implement a Resistive Temperature Detector (RTD) and accurately measure temperature. This solution uses the MCP3551 22-Bit Analog-to-Digital Converter (ADC) to measure voltage across the RTD. The ADC and the RTD are referenced using an on-board reference voltage, and the ADC inputs are directly connected to the RTD terminals. This provides a ratio metric temperature measurement. The solution uses a current limiting resistor to bias the RTD. It provides a reliable and accurate RTD instrumentation without the need for extensive circuit compensation and calibration routines. In addition, this reference design includes a silicon temperature sensor, MCP9804. This sensor is used for comparison only, it is not needed for the RTD instrumentation circuit. The MCP3551 and MCP9804 outputs are read using a USB PIC[®] MCU. This controller is also connected to a PC using USB interface. The Thermal Management software is used to plot the RTD temperature data in strip chart format.



EMC1412 Eval Board

[Online Datasheet](#)

The EMC1412 Evaluation Board provides the means to demonstrate the EMC1412 features and to view and modify registers through USB. LED indicators and test points are included to show status information and a fan driver circuit linearly drives a 5V fan to 3 different speeds based on programmable temperature limits.

Products supported:

- EMC1412



EMC2101 Eval Board

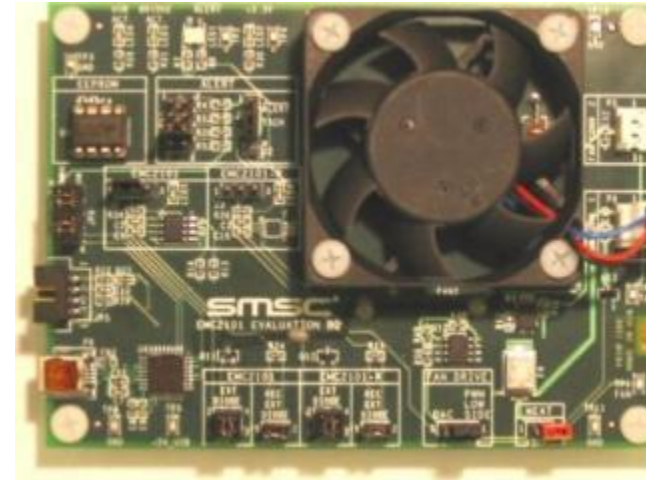
[Online Datasheet](#)

The EMC2101 EVB is a USB-based platform that provides the means to demonstrate EMC2101 features and to view and modify registers. A +12V fan and power supply are provided to demonstrate the fan control functionality. LEDs indicate status information and test points are included to monitor system voltages with a user provided voltmeter or oscilloscope. Also included are:

- Headers for connecting a remote diode or CPU/GPU thermal diode
- Chip Manager (SMSC application) allows:
 - Viewing and changing register values
 - Graphing of any register
 - Resistance Error Correction verification
- Autonomous register loading via included EEPROM (EMC2101-R only)
- USB communication to evaluation board
- An external SMBus master may also be used via jumper settings

Products supported:

- EMC2101



[<< BACK](#)



EMC2103 EVB

Single Closed-Loop PWM Fan Controller with Integrated Temperature Sensors

[Online Datasheet](#)

P/N ADM00902

Features List:

- The EMC2103-4 Fan Controller and Temperature Sensor evaluation board provides development platform with access to all device registers and settings such as spin up, ramp rate control and alerts. The board can drive 3 or 4 wire fans and provides access to all 3 external temperature channels.



- The GUI reports and plots the temperature and fan speed and also has a demo mode with a PID fan control implemented that automatically adjusts the fan speed to keep the temperature in check. The PID constants are user accessible so they can be fine tuned based on a specific setup.
- All device registers and configuration settings are editable from the GUI and they can also be saved either on the PC for later access or to the on-board EEPROM to be loaded at startup (specific feature for the EMC2103-4).

[<< BACK](#)



PAC1710/20 Eval Board

[Online Datasheet](#)

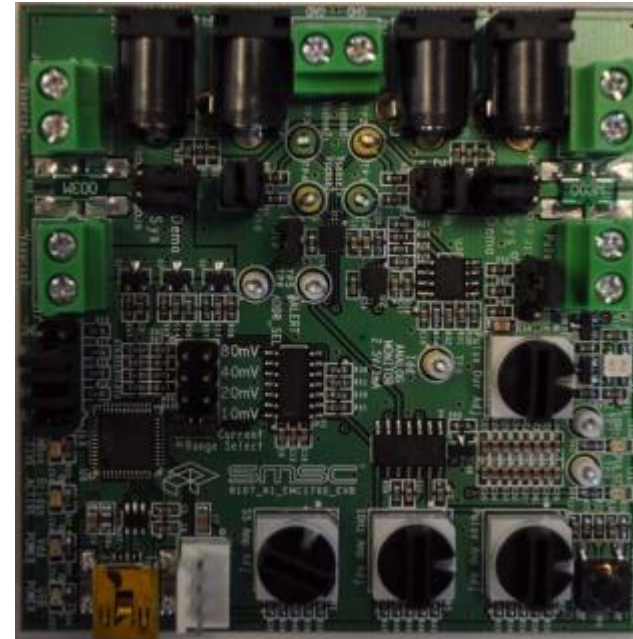
The PAC1710/20 Single-Dual High Side DC Current Sense Eval Board provides the means to evaluate features and to view and modify registers of both PAC1710 and PAC1720. There are two modes of EVB current monitoring operation: Demo Mode, which monitors an onboard current source, and Sys Mode, which monitors an external current source. LEDs indicate status information, and test points are included to monitor system voltages with a user-provided voltmeter or oscilloscope

Features:

- Chip Manager software allows viewing and changing register values
- USB to SMBus bridge for power and communications
- Test points and LEDs for monitoring onboard function
- Screw terminal connections for monitoring external system current up to 20A
- Multiple onboard adjustable current sources (steady state, square wave, test pulse)
- Capability to connect directly to external SMBus master

Products supported:

- PAC1710
- PAC1720



[<< BACK](#)



PAC1921 Eval Board

[Online Datasheet](#)

The PAC1921 is a dedicated power monitoring device with a configurable analog output. This device is unique in that all power related information is available on the 2-wire/I²C compatible interface and power, current, or voltage is available on the analog output..

The evaluation system has the ADM00592, a LabView based application, & allows the user to:

- View and change register values
- Save of settings of all registers allowing for quick configuration at a later time
- Graphing of any register

The hardware platform provides the user:

- Headers for connecting a Sense Resistor
- USB-to-SMBus bridge for communications
- Capability to connect directly to an external SMBus master

Products supported:

- PAC1921



PAC1921 High-Side Power and Current Monitor
Evaluation Board
(Part # ADM00592)



PAC1934 Eval Board

[Online
Datasheet](#)

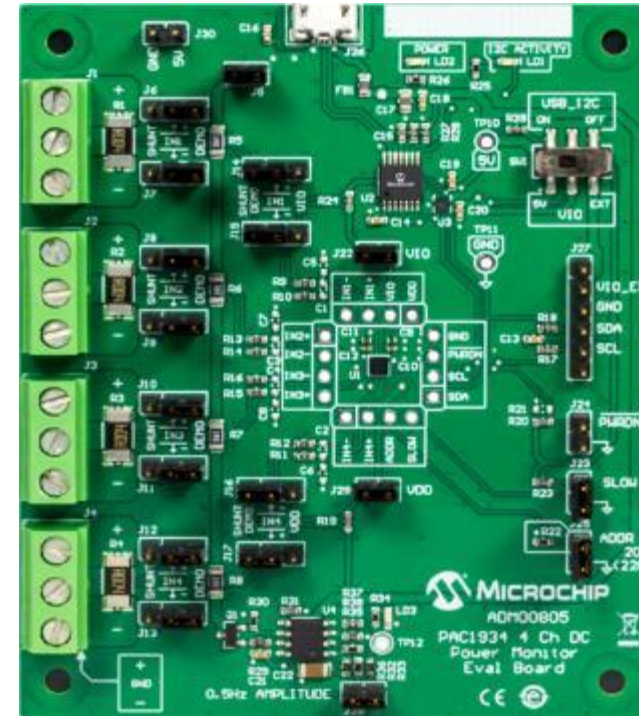
The PAC1934 Quad DC Power/Energy Monitor evaluation board provides the means to evaluate features and to view and modify registers of PAC1934. There are two modes of EVB : Demo Mode, which monitors an onboard current source, and System Mode, which monitors allows external connections.

Features:

- GUI software allows viewing of up to 4 system voltage rails
- USB to SMBus bridge for power and communications
- Screw terminal connections for monitoring external system current
- Square wave on board source for Demo Mode
- Capability to connect directly to external SMBus master

Products supported:

- PAC1934



[<< BACK](#)

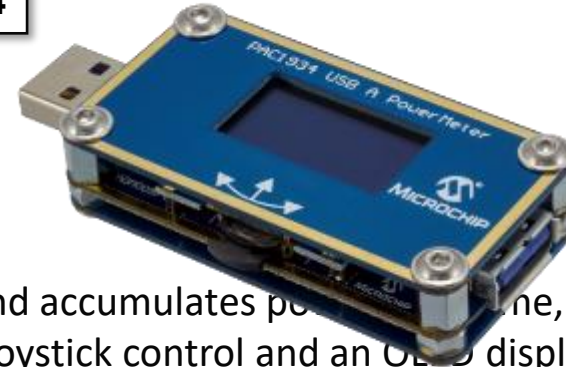


PAC1934

USB A Power Meter

[Online Datasheet](#)

P/N ADM00974



It measures USB voltage and current, automatically calculates instantaneous power and accumulates power over time, making it suitable for power and energy monitoring. The power meter features a user-friendly joystick control and an OLED display. It features PAC1934, a Quad DC Power/Energy Monitor with Accumulation IC.

PAC1934's internal 48-bit power accumulator and 24-bit sample counter registers offloads the Power Meter MCU processing load, reducing the device power consumption and making room for additional high-level features.

PAC1934's internal high-speed data sampling rate (1024) ensures high accuracy metering data reporting with no MCU processing required. Up to 10 measurements can be saved in device FLASH memory. The device counters can be reset to 0 or can be restored to the data saved previously in the FLASH memory.

[<< BACK](#)





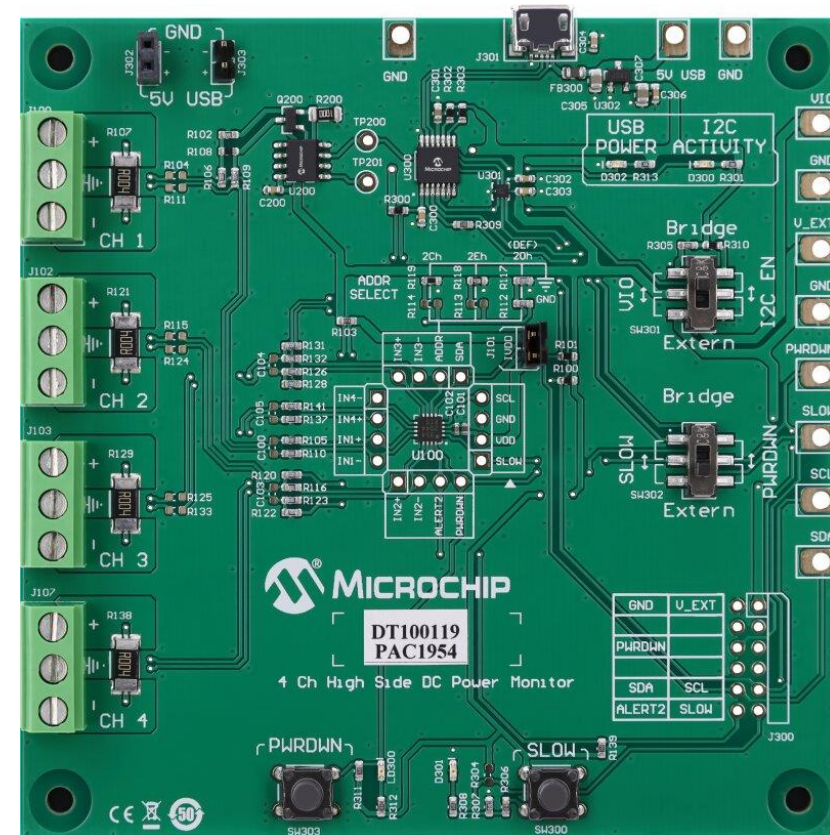
PAC1954 Eval Board

The PAC1954 Quad DC Power/Energy Monitor evaluation board provides the means to evaluate features and to view or modify registers and alerts of the PAC1954. There are two modes of EVB : Demo Mode, which monitors an onboard current source, and System Mode, which monitors allows external connections.

Features:

- GUI software allows viewing of up to 4 system voltage rails
- USB to SMBus bridge for power and communications
- Screw terminal connections for monitoring external system current
- Square wave on board source for Demo Mode
- Capability to connect directly to external SMBus master

Products supported:
PAC1951/2/3/4



UCS1001 Eval Board

[Online Datasheet](#)

The UCS1001 Evaluation Board is intended for evaluation of stand-alone USB charging. The UCS1001 supports popular emulation profiles for Apple, Samsung, and BC1.2 compliant devices. Jumper configurations allow selection of operation for Dedicated Charging Emulation, Charging Downstream Port, Standard Downstream Port, and USB Pass Through

Products supported:

- UCS1001-1
- UCS1001-2



UCS1002 Eval Board

[Online Datasheet](#)

The UCS1002 Evaluation Board allows the user to use a graphical user interface to demonstrate the Highest Current Algorithm, apply charger emulation profiles, and set up for full BC1.2 CDP, DCP, and SDP modes. Options in the GUI include custom profile register configuration, dead battery routines, charge ration operation, and configuration of fault handling.

Products supported:

- UCS1002



MCP6S22 PICtail™

Online
Datasheet

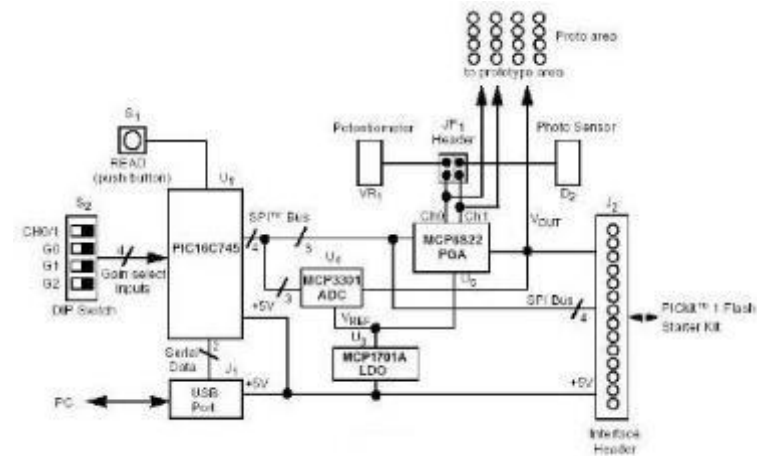
Demo Board

The MCP6S22 PGA PICtail™ Demo Board is used to evaluate and demonstrate Microchip Technology's Programmable Gain Amplifier (PGA) family, MCP6S21/2/6/8. This board has a user interface program the MCP6S22 two-channel PGA. It can also be interfaced with Microchip's PICkit™ 1 Flash Starter Kit Development Board. This platform allows the user to develop firmware that selects the PGA gains and channels using SPI interface.

The demo board can also be used stand-alone, with a user interface that allows the PGA gains and channels to be selected without a firmware development. The board uses a USB interface to communicate with a PC, while the PICkit™ software can be used as a Graphical User Interface (GUI) to display the PGA output voltage.

Products supported:

- MCP6S22
- MCP3301
- MCP1701A
- PIC16C745



<< BACK



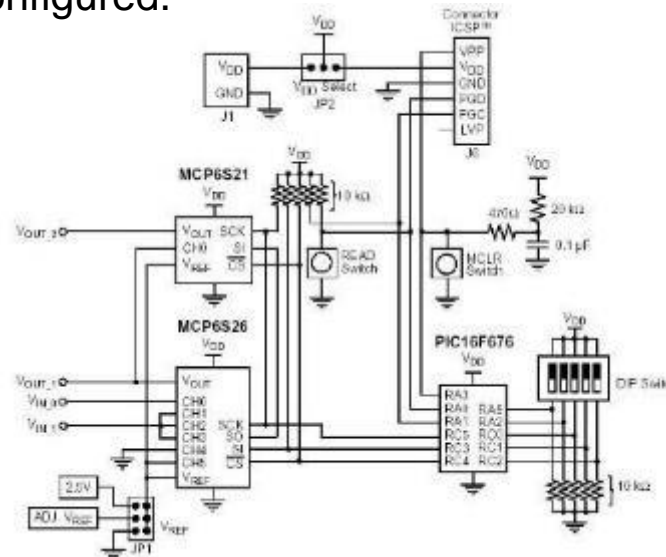
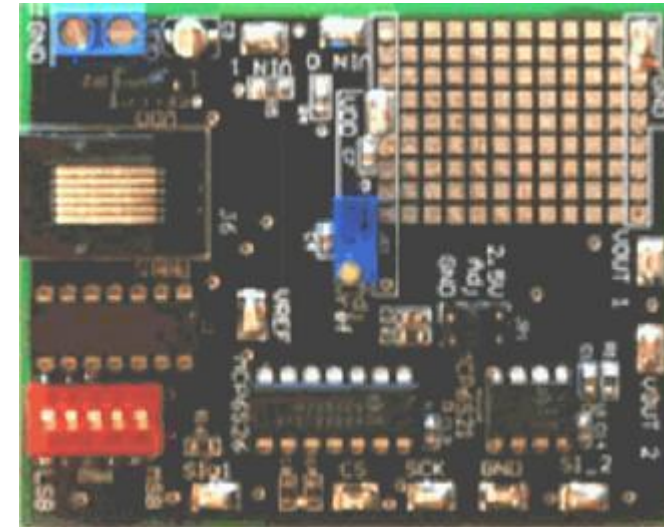
MCP6S2X Eval Board

[Online Datasheet](#)

The single-channel MCP6S21 and six-channel MCP6S26 have been selected for this evaluation board. The PIC16F676 microcontroller is used on-board DIP switch settings that are configured according to the table printed on the evaluation board. This allows the user to program the channel, gain and shutdown of each PGA. Either PGA or both PGAs can be shut down. The six channels of the MCP6S26 and the PGA gains of 1, 2, 4, 5, 8, 10, 16 and 32 V/V can be configured.

Products supported:

- MCP6S21
- MCP6S26
- PIC16F676



Humidity Sensor

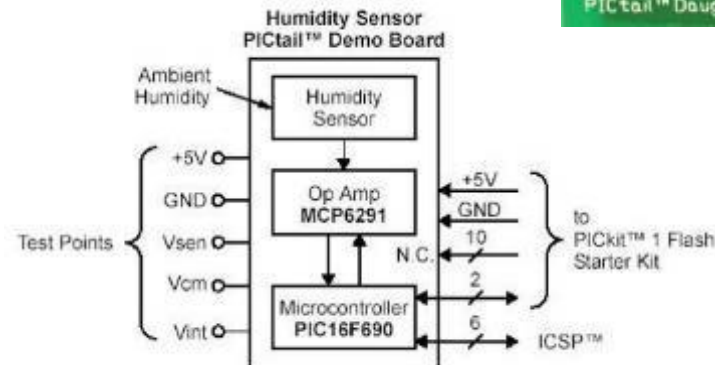
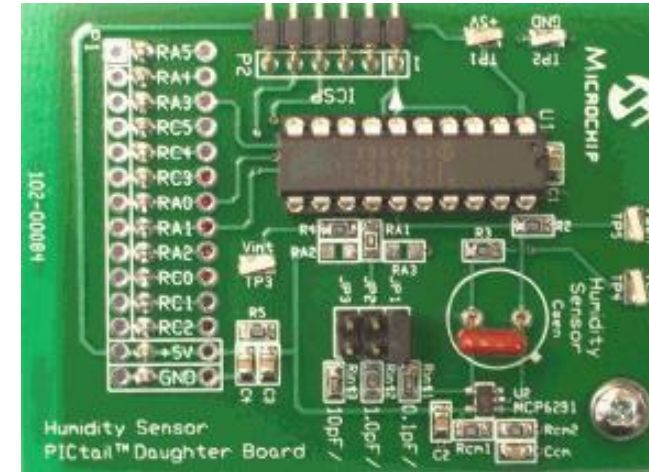
PICTail™ Demo Board

Online
Datasheet

The Humidity Sensor PICTail™ Demo Board senses the ambient relative humidity by changes in the capacitance of the humidity sensor (HS1101LF from Humirel). This sensor is connected to a MCP6291 op amp and a resistor to form an inverting (Miller) integrator. The PIC16F690 microcontroller sends a square wave to the input of the integrator, which the integrator converts to a triangle wave at its output. The firmware controls the magnitude of the triangle wave and measure the integration time. The microcontroller measure the time it takes for the triangle wave to rise and fall. These times are converted to a capacitance value.

Products supported:

- MCP6291
- PIC16F690



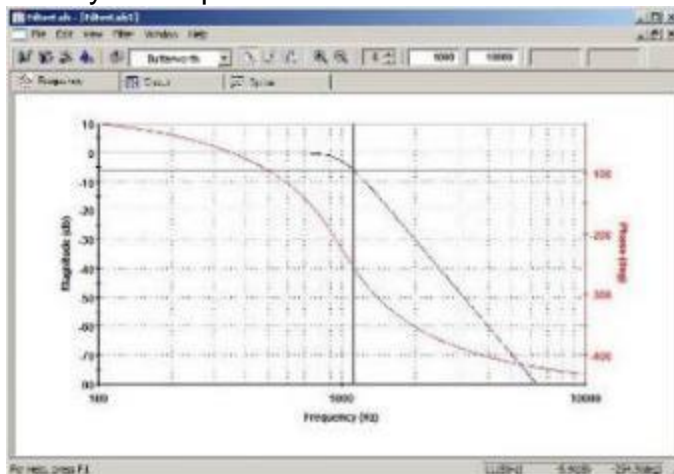
FilterLab® is an innovative software tool that simplifies active filter design. Available at no cost, the FilterLab® active filter software design tool provides full schematic diagrams of the filter circuit with component values and displays the frequency response.

Features:

- Allows the design of low-pass filters up to an 8th order filter with Chebyshev, Bessel or Butterworth responses from frequencies of 0.1 Hz to 10 MHz
- Selection of flat passband or sharp transition from passband to stopband
- Options, such as minimum ripple factor, sharp transition and linear phase delay, are available
- Changes in capacitor values can be implemented
- Generates a spice model of the designed filter allowing time domain analysis in spice simulations

Products supported:

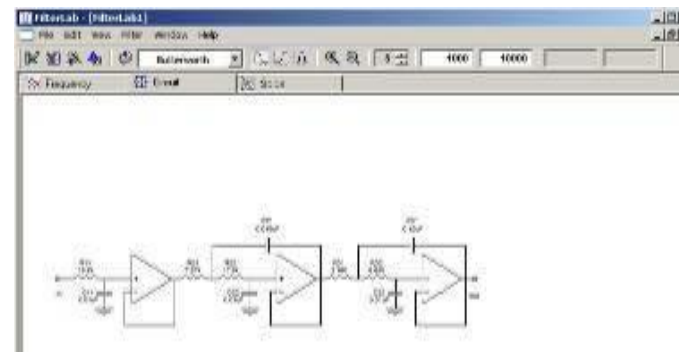
- MCP6xxx



CONDICIONS:	INPUT	OUTPUT	PHASITY
*	1	1	0
*	1	1	1
*	1	1	1
*	1	2	3
*	1	2	4

***** Stage 1 *****
R11 10 11 10000.000
C12 11 0 0.00000001
R13 11 20 0 4 20

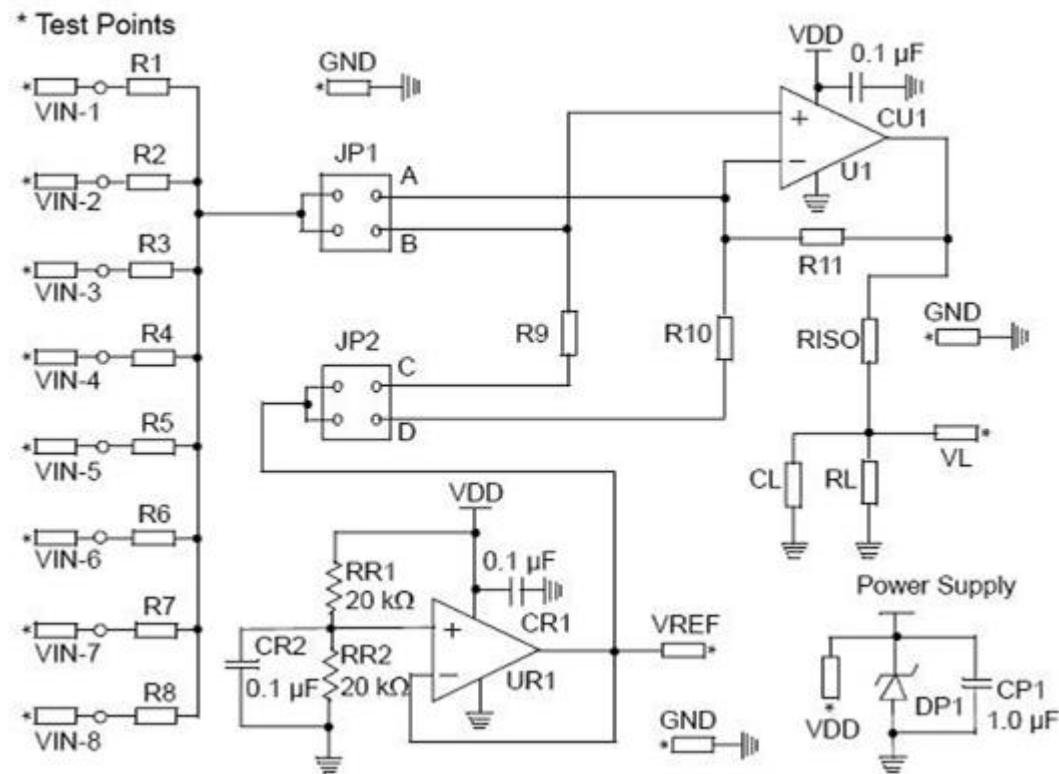
***** Stage 2 *****
R21 20 21 7870.000
R22 21 22 17800.000



MCP6XXX Amplifier Evaluation Board 2

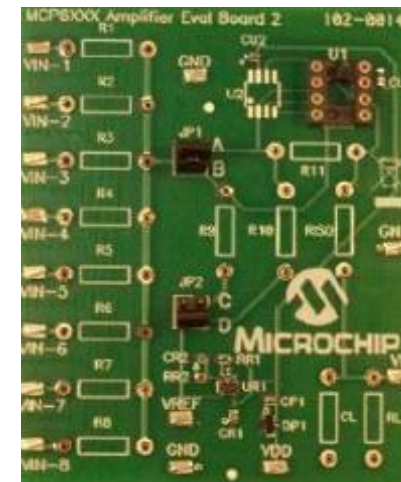
Online
Datasheet

The MCP6XXX Amplifier Evaluation Board 2 is designed to support inverting/non-inverting summing amplifiers.



Products supported:

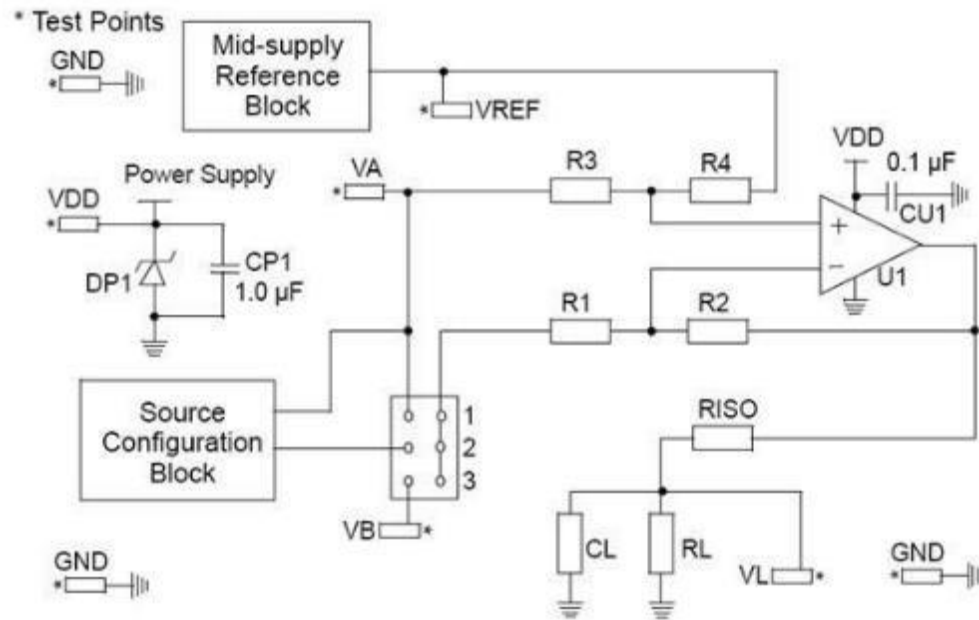
- MCP6XXX



MCP6XXX Amplifier Evaluation Board 3

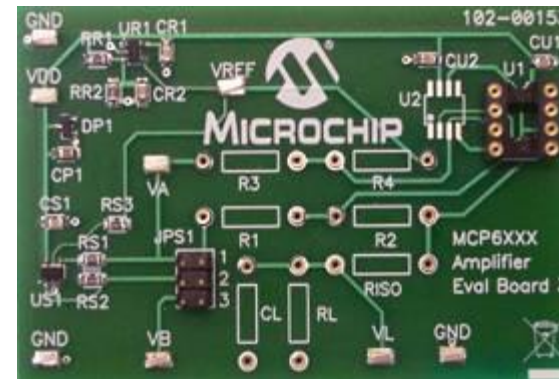
[Online Datasheet](#)

The MCP6XXX Amplifier Evaluation Board 3 is intended to support the difference amplifier circuits.



Products supported:

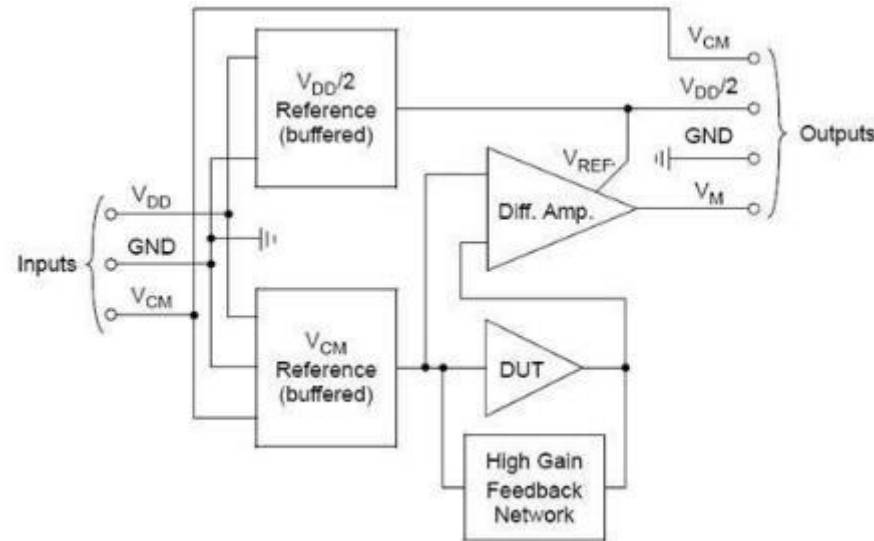
- MCP6XXX



MCP6V01 Input Offset Demo Board

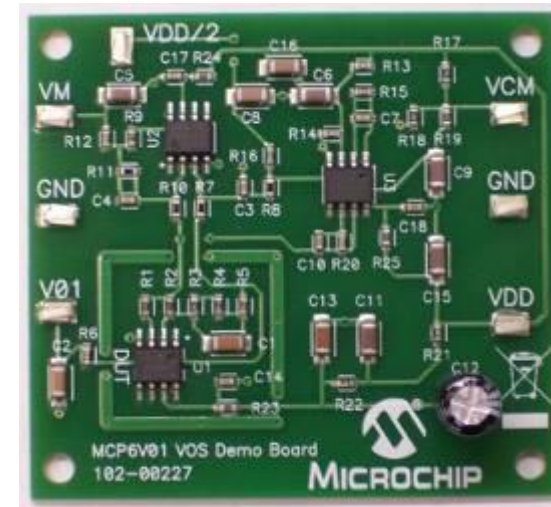
[Online Datasheet](#)

The MCP6V01 Input Offset Demo Board is intended to provide a simple means to measure the MCP6V01/2/3 op amps input offset voltage (V_{OS}) under a variety of bias conditions. This V_{OS} includes the specified input offset voltage value found in the data sheet plus changes due to power supply voltage (PSRR), common mode voltage (CMRR), output voltage (A_{OL}) and temperature (I_{VOS}/I_{TA}).



Products supported:

- MCP6V01
- MCP6V03
- MCP6V06
- MCP6V08



[<< BACK](#)



MCP651 Input Offset Evaluation Board

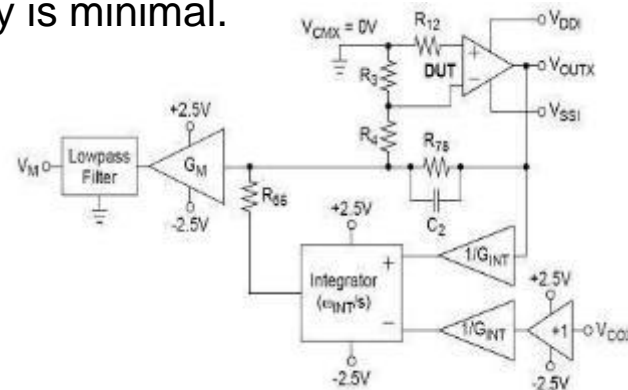
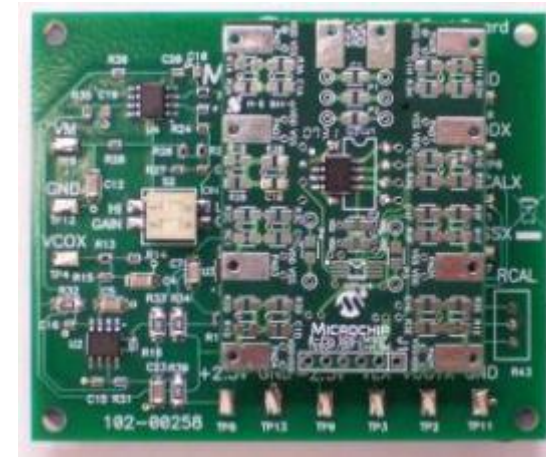
[Online Datasheet](#)

The MCP651 Input Offset Evaluation Board is intended to provide a simple means to measure the MCP651 op amp's input offset voltage under a variety of operating conditions. The measured input offset voltage includes the input offset voltage specified in the data sheet plus changes due to: power supply voltage (PSRR), common mode voltage (CMRR), output voltage, input offset voltage drift over temperature and 1/f noise.

The MCP651 Input Offset Evaluation Board works most effectively at room temperature (near +25°C). Measurements at other temperatures should be done in an oven where the air velocity is minimal.

Products supported:

- MCP651
- MCP6V01



MCP6031 Photodiode

Online
Datasheet

PIctail™ Demo board

The MCP6031 Photodiode PIctail™ Plus Demo Board demonstrates how to use a trans-impedance amplifier, which consists of MCP6031 high precision op amp and external resistors, to convert photo-current to voltage.

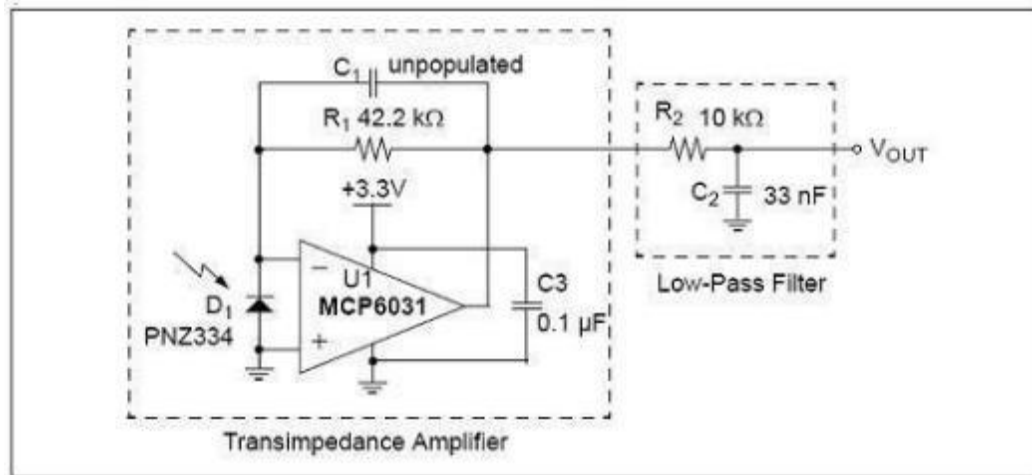


FIGURE 1-4: MCP6031 Photodiode PIctail™ Plus Demo Board Circuit Diagram.

Products supported:

- MCP6031



<< BACK



MCP661 Line Driver

Demo board

[Online Datasheet](#)

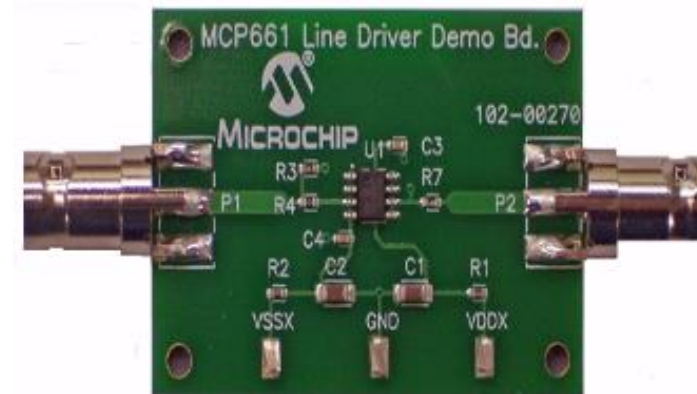
This demo board uses the MCP661 in a very basic application for high-speed op amps; a 50Ω line (coax) driver:

- A 30 MHz solution
- High speed PCB layout techniques
- A means to test AC response, step response and distortion

Both the input and the output are connected to lab equipment with 50Ω BNC cables. There are 50Ω terminating resistors and transmission lines on the board. The op amp is set to a gain of 2V/V to overcome the loss at its output caused by the 50Ω resistor at that point. Connecting lab supplies to the board is simple; there are three surface mount test points provided for this purpose.

Products supported:

- MCP661
- MCP662
- MCP665



MCP6N11 Wheatstone Bridge Reference Design

Online
Datasheet

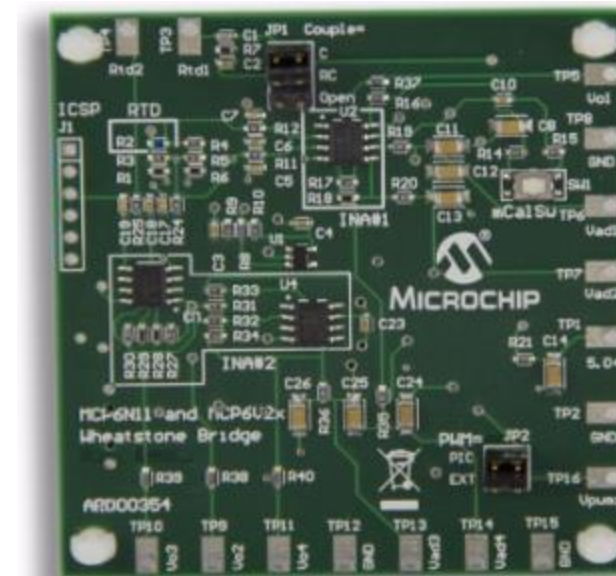
This board demonstrates the performance of Microchip's MCP6N11 instrumentation amplifier (INA) and a traditional three op amp INA using Microchip's MCP6V26 and MCP6V27 auto-zeroed op amps. The input signal comes from an RTD temperature sensor in a Wheatstone bridge. Real world interference is added to the bridge's output, to provide realistic performance comparisons. Data is gathered and displayed on a PC, for ease of use. The USB PICmicro® microcontroller and included Graphical User Interface (GUI) provides the means to configure the board and collect sample data.

This Kit Contains:

- 1x MCP6N11 Wheatstone Bridge Reference Design
- 1x Mini USB Cable

Products supported:

- MCP6N11
- MCP6001
- MCP6V26/7
- PIC18F2553



MCP6421 EMIRR

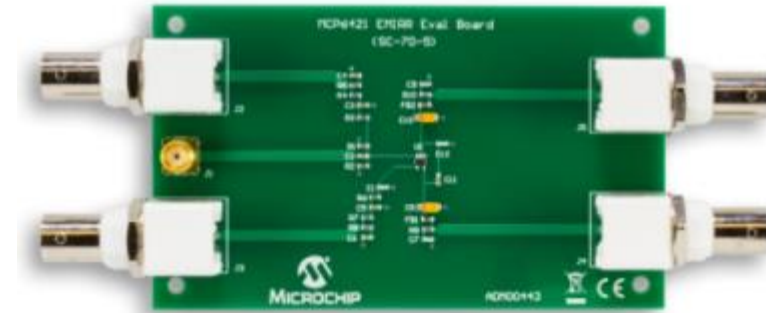
Eval Board

The MCP6421 EMIRR Evaluation Board is intended to support the electromagnetic interference rejection ratio (EMIRR) measurement and to show the electromagnetic interference (EMI) rejection capability of the MCP6421 operational amplifier.

[Online Datasheet](#)

Products supported:

- MCP6421



MCP6N16 Eval Board

[Online Datasheet](#)

This evaluation board is designed to provide an easy and flexible platform when evaluating the performance of the MCP6N16, a Zero-Drift instrumentation amplifier. The evaluation board is populated with the MCP6N16-100, which is optimized for gains of 100V/V or higher. If one of the other gain option models is desired (e.g. MCP6N16-001 for gain of $\geq 1V/V$, or the MCP6N16-010 for gain of $\geq 10V/V$), exchanging the DUT and adjusting the gain setting resistors can easily be accomplished with standard soldering tools.

The board includes differential input filtering, two jumper selectable gain settings and output filtering, in addition to an external voltage reference circuit to allow for an adjustable output common-mode level shifting.

Products supported:

- MCP6N16



[<< BACK](#)

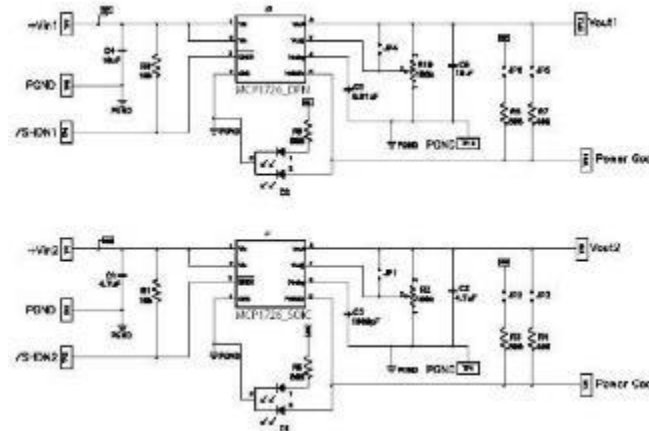


MCP1726 Eval Board

Online
Datasheet

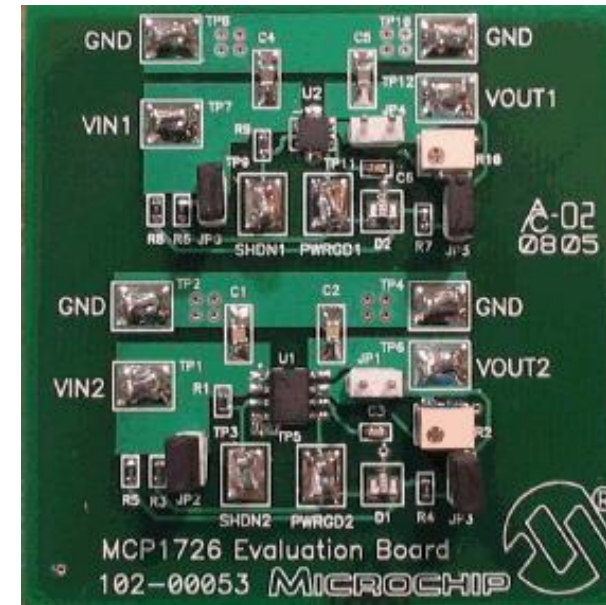
The MCP1726 1A LDO Evaluation Board allows the user to evaluate both the fixed and adjustable versions of the part in the 8-pin SOIC and 8-lead 3x3 DFN packages. An on-board potentiometer allows the user to easily set the output voltage of the adjustable voltage version of the device. Status LEDs indicate when input voltage is applied and when the Power Good (PWRGD) output is in a high condition (output voltage is in regulation).

Connection terminals are provided for the input voltage, output voltage, ground, power good and shutdown.



Products supported:

- MCP1726



<< BACK



SOT223-5 Voltage

Regulator Eval Board

[Online Datasheet](#)

The SOT223-5 Voltage Regulator Evaluation Board is designed to be used to facilitate the evaluation of Microchip's voltage regulators or to be used as a standalone voltage regulator board. Jumpers have been placed on the board to facilitate testing of specific voltage regulator parameters. The jumpers may also be used to select pull-up and pull-down voltage levels.

Features:

- Input and Output headers for future connection to Line Step and Load Step modules
- Ample test points to attach multi-meters, power supplies, and loads
- Jumper to select ground current measurement
- Jumper to select input capacitor
- Jumper to select two different load resistors
- Jumper to select shutdown pin input: V_{DD} , GND, or use test point
- Jumper to connect input capacitor to circuit
- SMT0805 PCB footprints for user Power-Good pull-up resistor
- SMT0805 PCB footprints for user Adjustable Voltage resistor divider
- SMT0805 PCB footprints for user Bypass Capacitor

P/N: SOT223-5EV-VREG

Products supported:

- MCP1790
- MCP1824
- MCP1825
- MCP1826



[<< BACK](#)



SOT89-3 Voltage

Regulator Eval Board

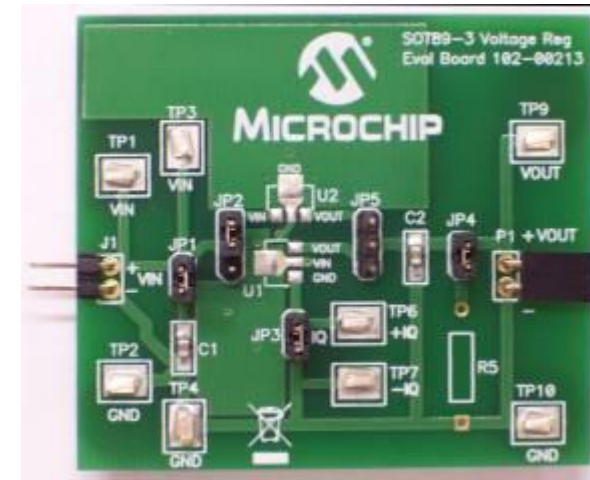
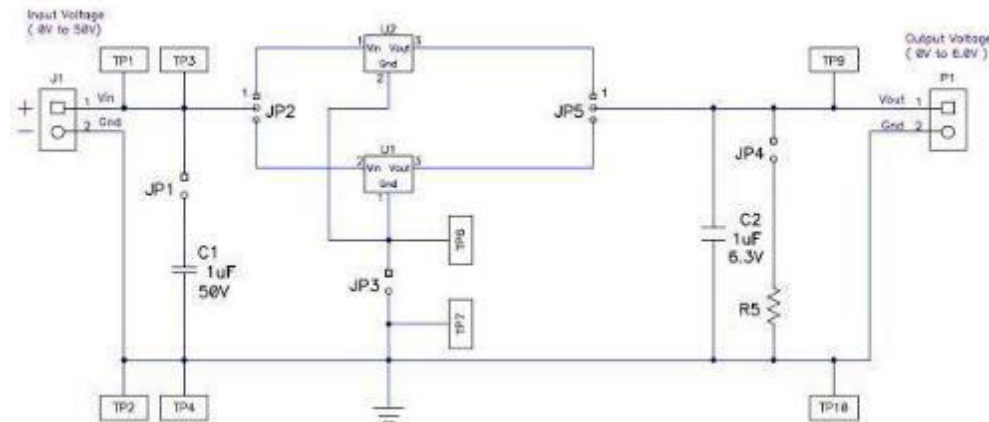
Online
Datasheet

The SOT89-3 Voltage Regulator Evaluation Board is designed to provide functional evaluation of Microchip Voltage Regulators that utilize the SOT89-3 package.

The SOT89-3 Voltage Regulator Evaluation Board does not come with a voltage regulator soldered onto the board. This allows the user to attach the voltage regulator of their choosing to the board and perform quiescent current, ground current, PSRR, and other desired tests.

Products supported:

- MCP1700
- MCP1701A
- MCP1702
- MCP1703



MIC38150 Eval Board

[Online Datasheet](#)

The MIC38150 is a 1.5A continuous output current step down converter. This is a follow on product in the new High Efficiency Low DropOut Regulators (HELDO®) family, that provide the benefits of an LDO with respect to ease of use, fast transient performance, high PSRR and low noise while offering the efficiency of a switching regulator.

Products supported:

- MIC38150



MIC38300 Eval Board

[Online Datasheet](#)

The MIC38300 is a 3A peak, 2.2A continuous output current step down converter. This is the first device in a new generation of High Efficiency Low Dropout (HELDO®) regulators that provide the benefits of an LDO in respect to ease of use, fast transient performance, high PSRR and low noise while offering the efficiency of a switching regulator.

Products supported:

- MIC38300



MIC47100 Eval Board

[Online Datasheet](#)

The MIC47100 is a high speed, low V_{IN} LDO capable of delivering up to 1A and designed to take advantage of point-of-load applications that use multiple supply rails to generate a low-voltage, high-current power supply.

The MIC47100 has an NMOS output stage offering very low output impedance. The NMOS output stage offers a unique ability to respond very quickly to sudden load changes such as that required by a microprocessor, DSP, or FPGA. The MIC47100 consumes little quiescent current and therefore can be used for driving the core voltages of mobile processors, post regulating a core DC/DC converter in any portable device.

Products supported:

- MIC47100



[<< BACK](#)



MIC49200 Eval Board

[Online Datasheet](#)

The MIC49200 is a high-bandwidth, low-dropout, 2A voltage regulator ideal for powering core voltages of low-power microprocessors. The MIC49200 implements a dual supply configuration allowing for very low output impedance and very fast transient response.

The MIC49200 requires a bias input supply and a main input supply, allowing for ultra-low input voltages on the main supply rail. The input supply operates from 1.4V to 6.5V and the bias supply requires between 3V and 6.5V for proper operation. The MIC49200 offers fixed output voltages from 0.9V to 1.8V and adjustable output voltages down to 0.9V.

Products supported:

- MIC49200



[<< BACK](#)



MIC5166 Eval Board

[Online Datasheet](#)

The MIC5166 is a 3A, high-speed, linear, low V_{IN} , double data rate (DDR), memory terminator power supply. The part is small and requires small output capacitors making it a tiny overall solution. This allows it to be conveniently placed close to the DDR memory, minimizing circuit board layout inductance which may cause excessive voltage ripple at the DDR memory.

The MIC5166 contains a precision voltage divider network in order to take in the V_{DDQ} voltage as a reference voltage and conveniently output the terminator voltage (V_{TT}) at one half of the V_{DDQ} input voltage.

Products supported:

- MIC5166



[<< BACK](#)



MIC5234 Eval Board

[Online Datasheet](#)

The MIC5234 is a low-quiescent current, μ Cap low-dropout regulator. With a maximum operating input voltage of 30V and quiescent current of $20\mu\text{A}$, it is ideal for supplying keep-alive power in systems with high-voltage batteries.

Capable of 150mA output, the MIC5234 has a dropout voltage of only 320mV. It can also survive an input transient of -20V to +32V. The MIC5234 requires only a $2.2\mu\text{F}$ output capacitor for stable operation.

Products supported:

- MIC5234



[<< BACK](#)



MIC59150 Eval Board

[Online Datasheet](#)

The MIC59150 is a high-bandwidth, low-dropout, 1.5A linear voltage regulator ideal for powering core voltages of low-power microprocessors. The MIC59150 implements a dual supply configuration allowing for a very low output impedance and a very fast transient response.

The MIC59150 requires a bias input supply and a main input supply, allowing for ultra-low input voltages on the main supply rail. The device operates from an input supply of 1.0V to 3.8V and bias supply between 3V and 5.5V. The MIC59150 offers adjustable output voltages down to 0.5V.

Products supported:

- MIC59150



MIC59300 Eval Board

[Online Datasheet](#)

The MIC59300 is a high-bandwidth, low-dropout, 3A linear voltage regulator ideal for powering core voltages of low-power microprocessors. The MIC59300 implements a dual supply configuration allowing for a very low output impedance and a very fast transient response.

The MIC59300 requires a bias input supply and a main input supply, allowing for ultra-low input voltages on the main supply rail. The device operates from an input supply of 1.0V to 3.8V and bias supply between 3V and 5.5V. The MIC59300 offers fixed output voltages and adjustable output voltages down to 0.5V.

Products supported:

- MIC59300



MIC69103 Eval Board

The MIC69101/103 is the 1A output current member of the MIC69xxx family of high-current, low-voltage regulators that support currents of 1A, 1.5A, 3A, and 5A. The MIC69101/103 operates from a single low voltage supply, yet offers high precision and ultra-low dropout of 500mV under worst case conditions.

The MIC69101/103 operates from an input voltage of 1.65V to 5.5V. It is designed to drive digital circuits requiring low voltage at high currents (i.e. PLDs, DSP, microcontroller, etc.). These regulators are available in adjustable and fixed output voltages including 1.8V. The adjustable version can support output voltages down to 0.5V.

Products supported:

- MIC69103



MIC69153 Eval Board

[Online Datasheet](#)

The MIC69153 is the 1.5A output-current member of the MIC69xxx family of high current, low voltage regulators that support currents of 1A, 1.5A, 3A, and 5A. The MIC69153 operates from a single low voltage supply, yet offers high precision and ultra-low dropout of 500mV under worst case conditions.

The MIC69153 operates from an input voltage of 1.65V to 5.5V. It is designed to drive digital circuits requiring low voltage at high currents (i.e. PLDs, DSP, microcontroller, etc.). These regulators are available in adjustable and fixed output voltages including 1.8V. The adjustable version can support output voltages down to 0.5V.

Products supported:

- MIC69153



MIC69302 Eval Board

[Online Datasheet](#)

The MIC69302 is the 3A output current member of the MIC69xxx family of high-current, low-voltage regulators, which support currents of 1A, 1.5A, 3A, and 5A. This family operates from a single low voltage supply, yet offers high precision and ultra-low dropout of 500mV under worst case conditions.

The MIC69302 operates from an input voltage of 1.65V to 5.5V. It is designed to drive digital circuits requiring low voltage at high currents (i.e., PLDs, DSP, microcontroller, etc.). These regulators are available in adjustable and fixed output voltages. The adjustable version can support output voltages down to 0.5V.

Products supported:

- MIC69302



MIC69502 Eval Board

[Online Datasheet](#)

The MIC69502 is a 5A, low dropout linear regulator that provides low-voltage, high-current outputs with a minimum of external components. It offers high precision and ultra-low dropout of 500mV under worst case conditions.

The MIC69502 operates from an input voltage of 1.65V to 5.5V. It is designed to drive digital circuits requiring low voltage at high currents (i.e. PLDs, DSP, microcontroller, etc.). The MIC69502 output is adjustable to a min of 0.5V.

The μ Cap design of the MIC69502 is optimized for stability with low value, low-ESR ceramic output capacitors.

Products supported:

- MIC69502



MIC5167 Eval Board

[Online Datasheet](#)

The MIC5167 is a high-efficiency, 6A, integrated switch, synchronous buck (step-down) regulator designed for use as a double data rate (DDR) or quad data rate (QDR) terminator. The MIC5167 is optimized for highest efficiency, achieving more than 94% efficiency while still switching at 1MHz over a broad range. The device works with a small 0.4 μ H inductor and 300 μ F output capacitor. The ultra-high speed control loop keeps the output voltage within regulation even under extreme transient load swings commonly found in FPGAs and low-voltage ASICs.

The output voltage is controlled externally by input to the VDDQ pin. The output voltage is one-half the voltage applied to the VDDQ pin. The output voltage can be adjusted down to 0.6V to address low voltage power needs. The MIC5167 will source 6A and sink up to 6A.

Products supported:

- MIC5167



[<< BACK](#)



MAQ5280 Eval Board

[Online Datasheet](#)

The MAQ5280 is a high performance, linear regulator, offering a very low noise output with a very wide input voltage operating range, from 4.5V to 120V DC input voltage.

Ideal for high input voltage applications such as automotive and telecom, the MAQ5280 offers 2% initial accuracy, extremely high power supply rejection ratio (PSRR > 80dB) and low ground current (typically 31 μ A). The MAQ5280 can also be put into a zero-off-mode current state, drawing minuscule amount of current when disabled.

The MAQ5280 has a very wide input voltage range, with DC rated from -24V to +120V. This wide input range covers the automotive load dump range and the MAQ5280 is optimized for line transient response, making it ideal for harsh environment applications.

The MAQ5280 evaluation board requires an input power source that is able to deliver greater than 0.1A at +120VDC.

Products supported:

- MAQ5280



MIC5280 Eval Board

[Online Datasheet](#)

The MIC5280 is a high performance, low dropout regulator, offering a very low noise output with a very wide input voltage operating range, up to 120V DC input voltage.

Ideal for high input voltage applications such as industrial and telecom, the MIC5280 offers 2% initial accuracy, extremely high power supply rejection ratio (PSRR >80dB) and low ground current (typically 31 μ A). The MIC5280 can also be put into a zero off-mode current state, drawing a minuscule amount of current when disabled.

Products supported:

- MIC5280



MIC5380 Eval Board

[Online Datasheet](#)

The MIC5380/1 is an advanced dual LDO ideal for powering space constrained portable devices.

Ideal for battery powered applications, the MIC5380/1 offers $\pm 1\%$ typical accuracy, low dropout voltage (155mV at 150mA) and low ground current. The MIC5380/1 can also be put into a zero off-mode current state, drawing virtually no current when disabled.

Products supported:

- MIC5380



MIC47050 Eval Board

[Online Datasheet](#)

The MIC47050 is a high-speed, ultra-low dropout, dual-supply NMOS ULDO™ designed to take advantage of point-of-load applications that use multiple supply rails to generate a low-voltage, high-current power supply. The MIC47050 can source 500mA of output current while only requiring a 1µF ceramic output capacitor for stability. A 1.5% output voltage accuracy, low dropout voltage (44mV at 500mA), and low ground current makes this device ideally suited for mobile and point-of-load applications.

The MIC47050 has an NMOS output stage offering very low output impedance. The NMOS output stage makes for a unique ability to respond very quickly to sudden load changes such as those required by a microprocessor, DSP or FPGA. The MIC47050 consumes little quiescent current and can be used for driving the core voltages of mobile processors, post regulating a core DC/DC converter in any processor.

Products supported:

- MIC47050



[<< BACK](#)



MIC5301 Eval Board

[Online Datasheet](#)

The MIC5301 is a high performance, single output ultra-low LDO (ULDO) regulator, offering low total output noise. The MIC5301 is capable of sourcing 150mA output current and offers high PSRR and low output noise, making it an ideal solution for RF applications.

For battery-operated applications, the MIC5301 offers 2% accuracy, extremely low dropout voltage (40mV at 150mA), and low ground current (typically 85 μ A total). The MIC5301 can also be put into a zero off-mode current state, drawing no current when disabled.

Products supported:

- MIC5301



P/N: MIC5301-1.8YMT-EV
MIC5301-3.3YMT-EV

[<< BACK](#)



MIC5308 Eval Board

[Online Datasheet](#)

The MIC5308 is a high performance, μ Cap low dropout regulator, offering ultra-low operating current while maintaining very fast transient response. The MIC5308 can source up to 150mA of output current and can regulate down from a low input supply voltage to increase system efficiency.

Ideal for battery-operated applications; the MIC5308 offers extremely low dropout voltage (45mV typically at 150mA) and low ground current at all load conditions (typically 23 μ A). The MIC5308 can also be put into a zero off-mode current state, drawing virtually no current when disabled.

Products supported:

- MIC5308



MIC5365 Eval Board

[Online Datasheet](#)

The MIC5365 is an advanced general purpose linear regulator offering high power supply rejection (PSRR) in an ultra-small 1mm x 1mm package. The MIC5365 is capable of sourcing 150mA output current and offers high PSRR, making it a great solution for any portable electronic application.

Ideal for battery-powered applications, the MIC5365 offers 2% initial accuracy, low dropout voltage (180mV at 150mA), and low ground current (typically 32 μ A). The MIC5365 can also be put into a zero off-mode current state, drawing virtually no current when disabled.

Products supported:

- MIC5365



P/N: MIC5365-1.8YMT-EV
MIC5365-3.0YMT-EV

<< BACK



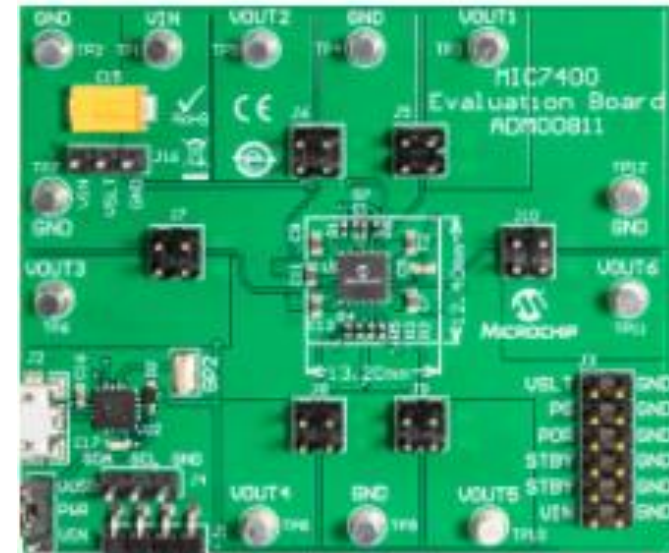
MIC7400 Eval Board

[Online Datasheet](#)

The MIC7400 is a powerful, highly-integrated, configurable, power-management IC (PMIC) featuring five synchronous buck regulators, one boost regulator and high-speed I2C interface with an internal EEPROM. The device offers two distinct modes of operation “standby mode” and “normal mode”. In normal mode, the programmable switching converters can be configured to support a variety of features, including start-up sequencing, timing, soft-start ramp, output voltage levels, current-limit levels, and output discharge for each channel. In standby mode the PMIC can be configured in a low power state by either disabling an output or by changing the output voltage to a lower level. Independent exit from standby mode can be achieved either by I2C communication or the external STBY pin.

Products supported:

- MIC7400



MIC7401 Eval Board

[Online Datasheet](#)

The MIC7401 is a powerful, highly-integrated, configurable, power-management IC (PMIC) featuring five synchronous buck regulators, one boost regulator, and high-speed I2C interface with an internal EEPROM and micro-power shutdown. The device offers two distinct modes of operation “standby mode” and “normal mode”. In normal mode, the programmable switching converters can be configured to support a variety of features, including start-up sequencing, timing, soft-start ramp, output voltage levels, current-limit levels, and output discharge for each channel. In standby mode the PMIC can be configured in a low power state by either disabling an output or by changing the output voltage to a lower level. Independent exit from standby mode can be achieved either by I2C communication or the external STBY pin.

Products supported:

- MIC7401



MIC23099 Eval Board

[Online Datasheet](#)

The MIC23099 is a high-efficiency, low-noise, dual-output, integrated power-management solution for single-cell alkaline or NiMH battery applications. The synchronous boost output voltage (V_{OUT1}) is enabled first and is powered from the battery. Next the synchronous buck output (V_{OUT2}), which is powered from the boost output voltage, is enabled. This configuration allows V_{OUT2} to be independent of battery voltage, thereby allowing the buck output voltage to be higher or lower than the battery voltage.

The MIC23099 evaluation board requires only a single power supply with at least 1A current capability. The output load can either be an active (electronic) or passive (resistive) load.

Products supported:

- MIC23099



MIC23450 Eval Board

[Online Datasheet](#)

This board enables evaluation of the MIC23450, a fully-integrated, triple-output, 2A, 3MHz switching regulator that features HyperLight Load mode and power (PG) output indicators. The MIC23450 is highly efficient throughout the output current range, drawing just 23 μ A of quiescent current for each channel in operation.

Products supported:

- MIC23450



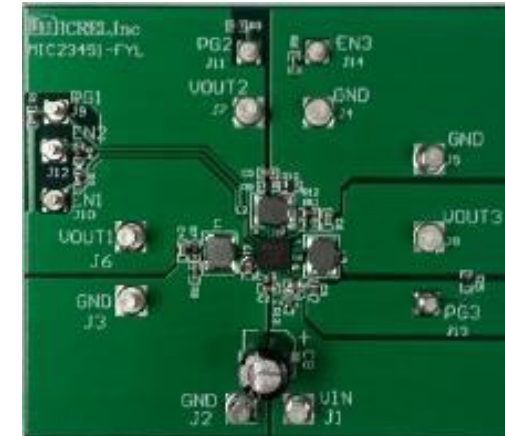
MIC23451 Eval Board

[Online Datasheet](#)

The MIC23451 is a high-efficiency, 3MHz, triple 2A, synchronous buck regulator with HyperLight Load® mode. HyperLight Load provides very-high efficiency at light loads and ultra-fast transient response, which is ideal for supplying processor core voltages. An additional benefit of this proprietary architecture is very low output ripple voltage throughout the entire load range with the use of small output capacitors.

Products supported:

- MIC23451



MCP1256/7/8/9

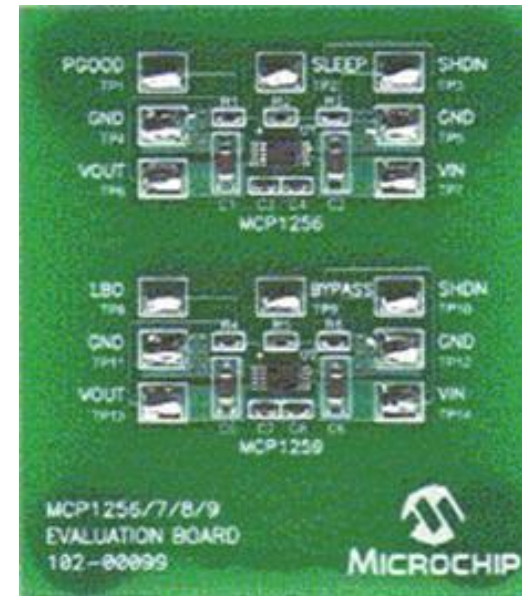
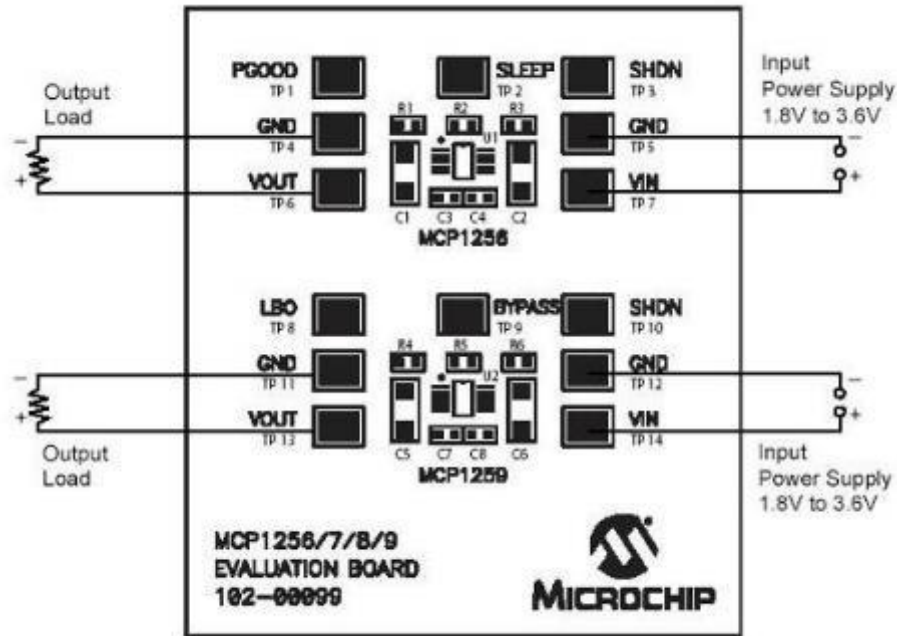
Online
Datasheet

Eval Board

The MCP1256/7/8/9 Charge Pump Evaluation Board is an evaluation and demonstration tool for Microchip Technology's MCP1256/7/8/9 Regulated 3.3V Low-Ripple Charge Pumps with low-operating current SLEEP mode or BYPASS mode. The design provides for dynamic versatility.

Products supported:

- MCP1256
- MCP1257
- MCP1258
- MCP1259



MCP1252 Backlight

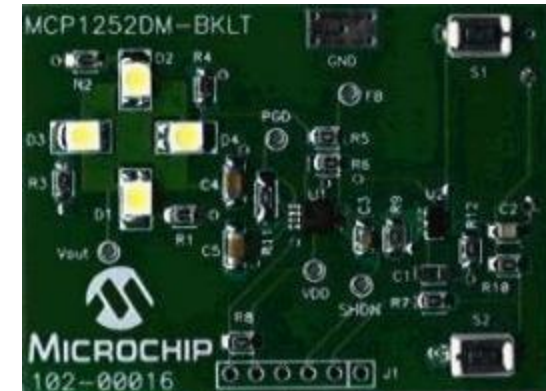
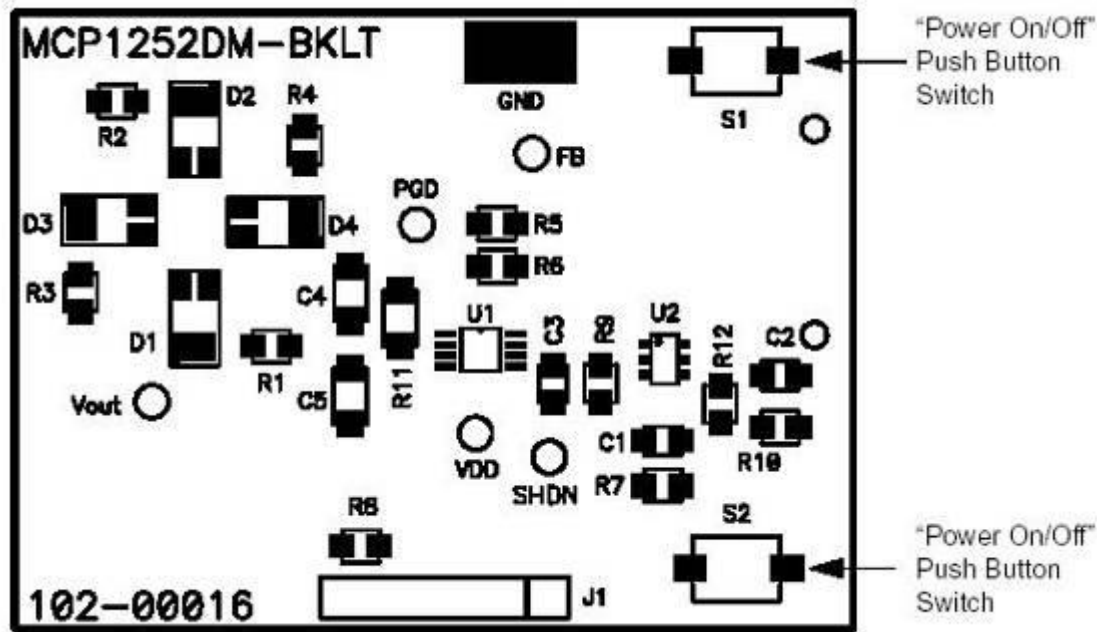
Demo Board

[Online Datasheet](#)

The MCP1252 Charge Pump Backlight LED Demo Board demonstrates the use of a charge pump device in a LED application. The board also serves as a platform to evaluate the MCP1252 device generally.

Products supported:

- MCP1252



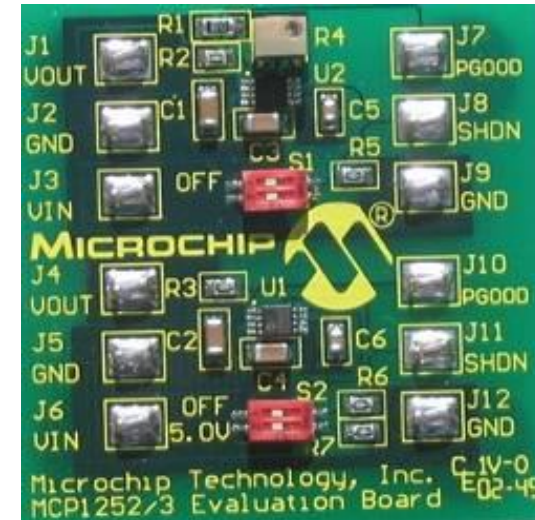
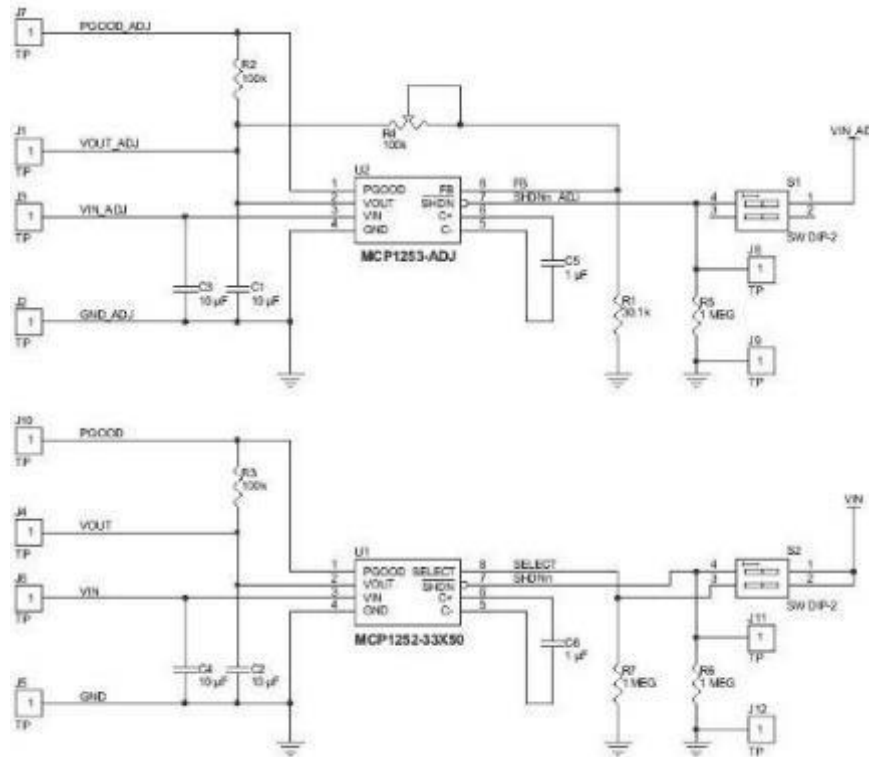
MCP1252/3 Eval Board

Online
Datasheet

The MCP1252/3 Evaluation Board is an evaluation kit designed to support Microchip's MCP1252*33X50, MCP1252-ADJ, MCP1253-33X50 and MCP1253-ADJ low noise, positive-regulated charge pump devices.

Products supported:

- MCP1252
- MCP1253

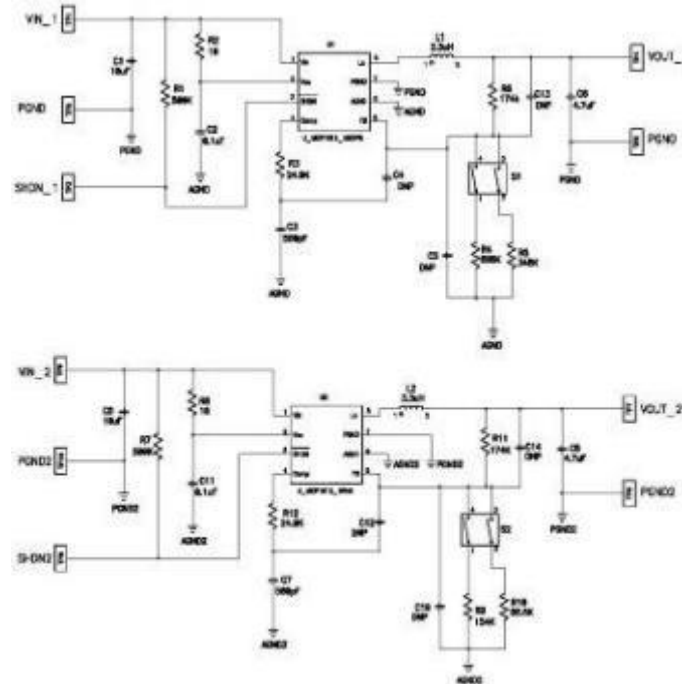


MCP1612 Eval Board

Online
Datasheet

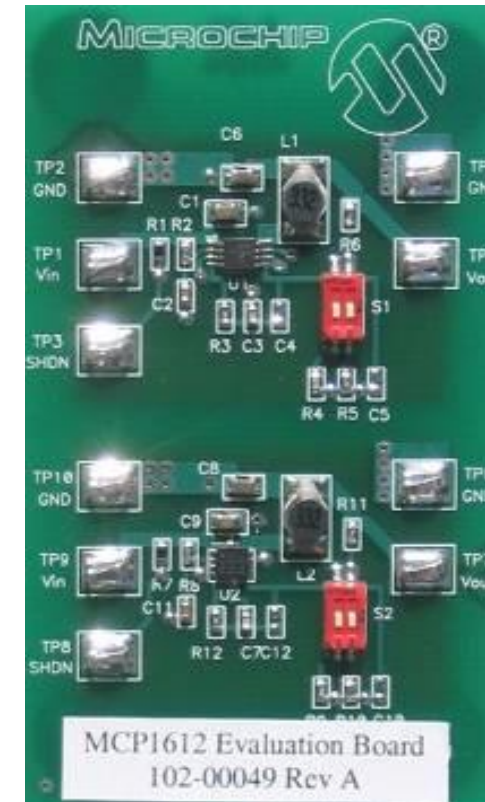
The MCP1612 is a 1A, 1.4 MHz, fully integrated buck regulator. The output voltage is selectable from 0.8V to V_{IN} by use of an external resistor divider.

The MCP1612 Evaluation Board contains two independent buck regulators featuring the 8-pin MSOP and 8-pin DFN packages. The output voltage is set to one of eight different preset values (four per regulator circuit) by use of a two-position DIP switch. Each regulator circuit can supply an output current of 0 to 1A.



Products supported:

- MCP1612



<< BACK

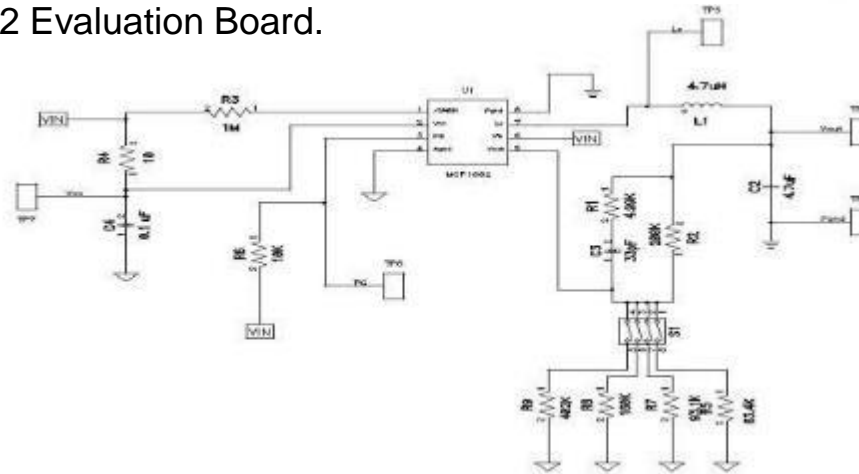
MCP1602 Buck Converter Eval Board

Online
Datasheet

The MCP1602 Evaluation Board demonstrates the features and capabilities of Microchip's MCP1602 Evaluation Board 500mA PFM/PWM Synchronous Buck Regulator. The MCP1602 is a step-down (Buck) switching regulator with a Power-Good monitor to provide a highly integrated solution for systems that require supply voltage between 0.8V to 4.5V. The MCP1602 requires input voltage range from 2.7V to 5.5V. The MCP1602 Evaluation Board includes a MCP1602 circuit that has a Shutdown feature and a 4-position Dip Switch to select between different output voltages. MCP1602 Evaluation Board is available in 0.8V, 1.2V, 1.8V, 2.5V and 3.3V. Additional test points are available on the MCP1602 Evaluation Board for reviewing the performances and features of MCP1602 Evaluation Board.

Products supported:

- MCP1602



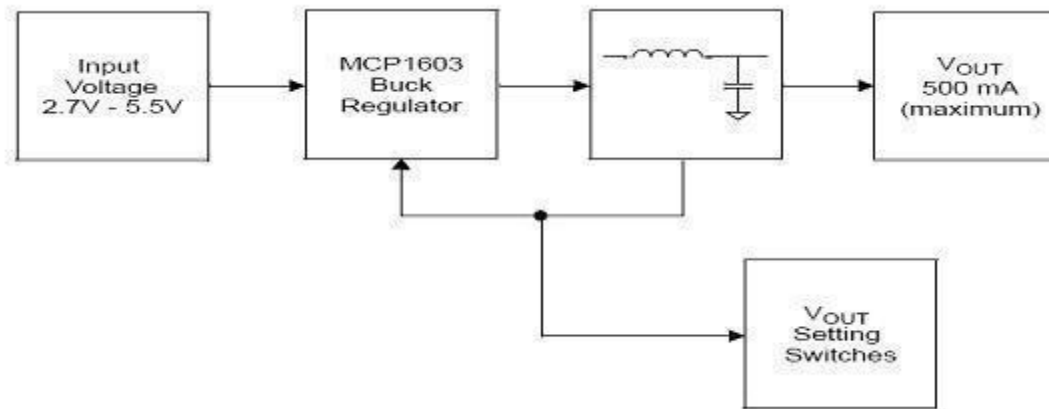
MCP1603 Buck Converter Eval Board

Online
Datasheet

The MCP1603 Buck Converter Evaluation Board is designed to demonstrate Microchip's MCP1603 in an adjustable output voltage configuration. The MCP1603 is a 500mA synchronous buck regulator that features both Pulse Frequency Modulation (PFM) and Pulse Width Modulation (PWM). The PFM mode is used at light loads to improve system efficiency, while the 2.0 MHz PWM mode is entered at heavy loads. The transition between PFM and PWM modes automatically occurs without any external intervention. The MCP1603 is available in both adjustable parts that require an external divider to set the output voltage and fixed output voltage parts.

Features:

- Compact size and low profile 500mA Converter design
- Wide Input voltage range from 2.7V to 5.5V
- Five different output voltage settings: 0.8V, 1.8V, 2.5V, and 3.3V
- Test points for connecting input voltage source and external load



Products supported:

- MCP1603



MCP16301 HV Buck

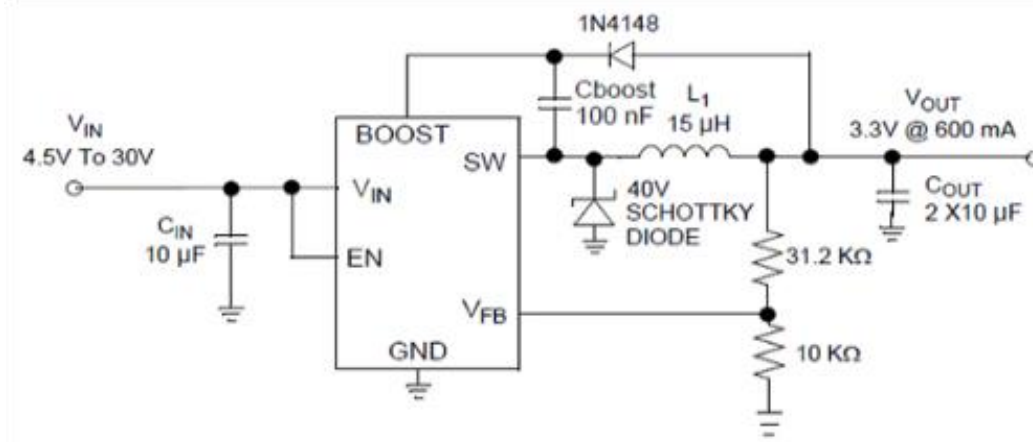
[Online Datasheet](#)

Converter Demo Board

MCP16301 High Voltage Buck Converter 600 mA Demo Board supports the development of MCP16301 device. The MCP16301 is a highly integrated, high-efficiency, fixed frequency, step-down DC-DC converter in a popular 6-pin SOT23 package that operates from input voltage sources up to 30V. Integrated features include a high-side switch, fixed-frequency peak-current mode control, internal compensation, peak current limit and over-temperature protection. Minimal external components are necessary to develop a complete step-down DC-DC converter power supply.

Products supported:

- MCP16301



MCP16301 HV Buck Converter Demo Board

[Online Datasheet](#)

Demo board supporting the development of MCP16301 high input voltage, 300mA, D2PAK buck converter.

This Kit Contains:

- MCP16301 300mA D2PAK Demo Board

Products supported:

- MCP16301



MCP16301 300mA D2PAK footprint Demo Board
(Part # ARD00360)



MCP16301 HV Cuk LED

[Online Datasheet](#)

Driver Demo Board

The MCP16301 High-Voltage Single-Inductor Cuk LED Driver Demo Board is designed to operate from a 6V to 18V input and regulate the output current to 300 mA. Test points for input power are provided to demonstrate the capability of the demo board over the entire range. The demo board was designed using small surface-mount components to show application size for a high-voltage single-inductor Cuk LED driver design. Compared with the traditional asynchronous buck converter, the MCP16301 High-Voltage Single-Inductor Cuk LED Driver Demo Board has an additional resistor and capacitor for compensation.

Features:

- 6V to 18V Input Voltage
- Input voltage can be lower or higher than the output voltage
- 300 mA output current
- Four 3W LEDs
- Dimming can be achieved by pulsing the enable pin on the MCP16301

Products supported:

- MCP16301



MCP16301 5V/600mA

[Online Datasheet](#)

Low Noise Eval Board

The MCP16301 5V/600mA Low Noise Evaluation Board is used to demonstrate a high voltage input DC-DC converter design, which can deliver high efficiency, while minimizing high-frequency switching noise. The board steps down high input voltages, up to 30V, to a low output voltage, having more than 90% efficiency and a minimum of 30 mV output ripple. High-frequency input/output noise generated by the switching converters can reach high-noise levels that interfere with other devices powered from the same source. The high amplitude of high-frequency noise can disturb some RF systems. High efficiency is achieved with the MCP16301 buck converter by switching the integrated N-Channel MOSFET at a high speed. The evaluation board is optimized for 12V Input and 100 mA load.

Features:

- Input voltage: 6 to 30V
- Output voltage: 5V
- Output capability: 600 mA load current
- Output ripple plus noise: 30 mV_{p-p} @ 12V input and 100 mA load
- Low radiated noise
- Efficiency: up to 91% @ 12V input

Products supported:

- MCP16301



[<< BACK](#)



MCP16301 High Voltage Buck-Boost Demo Board

[Online Datasheet](#)

The MCP16301 High Voltage Buck-Boost Demo Board is designed to operate from a 5V to 30V input and regulate the output to 12V. Test points for input power and load are provided to demonstrate the capability of the demo board over the entire range. The MCP16301 High Voltage Buck-Boost Demo Board was designed using small surface-mount components to show application size for a high voltage buck-boost design

Features:

- Input Voltage Range: 4.0V to 30V
- Output Voltage Range: 2.0V to 15V
- Up to 96% Typical Efficiency
- 2% Output Voltage Accuracy
- Integrated N-Channel Switch: 460 m Ω
- 500 kHz Fixed Frequency

Products supported:

- MCP16301



MCP16311/2 Synchronous Buck Conv. Eval Board

[Online Datasheet](#)

The MCP16311/2 Synchronous Buck Converter Evaluation Board is used to evaluate and demonstrate Microchip Technology's MCP16311/2 product. This board demonstrates the MCP16311 (PFM/PWM – low quiescent current) and the MCP16312 (PWM only – low output voltage ripple) in two buck converter applications with two output voltages. It can be used to evaluate both package options: 8LD MSOP and 8LD 2 x 3 TDFN. The MCP16311/2 Synchronous Buck Converter Evaluation Board was developed to help engineers reduce the product design cycle time. Two common output voltages can be selected: 3.3V and 5.0V. The first converter with the 8LD MSOP package is a PWM/PFM device with a fixed output of 3.3V, while the second converter with the 2 x 3 8LD TDFN package is a PWM-only device, with a fixed output of 5V.

Features:

- Input Voltage Range (VIN): 4V to 30V
- Fixed Output Voltage: 3.3V and 5.0V
- Output Current: Typically 1A @ 3.3V Output, 12V Input
- Automatic PFM/PWM Operation for MCP16311, or PWM-only for MCP16312
- PWM Switching Frequency: 500 kHz
- Internal Compensation
- Internal Soft Start
- Overtemperature Protection

Products supported:

- MCP16311
- MCP16312



MCP16331 Buck Converter Board



The MCP16331 Buck Converter Evaluation Board is used to evaluate and demonstrate Microchip Technology's MCP16331 product in the SOT-23 package. This board demonstrates the MCP16331 in a buck-converter application with two selectable output voltages. Test points are provided for the input and output, allowing the board to be connected directly to a system. Additional test points are provided to access the EN pin, in order to modify the state of the converter and also access the SW pin, in order to see the switching waveform. The MCP16331 High-Voltage Buck Converter Evaluation Board was developed to help engineers reduce product design cycle time.

Features:

- Input voltage range, VIN: 6V to 50V
- Converter can be turned on/off by using a jumper
- Fixed output voltage: 3.3V or 5.0V (selectable)
- Typical output current: 500 mA
- PWM Switching Frequency = 500 kHz
- Internal compensation
- Internal soft-start
- Over-temperature protection

Products supported:

- MCP16331



MIC2172 Eval Board

[Online Datasheet](#)

This evaluation board uses the MIC2172 switching regulator IC to generate positive and/or negative voltages suitable for powering LCDs (liquid crystal displays). The MIC2172 regulator IC features a switching frequency of 100kHz and combines a switching transistor, control circuitry and reference in a single package.

This evaluation board demonstrates the following:

- Positive and/or negative voltage output greater than the input voltage (boost function).
- Thermistor-controlled [temperature] adjusted output voltage. (For LCDs that requires a power source with a negative temperature coefficient.)
- Soft-start circuitry.
- P-channel MOSFET switch-controlled positive output which provides a true, zero-voltage shutdown.

Products supported:

- MIC2172



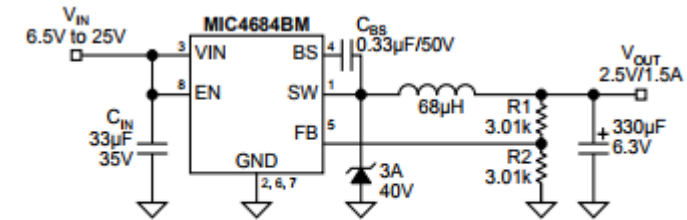
MIC4684 Eval Board

[Online Datasheet](#)

The MIC4684 is a high-efficiency 200kHz stepdown (buck) switching regulator. Power conversion efficiency of above 85% is easily obtainable for a wide variety of applications.

Products supported:

- MIC4684



Adjustable Buck Converter



MIC2207 Eval Board

[Online Datasheet](#)

The MIC2207 is a high efficiency PWM buck (step-down) regulator that provides up to 3A of output current. The MIC2207 operates at 2MHz and has proprietary internal compensation that allows a closed loop bandwidth of over 200 KHz.

The MIC2207 evaluation board requires an input power source that is able to deliver greater than 2.7V at over 3A. The output load can either be an active or passive source.

Products supported:

- MIC2207



MIC22205 Eval Board

[Online Datasheet](#)

The MIC22205 is a high-efficiency, 2A, integrated switch, synchronous buck (step-down) regulator. The MIC22205 is optimized for highest efficiency, achieving more than 95% efficiency while still switching at 1MHz. The ultra-high speed control loop keeps the output voltage within regulation even under the extreme transient load swings commonly found in FPGAs and low-voltage ASICs. The output voltage is pre-bias safe and can be adjusted down to 0.7V to address all low-voltage power needs.

The MIC22205YML-EV requires a power supply of 2.9V to 5.5V, and a test load. Make sure that the power supply can provide the wattage needed for the chosen test load. The load can be active (electronic load) or passive (resistor). Additionally, monitor the Power Good output (PG) with a multimeter or an oscilloscope.

Products supported:

- MIC22205



[<< BACK](#)



MIC22405 Eval Board

[Online Datasheet](#)

The MIC22405 is a high efficiency, 4A integrated switch synchronous buck (step-down) regulator. The MIC22405 is optimized for highest efficiency, achieving more than 95% efficiency while still switching at 1MHz. The ultra-high speed control loop keeps the output voltage within regulation even under the extreme transient load swings commonly found in FPGAs and low-voltage ASICs. The output voltage is pre-bias safe and can be adjusted down to 0.7V to address all low-voltage power needs.

The MIC22405YML-EV requires a power supply of 2.9V to 5.5V, and a test load. Ensure that the power supply can provide the wattage required for the chosen test load. The load can be active (electronic load) or passive (resistor). Additionally, monitor the Power Good Output (PG) with a multimeter or an oscilloscope if desired.

Products supported:

- MIC22405



[<< BACK](#)



MIC22705 Eval Board

[Online Datasheet](#)

The MIC22705 is a high-efficiency, 7A integrated switch synchronous buck (step-down) regulator. The MIC22705 is optimized for highest efficiency, achieving more than 95% efficiency while still switching at 1MHz. The ultra-high speed control loop keeps the output voltage within regulation even under the extreme transient load swings commonly found in FPGAs and low-voltage ASICs. The output voltage is pre-bias safe and can be adjusted down to 0.7V to address all low-voltage power needs.

The MIC22705YML-EV requires a power supply of 2.9V to 5.5V, and a test load. Ensure that the power supply can provide the wattage required for the chosen test load. The load can be active (electronic load) or passive (resistor). Additionally, monitor the Power Good output (PG) with a multimeter or an oscilloscope if desired.

Products supported:

- MIC22705



[<< BACK](#)



MIC4720 Eval Board

[Online Datasheet](#)

The MIC4720 is a high efficiency PWM buck (step-down) regulator that provides up to 2A of output current. The MIC4720 operates at 2.0MHz and has proprietary internal compensation that allows a closed loop bandwidth of over 200kHz.

The low on-resistance internal p-channel MOSFET of the MIC4720 allows efficiencies over 92%, reduces external components count and eliminates the need for an expensive current sense resistor.

The MIC4720 operates from 2.7V to 5.5V input and the output can be adjusted down to 1V. The devices can operate with a maximum duty cycle of 100% for use in low-dropout conditions.

Products supported:

- MIC4720



P/N: MIC4720YML-EV
MIC4720YMME-EV

[<< BACK](#)



MIC4723 Eval Board

[Online Datasheet](#)

The MIC4723 is a high efficiency PWM buck (step-down) regulator that provides up to 3A of output current. The MIC4723 operates at 2.0MHz and has proprietary internal compensation that allows a closed loop bandwidth of over 200kHz.

The low on-resistance internal p-channel MOSFET of the MIC4723 allows efficiencies over 92%, reduces external components count and eliminates the need for an expensive current sense resistor.

The MIC4723 operates from 2.7V to 5.5V input and the output can be adjusted down to 1V. The devices can operate with a maximum duty cycle of 100% for use in low-dropout conditions.

Products supported:

- MIC4723



P/N: MIC4723YML-EV
MIC4723YMME-EV

[<< BACK](#)



MIC4724 Eval Board

[Online Datasheet](#)

The MIC4724 is a high efficiency PWM buck (step-down) regulator that provides up to 3A of output current. The MIC4724 operates at 2.0MHz and has proprietary internal compensation that allows a closed loop bandwidth of over 200kHz.

The low on-resistance internal p-channel MOSFET of the MIC4724 allows efficiencies over 92%, reduces external components count and eliminates the need for an expensive current sense resistor.

The MIC4724 operates from 3.0V to 6.0V input and the output can be adjusted down to 1V. The devices can operate with a maximum duty cycle of 100% for use in low-dropout conditions.

Products supported:

- MIC4724



MIC4930 Eval Board

[Online Datasheet](#)

The MIC4930 is a high-efficiency, 3A synchronous buck regulator with ultra-fast transient response perfectly suited for supplying processor core and I/O voltages from a 5V or 3.3V bus. The MIC4930 provides a switching frequency up to 3.3MHz while achieving peak efficiencies up to 95%. An additional benefit of high-frequency operation is very low output ripple voltage throughout the entire load range with the use of a small output capacitor. The MIC4930 is designed for use with a very small inductor, down to 1 μ H, and an output ceramic capacitor as small as 10 μ F without the need for external ripple injection. A wide range of output capacitor types and values can also be accommodated.

Products supported:

- MIC4930



[<< BACK](#)



MIC23031 Eval Board

[Online Datasheet](#)

The MIC23031 is a 400mA 4MHz switching regulator. The MIC23031 is highly efficient throughout the entire output current range, drawing just 21 μ A of quiescent current in operation. The MIC23031 provides accurate output voltage regulation under the most demanding conditions and responds extremely quickly to a load transient with exceptionally small output voltage ripple.

The MIC23031 evaluation board requires an input power source that is able to deliver greater than 500mA at 2.7V to the MIC23031. The output load can either be an active (electronic) or passive (resistive) load.

Products supported:

- MIC23031



MIC23030 Eval Board

[Online Datasheet](#)

The MIC23030 is a 400mA 8MHz switching regulator. The MIC23030 is highly efficient throughout the entire output current range, drawing just 21 μ A of quiescent current in operation. The MIC23030 provides accurate output voltage regulation under the most demanding conditions and responds extremely quickly to a load transient with exceptionally small output voltage ripple. Factoring in the output current, the internal circuitry of the MIC23030 automatically selects between two modes of operation for optimum efficiency.

The MIC23030 evaluation board requires an input power source that is able to deliver greater than 500mA at 2.7V to the MIC23030. The output load can either be an active (electronic) or passive (resistive) load.

Products supported:

- MIC23030



[<< BACK](#)



MIC23153 Eval Board

[Online Datasheet](#)

This board enables the evaluation of the MIC23153, a fully integrated 2A, 4MHz switching regulator featuring HyperLight Load mode, Power Good output indicator, and programmable soft-start.

Products supported:

- MIC23153



P/N: MIC23153-GYMT-EV
MIC23153YMT-EV

[<< BACK](#)



MIC23158/9 Eval Board

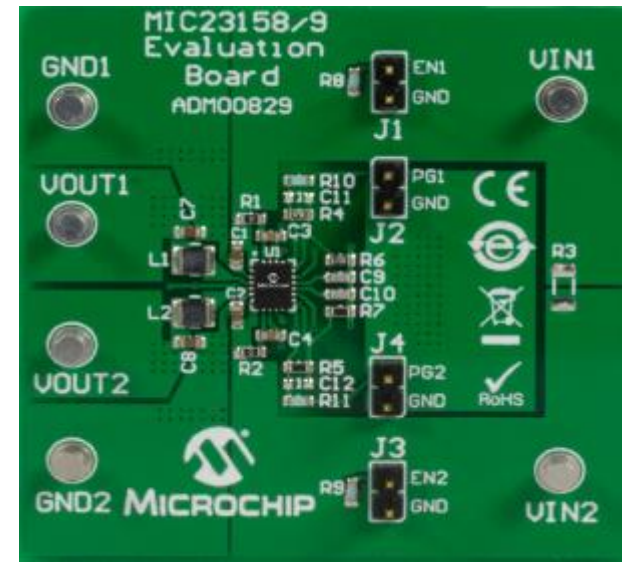
[Online Datasheet](#)

The MIC23158/9 is a high efficiency 3MHz dual 2A synchronous buck regulator with HyperLight Load[®] mode, Power Good output indicator, and programmable soft start. The MIC23159 also provides an auto discharge feature that switches in a 225Ω pull down circuit on its output to discharge the output capacitor when disabled. HyperLight Load[®] provides very high efficiency at light loads and ultra fast transient response which makes the MIC23158/9 perfectly suited for supplying processor core voltages.

This board requires a single 15W bench power source adjustable from 2.7V to 5.5V. The loads can either be active (electronic load) or passive (resistor) with the capability to dissipate 7W. It is ideal to have an oscilloscope available to view the circuit waveforms, but not essential. For the simplest tests, three voltage meters are required to measure input and two output voltages. For efficiency measurements, three voltage meters and three ammeters are required to prevent errors due to measurement inaccuracies.

Products supported:

- MIC23158/9



[<< BACK](#)



MIC23250 Eval Board

[Online Datasheet](#)

The MIC23250 is a high efficiency 4MHz dual 400mA synchronous buck regulator with HyperLight Load[®] mode. HyperLight Load[®] provides very high efficiency at light loads and ultra-fast transient response which is perfectly suited for supplying processor core voltages. An additional benefit of this proprietary architecture is very low output ripple voltage throughout the entire load range with the use of small output capacitors.

The MIC23250 evaluation board requires an input power source that is able to deliver greater than 800mA at 2.7V. The output loads can either be an active (electronic) or passive (resistive) load.

Products supported:

- MIC23250



P/N: MIC23250-AAYMT-EV
MIC23250-C4YMT-EV
MIC23250-G4YMT-EV
MIC23250-S4YMT-EV

[<< BACK](#)



MIC23303 Eval Board

[Online Datasheet](#)

The MIC23303 is a high efficiency 4MHz 3A synchronous buck regulator with HyperLight Load[®] mode, Power Good output indicator, and programmable soft-start. HyperLight Load[®] provides very high efficiency at light loads and ultra-fast transient response which makes the MIC23303 perfectly suited for supplying processor core voltages. An additional benefit of this proprietary architecture is very low output ripple voltage throughout the entire load range with the use of small output capacitors.

Products supported:

- MIC23303



MIC23603 Eval Board

[Online Datasheet](#)

The MIC23603 is a high-efficiency 4MHz 6A synchronous buck regulator with HyperLight Load[®] mode. HyperLight Load[®] provides very high efficiency at light loads and ultrafast transient response which is perfectly suited for supplying processor core voltages. An additional benefit of this proprietary architecture is very low output ripple voltage throughout the entire load range with the use of small output capacitors. The tiny 4mm x 5mm DFN package saves precious board space and requires few external components

Products supported:

- MIC23603



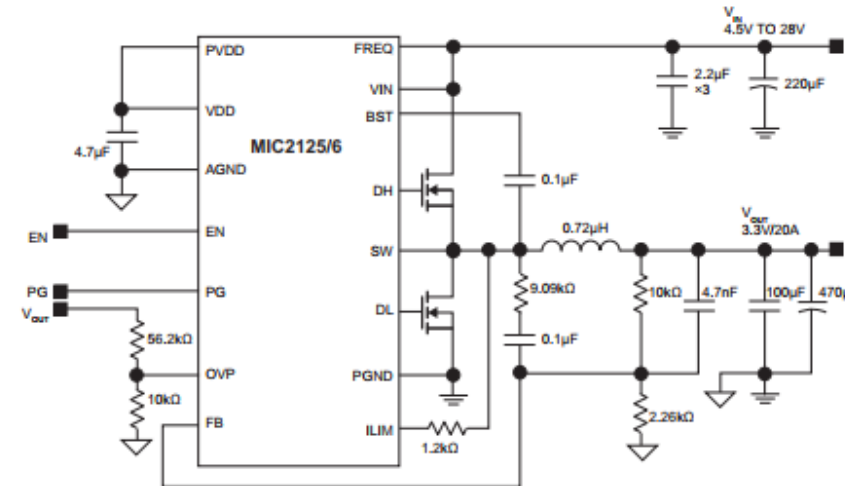
MIC2125/6 Eval Board

Online
Datasheet

The MIC2125 and MIC2126 are constant-frequency synchronous buck controllers featuring a unique adaptive ON-time control architecture. The MIC2125/6 operate over an input voltage range from 4.5V to 28V and can be used to supply load current up to 25A. The output voltage is adjustable down to 0.6V with an accuracy of $\pm 1\%$. The device operates with programmable switching frequency from 200 kHz to 750 kHz. HyperLight Load® architecture operates in pulse-skipping mode at light loads, but operates in fixed-frequency CCM mode from medium loads to heavy loads. Hyper Speed Control® architecture operates in fixed-frequency CCM mode under all load conditions.

Products supported:

- MIC2125
- MIC2126



P/N: MIC2125YML-20A-EV
MIC2126YML-20A-EV

<< BACK

MIC24051 Eval Board

[Online Datasheet](#)

The MIC24051 is a constant-frequency, synchronous buck regulator featuring a unique adaptive on-time control architecture. The MIC24051 operates over an input supply range of 4.5V to 19V and provides a regulated output of up to 6A of output current. The output voltage is adjustable down to 0.8V with a guaranteed accuracy of $\pm 1\%$, and the device operates at a switching frequency of 600kHz.

Products supported:

- MIC24051



MIC24052 Eval Board

[Online Datasheet](#)

The MIC24052 is a constant-frequency, synchronous DC/DC buck regulator featuring adaptive on-time control architecture. The MIC24052 operates over a supply range of 4.5V to 19V. It has an internal linear regulator which provides a regulated 5V to power the internal control circuitry. The MIC24052 operates at a constant 600kHz switching frequency in continuous-conduction mode and can be used to provide up to 6A of output current. The output voltage is adjustable down to 0.8V.

Products supported:

- MIC24052



MIC24053 Eval Board

[Online
Datasheet](#)

The MIC24053 is a constant-frequency, synchronous buck regulator featuring a unique adaptive on-time control architecture. The MIC24053 operates over an input supply range of 4.5V to 19V and provides a regulated output of up to 9A of output current. The output voltage is adjustable down to 0.8V with a guaranteed accuracy of $\pm 1\%$, and the device operates at a switching frequency of 600kHz.

Products supported:

- MIC24053



MIC24054 Eval Board

[Online Datasheet](#)

The MIC24054 is a constant-frequency, synchronous DC/DC buck regulator featuring adaptive on-time control architecture. The MIC24054 operates over a supply range of 4.5V to 19V. It has an internal linear regulator which provides a regulated 5V to power the internal control circuitry. The MIC24054 operates at a constant 600kHz switching frequency in continuous conduction mode and can be used to provide up to 9A of output current. The output voltage is adjustable down to 0.8V.

Products supported:

- MIC24054



MIC24055 Eval Board

[Online Datasheet](#)

The MIC24055 is a constant-frequency, synchronous buck regulator featuring a unique adaptive on-time control architecture. The MIC24055 operates over an input supply range of 4.5V to 19V and provides a regulated output of up to 12A of output current. The output voltage is adjustable down to 0.8V with a guaranteed accuracy of $\pm 1\%$, and the device operates at a switching frequency of 600kHz.

Products supported:

- MIC24055



MIC24056 Eval Board

[Online Datasheet](#)

The MIC24056 is a constant-frequency, synchronous DC/DC buck regulator featuring adaptive on-time control architecture. The MIC24056 operates over a supply range of 4.5V to 19V. It has an internal linear regulator which provides a regulated 5V to power the internal control circuitry. MIC24056 operates at a constant 600kHz switching frequency in continuous-conduction mode and can be used to provide up to 12A of output current. The output voltage is adjustable down to 0.8V..

Products supported:

- MIC24056



MIC28511 Eval Board

[Online
Datasheet](#)

The MIC28511 is a synchronous step-down switching regulator with internal power switches capable of providing up to 3A output current from a wide input supply range from 4.6V to 60V. The output voltage is adjustable down to 0.8V with a guaranteed accuracy of $\pm 1\%$. A constant switching frequency can be programmed from 200kHz to 680kHz. The Hyper Speed Control™ and HyperLight Load® architectures of the MIC28511 allow for high V_{IN} (low V_{OUT}) operation and ultra-fast transient response while reducing the required output capacitance and providing very good light load efficiency.

Products supported:

- MIC28511-1
- MIC28511-2



P/N: MIC28511-1YFL-EV
MIC28511-2YFL-EV

[<< BACK](#)



MIC28512 Eval Board

[Online
Datasheet](#)

The MIC28512 eval board is used to demonstrate the features of the MIC28512, a synchronous step-down regulator featuring unique adaptive on-time control architecture with integrated power MOSFETs. The MIC28512 operates over an input supply range of 4.6V to 70V, and can be used to supply up to 2A of output current. The output voltage is adjustable down to 0.8V with a guaranteed accuracy of $\pm 1\%$ from 0°C to 85°C. The device operates with a programmable switching frequency from 200kHz to 680kHz (nominal). The MIC28512 evaluation board requires only a single power supply with at least 5A current capability. For applications where V_{IN} is less than +5.5V, the internal LDO can be bypassed by tying VDD to V_{IN} .

Products supported:

- MIC28512-1
- MIC28512-2



P/N: MIC28512-1YFL-EV
MIC28512-2YFL-EV

[<< BACK](#)

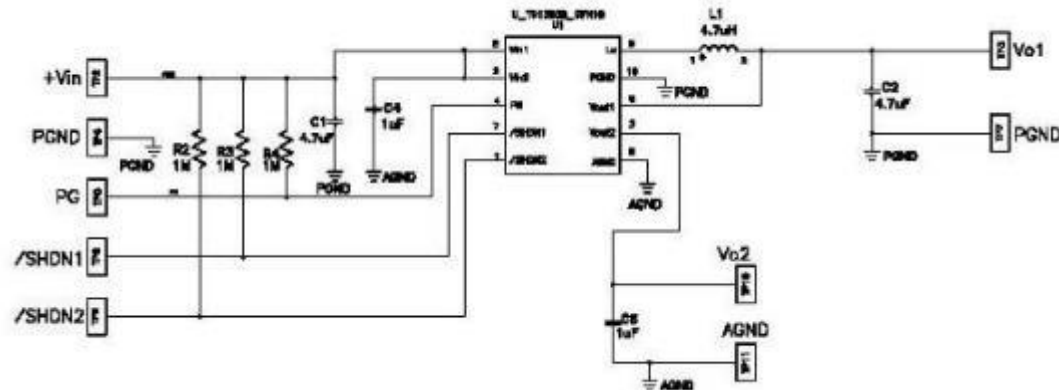


TC1303B Demo Board

Online
Datasheet

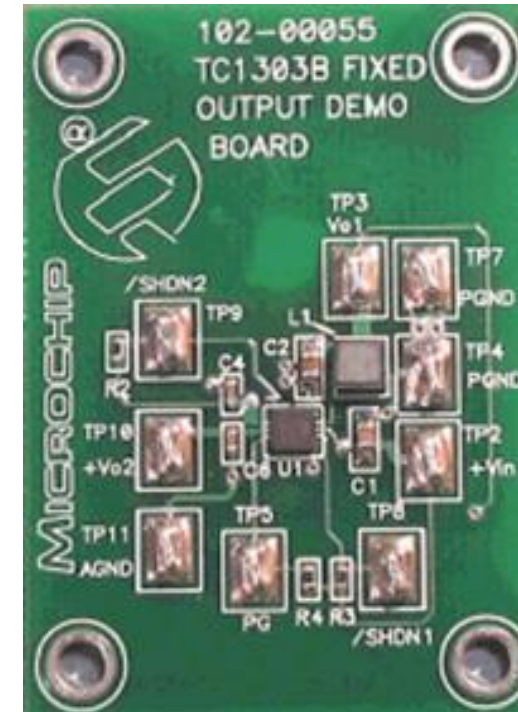
The TC1303B Dual-Output Regulator with Power-Good Output Demo Board can be used to evaluate the TC1303B device over the input voltage range and output current range for both the synchronous buck regulator output and the low-dropout linear regulator output.

Test points are provided for input power, output loads, shutdown control and power-good monitoring.



Products supported:

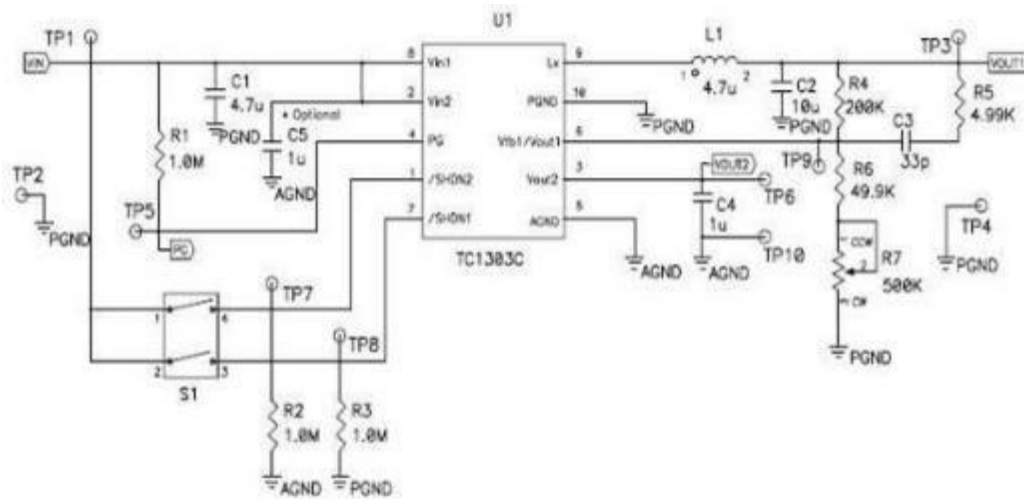
- TC1303B



TC1303C Demo Board

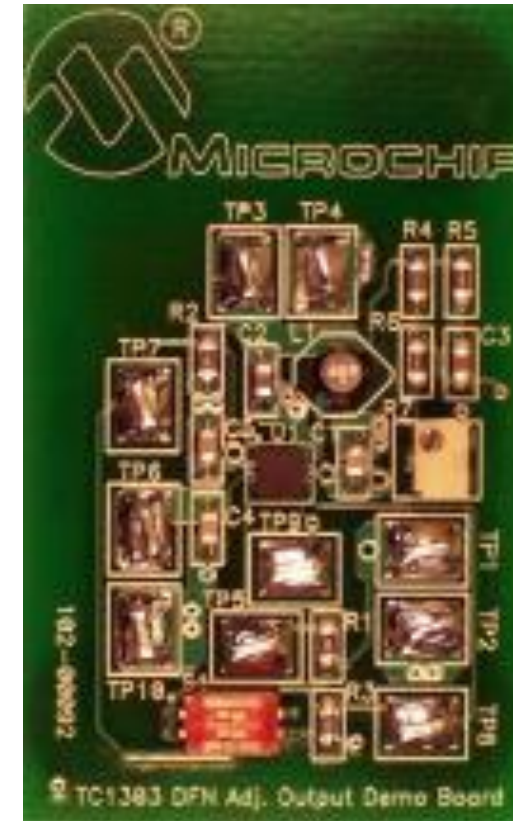
[Online Datasheet](#)

The TC1303C DFN Adjustable Output demo board demonstrates the use of Microchip's TC1303C device in applications that require dual supply voltage. The demo board is used to evaluate the TC1303C device over the input voltage range, output voltage and current range for both the synchronous buck regulator output and the low dropout linear regulator output.



Products supported:

- TC1303C



MCP1632 300 kHz Boost Converter Demo Board

Online
Datasheet

The MCP1632 300 kHz Boost Converter Demo Board is a compact, highly efficient, step-up voltage converter that will convert the input voltage rail (typically 5V) to a regulated 12V output voltage. The maximum output current for this demo board is 0.9A. The board demonstrates the capabilities of the MCP1632 PWM controller. Test points for various signals are provided for measuring different parameters of the converter. The Demo Board can be modified to support output voltages from 9V to 15V by changing a single resistor.

Features:

- Input Voltage Range: 3.6V to 5.5V
- Output Voltage: 12V (9V to 15V adjustable)
- Maximum Output Current: 0.9A
- 90% typical efficiency at 12V/0.8A output and 5V input
- 300 kHz fixed switching frequency
- Overcurrent Protection for MOSFETs
- Shutdown input for low-power Standby mode
- UVLO with 2.7V and 2.8V typical thresholds

Products supported:

- MCP1632



<< BACK



MCP19035 300 kHz Buck Controller Evaluation Board

Online
Datasheet

The MCP19035 300 kHz Synchronous Buck Controller Evaluation Board is a compact, highly efficient, step-down voltage regulator that will convert the input voltage rail (typically 12V) to 1.8V regulated output voltage. The maximum output current for this step-down converter is 15A. The board demonstrates the capabilities of the MCP19035 300 kHz synchronous buck converter, as well as Microchip's high-performance power MOSFET transistors. Test points for various signals are provided for measuring different parameters of the converter. The evaluation board can be modified to support output voltages from 0.9V to 3.3V by changing a single resistor. Microchip's companion Power MOSFETs are used in the design.

Products supported:

- MCP19035
- MCP87050
- MCP87022



MCP19035 600 kHz Buck Controller Evaluation Board

Online
Datasheet

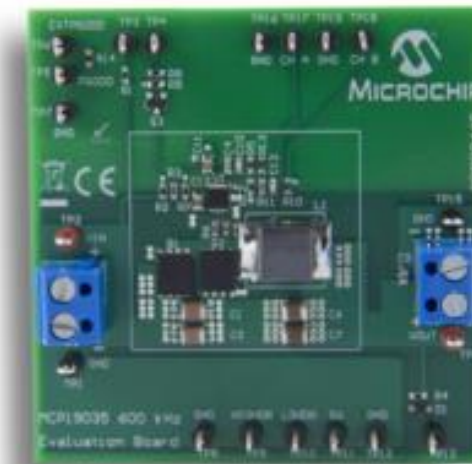
The MCP19035 600 kHz Synchronous Buck Controller Evaluation Board is a compact, highly efficient, step-down voltage regulator that will convert the input voltage rail (typically 12V) to 1.8V regulated output voltage. The maximum output current for this step-down converter is 10A. The board demonstrates the capabilities of the MCP19035 600 kHz Synchronous Buck Converter, as well as Microchip's high-performance power MOSFET transistors. Test points for various signals are provided for measuring different parameters of the converter. The evaluation board can be modified to support output voltages ranging from 0.9V to 3.3V by changing a single resistor.

Features:

- Input Voltage Range: 8V to 14V
- Output Voltage: 1.8V (can be adjusted by changing one resistor between 0.9V and 3.3V)
- Maximum Output Current: 10A
- 88% typical efficiency at 1.8V/10A output and 12V input
- 600 kHz fixed switching frequency
- On-board High Performance Power MOSFET Transistors
- Overcurrent Protection for High and Low-Side MOSFETs
- Power Good (PGOOD) output for monitoring the output voltage quality
- Shutdown input for placing the converter in low-power standby mode
- Under Voltage Lockout (UVLO) with 4.2V and 3.6V typical thresholds

Products supported:

- MCP19035
- MCP87050
- MCP87022



MCP19111 Eval Board

[Online Datasheet](#)

The MCP19111 Evaluation Board demonstrates how the MCP19111 device operates in a synchronous buck topology over a wide input voltage and load range. Nearly all operational and control system parameters are programmable by utilizing the integrated PIC microcontroller core. MPLAB X IDE can be used in conjunction with a Graphical User Interface (GUI) plug-in to easily configure the MCP19111. Alternatively, the user can program the MCP19111 using their own firmware, tailoring it to their application. The evaluation board contains headers for ICSP™ (In-Circuit Serial Programming™) as well as I²C communication, pull-up and pull-down resistor pads and test point pads on each GPIO pin, and two push buttons for system development.

Products supported:

- MCP19111
- MCP87050
- MCP87018



MCP19114 Flyback Standalone Eval Board

Online
Datasheet

The MCP19114 Flyback Standalone Evaluation Board and Graphical User Interface (GUI) demonstrate the MCP19114 performance in a synchronous Flyback topology. It is configured to regulate load current, and is well suited to drive LED loads. Nearly all operational and control system parameters are programmable through the integrated PIC MCU core. The MCP19114 evaluation board comes preprogrammed with firmware designed to operate with the GUI interface. Microchip's MPLABX IDE (Integrated Development Environment) can be used to develop and program user-defined firmware, thus customizing it to the specific application. The evaluation board contains headers for ICSPTM (In-Circuit Serial Programming) as well as I2C™ communication. Several test points have been designed into the PWB for easy access and development purposes. The MCP19114-Flyback Standalone Evaluation Board also demonstrates an optimized PCB (Printed Circuit Board) layout that minimizes parasitic inductance, while increasing efficiency and power density. Proper PCB layout is critical to achieve optimum MCP19114 operation as well as power train efficiency and noise minimization.

Features

- Ceramic and bulk capacitors on the input reduce RMS ripple current and tame input voltage deviation caused by load transients
- Ceramic capacitors on the output reduce voltage ripple and provide energy to the output while the primary side is being re-energized
- PC software provides simple interface to evaluating the evaluation board
- Vin range: 8V to 14V
- Adjustable Vout range: 0V to 50V
- Maximum output current: 500mA with proper air flow
- Programming and I2C communication headers

P/N: ADM00578

Products supported:

- MCP19114



<< BACK



MCP19125 Flyback Battery Charger

[Online Datasheet](#)

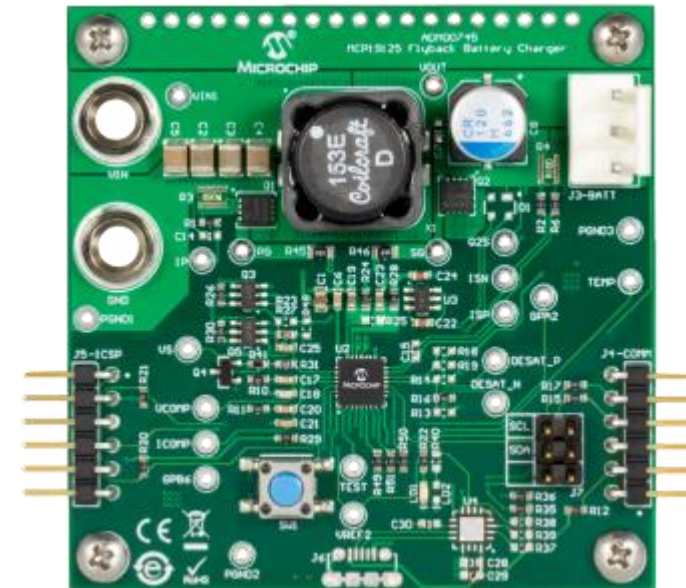
The MCP19125 Flyback Battery Charger Evaluation Board demonstrates a multi-chemistry synchronous battery charging circuit. It regulates the amount of charge current and the type of charging, while tracking the battery status. This is completely configurable using the integrated PIC® microcontroller, with the MPLAB X IDE and a Graphical User Interface (GUI). Alternatively, the user can program the MCP19125 using their own firmware.

Features:

- Vin Range: 4.5V to 42V
- Maximum Charge Current: 1A
- Capable of charging:
 - Lithium Ion (Li-Ion): 2-4 Cells
 - Nickel Metal Hydride (NiMH): 2-7 Cells
 - Valve Regulated Lead Acid (VRLA): 3-6 Cells
- Programming and I2C headers
- Factory programmed for use with downloadable Graphical User Interface (GUI)

Products supported:

- MCP19124
- MCP19125
- TC1240



[<< BACK](#)



MCP19215 Boost / SEPIC Eval Board

Online
Datasheet

The MCP19215 Dual Channel Controller Evaluation Board demonstrates how the MCP19215 device operates in Boost and SEPIC topologies over a wide input voltage and load range. Nearly all operational and control system parameters are programmable by utilizing the integrated PIC controller.

Features:

- Input voltage range: 8V to 15V
- Output voltage: default 20V for both channels (can be –
- software adjusted from input voltage + 1V to 24V for –
- channel 1 and 9V to 24V for channel 2)
- Default output current: 0.2A (can be software adjusted –
- from 0A to 1A)
- 300 kHz switching frequency
- Status report (including errors, input voltage, output –
- voltage and current) via I2C communication
- Under voltage lockout (UVLO) and overvoltage lockout –
- (OVLO) with programmable thresholds (via software)

Products supported:

- MCP19215



MIC2101/2 Eval Board

[Online Datasheet](#)

The MIC2101/02 are constant-frequency, synchronous buck controllers featuring a unique adaptive ON-time control architecture. The MIC2101/02 operates over an input supply range from 4.5V to 38V and can be used to supply up to 15A of output current. The output voltage is adjustable down to 0.8V with a guaranteed accuracy of $\pm 1\%$. The device operates with programmable switching frequency from 200kHz to 600kHz.

The MIC2101 and MIC2102 evaluation board requires only a single power supply with at least 10A current capability. The MIC2101/02 has internal VDD LDO so no external linear regulator is required to power the internal biasing of the IC. In the applications with $V_{IN} < +5.5V$, VDD should be tied to V_{IN} to by-pass the internal linear regulator. The output load can either be a passive or an active load.

Products supported:

- MIC2101
- MIC2102



P/N: MIC2101YML-12A-EV
MIC2102YML-12A-EV

[<< BACK](#)



MIC2169 Eval Board

[Online Datasheet](#)

The MIC2169A is a high-efficiency, simple to use 500kHz PWM synchronous buck control IC housed in a small MSOP-10 package. The MIC2160A allows compact DC-to-DC solutions with a minimal external component count and cost. The output voltage can be precisely regulated down to 0.8V. The adaptive all N-Channel MOSFET drive scheme allows efficiencies over 95% across a wide load range.

Products supported:

- MIC2169



MIC2196 LED Driver

[Online Datasheet](#)

Evaluation Board

The MIC2196 current mode boost controller is used to implement a LED Driver with PWM DIM control. The LED series string is pulsed on and off by the PWM DIM input signal to provide true PWM dimming. When pulsed on the LED, current is regulated by the high frequency current mode boost converter.

Products supported:

- MIC2196



MIC2104 Eval Board

[Online Datasheet](#)

The MIC2104 is a constant-frequency, synchronous buck controller featuring a unique adaptive ON-time control architecture. The MIC2104 operates over an input supply range from 4.5V to 75V and can be used to supply up to 15A of output current. The output voltage is adjustable down to 0.8V with a guaranteed accuracy of $\pm 1\%$. The device operates with programmable switching frequency from 200kHz to 600kHz.

The MIC2104 evaluation board requires only a single power supply with at least 10A current capability. The MIC2104 has internal VDD LDO so no external linear regulator is required to power the internal biasing of the IC. In the applications with $V_{IN} < +5.5V$, VDD should be tied to V_{IN} to by-pass the internal linear regulator. The output load can either be a passive or an active load.

Products supported:

- MIC2104



[<< BACK](#)



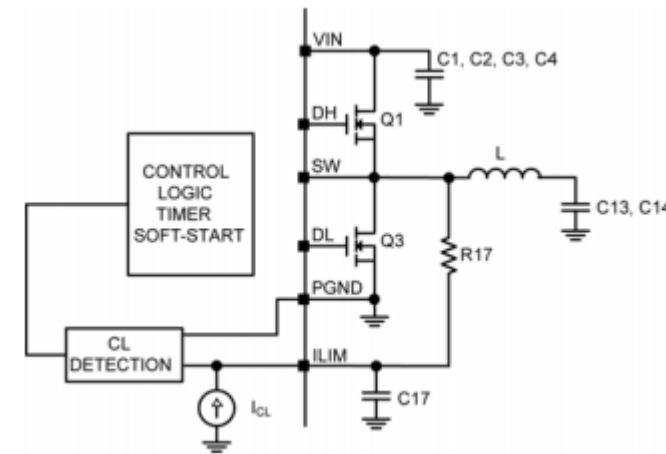
MIC2103 Eval Board

[Online Datasheet](#)

The MIC2103/04 are constant-frequency synchronous buck controllers featuring a unique adaptive on-time control architecture. The MIC2103/04 operates over an input supply range of 4.5V to 75V and can be used to supply up to 15A of output current. The output voltage is adjustable down to 0.8V with a guaranteed accuracy of $\pm 1\%$. The device operates with programmable switching frequency from 200kHz to 600kHz.

Products supported:

- MIC2103



MIC2130/1 Eval Board

[Online
Datasheet](#)

The MIC2130/1 evaluation board is a high voltage input PWM synchronous buck converter. The MIC2130/1 is a voltage mode controller with a fast hysteretic control loop (FHyCL) employed during fast line and load transients. The MIC2130/1 has an internal transconductance error amplifier, gate drivers, current limit, enable and under voltage lock out and soft start circuitry. The internal gate drivers are designed to drive high current MOFETs. The evaluation board output voltage is selected by a jumper for pre-selected voltage divider network, 1.8V, 3.3V, 5V or leaving the jumper open for 0.7V. The maximum current limit is set a 9A. The input voltage is 8V to 40V.

Products supported:

- MIC2130
- MIC2131



P/N: MIC2130-EV
MIC2131-EV



MIC2176 5A

[Online
Datasheet](#)

Evaluation Board

The MIC2176-1/-2/-3 is a family of constant frequency, synchronous buck controllers featuring a unique digitally modified adaptive ON-time control architecture. The MIC2176 family operates over an input supply range of 4.5V to 75V. The output voltage is adjustable down to 0.8V with a guaranteed accuracy of +/-1% typically, and the device operates at a switching frequency of 100kHz, 200kHz, and 300kHz.

The MIC2176 evaluation board requires only a single power supply with at least 10A current capability. A linear regulator, which includes a Zener and an NPN transistor, has been installed on the board to provide housekeeping for the MIC2176 controller. The output load can either be a passive or an active load.

Products supported:

- MIC2176-2



[<< BACK](#)



MCP1640 Eval Board

[Online Datasheet](#)

The MCP1640 Synchronous Boost Converter Evaluation Board uses the MCP1640 in a high-efficiency (up to 96%), fixed frequency (500MHz), step-up DC-DC converter.

It demonstrates:

- Easy-to-use and minimum number of external components power supply solution for applications powered by one-cell, two-cell, or three-cell alkaline, NiCd/NiMH; one-cell Li-Ion or Li-Polymer batteries
- Selection of the best operating mode for efficiency (PWM/PFM)
- A wide input voltage range (0.35 to 5.5V) and low start-up voltage (0.65V)
- PCB layouts recommendation for SOT23-6 and 2x3mm-8 DFN packages
- Three common output voltages to evaluate: 2.0V, 3.3V and 5.0V enable selection (when disabled, the MCP1640 disconnects the path from input to output for “true-disconnect”).

Products supported:

- MCP1640



MCP1640 Single AAAA

[Online Datasheet](#)

Battery Boost Ref. Design

The MCP1640 Single Quadruple-A Battery Boost Converter Reference Design demonstrates how the MCP1640 device, with the True Output Disconnect Shutdown option, works attached to a microcontroller application. This board demonstrates how to optimize battery life using the MCP1640, and an 8-bit low cost PIC microcontroller, to reduce the No Load Input Current for applications that operate in Standby mode for a long period of time. During Standby, the enable signal for the MCP1640 has a low frequency, with less than 1% positive duty cycle. This maintains the output of the MCP1640 device up to 2.3V, which is sufficient to keep the PIC microcontroller live. This solution reduces up to 80% of the No Load Input Current the MCP1640 consumes in PFM Mode.

Products supported:

- MCP1640
- PIC12F617



MCP1640 12V/50mA Two Cells Input Ref. Design

[Online Datasheet](#)

The MCP1640 12V/50 mA Two Cells Input Boost Converter Reference Design is designed to demonstrate the MCP1640 device's high-voltage boost capability above its typical output range of 5.5V. This board boosts the low-voltage input to 12V and up to 70 mA load. By changing specific resistors, a lower/higher output than 12V can be obtained. The MCP1640 Input Boost Converter was developed to help engineers reduce product design cycle time. At 2.0V input and 12V output, the board is capable of a maximum of 50 mA load current.

This Kit Contains:

- 1x MCP1640 12V/50 mA Two Cells Input Boost Converter Board

Products supported:

- MCP1640B



MCP16251

[Online Datasheet](#)

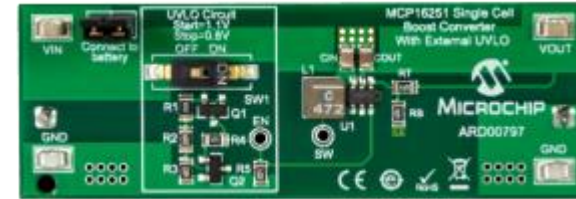
The MCP16251 Single Cell Boost Converter With External UVLO Reference Design provides an example of how to optimize applications powered from a single AA cell battery by incorporating a ultra low power external under-voltage lockout circuit with hysteresis.

Features:

- Converter will not (re)start if the battery voltage is lower –
 - than 1.14V and will stop working if the battery voltage –
 - drops below 0.83V.
- External ULVO circuit drains approximately 0.1-0.4 μ A –
 - before start-up and 1 -2 μ A after start-up.
- Output voltage: 3.3V
- Output current: < 125 mA
- Typical Efficiency: Up to 96%
- Automatic PFM/PWM operation

Products supported:

- MCP16251



MCP1642B Two-Cells to USB Power Eval Board

[Online Datasheet](#)

This board demonstrates the MCP1642B capabilities in a boost-converter application supplied from two AA batteries or from an external voltage source. A USB cable can be connected to the output of MCP1642B Two-Cells to USB Power Evaluation Board and used to provide power to portable electronic devices when necessary. It can be used to evaluate the MSOP-8 package. The MCP1642B Two-Cells to USB Power Evaluation Board was developed to help engineers reduce the product design cycle time. On the MCP1642B Two-Cells to USB Power Evaluation Board, the output voltage has the value of 5.0V (the fixed value MCP1642B-50 device is used), resulting in a simple and compact application. The footprints for RT and RB (resistor divider connected to the FB pin) are not populated and will only be used if MCP1642B-ADJ, the adjustable option, will be tested.

Features:

- Can be powered by two AA batteries or external power supply
- Output voltage: 5.0V
- Power Good indicator 2 mA LED
- Enable state selectable using EN switch with “true-disconnect”
- USB A output connector

Products supported:

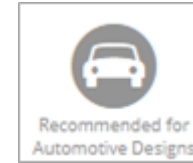
- MCP1642B



[<< BACK](#)



MCP1643 1.6A LED Driver Eval Board



Online
Datasheet

The MCP1643 Synchronous Boost LED Constant Current Regulator Evaluation Board is used to evaluate and demonstrate Microchip Technology's MCP1643 device. This board demonstrates the MCP1643 in a boost converter application supplied by one AA battery, or from an external voltage source, which drives an LED with three selectable currents. This evaluation board was developed to help engineers reduce the product design cycle time.

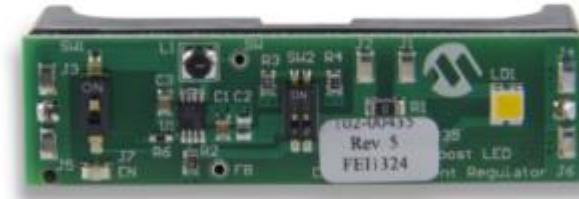
Four output currents can be selected: 25, 50, 75 and 100mA. The output current can be changed with a dual switch that changes the external LED current sense equivalent resistance. An enable switch is used to enable and disable the converter. When enabled, the MCP1643 will regulate the output current; when disabled, the MCP1643 disconnects the path from input to output for "true-disconnect". In this state, the current consumed from the battery is 1 μ A, typically.

Features:

- Can be powered by one-cell Alkaline, NiCd, or NiMH batteries, or by external power supply
- Input voltage range, V_{IN} : 0.35V to 2.5V, with $V_{IN} < V_{OUT}$
- Start-up voltage: 0.65V
- Fixed output current: 25 mA 50 mA, 75 mA or 100 mA, selected
- PWM Switching Frequency: 1 MHz
- Mechanical battery reverse polarity protection

Products supported:

- MCP1643



<< BACK



MCP1663 9V/12V/24V

Online
Datasheet

Eval Board

The MCP1663 Evaluation Board is used to evaluate and demonstrate Microchip Technology's MCP1663 step-up switching regulator. This board comes with two distinct applications. The 1st circuit can be used to evaluate the MCP1663 in the typical boost configuration 9V/12V selectable output. The board also provides an example of how a higher input voltage application can be implemented.

Features:

- Typical 9V/12V Output supplied from low input voltage source:
 - Input Voltage range: 2.4V to 5.5V, with $V_{IN} - < V_{OUT}$
 - Output Current: typical 250 mA @ 12V Output, - 3.3V Input
 - Enable state selectable using EN switch
- 24V Output supplied from high input voltage source:
 - Input Voltage range (V_{IN}): 9V to 16V

Products supported:

- MCP1663



<< BACK



MCP1664 LED Driver

Online
Datasheet

Eval Board

The MCP1664 LED Driver Evaluation Board is used to evaluate and demonstrate Microchip Technology's MCP1664 product. This board demonstrates the MCP1664 in a boost converter application supplied from an external voltage source, which drives a string of LEDs with three selectable currents. The MCP1664 LED Driver Evaluation Board was developed to help engineers reduce the product design cycle time.

Features:

- Adjustable Output Current: 90 mA, 180 mA or 270 mA, - selected using a dual switch on-board
- Input Voltage range (V_{IN}): 2.4V to 5.5V, with $V_{IN} < V_{OUT}$
- PWM Dimming using PWM generator on board
- 1.8A Peak Input Current Limit

Products supported:

- MCP1664



<< BACK



MCP16251 & MCP1640B Synchronous Boost Converter Evaluation Board

Online
Datasheet

The MCP16251 and MCP1640B Synchronous Boost Converters Evaluation Board is used to evaluate and demonstrate Microchip Technology's MCP16251 and MCP1640B products. This board demonstrates the MCP16251/MCP1640B in two boost-converter applications with multiple output voltages. It can be used to evaluate both package options (SOT-23-6 and 2x3 mm 8-(T)DFN). The MCP16251 and MCP1640B Synchronous Boost Converters Evaluation Board was developed to help engineers reduce the product design cycle time. Three common output voltages can be selected: 2.0V, 3.3V and 5.0V. The output voltage can be changed with a mini-dip switch that changes the external resistor divider. A switch connected to the EN pin is used to enable and disable the converters. When enabled, the MCP16251/MCP1640B will regulate the output voltage; when disabled, the MCP16251/MCP1640B disconnects the path from input to output for "true-disconnect".]

Features:

- Can be powered by one-cell, two-cell, or three-cell alkaline, NiCd, NiMH, one-cell Li-Ion or Li-Polymer batteries
- Input voltage range (V_{IN}): 0.35V to 5.5V, with $V_{IN} \leq V_{OUT}$
- Fixed output voltage: 2.0V or 3.3V and 3.3V or 5.0V, selected using a mini-dip switch on board
- Output current: typical 125 mA @ 3.3V Output, 1.5V Input or 200 mA @ 5.0V Output, 3V Input

P/N: ADM00458

Products supported:

- MCP16251
- MCP1640B



<< BACK



MCP1662 LED

Online
Datasheet

Driver Eval Board

This board demonstrates the MCP1662 in a boost-converter application supplied by two AA batteries, or from an external voltage source, which drives a string of LEDs with three selectable currents: 30 mA, 60 mA and 90 mA. The output current can be changed with a dual switch that changes the external LED current sense equivalent resistance (RSET). An enable switch is used to enable and disable the converter. When enabled, the MCP1662 will regulate the output current; when disabled, the current consumed from the battery by the device is typically less than 20 nA.

Features:

- Can be powered by two-cell Alkaline, NiCd, NiMH or Lithium AA cell batteries
- Input Voltage range (V_{IN}): 2.4V to 5.5V,
- Undervoltage Lockout: 2.3V to Start; 1.85V to Stop
- Adjustable Output Current: 30 mA, 60 mA or 90 mA, selected using a dual switch on-board
- PWM Switching Frequency: 500 kHz
- Enable converter using switch on board
- 1.3A Peak Input Current Limit
- Overtemperature Protection
- Open Load Protection in case of: LED fail or FB disconnected/fault

P/N: ADM00555

Products supported:

- MCP1662



<< BACK



MCP1661 HV Boost & SEPIC Converters

Online
Datasheet

Board

The MCP1661 High-Voltage Boost and SEPIC Converters Evaluation Board is used to evaluate Microchip Technology's MCP1661 product. This board demonstrates the MCP1661 capabilities in two different topologies:

- 12V output Boost Converter application supplied from an external voltage source ($V_{IN} < 5.5V$ e.g. two cell boost to 12V)
- 3.3V output SEPIC Converter application supplied from a Li-Ion Cell. It can be used to evaluate the SOT-23-5 package. The MCP1661 High-Voltage Boost and SEPIC Converters Evaluation Board was developed to help engineers reduce product design cycle time.

In both the MCP1661 Boost Application and MCP1661 SEPIC Application, the output voltage is set to the proper value using an external resistor divider, resulting in a simple and compact solution.

In the MCP1661 SEPIC Application, a switch is used to enable and disable the converter. When enabled, the MCP1661 will regulate the output voltage; when disabled, the MCP1661 SEPIC Application will disconnect the path from input to output

Features:

- MCP1661 device can be evaluated in two separate applications: Boost and SEPIC
- Start-up Voltage: 2.3V (UVLO Start)
- Input Voltage range (V_{IN}) after start-up: 2.4V to 5.5V,
- Output Voltage:
 - 12V (for MCP1661 Boost Application)
 - 3.3V (for MCP1661 SEPIC Application)
- Output Current: typical 125 mA @ 12V Output, 3.3V Input (Boost)

P/N: ADM00566

Products supported:

- MCP1661



<< BACK



MIC2601 Eval Board

[Online Datasheet](#)

The MIC2601 is a 1.2MHz/2MHz, PWM DC/DC boost switching regulator. High power density is achieved with the MIC2601's internal 40V/1.2A switch, allowing it to power large loads in a tiny footprint.

The MIC2601 implements constant frequency 1.2MHz/2MHz PWM current mode control. The MIC2601 offers internal compensation that provides excellent transient response and output regulation performance. The high frequency operation saves board space by allowing small, low-profile external components. The fixed frequency PWM scheme also reduces spurious switching noise and ripple to the input power source.

Products supported:

- MIC2601



MIC2605/6 Eval Board

[Online Datasheet](#)

The MIC2605/6 is a 1.2MHz/2MHz, PWM DC/DC boost switching regulator. High power density is achieved with the MIC2605/6's internal 40V/0.5A switch and Schottky diode, allowing it to power large loads in a tiny footprint.

The MIC2605/6 implements constant frequency 1.2MHz/2MHz PWM current mode control. The MIC2605/6 offers internal compensation that offers excellent transient response and output regulation performance. The high frequency operation saves board space by allowing small, low-profile external components. The fixed frequency PWM scheme also reduces spurious switching noise and ripple to the input power source.

Products supported:

- MIC2605
- MIC2606



MIC2619 Eval Board

[Online Datasheet](#)

The MIC2619 is a 1.2MHz pulse width modulated (PWM) step-up switching regulator that is optimized for low power, high output voltage applications. With a maximum output voltage of 35V, and a switch current of over 350mA, the MIC2619 can easily supply most high voltage bias applications, such as TV tuners.

The MIC2619 implements a constant frequency 1.2MHz PWM current-mode control scheme. The high frequency PWM operation saves board space by reducing external component sizes. The additional benefit of the constant frequency PWM control scheme as opposed to variable frequency control schemes is lower output noise and smaller input ripple injected back to the battery source. The MIC2619 has programmable overvoltage protection to ensure output protection in case of fault condition.

Products supported:

- MIC2619



MIC2875/6 Eval Board

[Online Datasheet](#)

The MIC2875/6 is a compact and highly-efficient 2MHz synchronous boost regulator with a 4.8A switch. It features a bi-directional load disconnect function which prevents any leakage current between the input and output when the device is disabled. The MIC2875 operates in bypass mode automatically when the input voltage is greater than the target output voltage. At light loads, the boost converter goes to the PFM mode to improve the efficiency.

Products supported:

- MIC2875
- MIC2876



MIC2250 Eval Board

[Online Datasheet](#)

The MIC2250 is a general purpose DC/DC boost switching regulator that features low noise, EMI reduction circuitry, and high efficiency across a wide output current range. The MIC2250 is optimized for noise-sensitive hand held battery powered applications. A proprietary control method allows low ripple across the output voltage and current ranges. The MIC2250 incorporates a pseudo-random dithering function to reduce EMI levels up to 10dB enabled by the DITH pin.

The MIC2250 is designed for use with inductor values from 4.7 μ H to 22 μ H, and is stable with ceramic capacitors from 1 μ F to 22 μ F.

The MIC2250 attains a high peak efficiency up to 90% at 100mA and excellent light load efficiency of 80% at 1mA. High power density is achieved with the MIC2250's internal 34V/2A rated switch, allowing it to power large loads in a tiny footprint.

The MIC2250 evaluation board requires an input power source that is able to deliver at least 3A over the desired input voltage range. For the load, a 10W, variable resistor is recommended or an electronic load (E-Load) capable of constant resistance setting can be used. Note that noise/EMI measurements must employ a resistive load as electronic loads can introduce noise at light loads.

P/N: MIC2250YML-EV

Products supported:

- MIC2250



[<< BACK](#)

MIC2295 Eval Board

[Online Datasheet](#)

The MIC2295 is a small 1.2MHz constant frequency PWM DC/DC step-up switching regulator. The MIC2295 evaluation boards requires an input power source that is able to deliver greater than 1.2A at 2.5V.

Products supported:

- MIC2295



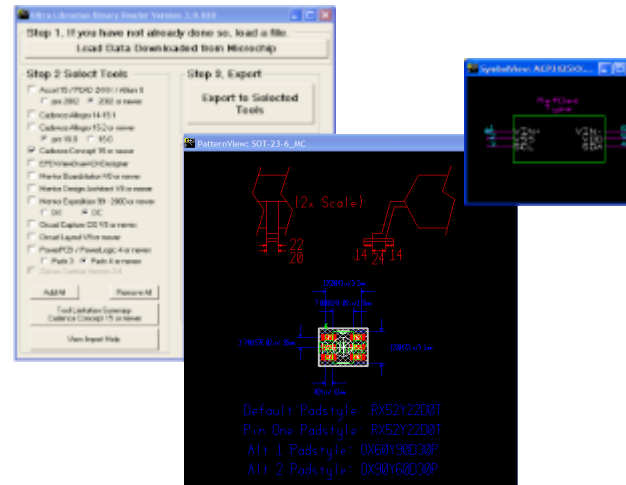
CAD/CAE Schematic Symbols and Footprints

Online
Datasheet

Microchip and Accelerated Designs Inc. have collaborated together to provide Microchip customers with schematic symbols and PCB footprints for Microchip products.

Both PCB footprints and schematic symbols are available for download in a vendor neutral format which can then be exported to the leading EDA CAD/CAE design tools using the Ultra Librarian Reader. The reader is available for free download

Providing components based on parametric data through the Ultra Librarian Reader will allow Microchip customers to reliably create consistent quality CAD entities to an established standard with minimal effort. It is anticipated that this free download service will save Microchip's customers significant time



<< BACK



MSCSICSP3/REF2

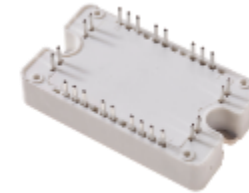
Online
Overview

SiC SP3 Module Driver Reference Design

- Half Bridge Driver
- Up to 400 kHz switching frequency
- 12 V V_{IN} supply
- Capable of 16W of gate drive power/side
- 30 A peak Source output current
- Minimum 100 kV/ μ S CMTI
- -5 V/+20 V output gate drive
- Low propagation delay: 55 ns typ.
- Fault signaling
- Under voltage lockout protection
- Programmable dead time protection
- Desaturation protection
- Screw output terminals



SP3F standard
package
compatible



<< Power Silicon Carbide

<< Power MOSFET Drivers



MSCSICSP6/REF3

Online
Overview

SiC SP6LI Module Driver Reference Design

- Featuring **new low inductance SP6LI**
 - Stray inductance < 3 nH with SiC devices
 - Designed to be easy to parallel
- Half Bridge Driver
- Up to 1200 V and 586 A
- Up to 400 kHz switching frequency
- 12 V VIN supply
- Capable of 16 W of gate drive power/side
- 30 A Peak Source output current
- Minimum 100 KV/ μ S CMTI
- -5 V/+20 V output gate drive
- Low propagation delay variability
- Fault signaling
- Under voltage lockout protection
- Programmable dead time protection
- Desaturation protection



<< Power Silicon Carbide

<< Power MOSFET Driver



MSCSICPFC/REF5

[Online
Overview](#)

3-Phase Vienna PFC Reference Design

- 30 kW Vienna rectifier topology with greater than 98.5 % peak efficiency
- 3-phase input at 400 VAC/208 VAC, 50 Hz/60 Hz with output at 780 V DC
- 140 kHz pulse width modulation (PWM) switching frequency
- SiC MOSFETS mounted on AVVID MaxClip heat sinks to reduce communication loop inductance and voltage spikes across devices
- AlN spacers to reduce capacitance and common-mode noise
- Professional PCB layout with consideration for safety, current stress, mechanical stress, and noise immunity
- dsPIC33CH controller with verified open-source software using 3-level modulation for digital control



[<< BACK](#)



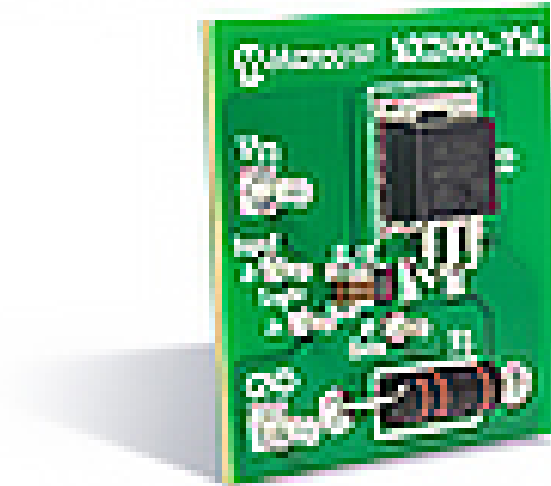
MIC5060 Eval Board

[Online
Datasheet](#)

The MIC5060 MOSFET driver is designed for gate control of N-channel, enhancement-mode, and power MOSFETs used as high-side or low-side switches. The MIC5060 can sustain an on-state output indefinitely. The MIC5060 features an internal charge pump that can sustain a gate voltage greater than the available supply voltage. The driver is capable of turning on a logic-level MOSFET from a 2.75V supply or a standard MOSFET from a 5V supply. The gate-to-source output voltage is internally limited to approximately 15V. The MIC5060 is protected against automotive load dump, reversed battery, and inductive load spikes of $-20V$.

Products supported:

- MIC5060



MIC4102 Eval Board

[Online
Datasheet](#)

The MIC4102 are high frequency, 100V Half Bridge MOSFET driver ICs featuring fast 30ns propagation delay times. The low-side and high-side gate drivers are independently controlled and matched to within 3ns typical. The MIC4102 include a high voltage internal diode that charges the high-side gate drive bootstrap capacitor.

Products supported:

- MIC4102



MIC4224 Eval Board

[Online Datasheet](#)

The MIC4224 is a dual 4A, high-speed, low-side MOSFET driver with logic-level driver enables. The device parallel Bipolar and CMOS output stage architecture provides high current throughout the MOSFETs Miller Region allowing the driver to sink and source 4A of peak current from a 12V supply and quickly charge and discharge a 2000pF load capacitance in under 15ns, while allowing the outputs to swing within 0.3V of V_{DD} and 0.16V of ground.

Products supported:

- MIC4224



MIC4605 Eval Board

[Online Datasheet](#)

The MIC4605 is an 85V half-bridge MOSFET driver that features adaptive-dead-time and shoot-through protection. The adaptive-dead-time circuitry actively monitors the half-bridge outputs to minimize the time between high-side and low-side MOSFET transitions, thus maximizing power efficiency. Anti-shoot-through circuitry prevents erroneous inputs and noise from turning both MOSFETs on at the same time.

The MIC4605 also offers a wide 5.5V to 16V operating supply range to maximize system efficiency. The low 5.5V operating voltage allows longer run times in battery-powered applications. Additionally, the MIC4605's adjustable gate drive sets the gate drive voltage to VDD for optimal MOSFET $R_{DS(ON)}$, which minimizes power loss due to the MOSFET's $R_{DS(ON)}$.

Products supported:

- MIC4605-1
- MIC4605-2



P/N: MIC4605-1YM-EV
MIC4605-1YMT-EV
MIC4605-2YM-EV
MIC4605-2YMT-EV



MIC4606 Eval Board

[Online Datasheet](#)

The MIC4606 is an 85V full-bridge MOSFET driver that features adaptive dead time and shoot-through protection. The adaptive dead time circuitry actively monitors both sides of the full-bridge to minimize the time between high-side and low-side MOSFET transitions, thus maximizing power efficiency. Antishoot-through circuitry prevents erroneous inputs and noise from turning both MOSFETs of each side of the bridge on at the same time.

The MIC4606 also offers a wide 5.5V to 16V operating supply range to maximize system efficiency. The low 5.5V operating voltage allows longer run times in battery-powered applications. Additionally, the MIC4606's adjustable gate drive sets the gate drive voltage to V_{DD} for optimal MOSFET $R_{DS(ON)}$, which minimizes power loss due to the MOSFET's $R_{DS(ON)}$.

Products supported:

- MIC4606-1
- MIC4606-2



P/N: MIC4606-1YML-EV
MIC4606-2YML-EV

[<< BACK](#)



MIC4607 Eval Board

[Online Datasheet](#)

The MIC4607 is an 85V, three-phase MOSFET driver. The MIC4607 features a fast (35ns) propagation delay time and 20ns driver rise/fall times for a 1nF capacitive load. TTL inputs can be separate high- and low-side signals or a single PWM input with high and low drive generated internally. High- and low-side outputs are guaranteed to not overlap in either mode. The MIC4607 includes overcurrent protection as well as a high-voltage internal diode that charges the high-side gate drive bootstrap capacitor.

A robust, high-speed, and low-power level shifter provides clean level transitions to the high-side output. The robust operation of the MIC4607 ensures that the outputs are not affected by supply glitches, HS ringing below ground, or HS slewing with high-speed voltage transitions. Undervoltage protection is provided on both the low-side and high-side drivers.

Products supported:

- MIC4607



[<< BACK](#)



MIC4414/5 Eval Board

[Online
Datasheet](#)

The MIC4414 and MIC4415 are low-side MOSFET drivers designed to switch an N-channel enhancement type MOSFET in low-side switch applications. The MIC4414 is a non-inverting driver and the MIC4415 is an inverting driver. These drivers feature short delays and high peak current to produce precise edges and rapid rise and fall times.

Products supported:

- MIC4414
- MIC4415



P/N: MIC4414YFT-EV
MIC4415YFT-EV

[<< BACK](#)



MIC5019 Eval Board

[Online Datasheet](#)

The MIC5019 is a high-side MOSFET driver with integrated charge pump designed to switch an N-Channel enhancement type MOSFET control signal in high-side or low-side applications.

The MIC5019 operates from a 2.7V to 9V supply, and generates gate voltages of 9.2V from a 3V supply, and 16V from a 9V supply. The device consumes a low 77 μ A of supply current and less than 1 μ A of supply current in shutdown mode.

Products supported:

- MIC5019



[<< BACK](#)



MIC45116 Eval Board

[Online Datasheet](#)

The MIC45116 is a synchronous step-down regulator module, featuring a unique adaptive ON-time control architecture. The module incorporates a DC/DC controller, power MOSFETs, bootstrap diode, bootstrap capacitor, and an inductor in a single package; simplifying the design and layout process for the end user.

This highly integrated solution expedites system design and improves product time-to-market. The internal MOSFETs and inductor are optimized to achieve high efficiency at a low output voltage. The fully optimized design can deliver up to 6A current under a wide input voltage range of 4.75V to 20V without requiring additional cooling.

Products supported:

- MIC45116-1
- MIC45116-2



P/N: MIC45116-1YMP-EV
MIC45116-2YMP-EV

[<< BACK](#)



MIC45205 Eval Board

[Online Datasheet](#)

The MIC45205 is a synchronous step-down regulator module, featuring a unique adaptive ON-time control architecture. The module incorporates a DC-to-DC controller, power MOSFETs, bootstrap diode, bootstrap capacitor, and an inductor in a single package; simplifying the design and layout process for the end user.

This highly-integrated solution expedites system design and improves product time-to-market. The internal MOSFETs and inductor are optimized to achieve high efficiency at a low output voltage. The fully-optimized design can deliver up to 6A current under a wide input voltage range of 4.5V to 26V, without requiring additional cooling.

Products supported:

- MIC45205-1
- MIC45205-2



P/N: MIC45205-1YMP-EV
MIC45205-2YMP-EV

[<< BACK](#)



MIC45208 Eval Board

[Online Datasheet](#)

The MIC45208 is a synchronous step-down regulator module, featuring a unique adaptive ON-time control architecture. The module incorporates a DC-to-DC controller, power MOSFETs, bootstrap diode, bootstrap capacitor, and an inductor in a single package; simplifying the design and layout process for the end user.

This highly-integrated solution expedites system design and improves product time-to-market. The internal MOSFETs and inductor are optimized to achieve high efficiency at a low output voltage. The fully-optimized design can deliver up to 10A current under a wide input voltage range of 4.5V to 26V, without requiring additional cooling.

Products supported:

- MIC45208-1
- MIC45208-2



P/N: MIC45208-1YMP-EV
MIC45208-2YMP-EV

[<< BACK](#)



MIC45212 Eval Board

[Online Datasheet](#)

The MIC45212 is a synchronous step-down regulator module, featuring a unique adaptive ON-time control architecture. The module incorporates a DC-to-DC controller, power MOSFETs, bootstrap diode, bootstrap capacitor, and an inductor in a single package; simplifying the design and layout process for the end user.

This highly-integrated solution expedites system design and improves product time-to-market. The internal MOSFETs and inductor are optimized to achieve high efficiency at a low output voltage. The fully-optimized design can deliver up to 14A current under a wide input voltage range of 4.5V to 26V, without requiring additional cooling.

Products supported:

- MIC45212-1
- MIC45212-2



P/N: MIC45212-1YMP-EV
MIC45212-2YMP-EV

[<< BACK](#)



MIC28304 Eval Board

[Online Datasheet](#)

The MIC28304 is synchronous step-down regulator module, featuring a unique adaptive ON-time control architecture. The module incorporates a DC-to-DC controller, power MOSFETs, bootstrap diode, bootstrap capacitor and an inductor in a single package. The MIC28304 operates over an input supply range from 4.5V to 70V and can be used to supply up to 3A of output current. The output voltage is adjustable down to 0.8V with a guaranteed accuracy of $\pm 1\%$. The device operates with programmable switching frequency from 200kHz to 600kHz.

Products supported:

- MIC28304



P/N: MIC28304-1-12V-EV
MIC28304-1-5V-EV
MIC28304-2-12V-EV
MIC28304-2-5V-EV

[<< BACK](#)



MIC33030 Eval Board

[Online Datasheet](#)

The MIC33030 is a high-efficiency, 8MHz, 400mA synchronous buck regulator with an internal inductor and HyperLight Load[®] mode. HyperLight Load[®] provides very high efficiency at light loads and ultra-fast transient response that is perfectly suited for supplying processor core voltages. An additional benefit of this proprietary architecture is the very low output ripple voltage throughout the entire load range with the use of small output capacitors.

Products supported:

- MIC33030



P/N: MIC33030-4YHJ-EV
MIC33030-AYHJ-EV

[<< BACK](#)



MIC33050 Eval Board

[Online Datasheet](#)

The MIC33050 is a high efficiency 600mA PWM synchronous buck (step-down) regulator with internal inductor featuring HyperLight Load[®], a patent-pending switching scheme that offers best-in-class light load efficiency and transient performance while providing very small external components and low output ripple at all loads.

The MIC33050 also has a very low typical quiescent current draw of 20 μ A and can achieve over 83% efficiency even at 1mA.

Products supported:

- MIC33050



P/N: MIC33050-4YHL-EV
MIC33050-AYHL-EV
MIC33050-CYHL-EV
MIC33050-GYHL-EV
MIC33050-SYHL-EV

[<< BACK](#)



MIC33153 Eval Board

[Online Datasheet](#)

The MIC33153 is a high-efficiency 4MHz 1.2A synchronous buck regulator with an internal inductor, HyperLight Load[®] mode, Power Good (PG) output indicator, and programmable soft start. HyperLight Load[®] provides very high efficiency at light loads and ultra-fast transient response which makes the MIC33153 perfectly suited for supplying processor core voltages. An additional benefit of this proprietary architecture is very low output ripple voltage throughout the entire load range with the use of small output capacitors.

Products supported:

- MIC33153



P/N: MIC33153-4YHJ-EV
MIC33153YHJ-EV

[<< BACK](#)



MIC3385 Eval Board

[Online Datasheet](#)

The MIC3385 is a high efficiency inductorless buck regulator that features a LowQ[®] LDO standby mode that draws only 18 μ A of quiescent current. The MIC3385 requires no external inductor enabling an ultra-low noise, small size, and high efficiency solution for portable power applications.

In PWM mode, the MIC3385 operates with a constant frequency 8MHz PWM control. Under light load conditions, such as in system sleep or standby modes, the PWM switching operation can be disabled to reduce switching losses. In this light load LowQ[®] mode, the LDO maintains the output voltage and draws only 18 μ A of quiescent current. The LDO mode of operation saves battery life while not introducing spurious noise and high ripple as experienced with pulse skipping or bursting mode regulators.

Products supported:

- MIC3385



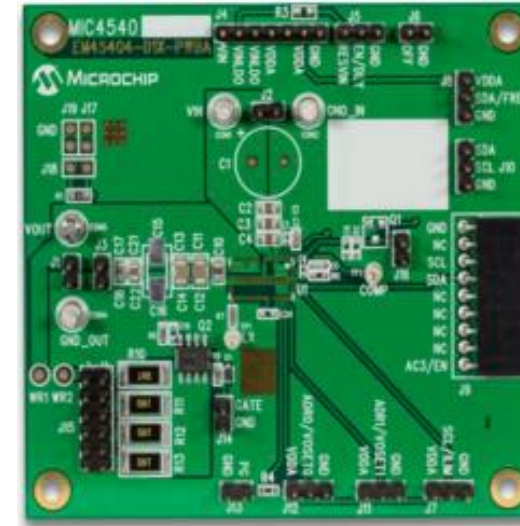
MIC45404 Eval Board

[Online Datasheet](#)

The MIC45404 device is a 19V, 5A ultra-low profile, synchronous step-down regulator module optimized for high efficiency at low output voltages. The module incorporates a DC-to-DC regulator, bootstrap capacitor, high-frequency input capacitor and an inductor in a single package. The module pinout is optimized to simplify the Printed Circuit Board (PCB) layout process. This highly integrated solution expedites system design and improves product time to market. The internal MOSFETs and inductor are optimized to achieve high efficiency at low output voltage. Due to the fully optimized design, MIC45404 can deliver up to 5A current with a wide input voltage range of 4.5V to 19V.

Products supported:

- MIC45404



MIC95410 Eval Board

[Online
Datasheet](#)

The MIC95410 is a high-side load switch for computing and ultra-dense embedded computing boards where high-current low-voltage rails from sub-1V to 5.5V have to be sectioned. The integrated 6.6m Ω RDS(ON) N-channel MOSFET ensures low voltage drop and low power dissipation while delivering up to 7A of load current.

The basic parameters of the MIC95410 evaluation board are the IN supply of 1V to 5.5V and the separated bias voltage from 2.7V to 9V. It also includes a TTL-logic level turn-on command (CTL) and an output discharge function when disabled.

Products supported:

- MIC95410



MIC94161/2/3/4/5

[Online Datasheet](#)

Eval Board

The MIC94161/2/3/4/5 is a family of high-side load switches designed to operate from 1.7V to 5.5V input voltage. The load switch pass element is an internal 14.5mΩ RDSON N-Channel MOSFET which enables the device to support up to 3A of continuous current. Additionally, the load switch supports 1.5V logic level control and shutdown features in a tiny 1.5mm × 1mm 6-ball WLCSP package.

The MIC9416x provides reverse current protection when the device is disabled. The device will not allow the flow of current from the output to the input when the device is turned OFF. Additionally, the MIC94161 features overvoltage protection to protect the load when the input voltage is above 4.55V, as well as a precise enable threshold which keeps the MIC94161 in the default OFF state until the EN pin rises above 1.15V.

P/N: MIC94161YCS-EV
MIC94162YCS-EV
MIC94163YCS-EV
MIC94164YCS-EV
MIC94165YCS-EV

Products supported:

- MIC94161
- MIC94162
- MIC94163
- MIC94164
- MIC94165



[<< BACK](#)



UCS2112 Eval Board

[Online Datasheet](#)

The UCS2112 Dual USB Port Power Evaluation Board demonstrates the features of two USB ports, capable of data transfer and charging up to 6A. Charging limits, accumulated current, alerts and attachment status can all be configured, exercised and/or observed on a graphical user interface.

Features:

- The Graphical User Interface running on the PC allows advanced configuration and monitoring of the UCS2112 registers (current measurement and accumulated charge indication, current limit configuration, status indication)
- LED indicators for supply voltage detection, fault indication and attach detection on each port.

Products supported:

- UCS2112



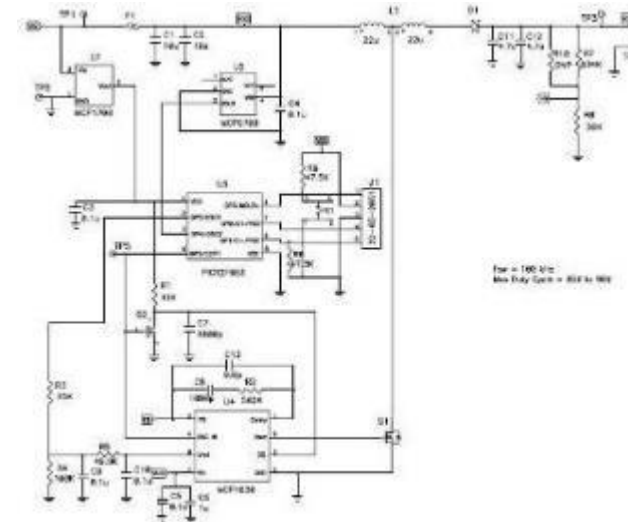
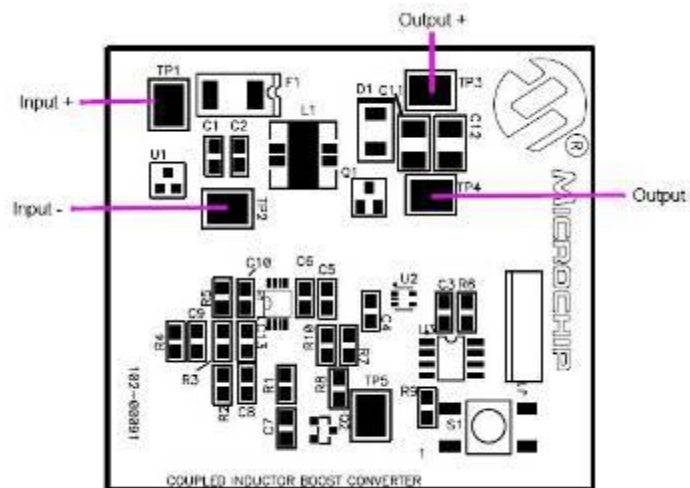
MCP1630 Coupled Inductor Boost Demo Board

Online
Datasheet

The MCP1630 Coupled Inductor Boost Converter Demo Board demonstrates Microchip's High-Speed Pulse Width Modulator (PWM) used in a coupled inductor design. When used in conjunction with a microcontroller, the MCP1630 device will control the power system duty cycle to provide different regulated output voltages using push button S1. The PIC12F683 microcontroller is used to generate oscillator pulses, can also be programmed to monitor the board ambient temperature using the MCP9700 Linear Active Thermistor™ device and provide different regulated output voltages for different thermal readings. The MCP1630 device generates duty cycle based on various external inputs. External signals include the input oscillator pulses, reference voltage from PIC12F683 device, and the feedback voltage. The output signal is a square-wave pulse given to drive the MOSFET.

Products supported:

- MCP1630
- PIC12F683
- MCP9700



MCP1630 Boost Mode LED Driver Demo Board

[Online
Datasheet](#)

The MCP1630 Boost Mode LED Driver Demo Board is a step-up, switch-mode, DC-DC converter used for power LED applications. The demo board provides a 350mA or 700mA constant current source. Other output currents can be obtained with minor modifications to the board.

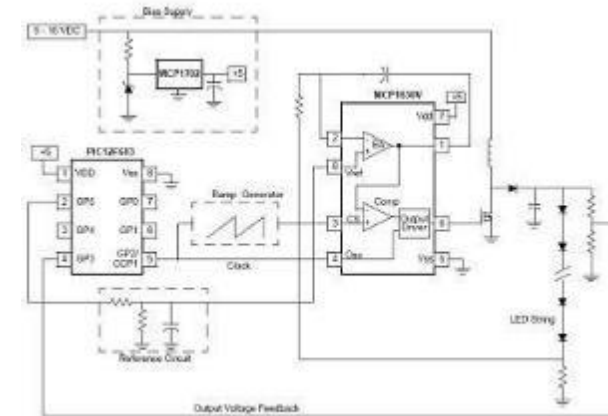
The demo board utilized Microchip's MCP1630V high-speed pulse width modulator (PWM). The 8-pin MCP1630 device contains the analog components necessary for an analog switch-mode control loop including an error amplifier, PWM comparator, and a high current driver pin. The switching frequency and maximum duty cycle for the MCP1630V are determined by an external clock source. An 8-pin PIC12F683 microcontroller is used to provide a 500 kHz switching clock for the MCP1630V. In addition, the PIC12F683 firmware supervises the circuit output voltage and can optionally dim the LEDs when a potentiometer is attached.

Features:

- Compact size with high output power
- High efficiency over entire operating input voltage range
- Selectable output current: 350mA or 700mA
- Maximum output power: 30W
- Optional software dimming control
- Factory programmed source code provided
- Switching frequency, maximum duty cycle, and MCP1630 reference voltage can be modified in firmware

Products supported:

- ❑ MCP1630V
- ❑ PIC12F683
- ❑ MCP1702



[<< BACK](#)

MCP1630 Automotive Boost Conv. Demo Board

Online
Datasheet

The MCP1630 Automotive Input Boost Converter Demo Board demonstrates the use of a conventional boost topology with automotive input. The board also serves as a platform to evaluate the MCP1630/V devices.

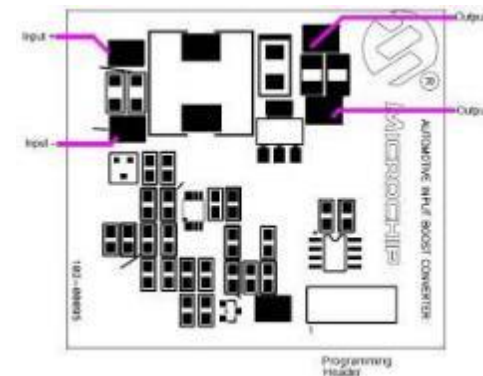
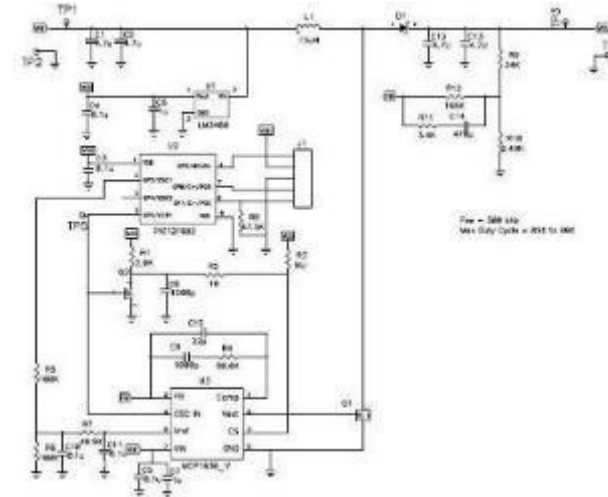
The MCP1630/V inputs were developed to be easily attached to the I/O of a microcontroller. The microcontroller unite (MCU) supplies the oscillator pulses and reference voltage (V_{REF}) to the MCP1630/V devices to provide the most flexible and adaptable power system. The power system switching frequency and maximum duty cycle are stet using the I/O of the MCU. The reference input to the high-speed PWM can be external, a D/A Converter (DAC) output or as simple as an I/O output from the MCU. This enables the power system to adapt to many external signals.

The board utilizes Microchip's MCP1630/V integrated with the PIC12F683 Flash-based MCU. The converter is capable of delivering an output voltage of 36.5V at 400mA load current with maximum power of 14.6W.

P/N: MCP1630DM-DDBS1

Products supported:

- MCP1630
- PIC12F683

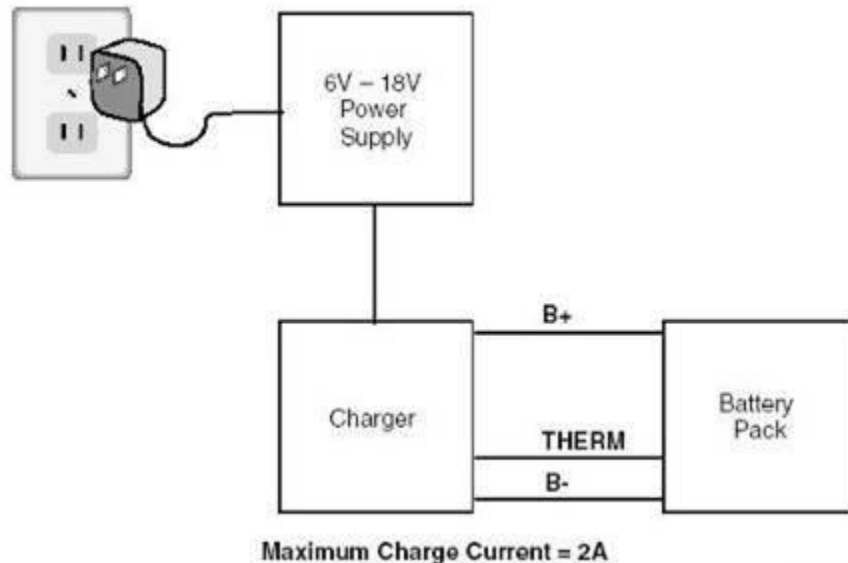


<< BACK

MCP1630 Li-Ion Battery Charger Ref. Design

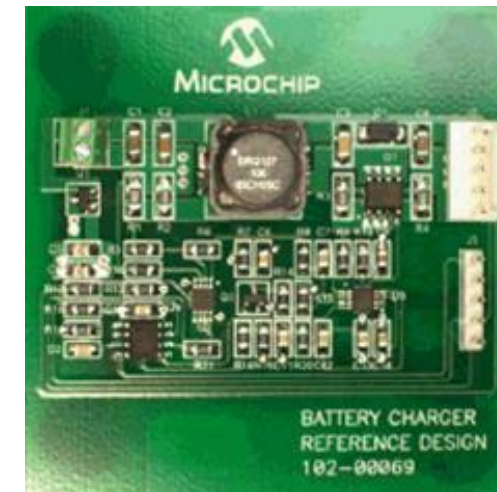
Online
Datasheet

The MCP1630 Low-Cost Li-Ion Battery Charger is used to evaluate Microchip's MCP1630 in a SEPIC power converter application. As provided, the MCP1630 Low-Cost Li-Ion Battery Charger is capable of charging a single-cell, Li-Ion battery pack from an input voltage of 6V to 18V. The MCP1630 Low-Cost Li-Ion Battery Charger provides a constant current, constant voltage charge with preconditioning, cell temperature monitoring and battery pack fault monitoring. Also, the charger provides a status or fault indication. The MCP1630 Low-Cost Li-Ion Battery Charger automatically detects the insertion or removal of a battery pack.



Products supported:

- MCP1630
- MCP6292
- PIC12F683



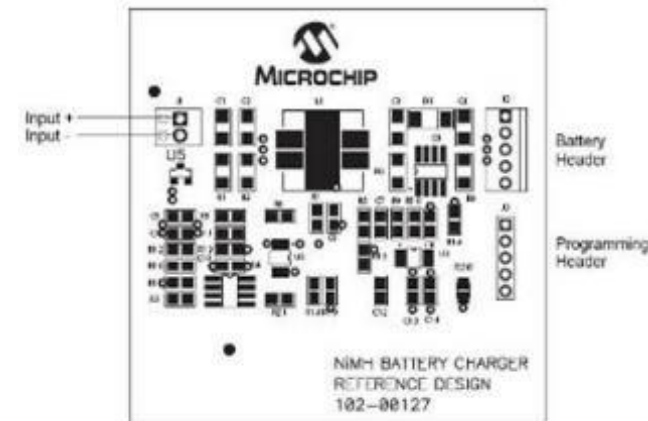
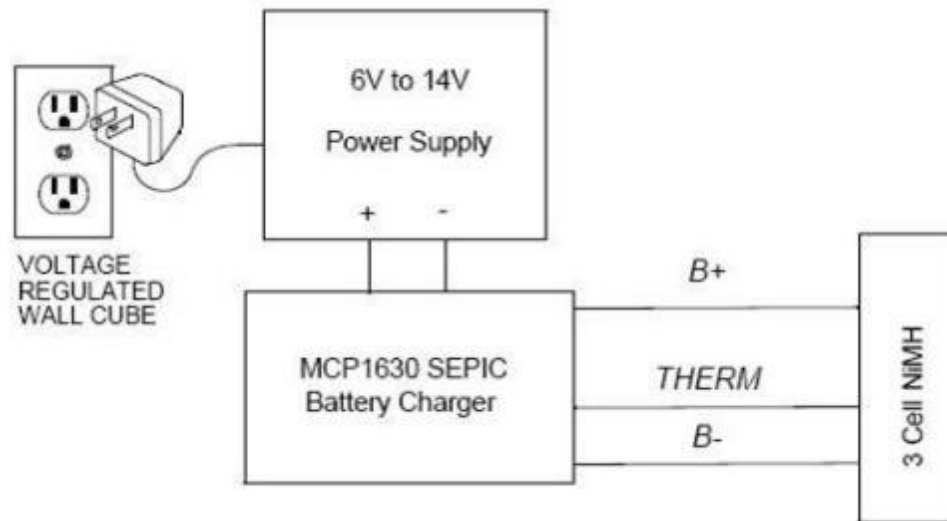
MCP1630 NiMH Battery Charger Ref. Design

Online
Datasheet

The MCP1630 Low-Cost NiMH Battery Charger Reference Design is used to charge three series cell NiMH or NiCd batteries. The board uses the MCP1630 high-speed analog PWM and PIC12F683 to generate the charge algorithm for NiMH or NiCd batteries.

Products supported:

- MCP1630
- MCP6292
- PIC12F683
- MCP1702



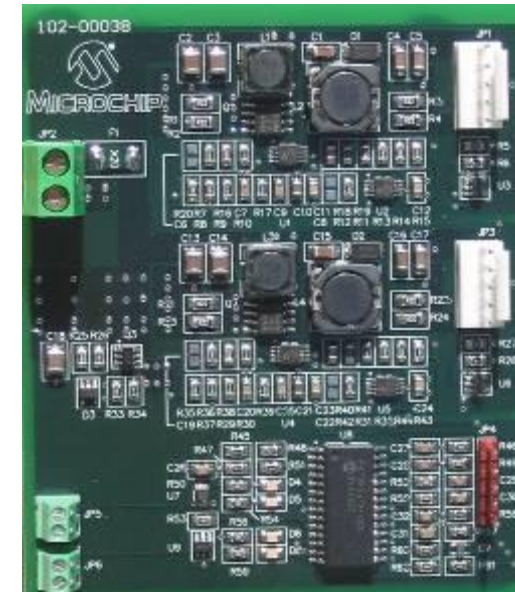
MCP1630 Li-Ion Multi-Bay Battery Ref. Design

Online
Datasheet

The MCP1630 Li-Ion Multi-Bay Battery Charger is a complete, stand-alone, constant-current, constant-voltage battery charger for single-cell Li-Ion battery packs. Different battery chemistries (i.e. three NiMH or NiCd batteries connected in series) can be charged with minor modifications to the firmware. This board utilizes Microchip's MCP1630 high-speed PWM, MCP6292 dual op-amp and PIC18F2410 Flash MCU. The input voltage range is 10V to 28V. The output is capable of charging at a fast-charge rate of 2A constant current.

Products supported:

- MCP1630
- MCP6292
- PIC18F2410



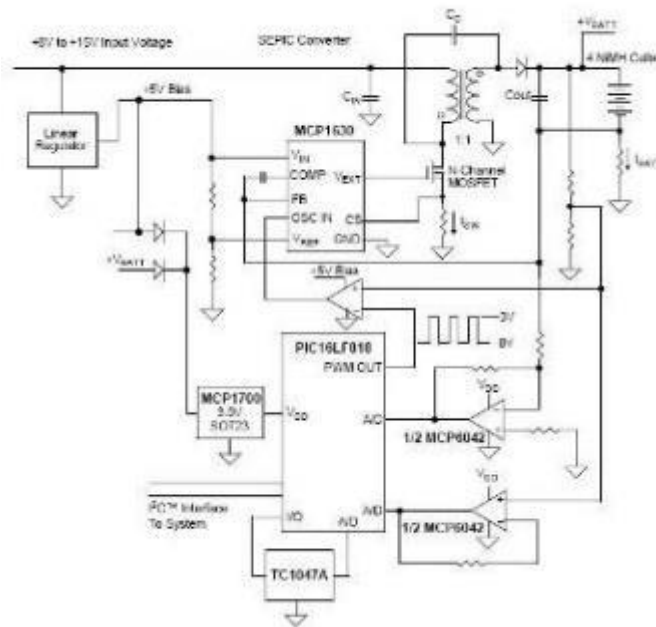
MCP1630 NiMH

Online
Datasheet

Demo Board

The MCP1630 NiMH Demo Board is a complete stand-alone constant current battery charger and simple fuel gauge for four NiMH series batteries. This board utilizes Microchip's MCP1630 high-speed PWM, MCP1700 LDO Regulator, MCP6042T Op-Amp, PIC16LF818 Flash MCU, TC54 Voltage detector and TC1047A Temperature-Voltage Converter. The input voltage range for the demo board is 8V to 15V. The output is capable of charging four NiMH batteries with up to 1.6V per cell at a fast charge rate of 500mA constant current.

MCP1630 NiMH Battery Charger and Fuel Gauge Application Diagram



Products supported:

- MCP1630
- MCP6042
- TC1047A
- MCP1700
- TC54
- PIC16LF818



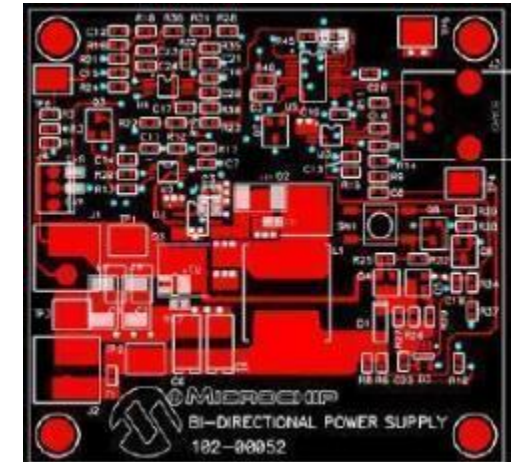
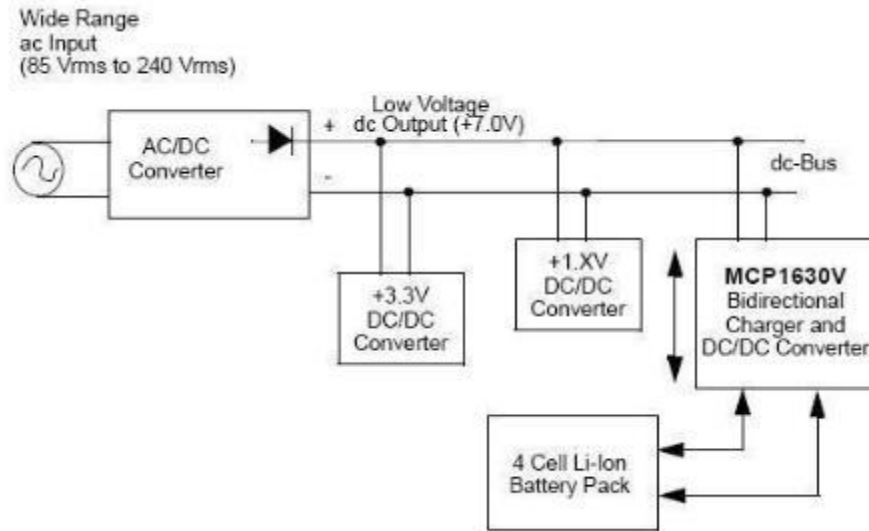
MCP1630V Bidirectional 4-cell Li-Ion Charger Ref Design

Online
Datasheet

The MCP1630V Bidirectional 4 Cell Li-Ion Charger Reference Design demonstrates the use of a bidirectional buck-boost converter used to charge multiple series cell Li-Ion batteries with the presence of an input source (boost) and provide a regulated output voltage when the input source is removed (buck). The board also serves as a platform to evaluate the MCP1630V device.

Products supported:

- MCP1630V
- MCP6022
- PIC16F88



MCP1631HV Programmable

[Online Datasheet](#)

Current Source Design

The MCP1631HV Digitally Controlled Programmable Current Source Reference Design is used to drive and dim one or more power LEDs in a series or parallel topology (depending on the LED's capability).

The reference design may also be used to charge one to four cell NiMH/NiCd or one to two cell Li-Ion battery packs. The board uses the MCP1631HV high-speed analog PWM controller and PIC16F616 microcontroller to generate the proper dimming ratio for LEDs or charge algorithm for NiMH, NiCd and Li-Ion batteries. The boards is used to evaluate Microchip's MCP1631HV in a SEPIC power converter application.

Products supported:

- MCP1631HV
- PIC16F616



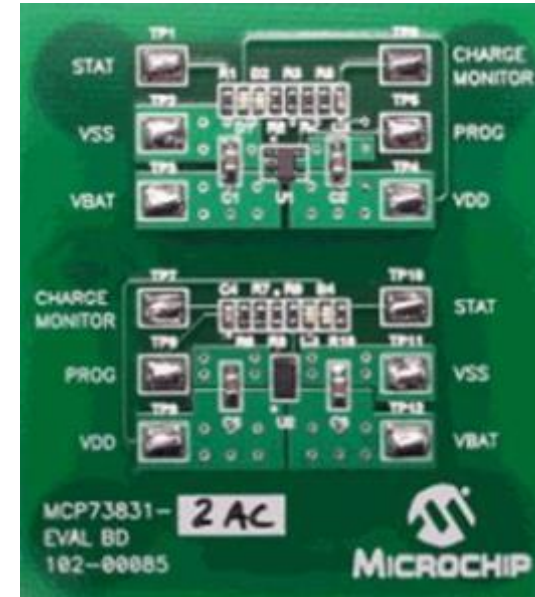
MCP73831 Eval Kit

[Online Datasheet](#)

The MCP73831 Evaluation Board is an evaluation and demonstration tool for Microchip's MCP73831 miniature single-cell, fully-integrated Li-Ion, Li-Polymer charge-management controllers. Two evaluation boards are provided in the MCP73831 Evaluation kit. The boards are set up to evaluate simple, stand-alone, linear charging of single-cell Li-Ion/Li-Polymer battery packs (the battery packs are not included). Each board design provides constant current charging followed by constant voltage charging with automatic charge termination. In addition, the MCP73831-2AC board provides preconditioning of deeply depleted cells.

Products supported:

- MCP73831



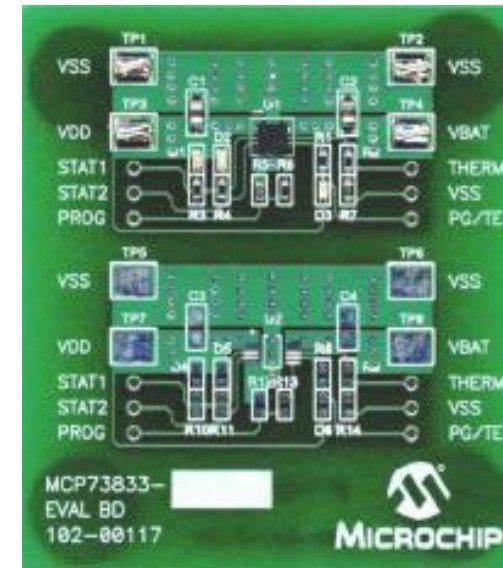
MCP73833/4 Eval Board

[Online Datasheet](#)

The MCP73833 Li-Ion Battery Charger Evaluation Board is an evaluation and demonstration tool for Microchip's MCP73833/4 Stand-Alone Linear Li-Ion/Li-Polymer Charge Management Controllers. The evaluation board has two circuits provided with one circuit fully assembled and tested. Each circuit is set up to evaluate simple, stand-alone, linear charging of single cell Li-Ion/Li-Polymer battery packs (the battery packs are not included). The circuits can be evaluated independently. Each circuit design provides constant current charging followed by constant voltage charging with automatic charge termination and battery temperature monitoring. In addition, the assembled MCP73833/4-FC circuit provides preconditioning of deeply depleted cells.

Products supported:

- MCP73833
- MCP73834



MCP73855 Eval Board

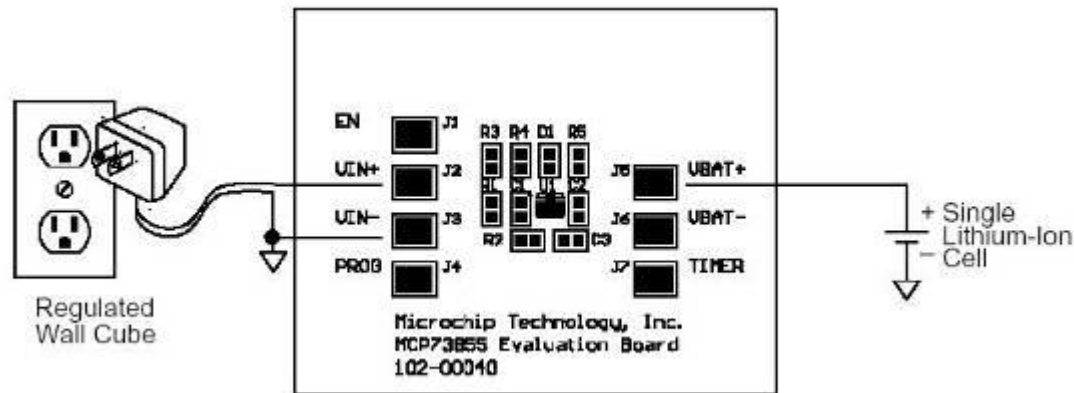
[Online Datasheet](#)

The MCP73855 Evaluation Board is an evaluation and demonstration tool for Microchip Technology's MCP73855 USB Compatible Li-Ion/Li-Polymer Charge Management Controller. The design provides for dynamic versatility while being able to handle accurate measurements.

The MCP73855 Evaluation Board allows for the evaluation of the MCP73855 device in a variety of applications.

Products supported:

- MCP73855



MCP7382x Eval Board

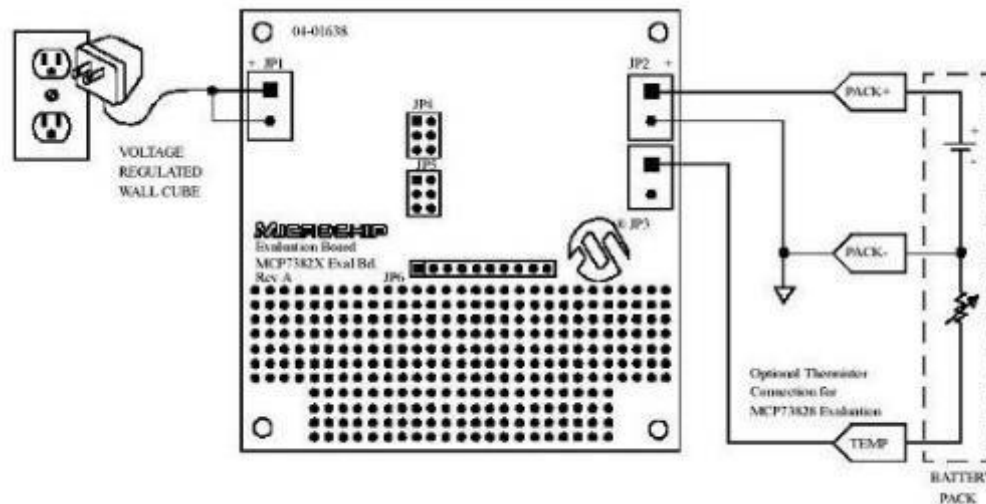
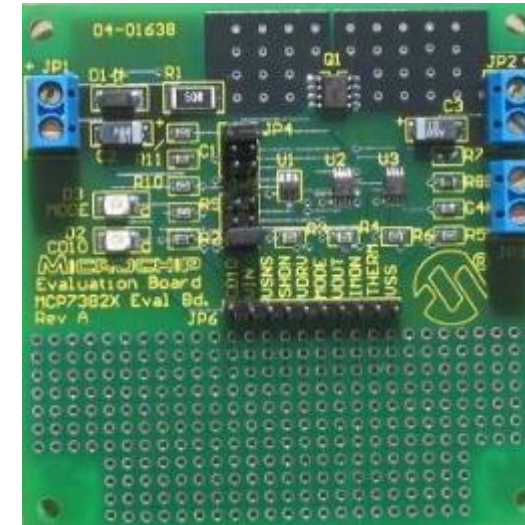
[Online Datasheet](#)

The MCP7382X Evaluation Board is an evaluation and demonstration tool for Microchip Technology's MCP7382X Single Cell Li-Ion Charge Management Controllers. The design provides for dynamic versatility while being able to handle accurate measurements.

The MCP7382X Evaluation Board allows for the evaluation of the MCP7382X device in a variety of applications.

Products supported:

- MCP7382x



MCP7381x Eval Board

[Online Datasheet](#)

The MCP7381X Li-Ion Battery Charger Evaluation Board demonstrates the features and abilities for Microchip's MCP7381X Li-Ion Battery Charger Evaluation Board Simple, Miniature Single-Cell, Fully Integrated Li-Ion / Li-Polymer Charge Management Controllers. The MCP73811/2 are stand-alone highly integrated linear Li-Ion battery chargers that employ a constant current/constant voltage (CCCV) charge algorithm for cost sensitive and space limited applications.

Products supported:

- MCP73811
- MCP73812



MCP73113 Eval Board

Online
Datasheet

The MCP73113 OVP Single-Cell Li-Ion Battery Charger Evaluation Board demonstrates the features of Microchip's MCP73113 "Single-Cell Li-Ion / Li-Polymer Battery Charge Management Controller with Input Overvoltage Protection".

Products supported:

- MCP73113
- MCP73114

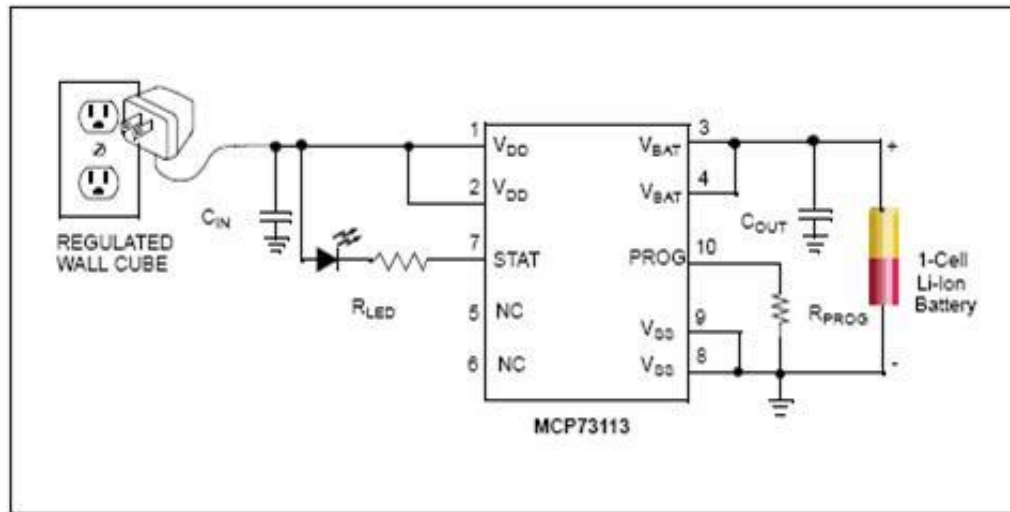


FIGURE 1-1: MCP73113 Typical Application.



<< BACK



MCP73213 Eval Board

Online
Datasheet

The MCP73213 OVP Dual-Cell Li-Ion Battery Charger Evaluation Board demonstrates the features of Microchip's MCP73213 "Dual-Cell Li-Ion / Li-Polymer Battery Charge Management Controller with Input Overvoltage Protection".

Products supported:

- MCP73213

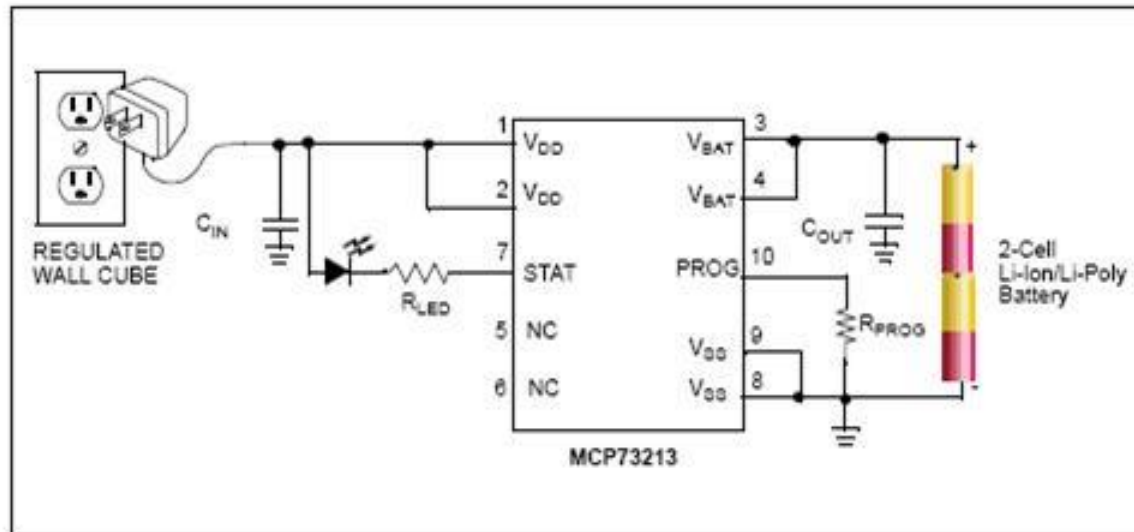


FIGURE 1-1: MCP73213 Typical Application.



MCP73X23 LiFePO₄ Battery Charger Evaluation Board

Online
Datasheet

The MCP73123/223 is a highly integrated Li-Ion battery charge management controller for use in space-limited and cost-sensitive applications.

The MCP73123/223 provides specific charge algorithms for Lithium Iron Phosphate batteries to achieve optimal capacity and safety in the shortest charging time possible. Along with its small physical size, the low number of external components makes the MCP73123/223 ideally suitable for low-cost and small-capacity (less than 2000 mAh) LiFePO₄ battery applications. It will take longer time to complete a charge cycle for larger capacity LiFePO₄ battery packs.

Products supported:

- MCP73123
- MCP73223

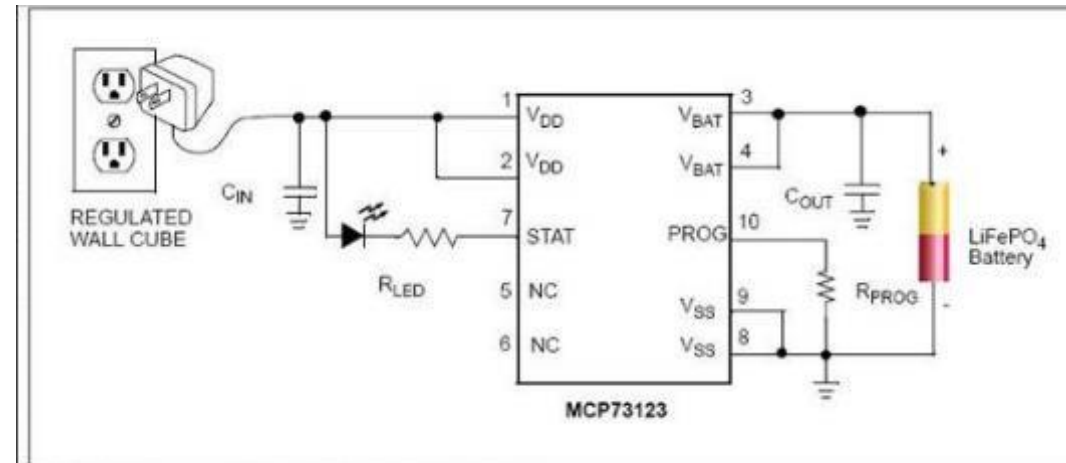


FIGURE 1-1: MCP73123 Typical Application.

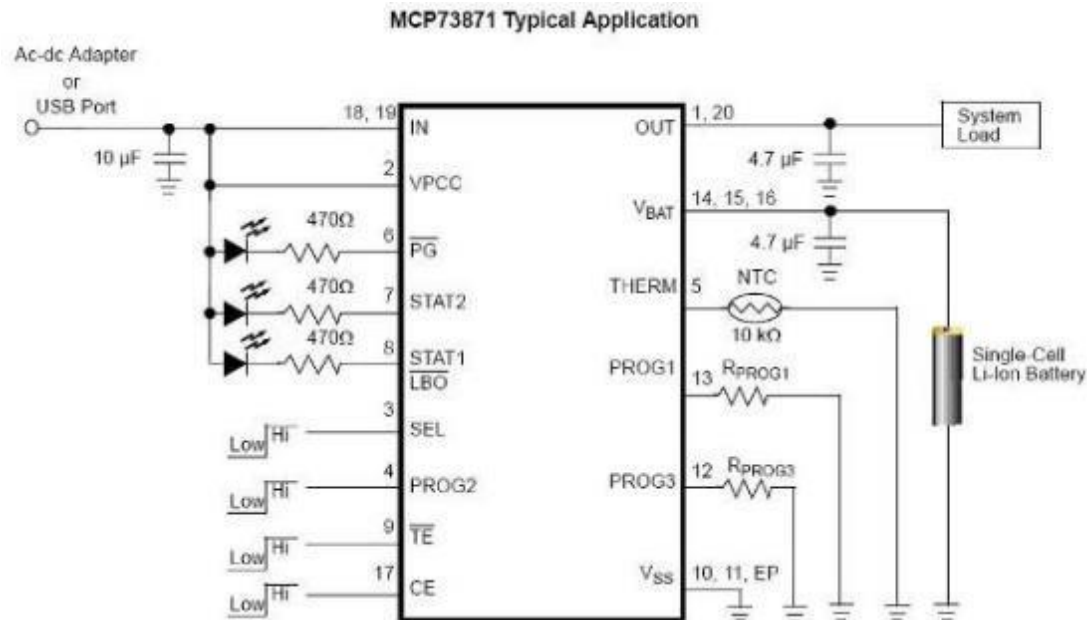


MCP73871x Eval Board

Online
Datasheet

The MCP73871 Evaluation Board is designed to demonstrate Microchip's stand-alone linear Li-Ion battery charger with system power path and load sharing management control solution. The system load is also supported by the Li-Ion battery when input power is disconnected. A number of device options allow the MCP73871 device to be utilized in a variety of applications.

Products supported:
□ MCP73871



MCP7383X Li-Ion Power

Online
Datasheet

Path Management Design

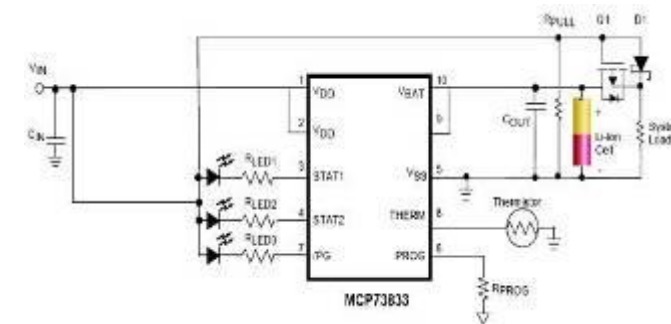
This reference design is developed to assist product designers in reducing product design cycle and time by utilizing Microchip's favorite stand-alone Li-Ion battery charge management controllers with system power path management.

Features:

- Load sharing system power path management that support charging single cell Li-Ion battery and system load at the same time without affecting charging algorithm of Microchip's stand-alone charge management controllers.
- The system load is supported by Li-Ion battery when input power source is removed
- Blue LED indicates charge status
- Additional Red LED to indicate Power-Good (PG) and Green LED to indicate charge complete (Available from MCP73833)
- Dip Switch to select programmable fast charge current between 1000mA (H) and 50mA (L) for MCP73833 and 400mA (H) and 25mA (L) for MCP73832
- Available THERM pin on the MCP73833 for temperature monitoring with a thermistor. It is disabled by default and can be enabled to use with NTC thermistor

Products supported:

- MCP73831
- MCP73832
- MCP73833
- MCP73834



<< BACK



MCP73871 Demo w/ Voltage Prop. Curr Control

Online
Datasheet

Control

The MCP73871 Demo Board with Voltage Proportional Current Control is designed to demonstrate Microchip's stand-alone linear Li-Ion battery charger with system power path and load sharing management control solution. The MCP73871 integrates the required elements to meet design challenges when developing new Li-Ion / Li-Polymer batteries powered products.

The MCP73871 Demo Board with Voltage Proportional Current Control is designed to deliver minimum 1.5A total current to system load and to a single cell Li-Ion battery at 4.2V preset voltage regulation (4.1V, 4.35V and 4.4V options are also available for MCP73871). The board has a dip switch helping to decide the input power source between AC-DC wall adapter and USB port (AC/USB) and control input current limits, enable charge timer and enable charging.

The MCP73871 Demo Board with Voltage Proportional Current Control comes with a factory preset low-battery indicator (LBO) when input is absent. The preset value is 3.2V and STAT1 LED (green) with turn ON if the battery voltage is below the threshold voltage.

Products supported:

- MCP73871



<< BACK



MCP73837/8 AC/USB Dual Input Battery Charger Board

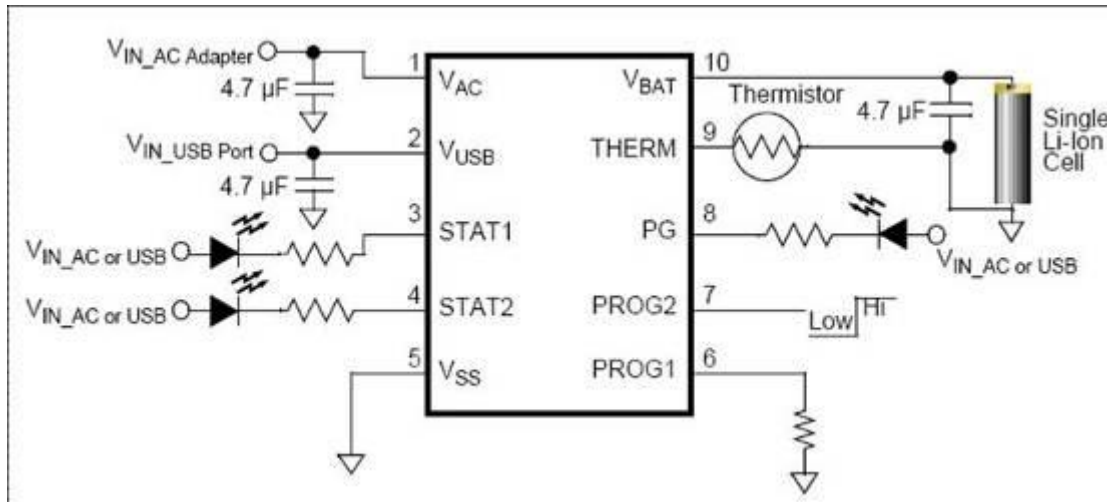
Online
Datasheet

The MCP73837/8 AC/USB Dual Input Battery Charger Evaluation Board demonstrates Microchip's stand-alone Linear Li-Ion Battery Chargers - MCP73837 and MCP73838.

The MCP73837/8 require only minimum components to implement a complete battery charge management circuit. The MCP73837/8 are designed to select AC-Adapter or USB-Port Power Source automatically where AC-Adapter provides the charge current when both sources are present.

Products supported:

- MCP73837
- MCP73838



P/N: MCP7383XEV-DIBC



MCP3421 Weight Scale Demo Board

[Online Datasheet](#)

The MCP3421 Weight Scale Demo Board is designed to evaluate the performance of the low-power consumption, 18-bit ADC in an electronic weight scale design. Next to the MCP3421 there is a low-noise, auto-zero MCP6V07 op amp. This can be used to investigate the impact of extra gain added before the ADC for performance improvement. The PIC18F4550 is controlling the LCD and the USB communication with the PC. The GUI is used to indicate the performance parameters of the design and for calibration of the weight scale.

Products supported:

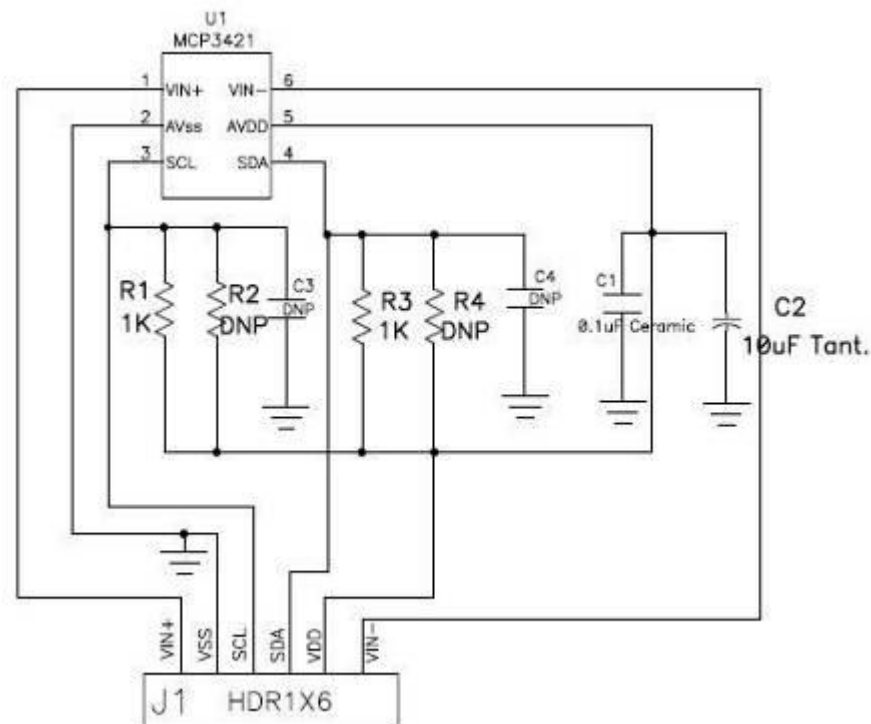
- MCP3421
- MCP6V07



MCP3421 Eval Board

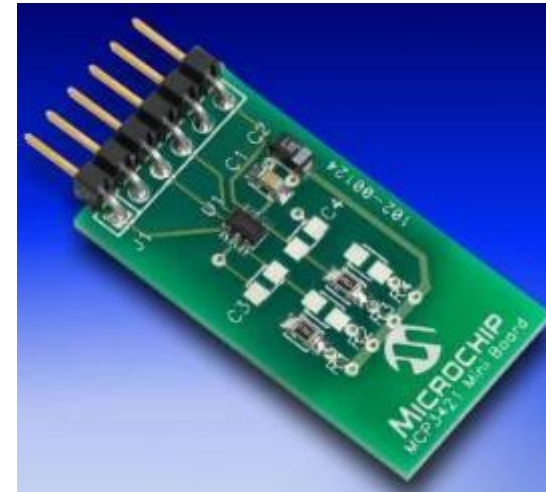
[Online Datasheet](#)

The MCP3421 Evaluation Board assists in the evaluation of the MCP3421 device in a simple way.. The evaluation board contains minimum components: MCP3421, two bypass capacitors, and two loading resistors for the I²C™ bus.



Products supported:

- MCP3421



MCP3421 Battery Fuel

[Online
Datasheet](#)

Gauge Demo Board

The MCP3421 Battery Fuel Gauge Demo Board demonstrates how to measure the battery voltage and discharging current using the MCP3421.

The MCU algorithm calculates the battery fuel being used. This demo board is shipped with 1.5V AAA non-rechargeable battery. The demo board displays the following parameters:

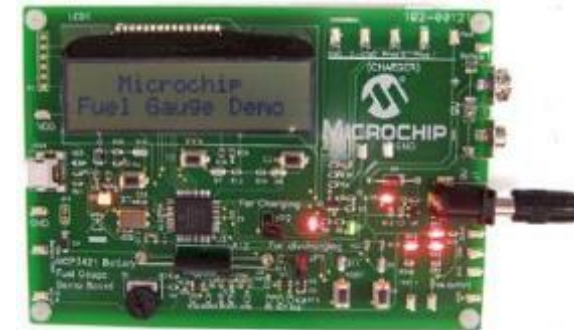
- (a) Measured battery voltage.
- (b) Measured battery discharging current.
- (c) Battery Fuel Used (calculated).

The MCP3421 Battery Fuel Gauge Demo Board also can charge a single-cell 4.2V Li-Ion battery. This feature, however, is disabled by firmware since the demo kit is shipped to customer with non-rechargeable 1.5V AAA battery.

Please contact Microchip Technology Inc if you want to use the battery rechargeable feature.

Products supported:

- MCP3421
- MCP73831
- MCP1702
- PIC18F4550



[<< BACK](#)



MCP342x Eval Boards

[Online Datasheet](#)

The MCP342x Evaluation Boards enable the easy evaluation of the MCP3422/3/4/5 Delta-Sigma Analog-to-Digital Converters (ADCs). Each board has analog input connection pads and various test pads. The user can connect inputs and test the conversion results using the PICKit™ Serial Analyzer and its PC graphic user interface (GUI).

Features:

- Evaluate the MCP342x using the PICKit Serial Analyzer
- The user can write the MCP342x configuration register and read output codes by using the PICKit Serial Analyzer
- The sensor signal can be connected to the input pads of the board
I²C™ communication signal (SCL and SDA) can be monitored at the SCL and SDA pins on the board
- Evaluate the MCP342x performance using by simply connecting the SCL and SDA pins to the user's PC board

Products supported:

- MCP3422
- MCP3423
- MCP3424
- MCP3425



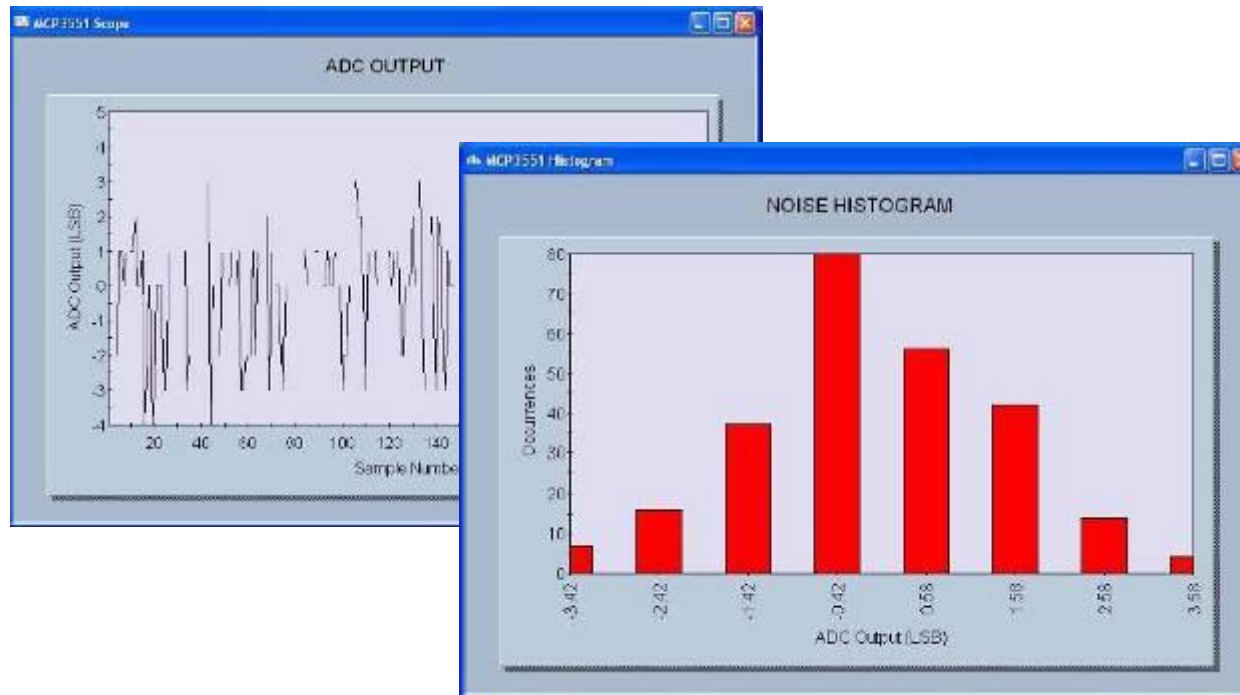
[<< BACK](#)



The MCP3551 PICtail™ Demo Board allows the system designer to evaluate the operation of the MCP3551 22-Bit Delta-Sigma ADC. The baud demonstrates the MCP3551 performance in a low-noise environment.

Products supported:

- MCP3551
- PIC18F4550



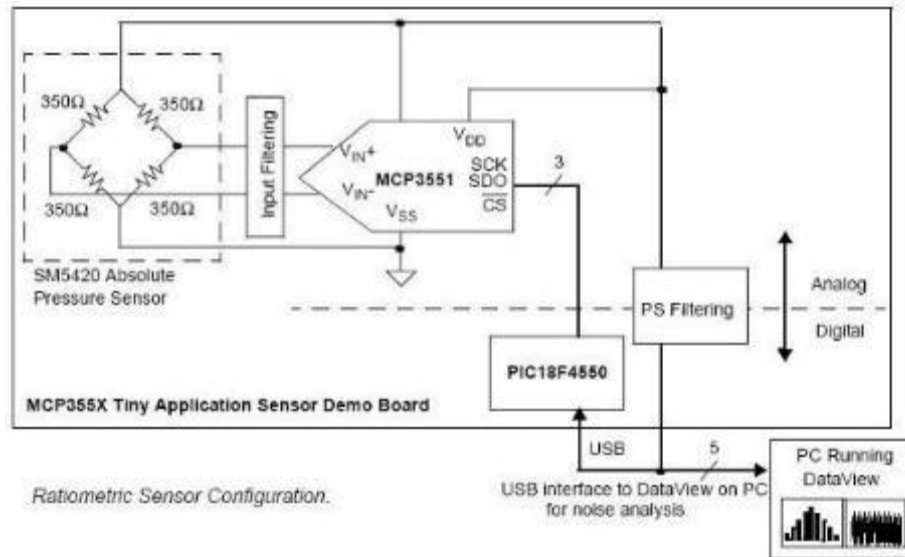
MCP355X Tiny Application Sensor Demo Board

Online
Datasheet

The MCP3550/1/3 devices are 2.7V to 5.5V low-power, 22-bit Delta-Sigma ADCs. The MCP355x Tiny Application Sensor Demo Board is used to demonstrate the most basic application of the devices using a ratiometric connection with V_{DD} as V_{REF} . The board includes all the necessary PCB circuits and layout tips required to obtain the performance demonstrated on the PC.

Products supported:

- MCP3550
- MCP3551
- MCP3553
- PIC18F4550



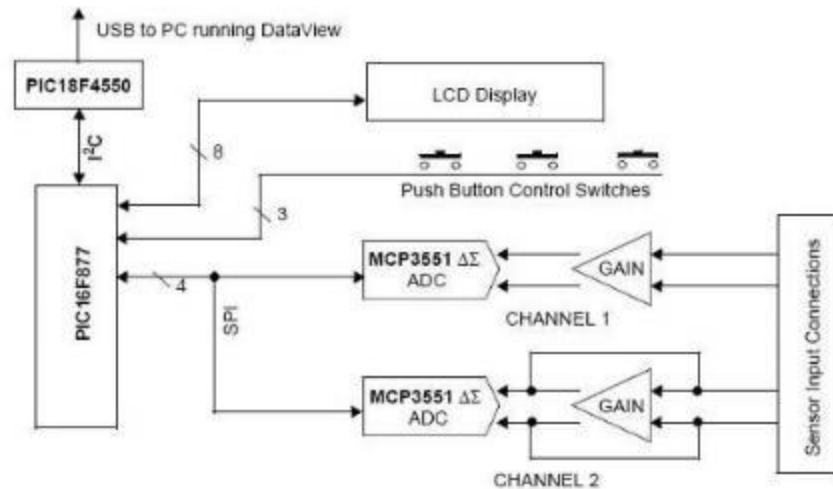
MCP355X Sensor Application Dev Board

Online Datasheet

The MCP355X Sensor Application Developer's Board allows for the easy system design of high resolution systems such as weigh scale, temperature sensing, or other small signal systems requiring precise signal conditioning circuits. The reference design includes firmware that performs all the necessary functions including ADC sampling, USB communication for PC data analysis, LCD display output, zero cancellation, full scale calibration, and units display in gram (g), kilogram (kg), or ADC output units.

Products supported:

- MCP3550
- MCP3551
- MCP3553
- MCP617
- PIC18F4550
- PIC16F877



MCP3221 PICtail™

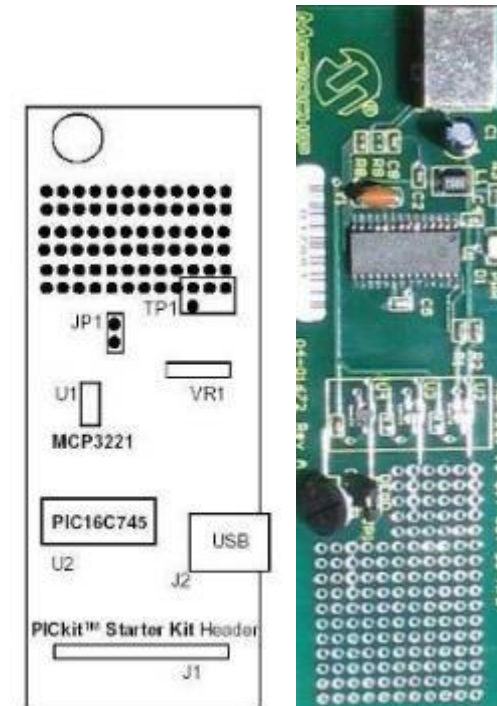
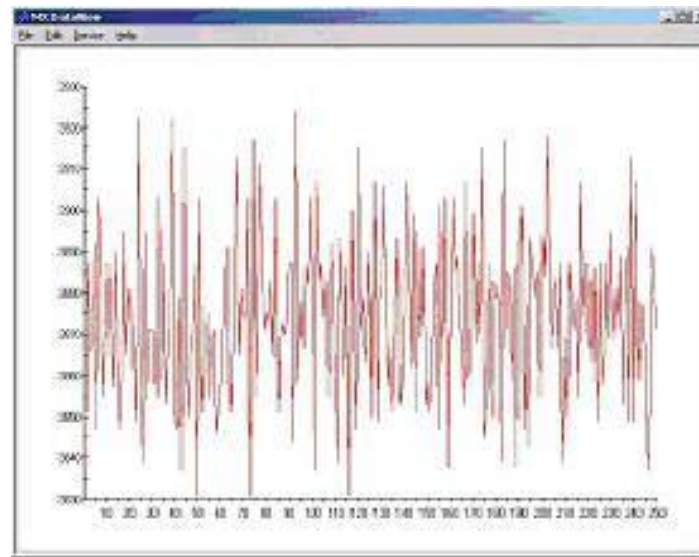
Demo Board

[Online Datasheet](#)

The MCP3221 device is a low-power, 12-bit A/D Converter (ADC) in a SOT-23 package. It communicates via an I²C™ interface. A stand-alone demonstration is possible using a USB port and the DataView™ software. The MCP3221 Pictail™ Demo Board is also used to evaluate and demonstrate the MCP3221 device using the PICkit™ 1 Flash Starter Kit.

Products supported:

- MCP3221
- PIC16C745



ATM90E32AS Poly-Phase Reference Des

NDA
Needed

Features:

- Based on SAM4LC4C/SAML22 MCU and ATM90E32AS Poly-Phase Energy Metering AFE
- On-board AC-DC converter with wide AC input range: 85V to 500V
- Exceeds class 0.2s accuracy over wide current range of 1(100)A
- Four independent LEDs for pulse outputs of active energy (CF1), reactive/apparent energy (CF2), fundamental energy (CF3) and harmonic energy respectively (CF4).
- Four isolated metering pulse outputs connectors.
- Two buttons for scrolling LCD display menu or waking up MCU
- One isolated RS485 com port, one IrDA com port
- One serial EEPROM for meter data storage or event recording
- Standard JTAG port for programming and debugging.
- Includes ATSHA204 Atmel Crypto Authentication device to demonstrate hardware anti-cloning and secure key storage features (for M90E32AS-RD)
- Temperature compensated high accuracy RTC.
- Compliant with CT or Rogowski coil sensors.
- Battery-backed with power fail detection.
- Real-time event recording
- NDA required

Products supported:

- ATM90E32AS
- SAM4LC4C
- SAML22



P/N: M90E32AS-RD (SAM4L+ATM90E32AS)
M90R2232A-RD (SAML22+ATM90E32AS)

<< BACK



ATM90E36A Poly-Phase Reference Design

NDA
Needed

Features:

- Based on SAM4LC4C/SAML22 MCU and ATMM90E36A Poly-Phase Energy Metering AFE
- On-board AC-DC converter with wide AC input range: 85V to 500V
- Exceeds class 0.2s accuracy over wide metering span of 1(100)A, .
- 6-channel (voltage and current) fundamental and up to 32nd order of harmonic component analysis
- Dedicated 7th ADC channel for neutral line current.
- Four independent LEDs for pulse outputs of active energy(CF1), reactive/apparent energy (CF2), fundamental energy (CF3) and harmonic energy respectively (CF4).
- Four isolated metering pulse outputs connectors.
- Two buttons for scrolling LCD display menu or waking up MCU
- One isolated RS485 com port, one IrDA com port.
- One serial EEPROM for meter data storage or event recording
- Standard JTAG port for programming and debugging.
- Includes ATSHA204 Atmel Crypto Authentication device to demonstrate hardware anti-cloning and secure key storage features. (for M90E36A-RD).
- Temperature compensated high accuracy RTC
- Compliant with CT or Rogowski coil sensors
- Battery-backed with power fail detection
- NDA required

Products supported:

- ATM90E36A
- SAM4LC4C
- SAML22



P/N: M90E36A-RD (SAM4LC4C+M90E36A)
M90R2236A-RD (SAML22+M90E36A)

<< BACK

MCP3905A

[Online Datasheet](#)

Reference Design

The MCP3905A/06A device is an energy metering IC that supplies average active power information via a pulse output with direct drive for mechanical counters. It also includes a higher-frequency output that supplies instantaneous power information for calibration. The device contains function blocks specific for IEC energy meter compliance, such as a no-load threshold and startup current.

The MCP3905A/06A Energy Meter Reference Design Printed Circuit Board (PCB) is used as a reference design for single-phase, residential meters.



Products supported:

- MCP3905A
- MCP3906A



[<< BACK](#)



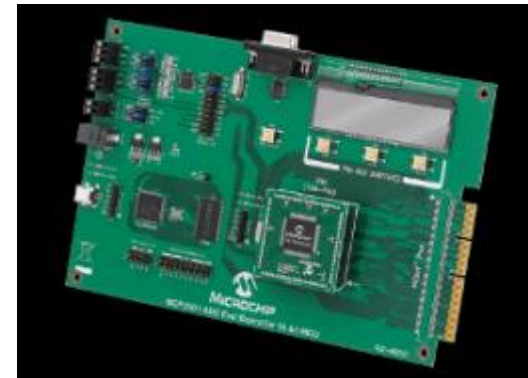
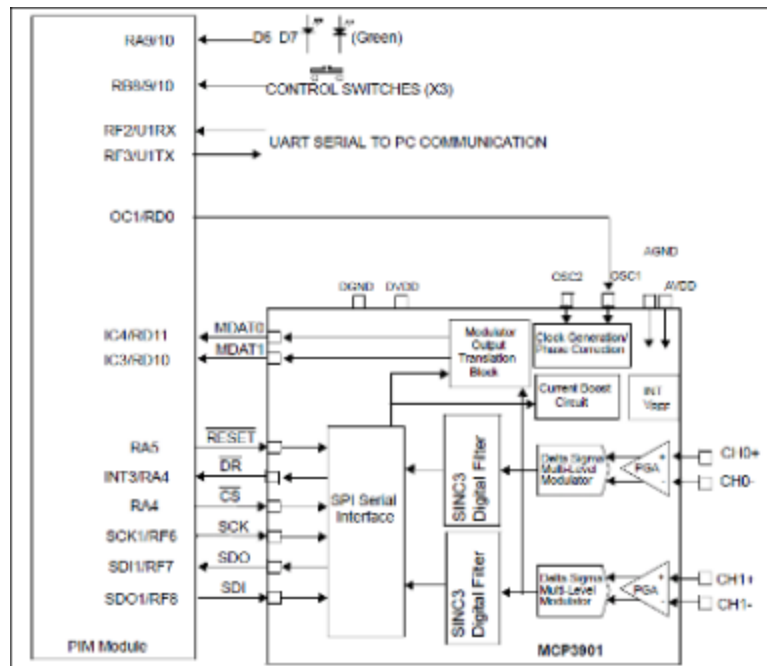
MCP3901 Eval Board for 16-bit MCUs

[Online Datasheet](#)

The MCP3901 ADC Evaluation Board for 16-Bit MCUs system provides the ability to evaluate the performance of the MCP3901 dual channel ADC. It also provides a development platform for 16-bit PIC based applications, using existing 100-pin PIM systems.

Products supported:

- MCP3901
- PIC24F
- PIC24H
- dsPIC33
- PIC18F86J55



MCP3910 Eval Board for 16-bit MCUs

[Online
Datasheet](#)

The MCP3910 ADC Evaluation Board for 16-Bit MCUs provides the opportunity to evaluate the performance of the MCP3910 dual-channel ADCs in a multiple device, isolated system. It comes with four MCP3910s, three of which are isolated and operate in 2-wire Serial Interface Mode. It also provides a development platform for 16-bit PIC® microcontroller-based applications, using existing 100-pin PIM systems, compatible with the Explorer 16 and other high pin count PIC device demo boards. The system comes with programmed PIC24FJ256GA110 PIM modules that communicate with the PC software for viewing data samples sent from the board.

Features:

- Four MCP3910 devices for complete 3-phase isolated and neutral system evaluation
- Selectable Phase A, B, C, or N (neutral) MCP3910 dual channel output display on the PC Software Interface
- Simultaneous 55 ksps at 95 dB SINAD performance on any MCP3910 channel
- Single-phase MCP3910 performance analysis through graphical PC tools showing Noise Histogram, Frequency Domain (FFT), Time domain scope plot, and statistical numerical analysis
- PICtail® Plus connectors for Explorer 16 daughter board compatibility

Products supported:

- MCP3911
- PIC24F
- dsPIC33



<< BACK



MCP3911 Eval Board for 16-bit MCUs

[Online
Datasheet](#)

The MCP3911 ADC Evaluation Board for 16-Bit MCUs system provides the ability to evaluate the performance of the MCP3911 dual-channel ADC. It also provides a development platform for 16-bit PIC-based applications, using existing 100-pin PIM systems compatible with the Explorer-16 and other high pin count PIC demo boards. The system comes with a programmed PIC24FJ256GA110 PIM module that communicates with the included PC software for data exchange and ADC configuration.

Features:

- Dual ADC MCP3911 output display using serial communication to PC software (Energy Management Utility)
- Simultaneous 55 ksps at 95 dB SINAD performance
- System and ADC performance analysis through graphical PC tools showing Noise Histogram, Frequency Domain (FFT), Time domain scope plot, and statistical numerical analysis
- PICtail Plus connectors for Explorer-16 daughter board compatibility

Products supported:

- MCP3911
- PIC24F
- dsPIC33



[<< BACK](#)



MCP3919 Eval Board for 16-bit MCUs

[Online
Datasheet](#)

The MCP3919 ADC Evaluation Board for 16-Bit MCUs system provides the opportunity to evaluate the performance of the MCP3919 three-channel AFE. It also provides a development platform for 16-bit PIC® based applications, using existing 100-pin PIC microcontroller Plug-in Module (PIM) systems that are compatible with the Explorer 16 and other high pin count PIC® based demo boards. The system comes with a programmed PIC24FJ256GA110 PIM module that communicates with the Energy Management Utility software.

Features:

- Three-Channel ADC MCP3919 output display using serial communication to PC software
- Simultaneous 57 ksps at OSR32 address loop ALL or 95 dB SINAD at OSR512 performance on MCP3919
- System and ADC performance analysis showing Noise Histogram, Frequency Domain (FFT), Time domain scope plot, and statistical numerical analysis
- PICtail Plus connectors for Explorer-16 daughter board compatibility

P/N: ADM00573

Products supported:

- MCP3919
- PIC24F
- dsPIC33



[<< BACK](#)



MCP3912 Eval Board for 16-bit MCUs

[Online
Datasheet](#)

The MCP3912 ADC Evaluation Board for 16-Bit MCUs system provides the opportunity to evaluate the performance of the MCP3912 four-channel AFE. It also provides a development platform for 16-bit PIC® based applications, using existing 100-pin PIC microcontroller Plug-in Module (PIM) systems that are compatible with the Explorer 16 and other high pin count PIC® based demo boards. The system comes with a programmed PIC24FJ256GA110 PIM module that communicates with the Energy Management Utility software.

Features:

- Four-Channel ADC MCP3912 output display using serial communication to PC software
- Simultaneous 57 ksps at OSR32 address loop ALL or 95 dB SINAD at OSR512 performance on MCP3912
- System and ADC performance analysis showing Noise Histogram, Frequency Domain (FFT), Time domain scope plot, and statistical numerical analysis
- PICtail Plus connectors for Explorer-16 daughter board compatibility

P/N: ADM00499

Products supported:

- MCP3912
- PIC24F
- dsPIC33



[<< BACK](#)



MCP3913 Eval Board for 16-bit MCUs

[Online
Datasheet](#)

The MCP3913 ADC Evaluation Board for 16-Bit MCUs system provides the opportunity to evaluate the performance of the MCP3913 six-channel AFE. It also provides a development platform for 16-bit PIC® based applications, using existing 100-pin PIC microcontroller Plug-in Module (PIM) systems that are compatible with the Explorer 16 and other high pin count PIC® based demo boards. The system comes with a programmed PIC24FJ256GA110 PIM module that communicates with the Energy Management Utility software.

Features:

- Six-Channel ADC MCP3913 output display using serial communication to PC software
- Simultaneous 57 ksps at OSR32 address loop ALL or 95 dB SINAD at OSR512 performance on MCP3913
- System and ADC performance analysis showing Noise Histogram, Frequency Domain (FFT), Time domain scope plot, and statistical numerical analysis
- PICtail Plus connectors for Explorer-16 daughter board compatibility

P/N: ADM00522

Products supported:

- MCP3913
- PIC24F
- dsPIC33



[<< BACK](#)



MCP3914 Eval Board for 16-bit MCUs

[Online
Datasheet](#)

The MCP3914 ADC Evaluation Board for 16-Bit MCUs system provides the opportunity to evaluate the performance of the MCP3914 eight-channel AFE. It also provides a development platform for 16-bit PIC® based applications, using existing 100-pin PIC microcontroller Plug-in Module (PIM) systems that are compatible with the Explorer 16 and other high pin count PIC® based demo boards. The system comes with a programmed PIC24FJ256GA110 PIM module that communicates with the Energy Management Utility software.

Features:

- Eight-Channel ADC MCP3914 output display using serial communication to PC software
- Simultaneous 57 ksps at OSR32 address loop ALL or 95 dB SINAD at OSR512 performance on MCP3914
- System and ADC performance analysis showing Noise Histogram, Frequency Domain (FFT), Time domain scope plot, and statistical numerical analysis
- PICtail Plus connectors for Explorer-16 daughter board compatibility

P/N: ADM00523

Products supported:

- MCP3914
- PIC24F
- dsPIC33



[<< BACK](#)



MCP3903 Eval Board for 16-bit MCUs

[Online Datasheet](#)

The MCP3903 ADC Evaluation Board for 16-bit MCU system provides the ability to evaluate the performance of the MCP3903 six channel sigma-delta ADC. It also provides a development platform for 16-bit PIC-based applications, using existing 100-pin PIM systems.

Features:

- MCP390x DataVIEW PC software interface for communicating and controlling the MCP3903 Evaluation board through the virtual COM port created by the on-board MCP2200
- System and ADC performance analysis through graphical PC tools showing noise histogram, frequency domain (FFT), time domain scope plot, and statistical numerical analysis
- Robust hardware design with analog grounding and analog/digital separation, allowing low noise evaluation of the MCP3903 device.
- Separate power supplies and power planes - 4 layer board
- PICtail Plus connectors for Explorer-16 daughter board compatibility

Products supported:

- MCP3903
- PIC24F
- PIC24H
- dsPIC33



[<< BACK](#)



ATM90EXX Demo Boards

NDA
Needed

ATM90E26 Single-Phase Energy Metering AFE :

- Supports resistive Shunt or Current Transformer (CT)
- Energy pulses:
 - Active energy pulse indicator and isolated output
 - Reactive energy pulse indicator and isolated output
- One communication connector
- 8.192MHz Crystal
- External 3.3V input

ATM90E32AS & ATM90E36A Poly-phase Metering AFE :

- Supports Current Transformer (CT) or Rogowski Coil
- Isolated Energy pulse outputs for Active, Reactive, Apparent, Fundamental and Harmonic Energy
- 16.384MHz Crystal
- 100-240VAC or 9VDC input power

Products supported:

- ATM90E26
- ATM90E32AS
- ATM90E36A



P/N: ATM90E2x-DB

ATM90E32AS-DB

ATM90E36A-DB

<< BACK



ATSAM4CMX 1-Phase & Poly-Phase Meter Demo

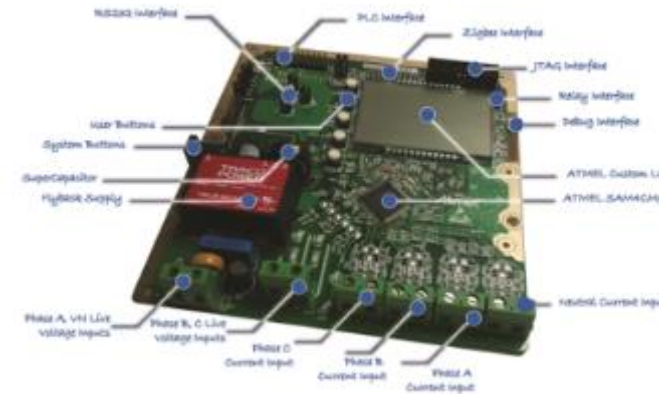
NDA
Needed

Support for ATSAM4CMS & ATSAM4CMP:

- Connectors for customer current sensors
- Voltage dividers on-board
- LCD (Custom Atmel), Buttons
- Atmel ATSHA204 Crypto Memory
- Atmel AT30TS75 Temp. Sensor
- Metrology LEDs (Wh, ...)
- ANSI or IEC base fitting
- Adesto AT25DF321A
- Supercap backup supply
- PLC connectors
- JTAG debug port
- RF/Zigbee Connectors
- Flyback Supply
- Opto ports
- Metrology Library
- Application Firmware

Products supported:

- ATMSAM4CMS
- ATMSAM4CMP



P/N: Single Phase: **ATSAM4CMS-DB** (1MB flash device), **ATSAM4CMS32-DB** (2MB flash device)

Poly-Phase: **ATSAM4CMP-DB** (1MB flash device), **ATSAM4CMP32-DB** (2MB flash device)

<< BACK



MCP39F501 Demo Board

[Online Datasheet](#)

The MCP39F501 Power Monitor Demonstration Board is a fully functional single-phase power monitor. This low-cost design does not use any transformers and requires few external components. The device calculates typical power quantities as defined in the MCP39F501 data sheet. The MCP39F501 Power Monitor Utility software is used to calibrate and monitor the system, and can be used to create custom calibration setups. For some accuracy requirements, only a single point calibration may be needed.

Features:

- Displays Active, Reactive and Apparent Power, RMS Current, RMS Voltage, Line Frequency, Power Factor and Temperature using PC software
- Event notifications, such as Over Current, Over Power, Over/Under Frequency, Over/Under Temperature, and Voltage Sag/Surge
- Device configuration through PC software, including Event Notifications, Gain Calibration, EEPROM, Calculation Multipliers, and I/O settings
- 120V and 220V operation

P/N: ARD00455

Products supported:

- MCP39F501



[<< BACK](#)



MCP39F501 Power Monitor PICtail™ Board

Online
Datasheet

The MCP39F501 Power Monitor PICtail™ Evaluation Board duals as a fully functional single-phase power monitor and development platform. This low-cost design does not use any transformers and requires few external components. The device calculates active power, reactive power, RMS current, RMS voltage, power factor, line frequency and other typical power quantities as defined in the MCP39F501 data sheet. The MCP39F501 Power Monitor Utility software is used to calibrate and monitor the system and can be used to create custom calibration setups. For some accuracy requirements only a single point calibration may be needed.

Features:

- PICtail board allows development with Microchip's 16-bit and 32-bit microcontrollers using the Explorer 16 Development Board (DM240001)
- PC software displays power quantities, event notifications and allows device configuration

Products supported:

- MCP39F501
- PIC® MCUs



<< BACK



MCP39F511 Demo Board

[Online Datasheet](#)

The MCP39F511 Power Monitor Demonstration Board is a fully functional single-phase power and energy monitoring system. The system calculates and displays active power, reactive power, RMS current, RMS voltage, active energy (both import and export), and four quadrant reactive energy.

It connects by USB to the “MCP39F511 Power Monitor Utility Software” that offers control to allow you to easily experiment with all system configuration settings such as PWM output frequencies, zero crossing detection options, and event configurations, among many others.

Features:

- Displays Active, Reactive, Apparent Power, RMS Current, RMS Voltage, Line Frequency, Import/Export Active Energy and 4 Quadrant Reactive Energy
- Event notifications including Over Current, Over Power, Voltage Sag and Voltage Surge
- Device configuration through PC software
- Direct connect to 90V-240VAC operation
- 15A maximum recommended load

P/N: ADM00667

Products supported:

- MCP39F511



[<< BACK](#)



MCP39F521 Demo Board

[Online Datasheet](#)

The MCP39F521 Power Monitor Demonstration Board is a fully functional I²C bus single-phase power and energy monitoring system. The system calculates and displays active power, reactive power, RMS current, RMS voltage, active energy (both import and export), and four quadrant reactive energy.

It connects through USB to the “Power Monitor Utility Software” that offers automated control to allow you to easily experiment with all system configuration settings such as zero crossing detection options and event configurations.

Features:

- Displays Active, Reactive, Apparent Power, RMS Current, RMS Voltage, Line Frequency, Import/Export Active Energy and 4 Quadrant Reactive Energy
- Event notifications including Over Current, Over Power, Voltage Sag and Voltage Surge
- Device configuration through PC software
- Direct connect to 90V-240VAC operation
- 15A maximum recommended load

P/N: ADM00686

Products supported:

- MCP39F521



[<< BACK](#)



MCP39F511N Demo Board

[Online
Datasheet](#)

The MCP39F511N Power Monitor Demonstration Board is a fully functional dual channel single-phase power and energy monitoring system. The system calculates and displays active power, reactive power, RMS current, RMS voltage, active energy (both import and export), and four quadrant reactive energy), on 2 independent channels, simultaneously. It connects through USB to the “Power Monitor Utility Software” that offers automated control to allow you to easily experiment with all system configuration settings such as PWM output frequencies, zero crossing detection options, and event configurations, among many others.

Features:

- Dual channel display of Active, Reactive, Apparent Power, RMS Current, RMS Voltage, Line Frequency, Import/Export Active Energy and 4 Quadrant Reactive Energy
- Event notifications including Over Current, Over Power, Voltage Sag and Voltage Surge
- Device configuration through PC software
- Direct connect to 90V-240VAC operation
- 15A maximum recommended load

P/N: ADM00706

Products supported:

- MCP39F11N



[<< BACK](#)



MCP3911 PIC18F85K90

[Online Datasheet](#)

Anti-Tamper Meter

The MCP3911 and PIC18F85K90 Single-Phase Anti-Tamper Energy Meter is a fully functional single-phase meter with enhanced capabilities, such as battery backup, RTC and anti-tamper features. The two current channels are measured with the MCP3911 device and the voltage channel is measured with the 12-bit SAR ADC integrated in the microcontroller. This design has two sensors for the current measurements: a current transformer and a shunt. The PIC18F85K90 microcontroller directly drives the LCD and communicates via UART with the MCP2200, offering an isolated USB connection for meter calibration and access to the device power calculations. The system calculates active and reactive energy, active, reactive and apparent power, power factor, RMS current, RMS voltage and the line frequency. The Microchip Energy Meter Software is used to calibrate and monitor the system.

Features:

- Rated 5(60)A 220V 3200 imp/kWh IEC62053-22 Class 0.5 Meter
- Calculates active and reactive energy, active, reactive and apparent power, power factor, RMS current, RMS voltage and the line frequency
- Anti-tamper monitoring including neutral monitoring, current circuit reversal, magnetic field disturbance and cover opening detection
- Microchip Energy Meter Software to calibrate & monitor the system
- Calibration can be done in closed loop or open loop

P/N: ARD00385

Products supported:

- MCP3911
- PIC18F85K90



[<< BACK](#)



MCP6L2 PIC18F66J93

[Online Datasheet](#)

The MCP6L2 and PIC18F66J93 Energy Meter is a fully functional single-phase meter that uses the 12-bit successive approximation analog-to-digital converter (SAR ADC) integrated in the microcontroller. This low-cost design has a shunt as the current sensor. The signal from the shunt is amplified by two external operational amplifiers and applied to the input of the ADC. The PIC18F66J93 directly drives the LCD and communicates via UART with the MCP2200, offering an isolated USB connection for meter calibration and access to the device power calculations. The system calculates active and reactive energy; active, reactive and apparent power; power factor; RMS current; RMS voltage, and line frequency. The Microchip energy meter software is used to calibrate and monitor the system. The calibration can be done in closed loop or open loop. When connected to a stable source of voltage and current, the meter can do an auto-calibration by including the open loop calibration routine and formulas in the firmware.

Features:

- Energy meter software allows calibration and system monitoring
- Isolated USB connection
- Calculates active and reactive energy, active and apparent power, power factor, RMS current, RMS voltage, and line frequency

Products supported:

- MCP6L2
- PIC18F66J93



[<< BACK](#)



MCP4725 Eval Board

[Online Datasheet](#)

The MCP4725 SOT-23-6 Evaluation Board is a quick and easy evaluation tool for the MCP4725 12-bit DAC device. It works with Microchip's popular PICKit™ Serial Analyzer or independently with the customer's applications board.

Connect the MCP4725 SOT-23-6 Evaluation Board to the PICKit™ Serial Analyzer and type in the DAC input data in the PICKit™ Serial Analyzer's PC Graphical User Interface program.

The PICKit™ Serial Analyzer will then send the user's data to the DAC device automatically. The DAC's analog output will be available immediately at the output pin. The user will appreciate the simplicity of evaluating the DAC device using this kit.

The customer also can connect the MCP4725 SOT-23-6 Evaluation Board directly to their applications board and test out their systems functions immediately.

The MCP4725 SOT-23-6 Evaluation Board kit includes two of the Evaluation Boards. The PICKit™ Serial Analyzer is sold separately

Products supported:

- MCP4725



<< BACK



MCP4725 PICtail™ Plus Daughter Board

[Online Datasheet](#)

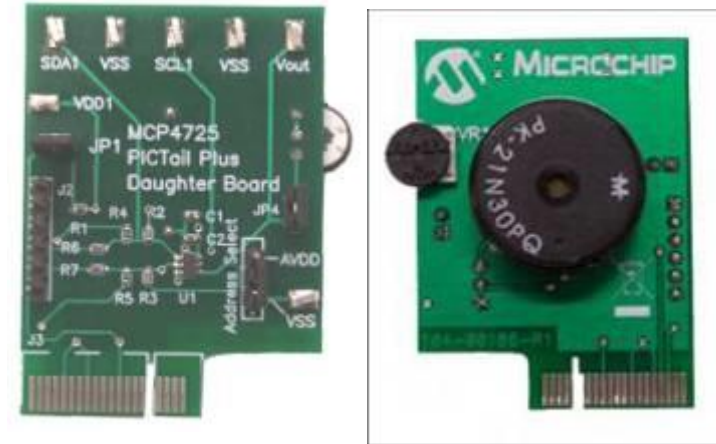
The MCP4725 PICtail™ Plus Daughter Board (P/N MCP4725DM-PTPLS) contains an MCP4725 12-bit Digital-to-Analog Converter (DAC). This daughter board has the following two interfaces:

- Explorer 16 Starter Kit (P/N: DV164033) for 16-bit MCU environment
- PICkit™ Serial Analyzer (P/N: DV164122) for reading and writing the DAC register and observing the DAC output

The user can connect this daughter board to one of the above tools and perform their own experiments.

Products supported:

- MCP4725



MCP4726 PICtail™ Plus Daughter Board

[Online Datasheet](#)

The MCP47X6 PICtail™ Plus Daughter Board allows customers to evaluate the capabilities of the MCP4726, MCP4716, and MCP4706 devices. This board can be controlled by the MCU of the Explorer 16 Development Board (P/N: DV164033) or by a PICkit™ Serial Analyzer. The board also provides easy access via test points to desired signals to monitor device operation. A buzzer is supplied that is connected to the output of the MCP4726, which allows generation of an audible sound. The buzzer has a volume control.

Products supported:

- MCP4706
- MCP4716
- MCP4726



MCP4728 Eval Board

[Online Datasheet](#)

The MCP4728 Evaluation Board is a tool for quick and easy evaluation of the MCP4728 4-channel 12-bit DAC device.

It contains the MCP4728 device and connection pins for the Microchip's popular PICkit™ Serial Analyzer. Simply connect the MCP4728 Evaluation Board to the PICkit™ Serial Analyzer and type in the DAC input data in the PICkit™ Serial Analyzer's PC Graphical User Interface program. The PICkit™ Serial Analyzer will then send the user's data to the DAC device automatically. The new DAC's analog outputs will be available immediately at the DAC output pins.

Products supported:

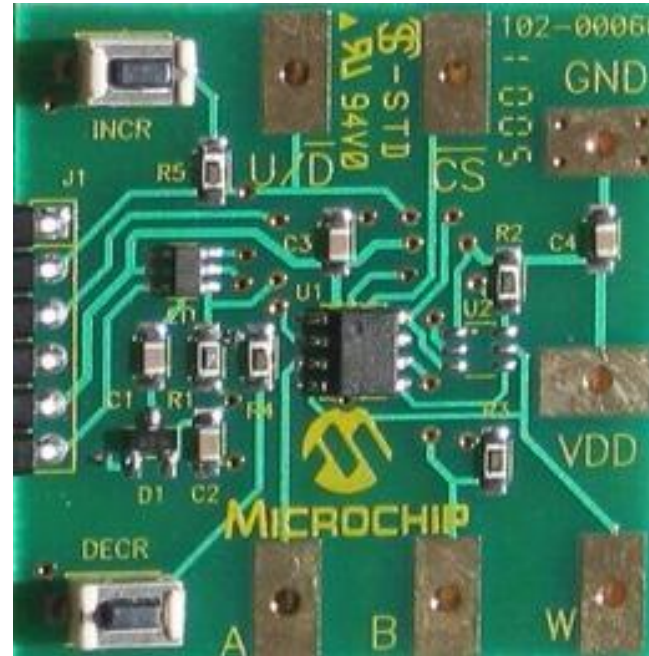
- MCP4728



MCP401x/402x Eval Board

[Online Datasheet](#)

The MCP402X Digital Potentiometer Evaluation Board (MCP402XEV) allows the system designer to quickly evaluate the operation of Microchip Technology's MCP401X/2X Digital Potentiometer products.



Products supported:

- MCP4011
- MCP4012
- MCP4013
- MCP4014
- MCP4021
- MCP4022
- MCP4023
- MCP4024



MCP401X Eval Board

[Online Datasheet](#)

The MCP401XEV Evaluation Board allows the system designer to quickly evaluate the operation of the MCP40D18 Digital Potentiometer device. The board uses the SC70EV Generic PCB and has been populated for the MCP40D18. The 6-pin header (PICkit Serial) has been jumpered to the MCP40D18's appropriate pins. This allows the PICkit Serial to communicate with the device.

Products supported:

- ❑ MCP40D17
- ❑ MCP40D19
- ❑ MCP4017
- ❑ MCP4018
- ❑ MCP4019



MCP42XX Eval Board

[Online
Datasheet](#)

The MCP42XX Evaluation Board allows the system designer to quickly evaluate the operation of Microchip Technology's MCP4261 Digital Potentiometer device. The board uses the TSSOP20EV Generic PCB and has been populated for the MCP4261. The 6-pin header (PICkit Serial) has been jumpered to the MCP4261's appropriate pins. This allows the PICkit Serial to communicate with the device.

Products supported:

- ❑ MCP4231
- ❑ MCP4241
- ❑ MCP4251
- ❑ MCP4261



MCP43XX Eval Board

[Online Datasheet](#)

The MCP43XX Evaluation Board allows the system designer to quickly evaluate the operation of Microchip Technology's MCP4361 Digital Potentiometer device. The board uses the TSSOP20EV Generic PCB and has been populated for the MCP4361. The 6-pin header (PICkit Serial) has been jumpered to the MCP4361's appropriate pins. This allows the PICkit Serial to communicate with the device.

Products supported:

- MCP4331
- MCP4341
- MCP4351
- MCP4361



MCP46XX Eval Board

[Online Datasheet](#)

The MCP46XX Evaluation Board allows the system designer to quickly evaluate the operation of Microchip Technology's MCP4661 Digital Potentiometer device. The board uses the TSSOP20EV Generic PCB and has been populated for the MCP4661. The 6-pin header (PICkit Serial) has been jumpered to the MCP4661's appropriate pins. This allows the PICkit Serial to communicate with the device.

Products supported:

- MCP4631
- MCP4641
- MCP4651
- MCP4661



MCP42XX PICtail™ Plus Daughter Board

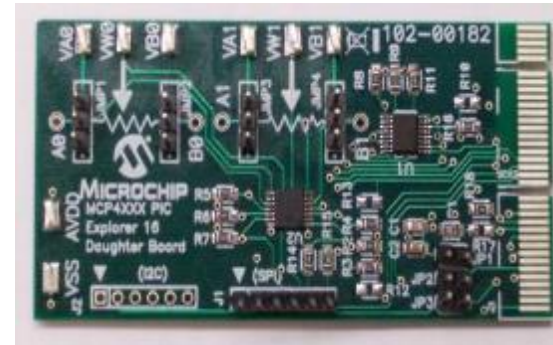
[Online Datasheet](#)

The MCP42XX PICtail™ Plus Daughter Board is used to demonstrate the operation of the MCP42XX Digital Potentiometers. The operation of the MCP41XX devices is similar to the MCP42XX devices. Therefore, this demo board can be used as a development platform for either device family.

This board is designed to be used in conjunction with either the PIC24 Explorer 16 Demo Board or the PICkit™ Serial Analyzer.

Products supported:

- MCP4231/2
- MCP4241/2
- MCP4251/2
- MCP4261/2



Mixed Signal PICtail™

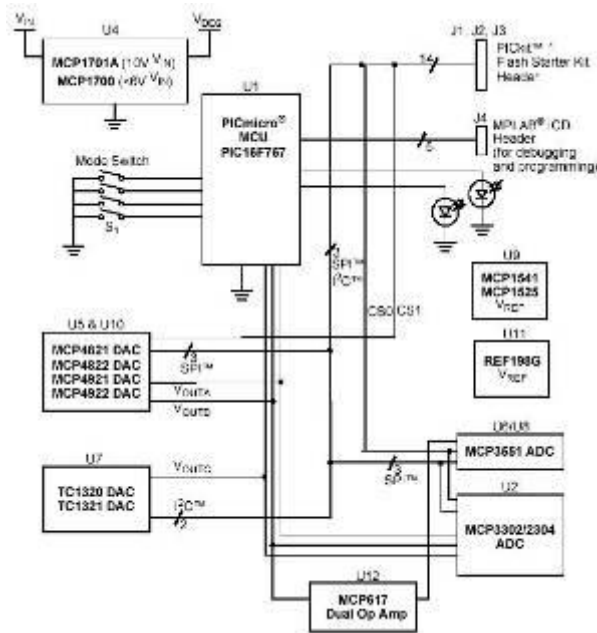
Demo Board

Online
Datasheet

The Mixed Signal PICtail™ Demo Board allows the system designer to quickly evaluate the suitability of several Microchip analog products for their product's design. Microchip's Digital-to-Analog Converters (DACs), Analog-to-Digital Converters (ADCs), V_{REF} , Low Dropout Output (LDO) regulators and the PIC16F7X devices are supported. Evaluation precision analog products for specific applications can be challenging for practical reasons. First, many products are only available in surface-mount packages. Secondly, analog circuits tend to be affected adversely by system noise. Common bread boarding techniques are not practical for these reasons. The Mixed Signal PICtail™ Demo Board utilizes a 4-layer PCB with attention paid to reducing system noise.

Products supported:

- MCP3551
- MCP3302/04
- MCP482x
- MCP492x
- TC132x
- MCP617
- MCP15xx
- MCP1701A
- MCP1700
- PIC16F767



Mixed Signal PICtail™

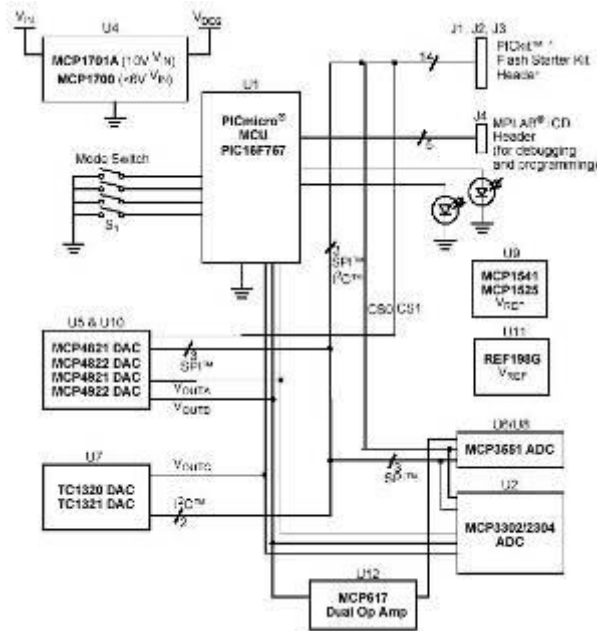
Demo Board

Online
Datasheet

The Mixed Signal PICtail™ Demo Board allows the system designer to quickly evaluate the suitability of several Microchip analog products for their product's design. Microchip's Digital-to-Analog Converters (DACs), Analog-to-Digital Converters (ADCs), V_{REF} , Low Dropout Output (LDO) regulators and the PIC16F7X devices are supported. Evaluation precision analog products for specific applications can be challenging for practical reasons. First, many products are only available in surface-mount packages. Secondly, analog circuits tend to be affected adversely by system noise. Common bread boarding techniques are not practical for these reasons. The Mixed Signal PICtail™ Demo Board utilizes a 4-layer PCB with attention paid to reducing system noise.

Products supported:

- MCP3551
- MCP3302/04
- MCP482x
- MCP492x
- TC132x
- MCP617
- MCP15xx
- MCP1701A
- MCP1700
- PIC16F767



MCP2515 PICtail™ Plus Daughter Demo Board

Online
Datasheet

The MCP2515 PICtail™ Plus Daughter Board is a simple Controller Area Network (CAN) board designed to be used with boards containing the PICtail Plus connector.

The board also has the PICkit™ Serial connector for interfacing to the PICkit Serial Analyzer tool. The CAN node consists of the MCP2515 Stand-Alone CAN controller and MCP2551 CAN transceiver.

The PICkit Plus and PICkit Serial connectors allow the board to be interfaced to a variety of PIC® micros so that the user can develop a CAN node. The board also contains headers or test points for most of the MCP2515 pins to allow the external functions to be monitored/evaluated.

Products supported:

- MCP2515
- MCP2551



MCP2515 CAN Bus

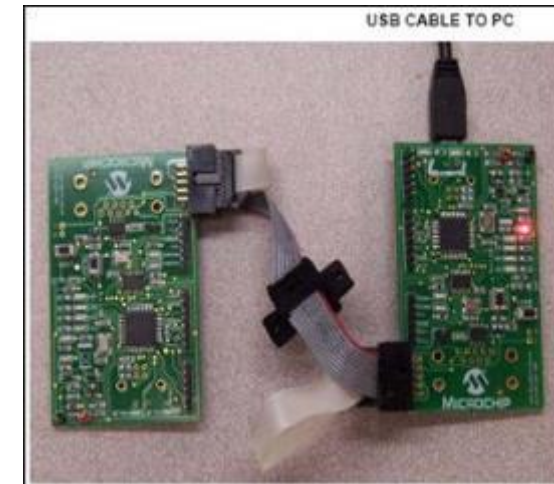
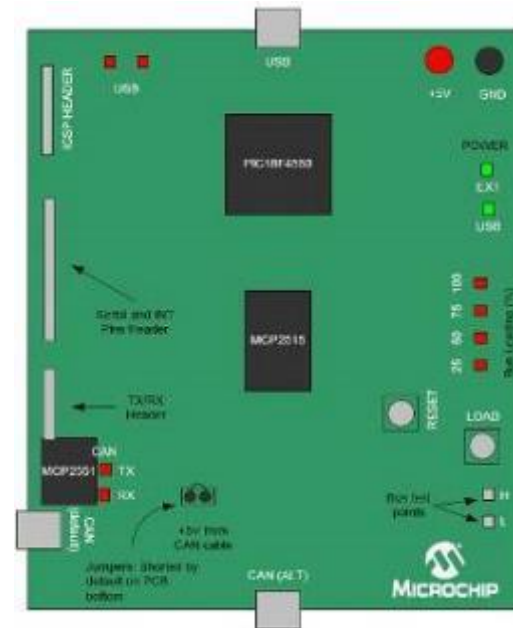
[Online Datasheet](#)

Monitor Demo Board

The MCP2515 CAN Bus Monitor Demo Board kit contains two identical boards which can be connected together to create a simple two node Controller Area Network (CAN) bus, which can be controlled and/or monitored via the included PC interface. The board(s) can also be connected to an existing CAN bus.

Products supported:

- MCP2515
- MCP2551



MCP25625 PICtail Plus

[Online Datasheet](#)

Daughter Board

The MCP25625 PICtail™ Plus Daughter Board is a simple Controller Area Network (CAN) board designed to be used with boards containing the PICtail Plus connector.

The board also has the PICkit™ Serial connector for interfacing to the PICkit Serial Analyzer tool. The single-chip solution CAN node consists of the MCP25625 CAN Controller with Integrated Transceiver.

The PICkit Plus and PICkit Serial connectors allow the board to be interfaced to a variety of PIC® microcontrollers so that the user can develop a CAN node. The board also contains headers and test points for most of the MCP25625 pins that allow the external functions to be monitored/evaluated. Additionally, there are multiple external components and jumper configurations for added flexibility.

Products supported:

- MCP25625



[<< BACK](#)

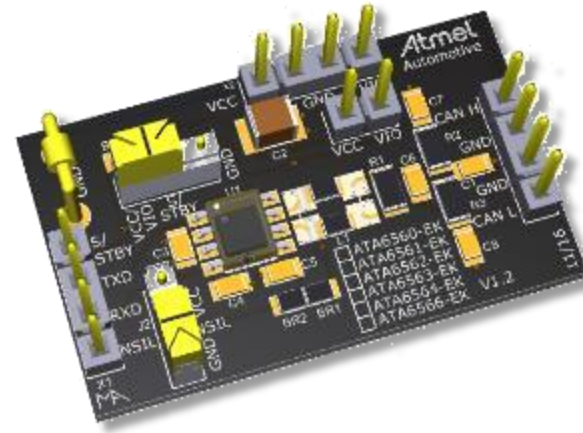


ATA656x Demo Board

Online
Info

Development Kit ATA656x-EK

- Evaluation tool for a quick start
- Easy to use due to pre-defined setup
- Easy access to all TRX pins
- Usable for SO8 and DFN8 package
- Switching into Normal- Silent- or Standby- Mode via two jumpers
- Choice of ATA6560, ATA6561, ATA6562, ATA6563, ATA6564 or ATA6566 application by assembly option



Application note:

- ATAN0103 Board description

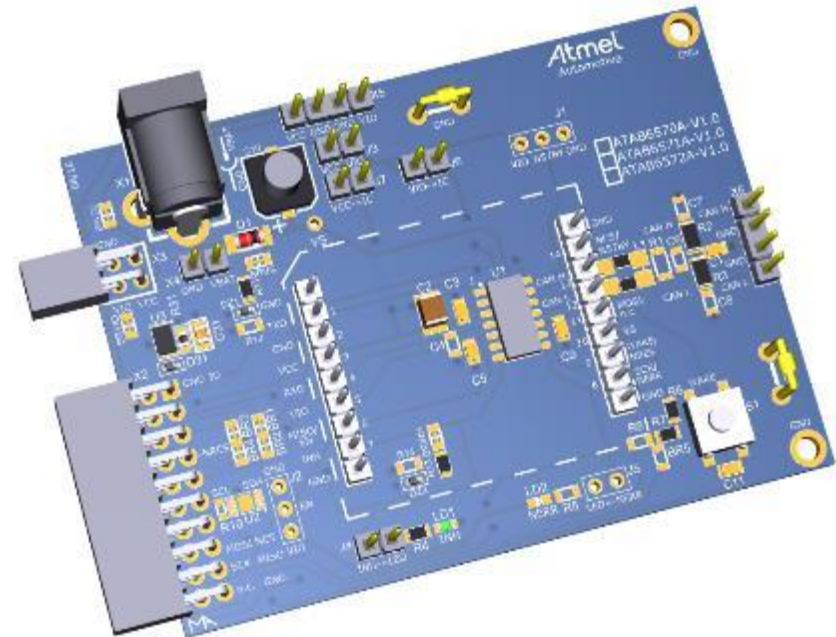
Models:

- ATA656x CAN Trx VHDL Model



ATA6570/71 Demo Board

- The development board enables users to rapidly carry out prototyping and testing of new CAN designs and supports the following features:
 - Evaluation tool for a quick start
 - Easy to use due to pre-defined setup
 - Easy access to all TRX pins
 - Usable for SO14- package
 - Placeholders for some optional components for extended functions are included (e.g. common-mode choke)
 - ATA6570: Control of the device via SPI
 - ATA6571: Control of the device via pins EN and NSTBY



ATA663x Demo Board

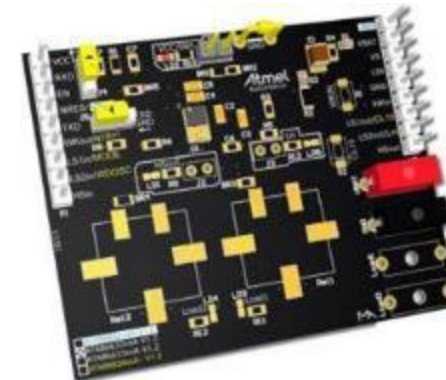
[Online Datasheet](#)

The development board for the complete device family is shipped with all components necessary to quickly begin the development of a LIN node. Depending on which device is soldered on the development board, different components are assembled. The development supports the following features:

- All components necessary needed for the supported devices
- All pins easily accessible
- Choice of master or slave operation (D2 and R2 mounted per default for master operation)
- Switching into normal, silent or sleep mode via two jumpers
- LEDs for operation indication
- Ground coulter clip for easy probe connection while measuring with oscilloscope
- Easily adaptable watchdog times by replacing a single resistor
- Push buttons included for creating a local wake-up from sleep or silent mode
- Relays for application specific tests of the ATA663331/54

Products supported:

- ATA663201
- ATA663203
- ATA663231
- ATA663232
- ATA663254
- ATA663255
- ATA663331
- ATA663354
- ATA663431
- ATA663454



[<< BACK](#)



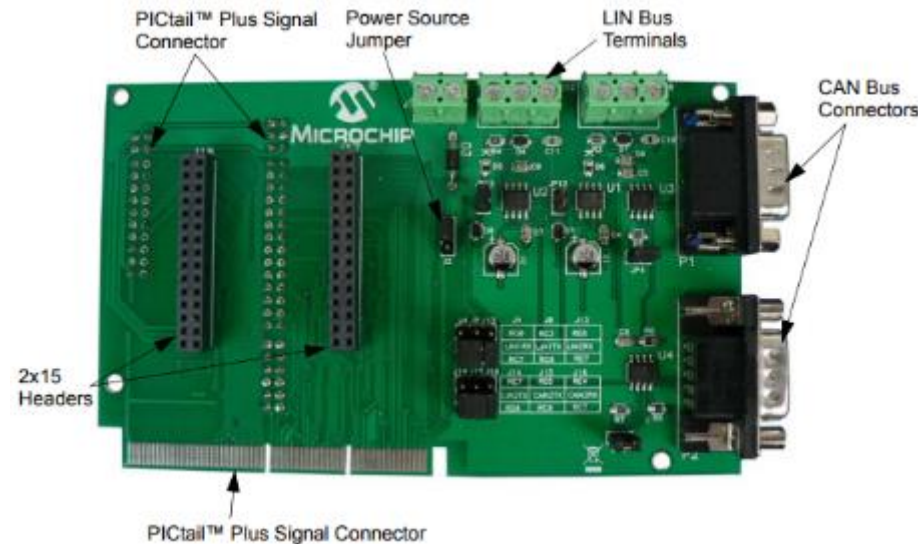
CAN/LIN PICtail Plus Daughter Board

Online
Datasheet

The CAN/LIN PICtail™ (Plus) Daughter Board (AC164130-2) can be used with either the Explorer 16 Board or the PIC18 Explorer Board. This daughter board is used to facilitate rapid implementation and evaluation of applications that use Controller Area Network (CAN) and Local Interconnect Network (LIN) interfaces. The PICtail Plus interface is used for connection to Explorer 16 Development Board for 16-bit and 32-bit MCUs. The PICtail interface is used for connection to the PIC18 Explorer for PIC18 8-bit microcontrollers.

Products supported:

- CP2551
- MCP2021



PICDEM CAN-LIN 2

[Online
Datasheet](#)

Demo Board

Microchip offers two similar PICDEM CAN-LIN demonstration boards to support different PICmicro® devices. All demonstrate the main features of the devices, especially those features of the integrated CAN module. In addition to the CAN network, the board also employs a LIN sub-network using Microchip's PIC16C43X and PIC18F320 device families.



Products supported:

- 28-pin PIC18F258 and PIC18F2680/2682/2685
- 40-pin PDIP PIC18F458 and PIC18F4680/4682/4685 devices
- 20-pin PDIP PIC16C432 with integrated LIN Bus transceiver



LIN Serial Analyzer

[Online Datasheet](#)

The LIN Serial Analyzer development system enables a Personal Computer (PC) to communicate with a LIN (Local Interface Network) bus. The PC program uses a graphical user interface to enter and display message frames occurring on the target bus. The LIN Serial Analyzer consists of several components, that together, make a network debug and analysis tool.



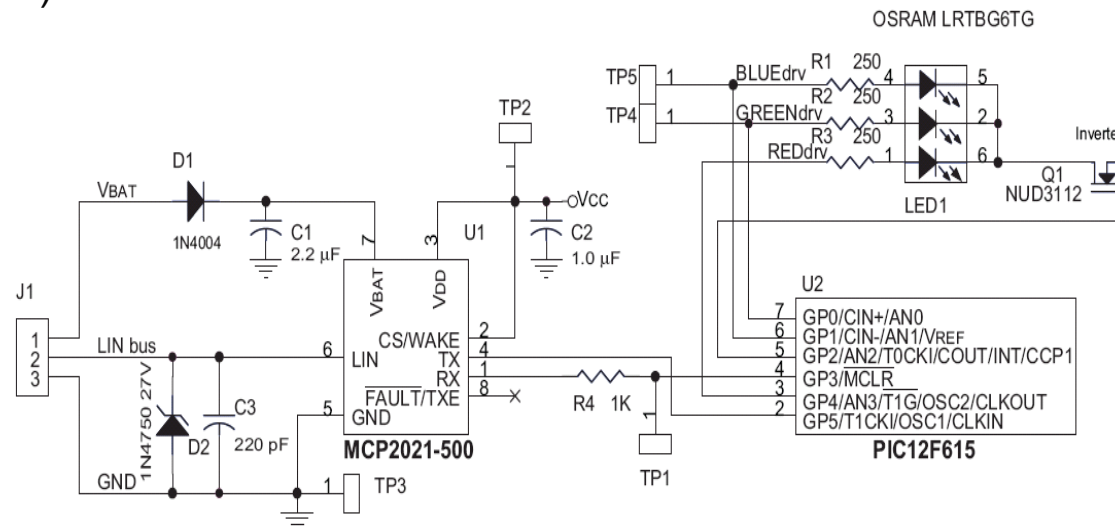
Automotive Ambient Lighting Module

Online
Datasheet

The Automotive Ambient Interior Lighting Module Reference Design demonstrates microcontroller-based control of RGB LED devices. This module can be controlled remotely by a master body controller via a LIN bus. These modules are offered in a very compact form-factor board and comprise of a PIC12F615 MCU, an MCP2021 LIN transceiver/voltage regulator, and RGB LED. LIN commands are interpreted by the module to control color mixing (16,383 colors) and intensity (1023 levels).

Products supported:

- MCP2120
- PIC12F615



MCP23x17 Eval Board

[Online Datasheet](#)

The MCP23X17 Evaluation Board allows the system designer to evaluate the operation of the MCP23X17 General Purpose I/O (GPIO) expander. The board demonstrates the MCP23X17 performance in a simple circuit (4 inputs and 12 outputs).

Products supported:

- MCP23017
- MCP23S17



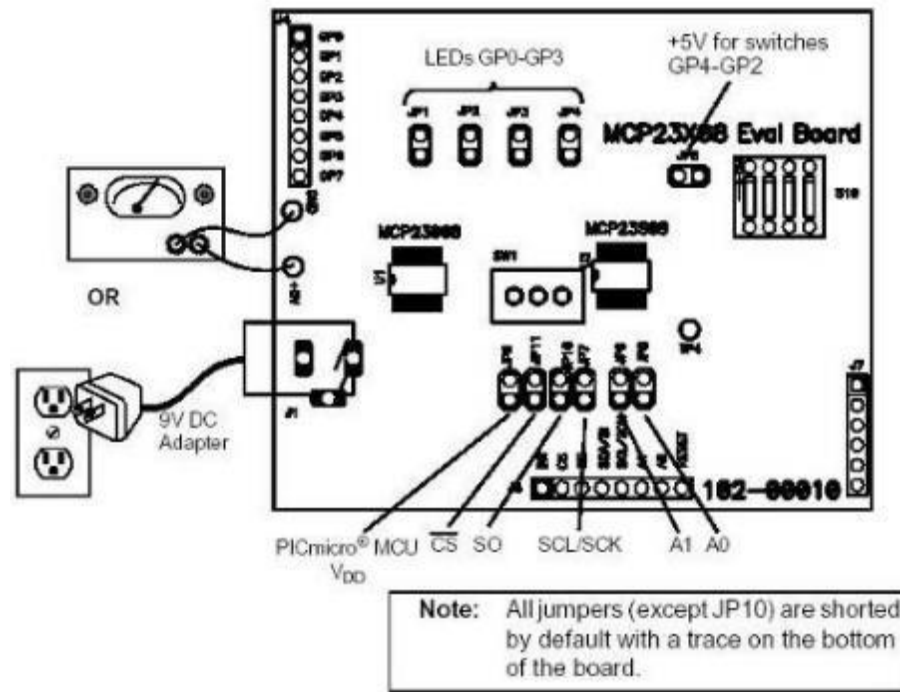
MCP23x08 Eval Board

Online
Datasheet

The MCP23008/MCP23S08 Evaluation Board allows the system designer to quickly evaluate the operation of the MCP2X08 8-bit GPIO expanders. The board demonstrates the I/O expansion capabilities/operation of both the MCP213008 (I²C™ Interface) and MCP23S08 (SPI interface).

Products supported:

- MCP23008
- MCP23S08

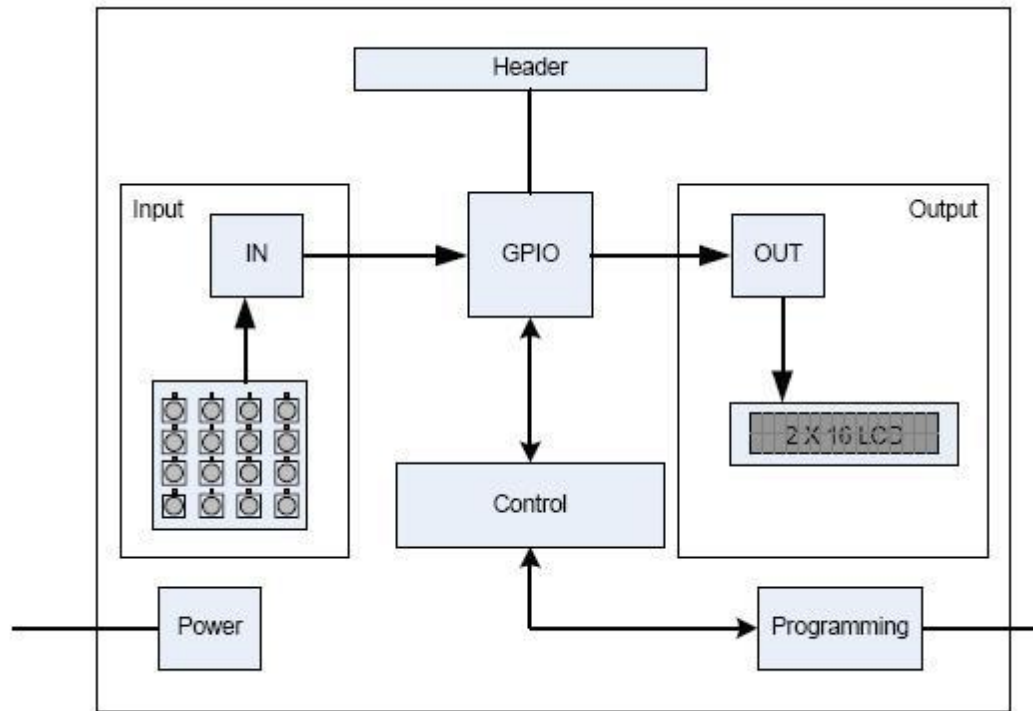


GPIO Expander Keypad

Online
Datasheet

Demo Board

The GPIO Expander Keypad and LCD Demo Board allows the system designer to evaluate the operation of the MCP23X17 and MCP23X08 General Purpose I/O (GPIO) Expanders. The board demonstrates the GPIO Expanders' performance in keypad and LCD example.



Products supported:

- MCP23008
- MCP23S08
- MCP23017
- MCP23S17
- MCP1702
- PIC18F4550



<< BACK



PICKit™ Serial SPI Demo Board

[Online Datasheet](#)

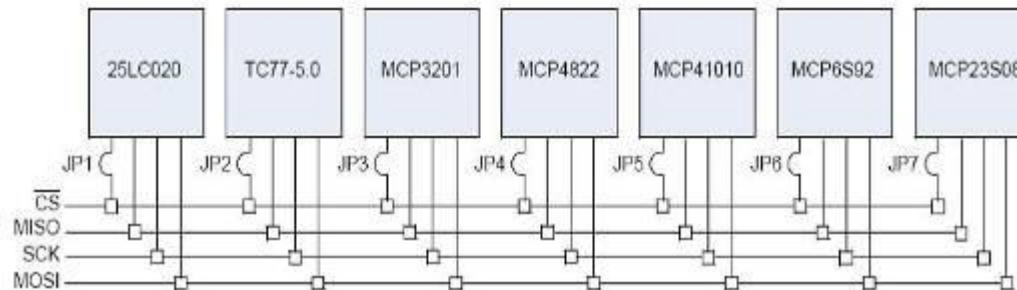
The PICKit™ Serial SPI Demo Board demonstrates SPI serial communications and operation of the following devices:

- 25LC020A – 2K SPI Bus Serial EEPROM
- TC77-5.0 – Thermal Sensor with SPI Interface
- MCP3201 – 2.7V 12-bit A/D Converter with SPI Serial Interface
- MCP4822 – 12-bit DAC with Internal V_{REF} and SPI Interface
- MCP41010 – Single/Dual Digital Potentiometer with SPI Interface
- MCP6S92 – Single-Ended, Rail-to-Rail I/O, Low-Gain PGA
- MCP23S08 – 8-bit I/O Expander with Serial Interface

The PICKit™ Serial SPI Demo Board was designed to easily connect to the PICKit Serial Analyzer (DV164122). The PICKit Serial Analyzer provides the SPI master mode serial communications and power. The PICKit™ Serial SPI Demo Board devices all operate in the SPI slave mode and can easily be connected to virtually any demo or development board by connecting the communications lines to connector P1.

Products supported:

- TC77
- MCP3201
- MCP4822
- MCP41010
- MCP6S92
- MCP23S08
- 25LC020A



[<< BACK to Linear](#)

[<< BACK to Gen.](#)

[<< BACK to DACs/Dig. Pot](#)

[<< BACK to Thermal](#)

[<< BACK to Interface](#)



PICKit™ Serial I2C™

[Online Datasheet](#)

Demo Board

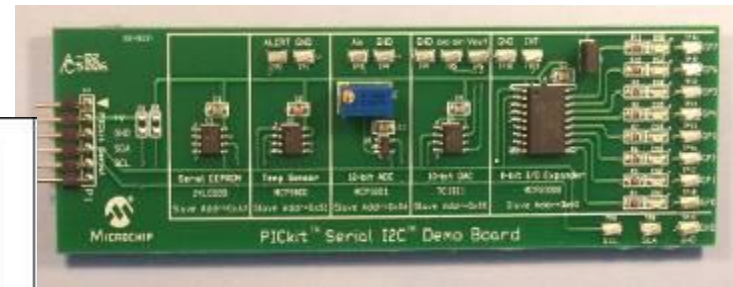
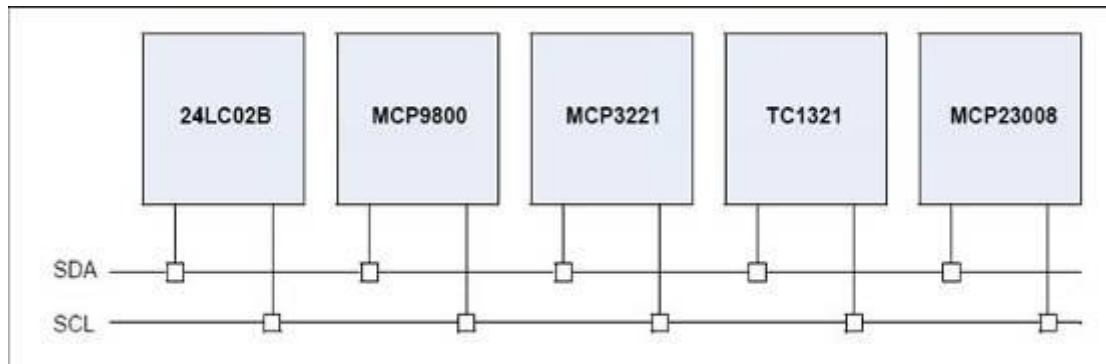
The PICKit™ Serial I2C™ Demo Board demonstrates I2C™ serial communications and operation of the following devices:

- 24LC02B – 2K Serial EEPROM
- MCP9801 – High-Accuracy Temperature Sensor
- MCP3221 – Low-Power 12-bit A/D Converter
- TC1321 – 10-bit DAC
- MCP23008 – 8-bit I/O Expander

The PICKit™ Serial I2C™ Demo Board was designed to easily connect to the PICKit Serial Analyzer (DV164122). The PICKit Serial Analyzer provides the I2C™ master mode serial communications and power. The board devices all operate in the I2C™ slave mode and can easily be connected to virtually any demo or development board by connecting the communications lines to connector P1.

Products supported:

- MCP9801
- MCP3221
- TC1321
- MCP23008
- 24LC02B

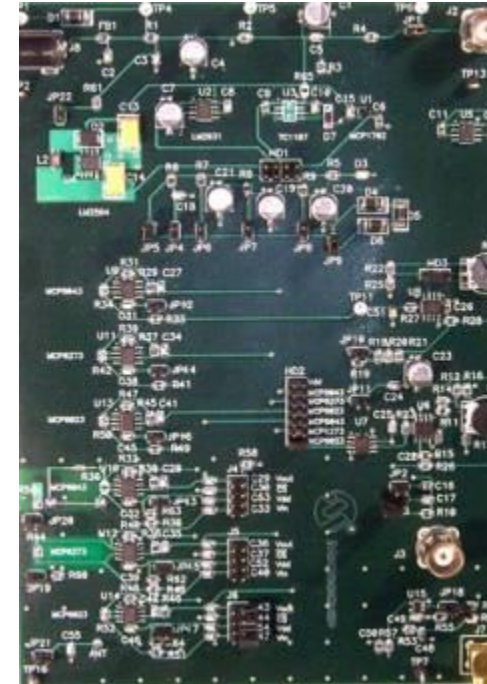


PSRR & Digital Noise Eval Board

Online
Datasheet

The PSRR and Digital Noise Evaluation Board (104-00139) is designed to explore and quantify the effects of power and digital noise on system performance. These experiments will help system designers understand the impact that power and digital noise can have in their design.

The PSRR and Digital Noise Evaluation Board supports measurement of Power Supply Rejection Ratio (PSRR) performance of Operational Amplifiers, as well as illustrates effects of Digital Interface spikes on Chip Select pins (and V_{DD} , V_{OUT} , V_{IN} pins). The various measurements demonstrate importance of I_{DDQ} on PSRR and Digital Noise performance.

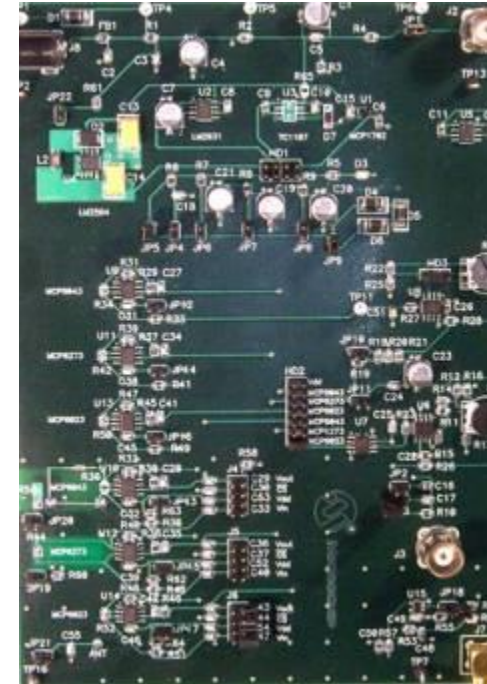


PSRR & Digital Noise Eval Board

[Online
Datasheet](#)

The PSRR and Digital Noise Evaluation Board (104-00139) is designed to explore and quantify the effects of power and digital noise on system performance. These experiments will help system designers understand the impact that power and digital noise can have in their design.

The PSRR and Digital Noise Evaluation Board supports measurement of Power Supply Rejection Ratio (PSRR) performance of Operational Amplifiers, as well as illustrates effects of Digital Interface spikes on Chip Select pins (and V_{DD} , V_{OUT} , V_{IN} pins). The various measurements demonstrate importance of I_{DDQ} on PSRR and Digital Noise performance.



Electrical Field Eval Board

[Online
Datasheet](#)

The E-Field Evaluation Board (EFIELDDEV) is designed to demonstrate E-field coupling under various conditions on a Printed Circuit Board (PCB). These experiments will help system designers understand the impact PCB layout techniques have on controlling E-field noise in their design.

The E-Field Evaluation Board PCB supports measurement of capacitive trace-trace coupling, in 1-layer, 2-layer, and 3-layer experiments; in each experiment, Transmitter-to-Receiver PCB trace spacings are varied, to demonstrate how coupling changes with distance.



Electrical Field Eval Board

[Online
Datasheet](#)

The E-Field Evaluation Board (EFIELDDEV) is designed to demonstrate E-field coupling under various conditions on a Printed Circuit Board (PCB). These experiments will help system designers understand the impact PCB layout techniques have on controlling E-field noise in their design.

The E-Field Evaluation Board PCB supports measurement of capacitive trace-trace coupling, in 1-layer, 2-layer, and 3-layer experiments; in each experiment, Transmitter-to-Receiver PCB trace spacings are varied, to demonstrate how coupling changes with distance.

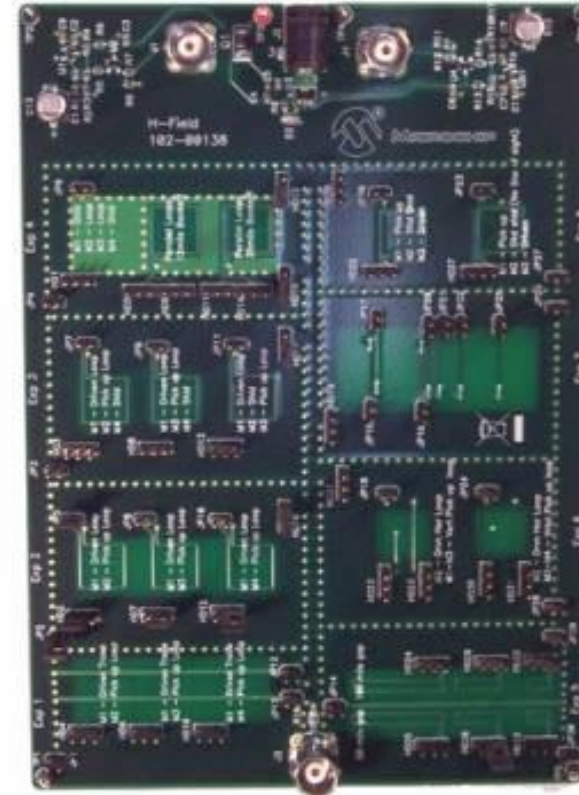


Magnetic Field Eval Board

[Online
Datasheet](#)

The Magnetic Field Evaluation Board (104-00138) is designed to demonstrate H-field coupling under various conditions. These experiments will help system designers understand the impact PCB layout techniques have on controlling magnetic coupling in their design.

The Magnetic Field Evaluation Board supports measurement of inductive (magnetic) trace-to-loop and loop-to-loop coupling, with and without shielding by planes.

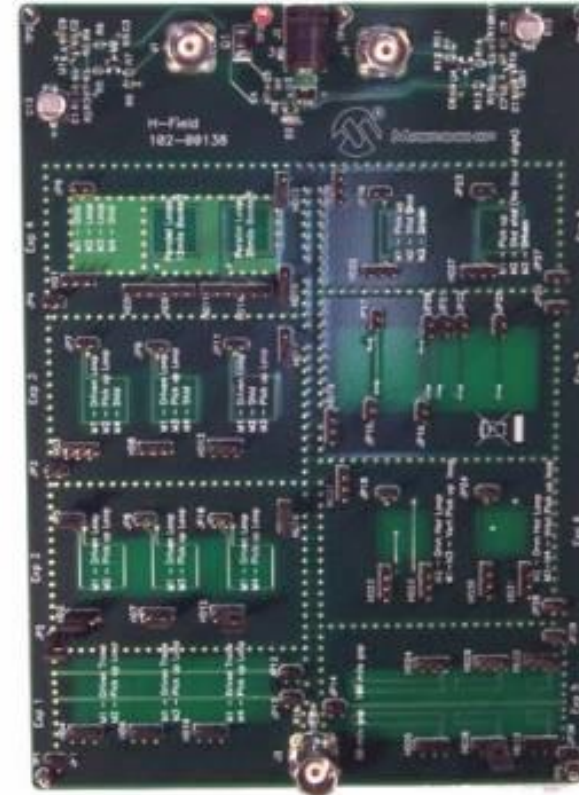


Magnetic Field Eval Board

[Online
Datasheet](#)

The Magnetic Field Evaluation Board (104-00138) is designed to demonstrate H-field coupling under various conditions. These experiments will help system designers understand the impact PCB layout techniques have on controlling magnetic coupling in their design.

The Magnetic Field Evaluation Board supports measurement of inductive (magnetic) trace-to-loop and loop-to-loop coupling, with and without shielding by planes.



MICUSB Eval Board

[Online Datasheet](#)

The Serial Programmer (MICUSB) is a hardware and software solution supporting I²C, SWI, and other serial bus based products. MICUSB operates as a bus master to communicate with slave devices using a USB-to-serial converter, supporting both generic bus interface mode and hardware-specific profiles for command and control of semiconductor products.

Products supported:

- MIC2870
- MIC2871
- MIC23156
- MIC7400



MCP2030 Bidirectional Communication Demo Kit

Online
Datasheet

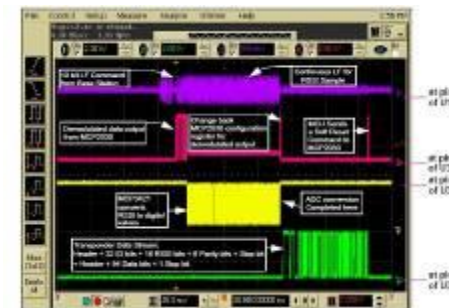
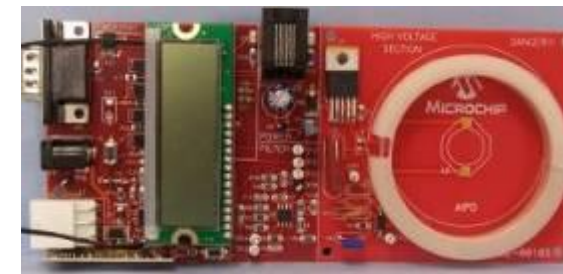
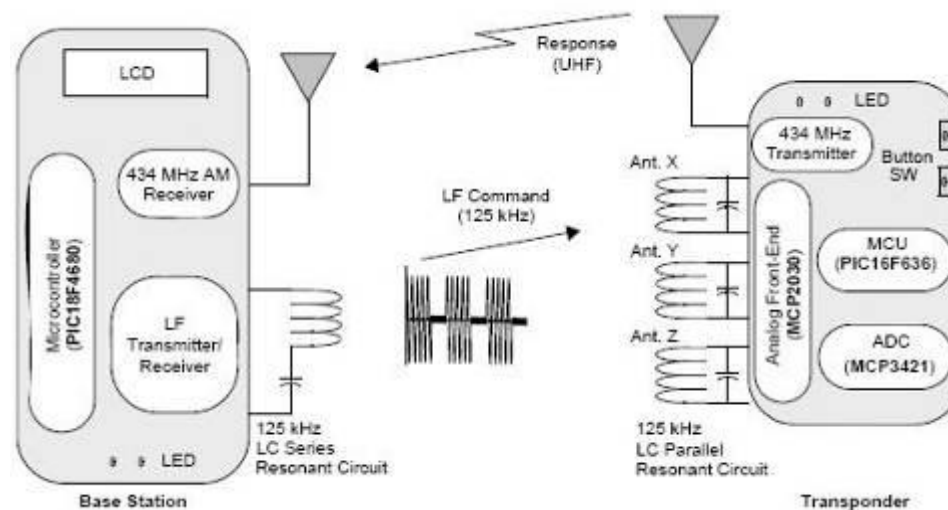
Kit

The MCP2030 Bidirectional communication Demo Kit consists of two Transponders and a Base Station unit. The Transponder consists of an MCP2030 (stand-alone, three-axis analog front-end device), a PIC16F636, and a MCP3421 (18-bit delta-sigma analog-to-digital converter). Unlike the existing PKE Reference Design System (P/N: APGRD001) from Microchip Technology, this Transponder uses stand-alone devices for the bidirectional passive keyless entry (PKE) operation. This system also demonstrates the received signal strength indicator (RSSI) function using the MCP3421 delta-sigma ADC.

The MCP2030 Bidirectional Communication Demo Kit has been designed for easy modification by customers. The firmware of both the Transponder and Base Station units can be easily modified using the MPLAB® in-circuit serial programmers.

Products supported:

- MCP2030
- MCP3421
- TC4421
- PIC18F4680
- PIC16F636



RN2483 PICtail/PICtail Plus Board

[Online Datasheet](#)

The RN2483 LoRa[®] Technology PICtail[™]/PICtail Plus Daughter Board is a demonstration board that showcases the Microchip RN2483 Low-Power Long Range, LoRa Technology Transceiver Module. The RN2483 LoRa Technology PICtail/PICtail Plus Daughter Board provides access to the RN2483 UART and General Purpose Input and Output (GPIO) ports.

The high-speed UART interface and the GPIO ports are available on the module to configure, control, and transfer data. The RN2483 LoRa Technology PICtail/PICtail Plus Daughter Board has PICtail and PICtail Plus connectors to interface with a PIC[®] microcontroller (MCU) on the development boards that support PICtail or PICtail Plus interface with the required pin mapping. The PICtail board also has an on-board PIC18 MCU available for custom user functions. It is pre-programmed to provide a simple USB-to-UART serial bridge enabling easy serial connection. Demonstration of the RN2483 is performed by plugging the daughter board into a USB port of a PC. The USB port powers the daughter board and enables the user to communicate using the RN2483's ASCII commands.

Development of the RN2483 with Microchip's PIC MCU line is possible via the 28-pin PICtail connector to a PIC18 Explorer or 30-pin card edge PICtail Plus connector to an Explorer 16.



[<< BACK](#)



RN2483 LoRa™ Mote

[Online Datasheet](#)

The RN2483 LoRa™ Mote is a LoRaWAN™ Class A end-device based on the RN2483 LoRa™ modem. As a standalone battery-powered node, the Mote provides a convenient platform to quickly demonstrate the long-range capabilities of the modem, as well as interoperability when connected to LoRaWANv1.0 compliant gateways and infrastructure.

The Mote includes light and temperature sensors to generate data, which are transmitted either on a fixed schedule or initiated by a button-press. An OLED display provides feedback on connection status, sensor values and downlink data or acknowledgements. A standard USB interface is provided for connection to a host computer, providing a bridge to the UART interface of the RN2483 modem. As with all Microchip RN family of products, this enables rapid setup and control of the on-board LoRaWAN™ protocol stack using the high level ASCII command set.

Key Features:

- 868/915 MHz High-Frequency SMA Connector
- 433 MHz Low-Frequency Antenna Point
- Module Breakout Header 1
- Module Breakout Header 2
- Module Connector
- SSD1306 (128 x 64) Dot Matrix OLED
- Module ICSP™ Programming Pads
- Mote ICSP Programming Through Hole
- Sharp (GA1A1S202WP) Ambient Light Sensor
- MCP9700T – Linear Active Thermistor
- MCP1825S – LDO Regulator
- PIC18LF25K50 8-bit MCU



**RN2483 LoRa™ Mote Board
(Part # DM164138)**

[<< BACK](#)



RN2903 PICtail/PICtail Plus Board

[Online Datasheet](#)

The RN2903 LoRa® Technology PICtail™/PICtail Plus Daughter Board is a development board that showcases the Microchip RN2903 Low-Power Long Range, LoRa® Technology Transceiver Module.

Development of a LoRa system with the RN2903 connected to Microchip's PIC MCU line is possible on PIC18 Explorer boards via the 28-pin PICtail connector, or on Explorer 16 boards using the 30-pin card edge PICtail Plus connector.

The PICtail board also has an on-board PIC18 MCU available for custom user functions. It is pre-programmed to provide a simple USB-to-UART serial bridge enabling easy serial connection. Demonstration of the RN2903 is performed by plugging the daughter board into a USB port of a PC. The USB port powers the daughter board and enables the user to communicate using the RN2903's simple ASCII command interface.

Key Features

- Microchip RN2903 Low-Power Long Range, LoRa® Technology Transceiver Module
- SMA connector for 915 MHz band
- Solder pads around the module for GPIOs, power pins and communication signals
- Supply Current measurement points
- On-board LDO
- UART traffic LEDs
- ICSP header to program the on-board PIC18 MCU
- USB connector
- PICtail connection interface
- PICtail Plus connection interface
- PIC18 MCU for custom functions



[<< BACK](#)



RN2903 LoRa[®] Mote

[Online Datasheet](#)

The RN2903 LoRa[®] Mote is a LoRaWAN[™] Class A end-device based on the RN2903 LoRa modem. As a standalone battery-powered node, the Mote provides a convenient platform to quickly demonstrate the long-range capabilities of the modem, as well as to verify inter-operability when connecting to LoRaWANv1.0 compliant gateways and infrastructure.

The Mote includes light and temperature sensors to generate data, which are transmitted either on a fixed schedule or initiated by a button-press. An OLED display provides feedback on connection status, sensor values and downlink data or acknowledgements. A standard USB interface is provided for connection to a host computer, providing a bridge to the UART interface of the RN2903 modem. As with all Microchip RN family of products, this enables rapid setup and control of the on-board LoRaWAN[™] protocol stack using the high level ASCII command set.

Key Features:

- 915 MHz High-Frequency SMA Connector
- USB Mini-B Connector
- PIC18LF25K50 8-bit MCU
- Mote ICSP Programming
- OLED Display
- S1 & S2 Switches (for Menu Navigation)
- Ambient Light Sensor
- Linear Active Thermistor (MCP9700T)
- LDO Regulator (MCP1825S)
- Descriptive LEDs, (2) Controlled by PIC18, (2) Controlled by Module
- (2) AAA Battery Pack



RN2903 LoRa[®] Mote Board
(Part # DM164139)

[<< BACK](#)



SAM R30 Xplained Pro Evaluation Kit

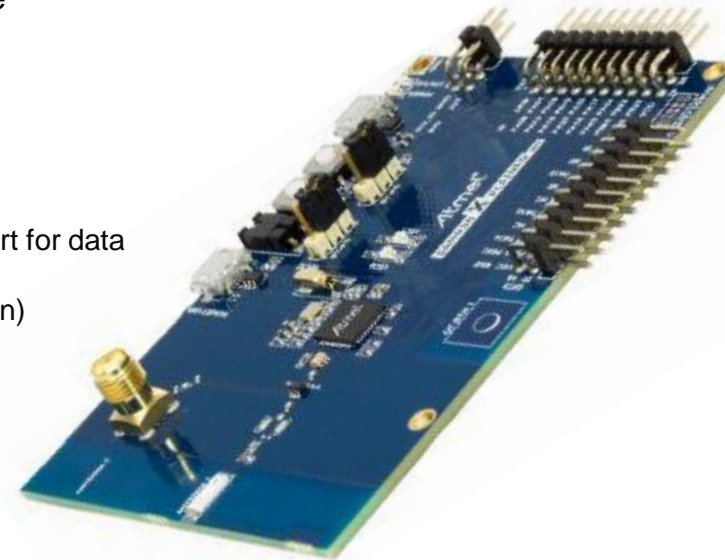
[Online Datasheet](#)

Description:

The SAM R30 Xplained Pro is a hardware platform designed to evaluate the ATSAMR30G18A SoC. This kit is supported by the Atmel Studio, an integrated development platform, which provides predefined application examples. This kit provides easy access to various features of the ATSAMR30G18A SoC and offers additional peripherals to extend the features of the board and ease the development of custom designs.

Features:

- Kit supports 868 MHz and 915 MHz dual (wideband) ISM band
- On-board Embedded Debugger (EDBG)
- Embedded current measurement circuitry with Data Visualizer support for data visualization
- Two mechanical buttons (User configurable button and RESET button)
- Two user LED (Soft Orange and Green Color)
- One QTouch® button
- USB interface, device and reduced host mode
- Two Xplained Pro extension headers
 - Three possible power sources:
 - External power
 - Embedded Debugger(EDBG) USB
 - Target USB
- Clock Source
 - 32.768 kHz crystal, a clock source for the controller in SAM R30 device
 - 16 MHz crystal for RF die in SAM R30 device
- Supported with application examples in Atmel Software Framework (ASF)
- FCC and CE (RED) Certified



[<< BACK](#)



ATSAMW25-XPRO

[Online Datasheet](#)

Description:

The SAM W25 Xplained Pro evaluation kit is a wireless hardware platform to evaluate the ATSAMW25H18-MR510PB Wi-Fi module which is based on the industry - leading low - power 2.4GHz IEEE ® 802.11 b/g/n Wi-Fi ATWINC1500 SoC (System on Chip) combined with the ARM® Cortex ® - M0+ ATSAMD21G18A microcontroller from Atmel. Supported by the Atmel Studio integrated development platform, the kit provides easy access to the features of the Atmel ATSAMW25H18-MR510PB Wi-Fi module and explains how to integrate the device in a custom design. The Xplained Pro MCU series evaluation kits include an on-board Embedded Debugger and no external tools are necessary to program or debug the ATSAMW25H18-MR510PB Wi-Fi module. The Xplained Pro extension kits offers additional peripherals to extend the features of the board and ease the development of custom designs.



Key Features:

- The ATSAMW25H18-MR510PB Wi-Fi module with 2.4GHz IEEE ® 802.11 b/g/n Wi-Fi ATWINC1500 SoC (System on Chip) combined with the ARM® Cortex ® - M0+ ATSAMD21G18A microcontroller
- Embedded debugger (EDBG) — USB interface. Programming and debugging on board SAM W25 through Serial Wire Debug (SWD). Virtual COM-port interface to target via UART. Atmel Data Gateway Interface (DGI) to target via SPI, I2C, GPIO. One yellow status LED. One green LED - Board Power status.
- Three possible power sources — 1: External power. 2: Target USB. 3: Embedded debugger USB
- Two mechanical buttons (user and reset button)
- One yellow user LED
- One Wi-Fi Status LED
- One extension header
- Embedded debugger USB

[<< BACK](#)



ATWINC1500-XSTK

[Online Datasheet](#)

Description:

The ATWINC1500-XSTK Xplained Pro starter kit is a hardware platform for evaluating the ATWINC1500 low cost, low power 802.11 b/g/n Wi-Fi network controller module. Supported by the Atmel Studio integrated development platform, the kit provides easy access to the features of the ATWINC1500 and explains how to integrate the device in a custom design. The Xplained Pro series of evaluation kits include an on-board Embedded Debugger, and no external tools are necessary to program or debug the SAMD21 host MCU that drives the ATWINC1500. The Xplained Pro extension kits offer additional peripherals to extend the features of the board and ease the development of custom designs.



Key Features:

- ATWINC1500 module mounted on ATWINC1500 Xplained Pro Extension
- ATSAMD21-XPRO host MCU board for driving the ATWINC1500 Xplained Pro Extension
- I/O1 Xplained Pro for sensor and SD-card input to host MCU
- Embedded debugger (EDBG) for programming SAMD21 host MCU
- Virtual COM-port interface to host MCU via UART
- Wired firmware updates for ATWINC1500 module via virtual COM-port interface
- Data Gateway Interface (DGI) to host MCU via SPI and TWI
- ATECC108 CryptoAuthentication device connected to host MCU
- Two extension headers
- Three possible power sources
- External power
- Target USB
- 32KHz crystal
- 16MHz crystal

[<< BACK](#)



MRF24WN0MA Wi-Fi PICtail/PICtail Plus Daughter Board

Online
Datasheet

The MRF24WN0MA Wi-Fi PICtail/PICtail Plus Daughter Board is a demonstration board for evaluating Wi-Fi connectivity using PIC microcontrollers and the MRF24WN0MA module. This product is compatible with the Explorer 16 Development Board ([DM240001](#)), and PIC32 Starter Kit ([DM320001](#)) with I/O Expansion Board ([DM320002](#)).

The TCP/IP stack and demo applications can be downloaded from www.microchip.com/harmony

Key Features:

- Supports low-power, 802.11b/g/n to 5mbps data-rate
- Wi-Fi FCC (USA), IC (Canada), ETSI (Europe) Certified
- Integrated PCB Antenna with Simple four-wire SPI interface to PIC[®] microcontroller
- WEP, WPA-PSK, WPA2-PSK Security
- SoftAP, WPS, and Wi-Fi Direct Client functionality



ATWILC1000-SD

Evaluation Kit

[Online Datasheet](#)

Description:

The ATWILC1000-SD evaluation kit is a hardware platform to evaluate the ATWILC1000-MR110PB module.

The WILC1000 is an IEEE 802.11 b/g/n IOT link controller SoC. It is the ideal add-On to existing MCU solutions bringing Wi-Fi through UART or SPI/SDIO-to-Wi-Fi interface. The WILC1000 connects to any Atmel AVR or SMART MCU with minimal resource requirements. The WILC1000 most advanced mode is a single stream 1x1 802.11n mode providing up to 72 Mbps PHY throughput. WILC1000 features fully integrated Power Amplifier, LNA, Switch and Power Management. The WILC1000 provides multiple peripheral interfaces including UART, SPI, SDIO and I2C. The only external clock source needed for the WILC1000 is a high-speed crystal or oscillator with a wide variety of reference clock frequencies supported (between 12 – 32 MHz). The WILC1000 is available in a QFN package.

Key Features:

- ATWILC1000 module mounted on ATWILC1000-SD board
- Connects to standard SD/MMC connector
- The ATWILC1000-MR110PB module is a single-band 2.4GHz Wi-Fi connectivity link controller solution
- Optional external Power supply and Debug headers included
- Supported with standard SDIO drivers on github



[<< BACK](#)



BM70 PICtail™ / PICtail Plus Board

[Online
Datasheet](#)

The BM-70-PICtail/PICtail Plus Board is designed to emulate the function of Microchip's BM70 BLE module. It also enables the customer to evaluate and demonstrate the capabilities of the BM70 BLE module.

The board includes an integrated configuration and programming interface for plug-and-play capability. It also provides an integrated test environment for all functions supported in the BM70 BLE module. The development kit includes the BM70BLES1FC2 module and the BM70BLES1FC2 carrier board.

Features:

- Bluetooth® 4.2 Compliant BM70 module with on-board antenna and 2dBm output power
- Develop immediately using the USB interface and Microchip's Windows-based Configuration Tool
- PICtail interface for connection to Microchip's most popular Microcontroller development platforms, such as Explorer16
- USB indication, module status and User configurable LEDs
- Coin cell Battery, USB or PICtail power options
- Access to all BM70 Module pins



**BM70 PICtail™/PICtail Plus Daughter Board
(Part # BM-70-PICtail)**

[<< BACK](#)



BM78 Bluetooth Dual Mode PICtail™ / Plus Board

Online
Datasheet

The BM78 PICtail/PICtail Plus Board provides rapid prototyping and developing for Bluetooth data applications for Classic SPP or Bluetooth Low Energy. It can be powered via USB host or external battery. The BM-78-PICtail utilizes the BM78 module, a fully certified Bluetooth 4.2 dual mode RF module supporting Bluetooth Classic SPP (Serial Port Profile) and Bluetooth Low Energy (BTLE), to provide a Bluetooth serial data connection. The BM-78-PICtail provides a USB to UART converter allowing a flexible interface to the host PC, a PC terminal utility, and Smartphone Apps to drive both classic SPP and BTLE data connections.

Features:

- Fully certified on board Bluetooth 3.0+EDR and Bluetooth 4.2 stack
- Class 2 transmitter, +2dBm typical
- Transparent serial data connection over Bluetooth Classic Serial Port Profile (SPP) and Bluetooth Low Energy transparent serial data service
- Automatic configuration mode for quick setup (default)
- Manual configuration mode where MCU can access configuration settings
- Embedded MCP2200 USB-UART converter, no need for extra converter board or cable
- Integrated programming interface to update firmware and configuration settings



<< BACK



RN-4020-PICtail

Online
Datasheet

The RN4020 PICtail / PICtail Plus Board is a Bluetooth® Low Energy demonstration board that showcases the Microchip [RN4020](#) module, a fully-certified Bluetooth Version 4.1 low energy module for designers who want to easily add low power wireless capability to their products. This flexible development board includes the [RN4020](#) paired with an eXtreme Low Power PIC18F25K50 microcontroller.

This convenient development board includes a USB to UART interface for plug-and-play capability. The high-speed UART interface and the General Purpose Input Output (GPIO) ports are available on the RN4020 module to configure, control and transfer data. The RN-4020-PICtail also includes PICtail and PICtail Plus interfaces for connecting to Microchip development boards. The on-board PIC18 microcontroller can be custom programmed via the available PICKit serial programmer / debugger interface. The board also includes on-board connection and data status LEDs enabling rapid prototyping and fast time to market.

Key Features:

- Enables flexible development with the [RN4020](#) BTLE Module
- USB to UART Interface, to quickly get started
- Connection and data status LEDs
- PICtail™ and PICtail Plus interfaces for connection to Microchip development boards
- eXtreme Low Power PIC18F25K50 MCU on-board
- PICKit™ serial programmer / debugger interface
- Multiple options for programming and experimentation



P/N = RN-4020-PICtail

<< BACK



RN4678 Bluetooth 4.2 Dual Mode PICtail™ Board

Online
Datasheet

RN4678 PICtail™ / PICtail Plus Board provides rapid prototyping and developing for Bluetooth data applications for Classic SPP or Bluetooth Low Energy. It can be powered via USB host or external battery. The RN-4678-PICtail utilizes the RN4678 module, a fully-certified Bluetooth 4.2 dual mode RF module supporting Bluetooth Classic SPP (Serial Port Profile) and Bluetooth Low Energy (BLE), to provide a Bluetooth serial data connection. The RN-4678-PICtail provides a USB to UART converter allowing a flexible interface to the host PC, a PC terminal utility, and Smartphone Apps to drive both classic SPP and BLE data connections.

Features:

- Easy to use development board with on-board Bluetooth 4.2 stack
- Class 2 transmitter, +2dBm typical
- Transparent serial data connection over Bluetooth Classic Serial Port Profile (SPP) and Bluetooth Low Energy transparent serial data service
- Automatic configuration mode for quick setup (default)
- Manual configuration mode where MCU can access configuration settings
- Embedded MCP2200 USB-UART converter, no need for extra converter board or cable
- Integrated programming interface to update firmware and configuration settings



<< BACK



RN4870 Bluetooth Low Energy PICtail Board

Online
Datasheet

Features:

- Bluetooth® 4.2 Compliant [RN4870](#) module with on-board antenna and 2dBm output power
- Plug-and-Play USB interface for configuring and controlling the module
- PICtail interface for connection to Microchip's most popular Microcontroller development platforms, such as Explorer 16
- USB indication, module status and User configurable LEDs
- Coin cell Battery, USB or PICtail power options
- Plug-in Sensor board with Potentiometer and Light sensor
- iOS app for demonstration



<< BACK



RN-41-EK / RN-42-EK

[Online Datasheet](#)

The RN-41-EK / RN-42-EK is a fully certified Class 1 Bluetooth evaluation kit for the RN41-I/RM / RN42-I/RM module. It has the flexibility to connect directly to a PC via a standard USB interface or to embedded processors through the TTL UART interface. The status LEDs, switches, and signal headers enable rapid prototyping and integration into existing systems.

Key Features:

- Evaluation board with USB interface
- Fully certified Bluetooth 2.1 + EDR/2.1/2.0/1.1 module
- Low power (8-30 mA connected, 2 mA idle)
- Embedded Bluetooth stack profiles included (requires no host stack): GAP, SDP, RFCOMM and L2CAP, with SPP, HID, and DUN profiles
- Supports various modes including HCI and SPP/DUN
- FCC, IC, CE certified, RoHS compliant



P/N = RN-41-EK



P/N = RN-42-EK



RN52 Bluetooth Audio Evaluation Kit

Online
Datasheet

Features:

- Based on RN52 Bluetooth audio module
- Demonstrates key features of RN52 module for embedded systems
- Allows designers to develop prototypes and proof of concept
- Dual channel audio output and input available in analog and digital formats
- Provides interface to external devices
- USB port to supply power and access to command interface
- Built-in amplifier for stereo audio output and 6 function buttons
- Additional support for codecs such as aptX[®], AAC, MP3, and others

Supported Bluetooth Profiles:

- A2DP stereo audio (sink mode, SBC codec)
- AVRCP media player remote control
- HFP/HSP can accept a phone call from mobile phone
- SPP allows serial data over UART
- iAP Profile discovery



P/N = RN-52-EK

Kit Contents:

- RN52 Evaluation board
- USB cable
- Two stereo mini-speakers
- Microphone

<< BACK



PIC32 Bluetooth Audio Development Kit

Online
Datasheet

Key Features:

- PIC32MX450/470 MCU
- HCI Bluetooth module Daughter Card (QDID Certified Module)
- 16/24-bit, 32-192KHz DAC/Amp Daughter Card
- USB Host/Device audio support
- USB Charging
- 2 inch color LCD Display
- Headphone/Line Out
- Audio Control function

Bluetooth /USB Audio Software Support for:

- Apple*
 - Samsung Audio
 - Google/Android AOA Audio
 - Bluetooth Audio w/ SBC & AAC Decode
 - Bluetooth Stack QDID Certified
- * For Apple USB Authenticated applications contact applesupport@microchip.com



PIC32 Bluetooth® Audio Development Kit
(Part # DV320032)

<< BACK



MRF89XAM8A Pictail / Pictail Plus Daughter Card

Online
Datasheet

The MRF89XAM8A PICtail/PICtail™ Plus Daughter Board is a demonstration and development daughter board for the 868 MHz radio transceiver module which conforms to the European ETSI standard.

The module is surface mounted to a PICtail/PICtail Plus daughter board that plugs into multiple Microchip demonstration and development boards like the PICDEM PIC18 Explorer Board (DM183032) for 8-bit microcontroller development, or the Explorer 16 Development Board (DM240001) for 16-bit microcontroller development.

Targeted for the MiWi™ Development Environment and other proprietary wireless protocol applications, the MRF89XAM8A is a perfect solution for low-cost, low-power, complete embedded wireless applications. Supporting software stacks and application notes may be downloaded from www.microchip.com/wireless.



Part #AC164138-1



ZENA Wireless

Online
Datasheet

Adapter 915 MHz

The **ZENA™ Wireless Adapter** is a multi-function Universal Serial Bus (USB) wireless adapter connecting USB-equipped desktop or notebook computers with Microchip wireless products for development or application uses.

As a development tool, the ZENA Wireless Adapter can be used as a protocol analyzer or as a diagnostic tool. It can also be used to connect the computer as a wireless node to the network for application use.

The ZENA Wireless Adapter is capable of performing a variety of functions and each function can be programmed into the adapter using the USB boot loader.

The ZENA Wireless Adapter is preprogrammed with a [MiWi™ Wireless Protocol Sniffer](#) application. This allows the user to display MiWi Wireless Protocol packets in a graphical format in the Wireless Development Studio.

Upload firmware applications from the [Wireless Development Studio](#)

Part #AC182015-3



<< BACK



ZENA Wireless

Online
Datasheet

Adapter 868 MHz

The **ZENA™ Wireless Adapter** is a multi-function Universal Serial Bus (USB) wireless adapter connecting USB-equipped desktop or notebook computers with Microchip wireless products for development or application uses.



As a development tool, the ZENA Wireless Adapter can be used as a protocol analyzer or as a diagnostic tool. It can also be used to connect the computer as a wireless node to the network for application use.

The ZENA Wireless Adapter is capable of performing a variety of functions and each function can be programmed into the adapter using the USB boot loader.

The ZENA Wireless Adapter is preprogrammed with a [MiWi™ Wireless Protocol Sniffer](#) application. This allows the user to display MiWi Wireless Protocol packets in a graphical format in the Wireless Development Studio.

Upload firmware applications from the [Wireless Development Studio](#)
Part #AC182015-2

<< BACK



MiWi Demo Kit

Online
Datasheet

868 MHz MRF89XA

MiWi Demo Kit – 868 MHz MRF89XA is an easy-to-use evaluation and development platform for 868 MHz applications. This kit includes Microchip's MRF89XAM8A transceiver module and also features Microchip's PIC18 XLP microcontroller family. The kit includes complete hardware needed to rapidly prototype wireless applications. The demonstration kit is pre-programmed with MiWi™ protocol stack and you can find the demo instructions in the user's guide. To learn more about MiWi wireless protocol, please visit www.microchip.com/MiWi.

Developers can reprogram or modify the PIC18 MCU Flash memory and develop and debug application code all on the same platform.



<< BACK



MRF89XAM9A Pictail / Pictail Plus Daughter Board

The MRF89XAM9A PICtail/PICtail™ Plus Daughter Board is a demonstration and development daughter board for the 915 MHz radio transceiver module which is FCC certified.

The module is surface mounted to a PICtail/PICtail Plus daughter board that plugs into multiple Microchip demonstration and development boards like the PICDEM PIC18 Explorer Board (DM183032) for 8-bit microcontroller development, or the Explorer 16 Development Board (DM240001) for 16-bit or 32-bit microcontroller development.

Targeted for the MiWi™ Development Environment and other proprietary wireless protocol applications, the MRF89XAM9A is a perfect solution for low-cost, low-power, complete embedded wireless applications. Supporting software stacks and application notes may be downloaded from www.microchip.com/wireless.

Online
Datasheet



Part #AC164138-2

<< BACK



MiWi Demo Kit

Online
Datasheet

915 MHz MRF89XA

MiWi Demo Kit – 915 MHz MRF89XA is an easy-to-use evaluation and development platform for 868 MHz applications. This kit includes Microchip's MRF89XAM8A transceiver module and also features Microchip's PIC18 XLP microcontroller family. The kit includes complete hardware needed to rapidly prototype wireless applications. The demonstration kit is pre-programmed with MiWi™ protocol stack and you can find the demo instructions in the user's guide. To learn more about MiWi wireless protocol, please visit www.microchip.com/MiWi.

Developers can reprogram or modify the PIC18 MCU Flash memory and develop and debug application code all on the same platform.



MiWi™ Demo Kit - 915 MHz MRF89XA
DM182016-3

<< BACK



Remote Control Demo Board w/ ZENA Wireless Adapter

Online
Datasheet

RF based Remote Controls are becoming more prevalent as they enable non line-of-sight and provide bi-directional communication. A high-end remote control typically has a graphics display, a number of keys and a radio to communicate with the target devices.

Microchip's Remote Control Demo Board (Part # DM240315-2) integrates Graphics, mTouch, USB and RF4CE into a single demo. The board demonstrates a remote populated with PIC24FJ256DA210 MCU, 3.5" Graphical TFT LCD with resistive touch screen, capacitive touch keys with plastic overlay, MRF24J40 2.4 GHz transceiver and ZENA™ wireless Adapter.



Part #DM240315-2



ZENA Wireless Adapter

[Online Datasheet](#)

2.4 GHz MRF24J40

The **ZENA™ Wireless Adapter** is a multi-function Universal Serial Bus (USB) wireless adapter connecting USB-equipped desktop or notebook computers with Microchip wireless products for development or application uses.

As a development tool, the ZENA Wireless Adapter can be used as a protocol analyzer or as a diagnostic tool. It can also be used to connect the computer as a wireless node to the network for application use.

The ZENA Wireless Adapter is capable of performing a variety of functions and each function can be programmed into the adapter using the USB boot loader.

The ZENA Wireless Adapter is preprogrammed with a [MiWi™ Wireless Protocol](#) Sniffer application. This allows the user to display MiWi Wireless Protocol packets in a graphical format in the Wireless Development Studio.

Upload firmware applications from the [Wireless Development Studio](#)



Part #AC182015-1

[<< BACK](#)



MiWi Protocol to Wi-Fi Wireless Demo

Online
Datasheet

MiWi™ Protocol to Wi-Fi® Wireless Demo kit allows developers to evaluate and experiment with MiWi protocol to Wi-Fi gateway solutions. The kit includes a Wireless Evaluation Board with both the MiWi protocol and Wi-Fi transceivers. The kit also includes two MiWi Demo Boards to create a three node MiWi protocol network. The Wireless Evaluation Board can be connected to a client device, such as a laptop or a mobile phone, using the Wi-Fi network. Based on the application running on the MiWi protocol nodes, the information exchanged can be displayed on the client device. To learn more about MiWi wireless protocol, please visit www.microchip.com/MiWi & To learn more about WiFi solutions, please visit www.microchip.com/WiFi.



MiWi™ Protocol to Wi-Fi® Wireless Demo Kit
(Part # DM182018)

Demo Software

The demo software can be downloaded from the “Microchip Libraries of Applications” at www.microchip.com/MLA. After installing the MLA, you can find the demo source code at ..\Microchip Solutions \Combo folder.

<< BACK



MiWi Demo Kit

Online
Datasheet

2.4 GHz MRF24J40

MiWi Demo Kit – 2.4 GHz MRF24J40 is an easy-to-use evaluation and development platform for IEEE 802.15.4 application designers. This kit includes Microchip's MRF24J40MA transceiver module and also features Microchip's PIC18 XLP microcontroller family. The kit includes complete hardware needed to rapidly prototype wireless applications. The demonstration kit is pre-programmed with MiWi™ protocol stack and you can find the demo instructions in the user's guide. To learn more about MiWi wireless protocol, please visit www.microchip.com/MiWi.

Developers can reprogram or modify the PIC18 MCU Flash memory and develop and debug application code all on the same platform.



<< BACK



MRF24J40MA Pictail / PICtail Plus

Online
Datasheet

The MRF24J40MA PICtail/PICtail Plus Daughter Board is a demonstration and development daughter board for the agency-certified MRF24J40MA 2.4GHz IEEE Std. 802.15.4™ +0 dBm RF Transceiver Module.

The module is surface-mounted to a PICtail/PICtail Plus daughter board that allows it to plug into multiple Microchip Technology Demonstration and development boards like the PIC18 Explorer Board (DM183022) for 8-bit microcontroller development or the Explorer 16 Development Board (DM240001) 16-bit microcontroller development.

Targeted for ZigBee® and MiWi™ Development Environment wireless protocol applications, the MRF24J40MA is a perfect solution for low-cost, low-power complete embedded wireless PAN applications. Supporting software stacks and application notes may be downloaded from the Microchip website at <http://www.microchip.com/wireless>



Part #AC164134-1

<< BACK



MRF24J40MD Pictail/PICtail Plus Daughter Board

Online
Datasheet

The MRF24J40MD PICtail/PICtail Plus Daughter Board is a demonstration and development daughter board for the MRF24J40MD 2.4GHz IEEE Std. 802.15.4™ 20 DBm RF Transceiver Module. The MRF24J40MD module has an onboard PCB antenna, matching circuitry and it supports the ZigBee®, MiWi™, MiWi P2P and MiWi Pro protocols.

The daughter board can plug into multiple Microchip demonstration and development boards. For example, for 8-bit microcontroller development, use the PIC18 Explorer Board (DM183032) or for 16-bit microcontroller development use the Explorer 16 Development Board (DM240001).

Supporting software stacks and application notes may be downloaded from the Microchip website at www.microchip.com/wireless



Part #AC164134-3



Online
Datasheet

The MRF24J40ME PICtail™/PICtail Plus Daughter Board is a demonstration and development daughter board for the MRF24J40ME 2.4 GHz IEEE Std. 802.15.4 RF Transceiver Module with PA/LNA and External Antenna Connector

The daughter board can be plugged into multiple Microchip Technology demonstration and development boards. For example, the daughter board is appropriate for 8-bit microcontroller development using the PIC18 Explorer Board (DM183032) or for 16-bit and 32-bit microcontroller development using the Explorer 16 Development Board (DM240001)

Supporting software stacks and application notes may be downloaded from the Microchip website at www.microchip.com/wireless



Part #AC164134-3

<< BACK



Wireless Network Software

[Online
Datasheet](#)

Microchip offers three FREE wireless protocol stacks to our customers to aid them in their IEEE 802.15.4 short-range wireless networking development and now we offer the Certified ZigBee PRO protocol stack for those customers needing the advanced features of this new protocol.

ZigBee® PRO

- Certified ZigBee PRO protocol stack
- Part of Microchip's Certified ZigBee PRO Compliant Platform

ZigBee® Residential

- Certified ZigBee 2006 protocol stack
- Part of Microchip's Certified ZigBee Compliant Platform

MiWi™

- Microchip Wireless Proprietary protocol stack
- Based on IEEE 802.15.4 standard
- Small footprint, highly optimized Mesh and Star Network protocol

MiWi™ P2P

- Microchip Wireless Proprietary peer-to-peer protocol stack
- Based on IEEE 802.15.4 standard
- Ultra-Small footprint (3KB), Peer-to-Peer Network protocol

[<< BACK](#)



Microchip offers three FREE wireless protocol stacks to our customers to aid them in their IEEE 802.15.4 short-range wireless networking development and now we offer the Certified ZigBee PRO protocol stack for those customers needing the advanced features of this new protocol.

ZigBee® PRO

- Certified ZigBee PRO protocol stack
- Part of Microchip's Certified ZigBee PRO Compliant Platform

ZigBee® Residential

- Certified ZigBee 2006 protocol stack
- Part of Microchip's Certified ZigBee Compliant Platform

MiWi™

- Microchip Wireless Proprietary protocol stack
- Based on IEEE 802.15.4 standard
- Small footprint, highly optimized Mesh and Star Network protocol

MiWi™ P2P

- Microchip Wireless Proprietary peer-to-peer protocol stack
- Based on IEEE 802.15.4 standard
- Ultra-Small footprint (3KB), Peer-to-Peer Network protocol



Ethernet PICtail™ Daughter Board

[Online
Datasheet](#)

The Ethernet PICtail™ Daughter Board is an Ethernet demonstration board for evaluating.

Microchip Technology's ENC28J60 stand-alone 10 Base-T Ethernet controller. It is an expansion board compatible with a number of PICDEM™ demonstration boards. A complete list of compatible PICDEM™ demonstration boards is available on Microchip's web site.

Products supported:

- ❑ ENC28J60
- ❑ 25LC256



USB EVBs

[Online Datasheet](#)

UTC2000
USB-C Controller



EVK-UTC2000

USB57x4
USB3.1 Gen1 Smart Hub Controller



EVB-USB5734

USB46x4
USB2.0 Smart Hub Controller



EVB-USB4604

USB253x
USB2.0 Hub Controller



EVB-USB2534

USB251x
USB2.0 Hub Controller w/BC1.2



EVB-USB2534BC

USB553x
USB3.0 Hub Controller



EVB-USB5537



USB3740
USB2.0 2-Port Switch



EVB-USB3740

USB375x
USB2.0 Port Protection w/Switch



EVB-USB3750

USB333x
USB2.0 PHY (Mobile)



EVB-USB3330

USB264x USB2.0 Flash Media
Controller w/Hub



EVB-USB2642

USB334x
USB2.0 PHY (General)



EVB-USB3340



MCP2200 USB to RS232

[Online Datasheet](#)

Demo Board

The MCP2200EV-VCP is a USB to RS232 development and evaluation board for the MCP2200 USB to UART device. The board allows for easy demonstration and evaluation of the MCP2200. The accompanying software allows the special device features to be configured and controlled.

The board is powered from USB. Each I/O has an associated test point. In addition, two I/O are connected to LEDs which are used to indicate USB to UART traffic when the associated pins are configured as TxLED and RxLED pins respectively.

Products supported:

- MCP2200



[<< BACK](#)



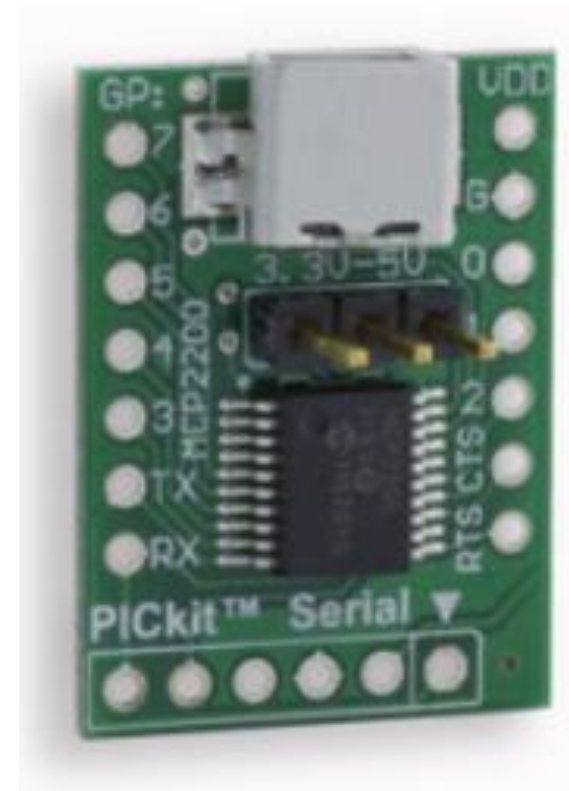
MCP2200 Breakout Module

[Online Datasheet](#)

The MCP2200 Breakout Module is a development and evaluation platform for the USB-to-UART (Universal Serial Bus-to-Universal Asynchronous Receiver/Transmitter) serial converter MCP2200 device. The module is comprised of a single Dual In-Line Package (DIP) form-factor board.

Products supported:

- MCP2200



The MCP2210 Breakout Module can be used with either the MCP2210 Motherboard or as a standalone USB to SPI (Master) bridge module. The breakout board provides all the needed signals in order to assist the user in building their own boards using the MCP2210. The MCP2210 Utility software allows custom device configuration. In addition, a DLL package is also available in order to allow development of custom software utilizing the MCP2210.

Products supported:

- MCP2210



MCP2210 Eval Kit

[Online Datasheet](#)

The MCP2210 Evaluation Kit is a development and evaluation platform for the MCP2210 device. The MCP2210 Motherboard is designed to work together with the MCP2210 Breakout Board (included). The motherboard provides the test points needed for measurements and it also contains the following SPI slave chips:

- MCP23S08 – 8 bit I/O expander
- MCP3204 – 4 channel, 12-bit ADC
- 25LC02 – 2kbit EEPROM
- TC77 – temperature sensor

All the mentioned chips are SPI slaves controlled by the MCP2210. The MCP2210 Eval Board Demo software can be used to demonstrate the MCP2210 as a USB-to-SPI (Master) device and allow I/O control. In addition, the MCP2210 Utility software allows custom device configuration. A DLL package is also available in order to allow development of custom software using the MCP2210.



Products supported:

- MCP2210
- MCP3204
- TC77
- 25LC02



MCP2221

[Online Datasheet](#)

Breakout Module

The MCP2221 Breakout Module is a development and evaluation platform comprised of a single DIP form factor board. The provided supporting software demonstrates the capabilities of the MCP2221 device as a USB-to-UART/I2C/SMBus protocol converter. Additionally, these tools provide simple access for I/O control and the ability to establish custom device configuration. Custom tools can also be created through the use of the provided DLL package.

Features:

- UART Tx and Rx signals
- I2C/SMBus clock and data lines (SCL and SDA)
- Four GP lines, configurable for GPIO, dedicated or alternate function operation
- User-selectable (jumper) power supply of 3.3V or 5V (up to 500 mA)
- DIP form factor
- PICkit™ Serial Analyzer header — used for UART and I2C/SMBus communication only

Products supported:

- MCP2221



[<< BACK](#)



RE46C190 Demo Board

[Online Datasheet](#)

The demo board is a complete stand-alone smoke detector application with a smoke chamber emulator. The demo board allows evaluation of all the functions of the RE46C190. Key test points of the device are available at the bottom edge of the demo board.

The demo board is designed for battery operation using a CR123A battery or can be operated using a power supply.

The RE46C190 application circuit is on the right side of the board by the battery holder and piezo horn and the smoke chamber emulator is on the left. The smoke chamber emulator can be disconnected from the application circuit and a photo smoke chamber or its components can be connected to the demo board.

Products supported:

- RE46C190
- RE46C191



MTS2916A Demo Board

[Online Datasheet](#)

The MTS2916A Dual Full-Bridge Stepper Motor Driver Evaluation Board demonstrates the capabilities of the MTS2916A to control both windings of a bipolar stepper motor. The board also demonstrates the capabilities of the MTS62C19A, which has the same functionality, but different pin assignments. A PIC16F883 is utilized for motor control processing.

This evaluation board incorporates features through the implementation of push button switches and a variable speed input potentiometer to exercise a stepper motor in Full-Step, Half-Step, Modified Half-Step and Microstepping modes. LEDs indicate a binary representation of which mode has been selected. The evaluation board and the stepper motor can be powered from a single power input J1 (7 VDC to 12 VDC) with jumper JP2 installed. For higher motor voltages, make sure JP2 is not installed, and connect VLOAD at J4. Numerous test points have been designed into the board to allow easy access.

Products supported:

- MTS2916A



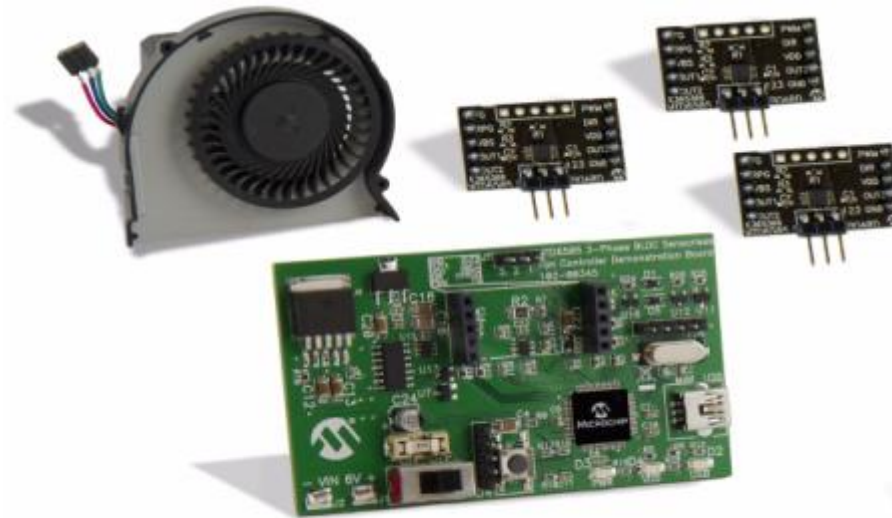
MTD6505 3-Phase BLDC Sensorless Dem Board

Online
Datasheet

The MTD6505 3-Phase BLDC Sensorless Fan Controller Demonstration Board allows the control and monitoring of the MTD6505 device using PC software connected to the board via a USB connection. The included board software provides several features including V_{DD} control and monitoring, pulse-width modulation (PWM) control, speed and current consumption monitoring. It also allows selecting the R_{PROG} resistor value for fan fitting.

Products supported:

- MTD6505



MTD6505 3 Phase BLDC Sensorless Fan Controller Demonstration Board
(Part # ADM00345)



ATA6844-DK Demo Board

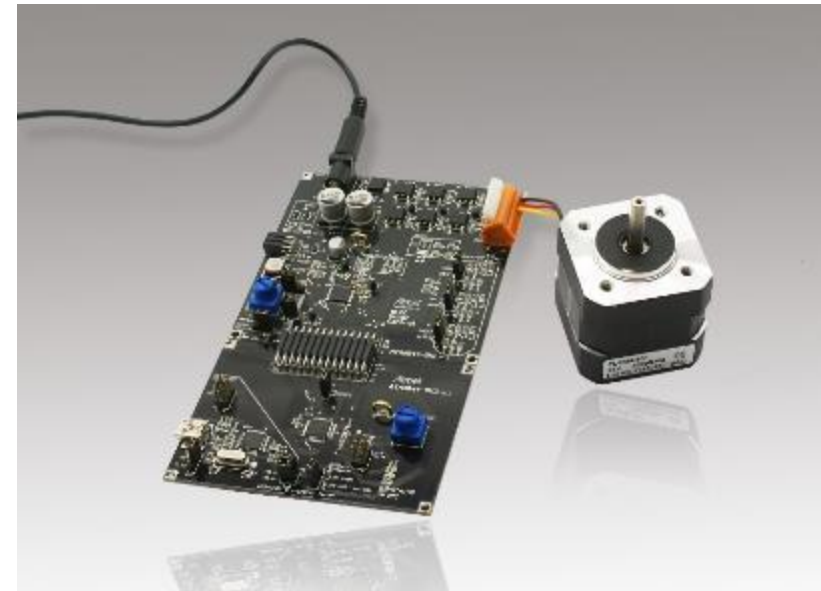
[Online Datasheet](#)

The development kit contains a main board featuring the BLDC gate driver ATA6844, external FETs, and DC motor.

The attached microcontroller board is equipped with an ATmega32M1 for BLDC motor control with B-EMF position control loop method. The ATmega32U2 establishes UART communication via USB port.

Products supported:

- ATA6843
- ATA6844



MCP8063 12V 3-Phase Controller Kit

Online
Datasheet

The MCP8063 12V 3-Phase BLDC Sensorless Fan Controller Demonstration Kit allows the control and monitoring of Microchip 12V fan driver devices, such as the MCP8063 or MTD6501, using a PC software connected to the demo board via a USB connection. The MCP8063 12V 3-Phase BLDC Sensorless Fan Controller Demonstration Board software provides several features, such as fan driver power supply control and monitoring, pulse-width modulation (PWM) control, and speed and current consumption monitoring. It also allows automatic application testing.

Features:

- PC software allows controlling and monitoring the MCP8063 3-Phase Fan Controller via USB connection
- VDD voltage control and IDD current measurement
- PWM control for speed setting
- FG measurement for speed monitoring
- Automated test measurement

Products supported:

- MCP8063



ATA6826-DK

Demo Board

The application board allows loads to be easily adapted via its row connector pins. Design software controls its SPI interface via the PC parallel port. The board contains everything needed to start operation, including a link cable to PC 25-lead 1:1, application note and datasheet.

[Online Datasheet](#)

Products supported:

- ATA6826C



ATA6831-DK

Demo Board

Application board that allows loads to be easily adapted via its row connector pins. Design software controls its SPI interface via the PC parallel port. The board contains everything needed to start operation, including a link cable to PC 25-lead 1:1, application note and datasheet.

[Online Datasheet](#)

Products supported:

- ATA6831C
- ATA6832C



ATA6832-DK

Demo Board

The development board contains an Atmel triple half bridge driver (ATA6832C), Atmel ATmega88 microcontroller, and ATA6625 LIN SBC as a voltage regulator. Only high-temperature components populate this board. The board also includes a BLDC motor control kit with BLDC motor and a power supply cable with banana plugs. The BLDC motor control is fully integrated from the signal generation to the full BLDC motor control chain

[Online Datasheet](#)

Products supported:

- ATA6831C
- ATA6832C



ATA6836-DK

Demo Board

PC-controlled application board for an Atmel ATA6836C in the QFN5x5 package. Using the application board, loads can easily be adapted via row connector pins. The design software controls the application board's SPI interface via the PC parallel port. The design kits include everything needed to start operation: a link cable to PC 25-lead 1:1, corresponding application notes, and datasheet.

[Online Datasheet](#)

Products supported:

- ATA6836C
- ATA6838C



ATA6823-DK

[Online
Datasheet](#)

Demo Board

The development kit contains a main board with an Atmel H-bridge gate driver (ATA6823), external FETs, and DC motor.

The attached controller board is equipped with an Atmel ATmega88 microcontroller and LCD display for user interface purpose.

Products supported:

- ATA6823C
- ATA6824C



ATA6824-DK

Demo Board

A high-temperature H-bridge motor driver designed for DC motor control applications in automotive high temperature environments. With a maximum junction temperature of 200°C, this driver is suitable for applications with an ambient temperature up to 150°C. The IC includes four driver stages to control four external power MOSFETs. A microcontroller ATmega88 provides the direction signal and the PWM frequency.

The application is set up for operating in 150°C ambient environment, e.g. EGR exhaust gas recirculation.

[Online Datasheet](#)

Products supported:

- ATA6823C
- ATA6824C



MCP7941x PICtail™ Plus

Daughter Board

[Online Datasheet](#)

The MCP7941x RTCC PICtail™ Plus Daughter Board demonstrates the features and abilities of the MCP7941x and MCP7940x Real-Time Clock/Calendar family in standard development platforms. By designing this daughter board with the PICtail Plus, PICtail and PICkit™ Serial connectors, it will operate with the Explorer 16 Development Board, the PICDEM PIC18 Explorer Board, the XLP16-bit Development Board and the PICkit Serial Analyzer tool. Also included is a 3V coin cell battery that can be installed in the coin cell holder for backup power.

Products supported:

- MCP79410
- MCP79411
- MCP79412
- MCP79400
- MCP79401
- MCP79402
- MCP7940N



MCP795xx PICtail™ Plus

Daughter Board

[Online Datasheet](#)

The MCP795XX RTCC PICtail™ Plus Daughter Board demonstrates the features and abilities of the MCP795xx SPI Real-Time Clock/Calendar (RTCC) family in standard development platforms. This daughter board will support the full featured 14-pin MCP795W2x and MCP795W1x devices along with the mid-range 10-pin MCP7952x and MCP7951x devices. By designing this daughter board with both PICtail and PICtail Plus connectors, it will operate with the Explorer 16 Development Board and the PICDEM PIC18 Explorer Board. Also included is a 3V coin cell battery for backup power to the RTCC.

Products supported:

- MCP7951x
- MCP7952x
- MCP795W1x
- MCP795W2x



5 and 6-pin SOT-23

Eval Board

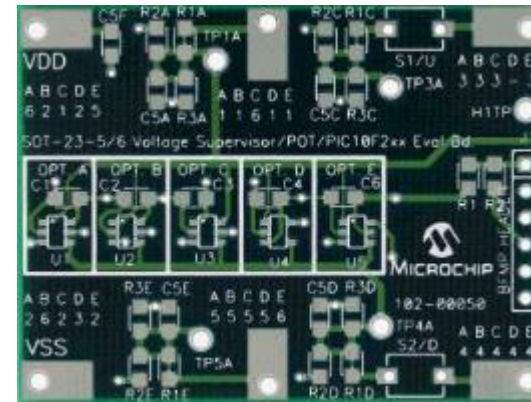
Online
Datasheet

The Voltage Supervisor SOT-23-5/6 Evaluation Board allows the system designer to quickly evaluate the operation of Microchip Technology's Voltage Supervisors and Voltage Detectors in the SOT-23-5 (5-pin SOT-23) or SOT-23-6 (6-pin SOT023) packages. This board has been made generic so that other devices in the SOT-23-5 and SOT-23-6 packages may be supported with this board.

The Voltage Supervisor SOT-23-5/6 Evaluation Board PCB supports the four different SOT-23-6 pinouts (which also supports compatible SOT-23-5 footprints) and one SOT-23-5 footprint.

Products supported:

- 5-pin SOT-23 packages
- 6-pin SOT-23 packages



5 and 6-pin SOT-23

Eval Board

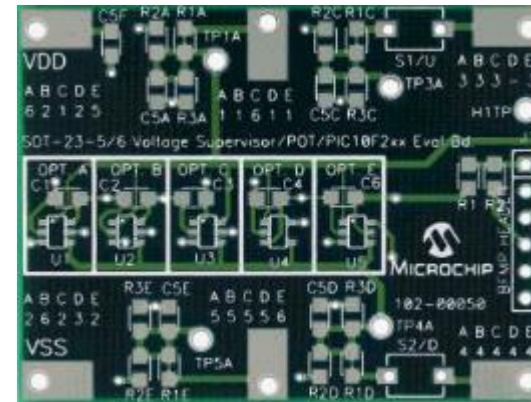
Online
Datasheet

The Voltage Supervisor SOT-23-5/6 Evaluation Board allows the system designer to quickly evaluate the operation of Microchip Technology's Voltage Supervisors and Voltage Detectors in the SOT-23-5 (5-pin SOT-23) or SOT-23-6 (6-pin SOT023) packages. This board has been made generic so that other devices in the SOT-23-5 and SOT-23-6 packages may be supported with this board.

The Voltage Supervisor SOT-23-5/6 Evaluation Board PCB supports the four different SOT-23-6 pinouts (which also supports compatible SOT-23-5 footprints) and one SOT-23-5 footprint.

Products supported:

- 5-pin SOT-23 packages
- 6-pin SOT-23 packages



3-pin SOT-23

Online
Datasheet

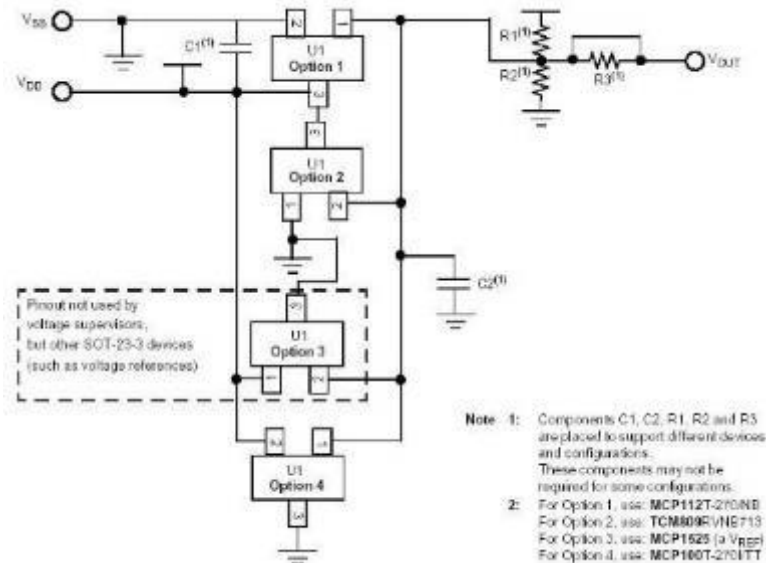
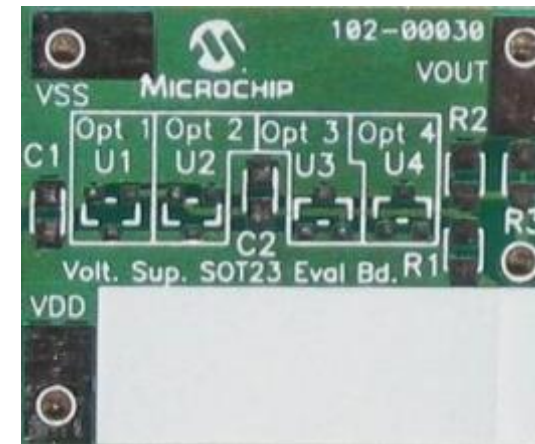
Eval Board

The Voltage Supervisor SOT-23 Evaluation Board allows the system designer to quickly evaluate the operation of Microchip Technology's Voltage Supervisors and Voltage Detectors in the SOT-23-3 (3-pin SOT-23) package.

The Voltage Supervisor SOT-23 Evaluation Board PCB supports the four different SOT-23-3 pinouts for the product family. This board has been made generic so that other devices in the SOT-23-3 package may be supported with this board.

Products supported:

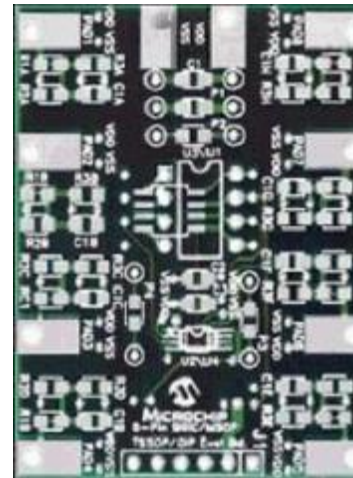
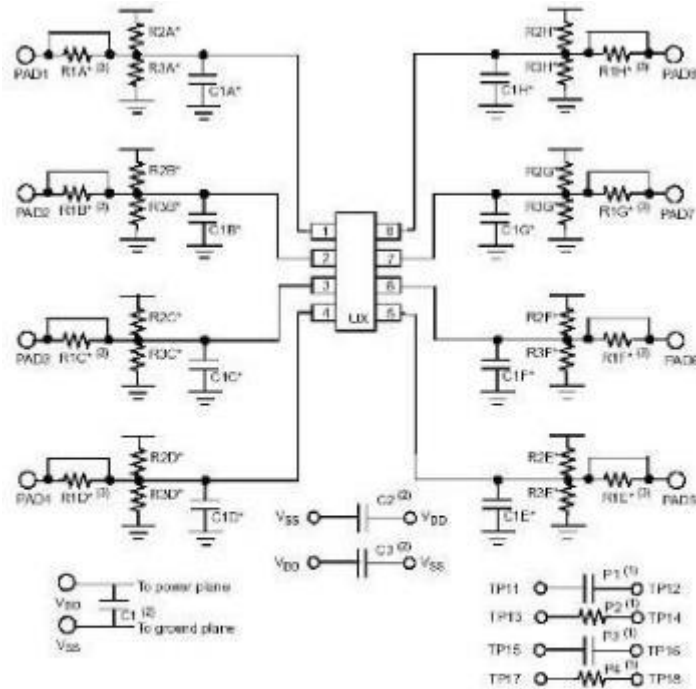
- 3-pin SOT-23 packages



8-pin SOIC/MSOP/ TSSOP/PDIP Eval Board

Online
Datasheet

The 8-Pin SOIC/MSOP/TSSOP/DIP Evaluation Board allows the system designer to quickly evaluate the operation of Microchip Technology's devices in any of the following 8-pin packages: SOIC, MSOP, DIP, TSSOP



Products supported:

- 8-pin SOIC packages
- 8-pin MSOP packages
- 8-pin TSSOP packages
- 8-pin PDIP packages

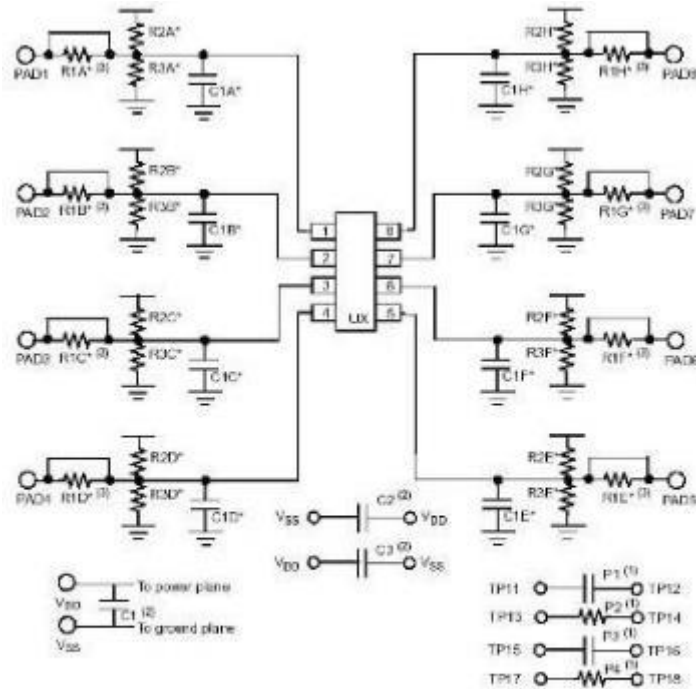
* Optional components, circuit-dependent.
Note 1: Can be any passive component (R, C, ...) that fits onto a 605 surface-mount footprint.
2: Optional power/device filtering capacitors.
3: When installing this component, ensure to cut the trace between the two pads of the device.



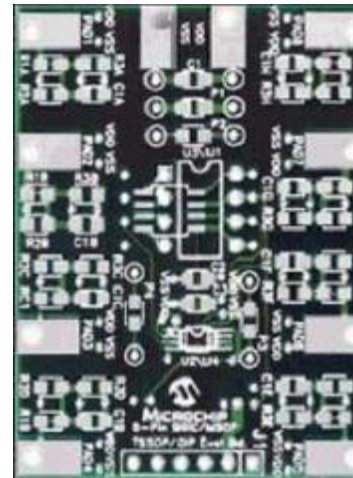
8-pin SOIC/MSOP/ TSSOP/PDIP Eval Board

Online
Datasheet

The 8-Pin SOIC/MSOP/TSSOP/DIP Evaluation Board allows the system designer to quickly evaluate the operation of Microchip Technology's devices in any of the following 8-pin packages: SOIC, MSOP, DIP, TSSOP



- Note:
- 1: Can be any passive component (R, C, ...) that fits onto a 605 surface-mount footprint.
 - 2: Optional power/device filtering capacitors.
 - 3: When installing this component, ensure to cut the trace between the two pads of the device.



Products supported:

- 8-pin SOIC packages
- 8-pin MSOP packages
- 8-pin TSSOP packages
- 8-pin PDIP packages

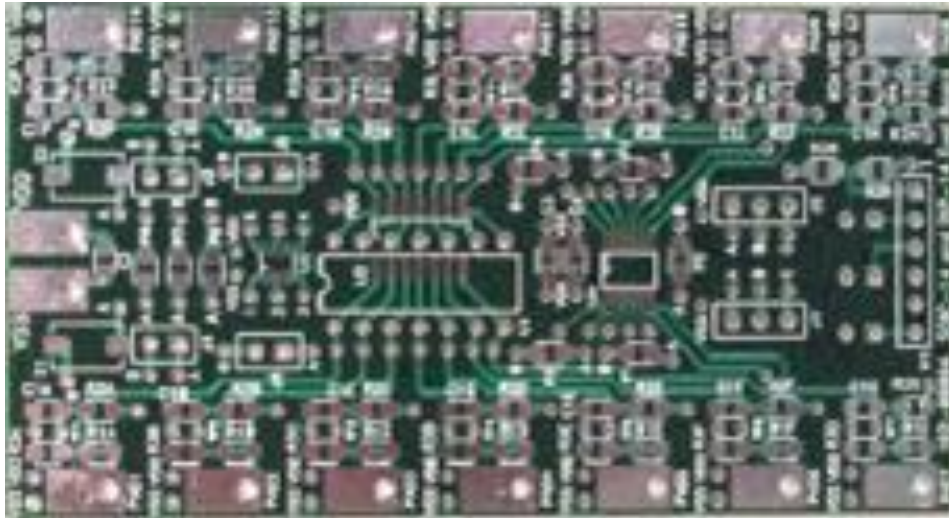


14-pin SOIC/TSSOP/PDIP

Eval Board

[Online Datasheet](#)

The 14-Pin SOIC/TSSOP/DIP Evaluation Board allows the system designer to quickly evaluate the operation of Microchip Technology's devices in any of the following 14-pin packages: SOIC, DIP, TSSOP



Products supported:

- 14-pin SOIC packages
- 14-pin TSSOP packages
- 14-pin PDIP packages

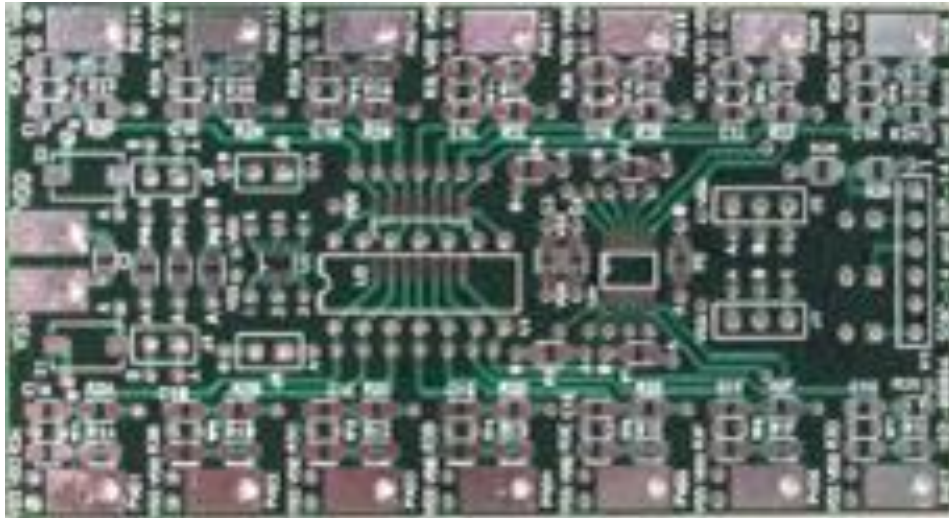


14-pin SOIC/TSSOP/PDIP

Eval Board

[Online Datasheet](#)

The 14-Pin SOIC/TSSOP/DIP Evaluation Board allows the system designer to quickly evaluate the operation of Microchip Technology's devices in any of the following 14-pin packages: SOIC, DIP, TSSOP



Products supported:

- 14-pin SOIC packages
- 14-pin TSSOP packages
- 14-pin PDIP packages



ClockWorks Configurator

Online
Datasheet

- ClockWorks Configurator is an easy-to-use online tool that allows users to create an orderable part number and get samples within few weeks.
- Simply go to and start configuring your oscillators and clock generators.
- Features & benefits:
- User-friendly interface helps you choose the right device for your application
- Provides instant datasheets
- Dashboard supports sample and design tracking
- Performs search by part number, design ID or sample ID

Products supported:

- Oscillators
- Clock Generators
- Buffers (coming soon)



Copyright 2013 Microchip Technology, Inc. All rights reserved.



ClockWorks®
CONFIGURATOR

TUTORIAL VIDEO



TimeFlash 2 Field Programming Kit

Online
Datasheet

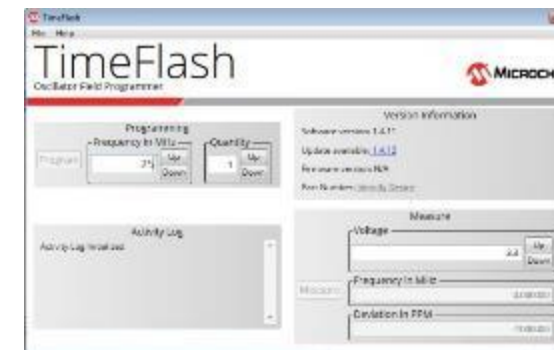
The TimeFlash programmer allows users to rapidly program Microchip's **field programmable MEMS oscillator** to a custom frequency in seconds, minimizing design time by enabling fast prototyping and testing. Our MEMS oscillators are available in industry standard packages that are drop-in replacements to standard crystal oscillators.

Features and Benefits:

- Custom frequencies in seconds with immediate design verification
- Supports all Microchip MEMS oscillator package sizes
- Supports CMOS, LVPECL, LVDS, and HCSL output types
- Easy to use interface with auto software update
- Measure Current and stability for all oscillators in the market

Products supported:

- MEMS Oscillators

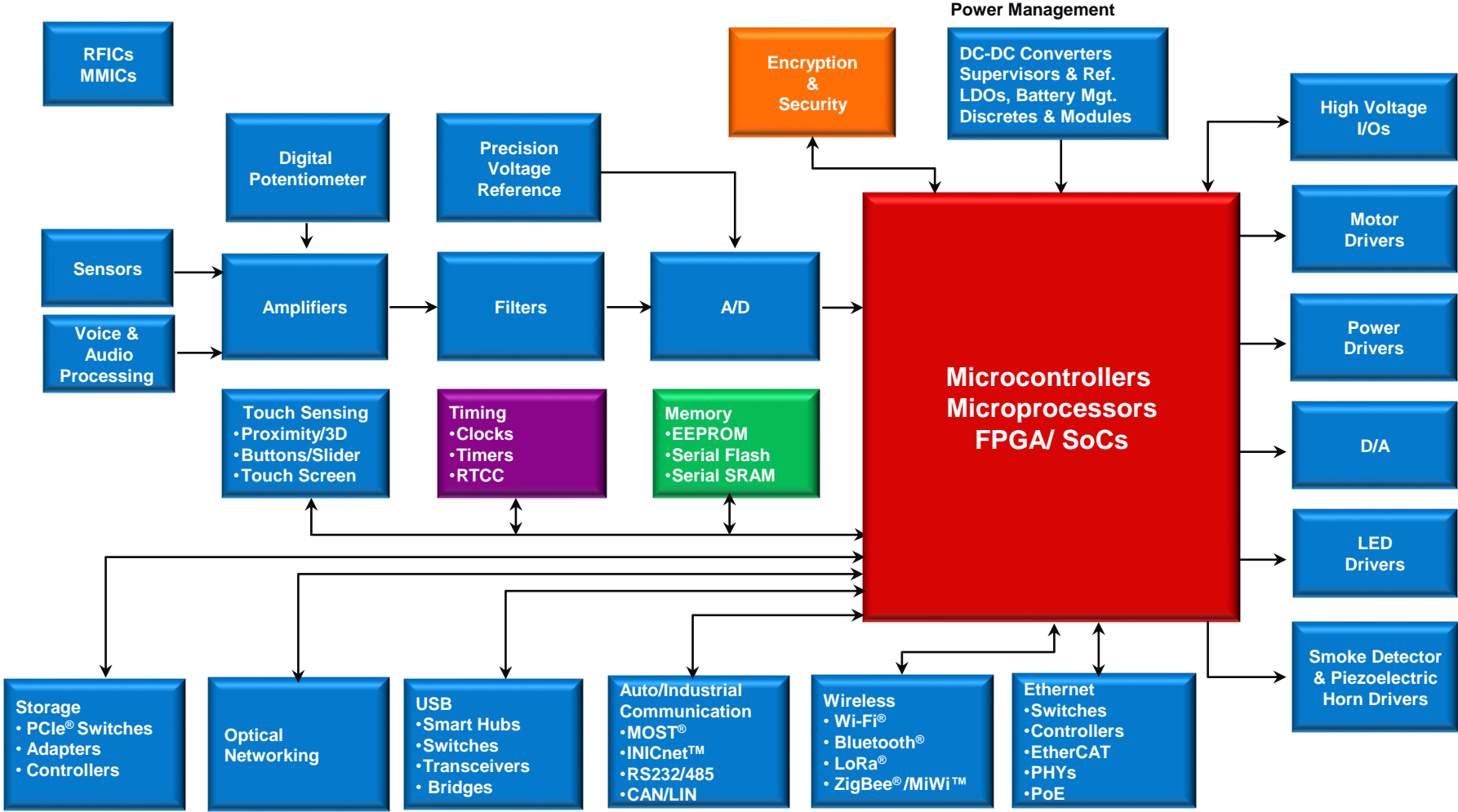


DEMO VIDEO

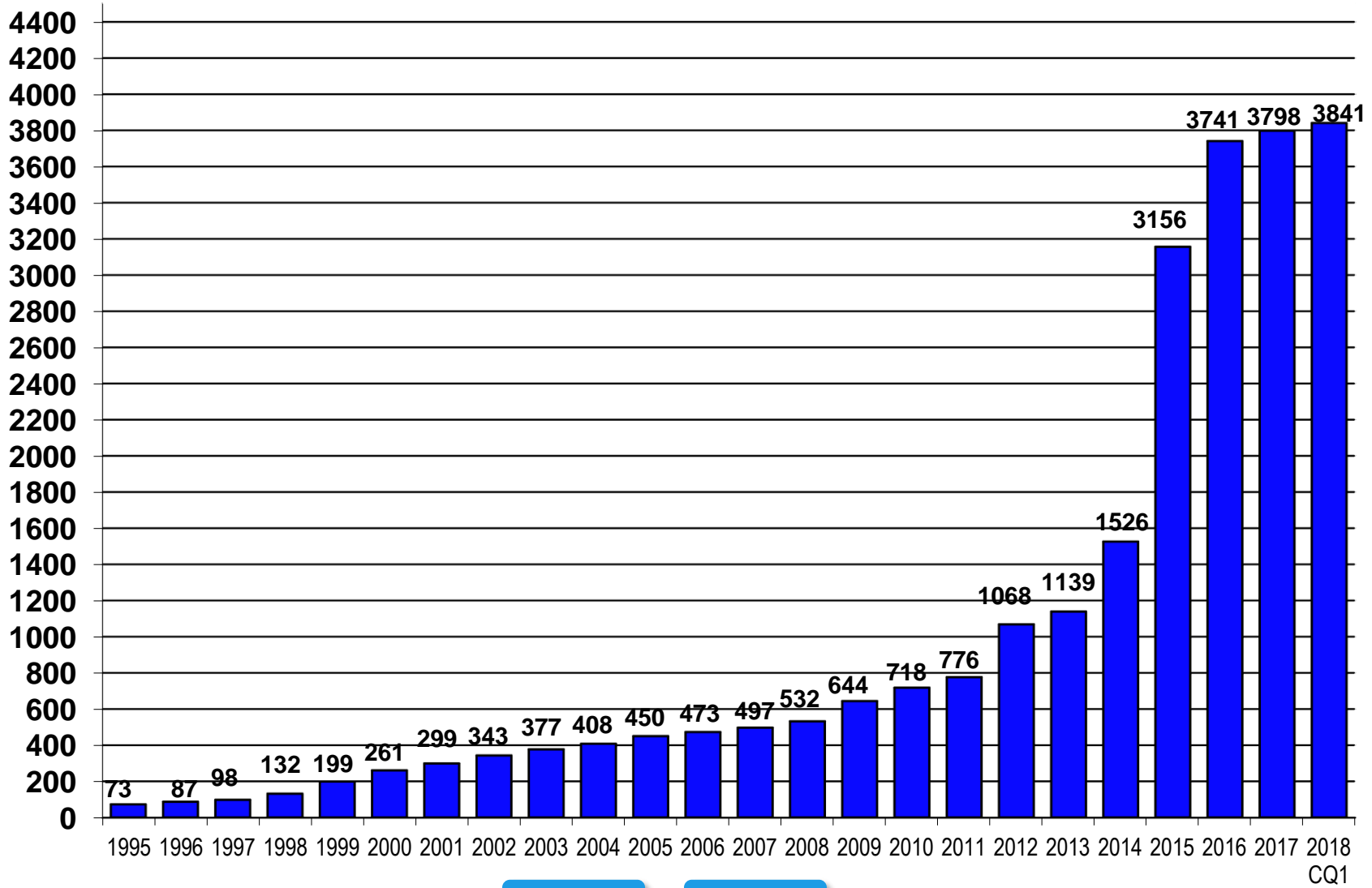
<< BACK

Analog & Interface Overview

Providing Complete Solutions



Analog & Interface: Product Portfolio Growth



<< BACK

NEXT >>



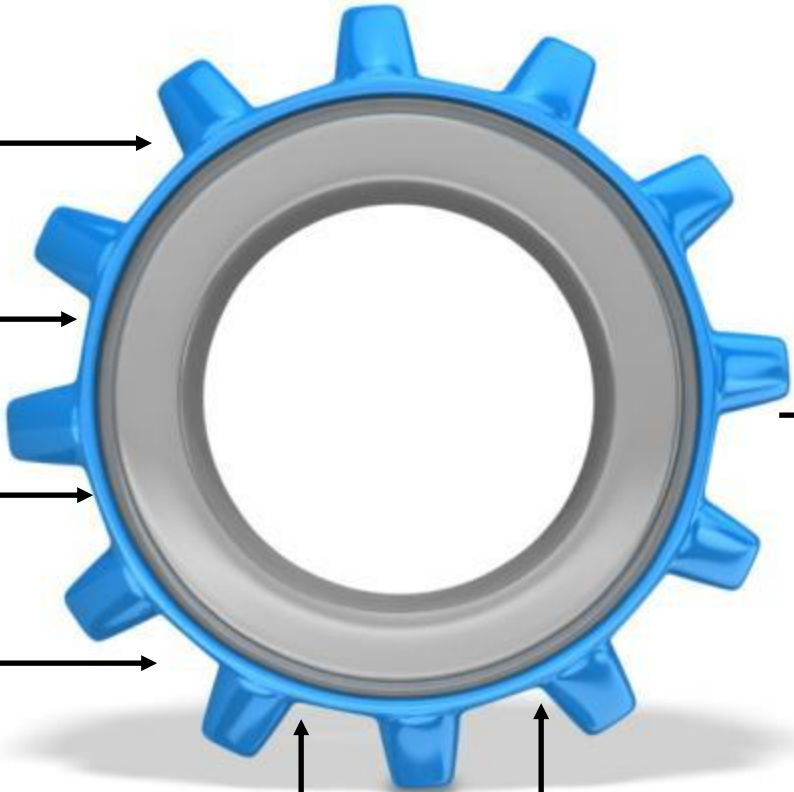
Proprietary Enabling Technology

Low-Power CMOS Process
Lower power than competing processes

Understanding of Customer Needs
Only necessary features are included, unnecessary power-consuming features are excluded

Simplified Designs
Proprietary designs reduce circuit complexity for more performance and less power

Non-volatile Trim
Accuracy achieved through after-package trimming, not complex, power-consuming circuitry



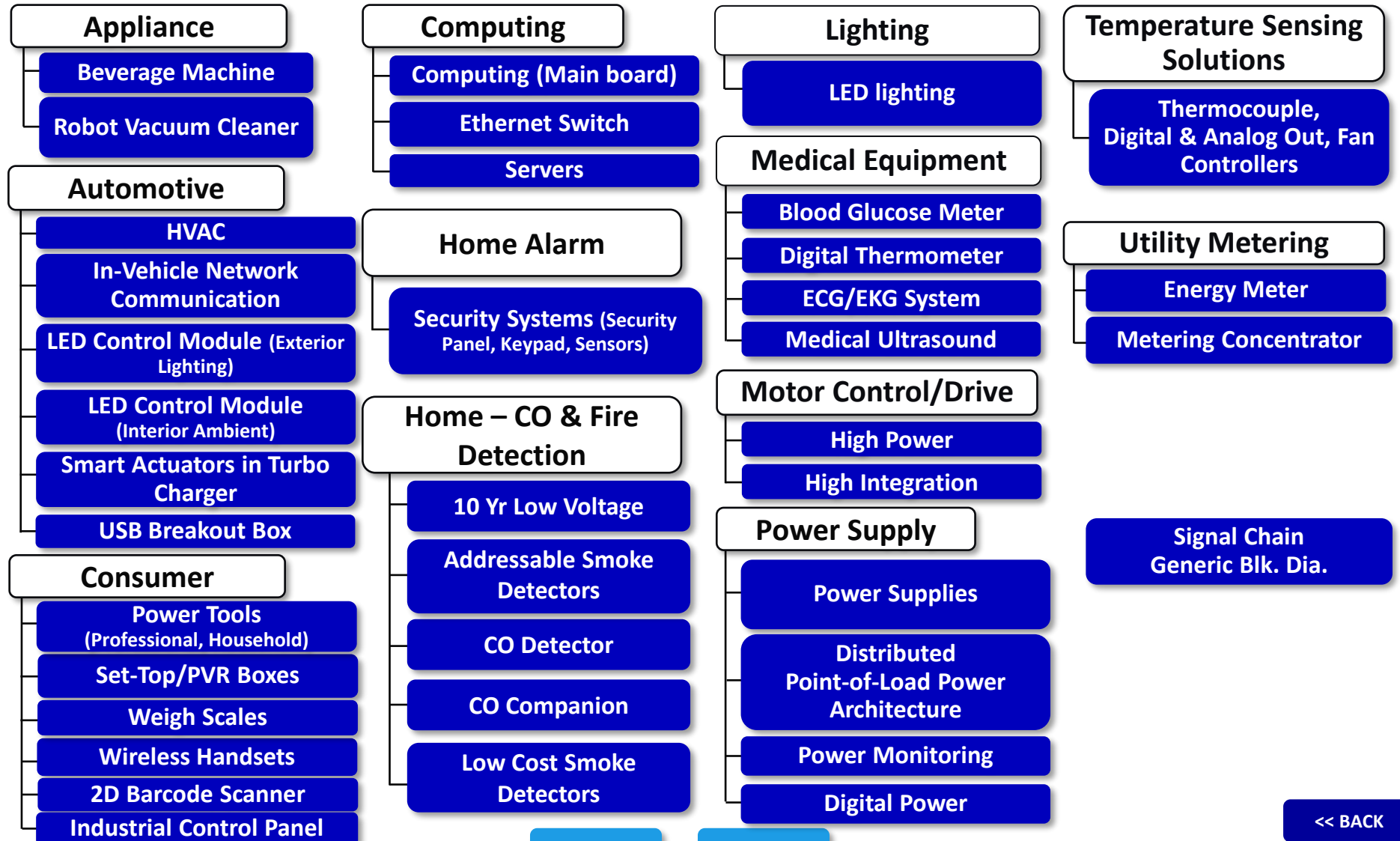
A Complete Analog Solution

High-Voltage Capability

Expertise on Multiple Process Nodes
Advanced Lithographies



Focus on Applications



<< BACK

NEXT >>

<< BACK



Microchip Analog

Key Attributes

- Using both internal and external fabs allows flexibility and safety for our customers
- Our knowledge of NVM makes analog easier to manufacture and offers flexibility

- **Analog for digital systems**

- Easy to use development tools
- Standard digital serial interfaces

- **Design-in support**



Microchip Analog

Key Attributes

- Op amps with lowest power for a given gain bandwidth:
450nA/1.4V/9kHz

- 0.65V start-up voltage switching regulator

- **Robustness**

- MOSFET drivers lead the industry in latch-up immunity/stability



Microchip Analog

Key Attributes

Integration

- Motor drivers with integrated LIN transceiver, comparator, voltage regulators, op amps
- DEPA integrates MCU, analog controller, drivers

Innovation

- Zero-Drift and mCal calibration technology
- Sinusoidal motor drivers
- Proprietary algorithms for low power high accuracy ADC and high-speed ADC families
- DACs with non-volatile memory



Microchip Analog

Key Attributes

Space savings

- ADCs, op amps, comparators, supervisors and LDOs in SC70
- ADCs, temperature sensors in SOT-23
- Battery chargers, LDOs in 2x2 DFN

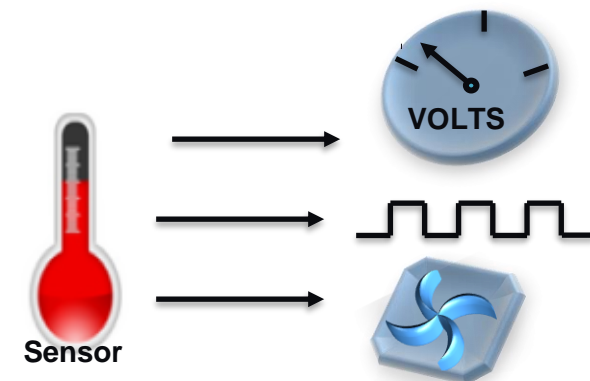
- **Accuracy**

- Advanced architectures to optimize accuracy and repeatability



Thermal Management Solutions

- Offer a complete portfolio of high-accuracy, space-saving, low-power products
 - Offer great cost-to-performance ratio
 - Low voltage operation and low current consumption
 - DC fan speed control/DC fan fault detection
 - Over-, under-temperature monitoring
 - Multi-point temp measurement
 - Thermal calibration



Power Management

Solutions

Microchip's winning attributes

- High-voltage product offering
- Built-in intelligence
- Optimized, high-efficiency power conversion
- Low power, low startup voltage regulators
- Small footprint
- Stability & robustness

Battery
Charger

Switching
Regulator

Controller

Voltage
Regulator

Charge
Pump

System
Supervisor



Signal Chain

Solutions

Provide complete system solutions for sensor signal conditioning & data acquisition applications, while focusing on:

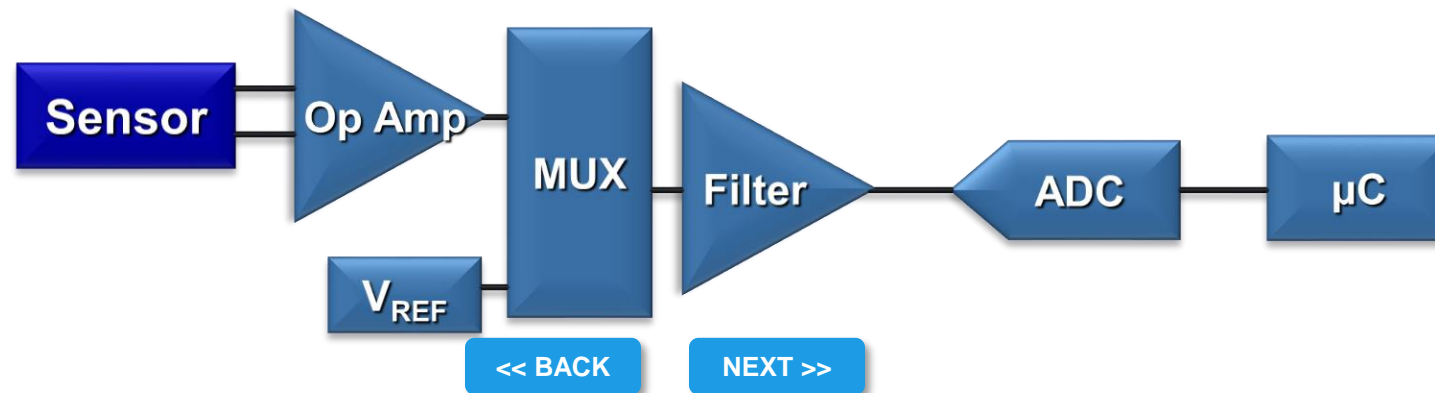
- Integration: reduced component count
- Low power: low operating current and voltage
- Precision: high resolution, low offset voltage
- Low system cost: affordable pricing
- Small footprints



Signal Chain Solutions (contd.)

- **Microchip's winning attributes**

- Lower cost to performance ratio
- Lowest supply current op amps for a given gain-bandwidth product
- High accuracy delta-sigma ADCs and high-speed pipelined ADCs
- Broad digital potentiometer portfolio



Interface Solutions

- **Enabling flexible connectivity options within automotive, industrial, consumer and many other industries**
 - CAN, CAN FD, LIN transceivers and system basis chips
 - Ethernet, RF, USB bridge devices, GPIO expanders
- **Enable the implementation of wireless/ wire-line communication via inexpensive & easy-to-use products**



RF Front-End

Solutions

Addresses a wide range of applications

- Wi-Fi[®] operating at 2.4 GHz and 5 GHz, including the new 11ac high data rate standard
- Bluetooth[®] and ZigBee[®] at 2.4 GHz
- 3G/4G Femtocells at 2.1-2.3 GHz



<< BACK

NEXT >>



Wi-Fi[®] Solutions

- **High power for longer distance**
- **Lower DC power consumption**
- **Smaller footprint, thin package, and low external component count**
- **Highly integrated Front-End Modules (FEM)**
- **Design-in support**



Safety & Security

Solutions

Microchips winning attributes

- Ionization smoke detectors
- Photoelectric smoke detectors
- 3V operation, Li Ion or 2 AA battery operation
- Electronic calibration
- Horn drivers meet loudness requirements
- Piezo horn drivers
 - Piezo alarm system, industrial and consumer
 - CO detectors, MCU smoke detectors
 - E-bike horns



Motor Drive and Control Solutions

- **Portfolio offering includes**

- PIC[®] MCU and dsPIC[®] DSC
companion 3-phase gate drivers
- Dual H-bridge motor drivers
- Highly Integrated 3-phase motor drivers

- **Total solution provider with PIC[®] MCU and dsPIC[®] DSC**

- Lowest supply current Vs. major competitors
- Applications in Industrial & Security, Automotive & Medical, Appliances



Strong Applications

Support Application Centers of Excellence (ACE) for key applications



ACE Center for Energy Measurement (Romania)



ACE Center for Interface Solutions (Chandler, AZ, USA)



ACE Center for Motor Solutions (Endwell, NY, USA)



ACE Center for Power Supplies (Endwell, NY, USA)



ACE Center for Smoke Detectors (Norrstown, PA, USA)



Worldwide Technical Support Centers



The only non-commissioned sales team in the semiconductor industry



Global Development Centers



Manufacturing



Proven Analog Expertise

Product Tree

Broad Portfolio

- Over 3,700 products in > 30 product lines
- Strong **low-power** portfolio
- High-voltage products
- Industry-standard wired and wireless protocols
- Smart integration
- Small, space-saving packages

Technology

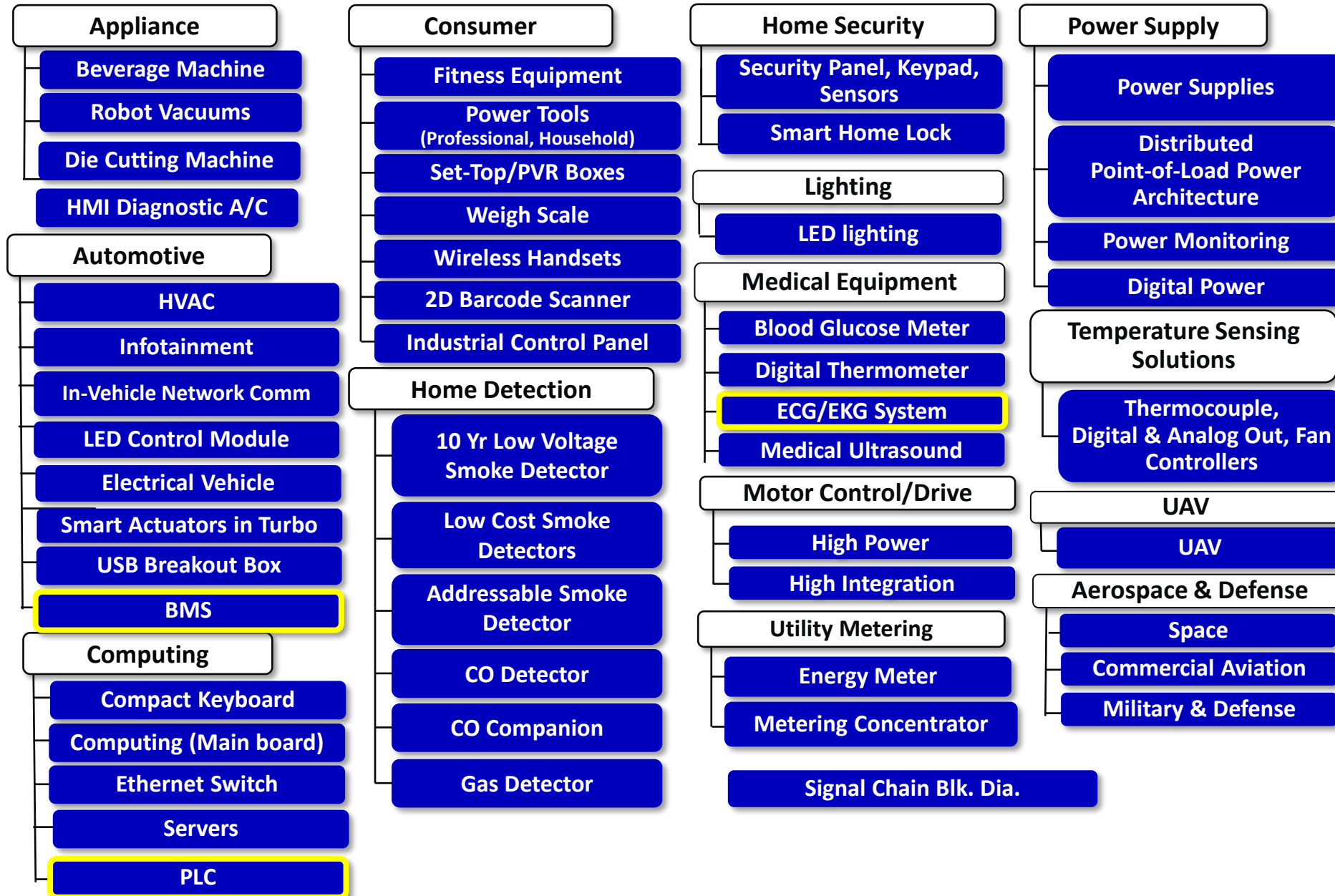
- Proprietary low-power IP
- Use of **NVM trim**
- Expertise on multiple process nodes
- Deep sub-micron
- High-voltage capability
- Internal and external fabs
- Truly **world-class manufacturing** excellence

Support

- Extensive demo/eval boards
- Reference designs
- Online design support centers
- On-location technical training
- Webinars
- Instructional videos
- Worldwide technical support



End Equipment



Electrical Vehicle Supply Equipment



Electrical Vehicle

Level 1 & 2 Residential
EVSE

Level 3 Fast Charging
EVSE

On Board Charger

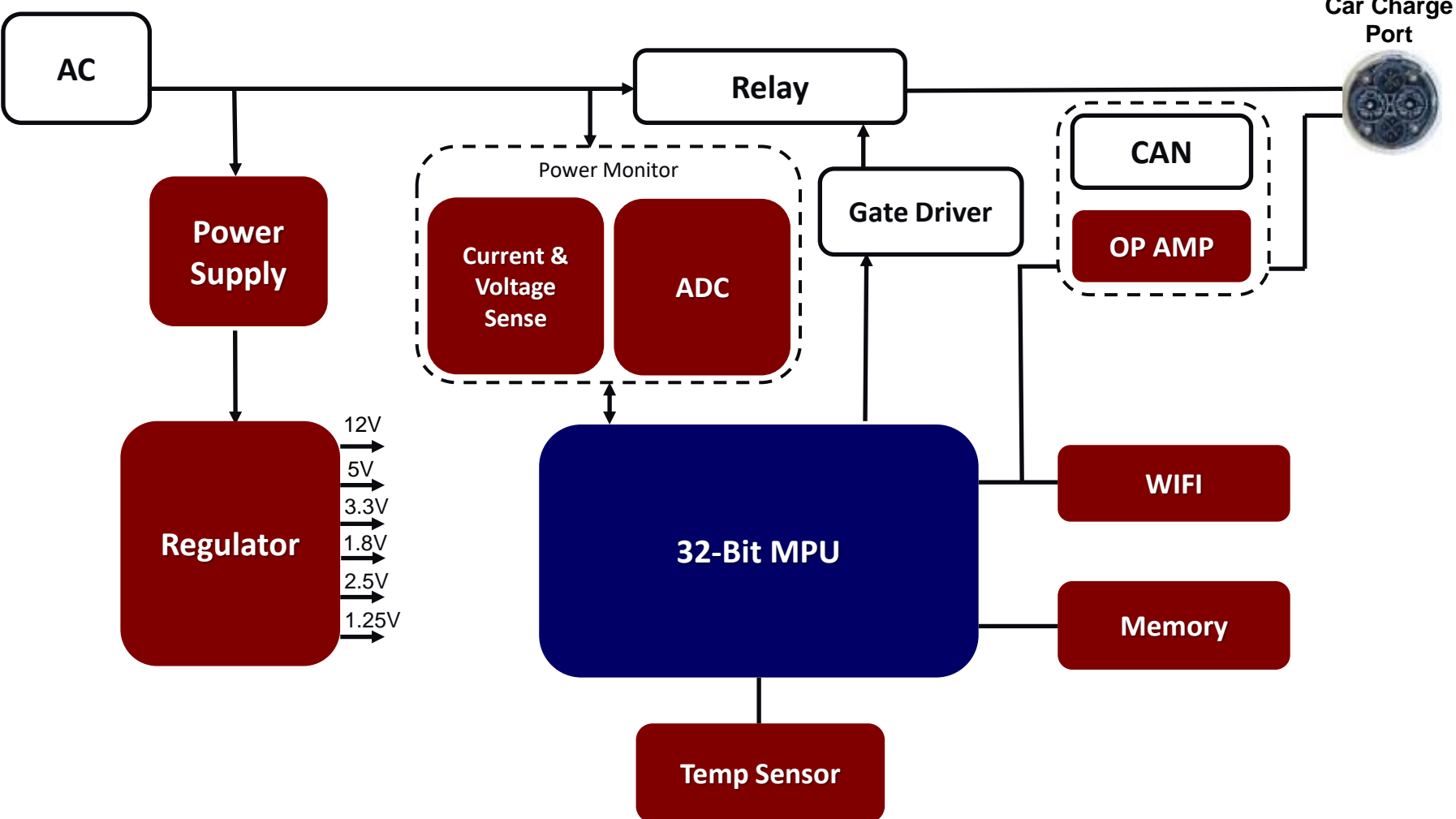
DC/DC Converter

Traction Inverter / Motor
Power Control Unit

<< BACK



Level 1 & 2 Residential EVSE



* EVSE – Electric Vehicle Supply Equipment

<< BACK



32-Bit MPU

Popular Products	Description	Product Web Page
ATSAMA5D2	The ATSAMA5D2 series is a high-performance, ultra-low-power ARM Cortex-A5 processor-based MPU.	ATSAMA5D26

<< BACK to BLOCK DIAGRAM



Temperature Sensor

Popular Products	Description	Product Web Page
MCP9808 Digital temperature sensor	The MCP9808 converts temperatures between -20°C and +100°C to a digital word with $\pm 0.5^\circ\text{C}$ (max.) accuracy	MCP9808
MCP9700 Linear Active Thermistor™ ICs	The output voltage of this device is directly proportional to measured temperature. The MCP9700 can accurately measure temperature from -40C to +150C with the output calibrated to a slope of 10mV/°C and has a DC offset of 500mV.	MCP9700

<< BACK to BLOCK DIAGRAM



Memory

Popular Products	Description	Product Web Page
SST26VF064B	The SST26VF064B Serial Quad I/O (SQI) flash device utilizes a 4-bit multiplexed I/O serial interface to boost performance while maintaining the compact form of standard serial flash devices	SST26VF064B



WIFI

Popular Products	Description	Product Web Page
ATWILC1000	The ATWILC1000 is an IEEE 802.11 b/g/n IoT link controller module. Supports Single stream 1x1 802.11n mode providing tested throughput of up to 46Mbps UDP & 28Mbps TCP/IP.	ATWILC1000
LX5584A	The LX5584A is a complete, integrated 2.4GHz front-end module applications. Includes 2.4GHz power amplifier with power detector, low-noise amplifier with bypass and SP3T antenna switch. Reduces the system footprint, bill of materials, and manufacturing cost. It is available in 16-pin 3x3x0.9mm QFN package.	LX5584A
LX5589B	The LX5589A is a complete, integrated 2.4GHz front-end module applications. Includes 5GHz power amplifier with power detector, low-noise amplifier with bypass and SPDT antenna switch. Reduces the system footprint, bill of materials, and manufacturing cost. It is available in 16-pin 3x3x0.9mm QFN package.	LX5589B

<< BACK to BLOCK DIAGRAM



OP AMP

Popular Products	Description	Product Web Page
MCP6002	The MCP6002 is a dual general-purpose op amp offering rail-to-rail input and output over the 1.8V to 6V operating range. This amplifier has a typical GBWP of 1 MHz with typical quiescent current of 100 Microamperes. Available in 8-lead PDIP, SOIC and MSOP packages.	MCP6002



ADC

Popular Products	Description	Product Web Page
MCP3424	The MCP3424 is a four-channel low-noise, high accuracy delta-sigma A/D converter with differential inputs and up to 18-Bits of resolution. Uses two-wire I2C compatible serial interface and operates from a single power supply ranging from 2.7V to 5.5V.	MCP3424



Current & Voltage Sense

Popular Products	Description	Product Web Page
ATM90E26	The ATM90E26 is a high-performance energy metering device for single-phase two-wire, single-phase three-wire or antitampering active and reactive energy meters. With measurement function is can be used in power instruments which need to measure voltage, current, etc.	ATM90E26
MCP39F511	The MCP39F511 is a highly integrated, single-phase power-monitoring IC designed for real-time measurement of input power for AC/DC power supplies, providing power and energy values.	MCP39F511



Power Supply

Popular Products	Description	Product Web Page
LX7309	The LX7309 is a versatile current-mode DC/DC controller for isolated and non-isolated topologies, featuring an internal differential current-sense amplifier for Kelvin connectivity and low 200mV threshold for low sense resistances and high efficiency.	LX7309
HV9120	The HV9120 can self-start due to the unique input circuit from a high voltage input, and subsequently take the power to operate from one of the outputs of the converter it is controlling, allowing very efficient operation while maintaining input-to-output galvanic isolation limited in voltage only by the insulation system of the associated magnetic assembly.	HV9120



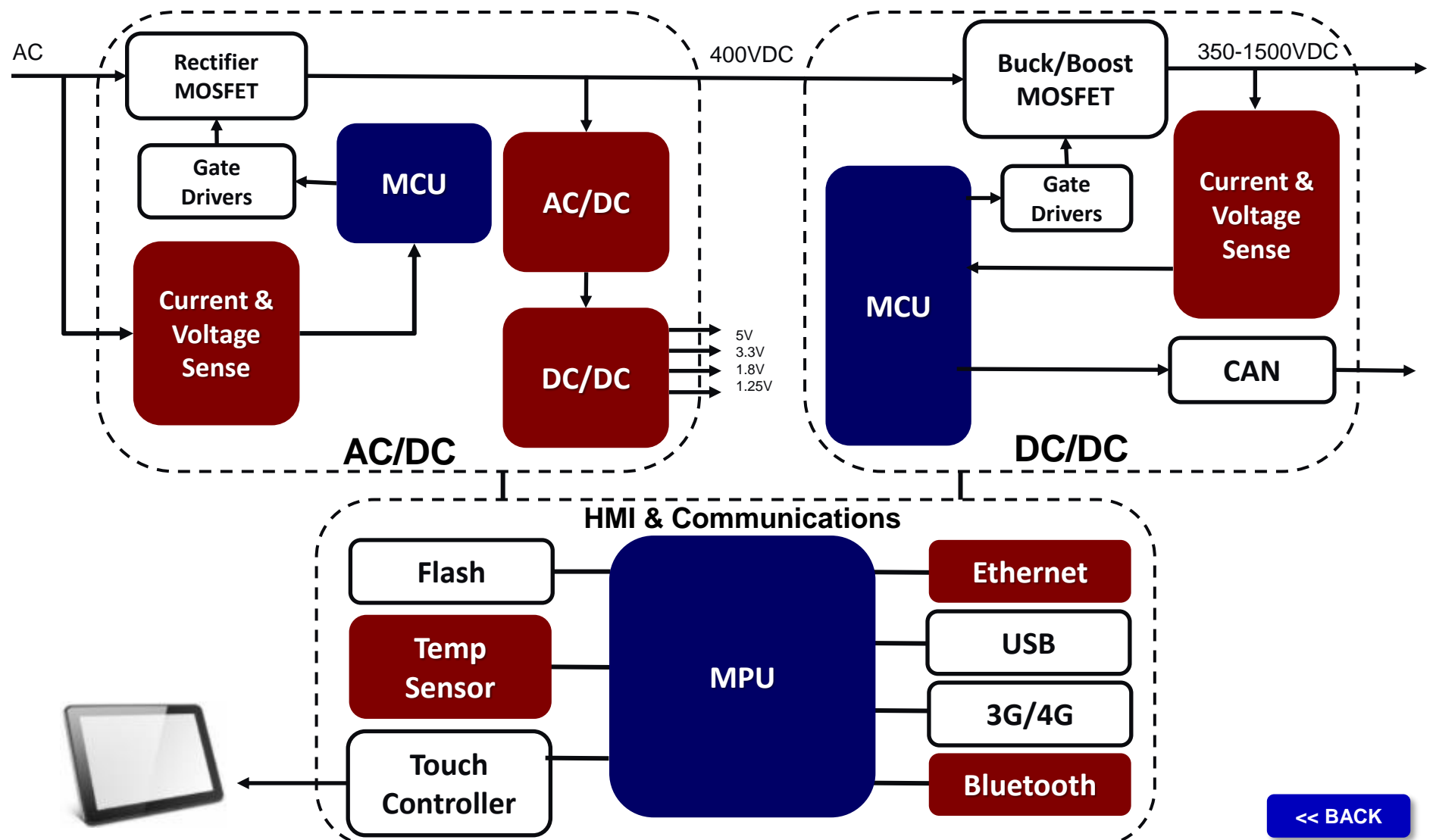
Regulator

Popular Products	Description	Product Web Page
MCP16311	The MCP16311 is a compact, high-efficiency, fixed frequency PWM/PFM, synchronous step-down DC-DC Converter in an 8-pin MSOP or TDFN package that operates from input voltage of 30V.	MCP16311
MIC28514	The MIC28514 is a wide input range (4.5V-75V), integrated FET, 5A, switching regulator.	MIC28514
MIC24046	The MIC24046 is a pin-programmable, high-efficiency, wide input range, 5A, Synchronous step-down regulator.	MIC24046
MIC2800	The MIC2800 is a high-performance power management IC, giving three output voltages with maximum efficiency.	MIC2800

<< BACK to BLOCK DIAGRAM



Level 3 Fast Charging EVSE



<< BACK



* EVSE – Electric Vehicle Supply Equipment



32-Bit MPU

Popular Products	Description	Product Web Page
ATSAMA5D2	The ATSAMA5D2 series is a high-performance, ultra-low-power ARM Cortex-A5 processor-based MPU.	ATSAMA5D26



Popular Products	Description	Product Web Page
dsPIC33	Microchip's dsPIC33 general purpose DSC family features the highest speed 70 MIPS core with excellent performance and code density. ADC performance, CAN communication, CTMU, Op Amps and Peripheral Trigger Generator (PTG) for high-end general-purpose applications.	dsPIC33



Temperature Sensor

Popular Products	Description	Product Web Page
MCP9808	The MCP9808 converts temperatures between -20°C and +100°C to a digital word with $\pm 0.5^\circ\text{C}$ (max.) accuracy	MCP9808
MCP9700	The output voltage of this device is directly proportional to measured temperature. The MCP9700 can accurately measure temperature from -40C to +150C with the output calibrated to a slope of 10mV/°C and has a DC offset of 500mV.	MCP9700



Current & Voltage Sense

Popular Products	Description	Product Web Page
ATM90E26	The ATM90E26 is a high-performance energy metering device for single-phase two-wire, single-phase three-wire or antitampering active and reactive energy meters. With measurement function is can be used in power instruments which need to measure voltage, current, etc.	ATM90E26



Popular Products	Description	Product Web Page
LX7309	The LX7309 is a versatile current-mode DC/DC controller for isolated and non-isolated topologies, featuring an internal differential current-sense amplifier for Kelvin connectivity and low 200mV threshold for low sense resistances and high efficiency.	LX7309
HV9120	The HV9120 can self-start due to the unique input circuit from a high voltage input, and subsequently take the power to operate from one of the outputs of the converter it is controlling, allowing very efficient operation while maintaining input-to-output galvanic isolation limited in voltage only by the insulation system of the associated magnetic assembly.	HV9120



DC/DC

Popular Products	Description	Product Web Page
MCP16311	The MCP16311 is a compact, high-efficiency, fixed frequency PWM/PFM, synchronous step-down DC-DC Converter in an 8-pin MSOP or TDFN package that operates from input voltage of 30V.	MCP16311
MIC2800	The MIC2800 is a high-performance power management IC, giving three output voltages with maximum efficiency.	MIC2800



Ethernet

Popular Products	Description	Product Web Page
KSZ8051	The KSZ8051 is a standard qualified single-supply 10Base-T/100Base-TX Ethernet physical-layer transceiver for automotive applications.	KSZ8051

<< BACK to BLOCK DIAGRAM

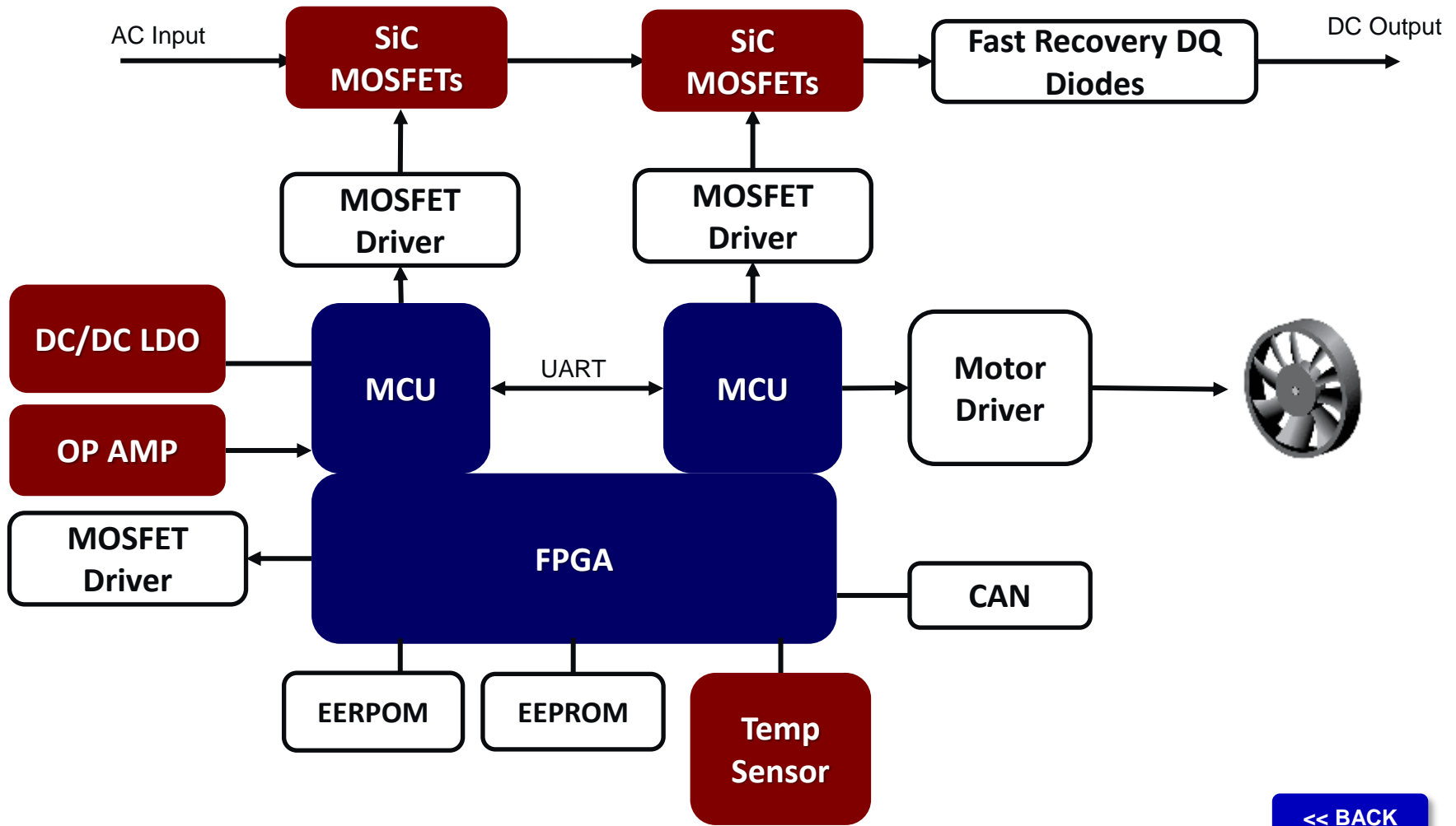


Bluetooth

Popular Products	Description	Product Web Page
ATBTLC1000	The ATBTLC1000 is an ultr-low power Bluetooth Low Energy System on a Chip with integrated ARM Cortex-M0 MCU, Transceiver, Modem, MAC, PA, TR Switch, and power management unit (PMU). Can be used as a Bluetooth Low Energy link controller or data pump with external host MCU.	ATBTLC1000



On Board Charger



<< BACK



Popular Products	Description	Product Web Page
dsPIC33	Microchip's dsPIC33 general purpose DSC family features the highest speed 70 MIPS core with excellent performance and code density. ADC performance, CAN communication, CTMU, Op Amps and Peripheral Trigger Generator (PTG) for high-end general-purpose applications.	dsPIC33



Temperature Sensor

Popular Products	Description	Product Web Page
MCP9808 Digital temperature sensor	The MCP9808 converts temperatures between -20°C and +100°C to a digital word with $\pm 0.5^\circ\text{C}$ (max.) accuracy	Click here
MCP9700 Linear Active Thermistor™ ICs	The output voltage of this device is directly proportional to measured temperature. The MCP9700 can accurately measure temperature from -40C to +150C with the output calibrated to a slope of 10mV/°C and has a DC offset of 500mV.	Click here

<< BACK to BLOCK DIAGRAM



OP AMP

Popular Products	Description	Product Web Page
MCP6002	The MCP6002 is a dual general-purpose op amp offering rail-to-rail input and output over the 1.8V to 6V operating range. This amplifier has a typical GBWP of 1 MHz with typical quiescent current of 100 Microamperes. Available in 8-lead PDIP, SOIC and MSOP packages.	MCP6002



DC/DC LDO

Popular Products	Description	Product Web Page
MCP16311	The MCP16311 is a compact, high-efficiency, fixed frequency PWM/PFM, synchronous step-down DC-DC Converter in an 8-pin MSOP or TDFN package that operates from input voltage of 30V.	MCP16311
MIC2800	The MIC2800 is a high-performance power management IC, giving three output voltages with maximum efficiency.	MIC2800
LX7309	The LX7309 is a versatile current-mode DC/DC controller for isolated and non-isolated topologies, featuring an internal differential current-sense amplifier for Kelvin connectivity and low 200mV threshold for low sense resistances and high efficiency.	LX7309

<< BACK to BLOCK DIAGRAM



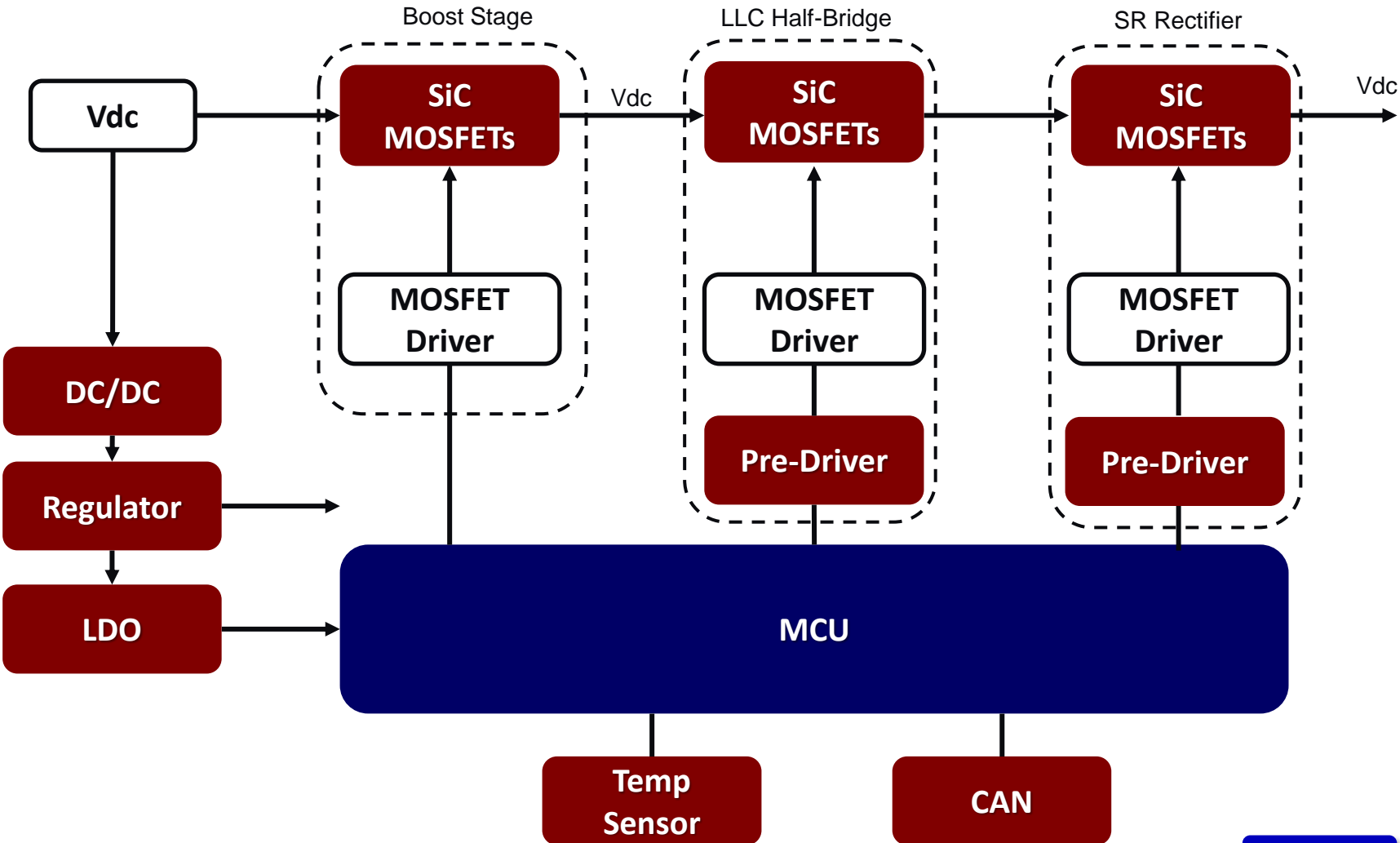
SiC MOSFETs

Popular Products	Description	Product Web Page
MSC0/1/2/SiC Families	Silicon Carbide (SiC) MOSFETs offer superior dynamic and thermal performance over conventional Silicon (Si) power MOSFETs.	SiC MOSFET Family

<< BACK to BLOCK DIAGRAM



DC/DC Converter



<< BACK



Popular Products	Description	Product Web Page
dsPIC33	Microchip's dsPIC33 general purpose DSC family features the highest speed 70 MIPS core with excellent performance and code density. ADC performance, CAN communication, CTMU, Op Amps and Peripheral Trigger Generator (PTG) for high-end general-purpose applications.	dsPIC33



Temperature Sensor

Popular Products	Description	Product Web Page
MCP9808 Digital temperature sensor	The MCP9808 converts temperatures between -20°C and +100°C to a digital word with $\pm 0.5^\circ\text{C}$ (max.) accuracy	Click here
MCP9700 Linear Active Thermistor™ ICs	The output voltage of this device is directly proportional to measured temperature. The MCP9700 can accurately measure temperature from -40C to +150C with the output calibrated to a slope of 10mV/°C and has a DC offset of 500mV.	Click here

<< BACK to BLOCK DIAGRAM



DC/DC

Popular Products	Description	Product Web Page
LX7309	The LX7309 is a versatile current-mode DC/DC controller for isolated and non-isolated topologies, featuring an internal differential current-sense amplifier for Kelvin connectivity and low 200mV threshold for low sense resistances and high efficiency.	LX7309

<< BACK to BLOCK DIAGRAM



Regulator

Popular Products	Description	Product Web Page
MCP16311	The MCP16311 is a compact, high-efficiency, fixed frequency PWM/PFM, synchronous step-down DC-DC Converter in an 8-pin MSOP or TDFN package that operates from input voltage of 30V.	MCP16311

<< BACK to BLOCK DIAGRAM



LDO

Popular Products	Description	Product Web Page
MCP1755	The MCP1755 is a 16-volt, high PSRR voltage regulator with short circuit current foldback. Provides up to 300mA of current and operating voltage range from 3.6V to 16V continuous, and 18V absolute maximum.	MCP1755

<< BACK to BLOCK DIAGRAM



CAN

Popular Products	Description	Product Web Page
MCP2562	The MCP2562 is second generation high-speed CAN transceiver. Reaches high-speed (1 Mbps), low quiescent current, electromagnetic compatibility (EMC) and electrostatic discharge(ESD).	MCP2562

<< BACK to BLOCK DIAGRAM



Pre-Driver

Popular Products	Description	Product Web Page
TC4427A	The TC4427A is a 1.5A Dual non-inverting, high-speed MOSFET Driver, with wide operating range of 4.5V to 18V. Provides impedance for both ON and OFF states to ensure the intended state will not be affected by large transients.	TC4427A

<< BACK to BLOCK DIAGRAM



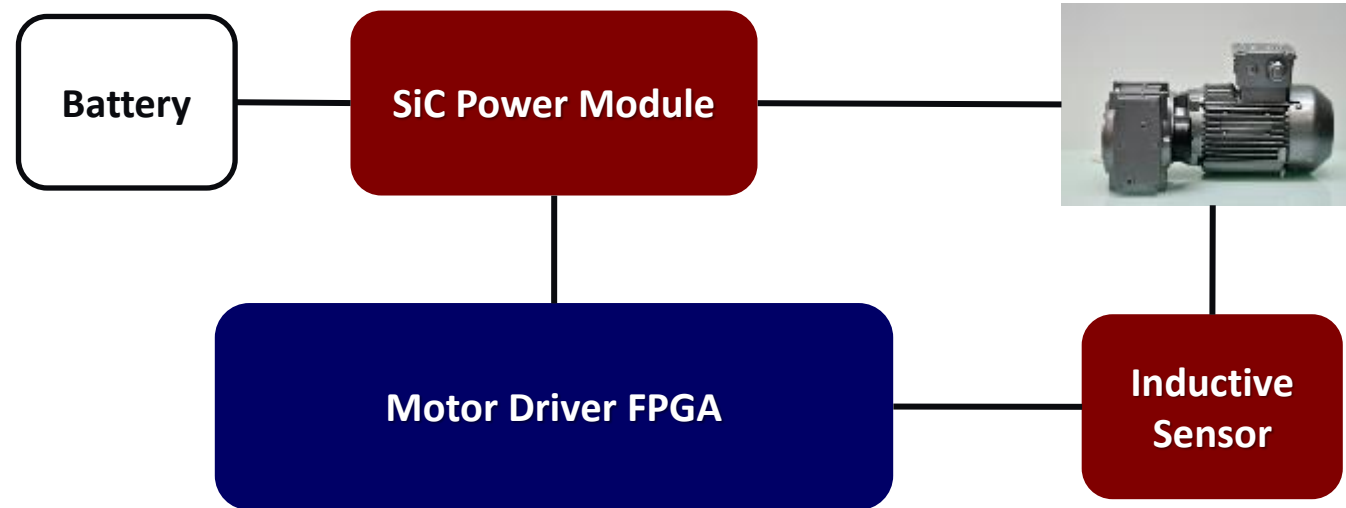
SiC MOSFETs

Popular Products	Description	Product Web Page
MSC0/1/2/SiC Families	Silicon Carbide (SiC) MOSFETs offer superior dynamic and thermal performance over conventional Silicon (Si) power MOSFETs.	SiC MOSFET Family

<< BACK to BLOCK DIAGRAM



Traction Inverter / Motor Power Control Unit



<< BACK



SiC Power Module

Popular Products	Description	Product Web Page
SiC Power Module Family	Silicon Carbide (SiC) MOSFETs offer superior dynamic and thermal performance over conventional Silicon (Si) power diodes. The family includes: Boost Chopper, Full Bridge, Phase Leg, Three Level Inverter, and Triple Phase Leg.	SiC Power Module



Inductive Sensor

Suggested Products	Description	Product Web Page
LX3301A	Inductive Position Sensor IC with Analog and PWM outputs. The LX3301A is an Automotive Grade 1, 125°C device that features an analog front-end with signal processing and control for six calibration segments to shape the output response.	LX3301A
LX3302A	Inductive Position Sensor IC with Analog, PWM, SENT, PSI5, and Sine/Cosine outputs. The LX3302A Automotive Grade 0, 150°C device features eight calibration segments for simple sensor accuracy improvements along with an options for Sine/cosine outputs, and both power line and GPIO programmability options for embedded applications	LX3302A



Microchip Analog Products for Aerospace and Defense



Military & Defense

Military Communications

**Modern Soldier
Communication**

Radar Electronic Warfare

Radar- EW RF Front End

**Military Network Attached
Storage**

Unmanned Aerial Vehicle

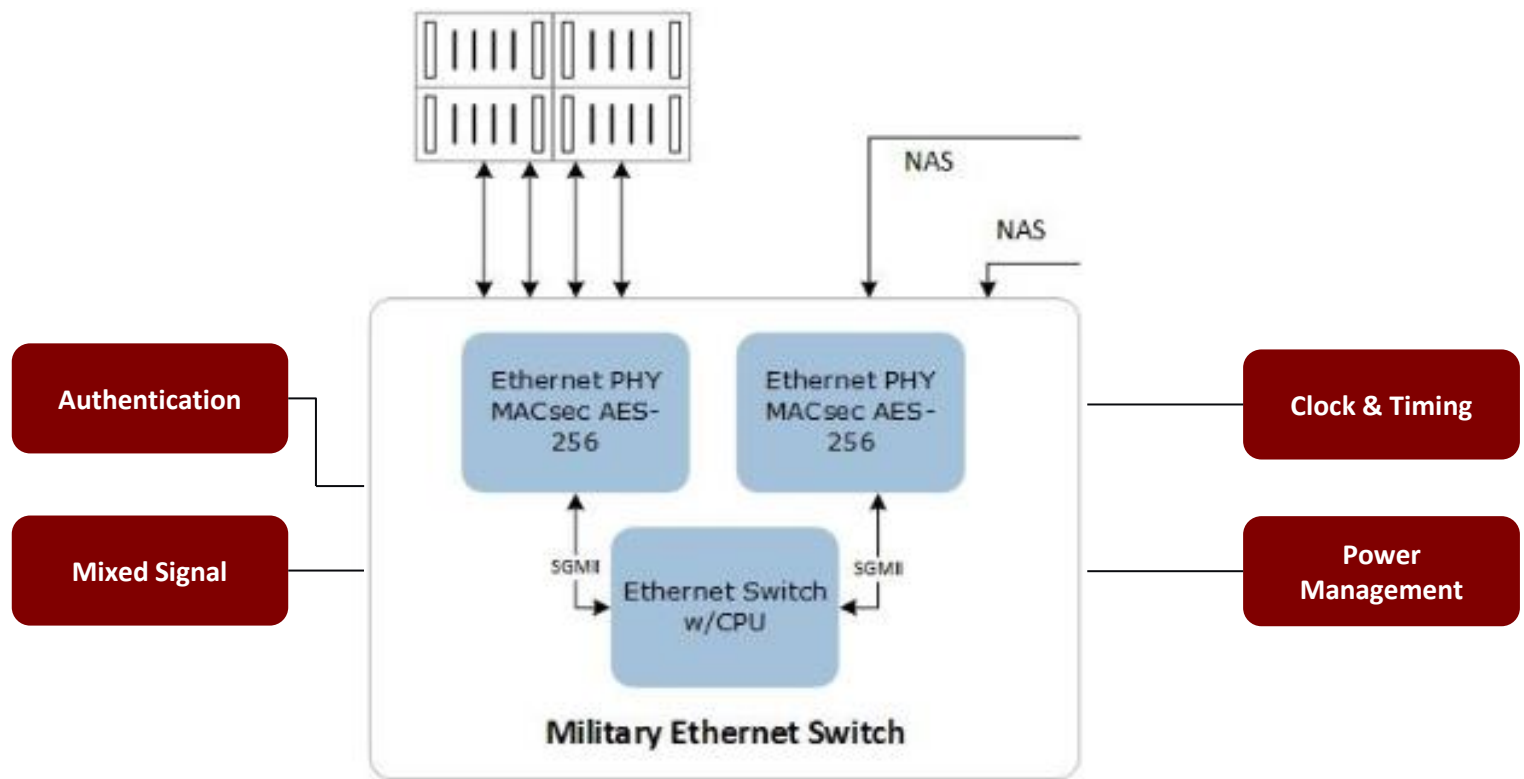
Military Ethernet Switch

**High Performance
Embedded Computing**

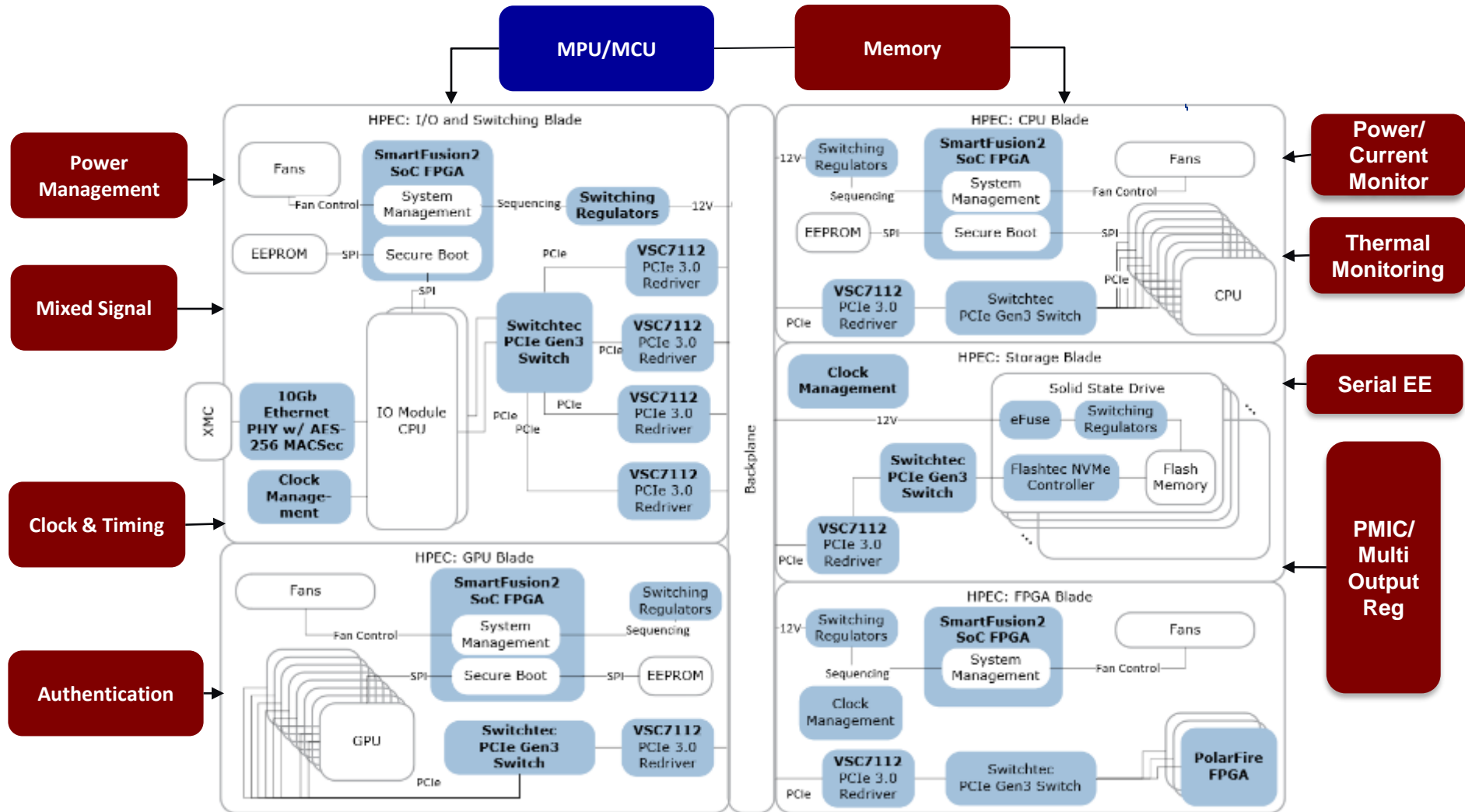
<< BACK



Military Ethernet Switch



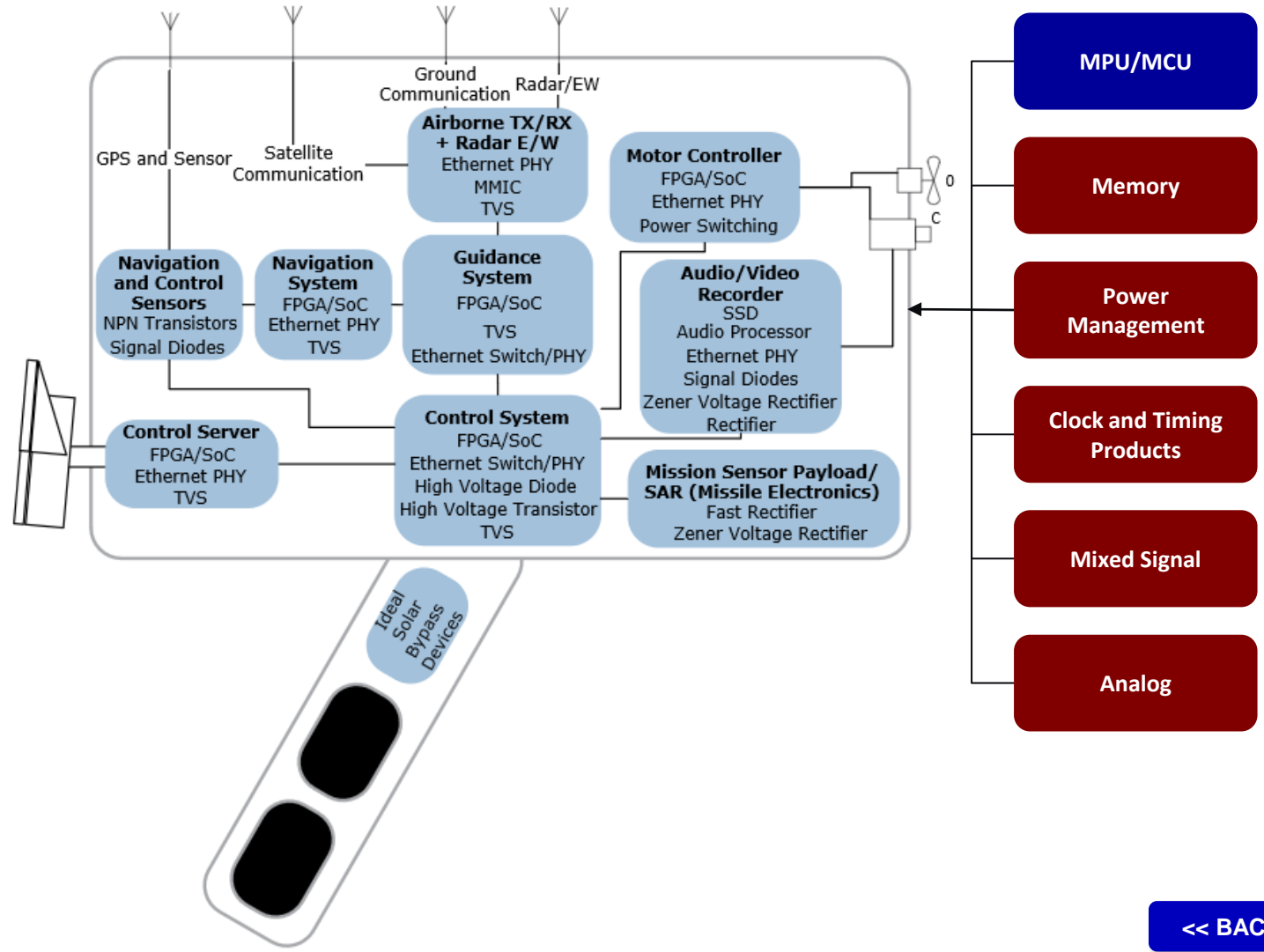
High Performance Embedded Computing



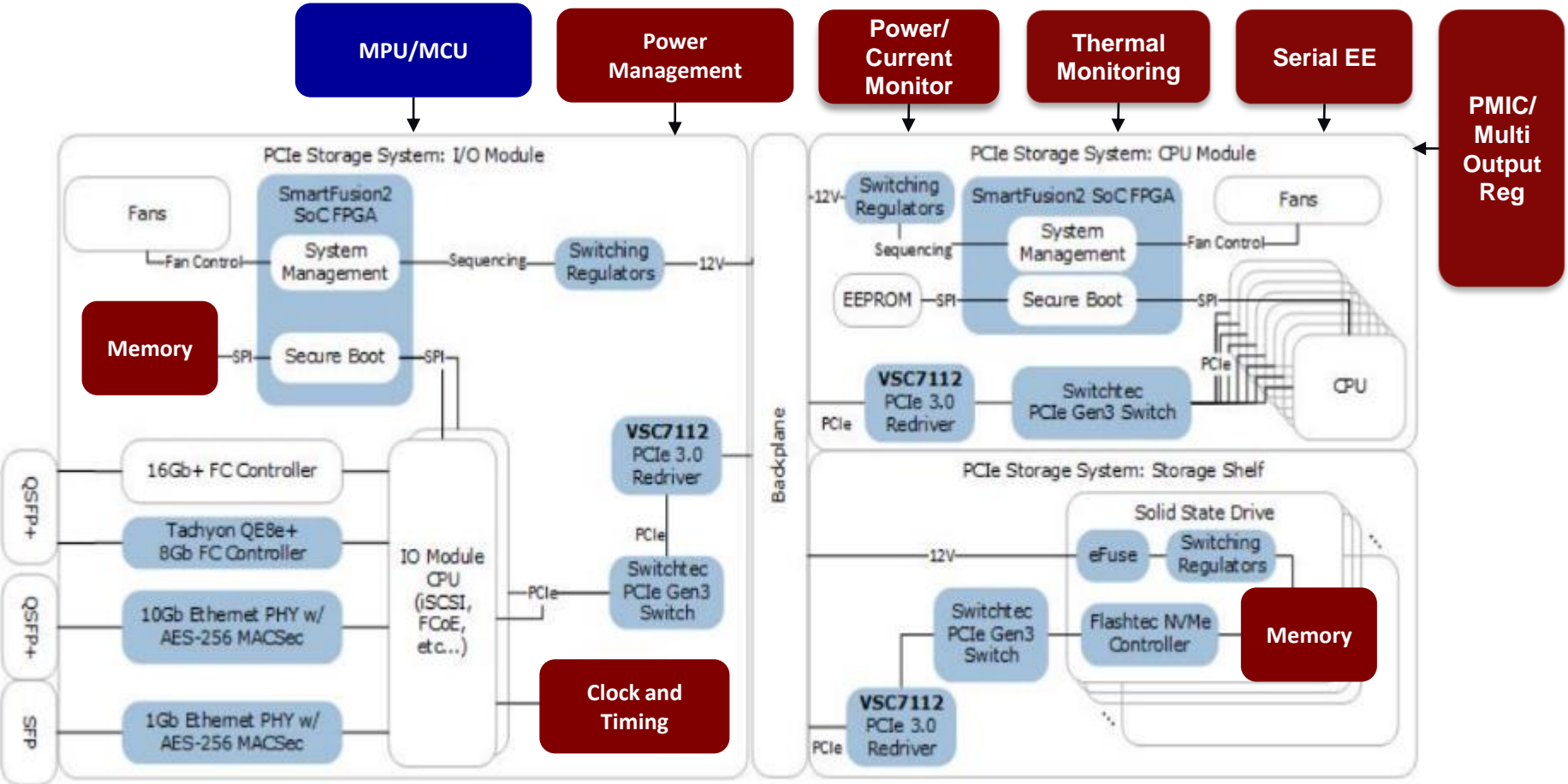
<< BACK



Unmanned Ariel Vehicle



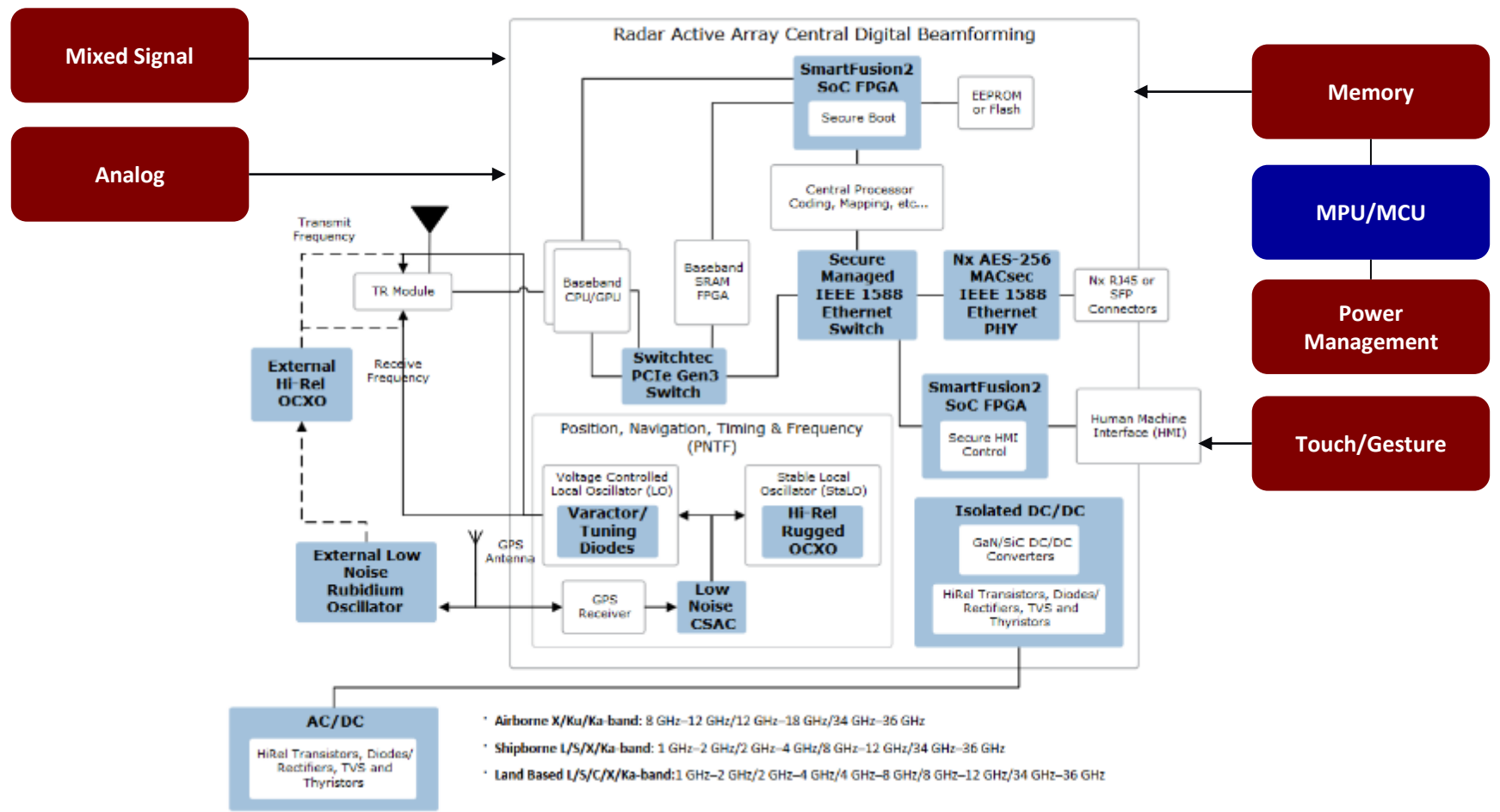
Military Network Attached Storage



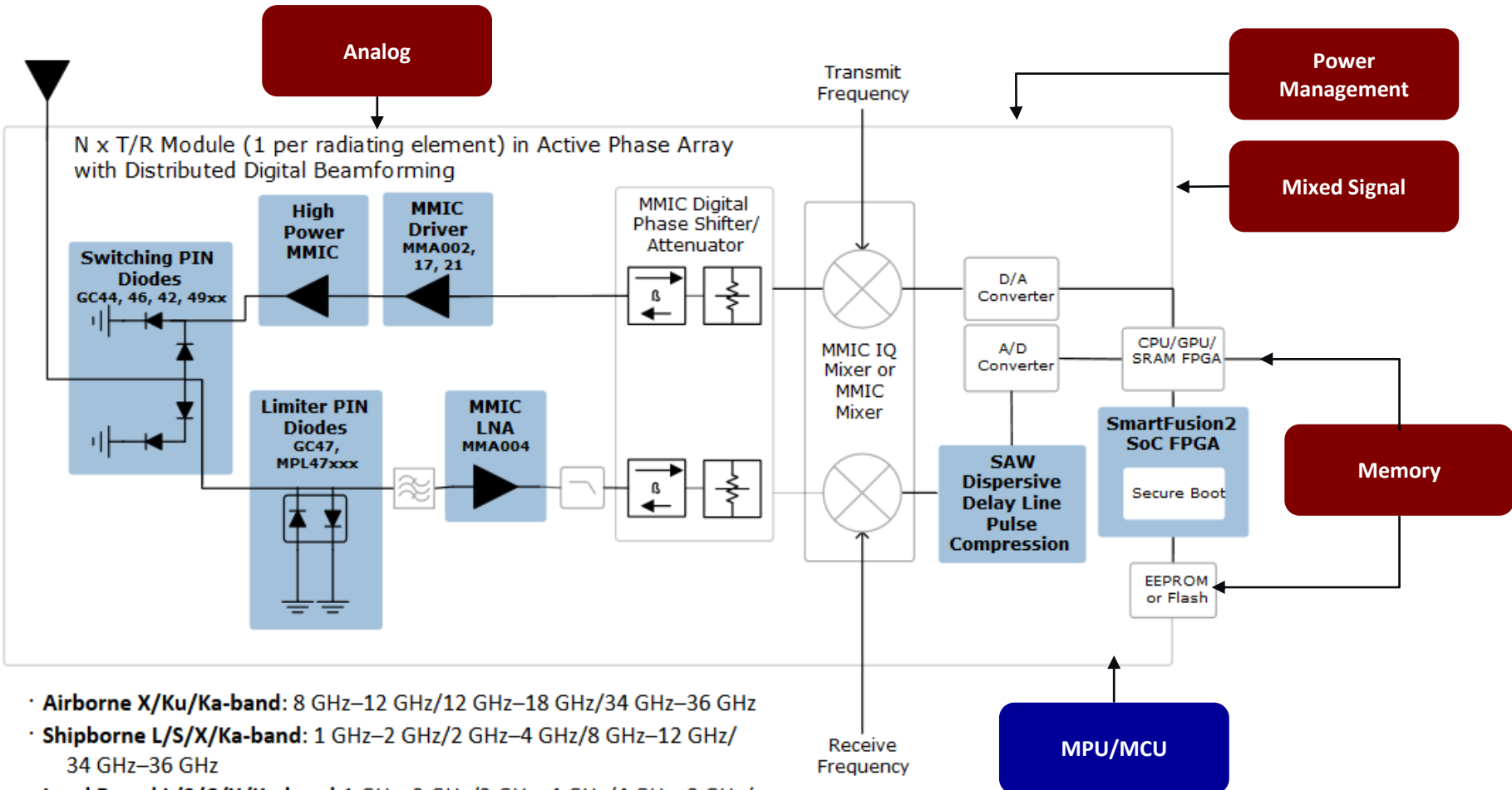
<< BACK



Radar-EW RF Front End



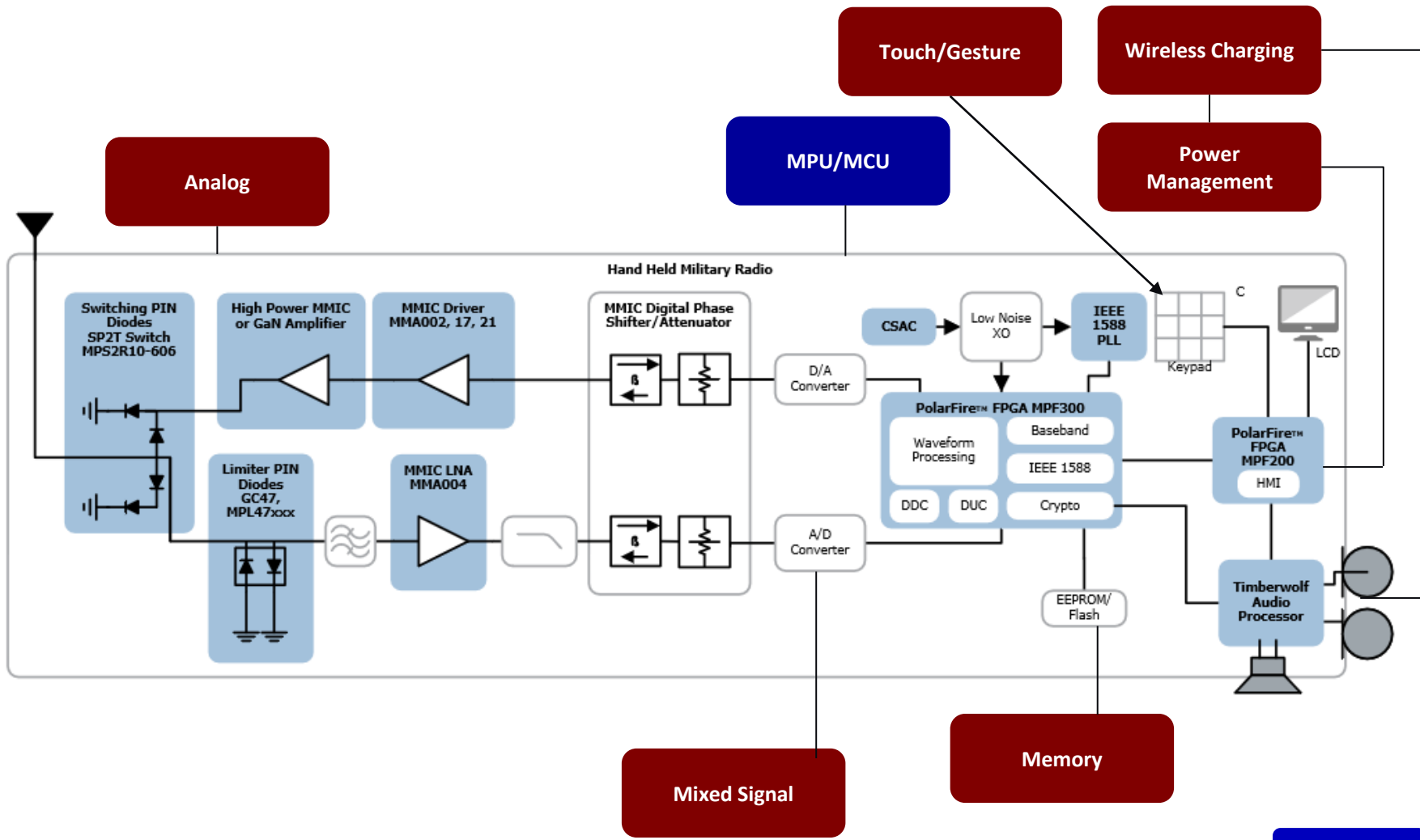
Radar Electronic Warfare



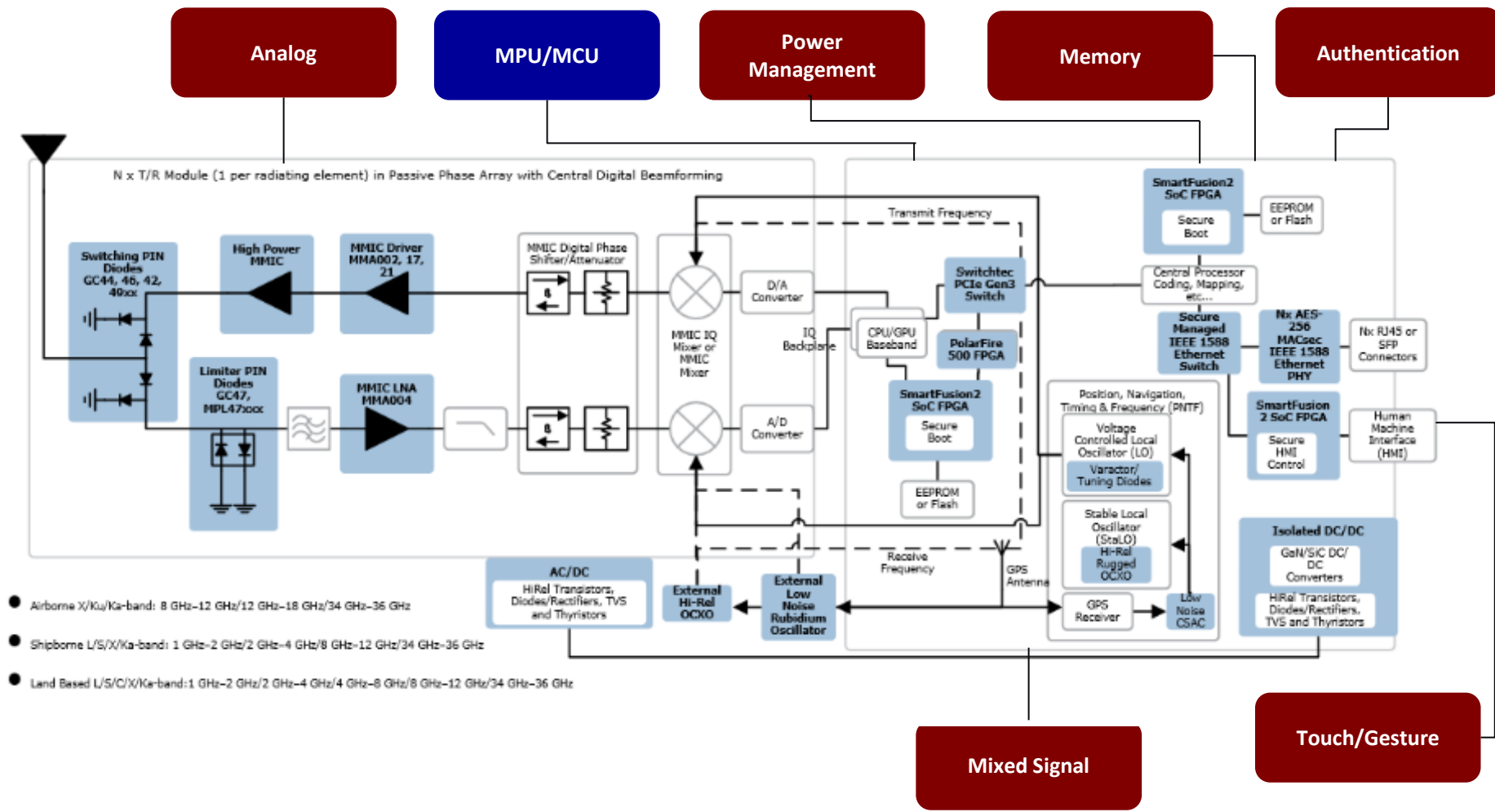
- Airborne X/Ku/Ka-band: 8 GHz–12 GHz/12 GHz–18 GHz/34 GHz–36 GHz
- Shipborne L/S/X/Ka-band: 1 GHz–2 GHz/2 GHz–4 GHz/8 GHz–12 GHz/ 34 GHz–36 GHz
- Land Based L/S/C/X/Ka-band: 1 GHz–2 GHz/2 GHz–4 GHz/4 GHz–8 GHz/ 8 GHz–12 GHz/34 GHz–36 GHz



Modern Soldier Communication



Military Communication



<< BACK



Commercial Aviation

Cabin Management
System

Engine Systems &
Controls

Cockpit Avionics

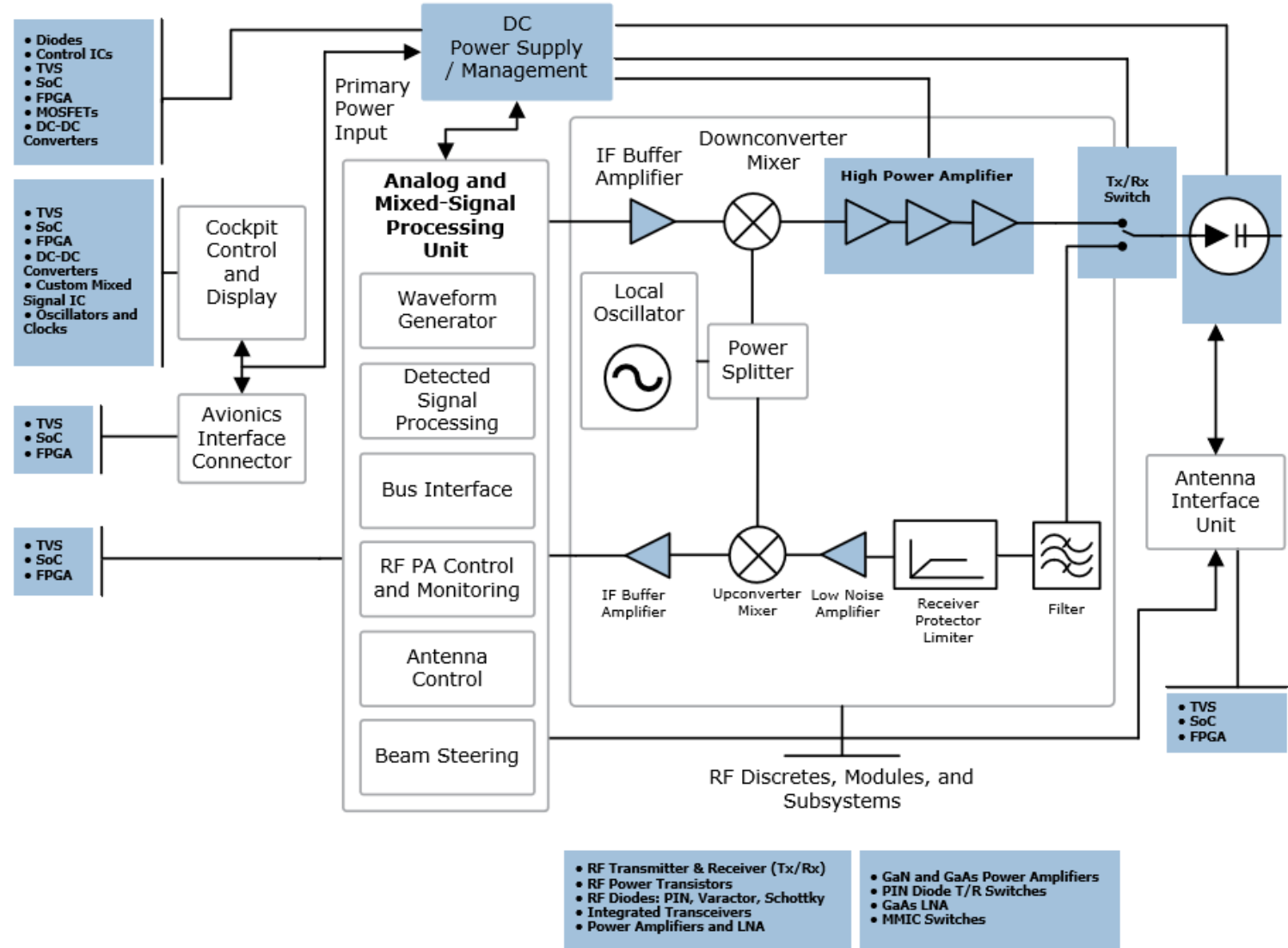
Actuation Systems

RF & Microwave
Systems

<< BACK



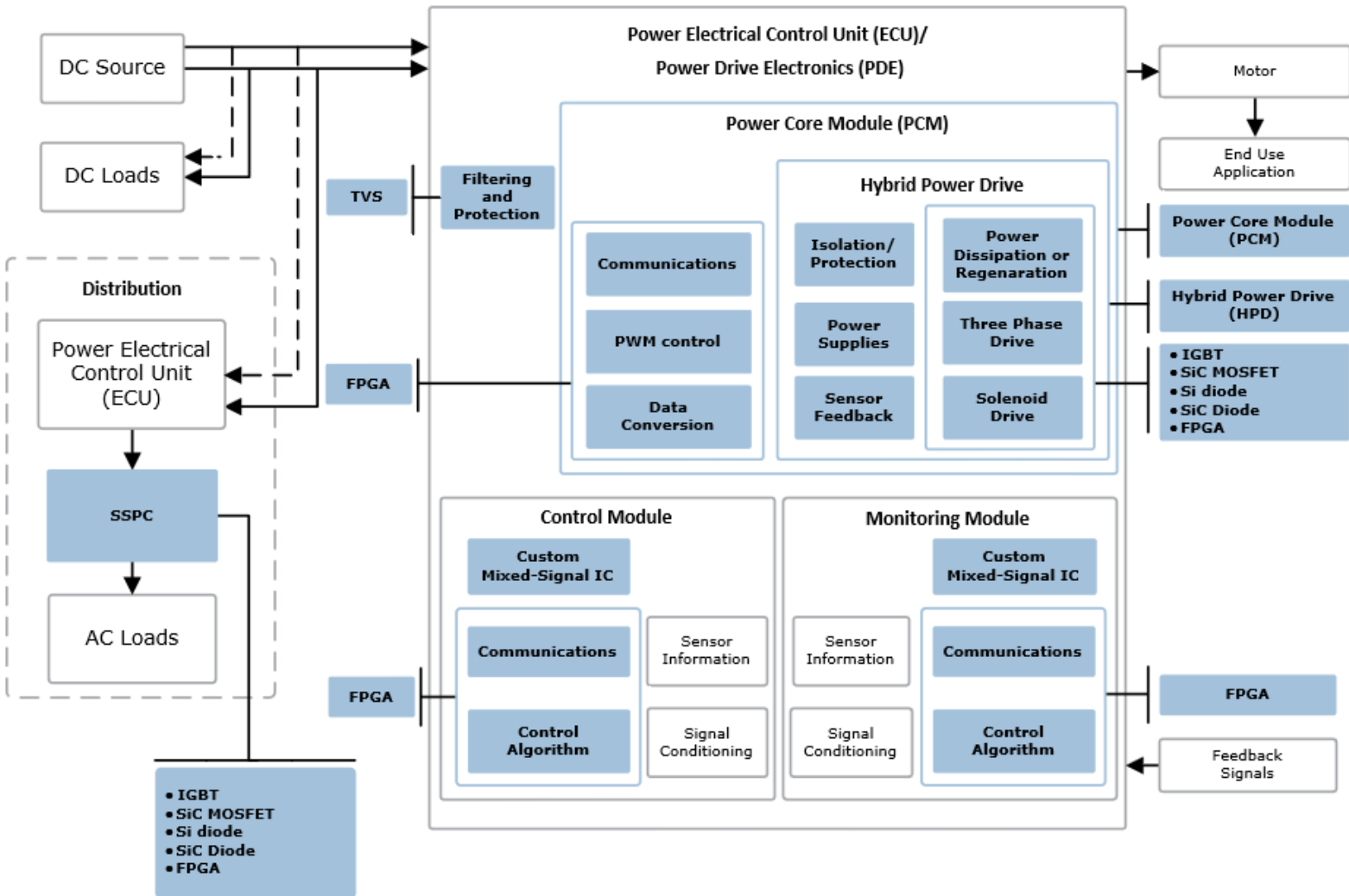
RF & Microwave Systems



<< BACK



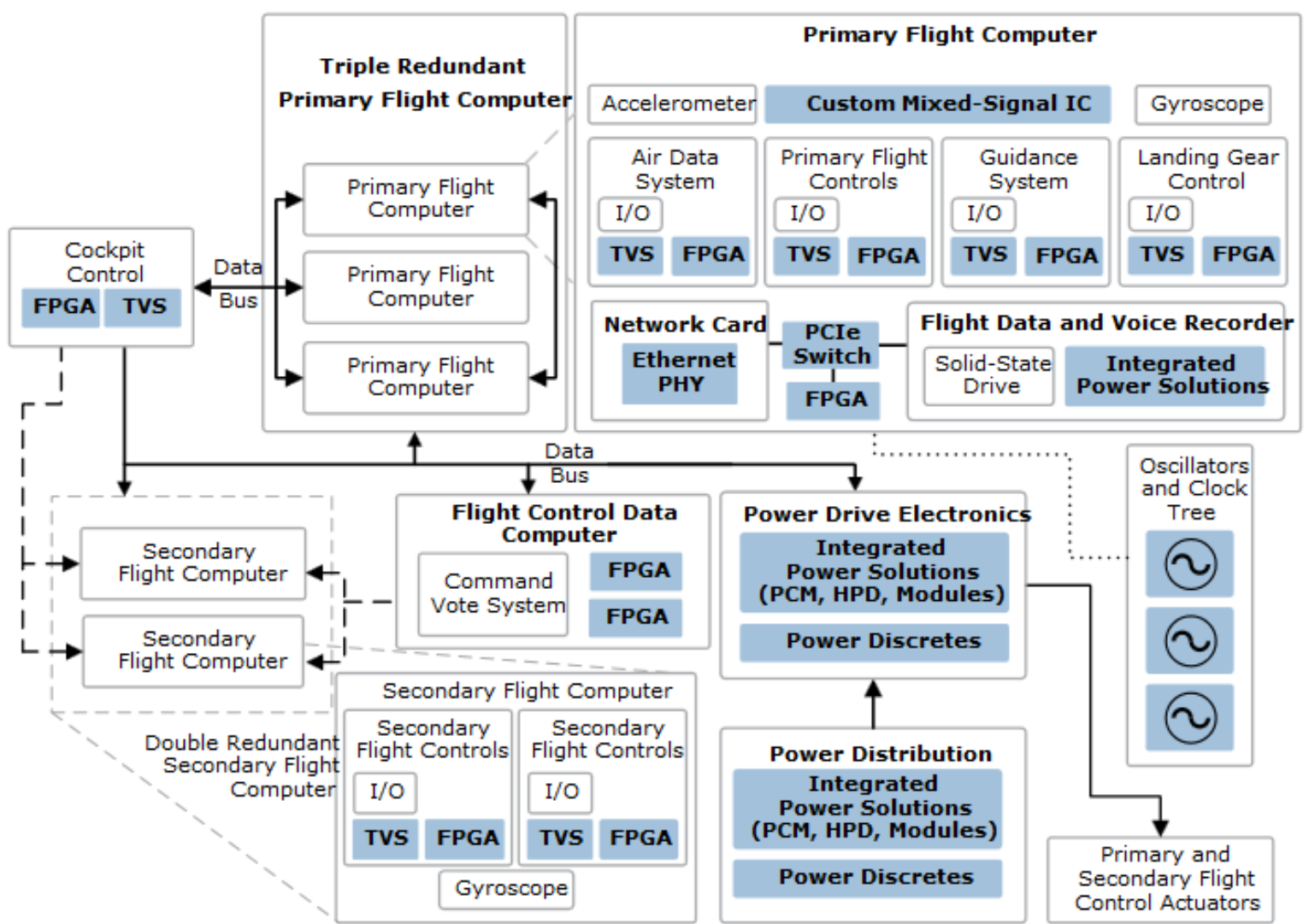
Actuation Systems



<< BACK



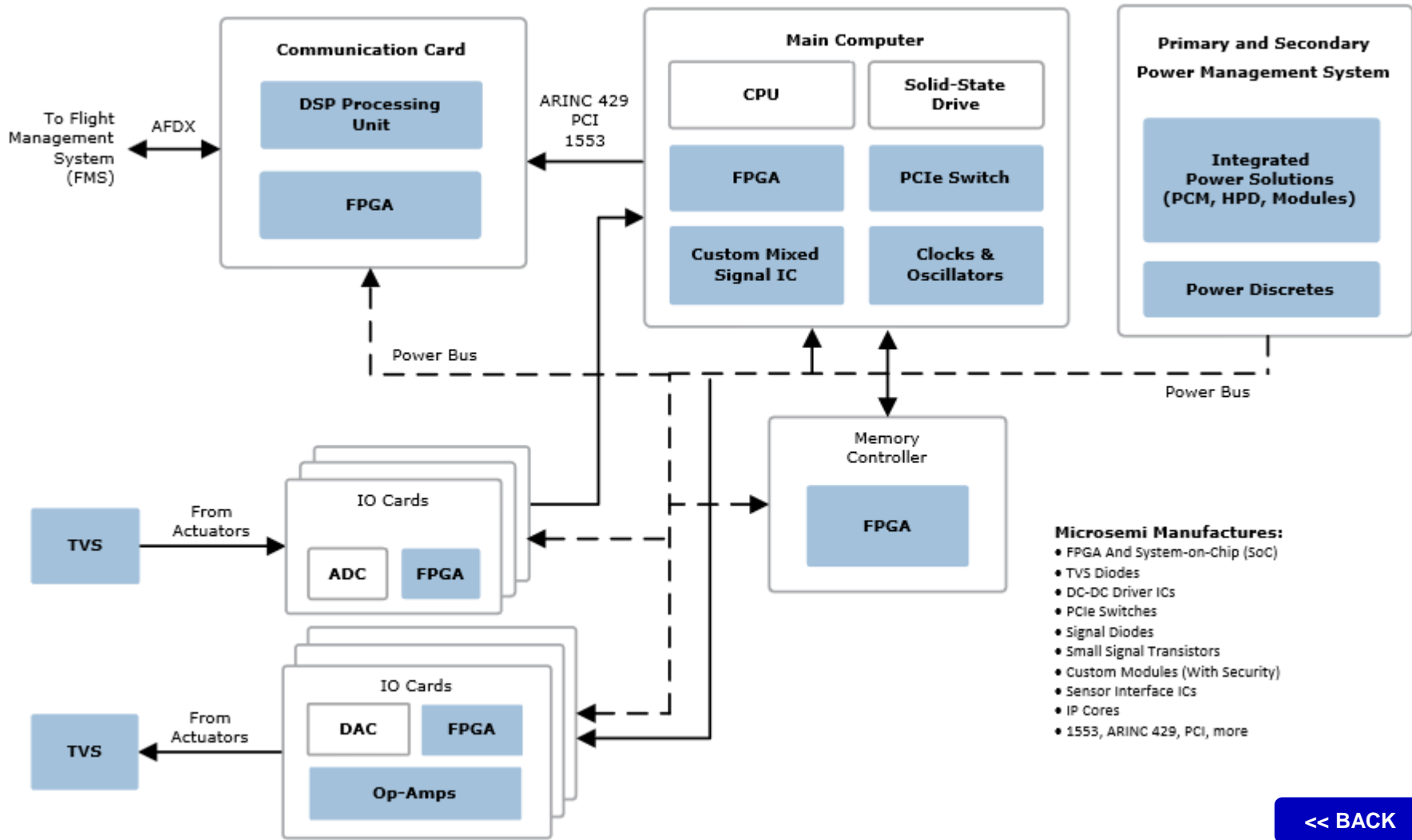
Cockpit Avionics



<< BACK



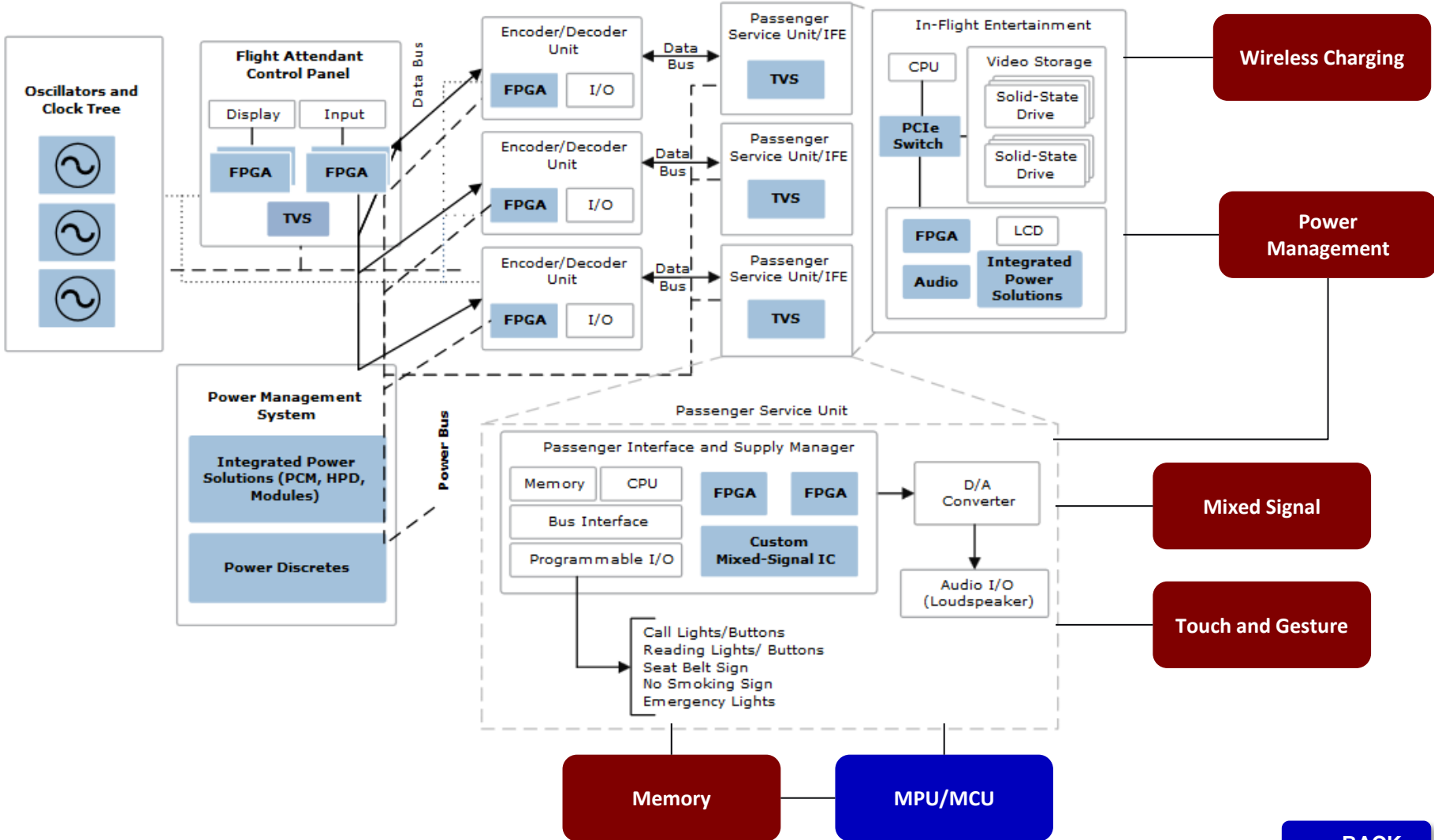
Engine Systems & Controls



<< BACK



Cabin Management System



<< BACK



Space

Telemetry Tracking
and Control

Electrical Power

Digital
Communication
Payload

Transparent RF
Transponder

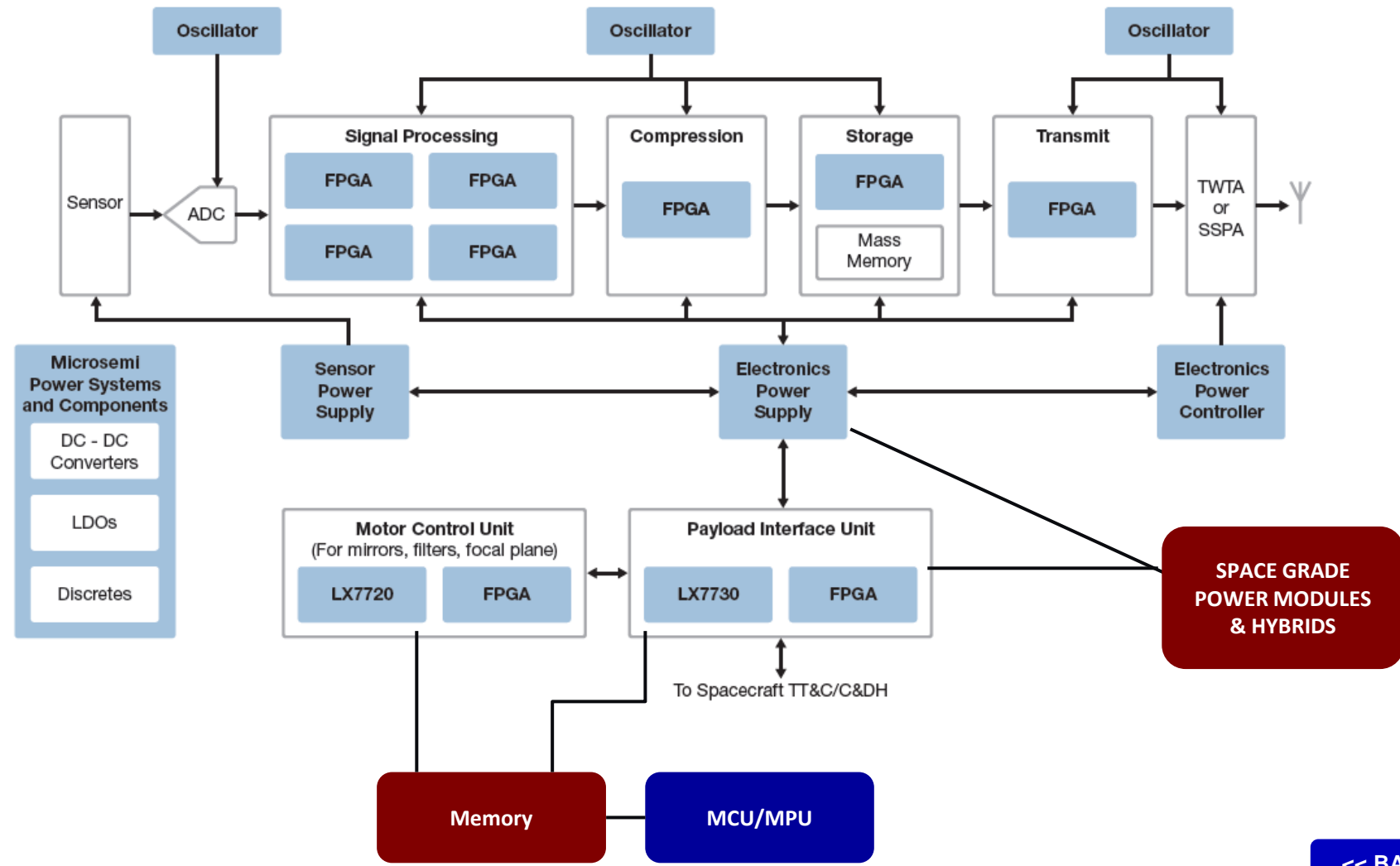
Attitude and Orbit
Control

Remote Sensing
Payload

<< BACK



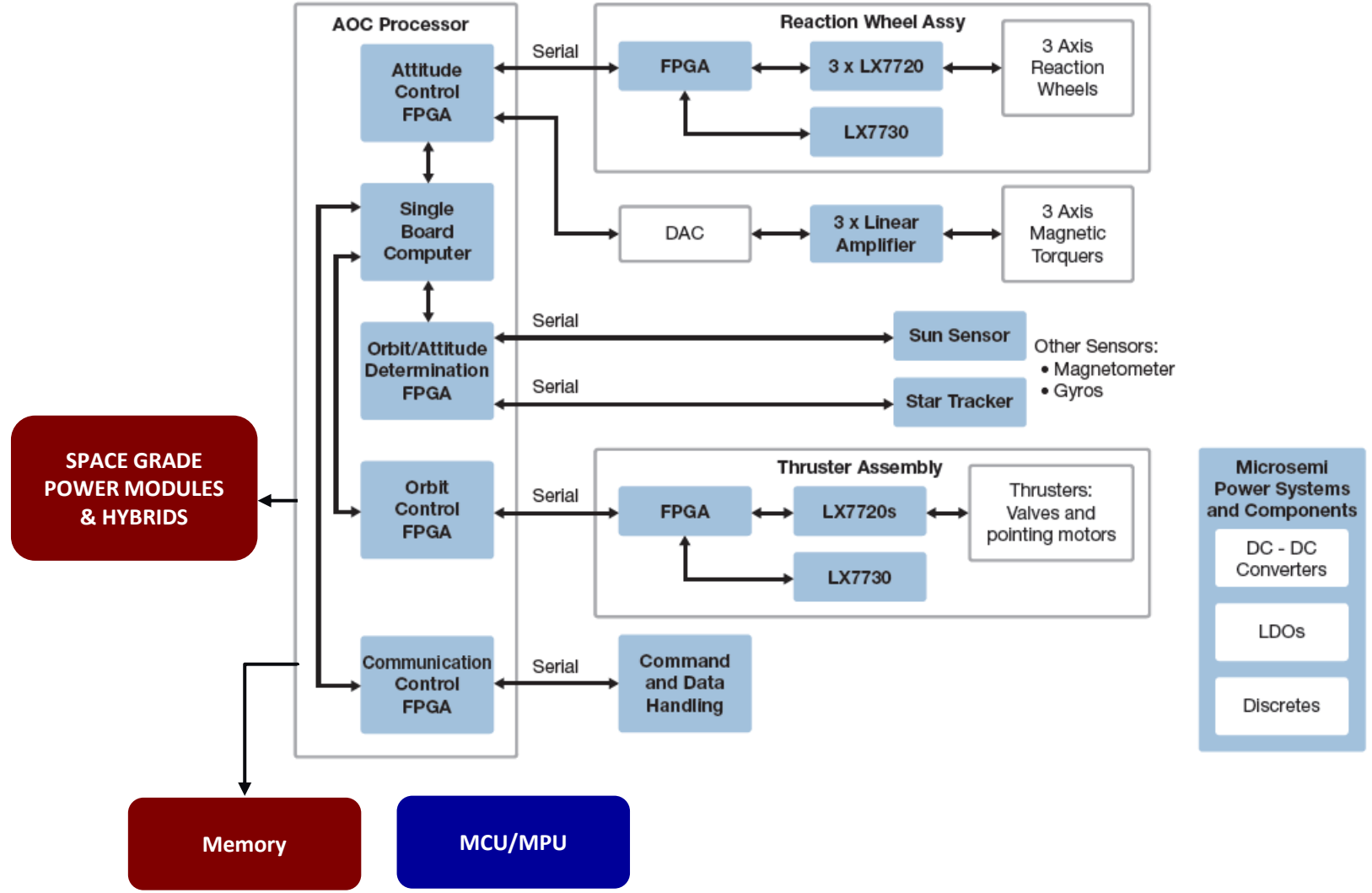
Remote Sensing Payload



<< BACK



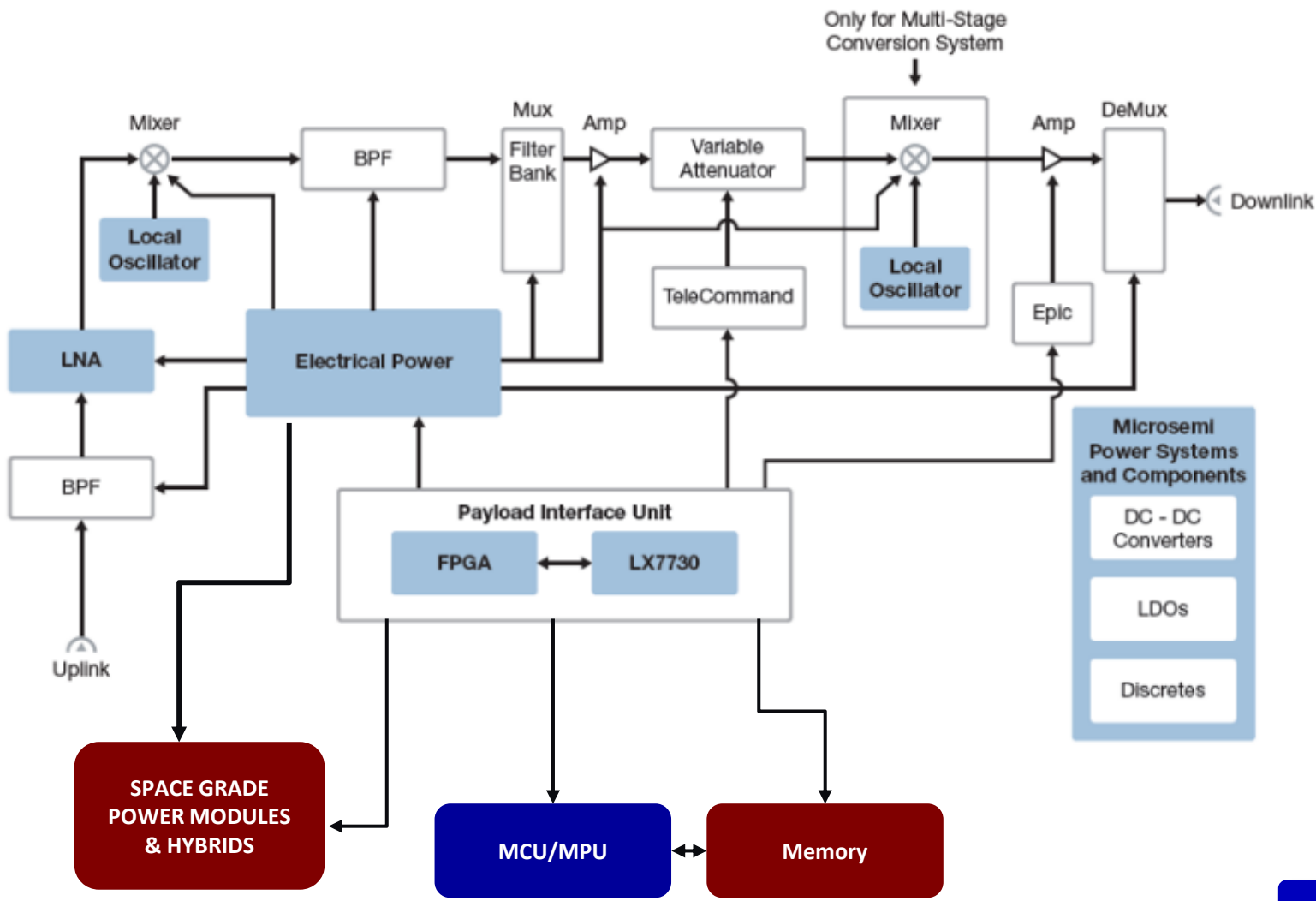
Attitude and Orbit Control



<< BACK



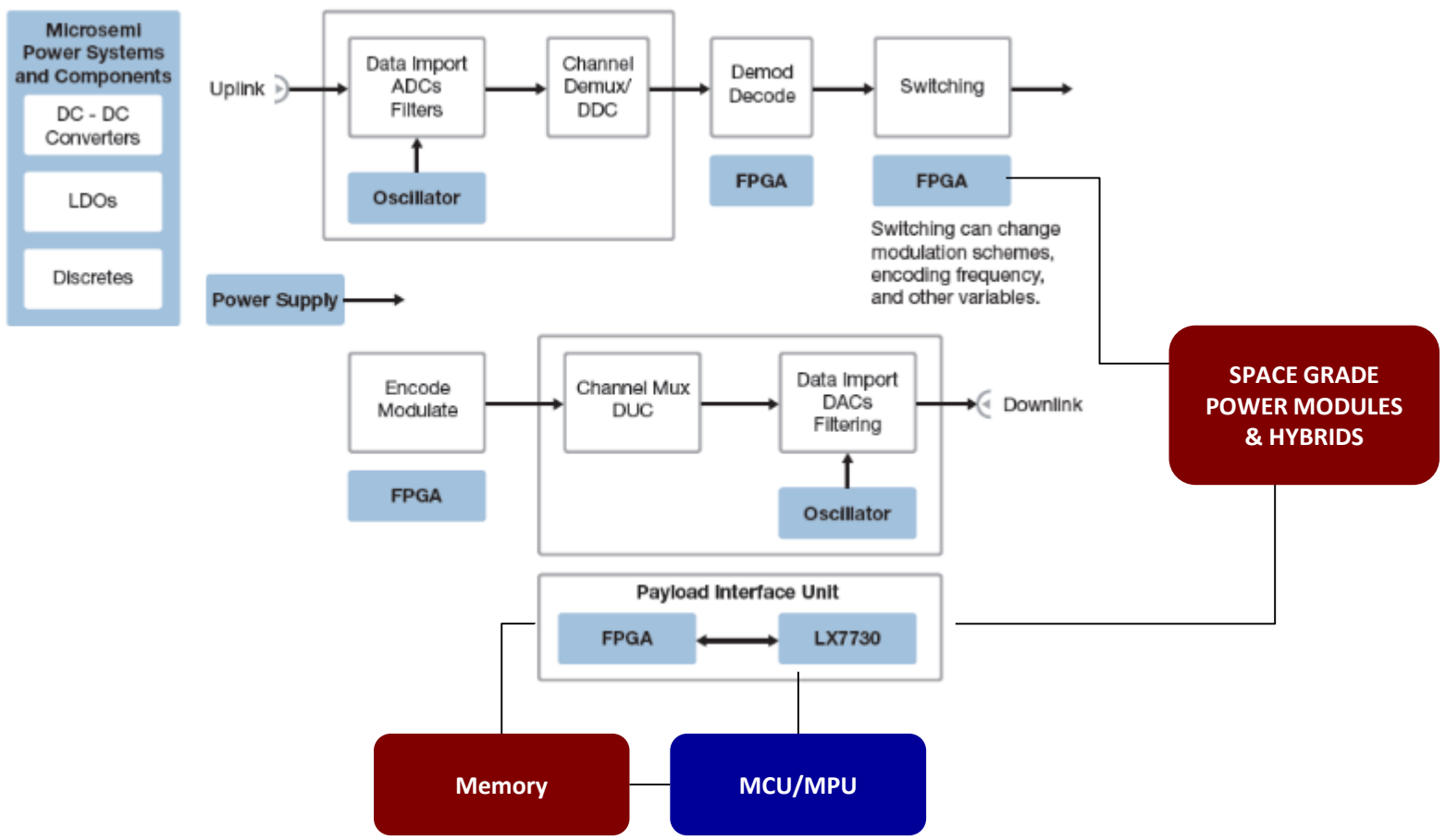
Transparent RF Transponder



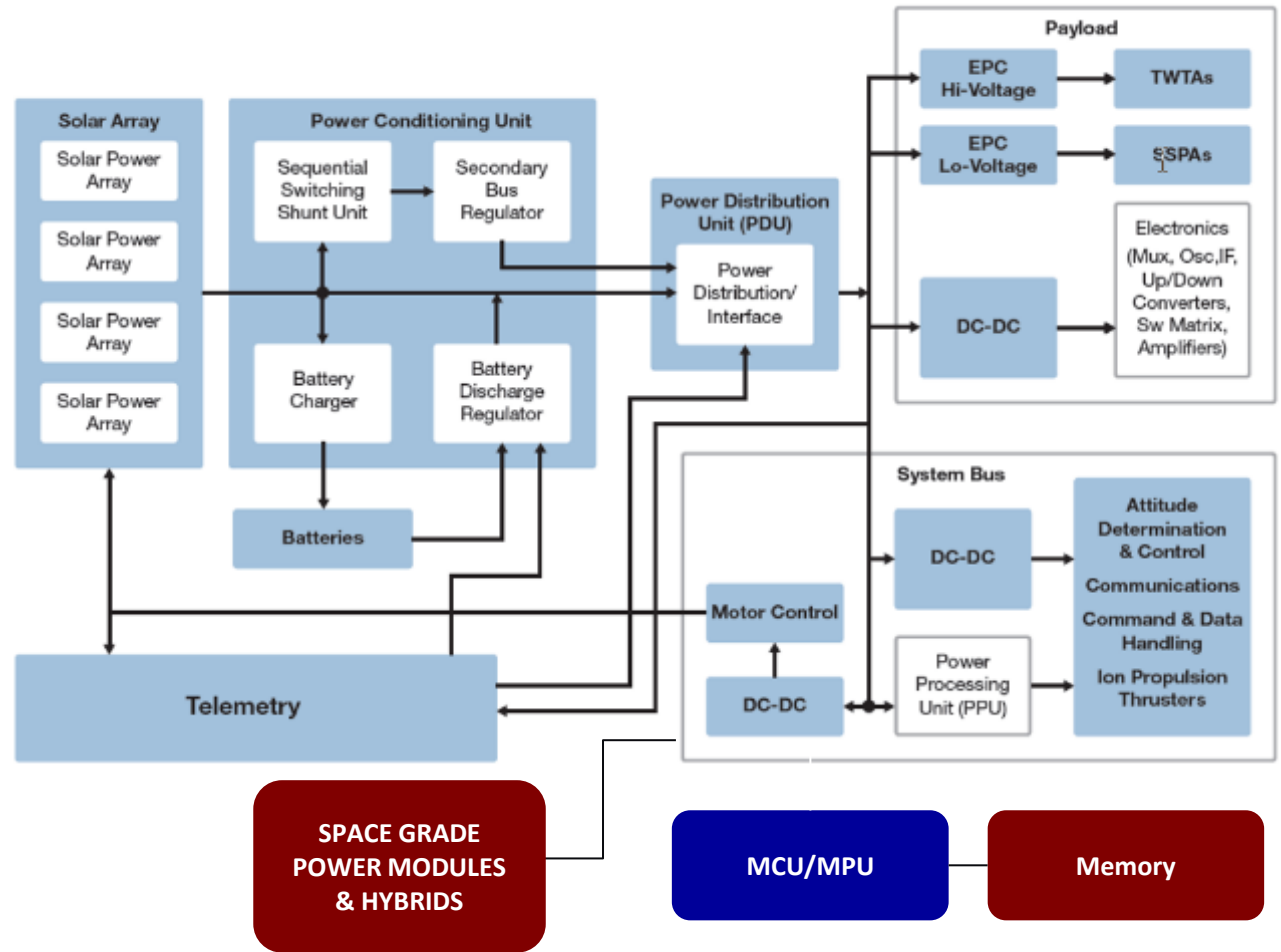
<< BACK



Digital Communication Payload



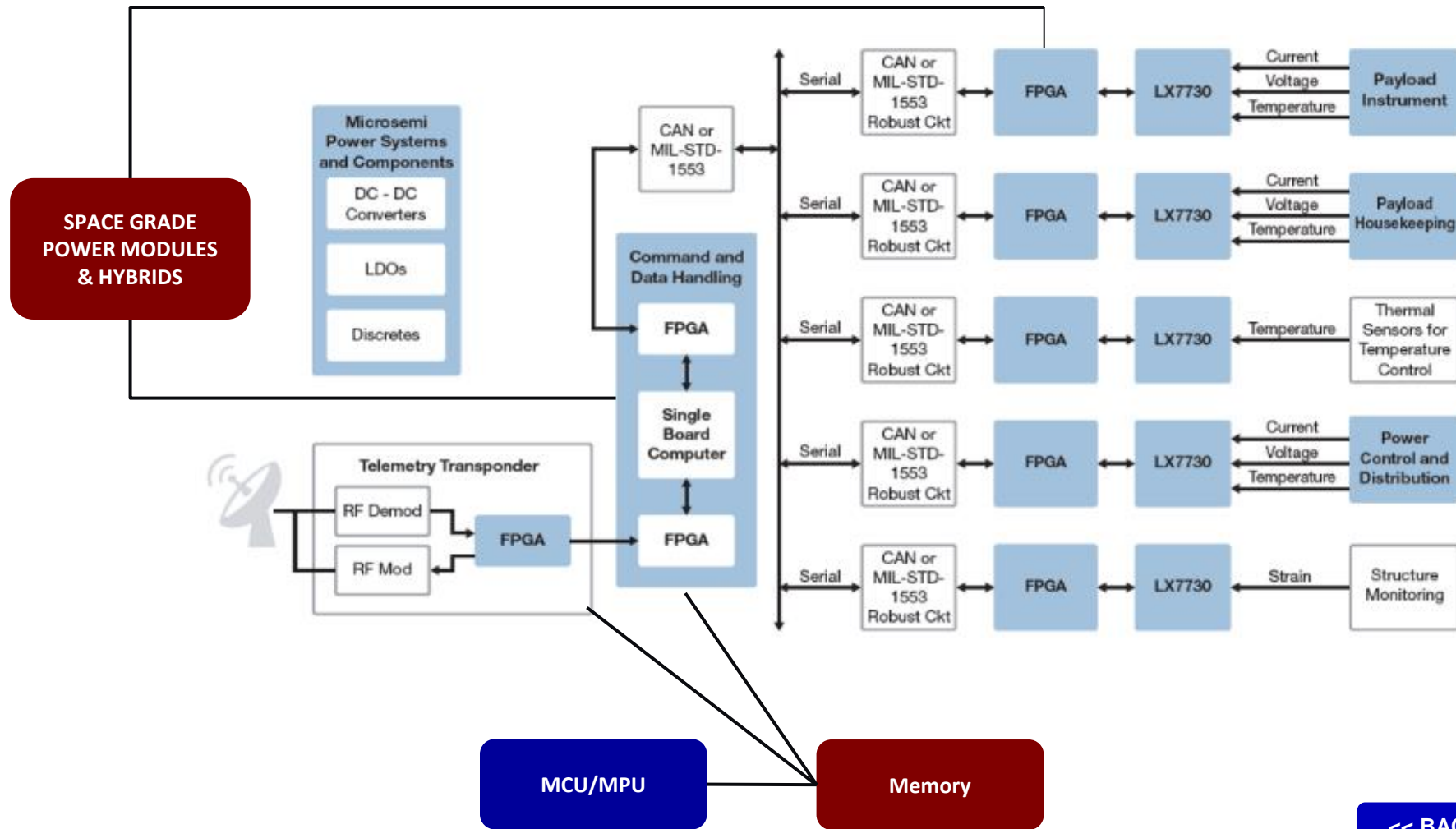
Electrical Power



<< BACK



Telemetry Tracking and Control



<< BACK



Microchip Analog Products for Motor Control Applications



Microchip's Winning Attributes

- Industry standard footprint – Dual H-bridge motor drivers
- **Lowest supply current Vs. major competitors!**
- Integrated sensorless sinusoidal algorithm – 3-phase BLDC fan drivers (3mm x 3mm DFN, TDFN, UDFN packages)
- Total solution provider with PIC MCU and dsPIC DSC

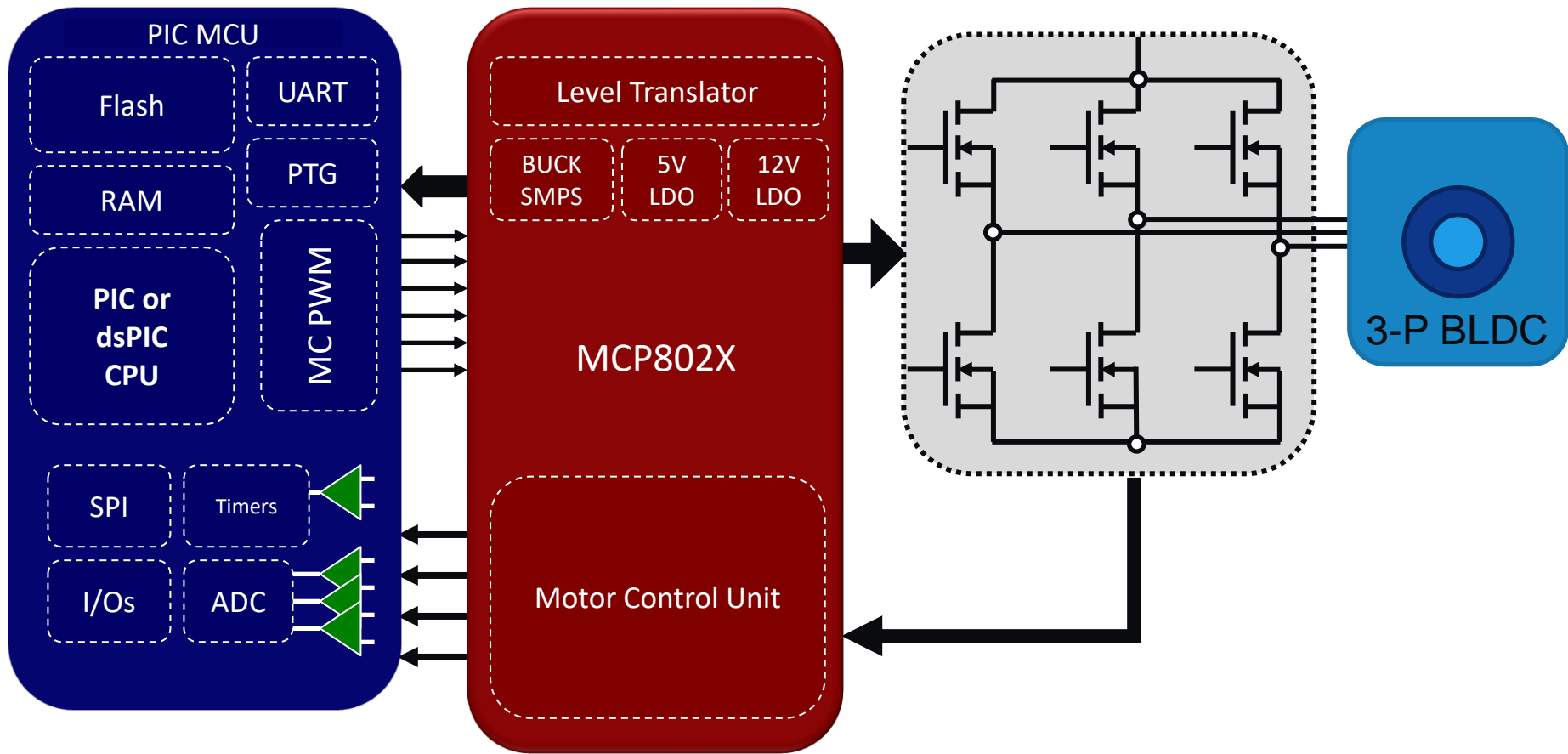


Microchip's Winning Attributes

- One of the first & leading suppliers in MOSFET driver and temperature sensor products
- Large offering of DC-DC converters and Resets covering needed voltages
- RR-I/O op amps reduce design concerns
- Attach sell with PICmicro, frequently used
- Great lead times and customer support
- Growing portfolio of Motor Driver ICs



High Integration Motor Control/ Drive



Motor Control MOSFET

Gate Driver

- Function: power MCU/DSC, sense current, drive MOSFETs and provide housekeeping functions

Popular Products	Description	Product Web Page
MCP8024/6	The three integrated op-amps allows MCP8024/6 provide motor current feedback to broad range of MCUs/DSCs in FOC applications. Both devices operates up to 28V and withstand 48V voltage spikes.	Click here Click here
MCP8025	MCP8025 offers six N-Ch MOSFET drivers to drive MOSFETs efficiently. With zero-crossing output , a standalone op-amp and voltage regulators, it	



High Power Motor Control/Drive High Integration Motor Control/Drive



PIC MCU and dsPIC DSC

- **Function: coordinating all the control and monitor functions - the brain of the system**
- **Popular products: dsPIC33EPMC, dsPIC33FJMC, PIC16F182X, 178X, 75X, 15XX, 193X**
- **Attributes:**
 - Upwards of 32MHz internal OSC
 - 4 channel Programmable Switch Mode Controller (PSMC)
 - Integrated high performance comparators, op-amp, 10/12 bit ADC, 5/8/9 bit DAC, CCP, COG, NCO, CLC
 - Slope compensation
 - 256 bytes of EEPROM
 - Available in various packages

NEXT



PIC16F178x

Enhanced Mid-Range core (EMR)

- Flash Program Memory with self read/write capability
- Data EEPROM
- Low Power Internal 32kHz/32MHz osc.
- Integrated Temperature Indicator
- Up to 14-Channel 10bit / 12bit ADC w/Vref
- Up to (4) PSMC (Programmable Switch Mode Controller)
- Extended Watchdog Timer (EWDT)



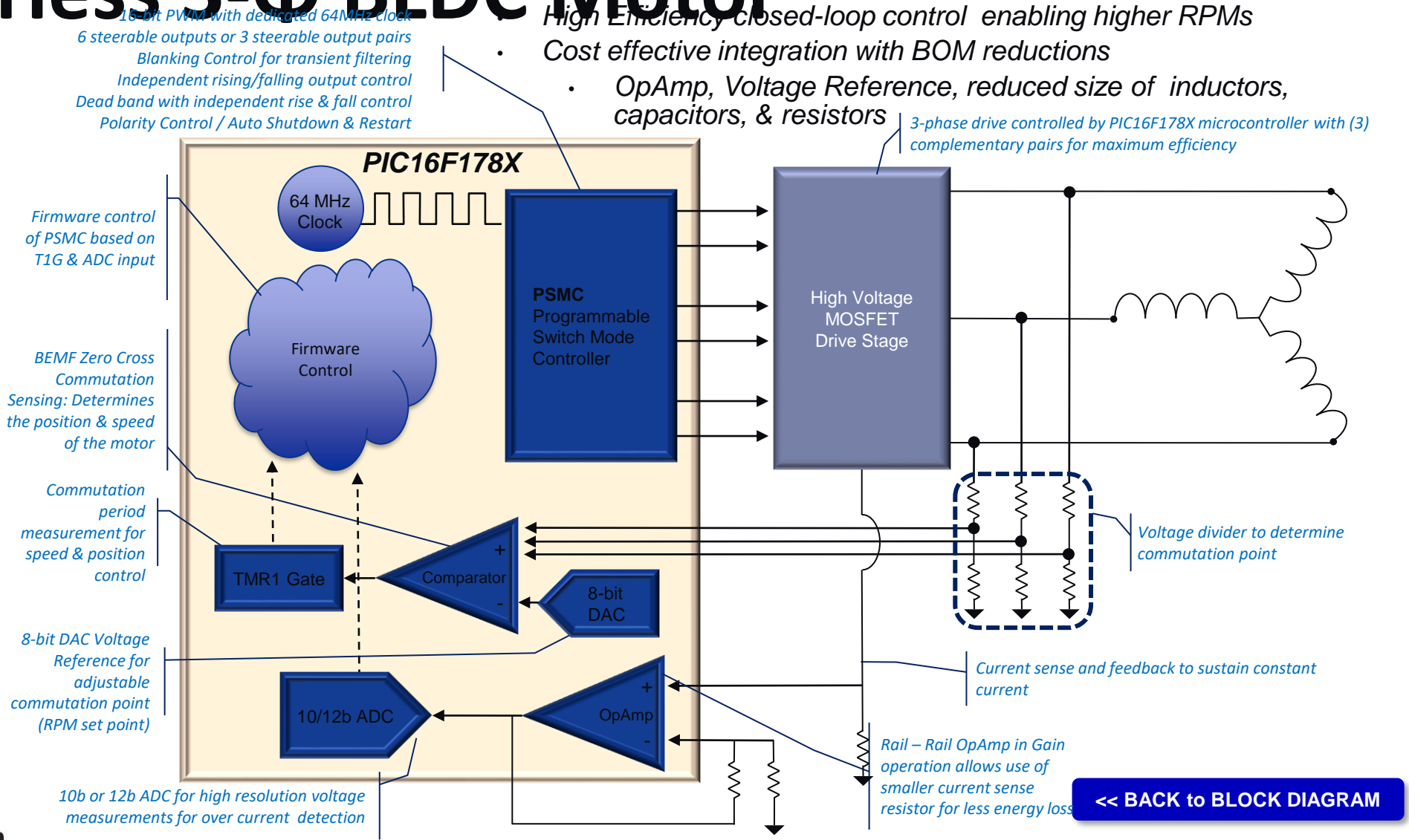
PIC16F178x

Key Features (contd.)

- Up to (4) High Performance Comparators with selectable Voltage Reference
- Up to (3) Operation Amplifiers with rail-to-rail input/output
- Up to (3) CCP (Capture, Compare, PWM)
- (1) 8-bit DAC (Digital to Analog Converter)
- (3) 5-bit DAC (Digital to Analog Converter) (PIC16F1788/9 ONLY)
- (1) MI²C, (1) SPI, (1) EUSART w/auto baud
- (2) 8-bit Timer (TMR0/TMR2) & (1) 16-bit Timer (TMR1)



Application Example: Sensorless 3-Φ BLDC Motor

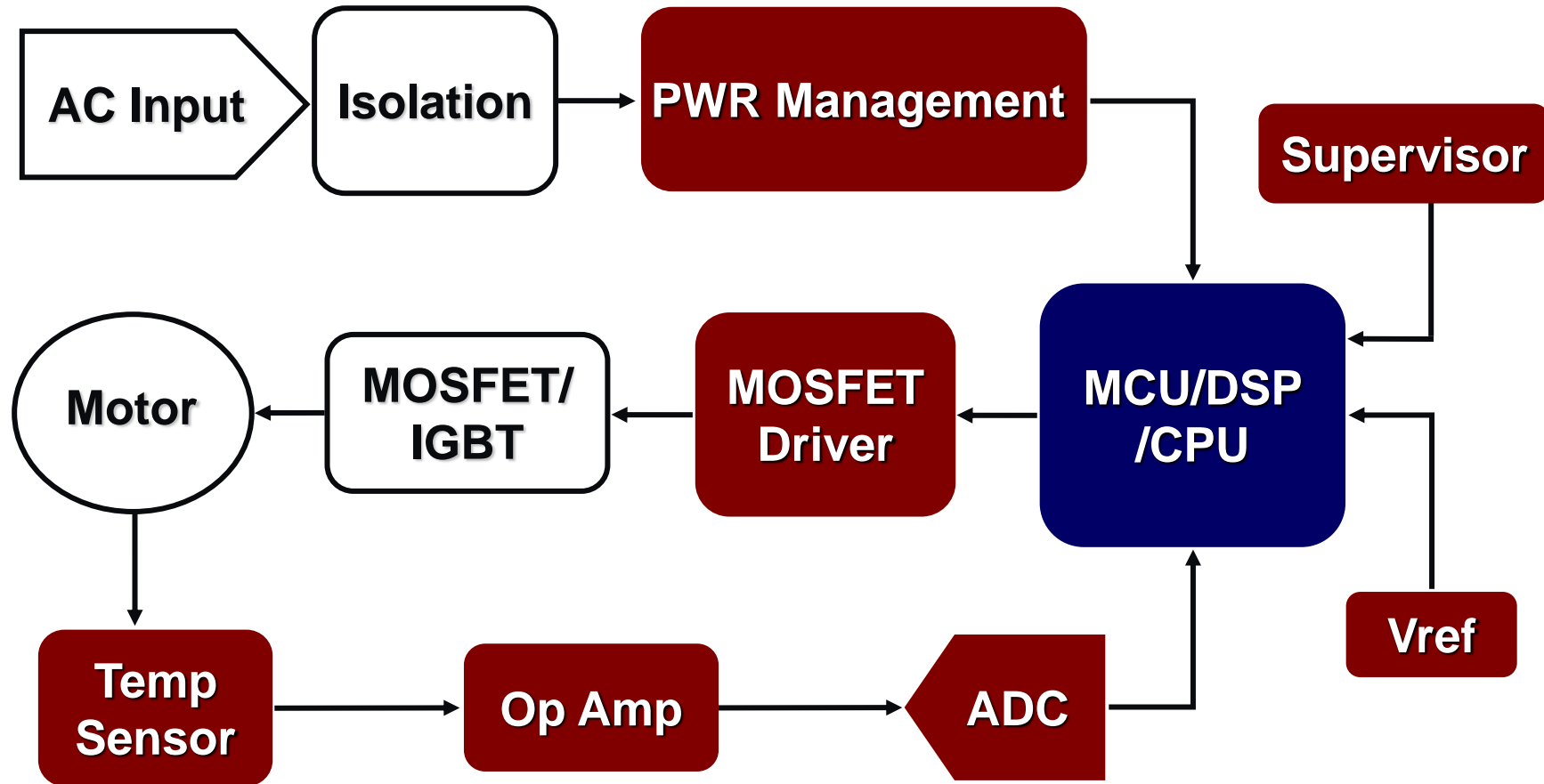


- High Efficiency closed-loop control enabling higher RPMs
- Cost effective integration with BOM reductions
- OpAmp, Voltage Reference, reduced size of inductors, capacitors, & resistors

[<< BACK to BLOCK DIAGRAM](#)



High Power Motor Control/ Drive



Temperature Sensors

- **Function: Measuring and providing Temperature information**

Popular Products	Description	Product Web Page
MCP9808 Digital temperature sensor	The MCP9808 converts temperatures between -20°C and +100°C to a digital word with $\pm 0.5^\circ\text{C}$ (max.) accuracy	Click here
MCP9700 Linear Active Thermistor™ ICs	The output voltage of this device is directly proportional to measured temperature. The MCP9700 can accurately measure temperature from -40C to +150C with the output calibrated to a slope of 10mV/°C and has a DC offset of 500mV.	Click here



Temperature Sensors

Attributes: Winning Attributes

- Small SC70, SOT-23 and DFN leadless packages
- Very low operating current: 35 to 250 μ A (typ)
- Very low shutdown current: 1 μ A (max)
- High temp accuracy: $\pm 0.25^{\circ}$ C
- Simple operation: no need for external components
- Analog and digital (SPITM, I2CTM, SMBusTM) devices
- High temperature resolution



Low-Power LDOs

- **Function: providing regulated, low-noise supply voltages for the system**

Popular Products	Description	Product Web Page
MCP1700 6V LDO	The MCP1700 can source up to 250mA of current with an extremely low input-output voltage differential of 178mV at 250mA. with the low current consumption of only	Click here Click here
MIC5239 30V LDO	The MIC5239 is a low quiescent current, μ Cap low-dropout regulator. With a maximum operating input voltage of 30V and a quiescent current of 23 μ A, it is ideal for supplying keeping live power systems with high voltage batteries.	BACK to BLOCK DIAGRAM



Low-Power LDOs

Attributes: Winning Attributes

- Extremely low operating current: as low as 1 μ A
- High output voltage accuracy
- Stability with ceramic capacitors
- Wide range of output voltage options
- Space-saving SC70 and SOT-23 packages
- Wide range of features: shutdown mode



RESET Monitors

- **Function:** System supervisor circuits designed to monitor VCC in digital systems and provide a reset signal to the host processor when needed

Popular Products	Description	Product Web Page
TCM809	The reset output is driven active within 20 μ sec of VCC falling through the reset voltage threshold. Reset is maintained active for a minimum of 140msec after VCC rises above the reset threshold.	Click here
MCP1xx	The MCP1xx are a family of voltage supervisory devices which also operates as protection from brown-out conditions when the supply voltage drops below a safe operating level.	Click here

[Viewing Attributes](#)

[<< BACK to BLOCK DIAGRAM](#)



RESET Monitors

Attributes: Winning Attributes

- Tiny SOT-23 and SC-70 packages
- Very low operating current: as low as 1 μ A (max)
- High threshold voltage accuracy: $\pm 2.8\%$ (max)
- V_{DD} transient immunity
- Many available options: push-pull output, open-drain output and internal pull-up resistor



Half Bridge MOSFET Drivers

- Function: driving the high power devices (MOSFETs in synch. Buck configuration)

Popular Products	Description	Product Web Page
MIC4605 85V Half Bridge MOSFET Driver With Adaptive Dead Time (ADT)	The MIC4605 is an 85V half-bridge MOSFET driver that features adaptive-dead-time and shoot-through protection. The adaptive-dead-time circuitry actively monitors the half-bridge outputs to minimize the time between high-side and low-side MOSFET transitions, thus maximizing power efficiency.	Click here



Synchronous Buck MOSFET Drivers

- **MIC4605 Attributes:**

- Drives Up to 85V high-side and low-side N-Channel MOSFETs with independent inputs or with a single PWM signal
- Adaptive Dead Time and Shoot thru protection



Operational Amplifiers

- **Function: buffering and filtering sensor feedback**

Popular Products	Description	Product Web Page
MCP6004	The MCP6004 is a quad general purpose op amp offering rail-to-rail input and output over the 1.8 to 6V operating range. This amplifier has a typical GBWP of 1 MHz with typical quiescent current of 100 microamperes.	Click here
MCP6H04	MCP6H04 has a wide supply voltage range of 3.5V to 16V and rail-to-rail output operation. This device has a gain bandwidth product of 1.2 MHz (typical), while only drawing 135 μ A/amplifier (typical) of quiescent current.	Click here
MCP6294	MCP6294 provide wide bandwidth of 10 MHz Gain Bandwidth Product. This family also operates from a single supply voltage as low as 2.4V to 6V, while drawing 1 mA (typical) quiescent current.	Click here

Winning Attributes

<< BACK to BLOCK DIAGRAM



Operational Amplifiers

- **Attributes:**

- Small SC-70, TDFN and SOT-23 packages
- GBWP: 9 kHz to 60MHz
- Excellent operating current-to-GBWP ratio
- Mostly rail-to-rail inputs and outputs
- Offset voltage: as low as 2 μ V (MCP6V0x)
- Chip Select capability for power savings



Analog-to-Digital Converters

- **Function: converting analog feedback signals from motor to digital signals for MCU**

Popular Products	Description	Product Web Page
MCP3221	The MCP3221 is a 12-bit SAR A/D converter. Available in the SOT-23 package, the MCP3221 provides a low max. conversion current and standby current of 250 μ A and 1 μ A respectively. Communication to the MCP3221 is performed using a 2-wire I2C™ Compatible interface. The MCP3221 runs on a single supply voltage range of 2.7 V to 5.5 V.	Click here
MCP3201	The MCP3201 is a 100ksps, 1 input channel, 12-bit SAR A/D Converter (ADC) that combines high performance and low power consumption in a small package, making it ideal for embedded control applications. The MCP3201 features SPI serial interface, allowing 12-bit ADC capability to be added to any PIC® microcontroller.	Click here
MCP33111	The MCP33111 12-bit, 1Msps, SAR A/D Converter (ADC) features a full differential input, high performance and low power consumption in a small package, making it ideal for battery powered systems and remote data acquisition applications. The MCP33111 features SPI serial interface, allowing 12-bit ADC capability to be added to any PIC® microcontroller.	Click here

Winning Attributes

<< BACK to BLOCK DIAGRAM



Analog-to-Digital

Converters

SAR ADC Attributes:

- Resolution: 10 to 16 bits
- Max sampling rate: up to 1 Msps
- Linearity: ± 1 LSB DNL, ± 1 LSB INL
- Current consumption: 175 to 2400 μ A (max.)
- Single supply voltage: 1.7V to 5.5V
- Small packages: SOT-23 and MSOP



Voltage References

- **Function: providing the system with an accurate analog voltage for comparison (needed for ADC)**

Popular Products	Description	Product Web Page
MCP1525/41	MCP1525/41 is a low power, high precision voltage reference. It provides a precise output voltage of 4.096V which is then compared to other voltages in the system.	Click here
MCP1501	The MCP1501 is an automotive qualified (Q100) high-precision buffered voltage reference with an initial accuracy of 0.10% and is available in 8 voltage options. The MCP1501 is a low-drift bandgap-based reference and uses chopper-based amplifiers which significantly reduces the drift and provides high current output.	Click here



Voltage References

- **Attributes:**
 - 1.2V (TC1070), 2.5V or 4.096V output
 - Initial accuracy: $\pm 1\%$ (max)
 - Temperature coefficient: 50ppm/ $^{\circ}\text{C}$ (max)
 - Output current: $\pm 2\text{mA}$
 - Operating current: 100 μA (max)
 - Industrial temperature range: -40°C to $+85^{\circ}\text{C}$
 - SOT-23 and TO-92 packages



PIC MCU and dsPIC DSC

- **Function: coordinating all the control and monitor functions - the brain of the system**
- **Popular products: dsPIC33EPMC, dsPIC33FJMC, PIC16F182X, 178X, 75X, 15XX, 193X**
- **Attributes:**
 - Upwards of 32MHz internal OSC
 - 4 channel Programmable Switch Mode Controller (PSMC)
 - Integrated high performance comparators, op-amp, 10/12 bit ADC, 5/8/9 bit DAC, CCP, COG, NCO, CLC
 - Slope compensation
 - 256 bytes of EEPROM
 - Available in various packages

NEXT



PIC16F178x

Key Features

- Enhanced Mid-Range core (EMR)
- Flash Program Memory with self read/write capability
- Data EEPROM
- Low Power Internal 32kHz/32MHz osc.
- Integrated Temperature Indicator
- Up to 14-Channel 10bit / 12bit ADC w/Vref
- Up to (4) PSMC (Programmable Switch Mode Controller)
- Extended Watchdog Timer (EWDT)



PIC16F178x

Key Features (contd.) Up to (4) High Performance Comparators with selectable Voltage Reference

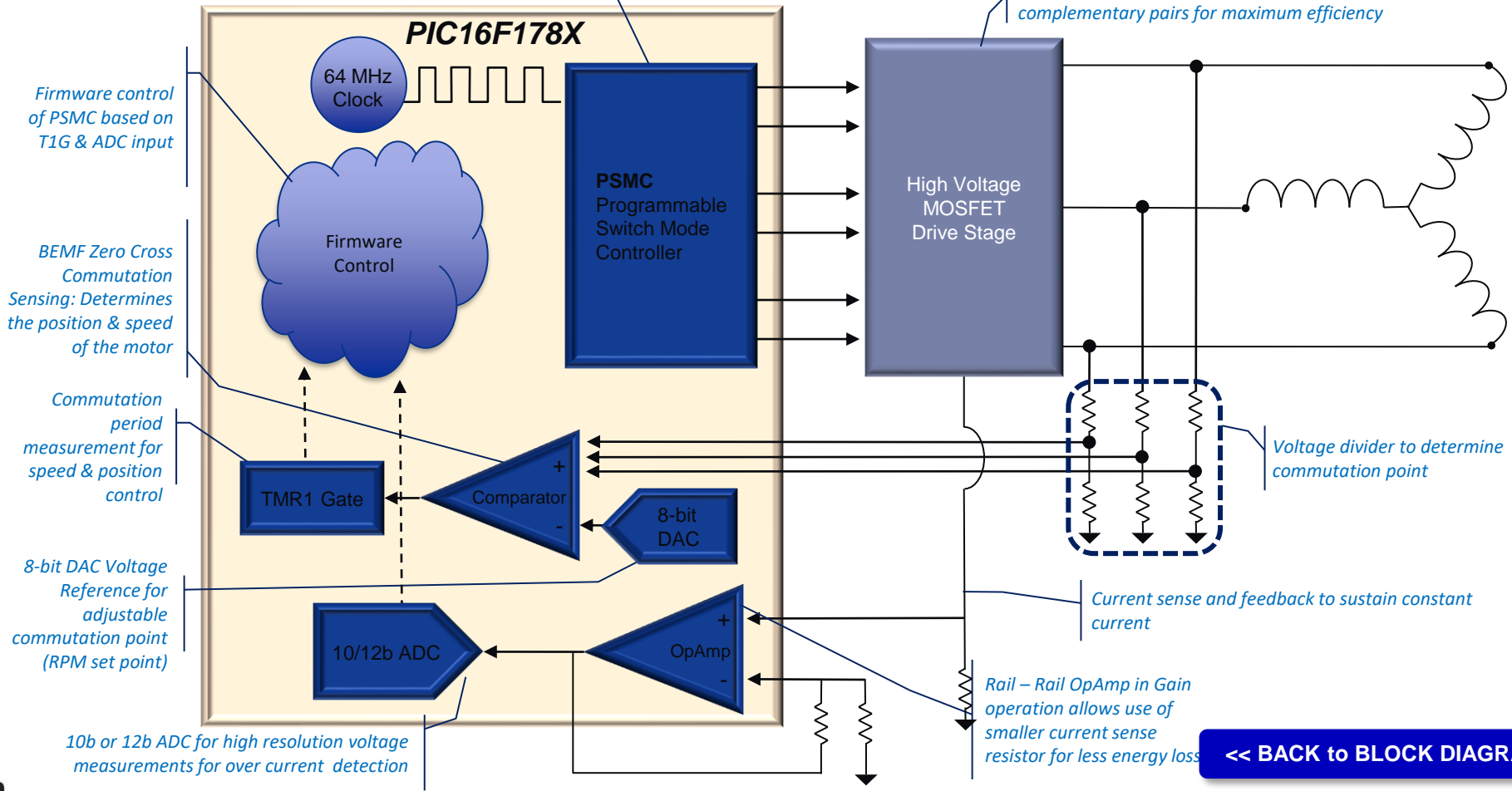
- Up to (3) Operation Amplifiers with rail-to-rail input/output
- Up to (3) CCP (Capture, Compare, PWM)
- (1) 8-bit DAC (Digital to Analog Converter)
- (3) 5-bit DAC (Digital to Analog Converter) (PIC16F1788/9 ONLY)
- (1) MI²C, (1) SPI, (1) EUSART w/auto baud
- (2) 8-bit Timer (TMR0/TMR2) & (1) 16-bit Timer (TMR1)



Sensorless 3-Phase BLDC Motor

- 16-bit PWM with dedicated 64MHz clock
- 6 steerable outputs or 3 steerable output pairs
- Blanking Control for transient filtering
- Independent rising/falling output control
- Dead band with independent rise & fall control
- Polarity Control / Auto Shutdown & Restart

- High Efficiency closed-loop control enabling higher RPMs
- Cost effective integration with BOM reductions
 - OpAmp, Voltage Reference, reduced size of inductors, capacitors, & resistors
- 3-phase drive controlled by PIC16F178X microcontroller with (3) complementary pairs for maximum efficiency



[<< BACK to BLOCK DIAGRAM](#)



Microchip Analog Products for Signal Chains

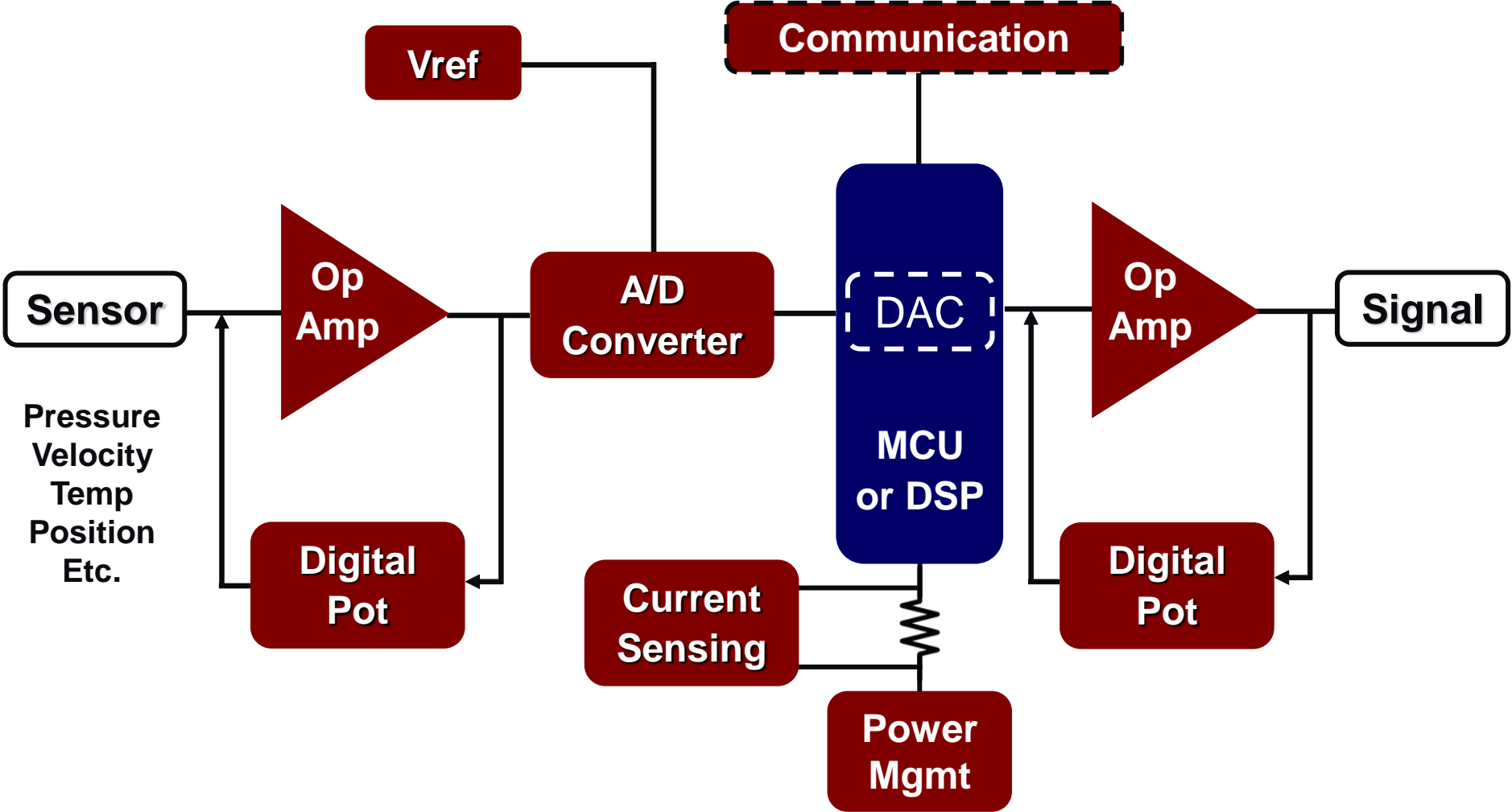


Microchip's Winning Attributes

- **Low operating current to extend battery life**
- **A wide variety of analog and digital products for complete system solution**
- **Integration & small packages to occupy smaller footprints on the board and reduce cost**
- **High accuracy by trimming offset after packaging using non-volatile memory**
- **Competitive pricing for making the end equipment attractive on the market**
- **Great lead times and customer support**



Typical Signal Chain Diagram



Current Sensing

- **Function: To measurement current and voltage and communicate over SMBus**

Popular Products	Description	Product Web Page
PAC1710	The PAC1710 is a high-side bi-directional current sensing monitor with precision voltage measurement capabilities. The power monitor measures the voltage developed across an external sense resistor to represent the high-side current of a battery or voltage regulator.	Click here
PAC1720	The PAC1720 is a dual high-side bi-directional current sensing monitor with precision voltage measurement capabilities. Each sensor measures the voltage developed across an external sense resistor to represent the high-side current of a battery or voltage regulator.	Click here

<< BACK to BLOCK DIAGRAM



Operational Amplifiers

- **Function: buffering and filtering sensor signals for preserving signal characteristics and rejecting unwanted frequencies**

Popular Products	Description	Product Web Page
MCP6404	The MCP6404 is a quad general purpose op amp offering rail-to-rail input and output over the 1.8 to 6V operating range. This amplifier has a typical GBWP of 1 MHz with typ. quiescent current of 40microamperes.	Click here
MCP6N11	The MCP6N11 single instrumentation amplifier is optimized for single-supply operation with rail-to-rail input and output performance. Two external resistors set the gain, minimizing gain error and drift over temperature. The supply voltage range of 1.8V to 5.5V is low enough to support many portable applications	Click Here
Additional Suggested Products: MCP60x, MCP644x, MCP600x, MCP603x, MCP6Vxx		



Operational Amplifiers

- **Attributes:**

- Small SC-70, TDFN and SOT-23 packages
- GBWP: 9 kHz to 60MHz
- Excellent operating current-to-GBWP ratio
- Mostly rail-to-rail inputs and outputs
- Offset voltage: as low as 2 μ V (MCP6V0x)
- Chip Select capability for power savings



Analog-to-Digital Converters

- **Function: Converting analog voltage or current signal (pressure, position, temperature, etc.) into digital data that a microcontroller can use**

Popular Products	Description	Product Web Page
MCP3221	The MCP3221 is a 12-bit SAR A/D converter. Available in the SOT-23 package, the MCP3221 provides a low max. conversion current and standby current of 250 μ A and 1 μ A respectively. Communication to the MCP3221 is performed using a 2-wire I2C™ Compatible interface. The MCP3221 runs on a single supply voltage range of 2.7 V to 5.5 V.	Click Here
MCP3421	The MCP3421 is a single channel low-noise, high accuracy Delta-Sigma A/D converter with differential inputs and up to 18 bits of resolution in a small SOT-23-6 package. The device uses a two-wire I2C™ compatible serial interface and operates from a single power supply ranging from 2.7V to 5.5V.	Click Here



Analog-to-Digital

Converters

SAR Attributes:

- Resolution: 10 to 16 bits
- Max sampling rate: up to 1 Msps
- Linearity: ± 1 LSB DNL, ± 1 LSB INL
- Current consumption: 175 to 2400 μ A (max.)
- Single supply voltage: 1.7V to 5.5V
- Small packages: SOT-23 and MSOP

• Delta-Sigma Attributes:

- Resolution: 16 to 22 bits
- Max sampling rate: up to 240 sps
- Current consumption: 120 to 155 μ A (max.)
- Single supply voltage: 2.7V to 5.5V
- Small packages: SOT-23 and MSOP

BACK



Digital Potentiometers

- **Function: buffering and filtering sensor signals for preserving signal characteristics and rejecting unwanted frequencies**

Popular Products	Description	Product Web Page
MCP4021	The MCP402X devices are non-volatile, 6-bit (64 wiper steps) digital potentiometers that are programmed/reprogrammed through a simple up/down serial interface.	Click Here
MCP45xx	The MCP45XX devices offer a wide range of product offerings using an I2C™ Compatible interface. This family of devices support a 7-bit resistor network, Non-Volatile memory configurations, and Potentiometer and Rheostat pinouts. WiperLock Technology allows application-specific calibration settings to be secured in the EEPROM.	Click Here
Additional Suggested Products: MCP46xx, 43xx, MCP44xx		

Winning Attributes

<< BACK to BLOCK DIAGRAM



Digital Potentiometers

- **Attributes:**
 - 6 to 8-bit resolution
 - 2k, 5k, 10k, 50k and 100k Ohm options
 - Low operating and shutdown current
 - ± 1 LSB max INL & DNL
 - Single or dual per package
 - Small SOT-23 & 3x2 DFN packages



Voltage References

- **Function: providing the system with an accurate analog voltage for comparison (needed for ADC)**

Popular Products	Description	Product Web Page
MCP1525/41	MCP1525/41 is a low power, high precision voltage reference. It provides a precise output voltage of 4.096V which is then compared to other voltages in the system.	Click Here
MCP1501	The MCP1501 is a high-precision buffered voltage reference with an initial accuracy of 0.10% and is available in 8 voltage options. The MCP1501 is a low-drift bandgap-based reference and uses chopper-based amplifiers which significantly reduces the drift and provides high current output.	Click Here

Winning Attributes

<< BACK to BLOCK DIAGRAM



Voltage References

- **Attributes:**
 - 1.2V (TC1070), 2.5V or 4.096V output
 - Initial accuracy: $\pm 1\%$ (max)
 - Temperature coefficient: 50ppm/ $^{\circ}\text{C}$ (max)
 - Output current: $\pm 2\text{mA}$
 - Operating current: 100 μA (max)
 - Industrial temperature range: -40°C to $+85^{\circ}\text{C}$
 - SOT-23 and TO-92 packages



(Low-Iq) Power

Management ICs

Function: monitoring critical voltage levels and providing regulated, low-noise supply voltages ($V_{in} > V_{out}$) for the system

Popular Products	Description	Product Web Page
MCP1700	The MCP1700 can source up to 250mA of current with an extremely low input-output voltage differential of 178mV at 250mA. with the low current consumption of only	Click Here
TCM809	The reset output is driven active within 20 μ sec of VCC falling through the reset voltage threshold. Reset is maintained active for a minimum of 140msec after VCC rises above the reset threshold.	Click Here
MCP1xx	The MCP1xx are a family of voltage supervisory devices which also operates as protection from brown-out conditions when the supply voltage drops below a safe operating level	Click Here

Winning Attributes

<< BACK to BLOCK DIAGRAM



(Low-Iq) Power Management ICs

Attributes:

- Extremely low operating current: as low as 1 μ A (typ)
- Initial accuracy: $\pm 2\%$
- Wide range of voltage options
- Industrial temperature range: -40°C to +85°C
- SC-70, SOT-23 and TO-92 packages



Infrared

- **Function: providing low-cost, wireless two-way data connection**

Popular Products	Description	Product Web Page
MCP2122	Converts serial data from UART bit streams to IrDA standard bit streams (encodes) and from IrDA standard bit streams to UART bit streams (decodes). Requires input clock that is 16x needed baud rate.	Click Here
MCP2140	MCP2140 embeds IrDA protocol handling and bit encoding/decoding, and provides the lowest cost, lowest power consumption solution for adding IrDA connectivity to embedded systems	Click Here
MCP2155	MCP2155 provided IrDA protocol handling PLUS bit encoding/decoding functionality for Data Communication Equipment (DCE) applications in one low pincount device. Supports the IrCOMM (9-wire cooked service class), TinyTP, IrLMP, and IrLAP layers of the IrDA Standard protocol stack PLUS the bit encoding/decoding portion of the IrPHY	Click Here

Winning Attributes

<< BACK to BLOCK DIAGRAM



Infrared

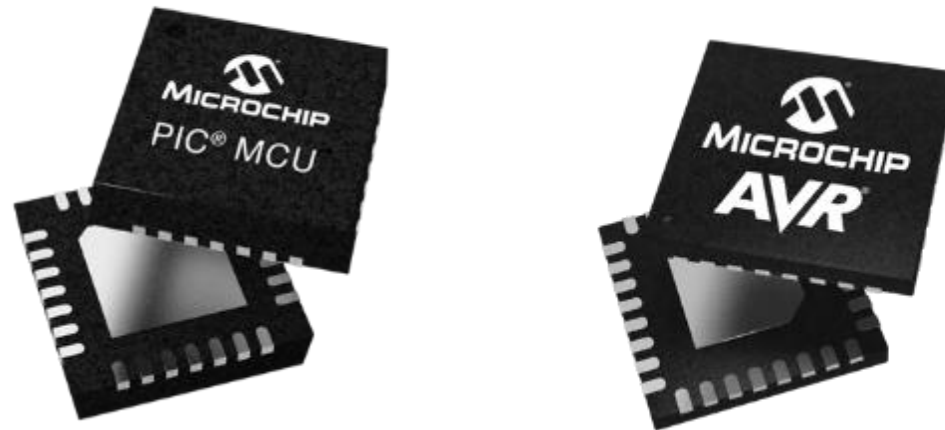
- **Attributes:**

- Enable infrared communication to be easily added to existing system
- IrDA[®] standard protocol embedded on chip (up to 115.2 kbaud)
- DTE and DCE applications supported
- Simple and flexible infrared encoder/decoder
- Easy to use developer's kit



8-bit MCU Highlights

- **PIC[®] MCU and AVR[®] Architectures**
 - Rich history in embedded design
 - Industry's strongest product portfolio
 - Powerful, easy-to-use tool chains
 - Best product lifecycle support
 - Innovative new peripherals



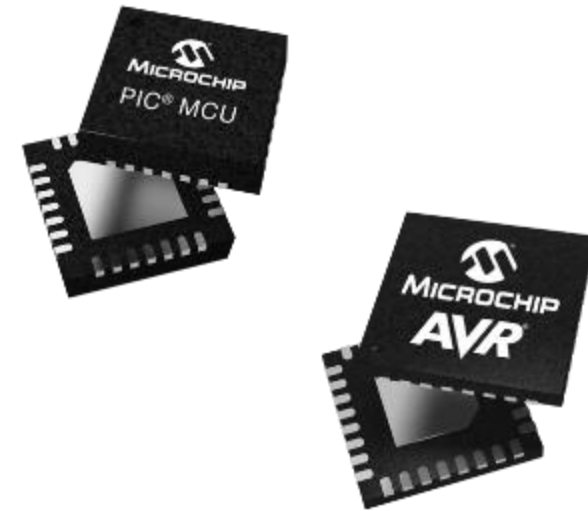
NEXT



8-bit MCU Highlights

More Than 1,250 8-bit MCUs in Our Portfolio!

- **Code-Saving Peripherals**
 - Core Independent Peripherals & Event System
 - Touch sensing technologies
- **Lowest Power**
 - picoPower & XLP technologies
- **Highest Robustness**
 - Reliable operation in the harshest environments
 - Best in class EMI/EMC performance
- **Best Design Community**
 - AVR® Freaks community
 - MPLAB® Xpress community



NEXT

16-bit MCU Highlights

- **Ideal for Low Power, Motor Control and Digital Power**
 - Currently 425+ devices in production, 14 pin thru 144 pin
 - Flash Memory 4KB – 1024KB , RAM 256B – 96KB
 - 16 – 70 MIPS, DSP options
 - High-speed control loop execution with fast and predictable interrupts
- **Flexible Peripherals**
 - Fast and flexible PWMs and ADCs for Motor Control and Digital Power
 - Connectivity with USB, CAN and LIN
 - Integrated drivers for segmented LCD, Graphical TFT and e-Paper displays
 - Analog: 16-bit Sigma-Delta ADC, 10Msps 12-bit ADC, DAC and Op Amps
 - Functional Safety peripherals & functions
- **Lowest power 16-bit MCU**
 - Down to 9 nA in Deep Sleep
 - As low as 170 nA with RTCC active
 - Active mode currents as low as 150 μ A / MHz



16-bit MCU Highlights

- **Free Graphical Programming Environment - MCC**
 - Automated Configuration of Peripherals & Functions
 - Intuitive Interface for Quick Start Development
- **Free Software and Reference Designs**
 - USB, Graphics and Wireless stacks
 - DSP math function library (FFT, IIR, etc.) & Class B library
 - Motor Control libraries and Simulink models
 - Reference designs for Digital Power and Lighting applications
- **Typical Applications**
 - Motor Control: BLDC, PMSM, ACIM, Sensorless Control, FOC
 - Digital Power: Platinum Spec AC/DC, DC/DC, Solar Micro Inverter, PFC
 - Portable or Low Power: Run longer, save power, battery friendly
 - Displays: Directly drive Segmented or Graphical displays with single chip
- **Development Support from Microchip**
 - Silicon, Dev Tools, IDE, Compilers all from one vendor

[<< BACK to BLOCK DIAGRAM](#)



Microchip Analog Products for Wireless Handsets and Modules

[<< BACK to CONTENTS](#)

[NEXT](#)

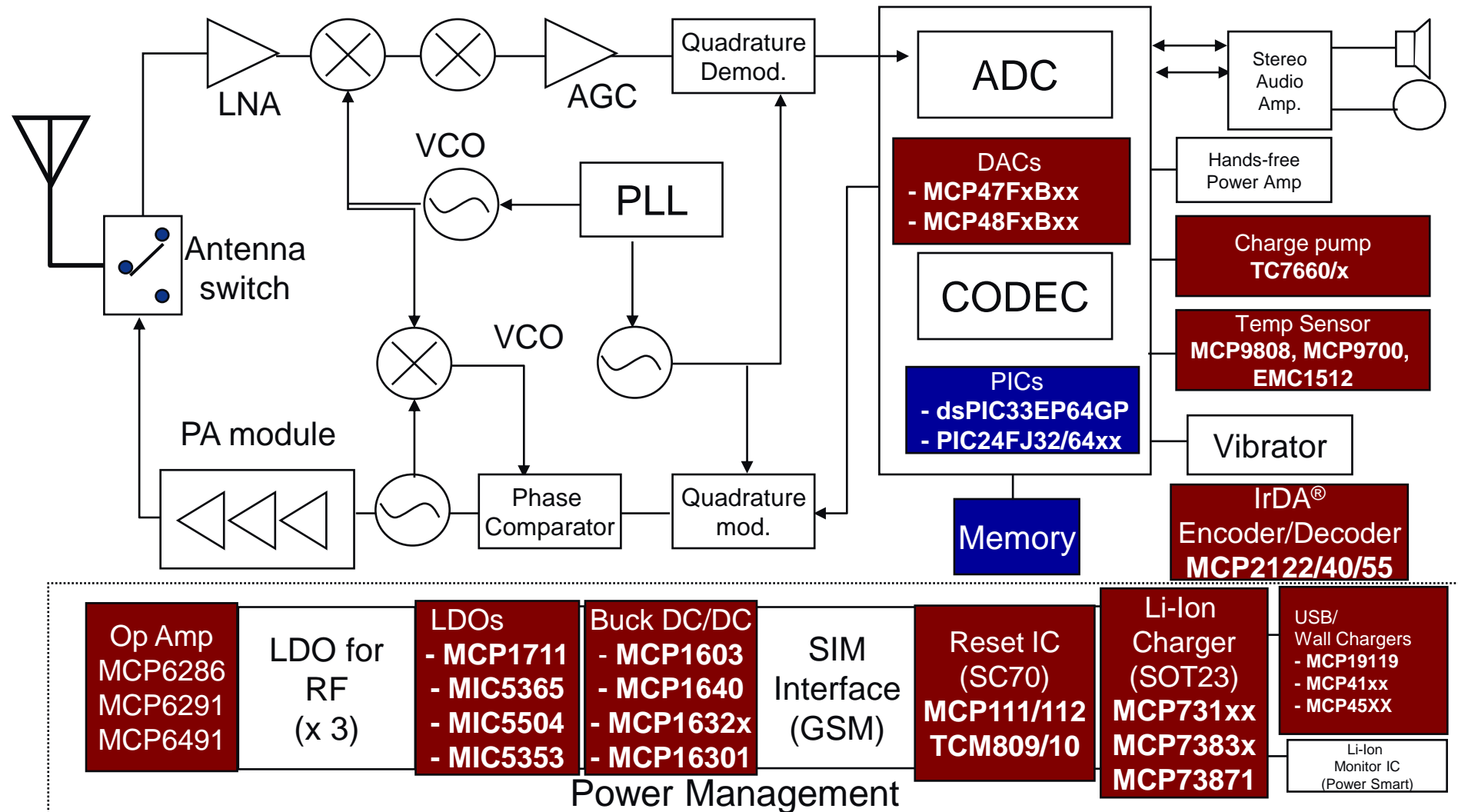


Microchip's Winning Attributes

- **Low operating current to extend battery life**
- **Integration & small packages to occupy smaller footprints on the board and reduce cost**
- **Competitive pricing for making the end equipment attractive on the market**
- **Low noise operation for allowing “clean” RF communication**
- **Wide product offering for minimizing customer's transaction and inventory costs**
- **Great lead times and customer support**



Microchip Products for Wireless Handsets



USB/ Wall Chargers

Popular Products	Description	Product Web Page
UCS1001	USB Port Power Controller with Charger Emulation	Click Here
UCS1002	Programmable USB Port Power Controller with Charger Emulation	Click Here
UCS1003	Programmable USB Port Power Controller with Charger Emulation, Current Monitoring, and Charge Rationing for Power Allocation	Click Here
MIC2545A	Integrated high-side adjustable 3A current-limited power switch optimized for low-loss DC power switching and other power-management applications.	Click Here
MIC2039	High-Accuracy, High-Side, Adjustable 2.5A Current Limit Power Switch	Click Here



USB/Wall Chargers

- **Attributes:**

- Protection for over-current, under-voltage, over-temperature, reverse-current, reverse-voltage conditions.
- Adjustable constant current limiting protects the switch and attached device.
- Integrated soft-start circuit minimizes and controls inrush currents for high capacitive loads.
- Integrated high speed USB2.0 switches for charger emulation supporting BC1.2, Apple, Samsung, and legacy charging profiles.



Low Dropout Regulators

Function	Popular Products	Description	Product Web Page
Supply power to the analog (baseband) section - RF, IF, audio	MIC5308	150mA High PSRR, Low Iq LDO for noise sensitive RF, IF and Audio applications	Click Here
	MIC5309	300mA High PSRR, Low Iq LDO for noise sensitive RF, IF and Audio applications	Click Here
Supply power to the digital section - modem, DSP, codec	MIC5365	150mA High PSRR, ultra small 1x1 DFN LDO	Click here
	MCP1703A	250mA 16Vin LDO with low Iq	Click Here



Low Dropout Regulators

- **Attributes:**

- High PSRR to filter incoming noises for noise sensitive applications such as RF, Audio codecs, IF, WiFi Modules.
- Small Package 1x1 DFN allows flexibility on PCB layout
- Low Iq of 2 uA can extend the battery life of handsets or any other battery operated applications



RESET Monitors

- **Function: Resets the CPU, DSP, and modem when supply voltage falls below threshold**

Popular Products	Description	Product Web Page
TCM809	The reset output is driven active within 20 μ sec of VCC falling through the reset voltage threshold. Reset is maintained active for a minimum of 140msec after VCC rises above the reset threshold.	Click Here
MCP100/1/2/3/21/20/31	The MCP1xx are a family of voltage supervisory devices which also operates as protection from brown-out conditions when the supply voltage drops below a safe operating level	Click Here



RESET Monitors

- **Attributes:**

- Tiny SOT-23 and SC-70 packages
- Very low operating current: as low as 1 μ A (max)
- High threshold voltage accuracy: $\pm 2.8\%$ (max)
- V_{DD} transient immunity
- Manual RESET
- Many available options: push-pull output, open-drain output and internal pull-up resistor



Voltage Detectors

- **Function: Monitor battery voltage level and indicate low-battery condition, monitor regulated supply voltages to RF, IF, and analog baseband sections**

Popular Products	Description	Product Web Page
MCP111/2	The MCP111/112 Series are CMOS voltage detectors are well suited for portable, consumer electronics applications due to the extremely low 1uA operating current and small surface-mount packaging. These devices are designed to hold the microcontroller in reset until the supply voltage reaches a predetermined operating level. These devices also protect against brownout conditions that occur as a result of the supply voltage dropping below a tolerable level.	Click Here



Voltage Detectors

- **Attributes:**
 - Tiny SOT-23 and SC-70 packages
 - Very low operating current: 1 μ A (typ)
 - Precise thresholds: $\pm 2\%$ (typ)
 - Open-drain and push-pull outputs



Battery Chargers

- **Function: Charge & monitor the Lithium Ion battery**

Popular Products	Description	Product Web Page
MCP731xx	The MCP73811/2 devices are linear charge management controllers that are designed to provide specific charge algorithms for single cell Li-Ion or Li-Polymer battery to achieve optimal capacity in the shortest charging time possible.	Click Here
MCP732xx	The MCP73123/223 is a highly integrated Lithium Iron Phosphate (LiFePO4) battery charge management controller that provide specific charge algorithms for LiFePO4 batteries to achieve optimal capacity and safety in the shortest charging time possible. Along with its small physical size, the low number of external components makes the MCP73123/223 ideally suitable for various applications.	Click Here



Battery Chargers

- **Attributes:**
 - Small thermally efficient DFN and QFN packages
 - High-accuracy voltage regulation: $\pm 0.5\%$ (max)
 - Low operating current: 260 μ A (typ)
 - Shutdown and pre-conditioning modes
 - Temperature monitor & charge complete indicator
 - USB/AC inputs
 - Load sharing
 - Overvoltage Protection (OVP)



Operational Amplifiers

- **Function: filtering/amplifying for analog baseband and audio signal processing**

Popular Products	Description	Product Web Page
MCP6286	The MCP6286 operational amplifier provides low noise (5.4 nV/VHz, typical), low power (520 μ A, typical) and rail-to-rail output operation. It is unity gain stable and has a gain bandwidth product of 3.5 MHz. This device operates with a single supply voltage from 2.2V to 5.5V.	Click Here
MCP6291	The MCP629x family of operational amplifiers provides wide bandwidth for the current. This family has a 10 MHz gain bandwidth product, operates from a single supply voltage as low as 2.4V, while drawing 1 mA (typical) quiescent current.	Click Here
MCP6491	The MCP649x family of operational amplifiers has low-input bias current (150 pA, typical at 125°C) and rail-to-rail input and output operation. This family is unity gain stable and has a gain bandwidth product of 7.5 MHz. These devices operate with a single-supply voltage as low as 2.4V, while only drawing 530 μ A/amplifier (typical) of quiescent current.	Click Here



Operational Amplifiers

- **Attributes:**
 - Small SC-70, TDFN and SOT-23 packages
 - GBWP: 9 kHz to 410 MHz
 - Excellent operating current-to-GBWP ratio
 - Mostly rail-to-rail inputs and outputs
 - Offset voltage: as low as 2 μ V (MCP6V0x)
 - Chip Select capability for power savings



Charge Pumps

- **Function: Provides simple and low cost DC to DC conversion**

Popular Products	Description	Product Web Page
TC7660x	Wide input, efficient voltage conversion DC-to-DC Charge Pump	Click Here



Charge Pumps

- **Attributes:**
 - Wide Input Voltage Range: 1.5 to 10V
 - Efficient Voltage Conversion (99.9% typ.)
 - Excellent Power Efficiency (98% typ.)
 - Low Power Consumption (80uA typ.)
 - Low Cost and Easy to Use
 - Only Two External Capacitors Required
 - Improved ESD Protection (3kV HBM)



Temperature Sensors

- **Function: adjusting LCD contrast, measuring RF Power Amplifier temperature, thermally compensate RF oscillator**

Popular Products	Description	Product Web Page
MCP9808 Digital temperature sensor	The MCP9808 converts temperatures between -20°C and +100°C to a digital word with $\pm 0.5^\circ\text{C}$ (max.) accuracy	Click Here
MCP9700 Linear Active Thermistor™ ICs	The output voltage of this device is directly proportional to measured temperature. The MCP9700 can accurately measure temperature from -40C to +150C with the output calibrated to a slope of 10mV/°C and has a DC offset of 500mV.	Click Here
EMC1412 Dual SMBus/I ² C™ Temperature Sensor	This 1°C device has an local temperature channel and a remote temperature channel for reading ASIC temperatures or external temperatures. It is available in a 2x3 package.	Click Here



Temperature Sensors Winning Attributes

- **Attributes:**

- Small SC70, SOT-23 and DFN leadless packages
- Very low operating current: 35 to 250 μ A (typ)
- Very low shutdown current: 1 μ A (max)
- High temp accuracy: $\pm 0.25^{\circ}$ C
- Simple operation: no need for external components
- Analog and digital (SPITM, I2CTM, SMBusTM) devices
- High temperature resolution
- Small SC70, SOT-23 and DFN leadless packages



Switching Regulators

- **Function: efficiently convert Li-Ion voltage to DC voltage level required by the DSP or CPU**

Popular Products	Description	Product Web Page
MCP163xx	MCP163xx are highly integrated, high-efficiency, fixed frequency, step-down DC-DC converter that operates from input voltage sources up to 30V. Integrated features include a high side switch, fixed frequency Peak Current Mode Control, internal compensation, peak current limit and over temperature protection. Minimal external components are necessary to develop a complete step-down DC-DC converter power supply.	Click Here
MCP1640	The MCP1640 is a compact, high-efficiency, fixed frequency, synchronous step-up DC-DC converter. It provides an easy-to-use power supply solution for applications powered by either one-cell, two-cell, or three-cell alkaline, NiCd, NiMH, one-cell Li-Ion or Li-Polymer batteries.	Click Here
MIC2875	The MIC2875 is a compact and highly-efficient 2MHz synchronous boost regulator with a 4.8A switch. It features a bi-directional load disconnect, bypass mode, and integrated anti-ringing switch to minimize EMI. The MIC2875 is designed to operate with a minimum switching frequency of 45kHz to minimize switching artifacts in the audio band.	Click Here



Switching Regulators

- **Attributes:**
 - Small SOT and DFN package
 - Auto-switching PWM/PFM operation
 - Efficiency as high as 96%
 - Very low shutdown current $<1\mu\text{A}$ (typ)
 - Input voltage as high as 30V
 - UVLO, Soft-start & over-temperature protection
 - Boost Start-up as low as 0.65V
 - Bi-directional true load disconnect
 - Integrated anti-ringing switch
 - Bypass mode for $V_{\text{IN}} \geq V_{\text{OUT}}$



Infrared

- **Function: providing low-cost, wireless two-way data connection - infrared port**

Popular Products	Description	Product Web Page
MCP2122	Converts serial data from UART bit streams to IrDA standard bit streams (encodes) and from IrDA standard bit streams to UART bit streams (decodes). Requires input clock that is 16x needed baud rate.	Click Here
MCP2140	MCP2140 embeds IrDA protocol handling and bit encoding/decoding, and provides the lowest cost, lowest power consumption solution for adding IrDA connectivity to embedded systems	Click Here
MCP2155	MCP2155 provided IrDA protocol handling PLUS bit encoding/decoding functionality for Data Communication Equipment (DCE) applications in one low pincount device. Supports the IrCOMM (9-wire cooked service class), TinyTP, IrLMP, and IrLAP layers of the IrDA Standard protocol stack PLUS the bit encoding/decoding portion of the IrPHY	Click Here



Infrared

- **Attributes:**
 - Enable infrared communication to be easily added to existing system
 - IrDA® standard protocol embedded on chip (up to 115.2 kbaud)
 - DTE and DCE applications supported
 - Simple and flexible infrared encoder/decoder
 - Easy to use developer's kit



DACs

- **Function: Convert digital processed signal back to analog output signal**

Popular Products	Description	Product Web Page
MCP47FEB01/2/3 MCP47FEB11/2/3 MCP47FEB21/2/3	Single/Dual, 8-/10-/12-bit DAC with EEPROM and I ² C Interface	Click Here
MCP48FEB01/2/3 MCP48FEB11/2/3 MCP48FEB21/2/3	Single/Dual, 8-/10-/12-bit DAC with EEPROM and SPI Interface	Click Here



DACs Winning Attributes

- **Attributes:**

- Integrated EEPROM to save DAC settings at power-down
- Integrated MTP to save DAC setting at power-down and option to reprogram the settings.
- Selectable V_{REF} sources for design flexibility
- Low power consumption to extend battery life
- LAT pin allows DAC synchronization to an external event



Memory

- **Function: NOR flash used in feature phones and voice-centric phones to store boot code, phonebook, ringtone, SMS, or most recent camera images.**

Popular Products	Description	Product Web Page
SST26WF032C	Low power 1.8V 32Mb SQI (serial quad IO) flash, 104 MHz with XIP capability, small footprint	Click Here
SST26WF064C	Low power 1.8V 64Mb SQI (serial quad IO) flash, 104 MHz with XIP capability, small footprint	Click Here
SST39WF1601	Low power 1.8V 16Mb Parallel flash with random access and fast erase/program performance	Click Here
SST39VF1601C	3V 16Mb Parallel flash with random access and fast erase/program performance	Click Here



Memory

- **Attributes:**
 - Extremely fast erase and re-write performance
 - Superior reliability with 100 years of data retention
 - Low power consumption ideal for any portable application
 - Small footprints suitable for compact designs

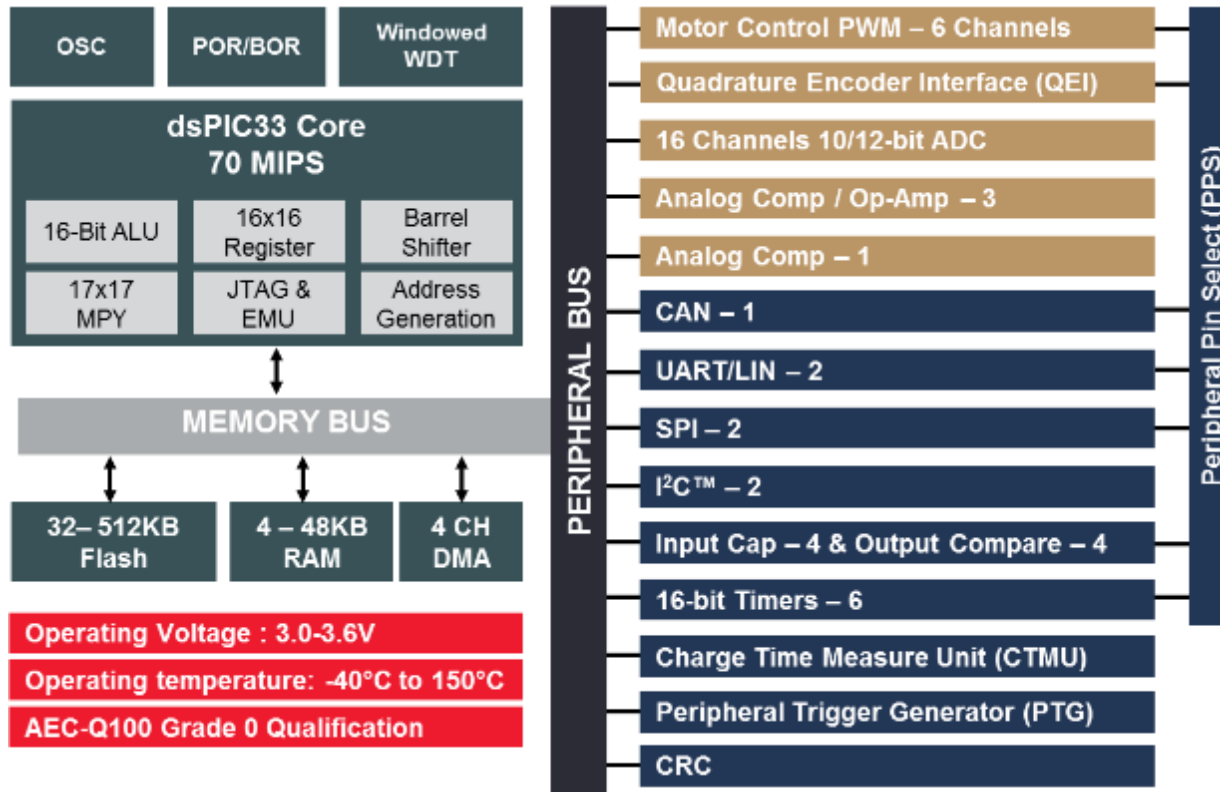


PIC Microcontrollers

- **Function: providing additional processing power for support of specific functions**
 - dsPIC33EP64GP: Echo and Noise Cancelling Support
 - PIC24FJ32/64xx: Monitoring and Supervisor Functions
- **Attributes:**
 - Easy migration in pins and memory
 - dsPIC33 with DSP instructions for math intensive applications
 - PIC24F for low cost and low power applications



dsPIC33EP64GP506



Operating Voltage : 3.0-3.6V
Operating temperature: -40°C to 150°C
AEC-Q100 Grade 0 Qualification

Package Options

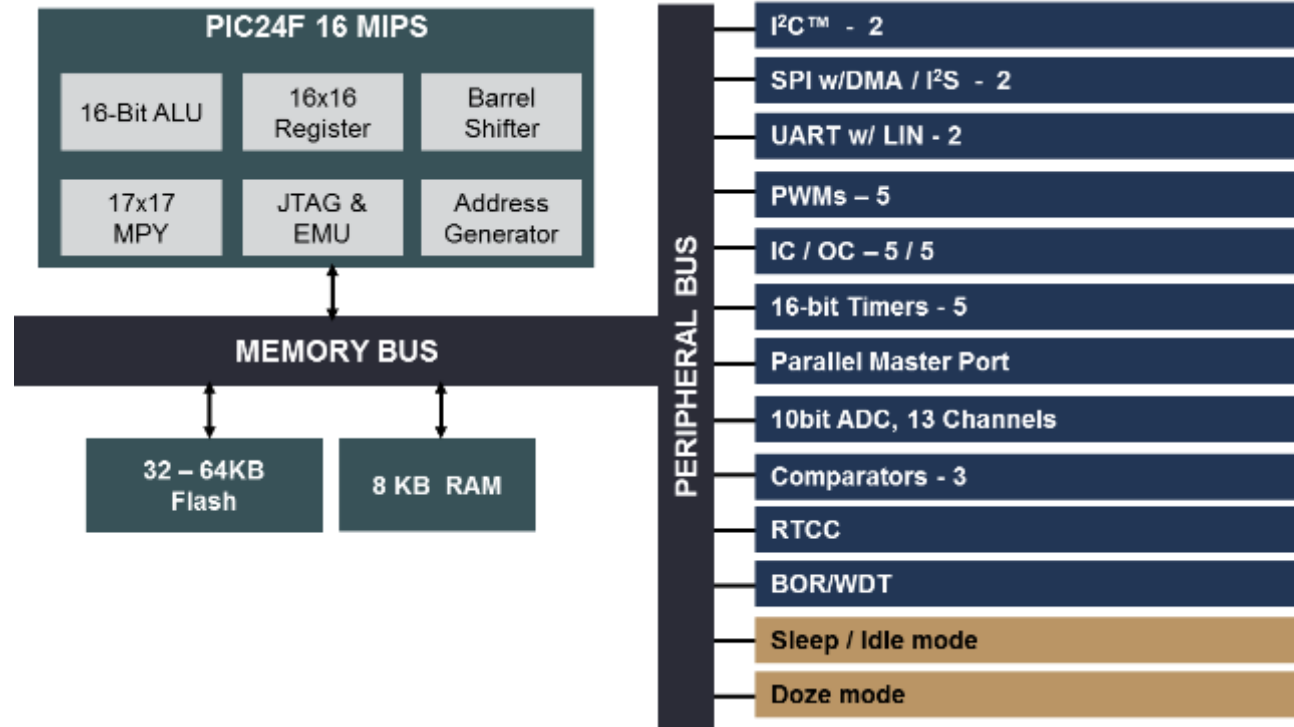
- 28-pin: SPDIP, SOIC, SSOP
- 28-pin QFN-S
- 36-pin VTLA
- 44-pin: TQFP, QFN,
- 48-pin: uQFN
- 64-pin: TQFP, QFN (64KB or higher)

Attributes:

- Flash range from 32 to 512KB for scalability
- 70 MIPS performance
- 16-bit data path
- 24-bit instructions
- Robust peripheral set including UART, SPI, I2C, CAN, Timers
- Peripheral mapping to pins



PIC24FJ64GA004



- Attributes:
 - Flash range from 32 to 64KB for scalability
 - 16 MIPS performance
 - 16-bit data path
 - 24-bit instructions
 - Robust peripheral set including UART, SPI, I2C, Timers
 - Low power and low cost

Package Options

- 28-pin: SPDIP, SOIC, SSOP
- 44-pin: TQFP, QFN



Microchip Analog Products for Power Supplies

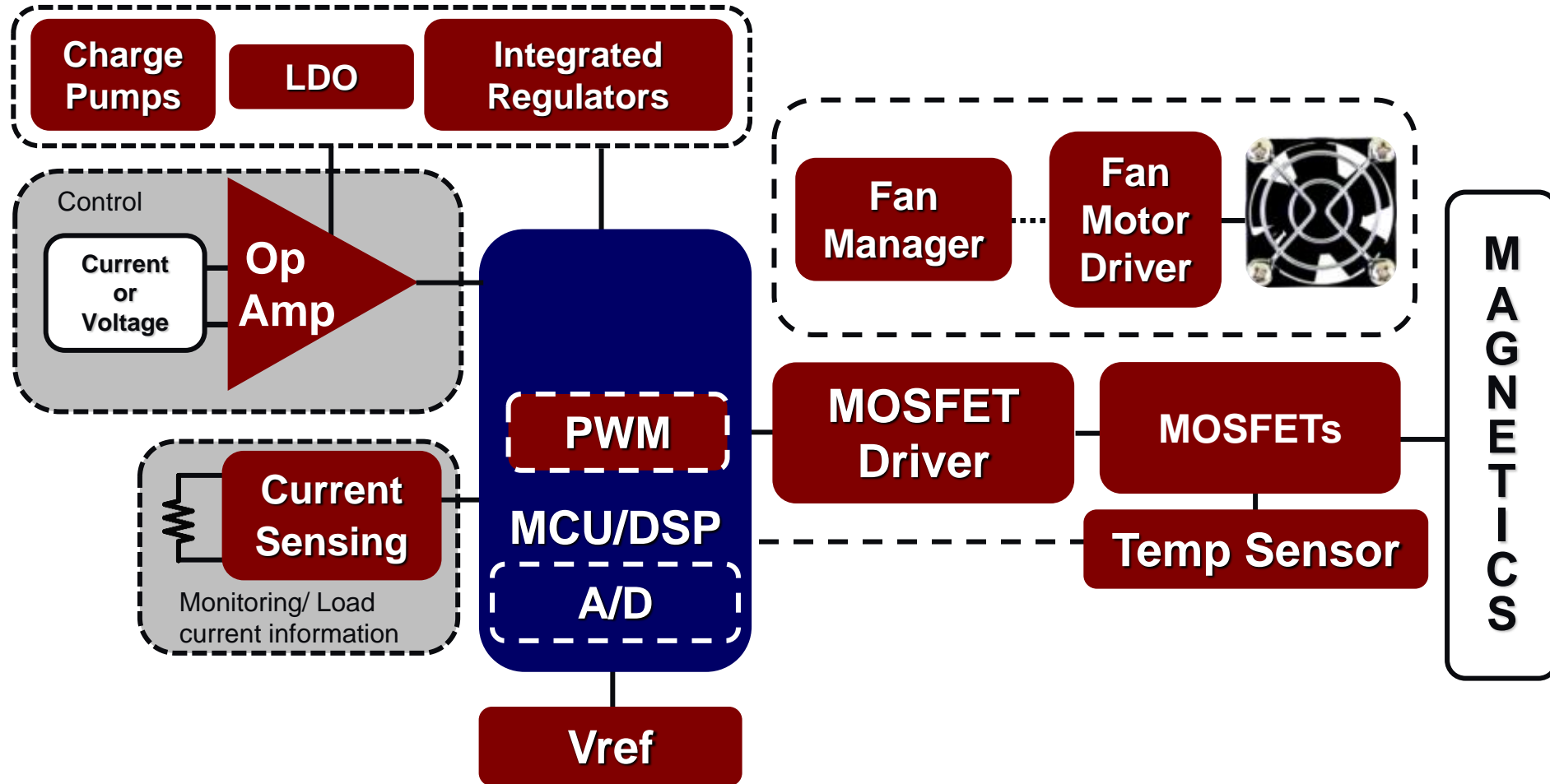


Microchip's Winning Attributes

- A wide variety of analog and digital products for complete system solution
- One of the first & leading suppliers in MOSFET driver and temperature sensor products
- Great lead times and customer support
- Competitive pricing for making the end equipment attractive on the market
- Small packages to occupy smaller footprints on the board and reduce cost



Power Supply



Metering Concentrator

Power Monitoring

Industrial Control Panel

2D Barcode Scanner

Distributed Point-of-Load Power Architecture



Current Sensing

Popular Products	Description	Product Web Page
PAC1710	The PAC1710 is a high-side bi-directional current sensing monitor with precision voltage measurement capabilities. The power monitor measures the voltage developed across an external sense resistor to represent the high-side current of a battery or voltage regulator.	Click Here
PAC1720	The PAC1720 is a dual high-side bi-directional current sensing monitor with precision voltage measurement capabilities. Each sensor measures the voltage developed across an external sense resistor to represent the high-side current of a battery or voltage regulator.	Click Here
PAC1921	The PAC1921 is a dedicated power-monitoring device with a configurable analog output that can present power, current or voltage. The PAC1921 is designed for power measurement and diagnostic systems that cannot allow for latency when performing high-speed power management.	Click Here



Fan Managers

- **Function: controlling fan speed according to ambient temperature for reducing acoustic noise and extending fan life**

Popular Products	Description	Product Web Page
EMC2101	The EMC2101 is an SMBus 2.0 compliant, integrated fan control solution complete with two temperature monitors, one external and one internal.	Click Here



Fan Motor Driver

Products		Description	Product Web Page
Three-Phase BLDC Fan Motor Drivers	MTD6501C/D/G (23kHz)	Standalone 3- Φ Sinusoidal Sensorless BLDC Motor Controller. 12V; $I_{MAX} = 800$ mA	Click Here
	MTD6502B	Standalone 3-Phase Sinusoidal Sensorless BLDC Motor Controller. 5V Application; $I_{MAX} = 750$ mA ; TDFN - 10	Click Here
	MTD6505	Standalone 3-Phase Sinusoidal Sensorless BLDC Motor Controller - 5V Application; $I_{MAX} = 750$ mA ; UDFN – 10; -Programmable BEMF Coefficient	Click Here



Temperature Sensors

- **Function: Shutting down the system when temperature rises above operating limit**

Popular Products	Description	Product Web Page
TC1047A	Supply Voltage Range: 2.5V to 5.5V, Wide Temperature Measurement Range: -40°C to +125°C, High Temperature Converter Accuracy: $\pm 2^\circ\text{C}$, Max, at 25°C, Linear Temperature Slope: 10mV/°C, Very Low Supply Current: 35 μA Typical	Click Here
EMC1701	The EMC1701 is a combination high-side current sensing device with precision temperature measurement. It measures the voltage developed across an external sense resistor to represent the high-side current of a battery or voltage regulator.	Click Here
EMC1412	The EMC1412 is a high accuracy, low cost, System Management Bus (SMBus) temperature sensor. Advanced features such as Resistance Error Correction, Beta Compensation and automatic diode type detection combine to provide a robust solution for complex environmental monitoring applications	Click Here



MOSFET Drivers

- **Function: driving the high power devices (MOSFETs, bipolar transistors, IGBTs)**

Popular Products	Description	Product Web Page
TC4427A	Supply Voltage Range: 2.5V to 5.5V Wide Temperature Measurement Range: -40°C to +125°C High Temperature Converter Accuracy: $\pm 2^\circ\text{C}$, Max, at 25°C Linear Temperature Slope: 10mV/°C Very Low Supply Current: 35 μA Typical	Click Here
MCP14A0151/2	The MCP14A0151 and MCP14A0152 are inverting and non-inverting, 1.5 A MOSFET drivers in 2x2 DFN and SOT-23 packages. The small package sizes allow the gate driver to be positioned close to the MOSFET's physical gate connection, which minimizes gate bounce caused by the parasitic effects of PCB layout and reduces EMI. These devices feature a unique architecture with low input thresholds, ideally suited for use with a low-voltage MCU to minimize power losses within the system.	Click Here
MCP14E3/E4/E5	The MCP14E3/E4/E5 devices are a family of 4.5A, dual output buffers/MOSFET drivers with separate enable functions for each output. As MOSFET drivers, the MCP14E3/E4/E5 can easily charge 2200 pF gate capacitance in under 28 nsec (max)	Click Here



Voltage References

- **Function: providing the system with an accurate analog voltage for comparison**

Popular Products	Description	Product Web Page
MCP1525/41	MCP1525/41 is a low power, high precision voltage reference. It provides a precise output voltage of 4.096V which is then compared to other voltages in the system.	Click Here
MCP1501	The MCP1501 is a high-precision buffered voltage reference with an initial accuracy of 0.10% and is available in 8 voltage options. The MCP1501 is a low-drift bandgap-based reference and uses chopper-based amplifiers which significantly reduces the drift and provides high current output.	Click Here



Analog PWM Controllers

- **Function: PWM generation to maintain stable power supply outputs while managing faults**

Popular Products	Description	Product Web Page
MIC2125/6	Constant-frequency synchronous buck controllers with a unique adaptive ON-time control architecture, and an optional transition to variable frequency, discontinuous conduction mode. Operating from an input from 4.5V to 28V, 200 kHz to 650 kHz with an output voltage adjustable down to 0.6V with a guaranteed accuracy of $\pm 1\%$.	Click Here
MIC2176-x	Constant-frequency, synchronous buck controllers featuring a unique digitally modified adaptive ON-time control architecture for fast transient response with minimal output capacitance and High V_{IN} /Low V_{OUT} operation. Working over an input supply range from 4.5V to 75V; a constant switching frequency of 100, 200, or 300kHz; and an output voltage is adjustable down to 0.8V with a guaranteed accuracy of $\pm 1\%$.	Click Here
MCP1630	When used with a microcontroller, the MCP1630 will control the power system duty cycle to provide output voltage or current regulation. The inputs are designed to easily attach to the I/O of a microcontroller, which supplies the reference and oscillator, to generate a flexible and adaptable power system.	Click Here



PWM Controllers

- **Attributes:**
 - High speed PWM operation
 - Peak current mode operation to 1.0MHz
 - Wide operating temperature range, -40°C to +125°C
 - MCP1630 accepts variable controlling inputs from μC
 - UVLO, short circuit, over current protection circuits
 - Precision peak current limiting



PIC Microcontrollers

- **Function: providing all the control functions and the PWM output for the system**
- **Popular products: PIC16F182X, 178X, 75X, 15XX, 193X**
- **Attributes:**
 - Upwards of 32MHz internal OSC
 - Slope compensation
 - 4 channel programmable switch mode controller (PSMC)
 - Integrated high performance comparators, op-amp, 10/12 bit ADC, 5/8/9 bit DAC
 - 256 bytes of EEPROM
 - Available in various packages



Operational Amplifiers

Function	Popular Products	Description	Product Web Page
Sense and gain up output current - low offset voltage required for minimizing measurement error	MCP602x	The MCP6021/2/3/4 op amps have a gain bandwidth of 10 MHz with a low typical operating current of 1mA and an offset voltage that is less than 150 μ V.	Click Here
	MCP6V01 Zero Drift Op Amps	VOS: ± 2 μ V (maximum), PSRR: 130 dB (minimum), CMRR: 130 dB (minimum), IQ: 300 μ A/amplifier (typical) Wide Supply Voltage Range: 1.8V to 5.5V	Click Here
Provide feedback compensation by sensing output voltage and comparing it with reference voltage	MCP6404	The MCP6404 is a quad general purpose op amp offering rail-to-rail input and output over the 1.8 to 6V operating range. This amplifier has a typical GBWP of 1 MHz with typ. quiescent current of 40 microamperes.	Click Here
	MCP60x	MCP601/2/3/4 (op amp) has a gain bandwidth product of 2.8 MHz with low typical operating current of 230 μ A and an offset voltage that is less than 2 mV.	Click Here



Operational Amplifiers

- **Attributes:**
 - Small SC-70, TDFN and SOT-23 packages
 - GBWP: 9 kHz to 60MHz
 - Excellent operating current-to-GBWP ratio
 - Mostly rail-to-rail inputs and outputs
 - Offset voltage: as low as 2 μ V (MCP6V0x)
 - Chip Select capability for power savings



Power Management Linear Regulators (LDOs)

Popular Products	Description	Product Web Page
MCP1703A	With 250 mA maximum output and input voltage capability of up to 16V, this device creates compact systems. This features a low 2 μ A quiescent current for efficient operation at light load.	Click Here
MIC5239 30V LDO	This is a low quiescent current, μ Cap low-dropout regulator. With a maximum operating input voltage of 30V and a quiescent current of 23 μ A, it is ideal for supplying keep-alive power in systems with high voltage batteries.	Click Here
MIC29302A	This high-current, low-cost, low-dropout voltage regulator uses a proprietary Super β PNP [®] process with a PNP pass element. The 3A LDO regulator features low 450mV (full load) dropout voltage and very low ground current.	Click Here
MCP1754/5	This 16 volt, high PSRR voltage regulator provides up to 150 mA of current (or 300 mA for MCP1755) with short circuit current foldback. Simplified, low pin count versions of the of these devices are also available.	MCP1754 MCP1755
MIC94325	With a 500mA rated output current, fixed or adjustable output voltages, and ripple blocking active noise rejection over a wide frequency band: >50dB from 10Hz to 5Mhz, these LDOs are suitable for a wide variety of applications. Available in Ultra-small 0.84mm x 1.32mm 6-ball CSP and 1.6mm x 1.6mm 6-pin Thin DFN, with enable and auto-discharge output options.	Click Here
MIC550X	Simple, effective 5.5V input LDO in the extremely compact 1x1 DFN.	Click Here



Power Management Charge Pumps

- **Function: Compact, low current output boost conversion (increasing from input to output) or inversion (creating a negative output), without large, expensive inductors**

Popular Products	Description	Product Web Page
MCP1253/4	Regulated charge pumps, capable of maintaining a specific regulated output voltage from 2.1V to 5.0V input range, while supplying up to 120 mA load current. 3.3V, 5.0V, or adjustable output options available.	Click Here
TC7660/2	The TC7660 is a charge pump voltage converter that +1.5V to +10V input to a corresponding -1.5V to -10V output using two low-cost capacitors. Can also be used to double the input voltage.	Click Here

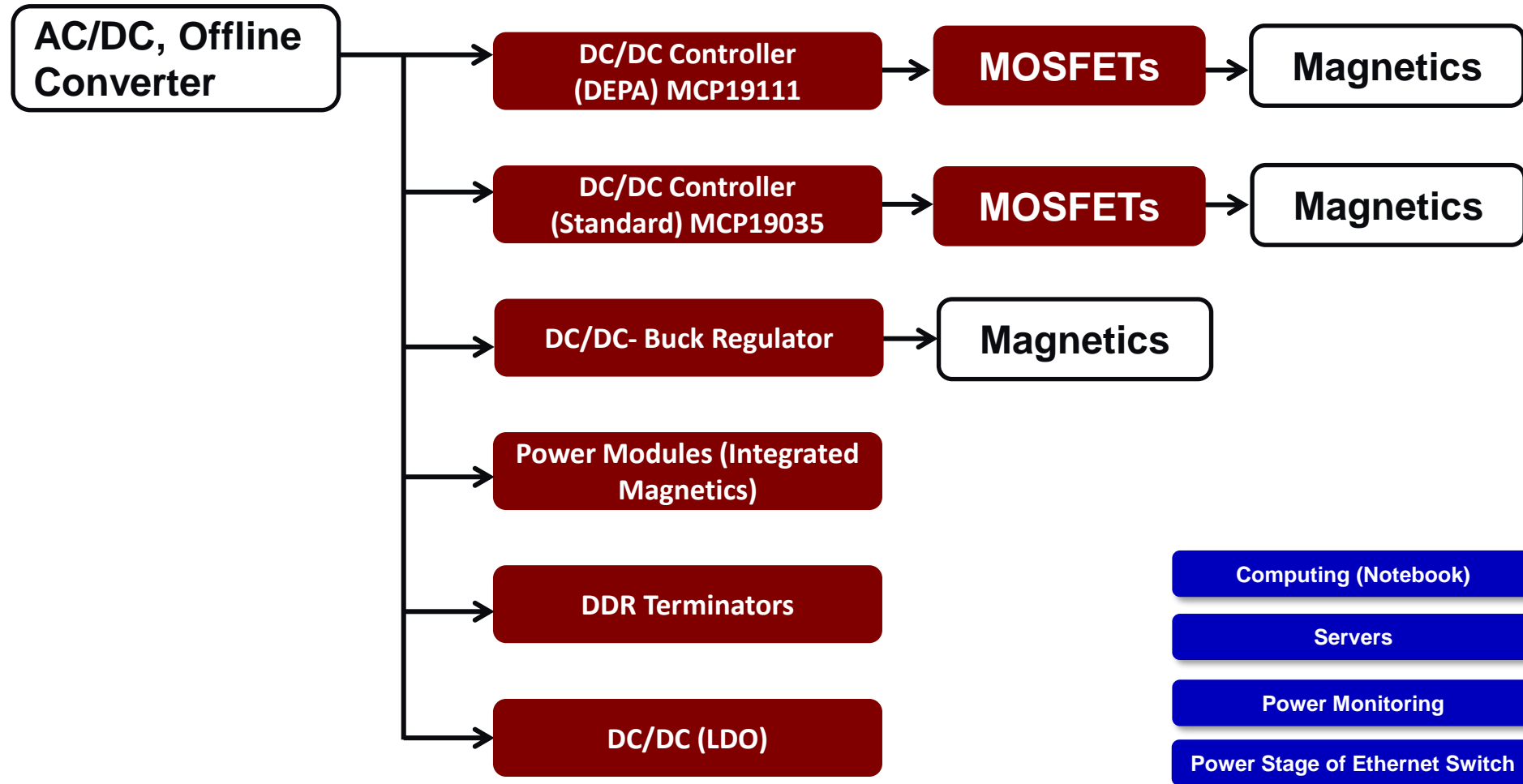


Power Management Switching Regulators

Popular Products	Description	Product Web Page
MIC24046	Pin-programmable, high-efficiency, wide input range, 5A synchronous step-down regulator perfectly suited for multiple-voltage rail application environments typically found in computing and telecommunication systems. The pin-selectable switching frequency, adjustable output voltage, pin-selected current limit, valley-current mode control technique, high-performance error amplifier, and external compensation allow for the best trade-offs between high efficiency and the smallest possible solution size.	Click Here
MIC2405x	Constant-frequency, synchronous DC/DC buck regulator featuring adaptive on-time control architecture, and an internal linear 5V regulator to operate from 4.5 to 19V; at a constant 600kHz switching frequency in continuous-conduction mode; and can be used to provide up to 6A of output current at an adjustable output voltage down to 0.8V. With the HyperLight Load® architecture it has the ability to transition to variable-frequency, discontinuous-mode operation at light load, and a full suite of protection features to ensure protection of the IC during fault conditions (undervoltage lockout, thermal shutdown, internal soft-start, foldback current limit and “hiccup mode” short-circuit protection).	Click Here
MCP16311/2	The MCP16311/2 is a compact, high-efficiency, fixed frequency PWM/PFM, synchronous step-down DC-DC converter that operates from input voltage sources up to 30V. Integrated features include a high-side and a low-side switch, fixed frequency Peak Current Mode Control, internal compensation, peak-current limit and over temperature protection.	Click Here



Distributed Point-of-Load Power Architecture



Digitally-Enhanced Power Analog Controllers

- **Function: Customizable, analog power controller with digital interfaces and a PIC[®] MCU core for intelligence**

Popular Products	Description	Product Web Page
MCP19110/1	The MCP19111 is a mid-voltage (4.5-32V) synchronous buck analog-based PWM controller family with an integrated 8-bit PIC [®] Microcontroller. This unique product combines the performance of a high-speed analog solution, including high-efficiency and fast transient response, with the configurability and communication interface of a digital solution. This can produce high-efficiency (>96%) DC/DC power-conversion solutions, with PMBus or digital communication, and on the fly operational adjustments.	Click Here
MCP19118/9	Similar to the MCP19111, capable of 40V operation and 48V transients.	Click Here
MCP19114/5	Brings the flexibility of the MCP19111 control and configuration to single dual low side drive topologies (flyback, boost, SEPIC, Cuk). Ideally suited for current regulation applications with intelligence, like smart LED drive or smart battery charging.	Click Here



DC/DC Power Controller

- **Function: Analog PWM controller driving external power MOSFETs in high-power, DC-DC applications**

Popular Products	Description	Product Web Page
MIC2125/6	Constant-frequency synchronous buck controllers with a unique adaptive ON-time control architecture, and an optional transition to variable frequency, discontinuous conduction mode. Operating from an input from 4.5V to 28V, 200 kHz to 650 kHz with an output voltage adjustable down to 0.6V with a guaranteed accuracy of $\pm 1\%$.	Click Here
MIC2176-x	Constant-frequency, synchronous buck controllers featuring a unique digitally modified adaptive ON-time control architecture for fast transient response with minimal output capacitance and High V_{IN} /Low V_{OUT} operation. Working over an input supply range from 4.5V to 75V; a constant switching frequency of 100, 200, or 300kHz; and an output voltage is adjustable down to 0.8V with a guaranteed accuracy of $\pm 1\%$.	Click Here
MCP1630	When used with a microcontroller, the MCP1630 will control the power system duty cycle to provide output voltage or current regulation. The inputs are designed to easily attach to the I/O of a microcontroller, which supplies the reference and oscillator, to generate a flexible and adaptable power system.	Click Here



High-Speed MOSFETs

Function: High-Efficiency, Switched Mode Power Conversion Power Devices

Popular Products	Description	Product Web Page
MCP87xxx	The MCP87xxx family of high-speed MOSFETs have been designed to optimize the trade-off between ultra-low On-state resistance (R_{ds-on}) and Gate Charge (Q_g) to maximize power conversion efficiency in switched mode power supplies.	Click Here



High-Speed MOSFETs

- Very low R_{ds-on} and gate charge (Q_g) product
- Optimized for high-efficiency power conversion in high frequency converters (300kHz – 1MHz)

Product ID	Type	Config	Vds (V)	Vgs (V)	Rds_on @ 4.5V (mΩ-typ)	Qg (nC)	Package
MCP87022*	N	Single	25	+10/-8	2.2	25	5x6 DFN
MCP87030	N	Single	25	+10/-8	3	13.3	5x6 DFN
MCP87050*	N	Single	25	+10/-8	5	9	5x6 DFN
MCP87055*	N	Single	25	+10/-8	5.5	6	3.3x3.3 DFN
MCP87090	N	Single	25	+10/-8	9	4	5x6 DFN 3.3x3.3 DFN
MCP87130	N	Single	25	+10/-8	13	2.9	5x6 DFN 3.3x3.3 DFN



DC-DC Switching Regulator

Popular Products	Description	Web Page
MIC24051	This is a constant-frequency, synchronous buck regulator featuring a unique adaptive on-time control architecture. The device operates over an input supply range of 4.5V to 19V; provides a regulated output with up to 6A current; at an adjustable output voltage; with a guaranteed accuracy of $\pm 1\%$; at a switching frequency of 600kHz.	Click Here
MIC24055	A constant-frequency, synchronous buck regulator featuring a unique adaptive on-time control architecture, this device can operate over an input supply range of 4.5V to 19V; provides a regulated output of up to 12A of output current; with an adjustable output voltage down to 0.8V and a guaranteed accuracy of $\pm 1\%$; at a switching frequency of 600kHz.	Click Here
MCP16311/2	This is a compact, high-efficiency, fixed frequency PWM/PFM, synchronous step-down DC-DC converter in a 8-pin MSOP, or 2 x 3 TDFN package that can operate from input voltage sources up to 30V. Integrated features include a high-side and a low-side switch, fixed frequency Peak Current Mode Control, internal compensation, peak-current limit and over temperature protection.	Click Here
MIC24046	This device is a pin-programmable, high-efficiency, wide-input range, 5A, synchronous step-down regulator. It is perfectly suited for multiple-voltage rail application environments typically found in computing and telecommunication systems; can be configured by pin strapping the desired output voltage, switching frequency, and current-limit values. The pin-selectable switching frequency, valley-current-mode control technique, high-performance error amplifier, and external compensation allow for the best tradeoffs between high-efficiency and the smallest possible solution size.	Click Here



DC-DC Linear Regulator

- **Function: Providing regulated, low-noise supply voltages ($V_{in} > V_{out}$) with minimal components**

Popular Products	Description	Product Web Page
MCP1703A	With 250 mA maximum output and input voltage capability of up to 16V, this device creates compact systems. This features a low 2 μ A quiescent current for efficient operation at light load.	Click Here
MIC5239 30V LDO	This is a low quiescent current, μ Cap low-dropout regulator. With a maximum operating input voltage of 30V and a quiescent current of 23 μ A, it is ideal for supplying keep-alive power in systems with high voltage batteries.	Click Here
MIC29302A	This high-current, low-cost, low-dropout voltage regulator uses a proprietary Super β PNP [®] process with a PNP pass element. The 3A LDO regulator features low 450mV (full load) dropout voltage and very low ground current.	Click Here
MCP1754/5	This 16 volt, high PSRR voltage regulator provides up to 150 mA of current (or 300 mA for MCP1755) with short circuit current foldback. Simplified, low pin count versions of the of these devices are also available.	MCP1754 MCP1755
MIC550X	Simple, effective 5.5V input LDO in the extremely compact 1x1 DFN.	Click Here



DC-DC Power Modules

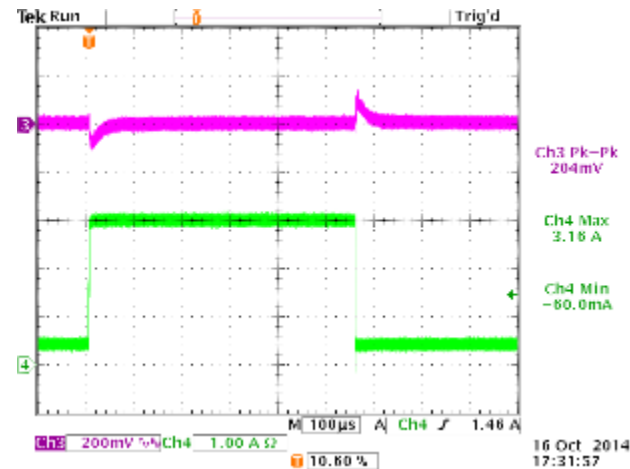
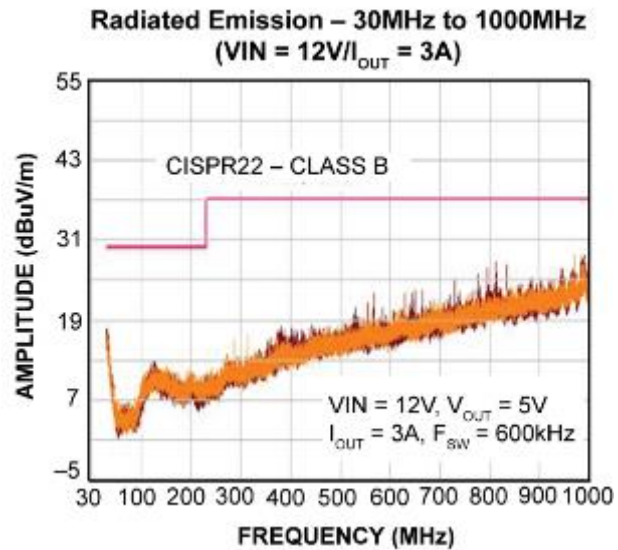
- **Function: Fully integrated DC-DC conversion, with integrated magnetics, for compact, fast, thermally efficient, low EMI system development**

Popular Products	Input Voltage Range	Maximum Output Current	Output Voltage	Package	Product Web Page
MIC45116	4.75V to 20V	6A	Adjustable	8mm x 8mm x 3mm QFN	Click Here
MIC45205	4.5V to 26V	6A	Adjustable	8mm x 8mm x 3mm QFN	Click Here
MIC45208	4.5V to 26V	10A	Adjustable	10mm x 10mm x 4mm QFN	Click Here
MIC45212	4.5V to 26V	14A	Adjustable	12mm x 12mm x 4mm QFN	Click Here

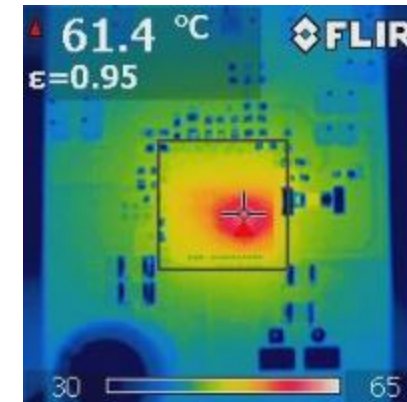


DC-DC Power Modules

- **Attributes:**
 - Fast transient response
 - Enhanced thermal response packaging
 - Low EMI



VIN = 24V, VOUT = 5V @ 3A



DDR Terminators

Popular Products	Description	Product Web Page
MIC5162	The MIC5162 is a dual regulator controller designed for high-speed bus termination. It offers a simple, low-cost JEDEC compliant solution for terminating high-speed, low-voltage digital buses (i.e. DDR, DD2, DDR3, SCSI, GTL, SSTL, HSTL, LV-TTL, Rambus, LV-PECL, LV-ECL, etc).	Click Here
MIC5165	The MIC5165 is a dual regulator controller designed specifically for low-voltage memory termination applications such as DDR3 and GDDR3/4/5. The MIC5165 offers a simple, low-cost JEDEC-compliant solution for terminating high-speed, low-voltage digital buses with a Power Good (PG) signal.	Click Here
MIC5166	The MIC5166 is a 3A, high-speed, linear, low VIN, double data rate (DDR), memory terminator power supply. The part is small and requires small output capacitors making it a tiny overall solution. This allows it to be conveniently placed close to the DDR memory, minimizing circuit board layout inductance which may cause excessive voltage ripple at the DDR memory.	Click Here
MIC5167	The MIC5167 is a high-efficiency, 6A, integrated switch, synchronous buck (step-down) regulator designed for use as a double data rate (DDR) or quad data rate (QDR) terminator. The MIC5167 is optimized for highest efficiency, achieving more than 94% efficiency while still switching at 1MHz over a broad range.	Click Here



Personal Video Recorders (Set-Top Box)

<< BACK to CONTENTS

NEXT >>

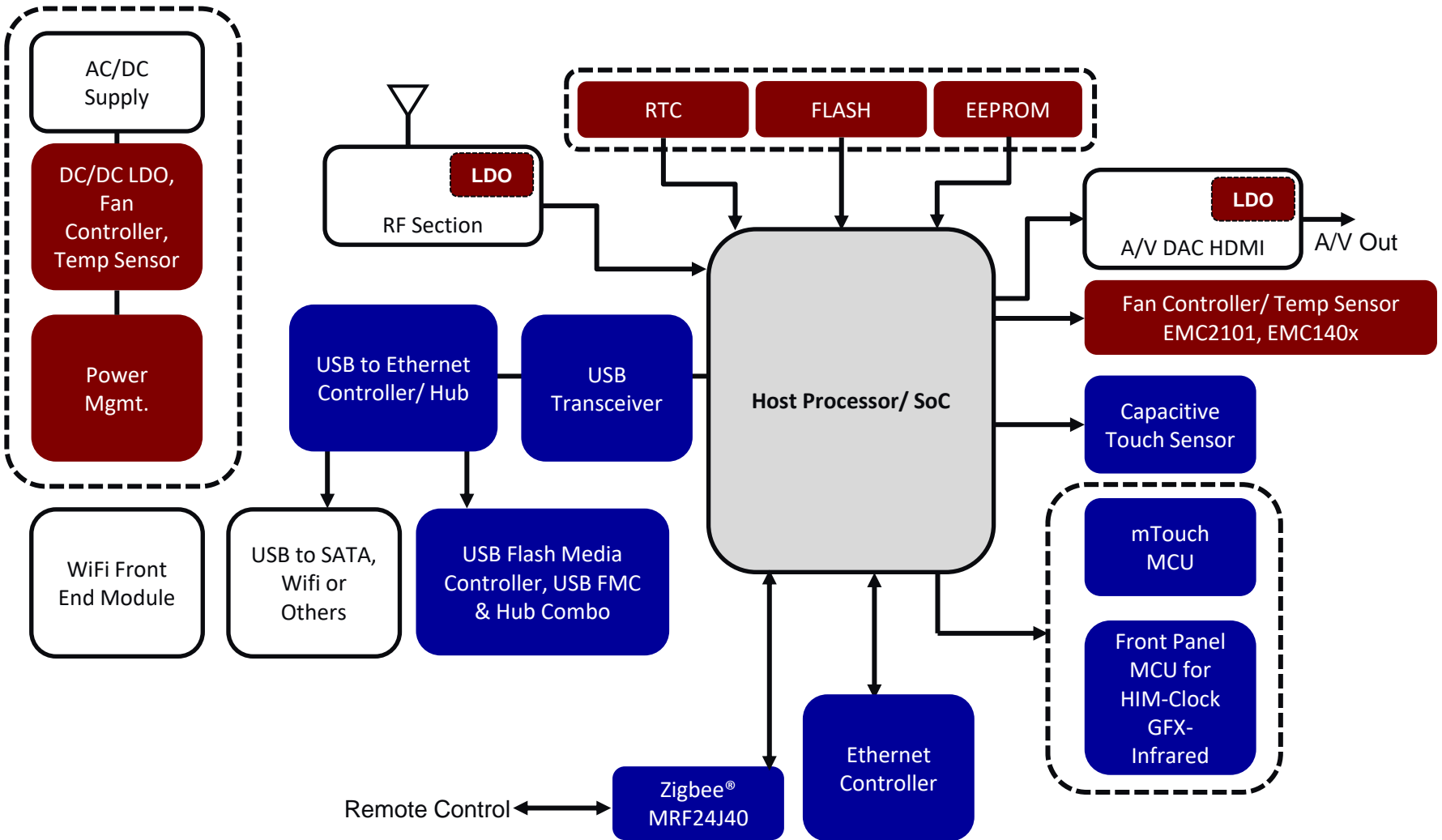


Microchip's Winning Attributes

- Large offering of LDO and Resets covering needed voltages
- Heat reducing DC to DC converters at needed voltages
- RR-I/O Op Amps reduce design concerns
- Attach sell with PICmicro often used in Set-Top Box for system control and power management
- Wide product offering for minimizing customer's transaction and inventory costs
- Great lead times and customer support



Set-Top Box



<< BACK to CONTENTS



Low Noise High PSRR LDO

Popular Products	Description	Product Web Page
MCP1754	The MCP1754/5 is a 16 volt, high PSRR voltage regulator with short circuit current foldback. The MCP1754 regulator provides up to 150 mA of current. The MCP1755 regulator provides up to 300 mA of current. The input operating voltage range is specified from 3.6V to 16V continuous, 18V absolute maximum, 12 VDC systems. Simplified, low pin count versions of the of these devices are also available	Click Here
MCP1755		Click Here



RTC/ Memory

Function	Popular Products	Description	Product Web Page
Real Time Clock	MCP79410	The MCP79410 general purpose I2C™Compatible real-time clock/calendar (RTCC) is highly integrated with nonvolatile memory and advanced features normally found in higher priced devices. These features include a battery switchover circuit for backup power, a timestamp to log power failures and digital trimming for accuracy.	Click Here
EEPROM	24LC256	24AA256/24LC256/24FC256 (24XX256*) is a 32K x 8 (256 Kbit) Serial Electrically Erasable PROM, capable of operation across a broad voltage range (1.7V to 5.5V).	Click Here
FLASH	SST2xVF032x SST2xVF064x	The 25 Series SPI family is among the industry's lowest power 3.0V and 1.8V products. Lower pin count means less space, smaller PCBs, reduced system costs and lower power consumption. The industry's fastest erase times mean cost savings during manufacturing.	Click Here

<< BACK to BLOCK DIAGRAM



Fan Controller/ Temp Sensor

Function	Popular Products	Description	Product Web Page
Fan Controller	EMC2101	SMBus Fan Control with 1°C Accurate Temperature Monitoring	Click Here
Temperature Sensor	EMC140x	1°C Temperature Sensor with Beta Compensation	Click Here

<< BACK to BLOCK DIAGRAM



Capacitive Touch Solutions

Function	Popular Products	Description	Product Web Page
Capacitive Touch Solutions	CAP11/12xx	These devices have been carefully designed to filter for common noise sources such as backlight inverters, DC-DC switching regulators and wireless frequencies. They support a wide variety of interfaces such as I2C, SMBus, SMSC BC-Link™ and SPI and also provide world-class ESD protection of ±8kV HBM with no external ESD protection circuits required.	Click Here



mTouch and Input Sensing Solutions

Popular Products	Description	Product Web Page
AR10xx	<p>The Microchip mTouch™ AR1000 Series Resistive Touch Screen Controller is a complete, easy to integrate, cost-effective and universal touch screen controller chip solution. The AR1000 Series has sophisticated proprietary touch screen decoding algorithms to fully process all touch data and save the host from this overhead. More than the usual “preprocessing” features of other low cost devices, the AR1000 delivers reliable, validated and calibrated touch</p>	<p>Click Here</p> <p>Click Here</p>
MTCH6301	<p>The MTCH6301 is a turnkey projected capacitive touch controller that allows easy integration of multi-touch and gestures to create a rich user interface in your design.</p>	



USB Transceiver

Popular Products	Description	Product Web Page
USB334x	Highly Integrated, Hi-Speed USB 2.0 ULPI Transceiver Family for Consumer Electronics Applications	Click Here
USB333x	Ultra Small and Highly Integrated, Hi-Speed USB 2.0 ULPI Transceiver Family for Mobile Consumer Electronics Applications	Click Here

<< BACK to BLOCK DIAGRAM



USB Ethernet Controller or Hub

Popular Products	Description	Product Web Page
USB251x	USB251x is a family of versatile, cost-effective and power-efficient USB 2.0 hub controllers. Leveraging SMSC's innovative MultiTRAK™ technology that delivers industry-leading data throughput in mixed-speed USB environments, the USB251x family is designed for applications that demand low power and a small footprint without compromising on performance	Click Here Click Here
USB2602	4th Generation USB 2.0 Flash Media Controller with Integrated Card Power FETs and HS Hub	



USB Flash Media Controller

Popular Products	Description	Product Web Page
USB224x	USB 2.0 Flash Media Card Controller with Integrated Card Power FETs	Click Here
USB264x	USB 2.0 Flash Media Controller with Integrated Card Power FETs and HS Hub	Click Here

[<< BACK to BLOCK DIAGRAM](#)



Ethernet Controller and Switches

Popular Products	Description	Product Web Page
LAN921x	High-Performance Small Form Factor Single-Chip Ethernet Controller with HP Auto-MDIX Support	Click Here
LAN922x	High-Performance Small Form Factor Single-Chip Ethernet Controller with 16-bit Non-PCI interface with Variable Voltage I/O	Click Here
LAN9303	3-port 10/100 Ethernet switch with flexible configuration options supporting a wide variety of different applications and architectures.	Click Here
LAN931x	3-port 10/100 Ethernet switch with flexible configuration options supporting a wide variety of different applications and architectures. Additional MII port provided to further expand customer use cases.	Click Here

[<< BACK to BLOCK DIAGRAM](#)

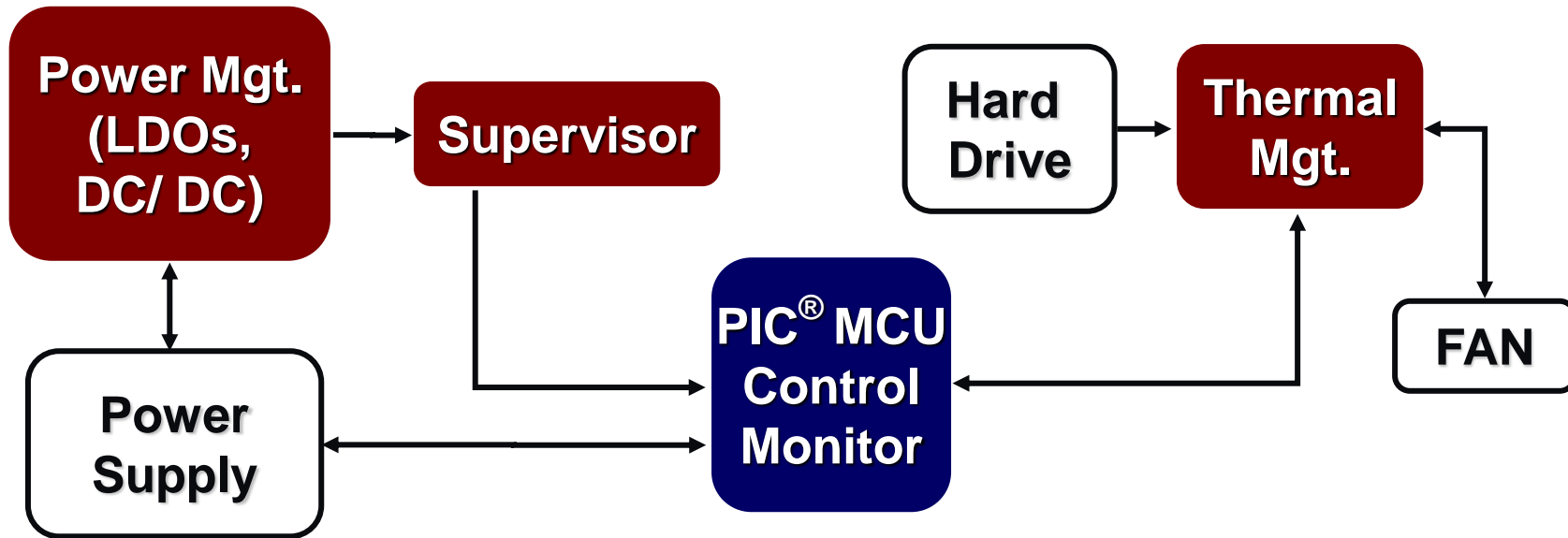


Zigbee

Popular Products	Description	Product Web Page
MRF24J40	MRF24J40 is a complete IEEE 802.15.4 radio and operates in the 2.4GHz freq band. The MRF24J40 supports ZigBee™, MiWi™ protocols and proprietary protocols to provide an ideal solution for wireless sensor networks, home automation, building automation and consumer applications	Click Here
PIC18F46J50	This low power and high performance 8-bit MCU with integrated full-speed USB 2.0 and peripheral flexibility comes in a small package for cost sensitive applications in the PIC18 J-series. New features include Deep sleep mode for low power applications, Peripheral Pin Select for design flexibility for mapping peripherals to I/O pins and a CTMU module for easy capacitive touch user interfaces. The PIC18F46J50 family is ideal for applications requiring cost-effective, low-power USB solutions with a robust peripheral set in a small package.	Click Here



Power Management for Set-Top box



PIC Microcontrollers

- **Function: coordinating all the control, some peripheral functions and monitor functions - the brain of the system**
- **Popular products: PIC16F15XX, 182X, 193X**
- **Attributes:**
 - Up to 32 MHz operating speed
 - On board CCP, CLC, CWG, NCO
 - Integrated comparators, op-amp, 12-bit ADC, 5/8/9 bit DAC
 - Up to 256 bytes of EEPROM
 - Available in UQFN, QFN, PDIP, SOIC, and TSSOP packages



1A- 1.5A Low Dropout Regulators

- **Function: converting 5V to low-noise 3.3V, 2.5V, or 1.8V voltage levels for the various system components**

Popular Products	Description	Product Web Page Click Here
MCP1727	The MCP1727 is a 1.5A, ceramic output cap stable, low output voltage Low Dropout Regulator (LDO) with shutdown and user-programmable delay for power good function.	Click Here
MIC37101	The MIC37101 is a 1.0A, ceramic output cap stable Low Dropout Regulator (LDO) with reverse battery and reverse current protection with power good function in SOIC-8 package	

[NEXT: Switching Regulators >>](#)

[Winning Attributes](#)

[<< BACK to BLOCK DIAGRAM](#)



1A- 1.5A Low Dropout Regulators

- **Attributes:**

- Very low operating current: 80 μ A (typ)
- High output voltage accuracy: \pm 2.5% (max)
- Excellent dynamic performance (line & load regulation)
- Very low dropout voltage: as low as 450mV @ 800mA (typ)
- Package offering: SOT-223, SOIC, TO-220, DDPAK



Switching Regulators

Popular Products	Description	Product Web Page
MCP16311/2	<p>The MCP16311/2 is a compact, high-efficiency, fixed frequency PWM/PFM, synchronous step-down DC-DC converter in a 8-pin MSOP, or 2 x 3 TDFN package that operates from input voltage sources up to 30V. Integrated features include a high-side and a low-side switch, fixed frequency Peak Current Mode Control, internal compensation, peak-current limit and over temperature protection. The MCP16311/2 provides all the active functions for local DC-DC conversion, with fast transient response and accurate regulation.</p>	Click Here



Switching Regulators

- **Attributes:**
 - Regulator and controller (external FET) solutions
 - Small SOT-23, MSOP and SOP packages
 - Auto-switching PWM/PFM operation
 - 300kHz and 750kHz switching frequency
 - UVLO, Soft-start & over-temperature protection
 - Efficiency as high as 95%
 - Very low operating current



RESET Monitors

- **Function: Reset the CPU and/or MCU when supply voltage falls below threshold**

Popular Products	Description	Product Web Page
MCP13xx	The MCP13xx voltage supervisors provide precision monitoring trip points, Watch Dog Timer inputs, Manual Reset with a low Supply current of 10 μ A over extended temperature range from 1.0V to 5.5V supply.	Click Here Click Here
TCM809	The reset output is driven active within 20 μ sec of VCC falling through the reset voltage threshold. Reset is maintained active for a minimum of 140msec after VCC rises above the reset threshold.	



RESET Monitors

- **Attributes:**

- Tiny SOT-23 and SC-70 packages
- Very low operating current: as low as 10 μ A (max)
- High threshold voltage accuracy: $\pm 2.8\%$ (max)
- V_{DD} transient immunity
- Watchdog Timer / manual reset (MCP13xx, TC1232)
- Many available options: push-pull output, open-drain output and internal pull-up resistor



Temperature Sensors

- **Function: To Monitor temperature and initiate actions during over-temperature conditions**

Popular Products	Description	Product Web Page
TCN75	TCN75 is a serially programmable temperature sensor that notifies the host controller when ambient temperature exceeds a user-programmed setpoint. Hysteresis is also programmable.	Click Here
MCP9808 Digital temperature sensor	The MCP9808 converts temperatures between -20°C and +100°C to a digital word with ±0.5°C (max.) accuracy	Click Here

[NEXT: Fan Managers >>](#)

[Winning Attributes](#)

[<< BACK to BLOCK DIAGRAM](#)



Temperature Sensors

- **Attributes:**
 - Small SOT-23 and MSOP-8 packages
 - Very low operating current: 250 μ A (typ)
 - Very low shutdown current: 1 μ A (typ)
 - High temp accuracy: $\pm 1^{\circ}$ C (typ)
 - Simple operation: no need for external components
 - Analog and digital (SPITM, I²CTM, SMBusTM) devices



Fan Managers

- **Function: controlling fan speed according to ambient temperature for reducing acoustic noise and extending fan life**

Popular Products	Description	Product Web Page
TC652	The TC652/653 are integrated temperature sensors and brushless DC fan speed controllers with FanSense™ technology. The TC652/653 measure their junction temperature and control the speed of the fan based on that temperature, making them especially suited for applications in modern electronic equipment. The FanSense™ fan fault detect circuitry eliminates the need for a more expensive 3 wire fan.	Click Here



Fan Managers

- **Attributes:**

- Small MSOP packages
- High temp accuracy: $\pm 1^{\circ}\text{C}$ (typ)
- Fan failure detection
- Very low power consumption
- Wide range of features: SMBusTM Interface, Auto-shutdown, Minimum fan speed, Over-temp indication, etc.



Operational Amplifiers

- **Function: buffering and filtering signals**

Popular Products	Description	Product Web Page
MCP6004	The MCP6004 is a quad general purpose op amp offering rail-to-rail input and output over the 1.8 to 6V operating range. This amplifier has a typical GBWP of 1 MHz with typical quiescent current of 100 microamperes.	Click Here
MCP6H04	MCP6H04 has a wide supply voltage range of 3.5V to 16V and rail-to-rail output operation. This device has a gain bandwidth product of 1.2 MHz (typical), while only drawing 135 μ A/amplifier (typical) of quiescent current.	Click Here
MCP6294	MCP6294 provide wide bandwidth of 10 MHz Gain Bandwidth Product. This family also operates from a single supply voltage as low as 2.4V to 6V, while drawing 1 mA (typical) quiescent current.	Click Here



Operational Amplifiers

- **Attributes:**

- Small SC-70, TDFN and SOT-23 packages
- GBWP: 9 kHz to 60MHz
- Excellent operating current-to-GBWP ratio
- Mostly rail-to-rail inputs and outputs
- Offset voltage: as low as 2 μ V (MCP6V0x)
- Chip Select capability for power savings



Analog-to-Digital

Converters

Function: Implementing Automatic Gain Control (AGC) for the tuner - frequency adjustment

Popular Products	Description	Product Web Page
MCP3221	The MCP3221 is a 12-bit SAR A/D converter. Available in the SOT-23 package, the MCP3221 provides a low max. conversion current and standby current of 250 μ A and 1 μ A respectively. Communication to the MCP3221 is performed using a 2-wire I2C™ Compatible interface. The MCP3221 runs on a single supply voltage range of 2.7 V to 5.5 V.	Click Here
MCP3201	The MCP3201 is a 100ksps, 1 input channel, 12-bit SAR A/D Converter (ADC) that combines high performance and low power consumption in a small package, making it ideal for embedded control applications. The MCP3201 features SPI serial interface, allowing 12-bit ADC capability to be added to any PIC® microcontroller.	Click Here
MCP33111	The MCP33111 12-bit, 1Msps, SAR A/D Converter (ADC) features a full differential input, high performance and low power consumption in a small package, making it ideal for battery powered systems and remote data acquisition applications. The MCP33111 features SPI serial interface, allowing 12-bit ADC capability to be added to any PIC® microcontroller.	Click Here

Winning Attributes

<< BACK to BLOCK DIAGRAM



Analog-to-Digital

Converters

SAR Attributes:

- Resolution: 10 to 16 bits
- Max sampling rate: up to 1 Msps
- Linearity: ± 1 LSB DNL, ± 1 LSB INL
- Current consumption: 175 to 2400 μ A (max.)
- Single supply voltage: 1.7V to 5.5V
- Small packages: SOT-23 and MSOP

□ Delta-Sigma Attributes:

- Resolution: 16 to 22 bits
- Max sampling rate: up to 240 sps
- Current consumption: 120 to 155 μ A (max.)
- Single supply voltage: 2.7V to 5.5V
- Small packages: SOT-23 and MSOP



Microchip Analog Products for Medical Applications

[<< BACK to CONTENTS](#)

[NEXT](#)

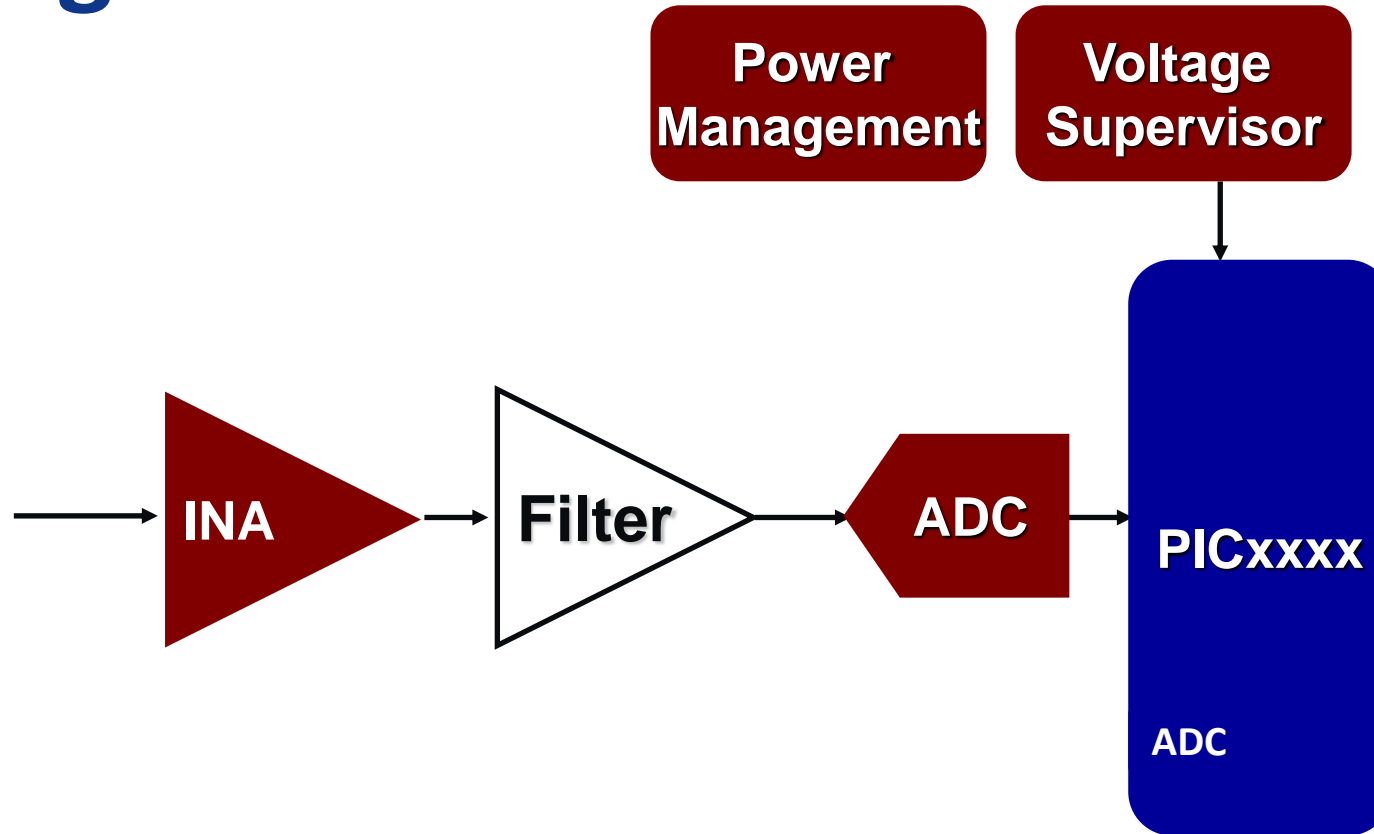


Microchip's Winning Attributes

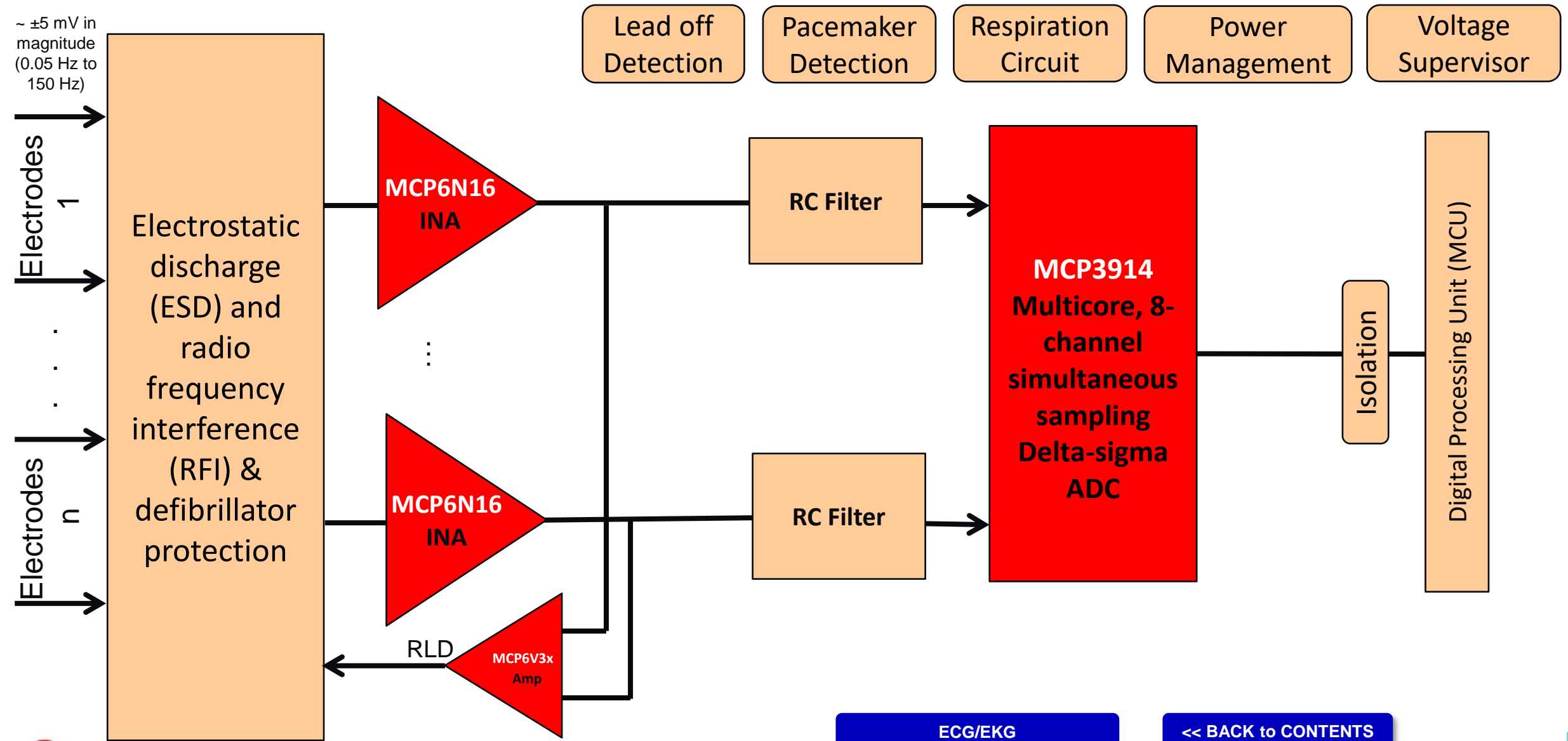
- Large offering of LDO and Resets covering needed voltages
- RR-I/O op amps reduce design concerns
- High Precision Operational Amplifiers
- Low Power consumption
- Attach sell with PICmicro, frequently used
- Great lead times and customer support



ECG/EKG Block Diagram



ECG Patient Monitoring Block Diagram



PIC Microcontrollers

- **Function: coordinating all the control, some peripheral functions and monitor functions - the brain of the system**
- **Popular products: PIC16F178X, 75X, 15XX**
- **Attributes:**
 - Up to 32 MHz operating speed
 - PWM output (PIC1XF75X)
 - Integrated hi-speed, comparators, op-amp, 12-bit ADC, 5/8/9 bit DAC, CCP, COG
 - Up to 256 bytes of EEPROM
 - Available in UQFN, QFN, PDIP, SOIC, and TSSOP packages



Instrumentation Amplifiers

- **Function: buffering and filtering sensor signals for preserving signal characteristics and rejecting unwanted frequencies**

Popular Products	Description	Product Web Page
MCP6N16	The MCP6N16 is a zero-drift instrumentation amplifier designed for single-supply operation with rail-to-rail input (no common mode crossover distortion) and output performance. The supply voltage range is low enough to support many portable applications. All devices are fully specified from -40°C to +125°C. Each device has EMI filters at the input pins, providing superior EMI rejection. This family has three minimum gain options (1, 10 and 100 V/V) in order to allow the user to optimize the input offset voltage and input noise for different applications	Click Here

<< BACK to BLOCK DIAGRAM



Analog Front End

- **Function: buffering and filtering sensor signals for preserving signal characteristics and rejecting unwanted frequencies**

Popular Products	Description	Product Web Page
MCP3914	<p>The MCP3914 device is an automotive qualified (Q100) 8-Ch Analog Front End (AFE), containing eight synchronous sampling delta-sigma ADCs, eight PGAs, phase delay compensation block, low-drift internal voltage reference, digital offset and gain error calibration registers, and high-speed 20 MHz SPI compatible serial interface. The MCP3914 AFEs include advanced security features to secure the communications and the configuration settings, such as a CRC-16 checksum on both serial data outputs and static register map configuration. It also includes a register-map lock through an 8-bit secure key to stop unwanted write commands from processing. The MCP3914 AFEs are capable of interfacing with a variety of voltage and current sensors, including shunts, current transformers, Rogowski coils and Hall-effect sensors.</p>	Click Here



Zero Drift Amplifier

- **Function: buffering and filtering sensor signals for preserving signal characteristics and rejecting unwanted frequencies**

Popular Products	Description	Product Web Page
MCP6v3x	The MCP6V3x family of operational amplifiers provides input offset voltage correction for very low offset and offset drift. These are low power devices, with a gain bandwidth product of 300 kHz. They are unity gain stable, have no 1/f noise, and provide superior CMRR and PSRR performance. These products operate with a single supply voltage as low as 1.8V with a maximum quiescent current of only 34 μ A. AEC-Q100 Grade 1 qualification is available for this device.	Click Here



Operational Amplifiers

- **Function: Provide gain to small signals**

Popular Products	Description	Product Web Page
MCP603x	The MCP6031/2/3/4 op amps have a gain bandwidth of 10 kHz with a low typical operating current of 0.9 μA and an offset voltage that is less than 150 μV .	Click Here
MCP6V11 Zero Drift Op Amps	Gain-Bandwidth Product: 80 kHz, Offset Voltage: $\pm 8 \mu\text{V}$ (max.), IQ: 11 μA (typ.), Wide Supply Voltage Range: 1.6V to 5.5V	Click Here
MCP6444	The MCP6444 is a quad general purpose op amp offering rail-to-rail input and output over the 1.8 to 6V operating range. This amplifier has a typical GBWP of 9 kHz with typ. quiescent current of 450 nA .	Click Here
MCP60x	MCP601/2/3/4 (op amp) has a gain bandwidth product of 2.8 MHz with low typical operating current of 230 μA and an offset voltage that is less than 2 mV.	Click Here

[<< BACK to BLOCK DIAGRAM](#)



Analog-to-Digital

Converters

Function: converting analog feedback signals to digital signals for MCU

Popular Products	Description	Product Web Page
MCP3221	The MCP3221 is a 12-bit SAR A/D converter. Available in the SOT-23 package, the MCP3221 provides a low max. conversion current and standby current of 250 μ A and 1 μ A respectively. Communication to the MCP3221 is performed using a 2-wire I2C™ Compatible interface. The MCP3221 runs on a single supply voltage range of 2.7 V to 5.5 V.	Click Here
MCP3201	The MCP3201 is a 100ksps, 1 input channel, 12-bit SAR A/D Converter (ADC) that combines high performance and low power consumption in a small package, making it ideal for embedded control applications. The MCP3201 features SPI serial interface, allowing 12-bit ADC capability to be added to any PIC® microcontroller.	Click Here
MCP33111	The MCP33111 12-bit, 1Msps, SAR A/D Converter (ADC) features a full differential input, high performance and low power consumption in a small package, making it ideal for battery powered systems and remote data acquisition applications. The MCP33111 features SPI serial interface, allowing 12-bit ADC capability to be added to any PIC® microcontroller.	Click Here

[<< BACK to BLOCK DIAGRAM](#)



Low-Power LDOs

- **Function:** providing regulated, low-noise supply voltages for the system

Popular Products	Description	Product Web Page
MCP1700	The MCP1700 can source up to 250mA of current with an extremely low input-output voltage differential of 178mV at 250mA. with the low current consumption of only	Click Here
TC1016	80mA , LDO With Shutdown in SC70	Click Here
MIC94325	<ul style="list-style-type: none">• Ripple Block family – Active noise rejection over a wide frequency band: >50dB from 10Hz to 5Mhz at 500mA load• Rated to 500mA output current• Fixed and adjustable output voltage• Optional output auto-discharge when disabled• Current-limit and thermal-limit protected• Available in Ultra-small 0.84mm x 1.32mm 6-ball CSP and 1.6mm x 1.6mm 6-pin Thin DFN• Logic-controlled enable pin	Click Here
MIC2215	<ul style="list-style-type: none">• Triple outputs, -70dB PSRR@ 1kHz, -40dB PSRR @ 1Mhz• Input voltage range: +2.25V to +5.5V• 250mA continuous current per output• Low quiescent current: 110uA per regulator• Current-limit protection. Available in tiny 16-pin 4mm x 4mm MLF package	Click Here

[<< BACK to BLOCK DIAGRAM](#)



RESET Monitors

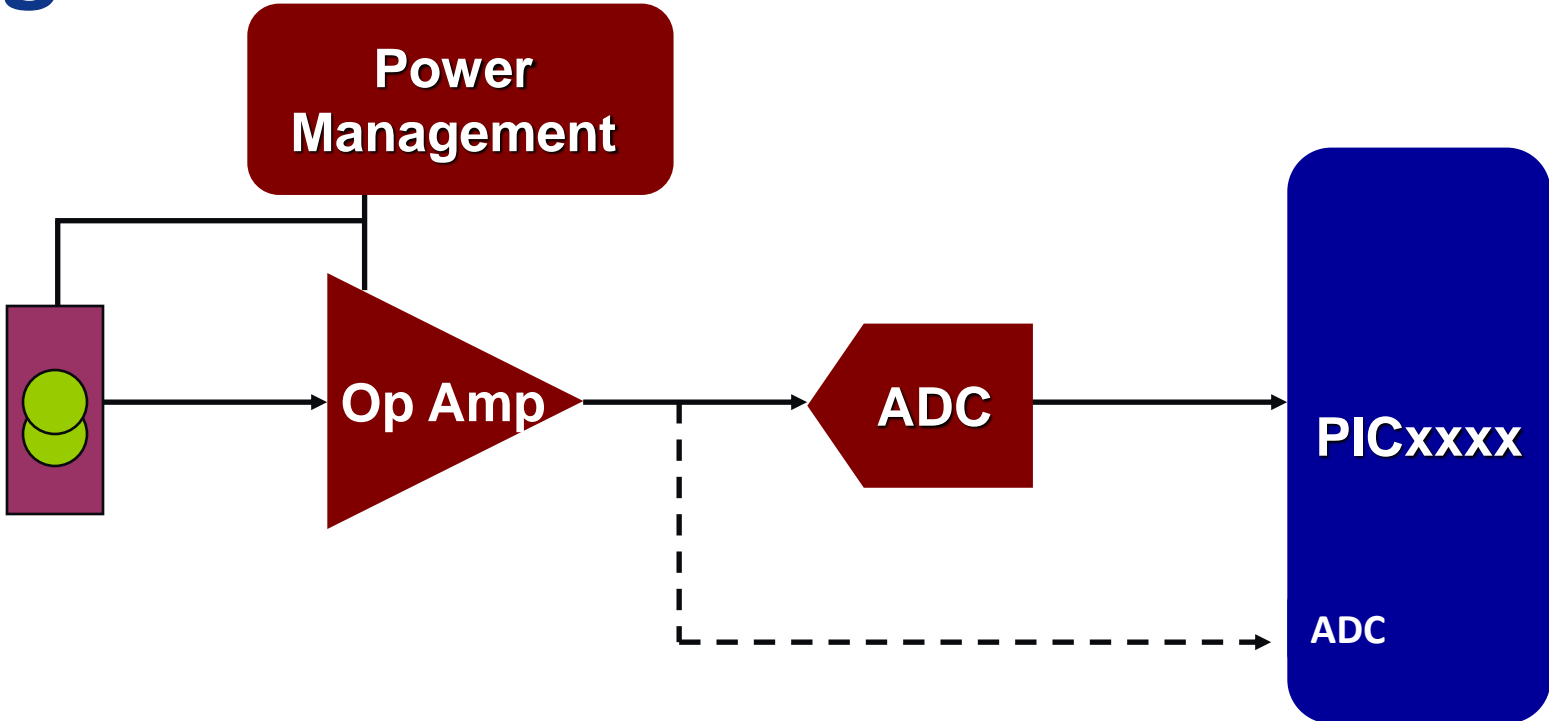
- **Function: Reset the CPU and/or MCU when supply voltage falls below threshold**

Popular Products	Description	Product Web Page
MCP13xx	The MCP13xx voltage supervisors provide precision monitoring trip points, Watch Dog Timer inputs, Manual Reset with a low Supply current of 10 μ A over extended temperature range from 1.0V to 5.5V supply.	Click Here
TCM809	The reset output is driven active within 20 μ sec of VCC falling through the reset voltage threshold. Reset is maintained active for a minimum of 140msec after VCC rises above the reset threshold.	Click Here

[<< BACK to BLOCK DIAGRAM](#)



Blood Glucose Block Diagram



PIC Microcontrollers

- **Function: coordinating all the control, some peripheral functions and monitor functions - the brain of the system**
- **Popular products: PIC16F178X, 75X, 15XX**
- **Attributes:**
 - Up to 32 MHz operating speed
 - PWM output (PIC1XF75X)
 - Integrated hi-speed, comparators, op-amp, 12-bit ADC, 5/8/9 bit DAC, CCP, COG
 - Up to 256 bytes of EEPROM
 - Available in UQFN, QFN, PDIP, SOIC, and TSSOP packages
 - 8-pin solutions (PIC12F752)

[<< BACK to BLOCK DIAGRAM](#)



Power Management

- **Function: providing regulated, low-noise supply voltages for the system**

Popular Products	Description	Product Web Page
MCP1700	The MCP1700 can source up to 250mA of current with an extremely low input-output voltage differential of 178mV at 250mA. with the low current consumption of only	Click Here
TC1016	80mA , LDO With Shutdown in SC70	Click Here
MCP16251/2	The MCP16251/2 is a compact, high-efficiency, fixed frequency, synchronous step-up DC-DC converter. This family of devices provides an easy-to-use power supply solution for applications powered by either one-cell, two-cell or three-cell alkaline, NiCd, NiMH and one-cell Li-Ion or Li-Polymer batteries.	Click Here
MIC94325	<ul style="list-style-type: none">• Ripple Block family – Active noise rejection over a wide frequency band: >50dB from 10Hz to 5Mhz at 500mA load• Rated to 500mA output current. Fixed and adjustable output voltage• Optional output auto-discharge when disabled. Logic-controlled enable pin• Current-limit and thermal-limit protected• Available in Ultra-small 0.84mm x 1.32mm 6-ball CSP and 1.6mm x 1.6mm 6-pin Thin DFN	Click Here
MIC2215	<ul style="list-style-type: none">• Triple outputs, -70dB PSRR@ 1kHz, -40dB PSRR @ 1Mhz• Input voltage range: +2.25V to +5.5V, 250mA continuous current per output• Low quiescent current: 110uA per regulator• Current-limit protection. Available in tiny 16-pin 4mm x 4mm MLF package	Click Here

Voltage References

<< BACK to BLOCK DIAGRAM



Voltage References

- **Function: providing the system with an accurate analog voltage for comparison**

Popular Products	Description	Product Web Page
MCP1525/41	MCP1525/41 is a low power, high precision voltage reference. It provides a precise output voltage of 4.096V which is then compared to other voltages in the system.	Click Here
MCP1501	The MCP1501 is a high-precision buffered voltage reference with an initial accuracy of 0.10% and is available in 8 voltage options. The MCP1501 is a low-drift bandgap-based reference and uses chopper-based amplifiers which significantly reduces the drift and provides high current output.	Click Here

[<< BACK to BLOCK DIAGRAM](#)



Operational Amplifiers

Popular Products	Description	Product Web Page Click Here
MCP603x	The MCP6031/2/3/4 op amps have a gain bandwidth of 10 kHz with a low typical operating current of 0.9 μ A and an offset voltage that is less than 150 μ V.	Click Here
MCP6444	The MCP6444 is a quad general purpose op amp offering rail-to-rail input and output over the 1.8 to 6V operating range. This amplifier has a typical GBWP of 9 kHz with typ. quiescent current of 450 nA .	Click Here
MCP60x	MCP601/2/3/4 (op amp) has a gain bandwidth product of 2.8 MHz with low typical operating current of 230 μ A and an offset voltage that is less than 2 mV.	Zero-Drift Amplifiers
MCP6Vxx Family of Zero-Drift Amplifiers	The MCP6Vxx provides high DC precision, including an offset voltage as low as 2 μ V and offset drift as low as 15nV/ $^{\circ}$ C maximum. They have low quiescent current, no 1/f noise and offer superior CMRR/PSRR performance. The family has an operating voltage as low as 1.6V and are available in small packages (SC-70 and DFN)	
MCP6Nxx Family of Instrumentation Amplifiers	Microchip expanded its portfolio of amplifiers by first introducing the MCP6N11 the industry's first instrumentation amplifier featuring mCal technology and most recently introducing the MCP6N16 Zero-Drift instrumentation amplifier. <ul style="list-style-type: none"> • Rail-to-Rail Input and Output • Gain Set by two (2) External Resistors • Enable/Vos Calibration Pin (MCP6N11) • Zero-Drift Architecture (MCP6N16) • Operating Voltage Range: 1.8V to 5.5V 	Instrumentation Amplifiers

[<< BACK to BLOCK DIAGRAM](#)



Analog-to-Digital

Converters

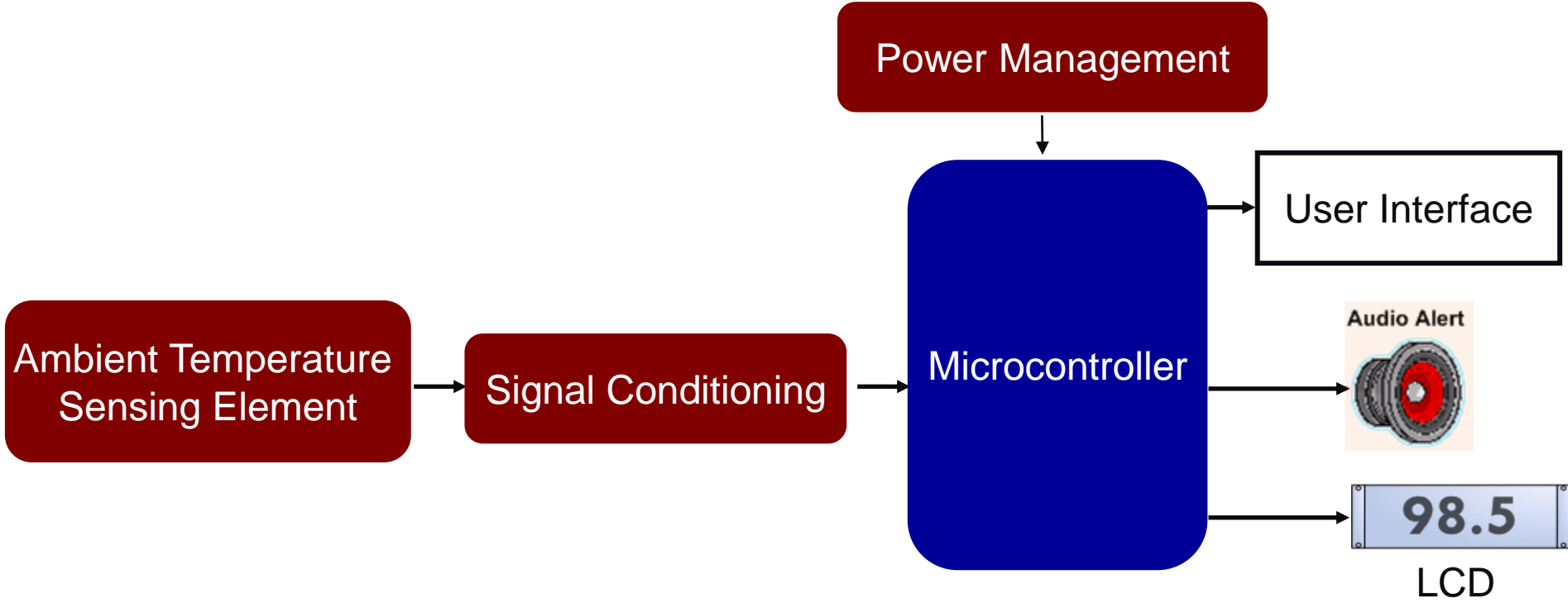
Function: converting analog feedback signals to digital signals for MCU

Popular Products	Description	Product Web Page
MCP3221	The MCP3221 is a 12-bit SAR A/D converter. Available in the SOT-23 package, the MCP3221 provides a low max. conversion current and standby current of 250 μ A and 1 μ A respectively. Communication to the MCP3221 is performed using a 2-wire I2C™ Compatible interface. The MCP3221 runs on a single supply voltage range of 2.7 V to 5.5 V.	Click Here
MCP3421	The MCP3421 is a single channel low-noise, high accuracy Delta-Sigma A/D converter with differential inputs and up to 18 bits of resolution in a small SOT-23-6 package. The device uses a two-wire I2C™ compatible serial interface and operates from a single power supply ranging from 2.7V to 5.5V.	Click Here

<< BACK to BLOCK DIAGRAM



Digital Thermometer



Signal Conditioning

- Microchip offers high resolution SAR and Delta-Sigma ADC and a wide range of high bandwidth, low current and cost effective operational amplifiers

Popular Products	Description	Product Web Page
MCP6231/2/4	MCP6231/1R/1U/2/4 - Family of operational amplifiers Gain Bandwidth Product: 300 kHz (typical), Low Supply Current: = 20 μ A (typical), Wide Supply Voltage: 1.8V to 6.0V	Click Here
MCP3421	The MCP3421 is a single channel low-noise, high accuracy Delta-Sigma A/D converter with differential inputs and up to 18 bits of resolution in a small SOT-23-6 package. The device uses a two-wire I2C™ compatible serial interface and operates from a single power supply ranging from 2.7V to 5.5V.	Click Here

<< BACK to BLOCK DIAGRAM



Power Management

- **Function: providing regulated, low-noise supply voltages for the system**

Popular Products	Description	Product Web Page
MCP1700	The MCP1700 can source up to 250mA of current with an extremely low input-output voltage differential of 178mV at 250mA. with the low current consumption of only	Click Here
TC1016	80mA , LDO With Shutdown in SC70	Click Here
MCP16251/2	The MCP16251/2 is a compact, high-efficiency, fixed frequency, synchronous step-up DC-DC converter. This family of devices provides an easy-to-use power supply solution for applications powered by either one-cell, two-cell or three-cell alkaline, NiCd, NiMH and one-cell Li-Ion or Li-Polymer batteries.	Click Here
MIC94325	<ul style="list-style-type: none">• Ripple Block family – Active noise rejection over a wide frequency band: >50dB from 10Hz to 5Mhz at 500mA load• Rated to 500mA output current. Fixed and adjustable output voltage• Optional output auto-discharge when disabled. Logic-controlled enable pin• Current-limit and thermal-limit protected• Available in Ultra-small 0.84mm x 1.32mm 6-ball CSP and 1.6mm x 1.6mm 6-pin Thin DFN	Click Here
MIC2215	<ul style="list-style-type: none">• Triple outputs, -70dB PSRR@ 1kHz, -40dB PSRR @ 1Mhz• Input voltage range: +2.25V to +5.5V, 250mA continuous current per output• Low quiescent current: 110uA per regulator• Current-limit protection. Available in tiny 16-pin 4mm x 4mm MLF package	Click Here

[<< BACK to BLOCK DIAGRAM](#)



Thermal Compensation

- In many cases ambient temperature compensation requires a second sensor

Popular Products	Description	Product Web Page
MCP9808 Digital temperature sensor	The MCP9808 converts temperatures between -20°C and +100°C to a digital word with $\pm 0.5^\circ\text{C}$ (max.) accuracy	Click Here
MCP9700 Linear Active Thermistor™ ICs	The output voltage of this device is directly proportional to measured temperature. The MCP9700 can accurately measure temperature from -40C to +150C with the output calibrated to a slope of 10mV/°C and has a DC offset of 500mV.	Click Here

<< BACK to BLOCK DIAGRAM

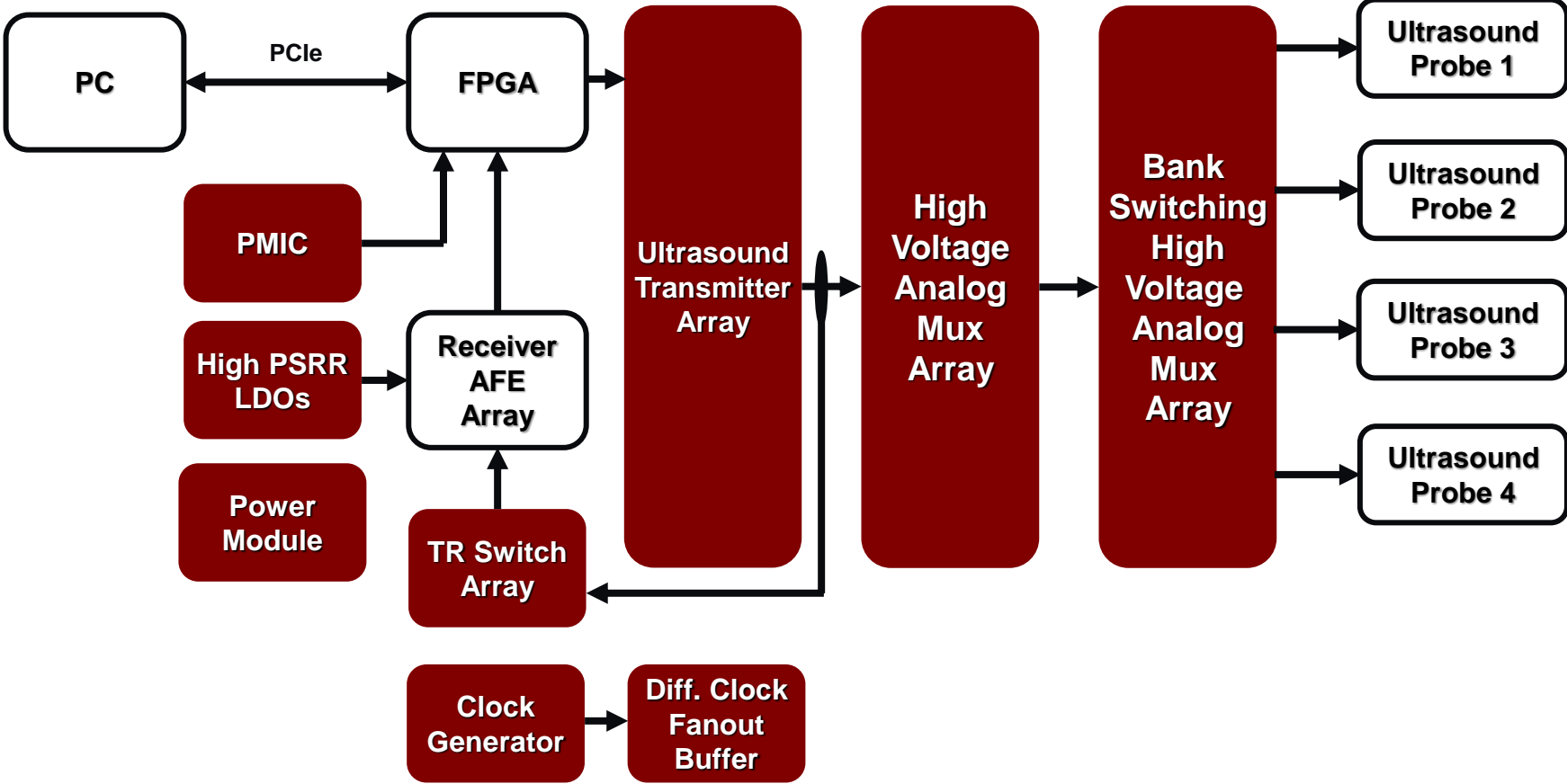


PIC Microcontrollers

- **Function:** coordinating all the control, some peripheral functions and monitor functions - the brain of the system
- **Popular products:** PIC16F193X, PIC18F65J90/94
- **Attributes:**
 - Up to 32 MHz operating speed
 - PWM output (PIC16F193X)
 - Integrated LCD controller, up to 256 segments
 - Integrated comparators, op-amp, 12-bit ADC, 5/8/9 bit DAC
 - Up to 256 bytes of EEPROM



Medical Ultrasound Imaging System Block Diagram



Digital Thermometer

Blood Glucose Meter

ECG/EKG System

<< BACK to CONTENTS



High Voltage

Analog Mux

Function: Ultrasound probe selection relay replacement

Popular Product	Description	Product Web Page
HV2809	HV2809 is a low harmonic distortion, 32-channel, high voltage analog switch IC, designed for use in medical ultrasound imaging systems as a probe selection relay replacement. It serves as a 16PDT (16-pole, double throw) high voltage analog switch array. The enable function allows the parts to be configured as either a 2:1 or 4:1 multiplexer/demultiplexer. HV2809 is a very fast transducer multiplexer that consumes minimal power and emits no audible noise.	Click Here

<< BACK to BLOCK DIAGRAM



High Voltage

Analog Mux

Function: Multiplexing the ultrasound signals to the ultrasound probe

Popular Products	Description	Product Web Page
HV2902	HV2902 is low-charge injection, 32-channel SPST , high-voltage analog switches intended for use in applications requiring high-voltage switching controlled by low-voltage control signals, such as medical ultrasound imaging, driving piezoelectric transducers and printers. The HV2902 has integrated bleed resistors which eliminate voltage build-up on capacitive loads such as piezoelectric transducers.	Click Here
HV2901	The HV2901 is a low charge injection 32-channel high voltage analog switch integrated circuit (IC) in 2:1 Mux configuration , intended for use in applications requiring high voltage switching controlled by low voltage control signals, such as medical ultrasound imaging, piezoelectric transducer driver, and printers. The bleed resistors eliminate voltage built up on capacitive loads such as piezoelectric transducers.	Click Here
HV2705	The HV2705 are low charge injection, 16-channel SPST , high voltage analog switch integrated circuits (ICs) with bleed resistors. The devices can be used in applications requiring high voltage switching controlled by low voltage control signals, such as medical ultrasound imaging and piezoelectric transducer drivers.	Click Here

[<< BACK to BLOCK DIAGRAM](#)



Ultrasound

Transmitter Function: Excites an array of piezo-electric transducer to emit the ultrasound waves.

Popular Products	Description	Product Web Page
HV7351	The HV7351 is an eight channel monolithic high-voltage ultrasound transmitter with built-in programmable digital transmit-beamforming. Each channel is capable of operating the outputs up to +/-70V with an active discharge back to 0V. The outputs can source and sink up to 3.0A to achieve fast output rise and fall times. The active discharge is also capable of sourcing and sinking 3.0A for a fast return to ground.	Click Here
HV7350	The HV7350 is an eight channel monolithic high voltage high speed pulse generator with built-in fast return to zero damping FETs. This high voltage and high-speed integrated circuit is designed for portable medical ultrasound image devices. HV7350 consists of a controller logic interface circuit, level translators, MOSFET gate drives, and high current power P-channel and N-channel MOSFETs as the output stage for each channel. The output peak currents of each channel are guaranteed to be over ±1.0A with up to ±60V pulse swings as well as return-to-zero (RTZ) mode. The gate drivers for the output MOSFETs are powered by built-in linear 5.0V regulators referenced to VPP and VNN.	Click Here

[<< BACK to BLOCK DIAGRAM](#)



Transmit/Receive

Switch

Function: Protect the low voltage receiver from the high voltage transmit pulses in ultrasound application

Popular Products	Description	Product Web Page
MD0100	Single Channel (MD0100N8-G) or Dual Channel (MD0100DK6-G), Up to +/-100V input voltage protection, Low on resistance (15 Ohm Typical), Fast switching speed, No external supplies needed	Click Here
MD0101	4-Channel, Up to +/-100V input voltage protection, Low on resistance (15 Ohm Typical), Integrated clamp diodes, Fast switching speed, No external supplies needed.	Click Here
MD0105	4-Channel, Up to +/-130V input voltage protection, Low on resistance (15 Ohm Typical), Fast switching speed, No external supplies needed	Click Here

<< BACK to BLOCK DIAGRAM



Clock Generator

- **Function: Generating different clock frequency signals for FPGA, Receiver AFE, Transmitter IC, and PCIe.**

Popular Product	Description	Product Web Page
SM803xxx	<ul style="list-style-type: none">• High performance customizable clock generator FLEX2 family• 200fs RMS phase jitter• Dual-PLL• Integrated Fanout Buffer - up to 12 Outputs• Independently programmable output logic and frequency• Output logic includes LVPECL, LVDS, HCSL, and LVCMOS	Click Here

[<< BACK to BLOCK DIAGRAM](#)



Diff. Clock

Fanout Buffer

Function: Clock Fanout Buffer for driving the receiver AFE sampling clocks & the transmitter retiming clocks

Popular Products	Description	Product Web Page
SY89826L	<ul style="list-style-type: none">• High performance 1GHz LVDS fanout buffer/translator• 22 differential LVDS output pairs• Low jitter performance:<ul style="list-style-type: none">• <1 ps rms cycle-to-cycle jitter• <1 ps pk-to-pk total jitter• 2:1 mux input accepts LVDS and LVPECL• Output enable function• 3.3V supply voltage• Available in a 64-Pin EPAD-TQFP package	Click Here

<< BACK to BLOCK DIAGRAM



High PSRR LDOs

- **Function: Filter out the switching power supply's noise for the sensitive high performance analog circuit.**

Popular Products	Description	Product Web Page
MIC94325	<ul style="list-style-type: none">• Ripple Block family – Active noise rejection over a wide frequency band: >50dB from 10Hz to 5Mhz at 500mA load• Rated to 500mA output current• Fixed and adjustable output voltage• Optional output auto-discharge when disabled• Current-limit and thermal-limit protected• Available in Ultra-small 0.84mm x 1.32mm 6-ball CSP and 1.6mm x 1.6mm 6-pin Thin DFN• Logic-controlled enable pin	Click Here
MIC2215	<ul style="list-style-type: none">• Triple outputs, -70dB PSRR@ 1kHz, -40dB PSRR @ 1Mhz• Input voltage range: +2.25V to +5.5V• 250mA continuous current per output• Low quiescent current: 110uA per regulator• Current-limit protection. Available in tiny 16-pin 4mm x 4mm MLF package	Click Here
MIC49150	<ul style="list-style-type: none">• 1.5A High PSRR LDO Regulator• VIN: 1.4V to 6.5V, VBIAS: 3.0V to 6.5V• Adjustable output voltage down to 0.9V• Logic controlled shutdown option. Thermal shutdown and current limit protection• High PSRR -50dB @ 1Mhz at full load• Available in Power MSOP-8 and S-Pack packages	Click Here

[<< BACK to BLOCK DIAGRAM](#)



PMIC

- **Function: Provide power to the FPGAs & the PC peripherals.**

Popular Product	Description	Product Web Page
MIC7401	<p>Configurable PMIC, Five-Channel Buck Regulator + One-Boost with Hyperlight Load, I2C Control and Enable</p> <ul style="list-style-type: none">• Input Voltage: 2.4V to 5.5V• Five Independent synchronous bucks up to 3A• One independent non-synchronous boost up to 200 mA• 200 uA quiescent current (all regulators on)• I2C interface up to 3.4Mhz• I2C on-the-fly EEPROM programmability<ul style="list-style-type: none">• Buck and boost output voltage scaling• Power-on-reset threshold and delay• Power-up sequencing and sequencing delay• Buck and Boost current limit• Soft-start, ON/OFF, and standby mode...and more...• 36-pin 4.5mm x 4.5mm x 0.85mm FQFN package• 12mm x 8.5mm x 1.25mm solution size (see the eval board)	Click Here

<< BACK to BLOCK DIAGRAM



Power Module

- **Function: Provide power to the PC Module and the digital circuitry**

Popular Products	Description	Product Web Page
MIC45208	<ul style="list-style-type: none">• Wide input voltage range of 4.5V to 26V. Output voltage: 0.8V to 5.5V with +/- 1% accuracy• Up to 10A output current. No compensation required• Adjustable switching frequency from 200Khz to 600Khz• Enable input and open-drain power good output• Adjustable current limit• Available in 52-pin 10mm x 10mm x 4mm QFN package	Click Here
MIC45212-1/2	<ul style="list-style-type: none">• Wide input voltage range of 4.5V to 26V. Output voltage: 0.8V to 5.5V with +/- 1% accuracy• Up to 14A output current. No compensation required• Adjustable switching frequency from 200Khz to 600Khz• Enable input and open-drain power good output• Adjustable current limit• Available in 64-pin 12mm x 12mm x 4mm QFN package	Click Here
MIC38300	<ul style="list-style-type: none">• 3A High Efficiency Low Dropout regulator• Unique switcher + LDO architecture• 3A peak output current, 2.2A continuous operating current• Input voltage range: 3.0V to 5.5V, output noise less than 5mV• Available in 4mm x 6mm x 0.9mm MLF package	Click Here

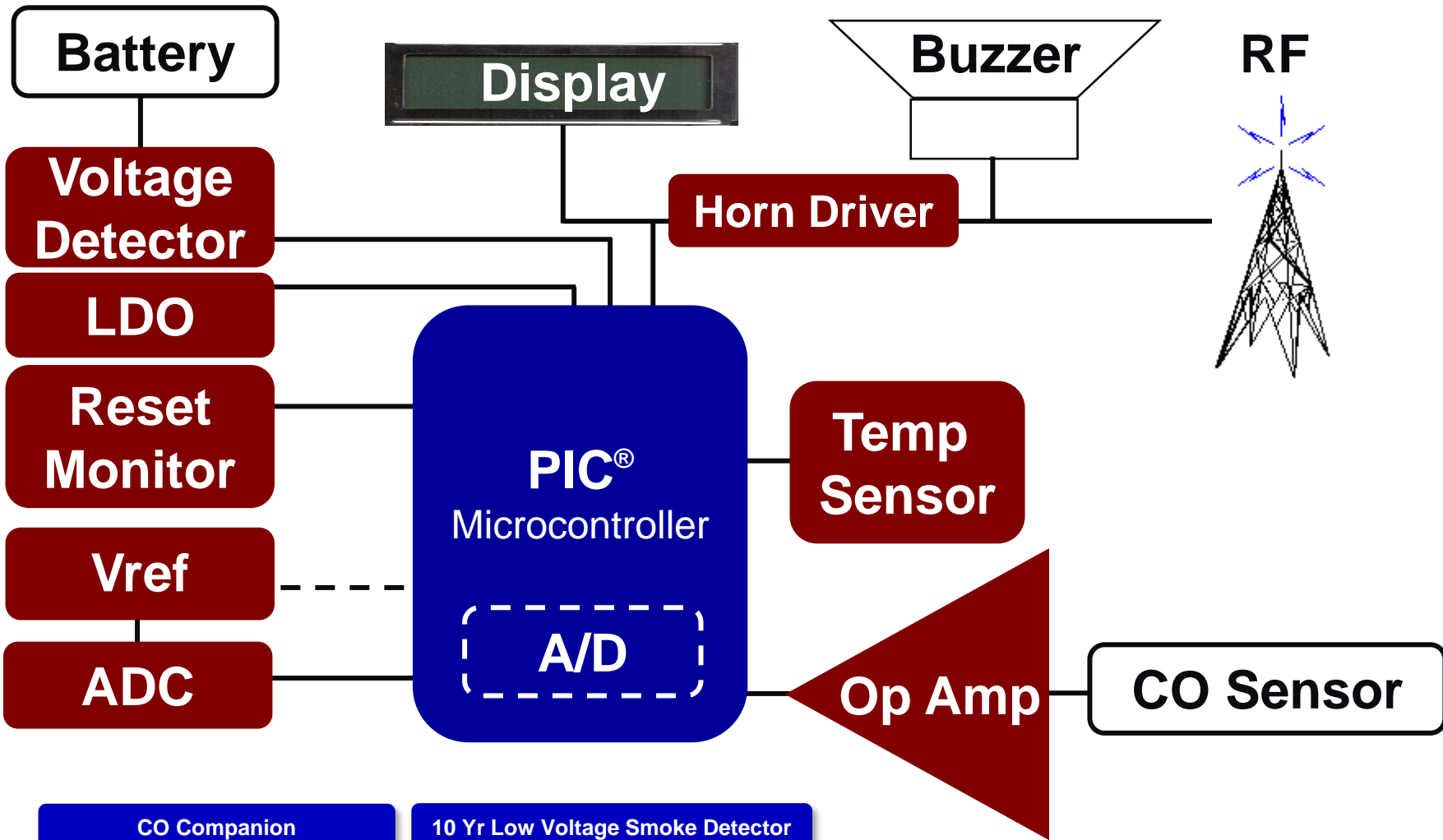
[<< BACK to BLOCK DIAGRAM](#)



Microchip Analog Products for Smoke and CO Detectors



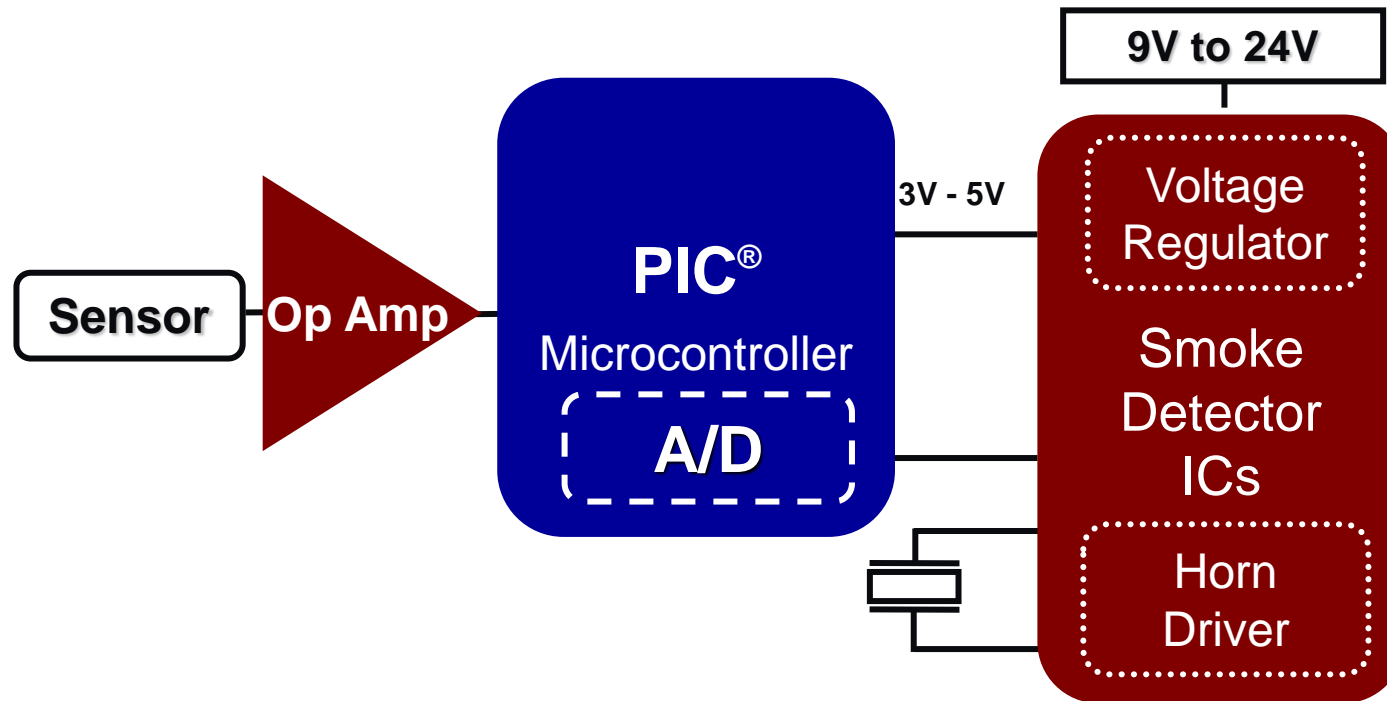
CO Detector



- CO Companion
- 10 Yr Low Voltage Smoke Detector
- Home Alarm Systems
- Low Cost Smoke Detectors
- Addressable Smoke Detectors
- [<< BACK to CONTENTS](#)



Addressable Smoke Detector



CO Companion

10 Yr Low Voltage Smoke
Detector

CO Detectors

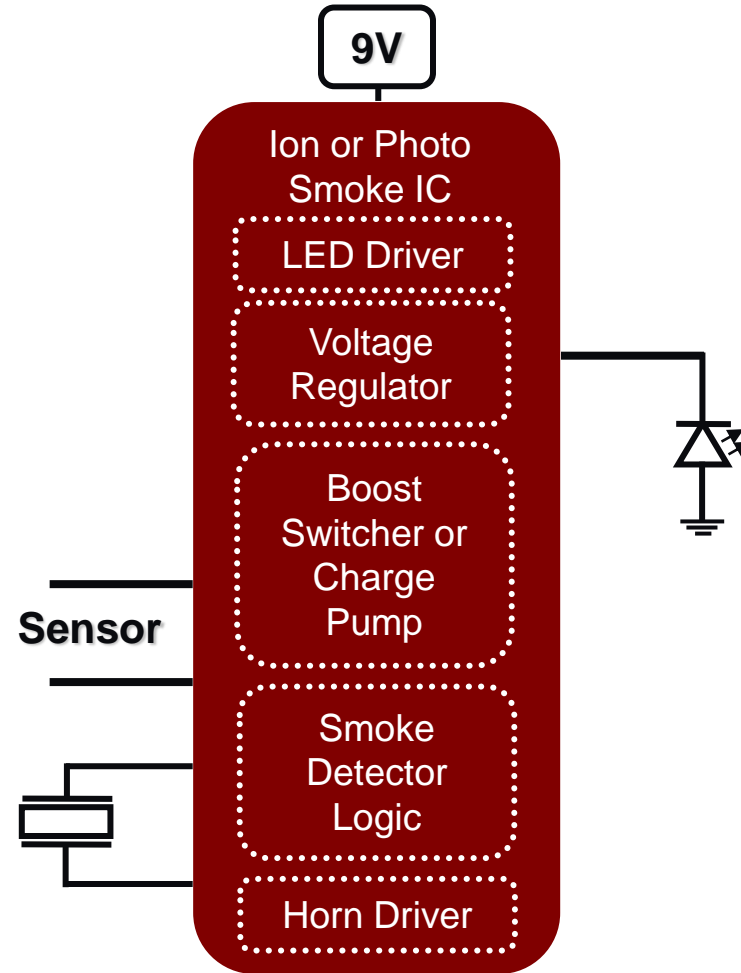
Low cost Smoke Detectors

Home Alarm Systems

<< BACK to CONTENTS



Low Cost Smoke Detector



CO Companion

10 Yr Low Voltage Smoke
Detector

CO Detectors

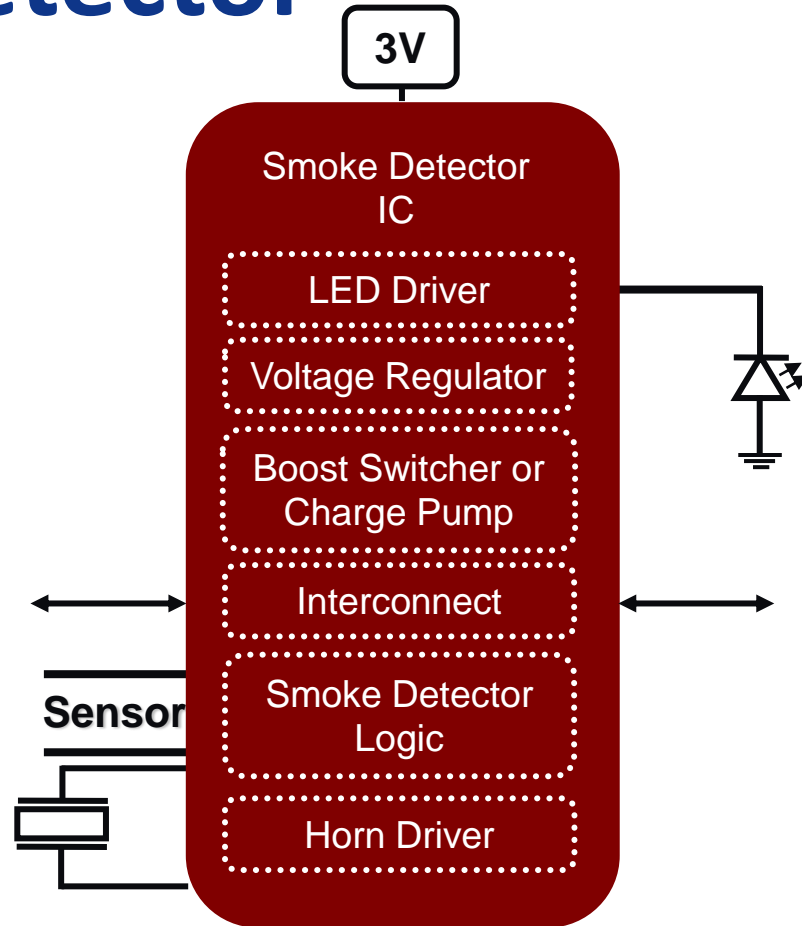
Addressable Smoke Detectors

Home Alarm Systems

<< BACK to CONTENTS



10 Year Low Voltage Smoke Detector



CO Companion

CO Detectors

Low cost Smoke Detectors

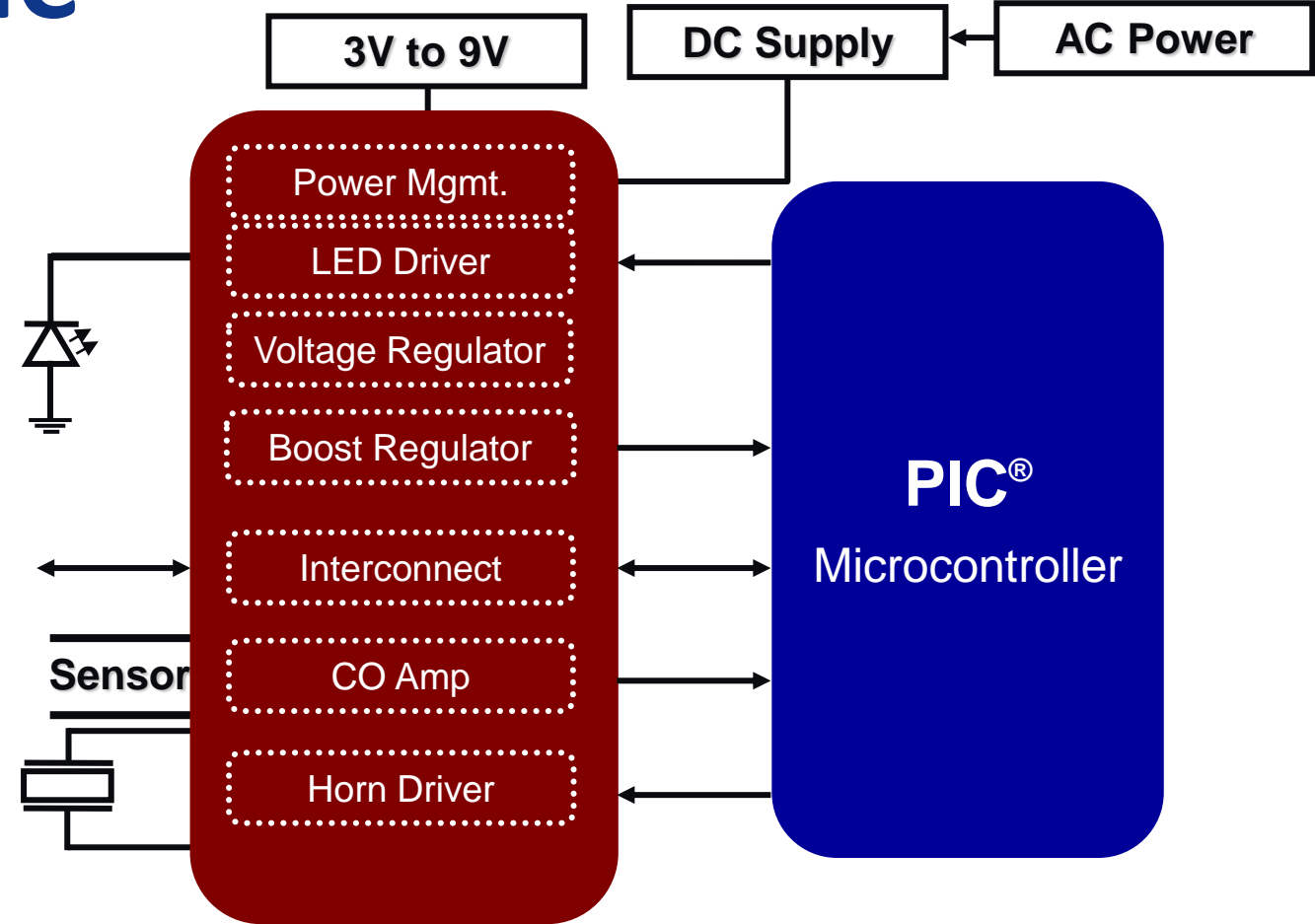
Addressable Smoke Detectors

Home Alarm Systems

<< BACK to CONTENTS



CO Detector Companion IC



CO Detectors

10 Yr Low Voltage Smoke Detector

Low cost Smoke Detectors

Addressable Smoke Detectors

Home Alarm Systems

<< BACK to CONTENTS



Operational Amplifiers

- **Function: Provide gain to small signals**

Popular Products	Description	Product Web Page
MCP603x	The MCP6031/2/3/4 op amps have a gain bandwidth of 10 kHz with a low typical operating current of 0.9 μA and an offset voltage that is less than 150 μV .	Click Here
MCP6444	The MCP6444 is a quad general purpose op amp offering rail-to-rail input and output over the 1.8 to 6V operating range. This amplifier has a typical GBWP of 9 kHz with typ. quiescent current of 450 nA .	Click Here
MCP6V11 Zero Drift Op Amps	Gain-Bandwidth Product: 80 kHz, Offset Voltage: $\pm 8 \mu\text{V}$ (max.), IQ: 11 μA (typ.), Wide Supply Voltage Range: 1.6V to 5.5V	Click Here



Comparators

- **Function: Establish alarm thresholds (primarily in smoke detectors)**

Popular Products	Description	Product Web Page
MCP6567	These comparators are optimized for low power, single-supply operation with greater than rail-to-rail input operation. The open drain output of the MCP6566/7/9 family with a pull-up resistor, can be used as a level shifter for any desired voltage from 1.6V to 5.5V.	Click Here



Analog-to-Digital

Converters

Function: converting analog feedback signals to digital signals for MCU

Popular Products	Description	Product Web Page
MCP3221	The MCP3221 is a 12-bit SAR A/D converter. Available in the SOT-23 package, the MCP3221 provides a low max. conversion current and standby current of 250 μ A and 1 μ A respectively. Communication to the MCP3221 is performed using a 2-wire I2C™ Compatible interface. The MCP3221 runs on a single supply voltage range of 2.7 V to 5.5 V.	Click Here
MCP3201	The MCP3201 is a 100ksps, 1 input channel, 12-bit SAR A/D Converter (ADC) that combines high performance and low power consumption in a small package, making it ideal for embedded control applications. The MCP3201 features SPI serial interface, allowing 12-bit ADC capability to be added to any PIC® microcontroller.	Click Here
MCP33111	The MCP33111 12-bit, 1Msps, SAR A/D Converter (ADC) features a full differential input, high performance and low power consumption in a small package, making it ideal for battery powered systems and remote data acquisition applications. The MCP33111 features SPI serial interface, allowing 12-bit ADC capability to be added to any PIC® microcontroller.	Click Here

<< BACK to BLOCK DIAGRAM



RESET Monitors

- **Function: Reset the CPU and/or MCU when supply voltage falls below threshold**

Popular Products	Description	Product Web Page
MCP13xx	The MCP13xx voltage supervisors provide precision monitoring trip points, Watch Dog Timer inputs, Manual Reset with a low Supply current of 10 μ A over extended temperature range from 1.0V to 5.5V supply.	Click Here
TCM809	The reset output is driven active within 20 μ sec of VCC falling through the reset voltage threshold. Reset is maintained active for a minimum of 140msec after VCC rises above the reset threshold.	Click Here

[<< BACK to BLOCK DIAGRAM](#)



Voltage References

- **Function: providing the system with an accurate analog voltage for comparison**

Popular Products	Description	Product Web Page
MCP1525/41	MCP1525/41 is a low power, high precision voltage reference. It provides a precise output voltage of 4.096V which is then compared to other voltages in the system.	Click Here
MCP1501	The MCP1501 is a high-precision buffered voltage reference with an initial accuracy of 0.10% and is available in 8 voltage options. The MCP1501 is a low-drift bandgap-based reference and uses chopper-based amplifiers which significantly reduces the drift and provides high current output.	Click Here

[<< BACK to BLOCK DIAGRAM](#)



Power Management

Popular Products	Description	Product Web Page
MCP13xx	The MCP13xx are voltage supervisor devices designed to keep a microcontroller in reset until the system voltage has reached and stabilized at a proper level for reliable system operation.	Click Here
MCP111/2	The MCP111/112 voltage detectors have extremely low 1uA operating current and small form factor. They hold the microcontroller in reset until the supply voltage reaches a predetermined operating level. These devices also protect against brownout conditions	Click Here
LDO MCP1700 MCP1703A	The MCP1700/3A are CMOS low dropout positive voltage regulators which can source up to 250mA of current with an extremely low input-output voltage differential The low dropout voltage combined with the low current consumption makes this part ideal for battery operation.	MCP1700 MCP1703A
MCP16301	The MCP16301 is a highly integrated, high-efficiency, fixed frequency, step-down DC-DC converter in a popular SOT-23 package that operates from input voltage sources up to 30V	Click Here

[<< BACK to BLOCK DIAGRAM](#)



Temperature Sensor

- **Function: provides temperature measurement**

Popular Products	Description	Product Web Page
TC1047	The TC1047A is a linear output temperature sensor whose output voltage is directly proportional to measured temperature. For the TC1047A, the output voltage range is typically 100mV at -40C, 500mV at 0C, 750mV at +25C, and 1.75V at +125C. A 10mV/°C voltage slope allows for the wide temperature range.	Click Here
MCP9700 Linear Active Thermistor™ ICs	The output voltage of this device is directly proportional to measured temperature. The MCP9700 can accurately measure temperature from -40C to +150C with the output calibrated to a slope of 10mV/°C and has a DC offset of 500mV.	Click Here

[<< BACK to BLOCK DIAGRAM](#)



PIC Microcontrollers

- **Function: coordinating all the control and monitor functions - the brain of the system**
- **Popular products: PIC16F161X, 527/570, 32X, 182X, 75X, 15XX**
- **Attributes:**
 - Up to 32MHz operating speed
 - PWM output (PIC16F182X)
 - Programmable switch mode controller (PIC16F75X)
 - Integrated comparators, op-amp, 12-bit ADC, 8-bit DACs
 - Up to 256 bytes of EEPROM
 - Available various packages



PIC12F675 - PICmicro

□ Features

- Only 35 instructions to learn
- All single cycle instructions (200 ns), except for two-cycle program branches
- Operating speed:
 - DC – 20 MHz oscillator/clock input
 - DC – 200 ns instruction cycle
- Memory
 - 1024 x 14 words of FLASH
 - 64 x 8 bytes of Data Memory (SRAM)
 - 128 x 8 bytes of EEPROM
- Interrupt capability
- 16 special function hardware registers
- 8-level deep hardware stack
- Direct, Indirect, and Relative Addressing

□ Peripherals

- 6 I/O pins with individual direction control
- High current sink/source for direct LED drive
- Analog comparator module
- ADC Module
 - 10-bit resolution
 - Programmable 4-Ch input
 - Voltage reference input
- Timer0: 8-bit timer/counter
- Enhanced Timer1:
 - 16-bit timer/counter with prescaler
 - External Gate Input Mode
- 64 bytes of general purpose RAM



Smoke Detector ICs

Smoke Detector Type	Products	Description	Product Web Page
Photoelectric Smoke Detector IC	RE46C191	<ul style="list-style-type: none"> • Two AA battery Operation • Internal Power On Reset • Low Quiescent Current Consumption • Internal IRED driver with Programmable IRED Current • Programmable Photo Amplifier, Smoke Sensitivity Levels • 9 Minute Timer for Sensitivity Control • Chamber Test with Programmable Sensitivity Level • Internal Low Battery Test with Programmable Threshold • Local Alarm Memory • Temporal or Continuous Horn Pattern • All internal Oscillator 	Click Here
Ionization-type Smoke Detector IC	RE46C180	<ul style="list-style-type: none"> • 6 -12V Operation • Low Quiescent Current Consumption • +/- 0.75pA Detect Input Current • Guard Outputs for Ion Detector Input • Programmable Standby Sensitivity, Hush Sensitivity, Hysteresis, Chamber Voltage for Push-to-Test • Low Battery Set Point • Local Alarm Memory, Auto Alarm Locate • Horn Synchronization • 9 Minute or 80 Second Hush Timer • Temporal or Continuous Horn Pattern • IO Filter and Charge Dump • 10-Year End-of-Life Indication 	Click Here



RE46C800

	Description	Product Web Page
RE46C800	<ul style="list-style-type: none">• The RE46C800 provides all of the necessary analog, interface, and power management functions necessary to build a microcontroller based CO or toxic gas detector.• The RE46C800 is intended for use with two terminal electrochemical CO and toxic gas sensors.• The uncommitted op amp can also be used for heat detector applications	Click Here



EEPROM Memory

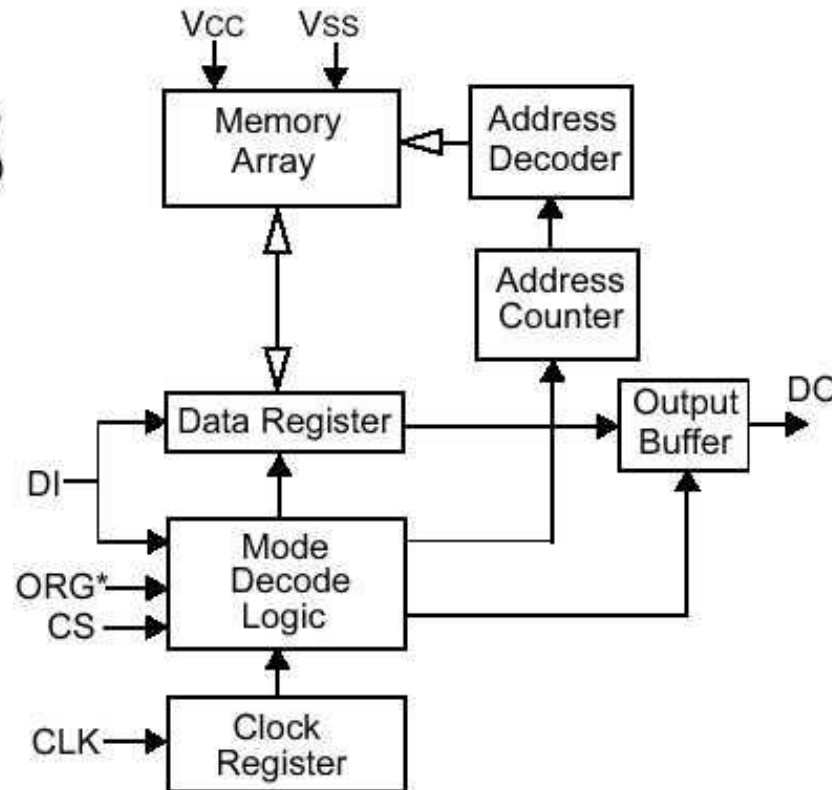
- **Function: storing factory calibration values and the "life" clock of a CO sensor**
- **Popular products: 24LCxxx, 93xx46A/B, 25LCxxx**
- **Attributes:**
 - SPI™, I²C™ and Microwire® Interface
 - Small SOT-23 and MSOP packages
 - Densities from 128 to 512k
 - Supply voltages as low as 1.8V
 - E/W Cycles: 1M



93XX46A/B - Microwire EERPOM

Features

- Low power CMOS technology
- ORG pin to select word size for '46C version
- 128 x 8-bit organization 'A' ver. devices (no ORG)
- 64 x 16-bit organization 'B' ver. devices (no ORG)
- Self-timed ERASE/WRITE cycles (including auto-erase)
- Automatic ERAL before WRAL
- Power on/off data protection circuitry
- Industry standard 3-wire serial I/O
- Device status signal (READY/BUSY)
- Sequential READ function
- 1,000,000 E/W cycles
- Data retention > 200 years
- Temperature ranges supported
 - Industrial (I) -40°C to +85°C
 - Automotive (E) -40°C to +125°C



<< BACK to BLOCK DIAGRAM



Horn Drivers

- **Horn Drivers allows battery operation of a piezoelectric horn**
 - Piezoelectric horns are a low cost, high efficiency method to achieve the sound pressure required.
- **Horn Drivers provide these advantages:**
 - Realize cost savings by reducing component count
 - Increase battery life, low current low voltage
 - Switchers and charge pumps for even lower voltage operation
 - Self resonance calibration



Horn Driver Family (1)

- **Piezoelectric Horn Drivers, baseline ASIC Products**
 - RE46C100 basic model, Vdd 6V - 16V
 - RE46C101 with LED Driver, Vdd 6V - 16V
 - RE46C104 with Voltage Converter, Vdd 4V-8V
 - RE46C117 with Charge Pump, Vdd 2V - 5V



Horn Driver Family (2)

- **Piezoelectric Horn Drivers with controller Voltage Regulators ASIC products**
 - RE46C108 Vreg pin select 3.3V or 5V, Vdd 6V-12V
 - RE46C105 Vreg pin select 3.3V or 5V, Low Battery, LED Driver, Vdd 6V-12V
 - RE46C107 Vreg pin select 3V or 3.3V, Low Battery, Brownout, Vdd 2V-5V
 - RE46C109 Vreg 3.0V, Low Battery, I/O, Brownout, Vdd 6-12V
 - RE46C119 Vreg 3.0V, Low Battery, I/O, Power Good, 6V-12V



Smoke Detector ICs

- **Smoke Detector ICs allows implementation of low power Ionization or photoelectric smoke detectors**
- **Advantages:**
 - Low battery detection
 - Integrated horn driver
- **Advantages for selected detectors**
 - Interconnect for sounding multiple units
 - Sensitivity/Hush Timer
 - Reverse battery protection
 - 24V Regulator and step-up regulator



Ionization Smoke ICs

Popular Products	Description	Product Web Page
RE46C12x	Hush, Interconnect, Continuous or Temporal Pattern, Reverse Chamber Polarity	Click Here
RE46C152	Hush, Interconnect, Pin-select Temporal and Continuous Pattern	
RE46C162/3	Interconnect, Temporal or Continuous Horn Pattern, Alarm Memory	

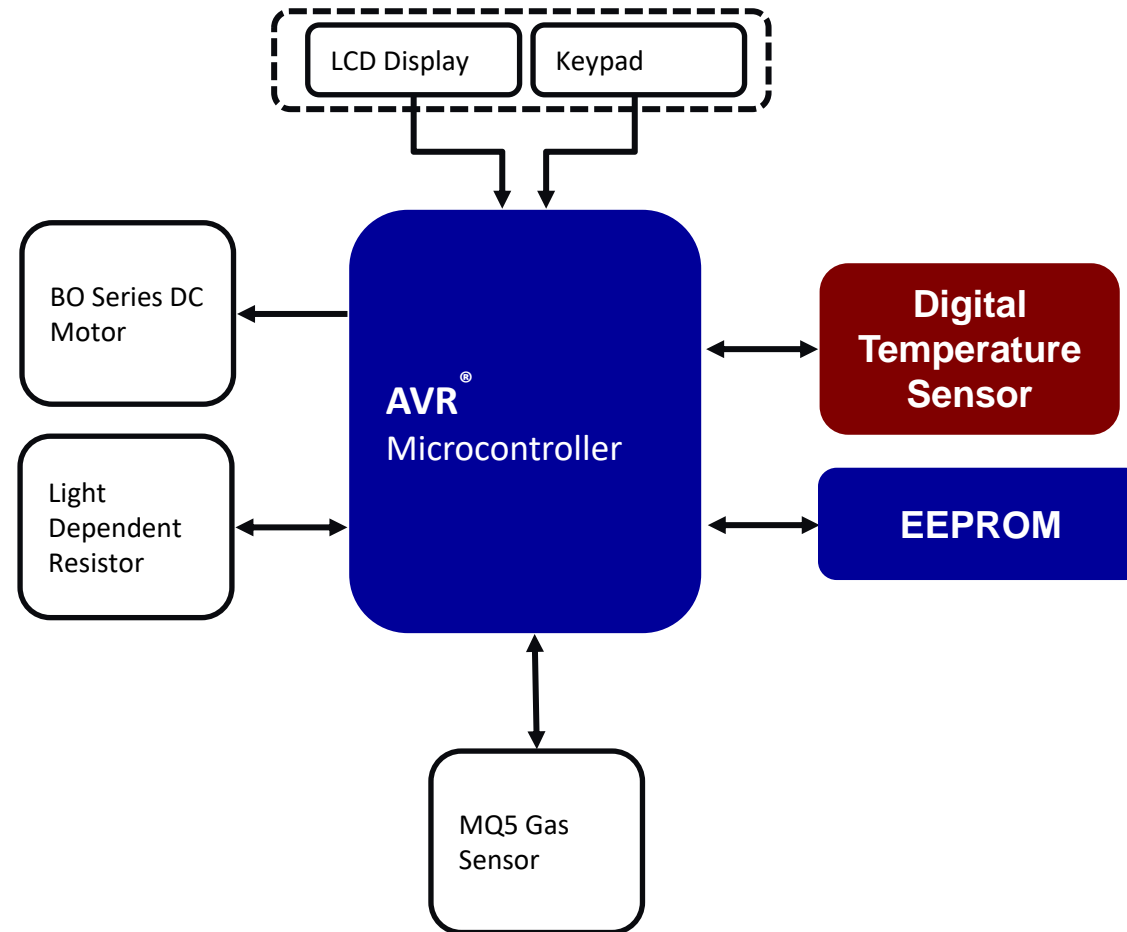


Photoelectric Smoke ICs

Popular Products	Description	Product Web Page
RE46C140/1/3/5/	Hush Timer, Interconnect, Temporal and Continuous Horn Pattern	Click Here
RE46C165/6/7/8	Hush Timer, Interconnect, Temporal and Continuous Horn Pattern, Alarm Memory. Ideal for new home construction market	



Gas Detector & Door Opener



AVR 8-bit

Microcontroller

Function: System control and decision making

Popular Products	Description	Product Web Page
ATmega162	The high-performance, low-power Microchip 8-bit AVR RISC-based microcontroller combines 16KB of programmable flash memory, 1KB SRAM, 512B EEPROM, and a JTAG interface for on-chip debugging. The device supports throughput of 16 MIPS at 16MHz and operates between 2.7-5.5 volts	Click Here



Digital Temperature

Sensor Function: Temperature measurement with digital output

Popular Products	Description	Product Web Page Click Here
MCP9808	The MCP9808 converts temperatures between -20°C and +100°C to a digital word with $\pm 0.5^{\circ}\text{C}$ (max.) accuracy	



EEPROM

- **Function: Data storage**

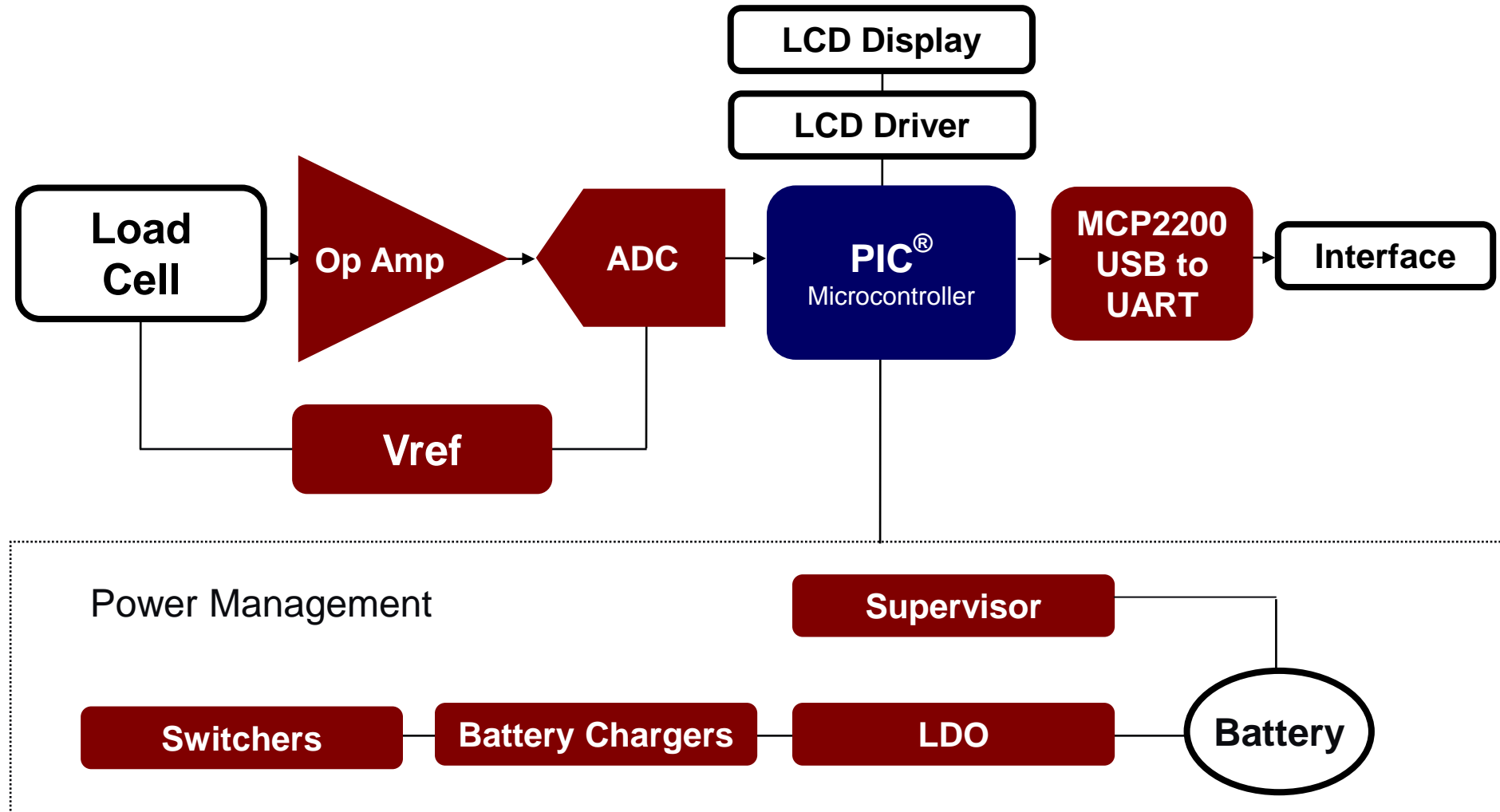
Popular Products	Description	Product Web Page
25LC1024	The 25LC1024 is a 1024 Kbit serial EEPROM memory with byte-level and page-level serial EEPROM functions. It also features Page, Sector and Chip erase functions. These functions are not required for byte or page write operations. The memory is accessed via SPI compatible serial bus.	Click Here



Weigh Scale



Typical Weigh Scale



Operational Amplifiers

Function	Popular Products	Description	Product Web Page
Sense and gain up output current - low offset voltage required for minimizing measurement error	MCP603x	The MCP6031/2/3/4 op amps have a GBWP of 10 kHz with a low typical operating current of 1.35µA and an offset of 150 µV.	Click Here
	MCP6Vxx Family of Zero-Drift Amplifiers	The MCP6Vxx provides high DC precision, including an offset voltage as low as 2µV and offset drift as low as 15nV/°C maximum. They have low quiescent current, no 1/f noise and offer superior CMRR/PSRR performance. The family has an operating voltage as low as 1.6V and are available in small packages (SC-70 and DFN)	Zero-Drift Amplifiers Parametric Table
Provide feedback compensation by sensing output voltage and comparing it with reference voltage	MCP627x/8x/9x	The MCP627/8/9x family general purpose op amp offering rail-to-rail input and output over the 1.8 to 6V operating range. This amplifier has a typical GBWP of 2-10 MHz with low quiescent current	Click Here
Load Cell Signal Conditioning	MCP6Nxx Family of Instrumentation Amplifiers	Microchip expanded its portfolio of amplifiers by first introducing the MCP6N11 the industry's first instrumentation amplifier featuring mCal technology and most recently introducing the MCP6N16 Zero-Drift instrumentation amplifier. <ul style="list-style-type: none"> • Rail-to-Rail Input and Output • Gain Set by two (2) External Resistors • Enable/Vos Calibration Pin (MCP6N11) • Zero-Drift Architecture (MCP6N16) • Operating Voltage Range: 1.8V to 5.5V • No Common Mode Crossing Attributes 	Instrumentation Amplifiers Parametric Table



[Working Attributes](#)

[<< BACK to BLOCK DIAGRAM](#)



Operational Amplifiers

- **Attributes:**

- Small SC-70, TDFN and SOT-23 packages
- GBWP: 9 kHz to 60MHz
- Excellent operating current-to-GBWP ratio
- Mostly rail-to-rail inputs and outputs
- Offset voltage: as low as 2 μ V (MCP6V0x)
- Chip Select capability for power savings



Voltage References

- **Function: providing the system with an accurate analog voltage for comparison**

Popular Products	Description	Product Web Page
MCP1525/41	MCP1525/41 is a low power, high precision voltage reference. It provides a precise output voltage of 4.096V which is then compared to other voltages in the system.	Click Here
MCP1501	The MCP1501 is a high-precision buffered voltage reference with an initial accuracy of 0.10% and is available in 8 voltage options. The MCP1501 is a low-drift bandgap-based reference and uses chopper-based amplifiers which significantly reduces the drift and provides high current output.	Click Here

[<< BACK to BLOCK DIAGRAM](#)



USB-to-UART/SPI

- **Function: Enables USB connectivity in applications that have UART/SPI interface**

Popular Products	Description	Product Web Page
MCP2200	The MCP2200 is a USB-to-UART serial converter. The device reduces external components by integrating the USB termination resistors. The MCP2200 also has 256-bytes of integrated user EEPROM. The MCP2200 has eight general purpose input / output pins. Four of the pins have alternate functions to indicate USB and communication status.	Click Here
MCP2210	The MCP2210 is a USB-to-SPI Master converter. The device reduces external components by integrating the USB termination resistors. The MCP2210 also has 256 bytes of integrated user EEPROM. The MCP2210 has nine general purpose input/output pins. Seven pins have alternate functions to indicate USB and communication status.	Click Here

[<< BACK to BLOCK DIAGRAM](#)



Battery Chargers

- **Function: Charge & monitor the Lithium battery chemistries**

Popular Products	Description	Product Web Page
MCP731xx	The MCP73811/2 devices are linear charge management controllers that are designed to provide specific charge algorithms for single cell Li-Ion or Li-Polymer battery to achieve optimal capacity in the shortest charging time possible.	Click Here
MCP732xx	The MCP73123/223 is a highly integrated Lithium Iron Phosphate (LiFePO4) battery charge management controller that provide specific charge algorithms for LiFePO4 batteries to achieve optimal capacity and safety in the shortest charging time possible. Along with its small physical size, the low number of external components makes the MCP73123/223 ideally suitable for various applications.	Click Here

[Winning Attributes](#)

[<< BACK to BLOCK DIAGRAM](#)



Battery Chargers

- **Attributes:**

- Small thermally efficient DFN and QFN packages
- High-accuracy voltage regulation: $\pm 0.5\%$ (max)
- Low operating current: 260 μ A (typ)
- Shutdown and pre-conditioning modes
- Temperature monitor & charge complete indicator
- USB/AC inputs
- Load sharing
- Overvoltage Protection (OVP)



PIC Microcontrollers

- **Function: coordinating all the control, some peripheral functions and monitor functions - the brain of the system**
- **Popular products: PIC16F193X, PIC18F65J90/94, K87K90**
- **Attributes:**
 - Up to 32 MHz operating speed
 - PWM output (PIC16F193X)
 - Integrated LCD controller, up to 256 segments
 - Integrated comparators, op-amp, 12-bit ADC, 5/8/9 bit DAC
 - Up to 256 bytes of EEPROM
 - Available in PDIP, SOIC, and TSSOP packages



Switching Regulators

Popular Products	Description	Product Web Page Click Here
MCP1601	The MCP1601 is a synchronous Buck (step-down) switching regulator that can continuously supply 500mA of load current. This device can provide output voltages of 0.9V to V_{in} with an operating efficiency that can exceed 92%.	Click Here
MCP16251/2	The MCP16251/2 is a compact, high-efficiency, fixed frequency, synchronous step-up DC-DC converter. This family of devices provides an easy-to-use power supply solution for applications powered by either one-cell, two-cell or three-cell alkaline, NiCd, NiMH and one-cell Li-Ion or Li-Polymer batteries.	Click Here
MCP1640	The MCP1640 is a compact, high-efficiency, fixed frequency, synchronous step-up DC-DC converter. It provides an easy-to-use power supply solution for applications powered by either one-cell, two-cell, or three-cell alkaline, NiCd, NiMH, one-cell Li-Ion or Li-Polymer batteries.	Click Here

Winning Attributes

<< BACK to BLOCK DIAGRAM



Switching Regulators

- **Attributes:**
 - Regulator and controller (external FET) solutions
 - Small SOT-23, MSOP and SOP packages
 - Auto-switching PWM/PFM operation
 - 300kHz and 750kHz switching frequency
 - UVLO, Soft-start & over-temperature protection
 - Efficiency as high as 95%
 - Very low operating current



RESET Monitors

- **Function: Reset the CPU and/or MCU when supply voltage falls below threshold**

Popular Products	Description	Product Web Page Click Here
MCP13xx	The MCP13xx voltage supervisors provide precision monitoring trip points, Watch Dog Timer inputs, Manual Reset with a low Supply current of 10 μ A over extended temperature range from 1.0V to 5.5V supply.	Click Here
TCM809	The reset output is driven active within 20 μ sec of VCC falling through the reset voltage threshold. Reset is maintained active for a minimum of 140msec after VCC rises above the reset threshold.	



RESET Monitors

- **Attributes:**

- Tiny SOT-23 and SC-70 packages
- Very low operating current: as low as 10 μ A (max)
- High threshold voltage accuracy: $\pm 2.8\%$ (max)
- V_{DD} transient immunity
- Watchdog Timer / manual reset (MCP13xx, TC1232)
- Many available options: push-pull output, open-drain output and internal pull-up resistor



Low-Power LDOs

- **Function: providing regulated, low-noise supply voltages for the system**

Popular Products	Description	Product Web Page
MIC5353	The MIC5353 is a 500 mA, ceramic output cap stable, low output voltage, Low Dropout Regulator. The MIC5353 is packaged in very small 1.6x1.6mm DFN package. This part has high PSRR of 60dB with low output noise of 30 uVrms for noise sensitive applications	Click Here Click Here
MCP1703A	With 250 mA maximum output, MCP1703 works with input voltage of up to 16V and in combination with its low current consumption of 2 μ A	

[<< BACK to BLOCK DIAGRAM](#)



ADC Portfolio

- **Function: Converting analog voltage or current signal (pressure) into digital data**

Popular Products	Description	Product Web Page
MCP3421	The MCP3421 is a single channel low-noise, high accuracy Delta-Sigma A/D converter with differential inputs and up to 18 bits of resolution in a small SOT-23-6 package. The device uses a two-wire I2C™ compatible serial interface and operates from a single power supply ranging from 2.7V to 5.5V.	Click Here
MCP3551	MCP355X devices are 2.7V to 5.5V, 22-bit delta-sigma A/D converters. The family exhibit good linearity, high accuracy and low noise performance for applications where sensor measurements such as pressure are performed.	Click Here



Delta-Sigma Analog-to-Digital Converters

Attributes:

- Resolution: 16 to 22 bits
- Max sampling rate: up to 240 sps
- Current consumption: 120 to 155 μA (max.)
- Single supply voltage: 2.7V to 5.5V
- Small packages: SOT-23 and MSOP



Product Support Tools

Devices Supported:

MCP3421, MCP6V07, PIC18F4550

Summary Description:

The MCP3421 Weight Scale Demo Board is designed to evaluate the performance of the low-power consumption, 18-bit ADC in an electronic weight scale design. Next to the MCP3421 there is a low-noise, auto-zero MCP6V07 op amp. This can be used to investigate the impact of extra gain added before the ADC for performance improvement. The PIC18F4550 is controlling the LCD and the USB communication with the PC. The GUI is used to indicate the performance parameters of the design and for calibration of the weight scale.

This Kit Contains:

- MCP3421 Weight Scale Demo Board
- 9V Power adapter
- Mini USB cable
- CD with software and documentation



[<< BACK to BLOCK DIAGRAM](#)



Energy Measurement

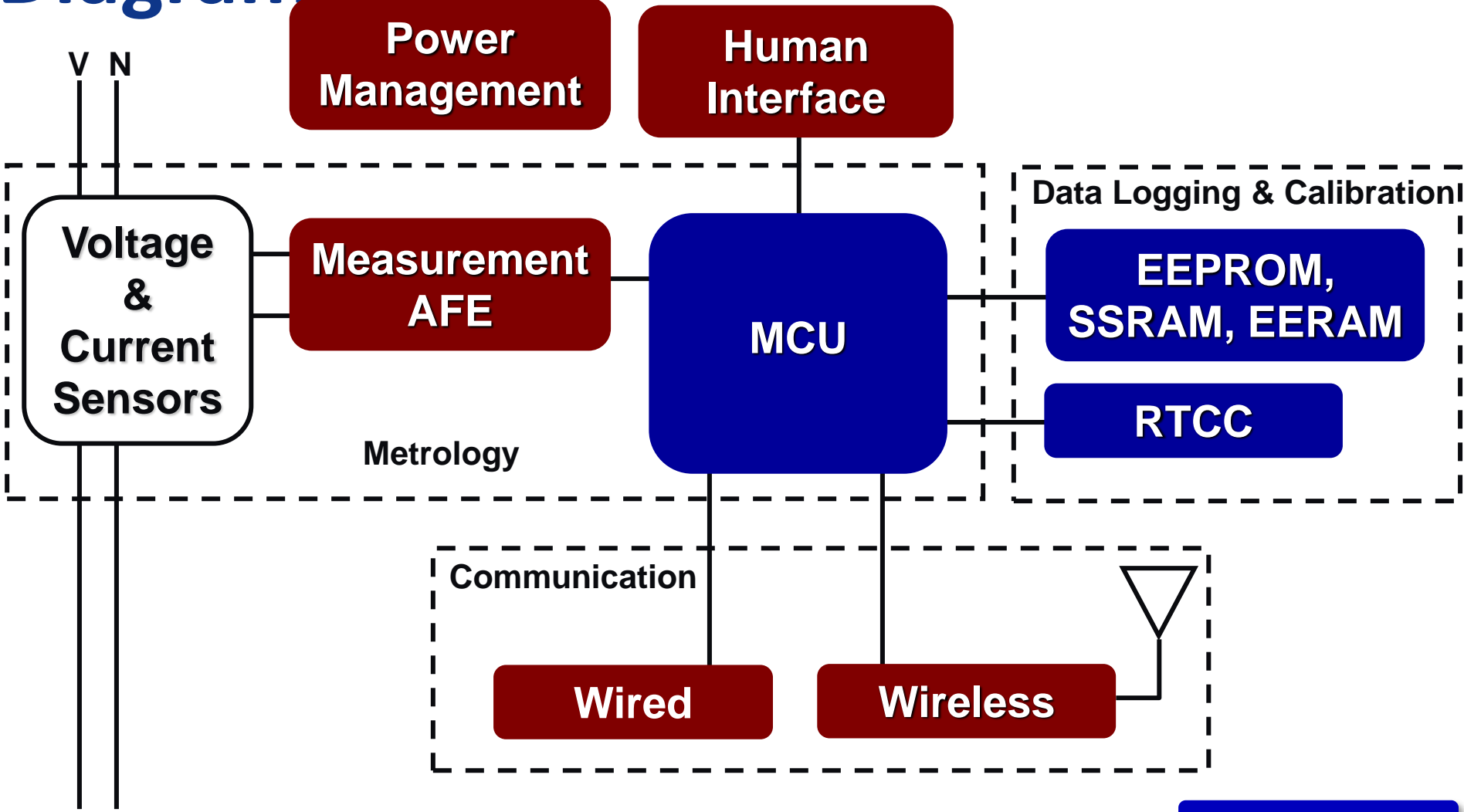


Microchip's Winning Attributes

- Industry leading Analog Front End (AFE) accuracy (SINAD, THD, SFDR)
- High performance integration
- Full solution
 - Flexible and upgradable solution with AFE+PIC® MCUs and SoC solutions
 - System solution with wireless, memory, analog
- Great technical support
 - Numerous reference designs and evaluation boards
 - ACE Metrology Team



Energy Meter Block Diagram



<< BACK to CONTENTS



Power Management

Popular Products	Description	Product Web Page
LDO MCP1700 MCP1703A	The MCP1700/3A are CMOS low dropout positive voltage regulators which can source up to 250mA of current with an extremely low input-output voltage differential. The low dropout voltage combined with the low current consumption makes this part ideal for battery operation.	MCP1700 MCP1703A
MCP16311/2	The MCP16311/2 is a compact, high-efficiency, fixed frequency PWM/PFM, synchronous step-down DC-DC converter in a 8-pin MSOP, or 2 x 3 TDFN package that operates from input voltage sources up to 30V. Integrated features include a high-side and a low-side switch, fixed frequency Peak Current Mode Control, internal compensation, peak-current limit and over temperature protection. The MCP16311/2 provides all the active functions for local DC-DC conversion, with fast transient response and accurate regulation.	Click Here
MIC2851x	MIC28510 is an adjustable frequency, synchronous buck regulator featuring unique adaptive on time control architecture. The MIC28510 operates over an input supply range of 4.5V to 75V and provides a regulated output of up to 4A of output current. The output voltage is adjustable down to 0.8V with a guaranteed accuracy of $\pm 1\%$.	MIC28510

[<< BACK to BLOCK DIAGRAM](#)



Sensing Technologies

- **Voltage**
 - Resistive Divider from line voltage
- **Current: 4 main sensor types**

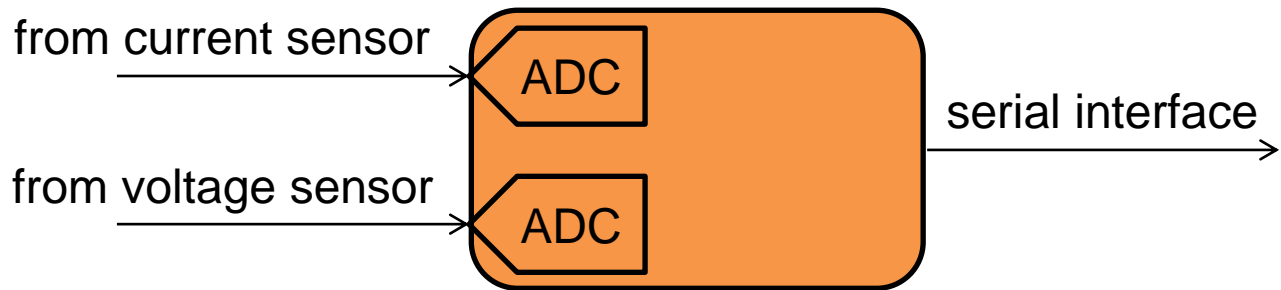
Current Sensor	Cost	Power Consumption	High Current Capability	Description
Current Shunt	Very Low	Medium	Poor	Accurate resistor, 100 $\mu\Omega$ to 500m Ω , non-isolated
Current Transformer	Medium	Low	Good	Winding with magnetic core, isolated
Rogowski Coil	Low-Med	Low	Very Good	Helical coil, output needs to be integrated, isolated
Hall Effect Transformer	High	Medium	Good	Hall plate, isolated

[<< BACK to BLOCK DIAGRAM](#)

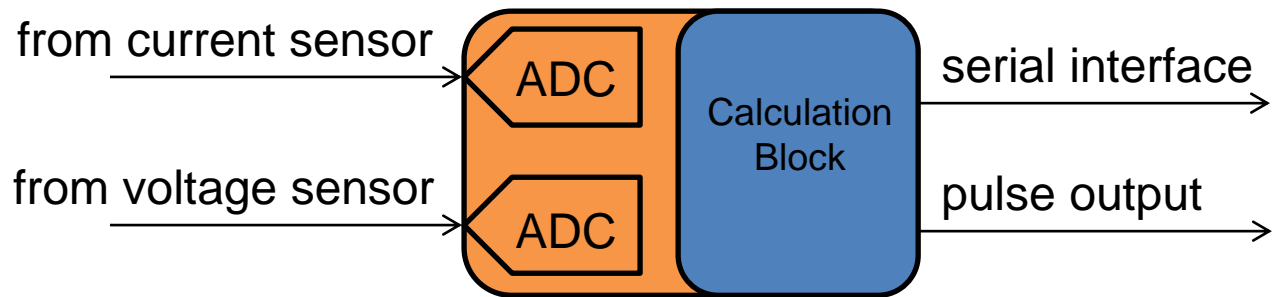


Energy Measurement Analog Front Ends

- **Energy Measurement AFEs provide the most flexible and highest accuracy solutions**



- **Energy Calculation ICs provide energy and power calculations, simplifying design**



Energy Measurement Analog Front Ends

Part Number	# of ADCs	Power Measurement
MCP3918	1	1-Phase or 3-Phase (shunt-based)
MCP3910	2	1-Phase or 3-Phase (shunt-based)
MCP3911	2	1-Phase
MCP3919	3	1-Phase w/ Neutral
MCP3912	4	2-Phase (Dual/Split-Phase)
MCP3913	6	3-Phase
MCP3914	8	3-Phase w/ Neutral
ATSENSE101	3	1-Phase w/ Neutral
ATSENSE201(H)	4	2-Phase (Dual/Split-Phase)

NEXT



- **Energy measurement AFEs enables the most flexible and highest accuracy solutions**

Popular Products	Description	Product Web Page
MCP391X	<p>The MCP391X AFE family provide up to eight simultaneously sampling Delta-Sigma Analog-to-Digital Converters (ADC), PGAs, phase delay compensation block, low-drift voltage reference, digital offset and gain errors calibration registers, and high-speed 20 MHz SPI interface.</p> <p>The family enables 0.1% typical active power measurement error over a 10000:1 dynamic range.</p>	Click Here
ATSENSE	<p>The ATSENSE AFE family integrate three, four or seven simultaneously sampled Sigma-Delta ADCs, a high-precision voltage reference a programmable current signal amplification, a temperature sensor and an SPI interface. When used in combination with the ATSAM4C device family and metrology library, the ATSENSE exceeds ANSI C12.20-2002 and IEC 62053-22 metering accuracy classes of up to 0.2% over 3000:1 dynamic range</p>	Click Here

Winning Attributes

<< BACK to AFEs



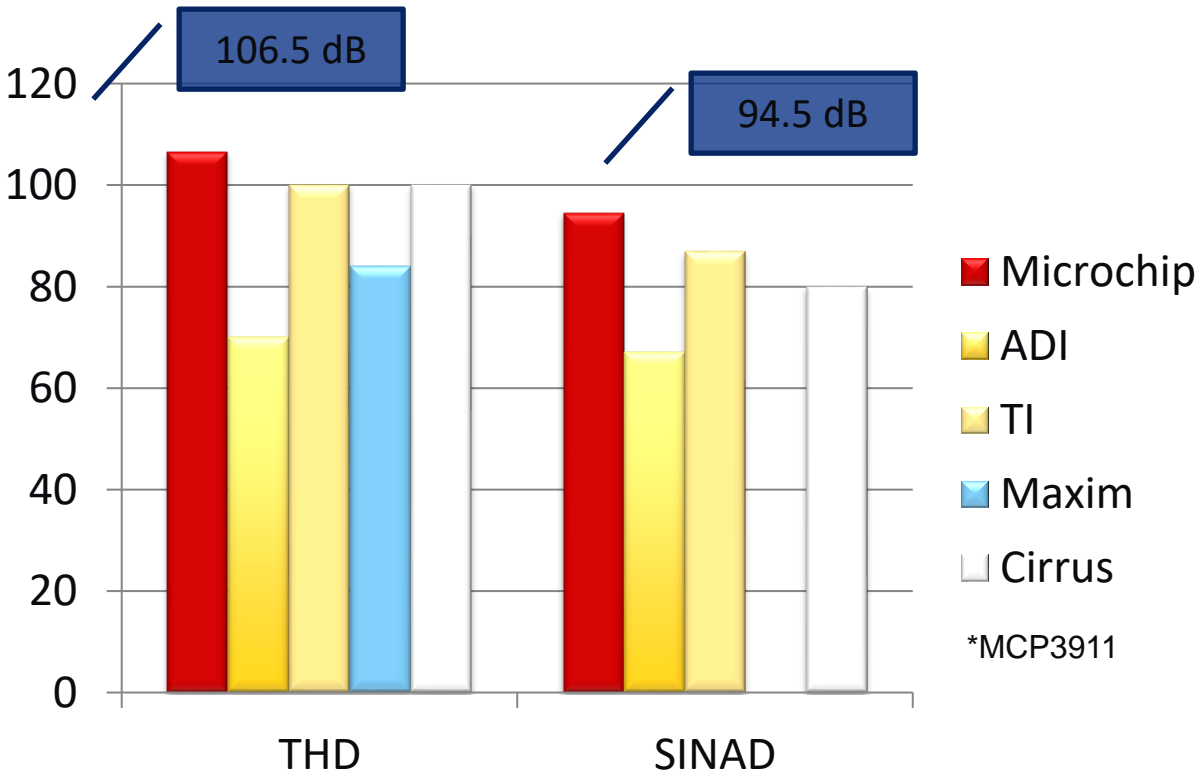
Energy Measurement AFE Winning Attributes

- **Attributes:**

- MCP391X industry leading accuracy enables 0.1% active power measurement error (typ.) over a 10000:1 dynamic range, use of smaller shunt sensors, and reduction in calibration requirements
 - Programmable data rate up to 125 ksps allows device to run at low power or at high speed for advanced signal acquisition such as for harmonic analysis
- ATSENSE ideal companion chip with ATSAM4C dual cortex-M4 MCU family and metrology library



Accuracy Comparison



Total Harmonic Distortion and Signal-to-Noise and Distortion Ratio are measures of a device's accuracy



Energy Calculation ICs

- Energy measurement calculation ICs provide energy and power calculations on one device

Popular Products	Description	Product Web Page
MCP3905A	The MCP3905A is a 1- Φ energy meter IC. The output includes a frequency proportional to the average active (real) power.	Click Here
ATM90E26	The ATM90E26 is an energy metering device for 1- Φ two-wire, 1- Φ three-wire or anti-tampering active and reactive energy meters.	Click Here
ATM90E32AS	The ATM90E32AS is an enhanced energy metering device for 3- Φ four-wire (3P4W, Y0) or 3- Φ three-wire (3P3W, Y or Δ) systems. It contains enhanced functions such as piecewise non-linear compensation, anti-tampering monitoring and expanded event-detecting function.	Click Here
ATM90E36A	The ATM90E36A is a energy metering device for 3- Φ four-wire (3P4W, Y0) or 3- Φ three-wire (3P3W, Y or Δ) systems. It includes Total Harmonic Distortion (THD) and Discrete Fourier Transform (DFT) functions for harmonic component analysis.	Click Here

Winning Attributes

<< BACK to AFEs



Energy Measurement AFE Winning Attributes

- **Attributes:**

- Fully compliant with IEC62052
- Accuracy:
 - MCP3905A 500:1 Active Power
 - ATM9026: 0.1% for active energy and 0.2% for reactive energy over 5000:1 dynamic range
 - ATM90E32AS/36A $\pm 0.1\%$ for active energy and $\pm 0.2\%$ for reactive energy over 6000:1 dynamic range
- MCP3905A pin-to-pin compatible with ADE7755



Microcontrollers

- **Function:**
 - Power calculations
 - More powerful MCUs for (wireless) communications
- **Popular products:**
 - ATSAM4Cx, ATSAM4CMx, ATSAM4CPx
 - PIC16F15XX
 - PIC16F182X
 - PIC18F65J90
 - PIC24FJ128GA306, PIC24FJ128GA310
 - PIC32 (advanced smart meters)



Microchip Calculation

Library

A.C.E metrology team has developed a library of firmware that is available for customer use and can assist in customization

MCU	Phase Sensor	Active Power	V & I _{rms}	Apparent Power	Reactive Power	Harmonic Analysis
PIC18 8-bit, 12 MIPS	1Φ-Shunt 3Φ-CT	✓	✓	✓	✓	n/a
PIC24F/H 16b, 16-70 MIPS	1Φ- Shunt/CT 3Φ-Shunt, CT, RGC	✓	✓	✓	✓	✓ TSD
dsPIC33 16b, 40-70 MIPS	1Φ-Shunt 3Φ-CT	✓	✓	✓	✓	✓
PIC32 32-bit, 80MHz	1Φ-Shunt 3Φ-CT					

CT = Current Transformer, RGC = Rogowski Coil

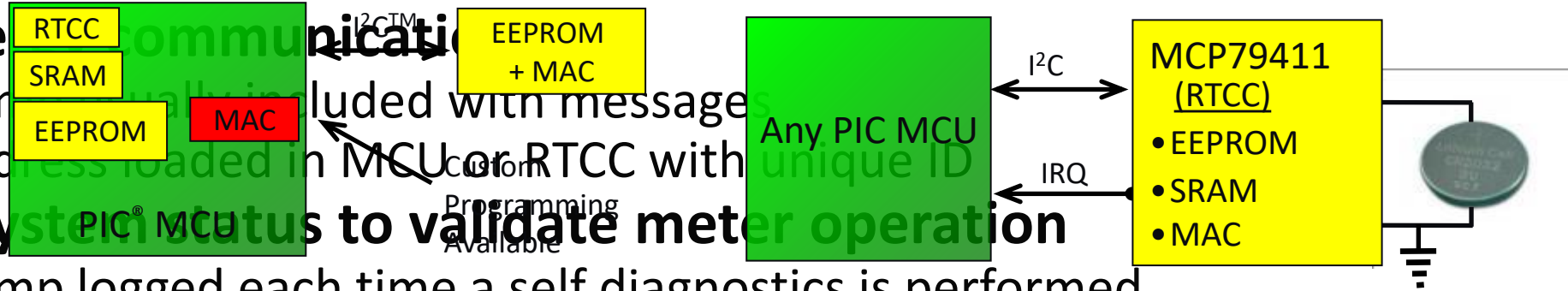
<< BACK to BLOCK DIAGRAM



RTCC Monitoring

Time of Usage

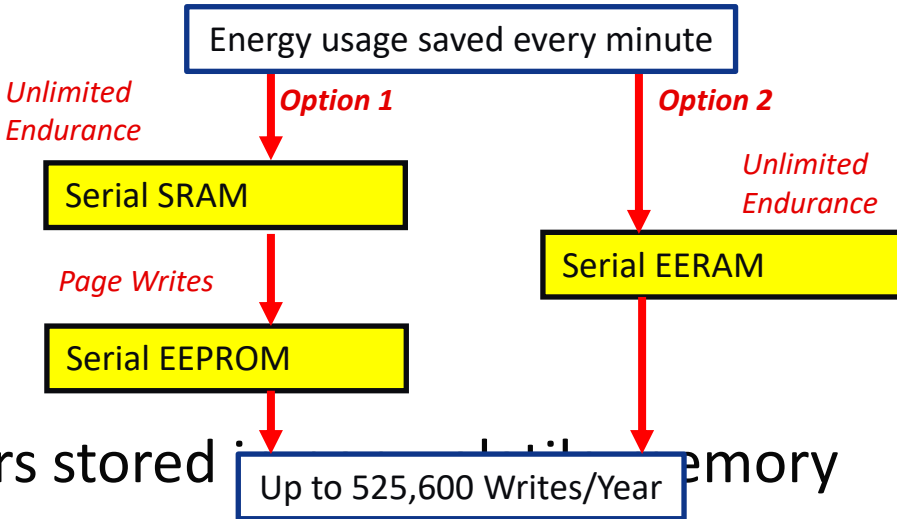
- Energy billing purposes
 - Accurate time & energy usage monitored and stored
- Smart energy communication
 - Timestamps included with messages
 - MAC address loaded in MCU or RTCC with unique ID
- Periodic system status to validate meter operation
 - Timestamp logged each time a self diagnostics is performed



Data Storage & Data Logging in Energy

Data Logging:

- Meter operation is periodically monitored & recorded
- Energy usage is measured and stored
 - High endurance memory is a requirement



Calibration:

- Calibration parameters stored in non-volatile memory

<< BACK to BLOCK DIAGRAM



Human Interface Solutions

Display

- Graphics
- Segmented LCD
- Monochrome
- Full color

• Touch sense

- Capacitive touch
- Resistive touch screens
- Tactile buttons
- Rotary switches

• Audio and speech



www.microchip.com/humaninterface

<< BACK to BLOCK DIAGRAM



Data Communication

- **Methods vary based on application requirements**
 - Physical environments
 - Standard protocol interfaces
- **Wireless**
 - ZigBee, WiFi, MiWi, Z-Wave, proprietary
- **Wired**
 - PLC, Ethernet, USB, Home Plug, BACnet, proprietary
- **Protocols**
 - DLMS, COSEM, Smart Energy Profile



NEXT



Microchip

Wi-Fi Solution

- Driver incorporated into Microchip TCP/IP stack
- Compatibility across nearly every major Microchip MCU family
- Demo Source Code and Applications
- PICtails and PICtail-based development kits



NEXT



Microchip Sub-GHz

Wireless Solutions

Multiple frequency options

- 868/915/950 MHz
- FSK/OOK Modulation

• Low current operation

- Low Rx Current = 3 mA
- Low Tx Current = 25 mA @ +10 dBm

• Integrated power amplifier (+12.5 dBm)

• High receiver sensitivity

- -107 dBm FSK/ -113dBm OOK)

• Automatic frequency control (AFC)

• Module features:

- FCC (U.S.A.), IC (Canada), and ETSI (Europe) compliant
- Surface-mountable PCB



NEXT



Microchip 2.4

GHz Solutions

Transceiver Features:

- Supports MiWi™, MiWi P2P & ZigBee®
- 2.4GHz IEEE 802.15.4 compliant
- In-line/stand-alone encryption
- Automatic MAC retransmit
- 18 mA(RX)/22 mA(TX)/2 μA(Sleep)

Module Features:

- Integrated PCB antenna
- FCC (U.S.A.), IC (Canada), and ETSI (Europe) certified



NEXT



PLC

	ATPL230A	ATPL250A	SAM4CP16B	SAM4CP16C
Standard	PRIME	G3	PRIME	G3
Band	< 500 kHz	< 500 kHz	< 500 kHz	< 500 kHz
Core	-	-	Dual Cortex-M4	Dual Cortex-M4
CPU Clock	-	-	120 MHz @core	120 MHz @core
Flash	-	-	1 MB	1 MB
SRAM	-	-	128+16+8 KB	128+16+8 KB
Package	LQFP80	LQFP80	LQFP176	LQFP176
Pin to Pin	YES		YES	
Availability	In production	In production	In production	In production



[<< BACK to BLOCK DIAGRAM](#)



Analog Products in Automotive: Heating, Ventilation and Air Conditioning (HVAC) system

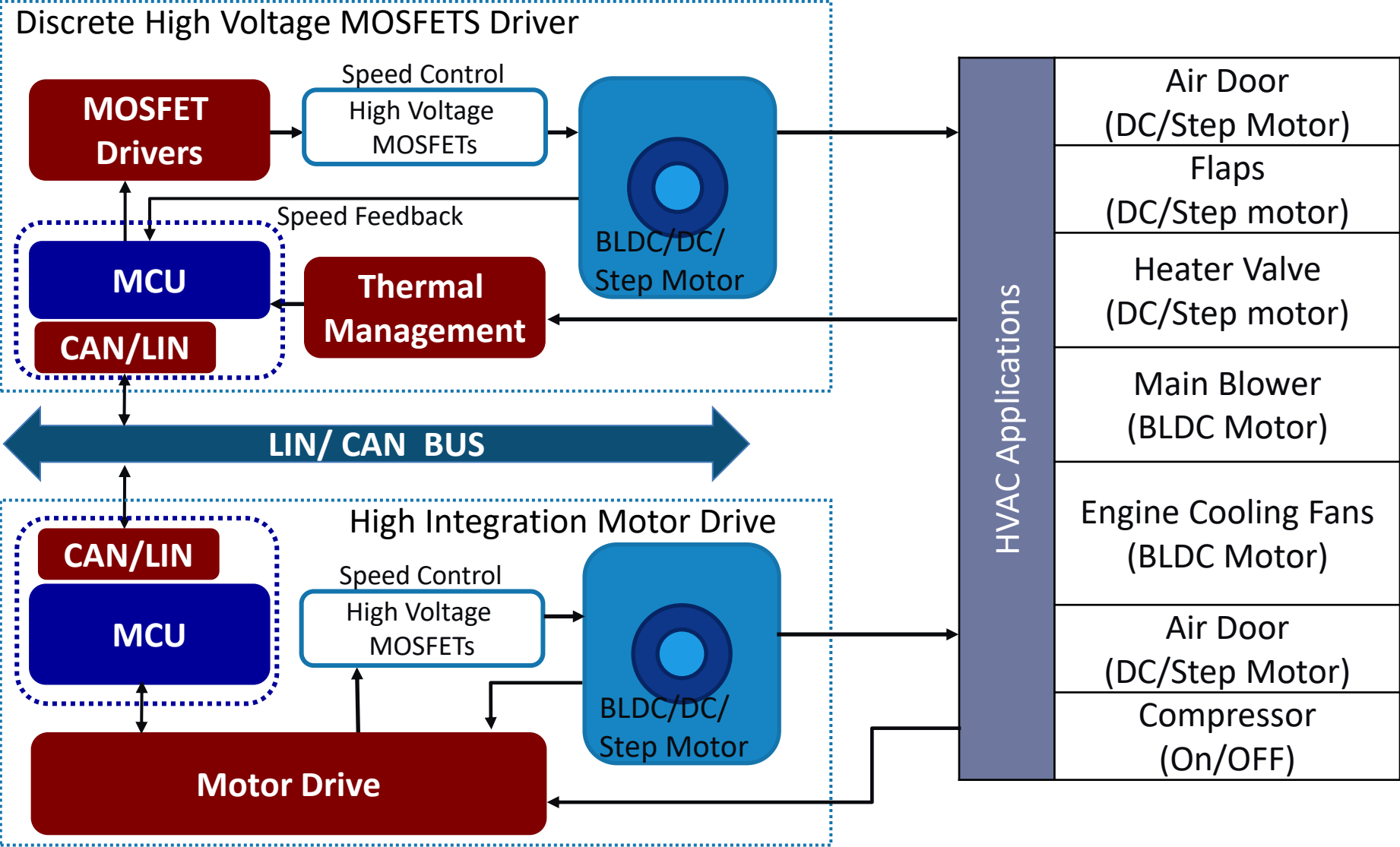


Automotive HVAC

- **Automotive HVAC control**
 - Automotive heating, ventilation and air conditioning (HVAC) system is designed to provide passengers' desired cabin temperature while keeping the engine from overheating
- **Microchip offers comprehensive solutions to control HVAC applications such as fans, blowers, pumps, condensers and compressors to efficiently achieve such tasks**



Automotive - HVAC



Motor Drive

Popular Products	Description	Product Web Page
MCP8024/5/6 MTD6501 MCP8063 MTD6505/8 ATA6823/24C	Standalone motor controllers/drivers and MCU companion ICs for BLDC (brushless DC), PMS (Permanent Magnetic Synchronous Motor), brush DC, and stepper motors	Motor Drive Parametric Search table
ATA6826C ATA6831/31C ATA6836/38C	3-fold and 6-fold integrated half bridge drivers for controlling up to 5 DC motors up to 1A each	Motor Driver Parametric Search table



MOSFET Drivers

Popular Products	Description	Product Web Page
MCP140X MCP141X MCP14628 MAQ4123/4/5	Low-side and low-side/high-side drivers	MOSFET Driver's Parametric Search table



Thermal Management

Suggested Products	Description	Product Web page
MCP9700/ MCP9800/	Improves control of color temperature and detects disconnected LED channel. MCP9700 outputs analog voltage that is proportional to the temperature (-40C to 150C). MCP9800 outputs temperature data (-55C to 125C) via I ² C™/SMBus two-wire interface.	MCP9700 MCP9800
EMC2101	The EMC2101 is an SMBus 2.0 compliant, integrated fan control solution complete with two temperature monitors, one external and one internal. Each temperature channel has programmable high limits that can assert an interrupt.	EMC2101
EMC1412	The EMC1412 is a high accuracy, low cost, System Management Bus (SMBus) temperature sensor. Advanced features such as Resistance Error Correction (REC), Beta Compensation and automatic diode type detection combine to provide a robust solution for complex environmental monitoring applications.	EMC1412



MCU

Suggested Products	Description	Product Web page
PIC16F1829LIN	8-bit MCU with an integrated LIN transceiver.	PIC16F1829LIN
PIC18FXX31	8-bit MCU with LIN slave support	PIC18FXX31
PIC18F4680	8-bit MCU with enhanced CAN module and LIN master/slave support	PIC18F4680
PIC24/dsPIC33	16-bit MCU and DSC with enhanced CAN controller and LIN master/slave support. Supports Sensorless field-oriented motor control algorithm to achieve stunning performance.	PIC24/dsPIC33



CAN/LIN Communication

	Suggested Products	Description	Product Web page
LIN	ATA663203	Stand-alone LIN LDO	LIN Design Center
	ATA663211 ATA6662C/63/4	Globally automotive approved and qualified Stand-alone transceiver	
	ATA6670	Globally automotive approved and qualified Stand-alone Dual LIN transceiver	
	ATA663231/32/54/55 ATA6625, ATA6629/31 MCP2021A/2A/25	Globally automotive approved and qualified Stand-alone transceiver + 3.3V or 5V Voltage Regulator	
	MCP2050, ATA663431/54 ATA6628/30, ATA6622C/24C/26C	Globally automotive approved and qualified Stand-alone transceiver + 3.3V or 5V Voltage Regulator + Window Watchdog Timer	
	ATA663331/54	Globally automotive approved and qualified Stand-alone transceiver + 3.3V or 5V Voltage Regulator + 2x Relay Driver	
	ATA664151	Globally automotive approved and qualified Stand-alone transceiver + 3.3V or 5V Voltage Regulator + 8x HV Switches	
	ATA6612C/13C/ 14Q/16C/17C ATSAMHA1G, PIC16F1829LIN	8-bit MCU with an integrated LIN transceiver + Voltage Regulator	
CAN, CAN FD	MCP2515	External CAN controller supports CAN V2.0B specification Can also interface with MCU with Standard SPI.	CAN Design Center
	MCP25625	CAN 2.0 external Controller + Transceiver	
	MCP2561/2	Globally automotive approved and qualified, High Speed CAN Transceivers	
	MCP2561/2FD, ATA6560/61	Globally automotive approved and qualified CAN Flexible Data-rate (CAN FD) Transceivers	
	MCP25612FD	Dual CAN 2.0 or CAN FD Transceiver	



Voltage Regulators: Buck Converters

Popular Products	Description	Product Web Page
MIC28511	The MIC28511 is a synchronous step-down switching regulator with integrated high-side and low-side N-channel MOSFETs capable of providing up to 3A output current from a wide input supply range from 4.6V to 60V. The output voltage is adjustable down to 0.8V with a guaranteed accuracy of $\pm 1\%$. A constant switching frequency can be programmed from 200kHz to 680kHz	Click Here
MIC28512	The MIC28512 is a synchronous step-down switching regulator with integrated high-side and low-side N-channel MOSFETs capable of providing up to 2A output current from a wide input supply range from 4.6V to 70V. The output voltage is adjustable down to 0.8V with a guaranteed accuracy of $\pm 1\%$. A constant switching frequency can be programmed from 200kHz to 680kHz.	Click Here
MIC28513	The MIC28513 is a synchronous step-down switching regulator with integrated high-side and low-side N-channel MOSFETs capable of providing up to 4A output current from a wide input supply range from 4.6V to 45V. The output voltage is adjustable down to 0.8V with a guaranteed accuracy of $\pm 1\%$. A constant switching frequency can be programmed from 200kHz to 680kHz.	Click Here



Automotive Infotainment

Head Unit

**Speakers & Audio
Amplifier**

USB Charger Basic
C Charger

USB Charger
1 Port UPD

**USB BoB 2 Port Media
Hub w/ UPD**

Telematics

Wireless Charging

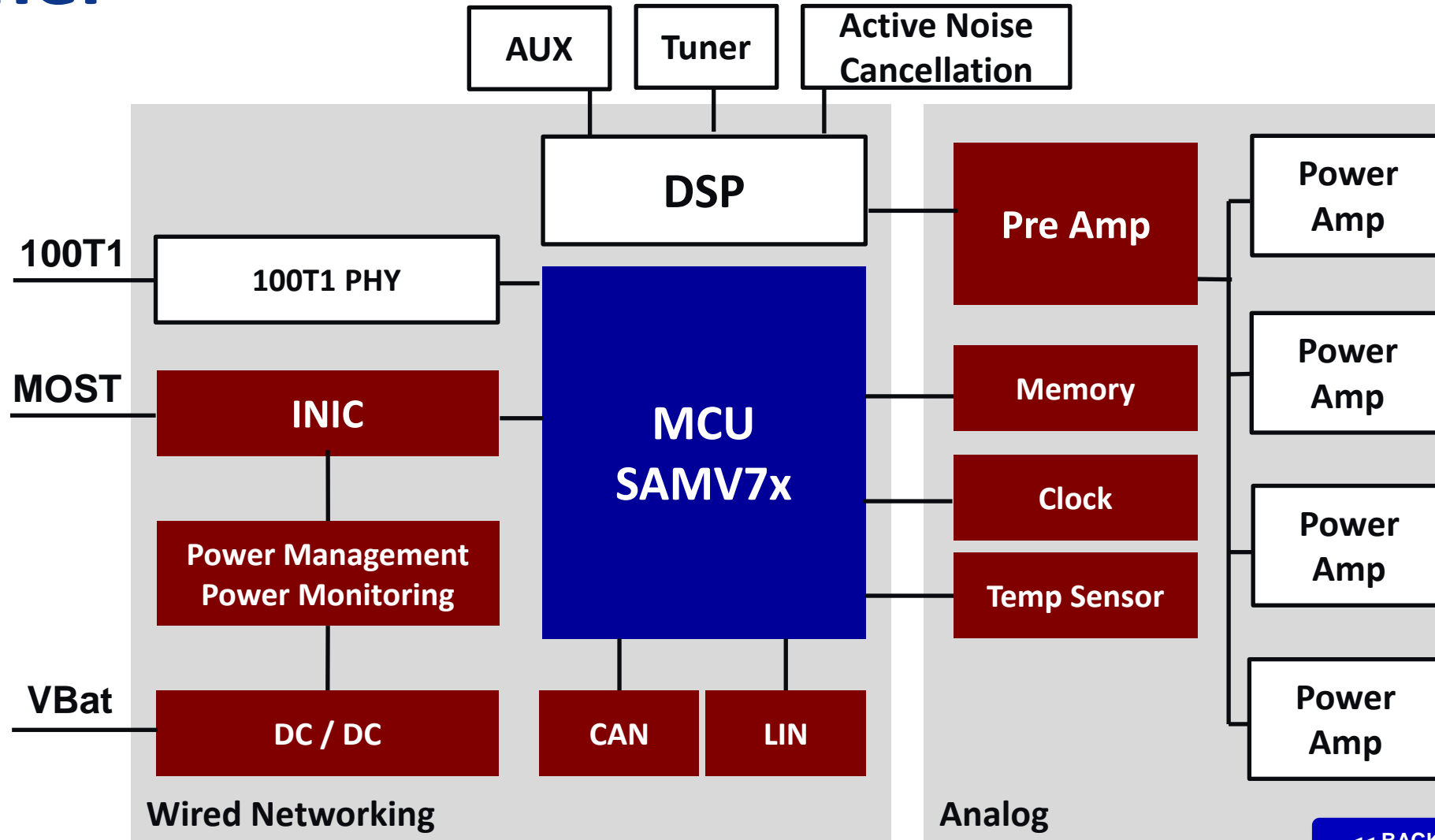
USB BoB
w/ Type C Charging

USB BoB
1 Port UPD

**USB BoB 2 Port Media
Hub w/ UPD**
Ground Shift Compensation



Speakers & Audio Amplifier



<< BACK



Clock

Popular Products	Description	Product Web Page
DSC1001	The DSC1001 is a silicon MEMS based CMOS oscillator offering excellent jitter and stability performance over a wide range of supply voltages and temperatures. The device operates from 1 to 150MHz with supply voltages between 1.8 to 3.3 Volts and temperature ranges up to -40°C to 105°C.	DSC1001

Memory

Popular Products	Description	Product Web Page
USBF4100	USB Hub 512KB Firmware Memory, programmed with binary image for Microchip USB Hubs	USBF4100
EEPROM	Microchip provides a full range of densities and communication protocols to meet your needs in serial EEPROMs and parallel EEPROMs	EEPROM

<< BACK to Block Diagram



Pre-Amp

Popular Products	Description	Product Web Page
MCP629x	MCP629x family of operational amplifiers (op amps) provide wide bandwidth for the current. This family has a 10 MHz Gain Bandwidth Product (GBWP) and a 65° phase margin. Also operates from a single supply voltage as low as 2.4V, while drawing 1 mA (typical) quiescent current	MCP629x

<< BACK to Block Diagram



DC/DC

Popular Products	Description	Product Web Page
MCP16311	The MCP16311 is a compact, high-efficiency, fixed frequency PWM/PFM, synchronous step-down DC-DC Converter in an 8-pin MSOP or TDFN package that operates from input voltage of 30V.	MCP16311
MIC2800	The MIC2800 is a high-performance power management IC, giving three output voltages with maximum efficiency.	MIC2800

<< BACK to Block Diagram



Temperature Sensor

Popular Products	Description	Product Web Page
MCP9808 Digital temperature sensor	The MCP9808 converts temperatures between -20°C and +100°C to a digital word with $\pm 0.5^{\circ}\text{C}$ (max.) accuracy	MCP9808
MCP9700 Linear Active Thermistor™ ICs	The output voltage of this device is directly proportional to measured temperature. The MCP9700 can accurately measure temperature from -40C to +150C with the output calibrated to a slope of 10mV/°C and has a DC offset of 500mV.	MCP9700



CAN & LIN

Popular Products	Description	Product Web Page
MCP2515	The MCP2515 is a second generation stand-alone CAN controller with SPI interface	MCP2515
MCP2517FD	The MCP2517FD is a cost-effective and small-footprint External CAN FD Controller that can be easily added to a microcontroller with an available SPI interface.	MCP2517FD
ATA6560	The Microchip ATA6560 is a high-speed CAN FD ready CAN transceiver that provides an interface between a controller area network (CAN) protocol controller and the physical two-wire CAN bus.	ATA6560
MCP2561	The MCP2561/2FD is a Microchip Technology Inc. second generation high-speed CAN transceiver.	MCP2561
ATA663211	The Microchip ATA663211 is a fully integrated LIN transceiver designed in compliance with the LIN specification 2.0, 2.1, 2.2, 2.2A and SAEJ2602-2.	ATA663211

<< BACK to Block Diagram



Popular Products	Description	Product Web Page
ATSAMV71N19	The Microchip SAM V71 devices are a family of Automotive Flash microcontrollers based on the high-performance 32-bit ARM Cortex-M7 processor with a Double Precision Floating Point Unit (FPU).	ATSAMV71N19
SAM C MCUs	SAM C Cortex-M0+ based microcontroller (MCU) series builds on decades of innovation and experience in embedded Flash microcontroller technology.	SAM C MCUs
SAM E MCUs	Microchip SAM E series MCUs comprise of the mid-performance ARM [®] Cortex [®] -M4F Processors(SAME5X) and the high-performance 32-bit ARM Cortex -M7 RISC processors	SAM E MCUs

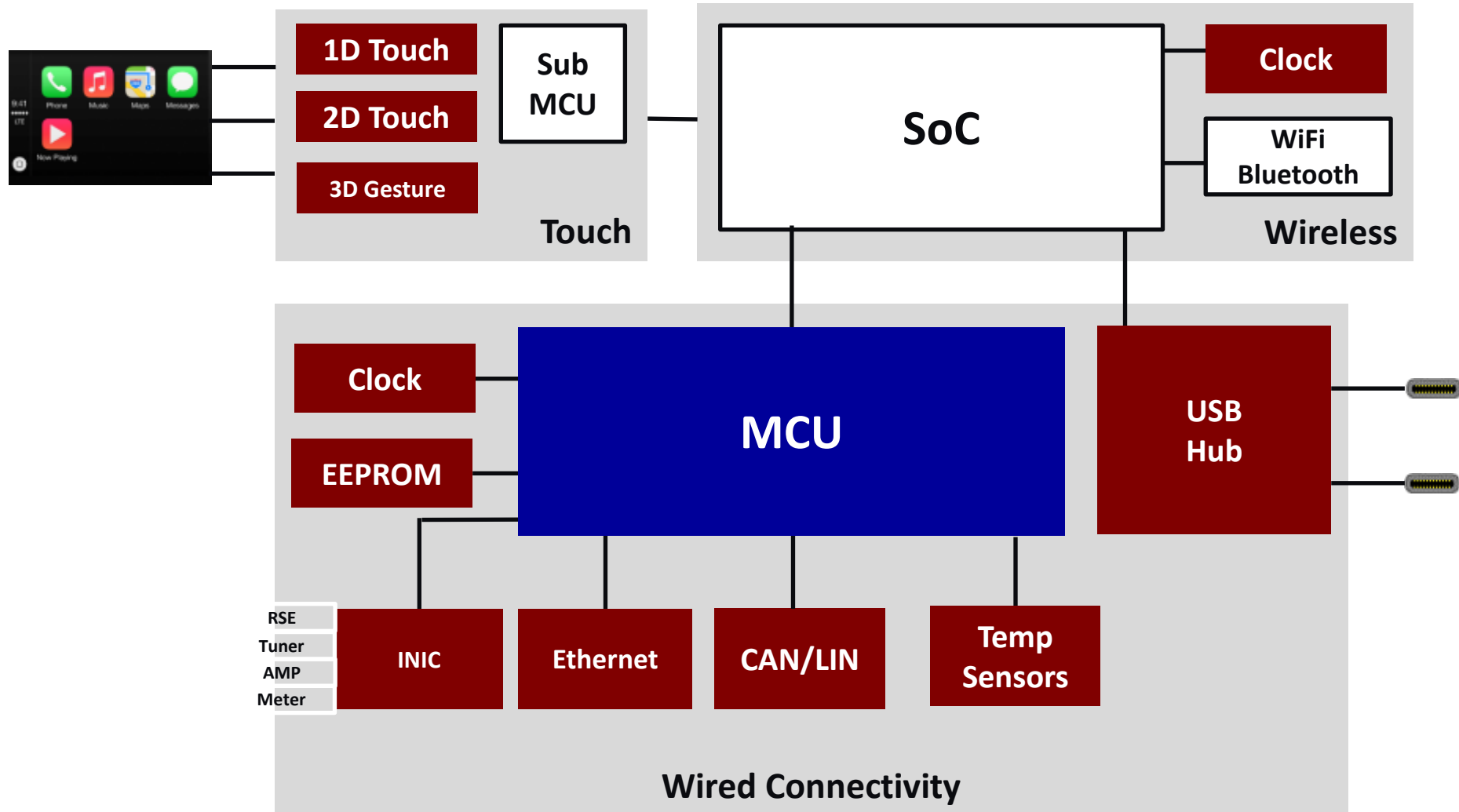


INICNet

Popular Products	Description	Product Web Page
OS81xxx	INICnet™ technology simplifies automotive infotainment networking with support for Ethernet, audio, video and control over a single cable.	OS81xxx



Head Unit



USB

Popular Products	Description	Product Web Page
USB4912	The Microchip USB4912 is a USB2.0 Hi-Speed Hub with unique Smart Hub features. This highly integrated chip optimizes board area and reduces overall system costs.	USB4912
USB7002	The Microchip USB7002 SmartHub™ IC is a low-power, OEM configurable, USB 3.1 Gen 1 hub controller with 4 downstream ports and advanced features.	USB7002
USB83340	The USB83340 is optimized for use in applications where a low operating current and standby currents are essential. The device integrates 3.3 V and 1.8 V regulators, making it possible to operative the device from a single power supply.	USB83340



Memory

Popular Products	Description	Product Web Page
USBF4100	USB Hub 512KB Firmware Memory, programmed with binary image for Microchip USB Hubs	USBF4100
EEPROM	Microchip provides a full range of densities and communication protocols to meet your needs in serial EEPROMs and parallel EEPROMs	EEPROM



Ethernet

Popular Products	Description	Product Web Page
LAN7431	Microchip's LAN7431 is a PCIe 3.1 (at 2.5GT/s) to Reduced Gigabit Media Independent Interface (RGMII) Gigabit Networking bridge providing an ultra-high-performance and cost-effective PCIe to Ethernet connectivity solution.	LAN7431
LAN89530	Microchip's LAN89530 was specifically designed to provide a high performance, low-cost USB to 10/100 Ethernet connectivity solution with a Hi-Speed USB interface for Automotive applications.	LAN89530
KSZ8051	The KSZ8051 is an AEC-Q100 standard qualified single-supply 10Base-T/100Base-TX Ethernet physical-layer transceiver for automotive applications.	KSZ8051
LAN7801	Microchip's LAN7801 is a Super Speed USB 3.1 Gen 1 to 10/100/1000 Gigabit Ethernet bridge providing an ultra high-performance and cost-effective USB to RGMII connectivity solution.	LAN7801



Temperature Sensor

Popular Products	Description	Product Web Page
MCP9808 Digital temperature sensor	The MCP9808 converts temperatures between -20°C and +100°C to a digital word with $\pm 0.5^\circ\text{C}$ (max.) accuracy	MCP9808
MCP9700 Linear Active Thermistor™ ICs	The output voltage of this device is directly proportional to measured temperature. The MCP9700 can accurately measure temperature from -40C to +150C with the output calibrated to a slope of 10mV/°C and has a DC offset of 500mV.	MCP9700



CAN & LIN

Popular Products	Description	Product Web Page
MCP2515	The MCP2515 is a second-generation stand-alone CAN controller with SPI interface	MCP2515
MCP2517FD	The MCP2517FD is a cost-effective and small-footprint External CAN FD Controller that can be easily added to a microcontroller with an available SPI interface.	MCP2517FD
ATA6560	The Microchip ATA6560 is a high-speed CAN FD ready CAN transceiver that provides an interface between a controller area network (CAN) protocol controller and the physical two-wire CAN bus.	ATA6560
MCP2561	The MCP2561/2FD is a Microchip Technology Inc. second generation high-speed CAN transceiver.	MCP2561
ATA663211	The Microchip ATA663211 is a fully integrated LIN transceiver designed in compliance with the LIN specification 2.0, 2.1, 2.2, 2.2A and SAEJ2602-2.	ATA663211



INICNet

Popular Products	Description	Product Web Page
OS81xxx	INICnet™ technology simplifies automotive infotainment networking with support for Ethernet, audio, video and control over a single cable.	OS81xxx



MCU

Popular Products	Description	Product Web Page
ATSAMV71N19	The Microchip SAM V71 devices are a family of Automotive Flash microcontrollers based on the high-performance 32-bit ARM Cortex-M7 processor with a Double Precision Floating Point Unit (FPU).	ATSAMV71N19
SAM C MCUs	SAM C Cortex-M0+ based microcontroller (MCU) series builds on decades of innovation and experience in embedded Flash microcontroller technology.	SAM C MCUs
SAM E MCUs	Microchip SAM E series MCUs comprise of the mid-performance ARM® Cortex®-M4F Processors(SAME5X) and the high-performance 32-bit ARM Cortex -M7 RISC processors	SAM E MCUs

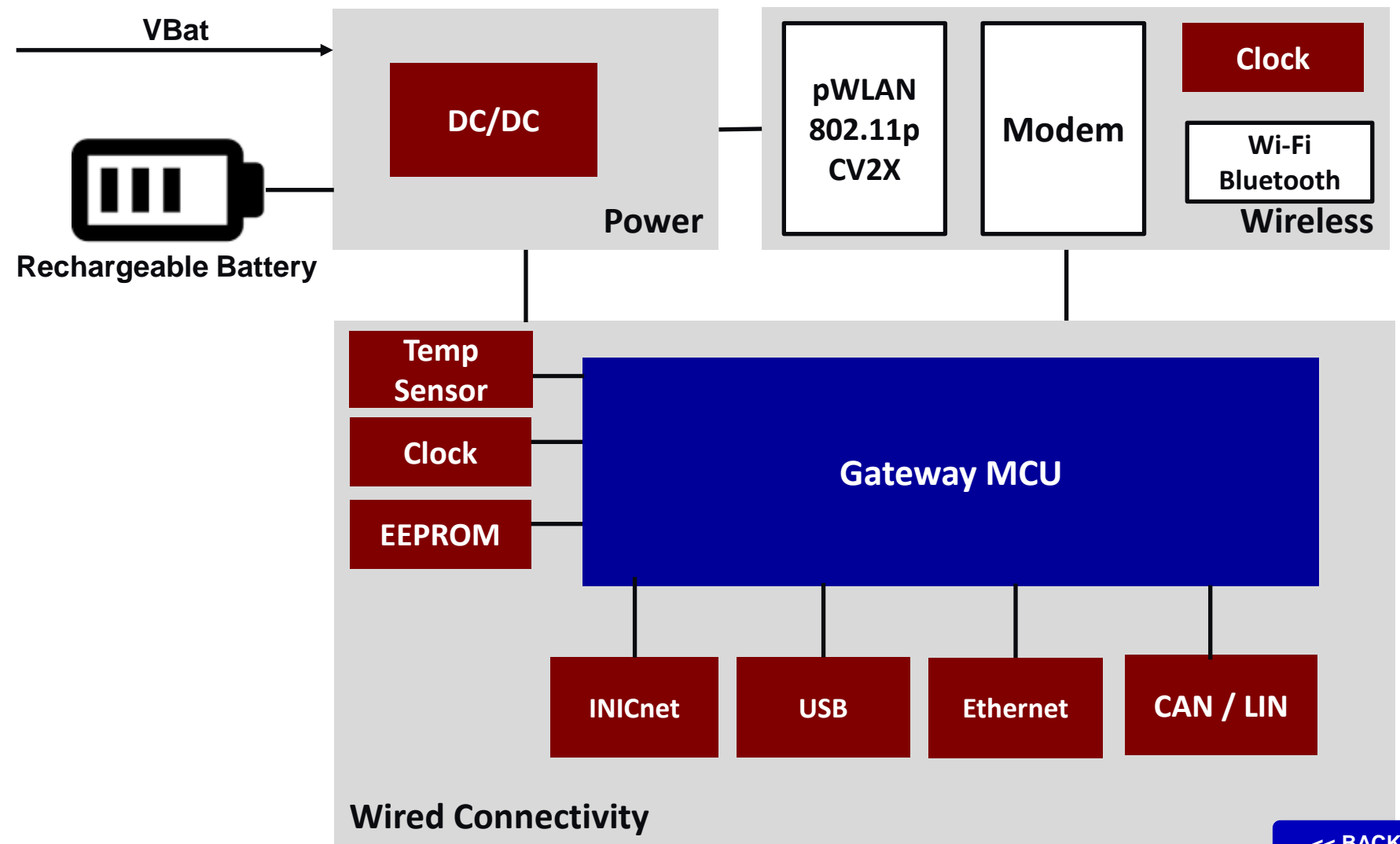


Touch

Popular Products	Description	Product Web Page
1D Touch	Microchip is your one-stop shop for touch - buttons, sliders, wheels and proximity for any touch sensitive device.	1D Touch
2D Touch	Our proven, turnkey maXTouch® touchscreen controllers offer leading-edge multi-touch projected capacitive technology for use in touchpads and touchscreens up to 24" in diagonal size. These solutions offer water tolerance and support for styluses and gloved fingers, along with the highest level of noise robustness for use in automotive and industrial applications.	2D Touch
3D Gesture	The MGC3030, MGC3130 and MGC3140 are the world's first electrical near-field (E-field) 3D gesture controllers. Based on Microchip's patented GestIC® technology, they enable user gesture detection and motion tracking.	3D Gesture



Telematics Unit



DC/DC

Popular Products	Description	Product Web Page
MCP16311	The MCP16311 is a compact, high-efficiency, fixed frequency PWM/PFM, synchronous step-down DC-DC Converter in an 8-pin MSOP or TDFN package that operates from input voltage of 30V.	MCP16311
MIC2800	The MIC2800 is a high-performance power management IC, giving three output voltages with maximum efficiency.	MIC2800
LX7309	The LX7309 is a versatile current-mode DC/DC controller for isolated and non-isolated topologies, featuring an internal differential current-sense amplifier for Kelvin connectivity and low 200mV threshold for low sense resistances and high efficiency.	LX7309

<< BACK to BLOCK DIAGRAM



USB

Popular Products	Description	Product Web Page
USB4912	The Microchip USB4912 is a USB2.0 Hi-Speed Hub with unique Smart Hub features. This highly integrated chip optimizes board area and reduces overall system costs.	USB4912
USB7002	The Microchip USB7002 SmartHub™ IC is a low-power, OEM configurable, USB 3.1 Gen 1 hub controller with 4 downstream ports and advanced features.	USB7002
USB83340	The USB83340 is optimized for use in applications where a low operating current and standby currents are essential. The device integrates 3.3 V and 1.8 V regulators, making it possible to operative the device from a single power supply.	USB83340



Memory

Popular Products	Description	Product Web Page
USBF4100	USB Hub 512KB Firmware Memory, programmed with binary image for Microchip USB Hubs	USBF4100
EEPROM	Microchip provides a full range of densities and communication protocols to meet your needs in serial EEPROMs and parallel EEPROMs	EEPROM



Ethernet

Popular Products	Description	Product Web Page
LAN7431	Microchip's LAN7431 is a PCIe 3.1 (at 2.5GT/s) to Reduced Gigabit Media Independent Interface (RGMII) Gigabit Networking bridge providing an ultra-high-performance and cost-effective PCIe to Ethernet connectivity solution.	LAN7431
LAN89530	Microchip's LAN89530 was specifically designed to provide a high performance, low-cost USB to 10/100 Ethernet connectivity solution with a Hi-Speed USB interface for Automotive applications.	LAN89530
KSZ8051	The KSZ8051 is an AEC-Q100 standard qualified single-supply 10Base-T/100Base-TX Ethernet physical-layer transceiver for automotive applications.	KSZ8051
LAN7801	Microchip's LAN7801 is a Super Speed USB 3.1 Gen 1 to 10/100/1000 Gigabit Ethernet bridge providing an ultra high performance and cost-effective USB to RGMII connectivity solution	

[<< BACK to Block Diagram](#)



INICNet

Popular Products	Description	Product Web Page
OS81xxx	INICnet™ technology simplifies automotive infotainment networking with support for Ethernet, audio, video and control over a single cable.	OS81xxx



Temperature Sensor

Popular Products	Description	Product Web Page
MCP9808 Digital temperature sensor	The MCP9808 converts temperatures between -20°C and +100°C to a digital word with $\pm 0.5^\circ\text{C}$ (max.) accuracy	MCP9808
MCP9700 Linear Active Thermistor™ ICs	The output voltage of this device is directly proportional to measured temperature. The MCP9700 can accurately measure temperature from -40C to +150C with the output calibrated to a slope of 10mV/°C and has a DC offset of 500mV.	MCP9700



CAN & LIN

Popular Products	Description	Product Web Page
MCP2515	The MCP2515 is a second-generation stand-alone CAN controller with SPI interface	MCP2515
MCP2517FD	The MCP2517FD is a cost-effective and small-footprint External CAN FD Controller that can be easily added to a microcontroller with an available SPI interface.	MCP2517FD
ATA6560	The Microchip ATA6560 is a high-speed CAN FD ready CAN transceiver that provides an interface between a controller area network (CAN) protocol controller and the physical two-wire CAN bus.	ATA6560
MCP2561	The MCP2561/2FD is a Microchip Technology Inc. second generation high-speed CAN transceiver.	MCP2561
ATA663211	The Microchip ATA663211 is a fully integrated LIN transceiver designed in compliance with the LIN specification 2.0, 2.1, 2.2, 2.2A and SAEJ2602-2.	ATA663211

[<< BACK to Block Diagram](#)

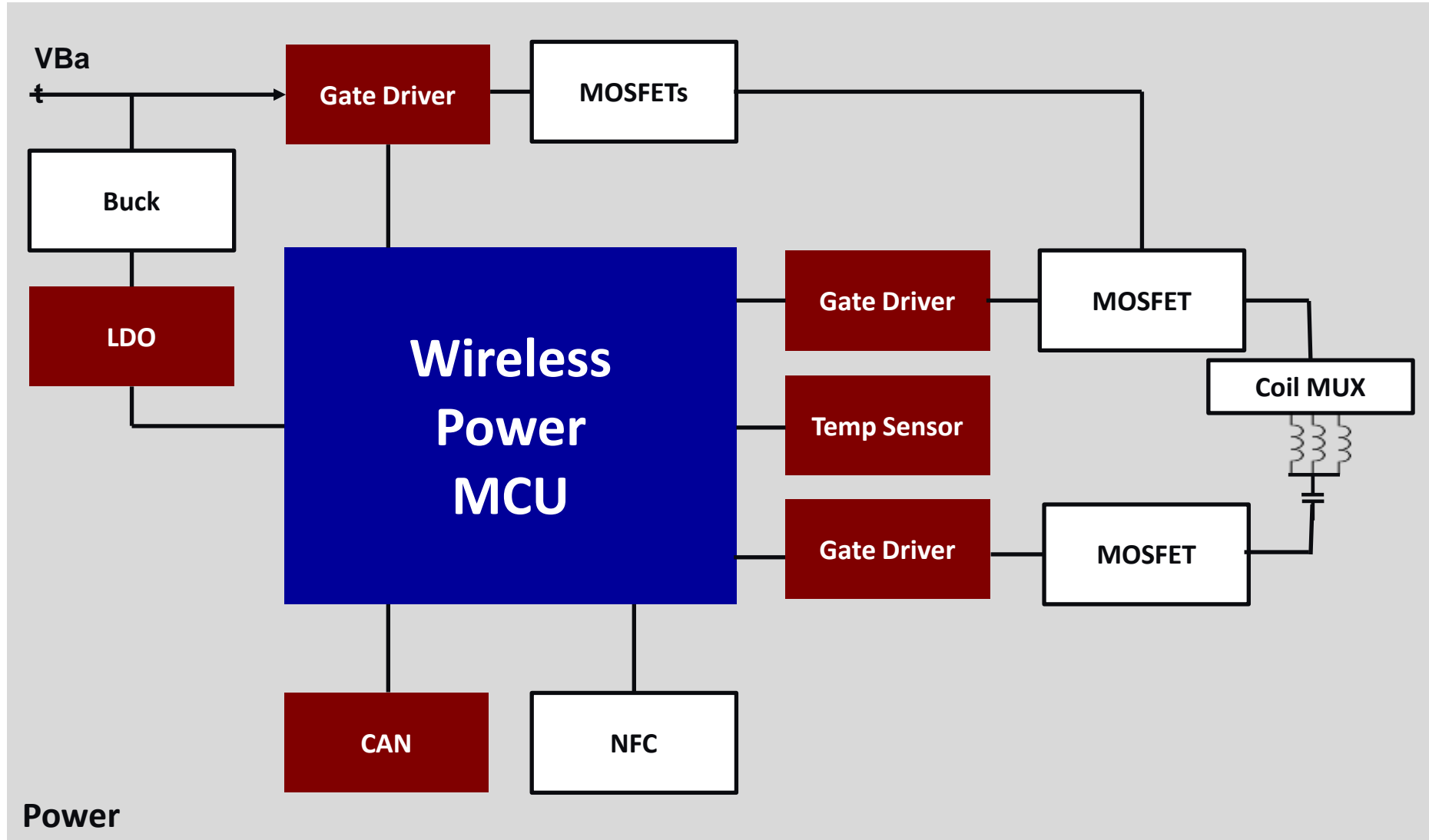


MCU

Popular Products	Description	Product Web Page
ATSAMV71N19	The Microchip SAM V71 devices are a family of Automotive Flash microcontrollers based on the high-performance 32-bit ARM Cortex-M7 processor with a Double Precision Floating Point Unit (FPU).	ATSAMV71N19
SAM C MCUs	SAM C Cortex-M0+ based microcontroller (MCU) series builds on decades of innovation and experience in embedded Flash microcontroller technology.	SAM C MCUs
SAM E MCUs	Microchip SAM E series MCUs comprise of the mid-performance ARM® Cortex®-M4F Processors(SAME5X) and the high-performance 32-bit ARM Cortex -M7 RISC processors	SAM E MCUs



Wireless Charging



MOSFET Drivers

Popular Products	Description	Product Web Page
MIC4605	The MIC4605 is an 85V half-bridge MOSFET driver that features adaptive-dead-time and shoot-through protection. The adaptive-dead-time circuitry actively monitors the half-bridge outputs to minimize the time between high-side and low-side MOSFET transitions, thus maximizing power efficiency.	Click Here
MIC4604YM	The MIC4604 is an 85V, half-bridge MOSFET driver. The MIC4604 features fast 39ns propagation delay times and 20ns driver rise/fall times for a 1nF capacitive load. The low-side and high-side gate drivers are independently controlled. The MIC4604 has TTL input thresholds. It includes a high-voltage internal diode that helps charge the high-side gate drive bootstrap capacitor.	Click Here



LDO

Popular Products	Description	Product Web Page
MCP1725	The MCP1725 is a 500 mA, ceramic output cap stable, low output voltage Low Dropout Regulator (LDO) with shutdown and user-programmable delay power good functions.	MCP1725



Temperature Sensor

Popular Products	Description	Product Web Page
MCP9808 Digital temperature sensor	The MCP9808 converts temperatures between -20°C and +100°C to a digital word with $\pm 0.5^\circ\text{C}$ (max.) accuracy	MCP9808
MCP9700 Linear Active Thermistor™ ICs	The output voltage of this device is directly proportional to measured temperature. The MCP9700 can accurately measure temperature from -40C to +150C with the output calibrated to a slope of 10mV/°C and has a DC offset of 500mV.	MCP9700

CAN & LIN

Popular Products	Description	Product Web Page
MCP2515	The MCP2515 is a second-generation stand-alone CAN controller with SPI interface	<u>MCP2515</u>
MCP2517FD	The MCP2517FD is a cost-effective and small-footprint External CAN FD Controller that can be easily added to a microcontroller with an available SPI interface.	<u>MCP2517FD</u>
ATA6560	The Microchip ATA6560 is a high-speed CAN FD ready CAN transceiver that provides an interface between a controller area network (CAN) protocol controller and the physical two-wire CAN bus.	<u>ATA6560</u>
MCP2561	The MCP2561/2FD is a Microchip Technology Inc. second generation high-speed CAN transceiver.	<u>MCP2561</u>
ATA663211	The Microchip ATA663211 is a fully integrated LIN transceiver designed in compliance with the LIN specification 2.0, 2.1, 2.2, 2.2A and SAEJ2602-2.	<u>ATA663211</u>

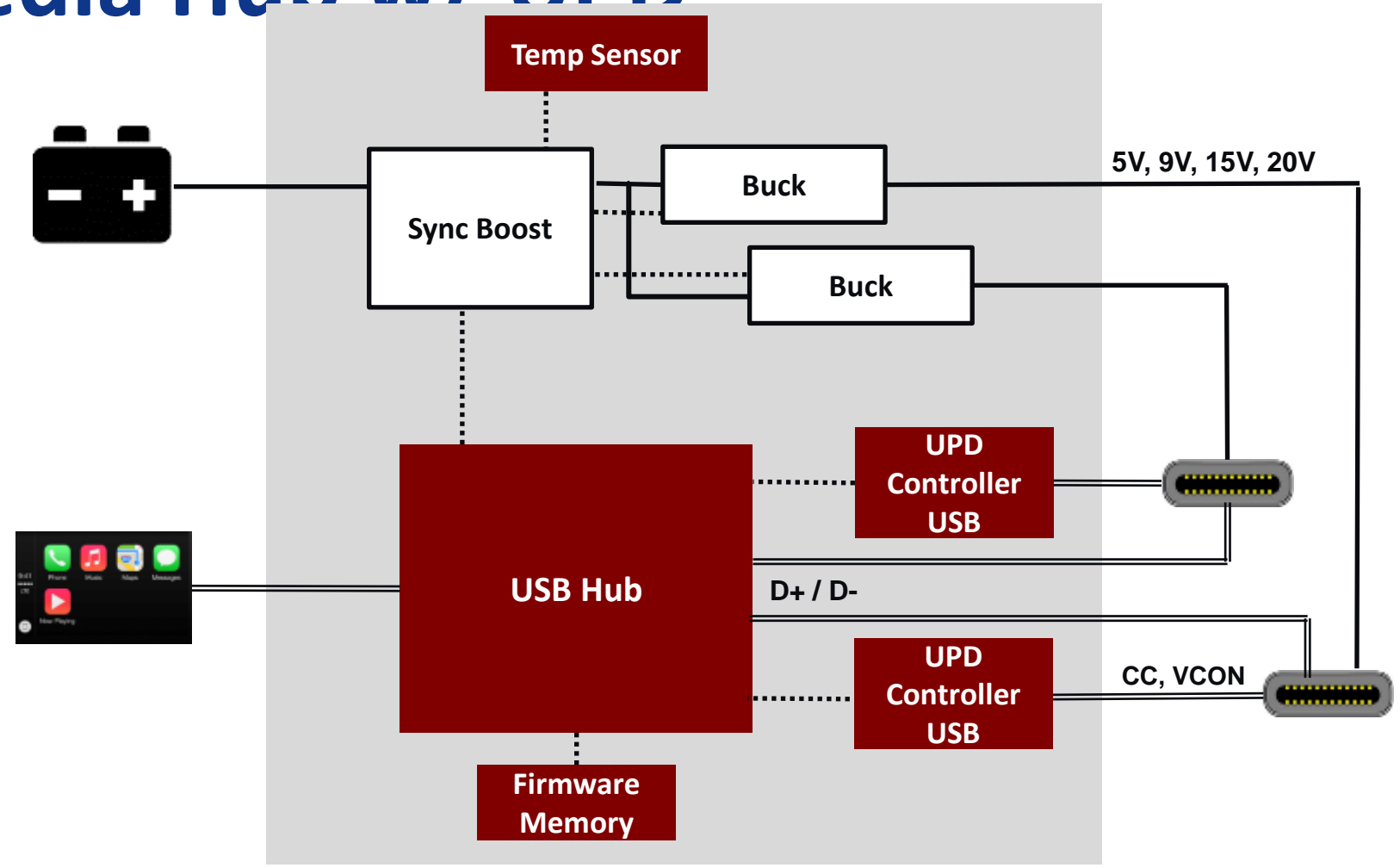


16-bit MCU

Popular Products	Description	Product Web Page
dsPIC33CH	The dsPIC33CH has one core that is designed to function as a master while the other is designed as a slave.	dsPIC33CH



USB BoB – 2 Port Media Hub w/ UPD



Support UPD Protocol, BC1.2, Apple Profiles Charging Profiles
Support CarPlay, CarLife, Android Auto



Memory

Popular Products	Description	Product Web Page
USBF4100	USB Hub 512KB Firmware Memory, programmed with binary image for Microchip USB Hubs	USBF4100
EEPROM	Microchip provides a full range of densities and communication protocols to meet your needs in serial EEPROMs and parallel EEPROMs	EEPROM



Temperature Sensor

Popular Products	Description	Product Web Page
MCP9808 Digital temperature sensor	The MCP9808 converts temperatures between -20°C and +100°C to a digital word with $\pm 0.5^\circ\text{C}$ (max.) accuracy	MCP9808
MCP9700 Linear Active Thermistor™ ICs	The output voltage of this device is directly proportional to measured temperature. The MCP9700 can accurately measure temperature from -40C to +150C with the output calibrated to a slope of 10mV/°C and has a DC offset of 500mV.	MCP9700



USB Power

Popular Products	Description	Product Web Page
UCS2114	The UCS2114 is a dual USB port power switch configuration which can provide 3.0A continuous current (3.4A maximum) per VBUS port with precision overcurrent limiting (OCL).	UCS2114
UPD301A	The UPD301A is a stand-alone, small form factor USB Type-C™ Power Delivery (PD) Port Controller designed to adhere to the USB Type-C™ Cable and Connector Specification and USB Power Delivery 3.0 Specification.	UPD301A
UPD350	The UPD350 is a highly integrated small form factor USB Type-C/PD controller compliant with USB Type-C™ specification and USB Power Delivery specification v.3.0. UPD350 provides cable detection and orientation and implements baseband communication with a partner USB Type-C/PD Device.	UPD350

[<< BACK to BLOCK DIAGRAM](#)



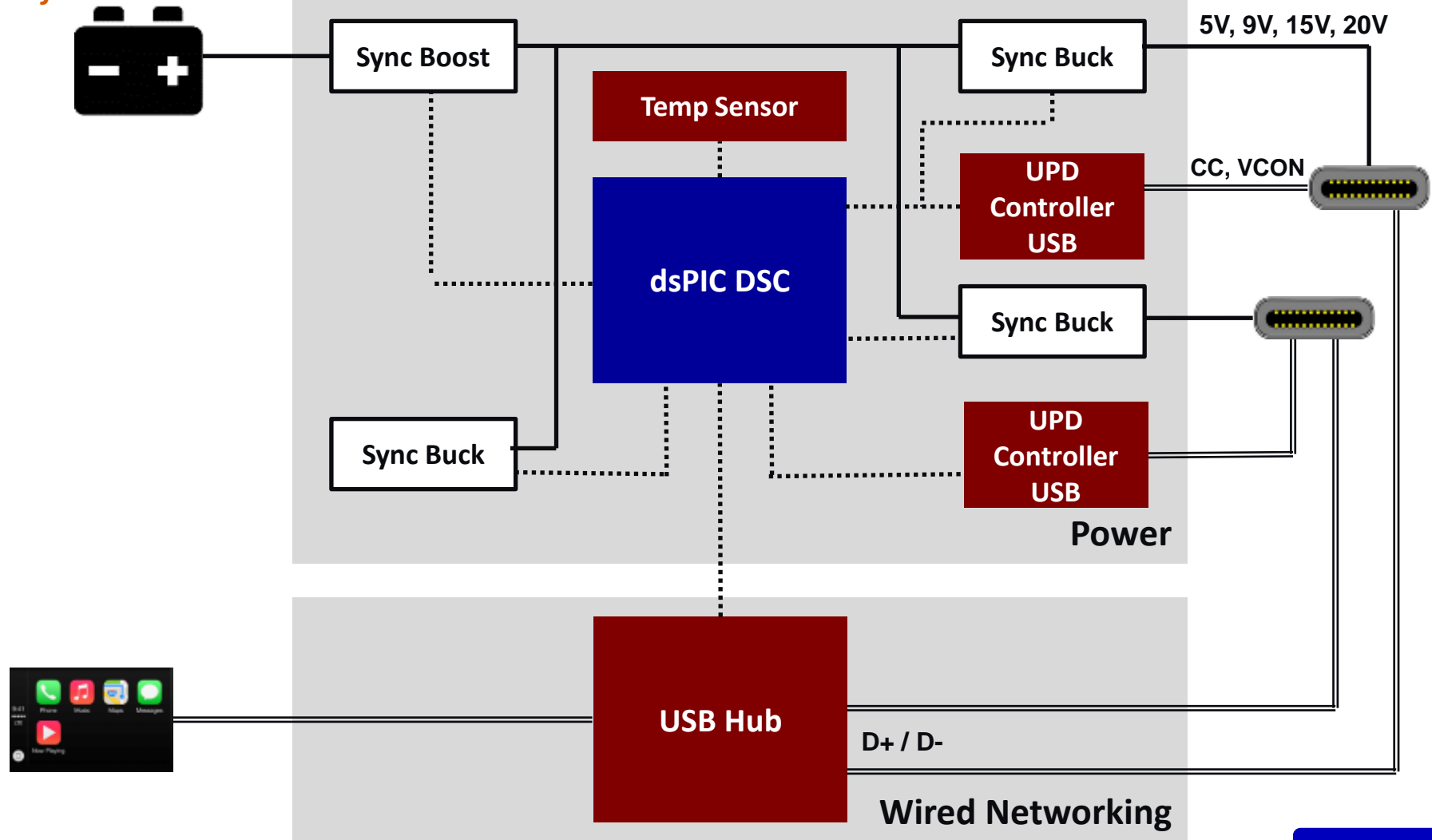
USB

Popular Products	Description	Product Web Page
USB4912	The Microchip USB4912 is a USB2.0 Hi-Speed Hub with unique Smart Hub features. This highly integrated chip optimizes board area and reduces overall system costs.	USB4912
USB7002	The Microchip USB7002 SmartHub™ IC is a low-power, OEM configurable, USB 3.1 Gen 1 hub controller with 4 downstream ports and advanced features.	USB7002
USB83340	The USB83340 is optimized for use in applications where a low operating current and standby currents are essential. The device integrates 3.3 V and 1.8 V regulators, making it possible to operate the device from a single power supply.	USB83340



USB BoB – 2 Port Media Hub w/ UPD

Solution for Ground Shift Compensation



dsPIC runs PD stack, it frees up code space in the USB Hub, USBF4100 is optional

<< BACK



Temperature Sensor

Popular Products	Description	Product Web Page
MCP9808 Digital temperature sensor	The MCP9808 converts temperatures between -20°C and +100°C to a digital word with $\pm 0.5^\circ\text{C}$ (max.) accuracy	MCP9808
MCP9700 Linear Active Thermistor™ ICs	The output voltage of this device is directly proportional to measured temperature. The MCP9700 can accurately measure temperature from -40C to +150C with the output calibrated to a slope of 10mV/°C and has a DC offset of 500mV.	MCP9700



USB Power

Popular Products	Description	Product Web Page
UCS2114	The UCS2114 is a dual USB port power switch configuration which can provide 3.0A continuous current (3.4A maximum) per VBUS port with precision overcurrent limiting (OCL).	UCS2114
UPD301A	The UPD301A is a stand-alone, small form factor USB Type-C™ Power Delivery (PD) Port Controller designed to adhere to the USB Type-C™ Cable and Connector Specification and USB Power Delivery 3.0 Specification.	UPD301A
UPD350	The UPD350 is a highly integrated small form factor USB Type-C/PD controller compliant with USB Type-C™ specification and USB Power Delivery specification v.3.0. UPD350 provides cable detection and orientation and implements baseband communication with a partner USB Type-C/PD Device.	UPD350

[<< BACK to BLOCK DIAGRAM](#)



16-bit MCU

Popular Products	Description	Product Web Page
dsPIC33CH	The dsPIC33CH has one core that is designed to function as a master while the other is designed as a slave.	dsPIC33CH

<< BACK to BLOCK DIAGRAM

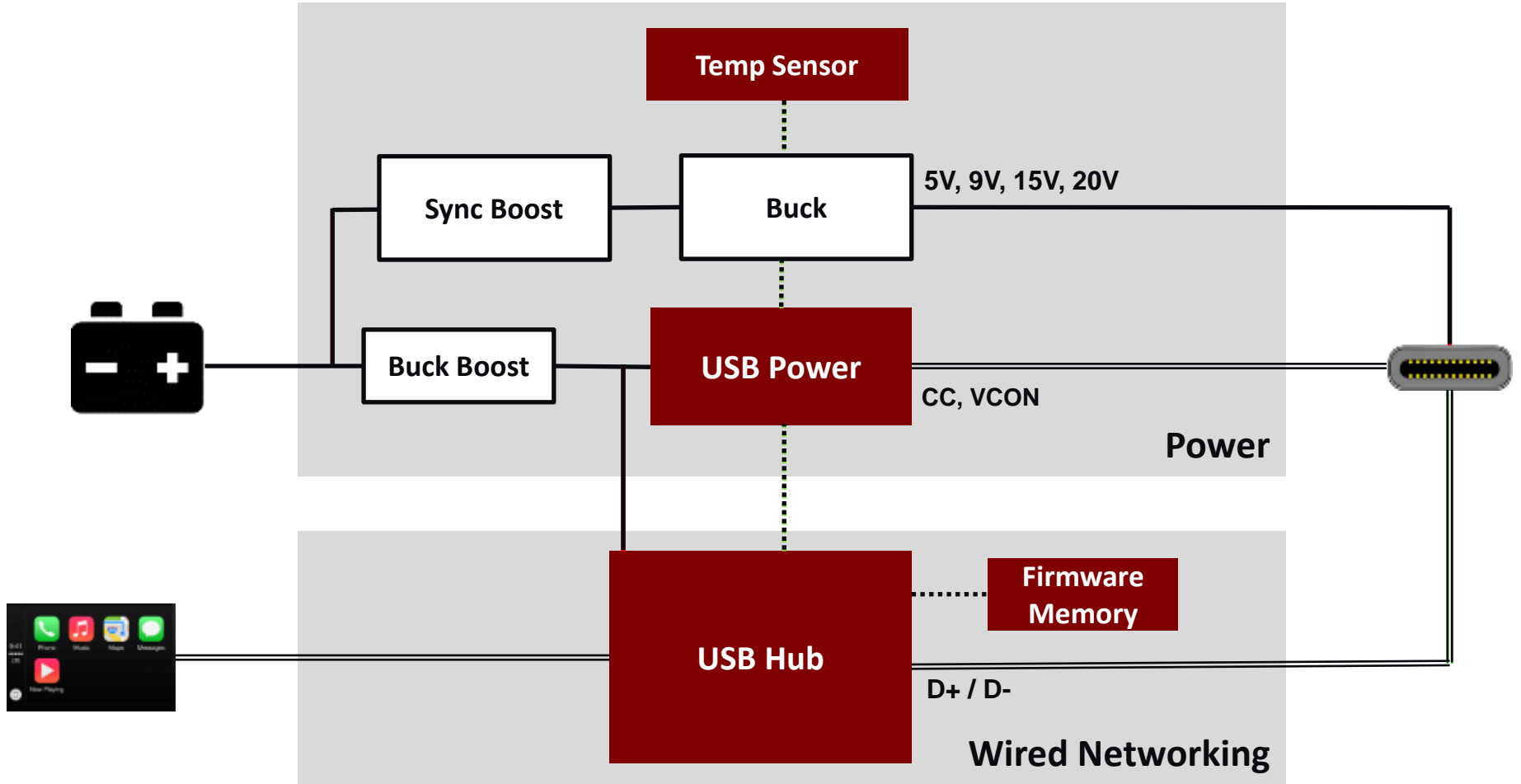


USB

Popular Products	Description	Product Web Page
USB4912	The Microchip USB4912 is a USB2.0 Hi-Speed Hub with unique Smart Hub features. This highly integrated chip optimizes board area and reduces overall system costs.	USB4912
USB7002	The Microchip USB7002 SmartHub™ IC is a low-power, OEM configurable, USB 3.1 Gen 1 hub controller with 4 downstream ports and advanced features.	USB7002
USB83340	The USB83340 is optimized for use in applications where a low operating current and standby currents are essential. The device integrates 3.3 V and 1.8 V regulators, making it possible to operative the device from a single power supply.	USB83340



USB BoB -- 1 Port UPD Data



Support UPD Protocol, BC1.2, Apple Profiles Charging Profiles
Support CarPlay, CarLife, Android Auto



Memory

Popular Products	Description	Product Web Page
USBF4100	USB Hub 512KB Firmware Memory, programmed with binary image for Microchip USB Hubs	USBF4100
EEPROM	Microchip provides a full range of densities and communication protocols to meet your needs in serial EEPROMs and parallel EEPROMs	EEPROM



USB

Popular Products	Description	Product Web Page
USB4912	The Microchip USB4912 is a USB2.0 Hi-Speed Hub with unique Smart Hub features. This highly integrated chip optimizes board area and reduces overall system costs.	USB4912
USB7002	The Microchip USB7002 SmartHub™ IC is a low-power, OEM configurable, USB 3.1 Gen 1 hub controller with 4 downstream ports and advanced features.	USB7002
USB83340	The USB83340 is optimized for use in applications where a low operating current and standby currents are essential. The device integrates 3.3 V and 1.8 V regulators, making it possible to operative the device from a single power supply.	USB83340



USB Power

Popular Products	Description	Product Web Page
UCS2114	The UCS2114 is a dual USB port power switch configuration which can provide 3.0A continuous current (3.4A maximum) per VBUS port with precision overcurrent limiting (OCL).	UCS2114
UPD301A	The UPD301A is a stand-alone, small form factor USB Type-C™ Power Delivery (PD) Port Controller designed to adhere to the USB Type-C™ Cable and Connector Specification and USB Power Delivery 3.0 Specification.	UPD301A
UPD350	The UPD350 is a highly integrated small form factor USB Type-C/PD controller compliant with USB Type-C™ specification and USB Power Delivery specification v.3.0. UPD350 provides cable detection and orientation and implements baseband communication with a partner USB Type-C/PD Device.	UPD350

[<< BACK to BLOCK DIAGRAM](#)

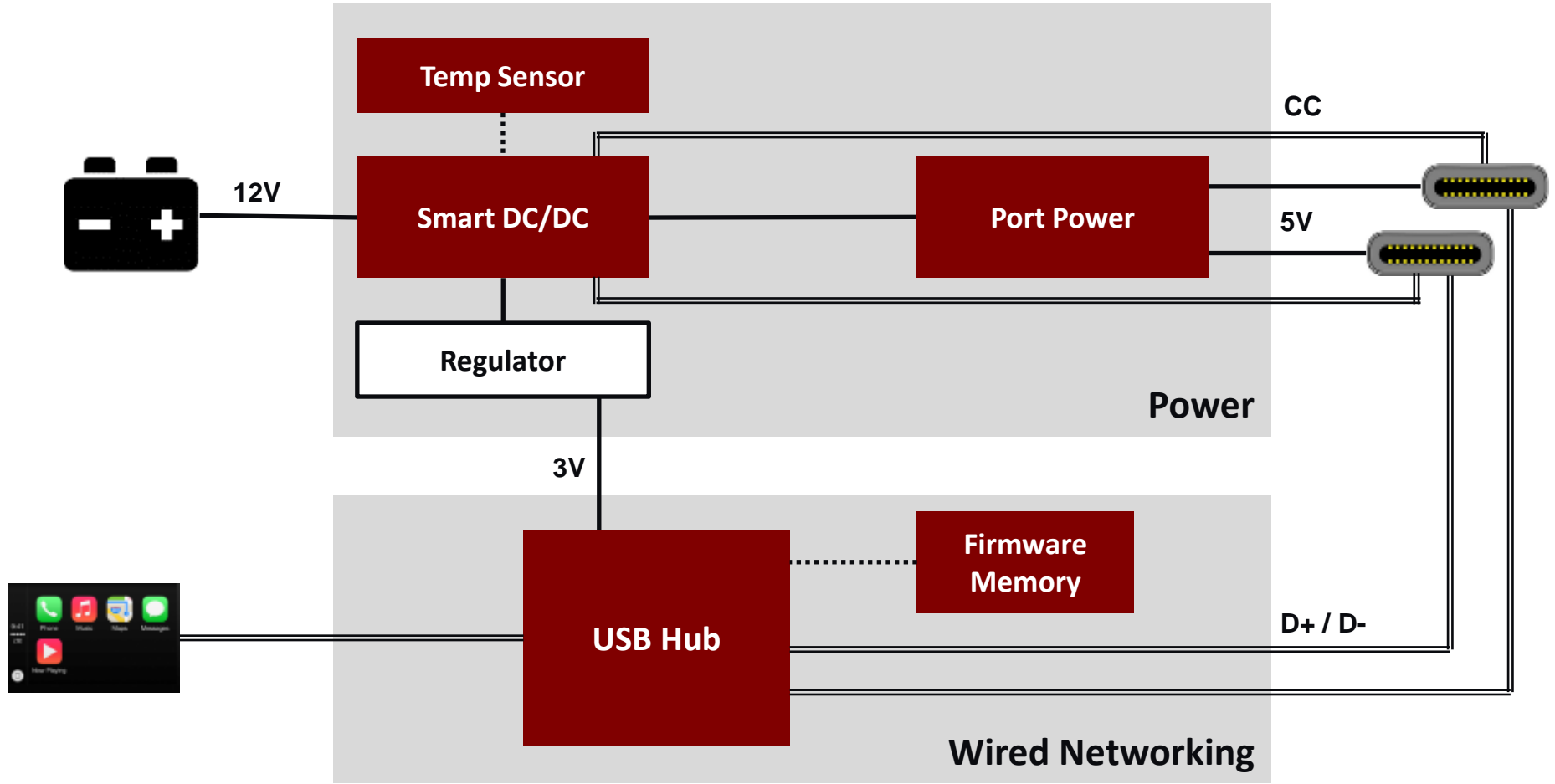


Temperature Sensor

Popular Products	Description	Product Web Page
MCP9808 Digital temperature sensor	The MCP9808 converts temperatures between -20°C and +100°C to a digital word with $\pm 0.5^\circ\text{C}$ (max.) accuracy	MCP9808
MCP9700 Linear Active Thermistor™ ICs	The output voltage of this device is directly proportional to measured temperature. The MCP9700 can accurately measure temperature from -40C to +150C with the output calibrated to a slope of 10mV/°C and has a DC offset of 500mV.	MCP9700



USB BoB w/ Type C Charging



Support CarPlay, CarLife, Android Auto

<< BACK



Memory

Popular Products	Description	Product Web Page
USBF4100	USB Hub 512KB Firmware Memory, programmed with binary image for Microchip USB Hubs	USBF4100
EEPROM	Microchip provides a full range of densities and communication protocols to meet your needs in serial EEPROMs and parallel EEPROMs	EEPROM



USB

Popular Products	Description	Product Web Page
USB4912	The Microchip USB4912 is a USB2.0 Hi-Speed Hub with unique Smart Hub features. This highly integrated chip optimizes board area and reduces overall system costs.	USB4912
USB7002	The Microchip USB7002 SmartHub™ IC is a low-power, OEM configurable, USB 3.1 Gen 1 hub controller with 4 downstream ports and advanced features.	USB7002
USB83340	The USB83340 is optimized for use in applications where a low operating current and standby currents are essential. The device integrates 3.3 V and 1.8 V regulators, making it possible to operative the device from a single power supply.	USB83340



USB Power

Popular Products	Description	Product Web Page
UCS2114	The UCS2114 is a dual USB port power switch configuration which can provide 3.0A continuous current (3.4A maximum) per VBUS port with precision overcurrent limiting (OCL).	UCS2114
UPD301A	The UPD301A is a stand-alone, small form factor USB Type-C™ Power Delivery (PD) Port Controller designed to adhere to the USB Type-C™ Cable and Connector Specification and USB Power Delivery 3.0 Specification.	UPD301A
UPD350	The UPD350 is a highly integrated small form factor USB Type-C/PD controller compliant with USB Type-C™ specification and USB Power Delivery specification v.3.0. UPD350 provides cable detection and orientation and implements baseband communication with a partner USB Type-C/PD Device.	UPD350

[<< BACK to BLOCK DIAGRAM](#)



DC/DC

Popular Products	Description	Product Web Page
MCP16311	The MCP16311 is a compact, high-efficiency, fixed frequency PWM/PFM, synchronous step-down DC-DC Converter in an 8-pin MSOP or TDFN package that operates from input voltage of 30V.	MCP16311
MIC2800	The MIC2800 is a high-performance power management IC, giving three output voltages with maximum efficiency.	MIC2800
LX7309	The LX7309 is a versatile current-mode DC/DC controller for isolated and non-isolated topologies, featuring an internal differential current-sense amplifier for Kelvin connectivity and low 200mV threshold for low sense resistances and high efficiency.	LX7309
MCP19123	It is a mid-voltage (4.5-40V) analog-based synchronous buck PWM controller with an integrated 8-bit PIC® Microcontroller	MCP19123

<< BACK to BLOCK DIAGRAM

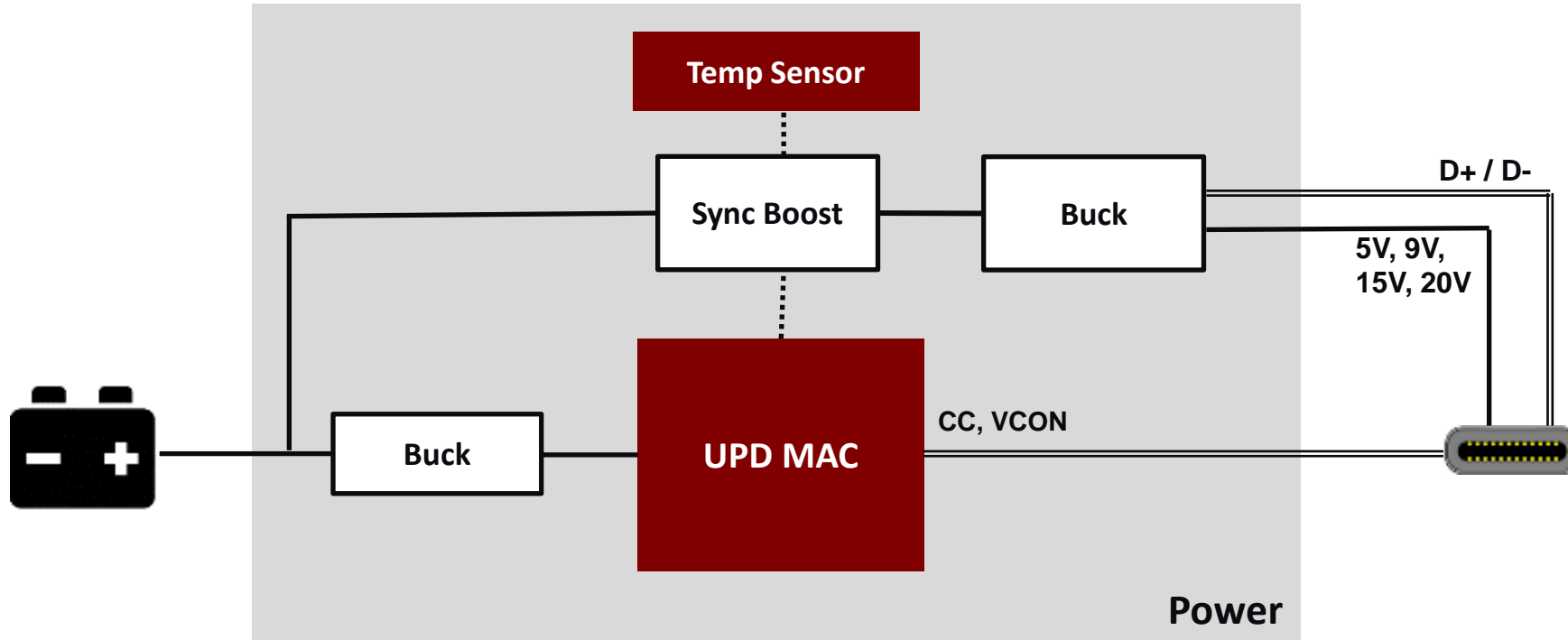


Temperature Sensor

Popular Products	Description	Product Web Page
MCP9808 Digital temperature sensor	The MCP9808 converts temperatures between -20°C and +100°C to a digital word with $\pm 0.5^\circ\text{C}$ (max.) accuracy	MCP9808
MCP9700 Linear Active Thermistor™ ICs	The output voltage of this device is directly proportional to measured temperature. The MCP9700 can accurately measure temperature from -40C to +150C with the output calibrated to a slope of 10mV/°C and has a DC offset of 500mV.	MCP9700



USB Charger - 1 Port UPD Charger



Supports UPD Protocol, BC1.2, Apple Profiles

Board area is minimized through intelligent power management

Power measurement in MCP19128

Thermal measurement, programmable behavior

Less required heatsinking, more robust operation

<< BACK



USB Power

Popular Products	Description	Product Web Page
UCS2114	The UCS2114 is a dual USB port power switch configuration which can provide 3.0A continuous current (3.4A maximum) per VBUS port with precision overcurrent limiting (OCL).	UCS2114
UPD301A	The UPD301A is a stand-alone, small form factor USB Type-C™ Power Delivery (PD) Port Controller designed to adhere to the USB Type-C™ Cable and Connector Specification and USB Power Delivery 3.0 Specification.	UPD301A
UPD350	The UPD350 is a highly integrated small form factor USB Type-C/PD controller compliant with USB Type-C™ specification and USB Power Delivery specification v.3.0. UPD350 provides cable detection and orientation and implements baseband communication with a partner USB Type-C/PD Device.	UPD350

<< BACK to Block Diagram

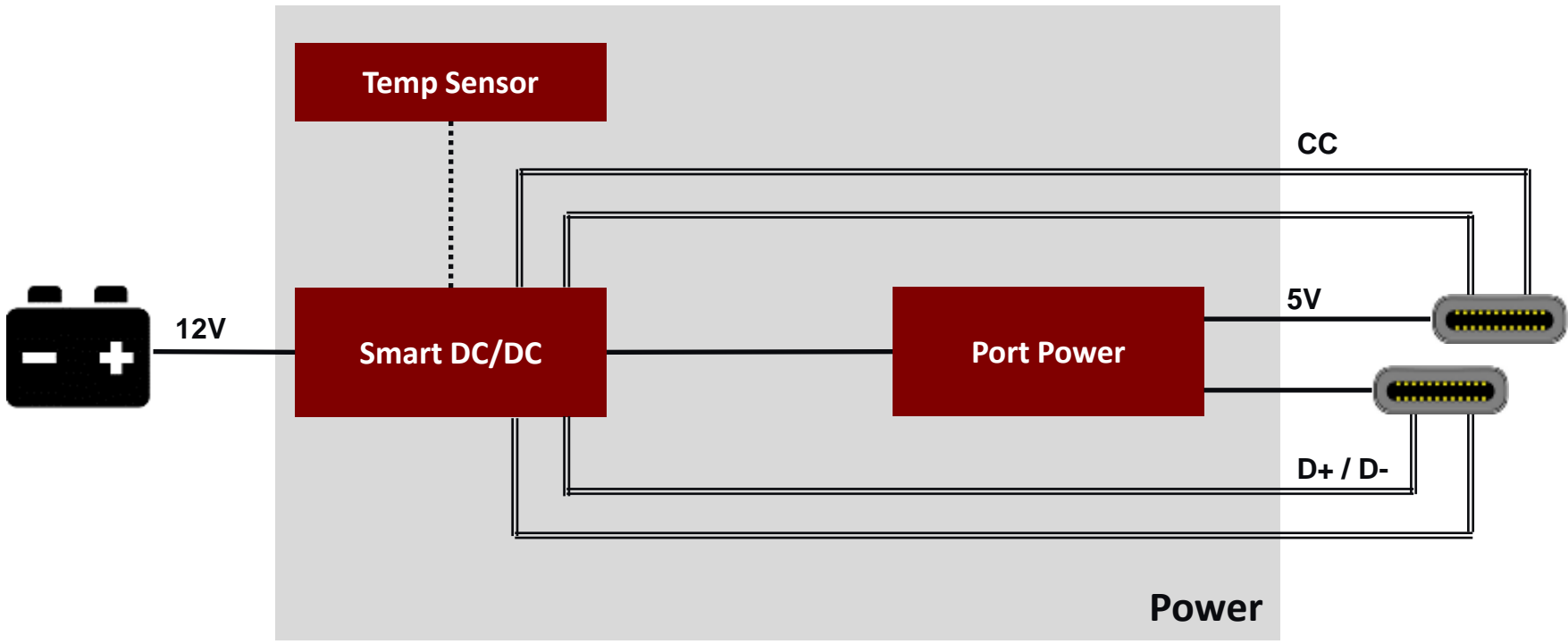


Temperature Sensor

Popular Products	Description	Product Web Page
MCP9808 Digital temperature sensor	The MCP9808 converts temperatures between -20°C and +100°C to a digital word with $\pm 0.5^\circ\text{C}$ (max.) accuracy	MCP9808
MCP9700 Linear Active Thermistor™ ICs	The output voltage of this device is directly proportional to measured temperature. The MCP9700 can accurately measure temperature from -40C to +150C with the output calibrated to a slope of 10mV/°C and has a DC offset of 500mV.	MCP9700



USB Charger – Basic C Charger



Supports Basic Type C, BC1.2, Apple Profiles



DC/DC

Popular Products	Description	Product Web Page
MCP16311	The MCP16311 is a compact, high-efficiency, fixed frequency PWM/PFM, synchronous step-down DC-DC Converter in an 8-pin MSOP or TDFN package that operates from input voltage of 30V.	MCP16311
MIC2800	The MIC2800 is a high-performance power management IC, giving three output voltages with maximum efficiency.	MIC2800
LX7309	The LX7309 is a versatile current-mode DC/DC controller for isolated and non-isolated topologies, featuring an internal differential current-sense amplifier for Kelvin connectivity and low 200mV threshold for low sense resistances and high efficiency.	LX7309
MCP19123	It is a mid-voltage (4.5-40V) analog-based synchronous buck PWM controller with an integrated 8-bit PIC® Microcontroller	MCP19123

[<< BACK to BLOCK DIAGRAM](#)



USB Power

Popular Products	Description	Product Web Page
UCS2114	The UCS2114 is a dual USB port power switch configuration which can provide 3.0A continuous current (3.4A maximum) per VBUS port with precision overcurrent limiting (OCL).	UCS2114
UPD301A	The UPD301A is a stand-alone, small form factor USB Type-C™ Power Delivery (PD) Port Controller designed to adhere to the USB Type-C™ Cable and Connector Specification and USB Power Delivery 3.0 Specification.	UPD301A
UPD350	The UPD350 is a highly integrated small form factor USB Type-C/PD controller compliant with USB Type-C™ specification and USB Power Delivery specification v.3.0. UPD350 provides cable detection and orientation and implements baseband communication with a partner USB Type-C/PD Device.	UPD350

<< BACK to Block Diagram



Temperature Sensor

Popular Products	Description	Product Web Page
MCP9808 Digital temperature sensor	The MCP9808 converts temperatures between -20°C and +100°C to a digital word with $\pm 0.5^\circ\text{C}$ (max.) accuracy	MCP9808
MCP9700 Linear Active Thermistor™ ICs	The output voltage of this device is directly proportional to measured temperature. The MCP9700 can accurately measure temperature from -40C to +150C with the output calibrated to a slope of 10mV/°C and has a DC offset of 500mV.	MCP9700



Analog Products in Automotive: Interior LED Ambient Module



Automotive LED Lighting

- **Interior Automotive LED ambient Module:**

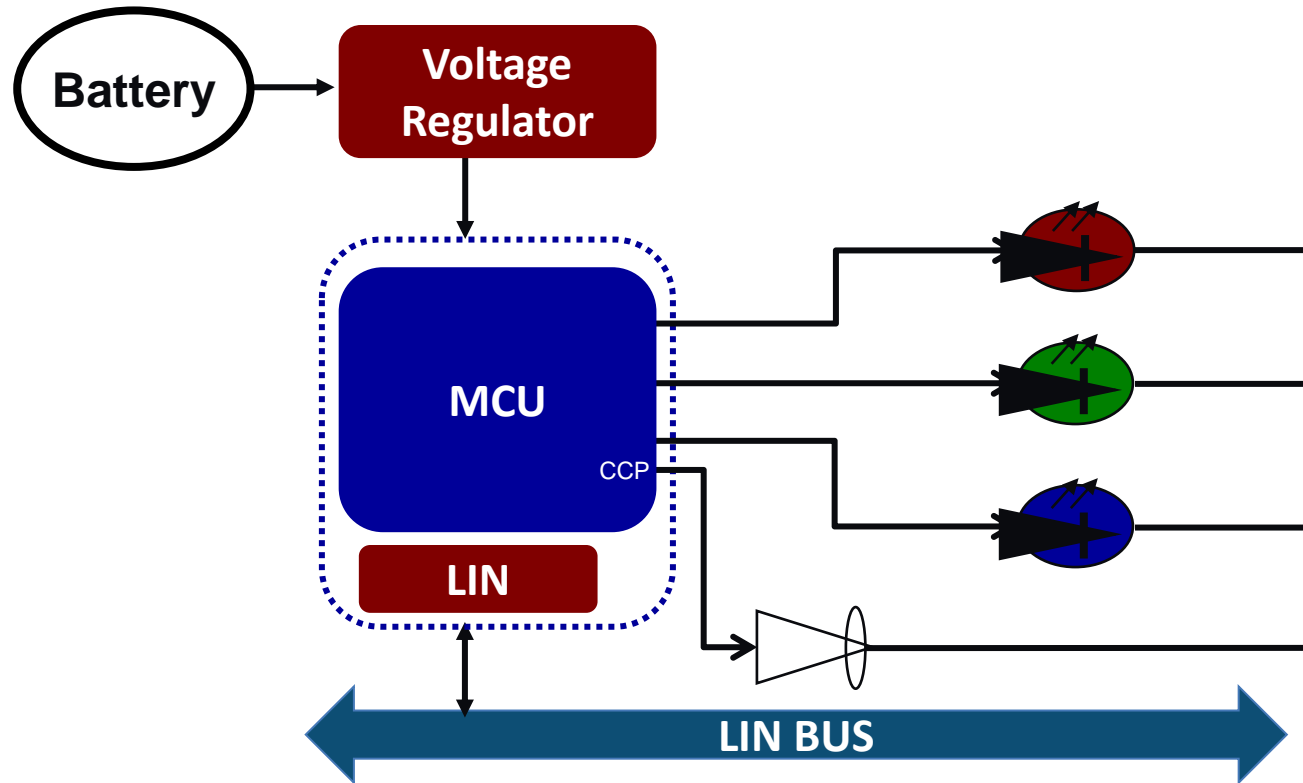
- LED ambient module controls an integrated RGB LEDs unit, which enables real-time LEDs color and brightness control. With this design, interior lightings are no longer monotonous. Adjustable multicolor allows passengers for a more personalized ambient lighting experience. The small size of LEDs also makes implementing lighting in small spaces easier.

- **Application examples**

- Foot well lights, cup holder lights, cluster backlighting, Tell Tale lights, and LCD panel backlighting



Automotive: Interior LED Ambient Module



LED ambient module controls an integrated RGB LEDs unit, which enables real-time LEDs color and brightness control



MCU: RGB LED Controller

Suggested Products	Description	Product Web Page
8-bit PIC12/16/18 MCU	<ul style="list-style-type: none">• Integrated DAC or PWM modules are used to control LEDs color or brightness.• The resolution of the DAC or PWM for the selected MCU is directly proportional to the number of color combination capable of being created with the RGB LEDs.• CCP module is used to detect defect.• NanoWatt XLP microcontrollers from the PIC16/ PIC18 families have the industry leading low quiescent current characteristics.• These MCUs further conserve battery life when LEDs are on while ignition is off.• Small MCU footprints are available to support the desired styling factor for various lighting components.	Click Here



	Suggested Products	Description	Product Web page
LIN	ATA663203	Stand-alone LIN LDO	LIN Design Center
	ATA663211 ATA6662C/63/4	Globally automotive approved and qualified Stand-alone transceiver	
	ATA6670	Globally automotive approved and qualified Stand-alone Dual LIN transceiver	
	ATA663231/32/54/55 ATA6625, ATA6629/31 MCP2021A/2A/25	Globally automotive approved and qualified Stand-alone transceiver + 3.3V or 5V Voltage Regulator	
	MCP2050, ATA663431/54 ATA6628/30, ATA6622C/24C/26C	Globally automotive approved and qualified Stand-alone transceiver + 3.3V or 5V Voltage Regulator + Window Watchdog Timer	
	ATA663331/54	Globally automotive approved and qualified Stand-alone transceiver + 3.3V or 5V Voltage Regulator + 2x Relay Driver	
	ATA664151	Globally automotive approved and qualified Stand-alone transceiver + 3.3V or 5V Voltage Regulator + 8x HV Switches	
	ATA6612C/13C/ 14Q/16C/17C ATSAMHA1G, PIC16F1829LIN	8-bit MCU with an integrated LIN transceiver + Voltage Regulator	
CAN, CAN FD	MCP2515	External CAN controller supports CAN V2.0B specification Can also interface with MCU with Standard SPI.	CAN Design Center
	MCP25625	CAN 2.0 external Controller + Transceiver	
	MCP2561/2	Globally automotive approved and qualified, High Speed CAN Transceivers	
	MCP2561/2FD, ATA6560/61	Globally automotive approved and qualified CAN Flexible Data-rate (CAN FD) Transceivers	
	MCP25612FD	Dual CAN 2.0 or CAN FD Transceiver	



Voltage Regulators

Suggested Products	Description	Product Web Page
MCP1790/1	The low power, low dropout regulator is used to reduce battery depletion while the vehicle is in the <i>ignition off</i> condition. This product meets the current low power requirements of automakers.	Click Here
MAQ5300	The MAQ5300 is an automotive-qualified, ultra-small, ultra low dropout CMOS regulator (ULDO) that is ideal for today's most demanding automotive applications including infotainment, camera module, image sensors, and anywhere PCB space is limited.	Click Here



Analog Products in Automotive: Exterior LED Control Module

[<< BACK to CONTENTS](#)

[NEXT](#)

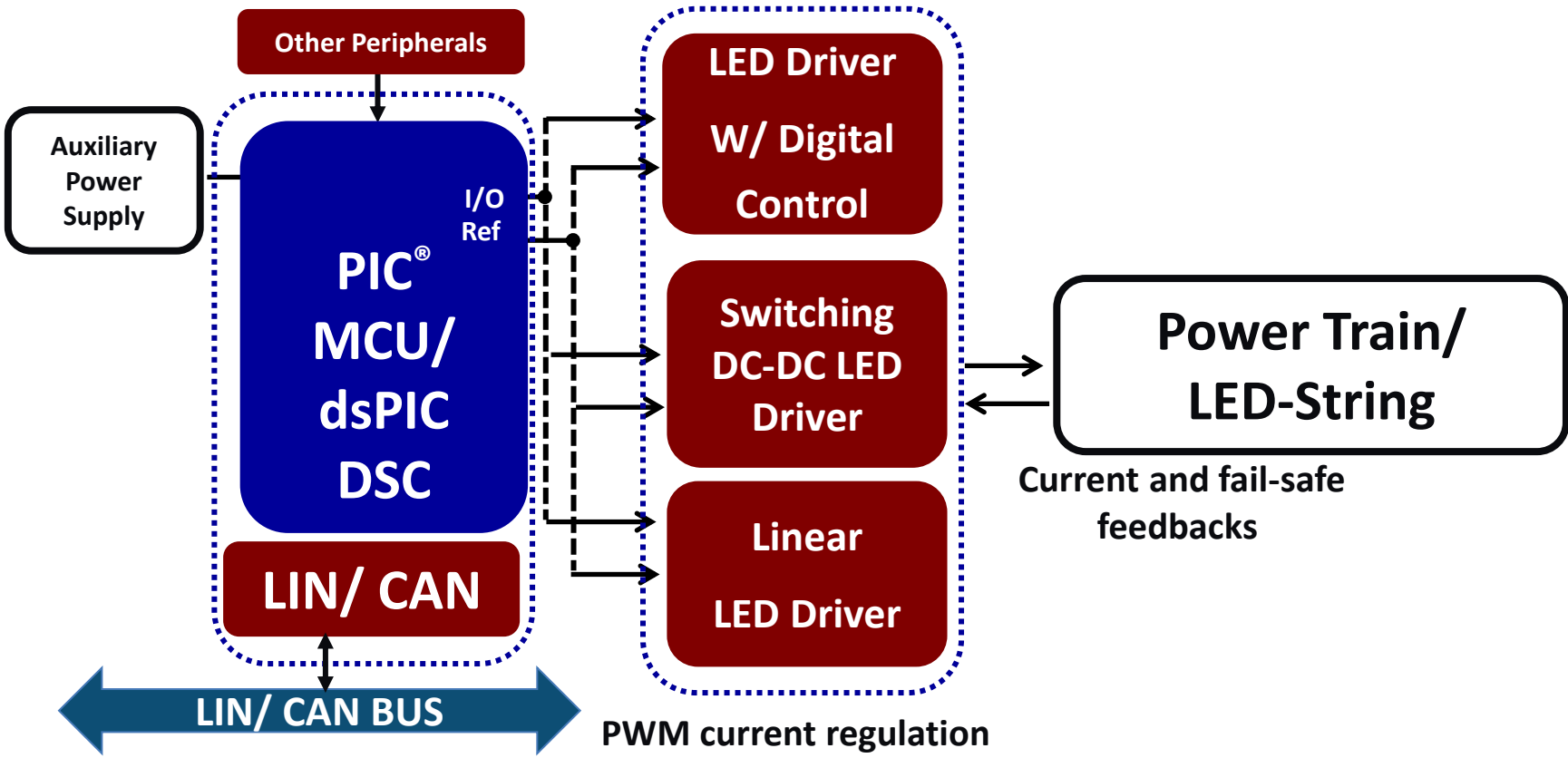


Automotive LED Lighting

- **Microchip offers broad range of high brightness LED control solutions for automotive exterior lightings. These solutions support flexible power train topologies to support constant LED current regulation, fail-safe monitoring and maximization of LEDs lifetime and efficiency.**
- **Example Applications:**
 - Fog lights, Taillights, Daytime running light, position light
High/Low Beam, corner light. Headlamp



Automotive: Exterior LED Control Module



Low- End Single LED String Solution

Mid- Range Mult. LED String Solution

High- End Mult. LED String Solution

Interior LED Ambient Control Module

<< BACK to CONTENTS



Suggested Products	Description	Product Web Page
<p>PIC12F683/ PIC12HV752</p>	<ul style="list-style-type: none"> • Ideal for low-end LED drivers such as fog light/turn light, which has lower stability requirements than most exterior front light units and doesn't require dimming • Hysteretic Current control • Integrated analog peripherals with minimum digital support for low-cost/high performance SMPS applications 	<p>PIC12F683</p>
<p>dsPIC33F GS family</p>	<ul style="list-style-type: none"> • Ideal for High End Multi. LED String Solution • Multi-channel control (up to 18 LED channels) • Up to 18 high-speed PWM channels (1.04ns resolution) • Each PWM output can be individually adjusted in frequency, duty ratio and phase shift. • Each PWM output can be chopped by a lower frequency to support flexible dimming outputs. 	<p>dsPIC33F/E</p>
<p>PIC16F1829LIN</p>	<p>8-bit MCU with an integrated LIN transceiver</p>	<p>PIC16F1829 LIN</p>



Low-End Single LED String Solution

- For low-end single LED string solution, a low cost 8-bit PIC MCU can be used to provide close-loop single LED string current regulation.

Suggested Products	Description
PIC12F683/PIC12HV752	<ul style="list-style-type: none">• Ideal for low-end LED drivers such as fog light/turn light, which has lower stability requirements than most exterior front light units and doesn't require dimming<ul style="list-style-type: none">• Hysteretic Current control• Integrated analog peripherals with minimum digital support for low-cost/high performance SMPS applications

[<< BACK to BLOCK DIAGRAM](#)

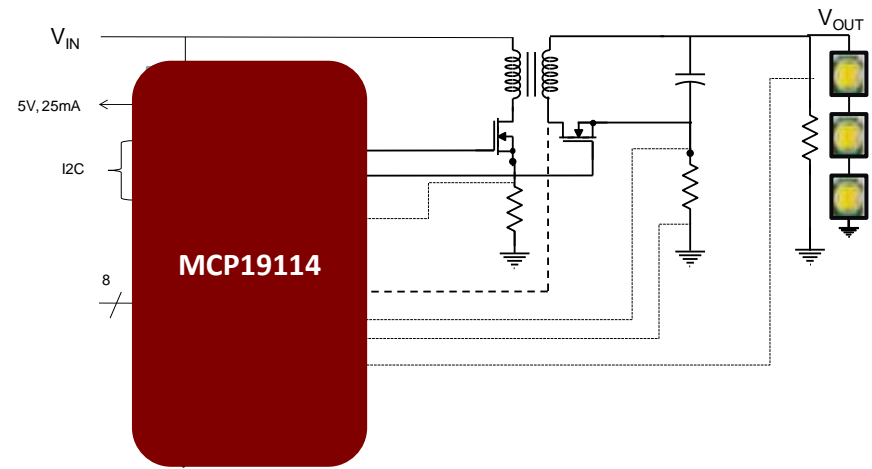


Mid-Range Mult. LED String Solution

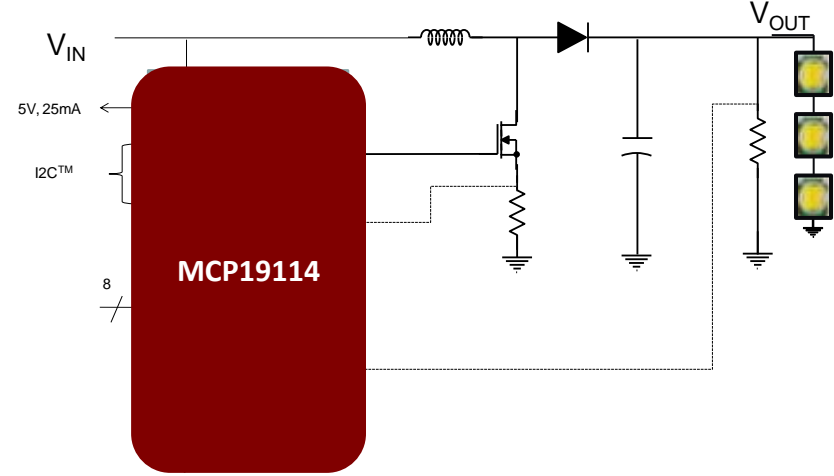
- **More than one discrete PWM controllers can be added to a low cost PIC MCU to support the additional LED strings.**
 - The PWM controller provides additional built-in analog modules and MOSFET driver needed for each LED string control.
 - This approach is also ideal for an existing system that already has a low cost MCU in place. Instead of replacing the MCU, designer can attach the additional PWM controllers to the MCU.



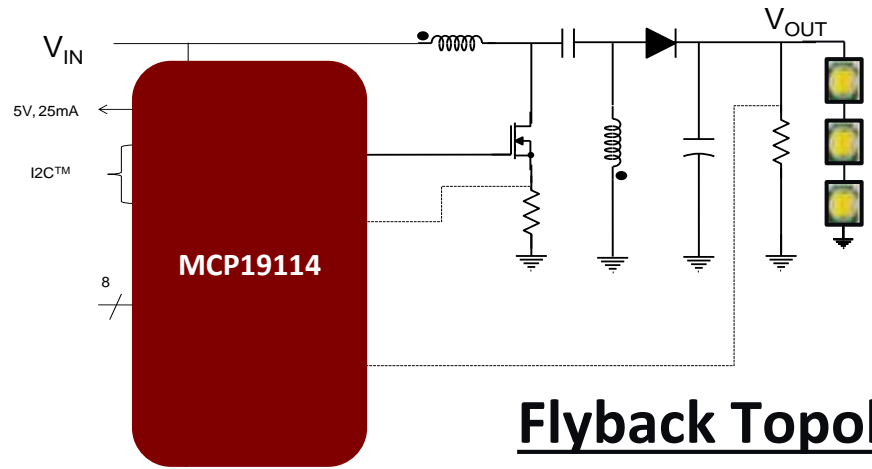
Programmable LED Driver



SEPIC Topology



Boost Topology



Flyback Topology
(Synchronous)

...and more, including Ćuk and Forward Converters (Broad Topology Support)



MCP19114

Popular Products	Description	Product Web Page
MCP19114/5	<p>The MCP19114 is a mid-voltage (4.5-42V) analog-based PWM controller with an integrated 8-bit PIC™ Microcontroller. This unique product family combines the performance of a high-speed analog solution, including high-efficiency and fast transient response, with the configurability and communication interface of a digital solution. Combining these solution types creates a new family of devices that maximizes the strengths of each technology to create a more cost-effective, configurable, high-performance power conversion solution.</p>	Click Here
<p>The MCP19114-Flyback Standalone Evaluation Board and Graphical User Interface (GUI) demonstrate the MCP19114 performance in a synchronous Flyback topology. It is configured to regulate load current, and is well suited to drive LED loads.</p>		



MCU + PWM Controller based LED Driver

Suggested Products	Description	Product Web Page
MCP1630/31/32	<ul style="list-style-type: none">• Small footprint discrete high-speed PWM controllers (2MHz), as stand alone (MCP1632) or in conjunction with a MCU (MCP1630/1)• Single MCU attaches multiple PWM controllers for desired number of LED strings control (One LED string per MCP1630/31).• Peak Current Mode Control.• High Voltage Options Operate to +16V Input.• Integrated Overvoltage Comparator and Low Side MOSFET Driver.• Over-temperature Protection and Under-voltage Lockout (UVLO).	MCP1630 MCP1631 MCP1632
App Notes/ Ref. Designs	<ul style="list-style-type: none">• Dimming Power LEDs Using a SEPIC Converter and MCP1631 PIC Attach PWM Controller• MCP1630 SEPIC Automotive LED Driver Reference Design• MCP1632 - 300 kHz Boost Converter Demo Board	

<< BACK to BLOCK DIAGRAM



DC-DC LED Driver

Suggested Products	Description	Product Web Page
AT9917	The fixed frequency PWM IC designed to control single-switch, boost, SEPIC, and buck LED drivers in a constant current mode. An internal 40V linear regulator powers the IC eliminating the need for a separate power supply for the IC.	AT9917
AT9919	The PWM controller IC designed to drive high brightness LEDs using a buck topology. Operation at high switching frequency is possible since the hysteretic control maintains accuracy even at high frequencies.	AT9919
AT9932	The controller IC designed to control an LED lamp driver using a boost-buck topology that can step the input voltage up or down automatically. Capacitive isolation protects the LED Lamp from failure of the switching MOSFET.	AT9932
AT9933	The controller IC designed to control an LED lamp driver using a low-noise boost-buck (Ćuk) topology. The AT9933 uses patent-pending hysteretic current-mode control to regulate both the input and the output currents.	AT9933
MAQ3203	The is a hysteretic, step-down, constant-current, High-Brightness LED (HB LED) driver. The hysteretic control gives good supply rejection and fast response during load transients and PWM dimming.	MAQ3203

<< BACK to BLOCK DIAGRAM



Linear LED Driver

Suggested Products	Description	Product Web Page
CL2 / CL25	The is a high voltage, temperature compensated, constant current source and is trimmed to provide a constant current of 20/25mA. The device can be used as a two terminal constant current source or constant current sink.	CL2 CL25
CL320 / CL325 / CL330	The family is designed to drive 3 strings of LEDs at a constant current of 20/30/50mA. Separate enable pins for each channel allow for PWM dimming, 3-step linear dimming, or individual disconnection of faulty LED strings.	CL320 CL325 CL330
CL520 / CL525	This is a fixed, linear current regulator designed for driving LEDs at 20/25mA. The minimum dropout voltage of 1.0V accommodates extra LEDs, permits lower supply voltages, and provides more efficient operation.	CL520 CL525
CL6 / CL7	This is a fixed, linear current regulator designed for driving high brightness LEDs at 100mA from nominal 12V, 24V, or 48V supplies.	CL6 CL7

[<< BACK to BLOCK DIAGRAM](#)



High- End Mult. LED String Solution

- For high-end multi LED strings solution, a 16-bit DSC (dsPIC33F GS) is recommended because it has the necessary integrated PWM drivers and analog modules to provide up to 18 LED strings or Matrix control. With this approach, discrete PWM controllers are not needed.



dsPIC33F

Suggested Products	Description	Product Web Page
dsPIC33F/E GS family	<ul style="list-style-type: none">• Ideal for High End Multi. LED String Solution• Multi-channel control (up to 18 LED channels)• Up to 18 high-speed PWM channels (1.04ns resolution)• Each PWM output can be individually adjusted in frequency, duty ratio and phase shift.• Each PWM output can be chopped by a lower frequency to support flexible dimming outputs.	dsPIC33F/E
App Notes/ Ref. Designs	<ul style="list-style-type: none">• High Brightness LEDs by dsPIC® “GS” Series (doc# en550157.pdf)• Digital LED Lighting Development Kit (DM330014)	



CAN/ LIN Communication

	Suggested Products	Description	Product Web page
LIN	ATA663203	Stand-alone LIN LDO	LIN Design Center
	ATA663211 ATA6662C/63/4	Globally automotive approved and qualified Stand-alone transceiver	
	ATA6670	Globally automotive approved and qualified Stand-alone Dual LIN transceiver	
	ATA663231/32/54/55 ATA6625, ATA6629/31 MCP2021A/2A/25	Globally automotive approved and qualified Stand-alone transceiver + 3.3V or 5V Voltage Regulator	
	MCP2050, ATA663431/54 ATA6628/30, ATA6622C/24C/26C	Globally automotive approved and qualified Stand-alone transceiver + 3.3V or 5V Voltage Regulator + Window Watchdog Timer	
	ATA663331/54	Globally automotive approved and qualified Stand-alone transceiver + 3.3V or 5V Voltage Regulator + 2x Relay Driver	
	ATA664151	Globally automotive approved and qualified Stand-alone transceiver + 3.3V or 5V Voltage Regulator + 8x HV Switches	
	ATA6612C/13C/ 14Q/16C/17C ATSAMHA1G, PIC16F1829LIN	8-bit MCU with an integrated LIN transceiver + Voltage Regulator	
CAN, CAN FD	MCP2515	External CAN controller supports CAN V2.0B specification Can also interface with MCU with Standard SPI.	CAN Design Center
	MCP25625	CAN 2.0 external Controller + Transceiver	
	MCP2561/2	Globally automotive approved and qualified, High Speed CAN Transceivers	
	MCP2561/2FD, ATA6560/61	Globally automotive approved and qualified CAN Flexible Data-rate (CAN FD) Transceivers	
	MCP25612FD	Dual CAN 2.0 or CAN FD Transceiver	

[<< BACK to BLOCK DIAGRAM](#)



Other Analog Peripherals

	Suggested Products	Description	Product Web Page
Voltage Regulators	MCP170X family	The low power, low dropout regulator is used to reduce battery depletion while the vehicle is in the <i>ignition off</i> condition. This product meets the current low power requirements of automakers.	LDO Parametric Table
Temperature Sensors	MCP9700/ MCP9800/	Improves control of color temperature and detects disconnected LED channel. MCP9700 outputs analog voltage that is proportional to the temperature (-40C to 150C). MCP9800 outputs temperature data (-55C to 125C) via I ² C™/SMBus two-wire interface.	MCP9700 MCP9800
	EMC2101	The EMC2101 is an SMBus 2.0 compliant, integrated fan control solution complete with two temperature monitors, one external and one internal. Each temperature channel has programmable high limits that can assert an interrupt.	EMC2101
	EMC1412	The EMC1412 is a high accuracy, low cost, System Management Bus (SMBus) temperature sensor. Advanced features such as Resistance Error Correction (REC), Beta Compensation and automatic diode type detection combine to provide a robust solution for environmental monitoring applications.	EMC1412

<< BACK to BLOCK DIAGRAM



Analog Products in Automotive: Smart Actuators in Turbo Charger

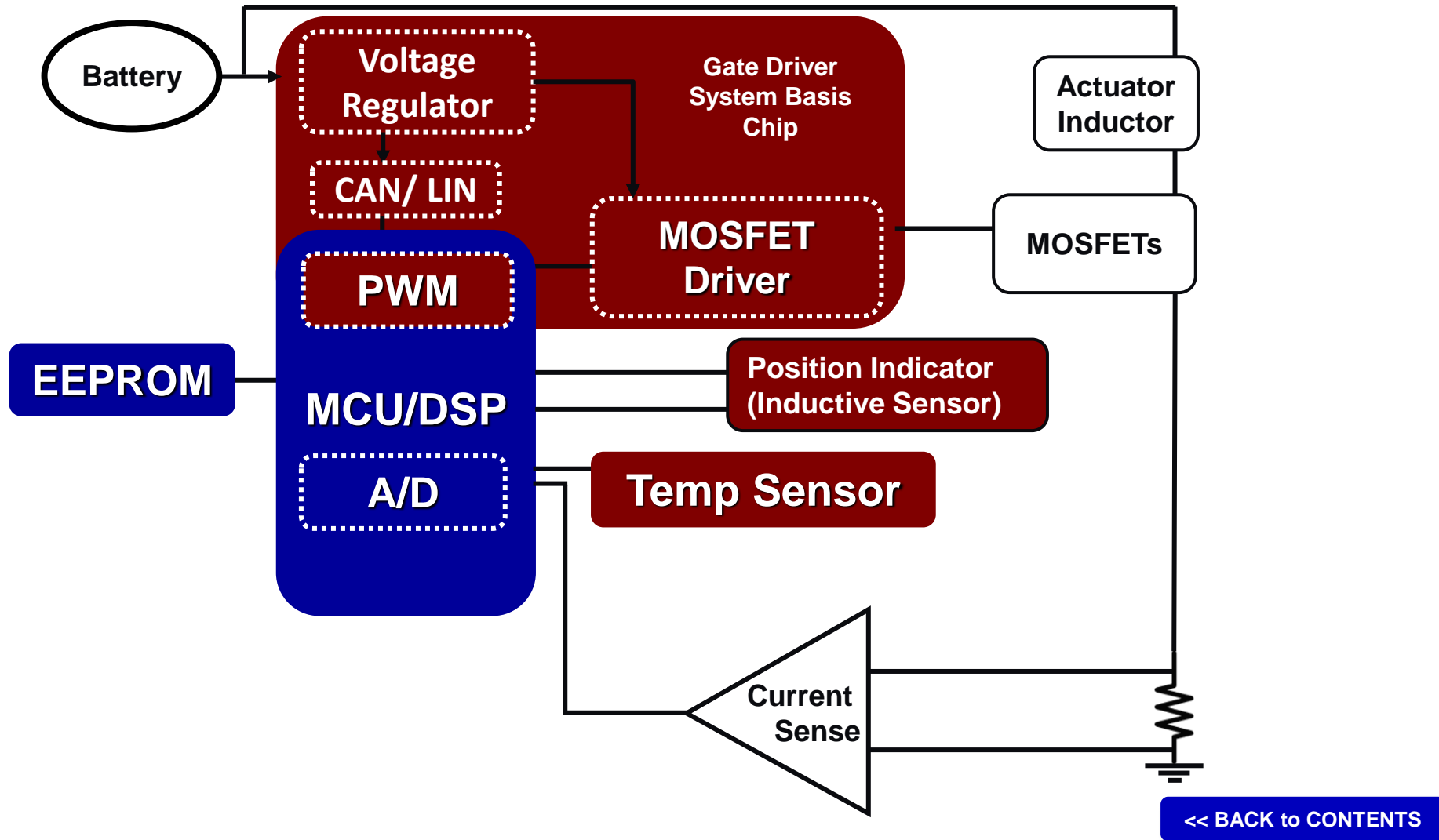


Automotive: Smart Actuators in Turbo Charger

- **Smart Actuators** are actuators that use microcontrollers to perform intelligent tasks and communicate to automotive system through a bidirectional communication port such as CAN or LIN. They are being utilized more and more in the automotive engine environment to enhance fuel efficiency.
- **Example Applications:**
 - Turbo Charger Waste Gate; the Electrical Turbo Charger Bypass, and the Air/Exhaust Bypassing Valves.
 - Throttle Body air valve control
 - Engine Cooling valves for hybrid vehicles



Turbo Charger Waste Gate w/Smart Actuator Controller



CAN/ LIN Communication

	Suggested Products	Description	Product Web page
LIN	MCP2003B	Globally automotive approved and qualified Stand-alone transceiver	LIN Design Center
	MCP2021A/2A MCP2025	Globally automotive approved and qualified Stand-alone transceiver + 3.3V or 5V Voltage Regulator	
	MCP2050	Globally automotive approved and qualified Stand-alone transceiver + 3.3V or 5V Voltage Regulator + Window Watchdog Timer	
	PIC16F1829LIN	8-bit MCU with an integrated LIN transceiver.	
CAN, CAN FD	MCP2515	External CAN controller supports CAN V2.0B specification Can also interface with MCU with Standard SPI.	CAN Design Center
	MCP25625	CAN 2.0 external Controller + Transceiver	
	MCP2561/2	Globally automotive approved and qualified High Speed CAN Transceivers	
	MCP2561/2FD	Globally automotive approved and qualified CAN Flexible Data-rate (CAN FD) Transceivers	
	MCP25612FD	Dual CAN 2.0 or CAN FD Transceiver	

<< BACK to BLOCK DIAGRAM



Inductive Sensors

Suggested Products	Description	Product Web Page
LX3301A	Inductive Position Sensor IC with Analog and PWM outputs. The LX3301A is an Automotive Grade 1, 125°C device that features an analog front-end with signal processing and control for six calibration segments to shape the output response.	LX3301A
LX3302A	Inductive Position Sensor IC with Analog, PWM, SENT, PSI5, and Sine/Cosine outputs. The LX3302A Automotive Grade 0, 150°C device features eight calibration segments for simple sensor accuracy improvements along with an options for Sine/cosine outputs, and both power line and GPIO programmability options for embedded applications	LX3302A



Motor Drive

Popular Products	Description	Product Web Page
MCP8024/5/6 MTD6501 MCP8063 MTD6505/8 ATA6823/24C	Standalone motor controllers/drivers and MCU companion ICs for BLDC (brushless DC), PMS (Permanent Magnetic Synchronous Motor), brush DC, and stepper motors	Motor Drive Parametric Search table Motor Driver Parametric Search table
ATA6826C ATA6831/31C ATA6836/38C	3-fold and 6-fold integrated half bridge drivers for controlling up to 5 DC motors up to 1A each	



Thermal Management

Suggested Products	Description	Product Web page
MCP9700/ MCP9800/	Improves control of color temperature and detects disconnected LED channel. MCP9700 outputs analog voltage that is proportional to the temperature (-40C to 150C). MCP9800 outputs temperature data (-55C to 125C) via I ² C™/SMBus two-wire interface.	MCP9700 MCP9800
EMC2101	The EMC2101 is an SMBus 2.0 compliant, integrated fan control solution complete with two temperature monitors, one external and one internal. Each temperature channel has programmable high limits that can assert an interrupt.	EMC2101
EMC1412	The EMC1412 is a high accuracy, low cost, System Management Bus (SMBus) temperature sensor. Advanced features such as Resistance Error Correction (REC), Beta Compensation and automatic diode type detection combine to provide a robust solution for complex environmental monitoring applications.	EMC1412
MIC280	The MIC280 is a digital thermal supervisor capable of measuring its own internal temperature and that of a remote PN junction. The remote junction may be an inexpensive commodity transistor, e.g., 2N3906, or an embedded thermal diode.	MIC280



MOSFET Drivers

Popular Products	Description	Product Web Page
MCP140X, MCP141X, MCP14628, MCP14700, MIC441X, MIC442X, MAQ412X	Low-side and low-side/high-side drivers. Used as a low-to-high voltage bridge to allow an MCU with a low voltage output to drive a motor that requires higher voltage	MOSFET Driver's Parametric Search table



Voltage Regulators

Suggested Products	Description	Product Web Page
MCP1790/1	The low power, low dropout regulator is used to reduce battery depletion while the vehicle is in the <i>ignition off</i> condition. This product meets the current low power requirements of automakers.	MCP1790
MAQ528X	The MAQ5280/5282/5283 high-performance linear regulators offers a very-wide input operating voltage range, up to 120V DC, and supplies an output current of up to 25mA, 50mA, and 150mA, respectively..	MAQ5283



PWM Controller

Suggested Products	Description	Product Web Page
MCP1630/31	<ul style="list-style-type: none">• Small footprint discrete high-speed PWM controllers (2MHz) in conjunction with a MCU.• Single MCU attaches multiple PWM controllers for desired number of LED strings control (One LED string per MCP1630/31).• Peak Current Mode Control.• High Voltage Options Operate to +16V Input.• Integrated Overvoltage Comparator and Low Side MOSFET Driver.• Over-temperature Protection and Under-voltage Lockout (UVLO).	MCP1630 MCP1631



EEPROM

Suggested Products	Description	Product Web Page
24LCxxx Family 25LCxxx Family	A standalone serial data EEPROM is used to provide cost-effective data storage options for position logging or position calibration.	Serial EEPROM
11LCxxx Family	Microchip's new UNI/O™ serial EEPROM uses only one connection to the host microcontroller. This compares to two or three pins for I2C™ and three to six pins for Microwire or SPI buses. This new, proprietary bus offers advanced features like a status register and write protection on demand, along with all I/O, memory array and command functions through a single pin.	



Suggested Products	Description	Product Web Page
8-bit PIC12/PIC16 MCU	Provides simple control for rotary or linear switches, such as for use in relays and valves. Acts as a gateway between a specific position indicator interface such as SENT and a standard serial interface such as SPI/I2C. Controls the BLDC motor.	Click Here
16-bit PIC24 MCU / dsPIC33 DSC	Used in applications that require digital filtering and high-end algorithms, such as the calculation of actuator positions from real-time analog Sine and Cosine signals. Controls BLDC motor. Supports AUTOSAR.	Click Here
PIC16F1829LIN	8-bit MCU with an integrated LIN transceiver	Click Here

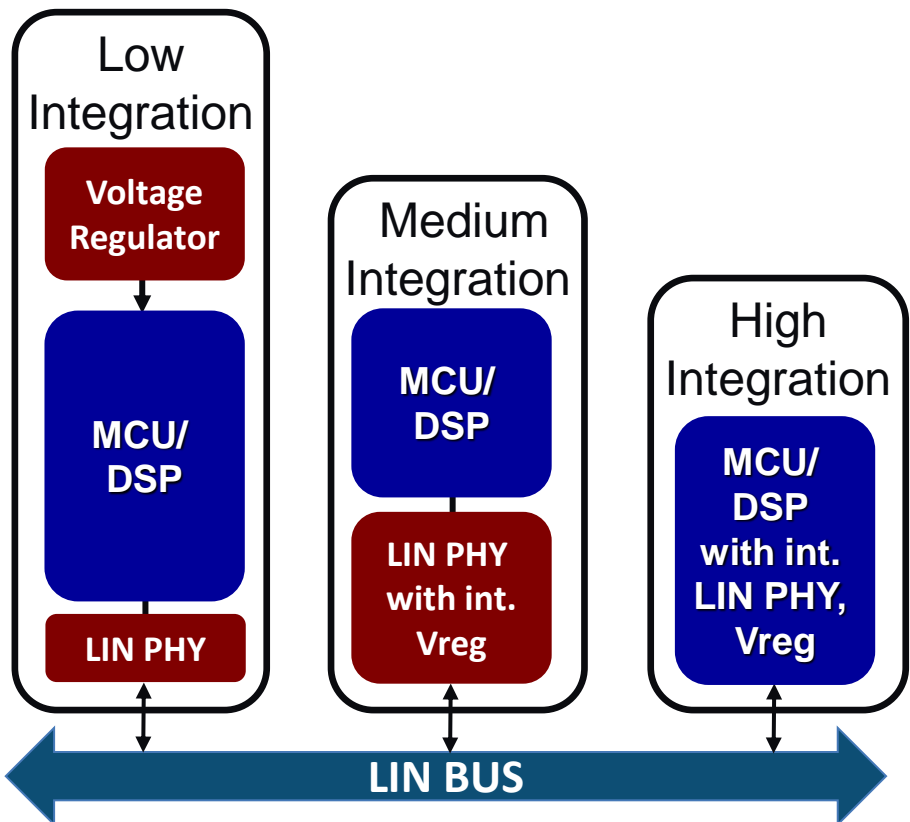


Analog Products in Automotive: In-Vehicle Network Communication

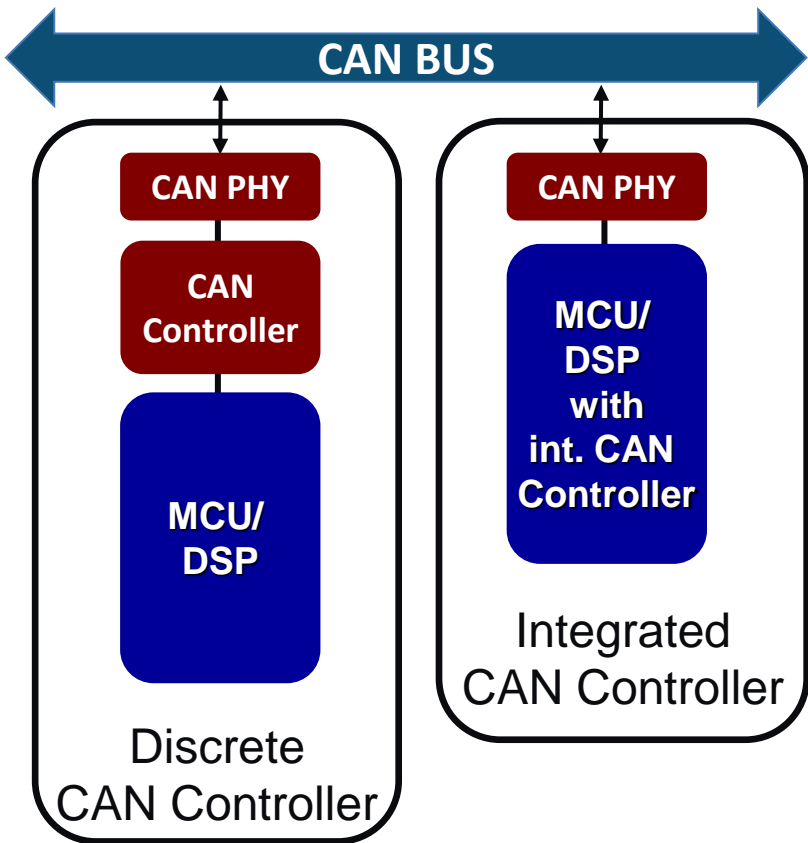


In-Vehicle Network Communication

LIN Application Diagram



CAN Application Diagram



<< BACK to CONTENTS



Low Integration LIN Communication

Microchip Solutions	Suggested Products	Description
LIN	ATA663211 ATA6663/4 ATA6662C	LIN Transceiver LIN Design Center
	ATA6670	Dual LIN Transceiver
MCU and DSC with CAN/LIN Controller integrated	PIC16F690/PIC16F182x	8-bit MCU with LIN slave support
	PIC18F4680	8-bit MCU with enhanced CAN module and LIN master/slave support
	dsPIC30F4012	16-bit DSC with standard CAN module and LIN master/slave support
	PIC24/dsPIC33	16-bit MCU and DSP with enhanced CAN controller and LIN master/slave support
	PIC32Mx5xx/PIC32Mx7x	32-bit MCU with 32-bit CAN module and LIN master/slave support
Voltage Regulation	MCP1790/1 family	Fast transient response, Power Good, Shutdown Click Here
	MCP1824/5/6/7 family	Fixed & Adjustable, Power Good, Shutdown Click Here
	MAQ5280/1/2/3	120V, 25mA, 50mA, 150mA LDO Click Here
	MAQ5300	5.5V, 300mA LDO Click Here

[<< BACK to BLOCK DIAGRAM](#)



Medium Integration

LIN Communication

Microchip Solutions	Suggested Products	Description
LIN	ATA663231/54 ATA663232/55 ATA6625 ATA6629/31 MCP2021A/2A MCP2025	LIN Transceiver + 3.3V or 5V LDO LIN Design Center
	ATA663431/54 ATA6628/30 ATA6622C/24C/26C MCP2050	LIN Transceiver + 3.3V or 5V LDO + Windowed Watchdog Timer LIN Design Center
	ATA663331/54	LIN Transceiver + 3.3V or 5V Voltage Regulator + 2x Relay Driver
	ATA664151	LIN Transceiver + 3.3V or 5V Voltage Regulator + 8x HV Switches
MCU and DSC with CAN/LIN Controller Integrated	PIC16F690/PIC16F182x	8-bit MCU with LIN slave support
	PIC18F4680	8-bit MCU with enhanced CAN module and LIN master/slave support
	dsPIC30F4012	16-bit DSC with standard CAN module and LIN master/slave support
	PIC24/dsPIC33	16-bit MCU and DSP with enhanced CAN controller and LIN master/slave support
	PIC32MX5XX/PIC32MX7X	32-bit MCU with 32-bit CAN module and LIN master/slave support

[<< BACK to BLOCK DIAGRAM](#)



High Integration LIN Communication

Microchip Solutions	Suggested Products	Description
LIN	ATA6612C/13C ATA6614Q ATA6616C/17C ATSAMHA1G PIC16F1829LIN	Small footprint 8-bit MCU + LIN Transceiver + Voltage Regulator LIN Design Center
	ATSAMHA1G	32-bit MCU + LIN Transceiver + Voltage Regulator
MCU and DSC with Integrated CAN/LIN Controller	PIC16F690/PIC16F182x	8-bit MCU with LIN slave support
	PIC18F4680	8-bit MCU with enhanced CAN module and LIN master/slave support
	dsPIC30F4012	16-bit DSC with standard CAN module and LIN master/slave support
	PIC24/dsPIC33	16-bit MCU and DSP with enhanced CAN controller and LIN master/slave support
	PIC32MX5XX/PIC32MX7X	32-bit MCU with 32-bit CAN module and LIN master/slave support

<< BACK to BLOCK DIAGRAM



Discrete CAN Controller

Microchip Solutions	Suggested Products	Description
CAN	MCP2515, MCP25625	External CAN Controller Products CAN Design Center
	ATA6560/61/62/63/64/65/66/70 MCP2561/2, MCP2561/2(FD), MCP25612FD	CAN and CAN FD Transceivers CAN Design Center
MCU and DSC with Integrated CAN Controller	PIC18F4680	8-bit MCU with enhanced CAN module and LIN master/slave support
	dsPIC30F4012	16-bit DSC with standard CAN module and LIN master/slave support
	PIC24/dsPIC33	16-bit MCU and DSP with enhanced CAN controller and LIN master/slave support
	PIC32MX5XX/PIC32MX7X	32-bit MCU with 32-bit CAN module and LIN master/slave support

<< BACK to BLOCK DIAGRAM



Integrated CAN Controller

Microchip Solutions	Suggested Products	Description
MCU and DSC with Integrated CAN/LIN Controller	PIC18F4680	8-bit MCU with enhanced CAN module and LIN master/slave support
	dsPIC30F4012	16-bit DSC with standard CAN module and LIN master/slave support
	PIC24/dsPIC33	16-bit MCU and DSP with enhanced CAN controller and LIN master/slave support
	PIC32MX5XX/PIC32MX7X	32-bit MCU with 32-bit CAN module and LIN master/slave support

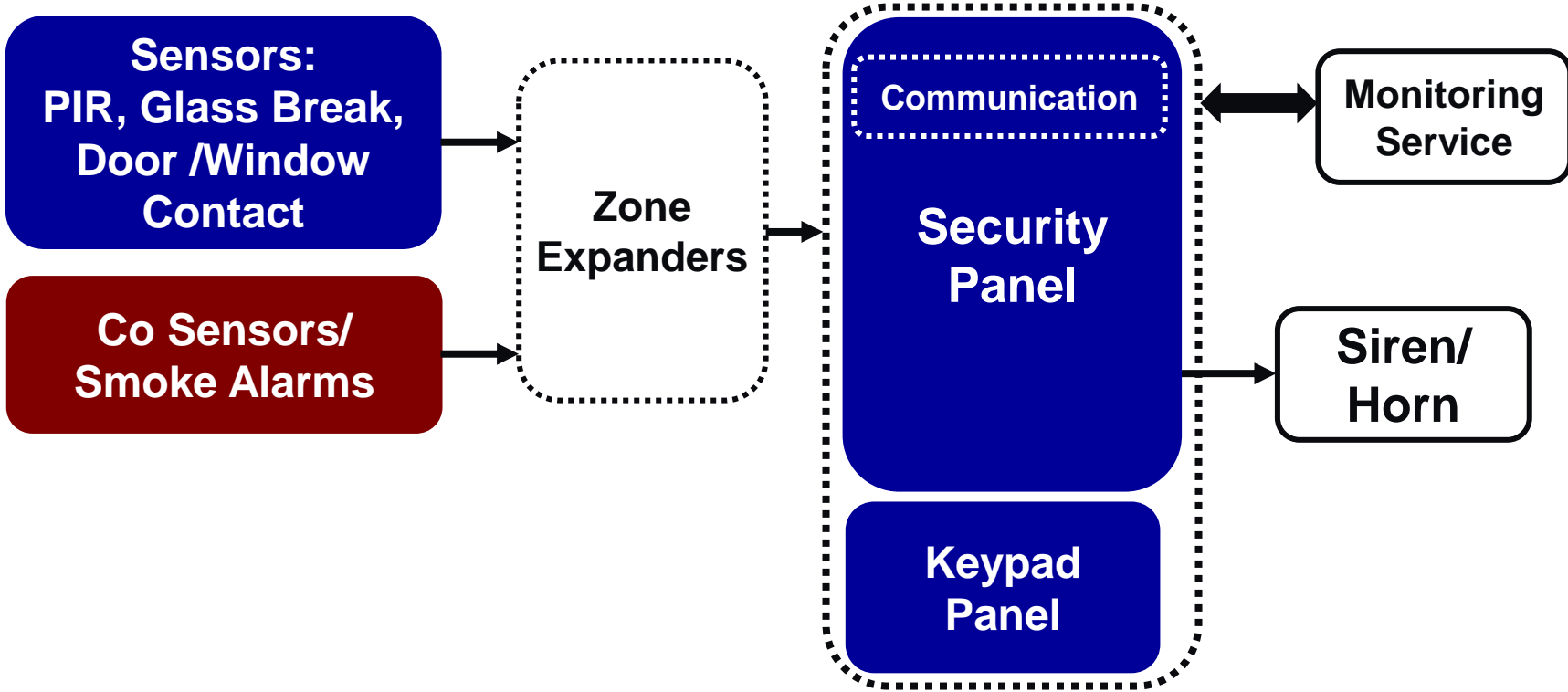
[<< BACK to BLOCK DIAGRAM](#)



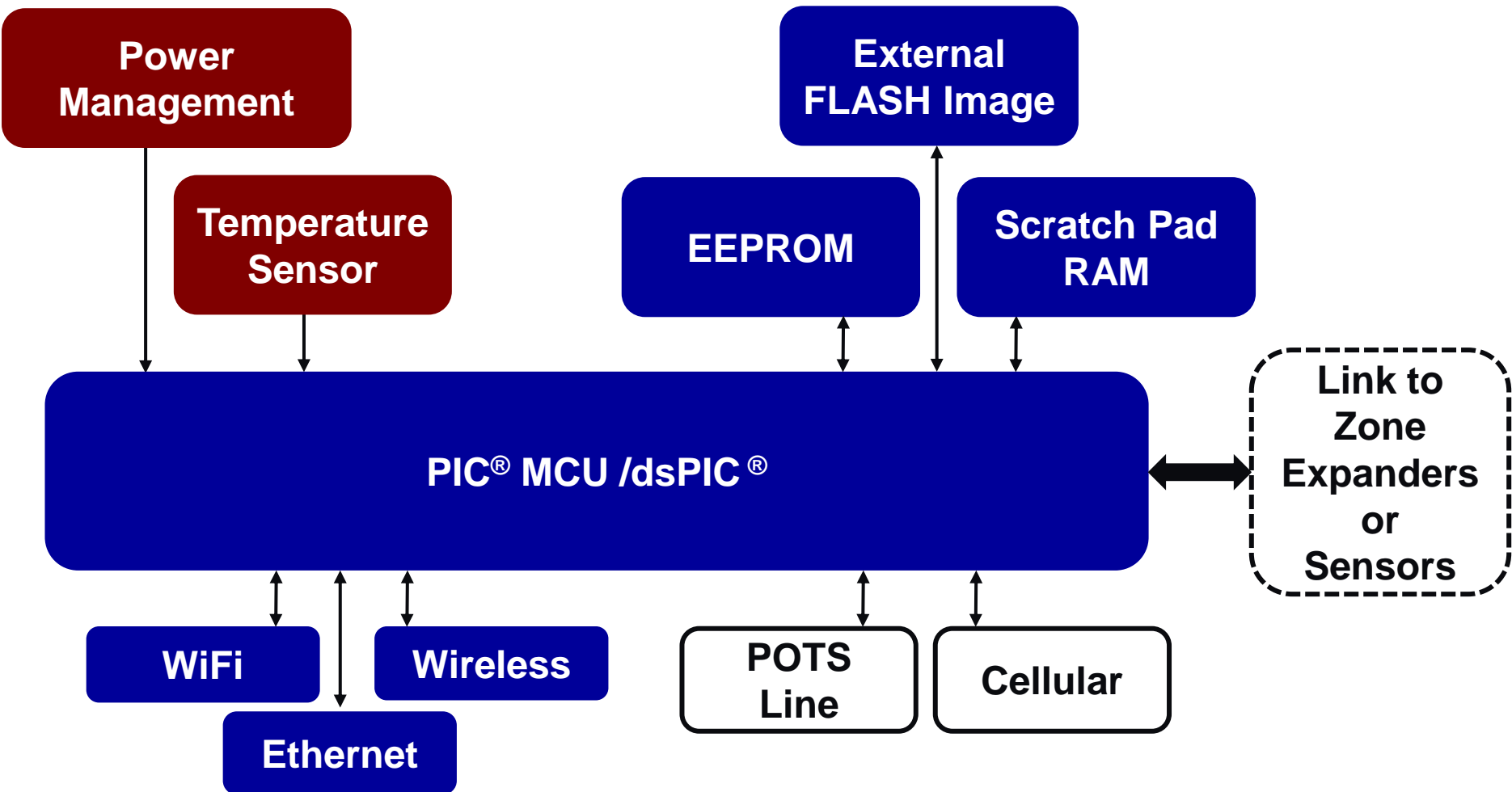
Analog Products in Home Security Alarm Systems



Home Security Alarm System



Security Panel Block Diagram

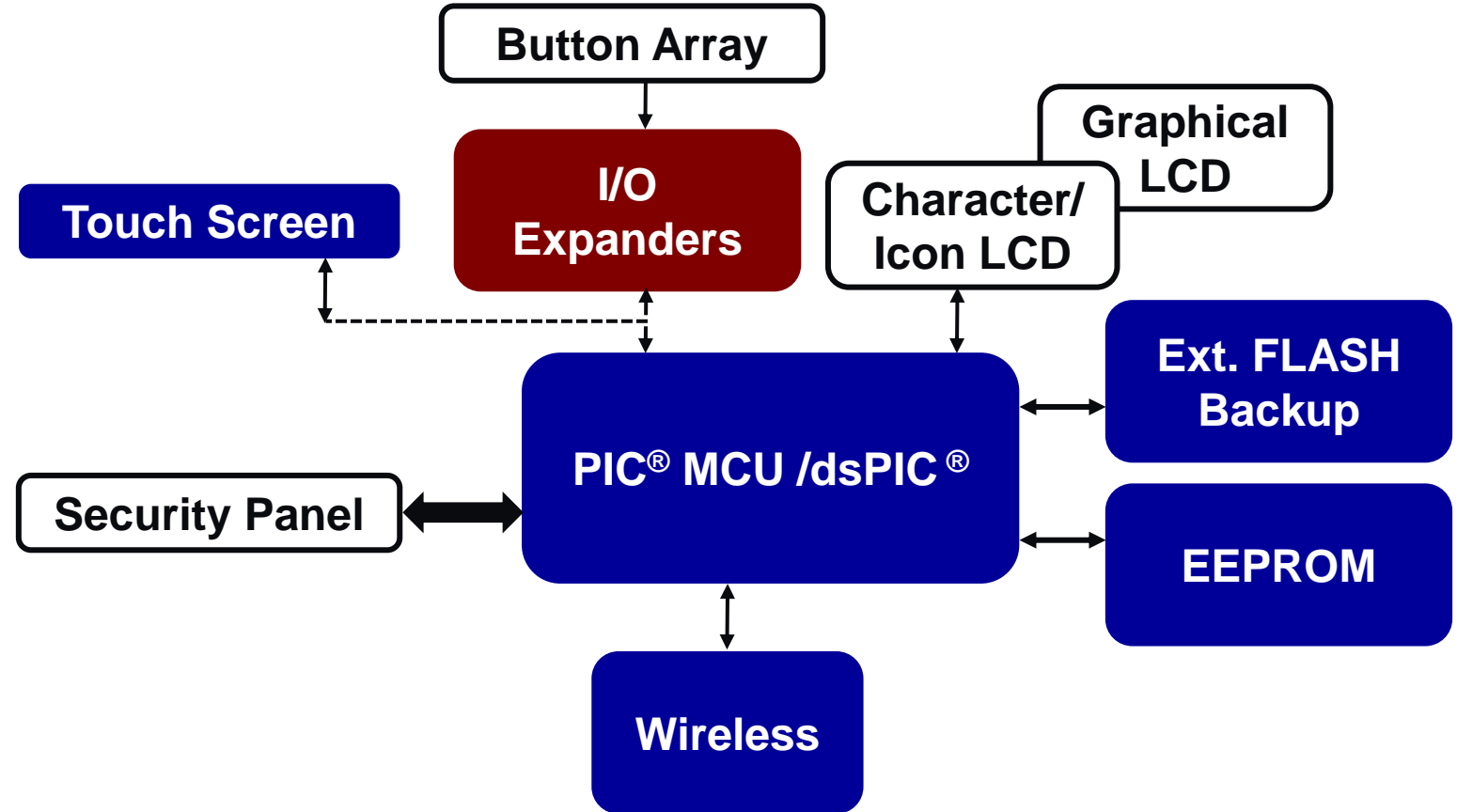


<< BACK to CONTENTS

<< BACK to Home Alarm System BLOCK DIAGRAM



Keypad Panel Block Diagram

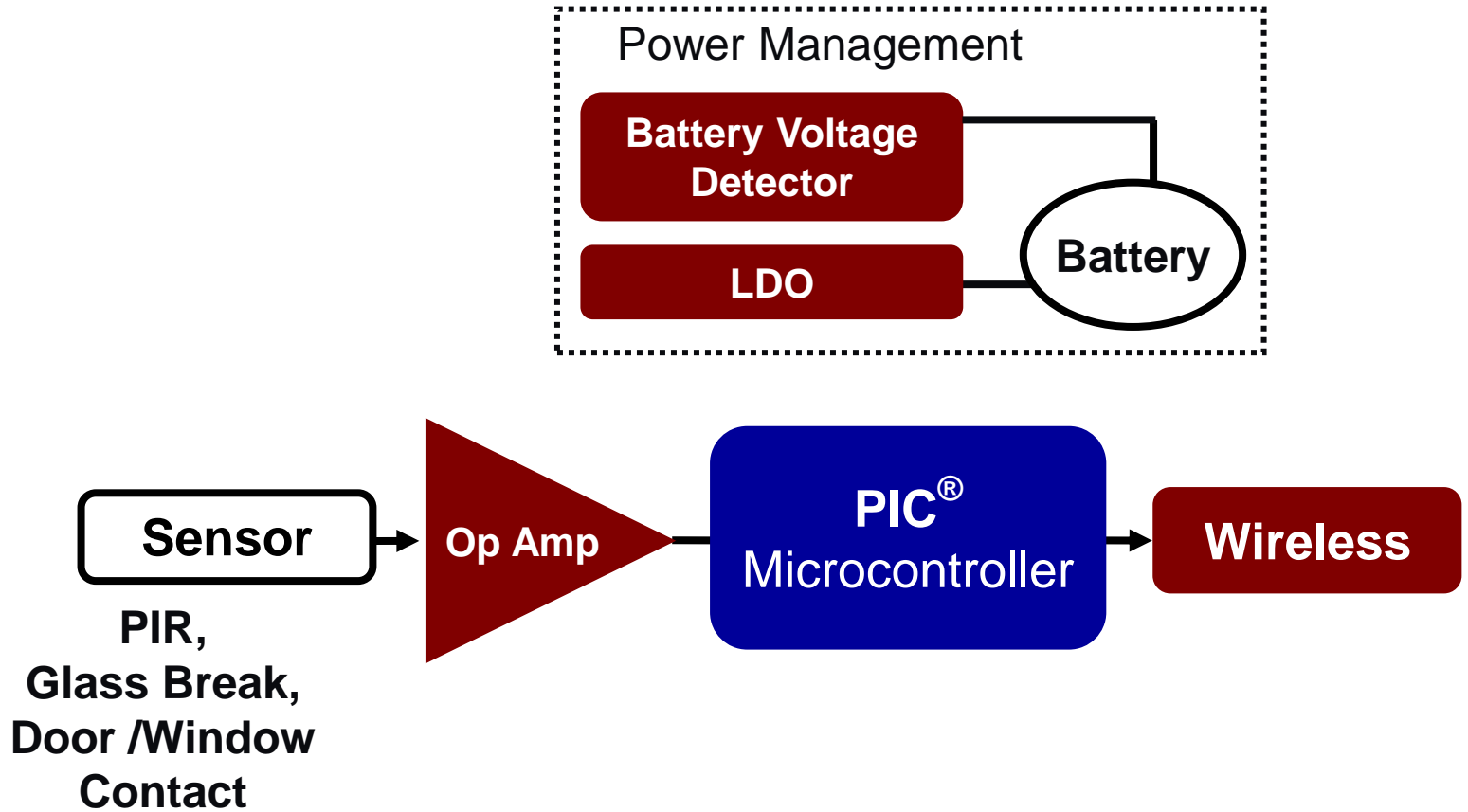


<< BACK to CONTENTS

<< BACK to Home Alarm System BLOCK DIAGRAM



Sensor Block Diagram



16/32-Bit Microcontroller

Suggested Products	Description	Product Web Page
<p>PIC32M</p>	<p>MIPS M4K Core</p> <ul style="list-style-type: none"> • Up to 80 MHz, 1.65 DMIPS/MHz • 5 Stage Pipeline devices • Temperature Range: -40C to 105C • AEC-Q100 qualified <p>Date and Code</p> <ul style="list-style-type: none"> • Up to 512 KB Flash • Up to 128 KB SRAM • Separate Buses for Instructions and Data <p>Connected Peripherals with DMA</p> <ul style="list-style-type: none"> • Full-speed USB Host/Device/OTG • 10/100 Ethernet MAC with MII/RMII Interfaces • 2x CAN 2.0B Ports • Up to 6 UART, 5 I²C™, 4 SPI Ports, CTMU and I²S • Up to 8 Additional Channels of General Purpose DMA 	<p>Click Here</p>
<p>PIC24F</p>	<p>The PIC24F microcontroller family features cost effective, 16 MIPS 16-bit MCU performance and many devices with Microchip's eXtreme Low Power Technology</p>	<p>Click Here</p>

[<< BACK to Security Panel Blk Diagram](#)



8-Bit Microcontroller

Suggested Products	Description			Product Web Page
PIC12/16/18	Flexible Intelligence	Innovative Integration	eXtreme Low Power	Click Here
	<ul style="list-style-type: none"> ▪ Continuous re-investment in 8-bit portfolio ▪ Industry's most robust offering ▪ Pin and code compatible across families ▪ 6 pin DFN to 100 pin TQFP ▪ 375B to 128KB Flash ▪ 16B to 4KB RAM ▪ Onboard EEPROM ▪ 1.8V to 5.5V+ Operation 	<ul style="list-style-type: none"> ▪ Core Independent Peripherals ▪ Complementary Output Generator ▪ Configurable Logic Cell ▪ Numerically Controlled Oscillator ▪ Rail to Rail Op-Amps, Fast Comparators ▪ Programmable Switch Mode Controller ▪ High Resolution PWM, ADC, DAC ▪ I2C, SPI, UART, USB, Ethernet 	<ul style="list-style-type: none"> ▪ Lowest power sleep modes with flexible wake-up sources ▪ Active currents down to 35 uA/MHz ▪ Sleep current as low as 20nA ▪ Battery lifetime ≥ 20 years ▪ Operation down to 1.8V ▪ Single cell operation ▪ Special low power BOR, WDT, RTC 	



Temperature Sensors

- **Function: Measuring and providing Temperature information**

Popular Products	Description	Product Web Page
MCP9808 Digital temperature sensor	The MCP9808 converts temperatures between -20°C and +100°C to a digital word with $\pm 0.5^\circ\text{C}$ (max.) accuracy	Click Here
MCP9700 Linear Active Thermistor™ ICs	The output voltage of this device is directly proportional to measured temperature. The MCP9700 can accurately measure temperature from -40C to +150C with the output calibrated to a slope of 10mV/°C and has a DC offset of 50	Click Here

[<< BACK to BLOCK DIAGRAM](#)



Operational Amplifiers

Popular Products	Description	Product Web Page Click Here
MCP603x	The MCP6031/2/3/4 op amps have a gain bandwidth of 10 kHz with a low typical operating current of 0.9 μ A and an offset voltage that is less than 150 μ V.	Click Here
MCP6444	The MCP6444 is a quad general purpose op amp offering rail-to-rail input and output over the 1.8 to 6V operating range. This amplifier has a typical GBWP of 9 kHz with typ. quiescent current of 450 nA .	Click Here
MCP60x	MCP601/2/3/4 (op amp) has a gain bandwidth product of 2.8 MHz with low typical operating current of 230 μ A and an offset voltage that is less than 2 mV.	Zero-Drift Amplifiers
MCP6Vxx Family of Zero-Drift Amplifiers	The MCP6Vxx provides high DC precision, including an offset voltage as low as 2 μ V and offset drift as low as 15nV/ $^{\circ}$ C maximum. They have low quiescent current, no 1/f noise and offer superior CMRR/PSRR performance. The family has an operating voltage as low as 1.6V and are available in small packages (SC-70 and DFN)	Parametric Table
MCP6Nxx Family of Instrumentation Amplifiers	Microchip expanded its portfolio of amplifiers by first introducing the MCP6N11 the industry's first instrumentation amplifier featuring mCal technology and most recently introducing the MCP6N16 Zero-Drift instrumentation amplifier. <ul style="list-style-type: none"> • Rail-to-Rail Input and Output • Gain Set by two (2) External Resistors • Enable/Vos Calibration Pin (MCP6N11) • Zero-Drift Architecture (MCP6N16) • Operating Voltage Range: 1.8V to 5.5V 	Instrumentation Amplifiers Parametric Table

[<< BACK to BLOCK DIAGRAM](#)



I/O Expanders

- **Function: Provide general purpose parallel I/O expansion for I²C™ or SPI applications**

Popular Products	Description	Product Web Page
MCP23018/S18	MCP23018/S18 is a 16-bit I/O expander for high speed I ² C™Compatible interface. MCP23018 is available in the following packages: 28-pin PDIP (300 mil,)28-pin SOIC (300 mil), 24-pin SSOP, 24-pin QFN (4x4	Click Here

<< BACK to BLOCK DIAGRAM



Power Management

Popular Products	Description	Product Web Page
MCP13xx	The MCP13xx are voltage supervisor devices designed to keep a microcontroller in reset until the system voltage has reached and stabilized at a proper level for reliable system operation.	Click Here
MCP111/2	The MCP111/112 voltage detectors have extremely low 1uA operating current and small form factor. They hold the microcontroller in reset until the supply voltage reaches a predetermined operating level. These devices also protect against brownout conditions	Click Here
MCP1711	The MCP1711 is a 150mA LDO that has ultra low Iq of 0.6uA typ. The MCP1711 is packaged in 1x1mm DFN package with capless capability to minimize the PCB space for battery operated applications	Click Here
MCP16301/H	The MCP16301 is a highly integrated, high-efficiency, fixed frequency, step-down DC-DC converter in a popular SOT-23 package that operates from input voltage sources up to 36V	Click Here

<< BACK to Sensors Blk Diagram

<< BACK to Keypad Panel Blk Diagram

<< BACK to Security Panel Blk Diagram



Touch and Input Sensing Solutions

Popular Products	Description	Product Web Page
AR10xx	<p>The Microchip mTouch™ AR1000 Series Resistive Touch Screen Controller is a complete, easy to integrate, cost-effective and universal touch screen controller chip solution. The AR1000 Series has sophisticated proprietary touch screen decoding algorithms to fully process all touch data and save the host from this overhead. More than the usual “preprocessing” features of other low cost devices, the AR1000 delivers reliable, validated and calibrated touch</p>	<p>Click Here</p> <p>Click Here</p>
MTCH6301	<p>The MTCH6301 is a turnkey projected capacitive touch controller that allows easy integration of multi-touch and gestures to create a rich user interface in your design.</p>	

[<< BACK to BLOCK DIAGRAM](#)



Memory

Function Block	Popular Products	Description	Product Web Page
External Flash Image	SST39V	The SST39 Series MPF™ (Multi-Purpose Flash) products, including MPF+ and Advanced MPF+, provide fast read and program times with features such as Erase-Suspend/Erase-Resume, Boot Block, Security ID, Hardware Reset and heightened protection features.	Click Here
	SST25	The SST25xx family of Serial FLASH is among the industry's lowest power 3.0V and 1.8V products.	Click Here
EEPROM	24LC 25LC	Microchip offers the broadest range of Serial EEPROM devices (from 128 bits to 1 Mbit) over the widest operating voltage range (1.7 to 5.5V). Microchip Serial EEPROMs are compatible with the I ² C®, SPI, Microwire, as well as the new single-I/O UNI/O® bus.	Click Here
Scratch Pad RAM	23LC		Click Here

<< BACK to Sensors Blk Diagram

<< BACK to Keypad Panel Blk Diagram

<< BACK to Security Panel Blk Diagram



Wireless Solutions

Bluetooth® Audio

Bluetooth® Low Energy

Wi-Fi®

802.15.4
Zigbee®

LoRa®

Car Access

Voice and
Audio

Medical



Headsets

Earbuds

Smart
Speakers

IoT Devices

Connected
Sensors

Home
Automation

IoT
Devices

Home
Automation

Industrial
Automation

Lighting

Home
Automation

Metering

Smart
Cities

IoT
Sensors

Smart
Cities

Smart
Agriculture

Keyless
Entry

AMZN
Alexa or
Google

Security
Cameras

Sound
Detection

Hearing
Aids

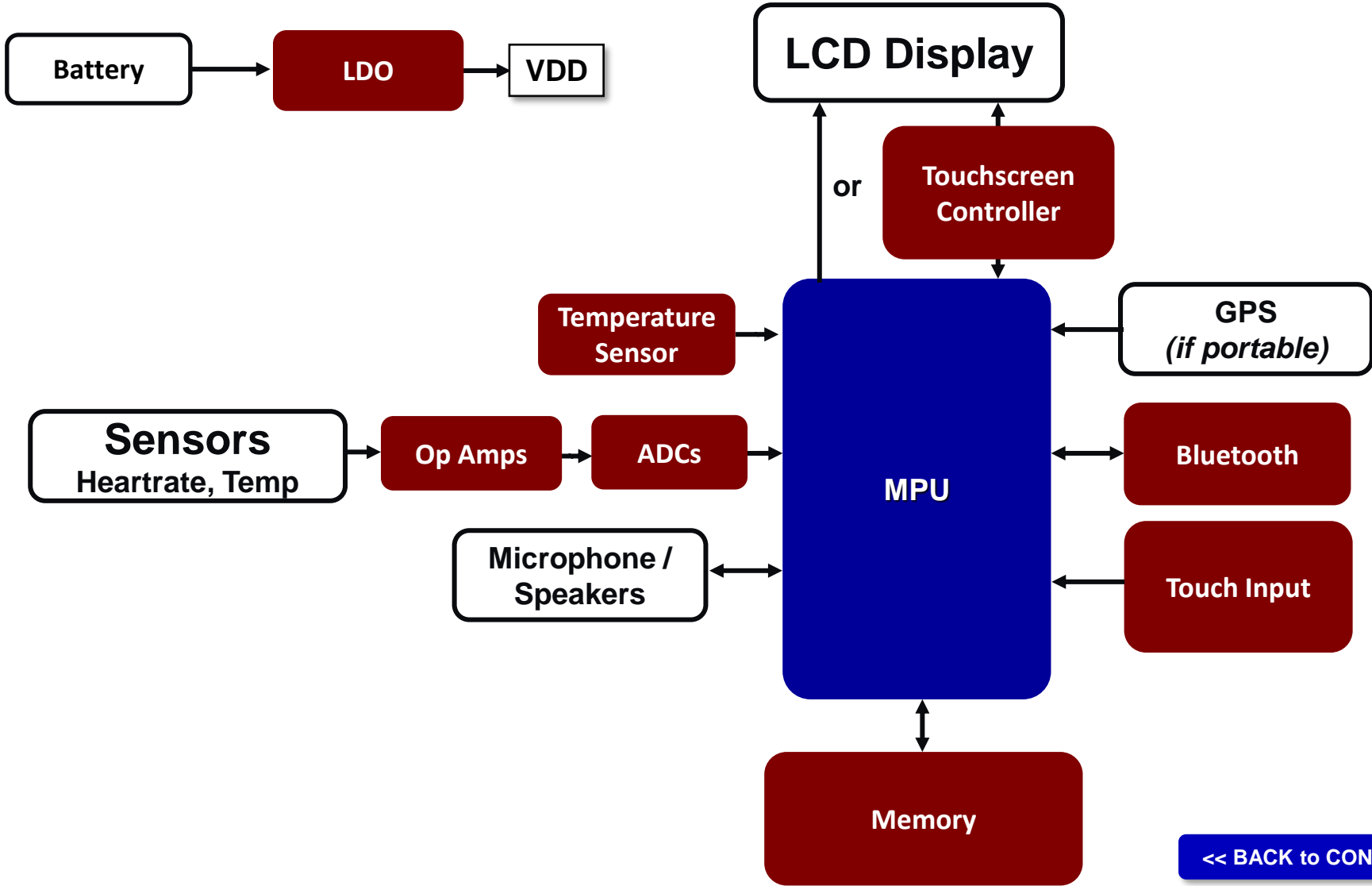
Medical
Implants

Medical
Monitoring

Ingestible
Capsules



Fitness Equipment



<< BACK to CONTENTS



MPU

- **Function: System control and decision making**

Popular Products	Description	Product Web Page
SAMA5D	Operating at 850DMIPS at under 150mW, the Atmel SMART SAMA5D3 MPU is ideal for any high-performance, low-power and cost-sensitive industrial application.	Click Here



Bluetooth

- **Function: Low power wireless connectivity to user's smart phone**

Popular Products	Description	Product Web Page
ATSAMB11	The ATSAMB11 is an ultra-low power Bluetooth® SMART (BLE 4.1) System on a Chip with Integrated MCU, Transceiver, Modem, MAC, PA, TR Switch, and Power Management Unit (PMU). It is a standalone ARM® Cortex®-M0 applications processor with embedded Flash memory and BLE connectivity.	Click Here



LDO

- **Function: Provides regulated, low-noise supply voltages for the system**

Popular Products	Description	Product Web Page
MIC5353	The MIC5353 is a 500 mA, ceramic output cap stable, low output voltage, Low Dropout Regulator. The MIC5353 is packaged in very small 1.6x1.6mm DFN package. This part has high PSRR of 60dB with low output noise of 30 uVrms for noise sensitive applications	Click Here Click Here
MCP1703A	With 250 mA maximum output, MCP1703 works with input voltage of up to 16V and in combination with its low current consumption of 2 μ A	

[<< BACK to BLOCK DIAGRAM](#)



Digital Temperature Sensor

- **Function: Temperature measurement with digital output (body, system, etc)**

Popular Products	Description	Product Web Page Click Here
MCP9808	The MCP9808 converts temperatures between -20°C and +100°C to a digital word with $\pm 0.5^{\circ}\text{C}$ (max.) accuracy	



Analog-to-Digital Converter

- **Function: Convert analog signals from sensors to digital code**

Popular Products	Description	Product Web Page
MCP3421	The MCP3421 is a single channel low-noise, high accuracy Delta-Sigma A/D converter with differential inputs and up to 18 bits of resolution in a small SOT-23-6 package. The device uses a two-wire I2C™ compatible serial interface and operates from a single power supply ranging from 2.7V to 5.5V.	Click Here
MCP3551	MCP355X devices are 2.7V to 5.5V, 22-bit delta-sigma A/D converters. The family exhibit good linearity, high accuracy and low noise performance for applications where sensor measurements such as pressure are performed.	Click Here

[<< BACK to BLOCK DIAGRAM](#)



Operational Amplifiers

Popular Products	Description	Product Web Page Click Here
MCP603x	The MCP6031/2/3/4 op amps have a gain bandwidth of 10 kHz with a low typical operating current of 0.9 μ A and an offset voltage that is less than 150 μ V.	Click Here
MCP6444	The MCP6444 is a quad general purpose op amp offering rail-to-rail input and output over the 1.8 to 6V operating range. This amplifier has a typical GBWP of 9 kHz with typ. quiescent current of 450 nA .	Click Here
MCP60x	MCP601/2/3/4 (op amp) has a gain bandwidth product of 2.8 MHz with low typical operating current of 230 μ A and an offset voltage that is less than 2 mV.	Click Here
MCP6Vxx Family of Zero-Drift Amplifiers	The MCP6Vxx provides high DC precision, including an offset voltage as low as 2 μ V and offset drift as low as 15nV/ $^{\circ}$ C maximum. They have low quiescent current, no 1/f noise and offer superior CMRR/PSRR performance. The family has an operating voltage as low as 1.6V and are available in small packages (SC-70 and DFN)	
MCP6Nxx Family of Instrumentation Amplifiers	Microchip expanded its portfolio of amplifiers by first introducing the MCP6N11 the industry's first instrumentation amplifier featuring mCal technology and most recently introducing the MCP6N16 Zero-Drift instrumentation amplifier. <ul style="list-style-type: none"> • Rail-to-Rail Input and Output • Gain Set by two (2) External Resistors • Enable/Vos Calibration Pin (MCP6N11) • Zero-Drift Architecture (MCP6N16) • Operating Voltage Range: 1.8V to 5.5V 	Click Here

[<< BACK to BLOCK DIAGRAM](#)



Memory

Popular Products	Description	Product Web Page
24AA256	The 24AA256 is a 256Kb (32K x 8) Serial Electrically Erasable PROM (EEPROM), capable of operation across a broad voltage range (1.7V to 5.5V) and functional up to 125C. This ultra-reliable EEPROM has been developed for advanced, low-power applications and offers the benefit of over 1M Erase/Write cycles.	Click Here
23K256	The 23K256 is a standalone Serial SRAM that offers designers an easy and inexpensive way to add more RAM to their application. These 8-pin low power, high performance SRAM devices have unlimited endurance and zero write times, making them ideal for applications involving continuous data transfer, buffering, data logging, audio, video, internet, graphics, and other math and data-intensive functions.	Click Here
SST26VF032B	The SST26VF032B Serial Quad I/O (SQI) flash device utilizes a 4-bit multiplexed I/O serial interface to boost performance while maintaining the compact form factor of standard serial flash devices. Operating at frequencies reaching 104 MHz, the SST26VF032B enables minimum latency execute-in-place (XIP) capability without the need for code shadowing on an SRAM.	Click Here



Capacitive Touch Solutions

- **Function: Adds touch input functionality**

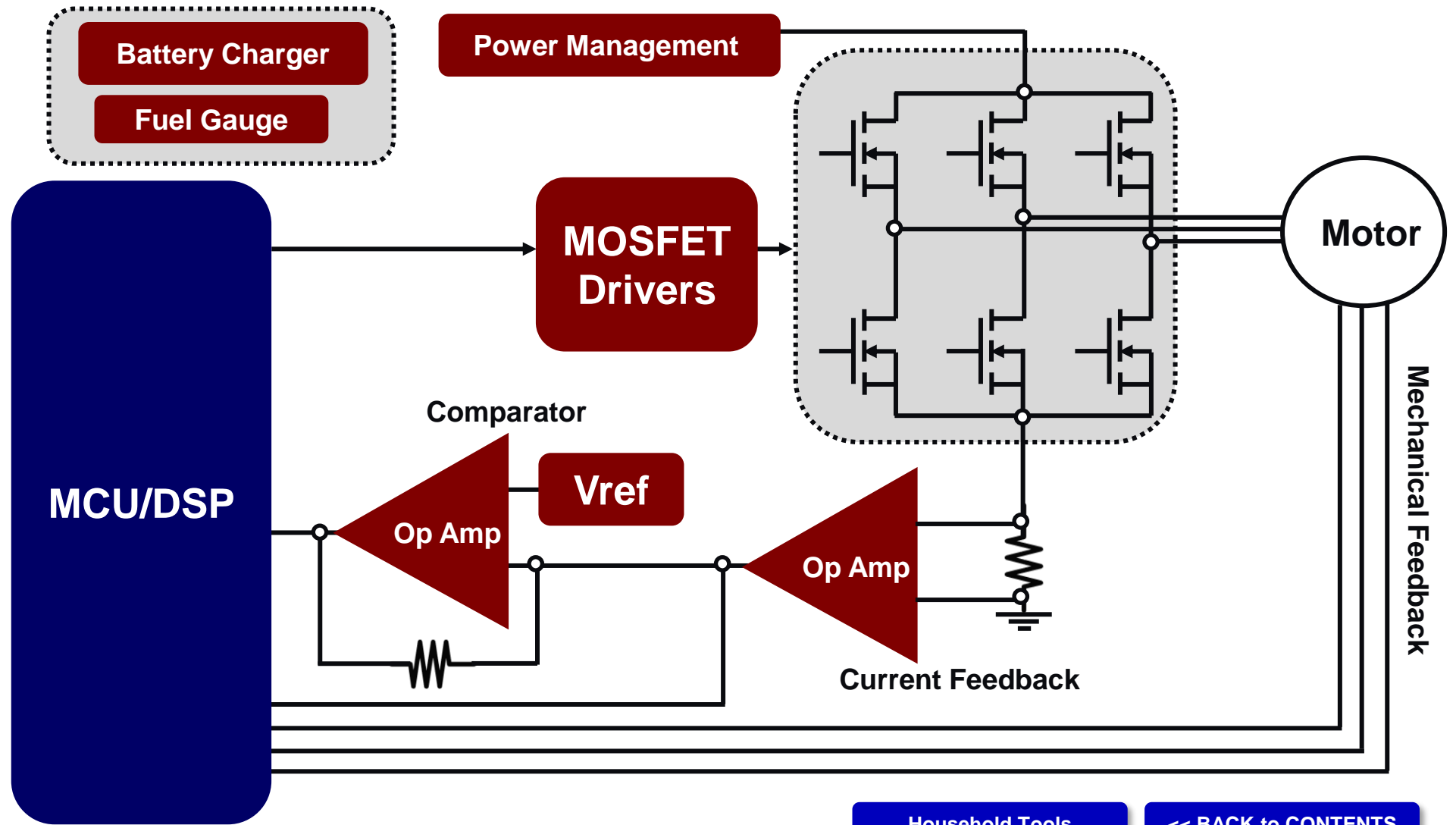
Popular Products	Description	Product Web Page
maxTouch® Touchscreen Controllers	The maXTouch touch controller family provides a leading projected capacitive technology for touchscreens and touch pads. It supports single-finger, multi-fingers and gloved-finger operation. Regardless of the operating environment—hot or cold, dry or wet, noisy power supply or strong radiating surrounding devices—maXTouch controllers are designed for robust and reliable operation without compromising touch performance.	Click Here Click Here
1D Touch	Touch turnkey products for buttons, sliders, wheels and proximity.	



Power Tools



Professional Power Tools

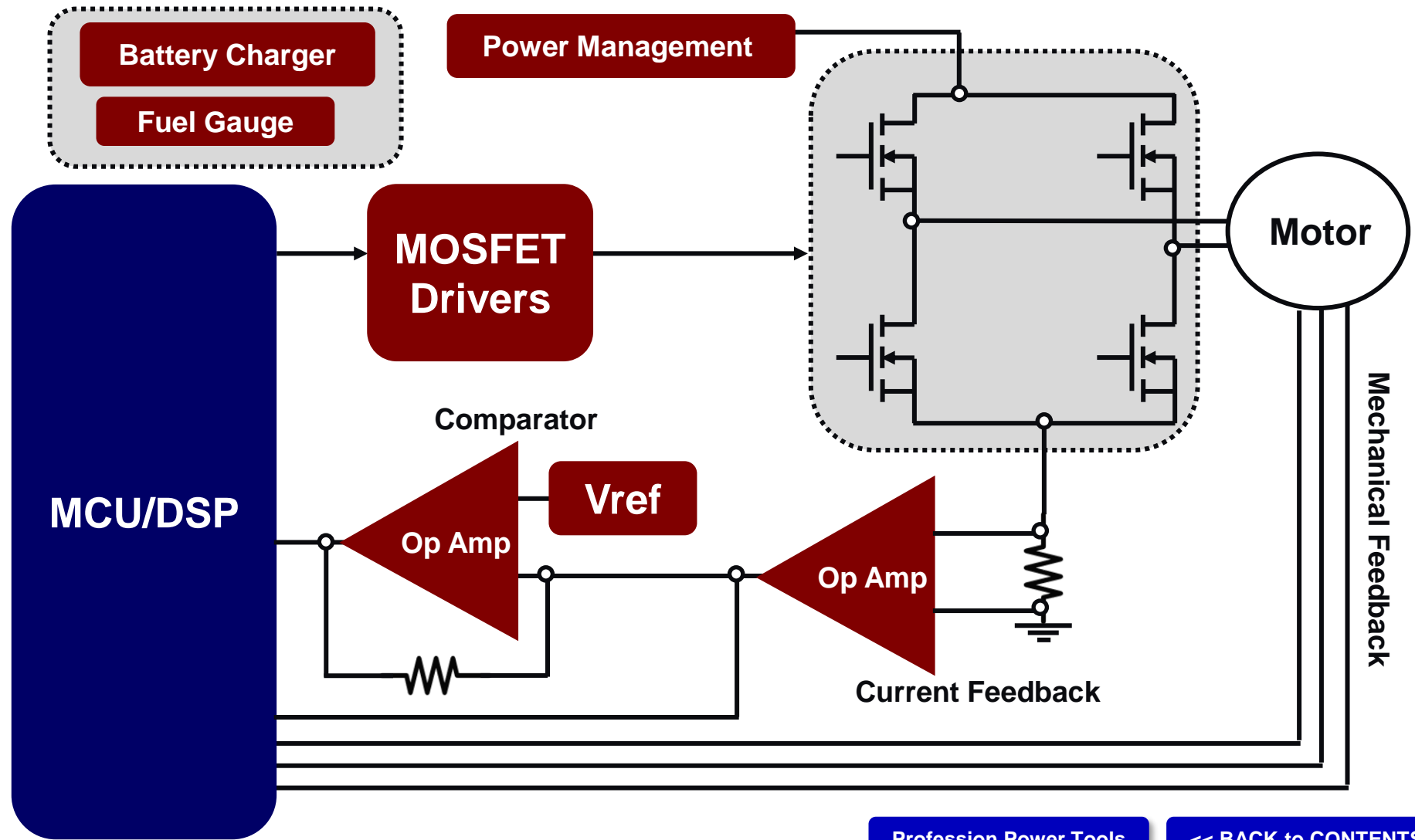


Household Tools

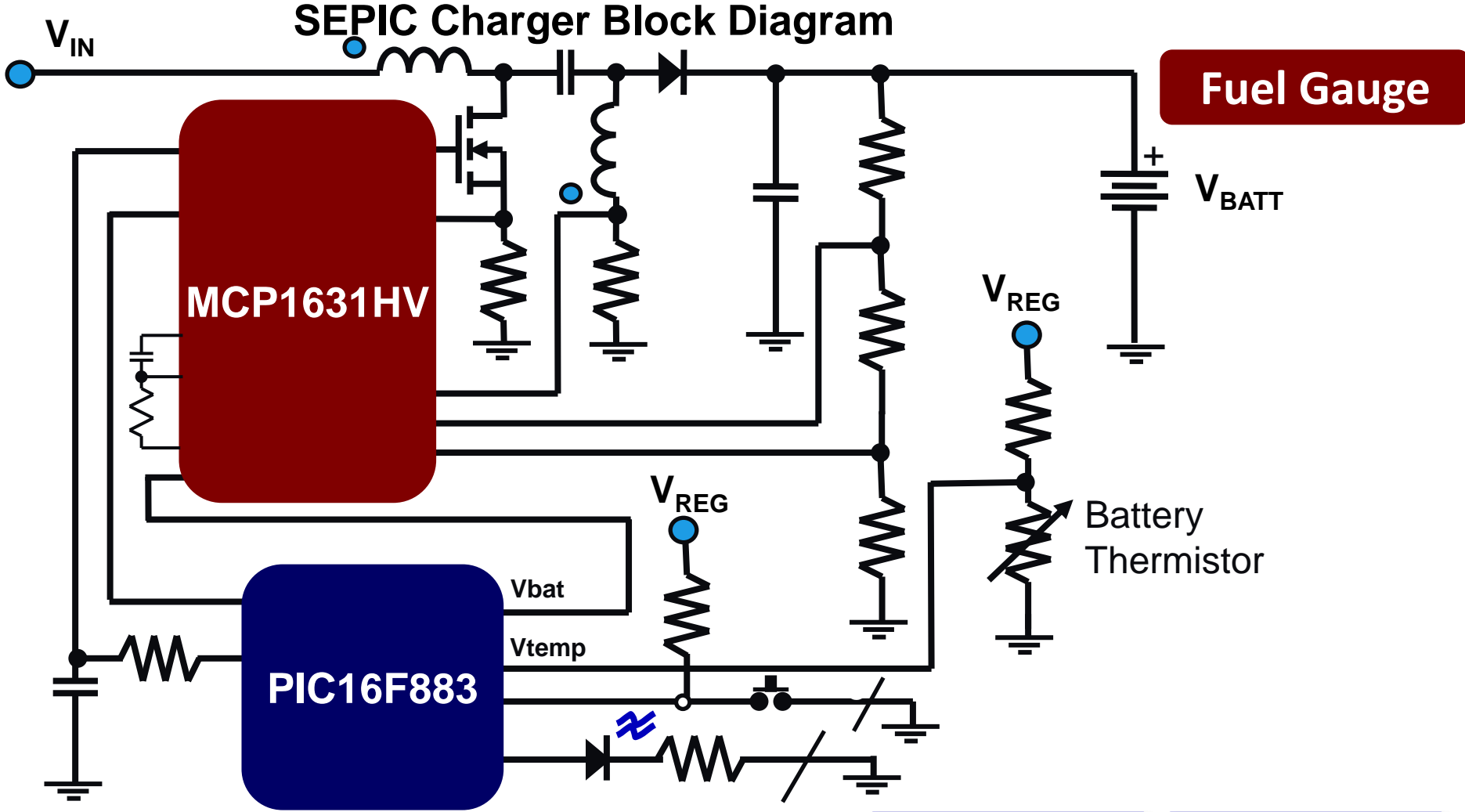
<< BACK to CONTENTS



Household Power Tools



Battery Charger



PWM Controller

Suggested Products	Description	Product Web Page
MCP1630/1	<ul style="list-style-type: none">• Small footprint discrete high-speed PWM controllers (2MHz) in conjunction with a MCU.• Peak Current Mode Control.• High Voltage Options Operate to +16V Input.• Integrated Overvoltage Comparator and Low Side MOSFET Driver.• Over-temperature Protection and Under-voltage Lockout (UVLO).	MCP1630 MCP1631
	MCP1631RD-MCC2: MCP1631HV Multi-Chemistry Battery Charger Reference Design	Click Here
	MCP1631RD-DCPC1: MCP1631HV Digitally Controlled Programmable Current Source Reference Design	Click Here

<< BACK



PIC Microcontrollers

- **Function: coordinating all the control and monitor functions - the brain of the system**
- **Popular products: PIC16F182X, 178X, 75X, 15XX, 193X**
- **Attributes:**
 - Upwards of 32MHz internal OSC
 - 4 channel Programmable Switch Mode Controller (PSMC)
 - Integrated high performance comparators, op-amp, 10/12 bit ADC, 5/8/9 bit DAC, CCP, COG, NCO, CLC
 - Slope compensation
 - 256 bytes of EEPROM
 - Available in various packages



Microcontroller

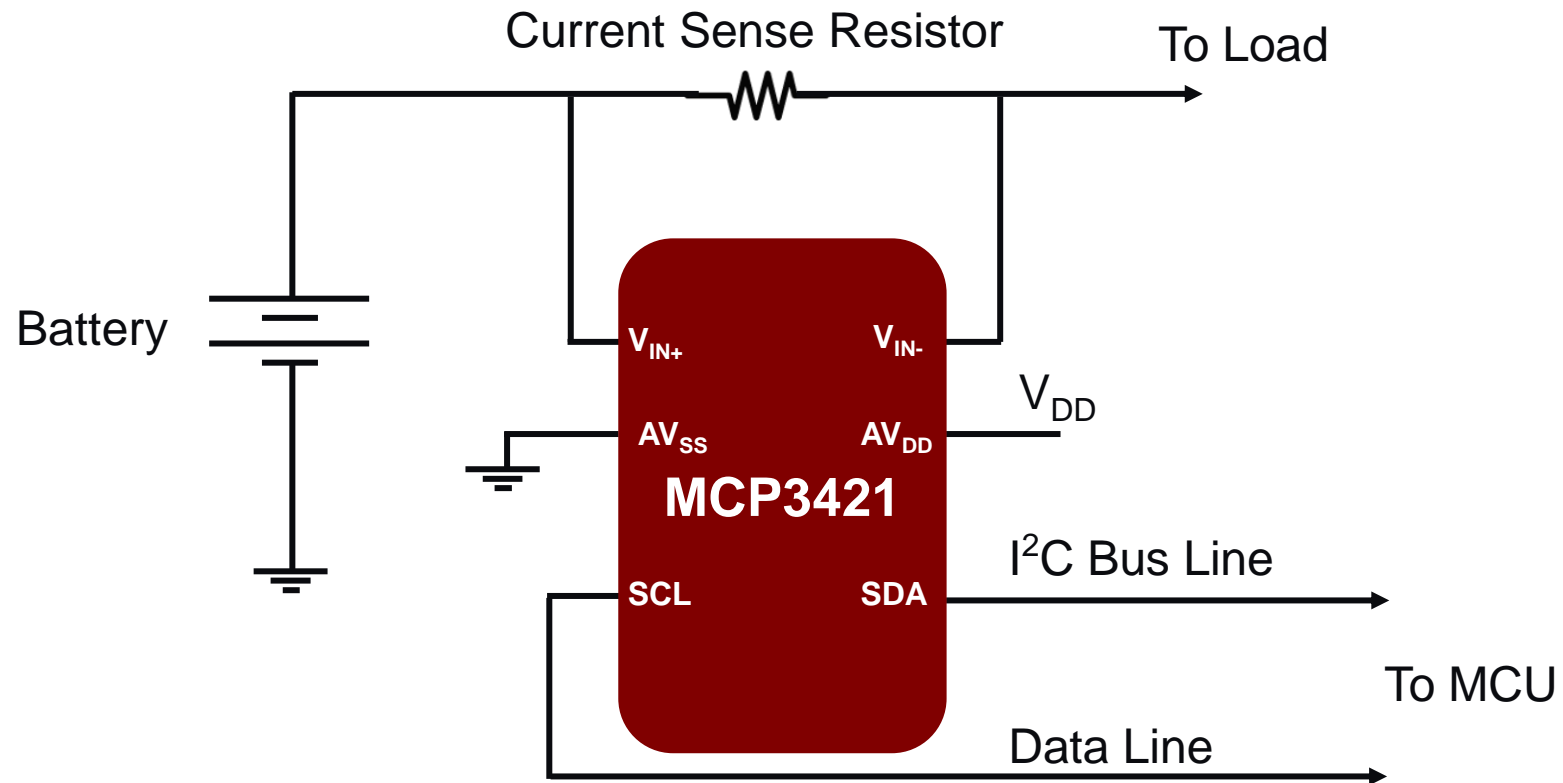
Suggested Products	Description	Product Web Page
PIC16F883	<ul style="list-style-type: none">• This powerful yet easy-to-program (only 35 single word instructions) CMOS FLASH-based 8-bit microcontroller in a 28 pin package.• The PIC16F883 features 256 bytes of EEPROM data memory, 2 Comparators, 11 channels of 10-bit ADC, 1 capture/compare/PWM and 1 Enhanced capture/compare/PWM functions, a synchronous serial port that can be configured as either 3-wire Serial Peripheral Interface (SPI™) or the 2-wire Inter-Integrated Circuit (I²C™) bus and an Enhanced Universal Asynchronous Receiver Transmitter (EUSART).	PIC16F833

<< BACK



Fuel Gauge

- **Function: To track remaining battery level or charging status**



Profession Power Tools

Household Tools



Analog-to-Digital Convertor

- **Function: Converting analog voltage or current signal (pressure) into digital data**

Popular Products	Description	Product Web Page
MCP3421	The MCP3421 is a single channel low-noise, high accuracy Delta-Sigma A/D converter with differential inputs and up to 18 bits of resolution in a small SOT-23-6 package. The device uses a two-wire I2C™ compatible serial interface and operates from a single power supply ranging from 2.7V to 5.5V.	Click Here
AN1156: Application Note on Battery Fuel Measurement Using Delta-Sigma ADC Devices		Click Here
MCP3421DM-BFG: Battery Fuel Gauge Demo Board		Click Here



Linear Products

Function	Popular Products	Description	Product Web Page
Sense and gain up output current. Low offset voltage required for minimizing measurement error	MCP62x	The MCP62x mCAL op amps have a gain bandwidth of 20 MHz with a low typical operating current of 2.5 mA and an offset voltage that is less than 200 μ V. They feature on-chip Input offset voltage calibration	Click Here
Provide feedback compensation by sensing O/P voltage and comparing it with ref. voltage	MCP60x	MCP601/2/3/4 (op amp) has a gain bandwidth product of 2.8 MHz with low typical operating current of 230 μ A and an offset voltage that is less than 2 mV.	Click Here
Compares voltage output of the amplifier to a reference to determine over current condition	MCP65xx	These comparators are optimized for low power, single-supply operation with greater than rail-to-rail input operation. Available in push-pull and Open drain outputs, the MCP656x family supports rail-to-rail output swing. The output limits supply current surges, and dynamic power consumption while switching.	Click Here

Profession Power Tools

Household Tools



85V MOSFET Drivers

- **Function: driving the high power devices**

Popular Products	Description	Product Web Page
MIC4605 85V Half-Bridge MOSFET Driver With Adaptive Dead Time (ADT)	The MIC4605 is an 85V half-bridge MOSFET driver that features adaptive-dead-time and shoot-through protection. The adaptive-dead-time circuitry actively monitors the half-bridge outputs to minimize the time between high-side and low-side MOSFET transitions, thus maximizing power efficiency.	Click Here
MIC4607 85V 3-Phase MOSFET Driver With Adaptive Dead Time (ADT)	The MIC4607 is an 85V, three-phase MOSFET driver. The MIC4607 features a fast (35ns) propagation delay time and 20ns driver rise/fall times for a 1nF capacitive load. TTL inputs can be separate high- and low-side signals or a single PWM input with high and low drive generated internally. High- and low-side outputs are guaranteed to not overlap in either mode. The MIC4607 includes overcurrent protection as well as a high-voltage internal diode that charges the high-side gate drive bootstrap capacitor.	Click Here



Profession Power Tools

Household Tools



Power Management

Popular Products	Description	Product Web Page
MCP16311/2	The MCP16311/2 is a compact, high-efficiency, fixed frequency PWM/PFM, synchronous step-down DC-DC converter that operates from input voltage sources up to 30V. Integrated features include a high-side and a low-side switch, fixed frequency Peak Current Mode Control, internal compensation, peak-current limit and over temp. protection.	Click Here
MIC24046	The MIC24046 is a pin-programmable, high-efficiency, wide input range, 5A synchronous step-down regulator. The MIC24046 is perfectly suited for multiple-voltage rail application environments typically found in computing and telecommunication systems. It can be programmed by pin strapping various parameters, such as output voltage, switching frequency, and current-limit values. The pin-selectable switching frequency, valley-current mode control technique, high-performance error amplifier, and external compensation allow for the best trade-offs between high efficiency and the smallest possible solution size.	Click Here



Profession Power Tools

Household Tools



Voltage Reference

- **Function: providing the system with an accurate analog voltage for comparison**

Popular Products	Description	Product Web Page
MCP1525/41	MCP1525/41 is a low power, high precision voltage reference. It provides a precise output voltage of 4.096V which is then compared to other voltages in the system.	Click Here
MCP1501	The MCP1501 is a high-precision buffered voltage reference with an initial accuracy of 0.10% and is available in 8 voltage options. The MCP1501 is a low-drift bandgap-based reference and uses chopper-based amplifiers which significantly reduces the drift and provides high current output.	Click Here

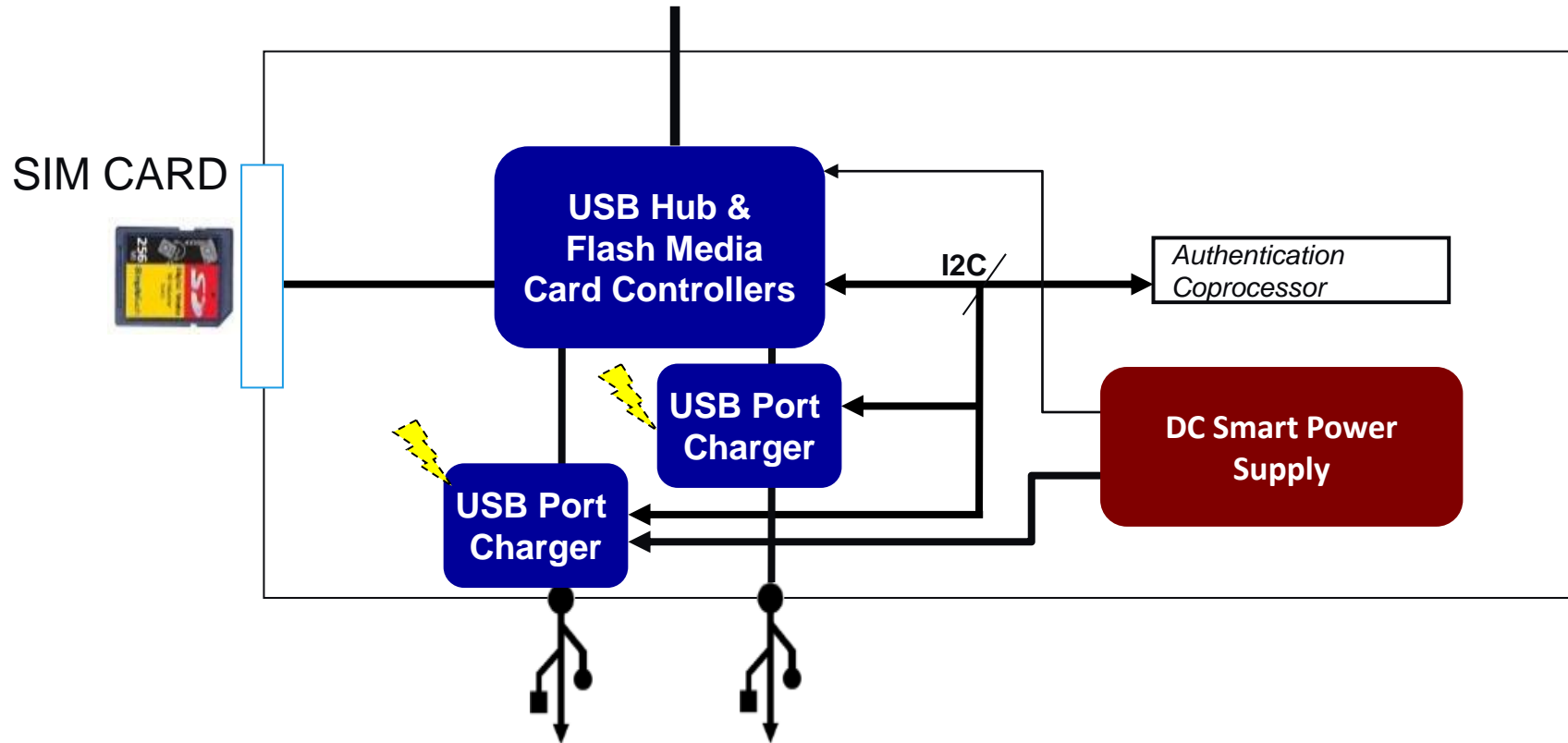


USB Breakout Box



USB Breakout Box

Display/Control Interface to In-Vehicle Network



USB Hub & Flash Media Card Controllers

Popular Products	Description	Product Web Page
USB5744	4 port Smart hub, SuperSpeed (SS)/Hi-Speed (HS), low power, low pin count configurable and fully compliant with the USB 3.1 Gen 1 specification. The USB5744 also supports Full Speed (FS) and Low Speed (LS) USB signaling, offering complete coverage of all defined USB operating speeds	Click Here
USB84602	USB 2.0 hub controller with 2 downstream ports and advanced features for embedded USB applications. FlexConnect technology allows for easy port reversals or “role swapping.”	Click Here
USB224x	USB 2.0 Flash Media Card Controller with Integrated Card Power FETs	Click Here
USB264x	USB 2.0 Flash Media Controller with Integrated Card Power FETs and HS Hub	Click Here



USB Port Charger

Suggested Products	Description	Product Web Page
UCS81003	<p>The UCS81003 is a USB port power controller with charging emulation. It highlights nine pre-loaded charger emulation profiles and is compatible with BC1.2 CDP, DCP, YD/T-1591 as well as most Apple® and RIM® portable devices, e-books and tablets. Capable of up to 2.7A of continuous current and integrates a USB 2.0 compatible switch. I2C/SMBus communication allowing customer charge emulation profiles. The '8' USC81003 represents automotive part ordering number. Standard part is USC1003.</p>	UCS81003
UCS2112	<p>The UCS2112 is a dual USB port power switch configuration which can provide 3.0A continuous current (3.4A maximum) per V_{BUS} port with precision overcurrent limiting (OCL), port power switch enables, auto-recovery fault handling, undervoltage and overvoltage lockout, back-drive protection and back-voltage protection, and dynamic thermal management</p>	UCS2112



DC Smart Power Supply

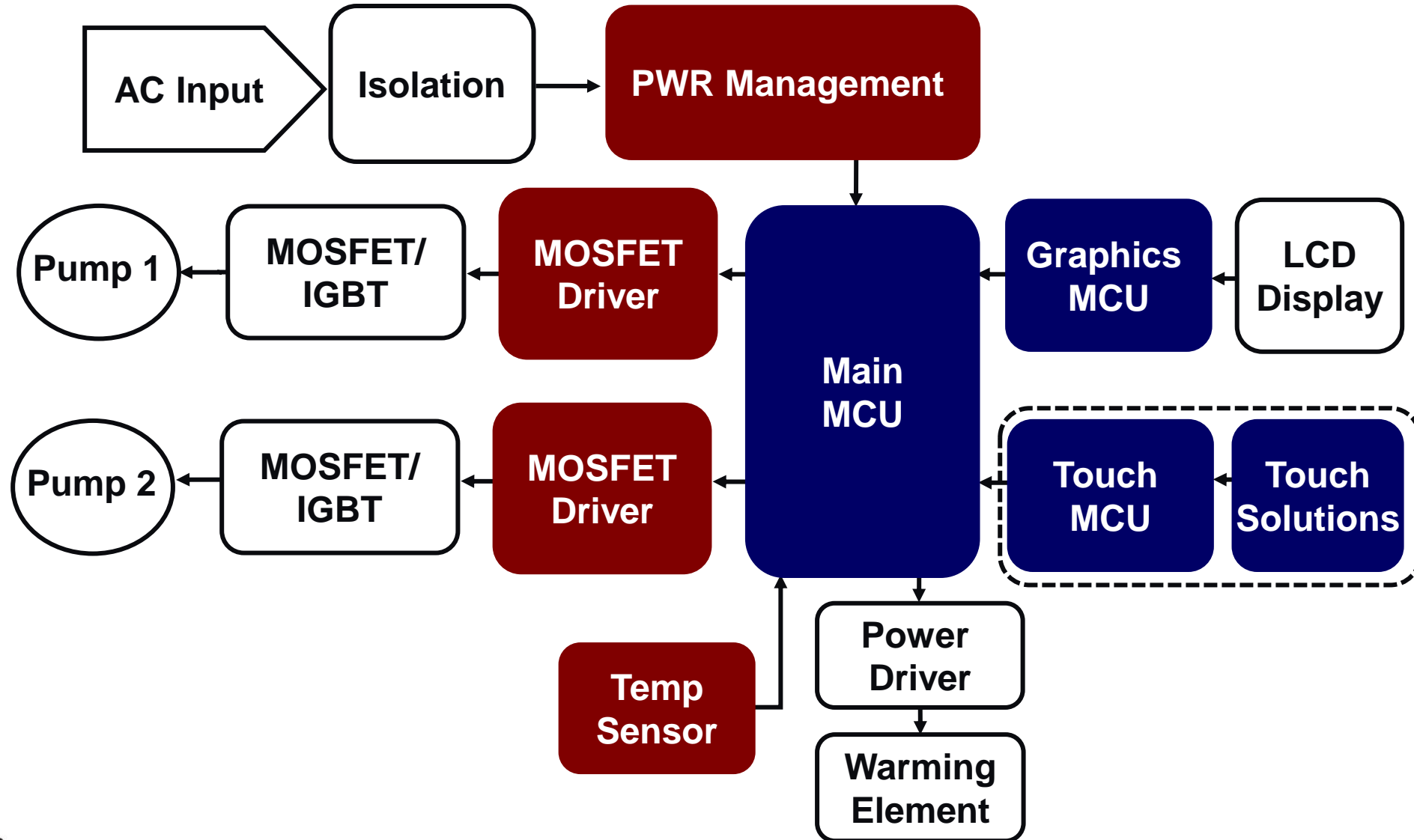
Suggested Products	Description	Product Web Page
MCP19119	<p>The MCP19111 is a mid-voltage (4.5-40V) analog-based PWM controller family with an integrated 8-bit PIC(R) Microcontroller. This unique product combines the performance of a high-speed analog solution, including high-efficiency and fast transient response, with the configurability and communication interface of a digital solution. Combining these solution types creates a new family of devices that maximizes the strengths of each technology to create a more cost-effective, configurable, high-performance power conversion solution.</p>	MCP19119



High End Beverage Machine



High End Beverage Machine



Temperature Sensors

- **Function: Measuring and providing Temperature information**

Popular Products	Description	Product Web Page
MCP9800 Digital temperature sensor	<ul style="list-style-type: none">• 2-wire I²C™/SMBus Compatible Interface• User Selectable 9- to 12-Bit Resolution<ul style="list-style-type: none">• ±1°C Accuracy from -10°C to +85°C• ±2°C Accuracy from +85°C to +125°C• Low Operating Current: 220 µA (typical)• Shutdown Mode: 1 µA (max)	Click Here
MCP9700 Linear Active Thermistor™ ICs	The output voltage of this device is directly proportional to measured temperature. The MCP9700 can accurately measure temperature from -40C to +150C with the output calibrated to a slope of 10mV/°C and has a DC offset of 500mV.	Click Here



Temperature Sensors Winning Attributes

- **Attributes:**

- Small SC70, SOT-23 and DFN leadless packages
- Very low operating current: 35 to 250 μ A (typ)
- Very low shutdown current: 1 μ A (max)
- High temp accuracy: $\pm 0.25^{\circ}\text{C}$
- Simple operation: no need for external components
- Analog and digital (SPITM, I2CTM, SMBusTM) devices
- High temperature resolution



Low-Power LDOs

- **Function: providing regulated, low-noise supply voltages for the system**

Popular Products	Description	Product Web Page
MCP1700	The MCP1700 can source up to 250mA of current with an extremely low input-output voltage differential of 178mV at 250mA. with the low current consumption of only	Click Here
MCP1703A	With 250 mA maximum output, MCP1703 works with input voltage of up to 16V and in combination with its low current consumption of 2 μ A	Click Here



Low-Power LDOs Winning Attributes

- **Attributes:**
 - Extremely low operating current: as low as 1 μ A
 - High output voltage accuracy
 - Stability with ceramic capacitors
 - Wide range of output voltage options
 - Space-saving SC70 and SOT-23 packages
 - Wide range of features: shutdown mode



RESET Monitors

- **Function:** System supervisor circuits designed to monitor VCC in digital systems and provide a reset signal to the host processor when needed

Popular Products	Description	Product Web Page
TCM809	The reset output is driven active within 20 μ sec of VCC falling through the reset voltage threshold. Reset is maintained active for a minimum of 140msec after VCC rises above the reset threshold.	Click Here
MCP1xx	The MCP1xx are a family of voltage supervisory devices which also operates as protection from brown-out conditions when the supply voltage drops below a safe operating level	Click Here



RESET Monitors Winning Attributes

- **Attributes:**
 - Tiny SOT-23 and SC-70 packages
 - Very low operating current: as low as 1 μ A (max)
 - High threshold voltage accuracy: $\pm 2.8\%$ (max)
 - V_{DD} transient immunity
 - Many available options: push-pull output, open-drain output and internal pull-up resistor



Synchronous Buck MOSFET Drivers

- **Function: driving the high power devices (MOSFETs in synch. Buck configuration)**

Popular Products	Description	Product Web Page
MCP14628 Dual Output MOSFET Driver for Synchronous Applications	The MCP14628 is a synchronous MOSFET driver used for driving MOSFETs in a rectified bridge arrangement. There are two separate drivers contained in the MCP14628. The low-side driver output drives a non-floating or ground reference N-Channel MOSFET. The high-side driver is designed to drive a floating N-Channel MOSFET. An external bootstrap capacitor is used to provide the additional voltage.	Click Here
MCP14700 Synchronous MOSFET Driver w/separate High/Low side control	The MCP14700 is a high-speed synchronous MOSFET driver designed to optimally drive a high-side and low-side N-Channel MOSFET. The MCP14700 has two PWM inputs to allow independent control of the external N-Channel MOSFETs.	Click Here



Synchronous Buck MOSFET Drivers

- **Attributes:**
 - Operating voltage range: 5V to 30V
 - Peak current capability: 2A source, 4A sink
 - Internal Bootstrap Blocking Device
 - Low Supply Current: 80 μ A (typical)
 - Space Saving Packages: SOIC, DFN



Operational Amplifiers

- **Function: buffering and filtering sensor feedback**

Popular Products	Description	Product Web Page
MCP6004	The MCP6004 is a quad general purpose op amp offering rail-to-rail input and output over the 1.8 to 6V operating range. This amplifier has a typical GBWP of 1 MHz with typical quiescent current of 100 microamperes.	Click Here
MCP6H04	MCP6H04 has a wide supply voltage range of 3.5V to 16V and rail-to-rail output operation. This device has a gain bandwidth product of 1.2 MHz (typical), while only drawing 135 μ A/amplifier (typical) of quiescent current.	Click Here
MCP6294	MCP6294 provide wide bandwidth of 10 MHz Gain Bandwidth Product. This family also operates from a single supply voltage as low as 2.4V to 6V, while drawing 1 mA (typical) quiescent current.	Click Here



Operational Amplifiers

- **Attributes:**
 - Small SC-70, TDFN and SOT-23 packages
 - GBWP: 9 kHz to 60MHz
 - Excellent operating current-to-GBWP ratio
 - Mostly rail-to-rail inputs and outputs
 - Offset voltage: as low as 2 μ V (MCP6V0x)
 - Chip Select capability for power savings



Analog-to-Digital Converters

- **Function: converting analog feedback signals from motor to digital signals for MCU**

Popular Products	Description	Product Web Page
MCP3221	The MCP3221 is a 12-bit SAR A/D converter. Available in the SOT-23 package, the MCP3221 provides a low max. conversion current and standby current of 250 μ A and 1 μ A respectively. Communication to the MCP3221 is performed using a 2-wire I2C™ Compatible interface. The MCP3221 runs on a single supply voltage range of 2.7 V to 5.5 V.	Click Here
MCP3201	The MCP3201 is a 100ksps, 1 input channel, 12-bit SAR A/D Converter (ADC) that combines high performance and low power consumption in a small package, making it ideal for embedded control applications. The MCP3201 features SPI serial interface, allowing 12-bit ADC capability to be added to any PIC® microcontroller.	Click Here
MCP33111	The MCP33111 12-bit, 1Msps, SAR A/D Converter (ADC) features a full differential input, high performance and low power consumption in a small package, making it ideal for battery powered systems and remote data acquisition applications. The MCP33111 features SPI serial interface, allowing 12-bit ADC capability to be added to any PIC® microcontroller.	Click Here



Analog-to-Digital Converters

- **SAR ADC Attributes:**
 - Resolution: 10 to 16 bits
 - Max sampling rate: up to 1 Msps
 - Linearity: ± 1 LSB DNL, ± 1 LSB INL
 - Current consumption: 175 to 2400 μ A (max.)
 - Single supply voltage: 1.7V to 5.5V
 - Small packages: SOT-23 and MSOP



Voltage References

- **Function: providing the system with an accurate analog voltage for comparison (needed for ADC)**

Popular Products	Description	Product Web Page
MCP1525/41	MCP1525/41 is a low power, high precision voltage reference. It provides a precise output voltage of 4.096V which is then compared to other voltages in the system.	Click Here
MCP1501	The MCP1501 is a high-precision buffered voltage reference with an initial accuracy of 0.10% and is available in 8 voltage options. The MCP1501 is a low-drift bandgap-based reference and uses chopper-based amplifiers which significantly reduces the drift and provides high current output.	Click Here



Voltage References

- **Attributes:**
 - 1.2V (TC1070), 2.5V or 4.096V output
 - Initial accuracy: $\pm 1\%$ (max)
 - Temperature coefficient: 50ppm/ $^{\circ}\text{C}$ (max)
 - Output current: $\pm 2\text{mA}$
 - Operating current: 100 μA (max)
 - Industrial temperature range: -40°C to $+85^{\circ}\text{C}$
 - SOT-23 and TO-92 packages



PIC Microcontrollers

Function	Popular Products	Description	Product Web Page
Main MCU (Including Touch & Color Graphics)	PIC32MX	Microchip's 32-bit portfolio with the MIPS microAptiv or M4K core offer high performance microcontrollers, and all the tools needed to develop your embedded projects. With MPLAB® Harmony software framework, low cost development tools, and pin/peripheral compatibility from 16-bit product lines, PIC32 MCUs shorten time to market and allow your designs to grow.	Click Here
Main MCU (Including Touch & Simple Graphics)	PIC16F193x	This versatile 40-pin MCU is also a member of Microchip's extreme low power microcontroller family featuring nanoWatt XLP technology. Debug and Programming support is available via PICKIT™ 3, and MPLAB® ICD 3	Click Here



Capacitive Touch Solutions

Function	Popular Products	Description	Product Web Page
Capacitive Touch Solutions	CAP11/12xx	SMSC's capacitive touch sensor products, featuring RightTouch® technology, set a new standard in simplifying development, improving noise immunity, and lowering BOM costs in PC, LCD monitors, white goods and consumer electronic designs. These devices have been carefully designed to filter for common noise sources such as backlight inverters, DC-DC switching regulators and wireless frequencies. They support a wide variety of interfaces such as I2C, SMBus, SMSC BC-Link™ and SPI and also provide world-class ESD protection of ±8kV HBM with no external ESD protection circuits required.	Click Here

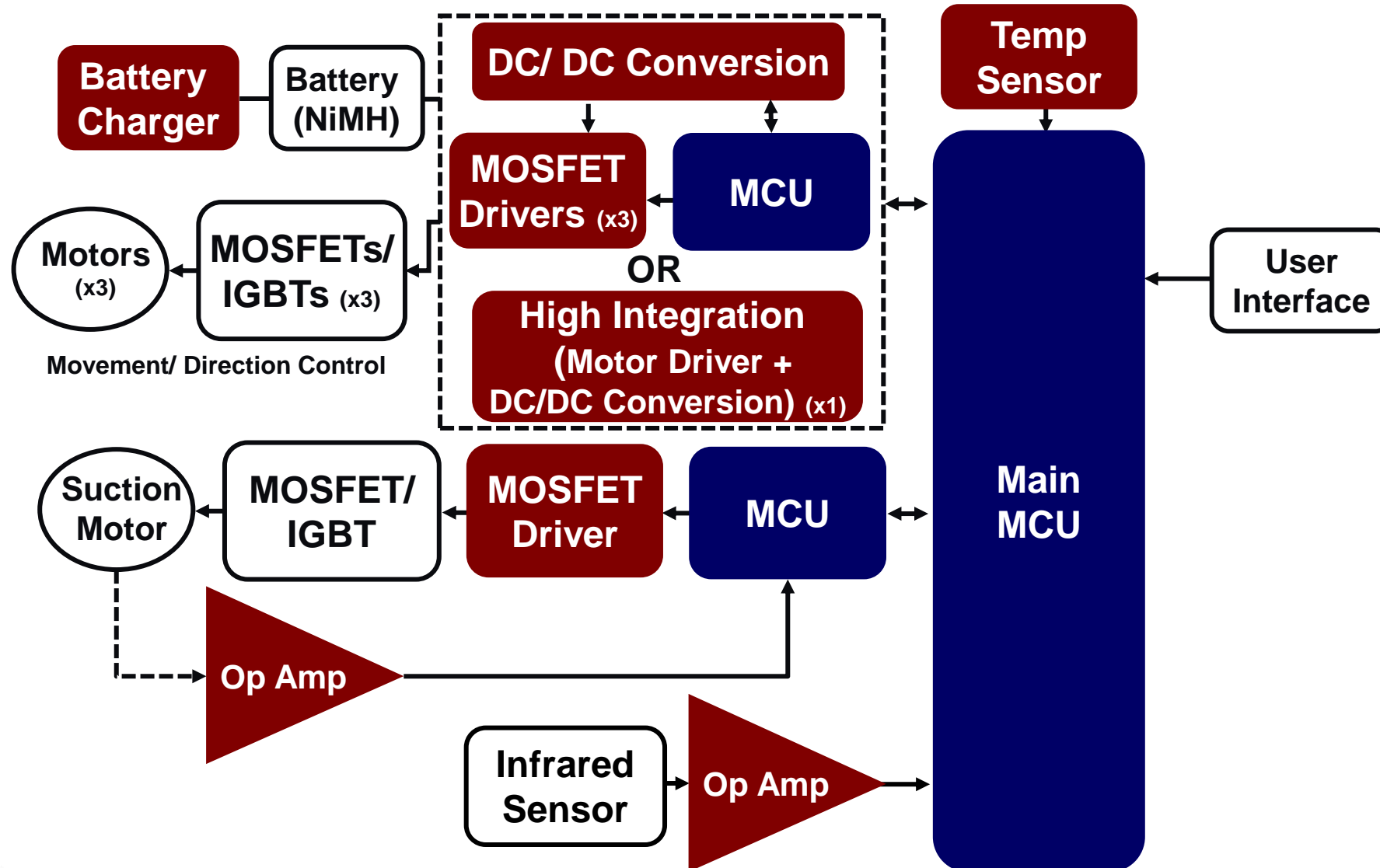


mTouch and Input Sensing Solutions

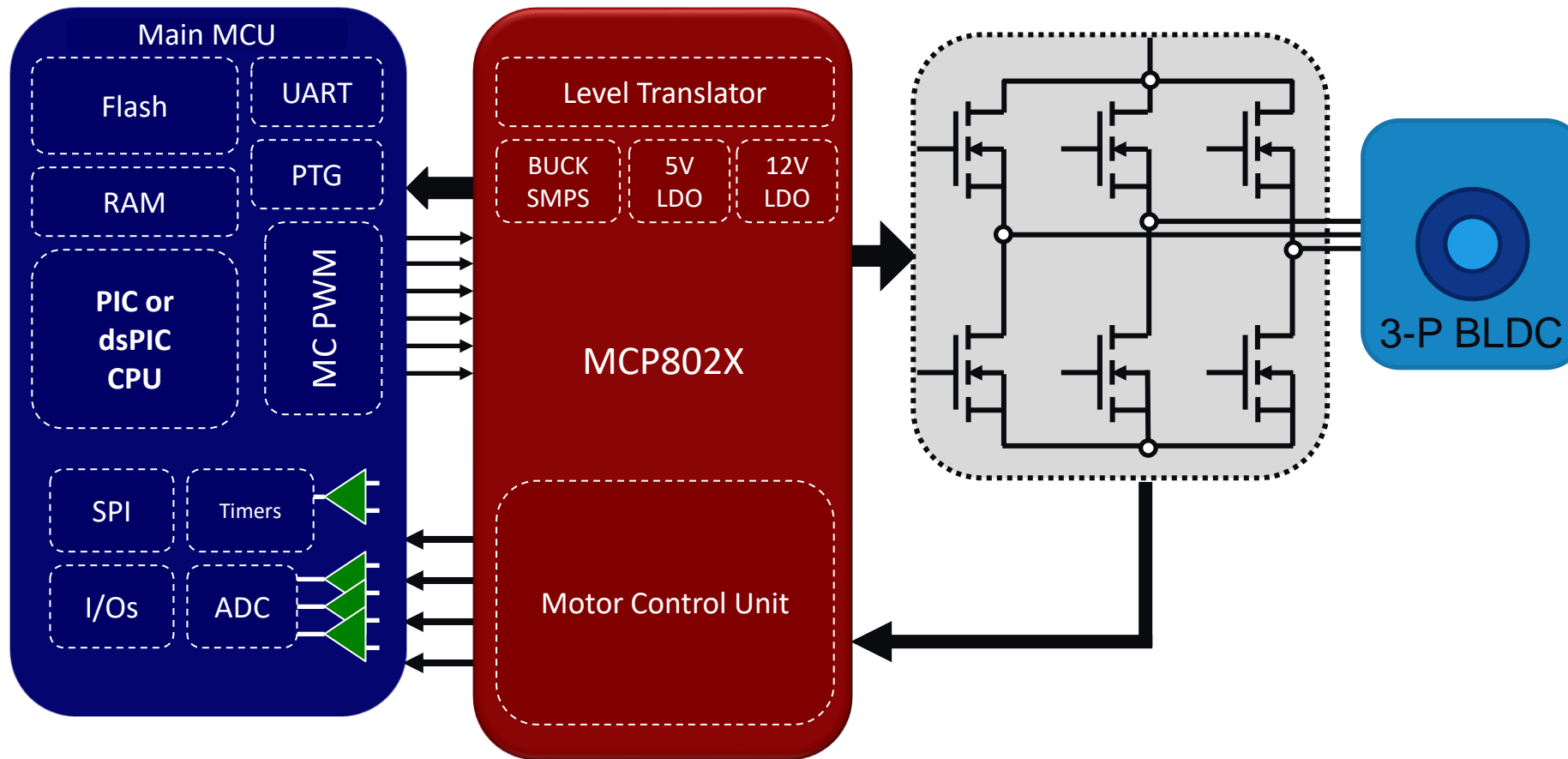
Popular Products	Description	Product Web Page
AR10xx	<p>The Microchip mTouch™ AR1000 Series Resistive Touch Screen Controller is a complete, easy to integrate, cost-effective and universal touch screen controller chip solution. The AR1000 Series has sophisticated proprietary touch screen decoding algorithms to fully process all touch data and save the host from this overhead. More than the usual “preprocessing” features of other low cost devices, the AR1000 delivers reliable, validated and calibrated touch</p>	Click Here
MTCH6301	<p>The MTCH6301 is a turnkey projected capacitive touch controller that allows easy integration of multi-touch and gestures to create a rich user interface in your design.</p>	Click Here



Robot Vacuum Cleaner



High Integration Motor Control/ Drive



Motor Control MOSFET Gate Driver

- **Function: power MCU/DSC, sense current, drive MOSFETs and provide housekeeping functions**

Popular Products	Description	Product Web Page
MCP8024/6	The three integrated op-amps allows MCP8024/6 provide motor current feedback to broad range of MCUs/DSCs in FOC applications. Both devices operates up to 28V and withstand 48V voltage spikes.	MCP8024 MCP8026
MCP8025	MCP8025 offers six N-Ch MOSFET drivers to drive MOSFETs efficiently. With zero-crossing output , a standalone op-amp and voltage regulators, it simplifies BLDC design and	Click Here



Low-Power LDOs

- **Function: providing regulated, low-noise supply voltages for the system**

Popular Products	Description	Product Web Page
MIC29302A	The MIC29302A is a high-current, low-cost, low-dropout voltage regulator which uses Micrel's proprietary Super β PNP [®] process with a PNP pass element. The 3A LDO regulator features 450mV (full load) dropout voltage and very low ground current.	Click Here
MCP1703A	With 250 mA maximum output, MCP1703 works with input voltage of up to 16V and in combination with its low current consumption of 2 μ A	Click Here



Operational Amplifiers for Sensor Signal Conditioning

Popular Products	Description	Product Web Page
MCP600x	The MCP600x is a quad general purpose op amp offering rail-to-rail input and output over the 1.8 to 6V operating range. This amplifier has a typical GBWP of 1 MHz with typical quiescent current of 100 microamperes/ amp.	Click Here
MCP64xx	MCP64xx family of Low Power Op Amps are designed with Microchip's advanced CMOS process. The MCP64xx Op Amps have low Quiescent Current, Input Offset Voltage and GBWP ranging from 9Khz to 7.5 MHz (typ.). Low power and small form factor make these devices ideal of many portable applications.	Click Here
MCP6294	MCP6294 provide wide bandwidth of 10 MHz Gain Bandwidth Product. This family also operates from a single supply voltage as low as 2.4V to 6V, while drawing 1 mA (typical) quiescent current.	Click Here



Operational Amplifiers in the Control Loop

Popular Products	Description	Product Web Page
MCP63x	The MCP63x family of operational amplifiers features high gain bandwidth product (24 MHz) and high output short circuit current. Some devices also provide a Chip Select pin that supports a low power mode of operation. These amplifiers are optimized for high speed, low noise and distortion, single-supply operation with rail-to-rail output and an input that includes the negative rail.	Click Here
MCP66x	The MCP66x family of operational amplifiers features high gain bandwidth product, and high output short circuit current. High Gain Bandwidth of 60 MHz, Short Circuit Current of 90 mA, Noise: 6.8nV/rtHz, Rail-to-Rail Output, Slew Rate: 27 V/us	Click Here
MCP629x	MCP629x family provides wide bandwidth of 10 MHz Gain Bandwidth Product. This family also operates from a single supply voltage as low as 2.4V to 6V, while drawing 1 mA (typical) quiescent current.	Click Here

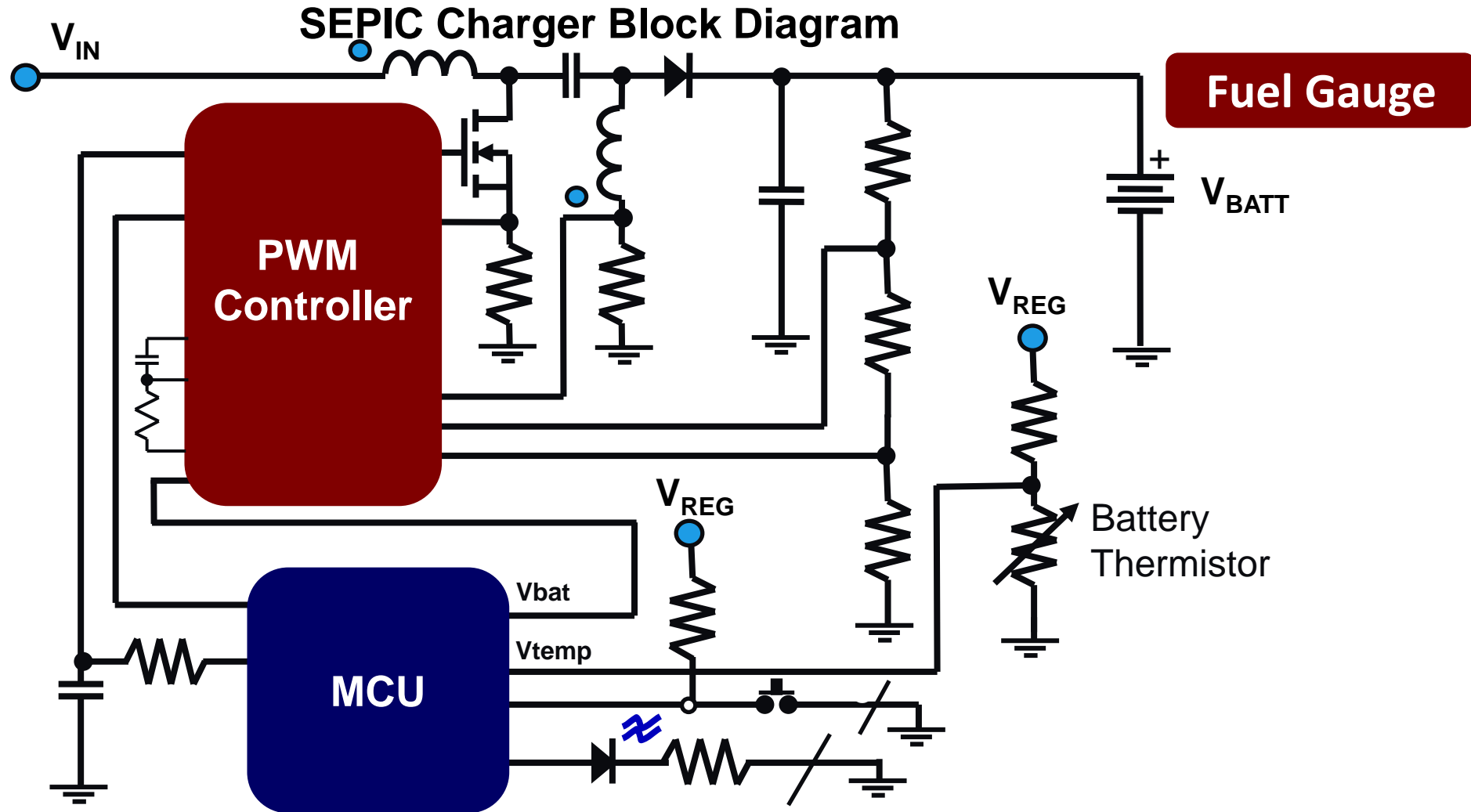


MOSFET Drivers

Popular Products	Description	Product Web Page
<p data-bbox="384 582 700 796">MIC4605 85V Half-Bridge MOSFET Driver With Adaptive Dead Time (ADT)</p>	<p data-bbox="751 582 1862 796">The MIC4605 is an 85V half-bridge MOSFET driver that features adaptive-dead-time and shoot-through protection. The adaptive-dead-time circuitry actively monitors the half-bridge outputs to minimize the time between high-side and low-side MOSFET transitions, thus maximizing power efficiency.</p>	<p data-bbox="1931 572 2104 608">Click Here</p>
<p data-bbox="384 953 700 1122">MIC4607 85V 3-Phase MOSFET Driver With Adaptive Dead Time (ADT)</p>	<p data-bbox="751 865 1862 1208">The MIC4607 is an 85V, three-phase MOSFET driver. The MIC4607 features a fast (35ns) propagation delay time and 20ns driver rise/fall times for a 1nF capacitive load. TTL inputs can be separate high- and low-side signals or a single PWM input with high and low drive generated internally. High- and low-side outputs are guaranteed to not overlap in either mode. The MIC4607 includes overcurrent protection as well as a high-voltage internal diode that charges the high-side gate drive bootstrap capacitor.</p>	<p data-bbox="1931 925 2104 961">Click Here</p>



Battery Charger



PWM Controller

Suggested Products	Description	Product Web Page
MCP1630/1	<ul style="list-style-type: none">• Small footprint discrete high-speed PWM controllers (2MHz) in conjunction with a MCU.• Peak Current Mode Control.• High Voltage Options Operate to +16V Input.• Integrated Overvoltage Comparator and Low Side MOSFET Driver.• Over-temperature Protection and Under-voltage Lockout (UVLO).	MCP1630 MCP1631
	MCP1631RD-MCC2: MCP1631HV Multi-Chemistry Battery Charger Reference Design	Click Here
	MCP1631RD-DCPC1: MCP1631HV Digitally Controlled Programmable Current Source Reference Design	Click Here

<< BACK



Microcontroller

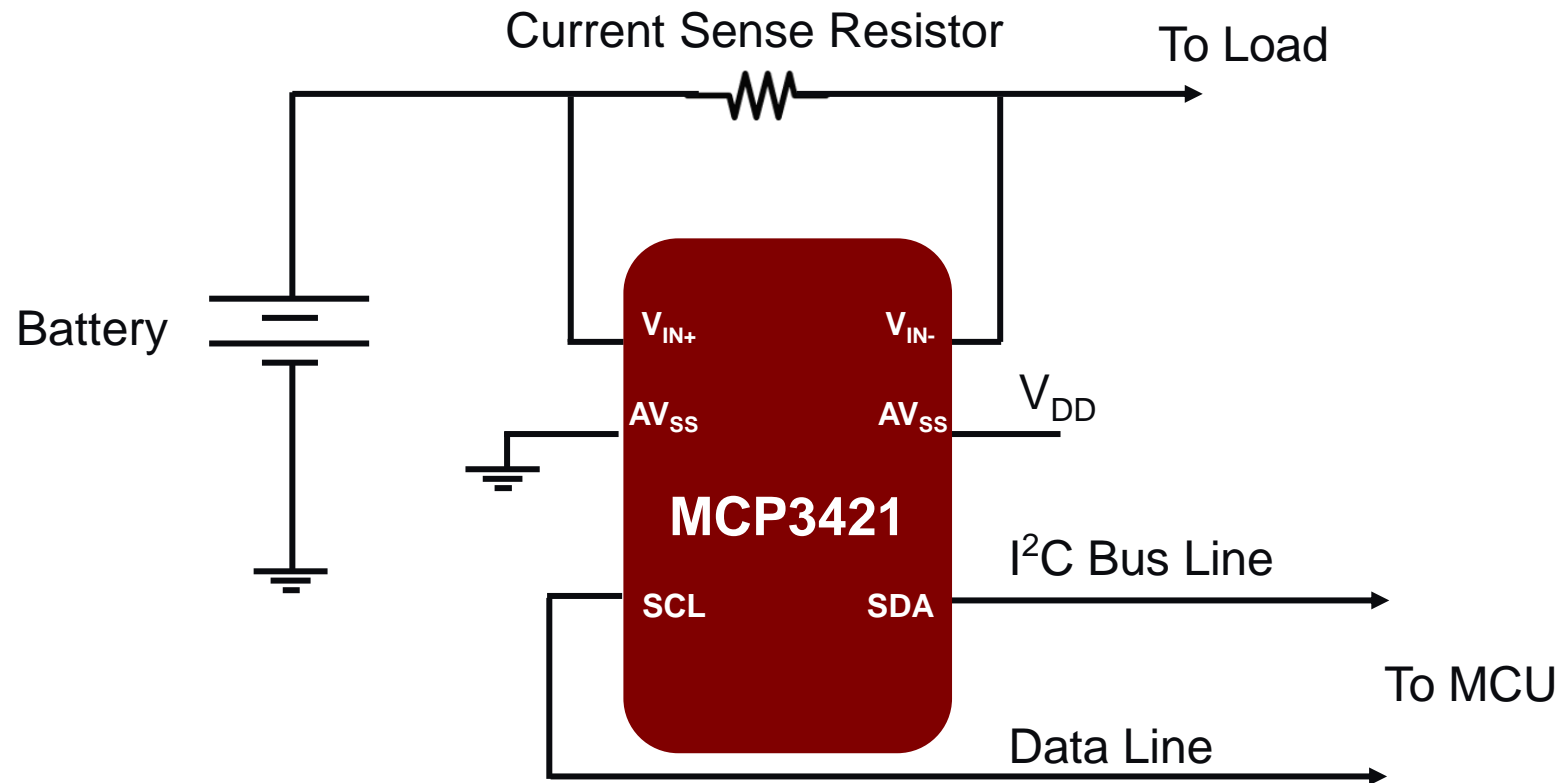
Suggested Products	Description	Product Web Page
PIC16F883	<ul style="list-style-type: none">• This powerful yet easy-to-program (only 35 single word instructions) CMOS FLASH-based 8-bit microcontroller in a 28 pin package.• The PIC16F883 features 256 bytes of EEPROM data memory, 2 Comparators, 11 channels of 10-bit ADC, 1 capture/compare/PWM and 1 Enhanced capture/compare/PWM functions, a synchronous serial port that can be configured as either 3-wire Serial Peripheral Interface (SPI™) or the 2-wire Inter-Integrated Circuit (I²C™) bus and an Enhanced Universal Asynchronous Receiver Transmitter (EUSART).	PIC16F883

<< BACK



Fuel Gauge

- **Function: To track remaining battery level or charging status**



<< BACK



Analog to Digital Convertor

- **Function: Converting analog voltage or current signal (pressure) into digital data**

Popular Products	Description	Product Web Page
MCP3421	The MCP3421 is a single channel low-noise, high accuracy Delta-Sigma A/D converter with differential inputs and up to 18 bits of resolution in a small SOT-23-6 package. The device uses a two-wire I2C™ compatible serial interface and operates from a single power supply ranging from 2.7V to 5.5V.	Click Here
AN1156: Application Note on Battery Fuel Measurement Using Delta-Sigma ADC Devices		Click Here
MCP3421DM-BFG: Battery Fuel Gauge Demo Board		Click Here

<< BACK



Temperature Sensors

- **Function: Measuring and providing Temperature information**

Popular Products	Description	Product Web Page
MCP9800 Digital temperature sensor	<ul style="list-style-type: none">• 2-wire I²C™/SMBus Compatible Interface• User Selectable 9- to 12-Bit Resolution<ul style="list-style-type: none">• ±1°C Accuracy from -10°C to +85°C• ±2°C Accuracy from +85°C to +125°C• Low Operating Current: 220 µA (typical)• Shutdown Mode: 1 µA (max)	Click Here
MCP9700 Linear Active Thermistor™ ICs	The output voltage of this device is directly proportional to measured temperature. The MCP9700 can accurately measure temperature from -40C to +150C with the output calibrated to a slope of 10mV/°C and has a DC offset of 500mV.	Click Here



PIC Microcontrollers

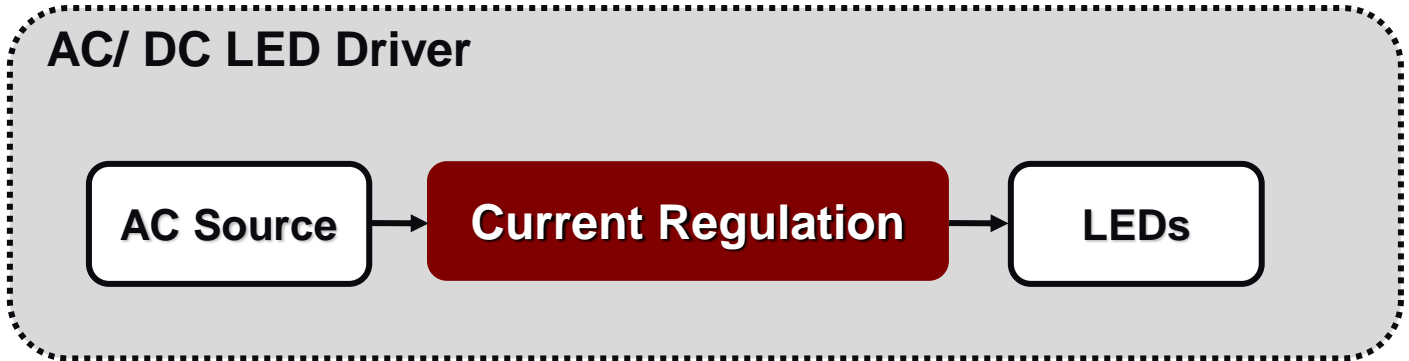
- **Function: coordinating all the control and monitor functions - the brain of the system**
- **Popular products: PIC16F182X, 178X, 75X, 15XX, 193X**
- **Attributes:**
 - Upwards of 32MHz internal OSC
 - 4 channel Programmable Switch Mode Controller (PSMC)
 - Integrated high performance comparators, op-amp, 10/12 bit ADC, 5/8/9 bit DAC, CCP, COG, NCO, CLC
 - Slope compensation
 - 256 bytes of EEPROM
 - Available in various packages



Lighting



LED Lighting



<< BACK to Ethernet Switch

<< BACK to CONTENTS



AC/ DC LED Driver- Current Regulation

Solutions	Description	
MCU + MOSFET Driver	This solution is implemented using a PIC12F752 and MOSFET drivers	Reference Circuit
Universal Offline Linear Sequential LED Driver	Pros for Linear Solutions: <ul style="list-style-type: none">• Inherently high PF (over 90% at 220V)• No EMI (linear solution)• Very few external components• Small form	Reference Circuit
Universal Offline Switching LED Driver	Pros for Switching Solutions <ul style="list-style-type: none">• No flicker• Higher LED utilization• More uniform brightness between channels/strings• Switching solutions generate less heat	Reference Circuit Product List

[<< BACK to BLOCK DIAGRAM](#)



AC-DC LED Driver for SSL

Suggested Products	Description	Product Web Page
CL220	CL220 operates at up to 220V, and is accurate to $\pm 10\%$ over a 5.0 - 160V range. The device can be used as a two terminal constant current source or constant current sink.	CL220
HV9801A	The HV9801A LED driver is ideally suited for switch dimmable applications using LED bulbs and fixtures. Through switch dimming, the lamp can be adjusted to four discrete brightness levels by rapid cycling of the light switch.	HV9801A
HV9805	The HV9805 driver IC is targeted at general LED lighting products. A two-stage topology provides true constant current drive for the LED load while drawing mains power with high power factor.	HV9805
HV9861A / HV9961	The HV9861A / HV9961 are the patented, average-mode, constant current control LED driver IC operating in a constant off-time mode. The output LED current accuracy is $\pm 3\%$.	HV9861A HV9961
HV9910B / HV9910C	The HV9910B/C is an open loop, current mode, control LED driver IC. The HV9910B/C can be programmed to operate in either a constant frequency or constant off-time mode.	HV9910B HV9910C

[NEXT](#)[BACK](#)

AC-DC LED Driver for SSL

Continued

Suggested Products	Description	Product Web Page
HV9911	The HV9911 is a current mode control LED driver IC designed to control single switch PWM converters (buck, boost, buck-boost, or SEPIC), in a constant frequency or constant off-time mode.	HV9911
HV9921/3/5	The HV992x family is a PWM high-efficiency LED driver control ICs. It allows efficient operation of LED strings from voltage sources ranging up to 400VDC.	HV9921/2/3 HV9925
HV9930	The HV9930 is a variable frequency PWM controller IC, designed to control an LED lamp driver using a low-noise boost-buck (Ćuk) topology.	HV9930
HV9931	The HV9931 is a fixed frequency PWM controller IC designed to control an LED lamp driver using a single-stage PFC buckboost-buck topology.	HV9931
HV9980	The HV9980 is a fully integrated 3-channel peak-current PWM controller for driving buck converters in constant output current mode.	HV9980

BACK

<< BACK to BLOCK DIAGRAM



Step-Up Current Regulation

Solutions	Description	
Programmable LED Driver	MCP19114 capable of high efficiency, high current drive in a minimal component count. Highly customizable, to maximize design flexibility, and can be implemented in flyback, SEPIC, and boost topologies.	Reference Circuit
Inductive Boost Converter LED Drive Solutions	MCP1643 is a constant current drive circuit with a low component count, up to 550 mA output current, up to 90% efficient, with a low 1.2 uA shutdown current, and dimmable with a PWM signal. Also, HV99xx for High Voltage and MIC32xx for High Power applications to meet different requirements.	Reference Circuit Product List
Portable & High Brightness Family	The MIC287x family is a high-current, high-efficiency flash LED driver for one or two high-brightness camera flash LEDs.	Reference Circuit
Charge Pump LED Drive Circuit	MCP125x family generates a high accuracy 3.3V output from a 1.8 to 3.6V input, which can be used to supply up to 100mA of output current for LED drive from a variety of battery or DC power sources	Reference Circuit

[<< BACK to BLOCK DIAGRAM](#)



DC-DC Boost

Suggested Products	Description	Product Web Page
HV9912	The HV9912 is a current mode control LED driver IC designed to control single switch PWM converters (buck, boost, buck-boost or SEPIC) in a constant frequency mode. Internal 90V regulator.	HV9912
HV9963	The HV9963 is a current mode control LED driver IC designed to control single switch PWM converters (buck, boost, buck-boost or SEPIC) in a constant frequency mode. Internal 40V regulator.	HV9963
HV9985	The HV9985 is a three-channel peak current mode PWM controller for driving single switch converters in a constant output current mode. It can be used for driving either RGB LEDs or multiple channels of white LEDs.	HV9985
MIC3223	The MIC3223 is a constant current boost LED driver capable of driving a series string of high power LEDs. The MIC3223 can be used in general lighting, bulb replacement, garden pathway lighting, and other solid state illumination application.	MIC3223
MIC3230/31/32	The MIC3230/1/2 are constant current boost switching controllers specifically designed to power one or more strings of high power LEDs. The MIC3230/1/2 have an input voltage range from 6V to 45V and are ideal for a variety of solid state lighting applications.	MIC3230/1/2

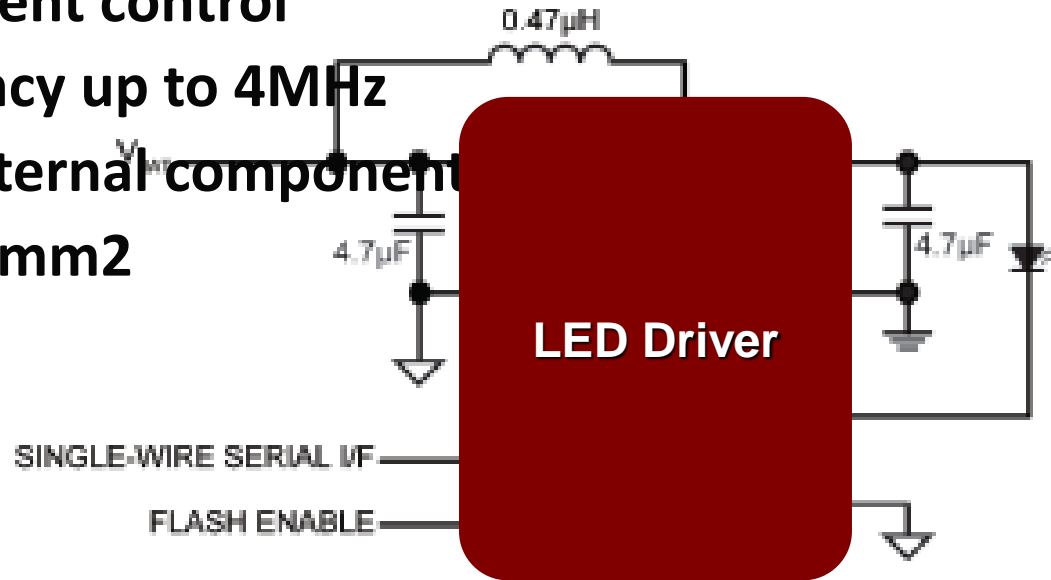
BACK



MIC2873/4 1.2A High Brightness Flash LED

Driver

- Best-in-class efficiency (up to 92%)
- High-accurate LED current control
- High switching frequency up to 4MHz
- Requires only three external components
- Total solution size < 10mm²



BACK



LED Driver

Popular Products	Description	Product Web Page
MIC2874	<p>The MIC2874 is a high-current, high-efficiency flash LED driver. The LED driver current is generated by an integrated inductive boost converter with a 4MHz switching frequency which allows for the use of very small inductor and output capacitor. These features make the MIC2874 an ideal solution for high-resolution camera phone LED flash light driver applications. MIC2874 operates in either flash or torch modes that can be controlled through the single-wire serial interface and/or external control pin. A robust single-wire serial interface allows the host processor to control the LED current and brightness. The MIC2874 is available in a 9-bump 1.30mm x 1.30mm WLCSP package.</p>	Click Here



Step-Down Current Regulation

Solutions	Description	
LDO+MCU+ MOSFET Driver	Digitally controlled, high brightness LED drive circuit implemented using a discrete buck circuit controlled with a PIC12F752 MCU	Reference Circuit
Buck Current Mode LED Drive circuit	HV9967B is a compact buck LED drive solution with tight (3%) current regulation, short circuit protection, and capable of 60V DC input with the integrated low side MOSFET. Also, Other HV99xx for High Voltage and MIC32xx for High Power applications to meet different requirements.	Reference Circuit Product List
Buck Voltage Mode LED Drive Circuit	MCP16312 is a constant current source to drive one or more LEDs using a buck implementation. Low component count, with integrated MOSFETs and control logic	Reference Circuit
Ćuk Converter LED Drive Circuit	MCP16301 is compact, low component count, 300 mA constant current regulation circuit capable of driving up to 15V of LEDs in series	Reference Circuit

[<< BACK to BLOCK DIAGRAM](#)



DC-DC Buck

Suggested Products	Description	Product Web Page
HV9967B	The HV9967B is an average-mode current control LED driver IC operating in a constant off-time mode. The IC features an integrated 60V, 0.8Ω MOSFET that can be used as a stand-alone buck converter switch, or connected as a source driver for driving an external high-voltage depletion-mode MOSFET.	HV9967B
HV9918 / HV9919B	The HV9918 is a PWM controller IC designed to drive HB LEDs using a buck topology. It operates from an input voltage of 4.5 to 40VDC and employs hysteretic control with a high-side current sense resistor to set the constant output current up to 700mA.	HV9918 HV9919B
MIC3201 MIC3202/3202-1	The MIC3201/2 are hysteretic, step-down, constant-current, HB LED drivers. It provides an ideal solution for interior/exterior lighting, architectural and ambient lighting, LED bulbs, and other general illumination applications.	MIC3201 MIC3202
MIC3203/3203-1	The MIC3203 is a hysteretic, step-down, constant-current, HB LED driver. A high-frequency switching operation up to 1.5MHz allows the use of smaller external components minimizing space and cost.	MIC3203
MIC3205	The MIC3205 is a hysteretic, step-down, HB LED driver with a patent pending frequency regulation scheme that maintains a constant operating frequency over input voltage range.	MIC3205

BACK



DC-DC Linear

Suggested Products	Description	Product Web Page
MIC2841A/42A/ 43A/44A/46A	The MIC284x family is a group of high efficiency White LED drivers, greatly extending battery life for portable display backlighting, keypad backlighting and camera flash in mobile devices.	MIC2841A /42A MIC2843A MIC2844A/46A
MIC2860-2D/2P	The MIC2860-2D/2P architecture provides the highest possible efficiency by eliminating switching losses present in traditional charge pumps or inductive boost circuits.	MIC2860-2D MIC2860-2P
MIC4801/02	The MIC4801/2 is a high efficiency White LED (WLED) driver designed to drive a single LED up to 600mA. The constant current driver is designed to drive high power LEDs in various lighting applications.	MIC4801 MIC4802
MIC4811/12	The MIC4811 features Dynamic Average Matching™ (DAM™) which is specifically designed to provide optimum matching across all WLEDs. The high accuracy ($\pm 1\%$ typical) current regulated WLED channels ensure uniform display illumination under all conditions.	MIC4811 MIC4812
MM5450/51 MIC5400	The MM545x are monolithic MOS ICs fabricated in an N-Channel, metal-gate process for LED Display.	MM5450/51 MIC5400

[MM5450/51](#)
[MIC5400](#)

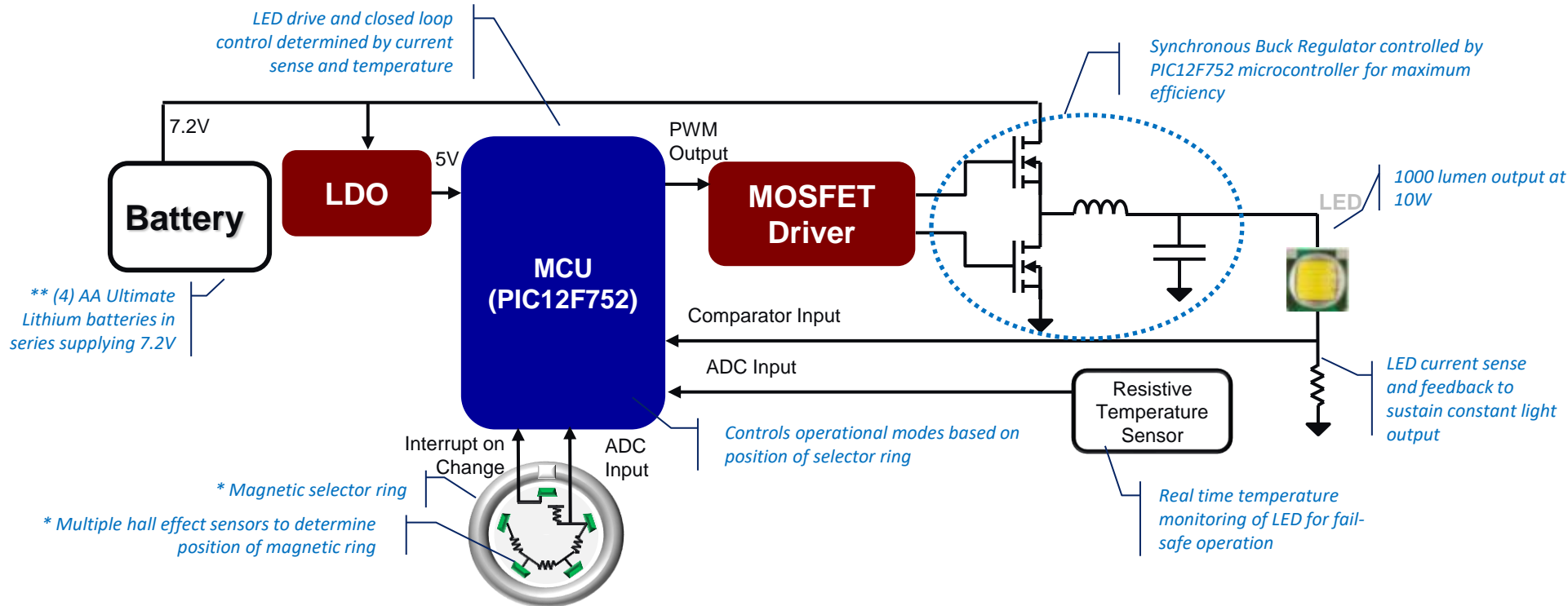
[<< BACK to BLOCK DIAGRAM](#)



DC/ DC MCU Based LED Driver



DC/ DC MCU Based LED Driver



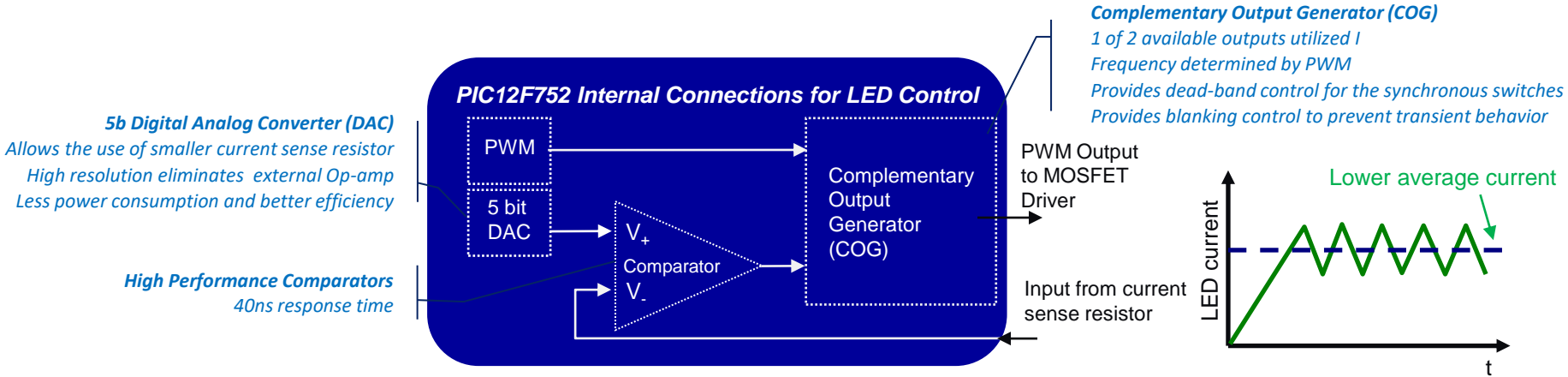
* Magnetic selector ring design can be replaced to accommodate mechanical push-buttons and switches
 ** Battery capacity can be scaled to accommodate specific mechanical capacity and desired run-times

<< BACK



PIC12F752

- LED drive and closed loop control determined by current sense and temperature
- Controls operational modes based on position of selector ring



[Click Here for the Product Page](#)

<< BACK to BLOCK DIAGRAM



Synchronous Buck MOSFET Drivers

- **Function: driving the high power devices (MOSFETs in synch. Buck configuration**

Popular Products	Description	Product Web Page
MCP14628 Dual Output MOSFET Driver for Synchronous Applications	The MCP14628 is a synchronous MOSFET driver used for driving MOSFETs in a rectified bridge arrangement. There are two separate drivers contained in the MCP14628. The low-side driver output drives a non-floating or ground reference N-Channel MOSFET. The high-side driver is designed to drive a floating N-Channel MOSFET. An external bootstrap capacitor is used to provide the additional voltage.	Click Here
MCP14700 Synchronous MOSFET Driver w/separate High/Low side control	The MCP14700 is a high-speed synchronous MOSFET driver designed to optimally drive a high-side and low-side N-Channel MOSFET. The MCP14700 has two PWM inputs to allow independent control of the external N-Channel MOSFETs.	Click Here

[<< BACK to BLOCK DIAGRAM](#)



Low Power LDOs

- **Function: providing regulated, low-noise supply voltages for the system**

Popular Products	Description	Product Web Page
MCP1700	The MCP1700 can source up to 250mA of current with an extremely low input-output voltage differential of 178mV at 250mA. with the low current consumption of only	Click Here Click Here
MCP1703A	With 250 mA maximum output, MCP1703 works with input voltage of up to 16V and in combination with its low current consumption of 2 μ A	

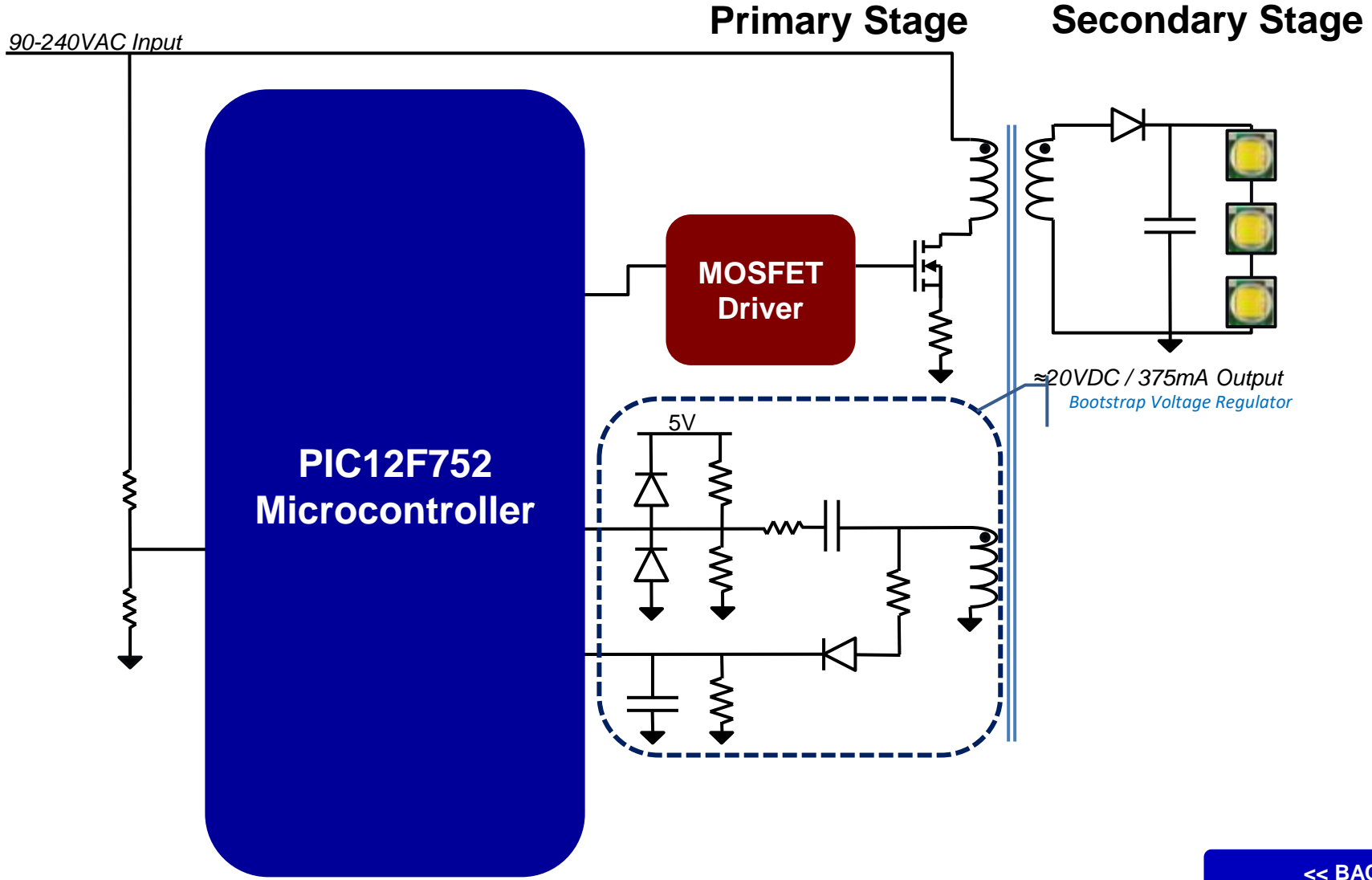
[<< BACK to BLOCK DIAGRAM](#)



AC/DC LED Driver System



AC/DC MCU Based LED Driver System

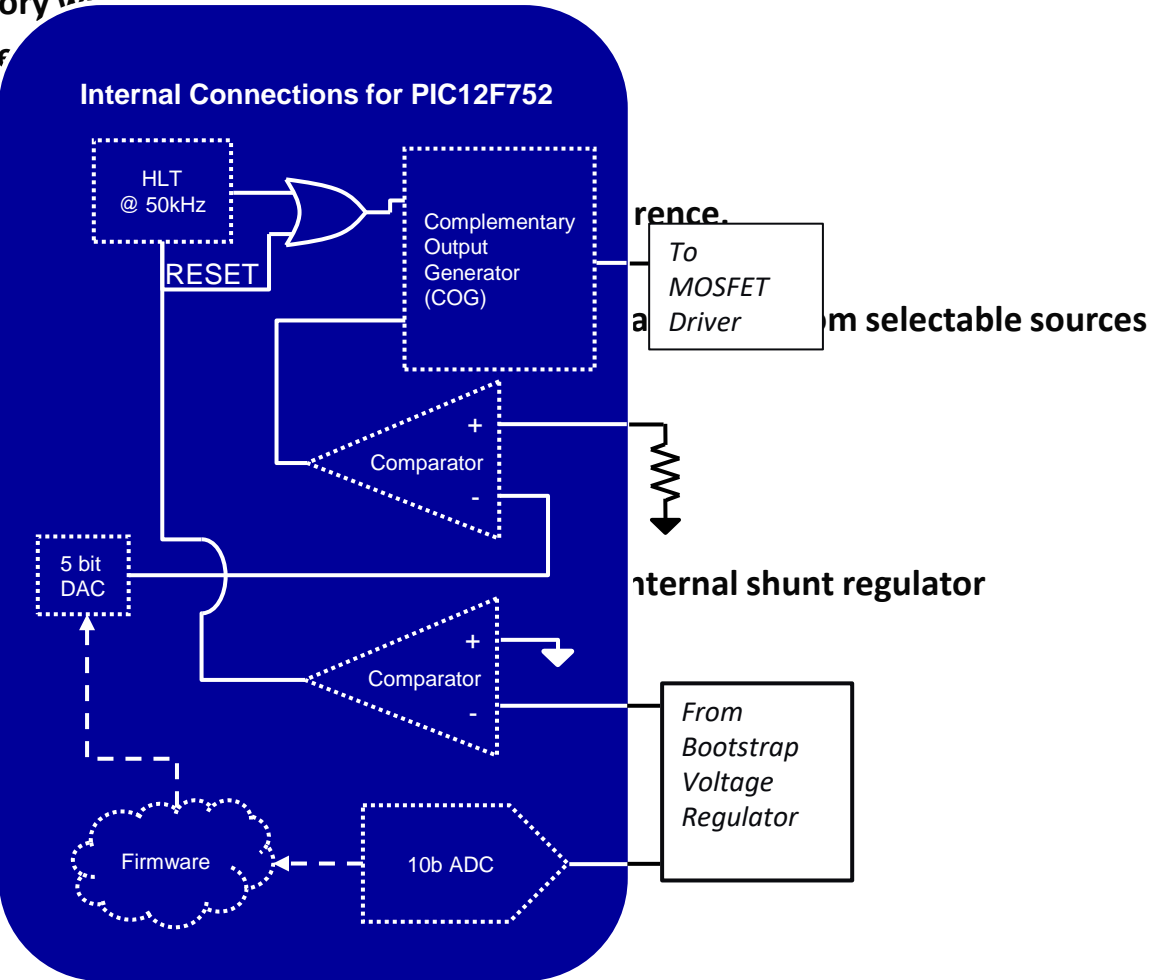


<< BACK



PIC12F752

- 8-Pin Flash-Based, 8-Bit CMOS MCU
- Flash Program Memory with self-read/write capability
- Mid-Range Core, Interrupts
- 2 x High Speed Analog
- 1 x Capture-Comparator
- 4 x 10-bit Analog-to-Digital
- 1 x Dual Range 5-bit Digital-to-Analog
- Complementary Output Drivers
- Watchdog Timer (WDT)
- Power-On/Off-Reset
- In Circuit Serial Programming
- Wide Operating Voltage Range
- High Voltage PIC12F752



[Click Here for the Product Page](#)

<< BACK to BLOCK DIAGRAM



MOSFET Drivers

- Function: driving the high power devices (MOSFETs, bipolar transistors, IGBTs)

Popular Products	Description	Product Web Page
TC4427A	Supply Voltage Range: 2.5V to 5.5V Wide Temperature Measurement Range: -40°C to +125°C High Temperature Converter Accuracy: ± 2°C, Max, at 25°C Linear Temperature Slope: 10mV/°C Very Low Supply Current: 35µA Typical	Click Here
MCP1415/16	The MCP1415/16 devices are small footprint Low-Side MOSFET drivers capable of supplying 1.5A peak output current in a SOT23 5L package.	Click Here
MCP14E3/E4/E5	The MCP14E3/E4/E5 devices are a family of 4.5A, dual output buffers/MOSFET drivers with separate enable functions for each output. As MOSFET drivers, the MCP14E3/E4/E5 can easily charge 2200 pF gate capacitance in under 28 nsec (max)	Click Here

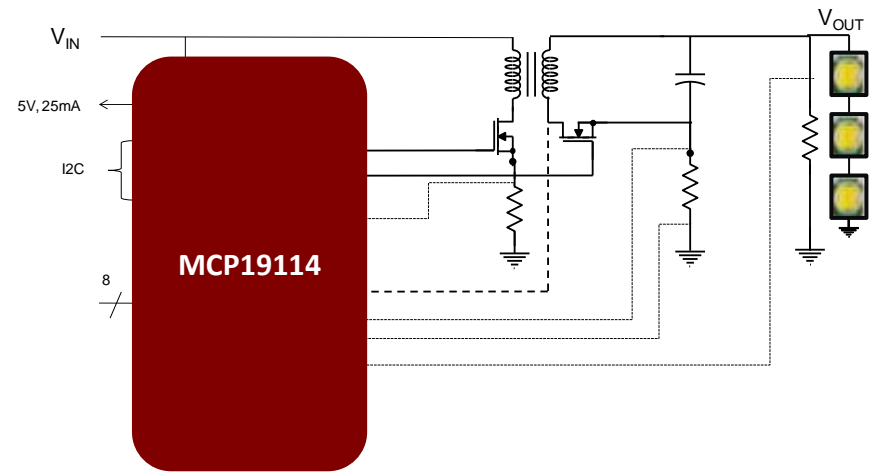
<< BACK to BLOCK DIAGRAM



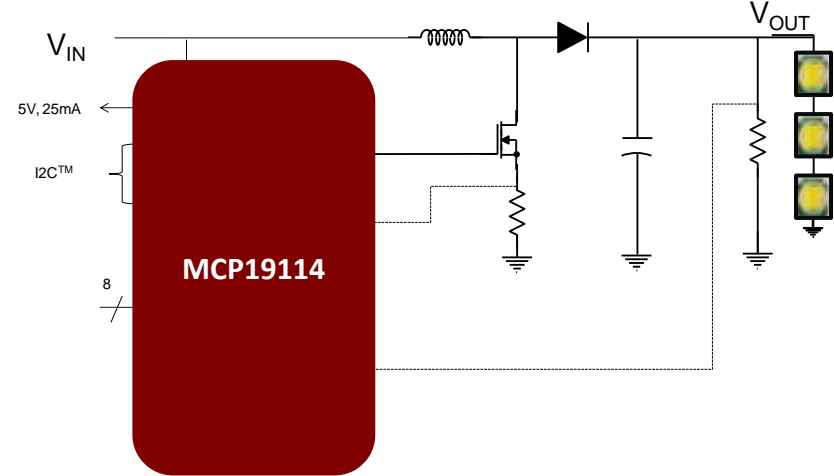
LED Driver System using MCP19114



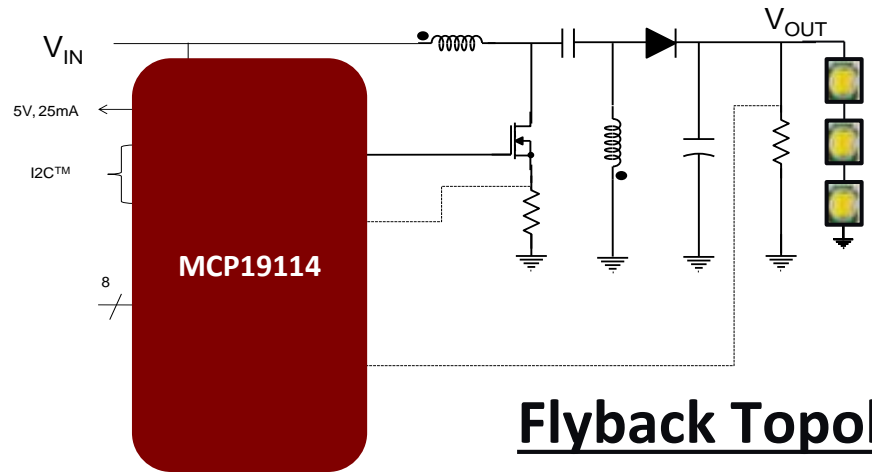
Programmable LED Driver



SEPIC Topology



Boost Topology



Flyback Topology
(Synchronous)

...and more, including Ćuk and Forward Converters (Broad Topology Support)

<< BACK



MCP19114

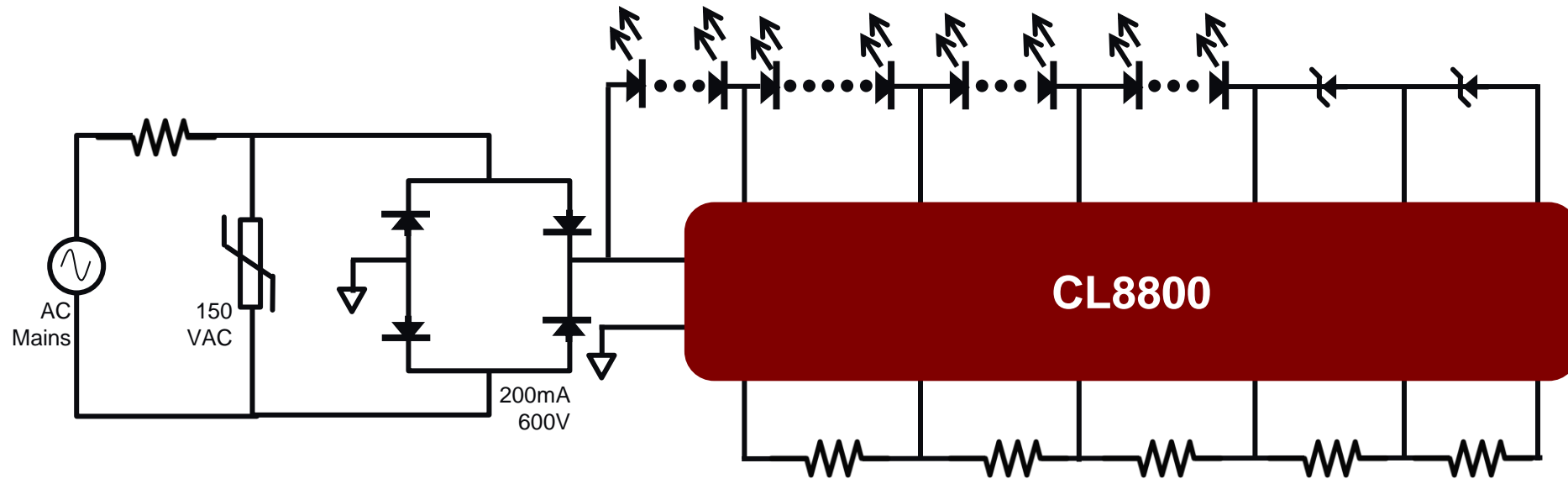
Popular Products	Description	Product Web Page
MCP19114/5	<p>The MCP19114 is a mid-voltage (4.5-42V) analog-based PWM controller with an integrated 8-bit PIC™ Microcontroller. This unique product family combines the performance of a high-speed analog solution, including high-efficiency and fast transient response, with the configurability and communication interface of a digital solution. Combining these solution types creates a new family of devices that maximizes the strengths of each technology to create a more cost-effective, configurable, high-performance power conversion solution.</p>	Click Here
<p>The MCP19114-Flyback Standalone Evaluation Board and Graphical User Interface (GUI) demonstrate the MCP19114 performance in a synchronous Flyback topology. It is configured to regulate load current, and is well suited to drive LED loads.</p>		



Supertex LED Drivers



Sequential Linear LED drivers (120V/ 230VAC)



- ❑ Up to 1000 Lumens at 100Lm/W
- ❑ Direct AC Operation at 120VAC / 230VAC
- ❑ Inherently Quiet — No EMI Filters Needed
- ❑ Inherent Dimmer Compatibility

Switching LED Driver Solution

<< BACK



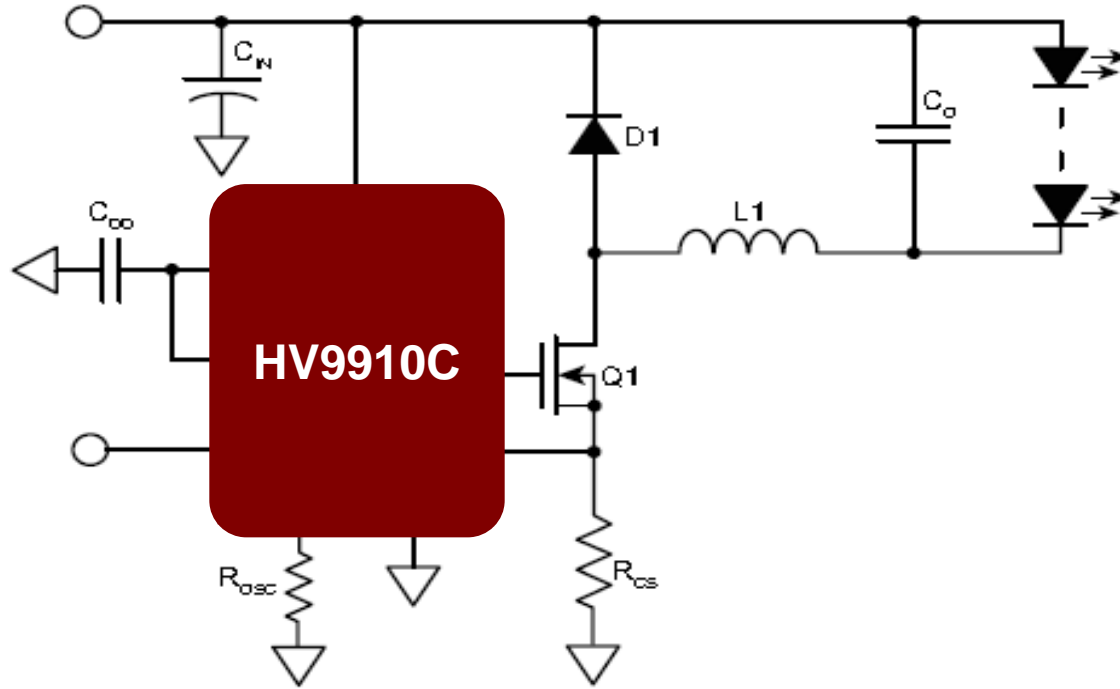
CL8800

Popular Products	Description	Product Web Page
CL8800	<p>CL8800 and CL8801, sequential, linear LED drivers designed to drive long strings of low cost, low current LEDs in solid-state replacements for fluorescent tubes, incandescent bulbs and CFL bulbs. Both ICs minimize driver circuit component counts, requiring just four or six resistors and a diode bridge in addition to the IC. Two to four additional components in the circuit provide transient protection, and neither capacitors nor magnetic components are required. Because the ICs are multi-stage linear current regulators, there are no high frequency switching currents and, thus, no need for a front-end EMI filter. CL8800 is intended for 230VAC input, while CL8801 is for 120VAC input. Luminous efficiencies of greater than 115lm/W are achievable with both ICs.</p>	Click Here



Universal Offline Switching LED driver Solution

- Universal Inputs – 110 to 240Vac
- High Power Factor
- High Efficiency -
- Example Application



Sequential Linear Solution

<< BACK



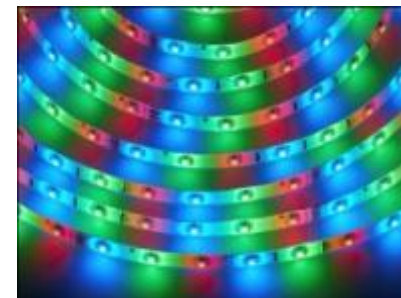
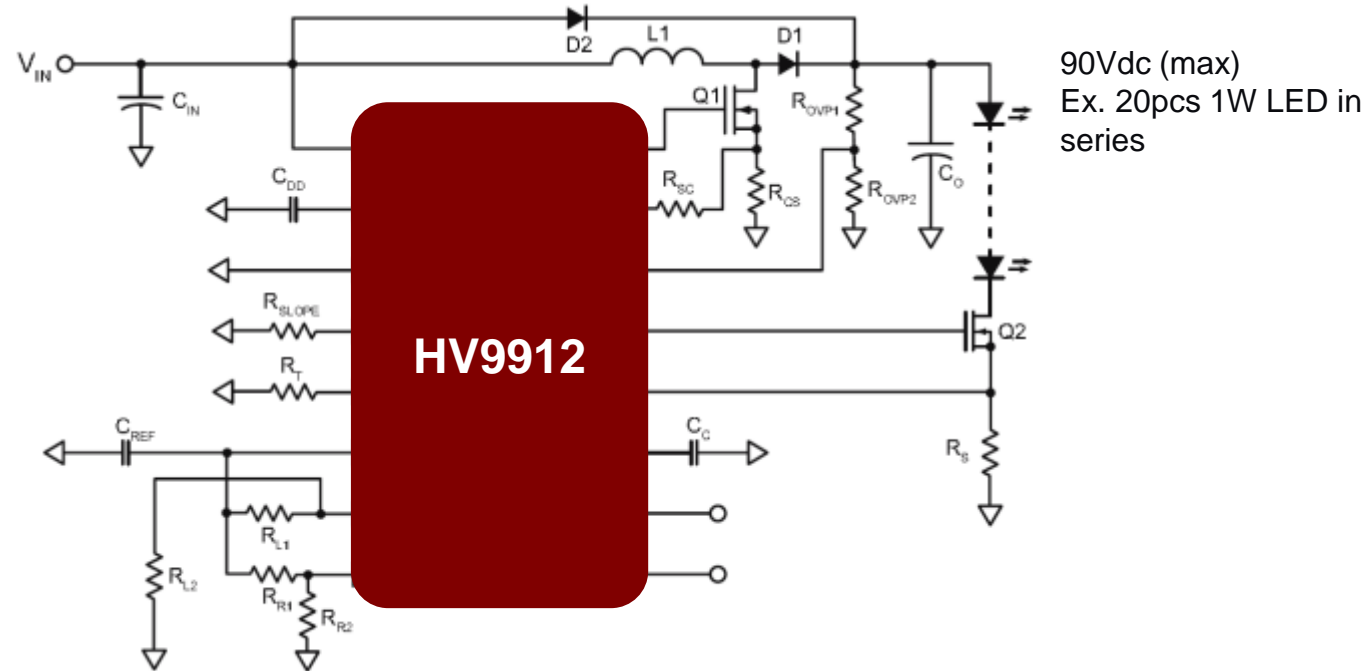
HV9910C

Popular Products	Description	Product Web Page
HV9910C	<p>HV9910C is designed to convert high voltage supplies (85V – 265VAC rectified) or (15V – 450VDC) to a constant current source for powering a string or a combination of strings of high brightness LEDs. It can be programmed to operate in either a constant frequency or constant off-time mode and includes a 15 – 450V linear regulator which allows it to work from a wide range of input voltages without the need for an external low voltage supply. HV9910C requires only three external components (apart from the power stage) to produce a controlled LED current making it an ideal solution for low system cost. Furthermore, the low component count allows for higher reliability and minimum board space.</p>	Click Here



HV9912 Based LED Driver

- High Efficiency – greater than 90%
- High output current accuracy -
- High Boost – 10x from V_{in} of 9V ^{24Vdc}
- Example Application: 20W LED



<< BACK



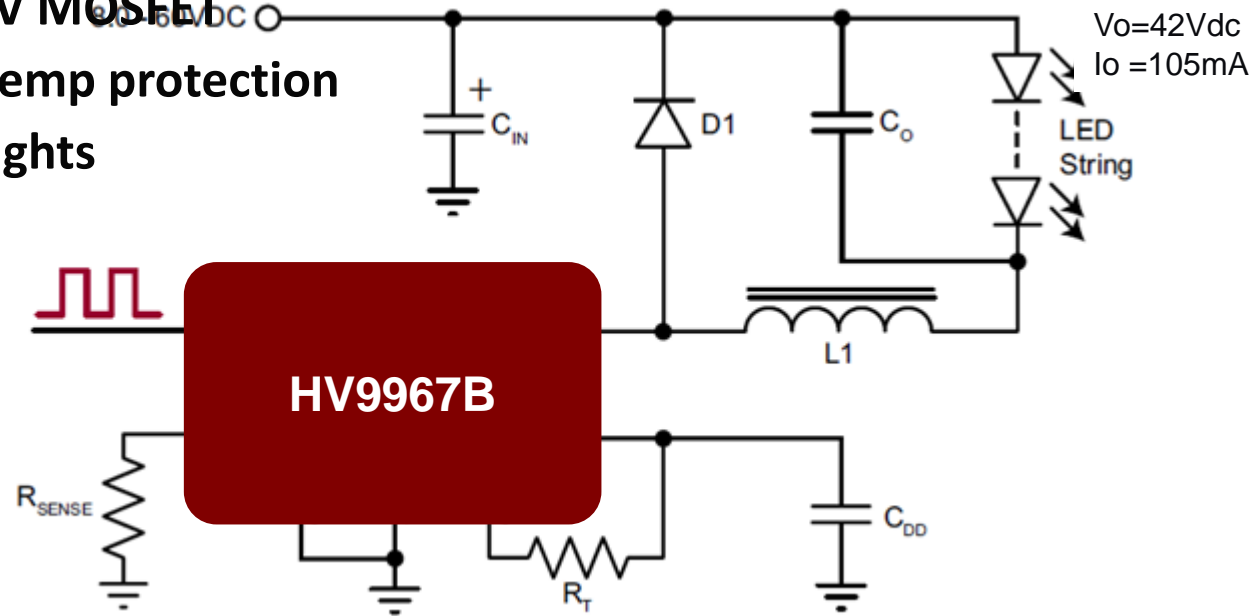
HV9912

Popular Products	Description	Product Web Page
HV9912	<p>The HV9912 is a current mode control LED driver IC designed to control single switch PWM converters (buck, boost, buck-boost or SEPIC) in a constant frequency mode. The controller uses a peak current-mode control scheme with programmable slope compensation and includes an internal transconductance amplifier to control the output current in closed loop enabling high output current accuracy. In the constant frequency mode, multiple HV9912 ICs can be synchronized to each other or to an external clock using the SYNC pin. Programmable MOSFET current limit enables current limiting during input under voltage and output overload conditions. The IC also includes a 0.2A source and 0.4A sink gate driver that makes the HV9912 suitable for high power applications</p>	Click Here



HV9967B based Buck LED Driver

- High current accuracy – 3% LED Current control
- Space saving – integrated 60V MOSFET
- Output short circuit & over-temp protection
- Example Application: Cove Lights



<< BACK

HV9967B

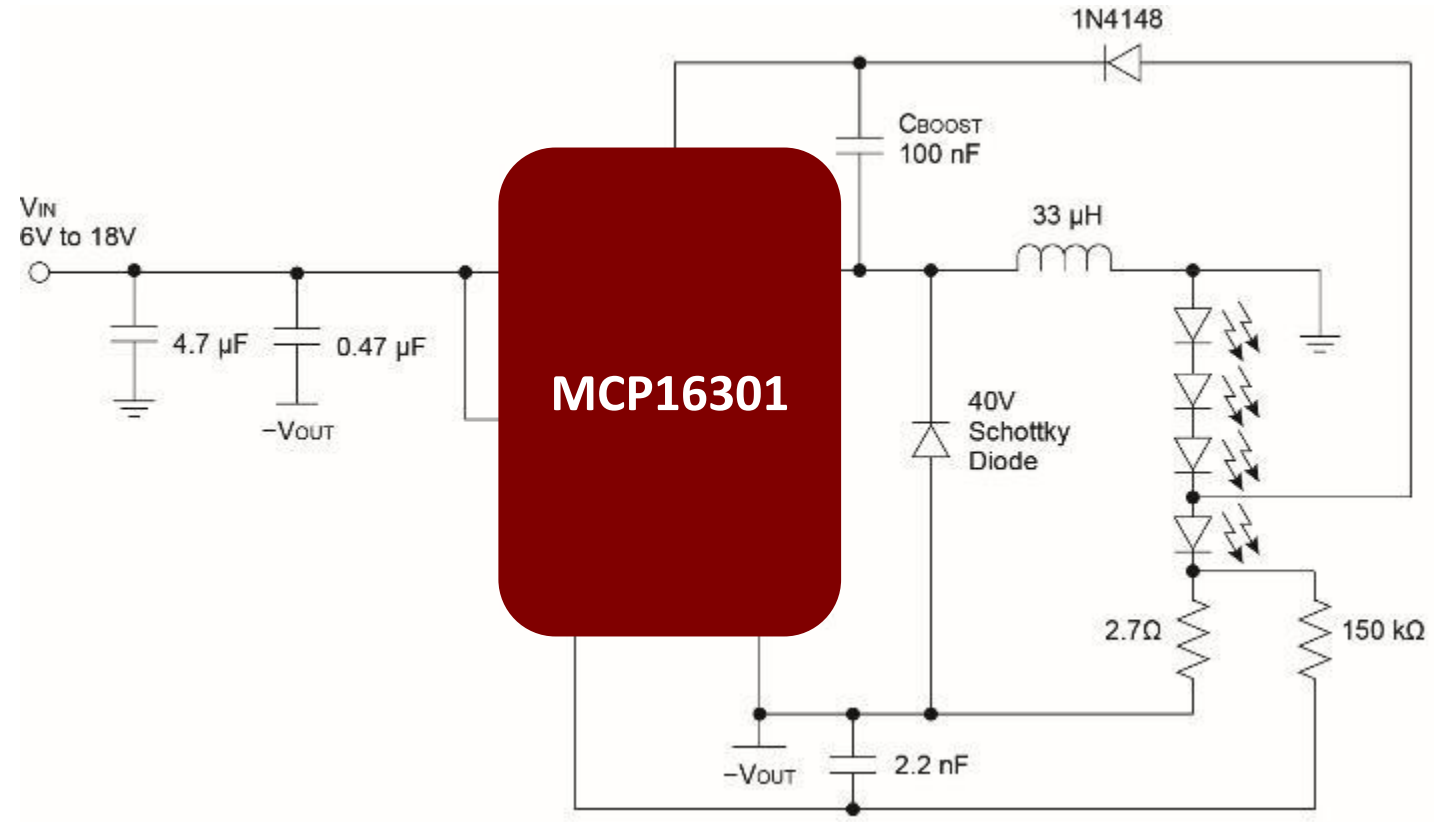
Popular Products	Description	Product Web Page
HV9967B	<p>The HV9967B is an average-mode current control LED driver IC operating in a constant off-time mode. The IC features an integrated 60V, 0.8Ω MOSFET that can be used as a stand-alone buck converter switch, or connected as a source driver for driving an external high-voltage depletion-mode MOSFET. The HV9967B is powered through its switching output when the integrated switch is off. Hence, the same external MOSFET can be used as a high-voltage linear regulator for powering the IC.</p> <p>The LED current is programmed with one external resistor. The average-mode current control method does not produce a peak-to-average error, and therefore greatly improves current accuracy and line and load regulation of the LED current without any need for loop compensation or direct sensing of the LED current at a high-voltage potential. The auto-zero circuit cancels the effects of the input offset voltage and of the propagation delay of the current sense comparator.</p>	Click Here



LED Driver System using Regulators



MCP16301 Cuk LED Drive Circuit



<< BACK

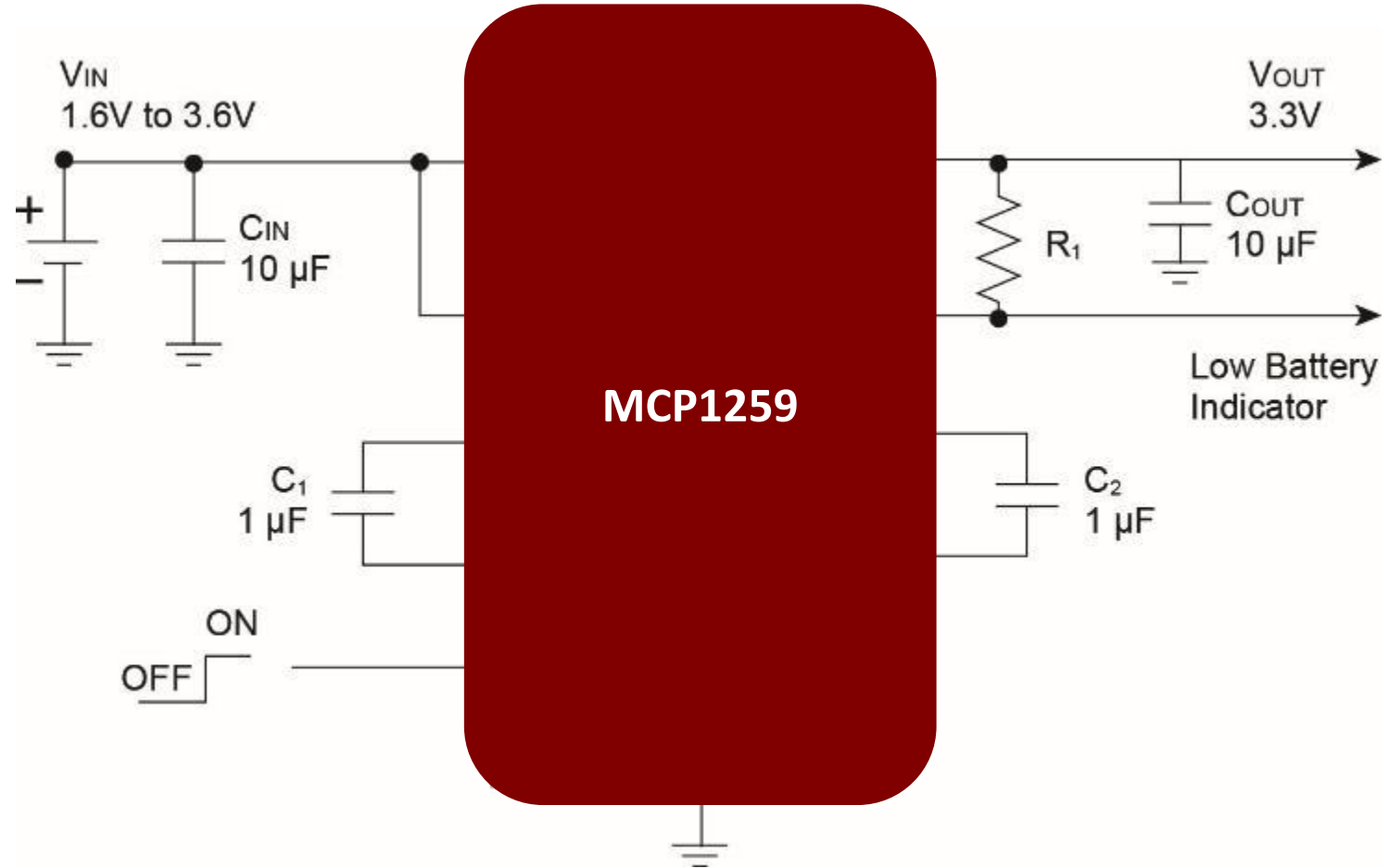


MCP16301

Popular Products	Description	Product Web Page
MCP16301	<p>The MCP16301 is a high-input voltage step-down regulator, capable of supplying 600 mA to a regulated output voltage from 2.0V to 15V.</p> <ul style="list-style-type: none">•Operation from 6V to 18V input voltage•Capable of supplying 300 mA of current•Drives up to 15V of LEDs in series•Implemented with only 11 components•Demo board available on Microchip direct	Click Here



MCP1259 Charge Pump LED Lighting Circuit

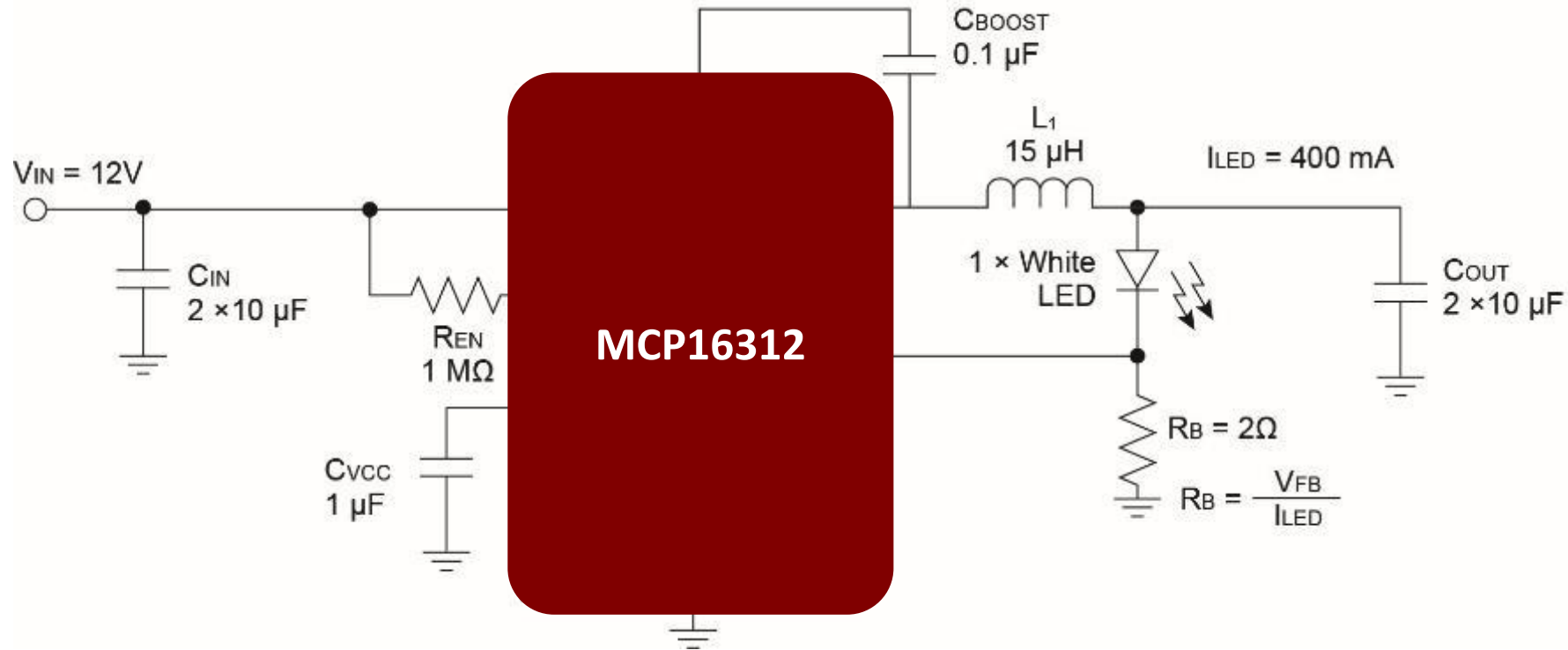


MCP1259

Popular Products	Description	Product Web Page
MCP1259	<p>The MCP1256-9 family of inductorless, positive regulated charge pump DC/DC converters, generate a regulated 3.3 V output voltage from a 1.8 V to 3.6 V input. They are specifically designed for applications operating from 2 cell alkaline, 2 cell Ni-Cd, 2 cell Ni-MH, or one primary lithium coin cell battery. These devices automatically switch from 1.5x to 2x boost operation modes to maintain high efficiency. In addition, at light output loads, the MCP1256 and MCP1257 can be placed in a sleep mode, lowering the quiescent current while maintaining the regulated output voltage.</p>	Click Here



MCP16312 Buck Converter LED Drive Application



<< BACK

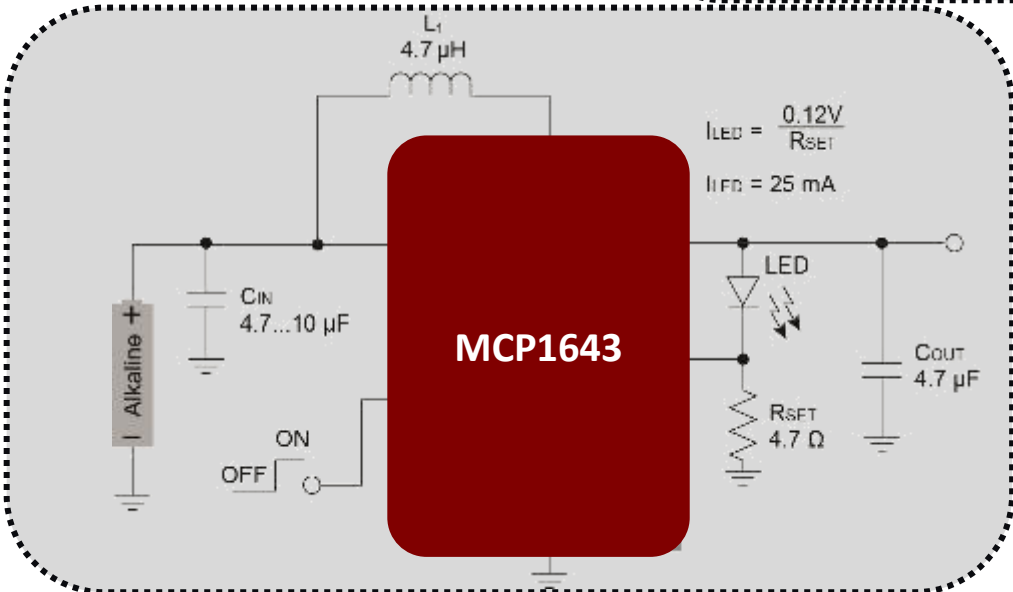
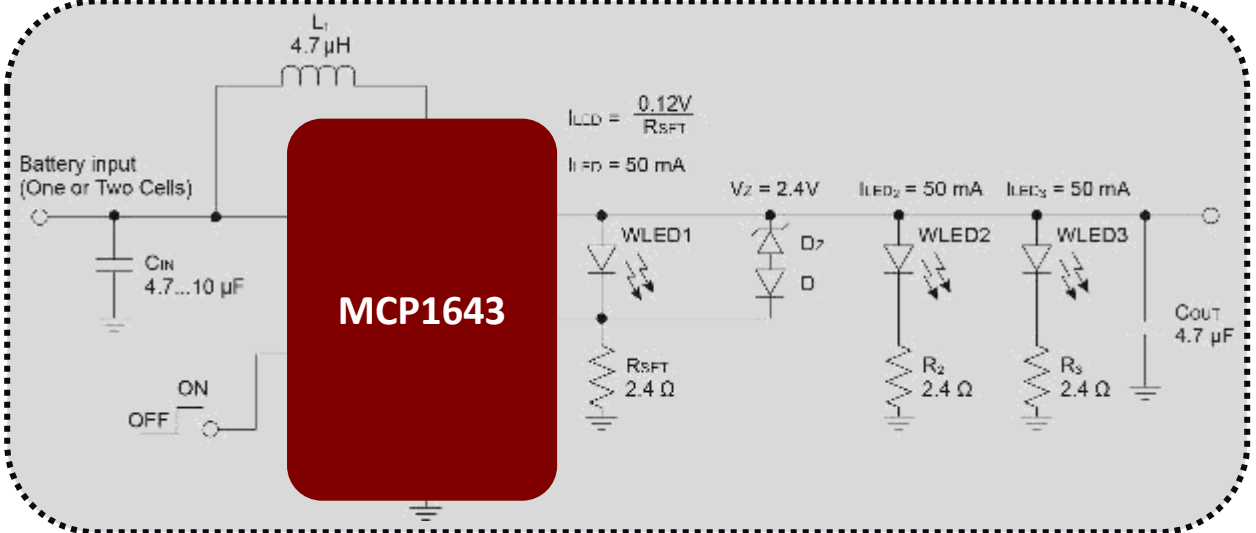


MCP16312

Popular Products	Description	Product Web Page
MCP16312	<ul style="list-style-type: none">❑ Up to 95% Efficiency❑ Input Voltage Range: 4.4V to 30V❑ 1A Output Current Capability❑ Output Voltage Range: 2.0V to 24V❑ Integrated N-Channel Low and High-Side Switches❑ Low Device Shutdown Current: 3 μA typical❑ Low Device Quiescent Current: 44 μA❑ Internal Compensation❑ Internal Soft-Start: 300 μs (EN low to high)❑ Peak Current Mode Control❑ Cycle-by-Cycle Peak Current Limit❑ Undervoltage Lockout (UVLO)❑ Overtemperature Protection❑ MSOP-8 or 2x3 TDFN-8 package	Click Here



MCP1643 Boost Converter LED Drive Solutions



<< BACK



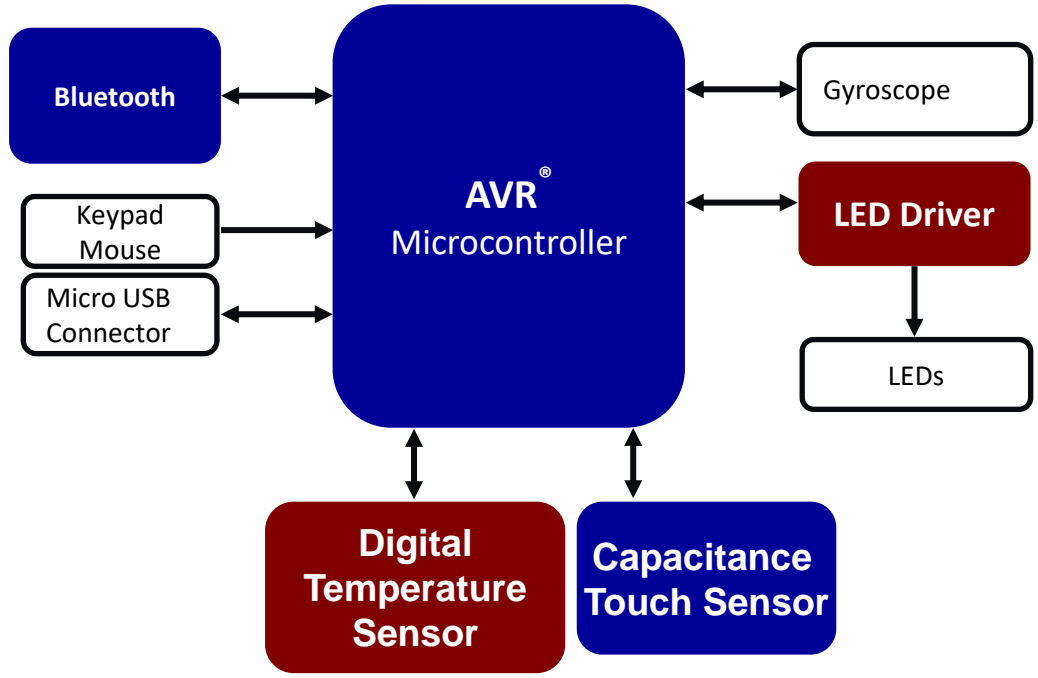
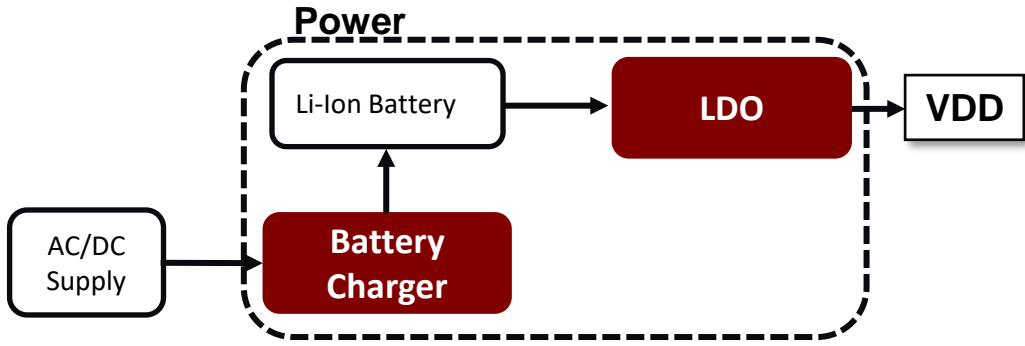
MCP1643

Popular Products	Description	Product Web Page
MCP1643	<p>MCP1643 is a compact, high-efficiency, fixed frequency, synchronous step-up LED driver, that operates from one and two-cell alkaline and NiMH/NiCd batteries and can also drive two red/green/yellow series connection LEDs.</p> <ul style="list-style-type: none">❑ Constant current drive capability with a low component count, area-efficient circuit❑ 1 MHz PWM synchronous boost operation with up to 550 mA output current❑ Low-voltage reference input to maximize LED efficiency conversion (VFB = 120 mV)❑ Capable of start up with only 0.65V input, and continuous operation with an input above 0.5V❑ Low 1.2 μA shutdown current❑ Over-voltage protection halts device operation (floating output) if the LED fails or is disconnected❑ Up to 90% efficiency❑ 240 μs soft start time❑ Available in tiny footprint 8-lead 2x3 DFN or 8-pin MSOP packages	Click Here



Multifunction Compact Keyboard

(using AVR MCU)



<< BACK to CONTENTS



AVR 8-bit Microcontroller

- **Function: System control and decision making**

Popular Products	Description	Product Web Page
ATmega32L	The high-performance, low-power 8-bit AVR RISC-based microcontroller combines 32KB ISP flash memory with read-while-write capabilities, 1KB EEPROM, 2KB SRAM, 54/69 general purpose I/O lines, 32 general purpose working registers, a JTAG interface for boundary-scan and on-chip debugging/programming, three flexible timer/counters with compare modes, internal and external interrupts, serial programmable USART, a universal serial interface (USI) with start condition detector, an 8-channel 10-bit A/D converter, programmable watchdog timer with internal oscillator, SPI serial port, and five software selectable power saving modes. The device operates between 2.7-5.5V.	Click Here

<< BACK to BLOCK DIAGRAM



Battery Chargers

- **Function: Charge & monitor Lithium battery**

Popular Products	Description	Product Web Page
MCP731xx	The MCP73811/2 devices are linear charge management controllers that are designed to provide specific charge algorithms for single cell Li-Ion or Li-Polymer battery to achieve optimal capacity in the shortest charging time possible.	Click Here



LDO

- **Function: Provides regulated, low-noise supply voltages for the system**

Popular Products	Description	Product Web Page
MIC5353	The MIC5353 is a 500 mA, ceramic output cap stable, low output voltage, Low Dropout Regulator. The MIC5353 is packaged in very small 1.6x1.6mm DFN package. This part has high PSRR of 60dB with low output noise of 30 uVrms for noise sensitive applications	Click Here Click Here
MCP1703A	With 250 mA maximum output, MCP1703 works with input voltage of up to 16V and in combination with its low current consumption of 2 μ A	

[<< BACK to BLOCK DIAGRAM](#)



Digital Temperature Sensor

- **Function: Temperature measurement with digital output**

Popular Products	Description	Product Web Page Click Here
MCP9808	The MCP9808 converts temperatures between -20°C and +100°C to a digital word with $\pm 0.5^{\circ}\text{C}$ (max.) accuracy	



LED Driver

- **Function: Drive LEDs for backlighting**

Popular Products	Description	Product Web Page
MIC3263	The MIC3263 is a high-efficiency pulse-width modulation (PWM) boost switching regulator that is optimized for constant-current WLED driver backlighting applications. The MIC3263 drives six channels of up to ten WLEDs per channel. Each channel is matched in current to within $\pm 3\%$ for constant brightness across the screen and can be programmed from 15mA to 30mA. The MIC3263 provides a very flexible dimming control scheme with better accuracy and noise immunity.	Click Here



Capacitive Touch Solutions

- **Function: Adds touch input functionality**

Popular Products	Description	Product Web Page
maxTouch® Touchscreen Controllers	The maXTouch touch controller family provides a leading projected capacitive technology for touchscreens and touch pads. It supports single-finger, multi-fingers and gloved-finger operation. Regardless of the operating environment—hot or cold, dry or wet, noisy power supply or strong radiating surrounding devices—maXTouch controllers are designed for robust and reliable operation without compromising touch performance.	Click Here



Bluetooth

- **Function: Low power wireless connectivity**

Popular Products	Description	Product Web Page
ATSAMB11	The ATSAMB11 is an ultra-low power Bluetooth® SMART (BLE 4.1) System on a Chip with Integrated MCU, Transceiver, Modem, MAC, PA, TR Switch, and Power Management Unit (PMU). It is a standalone ARM® Cortex®-M0 applications processor with embedded Flash memory and BLE connectivity.	Click Here



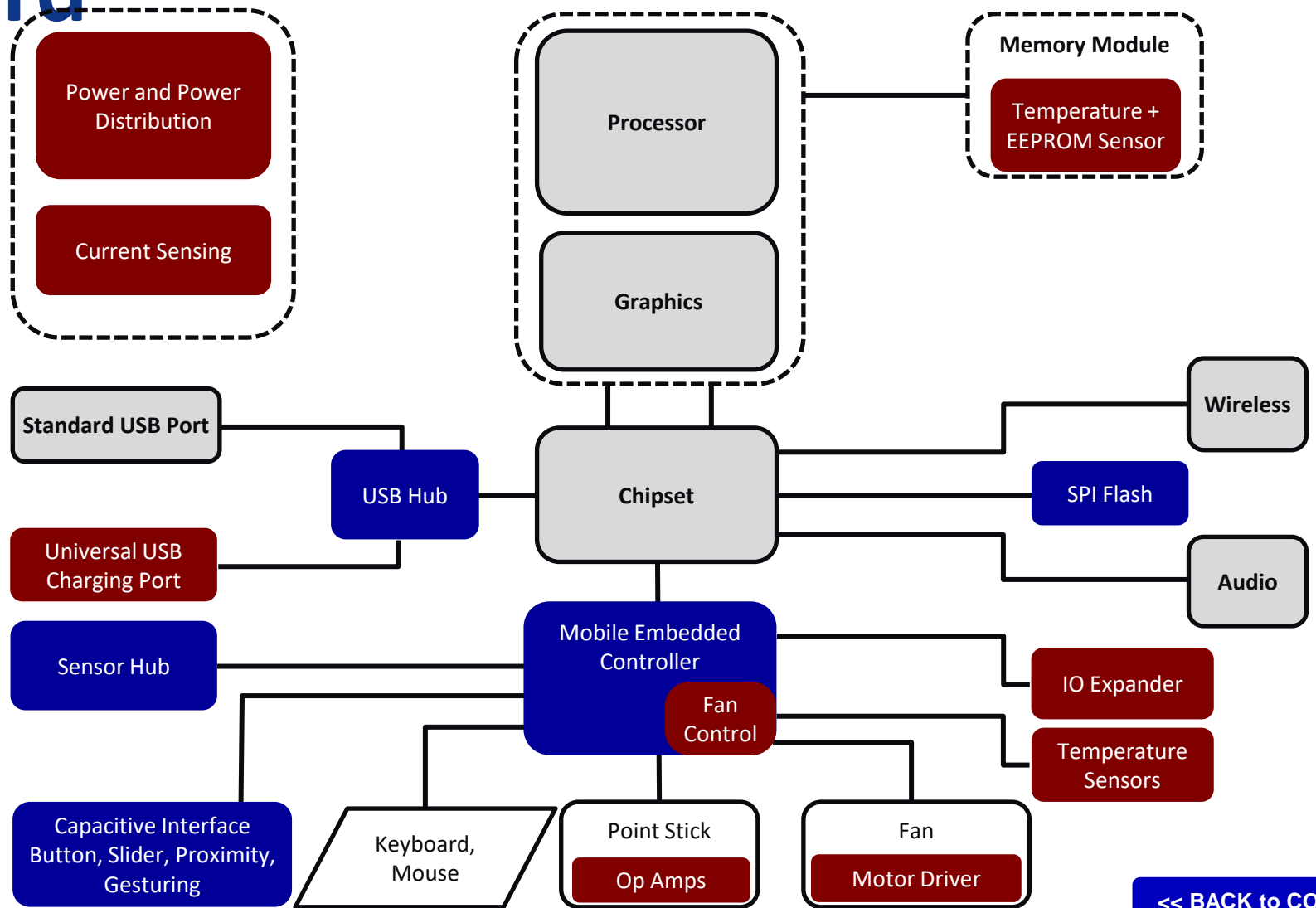
Notebook Computing

Main board



Notebook Computing

Main board



<< BACK to CONTENTS



Temperature Sensor

Function	Popular Products	Description	Product Web Page
Temperature Sensor	EMC141x	1°C Multi-Remote Temperature Sensors with Automatic Beta Compensation (3.3V SMBus) These sensors can monitor temperature up to 8 inches (24cm) away from the IC	Click Here
Temperature Sensor	EMC118x	1°C Multi-Remote Temperature Sensors with Automatic Beta Compensation (1.8V SMBus) These sensors can monitor temperature up to 8 inches (24cm) away from the IC	Click Here

<< BACK to BLOCK DIAGRAM



Fan Control

While some systems control fans from the embedded controller, other systems use stand-alone fan controller such as these.

Function	Popular Products	Description	Product Web Page
Fan Controller	EMC2103-1	The EMC2103-1 is a complete system thermal management system. It contains a single closed loop PWM fan driver with tachometer input, 2 temperature monitors, a shutdown and alert output, and an 8 entry fan speed look up table.	Click Here
Fan Controller	EMC2113	The EMC2113 is a complete system thermal management system. It contains a single closed loop PWM fan driver with tachometer input, 4 temperature monitors, a shutdown and alert output, and an 8 entry fan speed look up table.	Click Here

<< BACK to BLOCK DIAGRAM



Temperature Sensor with EEPROM for SPD

JEDEC DIMM module specifications have defined temperature sensors with EEPROM. The devices below can be used for this purpose or for data logging

Function	Popular Products	Description	Product Web Page
Temperature Sensor with EEPROM	MCP98243	The MCP98243 meets JEDEC's JC42.4-TSE2002B3 with 2K bit serial EEPROM. Along with a wide operating voltage range of 1.8V -5.5V, this device meets class B accuracy with $\pm 0.2^{\circ}\text{C}/\pm 1^{\circ}\text{C}$ (typ./max.) from $+75^{\circ}\text{C}$ to $+95^{\circ}\text{C}$	Click Here
Temperature Sensor with EEPROM	MCP98244	The MCP98244 meets JC42.4-TSE2004B1 with 4K bit serial EEPROM. Along with a wide operating voltage range of 1.8V -5.5V, this device meets class B accuracy with $\pm 0.2^{\circ}\text{C}/\pm 1^{\circ}\text{C}$ (typ./max.) from $+75^{\circ}\text{C}$ to $+95^{\circ}\text{C}$	Click Here



Universal USB Charging Port

USB charging is becoming more complicated as it becomes more ubiquitous. The device below can be uniquely configure for a discovery phase for new products, measure current, and be implemented in a system to allow for charging profile updates

Function	Popular Products	Description	Product Web Page
USB Port Power Controller	UCS1003	This USB port power controller turns USB ports into universal charging ports. The UCS1003 uniquely combines a power switch and high speed switch with programmability and current measurement. Using the 9 built-in charging profiles and 1 programmable profile, a system designer can create an updateable USB charging port for new products yet to come. The current measurement function can be used to search for the highest charging current on unknown devices.	Click Here



Op Amps

Point sticks on notebooks send analog signals through multiple Op Amps for signal conditioning before the signal reaches a controller. The devices below have been used for this function

Function	Popular Products	Description	Product Web Page
Op Amp for point stick or joy stick	MCP6L4T-E/ST	The MCP6L4 quad operational amplifier (op amp) has a gain bandwidth product of 2.8 MHz with low typical operating current of 200 μ A. This device has a low input offset voltage of 3 mV.	Click Here
Op Amp for point stick or joy stick	MCP6L2T-E/MS	The MCP6L2 dual operational amplifier (op amp) has a gain bandwidth product of 2.8 MHz with low typical operating current of 200 μ A. This device has a low input offset voltage of 3 mV.	Click Here



IO Expanders

IO Expanders are often used to insert additional functionality laptops that have an additional function version of a base model

Function	Popular Products	Description	Product Web Page
IO Expander	MCP23017-E/ML	This is a 16-bit I/O port consisting of two 8-bit ports. The system master can enable the I/Os as either inputs or outputs over the I ² C. The data for each input or output is kept in the corresponding input or output register. All data is readable over the I ² C with 2 configurable interrupts to limit the need for polling registers.	Click Here
IO Expander	ECE1088 ECE1099 ECE1105	ECE1088 has 20 GPIOs ECE1099 has 32 GPIOs and 23:8 keyscan ECE1105 has 40 GPIOs, 23:8 keyscan, & 2 PS/2	Click Here

[<< BACK to BLOCK DIAGRAM](#)



Current Sensing

Current is normally measured using one of two types of devices. First is via an inexpensive op amp with a feedback loop configured for the sense resistor and range possible currents. Second is with a high-side current sensor. Microchip offers this second type of device with an SMBus/I2C interface.

Function	Popular Products	Description	Product Web Page
Op Amps for Current Sensing	MCP6021/3 MCP6291/3	Theses op amps have a gain bandwidth of 10 MHz with a low typical operating current of 1mA and an offset voltage that is less than 150 μ V	MCP602x MCP629x
High Side Current Sensing	EMC170x PAC1710 PAC1720 PAC1921	Exceptionally well-qualified for the task of measuring dynamic power Longer Sampling Intervals than the industry norm Sensors excel at collecting and reporting all available data Sensors also include alert outputs to safe guard systems from out of limit and transient events	Parametric Table



Motor Driver

Function	Popular Products	Description	Product Web Page
Motor Driver	MTD6505	<p>The MTD6505 is a 3-phase full-wave sensorless driver for brushless DC (BLDC) motors. It features 180° sinusoidal drive, high torque output and silent drive. With the adaptive features, parameters and wide range of power-supplies (2V to 5.5V), the MTD6505 is intended to cover a broad range of motor characteristics, while requiring minimum external components. Speed control can be achieved through either power supply modulation (PSM) or pulse-width modulation (PWM). The frequency generator (FG) output enables precision speed control in closed-loop applications. The MTD6505 device includes Lockup Protection mode to turn off the output current when the motor is in a lock condition, with an automatic recovery feature.</p>	Click Here



Mobile Embedded Controllers

Function	Popular Products	Description	Product Web Page
Mobile Embedded Controller	MEC1308	8-bit embedded controller with 64k bytes SRAM, 2 SMBus, 4 PWMs, 2 tachs, 1 serial, ADC, 55 GPIOs, RC-6, 1SMSC BC-Link, 4 PS/2, SPI Flash Memory interface	Click Here
Mobile Embedded Controller	MEC1312	8-bit embedded controller with 96k bytes SRAM, 3 SMBus, PECL, 4 PWMs, 2 tachs, 1 serial, ADC, 63 GPIOs, 1SMS CBC-Link, 4 PS/2, SPI Flash Memory interface	Click Here
Mobile Embedded Controller	MEC1620	32-bit embedded controller with 192k bytes of embedded flash, 1k bytes EEPROM, 16k bytes SRAM, 16 ADC, connected standby, 3 SMBus, 2 SPI, 16 PWM, 6 tachs, 1 serial, HDMI-CEC, 153 GPIOs	Click Here

[<< BACK to BLOCK DIAGRAM](#)



Sensor Hub

Function	Popular Products	Description	Product Web Page
Sensor Hub	SSC7102	<p>The SSC7102 sensor fusion hub is a Windows 8.1 certified, HID over I²C, low-power, flexible, turnkey solution. SSC7102 makes implementing sensor fusion easy for ultrabooks, tablets, and smartphones. Microchip partnered with multiple industry-leading sensor manufacturers and sensor-fusion specialists to create this solution, enabling faster time to market without the need for sensor-fusion expertise. The SSC7102 consumes only ~4mA while running complex sensor-fusion algorithms, resulting in longer battery life for Windows 8.1 tablet, laptop, ultrabook, and smart phone applications.</p>	Click Here



USB 2.0 and 3.0 Hubs

Function	Popular Products	Description	Product Web Page
USB 3.0 Hub	USB553xB	These are 2/3/4/7-port hub controllers are SuperSpeed /Hi-Speed, configurable and compliant with USB 3.0. USB 3.0 traffic can also operate in parallel with a USB 2.0 traffic without being not affected by slower data.	Click Here
USB 2.0 Hub	USB251xB	These 2/3/4 port USB 2.0 hub controllers excel at data throughput in mixed-speed USB environments. Programmable features include PortMap, PortSwap, and PHYBoost to simplify PCB layout & optimize BOM cost.	Click Here
USB 2.0 Hub	USB2534	This 4 port hub is compliant with the USB 2.0 and Link Power Management. It provides an additional USB endpoint for use as a USB to I2C interface, allowing external devices to be monitored, controlled, or configured via USB.	Click Here
USB2.0 or HSIC	USB4604	This is an OEM configurable USB 2.0 hub controller with 4 downstream ports. It is compliant with the USB 2.0, USB 2.0 Link Power Management & High-Speed Inter-Chip	Click Here

[<< BACK to BLOCK DIAGRAM](#)



Capacitive Sensing and Gesturing

Function	Popular Products	Description	Product Web Page
Proximity, Buttons, and Sliders	Various	Microchip offers both turnkey products for a no code development plug-and-play solution, as well as a proven robust firmware solution that leverage our vast PIC microcontroller portfolio. Our broad range of solutions include high sensitivity proximity detection, keys, sliders, Metal-over-Capacitive (MoC) touch sensing and more	Click Here
Gesturing	Various	Microchip's patented GestIC technology unleashes the 3rd dimension for the realization of revolutionary new User Interfaces. Our E-field sensing technology detects the proximity of a human hand and gives accurate X-Y-Z coordinates and recognized 3D gestures.	Click Here



SPI Flash

Function	Popular Products	Description	Product Web Page
SPI Flash	Various	<p>Microchip's Serial Quad Interface (SQI™) and SPI flash memories are manufactured with our proprietary, high performance CMOS SuperFlash® Technology, significantly improving performance (erase any block in less than 25ms) and reliability (100 years data retention) while lowering power consumption.</p> <ul style="list-style-type: none">• 512Kb-64Mb in 3V and multiple densities in 1.8V• SQI™ flash – Up to 104MHz and includes advanced security features	Click Here

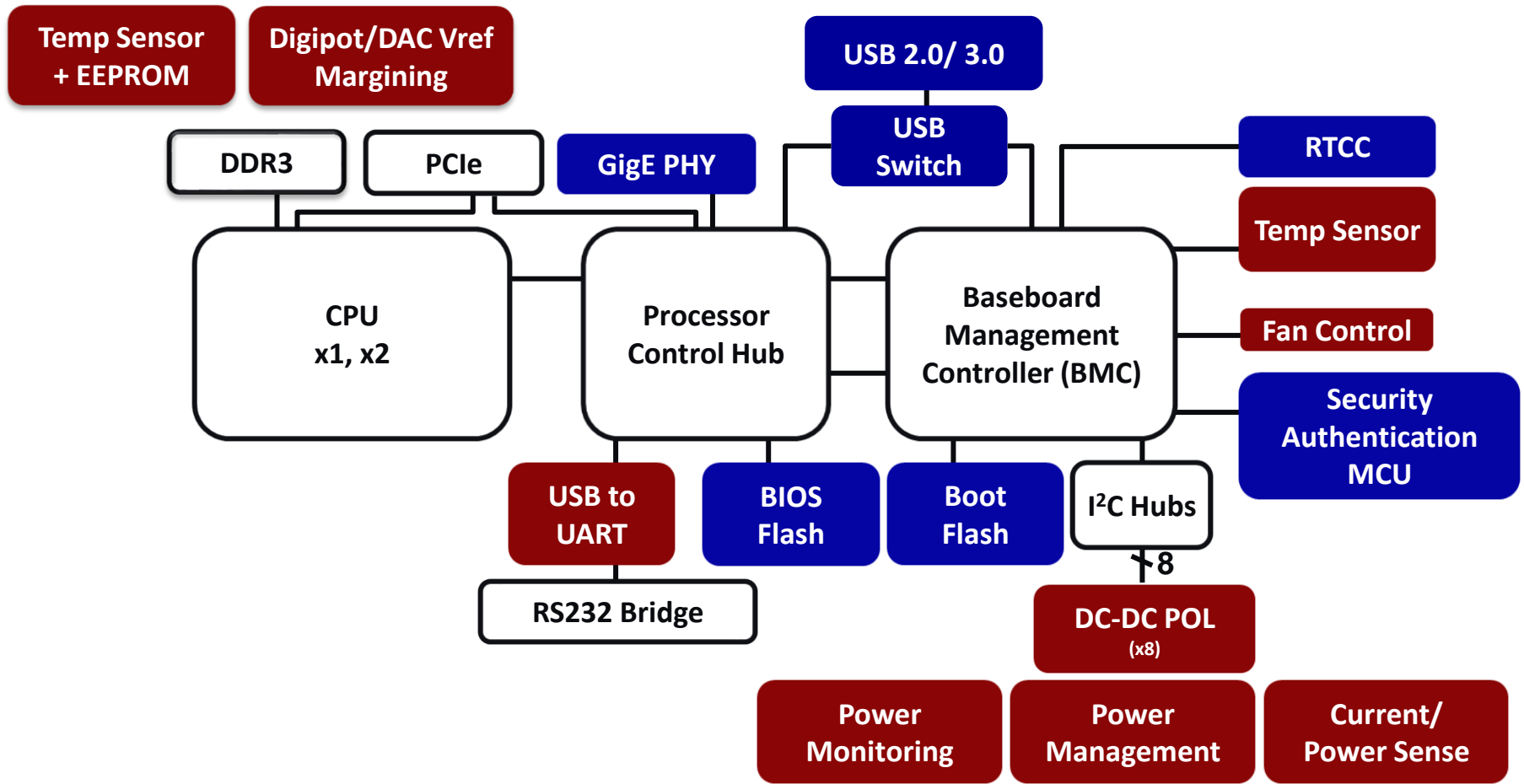


Servers

Main board



Servers



<< BACK to CONTENTS



Temperature Sensor

Popular Products	Description	Product Web Page
EMC141x	1°C Multi-Remote Temperature Sensors with Automatic Beta Compensation (3.3V SMBus) These sensors can monitor temperature up to 8 inches (24cm) away from the IC	Click Here
EMC1428	The EMC1428 is a high accuracy, low cost, System Management Bus (SMBus) temperature sensor. Each device provides $\pm 1^\circ$ accuracy for external diode temperatures and $\pm 2^\circ\text{C}$ accuracy for the internal diode temperature. The EMC1428 monitors up to eight temperature channels (up to seven external and one internal).	Click Here

[<< BACK to BLOCK DIAGRAM](#)



Fan Control

While some systems control fans from the embedded controller, other systems use stand-alone fan controller such as these.

Popular Products	Description	Product Web Page
EMC230x	<p>The EMC230x is an SMBus compliant fan controller with up to five independently controlled PWM fan drivers. Each fan driver is controlled by a programmable frequency PWM driver and Fan Speed Control algorithm that operates in either a closed loop fashion or as a directly PWM-controlled device. The closed loop Fan Speed Control algorithm (FSC) has the capability to detect aging fans and alert the system. It will likewise detect stalled or locked fans and trigger an interrupt. Additionally, the EMC230x offers a clock output so that multiple devices may be chained and slaved to the same clock source for optimal performance in large distributed systems.</p>	Click Here



Current Sensor

Popular Products	Description	Product Web Page
PAC1710	The PAC1710 is a high-side bi-directional current sensing monitor with precision voltage measurement capabilities. The power monitor measures the voltage developed across an external sense resistor to represent the high-side current of a battery or voltage regulator.	Click Here
PAC1720	The PAC1720 is a dual high-side bi-directional current sensing monitor with precision voltage measurement capabilities. Each sensor measures the voltage developed across an external sense resistor to represent the high-side current of a battery or voltage regulator.	Click Here
PAC1921	The PAC1921 is a dedicated power-monitoring device with a configurable analog output that can present power, current or voltage. The PAC1921 is designed for power measurement and diagnostic systems that cannot allow for latency when performing high-speed power management.	Click Here

[<< BACK to BLOCK DIAGRAM](#)



Temperature Sensor with EEPROM

JEDEC DIMM module specifications have defined temperature sensors with EEPROM. The devices below can be used for this purpose or for data logging

Function	Popular Products	Description	Product Web Page
Temperature Sensor with EEPROM	MCP98243	The MCP98243 meets JEDEC's JC42.4-TSE2002B3 with 2K bit serial EEPROM. Along with a wide operating voltage range of 1.8V -5.5V, this device meets class B accuracy with $\pm 0.2^{\circ}\text{C}/\pm 1^{\circ}\text{C}$ (typ./max.) from $+75^{\circ}\text{C}$ to $+95^{\circ}\text{C}$	Click Here
Temperature Sensor with EEPROM	MCP98244	The MCP98244 meets JC42.4-TSE2004B1 with 4K bit serial EEPROM. Along with a wide operating voltage range of 1.8V -5.5V, this device meets class B accuracy with $\pm 0.2^{\circ}\text{C}/\pm 1^{\circ}\text{C}$ (typ./max.) from $+75^{\circ}\text{C}$ to $+95^{\circ}\text{C}$	Click Here

[<< BACK to BLOCK DIAGRAM](#)



Digital Potentiometers/ DAC

Function	Popular Products	Description	Product Web Page
DAC	MCP47DA1	The MCP47DA1 devices are volatile, 6-Bit digital Digital-to-Analog converter(DAC)with a windowed output for server voltage margining applications. The MCP47DA1 has a windowed output (1/3 to 2/3 of VREF). The DAC setting is controlled through an I2C™Compatible serial interface. The I2C™Compatible slave addresses of “010 1110” and “011 1110” are supported.	Click Here
Digital Potentiometer	MCP40D18	The MCP40D17/8/9 devices offer a wide range of product offerings using an I2C™Compatible interface. This family of devices support a 7-bit resistor network, volatile memory configuration, and potentiometer and rheostat pinouts. This device family is offered in miniature 5 and 6 lead SC-70 packaging.	Click Here

[<< BACK to BLOCK DIAGRAM](#)



USB to UART

Popular Products	Description	Product Web Page
MCP2200	The MCP2200 is a USB-to-UART serial converter which enables USB connectivity in application that have a UART interface. The device reduces external components by integrating the USB termination resistors. The MCP2200 also has 256-bytes of integrated user EEPROM. The MCP2200 has eight general purpose input / output pins. Four of the pins have alternate functions to indicate USB and communication status.	Click Here



USB Hubs

Function	Popular Products	Description	Product Web Page
USB 3.0 Hub	USB553xB	These are 2/3/4/7-port hub controllers are SuperSpeed /Hi-Speed, configurable and compliant with USB 3.0. USB 3.0 traffic can also operate in parallel with a USB 2.0 traffic without being not affected by slower data.	Click Here
USB 2.0 Hub	USB251xB	These 2/3/4 port USB 2.0 hub controllers excel at data throughput in mixed-speed USB environments. Programmable features include PortMap, PortSwap, and PHYBoost to simplify PCB layout & optimize BOM cost.	Click Here
USB 2.0 Hub	USB2534	This 4 port hub is compliant with the USB 2.0 and Link Power Management. It provides an additional USB endpoint for use as a USB to I2C interface, allowing external devices to be monitored, controlled, or configured via USB.	Click Here
USB2.0 or HSIC	USB4604	This is an OEM configurable USB 2.0 hub controller with 4 downstream ports. It is compliant with the USB 2.0, USB 2.0 Link Power Management & High-Speed Inter-Chip	Click Here

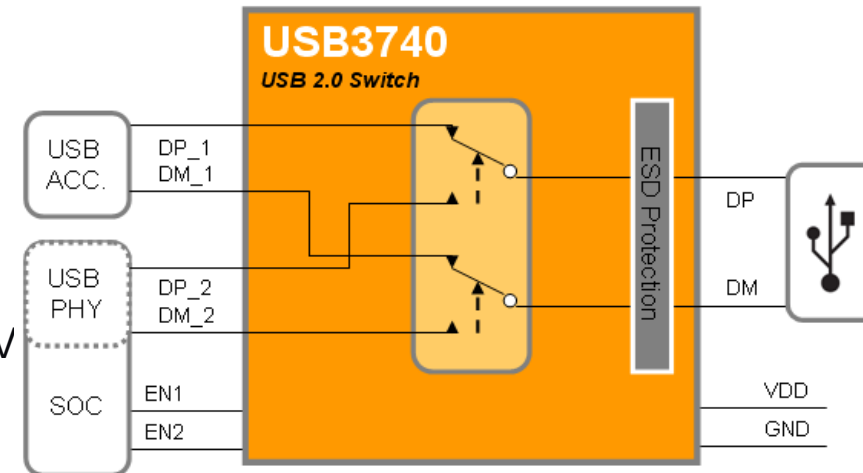
[<< BACK to BLOCK DIAGRAM](#)



USB3740

Features:

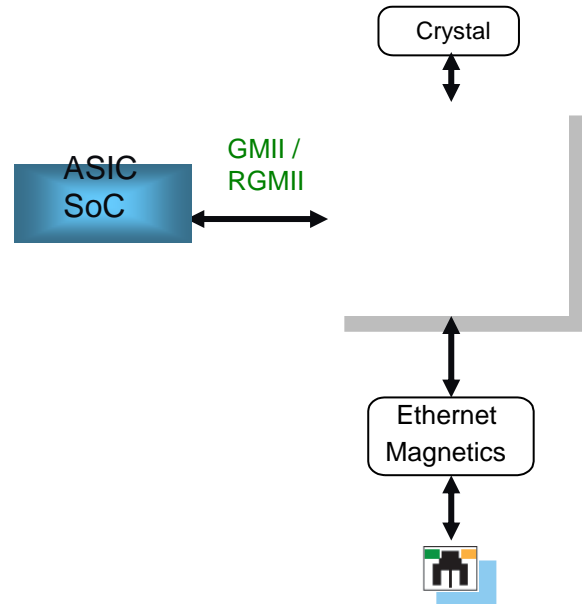
- High-bandwidth USB 2.0 Switch with Dual Enables
 - For high-speed USB 2.0 data
- Multiplex differential outputs from a USB host device to one of two corresponding outputs
 - Enable DP/DM multiplexing
 - Flexible solution for embedded applications
- Ultra-low Current Consumption
 - Active (switch ON) = 5 μ A ($V_{cc} = 3V$)
 - Standby (switch OFF) = 0.01 μ A ($V_{cc} = 3V$)
- Competitive USB 2.0 Switch Specifications
 - Designed to pass USB signals from 0 to 3.3V
 - USB Mux on resistance < 6 ohms
 - USB Mux off leakage < 0.5 μ A
 - Off isolation < -40 dB
 - On capacitance < 6 pF
 - High bandwidth: 1 GHz
- Extreme ESD Protection ± 15 kV (IEC)
- Package:
 - 10-lead 1.3 mm x 1.8 mm QFN with 0.4 mm pitch
 - 10-lead 1.6 mm x 2.1 mm QFN with 0.5 mm pitch



[<< BACK to BLOCK DIAGRAM](#)



Gigabit Ethernet



KSZ9031 Features

- Small Footprint, Low Power
- Auto-MDIX support with IEEE 802.3 specs at 10/100/1000 Mbps operation
- Supports CAT-5 unshielded twisted pair (UTP)
- On-chip termination resistors
- Flexible configurations for LED status indicators
- Features Energy Efficient Ethernet (802.3az)
- Wake on LAN support (WOL)
- Link status change and wake-up detection
- Lead free ROHS compliant packages:
 - KSZ9031RNX: 48QFN 7x7mm (RGMII)
 - KSZ9031MNX: 64QFN 8x8mm (GMII)
- Temperature Range:
 - Commercial 0°C to +70°C
 - Industrial -40°C to +85°C
 - Automotive -40°C to +105°C

<< BACK to BLOCK DIAGRAM



PIC24F128GB204 Product Family with Security

- **What's new:**

- AES / DES HW encryption
- OTP key storage
- Random Number Generator
- UART with ISO7816

- **Highlights**

- 64 to 128KB Flash
- 8KB RAM
- 28 to 44pins
- XLP low power with Vbat

- **Peripherals**

- USB OTG
- 4 UARTs w/ ISO7816
- 3 SPI w/ I²S, 2 I²C™
- 12-bit ADC, 12ch
- CTMU
- 5 16-bit Timer
- 6 IC, 6 OC

[<< BACK to BLOCK DIAGRAM](#)



RTCC

Popular Products	Description	Product Web Page
MCP79410	<p>The MCP79410 general purpose I2C™Compatible real-time clock/calendar (RTCC) is highly integrated with nonvolatile memory and advanced features normally found in higher priced devices. These features include a battery switchover circuit for backup power, a timestamp to log power failures and digital trimming for accuracy.</p> <p>In addition, non-volatile memory is included along with a Unique ID in a locked section of EEPROM that can be unlocked and programmed by the End User.</p>	Click Here



BIOS and BOOT Flash

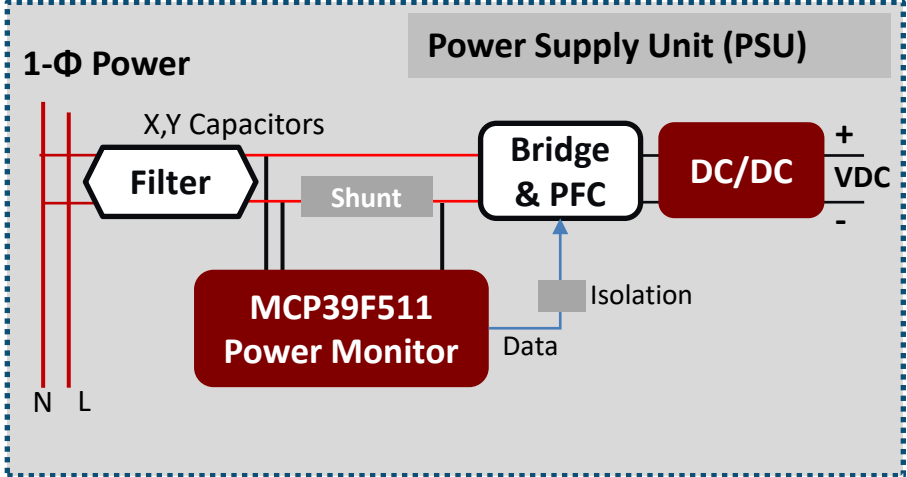
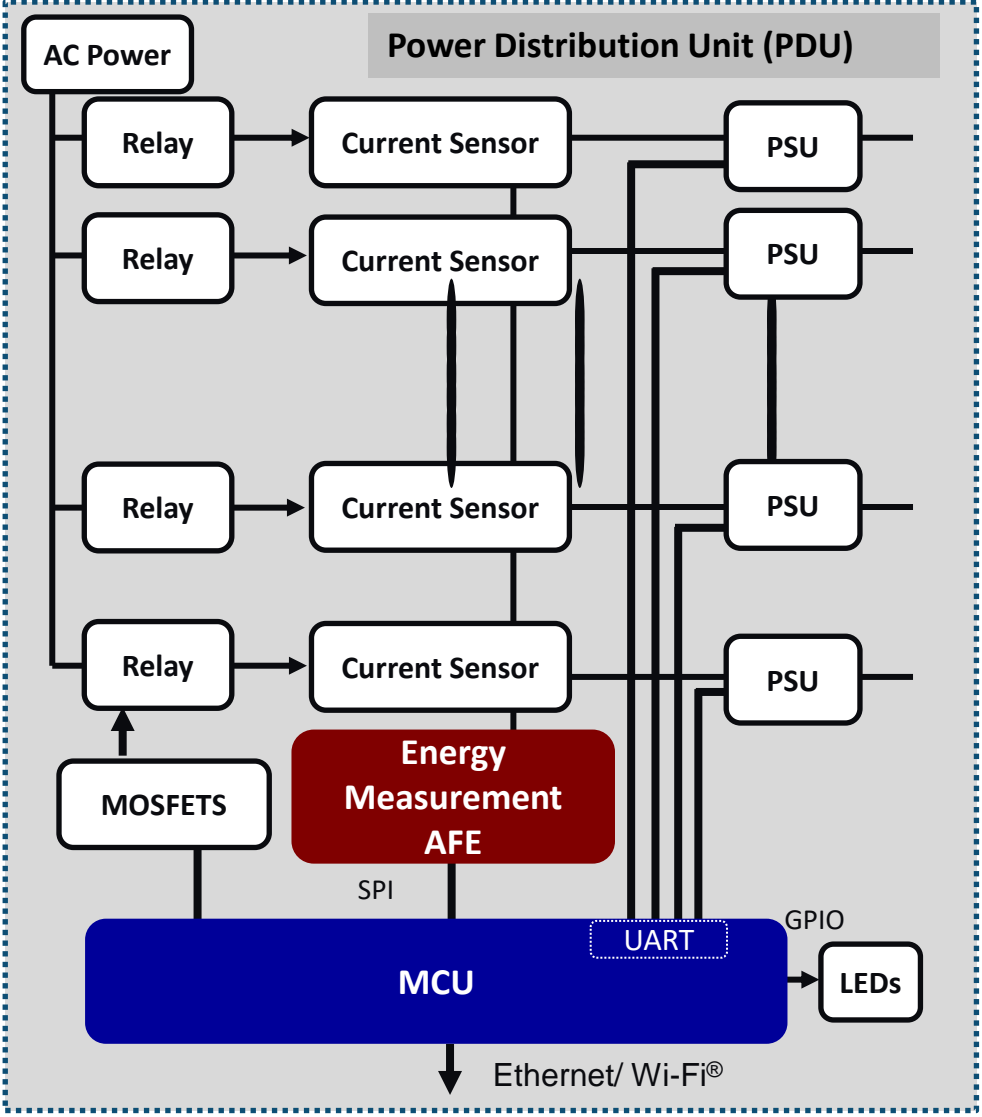
Popular Products	Description	Product Web Page
SST26VF032B	<p>The SST26VF032B/032BA Serial Quad I/O (SQI) flash device utilizes a 4-bit multiplexed I/O serial interface to boost performance while maintaining the compact form factor of standard serial flash devices. SST26VF032B/032BA also support full command-set compatibility to traditional Serial Peripheral Interface (SPI) protocol. Operating at frequencies reaching 104 MHz, the SST26VF032B/032BA enables minimum latency execute-in-place (XIP) capability without the need for code shadowing on an SRAM. The device's high performance and reliability make it the ideal choice for Network Appliance, DSL and Cable Modems, Wireless Lan, Computing, Digital TV, Smart Meter, Server, Set Top Box, Automotive and other Industrial applications.</p>	Click Here



Power Monitoring



Power Monitoring



<< BACK to Servers

<< BACK to CONTENTS



MCP39F511

Popular Products	Description	Product Web Page
MCP39F511	<p>The MCP39F511 is a highly integrated, single-phase power-monitoring IC designed for real-time measurement of input power for AC/DC power supplies, providing power and energy values, as well as zero-crossing and event monitoring. It includes dual-channel delta sigma ADCs, a 16-bit calculation engine, EEPROM and a flexible 2-wire interface. An integrated low-drift voltage reference in addition to the 94.5 dB of SINAD performance on each measurement channel allows for better than 0.1% accurate designs across a 4000:1 dynamic range.</p>	Click Here



MCP3913/4

Popular Products	Description	Product Web Page
MCP3913/14	<p>The MCP3913/4 device is a 6 and 8-Ch Analog Front End (AFE), containing six synchronous sampling delta-sigma ADCs, six PGAs, phase delay compensation block, low-drift internal voltage reference, digital offset and gain error calibration registers, and high-speed 20 MHz SPI compatible serial interface. The MCP3913/4 AFEs include advanced security features to secure the communications and the configuration settings, such as a CRC-16 checksum on both serial data outputs and static register map configuration. It also includes a register-map lock through an 8-bit secure key to stop unwanted write commands from processing. The MCP3913/14 AFEs are capable of interfacing with a variety of voltage and current sensors, including shunts, current transformers, Rogowski coils and Hall-effect sensors.</p>	Click Here



Microcontroller

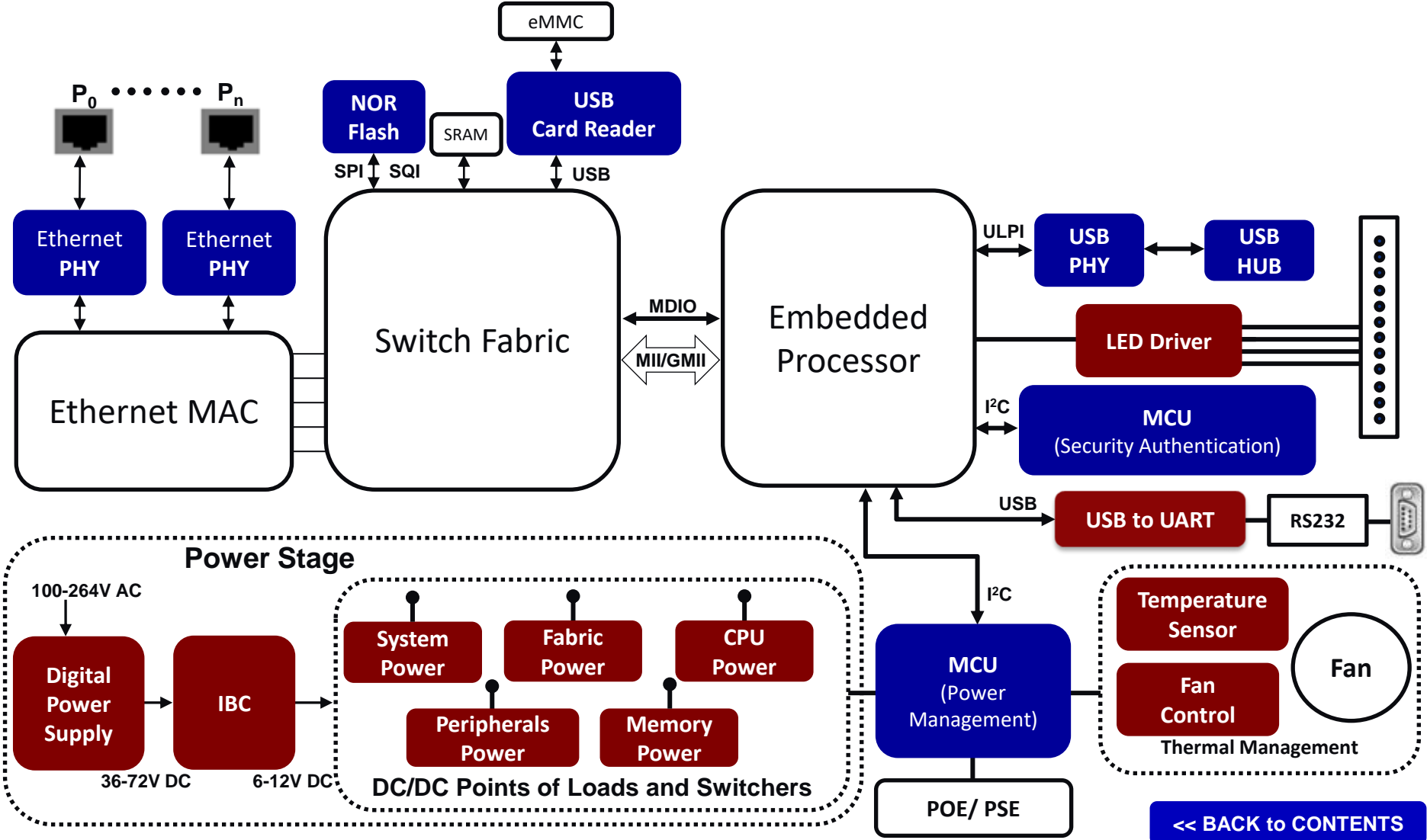
Popular Products	Description	Product Web Page
PIC32MX	32-bit Microcontrollers (up to 512 KB Flash and 128 KB SRAM) with Graphics Interface, USB, CAN, and Ethernet.	Click Here
PIC24F	The PIC24F microcontroller family features cost effective, 16 MIPS 16-bit MCU performance and many devices with Microchip's eXtreme Low Power Technology. Unique features include USB-OTG, to act as a USB Device or Host, a Charge Time Measurement Unit (CTMU) that allows precision time measurement, capacitive measurement for mTouch™ applications and an integrated graphics or segmented display controller. The PIC24 Lite family (PIC24FxxKxxx) features lowest cost and lowest power in small pin count options, with integrated EEPROM, Op Amps, DACs, flexible PWMs and Configurable Logic Cell (CLC) for real time logic control.	Click Here



Ethernet Switch



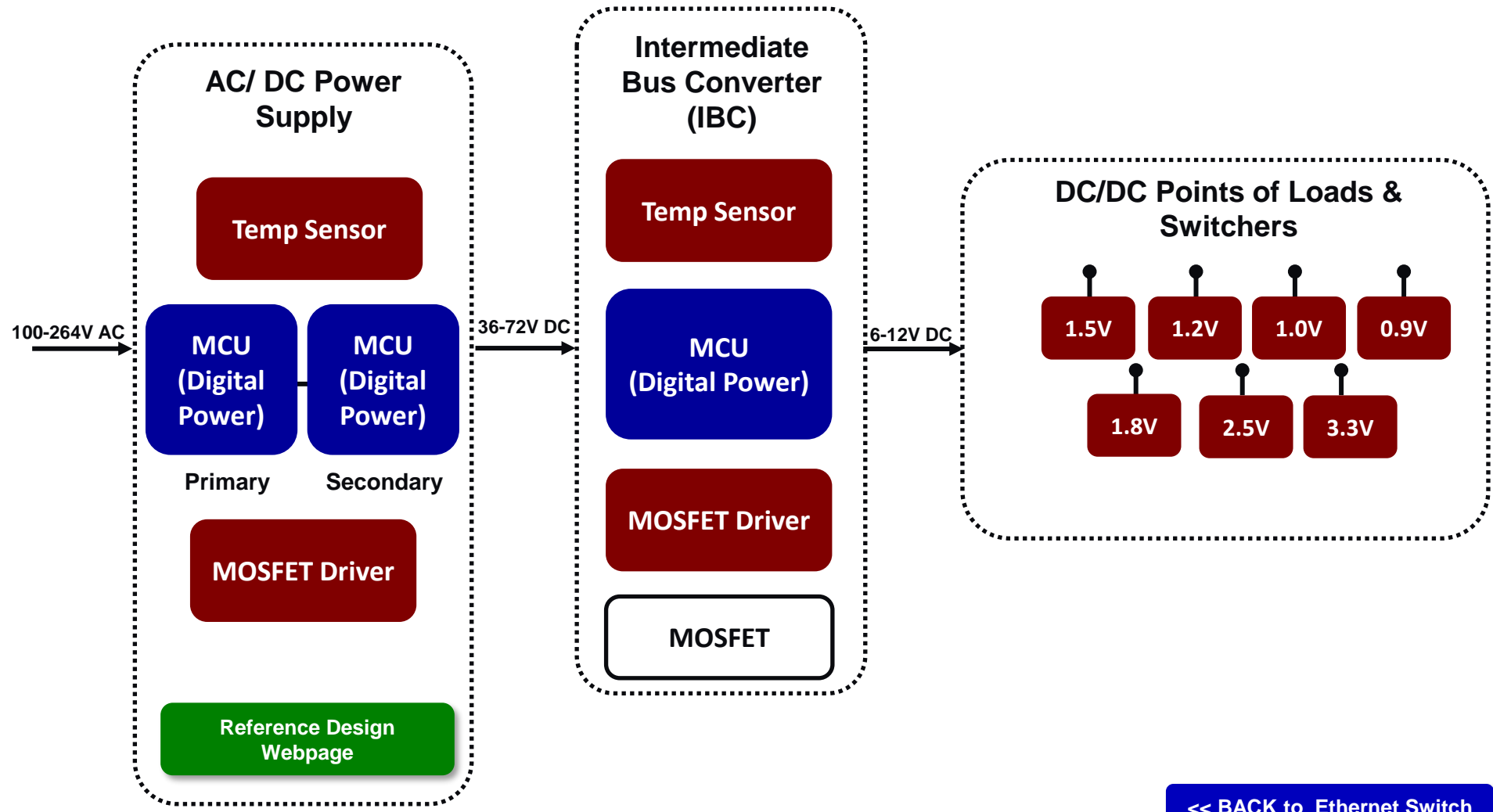
Ethernet Switch



<< BACK to CONTENTS



Power Stage (Ethernet Switch)



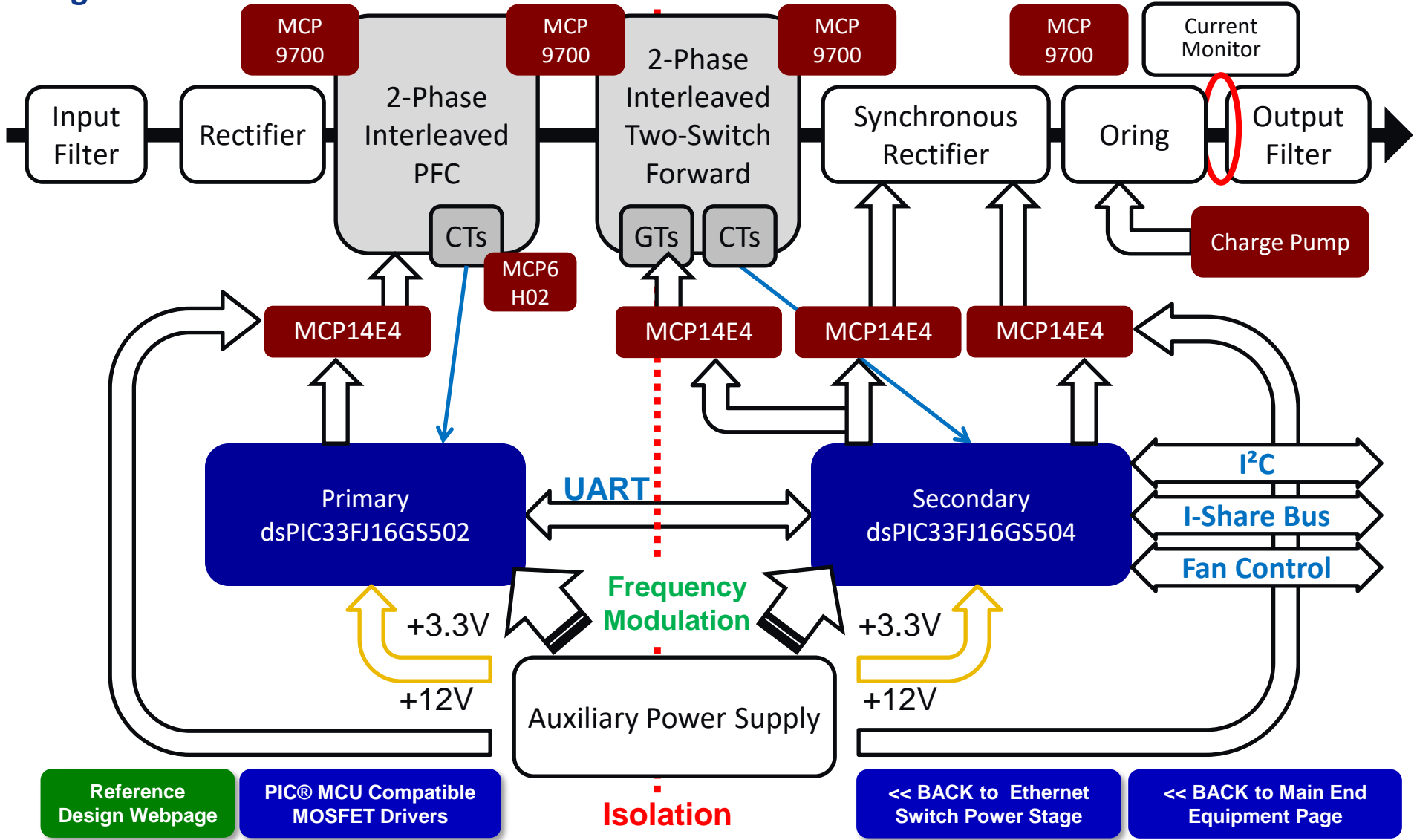
<< BACK to Ethernet Switch



720W AC/DC Power Supply

Reference Design

High-Level Block Diagram



USB 2.0 and 3.0 Hubs

Function	Popular Products	Description	Product Web Page
USB 3.0 Hub	USB553xB	These are 2/3/4/7-port hub controllers are SuperSpeed /Hi-Speed, configurable and compliant with USB 3.0. USB 3.0 traffic can also operate in parallel with a USB 2.0 traffic without being not affected by slower data.	Click Here
USB 2.0 Hub	USB251xB	These 2/3/4 port USB 2.0 hub controllers excel at data throughput in mixed-speed USB environments. Programmable features include PortMap, PortSwap, and PHYBoost to simplify PCB layout & optimize BOM cost.	Click Here
USB 2.0 Hub	USB2534	This 4 port hub is compliant with the USB 2.0 and Link Power Management. It provides an additional USB endpoint for use as a USB to I2C interface, allowing external devices to be monitored, controlled, or configured via USB.	Click Here
USB2.0 or HSIC	USB4604	This is an OEM configurable USB 2.0 hub controller with 4 downstream ports. It is compliant with the USB 2.0, USB 2.0 Link Power Management & High-Speed Inter-Chip	Click Here

[<< BACK to BLOCK DIAGRAM](#)



USB-to-UART/SPI

- **Function: Enables USB connectivity in applications that have UART/SPI interface**

Popular Products	Description	Product Web Page
MCP2200	The MCP2200 is a USB-to-UART serial converter. The device reduces external components by integrating the USB termination resistors. The MCP2200 also has 256-bytes of integrated user EEPROM. The MCP2200 has eight general purpose input / output pins. Four of the pins have alternate functions to indicate USB and communication status.	Click Here
MCP2210	The MCP2210 is a USB-to-SPI Master converter. The device reduces external components by integrating the USB termination resistors. The MCP2210 also has 256 bytes of integrated user EEPROM. The MCP2210 has nine general purpose input/output pins. Seven pins have alternate functions to indicate USB and communication status.	Click Here

[<< BACK to BLOCK DIAGRAM](#)



USB Transceiver Product Overview

USB PHY Products	USB3450	USB3500	USB3280 USB3290	USB3300	USB334x	USB333x
PHY Interface	UTMI+ (Device or Host)	UTMI+ (Device, Host, or OTG)	UTMI (Device)	ULPI (Device, Host, or OTG)	ULPI (Device, Host, or OTG)	ULPI (Device, Host, or OTG)
HS & FS USB	Yes	Yes	Yes	Yes	Yes	Yes
LS USB	Yes	Yes	No	Yes	Yes	Yes
Data Interface	8 bit Bidir	8 bit Bidir	8 bit Bidir	8 bit Bidir	8 bit Bidir	8 bit Bidir
Internal Reg	Yes	Yes	Yes	Yes	Yes	Yes
Package Body size (mm)	40 QFN (6 x 6 x 0.9)	56 QFN (8 x 8 x 0.9)	36 QFN (6 x 6 x 0.9) 40 VFBGA (4 x 4 x 0.9)	32 QFN (5 x 5 x 0.9)	24 QFN (4 x 4 x 0.9) 25 BGA (3 x 3 x 0.8)	25 WLCSP (1.9 x 1.9 x 0.5)



[<< BACK to BLOCK DIAGRAM](#)

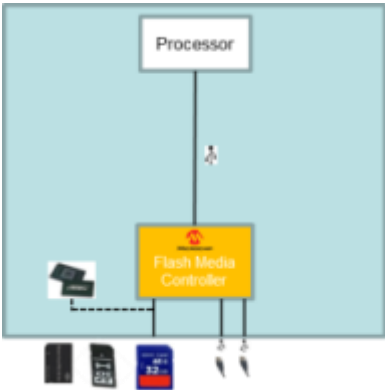


USB Flash Media Controller Overview

USB Card Reader Products	USB2244	USB2250	USB2640	USB2660	USB4640
Up Stream Interface	USB 2.0	USB 2.0	USB 2.0	USB 2.0	HSIC (USB 2.0)
Down Stream Output	SD, MMC	SD, MMC, CF, MS, xD	SD, MMC, MS, xD	2xSD, 2xMMC, MS, xD	SD, MMC, MS, xD
Down Stream USB Ports	None	None	2	2	2
Logical Units	1	1	1	1	1
Package Body size (mm)	36 QFN (6 x 6 x 0.9)	128 VTQDP (14 x 14 x 1.1)	48 QFN (7 x 7 x 0.9)	64 QFN (9 x 9 x 0.9)	48 QFN (7 x 7 x 0.9)

SD – SecureDigital, MMC – MultiMediaCard, CF – Compact Flash, MS – Memory Stick, xD – xD Picture Card

- **Ultra-fast flash media reader/writer for external memory card storage or embedded flash memory**
 - SD, MMC/eMMC, MS / MS-Pro / MS-Pro-HG, xD
- **USB interface for design ease and flexibility on placement**
- **USB port expansion options**



[<< BACK to BLOCK DIAGRAM](#)

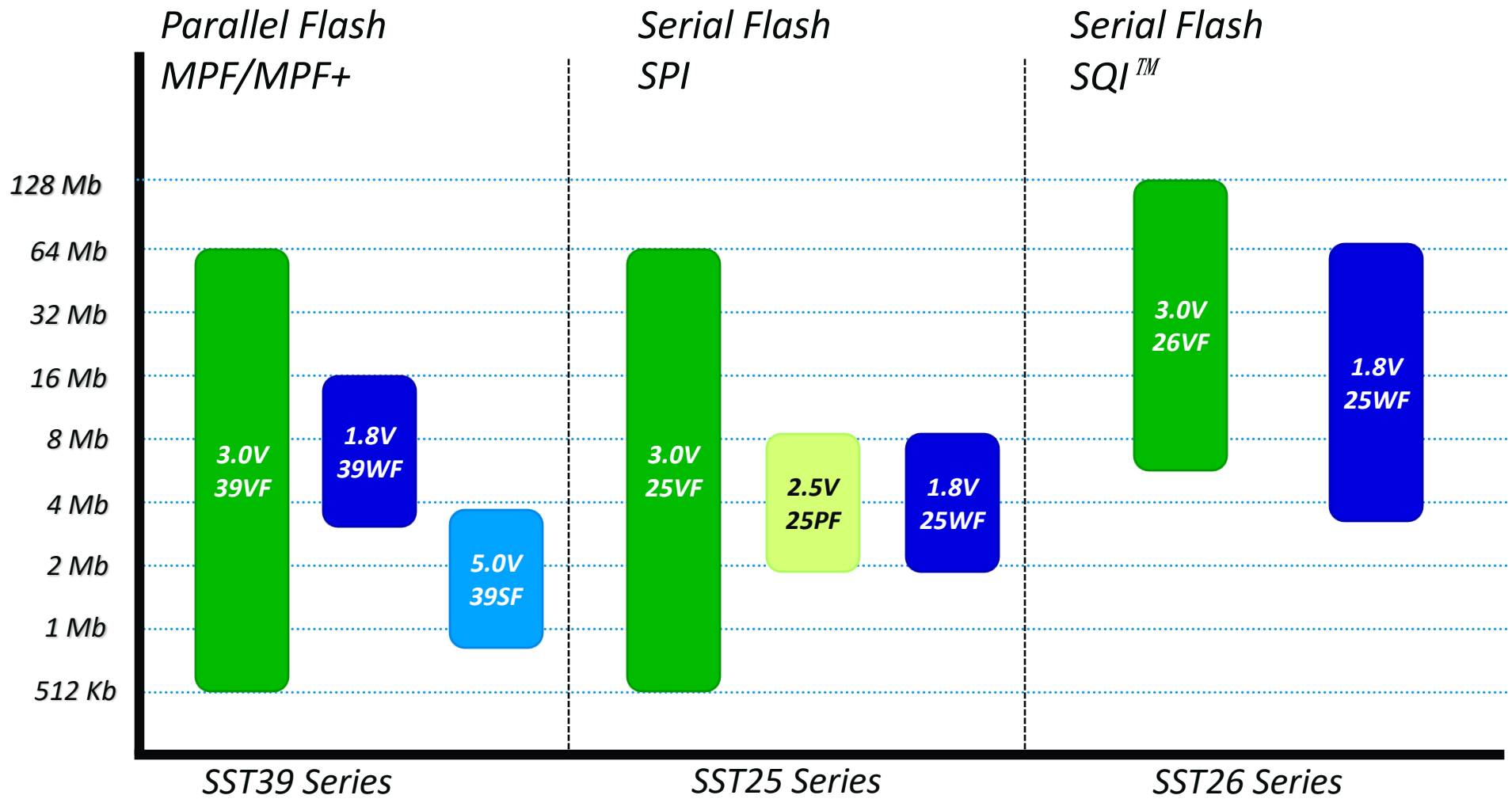


Ethernet Physical Layer

Popular Products	Description	Product Web Page
LAN8710A/20A	Excellent ESD Protection levels without any external protection devices. Integrated DSP with adaptive equalizer. Integrated 1.2V Linear Regulator. Incorporates SMSC flexPWR. Uses a low cost 25MHz xtal for RMII. Lead free ROHS compliant packages: Commercial (0 to +70C) and Industrial (-40 to +85C) temperature supported	Click Here
LAN8740A/1A/2A	Energy Efficient Ethernet 802.3az, Wake On LAN support (WoL), Cable Diagnostics, HP Auto-MDIX, Compliant with IEEE 802.3/802.3u, Integrated DSP with adaptive equalizer, Integrated 1.2V Linear Regulator, Uses a low cost 25MHz xtal for RMII Lead free ROHS compliant packages	Click Here



NOR Flash Product Offerings



<< BACK to BLOCK DIAGRAM



PIC24F128GB204 Product Family with Security

- **What's new:**

- AES / DES HW encryption
- OTP key storage
- Random Number Generator
- UART with ISO7816

- **Highlights**

- 64 to 128KB Flash
- 8KB RAM
- 28 to 44pins
- XLP low power with Vbat

- **Peripherals**

- USB OTG
- 4 UARTs w/ ISO7816
- 3 SPI w/ I²S, 2 I²C™
- 12-bit ADC, 12ch
- CTMU
- 5 16-bit Timer
- 6 IC, 6 OC

[<< BACK to BLOCK DIAGRAM](#)

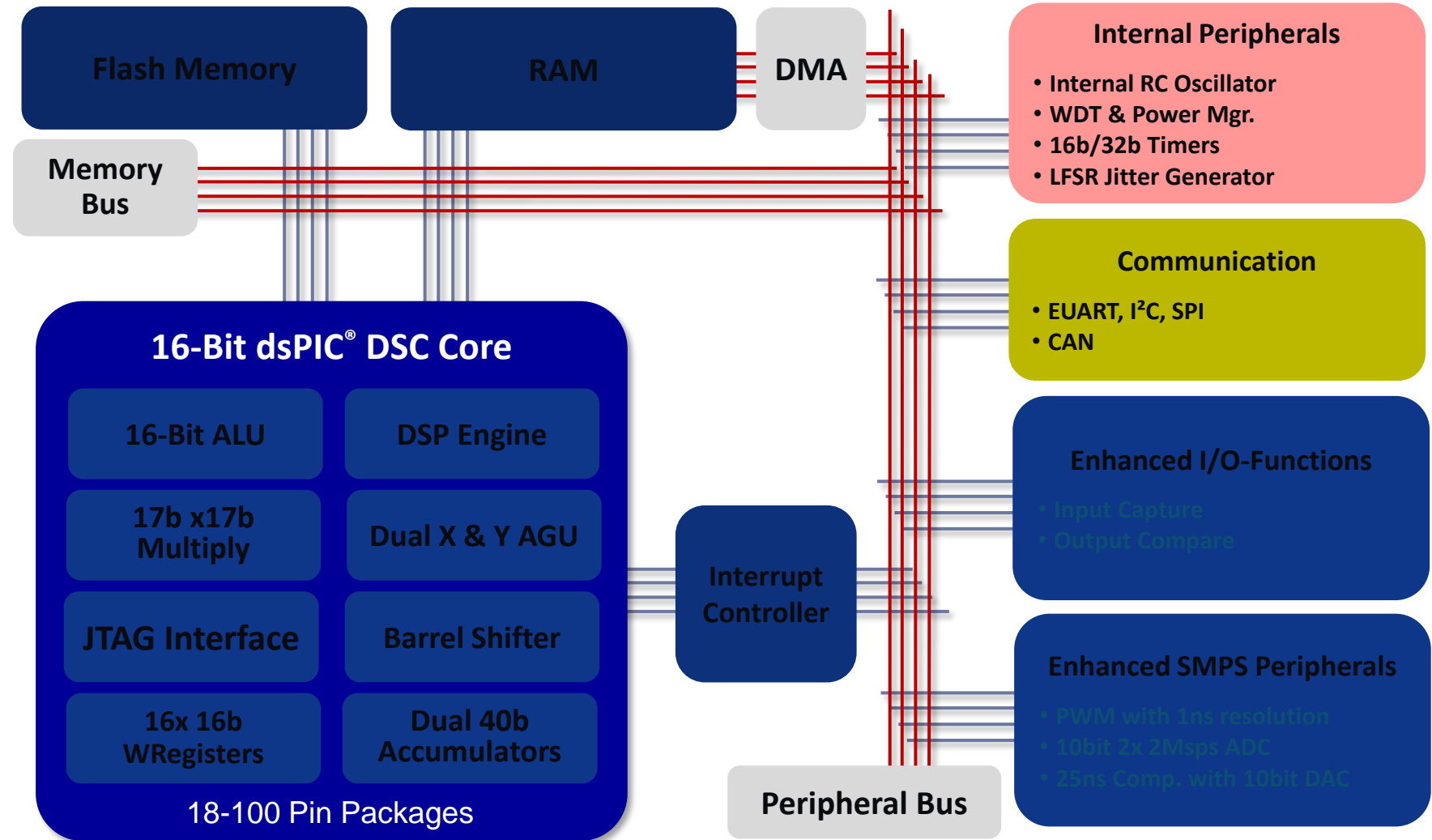


Thermal Management

Suggested Products	Description	Product Web page
MCP9700/ MCP9800/	Improves control of color temperature and detects disconnected LED channel. MCP9700 outputs analog voltage that is proportional to the temperature (-40C to 150C). MCP9800 outputs temperature data (-55C to 125C) via I ² C™/SMBus two-wire interface.	MCP9700 MCP9800
EMC2301	The EMC2301 is an SMBus compliant fan controller with a PWM fan driver. The fan driver is controlled by a programmable frequency PWM driver and Fan Speed Control algorithm that operates in either a closed loop fashion or as a directly PWM-controlled device and has the capability to detect aging fans and alert the system. It will likewise detect stalled or locked fans and trigger an interrupt.	EMC2301
EMC1412	The EMC1412 is a high accuracy, low cost, System Management Bus (SMBus) temperature sensor. Advanced features such as Resistance Error Correction (REC), Beta Compensation and automatic diode type detection combine to provide a robust solution for complex environmental monitoring applications.	EMC1412



dsPIC33 GS Architecture



[dsPIC® DSC webpage](#)

<< BACK to Ethernet Switch

<< BACK to Power Stage



Operational Amplifiers

Suggested Products	Description	Product Web page
MCP6H02	The MCP6H02 operational amplifier (op amp) has a wide supply voltage range of 3.5V to 16V and rail-to-rail output operation. This device is unity gain stable and has a gain bandwidth product of 1.2 MHz (typical), while only drawing 135 μ A/amplifier (typical) of quiescent current. The MCP6H02 family is fully specified from -40°C to +125°C and is available in 8L-SOIC and 8L- 2x3 TDFN	Click Here
MCP6H92	The MCP6H92 operational amplifier (op amp) has a wide supply voltage range of 3.5V to 12V and rail-to-rail output operation. This device is unity gain stable and has a gain bandwidth product of 10 MHz (typical), while only drawing 2 mA/amplifier (typical) of quiescent current. The MCP6H92 is fully specified from -40°C to +125°C and is available in 8L-SOIC and 8L- 2x3 TDFN	Click Here



MOSFET Drivers

- **Function: driving the high power devices (MOSFETs, bipolar transistors, IGBTs)**

Popular Products	Description	Product Web Page
TC4427A	Supply Voltage Range: 2.5V to 5.5V Wide Temperature Measurement Range: -40°C to +125°C High Temperature Converter Accuracy: $\pm 2^\circ\text{C}$, Max, at 25°C Linear Temperature Slope: 10mV/°C Very Low Supply Current: 35 μA Typical	Click Here
MCP14A0151/2	The MCP14A0151 and MCP14A0152 are inverting and non-inverting, 1.5 A MOSFET drivers in 2x2 DFN and SOT-23 packages. The small package sizes allow the gate driver to be positioned close to the MOSFET's physical gate connection, which minimizes gate bounce caused by the parasitic effects of PCB layout and reduces EMI. These devices feature a unique architecture with low input thresholds, ideally suited for use with a low-voltage MCU to minimize power losses within the system.	Click Here
MCP14E3/E4/E5	The MCP14E3/E4/E5 devices are a family of 4.5A, dual output buffers/MOSFET drivers with separate enable functions for each output. As MOSFET drivers, the MCP14E3/E4/E5 can easily charge 2200 pF gate capacitance in under 28 ns (max)	Click Here

<< BACK to BLOCK DIAGRAM



Charge Pumps

- **Function: powering white LEDs, providing negative DC bias for LCD or GaAs transmit power amplifier, converting Li-Ion voltage to DC voltage level required by the system**

Popular Products	Description	Product Web Page
MCP1252/3	The MCP1252/3 are inductorless, positive-regulated charge pump DC/DC converters. The devices generate a regulated fixed (3.3V or 5.0V) or adjustable output voltage. They are specifically designed for applications requiring low noise and high efficiency and are able to deliver up to 120 mA output current. The devices allow the input voltage to be lower or higher than the output voltage, by automatically switching between buck/ boost operation.	Click Here

<< BACK to BLOCK DIAGRAM



PIC[®] MCU Compatible MOSFET Drivers

- **Function: Interfaces low voltage PIC[®] MCU and dsPIC[®] DSC devices to high capacitance MOSFETs**

Popular Products	Description	Product Web Page
MCP14A0151/2	1.5 A single, low side MOSFET drivers small package sizes allow the gate driver to be positioned close to the MOSFET's physical gate connection, which minimizes gate bounce caused by the parasitic effects of PCB layout and reduces EMI. Rise time, fall time, propagation delay and cross-conduction current are all minimized. In addition, these devices feature a unique architecture with low input thresholds, ideally suited for use with a low-voltage MCU to minimize power losses within the system.	Click Here
MCP14A0153/4/5	Dual output versions of the fast, compact MCP14A0151/2 drivers.	Click Here
MIC4103/4	High frequency, 100V Half Bridge MOSFET drivers, featuring fast 24ns propagation delay times and 6ns driver fall times. The low-side and high-side gate drivers are independently controlled and matched to within 3ns typical. These include a high voltage internal diode that charges the high-side gate drive bootstrap capacitor, and . a robust, high-speed, and low power level shifter for clean level transitions to the high side output.	Click Here
MCP14700	The MCP14700 is a high-speed synchronous MOSFET driver designed to optimally drive a high-side and low-side N-Channel MOSFET. The MCP14700 has two PWM inputs to allow independent control of the external N-Channel MOSFETs. Since there is no internal cross condition protection circuitry the external MOSFET dead time can be tightly controlled allowing for more efficient systems or unique motor control algorithms.	Click Here



Temperature Sensing Solutions

Solutions	Description	
Thermocouple	Thermocouple Reference Design	Reference Circuit
	Thermocouple EMF to Degrees Celsius Converter	Reference Circuit
Voltage Output	Thermistor Vs. MCP9700 Temperature Sensing Solutions	Reference Circuit
Logic Output	TC62x and MCP950x Temperature Switches	Reference Circuit
Serial Output	MCP980x I ² C/SMBus Temperature Sensors	Reference Circuit
Remote Temperature Monitoring	Temperature Sensors with Multiple Remote Diode Monitors	Reference Circuit
Fan Management	Closed Loop Fan Controllers	Reference Circuit

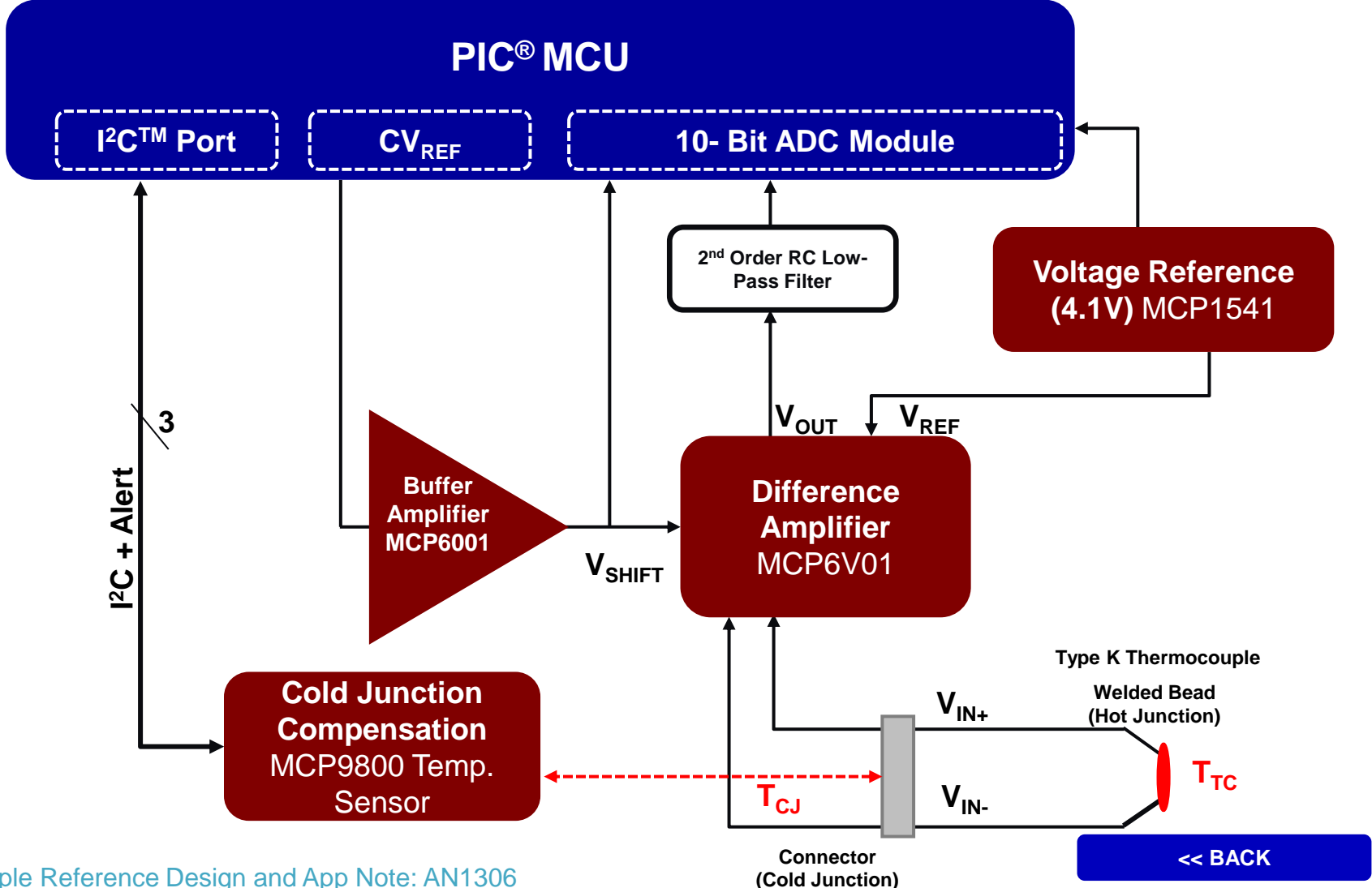
[Visit Thermal Management on Microchip.com for more information](#)

[<<Back to 2D Barcode Scanner](#)

[<< BACK to CONTENTS](#)



Thermocouple Reference Design



Voltage Reference

Popular Products	Description	Product Web Page
MCP1525/41	MCP1525/41 is a low power, high precision voltage reference. It provides a precise output voltage of 4.096V which is then compared to other voltages in the system.	Click Here
MCP1501	The MCP1501 is a high-precision buffered voltage reference with an initial accuracy of 0.10% and is available in 8 voltage options. The MCP1501 is a low-drift bandgap-based reference and uses chopper-based amplifiers which significantly reduces the drift and provides high current output.	Click Here

<< BACK to BLOCK DIAGRAM



Operational Amplifier

Function	Popular Products	Description	Product Web Page
Difference Amplifier	MCP6V01/2/3	The MCP6V01/2/3 family of operational amplifiers has input offset voltage correction for very low offset and offset drift. These devices have a wide bandwidth product and strongly reject switching noise. They are unity gain stable, have no 1/f noise, and have good PSRR and CMRR	Click Here
Buffer Amplifier	MCP6001	The MCP6001 is a single general purpose op amp offering rail-to-rail input and output over the 1.8 to 6V operating range. This amplifier has a typical GBWP of 1 MHz with typical quiescent current of 100 microamperes. The MCP6001 is available in SC-70 and SOT-23 packages.	Click Here



Temperature Sensors

- **Function: Measuring and providing temperature information**

Popular Products	Description	Product Web Page
MCP9800	The MCP9800 is a digital temperature sensor capable of reading temperatures from -55°C to +125°C. Temperature data is measured from an integrated temperature sensor and converted to digital word with a user selectable 9 to 12-bit Sigma Delta Analog to Digital Converter. The MCP9800 notifies the host controller when the ambient temperature exceeds a user programmed set point.	Click Here

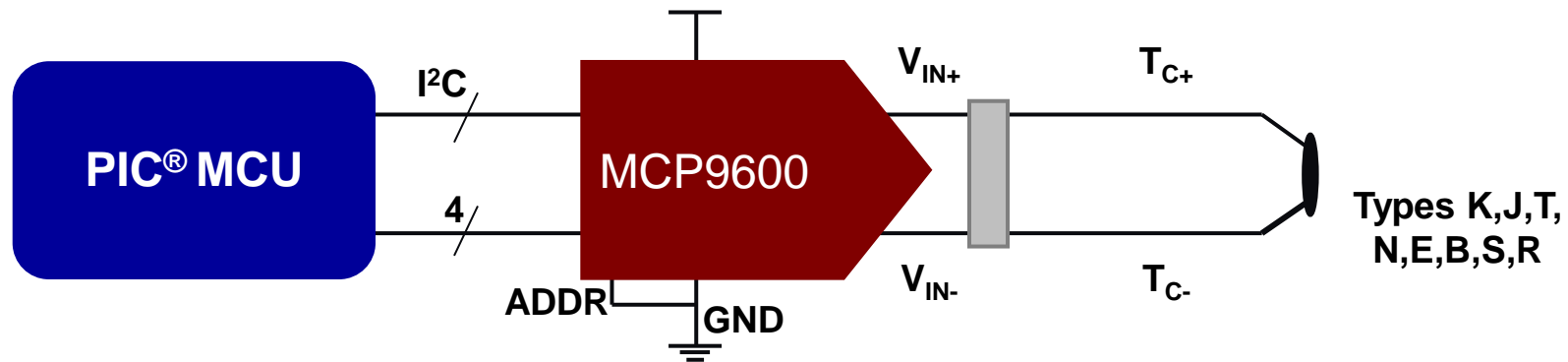


PIC18F2550

Popular Products	Description	Product Web Page
PIC18F2550	Ideal for low power (nanoWatt) and connectivity applications that benefit from the availability of three serial ports: FS-USB (12 Mbit/s), I ² C™ and SPI™ (up to 10Mbit/s) and an asynchronous (LIN capable) serial port (EUSART). Large amounts of RAM memory for buffering and Enhanced FLASH program memory make it ideal for embedded control and monitoring applications that require periodic connection with a (legacy free) Personal Computer via USB for data upload/download and/or firmware updates. While operating up to 48 MHz, the PIC18F2550 is also mostly software and hardware compatible with the PIC16C745 Low-Speed USB OTP devices.	Click Here



Thermocouple EMF to DegC Converter



The MCP9600 provides a complete thermocouple EMF to degree Celsius solution with a maximum accuracy of 1.5°C across the entire thermocouple temperature range, with no calibration required.

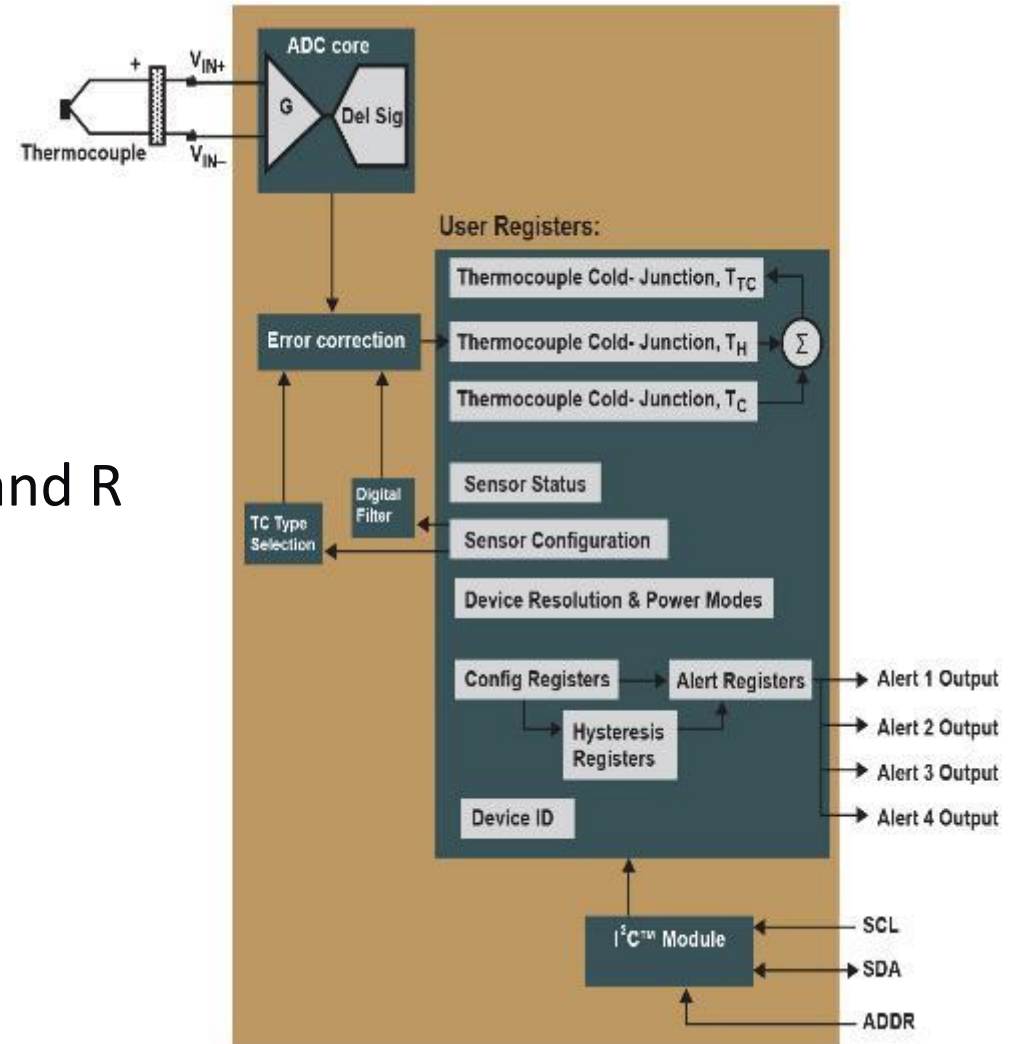
<< BACK

MCP9600

Integrates:

- Precision Instrumentation
- Precision Temperature Sensor
- Precision, High-Resolution ADC
- Math Engine with Firmware to Support: Type K, J, T, N, S, E, B and R Thermocouples

[MCP9600 Demo Board](#)
[MCP9600 Product Page](#)



<< BACK to BLOCK DIAGRAM



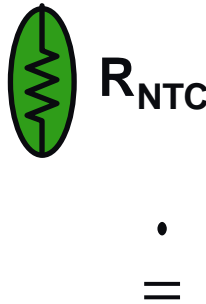
PIC Microcontrollers

- **Function:** providing all the control and some peripheral functions
- **Popular products:** PIC16F627/8, PIC12F675, PIC16C781/2
- **Attributes:**
 - 20MHz operating speed
 - PWM output (PIC16F627/8)
 - Integrated comparators, op-amp, ADC, DAC
 - 128 bytes of EEPROM
 - Available in PDIP, SOIC, and TSSOP packages
 - 8-pin solutions (PIC12F675)

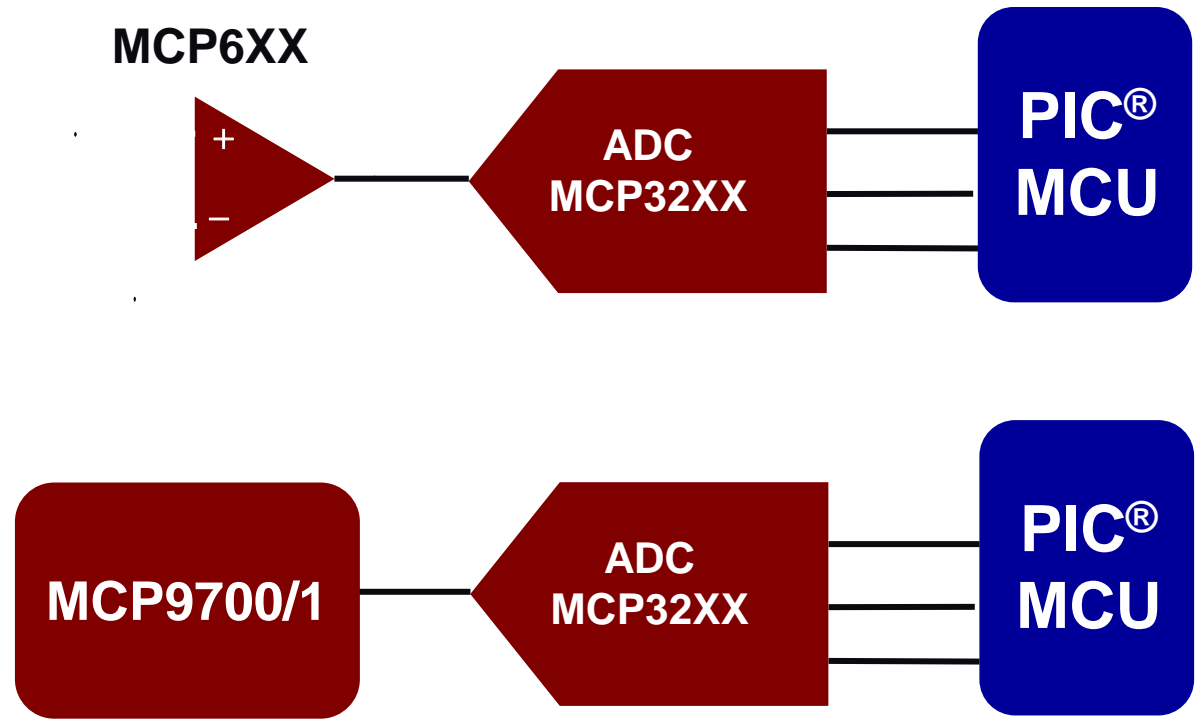
[<< BACK to BLOCK DIAGRAM](#)



MCP9700 and Thermistor Solutions



[App Note, AN685: Thermistors in Single Supply Temperature Sensing Circuits](#)



[App Note, AN1001: IC Temperature Sensor Accuracy Compensation with a PIC Microcontroller](#)



Temperature Sensors

- **Function: Measuring and providing temperature information**

Popular Products	Description	Product Web Page
MCP9700 Linear Active Thermistor™ ICs	The output voltage of this device is directly proportional to measured temperature. The MCP9700 can accurately measure temperature from -40C to +150C with the output calibrated to a slope of 10mV/°C and has a DC offset of 500mV.	Click Here
Demo Boards:		
MCP9700 Temperature-to-Voltage Converter PICtail™ Demo Board	The MCP9700 Temperature-to-Voltage Converter PICtail™ Demo Board demonstrates how to interface the MCP9700 to a microcontroller. This can be used by the system designer as an example of how to integrate an analog temperature sensor into systems	Click Here

<< BACK to BLOCK DIAGRAM



Analog to Digital Converter

Popular Products	Description	Product Web Page
MCP3221	The MCP3221 is a 12-bit SAR A/D converter. Available in the SOT-23 package, the MCP3221 provides a low max. conversion current and standby current of 250 μ A and 1 μ A respectively. Communication to the MCP3221 is performed using a 2-wire I2C™ Compatible interface. The MCP3221 runs on a single supply voltage range of 2.7 V to 5.5 V.	Click Here
MCP3201	The MCP3201 12-bit Analog-to-Digital Converter (ADC) combines high performance and low power consumption in a small package, making it ideal for embedded control applications. The MCP3201 features SAR architecture and a SPI serial interface, allowing 12-bit ADC capability to be added to any PIC® microcontroller. The MCP3201 features 100k samples/second, 1 input channel, low power consumption (5nA typical standby, 400 μ A max. active).	Click Here

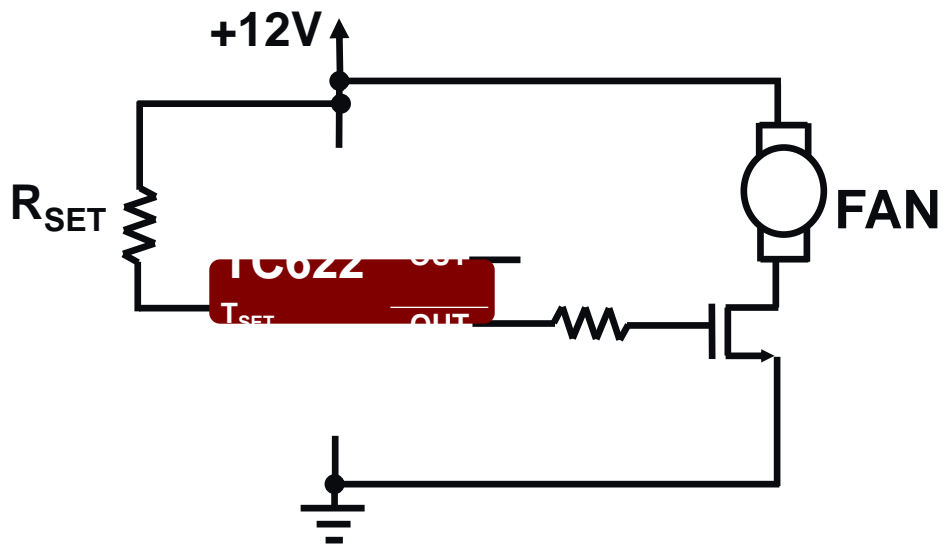


Operational Amplifiers

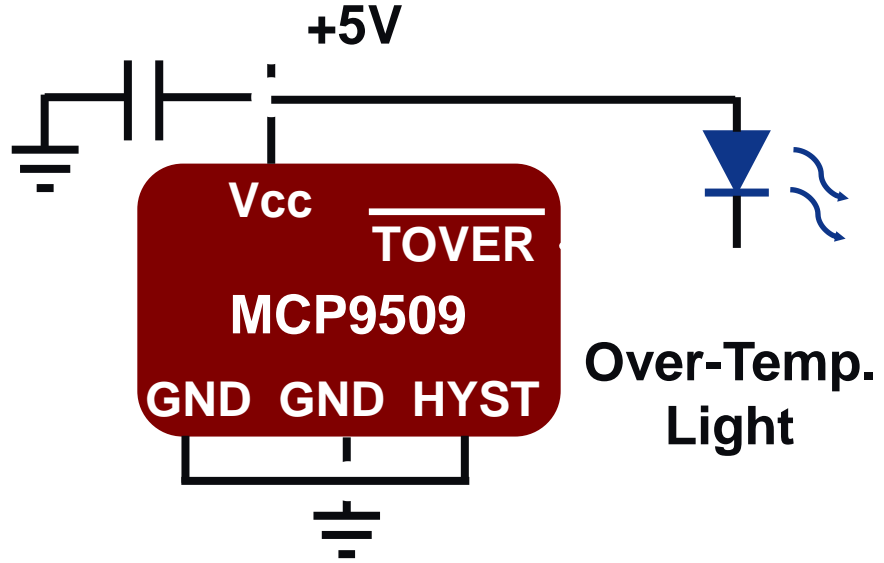
Popular Products	Description	Product Web Page
MCP6001/2/4	The MCP6004 is a quad general purpose op amp offering rail-to-rail input and output over the 1.8 to 6V operating range. This amplifier has a typical GBWP of 1 MHz with typical quiescent current of 100 microamperes.	Click Here
MCP6H01/2/4	MCP6H04 has a wide supply voltage range of 3.5V to 16V and rail-to-rail output operation. This device has a gain bandwidth product of 1.2 MHz (typical), while only drawing 135 μ A/amplifier (typical) of quiescent current.	Click Here
MCP6291/2/4	MCP6294 provide wide bandwidth of 10 MHz Gain Bandwidth Product. This family also operates from a single supply voltage as low as 2.4V to 6V, while drawing 1 mA (typical) quiescent current.	Click Here



Logic-Output Temperature Sensor



Fan on/off Control



Over-temperature Indication



Logic Output Temperature Sensor

Popular Products	Description	Product Web Page
TC622/4	TC622 and TC624 are programmable solid state temperature sensors designed to replace mechanical switches in sensing and control applications. Both devices integrate the temperature sensor with a voltage reference and all required detector circuitry. The desired temperature set point is set by the user with a single external resistor. Ambient temperature is sensed and compared to the programmed setpoint.	Click Here
MCP9501/2/3/4	MCP9501/2/3/4 family of devices are temperature switches with $\pm 1^{\circ}\text{C}$ (typical) accurate factory set output thresholds. These devices are ideal for high power supply systems where an overtemperature protection circuit is needed. These devices do not require external components, consume 25 μA (typical), and the factory set thresholds provide simplicity	Click Here



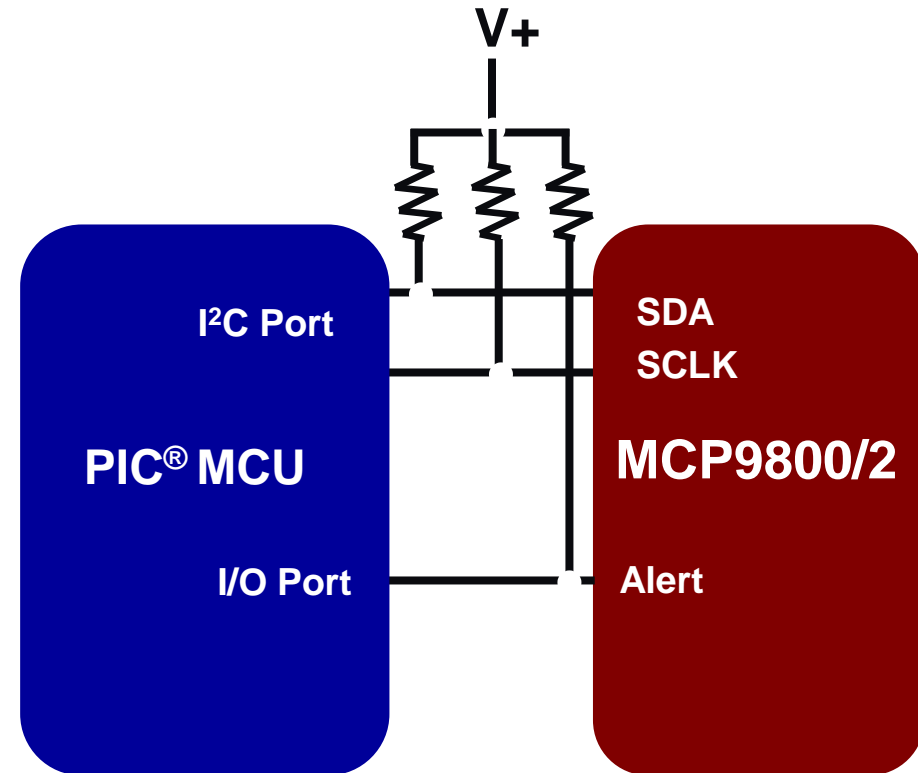
Serial-Output Temperature Sensor

- **Advantages**

- Direct communication
- Save PCB space
- Minimize design time
- Low power

- **Applications**

- Computers
- Set-top boxes
- Office equipment
- Wireless handsets



Temperature Sensors

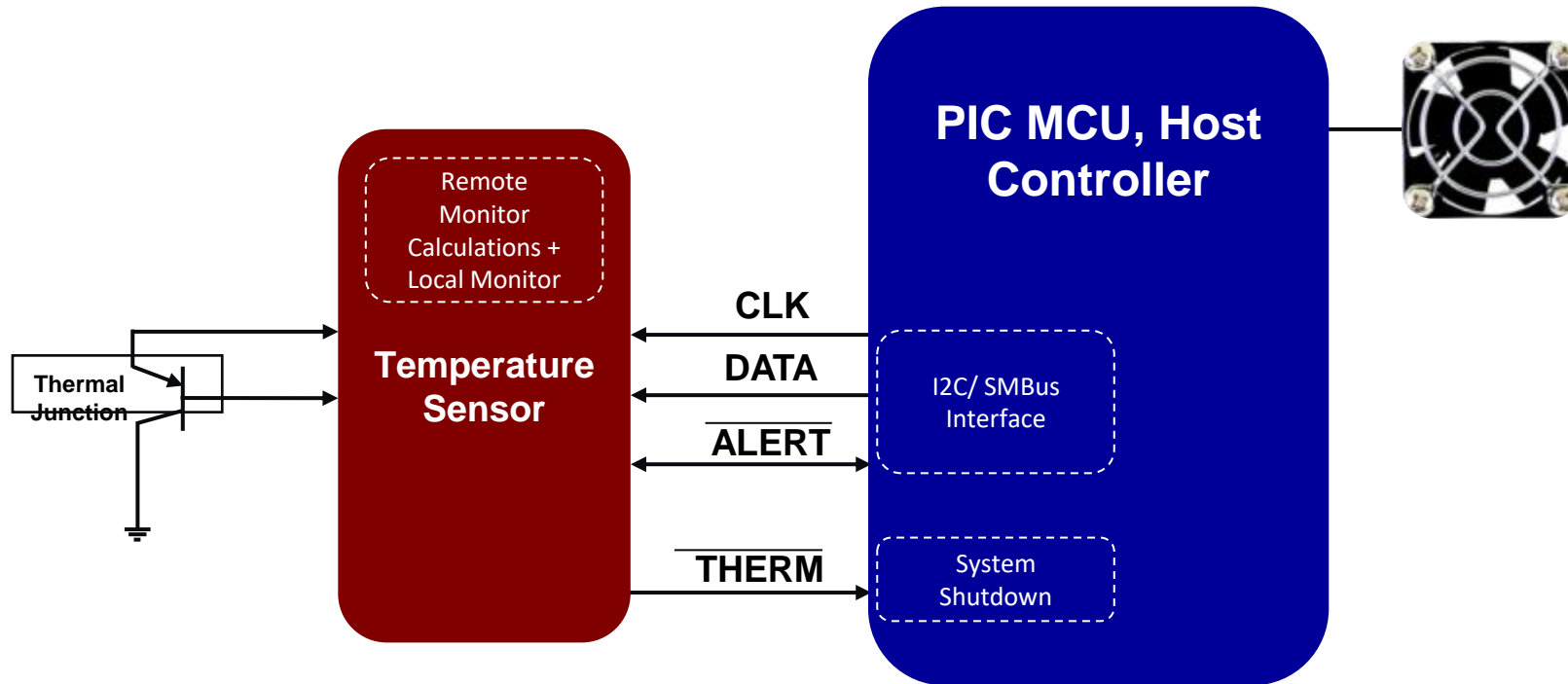
- **Function: Measuring and providing temperature information**

Popular Products	Description	Product Web Page
MCP9800/02 Digital temperature sensor	<p>Features</p> <ul style="list-style-type: none">• 2-wire I²C™/SMBus Compatible Interface• User Selectable 9- to 12-Bit Resolution• ±1°C Accuracy from -10°C to +85°C• ±2°C Accuracy from -10°C to +125°C• Low Operating Current: 220 µA (typical)• Shutdown Mode: 1 µA (max) <p>Visit Thermal Management on Microchip.com for more information</p>	<p>Click Here</p>

<< BACK to BLOCK DIAGRAM



Temperature Sensors with Remote Diode Monitors



[AN12.14 Remote Thermal Sensing Diode Selection Guide](#)

[AN10.14 Using Temperature-Sensing Diodes with Remote Thermal Sensors](#)

<< BACK



A Wide Selection for Any Number of Temperatures

Device	External Sensors	Local Monitor	Alert/ THERM	SYS SHDN	Package	Comments*
EMC1072	1	1	2		MSOP 8	
EMC1073	2	1	2		MSOP 10	
EMC1074	3	1	2		MSOP 10	APD
EMC1412	1	1	2		MSOP 8	REC
EMC1413	2	1	2		MSOP 10	REC
EMC1414	3	1	2		MSOP 10	REC, APD
EMC1422	1	1	1	1	MSOP 8	REC
EMC1423	2	1	1	1	MSOP 10	REC
EMC1043	2	1			MSOP 8	REC, Hottest
EMC1053	2	1			MSOP 8	REC, Hottest
EMC1424	3	1	1	1	MSOP 10	REC, APD
MCP9902	1	1	2		WDFN 8	REC, APD
MCP9903	2	1	2		TDFN 10	REC, APD
MCP9904	2	1	2		TDFN 10	REC, APD
EMC1046	5	1			MSOP 10	REC, APD, Hottest
EMC1047	6	1			MSOP 10	REC, APD, Hottest
EMC1428	7	1	1	1	QFN 16	REC, APD, Hottest
EMC1438	7	1	1	1	QFN 16	REC, APD, Hottest, Block RD

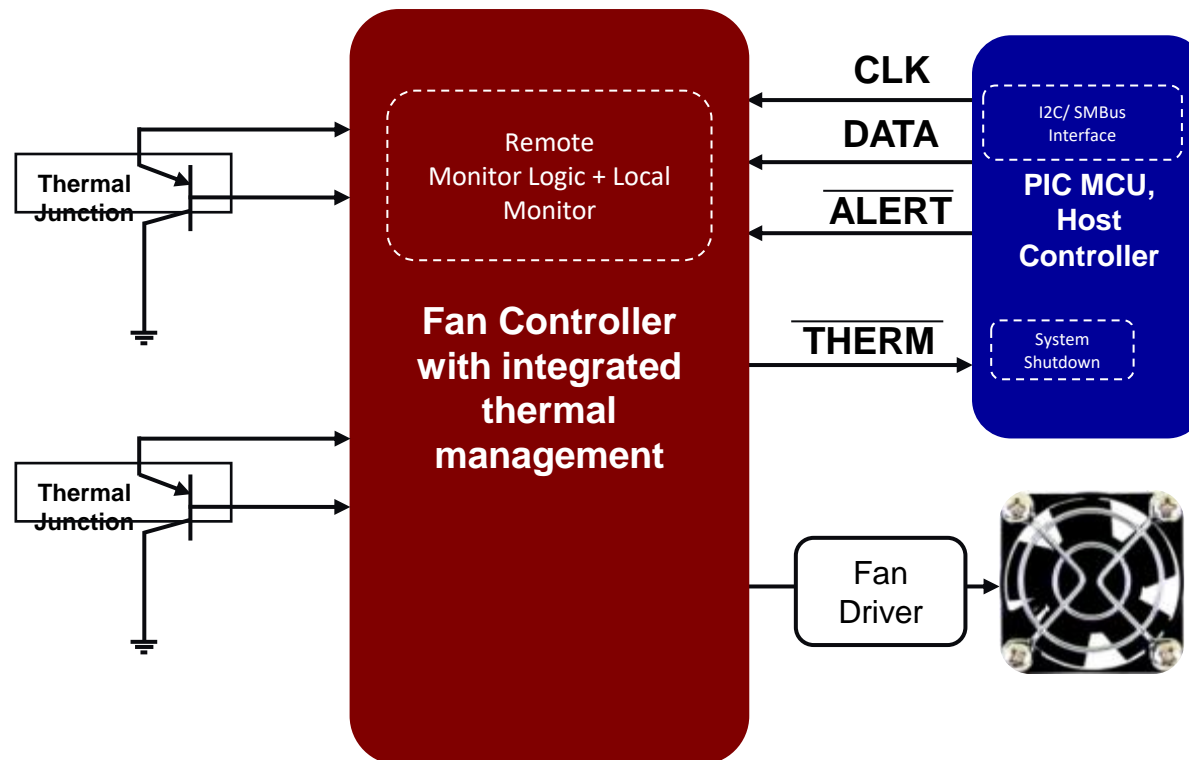
REC – Resistance Error Correction / APD- Anti-parallel Diodes / Hottest- Can report hottest temp

[<< BACK to BLOCK DIAGRAM](#)



Closed Loop Fan Controllers

- Closed-Loop: Fan speed checked & adjusted
- Fan diagnostics: aging, dust, blocked air path
- Most have built in thermal management



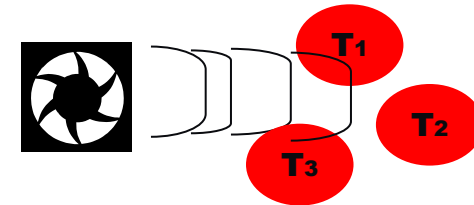
<< BACK



Better Control and Quick Time to Market

- **Technologies**

- Remote temperature monitoring
- Multi-zone control and mapping
 - Up to 4 temps control one fan
 - 8 entry lookup tables (speed vs temp)
- Fan ramp rate and Spin-up Control
 - Minimizes acoustic annoyances in fan speed
- Linear drivers connect directly to 5V fan (600mA)



NEXT >>



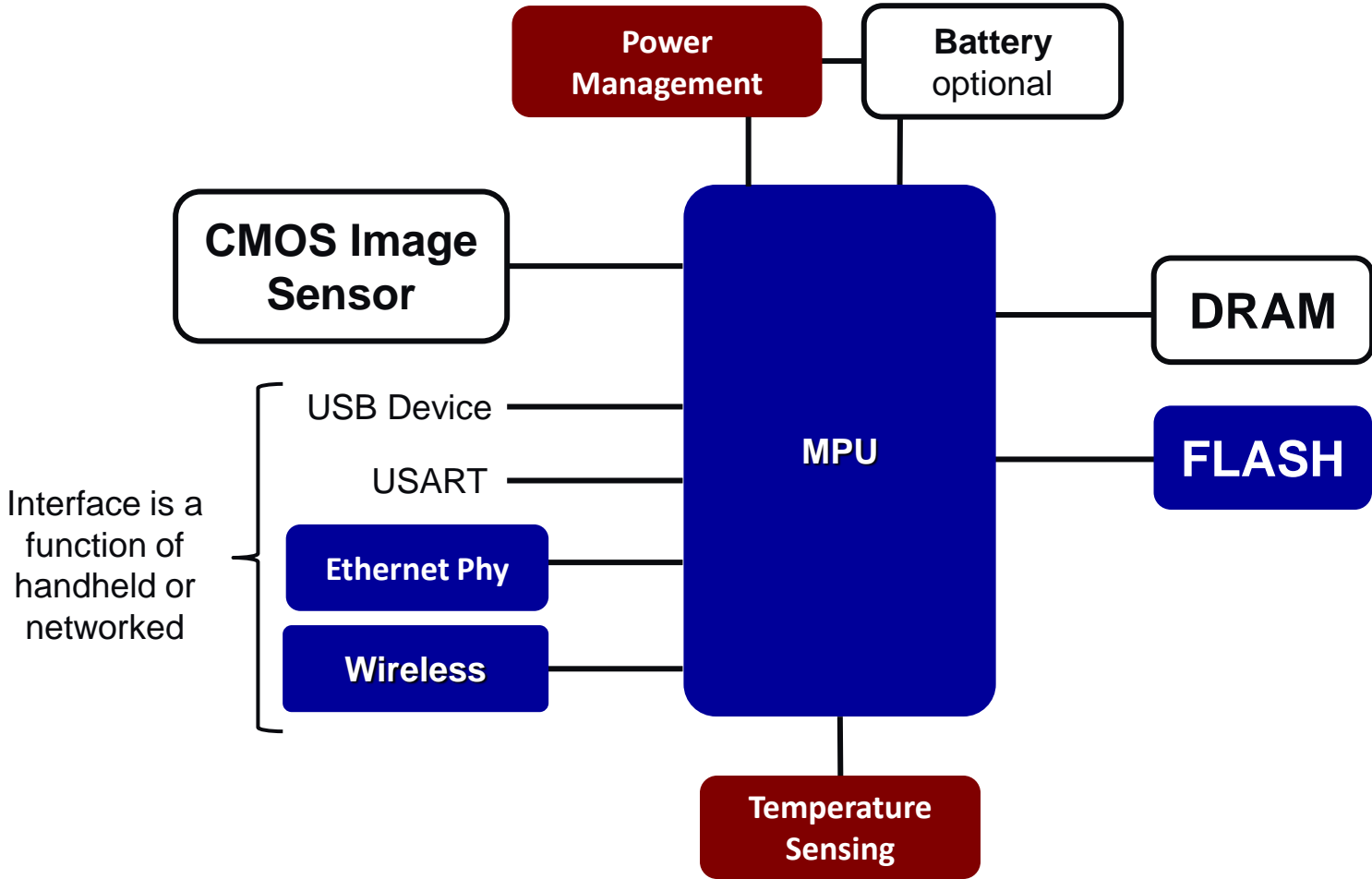
Fan Controllers for Driving Up to Five Fans

Device	PWM Output	Linear Outputs	Algorithm	Sensors	Hardware MGT	Pkg
EMC2112		1	■ RPM Closed Loop	1 int, 3 ext	◆	20 QFN
EMC2301	1		■ RPM Closed Loop	0	◆	MSOP8
EMC2302	2		■ RPM Closed Loop	0	◆	MSOP10
EMC2303	3		■ RPM Closed Loop	0	◆	12 QFN
EMC2305	5		■ RPM Closed Loop	0	◆	16 QFN
EMC2101	1	PWM or DAC Linear	■ Open Loop Temp / PWM	1 int, 1 ext	◆	MSOP8
EMC2103	1		■ RPM Closed Loop	1 int, 3 ext	◆	12 QFN 16 QFN
EMC2113	1		■ RPM Closed Loop	1 int, 3 ext	◆	16 QFN
EMC2104	2		■ RPM Closed Loop	1 int, 3 ext	◆	28 QFN
EMC2105		1	■ RPM Closed Loop	1 int, 3 ext	◆	20 QFN
EMC2106	4	1	■ RPM Closed Loop	1 int, 3 ext	◆	28 QFN

[<< BACK to BLOCK DIAGRAM](#)



2D Barcode Scanner



<< BACK to CONTENTS



MPU

Popular Products	Description	Product Web Page
SAM9G20	SMART® ARM®-based SAM9G20 is a 400MHz ARM926-based processor with an extensive range of communication peripherals. It embeds Full Speed USB host and device interfaces, a 10/100 Ethernet MAC and an image sensor interface, as well as standard peripherals such as a multimedia card interface (MCI), I2S, USART, master/slave SPIs, 16-bit timers, TWI and four-channel 10-bit ADC.	Click Here
SAMA5D2	SMART SAMA5D2 series is a high-performance, ultra-low-power ARM Cortex-A5 processor based MPU. The Cortex A5 processor runs up to 500MHz and features the ARM NEON SIMD engine a 128kB L2 cache and a floating point unit.	Click Here



FLASH

Popular Products	Description	Product Web Page
SST26VF064B	The SST26VF064B Serial Quad I/O (SQI) flash device utilizes a 4-bit multiplexed I/O serial interface to boost performance while maintaining the compact form factor of standard serial flash devices. Operating at frequencies reaching 104 MHz, the SST26VF064B enables minimum latency execute-in-place (XIP) capability without the need for code shadowing on an SRAM. SST's proprietary, high-performance CMOS SuperFlash® technology, which significantly improves performance and reliability for robust, low-power operation.	Click Here



Ethernet Physical Layer

Popular Products	Description	Product Web Page
LAN8710A/20A	Excellent ESD Protection levels without any external protection devices. Integrated DSP with adaptive equalizer. Integrated 1.2V Linear Regulator. Incorporates SMSC flexPWR. Uses a low cost 25MHz xtal for RMII. Lead free ROHS compliant packages: Commercial (0 to +70C) and Industrial (-40 to +85C) temperature supported	Click Here
LAN8740A/1A/2A	Energy Efficient Ethernet 802.3az, Wake On LAN support (WoL), Cable Diagnostics, HP Auto-MDIX, Compliant with IEEE 802.3/802.3u, Integrated DSP with adaptive equalizer, Integrated 1.2V Linear Regulator, Uses a low cost 25MHz xtal for RMII Lead free ROHS compliant packages	Click Here



Wireless Solutions

Bluetooth® Audio

Bluetooth® Low Energy

Wi-Fi®

802.15.4
Zigbee®

LoRa®

Car Access

Voice and Audio

Medical



Headsets

Earbuds

Smart Speakers

IoT Devices

Connected Sensors

Home Automation

IoT Devices

Home Automation

Industrial Automation

Lighting

Home Automation

Metering

Smart Cities

IoT Sensors

Smart Cities

Smart Agriculture

Keyless Entry

AMZN
Alexa or
Google

Security
Cameras

Sound
Detection

Hearing Aids

Medical
Implants

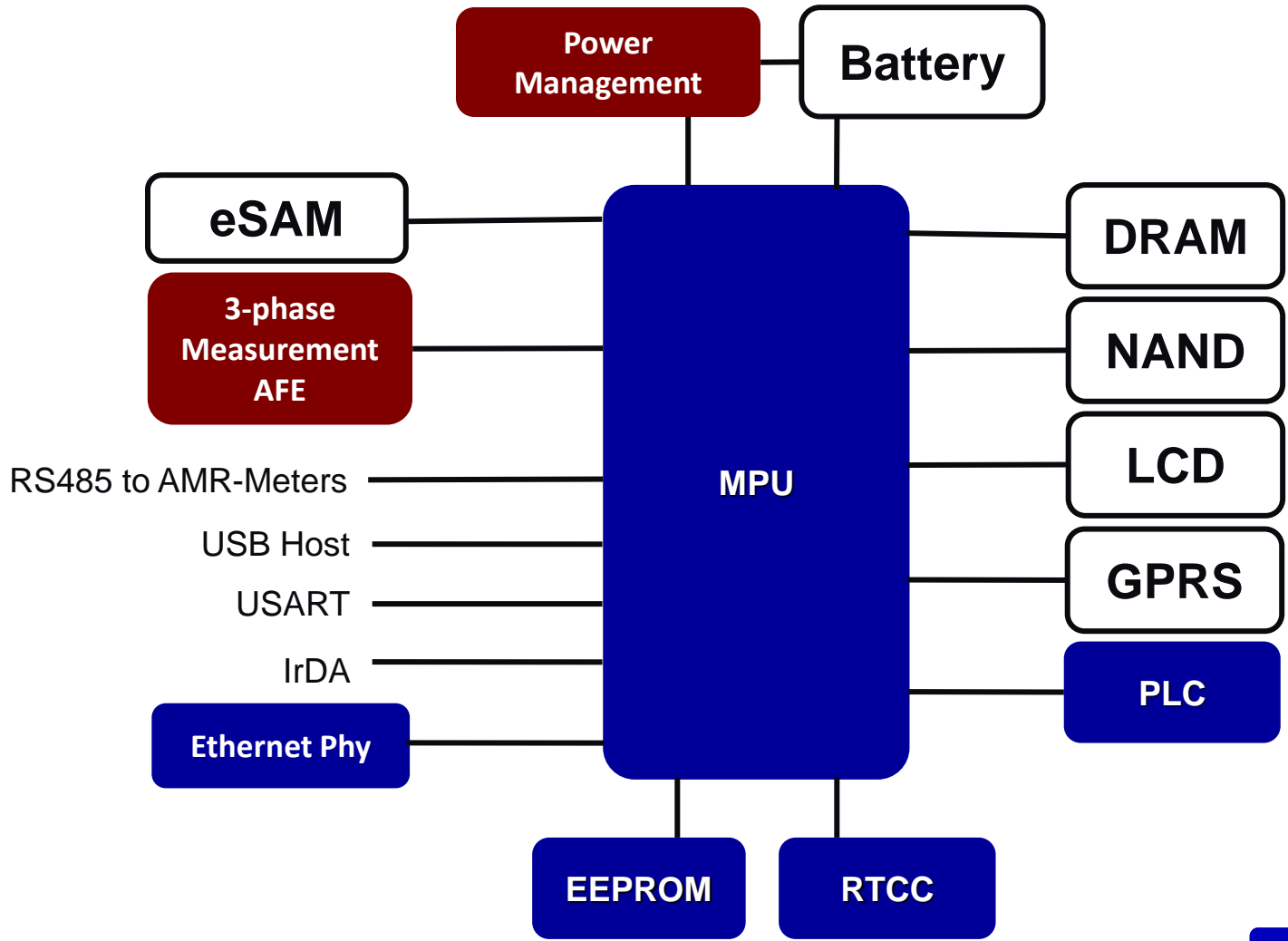
Medical
Monitoring

Ingestible
Capsules

<< BACK to BLOCK DIAGRAM



Metering Concentrator



[<< BACK to CONTENTS](#)



MPU/MCU

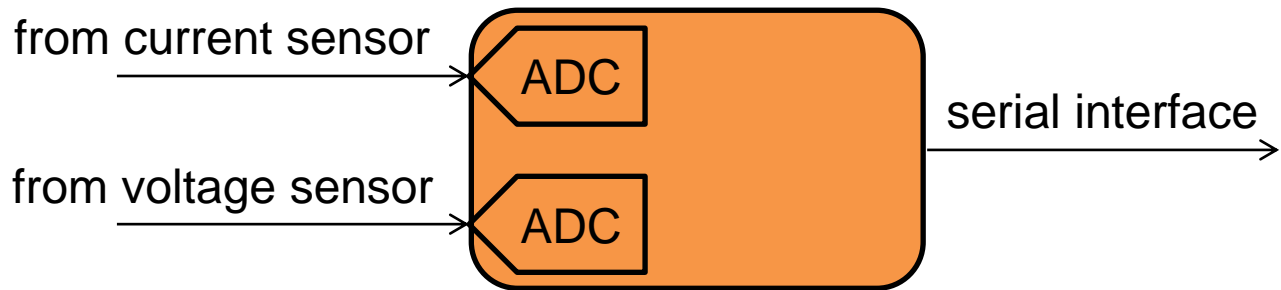
- **Function:**
 - Power calculations
 - More powerful MCUs for (wireless) communications
- **Popular products:**
 - PIC16F15XX
 - PIC16F182X
 - PIC18F65J90
 - PIC24FJ128GA306, PIC24FJ128GA310
 - PIC32 (advanced smart meters)
 - ATSAM4Cx, ATSAM4CMx, ATSAM4CPx

[<< BACK to BLOCK DIAGRAM](#)

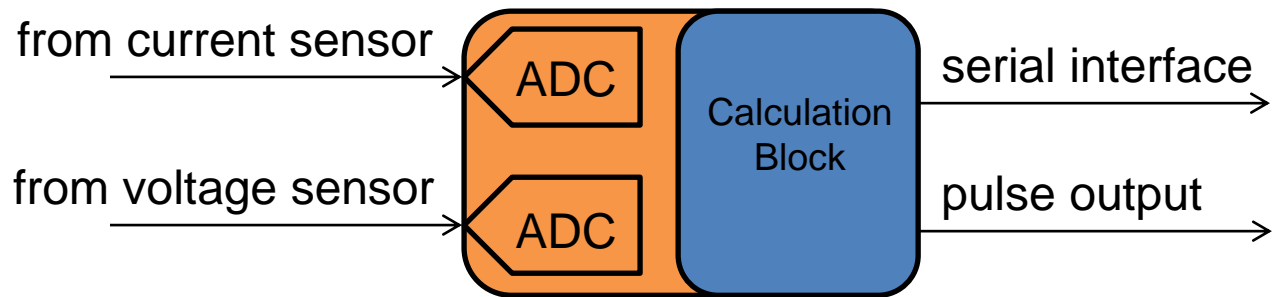


Energy Measurement Analog Front Ends

- **Energy Measurement AFEs provide the most flexible and highest accuracy solutions**



- **Energy Calculation ICs provide energy and power calculations, simplifying design**



Energy Measurement Analog Front Ends

Part Number	# of ADCs	Power Measurement
MCP3918	1	1-Phase or 3-Phase (shunt-based)
MCP3910	2	1-Phase or 3-Phase (shunt-based)
MCP3911	2	1-Phase
MCP3919	3	1-Phase w/ Neutral
MCP3912	4	2-Phase (Dual/Split-Phase)
MCP3913	6	3-Phase
MCP3914	8	3-Phase w/ Neutral
ATSENSE101	3	1-Phase w/ Neutral
ATSENSE201(H)	4	2-Phase (Dual/Split-Phase)

NEXT



- **Energy measurement AFEs enables the most flexible and highest accuracy solutions**

Popular Products	Description	Product Web Page
MCP391X	<p>The MCP391X AFE family provide up to eight simultaneously sampling Delta-Sigma Analog-to-Digital Converters (ADC), PGAs, phase delay compensation block, low-drift voltage reference, digital offset and gain errors calibration registers, and high-speed 20 MHz SPI interface.</p> <p>The family enables 0.1% typical active power measurement error over a 10000:1 dynamic range.</p>	Click Here
ATSENSE	<p>The ATSENSE AFE family integrate three, four or seven simultaneously sampled Sigma-Delta ADCs, a high-precision voltage reference a programmable current signal amplification, a temperature sensor and an SPI interface. When used in combination with the ATSAM4C device family and metrology library, the ATSENSE exceeds ANSI C12.20-2002 and IEC 62053-22 metering accuracy classes of up to 0.2% over 3000:1 dynamic range</p>	Click Here

Winning Attributes

<< BACK to Block Diagram



Energy Measurement AFE Winning Attributes

- **Attributes:**

- MCP391X industry leading accuracy enables 0.1% active power measurement error (typ.) over a 10000:1 dynamic range, use of smaller shunt sensors, and reduction in calibration requirements
 - Programmable data rate up to 125 ksps allows device to run at low power or at high speed for advanced signal acquisition such as for harmonic analysis
- ATSENSE ideal companion chip with ATSAM4C dual cortex-M4 MCU family and metrology library



EEPROM and RTCC

Popular Products	Description	Product Web Page
24AA512	<p>The 24AA512 is a 512Kb (64K x 8) Serial Electrically Erasable PROM (EEPROM), capable of operation across a broad voltage range (1.7V to 5.5V) and functional up to 125C. This ultra-reliable EEPROM has been developed for advanced, low-power applications and offers the benefit of over 1M Erase/Write cycles. This device also has a page write capability of up to 128 bytes of data. This 24AA512 is capable of both random and sequential reads up to the 512K boundary.</p>	Click Here
MCP79410	<p>The MCP79410 I²C™Compatible real-time clock/calendar (RTCC) is highly integrated with nonvolatile memory and advanced features that include a battery switchover circuit for backup power, a timestamp to log power failures and digital trimming for accuracy. Using a low-cost 32.768 kHz crystal or other clock source, time is tracked in either a 12-hour or 24-hour format with an AM/PM indicator and timing to the second, minute, hour, day of the week, day, month and year. In addition, non-volatile memory is included along with a Unique ID in a locked section of EEPROM.</p>	Click Here



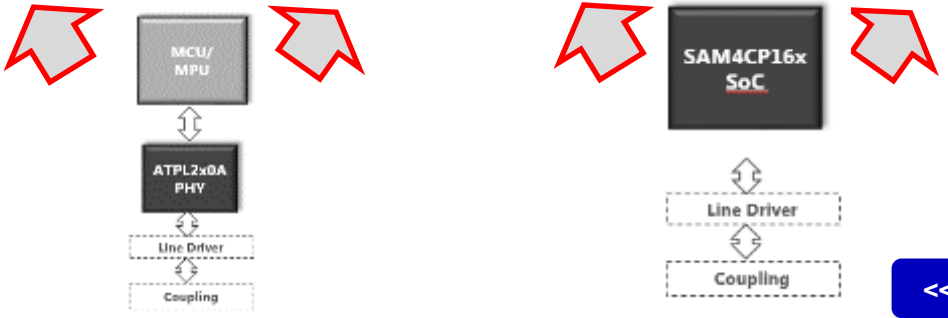
Ethernet Physical Layer

Popular Products	Description	Product Web Page
LAN8710A/20A	Excellent ESD Protection levels without any external protection devices. Integrated DSP with adaptive equalizer. Integrated 1.2V Linear Regulator. Incorporates SMSC flexPWR. Uses a low cost 25MHz xtal for RMII. Lead free ROHS compliant packages: Commercial (0 to +70C) and Industrial (-40 to +85C) temperature supported	Click Here
LAN8740A/1A/2A	Energy Efficient Ethernet 802.3az, Wake On LAN support (WoL), Cable Diagnostics, HP Auto-MDIX, Compliant with IEEE 802.3/802.3u, Integrated DSP with adaptive equalizer, Integrated 1.2V Linear Regulator, Uses a low cost 25MHz xtal for RMII Lead free ROHS compliant packages	Click Here



PLC

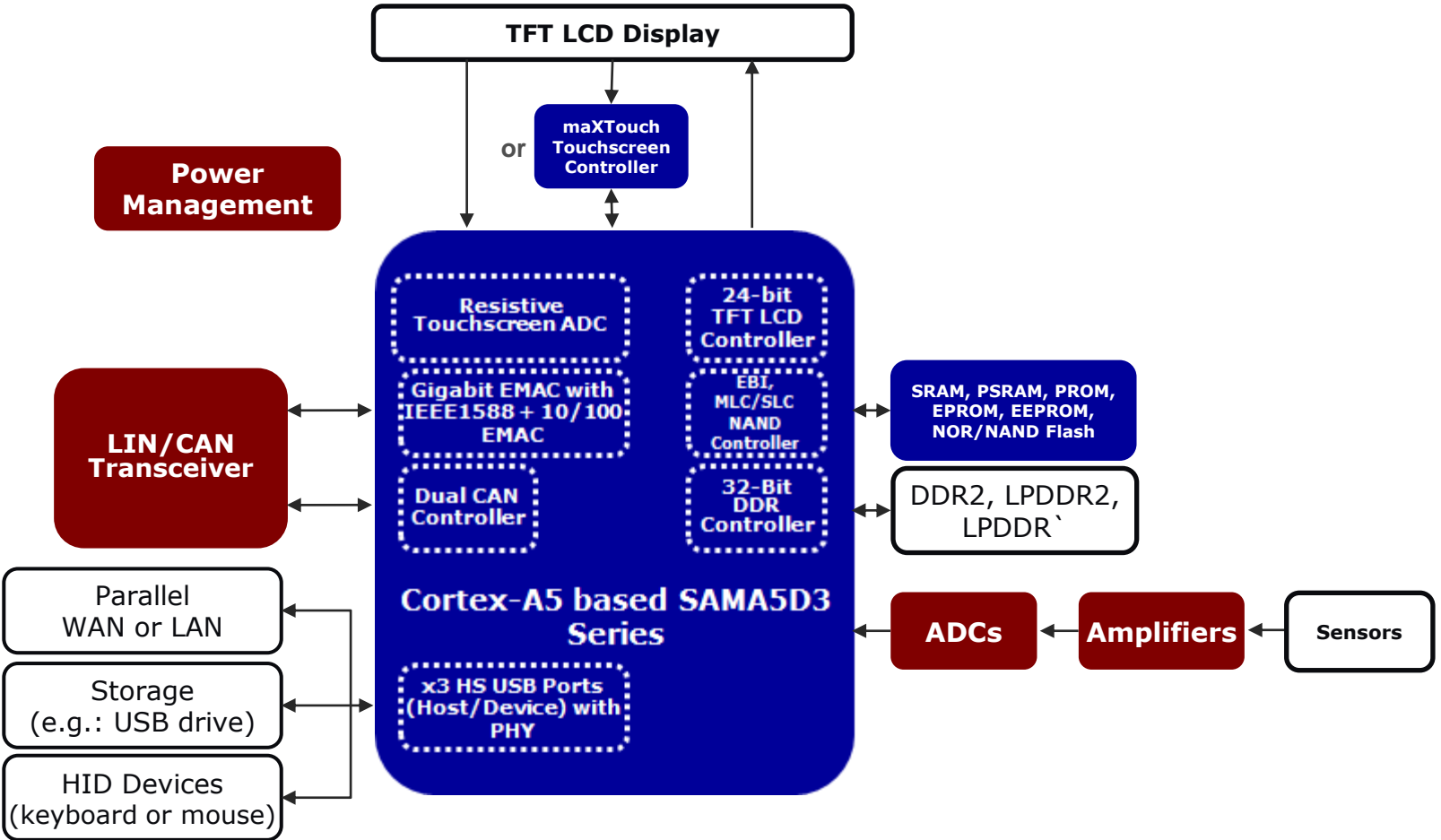
	ATPL230A	ATPL250A	SAM4CP16B	SAM4CP16C
Standard	PRIME	G3	PRIME	G3
Band	< 500 kHz	< 500 kHz	< 500 kHz	< 500 kHz
Core	-	-	Dual Cortex-M4	Dual Cortex-M4
CPU Clock	-	-	120 MHz @core	120 MHz @core
Flash	-	-	1 MB	1 MB
SRAM	-	-	128+16+8 KB	128+16+8 KB
Package	LQFP80	LQFP80	LQFP176	LQFP176
Pin to Pin	YES		YES	
Availability	In production	In production	In production	In production



<< BACK to BLOCK DIAGRAM



Industrial Control Panel



[<< BACK to CONTENTS](#)



Capacitive Touch Solutions

- **Function: Adds touch input functionality**

Popular Products	Description	Product Web Page
maxTouch® Touchscreen Controllers	The maXTouch touch controller family provides a leading projected capacitive technology for touchscreens and touch pads. It supports single-finger, multi-fingers and gloved-finger operation. Regardless of the operating environment—hot or cold, dry or wet, noisy power supply or strong radiating surrounding devices—maXTouch controllers are designed for robust and reliable operation without compromising touch performance.	Click Here



LIN/ CAN

	Suggested Products	Description	Product Web page
LIN	ATA663203	Stand-alone LIN LDO	LIN Design Center
	ATA663211 ATA6662C/63/4	Globally automotive approved and qualified Stand-alone transceiver	
	ATA6670	Globally automotive approved and qualified Stand-alone Dual LIN transceiver	
	ATA663231/32/54/55 ATA6625, ATA6629/31 MCP2021A/2A/25	Globally automotive approved and qualified Stand-alone transceiver + 3.3V or 5V Voltage Regulator	
	MCP2050, ATA663431/54 ATA6628/30, ATA6622C/24C/26C	Globally automotive approved and qualified Stand-alone transceiver + 3.3V or 5V Voltage Regulator + Window Watchdog Timer	
	ATA663331/54	Globally automotive approved and qualified Stand-alone transceiver + 3.3V or 5V Voltage Regulator + 2x Relay Driver	
	ATA664151	Globally automotive approved and qualified Stand-alone transceiver + 3.3V or 5V Voltage Regulator + 8x HV Switches	
	ATA6612C/13C/ 14Q/16C/17C ATSAMHA1G, PIC16F1829LIN	8-bit MCU with an integrated LIN transceiver + Voltage Regulator	
CAN, CAN FD	MCP2515	External CAN controller supports CAN V2.0B specification Can also interface with MCU with Standard SPI.	CAN Design Center
	MCP25625	CAN 2.0 external Controller + Transceiver	
	MCP2561/2	Globally automotive approved and qualified, High Speed CAN Transceivers	
	MCP2561/2FD, ATA6560/61	Globally automotive approved and qualified CAN Flexible Data-rate (CAN FD) Transceivers	
	MCP25612FD	Dual CAN 2.0 or CAN FD Transceiver	

[<< BACK to BLOCK DIAGRAM](#)



Memory

Popular Products	Description	Product Web Page
24AA256	The 24AA256 is a 256Kb (32K x 8) Serial Electrically Erasable PROM (EEPROM), capable of operation across a broad voltage range (1.7V to 5.5V) and functional up to 125C. This ultra-reliable EEPROM has been developed for advanced, low-power applications and offers the benefit of over 1M Erase/Write cycles.	Click Here
23K256	The 23K256 is a standalone Serial SRAM that offers designers an easy and inexpensive way to add more RAM to their application. These 8-pin low power, high performance SRAM devices have unlimited endurance and zero write times, making them ideal for applications involving continuous data transfer, buffering, data logging, audio, video, internet, graphics, and other math and data-intensive functions.	Click Here
SST26VF032B	The SST26VF032B Serial Quad I/O (SQI) flash device utilizes a 4-bit multiplexed I/O serial interface to boost performance while maintaining the compact form factor of standard serial flash devices. Operating at frequencies reaching 104 MHz, the SST26VF032B enables minimum latency execute-in-place (XIP) capability without the need for code shadowing on an SRAM.	Click Here



MPU

Popular Products	Description	Product Web Page
SAMA5D	Operating at 850DMIPS at under 150mW, the Atmel SMART SAMA5D3 MPU is ideal for any high-performance, low-power and cost-sensitive industrial application.	Click Here



Analog-to-Digital Converter

- **Function: Convert analog signals from sensors to digital code**

Popular Products	Description	Product Web Page
MCP3421	The MCP3421 is a single channel low-noise, high accuracy Delta-Sigma A/D converter with differential inputs and up to 18 bits of resolution in a small SOT-23-6 package. The device uses a two-wire I2C™ compatible serial interface and operates from a single power supply ranging from 2.7V to 5.5V.	Click Here
MCP3551	MCP355X devices are 2.7V to 5.5V, 22-bit delta-sigma A/D converters. The family exhibit good linearity, high accuracy and low noise performance for applications where sensor measurements such as pressure are performed.	Click Here



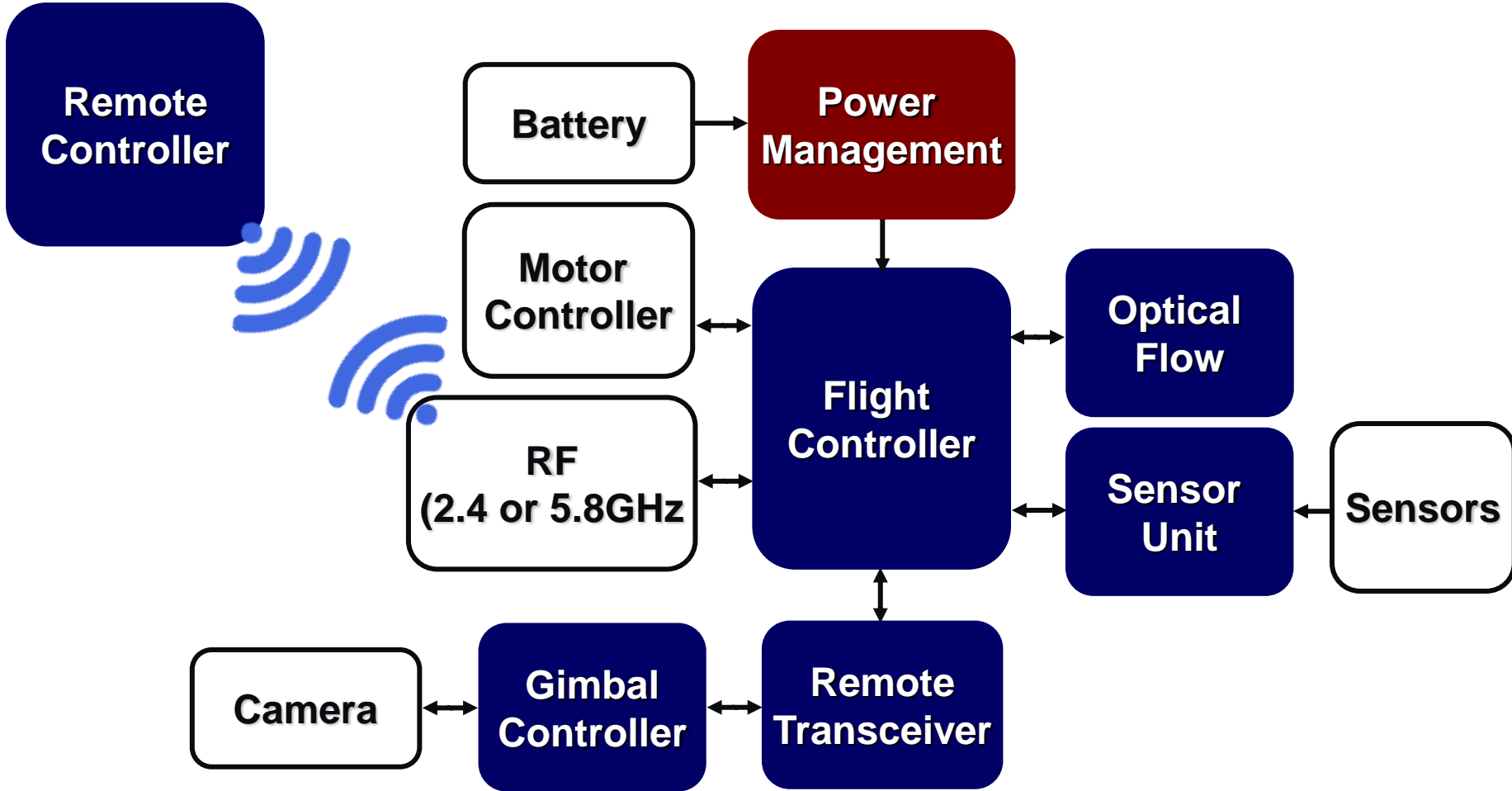
Amplifiers

Popular Products	Description	Product Web Page Click Here
MCP603x	The MCP6031/2/3/4 op amps have a gain bandwidth of 10 kHz with a low typical operating current of 0.9 μ A and an offset voltage that is less than 150 μ V.	Click Here
MCP6444	The MCP6444 is a quad general purpose op amp offering rail-to-rail input and output over the 1.8 to 6V operating range. This amplifier has a typical GBWP of 9 kHz with typ. quiescent current of 450 nA .	Click Here
MCP60x	MCP601/2/3/4 (op amp) has a gain bandwidth product of 2.8 MHz with low typical operating current of 230 μ A and an offset voltage that is less than 2 mV.	Click Here
MCP6Vxx Family of Zero-Drift Amplifiers	The MCP6Vxx provides high DC precision, including an offset voltage as low as 2 μ V and offset drift as low as 15nV/ $^{\circ}$ C maximum. They have low quiescent current, no 1/f noise and offer superior CMRR/PSRR performance. The family has an operating voltage as low as 1.6V and are available in small packages (SC-70 and DFN)	
MCP6Nxx Family of Instrumentation Amplifiers	Microchip expanded its portfolio of amplifiers by first introducing the MCP6N11 the industry's first instrumentation amplifier featuring mCal technology and most recently introducing the MCP6N16 Zero-Drift instrumentation amplifier. <ul style="list-style-type: none"> • Rail-to-Rail Input and Output • Gain Set by two (2) External Resistors • Enable/Vos Calibration Pin (MCP6N11) • Zero-Drift Architecture (MCP6N16) • Operating Voltage Range: 1.8V to 5.5V 	Click Here

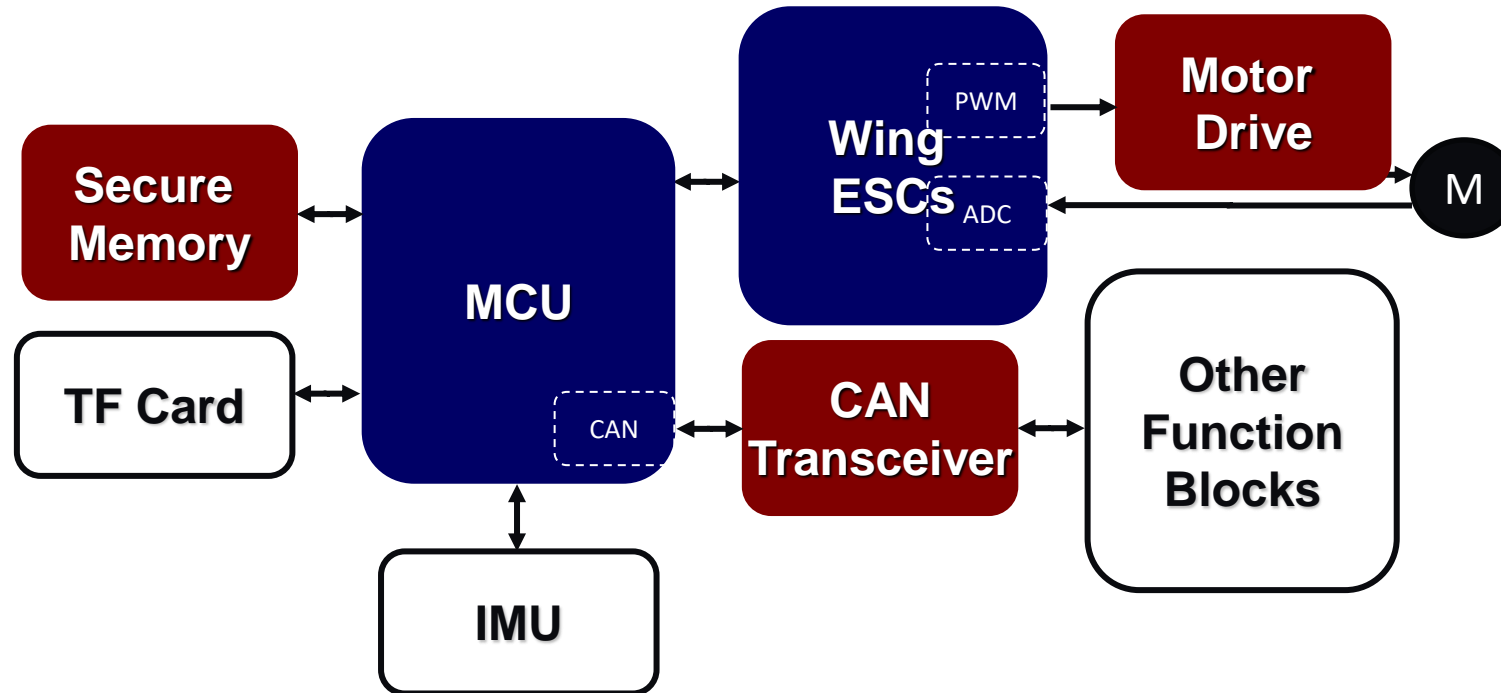
[<< BACK to BLOCK DIAGRAM](#)



Unmanned Aerial Vehicle (UAV)



UAV Flight Controller

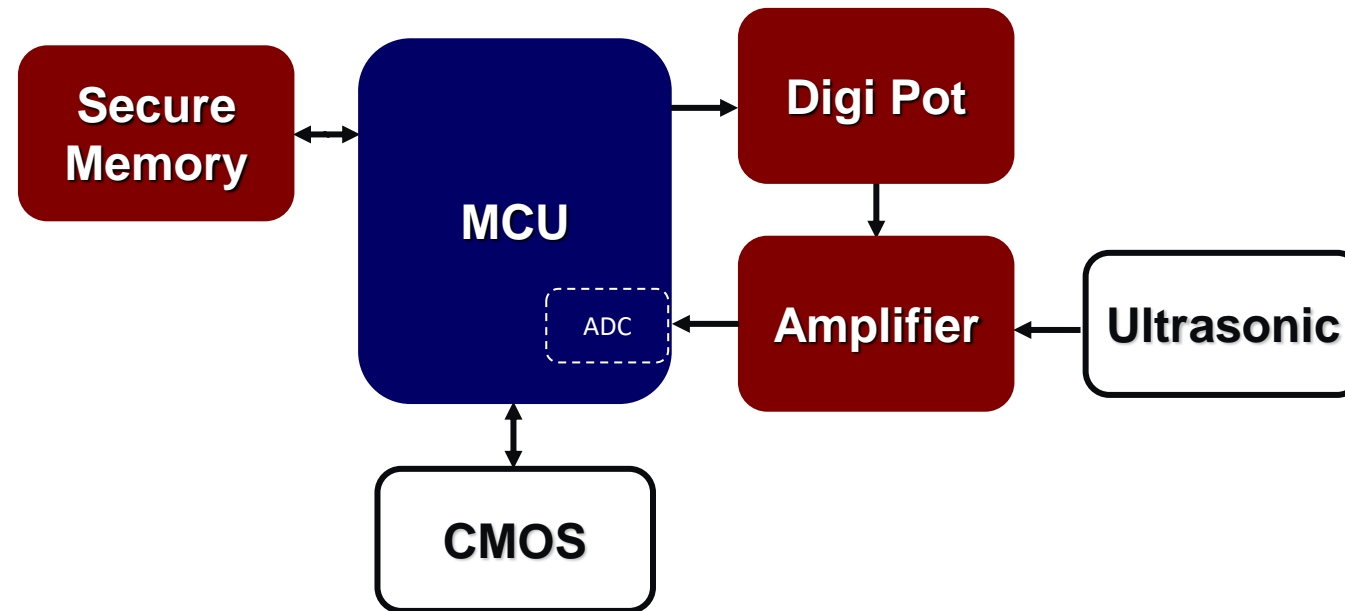


<< BACK to BLOCK DIAGRAM



UAV

Optical Flow

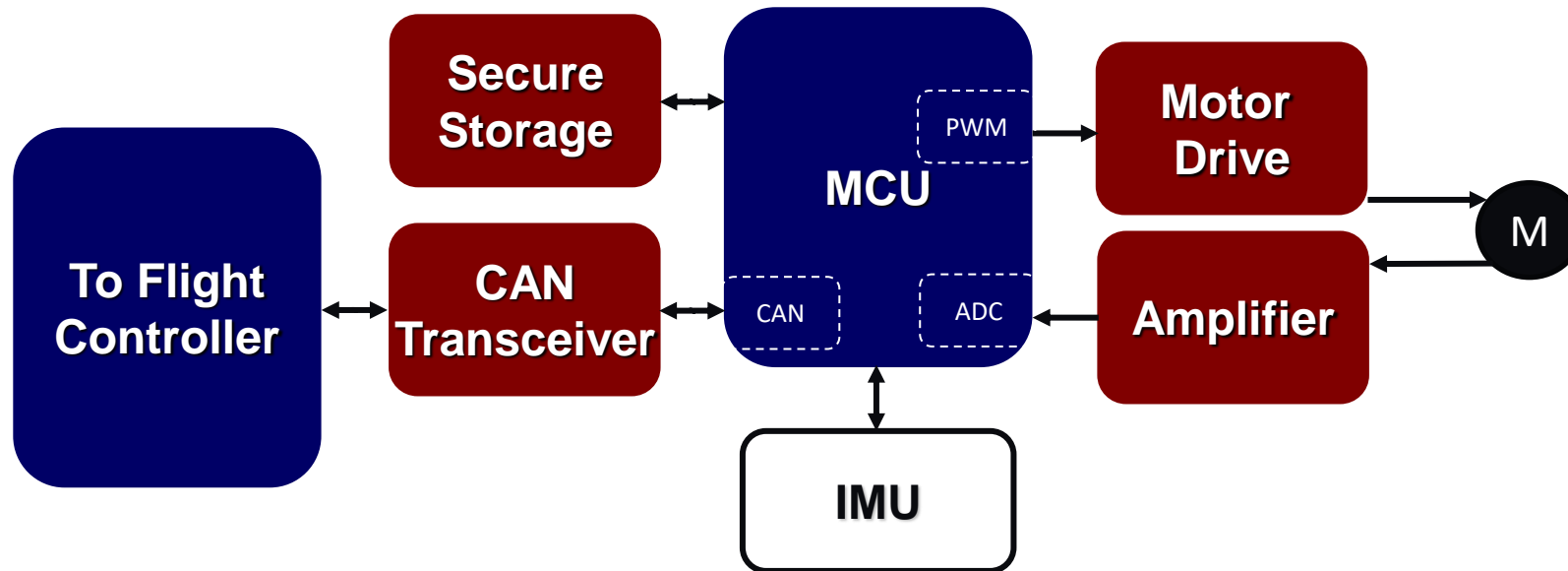


<< BACK to BLOCK DIAGRAM



UAV

Gimbal Controller

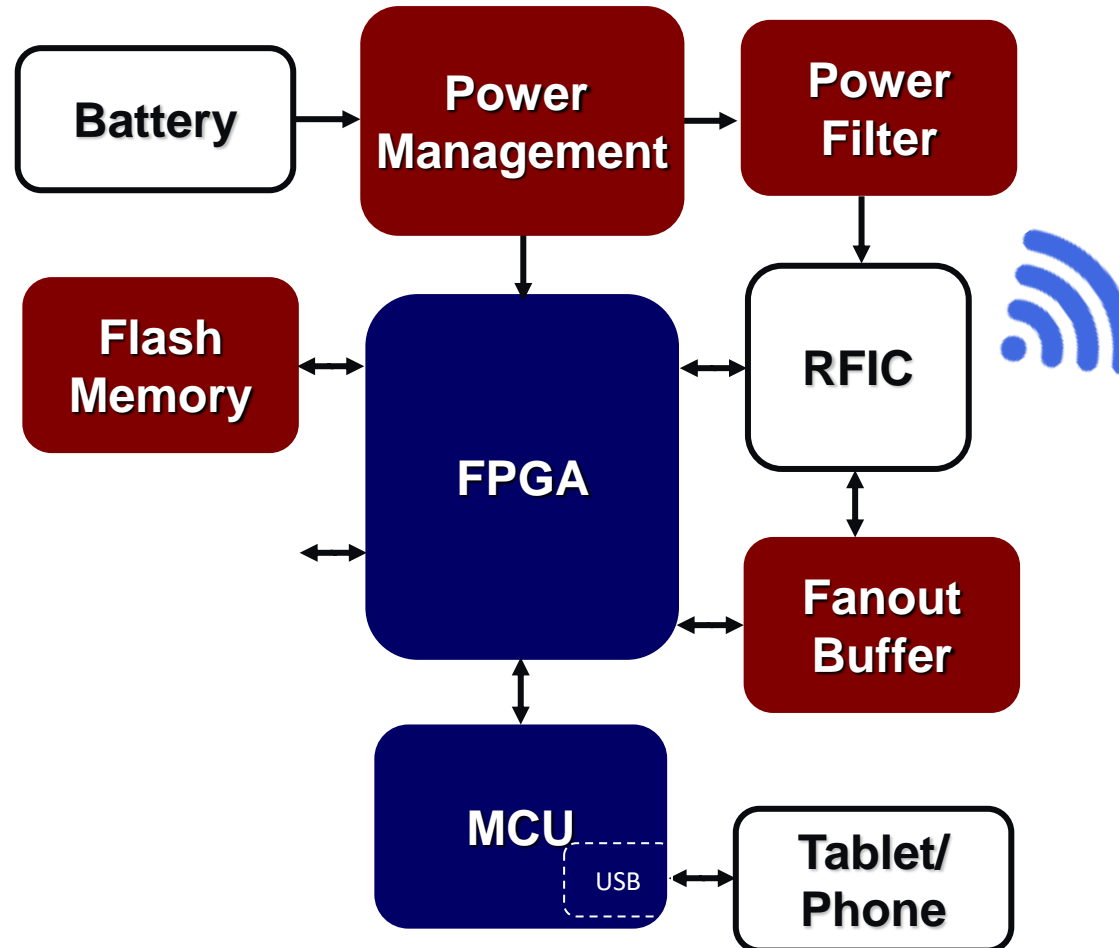


<< BACK to BLOCK DIAGRAM



UAV

Remote Controller



<< BACK to CONTENTS



UAV Power Management

Popular Products	Description	Product Web Page Click Here
MIC26601	The MIC26601 is a 600kHz constant-frequency, synchronous buck regulator featuring a unique adaptive on-time control architecture. The MIC26601 operates over an input supply range of 4.5V to 28V and provides a regulated output of up to 6A of output current. The output voltage is adjustable down to 0.8V with a guaranteed accuracy of $\pm 1\%$.	Click Here
MIC26400	The MIC26400 is a 300kHz constant-frequency, synchronous buck regulator featuring a unique digitally modified adaptive ON-time control architecture. The MIC26400 operates over an input supply range of 4.5V to 26V and provides a regulated output at up to 5A of output current. The output voltage is adjustable down to 0.8V with a typical accuracy of $\pm 1\%$.	



Secure Storage

Popular Products	Description	Product Web Page
ATAES132A	<p>The ATAES132A crypto element with hardware-based key storage is a very fast high-security serial 32K EEPROM device that enables authentication and confidential nonvolatile data storage. It is a direct drop-in for industry standard Serial EEPROMS, and supports the Advanced Encryption Standard (AES) cryptography standard.</p> <p>The AES-128 cryptographic engine operates in AES-CCM mode to provide authentication, stored data encryption/decryption, and Message Authentication Codes (MACs)</p>	Click Here

<< BACK to BLOCK DIAGRAM



Flight Controller MCU

Popular Products	Description	Product Web Page
ATSAME70Q21A	<p>The Atmel SMART SAME70Q21 devices are members of a flash microcontrollers family based on the high-performance 32-bit ARM Cortex-M7 processor with Floating Point Unit (FPU). These devices operate at up to 300MHz and feature up to 2048 Kbytes of Flash, up to 384 Kbytes of multi-port SRAM and configurable Instruction and Data Tightly Couple Memories to leverage the advanced DSP capabilities of the core. SAME70Q21 features multiple networking/connectivity peripherals, including CAN-FD interface and one 10/100Mbps Ethernet MAC with specific hardware support for Audio Video Bridging (AVB). Additional communication interfaces include a HS USB Host and Device, a HS SDCard/SDIO/MMC interface, USARTs, SPIs and multiple TWIs. Analog features include dual 2Msps 12-bit ADCs with analog front end offering offset and gain error correction, and 2Msps 12-bit DAC.</p>	Click Here



Wing ESCs MCU

Popular Products	Description	Product Web Page Click Here
ATMEGAXx8	Ideal for Sensorless BLDC, megaAVR 8-bit AVR microcontrollers offer substantial program and data memories with performance up to 20 MIPS. Meanwhile, innovative Atmel picoPower® technology minimizes power consumption.	
dsPIC33EP32MC204	Ideal for Sensorless FOC/BLDC, Microchip's dsPIC33E family of digital signal controllers (DSCs) features a 70 MIPS dsPIC® DSC core with integrated DSP and enhanced on-chip peripherals. These DSCs enable the design of high-performance, precision motor control systems that are more energy efficient, quieter in operation, have a great range and extended life. They can be used to control brushless DC, permanent magnet synchronous, AC induction and stepper motors.	Click Here



Motor Drive

Popular Products	Description	Product Web Page Click Here
MIC4607	The MIC4607 is an 85V, three-phase MOSFET driver. The MIC4607 features a fast (35ns) propagation delay time and 20ns driver rise/fall times for a 1nF capacitive load. TTL inputs can be separate high- and low-side signals or a single PWM input with high and low drive generated internally. High- and low-side outputs are guaranteed to not overlap in either mode.	Click Here
MCP87050	The MCP87000 family of high-speed MOSFETs have been designed to optimize the trade-off between ultra-low On-state resistance (Rds-on) and Gate Charge (Qg) to maximize power conversion efficiency in switched mode power supplies.	Click Here



CAN Transceiver

Popular Products	Description	Product Web Page Click Here
ATA6570	The ATA6570 is a standalone high speed CAN-FD transceiver that interfaces a Controller Area Network (CAN) protocol controller and the physical two wire CAN bus designed for high speed CAN applications in the automotive environment. It provides local and enhanced remote wake-up capabilities.	



Secure Storage

Popular Products	Description	Product Web Page Click Here
ATSHA204A	The ATSHA204A is a full turnkey security device. It includes a 4.5Kb EEPROM divided into 16 slots. This array can be used for storage of keys, miscellaneous read/write, read-only, password or secret data, and consumption tracking. Access to the various sections of memory can be restricted in a variety of ways and then the configuration locked to prevent changes.	



Digital Potentiometer

Popular Products	Description	Product Web Page Click Here
MCP4017	Used to adjust gain and trim, the MCP4017/8/9 devices are volatile, 7-bit (128 wiper steps) digital potentiometers with an I2C™Compatible interface. This family offers 5kΩ, 10kΩ, 50kΩ and 100kΩ end-to-end resistance values and is available in miniature 5 or 6 lead SC-70 packaging with potentiometer or rheostat pinouts.	



Operational Amplifier

Popular Products	Description	Product Web Page Click Here
MCP607x	The MCP607x op amps have low input offset voltage ($\pm 150 \mu\text{V}$ max) and rail-to-rail input and output operation. They are unity gain stable and with a gain bandwidth product of 1.2 MHz (typical). These devices operate with a single supply voltage as low as 1.8V, while drawing low quiescent current per amplifier (110 μA typical).	Click Here
MCP6V6x	The MCP6V6x family of operational amplifiers provides input offset voltage correction for very low offset ($\pm 150 \mu\text{V}$, max) and offset drift (15 nV/ $^{\circ}\text{C}$) with enhanced EMI rejection. These devices provide a gain bandwidth product of 1 MHz, are unity gain stable, have no 1/f noise, and provide superior CMRR and PSRR performance. These products operate with a single supply voltage as low as 1.8V with a quiescent current per amplifier of only 130 μA max.	Click Here



Sensor Unit

MCU & Op Amps

Popular Products	Description	Product Web Page Click Here
ATSAMD20	A rich set of peripherals, flexibility and ease-of-use combined with low power consumption define the SAM D20 ARM Cortex-M0+ based microcontroller series, which run up to 48MHz with up to 256KB Flash and 32KB SRAM.	Click Here
MCP607x	The MCP607x op amps have low input offset voltage ($\pm 150 \mu\text{V}$ max) and rail-to-rail input and output operation. They are unity gain stable and with a gain bandwidth product of 1.2 MHz (typical). These devices operate with a single supply voltage as low as 1.8V, while drawing low quiescent current per amplifier (110 μA typical).	Click Here
MCP6V6x	The MCP6V6x family of operational amplifiers provides input offset voltage correction for very low offset ($\pm 150 \mu\text{V}$, max) and offset drift (15 nV/ $^{\circ}\text{C}$) with enhanced EMI rejection. These devices provide a gain bandwidth product of 1 MHz, are unity gain stable, have no 1/f noise, and provide superior CMRR and PSRR performance. These products operate with a single supply voltage as low as 1.8V with a quiescent current per amplifier of only 130 μA max.	Click Here



Remote Transceiver MCU

Popular Products	Description	Product Web Page
ATATSAMC21	A rich set of peripherals, flexibility and ease-of-use combined with 2.7V – 5.5V operating voltage define the SAM C21 ARM Cortex-M0+ based microcontroller series, which run up to 48MHz with up to 256KB Flash and 32KB SRAM.	Click Here



Gimbal Controller MCU

Popular Products	Description	Product Web Page
ATSAME70N19A	<p>The SMART SAME70N19 devices are members of a flash microcontrollers family based on the high-performance 32-bit ARM Cortex-M7 processor with Floating Point Unit (FPU). These devices operate at up to 300MHz and feature up to 512 Kbytes of Flash, up to 256 Kbytes of multi-port SRAM and configurable Instruction and Data Tightly Couple Memories to leverage the advanced DSP capabilities of the core. SAME70N19 features multiple networking/connectivity peripherals, including CAN-FD interface and one 10/100Mbps Ethernet MAC with specific hardware support for Audio Video Bridging (AVB). Additional communication interfaces include a HS USB Host and Device, a HS SDCard/SDIO/MMC interface, USARTs, SPIs and multiple TWIs. Analog features include dual 2Msps 12-bit ADCs with analog front end offering offset and gain error correction, and 2Msps 12-bit DAC.</p>	Click Here
dsPIC33EP32MC504/ 128MC504	<p>dsPIC33E family of digital signal controllers (DSCs) features a 70 MIPS dsPIC® DSC core with integrated DSP and enhanced on-chip peripherals. These DSCs enable the design of high-performance, precision motor control systems that are more energy efficient, quieter in operation, have a great range and extended life. They can be used to control brushless DC, permanent magnet synchronous, AC induction and stepper motors. These devices are also ideal for high-performance general purpose applications.</p>	Click Here



Secure Storage

Popular Products	Description	Product Web Page Click Here
ATSHA204A	The ATSHA204A is a full turnkey security device. It includes a 4.5Kb EEPROM divided into 16 slots. This array can be used for storage of keys, miscellaneous read/write, read-only, password or secret data, and consumption tracking. Access to the various sections of memory can be restricted in a variety of ways and then the configuration locked to prevent changes.	



Operational Amplifier

Popular Products	Description	Product Web Page Click Here
MCP607x	The MCP607x op amps have low input offset voltage ($\pm 150 \mu\text{V}$ max) and rail-to-rail input and output operation. They are unity gain stable and with a gain bandwidth product of 1.2 MHz (typical). These devices operate with a single supply voltage as low as 1.8V, while drawing low quiescent current per amplifier (110 μA typical).	Click Here
MCP6V6x	The MCP6V6x family of operational amplifiers provides input offset voltage correction for very low offset ($\pm 150 \mu\text{V}$, max) and offset drift (15 nV/ $^{\circ}\text{C}$) with enhanced EMI rejection. These devices provide a gain bandwidth product of 1 MHz, are unity gain stable, have no 1/f noise, and provide superior CMRR and PSRR performance. These products operate with a single supply voltage as low as 1.8V with a quiescent current per amplifier of only 130 μA max.	Click Here



Motor Drive

Popular Products	Description	Product Web Page Click Here
MIC4607	The MIC4607 is an 85V, three-phase MOSFET driver. The MIC4607 features a fast (35ns) propagation delay time and 20ns driver rise/fall times for a 1nF capacitive load. TTL inputs can be separate high- and low-side signals or a single PWM input with high and low drive generated internally. High- and low-side outputs are guaranteed to not overlap in either mode.	Click Here
MCP87050	The MCP87000 family of high-speed MOSFETs have been designed to optimize the trade-off between ultra-low On-state resistance (Rds-on) and Gate Charge (Qg) to maximize power conversion efficiency in switched mode power supplies.	Click Here



CAN Transceiver

Popular Products	Description	Product Web Page Click Here
ATA6570	The ATA6570 is a standalone high speed CAN-FD transceiver that interfaces a Controller Area Network (CAN) protocol controller and the physical two wire CAN bus designed for high speed CAN applications in the automotive environment. It provides local and enhanced remote wake-up capabilities.	



Remote Controller Power Management

Popular Products	Description	Product Web Page Click Here
MIC45205	The MIC45205 is a synchronous step-down regulator module, featuring a unique adaptive ON-time control architecture. The module incorporates a DC-to-DC controller, power MOSFETs, bootstrap diode, bootstrap capacitor, and an inductor in a single package; simplifying the design and layout process for the end user.	Click Here
MIC33153	The MIC33153 is a high-efficiency 4MHz 1.2A synchronous buck regulator with an internal inductor, HyperLight Load® mode, Power Good (PG) output indicator, and programmable soft start. HyperLight Load® provides very high efficiency at light loads and ultra-fast transient response which makes the MIC33153 perfectly suited for supplying processor core voltages.	Click Here
MIC94305	The MIC94305 is an integrated load switch that incorporates Ripple Blocker™ active filter technology. The MIC94305 provides high-frequency ripple attenuation (switching noise rejection) for applications where switching noise cannot be tolerated by sensitive downstream circuits, such as RF applications.	Click Here



Remote Controller Power Filter

Popular Products	Description	Product Web Page Click Here
MIC94305	The MIC94305 is an integrated load switch that incorporates Ripple Blocker™ active filter technology. The MIC94305 provides high-frequency ripple attenuation (switching noise rejection) for applications where switching noise cannot be tolerated by sensitive downstream circuits, such as RF applications.	



Remote Controller Flash Memory

Popular Products	Description	Product Web Page Click Here
SST26VF032B	The SST26VF032B 32 Mbit Serial Quad I/O (SQI) flash device utilizes a 4-bit multiplexed I/O serial interface to boost performance while maintaining the compact form factor of standard serial flash devices	



Remote Controller MCU

Popular Products	Description	Product Web Page
ATSAMS70	The SMART SAM S series of general-purpose Flash microcontrollers (MCUs) are based on the high-performance 32-bit ARM® Cortex®-M7 RISC processors with floating point unit (FPU). They operate at a maximum speed of 300MHz and feature up to 2048KB of Flash, dual 16KB of cache memory and up to 384KB of SRAM. An extensive peripheral set includes High Speed USB Host and Device plus phy, up to 8 UARTs, I2S, SD/MMC interface, a CMOS camera interface, system control and analog interfaces.	Click Here



Remote Controller Fanout Buffer

Popular Products	Description	Product Web Page Click Here
PL133-XX	The PL133 are a family of an advanced fanout buffers designed for high performance, low-power, small form-factor applications. The PL133-XX accepts a reference clock input of 1MHz to 150MHz and produces multiple outputs of the same frequency. Reference clock inputs may be LVCMOS or sine-wave signals (the inputs are internally AC-coupled).	



PD-IM-7618T4

8 x 2-pair ports PSE EVB PD69208T4 and PD69210 loaded w/IEEE 802.3at FW

- **Summary**

The PD-IM-7618T4 evaluation board is developed based on PD69208T4 PSE manager and PD69210 controller, and demonstrates the operation of an eight 2-pair port system. The evaluation system provides designers with the required environment to evaluate the performance and implementation of PD69208T4 (eight 2-pair ports) PoE manager and PD69210 PoE controller. The included firmware demonstrates 2-pair operation. The evaluation board enables PoE designers to evaluate Microchip's PoE solution with flexibility and easy configuration.



- **Features**

- Featuring PD69208T4, PD69210
- IEEE 802.3af/at/bt Type 3 standard compliant
- Eight 2-pair 30W ports
- LED stream
- UART / USB host interface
- Two gangs (each contains 4 RJ45 connectors)
- Switch domain isolated from PoE domain
- Switch domain USB interface
- PoE controller manual reset
- LED status indication for all ports (LED stream)
- Requires single power source only
- 0°C to 40°C working temperature
- RoHS compliant



PD-IM-7618T4H

8 x 4-pair ports PSE EVB PD69208T4 and PD69210 loaded w/IEEE 802.3bt FW

- **Summary**

The PD-IM-7618T4H evaluation board is developed based on two PD69208T4 PSE managers and PD69210 controller, and demonstrates the operation of an eight 4-pair port system. The evaluation system provides designers with the required environment to evaluate the performance and implementation of two PD69208T4 (eight 4-pair ports) PoE managers and PD69210 PoE controller. The included firmware demonstrates 4-pair operation. The evaluation board enables PoE designers to evaluate Microchip's PoE solution with flexibility and easy configuration.



- **Features**

- Featuring 2x PD69208T4, PD69210
- IEEE 802.3af/at/bt Type 4 standard compliant
- Eight 4-pair 90W ports
- LED stream
- UART / USB host interface
- Two gangs (each contains 4 RJ45 connectors)
- Switch domain isolated from PoE domain
- Switch domain USB interface
- PoE controller manual reset
- LED status indication for all ports (LED stream)
- Requires single power source only
- 0°C to 40°C working temperature
- RoHS compliant

SAMR34 Xplained Pro Evaluation Kit

Online
Datasheet

The SAM R34 Xplained Pro is a hardware platform designed to evaluate the SAM R34 family of LoRa[®] devices.

This FCC, ISED and RED certified board is not only an evaluation platform but also an excellent reference design for developing SAMR34 based LoRa end-node applications.

This kit is supported by the Atmel Studio, an integrated development platform, which provides predefined application examples. The kit also provides easy access to various features of the ATSAMR34J18B device and offers additional peripherals to extend the features of the board and ease the development of custom designs.

Reference links

- To get started with software development, download and install [Atmel Studio 7](#)
- For software examples, update to ASF 3.44 and above. For more information about ASF v3, click [here](#).
- To access SAM R34 Xplained Pro Design documentation, refer to SAM R34 Chip-down design package in the documents section on the [SAM R34/35 product pages](#)

SAM R34/35 SiP devices come in six device variants with different memory/interface options. For more information on specific SAM R34/35 device variants, refer to the product variant below.

[ATSAMR34J18](#)

[ATSAMR34J17](#)

[ATSAMR34J16](#)

[ATSAMR35J18](#)

[ATSAMR35J17](#)

[ATSAMR35J16](#)

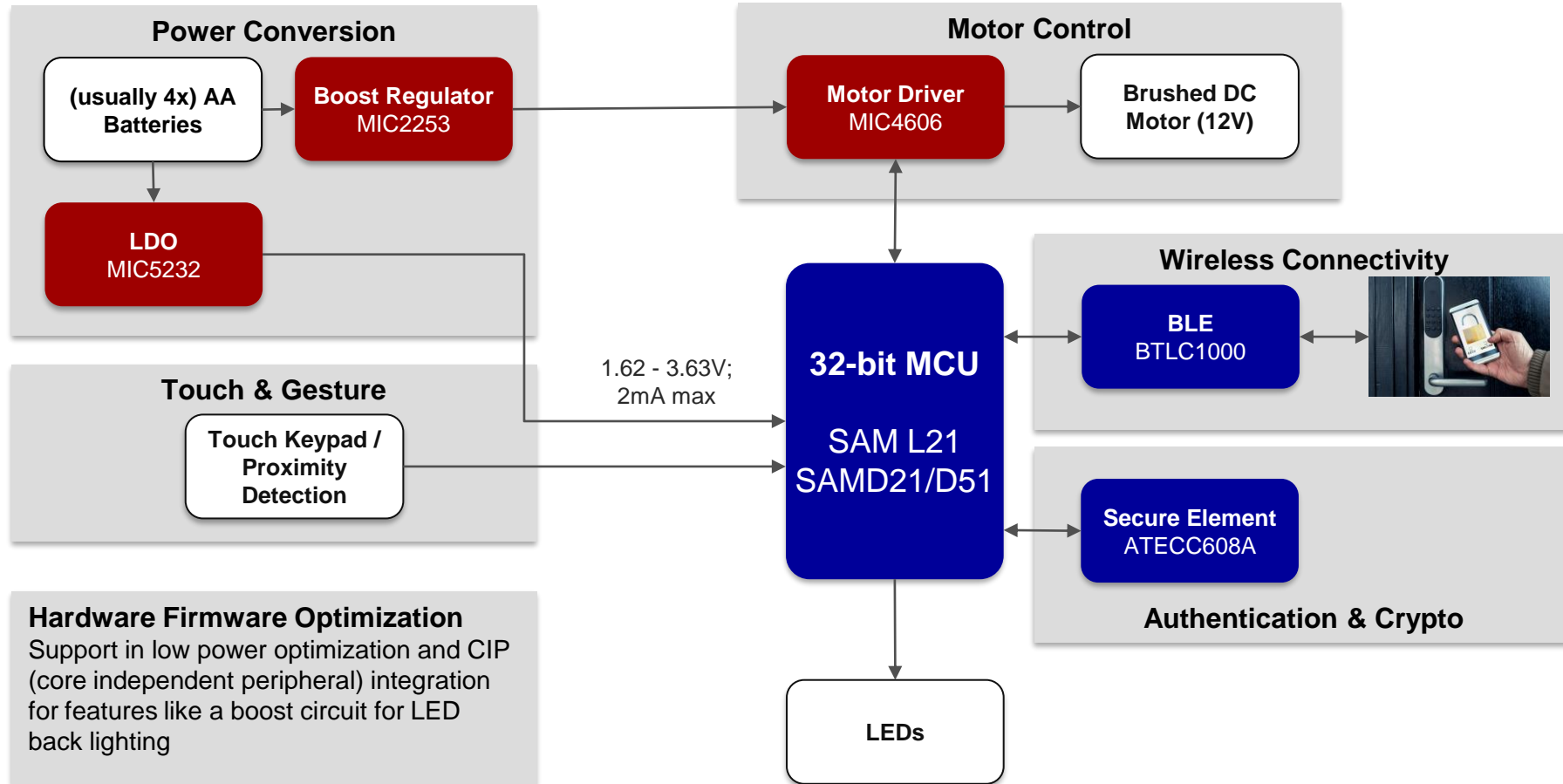


<< BACK to Wireless Products

<< BACK



Smart Home Lock



32-Bit MCU

Components	Product Family	Features
32-bit MCU	<u>SAM L21</u>	Ultra-low power: The <u>SAM L21</u> family of Arm Cortex-M0+ based MCUs can help extend the battery life of a smart lock design
	<u>SAM D21</u>	Low cost: The <u>SAM D21</u> family of Arm Cortex-M0+ based MCUs can significantly reduce the system's cost
	<u>SAM D51</u>	High performance: The <u>SAM D51</u> family of Arm Cortex-M4 based MCUs can quickly execute complex authentication algorithms to provide responsive and speedy unlocking of the door

BLE Components

Components	Product Family	Features
Bluetooth® Low Energy (BLE)	<u>ATBTLC1000</u>	<ul style="list-style-type: none">• The <u>ATBTLC1000</u> is an ultra-low-power Bluetooth Low Energy System on Chip (SoC) with an integrated Arm® Cortex®-M0 based 32-bit microcontroller, transceiver, modem, MAC, PA, TR switch and Power Management Unit (PMU).• This module enables connectivity between the lock and your smartphone to unlock the door when the phone is in the immediate vicinity.

Boost Regulator

Components	Product Family	Features
Boost Regulator	MIC2253	<ul style="list-style-type: none">• 3.5A minimum switch current• 1.245V \pm3% feedback voltage• 2.5V to 10V input voltage• Output over-voltage protection (OVP)• Externally programmable soft-start• Output voltage up to 30V (max)

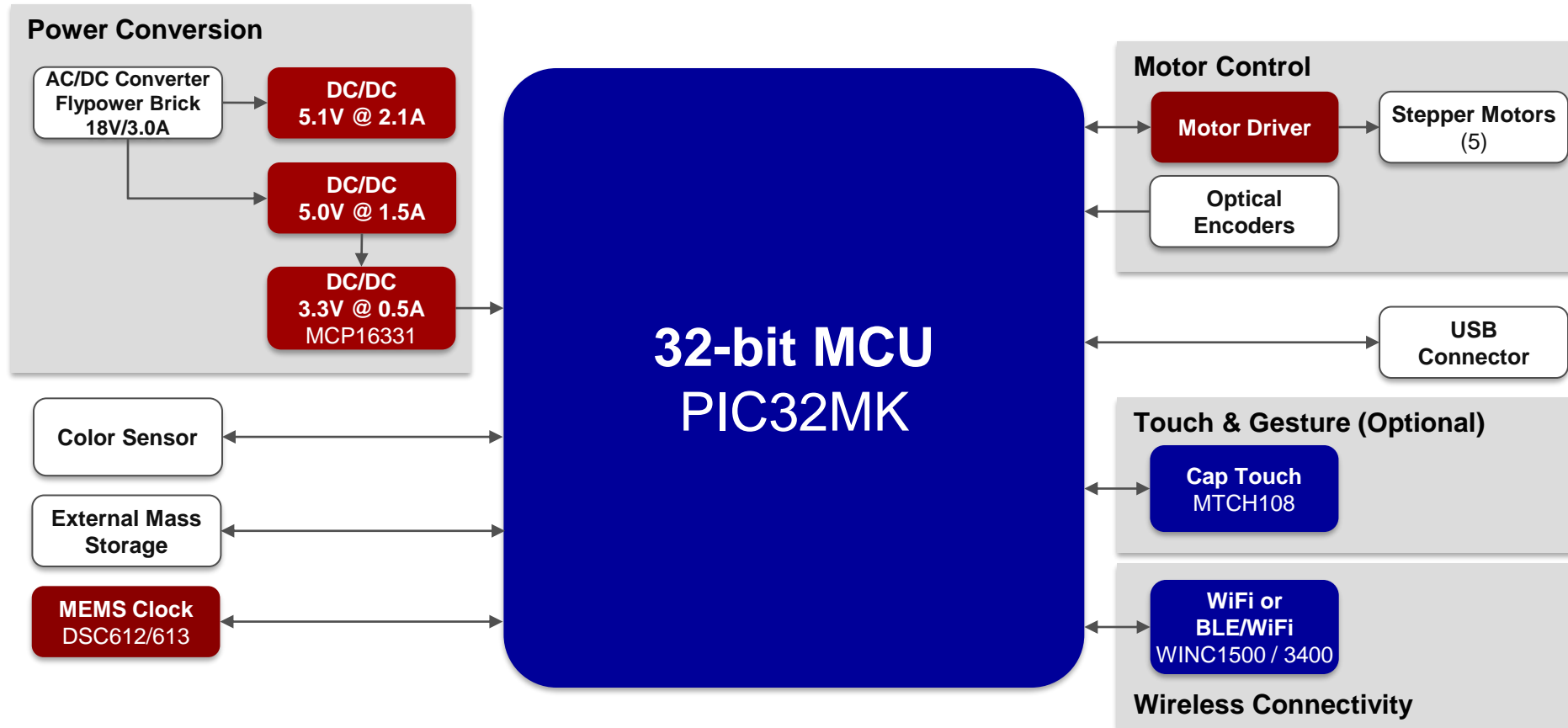
Motor Driver with Integrated FET

Components	Product Family	Features
Motor Driver with Integrated FET	<u>MIC4606</u>	<ul style="list-style-type: none">• Dual <u>full-bridge motor drivers</u> offer a wide operating voltage range to drive bipolar stepper motors or provide bidirectional control of two DC motors• 5.5V to 16V gate drive supply voltage range• Advanced adaptive dead time• Intelligent shoot-through protection• MIC4606-1: 4 Independent TTL inputs• MIC4606-2: 2 PWM inputs• Enable input for on/off control

Low-Dropout Voltage Regulator/Buck Regulator

Components	Product Family	Features
LDO/Buck Regulator	<u>MIC5232</u>	<ul style="list-style-type: none">• An ultra-low quiescent current, low-dropout linear regulator can operate from a single-cell lithium-ion battery• It consumes only 1.8 μA of quiescent current while providing 10 mA of output current and low output noise, which makes it well suited for stand-by or keep-alive applications.

Die Cutting Machine



32-Bit MCU

Components	Product Family	Features
32-bit MCU	<u>PIC32MK</u>	<ul style="list-style-type: none">• Hardware QEI modules for up to six motors enables multi-axis precision cutting speed with 20% more MIPS compared to the original CPU speed• Increased number of PWMs, allowing hardware polarity switching (for motor control)• Double precision FPU providing high precision computational abilities.• Advanced Analog:<ul style="list-style-type: none">○ 7x 12-bit 3.7 Msps ADC (up to 20 Msps in interleaved mode), up to 42ch○ Up to 3x 12-bit 1 Msps DAC○ 5x AC; 4x op amp○ Control Peripherals: motor control PWMs• Connectivity: FS USB, CAN• Suited for industrial and <u>motor control</u> applications

Wi-Fi Components

Components	Product Family	Features
Wireless / Wi-Fi	<u>WINC3400</u> (BLE/WiFi)	<ul style="list-style-type: none">• IEEE 802.11 b/g/n 20MHz (1x1) Wi-Fi plus Bluetooth 5 Core Specification, Internet of Things (IoT) network controller module• It is an add-on to existing microcontroller (MCU) solutions, offering Wi-Fi® and Bluetooth® Low Energy (BLE) network capabilities through a SPI-to-Wi-Fi interface• Security protocols supported: WPA/WPA2 Personal, WPA/WPA2 Enterprise, TLS, SSL• Bluetooth 5 Certified
	<u>WINC1500</u> (WiFi)	<ul style="list-style-type: none">• Single-band 2.4GHz b/g/n IoT Network Controller• Security protocols supported: WPA/WPA2 Personal and Enterprise, TLS, SSL



Motor Control Driver

Components	Product Family	Features
Motor Control Driver	<u>MTS2916A</u>	<ul style="list-style-type: none">• Dual full-bridge PWM motor driver IC; the two output bridges can sustain 40V and deliver up to 750mA of continuous current each• able to drive both windings of a bipolar stepper motor or bi-directionally control two DC motors• Internal fixed Toff time PWM current control• Built-in protection diodes
	<u>MTS62C19A</u>	<ul style="list-style-type: none">• 3-Phase Brushless DC Sinusoidal Sensorless Fan Motor Driver• Able to drive both windings of a bipolar stepper motor or bi-directionally control two DC motors.• Load voltage supply range: 10V to 40V• Output current up to 750mA (each bridge)

Touch Controller

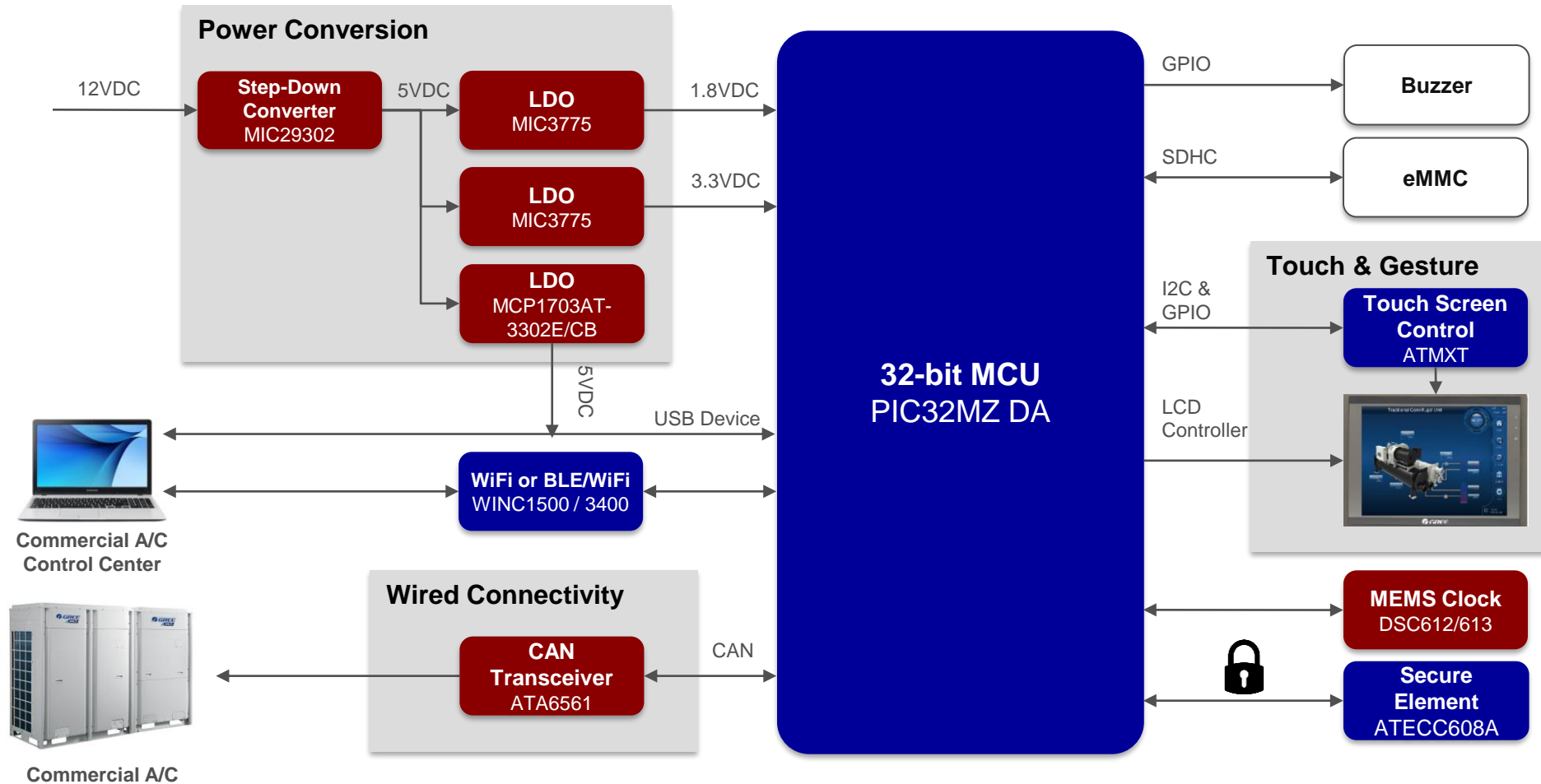
Components	Product Family	Features
Cap Touch (optional)	<u>MTCH108</u>	<ul style="list-style-type: none">• An 8 channels Proximity/Touch controller with 8 simple digital outputs (proximity/key/slider).• High Signal to Noise Ration (SNR)• Moisture/ Water resistance• High Signal to Noise Ration (SNR)• Moisture/ Water resistance

DC- DC Converters

Components	Product Family	Features
DC-DC Converters	<u>MCP16331</u>	<ul style="list-style-type: none">• 50V/1A, Non-Synchronous Buck Regulator• Input Voltage Range: 4.4V to 50V• Output Voltage Range: 2.0V to 24V• 2% Output Voltage Accuracy• Minimum 500 mA Output Current• 500 kHz Fixed Frequency
	<u>MIC24051</u>	<ul style="list-style-type: none">• 19V/6A DC-DC Buck Regulator• 4.5V to 19V input voltage• regulated output of up to 6A of output current• Adjustable output from 0.8V to 5.5V ($\pm 1\%$ accuracy)
	<u>MIC4684</u>	<ul style="list-style-type: none">• 200 KHz SuperSwitcher Buck Regulator• Wide input voltage range: 4V to 30V• Output voltage adjustable to 1.235V



HMI for Diagnostic (A/C) Tools



32-Bit MCU

Components	Product Family	Features
32-bit MCU	<u>PIC32MZ DA</u>	<ul style="list-style-type: none">• High-performing MCU (330 DMIPS) with integrated DRAM to drive larger LCD screens• Advanced Graphics:<ul style="list-style-type: none">• 3-layer graphics controller capable of driving 24-bit color WVGA• High-performance 2D Graphics Processing Unit (GPU)• High Density of Memory:<ul style="list-style-type: none">• 32 MB integrated DDR2 DRAM or 128 MB externally addressable• Up to 2 MB Flash and 640 KB RAM• Suited for <u>embedded graphics and HMI</u> applications

Embedded GUI

CAN Transceiver

Components	Product Family	Features
CAN Transceiver	<u>ATA6561</u>	<ul style="list-style-type: none">• High-speed CAN FD ready with standby mode and VIO pin that provides an interface between a controller area network (CAN) protocol controller and the physical two-wire CAN bus• Communication speed up to 5Mbit/s• Low electromagnetic emission (EME) and high electromagnetic immunity (EMI)• Differential receiver with wide common mode range• Direct interfacing to microcontrollers with supply voltages from 3V to 5V

Touch Controller

Components	Product Family	Features
Touch Screen Control	<u>ATMXT</u>	The maXTouch touch controller family provides a leading projected capacitive technology for touchscreens and touchpads, with a portfolio covering solutions for all touch surfaces and screens up to 24" diagonal size

Step-Down Converters

Components	Product Family	Features
Step-Down Converters/ Low-Drop out Voltage Regulators	<u>MIC29302</u>	<ul style="list-style-type: none"> • high-current, high-accuracy, low-dropout voltage regulators • Low dropout voltage • Low ground current • Accurate 1% guaranteed tolerance • Extremely fast transient response
	<u>MIC3775</u>	<ul style="list-style-type: none"> • 750mA low voltage uCap LDO • Fixed and adjustable output voltages to 1.24V • Ideal for 3.0V to 2.5V conversion • Ideal for 2.5V to 1.8V or 1.65V conversion • Stable with ceramic capacitor • 750mA minimum guaranteed output current • 1% initial accuracy
	<u>MCP1703</u>	<ul style="list-style-type: none"> • Low Iq 250mA LDO, Vin 16V max, Vout = 3.0V • Wide input operating voltage range: 2.7V to 16.0V

Secure Element

Components	Product Family	Features
Secure Element	<u>ATECC608A</u>	<ul style="list-style-type: none">• Secure Element JIL High rated with secure key storage• Cryptographic co-processor with secure hardware-based key storage• Protected storage for up to 16 Keys, certificates or data• ECDH: FIPS SP800-56A Elliptic Curve Diffie-Hellman• NIST standard P256 elliptic curve support• SHA-256 and HMAC hash including off-chip context save/restore• AES-128: encrypt/decrypt, galois field multiply for GCM

Embedded GUI Development Tool

Components	Product Family	Features
Embedded GUI Development Tool	<u>MPLAB Harmony Graphics Suite (MHGS)</u>	<ul style="list-style-type: none">• Powerful Tools and Integration to Reduce Embedded Graphics Development Cost, Time and Risk• Easy-to-Use “Display Manager” allows the engineer to visualize display timing and generate their own display controller driver, with minimal to no code written.• Extensive graphics library for different color support, as well different text (strings, fonts, multi-lingual) support

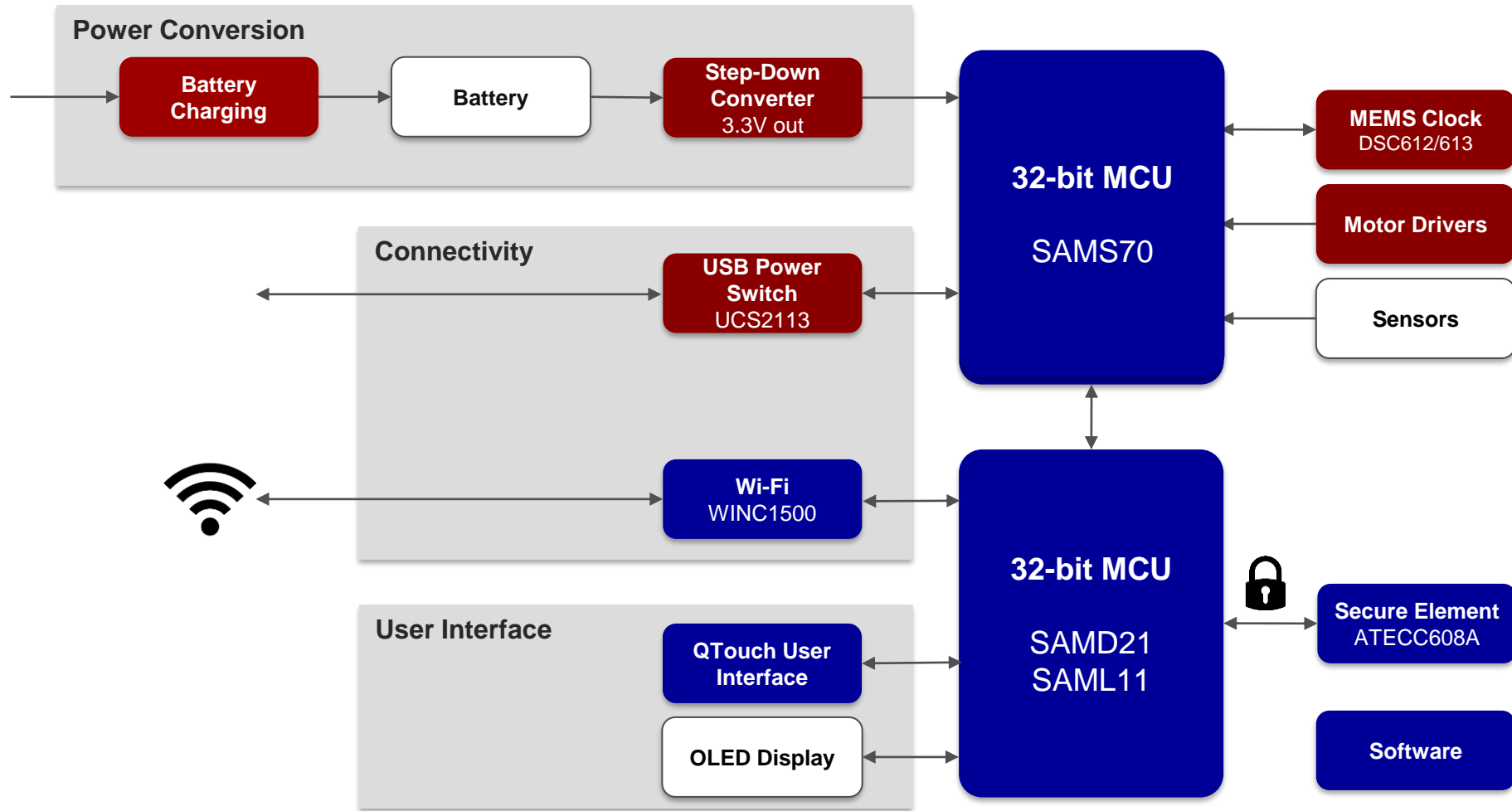
Robotic Vacuum Cleaners

Robotic Vacuum 32-bit
Microcontrollers

Robot Vacuum Other
MCUs



Robotic Vacuum 32-bit MCU



32-Bit MCU

Components	Product Family	Features
32-bit MCU	<u>SAMS70</u>	<ul style="list-style-type: none">• Arm® Cortex®-M7 based MCU• Powerful Cortex-M7 core for image processing and mapping
	<u>SAMD21</u>	<ul style="list-style-type: none">• Arm Cortex-M0+ based, low power, general purpose MCU
	<u>SAML11</u>	<ul style="list-style-type: none">• Arm Cortex-M23 based, ultra-low power MCU which provides chip-level security with TrustZone and secure boot• Enhanced hardware capacitive touch with water tolerance and parallel acquisition which is 4x times faster



Wi-Fi Components

Components	Product Family	Features
Wireless / Wi-Fi	<u>WINC1500</u> (WiFi)	<ul style="list-style-type: none">• Single-band 2.4GHz b/g/n IoT Network Controller• Security protocols supported: WPA/WPA2 Personal and Enterprise, TLS, SSL

Step-Down Converters

Components	Product Family	Features
DC-DC Converters	<u>MIC23030</u>	<ul style="list-style-type: none">• High efficiency 8MHz 400mA synchronous buck regulator with HyperLight Load[®] mode• Input voltage: 2.7V to 5.5V• 400mA output current• Up to 91% efficiency and 83% at 1mA• 21 μA typical quiescent current• 8MHz PWM operation in continuous mode• Ultra fast transient response



Battery Charging / Management

Components	Product Family	Features
Battery Charging / Management	<u>MCP738xx</u>	Depending on Battery Chemistry, Microchip offers a broad array of Battery Management Solutions which feature small package sizes, high-efficiency, low standby power, accuracy and versatility solutions to solve these portable power conversion challenges.

Motor Control Driver

Components	Product Family	Features
Motor Control Driver	<u>MTS2916A</u>	<ul style="list-style-type: none">• Dual full-bridge PWM motor driver IC; the two output bridges can sustain 40V and deliver up to 750mA of continuous current each• able to drive both windings of a bipolar stepper motor or bi-directionally control two DC motors• Internal fixed Toff time PWM current control• Built-in protection diodes
	<u>MTS62C19A</u>	<ul style="list-style-type: none">• 3-Phase Brushless DC Sinusoidal Sensorless Fan Motor Driver• Able to drive both windings of a bipolar stepper motor or bi-directionally control two DC motors.• Load voltage supply range: 10V to 40V• Output current up to 750mA (each bridge)



USB Power Switch

Components	Product Family	Features
USB Power Switch	<u>UCS2113</u>	<ul style="list-style-type: none">• Dual USB Power Switch with Integrated Current Sensor• 2.9V to 5.5V source voltage range• 3.0A continuous current per VBUS port with 40 mΩ On resistance per switch• Independent port power switch enable pins• Dual fault ALERT# active drain output pins• Constant Current or Trip mode current limiting behaviors• Undervoltage and overvoltage lockout



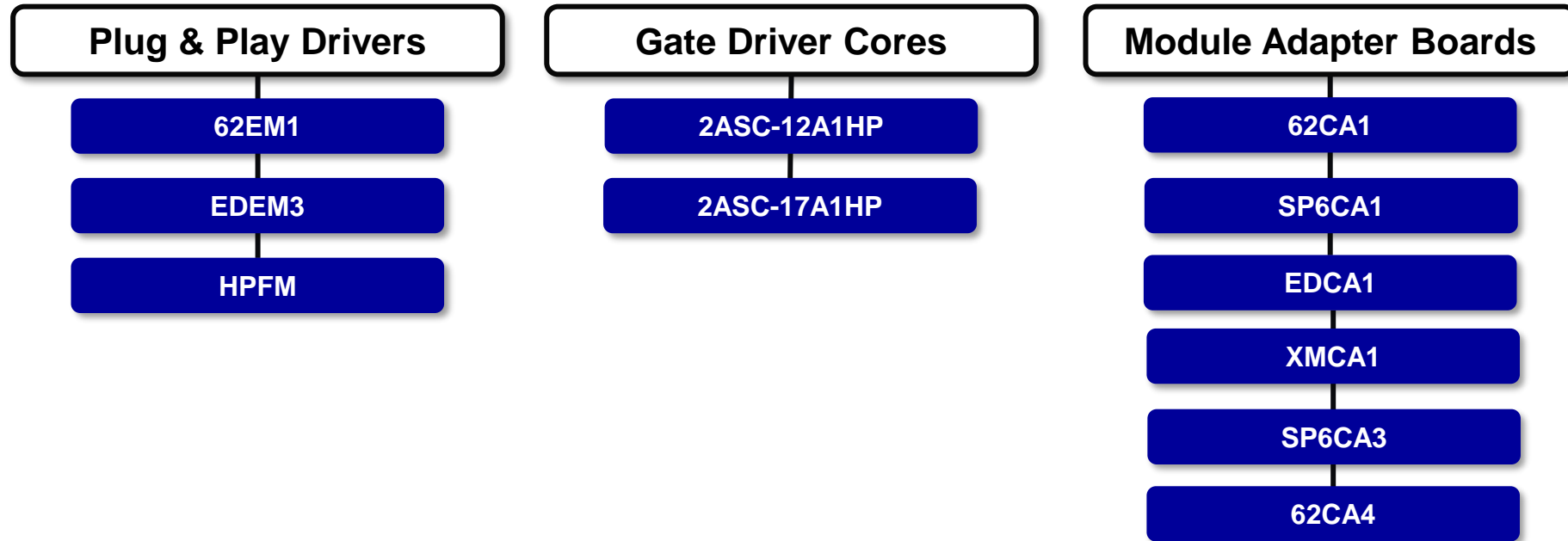
Software

Components	Product Family	Features
Software		<ul style="list-style-type: none">• Software with drivers, middleware, Touch and ATECC608 CryptoAuthLib library• Wireless (WiFi) Communication stacks• Hardware and Software reference design enabling a prototype to be set up, utilizing the cloud demo• QTouch composer to configure and calibrate the capacitive touch UI design

MEMS Clock

Components	Product Family	Features
MEMS Clock (optional)	<u>DSC612</u>	<ul style="list-style-type: none">• 2-output any-rate MEMS clock generator• Supports 2 Any-Rate LVCMOS clock outputs from 2kHz to 100MHz• Integrated MEMS resonator eliminates the need for external crystal• Low power consumption: 5mA active 1 μA standby current• Wide supply voltage range: 1.71V -3.63V
	<u>DSC613</u>	<ul style="list-style-type: none">• 3-output any-rate MEMS clock generator• Supports 3 LVCMOS clock outputs from 2kHz to 100MHz• Integrated MEMS resonator eliminates the need of external crystal• Low power consumption: 5.2mA active, 1 μA standby current• Wide supply voltage range: 1.71V -3.63V

Digital Gate Drivers



62EM1

Key Gate Driver Features:

- 10W per Channel
- 20A Peak Gate Current
- Patented Augmented Switching
- Patented Robust Short Circuit Detection
- Temperature & DC Link Monitoring
- 7 Unique Fault conditions
- UVLO, OVLO
- Overcurrent Protection
- Master-Slave Compatible



EDEM3



Key Gate Driver Features:

- **3W per Channel**
- **15A Peak Gate Current**
- **Patented Augmented Switching**
- **Patented Robust Short Circuit Detection**
- **Temperature & DC Link Monitoring**
- **7 Unique Fault conditions**
- **UVLO, OVLO**
- **Overcurrent Protection**
- **Master-Slave Compatible**



HPFM

Key Gate Driver Features:

- 7W per Channel
- 30A Peak Gate Current
- UVLO
- Overcurrent Protection
- Master-Slave Compatible



2ASC-12A1HP

Key Gate Driver Features:

- 3W per Channel
- 10A Peak Gate Current
- Patented Augmented Switching
- Patented Robust Short Circuit Detection
- Temperature & DC Link Monitoring
- 7 Unique Fault conditions
- UVLO, OVLO
- Overcurrent Protection



Programmable Vgs	Low Limit	High Limit
Gate Positive (V)	12	21
Gate Negative (V)	-5	0

62CA1

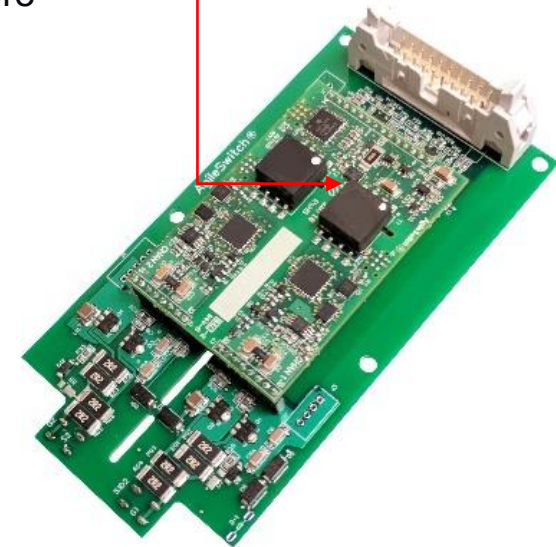
Module Adapter Board 62mm – 1200V

Key Features:

- **Compatibility –**
 - AgileSwitch® Gate Driver Core - 2ASC-12A1HP
 - SiC Module – 1200V Modules in 62mm Package
- **20 pin input connector**
- **Spade connectors for direct, low inductance connection to module**
- **Non-Isolated thermistor connector**
- **Paralleling with main/secondary drivers**

2ASC-12A1HP Gate Driver Core

62CA1



SP6CA1

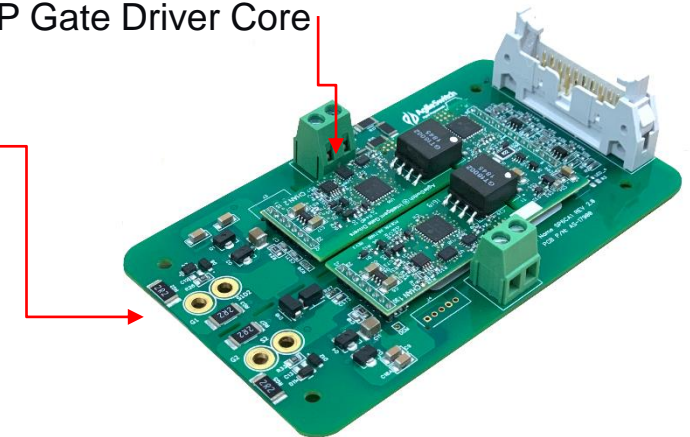
Module Adapter Board SP6LI – 1200V

Key Features:

- **Compatibility –**
 - AgileSwitch® Gate Driver Core - 2ASC-12A1HP
 - SiC Module – 1200V Modules in SP6LI Package
- **20 pin input connector**
- **direct, low inductance connection to module**
- **Non-Isolated thermistor connector**
- **Paralleling with main/secondary drivers**

2ASC-12A1HP Gate Driver Core

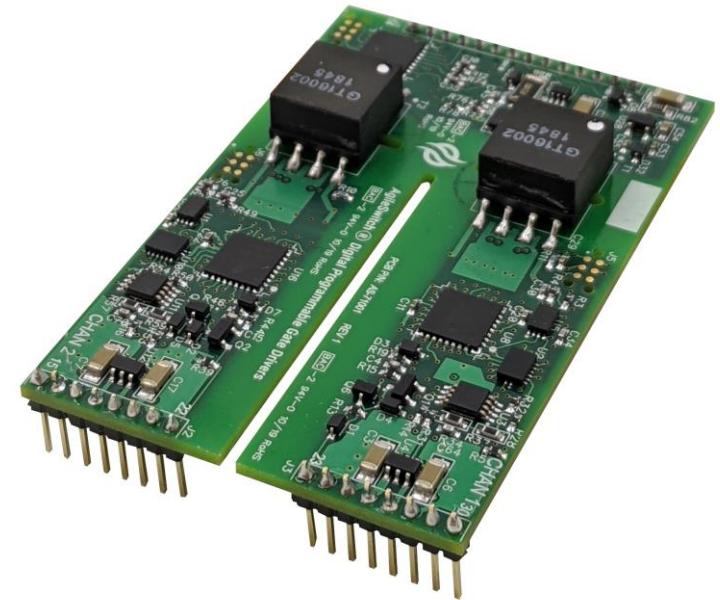
SP6CA1



2SC-17A1HP

Key Gate Driver Features:

- 5W per Channel
- 20A Peak Gate Current
- Patented Augmented Switching
- Patented Robust Short Circuit Detection
- Temperature & DC Link Monitoring
- 7 Unique Fault conditions
- UVLO, OVLO
- Overcurrent Protection



Programmable Vgs	Low Limit	High Limit
Gate Positive (V)	12	21
Gate Negative (V)	-5	0

EDCA1

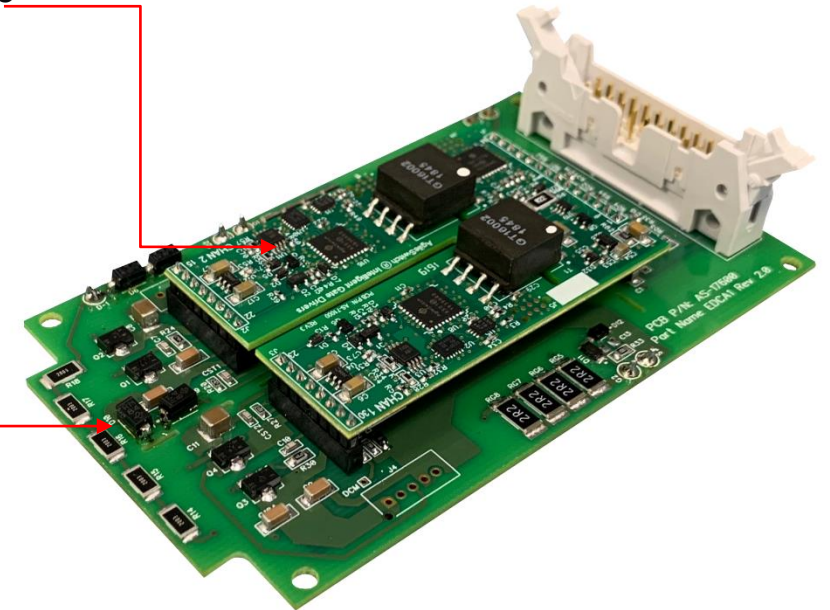
Module Adapter Board Rohm E/G – 1200V

Key Features:

- **Compatibility –**
 - AgileSwitch® Gate Driver Core - 2ASC-12A1HP
 - SiC Module – 1200V Modules in SP6LI Package
- **20 pin input connector**
- **Direct, low inductance connection to module**
- **Non-Isolated thermistor connector**
- **Paralleling with main/secondary drivers**

2ASC-12A1HP Core

EDCA1



XMCA1

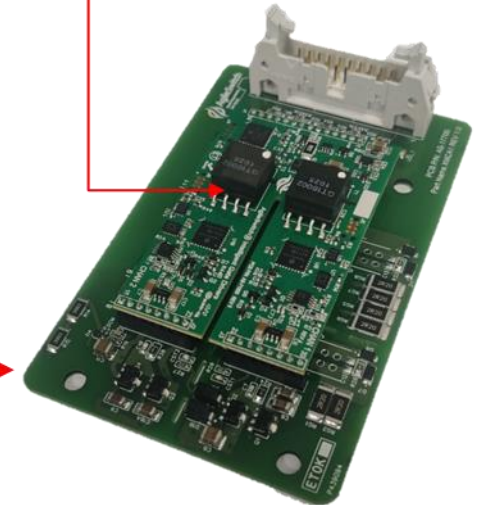
Module Adapter Board XM3 – 1200V

Key Features:

- **Compatibility –**
 - AgileSwitch® Gate Driver Core - 2ASC-12A1HP
 - SiC Module – 1200V Modules in XM3 Package
- **20 pin input connector**
- **Direct, low inductance connection to module**
- **Non-Isolated thermistor connector**
- **Paralleling with main/secondary drivers**

2ASC-12A1HP Gate Driver Core

XMCA1



SP6CA3

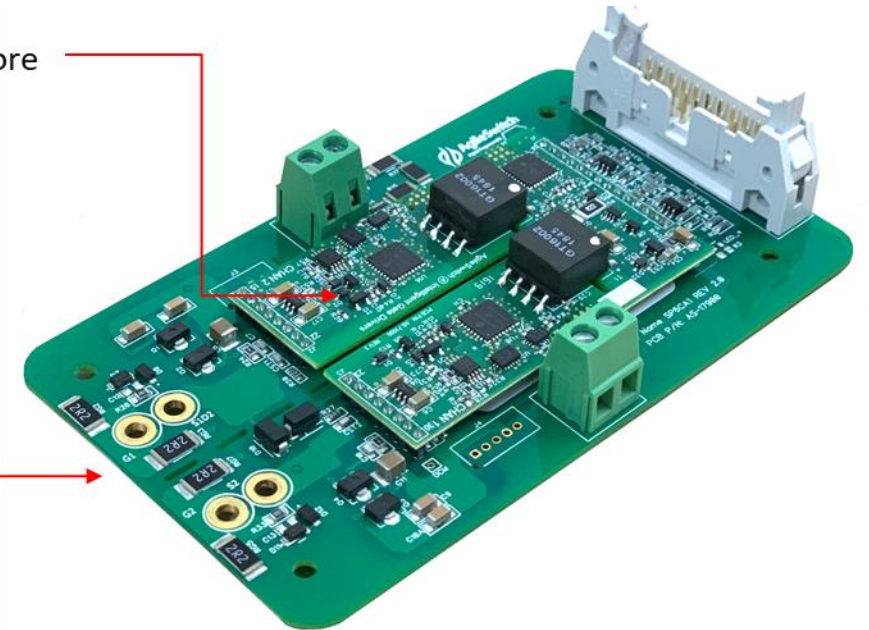
Module Adapter Board SP6LI – 1700V

Key Features:

- **Compatibility –**
 - AgileSwitch® Gate Driver Core - 2ASC-17A1HP
 - SiC Module – 1700V Modules in SP6LI Package
- **20 pin input connector**
- **Direct, low inductance connection to module**
- **Non-Isolated thermistor connector**
- **Paralleling with main/secondary drivers**

2ASC-17A1HP Gate Driver Core

SP6CA3



62CA4

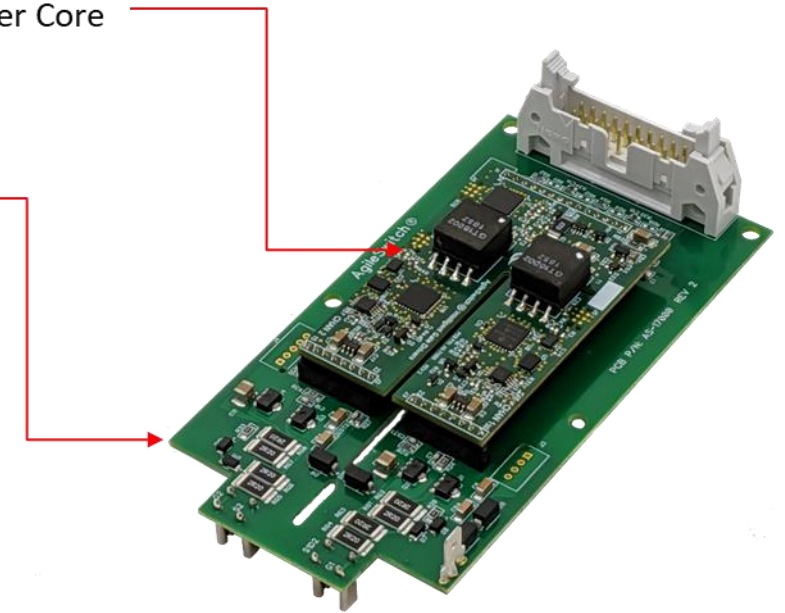
Module Adapter Board 62mm – 1700V

Key Features:

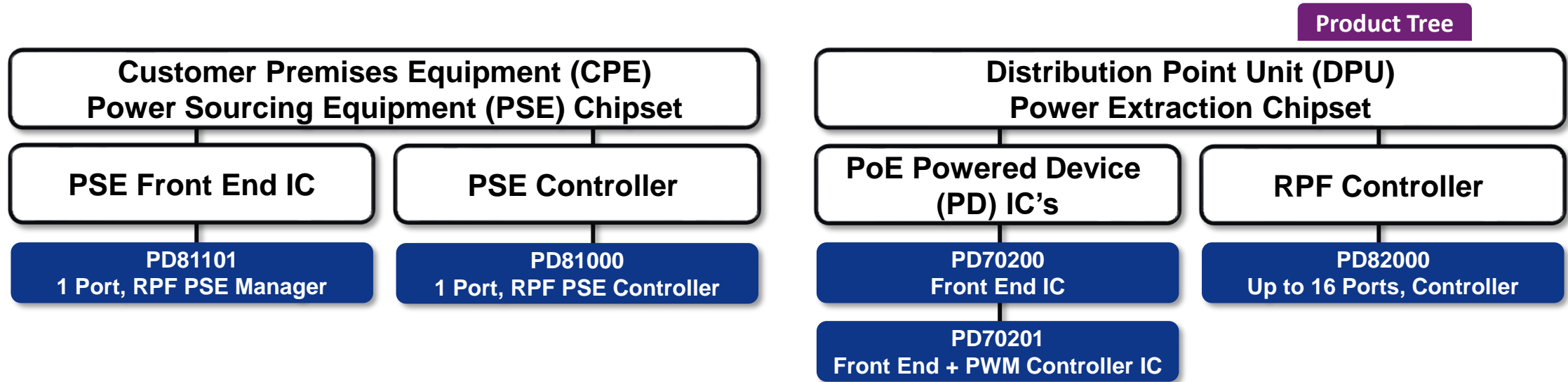
- **Compatibility –**
 - AgileSwitch® Gate Driver Core - 2ASC-17A1HP
 - SiC Module – 1700V Modules in 62mm Package
- **20 pin input connector**
- **Direct, low inductance connection to module**
- **Non-Isolated thermistor connector**
- **Paralleling with main/secondary drivers**

2ASC-17A1HP Gate Driver Core

62CA4



Reverse Power Feed (RPF)

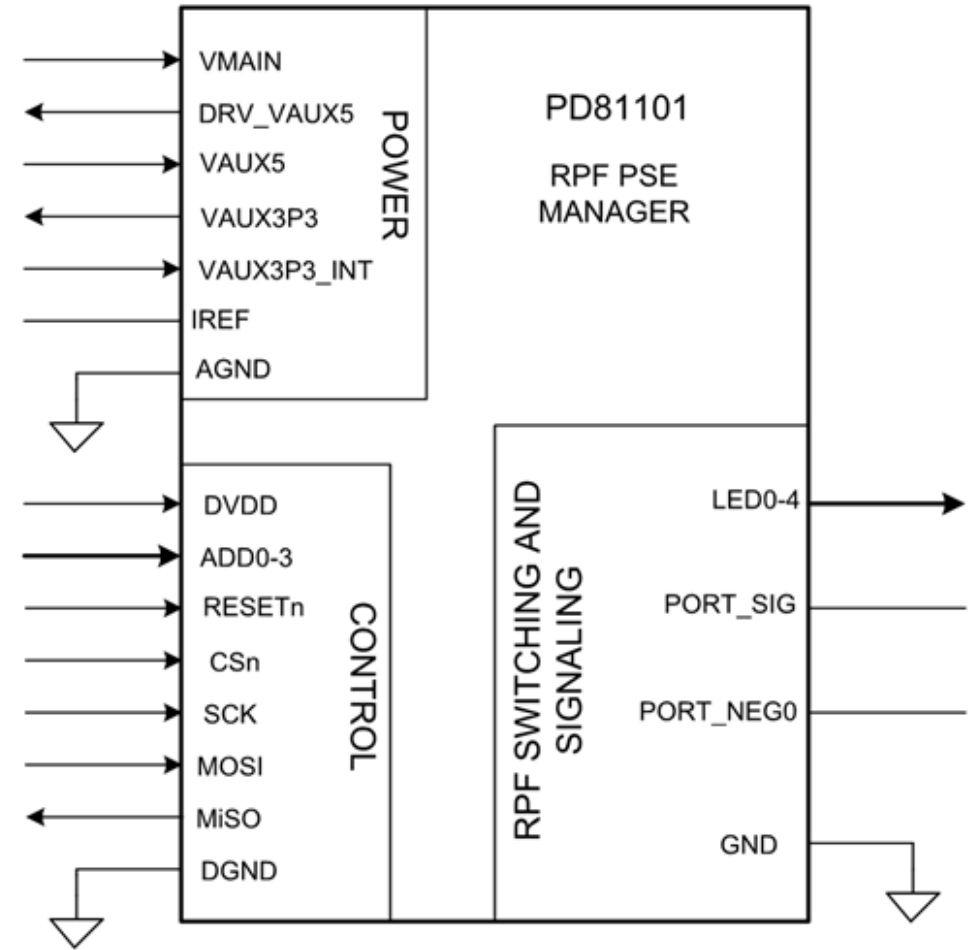


PD81101

RPF (Reverse Power Feed) PSE Manager

• Features List

- DPU detection and classification in the presence of MELT signatures, according to ETSI TS 101 548 Feature number 2
- Foreign DC voltage detection
- Off-hook phone detection and line disconnection
- Support for error line conditions
- I²C communication with CPE host
- Supports signaling indication to DPU through RPF voltage modulation (DGL/ACM/BAT)
- PD81000—programmable I2C address
- UDL/OVL indication and line-disconnection
- Single DC voltage input (32 V to 60 V)
- Input voltage out-of-range protection
- PD81101—over-temperature protection and thermal monitoring
- Low-power dissipation (0.1 Ω sense resistor and 0.2 Ω MOSFET R_{dson})
- 4x direct address configuration pins
- Continuous port monitoring and system data
- Configurable load current setting
- Power soft start mechanism
- Internal power on reset
- LED indication
- On-board software download
- Internal flash
- Interrupt output pin for system and port events
- Wide ambient temperature range: -40 °C to 85 °C
- RoHS compliant

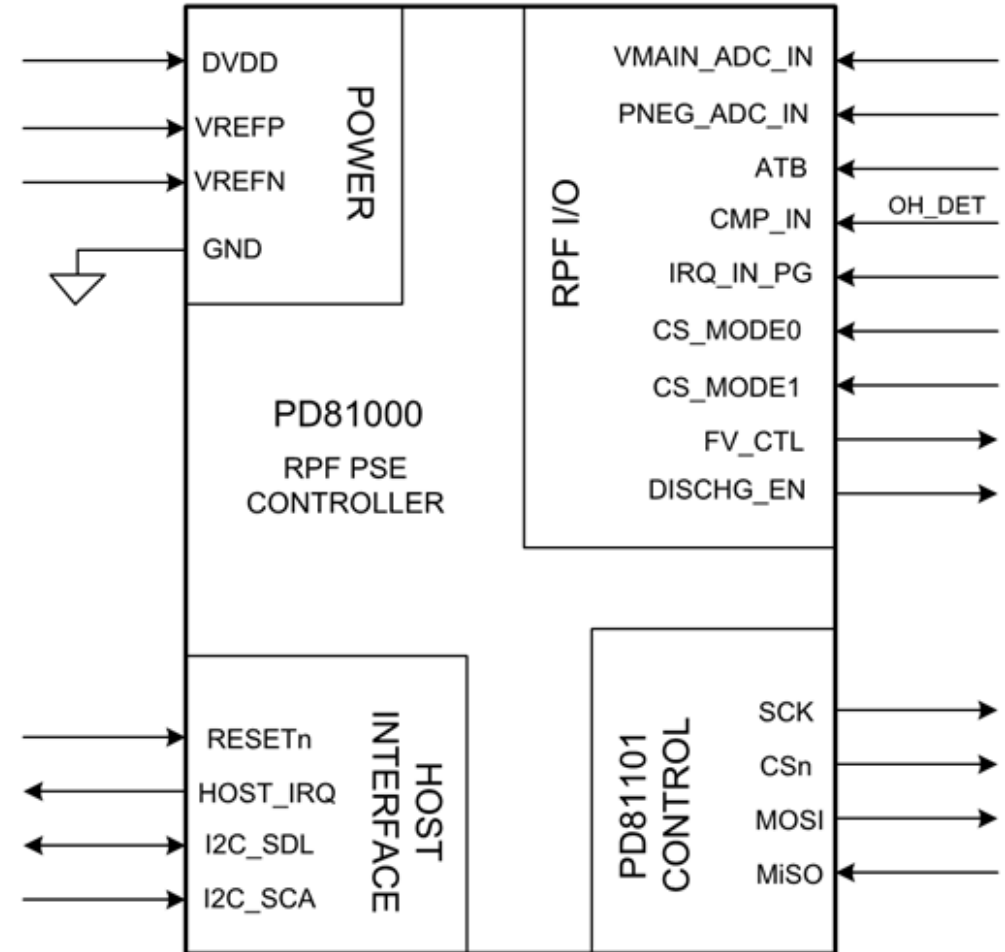


PD81000

RPF (Reverse Power Feed) PSE Controller

• Features List

- DPU detection and classification in the presence of MELT signatures, according to ETSI TS 101 548 Feature number 2
- Foreign DC voltage detection
- Off-hook phone detection and line disconnection
- Support for error line conditions
- I²C communication with CPE host
- Supports signaling indication to DPU through RPF voltage modulation (DGL/ACM/BAT)
- PD81000—programmable I2C address
- UDL/OVL indication and line-disconnection
- Single DC voltage input (32 V to 60 V)
- Input voltage out-of-range protection
- PD81101—over-temperature protection and thermal monitoring
- Low-power dissipation (0.1 Ω sense resistor and 0.2 Ω MOSFET R_{dson})
- 4x direct address configuration pins
- Continuous port monitoring and system data
- Configurable load current setting
- Power soft start mechanism
- Internal power on reset
- LED indication
- On-board software download
- Internal flash
- Interrupt output pin for system and port events
- Wide ambient temperature range: -40 °C to 85 °C
- RoHS compliant

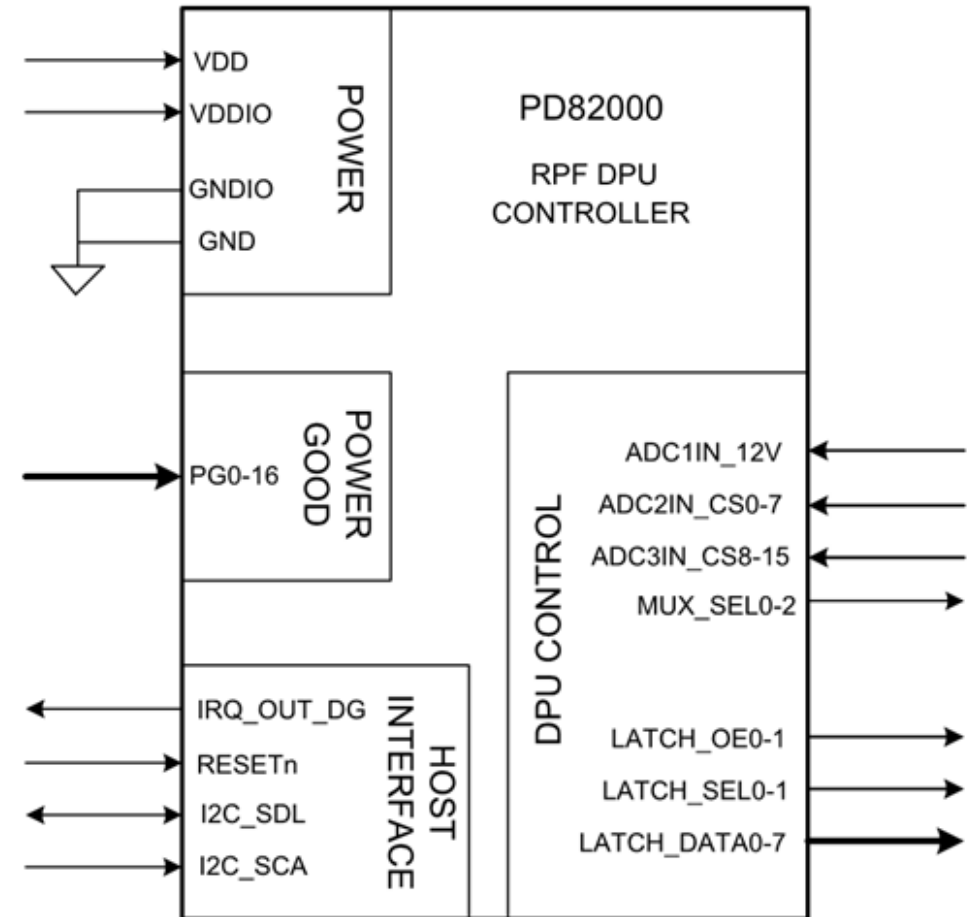


PD82000

RPF (Reverse Power Feed) DPU Controller

• Features List

- I²C communication with DPU host up to 400 kHz
- Up to 16 lines FairPower sharing
- Per line current measurement
- Output voltage monitoring
- Supports Power Good Status (PGS) and DPU Dying Gasp (DDG) IRQ signals to host
- Supports ACM/BAT/DGL signaling detection from PSE and indication to host DPU
- Per line cable disconnect detection
- Supports Low Power Mode (LPM) to save PSE battery power
- Internal power on reset
- Internal Flash
- Software download by I²C
- Programmable non-volatile parameters
- Wide ambient temperature range: -40 °C to 85 °C
- MSL1, RoHS-compliant



PLC

Temperature Input PLC
(Ch-Ch isolation)

Temperature Input PLC
(Group isolation)

Bridge Input PLC
(Ch-Ch isolation)

Bridge Input PLC
(Group isolation)

Voltage/Current Input PLC
(Ch-Ch isolation)

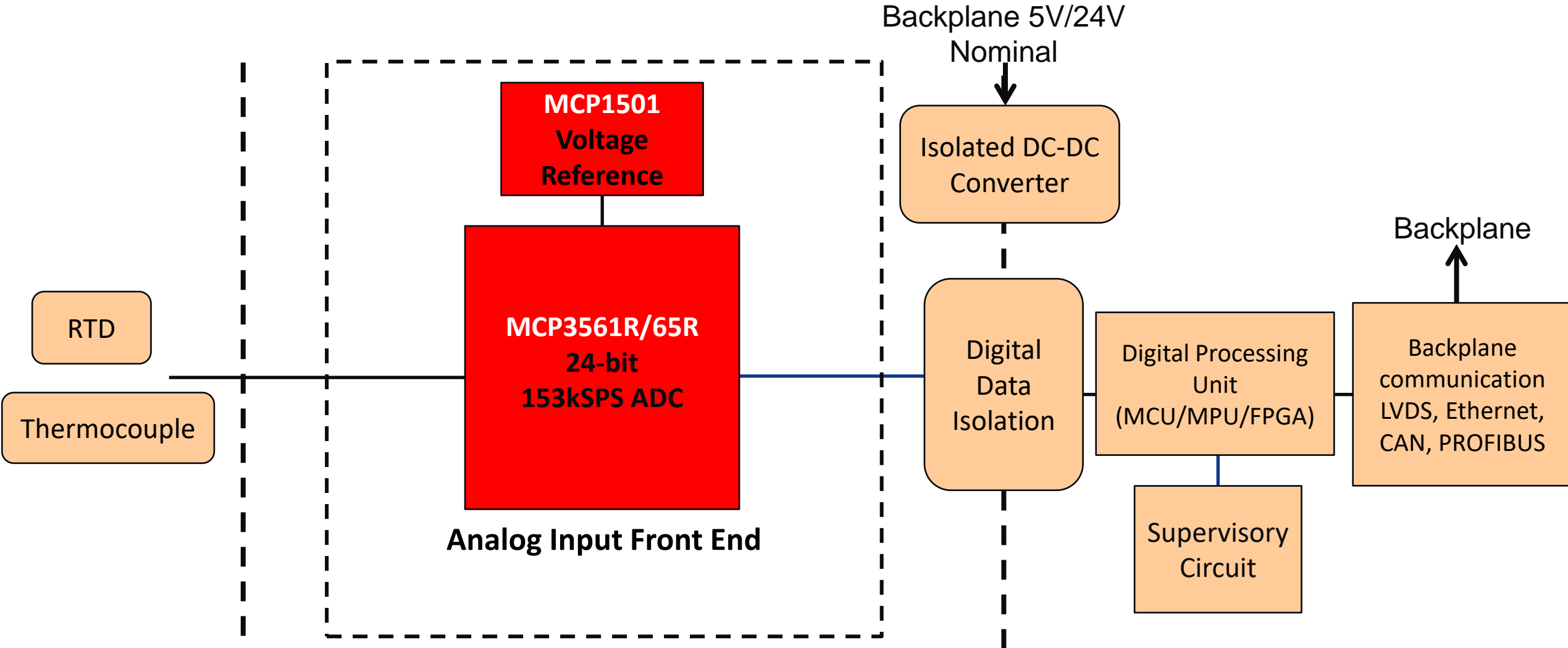
Voltage/Current Input PLC
(Group isolation)

Universal Input PLC
(Ch-Ch isolation)

[<< BACK to CONTENTS](#)



Temperature Input PLC (Ch-Ch Isolation) Analog Input Module



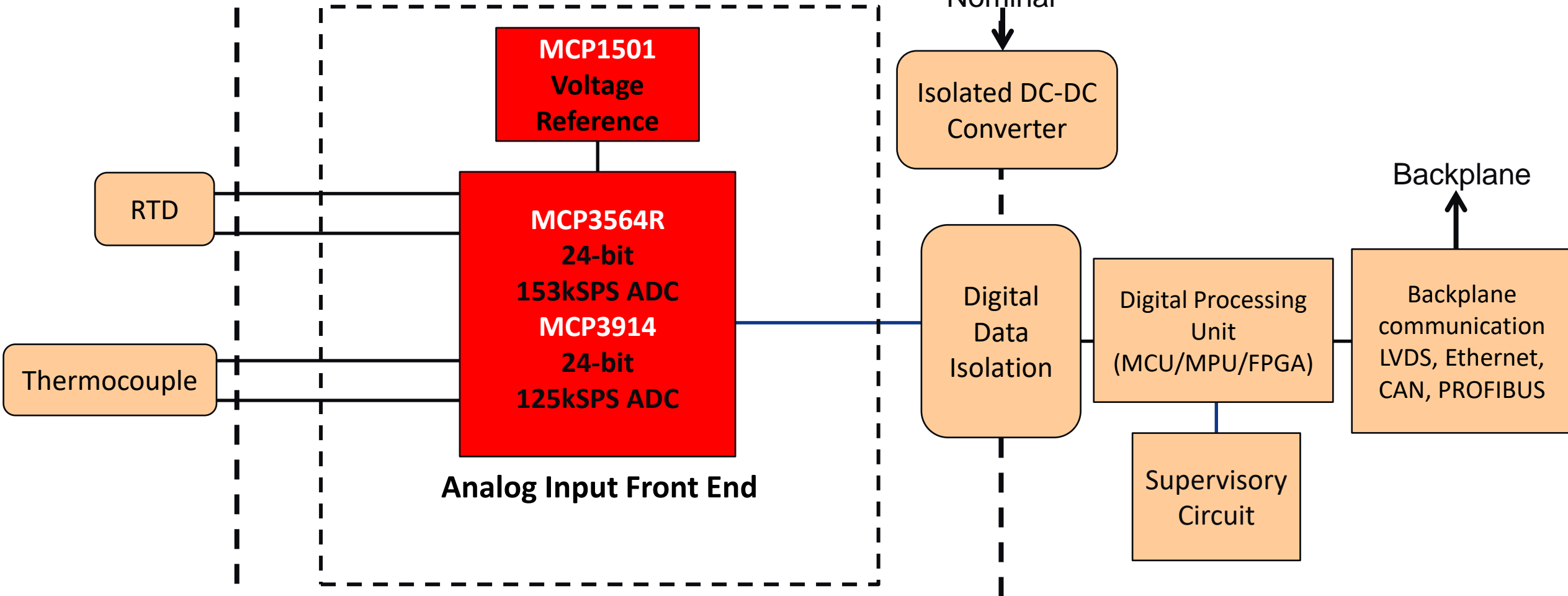
Other devices are also provided by Microchip.

[<< BACK to PLC Menu](#)



Temperature Input PLC (Group Isolation) Analog Input Module

Backplane 5V/24V
Nominal

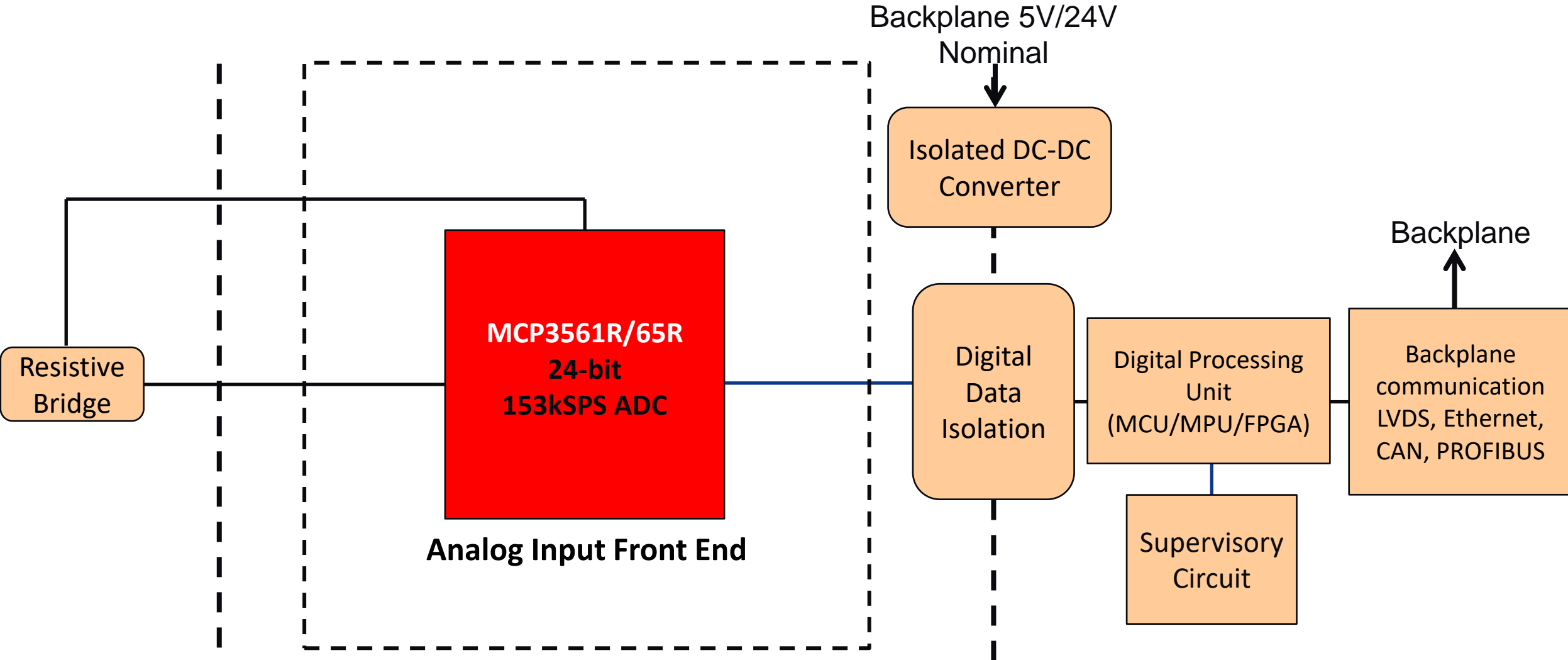


Other devices are also provided by
Microchip.

<< BACK to PLC Menu



Bridge Input PLC (Ch-Ch Isolation) Analog Input Module

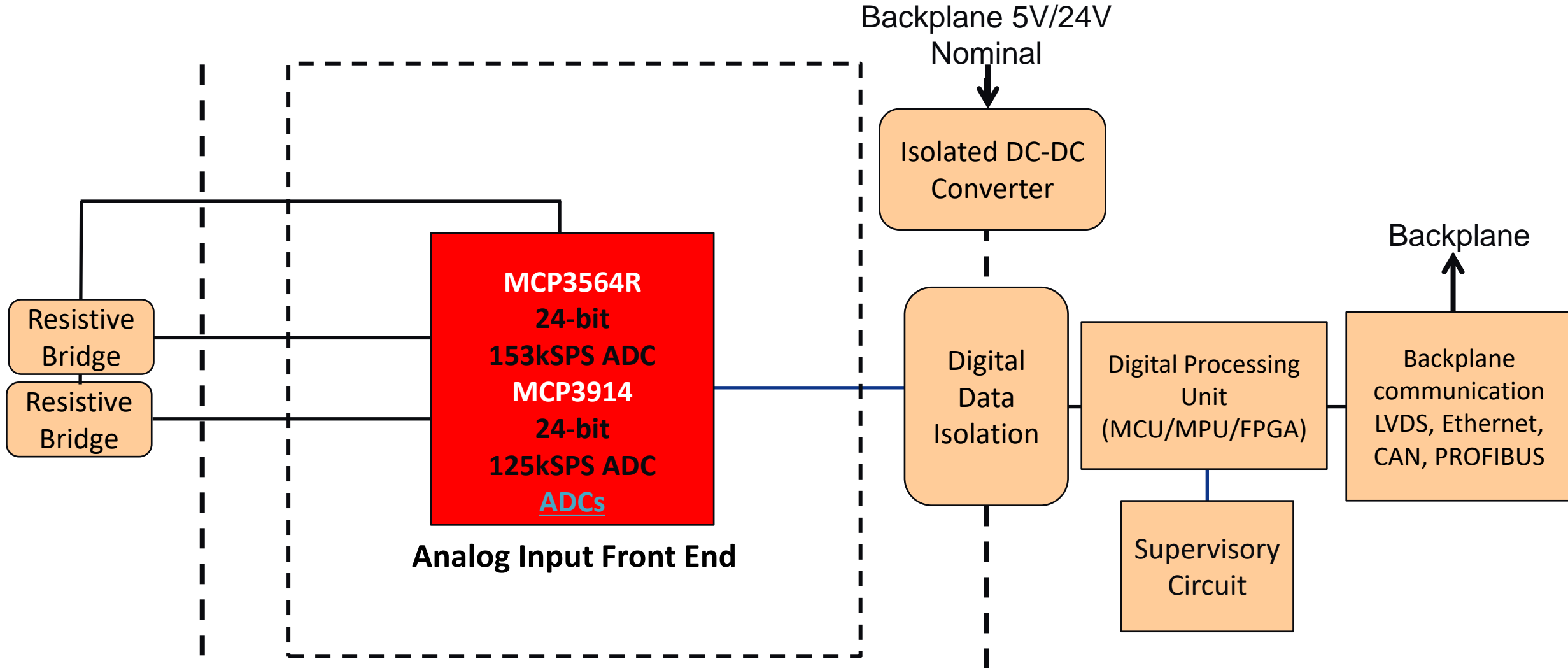


Other devices are also provided by Microchip.

[<< BACK to PLC Menu](#)



Bridge Input PLC (Group Isolation) Analog Input Module

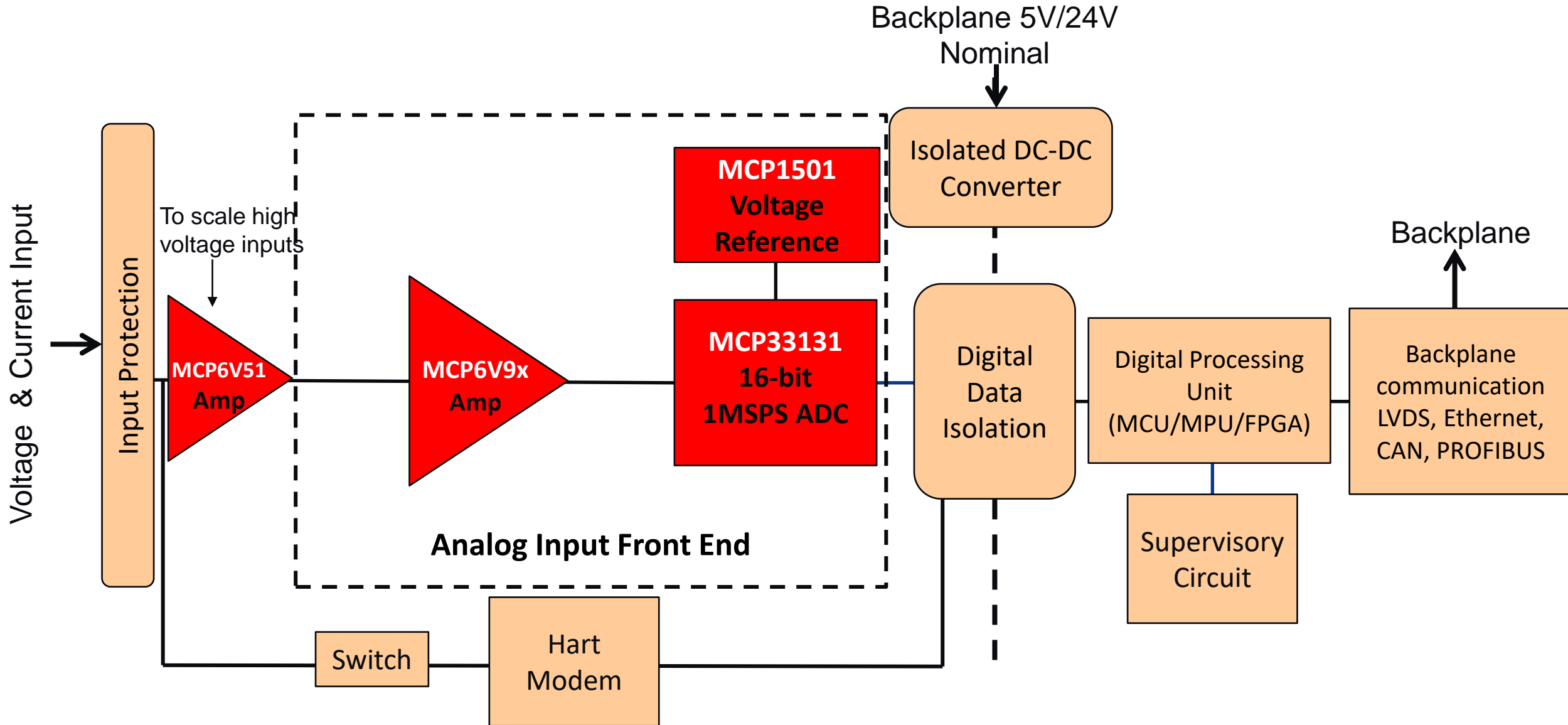


Other devices are also provided by Microchip.

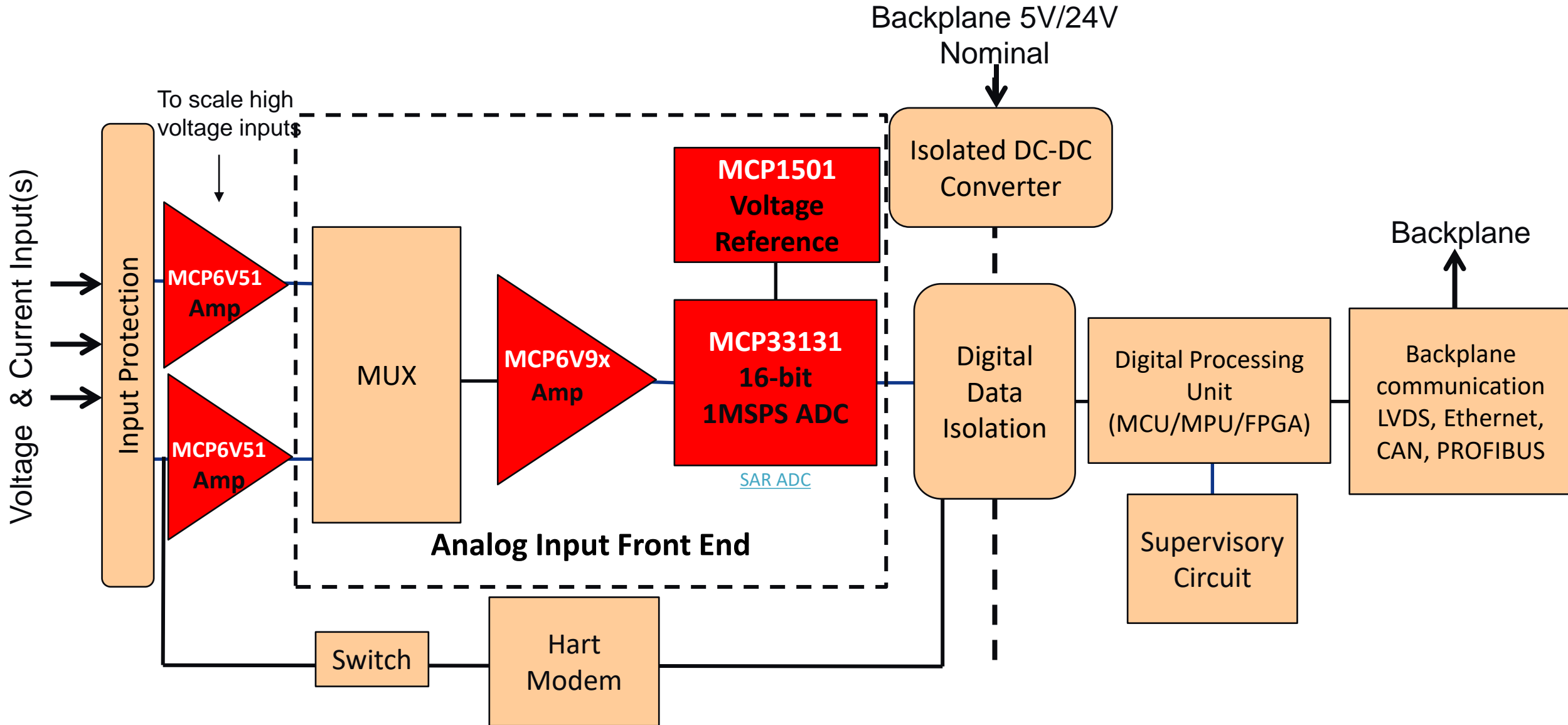
[<< BACK to PLC Menu](#)



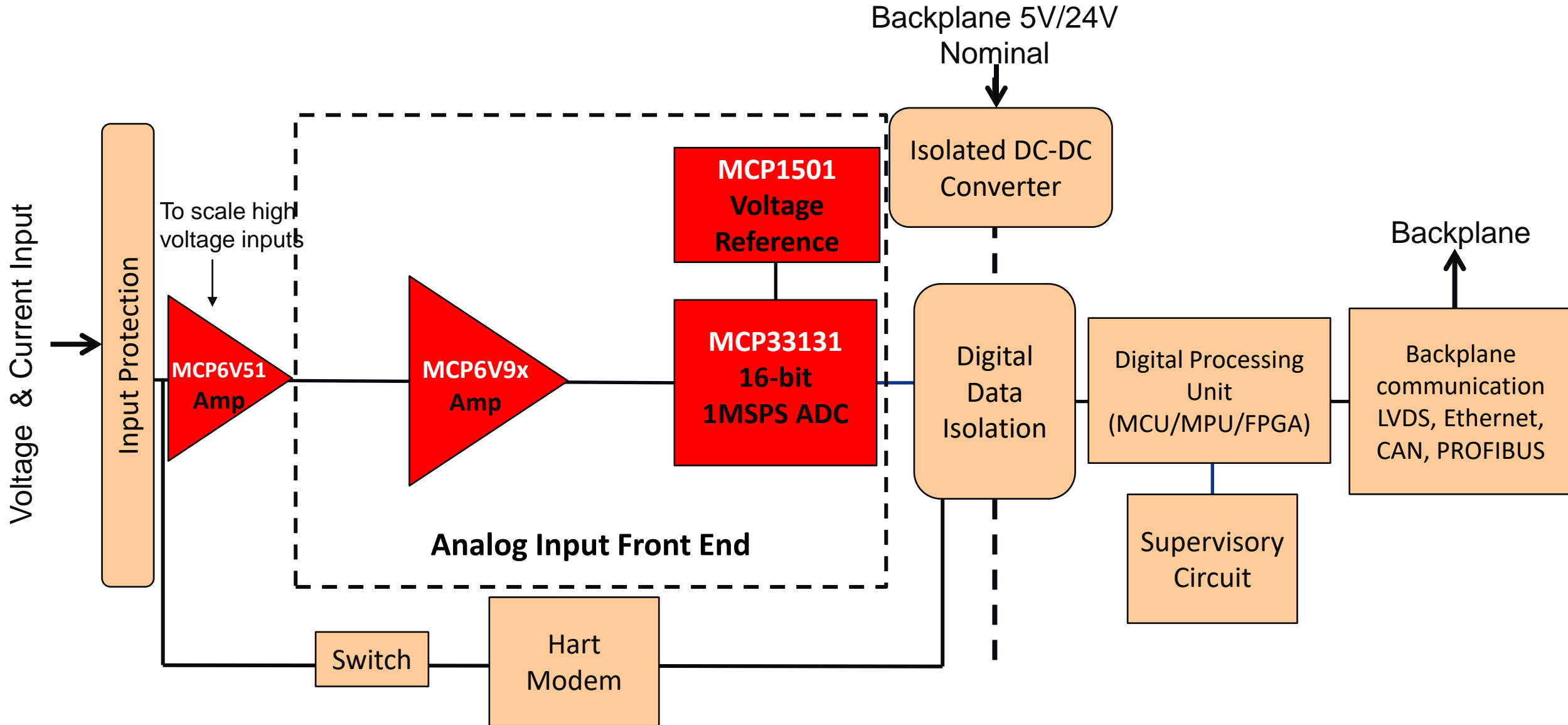
Voltage/Current Input PLC (Ch-Ch Isolation) Analog Input Module



Voltage/Current Input PLC (Group Isolation) Analog Input Module



Universal Input PLC (Ch-Ch Isolation) Analog Input Module



Other devices are also provided by Microchip.

[<< BACK to PLC Menu](#)



Voltage References

- **Function: providing the system with an accurate analog voltage for comparison (needed for ADC)**

Popular Products	Description	Product Web Page
MCP1501	The MCP1501 is an automotive qualified (Q100) high-precision buffered voltage reference with an initial accuracy of 0.10% and is available in 8 voltage options. The MCP1501 is a low-drift bandgap-based reference and uses chopper-based amplifiers which significantly reduces the drift and provides high current output.	Click here

ADCs

Popular Products	Description	Product Web Page
MCP356xR	<p>The MCP356xR is a low-noise 24-bit Delta-Sigma Analog-to-Digital Converter (ADC), with programmable data rate of up to 153.6 kSPS. It offers integrated features such as internal Vref, oscillator, temperature sensor and burnout sensor detection, in order to reduce system component count and total solution cost. The MCP356xR ADC is fully configurable with Oversampling Ratio (OSR) from 32 to 98304 and gain from 0.33X to 64X. It includes an internal sequencer(SCAN mode) with multiple monitor channels and a 24-bit timer to be able to automatically create conversion loop sequences without needing MCU communications. Advanced security features such as CRC and register map lock, can guarantee configuration locking and integrity as well as communication data integrity for secure environments.</p>	Click here
MCP3914	<p>The MCP3914 device is an automotive qualified (Q100) 8-Ch Analog Front End (AFE), containing eight synchronous sampling delta-sigma ADCs, eight PGAs, phase delay compensation block, low-drift internal voltage reference, digital offset and gain error calibration registers, and high-speed 20 MHz SPI compatible serial interface. The MCP3914 AFEs include advanced security features to secure the communications and the configuration settings, such as a CRC-16 checksum on both serial data outputs and static register map configuration. It also includes a register-map lock through an 8-bit secure key to stop unwanted write commands from processing. The MCP3914 AFEs are capable of interfacing with a variety of voltage and current sensors, including shunts, current transformers, Rogowski coils and Hall-effect sensors.</p>	Click here

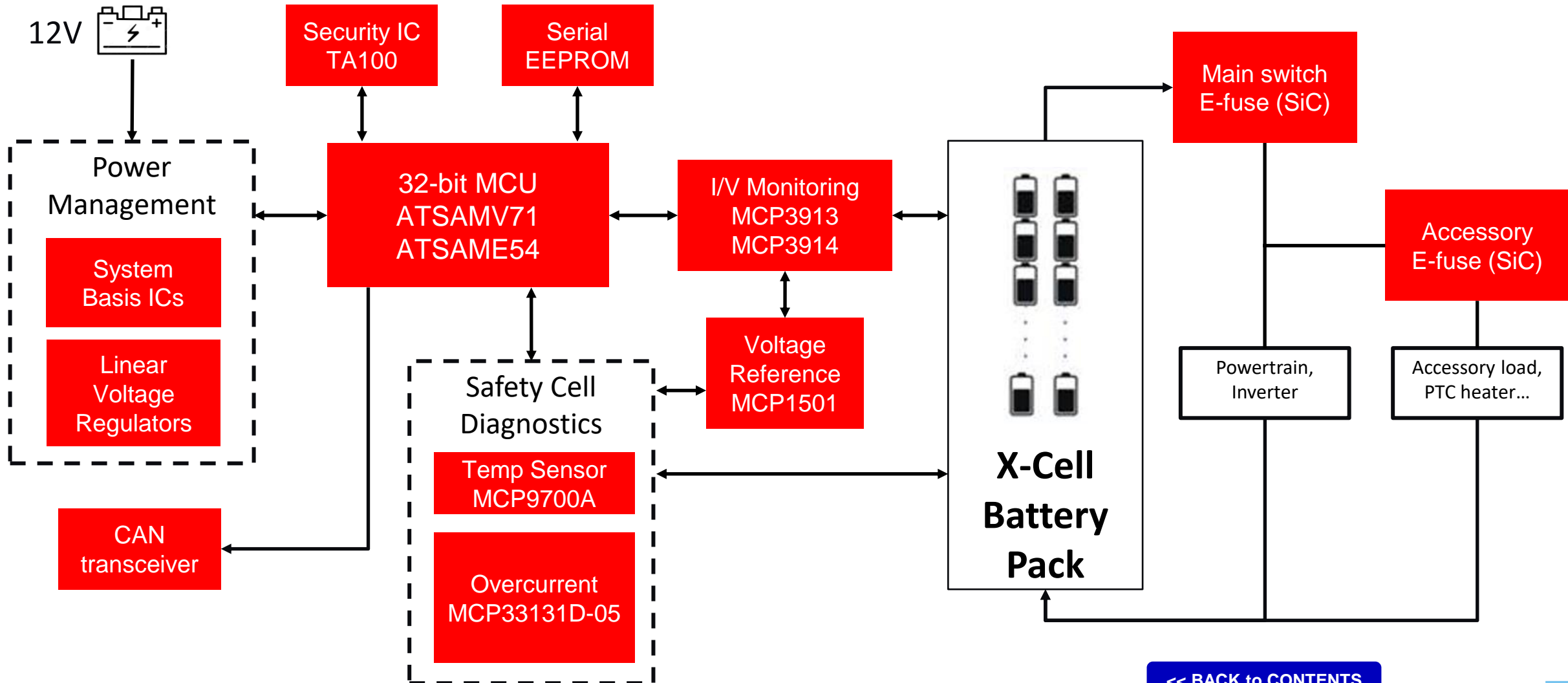
Amplifiers

Popular Products	Description	Product Web Page
MCP6v51	<p>The MCP6V51 operational amplifier provides input offset voltage correction for very low offset and offset drift. This device provides a gain bandwidth product of 2 MHz, is unity gain stable, has no 1/f noise, and provides superior CMRR and PSRR performance. These products operate with a single supply voltage from 4.5V to 45V, with a maximum quiescent current of only 590 uA.</p>	Click here
MCP6V9x	<p>The MCP6V9x family of operational amplifiers provides input offset voltage correction for very low offset and offset drift. These devices provide a gain bandwidth product of 10 MHz, are unity gain stable, have no 1/f noise, and provide superior CMRR and PSRR performance. These products operate with a single supply voltage as low as 2.4V with a maximum quiescent current of only 1.6 mA.</p>	Click here

SAR ADC

Popular Products	Description	Product Web Page
MCP33131D	<p>The MCP33131D-10/05 is 16-bit, 1Msps/500ksps, SAR A/D Converter (ADC) features a full differential input, high performance and low power consumption in a small package, making it ideal for battery powered systems and remote data acquisition applications. The MCP33131 features SPI serial interface, allowing 16-bit ADC capability to be added to any PIC[®] microcontroller. The MCP33131D-10/05 comes with grade 1 automotive qualifications (Q100)</p>	Click here

Battery Management Systems



[<< BACK to CONTENTS](#)



SAR ADC

Popular Products	Description	Product Web Page
MCP33131D-05	<p>The MCP33131D-05 is 16-bit, 500ksps, SAR A/D Converter (ADC) features a full differential input, high performance and low power consumption in a small package, making it ideal for battery powered systems and remote data acquisition applications. The MCP33131D-05 features SPI serial interface, allowing 12-bit ADC capability to be added to any PIC® microcontroller. The MCP33131D-05 comes with grade 1 automotive qualifications (Q100)</p>	Click here

Analog Front End

Popular Products	Description	Product Web Page
MCP3913/4	<p>The MCP3913/4 device is an automotive qualified (Q100) 6 and 8-Ch Analog Front End (AFE), containing six synchronous sampling delta-sigma ADCs, six PGAs, phase delay compensation block, low-drift internal voltage reference, digital offset and gain error calibration registers, and high-speed 20 MHz SPI compatible serial interface. The MCP3913/4 AFEs include advanced security features to secure the communications and the configuration settings, such as a CRC-16 checksum on both serial data outputs and static register map configuration. It also includes a register-map lock through an 8-bit secure key to stop unwanted write commands from processing. The MCP3913/14 AFEs are capable of interfacing with a variety of voltage and current sensors, including shunts, current transformers, Rogowski coils and Hall-effect sensors.</p>	Click here

Active Thermistor™ IC

Popular Products	Description	Product Web Page
MCP9700A	<p>The MCP9700A is a linear Active Thermistor™ IC whose output voltage is directly proportional to measured temperature. The MCP9700A can accurately measure temperature from -40C to +150C. The output of the MCP9700A is calibrated to a slope of 10mV/°C and has a DC offset of 500mV. The offset allows reading negative temperatures without the need for a negative supply. The MCP9700A is packaged in space saving 5-pin SC-70, and 3-ld TO-92 packages.</p>	Click here