

# M4L Series

More-4-Less™ International Transformers

## Greater Performance in Less Space

Boasting superior isolation, the M4L series of transformers provide more than 12 mm creepage distance between the input and output windings. Constructed of materials to support up to 60°C ambient environments.

### General Specifications

- Power - 300, 450, 600 and 1000 VA ratings
- Dielectric Strength - 4.0 kV
- Available Input Voltage - 100, 105, 115, 125, 200, 210, 215, 230, 250 V  
50/60 Hz
- Output voltage - 115 V
- Touch-Safe terminals (IP20 type) offer a screw/binding clamp for hard wiring and 3/16" & 1/4" Fast-On connections
- Insulation System - Class F (155°C) UL 1446 File # E66312
- Leakage Current - agency tested @ < 30 micro Amps
- Flame Rating - UL 94-V0

### Agency Certifications

- UL Standards - UL 5085-1, UL 5085-2, UL 60601-1, UL 60950-1, UL 1097, UL 2097
- Meets - UL 864, UL 913, UL 916, UL 924, UL 1012, UL 1069 & UL 1238
- CSA Standards - 22.2 #66.1, File # 221070
- IEC / EN Standards - IEC / EN 62368, (VDE License 1447)
- CE Compliance - VDE Declaration of Conformity LVD 2014/35/EU

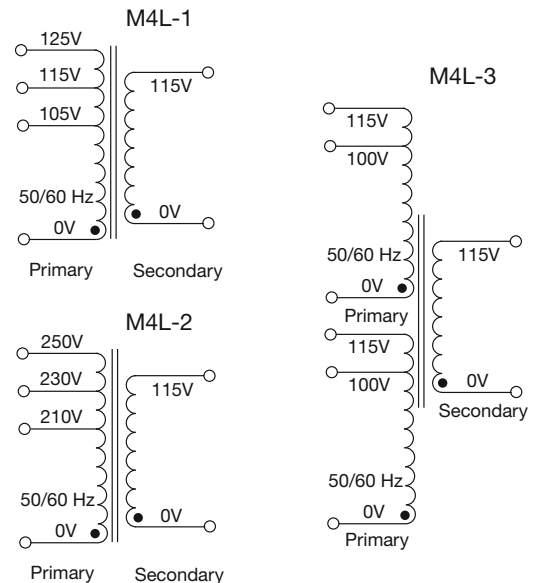
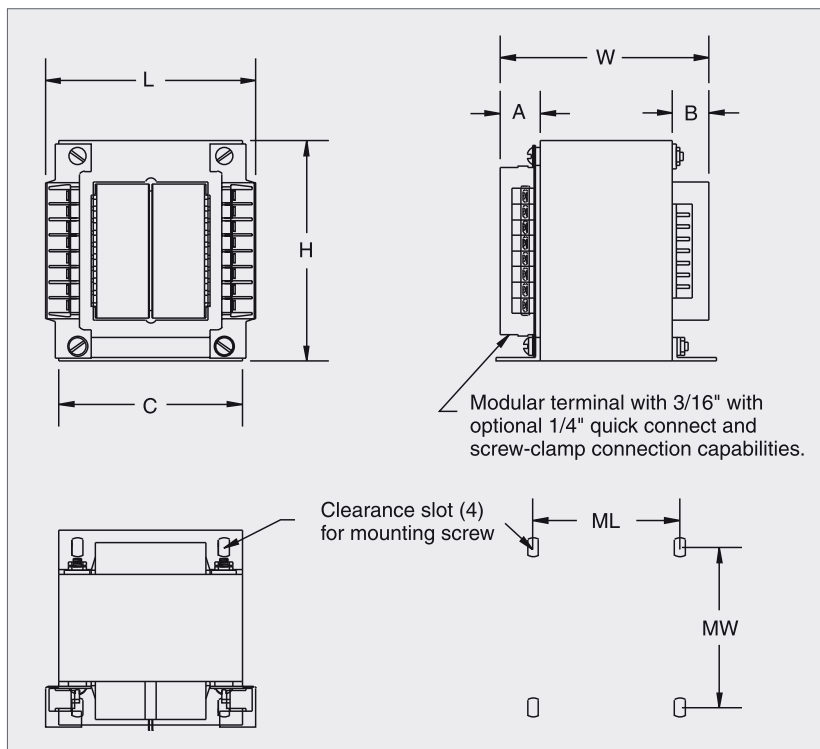


## Part Number Selection

Part Number			VA	Sec RMS
			Size	Rating
M4L-1-3	M4L-2-3	M4L-3-3	300	115 V @ 2.6 A
M4L-1-4	M4L-2-4	M4L-3-4	450	115 V @ 3.9 A
M4L-1-6	M4L-2-6	M4L-3-6	600	115 V @ 5.2 A
M4L-1-10	M4L-2-10	M4L-3-10	1000	115 V @ 8.7 A

## Mechanical Specifications

Part Number			L	W	H	A	B	C	ML	MW	Mounting Screw	Weight lbs (kg)	
			Inches (mm)										
M4L-1-3	M4L-2-3	M4L-3-3	4.20 (106.68)	4.08 (103.51)	3.75 (95.3)	1.33 (33.8)	0.62 (15.9)	3.12 (79.4)	2.50 (63.5)	3.12 (79.4)	#10	7.0 (3.18)	
M4L-1-4	M4L-2-4	M4L-3-4	4.46 (113.28)	4.33 (110)	4.50 (114.3)	1.33 (33.8)	0.75 (19.1)	3.75 (95.3)	3.00 (76.2)	3.25 (82.6)	#10	11.0 (5)	
M4L-1-6	M4L-2-6	M4L-3-6	4.46 (113.28)	5.08 (129.03)	4.50 (114.3)	1.33 (33.8)	0.75 (19.1)	3.75 (95.3)	3.00 (76.2)	4.06 (103.2)	#10	14.3 (6.49)	
M4L-1-10	M4L-2-10	M4L-3-10	4.89 (124.20)	5.70 (144.78)	5.25 (133.4)	1.33 (33.8)	0.87 (22.2)	4.37 (111.1)	3.50 (88.9)	4.68 (119.1)	1/4	22.0 (10.0)	



Custom versions available upon request.



128 Atlantic Avenue, Lynbrook, NY 11563  
 Toll Free 866-239-5777 | Tel 516-239-5777 | Fax 516-239-7208  
 sales@signaltransformer.com | techhelp@signaltransformer.com

[belfuse.com/signal](http://belfuse.com/signal)