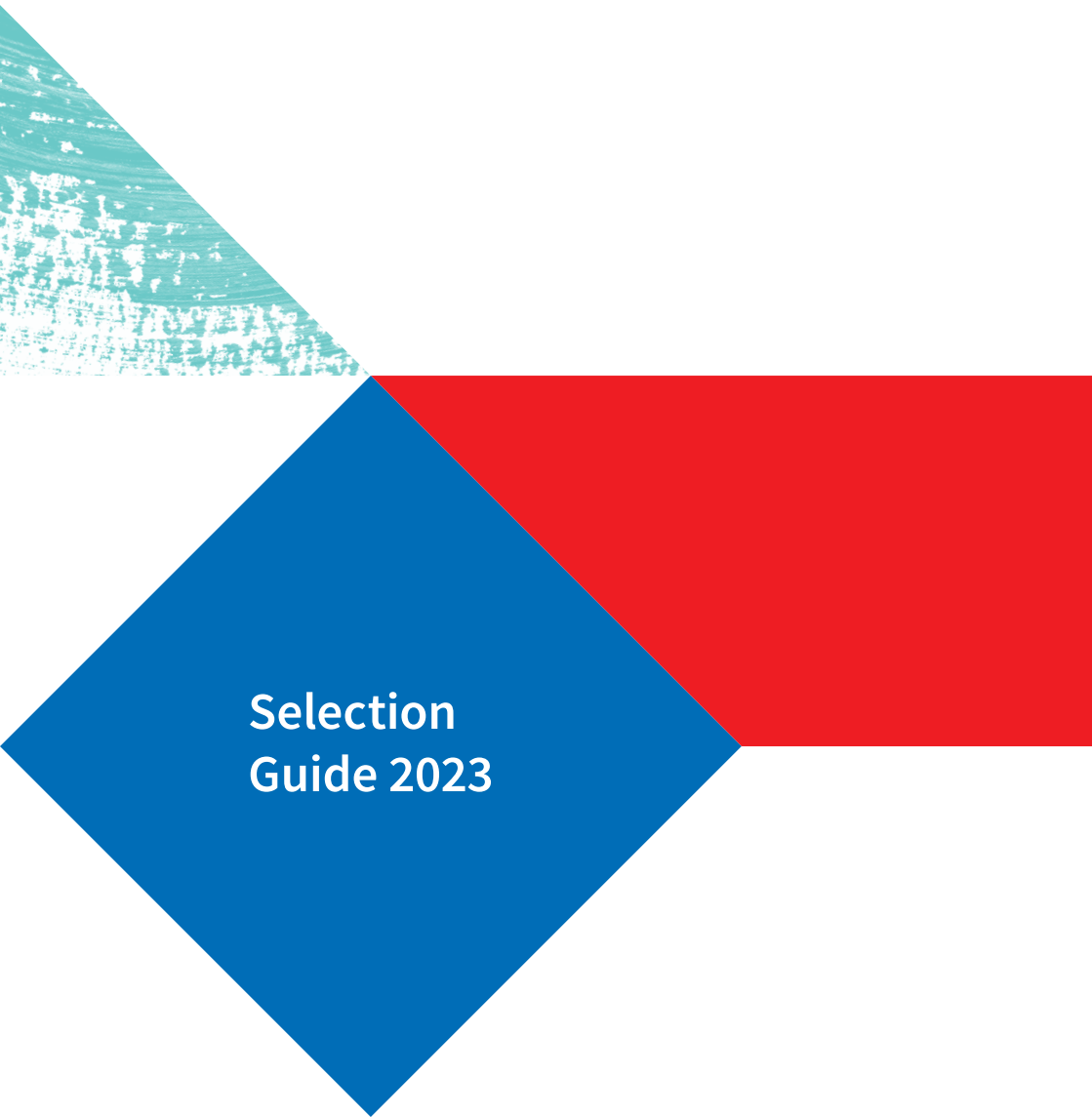


TOSHIBA

Isolators and Solid State Relays



**Selection
Guide 2023**

Contents

1. Isolators	3 - 15
1-1 Photocouplers	3 - 14
1-1-1 IC Output	
■ Logic	3
■ High Speed Logic	4 - 7
■ IPM Driver	8 - 9
■ IGBT / MOSFET Driver	10
■ Smart Gate Driver	11
■ Isolation Amplifiers / Delta-Sigma Modulators	12
1-1-2 Transistor Output	13 - 14
1-2 Digital Isolators	
1-2-1 Standard Digital Isolators	15
2. Solid State Relays	16 - 21
2-1 Photorelays	16 - 20
■ MOSFET Output 1-Form-A	
■ MOSFET Output 1-Form-B	
2-2 Photovoltaic Output	21
2-3 Triac Output	21
3. Automotive Devices	22 - 23
■ Photocouplers	
■ Photorelays	
4. Device Packages	24 - 33
■ Dimensional Out Line (Surface Mount Type)	
■ Dimensional Out Line (Through Hole Type)	
■ Lead Form Options	
5. Cross Reference	34 - 44
6. Part Naming Conventions	45
7. Part Number Index	46 - 48

1. Isolators

1-1 Photocouplers

1-1-1 IC Output

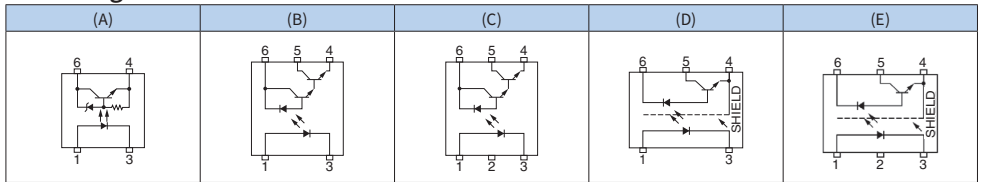
Logic

Open-collector Output Type

Part Number	Data Rate (Mbps)	Current Transfer Ratio CTR min (%) @Ta = 25 °C @If = 1 mA	Propagation Delay Time		Supply Voltage Operating Range Vcc (Note1)		High / Low-level Supply Current Icc max (mA)	Common Mode Transient Immunity CM min (kV / μs)	Operating Temperature Topr		Isolation Voltage BV _s min (Vrms)	Toshiba Package	Pin Configuration	Lead Form Option
			τ _{pLH} max (μs)	τ _{pHL} max (μs)	min (V)	max (V)			min (°C)	max (°C)				
			TLP2301	0.02	50 (@If = 1 mA)	30			30	-				
TLP2701	0.02	50 (@If = 1 mA)	30	30	-	40	-	-	-55	125	5000	4pin SO6L	(A)	-
TLP2303	0.1	900 (@If = 0.5 mA)	90	20	4.5	18	1.5	+/-15	-40	125	3750	5pin SO6	(B)	-
TLP2703	0.1	900 (@If = 0.5 mA)	90	20	4.5	18	1.5	+/-15	-40	125	5000	SO6L	(C)	-
TLP109	1	20 (@If = 16 mA)	0.8	0.8	-	30	0.001	+/-5	-55	125	3750	5pin SO6	(D)	-
TLP2309	1	15 (@If = 10 mA)	1	1	2.7	20	0.001	+/-15	-40	110	3750	5pin SO6	(D)	-
TLP2719	1	15 (@If = 16 mA)	2	0.85	4.5	20	0.001	+/-10	-40	100	5000	SO6L	(E)	✓

Note1: Recommended Operating Condition

Pin Configuration



High Speed Logic

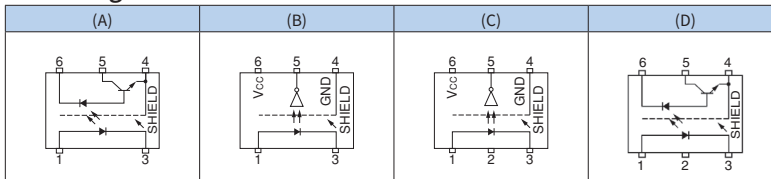
Open-collector Output Type

Part Number	Data Rate (Mbps)	Threshold LED Input Current I_{FHL} max (mA)	Propagation Delay Time		Supply Voltage Operating Range V_{CC} (Note1)		High / Low-level Supply Current I_{CC} max (mA)	Common Mode Transient Immunity CM min (kV / μ s)	Operating Temperature T_{opr}		Isolation Voltage BV _s min (Vrms)	Toshiba Package	Pin Configuration	Lead Form Option
			t_{PLH} max (ns)	t_{PHL} max (ns)	min (V)	max (V)			min (°C)	max (°C)				
			TLP2309	1	10 (Note2)	1000			1000	2.7				
TLP2719	1	10 (Note2)	2000	850	4.5	20	0.001	+/-10	-40	100	5000	SO6L	(D)	✓
TLP104	1	5	550	400	4.5	30	1.3	+/-15	-40	125	3750	5pin SO6	(B)	-
TLP2304	1	5	550	400	4.5	30	1.3	+/-20	-40	125	3750	5pin SO6	(B)	-
TLP2704	1	5	550	400	4.5	30	1.3	+/-20	-40	125	5000	SO6L	(C)	✓
TLP2362	10	5	100	100	2.7	5.5	4	+/-20	-40	125	3750	5pin SO6	(B)	-
TLP2363	15	2.4 (min 0.3)	80	80	2.7	5.5	4	+/-20	-40	105	3750	5pin SO6	(B)	-
TLP2368	20	5	60	60	2.7	5.5	4	+/-20	-40	125	3750	5pin SO6	(B)	-
TLP2768A	20	5	60	60	2.7	5.5	4	+/-20	-40	125	5000	SO6L	(C)	✓

Note1: Recommended Operating Condition

Note2: Input on-state current ($I_{FI(ON)}$) min (Recommended Operating Conditions)

Pin Configuration



Totem-pole (Inverter) Output Type

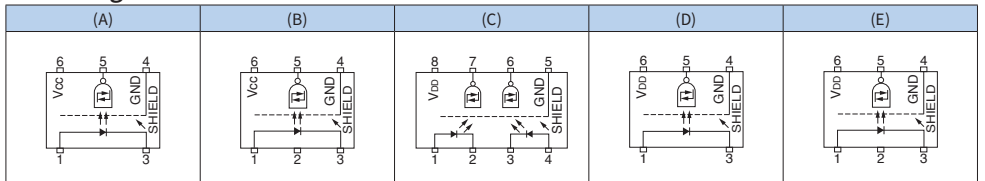
Part Number	Data Rate (Mbps)	Threshold LED Input Current I _{FHL} max (mA)	Propagation Delay Time		Supply Voltage Operating Range V _{CC} / V _{DD} (Note1)		High / Low-level Supply Current I _{CC} / I _{DD} max (mA)	Common Mode Transient Immunity CM min (kV / μs)	Operating Temperature		Isolation Voltage BV _s min (Vrms)	Toshiba Package	Pin Configuration	Lead Form Option
									T _{opr}					
			t _{PLH} max (ns)	t _{PHL} max (ns)	min (V)	max (V)			min (°C)	max (°C)				
TLP2358	5	1.6	250	250	3	20	3	+/-20	-40	125	3750	5pin SO6	(A)	-
TLP2348	10	1.6	120	120	4.5	30	3	+/-30	-40	110	3750	5pin SO6	(A)	-
TLP2748	10	1.6	120	120	4.5	30	3	+/-30	-40	110	5000	SO6L	(B)	✓
TLP2261 (Note2)	15	1.6	80	80	2.7	5.5	2	+/-20	-40	125	5000	SO8L	(C)	(Note3)
TLP2361	15	1.6	80	80	2.7	5.5	1	+/-20	-40	125	3750	5pin SO6	(A)	-
TLP2761	15	1.6	80	80	2.7	5.5	1	+/-20	-40	125	5000	SO6L	(B)	✓
TLP2366	20	3.5	55	55	2.7	5.5	3	+/-20	-40	125	3750	5pin SO6	(A)	-
TLP2766A	20	3.5	55	55	2.7	5.5	3	+/-20	-40	125	5000	SO6L	(B)	✓
TLP2367	50	4	20	20	2.7	5.5	2.5	+/-25	-40	125	3750	5pin SO6	(D)	-
TLP2767	50	4	20	20	2.7	5.5	2.5	+/-25	-40	125	5000	SO6L	(E)	✓

Note1: Recommended Operating Condition

Note2: Dual channel version

Note3: This product supports only SO8L(LF4) lead form option.

Pin Configuration



Totem-pole (Buffer) Output Type

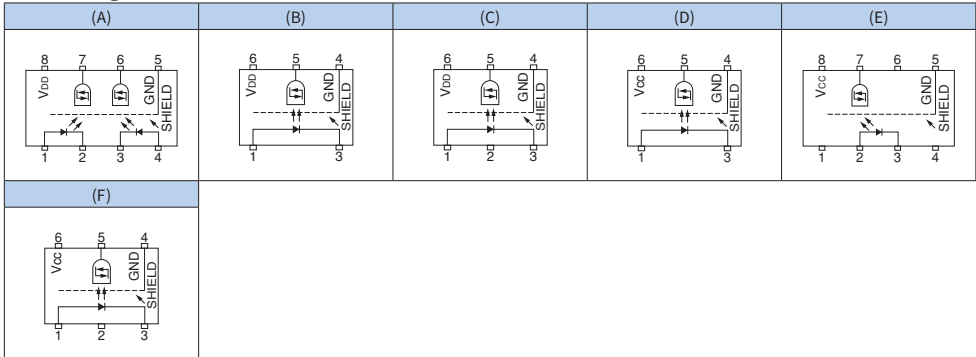
Part Number	Data Rate (Mbps)	Threshold LED Input Current I_{FLH} max (mA)	Propagation Delay Time		Supply Voltage Operating Range V_{CC} / V_{DD} (Note1)		High / Low -level Supply Current I_{CC} / I_{DD} max (mA)	Common Mode Transient Immunity CM min (kV / μ s)	Operating Temperature T_{opr}		Isolation Voltage BV _s min (Vrms)	Toshiba Package	Pin Configuration	Lead Form Option
TLP2310	5	1	250	250	2.7	5.5	0.3	+/-25	-40	125	3750	5pin SO6	(B)	-
TLP2210 (Note2)	5	1.3	250	250	2.7	5.5	0.6	+/-25	-40	125	5000	SO8L	(A)	(Note3)
TLP2312	5	1.6	250	250	2.2	5.5	0.5	+/-20	-40	125	3750	5pin SO6	(B)	-
TLP2710	5	1	250	250	2.7	5.5	0.3	+/-25	-40	125	5000	SO6L	(C)	✓
TLP2355	5	1.6	250	250	3	20	3	+/-20	-40	125	3750	5pin SO6	(D)	-
TLP2345	10	1.6	120	120	4.5	30	3	+/-30	-40	110	3750	5pin SO6	(D)	-
TLP2745	10	1.6	120	120	4.5	30	3	+/-30	-40	110	5000	SO6L	(F)	✓
TLP2735	10	3	100	100	9	15	4.5	+/-25	-40	125	5000	SO6L	(C)	-
TLP2270 (Note2)	20	1	60	60	2.7	5.5	0.8	+/-20	-40	125	5000	SO8L	(A)	(Note3)
TLP2370	20	1	60	60	2.7	5.5	0.4	+/-20	-40	125	3750	5pin SO6	(B)	-
TLP2770	20	1	60	60	2.7	5.5	0.4	+/-20	-40	125	5000	SO6L	(C)	-
TLP2372	20	1.6	75	75	2.2	5.5	0.5	+/-20	-40	125	3750	5pin SO6	(B)	-

Note1: Recommended Operating Condition

Note2: Dual channel version

Note3: This product supports only SO8L(LF4) lead form option.

Pin Configuration



AC Input Type

Totem-pole (Inverter) Output Type

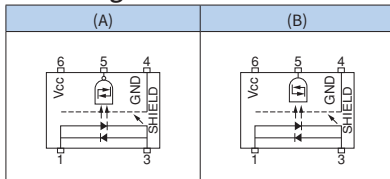
Part Number	Data Rate (Mbps)	Threshold LED Input Current IfHL max (mA)	Propagation Delay Time		Supply Voltage Operating Range		High / Low -level Supply Current Icc max (mA)	Common Mode Transient Immunity CM min (kV / μ s)	Operating Temperature		Isolation Voltage BV _s min (Vrms)	Toshiba Package 5pin SO6	Pin Configuration (A)	Lead Form Option -
					V _{CC} (Note1)				T _{opr}					
			t _{pLH} max (ns)	t _{pHL} max (ns)	min (V)	max (V)			min (°C)	max (°C)				
TLP2398	5	2.3	250	250	3	20	3	+/-20	-40	125	3750	5pin SO6	(A)	-
TLP2391	10	2.5	100	100	2.7	5.5	1	+/-20	-40	125	3750	5pin SO6	(A)	-

Totem-pole (Buffer) Output Type

Part Number	Data Rate (Mbps)	Threshold LED Input Current IfLH max (mA)	Propagation Delay Time		Supply Voltage Operating Range		High / Low -level Supply Current Icc max (mA)	Common Mode Transient Immunity CM min (kV / μ s)	Operating Temperature		Isolation Voltage BV _s min (Vrms)	Toshiba Package 5pin SO6	Pin Configuration (B)	Lead Form Option -
					V _{CC} (Note1)				T _{opr}					
			t _{pLH} max (ns)	t _{pHL} max (ns)	min (V)	max (V)			min (°C)	max (°C)				
TLP2395	5	2.3	250	250	3	20	3	+/-20	-40	125	3750	5pin SO6	(B)	-

Note1: Recommended Operating Condition

Pin Configuration



■ IPM Driver

Open-collector Output Type

Part Number	Data Rate (Mbps)	Threshold LED Input Current IFHL max (mA)	Propagation Delay Time t _{pLH} max (ns) / t _{pHL} max (ns)		Supply Voltage Operating Range V _{CC} (Note1)		High / Low -level Supply Current I _{CC} max (mA)	Common Mode Transient Immunity CM min (kV / μs)	Operating Temperature T _{opr}		Isolation Voltage BV _s min (Vrms)	Toshiba Package	Pin Configuration	Lead Form Option
					min (V)	max (V)			min (°C)	max (°C)				
					TLP104	1			5	550				
TLP2304	1	5	550	400	4.5	30	1.3	+/-20	-40	125	3750	5pin SO6	(A)	-
TLP2704	1	5	550	400	4.5	30	1.3	+/-20	-40	125	5000	SO6L	(B)	✓

Totem-pole (Inverter) Output Type

Part Number	Data Rate (Mbps)	Threshold LED Input Current IFHL max (mA)	Propagation Delay Time t _{pLH} max (ns) / t _{pHL} max (ns)		Supply Voltage Operating Range V _{CC} (Note1)		High / Low -level Supply Current I _{CC} max (mA)	Common Mode Transient Immunity CM min (kV / μs)	Operating Temperature T _{opr}		Isolation Voltage BV _s min (Vrms)	Toshiba Package	Pin Configuration	Lead Form Option
					min (V)	max (V)			min (°C)	max (°C)				
					TLP2358	5			1.6	250				
TLP2348	10	1.6	120	120	4.5	30	3	+/-30	-40	110	3750	5pin SO6	(C)	-
TLP2748	10	1.6	120	120	4.5	30	3	+/-30	-40	110	5000	SO6L	(D)	✓

Totem-pole (Buffer) Output Type

Part Number	Data Rate (Mbps)	Threshold LED Input Current IFHL max (mA)	Propagation Delay Time t _{pLH} max (ns) / t _{pHL} max (ns)		Supply Voltage Operating Range V _{CC} (Note1)		High / Low -level Supply Current I _{CC} max (mA)	Common Mode Transient Immunity CM min (kV / μs)	Operating Temperature T _{opr}		Isolation Voltage BV _s min (Vrms)	Toshiba Package	Pin Configuration	Lead Form Option
					min (V)	max (V)			min (°C)	max (°C)				
					TLP2355	5			1.6	250				
TLP2345	10	1.6	120	120	4.5	30	3	+/-30	-40	110	3750	5pin SO6	(E)	-
TLP2745	10	1.6	120	120	4.5	30	3	+/-30	-40	110	5000	SO6L	(F)	✓
TLP2735	10	3	100	100	9	15	4.5	+/-25	-40	125	5000	SO6L	(F)	-

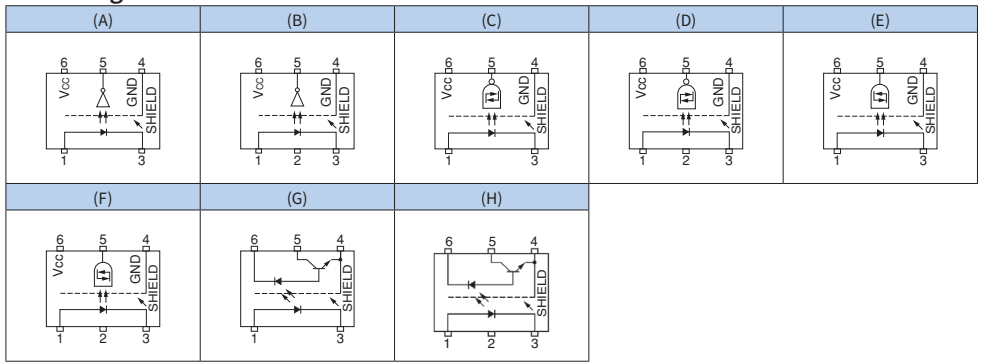
Note1: Recommended Operating Condition

Open-collector Output Type

Part Number	Data Rate (Mbps)	Current Transfer Ratio CTR min (%) @Ta = 25 °C	Propagation Delay Time		Supply Voltage Operating Range V _{CC} (Note1)		High / Low-level Supply Current I _{CC} max (mA)	Common Mode Transient Immunity CM min (kV / μs)	Operating Temperature T _{opr}		Isolation Voltage BV _s min (Vrms)	Toshiba Package	Pin Configuration	Lead Form Option
			t _{pLH} max (ns)	t _{pHL} max (ns)	min (V)	max (V)			min (°C)	max (°C)				
			TLP109(IGM)	1	25 (@I _F = 10 mA)	1000			1000	-				
TLP2719	1	15 (@I _F = 16 mA)	2000	850	4.5	20	0.001	+/-10	-40	100	5000	SO6L	(H)	✓

Note1: Recommended Operating Condition

Pin Configuration



IGBT / MOSFET Driver

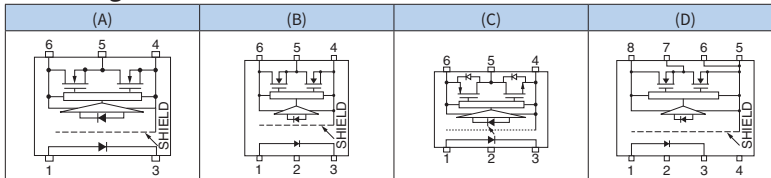
Totem-pole (Buffer) Output Type

Part Number	Output Current (Note2) I _{OPH} or I _{OPL} max (A)	Threshold LED Input Current I _{FLH} max (mA)	Propagation Delay Time		Supply Voltage Operating Range V _{CC} (Note1)		High / Low-level Supply Current I _{CC} max (mA)	Common Mode Transient Immunity CM min (kV / μs)	Operating Temperature T _{opr}		Isolation Voltage BV _s min (Vrms)	Toshiba Package	Pin Configuration	Lead Form Option
			τ _{pLH} max (ns)	τ _{pHL} max (ns)	min (V)	max (V)			min (°C)	max (°C)				
			TLP155E	+/-0.6	7.5	200			200	10				
TLP151A	+/-0.6	5	500	500	10	30	2	+/-20	-40	110	3750	5pin SO6	(A)	-
TLP5701	+/-0.6	5	500	500	10	30	2	+/-20	-40	110	5000	SO6L	(B)	✓
TLP5751	+/-1	4	150	150	15	30	3	+/-35	-40	110	5000	SO6L	(C)	✓
TLP5751H	+/-1	4	150	150	15	30	3	+/-35	-40	125	5000	SO6L	(C)	✓
TLP5771	+/-1	2	150	150	10	30	3	+/-35	-40	110	5000	SO6L	(C)	✓
TLP5771H	+/-1	2	150	150	10	30	3	+/-35	-40	125	5000	SO6L	(C)	✓
TLP5752	+/-2.5	4	150	150	15	30	3	+/-35	-40	110	5000	SO6L	(C)	✓
TLP5752H	+/-2.5	4	150	150	15	30	3	+/-35	-40	125	5000	SO6L	(C)	✓
TLP5772	+/-2.5	2	150	150	10	30	3	+/-35	-40	110	5000	SO6L	(C)	✓
TLP5772H	+/-2.5	2	150	150	10	30	3	+/-35	-40	125	5000	SO6L	(C)	✓
TLP152	+/-2.5	7.5	170	190	10	30	3	+/-20	-40	100	3750	5pin SO6	(A)	-
TLP5702	+/-2.5	5	200	200	15	30	3	+/-20	-40	110	5000	SO6L	(B)	✓
TLP5702H	+/-2.5	5	200	200	15	30	3	+/-50	-40	125	5000	SO6L	(B)	✓
TLP5705H	+/-5	5	200	200	15	30	3	+/-50	-40	125	5000	SO6L	(B)	✓
TLP5832	+/-2.5	5	200	200	15	30	3	+/-20	-40	110	5000	SO8L	(D)	-
TLP5754	+/-4	4	150	150	15	30	3	+/-35	-40	110	5000	SO6L	(C)	✓
TLP5754H	+/-4	4	150	150	15	30	3	+/-35	-40	125	5000	SO6L	(C)	✓
TLP5774	+/-4	2	150	150	10	30	3	+/-35	-40	110	5000	SO6L	(C)	✓
TLP5774H	+/-4	2	150	150	10	30	3	+/-35	-40	125	5000	SO6L	(C)	✓

Note1: Recommended Operating Condition

Note2: Absolute Maximum Ratings

Pin Configuration



Smart Gate Driver

Part Number	Output Current (Note2)	Threshold LED Input Current	Propagation Delay Time		Supply Voltage Operating Range		High / Low -level Supply Current	Common Mode Transient Immunity	Operating Temperature		Isolation Voltage	Toshiba Package	Pin Configuration							
														V _{CC} (Note1)		I _{CC} max (mA)	CM min (kV / μs)	T _{opr}		BV _s min (Vrms)
														t _{pLH} max (ns)	t _{pHL} max (ns)			min (V)	max (V)	
TLP5222 ☆	+/-2.5	6	250	250	15	30	5	+/-25	-40	110	5000	SO16L	(A)							
														<ul style="list-style-type: none"> • Non-rail to rail output • Active miller clamp • DESAT / UVLO protection and failure feedback • Auto reset 						
TLP5214A	+/-4	6	150	150	15	30	3.8	+/-35	-40	110	5000	SO16L	(A)							
														<ul style="list-style-type: none"> • Rail to rail output • Active miller clamp • DESAT / UVLO protection and failure feedback • LED reset 						
TLP5212	+/-2.5	6	250	250	15	30	5	+/-25	-40	110	5000	SO16L	(A)							
														<ul style="list-style-type: none"> • Non-rail to rail output • Active miller clamp • DESAT / UVLO protection and failure feedback • LED reset 						
TLP5231	+/-2.5	3.5 (I _{FHL})	300	300	21.5	30	10.2	+/-25	-40	110	5000	SO16L	(B)							
														<ul style="list-style-type: none"> • High current IGBT / MOSFET Pre-drive Coupler • Rail to rail output • Overlap control for MOSFET buffer • Over current / UVLO protection and failure feedback • LED reset 						

☆ New Products

Note1: Recommended Operating Condition

Note2: Absolute Maximum Ratings

Pin Configuration

(A)				(B)			
1	V _S	V _E	16	1	N. C.	V _E	16
2	V _{CC1}	V _{LED}	15	2	CATHODE	DESAT	15
3	FAULT	DESAT	14	3	ANODE	V _{GMOS}	14
4	V _S	V _{CC2}	13	4	CATHODE	V _{CC2}	13
5	CATHODE	V _{EE}	12	5	V _{GN1}	V _{OUTP}	12
6	ANODE	V _{OUT}	11	6	V _{CC1}	V _{OUTN}	11
7	ANODE	V _{CLAMP}	10	7	FAULT	V _{LED}	10
8	CATHODE	V _{EE}	9	8	V _{GN1}	V _{EE}	9

■ Isolation Amplifiers / Delta-Sigma Modulators

Analog Output

Part Number	Supply Voltage V _{DD1} (V) V _{DD2} (V) (Note1)	Supply Current max I _{DD1} (mA) I _{DD2} (mA)	Common Mode Transient Immunity CMTI typ. (kV / μs)	V _{OUT} Non-linearity NL ₂₀₀ typ. (%)	Gain G typ. @T _a = 25 °C (V / V)	Operating Temperature		Isolation Voltage BV _S min (Vrms)	Toshiba Package	Pin Configuration	Lead Form Option
						T _{opr} min (°C) max (°C)					
TLP7820	4.5 to 5.5 3 to 5.5	12 10	20	0.02	8.2	-40	105	5000	SO8L	(A)	(Note2)
TLP7920	4.5 to 5.5 3 to 5.5	12 10	20	0.02	8.2	-40	105	5000	DIP8	(A)	✓

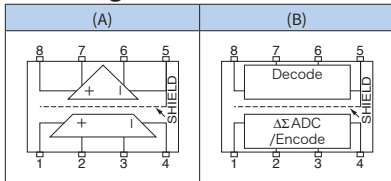
Digital Output

Part Number	Supply Voltage V _{DD1} (V) V _{DD2} (V) (Note1)	Supply Current max I _{DD1} (mA) I _{DD2} (mA)	Common Mode Transient Immunity CMTI typ. (kV / μs)	V _{OUT} Non-linearity INL @T _a = -40 to 85 °C (LSB)	Gain Error G _E typ. @T _a = 25 °C (%)	Operating Temperature		Isolation Voltage BV _S min (Vrms)	Toshiba Package	Pin Configuration	Lead Form Option
						T _{opr} min (°C) max (°C)					
TLP7830	4.5 to 5.5 3 to 5.5	12 8	20	-15 to 15	0.1	-40	105	5000	SO8L	(B)	(Note2)
TLP7930	4.5 to 5.5 3 to 5.5	12 8	20	-15 to 15	0.1	-40	105	5000	DIP8	(B)	✓

Note1: Recommended Operating Condition

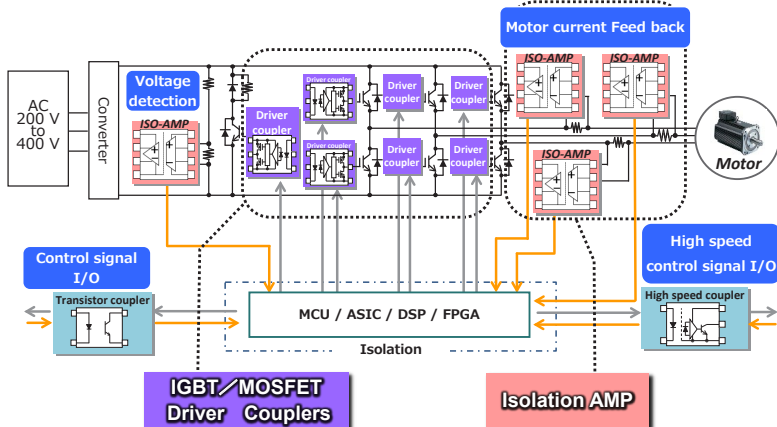
Note2: This product supports only SO8L(LF4) lead form option.

Pin Configuration



D-IGBT, MOSFET based AC-Servo Amp / Inverter

Block diagram of Inverter



1-1-2 Transistor Output

Part Number	Input Type	Function	Current Transfer Ratio			Collector-Emitter Voltage	Collector Current	Operating Temperature		Isolation Voltage	Toshiba Package	Pin Configuration	Lead Form Option
			CTR (I_c / I_F) @ $T_a = 25^\circ\text{C}$					T_{opr}					
			min (%)	max (%)	Relevant Part	V_{CE0} max (V)	I_c max (A)	min ($^\circ\text{C}$)	max ($^\circ\text{C}$)	BV_s min (Vrms)			
TLP185(SE)	DC	General-purpose	50	600	☆1	80	0.05	-55	110	3750	4pin SO6	(A)	-
TLP291(SE)			50	600	☆1	80	0.05	-55	110	3750	SO4	(B)	-
TLP291-4 (Note1)			50	400	☆3	80	0.05	-55	110	2500	SO16	(C)	-
TLP385			50	600	☆1	80	0.05	-55	110	5000	4pin SO6L	(A)	-
TLP785			50	600	☆1	80	0.05	-55	110	5000	DIP4 (TLP785)	(B)	✓
TLP183		Low I_F	50	600	☆1	80	0.05	-55	125	3750	4pin SO6	(A)	-
TLP293-4 (Note1)			50	600	☆4	80	0.05	-55	125	3750	SO16	(C)	-
TLP293			50	600	☆1	80	0.05	-55	125	3750	SO4	(B)	-
TLP383			50	600	☆3	80	0.05	-55	125	5000	4pin SO6L	(A)	-
TLP188		High V_{CE0}	50	600	☆3	350	0.05	-55	110	3750	4pin SO6	(A)	-
TLP388			50	600	☆3	350	0.05	-55	125	5000	4pin SO6L	(A)	-
TLP628M			50	600	☆3	350	0.05	-55	125	5000	DIP4	(B)	✓
TLP184(SE)		AC	General-purpose	50	600	☆2	80	0.05	-55	110	3750	4pin SO6	(D)
TLP290(SE)	50			600	☆2	80	0.05	-55	110	3750	SO4	(E)	-
TLP290-4 (Note1)	50		400	☆3	80	0.05	-55	110	2500	SO16	(F)	-	
TLP182	Low I_F		50	600	☆2	80	0.05	-55	125	3750	4pin SO6	(D)	-
TLP292-4 (Note1)			50	600	☆4	80	0.05	-55	125	3750	SO16	(F)	-
TLP292			50	600	☆2	80	0.05	-55	125	3750	SO4	(E)	-
TLP620M	50		600	☆2	80	0.05	-55	125	5000	DIP4	(E)	✓	
TLP187	DC	Darlington	1000	-	-	300	0.15	-55	110	3750	4pin SO6	(G)	-
TLP387			1000	-	-	300	0.15	-55	110	5000	4pin SO6L	(G)	-
TLP627M			1000	-	-	300	0.15	-55	110	5000	DIP4	(H)	✓
TLP295-4 (Note1)		Low I_F / High Speed	100	700	-	80	0.05	-55	125	3750	SO16	(I)	-
TLP294-4 (Note1)	AC		100	700	-	80	0.05	-55	125	3750	SO16	(I)	-

Current Transfer Ratio Rank

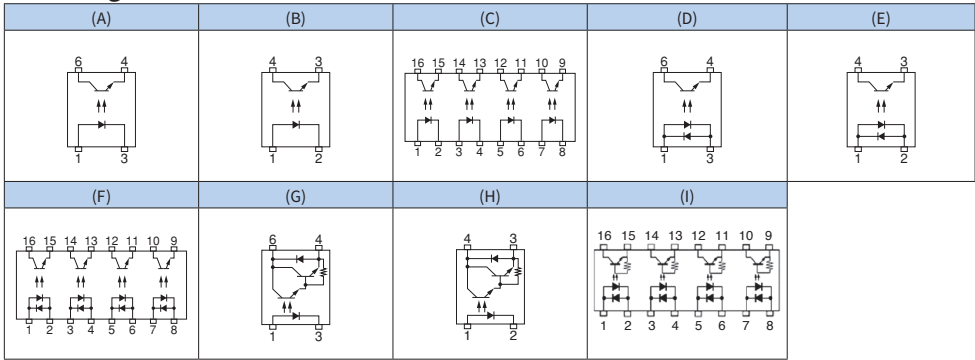
Rank		Selectable Rank										General
		Y	GR	GB	BL	YH	GRL	GRH	BLL	LA	LGB	Blank
Current Transfer Ratio (%)	min	50	100	100	200	75	100	150	200	50	100	50
	max	150	300	600	600 (Note2)	150	200	300	400	600	600	600 (Note2)
Relevant Part	☆1	○	○	○	○	○	○	○	○			○
	☆2	○	○	○	○							○
	☆3			○								○
	☆4			○						○	○	○
Marking of Classification (Note3)		YE, Y+	GR, G, G+	GB, GR, G, G+, BL, B	BL, B	Y+	G	G+	B	LA, LB	LB	Blank, YE, Y+, GR, GB, G, G+, BL, B

Note1: 4-Channel version

Note2: 400 % (max); TLP290-4, TLP291-4

Note3: Depend on the product variety, the package is not marked some characters in this table.

Pin Configuration



1-2 Digital Isolators

1-2-1 Standard Digital Isolators

Part Number	Number of channels Forward: Reverse	Default output logic	Enabled/Disabled control	Propagation Delay	Supply Voltage Operating Range		Operating Temperature		Withstand Isolation Voltage	Toshiba Package	Pin Configuration	Lead Form Option
				t_{PLH} / t_{PHL} (Note1)	V_{DD} (Note2)		T_{opr}					
				max (ns)	min (V)	max (V)	min (°C)	max (°C)	BV_s min (Vrms)			
DCL540C01 ☆	4:0	Low	-	21	2.25	5.5	-40	110	5000	SOIC16-W	(A)	-
DCL540D01 ☆	4:0	High	-	21	2.25	5.5	-40	110	5000	SOIC16-W	(A)	-
DCL540L01 ☆	4:0	Low	Output Enable	21	2.25	5.5	-40	110	5000	SOIC16-W	(B)	-
DCL540H01 ☆	4:0	High	Output Enable	21	2.25	5.5	-40	110	5000	SOIC16-W	(B)	-
DCL541A01 ☆	3:1	Low	Input Disable	21	2.25	5.5	-40	110	5000	SOIC16-W	(C)	-
DCL541B01 ☆	3:1	High	Input Disable	21	2.25	5.5	-40	110	5000	SOIC16-W	(C)	-
DCL541L01 ★	3:1	Low	Output Enable	21	2.25	5.5	-40	110	5000	SOIC16-W	(D)	-
DCL541H01 ★	3:1	High	Output Enable	21	2.25	5.5	-40	110	5000	SOIC16-W	(D)	-
DCL542L01 ★	2:2	Low	Output Enable	21	2.25	5.5	-40	110	5000	SOIC16-W	(E)	-
DCL542H01 ★	2:2	High	Output Enable	21	2.25	5.5	-40	110	5000	SOIC16-W	(E)	-
DCL520C00 ★	2:0	Low	-	21	2.25	5.5	-40	110	3000	SOIC8-N	(F)	-
DCL520D00 ★	2:0	High	-	21	2.25	5.5	-40	110	3000	SOIC8-N	(F)	-
DCL521C00 ★	1:1	Low	-	21	2.25	5.5	-40	110	3000	SOIC8-N	(G)	-
DCL521D00 ★	1:1	High	-	21	2.25	5.5	-40	110	3000	SOIC8-N	(G)	-

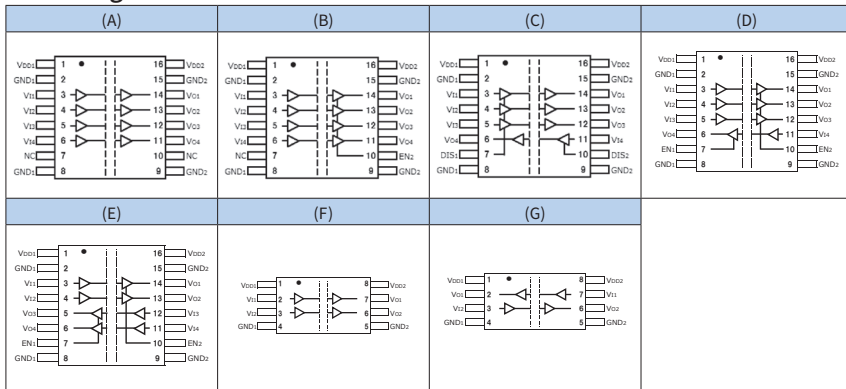
☆ New Products

★ Under Development (The specification is subject to change without notice.)

Note1: $V_{DD} = 2.25$ to 2.75 V, $T_{opr} = -40$ to 110 °C

Note2: Recommended Operating Condition

Pin Configuration



2. Solid State Relays

2-1 Photorelays

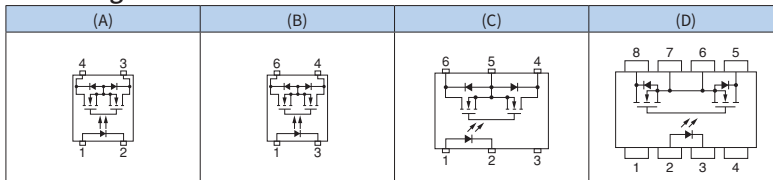
■ MOSFET Output 1-Form-A

Part Number	OFF-state Output Terminal Voltage V _{OFF} max (V)	ON-state Current I _{ON} max (A)	Terminal Capacitance C _{OFF} typ. (pF)	ON-state Resistance R _{ON} max (Ω)	Trigger LED Current I _{FT} max (mA)	Operating Temperature		Isolation Voltage BV _s min (V _{rms})	Toshiba Package	Pin Configuration	Lead Form Option
						T _{OPR}					
						min (°C)	max (°C)				
TLP3146	30	3.3	450	0.05	3	-40	110	1500	2.54SOP4	(A)	-
TLP3553A	30	4	450	0.05	3	-40	110	2500	DIP4	(A)	✓
TLP3106A	30	4.5	1200	0.03	3	-40	110	1500	2.54SOP6	(C)	-
TLP3543A	30	5	1100	0.04	3	-40	110	2500	DIP6	(C)	✓
TLP3123	40	1	300	0.13	3	-40	85	1500	2.54SOP4	(A)	-
TLP241A	40	2	300	0.15	3	-40	85	5000	DIP4	(A)	✓
TLP175A	60	0.1	10	50	1	-40	85	3750	4pin SO6	(B)	-
TLP170A	60	0.4	130	2	1	-40	85	1500	2.54SOP4	(A)	-
TLP171A	60	0.4	130	2	0.2	-40	85	1500	2.54SOP4	(A)	-
TLP240A	60	0.5	130	2	3	-40	85	5000	DIP4	(A)	✓
TLP170AM	60	0.7	100	0.3	1	-40	85	3750	4pin SO6	(B)	-
TLP176AM	60	0.7	100	2	3	-40	110	3750	4pin SO6	(B)	-
TLP3122A	60	1.4	100	0.25	3	-40	110	3750	4pin SO6	(B)	-
TLP3127	60	1.7	250	0.13	3	-40	85	1500	2.54SOP4	(A)	-
TLP3147	60	2.5	240	0.1	3	-40	110	1500	2.54SOP4	(A)	-
TLP3555A	60	3	250	0.1	3	-40	110	2500	DIP4	(A)	✓
TLP3545A	60	4	640	0.06	3	-40	110	2500	DIP6	(C)	✓
TLP3107A	60	4	750	0.04	3	-40	110	1500	2.54SOP6	(C)	-
TLP3547	60	5	850	0.05	5	-40	85	2500	DIP8	(D)	✓
TLP3149	100	1.5	160	0.2	3	-40	110	1500	2.54SOP4	(A)	-
TLP3556A	100	2	110	0.2	3	-40	110	2500	DIP4	(A)	✓
TLP241B	100	2	300	0.2	3	-40	110	5000	DIP4	(A)	✓
TLP3109A	100	3	460	0.065	3	-40	110	1500	2.54SOP6	(C)	-
TLP3823	100	3	720	0.15	5	-40	110	2500	DIP8	(D)	✓
TLP3546A	100	3.5	450	0.08	3	-40	110	2500	DIP6	(C)	✓
TLP170D	200	0.2	90	8	1	-40	85	1500	2.54SOP4	(A)	-
TLP171D	200	0.2	90	8	0.2	-40	85	1500	2.54SOP4	(A)	-

■ MOSFET Output 1-Form-A

Part Number	OFF-state Output Terminal Voltage	ON-state Current	Terminal Capacitance	ON-state Resistance	Trigger LED Current	Operating Temperature		Isolation Voltage	Toshiba Package	Pin Configuration	Lead Form Option
						T _{opr}					
						min (°C)	max (°C)				
TLP176D	200	0.2	100	8	3	-40	85	1500	2.54SOP4	(A)	-
TLP240D	200	0.25	80	8	3	-40	85	5000	DIP4	(A)	✓
TLP3145	200	0.4	100	2	3	-40	110	1500	2.54SOP4	(A)	-
TLP3558A	200	0.7	110	2	3	-40	110	2500	DIP4	(A)	✓
TLP3825	200	1.5	400	0.5	5	-40	110	2500	DIP8	(D)	✓
TLP240G	350	0.1	30	50	3	-40	85	5000	DIP4	(A)	✓
TLP170G	350	0.1	35	50	1	-40	85	1500	2.54SOP4	(A)	-
TLP170GM	350	0.11	30	50	1	-40	85	3750	4pin SO6	(B)	-
TLP172GM	350	0.11	30	50	3	-40	110	3750	4pin SO6	(B)	-
TLP171GA	400	0.1	70	35	0.2	-40	85	1500	2.54SOP4	(A)	-
TLP172GAM	400	0.11	30	65	3	-40	110	3750	4pin SO6	(B)	-
TLP176GA	400	0.12	70	35	3	-40	85	1500	2.54SOP4	(A)	-
TLP223GA	400	0.12	53	35	2	-40	110	5000	DIP4	(A)	✓
TLP240GA	400	0.12	80	35	3	-40	85	5000	DIP4	(A)	✓
TLP3548	400	0.4	410	5	1	-40	85	2500	DIP8	(D)	✓
TLP171J	600	0.07	75	60	0.2	-40	85	1500	2.54SOP4	(A)	-
TLP170J	600	0.09	75	60	1	-40	85	1500	2.54SOP4	(A)	-
TLP223J	600	0.09	53	60	2	-40	110	5000	DIP4	(A)	✓
TLP240J	600	0.09	75	60	3	-40	85	5000	DIP4	(A)	✓
TLP3549	600	0.6	4300	2	5	-40	85	2500	DIP8	(D)	✓

Pin Configuration



Part Number	OFF-state Output Terminal Voltage V _{OFF} max (V)	ON-state Current I _{ON} max (A)	Terminal Capacitance C _{OFF} typ. (pF)	ON-state Resistance R _{ON} max (Ω)	Trigger LED Current I _{FT} max (mA)	Operating Temperature		Isolation Voltage BV _s min (V _{rms})	Toshiba Package	Pin Configuration	Lead Form Option
						T _{opr}					
						min (°C)	max (°C)				
TLP3330	20	0.16	1	8	3	-40	85	1000	USOP4	(A)	-
TLP3350	20	0.2	0.8	5	3	-40	85	1000	USOP4	(A)	-
TLP3450	20	0.2	0.8	5	3	-40	110	500	VSON4	(A)	-
TLP3431	20	0.45	5	1.2	3	-40	110	500	VSON4	(A)	-
TLP3303	20	0.9	40	0.22	3	-40	85	1000	USOP4	(A)	-
TLP3403	20	1	40	0.22	3	-40	110	500	VSON4	(A)	-
TLP3406S	30	1.5	120	0.2	3	-40	110	500	S-VSON4	(A)	-
TLP3480	30	4.5	450	0.05	3	-40	110	500	P-SON4	(A)	-
TLP3342	40	0.1	0.3	20	3	-40	85	1000	USOP4	(A)	-
TLP3442	40	0.1	0.3	20	3	-40	110	500	VSON4	(A)	-
TLP3340	40	0.12	0.45	14	3	-40	85	1000	USOP4	(A)	-
TLP3440S	40	0.12	0.45	14	3	-40	110	500	S-VSON4T	(A)	-
TLP3440	40	0.12	0.45	14	3	-40	110	500	VSON4	(A)	-
TLP3341	40	0.14	0.7	10	3	-40	85	1000	USOP4	(A)	-
TLP3441	40	0.14	0.7	10	3	-40	110	500	VSON4	(A)	-
TLP3414	40	0.25	5	3	3	-40	110	500	VSON4	(A)	-
TLP3315	40	0.3	10	1.5	3	-40	85	1000	USOP4	(A)	-
TLP3375	50	0.3	12	1.5	3	-40	85	1000	USOP4	(A)	-
TLP3475	50	0.3	12	1.5	3	-40	110	500	VSON4	(A)	-
TLP3351	60	0.12	0.7	15	3	-40	85	1000	USOP4	(A)	-
TLP3451	60	0.12	0.7	15	3	-40	110	500	VSON4	(A)	-
TLP3475S	60	0.4	12	1.5	3	-40	110	500	S-VSON4	(A)	-
TLP3476S ☆	60	0.4	12	1.5	3	-40	110	500	S-VSON4T	(A)	-
TLP3312	60	0.4	20	1.5	3	-40	85	1000	USOP4	(A)	-
TLP3412	60	0.4	20	1.5	3	-40	110	500	VSON4	(A)	-
TLP3407S	60	1	80	0.3	3	-40	110	500	S-VSON4	(A)	-
TLP3481	60	3	250	0.1	3	-40	110	500	P-SON4	(A)	-
TLP3306	75	0.4	30	1.5	3	-40	85	1000	USOP4	(A)	-
TLP3317	80	0.12	5	12	3	-40	85	1000	USOP4	(A)	-
TLP3417	80	0.12	5	12	3	-40	110	500	VSON4	(A)	-
TLP3319	80	0.2	6.5	8	3	-40	85	1000	USOP4	(A)	-
TLP3419	80	0.2	6.5	8	3	-40	110	500	VSON4	(A)	-

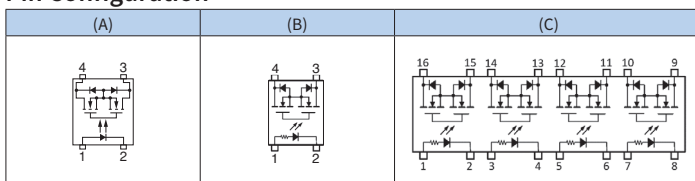
☆ New Products

■ MOSFET Output 1-Form-A

Part Number	OFF-state Output Terminal Voltage	ON-state Current	Terminal Capacitance	ON-state Resistance	Trigger LED Current	Operating Temperature		Isolation Voltage	Toshiba Package	Pin Configuration	Lead Form Option
						T_{opr}					
						V_{OFF} max (V)	I_{ON} max (A)				
TLP3320	100	0.1	6	14	3	-40	85	1000	USOP4	(A)	-
TLP3420	100	0.1	6	14	3	-40	110	500	VSON4	(A)	-
TLP3409S	100	0.65	50	0.6	3	-40	110	500	S-VSON4	(A)	-
TLP3482	100	2	170	0.2	3	-40	110	500	P-SON4	(A)	-
TLP3483	200	0.35	75	8	3	-40	110	500	P-SON4	(A)	-
TLP3484	400	0.18	60	35	3	-40	110	500	P-SON4	(A)	-

Part Number	OFF-state Output Terminal Voltage	ON-state Current	Terminal Capacitance	ON-state Resistance	Operating Voltage	Operating Temperature		Isolation Voltage	Toshiba Package	Pin Configuration	Lead Form Option
						T_{opr}					
						V_{OFF} max (V)	I_{ON} max (A)				
TLP3403R	20	1	40	0.22	3	-40	110	500	VSONR4	(B)	-
TLP3403SRHA	20	1.5	120	0.2	3	-40	125	500	S-VSON4T	(B)	-
TLP3406SRH4	30	0.9	120	0.2	3	-40	110	300	S-VSON16T	(C)	-
TLP3406SRL	30	1.5	120	0.2	1.6	-40	110	500	S-VSON4T	(B)	-
TLP3406SRH	30	1.5	120	0.2	3	-40	110	500	S-VSON4T	(B)	-
TLP3406SRHA	30	1.5	120	0.2	3	-40	125	500	S-VSON4T	(B)	-
TLP3475R	50	0.3	12	1.5	3	-40	110	500	VSONR4	(B)	-
TLP3475SRHA4	60	0.25	20 (max)	1.5	3	-40	125	300	S-VSON16T	(C)	-
TLP3412SRHA4	60	0.25	20 (max)	1.5	3	-40	125	300	S-VSON16T	(C)	-
TLP3475SRHA	60	0.4	12	1.5	3	-40	125	500	S-VSON4T	(B)	-
TLP3412R	60	0.4	20	1.5	3	-40	110	500	VSONR4	(B)	-
TLP3412SRA	60	0.4	20 (max)	1.5	3	-40	125	500	S-VSON4T	(B)	-
TLP3412SRH	60	0.4	20 (max)	1.5	3	-40	110	500	S-VSON4T	(B)	-
TLP3412SRHA	60	0.4	20 (max)	1.5	3	-40	125	500	S-VSON4T	(B)	-
TLP3407SRA4	60	0.6	80	0.3	3	-40	125	300	S-VSON16T	(C)	-
TLP3407SRA	60	1	80	0.3	3	-40	125	500	S-VSON4T	(B)	-
TLP3407SRH	60	1	80	0.3	3	-40	110	500	S-VSON4T	(B)	-
TLP3407SRL	60	1	80	0.3	1.6	-40	110	500	S-VSON4T	(B)	-
TLP3407SR	60	1	80	0.3	3	-40	110	500	S-VSON4T	(B)	-

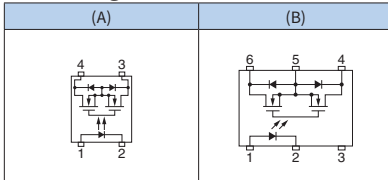
Pin Configuration



■ MOSFET Output 1-Form-B

Part Number	OFF-state Output Terminal Voltage V_{OFF} max (V)	ON-state Current I_{ON} max (A)	Terminal Capacitance C_{OFF} typ. (pF)	ON-state Resistance R_{ON} max (Ω)	Trigger LED Current I_{FC} max (mA)	Operating Temperature		Isolation Voltage BV_s min (V _{Rms})	Toshiba Package	Pin Configuration	Lead Form Option
						T_{opr}					
						min ($^{\circ}C$)	max ($^{\circ}C$)				
TLP4176A	60	0.5	100	2.5	3	-40	105	1500	2.54SOP4	(A)	-
TLP4590A	60	1.2	550	0.6	2	-40	110	5000	DIP6	(B)	✓
TLP4176G	350	0.12	65	25	3	-40	85	1500	2.54SOP4	(A)	-

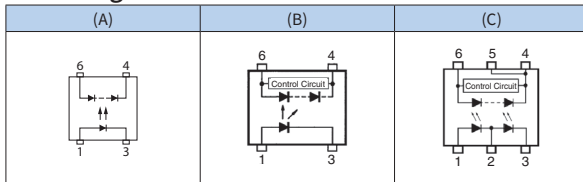
Pin Configuration



2-2 Photovoltaic Output

Part Number	Feature	Short-circuit current I_{sc} min (μA)	Open voltage V_{oc} min (V)	Turn-on time t_{on} max (ms)	Turn-off time t_{off} max (ms)	Operating Temperature		Isolation Voltage BV_s min (Vrms)	Toshiba Package	Pin Configuration	Lead Form Option
						T_{opr}					
						min (°C)	max (°C)				
TLP3905	Without internal shunt resistor	12	7	-	-	-40	125	3750	4pin SO6	(A)	-
TLP3906	Built-in discharging circuit	12	7	1	1	-40	125	3750	4pin SO6	(B)	-
TLP3910	Built-in discharging circuit	12	14	1	0.5	-40	125	5000	SO6L	(C)	-

Pin Configuration

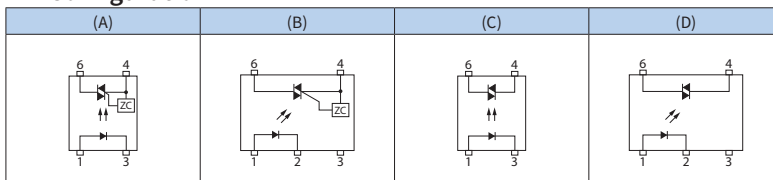


2-3 Triac Output

Part Number	Output Type (Note1)	Trigger LED Current I_{FT} max (mA)	Off-state Output Terminal Voltage V_{ORM} max (V)	On-state RMS Current $I_{T(RMS)}$ max (mA)	Inhibit Voltage V_{IH} max (V)	Peak on-state Voltage V_{TM} max (V)	Operating Temperature		Isolation Voltage BV_s min (Vrms)	Toshiba Package	Pin Configuration	Lead Form Option
							T_{opr}					
							min (°C)	max (°C)				
TLP266J	ZC	10	600	70	30	2.8	-40	100	3750	4pin SO6	(A)	-
TLP268J	ZC	3	600	70	30	2.8	-40	100	3750	4pin SO6	(A)	-
TLP3062A	ZC	10	600	100	20	3	-40	100	5000	5pin DIP6	(B)	✓
TLP3083	ZC	5	800	100	20	3	-40	100	5000	5pin DIP6	(B)	✓
TLP265J	NZC	10	600	70	-	2.8	-40	100	3750	4pin SO6	(C)	-
TLP267J	NZC	3	600	70	-	2.8	-40	100	3750	4pin SO6	(C)	-
TLP3052A	NZC	10	600	100	-	3	-40	100	5000	5pin DIP6	(D)	✓
TLP3073	NZC	5	800	100	-	3	-40	100	5000	5pin DIP6	(D)	✓

Note1: ZC: Zero crossing functionary, NZC: Non zero crossing functionary

Pin Configuration



3. Automotive Devices

■ Photocouplers

IC Output

High speed Logic Couplers (Open-collector)

Part Number	Data Rate (Mbps)	Threshold LED Input Current IFHL max (mA)	Propagation Delay Time		Supply Voltage Operating Range VCC (Note1)		High / Low -level Supply Current Icc max (mA)	Common Mode Transient Immunity CM min (kV / μs)	Operating Temperature		Isolation Voltage BV _s min (Vrms)	Toshiba Package	Pin Configuration	AEC-Q101
									T _{opr}					
			min (°C)	max (°C)										
TLX9304	1	5	550	400	4.5	20	1.3	+/-15	-40	125	3750	5pin SO6	(A)	#
TLX9378	10	5	100	100	4.5	5.5	1.3	+/-15	-40	125	3750	5pin SO6	(C)	#

High speed Logic Couplers (Totem-pole (Buffer))

Part Number	Data Rate (Mbps)	Threshold LED Input Current IFLH max (mA)	Propagation Delay Time		Supply Voltage Operating Range VDD (Note1)		High / Low -level Supply Current I _{DD} max (mA)	Common Mode Transient Immunity CM min (kV / μs)	Operating Temperature		Isolation Voltage BV _s min (Vrms)	Toshiba Package	Pin Configuration	AEC-Q101
									T _{opr}					
			min (°C)	max (°C)										
TLX9310	5	1	250	250	2.7	5.5	0.3	+/-25	-40	105	3750	5pin SO6	(D)	#

High speed Logic Couplers (Totem-pole (Inverter))

Part Number	Data Rate (Mbps)	Threshold LED Input Current IFHL max (mA)	Propagation Delay Time		Supply Voltage Operating Range VCC (Note1)		High / Low -level Supply Current Icc max (mA)	Common Mode Transient Immunity CM min (kV / μs)	Operating Temperature		Isolation Voltage BV _s min (Vrms)	Toshiba Package	Pin Configuration	AEC-Q101
									T _{opr}					
			min (°C)	max (°C)										
TLX9376	20	4	35	35	4.5	5.5	1.7	+/-15	-40	125	3750	5pin SO6	(C)	#

Logic Couplers (Open-collector)

Part Number	Data Rate (Mbps)	Current Transfer Ratio CTR min (%) @I _F = 7 mA	Propagation Delay Time		Supply Voltage Operating Range VCC (Note1)		High / Low -level Supply Current Icc max (mA)	Common Mode Transient Immunity CM min (kV / μs)	Operating Temperature		Isolation Voltage BV _s min (Vrms)	Toshiba Package	Pin Configuration	AEC-Q101
									T _{opr}					
			min (°C)	max (°C)										
TLX9309	1	15 (@I _F = 7 mA)	1000	800	-	30	-	+/-10	-40	125	3750	5pin SO6	(B)	#

Note1: Recommended Operating Condition
AEC-Q101 qualified

Transistor Output

Part Number	Input Type	Current Transfer Ratio			Collector-Emitter Voltage V_{CE0} max (V)	Collector Current I_C max (A)	Operating Temperature		Isolation Voltage BV _s min (Vrms)	Toshiba Package	Pin Configuration	AEC-Q101
		CTR (I_C / I_B) @ $T_a = 25^\circ\text{C}$					T_{opr}					
		min (%)	max (%)	Relevant Part			min ($^\circ\text{C}$)	max ($^\circ\text{C}$)				
TLX9291A	DC	50	600	☆1	80	0.05	-40	125	3750	SO4	(E)	#
TLX9185A	DC	50	600	☆1	80	0.05	-40	125	3750	4pin SO6	(E)	#
TLX9188	DC	50	600	☆1	200	0.05	-40	125	3750	4pin SO6	(E)	#
TLX9000	DC	100	900	-	40	0.05	-40	125	3750	SO4	(F)	#
TLX9300	DC	100	900	-	40	0.05	-40	125	3750	4pin SO6	(F)	#

Current Transfer Ratio Rank

Rank	Current Transfer Ratio (%)		Relevant Part	Marking of Classification
	min	max		
Blank	50	600	☆1	Blank, GB
GB	100	600	☆1	GB

Photovoltaic Output

Part Number	Short-circuit Current I_{sc} min (μA) @ $T_a = 25^\circ\text{C}$	Open Voltage V_{oc} min (V) @ $T_a = 25^\circ\text{C}$	Operating Temperature		Isolation Voltage BV _s min (Vrms)	Toshiba Package	Pin Configuration	AEC-Q101
			T_{opr}					
			min ($^\circ\text{C}$)	max ($^\circ\text{C}$)				
TLX9905	12	7	-40	125	3750	4pin SO6	(G)	#
TLX9906	12	7	-40	125	3750	4pin SO6	(H)	#

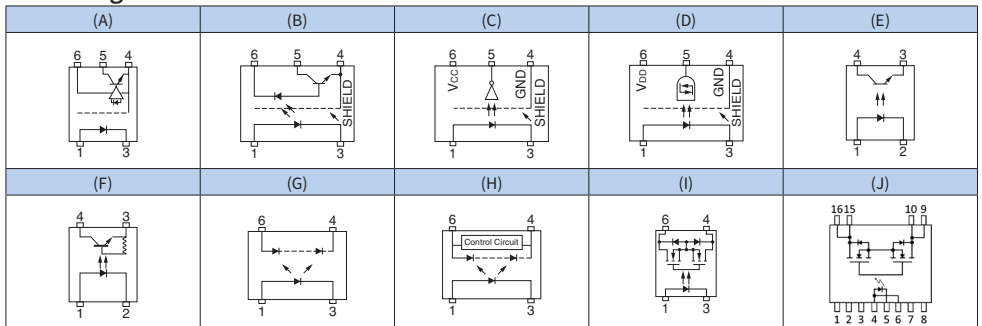
■ Photorelays

MOSFET Output 1-Form-A

Part Number	OFF-state Output Terminal Voltage V_{OFF} max (V)	ON-state Current I_{ON} max (A)	Terminal Capacitance C_{OFF} typ. (pF)	ON-state Resistance R_{ON} max (Ω)	Trigger LED Current I_{FT} max (mA)	Operating Temperature		Isolation Voltage BV _s min (Vrms)	Toshiba Package	Pin Configuration	AEC-Q101
						T_{opr}					
						min ($^\circ\text{C}$)	max ($^\circ\text{C}$)				
TLX9175J	600	0.015	8	335	3	-55	105	3750	4pin SO6	(I)	#
TLX9160T	1500	0.05	100	250	3	-40	125	5000	SO16L-T	(J)	#

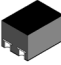
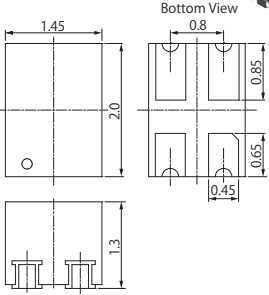

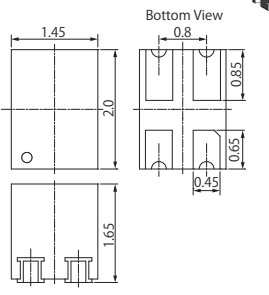
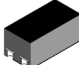
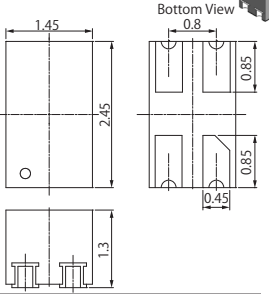
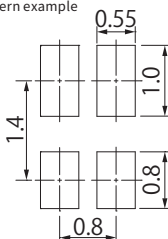
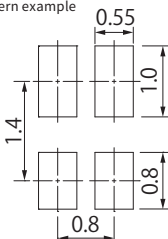
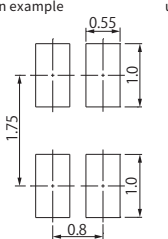
AEC-Q101 qualified

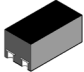
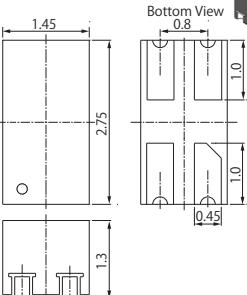

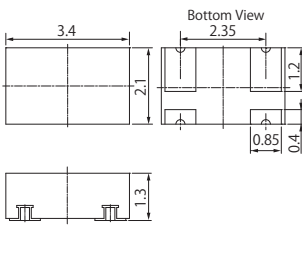

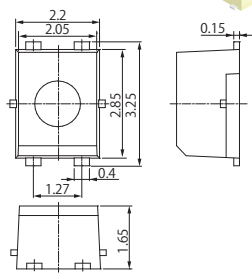
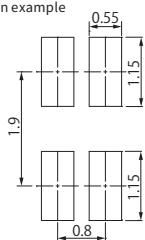
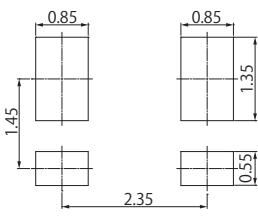
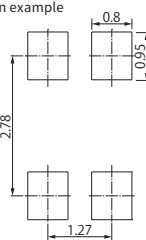
Pin Configuration

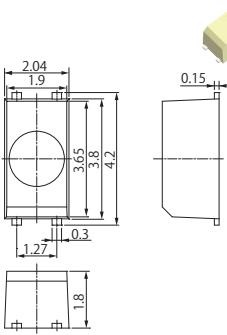
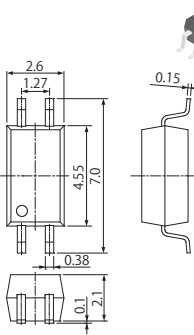
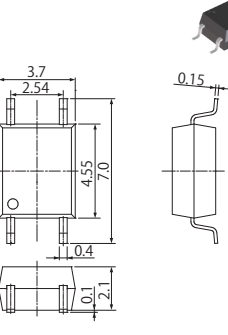
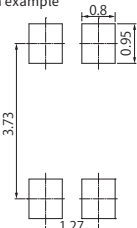
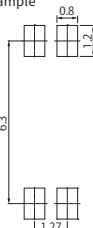
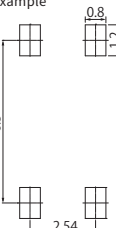


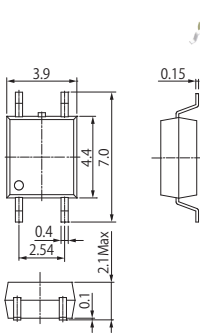
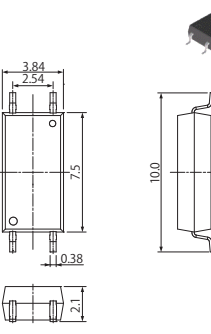
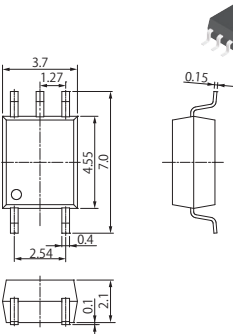
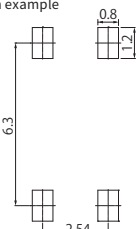
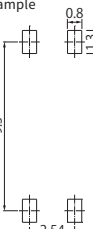
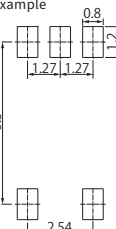
4. Device Packages

■ Dimensional Out Line (Surface Mount Type)

S-VSON4T (1.45 x 2.0)	S-VSON4 (1.45 x 2.0)	VSON4 (1.45 x 2.45)
<p>Package dimension unit : mm</p>  	<p>Package dimension unit : mm</p>  	<p>Package dimension unit : mm</p>  
<p>Land pattern example unit : mm</p> 	<p>Land pattern example unit : mm</p> 	<p>Land pattern example unit : mm</p> 

VSONR4 (1.45 x 2.75)	P-SON4 (3.4 x 2.1)	USOP4 (2.2 x 3.25)
<p>Package dimension unit : mm</p>  	<p>Package dimension unit : mm</p>  	<p>Package dimension unit : mm</p>  
<p>Land pattern example unit : mm</p> 	<p>Land pattern example unit : mm</p> 	<p>Land pattern example unit : mm</p> 

SSOP4 (2.04 x 4.2)	SO4 (2.6 x 7.0)	4pin SO6 (3.7 x 7.0)
<p>Package dimension unit : mm</p> 	<p>Package dimension unit : mm</p> 	<p>Package dimension unit : mm</p> 
<p>Land pattern example unit : mm</p> 	<p>Land pattern example unit : mm</p> 	<p>Land pattern example unit : mm</p> 

2.54SO4P (3.9 x 7.0)	4pin SO6L (3.84 x 10.0)	5pin SO6 (3.7 x 7.0)
<p>Package dimension unit : mm</p> 	<p>Package dimension unit : mm</p> 	<p>Package dimension unit : mm</p> 
<p>Land pattern example unit : mm</p> 	<p>Land pattern example unit : mm</p> 	<p>Land pattern example unit : mm</p> 

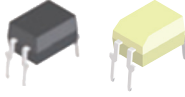
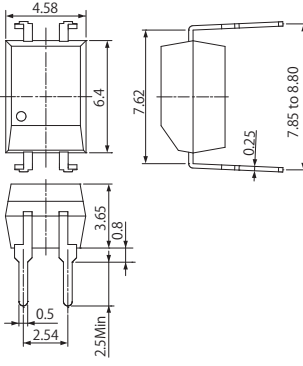

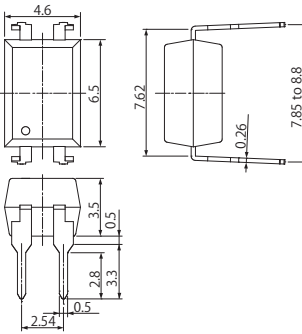

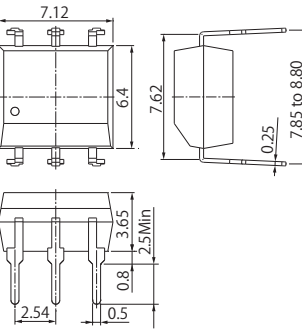
2.54SOP6 (6.3 x 7.0)	SO6L (3.84 x 10.0)	SOIC8-N (4.9 x 6.0)
<p>Package dimension unit : mm</p>	<p>Package dimension unit : mm</p>	<p>Package dimension unit : mm</p>
<p>Land pattern example unit : mm</p>	<p>Land pattern example unit : mm</p>	<p>Land pattern example unit : mm</p>

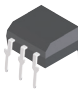
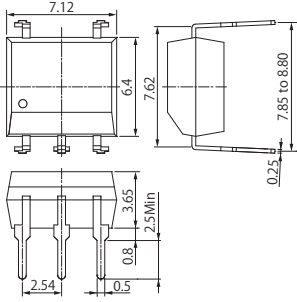
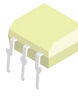
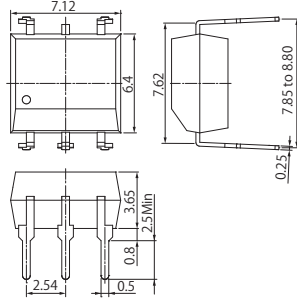
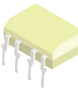
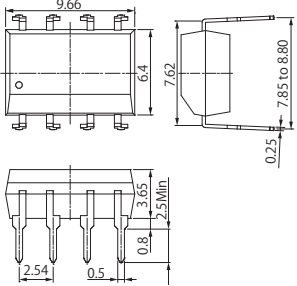
SO8 (5.1 x 6.0)	SO8L (5.85 x 10.0)	2.54SOP8 (9.4 x 7.0)
<p>Package dimension unit : mm</p>	<p>Package dimension unit : mm</p>	<p>Package dimension unit : mm</p>
<p>Land pattern example unit : mm</p>	<p>Land pattern example unit : mm</p>	<p>Land pattern example unit : mm</p>

SO16L-T (10.3 x 10.0)	S-VSON16T (6.25 x 2.0)	SO16 (10.3 x 7.0)
<p>Package dimension unit : mm</p>	<p>Package dimension unit : mm</p>	<p>Package dimension unit : mm</p>
<p>Land pattern example unit : mm</p>	<p>Land pattern example unit : mm</p>	<p>Land pattern example unit : mm</p>

SO16L (10.3 x 10.0)	SOIC16-W (10.3 x 10.0)
<p>Package dimension unit : mm</p>	<p>Package dimension unit : mm</p>
<p>Land pattern example unit : mm</p>	<p>Land pattern example unit : mm</p>

■ Dimensional Out Line (Through Hole Type)

DIP4 (4.58 x 7.62)	DIP4(TLP785) (4.6 x 7.62)	DIP6 (7.12 x 7.62)
<p>Package dimension unit : mm</p>  	<p>Package dimension unit : mm</p>  	<p>Package dimension unit : mm</p>  

5pin DIP6 (7.12 x 7.62)	5pin DIP6(cut) (7.12 x 7.62)	DIP8 (9.66 x 7.62)
<p>Package dimension unit : mm</p>  	<p>Package dimension unit : mm</p>  	<p>Package dimension unit : mm</p>  

Lead Form Options

DIP4(LF1) / (TP1) (4.58 x 10.0)	DIP4(LF5) / (TP5) (4.58 x 10.0)	DIP4(LF2) (4.58 x 10.16)
<p>Package dimension unit : mm</p>	<p>Package dimension unit : mm</p>	<p>Package dimension (DIP4 F type) unit : mm</p>
<p>Land pattern example unit : mm</p>	<p>Land pattern example unit : mm</p>	
DIP4(LF4) / (TP4) (4.58 x 12.0)	DIP4(TLP785) (LF6) / (TP6) (4.6 x 10.0)	DIP4(TLP785F) (LF7) / (TP7) (4.6 x 11.66)
<p>Package dimension unit : mm</p>	<p>Package dimension unit : mm</p>	<p>Package dimension unit : mm</p>
<p>Land pattern example unit : mm</p>	<p>Land pattern example unit : mm</p>	<p>Land pattern example unit : mm</p>

DIP6(LF1) / (TP1) (7.12 x 10.0)		DIP6(LF5) / (TP5) (7.12 x 10.0)		DIP6(LF2) (7.12 x 10.16)	
Package dimension	unit : mm	Package dimension	unit : mm	Package dimension (DIP6 F type)	unit : mm

Land pattern example	unit : mm	Land pattern example	unit : mm

DIP6(LF4) / (TP4) (7.12 x 12.0)		5pin DIP6(LF1) / (TP1) (7.12 x 10.0)		5pin DIP6(LF5) / (TP5) (7.12 x 10.0)	
Package dimension	unit : mm	Package dimension	unit : mm	Package dimension	unit : mm

Land pattern example	unit : mm	Land pattern example	unit : mm	Land pattern example	unit : mm

5pin DIP6(LF2) (7.12 x 10.16)	5pin DIP6(LF4) / (TP4) (7.12 x 12.0)	5pin DIP6(cut)(LF1) / (TP1) (7.12 x 10.0)
Package dimension unit : mm (5pin DIP6 F type) 	Package dimension unit : mm 	Package dimension unit : mm

Land pattern example unit : mm	Land pattern example unit : mm

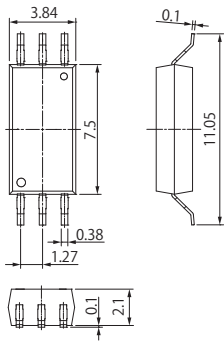
5pin DIP6(cut)(LF5) / (TP5) (7.12 x 10.0)	5pin DIP6(cut)(LF2) (7.12 x 10.16)	5pin DIP6(cut)(LF4) / (TP4) (7.12 x 12.0)
Package dimension unit : mm 	Package dimension unit : mm (5pin DIP6(cut) F type) 	Package dimension unit : mm

Land pattern example unit : mm	Land pattern example unit : mm

SO6L(LF4) (3.84 x 11.05)

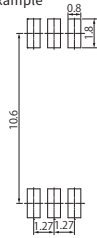
Package dimension

unit : mm



Land pattern example

unit : mm



DIP8(LF1) / (TP1) (9.66 x 10.0)	DIP8(LF5) / (TP5) (9.66 x 10.0)	DIP8(LF2) (9.66 x 10.16)
<p>Package dimension unit : mm</p>	<p>Package dimension unit : mm</p>	<p>Package dimension (DIP8 F type) unit : mm</p>

<p>Land pattern example unit : mm</p>	<p>Land pattern example unit : mm</p>
---------------------------------------	---------------------------------------

DIP8(LF4) / (TP4) (9.66 x 12.0)	SO8L(LF4) (5.85 x 11.05)
<p>Package dimension unit : mm</p>	<p>Package dimension unit : mm</p>
<p>Land pattern example unit : mm</p>	<p>Land pattern example unit : mm</p>

5. Cross Reference

IGBT / MOSFET Driver Photocouplers

Manufacturer	Competitor's Product		Toshiba		
	Part Number	Part Number	Compatible Level (Note:1)	Peak Current	Package
BROADCOM	ACNW3130	TLP5752H	3	2.5 A	SO6L
	ACNW3190	TLP5754H	4	4 A	SO6L
	ACPL-3130	TLP5752H	4	2.5 A	SO6L
	ACPL-330J	TLP5214A	2	4 A	SO16L
		TLP5212		2.5 A	
	ACPL-331J	TLP5214A	2	4 A	SO16L
		TLP5212		2.5 A	
	ACPL-332J	TLP5214A	1	4 A	SO16L
		TLP5212		2.5 A	
	ACPL-333J	TLP5222 ☆	1	2.5 A	SO16L
	ACPL-339J	TLP5231	1	2 A	SO16L
	ACPL-H312	TLP5832	1	2.5 A	SO8L
	ACPL-H342	TLP5772	3	2.5 A	SO6L
	ACPL-J313	TLP5752H	4	2.5 A	SO6L
	ACPL-K312	TLP5832	2	2.5 A	SO8L
	ACPL-K342	TLP5772(LF4)	3	2.5 A	SO6L(LF4)
	ACPL-P302	TLP5701	2	0.6 A	SO6L
	ACPL-P314	TLP5701	2	0.6 A	SO6L
	ACPL-P340	TLP5751	1	1 A	SO6L
	ACPL-P341	TLP5754	1	4 A	SO6L
	ACPL-P343	TLP5754	1	4 A	SO6L
	ACPL-P345	TLP5751	1	1 A	SO6L
	ACPL-P346	TLP5752	1	2.5 A	SO6L
	ACPL-P347	TLP5751	2	1 A	SO6L
	ACPL-P349	TLP5752	2	2.5 A	SO6L
	ACPL-T350	TLP5752H	4	2.5 A	SO6L
	ACPL-W302	TLP5701(LF4)	2	0.6 A	SO6L(LF4)
	ACPL-W314	TLP5701(LF4)	2	0.6 A	SO6L(LF4)
	ACPL-W340	TLP5751(LF4)	1	1 A	SO6L(LF4)
	ACPL-W341	TLP5754(LF4)	1	4 A	SO6L(LF4)
	ACPL-W343	TLP5754(LF4)	1	4 A	SO6L(LF4)
	ACPL-W345	TLP5751(LF4)	1	1 A	SO6L(LF4)
	ACPL-W346	TLP5752(LF4)	1	2.5 A	SO6L(LF4)
	ACPL-W347	TLP5751(LF4)	2	1 A	SO6L(LF4)
	ACPL-W349	TLP5752(LF4)	2	2.5 A	SO6L(LF4)
	HCNW3120	TLP5752H	3	2.5 A	SO6L
	HCPL-0302	TLP151A	3	0.6 A	5pin SO6
	HCPL-0314	TLP151A	3	0.6 A	5pin SO6
	HCPL-3020	TLP5771H	4	1 A	SO6L
	HCPL-3120	TLP5752H	4	2.5 A	SO6L
	HCPL-3140	TLP5771H	4	1 A	SO6L
	HCPL-314J	TLP5701 x2 pcs	4	0.6 A	SO6L
HCPL-3150	TLP5771H	4	1 A	SO6L	
HCPL-315J	TLP5701 x2 pcs	4	0.6 A	SO6L	

☆ New Products

Note:1

- 1: Package and characteristics are almost same
- 2: Almost same package but similar characteristics
- 3: Almost same characteristics but different package
- 4: Different package and similar characteristics

Manufacturer	Competitor's Product		Toshiba		
	Part Number	Part Number	Compatible Level (Note:1)	Peak Current	Package
	HCPL-316J	TLP5214A	2	4 A	SO16L
		TLP5212		2.5 A	
	HCPL-3180	TLP5752H	3	2.5 A	SO6L
	HCPL-J312	TLP5752H	4	2.5 A	SO6L
	HCPL-J314	TLP5771H	4	1 A	SO6L
	HCPL-T250	TLP5752H	4	2.5 A	SO6L
Fairchild	FOD3120	TLP5752H	4	2.5 A	SO6L
	FOD3150	TLP5771	4	1 A	SO6L
	FOD3182	TLP5774	4	4 A	SO6L
	FOD8314	TLP5772	2	2.5 A	SO6L
	FOD8332	TLP5214A	1	4 A	SO16L
TLP5212		2.5 A			
Renesas	PS9301L	TLP5701	1	0.6 A	SO6L
	PS9302L	TLP5832	2	2.5 A	SO8L
	PS9305L	TLP5832	1	2.5 A	SO8L
	PS9307L	TLP5701	1	0.6 A	SO6L
	PS9308L	TLP5702	2	2.5 A	SO6L
	PS9331L	TLP5702	2	2.5 A	SO6L
		TLP5214A		4 A	
	PS9402	TLP5212	2	2.5 A	SO16L
		TLP5752H		4	
	PS9505	TLP5771H	4	0.6 A	SO6L
	PS9531	TLP5752H	4	2.5 A	SO6L
	PS9552	TLP5752H	4	2.5 A	SO6L
	PS9553	TLP5771H	4	1 A	SO6L
	PS9801	TLP151A	3	0.6 A	5pin SO6
	SHARP	PC923	TLP5771H	4	1 A
PC924		TLP5771H	4	1 A	SO6L
PC925		TLP5752H	4	2.5 A	SO6L
PC928		TLP5214A	4	4 A	SO16L
		TLP5212		2.5 A	
PC929		TLP5214A	4	4 A	SO16L
	TLP5212	2.5 A			

Note:1

- 1: Package and characteristics are almost same
- 2: Almost same package but similar characteristics
- 3: Almost same characteristics but different package
- 4: Different package and similar characteristics

High Speed and IPM Driver Photocouplers

Manufacturer	Competitor's Product		Toshiba		
	Part Number	Part Number	Compatible Level (Note:1)	Data Rate (typ.)	Package
BROADCOM	ACPL-071L	TLP2366	3	20 Mbps	5pin SO6
	ACPL-074L	TLP2261	3	15 Mbps	SO8L(LF4)
	ACPL-M21L	TLP2312	1	5 Mbps	5pin SO6
	ACPL-M483	TLP2348	1	10 Mbps	5pin SO6
	ACPL-M484	TLP2345	1	10 Mbps	5pin SO6
	ACPL-M60L	TLP2363	1	15 Mbps	5pin SO6
	ACPL-M61L	TLP2361	1	15 Mbps	5pin SO6
	ACPL-M62L	TLP2363	1	15 Mbps	5pin SO6
	ACPL-M75L	TLP2366	2	20 Mbps	5pin SO6
	ACPL-K24L	TLP2210	2	20 Mbps	SO8L(LF4)
	ACPL-P454	TLP2704	2	1 Mbps	SO6L
	ACPL-P456	TLP2704	1	1 Mbps	SO6L
	ACPL-P480	TLP2710	2	5 Mbps	SO6L
	ACPL-P481	TLP2710	2	5 Mbps	SO6L
	ACPL-P483	TLP2748	2	10 Mbps	SO6L
	ACPL-P484	TLP2745	2	10 Mbps	SO6L
	ACPL-P611	TLP2768A	2	20 Mbps	SO6L
	ACPL-W21L	TLP2710(LF4)	2	5 Mbps	SO6L(LF4)
	ACPL-W454	TLP2704(LF4)	2	1 Mbps	SO6L(LF4)
	ACPL-W456	TLP2704(LF4)	1	1 Mbps	SO6L(LF4)
	ACPL-W480	TLP2710(LF4)	2	5 Mbps	SO6L(LF4)
	ACPL-W481	TLP2710(LF4)	2	5 Mbps	SO6L(LF4)
	ACPL-W483	TLP2748(LF4)	2	10 Mbps	SO6L(LF4)
	ACPL-W484	TLP2745(LF4)	2	10 Mbps	SO6L(LF4)
	ACPL-W50L	TLP2719(LF4)	2	1 Mbps	SO6L(LF4)
	ACPL-W60L	TLP2768A(LF4)	1	20 Mbps	SO6L(LF4)
	ACPL-W611	TLP2768A(LF4)	2	20 Mbps	SO6L(LF4)
	ACPL-W61L	TLP2761(LF4)	1	15 Mbps	SO6L(LF4)
	ACPL-W70L	TLP2770	3	20 Mbps	SO6L
	HCPL-0201	TLP2355	4	5 Mbps	5pin SO6
	HCPL-0211	TLP2355	4	5 Mbps	5pin SO6
	HCPL-0454	TLP2304	4	1 Mbps	5pin SO6
	HCPL-0466	TLP2304	4	1 Mbps	5pin SO6
	HCPL-0600	TLP2368	4	20 Mbps	5pin SO6
	HCPL-0601	TLP2368	4	20 Mbps	5pin SO6
	HCPL-060L	TLP2368	4	20 Mbps	5pin SO6
	HCPL-0611	TLP2368	4	20 Mbps	5pin SO6
	HCPL-061A	TLP2368	4	20 Mbps	5pin SO6
	HCPL-061N	TLP2368	4	20 Mbps	5pin SO6
	HCPL-0630	TLP2261	4	15 Mbps	5pin SO6
	HCPL-0631	TLP2261	4	15 Mbps	5pin SO6
	HCPL-063A	TLP2261	2	15 Mbps	SO8L
	HCPL-063L	TLP2261	4	15 Mbps	5pin SO6
	HCPL-063N	TLP2261	4	15 Mbps	5pin SO6
	HCPL-0661	TLP2261	4	15 Mbps	5pin SO6
	HCPL-0708	TLP2368	4	20 Mbps	5pin SO6
	HCPL-0738	TLP2261	4	15 Mbps	5pin SO6
	HCPL-2200	TLP2745	4	10 Mbps	SO6L
	HCPL-2201	TLP2745	4	10 Mbps	SO6L
	HCPL-2202	TLP2745	4	10 Mbps	SO6L
HCPL-2211	TLP2745	4	10 Mbps	SO6L	
HCPL-2212	TLP2745	4	10 Mbps	SO6L	
HCPL-2219	TLP2745	4	10 Mbps	SO6L	

Note:1

- 1: Package and characteristics are almost same
- 2: Almost same package but similar characteristics
- 3: Almost same characteristics but different package
- 4: Different package and similar characteristics

Manufacturer	Competitor's Product	Toshiba			
	Part Number	Part Number	Compatible Level (Note:1)	Data Rate (typ.)	Package
BROADCOM	HCPL-2601	TLP2363	4	15 Mbps	5pin SO6
	HCPL-2611	TLP2363	4	15 Mbps	5pin SO6
	HCPL-2630	TLP2261	4	15 Mbps	SO8L
	HCPL-2631	TLP2261	4	15 Mbps	SO8L
	HCPL-4502	TLP2719	3	1 Mbps	SO6L
	HCPL-4503	TLP2719	3	1 Mbps	SO6L
	HCPL-4504	TLP2719	3	1 Mbps	SO6L
	HCPL-4506	TLP2704	4	1 Mbps	SO6L
	HCPL-4661	TLP2261	4	15 Mbps	SO8L
	HCPL-M452	TLP2309	2	1 Mbps	5pin SO6
	HCPL-M453	TLP2309	1	1 Mbps	5pin SO6
	HCPL-M454	TLP2309	1	1 Mbps	5pin SO6
	HCPL-M456	TLP2304	1	1 Mbps	5pin SO6
	HCPL-M600	TLP2363	1	15 Mbps	5pin SO6
	HCPL-M601	TLP2363	1	15 Mbps	5pin SO6
	HCPL-M611	TLP2363	1	15 Mbps	5pin SO6
Renesas	PS8101	TLP2309	3	1 Mbps	5pin SO6
	PS8302L	TLP2704	2	2 Mbps	SO6L
	PS8501	TLP2719	3	1 Mbps	SO6L
	PS8502	TLP2719	3	1 Mbps	SO6L
	PS8601	TLP2719	3	1 Mbps	SO6L
	PS8602	TLP2719	3	1 Mbps	SO6L
	PS8701	TLP2309	2	1 Mbps	5pin SO6
	PS8802-2	TLP2210	4	5 Mbps	SO8L(LF4)
	PS9113	TLP2304	4	1 Mbps	5pin SO6
	PS9115	TLP2366	2	15 Mbps	5pin SO6
	PS9117A	TLP2361	2	15 Mbps	5pin SO6
	PS9121	TLP2368	2	20 Mbps	5pin SO6
	PS9122	TLP2362	2	10 Mbps	5pin SO6
	PS9123	TLP2366	2	20 Mbps	5pin SO6
	PS9124	TLP2362	2	10 Mbps	5pin SO6
	PS9151	TLP2366	1	20 Mbps	5pin SO6
	PS9213	TLP2304	4	1 Mbps	5pin SO6
	PS9214	TLP2362	4	10 Mbps	5pin SO6
	PS9303L	TLP2745	2	10 Mbps	SO6L
	PS9313L	TLP2704	2	2 Mbps	SO6L
	PS9317L	TLP2770	2	20 Mbps	SO6L
	PS9324L	TLP2768A	2	20 Mbps	SO6L
	PS9351L	TLP2770	1	15 Mbps	SO6L
	PS9513	TLP2704	3	1 Mbps	SO6L
	PS9587	TLP2363	4	15 Mbps	5pin SO6
	PS9617	TLP2363	4	15 Mbps	5pin SO6
	PS9817A-1	TLP2368	3	20 Mbps	5pin SO6
	PS9817A-2	TLP2261	3	15 Mbps	5pin SO6
	PS9821-1	TLP2366	3	20 Mbps	5pin SO6
	PS9821-2	TLP2261	3	15 Mbps	5pin SO6
	PS9822-1	TLP2304	3	1 Mbps	5pin SO6
	PS9822-2	TLP2210	4	5 Mbps	SO8L(LF4)
	PS9851-1	TLP2366	3	20 Mbps	5pin SO6
PS9851-2	TLP2261	3	15 Mbps	SO8L(LF4)	
SHARP	PC400T	TLP2358	4	100 kbps	5pin SO6
	PC410L	TLP2362	2	10 Mbps	5pin SO6
	PC410S	TLP2368	4	20 Mbps	5pin SO6
	PC411S	TLP2366	3	20 Mbps	5pin SO6
	PC456L	TLP2309	2	1 Mbps	5pin SO6
	PC457L	TLP2309	2	1 Mbps	5pin SO6
	PC4D10	TLP2261	4	15 Mbps	5pin SO6

Note:1

- 1: Package and characteristics are almost same
- 2: Almost same package but similar characteristics
- 3: Almost same characteristics but different package
- 4: Different package and similar characteristics

Isolation Amplifiers / Delta-Sigma Modulators

Manufacturer	Competitor's Product	Toshiba				
		Part Number	Compatible Level (Note:1)	Input Feature	Output Feature	Package
BROADCOM	HCPL-7800	TLP7920	4	differential	Analog, Differential	SO8L(LF4)
	HCPL-7800A	TLP7920	4	differential	Analog, Differential	SO8L(LF4)
	HCPL-7840	TLP7920	4	differential	Analog, Differential	SO8L(LF4)
	ACPL-C790	TLP7820	1	differential	Analog, Differential	SO8L(LF4)
	ACPL-C79A	TLP7820	1	differential	Analog, Differential	SO8L(LF4)
	ACPL-C79B	TLP7820	4	differential	Analog, Differential	SO8L(LF4)
	ACPL-7900	TLP7920	4	differential	Analog, Differential	SO8L(LF4)
	ACPL-790A	TLP7920	4	differential	Analog, Differential	SO8L(LF4)
	ACPL-790B	TLP7920	4	differential	Analog, Differential	SO8L(LF4)
	ACPL-C784	TLP7820	1	differential	Analog, Differential	SO8L(LF4)
	ACPL-C780	TLP7820	1	differential	Analog, Differential	SO8L(LF4)
	ACPL-C78A	TLP7820	1	differential	Analog, Differential	SO8L(LF4)
	ACPL-C870	TLP7820	4	differential	Analog, Differential	SO8L(LF4)
	ACPL-C87A	TLP7820	2	differential	Analog, Differential	SO8L(LF4)
	ACPL-C87B	TLP7820	2	differential	Analog, Differential	SO8L(LF4)
	HCPL-7860	TLP7930	4	differential	Digital, Internal CLK	SO8L(LF4)
	HCPL-786J	TLP7830	4	differential	Digital, Internal CLK	SO8L(LF4)
	ACPL-C797	TLP7830	4	differential	Digital, Internal CLK	SO8L(LF4)
ACPL-7970	TLP7930	4	differential	Digital, Internal CLK	SO8L(LF4)	
ACPL-796J	TLP7830	4	differential	Digital, Internal CLK	SO8L(LF4)	
ACPL-798J	TLP7830	4	differential	Digital, Internal CLK	SO8L(LF4)	
TI	AMC1100DWV	TLP7820	2	differential	Analog, Differential	SO8L(LF4)
	AMC1100DUB	TLP7920	4	differential	Analog, Differential	SO8L(LF4)
	AMC1200BDWV	TLP7820	2	differential	Analog, Differential	SO8L(LF4)
	AMC1200BDUB	TLP7920	4	differential	Analog, Differential	SO8L(LF4)
	AMC1203PSA	TLP7830	4	differential	Digital, Internal CLK	SO8L(LF4)
	AMC1203DUB	TLP7930	4	differential	Digital, Internal CLK	SO8L(LF4)
	AMC1203DW	TLP7830	4	differential	Digital, Internal CLK	SO8L(LF4)
	AMC1203BPSA	TLP7830	4	differential	Digital, Internal CLK	SO8L(LF4)
	AMC1203BDUB	TLP7930	4	differential	Digital, Internal CLK	SO8L(LF4)
	AMC1203BDW	TLP7830	4	differential	Digital, Internal CLK	SO8L(LF4)
	AMC1204DW	TLP7830	4	differential	Digital, Internal CLK	SO8L(LF4)
	AMC1204BDWV	TLP7830	2	differential	Digital, Internal CLK	SO8L(LF4)
	AMC1204BDW	TLP7830	4	differential	Digital, Internal CLK	SO8L(LF4)
	AMC1301	TLP7820	2	differential	Analog, Differential	SO8L(LF4)
	AMC1304	TLP7830	4	differential	Digital, Internal CLK	SO8L(LF4)
AMC1305	TLP7830	4	differential	Digital, Internal CLK	SO8L(LF4)	
Analog Devices	AD7400A	TLP7830	4	differential	Digital, Internal CLK	SO8L(LF4)
	AD7401A	TLP7830	4	differential	Digital, Internal CLK	SO8L(LF4)
	AD7402	TLP7830	2	differential	Digital, Internal CLK	SO8L(LF4)
	AD7403	TLP7830	2	differential	Digital, Internal CLK	SO8L(LF4)
	AD7405	TLP7830	4	differential	Digital, Internal CLK	SO8L(LF4)
Renesas	PS8551A	TLP7920	4	differential	Analog, Differential	SO8L(LF4)
	PS9551A	TLP7930	4	differential	Digital, Internal CLK	SO8L(LF4)

Note:1

- 1: Package and characteristics are almost same
- 2: Almost same package but similar characteristics
- 3: Almost same characteristics but different package
- 4: Different package and similar characteristics

High Speed DIGITAL ISOLATORS

Manufacturer	Competitor's Product	Toshiba								
	Part Number	Part Number	Compatible Level (Note:1)	Total Channels	Reverse Channels	Data Rate (Mbps)	Control signal	Default State	Package	
SiLab	Si8641BA-B-IU	DCL541A01 ☆	4	4	1	150	input disable	L	SOIC16-W	
	Si8641BA-C-IU	DCL541A01 ☆	4	4	1	150	input disable	L	SOIC16-W	
	Si8641BB-B-IS	DCL541A01 ☆	2	4	1	150	input disable	L	SOIC16-W	
	Si8641BB-B-IS1	DCL541A01 ☆	4	4	1	150	input disable	L	SOIC16-W	
	Si8641BB-B-IU	DCL541A01 ☆	4	4	1	150	input disable	L	SOIC16-W	
	Si8641BC-B-IS1	DCL541A01 ☆	4	4	1	150	input disable	L	SOIC16-W	
	Si8641BD-B-IS	DCL541A01 ☆	2	4	1	150	input disable	L	SOIC16-W	
	Si8641BT-IS	DCL541A01 ☆	2	4	1	150	input disable	L	SOIC16-W	
	Si8641BA-C-IU	DCL541A01 ☆	4	4	1	150	input disable	L	SOIC16-W	
	Si8641BD-B-IS2	DCL541A01 ☆	2	4	1	150	input disable	L	SOIC16-W	
	Si8641EC-B-IS1	DCL541B01 ☆	4	4	1	150	input disable	H	SOIC16-W	
	Si8641ED-B-IS	DCL541B01 ☆	2	4	1	150	input disable	H	SOIC16-W	
	Si8641ET-IS	DCL541B01 ☆	2	4	1	150	input disable	H	SOIC16-W	
	Si8641EB-B-IU	DCL541B01 ☆	4	4	1	150	input disable	H	SOIC16-W	
	Si8641ED-B-IS2	DCL541B01 ☆	2	4	1	150	input disable	H	SOIC16-W	
	TI	ISO7741FDW	DCL541A01 ☆	2	4	1	150	input disable	L	SOIC16-W
ISO7741FBDW		DCL541A01 ☆	2	4	1	150	input disable	L	SOIC16-W	
ISO7741FDBQ		DCL541A01 ☆	2	4	1	150	input disable	L	SOIC16-W	
ISO7641FC		DCL541A01 ☆	2	4	1	150	input disable	H	SOIC16-W	
ISO7641FM		DCL541A01 ☆	4	4	1	150	input disable	H	SOIC16-W	
ISO7241M		DCL541B01 ☆	2	4	1	150	input disable	H	SOIC16-W	
ISO7741DW		DCL541B01 ☆	2	4	1	150	input disable	H	SOIC16-W	
ISO7741BDW		DCL541B01 ☆	2	4	1	150	input disable	H	SOIC16-W	
ISO7741DBQ		DCL541B01 ☆	4	4	1	150	input disable	H	SOIC16-W	
ISO7740FDW		DCL540L01 ☆	1	4	0	150	output enable	L	SOIC16-W	
ISO7740FDBQ		DCL540L01 ☆	3	4	0	150	output enable	L	SOIC16-W	
ISO7740FQDWQ1		DCL540L01 ☆	1	4	0	150	output enable	L	SOIC16-W	
ISO7740FQDBQQ1		DCL540L01 ☆	3	4	0	150	output enable	L	SOIC16-W	
ISO7741FQDWQ1		DCL540L01 ☆	1	4	0	150	output enable	L	SOIC16-W	
ISO7741FQDWWQ1		DCL540L01 ☆	3	4	0	150	output enable	L	SOIC16-W	
ISO7741FQDBQQ1		DCL540L01 ☆	3	4	0	150	output enable	L	SOIC16-W	
ISO7240M		DCL540H01 ☆	1	4	0	150	output enable	H	SOIC16-W	
ISO7640FM		DCL540H01 ☆	1	4	0	150	output enable	H	SOIC16-W	
ISO7740DW		DCL540H01 ☆	1	4	0	150	output enable	H	SOIC16-W	
ISO7740DBQ		DCL540H01 ☆	3	4	0	150	output enable	H	SOIC16-W	
ISO7740QDWQ1		DCL540H01 ☆	1	4	0	150	output enable	H	SOIC16-W	
ISO7740QDBQQ1		DCL540H01 ☆	3	4	0	150	output enable	H	SOIC16-W	
ISO7741QDWQ1	DCL540H01 ☆	1	4	0	150	output enable	H	SOIC16-W		
ISO7741QDBQQ1	DCL540H01 ☆	3	4	0	150	output enable	H	SOIC16-W		
ISO7741QDWWQ1	DCL540H01 ☆	3	4	0	150	output enable	H	SOIC16-W		
ADI	ADuM141D0BRZ	DCL541A01 ☆	3	4	1	150	input disable	L	SOIC16-W	
	ADuM141E0BRZ	DCL541A01 ☆	4	4	1	150	input disable	L	SOIC16-W	
	ADuM141D0BRWZ	DCL541A01 ☆	1	4	1	150	input disable	L	SOIC16-W	
	ADuM141D0BRQZ	DCL541A01 ☆	3	4	1	150	input disable	L	SOIC16-W	
	ADuM141E0BRQZ	DCL541A01 ☆	4	4	1	150	input disable	L	SOIC16-W	
	ADuM241D0BRWZ	DCL541A01 ☆	1	4	1	150	input disable	L	SOIC16-W	
	ADuM241E0BRWZ	DCL541A01 ☆	2	4	1	150	input disable	L	SOIC16-W	

Manufacturer	Competitor's Product	Toshiba							
	Part Number	Part Number	Compatible Level (Note:1)	Total Channels	Reverse Channels	Data Rate (Mbps)	Control signal	Default State	Package
	ADuM241D0BRIZ	DCL541A01	☆ 1	4	1	150	input disable	L	SOIC16-W
	ADuM241E0BRIZ	DCL541A01	☆ 2	4	1	150	input disable	L	SOIC16-W
	ADuM141D1BRZ	DCL541B01	☆ 3	4	1	150	input disable	H	SOIC16-W
	ADuM141E1BRZ	DCL541B01	☆ 4	4	1	150	input disable	H	SOIC16-W
	ADuM141D1BRWZ	DCL541B01	☆ 1	4	1	150	input disable	H	SOIC16-W
	ADuM141D1BRQZ	DCL541B01	☆ 3	4	1	150	input disable	H	SOIC16-W
	ADuM141E1BRWZ	DCL541B01	☆ 2	4	1	150	input disable	H	SOIC16-W
	ADuM141E1WBRWZ	DCL541B01	☆ 2	4	1	150	input disable	H	SOIC16-W
	ADuM141E0BRWZ	DCL541B01	☆ 2	4	1	150	input disable	H	SOIC16-W
	ADuM141E1BRQZ	DCL541B01	☆ 4	4	1	150	input disable	H	SOIC16-W
	ADuM141E1WBRQZ	DCL541B01	☆ 4	4	1	150	input disable	H	SOIC16-W
	ADuM241D1BRWZ	DCL541B01	☆ 1	4	1	150	input disable	H	SOIC16-W
	ADuM241E1BRWZ	DCL541B01	☆ 2	4	1	150	input disable	H	SOIC16-W
	ADuM241E1WBRWZ	DCL541B01	☆ 2	4	1	150	input disable	H	SOIC16-W
	ADuM241D1BRIZ	DCL541B01	☆ 1	4	1	150	input disable	H	SOIC16-W
	ADuM241E1BRIZ	DCL541B01	☆ 2	4	1	150	input disable	H	SOIC16-W
	ADuM140D0BRZ	DCL540L01	☆ 4	4	0	150	output enable	L	SOIC16-W
	ADuM140E0BRZ	DCL540L01	☆ 3	4	0	150	output enable	L	SOIC16-W
	ADuM140D0BRWZ	DCL540L01	☆ 2	4	0	150	output enable	L	SOIC16-W
	ADuM140D0BRQZ	DCL540L01	☆ 4	4	0	150	output enable	L	SOIC16-W
	ADuM140E0BRWZ	DCL540L01	☆ 1	4	0	150	output enable	L	SOIC16-W
	ADuM140E0BRQZ	DCL540L01	☆ 3	4	0	150	output enable	L	SOIC16-W
	ADuM240D0BRWZ	DCL540L01	☆ 2	4	0	150	output enable	L	SOIC16-W
	ADuM240E0BRWZ	DCL540L01	☆ 1	4	0	150	output enable	L	SOIC16-W
	ADuM240E0WBRWZ	DCL540L01	☆ 1	4	0	150	output enable	L	SOIC16-W
	ADuM240D0BRIZ	DCL540L01	☆ 2	4	0	150	output enable	L	SOIC16-W
	ADuM240E0BRIZ	DCL540L01	☆ 1	4	0	150	output enable	L	SOIC16-W
	ADuM140D1BRZ	DCL540H01	☆ 4	4	0	150	output enable	H	SOIC16-W
	ADuM140E1BRZ	DCL540H01	☆ 3	4	0	150	output enable	H	SOIC16-W
	ADuM140D1BRWZ	DCL540H01	☆ 2	4	0	150	output enable	H	SOIC16-W
	ADuM140D1BRQZ	DCL540H01	☆ 4	4	0	150	output enable	H	SOIC16-W
	ADuM140E1BRWZ	DCL540H01	☆ 1	4	0	150	output enable	H	SOIC16-W
	ADuM140E1WBRWZ	DCL540H01	☆ 1	4	0	150	output enable	H	SOIC16-W
	ADuM140E1BRQZ	DCL540H01	☆ 3	4	0	150	output enable	H	SOIC16-W
	ADuM240D1BRWZ	DCL540H01	☆ 2	4	0	150	output enable	H	SOIC16-W
	ADuM240E1BRWZ	DCL540H01	☆ 1	4	0	150	output enable	H	SOIC16-W
	ADuM240D1BRIZ	DCL540H01	☆ 2	4	0	150	output enable	H	SOIC16-W
	ADuM240E1BRIZ	DCL540H01	☆ 1	4	0	150	output enable	H	SOIC16-W
Skyworks	Si8640BB-B-IS	DCL540L01	☆ 1	4	0	150	output enable	L	SOIC16-W
	Si8640BB-B-IS1	DCL540L01	☆ 3	4	0	150	output enable	L	SOIC16-W
	Si8640BC-B-IS1	DCL540L01	☆ 3	4	0	150	output enable	L	SOIC16-W
	Si8640BD-B-IS	DCL540L01	☆ 1	4	0	150	output enable	L	SOIC16-W
	Si8640BT-IS	DCL540L01	☆ 1	4	0	150	output enable	L	SOIC16-W
	Si8640BA-B-IU	DCL540L01	☆ 3	4	0	150	output enable	L	SOIC16-W
	Si8640BB-B-IU	DCL540L01	☆ 3	4	0	150	output enable	L	SOIC16-W
	Si8640BD-B-IS2	DCL540L01	☆ 1	4	0	150	output enable	L	SOIC16-W
	Si8640EC-B-IS1	DCL540H01	☆ 3	4	0	150	output enable	H	SOIC16-W

Manufacturer	Competitor's Product	Toshiba								
	Part Number	Part Number	Compatible Level (Note:1)	Total Channels	Reverse Channels	Data Rate (Mbps)	Control signal	Default State	Package	
	Si8640ED-B-IS	DCL540H01 ☆	1	4	0	150	output enable	H	SOIC16-W	
	Si8640ET-IS	DCL540H01 ☆	1	4	0	150	output enable	H	SOIC16-W	
	Si8640EB-B-IU	DCL540H01 ☆	3	4	0	150	output enable	H	SOIC16-W	
	Si8640ED-B-IS2	DCL540H01 ☆	1	4	0	150	output enable	H	SOIC16-W	
	Si8645BA-B-IU	DCL540C01 ☆	3	4	0	150	without	L	SOIC16-W	
	Si8645BB-B-IS	DCL540C01 ☆	1	4	0	150	without	L	SOIC16-W	
	Si8645BB-B-IS1	DCL540C01 ☆	3	4	0	150	without	L	SOIC16-W	
	Si8645BC-B-IS1	DCL540C01 ☆	3	4	0	150	without	L	SOIC16-W	
	Si8645BD-B-IS	DCL540C01 ☆	1	4	0	150	without	L	SOIC16-W	
	Si8645BT-IS	DCL540C01 ☆	1	4	0	150	without	L	SOIC16-W	
	Si8645BA-C-IU	DCL540C01 ☆	3	4	0	150	without	L	SOIC16-W	
	Si8645BB-B-IS	DCL540C01 ☆	1	4	0	150	without	L	SOIC16-W	
	Si8645BB-B-IU	DCL540C01 ☆	3	4	0	150	without	L	SOIC16-W	
	Si8645ET-IS	DCL540C01 ☆	1	4	0	150	without	H	SOIC16-W	

☆ New Products

Note:1

- 1: Package and characteristics are almost same
- 2: Almost same package but similar characteristics
- 3: Almost same characteristics but different package
- 4: Different package and similar characteristics

Photorelays (1-Form-A)

Manufacturer	Competitor's Product	Toshiba				
		Part Number	Compatible Level (Note:1)	OFF-state Output Terminal Voltage	ON-state Current	Package
Panasonic	AQV201	TLP241A	3	40V	2A	DIP4
	AQV202	TLP3545A	1	60V	4A	DIP6
	AQV204	TLP223GA	4	400V	0.12A	DIP4
	AQV210EH	TLP240G	4	350V	0.10A	DIP4
	AQV210S	TLP172GM	2	350V	0.11A	4pin SO6
	AQV212	TLP240A	3	60V	0.5A	DIP4
	AQV212S	TLP176AM	3	60V	0.7A	4pin SO6
	AQV214	TLP223GA	4	400V	0.12A	DIP4
	AQV214E	TLP223GA	4	400V	0.12A	DIP4
	AQV214EH	TLP223GA	4	400V	0.12A	DIP4
	AQV214H	TLP223GA	4	400V	0.12A	DIP4
	AQV214S	TLP172GAM	3	400V	0.11A	4pin SO6
	AQV215	TLP3546A	1	100V	3.5A	DIP6
	AQV215S	TLP3109A	1	100V	3A	2.54SOP6
	AQV216	TLP223J	4	600V	0.09A	DIP4
	AQV217S	TLP171D	3	200V	0.2A	2.54SOP4
	AQV251G	TLP3543A	1	30V	5A	DIP6
	AQV252	TLP3545A	1	60V	4A	DIP6
	AQV252G	TLP3545A	1	60V	4A	DIP6
	AQV252G2S	TLP3107A	1	60V	4A	2.54SOP6
	AQV252G3S	TLP3107A	1	60V	4A	2.54SOP6
	AQV254	TLP223GA	4	400V	0.12A	DIP4
	AQV254H	TLP223GA	4	400V	0.12A	DIP4
	AQV255	TLP3546A	1	100V	3.5A	DIP6
	AQV255GS	TLP3109A	1	100V	3A	2.54SOP6
	AQV255G3S	TLP3109A	1	100V	3A	2.54SOP6
	AQV258	TLX9160T	3	1500V	0.05A	SO16L-T
	AQY210S	TLP172GM	1	350V	0.11A	4pin SO6
	AQY211EH	TLP241A	1	40V	2A	DIP4
	AQY211G2S	TLP3127	1	60V	1.7A	2.54SOP4
	AQY212G2S	TLP3122A	1	60V	1.4A	4pin SO6
	AQY212GS	TLP3122A	1	60V	1.4A	4pin SO6
	AQY212S	TLP176AM	1	60V	0.7A	4pin SO6
	AQY214EH	TLP223GA	1	400V	0.12A	DIP4
	AQY214S	TLP172GAM	1	400V	0.11A	2.54SOP4
	AQY216EH	TLP223J	1	600V	0.09A	DIP4
	AQY221N2S	TLP3440S	4	40V	0.12A	S-VSON4T
	AQY221N2V	TLP3440S	4	40V	0.12A	S-VSON4T
	AQY221R2S	TLP3475S	4	50V	0.4A	S-VSON4T
	AQY221R2V	TLP3414	1	40V	0.25A	S-VSON4
AQY221R6T	TLP3406S	4	30V	1.5A	S-VSON4	
AQY222R2V	TLP3475S	4	60V	0.4A	S-VSON4	
AQY225R1S	TLP3409S	4	100V	0.65A	S-VSON4	
AQY225R2S	TLP3419	4	80V	0.2A	VSON4	
AQY225R2V	TLP3417	4	80V	0.12A	VSON4	
AQY234S	TLP172GAM	1	400V	0.11A	4pin SO6	
AQY275	TLP241B	1	100V	2A	DIP4	
IXYS	CPC1330	TLP223GA	1	400V	0.12A	DIP4
	CPC1393	TLP223J	1	600V	0.09A	DIP4
	LCA100	TLP223GA	3	400V	0.12A	DIP4
Renesas	PS7113-1A	TLP3546A	2	100V	3.5A	DIP6
	PS7141E-1A	TLP223GA	3	400V	0.12A	DIP4
	PS7160-1A	TLP223J	3	600V	0.09A	DIP4
	PS7206-1A	TLP176AM	1	60V	0.7A	4pin SO6
	PS7241E-1A	TLP172GAM	1	400V	0.11A	2.54SOP4
	PS7341-1A	TLP223GA	3	400V	0.12A	DIP4
	PS7360-1A	TLP223J	3	600V	0.09A	DIP4
	PS7804-1A	TLP3475S	3	60V	0.4A	S-VSON4T

Note:1

- 1: Package and characteristics are almost same
- 2: Almost same package but similar characteristics
- 3: Almost same characteristics but different package
- 4: Different package and similar characteristics

Photorelays (1-Form-A)

Manufacturer	Competitor's Product	Toshiba				
		Part Number	Compatible Level (Note:1)	OFF-state Output Terminal Voltage	ON-state Current	Package
TOWARD	AB21RS	TLP176AM	1	60 V	0.7 A	4pin SO6
	AB38S	TLP170J	1	600 V	0.09 A	2.54SOP4
	AB31S	TLP172GM	2	350 V	0.11 A	4pin SO6
	AB37S	TLP176AM	1	60 V	0.7 A	4pin SO6
	AB45S	TLP176AM	1	60 V	0.7 A	4pin SO6
	AB34S	TLP176D	1	200 V	0.2 A	2.54SOP4
	AB30S	TLP172GAM	1	400 V	0.11 A	2.54SOP4
	AB37	TLP240A	1	60 V	0.5 A	DIP4
	AB45	TLP240A	1	60 V	0.5 A	DIP4
	AB34	TLP240D	1	200 V	0.25 A	DIP4
	AB31	TLP240G	2	350 V	0.1 A	DIP4
	AB30	TLP223GA	1	400 V	0.12 A	DIP4
	AB38	TLP223J	1	600 V	0.09 A	DIP4
	AB26	TLP241A	1	40 V	2 A	DIP4
	AB47	TLP3556A	2	100 V	2 A	DIP4
	AB48	TLP3556A	1	100 V	2 A	DIP4
BROADCOM	ASSR-601J	TLX9160T	1	1500 V	0.05 A	SO16L-T

Photorelays (2-Form-A)

Manufacturer	Competitor's Product	Toshiba				
		Part Number	Compatible Level (Note:1)	OFF-state Output Terminal Voltage	ON-state Current	Package
Panasonic	AQW210	TLP240G x 2 pcs	4	350 V	0.1 A	DIP4
	AQW210EH	TLP223GA x 2 pcs	4	400 V	0.12 A	DIP4
	AQW210S	TLP172GM x 2 pcs	3	350 V	0.11 A	4pin SO6
	AQW212	TLP240A x 2 pcs	4	60 V	0.5 A	DIP4
	AQW212EH	TLP240A x 2 pcs	4	60 V	0.5 A	DIP4
	AQW212S	TLP176AM x 2 pcs	3	60 V	0.7 A	4pin SO6
	AQW214	TLP223GA x 2 pcs	3	400 V	0.12 A	DIP4
	AQW214EH	TLP223GA x 2 pcs	3	400 V	0.12 A	DIP4
	AQW214S	TLP172GAM x 2 pcs	4	400 V	0.11 A	4pin SO6
	AQW215	TLP3556A x 2 pcs	3	100 V	2 A	DIP4
	AQW216	TLP223J x 2 pcs	3	600 V	0.09 A	DIP4
	AQW216EH	TLP223J x 2 pcs	3	600 V	0.09 A	DIP4
	AQW217	TLP240D x 2 pcs	3	200 V	0.25 A	DIP4
	AQW223R2S	TLP240G x 2 pcs	4	350 V	0.1 A	DIP4
	AQW227N	TLP240D x 2 pcs	3	200 V	0.25 A	DIP4
	IXYS	CPC2014N	TLP176AM x 2 pcs	3	60 V	0.7 A
CPC2017N		TLP176AM x 2 pcs	3	60 V	0.7 A	4pin SO6
CPC2025N		TLP172GAM x 2 pcs	4	400 V	0.11 A	4pin SO6
CPC2030N		TLP172GM x 2 pcs	4	350 V	0.11 A	4pin SO6
Renesas	PS7241-2A	TLP172GAM x 2 pcs	3	400 V	0.11 A	4pin SO6

Note:1

- 1: Package and characteristics are almost same
- 2: Almost same package but similar characteristics
- 3: Almost same characteristics but different package
- 4: Different package and similar characteristics

Photorelays (1-Form-B, 2-Form-B)

Manufacturer	Competitor's Product	Toshiba				
		Part Number	Compatible Level (Note:1)	OFF-state Output Terminal Voltage	ON-state Current	Package
Panasonic	AQY410S	TLP4176G	1	350 V	0.12 A	2.54SOP4
	AQY412S	TLP4176A	1	60 V	0.5 A	2.54SOP4
	AQY412SX	TLP4176A	1	60 V	0.5 A	2.54SOP4
	AQY412SZ	TLP4176A	1	60 V	0.5 A	2.54SOP4
	AQY414S	TLP4176G	2	350 V	0.12 A	2.54SOP4
IXYS	CPC1125N	TLP4176G	2	350 V	0.12 A	2.54SOP4
	CPC1130N	TLP4176G	1	350 V	0.12 A	2.54SOP4
	CPC1135N	TLP4176G	1	350 V	0.12 A	2.54SOP4
	CPC1150N	TLP4176G	1	350 V	0.12 A	2.54SOP4
	CPC1231N	TLP4176G	1	350 V	0.12 A	2.54SOP4
	LCB710	TLP4590A	1	60 V	1.2 A	DIP6

Note:1

- 1: Package and characteristics are almost same
- 2: Almost same package but similar characteristics
- 3: Almost same characteristics but different package
- 4: Different package and similar characteristics

• The information presented in this cross reference is based on TOSHIBA's selection criteria and should be treated as a suggestion only. Please carefully review the latest versions of all relevant information on the TOSHIBA products, including without limitation data sheets and validate all operating parameters of the TOSHIBA products to ensure that the suggested TOSHIBA products are truly compatible with your design and application.

• Please note that this cross reference is based on TOSHIBA's estimate of compatibility with other manufacturers' products, based on other manufacturers' published data, at the time the data was collected.

• TOSHIBA is not responsible for any incorrect or incomplete information. Information is subject to change at any time without notice.

6. Part Naming Conventions

3-Digit Part Numbering Example (Except Alphabetical Characters)

Example of Photocouplers

TLP 1 76 A
 ① ② ③ ④

- ① Photocoupler
- ② Package Type
 - 1: SO6 / SOP
 - 2: SO4 / SOP / SOP16 / DIP (2500 Vrms / 5000 Vrms)
 - 3: SO6L / DIP (5000 Vrms)
 - 4: DIP4 (5000 Vrms)
 - 5: DIP (2500 Vrms)
 - 6: DIP (5000 Vrms)
 - 7: DIP (4000 Vrms)
- ③ Output Type
 - 00 to 09: IC Output, Photorelay
 - 10 to 19: IC Output
 - 20 to 29: 4 / 8 / 16-pin multi-channel Photocoupler
 - 30 to 39: 6 pin
 - 40 to 49: Thyristor Output, Photorelay
 - 50 to 59: IC Output
 - 60 to 69: Triac Output
 - 70 to 79: Photorelay
 - 80 to 89: Transistor Output / Darlingston Transistor Output
 - 90 to 99: Transistor Output, Photorelay, Photovoltaic Output
- ④ Suffix
 - Withstand Voltage Level
 - (a) Photorelay (b) Triac Output, Thyristor Output
 - A: 40 V, 60 V G: 400 V
 - D: 200 V J: 600 V
 - G: 350 V L: 800 V
 - GA: 400 V
 - J: 600 V

4-Digit Part Numbering Example (Except Alphabetical Characters)

Example of Photocouplers

TLP 2 7 61 A
 ① ② ③ ④ ⑤

- ① Photocoupler
- ② Product category
 - 2: IC Output (logic, IPM Drivers)
 - 3: Photorelay (1-form-A) / Triac Output / Photovoltaic Output
 - 4: Photorelay (except 1-form-A)
 - 5: IC Output (Power Device Driver / Smart Gate Driver)
 - 7: Isolation Amplifier
- ③ Package category

Number	Package Type		Product Category
	IC Output / Isolation Amplifier	Photorelay	Triac Output / Photovoltaic Output
0	SO4 / MFSOP6	-	Triac Output
1	SO8 (Dual ch.)	SOP	-
2	SO8L (Dual ch.), SO16L	SSOP	-
3	SO6	USOP	-
4	SO8 (Single ch.)	VSON, P-SON	-
5	-	DIP	-
6	DIP8 (Dual ch.)	-	-
7	SO6L	-	Triac Output
8	SO8L (Single ch.)	-	-
9	DIP8 (Single ch.)	-	Photovoltaic Output

- ④ Serial Number
- ⑤ Suffix

Part Naming Example for Digital Isolators

Standard Digital Isolators

Example of Standard Digital Isolators

DC L 5 4 0 C 0 1
 ① ② ③ ④ ⑤ ⑥ ⑦ ⑧

- ① Digital Isolators
- ② Output Type
 - L: Logic
- ③ Data rate
 - 1: to 1Mbps
 - 2: to 10Mbps
 - 3: to 50Mbps
 - 4: to 100Mbps
 - 5: to 200Mbps
- ④ Total Channel
 - 2: 2 channel
 - 4: 4 channel
- ⑤ Reverse channel
 - 0: None
 - 1: 1 channel
- ⑥ Control-pin (Default output)
 - L: Enable (Low)
 - H: Enable (High)
 - A: Disable (Low)
 - B: Disable (High)
 - C: None (Low)
 - D: None (High)
- ⑦ Option
 - 0: None
- ⑧ Package Type
 - 0: SOIC8-N
 - 1: SOIC16-W

Part Naming Example for Automotive Devices

Photocouplers (Output: Transistor, IC, Photovoltaic)

Example of Photocoupler

TLX 9 304
 ① ② ③

- ① Photocoupler (For Automotive Device)
- ② 9: For Automotive Device
- ③ Serial Number

Photorelays

Example of Photorelay

TLX 9 175 J
 ① ② ③ ④

- ① Photorelay (For Automotive Device)
- ② 9: For Automotive Device
- ③ Serial Number
- ④ Withstand Voltage Level
 - J: 600 V
 - T: 1500 V

Note: For those parts which do not follow the part naming convention shown above, see the appropriate datasheet.

7. Part Number Index

Part Number	Page
DCL5xx	
DCL520C00	15
DCL520D00	15
DCL521C00	15
DCL521D00	15
DCL540C01	15
DCL540D01	15
DCL540L01	15
DCL540H01	15
DCL541A01	15
DCL541B01	15
DCL541H01	15
DCL542H01	15
DCL541L01	15
DCL542L01	15
TLP1xx	
TLP104	4, 8
TLP109	3
TLP109(IGM)	9
TLP151A	10
TLP152	10
TLP155E	10
TLP170A	16
TLP170AM	16
TLP170D	16
TLP170G	17
TLP170GM	17
TLP170J	17
TLP171A	16
TLP171D	16
TLP171GA	17
TLP171J	17
TLP172GAM	17
TLP172GM	17
TLP175A	16

Part Number	Page
TLP176AM	16
TLP176D	17
TLP176GA	17
TLP182	13
TLP183	13
TLP184(SE)	13
TLP185(SE)	13
TLP187	13
TLP188	13
TLP2xx	
TLP2210	6
TLP223GA	17
TLP223J	17
TLP2261	5
TLP2270	6
TLP2301	3
TLP2303	3
TLP2304	4, 8
TLP2309	3, 4
TLP2310	6
TLP2312	6
TLP2345	6, 8
TLP2348	5, 8
TLP2355	6, 8
TLP2358	5, 8
TLP2361	5
TLP2362	4
TLP2363	4
TLP2366	5
TLP2367	5
TLP2368	4
TLP2370	6
TLP2372	6
TLP2391	7
TLP2395	7

Part Number	Page
TLP2398	7
TLP240A	16
TLP240D	17
TLP240G	17
TLP240GA	17
TLP240J	17
TLP241A	16
TLP241B	16
TLP265J	21
TLP266J	21
TLP267J	21
TLP268J	21
TLP2701	3
TLP2703	3
TLP2704	4, 8
TLP2710	6
TLP2719	3, 4, 9
TLP2735	6, 8
TLP2745	6, 8
TLP2748	5, 8
TLP2761	5
TLP2766A	5
TLP2767	5
TLP2768A	4
TLP2770	6
TLP290(SE)	13
TLP290-4	13
TLP291(SE)	13
TLP291-4	13
TLP292	13
TLP292-4	13
TLP293	13
TLP293-4	13
TLP294-4	13
TLP295-4	13

Part Number	Page
TLP3xx	
TLP3052A	21
TLP3062A	21
TLP3073	21
TLP3083	21
TLP3106A	16
TLP3107A	16
TLP3109A	16
TLP3122A	16
TLP3123	16
TLP3127	16
TLP3145	17
TLP3146	16
TLP3147	16
TLP3149	16
TLP3303	18
TLP3306	18
TLP3312	18
TLP3315	18
TLP3317	18
TLP3319	18
TLP3320	19
TLP3330	18
TLP3340	18
TLP3341	18
TLP3342	18
TLP3350	18
TLP3351	18
TLP3375	18
TLP3403	18
TLP3403R	19
TLP3403SRHA	19
TLP3406S	18
TLP3406SRH	19
TLP3406SRH4	19

Part Number	Page
TLP3406SRHA	19
TLP3406SRL	19
TLP3407S	18
TLP3407SR	19
TLP3407SRA	19
TLP3407SRA4	19
TLP3407SRH	19
TLP3407SRL	19
TLP3409S	19
TLP3412	18
TLP3412R	19
TLP3412SRA	19
TLP3412SRH	19
TLP3412SRHA	19
TLP3412SRHA4	19
TLP3414	18
TLP3417	18
TLP3419	18
TLP3420	19
TLP3431	18
TLP3440	18
TLP3440S	18
TLP3441	18
TLP3442	18
TLP3450	18
TLP3451	18
TLP3475	18
TLP3475R	19
TLP3475S	18
TLP3475SRHA	19
TLP3475SRHA4	19
TLP3476S	18
TLP3480	18
TLP3481	18
TLP3482	19

Part Number	Page
TLP3483	19
TLP3484	19
TLP3543A	16
TLP3545A	16
TLP3546A	16
TLP3547	16
TLP3548	17
TLP3549	17
TLP3553A	16
TLP3555A	16
TLP3556A	16
TLP3558A	17
TLP3823	16
TLP3825	17
TLP383	13
TLP385	13
TLP387	13
TLP388	13
TLP3905	21
TLP3906	21
TLP3910	21
TLP4xx	
TLP4176A	20
TLP4176G	20
TLP4590A	20
TLP5xx	
TLP5212	11
TLP5214A	11
TLP5222	11
TLP5231	11
TLP5701	10
TLP5702	10
TLP5702H	10
TLP5705H	10
TLP5751	10

Part Number	Page
TLP5751H	10
TLP5752	10
TLP5752H	10
TLP5754	10
TLP5754H	10
TLP5771	10
TLP5771H	10
TLP5772	10
TLP5772H	10
TLP5774	10
TLP5774H	10
TLP5832	10
TLP6xx	
TLP620M	13
TLP627M	13
TLP628M	13
TLP7xx	
TLP7820	12
TLP7830	12
TLP785	13
TLP7920	12
TLP7930	12
TLX9xx	
TLX9000	23
TLX9160T	23
TLX9175J	23
TLX9185A	23
TLX9188	23
TLX9291A	23
TLX9300	23
TLX9304	22
TLX9309	22
TLX9310	22
TLX9376	22
TLX9378	22

Part Number	Page
TLX9905	23
TLX9906	23

RESTRICTIONS ON PRODUCT USE

Toshiba Corporation and its subsidiaries and affiliates are collectively referred to as "TOSHIBA". Hardware, software and systems described in this document are collectively referred to as "Product".

- TOSHIBA reserves the right to make changes to the information in this document and related Product without notice.
- This document and any information herein may not be reproduced without prior written permission from TOSHIBA. Even with TOSHIBA's written permission, reproduction is permissible only if reproduction is without alteration/omission.
- Though TOSHIBA works continually to improve Product's quality and reliability, Product can malfunction or fail. Customers are responsible for complying with safety standards and for providing adequate designs and safeguards for their hardware, software and systems which minimize risk and avoid situations in which a malfunction or failure of Product could cause loss of human life, bodily injury or damage to property, including data loss or corruption. Before customers use the Product, create designs including the Product, or incorporate the Product into their own applications, customers must also refer to and comply with (a) the latest versions of all relevant TOSHIBA information, including without limitation, this document, the specifications, the data sheets and application notes for Product and the precautions and conditions set forth in the "TOSHIBA Semiconductor Reliability Handbook" and (b) the instructions for the application with which the Product will be used with or for. Customers are solely responsible for all aspects of their own product design or applications, including but not limited to (a) determining the appropriateness of the use of this Product in such design or applications; (b) evaluating and determining the applicability of any information contained in this document, or in charts, diagrams, programs, algorithms, sample application circuits, or any other referenced documents; and (c) validating all operating parameters for such designs and applications. **TOSHIBA ASSUMES NO LIABILITY FOR CUSTOMERS' PRODUCT DESIGN OR APPLICATIONS.**
- **PRODUCT IS NEITHER INTENDED NOR WARRANTED FOR USE IN EQUIPMENTS OR SYSTEMS THAT REQUIRE EXTRAORDINARILY HIGH LEVELS OF QUALITY AND/OR RELIABILITY, AND/OR A MALFUNCTION OR FAILURE OF WHICH MAY CAUSE LOSS OF HUMAN LIFE, BODILY INJURY, SERIOUS PROPERTY DAMAGE AND/OR SERIOUS PUBLIC IMPACT ("UNINTENDED USE").** Except for specific applications as expressly stated in this document, Unintended Use includes, without limitation, equipment used in nuclear facilities, equipment used in the aerospace industry, lifesaving and/or life supporting medical equipment, equipment used for automobiles, trains, ships and other transportation, traffic signaling equipment, equipment used to control combustions or explosions, safety devices, elevators and escalators, and devices related to power plant. **IF YOU USE PRODUCT FOR UNINTENDED USE, TOSHIBA ASSUMES NO LIABILITY FOR PRODUCT.** For details, please contact your TOSHIBA sales representative or contact us via our website.
- Do not disassemble, analyze, reverse-engineer, alter, modify, translate or copy Product, whether in whole or in part.
- Product shall not be used for or incorporated into any products or systems whose manufacture, use, or sale is prohibited under any applicable laws or regulations.
- The information contained herein is presented only as guidance for Product use. No responsibility is assumed by TOSHIBA for any infringement of patents or any other intellectual property rights of third parties that may result from the use of Product. No license to any intellectual property right is granted by this document, whether express or implied, by estoppel or otherwise.
- **ABSENT A WRITTEN SIGNED AGREEMENT, EXCEPT AS PROVIDED IN THE RELEVANT TERMS AND CONDITIONS OF SALE FOR PRODUCT, AND TO THE MAXIMUM EXTENT ALLOWABLE BY LAW, TOSHIBA (1) ASSUMES NO LIABILITY WHATSOEVER, INCLUDING WITHOUT LIMITATION, INDIRECT, CONSEQUENTIAL, SPECIAL, OR INCIDENTAL DAMAGES OR LOSS, INCLUDING WITHOUT LIMITATION, LOSS OF PROFITS, LOSS OF OPPORTUNITIES, BUSINESS INTERRUPTION AND LOSS OF DATA, AND (2) DISCLAIMS ANY AND ALL EXPRESS OR IMPLIED WARRANTIES AND CONDITIONS RELATED TO SALE, USE OF PRODUCT, OR INFORMATION, INCLUDING WARRANTIES OR CONDITIONS OF MERCHANTABILITY, FITNESS FOR A PARTICULAR PURPOSE, ACCURACY OF INFORMATION, OR NON-INFRINGEMENT.**
- GaAs (Gallium Arsenide) is used in Product. GaAs is harmful to humans if consumed or absorbed, whether in the form of dust or vapor. Handle with care and do not break, cut, crush, grind, dissolve chemically or otherwise expose GaAs in Product.
- Do not use or otherwise make available Product or related software or technology for any military purposes, including without limitation, for the design, development, use, stockpiling or manufacturing of nuclear, chemical, or biological weapons or missile technology products (mass destruction weapons). Product and related software and technology may be controlled under the applicable export laws and regulations including, without limitation, the Japanese Foreign Exchange and Foreign Trade Law and the U.S. Export Administration Regulations. Export and re-export of Product or related software or technology are strictly prohibited except in compliance with all applicable export laws and regulations.
- Please contact your TOSHIBA sales representative for details as to environmental matters such as the RoHS compatibility of Product. Please use Product in compliance with all applicable laws and regulations that regulate the inclusion or use of controlled substances, including without limitation, the EU RoHS Directive. **TOSHIBA ASSUMES NO LIABILITY FOR DAMAGES OR LOSSES OCCURRING AS A RESULT OF NONCOMPLIANCE WITH APPLICABLE LAWS AND REGULATIONS.**

TOSHIBA

Toshiba Electronic Devices & Storage Corporation
Toshiba Electronic Device Solutions Corporation

<https://toshiba.semicon-storage.com/>