

# Customer Information Sheet

DRAWING No.: S9141-45R

SHEET 2 OF 2

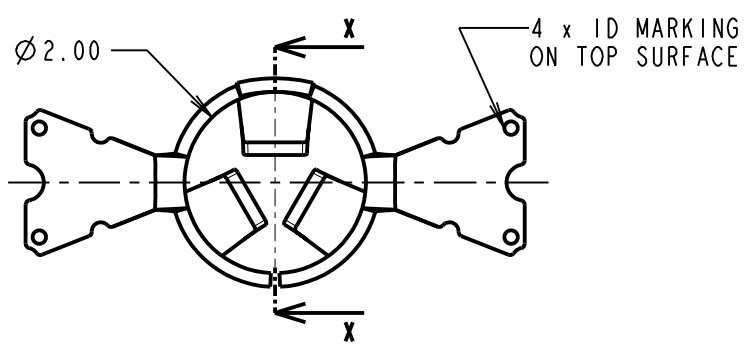
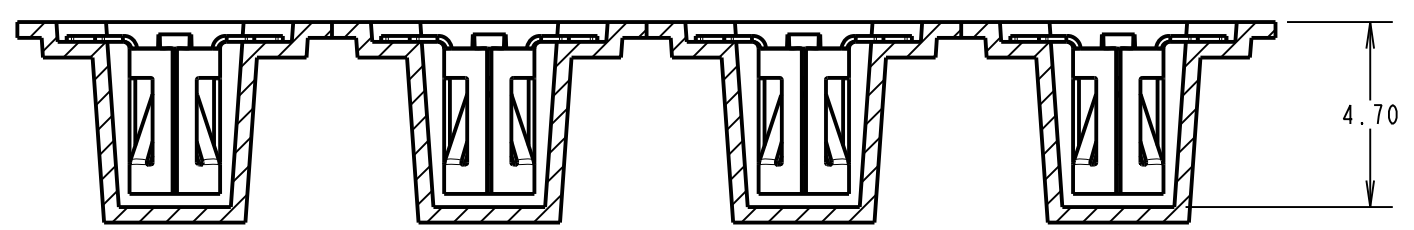
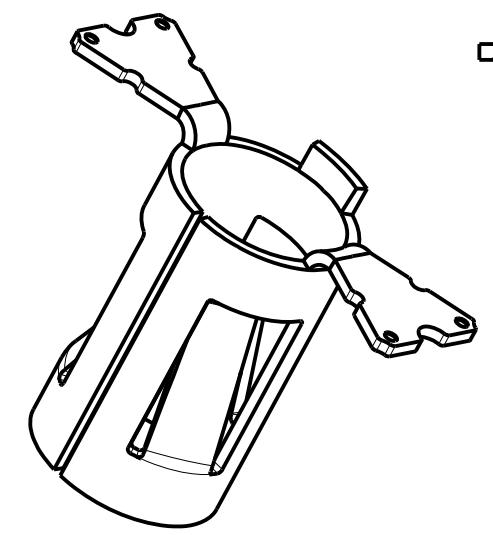
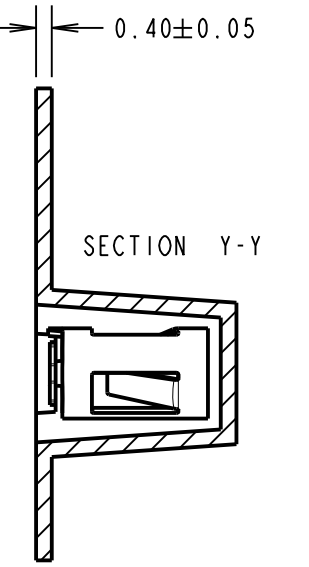
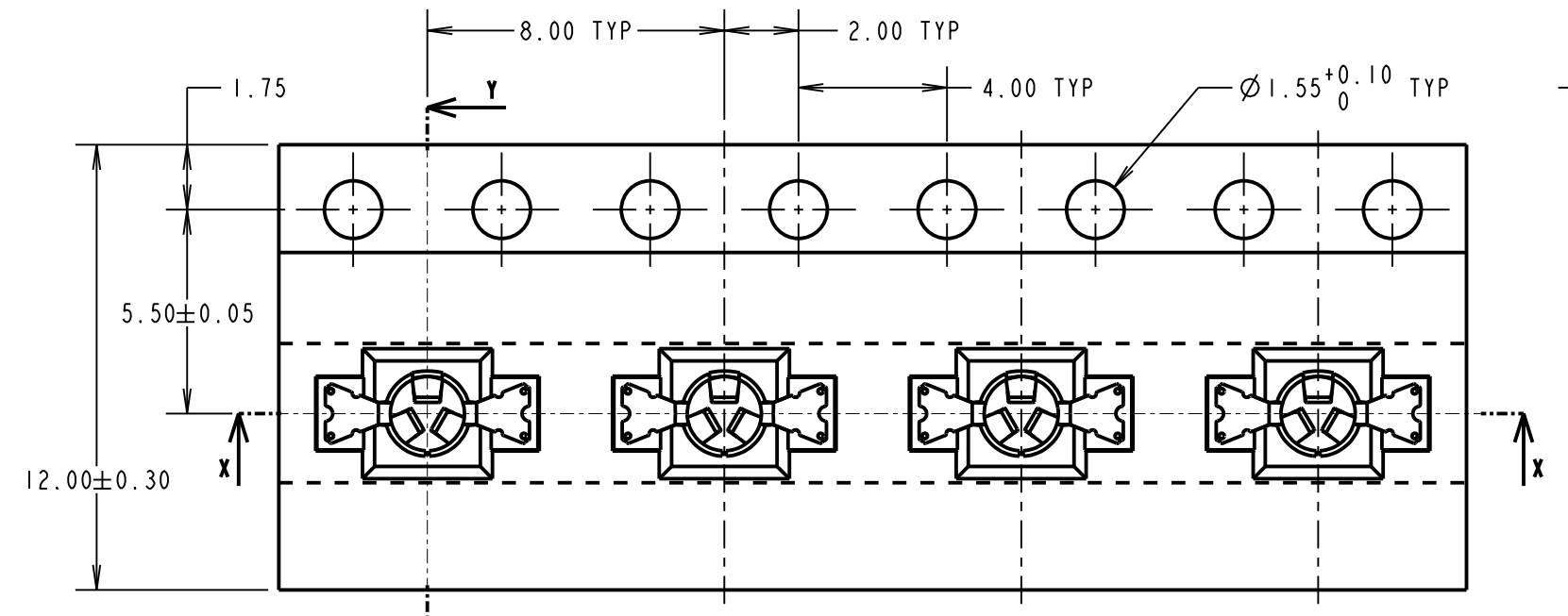
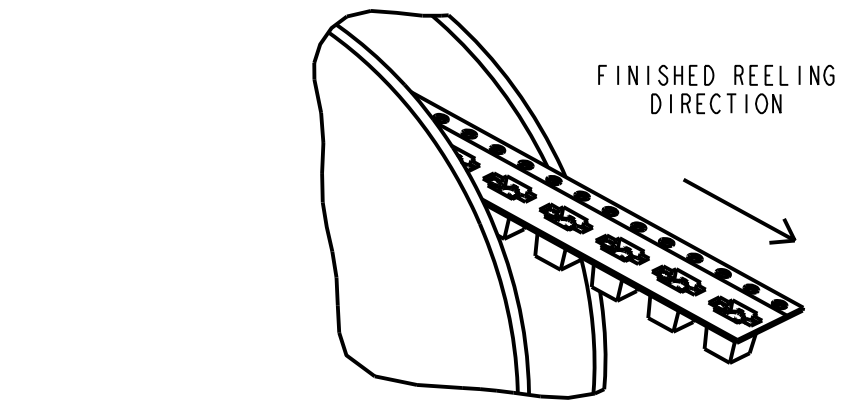
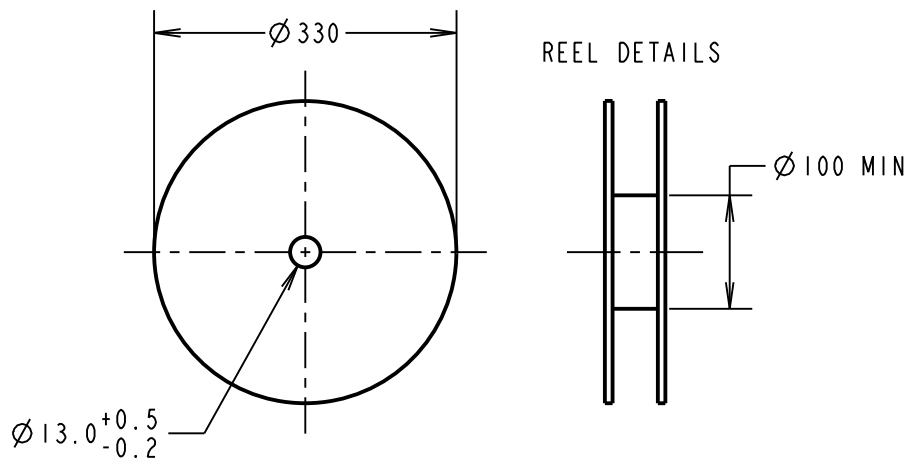
IF IN DOUBT - ASK

©

NOT TO SCALE

THIRD ANGLE PROJECTION

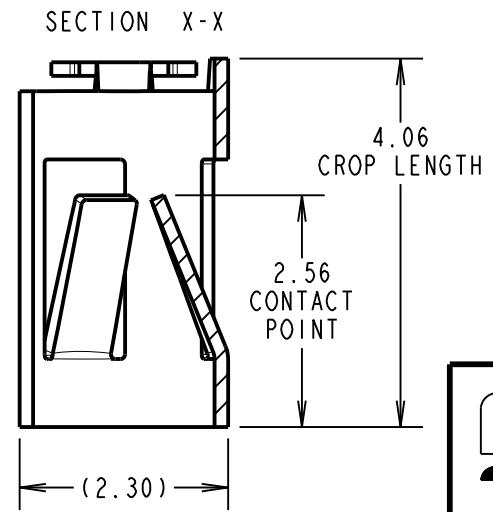
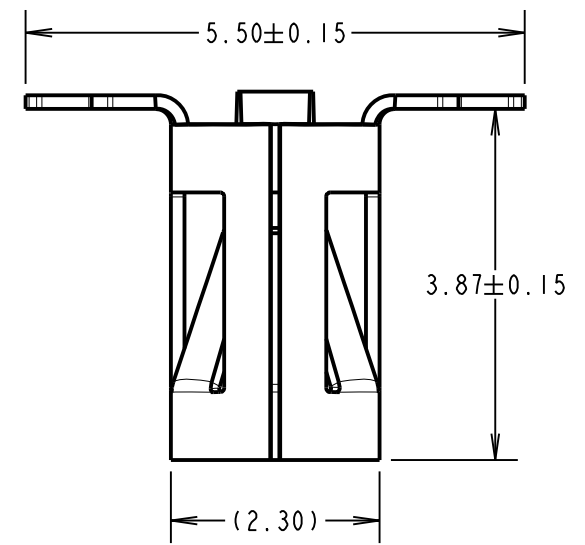
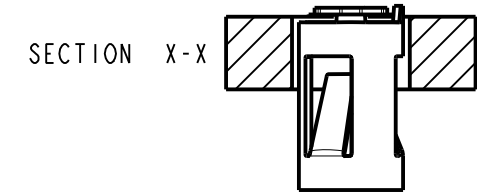
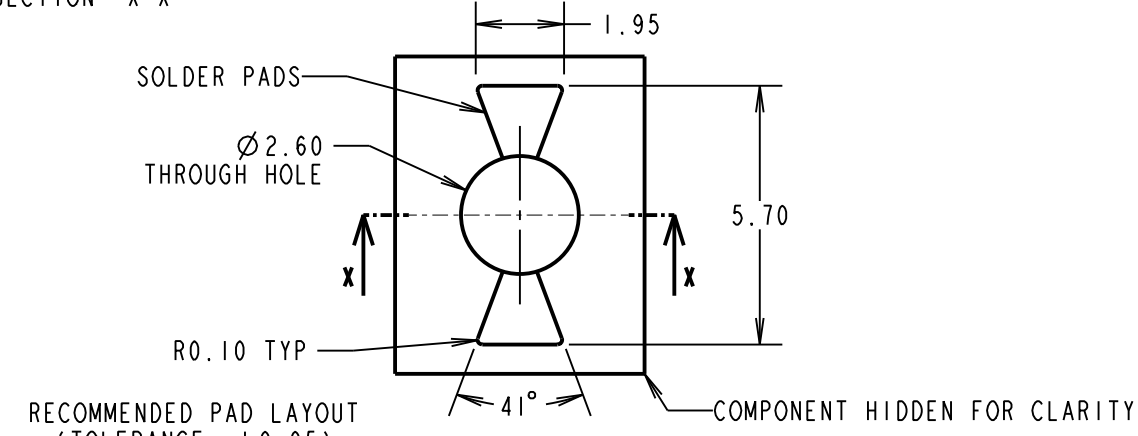
ALL DIMENSIONS IN mm



COMPONENT SPECIFICATION  
 MATERIAL = BERYLLIUM COPPER  
 FINISH = 0.10  $\mu$  - 0.17  $\mu$  GOLD OVER  
 1.0  $\mu$  MIN NICKEL

ELECTRICAL:  
 CURRENT RATING = 6A  
 CONTACT RESISTANCE = 15m $\Omega$  MAX

MECHANICAL:  
 MAX INSERTION FORCE:  
 $\phi 0.80$ mm PIN = 3.0N  
 $\phi 1.00$ mm PIN = 4.5N  
 $\phi 1.30$ mm PIN = 6.0N  
 MIN WITHDRAWAL FORCE:  
 $\phi 0.80$ mm PIN = 0.5N  
 $\phi 1.00$ mm PIN = 1.0N  
 $\phi 1.30$ mm PIN = 2.0N  
 DURABILITY = 500 CYCLES  
 ENVIRONMENTAL:  
 OPERATING TEMPERATURE = -50°C TO +125°C



NOTES:  
 1. QUANTITY OF COMPONENTS PER REEL = 1400.  
 2. THIS PRODUCT IS TAPED AND REELED IN GENERAL ACCORDANCE WITH EIA-481-2 (ELECTRONICS INDUSTRIES ASSOCIATION).

SB	I	15.06.17	20664
NAME	ISS.	DATE	C/NOTE
APPROVED:		S.BENNETT	
CHECKED:		M.PLESTED	
DRAWN:		S.BENNETT	
CUSTOMER REF.:			
ASSEMBLY DRG:			

**HARWIN**

www.harwin.com  
 technical@harwin.com

THIS DRAWING AND ANY INFORMATION OR DESCRIPTIVE MATTER SET OUT HEREON ARE CONFIDENTIAL AND COPYRIGHT PROPERTY OF THE HARWIN GROUP AND MUST NOT BE DISCLOSED, LOANED, COPIED OR USED FOR MANUFACTURING, TENDERING OR FOR ANY OTHER PURPOSE WITHOUT THEIR WRITTEN PERMISSION.

TOLERANCES  
 X. =  $\pm 1$ mm  
 X.X =  $\pm 0.25$ mm  
 X.XX =  $\pm 0.10$ mm  
 X.XXX =  $\pm 0.01$ mm  
 ANGLES =  $\pm 5^\circ$   
 UNLESS STATED

MATERIAL:  
 SEE ABOVE  
 FINISH: SEE ABOVE  
 S/AREA: mm<sup>2</sup>

TITLE: SYCAMORE CONTACT  
 $\phi 1.00$ mm BOTTOM ENTRY SOCKET IN TAPE & REEL  
 DRAWING NUMBER: S9141-45R  
 SHT 2 OF 2