

DESIGNED & DIMENSIONED
IN MILLIMETERS [INCHES]

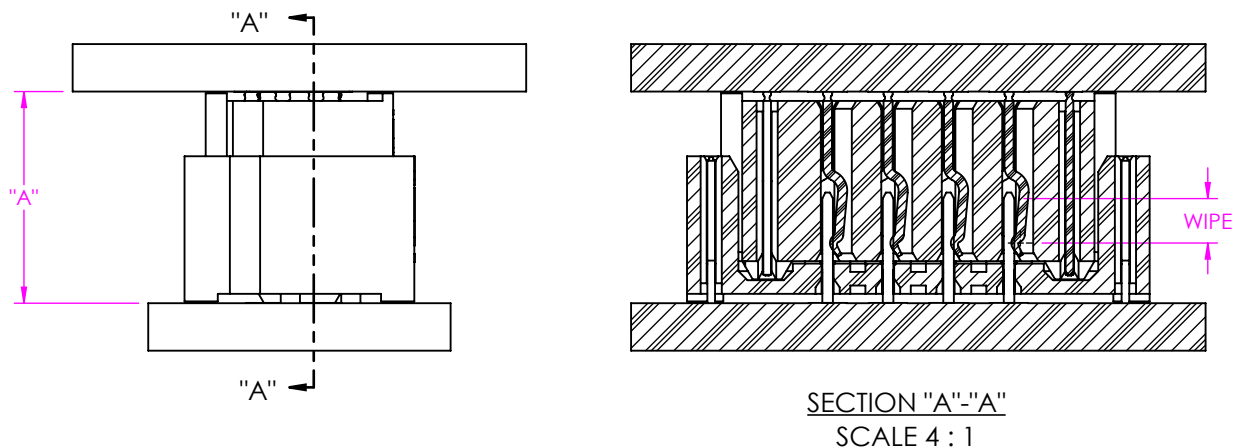


FIG 1
UMPT MATED WITH UMPS

| | | TABLE 1 | | | | | | | |
|-----------------------|-------|-----------------|--------------|-----------------|--------------|-----------------|--------------|-------------|---------------|
| | | UMPS LEAD STYLE | | | | | | WIPE | |
| | | -03.5 | | -05.5 | | -07.5 | | | |
| | | "A" FULLY MATED | "A" MAX | "A" FULLY MATED | "A" MAX | "A" FULLY MATED | "A" MAX | FULLY MATED | MIN @ "A" MAX |
| UMPT LEAD STYLE | -01.5 | 5.00 [.197] | 6.09 [.240] | 7.00 [.276] | 8.09 [.319] | 9.00 [.354] | 10.09 [.397] | 1.47 [.058] | 0.38 [.015] |
| | -02.5 | 6.00 [.236] | 7.09 [.279] | 8.00 [.315] | 9.09 [.358] | 10.00 [.394] | 11.09 [.437] | 1.47 [.058] | 0.38 [.015] |
| | -06.5 | 10.00 [.394] | 11.09 [.437] | 12.00 [.472] | 13.09 [.515] | 14.00 [.551] | 15.09 [.594] | 1.47 [.058] | 0.38 [.015] |
| | -07.5 | 11.00 [.433] | 12.09 [.476] | 13.00 [.512] | 14.09 [.555] | 15.00 [.591] | 16.09 [.633] | 1.47 [.058] | 0.38 [.015] |
| | -12.5 | 16.00 [.630] | 17.09 [.673] | 18.00 [.709] | 19.09 [.752] | 20.00 [.787] | 21.09 [.830] | 1.47 [.058] | 0.38 [.015] |

NOTES:

1. ALL DIMENSIONS BASED ON NOMINAL VALUES FOR SAMTEC RECOMMENDED PCB LAYOUTS.
2. ALTHOUGH MAX DIMENSIONS ARE LISTED SAMTEC RECOMMENDS FULLY MATING COMPONENTS.

• PROPRIETARY NOTE •
THIS DOCUMENT CONTAINS CONFIDENTIAL AND PROPRIETARY INFORMATION AND ALL DESIGN, MANUFACTURING, REPRODUCTION, USE, PATENT RIGHTS AND SALES RIGHTS ARE EXPRESSLY RESERVED BY SAMTEC, INC. THIS DOCUMENT SHALL NOT BE DISCLOSED, IN WHOLE OR PART, TO ANY UNAUTHORIZED PERSON OR ENTITY NOR REPRODUCED, TRANSFERRED OR INCORPORATED IN ANY OTHER PROJECT IN ANY MANNER WITHOUT THE EXPRESS WRITTEN CONSENT OF SAMTEC, INC.



520 PARK EAST BLVD, NEW ALBANY, IN 47150
PHONE: 812-944-6733 FAX: 812-948-5047
e-Mail info@SAMTEC.com code 55322

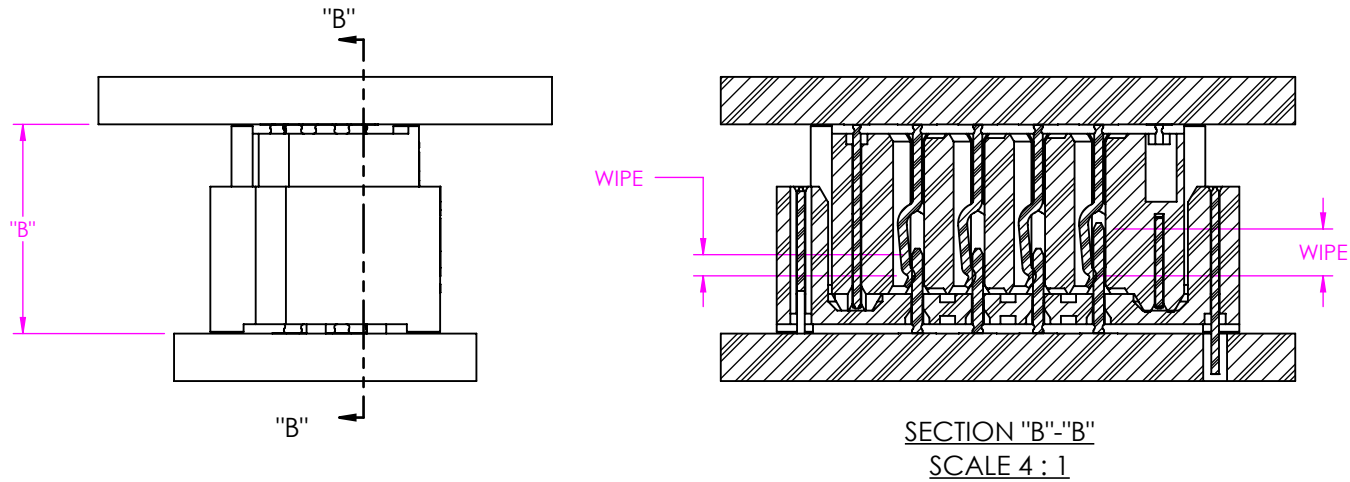


FIG 2
UMPT-H MATED WITH UMPS

| TABLE 2 | | | | | | | | | | | |
|-----------------------|---------|-----------------|--------------|-----------------|--------------|-----------------|--------------|-------------------|-------------|----------------------|-------------|
| | | UMPS LEAD STYLE | | | | | | "WIPE" FULLYMATED | | "WIPE" MIN @ "B" MAX | |
| | | -03.5 | | -05.5 | | -07.5 | | | | | |
| | | "B" FULLY MATED | "B" MAX | "B" FULLY MATED | "B" MAX | "B" FULLY MATED | "B" MAX | SHORT PIN | LONG PIN | SHORT PIN | LONG PIN |
| UMPT LEAD STYLE | -1.5-H | 5.00 [.197] | 5.24 [.206] | 7.00 [.276] | 7.24 [.285] | 9.00 [.354] | 9.24 [.364] | 0.62 [.024] | 1.47 [.058] | 0.38 [.015] | 1.23 [.048] |
| | -2.5-H | 6.00 [.236] | 6.24 [.246] | 8.00 [.315] | 8.24 [.324] | 10.00 [.394] | 10.24 [.403] | 0.62 [.024] | 1.47 [.058] | 0.38 [.015] | 1.23 [.048] |
| | -6.5-H | 10.00 [.394] | 10.24 [.403] | 12.00 [.472] | 12.24 [.482] | 14.00 [.551] | 14.24 [.561] | 0.62 [.024] | 1.47 [.058] | 0.38 [.015] | 1.23 [.048] |
| | -7.5-H | 11.00 [.433] | 11.24 [.443] | 13.00 [.512] | 13.24 [.521] | 15.00 [.591] | 15.24 [.600] | 0.62 [.024] | 1.47 [.058] | 0.38 [.015] | 1.23 [.048] |
| | -12.5-H | 16.00 [.630] | 16.24 [.639] | 18.00 [.709] | 18.24 [.718] | 20.00 [.787] | 20.24 [.797] | 0.62 [.024] | 1.47 [.058] | 0.38 [.015] | 1.23 [.048] |

• PROPRIETARY NOTE •
THIS DOCUMENT CONTAINS CONFIDENTIAL AND PROPRIETARY INFORMATION AND ALL DESIGN, MANUFACTURING, REPRODUCTION, USE, PATENT RIGHTS AND SALES RIGHTS ARE EXPRESSLY RESERVED BY SAMTEC, INC. THIS DOCUMENT SHALL NOT BE DISCLOSED, IN WHOLE OR PART, TO ANY UNAUTHORIZED PERSON OR ENTITY NOR REPRODUCED, TRANSFERRED OR INCORPORATED IN ANY OTHER PROJECT IN ANY MANNER WITHOUT THE EXPRESS WRITTEN CONSENT OF SAMTEC, INC.



520 PARK EAST BLVD, NEW ALBANY, IN 47150
PHONE: 812-944-6733 FAX: 812-948-5047
e-Mail info@SAMTEC.com code 55322

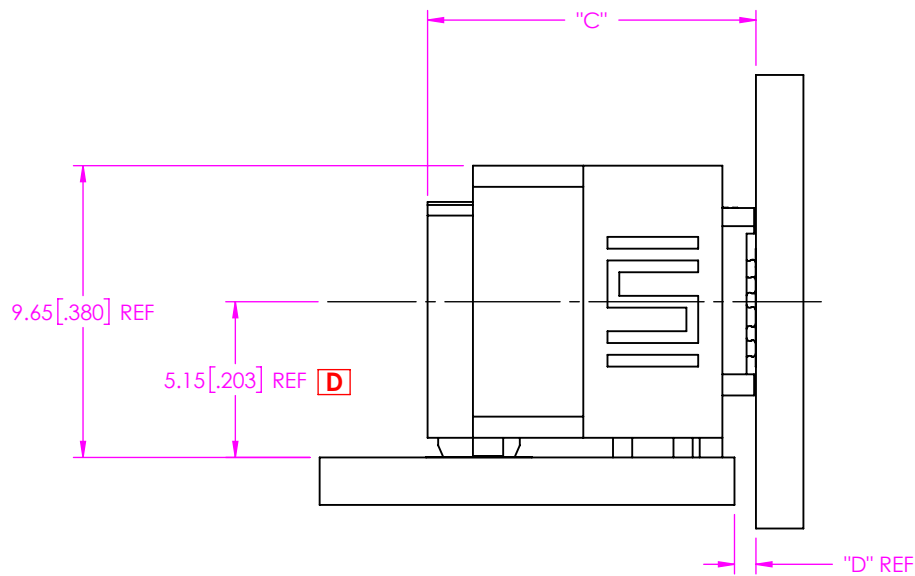


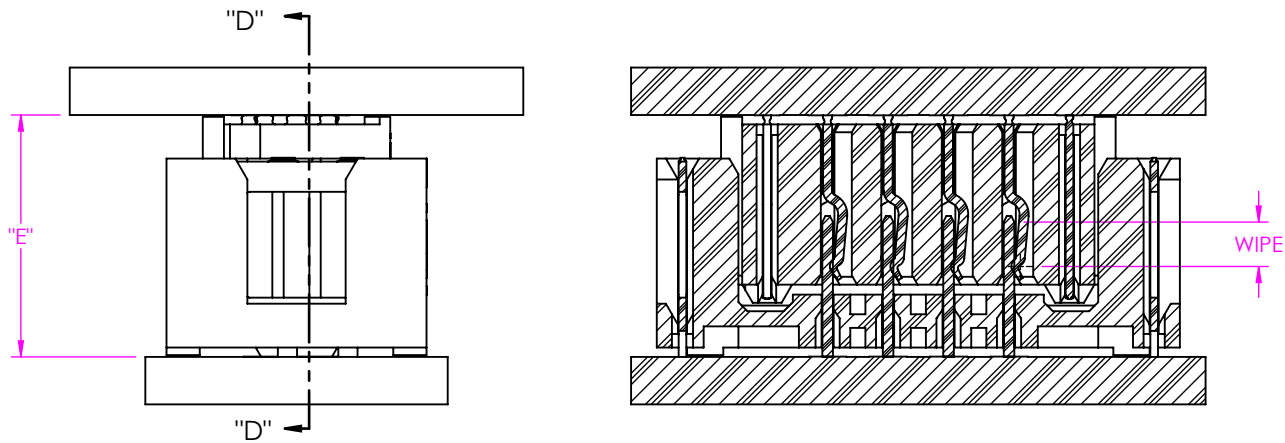
FIG 3
UMPT-RA MATED WITH UMPS

| TABLE 3 | | | | | | | |
|-----------------------|-------|-----------------|--------------|-----------------|-------------|--------------------|----------------------|
| | | UMPT-RA | | | | "WIPE" FULLY MATED | "WIPE" MIN @ "C" MAX |
| | | "C" FULLY MATED | "C" MAX | "D" FULLY MATED | "D" MAX | | |
| UMPS LEAD STYLE | -03.5 | 10.15 [.400] | 10.28 [.405] | 0.00 [.000] | 0.13 [.005] | 0.51 [.020] | 0.38 [.015] |
| | -05.5 | 10.86 [.428] | 12.28 [.483] | 0.71 [.028] | 2.13 [.084] | 1.80 [.071] | 0.38 [.015] |
| | -07.5 | 12.86 [.506] | 14.28 [.562] | 2.71 [.107] | 4.13 [.163] | 1.80 [.071] | 0.38 [.015] |

• PROPRIETARY NOTE •
THIS DOCUMENT CONTAINS CONFIDENTIAL AND PROPRIETARY INFORMATION AND ALL DESIGN, MANUFACTURING, REPRODUCTION, USE, PATENT RIGHTS AND SALES RIGHTS ARE EXPRESSLY RESERVED BY SAMTEC, INC. THIS DOCUMENT SHALL NOT BE DISCLOSED, IN WHOLE OR PART, TO ANY UNAUTHORIZED PERSON OR ENTITY NOR REPRODUCED, TRANSFERRED OR INCORPORATED IN ANY OTHER PROJECT IN ANY MANNER WITHOUT THE EXPRESS WRITTEN CONSENT OF SAMTEC, INC.



520 PARK EAST BLVD, NEW ALBANY, IN 47150
PHONE: 812-944-6733 FAX: 812-948-5047
e-Mail info@SAMTEC.com code 55322



D FIG 4
UMPT-P/M MATED WITH UMPS

SECTION "D"- "D"
SCALE 4 : 1

D

| TABLE 4 | | | | | |
|-----------------|-------|------------------------------|--------------|-------------|---------------|
| | | UMPT LEAD STYLE (WITH LATCH) | | WIPE | |
| | | -02.5 | | | |
| | | "E" FULLY MATED | "E" MAX | FULLY MATED | MIN @ "E" MAX |
| UMPS LEAD STYLE | -03.5 | N/A | N/A | N/A | N/A |
| | -05.5 | 8.00 [.315] | 9.09 [.358] | 1.47 [.058] | 0.38 [.015] |
| | -07.5 | 10.00 [.394] | 11.09 [.437] | 1.47 [.058] | 0.38 [.015] |

• PROPRIETARY NOTE •
THIS DOCUMENT CONTAINS CONFIDENTIAL AND PROPRIETARY INFORMATION AND ALL DESIGN, MANUFACTURING, REPRODUCTION, USE, PATENT RIGHTS AND SALES RIGHTS ARE EXPRESSLY RESERVED BY SAMTEC, INC. THIS DOCUMENT SHALL NOT BE DISCLOSED, IN WHOLE OR PART, TO ANY UNAUTHORIZED PERSON OR ENTITY NOR REPRODUCED, TRANSFERRED OR INCORPORATED IN ANY OTHER PROJECT IN ANY MANNER WITHOUT THE EXPRESS WRITTEN CONSENT OF SAMTEC, INC.



520 PARK EAST BLVD, NEW ALBANY, IN 47150
PHONE: 812-944-6733 FAX: 812-948-5047
e-Mail info@SAMTEC.com code 55322