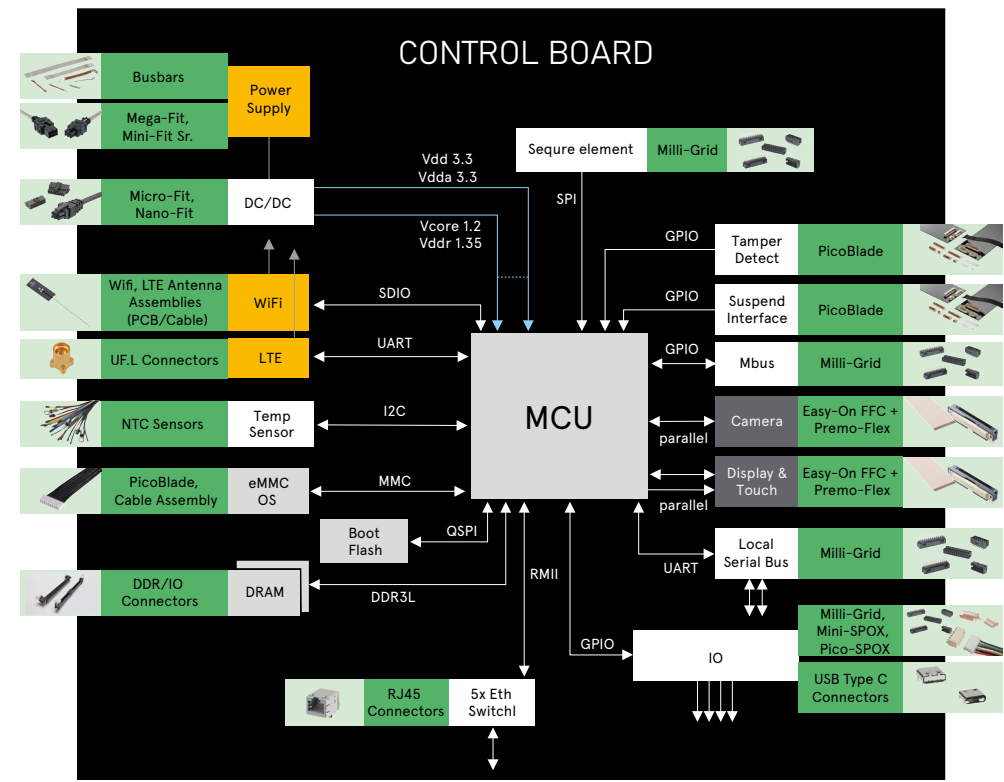
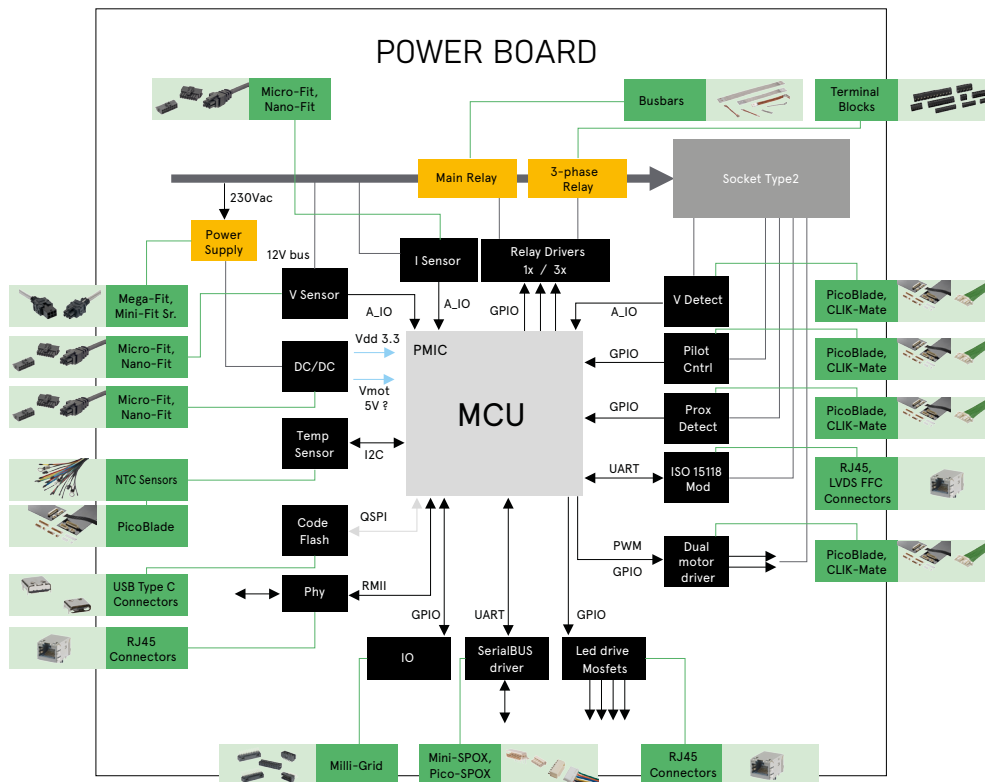


# / MOLEX EV CHARGING STATION REFERENCE DESIGN: POWER / CONTROL BOARDS

The EV charging station reference design provides insight into the application and placement of Molex connectors within the power and control boards. For more information on any of the parts referenced here, visit [avnet-abacus.eu/molex-ev-charging/](https://avnet-abacus.eu/molex-ev-charging/)



Alternatively, if you're ready to discuss your design in more detail, get in touch with our FAEs at [avnet-abacus.eu/ask-an-expert](https://avnet-abacus.eu/ask-an-expert)