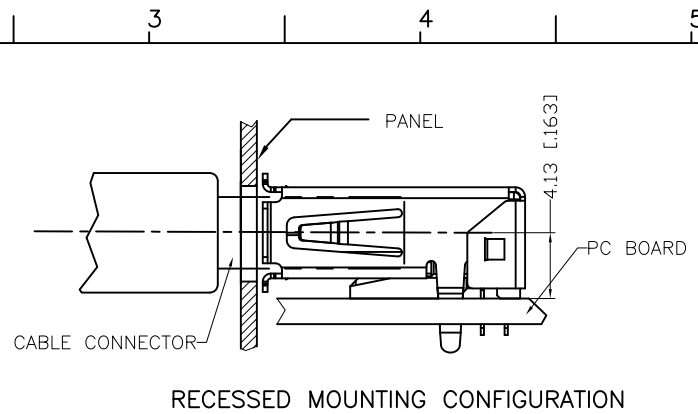
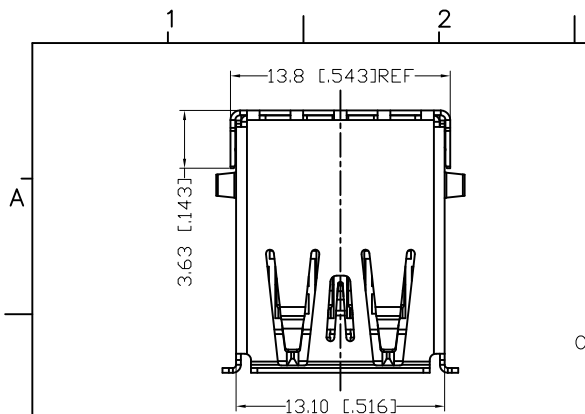


REV.	ECN.	NO.	APPD.
A	BC-09-	7048956	Hao Gu
B	BC-11-	0006198	Adward
C	BC-13-	0080575	Adward
D	BC-18-	0011610	Davy Bu
DX1	20190624		Davy Bu



RECESSED MOUNTING CONFIGURATION

PRODUCT NO.: UEA 1 1 2 C - 4ER1 - 4 H

Series Prefix: USB 3.0 A TYPE

Termination Type: 1: Right Angle Dip

Connector Type: 1: Female

No. of Contact Position: 1: 9 Pos.

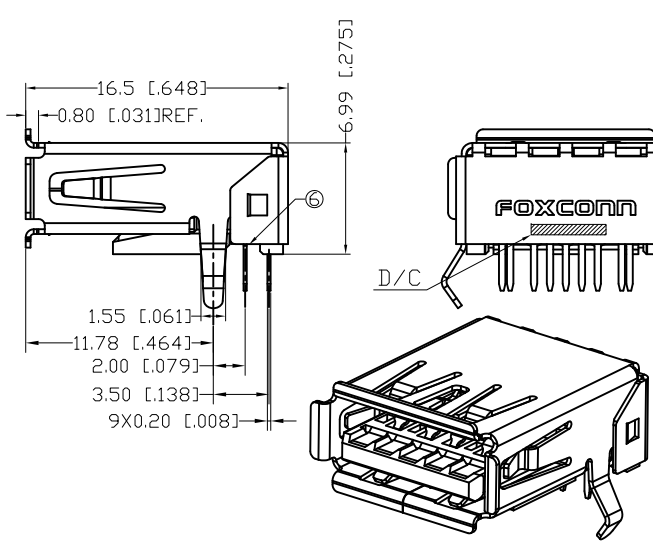
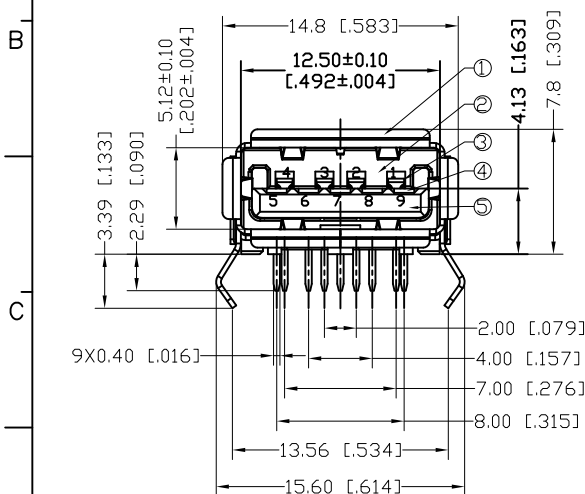
Profile Height: 2: 4.13 MM

Halogen Free Code: H: Halogen Free

Package Code: 4: Soft Tray Package

Extension Code

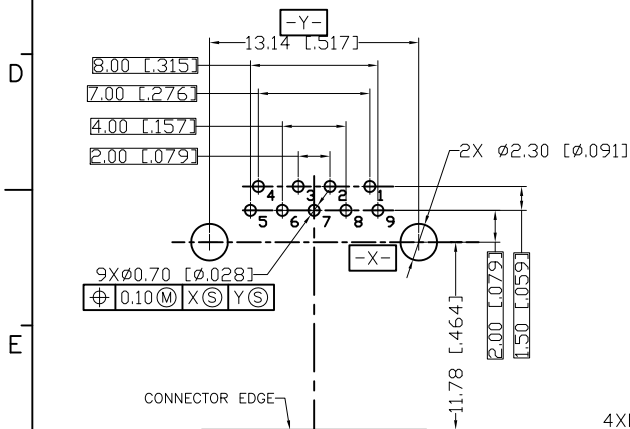
Contact Area Plating: C: 30u" Palladium/Nickel+Gold Flash



- NOTES :
- ELECTRICAL AND MECHANICAL CHARACTERISTICS MEET USB3.0 STANDARD .
  - DIMENSIONS ARE IN MILLIMETERS, BRACKETED DIMENSIONS ARE INCHES EQUIVALENTS.
  - MEET USB3.0 STANDARD SPECIFICATION.
  - RECOMMENDED PROCESS: WAVE SOLDER 265±5°C, 5SECONDS.
  - THE CONNECTOR IS ROHS COMPLIANT AND HALOGEN FREE.

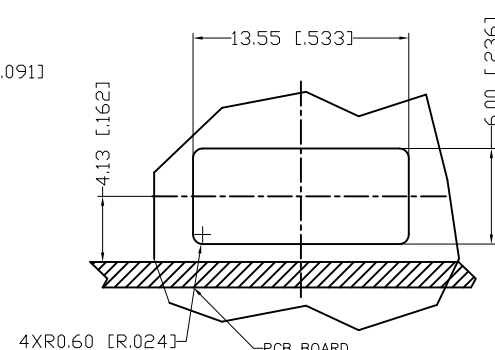
PIN ASSIGNMENT:

Pin No.	1	2	3	4	5	6	7	8	9
Signal Name	VBUS	D-	D+	GND	SSRX-	SSRX+	GND_DRAIN	SSTX-	SSTX+
Remark	USB2 Contact Pin			USB3 Contact Pin					



RECOMMENDED P.C.B LAYOUT (COMPONENT SIDE)

PCB THICKNESS: 1.60±0.05[1.063±0.002]mm  
 DEFAULT TOLERANCE: ±0.05[1.002]



MOUNTING PANEL CUTOUT (INTERNAL SIDE)

⑥ ORGANIZER	1	HTN G/F 30%, UL 94V-0	MOLDED COLOR: BLUE(PANTONE:PANTONE 300C).
⑤ INSERT MOLDING	1	HTN G/F 30%, UL 94V-0	MOLDED COLOR: BLUE(PANTONE:PANTONE 300C).
④ USB3 CONTACT	5	PHOSPHOR BRONZE C5191R-H	30u" PALLADIUM/NICKEL+GOLD FIASH AT CONTACT AREA, 100~200u" LEAD FREE TIN ALLOY AT TERMINATION, 100~200u" NICKEL UNDERPLATING OVERALL.
③ USB2 CONTACT	4		
② FRAME	1	HTN G/F 30%, UL 94V-0	MOLDED COLOR: BLUE(PANTONE:PANTONE 300C).
① SHELL	1	STAINLESS SUS 304	30~100u" NICKEL UNDERPLATING OVERALL, 50~200u" LEAD FREE TIN ALLOY AT KINK.

NO.	DESCRIPTION	QTY.	MATERIAL	TREATMENT
X.±	X°.±	UNITS	mm[inch]	NAME(INTENDED USE)
.X± 0.38[.015]	.X°.±	MAT'L	N/A	CUSTOMER
.XX± 0.25[.010]	.XX°.±	FINISH	N/A	PART NO.(INTENDED USE)
.XXX±	.XXX°.±	Q'TY	N/A	UEA1112C-4ER1-4H

THESE DRAWINGS AND SPECIFICATIONS ARE THE PROPERTY OF FOXCONN INTERCONNECT TECHNOLOGY LIMITED, AND SHALL NOT BE REPRODUCED COPIED OR USED IN ANY MANNER WITHOUT THE PRIOR WRITTEN CONSENT OF FOXCONN INTERCONNECT TECHNOLOGY LIMITED.

APPD: Davy Bu 6/24'19		DWG NO.: 327-0000-1964	
CHKD: Cheery Chen 6/24'19		SCALE	SHEET
DR: Tony Xu 6/24'19		N/A	1/1
		REV.	DX1

