

IEC Appliance Inlet C8, Solder, PCB or Quick-connect Terminal



2570-1110



2570-2210



2570-1210



Description

- Panel Mount :
Splitpanel (sandwich) or snap-in version from front side
- Appliance Inlet , Pin temperature 70 °C , Protection class II
- Solder, Quick Connect or PCB Terminal

Unique Selling Proposition

- Complete approvals
- Well-priced product

Approvals

- Approval Reference Type: 2570
- VDE Certificate Number: 40044595
- UL File Number: E96454
- CCC File Number: 2016180204001695

Weblinks

[pdf datasheet](#), [html-datasheet](#), [General Product Information](#), [Approvals](#), [CE declaration of conformity](#), [RoHS](#), [CHINA-RoHS](#), [REACH](#), [Distributor-Stock-Check](#), [Accessories](#), [Detailed request for product](#)

Technical Data

Ratings IEC	2.5 A / 250 VAC; 50 Hz
Ratings UL/CSA	2.5 A / 250 VAC; 60 Hz 7 A / 125 VAC; 60 Hz
Dielectric Strength	> 2.5 kVAC between L-N > 3 kVAC between L/N-PE (1 min/50 Hz)
Allowable Operation Temperature	-25 °C to 70 °C
IP-Protection	from front side IP 20 acc. to IEC 60529
Insulation cover	Suitable for appliances with protection class II acc. to IEC 61140
Panel Thickness s	Snap-in: from 0.6mm to 2.0mm Sandwich: 1.5mm
Material: Housing	PA6, black, UL 94V-0

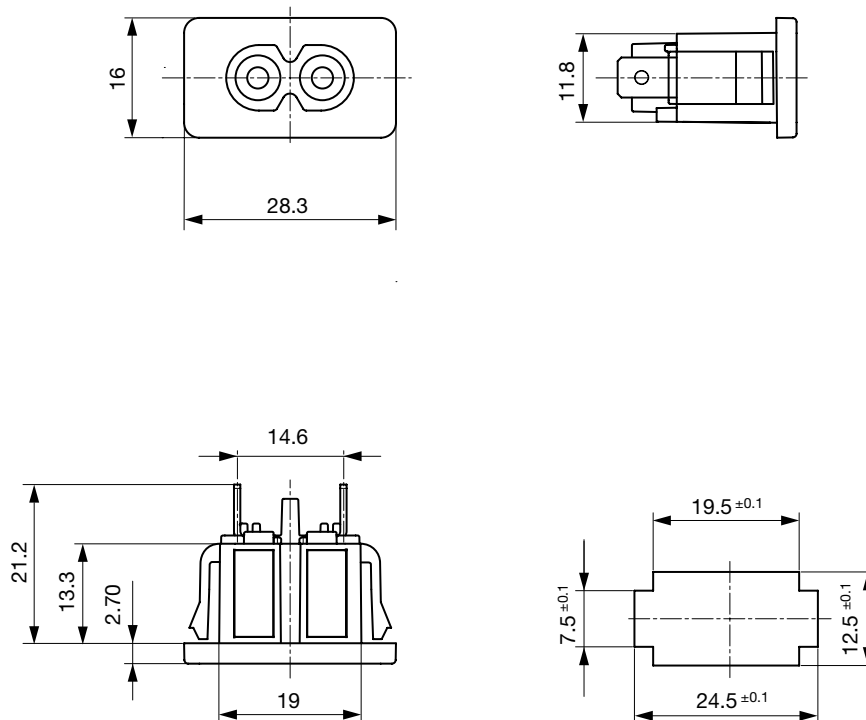
appliance inlet/-outlet	C8 acc. to IEC 60320-1, UL 60320-1, CSA C22.2 no. 60320-1 (for cold conditions) pin-temperature 70 °C, 2.5A, Protection Class II
-------------------------	--

Detailed information on product approvals, code requirements, usage instructions and detailed test conditions can be looked up in [General Product Information](#)

Dimensions [mm]

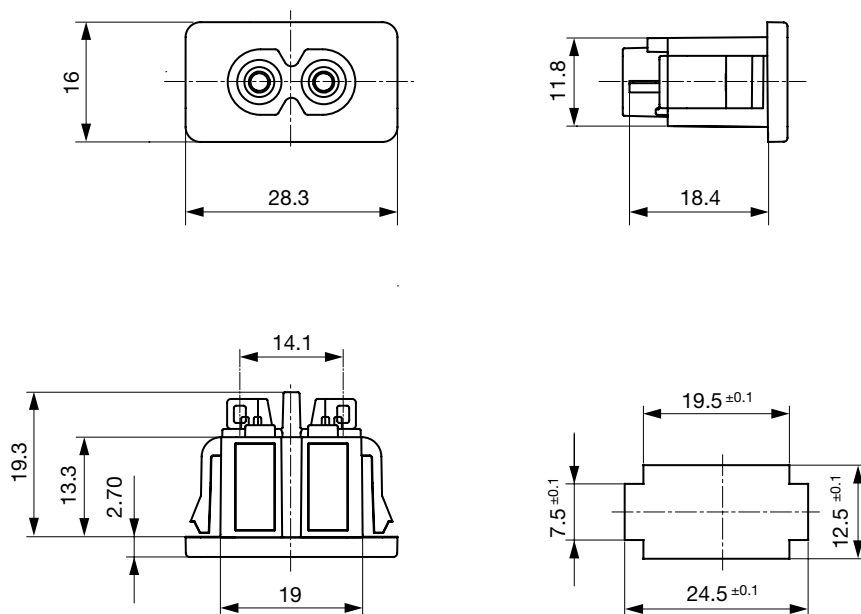
2570-1310

Snap-in mounting with quick connect terminal

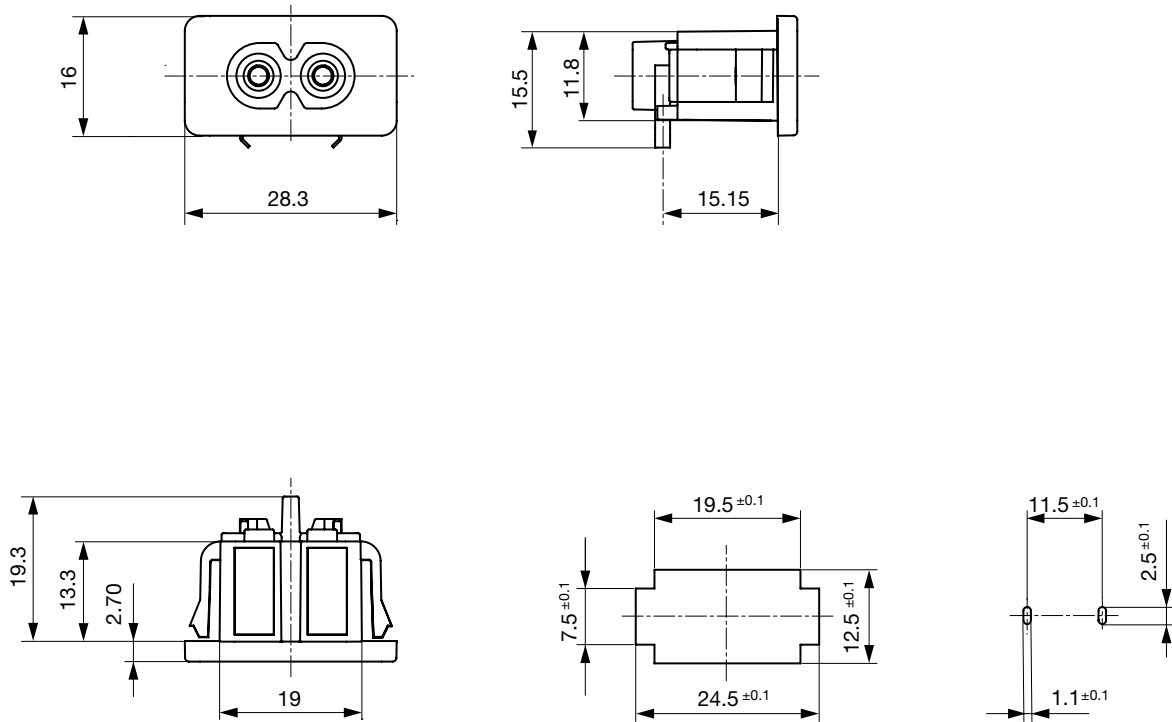


2570-1110

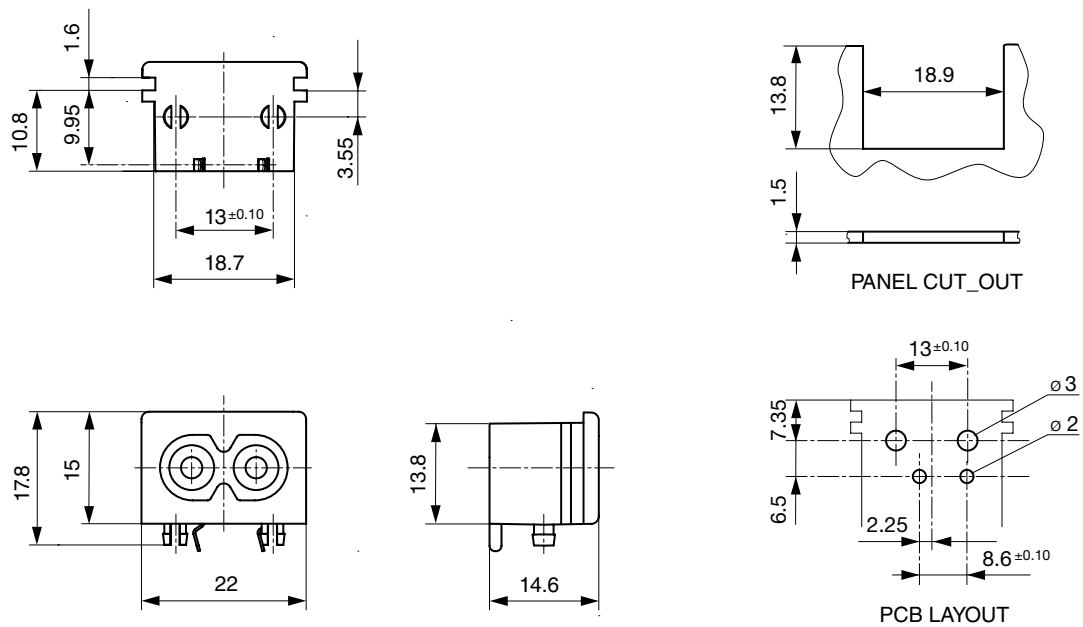
Snap-in mounting with quick solder terminal



2570-1210
Snap-in mounting with PCB terminal



2570-2210
Sandwich mounting with PCB terminal



All Variants

Type	Panel mounting	Panel Thickness s [mm]	Terminal	Order Number
2570-1110	Snap-in	0.6 - 2.0	Solder terminals	4300.0102
2570-1210	Snap-in	0.6 - 2.0	PCB terminals	4300.0103
2570-1310	Snap-in	0.6 - 2.0	Quick connect 4.8 x 0.8 mm	4300.0105
2570-2210	Sandwich	1.5	PCB terminals	4300.0104

Most Popular.

Availability for all products can be searched real-time:<http://www.schurter.com/en/Stock-Check/Stock-Check-SCHURTER>

Packaging unit 100 Pcs

Mating Outlets/Connectors

Category / Description

[Power Cord Overview complete](#)



Cord Sets 2.5 A, IEC Connector, Black, 2.0 m, H03VWH2-F 2x0,75mm², Connector IEC C7, 001500 mm, H03VWH2-F2G0.75, black

6013.0474

Cord Sets 2.5 A, IEC Connector, Black, 4.0 m, H03VWH2-F 2x0,75mm², Connector IEC C7, 001500 mm, H05VWH2-F2G0.75, black

6013.0478

[Power Cord further types to 2570](#)

[Power Supply Cord Overview complete](#)



Cord Sets 2.5 A, North America, Black, 2.0 m, SVT 2x18AWG, Connector IEC C7, 002500 mm, NISPT-2, black

6010.5274

Cord Sets 2.5 A, North America, Black, 4.0 m, SVT 2x18AWG, Connector IEC C7, 002500 mm, NISPT-2, black

6010.5278

[Power Supply Cord further types to 2570](#)