

REV.	ECN. NO.	APPD.
A	BC-17-0023220	LIANG GONG
B	BC-17-0029401	LIANG GONG
C	BC-18-0012521	Davy Bu
D	BC-18-0030599	Davy Bu


NOTES:

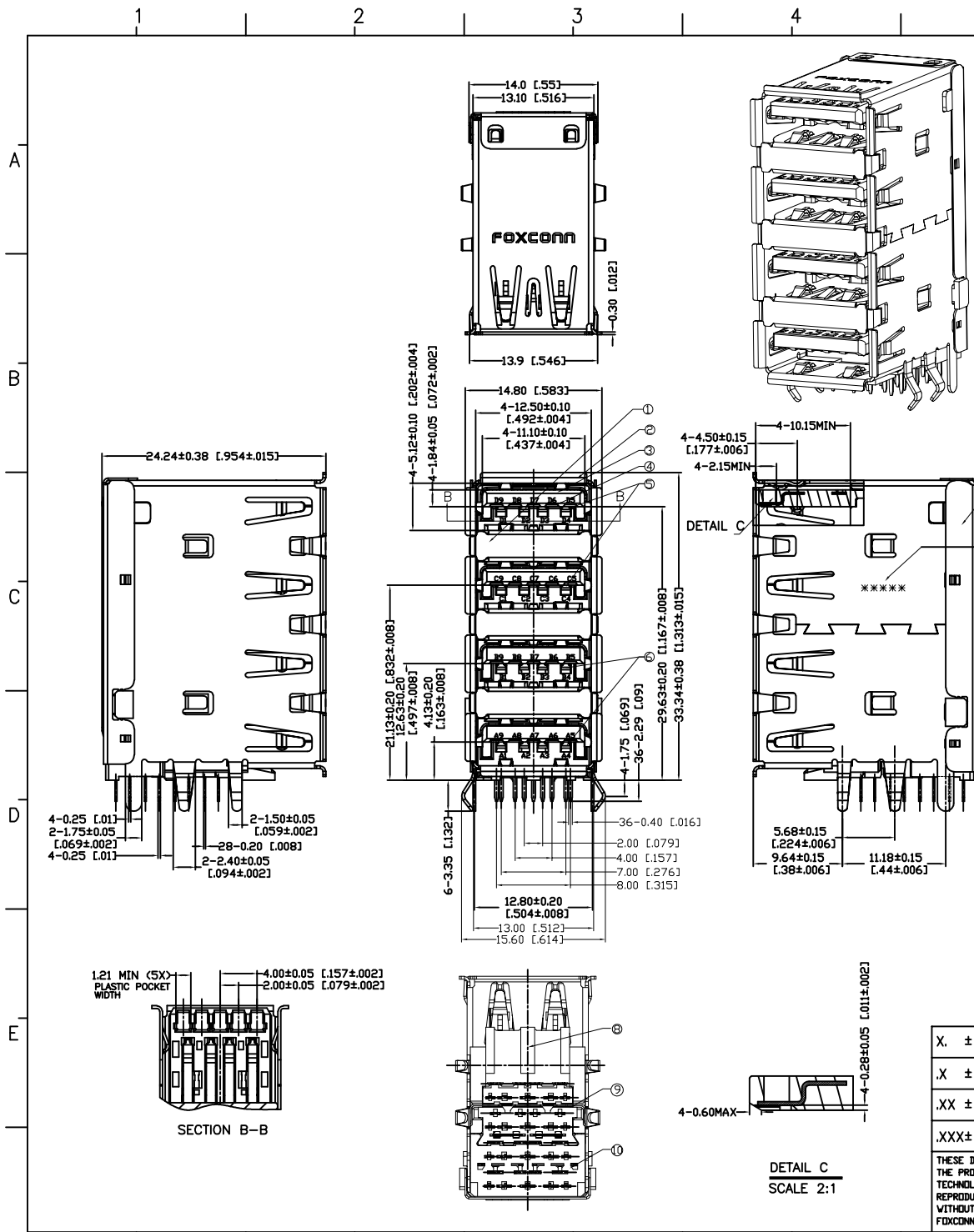
- ELECTRICAL CHARACTERISTICS :
  - CONTACT CURRENT RATING:
    - 1.8 A FOR VBUS PIN AND ITS CORRESPONDING GND PIN.
    - 0.25 A MIN FOR ALL OTHER CONTACTS.
  - CONTACT RESISTANCE:
    - INITIAL 30 MILLIOHMS MAX FOR VBUS AND GND CONTACTS.
    - INITIAL 50 MILLIOHMS MAX FOR ALL OTHER CONTACTS.
    - AFTER DURABILITY 10 MILLIOHMS MAX CHANGE.
  - DIELECTRIC WITHSTANDING VOLTAGE : 100 VRMS AC MIN.
  - INSULATION RESISTANCE: 100 MEGOHMS MIN.
- MECHANICAL CHARACTERISTICS:
  - CONNECTOR MATING FORCE: 35N MAX.
  - CONNECTOR UNMATING FORCE: 10~35N INITIAL, 8~35N AFTER DURABILITY.
  - DURABILITY: 5000 CYCLES.
  - OPERATING TEMPERATURE: -55°C TO +85°C
  - INSERTION FORCE OF CONN INTO PCB 2kgf MAX.
- RECOMMENED PROCESS: WAVE SOLDER 270°C, 6SECONDS.
- THE CONNECTOR IS ROHS AND HALOGEN FREE COMPLAINT .
- RECOMMENDED PCB THICKNESS: 1.60±0.05[.063±.002]mm.
- LAYER A&B: USB3.1(GEN.2); LAYER C&D: USB3.0(GEN.1).
- SALT SPRAY 48HR PASS.

PIN ASSIGNMENT:

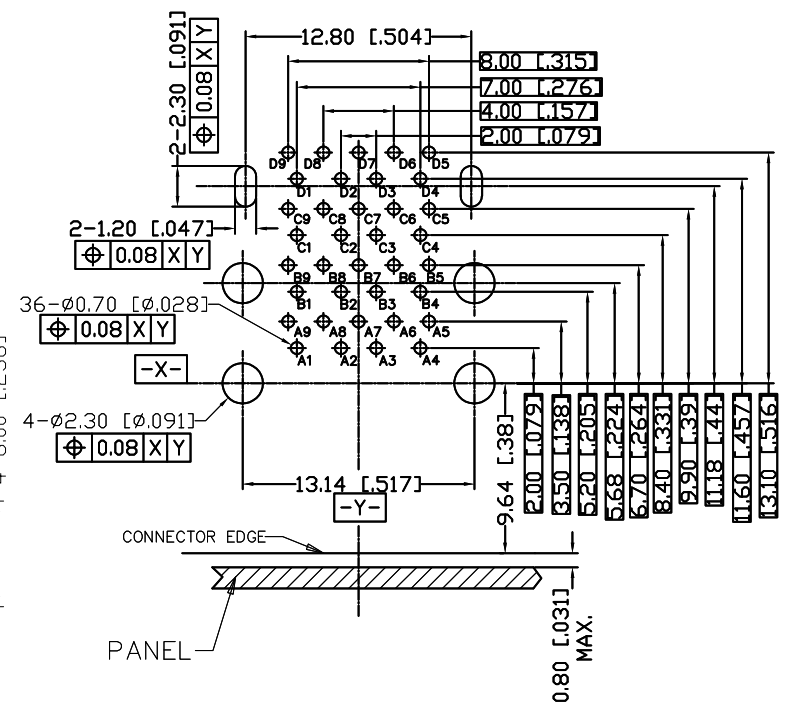
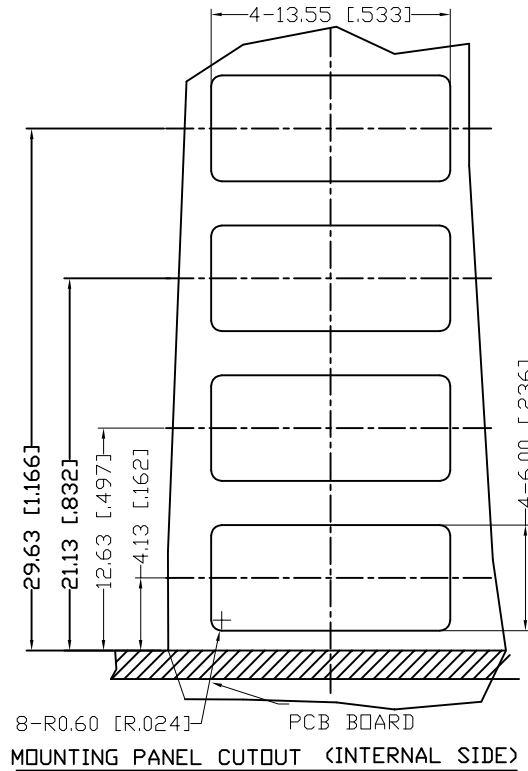
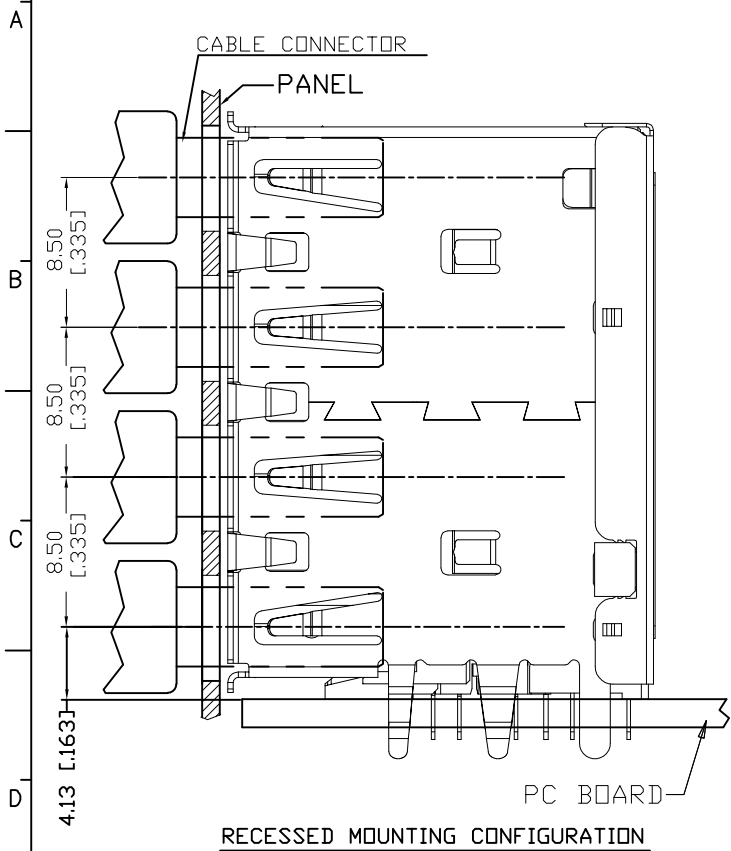
Pin No.	D1	D2	D3	D4	D5	D6	D7	D8	D9
Pin No.	C1	C2	C3	C4	C5	C6	C7	C8	C9
Pin No.	B1	B2	B3	B4	B5	B6	B7	B8	B9
Pin No.	A1	A2	A3	A4	A5	A6	A7	A8	A9
Signal Name	VBUS	D-	D+	GND	STDA_SSRX-	STDA_SSRX+	GND_DRAIN	STDA_SSTX-	STDA_SSTX+

Remark	USB2 Contact Pin	USB3.0 (LAYER C&D)/ USB3.1 (LAYER A&B)Contact Pin		
10 LOWER SPACER	1 PA66, UL 94V-0	MOLDED COLOR:BLACK / Halogen Free		
9 FRONT SPACER	1 PA66, UL 94V-0	MOLDED COLOR:BLACK / Halogen Free		
8 HOUSING	1 PA66, UL 94V-0	MOLDED COLOR:BLACK / Halogen Free		
7 REAR SHELL	1 STAINLESS STEELSUS304	CLEAN		
6 USB2.0 CONTACT	8 C5191	G/F AND 30u" Pd/Ni MIN AT CONTACT AREA, LEAD FREE TIN ALLOY AT TERMINATION, NICKEL UNDERPLATING OVER ALL		
5 USB2.0 CONTACT	8 C7025			
4 USB3.0/3.1 CONTACT	20 C2680			
3 INSERT MOLDING	4 PA66, UL 94V-0	MOLDED COLOR:BLACK / Halogen Free		
2 FRONT SHELL	1 STAINLESS STEELSUS304	LEAD FREE TIN ALLOY AT TERMINATION, NICKEL UNDERPLATING OVER ALL		
1 FINGER	3 STAINLESS STEELSUS304	CLEAN		
NO.	DESCRIPTION	QTY.	MATERIAL	TREATMENT

X. ±	X*. ±	UNITS	mm[inch]	NAME(INTENDED USE) CUSTOMER	 FOXCONN INTERCONNECT TECHNOLOGY LIMITED.
.X ±0.35[.015]	.X* ±	MAT'L	N/A	PART NO.(INTENDED USE) UAA114C-U4151-4H	
.XX ±0.25[.010]	.XX* ±	FINISH	N/A	APPD: Davy Bu 7/21'18	CLASS: <input type="checkbox"/> CONFIDENTIAL <input type="checkbox"/> SECRET <input checked="" type="checkbox"/> GENERAL
.XXX±	.XXX*±	Q'TY	N/A	CHKD: Frank Gong 7/21'18	TITLE: DUAL USB3.0 OVER DUAL USB3.1 A TYPE
THESE DRAWINGS AND SPECIFICATIONS ARE THE PROPERTY OF FOXCONN INTERCONNECT TECHNOLOGY LIMITED, AND SHALL NOT BE REPRODUCED COPIED OR USED IN ANY MANNER WITHOUT THE PRIOR WRITTEN CONSENT OF FOXCONN INTERCONNECT TECHNOLOGY LIMITED.				DR: Hardy Yang 7/21'18	DWG NO: 327-0000-3725
				SCALE SHEET REV.	N/A 1/2 D



SEE SHEET 1



**RECOMMENDED P.C.B LAYOUT (COMPONENT SIDE)**  
 T=1.640055(0.06450202) DEF:DEFAULT.DWG PRN:CE+0.05(0.002002)

PRODUCT NO.: UAA 1 1 4 \* - U4151 - 4 H

Series Prefix: UAA: USB 3.1 A TYPE

Termination Type: 1 = Right Angle T/H

Connector Type: 1: Female

No. of Contact Position: 4: 36 Pos.

Halogen Free Code: H: Halogen Free

Package Code: 4: Soft Tray Package

Extension Code

Contact Area Plating: C: Gold Flash+30u" Pd/Ni Min

X. ±	X*. ±	UNITS	mm[inch]	NAME(INTENDED USE)	FOXCONN INTERCONNECT TECHNOLOGY LIMITED.
X ±0.38[.015]	X* ±	MAT'L	N/A	CUSTOMER	
.XX ±0.25[.010]	.XX* ±	FINISH	N/A	PART NO.(INTENDED USE)	CLASS: <input type="checkbox"/> CONFIDENTIAL <input type="checkbox"/> SECRET <input checked="" type="checkbox"/> GENERAL
.XXX±	.XXX*±	Q'TY	N/A	APPD: Davy Bu 7/21'18	TITLE: DUAL USB3.0 OVER DUAL USB3.1 A TYPE
THESE DRAWINGS AND SPECIFICATIONS ARE THE PROPERTY OF FOXCONN INTERCONNECT TECHNOLOGY LIMITED, AND SHALL NOT BE REPRODUCED COPIED OR USED IN ANY MANNER WITHOUT THE PRIOR WRITTEN CONSENT OF FOXCONN INTERCONNECT TECHNOLOGY LIMITED.				CHKD: Frank Gong 7/21'18	DWG NO: 327-0000-3725
				DR: Hardy Yang 7/21'18	SCALE SHEET REV. N/A 2/2 D