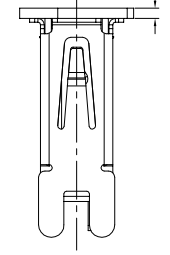
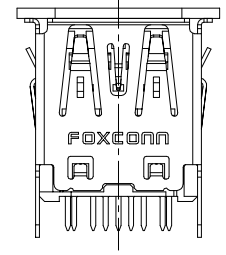
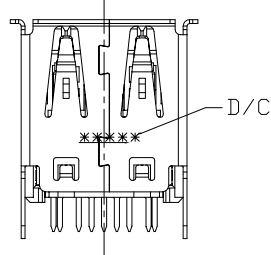
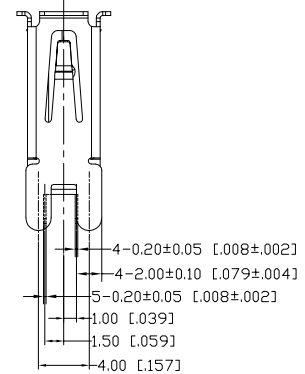
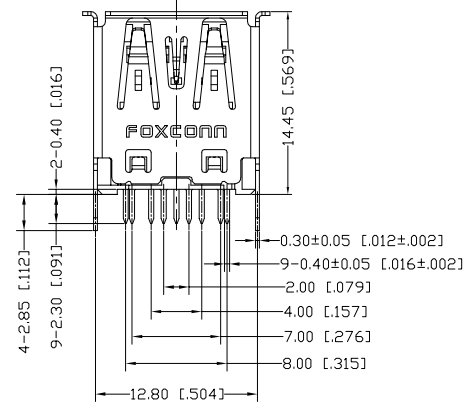
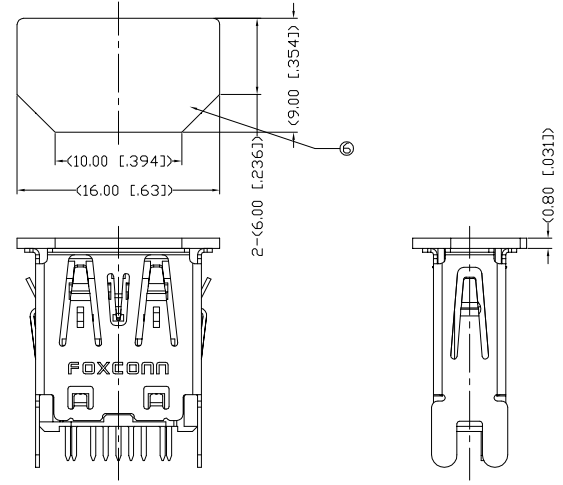
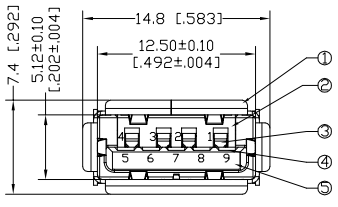
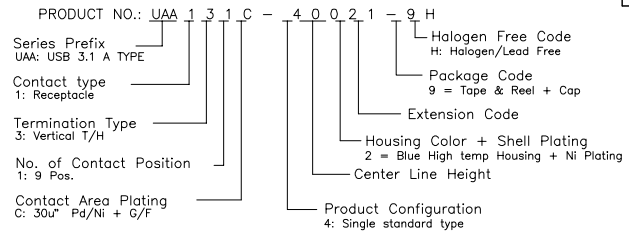


REV.	ECN. NO.	APPD.
A	BC-17-0036254	LIANG GONG

- NOTES :
- SPECIFICATION MEETS USB3.1 STANDARD SPECIFICATION.
 - ELECTRICAL CHARACTERISTIC:
 - CONTACT CURRENT RATING:
1.8 A FOR VBUS PIN AND ITS CORRESPONDING GND PIN,
0.25 A MIN FOR ALL OTHER CONTACTS.
 - CONTACT RESISTANCE: 30 MILLIOHMS MAX. FOR VBUS AND
GND CONTACTS. 50 MILLIOHMS MAX. FOR OTHER CONTACTS.
 - DIELECTRIC WITHSTANDING VOLTAGE: 100VAC MIN.
 - INSULATION RESISTANCE: 100 MEGOHMS MIN.
 - MECHANICAL CHARACTERISTIC:
 - CONNECTOR INSERTION FORCE: 35N MAX.
AT A MAXIMUM RATE OF 12.5MM PER MINUTE.
 - CONNECTOR EXTRACTION FORCE: 10N MIN INITIAL,
8N MIN AFTER DURABILITY.
AT A MAXIMUM RATE OF 12.5MM PER MINUTE.
 - DURABILITY: 5000 CYCLES.
 - OPERATING TEMPERATURE: -55°C ~ +85°C.
 - DIMENSIONS ARE IN MILLIMETERS, BRACKETED DIMENSIONS
ARE INCHES EQUIVALENTS.
 - RECOMMENDED PROCESS: IR REFLOW 260°C, 10 SECONDS.
 - THE CONNECTOR IS ROHS COMPLIANT AND HALOGEN FREE .

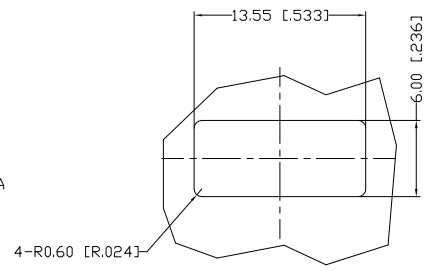
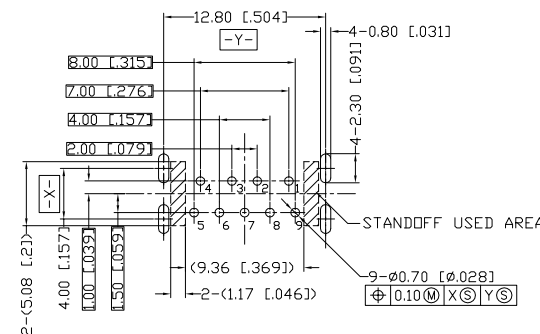


WITH COVER

PIN ASSIGNMENT:

Pin No.	1	2	3	4	5	6	7	8	9
Signal Name	VBUS	D-	D+	GND	SSRX-	SSRX+	GND_DRAIN	SSTX-	SSTX+
Remark	USB2.0 Contact Pin				USB3.1 Contact Pin				

NO.	DESCRIPTION	QTY.	MATERIAL	TREATMENT
6	COVER	1	THERMOPLASTIC UL 94V-0	MOLDED COLOR: BLACK
5	INNER INSULATOR	1	THERMOPLASTIC UL 94V-0	MOLDED COLOR: BLUE(PANTONE 300C).
4	USB3.1 CONTACT	5	COPPER ALLOY	NICKEL UNDERPLATING OVERALL; 30u" Pd/Ni + GOLD FLASH AT CONTACT AREA; TIN ALLOY AT TERMINATION.
3	USB2.0 CONTACT	4	COPPER ALLOY	
2	FRAME	1	THERMOPLASTIC UL 94V-0	MOLDED COLOR: BLUE(PANTONE 300C).
1	SHELL	1	STAINLESS STEEL	NICKEL PLATED OVERALL, TAB WITH LEAD FREE TIN ALLOY.



RECOMMENDED P.C.B LAYOUT (COMPONENT SIDE)

PCB THICKNESS: 1.60±0.05[0.063±0.002]mm
DEFAULT TOLERANCE: ±0.05[0.002]

MOUNTING PANEL CUTOUT

UNITS mm[inch]

MAT'L N/A

FINISH N/A

Q'TY N/A

NAME (INTENDED USE)
CUSTOMER

PART NO. (INTENDED USE)
UAA131C-40021-9H

APPD: Dean Zhang 11/25/17

CHKD: Frank Gong 11/25/17

DR: KeJi Song 11/25/17

CLASS:
 CONFIDENTIAL SECRET GENERAL

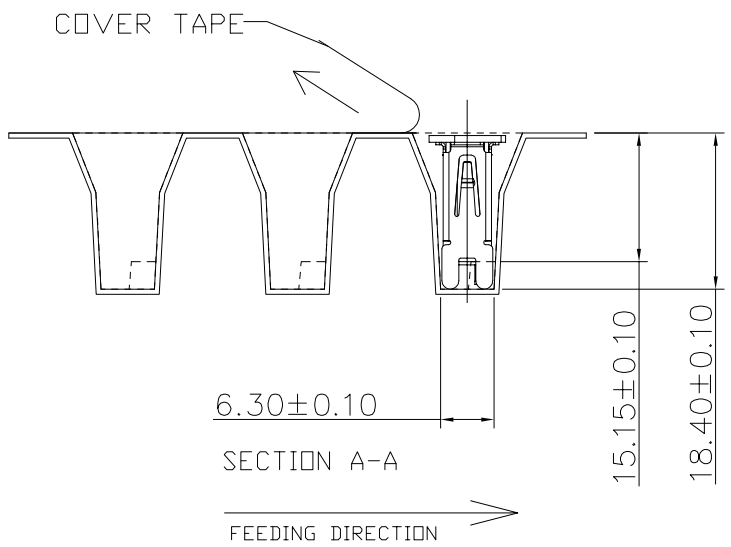
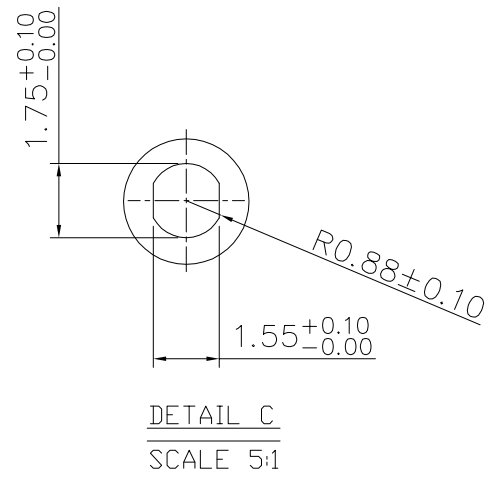
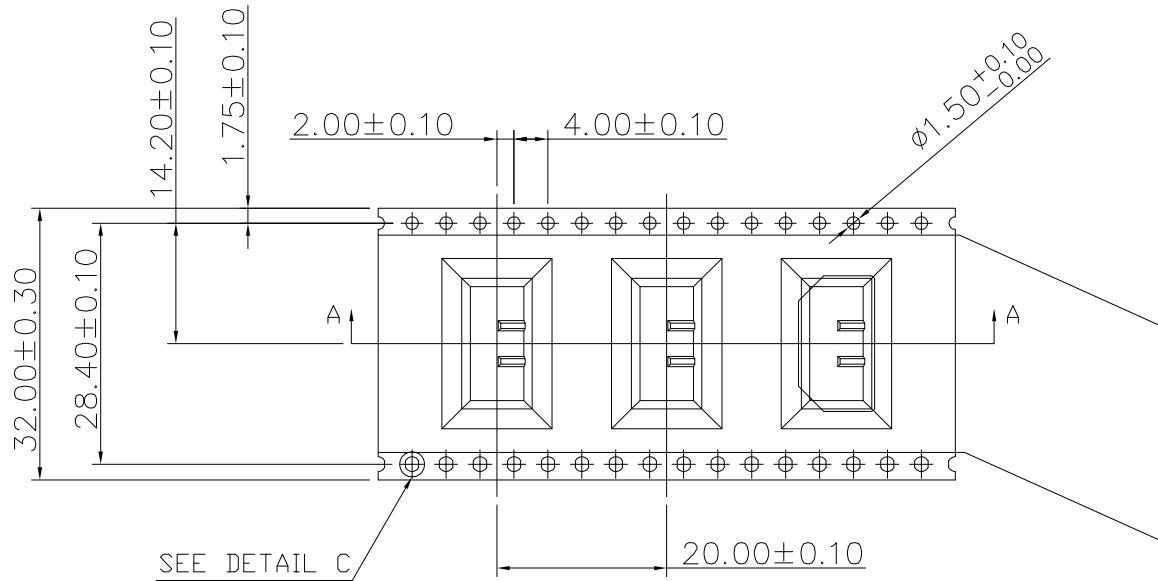
TITLE: USB 3.1 STANDARD-A VERTICAL TYPE RECEPTACLE

DWG NO.: 327-0000-3757


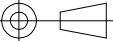
SCALE SHEET REV.
N/A 1/2 A

FOXCINN INTERCONNECT TECHNOLOGY LIMITED.

THESE DRAWINGS AND SPECIFICATIONS ARE THE PROPERTY OF FOXCINN INTERCONNECT TECHNOLOGY LIMITED, AND SHALL NOT BE REPRODUCED COPIED OR USED IN ANY MANNER WITHOUT THE PRIOR WRITTEN CONSENT OF FOXCINN INTERCONNECT TECHNOLOGY LIMITED.



- NOTES:
- 10 POCKETS HOLE PITCH CUMULATIVE TOLERANCE ± 0.20 mm.
 - NUMBER OF CONNECTORS IS 180 PCS/REEL.
 - COVER TAPE PEELING STRENGTH IS 0.01~0.13 kgf MEASURED AT AN ANGLE OF 165 TO 180 DEGREES WITH RESPECT TO THE CARRIER ALONG THE LONGITUDINAL AXIS, AT SPEED OF 300 ± 10 MM/MIN.

X.±	X°±	UNITS	mm[inch]	NAME(INTENDED USE)	 FIT FOXCONN INTERCONNECT TECHNOLOGY LIMITED.		
.X± 0.38[.015]	.X°±	MAT'L	N/A	CUSTOMER			
.XX± 0.25[.010]	.XX°±	FINISH	N/A	PART NO.(INTENDED USE)	CLASS: <input type="checkbox"/> CONFIDENTIAL <input type="checkbox"/> SECRET <input checked="" type="checkbox"/> GENERAL		
.XXX±	.XXX°±			APPD: Dean Zhang 11/25/17	TITLE: USB 3.1 STANDARD-A VERTICAL TYPE RECEPTACLE		
THESE DRAWINGS AND SPECIFICATIONS ARE THE PROPERTY OF FOXCONN INTERCONNECT TECHNOLOGY LIMITED. AND SHALL NOT BE REPRODUCED COPIED OR USED IN ANY MANNER WITHOUT THE PRIOR WRITTEN CONSENT OF FOXCONN INTERCONNECT TECHNOLOGY LIMITED.				Q'TY	N/A		
				CHKD: Frank Gong 11/25/17	DWG NO.:	327-0000-3757	
				DR: KeJi Song 11/25/17	SCALE	SHEET	REV.
					N/A	2/2	A