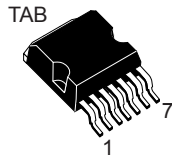
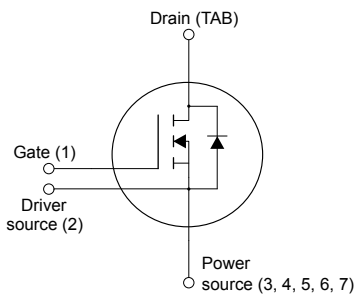


Automotive-grade silicon carbide Power MOSFET, 650 V, 95 A, 20 mΩ (typ., $T_J = 25\text{ }^\circ\text{C}$) in an H²PAK-7 package


H²PAK-7



N-chG1DS2PS34567DTAB


Product status link
[SCTH100N65G2-7AG](#)
Product summary

Order code	SCTH100N65G2-7AG
Marking	100N65AG
Package	H ² PAK-7
Packing	Tape and reel

Features

Order code	V_{DS}	$R_{DS(on)}$ typ.	I_D
SCTH100N65G2-7AG	650 V	20 mΩ	95 A

- AEC-Q101 qualified 
- Very fast and robust intrinsic body diode
- Low capacitance

Applications

- Traction inverters
- DC-DC converters
- OBC

Description

This silicon carbide Power MOSFET device has been developed using ST's advanced and innovative 2nd generation SiC MOSFET technology. The device features remarkably low on-resistance per unit area and very good switching performance.

1 Electrical ratings

Table 1. Absolute maximum ratings

Symbol	Parameter	Value	Unit
V_{GS}	Gate-source voltage	-10 to 22	V
	Gate-source voltage (recommended operational values)	-5 to 18	
V_{DS}	Drain-source voltage	650	V
I_D	Drain current (continuous) at $T_C = 25\text{ °C}$	95	A
	Drain current (continuous) at $T_C = 100\text{ °C}$	65	
$I_D^{(1)}$	Drain current (pulsed)	260	A
P_{TOT}	Total power dissipation at $T_C = 25\text{ °C}$	360	W
T_{stg}	Storage temperature range	-55 to 175	°C
T_J	Operating junction temperature range		°C

1. Pulse width is limited by safe operating area.

Table 2. Thermal data

Symbol	Parameter	Value	Unit
$R_{thj-case}$	Thermal resistance junction-case	0.42	°C/W
$R_{thj-amb}$	Thermal resistance junction-ambient	50	°C/W

2 Electrical characteristics

($T_{CASE} = 25\text{ °C}$ unless otherwise specified)

Table 3. On/off states

Symbol	Parameter	Test conditions	Min.	Typ.	Max.	Unit
$V_{(BR)DSS}$	Drain-source breakdown voltage	$V_{GS} = 0\text{ V}, I_D = 1\text{ mA}$	650			V
I_{DSS}	Zero gate voltage drain current	$V_{GS} = 0\text{ V}, V_{DS} = 650\text{ V}$		1	10	μA
		$V_{GS} = 0\text{ V}, V_{DS} = 650\text{ V}, T_J = 175\text{ °C}$		25		
I_{GSS}	Gate-body leakage current	$V_{DS} = 0\text{ V}, V_{GS} = 22\text{ V}, T_J = 175\text{ °C}$		20		nA
$V_{GS(th)}$	Gate threshold voltage	$V_{DS} = V_{GS}, I_D = 5\text{ mA}$	1.9	3.1	5	V
$R_{DS(on)}$	Static drain-source on-resistance	$V_{GS} = 18\text{ V}, I_D = 50\text{ A}$		20	26	m Ω
		$V_{GS} = 18\text{ V}, I_D = 50\text{ A}, T_J = 175\text{ °C}$		32		

Table 4. Dynamic

Symbol	Parameter	Test conditions	Min.	Typ.	Max.	Unit
C_{iss}	Input capacitance	$V_{DS} = 520\text{ V}, f = 1\text{ MHz}, V_{GS} = 0\text{ V}$	-	3315	-	pF
C_{oss}	Output capacitance		-	267	-	pF
C_{rSS}	Reverse transfer capacitance		-	46	-	pF
Q_g	Total gate charge	$V_{DS} = 520\text{ V}, V_{GS} = -5\text{ to }18\text{ V}, I_D = 50\text{ A}$	-	162	-	nC
Q_{gs}	Gate-source charge		-	45	-	nC
Q_{gd}	Gate-drain charge		-	49	-	nC
R_g	Gate input resistance	$f = 1\text{ MHz}, I_D = 0\text{ A}$	-	1	-	Ω

Table 5. Switching energy

Symbol	Parameter	Test conditions	Min.	Typ.	Max.	Unit
E_{on}	Turn-on switching energy	$V_{DD} = 520\text{ V}, I_D = 50\text{ A}$	-	486	-	μJ
E_{off}	Turn-off switching energy	$R_G = 10\text{ }\Omega, V_{GS} = -5\text{ to }18\text{ V}$	-	506	-	μJ

Table 6. Reverse SiC diode characteristics

Symbol	Parameter	Test conditions	Min.	Typ.	Max.	Unit
V_{SD}	Diode forward voltage	$I_F = 30 \text{ A}$, $V_{GS} = 0 \text{ V}$	-	3.5	-	V
t_{rr}	Reverse recovery time	$I_{SD} = 50 \text{ A}$, $di/dt = 2140 \text{ A}/\mu\text{s}$ $V_{DD} = 520 \text{ V}$, $R_G = 10 \Omega$, $V_{GS} = -5 \text{ V}$	-	26		ns
Q_{rr}	Reverse recovery charge		-	370	-	nC
I_{RRM}	Reverse recovery current		-	24	-	A

2.1 Electrical characteristics (curves)

Figure 1. Safe operating area

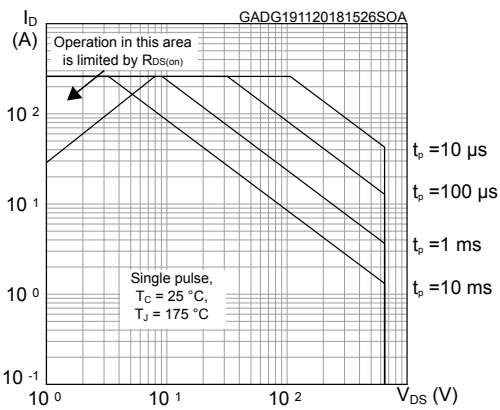


Figure 2. Thermal impedance

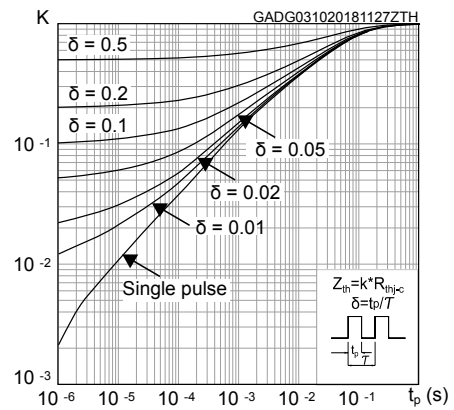


Figure 3. Output characteristics ($T_J = 25^\circ C$)

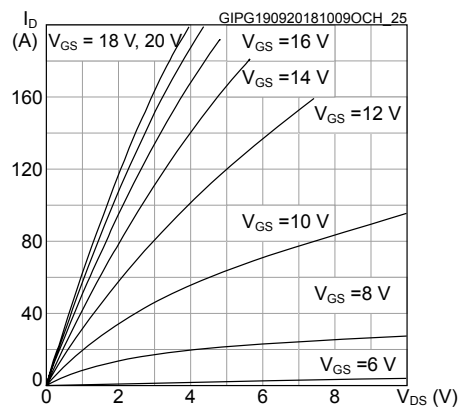


Figure 4. Output characteristics ($T_J = 175^\circ C$)

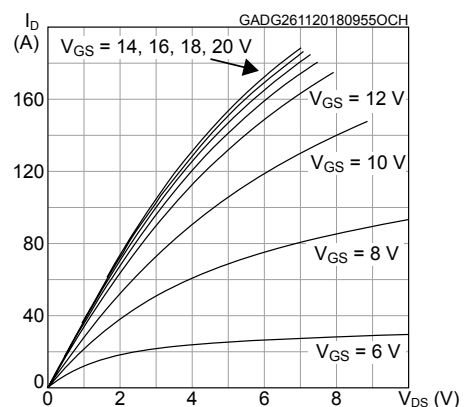


Figure 5. Transfer characteristics

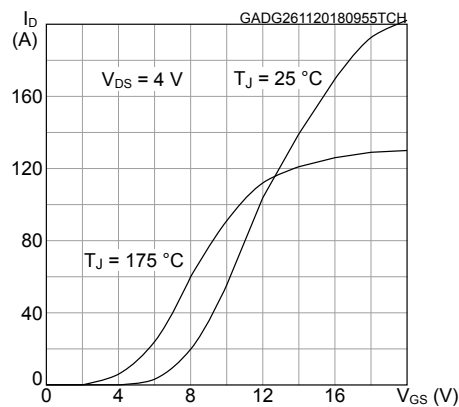


Figure 6. Power dissipation

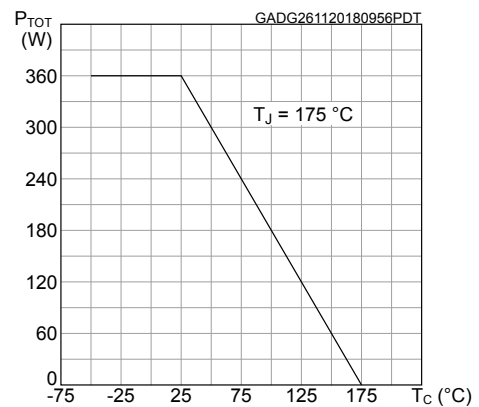


Figure 7. Gate charge vs gate-source voltage

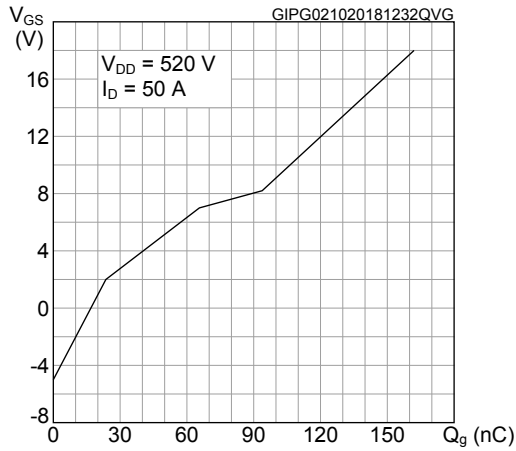


Figure 8. Capacitance variations

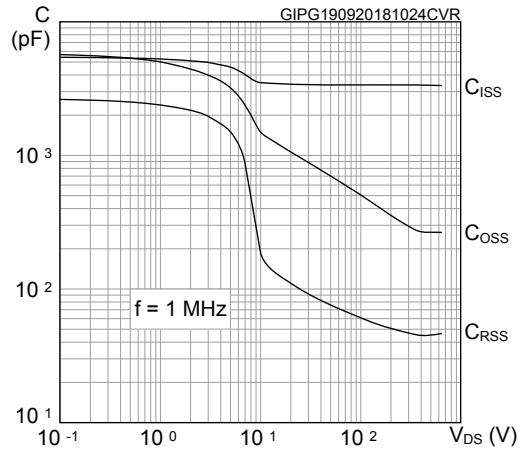


Figure 9. Switching energy vs drain current

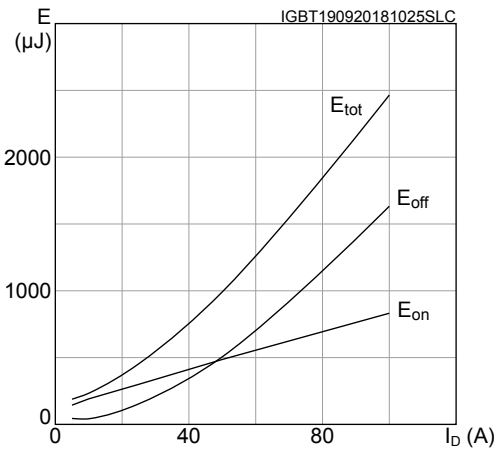


Figure 10. Normalized $V_{(BR)DSS}$ vs temperature

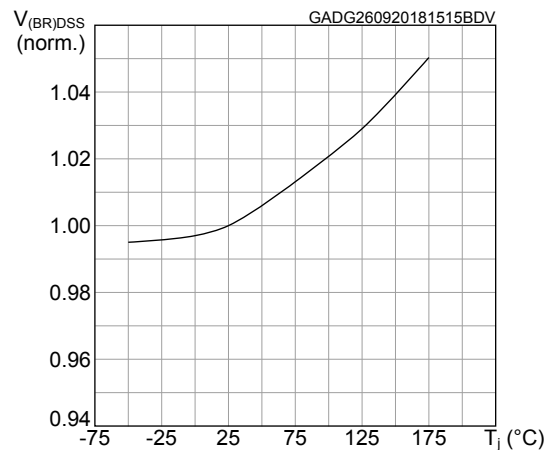


Figure 11. Normalized gate threshold voltage

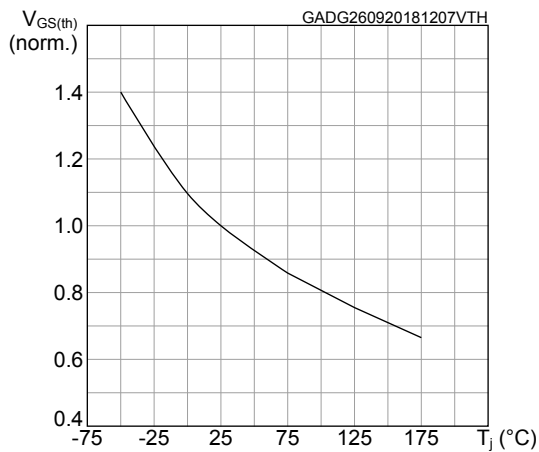


Figure 12. Switching energy vs junction temperature

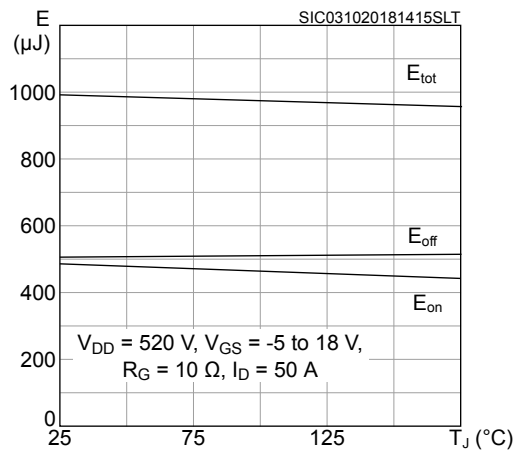


Figure 13. Switching energy vs gate resistance

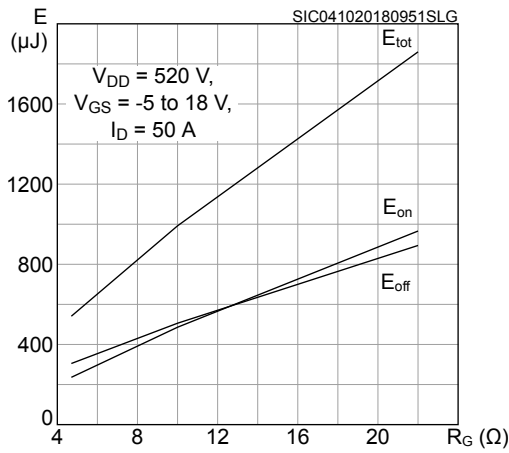


Figure 14. Normalized on-resistance vs temperature

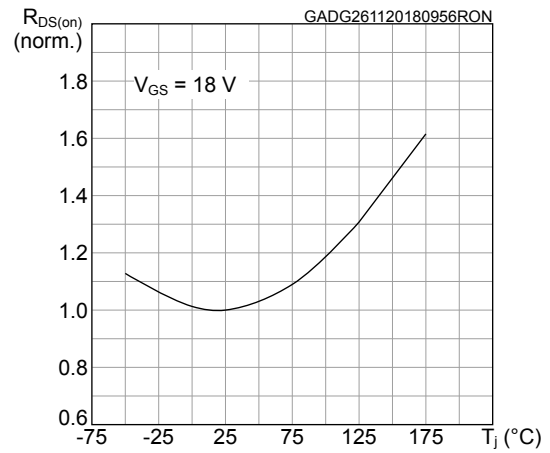


Figure 15. Body diode characteristics ($T_J = 25^{\circ}\text{C}$)

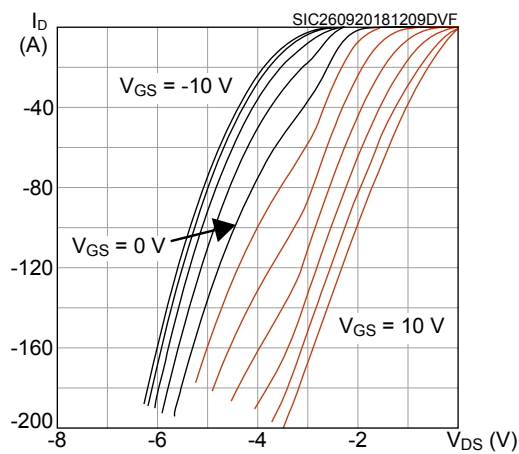
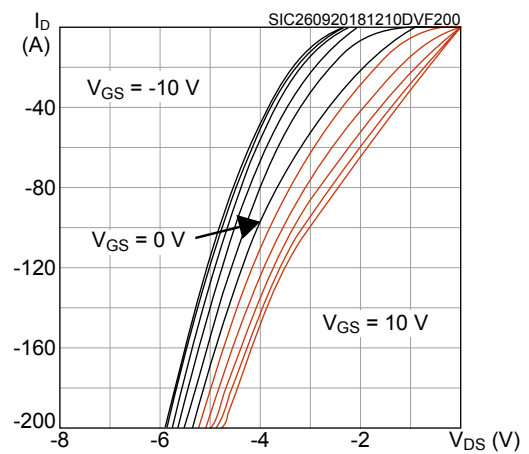


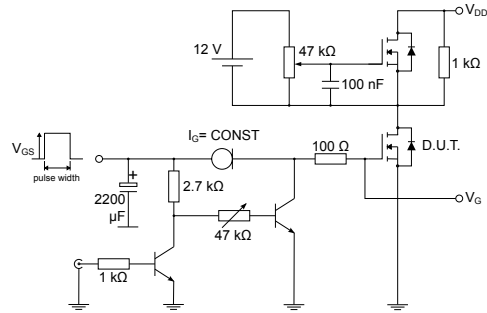
Figure 16. Body diode characteristics ($T_J = 175^{\circ}\text{C}$)



3 Test circuits

Figure 17. Test circuit for resistive load switching times


AM01468v1

Figure 18. Test circuit for gate charge behavior


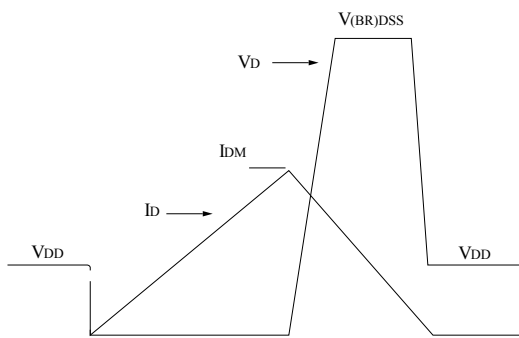
AM01469v1

Figure 19. Test circuit for inductive load switching and diode recovery times


AM01470v1

Figure 20. Unclamped inductive load test circuit


AM01471v1

Figure 21. Unclamped inductive waveform


AM01472v1

Figure 22. Switching time waveform

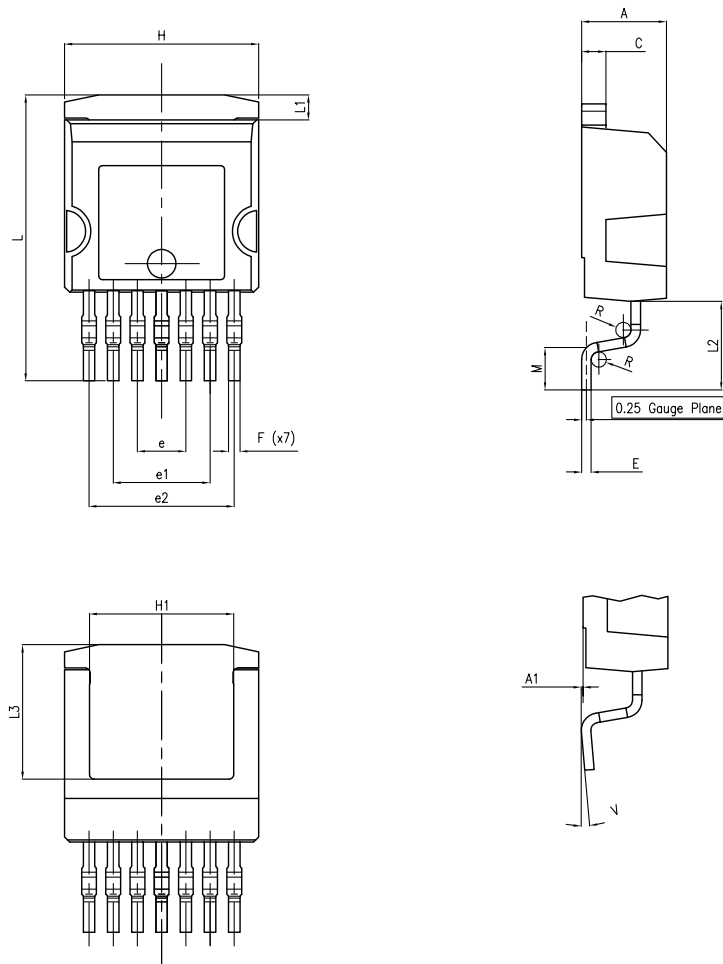

AM01473v1

4 Package information

In order to meet environmental requirements, ST offers these devices in different grades of **ECOPACK®** packages, depending on their level of environmental compliance. ECOPACK® specifications, grade definitions and product status are available at: www.st.com. ECOPACK® is an ST trademark.

4.1 H²PAK-7 package information

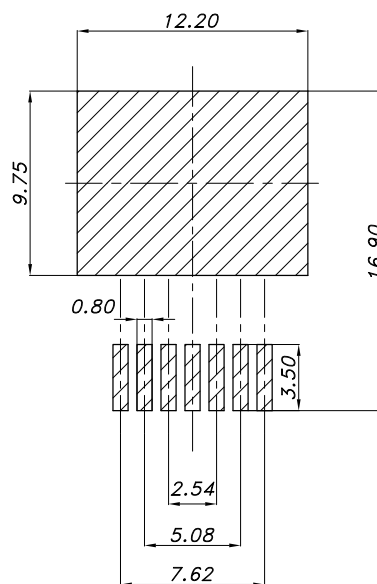
Figure 23. H²PAK-7 package outline



DM00249216_4

Table 7. H²PAK-7 package mechanical data

Dim.	mm	
	Min.	Max.
A	4.30	4.80
A1	0.03	0.20
C	1.17	1.37
e	2.34	2.74
e1	4.88	5.28
e2	7.42	7.82
E	0.45	0.60
F	0.50	0.70
H	10.00	10.40
H1	7.40	7.60
L	14.75	15.25
L1	1.27	1.40
L2	4.35	4.95
L3	6.85	7.25
M	1.90	2.50
R	0.20	0.60
V	0°	8°

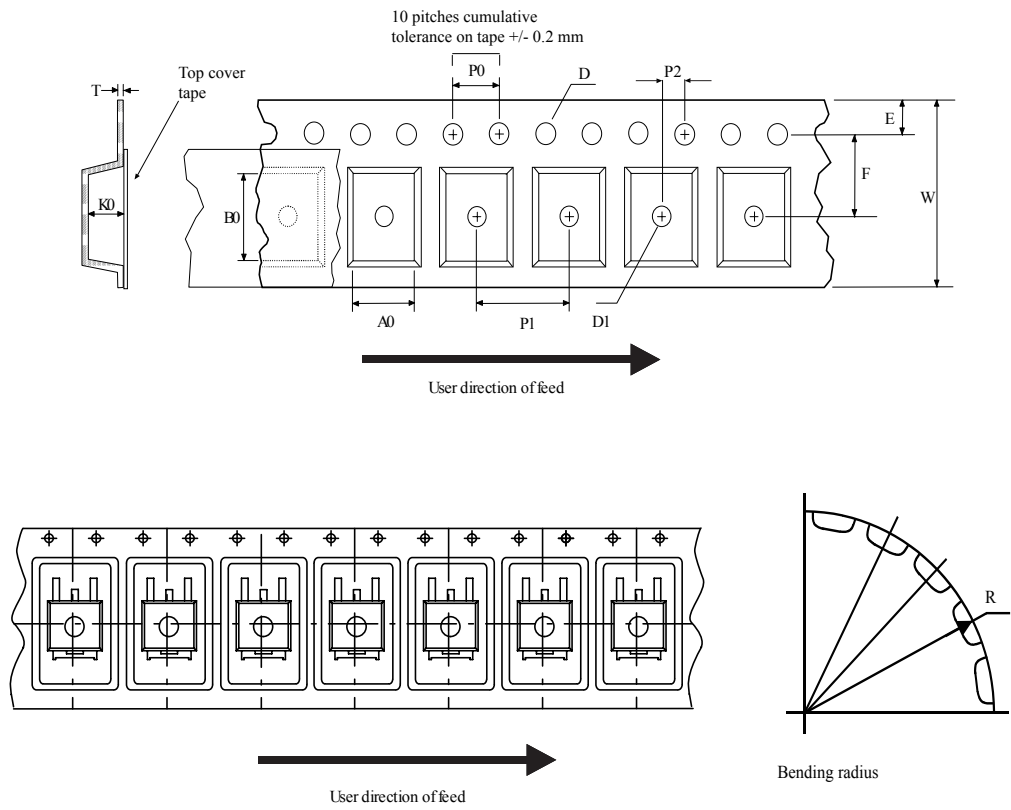
Figure 24. H²PAK-7 recommended footprint


footprint_DM00249216_4

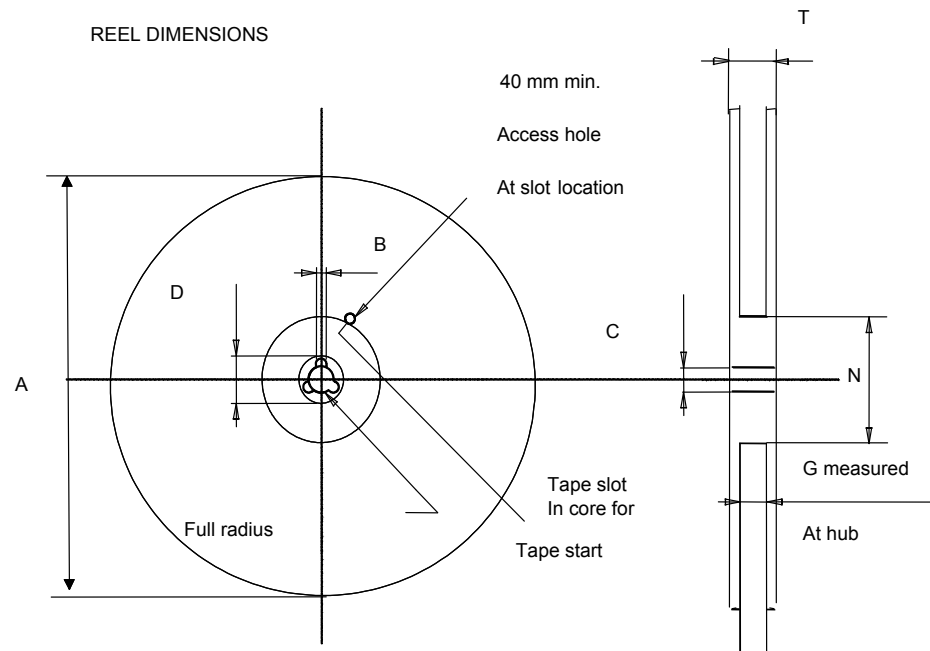
Note: Dimensions are in mm.

4.2 Packing information

Figure 25. Tape outline



AM08852v2

Figure 26. Reel outline

Table 8. Tape and reel mechanical data

Dim.	Tape		Dim.	Reel	
	mm			mm	
	Min.	Max.		Min.	Max.
A0	10.5	10.7	A		330
B0	15.7	15.9	B	1.5	
D	1.5	1.6	C	12.8	13.2
D1	1.59	1.61	D	20.2	
E	1.65	1.85	G	24.4	26.4
F	11.4	11.6	N	100	
K0	4.8	5.0	T		30.4
P0	3.9	4.1			
P1	11.9	12.1	Base quantity		1000
P2	1.9	2.1	Bulk quantity		1000
R	50				
T	0.25	0.35			
W	23.7	24.3			

Revision history

Table 9. Document revision history

Date	Version	Changes
27-Nov-2018	1	First release.

Contents

1	Electrical ratings	2
2	Electrical characteristics	3
2.1	Electrical characteristics (curves)	5
3	Test circuits	8
4	Package information	9
4.1	H ² PAK-7 package information	9
4.2	Packing information	10
	Revision history	13

IMPORTANT NOTICE – PLEASE READ CAREFULLY

STMicroelectronics NV and its subsidiaries (“ST”) reserve the right to make changes, corrections, enhancements, modifications, and improvements to ST products and/or to this document at any time without notice. Purchasers should obtain the latest relevant information on ST products before placing orders. ST products are sold pursuant to ST’s terms and conditions of sale in place at the time of order acknowledgement.

Purchasers are solely responsible for the choice, selection, and use of ST products and ST assumes no liability for application assistance or the design of Purchasers’ products.

No license, express or implied, to any intellectual property right is granted by ST herein.

Resale of ST products with provisions different from the information set forth herein shall void any warranty granted by ST for such product.

ST and the ST logo are trademarks of ST. All other product or service names are the property of their respective owners.

Information in this document supersedes and replaces information previously supplied in any prior versions of this document.

© 2018 STMicroelectronics – All rights reserved