

ChargerAssembly

the future lies in e-mobility

Electro-mobility is the most efficient way of decreasing usage of fossil fuels and reduce man-made CO₂ emmissions. Amphenol Tuchel Industrial is continuously working on the EV solution and supporting this process direct from Amphenol CZ production. HVCO(High Voltage Coupler Outlet) series is compliant with IEC 62196-2 and IEC 62196-3.

mechanical conditions

- mating cycles > 10 000 cycles unloaded
- insertion / withdrawal force <100N

electrical conditions

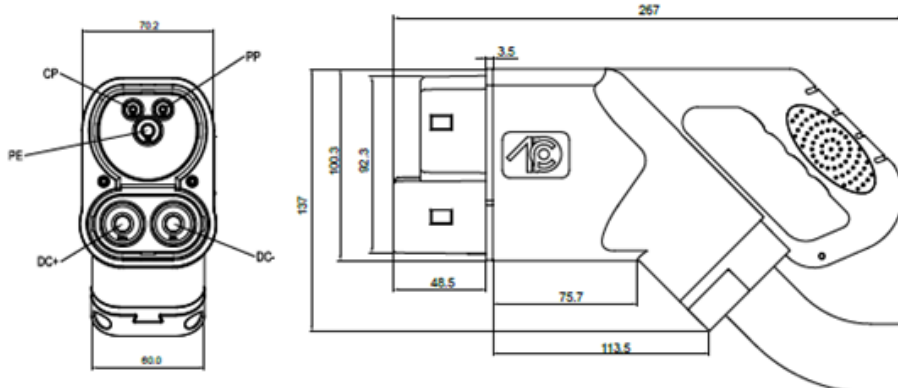
- rated current 65A, 125A, 200A,
(depending on cable, see next page) 400A @ +40°C (continuous)
- rated voltage 1000V DC
- insulation resistance > 100MΩ
- temperature sensor PT1000
(applied on power contacts DC+ and DC-)

environmental conditions

- protection degree IP44 (mated)
- operating temperature -30°C to +50°C

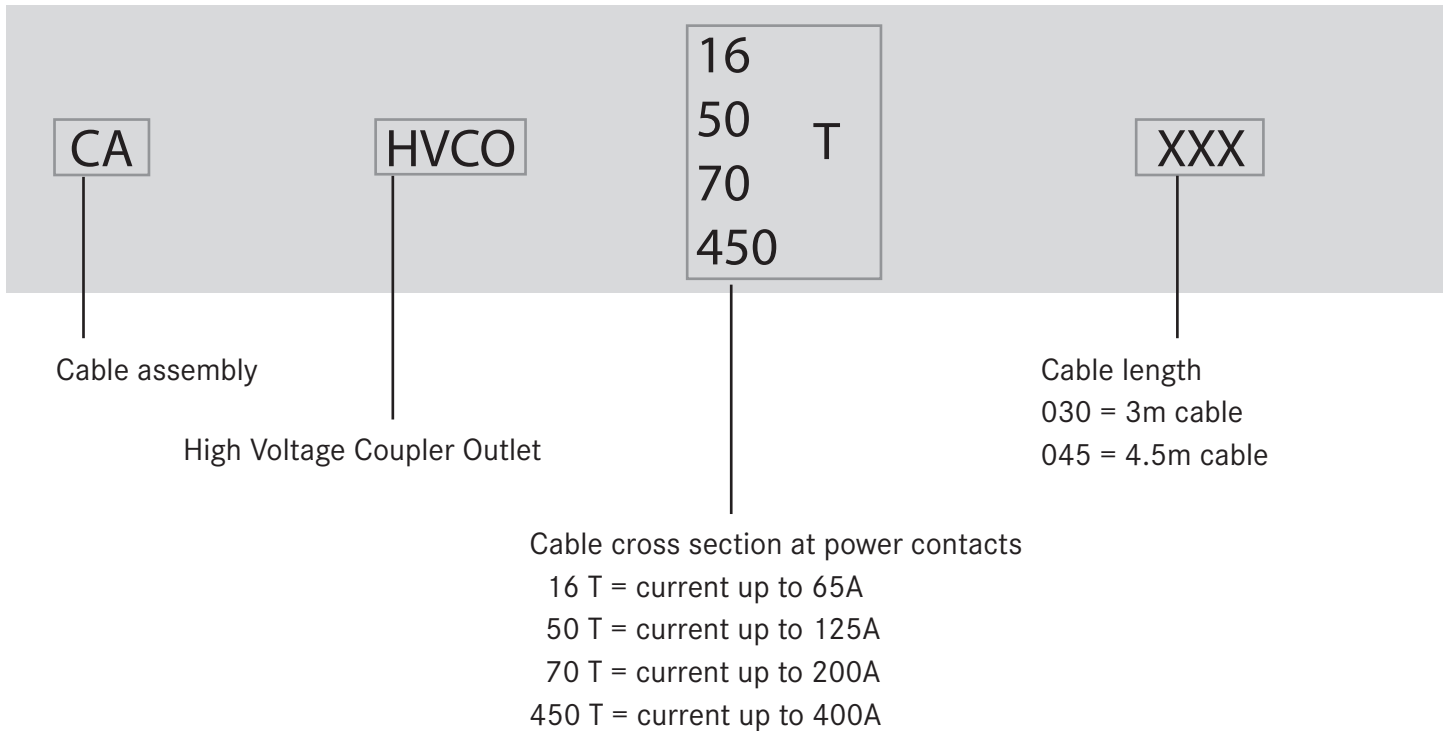
material

- shell nylon
- contact cooper alloy, silver plating
- inserts thermoplastic
- Insulator inflammability UL94V0



Functions
PE (Protective Ground/Earth)
CP (Control pilot)
PP (Proximity)
DC+ (High power d.c.)
DC- (High power d.c.)

How to order



Cable specification

operating temperature -40°C ...+90°C	bending radius 6 x D
65A cable	
Ø D 19,5 mm	PE contacts: 16mm ² DC contacts: 2*16mm ²

operating temperature -40°C ...+90°C	bending radius 10 x D
125A cable	
Ø D 29,3 mm	PE contacts: 25mm ² DC contacts: 2*50mm ²

operating temperature -40°C ...+80°C	bending radius 10 x D
200A cable	
Ø D 31,8 mm	PE contacts: 25mm ² DC contacts: 2*70mm ²

operating temperature -40°C ...+90°C	bending radius 10 x D
400A cable	
Ø D 36,5 mm	PE contacts: 50mm ² DC contacts: 4*50mm ²