

THE INFORMATION CONTAINED HEREIN IS CONSIDERED "PROPRIETARY" TO BEL FUSE INC. AND SHALL NOT BE COPIED, REPRODUCED OR DISCLOSED WITHOUT THE WRITTEN APPROVAL OF BEL FUSE INC.

RoHS



LED 2 & 4 POLARITY			LED 1 & 3 POLARITY		
PIN 11	PIN 12	COLOR	PIN 13	PIN 14	COLOR
-	+	YELLOW	-	+	YELLOW
+	-	GREEN	+	-	GREEN

ELECTRICAL CHARACTERISTICS @ 25°C

URNS RATIO

TP1	1CT : 1CT ±2%
TP2	1CT : 1CT ±2%
TP3	1CT : 1CT ±2%
TP4	1CT : 1CT ±2%

QCL @ 100kHz/100mVRMS

8mA DC BIAS 350µH MIN.

INS. LOSS

0.1MHz TO 1MHz	-1.1 dB MAX
1MHz TO 65MHz	-0.5 dB MAX
65MHz TO 100MHz	-0.8 dB MAX
100MHz TO 125MHz	-1.2 dB MAX

RET. LOSS (MIN) @ 100ΩHMS ±15%

0.5MHz-40MHz	-18 dB
40MHz-100MHz	-12+20LOG(f/80MHz) dB

CM TO CM REJ

100kHz - 100MHz -30 dB MIN

CM TO DM REJ

100kHz - 100MHz -35 dB MIN

HIPOT (Isolation Voltage):

RJ1-8 TO SHIELD 1500 Vrms

RJ1-8 TO PIN1-10 1500 Vrms

PIN1-14 TO SHIELD 800 VDC

100% OF PRODUCTION TESTED TO COMPLY WITH

IEEE 802.3 ISOLATION REQUIREMENTS.

LEDS 1, 2, 3 AND 4

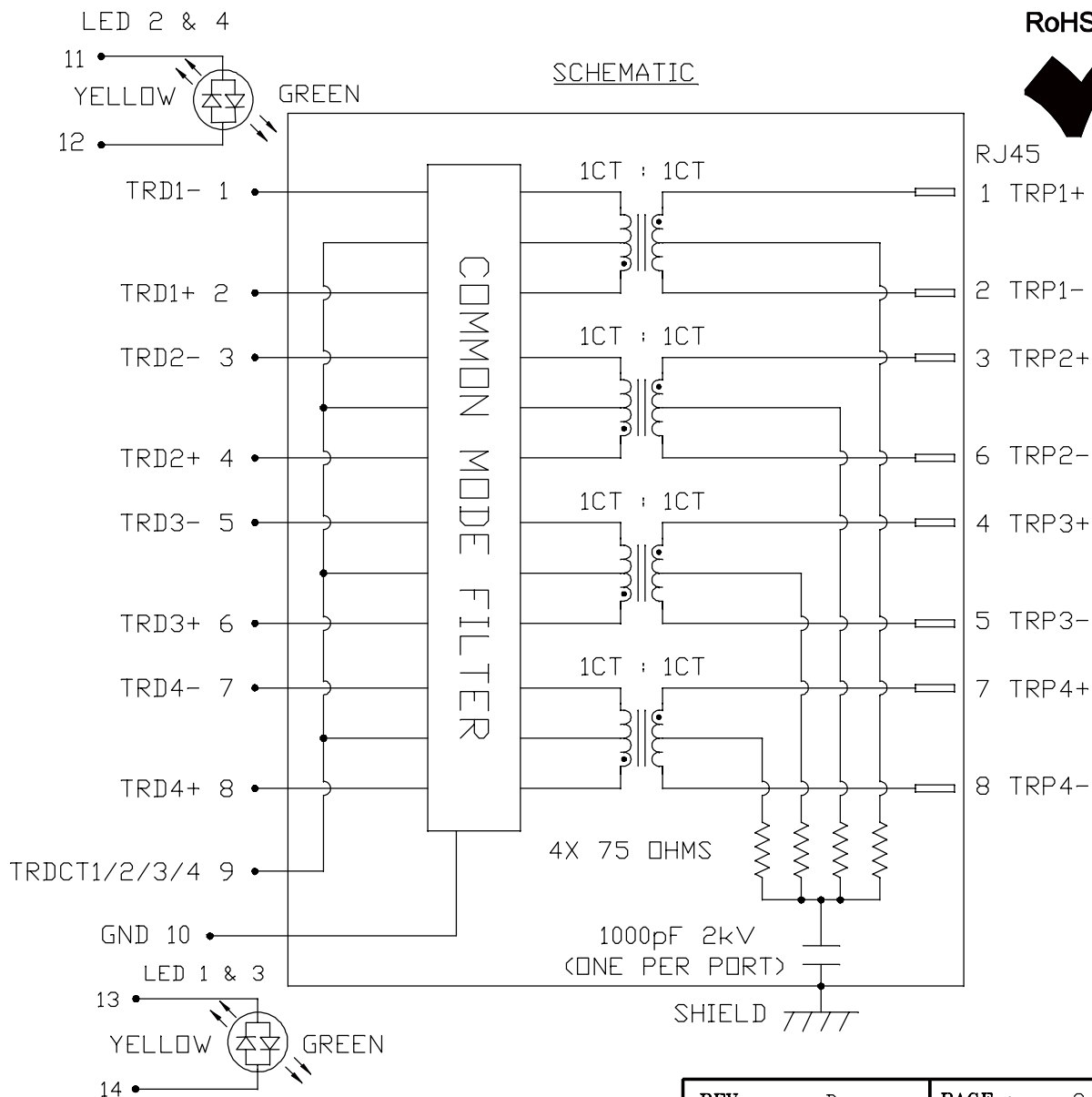
VF (FORWARD VOLTAGE) IF=20mA GREEN 2.2V TYP.

IF=20mA YELLOW 2.1V TYP.

λD (DOMINANT WAVELENGTH) IF=20mA GREEN 570nm TYP.

IF=20mA YELLOW 590nm TYP.

OPERATING TEMPERATURE: -40°C TO 85°C



ORIGINATED BY
CHOW WANCHUNG

DATE 2016-04-15

DRAWN BY
MURPHY LEE

DATE 2016-04-15

TITLE

2X2 gigabit MagJack®
WITH UPPER AND LOWER LED
(8 Cores, Extend Temp.)
PATENTED

PART NO. / DRAWING NO.

0879-2C2R-DA

FILE NAME

0879-2C2R-DA_B.DWG

STANDARD DIM.
TOL. IN INCH

.X

.XX

.XXX

[] METRIC DIM.
AS REF.

UNIT : INCH [mm]

SCALE : N/A

SIZE : A4

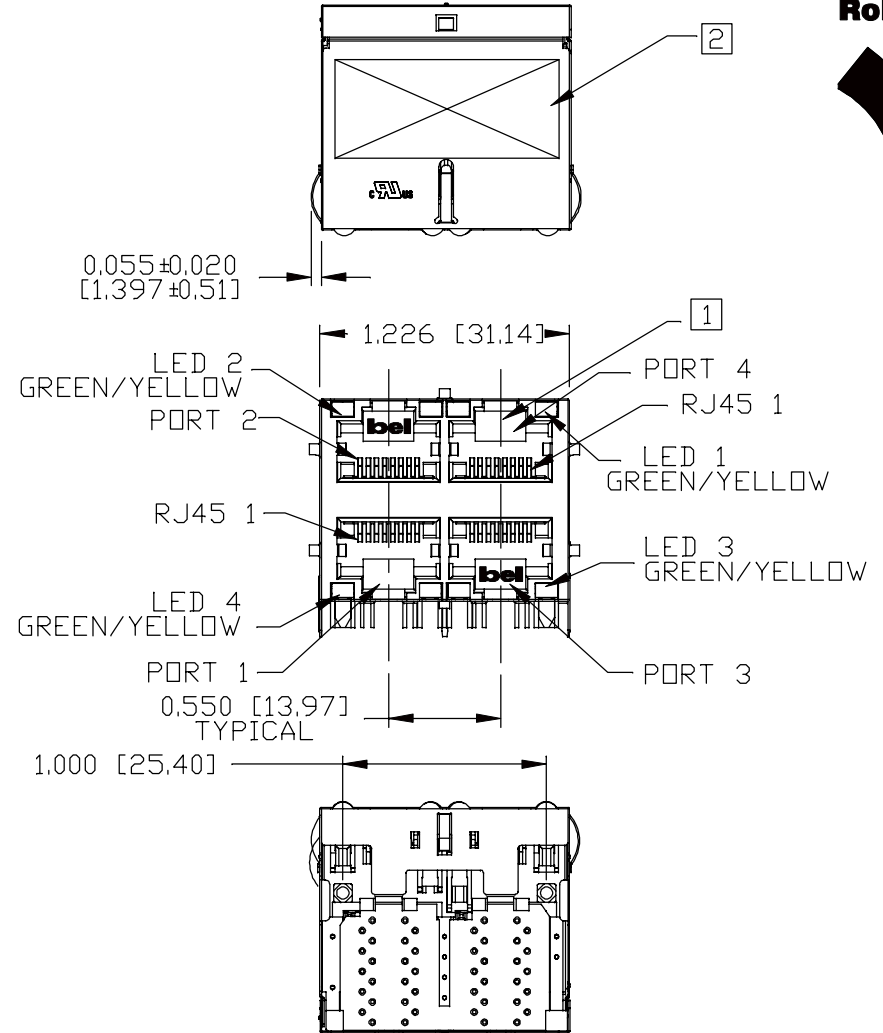
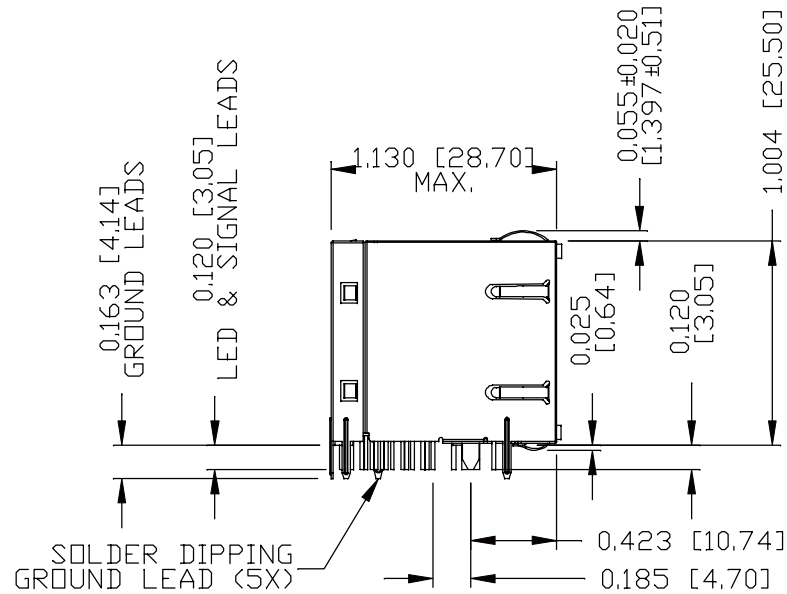
REV. : B

PAGE : 2



THE INFORMATION CONTAINED HEREIN IS CONSIDERED "PROPRIETARY" TO BEL FUSE INC. AND SHALL NOT BE COPIED, REPRODUCED OR DISCLOSED WITHOUT THE WRITTEN APPROVAL OF BEL FUSE INC.

RoHS




NOTES:

PLASTIC HOUSING: THERMOPLASTIC PBT
 FLAMMABILITY RATING UL 94V-0
 CONTACT PLATING: 50 MICRO-INCH HARD GOLD PLATING
 OR EQUIVALENT.
 OUTPUT PINS: TIN-COATED COPPER WIRE, DIA 0.018 INCH.
 METAL SHIELD: NICKEL PLATED ON COPPER ALLOY.
 (ALL GROUND LEADS ARE SOLDER DIPPED)

1. JACK CAVITY CONFORMS TO FCC RULES AND REGULATIONS, PART 68 SUBPART F.
2. MARK PART WITH MFG LOGO, MFG NAME, PART NUMBER, DATE CODE AND PATENTED.
3. THE PRODUCT IS RoHS COMPLIANT.

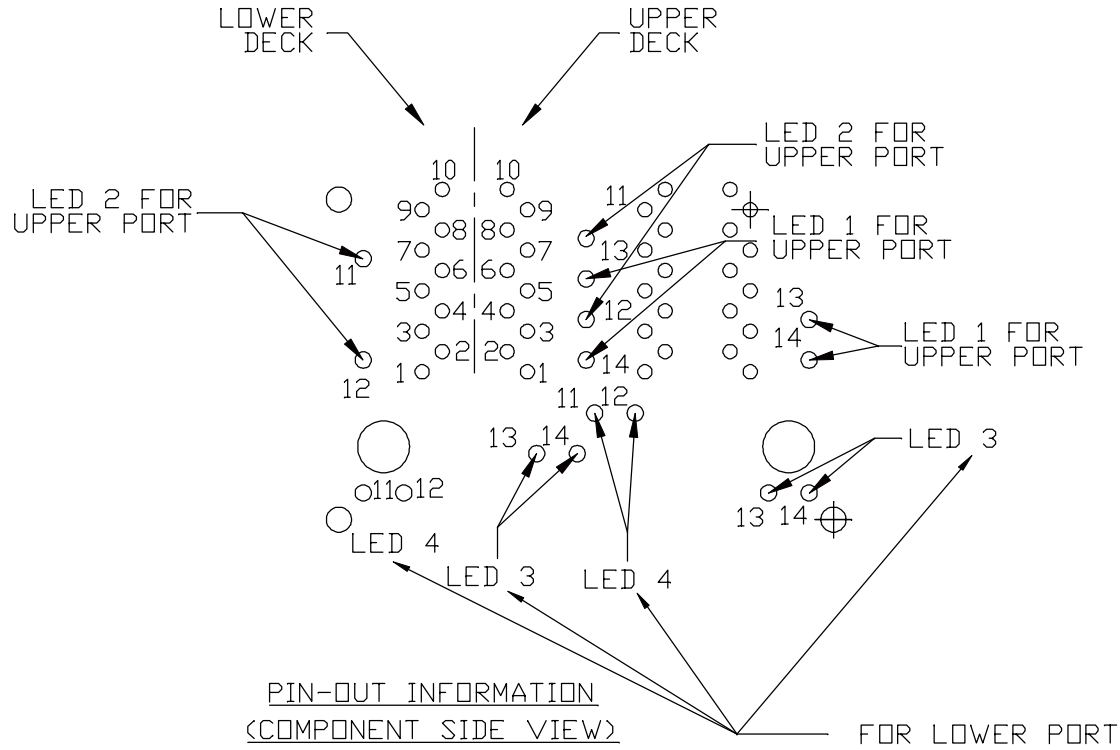
cULus UL RECOGNIZED - FILE #E196366 AND E169987.
 4. THE PRODUCT IS PATENTED. THE PATENT NUMBER ARE
 U.S. PAT. 6,840,817 AND U.S. PAT. 7,123,117.

ORIGINATED BY XUE RIPING DATE 2016-04-15	TITLE 2X2 gigabit MagJack® WITH UPPER AND LOWER LED (8 Cores, Extend Temp.) PATENTED	PART NO. / DRAWING NO. 0879-2C2R-DA	STANDARD DIM.		[] METRIC DIM.
			TOL. IN INCH		AS REF.
			.X		UNIT : INCH [mm]
			.XX		SCALE : N/A
DRAWN BY SARAH CHEN DATE 2016-04-15		FILE NAME 0879-2C2R-DA_B.DWG	.XXX	±0.010	SIZE : A4

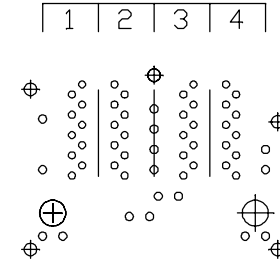
REV. : B	PAGE : 3
 a bel group	

THE INFORMATION CONTAINED HEREIN IS CONSIDERED "PROPRIETARY" TO BEL FUSE INC. AND SHALL NOT BE COPIED, REPRODUCED OR DISCLOSED WITHOUT THE WRITTEN APPROVAL OF BEL FUSE INC.

RoHS

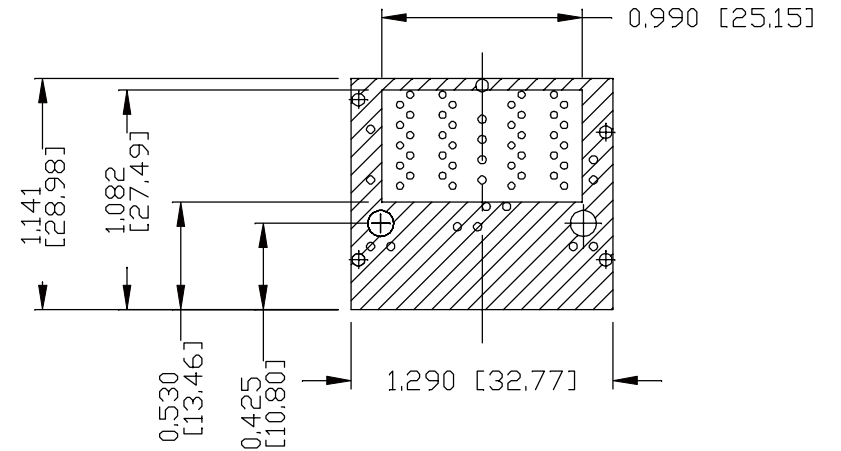


PORT ASSIGNMENT
(COMPONENT SIDE VIEW)



PIN-OUT INFORMATION
(COMPONENT SIDE VIEW)

10	GND		
9	TRCT1/2/3/4		
8	TRD 4+		
7	TRD 4-		
6	TRD 3+		
5	TRD 3-		
4	TRD 2+	14	GREEN (-) YELLOW (+)
3	TRD 2-	13	GREEN (+) YELLOW (-)
2	TRD 1+	12	GREEN (-) YELLOW (+)
1	TRD 1-	11	GREEN (+) YELLOW (-)



THE SHADED AREA ON THE CUSTOMER BOARD ARE RECOMMENDED TO BE CLEAR OFF ANY VIA HOLE OR COMPONENT PAD.

REV. :	B	PAGE :	4
--------	---	--------	---

ORIGINATED BY
XUE RIPING
DATE 2016-04-15
DRAWN BY
SARAH CHEN
DATE 2016-04-15

TITLE
2X2 gigabit MagJack®
WITH UPPER AND LOWER LED
(8 Cores, Extend Temp.)
PATENTED

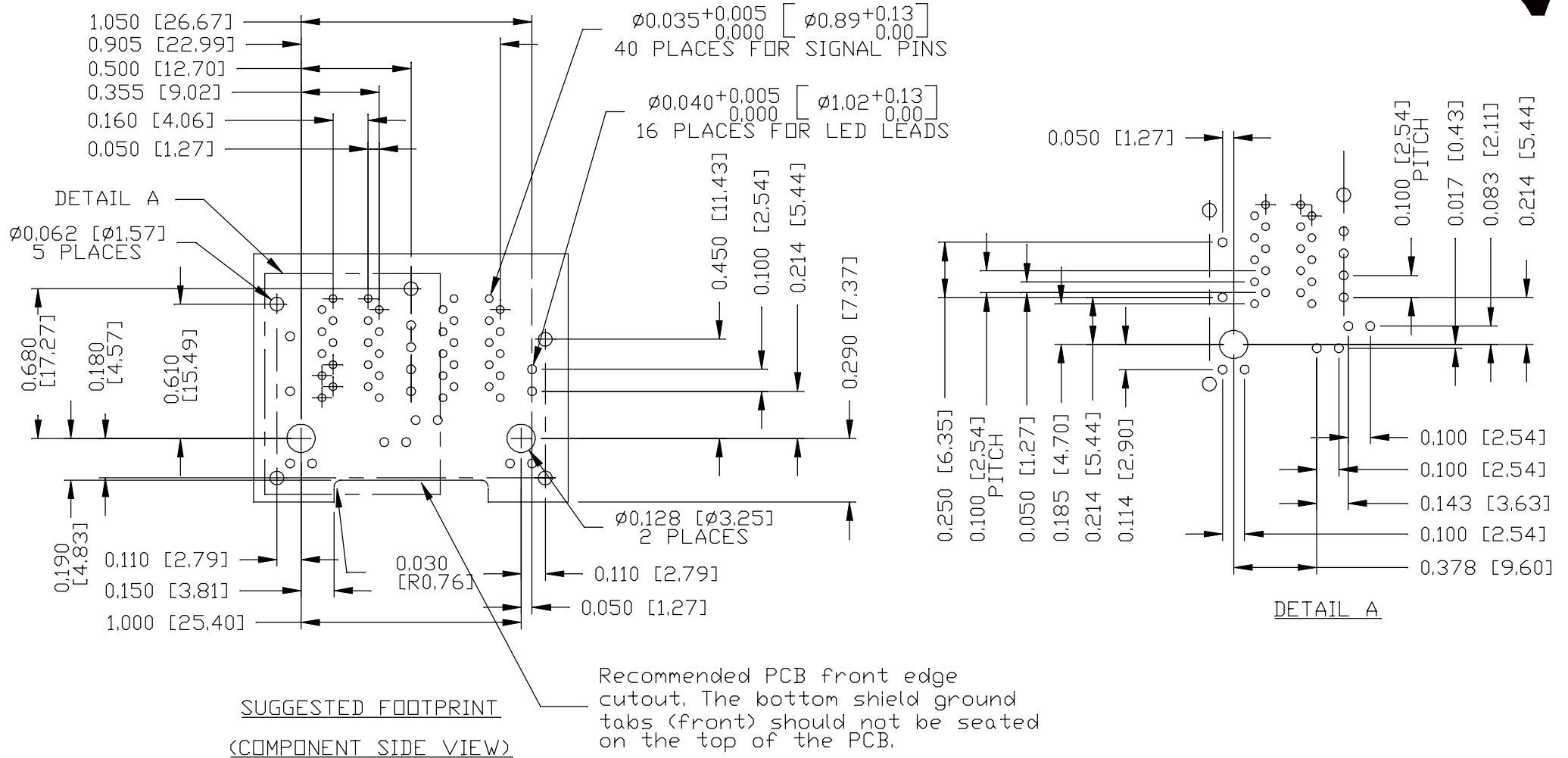
PART NO. / DRAWING NO.
0879-2C2R-DA
FILE NAME
0879-2C2R-DA_B.DWG

STANDARD DIM. TOL. IN INCH	[] METRIC DIM. AS REF.
.X	UNIT : INCH [mm]
.XX	SCALE : N/A
.XXX	±0.004
	SIZE : A4



THE INFORMATION CONTAINED HEREIN IS CONSIDERED "PROPRIETARY" TO BEL FUSE INC. AND SHALL NOT BE COPIED, REPRODUCED OR DISCLOSED WITHOUT THE WRITTEN APPROVAL OF BEL FUSE INC.

RoHS



ORIGINATED BY
XUE RIPING
DATE 2016-04-15
DRAWN BY
SARAH CHEN
DATE 2016-04-15

TITLE
2X2 gigabit MagJack®
WITH UPPER AND LOWER LED
(8 Cores, Extend Temp.)
PATENTED

PART NO. / DRAWING NO.
0879-2C2R-DA
FILE NAME
0879-2C2R-DA_B.DWG

STANDARD DIM. TOL. IN INCH	[] METRIC DIM. AS REF.
.X	UNIT : INCH [mm]
.XX	SCALE : N/A
.XXX	SIZE : A4

REV. : B PAGE : 5

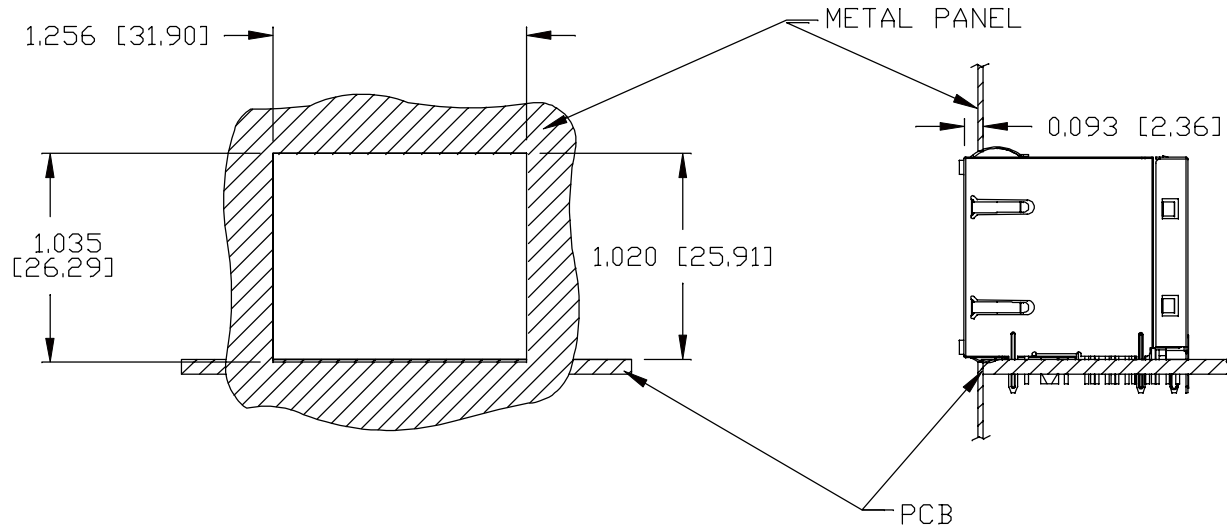
a bel group

THE INFORMATION CONTAINED HEREIN IS CONSIDERED "PROPRIETARY" TO BEL FUSE INC. AND SHALL NOT BE COPIED, REPRODUCED OR DISCLOSED WITHOUT THE WRITTEN APPROVAL OF BEL FUSE INC.

RoHS



SUGGESTED PANEL OPENING



NOTE:

THE DISTANCE OF PANEL INSIDE SURFACE RELATIVE TO FRONT SURFACE OF PART IS ONLY A SUGGESTION. IN CASE THIS DISTANCE IS DIFFERENT, THE REQUIRED PANEL OPENING DIMENSIONS CHANGE ACCORDINGLY.

PACKING INFORMATION

PACKING TRAY : 0200-9999-P5 (TOP)
0200-9999-P6 (BOTTOM)

PACKING QUANTITY : 28 PCS FINISHED GOODS PER TRAY
7 TRAYS (196 PCS FINISHED GOODS) PER CARTON BOX

NOTE : CARDBOARDS ARE PLACED BETWEEN LAYERS OF PACKING TRAY INSIDE CARTON BOX
(INCLUDE THE UPPERMOST AND LOWERMOST TRAY)

REV. : B PAGE : 6

ORIGINATED BY
XUE RIPING
DATE 2016-04-15
DRAWN BY
SARAH CHEN
DATE 2016-04-15

TITLE
2X2 gigabit MagJack®
WITH UPPER AND LOWER LED
(8 Cores, Extend Temp.)
PATENTED

PART NO. / DRAWING NO.
0879-2C2R-DA
FILE NAME
0879-2C2R-DA_B.DWG

STANDARD DIM. TOL. IN INCH	[] METRIC DIM. AS REF.
.X	UNIT : INCH [mm]
.XX	SCALE : N/A
.XXX ±0.004	SIZE : A4

