

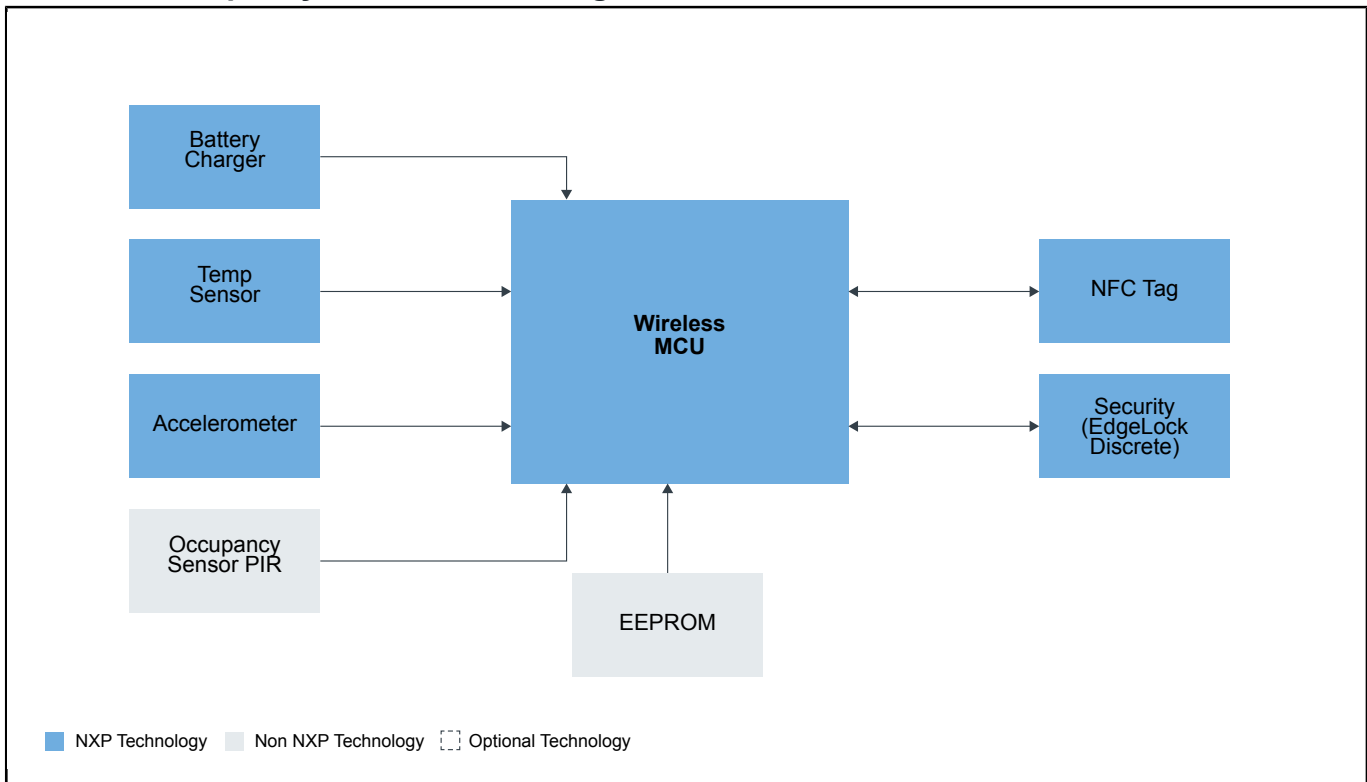


Building Security

Last Updated: Apr 27, 2023

NXP's wide portfolio offers a number of options for buildings security solutions, our wireless MCUs are the perfect choice when a battery-powered, occupancy sensor or a surveillance low-power system is required. The cost-effective crossover i.MX RT MCUs offer a great solution for video processing and data management for wireless IP video cameras. NXP's WIFI 6 modules ensure low latency and high-quality connection for IP cameras solutions.

Wireless Occupancy Sensor Block Diagram

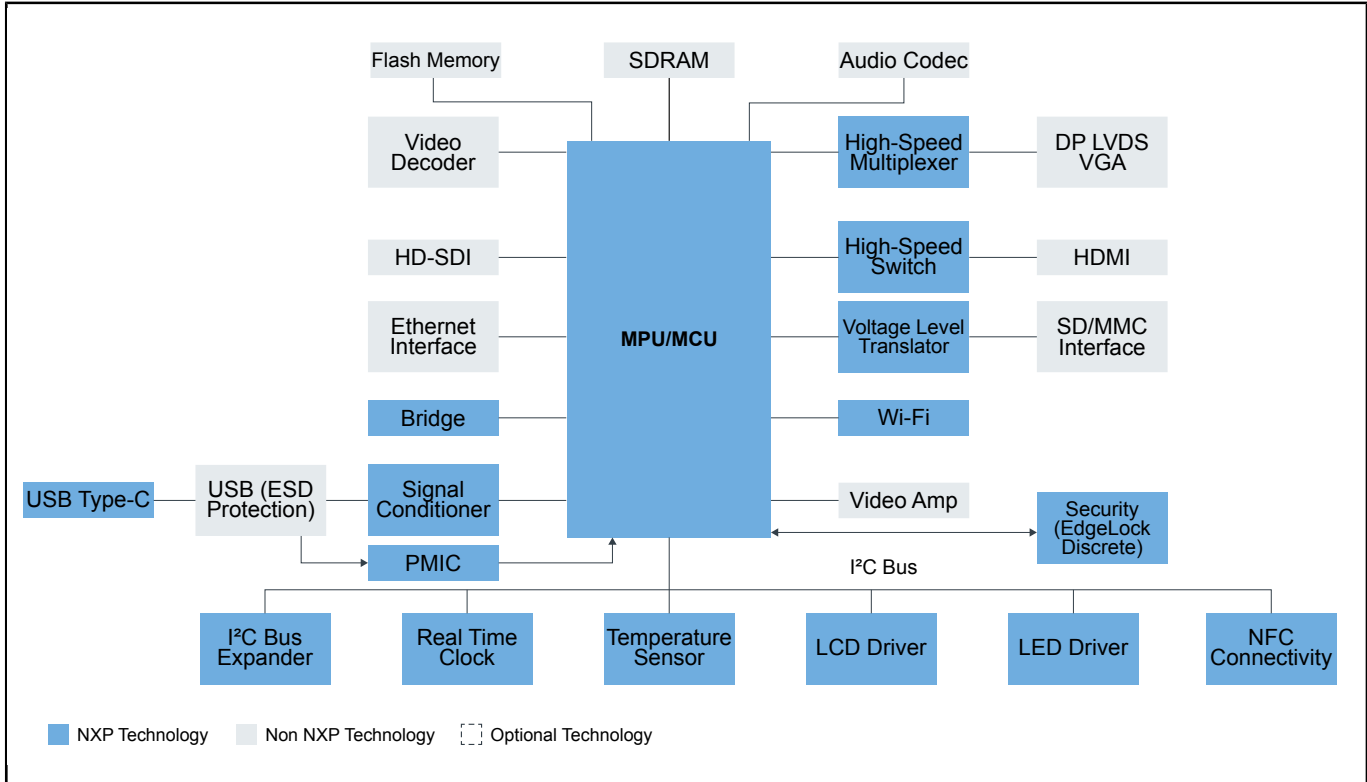


Recommended Products for Wireless Occupancy Sensor

Wireless MCU	<ul style="list-style-type: none"> • JN5189/88 (T): High-Performance and Ultra-Low-Power MCUs for Zigbee® and Thread with Built-In NFC Option • QN9090/30: Bluetooth Low-Energy MCU with Arm®Cortex®-M4 CPU, Energy Efficiency, Analog and Digital Peripherals and NFC Tag Option
Battery Charger	<ul style="list-style-type: none"> • BC3770: 2 A Switch-Mode Li-ion/Li-polymer Battery Charger
NFC Tag	<ul style="list-style-type: none"> • NTAG® 5 Link: NFC Forum-Compliant I²C Bridge for IoT on Demand
Temperature Sensor	<ul style="list-style-type: none"> • PCT2202UK: Ultra-Low-Power, 1.8 V, 1 Deg. C Accuracy, Digital Temperature Sensor with I²C-Bus Interface • LM75B: Digital Temperature Sensor And Thermal Watchdog
Security (EdgeLock Discrete)	<ul style="list-style-type: none"> • EdgeLock® SE050: Plug and Trust Secure Element Family – Enhanced IoT security with high flexibility

	<ul style="list-style-type: none"> • EdgeLock® SE051: Proven, Easy-to-Use IoT Security Solution with Support for Updatability and Custom Applets
Accelerometer	<ul style="list-style-type: none"> • Accelerometers: Accelerometers

IP Camera Surveillance Block Diagram

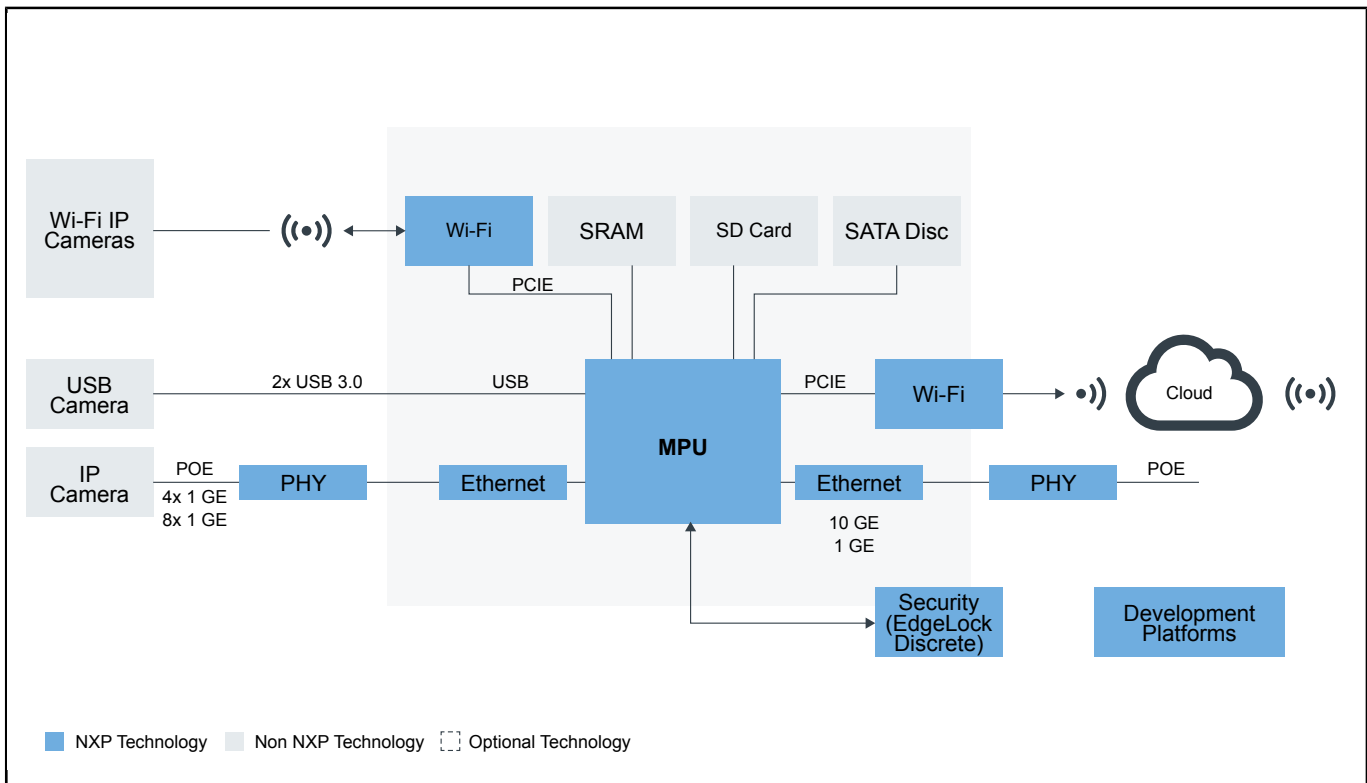


Recommended Products for IP Camera Surveillance

MPU/MCU	<ul style="list-style-type: none"> • i.MX 8 Applications Processors: i.MX 8 Series Applications Processors Multicore Arm® Cortex® Processors • i.MX7ULP: i.MX 7ULP Family, Ultra-Low-Power with Graphics • i.MX RT1060 Crossover MCU with Arm® Cortex®-M7 Core Operating Up to 600 MHz with 1 MB RAM
NFC Connectivity	<ul style="list-style-type: none"> • NTAG® 5 Link: NFC Forum-Compliant I²C Bridge for IoT on Demand • NTAG® 5 Boost: NFC Forum-Compliant I²C Bridge for Tiny Devices
Wireless MCU	<ul style="list-style-type: none"> • 88W9064: 2.4/5 GHz Dual-Band 4x4 Wi-Fi® 6 (802.11ax) Access Solution
Voltage Level Translator	<ul style="list-style-type: none"> • NTS0304E: 4-Bit Dual-Supply Translating Transceiver (Open-Drain, Auto-Direction Sensing) • GTL2014PW: 4-Bit LVTTTL-to-GTL Transceiver
High-speed Multiplexer	<ul style="list-style-type: none"> • CBTL04083A_CBTL04083B: 3.3 V, Four Differential Channel, 2-1 Multiplexer/Demultiplexer Switch for PCI Express Gen3 • CBTL06DP213EE: Third Generation High-Performance DisplayPort Multiplexer • CBTL08GP053EV: USB Type-C High-Performance Crossbar Switch IC
LED Driver	<ul style="list-style-type: none"> • PCA9624: 8-Bit Fm+ I²C-Bus 100 MA 40 V LED Driver
LCD Driver	<ul style="list-style-type: none"> • LCD Graphic Drivers: LCD Graphic Drivers

Real-time Clock	<ul style="list-style-type: none"> • PCA8565: Real-Time Clock/Calendar
Temperature Sensor	<ul style="list-style-type: none"> • PCT2202UK: Ultra-Low-Power, 1.8 V, 1 Deg. C Accuracy, Digital Temperature Sensor with I²C-Bus Interface • LM75B: Digital Temperature Sensor And Thermal Watchdog
I2C Bus Expander	<ul style="list-style-type: none"> • General Purpose I/O (GPIO): General Purpose I/O (GPIO)
USB Type-C	<ul style="list-style-type: none"> • PTN5110: USB PD TCPC PHY IC • PTN5150: CC Logic for USB Type-C Applications
High-speed Switch	<ul style="list-style-type: none"> • CBTL08GP053EV: USB Type-C High-Performance Crossbar Switch IC • CBTL06DP213EE: Third Generation High-Performance DisplayPort Multiplexer • CBTL06GP213EE: Second Generation High-Performance General Purpose Switch
Signal Conditioner	<ul style="list-style-type: none"> • PTN36043A: USB Type-C SuperSpeed Active Switch • PTN36502: Type-C USB 3.1 Gen 1 and DisplayPort V1.2 Combo Redriver
Bridge	<ul style="list-style-type: none"> • Bridges: Bridge IC Solutions
Security (EdgeLock Discrete)	<ul style="list-style-type: none"> • EdgeLock[®] SE050: Plug and Trust Secure Element Family – Enhanced IoT security with high flexibility • EdgeLock[®] SE051: Proven, Easy-to-Use IoT Security Solution with Support for Updatability and Custom Applets • EdgeLock[®] A5000 Plug and Trust Secure Authenticator: Authentication Made Secure, Scalable and Easy
PMIC	<ul style="list-style-type: none"> • PCA9460: 13-Channel Power Management Integrated Circuit (PMIC) for Ultra Low Power Application

Surveillance System Block Diagram



Recommended Products for Surveillance System	
Layerscape SoC	<ul style="list-style-type: none"> • Layerscape® 1046A and 1026A Processors • Layerscape® LX2160A, LX2120A, LX2080A Processors
Development Platforms	<ul style="list-style-type: none"> • eIQ ML Development Environment: eIQ® ML Software Development Environment
Ethernet PHY	<ul style="list-style-type: none"> • F104S8A: F104S8A Four-port Gigabit Ethernet Copper PHY
Security (EdgeLock Discrete)	<ul style="list-style-type: none"> • EdgeLock® SE050: Plug and Trust Secure Element Family – Enhanced IoT security with high flexibility • EdgeLock® SE051: Proven, Easy-to-Use IoT Security Solution with Support for Updatability and Custom Applets
Wi-Fi	<ul style="list-style-type: none"> • 88W9068: 2.4/5 GHz Dual-Band 8x8 Wi-Fi® 6 (802.11ax) Access Solution
Ethernet PHY	<ul style="list-style-type: none"> • F104S8A: F104S8A Four-port Gigabit Ethernet Copper PHY

View our complete solution for [Building Security](#).

Note: The information on this document is subject to change without notice.

www.nxp.com

NXP and the NXP logo are trademarks of NXP B.V. All other product or service names are the property of their respective owners. The related technology may be protected by any or all of patents, copyrights, designs and trade secrets. All rights reserved. © 2023 NXP B.V.