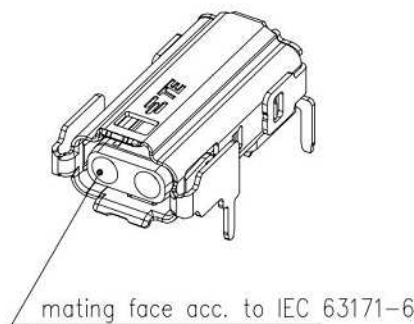
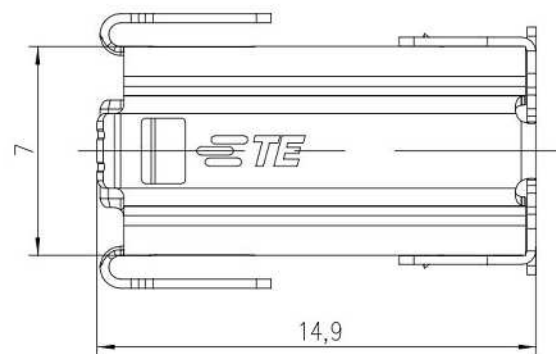
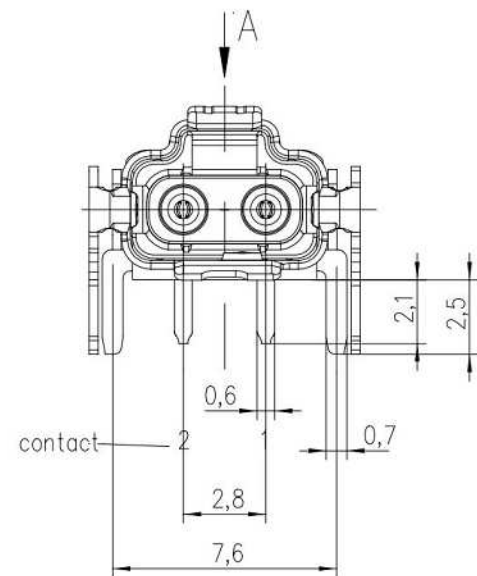
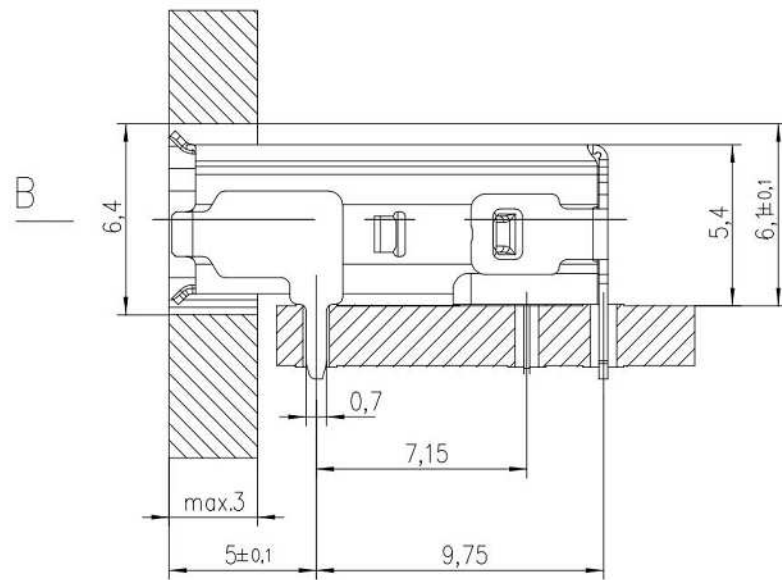
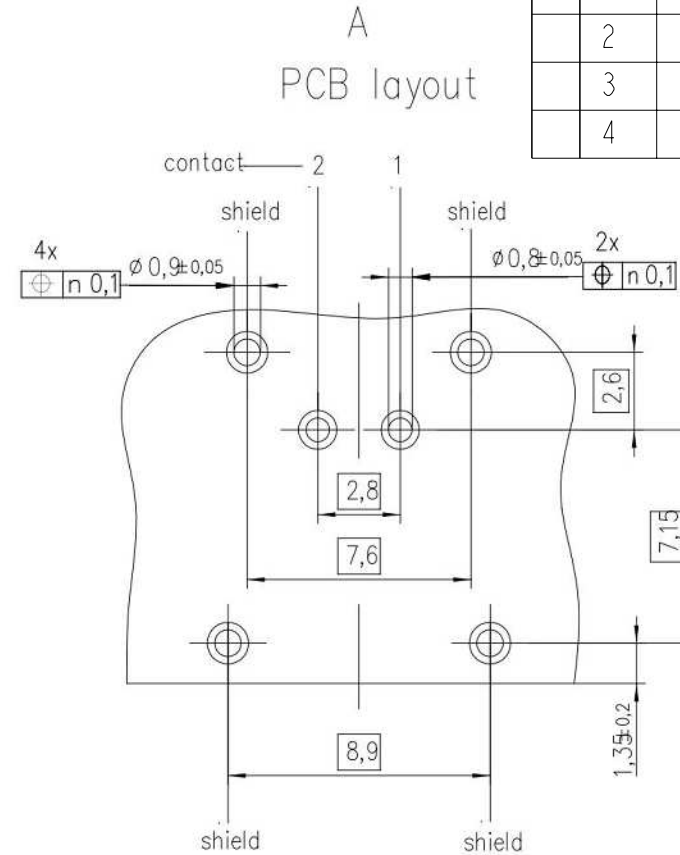
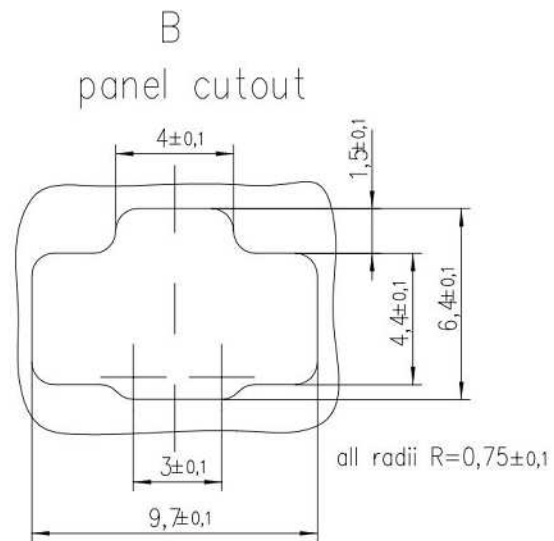
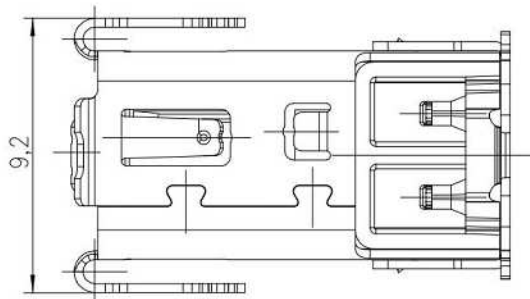


REVISIONS

P	LTR	DESCRIPTION	DATE	DWN	APVD
1		INITIATE	24OCT2019	PP	JB
2		MODIF. PIN POS LAYOUT	08JAN2020	PP	JDB
3		PLACED TE LOGO	05OCT2020	SS	PP
4		NAMING CHANGE	14OCT2020	PP	PP



**PRELIMINARY PART
NOT RELEASED FOR PRODUCTION**

**THIS PRODUCT HAS NOT COMPLETED
VALIDATION TESTING**

CONTACT	PMA signal
1	BI_DA+
2	BI_DA-

THIS DRAWING IS A CONTROLLED DOCUMENT.		DWN P. POORTER 24OCT2019	TE Connectivity		
DIMENSIONS: mm		CHK TBD			
TOLERANCES UNLESS OTHERWISE SPECIFIED:		APVD J. de BRUIJN	PRODUCT SPEC 108-19501		RESTRICTED TO
0 PLC ±- 1 PLC ±0.0 2 PLC ±0.00 3 PLC ±0.000 4 PLC ±0.0000 ANGLES ±-		APPLICATION SPEC 114-19163	SIZE A3	CAGE CODE 00779	
MATERIAL TBD material_2	FINISH - finish_spec_2	WEIGHT -	DRAWING NO C=2364151	SCALE NTS	SHEET 1 OF 1
CUSTOMER DRAWING			REV 4		